

PREVOST.



DASHBOARD RADIO OPERATING INSTRUCTIONS

Beginning with vehicle A-1493, February 2009



MANUEL D'UTILISATION DE LA RADIO DU TABLEAU DE BORD

Débutant avec le véhicule A-1493, Février 2009

Contents

English	1
Safe Operation of the Radio	1
Introduction	1
General Overview	2
Radio / CD Controls Quick Reference Guide	2
Steering Wheel Controls Quick Reference Guide	4
Remote Control Quick Reference Guide	5
Display Quick Reference Guide	6
Radio LCD Display	6
Main Functions	7
Power	7
Switching On & Off, Mute and Pause of the Audio System	7
Radio Mode	7
Band Selection (FM and AM)	7
Seek in Radio Mode	7
Manual Tuning	7
Presets (Storing Radio Stations)	8
Presets (Selecting a Stored Radio Station)	8
Scan Mode	8
Using the Weather Band	9
Satellite Radio Service — (Optional Feature)	9
CD Mode	10
Switching to CD Mode	10
Eject a CD	10
Changing a Track on a CD	10
Fast Reverse or Fast Forward of a CD	10
Play Tracks on a CD in Random Order	10
Repeating Tracks on a CD — (Optional Feature)	11
Changing to Another Folder on a CD — (Optional Feature)	11
Scan a CD	11
External Audio Input — (Optional Feature)	12
USB Mode — (Optional Feature)	12
Switching to USB Mode	12
Disconnecting a USB Device	12
Changing a Track on USB Device	12
Fast Reverse or Fast Forward on a USB Device	12

Playing Tracks on a USB Device in Random Order	13
Repeating Tracks on a USB Device	13
Changing to Another Folder on a USB	13
Scan a USB	13
iPod Mode — (Optional Feature)	14
Connecting an iPod	14
Switching to iPod Mode	14
Disconnecting an iPod Device	14
iPod Menu	14
Changing a Track on an iPod	14
Fast Reverse or Fast Forward on an iPod	15
Play Tracks on an iPod in Random Order	15
Repeat a Track on an iPod	15
Scan iPod	15
AUX Mode — (Optional Feature)	16
Audio Settings	16
Adjusting Volume Up and Down	16
Adjusting Bass Up and Down	16
Adjusting Treble Up and Down	16
Adjusting Balance Left and Right	16
Adjusting Fader Front and Back	16
Adjusting Mid (Medium Frequency Range) Up and Down — (Optional Feature)	17
Speakers Selection	17
Activate Speed Dependant Volume (ASC) — (Optional Feature) .	17
Bluetooth Hands Free Phone Mode — (Optional Feature)	18
Bluetooth Activation	18
Adding a Phone	18
Activating Another Phone	18
Deleting a Phone	19
Deleting all Phones	19
Switching Phone Calls Between the Vehicle and an Active Phone	19
Clock	20
Displaying the Time	20
12- or 24-Hour Format	20
Setting the Clock	20
Turning the Alarm ON or OFF — (Optional Feature)	20
Setting the Alarm — (Optional Feature)	21
Anti Theft Code (Guard)	21

In Case of Malfunction	21
Deactivating Guard	22
Tips and Tricks	23
USB and MP3	23
Bluetooth	23
iPod	23
CD, MP3, and WMA	23
Français	24
Sécurité et utilisation de la radio	24
Introduction	24
Vue d'ensemble	25
Guide de référence rapide des commandes de la radio/du lecteur de CD	25
Guide de référence rapide des commandes au volant	27
Guide de référence rapide de la télécommande	28
Guide de référence rapide de l'afficheur	29
Affichage à cristaux liquides de la radio	29
Fonctions principales	30
Alimentation	30
Mise en marche, mise à l'arrêt, sourdine et pause du système audio	30
Mode radio	30
Sélection de bandes (FM et AM)	30
Recherche en mode radio	30
Syntonisation manuelle	30
Préréglages (mémorisation) des stations radio	31
Préréglages (sélection d'une station radio mémorisée)	31
Mode balayage	31
Utilisation de la bande radiométéo	32
Service de radio par satellite — (Caractéristiques en option)	32
Mode CD	33
Sélection du mode CD	33
Éjection d'un CD	33
Changement de la plage du CD	33
Recul rapide ou avance rapide d'un CD	33
Activation des plages d'un CD dans un ordre aléatoire	33
Répétition de plage sur un CD — (Caractéristiques en option)	34
Changement de fichier sur un CD — (Caractéristiques en option)	34

Balayage d'un CD	34
Entrée audio externe — (Caractéristiques en option)	35
Mode USB — (Caractéristiques en option)	35
Sélection du mode USB	35
Déconnexion d'un appareil USB	35
Changement de la plage d'un appareil USB	35
Recul rapide ou avance rapide sur un appareil USB	35
Activation des plages d'un appareil USB dans un ordre aléatoire .	36
Répétition de plages sur un appareil USB	36
Changement de fichier sur un USB	36
Balayage d'un USB	36
Mode iPod — (Caractéristiques en option)	37
Connexion d'un iPod	37
Sélection du mode iPod	37
Déconnexion de l'appareil iPod	37
Menu iPod	37
Changement de plage sur le iPod	38
Recul rapide ou avance rapide sur un iPod	38
Activation des plages d'un iPod dans un ordre aléatoire	38
Répétition de plage sur le iPod	38
Balayage sur le iPod	38
Mode AUX — (Caractéristiques en option)	39
Réglages audio	39
Réglage du volume vers le haut et vers le bas	39
Réglage des graves vers le haut et vers le bas	39
Réglage des aigus vers le haut et vers le bas	39
Réglage à gauche et à droite de l'équilibre	39
Équilibreur avant-arrière	40
Réglage Mid (Plage des moyennes fréquences) vers le haut et vers le bas — (Caractéristiques en option)	40
Sélection de haut-parleurs	40
Activation de la commande automatique de sensibilité (CAS) — (Caractéristiques en option)	40
Mode Téléphone mains libres Bluetooth — (Caractéristiques en option)	41
Activation Bluetooth	41
Ajout d'un téléphone	41
Activation d'un autre téléphone	42
Suppression d'un téléphone	42

Suppression de tous les téléphones	42
Transférer les appels téléphoniques du véhicule à un téléphone actif	43
Horloge	44
Affichage de l'heure	44
Format 12- ou 24- heures	44
Réglage de l'horloge	44
Mise en marche et arrêt de l'alarme — (Caractéristiques en option)	45
Programmation de l'alarme — (Caractéristiques en option)	45
Code antivol	46
En cas de dysfonctionnement	46
Désactivation de l'antivol	46
Conseils et astuces	47
USB et MP3	47
Bluetooth	47
iPod	47
CD, MP3, et WMA	47
Español	48
Operación Segura del Radio	48
Introducción	48
Vista General	49
Controles de Radio / CD, Guía de Referencia Rápida	49
Controles de Volante de Dirección, Guía de Referencia Rápida ...	51
Control Remoto, Guía de Referencia Rápida	52
Pantalla, Guía de Referencia Rápida	53
Pantalla LCD de Radio	53
Funciones Principales	55
Energía	55
Encendido y Apagado, Enmudecimiento y Pausa del Sistema de Audio	55
Modalidad de Radio	55
Selección de Banda (FM y AM)	55
Buscar en la modalidad de radio	55
Sintonización manual	55
Programaciones (Almacenamiento de Estaciones de Radio)	56
Programaciones (Selección de una Estación de Radio Almacenada)	56
Modalidad de exploración	56

Empleo de la banda de Clima	57
Servicio de Radio Satelital — (Características Opcionales)	57
Modalidad de CD	58
Cambio a la Modalidad de CD	58
Expulsar un CD	58
Cambio de Pista en un CD	58
Retrosoceso Rápido o Avance Rápido de un CD	58
Reproducción de Pistas en un CD en Orden Aleatorio	58
Repetición de Pistas en un CD — (Características Opcionales)	59
Cambio a otra Carpeta en un CD — (Características Opcionales) ..	59
Exploración de un CD	59
Entrada de audio externa — (Características Opcionales)	60
Modalidad de USB — (Características Opcionales)	60
Cambio a la Modalidad de USB	60
Desconexión de un dispositivo USB	60
Cambio de Pista en un Dispositivo USB	60
Retrosoceso Rápido o Avance Rápido en un Dispositivo USB	60
Reproducción de Pistas en un Dispositivo USB en Orden Aleatorio	61
Repetición de Pistas en un Dispositivo USB	61
Cambio a otra Carpeta en un USB	61
Exploración de un USB	61
Modalidad de iPod — (Características Opcionales)	62
Conexión del iPod	62
Cambio a la Modalidad de iPod	62
Desconexión del dispositivo iPod	62
Menú del iPod	62
Cambio de Pista en el iPod	63
Retrosoceso Rápido o Avance Rápido en un iPod	63
Reproducción de Pistas en el iPod en Orden Aleatorio	63
Repetición de Pista en el iPod	63
Exploración del iPod	64
Modalidad AUX — (Características Opcionales)	65
Ajustes de Audio	65
Ajuste de Volumen Arriba y Abajo	65
Ajuste de Bass (Bajo) Arriba y Abajo	65
Ajuste de Treble (Tiple) Arriba y Abajo	65
Ajuste de Balance Izquierda y Derecha	65
Ajuste de Fader (Desvanecimiento) Adelante y Atrás	66

Ajuste de Mid (Límites de Frecuencia Media) Arriba y Abajo — (Características Opcionales)	66
Selección de Bocinas	66
Activación de Volumen Dependiente de Velocidad (ASC) — (Características Opcionales)	66
Modalidad de Teléfono Bluetooth Manos Libres — (Características Opcionales)	67
Activación de Bluetooth	67
Agregar un Teléfono	67
Activación de otro Teléfono	68
Suprimir un Teléfono	68
Suprimir todos los Teléfonos	68
Cambiar Llamadas de Teléfono Entre el Vehículo y un Activo Teléfono	69
Reloj	70
Despliegue de Hora	70
Formato de 12- ó 24- Horas	70
Ajuste del Reloj	70
Activar o Desactivar la Alarma — (Características Opcionales) ...	71
Ajustar la Alarma — (Características Opcionales)	71
Código Contra Robo (Guard)	71
En caso de mal funcionamiento:	71
Desactivación de Guard	72
Consejos y Trucos	73
USB y MP3	73
Bluetooth	73
iPod	73
CD, MP3, y WMA	73

Safety Information

IMPORTANT: Before driving this vehicle, be certain that you have read and that you fully understand each and every step of the driving and handling information in this manual. Be certain that you fully understand and follow all safety warnings.

IT IS IMPORTANT THAT THE FOLLOWING INFORMATION BE READ, UNDERSTOOD AND ALWAYS FOLLOWED.

The following types of advisories are used throughout this manual:



DANGER

Danger indicates an unsafe practice that could result in serious personal injury or death. A danger advisory banner is in **white** type on a **black** background with a **black** border.



WARNING

Warning indicates an unsafe practice that could result in personal injury. A warning advisory banner is in **black** type on a **gray** background with a **black** border.



CAUTION

Caution indicates an unsafe practice that could result in damage to the product. A caution advisory is in **black** type on a **white** background with a **black** border.

Note: Note indicates a procedure, practice, or condition that must be followed in order for the vehicle or component to function in the manner intended.

Safe Operation of the Radio

The driving conditions today require that the driver pays full attention to the road at all times. It is advised that when using this radio while driving the driver maintain full concentration on the road. Therefore it is strongly advised to do the following:

- Never Change a CD or read CD labels while driving.
- Always Ensure the Volume of the Audio System is set so that outside acoustics can also be heard.
- When possible use the Steering wheel controls. It is a feature to make it both easy and safe to handle the radio while driving

Introduction

The following instructions explain the general functions and operations of Volvo Radio Models.

Radio information is displayed through the LCD display on the radio.

The radio is commanded by the Faceplate, shown in Fig 1.

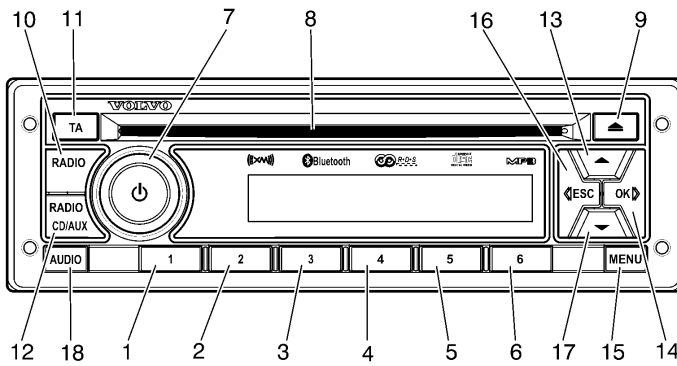
Some functions can be commanded by the Steering Wheel Control, shown in Fig 2; or by the Remote Control, shown in Fig 3.

The main functions of the audio unit are:

- CD (supporting mp3 and WMA)
- USB (supporting mp3 and WMA)
- iPod
- Auxiliary audio input
- Hands free (Bluetooth Phone Operation)

General Overview

Radio / CD Controls Quick Reference Guide



W3007746

Fig. 1

1. "Preset #1" Button:

- **Radio:** Push and release: Recall Preset Station
- **Radio:** Push and hold: Store Preset Station

2. "Preset #2" Button:

- **Radio:** Push and release: Recall Preset Station
- **Radio:** Push and hold: Store Preset Station

3. "Preset #3" Button:

- **Radio:** Push and release: Recall Preset Station
- **Radio:** Push and hold: Store Preset Station

4. "Preset #4" Button:

- **Radio:** Push and release: Recall Preset Station
- **Radio:** Push and hold: Store Preset Station

5. "Preset #5" Button:

- **Radio:** Push and release: Recall Preset Station
- **Radio:** Push and hold: Store Preset Station

6. **"Preset #6" Button:**
 - **Radio:** Push and release: Recall Preset Station
 - **Radio:** Push and hold: Store Preset Station
7. **"Rotary Knob/PWR" Button:**
 - **Push:** Power On and Off
 - **Turn:** Volume Adjust & Audio Value Update
8. **CD Slot:**
 - **CD:** Insert / Remove CD
9. **"Eject CD" Button:**
 - **CD:** Eject CD
10. **Radio Select Mode:**
 - **Radio:** Choose from FM1, FM2, FM3 (Mid radio only), AM, Weather band, and Satellite radio (Mid radio only)
11. **Information (Traffic / News):**
 - **Radio:** Switch Traffic on or off
 - **Radio:** Cancel ongoing Traffic or News message
12. **CD/Aux Mode Select:**
 - **CD/USB:** Switch between sources other than radio
13. **Up Button:**
 - **Radio:** Manual tuning up
14. **(Fast) Forward >> Button:**
 - **Radio:** Seek
 - **CD/USB:** Push and release: Select Next Track
 - **CD/USB:** Push and hold: Fast Forward
 - **Bluetooth Phone:** Accept incoming call
15. **Menu Button:**
 - **Radio:** Push and release: Menu Access
16. **(Fast) Reverse << Button:**
 - **Radio:** Seek
 - **CD/USB:** Push and release: Select previous Track
 - **CD/USB:** Push and hold: Fast Reverse
 - **Bluetooth Phone:** Reject incoming call or hang up
 - **iPod :** Push and hold: Enter iPod menu (Mid radio only)
17. **Down Button:**
 - **Radio:** Manual tuning down
18. **Audio Button:**
 - **General:** Audio Settings

Steering Wheel Controls Quick Reference Guide

20. "Next" Button:

- **Radio:** Push and release: Seek
- **Radio:** Push and hold: Manual tune up
- **CD/USB:** Push and release: Select next track
- **CD/USB:** Push and hold: Fast forward

21. "Previous" Button:

- **Radio:** Push and release: Seek
- **Radio:** Push and hold: Manual tune down
- **CD/USB:** Push and release: Select previous track
- **CD/USB:** Push and hold: Fast reverse

22. "YES" Button:

- **Bluetooth Phone:** Accept incoming call (optional)

23. "NO" Button:

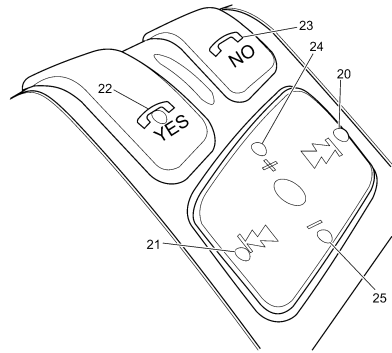
- **Bluetooth Phone:** Reject incoming call or hang up (optional)

24. "Vol +" Button:

- **General :** Increase Sound Volume

25. "Vol — " Button:

- **General :** Decrease Sound Volume



W3007856

Fig. 2

Remote Control Quick Reference Guide

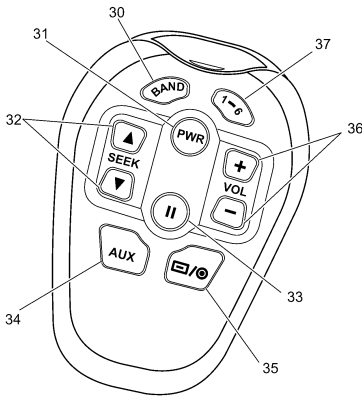


Fig. 3

W3007748

30. "Band" Button:

- **Radio:** Select between FM1, FM2, FM3 (Mid radio only), AM, Weather band, and Satellite radio (Mid radio only)

31. "PWR" Button:

- **General:** Turns the Radio On and Off

32. "Seek" Buttons:

- **Radio:** Seek
- **CD/USB :** Next or previous track

33. "Mute / Pause" Button:

- **General:** Mute or Pause the source of audio

34. "Aux" Button:

- Not used for Base radio functions
- **Source:** Select between USB, iPod, Aux.

35. "CD Select" Button:

- **CD:** Select CD

36. "Vol + / Vol -" Button:

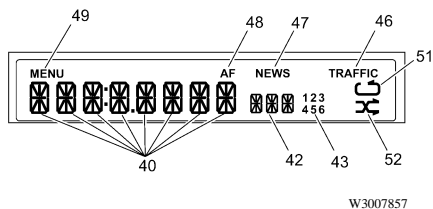
- Adjust the volume up and down

37. Preset 1 to 6:

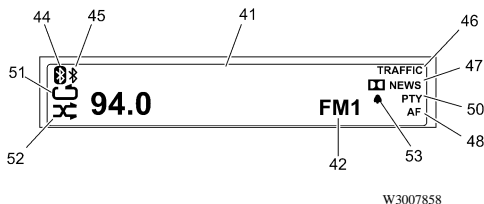
- **Radio:** Select a Preset Station

Display Quick Reference Guide

Radio LCD Display



Base Radio Display (Fig. 4)



Mid Radio Display — Optional
(Fig. 5)

40. Base Radio Text Display:

- **Radio:** Displays radio frequency and station name
- **CD:** Displays track, time and music info when available

41. Mid Radio Text Display

- **Radio:** Displays radio band (FM/AM) and frequency
- **CD/USB:** Displays track, time and music info when available

42. Source Display

- **Radio:** Displays radio band (FM1, FM2, FM3 (Mid radio only) AM, WX, or SAT (Mid radio only))
- **CD/USB:** Displays other source than radio

43. Preset Number

- **Radio:** Displays preset number

44. Phone Connected

- **General:** Indicates that the phone is connected

45. Bluetooth On

- **General:** Indicates that the Bluetooth function is on

46. Traffic Info

- **General:** Indicates that the traffic function is on

47. News Info

- **General:** Indicates that the news function is on

48. AF

- **General:** Indicates that the AF (Alternative frequency) function is on

49. Menu

- **General:** Displayed when in Menu

50. PTY

- **General:** Indicates that the PTY (Program type) function is on

51. Repeat

- **CD/USB:** Display when Repeat is on

52. Random

- **CD/USB:** Displayed when Random is on Menu

53. Alarm

- **General:** Indicates that the Alarm clock function is on

Main Functions

Many functions are controlled or adjusted through the radio Menu. If the Menu screen is open and the radio experiences no activity for a 10 second period, the radio will cancel

any incomplete actions, close the Menu screen and return to normal operation. The radio will save all completed changes.

Power

Switching On & Off, Mute and Pause of the Audio System

The audio system is switched on or off by pressing the **Volume Knob** (7).

If the driver wants to quickly mute the audio system sound, press the **Volume Knob** (7).

Radio Mode

Band Selection (FM and AM)

To select the radio as the play mode, turn the radio on and press the **RADIO** (10) button .

To switch between the bands (AM/FM1/FM2) use the **RADIO** (10) button .

The radio will then be active on the last used radio band (AM, FM etc).

Seek in Radio Mode

There are two ways to seek for a radio station:

- 1 Use the Seek buttons **ESC** (16) or **OK** (14) to seek up or down respectively on the radio. Once a station is found the seek function will stop.

OR

- 2 Use the Seek buttons of the Steering Wheel Control << (21) or >> (20) to seek up or down respectively on the radio. Once a station is found the seek function will stop.

Manual Tuning

Manual Tuning can be performed in two ways:

- 1 Push **UP** (13) or **DOWN** (17) buttons to tune up or down respectively.

OR

- 2 Push and hold button << (21) or >> (20) on the steering wheel, to tune up or down respectively.

Presets (Storing Radio Stations)

Up to 12 FM and 6 AM radio stations can be stored for fast access. There are two sets of FM radio preset bands, which are FM1 and FM2, and one AM radio preset band. Each preset band can store 6 stations on buttons 1 thru 6.

To store a specific station into a preset button, do the following:

- 1 Push **RADIO** (10) button until the required frequency band is active (AM,

FM1, FM2, FM3 (Mid radio only), Weather, or Satellite radio (Mid radio only)).

- 2 Tune the radio to the desired station.
- 3 Push and hold the desired preset button **1 thru 6**.
- 4 There will be a short as the station is stored. When audio returns the process is completed.

Presets (Selecting a Stored Radio Station)

To select one of the preset stations, perform the following:

- 1 Push the **RADIO** (10) button to select the required band (AM, FM1, FM2, FM3 (Mid radio only), Weather, or Satellite radio (Mid radio only)).

- 2 Push and release the required preset button **1 thru 6** to activate the desired station.

Scan Mode

The scan feature allows the user to perform a radio station search without having to toggle manually through the stations. When in scan mode, each station found will play for 10 seconds to give the user a chance to sample the station program or music. The scan will then continue on to the next available station unless the user chooses to stop the scan and stay at the present station.

To enter scan mode, perform the following:

- 1 Push **MENU** (15) button.

- 2 Select "SCAN" by pushing **OK** (14) button.

To exit scan mode and stay at the present station perform:

- 1 Push the **RADIO** (10) button.

OR

- 2 Push steering wheel button << (21) or >> (20).

Using the Weather Band

NOAA Weather Radio is a service of the National Weather Service. It provides continuous broadcasts of the latest weather information directly from the National Weather Service offices. Taped weather messages are repeated every four to six minutes and are revised every one to three hours or more frequently if needed. Most of the stations operate 24 hours a day. The weather for the area you are in can be found on one of 7 stations.

When in the Weatherband mode, the display will show the "WX" icon and "CH" plus the channel number. The channel can be changed using the **UP** (13) or **DOWN** (17) buttons and can also be preset to the pushbuttons.

The frequency associated with each channel is as follows:

1	162.550 MHz
2	162.400 MHz
3	162.475 MHz
4	162.425 MHz
5	162.450 MHz
6	162.500 MHz
7	162.525 MHz

The National Weather Service operates approximately 372 stations. Close to 90 percent of the nation's population is within listening range of a NOAA Weather Radio broadcast.

Satellite Radio Service — (Optional Feature)

When the XM¹ or SIRIUS² logo appears on your radio, it is satellite radio compatible. XM and Sirius are satellite radio services that offer more than 100 channels of digital quality audio programming and can be heard uninterrupted across the contiguous United States. A service fee is required to receive satellite broadcasts. For more information, contact XM at www.xmradio.com or by phone at 1-800-852-XXXM (9696) or Sirius at <http://activate.siriusradio.com> or by phone at 1-888-539-7474.

To activate the integrated satellite receiver, you must furnish your satellite radio provider with the satellite receiver's Electronic Serial Number. To find the electronic serial number complete the following instructions:

If your satellite radio provider is XM Satellite Radio:

- 1 With the ignition and the radio ON, press the **RADIO** (10) button and select XM1 or XM2.
- 2 Tune your radio to channel 0 and the 8-digit serial number will appear.

If your satellite radio provider is Sirius Satellite Radio:

- 1 With the ignition and radio ON, press the **RADIO** (10) button and select SR1 or SR2.
- 2 Tune your radio to channel 0 and the 12-digit serial number will appear.

Note: Satellite radio reception may be degraded by satellite signal obstruction.

¹XM is a registered trademark of XM Satellite Radio Holdings Inc.

²SIRIUS is a registered trademark of SIRIUS Satellite Radio Inc.

CD Mode

The radio is designed to work with standard CD format and MP3 and WMA files. The

CD player will accept CD-R as well as CD-RW discs.

Switching to CD Mode

There are two ways to switch to the CD mode:

OR

- 2 Insert a CD into the CD slot (8).

- 1 Push the **CD/AUX** (12) button until “CD ” shows on display.

Eject a CD

To eject a CD press the **EJECT** (9) button. When CD is ejected the radio will play the previous audio source. If the CD is not removed from the CD slot, it will automatically reload after 15 seconds.

Changing a Track on a CD

There are two ways to change a track on a CD:

OR

- 1 Push and release the **ESC** (16) or **OK** (14) button to move to the next or previous track respectively.

- 2 Using the steering wheel controls: Push and release the << (21) or >> (20) button to move to the previous or next track respectively.

Fast Reverse or Fast Forward of a CD

Fast forwarding or reversing a CD can be performed in one of two ways:

OR

- 1 Push and hold the **ESC** (16) or **OK** (14) button on the radio to fast forward or fast reverse respectively.

- 2 Using the steering wheel controls: Push and release the << (21) or >> (20) button to move to fast reverse or fast forward respectively.

Play Tracks on a CD in Random Order

There are two possible Random settings for a CD: Random All and Random Folder (If the content of the CD is stored in folders). To play tracks in random order, do the following:

- 1 Push **MENU** (15) button.
- 2 Push **UP** (13) or **DOWN** (17) buttons until “RANDOM” is displayed.

- 3 Push **OK** (14) button to enter the random sub menu.
- 4 Push **UP** (13) or **DOWN** (17) buttons to choose between All and Folder.
- 5 Push **OK** (14) button to enter the desired random mode.

Repeating Tracks on a CD — (Optional Feature)

There are three possible Repeat settings for a CD: Repeat All, Repeat track and Repeat Folder (If the content of the CD is stored in folders). By default, Repeat All is active. To change the repeat setting, do the following:

1 Push **MENU**(15) button.

- 2 Push **UP** (13) or **DOWN** (17) buttons until “REPEAT” is displayed.
- 3 Push **OK** (14) button to enter the repeat sub menu.
- 4 Push **UP** (13) or **DOWN** (17) buttons to choose between All and Folder.
- 5 Push **OK** (14) button to enter the desired repeat mode.

Changing to Another Folder on a CD — (Optional Feature)

If the content of the CD is stored in folders, it is possible to change folders directly. To do this, push either the **UP** (13) or **DOWN** (17) button to move to the next or previous album/folder respectively.

Scan a CD

When CD is scanned, the first 10 seconds of each track is played.

To activate Scan, do the following:

- 1 Push **MENU** (15) button.
- 2 Select “SCAN” by pushing **OK** (14) button.

Scanning will stop if:

- 1 The face plate buttons **ESC** (16) or **OK** (14).

OR

- 2 All tracks are browsed through.

External Audio Input — (Optional Feature)

There are three possible external audio input modes, USB, iPod and Aux. A USB and an AUX device can be connected and accessible

at the same time. However, if an iPod is connected the USB and the AUX devices will be disabled as an available source.

USB Mode — (Optional Feature)

The radio is designed to work with USB devices formatted with the USB Mass Storage Device Class standard. Other USB devices may still work with the radio though. If a USB device doesn't work properly, try reconnecting the device which may solve the problem in some cases.

Note: A USB device must be connected prior to operating in this mode.

Switching to USB Mode

There are two ways to switch to USB mode.

- 1 Push the **CD/AUX** (12) button until "USB" shows on the display.

OR

- 2 Connect a USB device.

Disconnecting a USB Device

No special preparations are needed to disconnect the USB device. When USB

device is removed the radio will play the previous audio source.

Changing a Track on USB Device

There are two ways to change a track on a USB:

- 1 Push and hold the **ESC** (16) or **OK** (14) button on the radio to fast forward or fast reverse respectively.

OR

- 2 Using the steering wheel controls: Push and release the << (21) or >> (20) button to move to fast reverse or fast forward respectively.

Fast Reverse or Fast Forward on a USB Device

Fast reversing or forwarding can be performed in one of two ways:

- 1 Push and hold the **ESC** (16) or **OK** (14) button to fast forward or fast reverse respectively.

OR

- 2 Using the steering wheel controls: Push and release the << (21) or >> (20) button to move to fast reverse or fast forward respectively.

Please note that Push and hold the button will enter the iPod menu

Playing Tracks on a USB Device in Random Order

There are two possible Random settings for a USB device: Random All and Random Folder (If the content of the USB device is stored in folders).

To play tracks in random order, do the following:

- 1 Push **MENU**(15) button.
- 2 Push **UP** (13) or **DOWN** (17) buttons until “RANDOM” is displayed.
- 3 Push **OK** (14) button to enter the random sub menu.
- 4 Push **UP** (13) or **DOWN** (17) buttons to choose between All and Folder.
- 5 Push **OK** (14) button to enter the desired random mode.

Repeating Tracks on a USB Device

There are three possible Repeat settings for a USB device: Repeat All, Repeat track and Repeat Folder (If the content of the USB device is stored in folders). By default, Repeat All is active.

To change the repeat setting, do the following:

- 1 Push **MENU**(15) button.
- 2 Push **UP** (13) or **DOWN** (17) buttons until “REPEAT” is displayed.
- 3 Push **OK** (14) button to enter the repeat sub menu.
- 4 Push **UP** (13) or **DOWN** (17) buttons to choose between All, Track and Folder.
- 5 Push **OK** (14) button to enter the desired repeat mode.

Changing to Another Folder on a USB

If the content of the CD is stored in folders, it is possible to change folders directly. To do this, push either the **UP** (13) or **DOWN** (17) button to move to the next or previous album/folder respectively.

Scan a USB

When USB is scanned, the first 10 seconds of each track is played.

To activate Scan, do the following:

- 1 Push **MENU** (15) button.
 - 2 Select “SCAN” by pushing **OK** (14) button.
- Scanning will stop if:
- 1 The face plate buttons **ESC** (16) or **OK** (14).
- OR
- 2 All tracks are browsed through.

iPod Mode — (Optional Feature)

The radio supports iPod Classic, iPod Video, and iPod nano. The iPod settings, e.g. Shuffle or Repeat, used prior to connecting the iPod to the radio will be used by the radio.

Note: An iPod device must be connected prior to operating in this mode.

Connecting an iPod

Connecting the iPod can be done with two different cable sets.

- 1 A split cable from the iPod 30-pin connector to a USB connector and a 3.5 mm audio connector
- 2 A separate iPod/USB cable plus a 3.5 mm male/male stereo audio cable connected to the iPod earphone output

The iPod volume should in this case be set to maximum prior to connecting to the radio. When the iPod is connected to the radio, the iPod's controls will lock. All control of the iPod is done by the radio buttons. When in this state, the iPod will display a Volvo logotype.

Switching to iPod Mode

There are two ways to switch to iPod mode:

- 1 Push the **CD/AUX** (12) button until "iPod" shows on the display.

OR

- 2 Connect an iPod device.

Disconnecting an iPod Device

No special preparations are needed to disconnect the iPod device. When the iPod

device is removed the radio will play the previous audio source.

iPod Menu

When iPod is connected and source, the user can Push and hold the **ESC** (16) button to enter the iPod Menu. This Menu contains some of the most common functions used in the iPod. E.g. the user can search for Artists and Albums, as well as starting a Playlist.

Push and hold the **ESC** (16) button for 1 second to enter the iPod Menu at last used level.

Push and hold the **ESC** (16) button for 2 seconds to enter the iPod Menu at top level.

Changing a Track on an iPod

There are two ways to change a track:

- 1 Push and release the **ESC** (16) or **OK** (14) button on the radio to move to the next or previous track respectively.

OR

- 2 Using the steering wheel controls: Push and release the << (21) or >> (20) button to move to the previous or next track respectively.

Fast Reverse or Fast Forward on an iPod

Fast forwarding or reversing a CD can be performed in one of two ways:

- 1 Push and hold the **ESC** (16) or **OK** (14) button to fast forward or fast reverse respectively.

OR

- 2 Using the steering wheel controls: Push and release the << (21) or >> (20) button to move to fast reverse or fast forward respectively.

Play Tracks on an iPod in Random Order

There are two possible Random settings for iPod: Random Album and Random All.

To play songs in random order, do the following:

- 1 Push **MENU**(15) button.
- 2 Push **UP** (13) or **DOWN** (17) buttons until "RANDOM" is displayed.

- 3 Push **OK** (14) button to enter the random sub menu.
- 4 Push **UP** (13) or **DOWN** (17) buttons to choose between All and Folder.
- 5 Push **OK** (14) button to enter the desired random mode.

Repeat a Track on an iPod

There are two possible Repeat settings for iPod: Repeat One, and Repeat All.

To change the repeat setting, do the following:

- 1 Push **MENU**(15) button.
- 2 Push **UP** (13) or **DOWN** (17) buttons until "REPEAT" is displayed.

- 3 Push **OK** (14) button to enter the repeat sub menu.
- 4 Push **UP** (13) or **DOWN** (17) buttons to choose between All, Track and Folder.
- 5 Push **OK** (14) button to enter the desired repeat mode.

Scan iPod

When iPod is scanned, the first 10 seconds of each track is played.

To activate Scan, do the following:

- 1 Push **MENU** (15) button.
- 2 Select "SCAN" by pushing **OK** (14) button.

Scanning will stop if:

- 1 The face plate buttons **ESC** (16) or **OK** (14).

OR

- 2 All tracks are browsed through.

AUX Mode — (Optional Feature)

To select an auxiliary audio input:

Push the **CD/AUX** (12) button until Aux shows on the display.

An auxiliary audio input may be selected except when in iPod mode.

The output volume of the Aux device should be set to maximum.

Note: Please note that for an Aux device, changing tracks, fast forwarding etc., must be done directly on the Aux device.

Audio Settings

Adjusting Volume Up and Down

The audio systems volume can be adjusted up by turning the **Volume Knob** (7) in a clockwise direction and adjusted down by turning the **Volume Knob** (7) in a counter-clockwise direction.

It can also be adjusted up and down by using the + (24) and - (25) buttons on the steering wheel controls respectively.

Adjusting Bass Up and Down

The audio systems bass can be adjusted by pressing the **AUDIO** (18) button until “BASS” shows on the display.

The bass is then adjusted up by turning the **Volume Knob** (7) in a clockwise direction

and adjusted down by turning the **Volume Knob** (7) in a counter-clockwise direction.

It can also be adjusted up and down by using **ESC** (16) or **OK** (14) buttons respectively.

Adjusting Treble Up and Down

The audio systems treble can be adjusted by pressing the **AUDIO** (18) button until “TREBLE” shows on the display.

The treble is then adjusted up by turning the **Volume Knob** (7) in a clockwise direction

and adjusted down by turning the **Volume Knob** (7) in a counter-clockwise direction.

It can also be adjusted up and down by using **ESC** (16) or **OK** (14) buttons respectively.

Adjusting Balance Left and Right

The audio systems balance can be adjusted by pressing the **AUDIO** (18) button until “BALANCE” shows on the display.

The balance is then adjusted up by turning the **Volume Knob** (7) in a clockwise

direction and adjusted down by turning the **Volume Knob** (7) in a counter-clockwise direction.

It can also be adjusted up and down by using **ESC** (16) or **OK** (14) buttons respectively.

Adjusting Fader Front and Back

The audio systems fader can be adjusted by pressing the **AUDIO** (18) button until “FADER” shows on the display.

The fader is then adjusted up by turning the **Volume Knob** (7) in a clockwise direction

and adjusted down by turning the **Volume Knob** (7) in a counter-clockwise direction.

It can also be adjusted up and down by using **ESC** (16) or **OK** (14) buttons respectively.

Adjusting Mid (Medium Frequency Range) Up and Down — (Optional Feature)

The audio systems mid can be adjusted by pressing the **AUDIO** (18) button until “MID” shows on the display.

The mid is then adjusted up by turning the **Volume Knob** (7) in a clockwise direction

and adjusted down by turning the **Volume Knob** (7) in a counter-clockwise direction.

It can also be adjusted up and down by using **ESC** (16) or **OK** (14) buttons respectively.

Speakers Selection

The audio system can be adjusted to 4 or 2 speaker mode by performing the following:

- 1 Push **MENU** (15) button.
- 2 Push **UP** (13) or **DOWN** (17) buttons until “ADVANCED” is displayed.
- 3 Push **OK** (14) button to enter the advanced sub menu.
- 4 Push **UP** (13) or **DOWN** (17) buttons until “SPEAKERS” is displayed.
- 5 Push **OK** (14) button to change between 2CH and 4CH.

Activate Speed Dependant Volume (ASC) — (Optional Feature)

The audio systems volume can be set to increase with the speed of the vehicle. This is sometimes preferred to compensate for road and engine sounds. The feature can be set to three levels of sensitivity, LOW, MID and HIGH.

To activate ASC, perform the following:

- 1 Push **MENU** (15) button.
- 2 Push **UP** (13) or **DOWN** (17) buttons until “ADVANCED” is displayed.
- 3 Push **OK** (14) button to enter the advanced sub menu.
- 4 Push **UP** (13) or **DOWN** (17) buttons until “ASC” is displayed.
- 5 Push **OK** (14) button to enter the ASC sub menu.
- 6 Push **UP** (13) or **DOWN** (17) buttons to choose between LOW, MID and HIGH.
- 7 Push **OK** (14) button to enter the desired ASC setting.

Bluetooth Hands Free Phone Mode — (Optional Feature)

The radio is designed to work with mobile phones that support the Bluetooth Hands Free Profile 1.5. Other Bluetooth capable mobile phones may still work with the radio though.

To connect a mobile phone to the radio through Bluetooth, the following steps must be completed on the radio:

Bluetooth Activation

The purpose of this process is to make a Bluetooth connection possible.

- 1 Push **MENU** (15) button.
- 2 Push **UP** (13) or **DOWN** (17) buttons until “HANDS FREE” is displayed.
- 3 Push **OK** (14) button to enter the hands free sub menu.

Adding a Phone

The purpose of this process is to make a connection between the radio and a phone as well as to add a phone to the radio phone list.

- 1 Push **MENU** (15) button.
- 2 Push **UP** (13) or **DOWN** (17) buttons until “HANDS FREE” is displayed.
- 3 Push **OK** (14) button to enter the hands free sub menu.
- 4 Push **UP** (13) or **DOWN** (17) buttons until “ADD PHONE” is displayed.
- 5 Push **OK** (14) button to initiate the phone connection.

Activating Another Phone

The purpose of this process is to disconnect a present bluetooth phone and establish a connection to another phone in the phone list.

- 1 Push **MENU** (15) button.
- 2 Push **UP** (13) or **DOWN** (17) buttons until “HANDS FREE” is displayed.
- 3 Push **OK** (14) button to enter the hands free sub menu.

- 1 Activate the Bluetooth function.
- 2 Add the Phone.

Note: Please note that corresponding steps have to be taken on the mobile phone.

An added phone will be stored in a list for quick access when connecting at another time.

- 4 Push **OK** (14) button to activate Bluetooth.

When Bluetooth is active, the display shows the icon (45).

The radio will now do a search for a blue tooth phone. This is indicated by the icon (45) blinking.

Note: Note that the phone must be in a corresponding connecting state during this process.

When a connection is established, the user will be prompted to enter a code on the phone. Enter code 0000 to verify connection.

- 4 Push **UP** (13) or **DOWN** (17) buttons until “ChangePhName” is displayed.
- 5 Push **OK** (14) button to enter the change phone sub menu.
- 6 Push **UP** (13) or **DOWN** (17) buttons until phone name that is to be connected is displayed.
- 7 Push **OK** (14) button to connect to the other phone.

Deleting a Phone

The purpose of this process is to delete a specific phone from the phone list in the radio.

- 1 Push **MENU** (15) button.
- 2 Push **UP** (13) or **DOWN** (17) buttons until "HANDS FREE" is displayed.
- 3 Push **OK** (14) button to enter the hands free sub menu.
- 4 Push **UP** (13) or **DOWN** (17) buttons until "EDIT PHONE" is displayed.
- 5 Push **OK** (14) button to enter the edit phone sub menu.
- 6 Push **UP** (13) or **DOWN** (17) buttons until phone name that is to be deleted is displayed.
- 7 Push **OK** (14) button to delete the other phone.
- 8 The display will show "Delete?". Push **OK** (14) to verify.

Deleting all Phones

The purpose of this process is to delete all phones from the phone list in the radio.

- 1 Push **MENU** (15) button.
- 2 Push **UP** (13) or **DOWN** (17) buttons until "HANDS FREE" is displayed.
- 3 Push **OK** (14) button to enter the hands free sub menu.
- 4 Push **UP** (13) or **DOWN** (17) buttons until "EDIT PHONE" is displayed.
- 5 Push **OK** (14) button to enter the edit phone sub menu.
- 6 Push **UP** (13) or **DOWN** (17) buttons until "DELETE ALL" is displayed.
- 7 Push **OK** (14) button to delete all the phones.
- 8 The display will show "Are U sure?". Push **OK** (14) to verify.

Switching Phone Calls Between the Vehicle and an Active Phone

The purpose of this process is to allow switching of phone calls from being received and heard through the radio to being received and heard through a active phone.

- 1 To switch a call from the vehicle to an active phone, press the **AUDIO** button.
- 2 To switch a call from an active phone to the vehicle, press the **AUDIO** button.

Clock

Displaying the Time

By default, the time of day is displayed only when the ignition is ON and the radio is OFF. The Clock can be set to show the time also when radio is ON, by doing the following:

- 1 Push **MENU** (15) button.
- 2 Push **UP** (13) or **DOWN** (17) buttons until “CLOCK” is displayed.

12- or 24-Hour Format

The clock can be set to 12-hour or 24-hour mode. The 12-hour mode distinguishes between AM and PM.

To change the time format, do the following:

- 1 Push **MENU** (15) button.
- 2 Push **UP** (13) or **DOWN** (17) buttons until “CLOCK” is displayed.

Setting the Clock

Normally the time is set automatically by the trucks system. The option to manually set the time will then not be available.

To set the clock manually, do the following:

- 1 Push **MENU** (15) button.
- 2 Push **UP** (13) or **DOWN** (17) buttons until “CLOCK” is displayed.
- 3 Push **OK** (14) button to enter the clock sub menu.
- 4 Push **UP** (13) or **DOWN** (17) buttons until “SET TIME” is displayed.

- 3 Push **OK** (14) button to enter the clock sub menu.
- 4 Push **UP** (13) or **DOWN** (17) buttons until “VISIBLE” is displayed.
- 5 Push **OK** (14) button to change between ON/OFF status.

- 3 Push **OK** (14) button to enter the clock sub menu.
- 4 Push **UP** (13) or **DOWN** (17) buttons until “12/24 HR” is displayed.
- 5 Push **OK** (14) button to change between 12H or 24H options.

- 5 Push **OK** (14) button to enter the set time sub menu.
- 6 Push **UP** (13) or **DOWN** (17) buttons to adjust the hours up or down respectively.
- 7 Push **OK** (14) button to set the hour and toggle to the minute adjustment.
- 8 Push **UP** (13) or **DOWN** (17) buttons to adjust the minutes up or down respectively.
- 9 Push **OK** (14) button to save the time and finish the process.

Turning the Alarm ON or OFF — (Optional Feature)

To set turn On or Off the Alarm time, do the following:

- 1 Push **MENU** (15) button.
- 2 Push **UP** (13) or **DOWN** (17) buttons until “WAKE UP ALARM” is displayed.

- 3 Push **OK** (14) button to enter the wake up alarm sub menu.
- 4 Push **UP** (13) or **DOWN** (17) buttons “On/Off” is displayed.
- 5 Push **OK** (14) button to change the alarm status.

Setting the Alarm — (Optional Feature)

To set the Alarm time, do the following:

- 1 Push **MENU** (15) button.
- 2 Push **UP** (13) or **DOWN** (17) buttons until “WAKE UP ALARM” is displayed.
- 3 Push **OK** (14) button to enter the wake up alarm sub menu.
- 4 Push **UP** (13) or **DOWN** (17) buttons until “SET TIME” is displayed.
- 5 Push **OK** (14) button to enter the set time sub menu.
- 6 Push **UP** (13) or **DOWN** (17) buttons to adjust the hours up or down respectively.
- 7 Push **OK** (14) button to set the hour and toggle to the minute adjustment.
- 8 Push **UP** (13) or **DOWN** (17) buttons to adjust the minutes up or down respectively.
- 9 Push **OK** (14) button to save the time and finish the process.

Anti Theft Code (Guard)

The radio unit is set to function with only one vehicle. The Guard feature prohibits operation of the radio anywhere else. The Guard is automatic and no manual handling is normally needed.

In Case of Malfunction

If, by some reason, the radio fails in detecting the required vehicle, the user will be prompted to enter the Anti Theft Code (sticker found in Drivers Handbook). The display will then show “CODE 0000”.

Note: Please note that this is a malfunction and should be checked at an authorized workshop.

To enter the code, do the following:

- 1 For the current (blinking) digit, turn the **Volume Knob** (7) until the right number is shown.
- 2 Press the power button to enter the digit. The next digit will start to blink.
- 3 Repeat step 1 and 2 until all four digits has been entered.

The user has three tries to enter the code. If these are unsuccessful the radio will be locked for 60 minutes until three new tries are allowed.

Deactivating Guard

It is possible to deactivate Guard, but not recommended.

To deactivate the Guard function, do the following:

- 1 Push **MENU** (15) button.
- 2 Push **UP** (13) or **DOWN** (17) buttons until “ADVANCED” is displayed.
- 3 Push **OK** (14) button to enter the advanced sub menu.
- 4 Push **UP** (13) or **DOWN** (17) buttons until “GUARD” is displayed.
- 5 Push **OK** (14) button to enter.
- 6 Push **OK** (14) button to set Guard On or Off.

The user will be requested for the Anti Theft Code to deactivate or activate Guard. The

display will then show “CODE 0000” with the first digit blinking.

To enter the code, do the following:

- 1 For the current (blinking) digit, turn the **Volume Knob** (7) until the right number is shown.
- 2 Press the power button to enter the digit. The next digit will start to blink.
- 3 Repeat step 1 and 2 until all four digits has been entered.

The user has three tries to enter the code. If these are unsuccessful the radio will be locked for 60 minutes until three new tries are allowed.

Tips and Tricks

USB and MP3

The radio is designed to work with USB devices that support the USB Mass Storage Device Class Standard.

Note: Other USB devices may still work with the radio.

If a USB device does not work together with the radio, please try to re-connect the USB device which in some cases solves the problem. Some USB devices come with extra software installed which makes them not compatible with the USB Mass Storage

Device Class Standard. If this is the case, formatting the USB device can sometimes solve the problem.

Note: Formatting the unit will erase all data on the USB device, so be sure to back-up of the data before trying this.

- WMA and MP3 are the only formats readable by the device.
- Playlist must be in .PLS or .M3U format.

Bluetooth

The radio is designed to work with Bluetooth capable cellular phones that support the Bluetooth Hands-Free Profile 1.5.

Note: Some Bluetooth capable cellular phones that do not support this standard may still work

To see if your phone supports BlueTooth Hands-Free Profile 1.5, visit the BlueTooth organization homepage at <https://www.bluetooth.org/tpg/listings.cfm>

and search for the detailed specifications of your phone.

Note: The link above could change if the structure of the BlueTooth homepage is updated. You can also try contacting your cellular supplier, to get the details directly from them.

- Compatible with standard 1.5.
- More information at www.bluetooth.org.

iPod

The radio is designed to support the following iPod models;

- iPod nano — 1st, 2nd and 3rd generation
- iPod classic — 5th and 6th generation

Note: Both older and newer generations of these iPods may also work.

- An iPod adapter can be purchased through Volvo as part number 21259125.
- Other adapters may also be found at www.sendstation.com.
- For best performance, the iPod firmware should be recently updated www.apple.com.

CD, MP3, and WMA

- A CD with MP3 or WMA will take several seconds to read before it starts playing.
- For best performance, an MP3/WMA CD should not contain other file types than MP3, WMA, M3U and PLS.

Sécurité et utilisation de la radio

De nos jours, les conditions de conduite sont telles que le conducteur doit garder à tout moment sa concentration sur la route. Il est conseillé, lors de l'utilisation de cette radio tout en conduisant, que le conducteur reste concentré sur la conduite. Il est par conséquent vivement conseillé de :

- Ne jamais changer un CD ni lire une étiquette de CD lorsqu'on est au volant.
- Toujours s'assurer que le volume du système audio permette d'entendre les bruits extérieurs.
- Utiliser si possible les commandes situées sur le volant. Cette caractéristique rend la conduite plus sécuritaire et facilite la commande de la radio.

Introduction

Les instructions suivantes expliquent le fonctionnement des modèles de radio Volvo. Les renseignements sur la radio paraissent sur l'afficheur LCD.

Les commandes de la radio sont accessibles sur sa façade, figure 1.

Certaines fonctions, illustrées à la figure 2, sont commandées au volant; ou à la télécommande, illustrée à la figure 3 (en option).

Les fonctions principales de la radio sont le mode radio et lecteur de CD.

Les fonctions principales en option de la radio sont :

- CD en format mp3 et WM
- USB (format mp3 et WMA)
- iPod (baladeur à disque dur)
- Entrée audio auxiliaire
- Mains libres (utilisation du téléphone à l'aide de Bluetooth)

Vue d'ensemble

Guide de référence rapide des commandes de la radio/du lecteur de CD

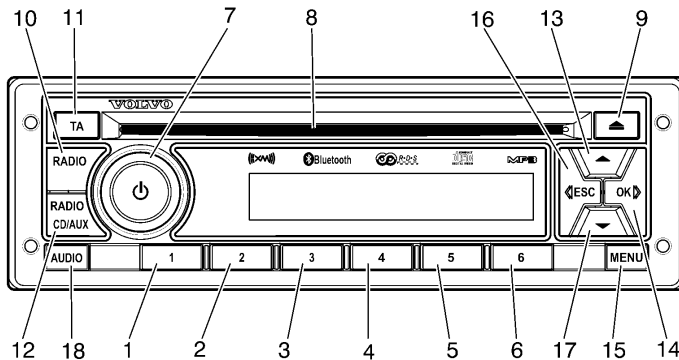


Fig. 1

W3007746

1. Bouton « Préréglage n° 1 » :

- **Radio** : Appuyer et relâcher : Rappel de la station préréglée
- **Radio** : Appuyer et maintenir enfoncé : Mémorisation de la station préréglée

2. Bouton « Préréglage n° 2 » :

- **Radio** : Appuyer et relâcher : Rappel de la station préréglée
- **Radio** : Appuyer et maintenir enfoncé : Mémorisation de la station préréglée

3. Bouton « Préréglage n° 3 » :

- **Radio** : Appuyer et relâcher : Rappel de la station préréglée
- **Radio** : Appuyer et maintenir enfoncé : Mémorisation de la station préréglée

4. Bouton « Préréglage n° 4 » :

- **Radio** : Appuyer et relâcher : Rappel de la station préréglée
- **Radio** : Appuyer et maintenir enfoncé : Mémorisation de la station préréglée

5. Bouton « Préréglage n° 5 » :

- **Radio:** Appuyer et relâcher : Rappel de la station préréglée
- **Radio:** Appuyer et maintenir enfoncé : Mémorisation de la station préréglée

6. Bouton « Préréglage n° 6 » :

- **Radio:** Appuyer et relâcher : Rappel de la station préréglée
- **Radio:** Appuyer et maintenir enfoncé : Mémorisation de la station préréglée

7. Bouton de mise en marche à pousser/rotatif :

- **Pousser :** Mise en marche et arrêt
- **Tourner :** Réglage du volume et mise à jour des valeurs audio

8. Fente pour CD :

- **CD:** Insertion/Extraction du CD

9. Bouton d'éjection du CD :

- **CD:** Éjection du CD

10. Mode de sélection radio :

- **Radio:** Choisir : FM1, FM2, FM3 (en option), AM, météo ou radio par satellite (en option)

11. Information (Trafic / Nouvelles) :

- **Radio:** Trafic en marche ou à l'arrêt
- **Radio:** Annule message continu de Trafic ou Nouvelles

12. Mode CD/Aux :

- **CD/USB:** Choisir entre les sources non radio

13. Bouton vers le haut :

- **Radio:** Syntonisation manuelle vers le haut

14. Bouton d'avance (rapide) >> :

- **Radio:** Recherche
- **CD/USB:** Appuyer et relâcher : Choisir prochaine plage
- **CD/USB:** Appuyer et maintenir enfoncé : Avance rapide
- **Bluetooth Phone:** Acceptation des appels (en option)

15. Bouton du menu :

- **Radio:** Appuyer et relâcher : Accès au menu

16. Bouton de recul (rapide) << :

- **Radio:** Recherche
- **CD/USB:** Appuyer et relâcher : Choisir plage précédente
- **CD/USB:** Appuyer et maintenir enfoncé : Recul rapide
- **Bluetooth Phone:** Refus d'appel ou raccrochage (en option)
- **iPod :** Appuyer et maintenir enfoncé : Entrer le menu iPod (en option)

17. Bouton vers le bas :

- **Radio:** Syntonisation manuelle vers le bas

18. Bouton audio :

- **Généralités :** Réglages audio

Guide de référence rapide des commandes au volant

20. Bouton « suivant » :

- **Radio:** Appuyer et relâcher : Recherche
- **Radio:** Appuyer et maintenir enfoncé : Syntonisation manuelle vers le haut
- **CD/USB:** Appuyer et relâcher : Choisir prochaine plage
- **CD/USB:** Appuyer et maintenir enfoncé : Avance rapide

21. Bouton « précédent » :

- **Radio:** Appuyer et relâcher : Recherche
- **Radio:** Appuyer et maintenir enfoncé : Syntonisation manuelle vers le bas
- **CD/USB:** Appuyer et relâcher : Choisir plage précédente
- **CD/USB:** Appuyer et maintenir enfoncé : Recul rapide

22. Bouton « OUI » :

- **Téléphone Bluetooth :** Acceptation d'appel (en option)

23. Bouton « NON » :

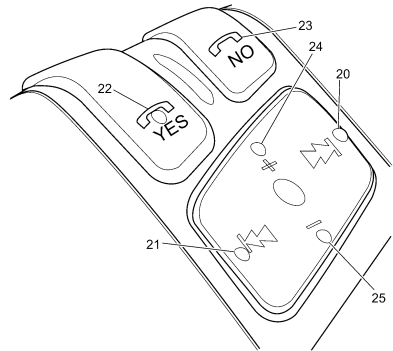
- **Téléphone Bluetooth :** Refus d'appel ou raccrochage (en option)

24. Bouton « volume + » :

- **Généralités :** Augmente le volume

25. Bouton « volume ? » :

- **Généralités :** Baisse le volume



W3007856

Fig. 2

Guide de référence rapide de la télécommande

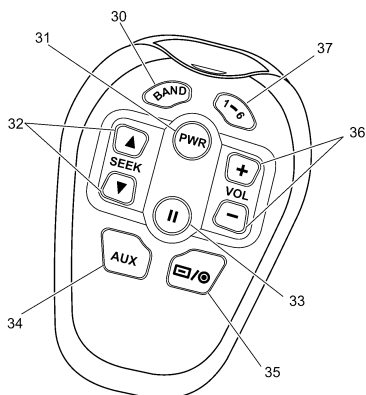


Fig. 3

W3007748

30. Bouton « BAND » (bande) :

- **Radio:** Choisir : FM1, FM2, FM3 (en option), AM, météo ou radio par satellite (en option)

31. Bouton « PWR » (mise en marche) :

- **Généralités :** Mise en marche et arrêt de la radio

32. Boutons « SEEK » (recherche) :

- **Radio:** Recherche
- **CD/USB :** Plage suivante ou précédente

33. Bouton « sourdine / pause » :

- **Généralités :** Sourdine ou pause de la source audio

34. Bouton « AUX » :

- Fonction en option
- **Source:** Choisir entre : USB, iPod et Aux

35. Bouton « sélection CD » :

- **CD:** Choisir CD

36. Bouton « volume + / volume ? » :

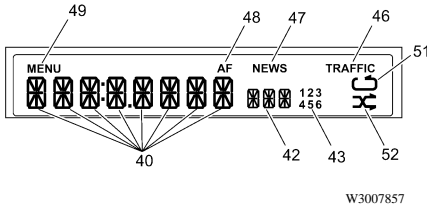
- Ajuster le volume vers le haut ou vers le bas

37. Préréglage 1 à 6 :

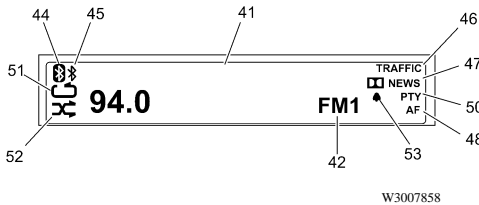
- **Radio:** Choisir une station préréglée

Guide de référence rapide de l'afficheur

Affichage à cristaux liquides de la radio



Affichage LCD de la radio (Fig. 4)



Affichage LCD de la radio (en option) — Optional (Fig. 5)

40. Affichage texte de la radio :

- **Radio:** Radiofréquence et nom de station
- **CD:** Plage, heure et information musicale fournie.

41. Affichage texte de la radio :

- **Radio:** Bande radio (FM/AM) et fréquence
- **CD/USB:** Plage, heure et information musicale fournie.

42. Affichage de la source

- **Radio:** Bande radio (FM1, FM2, FM3 (en option) AM, WX ou SAT (en option))
- **CD/USB:** Autres sources que la radio

43. Nombre préréglé

- **Radio:** Nombre préréglé

44. Téléphone connecté

- **Généralités:** Indique qu'un téléphone Bluetooth est connecté

45. Bluetooth en marche

- **Généralités:** Indique que la fonction Bluetooth est activée

46. Information sur la circulation

- **Généralités:** Indique que la fonction circulation est activée

47. Bulletin d'information

- **Généralités:** Indique que la fonction Bulletin d'information est activée

48. AF

- **Généralités:** Indique que la fonction AF (Alternative Frequency) est activée

49. Menu

- **Généralités :** Affiché si intégré au menu

50. PTY

- **Généralités :** Indique que la fonction PTY (Program type) est activée

51. Répétition

- **CD/USB :** Affiché lorsque la fonction Répétition est activée

52. Aléatoire

- **CD/USB :** Affiché si la fonction Aléatoire est activée dans le menu

53. Alarme

- **Généralités :** Indique que la fonction Alarme est activée

Fonctions principales

Un grand nombre de fonctions se commandent ou s'ajustent en passant par le menu de la radio. Si le menu est affiché à l'écran et qu'aucune activité ne se présente pendant 10 secondes au niveau de la radio,

toute action incomplète sera alors annulée, l'écran avec menu sera fermé et la radio reviendra à son fonctionnement normal. Tous les changements réalisés seront mémorisés par la radio.

Alimentation

Mise en marche, mise à l'arrêt, sourdine et pause du système audio

Appuyer sur le bouton (7) pour allumer ou éteindre le système audio.

Si le conducteur souhaite une activation rapide du mode de discrétion, appuyer sur le bouton (7).

Mode radio

Sélection de bandes (FM et AM)

Pour choisir le mode radio, allumer la radio et appuyer sur le bouton **RADIO** (10).

La bande de fréquence de la radio sera alors la dernière utilisée (AM, FM, etc.).

Pour passer d'une bande à une autre (AM/FM1/FM2), utiliser le bouton **RADIO** (10).

Recherche en mode radio

There are two ways to seek for a radio station:

- 1 Utiliser le bouton de recherche **ESC** (16) ou le **OK** (14) pour rechercher une station radio vers le haut ou le bas. Une fois que la station voulue est obtenue, la fonction de recherche s'arrête.

OU

- 2 Utiliser les boutons de recherche au volant, le << (21) ou le >> (20) pour rechercher une station radio vers le haut ou le bas. Une fois que la station voulue est obtenue, la fonction de recherche s'arrête.

Syntonisation manuelle

La syntonisation manuelle s'exécute de deux façons :

- 1 Appuyer sur le bouton (13) ou le (17) pour un réglage vers le haut ou le bas.

OR

- 2 Maintenir enfoncé le bouton << (21) ou le >> (20) au volant, pour un réglage vers le haut ou le bas.

Préréglages (mémoire) des stations radio

Jusqu'à 12 stations FM et 6 AM peuvent être préréglées pour un accès rapide. Il existe deux bandes de fréquence préréglées pour la radio FM, la FM1 et la FM2, et une pour la radio AM. Chaque bande préréglée peut comporter 6 stations sur les boutons allant de 1 à 6. Et en plus, une bande FM ainsi qu'une bande satellite sont en option.

Pour enregistrer une station particulière sur un bouton de préréglage, il faut :

- 1 Appuyer sur le bouton **RADIO** (10) jusqu'à l'activation de la bande de

fréquence nécessaire (AM, FM1, FM2, FM3 [en option], météo, ou radio satellite [en option]).

- 2 Rechercher la station souhaitée.
- 3 Maintenir enfoncé le bouton de préréglage voulu (1) (2) (3) (4) (5) (6).
- 4 Lors de la mémorisation de la station, la radio n'émet aucun son. Le processus est terminé au retour de l'audio.

Préréglages (sélection d'une station radio mémorisée)

Pour choisir l'une des stations préréglées, il faut :

- 1 Appuyer sur le bouton **RADIO** (10) pour choisir la bande nécessaire (AM, FM1, FM2, FM3 [en option], météo ou radio par satellite [en option]).

- 2 Appuyer momentanément sur le bouton de préréglage nécessaire (1) (2) (3) (4) (5) (6) pour activer la station souhaitée.

Mode balayage

Le balayage permet à l'utilisateur de rechercher une station sans avoir à manuellement passer d'une station à une autre. En mode balayage, chaque station détectée diffuse pendant 10 secondes pour donner à l'utilisateur une idée du programme ou de la musique. Le balayage continue alors jusqu'à la station suivante à moins que l'utilisateur décide d'arrêter le balayage sur la station qu'il vient d'entendre.

Pour obtenir le mode balayage, il faut :

- 1 Appuyer sur le bouton **MENU** (15) de la radio.
- 2 Choisir <<SCAN>> (balayage) en appuyant sur **OK** (14).

Pour sortir du mode balayage et rester sur la station actuelle, il faut :

- 1 Appuyer sur le bouton **RADIO** (10).
- OU
- 2 Appuyer sur le bouton << (21) ou le >> (20).

Utilisation de la bande radiométéo

La radiométéo NOAA est un service de National Weather Service. Cette radiodiffusion transmet en continu les dernières informations météorologiques directement des bureaux du National Weather Service. Des messages enregistrés sur les conditions météorologiques sont répétés toutes les quatre à six minutes et revus toutes les une à trois heures et même plus souvent dans certaines circonstances. La majorité des stations émettent 24 heures sur 24. La météo de votre région est retransmise par une des 7 stations disponibles.

En mode de bande radiométéo, l'afficheur donne l'icône « WX » et « CH » plus le numéro du canal. Il est possible de changer de canal avec le bouton (13) or (17) et le

canal peut également être préréglé avec les touches.

La fréquence associée avec chacun des canaux est la suivante :

- | | |
|---|-------------|
| 1 | 162.550 MHz |
| 2 | 162.400 MHz |
| 3 | 162.475 MHz |
| 4 | 162.425 MHz |
| 5 | 162.450 MHz |
| 6 | 162.500 MHz |
| 7 | 162.525 MHz |

Le National Weather Service exploite environ 372 stations. Près de 90% de la population se trouve dans la zone de radiodiffusion de la météo de la NOAA.

Service de radio par satellite — (Caractéristiques en option)

Si votre radio comporte un logo XM³ ou SIRIUS,⁴ elle est donc compatible pour la radio par satellite. XM et Sirius sont des services de radio par satellite offrant plus de 100 canaux de programmation audio de qualité numérique. La transmission est sans interruption aux États-Unis continentaux. Le service de radiodiffusion par satellite est disponible moyennant une cotisation. Pour obtenir de plus amples renseignements, prendre contact avec XM à www.xmradio.com ou par téléphone au 1-800-852-XXXM (9696) ou avec Sirius à <http://activate.siriusradio.com> ou par téléphone au 1-888-539-7474.

Pour activer le récepteur de signaux de satellite intégré, il faut donner au fournisseur de la radiodiffusion par satellite le numéro de série électronique du récepteur. Voici les instructions qui permettent de trouver le numéro de série électronique :

Si votre fournisseur de radiodiffusion par satellite est XM Satellite Radio :

- 1 La clé de contact étant tournée et la radio ALLUMÉE, appuyer sur le bouton **RADIO** (10) et choisir XM1 ou XM2.
- 2 Syntoniser la radio sur le canal 0 et le numéro de série à 8 chiffres paraîtra.

Si votre fournisseur de radiodiffusion par satellite est Sirius Satellite Radio :

- 1 La clé de contact étant tournée et la radio ALLUMÉE, appuyer sur le bouton **RADIO** (10) et choisir SR1 ou SR2.
- 2 Syntoniser la radio sur le canal 0 et le numéro de série à 12 chiffres paraîtra.

La réception de la radiodiffusion par satellite peut être perturbée s'il y a des obstructions au niveau des signaux.

³XM est une marque déposée de XM Satellite Radio Holdings Inc.

⁴SIRIUS est une marque déposée de SIRIUS Satellite Radio Inc.

Mode CD

La radio est conçue pour fonctionner avec des CD de format standard (fichiers MP3 et

WMA en option). Le lecteur de CD accepte les disques CD-R ainsi que les CD-RW.

Sélection du mode CD

Il existe deux façons de passer au mode CD :

- 1 Appuyer sur le bouton **CD/AUX** (**12**) jusqu'à ce que **CD** s'affiche.

OU

- 2 Introduire un CD dans la fente pour CD (**8**).

Éjection d'un CD

Pour éjecter un CD, appuyer sur le bouton **EJECT** (**9**). Une fois le CD extrait, la radio se remet en marche sur la dernière station

utilisée. Si le CD n'est pas extrait de son logement, il se remettra en marche dans les 15 secondes.

Changement de la plage du CD

Il existe deux façons pour changer la plage d'un CD :

- 1 Enfoncer et relâcher le bouton **ESC** (**16**) ou le **OK** (**14**) de la radio pour passer à la plage précédente ou à la suivante.

- 2 Utilisation des commandes situées sur le volant (en option) : Enfoncer et relâcher le bouton << (**21**) or >> (**20**) pour passer à la plage précédente ou à la suivante.

OU

Recul rapide ou avance rapide d'un CD

Le recul ou l'avance rapide se réalise de deux manières avec un CD :

- 1 Maintenir enfoncé le bouton **ESC** (**16**) ou le **OK** (**14**) de la radio pour une avance rapide ou un recul rapide.

OU

- 2 Utilisation des commandes situées sur le volant (en option) : Enfoncer et relâcher le bouton << (**21**) ou le >> (**20**) pour passer au recul rapide ou à l'avance rapide.

Activation des plages d'un CD dans un ordre aléatoire

Il existe deux modes de réglage aléatoire pour un CD : Ordre aléatoire total ou ordre aléatoire de fichiers (si le contenu du CD est enregistré sous forme de fichiers).

Pour lire les plages en ordre aléatoire, il faut :

- 1 Appuyer sur le bouton **MENU** (**15**).
- 2 Appuyer sur le bouton (**13**) ou le (**17**) jusqu'à ce que « REPEAT » (répétition) s'affiche.

- 3 Entrer le sous-menu du réglage aléatoire en appuyant sur le bouton **OK** (**14**).
- 4 Appuyer sur le bouton (**13**) ou le (**17**) pour choisir entre « All » (tous), « Track » (plage) et « Folder » (fichier).
- 5 Appuyer sur le bouton **OK** (**14**) pour activer le mode de répétition souhaité.

Répétition de plage sur un CD — (Caractéristiques en option)

Il existe trois modes de réglage de répétition pour un CD : Répétition pour tous, répétition de plage ou répétition de fichier (si le contenu du CD est enregistré sous forme de fichiers). Par défaut, « Repeat All » (répétition pour tous) est activé. Pour changer le réglage de répétition, il faut :

- 1 Appuyer sur le bouton **MENU** (15).
- 2 Appuyer sur le bouton (13) ou le (17) jusqu'à ce que « REPEAT » (répétition) s'affiche.
- 3 Entrer le sous-menu du réglage aléatoire en appuyant sur le bouton **OK** (14).
- 4 Appuyer sur le bouton (13) ou le (17) pour choisir entre « All » (tous), « Track » (plage) et « Folder » (fichier).
- 5 Appuyer sur le bouton **OK** (14) pour activer le mode de répétition souhaité.

Changement de fichier sur un CD — (Caractéristiques en option)

Si le contenu du CD est mémorisé dans des fichiers, il est alors possible de changer directement de fichiers. Pour cela, appuyer sur le bouton (13) ou le (17) pour passer au suivant ou au précédent album/fichier.

Balayage d'un CD

Lors du balayage d'un CD, on entend les 10 premières secondes de l'enregistrement de chaque plage.

Pour activer le balayage, il faut :

- 1 Appuyer sur le bouton **MENU** (15).
- 2 Choisir « SCAN » (balayage) en appuyant sur le bouton **OK** (14).

Le balayage s'arrête si :

- 1 Le bouton **ESC** (16) ou le **OK** (14) de la façade est activé..

OU

- 2 Si toutes les plages sont explorées.

Entrée audio externe — (Caractéristiques en option)

Il existe trois modes d'entrée externe, USB, iPod et Aux. Un appareil USB et un appareil auxiliaire peuvent être branchés et être

accessibles simultanément. Cependant, si un iPod est connecté, la source des appareils USB et AUX est désactivée.

Mode USB — (Caractéristiques en option)

La radio est conçue pour fonctionner avec des dispositifs USB formatés selon la norme pour support mémoire de masse USB. Les autres appareils USB pourraient encore fonctionner avec la radio.

Si un appareil USB ne fonctionne pas correctement, essayer de le rebrancher. Ceci peut résoudre le problème dans certains cas.

Note: L'appareil USB doit être connecté avant d'utiliser ce mode.

Sélection du mode USB

Il existe deux façons de passer au mode USB

- 1 Appuyer sur le bouton **CD/AUX** (12) jusqu'à ce que USB s'affiche.

- OU
- 2 connecter un appareil USB.

Déconnexion d'un appareil USB

Aucune préparation spéciale n'est nécessaire pour débrancher un appareil USB. Une fois

l'appareil USB déconnecté, la radio se remet en marche sur la dernière station utilisée.

Changement de la plage d'un appareil USB

Il existe deux façons pour changer la plage d'un USB :

- 1 Maintenir enfoncé le bouton **ESC** (16) ou le **OK** (14) de la radio pour une avance rapide ou un recul rapide.

- OU
- 2 Utilisation des commandes situées sur le volant (en option) : Enfoncer et relâcher le bouton << (21) ou le >> (20) pour passer au recul rapide ou à l'avance rapide.

Recul rapide ou avance rapide sur un appareil USB

Le recul ou l'avance rapide se réalise de deux manières:

- 1 Maintenir enfoncé le bouton **ESC** (16) ou le **OK** (14) de la radio pour une avance rapide ou un recul rapide.

- OU
- 2 Utilisation des commandes situées sur le volant (en option) : Enfoncer et relâcher le bouton << (21) or >> (20) pour passer au recul rapide ou à l'avance rapide.

Activation des plages d'un appareil USB dans un ordre aléatoire

Il existe deux modes de réglage aléatoire pour un appareil USB : Ordre aléatoire total ou ordre aléatoire de fichiers (si le contenu de l'USB est enregistré dans des fichiers).

Pour activer les plages dans un ordre aléatoire, il faut :

- 1 Appuyer sur le bouton **MENU**(15).
- 2 Appuyer sur le bouton (13) ou le (17) jusqu'à ce que « **RANDOM** » s'affiche.

- 3 Entrer le sous-menu du réglage aléatoire en appuyant sur le bouton **OK** (14).
- 4 Appuyer sur le bouton (13) ou le (17) pour choisir entre « **All** » (tous) et « **Folder** » (fichier).
- 5 Appuyer sur le bouton **OK** (14) pour activer le mode aléatoire souhaité.

Répétition de plages sur un appareil USB

Il existe trois modes de réglage de répétition pour un appareil USB : Répétition pour tous, répétition de plage ou répétition de fichier (si le contenu du dispositif USB est enregistré dans des fichiers). Par défaut, « **Repeat All** » (répétition pour tous) est activé.

Pour changer le réglage de répétition, il faut :

- 1 Appuyer sur le bouton **MENU**(15).

- 2 Appuyer sur le bouton (13) ou le (17) jusqu'à ce que « **REPEAT** » s'affiche.
- 3 Entrer le sous-menu du réglage aléatoire en appuyant sur le bouton **OK** (14).
- 4 Appuyer sur le bouton (13) ou le (17) pour choisir entre « **All** » (tous), « **Track** » (plage) et « **Folder** » (fichier).
- 5 Appuyer sur le bouton **OK** (14) pour activer le mode de répétition souhaité.

Changement de fichier sur un USB

Si le contenu de l'USB est mémorisé dans des fichiers, il est alors possible de changer directement de fichiers. Pour cela, appuyer sur le bouton (13) or (17) pour passer au suivant ou au précédent album/fichier.

Balayage d'un USB

Lors du balayage d'un USB, on entend les 10 premières secondes de l'enregistrement de chaque plage.

Pour activer le balayage, il faut :

- 1 Appuyer sur le bouton **MENU** (15).
- 2 Choisir « **SCAN** » (balayage) en appuyant sur **OK** (14) button.

Le balayage s'arrête si

- 1 Le bouton **ESC** (16) ou le **OK** (14) de la façade est activé.

OU

- 2 Si toutes les plages sont explorées.

Mode iPod — (Caractéristiques en option)

La radio est compatible avec iPod Classic, iPod Vidéo et iPod nano. Les réglages du iPod, par ex. « Shuffle » (réarrangement) ou « Repeat » (répétition), utilisés avant de connecter le iPod à la radio seront utilisés par la radio.

Note: Un appareil iPod doit être connecté avant d'utiliser ce mode.

Connexion d'un iPod

Le branchement du iPod est possible avec deux ensembles de câble différents.

- 1 Un câble divisé du connecteur iPod à 30 broches au connecteur USB et un connecteur audio de 3,5 mm.
- 2 Un câble séparé iPod/USB plus un câble stéréo audio mâle/mâle de 3,5 mm connecté à la sortie pour écouteur du

iPod. Dans ce cas, le volume du iPod doit être réglé au maximum avant de le brancher sur la radio.

Une fois le iPod connecté à la radio, ses commandes se retrouvent verrouillées.

Une fois le iPod connecté à la radio, ses commandes se retrouvent verrouillées.

Sélection du mode iPod

Il existe deux façons de passer au mode iPod :

- 1 Appuyer sur le bouton **CD/AUX** (12) jusqu'à ce que iPod s'affiche.

OU

- 2 Connecter un appareil iPod.

Déconnexion de l'appareil iPod

Aucune préparation spéciale n'est nécessaire pour débrancher l'appareil iPod. Une fois

l'appareil iPod déconnecté, la radio se remet en marche sur la dernière station utilisée.

Menu iPod

Une fois le iPod connecté et identifié, l'utilisateur peut maintenir enfoncé le bouton **ESC** (16) pour entrer le menu iPod. Ce menu contient certaines des fonctionnalités les plus courantes utilisées sur le iPod. Par exemple, l'utilisateur peut rechercher des artistes ou des albums, et commencer une liste de diffusion.

Maintenir enfoncé le bouton **ESC** (16) pendant 1 seconde pour entrer le menu iPod au dernier niveau utilisé.

Maintenir enfoncé le bouton **ESC** (16) pendant 2 secondes pour entrer le menu iPod au niveau supérieur.

Changement de plage sur le iPod

Le recul ou l'avance rapide se réalise de deux manières :

- 1 Maintenir enfoncé le bouton **ESC** (16) ou le **OK** (14) pour une avance rapide.

OU

- 2 Utilisation des commandes situées sur le volant (en option) : Enfoncer et relâcher le bouton << (21) ou le >> (20) pour passer au recul rapide ou à l'avance rapide.

Recul rapide ou avance rapide sur un iPod

Le recul ou l'avance rapide se réalise de deux manières :

- 1 Maintenir enfoncé le bouton **OK** (14) pour une avance rapide.

- 2 Utilisation des commandes situées sur le volant (en option) : Enfoncer et relâcher le bouton << (21) or >> (20) pour passer au recul rapide ou à l'avance rapide.

OU

Remarquer qu'en maintenant enfoncé le bouton **ESC** (16) on entre le menu iPod.

Activation des plages d'un iPod dans un ordre aléatoire

Il existe deux modes de réglage aléatoire pour un iPod : Ordre aléatoire pour album et ordre aléatoire pour tous.

Pour activer des chansons dans un ordre aléatoire, il faut :

- 1 Appuyer sur le bouton **MENU**(15).
- 2 Appuyer sur le bouton (13) ou le (17) jusqu'à ce que « **RANDOM** » s'affiche.

- 3 Entrer le sous-menu du réglage aléatoire en appuyant sur le bouton **OK** (14).
- 4 Appuyer sur le bouton (13) ou le (17) pour choisir entre « **All** » (tous) et « **Folder** » (fichier).
- 5 Appuyer sur le bouton **OK** (14) pour activer le mode aléatoire souhaité.

Répétition de plage sur le iPod

Il existe deux modes de réglage aléatoire pour un iPod : Répéter Un, répéter Tous.

Pour changer le réglage de répétition, il faut :

- 1 Appuyer sur le bouton **MENU**(15).
- 2 Appuyer sur le bouton (13) ou le (17) jusqu'à ce que « **REPEAT** » s'affiche.

- 3 Entrer le sous-menu du réglage aléatoire en appuyant sur le bouton **OK** (14).
- 4 Appuyer sur le bouton (13) ou le (17) pour choisir entre « **All** » (tous), « **Track** » (plage) et « **Folder** » (fichier).
- 5 Appuyer sur le bouton **OK** (14) pour activer le mode de répétition souhaité.

Balayage sur le iPod

Lors du balayage d'un iPod, on entend les 10 premières secondes de l'enregistrement de chaque plage.

Pour activer le balayage, il faut :

- 1 Appuyer sur le bouton **MENU** (15).
- 2 Choisir « **SCAN** » (balayage) en appuyant sur **OK** (14).

Le balayage s'arrête si

- 1 Le bouton **ESC** (16) ou le **OK** (14) de la façade est activé.

OU

- 2 si toutes les plages sont explorées.

Mode AUX — (Caractéristiques en option)

Pour choisir une entrée audio auxiliaire :

Appuyer sur le bouton **CD/AUX** (12) jusqu'à ce que Aux s'affiche.

Une entrée audio auxiliaire peut être sélectionnée sauf en mode iPod.

Le volume de l'appareil auxiliaire doit être réglé au maximum.

Noter que pour un appareil auxiliaire, le changement de plage, l'avance rapide etc. doit être exécuté directement sur l'appareil aux.

Réglages audio

Réglage du volume vers le haut et vers le bas

Le volume du système audio peut être monté en tournant le bouton (7) dans le sens horaire et baissé en tournant le (7) dans le sens antihoraire.

Il peut également être monté et baissé avec les commandes + (24) et - (25) situées sur le volant (en option).

Réglage des graves vers le haut et vers le bas

Pour ajuster les graves sur le système audio, appuyer sur le bouton **AUDIO** (18) jusqu'à ce que «BASS» s'affiche.

sens horaire et baissé en tournant le bouton (7) dans le sens antihoraire.

Le niveau des graves du système audio peut être monté en tournant le bouton (7) dans le

Il est aussi possible d'ajuster les graves avec **ESC** (16) ou **OK** (14) sur la radio.

Réglage des aigus vers le haut et vers le bas

Pour ajuster les aigus sur le système audio, appuyer sur le bouton **AUDIO** (18) jusqu'à ce que «TREBLE» s'affiche.

sens horaire et baissé en tournant le bouton (7) dans le sens antihoraire.

Le niveau des aigus du système audio peut être monté en tournant le bouton (7) dans le

Il est aussi possible d'ajuster les aigus avec **ESC** (16) ou **OK** (14) sur la radio.

Réglage à gauche et à droite de l'équilibre

Pour ajuster l'équilibre sur le système audio, appuyer sur le bouton **AUDIO** (18) jusqu'à ce que «BALANCE» (équilibre) s'affiche.

en tournant le bouton (7) dans le sens antihoraire.

Le réglage de l'équilibre vers la droite s'obtient en tournant le bouton (7) dans le sens horaire et le réglage vers la gauche

Il est aussi possible de l'ajuster vers la gauche et vers la droite avec **ESC** (16) ou **OK** (14) sur la radio.

Équilibreur avant-arrière

Pour ajuster l'équilibreur sur le système audio, appuyer sur le bouton **AUDIO** (18) jusqu'à ce que « FADE » (équilibrer) s'affiche.

L'équilibreur se règle alors vers l'avant en tournant le bouton (7) dans le sens horaire et

vers l'arrière en tournant le bouton (7) dans le sens antihoraire.

Il est possible de l'ajuster aussi vers la gauche et vers la droite avec **ESC** (16) ou **OK** (14) sur la radio.

Réglage Mid (Plage des moyennes fréquences) vers le haut et vers le bas — (Caractéristiques en option)

Pour ajuster les moyennes fréquences sur le système audio, appuyer sur le bouton **AUDIO** (18) jusqu'à ce que MID s'affiche.

Le niveau des moyennes fréquences du système audio peut être monté en tournant le bouton (7) dans le sens horaire et baissé

en tournant le bouton (7) dans le sens antihoraire.

Il est aussi possible d'ajuster les moyennes fréquences avec **ESC** (16) ou **OK** (14) sur la radio.

Sélection de haut-parleurs

Pour le réglage du système audio en mode de 2 ou de 4 haut-parleurs, il faut

- 1 Appuyer sur le bouton **MENU** (15).
- 2 Appuyer sur le bouton (13) ou le (17) jusqu'à ce que « ADVANCE » s'affiche.
- 3 Appuyer sur le bouton **OK** (14) pour entrer le sous-menu « ADVANCE ».

- 4 Appuyer sur le bouton (13) ou le (17) jusqu'à ce que « SPEAKERS » s'affiche.
- 5 Passer de 2CH à 4CH en appuyant sur le bouton **OK** (14).

Activation de la commande automatique de sensibilité (CAS) — (Caractéristiques en option)

Le volume du système audio se règle afin que celui-ci augmente avec la vitesse du véhicule. Ce réglage permet de compenser pour les bruits de la route et du moteur. Cette fonctionnalité comporte trois niveaux de sensibilité « LOW, MID et HIGH » (BAS, MOYEN et HAUT).

Pour activer la CAS, il faut :

- 1 Appuyer sur le bouton **MENU** (15).
- 2 Appuyer sur le bouton (13) ou le (17) jusqu'à ce que « ADVANCE » s'affiche.

- 3 Appuyer sur le bouton **OK** (14) pour entrer le sous-menu « ADVANCE ».
- 4 Appuyer sur le bouton (13) ou le (17) jusqu'à ce que « ASC » s'affiche.
- 5 Appuyer sur le bouton **OK** (14) pour entrer le sous-menu ASC.
- 6 Appuyer sur le bouton (13) ou le (17) pour choisir entre « LOW, MID et HIGH » (BAS, MOYEN et HAUT).
- 7 Appuyer sur le bouton **OK** (14) pour entrer le réglage CAS souhaité.

Mode Téléphone mains libres Bluetooth — (Caractéristiques en option)

La radio est conçue afin de fonctionner avec un téléphone cellulaire compatible avec Bluetooth mains libres Profile 1.5. D'autres téléphones cellulaires avec Bluetooth pourraient aussi fonctionner avec la radio. Pour brancher un téléphone cellulaire sur la radio par l'intermédiaire de Bluetooth, il est nécessaire de passer par les étapes suivantes au niveau de la radio.

- 1 Activer la fonction Bluetooth.
- 2 Ajouter le téléphone.

Noter que les étapes correspondantes doivent être prises sur le téléphone cellulaire.

Un téléphone ajouté sera mémorisé dans une liste pour donner un accès facile lors de la prochaine connexion.

Activation Bluetooth

Le but de ce processus est de réaliser une connexion Bluetooth.

- 1 Appuyer sur le bouton **MENU** (15).
- 2 Appuyer sur le bouton (13) ou le (17) jusqu'à ce que « Hands Free » (mains libres) s'affiche.

- 3 Appuyer sur le bouton **OK** (14) pour entrer le sous-menu Mains libres.
- 4 Appuyer sur le bouton **OK** (14) pour activer Bluetooth.

Lorsque Bluetooth est actif, l'icône (45) s'affiche.

Addition d'un téléphone

Le but de ce processus est d'obtenir une connexion entre la radio et un téléphone et d'ajouter un téléphone à la liste de téléphones de la radio.

- 1 Appuyer sur le bouton **MENU** (15).
- 2 Appuyer sur le bouton (13) ou le (17) jusqu'à ce que « Hands Free » (mains libres) s'affiche.
- 3 Appuyer sur le bouton **OK** (14) pour entrer le sous-menu Mains libres.
- 4 Appuyer sur le bouton (13) ou le (17) jusqu'à ce que « Add phone » (ajouter téléphone) s'affiche.

- 5 Appuyer sur le bouton **OK** (14) pour lancer la connexion téléphonique.

La radio recherche alors un téléphone Bluetooth. L'icône (45) se met à clignoter pour indiquer que la recherche est en cours.

Remarquer que les paramètres de connexion du téléphone doivent correspondre entre eux pendant ce processus.

Une fois la connexion établie, l'utilisateur devra entrer un code sur le téléphone. Entrer le code 0000 pour vérifier la connexion.

Activation d'un autre téléphone

Le but de ce processus est de déconnecter un téléphone Bluetooth et établir une connexion à un autre téléphone se trouvant sur la liste de téléphones.

- 1 Appuyer sur le bouton **MENU** (15).
- 2 Appuyer sur le bouton (13) ou le (17) jusqu'à ce que « Hands Free » (mains libres) s'affiche.
- 3 Appuyer sur le bouton **OK** (14) pour entrer le sous-menu Mains libres.
- 4 Appuyer sur le bouton (13) ou le (17) jusqu'à ce que « ChangePhName » («

PhName » étant le nom du téléphone actuellement connecté) s'affiche.

- 5 Appuyer sur le bouton **OK** (14) pour entrer le sous-menu Changement de téléphone.
- 6 Appuyer sur le bouton (13) ou le (17) jusqu'à ce que le nom du téléphone à connecter s'affiche.
- 7 Appuyer sur le bouton **OK** (14) pour connecter l'autre téléphone.

Suppression d'un téléphone

Le but de ce processus est d'éliminer un téléphone spécifique de la liste de téléphones de la radio.

- 1 Appuyer sur le bouton **MENU** (15).
- 2 Appuyer sur le bouton (13) ou le (17) jusqu'à ce que « Hands Free » (mains libres) s'affiche.
- 3 Appuyer sur le bouton **OK** (14) pour entrer le sous-menu Mains libres.
- 4 Appuyer sur le bouton (13) ou le (17) jusqu'à ce que « Edit Phone » (modification de téléphone) s'affiche.

- 5 Appuyer sur le bouton **OK** (14) pour entrer le sous-menu Modification de téléphone.
- 6 Appuyer sur le bouton (13) ou le (17) jusqu'à ce que le nom du téléphone à éliminer s'affiche.
- 7 Appuyer sur le bouton **OK** (14) pour éliminer le téléphone.
- 8 « Delete? » (Éliminer?) s'affiche. Appuyer sur le bouton **OK** (14) pour effectuer une vérification.

Suppression de tous les téléphones

Le but de ce processus est d'éliminer tous les téléphones de la liste de téléphones de la radio.

- 1 Appuyer sur le bouton **MENU** (15).
- 2 Appuyer sur le bouton (13) ou le (17) jusqu'à ce que « Hands Free » (mains libres) s'affiche.
- 3 Appuyer sur le bouton **OK** (14) pour entrer le sous-menu Mains libres.
- 4 Appuyer sur le bouton (13) ou le (17) jusqu'à ce que « Edit Phone » (modification de téléphone) s'affiche.

- 5 Appuyer sur le bouton **OK** (14) pour entrer le sous-menu Modification de téléphone.
- 6 Appuyer sur le bouton (13) ou le (17) jusqu'à ce que « Delete All » (éliminer tous) s'affiche.
- 7 Appuyer sur le bouton **OK** (14) pour éliminer tous les téléphones.
- 8 The display will show "Delete?". Push **OK** (14) to verify.
- 9 « Are U sure? » (Valider?) s'affiche. Appuyer sur le bouton **OK** (14) pour effectuer une vérification.

Transférer les appels téléphoniques du véhicule à un téléphone actif

Le but de cette opération est de permettre de transférer les appels téléphoniques afin de les recevoir et de les entendre par le truchement d'un téléphone actif au lieu de par la radio.

- 1 Pour transférer un appel du véhicule à un téléphone actif, appuyer sur la touche **AUDIO**.
- 2 Pour transférer un appel d'un téléphone actif au véhicule, appuyer sur la touche **AUDIO**.

Horloge

Affichage de l'heure

Par défaut, l'heure n'est affichée que si la clé de contact est ACTIVÉE ou que si la radio est ÉTEINTE. Pour programmer l'horloge afin de pouvoir voir l'heure lorsque la radio est allumée, il faut :

- 1 Appuyer sur le bouton **MENU** (15).
- 2 Appuyer sur le bouton (13) ou le (17) jusqu'à ce que « CLOCK » (horloge) s'affiche.

Format 12- ou 24- heures

Le mode de 12 heures et celui de 24 heures sont programmables sur cette horloge.

Le mode de 12 heures permet de faire la distinction entre AM et PM.

Pour changer la base horaire, il faut :

- 1 Appuyer sur le bouton **MENU** (15).
- 2 Appuyer sur le bouton (13) ou le (17) jusqu'à ce que « CLOCK » (horloge) s'affiche.

Réglage de l'horloge

Normalement l'heure est automatiquement programmée par le système du camion. L'option de programmation manuelle n'est alors pas disponible.

Pour manuellement programmer l'horloge, il faut :

- 1 Appuyer sur le bouton **MENU** (15).
- 2 Appuyer sur le bouton (13) ou le (17) jusqu'à ce que « CLOCK » (horloge) s'affiche.
- 3 Appuyer sur le bouton **OK** (14) pour entrer le sous-menu Horloge.
- 4 Appuyer sur le bouton (13) ou le (17) jusqu'à ce que « SET TIME » (programmation de l'heure) s'affiche.

- 3 Appuyer sur le bouton **OK** (14) pour entrer le sous-menu Horloge.
- 4 Appuyer sur le bouton (13) ou le (17) jusqu'à ce que « VISIBLE » s'affiche.
- 5 Appuyer sur le bouton **OK** (14) pour passer de « ON » (marche) à « OFF » (arrêt).

- 3 Appuyer sur le bouton **OK** (14) pour entrer le sous-menu Horloge.
- 4 Appuyer sur le bouton (13) ou le (17) jusqu'à ce que « 12/24 HR » s'affiche.
- 5 Appuyer sur le bouton **OK** (14) pour passer à l'une de ces options 12H ou 24H.

- 5 Appuyer sur le bouton **OK** (14) pour entrer le sous-menu Programmation de l'heure.
- 6 Appuyer sur le bouton (13) ou le (17) pour changer l'heure dans un sens ou dans l'autre.
- 7 Appuyer sur le bouton **OK** (14) pour obtenir l'heure et appuyer en alternance pour obtenir le réglage des minutes.
- 8 Appuyer sur le bouton (13) ou le (17) pour changer les minutes dans un sens ou dans l'autre.
- 9 Appuyer sur le bouton **OK** (14) pour gagner du temps et terminer le processus.

Mise en marche et arrêt de l'alarme — (Caractéristiques en option)

Pour mettre l'alarme ou l'éteindre, il faut :

- 1 Appuyer sur le bouton **MENU** (15).
- 2 Appuyer sur le bouton (13) ou le (17) jusqu'à ce que « WAKE UP ALARM » (réveil par alarme) s'affiche.
- 3 Appuyer sur le bouton **OK** (14) pour entrer le sous-menu Réveil par alarme.
- 4 Appuyer sur le bouton (13) ou le (17) jusqu'à ce que « ON/OFF » (marche/arrêt) s'affiche.
- 5 Appuyer sur le bouton **OK** (14) pour changer le réglage de l'alarme.

Programmation de l'alarme — (Caractéristiques en option)

Pour programmer l'heure de réveil, il faut :

- 1 Appuyer sur le bouton **MENU** (15).
- 2 Appuyer sur le bouton (13) ou le (17) jusqu'à ce que « WAKE UP ALARM » (réveil par alarme) s'affiche.
- 3 Appuyer sur le bouton **OK** (14) pour entrer le sous-menu Réveil par alarme.
- 4 Appuyer sur le bouton (13) ou le (17) jusqu'à ce que « SET TIME » (programmation de l'heure) s'affiche.
- 5 Appuyer sur le bouton **OK** (14) pour entrer le sous-menu Programmation de l'heure.
- 6 Appuyer sur le bouton (13) ou le (17) pour changer l'heure dans un sens ou dans l'autre.
- 7 Appuyer sur le bouton **OK** (14) pour obtenir l'heure et appuyer en alternance pour obtenir le réglage des minutes.
- 8 Appuyer sur le bouton (13) ou le (17) pour changer les minutes dans un sens ou dans l'autre.
- 9 Appuyer sur le bouton **OK** (14) pour gagner du temps et terminer le processus.

Code antivol

La radio est programmée pour qu'elle ne fonctionne que sur un seul véhicule. La caractéristique antivol empêche la radio de fonctionner partout ailleurs. L'antivol

fonctionne automatiquement et normalement il ne nécessite aucune manipulation manuelle.

En cas de dysfonctionnement

Si, pour une raison quelconque, la radio ne détecte pas le bon véhicule, l'utilisateur devra entrer le code antivol (étiquette située dans le guide du conducteur). Le code « CODE 0000 » s'affiche alors.

Remarquer que cela est une défaillance et que celle-ci doit être vérifiée dans un atelier agréé.

Pour entrer le code, il faut :

- 1 Changer le chiffre (clignotant), en tournant le bouton du volume (7) jusqu'à obtention du bon chiffre.

- 2 Appuyer sur le bouton de mise en marche pour entrer le chiffre. Le prochain chiffre se mettra à clignoter.
- 3 Répéter les étapes 1 et 2 jusqu'au dernier chiffre.

Trois essais sont possibles pour entrer le code. Si ces trois essais sont manqués, la radio sera alors verrouillée pendant 60 minutes avant de pouvoir faire trois nouveaux essais.

Désactivation de l'antivol

Il est possible de désactiver l'antivol, mais cela est vivement déconseillé.

Pour désactiver la fonction antivol, il faut :

- 1 Appuyer sur le bouton **MENU** (15).
- 2 Appuyer sur le bouton (13) ou le (17) jusqu'à ce que « ADVANCE » (avancement) s'affiche.
- 3 Appuyer sur le bouton **OK** (14) pour entrer le sous-menu Avancement.
- 4 Appuyer sur le bouton (13) ou le (17) jusqu'à ce que « GUARD » (antivol) s'affiche.
- 5 Appuyer sur le bouton **OK** (14) pour valider.
- 6 Appuyer sur le bouton **OK** (14) pour programmer l'antivol sur « ON » (marche) ou sur « OFF » (arrêt).

CODE 0000 » s'affichera alors et le premier chiffre clignotera.

Pour entrer le code, il faut :

- 1 Changer le chiffre (clignotant), en tournant le bouton du volume (7) jusqu'à obtention du bon chiffre.
- 2 Appuyer sur le bouton de mise en marche pour entrer le chiffre. Le prochain chiffre se mettra à clignoter.
- 3 Répéter les étapes 1 et 2 jusqu'au quatrième chiffre.

Trois essais sont possibles pour entrer le code. Si ces trois essais sont manqués, la radio sera alors verrouillée pendant 60 minutes avant de pouvoir faire trois nouveaux essais.

L'utilisateur devra alors fournir le code antivol pour activer ou désactiver l'antivol. «

Conseils et astuces

USB et MP3

La radio est conçue pour fonctionner avec des dispositifs USB compatibles avec le support mémoire de masse USB régulier.

Remarque: D'autres appareils USB peuvent fonctionner avec la radio. Si un appareil USB ne fonctionne pas avec la radio, essayer de le rebrancher, ceci résout, dans certains cas, le problème. Certains appareils USB sont livrés avec des logiciels installés ce qui les rend incompatibles avec le support mémoire de masse USB régulier. Dans ce

cas, le formatage d'un appareil USB peut parfois résoudre le problème.

Remarque: Le formatage de l'appareil efface toutes les données sur le dispositif USB, il est préférable de sauvegarder toutes les données avant de procéder.

- WMA et MP3 sont les seuls formats qui sont lisibles par cet appareil.
- La liste de diffusion doit être en version .PLS ou .M3U.

Bluetooth

La radio est conçue afin de fonctionner avec un téléphone cellulaire compatible avec Bluetooth mains libres Profile 1.5.

Remarque: Certains téléphones cellulaires compatibles Bluetooth n'étant pas compatibles avec cette norme peuvent fonctionner malgré tout. Pour savoir si votre téléphone est compatible avec le profil Mains-libres Bluetooth 1,5, veuillez consulter la page d'accueil Bluetooth, <https://www.bluetooth.org/tpg/listings.cfm> et

trouver les spécifications correspondantes à votre téléphone.

Remarque: Si la structure de la page d'accueil Bluetooth est mise à jour, le lien ci-dessus pourrait changer. Vous pouvez également prendre contact avec votre fournisseur de téléphone cellulaire afin d'obtenir directement les détails.

- Compatible avec la norme 1.5.
- De plus amples renseignements sur www.bluetooth.org.

iPod

La radio est conçue afin d'être compatible avec les modèles iPod suivants:

- iPod nano – 1e, 2e et 3e génération
- iPod classic – 5e et 6e génération

Remarque: Les anciennes et les nouvelles générations de ces iPod peuvent également fonctionner.

- Un adaptateur iPod peut être acheté par Volvo sous le numéro de référence 21259125.
- D'autres adaptateurs se trouvent aussi sur le site www.sendstation.com.
- Pour obtenir les meilleures performances possibles, le micrologiciel iPod doit être à jour en allant www.apple.com.

CD, MP3, et WMA

- Au début d'un CD avec MP3 ou WMA, les quelques premières secondes de lecture ne produisent pas de son.
- Pour obtenir les meilleures performances possibles, un CD MP3/WMA ne doit pas contenir des fichiers de types autres que MP3, WMA, M3U et PLS.