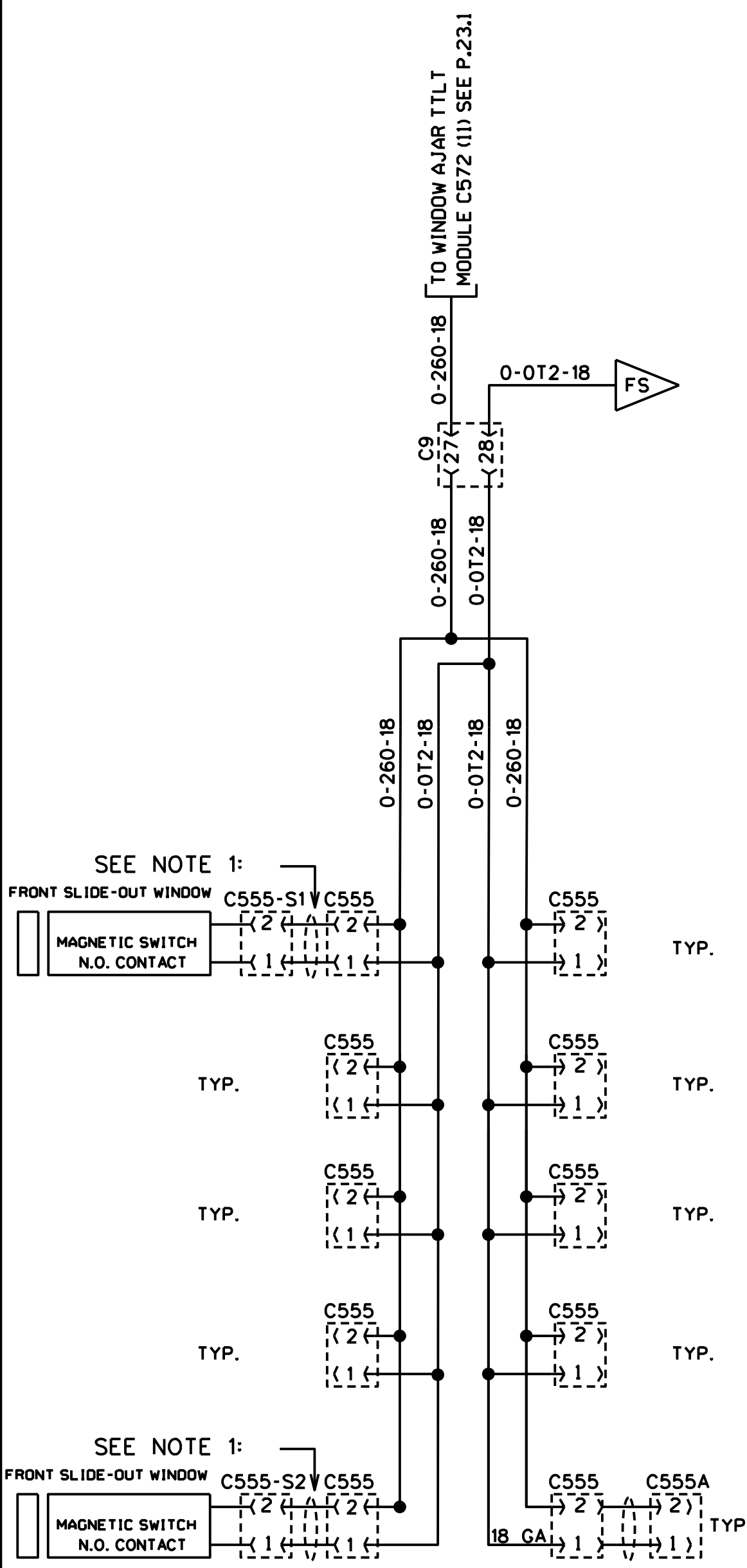
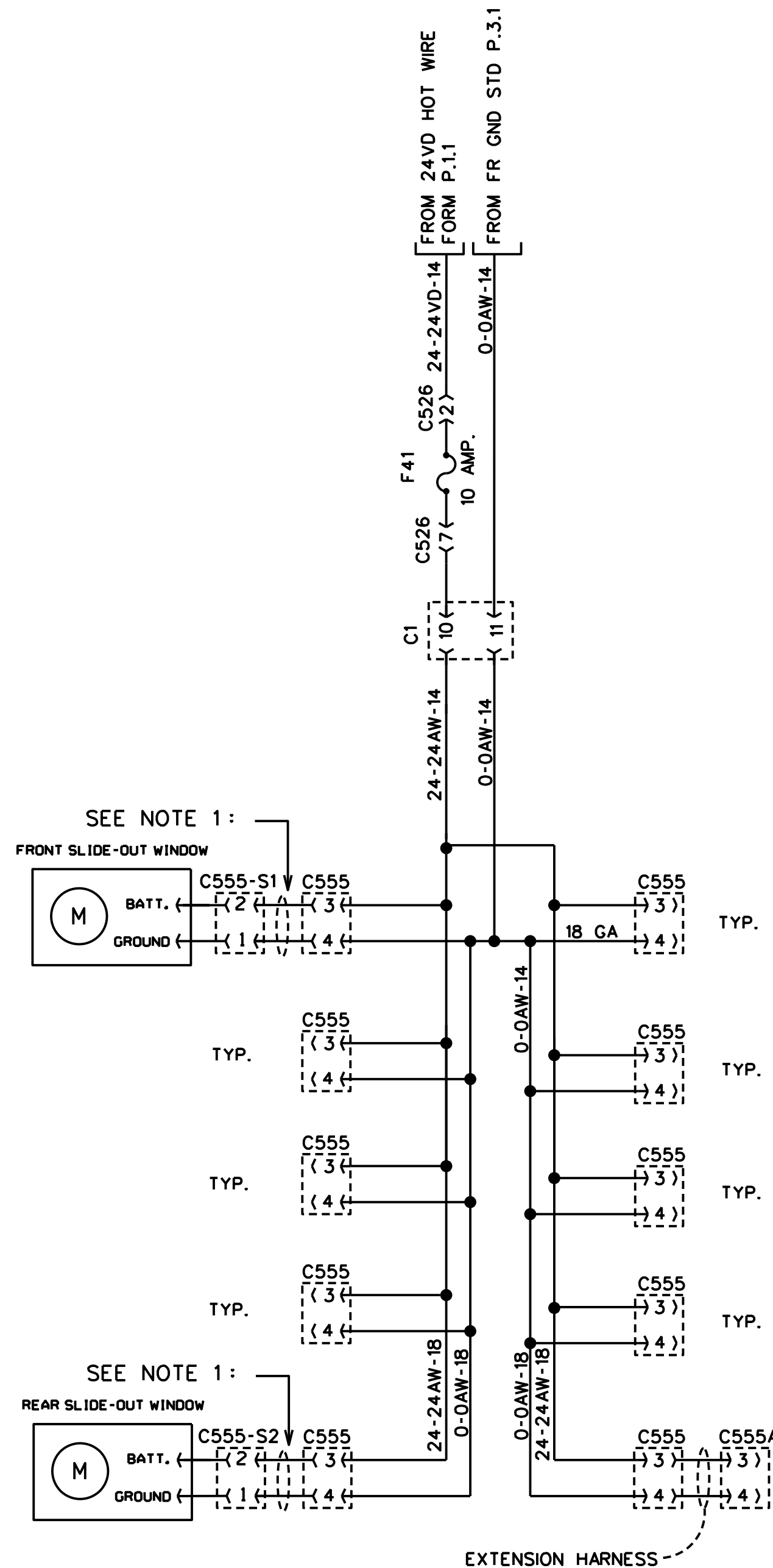


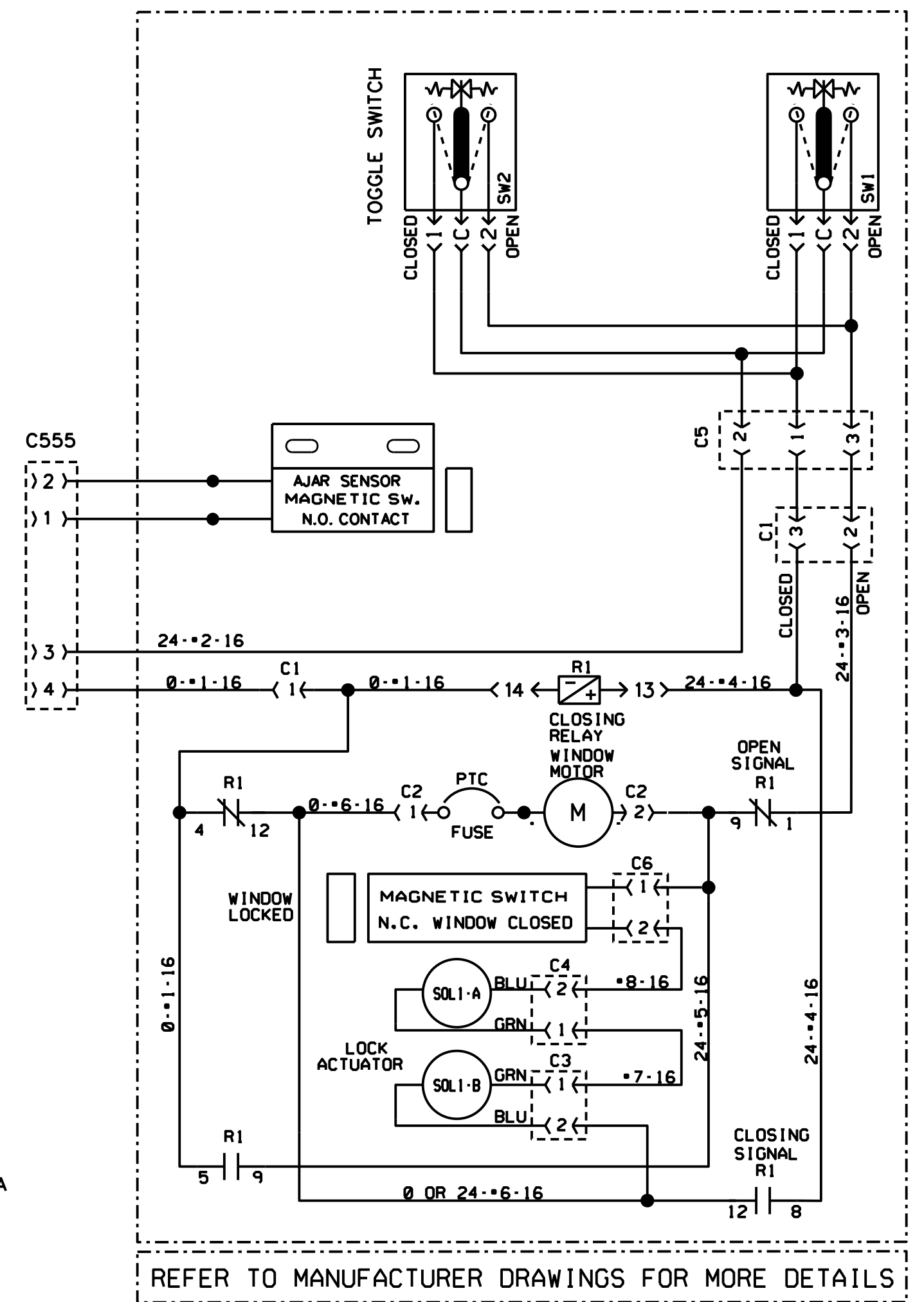
NOTE 1: SLIDE OUT WINDOW IS TEMPORARY CONNECTED AND HAS TO BE MODIFIED BY CONVERTER



L.H. WINDOW AJAR SENSING R.H.



L.H. AWNING MECANISM R.H.



REFER TO MANUFACTURER DRAWINGS FOR MORE DETAILS

INTERNAL SCHEMATIC