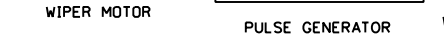
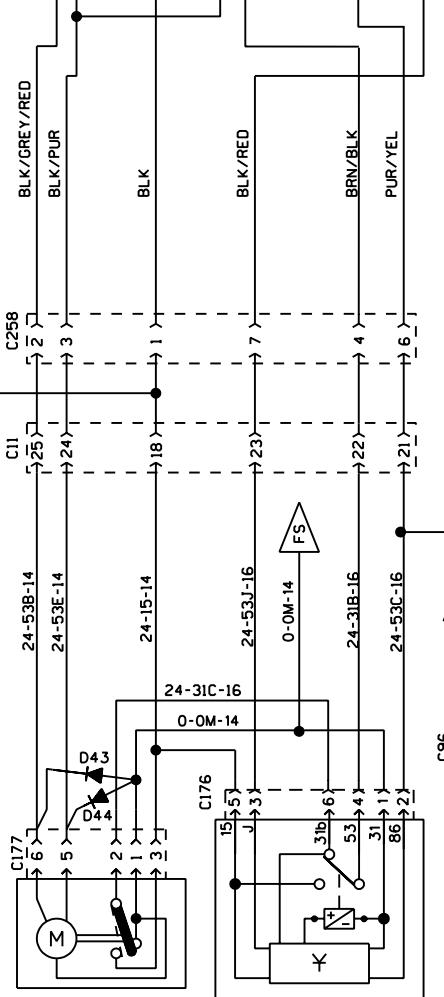
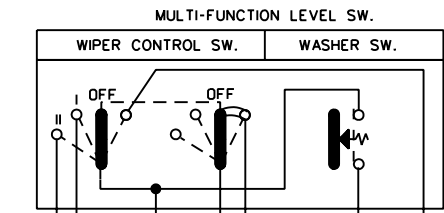
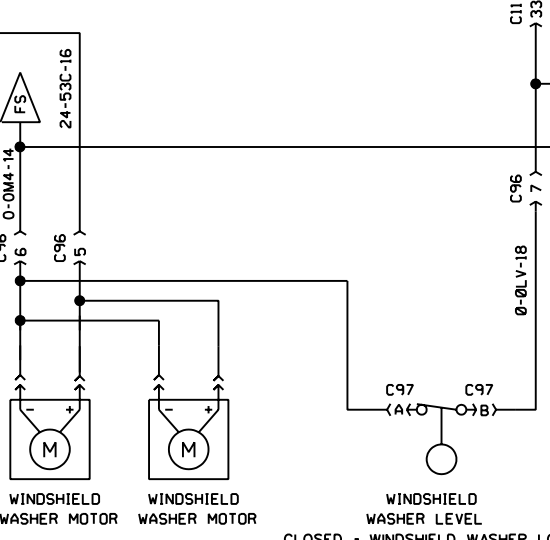


24 VOLTS IGNITION  
FROM CB45 SEE P. 9.2

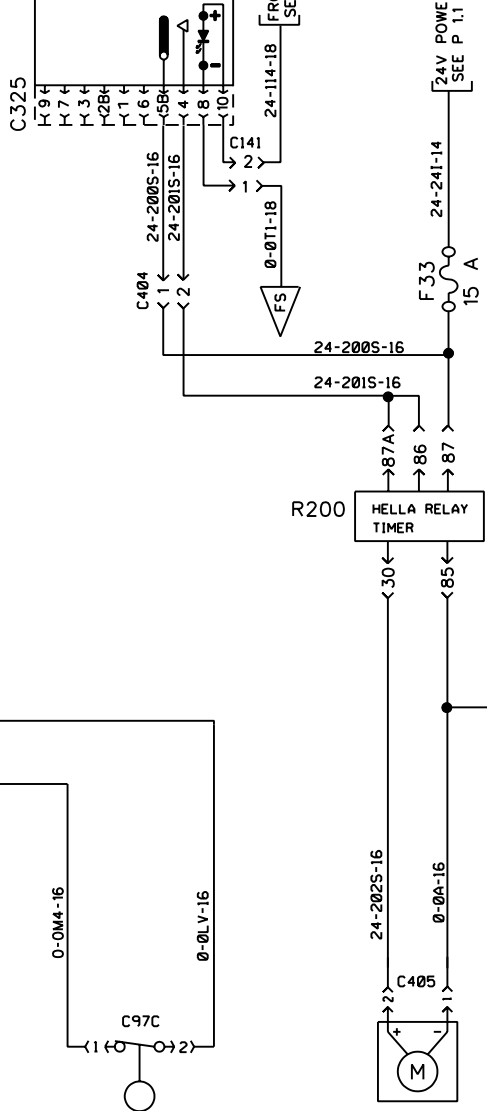


WINDSHIELD WIPER AND WASHER

TO WINDSHIELD WASHER LOW LEVEL  
T.T.L.T. MODULE C57(14) SEE P.23.1



CLOSED - WINDSHIELD WASHER LOW LEVEL



CLOSED - HEAD LAMP WASHER LOW LEVEL

HEAD LAMP CLEANING SYSTEM