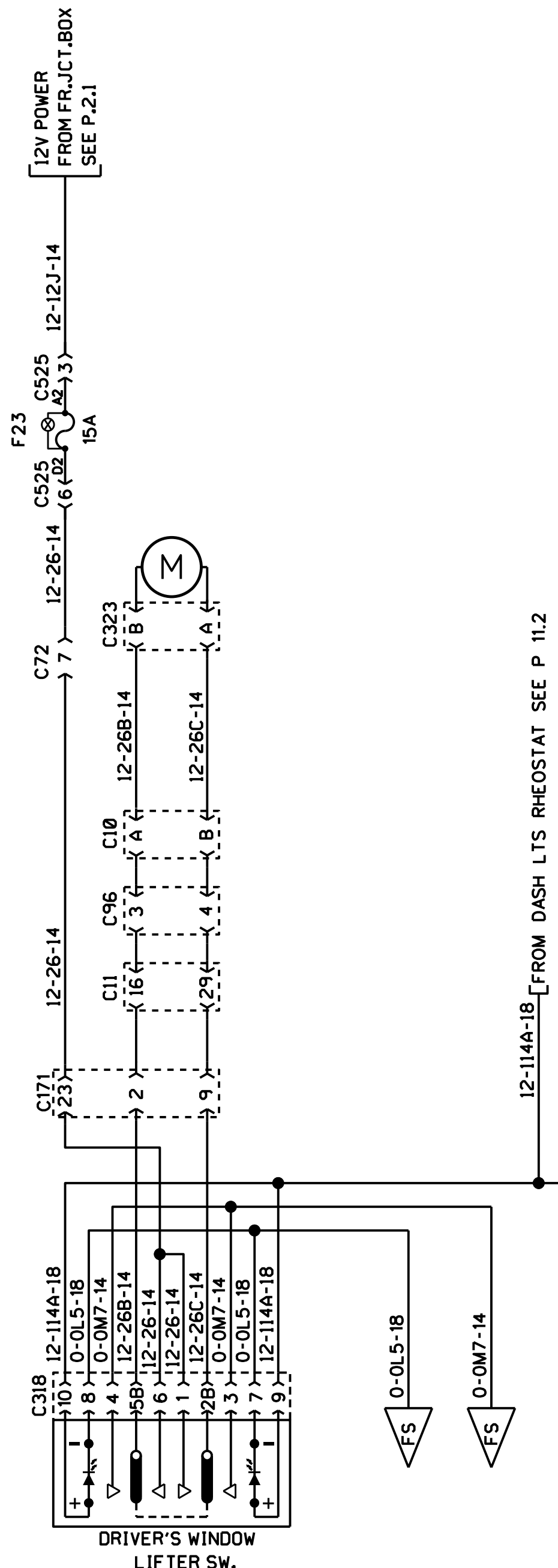
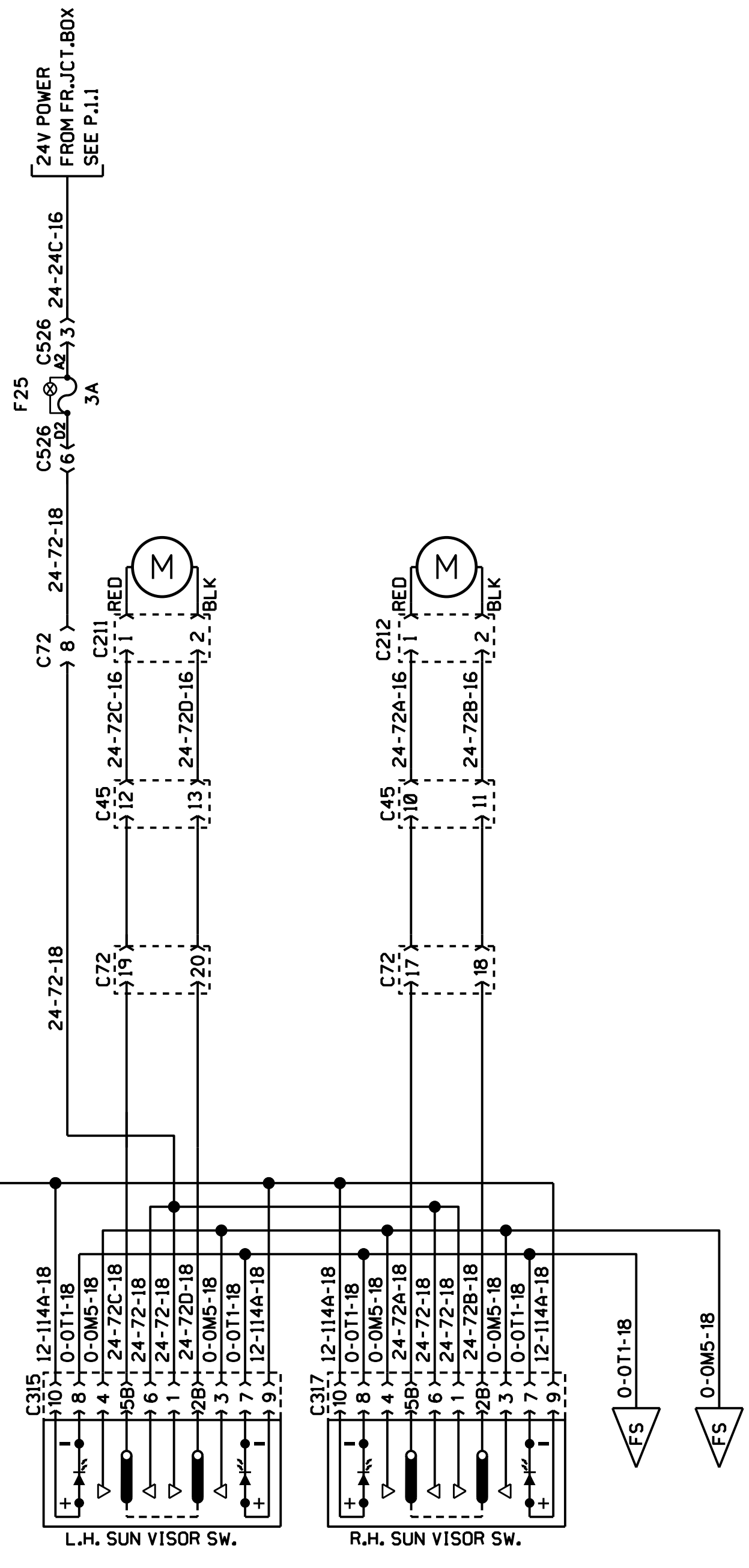


12V POWER
FROM FR. JCT. BOX
SEE P. 2.1



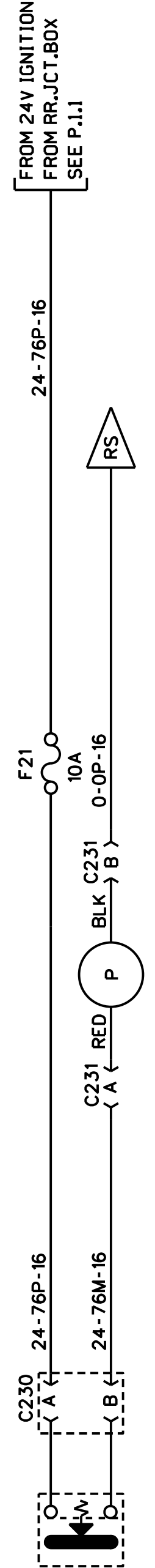
ENTRANCE DOOR AND DRIVER'S WINDOW LIFTER

24V POWER
FROM FR. JCT. BOX
SEE P. 1.1



SUN VISOR

FROM 24V IGNITION
FROM RR. JCT. BOX
SEE P. 1.1



FUEL PRIME PUMP