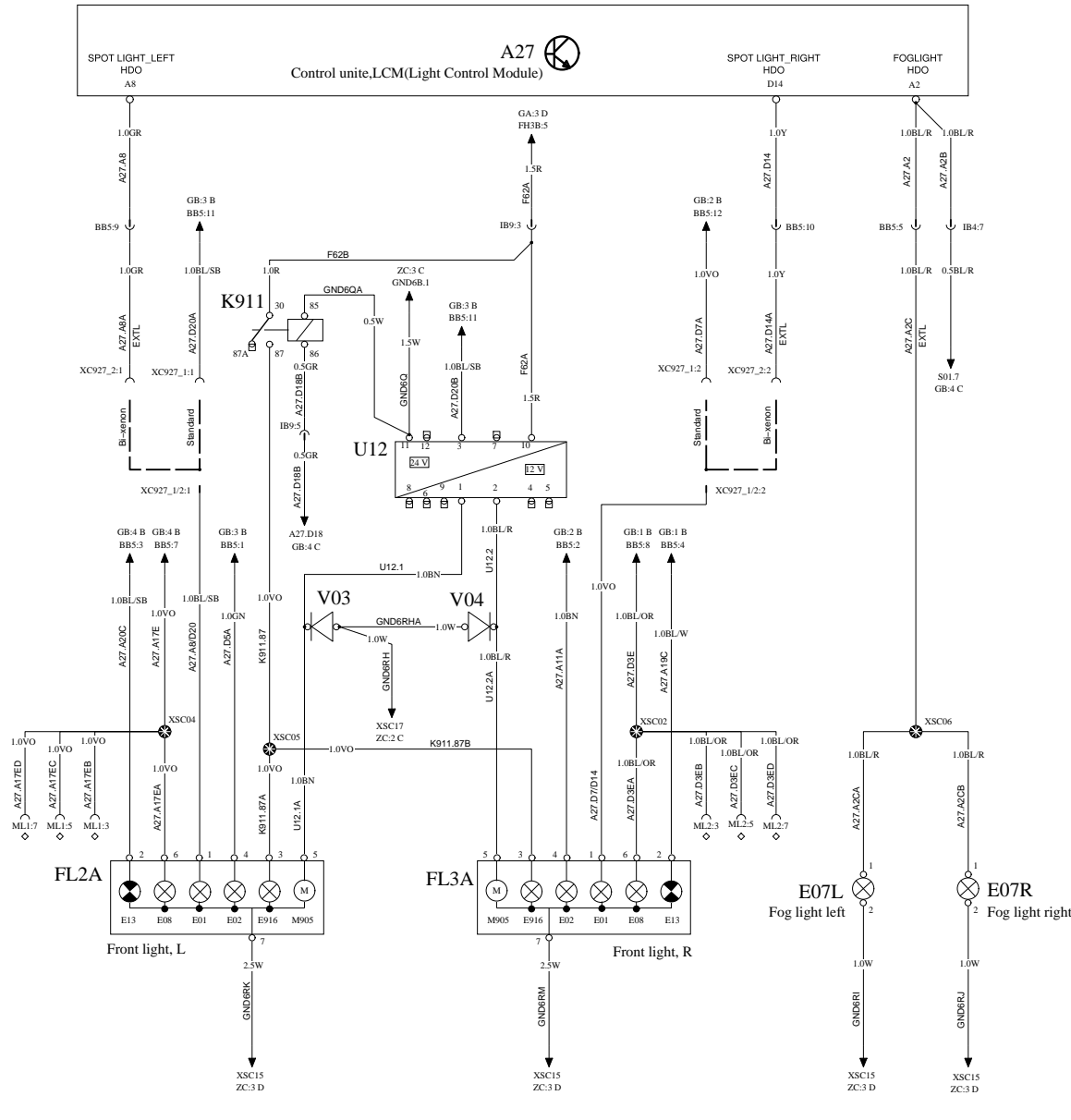


LCM
FRONT LIGHT

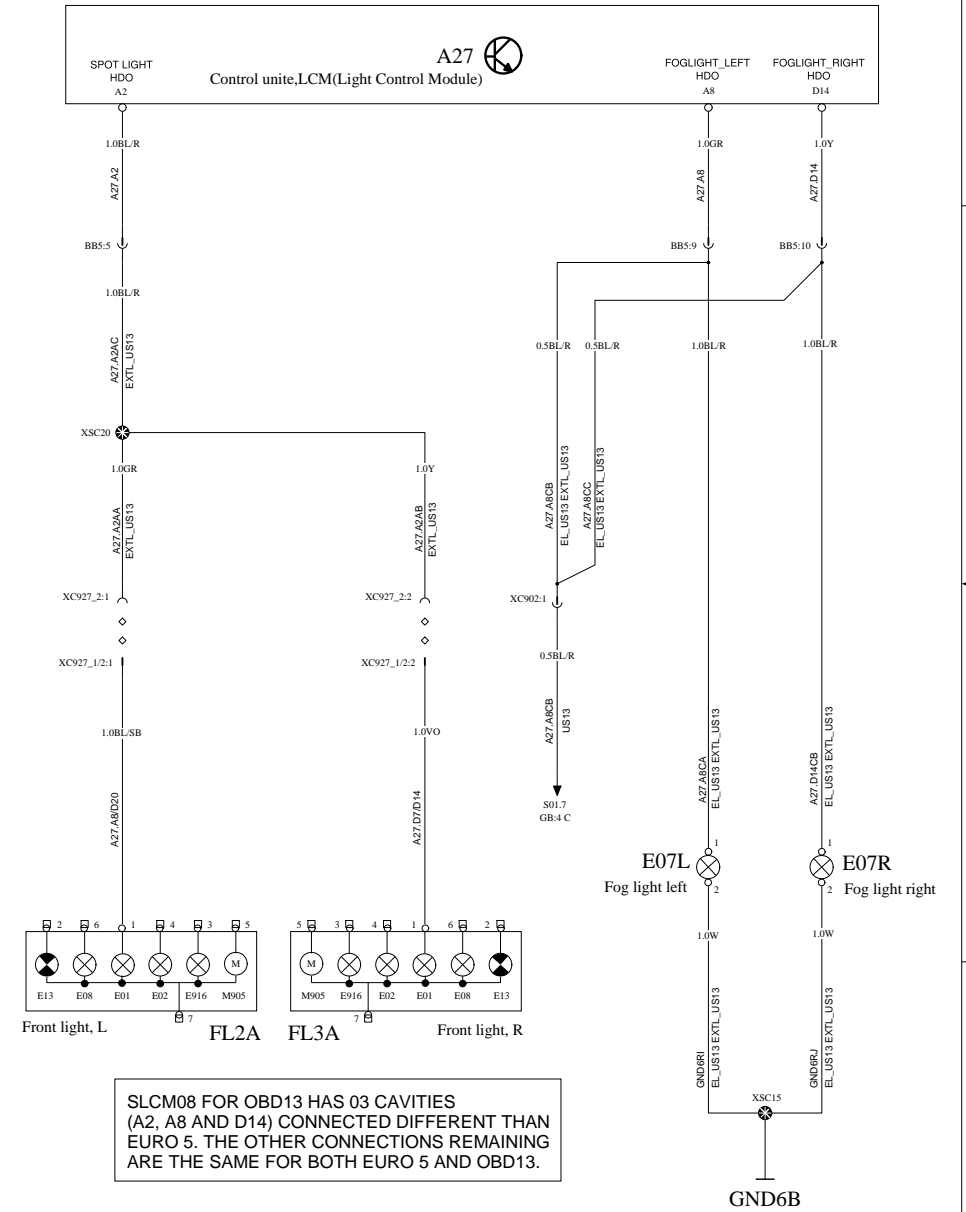
BI-XENON LIGHT

WIRING DIAGRAM GE

SLCM FOR EURO 5



SLCM08 FOR OBD13



SLCM08 FOR OBD13 HAS 03 CAVITIES (A2, A8 AND D14) CONNECTED DIFFERENT THAN EURO 5. THE OTHER CONNECTIONS REMAINING ARE THE SAME FOR BOTH EURO 5 AND OBD13.