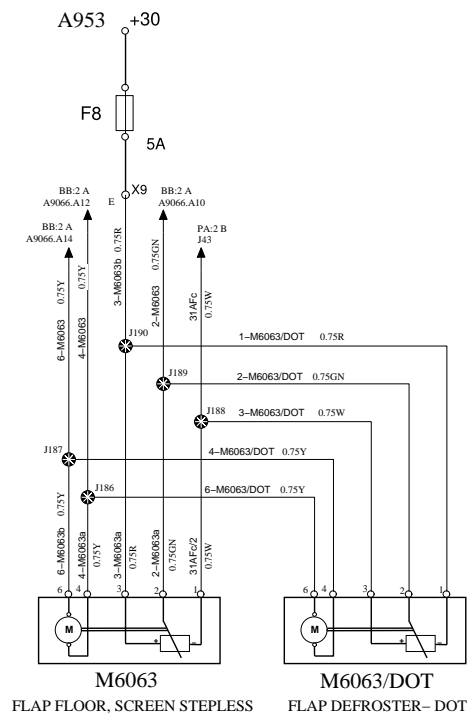
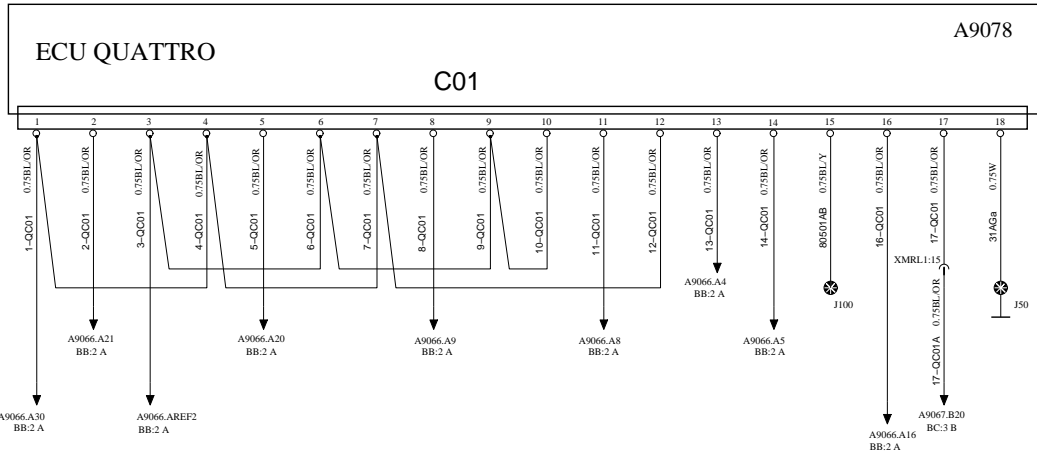
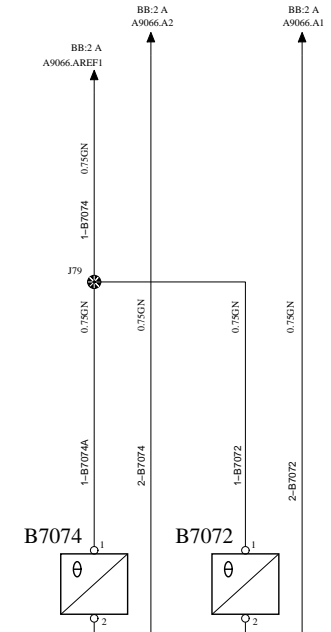


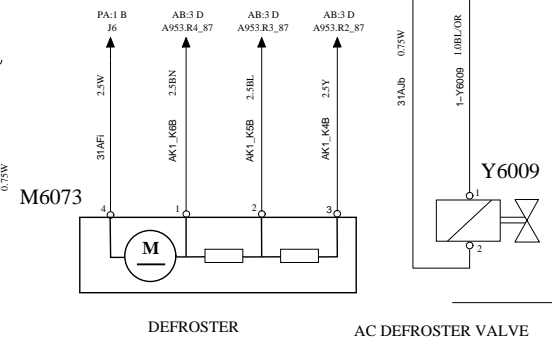
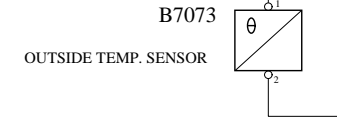
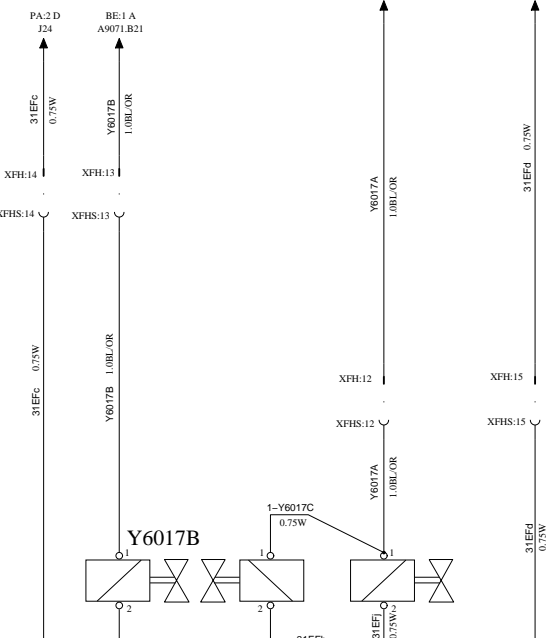
CONTROL UNIT, CLIMATE DISPLAY



DRIVER TEMP. SENSOR



DEFROSTER VALVE



*AC WITHOUT MULTIPLEX CONNECT TO XFHS