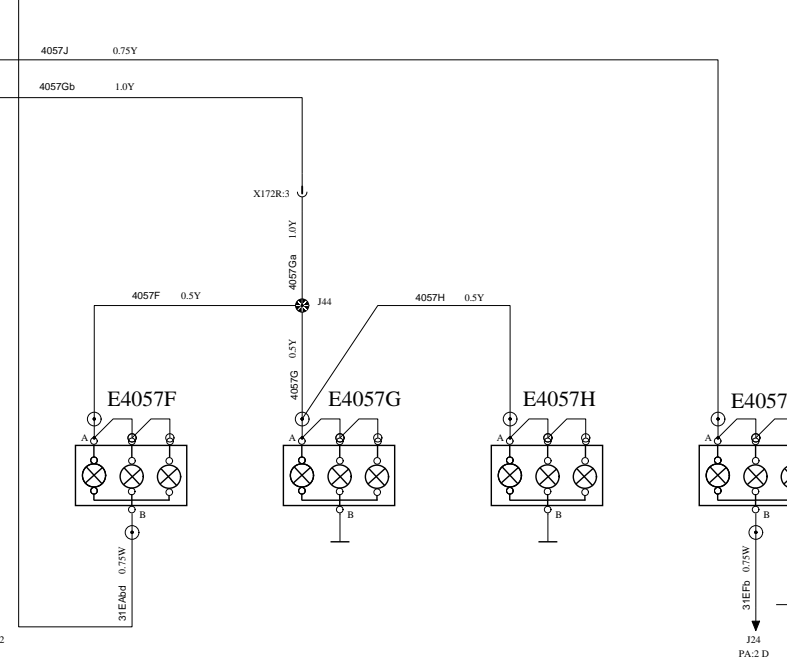
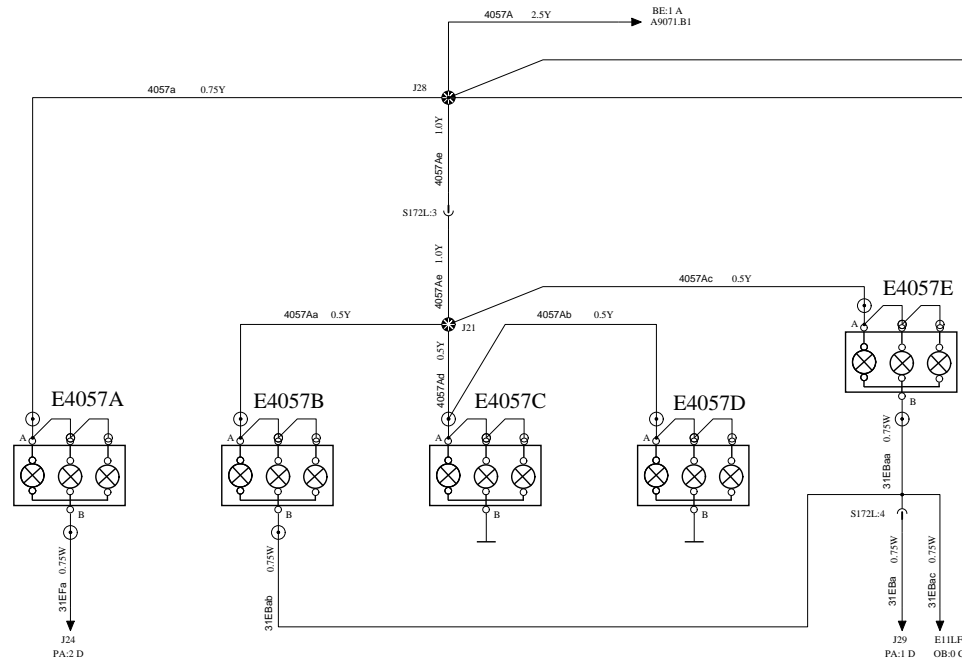
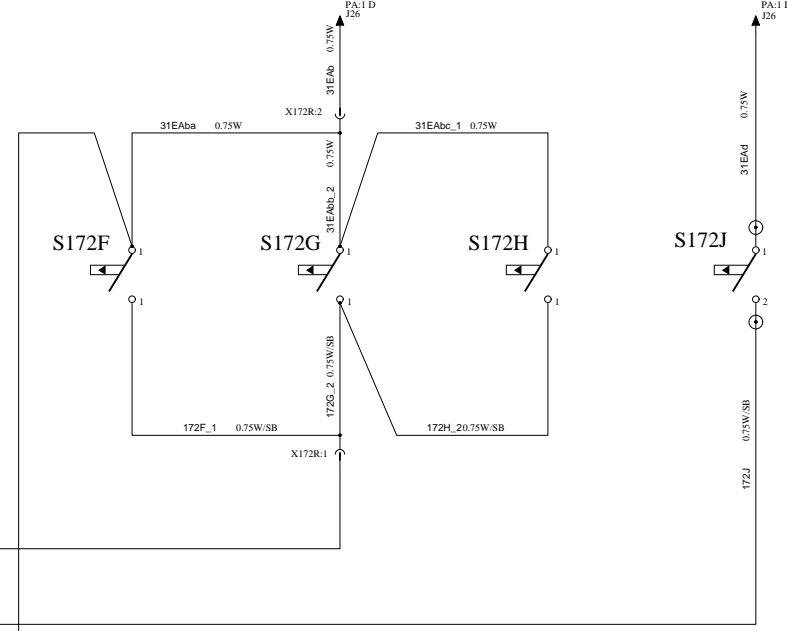
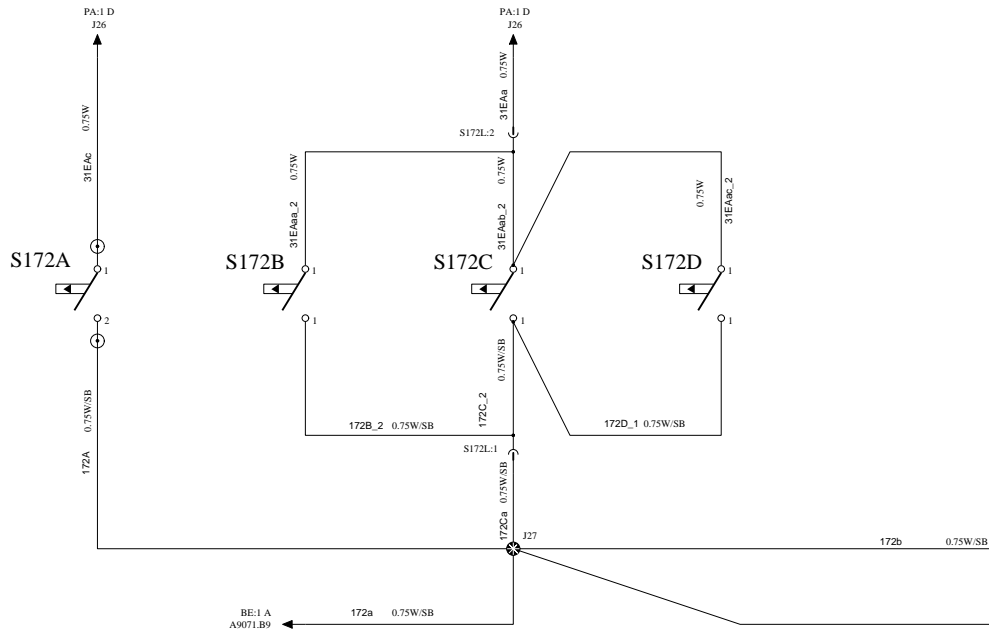


LUGGAGE LIGHTS

CC

WIRING DIAGRAM



Volvo Bus Corporation

Document title WIRING DIAGRAM
Document type PRODUCT SCHEMATIC

Document No 21250316	Issue 01	Volume 01	Page 18/47
--------------------------------	--------------------	---------------------	----------------------