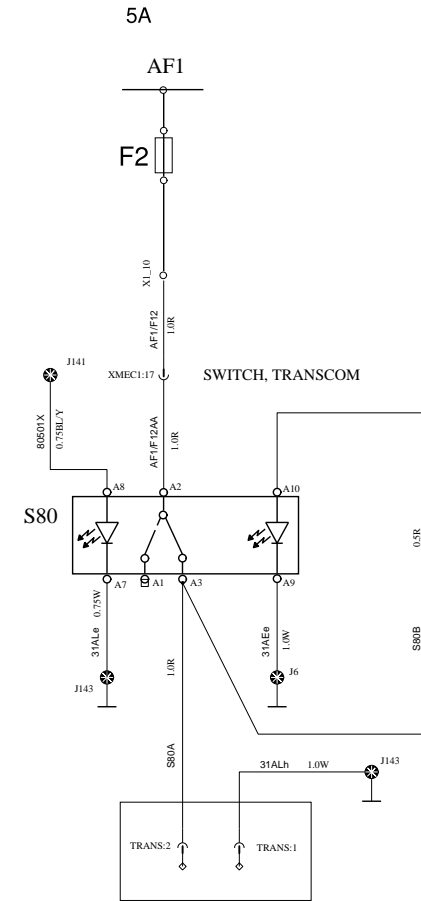
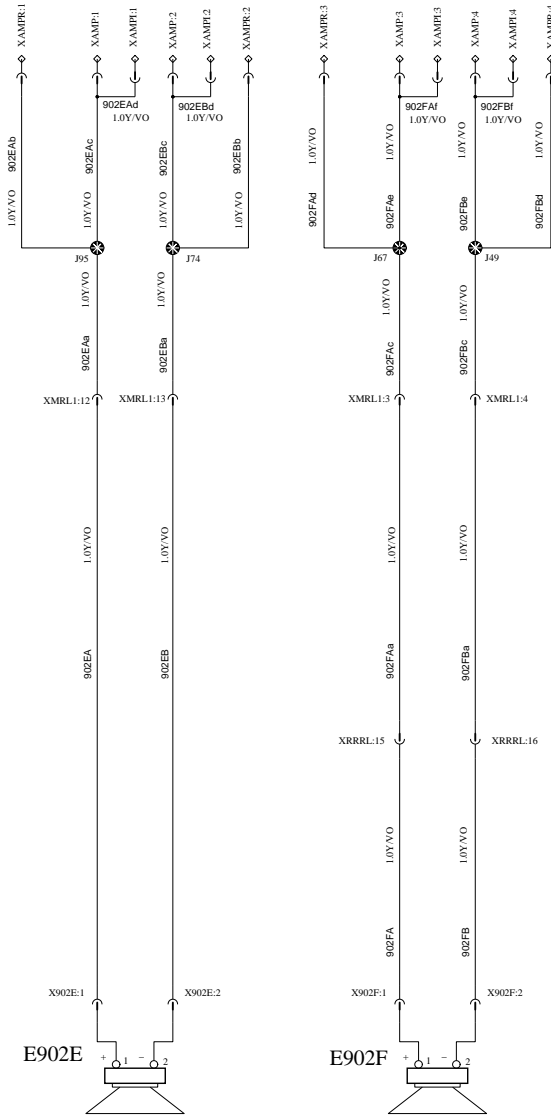
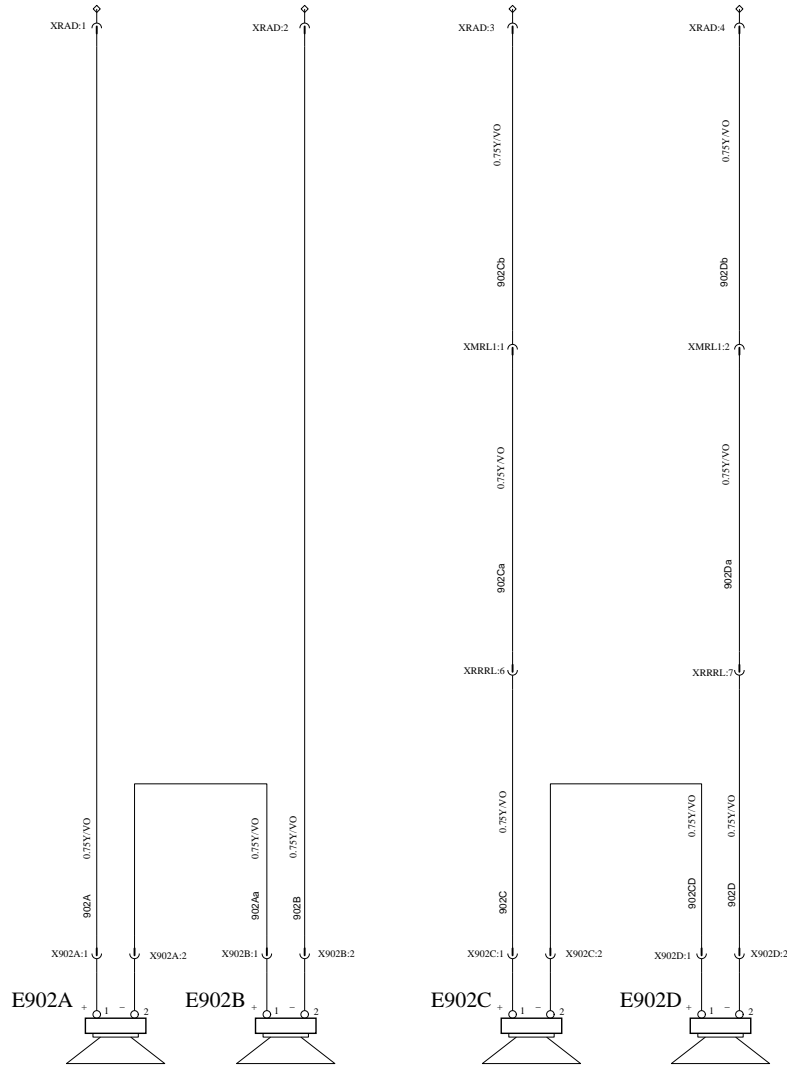


AUDIO

LB

WIRING DIAGRAM



Volvo Bus Corporation

Document title
WIRING DIAGRAM

Document type
PRODUCT SCHEMATIC

Document No

21250316

Issue

01

Volume

01

Page

35/47