



X30
X45 PLUS
M SERIES

ROCKER SWITCH, ON/OFF, 12/24 VOLT

Part # 920130K

Introducing

Proheat has released a new dual voltage 12/24 Volt, Rocker Switch, part number 920130K for all heater models.

Part Numbers

The new dual voltage Rocker Switch has the same functions as the single voltage Toggle Switch.

920130K Rocker Switch,
On/Off, 12/24 Volt.

The **920130K** Rocker Switch replaces the following Toggle Switch:

842725K Toggle Switch,
On/Off, 24 Volt.

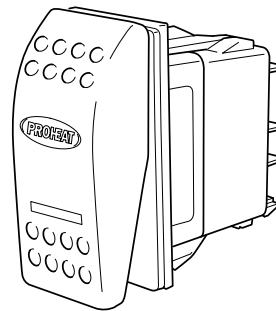


Figure A. Dual voltage Rocker Switch.

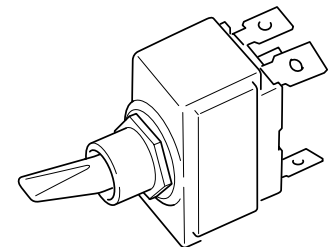


Figure B. Single voltage Toggle Switch.

Updates

The 12/24 Volt, Rocker Switch connections are identified below.

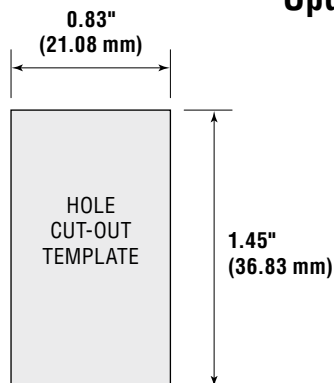


Figure C. Rocker Switch Mounting Template.

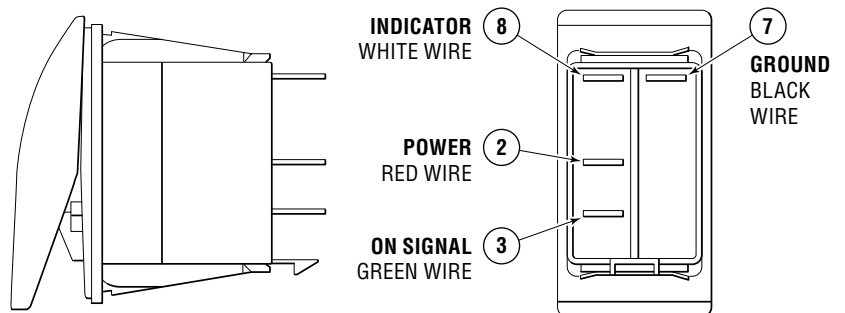


Figure D. Dual voltage rocker switch connections.