

M-SERIES FLASH CODE DECALS G-II & G-I PCM

G-II PCM

PROHEAT

**PCM G-II
DIAGNOSTIC CODES**

- 1 Start
- 2 Flame Out
- 3 Coolant Flow
- 4 Overheat
- 5 Voltage
- 6 Flame Fault
- 7 Temp Sensor/Coolant Flow
- 8 Fuel Solenoid
- 9 Not Used
- 10 Ignition Module
- 11 Coolant Pump
- 12 Motor
- 13 Auxiliary Output
- 14 Accessory/Switch Output
- 15 Indicator Output
- 16 System Current
- 17 Motor Speed Sensor
- 18 CANbus Error

PROHEAT

Diesel Fuelled Vehicle Coolant Heater
Approved for Use in Bus Applications
SeaStar Solutions, Richmond B.C.

This Product Meets FMCSA
Bus Heater
Requirements

Apply this decal if equipped with a **G-II PCM**

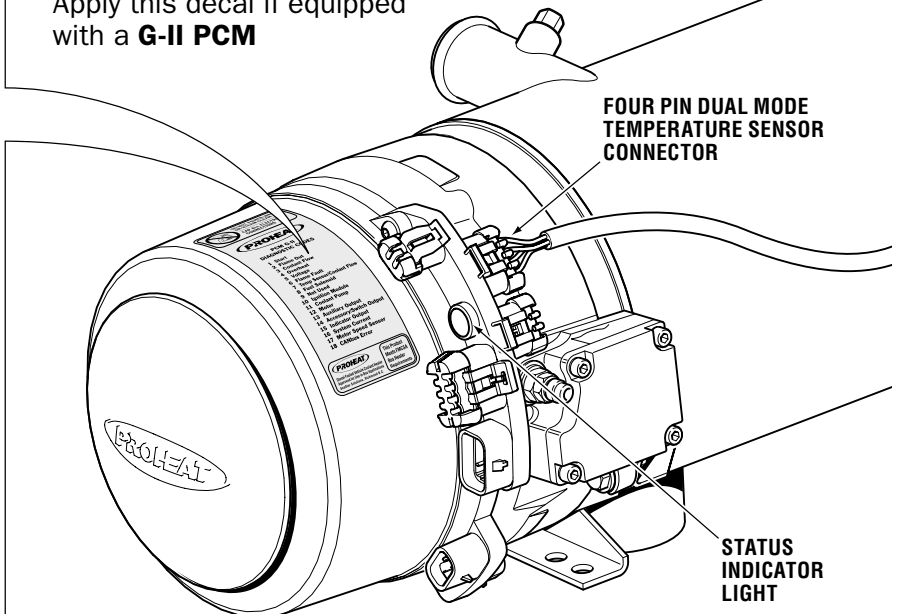


Figure A.

G-I PCM

PROHEAT

DIAGNOSTIC CODES

- 01 Start Error
- 02 Flame Out
- 03 Coolant Flow
- 04 Overheat
- 05 Voltage Error
- 06 Flame Sensor
- 07 Temp Sensor 1
- 08 Fuel Solenoid
- 09 Temp Sensor 2
- 10 Ignition Module
- 11 Coolant Pump
- 12 Motor Fault
- 13 Auxiliary Fault
- 14 Accessory Fault

PID 200106

PROHEAT

Diesel Fuelled Vehicle Coolant Heater
Approved for Use in Bus Applications
SeaStar Solutions, Richmond B.C.

This Product Meets
FHWA Bus Heater
Requirements

Apply these three decals if equipped with a **G-I PCM**

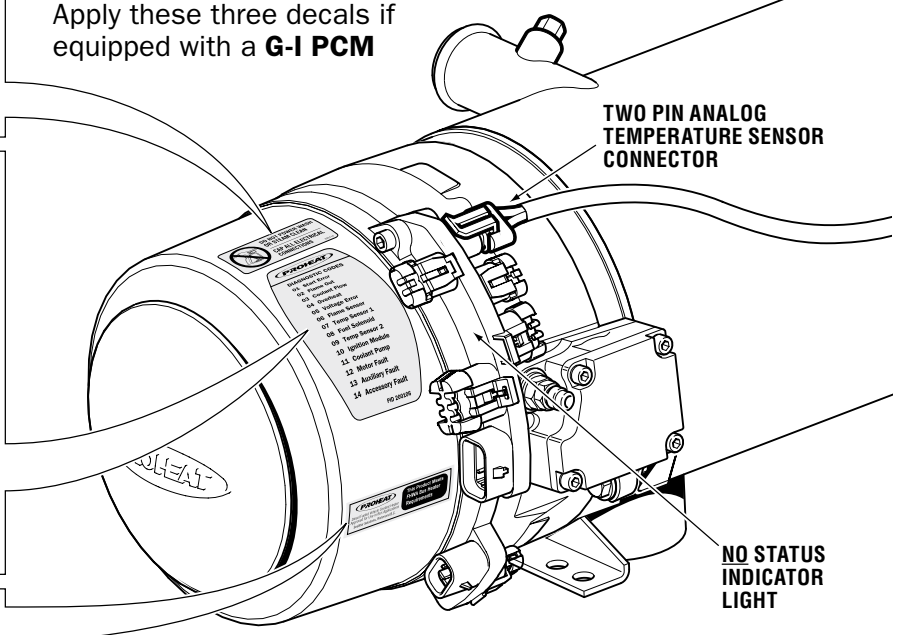


Figure B.

NOTICE

Ensure sticker area is clean and free from debris, grease and oils before applying.