

4.3" LCD TOUCHSCREEN vs STANDARD LEVELING KEYPAD

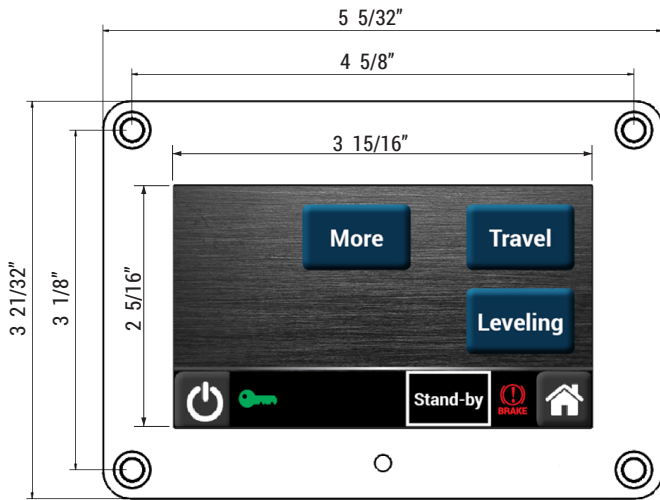


LCD TOUCHSCREEN

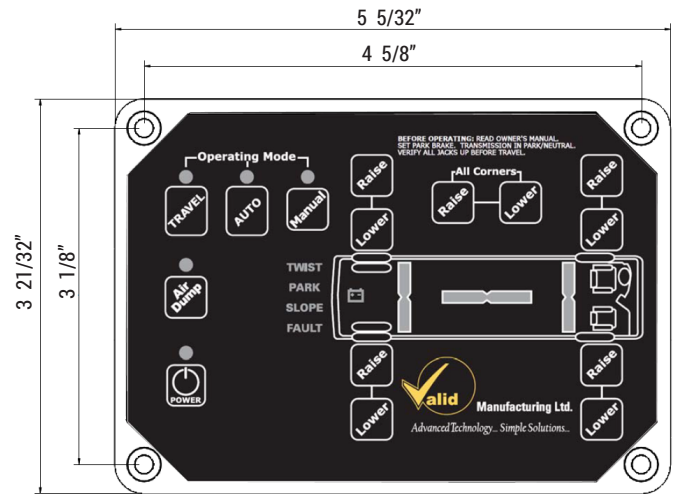
LEVELING KEYPAD

All dimensions in inches

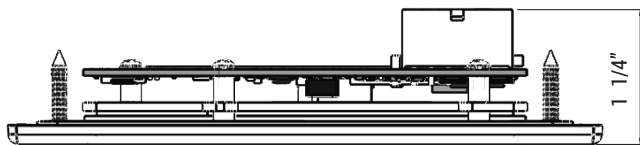
Dimensions



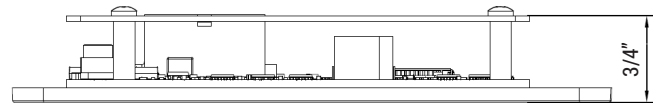
Front view



Front view

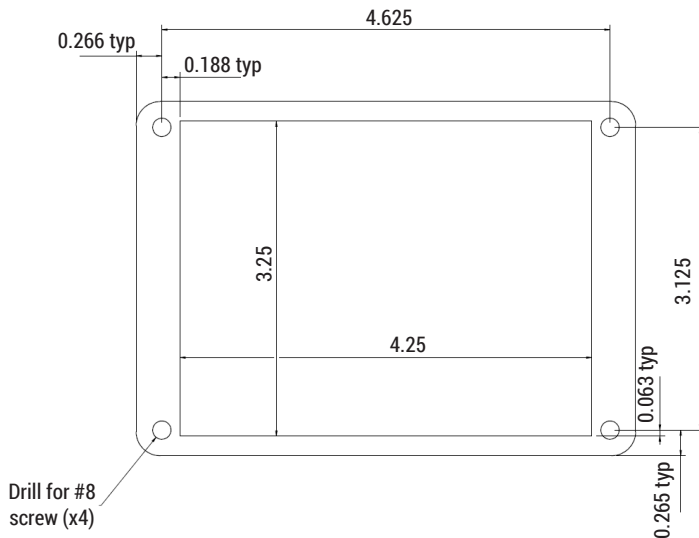


Side view

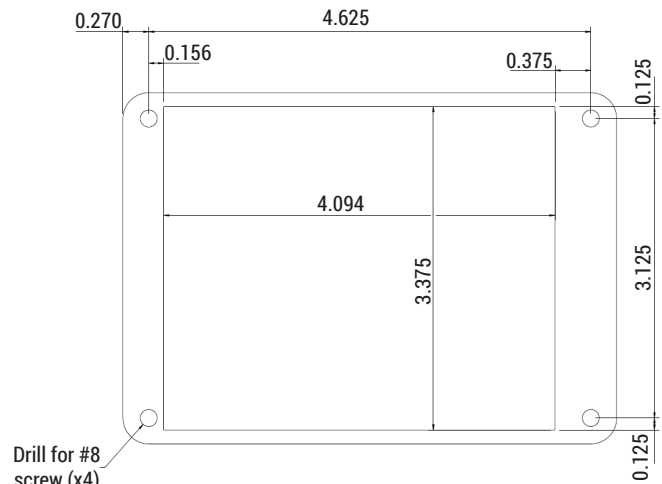


Side view

Cutout Dimensions



Drill for #8 screw (x4)



Drill for #8 screw (x4)

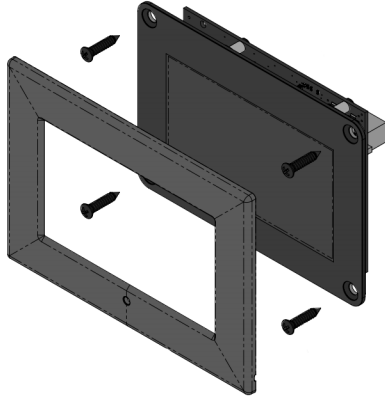
continued on next page

LCD TOUCHSCREEN

LEVELING KEYPAD

Molded Snap-on Trim

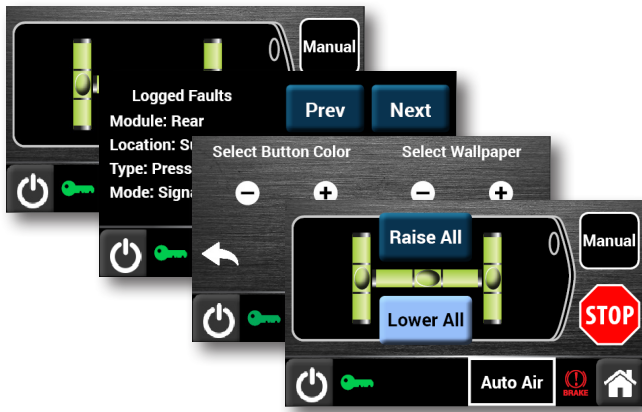
Optional



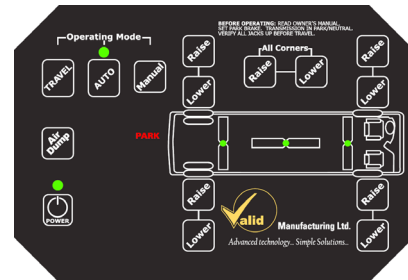
Not available

Interface

- Intuitive, multiple screens, user-customizable
- PCAP multi-touch screen, unlimited button/screen configurations.

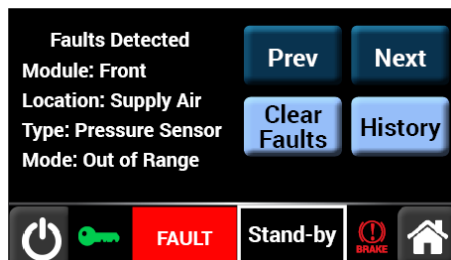


- Static
- 15 or 16 fixed buttons

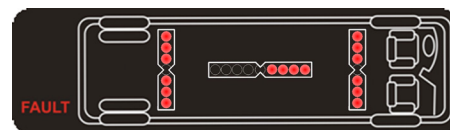


Diagnostics

Fault details in plain text



Fault details as LED combinations, requires reference documentation



continued on next page

Other features	LCD TOUCHSCREEN	LEVELING KEYPAD
Adaptability	Can be configured as Air Only or Air/Hydraulic System Controller. Single part for multiple applications.	One application per part
Feedback	480x272 pixels. Full RGB colour with adjustable backlight, buzzer.	LEDs at each button and front, rear and longitudinal LED bars, buzzer.
Environmental	Sealed screen overlay and gasketed bezel to prevent liquid ingress	Dust protection only
CAN-bus	2 CAN ports (250K or 500K)	1 CAN port (250K or 500K)
Extras	Other HMI devices can be integrated. Ex: TPMS, tag axle, switches, instrument cluster control	Not available
Electrical	6-36 VDC operating voltage range	8-28 VDC operating voltage range