

WORLD TRANSMISSION E.C.U.

**PREVOST**

**WIRING DIAGRAM**

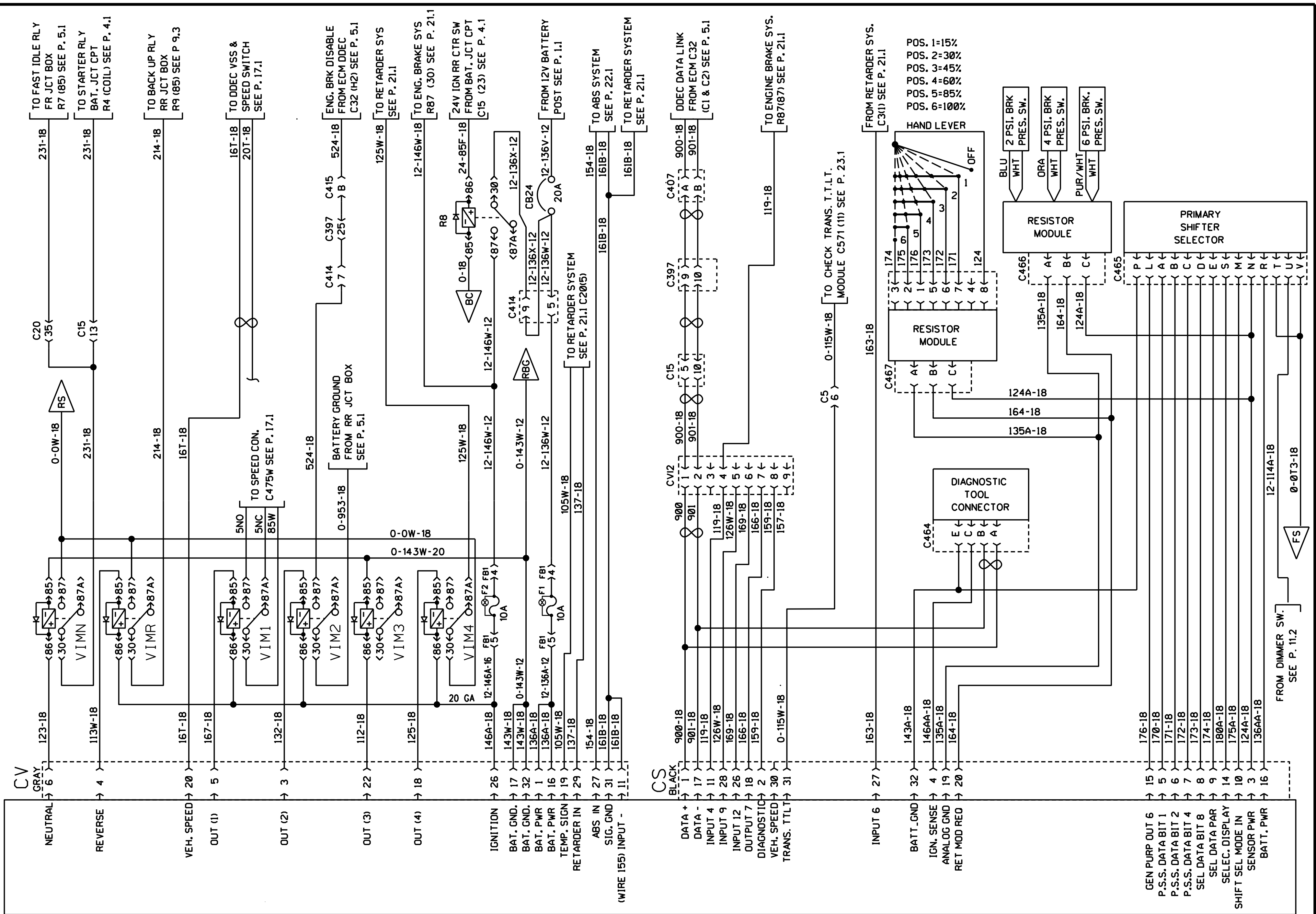
NO:

**0060912**

PAGE:

**6.1**

REVISION  
00



FROM DIMMER SW.  
SEE P. 11.2

0-0T3-18

FS