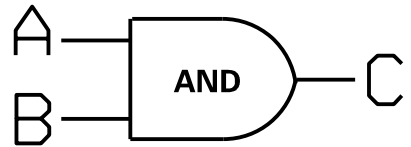
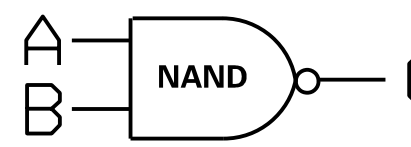


LOGIC GATE

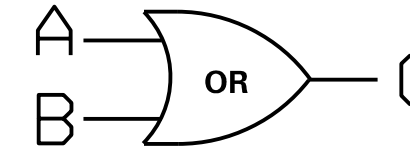
TRUTH TABLE

AND GATE		
		
INPUT		OUT
A	B	C
0	0	0
0	1	0
1	0	0
1	1	1

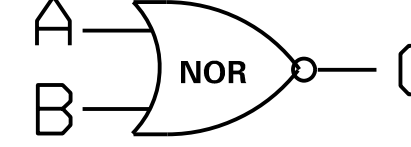
• OUTPUT IS 1 WHEN ALL INPUT IS 1

NAND GATE		
		
INPUT		OUT
A	B	C
0	0	1
0	1	1
1	0	1
1	1	0

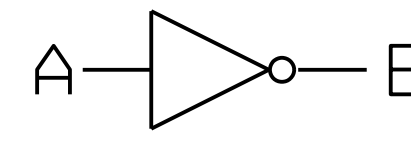
• OUTPUT IS 0 WHEN ALL INPUT IS 1

OR GATE		
		
INPUT		OUT
A	B	C
0	0	0
0	1	1
1	0	1
1	1	1


• OUTPUT IS 1 WHEN EITHER INPUT IS 1


NOR GATE		
		
INPUT		OUT
A	B	C
0	0	1
0	1	0
1	0	0
1	1	0

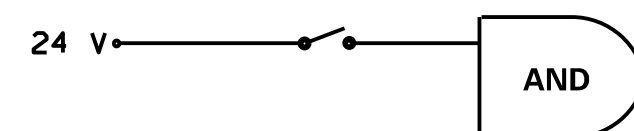
• OUTPUT IS 1 WHEN NONE INPUT IS 1

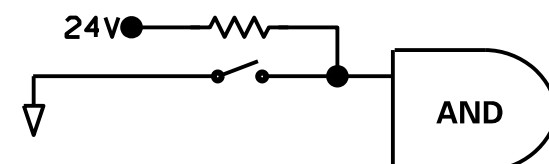
NOT GATE		
		
INPUT	OUT	
A	B	
0	1	
1	0	

• OUTPUT IS REVERSE OF INPUT

ON-DELAY	
	
XX SECOND AFTER A = 1 THAN B = 1	

OFF-DELAY	
	
XX SECOND AFTER A = 0 THAN B = 0	

POSITIVE INPUT	
	
INPUT CONNECTED WITH SIGNAL 12V OR 24V SWITCH CLOSED • LEVEL 1 SWITCH OPENED • LEVEL 0	

NEGATIVE INPUT	
	
INPUT CONNECTED WITH SIGNAL GROUND SWITCH CLOSED • LEVEL 0 SWITCH OPENED • LEVEL 1	

INPUT OR OUTPUT LEVEL

LEVEL 1 = 12 VOLTS OR 24 VOLTS

LEVEL 0 = 0 VOLT (TO GROUND)