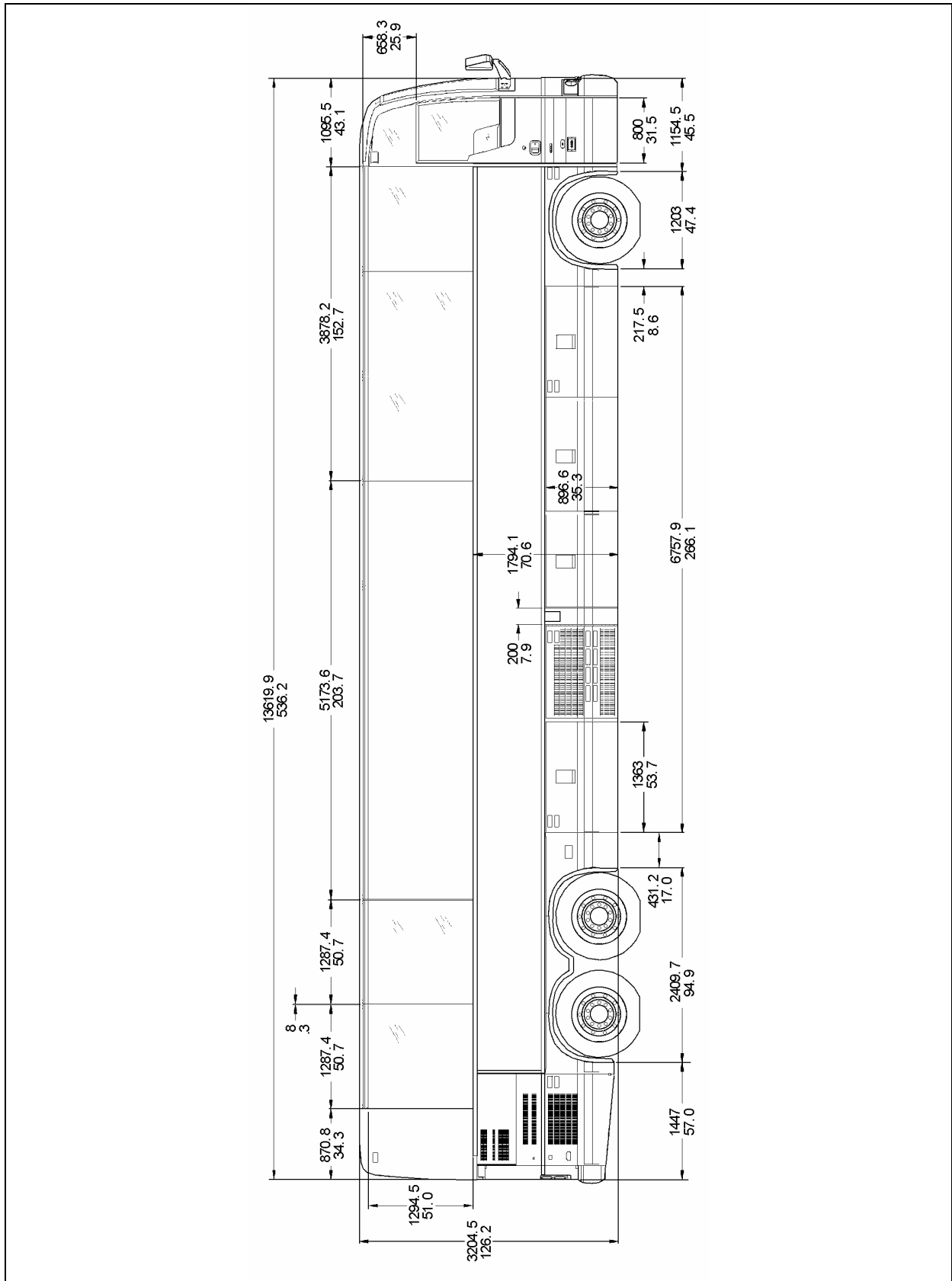


TECHNICAL INFORMATION



MTH XLII-45E OVERALL DIMENSIONS

TECHNICAL INFORMATION

DIMENSIONS AND WEIGHTS	W0-40	W5-45 WE-45
Overall length (including bumpers)	40'0" (12,2 m)	45' (13,7 m)
Overall width	102" (2,59 m)	
Overall height	148 3/4" (3,78 m)	
Wheelbase (center of front axle to center of drive axle)	279" (7087 mm)	W5-45: 314" (7976 mm) WE-45: 339" (8611 mm)
Floor height from ground	48 1/2" (1,23 m)	
Ground clearance	11" (280 mm)	
Step height from ground	15" (380 mm)	
Step height (other steps)	7" (178 mm)	
Headroom	86" (2184 mm)	89" (2261 mm)
Entrance door opening width	30" (762 mm)	
Front overhang	68 3/4" (1746 mm)	
Rear overhang	82 3/4" (2102 mm)	W5-45: 107 3/4" (2736 mm) WE-45: 82 3/4" (2102 mm)
Front track	85.9" (2,18 m)	
Drive track	76.7" (1,95 m)	
Rear track	83.6" (2,12 m)	
Turning circle radius (exterior front corner)	38'-5" (11709mm)	W5-45: 41'-10" (12751 mm) WE-45: 44'-3" (13487 mm)
	W0-40 WE-45	W5-45
Curb weight (before conversion)	N/A	N/A
Gross Vehicle Weight Rating (G.V.W.R.)	50,400 lb (22 861 kg)	54,500 lb (24 721 kg)
Front axle Gross Axle Weight Rating (G.A.W.R.)	18,000 lb (8 165 kg)	18,000 lb (8 165 kg)
Drive axle (G.A.W.R.)	20,400 lb (9 253 kg)	22,500 lb (10 206 kg)
Tag axle (G.A.W.R.)	12,000 lb (5 443 kg)	14,000 lb (6 350 kg)

The Gross Vehicle Weight Rating (G.V.W.R.) and the Gross Axle Weight Rating (G.A.W.R.) for front, drive and tag axles are listed on a

certification plate located on the L.H. control panel in driver's section.

CAPACITIES	W0-40 WE-45	W5-45
Engine oil (in crankcase)	37 U.S. qts (35 l)	
Engine oil (in reserve tank)	8.4 U.S. qts (8,0 l)	
Fuel tank (legal capacity equal to 95% of volume)	250 U.S. gal. (945 l)	208 U.S. gal. (787 l) plus 90 U.S. gal. (opt) (341 l)
Cooling system	18.7 U.S. gal. (71 l)	
	27.6 U.S. gal. (104,5 l)	
Transmission (does not include external circuit)	6 U.S. gal. (23 l) 6.9 U.S. gal. (26 l) with retarder	
Differential oil	20 U.S. qts (18,7 l)	
Power steering reservoir	4.0 U.S. qts (3,8 l)	
A/C compressor oil	4.5 U.S. qts (4,3 l)	
Windshield washer reservoir	5.3 U.S. gal. (20 l)	
Refrigerant	24.1 lb (11 kg)	

FUEL TYPE

ASTM specification D-975
 Recommended grade 1-D
 Acceptable grade 2-D

WHEELS AND TIRES

Drive Axle Aluminum forged wheels ... 9" X 22 1/2"
 Drive Axle Tires 315/80 R 22 1/2"
 Tag & Front Axle Wheels 10 1/2" X 22 1/2"
 Tag & Front Axle Tires 365/70 R 22 1/2"

RECOMMENDED TIRE INFLATION PRESSURE AT MAXIMUM COLD LOAD

The recommended tire inflation pressures are given in the applicable documents supplied with the vehicle. In addition, maximum cold tire inflation pressures are listed on the Department of Transport's certification plate, affixed on the panel behind the driver's seat.

⚠ WARNING ⚠

Special tire selection may lower maximum allowable speed limit, even below posted speed limit. For maximum safety, check with tire manufacturer.

⚠ CAUTION ⚠

These tire pressures are established in accordance with the maximum allowable load on each axle. A lower pressure is recommended if the axle load is less than the above specifications. Weigh vehicle fully loaded and pressurize according to tire manufacturer's recommendations. For non standard tire and wheel specifications, see Prévost tire pressure tabulation in "Coach Final Record" or special specification chart affixed next to the DOT certification plate.

BELTS

Use	Make	Model	Qty
Radiator fan drive (gearbox) MTH 40-45E	Dayco	AX 73	3
Radiator fan drive (gearbox) MTH 45'	Dayco	BX-77	3
Radiator fan drive (fan) MTH 40-45E	Dayco	Poly-V 10/55	1
Radiator fan drive (fan) MTH 45'	Dayco	12PK 2100	1
A/C system 05G compressor (MTH 40'-45')	Gates	V Belt	2
A/C system 05G compressor (MTH 45E with 2 Bosch)	Gates	V Belt BX-100	2
A/C system Seltec compressor	Gates	V Belt A35	1
Alternator Delco 1X 24V, 270 Amp	Detroit Diesel	Poly-V 10/2232	1
Alternator Bosch 2X 28V, 140 Amp	Detroit Diesel	Poly-V 10/2232	1

ENGINE

The engine is a Detroit Diesel DDEC V Series 60, displacing 12.7 or 14.0 liters. It is an inline six cylinder, four stroke, turbocharged, air to air charge cooled, diesel engine with an overhead camshaft, and four valves per cylinder.

Rated horsepower

MTH 40' & 45E (12.7 l).....455 HP @ 1 800 rpm
 MTH 45' (14.0 l)515 HP @ 1 800 rpm

Peak torque

MTH 40' & 45E.....1,550 lbf-ft @ 1,200 rpm
 MTH 45'.....1,650 lbf-ft @ 1,200 rpm

Operating range 1,200 – 2,100 rpm

TRANSMISSION

Allison World Transmission B500 electronically controlled six speed automatic transmission (B500R with the optional output retarder).

GEAR RATIOS

1st3.510
 2nd1.906
 3rd1.429
 4th1.000
 5th0.737
 6th0.639
 Reverse.....4.801
 Converter1.790
 Drive axle ratio4.56

BRAKES

The features of the braking system include a dual system where the front and rear circuits are completely independent from each other. The brakes are air operated disc type brakes with automatic slack adjusters on front, drive and tag axles. The emergency/parking brakes are located on drive and tag axles.

BRAKE CHAMBER EFFECTIVE AREA:

Front axle24 in²
 Drive axle24 in² (service)
 24 in² (emergency/parking)
 Tag axle 14 in² (service)
 16 in² (emergency/parking)

TECHNICAL INFORMATION

AIR SYSTEM

Compressed air is provided by a 15.8 cfm Bendix-Westinghouse BA-921, one cylinder, gear driven, water cooled and engine-oil lubricated air compressor.

Other features and components of the air system include an air dryer and nylon color coded air lines.

ANTI-LOCK BRAKING SYSTEM (ABS)

The anti-lock braking system has one Electronic Control Unit (ECU) controlling a four channel system. One wheel slip sensor is mounted at each front axle and drive axle wheel. The Tag axle wheels are slave to the drive axle wheels.

The Electronic Control Module (ECM) is maintenance free. Its operating voltage is 24 ± 6 volts DC. The thermal operating range for the ECM is from -40 to 167°F (-40 to 75°C).

The solenoid control valves are maintenance free. Their operating voltage is 24 (+4.8, -2.4) volts DC. The rated current draw is 1.65 amps. The thermal operating range of the solenoid control valves is from -40 to 176°F (-40 to 80°C).

TROUBLESHOOTING AND TESTING

For troubleshooting and testing of the vehicle's anti-lock braking system, refer to Meritor WABCO Maintenance Manual: "Anti-Lock Brake Systems For Trucks, Tractors and Buses" or use dashboard Message Center Display (MCD) Diagnostic Mode under ECU Diagnostic: "ABS".

STEERING

- Tilt steering wheel and telescopic steering column
- Integral hydraulic assisted steering gear
- System pressure: 2175 psi (15 000 kPa)

ELECTRICAL SYSTEM

- 24 volt, negative ground
- 12 volt exterior lighting
- Alternator: either a 24 volt, 270 amp, self-rectified, belt-driven, oil-cooled Delco alternator (optional) lubricated by the engine circuit, or either single or twin 28 volt, 140 amp, self-regulated, belt-driven, air-cooled Bosh alternators.

- Four 12 volt, group 31 format maintenance-free batteries connected in series/parallel. Cold cranking capacity is 1900 amps with a reserve capacity of 195 minutes.
- 100 amp battery equalizer.
- 12 volt, 145 amp, air-cooled, belt-driven, additional alternator (optional).

SUSPENSION

Goodyear rolling lobe type air springs (bellows) are used throughout.

INDEPENDENT FRONT SUSPENSION

- 2 Bellows (14.5") for a G.A.W.R. of 18,000 lb;
- 2 Shock absorbers;
- 2 Upper V-Links;
- 2 Lower V-Links;
- 2 Torque rods;
- 2 Steering Levers;
- 1 Leveling valve;
- 1 sway bar (1¾" diameter).

DRIVE AXLE

- 4 Bellows (11");
- 4 Shock absorbers;
- 3 Radius rods;
- 1 Panhard rod;
- 2 Leveling valves.

TAG AXLE

- 2 Bellows (11");
- 2 Shock absorbers;
- 3 Radius rods;
- 1 Lateral Panhard rod.

ALIGNMENT SPECIFICATIONS

Use wheel alignment systems which work with angle measurements only, such as Josam or Hunter systems. Alignment specifications are listed in the following tables:

FRONT AXLE (INDEPENDENT FRONT SUSPENSION)						
	Minimum value		Nominal value		Maximum value	
	Non-converted	Converted	Non-converted	Converted	Non-converted	Converted
Load						
Right camber (degrees)	0.2	-0.150	0.35	0.0	0.55	0.200
Left camber (degrees)	0.2	-0.150	0.35	0.0	0.55	0.200
Right caster (degrees)	2.55		2.8		3.05	
Left caster (degrees)	2.55		2.8		3.05	
Total toe-in (degrees)	0.08		0.13		0.17	

DRIVE AXLE			
	Minimum value	Nominal value	Maximum value
Thrust angle (degrees)	-0.04	0	0.04

TAG AXLE			
	Minimum value	Nominal value	Maximum value
Parallelism (degrees)	-0.02	0	0.02

HEATING AND AIR CONDITIONING

Two air conditioning systems are available: the large capacity (central A/C) or the small capacity A/C (also known as driver's air). Vehicles equipped with the large capacity A/C benefit from a combination heating and cooling system that provides adequate capacity of conditioned and filtered air for all climatic conditions. Fresh air is drawn into the system from the left (driver's) side of the vehicle. Return air is taken from the middle of the vehicle. The driver's heater and defogger are controlled separately from the central unit. An air mixture selector enables air to be drawn into the system from outside the vehicle or recirculated. Driver's air provides cooling for the driver's area only, maximizing available baggage space for other uses. The small capacity A/C enables cooling the driver's area only.

SMALL CAPACITY A/C	
Air conditioning capacity	2 tons
Refrigerant type	134a
Air flow	450 cfm (12,7 m ³ /min)

COMPRESSOR (For small capacity A/C)	
Number of cylinders	6
Operating speed	700 to 6 000 rpm
Oil capacity	6.0 U.S. oz (0,18 l)
Approved oil	ZXL100PG

LARGE CAPACITY A/C	
Air conditioning capacity	7.5 tons
Refrigerant type	134a
Heating capacity	152 000 Btu/h
Air flow	2 600 cfm (73,6 m ³ /min)

COMPRESSOR (For large capacity A/C)	
Number of cylinders	6
Operating speed	400 to 2 200 rpm (1,750 rpm, nominal)
Minimum speed for lubrication	400 rpm
Oil capacity	4.5 U.S. qts (4,3 l)
Approved oil	Castrol SW-68 (POE)

TECHNICAL INFORMATION

NOTE

The previously mentioned oils are suitable for use with reciprocating compressors using refrigerant R-134a and with evaporator temperatures above -40°F (-40°C).

OIL SPECIFICATIONS

ENGINE

Heavy-duty engine oil SAE 15W-40 meeting API Classification CI-4.

AUTOMATIC TRANSMISSION

The transmission must be filled with *Dexron III/VI* automatic transmission fluid, Castrol TranSynd Synthetic Fluid or any equivalent Class C4 hydraulic fluid.

DIFFERENTIAL

Multigrade gear oil meeting MIL-L-2105-D: 85W140 is recommended for use in drive axle. This lubricant performs well over a broad temperature range, providing good gear and bearing protection in a variety of climates. If temperature drops below 10°F (-12°C), 80W90 should be used, and below -15°F (-26°C), 75W90 should be used. In extreme conditions or for better performance, full synthetic gear oil can be used.

FAN GEARBOX

Synthetic oil *Mobil SHC 630 (Prévost #180217)* is recommended for the fan gearbox.

POWER STEERING RESERVOIR

This reservoir must be filled with automatic transmission oil, *Dexron III/VI* or Mercon fluid.

DDEC V DIAGNOSTIC CODES

To read the diagnostic codes, a Diagnostic Data Reader should be plugged into the receptacle located on the lower side panel of the L.H. control panel. To read diagnostic codes as blink codes, momentarily depress the STOP ENGINE OVERRIDE switch while the ignition is ON, the engine is idling or shut off. Active codes will be flashed on the STOP ENGINE indicator light followed by the inactive codes being flashed on the CHECK ENGINE indicator light. The cycle is repeated until the operator depresses the STOP ENGINE OVERRIDE switch again. For example: code "43" consists of four flashes, followed by a short pause, then another three flashes in quick succession. The following table is a list of the DDEC diagnostic codes.

DDEC V Code	PID	SID	FMI	DESCRIPTION
11	187	--	4	Variable Speed Governor Sensor Voltage Low
11	187	--	7	Variable Speed Governor Switch System Not Responding
12	187	--	3	Variable Speed Governor Sensor Voltage High
13	111	--	4	Coolant Level Sensor Input Voltage Low
13	111	--	6	Add Coolant Level Sensor Input Voltage Low
13		146	6	EGR Valve Current too High
14	52	--	3	Intercooler Coolant Temperature Sensor Input Voltage High
14	110	--	3	Coolant Temperature Sensor Input Voltage High
14	175	--	3	Oil Temperature Sensor Input Voltage High
15	52	--	4	Intercooler Coolant Temperature Sensor Input Voltage Low
15	110	--	4	Coolant Temperature Sensor Input Voltage Low
15	175	--	4	Oil Temperature Sensor Input Voltage Low

TECHNICAL INFORMATION

DDEC V Code	PID	SID	FMI	DESCRIPTION
16	111	--	3	Coolant Level Sensor Input Voltage High
16	111	--	5	Add Coolant Level Sensor Input Voltage High
16		146	5	EGR Valve Current too Low
17	51	--	3	Throttle Plate Position Sensor Input Voltage High
17	72	--	3	Blower Bypass Position Input Voltage High
17	354	--	3	Relative Humidity Sensor Circuit Failed High
18	51	--	4	Throttle Plate Position Sensor Input Voltage Low
18	72	--	4	Blower Bypass Position Input Voltage Low
18	354	--	4	Relative Humidity Sensor Circuit Failed Low
21	91	--	3	Throttle Position Sensor Input Voltage High
22	91	--	4	Throttle Position Sensor Input Voltage Low
23	174	--	3	Fuel Temperature Sensor Input Voltage High
23	--	65	3	Oxygen Content Circuit Input Voltage High
24	174	--	4	Fuel Temperature Sensor Input Voltage Low
24	--	65	4	Oxygen Content Circuit Input Voltage Low
25	--	--	--	Reserved for "No Codes"
26	--	25	11	Aux. Shutdown #1 Active
26	--	61	11	Aux. Shutdown #2 Active
27	105	--	3	Intake Manifold Temperature Sensor Input Voltage High
27	171	--	3	Ambient Air Temperature Sensor Input Voltage High
27	172	--	3	Air Temperature Sensor Input Voltage High
28	105	--	4	Intake Manifold Temperature Sensor Input Voltage Low
28	171	--	4	Ambient Air Temperature Sensor Input Voltage Low
28	172	--	4	Air Temperature Sensor Input Voltage Low
29	351	—	4	TCI Temperature Circuit Failed Low
29	404	—	4	Turbo Compressor Temperature Out Sensor Input Voltage Low
31	--	51	3	Aux. Output #3 Open Circuit (High Side) – Pin E-49
31	--	51	4	Aux. Output #3 Short To Ground (High Side) – Pin E-49
31	--	51	7	Aux. Output #3 Mechanical System Fail - Pin E-49
31	--	52	3	Aux. Output #4 Open Circuit (High Side) - Pin E-48
31	--	52	4	Aux. Output #4 Short to Ground (High Side) - Pin E-48
31	--	52	7	Aux. Output #4 Mechanical System Failure - Pin E-48
31	--	260	3	Aux. Output #12 Open Circuit (High Side) - Pin E-46
31	--	260	4	Aux. Output #12 Short to Ground (High Side) - Pin E-46
31	--	260	7	Aux. Output #12 Mechanical System Failure - Pin E-46
31	--	261	3	Aux. Output #13 Open Circuit (High Side) - Pin E-47

TECHNICAL INFORMATION

DDEC V Code	PID	SID	FMI	DESCRIPTION
31	--	261	4	Aux. Output #13 Short to Ground (High Side) - Pin E-47
31	--	261	7	Aux. Output #13 Mechanical System Failure - Pin E-47
31	--	262	3	Aux. Output #14 Open Circuit (High Side) - Pin E-50
31	--	262	4	Aux. Output #14 Short to Ground (High Side) - Pin E-50
31	--	262	7	Aux. Output #14 Mechanical System Failure - Pin E-50
31	--	263	3	Aux. Output #15 Open Circuit (High Side) - Pin E-51
31	--	263	4	Aux. Output #15 Short to Ground (High Side) - Pin E-51
31	--	263	7	Aux. Output #15 Mechanical System Failure - Pin E-51
31	--	264	3	Aux. Output #16 Open Circuit (High Side) - Pin E-52
31	--	264	4	Aux. Output #16 Short to Ground (High Side) - Pin E-52
31	--	264	7	Aux. Output #16 Mechanical System Failure - Pin E-52
31	--	265	3	Aux. Output #17 Open Circuit (High Side) - Pin E-53
31	--	265	4	Aux. Output #17 Short to Ground (High Side) - Pin E-53
31	--	265	7	Aux. Output #17 Mechanical System Failure - Pin E-53
32	--	238	3	RSL Short to Battery (+)
32	--	238	4	RSL Open Circuit
32	--	239	3	AWL Short to Battery (+)
32	--	239	4	AWL Open Circuit
33	102	--	3	Turbo Boost Pressure Sensor Input Voltage High
34	102	--	4	Turbo Boost Pressure Sensor Input Voltage Low
35	19	--	3	High Range Oil Pressure Sensor Input Voltage High
35	100	--	3	Oil Pressure Sensor Input Voltage High
36	19	--	4	High Range Oil Pressure Sensor Input Voltage Low
36	100	--	4	Oil Pressure Sensor Input Voltage Low
37	18	--	3	High Range Fuel Pressure Sensor Input Voltage High
37	94	--	3	Fuel Pressure Sensor Input Voltage High
37	95	--	3	Fuel Restriction Sensor Input Voltage High
38	18	--	4	High Range Fuel Pressure Sensor Input Voltage Low
38	94	--	4	Fuel Pressure Sensor Input Voltage Low
38	95	--	4	Fuel Restriction Sensor Input Voltage Low
39	—	146	2	EGR Leak- Boost Power
39	—	146	12	EGR Leak- Boost Jake
39	—	146	7	EGR Valve Not Responding
39	—	147	2	VNT Vanes Not Responding – Boost Power
39	—	147	11	VNT Vanes at Max – Jake
39	—	147	12	VNT Vanes Not Responding – Boost Jake
39	—	147	14	EGR Flow too low

TECHNICAL INFORMATION

DDEC V Code	PID	SID	FMI	DESCRIPTION
39	—	147	7	VNT Vanes Not Responding – EGR
41	--	21	0	Too Many CKP Sensor (missing CMP Sensor)
42	--	21	1	Too few CKP Sensor (missing CKP Sensor)
43	111	--	1	Coolant Level Low
44	52	--	0	Intercooler Coolant Temperature High
44	105	--	0	Intake Manifold Temperature High
44	105	--	14	Engine Power Derate Due to Intake Manifold Temperature
44	110	--	0	Coolant Temperature High
44	110	--	14	Engine Power Derate Due to Coolant Temperature
44	172	--	0	Air Inlet Temperature High
44	175	--	0	Oil Temperature High
45	19	--	1	High Range Oil Pressure Low
45	100	--	1	Oil Pressure Low
46	168	--	1	ECM Battery Voltage Low
46	--	155		Injector V (reg) Voltage Failed Low
46	--	211	1	Sensor Supply Pins V-11/V-12 Low
46	--	212	4	Injector V (slope) Voltage Failed Low
46	--	214	1	RTC Backup Battery Voltage Low, Pin E-59
46	--	221	4	Injector I (pull-in) Voltage Failed Low
46	--	232	1	Sensor Supply Voltage Low, Pin E-12/E-26
47	18	--	0	High Range Fuel Pressure High
47	94	--	0	Fuel Pressure High
47	102	--	0	Turbo Boost Pressure High
47	102	--	14	Engine Power Derate Due to Turbo Boost Pressure
47	106	--	0	Air Inlet Pressure High
47	164	--	0	Injection Control Pressure High
48	18	--	1	High Range Fuel Pressure Low
48	94	--	1	Fuel Pressure Low
48	106	--	1	Air Inlet Pressure Low
48	164	--	1	Injection Control Pressure Low
48	351	--	1	TCI Temperature Low
48	404	—	1	Turbo Compressor Temperature Out Low
48	404	--	14	Engine Power Derate Due to Turbo Compressor Out Temperature
48	411	--	1	EGR Differential Pressure Low
48	412	--	1	EGR Temperature Low
49	351	--	0	TCI Temperature High

TECHNICAL INFORMATION

DDEC V Code	PID	SID	FMI	DESCRIPTION
49	404	--	0	Turbo Compressor Out Temperature High
51	351	--	3	TCI Temperature Circuit Failed High
51	404	--	3	Turbo Compressor Out Temperature Sensor Input Voltage High
52	--	254	12	A/D Conversion Fail
53	--	253	2	Nonvolatile Checksum Incorrect
53	--	253	12	EEPROM Write Error
53	--	253	13	Out of Calibration
54	84	--	12	Vehicle Speed Sensor Fault
55	--	216	14	Other ECU Fault (This fault is logged in conjunction with another fault to indicate missing information from another ECU.)
55	--	231	12	J1939 Data Link Fault
55	--	248	8	Proprietary Data Link Fault (Master)
55	--	248	9	Proprietary Data Link Fault (Receiver)
56	--	250	12	J1587 Data Link Fault
57	--	249	12	J1922 Data Link Fault
58	92	--	0	Torque Overload
61	--	xxx	0	Injector xxx Response Time Long
62	--	26	3	Aux. Output #1 Short to Battery (+) – Pin V-4
62	--	26	4	Aux. Output #1 Open Circuit - Pin V-4
62	—	26	7	Aux. Output #1 Mechanical System Not Responding Properly - Pin V-4
62	--	40	3	Aux. Output #2 Short to Battery (+) - Pin V-5
62	--	40	4	Aux. Output #2 Open Circuit - Pin V-5
62	—	40	7	Aux. Output #2 Mechanical System Not Responding Properly – Pin V-5
62	--	53	3	Aux. Output #5 Short to Battery (+) - Pin V-6
62	--	53	4	Aux. Output #5 Open Circuit - Pin V-6
62	—	53	7	Aux. Output #5 Mechanical System Not Responding Properly - Pin V-6
62	--	54	3	Aux. Output #6 Short to Battery (+) - Pin V-7
62	--	54	4	Aux. Output #6 Open Circuit - Pin V-7
62	--	54	7	Aux. Output #6 Mechanical System Not Responding Properly - Pin V-7
62	--	55	3	Aux. Output #7 Short to Battery (+) - Pin V-40
62	--	55	4	Aux. Output #7 Open Circuit - Pin V-40
62	—	55	7	Aux. Output #7 Mechanical System Not Responding Properly - Pin V-40
62	--	56	3	Aux. Output #8 Short to Battery (+) – Pin V-53

TECHNICAL INFORMATION

DDEC V Code	PID	SID	FMI	DESCRIPTION
62	--	56	4	Aux. Output #8 Open Circuit - Pin V-53
62	--	56	7	Aux. Output #8 Mechanical System Not Responding Properly - Pin V-53
62	--	257	3	Aux. Output #9 Open Circuit – Pin V-54
62	--	257	4	Aux. Output #9 Short to Gnd – Pin V-54
62	--	257	7	Aux. Output #9 Mechanical System Failure – Pin V-54
62	--	258	3	Aux. Output #10 Open Circuit – Pin V-55
62	--	258	4	Aux. Output #10 Short to Gnd – Pin V-55
62	--	258	7	Aux. Output #10 Mechanical System Failure – Pin V-55
62	--	259	3	Aux. Output #11 Open Circuit – Pin E-13
62	--	259	4	Aux. Output #11 Short to Gnd – Pin E-13
62	--	259	7	Aux. Output #11 Mechanical System Failure – Pin E-13
63	--	57	0	PWM #1 Above Normal Range, Pin V-53
63	--	57	1	PWM #1 Below Normal Range, Pin V-53
63	--	57	3	PWM #1 Short to Battery (+), Pin V-53
63	--	57	4	PWM #1 Open Circuit, Pin V-53
63	--	58	0	PWM #2 Above Normal Range, Pin V-46
63	--	58	1	PWM #2 Below Normal Range, Pin V-46
63	--	58	3	PWM #2 Short to Battery (+), Pin V-46
63	--	58	4	PWM #2 Open Circuit, Pin V-46
63	--	59	0	PWM #3 Above Normal Range, Pin E-3
63	--	59	1	PWM #3 Below Normal Range, Pin E-3
63	--	59	3	PWM #3 Short to Battery (+), Pin E-3
63	--	59	4	PWM #3 Open Circuit, Pin E-3
63	--	60	0	PWM #4 Above Normal Range, Pin E-4
63	--	60	1	PWM #4 Below Normal Range, Pin E-4
63	--	60	3	PWM #4 Short to Battery (+), Pin E-4
63	--	60	4	PWM #4 Open Circuit, Pin E-4
63	--	267	0	PWM #5 Above Normal Range - Pin E-8
63	--	267	1	PWM #5 Below Normal Range - Pin E-8
63	--	267	3	PWM #5 Short to Battery (+) - Pin E-8
63	--	267	4	PWM #5 Open Circuit - Pin E-8
63	--	267	7	PWM #5 Mechanical System Failed - Pin E-8
63	--	268	0	PWM #6 Above Normal Range - Pin E-11
63	--	268	1	PWM #6 Below Normal Range - Pin E-11
63	--	268	3	PWM #6 Short to Battery (+) - Pin E-11
63	--	268	4	PWM #6 Open Circuit - Pin E-11
63	--	268	7	PWM #6 Mechanical System Failed - Pin E-11

TECHNICAL INFORMATION

DDEC V Code	PID	SID	FMI	DESCRIPTION
64	103	--	0	Turbo Overspeed
64	103	--	8	Turbo Speed Sensor Input Failure – Abnormal Period
65	51	--	0	Throttle Plate Position Above Normal Range
65	51	--	1	Throttle Plate Position Below Normal Range
65	51	--	2	Throttle Plate Position Erratic
65	51	--	7	Throttle Plate Not Responding
65	107	--	3	Air Filter Restriction Sensor Voltage High
65	107	--	4	Air Filter Restriction Sensor Voltage Low
66	99	--	3	Oil Filter Restriction Sensor Voltage High
66	99	--	4	Oil Filter Restriction Sensor Voltage Low
66	--	76	0	Engine Knock Level Above Normal Range
66	--	76	3	Engine Knock Level Sensor Input Voltage High
66	--	76	4	Engine Knock Level Sensor Input Voltage Low
66	--	76	7	Engine Knock Level Sensor Not Responding
67	20	--	3	High Range Coolant Pressure Sensor Input Voltage High
67	20	--	4	High Range Coolant Pressure Sensor Input Voltage Low
67	106	--	3	Air Inlet Pressure Sensor Input Voltage High
67	106	--	4	Air Inlet Pressure Sensor Input Voltage Low
67	109	--	3	Coolant Pressure Sensor Input Voltage High
67	109	--	4	Coolant Pressure Sensor Input Voltage Low
68	--	230	5	TPS Idle Validation Circuit Fault (open circuit)
68	--	230	6	TPS Idle Validation Circuit Fault (short to ground)
71	--	xxx	1	Injector xxx Response Time Short
72	84	--	0	Vehicle Overspeed
72	84	--	11	Vehicle Overspeed (Absolute)
72	--	65	0	Oxygen Content Too High
72	--	65	1	Oxygen Content Too Low
73	107	--	0	Air Filter Restriction High
73	--	77	0	Gas Valve Position Above Normal Range
73	--	77	1	Gas Valve Position Below Normal Range
73	--	77	3	Gas Valve Position Input Voltage High
73	--	77	4	Gas Valve Position Input Voltage Low
73	--	77	7	Gas Metering Valve Not Responding
74	70	--	4	Optimized Idle Safety Loop Short to Ground
74	99	--	0	Oil Filter Restriction High
75	168	--	0	ECM Battery Voltage High
75	--	155	3	Injector V (reg) Voltage Failed High

TECHNICAL INFORMATION

DDEC V Code	PID	SID	FMI	DESCRIPTION
75	--	211	0	Sensor Supply Pins V-11/V-12 Voltage High
75	--	212	3	Injector V (slope) Voltage Failed High
75	--	221	3	Injector V (pull-in) Voltage Failed High
75	--	214	0	RTC Backup Battery Voltage High
75	--	232	0	Sensor Supply Voltage High, Pin E-26
76	121	--	0	Engine Overspeed With Engine Brake
77	19	—	0	High Range Oil Pressure High
77	20	—	0	High Range Coolant Pressure High
77	21	—	0	ECU Temperature Above Range
77	21	—	1	ECU Temperature Below Range
77	21	—	3	ECU Temperature Above Failed High
77	21	—	4	ECU Temperature Above Failed Low
77	72	—	0	Blower Bypass Door Position High
77	72	—	1	Blower Bypass Door Position Low
77	73	—	1	Fire Pump Pressure Low
77	81	—	0	Exhaust Back Pressure High
77	81	—	1	Exhaust Back Pressure Low
77	81	—	3	Exhaust Back Pressure Sensor Voltage High
77	81	—	4	Exhaust Back Pressure Sensor Voltage Low
77	81	—	12	Exhaust Back Pressure at Rampdown Threshold
77	95	—	1	Fuel Filter Differential Pressure Low
77	99	—	1	Oil Filter Differential Pressure Low
77	100	—	0	Engine Oil Pressure High
77	102	—	1	Turbo Boost Pressure Low
77	105	—	1	Inlet Manifold Temperature Low
77	107	—	1	Air filter Restriction Pressure Low
77	108	—	0	Barometric Pressure High
77	108	—	1	Barometric Pressure Low
77	109	—	0	Coolant Pressure High
77	110	—	1	Coolant Temperature Low
77	111	—	0	Coolant Level High
77	171	—	0	Ambient Air Temperature High
77	171	—	1	Ambient Air Temperature Low
77	172	—	1	Air Inlet Temperature Low
77	174	—	0	Fuel Temperature High
77	174	—	1	Fuel Temperature Low
77	175	—	1	Engine Oil Temperature Low

TECHNICAL INFORMATION

DDEC V Code	PID	SID	FMI	DESCRIPTION
77	222	—	14	Anti-Theft Fault Present
77	251	—	10	Clock Module Abnormal Rate of Change
77	251	—	13	Clock Module Failure
77	252	—	10	Clock Module Abnormal Rate of Change
77	252	—	13	Clock Module Failure
77	354	—	0	Relative Humidity Above Range
77	354	—	1	Relative Humidity Below Range
77	446	—	0	Cylinder Head Temperature Above Range
77	—	151	11	Service Now Lamp Fault Expiration
78	86	--	14	Cruise Control/Adaptive Cruise Control Fault
81	98	--	3	Oil Level Sensor Input Voltage High
81	101	--	3	Crankcase Pressure Sensor Input Voltage High
81	153	--	3	Extended Crankcase Pressure Input Voltage High
81	164	--	3	Injection Control Pressure Sensor Input Voltage High
81	173	--	3	Exhaust Temperature Sensor Input Voltage High
81	411	—	3	EGR Delta Pressure Sensor Circuit Failed High
81	412	—	3	EGR Temperature Circuit Failed High
81	412	—	9	EGR Temperature Network Sensor Not Responding
81		20	3	Timing Actuator Failed High
81		20	4	Timing Actuator Failed Low
81	--	129	3	Exhaust Port Temperature #1 Sensor Voltage High
81	--	130	3	Exhaust Port Temperature #2 Sensor Voltage High
81	--	131	3	Exhaust Port Temperature #3 Sensor Voltage High
81	--	132	3	Exhaust Port Temperature #4 Sensor Voltage High
81	--	133	3	Exhaust Port Temperature #5 Sensor Voltage High
81	--	134	3	Exhaust Port Temperature #6 Sensor Voltage High
81	--	135	3	Exhaust Port Temperature #7 Sensor Voltage High
81	--	136	3	Exhaust Port Temperature #8 Sensor Voltage High
81	--	137	3	Exhaust Port Temperature #9 Sensor Voltage High
81	--	138	3	Exhaust Port Temperature #10 Sensor Voltage High
81	--	139	3	Exhaust Port Temperature #11 Sensor Voltage High
81	--	140	3	Exhaust Port Temperature #12 Sensor Voltage High
81	--	141	3	Exhaust Port Temperature #13 Sensor Voltage High
81	--	142	3	Exhaust Port Temperature #14 Sensor Voltage High
81	--	143	3	Exhaust Port Temperature #15 Sensor Voltage High
81	--	144	3	Exhaust Port Temperature #16 Sensor Voltage High
81	—	277	9	EGR Rate Sensor not Responding

TECHNICAL INFORMATION

DDEC V Code	PID	SID	FMI	DESCRIPTION
81	—	277	12	EGR Rate Sensor Failed
82	98	--	4	Oil Level Sensor Input Voltage Low
82	101	--	4	Crankcase Pressure Sensor Input Voltage Low
82	153	--	4	Extended Crankcase Pressure Input Voltage Low
82	164	--	4	Injection Control Pressure Sensor Input Voltage Low
82	173	--	4	Exhaust Temperature Sensor Input Voltage Low
82	411	—	4	EGR Delta Pressure Sensor Circuit Failed Low
82	412	—	4	EGR Temperature Circuit Failed Low
82	412	—	12	EGR Temperature Network Sensor Failed
82	--	129	4	Exhaust Port Temperature #1 Sensor Voltage Low
82	--	130	4	Exhaust Port Temperature #2 Sensor Voltage Low
82	--	131	4	Exhaust Port Temperature #3 Sensor Voltage Low
82	--	132	4	Exhaust Port Temperature #4 Sensor Voltage Low
82	--	133	4	Exhaust Port Temperature #5 Sensor Voltage Low
82	--	134	4	Exhaust Port Temperature #6 Sensor Voltage Low
82	--	135	4	Exhaust Port Temperature #7 Sensor Voltage Low
82	--	136	4	Exhaust Port Temperature #8 Sensor Voltage Low
82	--	137	4	Exhaust Port Temperature #9 Sensor Voltage Low
82	--	138	4	Exhaust Port Temperature #10 Sensor Voltage Low
82	--	139	4	Exhaust Port Temperature #11 Sensor Voltage Low
82	--	140	4	Exhaust Port Temperature #12 Sensor Voltage Low
82	--	141	4	Exhaust Port Temperature #13 Sensor Voltage Low
82	--	142	4	Exhaust Port Temperature #14 Sensor Voltage Low
82	--	143	4	Exhaust Port Temperature #15 Sensor Voltage Low
82	--	144	4	Exhaust Port Temperature #16 Sensor Voltage Low
82	—	277	12	EGR Rate Sensor Failed
82	412	—	9	EGR Temperature Smart Sensor not Responding
82	412	—	12	EGR Temperature Smart Sensor failed
83	73	—	0	Pump Pressure High
83	98	--	0	Oil Level High
83	101	--	0	Crankcase Pressure High
83	153	--	0	Extended Crankcase Pressure High
83	173	--	0	Exhaust Temperature High
83	411	—	0	EGR Delta Pressure High
83	412	—	0	EGR Temperature High
83	--	129	0	Exhaust Port Temperature #1 High
83	--	130	0	Exhaust Port Temperature #2 High

TECHNICAL INFORMATION

DDEC V Code	PID	SID	FMI	DESCRIPTION
83	--	131	0	Exhaust Port Temperature #3 High
83	--	132	0	Exhaust Port Temperature #4 High
83	--	133	0	Exhaust Port Temperature #5 High
83	--	134	0	Exhaust Port Temperature #6 High
83	--	135	0	Exhaust Port Temperature #7 High
83	--	136	0	Exhaust Port Temperature #8 High
83	--	137	0	Exhaust Port Temperature #9 High
83	--	138	0	Exhaust Port Temperature #10 High
83	--	139	0	Exhaust Port Temperature #11 High
83	--	140	0	Exhaust Port Temperature #12 High
83	--	141	0	Exhaust Port Temperature #13 High
83	--	142	0	Exhaust Port Temperature #14 High
83	--	143	0	Exhaust Port Temperature #15 High
83	--	144	0	Exhaust Port Temperature #16 High
84	98	--	1	Oil Level Low
84	101	--	1	Crankcase Pressure Low
84	153	--	1	Extended Crankcase Pressure Low
85	190	--	0	Engine Overspeed
85	190	--	14	Engine Overspeed Signal
86	73	--	3	Pump Pressure Sensor Input Voltage High
86	108	--	3	Barometric Pressure Sensor Input Voltage High
87	73	--	4	Pump Pressure Sensor Input Voltage Low
87	108	--	4	Barometric Pressure Sensor Input Voltage Low
88	20	--	1	High Range Coolant Pressure Low
88	109	--	1	Coolant Pressure Low
89	95	--	0	Fuel Restriction High
89	111	--	12	Maintenance Alert Coolant Level Fault

WORLD TRANSMISSION (WT) DIAGNOSTIC CODES

The WT Diagnostic Code Memory List contains the following headings: Code List Position, Main Code, Sub Code, Active indicator, Ignition Cycle Counter and Event counter. Up to five (5) codes can be stored at the same time in this memory.

The last occurring codes are listed first. Accessing the code list position, main code, sub code and active indicator is done through the Shift Selector Display or by using the Pro-Link Diagnostic Tool. Access to the ignition cycle counter and event counter can be done only through the Pro-Link diagnostic tool. The following table is an example of the information stored in memory.

DIAGNOSTIC CODE MEMORY LIST

Code List Position	Main Code	Sub Code	Active Indicator	Ignition Cycle Counter	Event Counter
d1	21	12	YES	00	10
d2	41	12	YES	00	04
d3	23	12	NO	08	02
d4	34	12	NO	13	01
d5	56	11	NO	22	02
Displayed on Shift Selector Display and Diagnostic Tool			"YES" = ACTIVE = "MODE ON"	Ignition cycle counter and event counter are not available on Shift Selector Display	

NOTE

All information stored in memory can be accessed using the Pro-Link Diagnostic Tool.

NOTE

The diagnostic codes are stored in the memory queue in positions 1 through 5. The location of a diagnostic code in the memory queue is identified by "d1" (diagnostic code #1) through "d5".

The following paragraphs define the different WT Diagnostic Code Memory List headings:

MAIN CODE

The general condition or area of fault detected by the ECU.

SUB CODE

The specific area or condition under the Main Code in which the condition was detected.

ACTIVE INDICATOR

Illuminates when a fault condition is active (Shift Selector will display *MODE ON* or the Pro-Link Diagnostic Tool will display *YES*). The indicator will extinguish when the fault condition is gone.

IGNITION CYCLE COUNTER

Used to clear inactive diagnostic codes from the code list in memory. The counter is incremented each time a normal ECU power-down occurs following the clearing of the active indicator. A diagnostic code will be cleared from the list when the counter exceeds 25.

EVENT COUNTER

Used to record the number of times a diagnostic code occurs prior to the incident being cleared from the code list. The last occurring code will be stored in position "d1". If the most recent code is already in the code list, that code will be moved to position "d1". The Active Indicator will illuminate (Shift Selector will display *MODE ON* or the Diagnostic Tool will display *YES*), the Ignition Cycle Counter will be cleared and "1" will be added to the Event Counter.

CLEARING THE ACTIVE INDICATOR AND CODE RECORDS FROM THE CODE LIST IN MEMORY

If the conditions causing a diagnostic code to be set are cleared, the Active Indicator can be manually cleared by holding the *MODE* button down continuously for 3 seconds until a tone is heard from the shifter. To clear code records from the list, hold the *MODE* button down continuously for ten seconds until a second tone sounds. All diagnostic records in the list that are not active will then be cleared and the remaining records will then be moved up the list.

CODE READING AND CODE CLEARING PROCEDURES

Diagnostic codes can be read and cleared by two methods: by using the Pro-Link 9000 Diagnostic Tool plugged into the receptacle located in the driver's footwell or by using the Shift Selector Display. The operation of the Pro-Link 9000 Diagnostic Tool is described in the user's manual provided with the Tool. This section describes how to read and clear codes using the Shift Selector Display.

TECHNICAL INFORMATION

The Diagnostic Display Mode can be entered for viewing codes at any speed. Codes can only be cleared when the output speed = 0 and no output speed sensor failure is active.

READING CODES

Read codes as follows:

Enter the Diagnostic Display Mode by pressing both the "▲" (up arrow) and "▼" (down arrow) push buttons at the same time, twice on the push-button Shift Selector.

NOTE

To obtain the oil level, press the "▲" (up arrow) and "▼" (down arrow) push-buttons once, at the same time. Refer to "Oil Level Sensor (OLS) Codes" in this chapter.

Read the first code in the first of the five code positions on the digital display of the Shift Selector. For example, code "25 11" is stored in the first position. The display will change every two seconds as follows:

- * Code list position = "d1"
- * Main code = "25"
- * Sub code = "11"

Display will repeat steps a, b and c.

Press the MODE button momentarily to view the second position (d2) as described in step 2.

To view the third, fourth and fifth positions (d3, d4 and d5), momentarily press the MODE button as explained above.

Pressing the MODE button momentarily after the fifth position (d5) is displayed will return the code display to the first position (d1).

Any code which is active will be indicated by the MODE ON indicator (Active Indicator) being illuminated while in that code position. While in the normal operating mode, the MODE ON indicator is illuminated to indicate the ECONOMY mode operation. Refer to "Controls & Instruments" chapter under MODE.

Any code position in the list which does not have a diagnostic code logged will display "- -" for both the Main and Sub Code displays. All positions after a code position without any code stored will also display "- -".

CLEARING CODES

Clearing of the Active Indicator is automatically done at ECU power-down for all codes except code "69 34".

Some codes will clear the Active Indicator automatically when the condition causing the code is no longer detected by the ECU. Refer to the "Diagnostic Code List and Description" table in this chapter.

Manual clearing is possible while in the Diagnostic Display Mode and after the condition causing the code is corrected (output speed must be zero).

To clear all Active Indicators, hold down the MODE button continuously for 3 seconds until the Shift Selector tone sounds for 0.5 second.

Release the MODE button to return to normal operating mode. If the condition causing the code was not active at the time, the active indicator will go out.

NOTE

If clearing a code while locked in a drive (D) or reverse (R) position (fail-to-range), the transmission will still be in drive (D) or reverse (R) when the clearing procedure is completed. Neutral (N) must be manually selected.

EXITING THE DIAGNOSTIC DISPLAY MODE

The Diagnostic Display Mode can be exited by any of the following methods:

- Press the "▲" (up arrow) and "▼" (down arrow) push buttons at the same time on the push-button Shift Selector.
- Press any range button, "D", "N" or "R" on the push-button Shift Selector (the shift will be commanded if it is not inhibited by an active code).
- Do nothing and wait until the calibrated time (approximately 10 minutes) has passed. The system will automatically return to the normal operating mode.
- Turn off power to the ECU (shut off the engine with the ignition key).
- After clearing the active indicator as described in "Clearing Codes" section.

CLEARING RECORDS FROM THE CODE LIST IN MEMORY

If the Active Indicator has been successfully cleared manually and the MODE button is held down continuously for 10 seconds while in the display mode until a tone sounds, all diagnostic records in the Code List that are not active will be cleared and the remaining records will be moved up the Code List.

DIAGNOSTIC CODE RESPONSE

The following responses are used in the "Diagnostic Code List and Description" table to command safe operation when diagnostic codes are set.

DNS - Do Not Shift Response

- Release lock-up clutch and inhibit lock-up operation.
- Inhibit all shifts.
- Turn *ON* the CHECK TRANS light.
- Display the range attained.

- Ignore any range selection inputs from the pushbutton or lever Shift Selector.

DNA - Do Not Adapt Response

The ECU stops adaptive shift control while the code is active.

SOL OFF - SOLenoid OFF Response

All solenoids are commanded *OFF* (turning solenoids "A" and "B" off electrically cause them to be on hydraulically).

RPR - Return to Previous Range Response

When the speed sensor ratio or C3 pressure switch test associated with a shift not successful, the ECU commands the same range as commanded before the shift.

NNC - Neutral No Clutches Response

When certain speed sensor ratio or C3 pressure switch tests are not successful, the ECU commands a neutral condition with no clutches applied.

DIAGNOSTIC CODE LIST AND DESCRIPTION

MAIN CODE	SUB CODE	DESCRIPTION	CHECK TRANS LIGHT	INHIBITED OPERATION DESCRIPTION
13	12	ECU input voltage, low	Yes	DNS, DNA, SOL OFF, (Hydraulic default)
13	13	ECU input voltage, medium low	No	DNA
13	23	ECU input voltage, high	Yes	DNS, SOL OFF (Hydraulic default)
14	12	Oil level sensor, failed low	No	None
14	23	Oil level sensor, failed high	No	None
21	12	Throttle position sensor, failed low	No	Use throttle default value, DNA
21	23	Throttle position sensor, failed high	No	Use throttle default value, DNA
22	14	Engine speed sensor reasonableness test	No	Use default engine speed, DNA
22	15	Turbine speed sensor reasonableness test	Yes	DNS, lock in current range, DNA
22	16	Output speed sensor reasonableness test	Yes ⁽¹⁾	DNS, LOCK IN CURRENT RANGE, DNA

TECHNICAL INFORMATION

MAIN CODE	SUB CODE	DESCRIPTION	CHECK TRANS LIGHT	INHIBITED OPERATION DESCRIPTION
23	12	Primary Shift Selector or RSI Link Fault	Yes	Hold in last valid direction. May cause "cateye" display
23	14	Secondary Shift Selector or RSI Link Fault	Yes	Hold in last valid direction
23	16	Shift Selector display line fault	No	None, may cause "cateye" display
24	12	Sump fluid temperature, cold	Yes	DNS, lock in neutral
24	23	Sump fluid temperature, hot	No	No upshifts above a calibration range
25	0	Output speed sensor detected at 0 speed (Low)	Yes ⁽¹⁾	DNS, lock in current range (Low), DNA
25	11	Output speed sensor detected at 0 speed (1st)	Yes ⁽¹⁾	DNS, lock in current range (1st), DNA
25	22	Output speed sensor detected at 0 speed (2nd)	Yes ⁽¹⁾	DNS, lock in current range (2nd), DNA
25	33	Output speed sensor detected at 0 speed (3rd)	Yes ⁽¹⁾	DNS, lock in current range (3rd), DNA
25	44	Output speed sensor detected at 0 speed (4th)	Yes ⁽¹⁾	DNS, lock in current range (4th), DNA
25	55	Output speed sensor detected at 0 speed (5th)	Yes ⁽¹⁾	DNS, lock in current range (5th), DNA
25	66	Output speed sensor detected at 0 speed (6th)	Yes ⁽¹⁾	DNS, lock in current range (6th), DNA
25	77	Output speed sensor detected at 0 speed (R)	Yes ⁽¹⁾	DNS, lock in current range (R), DNA
26	00	Throttle source not detected	No	Use throttle default values, DNA
26	11	Engine coolant source not detected	No	Use default value of 0°F
32	0	C3 pressure switch open, Low range	Yes	DNS, lock in current range (Low), DNA
32	33	C3 pressure switch open, 3rd range	Yes	DNS, lock in current range (3rd), DNA
32	55	C3 pressure switch open, 5th range	Yes	DNS, lock in current range (5th), DNA
32	77	C3 pressure switch open, Reverse range	Yes	DNS, lock in current range (R), DNA
33	12	Sump oil temperature sensor failed low	No	Use default value of 200°F (93°C)
33	23	Sump oil temperature sensor, failed high	No	Use default value of 200°F (93°C)

TECHNICAL INFORMATION

MAIN CODE	SUB CODE	DESCRIPTION	CHECK TRANS LIGHT	INHIBITED OPERATION DESCRIPTION
34	12	Factory calibration compatibility number wrong	Yes	DNS, SOL OFF (Hydraulic default), DNA
34	13	Factory calibration block checksum	Yes	DNS, SOL OFF (Hydraulic default), DNA
34	14	Power off block checksum	No	Use previous location or factory calibration and reset adaptive, DNA
34	15	Diagnostic queue block checksum	No	Use previous location or clear diagnostic queue, DNA
34	16	Real time block checksum	Yes	DNS, SOL OFF (Hydraulic default), DNA
34	17	Customer modifiable constants checksum	Yes	DNS, SOL OFF (Hydraulic default), DNA
35	0	Power interruption (code set after power restored)	No	None (Hydraulic default during interruption)
35	16	Real time write interruption	Yes	DNS, SOL OFF (Hydraulic default), DNA
36	0	Hardware/Software not compatible	Yes ⁽²⁾	DNS, SOL OFF (Hydraulic default), DNA
42	12	Short to battery, A solenoid circuit	Yes	DNS, SOL OFF, DNA
42	13	Short to battery, B solenoid circuit	Yes	DNS, SOL OFF, DNA
42	14	Short to battery, C solenoid circuit	Yes	DNS, SOL OFF, DNA
42	15	Short to battery, D solenoid circuit	Yes	DNS, SOL OFF, DNA
42	16	Short to battery, E solenoid circuit	Yes	DNS, SOL OFF, DNA
42	21	Short to battery, F solenoid circuit	No	Lock-up inhibited, DNA
42	22	Short to battery, G solenoid circuit	Yes	DNS, lock in a range
42	23	Short to battery, H solenoid circuit	No	Differential lock inhibited (3070 only), retarder inhibited
42	24	Short to battery, J solenoid circuit	No	Low and 1st inhibited
42	26	Short to battery, N solenoid circuit	No	Low and 1st inhibited, allow retarder
44	12	Short to ground, A solenoid circuit	Yes	DNS, SOL OFF (Hydraulic default), DNA
44	13	Short to ground, B solenoid circuit	Yes	DNS, SOL OFF (Hydraulic default), DNA

TECHNICAL INFORMATION

MAIN CODE	SUB CODE	DESCRIPTION	CHECK TRANS LIGHT	INHIBITED OPERATION DESCRIPTION
44	14	Short to ground, C solenoid circuit	Yes	DNS, SOL OFF (Hydraulic default), DNA
44	15	Short to ground, D solenoid circuit	Yes	DNS, SOL OFF (Hydraulic default), DNA
44	16	Short to ground, E solenoid circuit	Yes	DNS, SOL OFF (Hydraulic default), DNA
44	21	Short to ground, F solenoid circuit	No	Lockup inhibited, DNA
44	22	Short to ground, G solenoid circuit	Yes	DNS, SOL OFF (Hydraulic default), DNA
44	23	Short to ground, H solenoid circuit	No	Differential lock inhibited (3070 only), retarder operation inhibited
44	24	Short to ground, J solenoid circuit	No	Low and 1st inhibited
44	26	Short to ground, N solenoid circuit	No	Low and 1st inhibited, retarder allowed
45	12	Open circuit, A solenoid circuit	Yes	DNS, SOL OFF (Hydraulic default), DNA
45	13	Open circuit, B solenoid circuit	Yes	DNS, SOL OFF (Hydraulic default), DNA
45	14	Open circuit, C solenoid circuit	Yes	DNS, SOL OFF (Hydraulic default), DNA
45	15	Open circuit, D solenoid circuit	Yes	DNS, SOL OFF (Hydraulic default), DNA
45	16	Open circuit, E solenoid circuit	Yes	DNS, SOL OFF (Hydraulic default), DNA
45	21	Open circuit, F solenoid circuit	No	Lock-up inhibited, DNA
45	22	Open circuit, G solenoid circuit	Yes	DNS, SOL OFF (Hydraulic default), DNA
45	23	Open circuit, H solenoid circuit	No	Differential lock inhibited (3070 only), retarder inhibited
45	24	Open circuit, J solenoid circuit	No	Low and 1st inhibited
45	26	Open circuit, N solenoid circuit	No	Low and 1st inhibited, retarder allowed
46	21	Overcurrent, F solenoid circuit	No	Lock-up inhibited, DNA
46	26	Overcurrent, N and H solenoid circuits	No	Low and first inhibited or retarder inhibited, DNA

TECHNICAL INFORMATION

MAIN CODE	SUB CODE	DESCRIPTION	CHECK TRANS LIGHT	INHIBITED OPERATION DESCRIPTION
46	27	Overcurrent, A-Hi solenoid circuit	Yes	DNS, SOL OFF (Hydraulic default), DNA
51	01	Offgoing ratio test (during shift), Low to 1	Yes	DNS, RPR, DNA
51	10	Offgoing ratio test (during shift), 1 to Low	Yes	DNS, RPR, DNA
51	12	Offgoing ratio test (during shift), 1 to 2	Yes	DNS, RPR, DNA
51	21	Offgoing ratio test (during shift), 2 to 1	Yes	DNS, RPR, DNA
51	23	Offgoing ratio test (during shift), 2 to 3	Yes	DNS, RPR, DNA
51	24	Offgoing ratio test (during shift), 2 to 4	Yes	DNS, RPR, DNA
51	35	Offgoing ratio test (during shift), 3 to 5	Yes	DNS, RPR, DNA
51	42	Offgoing ratio test (during shift), 4 to 2	Yes	DNS, RPR, DNA
51	43	Offgoing ratio test (during shift), 4 to 3	Yes ⁽¹⁾	DNS, RPR, DNA
51	45	Offgoing ratio test (during shift), 4 to 5	Yes ⁽¹⁾	DNS, RPR, DNA
51	46	Offgoing ratio test (during shift), 4 to 6	Yes	DNS, RPR, DNA
51	53	Offgoing ratio test (during shift), 5 to 3	Yes	DNS, RPR, DNA
51	64	Offgoing ratio test (during shift), 6 to 4	Yes	DNS, RPR, DNA
51	65	Offgoing ratio test (during shift), 6 to 5	Yes	DNS, RPR, DNA
	XY	Offgoing ratio test, X to Y ⁽³⁾		
52	1	Offgoing C3PS test (during shift), Low to 1	Yes	DNS, RPR, DNA
52	8	Offgoing C3PS test (during shift), L to N1	Yes	DNS, NNC, DNA
52	32	Offgoing C3PS test (during shift), 3 to 2	Yes	DNS, RPR, DNA
52	34	Offgoing C3PS test (during shift), 3 to 4	Yes	DNS, RPR, DNA
52	54	Offgoing C3PS test (during shift), 5 to 4	Yes	DNS, RPR, DNA
52	56	Offgoing C3PS test (during shift), 5 to 6	Yes	DNS, RPR, DNA
52	71	Offgoing C3PS test (during shift), R to 1	Yes	DNS, NNC, DNA
52	72	Offgoing C3PS test (during shift), R to 2	Yes	DNS, NNC, DNA
52	78	Offgoing C3PS test (during shift), R to N1	Yes	DNS, NNC, DNA

TECHNICAL INFORMATION

MAIN CODE	SUB CODE	DESCRIPTION	CHECK TRANS LIGHT	INHIBITED OPERATION DESCRIPTION
52	99	Offgoing C3PS test (during shift), N3 to N2	Yes	DNS, RPR, DNA
52	XY	Offgoing C3PS test (during shift) X to Y ⁽³⁾		
53	8	Offgoing speed test (during shift), L to N1	Yes ⁽¹⁾	DNS, NNC, DNA
53	18	Offgoing speed test (during shift), 1 to N1	Yes ⁽¹⁾	DNS, NNC, DNA
53	28	Offgoing speed test (during shift), 2 to N1	Yes ⁽¹⁾	DNS, NNC, DNA
53	29	Offgoing speed test (during shift), 2 to N2	Yes ⁽¹⁾	DNS, RPR, DNA
53	38	Offgoing speed test (during shift), 3 to N1	Yes ⁽¹⁾	DNS, NNC, DNA
53	39	Offgoing speed test (during shift), 3 to N3	Yes ⁽¹⁾	DNS, RPR, DNA
53	48	Offgoing speed test (during shift), 4 to N1	Yes ⁽¹⁾	DNS, NNC, DNA
53	49	Offgoing speed test (during shift), 4 to N3	Yes ⁽¹⁾	DNS, RPR, DNA
53	58	Offgoing speed test (during shift), 5 to N1	Yes ⁽¹⁾	DNS, NNC, DNA
53	59	Offgoing speed test (during shift), 5 to N3	Yes ⁽¹⁾	DNS, RPR, DNA
53	68	Offgoing speed test (during shift), 6 to N1	Yes ⁽¹⁾	DNS, NNC, DNA
53	69	Offgoing speed test (during shift), 6 to N4	Yes ⁽¹⁾	DNS, RPR, DNA
53	78	Offgoing speed test (during shift), R to N1	Yes	DNS, NNC, DNA
53	99	Offgoing speed test (during shift), N2 to N3 or N3 to N2	Yes	DNS, RPR, DNA
53	XY	Offgoing speed test (during shift), X to Y ⁽³⁾		
54	1	Oncoming ratio test (after shift), L to 1	Yes	DNS, RPR, DNA
54	7	Oncoming ratio test (after shift), L to R	Yes	DNS, NNC, DNA
54	10	Oncoming ratio test (after shift), 1 to L	Yes	DNS, RPR, DNA
54	12	Oncoming ratio test (after shift), 1 to 2	Yes	DNS, RPR, DNA
54	17	Oncoming ratio test (after shift), 1 to R	Yes	DNS, NNC, DNA

TECHNICAL INFORMATION

MAIN CODE	SUB CODE	DESCRIPTION	CHECK TRANS LIGHT	INHIBITED OPERATION DESCRIPTION
54	21	Oncoming ratio test (after shift), 2 to 1	Yes	DNS, RPR, DNA
54	23	Oncoming ratio test (after shift), 2 to 3	Yes	DNS, RPR, DNA
54	24	Oncoming ratio test (during shift), 2 to 4	Yes	DNS, RPR, DNA
54	27	Oncoming ratio test (after shift), 2 to R	Yes	DNS, RPR, DNA
54	32	Oncoming ratio test (after shift), 3 to 2	Yes	DNS, RPR, DNA
54	34	Oncoming ratio test (after shift), 3 to 4	Yes	DNS, RPR, DNA
54	35	Oncoming ratio test (during shift), 3 to 5	Yes	DNS, RPR, DNA
54	42	Oncoming ratio test (during shift), 4 to 2	Yes	DNS, RPR, DNA
54	43	Oncoming ratio test (after shift), 4 to 3	Yes	DNS, RPR, DNA
54	45	Oncoming ratio test (after shift), 4 to 5	Yes	DNS, RPR or SOL OFF (Hydraulic default), DNA
54	46	Oncoming ratio test (during shift), 4 to 6	Yes	DNS, RPR, DNA
54	53	Oncoming ratio test (during shift), 5 to 3	Yes	DNS, RPR, DNA
54	54	Oncoming ratio test (after shift), 5 to 4	Yes	DNS, RPR, DNA
54	56	Oncoming ratio test (after shift), 5 to 6	Yes	DNS, RPR, DNA
54	64	Oncoming ratio test (after shift), 6 to 4	Yes	DNS, RPR, DNA
54	65	Oncoming ratio test (after shift), 6 to 5	Yes	DNS, RPR, DNA
54	70	Oncoming ratio test (after shift), R to L	Yes	DNS, NNC, DNA
54	71	Oncoming ratio test (after shift), R to 1	Yes	DNS, NNC, DNA
54	72	Oncoming ratio test (after shift), R to 2	Yes	DNS, NNC, DNA
54	80	Oncoming ratio test (after shift), N1 to L	Yes	DNS, RPR, DNA
54	81	Oncoming ratio test (after shift), N1 to 1	Yes	DNS, RPR, DNA
54	82	Oncoming ratio test (after shift), N1 to 2	Yes	DNS, RPR, DNA
54	83	Oncoming ratio test (after shift), N1 to 3	Yes	DNS, RPR, DNA
54	85	Oncoming ratio test (after shift), N1 to 5	Yes	DNS, RPR, DNA
54	86	Oncoming ratio test (after shift), N1 to 6	Yes	DNS, RPR, DNA

TECHNICAL INFORMATION

MAIN CODE	SUB CODE	DESCRIPTION	CHECK TRANS LIGHT	INHIBITED OPERATION DESCRIPTION
54	92	Oncoming ratio test (after shift), N2 to 2	Yes	DNS, RPR, DNA
54	93	Oncoming ratio test (after shift), N3 to 3	Yes	DNS, RPR, DNA
54	95	Oncoming ratio test (after shift), N3 to 5	Yes	DNS, RPR, DNA
54	96	Oncoming ratio test (after shift), N4 to 6	Yes	DNS, RPR, DNA
54	XY	Oncoming ratio test (after shift), X to Y ⁽³⁾		
55	07	Oncoming C3PS test (after shift), Low to R	Yes ⁽¹⁾	DNS, NNC, DNA
55	17	Oncoming C3PS test (after shift), 1 to R	Yes ⁽¹⁾	DNS, NNC, DNA
55	27	Oncoming C3PS test (after shift), 2 to R	Yes ⁽¹⁾	DNS, NNC, DNA
55	87	Oncoming C3PS test (after shift), N1 to R	Yes	DNS, RPR, DNA
55	97	Oncoming C3PS test (after shift), NVL to R	Yes ⁽¹⁾	DNS, NNC, DNA
55	XY	Oncoming C3PS test (after shift), X to Y ⁽³⁾		
56	0	Range verification test, L	Yes ⁽¹⁾	DNS, 1st, Low or SOL OFF (Low), DNA
56	11	Range verification ratio test, 1 st	Yes	DNS, 6th, DNA
56	22	Range verification ratio test, 2 nd	Yes ⁽¹⁾	DNS, 6th or 5th, DNA
56	33	Range verification ratio test, 3 rd	Yes ⁽¹⁾	DNS, 5th or SOL OFF (4th), DNA
56	44	Range verification ratio test, 4 th	Yes	DNS, 3rd or 5th, DNA
56	55	Range verification ratio test, 5 th	Yes ⁽¹⁾	DNS, SOL OFF (5th) or 3rd, DNA
56	66	Range verification ratio test, 6 th	Yes	DNS, 5th, 3rd or SOL OFF (3rd), DNA
56	77	Range verification ratio test, R	Yes	DNS, N2 or N3, DNA
57	11	Range verification C3PS test, 1 st	Yes	DNS, SOL OFF (3rd), DNA
57	22	Range verification C3PS test, 2 nd	Yes	DNS, 3rd, DNA
57	44	Range verification C3PS test, 4 th	Yes	DNS, 5th or SOL OFF (3rd), DNA
57	66	Range verification C3PS test, 6 th	Yes	DSN, SOL OFF (5th), DNA

TECHNICAL INFORMATION

MAIN CODE	SUB CODE	DESCRIPTION	CHECK TRANS LIGHT	INHIBITED OPERATION DESCRIPTION
57	88	Range verification C3PS test, N1	Yes	DNS, N3, DNA
57	99	Range verification C3PS test, N2 or N4	Yes	DNS, N3, DNA
61	0	Retarder oil temperature, hot	No	None
62	12	Retarder oil temperature sensor, low	No	None
62	23	Retarder oil temperature sensor, high	No	None
62	32	Engine coolant sensor, failed low	No	Use default value of 0°F
62	33	Engine coolant sensor, failed high	No	Use default value of 0°F
63	0	Input function fault	Yes	Depends on input function, DNA
63	26	Kickdown input, failed on	No	Kickdown operation inhibited
63	40	Service brake status input, failed on	No	No auto Neutral to Drive shifts for refuse packer (I/O package # 41). No retarder if a TPS code is also active
64	12	Retarder modulation request sensor, failed low	No	Retarder operation inhibited
64	23	Retarder modulation request sensor, failed high	No	Retarder operation inhibited
66	0	Serial communications interface fault	No	Use default throttle values, DNA
66	11	SCI engine coolant source fault	No	Use default value of 0°F
69	27	ECU, inoperative A-Hi switch	Yes	DNS, NNC, DNA
69	28	ECU, inoperative F-Hi switch	Yes	Lock-up inhibited, DNA
69	29	ECU, inoperative N and H-Hi switch	No	Low and 1st inhibited, retarder inhibited, DNA
69	33	ECU, Computer Operating Properly (COP) timeout	No	RESET ECU, SHUTDOWN ECU ON 2ND OCCURRENCE (POWER LOSS: HYDRAULIC DEFAULTS), MAY CAUSE "CATEYE" DISPLAY, DNA ⁽⁴⁾
69	34	ECU, write timeout	Yes	DNS, SOL OFF (Hydraulic default), DNA
69	35	ECU, checksum test	No	Induce COP timeout (reset ECU), DNA ⁽⁴⁾
69	36	ECU, RAM self test	No	INDUCE COP TIMEOUT (reset ECU), DNA ⁽⁴⁾
69	39	Communication chip addressing error	No	Use default for J1939 data, DNA

TECHNICAL INFORMATION

MAIN CODE	SUB CODE	DESCRIPTION	CHECK TRANS LIGHT	INHIBITED OPERATION DESCRIPTION
69	41	ECU, I/O ASIC addressing test	No	Induce COP timeout (reset ECU), DNA ⁽⁴⁾
69	42	SPI output failure	Yes	GPO 1-8 and reverse warning inoperable
69	43	SPI input failure	Yes	DNS, lock in range, DNA

This code is logged in real time to protect the transmission in case a loss of power to the ECU (Power Interruption code 35 00) occurs.

The ECU hardware or software must be changed so that they are compatible.

Additional codes could be logged for other shifts where X indicates range shifted from and Y indicates range shifted to.

The COP reset will clear the active inhibit.

OIL LEVEL SENSOR (OLS) CODES

Oil level codes are obtained as follows:

Press both the "▲" (up arrow) and "▼" (down arrow) push-buttons simultaneously. Oil level codes are displayed in 2 minutes (e.g. display will flash and 8, 7, ...; countdown will occur during the 2 minutes) once the following parameters are met:

- Waiting time, vehicle must be stationary for at least 2 minutes to allow the oil to settle;
- Engine at idle;
- Oil at normal operating temperature, between 140°F (60°C) and 220°F (104°C);
- Transmission in neutral (N);
- Transmission output shaft stopped;
- Oil level sensor present and working.
- After 2 minutes, the display will flash one of the codes shown below:

CODE	CAUSE OF CODE
O, L...O, K	Oil level is correct
O, L...L, O...01	One quart low
O, L...L, O...02	Two quarts low
O, L...H, I...01	One quart high
O, L...H, I...02	Two quarts high

NOTE

Failure to meet one of the above parameters will stop the two minute countdown. One of the codes shown hereafter will indicate the cause of the countdown interruption. Once all parameters are met, the countdown will continue from where it left off.

CODE	CAUSE OF CODE
O, L...-...0,X	Waiting time too short
OL-50	Engine speed (rpm) too low
OL-59	Engine speed (rpm) too high
OL-65	Neutral must be selected
OL-70	Sump oil temperature too low
OL-79	Sump oil temperature too high
OL-89	Output shaft rotation
OL-95	Sensor failure

Exiting The Fluid Level Display Mode

To exit the Oil Level Display Mode, press any range button ("R", "N" or "D").

CLEARING CODES

If the CHECK TRANS light is illuminated, first clear all diagnostic codes by pressing both the "▲" (up arrow) and "▼" (down arrow) pushbuttons at the same time, twice.

Take the vehicle for a test drive. If the CHECK TRANS light illuminates again, record the diagnostic codes. Refer to "World Transmission (WT) Diagnostic Codes" in this chapter.

LIGHT BULB DATA

LIGHT BULB DATA					
APPLICATION	PREVOST PART NO.	TRADE OR SAE NUMBER	WATTS OR CANDLE POWER	VOLTS	QTY
EXTERIOR LIGHTING					
Hi/Lo-beam	930291	9004	65/45 W	12	2
Lo-Beam Xenon (optional)	930388	D2S	35 W	12	2
Docking & cornering	930319	9415	37.5W	12	4
Fog	561882	H3 (OSRAM)	55 W	12	2
License plate (sealed)	930266	TL 15206	---	12	2
Side Lamp (red)	930340	Grote 47072-3	---	12	12
Side Lamp (amber)	930341	Grote 47073	---	12	12
Identification (red)	930334	25350R	---	12	6
Clearance (red)	930334	25350R	---	12	8
Identification (amber)	930337	25350Y	---	12	6
Clearance (amber)	930337	25350Y	---	12	8
Front directional (hazard & marker)	562135	3057	32/3W	12	2
Rear directional	560589	1156	32 W	12	4
Stop	560589	1156	32 W	12	8
Back-up	560589	1156	32 W	12	4
Center stop	930330	HELLA 96208	---	12	3
Tail	560123	67	4 W	12	4
Exterior compartment (except engine)	562278	HELLA 78207 OSRAM 6429	10 W	24	12
Engine compartment	930383	Sealed	25 W	12	2
INTERIOR LIGHTING					
Instrument cluster lights	562838	2721 MFX (OSRAM)	---	---	---
Telltale panel assy.	562791	---	---	---	1
Step light	562278	HELLA 78207 OSRAM 6429	10 W	24	3

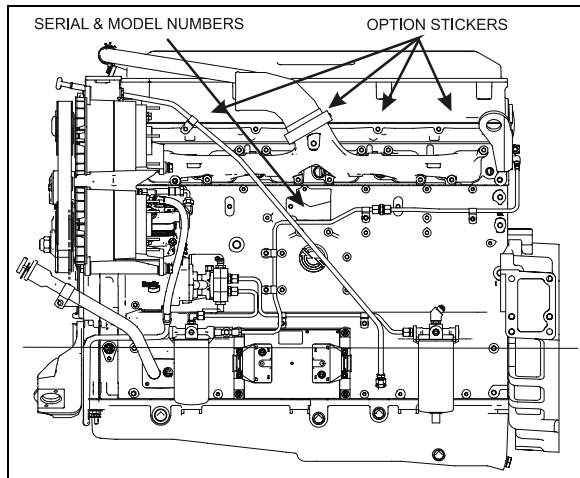
TECHNICAL INFORMATION

PLATES AND CERTIFICATION

The main components of the vehicle such as engine, transmission, axles and chassis are identified by different serial numbers. It may be necessary to locate these numbers for warranty purposes.

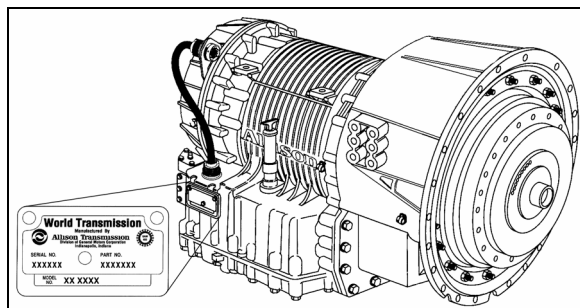
The engine serial and model number are stamped on the cylinder block (as viewed from the flywheel end) on the left side just below the fire deck and above the cast-in Detroit Diesel logo "C".

In addition, option decals are located on the rocker cover (starter side). The engine serial and model number and a list of the optional engine equipment are written on these decals. Refer to this information when ordering replacement parts.



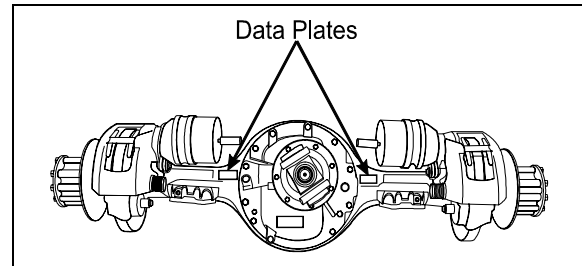
SERIES 60 ENGINE

00043



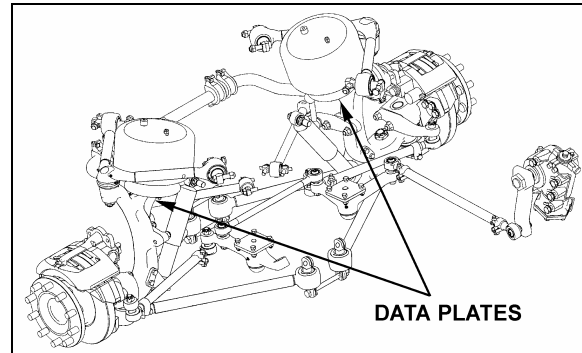
TRANSMISSION DATA PLATE

07076



DRIVE AXLE

11019



FRONT AXLE

10003

SAFETY CERTIFICATION

Vehicle components meet specifications and standards as follows:

- Material and parts conform to ASTM and/or SAE standards in effect at the time of manufacture.
- All factory-installed interior materials meet FMVSS 302 for fire resistance.
- Certified according to Provincial, State and Federal Safety standards (Canadian and US) BMCSS, FMVSS and CMVSS.

Other applicable certification labels are affixed to the component.

DOT CERTIFICATION PLATE

This certifies that vehicles manufactured by Prévost Car Inc. comply with all Federal Motor Vehicle Safety Standards at the time of manufacture. Information such as gross vehicle weight rating and tire pressure is also marked on this plate. The DOT Certification plate is affixed to L.H. control panel.

		PREVOST		MANUFACTURED BY: PREVOST CAR INC. FABRIQUÉ PAR: STE-CLAUDE, Q.C.	
TYPE: M1400	VEHICLE IDENTIFICATION NO. / N° D'IDENTIFICATION VÉHICULE	DATE OF MFG. / DATE DE FAB.	SCALE / ÉCHELLE	GROSS VEHICLE WEIGHT RATING / POIDS NOMINAL BRUT DU VÉHICULE	WHEELS / ROUES
			FRONT / AVANT	4800 LBS. / 2180 KG.	
			DRIVE / MOTEUR		
			TRAILER / TRAILER		
GROSS VEHICLE WEIGHT RATING: 4800 LBS. / POIDS NOMINAL BRUT DU VÉHICULE: 2180 KG.				#404564	

DOT CERTIFICATION PLATE

00016

