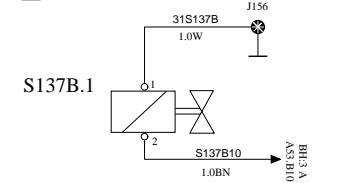
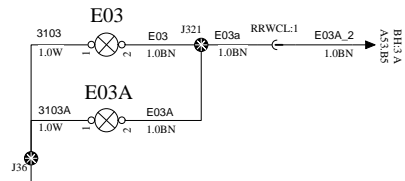
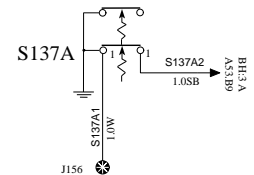
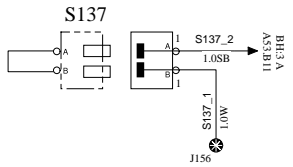
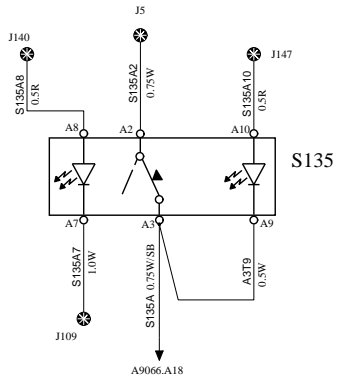


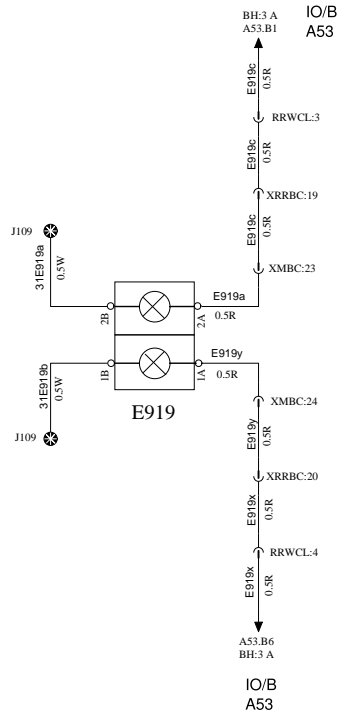
# WHEEL CHAIR LIFT

# GB

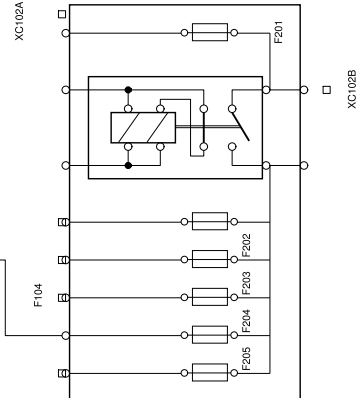
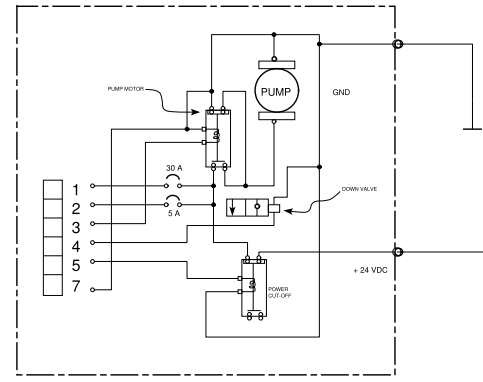
# WIRING DIAGRAM



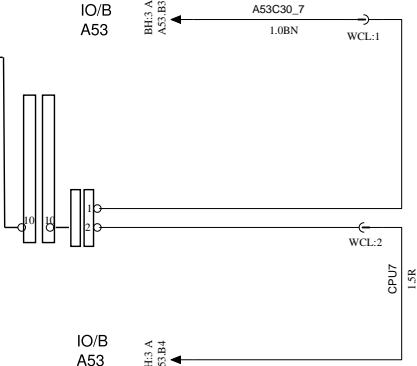
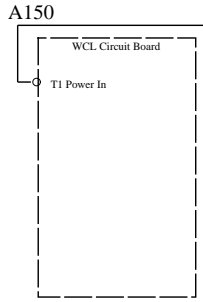
ELECTRICAL HATCH LOCK WHEEL CHAIR LIFT



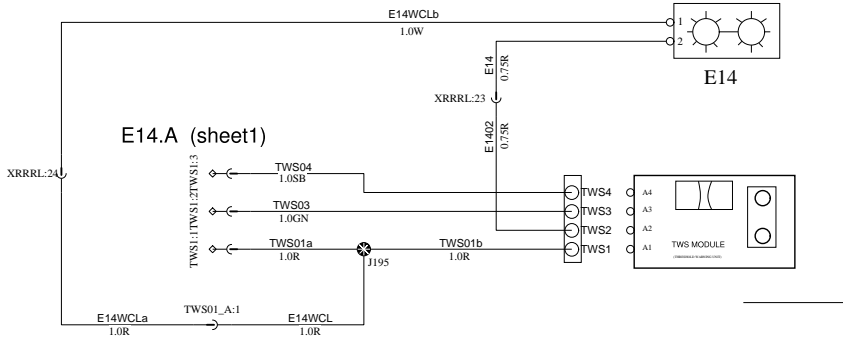
# PUMP ENCLOSURE



ENGINE FUSE BOX



# BEACON



Volvo Bus Corporation

Document title  
WIRING DIAGRAM  
Document type  
PRODUCT SCHEMATIC

Document No	Issue	Volume	Page
22600119	04	01	31/74