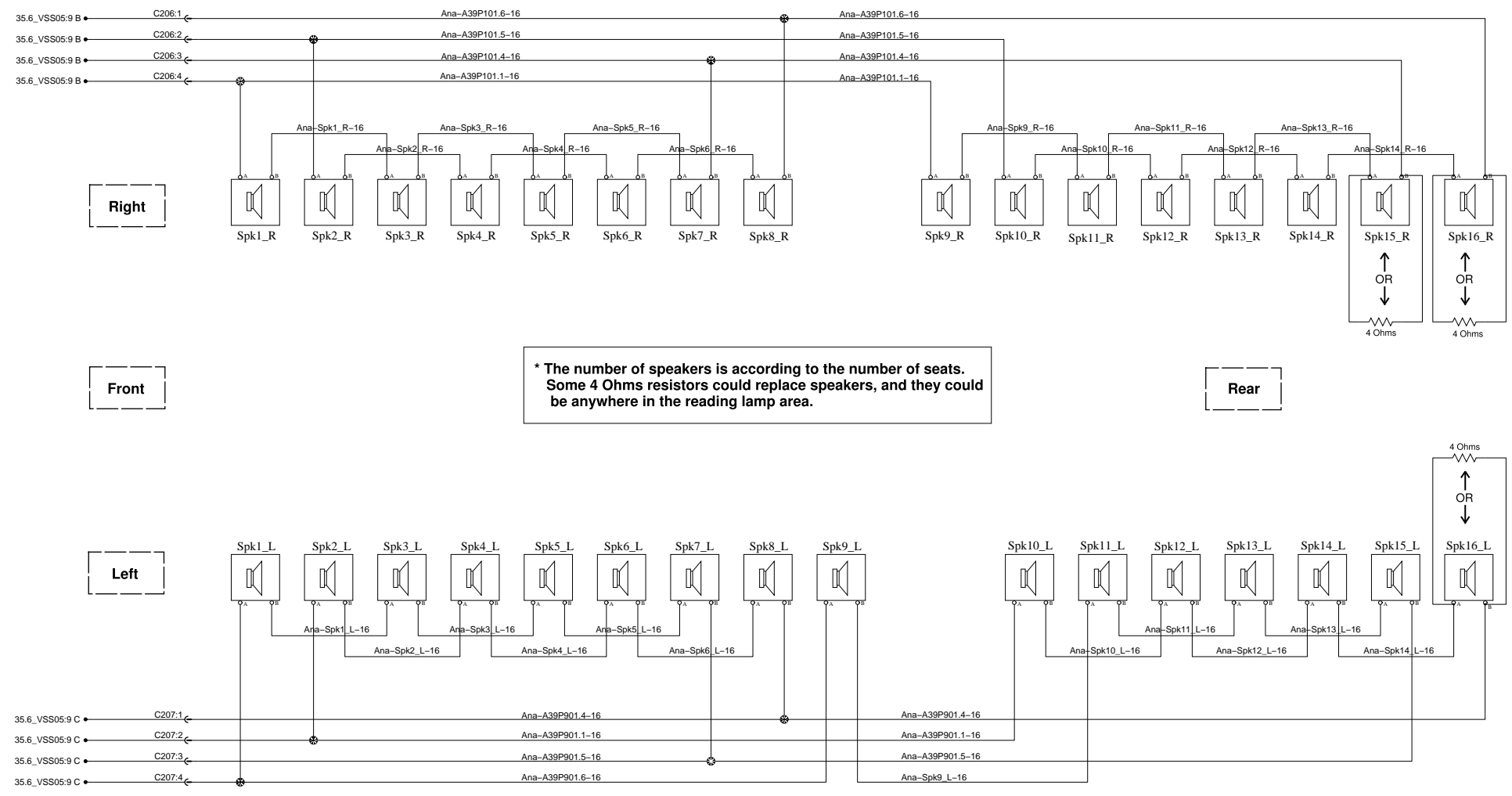


Speakers arrangement (Delta configuration)



* The number of speakers is according to the number of seats.
Some 4 Ohms resistors could replace speakers, and they could be anywhere in the reading lamp area.

