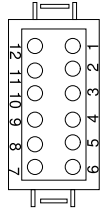


# FRONT JUNCTION BOX

Clnt1 (BLACK)

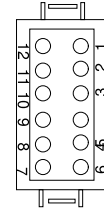


BACK OF CONNECTOR  
PREVOST PART 563227  
SOCKET TERMINALS 562482  
SECONDARY LOCK 563228

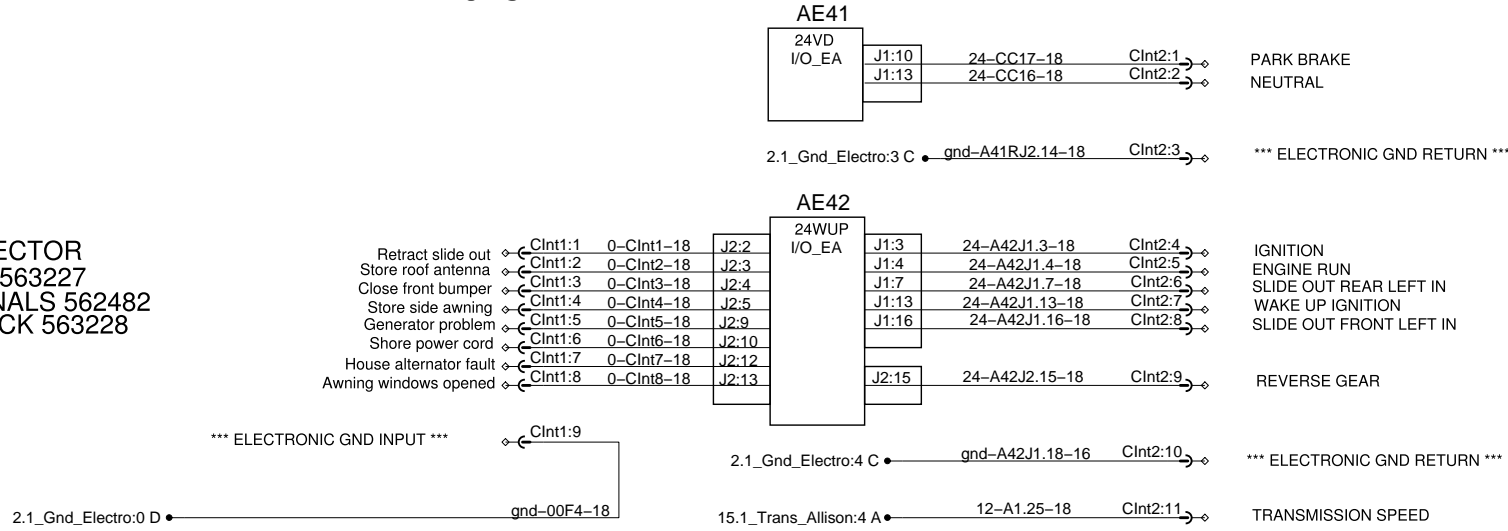
INPUTS

OUTPUT

Clnt2 (GREY)



BACK OF CONNECTOR  
PREVOST PART 563226  
SOCKET TERMINALS 562482  
SECONDARY LOCK 563228



## TYPICAL CIRCUIT I/OEA

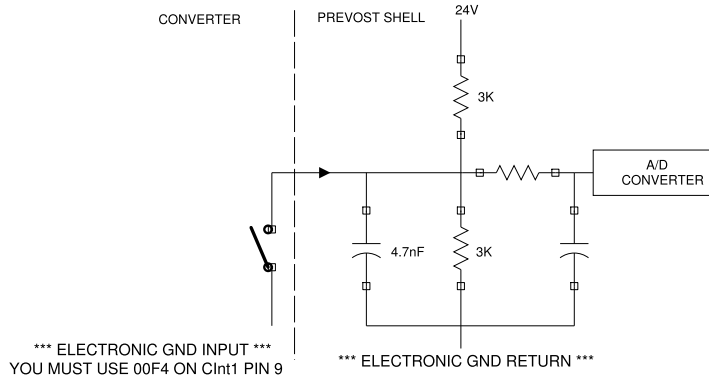
### INPUT SPECIFICATION

**Active state (input contact closed):**

Sourcing current : 8mA  
Maximum allowed voltage drop across contact: 3V

**Inactive state(input contact open):**

Voltage on input:12V  
Maximum allowed leakage current across contact: 3ma



### OUTPUT SPECIFICATION

**Active state**

Maximum current: 1A I/OA /125ma MECM  
Minimum output voltage: 22.5V

**Inactive state**

Open circuit voltage: 6v to 8v  
Leakage current: 0.8ma

