

PRE-HEAT WATER PROHEAT  
SPECIAL VEH. BROWN BUS V2073 & V2077

**PREVOST**

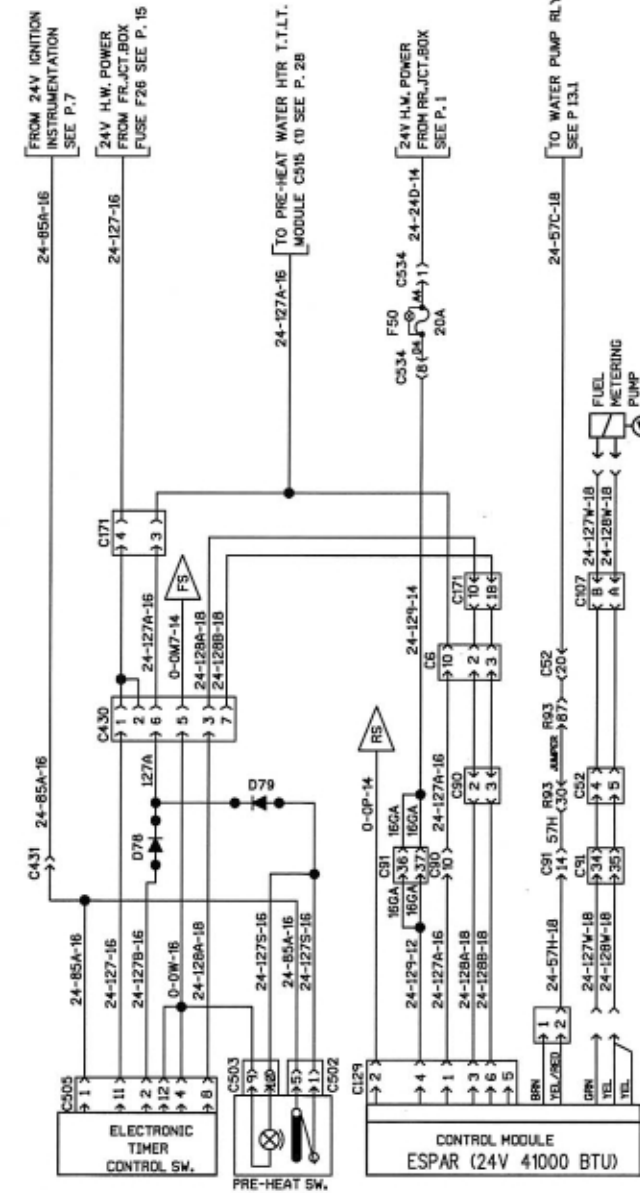
WIRING DIAGRAM

NO:

D060882

PAGE: 26.1sp2

REVISION  
00



PRE-HEAT WATER HEATER (ESPAR)