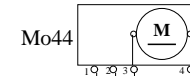
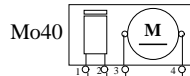


# Window Ajar and awning mechanism or Sliding window

L.H.

Awning window

Sliding window

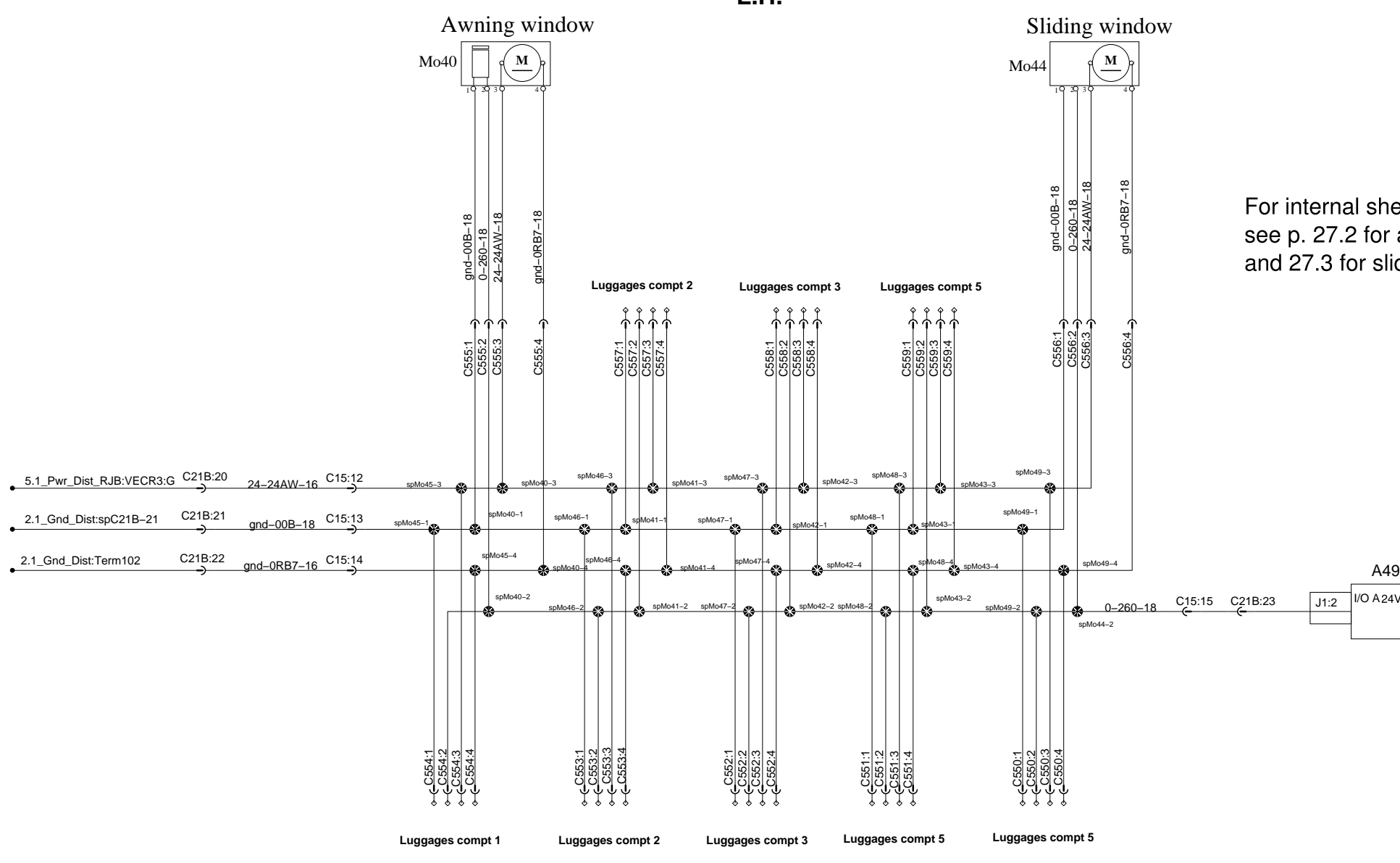


For internal schematic see p. 27.2 for awning and 27.3 for sliding

Luggages compt 2

Luggages compt 3

Luggages compt 5



Luggages compt 1

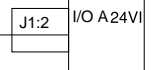
Luggages compt 2

Luggages compt 3

Luggages compt 5

Luggages compt 5

A49



R.H.