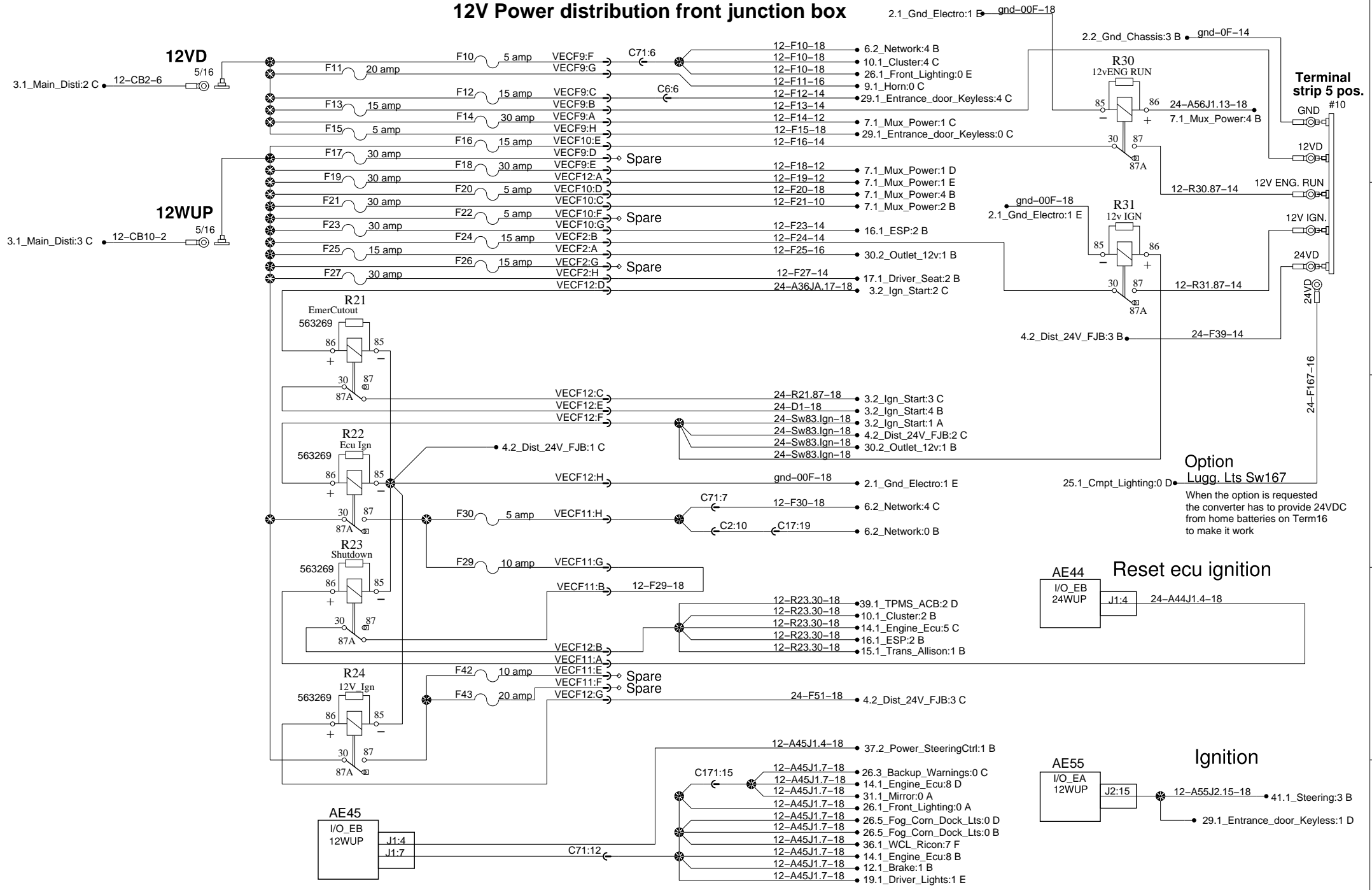


# 12V Power distribution front junction box



**Option Lugg. Lts Sw167**  
 When the option is requested the converter has to provide 24VDC from home batteries on Term16 to make it work

**Reset ecu ignition**  
 AE44 I/O\_EB 24WUP J1:4 24-A44J1.4-18

**Ignition**  
 AE55 I/O\_EA 12WUP J2:15 12-A55J2.15-18 41.1\_Steering:3 B 29.1\_Entrance\_door\_Keyless:1 D