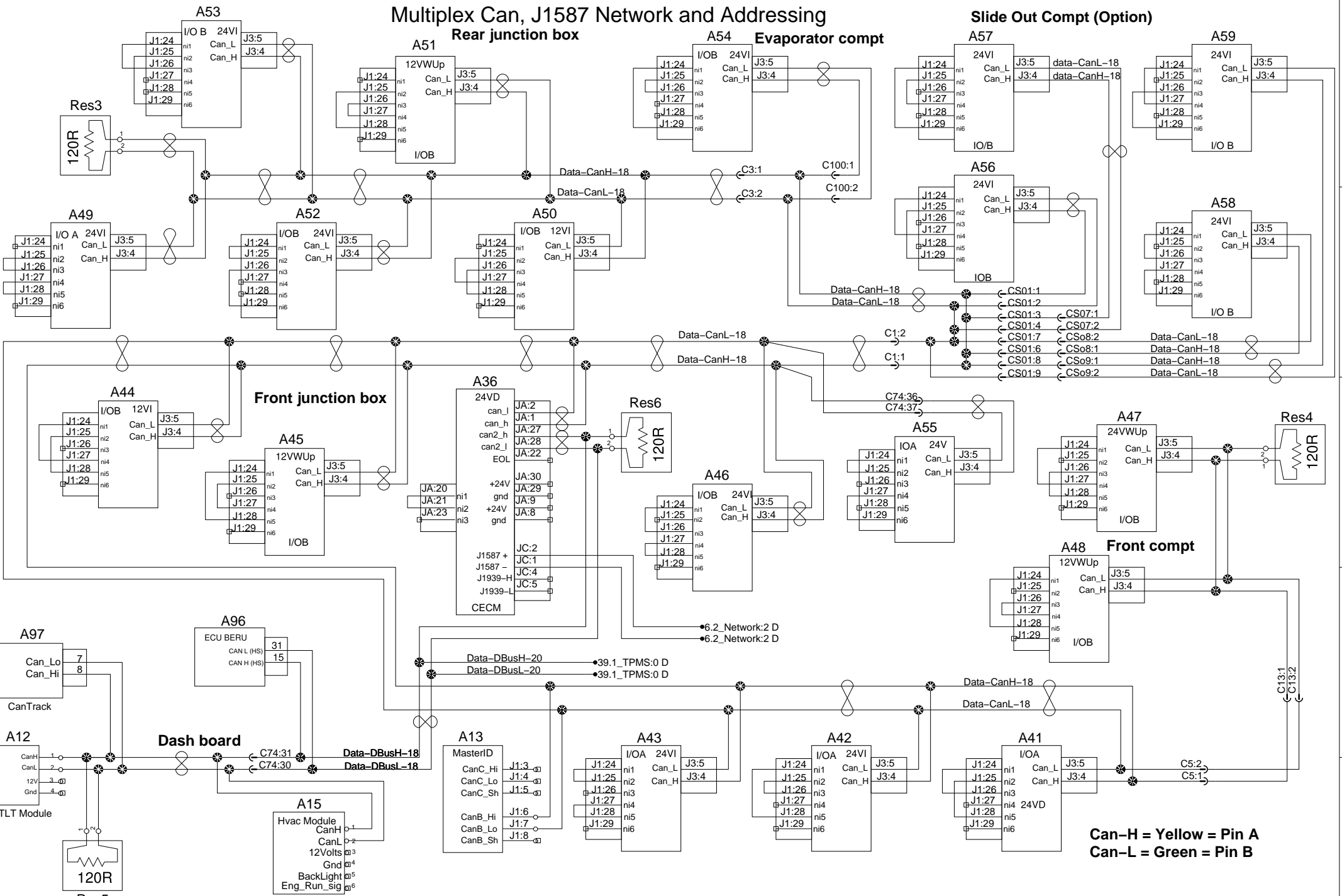


# Multiplex Can, J1587 Network and Addressing

## Rear junction box

## Slide Out Compt (Option)



Can-H = Yellow = Pin A  
 Can-L = Green = Pin B