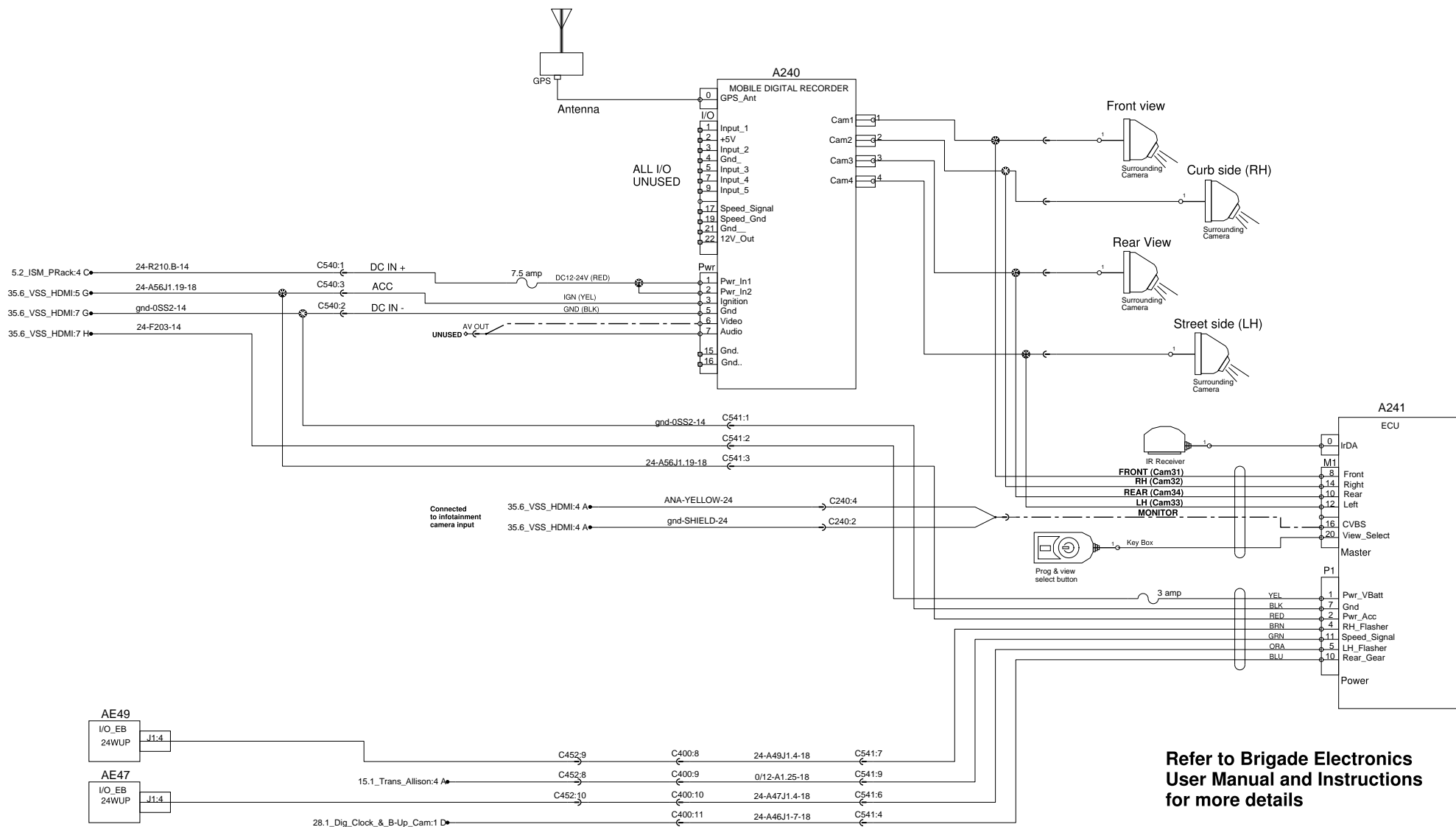


Surrounding Cameras System



**Refer to Brigade Electronics
User Manual and Instructions
for more details**