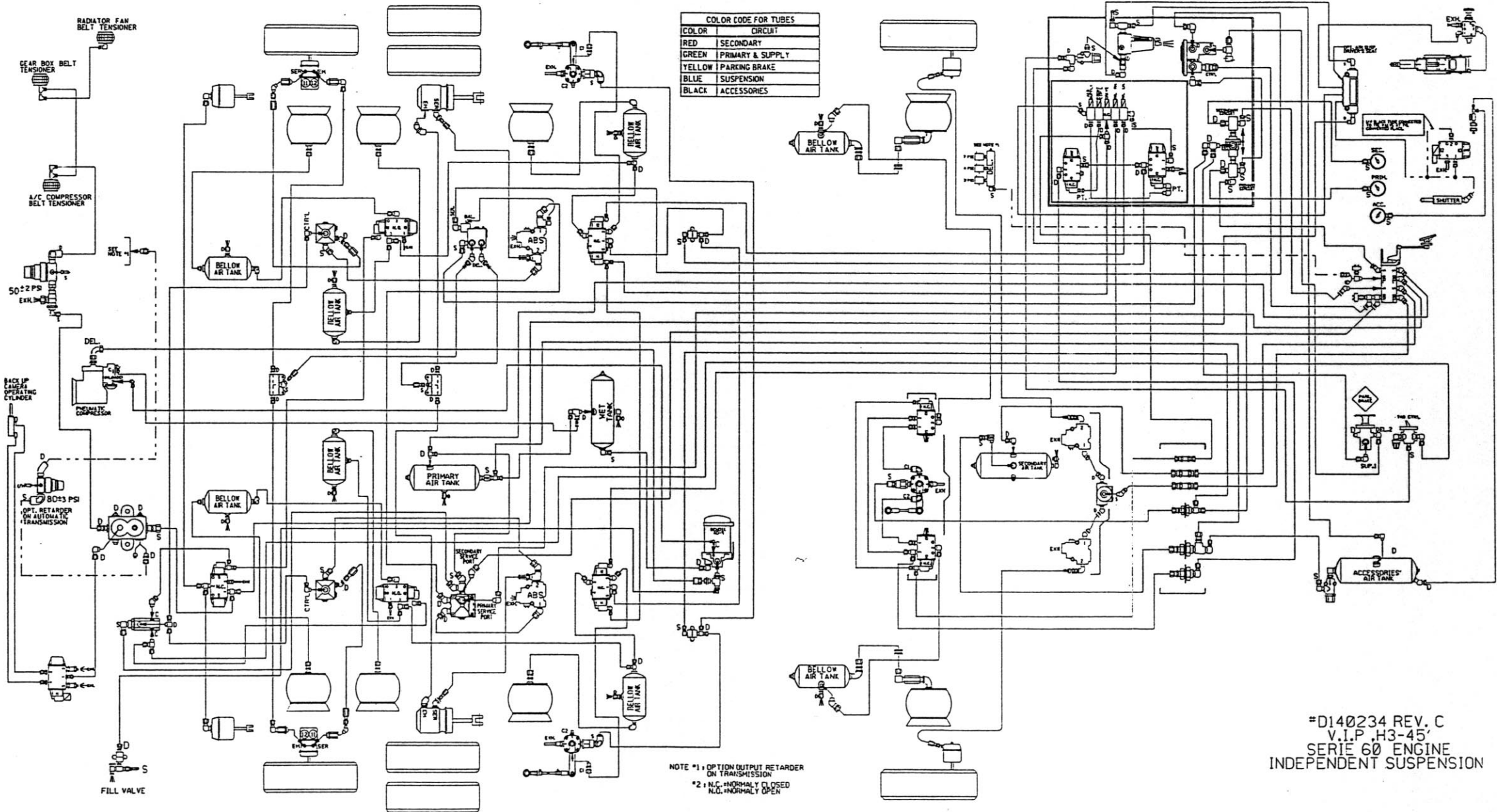


COLOR CODE FOR TUBES	
COLOR	CIRCUIT
RED	SECONDARY
GREEN	PRIMARY & SUPPLY
YELLOW	PARKING BRAKE
BLUE	SUSPENSION
BLACK	ACCESSORIES

NOTE #1: OPTION OUTPUT RETARDER ON TRANSMISSION
 #2 : N.C.-NORMALLY CLOSED
 N.O.-NORMALLY OPEN

#D140234 REV. A
 V.I.P. H3-45
 SERIE 60 ENGINE
 INDEPENDENT SUSPENSION

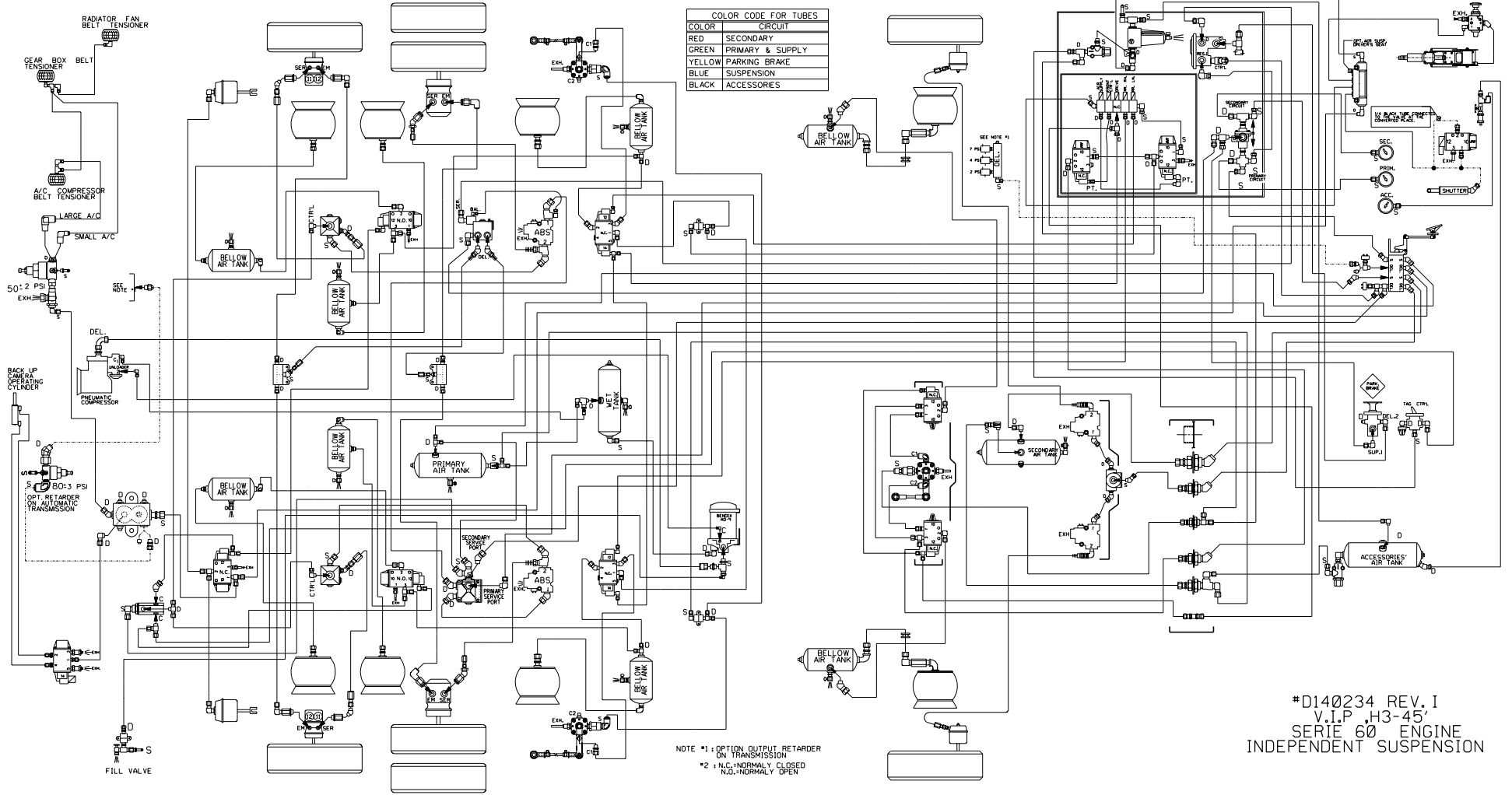
DATE : 1997-04



COLOR CODE FOR TUBES	
COLOR	CIRCUIT
RED	SECONDARY
GREEN	PRIMARY & SUPPLY
YELLOW	PARKING BRAKE
BLUE	SUSPENSION
BLACK	ACCESSORIES

NOTE #1: OPTION OUTPUT RETARDER ON TRANSMISSION
 #2: N.C., NORMALLY CLOSED
 N.O., NORMALLY OPEN

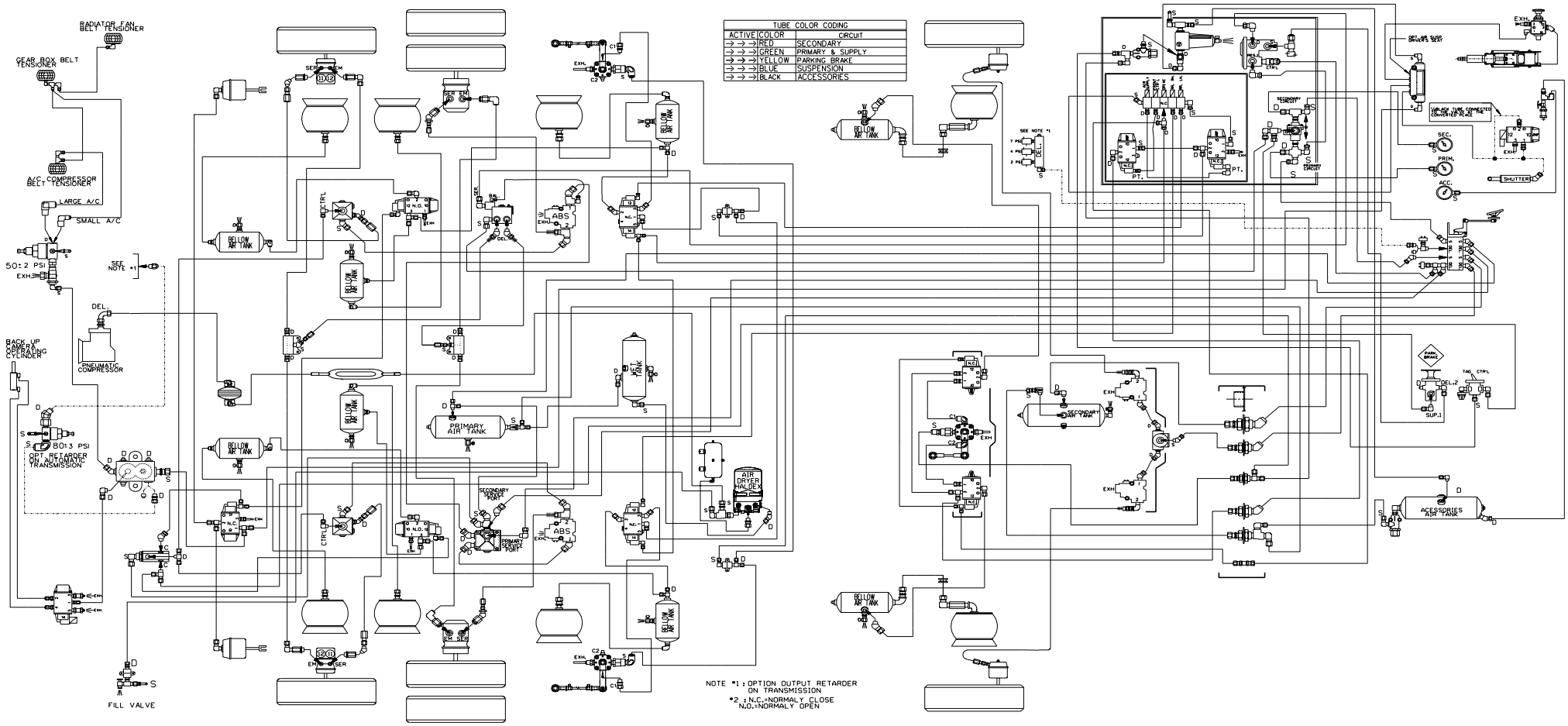
#D140234 REV. C
 V.I.P. H3-45
 SERIE 60 ENGINE
 INDEPENDENT SUSPENSION



COLOR	CIRCUIT
RED	SECONDARY
GREEN	PRIMARY & SUPPLY
YELLOW	PARKING BRAKE
BLUE	SUSPENSION
BLACK	ACCESSORIES

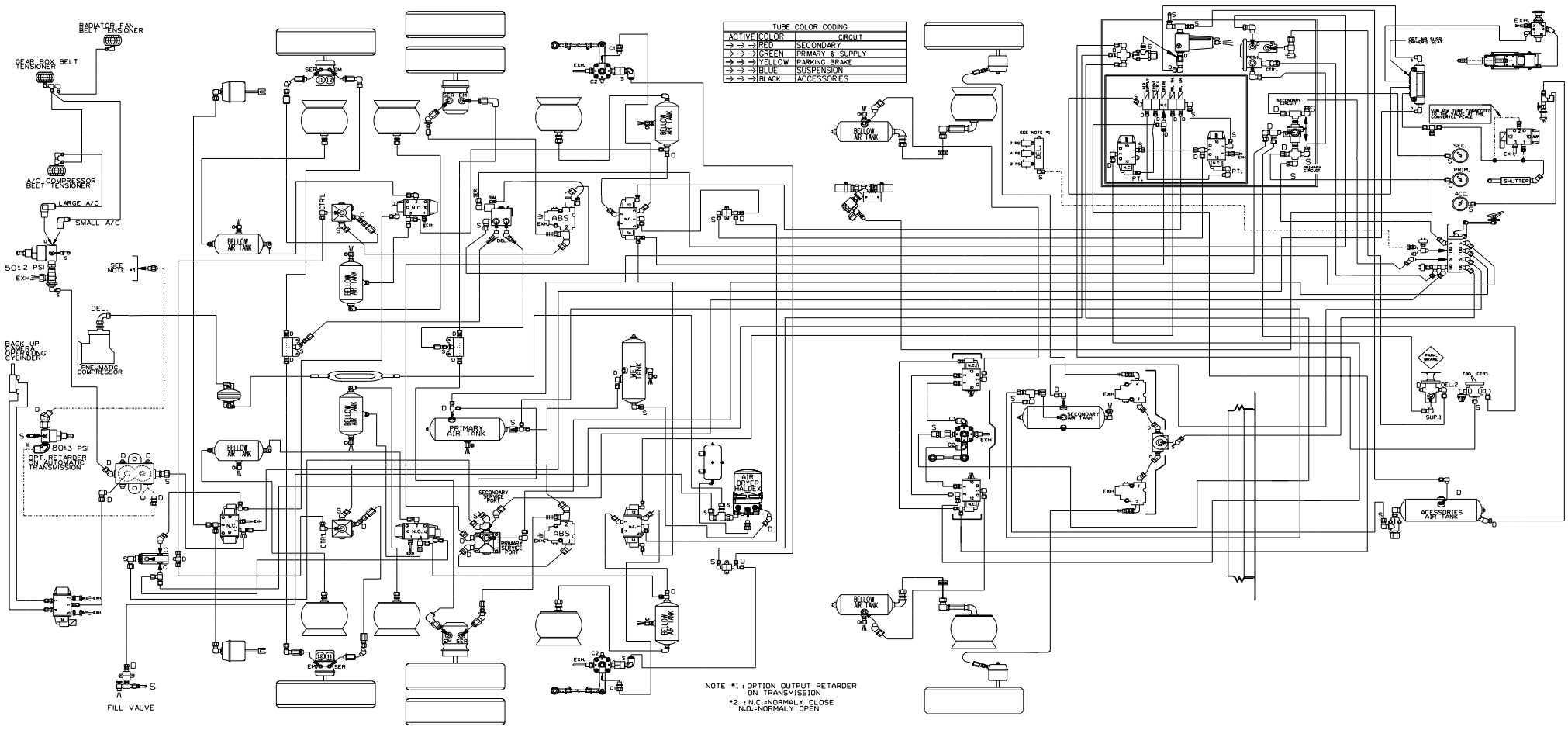
NOTE #1: OPTION OUTPUT RETARDER ON TRANSMISSION
 #2: N.C.=NORMALLY CLOSED
 N.O.=NORMALLY OPEN

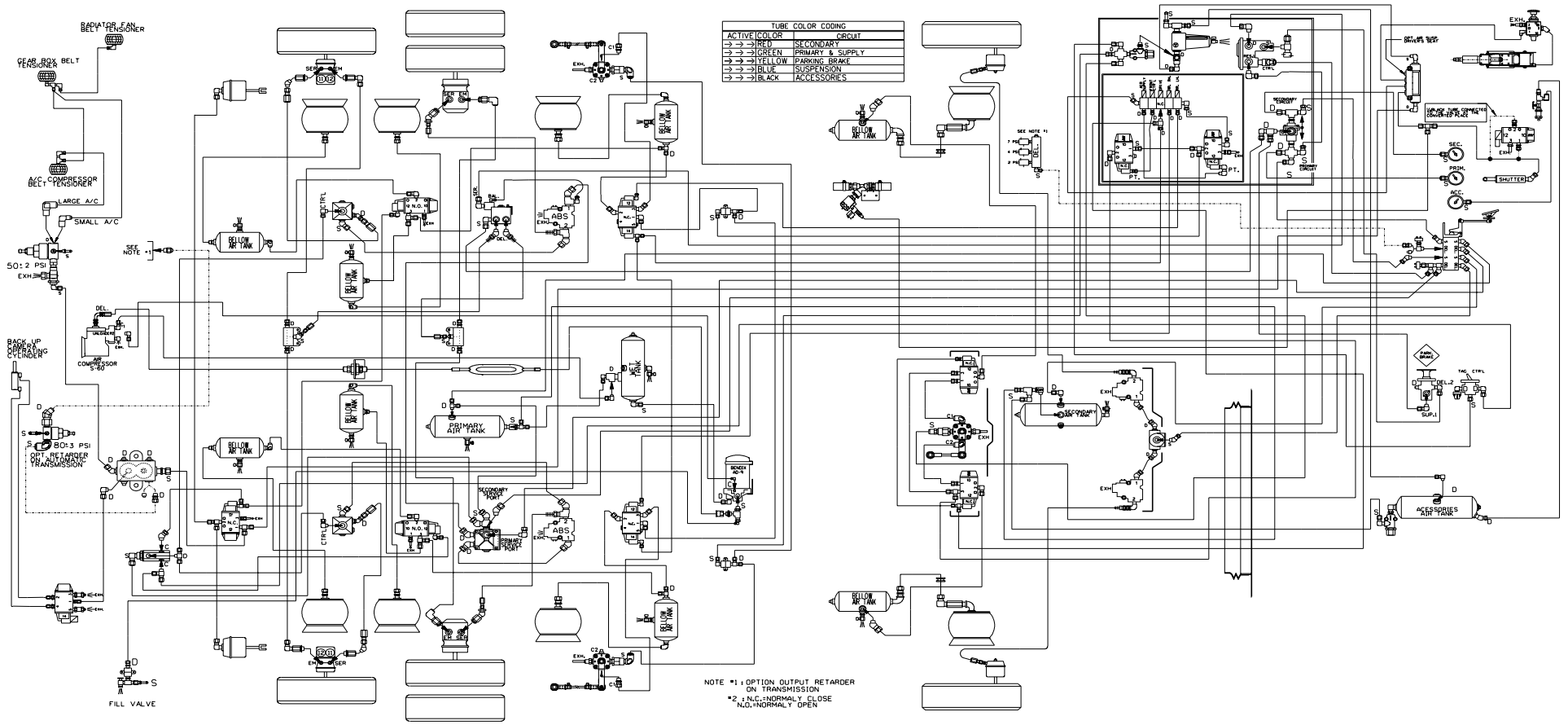
#D140234 REV. I
 V.I.P. H3-45'
 SERIE 60 ENGINE
 INDEPENDENT SUSPENSION



DATE: 2001-07

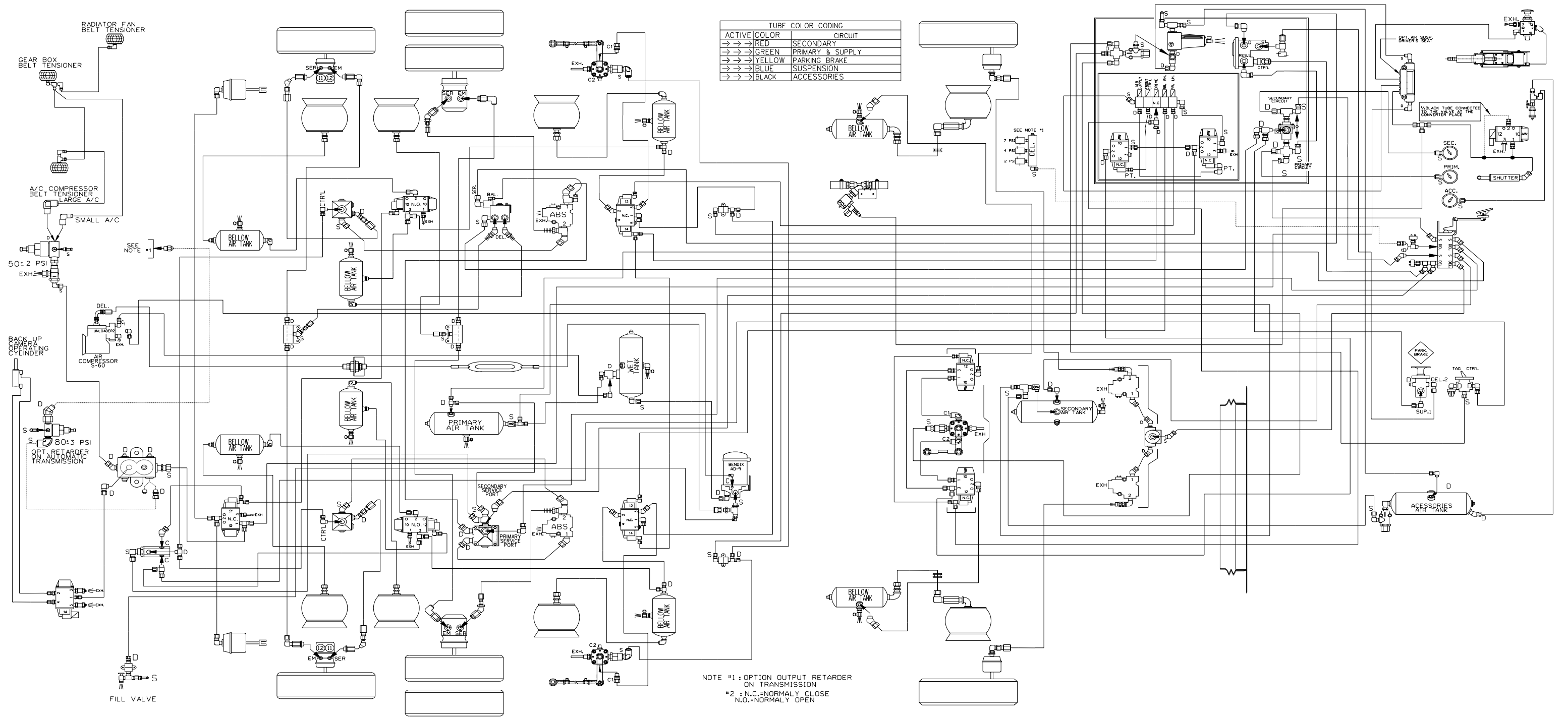
*D140234_REV.J
 V.I.P. H3-45
 SERIE 60 ENGINE
 INDEPENDENT SUSPENSION





TUBE COLOR CODING	
ACTIVE COLOR	CIRCUIT
→ RED	SECONDARY
→ GREEN	PRIMARY & SUPPLY
→ YELLOW	PARKING BRAKE
→ BLUE	SUSPENSION
→ BLACK	ACCESSORIES

NOTE #1: OPTION OUTPUT RETARDER ON TRANSMISSION
 #2: N.C.-NORMALLY CLOSE
 N.O.-NORMALLY OPEN



DATE: 2003-01

#D140234 REV.N
 V.I.P. H3-45
 SERIE 60 ENGINE
 INDEPENDENT SUSPENSION