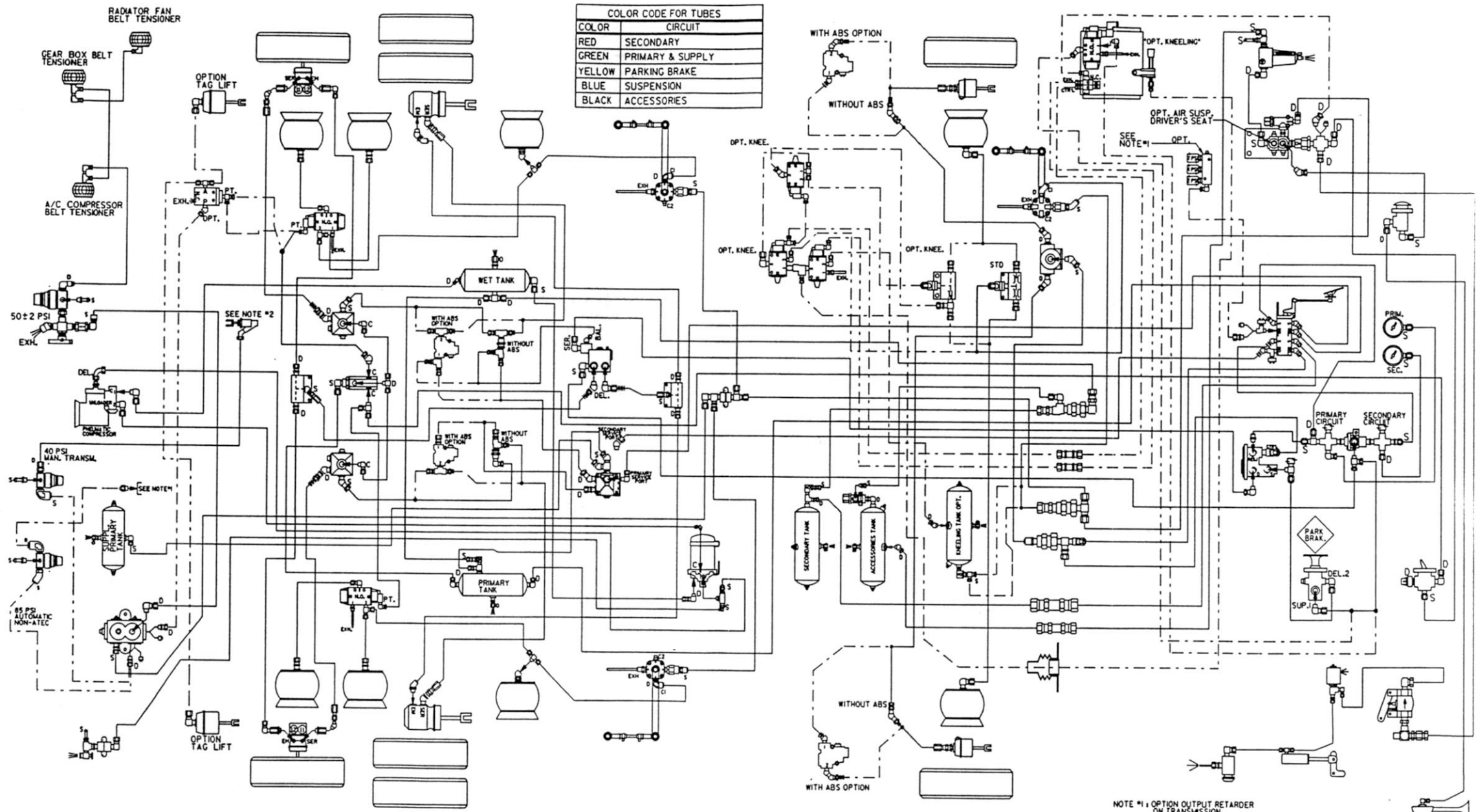


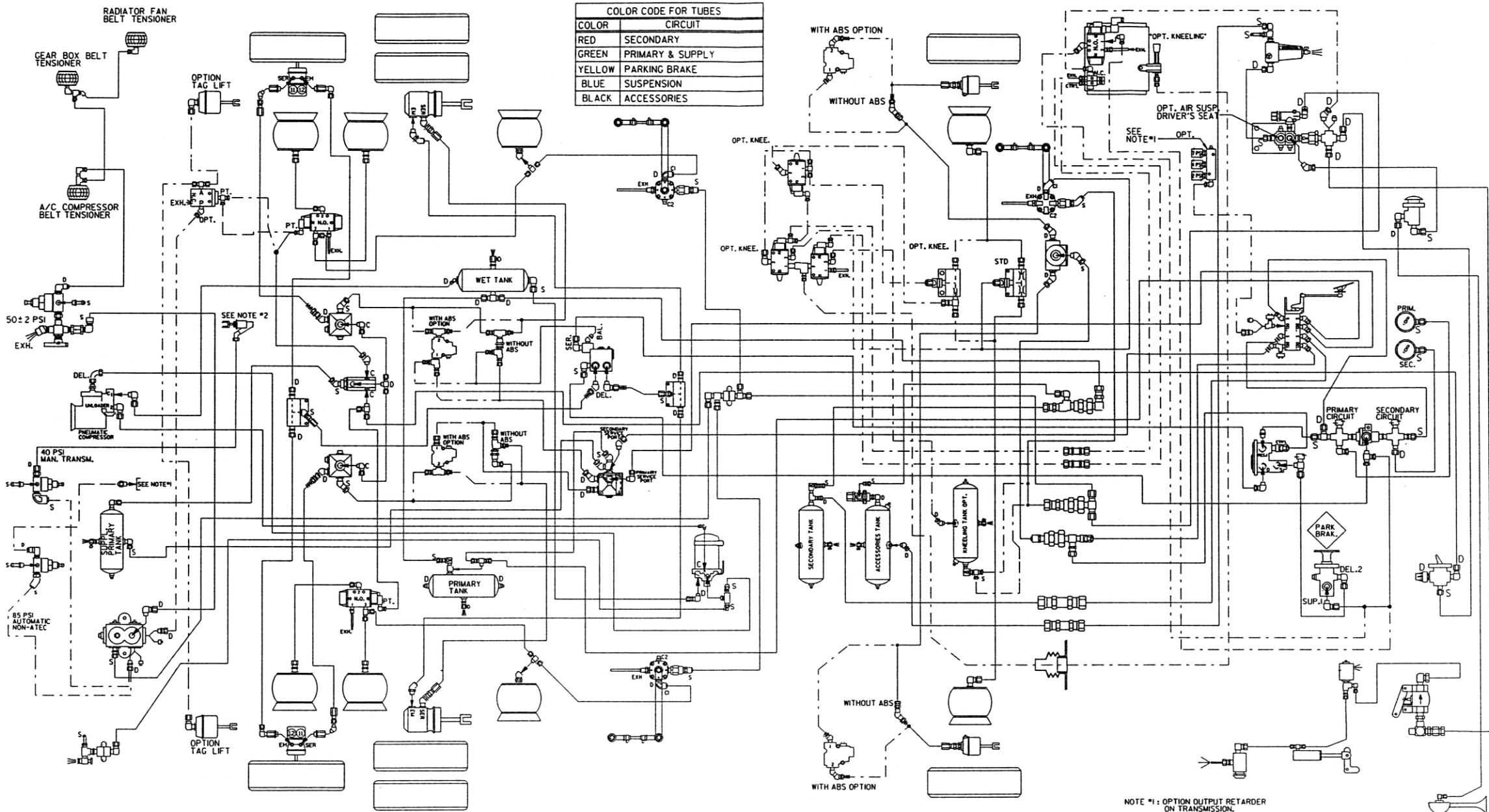
COLOR CODE FOR TUBES	
COLOR	CIRCUIT
RED	SECONDARY
GREEN	PRIMARY & SUPPLY
YELLOW	PARKING BRAKE
BLUE	SUSPENSION
BLACK	ACCESSORIES

NOTE #1: OPTION OUTPUT RETARDER ON TRANSMISSION.  
 #2: POWERED-ASSISTED CLUTCH.  
 #3: N.O. =NORMALY OPEN  
 N.C. =NORMALY CLOSE



COLOR CODE FOR TUBES	
COLOR	CIRCUIT
RED	SECONDARY
GREEN	PRIMARY & SUPPLY
YELLOW	PARKING BRAKE
BLUE	SUSPENSION
BLACK	ACCESSORIES

- NOTE #1: OPTION OUTPUT RETARDER ON TRANSMISSION.  
 #2: POWERED-ASSISTED CLUTCH.  
 #3: N.O. =NORMALY OPEN  
 N.C. =NORMALY CLOSE



COLOR CODE FOR TUBES	
COLOR	CIRCUIT
RED	SECONDARY
GREEN	PRIMARY & SUPPLY
YELLOW	PARKING BRAKE
BLUE	SUSPENSION
BLACK	ACCESSORIES

NOTE #1: OPTION OUTPUT RETARDER ON TRANSMISSION.  
 #2: POWERED-ASSISTED CLUTCH.  
 #3: N.O. =NORMALY OPEN  
 N.C. =NORMALY CLOSE

#DI40242 REV.: G  
 XL 40 & 45' COACH