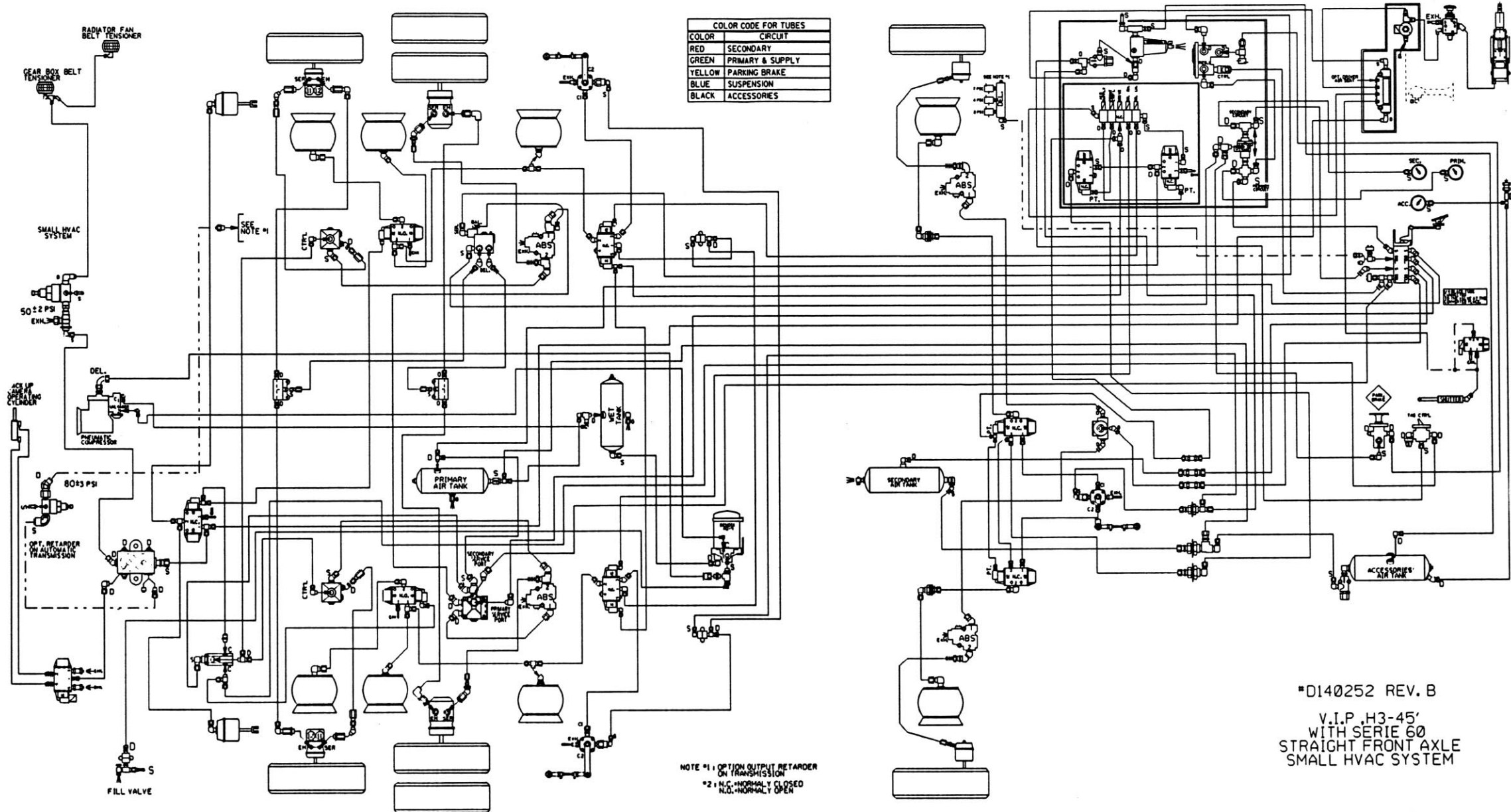
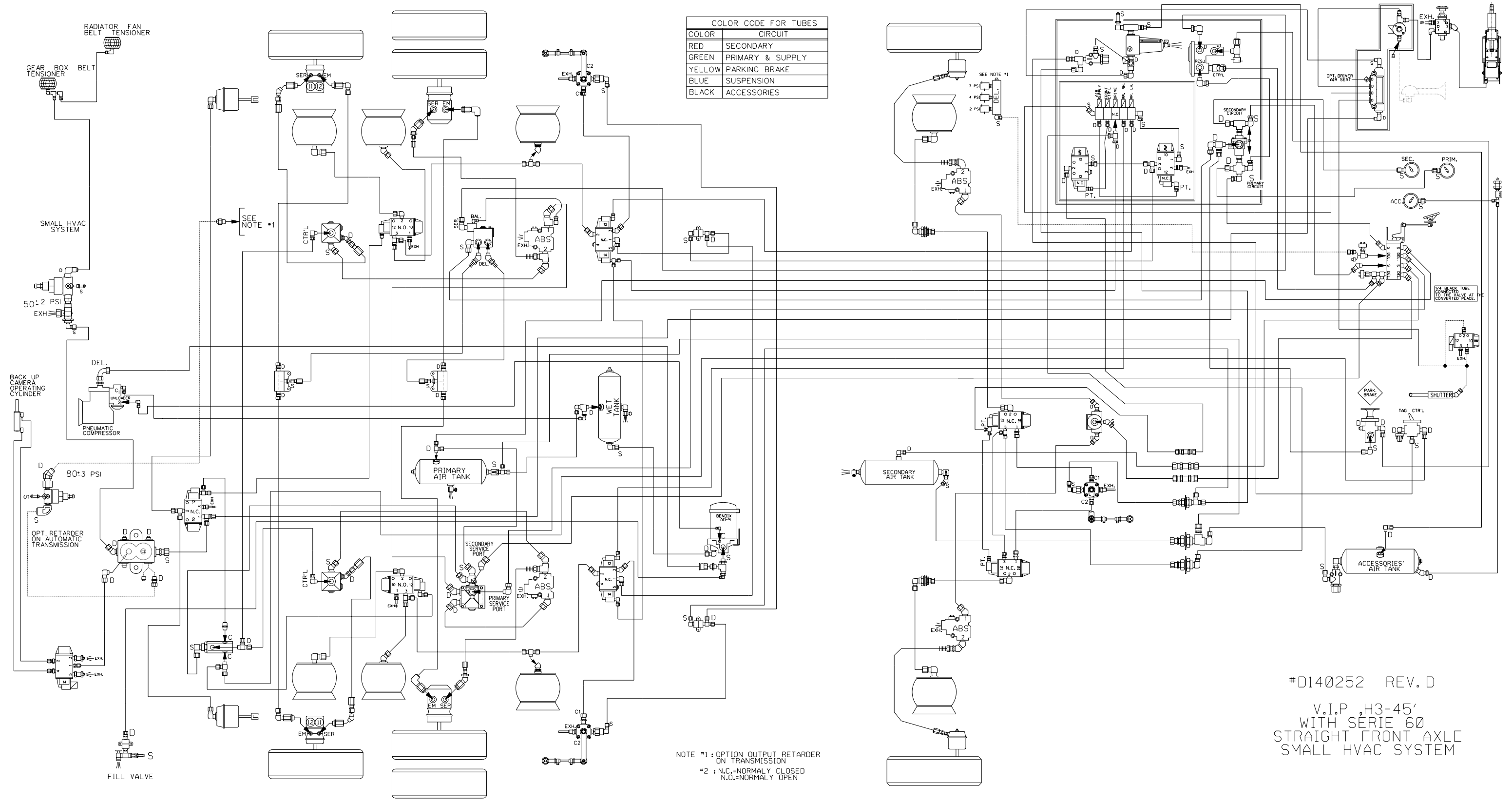


| COLOR CODE FOR TUBES | |
|----------------------|------------------|
| COLOR | CIRCUIT |
| RED | SECONDARY |
| GREEN | PRIMARY & SUPPLY |
| YELLOW | PARKING BRAKE |
| BLUE | SUSPENSION |
| BLACK | ACCESSORIES |



NOTE #1: OPTION OUTPUT RETARDER ON TRANSMISSION
 #2: N.C. - NORMALLY CLOSED
 N.O. - NORMALLY OPEN

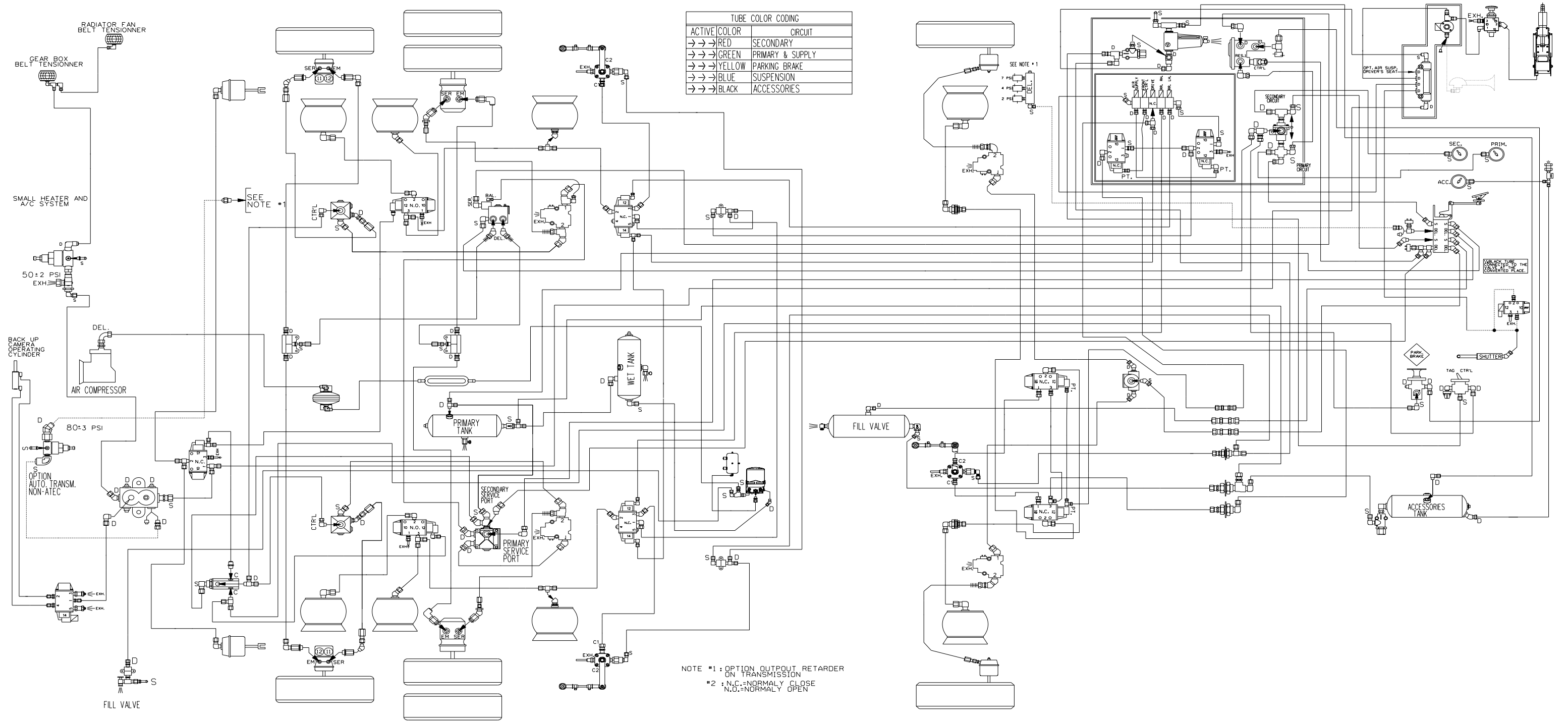
*D140252 REV. B
 V.I.P. H3-45'
 WITH SERIE 60
 STRAIGHT FRONT AXLE
 SMALL HVAC SYSTEM



| COLOR CODE FOR TUBES | |
|----------------------|------------------|
| COLOR | CIRCUIT |
| RED | SECONDARY |
| GREEN | PRIMARY & SUPPLY |
| YELLOW | PARKING BRAKE |
| BLUE | SUSPENSION |
| BLACK | ACCESSORIES |

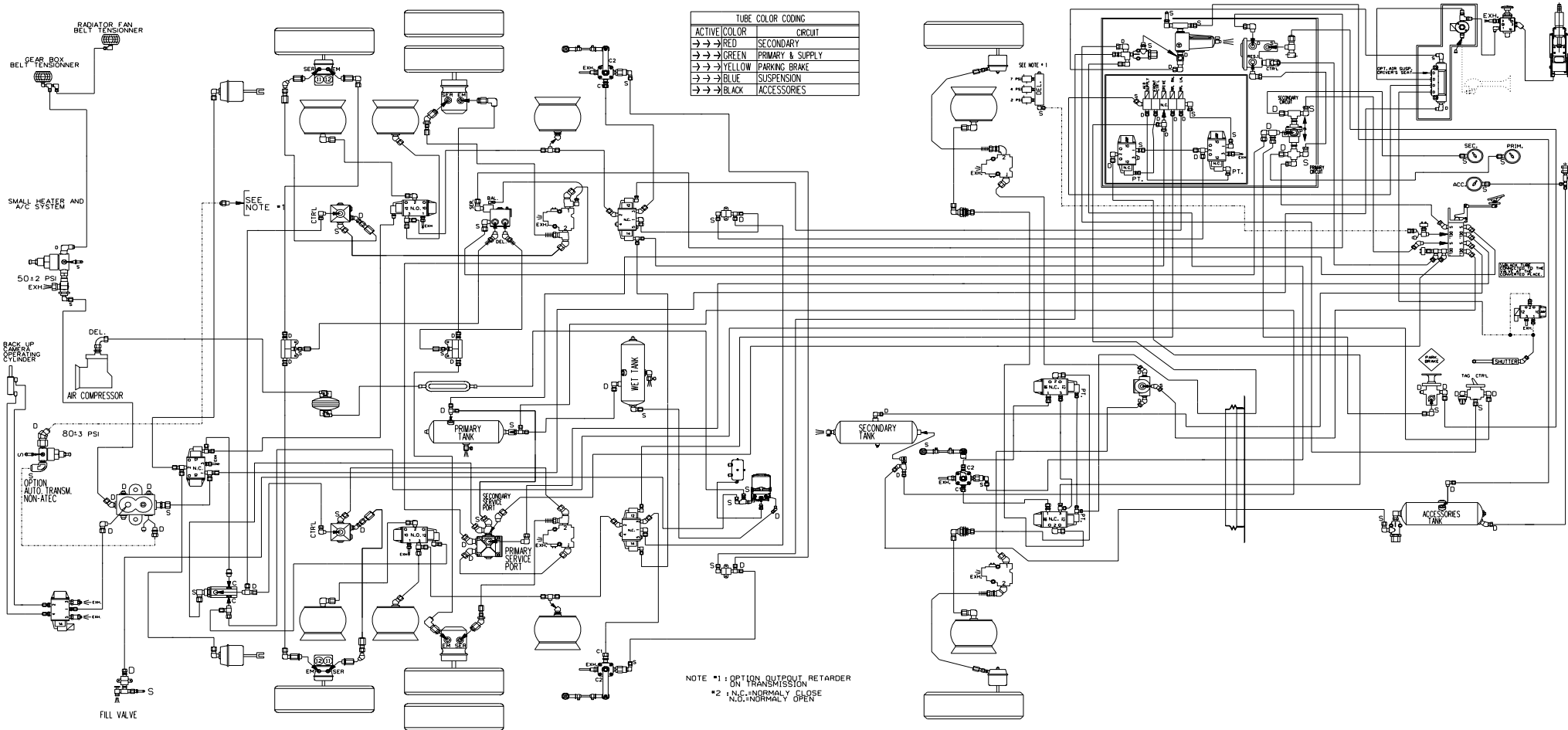
NOTE #1: OPTION OUTPUT RETARDER ON TRANSMISSION.
 #2: N.C.=NORMALLY CLOSED
 N.O.=NORMALLY OPEN

#D140252 REV. D
 V.I.P. H3-45'
 WITH SERIE 60
 STRAIGHT FRONT AXLE
 SMALL HVAC SYSTEM



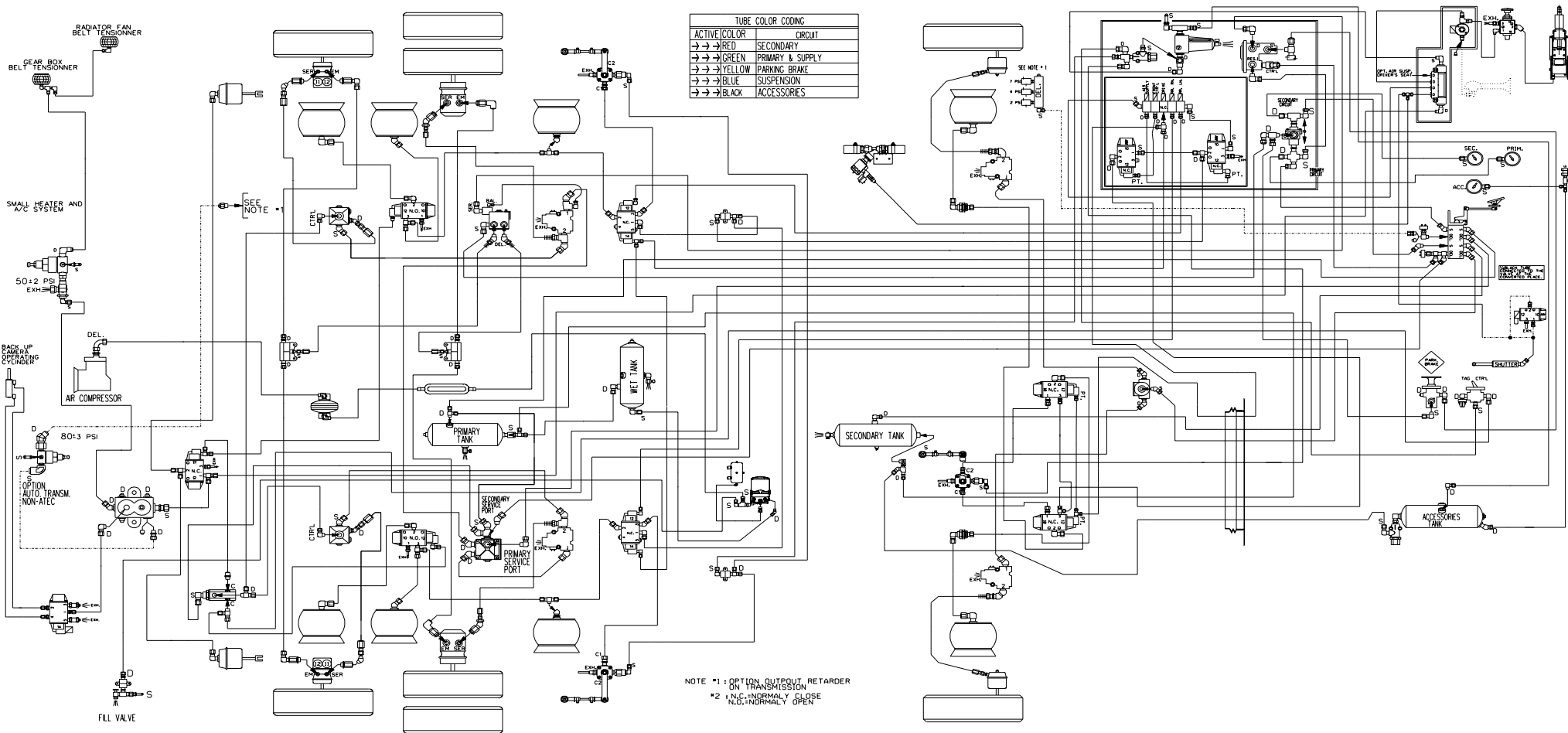
DATE: 2001-08

D140252, REVISION i
VIP H3-45
SERIE 60 ENGINE, SMALL A/C
RIGID FRONT AXLE



DATE: 2001-09

D140252_P1 REVISION j
 VIP H3-4S
 SERIE 60 ENGINE SMALL A/C
 RIGID FRONT AXLE



DATE: 2002-01

D140252, REVISION K
 VIP-13-45
 SERIE 60, ENGINE, SMALL A/C
 RIGID FRONT AXLE

