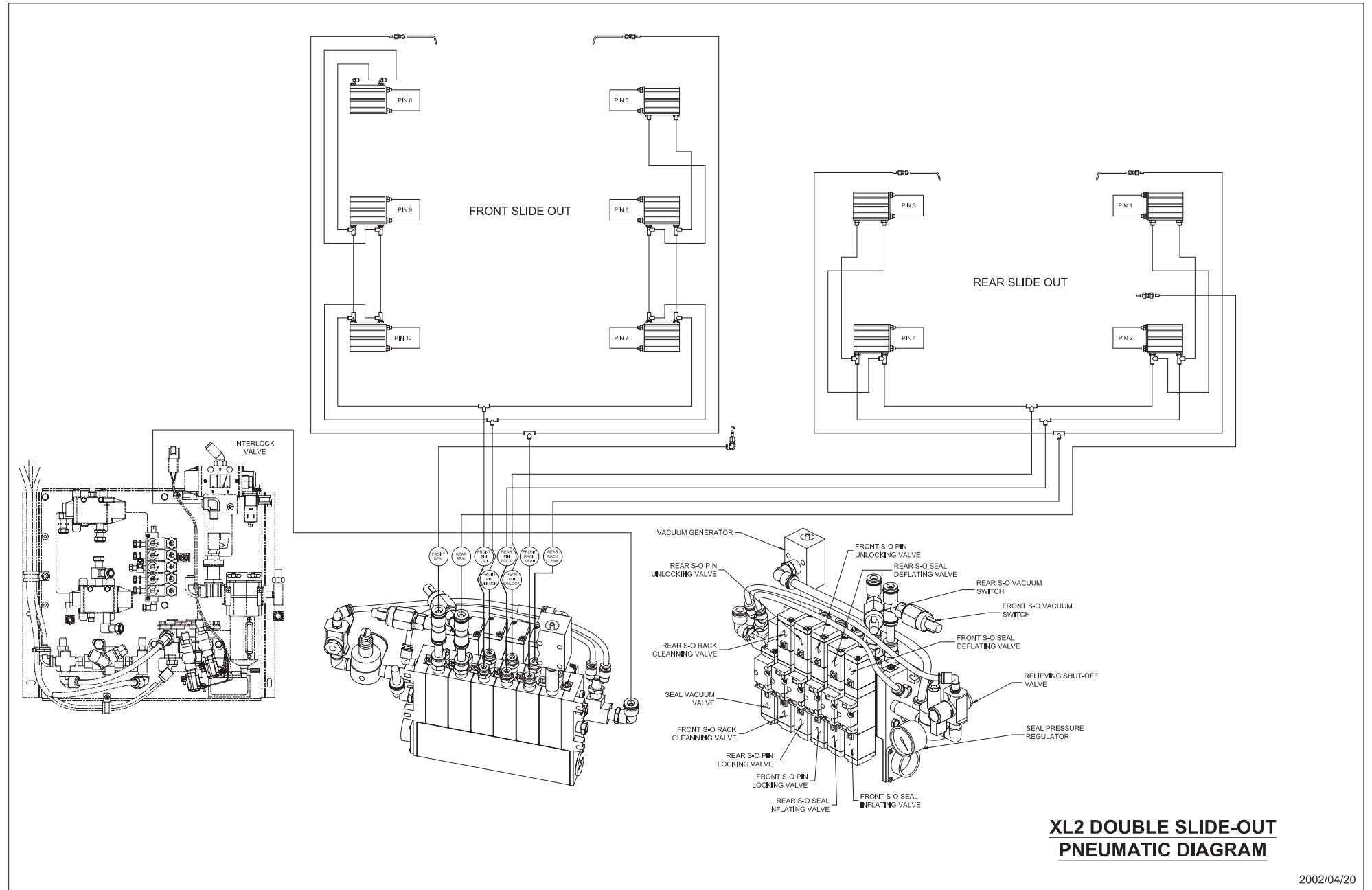
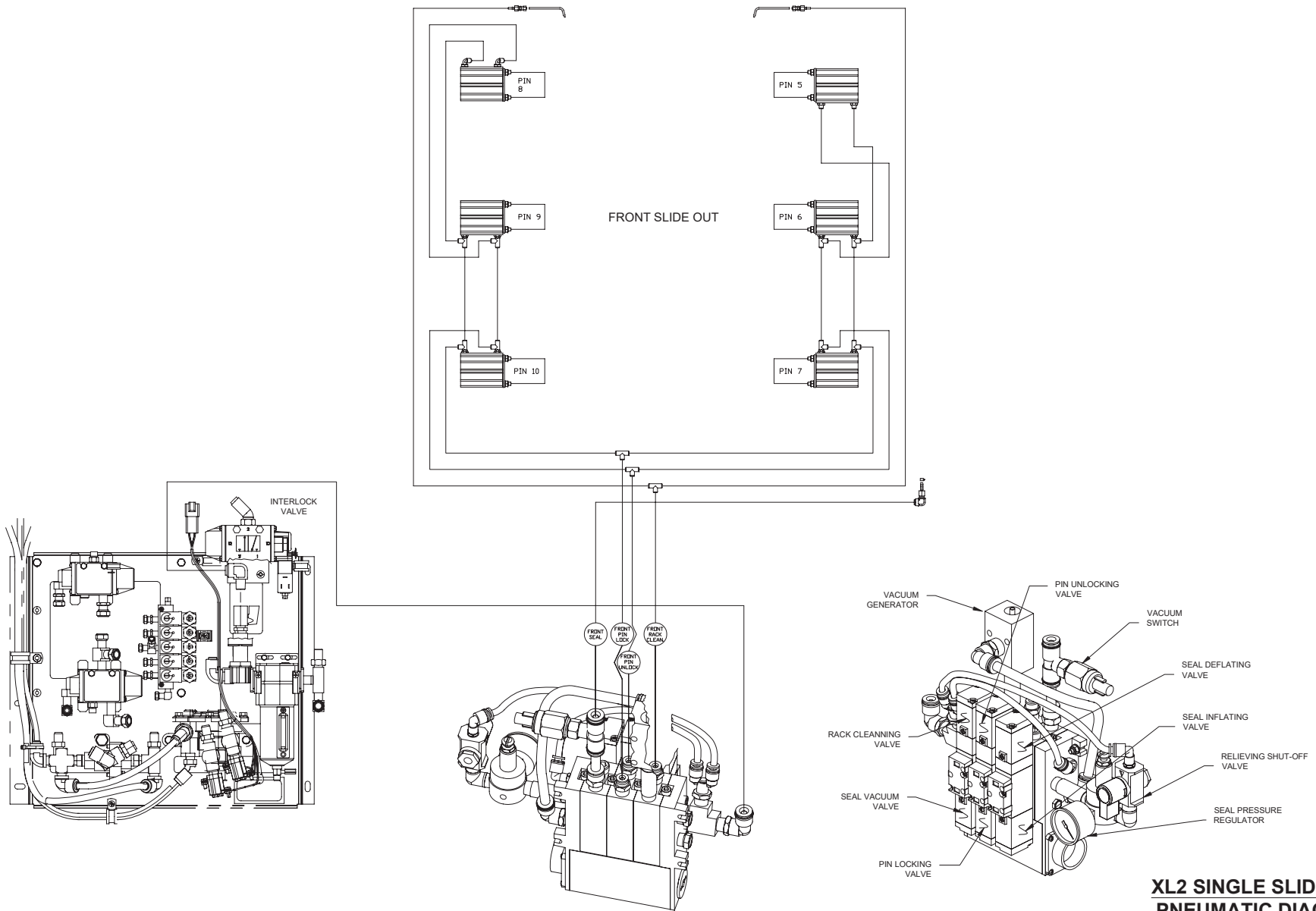


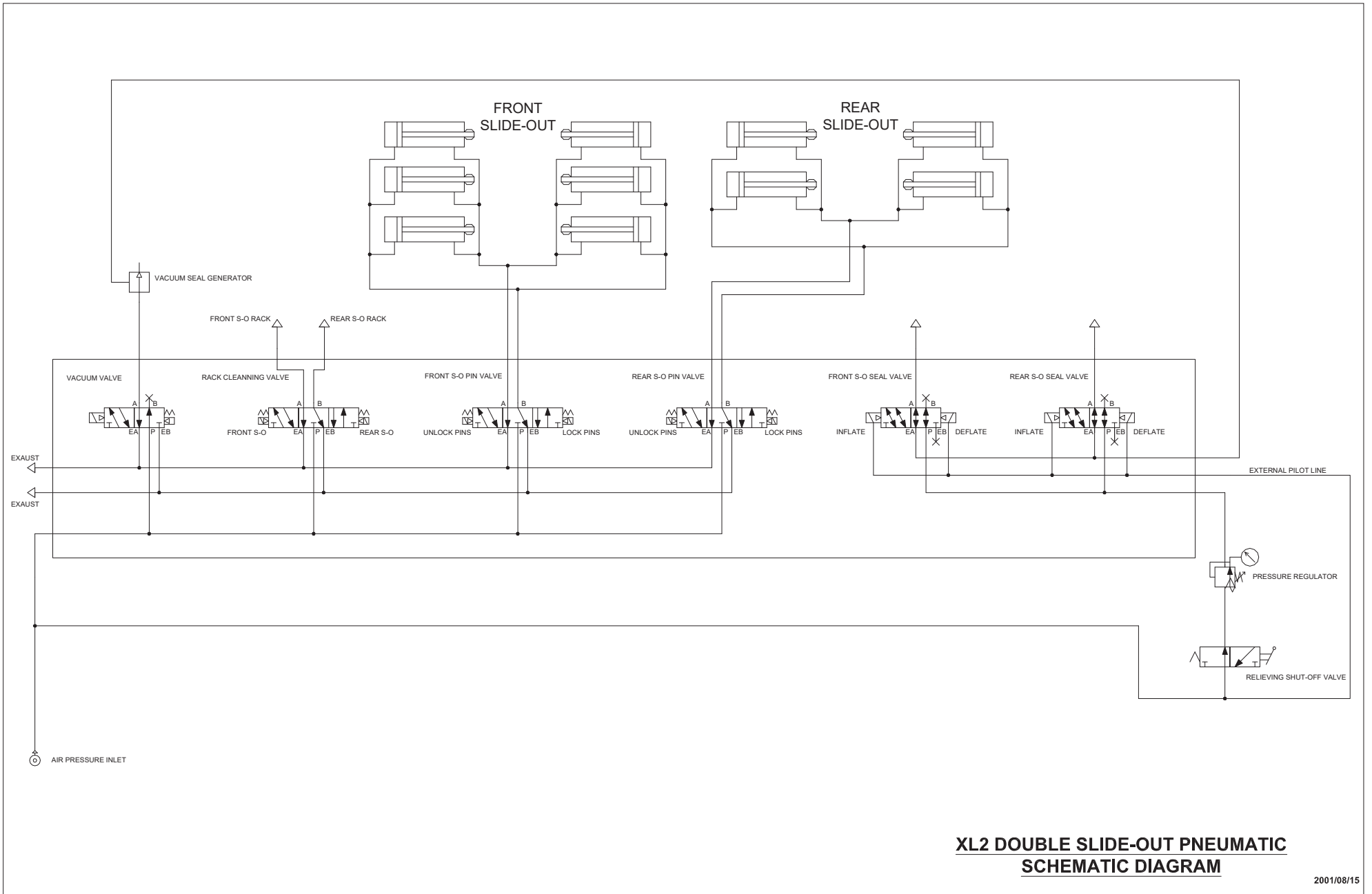
**PNEUMATIC DIAGRAM**  
**PART AFFECTED BY SLIDE-OUT**  
**BEFORE INSTALLATION**

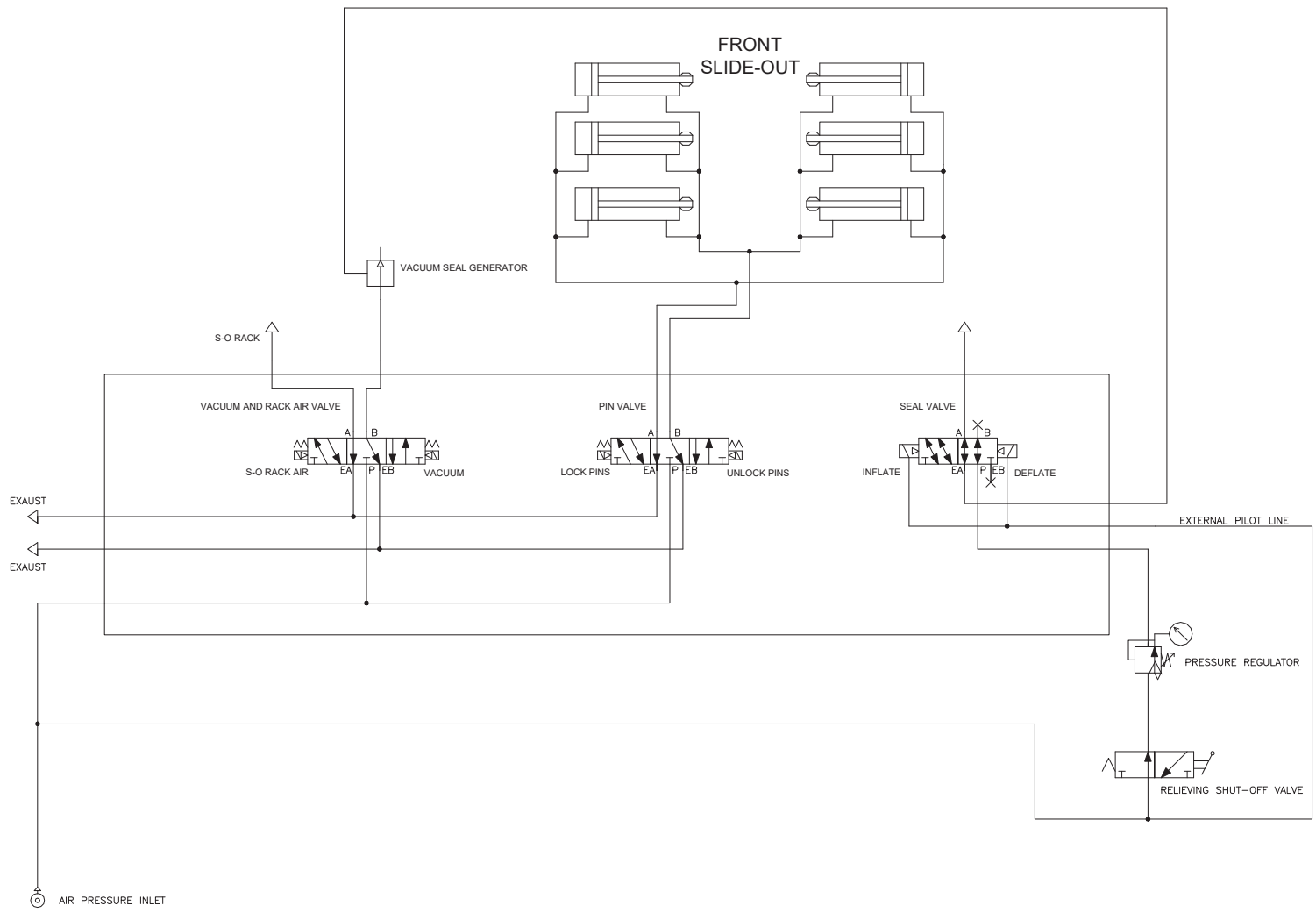


**XL2 DOUBLE SLIDE-OUT  
PNEUMATIC DIAGRAM**



**XL2 SINGLE SLIDE-OUT  
PNEUMATIC DIAGRAM**





**XL2 SINGLE SLIDE-OUT PNEUMATIC SCHEMATIC DIAGRAM**