

PREVOST

COACH MANUFACTURER

MAINTENANCE MANUAL

H3-41, H3-45, VIP



PA1217

(5th edition)

SECTION 00: GENERAL INFORMATION

TABLE OF CONTENTS

1. FOREWORD.....	2
2. SCHEMATICS	2
3. PRECAUTIONS TO BE OBSERVED BEFORE WELDING	2
4. SAFETY NOTICE	4
4.1 DATA PLATES AND CERTIFICATIONS	4
4.1.1 Engine	4
4.1.2 Transmission	4
4.1.3 Drive Axle	5
4.1.4 Front Axle	5
4.1.5 Power Steering Pump	5
4.1.6 Coach Final Record.....	5
4.1.7 Safety Certification	5
4.1.8 DOT Certification Label.....	5
4.1.9 EPA Engine Label	6
4.1.10 Fuel Tank Label.....	6
4.1.11 Vehicle Identification Number (VIN)	6
5. FASTENER STRENGTH IDENTIFICATION.....	8
5.1 SELF-LOCKING FASTENERS	8
5.2 RECOMMENDATIONS FOR REUSE.....	9
5.3 SIX LOBED SOCKET HEAD	9

ILLUSTRATIONS

FIGURE 1: DETROIT DIESEL SERIES 60.....	4
FIGURE 2: WORLD TRANSMISSION	4
FIGURE 3: ZF-ASTRONIC TRANSMISSION	4
FIGURE 4: TYPICAL SERIAL & MODEL NUMBERS	5
FIGURE 5: TYPICAL SERIAL AND MODEL NUMBERS	5
FIGURE 6: ISS TYPICAL SERIAL & MODEL NUMBERS.....	5
FIGURE 7 : POWER STEERING PUMP SERIAL NUMBER	5
FIGURE 8: DOT CERTIFICATION PLATE	5
FIGURE 9: ENGINE COMPARTMENT	6
FIGURE 10: VEHICLE I.D.....	6
FIGURE 11: VEHICLE IDENTIFICATION NUMBER	7
FIGURE 12 : THREAD NOTATION	8
FIGURE 13: BOLT STRENGTH MARKINGS	8
FIGURE 14 : SELF-LOCKING FASTENERS	9
FIGURE 15: METRIC - US STANDARD CONVERSION TABLE	10
FIGURE 16: CONVERSION CHART	11

Section 00 : GENERAL INFORMATION

1. FOREWORD

This manual includes procedures for diagnosis, service, maintenance and repair for components of the H3 series coaches or VIP model listed on the front cover page.

This manual should be kept in a handy place for ready reference by the technician. If properly used, it will meet the needs of the technician and owner.

Information provided in Section 1 through 24 pertains to standard equipment items, systems and components as well as the most commonly used optional equipment and special equipment offered on the coach models covered by this manual.

At the beginning of each section; a Table of Contents and a list of illustrations give the page number on which each subject begins and where each figure is located.

Coach operating information is provided in a separate Operator's Manual. Audio/Video system operator instructions are also included in a separate manual.

More specific information on engine and transmission operating, maintenance, and overhaul information is contained in the applicable engine or transmission service manual published by the engine or transmission manufacturer. Engine and transmission parts information is contained in the applicable engine or transmission parts catalog published by the engine or transmission manufacturer.

All information, illustrations and specifications contained in this manual are based on the latest product information available at the time of publication approval. The right is reserved to make product changes at any time without notice.

Note: *Typical illustrations may be used; therefore minor illustration difference may exist when compared to actual parts or other publications.*

Prévost Car occasionally sends Maintenance Information, Warranty Bulletins, Safety Recalls or other literature to update users with the latest service procedures. They are issued, when required, to supplement or supersede information in this manual. Update sheet should be filled out and bulletins should be filed at the end of their respective section for future reference.

STEEL – STEEL WELDING

2. SCHEMATICS

Vehicle AIR SCHEMATICS are provided at the end of Section 12, "Brake". SUSPENSION AIR SCHEMATICS are provided at the end of Section 16, "Suspension". Moreover, ELECTRICAL SCHEMATICS are provided in the technical publications box. Refer to those schematics for detailed circuit information or during diagnosis.

3. PRECAUTIONS TO BE OBSERVED BEFORE WELDING

CAUTION

Precautions are to be observed before welding to minimize the risk of **major and costly damage** caused to the vehicle electronic components.

NOTE

For **Multiplex** vehicles, execute procedure no: PR060034 "MULTIPLEX MODULES DISCONNECTION PROCEDURE PRIOR TO WELDING" included at the end of this section.

CAUTION

For vehicles equipped with a WCL system, disconnect electronic controller connector.

CAUTION

Cover electronic control components and wiring to protect from hot sparks, etc.

CAUTION

Position welding machine ground clamp as close as possible to the work. Ensure that the welding machine ground return clamp is well secured and makes a good electrical contact with a large metallic area of the **chassis** located as close as possible to the welding point.

CAUTION

Do not use TIG welding process on the vehicle. This high frequency current process can seriously damage the electronic components.

Caution: Before welding, disconnect electronic modules and battery terminals.

Warning: Welding surfaces must be free of scale, slag, rust, paint, grease, humidity or other foreign material that would render welding impossible.

Warning: Only a qualified and experienced person must do welding.

- FCAW (Flux Cored Arc Welding) process ;
- Electrode wire conforms to A5.20 AWS (American Welding Society) specifications ;
- E4801T-9-CH, type electrode wire with 0,045" diameter (1,14 mm) ;

Material Thickness	Voltage	Current	Wire Feed Rate	Shielding Gas
1/8" to 1/2"	26 ± 2 volts	260 Amps	450 ipm. approx.	75% argon – 25% CO2 or 100% CO2

If necessary and with great care to prevent perforating the material, it is possible to use a conventional electric arc welding machine according to the following specifications:

- SMAW (Shielded Metal-Arc Welding) process ;
- Welding rod conforms to A5.1 of AWS (American Welding Society) specifications; E 7018 type welding rod with 1/8" diameter (3,2 mm).
- Current: 100 amperes to 150 amperes; optimum at 120 amps.

It is important to grind weld bead starts and stops and also to grind arc strikes from surfaces.

STEEL - STAINLESS STEEL OR STAINLESS STEEL - STAINLESS STEEL WELDING

Caution: Before welding, disconnect electronic modules and battery terminals.

Warning: Welding surfaces must be free of scale, slag, rust, paint, grease, humidity or other foreign material that would render welding impossible.

Warning: Only a qualified and experienced person must do welding.

- GMAW (Gas Metal-Arc Welding) process;
- Welding wire conforms to AWS (American Welding Standards) A5.9 specifications;
- 308LSi type welding wire with 0.035" diameter (0,9 mm);

STEEL - STAINLESS STEEL WELDING

Steel Thickness	SS Thickness	Voltage	Current	Wire Feed Rate	Shielding Gas
Less than 1/8"	Any type	20±1.5 volts	130±15 Amps	290 ipm approx.	90% He, 7.5% Ar, 2.5% CO2
1/8" and more	Any type	22±1.5 volts	160±15 Amps	330 ipm approx.	90% He, 7.5% Ar, 2.5% CO2

STAINLESS STEEL - STAINLESS STEEL WELDING

SS Thickness	Voltage	Current	Wire Feed Rate	Shielding Gas
Any type	20 ± 1.5 volts	130 ± 15 Amps	290 ipm approx.	90% He – 7.5% Ar, 2.5% CO2

If necessary and with great care to prevent perforating the material, it is possible to use a conventional electric arc welding machine according to the following specifications:

- SMAW (Shield Metal-Arc Welding) process;
- Welding rod conforms to AWS (American Welding Standards) A5.4 specifications; 308L-17 type welding rod with 3/32" diameter (2,4 mm);
- Current: - 50 amperes to 90 amperes, optimum at 60 amperes.

It is important to grind weld bead starts and stops and also to grind arc strikes from surfaces.

Section 00 : GENERAL INFORMATION

4. SAFETY NOTICE

This maintenance manual has been prepared in order to assist skilled mechanics in the efficient repair and maintenance of PRÉVOST vehicles.

This manual covers only the procedures as of manufacturing date.

Safety features may be impaired if other than genuine PRÉVOST parts are installed.

Torque wrench tightening specifications must be strictly observed. Locking devices must be installed or replaced by new ones, where specified. If the efficiency of a locking device is impaired, it must be replaced.

This manual emphasizes particular information outlined by the wording and symbols:

Warning: Identifies an instruction which, if not followed, could cause personal injuries.

Caution: Outlined an instruction which, if not followed, could severely damage vehicle components.

Note: Indicates supplementary information needed to fully complete an instruction. Although, the mere reading of such information does not eliminate the hazard, understanding of the information will promote its correct use.

4.1 DATA PLATES AND CERTIFICATIONS

Delay and confusion can be avoided by placing the complete vehicle identification number of the coach and the serial numbers of the engine on parts orders and correspondence. Also, the transmission, axles, power steering pump chassis and other major components are identified by serial numbers.

4.1.1 Engine

The engine serial and model number are stamped on the cylinder block (as viewed from the flywheel end) on the left side just below the fire deck and above the cast-in Detroit Diesel logo (Fig. 1).

In addition, option plates made of laminated paper are located on the rocker cover (starter side). The engine serial and model number and a list of the optional engine equipment is written on the option plate. Refer to this information when ordering replacement parts (Fig. 1).

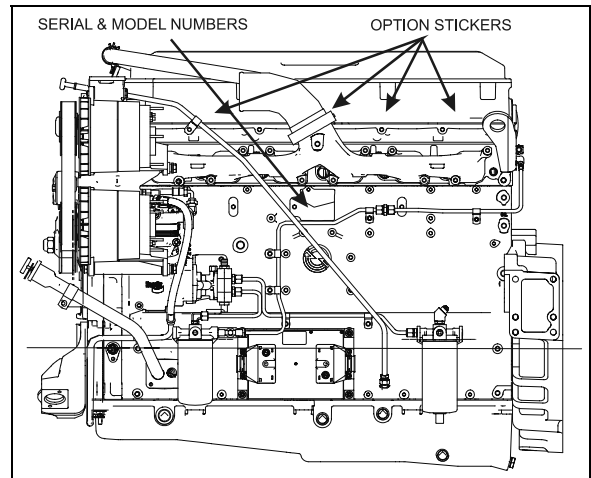


FIGURE 1 : DETROIT DIESEL SERIES 60 00043

4.1.2 Transmission

The transmission identification plate is located on the right-rear side or output side of the transmission. The identification plate shows the transmission serial number, part number (assembly number), and model number. Use all three numbers when ordering parts.

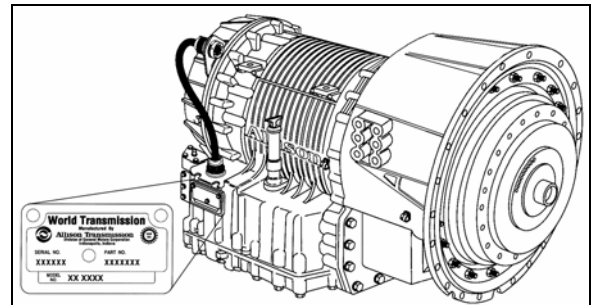


FIGURE 2 : WORLD TRANSMISSION 07076

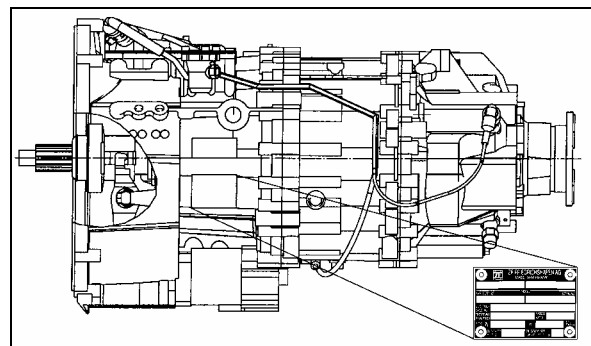


FIGURE 3 : ZF-ASTRONIC TRANSMISSION 00040

4.1.3 Drive Axle

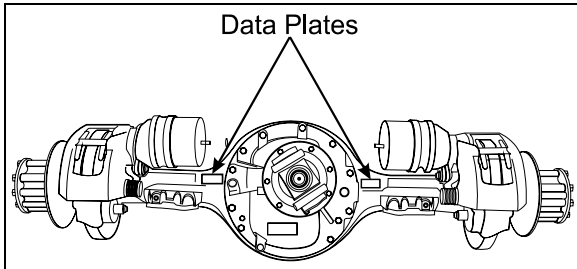


FIGURE 4: TYPICAL SERIAL & MODEL NUMBERS 11019

4.1.4 Front Axle

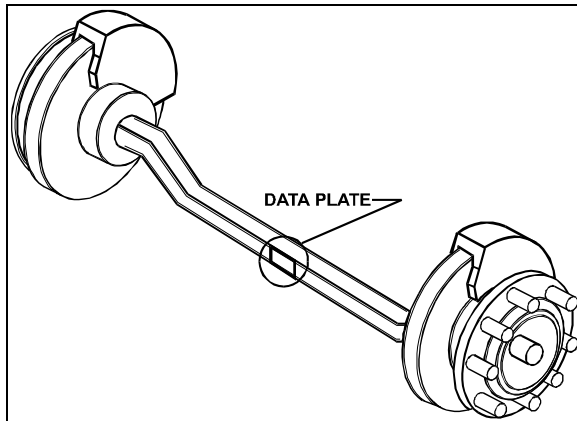


FIGURE 5 : TYPICAL SERIAL AND MODEL NUMBERS 10024

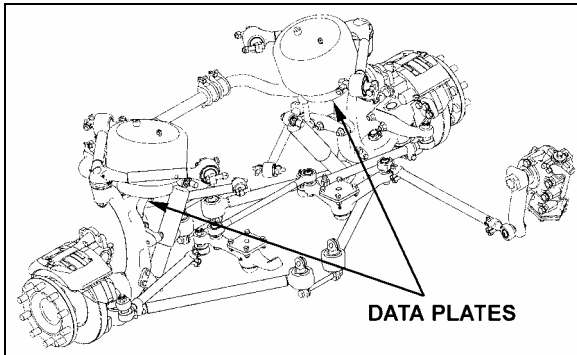


FIGURE 6: ISS TYPICAL SERIAL & MODEL NUMBERS 00025C

4.1.5 Power Steering Pump

Power steering pump serial number is engraved on the pump casing (Fig. 7). The pump is mounted on the engine beside the crankshaft pulley.

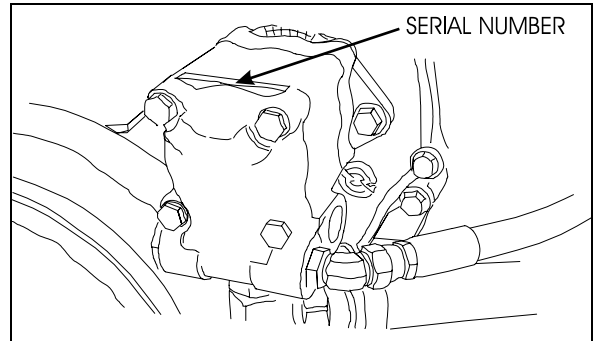


FIGURE 7 : POWER STEERING PUMP SERIAL NUMBER 00035

4.1.6 Coach Final Record

The Coach Final Record is a record of all data pertaining to the assembly of the coach. This record is included in the technical publication package supplied with the coach. Retain this record in the company records office for reference and safe-keeping.

4.1.7 Safety Certification

Coach components meet specifications and standards as follows:

- Material and parts conform to ASTM and/or SAE standards in effect at the time of manufacture.
- All factory-installed interior materials meet FMVSS 302 for fire resistance.
- Certified according to Provincial, State and Federal Safety standards (Canadian and US) BMCSS, FMVSS, and CMVSS.

Other applicable certification labels are affixed to the component.

4.1.8 DOT Certification Label

This certifies that coaches manufactured by Prevest Car Inc., comply with all Federal Motor Vehicle Safety Standards at the time of manufacture. The DOT Certification label is affixed on the wall, behind the driver's seat.

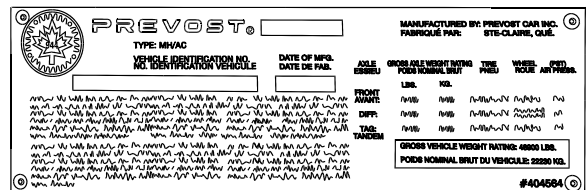


FIGURE 8: DOT CERTIFICATION PLATE 00016

Section 00 : GENERAL INFORMATION

4.1.9 EPA Engine Label

The exhaust emission certification label affixed above the oil reserve tank certifies that the engine conforms to federal and any state exhaust emission regulations (Fig. 9). It gives the operating conditions under which certification was made.

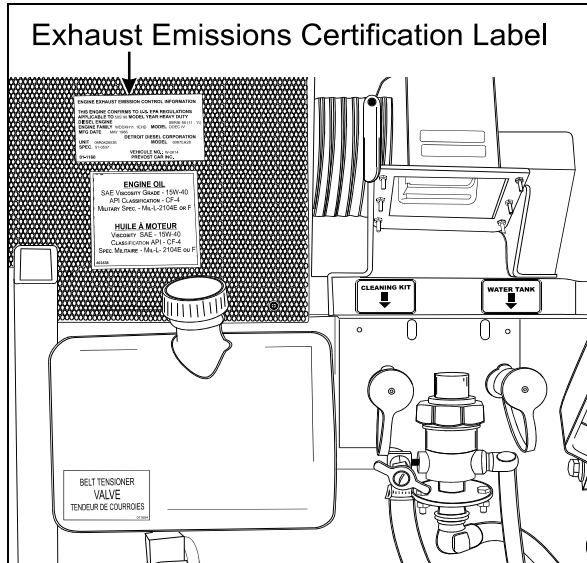


FIGURE 9: ENGINE COMPARTMENT

23229

4.1.10 Fuel Tank Label

The fuel tank label is molded on the side of the fuel tank. To read this label, unscrew the fuel tank access panel nuts located at the left in the condenser compartment.

4.1.11 Vehicle Identification Number (VIN)

The seventeen digit vehicle identification number (VIN) is located on a plate (Fig. 10 & 11) located on the windshield frame pillar (driver's side). The VIN is visible from the outside of the coach. Make sure the correct vehicle identification number is given when ordering replacement parts. Using the VIN when ordering parts will facilitate processing.



FIGURE 10 : VEHICLE I.D.

18479

Note: Record the VIN in the coach documentation and keep with company records. The VIN will normally be used for vehicle registration and for obtaining vehicle insurance coverage.

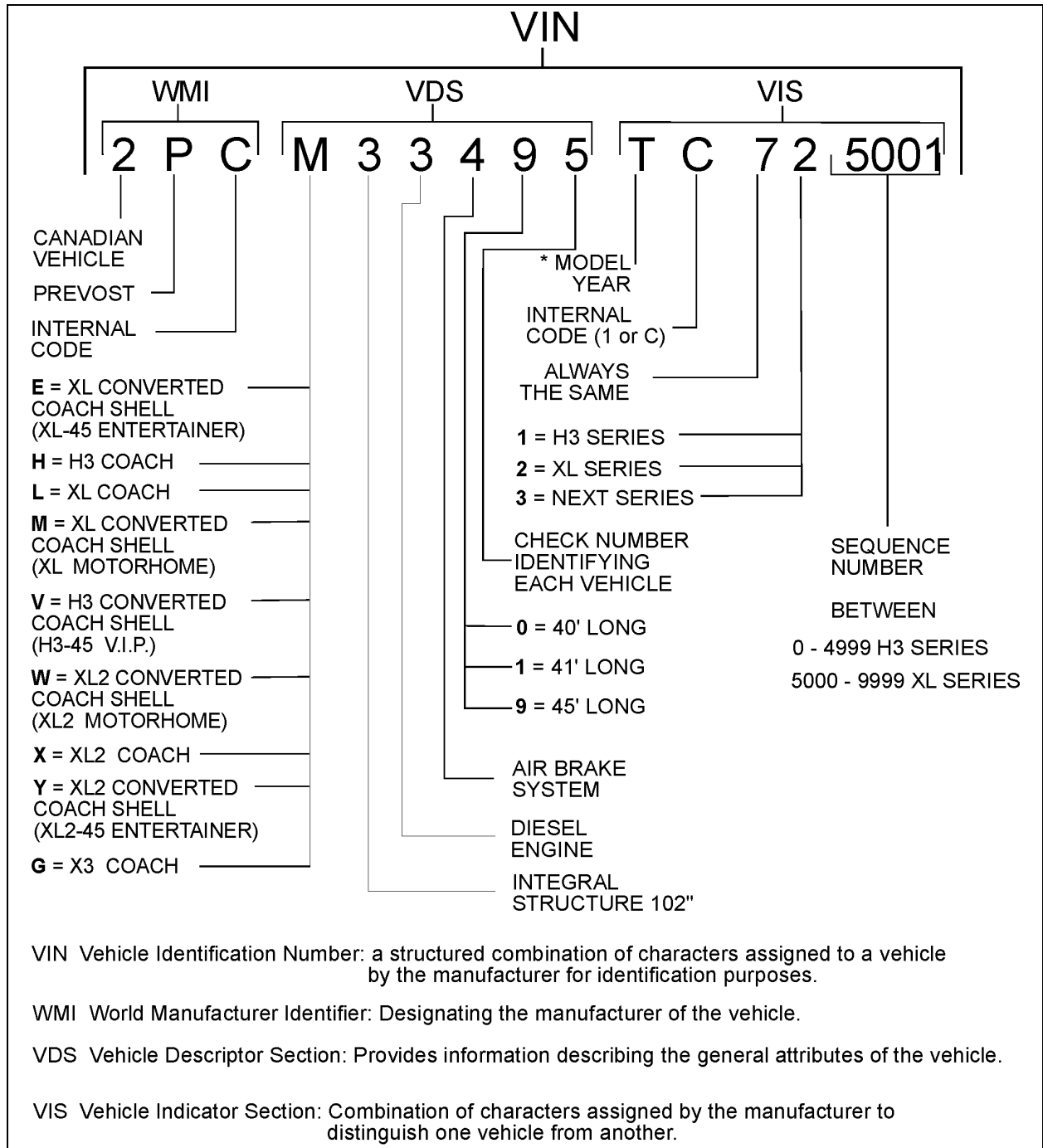


FIGURE 11 : VEHICLE IDENTIFICATION NUMBER

00050

YEAR	CODE	YEAR	CODE
2000	Y	2006	6
2001	1	2007	7
2002	2	2008	8
2003	3	2009	9
2004	4	2010	A
2005	5	2011	B

Section 00 : GENERAL INFORMATION

5. FASTENER STRENGTH IDENTIFICATION

Most commonly used metric fastener strength property classes are 9.8 and 10.9 with the class identification embossed on the head of each bolt. Customary (inch) strength classes range from grade 2 to 8 with radial line identification embossed on each bolt head actual grade (i.e., a grade 7 bolt will have 5 embossed radial lines on the bolt head). Some metric nuts will be marked with single digit strength identification numbers on the nut face. Fig. 13 shows the different strength markings. When replacing metric

fasteners, be careful to use fasteners of the same or greater strength than the original fasteners (the same number marking or higher). It is also important to select replacement fasteners of the correct size. Correct replacement fasteners are available through the parts division. Some metric fasteners available in after-market parts sources were designed to metric standards of countries other than the United States and may be of a lower strength, may not have the numbered head marking system, and may be of a different thread pitch.

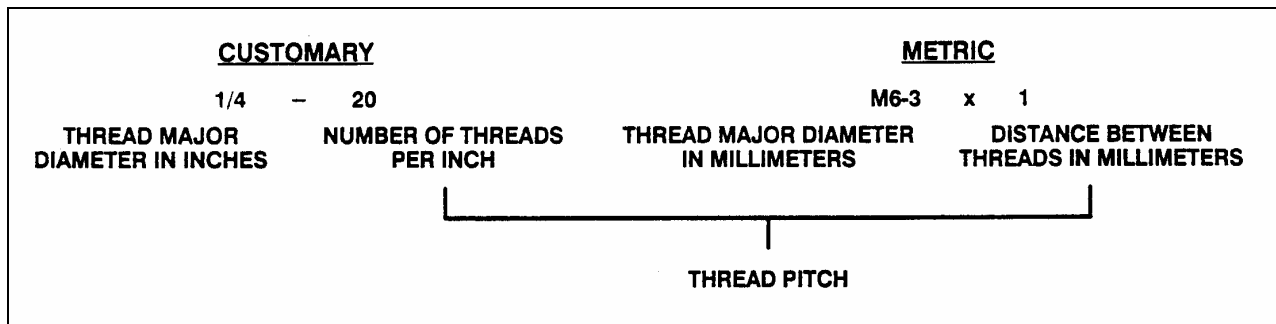


FIGURE 12 : THREAD NOTATION

00002

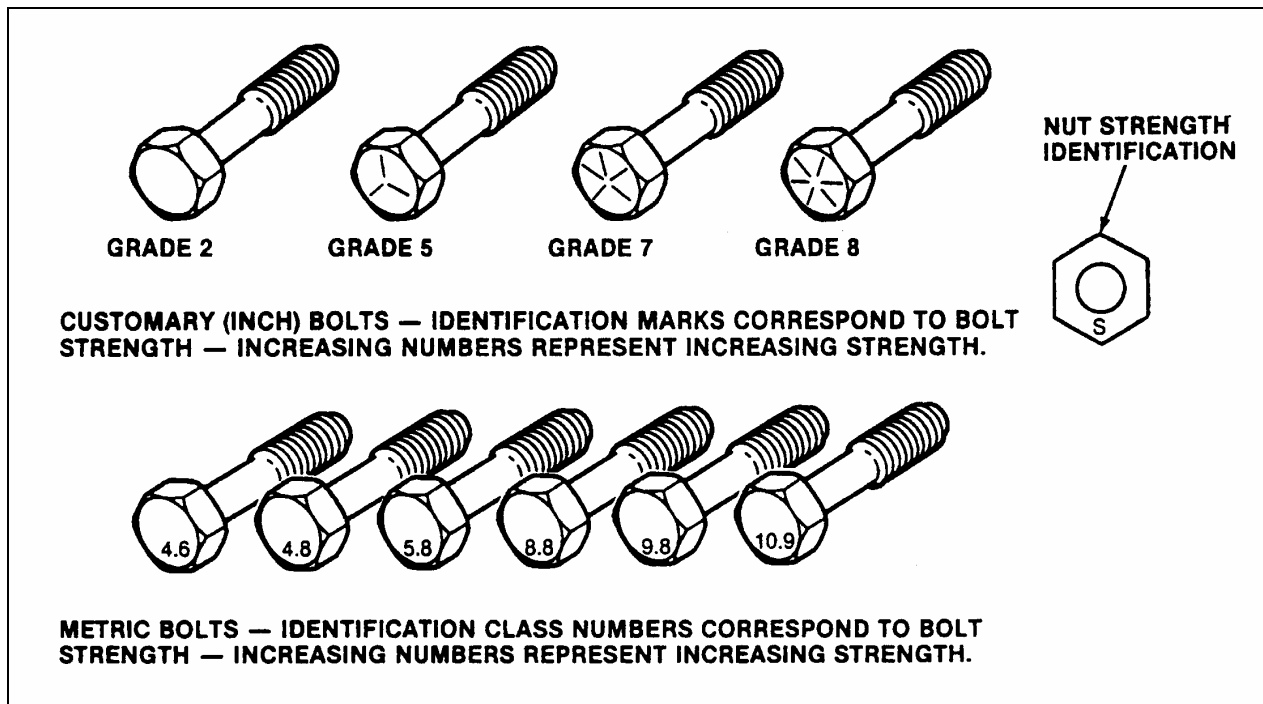


FIGURE 13: BOLT STRENGTH MARKINGS

00003

The metric fasteners used on the coach are designed to new standards and may not yet be manufactured by some non-domestic fastener suppliers. In general, except for special applications, the common sizes and pitches are:

- M 8 X 1.25;

- M 10 X 1.5;
- M 12 X 1.75;
- M 14 X 2;

5.1 SELF-LOCKING FASTENERS

A self-locking fastener is designed with an interference fit between the nut and bolt threads. This is most often accomplished by distortion of

the top thread of an all-metal nut or bolt or by using a nylon patch on the threads. A nylon insert or the use of adhesives may also be used as a method of interference between nut and bolt threads (Fig. 14).

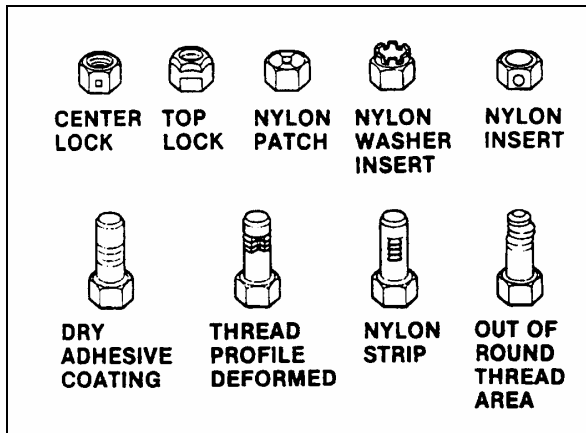


FIGURE 14 : SELF-LOCKING FASTENERS 00004

5.2 RECOMMENDATIONS FOR REUSE

Clean, unruined self-locking fasteners may be reused as follows:

- a) Clean dirt and other foreign matter from the fastener;
- b) Inspect the fastener to ensure there is no crack, elongation, or other sign of fatigue or overtightening. If there is any doubt, replace with a new self-locking fastener of equal or greater strength;
- c) Assemble parts and hand start fastener;
- d) Observe that, before the fastener seats, it develops torque per the chart in table two. If there is any doubt, replace with a new self-locking fastener of equal or greater strength;
- e) Tighten the fastener to the torque specified in the applicable section of this manual;

Fasteners which are rusty or damaged should be replaced with new ones of equal or greater strength.

SELF-LOCKING FASTENER TORQUE CHART									
METRIC		6 & 6.3	8	10	12	14	16	20	
NUTS AND ALL-METAL BOLTS	Nm	0.4	0.8	1.4	2.2	3.0	4.2	7.0	
	Lbf-in	4.0	7.0	12	18	25	35	57	
ADHESIVE OR NYLON COATED BOLTS	Nm	0.4	0.6	1.2	1.6	2.4	3.4	5.6	
	Lbf-in	4.0	5.0	10	14	20	28	46	
US STANDARD		.250	.312	.375	.437	.500	.562	.625	.750
NUTS AND ALL-METAL BOLTS	Nm	0.4	0.6	1.4	1.8	2.4	3.2	4.2	6.2
	Lbf-in	4.0	5.0	12	15	20	27	35	51
ADHESIVE OR NYLON COATED BOLTS	Nm	0.4	0.6	1.0	1.4	1.8	2.6	3.4	5.2
	Lbf-in	4.0	5.0	9.0	12	15	22	28	43

5.3 SIX LOBED SOCKET HEAD

Six lobed socket head (Torx) fasteners are used in some applications on vehicles covered in this manual. The tools designed for these fasteners are available commercially. However, in some cases, if the correct tool is not available, a hex socket head wrench may be used.

DECIMAL AND METRIC EQUIVALENTS

FRACTIONS	DECIMAL IN.	METRIC MM	FRACTIONS	DECIMAL IN.	METRIC MM
1/64	.015625	.39688	33/64	.515625	13.09687
1/32	.03125	.79375	17/32	.53125	13.49375
3/64	.046875	1.19062	35/64	.546875	13.89062
1/16	.0625	1.58750	9/16	.5625	14.28750
5/64	.078125	1.98437	37/64	.578125	14.68437
3/32	.09375	2.38125	19/32	.59375	15.08125
7/64	.109375	2.77812	39/64	.609375	15.47812
1/8	.125	3.1750	5/8	.625	15.87500
9/64	.140625	3.57187	41/64	.640625	16.27187
5/32	.15625	3.96875	21/32	.65625	16.66875
11/64	.171875	4.36562	43/64	.671875	17.06562
3/16	.1875	4.76250	11/16	.6875	17.46250
13/64	.203125	5.15937	45/64	.703125	17.85937
7/32	.21875	5.55625	23/32	.71875	18.25625
15/64	.234375	5.95312	47/64	.734375	18.65312
1/4	.250	6.35000	3/4	.750	19.05000
17/64	.265625	6.74687	49/64	.765625	19.44687
9/32	.28125	7.14375	25/32	.78125	19.84375
19/64	.296875	7.54062	51/64	.796875	20.24062
5/16	.3125	7.93750	13/16	.8125	20.63750
21/64	.328125	8.33437	53/64	.828125	21.03437
11/32	.34375	8.73125	27/32	.84375	21.43125
23/64	.359375	9.12812	55/64	.859375	21.82812
3/8	.375	9.52500	7/8	.875	22.22500
25/64	.390625	9.92187	57/64	.890625	22.62187
13/32	.40625	10.31875	29/32	.90625	23.01875
27/64	.421875	10.71562	59/64	.921875	23.41562
7/16	.4375	11.11250	15/16	.9375	23.81250
29/64	.453125	11.50937	61/64	.953125	24.20937
15/32	.46875	11.90625	31/32	.96875	24.60625
31/64	.484375	12.30312	63/64	.984375	25.00312
1/2	.500	12.70000	1	1.00	25.40000

FIGURE 16: CONVERSION CHART

00006

PREVOST

MULTIPLEX MODULES DISCONNECTION PROCEDURE PRIOR TO WELDING

PROCEDURE NO: PR060034

**REVISION 1
2005-02-16**

Material : N/A

Equipment(s) : Phillips-head screwdriver
Ratchet handle
3/8" socket
Electric tape
Long nose pliers


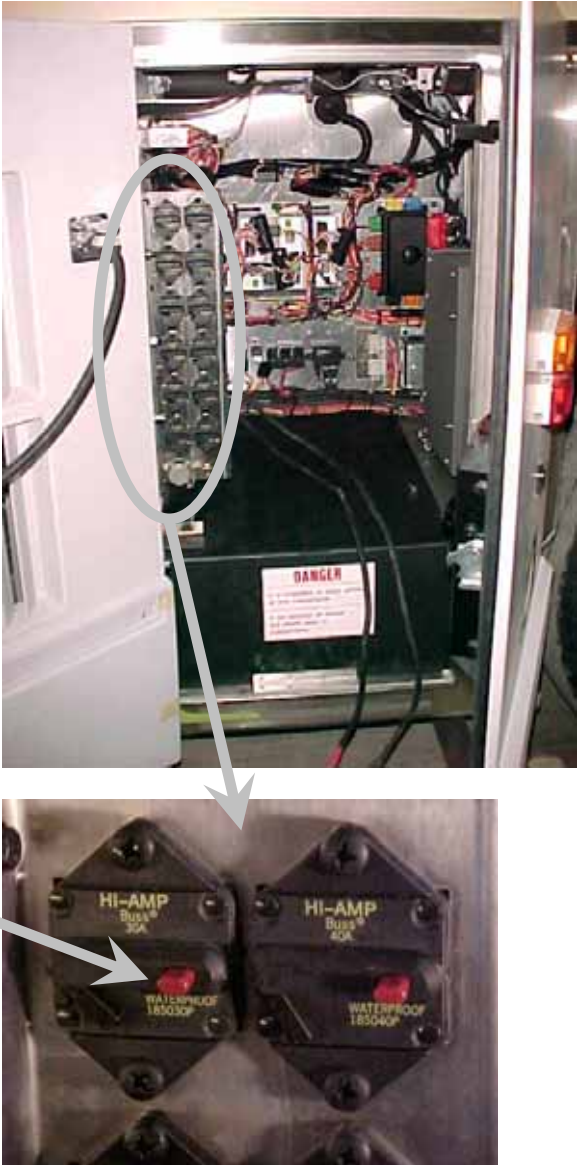
Reference schematics: N/A

Safety rules :

- Wear safety goggles
- Set the battery master switch to the OFF position first

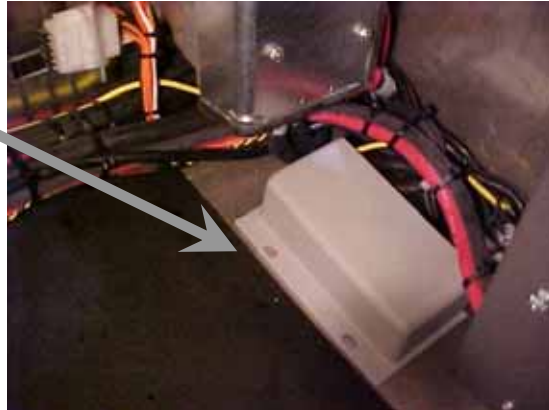
Recommendations : This procedure should be performed by qualified personnel only.

	Effective
Revision 0 : Issued with multiplex	H3 coach
Revision 1 : Modified for Fire Protection System and also for VIP with multiplex	VIP

<p>1.00 Location: Main power compartment and dashboard</p> <p>Set the battery master switch to the OFF position.</p> <p>Place the ignition switch to the OFF position.</p>	
<p>2.00 Location: Main power compartment</p> <p>Trip circuit breakers CB2, CB4, CB6</p> <p>Push the red button to open the circuit</p>	

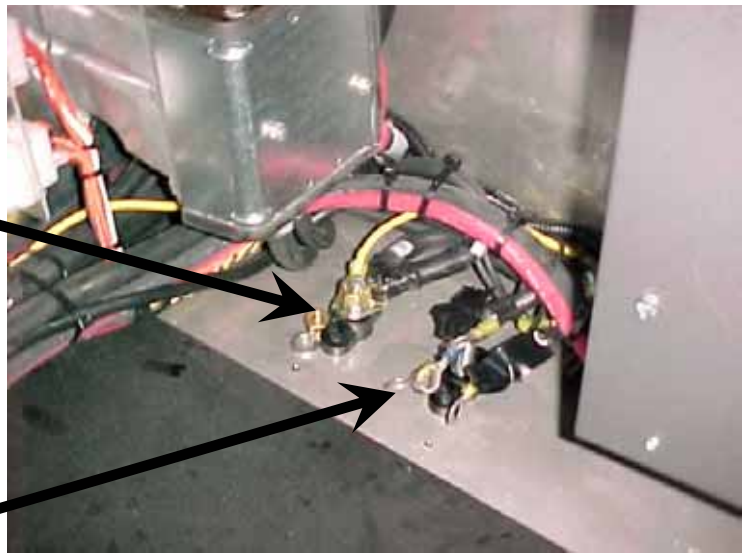
3.00 **Location: Main power compartment**

Remove the protective cover



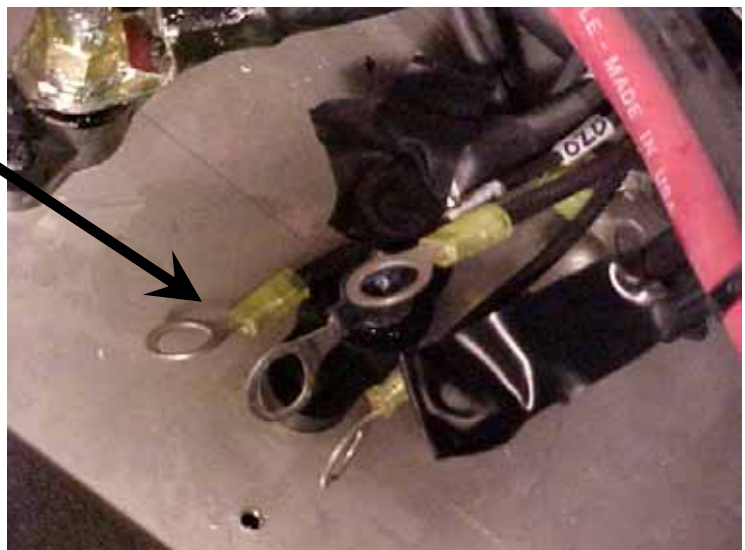
⚠ WARNING ⚠

This 12-volt terminal remains energized



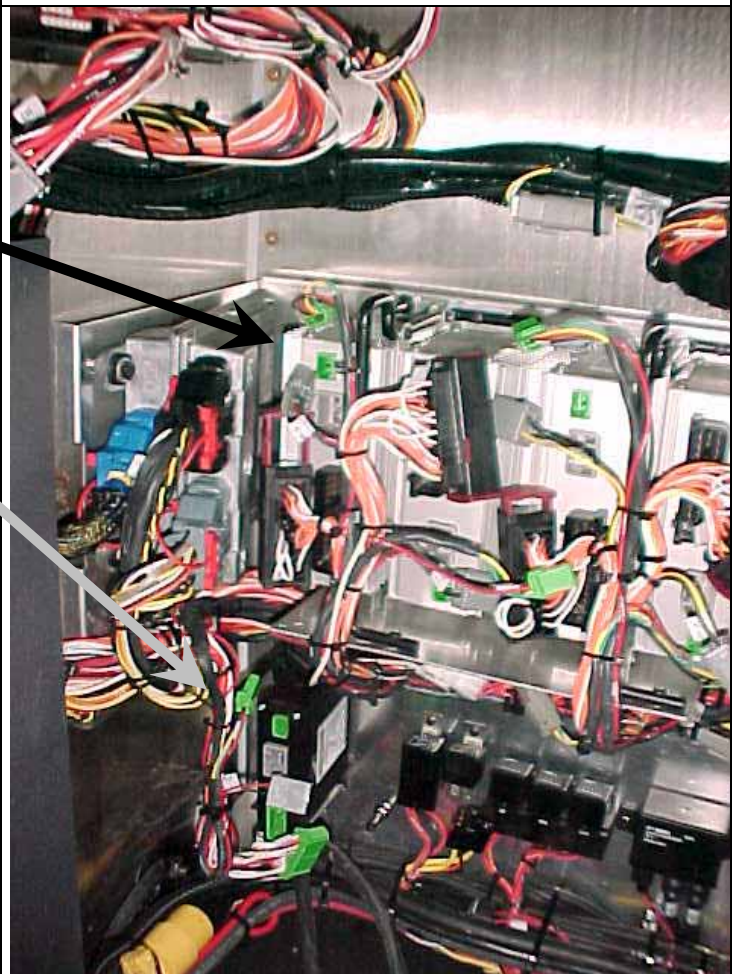
Disconnect the electronic ground terminals from the stud

Using electric tape, insulate the 2 largest wires. Make sure the ring terminals do not touch each others and the vehicle body.



NOTE

With disconnection of the electronic ground terminals, disconnecting the engine ECM, transmission ECU and the dashboard electronic components (telltale module, HVAC module, radio, control head, ...) is not required.

<p>4.00 Location: Main power compartment Disconnect the electronic modules :</p>	
<p>Disconnect the I/O A and I/O B modules</p>	
<p>Unplug 3 connectors per I/O B modules</p>	
<p>Unplug 3 connectors on the I/O A module</p>	

Location: Front electrical compartment

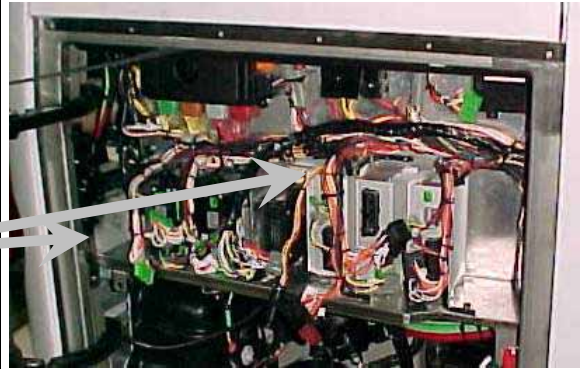
5.00 Disconnect the I/O A, I/O B, ABS, master ID and CECM modules. Unplug connector C92

Unplug 3 connectors per I/O B modules and 3 connectors per I/O A modules

Unplug 2 connectors from the ABS module

Unplug 1 connector from the master ID

On VIP vehicles only, disconnect the keyless entry system module





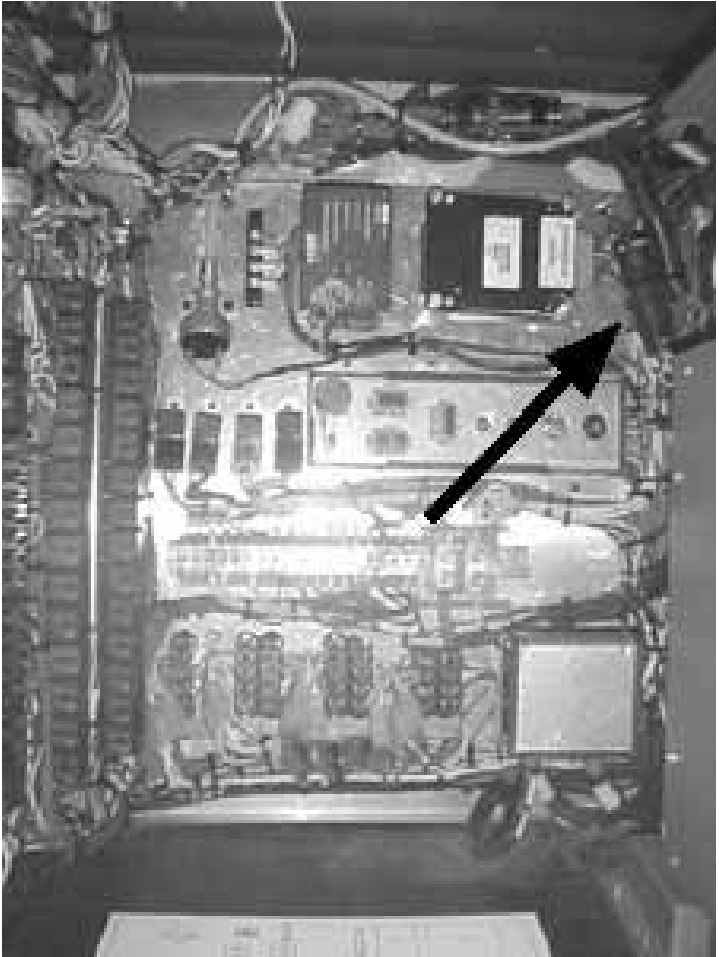
Unplug 3 connectors from the CECM



Unplug connector C92
(search for the label)



<p>6.00 Location: pneumatic accessory panel inside right console</p> <p>Remove the access panel on the right console (R.H. side of dashboard)</p> <p>Disconnect both I/O B modules</p>	
<p>7.00 Location: Evaporator compartment</p> <p>Remove the protective cover and disconnect the I/O B module</p>	

8.00	ZF Transmission		
	H	<p>Unplug connector C717 in main power compartment</p>	
9.00	<p>Kidde Automatic Fire Detection and Suppression System (optional)</p> <p>Disconnect C466</p> <p>Kidde AFSS module is located on the lateral control panel.</p>		
10.00	<p>When all the previous steps are done, you can do welding on the vehicle</p>		<p>ENSURE THAT THE WELDING GROUND RETURN CLAMP IS WELL SECURED AND MAKES A GOOD ELECTRICAL CONTACT WITH A LARGE METALLIC AREA OF THE CHASSIS LOCATED NEAR THE WELDING POINT AS MUCH AS POSSIBLE.</p>
11.00	<p>When welding is completed, reconnect all the modules.</p> <p>Make sure that the connectors locking tab are well engaged.</p>		<p>Be careful to make the proper connections, if not, some systems or components may not be usable.</p>

CONTENTS

1. ENGINE	3
2. ENGINE-MOUNTED COMPONENTS	3
2.1 ELECTRONIC CONTROL MODULE.....	4
2.2 N3 ELECTRONIC UNIT INJECTOR.....	4
2.3 VPOD.....	4
2.3.1 VPOD Removal.....	5
2.3.2 VPOD Installation.....	5
2.4 EGR HYDRAULIC VALVE.....	5
2.5 SYNCHRONOUS REFERENCE SENSOR.....	5
2.6 TIMING REFERENCE SENSOR.....	5
2.7 TURBO BOOST PRESSURE SENSOR.....	6
2.8 COOLANT TEMPERATURE SENSOR.....	6
2.9 FUEL TEMPERATURE SENSOR.....	6
2.10 AIR TEMPERATURE SENSOR.....	6
2.11 TURBO COMPRESSOR IN TEMPERATURE SENSOR.....	6
2.12 ABSOLUTE OIL PRESSURE SENSOR.....	6
2.13 OIL TEMPERATURE SENSOR.....	7
3. ENGINE-RELATED COMPONENTS	7
3.1 COOLANT LEVEL SYSTEM (CLS).....	7
3.2 ELECTRONIC FOOT PEDAL ASSEMBLY (EFPA) & THROTTLE POSITION SENSOR.....	7
3.3 CRUISE CONTROL SWITCHES (CCS).....	7
3.4 DIAGNOSTIC SYSTEM ACCESSORIES (DSA).....	8
3.4.1 Check Engine Telltale Light.....	8
3.4.2 Stop Engine Warning Light.....	8
3.4.3 Stop Engine Override Switch.....	8
3.4.4 Diagnostic Data Link (DDL) Connectors.....	8
4. DDEC V DIAGNOSTIC CODES	8
4.1 READING DIAGNOSTIC CODES – FLASHING LIGHT METHOD:.....	8
5. ENGINE OIL LEVEL	19
6. ENGINE OIL AND FILTER CHANGE	19
7. RECOMMENDED ENGINE OIL TYPE	20
8. POWER PLANT ASSEMBLY REMOVAL	20
9. POWER PLANT ASSY. INSTALLATION	24
10. VALVE COVER REMOVAL	24
11. JAKE BRAKE	24
12. ENGINE MOUNTS	24
13. ENGINE TROUBLESHOOTING GUIDE	26
14. SPECIFICATIONS	27

ILLUSTRATIONS

FIGURE 1: DETROIT DIESEL SERIES 60 ENGINE (TYPICAL) 3
FIGURE 2: ELECTRONIC CONTROL MODULE (ECM) 4
FIGURE 3: UNIT INJECTOR CROSS SECTION 4
FIGURE 4: VPOD LOCATION 4
FIGURE 5: VPOD INSTALLATION 5
FIGURE 6: EGR VALVE & ACTUATOR ASSEMBLY 5
FIGURE 7: TURBO BOOST PRESSURE SENSOR 6
FIGURE 8: FUEL TEMPERATURE SENSOR 6
FIGURE 9: TURBO COMPRESSOR IN TEMPERATURE SENSOR LOCATION 6
FIGURE 10: ENGINE OPS 6
FIGURE 11: ELECTRONIC FOOT PEDAL ASSEMBLY 7
FIGURE 12: ENGINE OIL LEVEL DIPSTICK 19
FIGURE 13: ENGINE COMPARTMENT 19
FIGURE 14: UNDER VEHICLE VIEW 20
FIGURE 15: ENGINE COMPARTMENT 21
FIGURE 16: ENGINE COMPARTMENT 21
FIGURE 17: ENGINE COMPARTMENT H3 COACHES (TYPICAL) 23
FIGURE 18: ENGINE COMPARTMENT VIP (TYPICAL) 23
FIGURE 19: POWER PLANT CRADLE INSTALLATION 25

1. ENGINE

This vehicle is powered by a 6-cylinder, four-cycle, Detroit Diesel series 60 engine, equipped with an electronic control system (DDEC V).

Two engine displacements are used in the Series 60 engines: 12.7 and 14.0 liters. Summary information on the Electronic Control System is given in this section.

Complete maintenance and repair information on the engine will be found in the current DDEC V Service Manual. This maintenance manual covers engine accessories, controls and related components.

Procedures for engine removal and installation are given at the end of this section. The DDEC system is self-diagnostic. It can identify faulty components and other engine-related problems by providing the technician with a diagnostic code.

Refer to DDEC Troubleshooting Guide published by Detroit Diesel for more complete information on diagnosis of components and system problems.

DDEC V (Detroit Diesel Electronic Control) controls the timing and amount of fuel injected by the electronic unit injectors (EUI). The system also monitors several engine functions using electrical sensors, which send electrical signals to the Electronic Control Module (ECM). The ECM computes the electrical signals and determines the correct fuel output and timing for optimum power, fuel economy and emissions. The ECM also has the ability to display warnings or shut down the engine completely (depending on option selection) in the event of damaging engine conditions, such as low oil pressure, low coolant level, or high oil temperature.

Two categories divide system components: engine-mounted components and engine-related components.

2. ENGINE-MOUNTED COMPONENTS

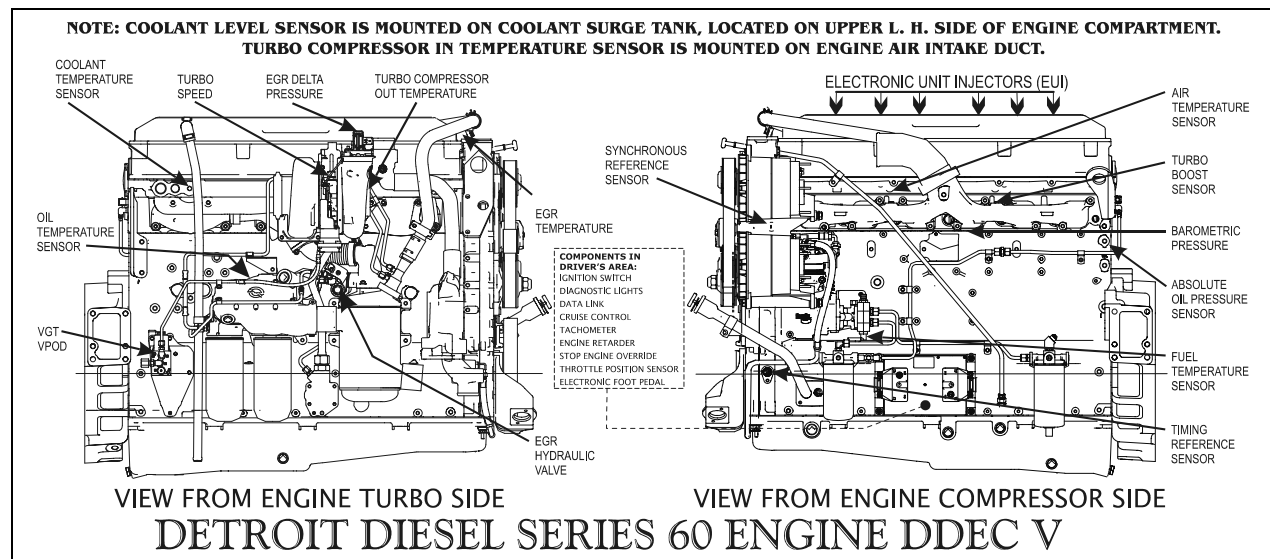


FIGURE 1: DETROIT DIESEL SERIES 60 ENGINE (TYPICAL)

01150

Engine-mounted components are as follows:

- Electronic Control Module
- Electronic Unit Injector
- Synchronous Reference Sensor
- Timing Reference Sensor
- Turbo Boost Pressure Sensor
- Coolant Temperature Sensor
- Fuel Temperature Sensor
- Air Temperature Sensor
- Absolute Oil Pressure Sensor
- Oil Temperature Sensor
- Barometric Pressure
- EGR Delta Pressure
- EGR Temperature
- Turbo Speed
- Turbo Compressor Out Temperature
- Turbo Compressor In Temperature

Section 01: ENGINE

2.1 ELECTRONIC CONTROL MODULE

The Electronic Control Module is mounted, on the starter side of the engine (Fig. 2). Considered the "Brain" of the DDEC V system, it provides overall monitoring and control of the engine. It does so by comparing input data from the various sensors to a set of calibration data stored in the EEPROM (Electrically Erasable, Programmable, Read-Only Memory) within the Electronic Control Module. After comparing the input data with the calibration data, the ECM sends high-current command pulses to the Electronic Unit Injectors (EUI) to initiate fuel injection. The ECM also receives feedback regarding the start and end of injection for a given cylinder. The EEPROM within the Electronic Control Module is factory programmed by Detroit Diesel. Reprogramming must be done at a Detroit Diesel authorized service center. However, some changes may be performed to the cruise control and road speed limiter using a diagnostic data reader (see paragraph "DDEC V Diagnostic Codes" in this section).

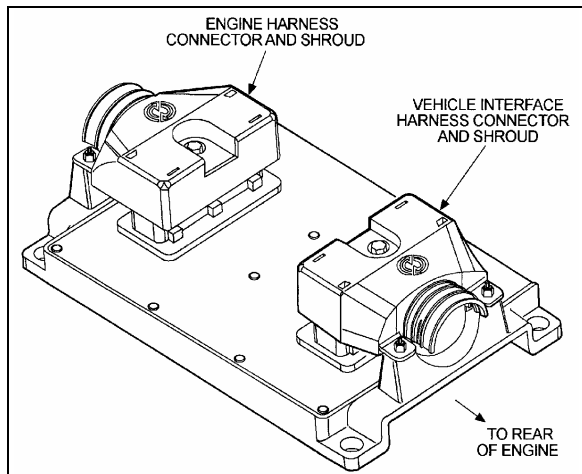


FIGURE 2: ELECTRONIC CONTROL MODULE (ECM) 01145

2.2 N3 ELECTRONIC UNIT INJECTOR

The N3 Electronic Unit Injector is a compact device that injects diesel fuel directly into the combustion chamber (Fig. 3). The amount of fuel injected and injection timing is determined by the Electronic Control Module (ECM). The ECM sends a command pulse, which activates the injector solenoid. The EUI performs four functions:

- Creates the high-fuel pressure required for efficient injection;
- Meters and injects the exact amount of fuel required to handle the load;

- Atomizes the fuel for mixing with the air in the combustion chamber;
- Permits continuous fuel flow for component cooling.

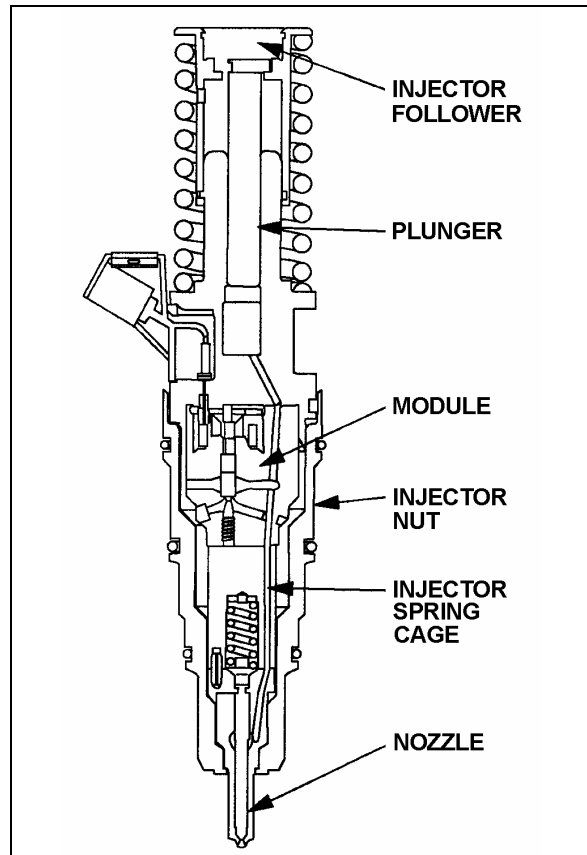


FIGURE 3: UNIT INJECTOR CROSS SECTION 01146

2.3 VPOD

There is one air-operated Variable Pressure Output Device (VPOD) that controls the Variable Geometry Turbo (VGT). The location of the VPOD is to the left of the engine oil filters (Fig. 4). The pneumatic system supplies air pressure.

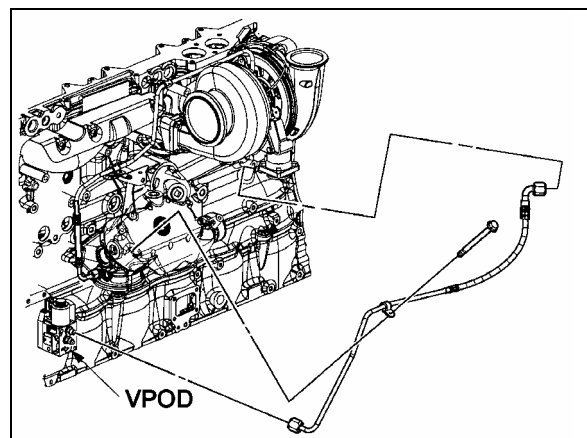


FIGURE 4: VPOD LOCATION 01149

2.3.1 VPOD Removal

1. Remove airline from VPOD.
2. Unplug harness connection.
3. Remove two bolts and one stud holding VPOD assembly and bracket to engine block.

2.3.2 VPOD Installation

1. Align VPOD assembly and bracket to threaded holes in engine block; install two bolts and one stud. Torque the M10 bolts and M10 stud to 43-54 Lbf-ft (58-73 Nm). Torque the M8 bolt to 22-28 Lbf-ft (30-38 Nm).
2. Connect airline to VPOD and tighten.
3. Plug harness connection into VPOD assembly.

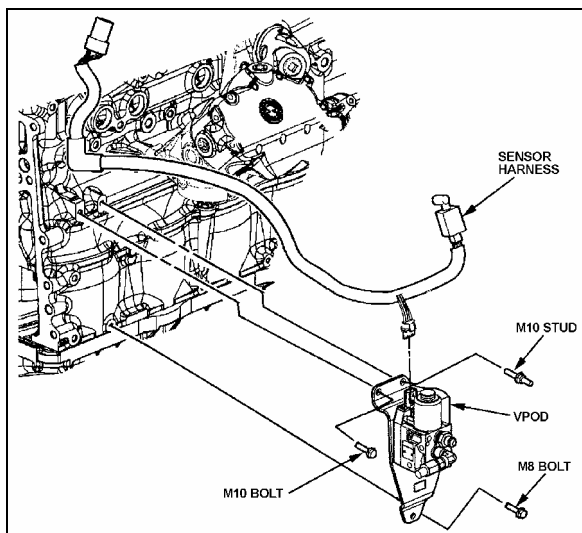


FIGURE 5: VPOD INSTALLATION 01147

Note: VPOD assembly is not serviceable, remove and replace only.

2.4 EGR HYDRAULIC VALVE

The hydraulic valve that controls the Exhaust Gas Recirculation (EGR) system is located on the same side as the VPOD but near the EGR cooler (Fig. 1 & 6).

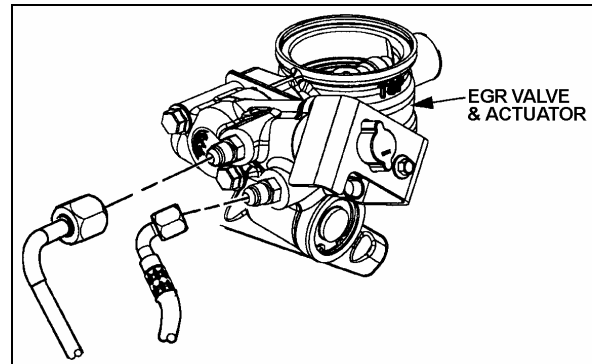


FIGURE 6: EGR VALVE & ACTUATOR ASSEMBLY 01148

2.5 SYNCHRONOUS REFERENCE SENSOR

The Synchronous Reference Sensor (SRS) is an electronic component, mounted to the rear of the gear case (Fig. 1). The SRS senses a raised metal pin on the rear of the camshaft idler gear and sends a signal to the ECM via a black connector wire. The SRS sensor extends through a hole in the gear case. It is positioned near the rear of the idler gear. A bolt, inserted through a hole in the SRS bracket, secures the SRS assembly to the gear case.

The idler gear pin passes by the SRS as piston number one crank pin reaches 45° before Top-Dead-Center. The ECM uses this information to determine engine speed.

The SRS is non-serviceable and must be replaced as a unit. No adjustment is required.

2.6 TIMING REFERENCE SENSOR

The Timing Reference Sensor (TRS) is an electronic component mounted on the left side of the gear case (right side of coach), near the crankshaft centerline. The TRS is positioned near the timing wheel gear teeth and extends through an opening in the gear case. A bolt, inserted through a hole in the TRS bracket, secures the TRS assembly to the gear case. The TRS connector is gray. The TRS sends a signal to the ECM, this signal is generated by a series of evenly spaced special teeth on the timing wheel. A tooth passes by the TRS as each cylinder crank pin reaches 10° before Top-Dead-Center.

The ECM uses these signals to determine injector solenoid operation time. The TRS is non-serviceable and must be replaced as a unit. No adjustment is required.

2.7 TURBO BOOST PRESSURE SENSOR

The Turbo Boost Pressure Sensor is located on the intake manifold. This device is a pressure sensor that sends an electrical signal to the ECM. The ECM uses this information to compute the volume of air entering the engine. Turbo boost sensor information regulates fuel supply to control engine exhaust.

The turbo boost pressure sensor is non-serviceable and must be replaced as an assembly. No adjustment is required.

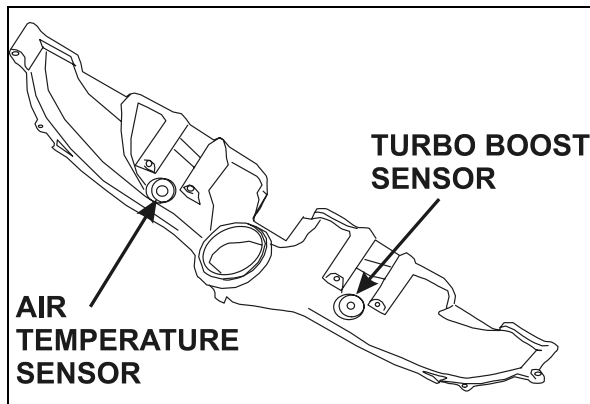


FIGURE 7: TURBO BOOST PRESSURE SENSOR 01023

2.8 COOLANT TEMPERATURE SENSOR

The coolant temperature sensor (Fig. 1) is mounted on the engine's radiator side (turbo side). The sensor helps protect the engine against overheating by sensing coolant temperature.

2.9 FUEL TEMPERATURE SENSOR

The Fuel Temperature Sensor (FTS) is installed underneath the fuel pump (Fig. 8).

The FTS sends an electrical signal to the ECM indicating fuel inlet temperature. The ECM uses this information to calculate fuel consumption.

The FTS is non-serviceable and must be replaced as a unit. No adjustment is required.

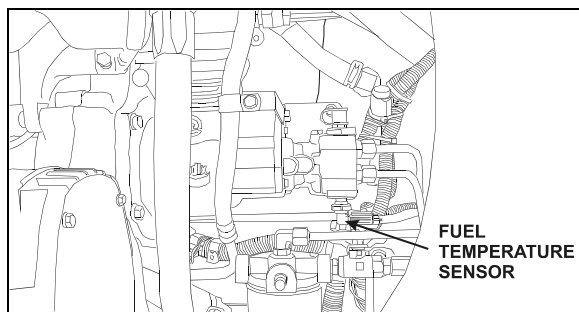


FIGURE 8: FUEL TEMPERATURE SENSOR 01024

2.10 AIR TEMPERATURE SENSOR

The Air Temperature Sensor (Fig. 1 & 7) located on the intake manifold provides input data to vary hot idle speed and injection timing. This helps to improve cold starts and reduces white exhaust smoke.

2.11 TURBO COMPRESSOR IN TEMPERATURE SENSOR

The Turbo Compressor In Temperature sensor is located on the engine air intake pipe (Fig. 9).

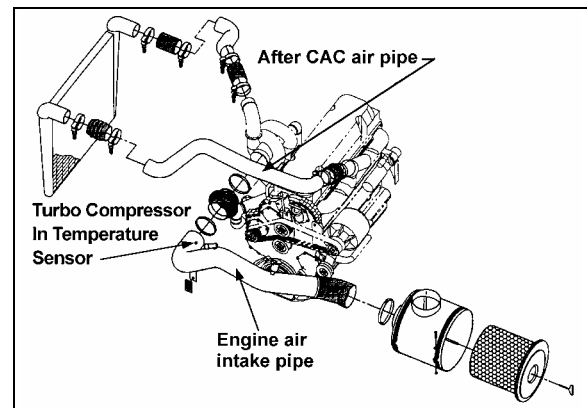


FIGURE 9: TURBO COMPRESSOR IN TEMPERATURE SENSOR LOCATION

2.12 ABSOLUTE OIL PRESSURE SENSOR

The Absolute Oil Pressure Sensor (OPS) is installed in the main engine-oil gallery. A typical location is the left rear corner of the cylinder block (Fig. 10). The OPS sends an electrical signal to the ECM indicating the engine oil pressure at any given speed. A low oil pressure signal exceeding seven seconds is used by the ECM to begin the stop engine or warning function. The OPS is non-serviceable and must be replaced as a unit. No adjustment is required.

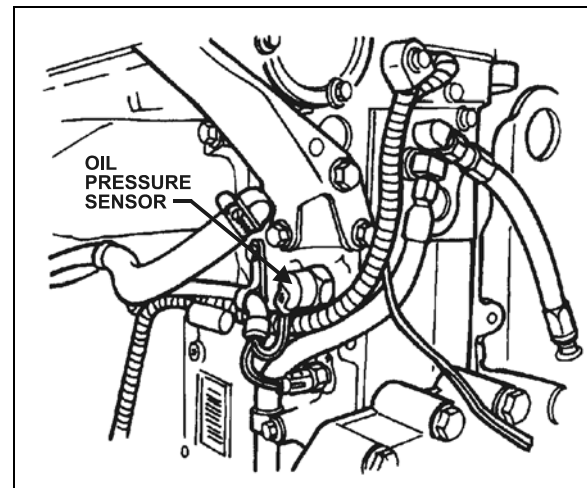


FIGURE 10: ENGINE OPS 01025B

2.13 OIL TEMPERATURE SENSOR

The Oil Temperature Sensor (OTS) is installed behind the engine oil filters manifold (Fig. 1). The OTS sends an electrical signal to the ECM indicating engine oil temperature. The ECM uses this information to modify engine speed for better cold weather starts and faster warm-ups. Oil temperatures exceeding engine specifications for two seconds or more will illuminate the Check Engine Light.

The OTS is non-serviceable and must be replaced as a unit. No adjustment is required.

3. ENGINE-RELATED COMPONENTS

Engine-related components include:

- Coolant Level System (CLS)
- Electronic Foot Pedal Assembly (EFPA) and Throttle Position Sensor
- Cruise Control Switch (CCS)
- Diagnostic System Accessories (DSA)

3.1 COOLANT LEVEL SYSTEM (CLS)

The coolant level system consists of a conductivity probe mounted in the surge tank and an electronic interface module located inside the rear junction box. Coolant level is determined by the change in impedance of the probe and its brass mount when immersed in coolant. The electronic device in the module conditions the signal to levels compatible with DDEC. A low coolant level will trigger the engine warning functions.

The probe and electronic interface module are non-serviceable items and should be replaced as units, if found defective. No adjustment is required.

3.2 ELECTRONIC FOOT PEDAL ASSEMBLY (EFPA) & THROTTLE POSITION SENSOR

The Electronic Foot Pedal Assembly (EFPA) connects the accelerator pedal to a Throttle Position Sensor (TPS). The (TPS) is a device, which sends an electrical signal to the Electronic Control Module (ECM). The TPS varies in voltage depending on how far the pedal is depressed. The system is installed in the space normally occupied by a mechanical foot pedal. The (EFPA) has maximum and minimum stops that are built into the unit during manufacturing (Fig. 10). The (TPS) converts the operator's foot pedal input into a signal for the ECM. The (EFPA) is shown in Figure 8.

When installed by the equipment manufacturer, the TPS should not require adjustment. If the TPS is suspected of being misadjusted, confirm that the sensor is installed in accordance with the manufacturer's specifications. It is recommended that the idle count be at 50 or higher with a full throttle count of up to 200.

The TPS is self-calibrating and therefore has no optimum closed throttle or wide open throttle count value. If the counts are within the 50 to 200 range, the sensor is properly set.

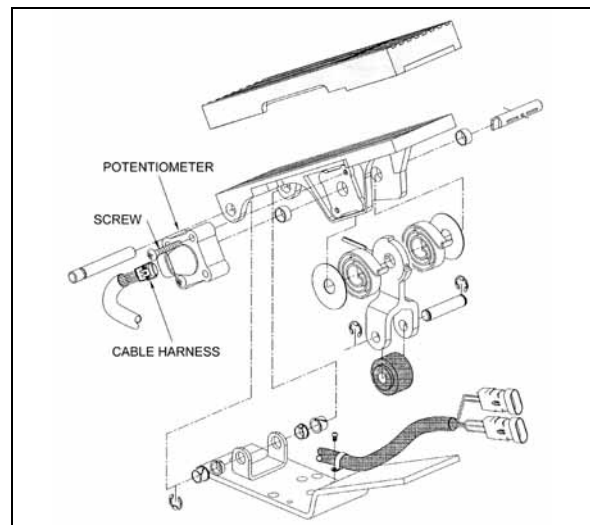


FIGURE 11: ELECTRONIC FOOT PEDAL ASSEMBLY 03035

Monitor the (TPS) at the controls as you move it through its full stroke. Be sure there is no misalignment or obstruction preventing the smooth movement of the TPS through the full stroke. Using a diagnostic data reader, check that the idle and full throttle position counts do not fall within the error zones. The error zones occur when the idle position is less than 14 counts, or when the full throttle position is more than 233 counts. Should these conditions occur, the ECU will signal diagnostic codes of 21-12 for idle error and 21-23 for wide-open throttle error.

3.3 CRUISE CONTROL SWITCHES (CCS)

The four cruise control switches are located in the driver's area on the L.H. side control panel.

1. **Cruise:** This is the main switch that actuates the ECM memory in order to use the speed-regulating mode.
2. **Set:** This switch is used to set the cruise control speed or to decrease the set speed by 2 MPH at each application.

Note: Cruise control system will not accept speed settings, nor will the "Resume" switch operate below 20 mph (32 km/h) and the engine speed must be above 1100 RPM.

3. **Resume:** Each time this switch is actuated, the speed will be increased by 2 mph (3,5 km/h). This switch allows the driver return to the last regulated speed following a brake or "DECEL" switch application.

Note: On-off switch must be in the "ON" position in order to return to the last regulated speed.

4. **Decel:** Will cancel the cruise temporarily and let the vehicle coast. Set speed is still in memory for resume.

For additional information, see the "Operator's Manual" or the "Owner's Manual".

3.4 DIAGNOSTIC SYSTEM ACCESSORIES (DSA)

The DDEC V engine Diagnostic System Accessories includes the following:

- Check Engine telltale light;
- Stop Engine telltale light;
- Stop Engine Override switch;
- Diagnostic Data Link (DDL) connectors.

3.4.1 Check Engine Telltale Light

The Check Engine telltale, mounted on the telltale light panel indicates that a problem has been detected and that a code has been stored in the ECM memory. This light also has a 5-second bulb check when the ignition is first turned on. The Check Engine telltale illuminates when the temperature at coolant sensors exceeds 217°F (103°C) and the temperature at oil sensors exceeds 260°F (127°C). When sensors reach those temperatures, DDEC starts to decrease engine power linearly.

3.4.2 Stop Engine Warning Light

This light, also mounted on the telltale light panel, illuminates to indicate that a major engine problem is occurring (with the exception of a 5-second bulb check when the ignition is first turned on). The Stop Engine Light illuminates when the temperature at coolant sensors exceeds 222°F (106°C) and the temperature at oil sensors exceeds 239°F (115°C). When sensors detect such temperatures, DDEC shuts the engine down after a 30 seconds grace

period. This 30-second delay may be extended another 30 seconds (if absolutely necessary) by using the STOP ENGINE OVERRIDE switch.

Note: Once engine is stopped, it can not be restarted until the malfunction is corrected.

3.4.3 Stop Engine Override Switch

This switch, mounted on the dashboard, may be used to extend the 30-second delay period before engine shutdown when the Stop engine telltale light is illuminated. This switch can be repeatedly depressed in order to move the vehicle out of traffic.

Note: The stop engine override switch will be operative only if it has been depressed before the end of the 30 second delay period.

Caution: The OVERRIDE switch must be used only in emergency cases, such as to move the vehicle out of traffic. Excessive use of this switch can cause serious damage to the engine.

This switch is also used for DDEC diagnostic code requests. Press this switch with the engine at idle or off but with the ignition in the "ON" position and active codes will be flashed on the CHECK ENGINE and STOP ENGINE telltale lights alternately. Refer to "DDEC V DIAGNOSTIC CODES" in this section for more information.

3.4.4 Diagnostic Data Link (DDL) Connectors

A connector is mounted on the L.H. footwell wall. Another connector is located in the rear electric compartment. They allow the connection of the Diagnostic Data Reader (DDR) to read the codes or to access pertinent data on the condition of the engine. This enables a more complete analysis of any defect found in the DDEC system operation. For more information, see Detroit Diesel Troubleshooting Guide #6SE492.

4. DDEC V DIAGNOSTIC CODES

4.1 READING DIAGNOSTIC CODES – FLASHING LIGHT METHOD:

DDEC V makes use of two types of codes: Active and inactive. The difference between the two types of codes is as follows:

Active Codes: Codes that are currently keeping the Check Engine or Stop Engine telltale light illuminated. Active codes are flashed via the Stop Engine Light when checked with the stop-engine-override switch.

Inactive Codes: These are all the codes logged in the ECM (whether or not they are currently turning on the Stop or Check Engine Light). Inactive codes are flashed via the Check Engine telltale light when checked with the stop-engine-override switch.

In most instances, only the DDR can provide the information necessary for a quick diagnosis of the problem. If you just need to read out codes, however, and do not have a DDR available, the following procedure will let you read out codes. Make sure the rear-starting switch (located in the engine compartment) is in the normal position. With the ignition ON, the engine idling or engine shut-off, momentarily depress the Stop Engine Override switch. Active codes will be flashed on the stop engine telltale, followed by the inactive codes being flashed on the

check-engine telltale panel. The cycle repeats itself until the operator depresses the stop engine override switch again. A code "43" consists of four flashes, followed by a short pause, then three flashes in quick succession.

Refer to DDEC Troubleshooting Manual 6SE497 for more information and SAE codes.

Note: Active codes are flashed in ascending numerical flash code order. Inactive codes are flashed in most recent to least recent order.

Note: Fault codes can only be cleared using the DDR.

Note: The listed codes may not be used in all applications. A default value in the normal operating range is used by the ECM to provide for engine operation if a sensor failure is present.

DDEC V Code	PID	SID	FMI	DESCRIPTION
11	187	--	4	Variable Speed Governor Sensor Voltage Low
11	187	--	7	Variable Speed Governor Switch System Not Responding
12	187	--	3	Variable Speed Governor Sensor Voltage High
13	111	--	4	Coolant Level Sensor Input Voltage Low
13	111	--	6	Add Coolant Level Sensor Input Voltage Low
13		146	6	EGR Valve Current too High
14	52	--	3	Intercooler Coolant Temperature Sensor Input Voltage High
14	110	--	3	Coolant Temperature Sensor Input Voltage High
14	175	--	3	Oil Temperature Sensor Input Voltage High
15	52	--	4	Intercooler Coolant Temperature Sensor Input Voltage Low
15	110	--	4	Coolant Temperature Sensor Input Voltage Low
15	175	--	4	Oil Temperature Sensor Input Voltage Low
16	111	--	3	Coolant Level Sensor Input Voltage High
16	111	--	5	Add Coolant Level Sensor Input Voltage High
16		146	5	EGR Valve Current too Low
17	51	--	3	Throttle Plate Position Sensor Input Voltage High
17	72	--	3	Blower Bypass Position Input Voltage High
17	354	--	3	Relative Humidity Sensor Circuit Failed High
18	51	--	4	Throttle Plate Position Sensor Input Voltage Low
18	72	--	4	Blower Bypass Position Input Voltage Low
18	354	--	4	Relative Humidity Sensor Circuit Failed Low
21	91	--	3	Throttle Position Sensor Input Voltage High
22	91	--	4	Throttle Position Sensor Input Voltage Low

Section 01: ENGINE

DDEC V Code	PID	SID	FMI	DESCRIPTION
23	174	--	3	Fuel Temperature Sensor Input Voltage High
23	--	65	3	Oxygen Content Circuit Input Voltage High
24	174	--	4	Fuel Temperature Sensor Input Voltage Low
24	--	65	4	Oxygen Content Circuit Input Voltage Low
25	--	--	--	Reserved for "No Codes"
26	--	25	11	Aux. Shutdown #1 Active
26	--	61	11	Aux. Shutdown #2 Active
27	105	--	3	Intake Manifold Temperature Sensor Input Voltage High
27	171	--	3	Ambient Air Temperature Sensor Input Voltage High
27	172	--	3	Air Temperature Sensor Input Voltage High
28	105	--	4	Intake Manifold Temperature Sensor Input Voltage Low
28	171	--	4	Ambient Air Temperature Sensor Input Voltage Low
28	172	--	4	Air Temperature Sensor Input Voltage Low
29	351	—	4	TCI Temperature Circuit Failed Low
29	404	—	4	Turbo Compressor Temperature Out Sensor Input Voltage Low
31	--	51	3	Aux. Output #3 Open Circuit (High Side) – Pin E-49
31	--	51	4	Aux. Output #3 Short To Ground (High Side) – Pin E-49
31	--	51	7	Aux. Output #3 Mechanical System Fail - Pin E-49
31	--	52	3	Aux. Output #4 Open Circuit (High Side) - Pin E-48
31	--	52	4	Aux. Output #4 Short to Ground (High Side) - Pin E-48
31	--	52	7	Aux. Output #4 Mechanical System Failure - Pin E-48
31	--	260	3	Aux. Output #12 Open Circuit (High Side) - Pin E-46
31	--	260	4	Aux. Output #12 Short to Ground (High Side) - Pin E-46
31	--	260	7	Aux. Output #12 Mechanical System Failure - Pin E-46
31	--	261	3	Aux. Output #13 Open Circuit (High Side) - Pin E-47
31	--	261	4	Aux. Output #13 Short to Ground (High Side) - Pin E-47
31	--	261	7	Aux. Output #13 Mechanical System Failure - Pin E-47
31	--	262	3	Aux. Output #14 Open Circuit (High Side) - Pin E-50
31	--	262	4	Aux. Output #14 Short to Ground (High Side) - Pin E-50
31	--	262	7	Aux. Output #14 Mechanical System Failure - Pin E-50
31	--	263	3	Aux. Output #15 Open Circuit (High Side) - Pin E-51
31	--	263	4	Aux. Output #15 Short to Ground (High Side) - Pin E-51
31	--	263	7	Aux. Output #15 Mechanical System Failure - Pin E-51
31	--	264	3	Aux. Output #16 Open Circuit (High Side) - Pin E-52
31	--	264	4	Aux. Output #16 Short to Ground (High Side) - Pin E-52
31	--	264	7	Aux. Output #16 Mechanical System Failure - Pin E-52

DDEC V Code	PID	SID	FMI	DESCRIPTION
31	--	265	3	Aux. Output #17 Open Circuit (High Side) - Pin E-53
31	--	265	4	Aux. Output #17 Short to Ground (High Side) - Pin E-53
31	--	265	7	Aux. Output #17 Mechanical System Failure - Pin E-53
32	--	238	3	RSL Short to Battery (+)
32	--	238	4	RSL Open Circuit
32	--	239	3	AWL Short to Battery (+)
32	--	239	4	AWL Open Circuit
33	102	--	3	Turbo Boost Pressure Sensor Input Voltage High
34	102	--	4	Turbo Boost Pressure Sensor Input Voltage Low
35	19	--	3	High Range Oil Pressure Sensor Input Voltage High
35	100	--	3	Oil Pressure Sensor Input Voltage High
36	19	--	4	High Range Oil Pressure Sensor Input Voltage Low
36	100	--	4	Oil Pressure Sensor Input Voltage Low
37	18	--	3	High Range Fuel Pressure Sensor Input Voltage High
37	94	--	3	Fuel Pressure Sensor Input Voltage High
37	95	--	3	Fuel Restriction Sensor Input Voltage High
38	18	--	4	High Range Fuel Pressure Sensor Input Voltage Low
38	94	--	4	Fuel Pressure Sensor Input Voltage Low
38	95	--	4	Fuel Restriction Sensor Input Voltage Low
39	—	146	2	EGR Leak- Boost Power
39	—	146	12	EGR Leak- Boost Jake
39	—	146	7	EGR Valve Not Responding
39	—	147	2	VNT Vanes Not Responding – Boost Power
39	—	147	11	VNT Vanes at Max – Jake
39	—	147	12	VNT Vanes Not Responding – Boost Jake
39	—	147	14	EGR Flow too low
39	—	147	7	VNT Vanes Not Responding – EGR
41	--	21	0	Too Many CKP Sensor (missing CMP Sensor)
42	--	21	1	Too few CKP Sensor (missing CKP Sensor)
43	111	--	1	Coolant Level Low
44	52	--	0	Intercooler Coolant Temperature High
44	105	--	0	Intake Manifold Temperature High
44	105	--	14	Engine Power Derate Due to Intake Manifold Temperature
44	110	--	0	Coolant Temperature High
44	110	--	14	Engine Power Derate Due to Coolant Temperature
44	172	--	0	Air Inlet Temperature High
44	175	--	0	Oil Temperature High

Section 01: ENGINE

DDEC V Code	PID	SID	FMI	DESCRIPTION
45	19	--	1	High Range Oil Pressure Low
45	100	--	1	Oil Pressure Low
46	168	--	1	ECM Battery Voltage Low
46	--	155		Injector V (reg) Voltage Failed Low
46	--	211	1	Sensor Supply Pins V-11/V-12 Low
46	--	212	4	Injector V (slope) Voltage Failed Low
46	--	214	1	RTC Backup Battery Voltage Low, Pin E-59
46	--	221	4	Injector I (pull-in) Voltage Failed Low
46	--	232	1	Sensor Supply Voltage Low, Pin E-12/E-26
47	18	--	0	High Range Fuel Pressure High
47	94	--	0	Fuel Pressure High
47	102	--	0	Turbo Boost Pressure High
47	102	--	14	Engine Power Derate Due to Turbo Boost Pressure
47	106	--	0	Air Inlet Pressure High
47	164	--	0	Injection Control Pressure High
48	18	--	1	High Range Fuel Pressure Low
48	94	--	1	Fuel Pressure Low
48	106	--	1	Air Inlet Pressure Low
48	164	--	1	Injection Control Pressure Low
48	351	--	1	TCI Temperature Low
48	404	--	1	Turbo Compressor Temperature Out Low
48	404	--	14	Engine Power Derate Due to Turbo Compressor Out Temperature
48	411	--	1	EGR Differential Pressure Low
48	412	--	1	EGR Temperature Low
49	351	--	0	TCI Temperature High
49	404	--	0	Turbo Compressor Out Temperature High
51	351	--	3	TCI Temperature Circuit Failed High
51	404	--	3	Turbo Compressor Out Temperature Sensor Input Voltage High
52	--	254	12	A/D Conversion Fail
53	--	253	2	Nonvolatile Checksum Incorrect
53	--	253	12	EEPROM Write Error
53	--	253	13	Out of Calibration
54	84	--	12	Vehicle Speed Sensor Fault
55	--	216	14	Other ECU Fault (This fault is logged in conjunction with another fault to indicate missing information from another ECU.)
55	--	231	12	J1939 Data Link Fault

DDEC V Code	PID	SID	FMI	DESCRIPTION
55	--	248	8	Proprietary Data Link Fault (Master)
55	--	248	9	Proprietary Data Link Fault (Receiver)
56	--	250	12	J1587 Data Link Fault
57	--	249	12	J1922 Data Link Fault
58	92	--	0	Torque Overload
61	--	xxx	0	Injector xxx Response Time Long
62	--	26	3	Aux. Output #1 Short to Battery (+) – Pin V-4
62	--	26	4	Aux. Output #1 Open Circuit - Pin V-4
62	—	26	7	Aux. Output #1 Mechanical System Not Responding Properly - Pin V-4
62	--	40	3	Aux. Output #2 Short to Battery (+) - Pin V-5
62	--	40	4	Aux. Output #2 Open Circuit - Pin V-5
62	—	40	7	Aux. Output #2 Mechanical System Not Responding Properly – Pin V-5
62	--	53	3	Aux. Output #5 Short to Battery (+) - Pin V-6
62	--	53	4	Aux. Output #5 Open Circuit - Pin V-6
62	—	53	7	Aux. Output #5 Mechanical System Not Responding Properly - Pin V-6
62	--	54	3	Aux. Output #6 Short to Battery (+) - Pin V-7
62	--	54	4	Aux. Output #6 Open Circuit - Pin V-7
62	--	54	7	Aux. Output #6 Mechanical System Not Responding Properly - Pin V-7
62	--	55	3	Aux. Output #7 Short to Battery (+) - Pin V-40
62	--	55	4	Aux. Output #7 Open Circuit - Pin V-40
62	—	55	7	Aux. Output #7 Mechanical System Not Responding Properly - Pin V-40
62	--	56	3	Aux. Output #8 Short to Battery (+) – Pin V-53
62	--	56	4	Aux. Output #8 Open Circuit - Pin V-53
62	--	56	7	Aux. Output #8 Mechanical System Not Responding Properly - Pin V-53
62	--	257	3	Aux. Output #9 Open Circuit – Pin V-54
62	--	257	4	Aux. Output #9 Short to Gnd – Pin V-54
62	--	257	7	Aux. Output #9 Mechanical System Failure – Pin V-54
62	--	258	3	Aux. Output #10 Open Circuit – Pin V-55
62	--	258	4	Aux. Output #10 Short to Gnd – Pin V-55
62	--	258	7	Aux. Output #10 Mechanical System Failure – Pin V-55
62	--	259	3	Aux. Output #11 Open Circuit – Pin E-13
62	--	259	4	Aux. Output #11 Short to Gnd – Pin E-13
62	--	259	7	Aux. Output #11 Mechanical System Failure – Pin E-13
63	--	57	0	PWM #1 Above Normal Range, Pin V-53

Section 01: ENGINE

DDEC V Code	PID	SID	FMI	DESCRIPTION
63	--	57	1	PWM #1 Below Normal Range, Pin V-53
63	--	57	3	PWM #1 Short to Battery (+), Pin V-53
63	--	57	4	PWM #1 Open Circuit, Pin V-53
63	--	58	0	PWM #2 Above Normal Range, Pin V-46
63	--	58	1	PWM #2 Below Normal Range, Pin V-46
63	--	58	3	PWM #2 Short to Battery (+), Pin V-46
63	--	58	4	PWM #2 Open Circuit, Pin V-46
63	--	59	0	PWM #3 Above Normal Range, Pin E-3
63	--	59	1	PWM #3 Below Normal Range, Pin E-3
63	--	59	3	PWM #3 Short to Battery (+), Pin E-3
63	--	59	4	PWM #3 Open Circuit, Pin E-3
63	--	60	0	PWM #4 Above Normal Range, Pin E-4
63	--	60	1	PWM #4 Below Normal Range, Pin E-4
63	--	60	3	PWM #4 Short to Battery (+), Pin E-4
63	--	60	4	PWM #4 Open Circuit, Pin E-4
63	--	267	0	PWM #5 Above Normal Range - Pin E-8
63	--	267	1	PWM #5 Below Normal Range - Pin E-8
63	--	267	3	PWM #5 Short to Battery (+) - Pin E-8
63	--	267	4	PWM #5 Open Circuit - Pin E-8
63	--	267	7	PWM #5 Mechanical System Failed - Pin E-8
63	--	268	0	PWM #6 Above Normal Range - Pin E-11
63	--	268	1	PWM #6 Below Normal Range - Pin E-11
63	--	268	3	PWM #6 Short to Battery (+) - Pin E-11
63	--	268	4	PWM #6 Open Circuit - Pin E-11
63	--	268	7	PWM #6 Mechanical System Failed - Pin E-11
64	103	--	0	Turbo Overspeed
64	103	--	8	Turbo Speed Sensor Input Failure – Abnormal Period
65	51	--	0	Throttle Plate Position Above Normal Range
65	51	--	1	Throttle Plate Position Below Normal Range
65	51	--	2	Throttle Plate Position Erratic
65	51	--	7	Throttle Plate Not Responding
65	107	--	3	Air Filter Restriction Sensor Voltage High
65	107	--	4	Air Filter Restriction Sensor Voltage Low
66	99	--	3	Oil Filter Restriction Sensor Voltage High
66	99	--	4	Oil Filter Restriction Sensor Voltage Low
66	--	76	0	Engine Knock Level Above Normal Range
66	--	76	3	Engine Knock Level Sensor Input Voltage High

DDEC V Code	PID	SID	FMI	DESCRIPTION
66	--	76	4	Engine Knock Level Sensor Input Voltage Low
66	--	76	7	Engine Knock Level Sensor Not Responding
67	20	--	3	High Range Coolant Pressure Sensor Input Voltage High
67	20	--	4	High Range Coolant Pressure Sensor Input Voltage Low
67	106	--	3	Air Inlet Pressure Sensor Input Voltage High
67	106	--	4	Air Inlet Pressure Sensor Input Voltage Low
67	109	--	3	Coolant Pressure Sensor Input Voltage High
67	109	--	4	Coolant Pressure Sensor Input Voltage Low
68	--	230	5	TPS Idle Validation Circuit Fault (open circuit)
68	--	230	6	TPS Idle Validation Circuit Fault (short to ground)
71	--	xxx	1	Injector xxx Response Time Short
72	84	--	0	Vehicle Overspeed
72	84	--	11	Vehicle Overspeed (Absolute)
72	--	65	0	Oxygen Content Too High
72	--	65	1	Oxygen Content Too Low
73	107	--	0	Air Filter Restriction High
73	--	77	0	Gas Valve Position Above Normal Range
73	--	77	1	Gas Valve Position Below Normal Range
73	--	77	3	Gas Valve Position Input Voltage High
73	--	77	4	Gas Valve Position Input Voltage Low
73	--	77	7	Gas Metering Valve Not Responding
74	70	--	4	Optimized Idle Safety Loop Short to Ground
74	99	--	0	Oil Filter Restriction High
75	168	--	0	ECM Battery Voltage High
75	--	155	3	Injector V (reg) Voltage Failed High
75	--	211	0	Sensor Supply Pins V-11/V-12 Voltage High
75	--	212	3	Injector V (slope) Voltage Failed High
75	--	221	3	Injector V (pull-in) Voltage Failed High
75	--	214	0	RTC Backup Battery Voltage High
75	--	232	0	Sensor Supply Voltage High, Pin E-26
76	121	--	0	Engine Overspeed With Engine Brake
77	19	—	0	High Range Oil Pressure High
77	20	—	0	High Range Coolant Pressure High
77	21	—	0	ECU Temperature Above Range
77	21	—	1	ECU Temperature Below Range
77	21	—	3	ECU Temperature Above Failed High
77	21	—	4	ECU Temperature Above Failed Low

Section 01: ENGINE

DDEC V Code	PID	SID	FMI	DESCRIPTION
77	72	—	0	Blower Bypass Door Position High
77	72	—	1	Blower Bypass Door Position Low
77	73	—	1	Fire Pump Pressure Low
77	81	—	0	Exhaust Back Pressure High
77	81	—	1	Exhaust Back Pressure Low
77	81	—	3	Exhaust Back Pressure Sensor Voltage High
77	81	—	4	Exhaust Back Pressure Sensor Voltage Low
77	81	—	12	Exhaust Back Pressure at Rampdown Threshold
77	95	—	1	Fuel Filter Differential Pressure Low
77	99	—	1	Oil Filter Differential Pressure Low
77	100	—	0	Engine Oil Pressure High
77	102	—	1	Turbo Boost Pressure Low
77	105	—	1	Inlet Manifold Temperature Low
77	107	—	1	Air filter Restriction Pressure Low
77	108	—	0	Barometric Pressure High
77	108	—	1	Barometric Pressure Low
77	109	—	0	Coolant Pressure High
77	110	—	1	Coolant Temperature Low
77	111	—	0	Coolant Level High
77	171	—	0	Ambient Air Temperature High
77	171	—	1	Ambient Air Temperature Low
77	172	—	1	Air Inlet Temperature Low
77	174	—	0	Fuel Temperature High
77	174	—	1	Fuel Temperature Low
77	175	—	1	Engine Oil Temperature Low
77	222	—	14	Anti-Theft Fault Present
77	251	—	10	Clock Module Abnormal Rate of Change
77	251	—	13	Clock Module Failure
77	252	—	10	Clock Module Abnormal Rate of Change
77	252	—	13	Clock Module Failure
77	354	—	0	Relative Humidity Above Range
77	354	—	1	Relative Humidity Below Range
77	446	—	0	Cylinder Head Temperature Above Range
77	—	151	11	Service Now Lamp Fault Expiration
78	86	--	14	Cruise Control/Adaptive Cruise Control Fault
81	98	--	3	Oil Level Sensor Input Voltage High
81	101	--	3	Crankcase Pressure Sensor Input Voltage High

DDEC V Code	PID	SID	FMI	DESCRIPTION
81	153	--	3	Extended Crankcase Pressure Input Voltage High
81	164	--	3	Injection Control Pressure Sensor Input Voltage High
81	173	--	3	Exhaust Temperature Sensor Input Voltage High
81	411	—	3	EGR Delta Pressure Sensor Circuit Failed High
81	412	—	3	EGR Temperature Circuit Failed High
81	412	—	9	EGR Temperature Network Sensor Not Responding
81		20	3	Timing Actuator Failed High
81		20	4	Timing Actuator Failed Low
81	--	129	3	Exhaust Port Temperature #1 Sensor Voltage High
81	--	130	3	Exhaust Port Temperature #2 Sensor Voltage High
81	--	131	3	Exhaust Port Temperature #3 Sensor Voltage High
81	--	132	3	Exhaust Port Temperature #4 Sensor Voltage High
81	--	133	3	Exhaust Port Temperature #5 Sensor Voltage High
81	--	134	3	Exhaust Port Temperature #6 Sensor Voltage High
81	--	135	3	Exhaust Port Temperature #7 Sensor Voltage High
81	--	136	3	Exhaust Port Temperature #8 Sensor Voltage High
81	--	137	3	Exhaust Port Temperature #9 Sensor Voltage High
81	--	138	3	Exhaust Port Temperature #10 Sensor Voltage High
81	--	139	3	Exhaust Port Temperature #11 Sensor Voltage High
81	--	140	3	Exhaust Port Temperature #12 Sensor Voltage High
81	--	141	3	Exhaust Port Temperature #13 Sensor Voltage High
81	--	142	3	Exhaust Port Temperature #14 Sensor Voltage High
81	--	143	3	Exhaust Port Temperature #15 Sensor Voltage High
81	--	144	3	Exhaust Port Temperature #16 Sensor Voltage High
81	—	277	9	EGR Rate Sensor not Responding
81	—	277	12	EGR Rate Sensor Failed
82	98	--	4	Oil Level Sensor Input Voltage Low
82	101	--	4	Crankcase Pressure Sensor Input Voltage Low
82	153	--	4	Extended Crankcase Pressure Input Voltage Low
82	164	--	4	Injection Control Pressure Sensor Input Voltage Low
82	173	--	4	Exhaust Temperature Sensor Input Voltage Low
82	411	—	4	EGR Delta Pressure Sensor Circuit Failed Low
82	412	—	4	EGR Temperature Circuit Failed Low
82	412	—	12	EGR Temperature Network Sensor Failed
82	--	129	4	Exhaust Port Temperature #1 Sensor Voltage Low
82	--	130	4	Exhaust Port Temperature #2 Sensor Voltage Low
82	--	131	4	Exhaust Port Temperature #3 Sensor Voltage Low

Section 01: ENGINE

DDEC V Code	PID	SID	FMI	DESCRIPTION
82	--	132	4	Exhaust Port Temperature #4 Sensor Voltage Low
82	--	133	4	Exhaust Port Temperature #5 Sensor Voltage Low
82	--	134	4	Exhaust Port Temperature #6 Sensor Voltage Low
82	--	135	4	Exhaust Port Temperature #7 Sensor Voltage Low
82	--	136	4	Exhaust Port Temperature #8 Sensor Voltage Low
82	--	137	4	Exhaust Port Temperature #9 Sensor Voltage Low
82	--	138	4	Exhaust Port Temperature #10 Sensor Voltage Low
82	--	139	4	Exhaust Port Temperature #11 Sensor Voltage Low
82	--	140	4	Exhaust Port Temperature #12 Sensor Voltage Low
82	--	141	4	Exhaust Port Temperature #13 Sensor Voltage Low
82	--	142	4	Exhaust Port Temperature #14 Sensor Voltage Low
82	--	143	4	Exhaust Port Temperature #15 Sensor Voltage Low
82	--	144	4	Exhaust Port Temperature #16 Sensor Voltage Low
82	—	277	12	EGR Rate Sensor Failed
82	412	—	9	EGR Temperature Smart Sensor not Responding
82	412	—	12	EGR Temperature Smart Sensor failed
83	73	—	0	Pump Pressure High
83	98	--	0	Oil Level High
83	101	--	0	Crankcase Pressure High
83	153	--	0	Extended Crankcase Pressure High
83	173	--	0	Exhaust Temperature High
83	411	—	0	EGR Delta Pressure High
83	412	—	0	EGR Temperature High
83	--	129	0	Exhaust Port Temperature #1 High
83	--	130	0	Exhaust Port Temperature #2 High
83	--	131	0	Exhaust Port Temperature #3 High
83	--	132	0	Exhaust Port Temperature #4 High
83	--	133	0	Exhaust Port Temperature #5 High
83	--	134	0	Exhaust Port Temperature #6 High
83	--	135	0	Exhaust Port Temperature #7 High
83	--	136	0	Exhaust Port Temperature #8 High
83	--	137	0	Exhaust Port Temperature #9 High
83	--	138	0	Exhaust Port Temperature #10 High
83	--	139	0	Exhaust Port Temperature #11 High
83	--	140	0	Exhaust Port Temperature #12 High
83	--	141	0	Exhaust Port Temperature #13 High
83	--	142	0	Exhaust Port Temperature #14 High

DDEC V Code	PID	SID	FMI	DESCRIPTION
83	--	143	0	Exhaust Port Temperature #15 High
83	--	144	0	Exhaust Port Temperature #16 High
84	98	--	1	Oil Level Low
84	101	--	1	Crankcase Pressure Low
84	153	--	1	Extended Crankcase Pressure Low
85	190	--	0	Engine Overspeed
85	190	--	14	Engine Overspeed Signal
86	73	--	3	Pump Pressure Sensor Input Voltage High
86	108	--	3	Barometric Pressure Sensor Input Voltage High
87	73	--	4	Pump Pressure Sensor Input Voltage Low
87	108	--	4	Barometric Pressure Sensor Input Voltage Low
88	20	--	1	High Range Coolant Pressure Low
88	109	--	1	Coolant Pressure Low
89	95	--	0	Fuel Restriction High
89	111	--	12	Maintenance Alert Coolant Level Fault

5. ENGINE OIL LEVEL

Check the oil level daily with the engine stopped. If the engine has just been stopped and is warm, wait at least 10 minutes to allow the oil to drain back to the oil pan before checking. Wipe the dipstick clean then check oil level. The level should always be within the safe range on the dipstick (Fig. 12). Add the proper grade of oil to maintain the correct level on the dipstick. All diesel engines are designed to consume some oil, so a periodic addition of oil is normal.

Warning: Touching a hot engine can cause serious burns.

Caution: Do not overfill. Oil may be blown out through the crankcase breather if the crankcase is overfilled.

Caution: Clean end of tube before removing the dipstick to prevent oil contamination.

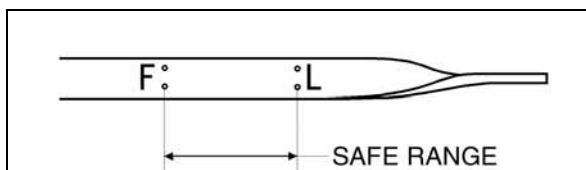


FIGURE 12: ENGINE OIL LEVEL DIPSTICK 01027

Caution: If the oil level is constantly above normal and excess lube oil has not been added to the crankcase, consult with an authorized

Detroit Diesel service outlet for the cause. Fuel or coolant dilution of lube oil can result in serious engine damage.

The vehicle is provided with an oil reserve tank in the engine compartment. To adjust oil level, open the oil reserve tank drain valve and allow oil to discharge into the engine until the "Full" mark on the dipstick is reached then close the valve. Check oil reserve tank level and pour oil in the reserve tank if necessary (Fig. 13).

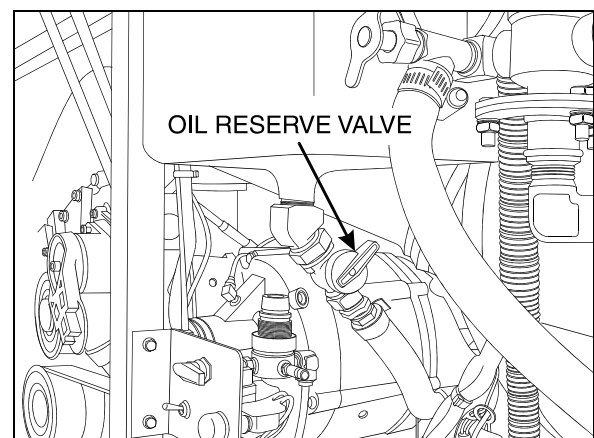


FIGURE 13: ENGINE COMPARTMENT 01050

6. ENGINE OIL AND FILTER CHANGE

Both the oil and filter should be changed every 12,500 miles (20,000-km) or once a year, whichever comes first. However, changes that are more frequent may be required when the

Section 01: ENGINE

engine is subject to high levels of contamination and/or overheating. Change intervals may be decreased or gradually increased with experience on specific lubricants until the most practical service condition has been established. Always refer to the lubricant manufacturer's recommendations (analysis of drained oil can be helpful).

Caution: Do not use solvents to dilute the engine oil when draining. Dilution of fresh oil can occur which may be detrimental to the engine.

Change engine oil with the vehicle on a flat and level surface and with the parking brake applied. It is best to drain the oil when the engine is still warm.

1. From under the vehicle, remove the engine drain plug on the oil pan. Allow oil to drain (Fig. 14).

Warning: Hot engine oil can cause serious burns. Wear coveralls with sleeves pulled down and gloves to protect hands.

2. Reinstall the drain plug.
3. Remove the spin-on filter cartridge using a 1/2" drive socket wrench and extension.
4. Dispose of the used oil and filter in an environmentally responsible manner in accordance with state and/or federal (EPA) recommendations.
5. Clean the filter adapter with a clean rag.

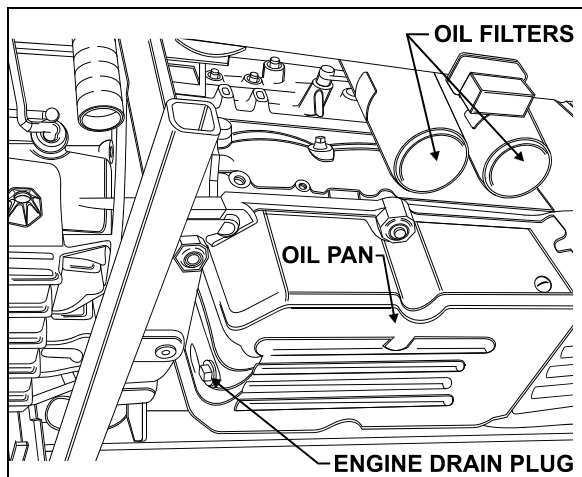


FIGURE 14: UNDER VEHICLE VIEW

01029

6. Lightly coat the filter gasket (seal) with clean engine oil.
7. Install the new filter on the adapter and tighten manually until the gasket touches the mounting adapter head. Tighten full-flow filters an additional two-thirds of a turn

manually. Then, manually tighten bypass filter one full turn.

Caution: Overtightening may distort or crack the filter adapter.

8. Remove the engine-oil filler cap and pour oil in the engine until it reaches the "FULL" mark on the dipstick (Fig. 12).
9. Start and run the engine for a short period and check for leaks. After any leaks have been corrected, stop the engine long enough for oil from various parts of the engine to drain back to the crankcase (approximately 20 minutes).
10. Add oil as required to bring the level within the safe range on the dipstick (Fig. 12).

7. RECOMMENDED ENGINE OIL TYPE

To provide maximum engine life, lubricants shall meet the following specifications: SAE Viscosity Grade: 15W-40 API Classification: CI-4.

Note: Monograde oils should not be used in these engines regardless of API Service Classification.

Note: The use of supplemental oil additives is discouraged from use in Detroit Diesel Engines.

Synthetic oils: Synthetic oils may be used in Detroit Diesel engines provided they are API-licensed and meet the performance and chemical requirements of non-synthetic oils outlined previously. Synthetic oils do not permit extension of recommended oil drain intervals.

Lubricant Selection World Wide: Oils meeting API CD or CC specifications may be used if they also meet military specification MIL-L-2104 D or E. Oils which meet European CCMC D4 specifications may also be used.

Modification of drain interval may be necessary, depending on fuel quality. Contact Detroit Diesel Corporation for further guidance.

8. POWER PLANT ASSEMBLY REMOVAL

To access the engine or engine-related components, the vehicle power plant assembly must be removed as a whole unit by means of a slide-out cradle. The power plant assembly includes the engine, transmission (including retarder if so equipped), air compressor, alternator and transmission oil cooler.

Remove the power plant assembly as follows:

Caution: Tag hoses and cables for identification before disconnecting in order to facilitate reinstallation. Plug all openings to prevent dirt from entering the system.

Note: No parts within the ECM are serviceable. If found defective, replace the complete ECM unit.

1. Disconnect the battery or batteries from the starting system by removing one or both of the battery cables from each battery system. With the electrical circuit disrupted, accidental contact with the starter button will not produce an engine start. In addition, the Electronic Unit Injectors (EUI) will be disabled, preventing any fuel delivery to the injector tips.

Warning: Due to the heavy load of the rear bumper assembly, it must be adequately supported before attempting to remove it.

2. Remove the rear bumper assembly from the vehicle. Refer to Section 18, BODY, under "REAR BUMPER REMOVAL AND INSTALLATION".
3. Drain the engine cooling system. Refer to Section 05, COOLING under "DRAINING COOLING SYSTEM".

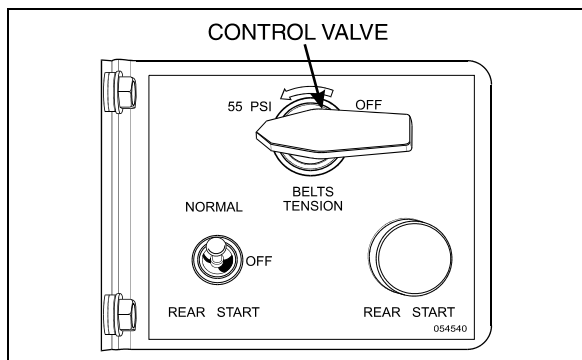


FIGURE 15: ENGINE COMPARTMENT 01044

4. Locate the belt tensioner control valve (Fig. 15). Turn handle clockwise in order to release pressure in belt-tensioner air bellows and loosen belts. Remove the belts.
5. Release all pressure from the air system. Refer to Section 12, BRAKES & AIR SYSTEM for instructions.
6. Disconnect and remove the engine-air intake duct mounted between air cleaner housing and turbocharger inlet (1, Fig. 17, 18).

Caution: To avoid damage to turbocharger, cover the turbocharger inlet opening to prevent foreign material from entering.

7. Disconnect and remove the air intake duct mounted between the air cooler outlet and the engine intake (2, Fig. 17, 18).
8. Disconnect and remove section of coolant pipe assembly mounted between the radiator outlet and the water pump inlet (3, Fig. 17, 18).
9. Disconnect the coolant delivery hose located close to the water pump.
10. Disconnect the electric fan-clutch connector, close to the water pump (Fig. 16).
11. Dismantle the air bellow from the upper bracket of the fan-drive assembly tensioner. Remove the upper bracket (4, Fig. 17, 18).
12. If necessary, remove the fan drive from the motor compartment by removing the four retaining bolts, washers and nuts securing the fan drive to the floor.

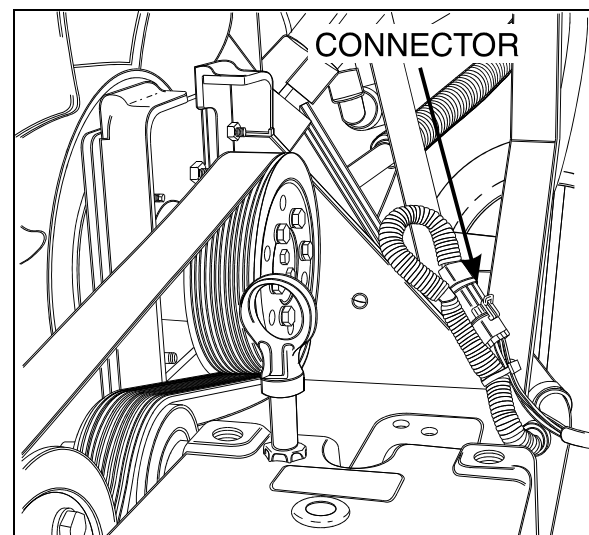


FIGURE 16: ENGINE COMPARTMENT 01069

13. Disconnect and remove the air intake duct mounted between the turbocharger outlet and the air cooler inlet (5, Fig. 17, 18).
14. Disconnect two vent hoses from the thermostat housing and from the coolant pipe assembly.
15. Disconnect and remove a section of coolant pipe assembly mounted between the thermostat housings and the radiator inlet.
16. Disconnect and remove the small hose connected to the heater line valve and to the water pump.
17. Disconnect the small heater hose located on the cylinder head at the back of the engine.

Section 01: ENGINE

18. Disconnect and remove the exhaust pipe mounted between the turbocharger outlet and the exhaust bellows. If necessary, refer to Section 04: EXHAUST SYSTEM under "Muffler Removal and Installation".

Caution: *To avoid damage to turbocharger, cover the turbocharger outlet opening to prevent foreign material from entering.*

19. Disconnect the block heater connector above the power steering pump (6, Fig. 17, 18).

20. Disconnect the steel-braided airline from the A/C compressor air bellows.

21. Disconnect the oil delivery hose from the valve located at the reserve tank drain (7, Fig. 17, 18).

22. Disconnect the power steering pump supply and discharge hoses. Cap hose openings immediately to limit fluid loss. Remove retaining clips from cradle (8, Fig. 17, 18).

23. Close engine fuel supply shutoff valve on primary fuel filter. Disconnect the fuel line connected to inlet port. On vehicles equipped with the optional water-separator-fuel-filter, disconnect the connector and remove cable ties from cradle.

24. Disconnect the air compressor discharge, governor steel-braided airlines and manual filling airlines from compressor. Remove retaining clips.

25. Disconnect the hose connecting the compressor head to the sump tank.

26. Disconnect ground cables from rear subframe ground-stud located close to the starter motor.

27. Disconnect positive cable (red terminal) from starting motor solenoid.

28. Disconnect the power plant wiring-harness main connectors from ECM and remove retaining clips from engine compartment backwall.

29. On vehicles equipped with an automatic transmission provided with a hydraulic output retarder, disconnect steel-braided airline from pressure regulator output. The pressure regulator is mounted in the upper section of engine compartment backwall and is accessible through the engine compartment R.H. side door.

30. Disconnect fuel return line from bulkhead fixed on engine cylinder head end.

31. On vehicles equipped with an electrically operated cold-starting aid, disconnect the delivery hose from the starting-aid cylinder solenoid valve. Remove cable ties securing hoses.

32. Disconnect turbo boost pressure gauge airline from engine air intake.

33. Only if the vehicle is equipped with a retarder, remove the transmission rubber-damper assembly above transmission by removing: nut, bushing, rubber damper, rubber damper guide, bolt and washer. Remove the rubber damper bracket from transmission.

34. Disconnect connectors from transmission. On the left side: four on rear side with one close to yoke. On right side: close to the solenoid valve of the output retarder.

35. From under the vehicle, disconnect the propeller shaft as detailed in Section 09, under heading "Propeller Shaft Removal".

36. Inspect the power plant assembly to ensure that nothing will interfere when sliding out the cradle. Check for connections or hoses not mentioned in this list as some vehicles are equipped with special or aftermarket components.

37. Remove the six retaining bolts, washers and nuts securing the power plant cradle to the vehicle rear subframe (Fig. 20).

Note: *Check if any spacer(s) have been installed between power plant cradle and vehicle rear subframe, and if so, note position of each washer for reinstallation purposes.*

38. Using a forklift, with a minimum capacity of 4,000 lbs (1 800 kg), slightly raise the power plant cradle.

39. Pull engine out slowly from the engine compartment. Make sure all lines, wiring and accessories are disconnected and are not tangled.

Caution: *Due to the minimum clearance between the power plant equipment and the top of the engine compartment, extreme care should be used to raise the power plant cradle, just enough to free the cradle. Clearance between power plant cradle and mounting rail should range between 1/4" and 1/2" (6-12 mm).*

9. POWER PLANT ASSY. INSTALLATION

To install a power plant assembly, follow the same procedure as in "Power Plant Assembly Removal" except in reverse order, then proceed with the following:

1. Torque the power plant cradle mounting bolts to 190 lbf-ft (255 Nm).
2. If fan drive has been removed, reinstall and align as per Section 05, COOLING SYSTEM, under "FAN DRIVE ALIGNMENT".
3. Refill cooling system with saved fluid (refer to Section 05, COOLANT SYSTEM).
4. Once engine fuel system has been drained, it will aid restarting if fuel filters are filled with fuel oil (refer to Section 03, FUEL SYSTEM).
5. Start engine for a visual check. Check fuel, oil, cooling, pneumatic and hydraulic system connections for leakage. Test operation of engine controls and accessories.

10. VALVE COVER REMOVAL

The following instructions explain how to remove the valve cover for valve, injector or Jake Brake maintenance, without having to remove the engine:

1. Remove air intake duct (1, Fig. 17, 18).
2. Remove the air intake duct mounted between the air cooler outlet and the engine intake (2, Fig. 17, 18).
3. Disconnect ventilation pipe from valve cover.
4. Remove engine cover.

5. Adjust Jake Brake (if applicable), injectors and valves following instructions in the Detroit Diesel service manual for series 60 engines.

6. Verify engine cover gasket and replace if necessary.

Note: *New gasket must be ordered directly from Detroit Diesel.*

7. Reinstall engine cover and tighten bolts to 18-22 Lbf-ft (25-30 Nm), in a criss-cross pattern.
8. Reconnect ventilation pipe to engine cover.
9. Reinstall air ducts.

11. JAKE BRAKE

Refer to both "The Jake Brake Troubleshooting and Maintenance Manual" and "Installation Manual for Model 790 Engine Brakes" for troubleshooting and installation procedures. They are annexed at the end of this section.

12. ENGINE MOUNTS

The power plant assembly on a vehicle powered with a series 60 engine is mounted to the cradle by means of rubber mounts.

Two rubber mounts are used at the front of the engine while two others are mounted on each side of the flywheel housing (Fig. 20).

It is recommended that new rubber mounts be installed at each major overhaul.

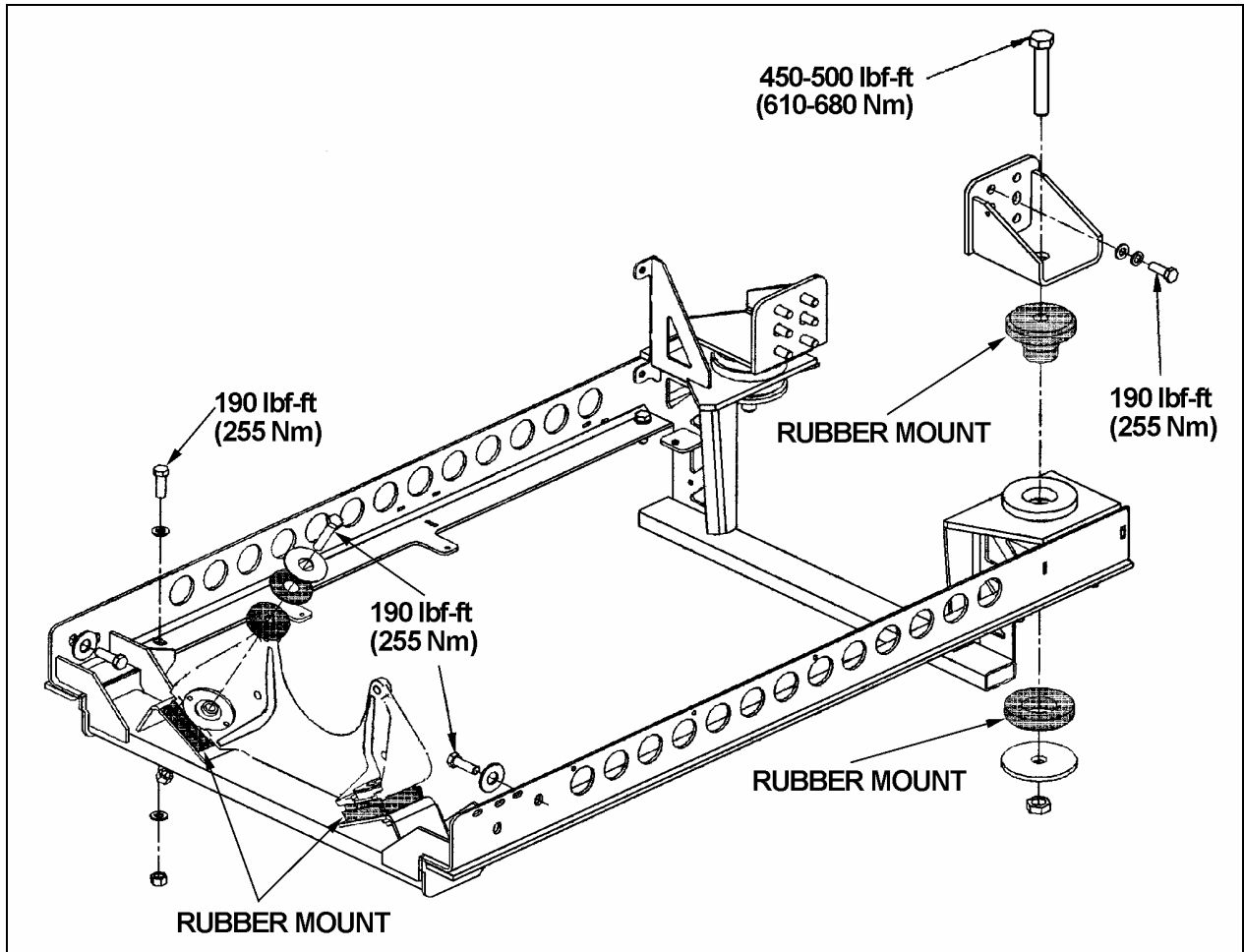
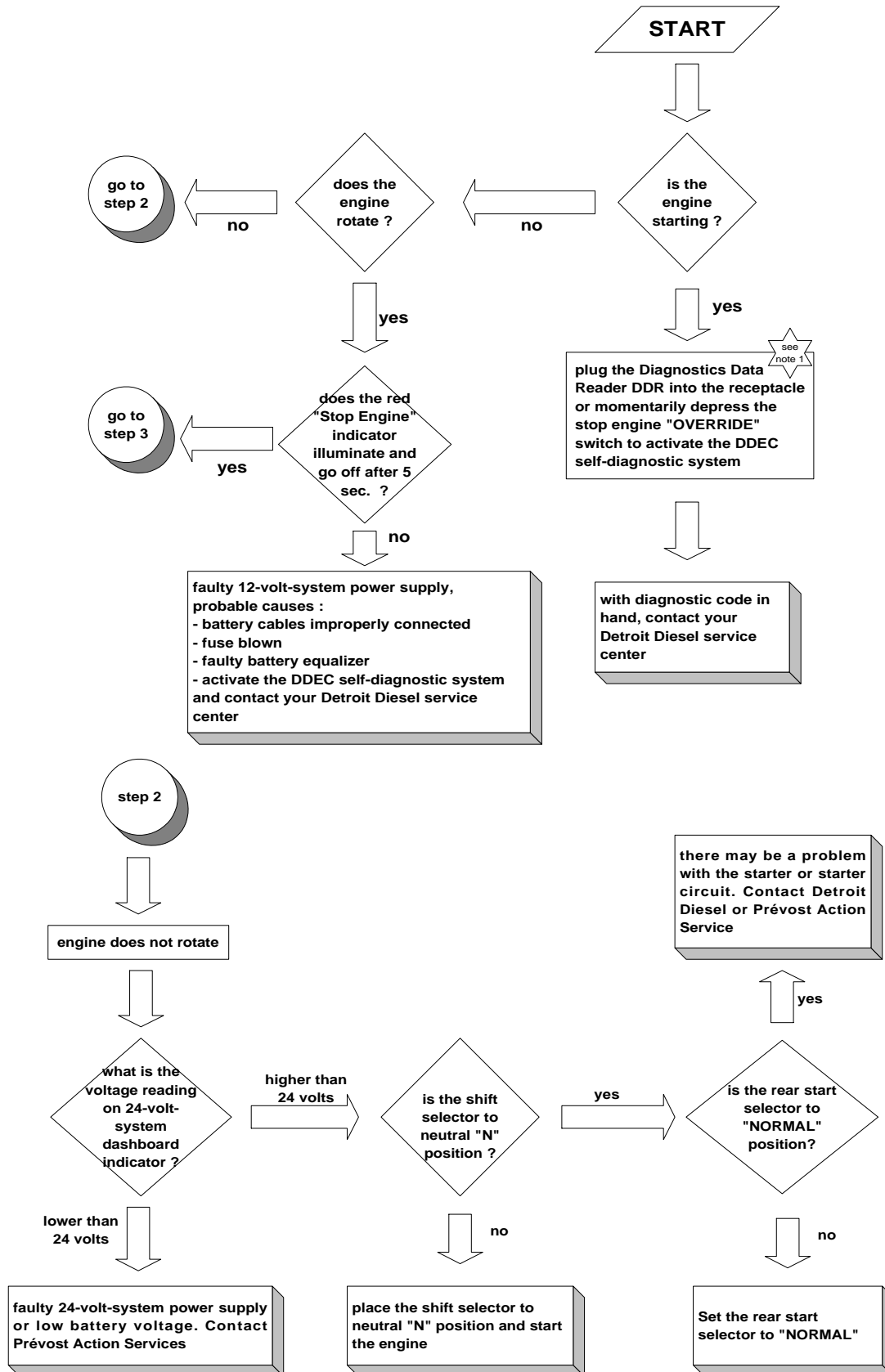
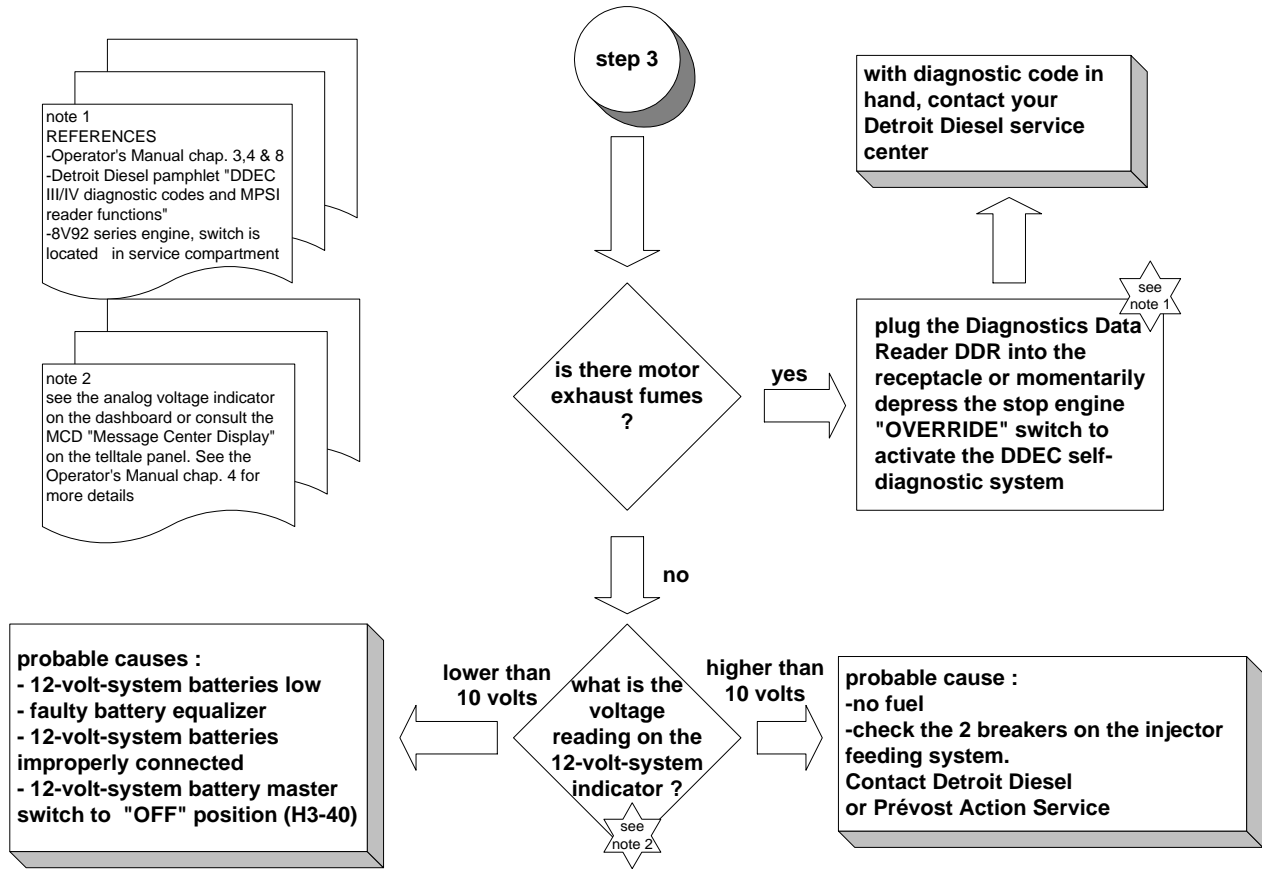


FIGURE 19: POWER PLANT CRADLE INSTALLATION

01107

13. ENGINE TROUBLESHOOTING GUIDE





01089

14. SPECIFICATIONS

Series 60 Engine

Make Detroit Diesel
 Type Diesel four cycle/in-line engine
 Description Turbo/Air to air charge cooled
 No. of cylinders 6
 Operating range 1200-2100 RPM
 Maximum RPM..... 2100

Lubricant

Heavy-duty engine oil SAE Viscosity Grade 15W-40, API Classification CI-4. Synthetic oil may be used if it meets the performance and chemical requirements of non-synthetic oils outlined previously. Some engine operating conditions may require exceptions to this recommendation.

Caution: To avoid possible engine damage, do not use single grade (Monograde) lubricants in Detroit Diesel four-cycle Series 60 engines, regardless of API classification.

Detroit Diesel Series 60 engine ratings

Series 60 engine ratings used in Prevost Car Models are listed in the following tables. The standard engine ratings are written in bold, customer may easily switch from one rating to another within the same table by having the DDEC V system reprogrammed.

Coach Base Engine (12.7L)	
380 HP	@1800 rpm; 1350 lb-ft @1200 rpm

VIP 45' MTH Engine (14.0L)	
470 HP	@1800 rpm; 1650 lb-ft @1200 rpm
490 HP	@1800 rpm; 1650 lb-ft @1200 rpm
515 HP	@1800 rpm; 1650 lb-ft @1200 rpm
470/515 HP	@1800 rpm; 1650 lb-ft @1200 rpm

Coach Standard Engine (12.7L)	
425 HP	@1800 rpm; 1450 lb-ft @1200 rpm
435 HP	@1800 rpm; 1450 lb-ft @1200 rpm
445 HP	@1800 rpm; 1450 lb-ft @1200 rpm
425/445 HP	@1800 rpm; 1450 lb-ft @1200 rpm

Capacity

Oil reserve tank 8.4 US qts (8.0 L)

Engine oil level quantity

Oil Pan Capacity, Low Limit26 quarts/25 liters

Oil Pan Capacity, High Limit32 quarts/30 liters

Total Engine Oil Capacity with Filters38 quarts/36 liters

Lubricating oil filter elements

Make..... AC Rochester Div. GMC # 25014505

Make..... A/C Filter # PF-2100

Type Full Flow

Prévost number 510458

Torque specification

Engine oil filter..... Tighten 2/3 of a turn after gasket contact

Filters

Engine Air Cleaner Filter

Make Nelson # 70337-N

Prévost number 530197

Engine Coolant Filter/Conditioner

Make Nalco Chemical Company # DDF3000

MakeDetroit Diesel # 23507545

Prévost number..... 550630

Note: For primary and secondary fuel filters, refer to Specifications in section 03.

SECTION 03: FUEL SYSTEM

CONTENTS

1. FUEL SYSTEM DESCRIPTION	3
2. FUEL LINES AND FLEXIBLE HOSES	4
3. FUEL VALVES	4
4. FILTERS AND WATER SEPARATOR	4
4.1 FUEL FILTER/WATER SEPARATOR SERVICING	4
4.2 FUEL FILTER SERVICING (PRIMARY AND SECONDARY)	5
4.3 DAVCO FUEL PRO 382	6
4.4 PREHEATER FUEL FILTER	7
5. FUEL TANK	7
5.1 TANK REMOVAL	7
5.2 TANK INSTALLATION	8
5.3 FUEL TANK VERIFICATION.....	9
5.4 POLYETHYLENE FUEL TANK REPAIR	9
6. PRIMING FUEL SYSTEM	9
7. FUEL PUMP INSTALLATION	10
8. FUEL OIL SPECIFICATIONS	10
9. AIR CLEANER (DRY TYPE)	10
9.1 PRE-CLEANER SERVICING	10
9.2 AIR CLEANER SERVICING	10
9.3 GENERAL RECOMMENDATIONS	11
9.4 AIR CLEANER RESTRICTION INDICATOR.....	11
10. FUEL COOLER	11
11. FUEL PEDAL	11
11.1 FUEL PEDAL ADJUSTMENT.....	11
11.2 POTENTIOMETER REPLACEMENT	12
12. SPECIFICATIONS	12

ILLUTRATIONS

FIGURE 1: FUEL SYSTEM SCHEMATIC..... 3
FIGURE 2: MANUAL SHUT-OFF VALVES..... 4
FIGURE 3: FUEL FILTER/WATER SEPARATOR 5
FIGURE 4: DAVCO FUEL PRO 382 INSTALLATION..... 6
FIGURE 5: DAVCO FUEL PRO 382 EXPLODED VIEW 7
FIGURE 6: FUEL TANK ARRANGEMENT 8
FIGURE 7: FUEL TANK INSTALLATION 8
FIGURE 8: FUEL TANK RETENTION 9
FIGURE 9: FUEL TANK REPAIR..... 9
FIGURE 10: PRIME PUMP SWITCH LOCATION 9
FIGURE 11: FUEL PUMP LOCATION 10
FIGURE 12: RESTRICTION INDICATOR 11
FIGURE 13: FUEL COOLER LOCATION 11
FIGURE 14: ELECTRONIC FOOT PEDAL ASSEMBLY..... 12

1. FUEL SYSTEM DESCRIPTION

Figure 1 shows a schematic of the fuel system. Fuel is drawn from the fuel tank through a manual shut-off valve, a primary fuel filter or a fuel filter/water separator (optional) before it enters the fuel pump. If the vehicle is equipped with the optional "Davco Fuel Pro 382", it is designed to be the only fuel filter in the system, no secondary fuel filter is necessary. Leaving the pump under pressure, the fuel flows through a secondary fuel filter and a shut-off valve, then to the cylinder head. The fuel reaches the injectors in the cylinder head through passages within the head. Excess fuel exits at the rear of the head just above the inlet, through a restrictive return fitting which maintains fuel pressure in the system. Finally, the fuel flows through the check valve and the fuel cooler before it returns to the fuel tank. One preheater is available: 104 000 BTU. If the vehicle is equipped with the 104 000 BTU preheater, the fuel is drawn from the fuel tank through the fuel filter to the preheater. Excess fuel returns to the fuel tank.

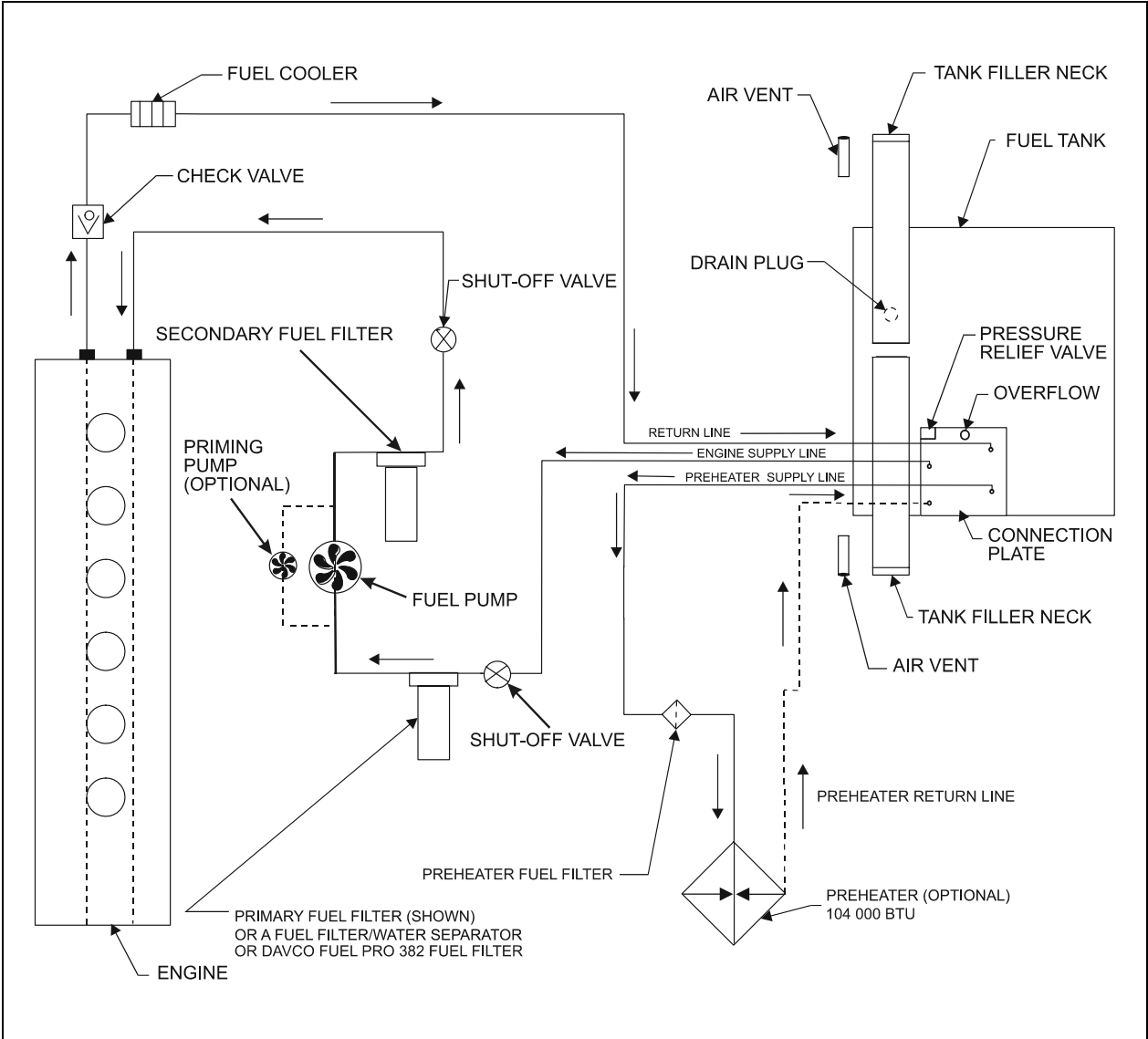


FIGURE 1: FUEL SYSTEM SCHEMATIC

03056

2. FUEL LINES AND FLEXIBLE HOSES

Make a visual check for fuel leaks at all engine-mounted fuel lines and connections and at the fuel tank suction and return lines. Since fuel tanks are susceptible to road hazards, leaks in this area may best be detected by checking for accumulation of fuel under the tank. Engine performance and auxiliary equipment is greatly dependent on the ability of flexible hoses to transfer lubricating oil, air, coolant and fuel oil. Diligent maintenance of hoses is an important step in ensuring efficient, economical and safe operation of engine and related equipment.

Check hoses daily as part of the pre-start-up inspection. Examine hoses for leaks and check all fittings, clamps and ties carefully. Make sure that the hoses are not resting on or touching shafts, couplings, and heated surfaces, including exhaust manifolds, any sharp edges or other obviously hazardous areas. Since all machinery vibrates and moves to a certain extent, clamps and ties can fatigue with age. To ensure continued proper support, inspect fasteners frequently and tighten or replace them as necessary. Refer to the schematic diagram of the fuel system (Fig. 1).

Caution: Oil level above the dipstick full mark or a decrease in lube oil consumption may indicate internal fuel leaks. Check oil level frequently.

3. FUEL VALVES

Manual shut-off valves on engine fuel-supply line are located on the R.H. side of engine compartment (Fig. 2). A manual shut-off valve is located at the inlet side of the primary fuel filter (fuel filter/water separator, if vehicle is so equipped) under the starter or at the inlet side of Davco Fuel Pro 282 fuel filter. Another manual shut-off valve is located at the outlet side of the secondary fuel filter, under the air compressor or at the outlet side of the pump in the case of Davco. No manual valve is required on preheater fuel-supply line, since the positive-displacement fuel pump (located close to the fuel tank) prevents fuel flow when not activated.

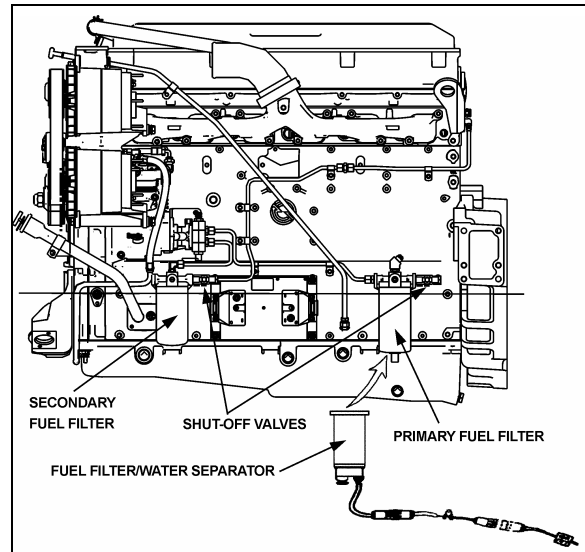


FIGURE 2: MANUAL SHUT-OFF VALVES

03060

4. FILTERS AND WATER SEPARATOR

The fuel system is equipped with primary and secondary fuel filters for additional protection of the injectors. A fuel-filter/water-separator may be installed in primary fuel-filter location, to prevent water infiltration in engine fuel system (Fig. 2). It should be drained periodically, or when the water separator telltale light on the dashboard illuminates. To drain, loosen positive seal drain valve below separator, and tighten after water has been flushed out.

Note: The operating conditions and cleanliness of type of fuel used determine the service intervals of the filter/water separator element and the secondary fuel filter cartridge.

Note: For more information on the Davco Fuel Pro 382 fuel filter, refer to paragraph 4.3.

4.1 FUEL FILTER/WATER SEPARATOR SERVICING

The fuel filter/water separator is located on the starter side of the engine, below the starter. The water separator must be drained periodically or when the telltale light on the dashboard illuminates (Fig. 3).

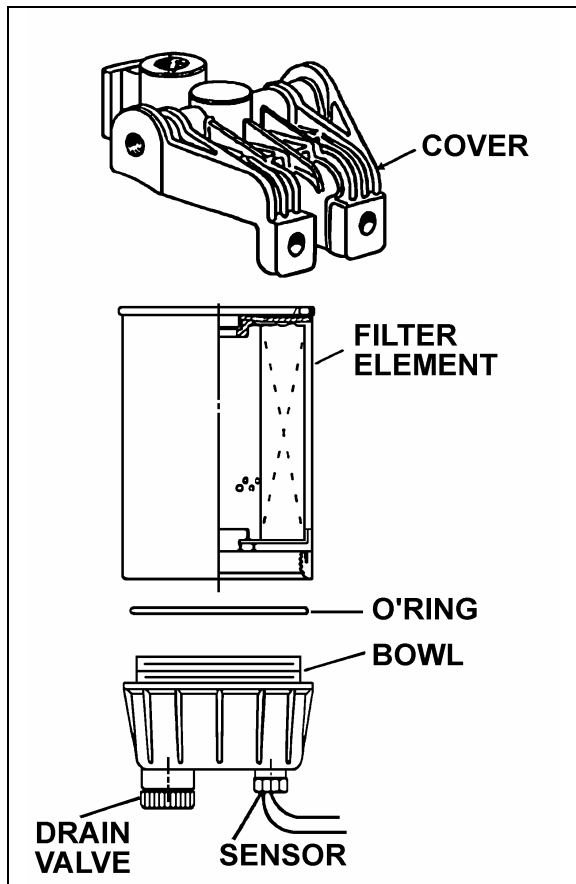


FIGURE 3: FUEL FILTER/WATER SEPARATOR 03025

Replace the water separator element as follows:

1. Drain the fuel filter/water separator as stated previously.
2. With engine "OFF" and engine fuel supply line valves closed; remove the filter element/bowl assembly from cover (for valve location, see "3. FUEL VALVES" in this section).
3. Separate bowl from filter element. Clean bowl and O-ring groove.

Note: Bowl is reusable, do not discard.

4. Lubricate O-ring with clean diesel fuel or motor oil and place it in bowl groove.
5. Screw new filter element onto bowl snugly by hand.

Caution: Do not use tool to tighten. Tighten by hand only.

6. Lubricate filter seal with clean diesel fuel or motor oil.
7. Fill filter element/bowl assembly with clean diesel fuel and attach onto cover.

Handtighten an additional 1/3 to 1/2 turn after making full seal contact.

8. Open valves of the engine fuel supply line.
9. Run the engine and check for leaks.

Caution: If the water separator continuously requires draining, it is possible that water or sediment has accumulated in the fuel tank. To correct this situation, open the drain plug under the tank when the fuel gauge indicates tank is 1/4 full in order to drain any contaminant.

4.2 FUEL FILTER SERVICING (PRIMARY AND SECONDARY)

The primary and secondary fuel filters are located on the R.H. side of the engine. The primary filter is located below the starter, and the secondary fuel filter is below the air compressor. They are of a spin-on type and must be replaced every 12,500 miles (20 000 km) or once a year, whichever comes first. The primary fuel filter is equipped with a positive seal drain-valve to prevent water infiltration in engine fuel system. To drain, loosen positive seal drain-valve below filter and tighten after water has been flushed out.

A method of determining when filters are clogged to the extent that they should be changed is based on the fuel pressure at the cylinder head fuel inlet fitting and the inlet restriction at the fuel pump. In a clean system, the maximum pump-inlet restriction should not exceed 6 inches of mercury (20.3 kPa) and must not exceed 12 inches of mercury (41 kPa) with a dirty system.

At normal operating speeds and with the standard "0.080" restriction fittings, the fuel pressure at the cylinder head inlet is 50-75 psi (345-577 kPa). Change the fuel filters whenever the inlet restriction at the fuel pump reaches 12 inches of mercury (42 kPa) at normal operating speeds. Also, change whenever the fuel pressure at the cylinder head inlet fitting falls to the minimum fuel pressure given above.

Change the filter cartridge(s) as follows:

Note: Use a suitable band wrench or filter wrench, such as J22775, to remove the filters.

1. Stop engine, shut off the engine fuel supply line valves (for valve location, See "3. FUEL VALVES"). Unscrew and discard filters.

Section 03: FUEL SYSTEM

2. Fill new filter replacement cartridge(s) with clean fuel oil, about two thirds (2/3). Apply a thin coat of clean fuel oil on gasket.
3. Install new filters. Tighten until filter is snug against the gasket, with no side movement. Rotate an additional 1/2 turn by hand.
4. Open engine fuel supply line valves.

Caution: Mechanical tightening of the fuel filters is not recommended and may result in seal and/or cartridge damage. Tighten the fuel filters by hand only.

5. Start the engine and check for leaks.

Note: There is a fuel system shut-off valve on the discharge side of the secondary fuel filter. This check valve is designed to prevent fuel loss at time of filter replacement.

4.3 DAVCO FUEL PRO 382

The optional Fuel Pro 382 diesel fuel filter system consists of a permanently mounted fuel processor, a replaceable filter element, a filter element cover and collar and a fluid filter base assembly. This system is installed between the fuel tank and the fuel pump and is designed to be the only fuel filter in the fuel system. The filter serves as a water separator as well as a fuel filter (Fig. 4).

When new, the fuel level as seen through the clear cover in the 382 filter is very low. It rises as dirt collects on the filter from the bottom up. Restriction remains consistently low because fuel always flows through clean, new media. Change filter when fuel level reaches the top of filter element (Refer to figure 5).

Filter renewal:

1. Stop engine;
2. Drain fuel by opening the drain valve;

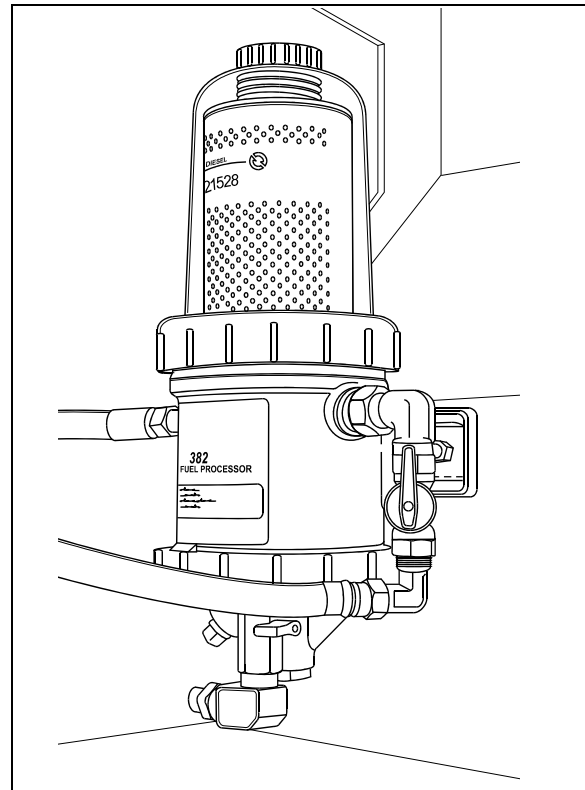


FIGURE 4: DAVCO FUEL PRO 382 INSTALLATION 03032

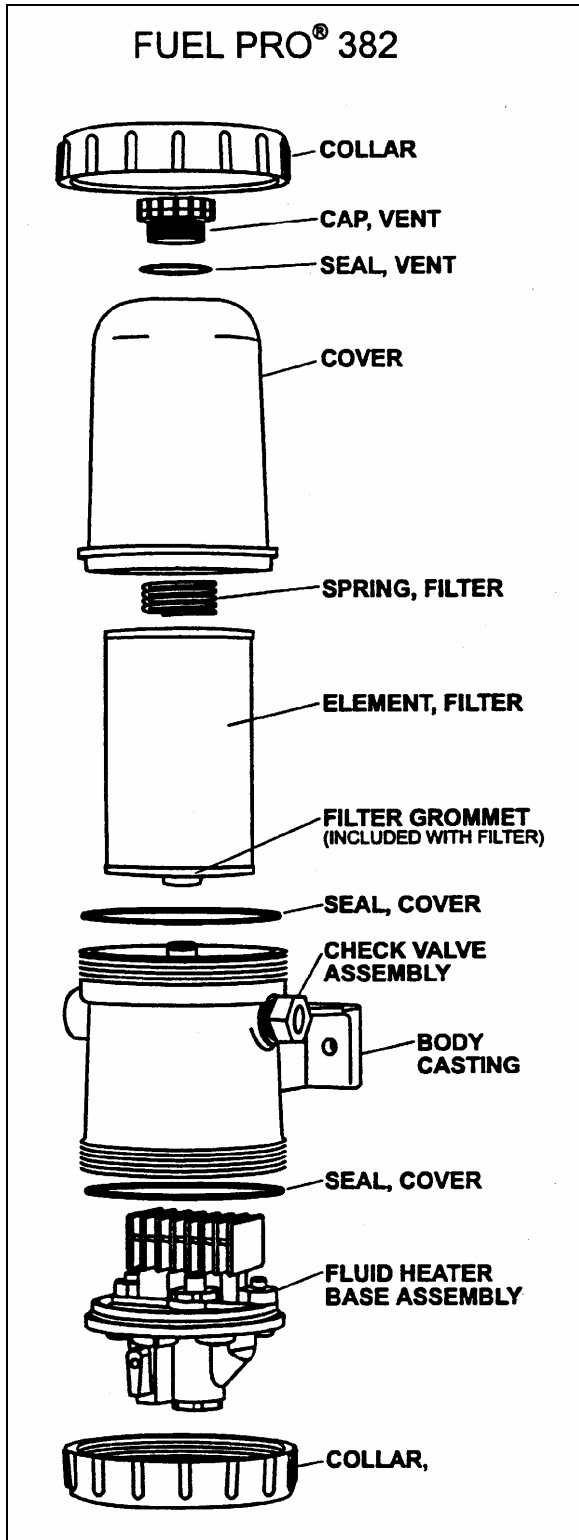
3. Untighten upper collar, remove cover;
4. Replace filter element;
5. Check O-Rings and components for wear;
6. Replace cover, hand tighten collar;
7. Pour fuel up to bottom of filter element through spin off cap located on top of cover.
8. Start engine, raise rpm for 2-3 minutes, hand tighten collar again.

Note: Fuel Pro 382 also accepts standard secondary spin-on fuel filters.

Environmental Notice: Diesel fuel is an environmentally hazardous product. Dispose in an environmentally friendly manner.

4.4 PREHEATER FUEL FILTER

The preheater fuel filter is located beside the preheater in the dedicated compartment above the rear wheelhousing, on the L.H. side of vehicle. Replace the filter every 50,000 miles (80 000 km) or once a year, whichever comes first.

FIGURE 5: DAVCO FUEL PRO 382 EXPLODED VIEW⁰³⁰³⁴

5. FUEL TANK

All H3 series vehicles are equipped with a high-density cross-link polyethylene fuel tank with a capacity of 235 US gallons (890 liters). The tank

is located just forward of the last baggage compartment, between the A/C condenser and evaporator.

Fuel filling access doors on both sides of vehicle provide direct access to filler necks; offering the added advantage of refueling from either side of vehicle.

A pressure relief valve on the fuel tank connection-panel relieves high-pressure buildup and an overflow tube allows offset air in the tank to escape during filling. For 95% of the tank volume, 5% of tank inside space is kept filled with air with no exit opening, allowing for a fuel expansion safety margin. A drain plug, accessible from under the vehicle, is fitted at the bottom of the tank.

5.1 TANK REMOVAL

Warning: Park vehicle safely, apply parking brake, stop engine and set battery master switch (es) to the OFF position before working on the vehicle.

Before working under an air-suspended vehicle, it is strongly recommended to support the body at the recommended jacking points.

Note: Before removal, the fuel tank should be completely drained by unscrewing the drain plug. Ensure that the container used has a capacity equal to the amount of fuel remaining in the tank.

Open the condenser door and remove the fuel tank access panel. The rear baggage compartment fuel tank access panel may also be removed to facilitate access to components.

1. Unscrew clamps retaining L.H. side filler tube to the fuel tank, then disconnect tube and remove it.
2. Unscrew clamps retaining R.H. side filler tube to fuel tank and filler neck. Disconnect tube and remove it.
3. If applicable, unscrew preheater supply line, preheater return line, auxiliary return line and/or auxiliary return line from fuel tank connection-panel.
4. Unscrew engine supply and return lines from fuel tank connection-panel, identify them for reinstallation.

Section 03: FUEL SYSTEM

5. Disconnect electrical wiring from tank on connection plate.

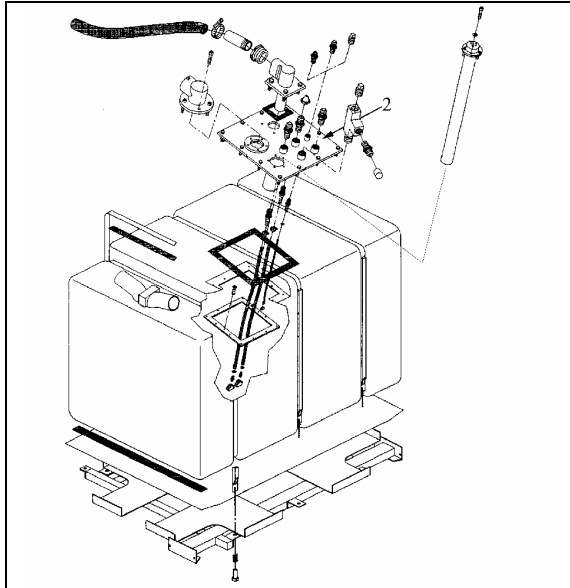


FIGURE 6: FUEL TANK ARRANGEMENT

03048

Warning: Before removing the bolts securing the tank support to the frame, make sure the tank is supported adequately. Failure to do so could result in injury as well as damage to the tank.

6. From under the vehicle, on R.H. side, unscrew the 4 bolts (2 in front, 2 in back) retaining the tank support to the frame.
7. From under the vehicle, on the L.H. side, unscrew the 2 bolts (1 in front, 1 in back) retaining the tank support to the frame.
8. Carefully remove tank from under the vehicle.

9. TANK INSTALLATION

Tank installation is the reverse of removal.

Note: Fastening of rubber flap must always be on top, in line with clamp screw (Fig.6).

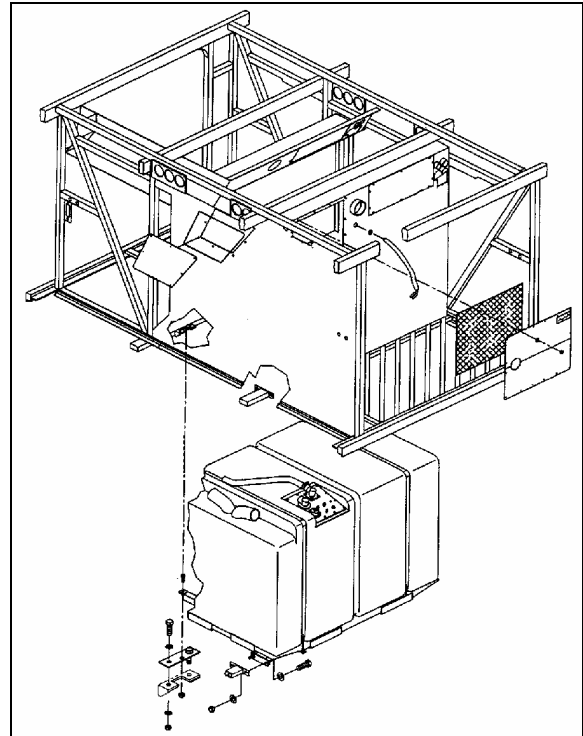


FIGURE 7: FUEL TANK INSTALLATION

03049

Note: Insert check valve assembly in right-side filler hose (Fig. 6), use hose clamp to fix it. Repeat with left side filler hose.

Note: When reinstalling lines, use Loctite 567 type thread sealant on line fittings.

Warning: For proper assembly, check connections and fasteners for tightness.

Note: Under vehicle, locate fuel tank and the four nuts retaining the two fuel-tank-retaining straps.

For each of the four nuts (Fig. 7):

1. Clean nuts and stud threads.
2. Apply a Loctite 242 type thread adhesive on stud threads.

When installing an old fuel tank, screw nuts so coils touch. When installing a new fuel tank, screw nuts so coils touch, then unscrew nuts 3.5 turns.

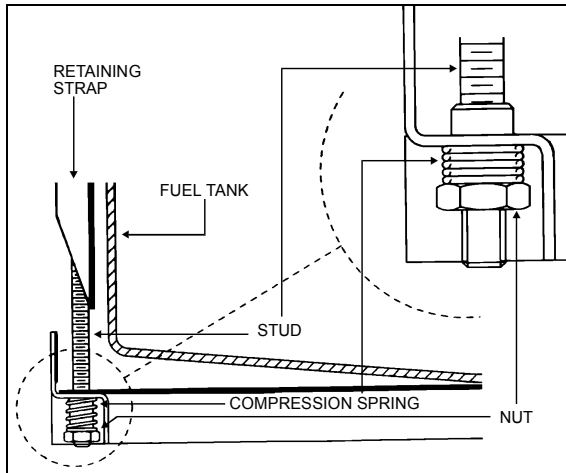


FIGURE 8: FUEL TANK RETENTION 03019

5.2 FUEL TANK VERIFICATION

Inspect fuel tank from under vehicle for leaks or fuel traces. If a leak is detected, repair immediately as per "Polyethylene Fuel Tank Repair" in this section.

Warning: Park vehicle safely, apply parking brake, stop engine and set battery master switch(es) to the OFF position before working on the vehicle.

Before working under an air-suspended vehicle, it is strongly recommended to support the body at the recommended jacking points.

5.3 POLYETHYLENE FUEL TANK REPAIR

Note: Fuel level must be lower than perforation to carry out this procedure.

Warning: Park vehicle safely, apply parking brake, stop engine and set battery master switches to the OFF position before working on the vehicle.

1. Locate perforation on fuel tank.
2. If necessary, remove fuel tank as per instructions in this section.
3. Drill perforation with a 23/64" bit. Make sure drill hole is perfectly round.
4. Insert a screw (Prevost #500196) and a washer (Prevost #5001244) into anchor nut (Prevost #500331).
5. Place assembly in drill hole. Tighten screw by 10 complete turns. Refer to Fig. 9.
6. Apply sealant on head plug (Prevost #507300) and seal hole with the head plug.

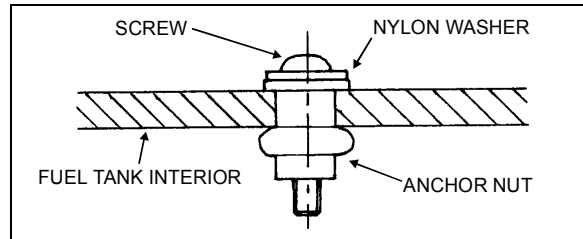


FIGURE 9: FUEL TANK REPAIR 03014

6. PRIMING FUEL SYSTEM

The problem with restarting a diesel engine that has run out of fuel, is that after the fuel is exhausted from the tank, it is pumped from the primary fuel filter or the fuel filter/water separator (if vehicle is so equipped), and sometimes partially removed from the secondary filter. This results in an insufficient fuel supply to sustain engine firing. The primary fuel filter or fuel filter/water separator and secondary filter must be free of air in order for the systems to provide adequate fuel for the injectors. When the engine runs out of fuel, the following operations must be performed before restarting:

Fill fuel tank with the recommended fuel oil. If only partial filling is possible, add a minimum of 10 gallons (38 liters) of fuel.

- If the vehicle is equipped with a Fuel Pro 382 fuel filter/water separation, pour fuel through spin on cap as per "4.3 DAVCO FUEL PRO 382".
- If the vehicle is equipped with the optional priming pump see Figure 10.

Press the priming switch, located under the rear start panel. Start the engine and check for leaks.

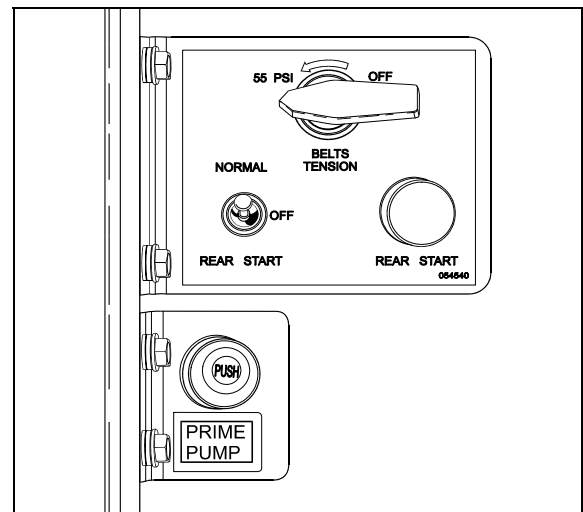


FIGURE 10: PRIME PUMP SWITCH LOCATION 03033

Section 03: FUEL SYSTEM

If the vehicle is not equipped with a priming pump:

1. Unscrew the cap on the priming valve located on the secondary filter;
2. Direct fuel under pressure 25 psi (172 kPa) to the priming valve using a quick coupling;
3. Start the engine and check for leaks.

7. FUEL PUMP INSTALLATION

The fuel pump is driven off the rear of the air compressor.

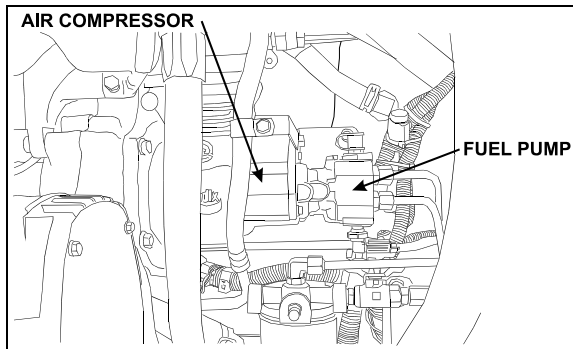


FIGURE 11: FUEL PUMP LOCATION

03026

1. If removed, install inlet and outlet fittings in the cover of the fuel pump.

Note: New fittings have sealant already applied. When reusing fittings, coat the threads lightly with Loctite Pipe Sealant, Detroit Diesel number J 26558-92, or equivalent, before installing. To prevent sealant from entering fuel system, do not apply to the first two threads of the fitting. Do not use Teflon tape or paste on the fittings.

2. Install drive coupling in drive hub of the fuel pump. Install a new gasket to the mounting flange of the pump.
3. Index the drive coupling with the drive hub on the end of the air compressor crankshaft and align the pump mounting bolt holes with those in the air-compressor rear cover.

Note: When correctly positioned, the outlet fitting on the pump should be in approximately an 8 o'clock position when viewed from the rear, and the drain opening in the pump body facing down.

4. Seat the fuel pump squarely against the air compressor. Pilot the flange on the pump body, in the opening in the rear cover of the compressor. Install three mounting bolts and tighten them to 22-28 lbf-ft (30-38 Nm).

5. Connect the fuel inlet and outlet lines to the fuel pump and tighten.
6. Prime engine fuel system before starting engine to ensure pump seal lubrication and prompt engine starting.

8. FUEL OIL SPECIFICATIONS

The quality of fuel oil used for high-speed diesel engine operation is a very important factor in obtaining satisfactory engine performance, long engine life and acceptable exhaust emission levels. The fuel oil should meet ASTM designation D 975. Grade 1-D is recommended, however grade 2-D is acceptable.

Note: These fuel grades are very similar to grade DF-1 or DF-2 of Federal Specifications VV-F-800. For detailed fuel recommendations, refer to publication "Engine Requirements-Lubricating Oil, Fuel, and Filters" #7SE270 available from Detroit Diesel Distributors.

9. AIR CLEANER (DRY TYPE)

The vehicle is equipped with a dry-type replaceable element air cleaner, located in the engine compartment. Access the air cleaner through the engine R.H. side door. Engine air enters the air cleaner through an intake duct on the R.H. side of the rear cap, next to the last window. It then flows through a pre-cleaner and finally through the air cleaner. The pre-cleaner removes dust and moisture by means of a discharge tube at the bottom of the element. It is in series with a replaceable impregnated paper filter element (air cleaner).

9.1 PRE-CLEANER SERVICING

The pre-cleaner is designed to be self-cleaning; however, it should be inspected and any accumulated foreign material removed during the periodic replacement of the impregnated paper filter element.

9.2 AIR CLEANER SERVICING

Stop the engine, open the R.H. side engine compartment door, and loosen the wing nut retaining the air cleaner element to the air cleaner. Remove the element by pulling on the handle in the center of the air cleaner element.

Install cleaner element as follows:

1. Inspect the gasket-sealing surface inside the air cleaner. It must be smooth, flat and clean;
2. Install the air cleaner element;

3. Make sure that the element seals securely;
4. Inspect element cover gasket and replace if necessary.

Whenever it becomes necessary to remove the air cleaner assembly (dry type) for maintenance or other repair in this area, great care should be taken when installing air cleaner assembly.

The pre-filter should be installed snugly in the air duct and clamped tightly to the air cleaner inlet to prevent any dust infiltration into the air cleaner.

9.3 GENERAL RECOMMENDATIONS

The following maintenance procedures will ensure efficient air cleaner operation:

1. Keep the air cleaner housing tight on the air intake pipe;
2. Make sure the correct filters are used for replacement;
3. Keep the air cleaner properly assembled so the joints are air-tight;
4. Immediately repair any damage to the air cleaner or related parts;
5. Inspect, clean or replace the air cleaner or elements as operating conditions warrant. Whenever an element has been removed from the air cleaner housing the inside surface of the housing must be cleaned with a soft clean cloth;
6. Periodically inspect the entire system. Dust-laden air can pass through an almost invisible crack or opening which may eventually cause damage to an engine;
7. Never operate the engine without an element in the air cleaner assembly;

Caution: Do not ignore the Warning given by the air restriction indicator. This could result in serious engine damage.

8. Store new elements in a closed area free from dust and possible damage.

9.4 AIR CLEANER RESTRICTION INDICATOR

A resettable restriction indicator may be installed on the engine air-intake duct, clearly visible from the rear engine compartment. The indicator monitors the vacuum level between the air filter and the engine. A red marker is displayed when the air filter is clogged and must be replaced. Reset by pressing on the indicator's extremity.

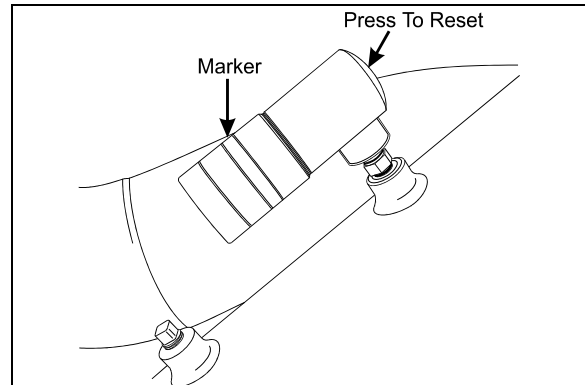


FIGURE 12: RESTRICTION INDICATOR

01052

10. FUEL COOLER

The fuel cooler serves to cool the surplus diesel fuel after it has exited the cylinder head, on its way back to the fuel tank. It is accessible through the engine radiator door and is located just in front of the coolant radiator (Fig.13).

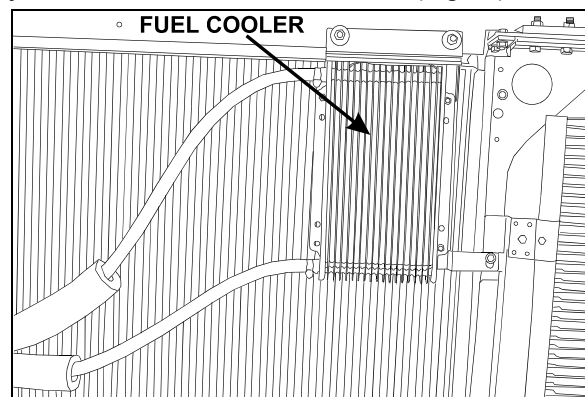


FIGURE 13: FUEL COOLER LOCATION

03047

11. FUEL PEDAL

The EFPA (Electronic Foot Pedal Assembly) connects the accelerator pedal to a potentiometer (a device that sends an electrical signal to the ECM, which varies in voltage, depending on how far down the pedal is depressed). The EFPA is installed in the space normally occupied by a mechanical foot pedal. It has maximum and minimum stops that are built into the unit during manufacturing.

11.1 FUEL PEDAL ADJUSTMENT

The EFPA contains a throttle position sensor that varies the electrical signal sent to the ECM. The sensor must be adjusted whenever an EFPA is serviced. In addition, the sensor should be adjusted any time codes 21 and 22 are flashed.

Section 03: FUEL SYSTEM

With the ignition "ON" and the proper diagnostic tool (DDR) (for information regarding the DDR, see "01 ENGINE" in this manual), check the throttle counts at idle and full throttle positions. Proper pedal output should be 20/30 counts at idle and 200/235 at full throttle. If adjustment is necessary, remove the potentiometer retaining screws and rotate the potentiometer clockwise to increase counts or counterclockwise to decrease. When correct output is confirmed, tighten retaining screws.

11.2 POTENTIOMETER REPLACEMENT

1. Disconnect cable harness connector.

Caution: Note the routing and clamping locations of the cable before disassembly. Proper cable routing and fastening is critical to the operation of this system. Marking the foot pedal assembly to record cable routing is recommended.

2. Loosen the two screws and remove potentiometer. Retain for re-assembly.
3. Discard potentiometer (Fig. 14).
4. Position new potentiometer. Press potentiometer onto the potentiometer shaft, matching cutouts in shaft to drive tangs of potentiometer. Apply hand pressure until potentiometer has bottomed out in housing. Reinstall screws (Fig. 14) and tighten just enough to secure potentiometer lightly. Tighten screws to 10 - 20 lbf-in (1.5 - .2 Nm).

5. Reconnect electronic foot pedal assembly's cable harness to the ECM connector. If potentiometer calibration is necessary (see "FUEL PEDAL ADJUSTMENT" in this section).

Caution: Make sure the cable harness is routed correctly, and securely installed so that it does not become pinched, stretched, or otherwise damaged during vehicle operation.

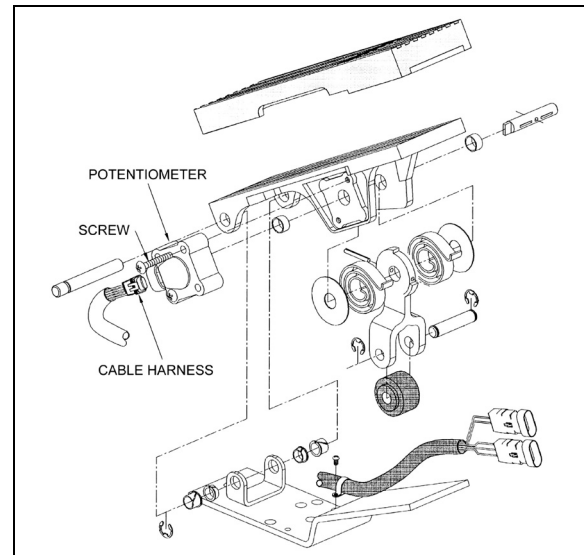


FIGURE 14: ELECTRONIC FOOT PEDAL ASSEMBLY 03035

12. SPECIFICATIONS

Davco FuelPro 382 Fuel Filter / Water Separator Element

Supplier number23521528
 Prévost number531437

Primary Fuel Filter / Water Separator (optional)

(May be used instead of primary filter (never use with a primary filter).

Make Racor
 Type Spin-on

ELEMENT

Supplier number S 3202
 Prévost number531390

BOWL

Supplier numberRK30051
 Prévost number531389

DRAIN VALVE AND SEAL

Supplier numberRK30058
 Prévost number531397

O-RING

Supplier numberRK30076
 Prévost number531398

PROBE/WATER SENSOR

Supplier numberRK21069
 Prévost number531391

Primary Fuel Filter

MakeAC
 Type Spin-on
 Filter No. T-915D
 Service Part No.25014274
 Prévost number510137

OR

Service Part No (Type with Water Separator).....23512317
 Prévost number531407
 Element torque 1/2 turn after gasket contact

Secondary Fuel Filter

MakeAC
 Type Spin-on
 Filter No. T-916D
 Service Part No.25014342
 Prévost number510128
 Element torque 1/2 turn after gasket contact

Fuel tank

Capacity 235 US gal (890 liters)

Air Cleaner

Make Nelson
 Prevo Number530206
 Service Part No 7182 8N
 Supplier number (element cartridge) 70337N
 Prévost number (element cartridge)530197

Air Cleaner Restriction Indicator

Make Donaldson
 ModelRBX00-2220
 Indicatesat 20" (508 mm) of water
 Prévost number530161

Section 03: FUEL SYSTEM

Preheater Fuel Filter

Make Webasto
Supplier number 603.359
Prévost number 871037

Fuel Cooler

Make Berendsen
Supplier number DB-1240
Prévost number 950109

SECTION 04: EXHAUST SYSTEM

CONTENTS

1. DESCRIPTION	2
2. MAINTENANCE	2
3. MUFFLER REMOVAL / INSTALLATION	2
4. FLEXIBLE TUBE INSTALLATION	2

ILLUSTRATIONS

FIGURE 1: FLEXIBLE TUBE INSTALLATION	2
FIGURE 2: EXHAUST SYSTEM	3

Section 04: EXHAUST SYSTEM

1. DESCRIPTION

The muffler is rubber mounted to the vehicle frame. This feature reduces the transmission of vibrations to the muffler thus resulting in extended life of muffler, brackets and other components.

2. MAINTENANCE

Inspect the exhaust system periodically for restrictions and leaks. Figure 2 presents the major components of the exhaust system. Restrictions such as kinked or crimped pipes result in excessive back pressure which can lead to increased fuel consumption, power loss and possible damage to engine combustion chamber components. Exhaust leaks are commonly the result of loose clamp bolts, corroded pipes or a punctured muffler. In addition to excessive noise, a leaking exhaust system could allow toxic gases to enter the vehicle. Damage to surrounding components from hot gases could result as well. Replace damaged or corroded exhaust components immediately.

Inspect the exhaust system as follows:

- At vehicle inspection intervals;
- Whenever a change is noticed to the sound the exhaust system makes;
- When components close to the exhaust system get unnaturally dirty.

When operating the engine in a closed area such as a service garage, vent exhaust gases to the outside by means of a shop vent hose placed over the exhaust outlet pipe.

Warning: Avoid breathing exhaust gases. Exhaust gases are poisonous and contain carbon monoxide, an odorless and colorless gas that can cause unconsciousness or death. If exhaust gases are suspected of entering the vehicle, the cause(s) must be located and corrected immediately.

3. MUFFLER REMOVAL / INSTALLATION

Warning: Make sure muffler and components are cold before handling.

1. Remove bolts and clamps securing exhaust pipe bellows to muffler;
2. Support muffler from under vehicle;

3. Remove U-clamp retaining the tail pipe to the frame bracket;
4. Remove tail pipe;
5. Remove the fasteners holding the four rubber mounts to the frame brackets and the fasteners securing the rubber mounts to the muffler brackets;

Note: The front retaining bolts are accessible from the L.H. side axle wheel housing;

6. Remove rubber mounts. Lower muffler from under vehicle;
7. Remove attached parts from muffler such as brackets and collar. Inspect and replace if necessary.

For installation, reverse the removal procedure.

4. FLEXIBLE TUBE INSTALLATION

The flexible exhaust tube contains a rigid interior pipe (Fig. 1). To allow appropriate flexibility for assembly, be sure interior pipe is concentric to flexible part. To maintain the pipe centered at time of installation, insert cardboard spacers as shown (Fig. 1). These spacers may be left in place for they will deteriorate over time.

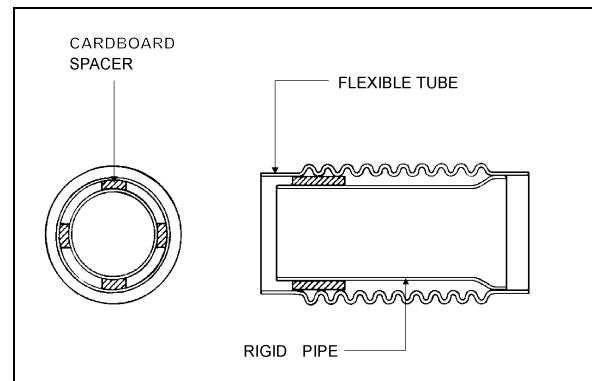


FIGURE 1: FLEXIBLE TUBE INSTALLATION

04003

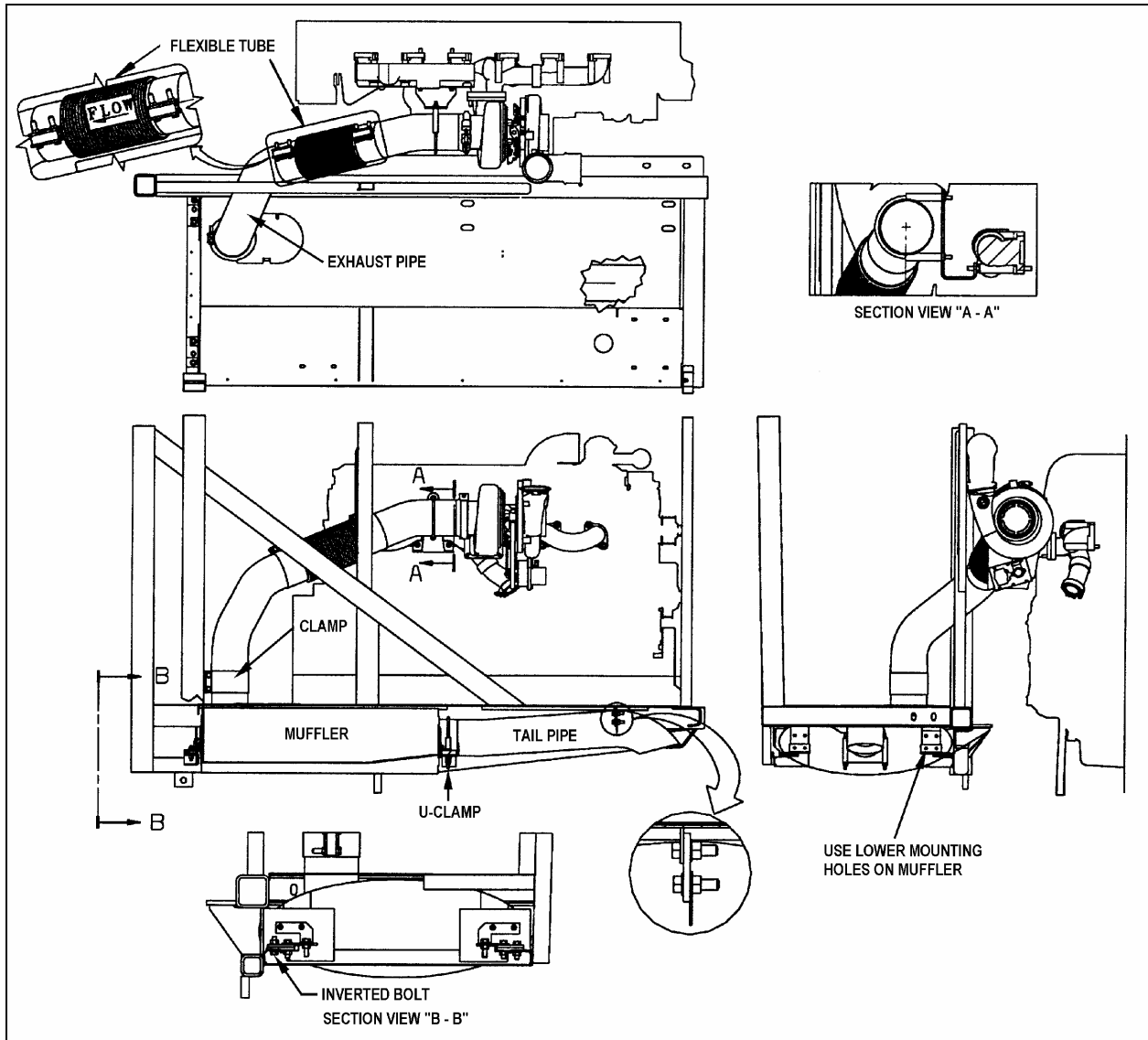


FIGURE 2: EXHAUST SYSTEM

04008

SECTION 05: COOLING SYSTEM

CONTENTS

1. DESCRIPTION	3
2. MAINTENANCE	4
2.1 VEHICLES WITHOUT COOLANT FILTERS	4
2.2 VEHICLES WITH COOLANT FILTERS	4
3. HOSES	5
3.1 CONSTANT-TORQUE HOSE CLAMPS	5
3.1.1 1 st Type.....	5
3.1.2 2 nd Type.....	5
3.2 CONSTANT-TORQUE HOSE CLAMPS ON CHARGE AIR COOLER (CAC) SYSTEM.....	6
4. COOLANT	7
4.1 COOLANT LEVEL VERIFICATION.....	7
4.2 COOLANT LEVEL SENSOR.....	7
4.3 THAWING COOLING SYSTEM.....	7
4.4 COOLANT REQUIREMENTS.....	7
4.5 COOLING SYSTEM RECOMMENDATIONS	7
4.6 INHIBITORS	8
4.6.1 Inhibitor Test Procedures	8
4.7 COOLANT RECOMMENDATIONS	8
4.7.1 Coolant Not Recommended.....	9
4.7.2 Additives Not Recommended.....	9
4.7.3 Vehicles Without Coolant Filters	9
4.7.4 Vehicles With Coolant Filters	9
5. DRAINING COOLING SYSTEM	9
6. FILLING COOLING SYSTEM	10
7. FLUSHING	10
7.1 COOLING SYSTEM DESCALERS	11
7.2 REVERSE FLUSHING.....	11
8. SPIN-ON COOLANT FILTER	11
9. RADIATOR	12
9.1 MAINTENANCE	12
10. CHARGE AIR COOLER (CAC) LEAKAGE	12
11. VARIABLE SPEED RADIATOR FAN	12
11.1 RADIATOR FAN FORCED ROTATION.....	12
11.1.1 Conventional Vehicles.....	12
11.1.2 Multiplexed Vehicles.....	13
11.2 MAINTENANCE	13
11.3 INSPECTION	13
11.4 THERMOSTAT OPERATION	13
12. FAN GEARBOX	14
12.1 MAINTENANCE	14
12.2 OIL CHANGE.....	14
13. RADIATOR FAN BELT REPLACEMENT	14

Section 05: COOLING SYSTEM

13.1	BELT TENSION ADJUSTMENT	15
14.	FAN DRIVE ALIGNMENT	15
15.	SPECIFICATIONS	16

ILLUSTRATIONS

FIGURE 1:	COOLING SYSTEM	3
FIGURE 2:	SURGE TANK - ENGINE COMPART.	4
FIGURE 3:	CONSTANT-TORQUE CLAMP	5
FIGURE 4:	4-INCH CONSTANT-TORQUE CLAMP	6
FIGURE 5:	REPLACEMENT OF HOSES AND CLAMPS	6
FIGURE 6:	SURGE TANK SIGHT GLASS.....	7
FIGURE 7:	HEATER LINE SHUTOFF VALVES LOCATION	9
FIGURE 8:	ENGINE COOLANT DRAIN COCKS.....	9
FIGURE 9:	WATER PUMP DRAIN PLUG	10
FIGURE 10:	COOLANT FILTER.....	12
FIGURE 11:	MECHANICAL LOCKING DEVICE	13
FIGURE 12:	LOCATION OF THE SCREWS.....	13
FIGURE 13:	THERMOSTAT AND RELATED PARTS	14
FIGURE 14:	FAN GEARBOX.....	14
FIGURE 15:	REAR START PANEL.....	15
FIGURE 16:	REGULATOR VALVE	15
FIGURE 17:	BELT TENSIONER	15
FIGURE 18:	ANGLE SUPPORT	16
FIGURE 19:	PULLEYS ALIGNMENT.....	16
FIGURE 20:	PULLEY'S VERTICAL ANGLE	16

1. DESCRIPTION

A radiator and thermo-modulated fan are used to effectively dissipate the heat generated by the engine. A centrifugal-type water pump is used to circulate the engine coolant (Fig. 1).

Two full blocking-type thermostats are used in the water outlet passage to control the flow of coolant, providing fast engine warm-up and regulating coolant temperature.

The engine coolant is drawn from the lower portion of the radiator by the water pump and is forced through the transmission cooler before going through the oil cooler and the cylinder block.

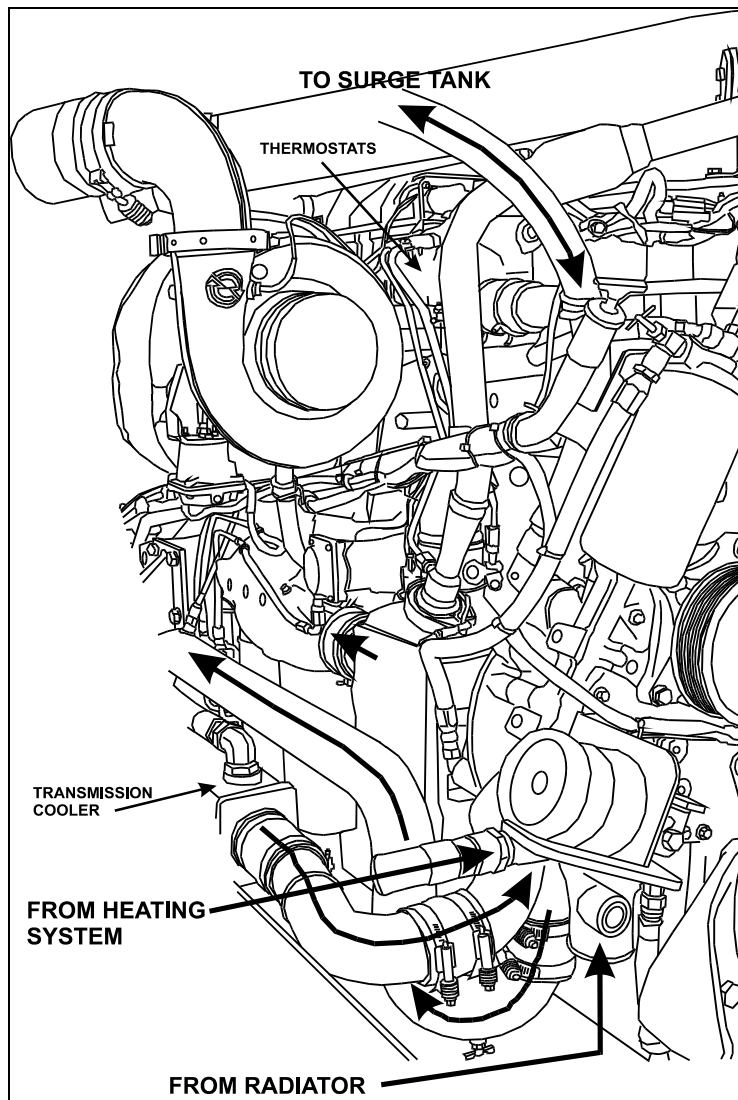


FIGURE 1: COOLING SYSTEM

05087

From the cylinder block, the coolant passes up through the cylinder head and, when the engine is at normal operating temperature, it goes through the thermostat housing and into the upper portion of the radiator. The coolant then passes through a series of tubes where its heat is dissipated by air streams created by the revolving fan and the motion of the vehicle.

Upon starting a cold engine or when the coolant is below normal operating temperature, the

closed thermostats direct coolant flow from the thermostat housing through the by-pass tube to the water pump. Coolant is recirculated through the engine to aid engine warm up.

When the thermostat opening temperature is reached, coolant flow is divided between the radiator inlet and the by-pass tube. When the thermostats are completely open, all of the coolant flow is to the radiator inlet.

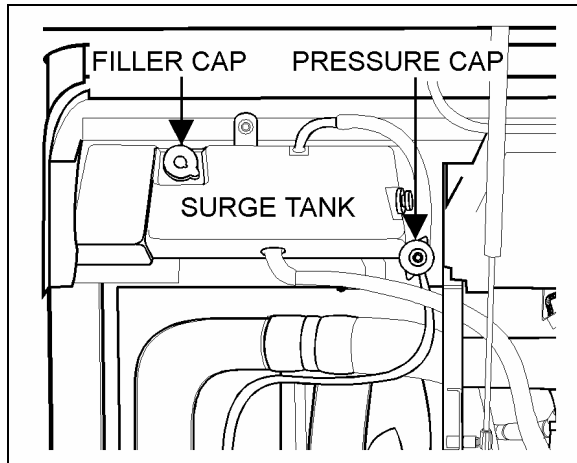


FIGURE 2: SURGE TANK - ENGINE COMPART. 05086

The cooling system is filled through a filler cap on the surge tank (Fig. 2). A pressure cap on top of surge tank is used to maintain pressure within the system. When system exceeds normal pressure rating (14 psi - 96.53 kPa), the cap releases air and if necessary, coolant through the overflow tube (Fig. 2). Two thermostats are located in the housing attached to the right side of the cylinder head (Fig. 1). Furthermore, a water temperature sensor mounted on the cylinder head (radiator side) is also supplied for engine protection purposes.

The engine cooling system also provides hot coolant fluid for the vehicle heating system. Refer to section 22, "HEATING AND AIR CONDITIONING" in this manual for information relating to heating system water circulation.

2. MAINTENANCE

A systematic routine inspection of cooling system components is essential to ensure maximum engine and heating system efficiency.

- Check coolant level in the surge tank daily, and correct if required. Test antifreeze strength.
- Maintain the prescribed inhibitor strength levels as required. Coolant and inhibitor concentration must be checked at each oil change, every 12,500 miles (20 000 km) or once a year, whichever comes first to ensure inhibitor strength. For vehicles equipped with coolant filters replace precharge element filter with a maintenance element filter as per "COOLANT FILTER" in this section. If the vehicle is not equipped with a filter, add the recommended inhibitor concentration to the antifreeze/water solution.

- Drain, flush, thoroughly clean and refill the system every two years or every 200,000 miles (320 000 km), whichever comes first. For vehicle equipped with coolant filters, change the precharge element filter or the existing maintenance element filter for a new maintenance element filter. If the vehicle is not equipped with filters add the recommended inhibitor concentration to the antifreeze/water solution.

Note: Do not add inhibitors to the antifreeze / water solution if vehicle is equipped with a coolant filter.

Coolant must be discarded in an environmentally safe manner.

2.1 VEHICLES WITHOUT COOLANT FILTERS

Refer to Nalcool 3000 with Stabil-Aid bulletin annexed to the end of this section for preventive maintenance (at each oil change) and initial treatment instructions (each time the cooling system is drained and flushed).

2.2 VEHICLES WITH COOLANT FILTERS

Change the coolant precharge element filter for a maintenance element filter at initial oil change (see "Specifications" at the end of this section) and replace existing maintenance element filter with a new one as per "COOLANT FILTER" in this section. A precharge element filter must be installed each time the cooling system is drained and flushed prior to installing a maintenance element filter.

- Check belts for proper tension; adjust as necessary and replace any frayed or badly worn belts.
- Check radiator cores for leaks and make sure the cores are not clogged with dirt or insects. To avoid damaging the fins, clean cores with a low-pressure air hose. Steam clean if required.
- Inspect the water pump operation. A leaky pump sucks in air, increasing corrosion.
- Repair all leaks promptly. Unrepaired leaks can lead to trouble. Inspect and tighten radiator mounts periodically. Test and replace thermostats regularly.

Note: In order to ensure the integrity of the system, it is recommended that a periodic cooling system pressure check be made. Pressurize the cooling system to 103-138 kPa (15-20 psi) using Radiator and Cooling System Tester, J24460-1. Do not exceed 138 kPa (20 psi).

Any measurable drop in pressure may indicate a leak. Whenever the oil pan is removed, the cooling system should be pressure checked as a means of identifying any incipient coolant leaks. Make sure the cause of the internal leak has been corrected before flushing the contaminated system.

Leaks at the thermostat housing hose connections may be caused by deformation of connections or by rough surfaces on the castings of the hose mounting surfaces. It is recommended that "Dow Corning RTV-102 Compound" or any equivalent product be applied on cast surfaces prior to hose installation.

Caution: Castings should be clean and free of oil and grease before applying compound. No other sealer should be used with RTV-102 compound.

3. HOSES

Rotten, swollen, and worn out hoses or loose connections are frequent causes of cooling system problems.

Serious overheating is often caused by an old hose collapsing or from rotten rubber shedding from hoses and clogging the coolant passages.

Connections should be inspected periodically and hose clamps tightened. Replace any hose found to be cracked or swollen.

When installing a new hose, clean pipe connections and apply a thin layer of a non-hardening sealing compound. Replace worn out clamps or clamps that pinch hoses.

3.1 CONSTANT-TORQUE HOSE CLAMPS

All hose clamps of 1 3/8" ID and over, used on the heating and cooling systems, are of the "Constant-torque" type. These two types of clamps are worm-driven, made of stainless steel, supplied with a spring or with a series of Belleville spring washers.

These clamps are designed to automatically adjust their diameter to compensate for the

normal expansion/contraction of a hose and metal connection that occurs during vehicle operation and shutdown. The constant-torque clamp virtually eliminates coolant losses due to "Cold flow" leakage and greatly minimizes clamp maintenance.

3.1.1 1st Type

Installation

A torque wrench should be used for proper installation. The recommended torque is 90 to 100 lbf-in. (10 to 11 Nm). The Belleville spring washer stacks should be nearly collapsed flat and the screw tip should extend 1/4" (6 mm) beyond the housing (Fig. 3).

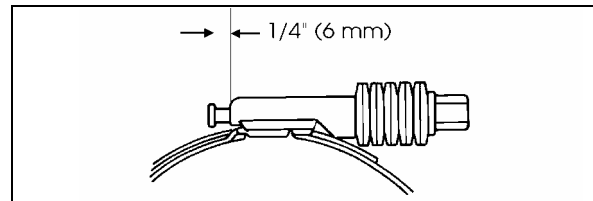


FIGURE 3: CONSTANT-TORQUE CLAMP

05037

Caution: The hose clamps will break if over-torqued. Do not over-tighten, especially during cold weather when hose has contracted.

Maintenance

The constant-torque clamps contain a "Visual torque check" feature. When the tip of the screw is extending 1/4" (6 mm) out of the housing, the clamp is properly installed and maintains a leak-proof connection. Since the constant-torque clamp automatically adjusts to keep a consistent sealing pressure, there is no need to retorquing hose clamps on a regular basis. During vehicle operation and shutdown, the screw tip will adjust according to the temperature and pressure changes. **Checking for proper torque should be done at room temperature.**

3.1.2 2nd Type

Installation

A torque wrench should be used for proper installation. The recommended torque is 10 lbf-ft (Fig. 4).

Section 05: COOLING SYSTEM

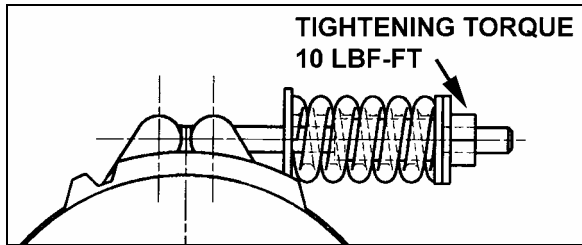


FIGURE 4: 4-INCH CONSTANT-TORQUE CLAMP 05097

Caution: The hose clamps will break if over-torqued. Do not over-tighten, especially during cold weather when hose has contracted.

regular basis. During vehicle operation and shutdown, the screw tip will adjust according to the temperature and pressure changes. **Checking for proper torque should be done at room temperature.**

3.2 CONSTANT-TORQUE HOSE CLAMPS ON CHARGE AIR COOLER (CAC) SYSTEM

If for any reason such as an accident, hose clamps need to be changed; install and tighten hose clamps to 10±1 lbf-ft (dry) as per following specifications:

Maintenance

Since the constant-torque clamp automatically adjusts to keep a consistent sealing pressure, there is no need to retorque hose clamps on a

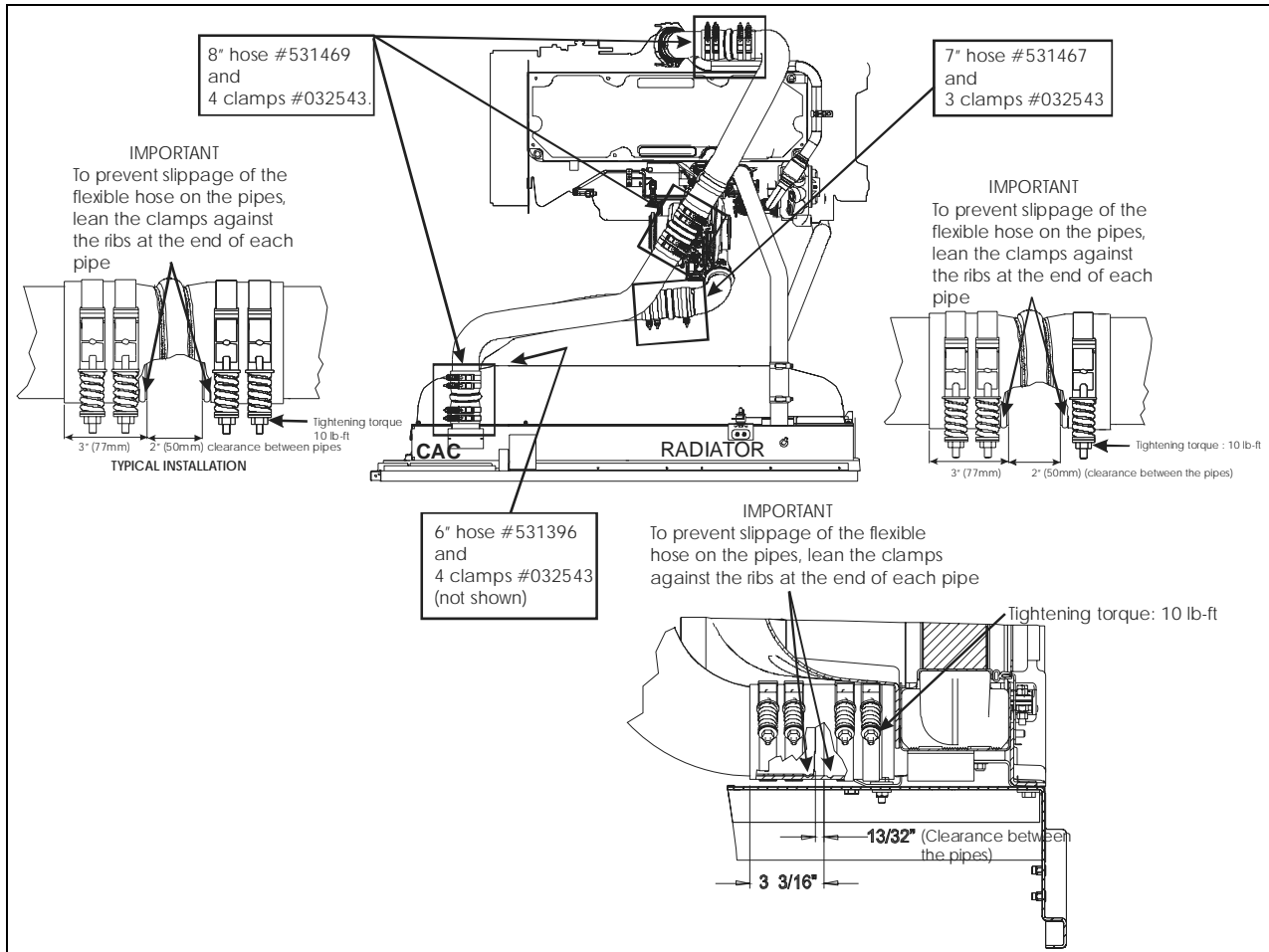


FIGURE 5: CHARGE AIR COOLER HOSE CLAMPS

4. COOLANT

4.1 COOLANT LEVEL VERIFICATION

Coolant level is correct when cold coolant is visible through the surge tank sight glass (Fig. 6). If coolant level is low, fill cooling system.

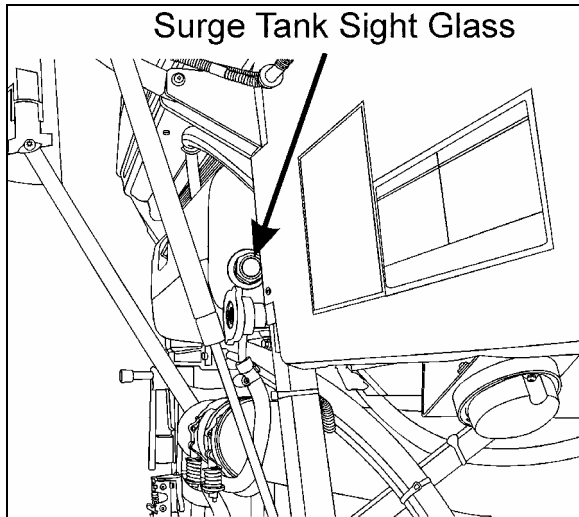


FIGURE 6: SURGE TANK SIGHT GLASS

05066

4.2 COOLANT LEVEL SENSOR

This warning device consists of a fluid level probe mounted on the surge tank. The probe sends a signal to the ECM to indicate coolant level. If the coolant level drops below the probe, the "Check Engine" light flashes and a diagnostic code is registered (see section 01 "ENGINE").

Caution: Do not run engine with the "Check Engine" light flashing.

The level probe is mounted on the R.H. side of the surge tank while the electronic module is mounted inside the rear electric junction box.

4.3 THAWING COOLING SYSTEM

If the cooling system becomes frozen solid, place the coach in a warm area until the ice is completely thawed. Under no circumstances should the engine be operated when the cooling system is frozen, as it will result in engine overheating due to insufficient coolant.

Once thawed, check engine, radiator and related components for damage caused by expansion of frozen coolant fluid.

4.4 COOLANT REQUIREMENTS

The coolant provides a medium for heat transfer and controls the internal temperature of the

engine during operation. In an engine having proper coolant flow, some of the combustion heat is conveyed through the cylinder walls and the cylinder head into the coolant. Without adequate coolant, normal heat transfer cannot take place within the engine, and engine temperature rapidly rises. Coolant must therefore be carefully selected and properly maintained.

Select and maintain coolant in order to meet the following basic requirements:

- Provide for adequate heat transfer.
- Provide protection from cavitation damage.
- Provide a corrosion and erosion resistant environment within the cooling system.
- Prevent formation of scale or sludge deposits in the cooling system.
- Be compatible with the cooling system hose and seal materials.
- Provide adequate freeze protection during cold weather operation.

Combining suitable water with reliable inhibitors satisfies the first five requirements. When freeze protection is required, a solution of suitable water and antifreeze containing adequate inhibitors will provide a satisfactory coolant fluid. Ethylene glycol-based antifreeze is recommended for use in Series 60 engines. The cooling system capacity is 24 US gal (91 liters).

Note: In general, antifreeze does not contain adequate inhibitors. For this reason, supplemental coolant additives are required.

For a complete overview of engine coolants used with Detroit Diesel Engines, refer to "Coolant Selections" For Engine Cooling Systems Guide at the end of this section (#7se298).

4.5 COOLING SYSTEM RECOMMENDATIONS

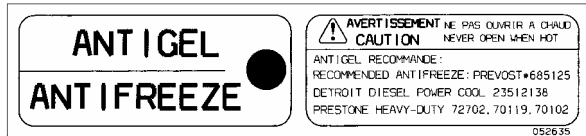
Always maintain cooling system at the proper coolant level. Check daily.

The cooling system must be pressurized to prevent localized boiling of coolant. The system must be kept clean and leak-free. The filler and pressure caps must be checked periodically for proper operation.

Recommended phosphate free coolants: Detroit Diesel "DDC Power Cool" (P/N 23512138) or Prestone AF977 (bulk) Prevost #685125, 72702 (3.78 L), 70119 (205L), 70102 (4L).

Section 05: COOLING SYSTEM

A decal (052635) located on the surge tank provides information on recommended coolants.



4.6 INHIBITORS

A coolant solution, which has insufficient inhibitors or no inhibitors at all, invites the formation of rust, scale, sludge and mineral deposits within the cooling system. These deposits can cause water pump seal wear and coat the interior of coolant system passages. Heat transfer is reduced as deposits build up, leading to an overheating condition. Continued operation with this condition can lead to serious engine damage: liner scuffing, scoring, piston seizure and cylinder head cracking. These damages can occur quickly or over a longer period of time, depending of location and amount of deposits. Improperly inhibited coolants can become corrosive enough to "eat away" coolant passages and seal ring grooves and cause leaks to develop. Hydrostatic lock can occur if leak is internal and accumulates on top of a piston. The result may be a bent connecting rod. Cavitation erosion may occur in improperly inhibited coolants. Cavitation erosion is caused by the implosion of tiny bubbles against localized surfaces of the system. Such implosion causes pinpoint pressures high enough to erode pump impellers, cylinder liners and cylinder blocks. In extreme cases, their surfaces are so deeply pitted that they appear to be spongy, and holes can develop completely through them.

4.6.1 Inhibitor Test Procedures

Test Kits are commercially available to check engine coolant for nitrite concentration. Nitrite concentration is an indication of Supplemental Coolant Additive (SCA) level. Nitrite must be maintained within recommended levels. Coolant must be tested at each oil change to insure that inhibitor levels are maintained within the ranges shown below:

DDC Fully Formulated Glycol Coolant Limits	
-30 — 50(°F)	Freeze Point (°F)
125 — 500 ppm	Boron (ppm)
800 — 3200 ppm	Nitrite (ppm)

DDC Fully Formulated Glycol Coolant Limits	
200 — 750 ppm	Nitrate (ppm)
50 — 250 ppm	Silicon (ppm)
0 ppm MAX	Phosphorus (ppm)
8.0 — 11.0	pH
40 ppm MAX	Chlorides (ppm)
100 ppm MAX	Sulfates (ppm)

Note: Above SCA values with Detroit Diesel #7se298 or TMC RP-329 "Type A". Use Nalco Chemical Company nitrite test kits (CO-318). A factory coolant analysis program is available through Detroit Diesel distributors under part number 23508774.

4.7 COOLANT RECOMMENDATIONS

1. Always use recommended antifreeze, inhibitor and water at proper concentration levels. A 50% coolant/water solution is normally used as factory fill. Antifreeze concentration over 70% is not recommended because of poor heat transfer capability, adverse freeze protection and silicate dropout. Antifreeze concentration below 30% offers little freeze, boilover or corrosion protection.
2. Use only ethylene glycol antifreeze meeting the Detroit Diesel #7se298 or TMC RP-329 "Type A" formulation.
3. Use an antifreeze solution year-round for freeze and boil-over protection. Seasonal changing of coolant from an antifreeze solution to an inhibitor/water solution is recommended.
4. Pre-mix coolant makeup solutions at proper concentrations before adding to the cooling system.
5. Maintain the prescribed inhibitor strength levels as required.
6. Do not mix different base inhibitor packages.
7. Always maintain proper coolant level.

Caution: Always test the solution before adding water or antifreeze.

8. If cooling system is not at the proper protection level. Mix coolant/water solution to the proper concentration before adding to the cooling system
9. Use only non-chromate inhibitors.

10. Distilled water is recommended.

4.7.1 Coolant Not Recommended

- o All antifreeze and coolant containing phosphorous;
- o Automotive type coolants;
- o Methoxy propanol-base antifreeze;
- o Methyl alcohol-base antifreeze;
- o Sealer additives or antifreezes containing sealer additives;

4.7.2 Additives Not Recommended

- o Soluble Oils;
- o Chromates.

Warning: Never remove filler cap while coolant is hot. When coolant is at ambient temperature, release pressure from system by turning the pressure cap counterclockwise ¼ turn; then remove filler cap slowly. A sudden release of pressure from the heated cooling system can result in severe burns from the expulsion of hot coolant fluid.

4.7.3 Vehicles Without Coolant Filters

Refer to Nalcool 3000 with Stabil-Aid bulletin annexed to the end of this section for preventive maintenance (at each oil change) and initial treatment instructions (each time the cooling system is drained and flushed).

4.7.4 Vehicles With Coolant Filters

Change the coolant precharge element filter for a maintenance element filter at initial oil change (see Specifications at the end of this section) and replace existing maintenance element filter with a new one as per "COOLANT FILTER" in this section. A precharge element filter must be installed each time the cooling system is drained and flushed before installing a maintenance element filter.

Note: The precharge coolant filter contains inhibitors.

5. DRAINING COOLING SYSTEM

Use the following procedures to drain the cooling system partially or completely.

To drain engine and related components:

1. Stop engine and allow engine to cool. Close both heater line shutoff valves. One valve is located in the engine compartment under the radiator fan gearbox (Fig. 7). Another valve is located behind rear fender, above the L.H. rear wheelhousing near the optional coolant heater.

Note: Refer to section 22 under "Preheating System" for information about preheater access and heater line shutoff valve.

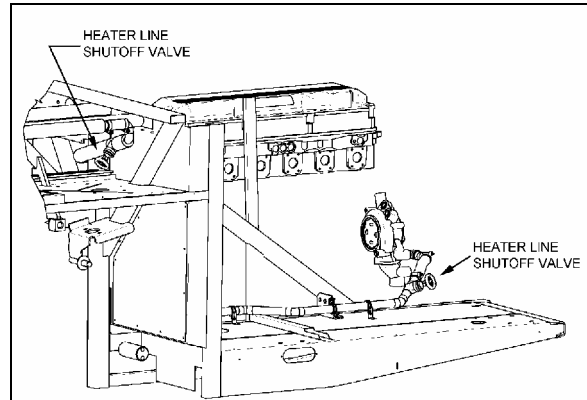


FIGURE 7: HEATER LINE SHUTOFF VALVES LOCATION

Warning: Before proceeding with the following steps, make sure the coolant has cooled down. The sudden release of pressure from a heated cooling system can result in loss of coolant and possible personal injury (scalding) from the hot liquid.

2. Unscrew the surge tank pressure cap counterclockwise, ¼ turn to let air enter the system and permit the coolant to drain completely from system.

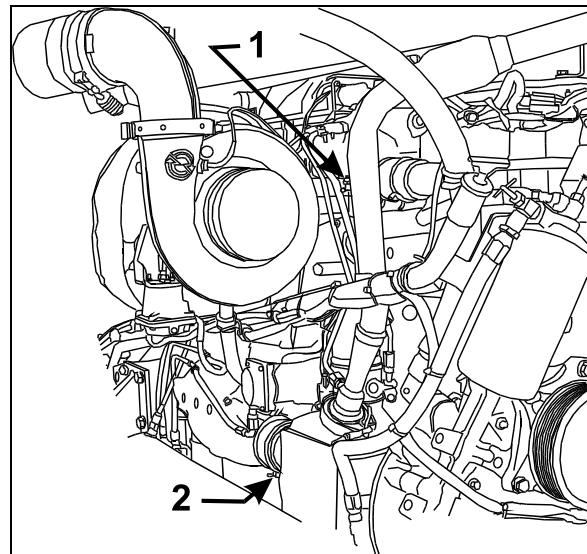


FIGURE 8: ENGINE COOLANT DRAIN COCKS 05088

Section 05: COOLING SYSTEM

3. Open the water pump housing inlet line drain plug (Fig. 9).

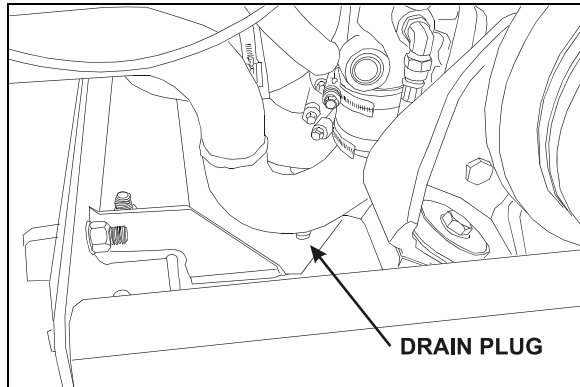


FIGURE 9: WATER PUMP DRAIN PLUG 05072

4. Open drain cock at bottom of thermostat housing to drain the coolant trapped above the thermostats (1, Fig. 8).
5. Open engine drain cock (2, Fig. 8).
6. Remove the transmission oil cooler. Drain, flush and inspect. Refer to Section 7, "TRANSMISSION" for oil cooler maintenance or preventive replacement.

Caution: If freezing weather is anticipated and the engine is not protected with antifreeze, drain the cooling system completely when vehicle is not in use. Trapped water in the cylinder block, radiator or other components may freeze and expand resulting in damages. Leave the drain plugs open until the cooling system can be filled with coolant fluid. Do not run engine with cooling system empty.

To drain the entire system, do the previous steps while maintaining the shutoff valves in the open position; then follow the procedure under "Draining Heating System" in Section 22.

6. FILLING COOLING SYSTEM

If only the engine and related components were drained, maintain the two heater line shutoff valves in their closed position, then proceed as follows:

1. Close all drain cocks. Refer to draining procedure for the location of draining points.
2. Refill cooling system from the surge tank filler cap inlet with a recommended ethylene glycol-based antifreeze and water solution of the required concentration. Add Detroit Diesel selected product cooling system inhibitors (if required).

Note: The coolant level should remain within two inches of the surge tank filler neck.

Note: Make sure the purge line at top of thermostat housing is properly connected and not obstructed. The purge line (thermostat housing dome to radiator top tank) is required to ensure complete engine fill and proper purging of air in the system.

3. Install the filler and pressure caps, then start the engine and run it at fast idle until reaching normal operating temperature. Check for leaks.

Note: If for any reason, the coolant level drops below the surge tank level probe, the Check Engine light will flash.

4. Stop engine and allow cooling.
5. Open the two heater line shutoff valves, check the coolant level in the surge tank, and then add as required.

Caution: Never pour cold coolant into a hot engine. The sudden change in temperature may crack the cylinder head or block.

If the entire system has been drained, redo the previous steps while maintaining the two heater line shutoff valves in the "Open" position. With engine running, activate the driver's and central heating systems to permit coolant circulation. If the vehicle is equipped with a windshield upper section defroster, momentarily pinch the hose located between the recirculating pump suction and the defroster outlet connector to ensure windshield upper section defroster complete filling. Complete the procedure by bleeding the heater cores as explained in Section 22, under "9.4 Bleeding Heating System".

7. FLUSHING

If the cooling system is contaminated, flush the cooling system as follows:

1. Drain the coolant from the engine.
2. Refill with clean water.

Caution: If the engine is hot, fill slowly to prevent rapid cooling and distortion of the engine castings.

3. To thoroughly circulate the water, start and run the engine for 15 minutes after the thermostats have opened.
4. Fully drain system.
5. Refill with clean water and operate for 15 minutes after the thermostats have opened.
6. Stop engine and allow to cool.

7. Fully drain system.

Vehicles without coolant filters:

Fill with a 50/50-antifreeze/water solution and add required inhibitors.

Vehicles with coolant filters:

Replace the coolant filter with a precharge element filter; in this case do not mix inhibitors with antifreeze/water solution.

Dispose of spent fluids in an environmentally responsible manner according to regulations in effect in your area.

7.1 COOLING SYSTEM DESCALERS

If the engine overheats and the fan belt tension, coolant level and thermostat operation have been found to be satisfactory, it may be necessary to de-scale and flush the entire cooling system.

Remove scale formation by using a reputable and safe de-scaling solvent. Immediately after using the de-scaling solvent, neutralize with a neutralizing agent. It is important that product directions be thoroughly read and followed.

After using the solvent and neutralizer, fully drain the system, then reverse flush the engine and radiator (see "Reverse Flushing" in this section) before filling the system with coolant solution.

7.2 REVERSE FLUSHING

After the engine and radiator have been thoroughly de-scaled, they should be reverse-flushed. The water pump should be removed and the radiator and engine reverse-flushed separately to prevent dirt and scale deposits from clogging the radiator tubes or being forced through the pump. Reverse flushing is accomplished by hot water, under pressure, being forced through the cooling system in a direction opposite to the normal flow of coolant, loosening and forcing deposits out.

The radiator is reverse flushed as follows:

1. Remove the radiator inlet and outlet hoses and replace existing radiator cap with a new one.
2. Attach a hose to the top of the radiator to lead water away from the engine.
3. Attach a hose at the bottom of the radiator and insert a flushing gun in the hose.

4. Connect the water hose of the gun to the water outlet and the air hose to the compressed air outlet.

5. Turn on the water and when the radiator is full, turn on the air in short blasts, allowing the radiator to fill between blasts.

Note: Apply air gradually. Do not exert more than 138 kPa (20 psi) air pressure. Too great a pressure may rupture a radiator tube.

6. Continue flushing until only clean water is expelled from the radiator.

The cylinder block and cylinder head water passages are reverse flushed as follows:

1. Remove the thermostats and the water pump.
2. Attach a hose to the water inlet of oil cooler housing to drain water away from engine.
3. Attach a hose to the water outlet at the top of the cylinder head (thermostat housing) and insert the flushing gun in the hose.
4. Turn on the water until the jackets are filled, and then turn on the air in short blasts. Allow jackets to fill with water between air blasts.
5. Continue flushing until the water from the engine runs clean.

If scale deposits in the radiator cannot be removed by chemical cleaners or reverse flushing as outlined above, it may be necessary to remove the upper tank and rod out the individual radiator tubes with flat steel rods. Circulate the water through the radiator core from the bottom to the top during this operation.

8. SPIN-ON COOLANT FILTER

The optional engine cooling system filter is used to filter out impurities such as scale or sand from the coolant and it also eliminates the process of adding inhibitors to the antifreeze/water solution. The filter is located beside the belt tensioning arm (Fig. 10).

The precharge element filter lasts for 12,500 miles (20 000 km) or one year, whichever comes first. Replace the precharge element filter with a maintenance element filter, which lasts for 200,000 miles (320 000 km) or two years, whichever comes first. Each time the coolant is renewed, a precharge element filter must be installed before installing a maintenance element filter.

Note: If a coolant filter is to be installed on an engine already in service, drain and flush the cooling system before installing the filter.

To replace a filter:

1. Close the two filter shutoff cocks on the filter mounting head and unscrew the old filter from mounting.

Warning: Failure to relieve cooling system pressure may result in personal injury.

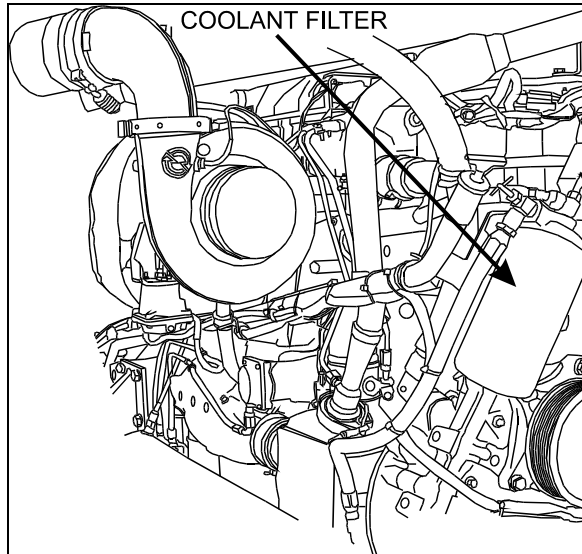


FIGURE 10: COOLANT FILTER

05072

2. Remove and discard the filter.
3. Clean the filter adapter with a clean, lint-free cloth.
4. Coat surface of gasket with oil, tighten 2/3 to 1 turn after gasket makes contact with head.
5. Open the two filter shutoff cocks.
6. Start engine and check for leaks.

Caution: Do not exceed recommended service intervals.

9. RADIATOR

The radiator is mounted at the L.H. side of engine compartment. It is designed to reduce the temperature of the coolant under all operating conditions. It is essential that the radiator core be kept clean and free from corrosion and scale at all times.

9.1 MAINTENANCE

Inspect the exterior of the radiator core every 25,000 miles (40 000 km) or once a year, whichever comes first. Clean with a quality grease solvent, such as a mineral spirits and dry

with compressed air. Do not use fuel oil, kerosene, gasoline, or any caustic material. It may be necessary to clean the radiator more frequently if the vehicle is operated in extremely dusty or dirty areas. Refer to coolant system flushing and reverse flushing in this section for maintenance of radiator interior.

10. CHARGE AIR COOLER (CAC) LEAKAGE

Spec for CAC acceptable leakage: The CAC is considered acceptable if it can hold 30 psi (206 kPa) gauge pressure with not more than 5 psi (34 kPa) loss in 15 seconds after turning off the hand valve.

NOTE

This spec does not apply if there is any evidence that the leak was caused by a foreign object impact.

11. VARIABLE SPEED RADIATOR FAN

The radiator fan has two thermostatically controlled speeds. The ECM controls the speed by comparing data from engine temperature, coolant temperature and air inlet temperature to a set of calibration data. The fan drive clutch is electromagnetic; the ECM sends an electric current to regulate speed by activating one magnetic coil for the first speed and two magnetic coils for the second speed.

The settings are:

- 190°F (87.5°C) Thermostat starts to open
- 192°F (89°C) Fan medium speed, descending, off
- 196°F (91°C) Fan medium speed, rising, on
- 199.5°F (93°C) Fan high speed, descending, off
- 203°F (95°C) Fan high speed, rising, on
- 205°F (96°C) Thermostats fully open

11.1 RADIATOR FAN FORCED ROTATION

11.1.1 Conventional Vehicles

In case of an electrical power failure: remove the bolt from the end of the shaft and screw it into the locking plate. This procedure will prevent engine from overheating by forcing fan rotation (Fig. 11). On certain models, the mechanical locking device consists of two threaded bushings fixed on the pulley and two drilled metal plates fixed on the rotor. Use the two screws located on the face of the clutch to

fasten the metal plates and the bushings (Fig.12).

11.1.2 Multiplexed Vehicles

If the radiator fan clutch does not function and the engine is overheating, execute the following procedure:

1. Set the ignition key to the ON position.
2. Activate the dashboard Telltale Light Test switch 3 times within 4 seconds.
3. In the engine compartment, set the starter selector switch to REAR START and then start the engine from the rear.

While in this mode, the rear start push-button can be used to manually engage the fan clutch. The multiplex system knows when the engine is already running, and it will not activate the starter.

4. Press the push-button one time to engage the clutch to 1st speed, press a second time to engage to 2nd speed, press a third time to stop the fan, press once again to return to 1st speed.

NOTE

If the fan clutch does not engage using this procedure then the clutch is faulty or the wiring between the multiplex module and the clutch is faulty. Mechanically lock the fan as described in section 11.1.1.

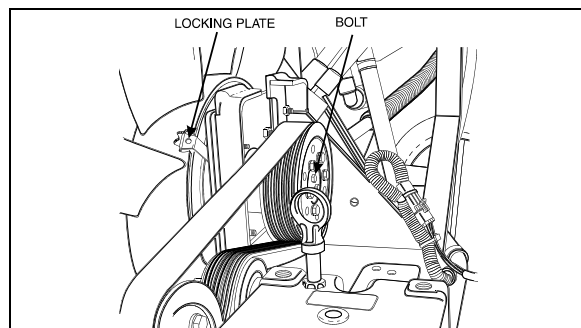


FIGURE 11: MECHANICAL LOCKING DEVICE 05061

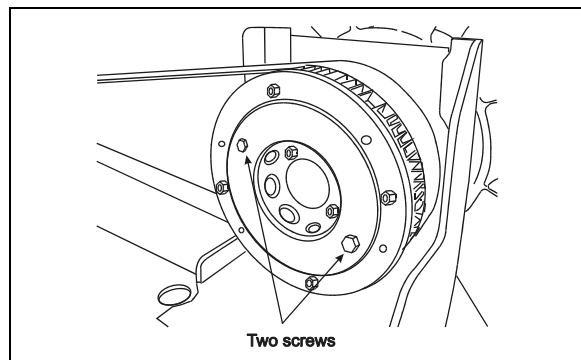


FIGURE 12: LOCATION OF THE SCREWS

11.2 MAINTENANCE

5. Clean the fan and related parts with clean fuel oil and dry them with compressed air. Do not clean with steam or high-pressure jet.
6. Check the fan blades for cracks or other damage. Replace the fan if the blades are cracked or deformed.
7. Remove any rust or rough spots in the grooves of the fan pulley. If the grooves are damaged or severely worn, replace the pulley.
8. Do not add any fluids or lubricants to the fan driving mechanism.
9. Do not restrict fan rotation during engine operation for any reason.
10. Do not operate fan-driving mechanism with a damaged fan assembly. Replace a damaged fan as soon as the fault is noted.
11. Immediately investigate and correct any operator complaint involving driving mechanism or cooling system performance.
12. When questions arise, obtain answers before proceeding. Assistance is available through the authorized Field Sales distributor serving your area.

11.3 INSPECTION

Warning: Set the starter selector switch in engine compartment to the "Off" position to prevent accidental starting of the engine.

- o Check security of fasteners securing fan blade assembly to fan driving mechanism.
- o Check coupling installation between fan blade assembly and gearbox.
- o Visually inspect fan driving mechanism, fan blade assembly, shroud, radiator, and surrounding area for evidence of contact between rotating and non-rotating parts.
- o Check fan transfer belt for fraying, cracking, and proper tension.
- o Turn fan through at least 360° of rotation. It should turn smoothly with no resistance.

11.4 THERMOSTAT OPERATION

Coolant temperature is controlled by two blocking-type thermostats located in a housing attached to the cylinder head, on the turbo side of the engine (Fig. 13).

Section 05: COOLING SYSTEM

At coolant temperature below approximately 190°F (88°C), the thermostat valves remain closed and block the flow of coolant from the engine to the radiator. During this period, all of the coolant in the system is recirculated through the engine and directed back to the suction side of the water pump via a bypass tube. As the coolant temperature rises above 190°F (88°C) the thermostat valves start to open, restricting the bypass system, and allowing a portion of the coolant to recirculate through the radiator. When the coolant temperature reaches approximately 205-207°F (96-97°C) thermostat valves are fully open, the bypass system is blocked off and the coolant is directed through the radiator.

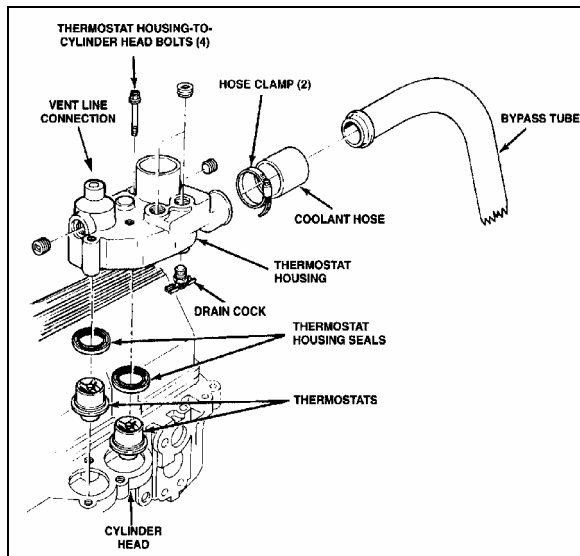


FIGURE 13: THERMOSTAT AND RELATED PARTS 05034

12. FAN GEARBOX

The radiator fan is belt driven from the engine crankshaft pulley through a standard gearbox, which is designed with two output shafts.

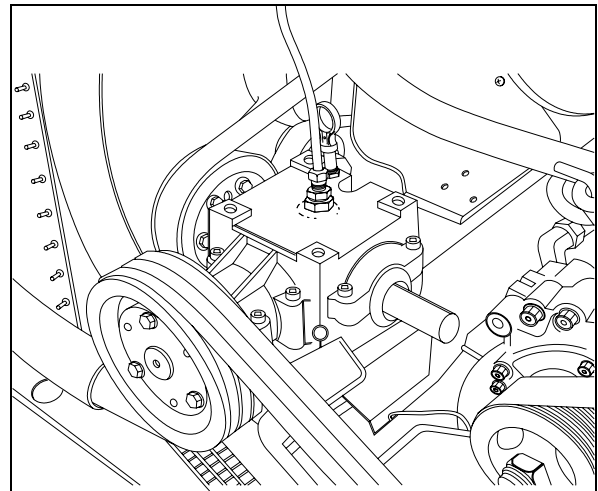


FIGURE 14: FAN GEARBOX

05062T

12.1 MAINTENANCE

Change the gearbox oil at 3,000 miles (4,800 km) and subsequently every 50,000 miles (80,000-km) or once a year, whichever comes first.

12.2 OIL CHANGE

1. Stop engine and make sure that all engine safety precautions have been observed.
2. Remove the drain plug located underneath the gearbox case.
3. Drain gearbox.
4. Replace drain plug.
5. Remove the dipstick located on top of gearbox and wipe with a clean rag (Fig. 14).
6. Insert dipstick in gearbox case, then remove again to check mark.
7. Unfasten tube and its connector from the gearbox case.
8. Adjust level to "Full" mark using Mobil SHC 630 (Prévost #683666) synthetic oil.
9. Reinsert the dipstick to check mark then fasten tube and connector.

Caution: Vehicles up to V.I.N. #2PCH3341XX1012847 used Mobil SHC 634 (Prévost #682268). Do not mix these two types of oil.

13. RADIATOR FAN BELT REPLACEMENT

Locate the belt tensioner pressure-releasing valve (Fig. 15), then turn handle clockwise in

order to release pressure in belt tensioner air bellows, thus releasing tension on belts.

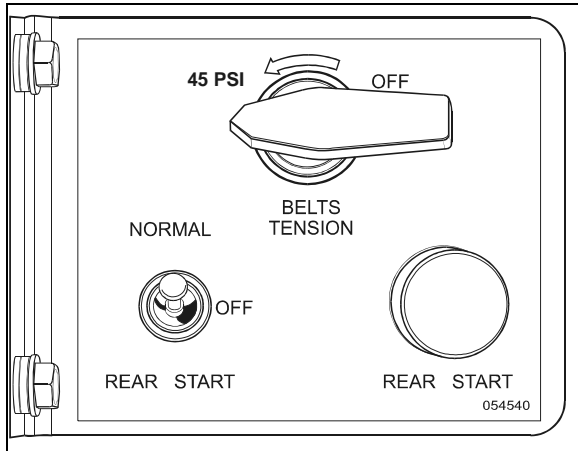


FIGURE 15: REAR START PANEL 01044

Remove existing belts (3"V"belts & 1 Poly) from fan assembly and replace with new ones.

Turn the pressure-releasing valve counter-clockwise to its initial position to apply tension on the new belts.

Note: For proper operation of the belts, adjust the air bellows tensioner pressure regulating valve (located next to control valve) to 45 psi (310 kPa).

13.1 BELT TENSION ADJUSTMENT

The regulator is located behind the belt tension release valve panel in the engine compartment. Turn the adjustment screw located on top of the regulator valve to change the tension pressure. Check proper pressure using the pressure check valve (Fig. 16).

Use Belt Tension Gauge #68-2404 to measure tension of engine belts. For proper operation of air tensioners, adjust upper tensioning bracket to provide a 1/4" (7 mm) gap between stopper and bracket under normal pressure of 45 psi - 310 kPa. Refer to figure 17 for more information.

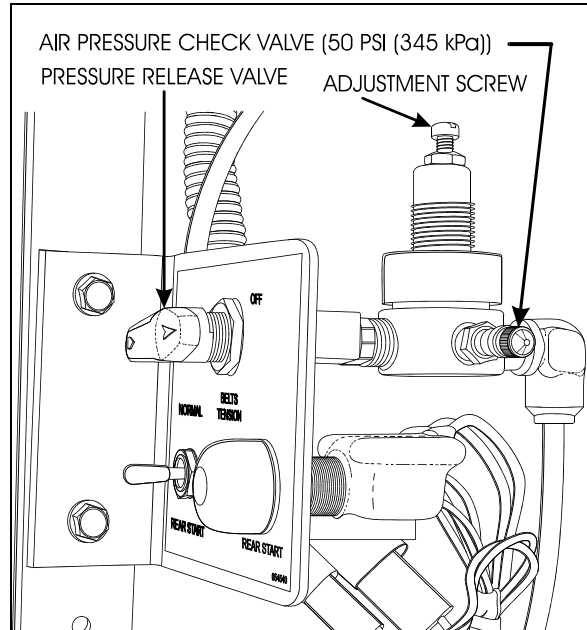


FIGURE 16: REGULATOR VALVE 01058

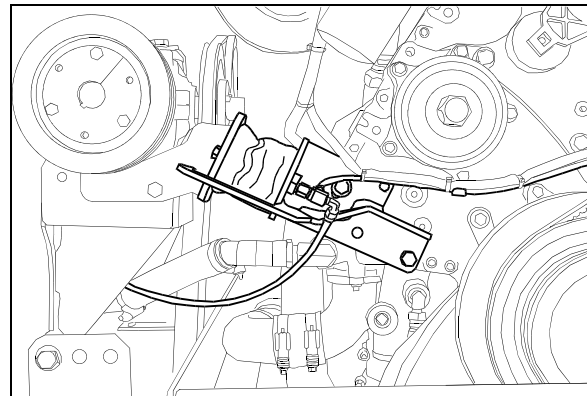
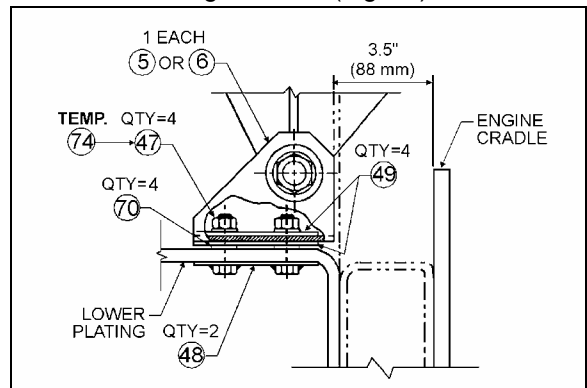


FIGURE 17: BELT TENSIONER 01059

14. FAN DRIVE ALIGNMENT

1. Install both attachment assembly plates (P/N 051779) (48, Fig. 18) through lower plating and secure with four spring nuts (P/N 500666), (70, Fig. 18). Then install one spacer (P/N 050705), (49, Fig. 18) on each spring nut at both anchoring locations (Fig. 18).



Section 05: COOLING SYSTEM

FIGURE 18: ANGLE SUPPORT

05014

- Center seat assembly in the fan shroud using the horizontal displacement of the fan driving mechanism support. Center with the slots in the floor at anchoring angle support (on some vehicles only). Vertical displacement of the fan clutch is made possible by slots at the base of the fan clutch (on some vehicles only) or by shimming with additional spacers at anchoring locations. Temporarily secure assembly with two nuts (P/N 500709), (74, Fig. 18) at both anchoring locations.

Caution: Tilt fan and check for clearance.

- Using a straight edge, align the 3"V" pulley on gearbox central shaft pulley with engine pulley, while taking pulleys outer edge thickness under consideration i.e. 3"V" pulley's outer edge is thicker than that of engine pulley's (Fig. 19).

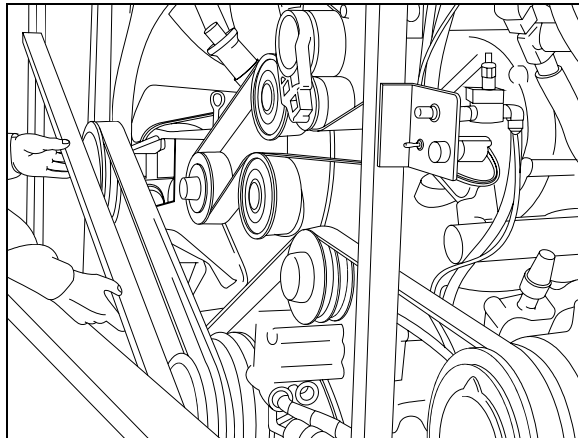


FIGURE 19: PULLEYS ALIGNMENT

05064

- Using a universal protractor, check 3"V" pulley's vertical angle with that of engine pulleys. If angles do not correspond, raise seat assembly by shimming with additional spacers (#49 - P/N 050705).

Note: Use a straight edge to measure engine pulley's vertical angle (Fig. 20).

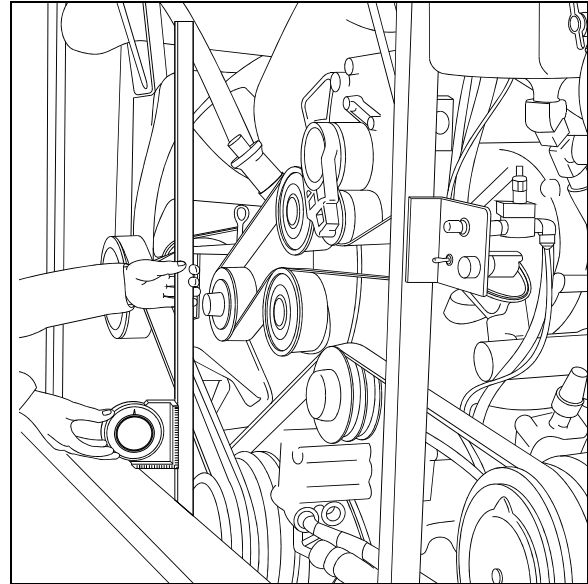


FIGURE 20: PULLEY'S VERTICAL ANGLE

05063

- Check alignments again (steps 3, 4 & 5) then replace temporary anchoring nuts (P/N 500709) (74, Fig. 18) with four nuts (P/N 500714) (47, Fig. 18) and wrench tighten.
- Align multi "V" pulley with fan pulley. Adjust the depth of the pulley on the gearbox shaft.
- Set belt tensioner pressure regulating valve to 45 PSI (310 kPa).

Caution: In order for tensioning system to work properly, adjust upper tensioning bracket to provide a 1/4" (7 mm) gap between stopper and bracket under normal pressure of 45 psi - 310 kPa). Otherwise, release tension on system and readjust distance using bolts securing upper tensioning bracket (Fig. 17).

15. SPECIFICATIONS

Cooling System Capacity (Approximation)

Includes heating system..... 24 US gal (91 liters)

Thermostat

Number used..... 2

Start to open 186-193°F (86-89°C)

Fully open 207°F (97°C)

Radiator

MakeValeo
 Location Rear L.H. side
H3-41 & H3-45 Coach, VIP-45
 Supplier number.....1040149
 Prevost number.....550819

Surge Tank Filler Cap

Make Stant
 Model R3
 Prevost number530191

Pressure Cap

Make Stant
 Pressure setting..... 14 psi (96.53 kPa)
 Supplier number R12
 Prevost number550606

Fan Clutch

Make Linnig
 Type 3 speed
 Supplier numberLA1.2.0131Y
 Prevost number550839

Note: The fan clutch is controlled by DDEC (not by thermoswitch).

Fan Gearbox

Make Superior Gearbox
 Ratio..... 1:1
 Supplier number R500-9AAC-B0193
 Prevost number550810
 Lubricating Oil..... MOBIL SHC 630
 Prevost number (Oil)683666

Fan Belt (gearbox-fan)

MakeDayco
 Type Poly-V
 Qty 1

H3-45, H3-41 Coach & H3-45 VIP:

Supplier number 12PK-2100
 Prevost number507627

Fan Belt (gearbox-motor)

MakeDayco
 Type V-belt
 Qty 1

H3-45 Coach and H3-45 VIP:

Supplier number3/BX-74
 Prevost number502918

Coolant

Prevost Number685125

Section 05: COOLING SYSTEM

DDC (Power Cool)23512138
Prestone (Heavy Duty)..... AF977 (bulk), 72702 (3.78 L), 70119 (205L), 70102 (4L)

Corrosion Inhibitor and Coolant Stabilizer

Supplier number.....Detroit Diesel23507857
Supplier number.....Nalco..... DD3000-15

Coolant Filter

Number used 1
MakeNalco
Type Spin-on

MAINTENANCE ELEMENT FILTER

Supplier number.Detroit Diesel23507545
Supplier number.....Nalco..... DDF3000
Prevost number550630

PRECHARGE ELEMENT FILTER

Supplier number.....Detroit Diesel23507189
Supplier number.....Nalco..... DDF60
Prevost number550629

SECTION 06: ELECTRICAL

CONTENTS

1. GENERAL DESCRIPTION.....	5
1.1 WIRING DIAGRAMS	5
1.1.1 <i>Using Wiring Diagrams</i>	5
1.1.2 <i>Testing Circuits</i>	6
1.2 WIRE SIZES AND COLORS.....	6
1.3 SPARE WIRES	6
1.4 CLEANING CONNECTORS.....	7
1.5 CIRCUIT BREAKERS.....	7
1.6 MULTIPLEX FUSES.....	7
1.7 RELAYS.....	8
1.8 PRECAUTIONS.....	8
2. H3 SERIES VEHICLES ELECTRICAL COMPARTMENTS	9
2.1 MAINTENANCE.....	10
2.2 MAIN POWER COMPARTMENT	10
2.2.1 <i>Battery Charger Or In-Station Lighting Connector</i>	12
2.3 FRONT ELECTRICAL AND SERVICE COMPARTMENT	12
2.4 ENGINE REAR START PANEL.....	14
2.5 A/C AND HEATING CONTROLS	14
2.6 PNEUMATIC ACCESSORY PANEL	15
3. BATTERIES.....	15
3.1 BATTERY DISCHARGE PROTECTION	16
3.2 MAIN BATTERY RELAYS	16
3.3 BATTERY REMOVAL AND INSTALLATION.....	17
3.4 BATTERY RATING.....	17
3.5 BATTERY TESTING.....	18
3.5.1 <i>Visual Inspection</i>	18
3.5.2 <i>Removing Surface Charge</i>	18
3.5.3 <i>Load Test</i>	18
3.5.4 <i>Testing Battery Cables</i>	19
3.6 BATTERY CHARGING.....	20
3.6.1 <i>BATTERY CHARGING GUIDE</i>	21
3.6.2 <i>Emergency Jump Starting With Auxiliary (Booster) Battery</i>	21
3.7 CLEANING AND INSPECTION.....	22
3.8 COMMON CAUSES OF BATTERY FAILURE.....	22
3.9 TROUBLESHOOTING	23
3.10 "BAT" BATTERY VOLTAGE INCORRECT TELLTALE LIGHT	23
3.10.1 <i>"Bat" Telltale Light Definitions</i>	23
4. TROUBLESHOOTING AND TESTING THE MULTIPLEX VEHICLES.....	24
4.1 ELECTRICAL SYSTEM DIAGNOSTIC	24
4.2 PROBING VOLTAGE ON THE MULTIPLEX CIRCUITS	24
4.3 CAN NETWORK.....	24
4.3.1 <i>Can Connection On The Telltale Panel And The Hvac Control Unit</i>	24
4.3.2 <i>Spare Can</i>	25
4.4 TEST MODE FOR SWITCHES AND SENSORS.....	25
4.4.1 <i>Information Available And Impact On The Functions In Switch/Sensor Test Mode</i>	25
4.5 TEST MODE FOR ELECTRIC MOTORS	26
4.5.1 <i>Test Sequence – Coaches only</i>	26
4.5.2 <i>Test Sequence – VIP With Central HVAC System</i>	27
4.5.3 <i>Test Sequence – VIP With Small HVAC System</i>	27
4.6 CAN NETWORK LAYOUT AND TROUBLESHOOTING.....	28
4.7 ROADSIDE TROUBLESHOOTING.....	33

Section 06: ELECTRICAL

4.8	ESSENTIAL FUNCTIONS TO OPERATE THE VEHICLE.....	38
4.8.1	Available Functions.....	38
4.9	LOWER PRIORITY MODULES FOR BREAKDOWN SERVICE.....	38
4.10	MULTIPLEX MODULES.....	39
4.10.1	CECM.....	39
4.10.2	MASTER ID.....	39
4.10.3	IO-A.....	39
4.10.4	IO-B.....	39
4.11	MULTIPLEX MODULES REPLACEMENT.....	39
4.11.1	Replacing IO-A Or IO-B Modules.....	39
4.11.2	Replacing The CECM Module.....	39
5.	BOSCH ALTERNATOR.....	40
5.1	TWIN BOSCH ALTERNATORS INSTALLATION.....	40
6.	DELCO ALTERNATOR.....	42
7.	CHARGING SYSTEM TROUBLESHOOTING.....	43
7.1	ALTERNATOR OR VOLTAGE REGULATOR.....	43
7.2	ALTERNATOR DIAGNOSIS.....	44
7.2.1	Diode Checks.....	44
7.2.2	Field Winding Check.....	46
7.2.3	Stator Winding Check.....	46
7.3	DIODE REPLACEMENT.....	46
7.3.1	Diode Replacement (In Support).....	47
7.3.2	Diode Replacement (In End Frame).....	47
7.4	FIELD REMOVAL.....	47
7.5	FIELD INSTALLATION.....	47
7.6	STATOR REPLACEMENT.....	48
7.6.1	Removal.....	48
7.6.2	Soldering Stator Terminal Leads.....	48
7.6.3	Installation.....	48
7.7	DIODE END COVER INSTALLATION.....	48
7.8	ALTERNATOR REMOVAL (DELCO).....	49
7.8.1	Disassembly Of Alternator.....	49
7.8.2	Alternator Cleaning And Inspection.....	50
7.8.3	Bearing Or Rotor Replacement.....	50
7.8.4	Alternator Reassembly.....	51
7.8.5	Output Check.....	51
7.9	ALTERNATOR DRIVE BELT.....	51
7.9.1	Adjustment.....	51
8.	VOLTAGE REGULATOR (DELCO).....	51
8.1	TROUBLESHOOTING PROCEDURES.....	52
8.1.1	Undercharged Battery.....	53
8.1.2	Overcharged Battery.....	54
8.2	REGULATOR CHECKS.....	54
8.3	ADJUSTING VOLTAGE.....	55
9.	BATTERY EQUALIZER.....	55
10.	STARTER.....	55
11.	ENGINE BLOCK HEATER.....	55
11.1	MAINTENANCE.....	55
12.	EXTERIOR LIGHTING.....	55

12.1	HEADLIGHTS.....	55
12.1.1	Headlight Beam Toggle Switch.....	56
12.1.2	Maintenance.....	56
12.1.3	Headlight Adjustment.....	56
12.1.4	Sealed-Beam Unit.....	60
12.1.5	Front Turn Signal.....	60
12.1.6	Optional Xenon Headlamp.....	61
12.2	STOP, TAIL, DIRECTIONAL, BACK-UP, AND HAZARD WARNING LIGHTS.....	62
12.2.1	Lamp Removal And Replacement.....	62
12.2.2	High-Mounted Stop Light Removal And Replacement.....	62
12.3	LICENCE PLATE LIGHT.....	62
12.4	CLEARANCE, IDENTIFICATION AND MARKER LIGHTS.....	63
12.4.1	Marker Light Removal And Replacement.....	63
12.4.2	Clearance And Identification Light Removal And Replacement.....	63
12.5	DOCKING AND CORNERING LIGHTS.....	63
12.5.1	Lamp Removal And Replacement.....	63
12.6	FOG LIGHTS.....	63
12.6.1	Bulb Removal And Replacement.....	63
13.	INTERIOR LIGHTING EQUIPEMENT.....	64
13.1	CONTROL PANEL LIGHTING.....	64
13.1.1	Switch Lighting.....	64
13.1.2	Telltale Light Replacement.....	64
13.1.3	Gauge Light Bulb Replacement.....	64
13.2	STEPWELL LIGHTS.....	64
13.2.1	Coach Entrance.....	64
13.2.2	VIP Entrance And Bus Entrance Door.....	65
13.2.3	Bulb Removal And Replacement.....	65
13.3	LAVATORY NIGHT-LIGHT.....	65
13.3.1	Bulb Removal And Replacement.....	65
13.4	DRIVER'S AREA LIGHTS.....	65
13.4.1	Bulb Removal And Replacement.....	65
13.5	PASSENGER SECTION LIGHTING.....	65
13.5.1	Fluorescent Tube Replacement.....	66
13.5.2	Removal And Replacement Of In-Station Fluorescent Tubes.....	66
13.5.3	Removal And Replacement Of Reading Lamp Bulb.....	66
13.6	ENGINE COMPARTMENT LIGHTING.....	66
13.7	LAVATORY LIGHT.....	67
14.	LIGHT BULB DATA.....	67
15.	SPECIFICATIONS.....	69

ILLUSTRATIONS

FIGURE 1: WIRE NUMBER.....	6
FIGURE 2: MAIN BREAKERS.....	7
FIGURE 3: MULTIPLEX MODULE CONNECTORS.....	8
FIGURE 4: ELECTRICAL COMPARTMENTS.....	10

Section 06: ELECTRICAL

FIGURE 5 : MAIN POWER COMPARTMENT.....	12
FIGURE 6: MAIN POWER COMPARTMENT (PARTIAL VIEW).....	12
FIGURE 7: FRONT ELECT. & SERVICE COMPARTMENT.....	14
FIGURE 8: ENGINE STARTING CONTROL PANEL.....	14
FIGURE 9: HVAC PANEL IN EVAPORATOR COMPARTMENT.....	14
FIGURE 10 : PNEUMATIC ACCESSORY PANEL.....	15
FIGURE 11: BATTERIES.....	15
FIGURE 12: BATTERY CONNECTIONS.....	16
FIGURE 13: TEST INDICATOR.....	18
FIGURE 14: LOAD TEST.....	19
FIGURE 15: ALLIGATOR CLAMPS AND BATTERY.....	20
FIGURE 16: IO-B MODULE REMOVAL.....	39
FIGURE 17: TWIN BOSCH ALTERNATORS INSTALLATION.....	41
FIGURE 18: ALTERNATORS AND ACCESSORIES MOUNTING TORQUES.....	41
FIGURE 19: 50DN DELCO ALTERNATOR SECTIONAL VIEW.....	42
FIGURE 20: ALTERNATOR WIRING DIAGRAM (DELCO).....	43
FIGURE 21: CONNECTIONS FOR CHECKING ALTERNATOR OUTPUT.....	44
FIGURE 22: VIEW OF RECTIFIER END FRAME WITH COVER REMOVED.....	45
FIGURE 23: CHECKING DIODES WITH OHMMETER ON A TYPICAL OIL COOLED ALTERNATOR.....	45
FIGURE 24: CHECKING DIODES WITH OHMMETER ON A TYPICAL OIL COOLED ALTERNATOR.....	46
FIGURE 25: CHECKING STATOR WINDING FOR "OPEN" AND GROUND.....	46
FIGURE 26: ALTERNATOR (HOSES AND WIRES).....	49
FIGURE 27: ALTERNATOR RETAINING BOLTS AND WASHERS.....	49
FIGURE 28: ALTERNATOR DRIVE BELT.....	51
FIGURE 29: VOLTAGE REGULATOR.....	52
FIGURE 30: TYPICAL WIRING DIAGRAM OF A NEGATIVE GROUND SYSTEM.....	52
FIGURE 31: REGULATOR VOLTAGE TEST.....	53
FIGURE 32: ADJUSTING REGULATOR VOLTAGE SETTING.....	53
FIGURE 33: REGULATOR VOLTAGE TEST (UNDERCHARGED BATTERY).....	53
FIGURE 34: CHECKING TRANSISTORS TR1.....	55
FIGURE 35: CHECKING TRANSISTORS TR2.....	55
FIGURE 36: ELECTRIC HEATER PLUG LOCATION.....	55
FIGURE 37: HEADLIGHT ASSEMBLY.....	56
FIGURE 38: OPENING HEADLIGHT ASSEMBLY.....	56
FIGURE 39: HEADLIGHT ASSEMBLY TOP & REAR VIEW.....	56
FIGURE 40: SUPPORT RAIL INSTALLATION.....	57
FIGURE 41: INSTALLATION OF JIGS.....	57
FIGURE 42: INSTALLATION OF HOOPY 100 ALIGNER.....	57
FIGURE 43: ADJUSTING HOOPY 100 LEVEL.....	57
FIGURE 44: SPIRIT LEVEL.....	57
FIGURE 45: INSTALLING CALIBRATION FIXTURES.....	58
FIGURE 46: ALIGNMENT OF HEADLIGHT AIMING SCREEN.....	59
FIGURE 47: HIGH-INTENSITY ZONE (SHADED AREA) OF A PROPERLY AIMED.....	59
FIGURE 48: HIGH-INTENSITY ZONE (SHADED AREA) OF A PROPERLY AIMED.....	60
FIGURE 49: AIM INSPECTION LIMITS FOR UPPER-BEAM HEADLIGHTS.....	60
FIGURE 50: AIM INSPECTION LIMITS FOR LOWER-BEAM HEADLIGHTS.....	60
FIGURE 51: VARIOUS LIGHTS LOCATION.....	61
FIGURE 52: XENON HEADLAMP LOCATION.....	61
FIGURE 53: SWITCH.....	64
FIGURE 54: COACH ENTRANCE STEPWELL.....	64
FIGURE 55: VIP ENTRANCE STEPWELL.....	65
FIGURE 56: PARCEL RACK.....	66
FIGURE 57: ENGINE COMPARTMENT LIGHT.....	67

1. GENERAL DESCRIPTION

This vehicle uses a dual voltage system to obtain two different voltages (12 and 24-volt) for various electrical controls and accessories. The main power source incorporates four maintenance-free "Delco" model 1150 batteries connected in a parallel-series configuration. All batteries are kept uniformly charged by means of a 100 amp battery equalizer (standard), giving a maximum possible output supply of 100 amps on the 12-volt system. Both the 12 and 24-volt systems are controlled through individual main battery relays. One or two 24-volt self-rectified alternators are belt driven from the engine, and can be reached through the engine compartment door.

1.1 WIRING DIAGRAMS

A master wiring diagram of the electric circuits, covering standard and optional accessories and systems, is located in the technical publications box. Usually, a separate wiring diagram page is provided for each major function or system. In some cases, more than one circuit may appear on one wiring diagram page; when this occurs, each circuit covered in this page is listed in the wiring diagram index. Moreover, a circuit may appear on several pages; in such case, the number(s) at the extremity of the diagram title will indicate the sheet reference number. Refer to the "*Wiring Diagram Index*" to ensure that the correct diagram is being used to trace the circuit in question. In addition to the major functions page reference, the wiring diagram index contains the following information pages.

- The Multiplexed Device Index,
- The Arrangement-Harness drawing showing the harnesses arrangement and harness number on the vehicle,
- Glossary,
- Circuit number listing,
- Circuit breaker code,
- Connector code,
- Diode number code,
- Resistor number code,
- Fuse code.

1.1.1 Using Wiring Diagrams

Three methods are used to "work" with electric wiring diagrams.

Situation: You have identified the defective part (breaker, diode, relay, etc.), and you wish to locate its corresponding circuit.

Problem: Circuit breaker CB12 is released (open circuit) and you don't know which circuit is affected.

- a) Refer to wiring diagram index, and look for "*Circuit breaker code*", pages F.
- b) At item CB12, you will find the location, the Prevost number, the breaker function, the breaker ampere rating and the page on which to find the corresponding diagram.
- c) Refer to page 3.1.
- d) When you have located CB12, follow the wiring up to the end and find the diagram page number and function on which the circuit continues.

Situation: You have a problem with a specific system and you want to find the corresponding diagram.

Problem: The last three (3) speakers on the R.H. side of vehicle are inoperative and you must trace the electric circuit.

- a) Refer to wiring diagram index and look for "*Sound system*".
- b) You will find on page 35.1 & 35.2 the components as well as the electric wiring, thus providing you with a complete understanding of this circuit.

Situation: Using the message center display (MCD), you check on arrival if there are active errors in the vehicle electrical system. With the SYSTEM DIAGNOSTIC menu, highlight FAULT DIAGNOSTIC, highlight ELECTRICAL SYSTEM to request a diagnostic of the electrical system and then press the enter key. If applicable, the MCD shows the fault messages or fault codes recorded. When more than one fault is recorded, an arrow pointing down appears on the right of the display. Use the down to see all the fault messages.

Problem: MCD displays the fault "Elec. Horn SW61 SW62; shorted to ground" as being active.

- a) Refer to wiring diagram index, and look for "*Multiplexed Device Index*", pages B1-B8.

Section 06: ELECTRICAL

- b) In first column DEVICE ID, look for device SW61, SW62.
- c) At device SW61, SW62, find the fault message, the minimum condition to activate, other inputs involved in logic, the multiplex module related to switch 61 and switch 62, the connector and pin number on the module and the page on which to find the corresponding diagram.
- d) Once the problem corrected, the MCD still shows the fault as being active. You have to leave the FAULT DIAGNOSTIC menu, wait approximately 20 to 30 seconds and then return to FAULT DIAGNOSTIC to request a new diagnostic of the ELECTRICAL SYSTEM from the CECM. The MCD should display the fault as being inactive.

1.1.2 Testing Circuits

A careful study of the wiring diagrams should be made to determine the source and flow of current through each circuit. When a circuit is thoroughly understood, a point-to-point check can be made with the aid of the applicable wiring diagrams. Any circuit can be tested for continuity or short circuits with a multimeter or a suitable voltmeter. Refer to paragraph 4.2 PROBING VOLTAGE ON THE MULTIPLEX CIRCUITS.

All electrical connections must always be kept clean and adequately tight. Loose or corroded connections can result in discharged batteries, difficult starting, dim lights and improper functioning of other electric circuits. Inspect all wiring connections at regular intervals. Make sure knurled nuts on all amphenol-type plugs are securely tightened. Knurled nuts on the plastic amphenol-type connectors will click into a detent when properly tightened. Line connectors, who have the side locking tabs, must have the locks latched in place to ensure a proper electrical connection.

1.2 WIRE SIZES AND COLORS

Each wire in the electrical system has a specific size as designated on the wiring diagram. When replacing a wire, the correct size must be used. Never replace a wire with one of a smaller size.

The vehicle electrical system is provided with different voltages. The insulation on each wire is distinctly colored in order to determine visually the wiring voltage and to assist in making connectors. The wires are color coded as follows:

Yellow	Multiplex modules communication
--------	---------------------------------

Green	CAN-H (twisted with green) Multiplex modules communication
Orange	CAN-L (twisted with yellow) Connected to multiplex outputs
White	Connected to multiplex inputs
Red	24-volt system
Yellow	12-volt system
Black	grounded wire
Black	110 V ac system (live)
White	110 V ac system (neutral)
Green	110 V ac system (ground)
Orange	speakers (+)
Brown	speakers (-)
Grey	spare wire

NOTE

Wires are identified at each 2-4 inch (5-10 cm) intervals by a printed number.

Each wire on a diagram is patterned to assist in tracing and testing circuits. The wire number identifies the voltage rating, the wire identification number and the basic wire gauge as illustrated in Figure 1.

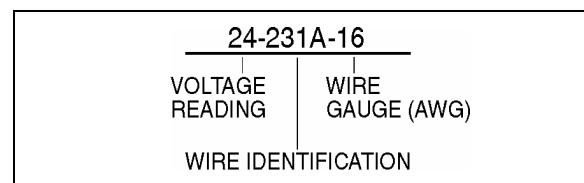


FIGURE 1: WIRE NUMBER

06048

1.3 SPARE WIRES

When the vehicle leaves the factory, and even in the case of a fully-equipped vehicle, an important number of unconnected spare wires are routed between the junction boxes to serve as replacement wires if regular wires are damaged. Refer to page 8.1 "Spare wires" and page E "Circuit number listing" to determine the number and location of these wires.

NOTE

Spare wires are identified by the word "SPARE" followed by the wire identification number.

⚠ CAUTION ⚠

Wire size is calibrated according to the breaker or fuse that protects it. When using a spare wire to replace a damaged wire, assure that the spare wire size is equal or larger than the wire being replaced. Using a wire too small for the breaker or fuse

amperage might cause overheating of the wire.

1.4 CLEANING CONNECTORS

When the pins and sockets of connectors become dirty, clean them with a good quality solvent containing HFC 134A refrigerant as its active ingredient. HFC 134A has two qualities that recommend it. First, it does not conduct electricity and therefore, will not cause shorting between connector pins and sockets. Second, it evaporates quickly, eliminating the possibility of condensation within the connectors.

Always shake out or gently blow out any excess HFC 134A before assembling a connector to its mating connector or hardware. HFC 134A trapped in the connector can affect the connector seal.

WARNING

HFC 134A is toxic. HFC 134A based compounds should always be used in a well-ventilated area, never in a confined space. Use outdoor whenever possible.

1.5 CIRCUIT BREAKERS

Most electric circuits are protected by manually switchable circuit breakers. The main circuit breakers, as well as those protecting the A/C system, are located in the main power compartment, on R.H. side of the vehicle (Figure 2).

This type of circuit breaker allows to de-energizes the circuit without disconnecting any wire. Simply push the red button on breaker to open the circuit, repair defective circuit, and afterwards lift the black tab of breaker to its original position to close the circuit.

CIRCUIT BREAKERS (VIP)			
CB1	Front distribution	24 VI	90 amps
CB2	Front distribution	12 VD	90 amps
CB3	HVAC - evaporator	24 VI	90 amps
CB4	Rear distribution	12 VD	70 amps
CB5	Rear distribution	24 VI	150 amps
CB6	Rear Distribution	24 VD	70 amps
CB7	HVAC - condenser	24 VI	70 amps
CB8	Rear Junction Box	12 VI	40 amps
CB9	Slide-out	24VI	40 amps
CB10	Front distribution	12 VI	70 amps
CB11	Slide-out	24 VI	35 amps
CB12	HVAC - condenser	12 VI	40 amps

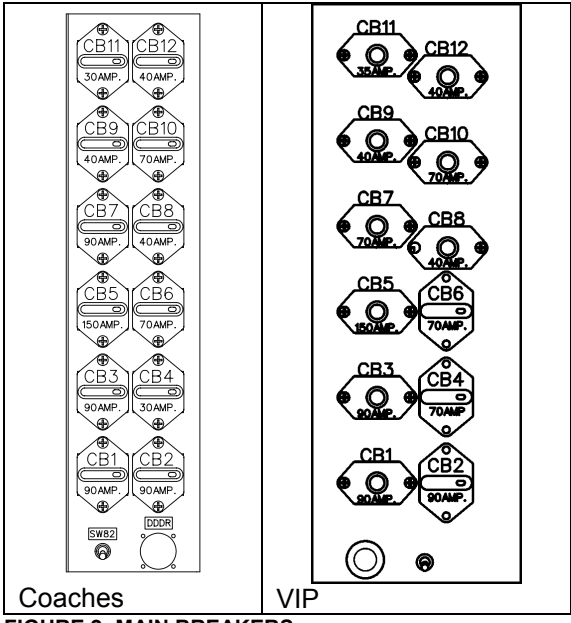


FIGURE 2: MAIN BREAKERS 06473, 06605

CIRCUIT BREAKERS (coaches)			
CB1	Front distribution	24 VI	90 amps
CB2	Distribution	12 VD	90 amps
CB3	HVAC - evaporator	24 VI	90 amps
CB4	Sound system	12 VD	30 amps
CB5	Rear distribution	24 VI	150 amps
CB6	Distribution	24 VD	70 amps
CB7	HVAC - condenser	24 VI	70 amps
CB8	Rear distribution	12 VI	40 amps
CB9	WCL or other options	24VD	40 amps
CB10	Front distribution	12 VI	70 amps
CB11	Sound system	24 VD	30 amps
CB12	HVAC - condenser	12 VI	40 amps

VD= volts direct. The electrical components connected to these circuit breakers are direct-connected to the battery.

VI= volts indirect. Electrical power is supplied via master relay R1 which engages when ignition key is in the ON or ACC position and battery master switch is set to ON.

1.6 MULTIPLEX FUSES

The multiplex outputs are protected in current by an internal "soft-fuse". Each output has programmed specific maximum amperage. When an output is shorted, the current gets above the limit and the soft-fuse intervenes to turn the output OFF. The output stays OFF until the "soft-fuse" is reset.

Turn the ignition key to the OFF position and turn to the ON position again. This resets all "soft-fuses".

Section 06: ELECTRICAL

There is also hardware fuses used to protect the incoming power to the multiplex modules. These fuses are located inside the VECF (Vehicle Electrical Center Front) and VECR (Vehicle Electrical Center Rear).

1.7 RELAYS

Relays are used to automatically energize or de-energize a circuit from a remote location. The relay draws a very low current to energize its coil. Once the coil is energized, it develops a magnetic field that pulls a switch arm closed or open, to either energize or de-energize a given component. As the control current required for the coil is very low, the relay allows a remote station to control a high energy circuit without running great lengths of costly high capacity cable, and also eliminates the need for high amperage switches and heavy connectors.

NOTE

Each relay is identified with "12 V" or "24 V" printed on its casing in order to identify the coil operating voltage.

⚠ CAUTION ⚠

The Multiplex vehicle uses a VF4 relay designed specially for Volvo that has different internal characteristics than the current VF4 relay. It is important to use only the new part marked Volvo as a replacement in Multiplex vehicles. Regular relays have an inadequate lifespan for Multiplex vehicles.

1.8 PRECAUTIONS

⚠ WARNING ⚠

Prior to working on a system inside vehicle, make sure to cut electrical power and air supply. A component could be supplied with electricity even if the ignition switch is set to the OFF position and/or a component could be pressurized even if air tanks are emptied. Always refer to the appropriate wiring and pneumatic diagrams prior to working on electrical and/or pneumatic systems.

NOTE

When the ignition switch is set to the OFF position, the electrical components are not energized except for the CECM (Chassis Electronic Control Module), engine ECM, transmission ECU, instrument cluster module, the battery equalizer, the preheater system, the wheelchair lift system and some Multiplex modules which are energized during 15 minutes after the ignition has been set to the OFF position. Prior to working on one of these electrical components, set the battery master switch in the main power compartment to the OFF position. If the vehicle will not be operated for a long period (more than 2 weeks), it is recommended, in order to prevent the batteries from discharging, to trip the main circuit breakers located in the main power compartment to stop the small current drawn by the radio preset station memory, the CECM memory and the instrument cluster clock. Note that the radio station presets will be erased, same thing for the diagnostic codes history and the instrument cluster clock will have to be reset.

⚠ CAUTION ⚠

Prior to arc welding on the vehicle, refer to "Multiplex Modules Disconnection Procedure Prior To Welding" in section 00 GENERAL of this manual to avoid serious damage to the vehicle components.

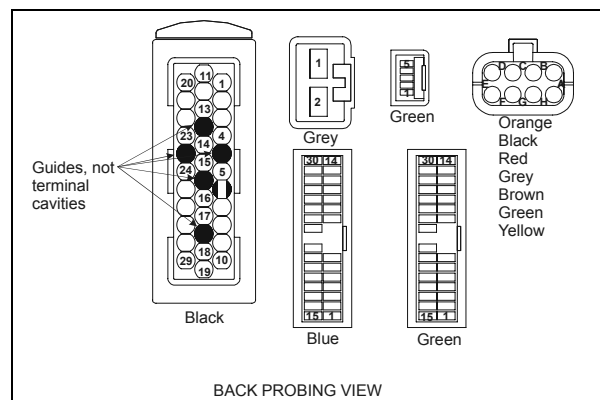
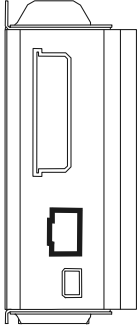
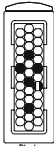
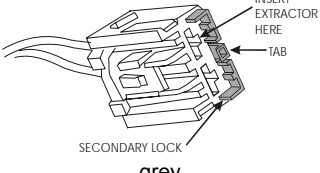
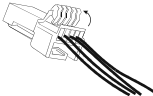
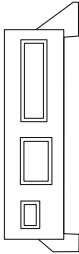
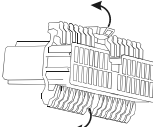
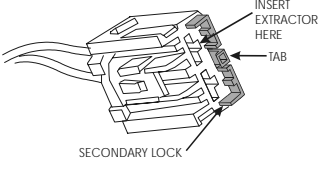
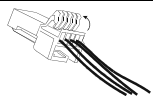
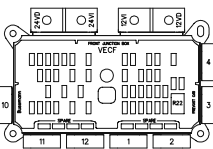
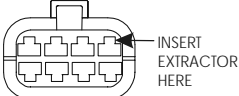


FIGURE 3: MULTIPLEX MODULE CONNECTORS PIN-OUT

Multiplex modules	Connector type	Terminal removal
-------------------	----------------	------------------

 <p>IO-B</p>	 <p>Black AMP</p>	<p>EXTRACTOR/TOOL: Prevost #683594</p> <p>Insert the extractor on the front of the connector. Remove the terminal by disengaging the flexible lock tabs on the terminal. Gently remove the terminal from the connector by pulling on the wire.</p>
	 <p>grey YAZAKI</p>	<p>EXTRACTOR/TOOL: Packard #12094430 or small flat blade screwdriver</p> <p>Using a small flat blade screwdriver, pull up the secondary lock tab and then pull out the secondary lock partially. Insert the extractor over the terminal cavity to lift the connector housing plastic primary lock. Gently remove the terminal from the connector by pulling on the wire.</p>
	 <p>green JAE</p>	<p>EXTRACTOR/TOOL: Prevost #683766</p> <p>Using a small flat blade screw driver, open the hinged secondary lock. Insert the extractor on the front of the connector, over the terminal cavity. Remove the terminal by disengaging the flexible lock tab on the terminal. Gently remove the terminal from the connector by pulling on the wire.</p>
 <p>IO-A</p>	 <p>green, blue (CECM) JAE</p>	<p>EXTRACTOR/TOOL: Prevost #683766</p> <p>Using a small flat blade screw driver, open both hinged secondary locks. Insert the extractor on the front of the connector, over the terminal cavity. Remove the terminal by disengaging the flexible lock tab on the terminal. Gently remove the terminal from the connector by pulling on the wire.</p>
	 <p>grey YAZAKI</p>	<p>See above</p>
	 <p>green JAE</p>	<p>See above</p>
 <p>VECF</p>	 <p>Orange Black Red Grey Brown Green Yellow BUSSMAN</p>	<p>EXTRACTOR/TOOL: Prevost #682256 (Packard 12094429)</p> <p>Remove the terminal by disengaging the flexible lock tab on the terminal. Gently remove the terminal from the connector by pulling on the wire.</p>

2. H3 SERIES VEHICLES ELECTRICAL COMPARTMENTS

Section 06: ELECTRICAL

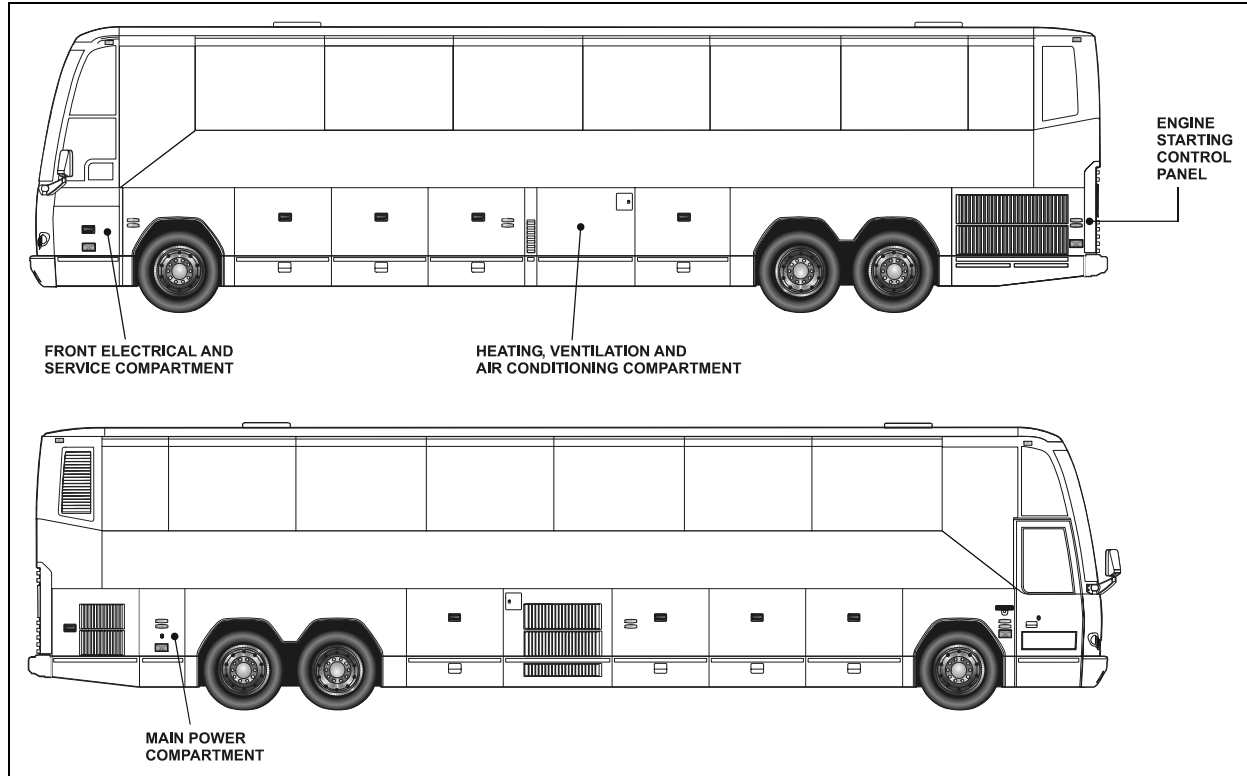


FIGURE 4: ELECTRICAL COMPARTMENTS

2.1 MAINTENANCE

A Cortec VCI-238 corrosion inhibitor has been sprayed in all electrical compartments to protect components from corrosion. The life expectancy of this product is five years, so it is recommended to reapply it every five years. It is also recommended to spray it on new components when added or replaced.

⚠ WARNING ⚠

Use VCI-238 in a well ventilated area. Do not smoke. Avoid prolonged contact with skin and breathing of spray mist. Harmful or fatal if swallowed. Do not induce vomiting. Call physician immediately.

⚠ CAUTION ⚠

Never put grease, Cortec VCI-238 or other product on the multiplex modules connector terminals.

2.2 MAIN POWER COMPARTMENT

The main power compartment is located on rear R.H. side of vehicle behind the rear wheelhousing. This compartment contains the following components (Figure 6 & Figure 5):

- Four 12-volt batteries;

- Main circuit breakers for 12-volt and 24-volt electrical system;
- Voltage regulator (if applicable);
- Battery equalizer;
- Battery Charger (optional);
- Battery master relay (R1) & battery master switch;
- ECU (Electronic Control Unit) for Allison World Transmission or ZF-Astronic transmission;
- Secondary circuit breakers;
- Relays;
- Rear fuse box known as VECR (Vehicle Electrical Center Rear);
- Multiplex modules: I/O-A, I/O-B;
- Electronic ground stud.

Main Power Compartment (coaches)			
Multiplex Modules			
A49	I/O-A	A52	I/O-B
A50	I/O-B	A53	I/O-B
A51	I/O-B		
Relays			
R1	Master relay	R14	Reading lamps

Section 06: ELECTRICAL

R3	12V IGN & A/C	R15	Option
R6	Fluorescent (direct lighting)	R17	12V Rr w ake-up mode
R8	Service brakes	R21	Emergency cut-out
R13	Fluorescent (indirect lighting)	R25	Option
Fuses			
F50	Pre-heating	F69	Overhead storage compartment lighting RH & LH
F51	Pre-heating	F70	Free/customer
F52	Spare fuse	F71	Spare fuse
F53	A54 multiplex module	F72	A50 multiplex module
F54	Free/customer	F73	Spare fuse
F55	Center aisle fluorescent & emergency lighting	F74	ECM engine IGN
F56	Fluorescent (indirect lighting)	F75	ECU trans IGN
F57	Fluorescent (indirect lighting)	F76	Free/customer
F58	Fluorescent (direct lighting)	F77	ECU transmission wake-up
F59	Fluorescent (direct lighting)	F78	ECM engine wake-up
F60	Reading lamps RH	F79	ECM engine wake-up
F61	Reading lamps RH	F80	A51 multiplex module
F62	Lavatory night light	F81	Alternators excitation resistor
F63	Pre-heater	F85	Spare fuse
F64	Wheelchair lift	F86	Spare fuse
F65	Multiplex modules main power compartment	F87	Spare fuse
F66	Radiator fan clutch	F88	Spare fuse
F67	A54 multiplex module	F89	Spare fuse
F68	A54 multiplex module		
Resistors			
RES13	Excit. res. ALT-1	RES14	Excit. res. ALT-2
Diodes			
D6	Master relay	D31	A/C compressor clutch
D8	Passenger liquid valve	D33	Toilet flush pump
D15	Wake-up mode	D36	Radiator fan clutch 2
D28	A/C compressor unloader RH	D37	Radiator fan clutch 1
D29	A/C compressor unloader LH	DXX	Not used

A50	I/O-B	A53	I/O-B
A51	I/O-B		
Relays			
R1	24V Master relay	R30	24V Door lock LH
R3	12V IGN & A/C	R31	24V Door lock RH
R17	12V Rr wake-up mode	R32	24V Door unlock LH
R21	24V Emergency cut-out	R33	24V Door unlock RH
R25	24V ECM ignition	CH57	Slide-out Trans inhibit
Fuses			
F50	Regulator	F69	Service brake relay
F51	Awning window Luggage doors lock relay	F70	Customer 24VI Battery cmpt lighting
F52	Relay	F71	Spare fuse
F53	Refrigerant fill up valve	F72	PWR A50 multiplex module
F54	Customer 24VD	F73	ECM engine IGN
F55	Spare	F74	ECM engine IGN
F56	Spare	F75	ECU trans IGN
F57	Spare	F76	Ccustomer12VI
F58	Spare	F77	ECU transmission wake-up
F59	Spare	F78	ECM engine wake-up
F60	Luggage door locks	F79	ECM engine wake-up
F61	Luggage door locks	F80	PWR A51 multiplex module
F62	Spare	F81	Alternators excitation resistor
F63	Prime pump	F85	Spare fuse
F64	Spare	F86	Spare fuse
F65	PWR MUX modules main power cmpt	F87	Trailer PWR
F66	Radiator fan clutch	F88	Backup camera
F67	PWR A54 multiplex module	F89	Spare fuse
F68	PWR A54 multiplex module		
Resistors			
RES13	Excit. res. ALT-1	RES14	Excit. res. ALT-2
Diodes			
D6	Master relay	D31	A/C compressor clutch
D15	Wake-up mode	D36	Radiator fan clutch 2
D28	A/C compressor unloader RH	D37	Radiator fan clutch 1
D29	A/C compressor unloader LH	D62	Engine door switch

Main Power Compartment (VIP)			
Multiplex Modules			
A49	I/O-A	A52	I/O-B

Section 06: ELECTRICAL

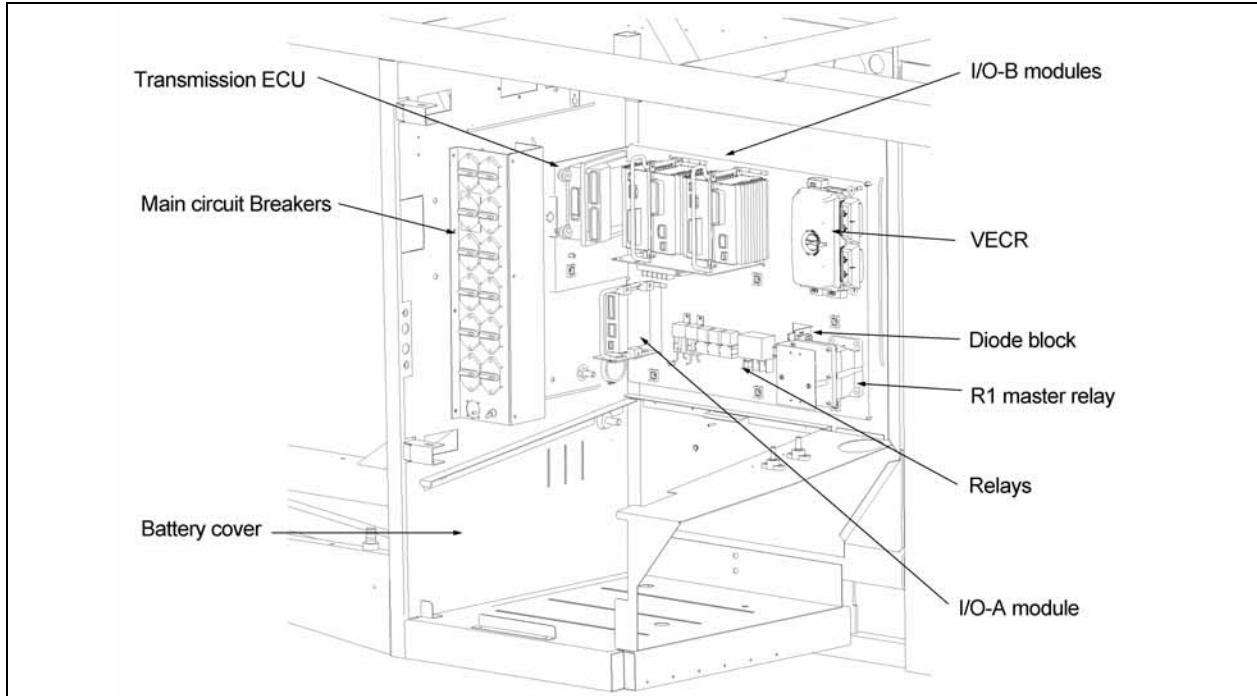


FIGURE 5: MAIN POWER COMPARTMENT (PARTIAL VIEW)
06594

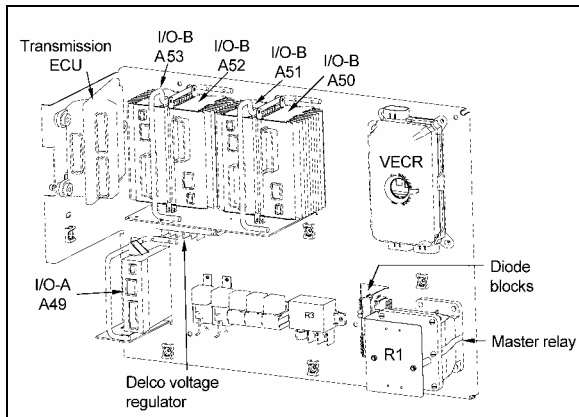


FIGURE 6 : MAIN POWER COMPARTMENT 06598

2.2.1 Battery Charger Or In-Station Lighting Connector

The vehicle may be equipped with a battery charger or in-station lighting connector. When it is connected to an external 110-120 VAC power source, the in-station lighting circuit can be energized without depleting the batteries. The receptacle is usually located on the main power compartment door or engine compartment R.H. side door.

2.3 FRONT ELECTRICAL AND SERVICE COMPARTMENT

The front electrical and service compartment is located on front L.H. side of vehicle. It contains

the front junction panel with the following components (Figure 7).

- Resistors;
- ABS module;
- Fuses;
- Relays;
- Kneeling audible alarm;
- Front multiplex modules;
- Front fuse box known as VECF (Vehicle Electrical Center Front);
- Emergency door opening unlock valve (coaches only);
- Windshield washer reservoir;
- Reclining bumper opening handle;
- Accessories air tank purge valve;
- Accessories system fill valve;
- Spare wheel support and rail (coaches only);
- Keyless entry system module (VIP only).

Front Electrical & Service Compartment (coaches)

Multiplex Modules

MASTER	Interface	A43	I/O-A
--------	-----------	-----	-------

Section 06: ELECTRICAL

ID	ABS-ECU	ABS system 12 volts	A44	I/O-B
	CECM	Multiplex chassis electronic control module	A45	I/O-B
	A41	I/O-A	A46	I/O-B
	A42	I/O-A		
Relays				
R18	Wake-up mode	R22	Engine brake	
R19	Wake-up mode	R24	Upper windshield wipers	
Fuses				
F1	Multiplex CECM module	F23	Intercom	
F2	Front start main switch	F24	Mirror	
F3	Pre-heating & driver liquid solenoid valve	F25	Back-up camera	
F4	Wireless microphone	F26	Spare fuse	
F5	Wake-up mode relay 24 volts	F27	Free/customer	
F6	Free/customer	F28	Driver power window	
F7	ABS & pre-heating control	F29	Instrument cluster & data reader	
F8	Air horn	F30	Cigarette lighter & 12-volt accessory outlet	
F9	Spare fuse	F31	Keyless entry module	
F10	Spare fuse	F32	Spare fuse	
F11	Sun visor	F33	Wake-up mode relay 12 volts	
F12	power A41 multiplex module	F34	Wake-up mode relay 12 volts	
F13	power A41 multiplex module	F35	12-volt accessory outlet	
F14	Free/customer	F36	HVAC & telltale panel	
F15	ABS brake system	F37	Spare fuse	
F16	Defroster unit	F38	Spare fuse	
F17	Destination sign	F39	Spare fuse	
F18	Upper windshield defroster	F40	Spare fuse	
F19	Pro Driver	F41	Spare fuse	
F20	Dashboard rocker switch red LED	F82	Lower windshield wipers	
F21	A44 multiplex module	F83	Sound system	
F22	ABS brake system	F84	Free/customer	
Diodes				
D1	Accessories	D21	Service brake	
D44	Ignition	D22	Service brake	
DXX	Not used			

CECM	Multiplex chassis electronic control module	A45	I/O-B
A41	I/O-A	A46	I/O-B
A42	I/O-A		
Relays			
R18	24V Wake-up mode	R22	Engine brake
R19	12V Wake-up mode	R24	Upper windshield wipers
Fuses			
F1	PWR CECM module	F23	ABS brake system
F2	Front start main switch	F24	Mirror
F3	Driver liquid solenoid valve	F25	Spare fuse
F4	Spare fuse	F26	Spare fuse
F5	Wake-up mode relay 24 volts	F27	Customer
F6	Customer	F28	Driver power window
F7	Spare fuse	F29	Instrument cluster & data reader
F8	Multi function switch	F30	Cigarette lighter & 12-volt accessory outlet
F9	Auxiliary unit fan	F31	Keyless entry module
F10	Pneumatic cut-out solenoid	F32	Driver seat
F11	Sun visor	F33	Wake-up mode relay 12 volts
F12	PWR MUX modules	F34	Wake-up mode relay 12 volts
F13	PWR MUX modules	F35	12-volt accessory outlet
F14	Customer	F36	HVAC module & telltale panel
F15	Engine brake relay R22	F37	Spare fuse
F16	Defroster unit	F38	Spare fuse
F17	Level low	F39	Spare fuse
F18	Upper windshield wiper	F40	Spare fuse
F19	Keyless module	F41	Spare fuse
F20	Dashboard rocker switch red LED	F82	Lower windshield wipers
F21	PWR A44 multiplex module	F83	Spare fuse
F22	ZF steering control	F84	Customer
Diodes			
D1	Accessories	D13	ABS
D2	Driver unit liquid solenoid valve	D22	Service brake
D12	Engine brake	D44	ignition

Front Electrical & Service Compartment (VIP)				
Multiplex Modules				
MASTER	Interface	A43	I/O-A	
ID	ABS-ECU	ABS system 12 volts	A44	I/O-B

Section 06: ELECTRICAL

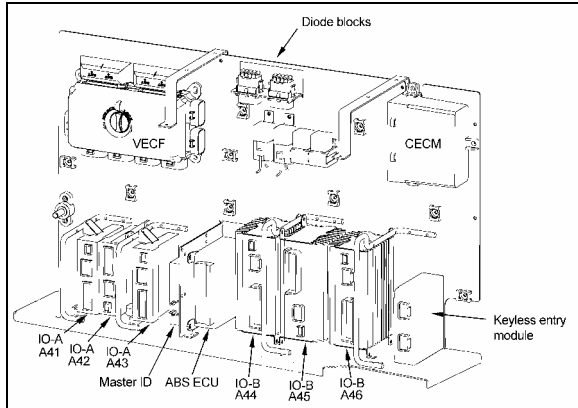


FIGURE 7: FRONT ELECT. & SERVICE COMPARTMENT
06595

2.4 ENGINE REAR START PANEL

This control panel is located in the R.H. side of engine compartment near the engine oil reserve tank. This control panel includes the engine starter selector switch, as well as the rear start push button switch to start engine from engine compartment.

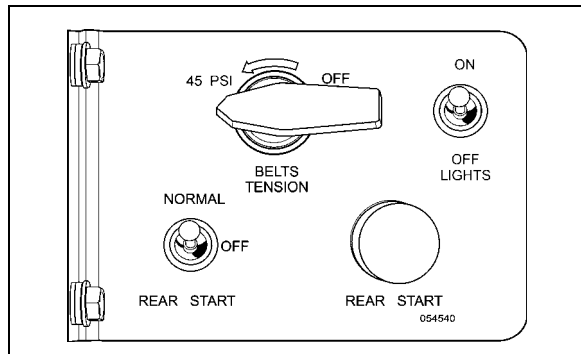


FIGURE 8: ENGINE REAR START PANEL
01044

2.5 A/C AND HEATING CONTROLS

The following components are located in the main power compartment (Figure 5).

Main Power Compartment			
Diodes (HVAC)			
D8	Passenger liquid valve (Central HVAC System)	D31	A/C compressor clutch (Central HVAC System)
D28	A/C compressor unloader R.H	D65	Small A/C compressor clutch (VIP)
D29	A/C compressor unloader L.H		

The following components are located in the front electrical and service compartment (Figure 7).

Front Electrical & Service Compartment
--

Fuses & Diode (HVAC)			
F3	Pre-heating driver solenoid valve	F18	Upper windshield defroster
F9	Auxiliary unit fan	F36	HVAC & telltale panel
F16	Defroster unit	D2	Driver unit liquid solenoid valve (VIP)

The following components are located in the Evaporator Compartment (HVAC). They are mounted on a panel located on the R.H. side wall when facing the compartment (Figure 9).

Evaporator Compartment			
Multiplex Module			
A54	I/O-B		
Relays			
R9	24V Condenser fan R.H	R20	Water pump
R10	24V Condenser fan L.H	R26	Pre-heating
R12	24V Evaporator fan		
Diodes			
D9	Pre-heating	D19	Baggage compartment -2
D10	Pre-heating	D20	Baggage compartment -1
D16	Baggage compartment -3	DXX	Not used
D17	Baggage compartment -5		

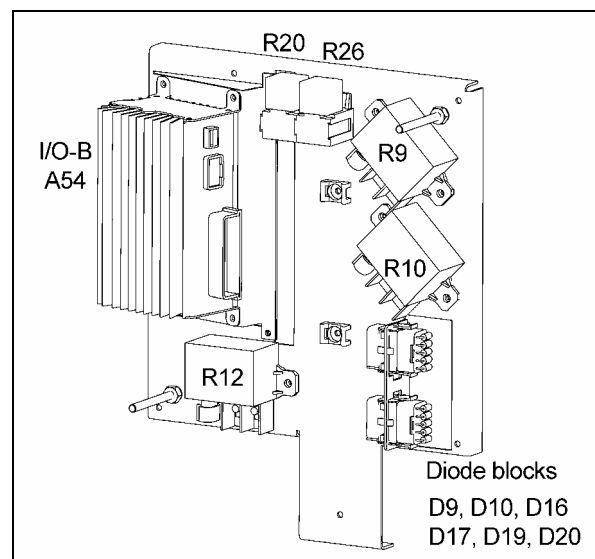


FIGURE 9: HVAC PANEL IN EVAPORATOR COMPARTMENT
06596

Each relay or resistor is identified to facilitate its location (Figure 9).

NOTE

It is important when checking the A/C and heating system to keep the condenser compartment door closed in order to avoid faulty readings.

2.6 PNEUMATIC ACCESSORY PANEL

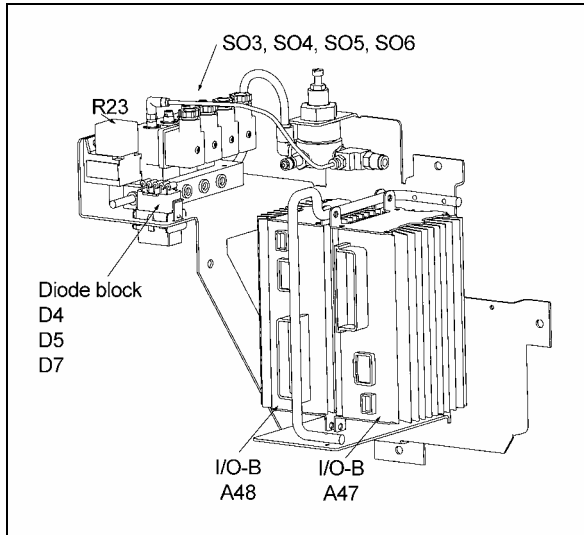


FIGURE 10 : PNEUMATIC ACCESSORY PANEL 06597

Pneumatic Accessory Panel Inside Right Console (coaches)			
Multiplex Modules			
A47	I/O-B	A48	I/O-B
Relays			
R23	Lower windshield wipers		
Solenoids			
SO3	Door unlock solenoid valve	SO5	Door opening solenoid valve (coaches)
SO4	Door unlock solenoid valve	SO6	Door closing solenoid valve (coaches)
Diodes			
D4	Lower windshield wipers speed 2	D56	Entrance door switch (VIP)
D5	Lower windshield wipers speed 1	D66	Water pump (VIP)
D7	Entrance door (coaches)	D73	Entrance door hinge switch

To access the pneumatic accessory panel of the right console, remove the panel under the larger utility compartment at the right of the dashboard.

3. BATTERIES

The vehicle is provided with four (4) maintenance-free 12-volt heavy-duty batteries

connected in series-parallel (Figure 11 & Figure 12). The top-mounted negative and positive terminals are tightly sealed to prevent leaks. Water never needs to be added to this type of battery. There are no filler caps in the cover. The battery is sealed, except for small vent holes in the cover. The vents must not be restricted as they allow small amounts of gases produced in the battery to escape. The special chemical composition inside the battery reduces gassing to a very small amount at normal charging voltages. Besides reducing gassing, the special chemistry greatly reduces the possibility of overcharge damage.

The vents require keeping the battery in an upright position to prevent electrolyte leakage. Tipping the battery beyond a 45° angle in any direction can allow a small amount of electrolyte to leak out of the vent holes.

WARNING

DO NOT tip battery by more than 45° when carrying or installing the battery.

NOTE

Evidence of electrolyte leakage does not necessarily mean the battery is defective.

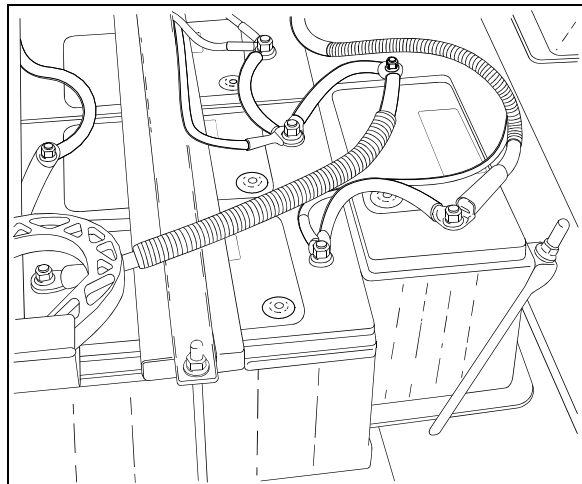


FIGURE 11: BATTERIES 06343

With special cables properly attached to the batteries, the metal surfaces that carry the current are completely sealed from the atmosphere. This prevents terminal oxidation and corrosion that may cause starting and charging problems. If new cables are required, sealed terminal cable replacements should be used to retain the reliability of the original maintenance-free connections.

WARNING

Section 06: ELECTRICAL

All lead-acid batteries generate hydrogen gas, which is highly flammable. If ignited by a spark or flame, the gas may explode violently, causing spraying of acid, fragmentation of the battery, which may result in severe personal injuries. Wear safety glasses and do not smoke when working near batteries. In case of contact with acid, flush immediately with water.

2. Stabilizing the voltage in the electrical system.
3. Supplying current for a limited time, when electrical demands of the equipment exceed the power output of the alternator.
4. Providing a limited source of power for connected accessories, when the engine is not running.

The battery has four (4) major functions:

1. Providing a source of current for starting the engine.

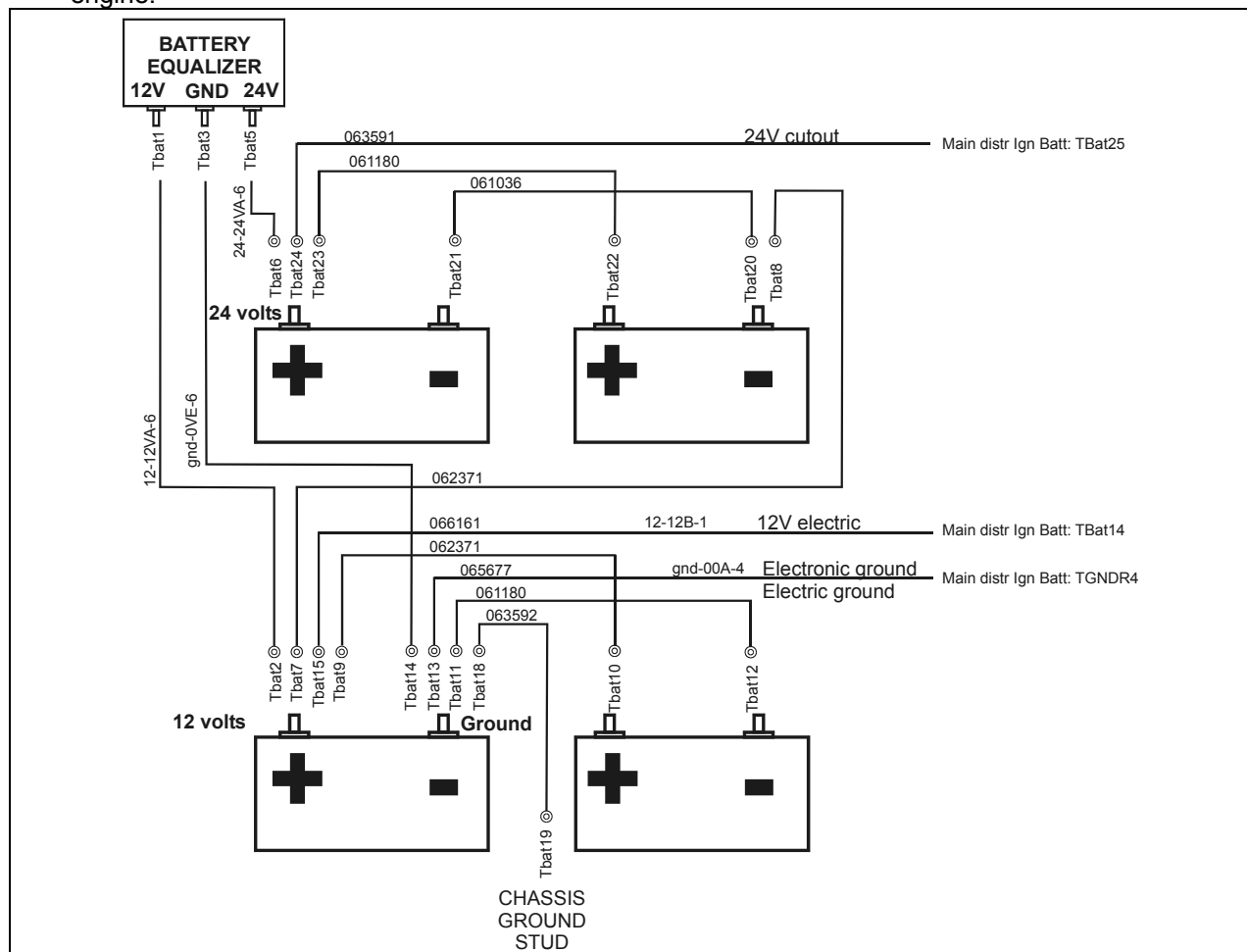


FIGURE 12: BATTERY CONNECTIONS

3.1 BATTERY DISCHARGE PROTECTION

To prevent discharge of the batteries when the engine is not running, some functions are automatically switched off if the batteries voltage drops below 24 volts for more than 30 seconds. The "BAT" telltale light blinks while this protection mode is active. Set the ignition key to the OFF

position and then turn the ignition key to the ON position to reactivate the functions for a period of 30 seconds before they switch off again. If a prolonged use of the functions with the engine not running is necessary, connect the battery to a charger.

3.2 MAIN BATTERY RELAYS

Main battery relays (12 V. and 24 V.) are provided for this vehicle. The relays are located in the main power compartment. The 24-volt battery relay engages when ignition key is in the ON or ACC position and battery master switch is flipped ON.

When the main battery relays are turned to the OFF position, all electrical supply from the batteries is cut off, with the exception of the following items.

- Battery equalizer check module;
- ECM;
- ECU power (World transmission);
- Preheater electronic timer;
- Preheater and water recirculating pump;
- Sedan entrance door;
- Radio memory;
- CECM;
- Cluster memory.

3.3 BATTERY REMOVAL AND INSTALLATION

1. Remove the two screws at the bottom of the plastic protective cover. Unscrew the two quarter turn nuts to remove the protective cover.
2. Remove supports. Unscrew terminal nuts of each defective battery.

NOTE
<i>Main battery relays should be in the "Off" position before disconnecting cables from the batteries.</i>

3. Remove battery cables from the batteries.

NOTE
<i>When the battery cables have been removed from the batteries, wrap the battery terminals and cable ends with electric tape to prevent accidental grounding. The ground cables should always be disconnected first and replaced last.</i>

4. Remove batteries.
5. Installation is the reverse of removal.

NOTE
<i>In replacing batteries, only batteries of the same specification should be used. Refer to "Specifications" at the end of this section for further details.</i>

NOTE
<i>When reinstalling batteries, battery connections must be tightened to 10-15 lbf-ft (13-20 Nm) and the nut on top of sliding tray to 4 lbf-ft (5-6 Nm). A torque wrench is required to ensure an accurate tightening torque.</i>

⚠ CAUTION ⚠
Ensure that connections are not reversed when reinstalling batteries, since damage to electrical system components will result.

⚠ CAUTION ⚠
After reinstalling battery terminals, apply protective coating (Nyogel grease). Do not use Cortec VCI-238.

⚠ WARNING ⚠
To prevent possible electric shock or sparking, the main battery relays must be set to the "Off" position before tightening an electrical connection.

NOTE
<i>A protective silicone free, coating should be applied on all power connections that have been disconnected. We recommend the use of Cortec VCI-238 (Prevost #682460) on all electrical connections.</i>

3.4 BATTERY RATING

Each of the 12-volt batteries used on the vehicle has the following rating:

- Reserve capacity: 195 minutes
- Cold cranking (amps): 950 @ 0°F (-18°C)
- Cold cranking (amps): 745 @ -20°F (-29°C)
- Weight (filled): 59 lb (26,7 kg)

The reserve capacity is defined as the number of minutes a new, fully charged battery at 80°F (26,6°C) can be discharged at 25 amperes and maintain a minimum of 1.75 volts per cell (10.5 volts total for one 12-volt battery). This rating can be used as a basis for determining how long a vehicle might run after an alternator failure.

The cold cranking rating is defined as the minimum discharge current a battery will deliver

Section 06: ELECTRICAL

in amperes for 30 seconds at 0 °F (-18 °C) while maintaining a minimum of 1.2 volts per cell (7.2 volts total for one 12-volt battery). This rating can be used as a basis for comparing starting performance.

3.5 BATTERY TESTING

The maintenance-free battery has a strong ability to withstand the damaging effects of overcharge. The test indicator in the cover is used only to determine if the battery can be tested in case of a cranking problem.

The test indicator in the battery cover is to be used with accepted diagnostic procedures only. It must not be used to determine if the battery is good or bad, charged or discharged. The test indicator is a built-in hydrometer in one cell that provides visual information for battery testing (Figure 13).

It is important when observing the test indicator, that the battery be relatively level and has a clean indicator top to see the correct indication. Some lighting may be required in poorly lit areas. Under normal operation, two indications can be observed.

Green Dot Visible

Any green appearance is interpreted as a "green dot", and the battery is ready for testing. On rare occasions, following prolonged cranking, the green dot may still be visible when the battery is obviously discharged. Should this occur, charge the battery as described under "Charging Procedure" in "Battery Charging" later in this section.

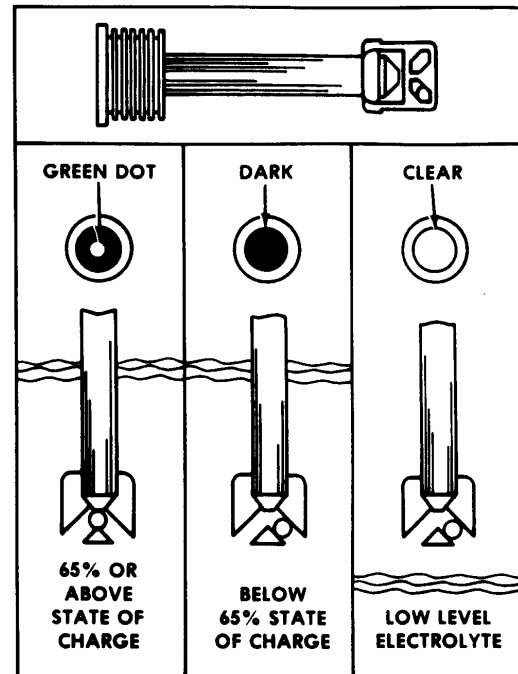


FIGURE 13: TEST INDICATOR

06096

Dark - Green Dot Not Visible

If there is difficulty cranking the engine, the battery should be tested as described in this section. On rare occasions, the test indicator may turn light yellow. In this case, the integral charging system should be checked. Normally, the battery is capable of further service; however, if difficult start has been reported, replace the battery. **DO NOT CHARGE, TEST, OR JUMP-START.**

3.5.1 Visual Inspection

1. Check the outside of the battery for a broken or cracked cover or case that could permit loss of electrolyte. If obvious physical damage is noted, replace the battery.
2. Check for loose terminal posts, cable connections, damaged cables, and for evidence of corrosion. Correct conditions as required before proceeding with tests.

3.5.2 Removing Surface Charge

Disconnect cables from the battery and attach alligator clamps to the contact lead pad on the battery as shown in Figure 15. Connect a 300 ampere load across the terminal for 15 seconds to remove surface charge from the battery.

3.5.3 Load Test

This test is one means of checking the battery to determine its ability to function as required in the vehicle.

To make this test, use test equipment that will withstand a heavy electrical load from the battery, such as a carbon pile resistor or other suitable means.

1. Connect a voltmeter, ammeter, and a variable load resistance as illustrated in Figure 13.

⚠ CAUTION ⚠

Observe polarity of the meters and the battery when making connections, and select the correct meter range.

2. Apply a 290 amperes load to the battery for 15 seconds.
3. With an ammeter reading specified load, read voltage. The voltage should be at least 9.6 volts. Disconnect the load. If the voltmeter indicates 9.6 volts or more, the battery is good. If the voltmeter reading is less than 9.6 volts, replace the battery. This voltage is to be used for battery ambient temperatures of 70°F (21°C) and above. For temperatures below 70°F (21°C), refer to the following "Voltage and Temperature Chart".

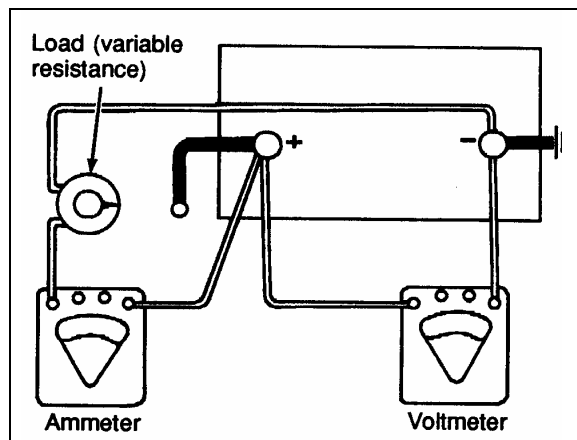


FIGURE 14: LOAD TEST 06064

NOTE

The accuracy of this test procedure is dependent upon close adherence to the proper load, time and temperature specifications.

Voltage and Temperature Chart

Ambient Temperature	Minimum Voltage
---------------------	-----------------

70°F (21°C) and above	9.6
60°F (16°C)	9.5
50°F (10°C)	9.4
40°F (4°C)	9.3
30°F (-1°C)	9.1
20°F (-7°C)	8.9
10°F (-12°C)	8.7
0°F (-18°C)	8.5

3.5.4 Testing Battery Cables

Check all cable ring terminals and connections to determine if they are in good condition. Excessive resistance, generally caused by poor connections, produces an abnormal voltage drop which may lower voltage at the starter to such a low value that normal operation of the starter will not be obtained. An abnormal voltage drop can be detected with a low-reading voltmeter as follows:

⚠ WARNING ⚠

To prevent the engine from starting, remove fuses F78 & F79 located in the VECR. Once these tests are completed, reinstall F78 & F79.

1. Check voltage drop between grounded (negative) battery terminal and vehicle frame by placing one prod of the voltmeter on the battery terminal and the other on a good ground (unpainted surface) on the vehicle. With the starter cranking the engine at a temperature of 70°F (21°C), voltage reading should be less than 0.3 volt. If the voltage reading exceeds 0.3 volt, there is excessive resistance in this circuit.
2. Check voltage drop between the positive battery terminal and the starter positive terminal stud while the starter motor is operated. If the reading is more than 2.5 volts, there is excessive resistance in this circuit.

NOTE

If it is necessary to extend the voltmeter lead for this test, use a #16 (AWG) or larger wire.

3. Check voltage drop between the starter housing and a good ground on the vehicle. The reading should be less than 0.2 volt.

⚠ WARNING ⚠

Section 06: ELECTRICAL

Any procedure other than the following could cause personal injury or damages to the charging system resulting from battery explosion or electrical burns.

Wear adequate eye protection when working on or near the batteries. Ensure that metal tools or jumper cables do not contact the positive battery terminal (or a metal surface in contact with it) as a short circuit will result. Do not attempt to jump start a vehicle suspected of having a frozen battery because the battery may rupture or explode. Both the booster and discharged batteries must be treated carefully when using jumper cables. Follow exactly the procedure outlined later in this section, being careful not to cause sparks.

3.6 BATTERY CHARGING

⚠ WARNING ⚠

During charging of the batteries, an explosive gas mixture forms in each cell. Part of this gas escapes through the vent holes and may form an explosive atmosphere around the battery itself if ventilation is poor. This explosive gas may remain in or around the battery for several hours after it has been charged. Sparks or flames can ignite this gas causing an internal explosion, which may shatter the battery.

Do not smoke near a battery which is being charged or which has been recently charged.

Do not break live circuits at battery terminals because a spark usually occurs at the point where a live circuit is broken. Care must always be taken when connecting or disconnecting booster leads or cable clamps on chargers. Poor connections are a common cause of electric arcs, which cause explosions.

⚠ CAUTION ⚠

The electrical system on this vehicle is negative ground. Installing the batteries with the positive terminals grounded or incorrect use of the booster battery and jumper cables will result in serious damage to the alternator, batteries and

battery cables.

The batteries used on this vehicle can be charged either on or off the vehicle; however, when they are removed from the vehicle, it is recommended that an adapter kit, which is available from any "A/C DELCO" dealer, be used in charging sealed-terminal batteries. Use the booster block to charge the batteries when they are left on vehicle and **make sure that the main battery disconnect switch is set to the "On" position.**

The alligator clamps of the tester or charger must be placed between the terminal nuts and the lead pads of the terminal studs (Figure 15) after the vehicle cables are detached. The alligator clamps should make firm contact with the lead pads.

Note: If this connection cannot be made because of the alligator clamp design, the load value for testing must be reduced from 290 to 260 amperes.

On rare occasions, such as those that occur following prolonged cranking, the green dot in the test indicator may still be visible when the battery is obviously discharged. Should this occur, a boost charge of 20 amperes-hour is recommended. Under normal operating conditions, do not charge the battery if the green dot is visible. The battery should never be charged if the test indicator (hydrometer) is clear or light yellow. If this occurs, replace the battery.

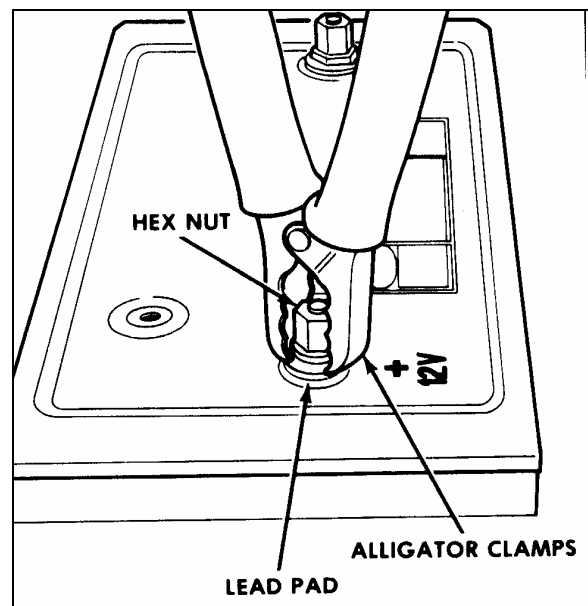


FIGURE 15: ALLIGATOR CLAMPS AND BATTERY 06065

A charge rate between 3 and 50 amperes is generally satisfactory for any maintenance-free battery as long as spewing out of electrolyte does not occur or the battery does not feel excessively hot (over 125°F (52°C)). If spewing out or violent gassing of electrolyte occurs or battery temperature exceeds 125°F (52°C), the charging rate must be reduced or temporarily stopped to allow cooling and to avoid damaging the battery.

Battery temperature can be estimated by touching or feeling the battery case. The battery is sufficiently charged when the green dot in the built-in hydrometer is visible. No further charging is required. Shake or tilt the battery at hourly intervals during charging to mix the electrolyte and see if the green dot appears.

⚠ WARNING ⚠

Always turn off the charger before connecting or disconnecting to a battery.

NOTE

The charge rate must be doubled when the batteries are charged by the booster block, because of the series-parallel circuit.

Battery charging consists of a charge current in amperes for a period of time in hours. Thus, a 25 ampere charging rate for 2 hours would be a 50 ampere-hour charge to the battery. Most batteries, whose load test values are greater than 200 amperes, will have the green dot visible after at least a 75 ampere-hour charge. In the event that the green dot does not appear, replace the battery.

3.6.1 Battery Charging Guide

Fast Charging Rate

3-3/4 hours @ 20 amps

2-1/2 hours @ 30 amps

2 hours @ 40 amps

1-1/2 hours @ 50 amps

Slow Charging Rate

15 hours @ 5 amps

7-1/2 hours @ 10 amps

The time required for a charge will vary according to the following factors:

Size of Battery

For example, a completely discharged large heavy-duty battery requires more than twice the recharging time of a completely discharged small passenger car battery.

Temperature

For example, a longer time will be needed to charge any battery at 0°F (-18°C) than at 80 °F (27°C). When a fast charger is connected to a cold battery, the current accepted by the battery will be very low at first, and then in time, the battery will accept a higher rate as it warms.

State of Charge

For example, a completely discharged battery requires more than twice as much charge than a half-charged battery. Since the electrolyte is nearly pure water and a poor conductor in a completely discharged battery, the current accepted is very low at first. Later, as the charging current causes the electrolyte acid content to increase, the charging current will likewise increase.

Charger Capacity

For example, a charger which can supply only 5 amperes will require a much longer period of charging than a charger that can supply 30 amperes or more.

3.6.2 Emergency Jump Starting With Auxiliary (Booster) Battery

⚠ WARNING ⚠

Off-board battery charger with a start boost facility must not be used to jump start the vehicle. This could damage the electrical system. Do not jump start vehicles equipped with maintenance-free batteries if the test indicator is light yellow.

Both booster and discharged batteries should be treated carefully when using jumper cables. A vehicle with a discharged battery may be started by using energy from a booster battery or the battery from another vehicle.

⚠ WARNING ⚠

Jump starting may be dangerous and should be attempted only if the following conditions are met:

The booster battery or the battery in the other vehicle must be of the same voltage as the

Section 06: ELECTRICAL

battery in the vehicle being started, and must be negative grounded.

If the booster battery is a sealed-type battery without filler openings or caps, its test indicator must be dark or a green dot must be visible. Do not attempt jump starting if the test indicator of the booster battery or the discharged battery has a light or bright center.



WARNING

Follow the procedure exactly as outlined hereafter. Avoid making sparks.

Wear eye protection and remove rings, watches with metal bands and other metal jewelry.

Apply parking brake and place the transmission shift lever or push-button pads in Neutral (N) position in both vehicles. Turn off lights, heater and other electrical loads. Observe the charge indicator. If the indicator in the discharged battery is illuminated, replace the battery. **Do not attempt jump starting when indicator is illuminated.** If the test indicator is dark and has a green dot in the center, failure to start is not due to a discharged battery and the cranking system should be checked. If charge indicator is dark but the green dot does not appear in center, proceed as follows:

1. Connect one end of one red jumper cable to the positive (+) terminal of the booster power source and the other end to the positive (+) post of the booster power block, located in the engine R.H. side compartment.
2. Connect one end of the remaining negative jumper cable (black) to the negative (-) terminal of the booster power source, and the other end of the black jumper cable to the negative (-) post of the booster power block.
3. Make sure the clips from one cable do not inadvertently touch the clips on the other cable. Do not lean over the battery when making connections. The ground connection must provide good electrical conductivity and current carrying capacity.
4. Start the engine in the vehicle that is providing the jump start. Let the engine run for a few minutes, then start the engine in the vehicle that has the discharged batteries.
5. When removing the jumper cables, perform the above procedure exactly in reverse

order, and replace protective caps on booster block terminals.



WARNING

Any procedure other than the above could result in personal injury, property damage due to battery explosion, or damage to the charging system of the booster vehicle or of the boosted vehicle.

NOTE

Jumper cables must withstand 500 cranking amperes. If cable length is 20 feet (6m) or less, use 2/0 (AWG) gauge wires. If cable length is between 20-30 feet (6-9m), use 3/0 (AWG) wires.

3.7 CLEANING AND INSPECTION

The external condition of the battery and the battery cables should be checked periodically. The top of the battery should be kept clean and the battery hold-down clamp bolts should be kept properly tightened. For best results when cleaning the battery, wash first with a diluted solution of ammonia or soda to neutralize any acid present, then wash out with clean water. The battery hold-down bolts should be kept tight enough to prevent the batteries from moving, but they should not be tightened to the point that excessive strain is placed on the battery hold-down cover (proper tightening torque: 45-55 lbf-in (5-6 Nm).

To insure good contact, the battery cable ring terminals should be tight on the battery posts. If the posts or cable ring terminals are corroded, the cables should be disconnected and the posts and clamps cleaned separately with a soda solution and a wire brush. Install cable ring terminals on battery posts and tighten to a torque of 10-15 lbf-ft (13-20 Nm). Replace protective caps to prevent corrosion and sparks.

3.8 COMMON CAUSES OF BATTERY FAILURE

When a battery fails, the cause of failure may be related to something other than the battery. For this reason, when a battery failure occurs, do not be satisfied with merely recharging or replacing the battery. Locate and correct the cause of the failure to prevent recurrence. Some common external causes of battery failure are as follows:

1. A defect in charging system such as high resistance or a faulty alternator or regulator.

2. A malfunction within the 12-volt system (equalizer).
3. Overloads caused by a defective starter or excessive use of accessories.
4. Dirt and electrolyte on top of the batteries causing a constant drain.
5. Hardened battery plates, due to battery being in a low state of charge over a long period of time.
6. Shorted cells, loss of active material from plates.
7. Driving conditions or requirements under which the vehicle is driven for short periods of time.
8. A constant drain caused by a shorted circuit such as an exposed wire or water infiltration in junction boxes causing ground fault.
9. Extended operation of preheating system with engine not running.
10. Failing to close disconnect switches during the night.

3.9 TROUBLESHOOTING

If a battery is known to be good and then has not performed satisfactorily in service for no apparent reason, the following factors may reveal the cause of trouble:

1. Vehicle accessories and disconnect switches inadvertently left on overnight.
2. Defects in the charging system, such as high wiring resistance, faulty alternator, regulator or battery equalizer.
3. A vehicle electrical load exceeding the alternator (or battery equalizer) capacity, with the addition of electrical devices, such as CB radio equipment, a cellular phone or additional lighting systems.
4. Defects in the electrical system, such as shorted or pinched wires.
5. Extended driving at slow speed while using many accessories.
6. Loose or poor battery cable-to-post connections, previous improper charging of a run-down battery or loose hold-down clamp bolts.

7. High-resistance connections or defects in the cranking system.

3.10 "BAT" BATTERY VOLTAGE INCORRECT TELLTALE LIGHT

If the "BAT" (battery voltage incorrect) telltale light is illuminated, check the 24-volt voltmeter to determine if the battery voltage is too high or too low.

NOTE

According to the battery charging condition, it is normal that "BAT" telltale light illuminates upon starting the engine and stays illuminated for a few seconds. This is caused by the normal voltage drop of the battery during starting.

3.10.1 "Bat" Telltale Light Definitions

Voltmeter drops below 24 volts dc

- Check alternator output.
- Check voltage regulator.
- Check battery connections.
- Check battery cells.
- Check battery equalizer connections.

Voltmeter exceeds 30 volts dc

- Check alternator output.
- Check voltage regulator.
- Check battery connections.

Battery Balance

NOTE

Allow at least 15 minutes to balance batteries after any corrective measure has been taken.

1. Batteries out of balance (difference greater than 1.5 volts between the two battery banks).
 - Check battery equalizer connections.
 - Check equalizer cables for proper gauge.
 - Check battery connections.
2. Demand for 12-volt power exceeding rated amperage output of battery equalizers causing batteries to go out of balance.
 - Reduce 12-volt load or install additional battery equalizer(s).

Section 06: ELECTRICAL

4. TROUBLESHOOTING AND TESTING THE MULTIPLEX VEHICLES

4.1 ELECTRICAL SYSTEM DIAGNOSTIC

Using the message center display (MCD), check if there are active errors in the vehicle electrical system. With the SYSTEM DIAGNOSTIC menu, highlight FAULT DIAGNOSTIC and then highlight ELECTRICAL SYSTEM to request a diagnostic of the electrical system from the CECM. Press the enter key. If applicable, the MCD shows the multiplex device ID, the fault messages or fault codes recorded. When more than one fault is recorded, an arrow pointing down appears on the right of the display. Use the down arrow to see all the fault messages.

Once the problem corrected, the MCD still shows the fault as being active. You have to leave the FAULT DIAGNOSTIC menu, wait approximately 20 to 30 seconds and then return to FAULT DIAGNOSTIC to request a new diagnostic of the ELECTRICAL SYSTEM from the CECM. The MCD should display the fault as being inactive. The CECM can store up to 20 faults, i.e. the first 10 and the last 10. Middle faults will be erased. If the breakers are tripped, the fault history will be erased from the CECM memory.

NOTE

When performing an electrical system diagnostic with the MCD (message center display), the message « No Response ModA41 » indicates either module A41 is not responding due to a CAN link problem or module A41 is not powered. Similar messages exist for all modules (A42, A43, A44, etc.).

Because it is easier to do, check first if the module is powered by probing on its gray connector. If it is, then you can conclude that there is a CAN link problem. Refer to CAN NETWORK LAYOUT AND TROUBLESHOOTING in this section.

NOTE

It is of the utmost importance to have a MCD (message center display) in working condition because it is the most important tool to achieve troubleshooting on a multiplex vehicle.

4.2 PROBING VOLTAGE ON THE MULTIPLEX CIRCUITS

Some Multiplex modules are supplied by 12 volts while others are supplied by 24 volts. The 12-volt or 24-volt information is found on the modules symbol in the wiring diagram. Before taking

voltage readings to track the source of a problem, first verify if the module is supplied by 12V or 24V, if not, residual voltage on the module inputs/outputs can draw an erroneous conclusion.

Inactive Multiplex output = Residual voltage of 18% to 33% of supply voltage.

Inactive Multiplex input = Residual voltage of 50% of supply voltage.

NOTE

- *Verify on the wiring diagram whether the voltage is 12V or 24V,*
- *For a 12V module: an active voltage would be 12V or 0V but not in between. If you measure the intermediate tensions (ex. 6V, 2V, or 4V) this must be interpreted as if the input or the output is inactive.*
- *For a 24V module: an active voltage would be 24V or 0V but not in between. If you measure the intermediate tensions (ex. 12V, 4V, or 8V) this must be interpreted as if the input or the output is inactive.*

4.3 CAN NETWORK

The CAN link wiring is separated in sections and uses connectors that are not shared with other circuits. This allows sections of the network to be isolated to help locate short-circuit on the CAN.

In case of a short-circuit on the CAN link, this affects all the modules and they all show « No Response » in the error messages of the « ELECTRICAL SYSTEM » menu. To locate a short-circuit, proceed by disconnecting one module zone at a time while verifying if this makes inactive the errors in the modules still connected. Connector C1 (front electrical & service compartment) disconnects all the modules at the rear of the vehicle from the network. Connector C5 (front electrical & service compartment) disconnects all the modules from the right-hand console. Connector C100 disconnects the modules from the evaporator compartment. Connector C3 (evaporator compartment) disconnects the modules from the battery compartment.

Example: Disconnect C5 and C1 and then verify the status of the errors. If the front modules (A41 to A46) now give inactive errors, which means short-circuit is elsewhere than in the front electrical & service compartment.

4.3.1 Can Connection On The Telltale Panel And The Hvac Control Unit

The telltale panel module and HVAC module are linked to the CECM by a CAN connection. In case of a CAN connection default, the telltale panel LCD display shows "CAN", and on the HVAC control unit, the temperature display indicates "---". To confirm a CAN connection default, check that the fan speed on the driver's section HVAC control unit cannot be adjusted.

Moreover, specific error messages from these 2 modules can be read in the ELECTRICAL SYSTEM menu.

NOTE
<i>While downloading a new vehicle program in the CECM from a computer, the CAN network is temporarily interrupted and therefore a CAN reference appears in the telltale panel LCD display.</i>

4.3.2 Spare Can

A spare CAN network is installed between the front and the rear of the vehicle. It has connectors installed at each end to facilitate swapping from the regular CAN network to the spare CAN network. Refer to the vehicle wiring diagram and the section 4.2.3 for more information.

4.4 TEST MODE FOR SWITCHES AND SENSORS

The switch/sensor test mode provides useful information to diagnose problems complimentary to the electrical system diagnosis.

To enter this mode, activate the dashboard "Telltale Light Test" switch 3 times within 4 seconds. To exit the switch/sensor test mode, reactivate the test switch 1 time or turn OFF the ignition.

4.4.1 Information Available And Impact On The Functions In Switch/Sensor Test Mode

Telltale panel audible alarm emits a *beep* each time an OFF/ON transition is detected on a multiplex input. This allows quick verifying if the switches and sensors are detected or seen by the multiplex modules. When the vehicle is parked, the back-up alarm also emits a sound that allows verification of the sensors at the rear of the vehicle.

Certain inputs are doubled (ex. turn signal switch on multi-function lever, door operating buttons) and also other inputs activate at the same time (ex. kneeling switch and Kneeling proximity sensor switch). For these inputs, 2 *beeps* are

emitted. If only one *beep* is heard, one of the inputs is defective.

SWITCHES AND SENSORS SUPPORTED BY THE SWITCH/SENSOR TEST MODE
HVAC control unit driver's section ON/OFF
A/C door ajar open sensor
HVAC control unit driver recirculate switch
HVAC overhead compartment fan switch
HVAC control unit passenger's section ON/OFF
Engine ether start switch
Radiator fan clutch switch
Engine front start enable switch
Engine rear start enable switch
Engine ignition front switch
Engine ignition rear switch
Entrance door inside closing switch
Entrance door outside opening /closing switch
Entrance door electric window down switch
Entrance door electric window up switch
Electric horn button
Kneeling down switch
Kneeling up switch
Lavatory emergency switch
Interior lighting switch, 2 positions
Driver's area lighting switch
Reading lights switch
Multi-function lever LH turn signal
Multi-function lever RH turn signal
Fog lights switch
Hazard warning flashers switch
Multi-function lever courtesy blinkers switch
Headlights switch, 2 positions
Multi-function lever headlights beam toggle switch
Baggage compartment door lock/unlock switch
Tag axle signal
Wheelchair lift activation switch

Section 06: ELECTRICAL

Windshield lower wiper
Multi-function lever windshield wipers intermit.
Multi-function lever windshield wipers speed 1,2
Lower windshield wipers backup switch
Lower windshield washer switch
Upper windshield washer switch
Upper windshield wipers switch, 2 positions

The following inputs, either certain options or sensors which are difficult to activate, are not supported by the switch/sensor test:

- Low-Buoy switch,
- Starter Sensor,
- ABS Warning input,
- WCL switch,
- Driver's Power Window Switch (up & down),
- Fog Lights Switch,
- Alternator Sensors 1 & 2,
- Retarder Active Signal,
- Radiator fan speed 1 & 2 signals.

When in switch/sensor test mode, the A/C compressor HI and LO pressure values are displayed one after the other instead of the outside temperature in the telltale panel LCD display. This feature can be used when the vehicle is traveling to check the A/C compressor pressure values, but no *beep* can be heard.

In test mode, with the parking brake applied and the passenger set point set to a value higher than 64°F (18°C), the circulator pump is not set to OFF as it would normally do when the outside temperature gets above 50°F (10°C). This feature allows verification of the pump when inside a garage. This is also useful when working on the heating system to remove air pockets trapped in the system.

When performing an A/C cooling test and having the water pump shut off in switch/sensor test mode is required, just set the passenger set point temperature to the minimum 64°F (18°C) to shut off the pump.

4.5 TEST MODE FOR ELECTRIC MOTORS

The test mode allows testing the motors and electric contactors without the need to have the

engine running. Note that while in test mode, the engine cannot be started.

Prerequisite conditions for the motor test mode:

- A. The battery charger must be connected to a 110-120 volt power supply. If not, the test will be interrupted when the voltage drops below 24 volts,
- B. Engine not running,
- C. Parking brake applied,

⚠ WARNING ⚠

Before starting the test sequence, make sure nobody is working in the evaporator or condenser compartment.

NOTE

A delay of 15 seconds during which the back-up alarm will sound is introduced prior the test start to advise people that may be working on the vehicle.

To enter this mode:

- Activate the dashboard Telltale Light Test switch 3 times within 4 seconds;
- Push the ON/OFF button on the driver's side HVAC control unit 5 times (that makes 3 transitions from OFF to ON),
- A *beep* can be heard indicating the motor test mode has started.

Using the test mode:

During the entire test, the telltale panel audible alarm gives a signal each second to remind that the motor test mode is underway.

4.5.1 Test Sequence – Coaches only

1. Go to the condenser compartment. The condenser fans start at speed 1, then after a short pause, speed 2 activates.
2. The passenger's unit refrigerant solenoid valve activates.

Then 5 beeps can be heard from the back-up alarm to indicate to go to the engine compartment.

In the engine compartment, the sequence is as follows:

3. A/C compressor clutch activates 3 times.
4. Left compressor unloader activates 3 times.
5. Right compressor unloader activates 3 times.

6. Toilet fan motor starts.

5 beeps from the back-up alarm indicate to go to the radiator fan clutch.

7. Fan clutch is disengaged (fan can be turned freely by hand).
8. Fan clutch engages in speed 1 (fan can be turned by hand but with a certain resistance).
9. Fan clutch engages in speed 2 (cannot be turned but hand).

5 beeps from the back-up alarm indicate to go to the evaporator compartment.

In the evaporator compartment:

10. Evaporator fan motor runs at speed 1 for 3 seconds then runs at speed 2 for 2 seconds.
11. Hot water pump starts running for 5 seconds and hot water pneumatic valve cycles 3 times.

5 beeps from the back-up alarm indicate to go to the overhead storage compartment inside the vehicle.

Inside the vehicle:

12. The driver's HVAC unit refrigerant solenoid valve cycles 3 times and the hot water pneumatic valve cycles 3 times also.
13. Left and right overhead compartment fans start running one after the other for 5 seconds.
14. The upper windshield defroster (optional) starts running.

This ends the test. Activate the dashboard Telltale Light Test switch one time to leave the motor test mode.

4.5.2 Test Sequence – VIP With Central HVAC System

1. Driver's & passenger's unit fresh air damper opening. *[20 seconds delay]*
2. Go to the condenser compartment and check the fans. The condenser motors start at speed 1 for 3 seconds, then after a short pause, speed 2 activates. *[3 seconds delay]*
3. The passenger's unit refrigerant solenoid valve activates 3 times. *[10 seconds delay]*

Then 5 beeps can be heard from the back-up alarm to indicate to go to the engine compartment and main power compartment.

In the engine compartment, the sequence is as follows:

4. The main power compartment door fan starts running for 3 seconds (will not run if door is open). *[10 seconds delay]*
5. A/C compressor clutch activates 3 times.
6. Left compressor unloader activates 3 times.
7. Right compressor unloader activates 3 times. *[5 seconds delay]*
8. Radiator fan clutch is disengaged (fan can be turned freely by hand). *[3 seconds delay]*
9. Fan clutch engages in speed 1 (fan can be turned by hand but with a certain resistance). *[3 seconds delay]*
10. Fan clutch engages in speed 2 (cannot be turned but hand). *[10 seconds delay]*

5 beeps from the back-up alarm indicate to go to the evaporator compartment.

In the evaporator compartment:

11. Evaporator fan motor runs at speed 1 for 3 seconds then runs at speed 2 for 2 seconds.
12. Hot water pump starts running for 5 seconds and hot water pneumatic valve cycles 3 times. *[20 seconds delay]*

5 beeps from the back-up alarm indicate to go to the spare wheel compartment behind the reclining bumper.

Inside the spare wheel compartment:

13. Driver's unit refrigerant solenoid valve activates 3 times.
14. Driver's unit hot water pneumatic valve cycles 3 times.
15. Closing of the fresh air dampers.

This ends the test. Activate the dashboard Telltale Light Test switch one time to leave the motor test mode.

4.5.3 Test Sequence – VIP With Small HVAC System

1. Driver's unit fresh air damper opening. *[20 seconds delay]*

Then 5 beeps can be heard from the back-up alarm to indicate to go to the engine compartment and main power compartment.

In the engine compartment, the sequence is as follows:

Section 06: ELECTRICAL

2. The main power compartment door fan starts running for 3 seconds (will not run if door is open). [10 seconds delay]
3. A/C compressor clutch activated 3 times. [5 seconds delay]
4. Radiator fan clutch is disengaged (fan can be turned freely by hand). [3 seconds delay]
5. Fan clutch engages in speed 1 (fan can be turned by hand but with a certain resistance). [3 seconds delay]
6. Fan clutch engages in speed 2 (cannot be turned but hand). [10 seconds delay]

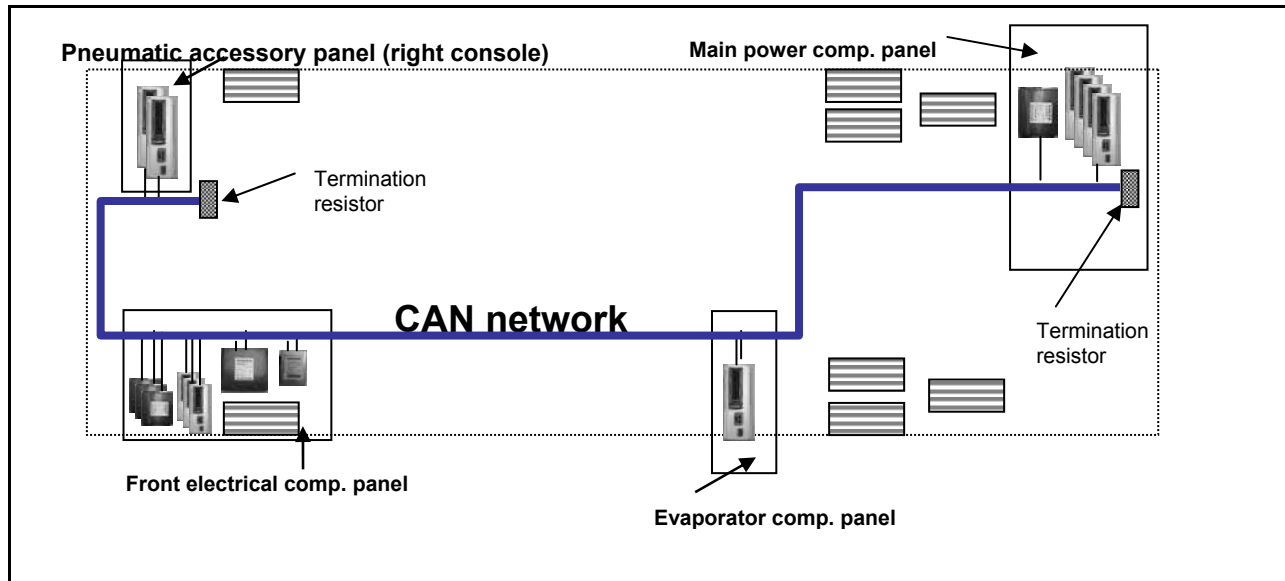
5 beeps from the back-up alarm indicate to go to the spare wheel compartment behind the reclining bumper.

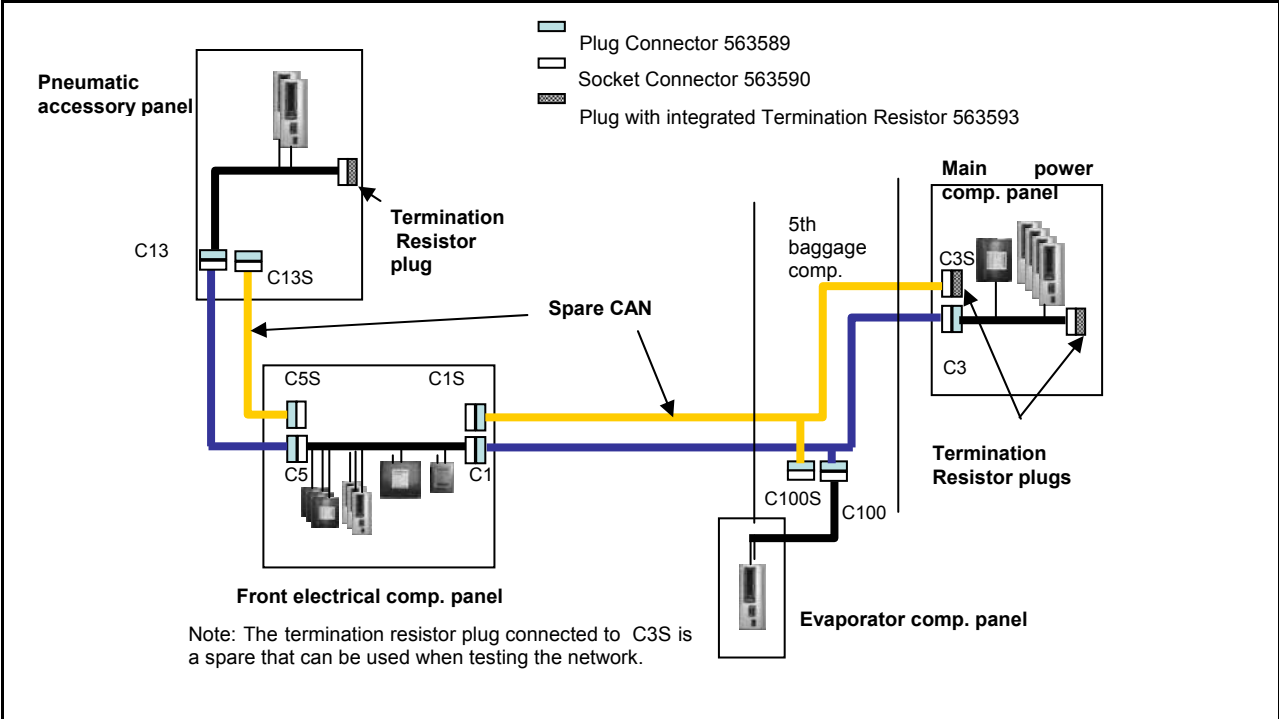
Inside the spare wheel compartment:

7. Auxiliary unit refrigerant solenoid valve activates 3 times. [10 seconds delay]
8. Hot water pump starts running for 5 seconds.
9. Driver's unit refrigerant solenoid valve activates 3 times.
10. Driver's unit hot water pneumatic valve cycles 3 times.
11. Closing of the fresh air dampers.

This ends the test. Activate the dashboard Telltale Light Test switch one time to leave the motor test mode.

4.6 CAN NETWORK LAYOUT AND TROUBLESHOOTING

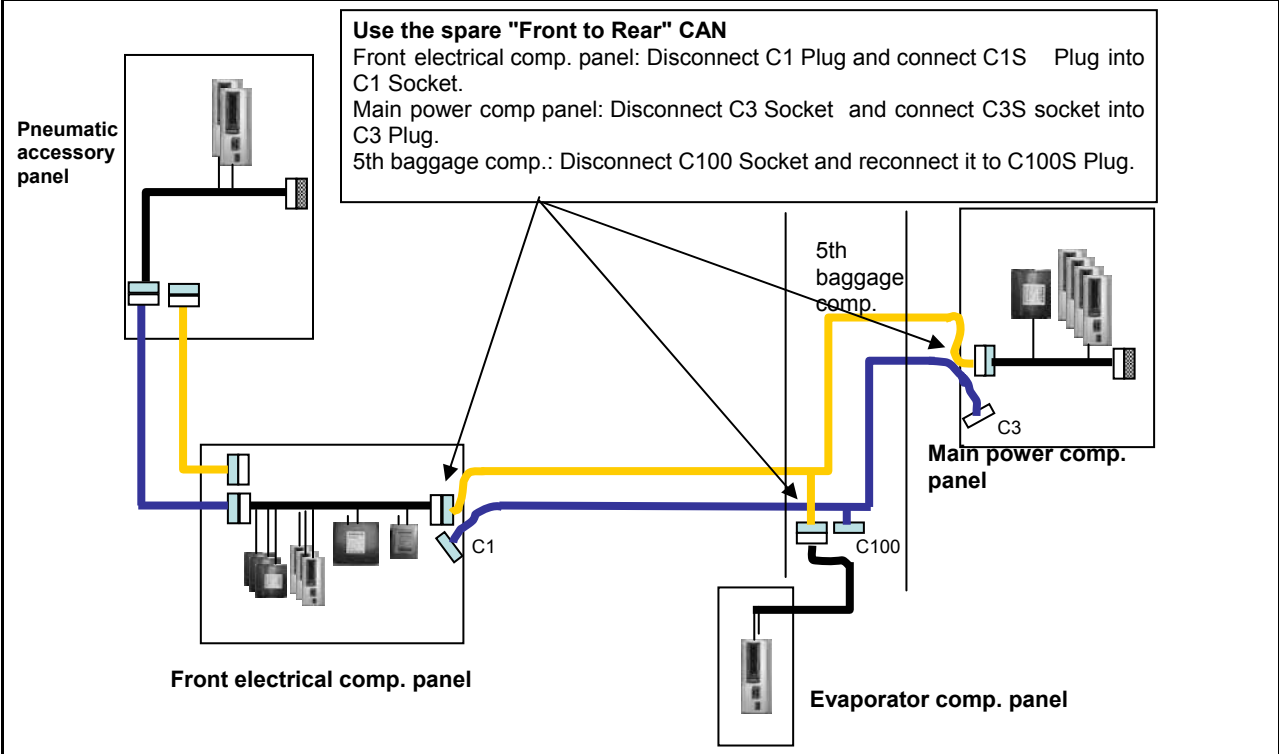




If all 14 modules (A41 to A54) are showed as Not Responding and Active Fault, the problem could be:

- A short circuit somewhere on the CAN network.
- The network is completely open circuit. That means none of the two termination resistors are connected.

Several simple tests can be done to locate the problem.



All modules including Wake-up modules and CECM have to be powered OFF prior to probe the CAN

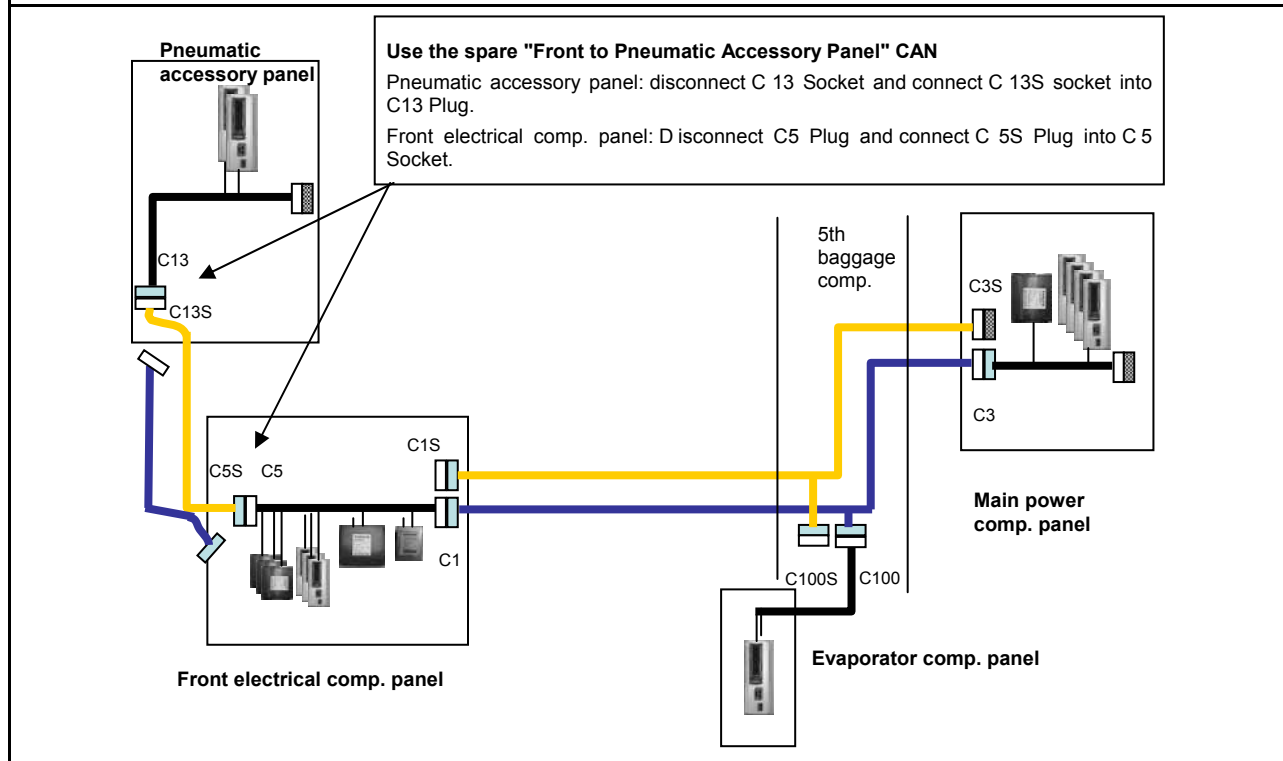
Section 06: ELECTRICAL

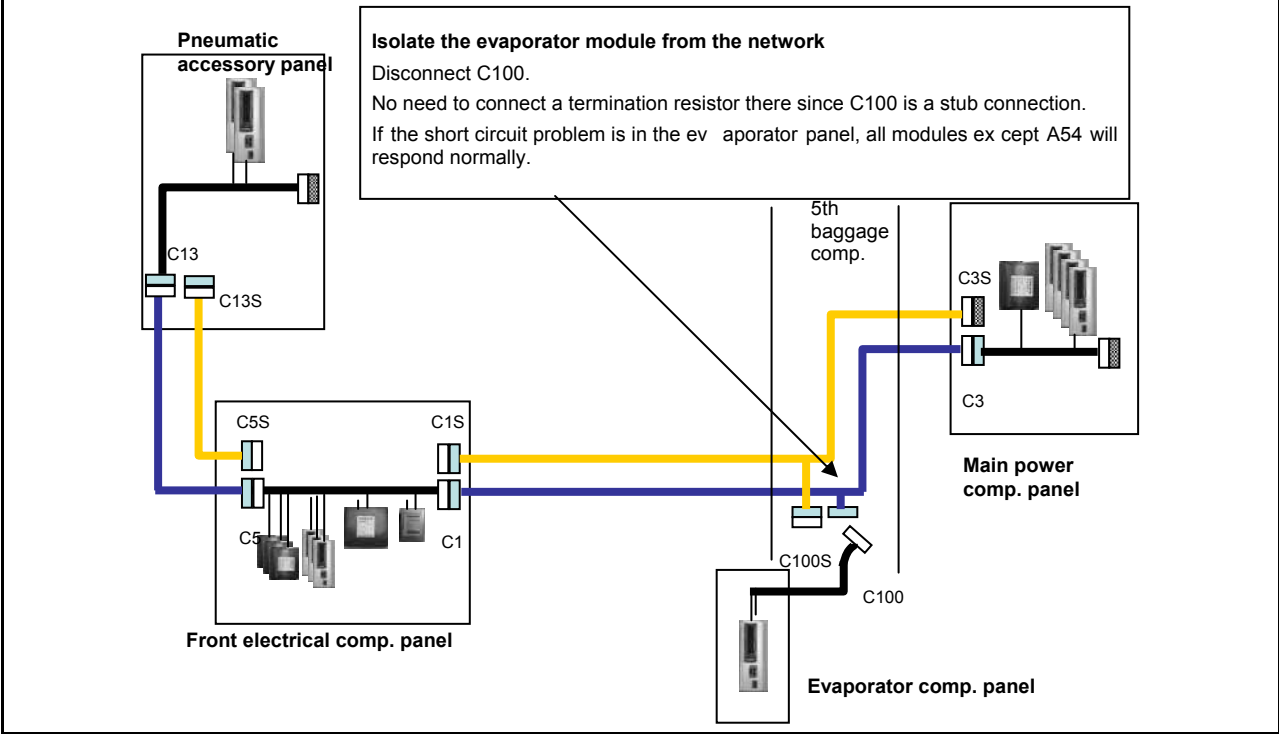
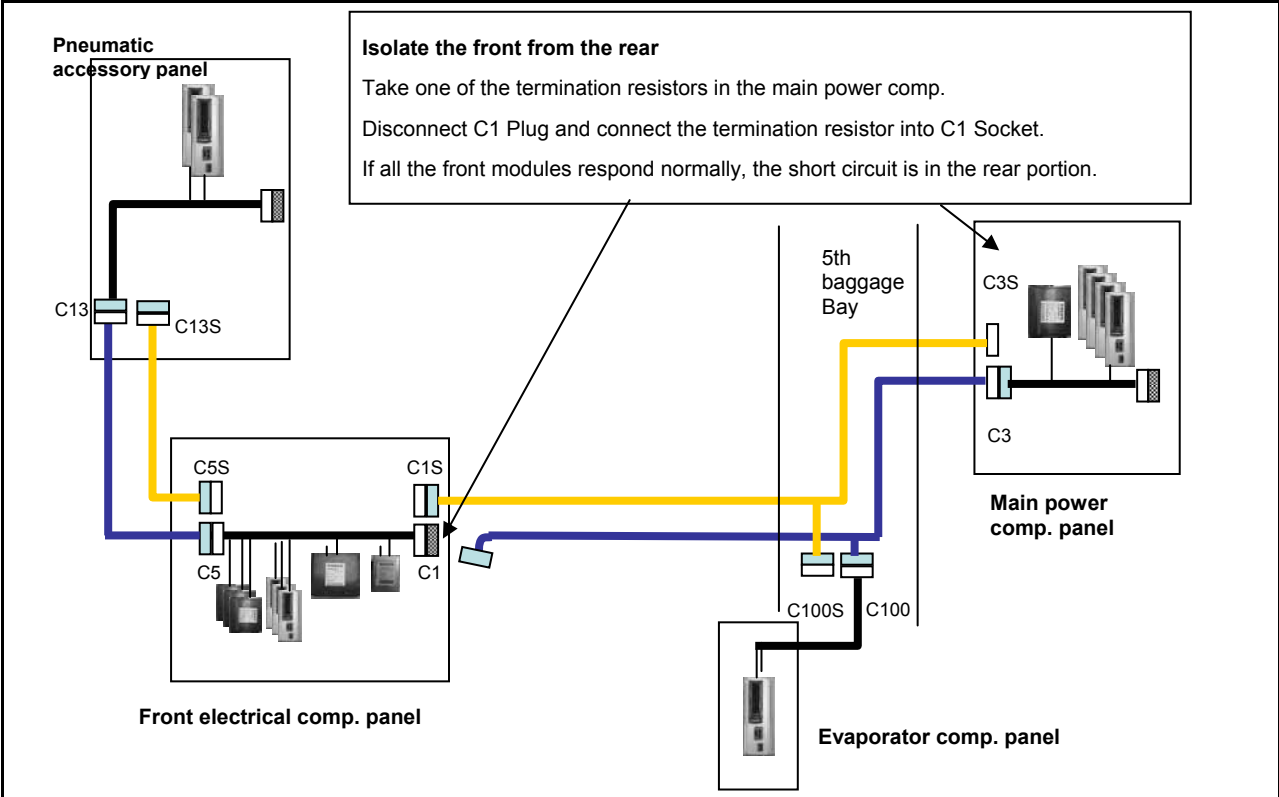
lines with an ohmmeter.

Probing the resistance between the CAN-H and CAN-L wire is a useful method to localise short circuits or open circuit on the CAN network. However, when doing so, make sure none of the modules connected to the CAN line are powered, including wake-up powered modules and battery direct supply module (CECM). Otherwise the measured value is invalid and will always show OL (Open Load). This is because the modules are applying a voltage on the CAN lines and this is fooling the ohmmeter.

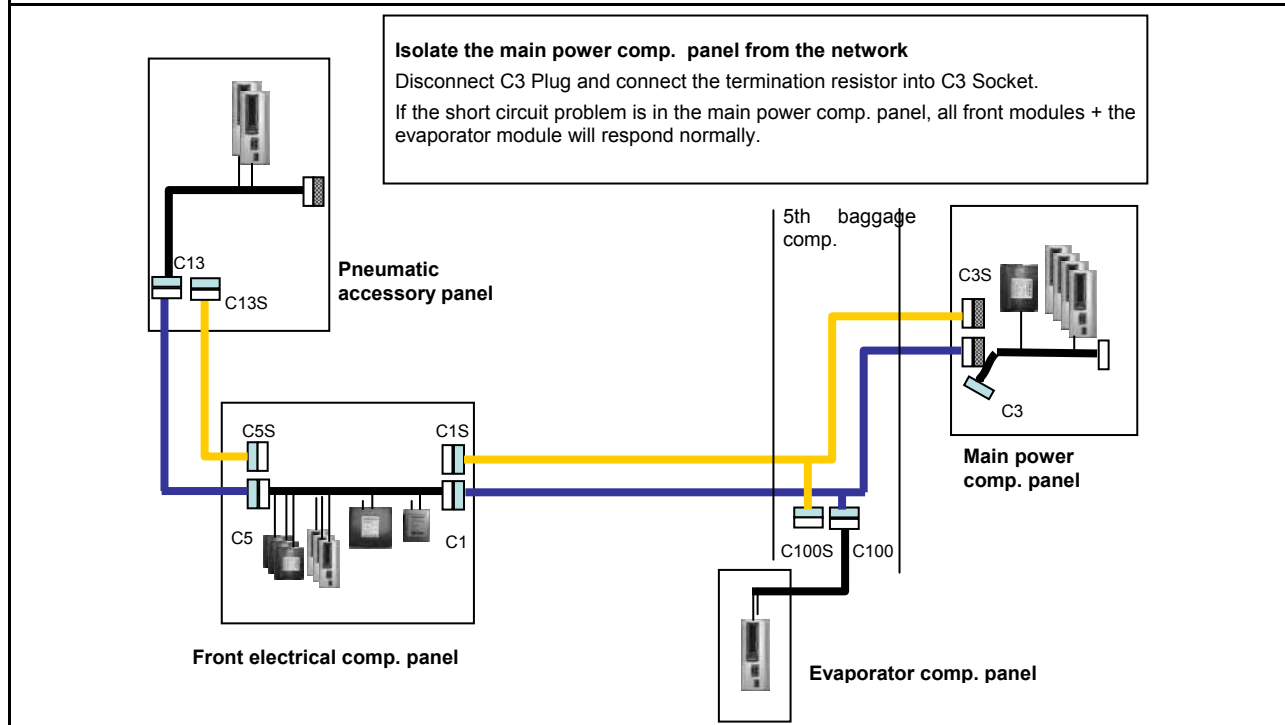
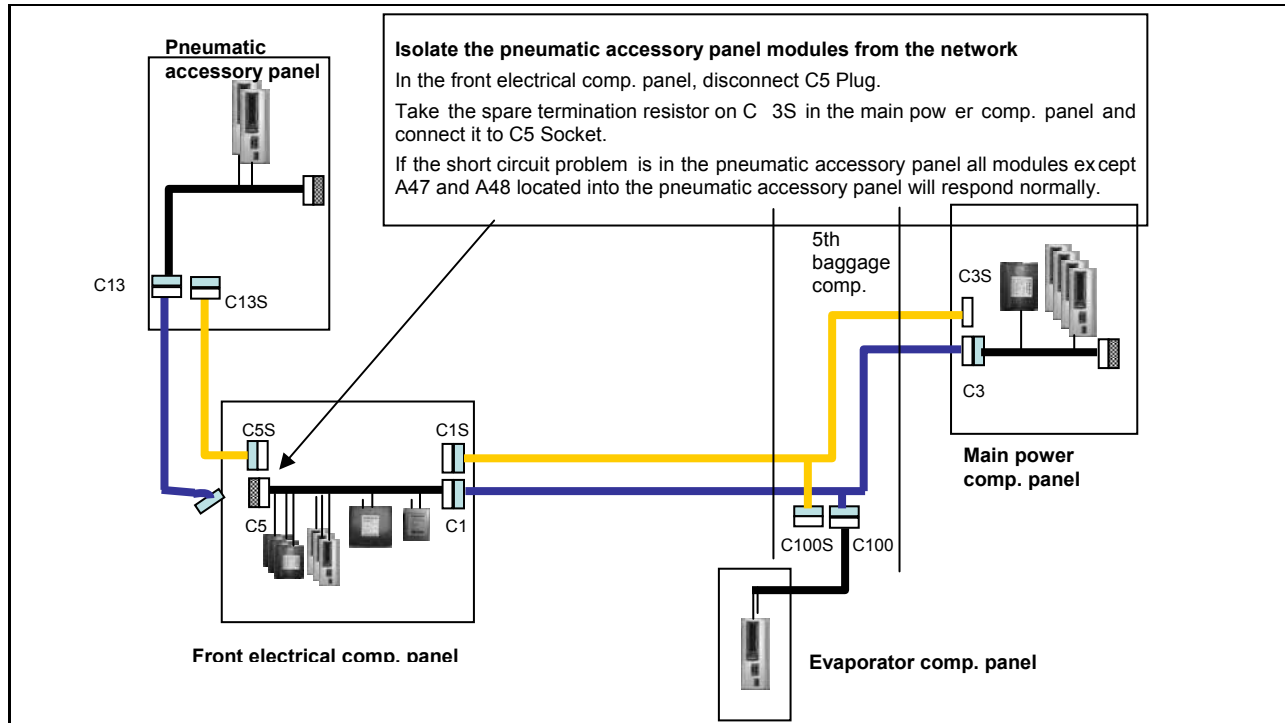
Proceed as follow when probing the CAN line with an ohmmeter in order to get a valid reading:

- Turn ignition key to the OFF position.
- Set the battery master switch to the OFF position to turn all Wake-up modules power to OFF.
- Trip circuit breakers CB2, CB4 and CB6 to remove direct battery power from the CECM.





Section 06: ELECTRICAL



CAN wires are not like other common electrical wires.

- Maintaining a proper wire twisting is important. The two yellow and green wires must be twisted and in close contact all along the network to maintain the transmission line impedance.
- A slack hand made twisting is not acceptable.
- There should be no more than 50 mm (2 inches) without twist at the connection points.

We recommend replacing the CAN harnesses instead of trying to repair them.

4.7 ROADSIDE TROUBLESHOOTING

Problem/Symptom	Probable Causes	Actions
Vehicle does not Start	Rear Start selector switch is not at the NORMAL position	1. Check that the rear start selector switch is flipped up to NORMAL start position and battery master switch is flipped up to ON and retry cranking
	Battery master switch in the battery compartment is at the OFF position (down)	2. Flip the rear start selector switch to "Rear Start" and start the vehicle from the rear
	<p>CAN network problem (Multiplex)</p> <p>Module A53 not powered or is defective</p> <p>Engine ECM does not receive the ignition signal</p> <p>Engine ECM is not powered</p>	<p>If the vehicle does not start from the rear:</p> <p>1. Verify that module A53 is powered:</p> <p>a) Check the SYSTEM DIAGNOSTIC menu of the message center display (MCD). Select FAULT DIAGNOSTIC and ELECTRICAL SYSTEM. The message "No Response ModA53, Active" indicates a power problem on the module or a CAN network problem.</p> <p>b) Check / reset circuit breaker CB5</p> <p>c) Check / replace fuse F65</p> <p>d) Probe gray connector on module to see if it is powered.</p> <p>2. Verify that the engine ECM is powered and get the ignition signal</p> <p>a) Check / reset circuit breaker CB8 Check / replace fuse F74</p> <p>b) Check / reset circuit breaker CB2 Check / replace fuse F78</p>

Section 06: ELECTRICAL

Problem/Symptom	Probable Causes	Actions
<p>None of the Multiplexed functions are operating, including the basic limp-home functions (door opening, flashers, wipers in speed 1)</p> <p>Three dashes “---“ appear in the telltale panel instead of the outside temperature</p> <p><i>Note: The sunshades are still functioning since these are not multiplexed</i></p>	<p>The program version in the CECM is different than the program in the I/O modules and the CECM is forcing all I/O modules to stay inactive</p>	<ol style="list-style-type: none"> 1. Engage the auto-programming of the I/O modules: Turn the ignition key to the OFF position, flip the battery master switch in the battery compartment to OFF and ON and then turn the ignition key ON. The letters CAN will appear in the telltale LCD panel for about 3 minutes Everything shall get back to normal once the letters CAN are replaced with outside temperature display 2. Try disconnecting the green connector on the CECM and reconnect 3. If step 1 and 2 are ineffective, try disconnecting the Master ID module completely and repeat step 1 4. Try disconnecting the CECM completely, leave it disconnected and see if the limp-home functions (start of the vehicle from the engine compartment, wipers speed 1, flashers, etc) are functioning
<p>Many secondary functions (not essential for driving) not functioning (interior lighting, driver's area lighting, wiper speed 2 and intermittent)</p> <p>Outside temperature display in the telltale LCD panel displays three dashes "---"</p> <p>Marker lights and clearance lights are turned ON when setting ignition to the ON position</p>	<p>The CECM module does not receive 24 V power</p> <p>The CAN network is not working. It could be caused by a short on the network, an open circuit, a problem with the CECM or the CECM being disconnected from the network</p>	<ol style="list-style-type: none"> 1. Check / reset circuit breaker CB6 (4th from the top on the right side column) Check / replace fuse F1 2. Operate in limp-home mode by starting the vehicle from the engine compartment (REAR START). All functions essential to drive are available <p>To close and lock the door, pull the door manually up to its closed position and it will lock by itself. The door opening button is still functioning</p>
<p>No temperature control in the passenger area</p> <p>Passenger temperature display indicates two dashes "--"</p>	<p>Problem with the temperature sensor located in the evaporator compartment air intake or the sensor wiring</p>	<ol style="list-style-type: none"> 1. Instruct the driver to manually control the temperature by playing with the passenger set point. Set above 22°C (72°F) to heat and below 22° C (72°F) to cool
<p>Entrance door does not open nor close using the control buttons</p>	<p>Module A47 is not powered or is faulty</p>	<ol style="list-style-type: none"> 1. Check the SYSTEM DIAGNOSTIC menu of the message center display (MCD). Select FAULT DIAGNOSTIC and ELECTRICAL SYSTEM. The

Section 06: ELECTRICAL

Problem/Symptom	Probable Causes	Actions
<p>Defroster fan not functioning</p> <p>Lower windshield wipers not functioning in speed 1 or intermittent</p>		<p>message "No Response ModA47, Active" indicates a power problem on the module. (A CAN network problem would show the same message but doesn't produce these symptoms).</p> <ol style="list-style-type: none"> 2. Check / reset circuit breaker CB6 3. Check / replace fuse F5 4. Probe gray connector on module to see if it is powered. 5. Use the air release valves near the entrance door and in the front service compartment to lock / unlock the door
<p>Lower windshield wipers not functioning in speed 1 or intermittent</p>	<p>No power on R23</p>	<ol style="list-style-type: none"> 1. Check / replace fuse F82
<p>HVAC condenser fans not functioning in speed 1</p>	<p>Circuit breaker CB12 was manually tripped and not reset</p>	<ol style="list-style-type: none"> 1. Check / reset circuit breaker CB12
<p>HVAC condenser fans not functioning in speed 2</p>	<p>Circuit breaker CB7 was manually tripped and not reset</p>	<ol style="list-style-type: none"> 1. Check / reset circuit breaker CB7
<p>Lower and upper windshield washer not functioning</p> <p>Upper windshield wiper not functioning</p> <p>Defroster fan is functioning but no heat or cooling available in the driver area</p>	<p>Module A46 is not powered or is faulty</p>	<ol style="list-style-type: none"> 1. Check the SYSTEM DIAGNOSTIC menu of the message center display (MCD). Select FAULT DIAGNOSTIC and ELECTRICAL SYSTEM. The message "No Response ModA46, Active" indicates a power problem on the module. (A CAN network problem would show the same message but doesn't produce these symptoms). 2. Check / reset circuit breaker CB1 3. Check / replace fuse F12 4. Probe gray connector on module to see if it is powered.
<p>Low beam headlights and front flasher on left side not functioning</p> <p>Electric horn not functioning</p>	<p>Module A45 is not powered or is faulty</p>	<ol style="list-style-type: none"> 1. Check the SYSTEM DIAGNOSTIC menu of the message center display (MCD). Select FAULT DIAGNOSTIC and ELECTRICAL SYSTEM. The message "No Response ModA45, Active" indicates a power problem on the module. (A CAN network problem would show the same message but doesn't produce these symptoms). 2. Check / reset circuit breaker CB2 3. Check / replace fuse F33 and F34 4. Probe gray connector on module to see if it is powered.

Section 06: ELECTRICAL

Problem/Symptom	Probable Causes	Actions
Low beam headlights and flasher on right side not functioning	Module A48 is not powered or is faulty	<ol style="list-style-type: none"> 1. Check the SYSTEM DIAGNOSTIC menu of the message center display (MCD). Select FAULT DIAGNOSTIC and ELECTRICAL SYSTEM. The message "No Response ModA48, Active" indicates a power problem on the module. (A CAN network problem would show the same message but doesn't produce this symptom). 2. Check / reset circuit breaker CB2 3. Check / replace fuse F33 and F34 4. Probe gray connector on module to see if it is powered.
Rear flashers not functioning Stoplights and high-mounted stoplight not functioning	Module A51 is not powered or is faulty	<ol style="list-style-type: none"> 1. Check the SYSTEM DIAGNOSTIC menu of the message center display (MCD). Select FAULT DIAGNOSTIC and ELECTRICAL SYSTEM. The message "No Response ModA51, Active" indicates a power problem on the module. (A CAN network problem would show the same message but doesn't produce this symptom). 2. Check / reset circuit breaker CB2 3. Check / replace fuse F80 4. Probe gray connector on module to see if it is powered.
Engine is overheating and radiator fan clutch does not engage The A/C compressor clutch does not engage	Module A52 is not powered or is faulty	<ol style="list-style-type: none"> 1. Check the SYSTEM DIAGNOSTIC menu of the message center display (MCD). Select FAULT DIAGNOSTIC and ELECTRICAL SYSTEM. The message "No Response ModA52, Active" indicates a power problem on the module. (A CAN network problem would show the same message but doesn't produce this symptom). 2. Check / reset circuit breaker CB5 3. Check / replace fuse F65 4. Probe gray connector on module to see if it is powered.
Evaporator fan not functioning	Circuit breaker CB3 tripped Module A54 is not powered or is faulty	<ol style="list-style-type: none"> 1. Check / reset circuit breaker CB3 2. Check the SYSTEM DIAGNOSTIC menu of the message center display (MCD). Select FAULT DIAGNOSTIC and ELECTRICAL SYSTEM. The message "No Response ModA54, Active" indicates a power problem on the module. (A CAN network problem

Problem/Symptom	Probable Causes	Actions
		<p>would show the same message but doesn't produce this symptom).</p> <ol style="list-style-type: none"> 3. Check / reset circuit breaker CB5 4. Check / replace fuse F67 , F68 5. Probe gray connector on module to see if it is powered.
HVAC condenser fans not functioning in speed 1	Module A54 is not powered or is faulty	<ol style="list-style-type: none"> 1. Check the SYSTEM DIAGNOSTIC menu of the message center display (MCD). Select FAULT DIAGNOSTIC and ELECTRICAL SYSTEM. The message "No Response ModA54, Active" indicates a power problem on the module. (A CAN network problem would show the same message but doesn't produce this symptom). 2. Check / reset circuit breaker CB5 3. Check / replace fuse F67 , F68 4. Probe gray connector on module to see if it is powered.
Sound system not functioning	Circuit breaker CB4 or CB11 was manually tripped and not reset	<ol style="list-style-type: none"> 1. Check / reset circuit breaker CB4 or CB11
Fire alarm telltale light and audible alarm always ON and there is no fire or high temperature in the engine compartment	Short-circuited fire sensor or defective sensor	<ol style="list-style-type: none"> 1. Prior to start the vehicle, cycle the ignition key to the ON position, OFF position and then ON position again and then start the vehicle. This will deactivate the fire alarm function. This has to be repeated each time the vehicle is re-started
The vehicle is parked and the electrical horn is activated to indicate a fire in the engine compartment but there is no fire	Short-circuited fire sensor or defective sensor	<ol style="list-style-type: none"> 1. Cycle the ignition key between the ON and OFF position twice within 3 seconds. This will deactivate the fire alarm function. This has to be repeated each time the vehicle is parked
A single light, a group of LED lights or another function of the vehicle is not functioning	The multiplex outputs are protected in current by an internal "soft-fuse". When an output is shorted, it turns OFF and stays OFF until the "soft-fuse" is reset	<ol style="list-style-type: none"> 1. Turn the ignition key to the OFF position and turn to the ON position again. This resets all "soft-fuses"
No backlighting in the instrument cluster	Circuit breaker CB10 is tripped or fuse F20 blown	<p>Check / reset circuit breaker CB10</p> <p>Check / replace fuse F20</p>
The radiator fan clutch does not function and the engine is overheating		<ol style="list-style-type: none"> 1. Set the ignition key to the ON position. 2. Activate the dashboard Telltale Light Test switch 3 times within 4 seconds.

Section 06: ELECTRICAL

Problem/Symptom	Probable Causes	Actions
		<p>3. In the engine compartment, set the starter selector switch to REAR START and then start the engine from the rear.</p> <p>While in this mode, the rear start push-button can be used to manually engage the fan clutch. The Multiplex system knows when the engine is already running, and it will not activate the starter.</p> <p>4. Press the push-button one time to engage the clutch to 1st speed, press a second time to engage to 2nd speed, press a third time to stop the fan, press once again to return to 1st speed.</p> <p>If the fan clutch does not engage using this procedure then the clutch is faulty or the wiring between the multiplex module and the clutch is faulty. Mechanically lock the fan clutch as described in section 05: COOLING SYSTEM of the maintenance manual.</p>

4.8 ESSENTIAL FUNCTIONS TO OPERATE THE VEHICLE

Even with a defective CECM (Chassis Electronic Control Module) or a CAN network problem, essential base functions are maintained to rear start the vehicle from the engine compartment and drive in a secure manner.

However, many secondary functions are lost. In this case, the following directives must be followed.

- Never connect a battery charger when the ignition is at the ON position on a vehicle with a CAN defective or certain functions will start up by themselves,
- Disconnect the charger before starting the vehicle, if not the default functions will not activate,
- If the default mode does not activate, try to turn the ignition OFF while ensuring that no charger is connected and then restart the vehicle.

4.8.1 Available Functions

- Startup: Turn on the ignition in the driver's area and rear start the vehicle from the engine compartment,

- Opening the door: Functions normally,
- Closing the door: Manually pull on the door and it will lock automatically,
- Windshield wipers: Wipers functions at 1st speed only,
- Windshield washer fluid: Lower windshield washer only,
- Headlights: Low beams only,
- Directional signals: Rear and front only,
- Stoplights: 2 upper stoplights + high-mounted stoplight are functional,
- HVAC: Functional with set point fixed at 70°F (22°C), evaporator and condenser fixed at speed 1, defroster fixed at speed 4.

4.9 LOWER PRIORITY MODULES FOR BREAKDOWN SERVICE

Modules A43 (IO-A) and A44 (IO-B) affect lower priority functions. These modules can therefore be used as spare parts for breakdown service while on the road.

Functions lost if A43 is removed and used as spare part:

- High beams,

- Ability to turn on the parking lights only,
- « Watch your step » sign,
- Driver's area lighting,
- Tag axle activation,
- Courtesy lights.

Functions lost if A44 is removed and used as spare part:

- Fresh air damper mix trap control,
- Driver's area and entrance overhead light,
- Front clearance lights.

4.10 MULTIPLEX MODULES

4.10.1 CECM

The CECM plays the role of interface between the engine ECM, the transmission ECU, the telltale panel module and other IO-A, IO-B modules. When a multiplex module is being replaced, the CECM will inform the new module of its role and function accordingly to the vehicle options.

4.10.2 MASTER ID

The Master ID works in conjunction with the CECM. It keeps the specific back-up program of the vehicle. So, a specific Master ID cannot be removed from a vehicle and installed on another vehicle.

4.10.3 IO-A

IO-A modules receive inputs and control outputs. IO-A's are used for all outputs of 1 amp or less.

4.10.4 IO-B

IO-B modules receive inputs and control outputs. IO-B's are used for outputs up to 30 amps.

4.11 MULTIPLEX MODULES REPLACEMENT

IO-A, IO-B and CECM multiplex modules can be replaced and reprogrammed without having to connect a computer to the vehicle.

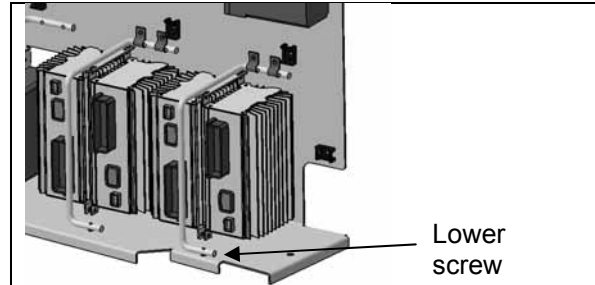


FIGURE 16: IO-B MODULE REMOVAL

4.11.1 Replacing IO-A Or IO-B Modules

- Set the ignition key to the ON position and leave it in that position at all time while performing this procedure.
- Inside main power compartment, trip circuit breaker CB6.
- Replace the module (for IO-B modules, disconnect the green connector first, then the grey one and finish with the black connector. To disconnect the black connector, slide downwards the red latch. Remove the lower screw that holds the cable attachment rod onto the floor portion of the panel and flip the rod up, this will relieve the IO-B module, see Figure 16).
- Reset circuit breaker CB6. This engages the automatic reprogramming.
- The telltale panel LCD display indicates "CAN" until the reprogramming is complete. Once completed, "CAN" disappears and the temperature reappears.
- Check the SYSTEM DIAGNOSTIC menu of the message center display (MCD). Select FAULT DIAGNOSTIC and ELECTRICAL SYSTEM. Verify the fault message to be certain the module is reprogrammed. If the module is not reprogrammed, the message « Axx Not Responding » appears where Axx is the module number (Ex: A41, A42...etc).

4.11.2 Replacing The CECM Module

- Set the ignition key to the ON position and leave it in that position at all time while performing this procedure.
- Inside main power compartment, trip circuit breaker CB6.
- Replace the module.
- Reset circuit breaker CB6. This engages the program transfer from the Master ID to the CECM module (the back-up program is inside the Master ID. The Master ID will identify the CECM as being new and will send the correct

Section 06: ELECTRICAL

program to it). The telltale panel LCD display indicates "CAN" during 3 minutes approximately. "CAN" disappears and "---" is displayed alternately with "CAN" (during that sequence, "---" will be displayed up to 6 times and the audible alarm will ring). Wait until "CAN" is replaced by "---" that remains for more than 10 seconds. At this point the MasterID module has finished loading the program in the CECM.

- Go to the main power compartment and trip circuit breaker CB6 once again. Wait 1 second and reset it. This engages I/O's modules automatic reprogramming.
- The telltale panel LCD display indicates "CAN" until the reprogramming is completed. Once completed, "CAN" disappears and the temperature reappears. Check the SYSTEM DIAGNOSTIC menu of the message center display (MCD). Select FAULT DIAGNOSTIC and ELECTRICAL SYSTEM. Check the error messages. All modules appear in error but are not active. If an active error appears for a module, this one was not reprogrammed. In this case, trip CB6 once again. Wait 1 second and reset CB6. Re-verify the error messages when "CAN" disappears from the telltale panel LCD display.
- Do an error reset to remove all errors (requires Password) from non-active modules, leave the SYSTEM DIAGNOSTIC menu and reopen to verify there are no more errors.

5. BOSCH ALTERNATOR

One or two 24-volt 140 amp., self regulated, belt driven, air-cooled BOSCH alternators may be used in the 24-volt electrical system (instead of the DELCO 24-volt 270 amp. alternator).

Change the brushes and the voltage regulator as per "Repair and Testing Instructions for T1 Alternator 0120 69 552" every 100,000 miles (160 000 fm) or once every two years, whichever comes first.

Replace bearings as per "Repair and Testing Instructions for T1 Alternator 0120 69 552" every 200,000 miles (320 000 fm) or once every four years, whichever comes first.

Refer to Bosh T1 Alternator Maintenance Manual Annexed at the end of this section.

5.1 TWIN BOSCH ALTERNATORS INSTALLATION

If the alternators needed to be removed, reinstall as follows. Refer to Figure 17 for installation and to figure 14 for tightening specifications:

1. Install alternator mounting bracket (1, Figure 17) to the gear case. Use the four flanged phosphor alloy bolts on the pulley end of the bracket and the flanged nuts at the transmission end of the bracket;
 2. Bolt the alternators to the bracket using the three inch bolt at the top of the upper alternator (2, Figure 17) and flanged bolts at the other mounting bosses (3 and 4, Figure 17). Tighten the bolts in the sliding sleeves (4, Figure 17) last as they will adjust to prevent breaking the alternator mounting bosses upon final tightening. Repeat for the second alternator;
 3. On the drive shafts of both alternators, install key, pulley, spring washer and nut. Tighten to 220 Lbf-ft (300 Nm);
- Note:** Final tightening of the pulleys can be performed once the belt is installed. This will help keep the pulley from turning when tightening.
4. Install the snubber bracket (5, Figure 17) using three flanged bolts. Do not tighten the adjustment bolts on the snubber until after final tightening;
 5. Install the compressor belt idler pulley (6, Figure 17) as shown. A stud inserts into one of the mounting holes of the pulley assembly. Fasten this one using a nut and bolts for the other two.

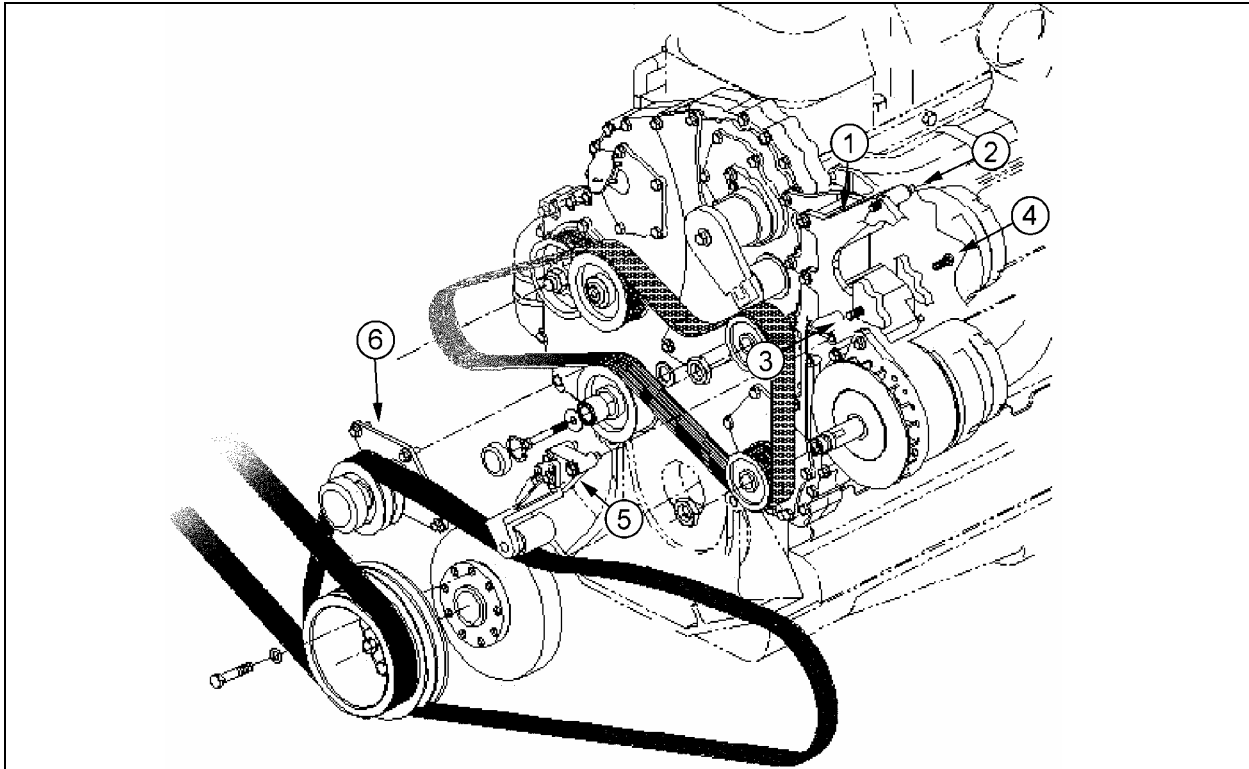


FIGURE 17: TWIN BOSCH ALTERNATORS INSTALLATION

01077

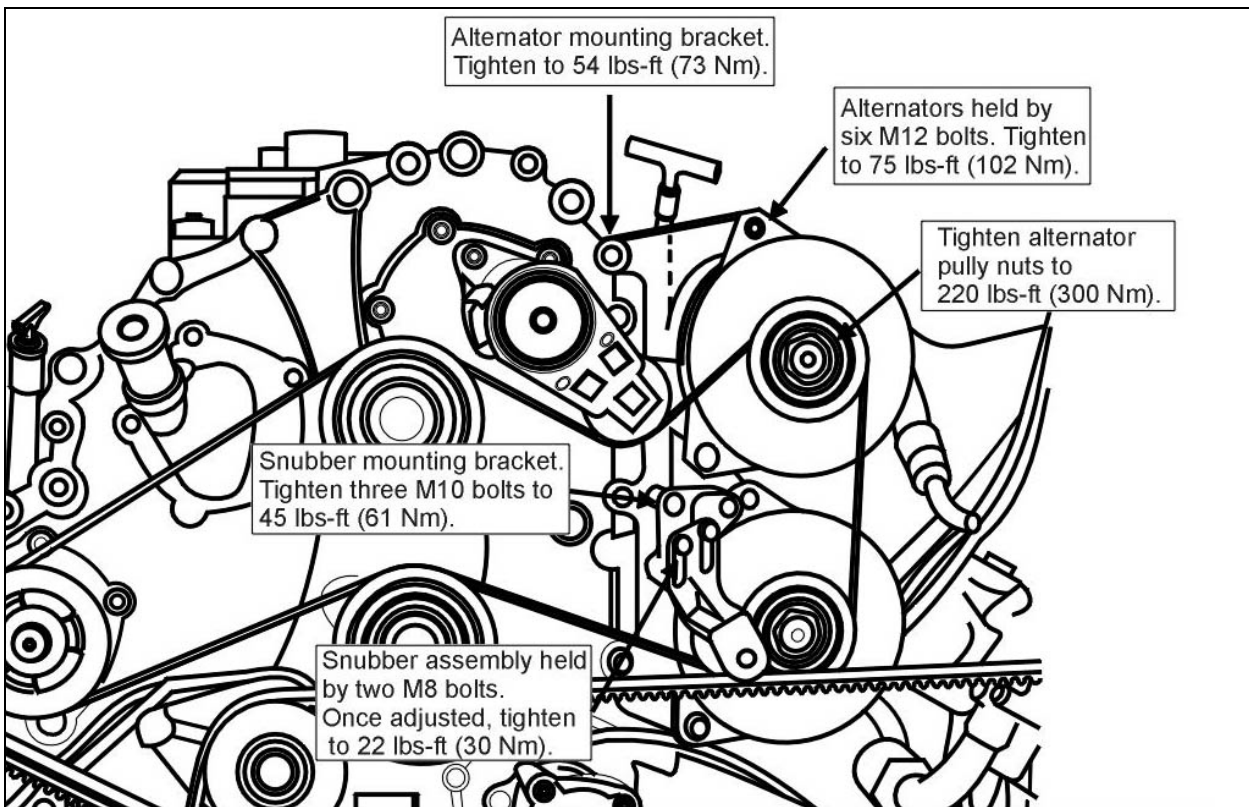


FIGURE 18: ALTERNATORS AND ACCESSORIES MOUNTING TORQUES

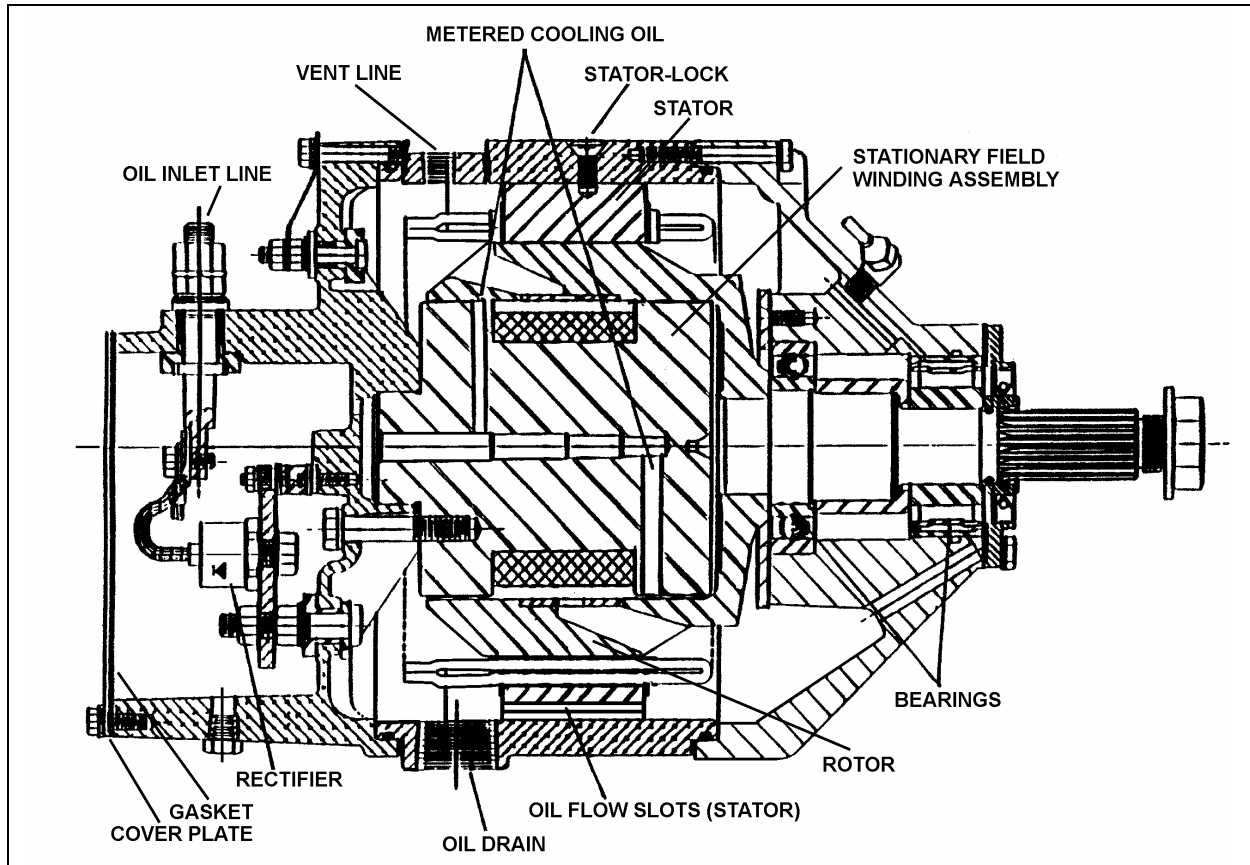


FIGURE 19: 50DN DELCO ALTERNATOR SECTIONAL VIEW

06493

6. DELCO ALTERNATOR

The 24-volt charging system consists of a belt driven, oil-cooled, brushless alternator, a 24-volt voltage regulator, an alternator relay and a 12-volt system that includes a 12-volt, 100 amp equalizer. The components used in this system are described under the applicable headings hereafter.

This oil-cooled alternator is self rectifying. All current carrying members, windings, built-in diodes, and field coils are stationary. The only moving component is the rotor. The alternator is a totally-enclosed unit, cooled and lubricated by engine oil. The oil inlet is on the diode end cover. The oil drains back into the engine crankcase through the drive end frame and drive adapter housing. This alternator should never be operated with the oil supply line disconnected. A

continuous flow of engine oil through the alternator lubricates the bearings and cools the assembly. Four terminals are used on this alternator: the DC output terminal, two field terminals, and a 12-volt relay terminal. The alternator output voltage is regulated by a separate 24-volt regulator that controls the alternator field current (Figure 19 and Figure 20).

NOTE

The relay coils connected to the alternator "relay terminal" SHOULD NEVER BE PROVIDED WITH A SUPPRESSOR DIODE as the output current at this terminal is not rectified, thus rendering relay inoperative.

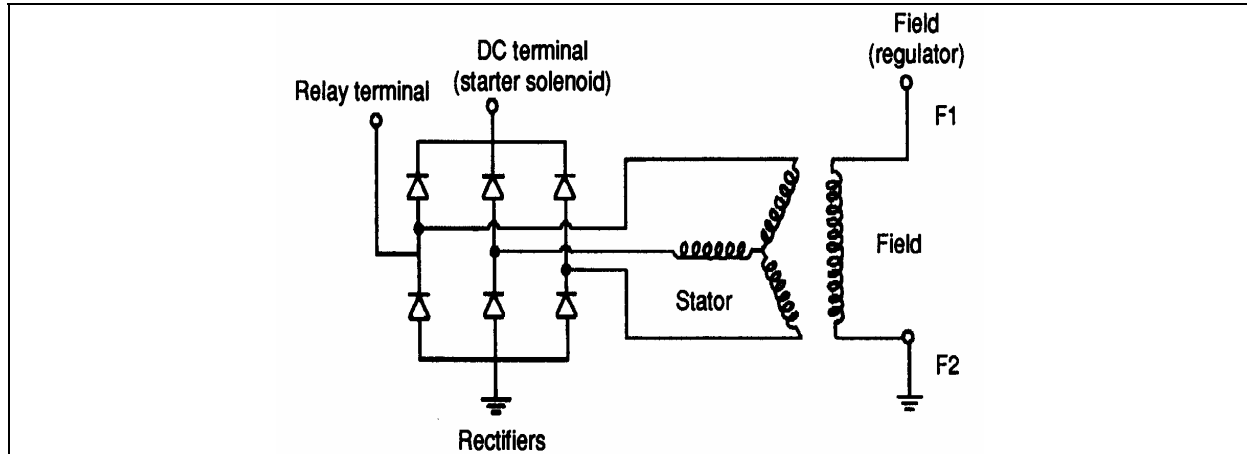


FIGURE 20: ALTERNATOR WIRING DIAGRAM (DELCO)

06067

⚠ CAUTION ⚠

The electrical system is **NEGATIVE GROUNDED**. Connecting the batteries or a battery charger with the positive terminal grounded will endanger the alternator diodes and vehicle wiring by a high current flow. Burned wiring harnesses and burned “open” diodes will result. Always ensure that the alternator and battery polarities are matched prior to installation. **THE ALTERNATOR WILL NOT REVERSE TO ACCEPT INVERSE POLARITY.** Also, do not ground or short across any of the alternator or regulator terminals.

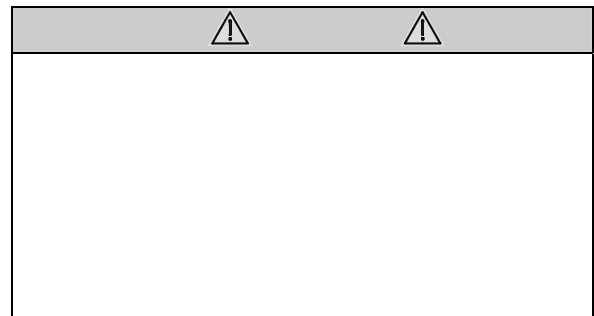
7. CHARGING SYSTEM TROUBLESHOOTING

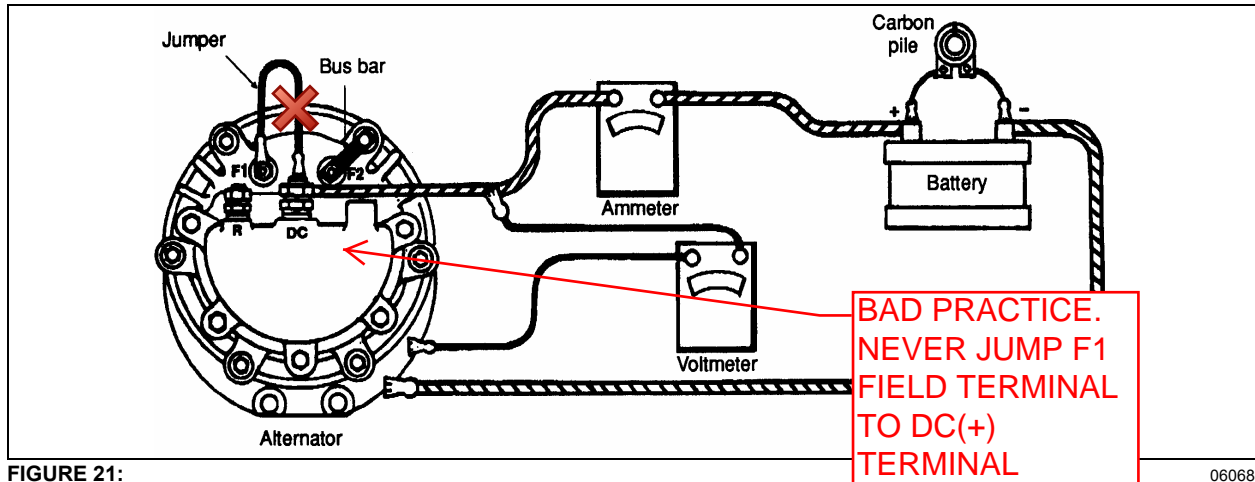
The troubleshooting of the charging system is made easier by the use of a 12 and a 24-volt voltmeter, “Battery”, “Battery balance” and “Battery Hi/Lo” telltale lights mounted in the dashboard (for location refer to the “Operator’s Manual”). The definition of each warning light is explained under the “ELECTRICAL SYSTEM MONITOR”

7.1 ALTERNATOR OR VOLTAGE REGULATOR

Since there are no brushes, slip rings, or rubbing seals, the alternator requires no periodic maintenance other than the following:

1. Check alternator-to-engine mounting bolts for looseness and tighten to the proper torque.
2. Check all electrical connections for tightness and corrosion. Clean and tighten connections as necessary. Be sure wiring insulation is in good condition and that all wiring is securely clipped to prevent chafing of the insulation.
3. With the engine running, listen for noise and check the alternator for vibration. If the alternator is noisy or vibrates excessively, it should be removed for inspection and repair.
4. Ensure that battery terminals are clean and tight.





7.2 ALTERNATOR DIAGNOSIS

⚠ CAUTION ⚠

Before checking the alternator, set to “OFF” the battery main disconnect switch.

It is not necessary to disassemble completely the alternator to make electrical checks. All electrical checks are made at the diode end of the assembly without having to remove the rotor, drive end frame or bearing. If the electrical components are not defective but bearing replacement is necessary, this can be done at the drive end without having to disassemble the diode end of the unit.

The components in the alternator that require electrical checks are the field winding, the six diodes, and the stator winding.

7.2.1 Diode Checks

Each diode may be checked for shorts and opens as follows:

1. Ensure the battery main disconnect switch is set to the “OFF” position.
2. Remove the pipe plug from underneath the end housing to drain the oil in the rectifier engine oil supply.
3. Remove the cap screws (7) and lock washers that attach the diode end cover to the end housing. Remove the end cover from the end housing.

NOTE

Do not operate the alternator unless this unit is completely reassembled.

4. Remove seal from the end housing, detach and remove “DC” and relay terminals, stud, insulating sleeves and O-rings.
5. Disconnect all diode flexible leads; i.e. three from the output terminal stud and three from the diode supports. See Figure 22 for more details.

Each diode may be checked for short or open circuits with an ohmmeter.

NOTE

The ohmmeter polarity may be determined by connecting its leads to the voltmeter leads. The voltmeter will read up-scale when the negative leads are connected together and the positive leads are connected together. The polarity of the voltmeter leads may be determined by connecting the leads to the identified terminals on a battery.

NOTE

Use an ohmmeter with a single 1.5-volt cell. Most accurate reading will be determined when the 300 ohms value is calibrated to the center one-third of the scale. DO NOT USE high voltage, such as a 110-volt test lamp to check diodes.

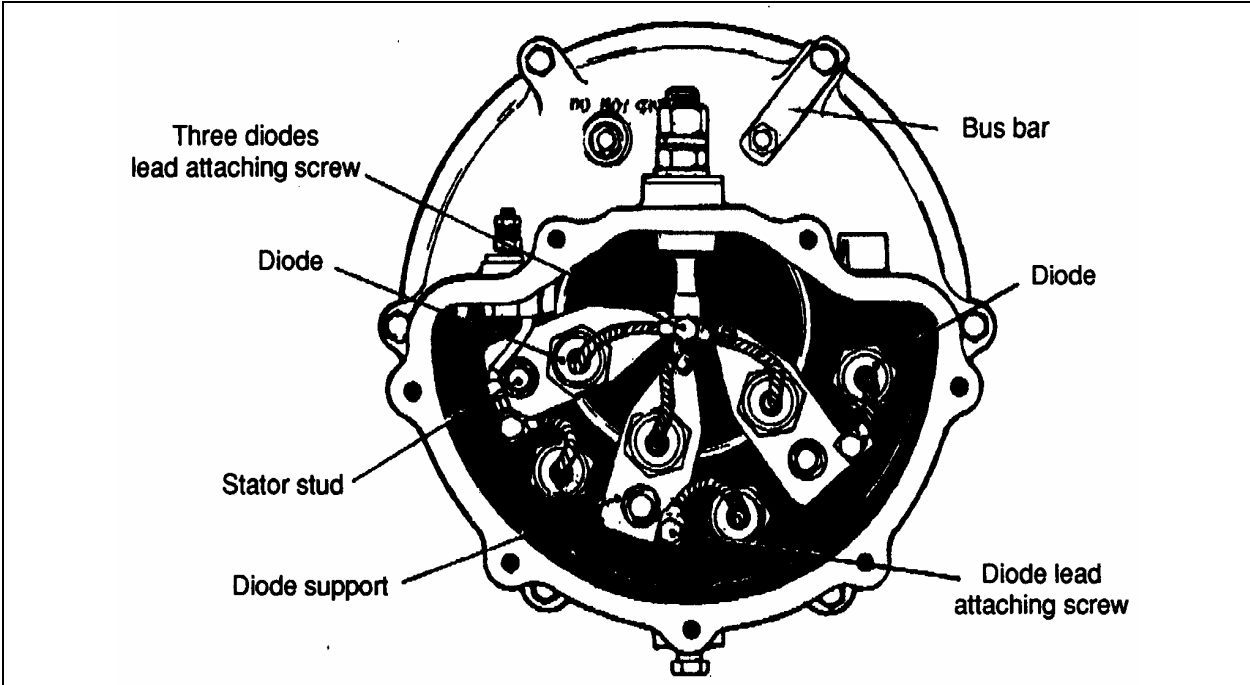


FIGURE 22: VIEW OF RECTIFIER END FRAME WITH COVER REMOVED

06069

To check diodes mounted in the supports for short fields, connect the positive ohmmeter lead to each diode lead and the ohmmeter negative lead to each support as shown in "A", "B", and "C" of Figure 23. To check diodes mounted in the end frame for shorts, connect the ohmmeter positive lead to each diode lead and the ohmmeter negative lead to the end frame as shown in parts "D", "E", "F". The ohmmeter readings may vary considerably when checking diodes for shorts, but if the reading is 300 ohms or less, the diode is probably defective and should be replaced. A diode that reads 300 ohms or less will allow excessive reverse current from the battery. Replace defective diodes as explained later in this section.

To check the diodes mounted in the diode supports for open fields, connect the ohmmeter negative lead to each diode lead and the ohmmeter positive lead to each support as shown in parts "A", "B", and "C" of Figure 24. To check the diodes mounted in end frame for shorts, connect the ohmmeter negative lead to each diode lead and the ohmmeter positive lead to the end frame as shown in parts "D", "E" and "F". An infinite resistance reading indicates an open diode. Diodes can be replaced by following the procedure outlined under "DIODE REPLACEMENT".

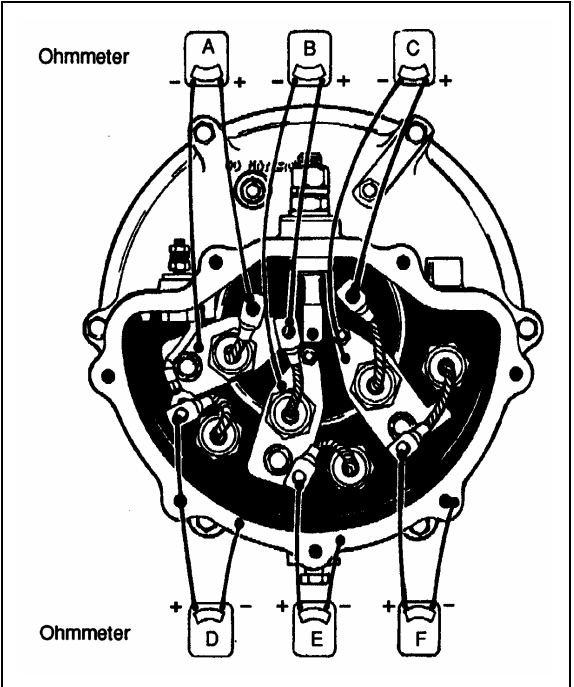


FIGURE 23: CHECKING DIODES WITH OHMMETER ON A TYPICAL OIL COOLED ALTERNATOR (END COVER REMOVED)

06070

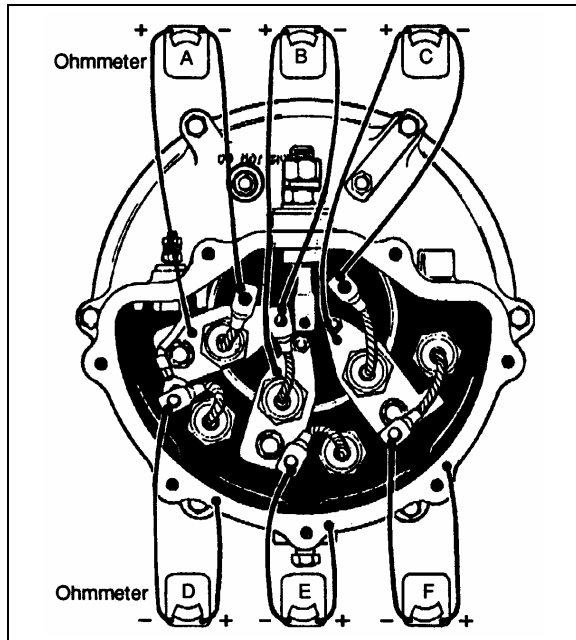


FIGURE 24: CHECKING DIODES WITH OHMMETER ON A TYPICAL OIL COOLED ALTERNATOR (END COVER REMOVED) 06071

When reinstalling diodes, torque to 9-11 lbf-ft (12-15 Nm). Re-stake next to the threads in an arbor press with an 1/8 inch (3,2 mm) round punch. Press the punch with gradual pressure. Do not strike as the shock may damage the diodes.

7.2.2 Field Winding Check

The field winding may be checked for shorts and opens with an ohmmeter. To check the field winding, connect the ohmmeter to field terminal and to ground. A resistance reading above normal indicates an open, and a reading less than normal indicates a short field. The normal resistance value is 3.0 to 3.3 ohms at 80 °F (27°C). An alternate method of checking is to place a battery of specified voltage, and an ammeter in series with the field winding. The current should register 7.2 to 8.3 amperes at 24-volt. Coil resistance is approximately 3.1 ohms. Amperage readings, other than the above, indicate an open, grounded, or shorted field. A defective field coil can be replaced by removing the end frame on which the field terminal is located and then removing the four field coil mounting screws. See FIELD REPLACEMENT” for a detailed procedure.

7.2.3 Stator Winding Check

The stator winding may be checked for open and short fields with an ohmmeter as follows:

Open Fields

Connect the ohmmeter leads to two pairs of diode supports as shown in parts "A", "B", and "C" of Figure 25. Correct polarity of the leads must be observed. The ohmmeter should indicate a low resistance. If an infinite or a high resistance is measured in either one or both checks, the stator windings are open.

Ground

To check the stator windings for ground, connect an ohmmeter to the diode support and diode end frame as shown in part "C" of Figure 25. The ohmmeter should indicate a very high or infinite resistance. If zero, or a very low resistance is measured, the windings are grounded.

Shorts

The stator windings are difficult to check for shorts without finely calibrated laboratory test equipment due to the very low resistance values of the windings. However, if all other alternator checks are satisfactory, yet the unit fails to perform to specifications, shorted stator windings are probable.

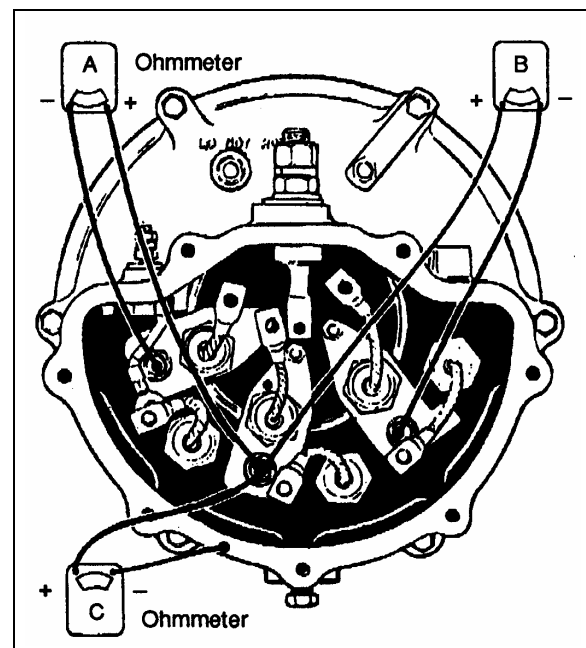


FIGURE 25: CHECKING STATOR WINDING FOR "OPEN" AND GROUND 06072

7.3 DIODE REPLACEMENT

The following replacement procedures are based on the assumption that the diode end

cover is still off and diode leads were disconnected as explained earlier in this section.

NOTE

When replacing a diode, make sure it is designed for a negative ground system. The diode can be identified by the symbol stamped on the diode case. The arrow must point toward the diode flexible lead.

To replace the three diodes that are mounted in the supports attached to the stator lead studs, it is necessary to remove the diode and support assembly. The two outer diode and support assemblies are identical and can be installed on either side. The center unit has a different support, with 2 inches (50,8 mm) between the mounting hole centers.

NOTE

The outer supports are provided with 2¼ inch (57, 15 mm) center holes.

7.3.1 Diode Replacement (In Support)

1. Remove nut with lock washer attaching the diode support to the stator lead stud.
2. Remove nut, lock washer, and flat washer attaching support to the small stud in the end frame.
3. Remove the diode and support assembly. Then remove insert from small hole in support or from small stud in the end frame.
4. Remove nut and flat washer from diode mounting stud, then remove diode from the support.
5. Place a new diode in the support and install a flat washer and nut on the diode mounting stud. Hold the diode with a wrench placed over flats on the diode, while tightening nut on the mounting stud to a torque of 160-180 lbf-in (18-20 Nm).
6. Place diode and support assembly over the stator lead stud and the small mounting stud. Place insert over small stud inside the hole in the support. Install flat washer, lock washer, and nut on the small stud, and tighten to a torque of 22-25 lbf-in (2-3 Nm). Install nut with lock washer on stator lead stud and tighten firmly.

7.3.2 Diode Replacement (In End Frame)

To remove diode, use a thin 1 inch open end wrench on flats of the diode case to unscrew diode from the end frame. Thread the new diode

into the end frame and tighten to a torque of 160-180 lbf-in (18-20 Nm). If no other parts are to be replaced, refer to "DIODE END COVER INSTALLATION" in this section.

7.4 FIELD REMOVAL

1. Remove three diode and support assemblies from the end frame to provide access to the two lower field to end frame bolts.
2. Remove nut with lock washer and flat washer from three stator lead studs.
3. Remove the six bolts and lock washers attaching the diode end frame to the stator frame.
4. Separate the end frame from the stator frame, and remove the end frame and field assembly from the rotor while pushing the stator lead studs out of the end frame.
5. Remove nut, lock washer, flat washer, and insulating washer which secure the field lead terminal stud in the end frame. Push the stud out of the end frame.
6. Remove field terminal stud insulating bushing and seal from the end frame. Remove insulating sleeve from the field terminal stud.
7. Remove the four bolts and lock washers attaching the field to the end frame.
8. To separate the field from the end frame, install four 3/8-24 x 3 inch bolts in place of the 3/8-24 x 2 inch bolts removed in step 7. Thread bolts in to even heights. Support the end frame in an arbor press. Then, using a suitable press plate to exert pressure on all four bolt heads, press the field out of the end frame.

7.5 FIELD INSTALLATION

1. Position the field assembly on the end frame. Insert four 3/8-24 x 3 inch bolts through the end frame and thread into the field to keep holes aligned.
2. Support the end frame on an arbor press bed so that the diodes will not be damaged, and press the field into the end frame. Press in until shoulder on field coil bottoms against the end frame.
3. Remove the four guide bolts. Install four 3/8-24 x 2 inch bolts, using new lock washers to

Section 06: ELECTRICAL

attach the field to the end frame. Tighten bolts securely.

- Place insulating sleeve in inner side of the field terminal stud hole in the end frame, and insert the terminal stud through the sleeve. Place two O-rings and insulating bushing over the terminal stud and push into hole in the end frame. Install insulating washer, flat washer, toothed lock washer, and nut on terminal stud. Tighten firmly.
- Install each stator lead stud in the end frame as follows: Place insulating washer over the stud and insert the stud through the end frame. Place the insulating bushing over the stud and position in end frame hole. Install flat washer, lock washer, and nut on the stud. Tighten firmly.
- Install three diode and support assemblies on the end frame as previously directed under "DIODE REPLACEMENT".
- Install a new seal in notch around end of the stator frame. Insert field into the rotor and position the end frame against the stator frame. Attach end frame to the stator frame with six bolts and lock washers. Tighten bolts firmly.
- If no other parts require replacement, refer to "DIODE END COVER INSTALLATION" in this section to complete the assembly.

7.6 STATOR REPLACEMENT

If tests performed under "Stator Winding Checks" earlier in this section indicated an open circuit or short in the stator, the stator and frame assembly must be replaced.

7.6.1 Removal

- Remove diode end frame and field assembly as previously directed in steps 1 through 4 under "Field Removal".
- Remove the six bolts and lock washers attaching the stator frame to the drive end frame.
- Separate the stator frame from the drive end frame and remove the stator frame from the end frame and rotor.

7.6.2 Soldering Stator Terminal Leads

- Using a wire brush, thoroughly clean the wire and terminal.

- Silver solder the stat or lead to the terminal using a torch.
- Thoroughly clean the silver solder connection with a wire brush.
- Using a high grade energized rosin flux, coat the silver soldered connection with a 80-20 tin-lead solder or pure tin solder to prevent deterioration of the silver solder by engine oil.

NOTE

The silver solder will provide the required mechanical strength, which will not be affected by temperature. The tin-lead solder will protect the silver solder connection from deterioration by engine oil.

7.6.3 Installation

- Position new seal in notch around the drive end of the stator frame.
- Position the stator and frame assembly over the rotor against the drive end frame. Attach the stator frame to the drive end frame with six bolts and lock washers. Tighten bolts firmly.
- Install diode end frame and field assembly as directed in steps 5, 6 and 7 under "installation".
- Install rectifier end cover as directed later.

7.7 DIODE END COVER INSTALLATION

- Make sure all diodes are properly installed and securely tightened. Leads from diodes threaded into the end frame must be securely attached to the diode supports. The relay terminal lead must also be attached to the left diode support.
- Connect leads from the three diodes mounted in supports to the output terminal stud. Tighten the attachment screw firmly. Place insulating bushing over relay terminal stud.
- Place a new seal in the diode end frame.
- With the end cover in place against the end frame, install the cap screws and lock washers. Tighten the cap screws evenly and firmly.
- Make sure the drain plug is installed in bottom of the end cover and securely tightened.

7.8 ALTERNATOR REMOVAL (DELCO)

1. Place "Starter Selector Switch" in engine compartment to the "OFF" position.
2. Place the battery main disconnect switch to the "OFF" position.
3. Remove alternator drive belt (see "7.9 ALTERNATOR DRIVE BELT").

NOTE

When reinstalling drive belt, it is important to set the belt tension correctly. (refer to the appropriate heading later in this section).

4. Scratch off protective sealer from electrical connections (relay, field and positive terminals). Refer to Figure 26.

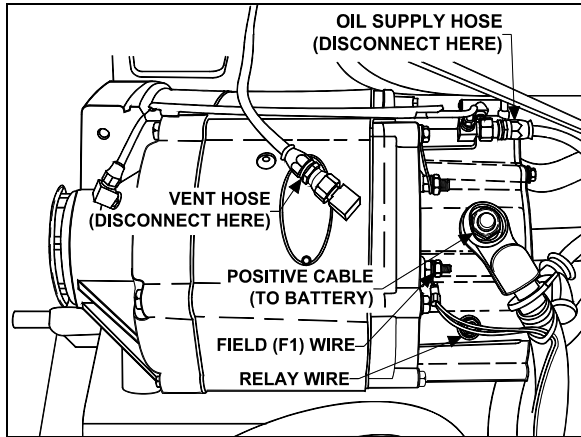


FIGURE 26: ALTERNATOR (HOSES AND WIRES) 06073

NOTE

After reconnecting electrical wires, it is important to cover terminals with protective sealer (Prévost #680745).

5. Disconnect wire #25 from the relay terminal, wire #107 from the field "F1" terminal and disconnect battery cable from the positive "+" terminal on the diode end cover. Tag wires removed to ease identification at time of installation. Refer to Figure 26.
6. Disconnect oil supply line and vent hose from top of alternator (Figure 26) and tape lines to prevent entry of foreign matter. Disconnect oil drain hose from bottom of alternator (Figure 27) and tape line to prevent entry of foreign matter.
7. Remove the four bolts and lock washer retaining alternator (Figure 27).

WARNING

Alternator weights approximately 154 lbs (70 kg). Another person is required to take the alternator out of engine compartment.

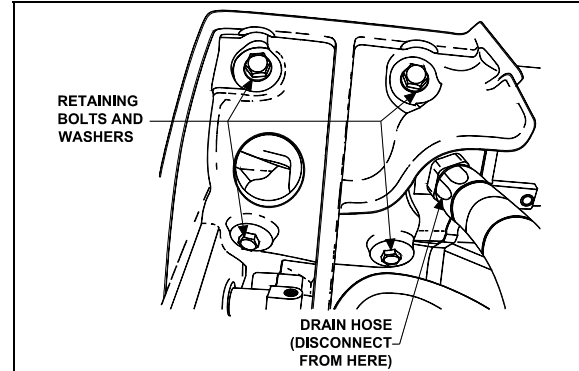


FIGURE 27: ALTERNATOR RETAINING BOLTS AND WASHERS 06350

7.8.1 Disassembly Of Alternator

After diode, field and stator winding checks, the alternator can be disassembled to repair a faulty component, such as field or stator, or to proceed with bearing or rotor replacement. Perform the following steps to disassemble the alternator:

1. Remove nuts and washers from "DC" terminal on diode end frame.
2. Separate the diode cover plate from the diode end frame by removing the mounting screws.
3. Remove the washer, nut and lock washer attaching the diode supports to the end frame, the three screws connecting the diode leads to the diode supports, and the three nuts which attach the stator studs to the diode supports.
4. Separate the diode support assemblies from the diode end frame, and the three nuts that connect the studs to the diode end frame.
5. Mark the position of the drive end frame and diode frame with respect to the stator assembly so that the parts can be reassembled in the same position.
6. Detach the diode end frame and field assembly from the stator assembly by removing the attachment screws.
7. Separate the field assembly from the diode end frame by removing the four attachment screws.

Section 06: ELECTRICAL

8. Separate the rotor assembly and drive end frame from the stator assembly by removing the attaching screws.
9. Remove the shaft nut and washer, and the pulley. Press the rotor shaft out of the drive end frame.
10. Remove the retainer plate and pull the bearings from the drive end frame.

7.8.2 Alternator Cleaning And Inspection

Whenever the alternator is disassembled, it should be cleaned and inspected.

Cleaning

If sludge has accumulated on the stator, a light mineral oil should be used to clean it.

Inspection

When the alternator has been disassembled to the extent that the stator is exposed, the stator should be checked for the following:

- a) Adequate varnish.
- b) Proper spacing of conductors so that "near shorts" do not exist.
- c) Proper phase lead placement.
- d) Strong conductor and cross-over welds.

7.8.3 Bearing Or Rotor Replacement

Whenever the rotor and drive end frame are disassembled for any reason, the single-row ball bearing must be replaced with a new one due to the probability of damage during disassembly.

Removal and Disassembly

1. If the pulley was not removed from the rotor shaft at time of alternator removal, remove the nut and flat washer from the shaft and pull the pulley off the shaft.
2. Remove the six bolts and lock washers attaching the drive end frame to the stator frame. Separate the drive end frame from the stator frame. Remove the drive end frame and support assembly.
3. Support the drive end frame in an arbor press so that the rotor can be pressed down out of the end frame. Using a suitable adapter against the end of the rotor shaft that will pass through the inner race of the double-row ball bearing, press the rotor down out of the end frame and bearings.

Since the single-row bearing outer race is held in the end frame by the retainer plate, and the inner race is a press fit onto the rotor shaft, the bearing will probably be damaged when the shaft is pressed out and need to be replaced with a new part.

4. Remove the six screws attaching the bearing retainer plate to the drive end frame. Remove the retainer plate, the single-row bearing and the bearing spacer from the end frame.
5. Support the drive end frame in an arbor press with the double-row bearing down, so that the bearing can be pressed down out of the end frame. Using a suitable driver that will exert a force on the bearing outer race, press the bearing out of the end frame.
6. Remove the rubber bearing clamp from groove in the end frame.

Assembly and Installation

1. Install a new single-row ball bearing into inner side of the drive end frame. Install the bearing retainer plate and attach with six screws. Stake screws in place after tightening.
2. Position the rubber bearing clamp in the groove in bearing bore of the drive end frame. Lubricate the clamp to permit the bearing to be pressed in without dislodging or damaging the clamp.
3. Position the rotor in an arbor press with the shaft end up. Install the drive end frame and single-row bearing assembly over the rotor shaft. Using a driver over the rotor shaft, which will exert a force on the bearing inner race, press the bearing onto the shaft until it bottoms against the rotor.
4. Install bearing spacer over the rotor shaft. Position the double-row bearing over the rotor shaft at end frame bore. Using an adapter that will exert a force on both the inner and outer races of the bearing, press the bearing onto the shaft and into the end frame until the inner race bottoms against the bearing spacer.
5. Place a new seal around the drive end of the stator frame.
6. Insert the rotor between the stator and field, and position the drive end frame against the stator frame. Attach the end frame to the

stator frame with six bolts and lock washers. Tighten the bolts to a torque of 5 to 5.4 lbf-ft (6-7 Nm).

⚠ CAUTION ⚠

When replacing the alternator on the vehicle, ensure that an alternator with the proper drive ratio is used. Installation of an alternator with any other drive ratio will result in severe and costly damage to the alternator and engine.

7.8.4 Alternator Reassembly

Reassembly is the reverse of disassembly.

Note: When tightening the outside nut on the "DC" output terminal, torque the nut to 30-35 lbf-ft (41-47 Nm). The lower nut should be supported while doing so.

When reinstalling diodes, tighten to a torque of 9-11 lbf-ft (12-15 Nm).

7.8.5 Output Check

When removed from the engine, the alternator may be checked without circulating oil on a test bench, providing the output is limited to 100 amperes or less. The alternator may be bench tested without circulating oil at outputs exceeding 100 amperes, as long as the period of operation is limited to less than 15 seconds.

⚠ CAUTION ⚠

Operating the alternator at outputs greater than 100 amperes without adequate oil circulation for periods exceeding 15 seconds, will cause the alternator to overheat, resulting in damage to the winding and diodes.

If the alternator is to be operated at an output greater than 100 amperes for longer than 15 seconds, circulating oil must be provided. SAE 30 engine oil must be applied to the connection on the diode end cover at a pressure of 35 psi and at a temperature of 60 °F to 220 °F (16 °C to 104 °C). This will provide an oil flow of about one gallon per minute.

To check the alternator on a test bench, make electrical connections as shown in Figure 24. Make sure the negative battery terminal is connected to the alternator frame.

7.9 ALTERNATOR DRIVE BELT

Removal

1. Insert a $\frac{3}{4}$ inch socket drive into one of the tensioning arm opening (Figure 28).

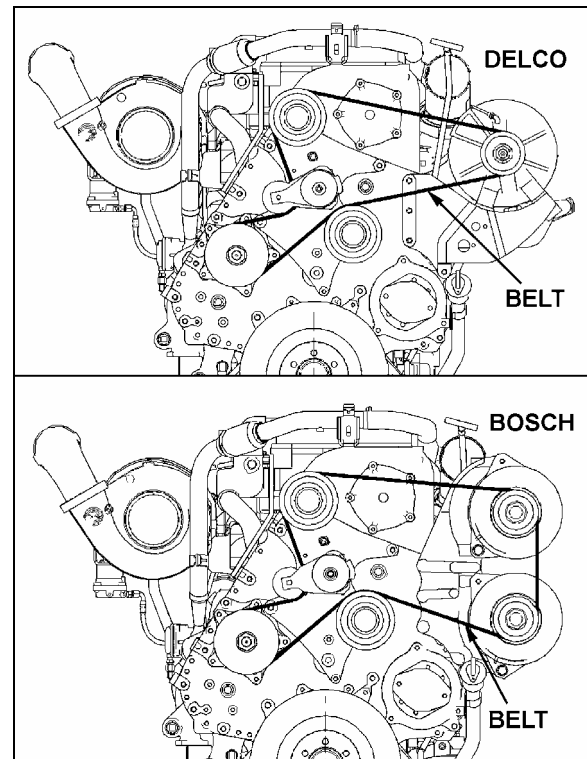


FIGURE 28: ALTERNATOR DRIVE BELT

06342

2. Twist the tensioning arm to slacken belt.
3. Remove belt.

Installation

Installation of the alternator drive belt is the reverse of removal.

7.9.1 Adjustment

Correct belt tension is required to maximize belt life. The tensioning arm maintains proper belt tension, no adjustment is required.

Check for wear and proper tension every 6,250 miles (10 000 km) or twice a year, whichever comes first.

8. VOLTAGE REGULATOR (DELCO)

The 24-volt regulator (Delco) is located in the main power compartment.

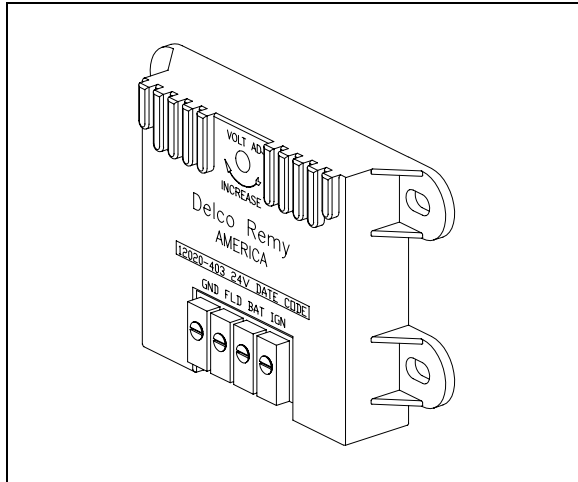


FIGURE 29: VOLTAGE REGULATOR 06408

The transistor regulator illustrated in Figure 29 is an assembly mainly consisting of diodes, capacitors, resistors and transistors. These components are mounted on a printed circuit panel board to form a completely static unit containing no moving parts. Regulators of this type have only four terminals which are identified "GND." (ground), "FLD" (field) "BAT" (battery) and "IGN" (ignition).

The regulator components work together to limit the alternator voltage to the preset value by controlling the alternator field current. This is the only function that the regulator performs in the charging system.

The voltage at which the alternator operates is determined by the regulator adjustment. Once adjusted, the alternator voltage remains constant. The regulator is unaffected by length of service, changes in temperature, or changes in alternator output and speed.

A typical wiring diagram of a negative ground system is illustrated in Figure 30. This diagram shows only the basic charging system components. It does not show any components such as the control relays. Refer to "Charging system" wiring diagram, in "Wiring diagrams" for the electric circuits and connections.

Voltage regulator maintenance

The voltage regulator is a service-free electronic unit. When it fails, it should be replaced. The following procedure must be used:

- o Open the main power compartment door in order to get access to the voltage regulator;
- o Unscrew the electrical cable connectors;
- o Unscrew the voltage regulator unit;

- o Install a new voltage regulator by reversing the procedure.

CAUTION

Place the battery main disconnect switch to "OFF" position.

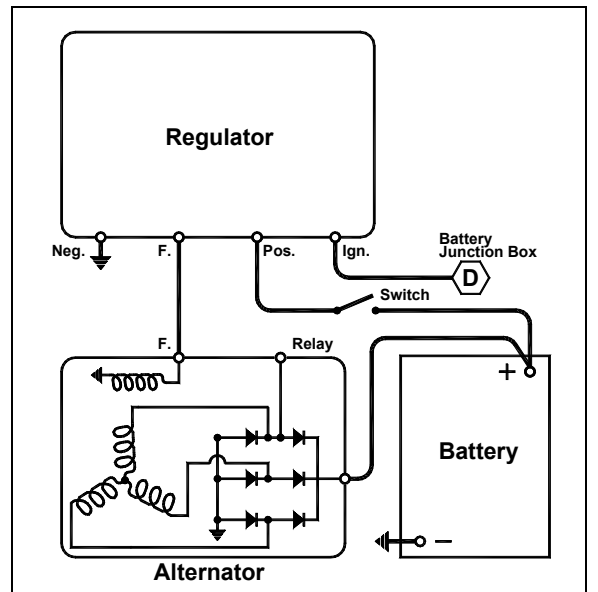


FIGURE 30: TYPICAL WIRING DIAGRAM OF A NEGATIVE GROUND SYSTEM 06415

NOTE

For information about BOSCH alternator and voltage regulator, refer to technical publication "Repair and Testing Instructions for T1 Alternator 0120 689 552".

8.1 TROUBLESHOOTING PROCEDURES

Trouble in the electrical system will usually be indicated by one of two conditions: an undercharged or an overcharged battery. Either condition can result from an improper voltage regulator setting:

Checking Battery Voltage

The absence of gas production during the continuous appearance of the green dot in the battery's built-in hydrometer indicates that the voltage setting is satisfactory. Check the following conditions:

Checking Voltage Regulator Setting

1. To check the voltage setting, connect a voltmeter across the "POS" and "NEG" terminals on the regulator, and an ammeter to the "C" terminal on the alternator. Refer to Figure 31.

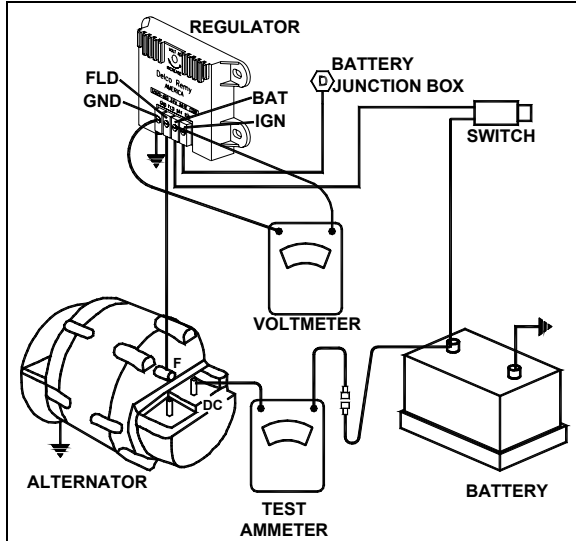


FIGURE 31: REGULATOR VOLTAGE TEST 06416

2. Operate the engine at approximately 1000 rpm (about 2300 alternator rpm), with accessories on, to obtain an alternator output of 20-200 amperes.
3. Note the voltage setting. It should be steady at 27.5 volts.
4. If not, the desired setting can be obtained by removing the plug from the voltage regulator cover and slightly turning the adjusting screw inside the regulator. Turn the adjusting screw clockwise to increase the voltage setting or counterclockwise to decrease it. See Figure 32 for details.

NOTE

If regulator voltage cannot be adjusted to the specified setting, remove the regulator and repair or replace it as necessary.

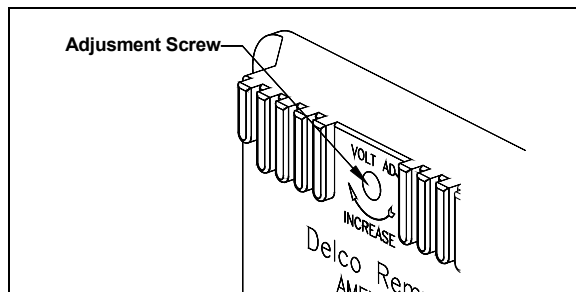


FIGURE 32: ADJUSTING REGULATOR VOLTAGE SETTING 06418

8.1.1 Undercharged Battery

If the voltage setting is steady and reasonably close to the specified value and the battery is undercharged, raise the setting by 0.3 volts, then check for an improved battery condition over a minimum service period of 48 hours. If

the voltage cannot be adjusted to the desired value, the alternator should be checked as follows:

1. Stop alternator, turn off all accessories and disconnect battery ground cable.
2. Disconnect all leads from the regulator and from the alternator field. **Do not allow leads to touch ground.**
3. Connect a voltmeter and an ammeter in the circuit at the alternator "DC" terminal.
4. Connect a jumper lead from the alternator "DC" terminal to the alternator field terminal.
5. Connect a carbon pile resistor load across the battery. Turn to the "Off" position.
6. See Figure 33 for wiring connections.

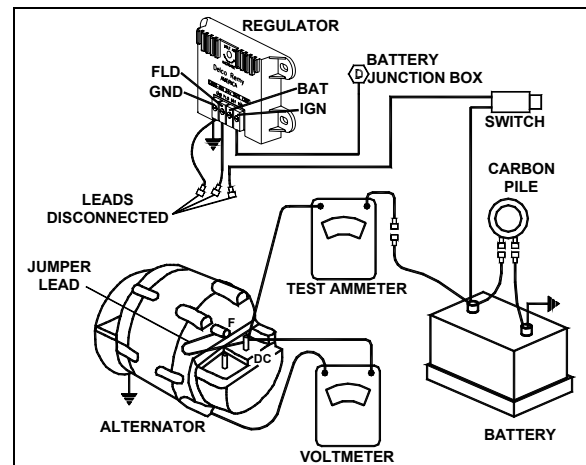


FIGURE 33: REGULATOR VOLTAGE TEST (UNDERCHARGED BATTERY) 06417

7. Reconnect battery ground cable
8. Turn on all vehicle accessories.
9. Operate alternator and adjust carbon pile resistor load as required to check for rated output as given in Delco-Remy Service Bulletin 1G-187 or 1G-188.
10. Check the alternator field winding as follows: Disconnect the lead from the field terminal and connect an ohmmeter from the field terminal to ground. A resistance reading above normal indicates an open field, and a resistance reading less than normal indicates a shorted or grounded field. The normal resistance can be calculated by dividing the voltage by the field current published in Delco-Remy Service Bulletin 1G-186, 1G-187, or 1G-188. The normal resistance value should be at or near midscale on the ohmmeter for accuracy. An alternate method of checking is to connect a battery of specified voltage and an ammeter

Section 06: ELECTRICAL

in series with the field winding, and compare readings with published specifications in Delco-Remy Service Bulletin 1G-186, 1G-187, or 1G-188. An alternator is defective if it does not produce rated output or if field windings are faulty. If the alternator provides rated output, and field windings check satisfactorily, the regulator should be checked as covered under "Regulator Checks".

8.1.2 Overcharged Battery

If the voltage setting as checked above is steady and reasonably close to the specified value, lower the setting by 0.3 volts and check for an improved battery condition over a minimum service period of 48 hours. If the voltage cannot be adjusted to the desired value, proceed as follows: where the alternator field is grounded internally in the alternator as shown in Figure 30 a shorted or grounded field or a defective regulator can cause an overcharged battery. The field winding can be checked as covered in paragraph "Undercharged Battery". If the field winding is found to be correct, the alternator is not defective, and the regulator should be checked as covered under "Regulator Checks".

8.2 REGULATOR CHECKS

Separate the cover from the base, and remove the panel assembly from the cover. Carefully note the location of all washers and lock washers.

The component parts are keyed to Figure 30. Before making electrical checks, visually inspect the components and make sure all soldered connections are secure. Various electrical checks with an ohmmeter can be made to determine which components are defective.

The ohmmeter **must** be accurate, and should be a scale-type meter with a 1.5 or 3-volt cell. Most digital ohmmeters cannot be used to check semiconductors. However, some digital ohmmeters are specially designed to test semiconductors and can be used to test components in the regulator. Consult the ohmmeter's manufacturer for specifications concerning the capabilities of the ohmmeter.

It is important that all of the following checks be made. If a defective part is found, replace it before proceeding with the remaining checks. Be sure to make all the checks since more than one component may be defective.

A defective regulator can be repaired according to the following methods:

- A) By changing the printed circuit board in the regulator. Unscrew the retaining screws on the printed circuit and remove it. Install a new printed circuit board. This method is the most commonly used.
- B) By removing any retaining screws involved and unsoldering the connections. When resoldering, limit solder time to a minimum as excessive heat may damage the printed circuit board and component parts. However good soldered connections are essential for satisfactory operation. A resin core 63% tin 37% lead solder with a 360 °F (182°C) melting point is recommended along with a soldering iron rated at 50 watts or less. Use extreme care to avoid overheating. Before checking the printed circuit board, remove transistor TR1, which must be checked separately. Connect the ohmmeter as shown in Figure 33, and then reverse the ohmmeter leads to obtain two readings on the same component. Use the middle scale on scale-type meters on which the 300 ohm value should be within, or nearly within, the middle third of scale.

Capacitors C1 and C2 = The ohmmeter should read high and low on each capacitor. If not, replace capacitor.

Diodes D1, D2 and D3 = Each diode should give one high and one low reading. If not, replace diode.

Resistor R2 = Turn voltage adjustment screw (identified in Figure 32) with ohmmeter connecting each way. Reading should change as slotted screw is turned. If not, replace R2.

Transistor TR1 = See Figure 34. Use the low scale. Each of the three checks should read low and high. If not, replace TR1.

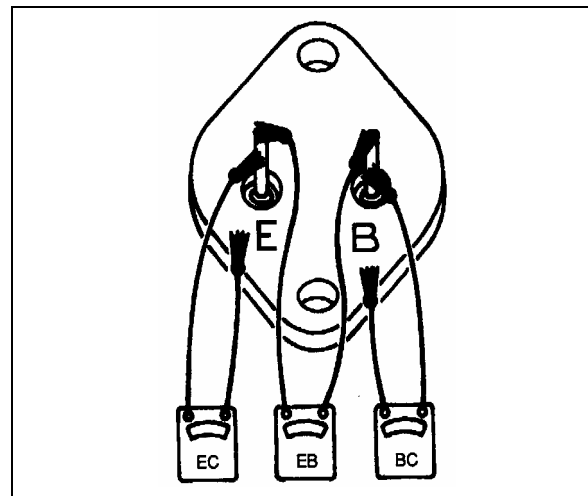


FIGURE 34: CHECKING TRANSISTORS TR1 06081

Transistor TR2 = Change the ohmmeter to use the low scale. EB should read low and high. BC should read low and high. EC should both read high. If not, replace TR2. See Figure 35.

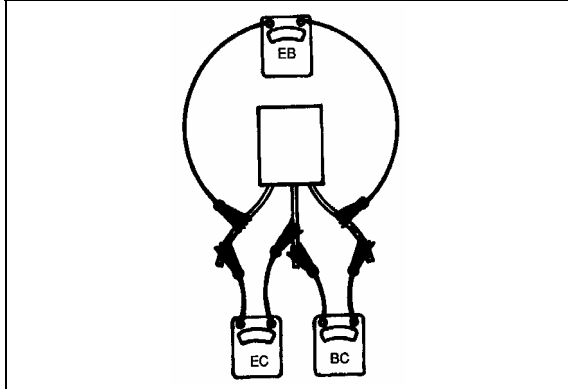


FIGURE 35: CHECKING TRANSISTORS TR2 06082

8.3 ADJUSTING VOLTAGE

After repair, the regulator must be adjusted to the desired voltage setting. Follow the procedure under "Checking Voltage Regulator Setting". Slowly turn the adjusting screw full range and observe the voltmeter to ensure that the voltage is being controlled, then, while still turning, slowly adjust to the desired setting.

9. BATTERY EQUALIZER

VoltMaster Battery equalizer owner's manual (100 amps) is annexed at the end of this section.

Battery equalizer is located in the main power compartment.

10. STARTER

Refer to Mitsubishi Electric Corporation (MELCO) Service bulletin ME003-P annexed at the end of this section for information and maintenance instruction on MELCO 105P70 starter.

⚠ CAUTION ⚠

Prior to the installation of the Mitsubishi starter, the Flywheel Ring Gear must be examined for excess wear or damage. Service Bulletin A1-M1N-1729EN included at the end of Section 06 shows acceptable levels of wear, and illustrates the proper measuring procedure. Maximum wear is 0.5mm. Ring Gears with more than 0.5mm of wear or damage must be replaced before installing the new starter to prevent engagement and/or disengagement problems. **Failure to do so will render the**

Warranty null and void.

11. ENGINE BLOCK HEATER

The vehicle may be equipped with an engine immersion-type electric block heater to assist cold weather starting. The heater male electric plug is located on the engine compartment door (Figure 36) or on the engine compartment R.H. side door. To use it, connect the female plug of an electrical extension cord to the heater plug. Some converted vehicles may have the heater connected to the coach AC power system. The extension cord must be plugged into a 110-120 V AC power source only. The engine block heater should be used whenever the vehicle is parked for an extended period of time in cold weather and a suitable power source is available.

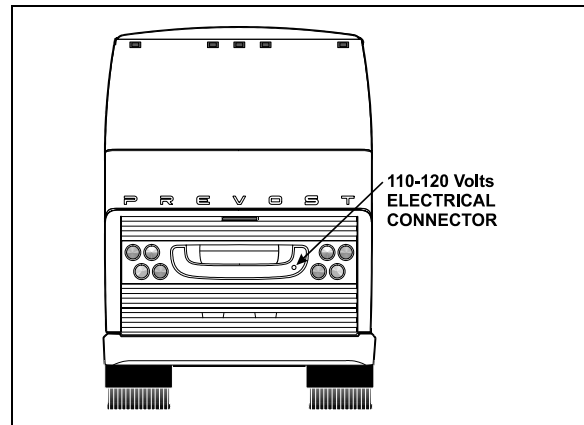


FIGURE 36: ENGINE BLOCK HEATER PLUG LOCATION 06481

11.1 MAINTENANCE

This heater is non-serviceable except for the cord, and if faulty, must be replaced as a unit.

12. EXTERIOR LIGHTING

The circuit for exterior lights, as well as their control switches, relays and circuit breakers are shown on the applicable wiring diagrams. Wiring diagrams are located in the technical publication box.

12.1 HEADLIGHTS

Each headlight assembly consists of two 90 mm (3½ inch) headlight module equipped with a 12-volt halogen bulb and one 100 mm (4 inch) 12-volt LED turn signal light. Inner headlights are used for high beam and daytime running light while outer headlights are used for low beam. The inner or outer lamp uses the same single filament halogen bulb part number.

NOTE

Section 06: ELECTRICAL

If vehicle is equipped with optional Xenon headlights, refer to paragraph 12.1.6.

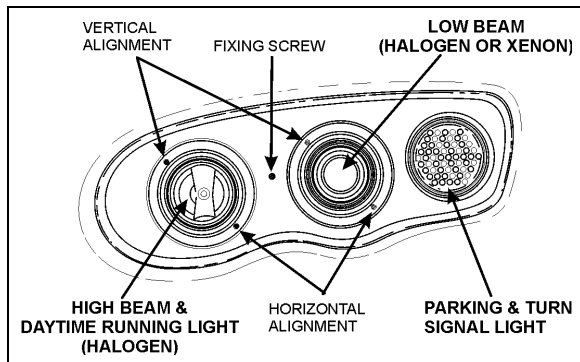


FIGURE 37: HEADLIGHT ASSEMBLY

06481

12.1.1 Headlight Beam Toggle Switch

The multifunction lever located on the steering column is used to select proper lighting. High beams or low beams can be selected by pulling the lever rearward. A high beam indicator on the central dashboard panel is illuminated when the high beam circuit is energized.

NOTE

Pulling the lever rearward while the lights are off will flash the headlights.

12.1.2 Maintenance

Clean headlights with soap and water and a good glass cleaner whenever dirty. For maximum illumination, headlight connections must be coated with a dielectric grease to prevent oxidation and proper voltage must be maintained. Low battery voltage, loose or dirty contacts in wiring system and poor ground contribute to a decrease in voltage. Check wiring and connections regularly and keep battery properly charged. When a headlight burns out, a new bulb must be installed. Headlights must be properly aimed to provide maximum allowable road illumination. When using mechanical aiming devices, follow manufacturer's instructions.

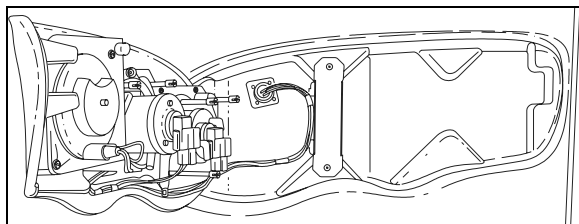


FIGURE 38: OPENING HEADLIGHT ASSEMBLY

06482

Headlight aim should be checked after installing a new bulb. Aiming can be performed without opening headlight assembly. Horizontal and

vertical aiming of each module is provided by two adjusting screws that pivot the module in the housing for proper alignment (Figure 37). There is no adjustment for focus since the module is set for proper focus during manufacturing assembly.

NOTE

Make sure headlight assembly is properly positioned into its housing before securing using fixing screw.

CAUTION

Use a soft cloth to clean the parking and front turn signal lamp.

12.1.3 Headlight Adjustment

The following is a general procedure for headlight adjustment using a mechanical equipment, such as a "Hoopy 100" Aligner. If your mechanical equipment is different, refer to the manufacturer's instruction manual.

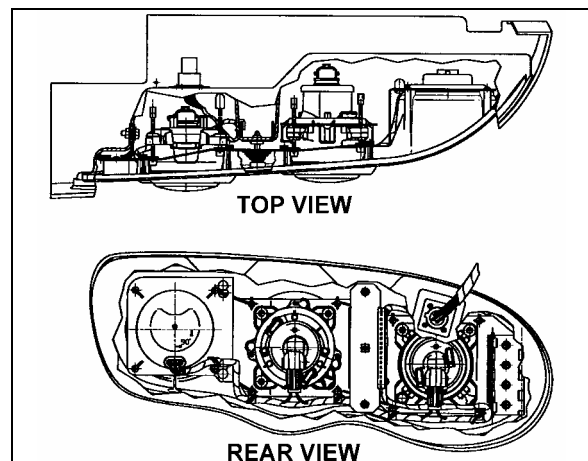


FIGURE 39: HEADLIGHT ASSEMBLY TOP & REAR VIEW

06495

Setting aligner according to slope

1. Park vehicle on a level floor.
2. Set the support rail (Prévost #29261) down (Figure 40). Using shims, adjust its level to stabilize it.

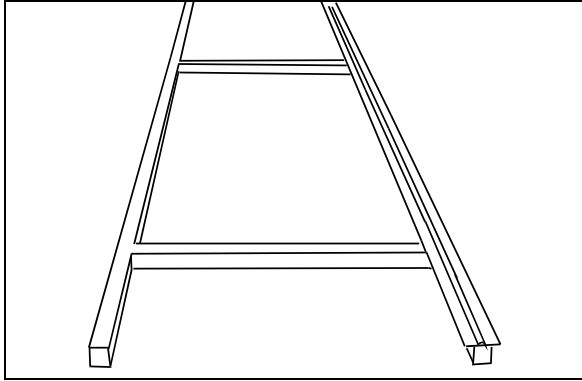


FIGURE 40: SUPPORT RAIL INSTALLATION 06501

3. Install jigs #29263 and #29262 onto the support rail. Position the support rail so that both stops are centered between the two beams (Figure 41). Mark the position for future reference.

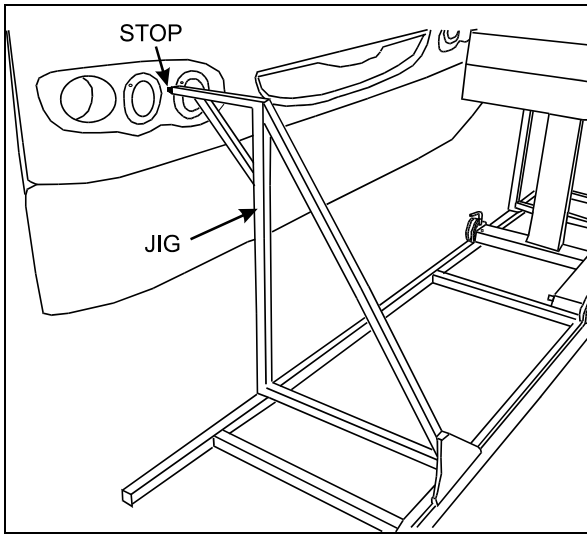


FIGURE 41: INSTALLATION OF JIGS 06499

NOTE

The stops will position the support rail between 16-24 inches of vehicle.

4. Remove the jigs.
5. Install "Hoopy 100" Aligner onto support rail (Figure 42).
6. Using an Allen key on the front wheel, level Hoopy 100 aligner until spirit level bubble is centered (Figure 43 and Figure 44).

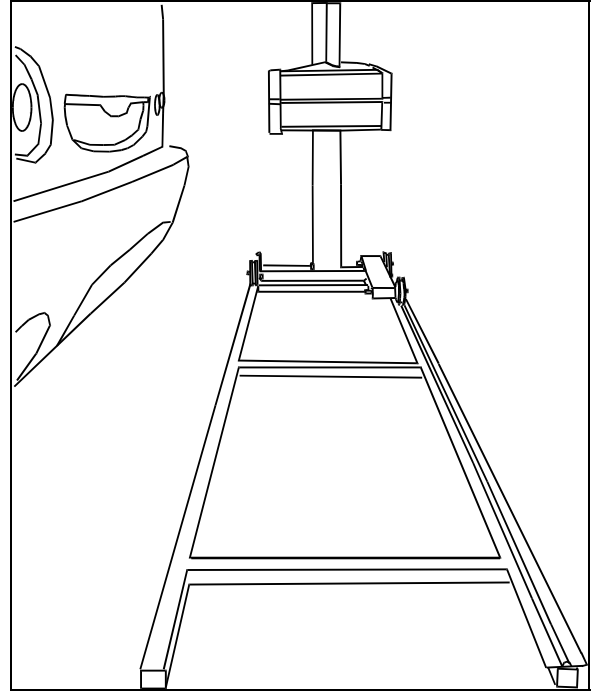


FIGURE 42: INSTALLATION OF HOOPY 100 ALIGNER 06496

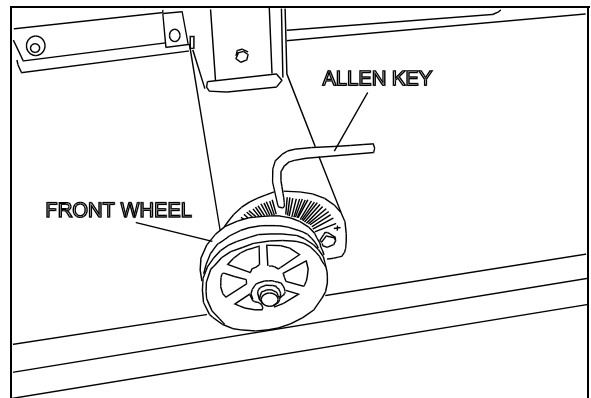


FIGURE 43: ADJUSTING HOOPY 100 LEVEL 06498

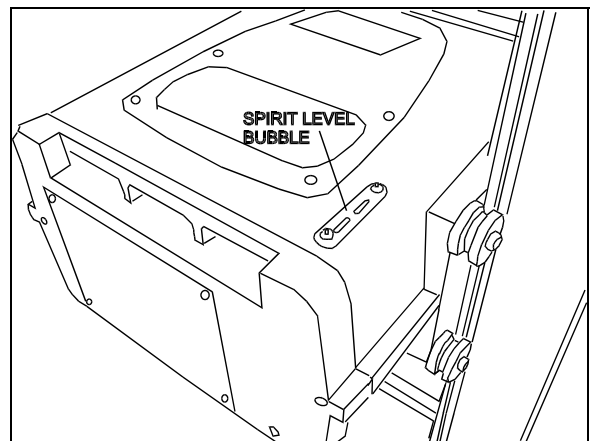


FIGURE 44: SPIRIT LEVEL 06500

7. Install a calibration fixture in the axis of front axle wheel and one in the axis of rear axle wheel (Figure 45).

Section 06: ELECTRICAL

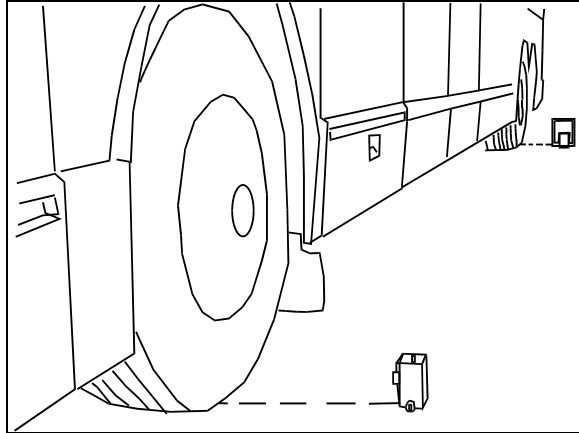


FIGURE 45: INSTALLING CALIBRATION FIXTURES 06497

8. Adjust mirrors so that lines are perfectly aligned.
9. Record reading.

NOTE

The floor level reading must be added to the aligner reading to ensure a precise alignment.

10. Transfer positive (+) or negative (-) reading of calibration fixtures to the front wheel of Hoopy 100 aligner. Add this reading to Hoopy 100 aligner level reading.
 - eg – level: 0.2, mirrors: 0.1 = 0.3
 - eg – level: -0.2, mirrors: 0.1 = 0.1

NOTE

If vehicle remains stationary during the headlight alignment procedure, it is not necessary to check floor slope each time.

Headlight Alignment

⚠ CAUTION ⚠

During this step, avoid contacting the bulb with the fingers not to alter the bulb life.

⚠ CAUTION ⚠

This mechanical equipment must be calibrated by metrology before initial set-up or after major overhaul. Calibration must be performed annually.

1. Set the support rail (Prevost #29261) down (Figure 40). Using shims, adjust its level to stabilize it. Use previous reference marks to ensure proper positioning.
2. Make sure that headlight assembly fixing screw is properly fastened (Figure 37).

NOTE

Make sure that vehicle is at proper height (suspension) and that air pressure is above 90 psi.

3. Install “Hoopy 100” Aligner onto support rail (Figure 42). Turn aligner ON.

⚠ CAUTION ⚠

Vehicle must be parked at the same location each time. If location is changed for any reason, floor slope alignment and aligner leveling must be redone. Refer to “Setting aligner according to slope”.

NOTE

If aligner indicates LOW BATT, battery must be charged for 12 hours.

Low beam adjustment

1. Turn ON low beam lights.
2. Press ALIGN TO LAMP and move aligner in front of first beam.

NOTE

If beam is offset, a LOW CANDLES message will appear. Using vertical and horizontal alignment screws, adjust beam as needed (Figure 37).

3. Adjust aligner height (move aligner sideways if needed) so that XX appears in the aligner sight. Lock aligner side handle.
4. Open Hoopy 100 aligner door.
5. Press AIM LAMP down, press a second time so that LOW ADJUST appears in the sight. Arrows indicate in which direction to adjust the beam using the vertical and horizontal adjustment screws. Perform this adjustment until XX appears in the sight.
6. Aligner will reset after 5 minutes.
7. Repeat for other low beam light.

High beam adjustment

1. Turn ON high beam lights.
2. Press ALIGN TO LAMP and move aligner in front of first beam.

3. Adjust aligner height (move aligner sideways if needed) so that XX appears in the aligner sight. Lock aligner side handle.
4. Open Hoopy 100 aligner door.
5. Press AIM LAMP down, press a second time so that HIGH ADJUST appears in the sight. Arrows indicate in which direction to adjust the beam using the vertical and horizontal adjustment screws. Perform this adjustment until XX appears in the sight.
6. Aligner will reset after 5 minutes.
7. Repeat for other high beam light.
8. Store equipment away in a safe place.

if proper mechanical equipment is not available, perform adjustments as described below:

1. Headlight aiming and inspection can be accomplished by visual means. This is done on a screen located at a distance of 25 feet (7,6 m) of the headlights. It should be of adequate size with a matte-white surface well shaded from extraneous light and properly adjusted to the floor area on which the vehicle stands. Provisions should be made for moving the screen or its vertical centerline so that it can be aligned with the vehicle axis. In addition to the vertical centerline, the screen should be provided with four laterally adjustable vertical tapes and two vertically adjustable horizontal tapes.
2. The four movable vertical tapes should be located on the screen at the left and right limits called for in the specification with reference to centerlines ahead of each headlight assembly.
3. The headlight centerlines shall be spaced either side of the fixed centerline on the screen by $\frac{1}{2}$ the lateral distance between the light source centers of the pertinent headlights. The horizontal tapes should be located on the screen at the upper and lower limits called for in the specification with reference to the height of beam centers and the plane on which the vehicle rests (Figure 46).
4. The nominal vertical aim position on lower beam headlights shall be adjusted based on the headlight mounting height, from the ground to the light source center of the headlight, according to table 1.

TABLE 1 – VERTICAL BEAM AIM GUIDELINES

Headlight (centerline) Mounting Height	Nominal Vertical Aim	Aim Inspection Limits for Vertical Aim
56 to 90 cm (22 to 36 inch)	0 Vertical	10 cm (4 inch) up to 10 cm (4 inch) down
90 to 120 cm (36 to 48 inch)	5 cm (2 inch) down	5 cm (2 inch) up to 15 cm (6 inch) down
120 to 140 cm (48 to 54 inch)	6.4 cm (4 inch) down	4 cm (1.5 inch) up to 16.5 cm (6.5 inch) down

5. High beam headlights are aimed so that the center of the high-intensity zone is located at the horizontal and straight ahead vertically (Figure 47).
6. Low beam headlights are aimed so that the top edge (the cutoff) of the high-intensity zone is at the vertical location as per Table 1 and the left edge of the high-intensity zone is at the vertical centerline of the headlight (Figure 48).

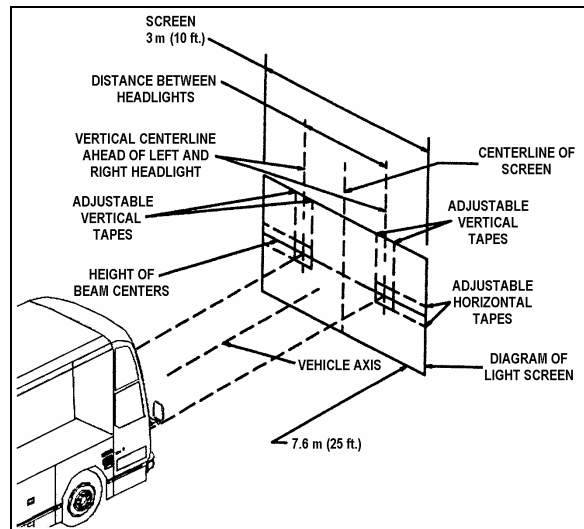


FIGURE 46: A LIGNMENT OF HEA DLIGHT AIMING SCREEN 06502

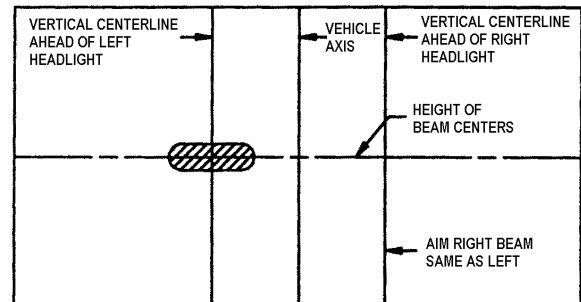


FIGURE 47: HIGH-INTENSITY ZONE (SHADED AREA) OF A PROPERLY AIMED UPPER BEAM ON THE AIMING SCREEN 7.6 M (25FT) IN FRONT OF VEHICLE 06503

Section 06: ELECTRICAL

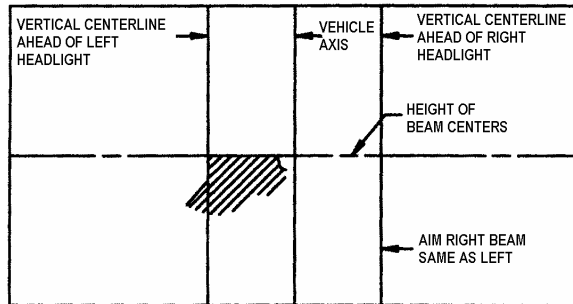


FIGURE 48: HIGH-INTENSITY ZONE (SHADED AREA) OF A PROPERLY AIMED LOWER BEAM ON THE AIMING SCREEN 7.6 M (25 FT) IN FRONT OF VEHICLE 06504

- The inspection limits for high-beam headlights shall be with the center of the high-intensity zone from 10 cm (4 inch) up to 10 cm (4 inch) down; and, from 10 cm (4 inch) left to 10 cm (4 inch) right on a screen at 7.6 m (25 ft.) (Figure 49).

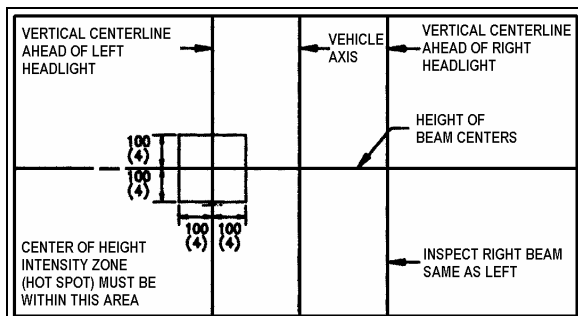


FIGURE 49: AIM INSPECTION LIMITS FOR UPPER-BEAM HEADLIGHTS 06505

- The inspection limits in the vertical direction for low-beam headlights or the low beam of a dual-beam headlight, shall be as described in Table 1. In the horizontal direction, the left edge of the high-intensity zone shall be located from 10 cm (4 inch) left to 10 cm (4 inch) right of the vertical centerline of the beam. The viewing screen shall be located 7.6 m (25 ft.) in front of the vehicle (Figure 50).

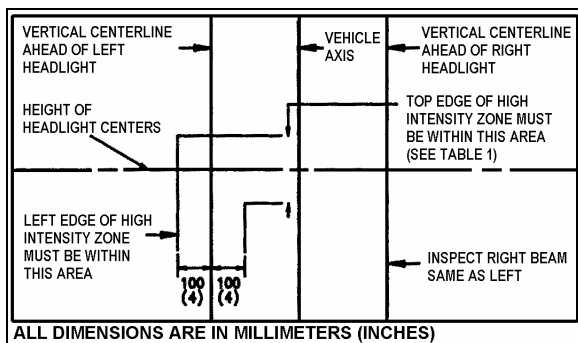


FIGURE 50: AIM INSPECTION LIMITS FOR LOWER-BEAM HEADLIGHTS 06506

12.1.4 Sealed-Beam Unit

Bulb Removal and Replacement

- Remove the headlight screw fixing the headlight assembly, then pivot headlight assembly out (Figure 37 and Figure 38).
- Remove connector from headlight bulb.
- Remove the bulb by pushing and rotating it out of the socket.
- Install the new bulb by reversing the previous procedure.



During this step, avoid contacting the bulb with the fingers not to alter the bulb life.

NOTE

Do not disrupt headlight adjustment screws.

Module Replacement

- Remove screw fixing headlight assembly to its housing (Figure 37) and pivot assembly out.
- Remove connector from headlight bulb.
- Unfasten three metal clips attaching headlight unit to support.
- Install new module and fasten metal clips.
- Install wiring connector on back of new sealed beam unit.
- Pivot headlight assembly back into its housing then secure using fixing screw.

NOTE

Make sure headlight assembly is properly positioned into its housing before securing using fixing screw.

- Perform alignment procedure.

NOTE

The headlight aim must be checked and adjusted even if it was properly adjusted before the sealed beam unit was replaced.

12.1.5 Front Turn Signal

The front turn signal is part of the front headlight assembly. The turn signal is a sealed unit (LED) located on each front corner and should be replaced as an assembly. Turn signal is visible from both front and side.

Removal and Replacement

1. Remove screw fixing headlight assembly to its housing (Figure 37) and pivot assembly out.
2. Partially unfasten back plate fixing screws, then remove signal lamp.
3. Remove socket from signal lamp.
4. Install wiring connector on back of new signal lamp then install signal lamp.
5. Fasten back plate fixing screws then pivot headlight assembly back into its housing then secure using fixing screw.

NOTE

Make sure headlight assembly is properly positioned into its housing before securing using fixing screw.

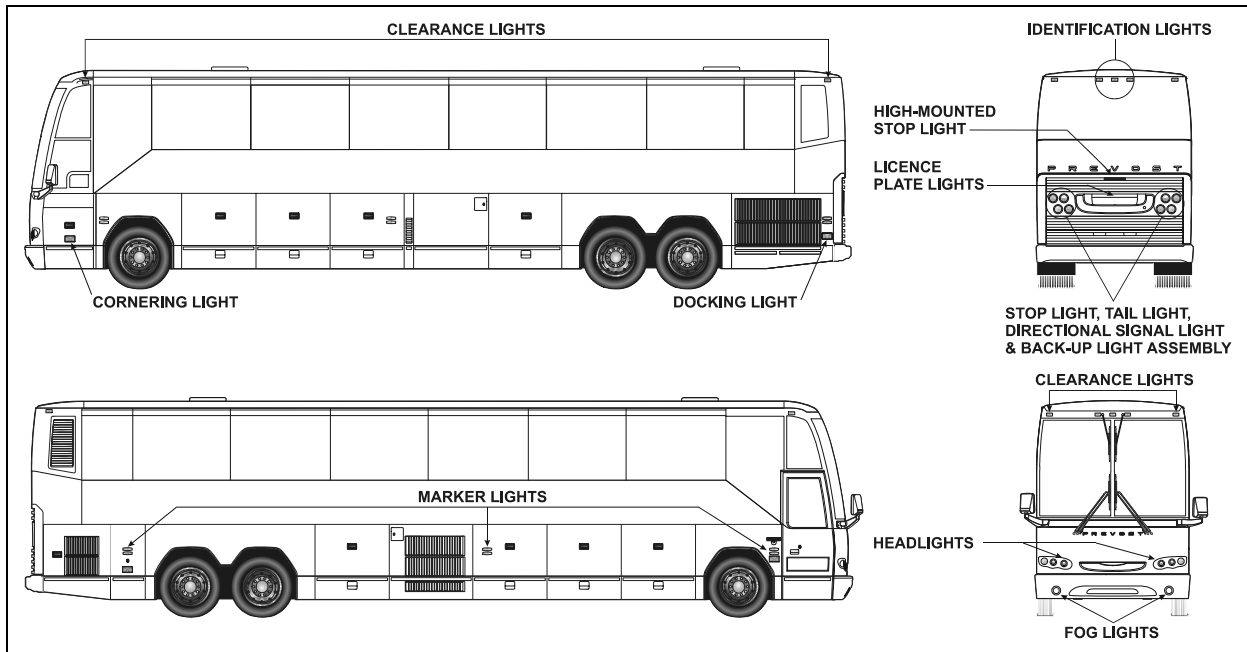


FIGURE 51: VARIOUS LIGHTS LOCATION

06480

12.1.6 Optional Xenon Headlamp

The outer lamps of each headlight assembly may be equipped with the optional Xenon lamps. These lamps improve visibility and provide better lifespan.

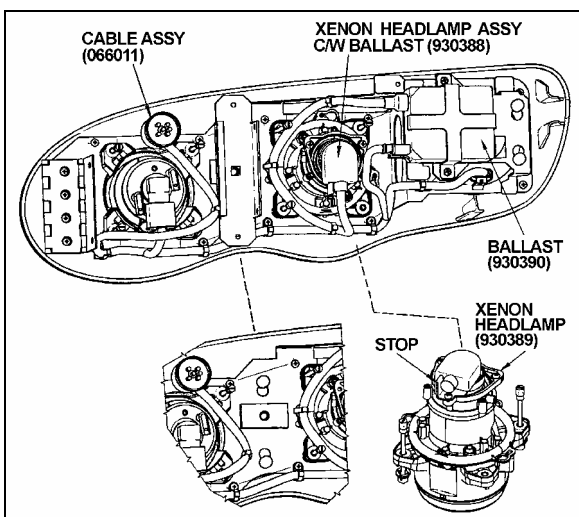


FIGURE 52: XENON HEADLAMP LOCATION

06540

Bulb Removal and Replacement

1. Remove the headlight screw fixing the headlight assembly, then pivot headlight assembly out (Figure 37 and Figure 52).
2. Remove main cable connector (066011).
3. Remove connector from headlamp bulb by turning counterclockwise.
4. Unscrew the three Phillips head screws, pull the retainer and bulb out.

CAUTION

To avoid breaking the bulb, make sure the socket is in proper position against the stop.

5. Install the new bulb by reversing the previous procedure.

CAUTION

During this step, avoid contacting the bulb with the fingers not to alter the bulb life.

CAUTION

Never connect a voltmeter or V.O.M. to

Section 06: ELECTRICAL

measure bulb voltage as instrument will be destroyed.

NOTE

Do not disrupt headlight adjustment screws.

Troubleshooting and Safety

When switching on the Xenon headlamp using the rocker switch, a lamp short -circuit test is performed.

Current is detected in the lamp circuit before the ignition time and ignition prevented. Connection of the "hot" lamp to the body mass also prevents ignition. In both cases, the system is cut off within < 0.2 s and can only be restarted via the rocker switch.

In general, the maximum ignition time is < 0.2 s, which period is followed by cutoff. This would happen if a lamp was defected.

Lamp missing: system is cut off after < 0.2 s.

If lamp components or cables are damaged by force (accident) so that contact with hazardous parts is possible, the current in these lines is earthed by the vehicle body and - as with a defective household appliance - switched off when 30 mA are reached within < 0.2 s. The cutoff time is shortened by a more powerful defect current.

To protect the ballast, a counter in the electronic safety system ensures that a defective lamp can only be switched off 7 times consecutively after a successful ignition, after which the device is cut off. This prevents flutter and flashing. This counter is put out of action when the lamp cutoff time repetition interval is longer than 1.3 s so that temporary non-defect disturbances that result in immediate invisible re-ignition do not cause lamp cutoff.

A warning notice on the lamp plug makes you aware of the fact that the lamp is operated in this system on a higher voltage (you should therefore switch off the lamp before working on this part).

After taking out the lamp, the contact pins are in a practically idle stat (< 34 Volt) after < 0.5 seconds so that there is no immediate danger of electric shock even if the warning is disregarded.

With this safety concept there is no danger to check the ballast with a new bulb. There is a very high probability that the ballast is OK if the ballast can ignite the bulb.

One simple test to check the ballast would be to measure the Nominal current of 1.58 A after one minute for the 24V ballast.

12.2 STOP, TAIL, DIRECTIONAL, BACK-UP, AND HAZARD WARNING LIGHTS

A combination stoplight, taillight, directional signal light and back-up light assembly is mounted at the rear, on each side of the vehicle. Furthermore, when braking, a high-mounted stoplight will illuminate simultaneously with the stoplights on the sides for increased safety.

The stop and tail lights are combined in the same 6-LED lamp. The directional signal and license plate lights consist of individual LED lights mounted on the engine rear door, and each light is serviced individually as a complete unit. The back-up light sealed unit uses a regular tungsten bulb.

The hazard warning flashing system uses the front, side and rear directional lights simultaneously. This system is energized by a switch on the L.H. dashboard.

12.2.1 Lamp Removal And Replacement

1. Open engine compartment rear door.
2. Unscrew the lamp support retaining screws (2), and then from the outside, remove the lamp and its support.
3. From the outside, install the new lamp with its support then fasten the retaining screws.

12.2.2 High-Mounted Stop Light Removal And Replacement

This vehicle is equipped with a high-mounted stop light (LED). This light is a sealed unit and should be replaced as an assembly in accordance with the following procedure:

1. Unscrew both "Phillips" light screws, then remove the light assembly.
2. Position the new light assembly and install the "Phillips" screws.

12.3 LICENCE PLATE LIGHT

Two LED units are mounted above the rear license plate(s) of vehicle. In case of burn out, the LED unit must be changed according to the following procedure.

1. Pry out the rubber seal with a small screwdriver. Pull on the LED unit and disconnect it.
2. Reconnect new LED unit, place rubber seal, and press on it until it is seated in position.

12.4 CLEARANCE, IDENTIFICATION AND MARKER LIGHTS

The vehicle is equipped with marker, identification and clearance lights (LED). The clearance lights are mounted at each corner of the coach near the top and the identification lights are in the upper center of rear and front sections. The rear clearance and identification lights are red and the front ones are amber.

The amber marker lights are mounted along the sides of vehicle.

12.4.1 Marker Light Removal And Replacement

The side marker light is a sealed unit (LED) and should be replaced as an assembly in accordance with the following procedure:

1. Unscrew both "Phillips" light screws, disconnect and remove the light assembly.
2. Connect and position the new light assembly and install the "Phillips" screws.

12.4.2 Clearance And Identification Light Removal And Replacement

The clearance and identification lights are sealed units (LED) and should be replaced as an assembly in accordance with the following procedure:

1. Unscrew both "Phillips" light screws, disconnect and remove the light assembly.
2. Connect and position the new light assembly, then install the "Phillips" screws.

12.5 DOCKING AND CORNERING LIGHTS

This vehicle is provided with two halogen sealed-beam units that serve as cornering lights. They are mounted on the vehicle as follows: one is mounted on the front L.H. side service compartment door, while the other is located between the front wheel and the entrance door on the R.H. side. The main function of these lights is to increase lateral visibility when turning a corner. These lights are energized simultaneously with the directional lights. On the V.I.P. model, a dashboard-mounted rocker switch may be actuated to cancel this system in special situations.

Two additional halogen sealed-beam units are installed on rear electrical compartment door (R.H.) and radiator door. These lights are used as docking lights and both will illuminate automatically when reverse range is selected to facilitate back-up or docking procedure.

On the V.I.P. model, these lights do not operate automatically when the reverse range is selected, but by means of a dashboard-mounted rocker switch. When actuated, the docking as well as the cornering lights illuminate. Furthermore, a "Low docking" switch, also located on dashboard, allows the use of the docking and cornering lights at a lower intensity when the docking switch is actuated.

12.5.1 Lamp Removal And Replacement

Both docking and cornering sealed-beam units can be changed in accordance with the following procedure:



1. Remove the two "Phillips" screws attaching the retaining ring.
2. Disconnect the light unit connection.
3. Remove the lamp.
4. Position new lamp.
5. Connect and position the light unit.
6. Finally, install the retaining ring and screw.

12.6 FOG LIGHTS

Optional halogen fog lights can be mounted on this vehicle to give the driver better visibility in foggy weather, or to improve the range of vision just ahead of the coach.

12.6.1 Bulb Removal And Replacement

1. To access the spare wheel compartment, pull on the release handle located in the front electrical and service compartment, near the door lower hinge. The bumper will lower gradually.
2. Unscrew the wing nut and pivot assembly upwards.
3. Unscrew the outer ring. Disconnect the light unit connection and remove the bulb.

 CAUTION 
<p>During this step, avoid contacting the bulb with your fingers. This could alter the bulb life.</p>

4. Install the new bulb, reconnect the light unit and replace in its proper position.

Section 06: ELECTRICAL

5. Reinstall the outer ring, pivot the assembly downwards.
6. Fasten the wing nut and securely close the bumper.

13. INTERIOR LIGHTING EQUIPEMENT

13.1 CONTROL PANEL LIGHTING

The instrument gauges and switches mounted on all control panels are energized whenever the exterior light switch is pushed to the first position. A control dimmer located on the dashboard is used to vary the brightness of the panel gauges, switches and indicator lights.

The gauge lights, panel lights, switch lights and indicator lights have a different bulb arrangement. Thus, the procedure to change a defective bulb can vary according to the application.

13.1.1 Switch Lighting

1. Slightly pull the switch with a defective LED away from the control panel.
2. Disconnect the electric cable from the switch.
3. To install a new switch, reverse the procedure (Figure 53).

NOTE

Switches are lighted by the use of LED. When lighting on a switch fails, replace defective switch as a unit.

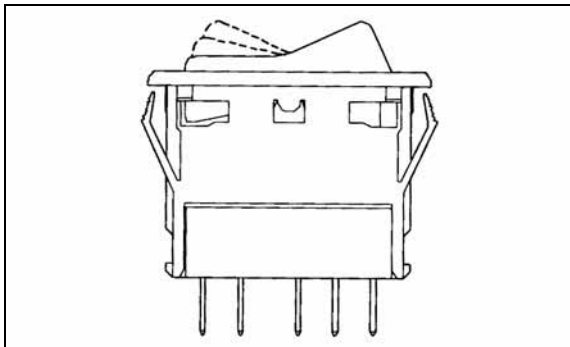


FIGURE 53: SWITCH

13.1.2 Telltale Light Replacement

Telltale module is non-serviceable and must be replaced as a unit.

1. Unscrew and remove the top dashboard panel.
2. Remove the telltale back wire electric connectors.
3. Unscrew and remove the telltale module.

4. To replace the telltale module, reverse the procedure.

13.1.3 Gauge Light Bulb Replacement

1. For any gauge light bulb replacement, the dashboard panel must be removed in order to have access to the rear of gauges.
2. Remove bulb socket from the gauge, turn the defective bulb counterclockwise and pull it out of the gauge.
3. Push a new bulb and socket ASM and turn clockwise to lock in place.
4. Replace the rear dashboard housing.

13.2 STEPWELL LIGHTS

13.2.1 Coach Entrance

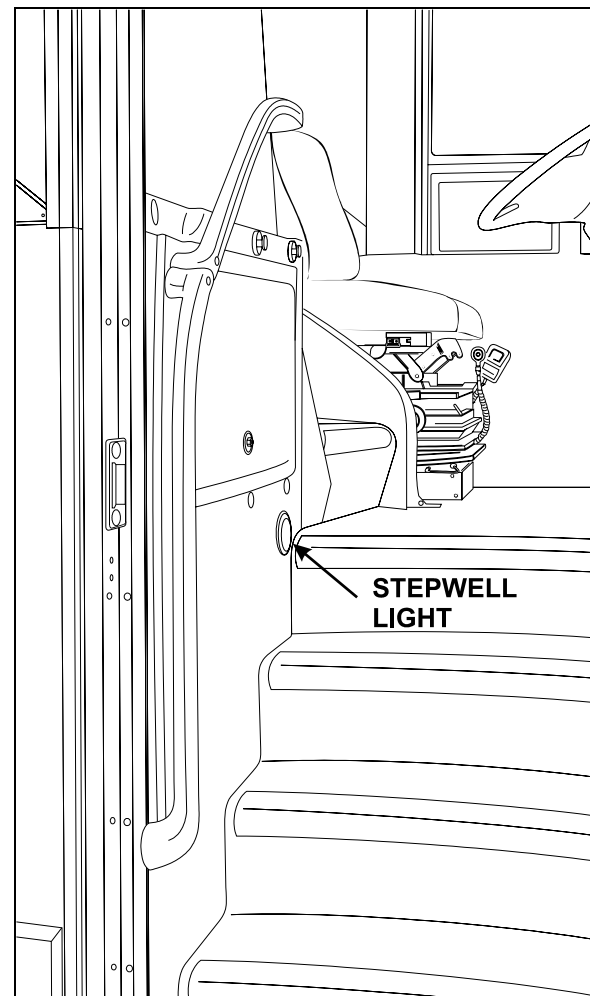


FIGURE 54: COACH ENTRANCE STEPWELL

06492

The three stepwell lights are illuminated when the door opening system is activated (Figure 54).

Light Removal and Replacement

1. Unsnap the lamp outer ring with a flat head screwdriver and remove it.
2. Unfasten the three fixing screws, remove and disconnect LED light assembly.
3. Connect and install the new LED assembly in position.
4. Fasten the three fixing screws and replace the lamp outer ring by snapping it back in place.

13.2.2 VIP Entrance And Bus Entrance Door

The stepwell light is illuminated when the door opening system is activated (Figure 55).

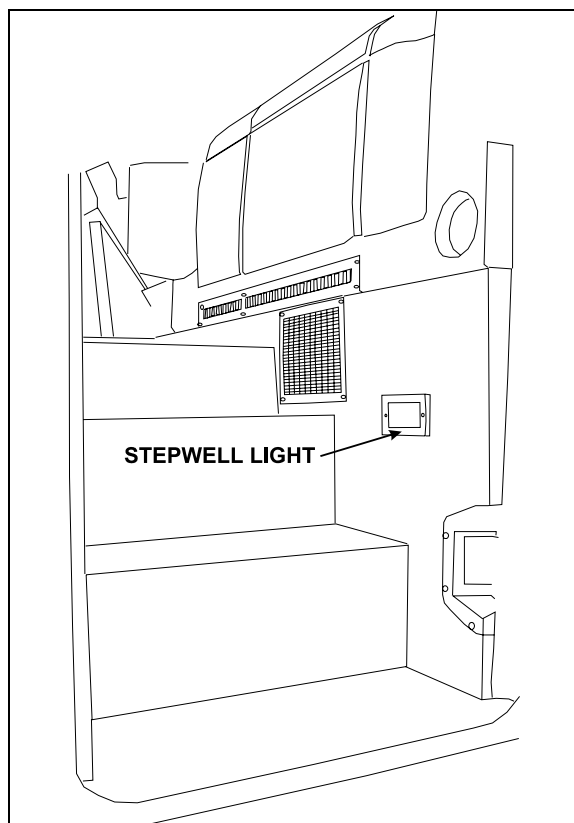


FIGURE 55: VIP ENTRANCE STEPWELL 06507

13.2.3 Bulb Removal And Replacement

Proceed as follows to replace defective bulb:

1. Unscrew the two Phillips-head screws retaining the lens to the wall, and remove it.
2. With the light lens removed, pull bulb from the lamp while applying lateral pressure.
3. Install the new bulb into the lamp.
4. Position the light lens and install it.

13.3 LAVATORY NIGHT-LIGHT

The lavatory night-light is illuminated as soon as the ignition switch is set to the "ON" position.

13.3.1 Bulb Removal And Replacement

Proceed as follows to replace defective bulb:

1. Unscrew the two Phillips-head screws retaining the lens to the lavatory wall, and remove it.
2. With the light lens removed, pull bulb from the lamp while applying lateral pressure.
3. Install the new bulb into the lamp.
4. Position the light lens and install it.

13.4 DRIVER'S AREA LIGHTS

One halogen ceiling light is installed over the stepwell and another one over the driver's area. These lights are frequently used for nighttime operation when passengers board or leave coach.

13.4.1 Bulb Removal And Replacement

1. Unsnap the lamp with a flat head screwdriver and remove it.
2. Pull the defective bulb out of the socket.
3. Install the new bulb by pushing it in position.
4. Replace the lamp by snapping it back in place.

<p>⚠ CAUTION ⚠</p> <p>Do not touch halogen bulbs with bare hands as natural oils on skin will shorten bulb life span.</p>

13.5 PASSENGER SECTION LIGHTING

The passenger section of coach is lit by two types of fluorescent tube lamps installed on the parcel racks.

The aisle or indirect lights are located on front of parcel racks, and provide soft, indirect cabin lighting and parcel rack interior lighting. More powerful lighting for general and in-station applications is provided by fluorescent tubes located under the parcel racks, close to the windows. A dual power system is available for this lighting either from the 24-volt vehicle power supply or from a 110-volt outlet supply. In order to save batteries during extended periods of in-station lighting, no current is drawn from the

Section 06: ELECTRICAL

batteries as soon as the 110-volt circuit is connected.

Moreover, adjustable reading lamps are installed under the parcel racks for passenger accommodation.

13.5.1 Fluorescent Tube Replacement

Indirect Fluorescent Light

1. Open the parcel rack access door, if so equipped, unscrew the two Phillips screws (one each end). Let the hinged cover down.
2. Remove fluorescent tube from light socket.
3. Install a new fluorescent tube.

4. Lift the hinged cover and replace the two retaining screws (Figure 56).

Parcel Rack Interior Lighting

1. Open the parcel rack access door, if so equipped, unscrew the two Phillips screws (one each end). Pull the hinged cover down.
2. Push on the bulb, turn and then, pull it from the socket.
3. Install a new bulb.
4. Lift the hinged cover and replace the two retaining screws.

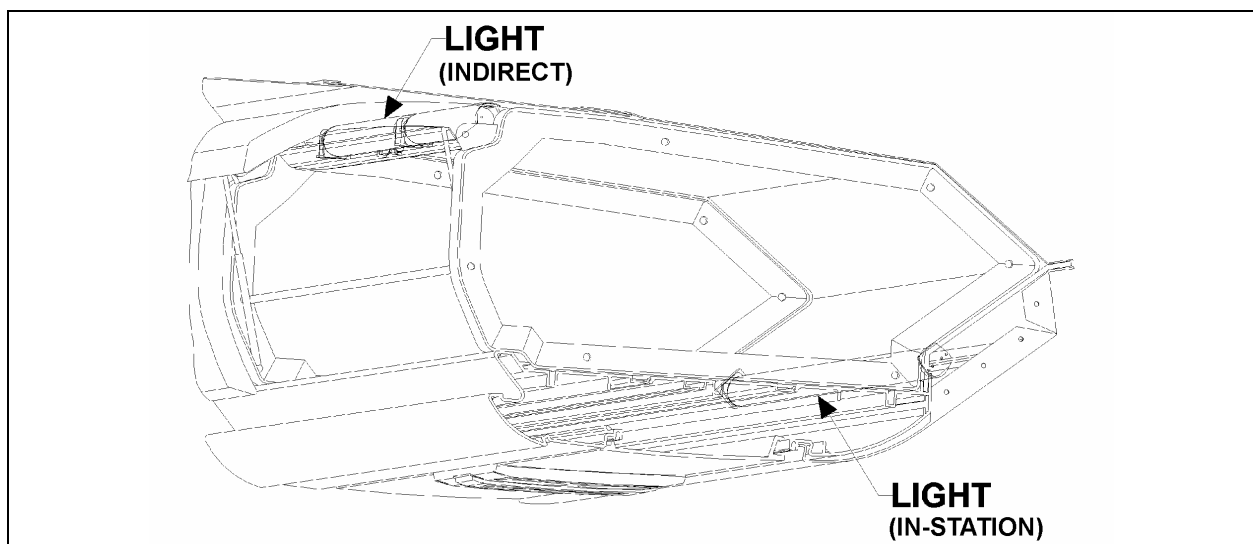


FIGURE 56: PARCEL RACK

06419

13.5.2 Removal And Replacement Of In-Station Fluorescent Tubes

1. Start by pulling out the corner of the lens then delicately peeling it out of its seat.



The lens is fragile. Be very careful when removing and handling.

2. Rotate and pull the fluorescent tube from its sockets.
3. Install a new fluorescent tube, rotating the tube to secure it in the sockets.
4. Replace the screen lens by first inserting one side in the seat, then push the other side in and snap it in place by running it in from one corner to the next.

1. Engage the tool (#830164) over the lamp and turn one quarter turn counterclockwise. Then, remove the tool slowly.
2. Pull the bulb socket off the reading lamp unit.
3. Push and turn bulb counterclockwise, then pull it out of the socket.
4. Install new bulb in the socket, then push and turn clockwise to lock bulb in position.
5. Push the bulb socket in the reading lamp unit.
6. Position the reading lamp with the tool (#830164), turn one quarter turn clockwise.

13.5.3 Removal And Replacement Of Reading Lamp Bulb

13.6 ENGINE COMPARTMENT LIGHTING

Two lights illuminate the engine compartment upon opening of the engine door (Figure 57).

Each light is sealed and can be replaced as follows:

1. Disconnect the light unit connection.
2. Remove the lamp.
3. Position new lamp.
4. Connect the light unit.
5. Make sure the retaining ring is installed properly.

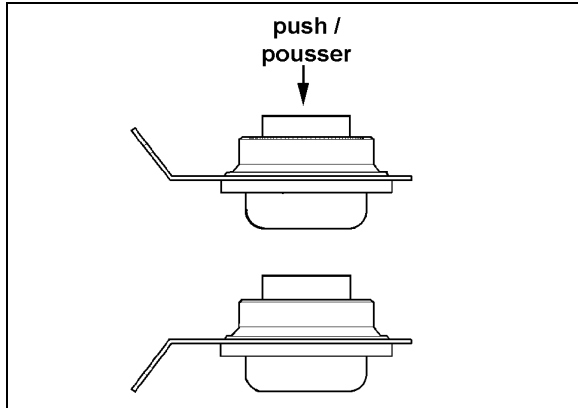


FIGURE 57: ENGINE COMPARTMENT LIGHT

13.7 LAVATORY LIGHT

The lavatory halogen lights are installed on ceiling. A microswitch, mounted in the door exterior frame, is activated by the door lock

mechanism upon locking to energize the circuit. This switch is readily serviced by removing the two Phillips-head screws securing the mounting plate to the door exterior frame.

Proceed as follows to replace the bulb:

1. Unsnap the lamp with a flat head screwdriver and remove it.
2. Pull the defective bulb out of the socket.
3. Install the new bulb by pushing it in position.
4. Replace the lamp by snapping it back in place.

CAUTION

Do not touch halogen bulbs with bare hands as natural oils on skin will shorten bulb life span.

14. LIGHT BULB DATA

When replacing a light bulb, special attention must be paid to the voltage rating (refer to light bulb date hereafter).

NOTE

Exterior and interior lights can be 12 volts or 24 volts.

Application	Prévoست part no.	Trade or SAE number	Watts or Candle Power	Volts	Qty
EXTERIOR LIGHTING					
Hi-beam	930359	H9	65 W	12	2
Low-beam	930360	H9	65 W	12	2
Low-beam Xenon (optional)	930388	D2S	35 W	12	2
Docking & cornering	930319	H9415	37.5 W	12	4
Fog	930361	H3	55 W	12	2
License plate (sealed)	930368	Led	.05 A	12	2
Side marker (red)	930340	Led	.06 A	12	2
Side marker (amber)	930341	Led	.06 A	12	10
Identification (red)	930334	Led	0.10 A	12	3
Identification (amber)	930337	Led	0.10 A	12	3
Clearance (red)	930334	Led	0.10 A	12	4
Clearance (amber)	930337	Led	0.10 A	12	4
Front directional (hazard and marker)	930364	Led	0.75 / 0.10 A	12	2

Section 06: ELECTRICAL

Application	Prévost part no.	Trade or SAE number	Watts or Candle Power	Volts	Qty
Rear directional	930365	Led	0.55 A	12	2
Stop	930366	Led	0.3 A	12	4
Back-up	930367	Sealed Unit	2.1 A	12	2
Center stop (high-mounted)	930330	Led	---	12	1
Tail	930366	Led	0.03 A	12	4
Exterior compartment (except engine)	562278	6429 (78207)	10 W	24	A R
Engine compartment	930383	Sealed Unit	2.1 A	12	2
INTERIOR LIGHTING					
Speedometer	560145	2721 M OSRAM	1 cp	24	2
Tachometer	560145	2721 M	1 cp	24	2
Turbo boost	561167	2721 M	3 W	24	1
Other instruments (1/unit)	560144	2721 MFX OSRAM	1.6 cp	24	A R
Step (VIP)	562278	6429	10 W	24	1
Step (Coaches)	830173	LED	0.7 W	12	3
Lavatory	561009	6423	5 W	24	1
Parcel rack	561553	313	1.6 cp	24	A R
Driver's area	830176	Q20MR16	20 W	12	2
"EMERGENCY EXIT" decal	560601	456	2 cp	24	20
"LAVATORY OCCUPIED"	561166	1820	1.6 cp	24	2
"WATCH YOUR STEP"	561166	1820	1.6 cp	24	2
Aisle	563546	---	---	24	A R
Reading	563073	623	.37 A	24	A R
Fluorescent (In-Station)	830153	F32T8/SP41	32 W	---	A R
Lavatory	830176	Q20MR16	20 W	12	1
Destination sign fluorescent	830080	F30T8CW4	30 W	---	1
Fluorescent (Indirect)	830152	F13T5/CW	13 W	---	---

15. SPECIFICATIONS

Battery

Make.....	Volvo
Model.....	20359831
Type	Maintenance-free
Terminal type	Top Stud
Group size.....	31
Volts	12
Load test amperage	290
Reserve capacity (minutes)	195
Cold cranking (in amps)	
-At 0°F (-18°C).....	.950 (each battery)
Maximum dimensions (inches/mm)	
-Length (including flange)	13.0/330,2
-Width.....	6.7/169,3
-Height (including top posts)	9.3/237,0
-Approximate weight (lbs/kg)	59/26,7

* Battery tester cable clamps should be between terminal nuts and lead pads of terminals. If not possible, load value should be 210 amperes.

Torque specifications

Battery cable to post	10-15 ft-lbf (13-20 N· m)
Battery cover	45-50 ft-lbf (5-6 N· m)

Alternator

Make.....	Delco Remy
Model Number.....	1117702
Series	50DN
Type	600
Field current at 80°F (27°C)	
-Amperes.....	7.2 – 8.0
-Volts	24
Hot output	
-Amperes.....	270 at 80°F (27°C) ambient
-Volts	28
-Approximate rpm.....	3000
Ground	negative
Prévost number	561723

Section 06: ELECTRICAL

Alternator

Make..... BOSCH
Model Number..... 0120689552
Series..... T1
Hot output
-Amperes..... 140 at 25°C (AMBIENT)
-Volts..... 28
-Approximate rpm..... 6000
Ground..... negative
Prevost Number..... 562752

Regulator

Make..... Delco-Remy
Model Number.....
Type..... Transistor
Voltage adjustment..... External screw
Prevost number..... 562775

Battery equalizer

Make..... Vanner
Model..... 60-100D
Amperes..... 100 amps
Prevost Number..... 562542

Starter

Make..... Mitsubishi Electric Corporation (MELCO)
Model Number..... M009T82479
Type..... 105P70
Voltage..... 24
Prevost Number..... 510752

No-load test

-Volts..... 23.5
-Max. current draw..... 125 amperes
-Min. rpm..... 3000 rpm

Starter solenoid

Make..... Mitsubishi Electric Corporation (MELCO)

Model Number..... 1115557
Pull In Voltage..... 16 volts max.

IO-A Volvo multiplex module

Rated voltage 24 or 12 VDC
Operating voltage..... 9-32 V
Over voltage35 V
Number of inputs..... 15
Number of outputs..... 6
Prevost number..... 563272

IO-B Volvo multiplex module

Rated voltage 24 or 12 VDC
Operating voltage..... 9-32 V
Over voltage35 V
Number of inputs..... 10
Number of outputs..... 6
Prevost number..... 563273

CECM Volvo multiplex module

Rated voltage 24 VDC
Operating voltage..... 8-24 V
Over voltage35 V
Number of inputs..... 10
Analog inputs 1
Number of outputs..... 16
Prevost number..... 563274

Master-ID Volvo multiplex module

Rated voltage 24 VDC
Operating voltage..... 18-32 V
Over voltage36 V
Prevost number..... 563295

SECTION 07: TRANSMISSION

CONTENTS

1. DESCRIPTION	3
1.1 ALLISON AUTOMATIC TRANSMISSION	3
1.1.1 Retarder (if applicable)	3
1.2 ZF-ASTRONIC TRANSMISSION	3
2. WELDING PROCEDURES	4
3. MAINTENANCE	4
3.1 ALLISON TRANSMISSION	4
3.1.1 Manual Fluid Level Check	4
3.1.2 Cold Check	4
3.1.3 Hot Check	5
3.1.4 Fluid Level Check Using The Pushbutton Shift Selector	6
3.1.5 Importance Of Proper Fluid Level	6
3.1.6 Keeping Fluid Clean	6
3.1.7 Recommended Automatic Transmission Fluid	7
3.1.8 Oil Contamination	7
3.1.9 Metal Particles	7
3.1.10 Coolant Leakage	7
3.1.11 Oil and Filter Change	9
3.2 ZF ASTRONIC TRANSMISSION	10
3.2.1 Oil Change	10
3.2.2 ZF ASTRONIC / SACHS Clutch Installation Procedure	10
4. INSTALLATION OF ZF OR ALLISON TRANSMISSION BRACKETS	12
5. ALLISON TRANSMISSION REMOVAL	12
6. TRANSMISSION OIL COOLER REMOVAL	13
6.1 TRANSMISSION WITHOUT RETARDER	13
6.2 TRANSMISSION WITH RETARDER	14
7. CLEANING AND INSPECTION OF THE TRANSMISSION	14
7.1 ALLISON TRANSMISSION	14
7.1.1 Breather	15
8. ALLISON TRANSMISSION INSTALLATION	15
9. TROUBLESHOOTING	16
9.1 ALLISON AUTOMATIC TRANSMISSION	16
9.1.1 4 th Generation Transmission Control Module	16
9.1.2 Diagnostic Troubleshooting Codes (DTC) — Allison 4 th Generation Controls	16
9.1.3 Diagnostic Codes – Allison 4 th Generation Controls	17
9.1.4 Diagnostic Code Display And Clearing Procedure – Allison 4 th Generation Controls	17
9.1.5 Diagnostic Code Response	18
9.1.6 Diagnostic Troubleshooting Codes (DTC) List - Allison 4 th Generation Controls	19
10. ZF-ASTRONIC TRANSMISSION SYSTEM FAULTS AND ERROR MESSAGES	22
10.1 SYSTEM FAULTS (ERROR MESSAGES)	22
11. SPECIFICATIONS	29

ILLUSTRATIONS

FIGURE 1: ALLISON TRANSMISSION 3
 FIGURE 2: ALLISON PUSHBUTTON SHIFT SELECTOR 3
 FIGURE 3: ZF-ASTRONIC TRANSMISSION 4
 FIGURE 4: OIL LEVEL DIPSTICK (ALLISON) 4
 FIGURE 5: COLD CHECK 5
 FIGURE 6: HOT CHECK 6
 FIGURE 7: DRAIN PLUG AND FILTERS 10
 FIGURE 8: RELEASE BEARING RETAINING CLIP 11
 FIGURE 9: ZF OR ALLISON TRANSMISSION BRACKETS..... 12
 FIGURE 10: ENGINE CRANKING POSITION..... 13
 FIGURE 11: MODINE OIL COOLER 14
 FIGURE 12: COOLER WITH RETARDER 14
 FIGURE 13: AIR PRESSURE REGULATOR (TYPICAL)..... 16
 FIGURE 14: TRANSMISSION CONTROL MODULE 16

1. DESCRIPTION

H3 Series vehicles may be provided with either an Allison automatic transmission or a ZF-Astronic transmission.

1.1 ALLISON AUTOMATIC TRANSMISSION

The B500 and B500R (with retarder) Transmission has 6 speeds with two top range (fifth and sixth) overdrives. Total coverage is determined by dividing the highest gear ratio by the lowest gear ratio. Total coverage expresses the transmission gear ratio versatility. Transmissions with larger total coverage number have a wider variety of available ratios.

An electronic control allows the transmission to shift at exactly the right point on the engine's fuel consumption curve for best economy. Early lockup maintains the highest possible mechanical efficiency through the closely-spaced gear steps, culminating in two overdrive ratios. This combination allows progressive shifting techniques, where engine speeds are reduced for higher efficiency and lower fuel consumption.

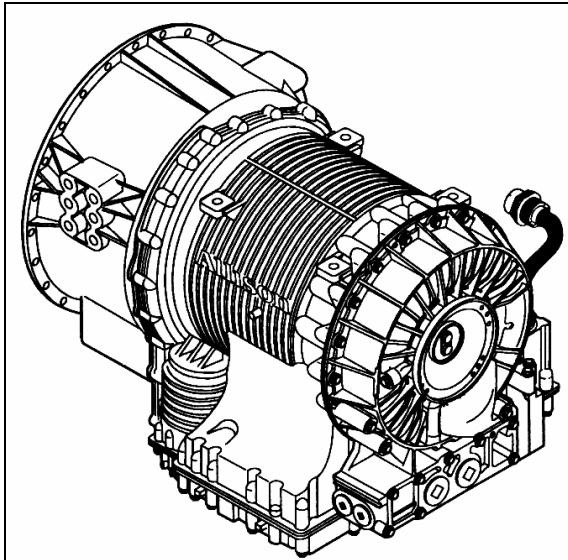


FIGURE 1: ALLISON TRANSMISSION

07075

Gear selection and torque converter modes are controlled by a microcomputer-based electronic transmission management system. It is fed information regarding throttle position, operator range selection, engine speed, turbine speed, transmission output speed and various system pressures from special electronic sensors.

With this information, it computes shift points and clutch pressures to meet immediate needs. Using closed loop adaptive logic, the electronic control looks at a number of parameters during the shift, and makes minute adjustments to

match the shift to desired profile stored in its memory. It then looks at these adjustments and resets the parameters, which allow the transmission to quickly compensate for variations in load, terrain or environment and to adjust for clutch wear and engine power changes. A Diagnostic Data Reader can be connected to the electronic control unit to provide a self-check of all systems in the transmission. Five-digit trouble codes greatly reduce the time it takes to pinpoint potential problems. (Refer to paragraph "9. TROUBLESHOOTING" in this section).

1.1.1 Retarder (if applicable)

This optional auxiliary braking device for the automatic transmission is integrated into the basic envelope of the transmission and transmits its braking force directly to the propeller shaft. It requires no additional length and adds only 75 pounds (34 kg) of weight. Operation of the retarder is controlled electronically by the driver's use of the brake and/or by hand control lever.

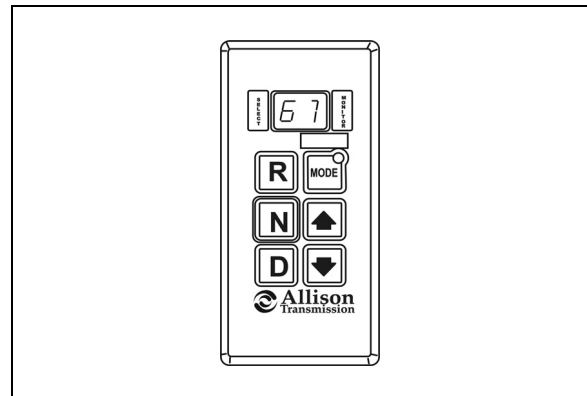


FIGURE 2: ALLISON PUSHBUTTON SHIFT SELECTOR

07135

When activated, fluid enters a cavity and provides resistance to the turning of rotor blades revolving with the output shaft. This effectively slows the vehicle to the point where the service brakes are needed only for final stopping. The retarder is fully modulated and is compatible with ABS.

1.2 ZF-ASTRONIC TRANSMISSION

The ASTRONIC gear shift system is a combination of an electro-pneumatically shifted constant-mesh gearbox and an automated dry clutch.

If the ASTRONIC transmission system is to be used, the vehicle must have an electronic engine control unit as well as CAN communication. Since the clutch is automated (clutch pedal no longer fitted), the driver no longer has to activate the clutch.

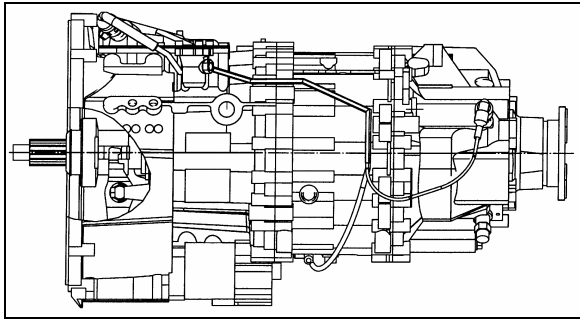


FIGURE 3: ZF-ASTRONIC TRANSMISSION 07078

The actual shift procedure is performed by the electronic transmission control unit. The driver has the option of driving the vehicle in both semi-automatic mode as well as fully automatically. When in semi-automatic mode, manual shifting with the range selector is made easier.

When in fully automatic mode, gears are selected and shifts made by the electronic control unit. The driver can still intervene if he wishes to. All system functions required are shown on the display, e.g. neutral, gear change, clutch overload and diagnosis information.

2. WELDING PROCEDURES

These procedures are intended only for vehicles equipped with transmission electronic controls. When frame or other welding is required on the vehicle, precautions are to be taken to protect the electronic control components. Refer to section 00: GENERAL INFORMATION, paragraph 3: "Precautions to be observed before welding" for complete procedure.

3. MAINTENANCE

3.1 ALLISON TRANSMISSION

3.1.1 Manual Fluid Level Check



WARNING

When checking the oil level, be sure that the parking brake and/or emergency brakes are set and properly engaged, and the wheels are chocked. Unexpected and possible sudden vehicle movement may occur if these precautions are not taken.

Special care must be taken not to touch the engine coolant tubing and/or exhaust pipe, since this could cause severe burns.

Do not wear loose clothing and, stay away from rotating parts during procedure; personal injury

could occur.

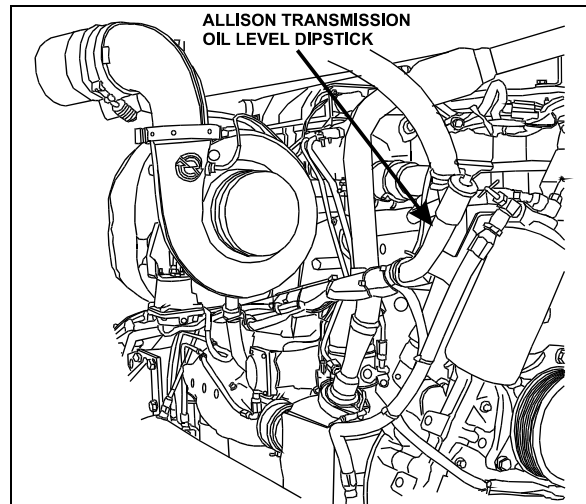


FIGURE 4: OIL LEVEL DIPSTICK (ALLISON) 07033

To gain access to the dipstick, open the engine compartment rear doors; dipstick is located on the radiator side of the engine (Fig. 4).

Clean all dirt from around the end of the oil filler tube before removing the dipstick. Dirt or foreign matter must not be permitted to enter the oil system since it will cause valves to stick, undue wear of transmission parts, and clogged passages. Check the oil level using the procedures in Cold Check and Hot Check. Record any abnormal level on your "Maintenance Records".

Always check the oil level reading at least twice when the engine is running. Consistency is important in maintaining the accuracy of the reading. If inconsistent readings persist, check the transmission breather to ensure it is clean and free of debris.

3.1.2 Cold Check

The purpose of the **Cold Check** is to determine if the transmission has enough fluid to be operated safely until a **Hot Check** can be made.

1. If the engine has been shut down for an extended period of time, park the vehicle on a level surface and apply the parking brake.



CAUTION

The oil level rises as sump temperature increases. **DO NOT** fill above the Cold Run band if the transmission oil is below normal operating temperature. During operation, an

overfull transmission can become overheated, leading to transmission damage.

2. Run the engine at idle in «N» (Neutral) for about one minute.
3. Shift to «D» (Drive) and operate the engine for 30 seconds at 1000-1500 rpm; then shift to «R» (Reverse) to clear the hydraulic system of air.
4. Move the vehicle to a level surface, put transmission in «N» (Neutral), and set the parking brake.
5. Finally shift to Neutral (N) and allow the engine to idle (500 - 800 rpm).
6. While the engine is running, remove the dipstick from the tube and wipe it clean (Fig. 4). Insert the dipstick into the fill tube, pushing down until it stops.
7. Remove the dipstick and observe the fluid level. Repeat the check procedure to verify the reading. If the fluid on the dipstick is within the COLD CHECK band, the level is satisfactory for operating the transmission until the oil is hot enough to perform a **Hot Check**. If the fluid level **is not** within this band, add or drain fluid as necessary to bring the level within the COLD CHECK band.
8. Perform a **Hot Check** at the first opportunity after the normal operating temperature of 160°F to 200°F (71°C to 93°C) is attained.

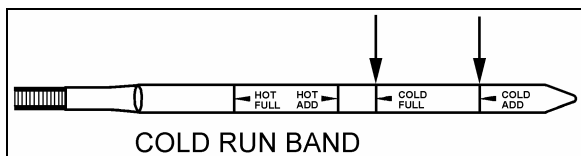


FIGURE 5: COLD CHECK

07050



CAUTION

DO NOT operate the transmission for extended periods of time until a **Hot Check** has verified proper fluid level. Transmission damage can result from extended operation at improper fluid level conditions.



CAUTION

Obtain an accurate fluid level by imposing the following conditions:

- Engine is idling (500-800 rpm) in «N» (Neutral).
- Transmission fluid is at normal operating temperature.
- The vehicle is on a level surface.

3.1.3 Hot Check



CAUTION

The oil **must be hot** to obtain an accurate check because the fluid level rises as temperature increases.

To perform a **Hot Check**, do the following:

1. The **Hot Check** can be performed when the transmission oil reaches the normal operating temperature (160°F to 200°F / 71°C to 93°C). The transmission oil temperature can be checked with the dashboard message center display (MCD) when selecting the Gauge Mode (refer to the "Operator's Manual" for added information).
2. Park the vehicle on a level surface and shift to «N» (Neutral). Apply the parking brake and allow the engine to idle (500 - 800 rpm).
3. Remove the dipstick from the tube and wipe it clean. Insert the dipstick into the fill tube, pushing down until it stops.
4. Remove the dipstick and observe the fluid level. The safe operating level is anywhere within the HOT RUN band on the dipstick. Repeat the check procedure to verify the reading.
5. If the level **is not** within this band, add or drain fluid as necessary to bring the level within the HOT RUN band.
6. Be sure fluid level checks are consistent. Check level more than once and if readings are not consistent, check to be sure the transmission breather is clean and not clogged. If readings are still not consistent, contact your nearest Allison dealer or distributor.

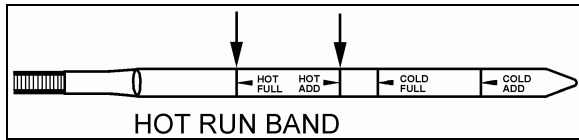


FIGURE 6: HOT CHECK

07049

NOTE

The Cold Check is more appropriate for verifying the oil level after the first fill-up. In case of conflict, the Hot Check has priority over the Cold Check; the fluid level check using the pushbutton shift selector has priority over the Hot Check.

3.1.4 Fluid Level Check Using The Pushbutton Shift Selector

Oil level codes are obtained as follows:

1. Park vehicle on a level surface, select «N» (neutral) on the pushbutton shift selector and apply parking brake.
2. Press simultaneously the ▲ (Up) and ▼ (Down) arrow buttons once.
3. Oil level codes are displayed in 2 minutes (e.g. display will flash and 8, 7, 6, 5, ...; countdown will occur during the 2 minutes) once the following parameters are met:
 - **Waiting time, vehicle must be stationary for at least 2 minutes to allow the oil to settle;**
 - **Engine at idle;**
 - **Oil at normal operating temperature, between 140°F (60°C) and 220°F (104°C);**
 - **Transmission in «N» (Neutral);**
 - **Transmission output shaft stopped;**
 - **Oil level sensor present and working.**

After 2 minutes, the display will flash one of the codes shown below:

CODE	CAUSE OF CODE
O L...O K	Oil level is correct
O L...L O...01	One quart low
O L...L O...02	Two quarts low
O L...H I...01	One quart high

CODE	CAUSE OF CODE
O L...H I...02	Two quarts high

NOTE

Failure to meet one of the above parameters will stop the two minute countdown. One of the codes shown hereafter will indicate the cause of the countdown interruption. Once all parameters are met, the countdown will continue from where it left off.

CODE	CAUSE OF CODE
OL...0X	Waiting time too short
OL...50	Engine speed (rpm) too low
OL...59	Engine speed (rpm) too high
OL...65	Neutral must be selected
OL...70	Sump oil temperature too low
OL...79	Sump oil temperature too high
OL...89	Output shaft rotation
OL...95	Sensor failure

To exit the Oil Level Display Mode, press any range button: «R», «N» or «D».

3.1.5 Importance Of Proper Fluid Level

It is important that the proper fluid level be maintained at all times because the transmission fluid cools, lubricates, and transmits hydraulic power. If the fluid level is too low, the converter and clutches do not receive an adequate supply of fluid. If fluid level is too high, the fluid can aerate, causing the transmission to shift erratically or overheat.

3.1.6 Keeping Fluid Clean

Oil must be handled in clean containers, fillers, etc., to prevent foreign material from entering the transmission. Place the dipstick on a clean surface area while filling the transmission.



CAUTION

Containers or fillers that have been used to handle antifreeze or engine coolant must NEVER be used for handling transmission fluid. Antifreeze and coolant solutions contain ethylene glycol that, if introduced into the

transmission, can cause the clutch plates to fail.

3.1.7 Recommended Automatic Transmission Fluid

Hydraulic fluids used in the transmission are important influences on transmission performance, reliability and durability. **Castrol TranSynd™ Synthetic Fluid** and **DEXRON-III®** fluids are recommended for on-highway applications.

- **TranSynd™** is a full synthetic transmission fluid developed by Allison Transmission and Castrol Ltd. This fluid meets Allison specifications for Severe Duty and Extended Drain Intervals. TranSynd™ is fully qualified to the Allison TES295 specifications and is available through Prevost Parts.
- To be sure that a fluid is qualified for use in Allison transmission, check for the **DEXRON-III®** license numbers on the container or consult the lubricant manufacturer. Consult your Allison Transmission dealer or distributor before using other fluid types.

Customers may use TranSynd™/TES 295 equivalent and extend drain intervals. Equivalent TranSynd™ fluid must meet or exceed TES 295 requirements. Customers may choose from a wide variety of approved Dexron-III® fluids.

The Transmission Fluid Operating Temperature Requirements table lists the minimum fluid temperatures at which the transmission may be safely operated without preheating. Preheat with auxiliary heating equipment or by running the equipment or vehicle with the transmission in «N» (Neutral) for a minimum of 20 minutes before attempting range operation.

Transmission Fluid Operating Temperature Requirements

Fluid type	Minimum operating temperature	
	Celsius	Fahrenheit
TranSynd™	-30	-22
DEXRON-III®	-25	-13



CAUTION

Disregarding minimum fluid temperature limits can result in transmission malfunction or reduced transmission life.

NOTE

The use of an arctic preheat kit is recommended at temperatures below -25°F (-32°C). If a preheat kit is not available, the TCM will restrict full operation until the sump temperature is increased.

3.1.8 Oil Contamination

At each oil change, examine the drained oil for evidence of dirt or water. A nominal amount of condensation will emulsify during operation of the transmission. However, if there is evidence of water; check the cooler (heat exchanger) for other signs of leakage. This, however, may also indicate leakage from the engine oil system.

3.1.9 Metal Particles

Metal particles in the oil (except for minute particles normally trapped in the oil filter) indicate damage has occurred in the transmission. When these particles are found in the sump, the transmission must be disassembled and closely inspected to find the source. Metal contamination will require complete disassembly of the transmission and cleaning of all internal and external circuits, coolers, and all other areas where the particles could lodge.



CAUTION

If excessive metal contamination has occurred, replacement of the oil cooler and replacement of all bearings within the transmission is recommended.

3.1.10 Coolant Leakage

If engine coolant leaks into the transmission oil system, immediate action must be taken to prevent malfunction and possible serious damage. The transmission must be completely disassembled, inspected, and cleaned. All traces of the coolant contamination must be removed. Friction clutch plates contaminated with ethylene glycol must be replaced.

TABLE 1

Recommended Fluid and Filter Change Intervals Using Dexron-III/ Non-TranSynd™/ Non-TES 295 / Mixture							
Severe ³ Coaches or MTH equipped with retarder				General ⁴ Coaches or MTH without retarder			
Fluid	Filters			Fluid	Filters		
	Main	Internal	Lube/ Auxiliary		Main	Internal	Lube/ Auxiliary
12,000 Miles (20 000 km) 6 Months	12,000 Miles (20 000 km) 6 Months	Overhaul	12,000 Miles (20 000 km) 6 Months	25,000 Miles 40 000 km 12 Months	25,000 Miles 40 000 km 12 Months	Overhaul	25,000 Miles (40 000 km) 12 Months

2 inch Control Module (1.75 approximately) – Requires High-Capacity Filter Kit Allison P/N 572050

TABLE 2

Recommended Fluid and Filter Change Intervals ¹ Using 100% TranSynd™/TES 295 Approved Fluid ²							
Severe ³ Coaches or MTH equipped with retarder				General ⁴ Coaches or MTH without retarder			
Fluid	Filters			Fluid	Filters		
	Main	Internal	Lube/ Auxiliary		Main	Internal	Lube/ Auxiliary
150,000 Miles (240 000 km) 48 Months	75,000 Miles (120 000 km) 36 Months	Overhaul	75,000 Miles (120 000 km) 36 Months	300,000 Miles 480 000 km 48 Months	75,000 Miles 120 000 km 36 Months	Overhaul	75,000 Miles (120 000 km) 36 Months

¹ Extended TranSynd™/TES 295 fluid and filter change intervals are only allowed with Allison High-Capacity filters.

² Less than 100% concentration of TranSynd™/TES 295 approved fluid is considered a mixture and should utilize non-TES 295 change intervals. If the customer replaces non-TranSynd™/non-TES 295 fluid with TranSynd™/TES 295 equivalent, the change interval recommendations of non-TranSynd™/non-TES 295/mixture must be followed. Upon the next oil change, if the customer reinstall TranSynd™/TES 295 equivalent, the fluid & filter change recommendation outlined in 100% TES 295 approved fluids must be followed.

³ Severe vocation= All retarder, On/Off highway, transit and intercity coach with duty cycle greater than one (1) stop per mile.

⁴ General vocation= intercity coach with duty cycle less than or equal to one (1) stop per mile and all other vocations not listed in severe vocation.

TABLE 3

Recommended Fluid and Filter Change Intervals Using 100% TranSynd™/TES 295 Approved Fluid And Gold Series Filters							
Coaches or MTH equipped with retarder				Coaches or MTH without retarder			
Fluid	Filters			Fluid	Filters		
	Main	Internal	Lube/ Auxiliary		Main	Internal	Lube/ Auxiliary
	Initial Break-in 5,000 miles (8,000 km)				Initial Break-in 5,000 miles (8,000 km)		
50,000 Miles (80 000 km) 24 Months	50,000 Miles (80 000 km) 24 Months	Overhaul	50,000 Miles (80 000 km) 24 Months	150,000 Miles 240 000 km 48 Months	50,000 Miles 80 000 km 24 Months	Overhaul	50,000 Miles (80 000 km) 24 Months

3.1.11 Oil and Filter Change

Allison transmissions are factory fill with **Castrol TranSynd™** fluid. Oil change must be performed with the vehicle on a flat and level surface and with parking brake applied. Oil and oil filter change frequency is determined by the severity of service and operating conditions of the transmission and by the filter equipment installed. See "TABLE 1, TABLE 2 or TABLE 3" for oil and filter change intervals. More frequent changes may be required when operations are subject to high levels of contamination or overheating. Filters must be changed at or before recommended intervals.

IMPORTANT NOTE

Allison Transmission recommends that customers use fluid analysis as the primary method for determining fluid change intervals. Many customers have a systematical annual transmission fluid change while, in many cases, fluid analysis could demonstrate that the transmission fluid is still in good condition and a fluid change is not required. In the absence of a fluid analysis program, the fluid change interval listed in TABLE 1, TABLE 2 & TABLE 3 should be used.

IMPORTANT NOTE

Your transmission is equipped with **High Capacity filters**. High Capacity filters allow for increased fluid and filter change intervals in

transmissions utilizing TES 295 approved fluid/TranSynd™. High Capacity filters eliminate the requirement of the initial 5000 miles (8000km) main filter change.

Former Gold Series filter kits are completely cancelled and serviced with current High Capacity filter kits. However, if you are using stocked Gold Series filter kits with TES 295 approved fluid/TranSynd™, use TABLE 3 for oil and filter change intervals.

The procedure for changing the transmission oil and oil filters is as follows:

Drain

1. The transmission should be at an operating temperature of 160°F (71°C) to 200°F (93°C) when the oil is drained. This will ensure quicker and more complete fluid drainage.

NOTE

Remove transmission protective panel located underneath transmission for easier access.

2. Remove the drain plug from under the transmission (Fig. 7) and allow the oil to drain into a suitable container. Check the condition of the oil as described previously.
3. To replace the integral filters, remove twelve bolts (6 on each cover), two filter covers, two O-rings, two square cut seals and the two filters from the bottom of the control module (Fig. 7).

- To install filters, pre-lube and install the two O-rings, the two square cut seals followed by the filters (lube the O-ring in filter cartridge only) into the filter compartment. Index each filter/cover assembly to holes in channel plate/sump. Push the cover assembly in by hand to seat the seals.



CAUTION

Do not use bolts to draw the cover to sump. This can damage the cover, seal, or sump.

- Install twelve bolts and both covers, and then tighten to 38-45 Ft-lbs (51-61 Nm).
- Inspect the drain plug and O-ring. Replace if necessary. Reinstall the drain plug and tighten to 18-24 Ft-lbs (25-32 Nm).
- Reinstall transmission protective panel.

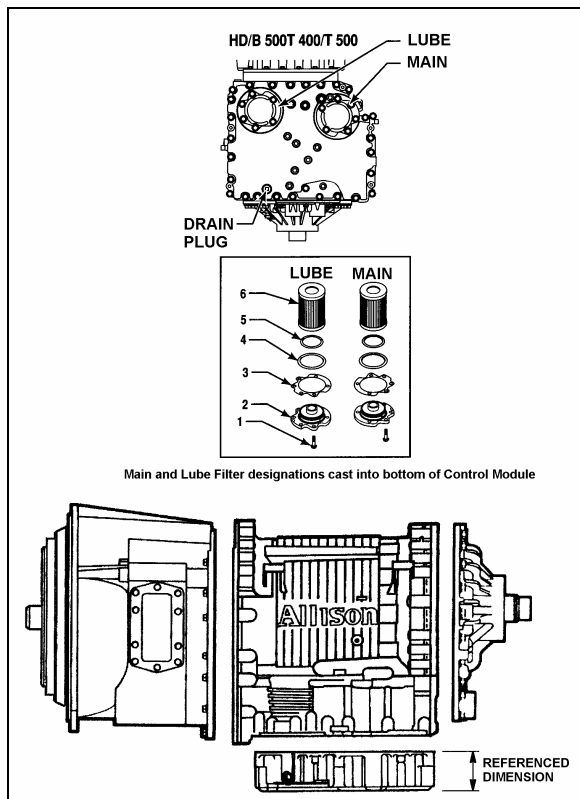


FIGURE 7: DRAIN PLUG AND FILTERS

07052

Fluid loss with filter change only

When changing main and lube filters at recommended intervals, approximate fluid loss for each filter as follows:

Main filter = 2 quarts (1.9 liters)

Lube filter = 8 quarts (7.6 liters)

Refill transmission

The amount of refill fluid is less than the amount used for the initial fill. Fluid remains in the external circuits and transmission cavities after draining the transmission.

NOTE

Quantities listed below are approximations and do not include external oil cooler lines.

Using the oil level dipstick filler tube, refill with 24 US qts (23 liters) [28 US qts (26.5 liters) if equipped with retarder] and check the oil level using the **Fluid Level Check Using Pushbutton Shift Selector** procedure in this section.

3.2 ZF AS-TRONIC TRANSMISSION

The information needed for the removal/installation or maintenance of the ZF transmission is included in the documents annexed at the end of this section.

3.2.1 Oil Change

Approximately 11 liters is needed for a complete oil change.

3.2.2 ZF AS-TRONIC / SACHS Clutch Installation Procedure

Important Note:

The clutch hub splines, input shaft, release bearing, clutch fork, and clutch push rod ends all come pre-lubed from the factory.

- Clean the flywheel, clutch disc, and pressure plate surfaces, removing any grease prior to assembly.
- Slide the clutch disk onto the transmission input shaft to check for smooth engagement. Remove clutch disk.
- Apply a very thin coating of Optimol Olista Longtime synthetic grease to the transmission input shaft. Slide the clutch disk along the full length of the input shaft to transfer grease to the clutch hub splines. Remove clutch disc, and remove any excess grease from the exterior of the clutch disc hub. **It is very important that no**

excess grease is left on the exterior of the clutch hub or clutch disk!

- Install two temporary pilot studs (7/16-14, 3" long), placing them on the same diameter, 180° apart. These are used to aid in the alignment of the clutch pressure plate.
- Verify that the pilot bearing is seated properly in the flywheel. Insert a clutch alignment tool (SAE 2" DIA, 10 Spline) through the clutch disc and into the pilot bearing. PLEASE NOTE: the direction matters – the large side of the hub should face the clutch pressure plate. The clutch disc hub should be marked "flywheel side" – this side should face the flywheel.
- Use the clutch alignment tool to keep the clutch disc in the proper position and align the clutch cover with the two studs. Push the cover in place in the direction of the flywheel and start installing the clutch bolts. Use Lock-Tite for each bolt. Install, but do not torque, the 10 bolts. Remove the two pilot studs and in their place install the remaining 2 bolts.
- When the bolts are hand tight, be sure that the clutch cover fits into the flywheel centering ring. Tighten each bolt a little at a time, in a crisscross pattern, until the pressure plate cover contacts the flywheel face. Once the cover has touched the face of the flywheel, torque the clutch bolts to 55 ft-lbs, again in a crisscross fashion.
- Remove the clutch alignment tool. If the installation was successful, it should slide out smoothly.
- Ensure that the release bearing retaining clip (located on the "fingers" of the pressure plate) is closed. Refer to figure 8.
- Remove the Clutch Inspection Cover from the bottom of the transmission.
- The transmission should have been shipped in gear. This will allow the installer to rotate the output shaft in order to align the input shaft with the clutch disc hub. If the transmission is in neutral, a "strap wrench" (with a rubber or leather strap) can be used to align the input shaft. Do not use a wrench of the "chain" variety, as damage to the input shaft may result. When aligned, push the transmission towards the engine. Be sure that the bell housing contacts the flywheel housing.

Warning!

- Insure that the transmission moves in a straight line. It can very easily go off center relative to the clutch disc and pilot bearing.
- Insure that the bell housing interfaces evenly with the flywheel housing. Even surface contact should be attained before tightening bolts.
- Do not try to correct relative position of the bell housing and flywheel housing by pulling the transmission into place with the bell housing bolts. The transmission bell housing should seat into the flywheel housing freely.
- When the bell housing and flywheel housing surfaces and bolt holes are aligned, install the transmission bolts. Only hardened steel flat washers should be used, **SERRATED LOCK WASHERS ARE NOT ALLOWED**. Torque the transmission bolts to 55 lbf-ft in a crisscross fashion.
- From underneath, push the clutch release bearing forward (in the direction of flywheel) using the release fork. Use force to snap the bearing into the retaining clip located on the "fingers" of the pressure plate. The installer should be able to both hear and feel the bearing seat into place. Refer to figure 8.

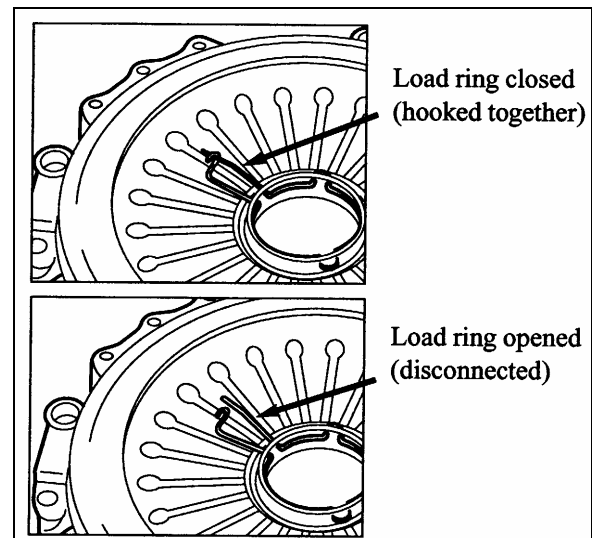


FIGURE 8: RELEASE BEARING RETAINING CLIP 07112

- Install the Clutch Actuator inspection cover.
- The clutch/transmission installation is now complete.

4. INSTALLATION OF ZF OR ALLISON TRANSMISSION BRACKETS

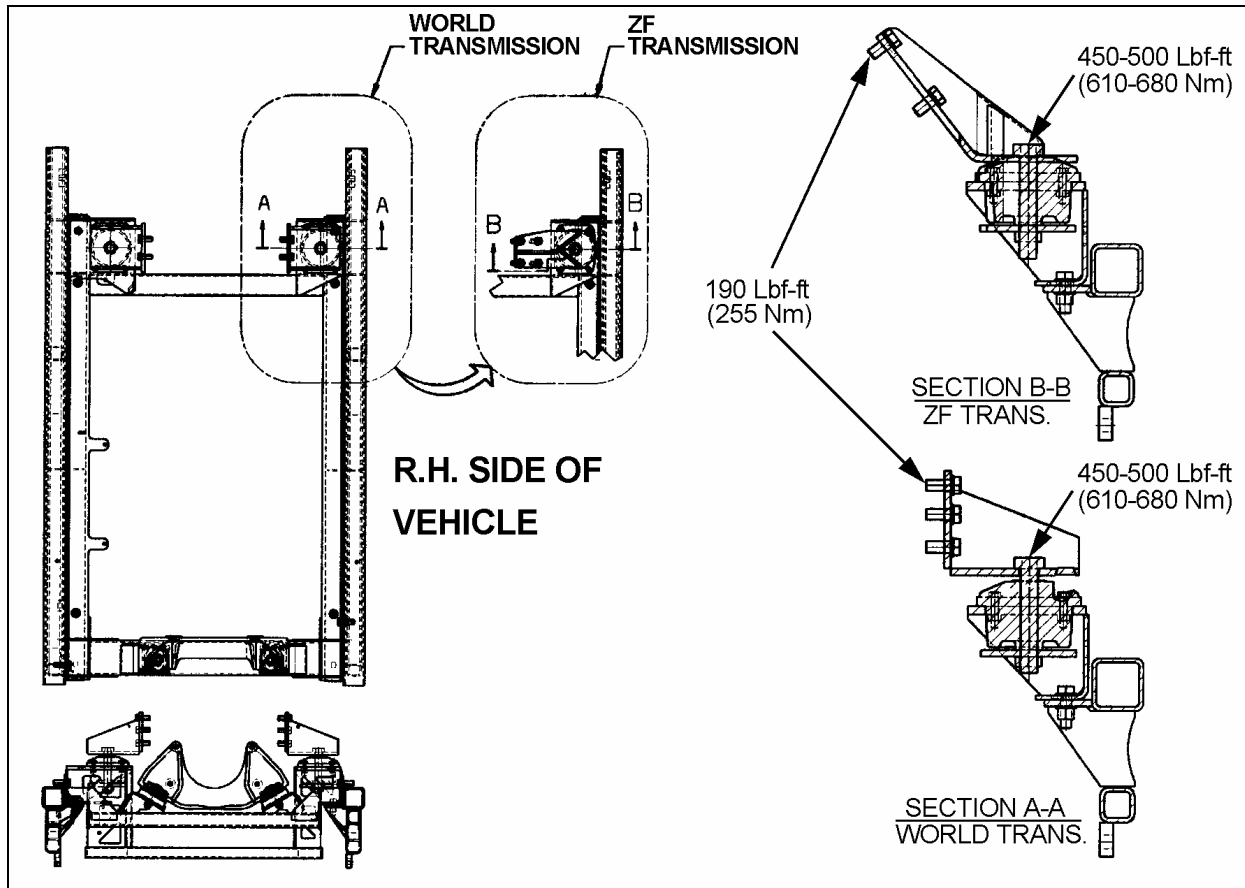


FIGURE 9: ZF OR ALLISON TRANSMISSION BRACKETS

07114

5. ALLISON TRANSMISSION REMOVAL

The following procedure deals with the removal of the Allison transmission without removing the power plant cradle from vehicle. The methods used to support the transmission and engine depend upon conditions and available equipment.

1. Select transmission's "NEUTRAL" position, apply parking brake, and then set battery master switch to the "OFF" position.
2. Jack up vehicle, then place safety supports underneath body.



CAUTION

Only the recommended jacking points must be used as outlined in Section 18, "BODY".

NOTE

For more clearance between the tag axle and transmission, the tag axle may be unloaded and jacked up or retracted (if applicable).

2. Remove engine splash guards and protective panels surrounding transmission.
4. Remove cross member from under transmission.
5. Remove the transmission drain plug and allow oil to drain. Inspect the drain plug washer and replace it if necessary. Reinstall the drain plug and tighten to 33-41 Lbf-ft (45-56 Nm) (see "3.1.9 Oil and Filter Change" in this section).



WARNING

It is better to drain oil when it is still warm. Avoid contact with oil since it can be very hot and cause personal injury.

6. Remove transmission dipstick and filler tube.
7. Disconnect propeller shaft from transmission and remove its safety guard. Refer to Section 09, "PROPELLER SHAFT".
8. Disconnect the two oil cooler hoses from transmission. Cover hose ends and fittings to prevent fluid contamination.

**WARNING**

A significant amount of oil may drain from oil lines when they are disconnected.

9. Disconnect all sensors on L.H. side of the transmission.
10. Disconnect main wiring harness.
11. Disconnect the air supply line (steel-braided hose) from retarder control valve (if applicable).
12. Remove any locking tie, clamp and bracket that may interfere with the removal of transmission.
13. Support transmission using a suitable transmission jack.
14. Remove the access plug from the flywheel housing on the R.H. side below starter. From access plug, remove the 12 converter-to-flexible plate attaching screws. Cranking the engine to gain access to the attaching screws may be done by turning the crankshaft pulley using a suitable adapter (fig. 10).

**CAUTION**

Do not rotate alternator shaft clockwise to avoid removing tension on belt.

15. Remove the 12 screws retaining the torque converter housing to the flywheel housing.

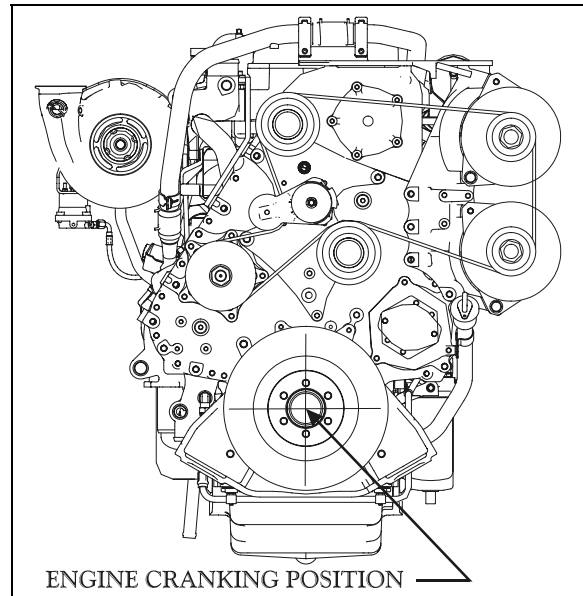


FIGURE 10: ENGINE CRANKING POSITION

01153

**CAUTION**

Make sure transmission-to-engine alignment is maintained when removing screws to avoid damaging torque converter housing.

16. Remove the transmission rubber mount above transmission by removing the nut, bolt and washer over the rubber and its support. Remove the bracket from transmission (only if the vehicle is equipped with a retarder).
17. Slowly pull transmission straight out to clear the engine.
18. Remove the transmission.

6. TRANSMISSION OIL COOLER REMOVAL**6.1 TRANSMISSION WITHOUT RETARDER**

Stop engine and allow engine to cool. Close both heater line shutoff valves (refer to Section 05 "Cooling").

To drain the cooling system, proceed as per Section 05 "Cooling", paragraph 5: Draining. If the cooling system is contaminated, flush system as per Section 05 "Cooling", paragraph 7: Flushing.

1. Disconnect and remove the engine air intake duct mounted between the air cleaner housing and the turbocharger inlet.

**CAUTION**

To avoid damage to turbocharger, cover the turbocharger inlet opening to prevent foreign material from entering.

2. Disconnect the two transmission hoses from oil cooler. Cover hose ends and fittings to prevent fluid contamination.

**WARNING**

A significant amount of oil may drain from oil lines when they are disconnected.

3. Unfasten the constant-torque hose clamps and remove the two hoses.

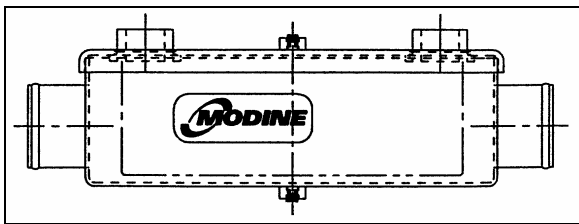


FIGURE 11: MODINE OIL COOLER

07072

4. Unscrew the four holding nuts and remove the U-bolts, remove the oil cooler from engine compartment.
5. Reinstall transmission oil cooler by using reverse procedure.

6.2 TRANSMISSION WITH RETARDER

Stop engine and allow engine to cool. Close both heater line shutoff valves (refer to Section 05 "Cooling").

1. To drain the cooling system, proceed as per Section 05 "Cooling", paragraph 5: Draining. If the cooling system is contaminated, flush system as per Section 05 "Cooling", paragraph 7: Flushing.
2. Disconnect and remove the engine air intake duct mounted between the air cleaner housing and the turbocharger inlet.

**CAUTION**

To avoid damage to turbocharger, cover the turbocharger inlet opening to prevent foreign material from entering.

3. Disconnect the transmission hoses from oil cooler. Cover hose ends and fittings to prevent fluid contamination.

**WARNING**

A significant amount of oil may drain from oil lines when they are disconnected.

4. Unfasten the constant-torque hose clamps and remove the two hoses.
5. Unscrew the holding bolts and nuts and remove the oil cooler from engine compartment.

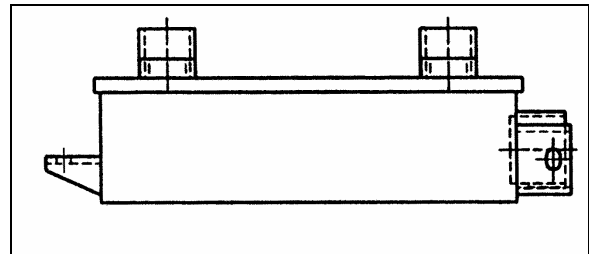


FIGURE 12: COOLER WITH RETARDER

07073

6. Reinstall transmission oil cooler by using reverse procedure.

7. CLEANING AND INSPECTION OF THE TRANSMISSION**7.1 ALLISON TRANSMISSION**

The exterior of the transmission should be cleaned and inspected at regular intervals. The length of service and severity of operating conditions will determine the frequency of such inspections. Inspect the transmission for:

1. Loose bolts (transmission and mounting components);
2. Oil leaks (correct immediately);
3. Loose, dirty, or improperly adjusted throttle sensor linkage;
4. Damaged or loose oil lines;

5. Worn or frayed electrical harnesses, improper routing;
6. Worn or out of phase drive line U-joint and slip fittings.

**CAUTION**

DO NOT pressure wash the transmission electrical connectors. Water and detergent will cause the contacts to corrode or become faulty.

7.1.1 Breather

The breather is located on the engine, flywheel side near the valve cover. It serves to prevent pressure build-up within the transmission and must be cleaned to keep the passage opened. The prevalence of dust and dirt will determine the frequency at which the breather requires cleaning. Use care when cleaning the engine. Spraying steam, water or cleaning solution directly at the breather can force the water or solution into the transmission. Always use care when removing the hose connector from transmission to prevent the entry of foreign matter.

8. ALLISON TRANSMISSION INSTALLATION***NOTE***

For more clearance between the tag axle and transmission, the tag axle may be unloaded and jacked up, or retracted (if applicable).

1. With the access plug removed, align one of the 12 attaching screw holes in the flexible plate with the access opening (starter side).
2. Place the transmission on a transmission jack.
3. Install a headless guide bolt into one of the 12 threaded holes for flexible plate attaching screws in the flywheel.
4. Lubricate the flywheel center pilot boss with molybdenum disulfide grease (Molycote G, or equivalent).
5. Raise transmission and position the flywheel pilot boss into the flexible plate adapter. Align the guide bolt previously installed in the flywheel with the flexible plate hole facing the access opening in the flywheel housing.

**WARNING**

Severe damages and/or personal injury can occur if transmission is not adequately supported.

6. Seat the transmission against the engine flywheel housing. **NO FORCE IS REQUIRED.** If interference is encountered, move the transmission away from engine, then investigate the cause.

**CAUTION**

The torque converter housing must be seated against the flywheel housing prior to tightening any screws. **DO NOT USE SCREWS TO SEAT THE HOUSING.**

7. Start all torque converter housing screws, and then tighten four of them gradually and in a criss-cross sequence around the housing. Tighten the 12 remaining screws. Recommended torque is between 42-50 Lbf-ft (57-68 Nm).
8. Remove the guide bolt through the access opening in the flywheel housing. Replace it with a self-locking screw, finger-tighten then start the remaining screws; tighten to 17-21 lbf-ft (23-28 Nm). Place a wrench on the crankshaft pulley attaching screw to turn the converter to gain access to the threaded holes.
9. Reinstall the access plug.
10. If the vehicle is equipped with a retarder; install the bracket on the transmission and tighten the bolt to 71-81 Lbf-ft (96-110 Nm). Install the transmission rubber mount between the rubber support and the frame with a bolt, nut and washer. Tighten the nut until the tolerance of 58 ± 2 mm is met (Fig. 13).
11. Remove jack from under transmission.
12. Connect all sensors.
13. Connect the main wiring harness.
14. Connect the air supply line (steel-braided hose) to the retarder control valve (if applicable).
15. Connect the two transmission oil cooler hoses as they were previously.

16. Reinstall clamps and brackets, and replace locking ties previously removed during removal procedure.
17. Install propeller shaft and its safety guard. Refer to Section 09, "PROPELLER SHAFT".
18. Install transmission dipstick and filler tube.
19. Install cross member under transmission.
20. Install engine splash guards.
21. Adjust the retarder pressure to 80 ± 3 psi with the air pressure regulator. For more information refer to Section 12, "BRAKE AND AIR SYSTEM", under heading "AIR PRESSURE REGULATOR". The air pressure regulator is located at back of engine compartment, on R.H. side (Fig. 13) or in the R.H. side rear service compartment.
22. Make sure that the drain plug is in place, and then remove the transmission dipstick and pour approximately 24 US quarts (23 L) of automatic transmission fluid through the filler tube. Check and adjust oil level.

**CAUTION**

Do not overfill the transmission. Overfilling can cause oil aeration (milky appearance) and overheating. If overfilling occurs, drain oil as required to bring it to the proper level.

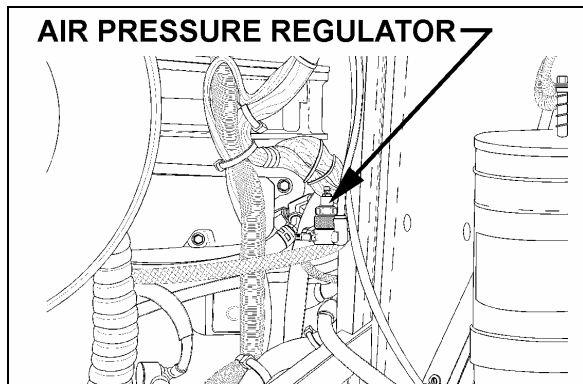


FIGURE 13: AIR PRESSURE REGULATOR (TYPICAL) 07037

9. TROUBLESHOOTING**9.1 ALLISON TRANSMISSION**

For complete information about Allison transmission troubleshooting, refer to "Allison 4th Generation Controls – Troubleshooting Manual: 3000 and 4000 Product families (TS3989)".

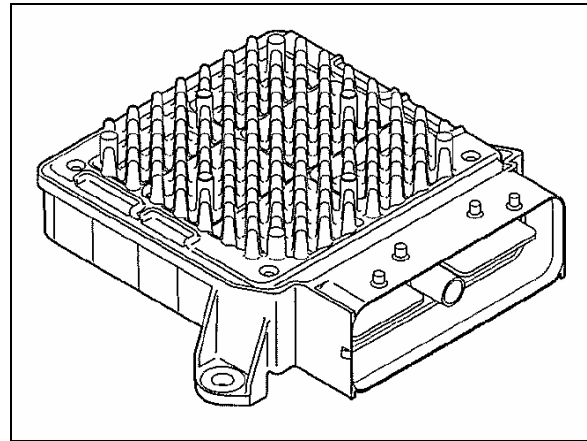
9.1.1 4th Generation Transmission Control Module

FIGURE 14: TRANSMISSION CONTROL MODULE 07140

The Allison transmission has a new Transmission Control Module (TCM) which involves specific diagnostic incident codes. The TCM unit is located in the coach main power compartment.

TCM Replacement

The TCM is a non-serviceable electronic device. When it fails, it must be replaced using the following procedure:

- Open the coach main power compartment in order to get access to the TCM;
- Remove the electrical cable connectors;
- Unscrew the TCM unit;
- Replace by reversing the procedure.

**CAUTION**

Place the battery master switch to the "OFF" position.

9.1.2 Diagnostic Troubleshooting Codes (DTC) — Allison 4th Generation Controls

Diagnostic codes (DTC) are numerical indications relating to a malfunction in transmission operation. These codes are logged in a list in the TCM memory with the most severe or most recent code listed first. A maximum of five codes (numbered d1 to d5) may be listed in memory at one time. As codes are added, the oldest inactive code is dropped from the list. If all codes are active, the code with the lowest priority that is not included on the severity list is dropped from the list.

Diagnostic codes (DTC) and code information may be accessed through the pushbutton shift selector or using an Allison DOC™ diagnostic tool.

The TCM separately stores the active and inactive codes. An active code is any code that is current in the TCM decision-making process. Inactive codes are codes that are retained in the TCM memory and will not necessary affect the TCM decision-making process. Inactive codes are useful in determining if a problem is:

- Isolated ;
- Intermittent ;
- Result from a previous malfunction.



The TCM may automatically delete a code from memory if it has not recurred. If the MODE INDICATOR (LED) is not illuminated, the displayed code is not active. An illuminated MODE INDICATOR (LED) during normal operation signifies secondary shift mode operation.

9.1.3 Diagnostic Codes – Allison 4th Generation Controls

When the diagnostic mode is entered, the first code (position d1) is displayed as follows:

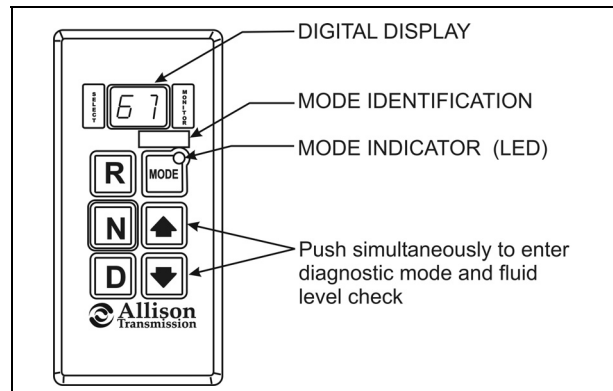
Example: Code P0722

Displayed as: **d1...P...07...22**

The code list position is the first item displayed, followed by the DTC. Each item is displayed for about one second. The display cycles continuously until the next code list position is accessed by pressing the **MODE** button. The following example shows how DTC P0722 is displayed on the pushbutton shift selector.

SELECT	d	1	MONITOR
		P	
	0	7	
	2	2	

- d1 (code list position) – The position which a code occupies in the list. Positions are displayed as « d1 » through « d5 » (code list position 1 through code list position 5).
- P0722 (DTC) – The diagnostic troubleshooting code number referring to the general condition or area of fault detected by the TCM.



9.1.4 Diagnostic Code Display And Clearing Procedure – Allison 4th Generation Controls

Diagnostic codes can be read and cleared by two methods:

- Using an Allison DOC™ diagnostic tool. For specific instructions on how to use an Allison DOC™ diagnostic tool, refer to the User Guide.
- Using the pushbutton shift selector.

To begin the diagnostic process:

1. Bring the vehicle to a stop at a safe location.
2. Apply the parking brake.

To display stored codes:

1. Simultaneously press the ▲ (Up) and ▼ (Down) arrow buttons twice to access the Diagnostic Display Mode.

NOTE

To access the Oil Level Display Mode, simultaneously press the ▲ (Up) and ▼ (Down) arrow buttons once. Consult paragraph: « ALLISON TRANSMISSION OIL LEVEL CHECK USING THE PUSHBUTTON SHIFT SELECTOR » at the end of this section.

2. Observe the digital display for code (d1).
3. Press the MODE button to see the next code (d2) – repeat for subsequent codes (d3, d4 & d5).

NOTE

Be sure to record all codes displayed before they are cleared. This is essential for troubleshooting.

NOTE

The Diagnostic Display Mode can be entered for viewing codes at any speed. Codes can only be cleared when the output speed = 0 and no output speed sensor failure is active

Active indicators (MODE INDICATOR LED) and inactive codes can be cleared manually, while in the diagnostic display mode, after the condition causing the code is identified.

To clear active indicators and inactive codes:

1. While in Diagnostic Display Mode, press and hold the MODE button for 10 seconds to clear both active indicators and inactive codes.
2. Begin operating as normal. Have the transmission checked at the earliest opportunity by an Allison Transmission distributor or dealer.

NOTE

All active indicators are cleared at TCM power down.

Some codes will clear their active indicator when the condition causing the code is no longer detected by the TCM.

The Diagnostic Display Mode can be exited by any of the following methods:

- Press simultaneously the ▲ (Up) and ▼ (Down) arrow buttons at the same time on the pushbutton shift selector.
- Press any range button «D», «N» or «R» on the pushbutton shift selector (the shift will be commanded if it is not inhibited by an active code).
- Wait until the calibrated time (approximately 10 minutes) has passed. The system will automatically return to the normal operating mode.

- Turn off power to the TCM (shut off the engine using the ignition key).

NOTE

If clearing a code while locked in a «D» (Drive) or «R» (Reverse) position (fail-to-range), the transmission will still be in «D» (Drive) or «R» (Reverse) when the clearing procedure is completed. «N» (Neutral) must be manually selected.

9.1.5 Diagnostic Code Response

The following responses are used in the "Diagnostic Troubleshooting Code List and Inhibited Operation Description" table to command safe operation when diagnostic codes are sent.

DNS - Do Not Shift Response

Release lock up clutch and inhibit lock up operation.
Inhibit all shifts.
Turn ON the CHECK TRANS light.
Display the range attained.
Ignore any range selection inputs from the shift selector.

DNA - Do Not Adapt Response

The TCM stops adaptive shift control while the code is active.

SOL OFF - SOLenoid OFF Response

All solenoids are commanded OFF (turning solenoids "A" and "B" off electrically cause them to be on hydraulically).

RPR - Return to Previous Range Response

When the speed sensor ratio or C3 pressure switch test associated with a shift not successful, the TCM commands the same range as commanded before the shift.

NNC - Neutral No Clutches Response

When certain speed sensor ratio or C3 pressure switch tests are not successful, the TCM commands a neutral condition with no clutches applied.

9.1.6 Diagnostic Troubleshooting Codes (DTC) List - Allison 4th Generation Controls

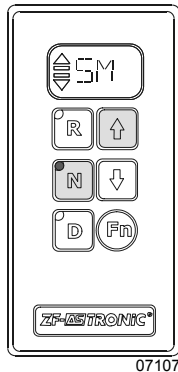
DTC	Description	CHECK TRANS Light	Inhibited Operation Description
C1312	Retarder Request Sensor Failed Low	No	May inhibit retarder operation if not using J1939 datalink
C1313	Retarder Request Sensor Failed High	No	May inhibit retarder operation if not using J1939 datalink
P0122	Pedal Position Sensor Low Voltage	No	Use default throttle values. Freezes shift adapts.
P0123	Pedal Position Sensor High Voltage	No	Use default throttle values. Freezes shift adapts.
P0218	Transmission Fluid Over Temperature	No	Use hot mode shift schedule. Holds fourth range. TCC is inhibited. Freezes shift adapts.
P0602	TCM Not Programmed	Yes	Lock in Neutral
P0610	TCM Vehicle Options (Trans ID) Error	Yes	Use TID A calibration
P0613	TCM Processor	No	All solenoids off
P0614	Torque Control Data Mismatch - ECM/TCM	Yes	Allows operation only in reverse and second range.
P0634	TCM Internal Temperature Too High	Yes	SOL OFF (hydraulic default)
P063E	Auto Configuration Throttle Input Not Present	Yes	Use default throttle values
P063F	Auto Configuration Engine Coolant Temp Input Not Present	No	None
P0658	Actuator Supply Voltage 1 (HSD1) Low	Yes	DNS, SOL OFF (hydraulic default)
P0659	Actuator Supply Voltage 1 (HSD1) High	Yes	DNS, SOL OFF (hydraulic default)
P0702	Transmission Control System Electrical (TransID)	Yes	Use TID A calibration
P0703	Brake Switch Circuit Malfunction	No	No Neutral to Drive shifts for refuse packer. TCM inhibits retarder operation if a TPS code is also active.
P0708	Transmission Range Sensor Circuit High Input	Yes	Ignore defective strip selector inputs
P070C	Transmission Fluid Level Sensor Circuit – Low Input	No	None
P070D	Transmission Fluid Level Sensor Circuit – High Input	No	None
P0711	Transmission Fluid Temperature Sensor Circuit Performance	Yes	Use default sump temp
P0712	Transmission Fluid Temperature Sensor Circuit Low Input	Yes	Use default sump temp
P0713	Transmission Fluid Temperature Sensor Circuit High Input	Yes	Use default sump temp
P0716	Turbine Speed Sensor Circuit Performance	Yes	DNS, Lock in current range
P0717	Turbine Speed Sensor Circuit No Signal	Yes	DNS, Lock in current range
P0719	Brake Switch ABS Input Low	No	TCM assumes ABS is OFF
P071A	RELS Input Failed On	Yes	Inhibit RELS operation
P071D	General Purpose Input Fault	Yes	None
P0721	Output Speed Sensor Circuit Performance	Yes	DNS, Lock in current range
P0722	Output Speed Sensor Circuit No Signal	Yes	DNS, Lock in current range
P0726	Engine Speed Sensor Circuit Performance	No	Default to turbine speed
P0727	Engine Speed Sensor Circuit No Signal	No	Default to turbine speed
P0729	Incorrect 6 th Gear Ratio	Yes	DNS, Attempt 5 th , then 3 rd
P0731	Incorrect 1 st Gear ratio	Yes	DNS, Attempt 2 nd , then 5 th

DTC	Description	CHECK TRANS Light	Inhibited Operation Description
P0732	Incorrect 2 nd Gear ratio	Yes	DNS, Attempt 3 rd , then 5 th
P0733	Incorrect 3 rd Gear ratio	Yes	DNS, Attempt 4 th , then 6 th
P0734	Incorrect 4 th Gear ratio	Yes	DNS, Attempt 5 th , then 3 rd
P0735	Incorrect 5 th Gear ratio	Yes	DNS, Attempt 6 th , then 3 rd , then 2 nd
P0736	Incorrect Reverse Gear ratio	Yes	DNS, Lock in Neutral
P0741	Torque Converter Clutch System Stuck Off	Yes	None
P0776	Pressure Control Solenoid 2 Stuck Off	Yes	DNS, RPR
P0777	Pressure Control Solenoid 2 Stuck On	Yes	DNS, RPR
P0796	Pressure Control Solenoid 3 Stuck Off	Yes	DNS, RPR
P0797	Pressure Control Solenoid 3 Stuck On	Yes	DNS, RPR
P0842	Transmission Pressure Switch 1 Circuit Low	Yes	DNS, Lock in current range
P0843	Transmission Pressure Switch 1 Circuit High	Yes	DNS, Lock in current range
P0880	TCM Power Input Signal	No	None
P0881	TCM Power Input Signal Performance	No	None
P0882	TCM Power Input Signal Low	Yes	DNS, SOL OFF (hydraulic default)
P0883	TCM Power Input Signal High	No	None
P0894	Transmission Component Slipping	Yes	DNS, Lock in first
P0960	Pressure Control Solenoid Main Mod Control Circuit Open	Yes	None
P0962	Pressure Control Solenoid Main Mod Control Circuit Low	Yes	DNS, SOL OFF (hydraulic default)
P0963	Pressure Control Solenoid Main Mod Control Circuit High	Yes	None
P0964	Pressure Control Solenoid 2 (PCS2) Control Circuit Open	Yes	DNS, SOL OFF (hydraulic default)
P0966	Pressure Control Solenoid 2 (PCS2) Control Circuit Low	Yes	DNS, SOL OFF (hydraulic default)
P0967	Pressure Control Solenoid 2 (PCS2) Control Circuit High	Yes	DNS, SOL OFF (hydraulic default)
P0968	Pressure Control Solenoid 3 (PCS3) Control Circuit Open	Yes	DNS, SOL OFF (hydraulic default)
P0970	Pressure Control Solenoid 3 (PCS3) Control Circuit Low	Yes	DNS, SOL OFF (hydraulic default)
P0971	Pressure Control Solenoid 3 (PCS3) Control Circuit High	Yes	DNS, SOL OFF (hydraulic default)
P0973	Shift Solenoid 1 (SS1) Control Circuit Low	Yes	DNS, SOL OFF (hydraulic default)
P0974	Shift Solenoid 1 (SS1) Control Circuit High	Yes	DNS, SOL OFF (hydraulic default)
P0975	Shift Solenoid 2 (SS2) Control Circuit Open	Yes	7-speed: Allow 2 through 6, N, R
P0976	Shift Solenoid 2 (SS2) Control Circuit Low	Yes	7-speed: Allow 2 through 6, N, R Inhibit TCC operation
P0977	Shift Solenoid 2 (SS2) Control Circuit High	Yes	7-speed: Allow 2 through 6, N, R
P0989	Retarder Pressure Sensor Failed Low	No	None
P0990	Retarder Pressure Sensor Failed High	No	None
P1739	Incorrect Low Gear Ratio	Yes	Command 2 nd and allow shifts 2 through 6, N, R
P1891	Throttle Position Sensor PWM Signal Low Input	No	Use default throttle values
P1892	Throttle Position Sensor PWM Signal High Input	No	Use default throttle values
P2184	Engine Coolant Temperature Sensor Circuit Low Input	No	Use default engine coolant values
P2185	Engine Coolant Temperature Sensor Circuit High Input	No	Use default engine coolant values
P2637	Torque Management Feedback Signal (SEM)	Yes	Inhibit SEM
P2641	Torque Management Feedback Signal (LRTP)	Yes	Inhibit LRTP
P2670	Actuator Supply Voltage 2 (HSD2) Low	Yes	DNS, SOL OFF (hydraulic default)
P2671	Actuator Supply Voltage 2 (HSD2) High	Yes	DNS, SOL OFF (hydraulic default)

DTC	Description	CHECK TRANS Light	Inhibited Operation Description
P2685	Actuator Supply Voltage 3 (HSD3) Low	Yes	DNS, SOL OFF (hydraulic default)
P2686	Actuator Supply Voltage 3 (HSD3) High	Yes	DNS, SOL OFF (hydraulic default)
P2714	Pressure Control Solenoid 4 (PCS4) Stuck Off	Yes	DNS, RPR
P2715	Pressure Control Solenoid 4 (PCS4) Stuck On	Yes	DNS, SOL OFF (hydraulic default)
P2718	Pressure Control Solenoid 4 (PCS4) Control Circuit Open	Yes	DNS, SOL OFF (hydraulic default)
P2720	Pressure Control Solenoid 4 (PCS4) Control Circuit Low	Yes	DNS, SOL OFF (hydraulic default)
P2721	Pressure Control Solenoid 4 (PCS4) Control Circuit High	Yes	DNS, SOL OFF (hydraulic default)
P2723	Pressure Control Solenoid 1 (PCS1) Stuck Off	Yes	DNS, RPR
P2724	Pressure Control Solenoid 1 (PCS1) Stuck On	Yes	DNS, RPR
P2727	Pressure Control Solenoid 1 (PCS1) Control Circuit Open	Yes	DNS, SOL OFF (hydraulic default)
P2729	Pressure Control Solenoid 1 (PCS1) Control Circuit Low	Yes	DNS, SOL OFF (hydraulic default)
P2730	Pressure Control Solenoid 1 (PCS1) Control Circuit High	Yes	DNS, SOL OFF (hydraulic default)
P2736	Pressure Control Solenoid 5 (PCS5) Control Circuit Open	Yes	Inhibit retarder operation
P2738	Pressure Control Solenoid 5 (PCS5) Control Circuit Low	Yes	Allow 2 through 6, N, R. Inhibit retarder and TCC operation
P2739	Pressure Control Solenoid 5 (PCS5) Control Circuit High	Yes	Inhibit retarder operation
P2740	Retarder Oil Temperature Hot	No	None
P2742	Retarder Oil Temperature Sensor Circuit – Low Input	No	Use default retarder temp values
P2743	Retarder Oil Temperature Sensor Circuit – High Input	No	Use default retarder temp values
P2761	TCC PCS Control Circuit Open	Yes	Inhibit TCC operation
P2763	TCC PCS Control Circuit High	Yes	Inhibit TCC operation
P2764	TCC PCS Control Circuit Low	Yes	7-speed: Allow 2 through 6, N, R. Inhibit TCC operation
P278A	Kickdown Input Failed ON	No	Inhibit kickdown operation
P2793	Gear Shift Direction Circuit	Yes	Ignores PWM input from shift selector
P2808	Pressure Control Solenoid 6 (PCS6) Stuck Off	Yes	DNS, RPR
P2809	Pressure Control Solenoid 6 (PCS6) Stuck On	Yes	DNS, RPR
P2812	Pressure Control Solenoid 6 (PCS6) Control Circuit Open	Yes	DNS, SOL OFF (hydraulic default)
P2814	Pressure Control Solenoid 6 (PCS6) Control Circuit Low	Yes	DNS, SOL OFF (hydraulic default)
P2815	Pressure Control Solenoid 6 (PCS6) Control Circuit High	Yes	DNS, SOL OFF (hydraulic default)
U0001	Hi Speed CAN Bus Reset Counter Overrun (IESCAN)	No	Use default values, inhibit SEM
U0010	CAN BUS Reset Counter Overrun	No	Use default values, inhibit SEM
U0100	Lost Communications with ECM/PCM (J1587)	Yes	Use default values
U0103	Lost Communication with Gear Shift Module (Shift Selector) 1	Yes	Maintain range selected, observe gear shift direction circuit
U0115	Lost Communication with ECM	Yes	Use default values
U0291	Lost Communication with Gear Shift Module (Shift Selector) 2	Yes	Maintain range selected, observe gear shift direction circuit
U0304	Incompatible Gear Shift Module 1 (Shift Selector) ID	Yes	Ignore shift selector inputs
U0333	Incompatible Gear Shift Module 2 (Shift Selector) ID	Yes	Ignore shift selector inputs
U0404	Invalid Data Received From Gear Shift Module (Shift Selector) 1	Yes	Maintain range selected, observe gear shift direction circuit
U0592	Invalid Data Received From Gear Shift Module (Shift Selector) 2	Yes	Maintain range selected, observe gear shift direction circuit

10. ZF-ASTRONIC TRANSMISSION SYSTEM FAULTS AND ERROR MESSAGES

10.1 SYSTEM FAULTS (ERROR MESSAGES)

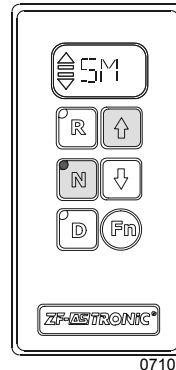


If the "SM" symbol appears in the display, a system error has occurred.

- **Stop the vehicle**
- **Vehicle may no longer be driven**

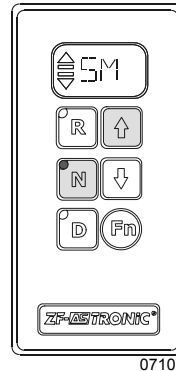
Error messages and the reactions resulting from these errors can be deleted with the vehicle at a standstill and the "Ignition OFF". (Wait until the display goes out). If the display does not go out once the ignition has been turned "OFF", set the battery master switch to the **OFF** position.

Switch the ignition back on. If the error message is still in place, the transmission has to be repaired. The transmission is inoperative. The vehicle will have to be taken to a service point. The error number(s) must be specified when the service point is contacted.



- ☞ Switch on ignition
- ☞ Depress "N" key
- ☞ Hold down "↑" key
- ☞ One or more error numbers appear on the display. These correspond to the errors presently active in the system.

Calling up error numbers from the error memory:



- ☞ Switch on ignition
- ☞ Press "N" key and at the same time depress the foot-operated brake
- ☞ Hold down the foot-operated brake and depress and hold down "↑" key
- ☞ The errors stored in the transmission ECU are shown on the display one after another.

Calling up error numbers

ERROR CODES

Remark to titles in table:

ZF fault number: defined by ZF.

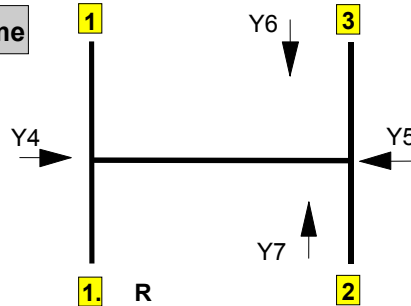
Display SM-Symbol : (0=NO, 1=YES) Display shows “SM”(severe failure)

Warning lamp : (0=NO, 1=YES) Telltale panel warning lamp “check trans”(less severe failure)

Shift schemes of transmissions:

10/12-Gear Scheme

- Y2 Splitter K2
- Y3 Splitter K1
- Y8 Range (GP) low
- Y9 Range (GP)



ON MESSAGES CENTER DISPLAY (MCD) SAE-J1587 Codes	ON SHIFT SELECTOR DISPLAY	ISO CODES WITH TESTMAN TOOL	DESCRIPTION
8, 7	8	161	Easy Start, Brake doesn't open completely
8, 14	8	162	Easy Start, Not Available
20,6	14	22	Short circuit to ground at output ACC (wakeup control signal for ZMTEC, keep alive signal for voltage doubler, and power signal for speed sensor #2)
20,5	14	54	Interruption at output ACC (wakeup control signal for ZMTEC, keep alive signal for voltage doubler, and power signal for speed sensor #2)
20,3	14	86	Short circuit to positive at output ACC (wakeup control signal for ZMTEC, keep alive signal for voltage doubler, and power signal for speed sensor #2)
21,2	15	127	Error on ECU temperature sensor signal
21,0	15	193	ECU temperature too high
31,3	1F	137	No range change group (GP) sensor signal (Short circuit to positive)
31,6	1F	138	No range change group (GP) sensor signal (Short circuit to ground)
31,5	1F	139	No range change group (GP) sensor signal (Interruption)
31,13	1F	140	Self adjustment error of range change group sensor in position fast
31,7	1F	159	Range-change group sensor signal leaves engaged position during driving
32,3	20	141	No splitter group (GV) sensor signal (Short circuit to positive)
32,6	20	142	No splitter group (GV) sensor signal (Short circuit to ground)
32,5	20	143	No splitter group (GV) sensor signal (Interruption)
32,13	20	144	Splitter group (GV) sensor self adjustment error
32,7	20	160	Splitter sensor signal leaves engaged position during driving
33,14	21	107	Stabilised voltage supply at output AU (clutch sensor supply) too high or too low
33,13	21	117	Error in clutch self-adjustment process
33,2	21	124	Error on clutch travel signal

ON MESSAGES CENTER DISPLAY (MCD) SAE-J1587 Codes	ON SHIFT SELECTOR DISPLAY	ISO CODES WITH TESTMAN TOOL	DESCRIPTION
34,7	22	120	Mechanical failure of small clutch disengagement valve
34,7	22	121	Mechanical failure of large clutch disengagement valve
34,7	22	122	Mechanical failure of small clutch engagement valve
34,7	22	123	Mechanical failure of large clutch engagement valve
34,6	22	18	Short circuit to ground at output stage to small disengagement clutch valve
34,6	22	19	Short circuit to ground at output stage to small engagement clutch valve
34,6	22	20	Short circuit to ground at output stage to large disengagement clutch valve
34,6	22	21	Short circuit to ground at output stage to large engagement clutch valve
34,5	22	50	Interruption at output stage to small disengagement clutch valve
34,5	22	51	Interruption at output stage to small engagement clutch valve
34,5	22	52	Interruption at output stage to large disengagement clutch valve
34,5	22	53	Interruption at output stage to large engagement clutch valve
34,3	22	82	Short circuit to positive at output stage to small disengagement clutch valve
34,3	22	83	Short circuit to positive at output stage to small engagement clutch valve
34,3	22	84	Short circuit to positive at output stage to large disengagement clutch valve
34,3	22	85	Short circuit to positive at output stage to large engagement clutch valve
35,5	23	41	Interruption at output stage to Y9 (Valve Range)
35,3	23	73	Short circuit to positive at output stage to Y9 (Valve range)
35,6	23	9	Short circuit to ground at output stage to Y9 (Valve Range)
36,5	24	40	Interruption at output stage to Y8 (Valve Range)
36,3	24	72	Short circuit to positive at output stage to Y8 (Valve range)
36,6	24	8	Short circuit to ground at output stage to Y8 (Valve Range)
37,6	25	2	Short circuit to ground at output stage to Y2 (Valve Splitter)
37,5	25	34	Interruption at output stage to Y2 (Valve Splitter)
37,3	25	66	Short circuit to positive at output stage to Y2 (Valve Splitter)
38,6	26	3	Short circuit to ground at output stage to Y3 (Valve Splitter)
38,5	26	35	Interruption at output stage to Y3 (Valve Splitter)
38,3	26	67	Short circuit to positive at output stage to Y3 (Valve Splitter)
39,5	27	36	Interruption at output stage to Y4 (Valve Select)
39,6	27	4	Short circuit to ground at output stage to Y4 (Valve Select)
39,3	27	68	Short circuit to positive at output stage to Y4 (Valve Select)
40,5	28	38	Interruption at output stage to Y6 (Valve Shift)
40,6	28	6	Short circuit to ground at output stage to Y6 (Valve Shift)
40,3	28	70	Short circuit to positive at output stage to Y6 (Valve Shift)

ON MESSAGES CENTER DISPLAY (MCD) SAE-J1587 Codes	ON SHIFT SELECTOR DISPLAY	ISO CODES WITH TESTMAN TOOL	DESCRIPTION
43,2	2B	175	Error on "Ignition lock" signal (terminal 15)
48,3	30	129	No shift sensor signal (Short circuit to positive)
48,6	30	130	No shift sensor signal (Short circuit to ground)
48,5	30	131	No shift sensor signal (Interruption)
48,13	30	132	Self adjustment error of shift sensor
48,7	30	157	Selector sensor signal leaves position during driving
48,7	30	158	Engage sensor signal leaves engaged position during driving
50,5	32	37	Interruption at output stage to Y5 (Valve Select)
50,6	32	5	Short circuit to ground at output stage to Y5 (Valve Select)
50,3	32	69	Short circuit to positive at output stage to Y5 (Valve Select)
51,5	33	39	Interruption at output stage to Y7 (Valve Shift)
51,6	33	7	Short circuit to ground at output stage to Y7 (Valve Shift)
51,3	33	71	Short circuit to positive at output stage to Y7 (Valve Shift)
54,6	36	17	Short circuit to ground at output stage to Y1 (inertia brake valve)
54,5	36	49	Interruption at output stage to Y1 (inertia brake valve)
54,3	36	81	Short circuit to positive at output stage to Y1 (inertia brake valve)
55,7	37	114	Clutch engaged unintentionally at standstill, gear engaged
55,7	37	118	Clutch does not disengage
55,7	37	119	Clutch does not engage / does not transmit engine torque
56,7	38	145	Range change group (GP) disengagement error
56,7	38	146	Changeover error during range change group (GP) shifting
56,7	38	147	Range change group (GP) does not engage
57,2	39	108	Error in shift lever
57,14	39	110	ZF CAN timeout (can also means shift lever error through ZMP06400.hex)
58,7	3A	154	Main transmission gear does not disengage
58,7	3A	155	Main transmission gear does not engage
58,7	3A	156	Wrong gear shifting
59,7	3B	151	Selector cylinder does not disengage
59,7	3B	152	Change over error during gate selection procedure
59,7	3B	153	Selector cylinder does not engage
60,3	3C	133	No gate select sensor signal (Short circuit to positive)
60,6	3C	134	No gate select sensor signal (Short circuit to ground)
60,5	3C	135	No gate select sensor signal (Interruption)
60,13	3C	136	Gate select sensor self adjustment error

ON MESSAGES CENTER DISPLAY (MCD) SAE-J1587 Codes	ON SHIFT SELECTOR DISPLAY	ISO CODES WITH TESTMAN TOOL	DESCRIPTION
61,7	3D	148	Splitter (GV) does not disengage
61,7	3D	149	Change over error during splitter shifting
61,7	3D	150	Splitter (GV) does not engage
63,14	3F	100	Error on output speed signal 2
106,0	6A	125	Error on pressure reduction valve
106,1 4	6A	126	Error on pressure sensor signal
150,1 4	96	59	Acknowledge fault of PTO 1
150,1 4	96	60	Acknowledge fault of PTO 2
150,7	96	61	Disengagement fault of PTO 1
150,7	96	62	Disengagement fault of PTO 2
150,7	96	63	Engagement fault of PTO1
150,7	96	64	Engagement fault of PTO2
151,1 4	97	102	Plausibility error between transmission input speed and output speed
152,6	98	10	Short circuit to ground at output stage to Y10 (Main valve)
152,5	98	42	Interruption at output stage to Y10 (Main valve)
152,3	98	74	Short circuit to positive at output stage to Y10 (Main valve)
153,1 4	99	-	Error on ISO 14320 communications line
154,1 4	9A	101	Error on both output speed signals
161,1 4	A1	98	Error on transmission input speed signal
177,2	B1	128	Error on oil temperature sensor signal
191,1 4	BF	194	Both sources of vehicle speed are faulty
191,1 4	BF	99	Error on output speed signal 1
230,1 4	E6	166	Permanent idle signal
230,1 4	E6	168	No idle signal or error on "idle signal switch" signal (EEC2)
230,1 4	E7	103	Error on "Wheel-based vehicle speed" signal (CCV
231,7	E7	163	Engine does not react on torque intervention

ON MESSAGES CENTER DISPLAY (MCD) SAE-J1587 Codes	ON SHIFT SELECTOR DISPLAY	ISO CODES WITH TESTMAN TOOL	DESCRIPTION
231,1 4	E7	164	Error on "Drivers demand engine percent torque" (EEC1)
231,1 4	E7	165	Error on "Accelerator pedal position" (EEC2)
231,1 4	E7	167	Error on "Percent load at current speed" signal (EEC2)
231,1 4	E7	171	Error on "Actual engine percent torque" signal (EEC1)
231,1 4	E7	172	Permanent engine brake request signal
231,1 4	E7	173	Error on "Brake switch" signal (CCVS)
231,1 4	E7	177	System-CAN Busoff error
231,1 1	E7	178	CAN error frames
231,1 1	E7	179	CAN queue overrun
231,1 4	E7	180	CAN EEC1 timeout
231,1 4	E7	181	CAN EEC2 timeout
231,1 4	E7	182	CAN CCVS timeout
231,1 4	E7	183	CAN ERC1_ER timeout
231,1 4	E7	197	Error on "Front axle speed" (WSI)
231,1 4	E7	198	Error on "Relative wheel speeds" (WSI)
231,1 4	E7	199	CAN WSI timeout
231,1 4	E7	26	CAN engine configuration timeout
231,1 4	E7	27	Error on "engine configuration message" (engine configuration)
231,1 4	E7	31	Error on "Actual engine retarder - percent torque" signal (ERC1_ER)
231,1 4	E7	32	Error on "Engine retarder configuration message" (Engine retarder configuration)

ON MESSAGES CENTER DISPLAY (MCD) SAE-J1587 Codes	ON SHIFT SELECTOR DISPLAY	ISO CODES WITH TESTMAN TOOL	DESCRIPTION
231,1 4	E7	33	CAN "Engine retarder configuration" timeout
231,1 4	E7	91	CAN EBC1 timeout
231,1 4	E7	92	Error on "ABS active" signal (EBC1)
231,1 4	E7	93	Error on "ASR engine control active" signal (EBC1)
231,1 4	E7	94	Error on "ASR brake control active" signal (EBC1)
231,1 4	E7	95	Error on "Cruise control active" signal (CCVS)
231,1 4	E7	96	Error on "Cruise control set speed" (CCVS)
231,1 4	E7	97	Error on "Engine speed" signal (EEC1)
-	EE	-	Communication error between GS3 and ZMTEC on display line
248,6	F8	25	Short circuit to ground at output SD to display
248,3	F8	89	Short circuit to positive at output SD to display

11. SPECIFICATIONS**ALLISON AUTOMATIC TRANSMISSION WITH OR WITHOUT RETARDER**H3 Buses

Gross input power (maximum).....500 HP (335 kW)
 Gross input torque (maximum) 1525 Lbf-ft (2068 Nm)
 Rated input speed (minimum-maximum) 1600-2300 rpm

H3-45 VIP

Gross input power (maximum).....525 HP (392 kW)
 Gross input torque (maximum) 1650 Lbf-ft (2237 Nm)
 Rated input speed (minimum-maximum) 1600-2300 rpm

Mounting:

Engine..... SAE #1 flywheel housing, flex disk drive

Torque converter:

Type One stage, three element, polyphase
 Stall torque ratio TC 551-1.8
 Lockup clutch with torsional damper Integral/standard

Gearing:

Type Patented, constant mesh, helical, planetary

Ratio:

First3.51:1
 Second..... 1.91:1
 Third 1.43:1
 Fourth..... 1.00:1
 Fifth 0.74:1
 Sixth 0.64:1
 Reverse 4.80:1

Ratio coverage:

6 speed5.48:1

- **Gear ratios do not include torque converter multiplication.**

Oil System:

Oil type..... TRANSYND, DEXRON-III
 Capacity (excluding external circuits)Initial fill 47 US qts (45 liters)
 Oil change..... 24 US qts (23 liters)
 Oil change (with retarder)..... 27.6 US qts (26.5 liters)

Oil Filters:

Make Allison Transmission
 Type Disposable cartridge
 Prevost part number (2-filters replacement kit)572050

SECTION 09: PROPELLER SHAFT

CONTENTS

1. PROPELLER SHAFT	2
1.1 DESCRIPTION	2
2. REMOVAL, DISASSEMBLY, REASSEMBLY AND INSTALLATION	2
3. CLEANING, INSPECTION AND LUBRICATION	3
3.1 CLEANING AND INSPECTION	3
3.2 LUBRICATION	3
4. EXPLANATION OF COMMON DAMAGES	3
5. TROUBLESHOOTING	3
6. SPECIFICATIONS	3

ILLUSTRATIONS

FIGURE 1: PROPELLER SHAFT ASSEMBLY	2
--	---

1. PROPELLER SHAFT

1.1 DESCRIPTION

The propeller shaft transmits power from the transmission to the differential (Fig. 1). Refer to paragraph "6. SPECIFICATIONS" at the end of this section for propeller shaft length. The propeller shaft is "Dana 1810" type with tubular shafts. It is provided with two heavy-duty universal joints (Fig. 1).

The propeller shaft has a full round end yoke at one end and a half round end yoke at the other end. The tube yoke is connected to the differential by the full round end yoke with four needle bearings.

The other extremity (slip yoke assembly) is connected to the transmission by the half round end yoke with two needle bearings.

Furthermore, a slip joint on the propeller shaft compensates for variations in distance between the transmission and the differential, or between the output retarder (optional on the automatic transmission) and differential.

The rise and fall of the drive axle bring about these variations as the vehicle passes over uneven surfaces. The slip joint also eases removal of the transmission or the drive axle.

2. REMOVAL, DISASSEMBLY, REASSEMBLY AND INSTALLATION

Refer to "SPICER UNIVERSAL JOINTS AND DRIVESHAFTS" annexed to this section, under headings "Heavy Duty - removal, disassembly, reassembly and installation".

Where applicable:

- Remove or install propeller shaft safety guard.
- Screw bolts to the specified torque (Fig. 1).

Note: Disregard the procedure on "Lock straps" mentioned in the "Spicer Universal Joints and Driveshafts Manual".

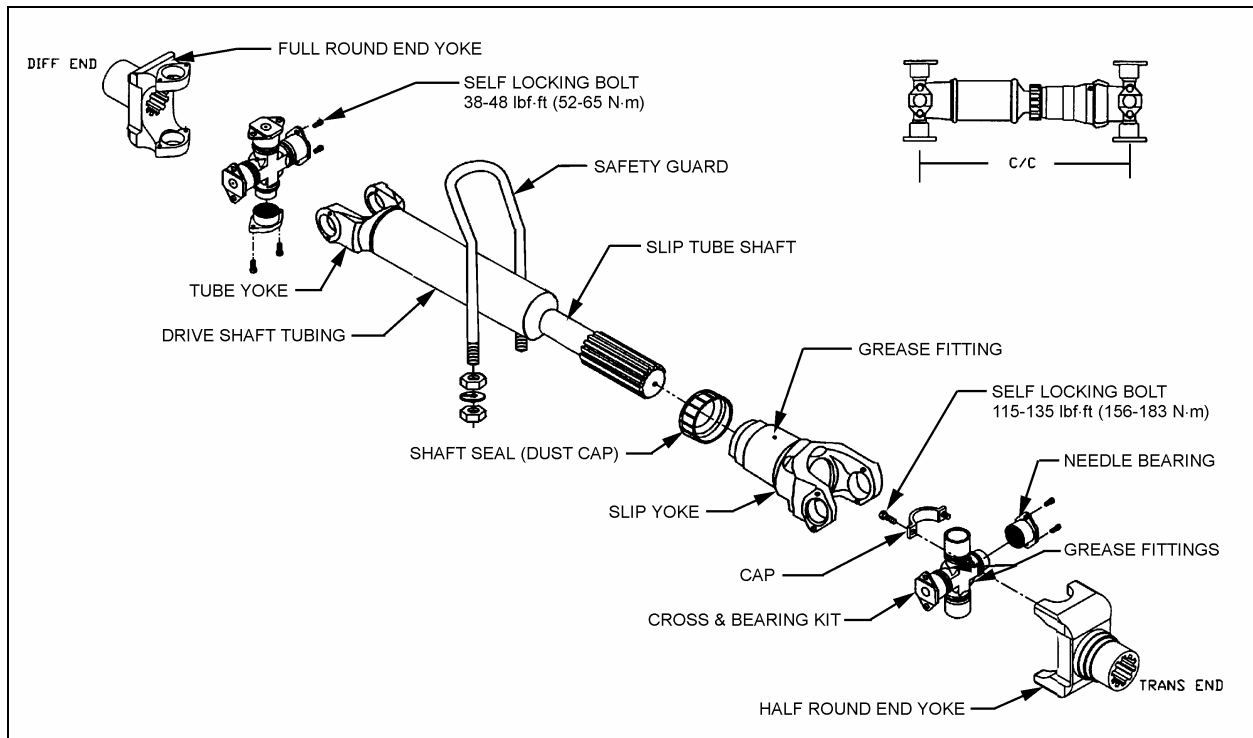


FIGURE 1: PROPELLER SHAFT ASSEMBLY

09003

3. CLEANING, INSPECTION AND LUBRICATION

3.1 CLEANING AND INSPECTION

Thoroughly clean grease from bearings, journal, lubricating grease fittings and other parts. Needle bearing assemblies may be soaked in a cleaning solution to soften hard grease particles. It is extremely important that bearing assemblies be absolutely clean and blown out with compressed air, since small particles of dirt or grit can cause rapid bearing wear. Do not attempt to disassemble needle bearings.

Bearing journal areas should be inspected for roughness or grooving. If light honing does not remove roughness, the entire bearing assembly should be replaced. Excessive wear of the needle bearing is indicated if the needles drop out of the retainer, or if marks are present on the journal bearing surface. In such case, replace bearing assembly. Finally, inspect yokes for cracks, wear or distortion.

Note: *Repair kits are available for overhaul of the propeller shaft assembly. Refer to the paragraph "6. Specifications" of this section.*

3.2 LUBRICATION

Lubricate propeller shaft universal joints and slip yoke periodically, every 6,250 miles (10 000 km) or twice a year, whichever comes first. Apply grease gun pressure to the lube fitting. Use a good quality lithium-base grease such as: NLGI No.2 (suitable for most temperatures) or NLGI No.1 (suitable for extremely low temperatures). Refer to "Spicer Universal Joints and Driveshafts, Service Manual", under heading, "Inspection and Lubrication". See lubrication procedures for U-joints and lubrication for slip splines.

Note: *Do not assume that bearing cavities have been filled with new grease unless it has expelled around all seals.*

6. SPECIFICATIONS

PROPELLER SHAFT

H3 VEHICLES EQUIPPED WITH AN AUTOMATIC WORLD TRANSMISSION

4. EXPLANATION OF COMMON DAMAGES

1. Cracks: Stress lines due to metal fatigue. Severe and numerous cracks will weaken the metal until it breaks.

2. Galling: Scraping off of metal or metal displacement due to friction between surfaces. This is commonly found on trunnion ends.

3. Spalling (surface fatigue): Breaking off of chips, scales, or flakes of metal due to fatigue rather than wear. It is usually found on splines and U-joint bearings.

4. Pitting: Small pits or craters in metal surfaces due to corrosion. If excessive, pitting can lead to surface wear and eventual failure.

5. Brinelling: Surface wear failure due to the wearing of grooves in metal. It is often caused by improper installation procedures. Do not confuse the polishing of a surface (false brinelling), where no structural damage occurs, with actual brinelling.

6. Structural Overloading: Failure caused by a load greater than the component can stand. A structural overload may cause propeller shaft tubing to twist under strain or it may cause cracks or breaks in U-joints and spline plugs.

5. TROUBLESHOOTING

Refer to "*Spicer Service Manual - Universal Joints and Driveshafts*" under heading "*Troubleshooting*".

Section 09: PROPELLER SHAFT

Make Hayes-Dana Inc.
Series 1810
Supplier number 819325-1900
Prevost number 580069

H3 COACHES EQUIPPED WITH ZF TRANSMISSION

Make Hayes-Dana Inc.
Series 1810
Supplier number 816688-1400
Prevost number 580081

Repair kits

Make Hayes-Dana Inc.
U-joint kit (tube yoke), Supplier number 5-281X
U-joint kit (tube yoke), Prevost number 580043
U-joint kit (slip yoke), Supplier number 5-510X
U-joint kit (slip yoke), Prevost number 580062
Cap and bolt kit, bolt torque 115-135 lbf•ft (156-183 N•m), Supplier number 6.5-70-18X
Cap and bolt kit, bolt torque 115-135 lbf•ft (156-183 N•m), Prevost number 580063
Bolts kit, bolt torque 38-48 lbf•ft (52-65 N•m), Supplier number 6-73-209
Bolts kit, bolt torque 38-48 lbf•ft (52-65 N•m), Prevost number 580071

Note: *U-joint kits will come equipped with the serrated bolt and lock patch and will no longer contain a lock strap.*

SECTION 11: REAR AXLES

CONTENTS

1. DRIVE AXLE	2
1.1 DESCRIPTION	2
1.2 DCDL (DRIVER-CONTROLLED MAIN DIFFERENTIAL LOCK)	2
1.3 DRIVE AXLE LUBRICATION	2
1.4 MAINTENANCE	3
1.4.1 <i>Checking and Adjusting the Oil Level</i>	3
1.4.2 <i>Draining and Replacing the Oil</i>	3
1.4.3 <i>Speed Sensors (Anti-Lock Brake system, ABS)</i>	3
1.5 REMOVAL AND REINSTALLATION	3
1.6 DISASSEMBLY AND REASSEMBLY	4
1.7 GEAR SET IDENTIFICATION	4
1.8 ADJUSTMENTS	4
1.9 FASTENER TORQUE CHART	4
1.10 TIRE MATCHING	4
1.11 DRIVE AXLE ALIGNMENT	5
1.11.1 <i>Procedure</i>	5
1.12 AXLE SHAFT SEALING METHOD	6
2. TAG AXLE	7
2.1 GREASE LUBRICATED WHEEL BEARINGS	7
2.2 REMOVAL AND REINSTALLATION	7
2.3 TAG AXLE ALIGNMENT	8
3. SPECIFICATIONS	8

ILLUSTRATIONS

FIGURE 1: DRIVE AXLE	2
FIGURE 2: DIFFERENTIAL ASSEMBLY	2
FIGURE 3: DRIVER-CONTROLLED DIFFERENTIAL LOCK	2
FIGURE 4: DIFFERENTIAL HOUSING BOWL	3
FIGURE 5: JACKING POINTS ON FRAME	4
FIGURE 6: JACKING POINTS ON DRIVE AXLE	4
FIGURE 7: FRONT & DRIVE AXLE ALIGNMENT	6
FIGURE 8: TAG AXLE ALIGNMENT	6
FIGURE 9: AXLE SHAFT INSTALLATION	6
FIGURE 10: JACKING POINTS ON TAG AXLE	8

1. DRIVE AXLE

1.1 DESCRIPTION

The Meritor drive axle is equipped with a single reduction standard carrier mounted in front of the axle housing. The carrier consists of a hypoid drive pinion, a ring gear set and gears in the differential assembly.

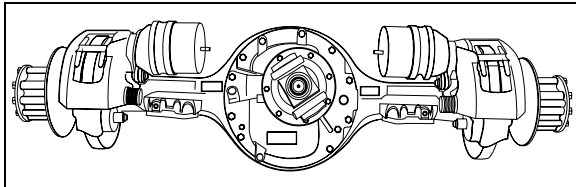


FIGURE 1: DRIVE AXLE

11019

A straight roller bearing (spigot) is mounted on the head of the drive pinion. All other bearings in the carrier are tapered roller bearings. When the carrier operates, there is a normal differential action between the wheels all the time.

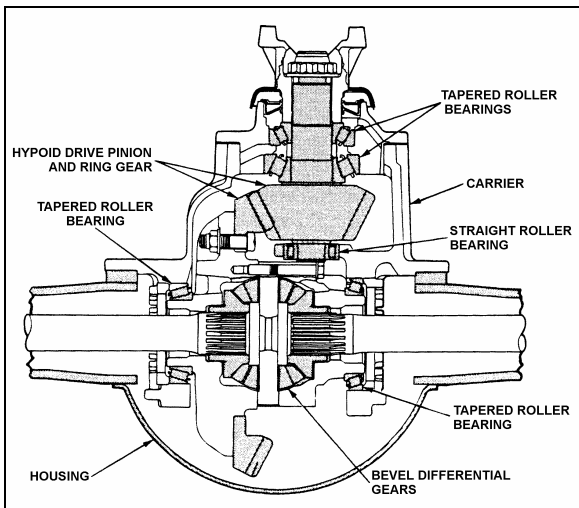


FIGURE 2: DIFFERENTIAL ASSEMBLY

11024

Several speed ratios are available for the drive axle. These ratios depend upon the motor and transmission. Also, special applications may suggest slightly different gear ratios.

1.2 DCDL (DRIVER-CONTROLLED MAIN DIFFERENTIAL LOCK)

Meritor Single-reduction carriers with driver-controlled main differential lock (DCDL) have the same type of gears and bearings as the standard-type carriers. The differential lock is operated by an air actuated shift assembly that is mounted on the carrier.

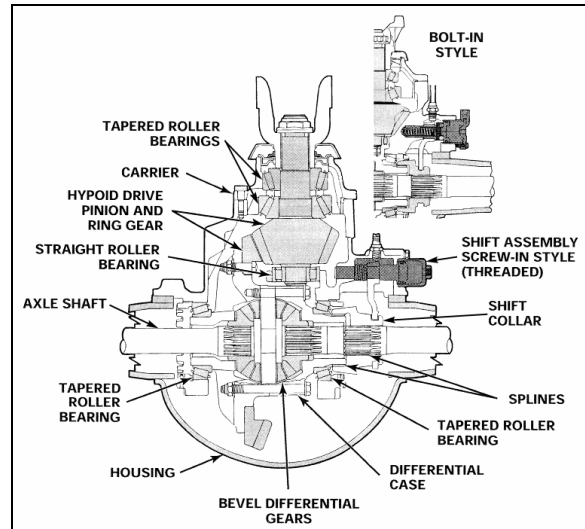


FIGURE 3: DRIVER-CONTROLLED DIFFERENTIAL LOCK

1.3 DRIVE AXLE LUBRICATION

Use Multigrade gear oil 85W/140 meeting MIL-PRF-2105-E, tested and approved to SAE J2360. If temperature drops below 10°F (-12°C), 80W/90 should be used, and below -15°F (-26°C), 75W/90 should be used. Additional lubrication information is covered in the Meritor Technical Bulletin "Approved Rear Drive Axle Lubricants" annexed to this section.

In extreme conditions, or for better performance, fill with synthetic gear oil. Check oil level and add (if necessary) every 25,000 miles (40 000 km) or according to the fleet maintenance interval, whichever comes first (Fig. 4).

Change differential oil and clean the breathers, magnetic fill and drain plugs, every 100,000 miles (160 000 km) or once a year, whichever comes first.

If using full synthetic gear oil, change differential oil and clean the breathers, magnetic fill and drain plugs, every 250,000 miles (400 000 km) or every four years, whichever comes first.

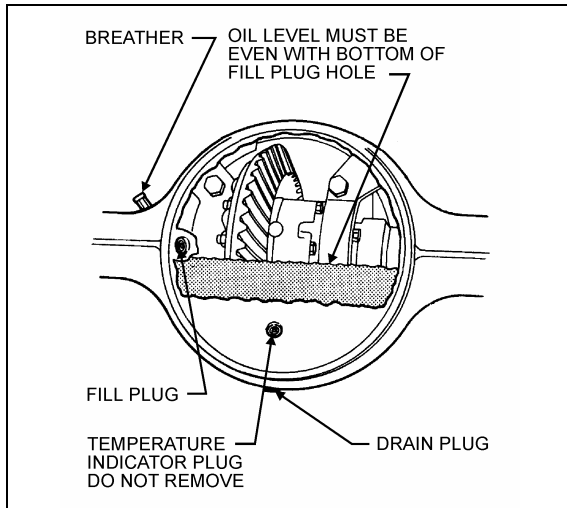


FIGURE 4: DIFFERENTIAL HOUSING BOWL 11007

1.4 MAINTENANCE

Proper vehicle operation begins with preventive maintenance, such as good differential use. The most common types of drive axle carrier failures are spinout, shock, fatigue, overheating and lubrication. Avoid neglecting these points since they would be the first steps to improper maintenance, expensive repairs, and excessive downtime.

Inspect the pinion oil seal, axle shaft flange and carrier housing gaskets for evidence of lubricant leakage. Tighten the bolts and nuts, or replace the gaskets and seals to correct leaks. Maintenance of the axle mountings consists primarily in a regular and systematic inspection of the air suspension units and radius rods, as directed in Section 16, "Suspension".

1.4.1 Checking and Adjusting the Oil Level

Warning: Before servicing, park safely over a repair pit; apply parking brake, stop engine and set battery master switch to the "OFF" position.

1. Make sure the vehicle is parked on a level surface.

Caution: Check the oil level when the axle is at room temperature. When hot, the oil temperature may be 190°F (88°C) or more and can cause burns. Also, a correct reading is not obtained when the axle is warm or hot.

2. Make sure the axle is "cold" or at room temperature.
3. Clean the area around the fill plug. Remove the fill plug from the differential axle housing bowl (Fig. 4).

4. The oil level must be even with the bottom of the hole of the fill plug.
 - a. If oil flows from the hole when the plug is loosened, the oil level is high. Drain the oil to the correct level.
 - b. If the oil level is below the bottom of the hole of the fill plug, add the specified oil.
5. Install and tighten the fill plug to 35-50 lbf-ft (48-67 Nm).

1.4.2 Draining and Replacing the Oil

Warning: Before servicing, park safely over a repair pit; apply parking brake, stop engine and set battery master switch to the "OFF" position.

1. Make sure the vehicle is parked on a level surface. Put a large container under the axle's drain plug.

Note: Drain the oil when the axle is warm.

2. Remove the drain plug from the bottom of the axle. Drain and discard the oil in an environment friendly manner.
3. Install and tighten the drain plug to 35-50 lbf-ft (48-67 Nm).
4. Clean the area around the fill plug. Remove the fill plug from the differential housing bowl.
5. Add the specified oil until the oil level is even with the bottom of the hole of the fill plug. Allow the oil to flow through the axle and check the oil level again (lube capacity 41 pints [13,3 liters]).

Caution: The differential overheats when the oil temperature rises above 250°F (120°C).

6. Install and tighten the fill plug to 35-50 lbf-ft (48-67 Nm).

1.4.3 Speed Sensors (Anti-Lock Brake system, ABS)

For removing and installing the drive axle speed sensors (for anti-lock brake systems, ABS), refer to Section 12: "Brake and Air System" and to Rockwell WABCO Maintenance Manual: "Anti-Lock Brake Systems For Trucks, Tractors and Buses", annexed at the end of section 12.

1.5 REMOVAL AND REINSTALLATION

The following procedure deals with the removal of the drive axle assembly and its attachments as a unit. The method used to support the axle

during removal and disassembly depends upon local conditions and available equipment.

1. Raise vehicle by its jacking points on the body (fig. 5 or see Section 18, "Body" under heading "Vehicle Jacking Points"). Place jack stands under frame. Remove drive axle wheels (if required, refer to Section 13, "Wheels, Hubs And Tires".

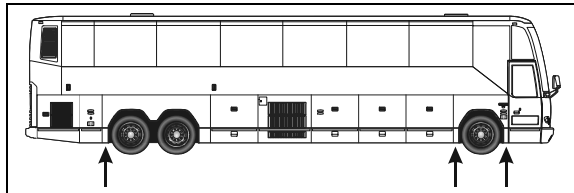


FIGURE 5: JACKING POINTS ON FRAME 18524

2. Exhaust compressed air from the air supply system by opening the drain cock on each air reservoir.
3. Disconnect the propeller shaft as directed in Section 9, "Propeller Shaft", in this manual.
4. On both sides of the vehicle, unscrew fasteners retaining front wheel housing plastic guards, and remove them from vehicle.
5. Disconnect both height control valve links from air spring mounting plate brackets then move the arm down to exhaust the air suspension.
6. Remove cable ties securing the ABS cables (if vehicle is so equipped) to service brake chamber hoses. Disconnect the ABS cable plugs from the drive axle wheel hubs.

Note: When removing drive axle, if unfastening cable ties is necessary for ease of operation, remember to replace them afterwards.

7. Disconnect the brake chamber hoses.

Note: Position the hoses so they will not be damaged when removing the axle.

8. Install jacks under the axle jacking points to support the axle weight (refer to figure 6).

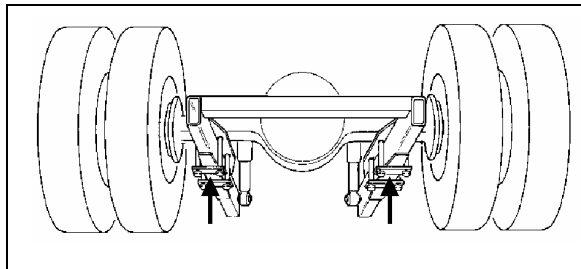


FIGURE 6: JACKING POINTS ON DRIVE AXLE H3B762

9. Remove the four shock absorbers as outlined in Section 16, "Suspension" under heading "Shock Absorber Removal".
10. Remove the sway bar.
11. Remove the lower and upper longitudinal radius rod supports from vehicle sub-frame as outlined in Section 16, "Suspension", under heading "Radius Rod Removal".
12. Remove the transversal radius rod support from the vehicle sub-frame.
13. Remove the two retaining nuts from each of the four air bellows lower mounting supports.
14. Use the jacks to lower axle. Carefully pull away the jacks axle assembly from underneath vehicle.
15. Reverse removal procedure to reinstall drive axle.

Note: Refer to Section 16, "Suspension" for suspension components' proper tightening torques.

Note: Refer to section 13 "Wheels, Hubs And Tires" for correct wheel bearing adjustment procedure.

1.6 DISASSEMBLY AND REASSEMBLY

Disassembly and re-assembly procedures are covered under applicable headings in Meritor's "MAINTENANCE MANUAL, NO. 5", annexed to this section.

1.7 GEAR SET IDENTIFICATION

Gear set identification is covered under applicable heading in Meritor's "MAINTENANCE MANUAL NO. 5", annexed to this section.

1.8 ADJUSTMENTS

Adjustments are covered under applicable headings in Meritor's "MAINTENANCE MANUAL NO. 5", annexed to this section.

1.9 FASTENER TORQUE CHART

A differential fastener torque chart is provided in Meritor's "MAINTENANCE MANUAL NO. 5", annexed to this section.

1.10 TIRE MATCHING

Drive axle tire matching is covered under the applicable heading in Section 13, "Wheels, Hubs And Tires" in this manual.

1.11 DRIVE AXLE ALIGNMENT

Note: For drive axle alignment specifications, refer to paragraph 3: "Specifications" in this section.

The drive axle alignment consists in aligning the axle according to the frame. The axle must be perpendicular to the frame. The alignment is achieved with the use of shims inserted between the lower longitudinal radius rod supports and the frame.

Drive axle alignment is factory set and is not subject to any change, except if the vehicle has been damaged by an accident or if there are requirements for replacement.

If the axle has been removed for repairs or servicing and if all the parts are reinstalled exactly in the same place, the axle alignment is not necessary. However, if the suspension supports have been replaced or altered, proceed with the following instructions to verify or adjust the drive axle alignment.

Note: When drive axle alignment is modified, tag axle alignment must be re-verified.

1.11.1 Procedure

1. Park vehicle on a level surface, then chock front vehicle wheels.
2. Using two jacking points (which are at least 30 inches [76 cm] apart) on drive axle, raise the vehicle sufficiently so that wheels can turn freely at about ½ inch from ground. Secure in this position with safety stands, and release parking brake.
3. Install wheel mount sensors on front and drive axles (fig. 7). Adjust front axle according to appropriate specifications chart below.

Note: See reference numbers on wheel mount sensors (fig. 7).

Note: Select axle specifications in the appropriate chart.

FRONT AXLE VEHICLES EQUIPPED WITH I-BEAM AXLE ONLY			
Alignment / value	Minimum value	Nominal value	Maximum value
Right camber (degrees)	-0.250	0.125	0.375
Left camber (degrees)	-0.250	0.125	0.375
Right caster (degrees)	2	2.75	3.5
Left caster (degrees)	2	2.75	3.5
Total toe (degrees)	.08	0.13	0.17

DRIVE AXLE ALIGNMENT

- With the system installed as for front axle alignment (fig.7), adjust drive axle according to specifications' chart below.

DRIVE AXLE ALL VEHICLES			
Alignment / value	Minimum value	Nominal value	Maximum value
Thrust angle (deg.)	-0.04	0	0.04

TAG AXLE ALIGNMENT

- Remove and reinstall all wheel mount sensors on the drive and tag axes (fig. 8);

Note: For an accurate alignment, the tag axle must be aligned with the drive axle.

Note: Reinstall wheel mount sensors as shown in figure 8. For example, the sensor from the right side of the front axle is mounted on the left side of the tag axle. For corresponding wheel mount sensor reference numbers, refer to figure 6.

- Adjust tag axle according to specifications' chart below in reference with drive axle.

TAG AXLE ALL VEHICLES			
Alignment / value	Minimum value	Nominal value	Maximum value
Parallelism (deg.)	-0.02	0	0.02

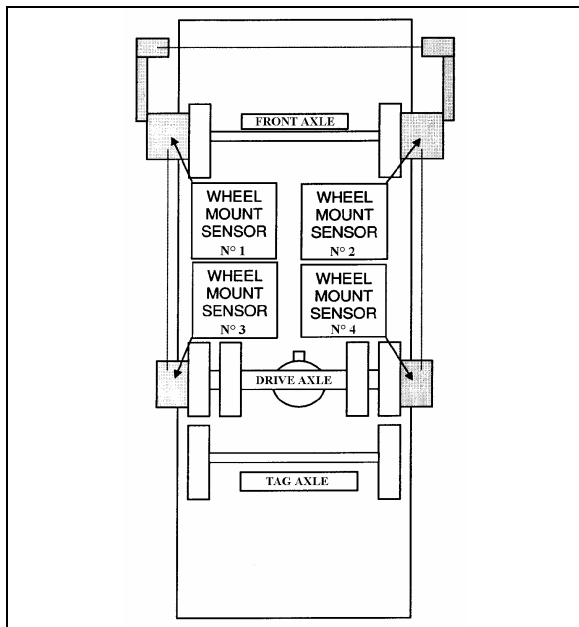


FIGURE 7: FRONT & DRIVE AXLE ALIGNMENT 11025

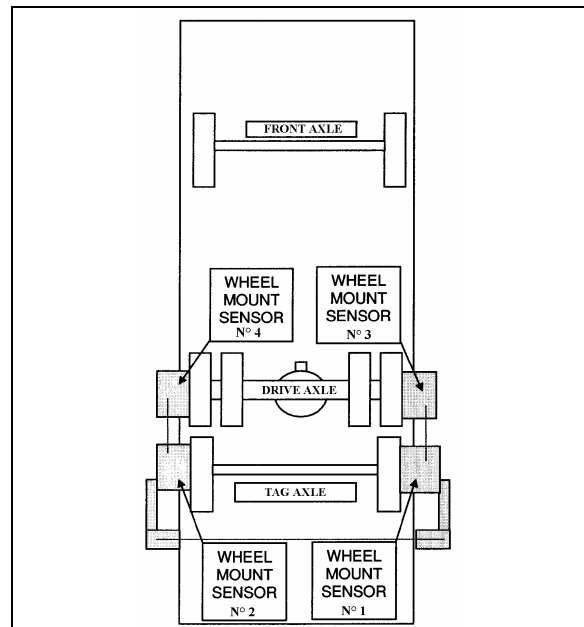


FIGURE 8: TAG AXLE ALIGNMENT 11026

Note: Refer to Section 16, "Suspension", for proper torque tightening of the longitudinal radius rod support nuts.

Note (2): When the drive alignment is changed, the tag alignment must also be adjusted.

1.12 AXLE SHAFT SEALING METHOD

The following method is to be used to ensure that axle shaft installation is fluid-tight:

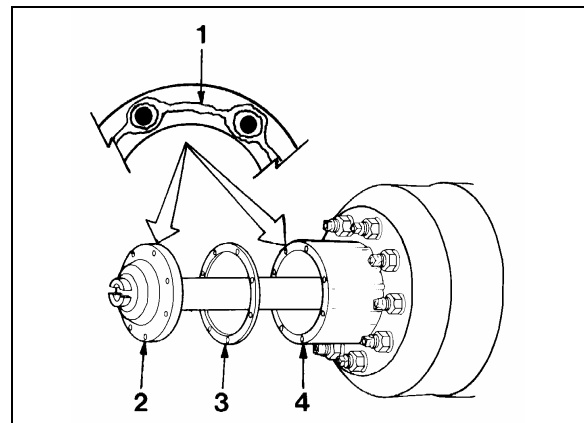


FIGURE 9: AXLE SHAFT INSTALLATION 11003

- 1..... Silicone sealant*
- 2..... Axle shaft

- 3Gasket
4Wheel hub

1. Clean the mounting surfaces of both the axle shaft flange and wheel hub where silicone sealant will be applied. Remove all old silicone sealant, oil, grease, dirt and moisture. Dry both surfaces.
2. Apply a continuous thin bead of silicone sealant* (Prévost P/N 680053) on the mounting surfaces and around the edge of all fastener holes of both the axle shaft flange and wheel hub.

* GENERAL ELECTRIC Silicone Rubber Adhesive Sealant RTV 103 Black.

Warning: Carefully read cautions and instructions on the tube of silicone sealant and its packing.

3. Assemble components immediately to permit the silicone sealant to compress evenly between parts.
 - a. Place a new gasket, then install the axle shaft into the wheel hub and differential carrier. The gasket and flange of the axle shaft must fit flat against the wheel hub.
 - b. Install the tapered dowels at each stud and into the flange of the axle shaft. Use a punch or drift and hammer if needed.
 - c. Install the lock washers and nuts on the studs. Tighten nuts to the correct torque value.

Note: Torque values are for fasteners that have a light application of oil on the threads (refer to Meritor Maintenance Manual).

9/16-18 plain nut: 110 – 165 lbf-ft (149 – 224 Nm)

5/8-18 plain nut: 150 - 230 lbf-ft (203 - 312 Nm)

2. TAG AXLE

The tag axle is located behind the drive axle. It carries a single wheel and tire on each side. One optional system allows unloading of the tag axle air springs without raising the axle, while the other system enables unloading and raising of the tag axle (refer to the "OPERATOR'S MANUAL" for location of controls). Both these systems have been designed for the following purposes:

1. Shortening of wheelbase, thus allowing tighter turning in tight maneuvering areas such as parking lots or when making a sharp turn.

2. Transferring extra weight and additional traction to the drive wheels on slippery surfaces.

Caution: Never exceed 30 mph (50 km/h) with tag axle up or unloaded and resume normal driving as soon as possible.

The tag axle service brakes operate only when the axle is in normal driving (loaded) position.

2.1 GREASE LUBRICATED WHEEL BEARINGS

The unitized hub bearings used on the NDS range of axles, are non-serviceable items. Bearings are pre-adjusted, lubricated and have seals fitted as part of the manufacturing process. The bearings are greased for life and there is no need or facility for re-lubrication.

Front and tag axle hub bearings need to be checked every 30,000 miles (48 000 km).

Note: For more information on front and tag axle wheel hub, refer to "DANA SPICER Maintenance Manual Model NDS and Maintenance Manual NDS Axles" annexed at the end of Section 10.

2.2 REMOVAL AND REINSTALLATION

The following procedure deals with the removal of the tag axle assembly along with the suspension components. The method used to support the axle and suspension components during removal and disassembly depends upon local conditions and available equipment.

1. Raise vehicle by its jacking points on the body (fig. 5 or see Section 18, "Body" under heading: "Vehicle Jacking Points"). Place jack under frame. Remove drive axle wheels (if required, refer to Section 13, "Wheels, Hubs And Tires").
2. Exhaust compressed air from the air supply system by opening the drain cock on each air reservoir and deplete air bags by moving leveling valve arm down.
3. Install jacks under tag axle jacking points to support the axle weight (refer to figure 10).

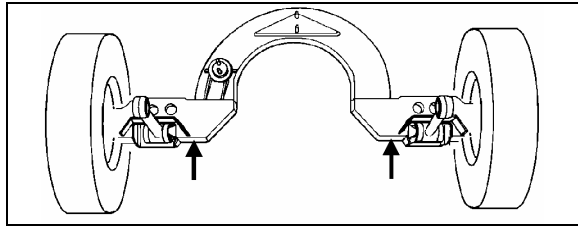


FIGURE 10: JACKING POINTS ON TAG AXLE 11023

4. Applies only to vehicles equipped with retractable tag axles: Disconnect tag axle lifting chain collars from lower longitudinal radius rods.
5. Remove the propeller shaft as directed in Section 9, "Propeller Shaft", in this manual.
6. Disconnect the tag axle brake chamber hoses.

Caution: Position the hoses so they will not be damaged when removing axle.

7. Disconnect hose from the air spring upper mounting plate.
8. Remove the two shock absorbers as outlined in Section 16, "Suspension", under "Shock Absorber Removal".
9. Disconnect the lower longitudinal radius rods as outlined in Section 16, "Suspension", under "Radius Rod Removal".
10. Disconnect the transversal radius rod.
11. Disconnect the upper longitudinal radius rod.
12. Remove the air bellows retaining nuts from each of the two upper mounting plates.
13. Use the jacks to move the axle forward to clear the axle off the transmission. Lower the axle.

Caution: On vehicles equipped with an automatic transmission (with or without the output retarder), move tag assembly very carefully. Pay special attention to the U-shaped section, as the transmission end components may be easily damaged through a false maneuver.

3. SPECIFICATIONS

Drive Axle

MakeMeritor
 Drive track..... 76.7 inches (1 949 mm)
 Gear typeHypoid
 Axle type Full floating
 Lube capacity41 pints (19,3 liters)

14. Reverse removal procedure to reinstall tag axle.

Note: Refer to Section 16, "Suspension", for proper torque tightening of suspension components.

Note: Refer to section 13 "Wheels, Hubs And Tires" for correct wheel bearing adjustment procedure.

2.3 TAG AXLE ALIGNMENT

The tag axle alignment consists in aligning the tag axle parallel to the drive axle position. Before aligning the tag axle, proceed with the drive axle alignment (paragraph 1.10). Tag axle alignment is achieved with the use of shims inserted between the lower longitudinal radius rod supports and axle. Tag axle alignment is factory set and is not subject to any change, except if vehicle has been damaged by an accident or if there are requirements for parts replacement.

Caution: If this setting is altered significantly, it will cause excessive tire wear.

Note: It may be necessary to adjust the axle TOE as well as its alignment. In this case, insert shims (7 min. - P/N 121203 or 15 min. - P/N 121240) in between mounting plate and spindle, as required.

If axle has been removed for repair or servicing and if all parts are reinstalled exactly in their previous locations, axle alignment is not necessary. However, if the suspension supports have been replaced or have changed position, proceed with the following instructions to verify or adjust the tag axle alignment.

Drive axle ratio

World Transmission

4.88:1 Standard

4.56:1 Optional

Note: *The drive axle alignment consists in aligning the axle with reference to the frame. The axle must be perpendicular to the frame.*

Tag Axle

MakePrévost

Rear track 83.6 inches (2 124 mm)

Axle type Dana Spicer Europe TS8U Hub Unit

Note: *The tag axle alignment consists in aligning the tag axle parallel to the drive axle.*

SECTION 12: BRAKE AND AIR SYSTEM

CONTENTS

1. AIR SYSTEM	4
2. BRAKES	4
3. AIR RESERVOIRS	4
3.1 MAINTENANCE	4
3.1.1 <i>Wet (Main) Air Tank</i>	5
3.1.2 <i>Primary Air Tank</i>	5
3.1.3 <i>Accessory Air Tank</i>	5
3.1.4 <i>Emergency/Parking Brake Override Air Tank</i>	5
3.1.5 <i>Secondary Air Tank</i>	5
3.1.6 <i>Kneeling Air Tank</i>	5
3.2 PING TANK	5
4. AIR SYSTEM EMERGENCY FILL VALVES	6
5. ACCESSORY AIR FILTER	6
5.1 FILTER ELEMENT REPLACEMENT	6
5.2 CLEANING	6
6. AIR GAUGES (PRIMARY, SECONDARY AND ACCESSORY)	6
7. AIR FILTER/DRYER	7
7.1 AIR FILTER/DRYER PURGE TANK	7
8. AIR LINES	7
8.1 COPPER PIPING	7
8.2 FLEXIBLE HOSES	7
8.3 NYLON TUBING	7
8.4 AIR LINE OPERATING TEST	8
8.5 AIR LINE LEAKAGE TEST	8
8.6 MAINTENANCE	8
9. PRESSURE REGULATING VALVES	8
9.1 MAINTENANCE	8
9.2 PRESSURE SETTING PROCEDURE	8
10. AIR COMPRESSOR (BA-921)	9
10.1 COMPRESSOR REMOVAL AND INSTALLATION	9
11. EMERGENCY / PARKING BRAKE CONTROL VALVE (PP-1)	9
12. EMERGENCY / PARKING BRAKE OVERRULE CONTROL VALVE (RD-3)	10
13. FLIP-FLOP CONTROL VALVE (TW-1)	10
14. DUAL BRAKE APPLICATION VALVE (E-10P)	10
14.1 BRAKE PEDAL ADJUSTMENT	10
14.1.1 <i>Maintenance</i>	11
15. STOPLIGHT SWITCHES	11
16. PARKING BRAKE ALARM SWITCH	11

Section 12: BRAKE AND AIR SYSTEM

17.	BRAKE RELAY VALVE (R-12 & R-14)	11
18.	QUICK RELEASE VALVES (QR-1)	12
19.	SPRING BRAKE VALVE (SR-7)	12
20.	PRESSURE PROTECTION VALVE (PR-2)	12
21.	LOW PRESSURE INDICATORS (LP-3)	13
22.	SHUTTLE-TYPE DOUBLE CHECK VALVE (DC-4)	13
23.	EMERGENCY DOOR OPENING VALVES	13
23.1	INTERIOR VALVE MAINTENANCE	13
24.	AIR HORN VALVE	13
25.	AIR SYSTEM TROUBLESHOOTING	13
26.	BRAKE OPERATION	14
27.	AIR BRAKES	14
27.1	DISC BRAKE PADS	14
27.2	CALIPER MAINTENANCE	15
27.3	ROADSIDE INSPECTION FOR KNORR -BREMSE AIR DISC BRAKES	16
27.4	PAD REMOVAL	17
27.5	CHECKING PAD WEAR	17
27.6	IMPORTANT PAD AND ROTOR MEASUREMENTS	17
27.7	CHECKING CALIPER GUIDANCE AND SEAL CONDITION	17
27.8	CHECKING THE TAPPET BOOTS	18
27.9	PAD INSTALLATION	18
27.10	ADJUSTING THE RUNNING CLEARANCE	18
27.11	BRAKE TOOLS	19
27.12	TORQUE SPECIFICATIONS	19
28.	SAFE SERVICE PROCEDURES	19
29.	AIR BRAKE TROUBLESHOOTING	20
30.	BRAKE AIR CHAMBER	23
30.1	MAINTENANCE	23
30.2	EMERGENCY/PARKING BRAKE MANUAL RELEASE	23
30.3	BRAKE CHAMBER REMOVAL	24
30.4	BRAKE CHAMBER INSTALLATION	24
30.5	BRAKE CHAMBER DISASSEMBLY	24
31.	ANTI-LOCK BRAKING SYSTEM (ABS)	25
31.1	TROUBLESHOOTING AND TESTING	25
31.2	ABS COMPONENTS	27
31.2.1	<i>Electronic Control Unit (ECU)</i>	27
31.2.2	<i>ABS Modulator Valve</i>	27
31.2.3	<i>Sensors</i>	27
31.2.4	<i>Spring clip</i>	28
32.	FITTING TIGHTENING TORQUES	28

33. SPECIFICATIONS 29

ILLUSTRATIONS

FIGURE 1: AIR RESERVOIRS LOCATION	4
FIGURE 2: REAR VALVE LOCATION.....	5
FIGURE 3: FRONT SERVICE COMPARTMENT.....	5
FIGURE 4: ACCESSORY AIR FILTER.....	6
FIGURE 5: HALDEX AIR FILTER DRYER.....	7
FIGURE 6: AIR PRESSURE REGULATING VALVE	8
FIGURE 7: AIR PRESSURE REGULATOR	9
FIGURE 8: AIR COMPRESSOR INSTALLATION.....	9
FIGURE 9: PP-1	10
FIGURE 10: RD-3	10
FIGURE 11: TW-1.....	10
FIGURE 12: BRAKE PEDAL ADJUSTMENT	11
FIGURE 13: DELCO SWITCH	11
FIGURE 14: BENDIX SWITCH	11
FIGURE 15: R-12	11
FIGURE 16: R-14	12
FIGURE 17: QR-1	12
FIGURE 18: SR-7	12
FIGURE 19: PR-2	12
FIGURE 20: LP-3.....	13
FIGURE 21: DC-4.....	13
FIGURE 22: THREE WAY VALVE	13
FIGURE 23: BRAKE PAD CHECK.....	15
FIGURE 24: CLEARANCE INSPECTION	15
FIGURE 25: RUNNING CLEARANCE	15
FIGURE 26: ADJUSTER PINION	16
FIGURE 27: BOX WRENCH ON ADJUSTER PINION	16
FIGURE 28: CALIPER AXIAL MOVEMENT	16
FIGURE 29: RADIAL MOVEMENT INSPECTION	16
FIGURE 30: BRAKE PAD CHECK.....	17
FIGURE 31: PAD REMOVAL	17
FIGURE 32: PAD WEAR.....	17
FIGURE 33: ROTOR AND PAD WEAR LIMITS.....	17
FIGURE 34: CALIPER GUIDANCE	18
FIGURE 35: RUBBER BOOTS	18
FIGURE 36: PAD INSTALLATION	18
FIGURE 37: RUNNING CLEARANCE	19
FIGURE 38: TORQUE SPECIFICATION	19
FIGURE 39: TORQUE SPECIFICATION	19
FIGURE 40: AIR-OPERATED BRAKING SYSTEM H3.....	21
FIGURE 41: I-BEAM FRONT AXLE BRAKE AIR CHAMBER.....	23
FIGURE 42: TAG AXLE OR DRIVE AXLE BRAKE AIR CHAMBER.....	23
FIGURE 43: ABS 4S/4M CONFIGURATION	26
FIGURE 44: FIRST L.H. BAGGAGE COMPARTMENT	27
FIGURE 45: ABS MODULATOR VALVE	27
FIGURE 46: ABS SENSOR LOCATION	28
FIGURE 47: SPRING CLIP	28
FIGURE 48: HOSE FITTINGS	28
FIGURE 49: HOSE FITTING	29
FIGURE 50: HOSE FITTING	29

Section 12: BRAKE AND AIR SYSTEM

1. AIR SYSTEM

The basic air system consists of an air compressor, reservoirs, valves, filters and interconnecting lines and hoses. It provides a means for breaking, operating controls and accessories, and suspension (refer to Section 16, "Suspension", for complete information on suspension description and maintenance). An air system schematic diagram is annexed in the technical publications box provided with the vehicle for better understanding of the system.

2. BRAKES

This vehicle uses both the service brake and emergency/parking brake. The service brake air system is divided into two independent circuits to isolate front brakes from rear brakes, thus providing safe breaking in the event that one circuit fails. Front axle brakes operate from the secondary air system, while brakes on both the drive axle and tag axle operate from the primary air system.

Note: The tag axle service brake operates only when the axle is in normal ride position (loaded and down).

Furthermore, the brake application or release, which is speed up by pneumatic relay valves (R-12 & R-12DC), will start with the rear axles and will be followed by the front axle, thus providing uniform braking on a slippery road. The vehicle is also equipped with an Anti-Lock Braking System (ABS), which is detailed later in this section.

The drive and tag axles are provided with spring-loaded emergency/parking brakes, which are applied automatically whenever the control valve supply pressure drops below 40 psi (275 kPa). The optional emergency/parking brake overrule system allows the driver to release spring brakes, and to move the vehicle to a safe parking place, such as in the case of a self-application of these brakes due to a drop in air pressure.

3. AIR RESERVOIRS

The air coming from the air dryer is first forwarded to the wet air tank, then to the primary (for the primary brake system), secondary (for the secondary brake system), and accessory (for the pneumatic accessories) air tanks (Fig. 1).

Two additional air reservoirs may be installed on the vehicle: the kneeling air tank and emergency/parking brake overrule air tank.

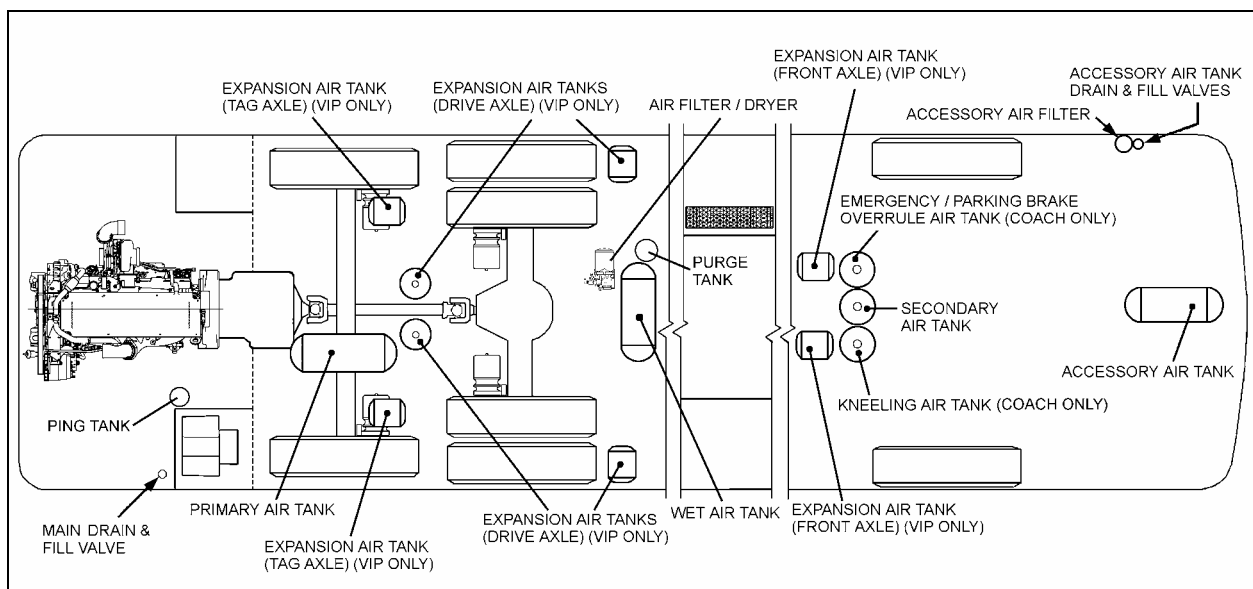


FIGURE 1: AIR RESERVOIRS LOCATION

12196

3.1 MAINTENANCE

Ensure that both the accessories and the wet (main) air tanks are purged during pre-starting inspection. In addition, it is good practice to

purge these reservoirs at the end of every working day. The remaining reservoirs must be purged at every 12,000 miles (or 20 000 km) or once every year, whichever comes first.

3.1.1 Wet (Main) Air Tank

This reservoir, located in front and above the drive axle in the rear wheelhousing, is provided with a bottom drain valve. A recommended purge using the bottom drain valve should be done every 12,000 miles (20 000 km), or once a year, whichever comes first. Purge daily using the drain valve located in the engine compartment R.H. side (Fig. 2).

3.1.2 Primary Air Tank

This reservoir is located above the tag axle, and is provided with a bottom drain valve (Fig. 1). It is recommended to purge the primary air tank every 12,500 miles (20 000 km) or once a year, whichever comes first.

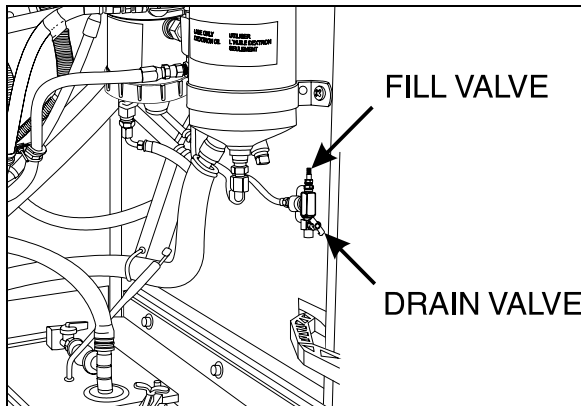


FIGURE 2: REAR VALVE LOCATION 12148

3.1.3 Accessory Air Tank

The accessory air tank is installed at the ceiling of spare wheel compartment and is provided with a bottom drain valve (Fig. 1). Purge daily using the remote drain valve located in the front service compartment (Fig. 3). Purge the reservoir by its drain valve every 12,500 miles (20 000 km) or once a year, whichever comes first.

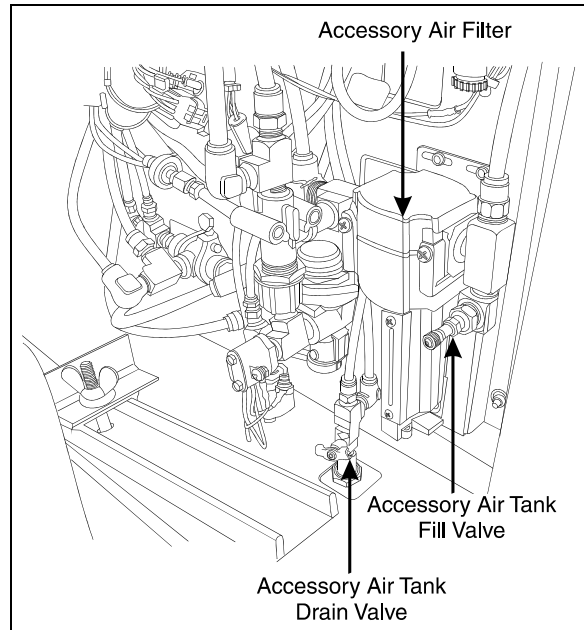


FIGURE 3: FRONT SERVICE COMPARTMENT 12130

3.1.4 Emergency/Parking Brake Override Air Tank

Installed on vehicles equipped with this option, this reservoir is located in the front wheelhousing (Fig. 1). It is provided with a bottom drain valve.

Purge this reservoir every 12,500 miles (20 000 km) or once a year, whichever comes first.

3.1.5 Secondary Air Tank

Located in the front wheelhousing, this tank is set between the optional Emergency/Parking Brake override air tank and the Kneeling air tank (Fig. 1). It is provided with a bottom drain valve.

Purge this reservoir every 12,500 miles (20 000 km) or once a year, whichever comes first.

3.1.6 Kneeling Air Tank

The kneeling air tank is installed on vehicles equipped with the Kneeling or Hi/Low-Buoy options. It is located in the front wheelhousing (Fig. 1), and is provided with a bottom drain valve. Purge this reservoir every 12,500 miles (20 000 km) or once a year, whichever comes first.

3.2 PING TANK

The ping tank is located in the engine compartment and is accessible through the engine compartment R.H. side door. It is used to dissipate heat and to reduce noise produced by the air compressor cycling on and off.

4. AIR SYSTEM EMERGENCY FILL VALVES

All vehicles come equipped with two emergency fill valves that enable system pressurization by an external source such as an air compressor.

The rear valve is located in the engine compartment and is accessible from engine compartment R.H. side door (Fig 2.).

Caution: Maximum allowable air pressure is 140 psi (965 kPa). Air filled through these two points will pass through the standard air filtering system provided by Prevost. Do not fill system by any other point on the system.

The front valve is located in the front electrical and service compartment close to R.H. side of doorframe (Fig. 3).

These two air system emergency fill valves are fitted with the same valve stems as standard tires, and can be filled by any standard external air supply line.

The rear air system emergency fill valve will supply air for all systems (brakes, suspension and accessories) while the front fill valve will supply air to accessories only.

5. ACCESSORY AIR FILTER

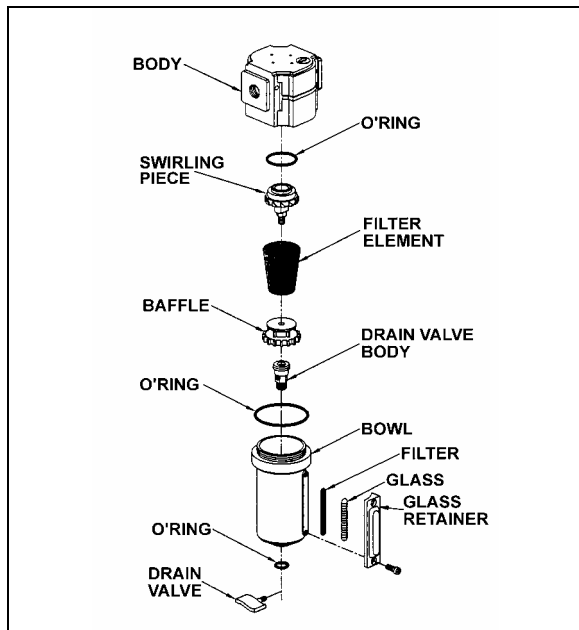


FIGURE 4: ACCESSORY AIR FILTER

12088

This filter is located inside the front electrical and service compartment (Fig. 3). Its main function consists in filtering the air supplied to the accessory air system, when connected to an external supply line. Ensure filter is purged whenever supplying the system with an external air line and at least every 12,500 miles (20 000 km).

To purge, open drain valve (Fig. 4) let the moisture come out, then close the drain valve.

5.1 FILTER ELEMENT REPLACEMENT

Replace filter element whichever of the following occurs first: every 100,000 miles (160 000 km), every two years, or whenever differential pressure exceeds 15 psi (105 kPa) between filter inlet and outlet ports. Check condition of all three O'rings for damage. Replace when necessary (Fig. 4).

5.2 CLEANING

Clean filter body and bowl with a warm water and soap solution. Rinse thoroughly with clean water.

Blow dry with compressed air making sure the air stream is moisture free and clean. Pay particular attention to the internal passages. Inspect all parts for damage and replace if necessary.

6. AIR GAUGES (PRIMARY, SECONDARY AND ACCESSORY)

The air pressure gauges, located on the dashboard (see "Operator's Manual" or "Owner's Manual"), are connected to the DC-4 double check valve, located on the pneumatic accessories panel in the front service compartment.

The latter is connected to the air lines running from the primary and secondary air tanks, as shown on the pneumatic system diagram provided in the technical publication box. The vehicle should never be set in motion until the buzzer alarm and warning lights turn off, i.e. when air pressure registers at least 66 psi (455 kPa). Moreover, if pressure drops below 66 psi (455 kPa), the "Low air pressure" warning lights will turn on, and the "Low air pressure" buzzer will sound. Stop the vehicle immediately, determine and correct the cause(s) of pressure loss. Check the gauges regularly with an accurate test gauge. Replace the gauge with a new unit if there is a difference of 4 psi (27 kPa) or more in the reading.

7. AIR FILTER/DRYER

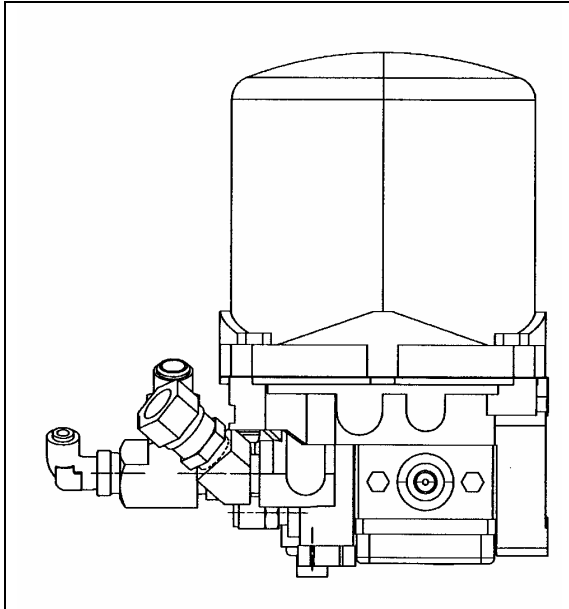


FIGURE 5: HALDEX AIR FILTER DRYER 12194

The air filter/dryer is located in front of rear wheelhousing above drive axle (Fig. 1 & 5). Its purpose is to remove moisture that could damage the air system before the air enters the system reservoir. The air filter/dryer also filters the air to remove dirt, compressor oil, and other contaminants that can damage the system. Change cartridge every 100,000 miles (160 000 km) or once every two years, whichever comes first. The air dryer may be purged for maintenance purposes using the remote drain valve located in the engine compartment and accessible through the engine compartment R.H. side door. The valve is positioned close to the door hinge (Fig. 2). The air filter/dryer has a built-in governor to maintain the system between 108 and 123 psig.

Maintenance and repair information is supplied in the applicable booklet annexed to this section.

7.1 AIR FILTER/DRYER PURGE TANK

A tank is supplied to purge the air filter/dryer to remove moisture and contaminants.

8. AIR LINES

Copper piping, nylon-reinforced tubing, and flexible hoses are used to connect the units in the pneumatic system, including air brake system, suspension system and accessory systems such as the entrance door, air horns, etc. Furthermore, the nylon tubing is color coded to ease identification. Refer to the following table for the complete color identifica-

tion code. Service instructions for each type of air line are also provided under the applicable headings.

Color	Circuit
Red	Secondary
Green	Primary and Delivery
Yellow	Parking Brake
Blue	Suspension
Black	Accessory
Brown	Trailer Brake

8.1 COPPER PIPING

A heat dissipation copper piping assembly is used to dissipate the heat coming from the compressor before it enters the air filter/dryer. Connections should be checked for leakage at least every 6,250 miles (10 000 km) or twice a year, whichever comes first. Tighten or replace when necessary. When replacing copper piping, the parts must be free of burrs, copper cuttings, and dirt. Blow out piping with compressed air. Any such particles will destroy sealing seats in air control units. Also, new piping must be the same size as the old one.

8.2 FLEXIBLE HOSES

A flexible hose is used normally where it is impractical to use copper or nylon tubing due to constant flexing during operation, such as brake chamber hoses or belt tensioner air cylinder hoses. Hose connections should be tested for leakage at least every 6,250 miles (10 000 km) or twice a year, whichever comes first and tightened or replaced if necessary. Any hose, which is chafed, worn or kinked, should be replaced.

Teflon-braided stainless steel hoses used in the engine compartment must be replaced only with similar hoses.

8.3 NYLON TUBING

Nylon tubing is used for air lines in areas where usage of this material is suitable. Nylon tubing is flexible, durable, and weather resistant. When replacing an air line, use nylon tubing only where it has been used previously.

Nylon air lines must never be routed in areas where temperature could exceed 200°F (93°C).

Caution: Nylon air lines should be used to replace existing nylon lines only, and must comply with the color identification code to ease pneumatic system troubleshooting.

Section 12: BRAKE AND AIR SYSTEM

8.4 AIR LINE OPERATING TEST

If any trouble symptom such as slow brake application or slow brake release indicates a restricted or clogged air line, disconnect the suspected tube or hose at both ends and blow through it to clear the passage.

Inspect tubing and hose for partial restriction that may be caused by dents or kinks. If such a condition is found, the tubing or hose should be replaced.

8.5 AIR LINE LEAKAGE TEST

With air system fully charged and the brakes applied, coat all tubing and hose connections with a soapy solution to check for air leakage. No leakage is permitted. Leakage can sometimes be corrected by tightening the connection. If this fails to correct the leakage, new fittings, nylon tubing, copper tubing, teflon-braided stainless steel and flexible hoses must be installed as applicable.

8.6 MAINTENANCE

Inspect all lines for cuts, swelling, kinks or other damage or deterioration. Check for lines being pinched by other components. Retaining clips and ties must be in place.

Any support or bracket should be in good condition and mounted firmly in position. Hose spring guards should be in usable condition and not distorted. Particular attention should be given to long lines. Any supporting component (clips, ties, grommets, etc.) must be secured to prevent against unnecessary vibration and eventual loosening of connection. Any detected leak should be repaired. Be sure nylon lines are not near areas of intense heat. Check for any missing grommets or loose material where chafing or cutting may occur. Replace with new material as required. In general, lines should be securely located in position and free from any binding condition, which would hinder air flow.

9. PRESSURE REGULATING VALVES

There is one pressure regulator for the belt tensioners, and an optional one installed on vehicles equipped with the world transmission output retarder.

The belt tensioner pressure regulating valve is located in the engine compartment at the back of the engine starting control panel. It is used to limit the air pressure in belt tensioners to 45 ± 2 psi (310 ± 15 kPa) (Fig. 7).

The optional regulator is located in the engine compartment and is accessible through the engine R.H. side door. It is used for transmission retarder and should be adjusted to 80 ± 3 psi (550 ± 20 kPa).

	Air Pressure (psi)	Air Pressure (kPa)
Belt Tensioner	45 ± 2	310 ± 15
Retarder	80 ± 3	550 ± 20

9.1 MAINTENANCE

Every 100,000 miles (160 000 km) or once every two years, whichever comes first, disassemble the pressure regulating valve and wash all metal parts in a cleaning solvent (Fig. 6). Examine the diaphragm; if cracked, worn or damaged, replace with a new one. If the valve is excessively grooved or pitted, it should be replaced. Replace any other part that appears worn or damaged. After reassembly, adjust to the specified pressure setting and check for air leakage.

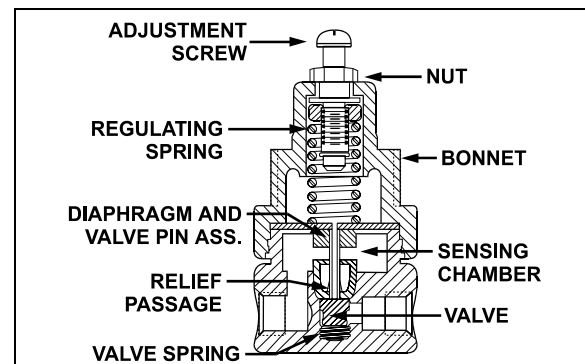


FIGURE 6: AIR PRESSURE REGULATING VALVE 12141A

9.2 PRESSURE SETTING PROCEDURE

Remove the dust cap from the pressure check port (Fig. 7). Attach a pressure gauge at this port and check the pressure reading. If the pressure reading is incorrect, adjust as follows:

1. Loosen the locking nut, turn the adjustment screw counterclockwise to decrease pressure by approximately 10 psi (70 kPa) below the required pressure.
2. Turn the adjustment screw clockwise to increase the pressure slowly until the required pressure setting is reached. Tighten the locking nut.
3. Remove pressure gauge and replace dust cap on the pressure check port.

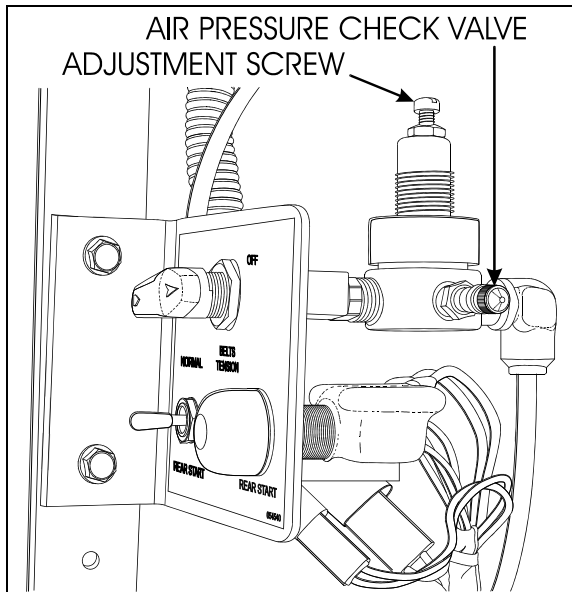


FIGURE 7: AIR PRESSURE REGULATOR 12143

10. AIR COMPRESSOR (BA-921)

The air compressor is located on starter side of the engine, on the rear of the engine gear case (Fig. 8). Its function is to provide and maintain air under pressure to operate devices in brake and air systems.

This air compressor also drives the engine fuel pump, which is bolted to the rear end of the compressor. The compressor crankshaft is designed to accept a drive coupling which is placed between the compressor and fuel pump.

The compressor is driven by the bull gear, and is water cooled. Engine coolant is fed to the compressor through a flexible hose tapped into the block water jacket and connected to the rear of the compressor. Coolant returns from the top of the compressor (fuel pump side) through a flexible hose to the engine pump.

The air is taken from the air intake manifold and entered in the top of the compressor. The compressed air is pushed into the discharge line located on side of the compressor, which sends air to the air dryer. Lubricating oil is supplied to the compressor by a line from the cylinder block oil gallery connected to the air compressor. Lubricating oil returns to the engine crankcase through the air compressor drive assembly.

Maintenance and repair information on the Bendix BA-921 air compressor is supplied in the applicable booklet annexed to this section under reference number SD-01-676.

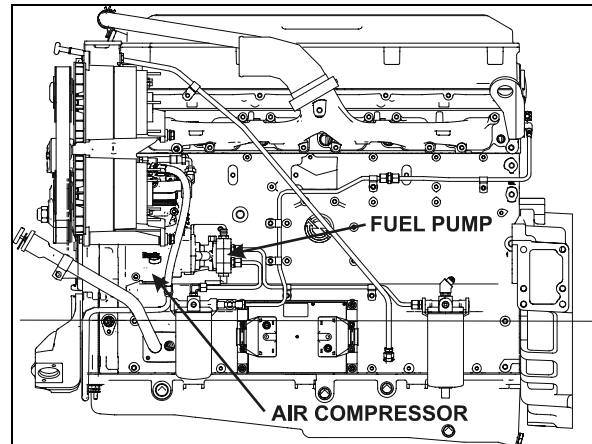


FIGURE 8: AIR COMPRESSOR INSTALLATION 03061

10.1 COMPRESSOR REMOVAL AND INSTALLATION

1. Exhaust compressed air from air system by opening the drain valve of each air tank.
2. Drain the engine cooling system. See Section 5: "Cooling System".
3. Identify and disconnect all air, coolant and oil lines from the compressor assembly.
4. Access the compressor by the engine R.H. side compartment. Remove the four compressor mounting bolts and the two fuel pump support bracket bolts.
5. Slide air compressor rearward to disengage the hub from coupling. Remove the air compressor.

Reverse removal procedure for installation.

11. EMERGENCY / PARKING BRAKE CONTROL VALVE (PP-1)

A push-pull control valve mounted on the L.H. lateral console is provided for parking brake application or release. The spring brakes are self-actuated whenever the control valve supply pressure drops below 40 psi (275 kPa). In the UP position, brakes are ON. In the DOWN position, brakes are RELEASED. A protective case around the knob prevents accidentally releasing the brakes.

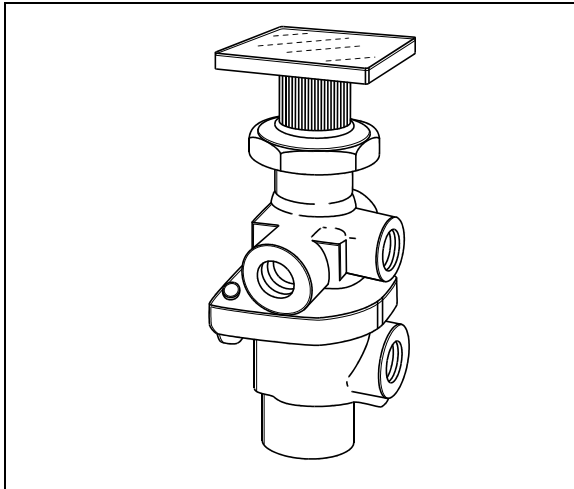


FIGURE 9: PP-1

12142

Maintenance and repair information on this valve is supplied in the applicable booklet annexed to this section under reference number SD-03-3611.

Remove the valve the following way:

1. Drain the air system.
2. Access this valve by tearing out the finishing panel, which holds the controls in place (Fig. 9).
3. Disconnect the air tubes.
4. Remove the retaining screws.
5. Service or replace the valve.
6. Installation is the reverse of removal.

12. EMERGENCY / PARKING BRAKE OVERRULE CONTROL VALVE (RD-3)

A RD-3 control valve is used with the optional parking brake overrule system. In the case of self-application of spring brakes due to a pressure drop, the brakes can be released by holding down this control valve. Maintenance and repair information on this valve is supplied in the applicable booklet annexed to this section under reference number SD-03-3611.

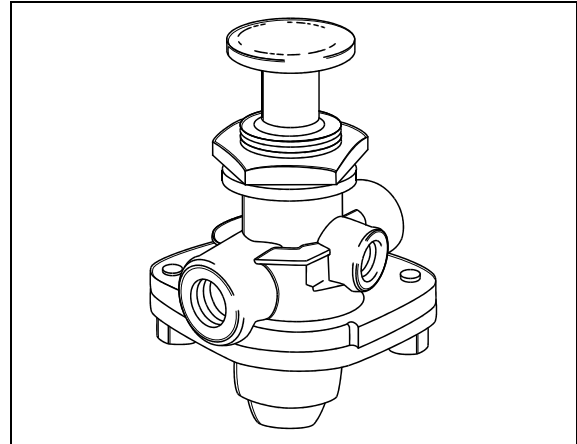


FIGURE 10: RD-3

12136

13. FLIP-FLOP CONTROL VALVE (TW-1)

A flip-flop control valve mounted on the L.H. lateral console is provided to unload tag axle air springs (and to lift tag axle if vehicle is so equipped). Another one controls the low-buoy system (coaches only). It is a manually operated "on-off" valve. Maintenance and repair information on this valve is supplied in the applicable booklet annexed to this section under reference number SD-03-3602.

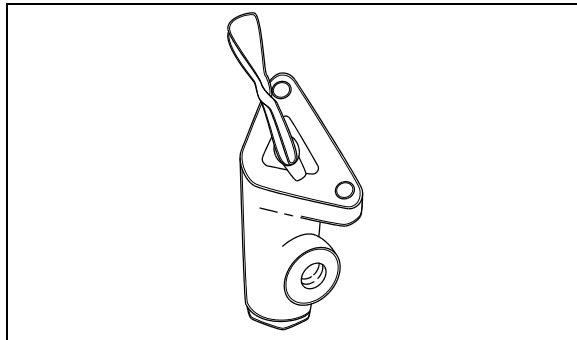


FIGURE 11: TW-1

12138

14. DUAL BRAKE APPLICATION VALVE (E-10P)

The E-10P dual brake valve is a floor mounted, foot-operated type brake valve with two separate supply and delivery circuits. This valve is located in the front service compartment (Fig. 12).

14.1 BRAKE PEDAL ADJUSTMENT

After brake pedal replacement or repair, adjust the pedal to its proper position according to the following procedure:

1. Replace the linkage, loosen threaded rod lock nuts and screw or unscrew the threaded adjustment rod in order to obtain a 45° brake pedal inclination (Fig. 12).

2. Tighten threaded rod lock nuts.

14.1.1 Maintenance

Maintenance and repair information on the E-10P dual brake application valve is supplied in the applicable booklet annexed to this section under reference number SD-03-830.

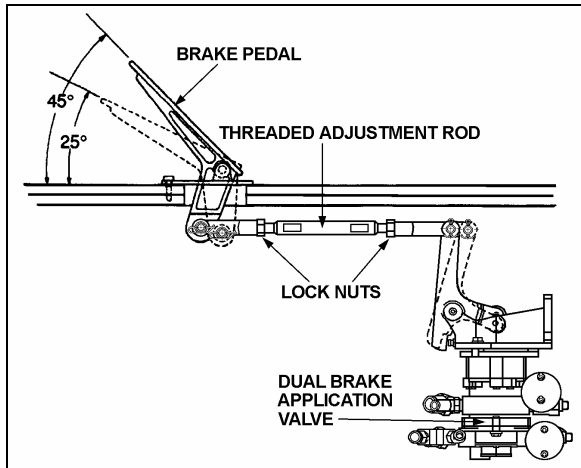


FIGURE 12: BRAKE PEDAL ADJUSTMENT 12208

15. STOPLIGHT SWITCHES

Two Electro-pneumatic stoplight switches are mounted on the dual brake application valve (E-10P). The upper one is used for the primary air circuit while the lower one is used for the secondary air circuit. Both switches are connected in parallel and have the same purpose, i.e. completing the electrical circuit and lighting the stoplights when a brake application is made. The upper switch (AC Delco) is designed to close its contact between 2 psi and 4 psi (14 kPa to 28 kPa) (Fig. 13), while the lower one (Bendix, SL-5) closes its contact at 4 psi (28 kPa) (Fig. 14). The switches are not serviceable items; if found defective, the complete unit must be replaced.

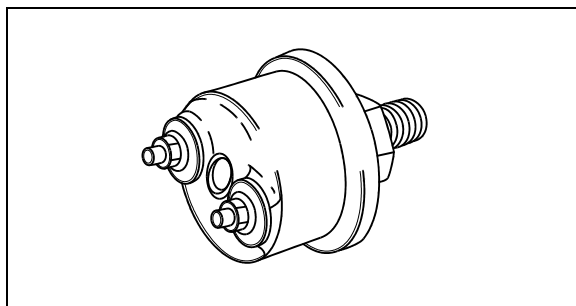


FIGURE 13: DELCO SWITCH 12139

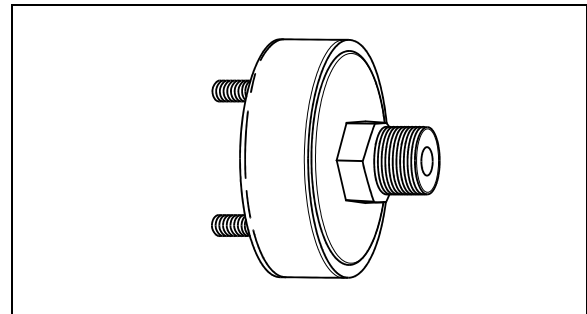


FIGURE 14: BENDIX SWITCH 12140

16. PARKING BRAKE ALARM SWITCH

Refer to the appropriate annexed booklet (Bendix, SL-5 Stop Light Switch; reference no. SD-06-2501).

The parking brake alarm uses the same switch as the stoplights. It is mounted on the spring brake valve and operates in conjunction with a NC relay to sound a warning alarm by completing the electrical circuit when the ignition key is turned OFF with parking brake released.

17. BRAKE RELAY VALVE (R-12 & R-14)

The primary air system includes three brake relay valves being supplied by the dual brake valve, and which function is to speed up the application and release of the service brakes.

One Wabco R-14 valve located above the drive axle supplies the drive axle service brake air line, while the other two R-12 valves supply independently both the tag axle right and left service brake air line and act as interlock valves. These valves are accessible from under the vehicle at the level of the tag axle. Maintenance and repair information on these valves is supplied in the applicable booklet annexed to this section under reference number SD-03-1064 and Wabco Relay Valves.

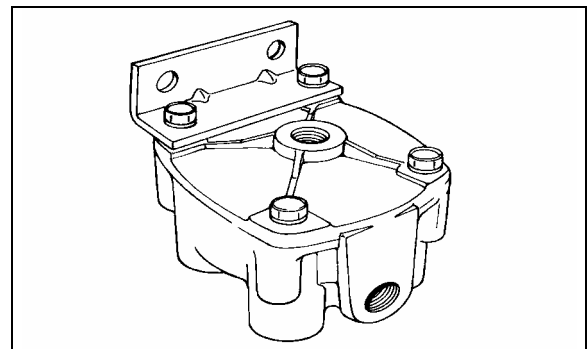


FIGURE 15: R-12 12074

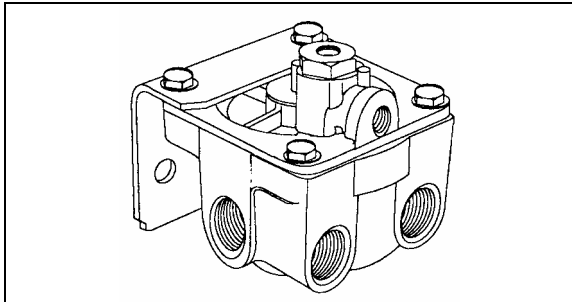


FIGURE 16: R-14

12207

18. QUICK RELEASE VALVES (QR-1)

One quick release valve is installed on this vehicle and is located on the front axle service brakes air line. It is also used on Low Buoy rear release system. It permits rapid exhaust of air pressure from brakes, thus decreasing the brake release time.

Maintenance and repair information on these valves is supplied in the applicable booklet annexed to this section under reference number SD-03-901.

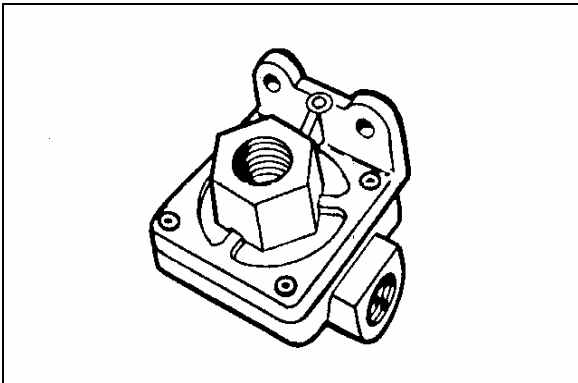


FIGURE 17: QR-1

12075

19. SPRING BRAKE VALVE (SR-7)

The spring brake valve is located above the drive axle. The SR-7 Modulating Valve is used in conjunction with a dual air brake system and spring brake actuator and performs the following functions:

- Provides a rapid application of the spring brake actuator when parking.
- Modulates the spring brake actuator application using the dual brake valve should a primary failure occur in the service brake system.
- Prevents compounding of service and spring forces.

Maintenance and repair information on the spring brake valve is supplied in the applicable booklet annexed to this section under reference number SD-03-9043.

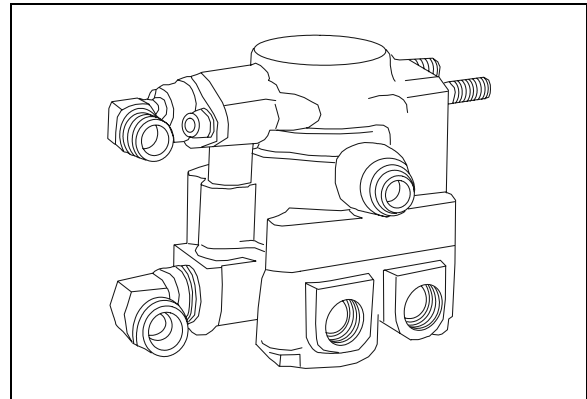


FIGURE 18: SR-7

20. PRESSURE PROTECTION VALVE (PR-2)

Maintenance and repair information on the pressure protection valve is supplied in the applicable booklet annexed to this section under reference number SD-03-2010.

The air system includes two pressure protection valves (Fig. 19). One valve is installed on the manifold block, and insures at all times a minimum pressure of 75 psi (517 kPa) in the suspension air system in the event that a pressure drop occurs in either the suspension air system or accessory air system. This valve is located in the front service compartment besides the air filter.

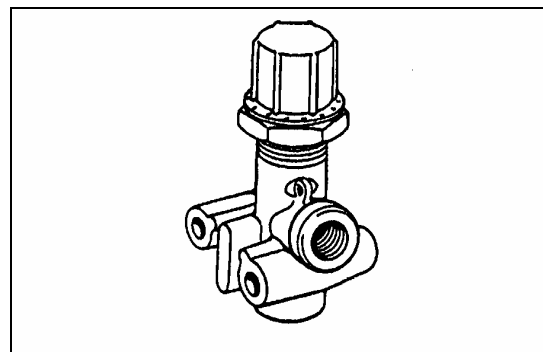


FIGURE 19: PR-2

12077

The other valve is installed on the accessory air tank, and insures a minimum pressure of 75 psi (517 kPa) in the accessory air system in the event that a pressure drop occurs in either the suspension air system or braking air system (refer to Fig. 1 for accessory air tank location).

21. LOW PRESSURE INDICATORS (LP-3)

Maintenance and repair information on the low pressure indicators is supplied in the applicable booklet annexed to this section under reference number SD-06-1600.

The air system includes two low pressure switches. One is located on the pneumatic accessories panel in the front service compartment. The remaining pressure switch is mounted on the spring brake valve, and monitors the parking brake pilot lamp. Its pressure setting is 30 psi (205 kPa).

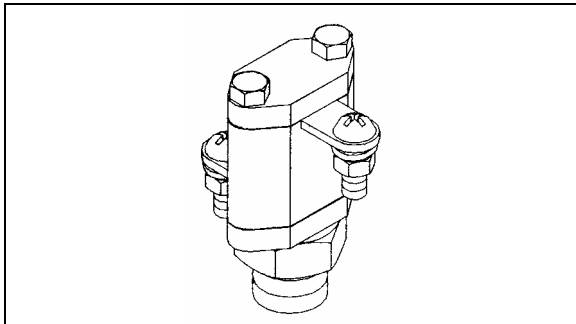


FIGURE 20: LP-3

12078

22. SHUTTLE-TYPE DOUBLE CHECK VALVE (DC-4)

Maintenance and repair information on the shuttle-type double check valve is supplied in the applicable booklet annexed to this section under reference number SD-03-2202.

The double check valve is located on the pneumatic accessories panel in the front service compartment. In the event of a pressure drop in either the primary or secondary system, this unit will protect the emergency /parking brake control valve and the intact portion of the air system from pressure loss.

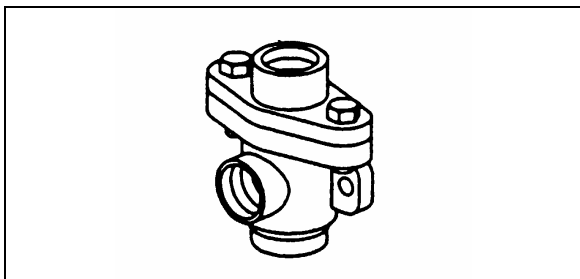


FIGURE 21: DC-4

12134

23. EMERGENCY DOOR OPENING VALVES

Two emergency door opening three-way valves are installed on coaches. One is in the front service compartment, readily accessible. The

other one is on the R.H. side lateral console, close to the entrance door. When used, the valve releases pressure in the door locking cylinder, thus allowing the door to be manually opened.

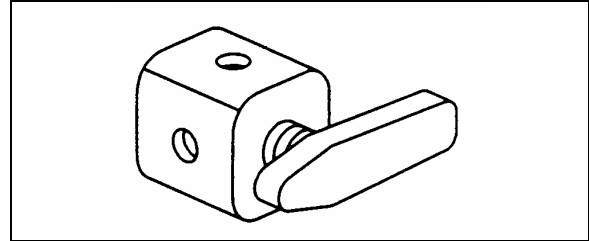


FIGURE 22: THREE WAY VALVE

12186

23.1 INTERIOR VALVE MAINTENANCE

When needed, this valve can be changed according to the following procedure:

1. Unscrew the front R.H. decorative panel in order to access the valve.
2. Unscrew and remove the valve handle.
3. Unscrew and remove the valve retaining ring.
4. Push the valve inside the console.
5. Disconnect the air tubes.
6. Reverse the procedure to install a new valve.

24. AIR HORN VALVE

The air horn solenoid valve is located in the front service compartment. The air horn activating button is on the center of the steering wheel. Refer to section 23 "ACCESSORIES" for more information.

25. AIR SYSTEM TROUBLESHOOTING

The following list has been designed to help in troubleshooting some of the most common problems in the air system and main causes. For air brakes troubleshooting, refer to "Air Brakes Troubleshooting" in this section. For more troubleshooting information, refer to the manufacturer's brochures annexed to this section.

Air pressure doesn't rise to, or doesn't maintain, a normal setting:

- Defective air gauge (registering incorrectly).
- Excessive leaking in air system.
- Reservoir drain cock open.

Section 12: BRAKE AND AIR SYSTEM

- Air filter/dryer built-in governor poorly adjusted or defective.
- Defective compressor.
- Worn compressor or excessive wear on piston and/or ring.

Air pressure rises to normal setting too slowly:

- Excessive leaking in air system.
- Clogged engine air cleaner.
- Worn compressor or excessive wear on piston and/or ring.
- Engine speed too low.

Air pressure rises above a normal setting:

- Defective air gauge (registering incorrectly).
- Air filter/dryer built-in governor poorly adjusted or defective.

Air pressure drops quickly when engine is stopped:

- Leaks in compressor discharge valve.
- Leaks in air lines.
- Leaks in air system valves.

26. BRAKE OPERATION

The vehicle braking system uses both service and parking air-operated brakes. The air system is divided into two independent circuits to isolate the front axle brakes and the rear axle brakes (drive and tag), thus providing safe brake operation in the event that one circuit of the system fails. The primary circuit is connected to the drive and tag axle brakes, while the secondary circuit is connected to the front axle brakes. The tag axle service brakes operate only when the axle is in the normal driving (loaded) position. The spring-type emergency brakes are mounted on the drive and tag axles, and will apply automatically if primary system pressure falls below 40 psi (276 kPa). The optional parking brake override system can cancel the parking brakes, enabling the driver to move the vehicle to a safe parking place. To operate this system, push down and hold the control knob located on the R.H. side of the driver's seat (see "Operator's Manual" for more details).

Furthermore, brake application or release, which is sped up by a pneumatic relay valve (R-12 & R-12DC), will start with the rear axles and be followed by the front axle, thus providing uniform braking on a slippery surface. The vehicle is

also equipped with an Anti-lock Brake System (ABS), detailed later in this section.

Brake and air system maintenance consists of periodic inspections. Check all parts for damage and brake adjustment (refer to subsequent headings in this section for more details). Ensure all fasteners are tight (refer to "Specifications" for recommended tightening torques).

27. AIR BRAKES

Knorr-Bremse SB7000 disc brakes are used on all axles. The front and drive axle discs are actuated by 24 inch² effective area air brake chambers (22 inch² for front solid beam axle), while on tag axle, the brake chambers have a 14 inch² effective area for service brake and a 16 inch² effective area for emergency/parking brakes. The *Knorr-Bremse SB7000* brakes are supplied with automatic clearance (slack) adjusters as standard equipment for easier adjustment. For more information on disc brake components and maintenance, refer to the manufacturer's brochure at the end of this section.

27.1 DISC BRAKE PADS

Brake pads have to be checked on a regular basis depending on the vehicle operation. The remaining thickness of the pads should never be less than 3/32 in (2 mm). To check pad condition without removing the wheel, verify the position of guide bushing (6) relatively to guide sleeve (4) (see Fig. 23). When guide sleeve is in alignment with guide bushing, brake pad thickness has to be checked more precisely with the wheel removed. When replacing brake pads, all four pads on an axle have to be changed at the same time. There is no inner or outer pad, since all pads are the same. Once removed, worn pads should be replaced in their original position.

IMPORTANT NOTE

To maintain your vehicle's air disc brakes at their original performance standard, we strongly recommend use of only genuine, approved service replacement parts on Bendix and Knorr-Bremse air disc brake systems. If non-approved friction materials or replacement components are used, neither Prevost Car nor Bendix Spicer Foundation Brake LLC will accept any air disc brake-related warranty returns or claims.

For more information on this policy, refer to

Bendix-Prevost product notification annexed at the end of Section 12 of Maintenance Manual.

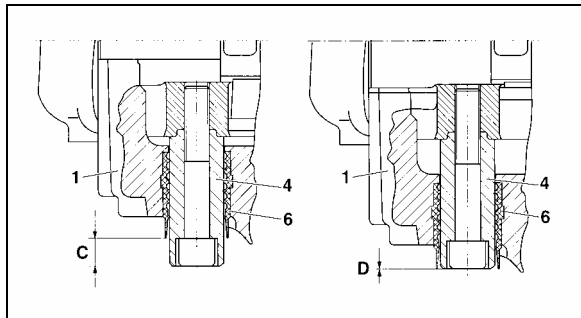


FIGURE 23: BRAKE PAD CHECK

12117

27.2 CALIPER MAINTENANCE

Use the following procedure for brake calipers servicing. The procedure must be followed in proper sequence to ensure that only needed repairs or replacements are performed on calipers. Problems such as hot brakes or cracked rotors may be effects of sticking calipers, too-small clearance between rotor and pad or possible trapped air pressure in the brake chamber. If any of these symptoms occur, perform this procedure before replacing the rotor to ensure the cause of the problem is properly solved.

1. Check for presence of residual pressure:

To check if there is any residual air pressure in the brake chamber, make four or five brake applications, then try to turn the wheel manually. If the wheel does not turn, use a wrench to crack the air line and listen for trapped air in the brake chamber then try to turn the wheel manually again. If you find trapped air in the brake booster, ensure that all pneumatic components in the braking system are functioning properly.

Note: A residual pressure of 2-3 PSI in the system is sufficient to prevent the brakes from releasing. Also the stop light switch can operate with as little as 1 PSI, therefore an illuminated brake light does not mean brakes are dragging.

2. Pad to rotor clearance inspection:

Remove clip and washer (26 & 45, Fig. 24), push down retainer bar (11), pull out pin (44) and remove retainer bar. Push caliper toward actuator (center of vehicle) for maximum clearance.

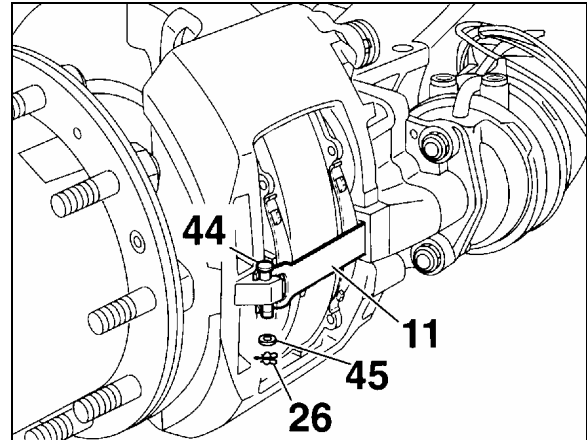


FIGURE 24: CLEARANCE INSPECTION

12119

3. Measure pad to rotor clearance:

Place a long feeler gauge (long enough to measure across entire tappet surface) between the tappet and the backing plate of the pad, measure clearance at both tappets. Clearance should range between 0.020 and 0.035 inch (0.5 mm and 0.9 mm), with a maximum difference between tappet measurements on same brake of 0.008 inch (0.2 mm).

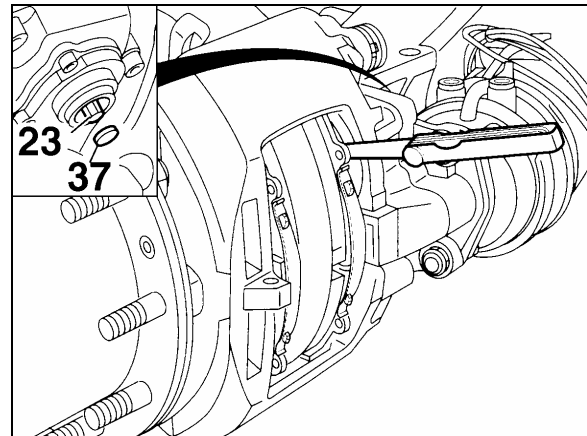


FIGURE 25: RUNNING CLEARANCE

12116

4. Checking the adjuster

Warning: Use only a standard box wrench on the adjuster hexagonal pinion. Do not overtorque the pinion as overtorquing will damage the pinion.

- a) Remove cap (37, Fig. 26).
- b) Using a box wrench (8 mm), turn the adjuster pinion (23, Fig. 26) counterclockwise about 2-3 clicks to increase running clearance. By operating the braking system about 5-10 times (30 PSI or 2 bar), the wrench should turn clockwise in small increments if the adjuster is functioning correctly (Figs. 26 and 27).

Section 12: BRAKE AND AIR SYSTEM

Note: With increasing number of applications, the incremental adjustment will decrease.

- c) In case of malfunction, i. e. the pinion or box wrench:
- i) Does not turn.
 - ii) Turns only with the first application.
 - iii) Turns forwards then backwards with every application.

In any of the above cases, the automatic adjuster has failed and the caliper must be replaced. In such cases the brakes can be adjusted manually to run a short distance.

- d) Take the box wrench off. Replace the cap and check for proper sealing.

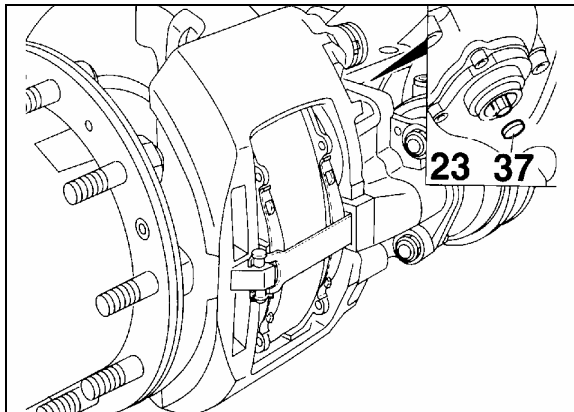


FIGURE 26: ADJUSTER PINION

12120

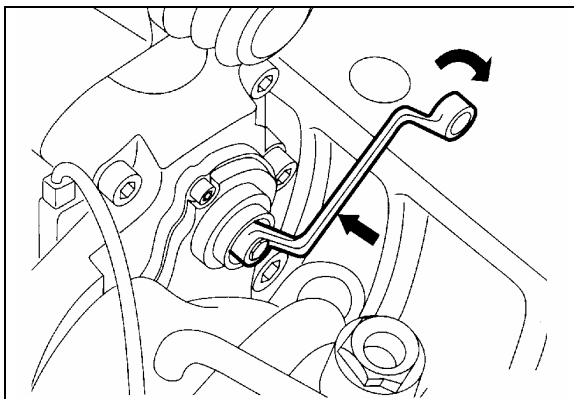


FIGURE 27: BOX WRENCH ON ADJUSTER PINION

12118

27.3 ROADSIDE INSPECTION FOR KNORR-BREMSE AIR DISC BRAKES

The coach is equipped with air disc brakes and therefore, cannot be inspected using the requirements for chamber stroke or visible lining clearance or lining thickness as specified for drum brakes. The roadside inspector should use the following instructions to determine that the

air disc brakes are within proper adjustment and have sufficient pad wear thickness.

The Knorr-Bremse air disc brake is designed to move freely, with minimal force, in the axial direction on the two sliding pins as identified in figure 28. The movement in the axial direction should not exceed 2 mm (5/64").

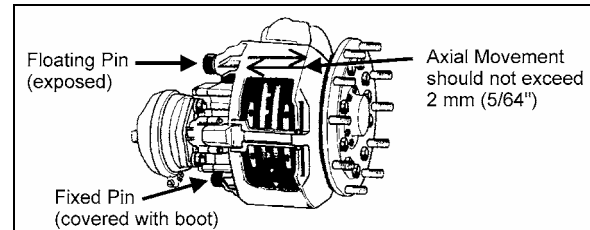


FIGURE 28: CALIPER AXIAL MOVEMENT

12132

The caliper flotation consists of two pins. One pin (fixed pin) floats and should have minimal movement in the radial direction. The other pin is floating in a rubber bushing. The maximum radial movement should not exceed 2.0 mm (0.080"). To check the radial movement, insert a pry tool between the caliper and carrier near the middle and then measure the relative movement as shown in figure 29.

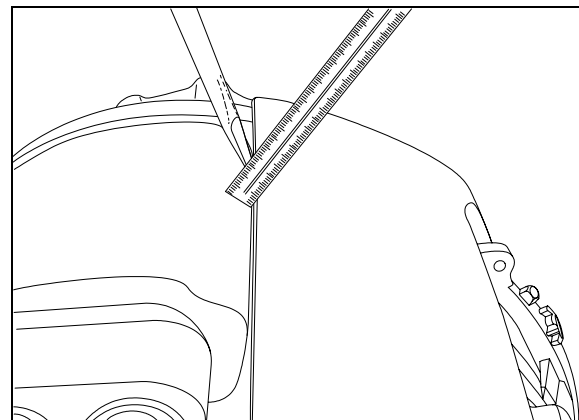


FIGURE 29: RADIAL MOVEMENT INSPECTION

12187

The pad thickness can be seen but would require removal of the tire and rim. An indicator of the pad wear condition is available by inspecting the floating pin location in relation to the rubber bushing as shown in figure 30. When pads are in new thickness condition, the pin will be exposed (C) 19 mm (3/4"). When the pads are worn to replacement conditions, the pin will be nearly flush to the bushing (D) or within 1 mm (3/64") of the edge of the rubber bushing.

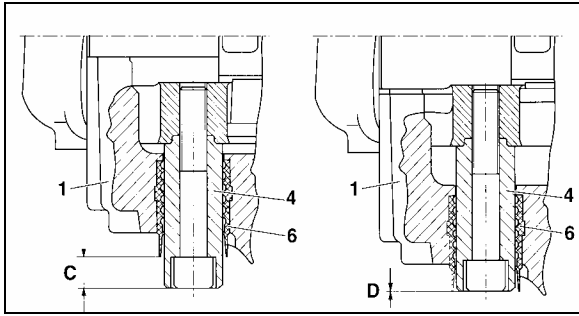


FIGURE 30: BRAKE PAD CHECK 12117

27.4 PAD REMOVAL

Turn adjuster pinion (23) counterclockwise to increase pad to rotor clearance (a clicking noise will be heard). Push caliper toward actuator and remove pads (12).

Caution: Do not apply brakes while pads are removed as this could cause over stroke damage to the adjusting mechanism.

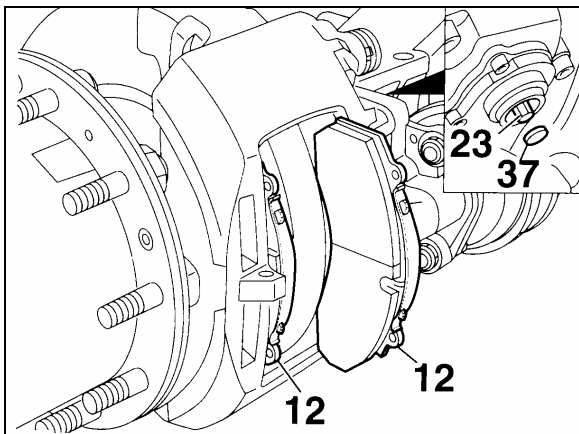


FIGURE 31: PAD REMOVAL 12111

27.5 CHECKING PAD WEAR

Minimum friction material thickness is 2 mm (A, Fig. 32)

New friction material has a thickness of 21 mm (B, Fig. 32)

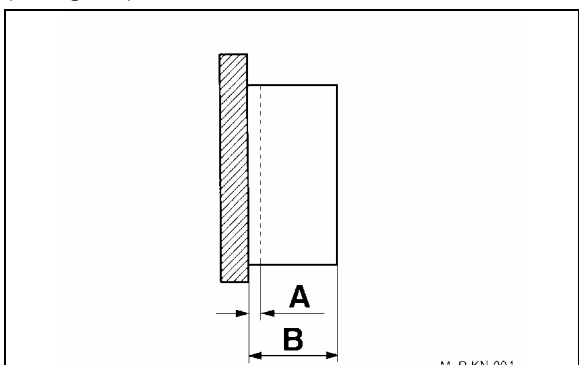


FIGURE 32: PAD WEAR 12112

27.6 IMPORTANT PAD AND ROTOR MEASUREMENTS

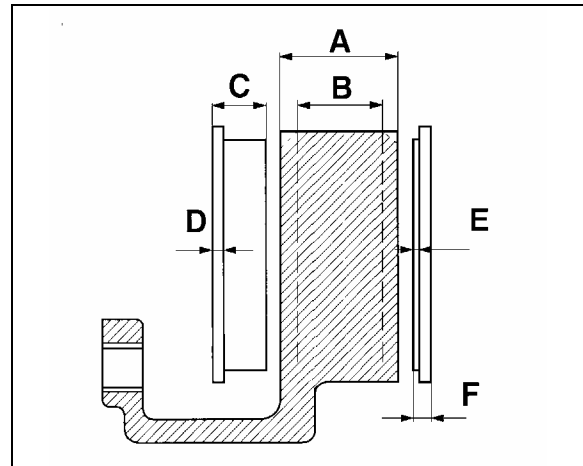


FIGURE 33: ROTOR AND PAD WEAR LIMITS 12113

- A = Rotor thickness (new): 45 mm;
 - B = Rotor thickness (worn): 37 mm. Requires replacement;
 - C = Overall thickness of pad (new): 30 mm;
 - D = Backplate: 9 mm;
 - E = Minimum thickness of pad material: 2 mm;
 - F = Minimum allowed thickness of overall backplate and friction material: 11 mm.
- Replacement necessary.**

27.7 CHECKING CALIPER GUIDANCE AND SEAL CONDITION

Perform sliding test. You must be able to slide the caliper easily at any time. Sliding test should be performed at least every three months or more often depending on the type of operation.

Sliding Test (Refer to Fig. 34):

- a) Using hand pressure only, the caliper (1) must slide freely with its guide pin arrangements (4-7) across a distance of 1 3/16 inch (30 mm) when the pads are removed. The sleeve (5) is sealed using the boot (9) and the cap (10).
- b) The rubber components (9 and 10) should show no damage. The positioning must be checked. If necessary the caliper has to be repaired using the guide kit (part #611168) or with the seal and guide kit (part #611199). When repairing a caliper with the above kits, make sure all parts in the kit are used. Use special green grease (Prévost #683344) to reassemble the slide pin into the bushing, white or yellow grease (Prévost

Section 12: BRAKE AND AIR SYSTEM

#683345) may be used for all other lubrication needs.

- c) Depending on caliper manufacturing date, black paint may be present on the unsealed pin (short pin). Paint on the slide pin can prevent the caliper from sliding properly especially when the pad starts to wear. If paint is present on the pin, separate the pin from the bushing, clean and reinstall the pin according to procedure.

Note: Do not attempt to use thinner or alcohol to clean the pin without removing it as it may damage the rubber bushing.

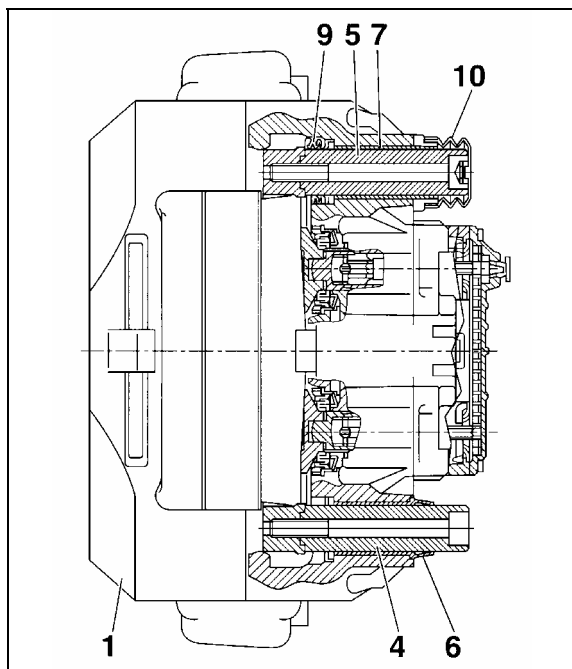


FIGURE 34: CALIPER GUIDANCE

12114

27.8 CHECKING THE TAPPET BOOTS

- a) The rubber boots (13, Fig. 35) should show no damage, check the attachment.

Caution: Any ingress of water and dirt will lead to corrosion and may affect the function of the actuation mechanism and adjuster unit.

- b) If boots are damaged but show no corrosion, the boots and tappets should be replaced (Prévost #611177).

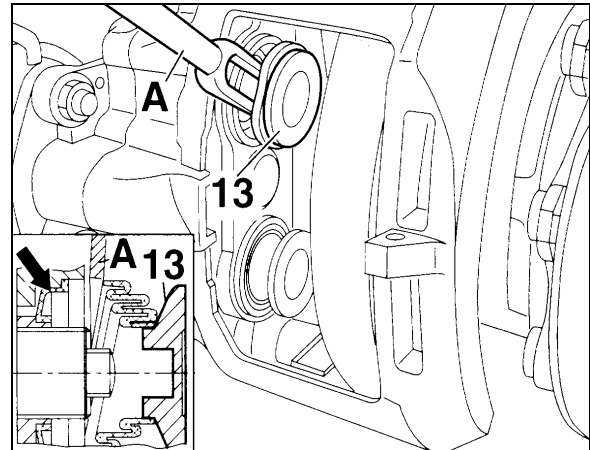


FIGURE 35: RUBBER BOOTS

12115

27.9 PAD INSTALLATION

Turn adjuster pinion (23, Fig. 36) counterclockwise until tappets are fully retracted and clean pad seat area. Slide caliper to full outboard position and install outside pad. Slide caliper to full inboard position and install inside pad.

Warning: It is recommended to change all pads on an axle at the same time.

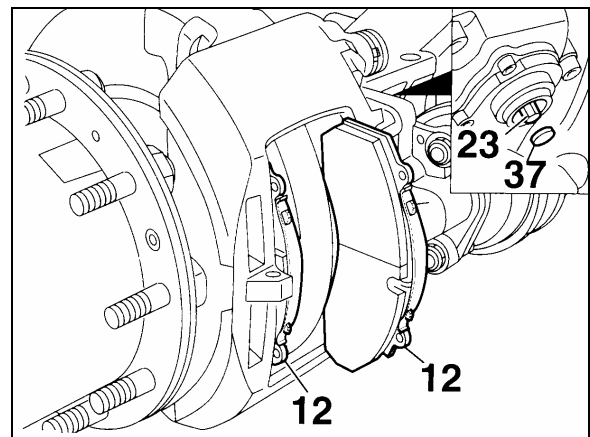


FIGURE 36: PAD INSTALLATION

12111

27.10 ADJUSTING THE RUNNING CLEARANCE

- a) Insert a feeler gauge 0.028 inch (0.7 mm thickness) between tappet and pad backplate (Fig. 37). Turn adjuster pinion clockwise until 0.028 inch (0.7 mm) clearance is achieved. Replace cap (37) (Prévost # 641313).
- b) To ensure a constant running clearance between the rotor and pads, the brake is equipped with an automatic adjuster unit. When the pads and rotor wear, the running clearance between the pads and rotor increases. The adjuster (23, Fig. 37) and

turning device turn the threaded tubes by the amount necessary to compensate the wear.

Total running clearance should be between 0.020 and 0.035 inch (0.5 and 0.9 mm). Smaller clearances may lead to overheating problems.

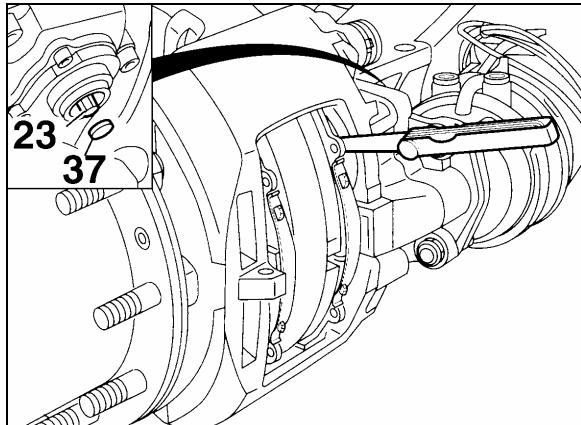


FIGURE 37: RUNNING CLEARANCE 12116

27.11 BRAKE TOOLS

Four brake tools are available from Prévost to facilitate disc brake maintenance:

- a) #641321, Tappet with boot (item 13).
- b) #641322, Caliper inner boot (item 9).
- c) #641323, Caliper bushing (item 7).
- d) #641435, Fork for boot tappet (item 13).

Maintenance tip

Using the following procedure, pad wear can be determined without removing the wheel.

27.12 TORQUE SPECIFICATIONS

For proper caliper maintenance, refer to the following figures.

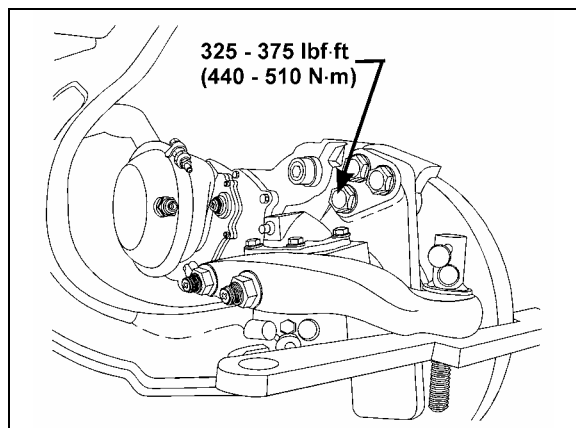


FIGURE 38: TORQUE SPECIFICATION 12145

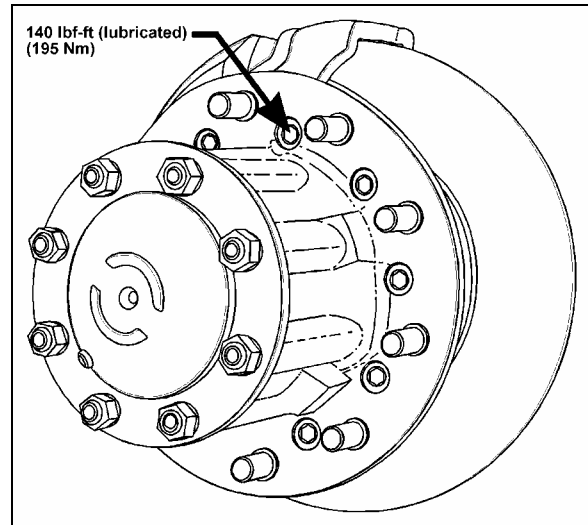


FIGURE 39: TORQUE SPECIFICATION 12149

28. SAFE SERVICE PROCEDURES

Most recently manufactured brake linings no longer contain asbestos fibers. Instead of asbestos, these linings contain a variety of ingredients, including glass fibers, mineral wool, aramid fibers, ceramic fibers, and carbon fibers. At present, OSHA (Occupational Safety and Health Administration) does not specifically regulate these non-asbestos fibers, except as nuisance dust. Medical experts do not agree about the potential long-term risks from working with and inhaling non-asbestos fibers. Nonetheless some experts think that long-term exposure to some non-asbestos fibers could cause diseases of the lung, including pneumoconiosis, fibrosis, and cancer. Therefore, lining suppliers recommend that workers use caution to avoid creating and breathing dust when working on brakes that contain non-asbestos fibers.

Warning:

Whenever possible, work on brakes in a separate area away from other operations.

Always wear a respirator approved by NIOSH (National Institute of Occupational Safety and Health) or MSHA (Mine Safety and Health Administration) during all brake service procedures. Wear the respirator from removal of the wheels through assembly.

NEVER use compressed air or dry brushing to clean brake parts or assemblies. OSHA recommends that you use cylinders that enclose the brake. These cylinders have vacuums with high efficiency (HEPA (Health and Environment Protection Agency)) filters and workmans' arm sleeves. But, if such equipment is not available, carefully clean parts and assemblies in the open air.

Clean brake parts and assemblies in the open air. During disassembly, carefully place all parts on the floor to avoid getting dust into the air. Use an industrial vacuum cleaner with a HEPA filter system to clean dust from the brake drums, backing plates and other brake parts. After using the vacuum, remove any remaining dust with a rag soaked in water and wrung until nearly dry.

If you must grind or machine brake linings, take additional precautions because contact with fiber dust is higher during these operations. In addition to wearing an approved respirator, do such work in an area with exhaust ventilation.

When cleaning the work area, NEVER use compressed air or dry sweeping to clean the work area. Use an industrial vacuum with a HEPA filter and rags soaked in water and wrung until nearly dry. Dispose of used rags with care to avoid getting dust into the air. Use an approved respirator when emptying vacuum cleaners and handling used rags.

Wash your hands before eating, drinking or smoking. Do not wear your work clothes home. Vacuum your work clothes after use and then launder them separately, without shaking, to prevent fiber dust from getting into the air.

Material safety data sheets on this product, as required by OSHA, are available from Knorr-Bremse.

29. AIR BRAKE TROUBLESHOOTING

The following tests and check lists have been designed to identify the cause(s) of a sluggish performance and/or leaks in the system. These tests require very little time to perform, and give you a general idea of the system condition. Each test is provided with a corresponding check list which will guide you to the most common causes of problems.

Before performing any test, check all air lines for kinks or dents, and hoses for signs of wear, drying out or overheating.

Warning: *When working on or around brake system and its related components, the following precautions should be observed:*

Always block vehicle wheels. Stop engine when working under a vehicle. Keep hands away from chamber push rods and slack adjusters as they may apply when system pressure drops.

Never connect or disconnect a hose or line containing air pressure. It may whip as air escapes. Never remove a component or pipe plug unless you are sure all system pressure has been depleted.

Never exceed recommended air pressure and always wear safety glasses when working with air pressure. Never look into air jets or direct them at anyone.

Never attempt to disassemble a component until you have read and understood the recommended procedures. Some components contain powerful springs and injury can result if not properly disassembled. Use only proper tools and observe all precautions pertaining to the use of those tools.

Always clean connecting piping and/or fittings, and coat pipe threads with Teflon pipe sealant before installing any air brake system component.

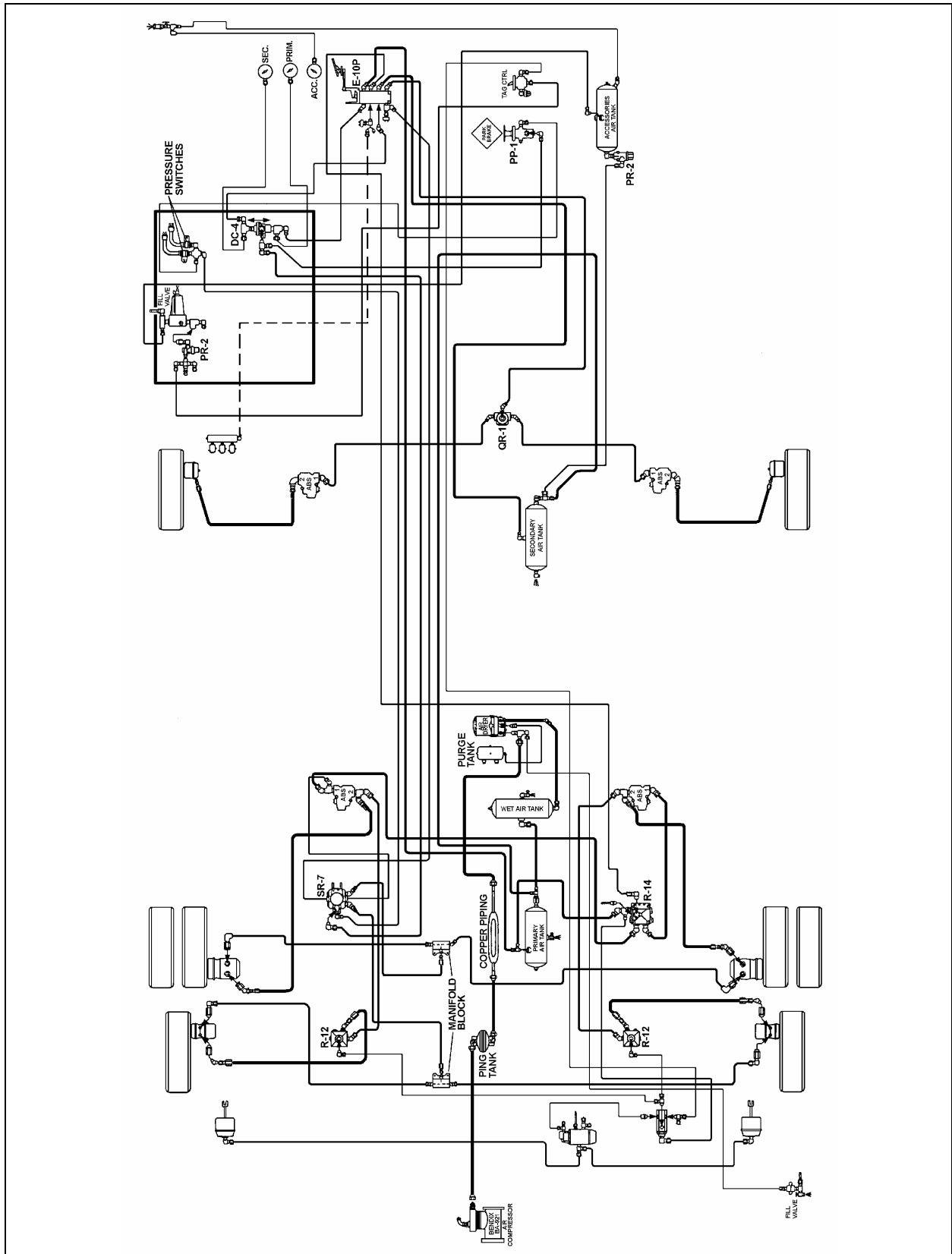


FIGURE 40: AIR-OPERATED BRAKING SYSTEM H3

12197

Section 12: BRAKE AND AIR SYSTEM

Pressure Build-Up / Low Pressure Warning / Cutoff Point / Air Filter/Dryer Built-in Governor Cutout

CONDITION: Vehicle leveled, parking brake applied.

1. Completely drain wet, primary and secondary air reservoirs only.
2. Start engine and run at fast idle. Low pressure warning lights should be "On".
3. Start checking pressure at 50 psi (344 kPa).
4. Low pressure warning lights and buzzer should go off at or above 60 psi (415 kPa).
5. At 85 psi (586 kPa), run engine at full rpm, then check that build up time to 100 psi (690 kPa) is 30 seconds or less.
6. Air filter/dryer built-in governor cut-out. Cuts out at the correct pressure of 123 psi \pm 3 (847 \pm 21 kPa).
7. Air filter/dryer built-in governor cut-in. Cuts in around 110 psi (758 kPa).

For common corrections, refer to the following check list:

High or Low Warning Cutoff Point

- Perform a telltale light and gauge test. Replace entire cluster if found defective.

High or Low Air Filter/Dryer Built-in Governor Cutout Point

- Perform a telltale light and gauge test. Replace entire cluster if found defective.

OR

- Repair or replace air filter/dryer as necessary after checking that compressor unloader mechanism operates correctly.

More than 30 seconds to build-up pressure from 85 to 100 psi (585 - 690 kPa) at full engine RPM

- Perform a telltale light and gauge test. Replace entire cluster if found defective.
- Check compressor strainer or inlet line. If restricted, clean or replace element or faulty line.
- Check compressor head or discharge line for carbonization or restriction. Clean or replace as necessary.
- If discharge valves leak, pull head and correct or replace cylinder head.

- If drive is slipping, replace gear.
- If inlet valves are stuck, open or leaking severely, replace unloader kit, inlet valves and/or seats as necessary.
- If drain cock is found open, close it.
- Listen for air leaks and repair.
- Redo list to check all items repaired or replaced.

Air Supply Reservoir Leakage

CONDITION: Full pressure, engine stopped, parking brake applied

1. Allow at least 1 minute for pressure to stabilize.
2. Stop engine, then check air pressure gauge for 2 minutes. Note any pressure drop.
3. Pressure should not drop by more than 3 psi (20 kPa) per minute.

For common corrections, refer to the following check list:

Excessive air loss:

- With the primary air system at normal operating pressure (95 - 125 psi (655 - 860 kPa)), coat all air line connections and pneumatic components with a water and soap solution. Bubbles will indicate an air leak, and none should be permissible. Repair or replace defective parts.
- Listen for leaks and correct as required.
- Redo test to check all items repaired or replaced.

Brake System Air Leakage

CONDITION: Full pressure, engine stopped, parking brake released.

1. Apply service (foot) brakes, allow at least 1 minute for pressure to stabilize.
2. Hold down foot valve for 2 minutes while observing air pressure gauge on the dashboard.
3. Pressure drop should not be more than 4 psi (27 kPa) per minute.

For common corrections, refer to the following check list.

Excessive leakage on brake service side:

- With the primary air system at normal operating pressure (95 - 125 psi (655 - 860 kPa)) and foot brake applied, coat all air

line connections and brake pneumatic components with a water and soap solution. Bubbles will indicate an air leak, and none should be permissible. Repair or replace defective parts.

- Listen for leaks and correct as required.
- Redo test to check all items repaired or replaced.

30. BRAKE AIR CHAMBER

This vehicle uses “Knorr-Bremse” brake chambers on all axles. The tag and drive axle chambers consist of two separate air chambers, each having its own diaphragm and push rod. They are used as a service brake chamber, an emergency brake in case of air pressure loss and a spring-applied parking brake. Refer to figures 41 and 42.

The front axle brake air chambers are used only for service brake duty (Fig. 41).

30.1 MAINTENANCE

Every 6,250 Miles (10 000 km) or twice a year, whichever comes first depending on type of operation:

1. Insert a box wrench (8 mm) onto the adjuster pinion.
2. Apply brakes 5 – 10 times and observe that the pads move out promptly without binding and that box wrench turns clockwise in small increments.
3. Check tightness of mounting nuts. Check that cotter pins are in place.
4. Check all hoses and lines. They should be secure and in good condition.

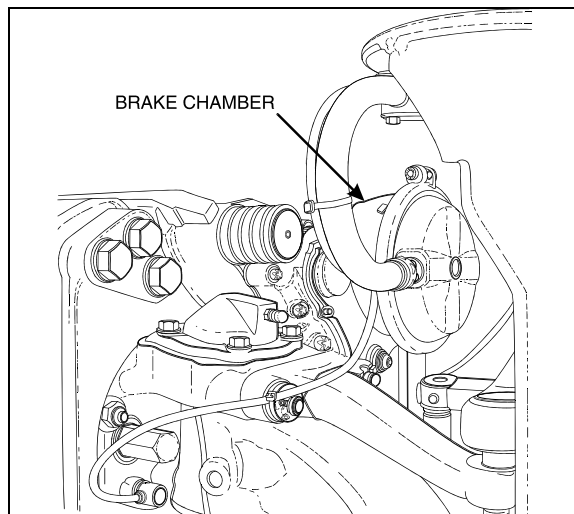


FIGURE 41: I-BEAM FRONT AXLE BRAKE AIR CHAMBER
12158

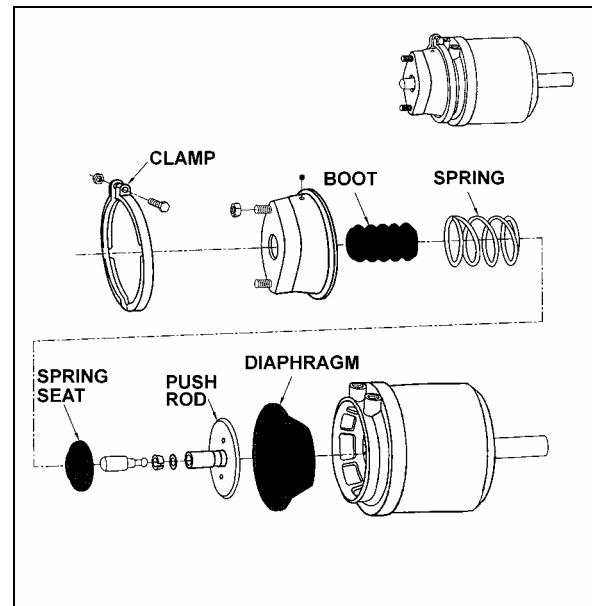


FIGURE 42: TAG AXLE OR DRIVE AXLE BRAKE AIR CHAMBER
12126

Every 100,000 Miles (160 000 km) or once a year, whichever comes first depending on type of operation

1. Disassemble and clean all parts.
2. Install new diaphragm or any other part if worn or deteriorated.

Note: When the diaphragm, spring, or both are replaced, they should be replaced in the corresponding chamber on the same axle.

3. Perform an airtightness test:
 - a) Make and hold a full brake application.
 - b) Coat clamping ring(s) with a soapy solution. If leakage is detected, tighten clamping ring only enough to stop leakage. **Do not over-tighten** as this can distort sealing surface or clamping ring. Coat area around push rod hole (loosen boot if necessary). No leakage is permitted. If leakage is detected, the diaphragm must be replaced.

30.2 EMERGENCY/PARKING BRAKE MANUAL RELEASE

Warning: Never stand in the axis line of the spring brake chambers, especially when caging the spring.

Drive Axle

1. Block the wheels to prevent the vehicle from moving.

Section 12: BRAKE AND AIR SYSTEM

2. Remove the release stud tool from its storage place on drive axle brake air chamber.
3. Remove the access plug from the end of the spring chamber, and then insert the release stud through the opening. Turn the release stud 1/4 turn (clockwise) to anchor it into the spring plate. Install the flat washer and nut, then turn the nut clockwise to cage the spring. Repeat on the opposite side.

Warning: Make sure the release stud is properly anchored in spring plate receptacle prior to caging the spring.

4. To manually reset the emergency/parking brake, turn the nut counterclockwise. Reinstall access plugs on the spring chambers, and release stud tools in their storage places.

Tag Axle

1. Block the wheels to prevent the vehicle from moving.
2. Turn the release bolt counterclockwise to cage the power spring (approx. 2.5 inches (6 cm)). Repeat on the opposite side.
3. To manually reset the emergency/parking brake, turn the bolt clockwise.

30.3 BRAKE CHAMBER REMOVAL

Warning: To prevent personal injuries, brakes should be inoperative prior to working on any of their components.

Warning: To prevent personal injuries, brake chambers should be made inoperative by releasing spring tension prior to disposal.

1. Block the wheels to prevent the vehicle from moving.
2. Safely support vehicle at the recommended body jacking points.
3. To gain access to a given brake air chamber, the corresponding wheel can be removed (refer to Section 13: "Wheels, Hubs and Tires").
4. Exhaust compressed air from system by opening the drain valve of each reservoir.
5. For the drive and tag axles brake chambers, manually release spring brakes (refer to "Emergency/Parking Brake, Manual Release" procedure in this section).
6. Disconnect air line(s) from brake chamber.

7. Remove the cotter pin connecting brake chamber and slack adjuster (drive axle).
8. Unbolt and remove the brake chamber from vehicle.

30.4 BRAKE CHAMBER INSTALLATION

Reverse removal procedure, then check brake adjustment.

Caution: Always clean air lines and fittings, and coat pipe threads with teflon pipe sealant before reconnecting air lines.

30.5 BRAKE CHAMBER DISASSEMBLY

Warning: Spring brake chambers, on drive and tag axles contain an extremely high compressive force spring, which can possibly cause serious injury if special precautions are not taken when working around this area.

To avoid such injury, the following recommendations must be applied:

1. *Prévost recommends the installation of a new spring brake chamber if it is found to be defective.*
2. *Spring brake chamber maintenance and/or repair must be performed by trained and qualified personnel only.*
3. *Before manually releasing spring brakes, visually check spring brake for cracks and/or corrosion.*
4. *Make sure the release stud is properly anchored in spring plate receptacle prior to caging the spring.*
5. *Never stand in the axis line of the spring brake chambers, especially when caging the spring.*

Warning: To prevent personal injury, brakes should be inoperative before working on any components.

1. Block the wheels to prevent the vehicle from moving.
2. Safely support vehicle at the recommended body jacking points.

Note: To gain access to a given brake air chamber, the corresponding wheel can be removed (refer to Section 13: "Wheels, Hubs and Tires").

3. Exhaust compressed air from air system by opening the drain valve of each reservoir.

4. For the drive and tag axles brake chambers, manually release spring brakes (refer to "Emergency/Parking Brake Manual Release" procedure in this section).
5. Remove clamp ring, remove and discard the existing diaphragm. Install the new diaphragm squarely on body.
6. Reverse the procedure for assembly. Tap clamp ring to ensure proper seating. Check for proper operation before placing vehicle in service.

31. ANTI-LOCK BRAKING SYSTEM (ABS)

This device has been designed to ensure stability and permit steering control of vehicle during hard braking, and to minimize its stopping distance whatever the road conditions are. On slippery roads and generally in emergency situations, over-braking frequently induces wheel lock. The anti-lock braking system provides maximum braking performance while maintaining adequate steering control on slippery roads.

The ABS continuously monitors wheel behavior during braking. Sensors on each wheel of front and drive axles (tag axle is slave to drive axle) transmit data to a four channel electronic processor which senses when any wheel is about to lock. Modulator valves quickly adjust the brake pressure (up to 5 times per second) to prevent wheel locking. Each wheel is therefore controlled according to the grip available between its tire and the road.

With this device, the vehicle is brought to a halt in the shortest possible time, while remaining stable and under the driver's control.

Since the braking system has dual circuits, the ABS is also provided with a secondary system should a fault develop in the ABS. Anti-lock systems are a parallel system which does not hinder brake functioning in case of failure. Braking system functions in normal, non anti-lock controlled operation during ABS system failure.

The ABS system consists of two diagonally related circuits, only the half of the system which has sustained damage or other fault is switched off (i.e. wheels return to normal non-ABS braking). The other diagonal half remains under full ABS control.

Note: ABS is active on service brake, transmission retarder, Jake brake, but is inactive on emergency/parking brake.

Note: The ABS system is inoperative at speeds under 4 mph (7 Km/h). Illumination of ABS telltale indicator at these speeds is normal.

Caution: Disconnect the ECU or pull the ABS fuse before towing vehicle.

31.1 TROUBLESHOOTING AND TESTING

For troubleshooting and testing of the vehicle's anti-lock braking system, refer to Meritor Wabco Maintenance Manual MM-0112: "Anti-Lock Braking System (ABS) for Trucks, Tractors and Buses", at the end of this section. Use dashboard Message Center Display (MCD) Diagnostic Mode for troubleshooting and repair.

31.2 ABS COMPONENTS

The main components of the ABS system are listed hereafter. Refer to each component for its specific function in the system and for proper maintenance.

31.2.1 Electronic Control Unit (ECU)

This control unit is located in the first baggage compartment, on the driver's side of the vehicle (refer to figure 44 for location) or in the front electrical and service compartment. According to the data transmitted by the sensors (number of pulses/sec is proportional to the speed of each wheel), the electronic control unit determines which wheel is accelerating or decelerating. It then establishes a reference speed (average speed) from each wheel data, and compares the speed of each wheel with this reference speed to determine which wheel is accelerating or decelerating.

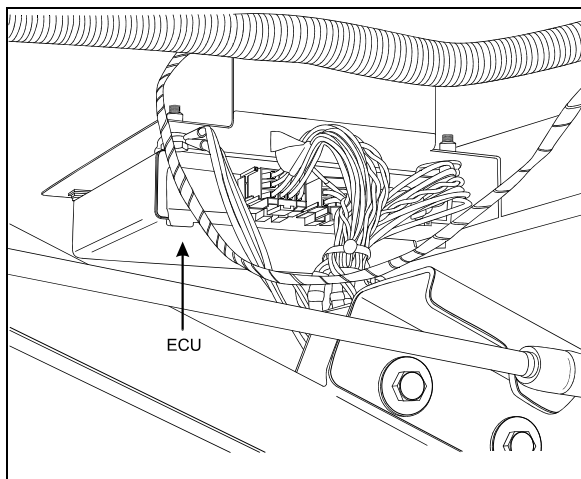


FIGURE 44: FIRST L.H. BAGGAGE COMPARTMENT 12198

As soon as wheel deceleration or wheel slip threshold values are exceeded, the electronic control unit signals a solenoid control valve to limit the excessive brake pressure produced by the driver in the appropriate brake chamber.

Maintenance

No specific maintenance is required. The ECU is not serviceable. When found to be defective, replace.

Caution: In order to protect the ABS electronic control unit from voltage surges, always disconnect before performing any welding procedure on vehicle.

31.2.2 ABS Modulator Valve

This ABS system is equipped with four modulator valves, located between the brake chamber and the relay valve or quick release valve (Fig. 45). Note that there is only one solenoid valve controlling the drive and tag axle wheels on the same side (tag axle is slave to drive axle).

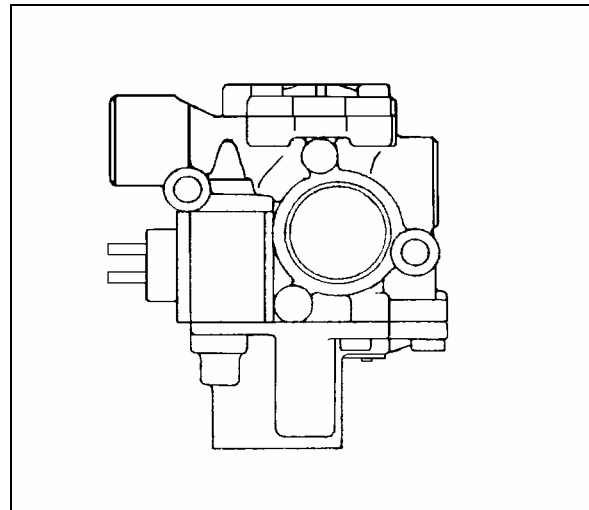


FIGURE 45: ABS MODULATOR VALVE 12084

This is an "On/Off" type valve, i.e., at brake application, the valve exhausts air from the brake chamber when the electronic unit senses that the corresponding wheel speed is decreasing in relation to the other wheels.

Maintenance

No specific maintenance is required for the solenoid control valve.

31.2.3 Sensors

The sensors are mounted on the front and drive axle wheel hubs (Fig. 46). The inductive sensors consist essentially of a permanent magnet with a round pole pin and a coil. The rotation of the toothed wheel alters the magnetic flux picked up by the coil, producing an alternating voltage, the frequency of which is proportional to wheel speed. When wheel speed decreases, magnetic flux decreases proportionately. Consequently, the electronic control unit will command the solenoid control valve to decrease the pressure at the corresponding brake chamber.

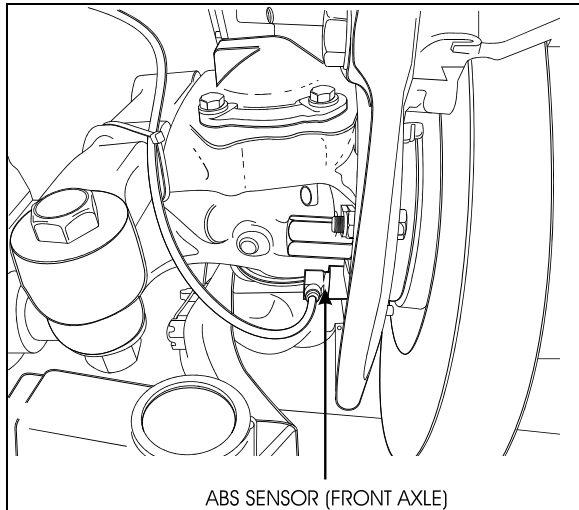


FIGURE 46: ABS SENSOR LOCATION

12153

Maintenance

No specific maintenance is required for sensors, except if the sensors have to be removed for axle servicing. In such a case, sensors should be lubricated with special grease (Prévost #680460) before reinstallation. Refer to paragraph "Sensor Installation" for details.

Note: The resistance value, when sensors are checked as a unit, must be equal to 1,75 k ohms. To check the sensors for proper output voltage after the sensors and toothed wheels have been assembled to the axle, connect a suitable AC voltmeter across the output terminals. With the hubs rotating at 30 rpm, the output voltages should read from 50 to 1999 mV to be acceptable.

Sensor Installation

The following procedure deals with sensor installation on the axle wheel hubs. Read procedure carefully before reinstalling a sensor, as its installation must comply with operational tolerances and specifications.

1. Apply recommended lubricant (Prévost #680460) to spring clip and sensor.

Caution: Use only this type of grease on the sensors.

2. Insert spring clip in the holder on hub. Make sure the spring clip tabs are on the inboard side of the vehicle. Push in until the clip stops.
3. Push the sensor completely inside the spring clip until it is in contact with the tooth wheel. Ensure mounting is rigid, as it is an

important criterion for adequate sensor operation.

Note: This installation should be of the "press fit" type.

31.2.4 Spring clip

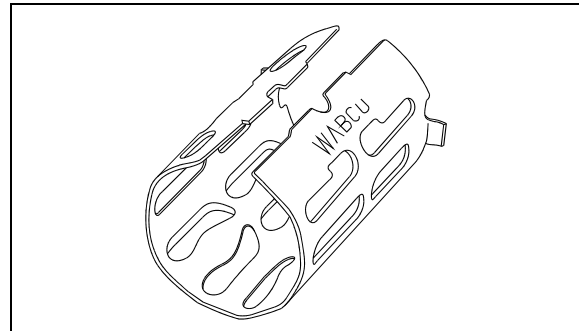


FIGURE 47: SPRING CLIP

12161

The spring clip retains the sensor in its mounting bracket close to the toothed pulse wheel. The gap between the sensor end and teeth is set automatically by pushing the sensor in the clip hard up against the tooth wheel, and the latter knocks back the sensor to its adjusted position (Fig. 47).

Maintenance

The spring clip requires no specific maintenance.

32. FITTING TIGHTENING TORQUES

45° Flare and Inverted Flare: Tighten assembly with a wrench until a solid feeling is encountered. From that point, tighten 1/6 turn (Fig. 48).

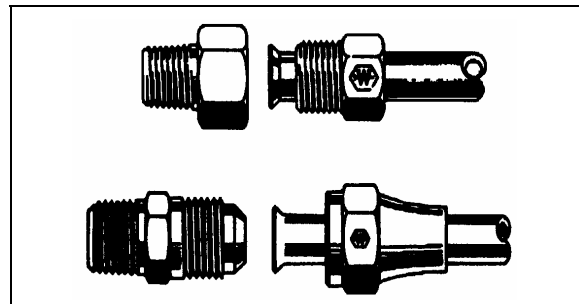


FIGURE 48: HOSE FITTINGS

12053

Compression: Tighten nut by hand (Fig. 49). From that point, tighten using a wrench the number of turns indicated in the chart hereafter.

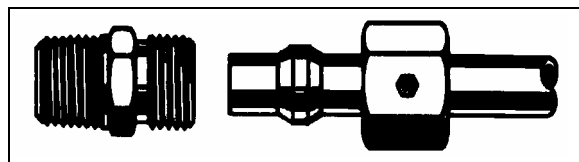


FIGURE 49: HOSE FITTING

12054

Fitting size	Pipe diameter (inches)	Number of additional turns required following manual tightening
2	1/8	1 ¼
3	3/16	1 ¼
4	1/4	1 ¼
5	5/16	1 ¾
6	3/8	2 ¼
8	1/2	2 ¼
10	5/8	2 ¼
12	3/4	2 ¼
16	1	2 ¼

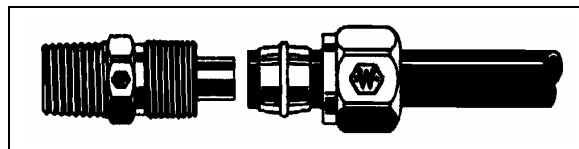


FIGURE 50: HOSE FITTING

12055

Tubing diameter (inch)	Number of additional turns required following manual tightening
1/4	3
3/8 to 1/2	4
5/8 to 3/4	3 ½

NTA-Type Plastic Tubing: Hand tighten nut (Fig. 50). From that point, tighten using a wrench the number of turns indicated in the following chart.

33. SPECIFICATIONS

Air Compressor

Make..... Bendix Westinghouse
 Model..... BA-921
 16(coach)-Supplier number 801287
 Prévost number 641990

BA-921 Service Kits

ST-4 Safety Valve
 Supplier number 800534
 Prévost number 641989

Series 60 Seal Kit

Supplier number 5012371
 Prévost number 641988

Compressor Seal Kit

Supplier number 5008559
 Prévost number 641987

Cylinder Head Gasket Kit

Supplier number 5008558
 Prévost number 641986

Air Dryer

Make..... Haldex
 Model..... AT-87192

Section 12: BRAKE AND AIR SYSTEM

Prévost number 70303498
Desiccant cartridge Prévost number 3097369

Flip-Flop Control Valve

Make Bendix Westinghouse
Model TW-1
Type On-Off
Supplier number 229635
Prévost number 640136

Emergency/Parking Brake Control Valve

Make Bendix Westinghouse
Model PP-1
Automatic release pressure 40 psi (275 kPa) nominal
Supplier number 287325
Prévost number 641128

Emergency/Parking Brake Overrule Control Valve

Make Bendix Westinghouse
Model RD-3
Supplier number 281481
Prévost number 640472

Dual Brake Application Valve

Make Bendix Westinghouse
Model E-10P
Supplier number 5006280
Prévost number 641856

Stoplight Switches

Make Bendix Westinghouse
Model SL-5
Contact close (ascending pressure) 4 psi and more (28 kPa)
Supplier number 286404
Prévost number 641462

Brake Relay Valves

Make Bendix Westinghouse
Model R-12 & R-12DC
Supplier number 102852
Prévost number 641088

Quick Release Valve

Make Bendix Westinghouse
Model QR-1
Supplier number 5001496
Prévost number 641429

Spring Brake Valve

Make Bendix Westinghouse
Model SR-1
Supplier number 286364
Prévost number 640870

Pressure Protection Valve

Make Bendix Westinghouse
Model PR-2
Nominal closing pressure 75 psi (517 kPa)
Supplier number 277226

Prévoist number 640439

Shuttle-Type Double Check Valve

Make..... Bendix Westinghouse
 Model..... DC-4
 Supplier number 277988
 Prévoist number 641015

Low Pressure Indicators

Make..... Bendix Westinghouse
 Model..... LP-3
 Contact close 66 psi (455 kPa)
 Supplier number 277227
 Prévoist number 640975
 Make..... Bendix Westinghouse
 Model..... LP-3
 Contact close 30 psi (207 kPa)
 Supplier number 276599
 Prévoist number 641174

Air Pressure Regulator

Make..... Norgren
 Adjustable output range 0-80/85 psi (0-552/586 kPa)
 Recommended pressure setting 75 psi (517 kPa)
 Supplier number R06-2G7 RNKA
 Prévoist number 641472

Air Filter Element

Make..... Norgren
 Type With manual drain
 Supplier number F74G-345-004
 Prévoist number 641338

Front Axle Brake Chambers

Make..... Knorr-Bremse
 Type 22
 Supplier number (R.H.) BS-3457 II 34671
 Prévoist number (R.H.) 641414
 Supplier number (L.H.) BS-3457 II 34670
 Prévoist number (L.H.) 641413

Drive Axle Brake Chambers

Make..... Knorr-Bremse
 Type 24 as service -24 as emergency
 Supplier number II/35699/BS-9524
 Prévoist number 641432

Tag Axle Brake Chambers

Make..... Knorr-Bremse
 Type 14 as service – 16 as emergency
 Supplier number II/18224/V1-BS9396
 Prévoist number 641308

Brake Lining (All Axles)

Section 12: BRAKE AND AIR SYSTEM

Make.....Knorr-Bremse
Supplier number..... II 33976
Prévost number..... 611049

ABS ANTILOCK BRAKING SYSTEM (if applicable)

ABS Modulator Valve

Make.....Meritor Wabco
Voltage24 V
Supplier number.....472 195 006 0
Prévost number..... 641097

Sensor, Front Axle

Supplier number.....441 032-572-0
Prévost number..... 641288

Sensor, Drive Axle (In Carrier)

Supplier number.....SA13280X9150
Prévost number..... 641341

Sensor, Drive Axle (In Wheel End)

Supplier number.....441 032-576-0
Prévost number..... 641095

SECTION 13: WHEELS, HUBS & TIRES

CONTENTS

1. WHEELS.....	3
2. WHEEL MAINTENANCE	3
2.1 INSPECTION	3
2.2 SINGLE WHEEL REMOVAL.....	3
2.3 SINGLE WHEEL INSTALLATION	4
3. DUAL WHEELS.....	4
3.1 OUTER WHEEL REMOVAL	4
3.2 INNER WHEEL.....	4
3.3 INNER WHEEL INSTALLATION	4
3.4 OUTER WHEEL INSTALLATION	4
3.5 INSPECTION.....	4
4. ALUMINUM WHEEL ANTI-CORROSION PROTECTION	5
5. WHEEL STRAIGHTNESS TEST.....	5
6. WHEEL STUDS.....	6
6.1 DRIVE AXLE STUDS	6
6.2 FRONT AND TAG AXLE STUDS	6
7. HUB MOUNTED WHEELS	6
7.1 CARE OF WHEELS	6
8. FRONT AND TAG AXLE WHEEL HUBS	7
8.1 HUB BEARING INSPECTION	7
9. DRIVE AXLE WHEEL HUBS	7
9.1 BEARING ADJUSTMENT.....	7
9.2 DISASSEMBLY AND REPAIR.....	7
10. SPARE WHEEL (IF APPLICABLE).....	8
10.1 PULLING OUT SPARE WHEEL	8
10.2 CHANGING A FLAT	9
10.3 SPARE WHEEL MAINTENANCE	9
11. TIRE MAINTENANCE	9
11.1 INFLATION PRESSURE	9
11.2 TIRE MATCHING	11
11.3 WHEEL BALANCING	11
11.4 TIRE ROTATION.....	11
12. SPECIFICATIONS	12

ILLUSTRATIONS

FIGURE 1: ALUM/STEEL WHEEL ARRANGEMENT 3
FIGURE 2: TIGHTENING SEQUENCE 3
FIGURE 3: DIAL GAUGE INSTALLATION 5
FIGURE 4: STUD-MOUNTED WHEELS..... 6
FIGURE 5: HUB-MOUNTED WHEELS 6
FIGURE 6: SPARE WHEEL COMPARTMENT 8
FIGURE 7: FORWARD R.H. SIDE COMPARTMENT 9
FIGURE 8: TIRE INFLATION 10
FIGURE 9: TIRE LIFE / INFLATION PRESSURE 10

1. WHEELS

When the vehicle is provided with stud-mounted wheels, wheel studs and nuts on the left side of the vehicle have left-hand threads whereas those on the right side have right-hand threads. If equipped with hub-mounted wheels, all studs and nuts have right-hand threads. Either steel wheels or optional aluminum-polished wheels may be installed on the vehicle. Both are mounted with radial tubeless tires.

Except for customer special request, all wheel dimensions are 22.50 X 9.0 inches (571.5 X 228.6 mm) for 315/80 R 22.5 "L" tires.

Note: Wheel dimensions 22.50 X 10.5 (571.5 X 266.7 mm) for 365/70 R 22.5 tires are standard on VIP front and tag axle.

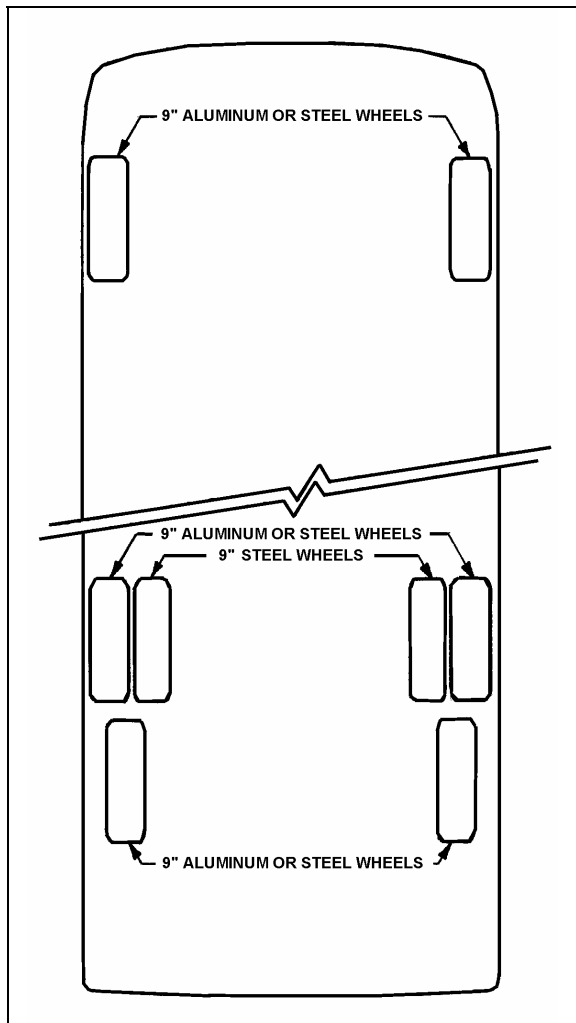


FIGURE 1: ALUM/STEEL WHEEL ARRANGEMENT 13001

2. WHEEL MAINTENANCE

Wheel maintenance consists of periodic inspections. Check all parts for damage and

make sure that wheel nuts are tightened to the proper torque. In the case of a new vehicle, or after a wheel installation, stud nuts should be tightened every 100 miles (160-km) for the first 500 miles (800-km) to allow setting in of clamping surfaces.

Wheel studs and nuts must be kept free from grease and oil. No lubricant whatsoever should be used. Cleanliness of the wheel and its rotor mating surfaces is important for proper wheel mounting.

However, for hub mounted wheels, it is recommended to add some rust protection lubricant on the pilot diameter of the hub (to facilitate future removal).

It is also important that wheel stud nuts be tightened alternately on opposite sides of the wheel. Refer to Figure 2 for the suggested tightening sequence.

2.1 INSPECTION

Tighten stud nuts progressively as shown in Figure 2. The final tightening should be done with a torque wrench. Tighten stud nuts to 450 - 500 lbf-ft (610 - 680 Nm) for aluminum as well as steel wheels.

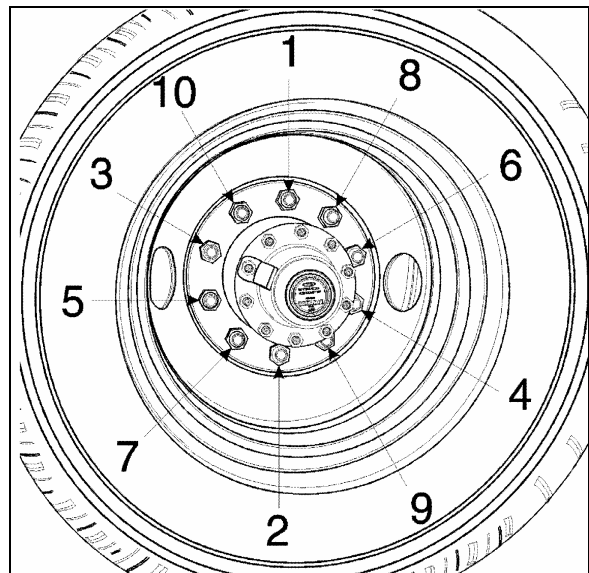


FIGURE 2: TIGHTENING SEQUENCE 13018

2.2 SINGLE WHEEL REMOVAL

1. Stop engine and apply parking brake.
2. Loosen wheel nuts about one turn (do not remove the nuts). This is not necessary if equipped with hydraulic powered gun.

Note: For stud-mounted wheels, turn nuts counterclockwise for R.H. side and clockwise for the L.H. side of vehicle. For hub-mounted wheels, turn nuts counterclockwise on both sides of the vehicle.

3. Raise the vehicle by its jacking points on the body. See Section 18, "Body", under heading "Vehicle Jacking Points";
4. Unscrew wheel hex stud nuts and remove the wheel;

Caution: Always mark position of the wheel on the axle prior to removal in order to replace wheel at the same location, thus avoiding a new wheel balancing.

2.3 SINGLE WHEEL INSTALLATION

1. Mount the wheel over studs, being careful not to damage stud threads;
2. Screw in the hex stud nuts (refer to Figure 2 for sequence) so that wheel will position itself concentrically with hub. This is important, otherwise wheel may be eccentric with hub and will not run straight. In this initial step, slightly tighten the nuts to correctly position the wheel;
3. Tighten stud nuts progressively as shown in Figure 2. The final tightening should be done with a torque wrench. Tighten stud nuts to 450 - 500 lbf-ft (610 - 680 Nm) for aluminum as well as steel wheel.

Caution: Insufficient mounting-torque can result in damage to parts. Excessive mounting torque can cause studs to break and the wheel to crack in stud hole area.

3. DUAL WHEELS

3.1 OUTER WHEEL REMOVAL

Same as described in "Single Wheel Removal" procedure described previously.

3.2 INNER WHEEL

1. Remove outer wheel;
2. Unscrew inner cap nuts
3. Remove inner wheel.

3.3 INNER WHEEL INSTALLATION

1. Mount the wheel over studs, being careful not to damage stud threads;

2. Screw in the inner cap nuts (Fig. 4), so that wheel will position itself concentrically with hub. Refer to Figure 2 for sequence;
3. Tighten inner cap nuts progressively according to sequence shown in Figure 2. Final tightening should be done with a torque wrench. Tighten inner cap nuts to 450 - 500 lbf-ft (610 - 680 Nm) for aluminum as well as steel wheel.

Caution: Insufficient mounting-torque can result in damage to parts. Excessive mounting torque can cause studs to break and the wheel to crack in stud hole area.

3.4 OUTER WHEEL INSTALLATION

With inner wheel installed, tighten the hex stud nuts (Fig. 4) using the single wheel installation procedure described previously.

Note: On dual wheel assemblies, position the wheels with the tire valves 180° apart in order to have access to both the inner and outer valves.

3.5 INSPECTION

1. Loosen a hex stud nut three turns (Fig. 4);
2. Tighten the inner cap nut to 450 - 500 lbf-ft (610 - 680 Nm);
3. Tighten the hex stud nut to 450 - 500 lbf-ft (610 - 680 Nm).

Repeat for each of the 10 "hex stud nut - inner cap nut assemblies" according to the tightening sequence in Figure 2.

Caution: Do not attempt to tighten an inner cap nut without having previously loosened the hex stud nut.

Caution: The actual length of thread engagement present in an assembled wheel can not always be determined by visual inspection of measurement of a tightened assembly. The relationship of the wheel cap nut seat to the end of the stud may vary. If there is any doubt that enough thread engagement is present, the number of engaged threads may be counted. Tighten all nuts in the regular manner, then loosen one to hand-tightness. The number of turns to disengage a 1-1/8-inch nut should be at least five full turns. At least seven full turns should be required to disengage a 3/4-inch nut or a M22 nut. Ideally, when torqued to the proper load, the stud should be flush with the face of the nut. **The face of the nut may be recessed in nuts that are taller for improved wrench-**

ing. With most of the nuts in present use, a few unengaged threads at the outer end will cause no problem provided at least 5-7 full turns are required to disengage the nut depending on thread size.

4. ALUMINUM WHEEL ANTI-CORROSION PROTECTION

Clean wheels often by means of a high pressure water jet. Cleaning may be accelerated with mild soap. Do not use concentrated alkaline cleaning products.

When tire is removed, clean and inspect wheel thoroughly. Remove dirt and corrosion on rim by means of a wire brush. Do not use a wire brush on the outer surface of the wheel.

The following measures should be taken to maintain original appearance of the aluminum wheels:

1. Remove any tar from wheel surface with a good quality tar remover.
2. Spray Alcoa Cleaner (Prevost #683529) evenly on cool outer surface of wheel. Let work 15-20 minutes (keep wet by spraying more Cleaner if necessary).
3. Rinse thoroughly with clean water and let air dry. Heavy oxidation may require a repeat application of cleaner.
4. Apply Alcoa Polish (Prevost #683528) sparingly to a small area using a clean, soft cloth. Work polish into surface as you would a rubbing compound.
5. Buff, turning cloth frequently, until surface is clean and shiny. Let air dry. Use power buffer to improve ease of use and gloss uniformity.
6. On completely dry, clean and polished surface, generously apply Alcoa sealant (Prevost #683527). Rinse thoroughly with water while surface is still wet in appearance (have water source ready as the dry time is very short, usually less than 2 minutes).
7. For best results, finish by wiping the surface with a clean rag to remove excess water, then allow surface to dry.

Clean aluminum wheels as required to maintain original look.

Warning: Wheel surfaces may have sharp or cutting edges that may cause injury to the hands. To prevent contact with sharp edges, it is strongly recommended to wear rubber gloves when washing or polishing wheels.

5. WHEEL STRAIGHTNESS TEST

1. Slightly raise axle to be checked and place a safety support underneath;
2. Check wheel lateral runout. Install a dial gauge as shown in Figure 3, then rotate the wheel by hand one full turn. As the wheel turns, note any variation on the dial gauge;

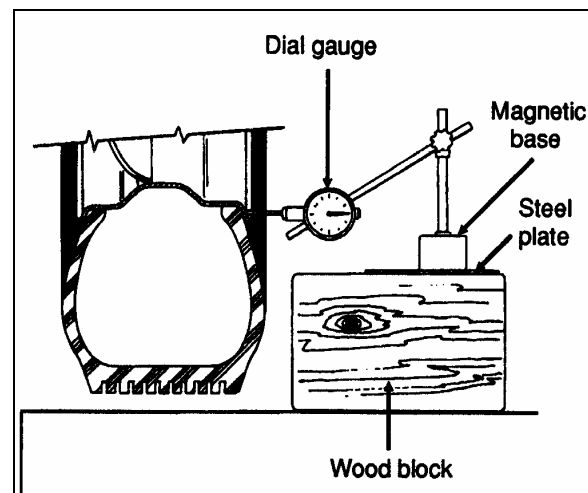


FIGURE 3: DIAL GAUGE INSTALLATION

13008

Caution: Damage to the dial gauge could occur if it strikes a wheel balancing weight.

3. If the variation in lateral runout exceeds 0.0625 inch (1,6 mm), the wheel must be replaced.

If doubt exists whether wheel or hub is distorted, hub may be checked as follows:

- Replace the existing wheel with a wheel known to be correct;
- Check wheel lateral runout as outlined in step 2;
- If, within specifications, the hub is correct but the suspected wheel must be replaced.

Warning: NEVER STRAIGHTEN ALUMINUM WHEELS. Never heat aluminum wheels to repair damages incurred after hitting a curb or resulting from other causes. The special alloy in wheels has been heat treated, and any uncontrolled heating could alter wheel structure. Furthermore, never weld aluminum-forged wheels for any reason whatsoever.

6. WHEEL STUDS

Stripped threads may be the result of excessive torquing or may have been damaged during wheel installation when placing the wheel over the studs. A stud having damaged threads must be replaced. Broken studs are a direct result of operating with loose stud nuts or improperly seated wheels. When a broken stud is replaced, the adjacent studs, on each side of the broken one must also be replaced since they could have been subjected to excessive strain and may be fatigued.

When installing wheel studs to hubs, check nuts retaining the wheel stud to wheel hub and replace if they are deformed, damaged or severely corroded. Install nut (and washer where applicable) to new stud. Torque to 450 - 500 lbf-ft (610 - 680 Nm).

Note: For stud-mounted wheels, turn nuts counterclockwise on R.H. side of vehicle and clockwise on L.H. side. For hub-mounted wheels, turn nuts counterclockwise on both sides of vehicle.

6.1 DRIVE AXLE STUDS

Stud-mounted wheels are mounted on the drive axle with $\frac{3}{4}$ "-16 studs with an inner cap nut, and a 1-1/8"-16 nut. Hub-mounted wheels are mounted with M22 x 1.5 studs and an M22 flange nut.

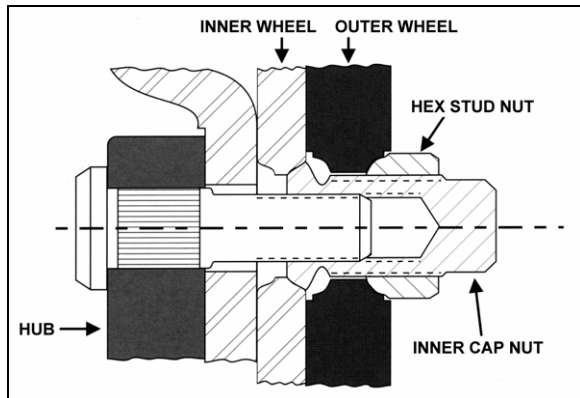


FIGURE 4: STUD-MOUNTED WHEELS

13007

6.2 FRONT AND TAG AXLE STUDS

Wheel can be mounted on tag axle with studs (1-1/8"-16 thread) or hub mounted (M22 x 1.5 thread).

Note: Wheel studs and nuts must be kept free from grease and oil. No lubricant whatsoever should be used.

7. HUB MOUNTED WHEELS

Wheel surfaces in contact with hubs, nuts or other wheels should be kept free of all rust, grease and paint (except for initial "E" coat protection, applied to stop rusting and to facilitate wheel removal). The reason for this is to assure that all faces are clamped together without buildup of any coating. The threads of the wheel studs and the wheel nuts should be clean and undamaged.

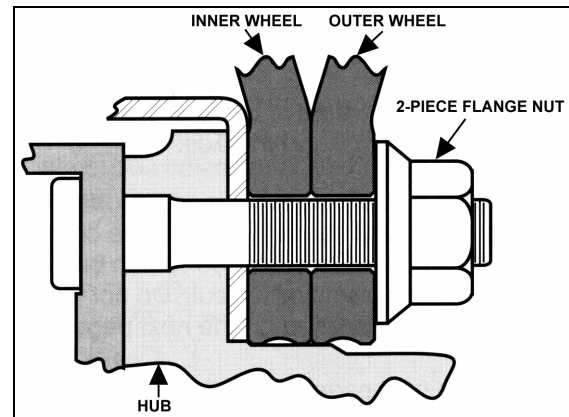


FIGURE 5: HUB-MOUNTED WHEELS

13025

Note: When painting wheels, make sure to mask all surfaces identified above.

Using a calibrated torque wrench, tighten wheel nuts to 450 - 500 lbf-ft (610 - 680 Nm) of torque. Do not use power tools or long bars for tightening. Tighten wheel nuts alternately as shown in figure 2.

Note: Tightening should not be done immediately after prolonged braking or when wheel ends are hot.

Check wheel nut torque at every 100 miles (160 km) for 500 miles (800 km) after fitting wheels. Let cool before checking. If any relaxation of the initial 450 - 500 lbf-ft (610 - 680 Nm) of torque has occurred, retighten. Relaxation of initial torque may occur because of the "bedding down" of the hub and wheel surfaces.

Note: Torque relaxation occurs when wheel ends are hot but should revert to original setting when cool. Retightening when hot will produce a higher torque reading than recommended.

7.1 CARE OF WHEELS

Check for cracks in wheels, especially around the fixing holes, studs, nuts and washers. If in doubt, renew.

Do not simply retighten very loose wheel fixings or wheels that are continually becoming loose.

Find out why they are loose and whether any damage has been caused.

Use trained personnel and keep records of all attention to wheels and fixings, including which parts were renewed and when.

8. FRONT AND TAG AXLE WHEEL HUBS

The unitized hub bearings used on the NDS range of axles, are non-serviceable items. Bearings are pre-adjusted, lubricated and have seals fitted as part of the manufacturing process. The bearings are greased for life and there is no need or facility for re-lubrication

8.1 HUB BEARING INSPECTION

An inspection should be made at intervals of 30,000 miles (48 000 km).

- Apply parking brake, raise wheels off the ground and support axle on stands. When the wheels are raised, they should revolve quite freely without roughness.
- Place magnetic base of a dial indicator on brake caliper and position dial indicator stem against a convenient marked spot on face of hub flange.
- With dial indicator in position pull hard but steadily on hub flange and oscillate at same time until a steady reading is achieved.
- Without releasing the pressure, turn bearing so that dial indicator stem contacts marked spot and note reading on indicator.
- Push bearing flange hard and oscillate as before until a steady reading is achieved.
- Without releasing the pressure, turn bearing so that indicator stem again contacts the marked spot and note new reading on indicator.
- The difference between readings is the amount of mounted end play in bearing unit.
- The mounted end play figure should not exceed 0.050 mm for a new bearing.

Note: *If original bearing unit is re-fitted, and end-float is measured at 1 mm, with hub not fully tightened to correct torque, then the retaining clip within the unit is damaged and a new unit must be fitted.*

Note: *For more information on front and tag axle wheel hub, refer to "DANA SPICER Maintenance Manual Model NDS and Maintenance Manual NDS Axles" annexed at the end of Section 10.*

Note: *For vehicles equipped with Independent Front Suspension, refer to Section 16 "Suspension".*

9. DRIVE AXLE WHEEL HUBS

Drive wheels use a single oil-seal assembly. They are lubricated from the oil supply in the differential housing. Bearings are tapered rollers, adjustable to compensate wear. Maintain differential oil level with general-purpose gear lubricant (refer to Section 24 "Lubrication" for proper oil grade selection) to ensure adequate oil supply to wheel bearings at all times.

9.1 BEARING ADJUSTMENT

To adjust drive wheel bearings:

1. Raise vehicle until both dual wheels can be turned freely (approximately 6 inches from the ground). Position jack stands under drive axle, then lower vehicle approximately 2 inches in order to avoid entire weight of the axle being supported by the suspension air bellows and the shock absorber pins.
2. Remove axle shaft as indicated in "Meritor - Maintenance Manual No. 5" under heading "Single Reduction Differential Carriers" annexed to "Section 11" of this manual. Remove gaskets. Unscrew lock nut and remove adjusting nut lock ring.
3. To adjust, tighten adjusting nut until the wheel binds. Rotate the wheel while tightening so that all surfaces are in proper contact. Back off adjusting nut approximately, ¼ to 1/3 turn to assure 0.001/0.007" (0.0254/0.1778 mm) endplay and to ensure that wheel turns freely. Replace the lock ring, and adjust nut dowel pin in one of the holes. The ring may be turned over if necessary to allow more accurate bearing adjustment.
4. Tighten lock nut and check bearing adjustment. Replace the axle shaft using a new gasket.

9.2 DISASSEMBLY AND REPAIR

1. Jack vehicle as per "Bearing Adjustment" and remove axle shaft as indicated in "Meritor - Maintenance Manual No. 5" entitled "Single Reduction Differential Carriers" annexed to Section 11 of this manual.
2. Remove wheels and tires.

Section 13: WHEELS, HUBS & TIRES

Caution: Always mark position of the wheel on the axle before removal, to replace wheel at the same location, thus avoiding a new wheel balancing.

3. Remove lock nut, lock ring and adjusting nut from axle housing to prevent the outer bearing from falling out. Remove outer bearing cone and roller assembly.
4. Remove screws attaching inner oil seal retainer to hub, and remove inner oil seal assembly. Remove inner bearing cone and roller assembly. Bearing cups can be separated from the hub using a hammer and a long brass drift.
5. Thoroughly clean all parts. Bearing cone and roller assemblies can be cleaned in a suitable cleaning solvent using a stiff brush to remove old lubricant.
6. In case that excessive wear, deterioration, cracking or pitting is present on the bearing cups, rollers or cones, the bearings should be replaced. Seals should be replaced each time they are removed from the hub. To install new oil seal, use a suitable adapter and drive the seal into the retainer bore until it bottoms.
7. When installing wheel on spindle, center the wheel hub with spindle to avoid damaging the seal with the end of the spindle. Push wheel straight over the spindle until inside diameter of seal press fits on wiper ring. Fill hub cavity with general-purpose gear lubricant (refer to Section 24 "Lubrication" for proper oil grade selection). Lubricate, then install outer bearing cone. Adjust bearing and lock. Assemble axle flange to axle using a new gasket. Apply sealant in stud area. After both wheels have been assembled according to above procedure, fill the differential with the recommended lubricant to the proper factory recommended level.

Note: During regular inspection, do not forget to check lubricant level in differential. Clean thoroughly or replace vent as required.

10. SPARE WHEEL (IF APPLICABLE)

Tire failure is a rare event if tires are properly cared for. In case of a flat tire, move vehicle a safe distance away from traffic and apply parking brake. Remember to use the hazard flashers and according to the Highway Code regulations, set up the triangular reflectors (see "Emergency Warning Reflectors" in the

Operator's Manual) at an adequate distance, to warn incoming motorists.

The spare wheel is stored in a dedicated compartment behind the front bumper. To access, pull the release handle located in the front electrical and service compartment. Although the bumper is heavy, sprung hinges permit one person operation.

When closing bumper compartment, make sure bumper is securely installed.

Note: Converted vehicles contain no spare wheel. Access to compartment is also obtained by pulling the release handle located in the front service compartment.

Warning: This compartment has not been designed for storage. Never leave loose objects in this area since they may interfere with steering linkage mechanism. Make sure bumper is safely locked in place after closing the compartment.

10.1 PULLING OUT SPARE WHEEL

To pull out spare wheel, open reclining bumper according to the previous instructions. Loosen and turn the holding chain buckle to release the wheel and dolly assembly. Open the front service compartment, unscrew the wing nut retaining the support and rail extension assembly, and then pull out. Fasten by matching its two holes to the corresponding mounting pins located in front center of spare wheel compartment. Pull out wheel using the strap, and then remove tire covering. Separate wheel from dolly by unscrewing the two mounting wing nuts.

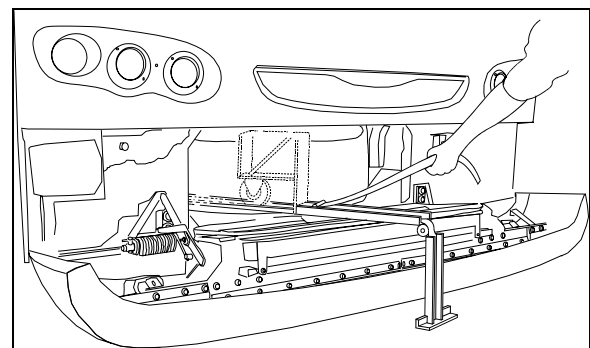


FIGURE 6: SPARE WHEEL COMPARTMENT 13024

Note: Reinstall support and rail extension assemblies then secure wheel with holding chain before moving vehicle.

Note: The jack and wheelnut wrench are stored at right in forward R.H. baggage compartment.

The jack/tools kit stowed in the forward R.H. baggage compartment contains a:

1. 30 ton bottle jack;
2. Wheel nut wrench and lever;
3. Triangular reflectors kit.

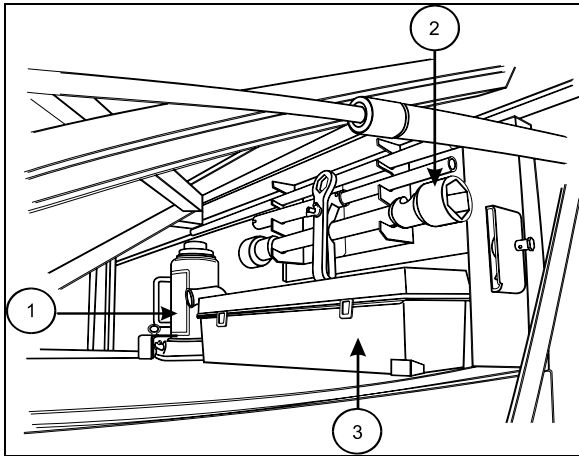


FIGURE 7: FORWARD R.H. SIDE COMPARTMENT 13015

Note: Check the inflation pressure of the spare tire periodically to keep it ready for use. Inflate spare tire to the pressure of the tire, which has the highest pressure on the vehicle. When installing, deflate to correct pressure if necessary.

10.2 CHANGING A FLAT

In case of flat tire, refer to appropriate procedure under "Wheel Maintenance" heading in this section.

Note: For hydraulic jack placement, refer to Section 18 "Body", under heading "Vehicle Jacking Points".

Warning: Place jack on stable and level ground; if necessary, place a board under the jack. Do not raise the vehicle until you are sure the jack is securely engaged.

Warning: To prevent personal injury and/or equipment damage, use only the recommended jacking points. Passengers must not remain inside vehicle while wheel is being replaced.

Caution: Adjust tire pressure according to the appropriate cold tire inflation-pressure.

Note: Store damaged wheel in spare tire compartment. Repair and balance the flat tire as soon as possible.

10.3 SPARE WHEEL MAINTENANCE

Maintenance of the spare wheel and tire consists in ensuring that tire inflation pressure is the same as the tire on the coach that has the highest inflation pressure (refer to "Specifications" in this section for the recommended tire inflation pressure). Inspect rim to ensure that there is no important corrosion. In addition, check if spare wheel covering is in good condition and check that spare tire is securely fastened in compartment.

11. TIRE MAINTENANCE

The most critical factor in tire maintenance is proper inflation (Fig. 8). No tire is impervious to loss of air pressure. To avoid the hazards of under inflation, always maintain tires at their recommended inflation pressure. Improper inflation decreases tire life.

An under inflated tire builds up heat that can cause sudden tire destruction, resulting in improper vehicle handling and possible loss of vehicle control. At least once a week, before driving (when tires are cold), check inflation pressure on all the tires, including the spare tire. This is especially important in cases when different drivers operate the vehicle.

Warning: Failure to maintain correct tire inflation pressure may result in sudden tire destruction, improper vehicle handling, and will cause rapid and irregular tire wear. Inflation pressure should be checked weekly and always before long distance trips.

11.1 INFLATION PRESSURE

The condition and pressure of the tires can greatly affect both useful tire life and road safety.

At regular intervals, verify the tire pressures. Use an accurate tire pressure gauge when checking inflation pressures. Never exceed the maximum inflation pressure specified on each tire.

Note: Inflation pressure should be checked when tires are cold. Cold tire inflation pressure can be measured when a vehicle has not been driven for at least 3 hours or less than 1 mile (1.6 km). Driving, even for a short distance, causes tires to heat up and air pressure to increase. Check inflation pressure on all tires (including the spare tire) using an accurate tire gauge.

Section 13: WHEELS, HUBS & TIRES

Note: The recommended tire inflation pressures are given in the applicable documents supplied with the vehicle. In addition, cold tire inflation pressures are listed on the Department of Transport's certification plate, affixed on the panel behind the driver's seat. For special tire selection, a "PREVOST COACH SPECIAL SPECIFICATION" chart is supplied with the vehicle and is affixed on the left wall near the driver's seat. Remember, tire inflation pressure must be adjusted according to vehicle loading - see table in "Coach Final Record"

Caution: Never bleed air from hot tires as tires will then be under inflated. Use an accurate tire gauge to check pressures (Do not kick tires as an inflation check. This is an unreliable method).

Caution: These tire pressures are established in accordance with the maximum allowable load on each axle. A lower pressure is recommended if the axle load is less than the above specifications. Weigh vehicle fully loaded and pressurize according to tire manufacturer's recommendations. For other tire and wheel specifications, see Prevost tire pressure tabulation in "Coach Final Record".

Warning: Incorrect tire pressures cause increased tire wear and adversely affect road holding of the vehicle, which may lead to loss of vehicle control.

Warning: Recommended tire inflation pressures and maximum allowable loads apply to speeds up to 65 mph (105 km/hr). Do not drive vehicle at a higher speed than 65 mph (105 km/h) or above the posted speed limit.

Warning: All tires on the same axle should always be inflated to the same pressure. There should not be a difference in pressure between right and left tires on the same axle. A 5-psi (35-kPa) underinflation in one front tire can not only reduce vehicle maneuverability, but will create steering hazards which can lead to an accident.

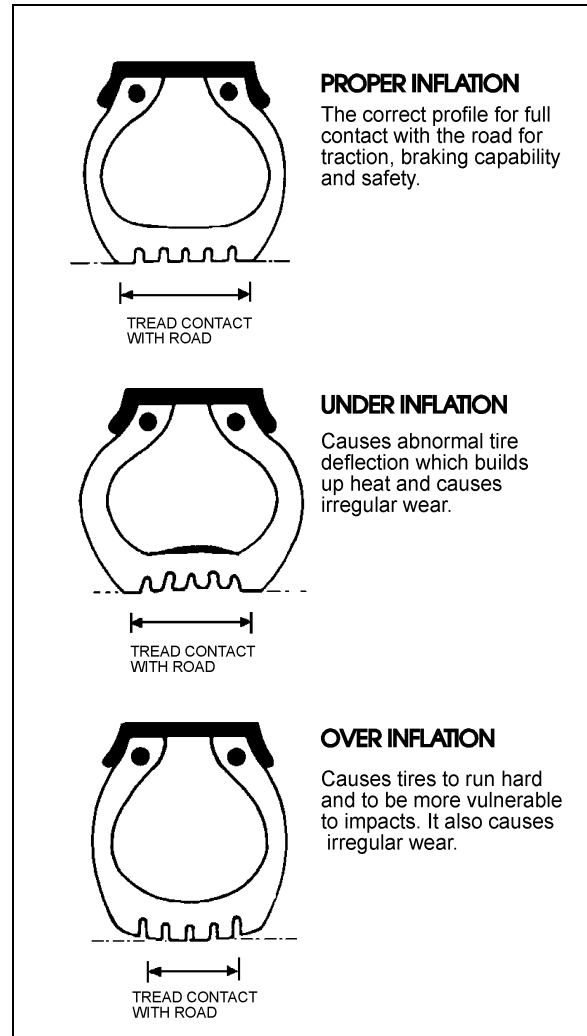


FIGURE 8: TIRE INFLATION

13009

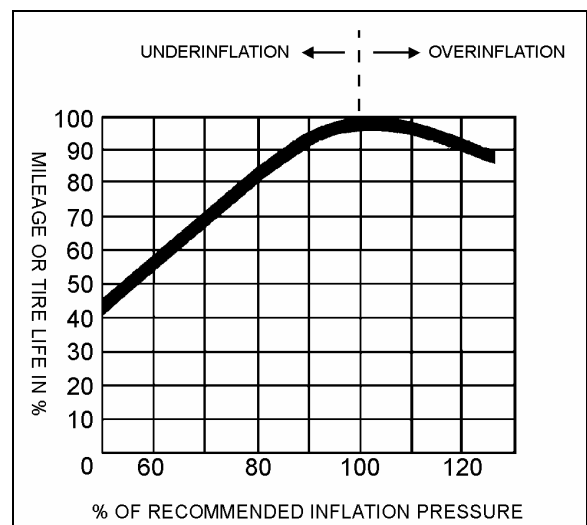


FIGURE 9: TIRE LIFE / INFLATION PRESSURE

13010

11.2 TIRE MATCHING

Unmatched tires on drive axle will cause tire wear and scuffing, as well as possible damage to the drive unit. Consequently, we recommend that tires be matched within 1/8" (3 mm) of the same rolling radius.

Note: *It is recommended that all tires on coach be of the same type.*

11.3 WHEEL BALANCING

Before balancing, wheels must be clean and free from all foreign matter. The tires should be in good condition and properly mounted. An unbalanced wheel can be due to a bent wheel or improper mounting. Before removing the wheel from the vehicle, check for swaying movement and if necessary, check the wheel lateral runout as outlined under heading "*Wheel Straightness Check*".

Warning: *When balancing wheel and tire assemblies, it is strongly recommended to closely follow instructions covering the operation of wheel balancer.*

Caution: *A maximum of 16-oz (450 g) of balancing weight is recommended. If more weight is necessary, check and correct the cause.*

11.4 TIRE ROTATION

Radial tires should be rotated only when necessary. If the tires are wearing evenly, there is no need to rotate. If irregular wear becomes apparent or if the wear rate on the tires is perceptively different (from axle to axle), then tires should be rotated in such a manner as to alleviate the condition.

Note: *There is no restriction on criss-cross rotation.*

Section 13: WHEELS, HUBS & TIRES

12. SPECIFICATIONS

STEEL WHEELS (including inner drive axle)

Wheel size.....	9.0" X 22.5"
Wheel nut torque.....	450 - 500 lbf-ft (610 - 680 Nm)
Tire size.....	315/80 R 22.5 load range "L"

ALUMINUM WHEELS (except inner drive axle wheel on coaches)

Wheel size.....	9" X 22.5"
Wheel nut torque.....	450 - 500 lbf-ft (610 - 680 Nm)
Tire size.....	315/80 R 22.5 load range "L"

WHEELS ON VIP (Front & Tag axle)

Wheel size.....	10.5" X 22.5"
Wheel nut torque.....	450 - 500 lbf-ft (610 - 680 Nm)
Tire size.....	365/70 R 22.5

OPTIONAL WHEELS ON VIP (Drive axle)

Wheel size.....	14" X 22.5" hub mounted wheel
Wheel nut torque.....	450 - 500 lbf-ft (610 - 680 Nm)
Tire size.....	455/55 R 22.5

RECOMMENDED TIRE INFLATION PRESSURE AT MAXIMUM LOAD (cold)

Note: Vehicle is delivered with the specific inflation pressure certification plate according to the tire selection.

Warning: Special tire selection may lower maximum allowable speed limit, even below posted speed limit. For maximum safety, check with tire manufacturer.

Caution: In the case of a converted vehicle, weigh fully loaded and pressurize according to tire manufacturer's recommendations.

Warning: Recommended tire inflation pressures and maximum allowable loads apply to speeds up to 65 mph (105 km/hr). Do not drive vehicle at a higher speed than 65 mph (105 km/h) or above the posted speed limit.

ALUMINUM WHEEL CLEANING AND MAINTENANCE PRODUCTS

Aluminum Wheel Cleaner (22 Oz bottle)	Prevost #683529
Aluminum Wheel Polish (16 Oz bottle)	Prevost #683528
Aluminum Wheel Sealer (13 Oz bottle)	Prevost #683527

SECTION 14: STEERING

CONTENTS

1. STEERING SYSTEM	14-3
1.1 DESCRIPTION.....	14-3
2. POWER STEERING GEAR	14-4
2.1 DESCRIPTION.....	14-4
2.2 POWER STEERING GEAR REMOVAL	14-5
2.3 POWER STEERING GEAR INSTALLATION	14-5
3. BLEEDING POWER STEERING HYDRAULIC SYSTEM	14-5
4. HYDRAULIC PRESSURE TEST	14-5
5. TROUBLESHOOTING	14-5
6. POWER STEERING HYDRAULIC PUMP	14-5
6.1 DESCRIPTION.....	14-5
6.2 REMOVAL AND INSTALLATION	14-5
6.3 MAINTENANCE	14-6
7. STEERING WHEEL	14-6
7.1 REMOVAL	14-6
7.2 INSTALLATION	14-6
8. STEERING COLUMN	14-6
8.1 REMOVAL	14-6
9. TURNING ANGLE ADJUSTMENT	14-6
10. STEERING LINKAGE ADJUSTMENT	14-7
11. PITMAN ARM	14-7
11.1 REMOVAL	14-7
11.2 INSTALLATION	14-8
11.3 ADJUSTMENT	14-8
12. MAINTENANCE	14-8
12.1 POWER STEERING RESERVOIR AND FILTER	14-9
12.1.1 <i>Oil Level Check Procedure</i>	14-9
12.1.2 <i>Filter Replacement</i>	14-9
12.2 STEERING STABILIZER CYLINDER (DAMPER).....	14-9
12.3 DRAG LINK	14-10
12.4 POWER STEERING HYDRAULIC PUMP.....	14-10
13. DRIVING TIPS	14-10
14. TORQUE SPECIFICATIONS	14-11
15. SPECIFICATIONS	14-12

ILLUSTRATIONS

FIGURE 1: STEERING SYSTEM AXLE SETUP	14-3
--	------

Section 14: STEERING

FIGURE 2: POWER STEERING GEAR 14-4
FIGURE 3: FRONT SERVICE COMPARTMENT..... 14-4
FIGURE 4: STEERING COLUMN 14-6
FIGURE 5: PITMAN ARM ADJUSTMENT 14-7
FIGURE 6: FIXING NUT PUNCH MARK 14-8
FIGURE 7: HYDRAULIC FLUID RESERVOIR LOCATION 14-9
FIGURE 8: POWER STEERING FLUID RESERVOIR 14-9
FIGURE 9: STEERING STABILIZER (DAMPER)..... 14-10
FIGURE 10: DRAG LINK COMPONENTS 14-11
FIGURE 11: TIE ROD END 14-11
FIGURE 12: FRONT AXLE COMPONENTS..... 14-11

1. STEERING SYSTEM

1.1 DESCRIPTION

The steering system consists of the steering wheel and column assembly, a vane-type hydraulic pump, reservoir, filter, interconnecting system lines and hoses, integral power steering gear, linkage and steering damper (Fig. 1). The steering linkage includes the pitman arm, drag link, steering arm, tie rod arms and tie rod.

Hydraulic components are added to transmit, increase and regulate steering control forces.

These elements are:

1. Steering stabilizer (damper);
2. A vane type hydraulic pump; and
3. Hydraulic reservoir and hoses.

The steering stabilizer reduces road shocks and vibrations in the system. The steering gearbox is self powered and provides movement with power assistance to the left wheel.

Steering stability and tire wear are influenced by wheels, hubs, tires, air suspension, brakes, front suspension and front end alignment which are all covered in their respective sections in this manual.

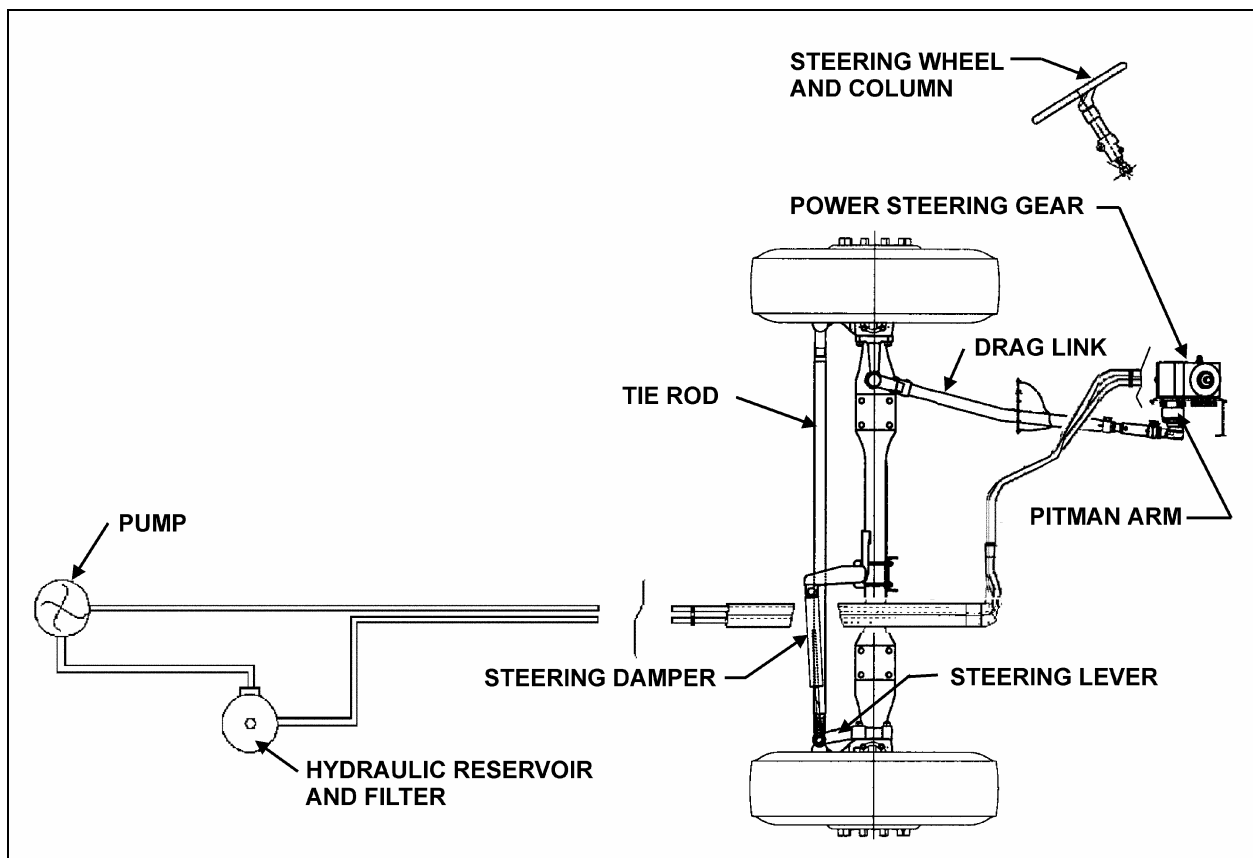


FIGURE 1: STEERING SYSTEM AXLE SETUP

14041

2. POWER STEERING GEAR

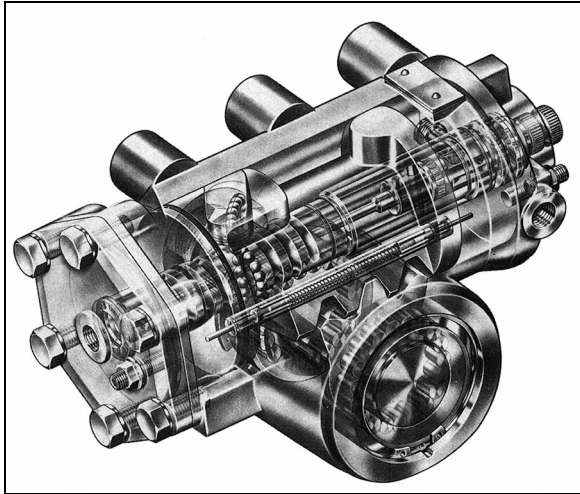


FIGURE 2: POWER STEERING GEAR

14035

2.1 DESCRIPTION

The power steering gear is located in the lower part of front service compartment (Figs. 2 & 3). The housing of the ZF-Servocom contains a control valve, working cylinder and a complete mechanical steering gear. The pressure oil for the steering is delivered by a motor-driven oil pump which is supplied with oil from an oil tank.

The housing is designed as a cylinder for the piston, which converts the rotation of the steering shaft and the worm into an axial movement and transfers this to the steering worm sector shaft. The serration of the sector shaft is straight-cut with a high surface quality in such a way that it is only possible to set a unique setting without play on installation in the straight-ahead driving area by means of the two eccentrically designed lateral housing covers.

The piston and worm are connected via a ball chain. When the worm is turned, the balls are collected by a circulating pipe at one end of the chain and fed in again at the other end, thus producing an endless ball chain.

The control valve consists of the valve slide in a needle bearing in the worm, with six control grooves on the circumference and the control sleeve on the worm, which also has six control grooves. The valve slide, designed with steering shaft connection, turns together with the worm as the steering wheel is turned.

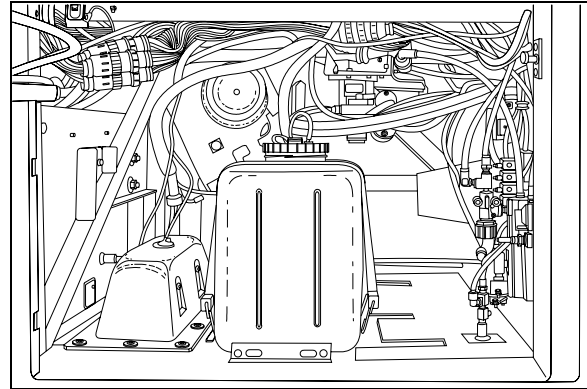


FIGURE 3: FRONT SERVICE COMPARTMENT

14050

A torsion bar, which is pinned with the valve slide and the worm, keeps the control valve in the neutral position as long as no opposing force is applied to the steering wheel. The steering housing contains a pressure relief valve, which limits the discharge pressure of the oil pump to the maximum value required. A replenishing valve can also be used, through which oil is sucked from the return if steering is not hydraulically boosted.

Compared with constant ratio, steering versions with variable ratio are more directly designed in the center area than outside the center area. The resulting smaller steering corrections benefit steering behavior in straight-ahead driving. At the same time, the indirect transmission means that there is a higher hydraulic torque available at the steering arm in parking movement. If the hydraulic assistance fails, the operating forces on the steering wheel are correspondingly lower in this area. This is achieved through a piston/steering worm sector shaft serration with differing modulus and angle of pressure.

Upon transfer of a torque from the steering shaft to the worm, or vice versa, the torsion bar is deformed in the elastic area so that there is torsion between the valve slide and the control sleeve. When the steering wheel is released, the torsion bar ensures that the valve is returned to the neutral position.

Refer to the "ZF-SERVOCOM Repair Manual" and "ZF-SERVOCOM Operating, Servicing /Maintenance and Inspection Instructions" annexed to this section for the functional aspects and maintenance procedure of the steering gear.

Note: Also available is the ZF-Servocomtronic, which provides variable assistance in function of speed.

2.2 POWER STEERING GEAR REMOVAL

Warning: The steering gearbox weighs approximately 100 lbs (45 kg) dry. Exercise caution when maneuvering.

1. Put a container into place, then disconnect both the inlet and outlet hoses from the power steering gear. Cover fittings to prevent fluid contamination.
2. Mark both the pitman arm and sector shaft with a line, then remove pitman arm. Refer to "11.1 Pitman Arm Removal" procedure.
3. Mark both the steering shaft universal joint yoke and steering gear input shaft with a line, then disconnect universal joint.
4. Unscrew and remove the power steering gear.

2.3 POWER STEERING GEAR INSTALLATION

Reverse "Power Steering Gear Removal" procedure paying particular attention to the following:

1. Tighten fasteners as recommended under paragraph 14: "TORQUE SPECIFICATIONS".
2. Bleed air from the system as per step 3, next.

3. BLEEDING POWER STEERING HYDRAULIC SYSTEM

To bleed the power steering hydraulic system, refer to the "ZF-SERVOCOM REPAIR MANUAL" annexed to this section, under heading "SETTING AND FUNCTIONAL TEST".

4. HYDRAULIC PRESSURE TEST

Perform a pressure test as outlined in the "ZF-SERVOCOM REPAIR MANUAL" annexed to this section under heading "SETTING AND FUNCTIONAL TEST".

5. TROUBLESHOOTING

Perform troubleshooting of the steering gear as outlined in the "ZF-SERVOCOM REPAIR MANUAL", the "ZF-SERVOCOM Operating, Servicing/Maintenance and Inspection Instructions" and the "TRW - POWER STEERING PUMP SERVICE MANUAL" and the "TRW - CHART YOUR WAY TO EASY STEERING" guide annexed to this section.

Note: For vehicles equipped with ZF-SERVOCOMTRONIC unit, refer to the supplement to the repair manual ZF-SERVOCOM.

6. POWER STEERING HYDRAULIC PUMP

6.1 DESCRIPTION

The power steering pump is a vane type, gear driven, hydraulic unit which supplies hydraulic pressure for the operation of the steering gear. The pump is mounted on the engine, on the crankshaft pulley's R.H. side.

6.2 REMOVAL AND INSTALLATION

The pump is accessible through the engine compartment rear door.

To remove the pump, proceed as follows:

1. Put an empty container directly below pump, then disconnect both the inlet and outlet hoses from the pump. Block fitting cavities to prevent fluid contamination.
2. Remove the two (2) mounting screws, then slowly pry out the pump.
3. Remove and discard gasket.

Caution: Inspect the drive coupling thoroughly, and replace if necessary (the drive coupling is a fiber component located between the engine and the pump).

For pump installation, reverse the removal procedure paying particular attention to the following:

Caution: Ensure that drive coupling is correctly positioned before reinstalling the pump.

1. Install a new gasket (Prévost P/N 510488).

2. Bleed air from the system as per step 3, "Bleeding Power Steering Hydraulic System".

6.3 MAINTENANCE

Refer to the "ZF-SERVOCOM REPAIR MANUAL" and the "TRW - POWER STEERING PUMP SERVICE MANUAL" annexed to this section.

7. STEERING WHEEL

7.1 REMOVAL

1. Set the battery master switch located in the R.H. side rear service compartment, or in the engine compartment to the "OFF" position.
2. Using a tool, such as a small flat head screwdriver, pry off the air horn cap.
3. Loosen the small screw in center of cap and the other retaining the black wire, then disconnect the white terminal. Remove horn cap.
4. Loosen and remove the steering wheel nut.
5. Using a suitable puller, remove the steering wheel.

7.2 INSTALLATION

To install, reverse the removal procedure. Torque steering wheel nut to 35-45 lbf-ft (47-60 Nm).

8. STEERING COLUMN

8.1 REMOVAL

To disassemble the steering column from system, refer to Figure 4. The steering column has no lubrication points. The lower steering column U-joint is easily accessible through the front service compartment. The upper steering column U-joint and the steering slip joint are accessible from the front driver's area. To access these joints, proceed as follows:

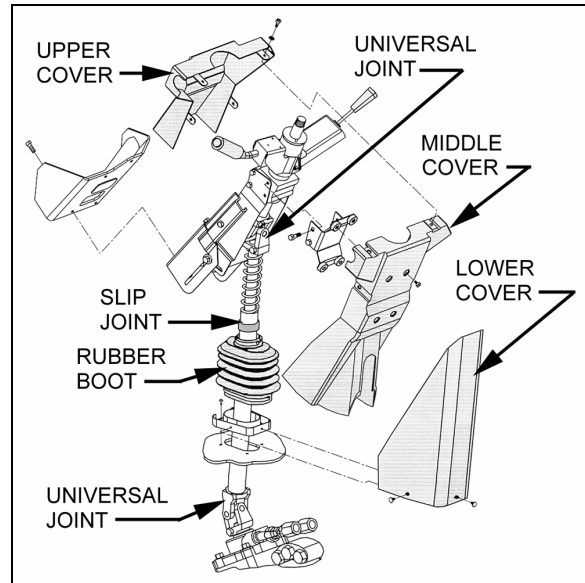


FIGURE 4: STEERING COLUMN

14040

1. From the front driver's compartment area, remove the three plastic fasteners on steering column lower cover. Remove the lower cover (Fig. 4).
2. Unscrew the four retaining screws on steering column middle cover.
3. Unscrew the four retaining screws fixing steering column upper cover to middle cover. Remove the steering column middle and upper covers.
4. Position the steering wheel in order to gain access to the joints.

9. TURNING ANGLE ADJUSTMENT

The maximum turning angle is set through two (2) steering stop screws installed on the axle center. Steering stop screws are factory adjusted to accommodate the chassis design, and therefore, do not require adjustment on new vehicles. However, these should be checked and adjusted if necessary, any time a steering system component is repaired, disassembled or adjusted. Refer to section 10 "FRONT AXLE" under heading "6.4 TURNING ANGLE ADJUSTMENT".

Caution: To prevent the steering damper from interfering with the adjustment of turning angles, make sure its fixing bracket is at correct location on the axle (refer to "12.2 Steering Stabilizer Cylinder (Damper)").

Hydraulic Stop

Caution: Reduce or shut off the power steering hydraulic pressure before the boss on the axle touches the stop screw. If not, the components of the front axle will be damaged (refer to "ZF-SERVOCOM REPAIR MANUAL" and "ZF-SERVOCOM Operating, Servicing/Maintenance and Inspection Instructions" annexed to this section, under heading "SETTING THE STEERING LIMITER").

Caution: Never maintain the relief pressure for more than 5 seconds, since damage to the power steering pump may occur.

10. STEERING LINKAGE ADJUSTMENT

The steering linkage includes the pitman arm, drag link, steering arm, tie rod arms and tie rod.

Perform lubrication according to "DANA SPICER NDS Axles Lubrication and Maintenance" annexed to section 10 "FRONT AXLE".

Drag link ends are provided with grease fittings. Under normal conditions, these should be serviced every 6,250 miles (10 000 km). Refer to section 24 "LUBRICATION".

Steering linkage pivot points should be checked each time they are lubricated. Looseness can be visually detected while rotating the steering wheel in both directions. Replace defective parts.

Caution: Front wheel alignment should be checked and adjusted if necessary, any time a component of the steering system is repaired, disassembled or adjusted. Refer to section 10 "FRONT AXLE" under heading 6. "FRONT WHEEL ALIGNMENT".

11. PITMAN ARM

11.1 REMOVAL

1. Remove cotter pin, nut and washers from drag link ball stud at pitman arm.
2. Disconnect drag link from pitman arm, using jaw style pullers (pressure screw type).

Warning: Always wear approved eye protection when operating pullers.

Caution: Do not drive (hammer in) pitman arm on or off pitman shaft as this can damage the steering gear.

Caution: Heating of components to aid in disassembly is not allowed because it has a detrimental effect on axle components and steering linkages.

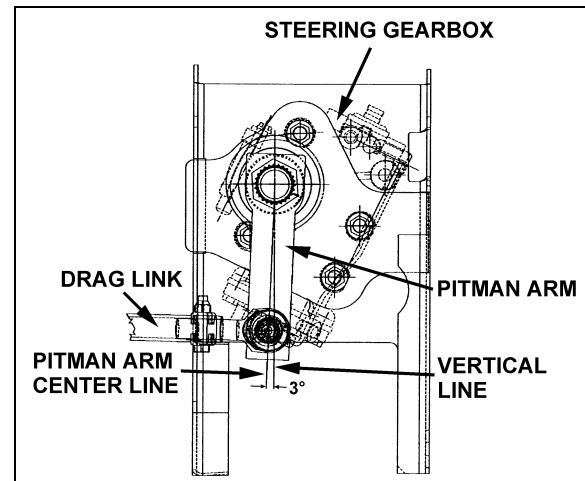


FIGURE 5: PITMAN ARM ADJUSTMENT

14052

3. Using a cold chisel, undo punch mark that locks fixing nut to the pitman arm.
4. Remove pitman arm fixing nut.
5. Check the radial position of the pitman arm in relation to the sector shaft prior to removal of pitman arm.
6. Add reference marks to the arm and shaft if necessary to ensure correct alignment at reassembly.
7. You must use a puller to remove pitman arm.

11.2 INSTALLATION

1. Position pitman arm on sector gear shaft with reference marks aligned.
2. Install fixing nut (Prévost #661050). Tighten nut to 470-570 lbf-ft (637-773 Nm).

Note: Use a new nut if the previously removed nut was punched.

3. Lock nut with sector shaft using a punch mark into the groove (refer to figure 6).

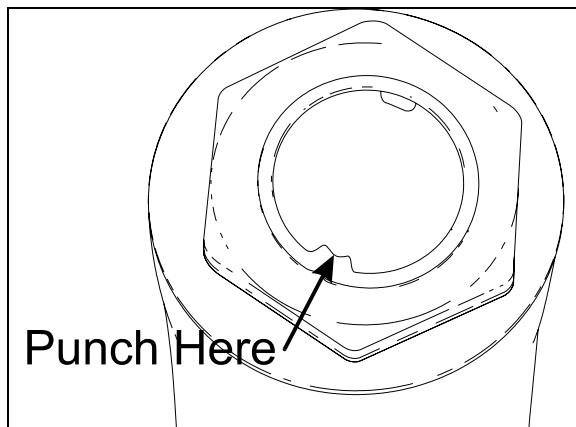


FIGURE 6: FIXING NUT PUNCH MARK

16098

4. Connect drag link to pitman arm while ensuring that rubber stabilizer is in place on the rod end. Install washers. Tighten nut to 160-215 lbf-ft (220-290 Nm). Afterwards, install a new cotter pin.

Caution: Input shaft marks must be aligned before adjusting pitman arm.

11.3 ADJUSTMENT

1. Disconnect the drag link from pitman arm. Center steering wheel by dividing the total number of steering wheel turns in two. Scribe a reference mark on steering gearbox at the center previously determined.
2. Using a protractor, check the angle of the pitman arm (refer to Fig. 5 for details).
3. The pitman arm should be adjusted to an angle of 3° in relation with the vertical axis (towards rear of vehicle). If not, unscrew and remove fixing nut. Remove the pitman arm according to the procedure outlined under previous heading "Pitman arm removal". Adjust to the proper angle.
4. When adjustment is achieved, replace fixing nut and torque to 400-450 lbf-ft (545-610 Nm).

12. MAINTENANCE

The power steering system requires little maintenance. However, the system should be kept clean to ensure maximum operating performance and troublefree service. Periodic inspections should also be made to check for leakage and all parts for damage or distortion. Insure all fasteners are tight (see "14. SPECIFICATIONS" for recommended tightening torques).

When the slightest evidence of dirt, sludge or water is discovered in the system, disconnect fluid lines at the power steering gear to drain the system. Drain and refill the system with "Dexron-IIIE, Dexron-III or Dexron-VI" automatic transmission oil.

Air in the hydraulic system will cause spongy action and noisy operation. When a hose has been disconnected or when fluid has been lost for any reason, the system must be bled. Bleed system as outlined under heading 3: "BLEEDING POWER STEERING HYDRAULIC SYSTEM".

Warning: Do not operate the pump without fluid in the power steering fluid reservoir.

If the steering linkage between the steering gear and the two front wheels is not properly adjusted, or if it is bent, twisted or worn, the steering of the vehicle will be seriously impaired. Whenever a steering linkage part is repaired, replaced or adjusted, steering geometry and front wheel alignment must be checked and necessary corrections made. Refer to section 10 "FRONT AXLE" under heading 6: "FRONT WHEEL ALIGNMENT".

At regular lubrication intervals, the steering linkage should be thoroughly inspected for worn or loose components.

After the vehicle has been operated continually and high mileage figures have been reached, overhaul of the various steering units will be required. General overhaul procedure normally requires removal of the entire assembly, cleaning and inspection of all parts and final assembly. Careful inspection of all parts during overhaul is very important and must not be neglected.

Lubrication fittings must all be cleaned before applying lubricant. Moreover, always be sure the equipment used in applying lubricant is clean. Every precaution should be taken to prevent entry of dirt, grit, lint or other foreign matter into lubricant containers. Replace fittings that have become broken or damaged. Lubrication intervals, as well as the recommended lubricants for the steering components, are given in the "LUBRICATION AND SERVICING SCHEDULE"

in Section 24 of this manual. The intervals given in the schedule are recommended for normal service. More frequent intervals may be required under severe operating conditions.

12.1 POWER STEERING RESERVOIR AND FILTER

The power steering reservoir is located on R.H. side of engine compartment, on front wall and accessible through the engine compartment R.H. side door. (Fig. 7).

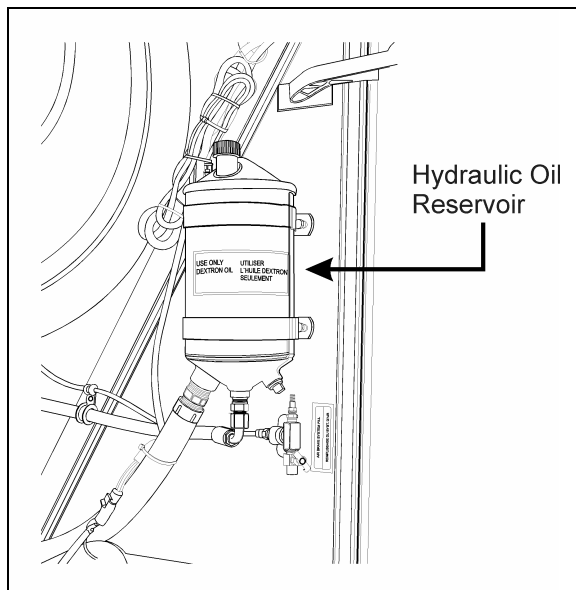


FIGURE 7: HYDRAULIC FLUID RESERVOIR LOCATION
14043

At regular intervals, fluid level should be checked in the reservoir and filter assembly. Furthermore, the oil filter cartridge element in the power steering reservoir should be replaced every 50,000 miles (80 000 km) or once a year, whichever comes first.

12.1.1 Oil Level Check Procedure

1. Stop engine. Open engine compartment R.H. side door.
2. Unscrew and remove the dipstick located on top of reservoir and wipe with a clean rag.
3. Insert dipstick in reservoir. Remove it again to check fluid level (Fig. 8).
4. Adjust level to "FULL" mark using proper dipstick side depending on fluid temperature, use "Dexron-II^E, Dexron-III or Dexron-VI" automatic transmission oil.

5. Reinsert and tighten the dipstick.

12.1.2 Filter Replacement

1. Unscrew and remove the cover nut located on top of the power steering reservoir.
2. Remove the reservoir cover and the gasket.
3. Remove the retaining spring and finally the filter cartridge element.

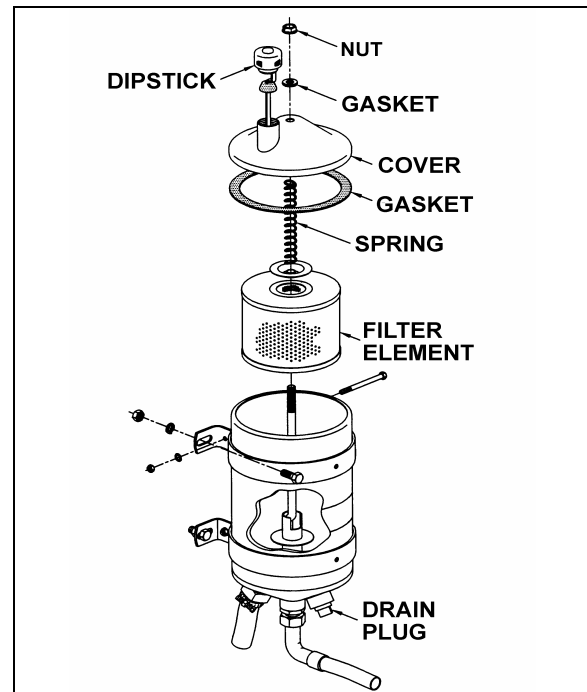


FIGURE 8: POWER STEERING FLUID RESERVOIR 14018A

12.2 STEERING STABILIZER CYLINDER (DAMPER)

The steering damper is located on R.H. side, at back of front axle (Fig.9).

The cylinder is nonadjustable and non-repairable. Check for oil leaks or lack of resistance. Disconnect the cylinder from axle, then carefully attempt to extend and collapse it manually.

The rod end (ball joint) is provided with a grease fitting. Under normal conditions, it should be serviced every 6,250 miles (10 000 km) or twice a year, whichever comes first. Good quality lithium-base grease NLGI No. 1 and 2 are recommended (refer to section 24 "LUBRICATION"). Check the ball joint for wear, and replace if necessary.

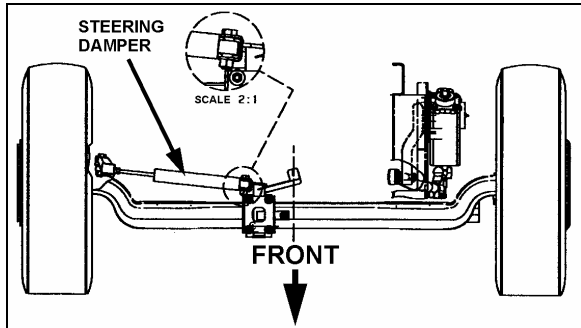


FIGURE 9: STEERING STABILIZER (DAMPER) 14053

12.3 DRAG LINK

Lubricate the fittings every 6,250 miles (10 000 km) or twice a year, whichever comes first. Good quality lithium-base grease NLGI No. 1 and 2 are recommended (refer to section 24 "LUBRICATION").

12.4 POWER STEERING HYDRAULIC PUMP

For maintenance of the power steering hydraulic pump, refer to the "TRW - POWER STEERING PUMP SERVICE MANUAL" annexed to this section.

13. DRIVING TIPS

In order to maximize power steering pump service life, do not attempt to turn the steering wheel when the vehicle is stationary, and especially when service brakes are applied (wheel locking will oppose the effect of steering geometry which tends to make the front wheels rotate in opposite directions).

Persisting in turning, or maintaining the steering wheel with an extra effort, could make the hydraulic system work at the relief pressure, and consequently, cause the hydraulic fluid to become overheated.

Caution: Never maintain the hydraulic system at the relief pressure for longer than 5/10 seconds to avoid damaging the power steering pump.

Note: Unequal or low tire pressure, oversize tires, and vehicle overloading are some of the causes that may increase steering effort.

14. TORQUE SPECIFICATIONS

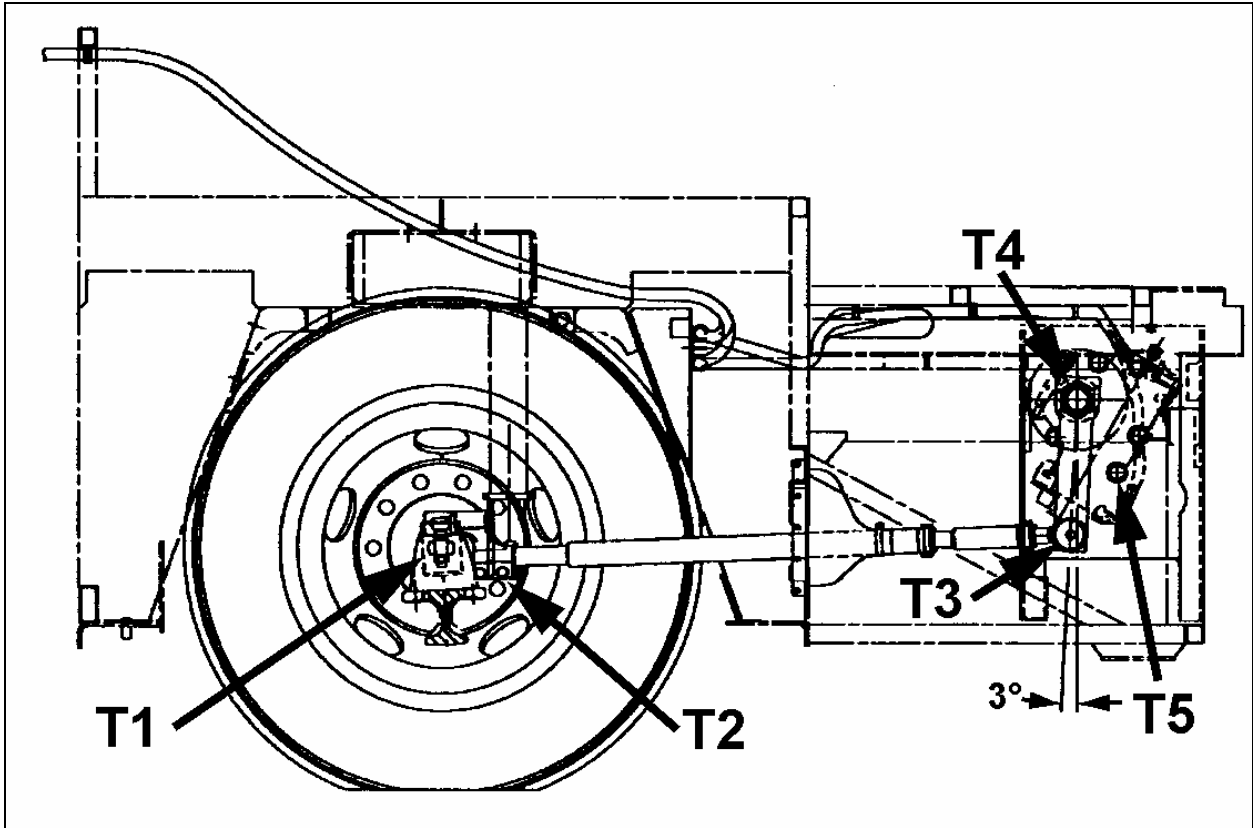


FIGURE 10: DRAG LINK COMPONENTS

14054

FIGURE 12: FRONT AXLE COMPONENTS

14055

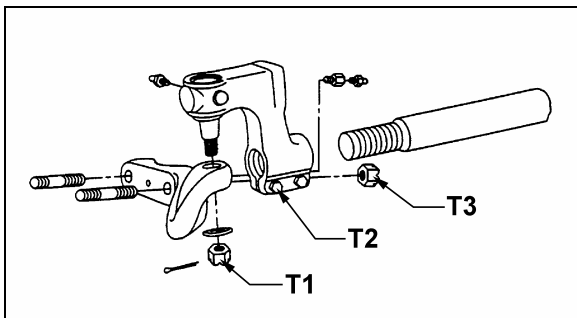
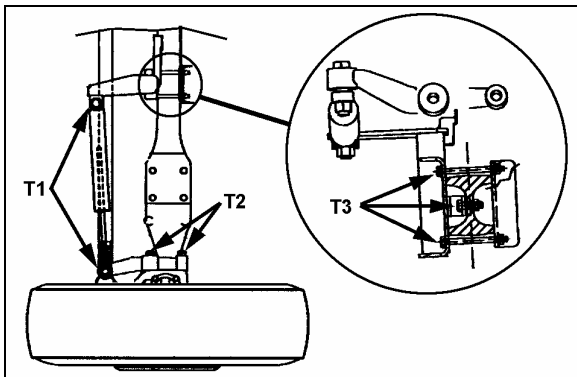


FIGURE 11: TIE ROD END

14036



DRY TORQUES			
Description	Reference	Lbf-ft	Nm
Drag Link End Stud Nut (on steering arm)	Fig. 10, T1	160-300	220-410
Drag Link End Pinch Bolt Nuts	Fig. 10, T2	50-65	70-90
Drag Link End Stud Nut (on pitman arm)	Fig. 10, T3	160-215	220-290
Pitman Arm Fixing Nut	Fig. 10, T4	470-570	637-773
Tie Rod End Screw Pin Nut	Fig. 11, T1	100-175	135-240
Tie Rod End Pinch bolt Nuts	Fig. 11, T2	65-75	90-100
Lower Lever Stud Nuts	Fig.11, T3	190-275	260-375
Steering Stabilizer (damper) Fixing Nuts	Fig. 12, T1	100-120	135-165
Steering Top Lever Nuts	Fig. 12, T2	150-200	205-275
Steering Damper Mounting Support Nuts	Fig. 12, T3	65-70	90-95

TORQUE (LUBRICATED WITH LOCTITE #242 BLUE)			
Description	Reference	Lbf-ft	Nm
Steering Gear Fixing Bolts (4)	Fig. 10, T5	265-310	360-420

15. SPECIFICATIONS

Power Steering Gear

Make ZF-SERVOCOMTRONIC
 Model 8098
 Supplier number 8098-988-571
 Prevost number 661044
 F.E.W. 16,600 lbs (7 545 kg)
 Pressure rating 2,175 psi (150 Bar)
 Gear ratio (center) 22.2 : 1
 Gear ratio (extremities)..... 26.2 : 1
 Minimum pump flow for 1.5 hwt/sec 4.22 gpm (16 lpm)

Power Steering Gear

Make ZF-SERVOCOM
 Model 8098

Supplier number 8098-988-570
 Prevost number 661045
 F.E.W. 16,600 lbs (7 545 kg)
 Pressure rating 2,175 psi (150 Bar)
 Gear ratio (center) 22.2 : 1
 Gear ratio (extremities)..... 26.2 : 1
 Minimum pump flow for 1.5 hwt/sec 4.22 gpm (16 lpm)

Power Steering Pump

Make TRW
 Type PS Series
 Relief valve setting 2,175 psi (14 990 kPa)
 Controlled flow rate 4.23 gpm (16 lpm)
 Inlet port 1 1/4 NPT
 Outlet port 3/4-16 straight thread SAE O' ring boss conn.
 Supplier number PS251615L10200
 Prevost number 661009
 Gasket - Supplier number 23516100
 Gasket - Prevost number 510488

Power Steering Reservoir

Make Nelson Muffler
 Oil capacity 4 US qts (3.7 liters)
 Supplier number 91410A
 Prevost number 660982
 Make Nelson Muffler
 Element filter - Supplier number 83804 E
 Element filter - Prevost number 660987

Steering Stabilizer Cylinder (Damper)

Make Arvin
 Extended length 32.73±0.12"
 Collapsed length 20.26±0.12"
 Stroke 12.47±0.12"
 Supplier number 651535
 Prevost number 660979
 Dust cap - Prevost number 660980

SECTION 16: SUSPENSION

CONTENTS

1. DESCRIPTION	3
2. AIR SPRINGS.....	4
2.1 INSPECTION	4
2.2 REMOVAL	5
2.3 INSTALLATION	5
3. SHOCK ABSORBERS.....	5
3.1 INSPECTION	6
3.2 REMOVAL	6
3.3 INSTALLATION	7
4. RADIUS RODS.....	7
4.1 INSPECTION	7
4.2 REMOVAL	7
4.3 BUSHING REMOVAL	7
4.4 BUSHING INSTALLATION	8
4.5 INSTALLATION	8
5. SWAY BAR	9
5.1 REMOVAL	9
5.2 INSTALLATION	9
6. SUSPENSION AIR SYSTEM	9
6.1 INSPECTION	9
6.2 AIR LINE TEST	10
6.3 AIR TANK MAINTENANCE	10
7. SUSPENSION HEIGHT ADJUSTMENT	10
8. HEIGHT CONTROL VALVES	11
8.1 MAINTENANCE	11
8.1.1 <i>Removal and installation</i>	11
8.1.2 <i>Air leakage test</i>	11
9. FRONT KNEELING SYSTEM.....	12
9.1 PRINCIPLE OF OPERATION.....	12
9.2 MAINTENANCE	12
9.3 BELLOWS CONTROL SOLENOID VALVES.....	12
9.3.1 <i>Removal and installation</i>	12
10. HIGH-BUOY SYSTEM.....	13
10.1 PRINCIPLES OF OPERATION.....	13
10.2 MAINTENANCE	13
10.3 HIGH-BUOY – PRESSURE REGULATOR.....	13
10.3.1 <i>Adjustment</i>	13
10.3.2 <i>Disassembly</i>	14
10.3.3 <i>Cleaning</i>	14
10.3.4 <i>Reassembly</i>	14
11. LOW-BUOY SYSTEM	14
11.1 PRINCIPLES OF OPERATION.....	14
11.2 MAINTENANCE	14

Section 16: SUSPENSION

12. TROUBLESHOOTING.....	15
13. TORQUE SPECIFICATIONS.....	16
14. PARTS SPECIFICATIONS.....	19

ILLUSTRATIONS

FIGURE 1: FRONT SUSPENSION COMPONENTS.....	3
FIGURE 2: DETAILS OF FRONT SUSPENSION.....	3
FIGURE 3: REAR SUSPENSION COMPONENTS.....	4
FIGURE 4: DETAILS OF REAR SUSPENSION.....	4
FIGURE 5: TAG AXLE SUSPENSION.....	4
FIGURE 6: AIR SPRING.....	4
FIGURE 7: SHOCK ABSORBER.....	6
FIGURE 8: TYPICAL SHOCK ABSORBER SETUP.....	7
FIGURE 9: TYPICAL RADIUS ROD SETUP.....	7
FIGURE 10: RADIUS ROD BUSHING REMOVAL.....	8
FIGURE 11: RADIUS ROD BUSHING INSTALLATION.....	8
FIGURE 12: RADIUS ROD INSTALLATION.....	8
FIGURE 13: FRONT & DRIVE AXLE SWAY BAR.....	9
FIGURE 14: TYPICAL AIR SPRING CLEARANCE.....	10
FIGURE 15: HEIGHT CONTROL VALVE.....	11
FIGURE 16: AIR PRESSURE REGULATOR.....	13
FIGURE 17: TORQUE SPECIFICATIONS.....	16
FIGURE 18: TORQUE SPECIFICATIONS.....	16
FIGURE 19: TORQUE SPECIFICATIONS.....	17

1. DESCRIPTION

The vehicle is provided with an air suspension system. The system consists of air springs, height control valves, radius rods, sway bars, tripod and shock absorbers (Fig. 1, 2, 3, 4 and 5). The system operation is fully automatic and maintains a constant vehicle height regardless of load, or load distribution.

The vehicle can also be equipped with systems such as:

- Front Kneeling (w/ Front High-Buoy);
- Front Kneeling (w/ Full High-Buoy);
- Front Kneeling (w/ Front High-Buoy) and Low-Buoy Combination;
- Front Kneeling (w/ Full High-Buoy) and Low-Buoy Combination;

For a description of each of these systems, refer to the appropriate heading in this section.

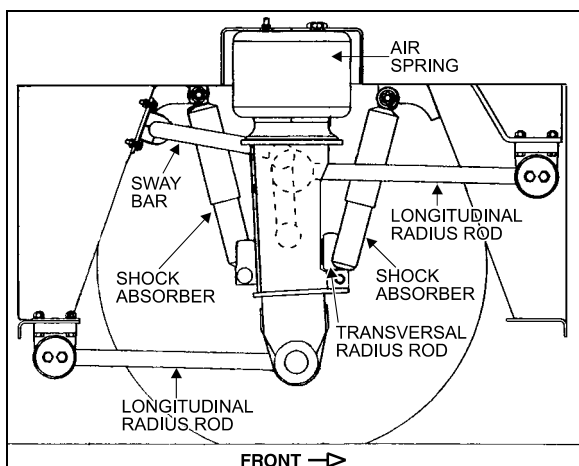


FIGURE 1: FRONT SUSPENSION COMPONENTS 16002

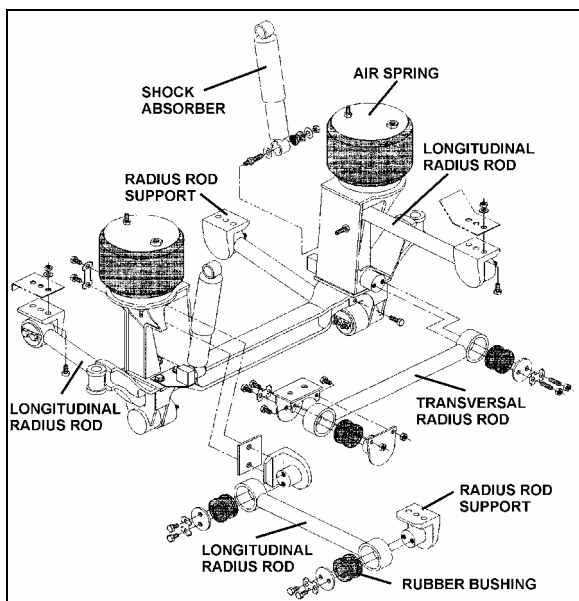


FIGURE 2: DETAILS OF FRONT SUSPENSION 16105

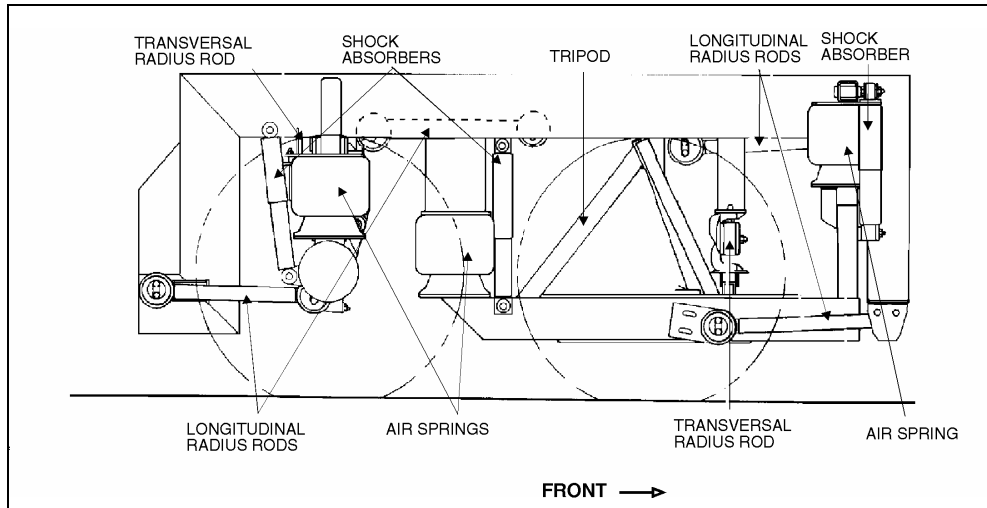


FIGURE 3: REAR SUSPENSION COMPONENTS

16003

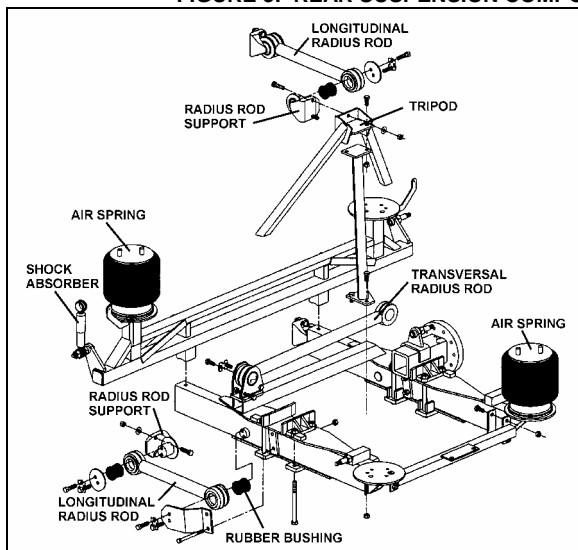


FIGURE 4: DETAILS OF REAR SUSPENSION

16106

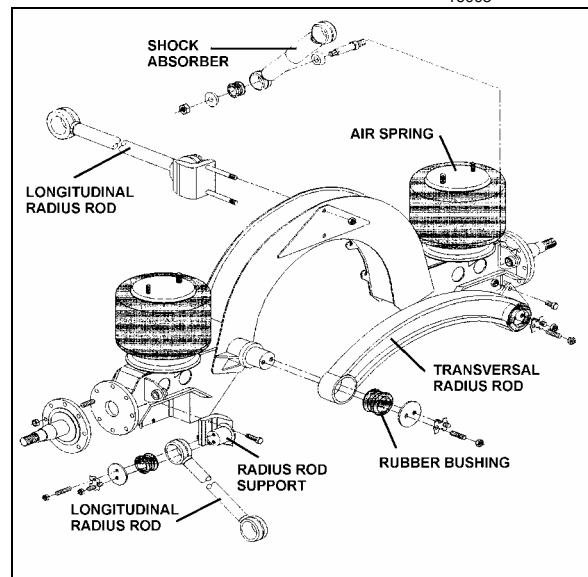


FIGURE 5: TAG AXLE SUSPENSION

16107

2. AIR SPRINGS

The air springs are made from a special compound rubber molded to the proper contour and dimensions. The entire vertical load of the vehicle is supported by these springs. Each of the three axles is provided with air springs that are attached to the subframe and to the axles (Fig. 6).

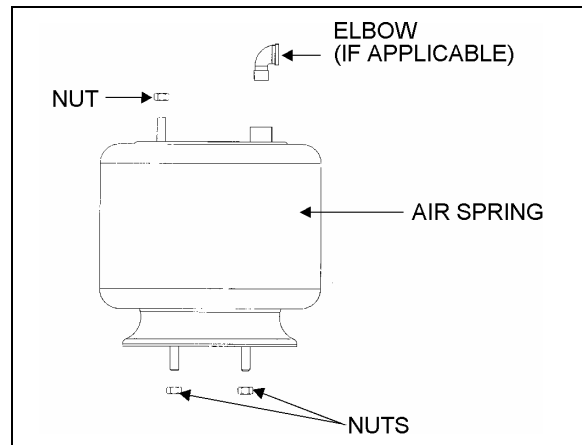


FIGURE 6: AIR SPRING

16052

2.1 INSPECTION

1. Check operation of bellows.

2. Visually inspect bellows for evidence of cracks, punctures, deterioration, or chafing. Replace the bellows if any damage is evident.
3. With the primary air system at normal operating pressure (95 - 125 psi (655 - 860 kPa)), coat all suspension air line connections and bellows mounting areas with a water and soap solution. Bubbles will indicate an air leak, and none is permissible. Repair or replace defective parts.

Note: If air spring is removed from vehicle, bellows can be lightly inflated and submerged in water to detect any leakage. If any leakage is detected, replace bellows.

Warning: To prevent personal injury, do not apply more than 10 psi (69 kPa) air pressure with the air spring unmounted.

2.2 REMOVAL

Note: Suspension air springs (front, drive, and tag axles) can be removed without removing the entire axle assembly.

1. Safely support vehicle at the recommended body jacking points.

To gain access to a given air spring, the corresponding wheel can be removed as follows:

- a) Jack vehicle until the tire clears the ground, and place safety supports underneath body.

Caution: Only the recommended jacking points must be used as outlined in Section 18, "Body".

- b) Support the axle with a suitable hydraulic floor jack at the recommended jacking point.
- c) Remove wheel.
2. Exhaust compressed air from accessory air tank by opening drain cock under reservoir.
3. Disconnect the height control valve link and pull down the overtravel lever to ensure all air is exhausted from air springs.

Note: While performing this step, do not change the height control valve overtravel lever adjustment.

4. Disconnect air line from air spring, remove elbow (if applicable), and cover both the line end and fitting to prevent the entry of foreign matter.
5. Remove the air spring upper nut, and then the two lower nuts. Remove air spring.

2.3 INSTALLATION

1. Compress air spring as necessary, then aligning studs with their holes, position air spring between both the lower and upper supports. Thread the lower nuts and the small upper nut a few turns.

Note: To facilitate air spring installation, compress it manually then put a piece of tape over the air line threaded fitting. This prevents air from getting back into the bag and keeps it compressed, thus enabling to place the bag in between the mounting plates and greatly easing installation.

2. Tighten and torque the lower stud nuts, and then the upper one according to paragraph 13 Torque Specifications.
3. Thread the remaining upper nut (large nut) and tighten according to paragraph 13 Torque Specifications.
4. Install elbow (if applicable), then connect air line.
5. Connect the height control valve link.
6. Build up air pressure in system.

Note: To accelerate this operation, air reservoirs can be filled from an exterior air supply connected to the accessory tank fill valve or to the emergency fill valve.

7. Check operation of bellows and with the primary air system at normal operating pressure (95 – 125 psi (655 – 860 kPa)), coat the air line connections and air spring mounting areas with a water and soap solution. Bubbles will indicate an air leak, and none is permissible. Repair or replace defective parts.
8. Reinstall wheel.
9. Remove the hydraulic floor jack from under the axle, then lower vehicle to ground.

3. SHOCK ABSORBERS

Double-action, telescoping-type shock absorbers ensure a smooth ride and enhance

Section 16: SUSPENSION

vehicle stability on the road. All shock absorbers are eye-type mountings. The front and tag axles are each provided with two shock absorbers while the drive axle is provided with four of them (Fig. 1, 2, 3, 4 and 5).

Shock absorbers are non-adjustable and non-repairable. Maintenance requirements involve replacement of the rubber mounting bushings, and tightening of all shock absorber pins according to paragraph 13 Torque Specifications when shock absorber replacement occurs. If a shock absorber becomes inoperative, complete unit must be replaced.

Caution: When a shock absorber is found defective, always replace with a new set on affected axle, except if there has been a recent replacement of one unit. The following method will help in determining if both shock absorbers on the same axle have to be replaced.

3.1 INSPECTION

Loosen lower mounting of both shocks, and then carefully attempt to raise and lower the bottom portion of each shock. Note the rate of effort for distance of travel. Replace both shocks if a definite differential rate is found.

The shock must be bench checked in an upright, vertical position. If checked in any other position, air will enter the cylinder tube and make the shock absorber appear defective.

Proceed as follows to check shock absorbers:

1. With the shock absorber in a vertical position (top end up), clamp the bottom mount in a vise.

Caution: Do not clamp the reservoir tube or the dust tube.

2. Rotate the dust tube. Notice any binding condition (may be compared with new unit). Binding condition indicates a scored rod. Units with scored rods should be replaced.
3. Fully extend shocks and check for leaks in the seal cover area. Shock fluid is a very thin hydraulic fluid that has a characteristic odor and dark brown tint. A slight trace of shock fluid around the seal cover area is not a cause for replacement (Refer to the SACHS document "Guideline To Evaluate Warranty Claims" annexed at the end of this section before replacing a shock). The shock seal is designed to permit a very

slight seepage to lubricate the rod. Units that leak should be replaced.

4. Visually check shock for dents that could cause the shock to bind. Also, check for a bent rod.
5. Extend and collapse shock several times to determine that it has control (resistance) in both rebound and compression.
6. Visually inspect the shock mountings and vehicle mounting for:
 - a. Broken mounts;
 - b. Extreme bushing wear;
 - c. Shifted bushing or sleeve;
 - d. Deep cracks in bushing material (shallow surface cracks are normal);
 - e. Loose shock absorber pins;
 - f. Presence of convex washers, and their position relative to the rubber bushing.

3.2 REMOVAL

1. Remove nuts and washers from shock absorbers on upper and lower mounting pins, taking care to identify the inner and outer washers to ease reinstallation. Refer to figure 7 for details.
2. Remove the shock absorber assembly from pins.
3. Remove the two inner bushings from the shock absorber and discard them.

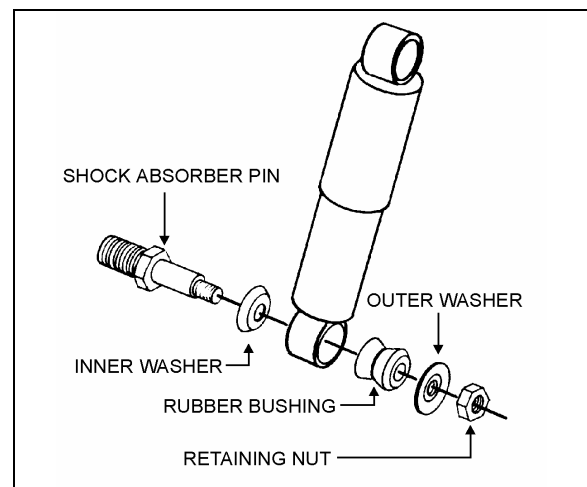


FIGURE 7: SHOCK ABSORBER

16008

3.3 INSTALLATION

1. Ensure that the shock absorber mounting pins are tight and that the threads are not stripped.
2. Install new rubber mounting bushings on shock absorbers (upper and lower).
3. Place the inner washers (with washer convex side facing the shock absorber rubber bushing) on each shock absorber pin (Fig. 8).

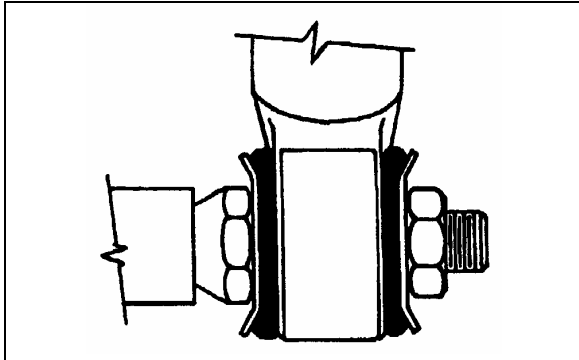


FIGURE 8: TYPICAL SHOCK ABSORBER SETUP 16009

4. Install the shock absorber eyes over the mounting pins, then the outer washers (with washer convex side facing the shock absorber rubber bushing) on each shock absorber extremity.

Note: If shock absorber pins are removed, they must be reinstalled using "Loctite 242".

5. Place the lower and upper mounting pin stud nuts and torque according to paragraph 13 Torque Specifications.

4. RADIUS RODS

Radius rods are used to secure the axles in the proper transversal and longitudinal positions. Four radius rods are provided on the front axle suspension (three longitudinal and one transversal), four on the drive axle suspension (three longitudinal and one transversal) and also four on the tag axle with a layout similar to the drive axle. Refer to figures 1, 2, 3, 4 and 5 for details. These rods transmit both braking and driving forces from the axles to the vehicle body.

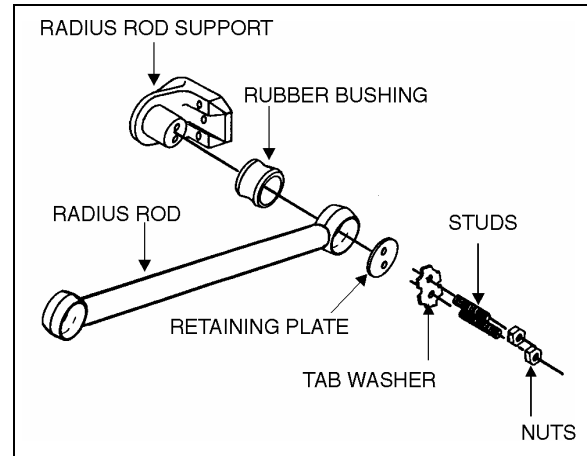


FIGURE 9: TYPICAL RADIUS ROD SETUP 16010

4.1 INSPECTION

The following instructions apply to all radius rods used on this vehicle:

1. Clean all parts thoroughly.
2. Inspect radius rods for distortion and cracks. We recommend the "Magnaflux" process to detect cracks in the radius rod. Any damaged part should be replaced with a new one.

Note: New bushings should be used when rods are replaced.

3. The radius rod bushings should be checked periodically for signs of shearing, deterioration, or damage. Any defective part should be replaced with a new one.

4.2 REMOVAL

1. Flatten the tab washer which secures the two retaining nuts (or bolts), then unscrew the nuts (or bolts) at each extremity of the radius rod (Fig. 9).
2. Remove the tab washer and the retaining plates and radius rod ends from anchor pins, and then remove the radius rod.

4.3 BUSHING REMOVAL

1. Safely support the radius rod as shown in figure 10.

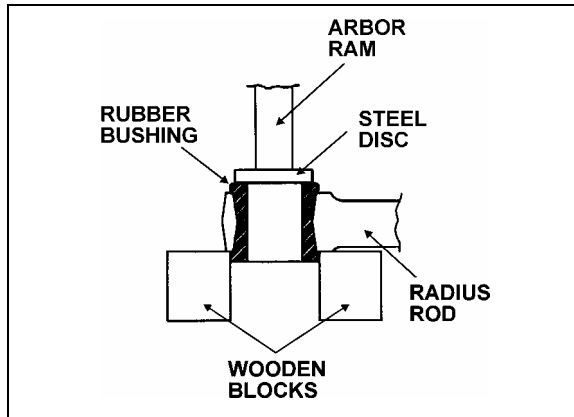


FIGURE 10: RADIUS ROD BUSHING REMOVAL 16011

2. Place a flat steel disc, slightly smaller than the outside diameter of the bushing (Fig. 10).
3. Using an arbor press or a suitable driving tool, press or drive the old bushing out of the rod and discard the bushing.

4.4 BUSHING INSTALLATION

1. Lightly spray the inner and outer surfaces of radius rod bushing with water.

Caution: No lubricant whatsoever is to be used on the rubber bushing.

2. Safely support the radius rod, and place new bushing on top of the radius rod end (Fig. 11).
3. Place a block of wood on top of bushing and press on it manually.
4. If necessary, use an arbor press or a suitable driving tool. Press or drive the bushing into the radius rod end until it extends equally on both sides of the rod.
5. It is also possible to proceed differently. Place radius rod bushing on a plane surface. Spray a light coat of water on the inner and outer surfaces of radius rod bushing.
6. Take radius rod, align the bushing. Tap radius rod on bushing until latter is positioned correctly.

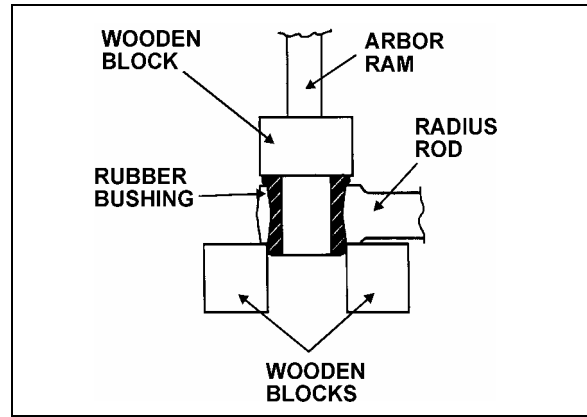


FIGURE 11: RADIUS ROD BUSHING INSTALLATION 16012

4.5 INSTALLATION

1. Lightly spray the radius rod support with water. Place the radius rod end over the radius rod support (Fig. 12).
2. Put 3 drops of Loctite243 (Prevost #680038) in each radius rod support tapped blind holes and a line of Loctite on bolts.
3. Position the retaining plate. Install the tab washer and nuts (or bolts).

Caution: Always use new tab washers at installation.

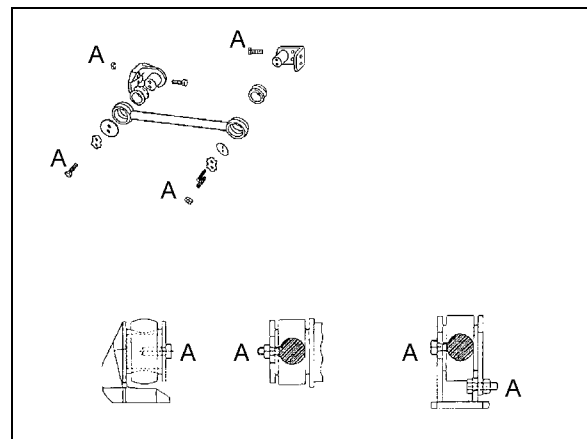


FIGURE 12: RADIUS ROD INSTALLATION 16028

4. Tighten the nuts (or bolts) lightly, and repeat at the other end.
5. Refer to heading "SUSPENSION HEIGHT ADJUSTMENT" later in this section, and set the vehicle to normal ride height.
6. With the vehicle at normal ride height, apply oil on threads and tighten all radius rod anchor pin nuts or bolts according to paragraph 13 Torque Specifications.

Caution: It is extremely important upon reconnection of the rods that the proper clearance height between the axle and body be maintained. Otherwise, the rubber bushings in radius rod ends will become preloaded, thus reducing their life span.

5. SWAY BAR

A sway bar is provided on the front and drive axles to increase vehicle stability. It controls lateral motion (swaying movement) of vehicle (Fig. 13).

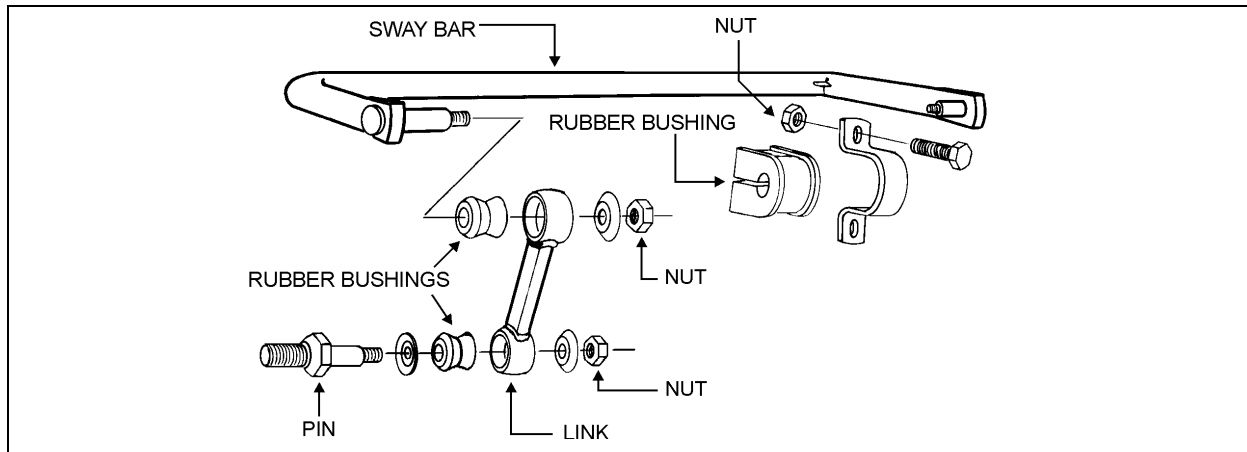


FIGURE 13: FRONT & DRIVE AXLE SWAY BAR

16144

5.1 REMOVAL

1. Disconnect the two links from sway bar.
2. Safely support the sway bar. Unbolt the four bushing collars from subframe.
3. Remove sway bar.

Note: Sway bar bushings are slotted to ease their removal.

5.2 INSTALLATION

1. Loosely install the sway bar.
2. Tighten the eight bushing collar nuts according to paragraph 13 Torque Specifications (Fig. 13).
3. Tighten sway bar link upper nuts and lower nuts according to paragraph 13 Torque Specifications (Fig. 13).

6. SUSPENSION AIR SYSTEM

The suspension air system has its own air reservoir (accessory tank) which is located in the reclining bumper compartment. Pressurized air from the main tank (wet tank) flows through a pressure protection valve (PR-2), to the

accessory air tank and through an air filter which is located in front service compartment.

The pressure protection valve (PR-2) is mounted to the supply port of the tank. This valve controls the pressure at which compressed air is delivered to the accessory air tank. The valve remains closed until a preset pressure is reached (approximately 70 psi (485 kPa)). It then opens and passes air out the delivery port.

The main use for this valve is to protect the main air system by ensuring at all times a sufficient air pressure in the main system (i.e. air delivered to the accessories will be shut off in case of a decrease in pressure). Maintenance and repair information on the pressure protection valve is supplied in the applicable booklet, annexed to Section 12, "Brakes and Air System" under reference number SD-03-2010.

Warning: Depressurize parts prior to removal.

6.1 INSPECTION

The following inspection should be performed at established service inspection periods. Performing these procedures will allow substandard performance to be discovered

Section 16: SUSPENSION

before the condition becomes bad enough to cause operator complaints and failure on a run.

1. Visually inspect the suspension air lines for evidence of chafing on metal parts or other damage.
2. Visually inspect the air springs for cracks, abrasion or other damage.
3. Replace any parts found to be damaged.

6.2 AIR LINE TEST

With the main air system at normal operating pressure, coat all suspension air line connections and air spring mountings with a solution of soap and water. Air leakage will produce soap bubbles. Any leak found must be corrected as no air leakage is permissible.

6.3 AIR TANK MAINTENANCE

Refer to Section 12, "Brakes and Air System" under "MAINTENANCE" for complete instructions on air tank maintenance.

7. SUSPENSION HEIGHT ADJUSTMENT

The flow of pressurized air from the accessory air tank to the air springs is controlled by three height control valves. These valves are mounted to the subframe and connected to the axles through an arm and link connection. This connection allows the valves to apportion air pressure in the springs to the vehicle load, maintaining normal ride height.

Immediate response height control valves increase or decrease the air pressure in the suspension system as required. One height control valve is located at center of front axle, and regulates air to front axle air springs in order to maintain the vehicle at the required height. Two are located at the drive axle, one on each inner side of rear wheelhouse. Refer to figure 15.

The appropriate vehicle body height is obtained by measuring the clearance of all the air springs installed on the front and drive axles. The clearance should be $12 \pm \frac{1}{4}$ " (305 ± 6 mm) for the air springs installed on the front axle and $11\frac{1}{2} \pm \frac{1}{4}$ " (292 ± 6 mm) for those installed on the drive axle. Refer to figure 14 to identify the correct location where the measure has to be taken. At this point, it should not be necessary to make an adjustment under normal service conditions. However, if an adjustment is

required, change the position of the overtravel lever in relation to the overtravel control body. The lever should be moved up to raise the height of vehicle and down to lower it. Check that main air pressure is at normal operating pressure and raise the vehicle to the specified height.

Caution: Because of the "deadband", always adjust on "fill cycle". If it is necessary to lower vehicle height, release sufficient air to be well below height, and adjust to height through fill cycle.

To adjust suspension height, proceed as follows:

1. With the vehicle at normal operating air pressure, check the air spring clearance as illustrated in figure 14. This clearance should be $12 \pm \frac{1}{4}$ " (305 ± 6 mm) for the front axle air springs and $11\frac{1}{2} \pm \frac{1}{4}$ " (292 ± 6 mm) for those on the drive axle.

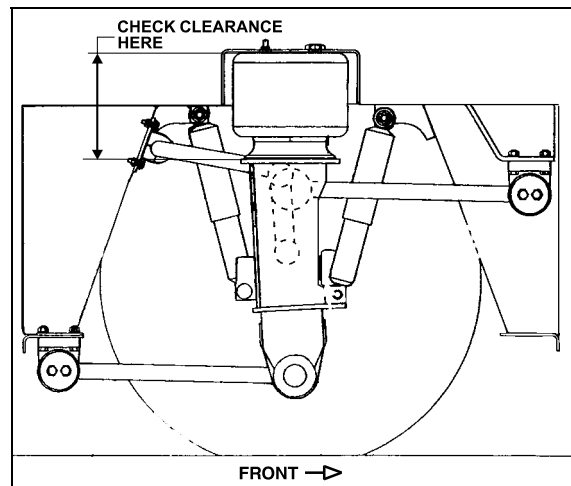


FIGURE 14: TYPICAL AIR SPRING CLEARANCE 16108

Note: The measure should be taken from under the upper air spring support on subframe to top of the lower air spring support on axle (refer to fig. 14 for more details). If adjustment is required, begin with the drive axle.

2. Loosen the adjusting nuts on the connecting rod of height control valve to raise or lower the overtravel lever until the desired clearance is reached.
3. If there is not enough play on adjusting nuts, it is possible to make further adjustments by loosening the clamp on the rubber coupling and bringing it up or down.

Note: Allow suspension to stabilize before taking reading.

- When the desired height is obtained, tighten adjusting nuts and clamp.

8. HEIGHT CONTROL VALVES

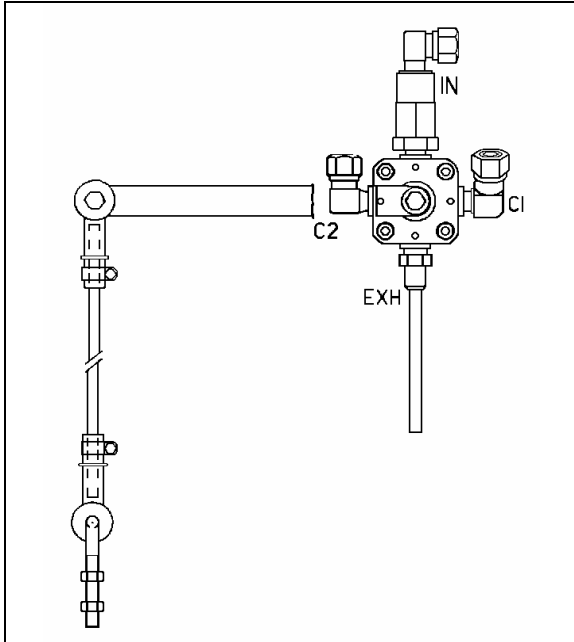


FIGURE 15: HEIGHT CONTROL VALVE 16093

The height control valves automatically add air to, or release air from air springs to maintain constant suspension height regardless of load, or load distribution. Each valve adjusts independently according to the following conditions:

Loading position

As the load increases and lowers the vehicle body, the overtravel lever commands the height control valve to add air to air springs.

Neutral position

When vehicle body reaches the normal ride height, the height control valve overtravel lever reaches the "neutral" position and keeps both the supply and exhaust ports closed to ensure normal ride height is maintained. This condition remains static until the vehicle load is altered.

Unloading position

As the load decreases and raises the vehicle body, the overtravel lever commands the height control valve to release air from air springs.

8.1 MAINTENANCE

The height control valve requires no periodic maintenance. Height control valve linkage operates on rubber bushings and no lubrication should be attempted at this point.

8.1.1 Removal and installation

Before disconnecting any height control valve air lines, securely support the vehicle by its jacking points on the body, and place safety support underneath body. Refer to "VEHICLE JACKING POINTS" in Section 18, "Body".

- Exhaust air from air system by opening the drain cock on accessory air reservoir.
- Disconnect overtravel lever from link and pull down lever to exhaust remaining air from air springs.
- Disconnect air supply and delivery lines from the height control valve. Cover ends of the lines with tape.
- Remove the two nuts retaining the height control valve to the mounting bracket, then remove valve assembly.

Reverse removal procedure to replace height control valve. After installation, check for leakage using a soap and water solution.

8.1.2 Air leakage test

Note: The following procedure applies when valve assembly has been removed from vehicle.

- Clean the exterior of valve assembly.
- Connect air pressure line to air inlet port, then allow air pressure build-up (70- 100 psi (480 - 690 kPa)).
- Dip the valve assembly in a container of water, and watch for air bubbles when the overtravel lever is in the center position. No air should escape from any point of the valve assembly.
- If bubbles appear from the air spring port, this is an indication that the air inlet valve assembly is defective and must be replaced.
- Remove air pressure line from air inlet fitting and connect it to the air spring port. If bubbles appear at the air inlet check valve port, this is an indication that check valve unit is defective and must be replaced.
- If bubbles appear at the exhaust port, this is an indication that the exhaust valve assembly is defective and must be replaced.

Section 16: SUSPENSION

7. If bubbles appear around edge of valve cover plate, the cover plate gasket must be replaced.
8. If no leaks are found, remove valve assembly from water, then with air pressure still connected to the air spring port, actuate overtravel lever to remove any excess water which may have entered exhaust valve chamber. Remove air line, connect it to the air inlet port, and repeat operation to remove water from the air inlet valve chamber.

9. FRONT KNEELING SYSTEM

The kneeling system is used to lower front of vehicle. This allows passengers to board the vehicle with greater ease. The kneeling action is achieved by exhausting air from the front air springs (bellows). This system bypasses the height control valve to provide a fast up and down movement of the front suspension. Only seven seconds are required to lower vehicle from normal level to the lowered position, and approximately the same time to raise the vehicle back to normal level. The quick response is achieved by an auxiliary air tank installed beside the secondary air reservoir (for exact position, refer to Section 12, *"Brake and Air System"*).

This tank provides sufficient air supply to the kneeling system for some successive operations.

The system is provided with two safety features; first, a speed switch will enable the kneeling system to work only below 5 mph (8 km/h). Secondly, the parking brake is automatically applied, and a limit switch will keep it applied as long as the vehicle has not returned to a certain height where the driver will be able to manually remove the parking brake.

The purpose of the hi-buoy function in this system is to raise the front end of the vehicle to allow an extra ground clearance for particular situations. In driving condition, the height control valve is in operation and only the hi-buoy can be operated.

9.1 PRINCIPLE OF OPERATION

Refer to the air system schematic diagram annexed at the end of Section 12, *"Brake and Air System"*.

DOWN (FRONT KNEELING):

Both the bellows control and bellows exhaust solenoid valves are energized, so the air control valves release air from front air springs. The height control valve is bypassed to ensure no air is forwarded to air springs while lowering the front suspension.

UP (FRONT HIGH-BUOY):

Only the bellows control solenoid valve is energized, so the air coming from the kneeling air tank is routed through air control valves, and up to front air springs.

The height control valve is bypassed until the kneeling proximity switch signals the kneeling module to cut off the bellows control solenoid valve, about 1" (25 mm) below normal ride height. The final height adjustment is achieved by the height control valve.

9.2 MAINTENANCE

Since the kneeling action is issued from both the air system and electrical system, refer to Section: 12, *"Brake and Air System"* and Section 06, *"Electrical System"*.

For diagnosis and understanding of the system, refer to wiring diagrams, and to the appropriate air system schematic diagram annexed to Section 12, *"Brake and Air System"*.

9.3 BELLOWS CONTROL SOLENOID VALVES

9.3.1 Removal and installation

1. On the rear side of steering compartment, locate both the bellows control and bellows exhaust solenoid valves.
2. Identify hoses and wires to ease reinstallation. Disconnect solenoid wires and the three flexible black hoses from solenoid valves.
3. Unscrew and remove the control solenoid valve and exhaust solenoid valve assembly. Place on a clean working place.

Reverse removal procedure to reinstall.

Caution: Any cable tie that has been cut during removal procedure should be replaced with a new one.

10. HIGH-BUOY SYSTEM

The purpose of the rear high-buoy system is to raise the entire vehicle body about 4" (100 mm) in order to increase ground clearance to board a ferryboat, to jump a curb, etc. This system can be put into service during normal vehicle operation.

10.1 PRINCIPLES OF OPERATION

The rear high-buoy system is added over the front kneeling (with front high-buoy). The front end uses the same valves as the front kneeling (with front high-buoy). A solenoid valve is added to send air to the double shuttle valves for the rear end. It uses the same dash switch as the kneeling (with front high-buoy).

UP:

The air coming from the control valve, flows through double shuttle valves, to supply air springs. The double shuttle valves prevent height control valves from releasing air from air springs.

DOWN:

The control valve, on the dashboard, cuts off air supply, so the double shuttle valves allow height control valves to accomplish their function. Height control valves release air from air springs until suspension returns to its normal position.

10.2 MAINTENANCE

Refer to the air system schematic diagram "OPT. FRONT KNEELING WITH REAR HIGH-BUOY COMBINATION" annexed at the end of this Section.

10.3 HIGH-BUOY – PRESSURE REGULATOR

The pressure regulator is located on ceiling of the spare wheel and tire compartment and is accessible through the reclining bumper. This valve should be adjusted to 90 psi (621 kPa).

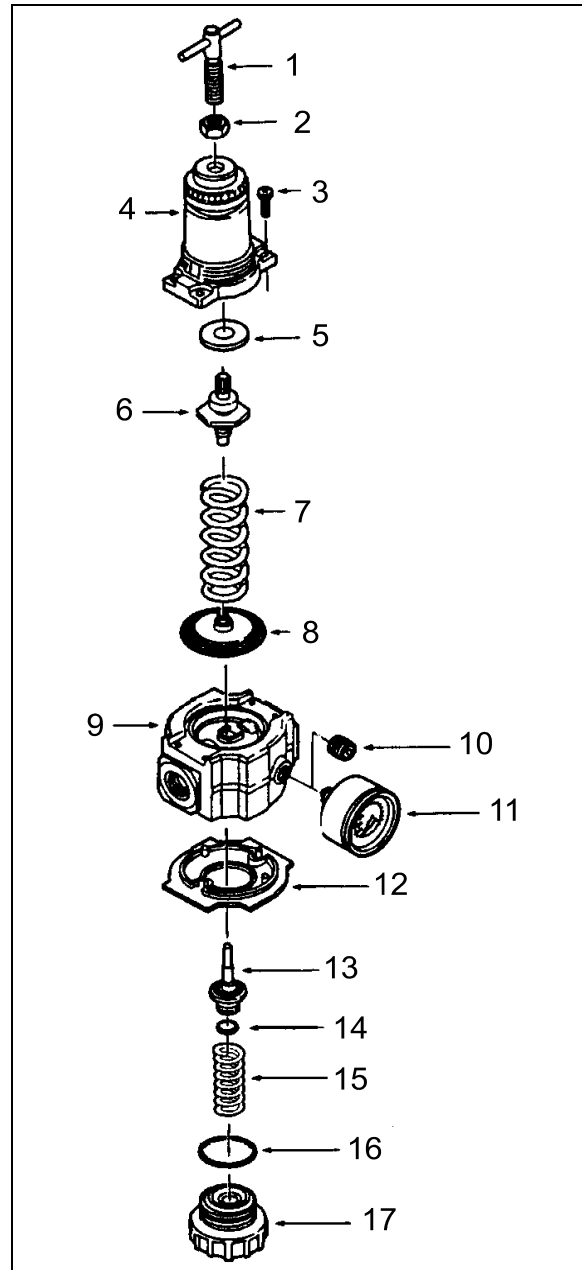


FIGURE 16: AIR PRESSURE REGULATOR

16035

10.3.1 Adjustment

1. Before turning on system air pressure, release jam nut (2, Fig. 16) then turn regulator adjustment handle counter-clockwise until all load is removed from the regulating spring.
2. Turn on system pressure.
3. Turn regulator adjustment handle clockwise until the desired outlet pressure is reached.
4. To avoid minor readjustment after making a change in pressure setting, always

Section 16: SUSPENSION

approach the desired pressure from a lower pressure. When reducing from a higher to a lower setting, first reduce the pressure at a lower pressure, and then increase it to the desired level of pressure.

5. Tighten jam nut (2, Fig. 16) to lock pressure setting.

10.3.2 Disassembly

1. Shut off inlet pressure and reduce pressure in inlet and outlet lines to zero. Turn regulator adjustment handle (1, Fig. 16) counterclockwise until all load is removed from regulating spring. Regulator can be disassembled without removal from air line.
2. Disassemble regulator in accordance with the item numbers on the exploded view.

10.3.3 Cleaning

1. Clean parts with warm water and soap. Dry parts and blow out internal passages in body using clean, dry compressed air.
2. Inspect parts. Replace those found to be damaged.

10.3.4 Reassembly

1. Lubricate O-ring (14 and 16, Fig. 16), valve stem (13, Fig. 13), tip of adjusting screw (1, Fig. 13), and the outer circumference and both sides of the thrust washer (8, Fig. 16) with a light coat of good quality O-ring grease.
2. Assemble the regulator as shown on the exploded view.

Torque Table	
Item	Torque in Lbf-inch (Nm)
3 (Screw)	25-35 (2.8-3.9)
17 (Bottom plug)	20-25 (2.3-2.8)

11. LOW-BUOY SYSTEM

The purpose of the low-buoy system is to lower the whole suspension by about 4" (100 mm) in order to reduce the overall height for low clearances. This system can be put into service during normal vehicle operation.

11.1 PRINCIPLES OF OPERATION

On H3-41 and H3-45 coaches, the rear low-buoy is added over the front kneeling system.

The control valve on the left console panel sends an electric signal from its pressure switch to control the front suspension as if kneeling. It also removes air from a relay valve that exhausts air supply to all leveling valves and the quick release in the rear section. Air from the rear suspension can then be depleted through the check valve-quick release assembly.

DOWN:

The control valve, on the L.H. control panel, cuts off air supply, so air is released from air springs. A relay valve prevents height control valves from supplying air springs.

UP:

The control valve, on the L.H. control panel, supplies air to close the passage between both the delivery and supply ports. A relay valve opens and provides air springs until the suspension reaches the normal ride height.

11.2 MAINTENANCE

Refer to the air system schematic diagram "OPT. FRONT KNEELING WITH REAR LOW-BUOY COMBINATION" annexed at the end of this Section.

12. TROUBLESHOOTING

Condition	Cause	Correction
Bellows deflate over time	<ol style="list-style-type: none"> 1. Defective check valve assembly. 2. Defective exhaust valve assembly. 3. Leak in air line and/or bellows. 4. Defective valve cover, rubber O-rings or gasket. 	<ol style="list-style-type: none"> 1. Replace check valve assembly. 2. Replace exhaust valve assembly. 3. Replace air line or bellows. 4. Replace valve cover, O-rings or gasket.
Bellows raise to full height and fail to exhaust air pressure	<ol style="list-style-type: none"> 1. A clogged exhaust screen in height control valve assembly. 2. A combination clogged exhaust screen and defective air inlet valve assembly. 	<ol style="list-style-type: none"> 1. Remove and clean screen. 2. Clean exhaust screen and replace air inlet valve assembly.
Erratic valve action	<ol style="list-style-type: none"> 1. Dirt or foreign matter in the air valve lever chamber. 2. Defectives valves. 	<ol style="list-style-type: none"> 1. Remove valve cover and blow out dirt. Install cover using new gasket. 2. Overhaul height control valve assembly
Vehicle body fails to level to satisfactory ride height	<ol style="list-style-type: none"> 1. Improper height control valve overtravel lever adjustment 	<ol style="list-style-type: none"> 1. Adjust lever as directed.

13. TORQUE SPECIFICATIONS

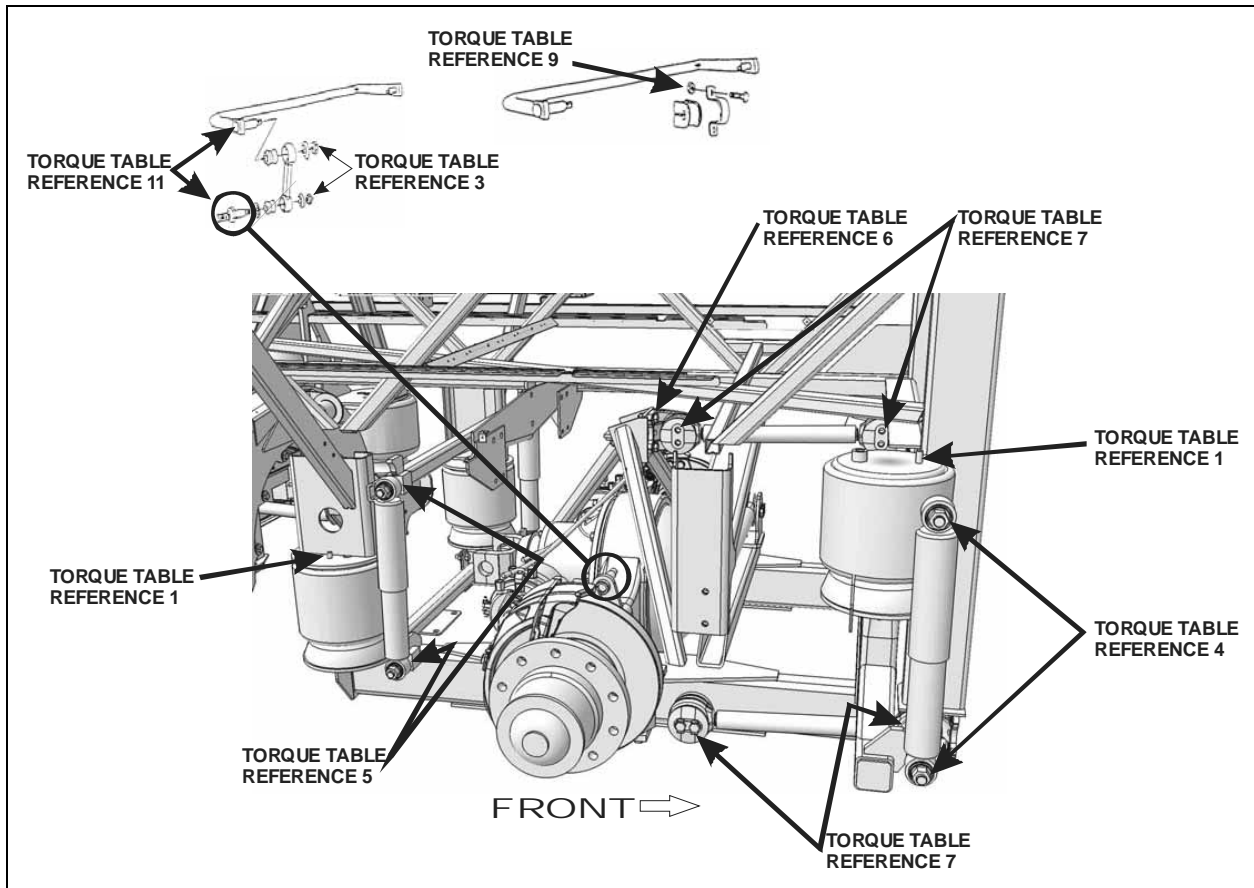


FIGURE 17: TORQUE SPECIFICATIONS – DRIVE AXLE

16158

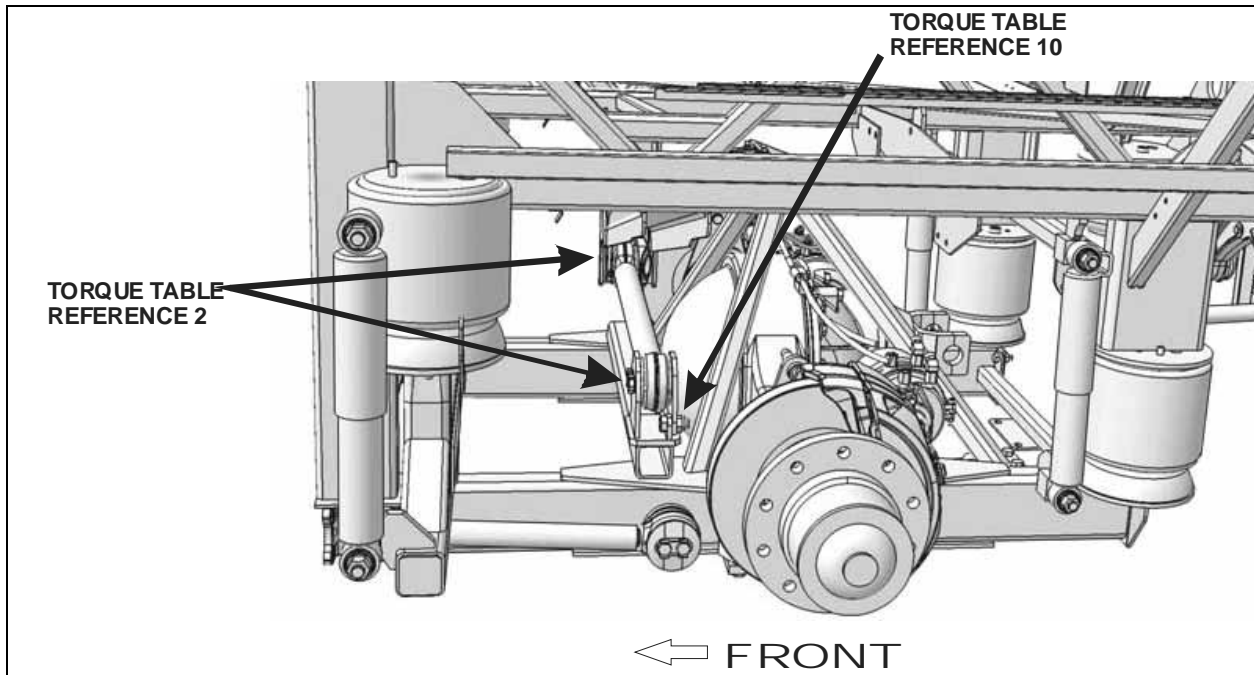


FIGURE 18: TORQUE SPECIFICATIONS – DRIVE AXLE

16159

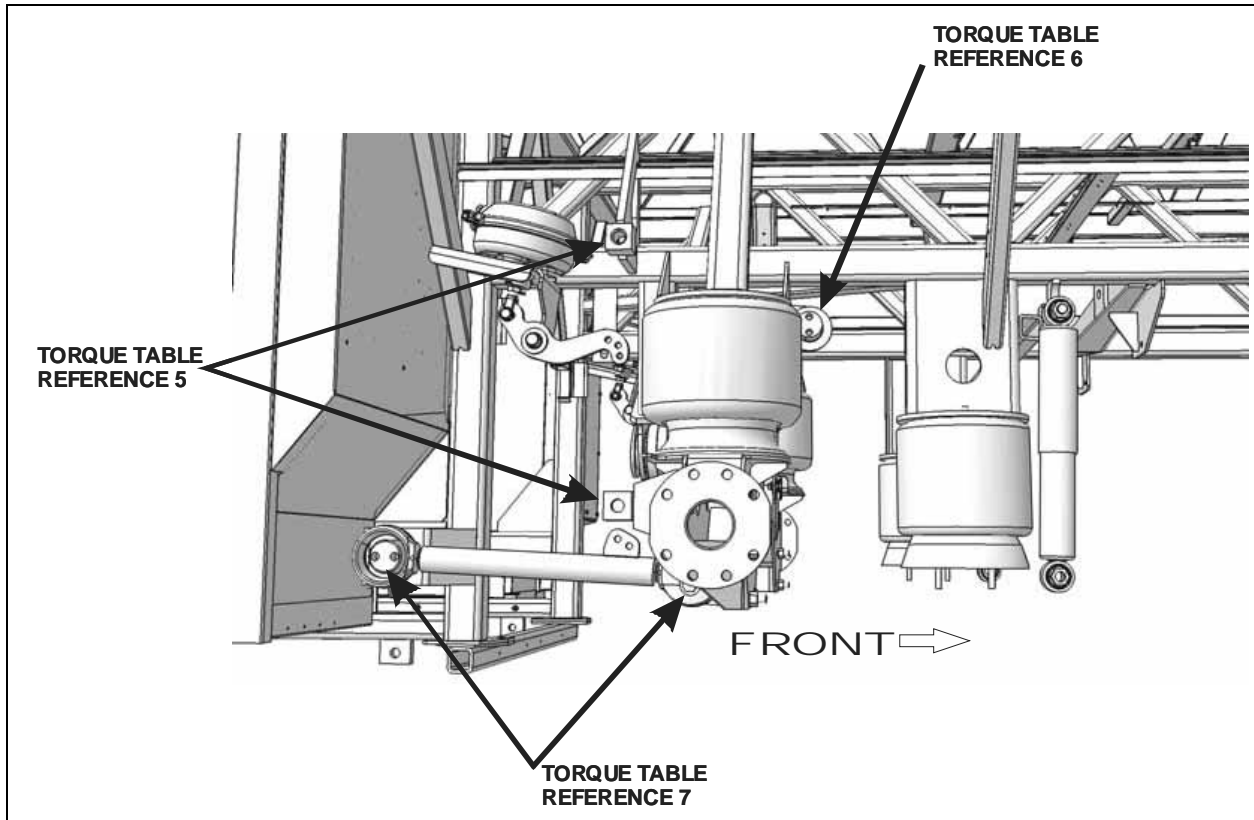


FIGURE 19: TORQUE SPECIFICATIONS – TAG AXLE

16160

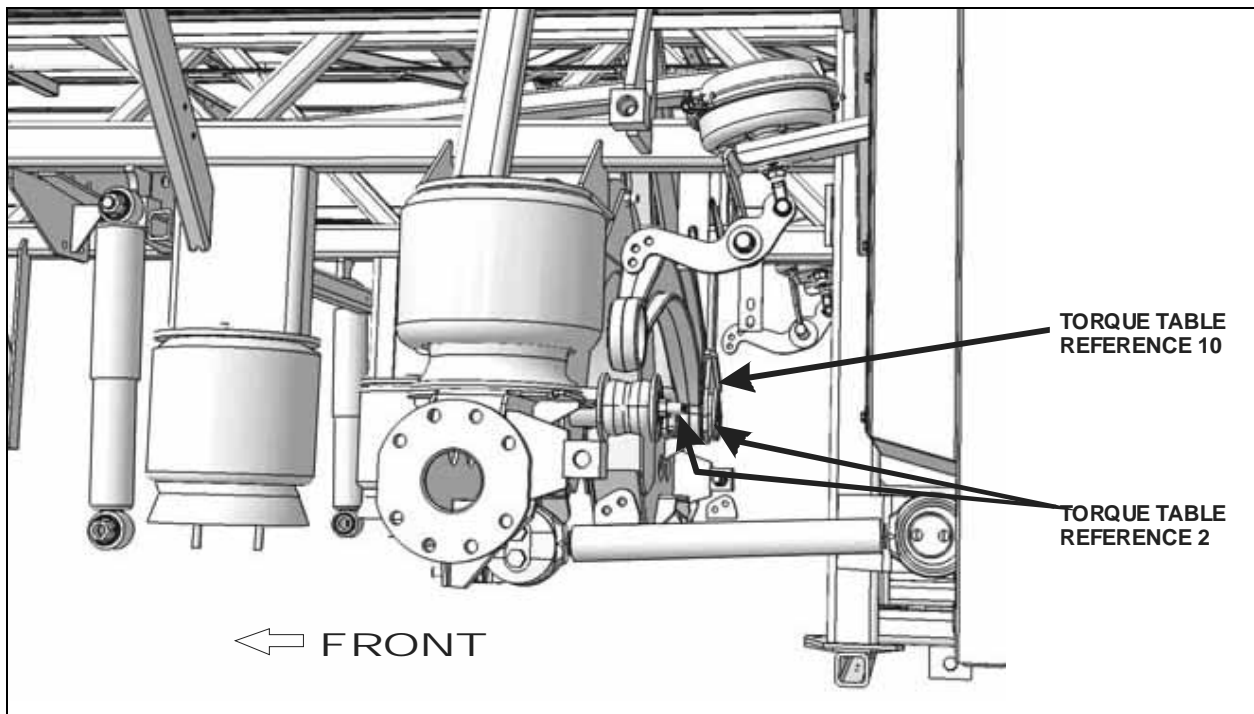


FIGURE 20: TORQUE SPECIFICATIONS – TAG AXLE

16161

Section 16: SUSPENSION

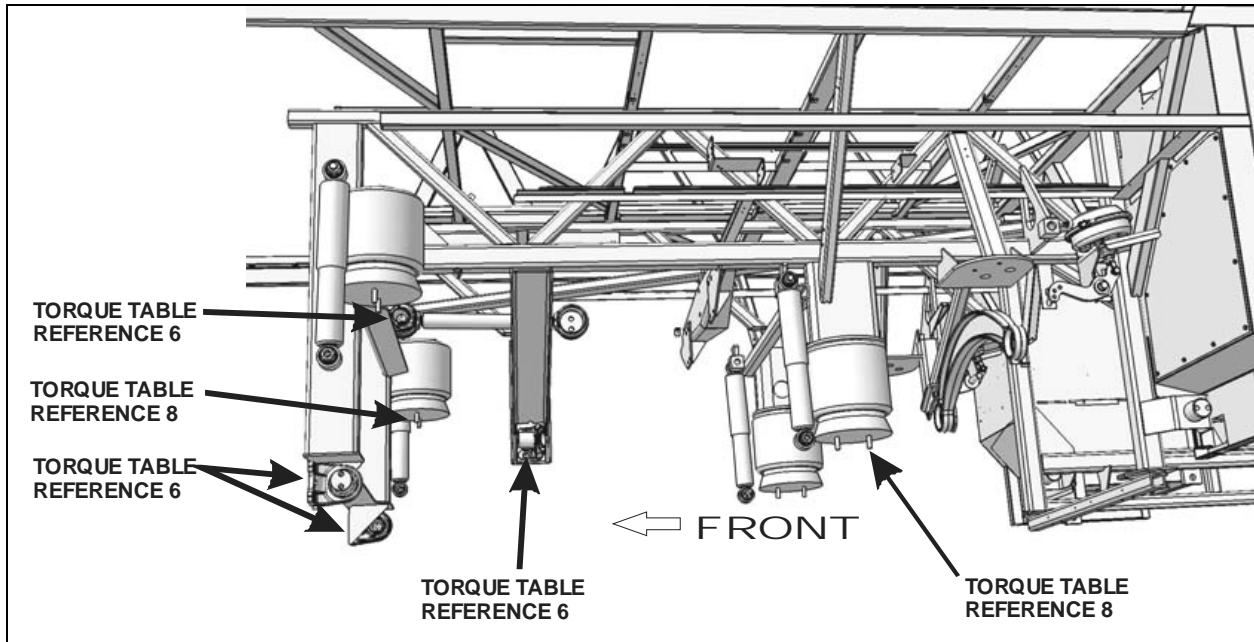


FIGURE 21: TORQUE SPECIFICATIONS – REAR SUBFRAME

16162

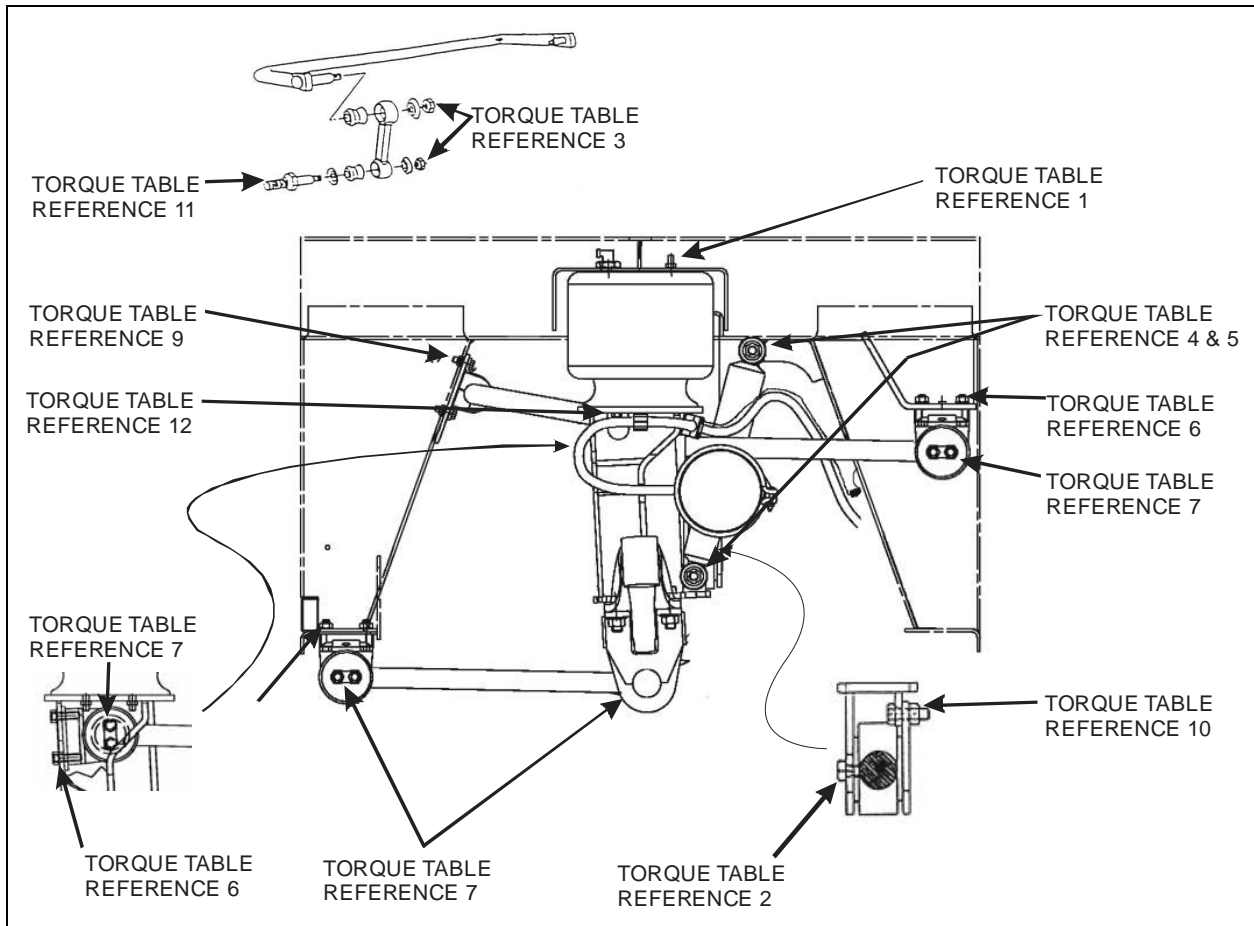


FIGURE 22: TORQUE SPECIFICATIONS – FRONT AXLE

TORQUE TABLE			
DESCRIPTION	REFERENCE	TORQUE (DRY) lbf-ft / Nm	
<i>Air Spring Upper Stud Nut (8 air springs)</i>	1	20-25	27-34
<i>Transversal Radius Rod Retaining Bolts (Tag, drive & front axle)</i>	2	140-155	190-210
<i>Sway Bar Link Upper & Lower Nut</i>	3	70-85	95-115
<i>Shock Absorber Pin Nut (6 shock absorbers)</i>	4	70-85	95-115
<i>Shock Absorber Pin (8 shock absorbers)</i>	5	350-400	475-545
<i>Radius Rod Support Nut/bolt (13 supports)</i>	6	200-220	271-298
<i>Radius Rod Retaining Bolts (10 longitudinal radius rods)</i>	7	140-155	190-210
<i>Air Spring Lower Stud Nut (6 air springs)</i>	8	31-38	42- 51
<i>Sway Bar Bushing Collar Bolt</i>	9	80-100	108-136
<i>Transversal Radius Rod Support Nut (Tag, drive & front axle)</i>	10	250-280	339-380
<i>Sway Bar Link Pin Stud</i>	11	350-400	475-545
<i>Air Spring Lower Stud Nut (2 front axle air springs)</i>	12	20-25	27-34

Note: During assembly, use “Loctite 242” (Prevost No 680038) with item 5 and 19. After assembly, apply “anti-seize compound” (Prevost No 680064) on all threads nuts.

14. PARTS SPECIFICATIONS

Front and tag axle air springs

Make..... Goodyear Tire and Rubber

Model..... 1200

Type Mae West

Nominal diameter 12” (304 mm)

Prevost number 630125

Drive axle air springs

Make..... Goodyear Tire and Rubber

Model..... 1100

Type Double Flare

Nominal diameter 11” (279 mm)

Prevost number 630105

Front axle shock absorbers

Make..... Sachs

Section 16: SUSPENSION

Color..... Black
Type N45X225HA
Ext. Diam.....75 mm
Collapsed length 15.51" (394 mm)
Extended length 24.37" (619 mm)
Prevost number.....630252

Drive and tag axle shock absorbers

Make.....Sachs
Color..... Black
Type N45X225HA
Ext. Diam.....75 mm
Collapsed length 15.51" (394 mm)
Extended length 24.37" (619 mm)
Prevost number.....630253

Height control valve (VIP, front only)

Make..... Barksdale
Quantity used 1
Prevost number.....630157

Height control valve (coach, all axles & VIP, rear only)

Make..... Barksdale
Quantity 2 or 3
Prevost number.....630156

Bellows control and exhaust solenoid valve assembly

Make..... Norgren

Solenoid valve manifold

Prevost number.....641130

Coil

Voltage 24 V DC
Current draw 29 amperes
Prevost number.....641144

Valve (3 way, 2 positions)

Type N/C
Supplier number 411-C-456235W
Prevost number.....641357

Type N/O
Prevost number641356

Radius rod bushing

Make..... Prevost
Prevost number630021

Loctite

Make..... Loctite
Prevost number680039

Sway bar bushing (Front Axle)

Make..... Prevost
Prevost number131355

Sway bar bushing (Drive Axle)

Make..... Prevost
Prevost number130953

Sway bar link bushings

Prevost number506678

Shock absorber bushings

Make..... Monroe
Prevost number630062

High-Buoy Pressure regulator

Make..... Norgren
Recommended pressure setting 90 psi (621 kPa)
Prevost number641352

SECTION 16: VIP EQUIPPED WITH INDEPENDENT FRONT SUSPENSION (IFS)

CONTENTS

1. INTRODUCTION	4
2. STEERING LINKAGE	4
2.1 POWER STEERING HYDRAULIC PUMP	7
2.2 STEERING LINKAGE ADJUSTMENT	7
2.3 PITMAN ARM REMOVAL	7
2.4 PITMAN ARM INSTALLATION	7
2.5 DRAG LINK	8
2.5.1 <i>Adjustment</i>	8
2.6 BELL CRANK AND IDLER ARM	8
2.6.1 <i>Bell Crank and Idler Arm Removal</i>	8
2.6.2 <i>Bell crank or Idler Arm Ball Joint Disassembly</i>	9
2.6.3 <i>Bell Crank or Idler Arm Ball Joint Reassembly</i>	9
2.7 RELAY ROD	10
2.7.1 <i>Replacement</i>	10
2.8 TIE RODS	10
2.8.1 <i>Removal</i>	10
2.8.2 <i>Installation</i>	11
2.9 STEERING ARMS	11
2.9.1 <i>Removal</i>	11
2.9.2 <i>Installation</i>	11
2.10 LUBRICATION FITTINGS.....	11
3. BALL JOINTS	13
4. LOWER AND UPPER A-ARM BALL JOINT.....	13
4.1 INSPECTION.....	13
4.2 STRIPPING DOWN	13
4.3 ASSEMBLY.....	13
5. LOWER A- ARM CENTRAL BALL JOINT.....	14
5.1 INSPECTION.....	14
5.2 STRIPPING DOWN	14
5.3 ASSEMBLY.....	14
6. UPPER A-ARM CENTRAL BALL JOINT.....	15
6.1 VISUAL INSPECTION	15
6.2 PLAY MEASUREMENT	15
7. FRONT END ALIGNMENT	15
7.1 ALIGNMENT TERMINOLOGY	16
7.2 FRONT END INSPECTION	16
7.3 FRONT WHEEL CAMBER.....	17
7.4 FRONT WHEEL TOE-IN	17
7.4.1 <i>Toe-In Check</i>	17
7.4.2 <i>Toe-In Adjustment</i>	17
7.5 FRONT AXLE CASTER.....	17
7.6 MAJOR DAMAGE	17
8. FRONT AIR SPRINGS	19
8.1 INSPECTION.....	19

Section 16: VIP EQUIPPED WITH INDEPENDENT FRONT SUSPENSION (IFS)

8.2	REMOVAL	19
8.3	INSTALLATION	19
9.	SHOCK ABSORBERS.....	20
9.1	SHOCK ABSORBER REMOVAL	20
9.2	SHOCK ABSORBER INSTALLATION	21
10.	SWAY BAR.....	21
10.1	REMOVAL	21
11.	INDEPENDENT FRONT SUSPENSION ADJUSTMENT	23
12.	SUSPENSION HEIGHT ADJUSTMENT	23
13.	HEIGHT CONTROL VALVE.....	16(VIP)-24
13.1	LOADING POSITION	24
13.2	NEUTRAL POSITION.....	24
13.3	UNLOADING POSITION	24
13.4	MAINTENANCE	24
13.5	REMOVAL AND INSTALLATION.....	24
14.	"LEVEL-LOW" LEVELING SYSTEM.....	25
14.1	PRINCIPLES OF OPERATION	25
14.2	MAINTENANCE	25
15.	AIR SYSTEM	25
15.1	AIR TANK MAINTENANCE	26
15.1.1	<i>Wet Air Tank.....</i>	<i>26</i>
15.1.2	<i>Primary Air Tank.....</i>	<i>26</i>
15.1.3	<i>Secondary Air Tank.....</i>	<i>26</i>
15.1.4	<i>Accessory Air Tank</i>	<i>27</i>
15.1.5	<i>Expansion Air Tank</i>	<i>27</i>
15.2	EMERGENCY FILL VALVES	27
16.	HUB UNIT AND SWIVEL ASSEMBLY	27
17.	TORQUE TABLE.....	28
18.	SPECIFICATIONS	30

ILLUSTRATIONS

FIGURE 1: SUSPENSION AND STEERING LINKAGE..... 4

FIGURE 2: LOCATION OF CLAMPS 5

FIGURE 3: TORQUE SPECIFICATIONS 6

FIGURE 4: TORQUE SPECIFICATIONS 6

FIGURE 5: TORQUE SPECIFICATIONS 6

FIGURE 6: TORQUE SPECIFICATIONS 6

FIGURE 7: CLAMP POSITIONING..... 6

FIGURE 8: TORQUE SPECIFICATIONS 6

FIGURE 9: PITMAN ARM ALIGNMENT..... 7

FIGURE 10: TORQUE SPECIFICATIONS 7

FIGURE 11: FIXING NUT PUNCH MARK..... 8

FIGURE 12: TORQUE SPECIFICATION 8

FIGURE 13: BELL CRANK AND IDLER ARM..... 9

FIGURE 14: BELL CRANK 10

FIGURE 15: BELL CRANK 10

FIGURE 16: LUBRICATION FITTINGS' LOCATION DIAGRAM..... 12

FIGURE 17: BALL JOINTS LOCATION..... 13

FIGURE 18: A-ARM BALL JOINT..... 13

FIGURE 19: LOWER A-ARM BALL JOINTS 14

FIGURE 20: UPPER A-ARM BALL JOINTS 14

FIGURE 21: LOWER A-ARM CENTRAL BALL JOINT 15

FIGURE 22: UPPER A-ARM CENTRAL BALL JOINT..... 15

FIGURE 23: STEERING LINKAGE MEASURE 16

FIGURE 24: FRONT END ALIGNMENT DIAGRAM..... 18

FIGURE 25: AIR SPRINGS..... 19

FIGURE 26: AIR SPRING AND SHOCK ABSORBER 20

FIGURE 27: SHOCK ABSORBER 21

FIGURE 28: SWAY BAR (FRONT SUSPENSION) 22

FIGURE 29: HEIGHT CONTROL VALVE LOCATION..... 23

FIGURE 30: TYPICAL AIR SPRING CLEARANCE 24

FIGURE 31: FRONT HEIGHT CONTROL VALVE..... 24

FIGURE 32: LOCATION OF AIR TANKS..... 26

FIGURE 33: REAR VALVE LOCATION 26

FIGURE 34: FRONT VALVE LOCATION..... 27

FIGURE 35: TORQUE SPECIFICATIONS 29

Section 16: VIP EQUIPPED WITH INDEPENDENT FRONT SUSPENSION (IFS)

1. INTRODUCTION

This supplement contains service procedures and specifications that apply to the PREVOST VIP coach shell vehicles equipped with an independent front suspension.

This text contains information unique to the independent suspension system. In the case you cannot find information on a subject in this supplement section, the information given in the regular sections of the Maintenance Manual will apply.

2. STEERING LINKAGE

Turning motion of the steering wheel is transferred by the steering gear and steering linkage to the steering arms at the right and left front wheels. The steering linkage consists of tie rods connected to the bell crank and the steering arm at the left side of the coach, and to the idler arm and steering arm at the right side of the coach. The bell crank and idler arm are

connected by a relay rod. A drag link connected to the bell crank and the pitman arm, which is mounted to the steering gear, transfers the turning motion of the steering wheel to the steering arms. The hydraulic power cylinder provides an added source of assistance and being connected to the R.H. wheel, makes it such that the total steering forces are produced with minimal stress on mechanical linkages (Fig. 1).

Lower and upper A-arms are widely spaced. They are mounted on ball joints. Torque rods prevent rotation of the uprights around the lower and upper ball joints.

If the steering linkage is bent, twisted or worn, steering action of the coach will be seriously affected. Any time steering linkage components are replaced or adjusted, steering geometry and front wheel alignment must be checked as explained in this section of supplement.

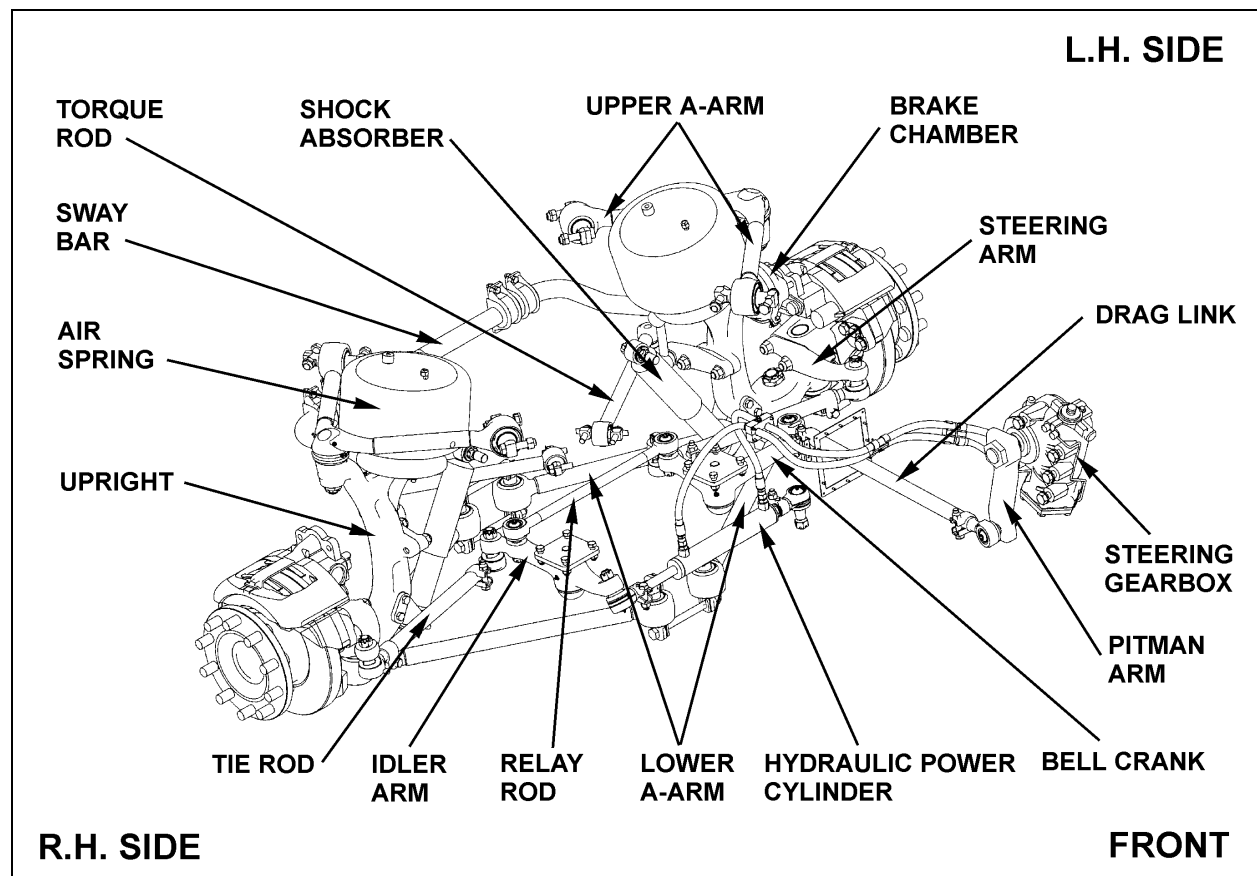


FIGURE 1: SUSPENSION AND STEERING LINKAGE

16124

Turning Angle

The maximum turning angle is set mechanically through the two steering stop screws installed on the swivel assembly. The turning angle ($56^{\circ} + 0^{\circ} - 1^{\circ}$) mechanical stop is factory adjusted to accommodate the chassis design, and therefore, does not require adjustment on new vehicles.

However, turning angle should be checked and adjusted hydraulically, if necessary, any time a component of the steering system is repaired, disassembled or adjusted.

Before checking the turning angle, be sure the front end is properly aligned as described under paragraph "4. Front End Alignment" in this supplement.

To check steering maximum turning angle, proceed with the following method:

1. Check if front tires rub against the frame or if the steering gear has been serviced.

Caution: If clamps are not correctly installed, they can interfere with other parts.

2. For a full left and right turn, check clamps' position and for interfering parts. Refer to figures 2 to 6 for location and positioning of clamps. If readjustment is required, make the proper adjustment.

Note: Prior to steering limiter adjustment, verify vehicle wheel alignment, and ensure that oil level is adequate and that air bleeding is done.

3. If necessary readjust steering limiter. Refer to "ZF-SERVOCOM Repair Manual" annexed to Maintenance Manual, Section 14, "Steering", under heading: "Setting and Functional Test".

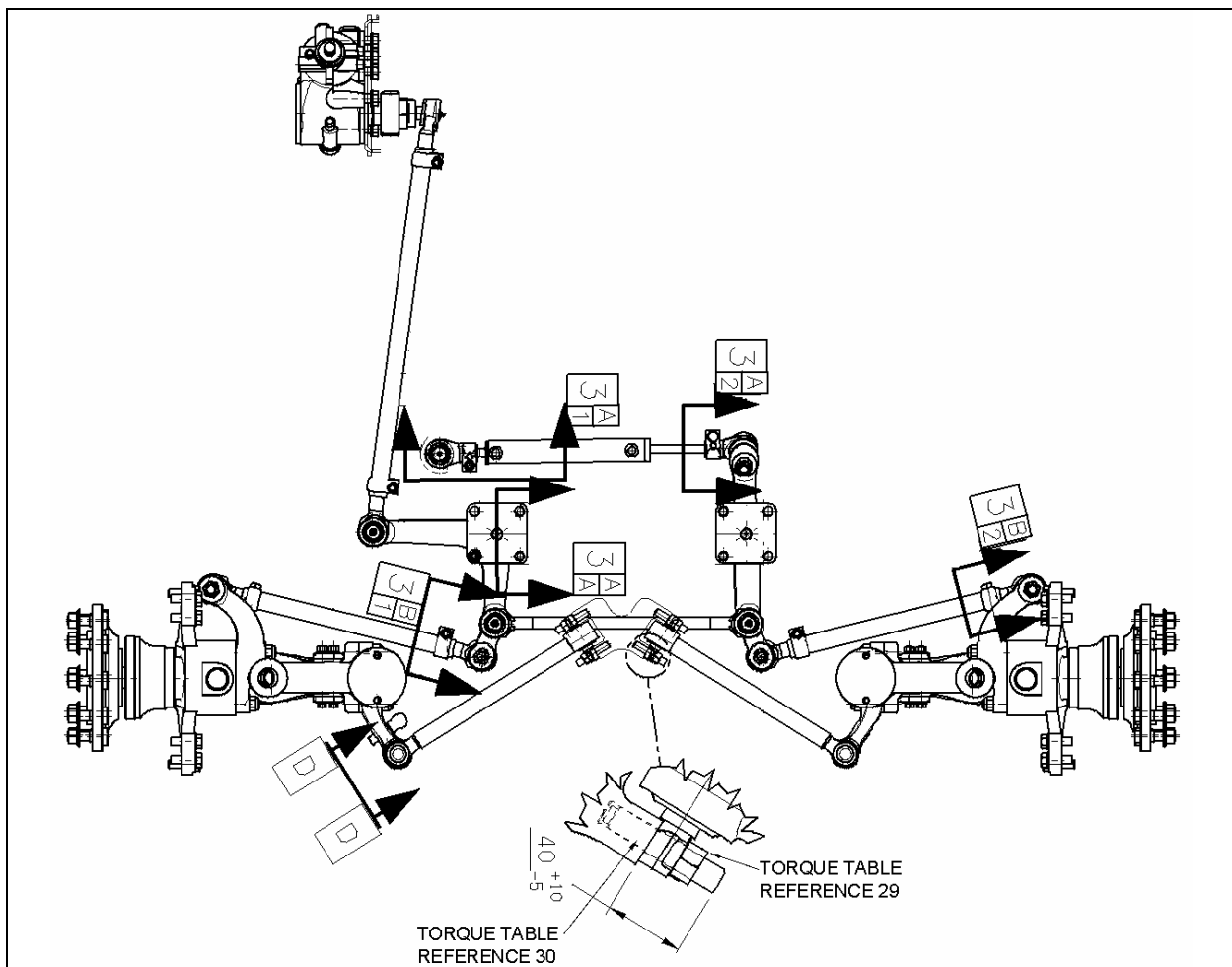


FIGURE 2: LOCATION OF CLAMPS
16147

Section 16: VIP EQUIPPED WITH INDEPENDENT FRONT SUSPENSION (IFS)

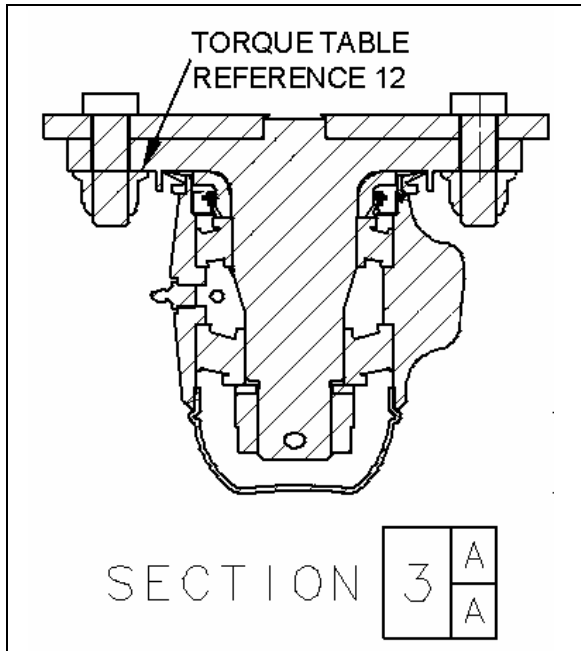


FIGURE 3: TORQUE SPECIFICATIONS

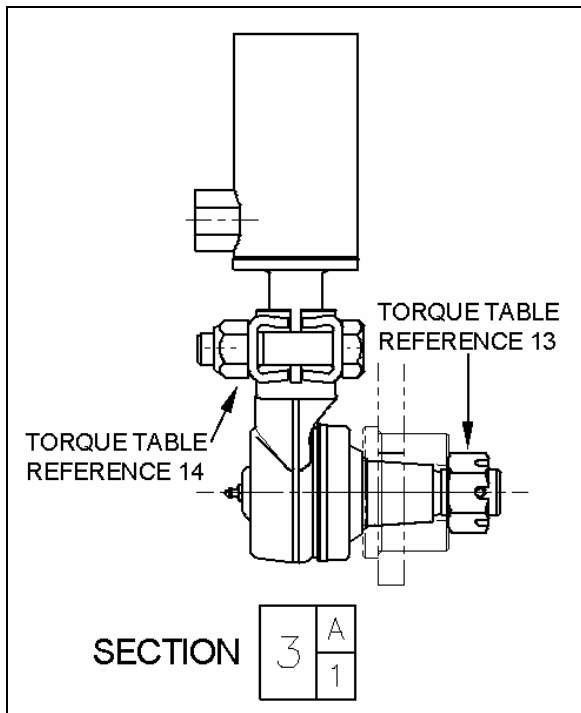


FIGURE 4: TORQUE SPECIFICATIONS
16152

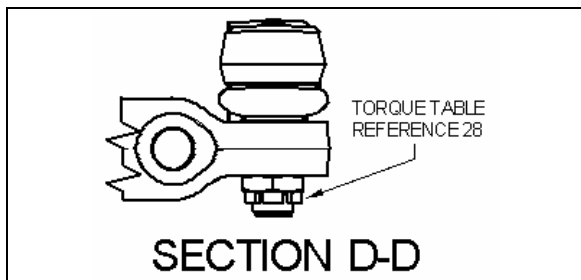


FIGURE 5: TORQUE SPECIFICATIONS

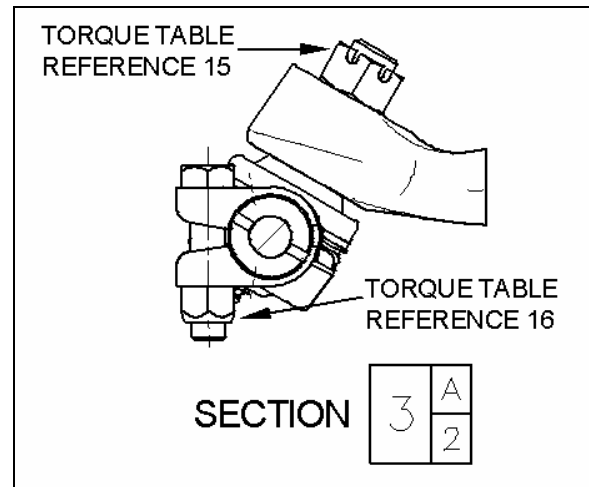


FIGURE 6: TORQUE SPECIFICATIONS
16149

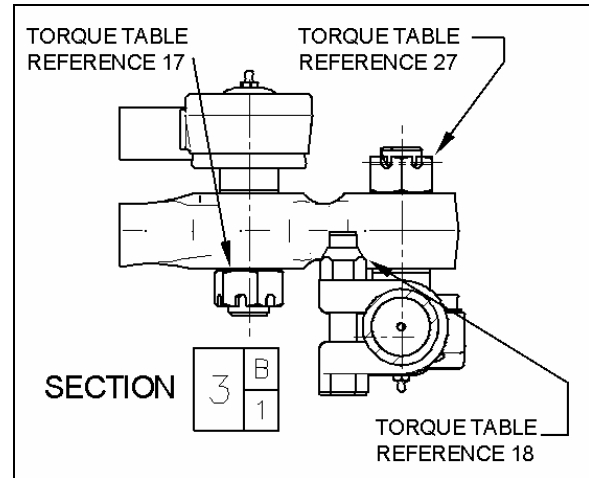


FIGURE 7: CLAMP POSITIONING

16150

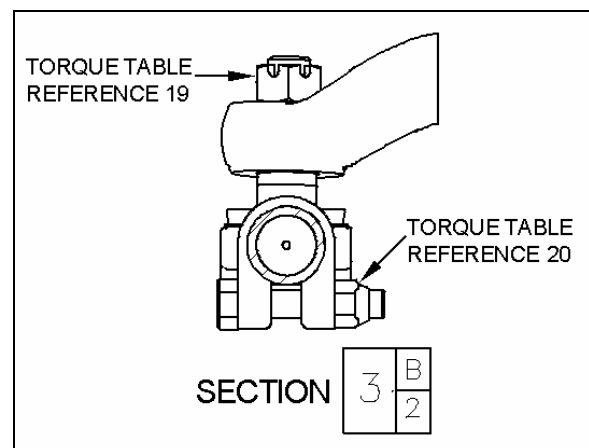


FIGURE 8: TORQUE SPECIFICATIONS

16151

2.1 POWER STEERING HYDRAULIC PUMP

Refer to the "TRW Power Steering Pump Service Manual" annexed at the end of Section 14.

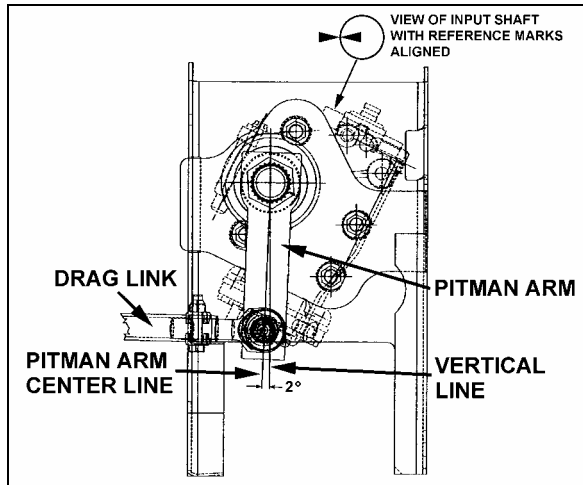


FIGURE 9: PITMAN ARM ALIGNMENT

14056

2.2 STEERING LINKAGE ADJUSTMENT

Note: Whenever a steering linkage component has been removed and replaced, check steering geometry and front end alignment as directed in this Supplement. Check to insure that all stud nuts and mounting bolts and nuts have been tightened to proper torques listed under "16. Torque Table" at the end of this supplement.

1. First, align the input shaft marks.
2. Afterwards, the pitman arm should be adjusted with reference mark aligned or to an angle of 2° in relation with the vertical axis (Fig. 9).
3. Locate centerline of vehicle then install relay rod in boss at steering bell crank and idler arm. Align center of relay rod with centerline of vehicle.
4. Install drag link to pitman arm and adjust opposite end of drag link to fit mounting stud hole in bell crank.
5. Install tie rods then adjust toe-in as per "Front End Alignment" in this Supplement.

2.3 PITMAN ARM REMOVAL

1. Remove cotter pin, nut and washer from drag link ball stud at pitman arm.
2. Disconnect drag link from pitman arm, using jaw style pullers (pressure screw type).

Warning: Always wear approved eye protection when operating pullers.

Caution: Do not drive pitman arm on or off pitman shaft as this can damage the steering gear.

Caution: Heating of components to aid in disassembly is not allowed because it has a detrimental effect on axle components and steering linkages.

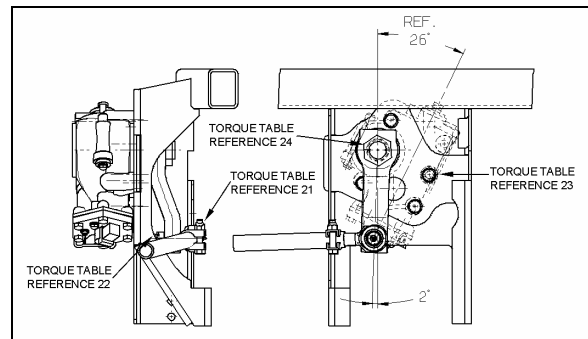


FIGURE 10: TORQUE SPECIFICATIONS

16154

3. Remove pitman arm fixing nut.
4. Check the radial position of the pitman arm in relation to the sector shaft prior to removal of pitman arm.
5. Add reference marks to the arm and shaft if necessary to ensure correct alignment at reassembly.
6. Use a puller to remove pitman arm.

2.4 PITMAN ARM INSTALLATION

1. Position pitman arm on sector gear shaft with reference marks aligned.
2. Install fixing nut. Tighten nut to 470-570 lbf-ft dry (637-773 Nm).

Note: Use a new nut if the previously removed nut was punched.

Caution: Lock nut with sector shaft using a punch mark into the groove (Refer to figure 11).

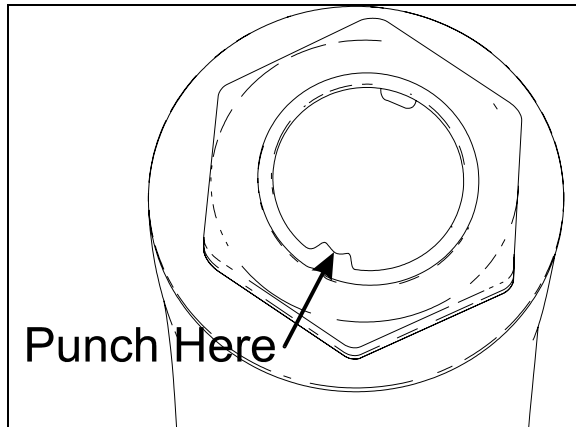


FIGURE 11: FIXING NUT PUNCH MARK 16098

3. Connect drag link to pitman arm. Install washers. Tighten nut to 150-200 lbf-ft dry (203-271 Nm). Advance nut to next alignment cotter pin slot and install a new cotter pin.

2.5 DRAG LINK

Drag link assembly consists of three parts; a drag link and two end assemblies. Both end assemblies are identical and they are retained on the drag link with a clamp bolt and nut.

Stud nuts at the pitman arm and bell crank ends of the drag link must be kept tight or hole at ball stud end of drag link and hole in pitman arm may become enlarged as a result of excessive looseness. Subsequent tightening of stud nuts may draw studs too far into holes and dust cover parts may become damaged which can result in component failure.

Drag link end sockets are equipped with lubrication fittings and should be lubricated as directed in "Lubrication Fittings" in this supplement.

2.5.1 Adjustment

It should not be necessary to alter the length of the drag link except when a new link is installed or when removable end assembly has been replaced. If drag link adjustment is necessary, proceed as follows:

1. Position front wheels in straight ahead position.
2. Center steering gear as previously explained in paragraph "2.2 Steering Linkage Adjustment".
3. Remove cotter pin, nut and stud from drag link at bell crank. Locate centerline of vehicle and center of relay rod. With center

of relay rod aligned with centerline of vehicle, loosen clamp bolt at socket end (bell crank end) of drag link and adjust length of socket end assembly to fit in boss of bell crank.

Note: Do not change position of pitman arm.

4. Install stud with nut and torque to 150-200 lbf-ft dry (203-271 Nm). Align nut with cotter pin slot (tighten) and install a new cotter pin.
5. Torque mounting clamp bolt nut to 40-60 lbf-ft dry (54-82 Nm), then test the adjustment. Front wheels should turn from right to left extremities without noticeable binding at drag link ends.

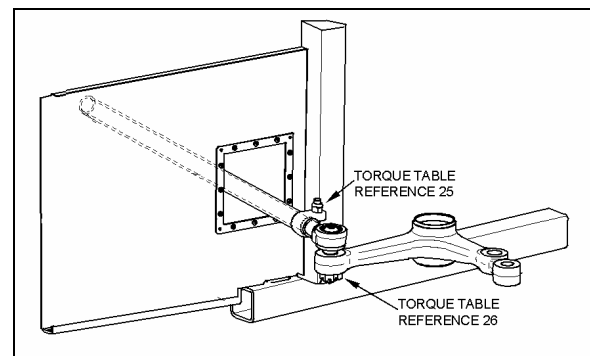


FIGURE 12: TORQUE SPECIFICATION

2.6 BELL CRANK AND IDLER ARM

Bell crank and idler arm are equipped with one lubrication fitting and should be lubricated as directed in paragraph "2.10 Lubrication Fittings" at the end of this Supplement.

2.6.1 Bell Crank and Idler Arm Removal

Note: Use a piece of wire to anchor loosen end of relay rod and tie rod in order to prevent placing an excessive load on opposite socket end.

Bell crank: Disconnect drag link, tie rod and relay rod from bell crank by removing cotter pins and nuts from ball studs. Separate socket assemblies from the bell crank.

Idler arm: Remove cotter pins and nuts from ball studs connecting relay rod, tie rod and hydraulic power cylinder to idler arm. Separate socket assemblies from idler arm.

Remove nuts from bolts attaching bell crank or idler arm mounting spindle to suspension subframe. Remove bell crank or idler arm mounting spindle.

Section 16: VIP EQUIPPED WITH INDEPENDENT FRONT SUSPENSION (IFS)

2.6.2 Bell crank or Idler Arm Ball Joint Disassembly

1. Remove adjacent link assemblies from bell crank or idler arm as previously described.
2. Remove the cap (Fig. 13).
3. Remove the cotter pin, nut and thrust washer. Remove bearings, grease retainer, backup ring and the bell crank or idler arm from its mounting spindle (Fig. 13).

2.6.3 Bell Crank or Idler Arm Ball Joint Reassembly

Note: For bearing installation use tool Prevost # 110684.

1. Install backup ring on bell crank or idler arm mounting spindle.

2. Install grease retainer and bearing in bell crank or idler arm eye (Fig. 13).

Note: Install grease retainer according to figure 13. Grease must be able to exit the bell crank or idler arm mechanism. For grease retainer installation use tool Prevost # 110683.

3. Install bell crank or idler arm onto its mounting spindle, while holding the bell crank or idler arm, slide on the bearing assembly, thrust washer and secure using nut. (Fig. 14).

Note: Apply grease on bearing before installation.

4. Unscrew nut until bell crank or idler arm starts to turn by the application of 1 to 3 pounds load (Fig. 15).

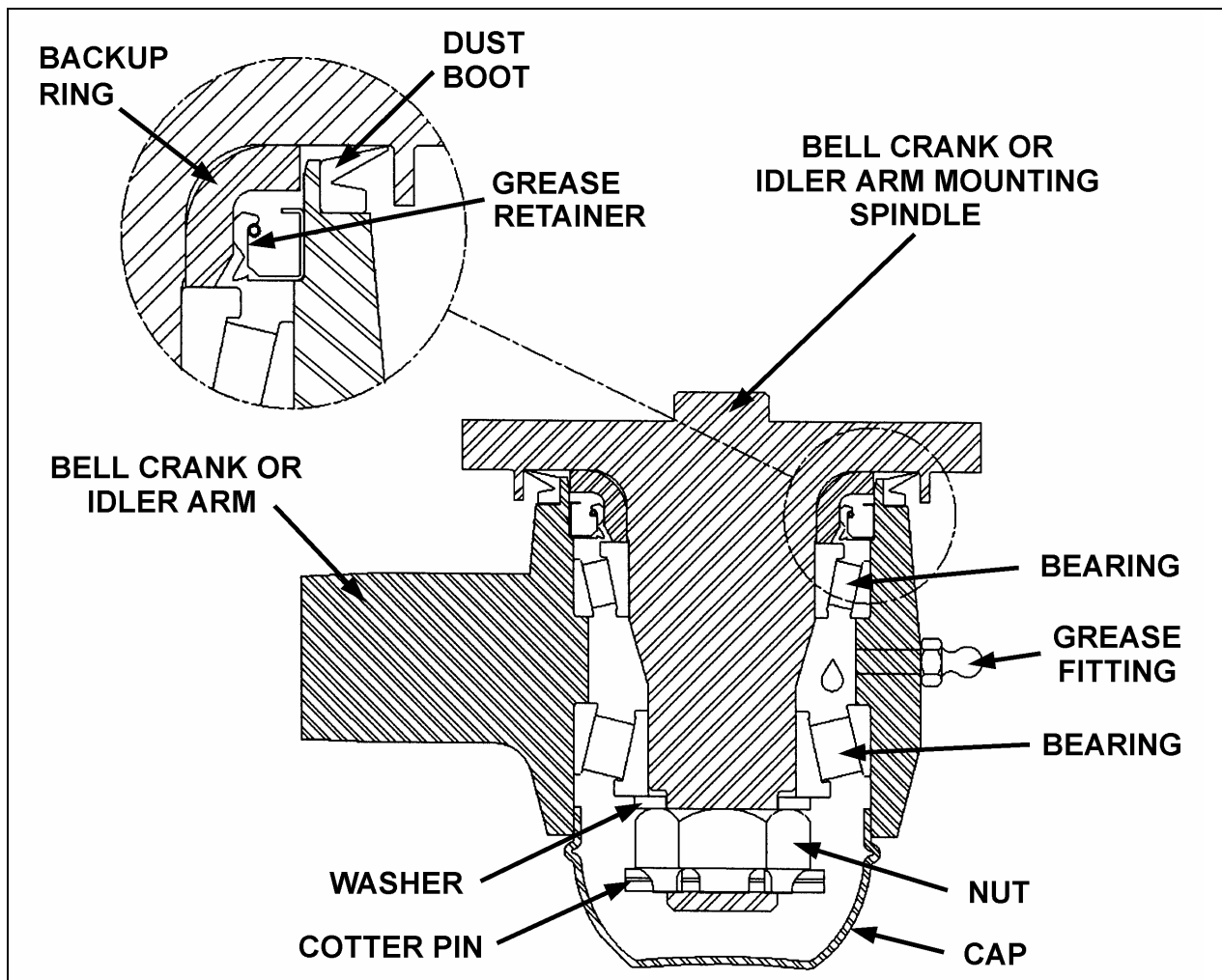


FIGURE 13: BELL CRANK AND IDLER ARM

16109

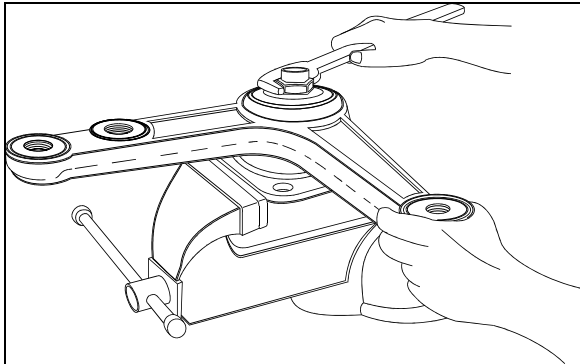


FIGURE 14: BELL CRANK 16044

5. Check for loose bearings by applying an up and down load on bell crank or idler lever. The lever is not supposed to move in the vertical axis direction.

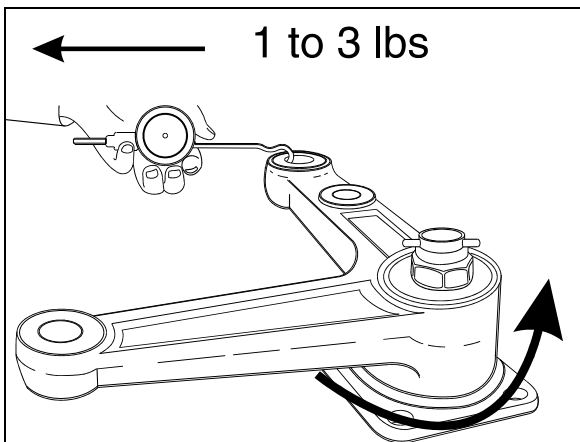


FIGURE 15: BELL CRANK 16045

6. Align nut with cotter pin slot (tighten) and install a new cotter pin.

Note: Bend cotter pin around the nut (Fig. 13). Do not bend the cotter pin in the direction of the cap, because it may interfere with the cap.

7. Install the cap.
8. **Bell crank:** Install drag link, tie rod and relay rod as directed herein under each specific subject.
9. **Idler arm:** Install hydraulic power cylinder, tie rod and relay rod as directed herein under each specific subject.
10. Adjust turning angle as previously directed under paragraph "**Turning Angle**" and check front end alignment as specified in paragraph "7. Front End Alignment" of this supplement.

2.7 RELAY ROD

Relay rod ends are equipped with lubrication fittings and should be lubricated as directed in

paragraph "2.10 Lubrication Fittings" in this supplement.

Note: The relay rod is crimped in place and it is not possible to remove the ball joints.

2.7.1 Replacement

1. Remove cotter pins from bell crank and idler arm end of relay rod. Loosen nuts flush with end of studs.
2. Use a puller or place a sledge hammer behind the adjacent part to absorb shocks. Strike the studs with a brass hammer to loosen end assemblies.
3. Remove stud nuts then remove studs.
4. Position new relay rod studs into bell crank and idler arm then tap stud ends with a brass hammer to seat tapered surfaces.
5. Install stud nuts. Tighten nuts to 150-200 lb-ft dry (203-271 Nm) torque. Align cotter pin slot (tighten) and install a new cotter pin.

2.8 TIE RODS

Tie rod ends are connected to the bell crank and left steering arm, and to the idler arm and right steering arm. Each tie rod assembly consists of three parts; a tube and two socket end assemblies. The tie rod ends are threaded into the tube and secured with clamp bolts. Right and left hand threads are provided to ease toe-in adjustment. Tie rod assemblies are interchangeable from the right to the left side of the coach.

Tie rod end sockets require no maintenance other than periodic lubrication and inspection to see that ball studs are tight. Replace socket ends when there is excessive up and down motion, lost motion or end play at ball end of stud.

1. Periodically check bolt nut for tightness.
2. Inspect tie rod for bent condition and inspect tube for damaged threads. If tie rod is bent or threads are damaged, replace the assembly.
3. Lubricate tie rod end fittings as directed in paragraph "2.10 Lubrication Fittings" in this section.

2.8.1 Removal

1. Remove cotter pins and stud nuts which attach tie rod socket ends to bell crank and

left steering arm (or idler arm) and right steering arm.

2. Remove tie rod ball stud by tapping on steering arm and bell crank or idler arm with hammer, while using a sledge hammer to absorb shocks.

Note: *If tie rod end assemblies are damaged in any way, they must be replaced.*

2.8.2 Installation

1. Install socket end assemblies on tie rod. Be sure both ends are threaded an equal distance into the tube.
2. Make sure threads on stud and in stud nut are clean and not damaged.
3. Position ball studs (socket ends of tie rod) in holes in steering arm and bell crank or idler arm. Install a ball stud nut on each stud and tighten firmly.
4. Torque stud nuts to 150-200 lbf-ft dry (203-271 Nm). Align cotter pin slot (tighten) and install a new cotter pin.

Note: *Adjust toe-in as directed in paragraph "7.4.2 Toe-In Adjustment" of this supplement.*

5. Make sure tie rod ends are properly aligned with ball studs, then torque tie rod end clamp bolts to 40-60 lbf-ft (55-80 Nm).

Note: *If tie rod is not properly aligned with stud, binding will result.*

2.9 STEERING ARMS

The left and right wheel steering arms are secured to a steering knuckle at one end and to a tie rod at the other end.

2.9.1 Removal

1. Remove wheel as directed in Section 13, "Wheel, Hubs And Tires" of the maintenance manual.
2. Remove cotter pin and nut from stud securing tie rod to steering arm. Remove ball stud from steering arm by tapping on arm with a hammer, placing a sledge hammer underneath steering arm to absorb shocks.
3. Remove bolts securing steering arm to steering knuckle assembly. Remove steering arm from steering knuckle.

2.9.2 Installation

1. Install steering arm onto steering knuckle.
2. Torque steering arm to steering knuckle fixing bolts. Torque short bolt (M20 X 65) to 520-575 lbf-ft (705-780 Nm). Torque long bolt (M24 X 100) to 751-830 lbf-ft (1018-1125 Nm).
3. Position tie rod ball stud in steering arm and tap with a brass hammer to seat ball stud in steering arm. Install nut on stud. Torque nut to 150-200 lbf-ft dry (203-271 Nm). Tighten nut to nearest cotter pin slot and install a new cotter pin.
4. Install wheel as directed in Section 13, "Wheel, Hubs And Tires" under paragraph "3.2 Installation" of the maintenance manual.

2.10 LUBRICATION FITTINGS

All lubrication fittings must be clean before applying lubricant. Also, always be sure equipment used in applying lubricant is clean. Every precaution should be taken to prevent entry of dirt, grit, lint or other foreign matter into lubricant containers. Replace fitting when they become broken or damaged.

Intervals of application given in the following paragraphs are recommended for normal service. More frequent intervals may be applied under severe operating conditions. In selecting proper lubricants, supplier reputation must be considered. The supplier must be responsible for product quality. The diagram (Fig. 16) shows approximate location of steering lubrication fittings.

1. **Drag Link Ends:** Lubricate at two fittings, one at each end of link, every 6,250 miles (10 000 km) with good quality lithium-base grease NLGI No. 2 (Shell Retinax LX or equivalent).
2. **Relay Rod Ends:** Lubricate at two fittings, one at each end of rod, every 6,250 miles (10 000 km) with good quality lithium-base grease NLGI No. 2 (Shell Retinax LX or equivalent).
3. **Tie Rod Ends:** Lubricate at four fittings, one at each end of both tie rods, every 6,250 miles (10 000 km) with good quality lithium-base grease NLGI No. 2 (Shell Retinax LX or equivalent).
4. **Swivel Assembly:** Refer to DANA SPICER MAINTENANCE MANUAL NDS AXLES

Section 16: VIP EQUIPPED WITH INDEPENDENT FRONT SUSPENSION (IFS)

Lubrication and Maintenance" annexed at the end of section 10.

5. **Idler Arm and Crank bell:** Lubricate at two fittings, one on the idler arm and the other on the crank bell, every 6,250 miles (10 000 km) with good quality lithium-base grease NLGI No. 2 (Shell Retinax LX or equivalent). Apply grease gun pressure to the fitting until lubricant appears at the top seal.

6. **Upper A-Arm Central Ball Joint:** Lubricate at fitting until you see some grease on the relief valve nearby, every 6,250 miles (10 000 km) with good quality lithium-base grease NLGI No. 2 (Shell Retinax LX or equivalent).

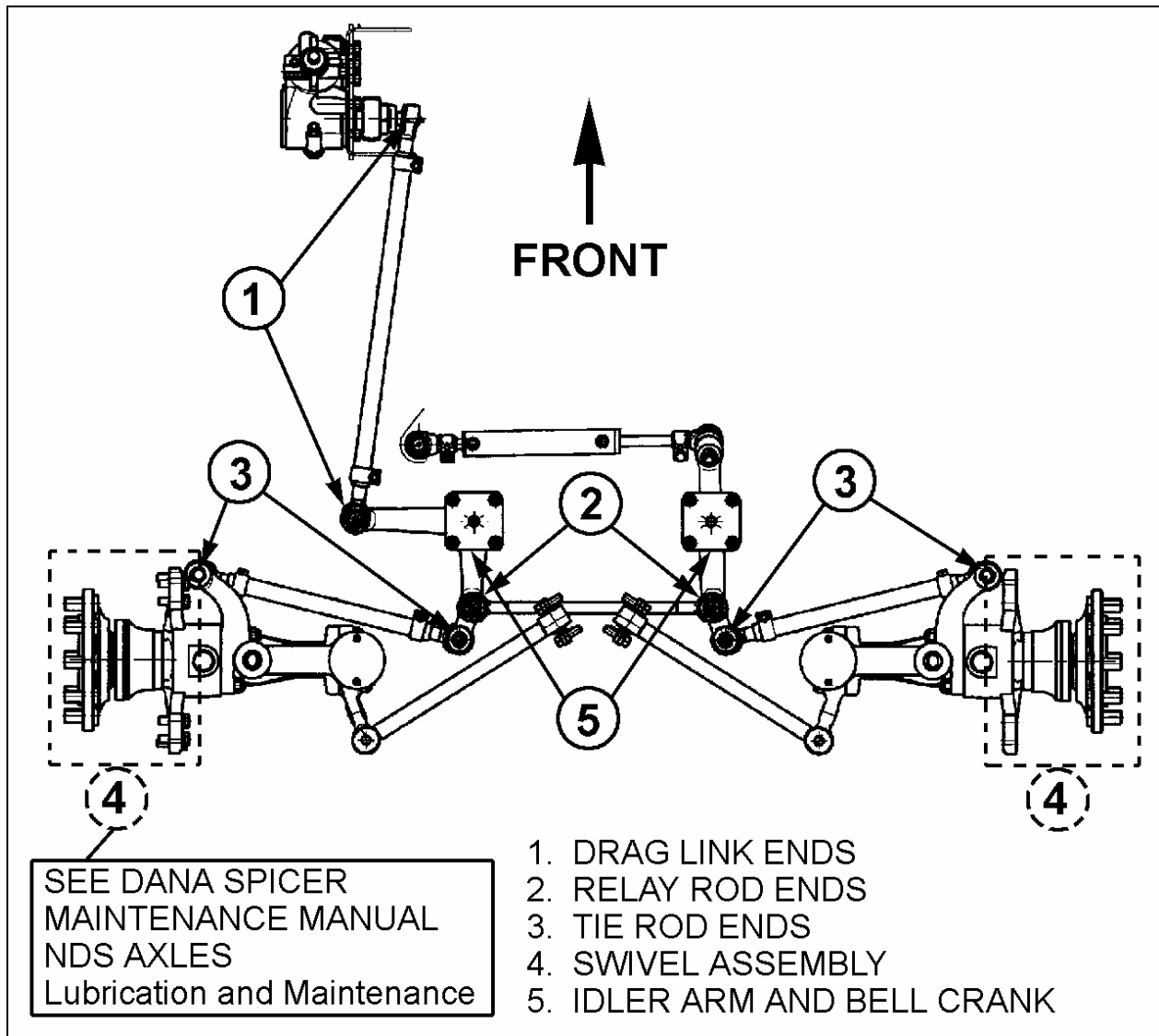


FIGURE 16: LUBRICATION FITTINGS' LOCATION DIAGRAM

16046

3. BALL JOINTS

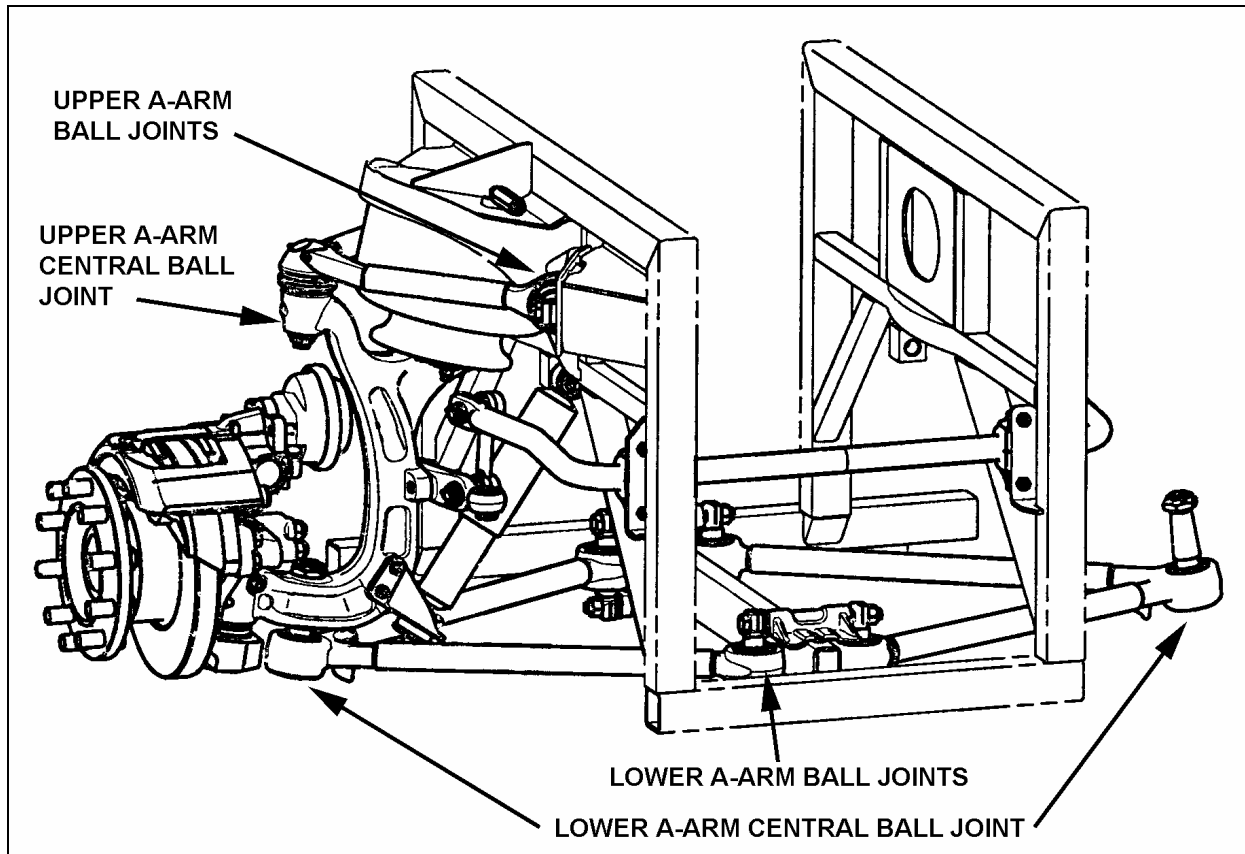


FIGURE 17: BALL JOINTS LOCATION

4. LOWER AND UPPER A-ARM BALL JOINT

The assembly work may be done only by a recognized specialized workshop. Ensure that old and new parts do not get mixed up with each other. It is for this reason that all the old parts are to be scrapped immediately after a joint has been stripped down. A complete repair set must be used for each joint repaired, i.e. use of only part of a repair set is not permissible.

4.1 INSPECTION

Take off the load from the ball joint by lifting the front of the vehicle. Apply a load on the joint in all of the degrees of freedom in an axial, radial, etc. sense with a suitable lever tool. After the load is taken off, the joint has to spring back into its starting position. Free play is not acceptable.

Separation of rubber from ball pin or external joint shell is in accordance with "normal wear characteristics".

When the following characteristics are noted, the joint is to be changed:

- Free play;
- Radial cracking of the external sheet-metal race.

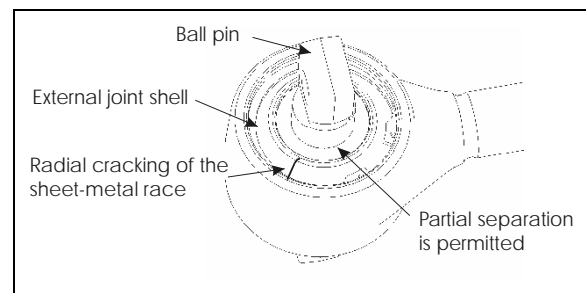


FIGURE 18: A-ARM BALL JOINT

4.2 STRIPPING DOWN

Strip down the defective joint through removal of retaining ring, annular spacer and ball pin/bushing assembly and thereafter clean out outer housing bore and locking circlips groove.

4.3 ASSEMBLY

Execute assembly of the new joint parts in the following sequence:

Section 16: VIP EQUIPPED WITH INDEPENDENT FRONT SUSPENSION (IFS)

1. Complete moistening of the contact surface between housing bore and ball pin through application of the grease.

Note: Apply grease, only in the case of repair kit (Prevost # 611114).

2. Insert ball pin/bushing assembly. In case of the two-bolt type, ensure that the bolt bores are in the correct position in relation to the axis of the tube.
3. Place joint in receiving fixture and mount annular assembly tool on the housing. Then locate annular spacer and retaining ring in the housing using axial load with the aid of assembly matrix. If the ends of the annular spacer are not in contact with each other, the thus formed opening must be located at 180° to the opening of the retaining ring. Pay attention during assembly to ensure that the retaining ring eyelets are located at each side of the housing shaft axis (retaining ring eyelet lug points to tube), and that retaining ring is properly engaged in the groove of the housing.
4. When repairing defective ball pin assemblies, the necked down-bolt must regularly be replaced with a new one.

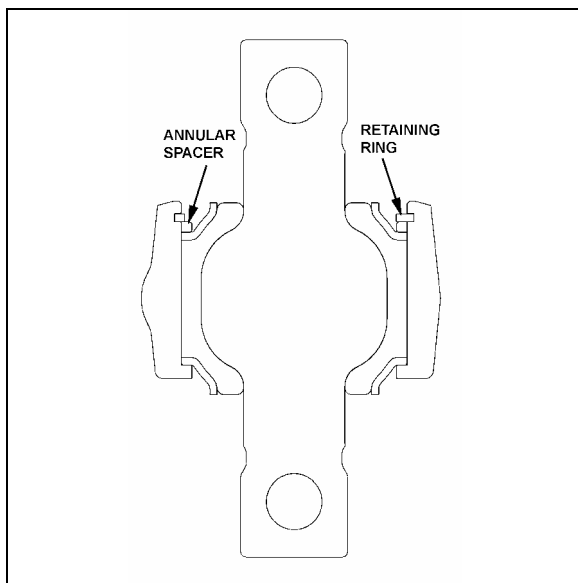


FIGURE 19: LOWER A-ARM BALL JOINTS 16047

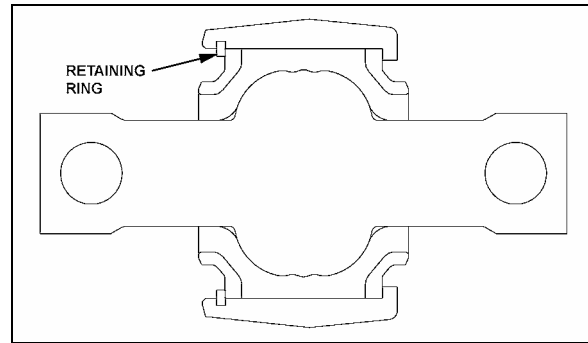


FIGURE 20: UPPER A-ARM BALL JOINTS

5. LOWER A- ARM CENTRAL BALL JOINT

5.1 INSPECTION

Take off the load from the ball joint by lifting the front of the vehicle. Apply a load on the joint in all of the degrees of freedom in an axial, radial, etc. sense with a suitable lever tool. After the load is taken off, the joint has to spring back into its starting position. Free play is not acceptable.

Separation of rubber from ball pin or external joint bushing shell is in accordance with "normal wear characteristics".

When the following characteristics are noted, the joint is to be changed:

- Free play;
- Radial cracking of the external bushing shell.

5.2 STRIPPING DOWN

Strip down the defective joint through removal of retaining ring, annular spacer and ball pin/bushing, assembly and thereafter clean out housing bore and locking circlips groove

5.3 ASSEMBLY

Assemble the new component parts of the joint in the following sequence:

1. Complete moistening of the contact surface between housing bore and ball pin through application of the grease.
2. Place joint in receiving fixture and mount annular assembly tool on the housing. Then locate annular spacer and retaining ring in the housing using axial load with the aid of assembly matrix. If the ends of the annular spacer are not in contact with each other, the thus formed opening must be located at 180° to the opening of the retaining ring. Pay attention during assembly to ensure

that the retaining ring eyelets are located at each side of the housing shaft axis (retaining ring eyelet lug points to tube), and that retaining ring is properly engaged in the groove of the housing.

3. Faultlessly apply grease by mechanical means to bracket-outer core and ball-inner cone. Insert bracket outer cone in fixture with distance ring and then use press tool to apply pressure to press mount with ball-inner cone.

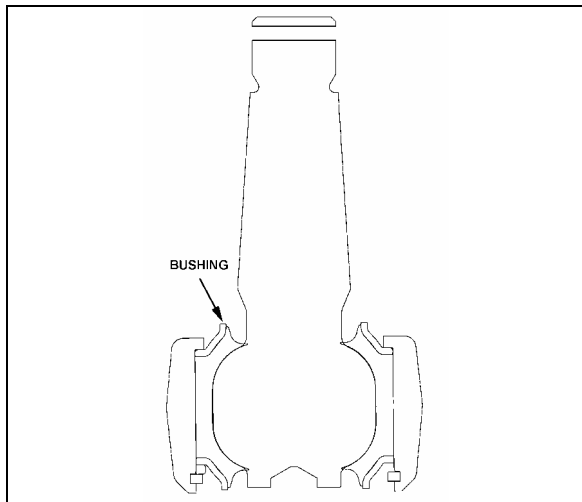


FIGURE 21: LOWER A-ARM CENTRAL BALL JOINT

6. UPPER A-ARM CENTRAL BALL JOINT

6.1 VISUAL INSPECTION

Check the condition of the sealing boot, in particular:

Check if the retainer ring, which secures the sealing boot at the conical section of the ball stud, is still present.

Check if grease is present on the external surface of the sealing boots. Escaped fluid and accumulations of grease on the sealing boot may be the result of the sealing boot's rupturing. In this case, the ball joint must be systematically replaced.

6.2 PLAY MEASUREMENT

1. Raise the vehicle and support through axle jacking points.
2. Using a caliper, measure dimension A on figure 22.
3. With a lever tool, exert sufficient force under the upper A-arm as to separate the upper A-arm from the upright in order to have the ball joint to its maximum extent. Measure di-

mension A again. If the difference between the two dimensions is greater than 0.060" (1.5mm), then the ball joint should be replaced.

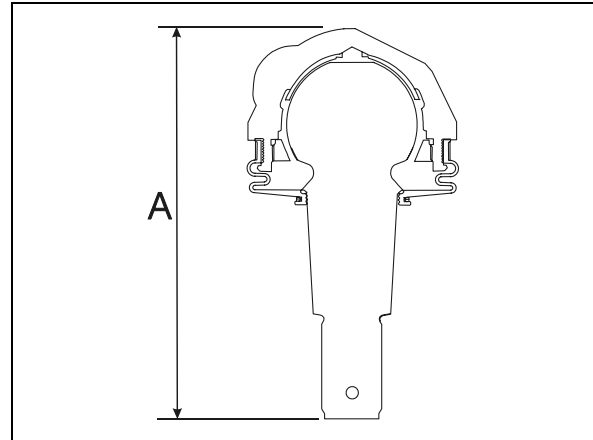


FIGURE 22: UPPER A-ARM CENTRAL BALL JOINT 16116

7. FRONT END ALIGNMENT

Proper front end alignment must be maintained to insure ease of steering and provide satisfactory tire life. When making front end alignment inspections, the vehicle must be level and empty with the full weight of the vehicle on the wheels.

Front end alignment inspections fall into two groups: regular service inspections performed at periodic intervals, and inspections to determine the extent of damage after a collision or severe service.

Regular service inspections concern toe-in, camber and caster.

Any variation from the specified alignment will indicate either a need for adjustment or a more thorough inspection to determine if parts replacement is required.

Warning: During alignment, both camber and caster among other angles are adjusted. When adjusting these we install or remove shims from the lower "A" arms of the ISS suspension. After performing alignment, make sure that the following is done:

- a) Installing a new lock nut after all shims are finalized.
- b) Torque replaced nuts as per Torque Table.
- c) Installing a longer bolt if less the 2 threads are remaining after the nut.
- d) Using a Torque mark on the nut for future visual inspection.

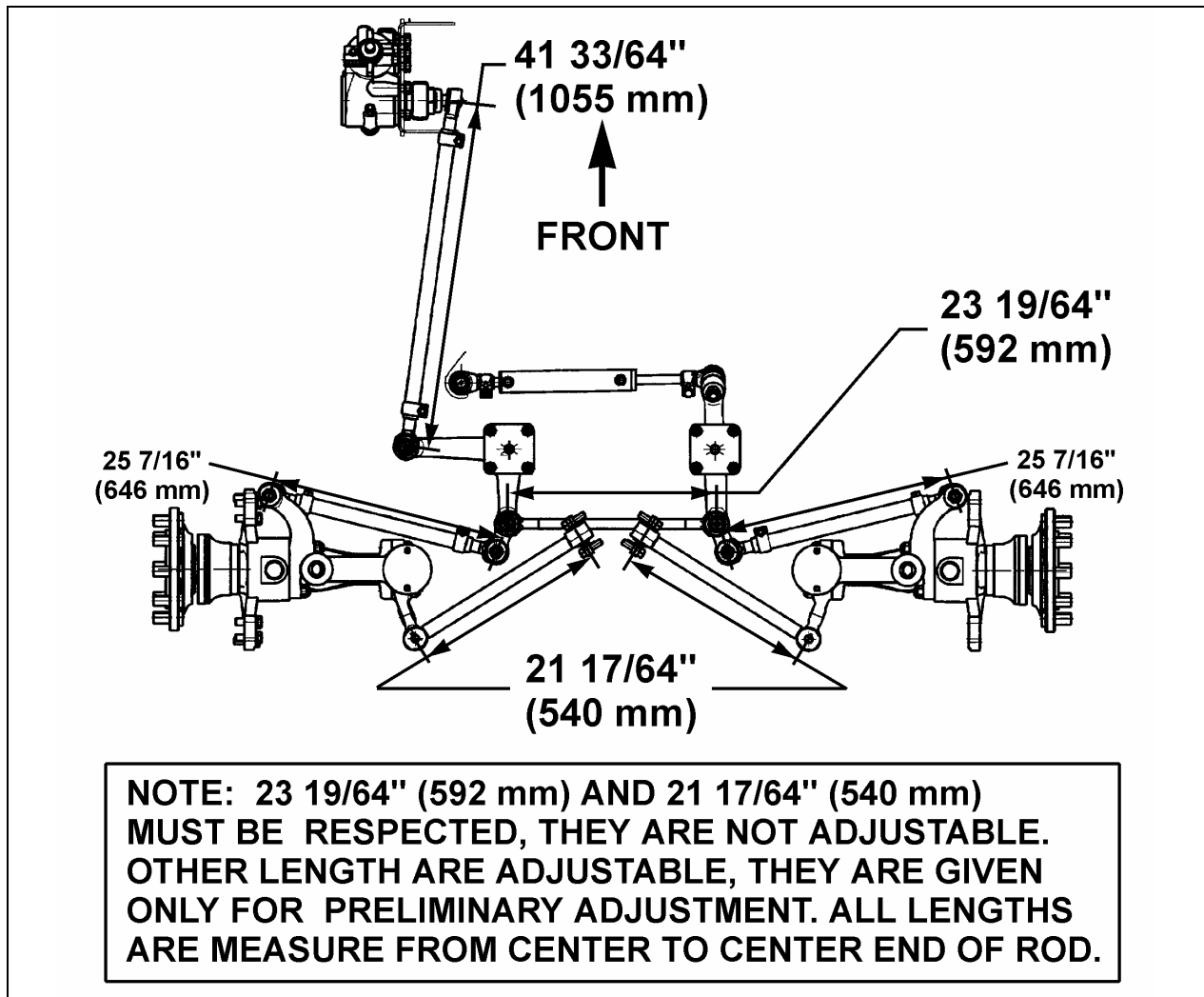


FIGURE 23: STEERING LINKAGE MEASURE

16050

7.1 ALIGNMENT TERMINOLOGY

Wheel Camber

The amount the wheels are inclined from the vertical plane (A, Fig. 24).

Wheel Toe-In

The distance the front wheels are closer together at the front than at the rear of the tires (D minus E, Fig. 24).

King Pin Inclination

The inclination of the king pin from vertical toward the center of the vehicle at the top and outward at the bottom (B, Fig. 24).

Front Axle Caster

The inclination of the king pin from vertical in the fore and aft direction (C, Fig. 24).

7.2 FRONT END INSPECTION

Before checking front end alignment, make the following inspection:

1. Check that the vehicle is at normal ride height (see paragraph "11. Suspension Height Adjustment").
2. Check the tires for proper inflation.
3. Check wheel installation and run-out.
4. Check wheel bearing adjustment.
5. Check tie rods and drag link ends for looseness.
6. Check king pins for looseness.
7. Check if the length of the torque rod is 21 17/64" (540 mm) (Fig. 23). Check if the length of the relay rod is 23 19/64" (592 mm)

7.3 FRONT WHEEL CAMBER

Positive camber is the outward inclination of the wheels at the top, negative or reverse camber is the inward inclination of the wheels at the top. Camber variations may be caused by wear at the wheel bearings, wheel spindle bushings, or bent suspension parts.

Check camber, with an accurate gauge. If camber is incorrect, check suspension parts for wear and replace worn parts. If wear is not perceptible, suspension parts may be bent or lower suspension arm may be improperly shimmed.

Check king pin inclination. If king pin inclination is incorrect, readjust the camber and check king pin inclination again.

Note: *Camber is more important than king pin inclination, so adjust camber and verify king pin inclination.*

Shim the lower suspension arm to adjust camber. If the king pin inclination is incorrect, the wheel king pin assembly may be bent and therefore should be replaced.

Excessive positive camber results in irregular wear of the tires at the outer shoulders. Negative or reverse camber causes wear at the inner shoulders.

Note: *Shim only the lower suspension arm to adjust the front wheel camber.*

Caution: *Once the perfect shim combination is achieved, always install new "stover" nuts because the self locking effect is lost after tightening and loosening of the nut. It is recommended to punch marks to detect loosening of the nuts during future visual inspections.*

7.4 FRONT WHEEL TOE-IN

Toe-in is measured from the center of the tire treads. Measurements at the front and rear of the tires must be made at the same height from the floor. Incorrect toe-in results in excessive tire wear and steering instability with a tendency to wander.

7.4.1 Toe-In Check

1. Check the camber adjustment and adjust if necessary.
2. Hoist the front of the vehicle and spin the wheels marking the centerline of the tire treads.

3. Place the wheels in the straight ahead position and lower the vehicle to rest on the floor.
4. Roll the vehicle ahead several feet. This removes any slack caused by looseness in the wheel bearings or steering connections.
5. Check the distance between the tire centerlines at the front and rear of the front tires. These two measurements must be made at the same height above the floor. The front measurement must be $3/32 \pm 1/32$ of an inch less than the rear measurement.

7.4.2 Toe-In Adjustment

1. Loosen the tie rod clamp bolts.
2. Using a pipe wrench, turn the tie rod tubes to obtain the toe-in measurement specified in step 5 under paragraph "6.4.1 Toe-in Check" of this Supplement.
3. Tighten the tie rod clamp bolts and recheck toe-in.
4. Check that the angular relationship of the pitman arm to the steering gear is as shown in figure 8.

Note: *Use only tie rods to adjust toe-in.*

7.5 FRONT AXLE CASTER

Positive caster is the inclination of the top of the king pins toward the rear of the vehicle. Negative or reverse caster is the inclination of the king pins toward the front of the vehicle. This vehicle is designed with positive caster. The purpose of caster is to provide steering stability by keeping the wheels in a straight ahead position.

Caster variations may be caused by bent upper suspension arm, lower suspension arm, or king pin housing. Caster should be adjusted with shims. Precision instruments should be used to measure caster. Shim bell crank and idler arm to adjust caster.

Variations from the specified caster will affect steering stability, cause wandering, wheel shimmy, and reduce returnability when pulling out of curves.

7.6 MAJOR DAMAGE

If the suspension has sustained major damage, it may be necessary to shim the bell crank and the idler arm to avoid the bump steer or roll steer. Moreover refer to paragraph "7. Front End Alignment".

Section 16: VIP EQUIPPED WITH INDEPENDENT FRONT SUSPENSION (IFS)

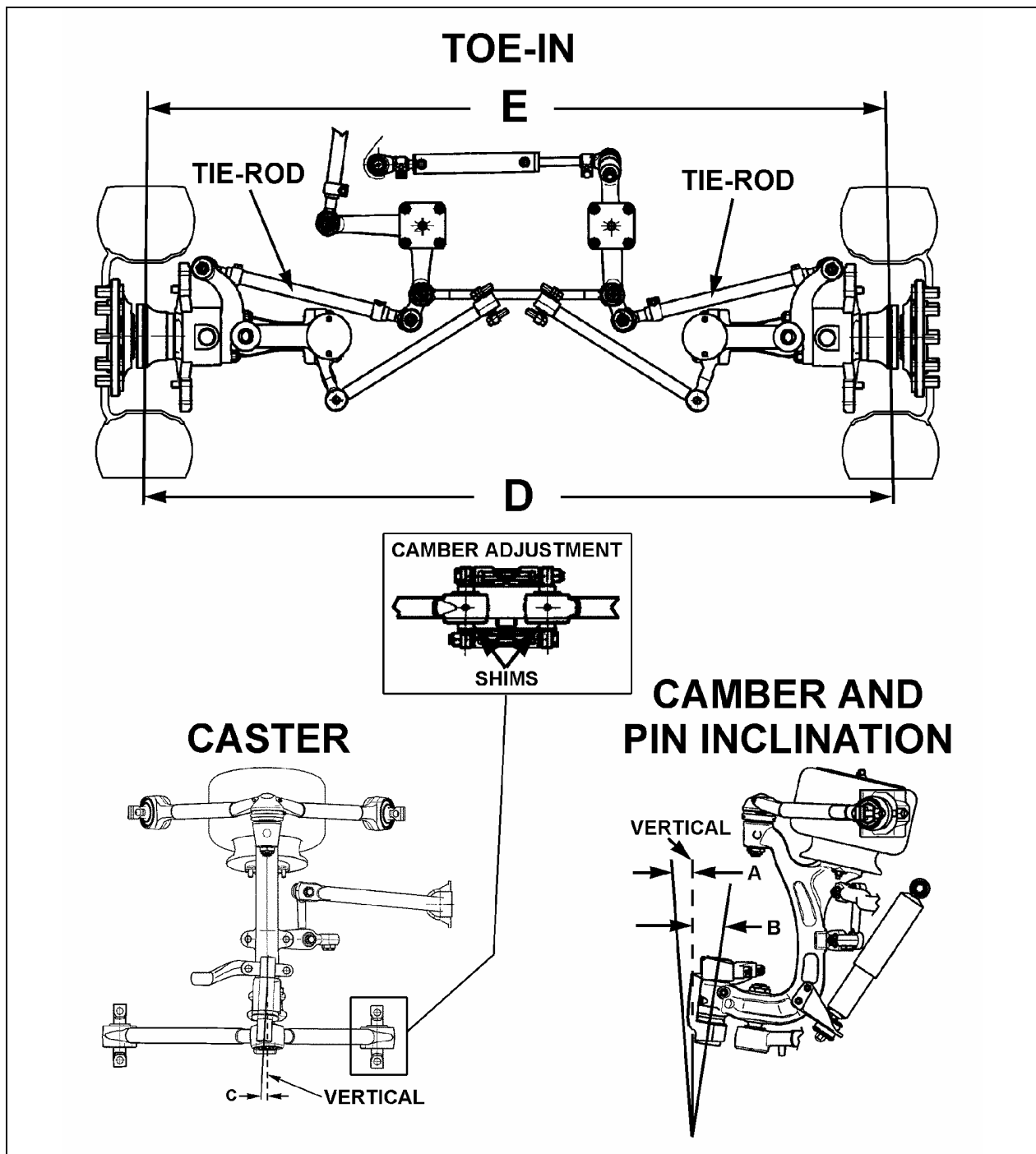


FIGURE 24: FRONT END ALIGNMENT DIAGRAM

16051

ALIGNMENT SPECS (See Figure 23)								
Load		Minimal		Nominal		Maximal		
		Non-converted	Converted	Non-converted	Converted	Non-converted	Converted	
A	WHEEL CAMBER	0.2	-0.150	0.35	0.0	0.55	0.200	
B	KING PIN INCLINATION	8° (not adjustable)						
C	CASTER	2.55		2.8		3.05		
D-E	TOE-IN	0.08		0.10		0.12		

8. FRONT AIR SPRINGS

Two "rolling lobe" type air springs are used with the independent front suspension, one at each wheel. These air springs are special and use the complete piston as an extra reservoir to lower the spring stiffness. Front air springs are attached to the subframe and to uprights.

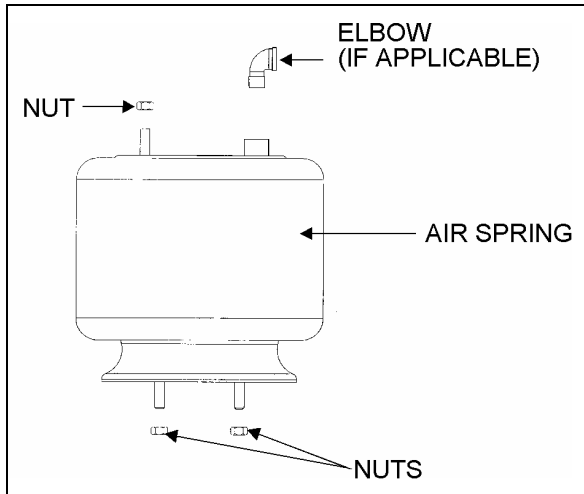


FIGURE 25: AIR SPRINGS

16052

8.1 INSPECTION

1. Check operation of bellows.
2. Visually inspect bellows for evidence of cracks, punctures, deterioration, or chafing. Replace the bellows if damage is evident.
3. With the primary air system at normal operating pressure (95 - 125 psi (655 - 860 kPa)), coat all suspension air line connections and bellow mounting areas with a water and soap solution. Bubbles will indicate an air leak, and none is permissible. Repair or replace defective parts.

Note: If air spring is removed from vehicle, bellows can be lightly inflated and submerged in water to detect any leakage. If leakage is detected, replace bellows.

Warning: To prevent personal injury, do not apply more than 10 psi (69 kPa) air pressure to the unmounted air spring.

8.2 REMOVAL

Note: Front air springs can be removed without removing the entire suspension assembly.

1. Safely support vehicle at the recommended body jacking points and jack up body understructure.
2. To gain access to a given air spring, the corresponding wheel can be removed.

Caution: Only the recommended jacking points must be used as outlined in Section 18, "Body" in the maintenance manual.

3. Support the assembly with a suitable jack.
4. Exhaust compressed air from accessory air tank by opening drain cock under reservoir.
5. Disconnect the height control valve link and pull down the overtravel lever to ensure all air is exhausted from air springs.

Note: While performing this step, do not change the height control valve overtravel lever adjustment.

6. Disconnect air line from air spring, remove elbow (if applicable), and cover both the line end and fitting to prevent the entry of foreign matter.
7. Remove the air spring upper nut, and then the two lower nuts. Remove air spring and remove the back up plate from the top of the air spring.

8.3 INSTALLATION

Note: To facilitate air spring installation, compress it manually then put a piece of tape over the air line threaded fitting. This prevents air from getting back into the bag and keeps it compressed, thus enabling to place the bag in between the mounting plates and greatly easing installation.

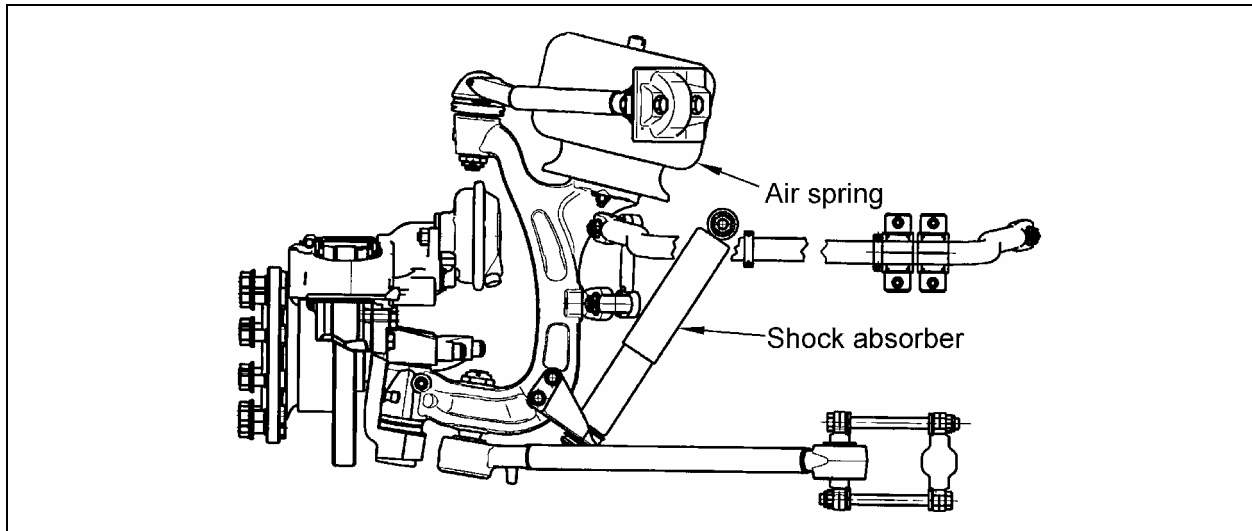


FIGURE 26: AIR SPRING AND SHOCK ABSORBER

16145

1. Compress air spring as necessary, then aligning studs with their holes, position air spring between both the lower and upper supports. Thread the lower nuts and the small upper nut a few turns.
2. Tighten and torque the lower stud nuts, and then the upper nut to 20-25 lbf-ft dry (27–34 Nm).
3. Install elbow (if applicable), then connect air line.
4. Connect the height control valve link.
5. Build up air pressure in system.

Note: To accelerate this operation, air reservoirs can be filled from an exterior air supply connected to the accessory tank fill valve or to the emergency fill valve.

6. Check operation of bellows, and with the primary air system at normal operating pressure [95 - 125 psi (655 - 860 kPa)], coat the air line connections and air spring mounting areas with a water and soap solution. Bubbles will indicate an air leak, and none is permissible. Repair or replace defective parts.
7. Remove the hydraulic floor jack from underneath shock absorber bracket.

9. SHOCK ABSORBERS

The two front shock absorbers are double-acting and telescopic type. Shock absorbers ensure a smooth ride and enhance vehicle stability on the road. Front shock absorbers have eye-type mountings on the upper side and bayonet type

on lower side. Shock absorbers are non-adjustable and non-repairable.

Caution: When a shock absorber is found defective, always replace with a new set on affected axle, except if there has been a recent replacement of one unit. The following method will help in determining if both shock absorbers on the same axle have to be replaced (Refer to the SACHS document "Guideline To Evaluate Warranty Claims" annexed at the end of this section before replacing a shock).

9.1 SHOCK ABSORBER REMOVAL

1. Remove the nut, washer and rubber joint from shock absorber mounting stud. Discard the rubber joints.
2. Remove the nut and washer from shock absorber mounting pin (upper side), taking care to identify the inner and outer washers to ease reinstallation. Refer to figure 27 for details.
3. Remove the shock absorber from the vehicle.
4. Remove inner: washers, rubber joint and bushings from the shock absorber. Discard bushings and rubber joint.

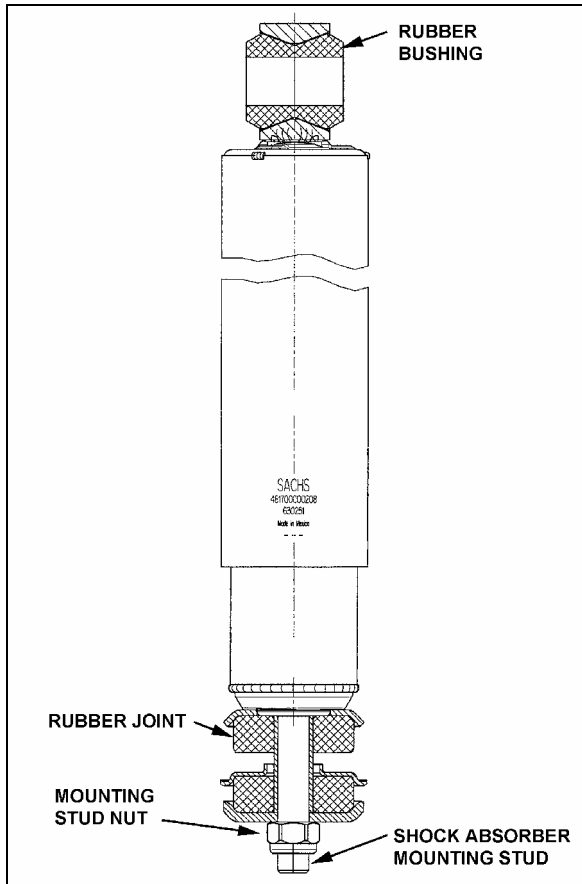


FIGURE 27: SHOCK ABSORBER 161124

9.2 SHOCK ABSORBER INSTALLATION

1. Check that the shock absorber mounting pin is proper torque [350-400 lbf-ft dry (475-545 Nm)]. Ensure that the stud is clean and not stripped (upper side).
2. Install new rubber (mounting) bushing on shock absorber (upper side).
3. Place the inner washer on shock absorber pin (Fig. 27).
4. Install washer and rubber joint on shock absorber mounting stud (lower side).
5. Install the shock absorber as shown in figure 35 with the mounting stud protruding

through the hole in the mounting bracket and the shock absorber eyes over the mounting pins. Install the outer washer.

6. Place a rubber joint and washer on the shock absorber mounting stud. Place the lower shock absorber mounting stud nut and torque to 60-75 lbf-ft dry (81-102 Nm).
7. Place the upper mounting pin stud nut and torque to 70-85 lbf-ft dry (95-116 Nm).

10. SWAY BAR

A sway bar is provided on the front and drive axles to increase vehicle stability. It controls lateral motion (swaying movement) of vehicle.

10.1 REMOVAL

1. Disconnect the two links from sway bar.
2. Safely support the sway bar. Unbolt bushing collars from subframe.
3. Remove sway bar.

Note: Sway bar bushings are slit to ease their removal.

10.2 INSTALLATION

1. Loosely install the sway bar.
2. Torque bushing collar nuts to 80-100 lbf-ft dry (108-136 Nm).
3. Torque sway bar link upper nuts to 165-200 lbf-ft dry (224-271 Nm) on front suspension and to 100-120 Lbf-ft (136-163 Nm) on rear suspension.
4. Torque sway bar link lower nuts to 165-200 lbf-ft dry (224-271 Nm) on front suspension and to 70-80 lbf-ft (95-110 Nm) on rear suspension.

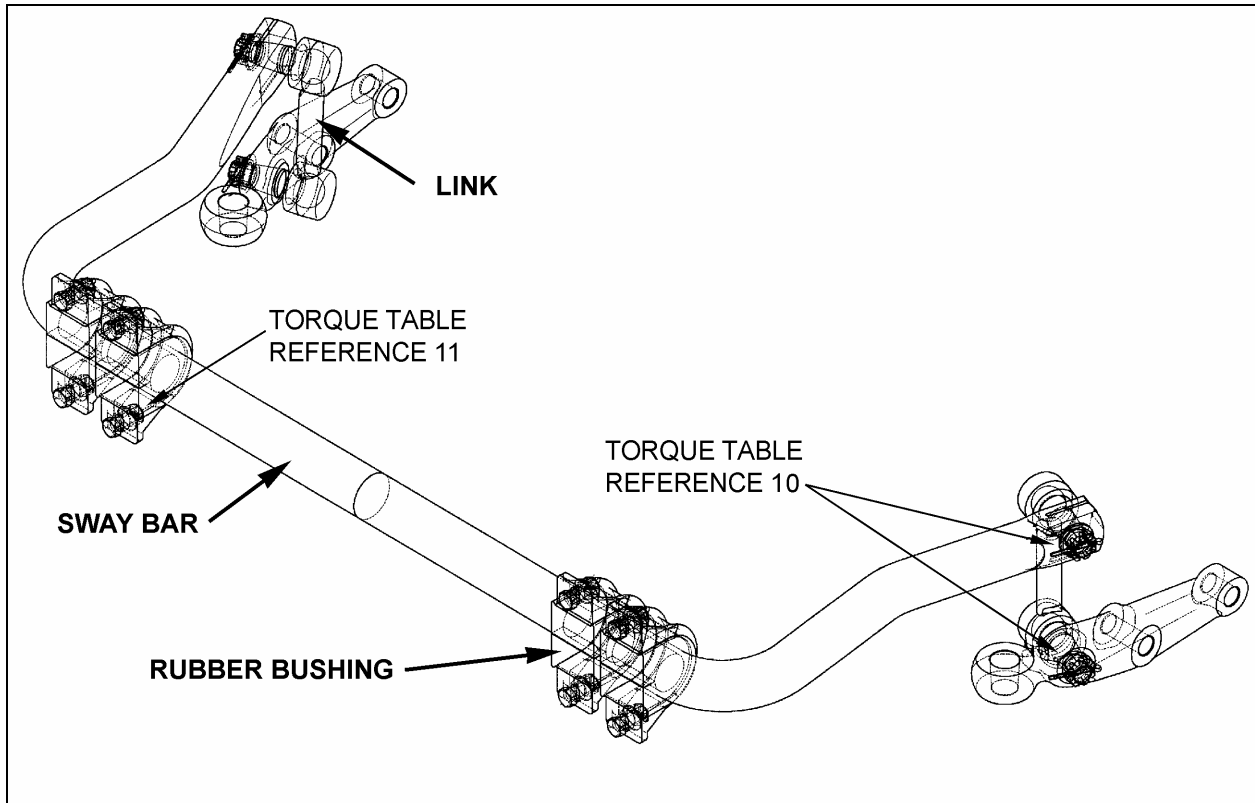


FIGURE 28: SWAY BAR (FRONT SUSPENSION)

16138

11. INDEPENDENT FRONT SUSPENSION ADJUSTMENT

VIP coach shells are equipped with "LEVEL-LOW" leveling system. The purpose of the "LEVEL-LOW" is to adjust suspension in three separate points (front, rear right and rear left air springs) in order to level vehicle body. Three height control valves, automatically control air pressure in the three separate points (air springs) and maintains a constant vehicle height regardless of load, or load distribution. The control solenoid valve supplies air to the five way three-position air control valve, which bypasses the height control valve, and opens a passage to allow the air control and exhaust valve to release/supply air from air springs. To improve road comfort, an expansion air tank is installed in series with each air spring.

In addition to the above suspension components the system also includes: sway bar, upper and lower suspensions, bars and shock absorbers (Fig. 1).

Note: Only for preliminary adjustment, refer to figure 20. Torque rod length must be fixed to 21 17/64" (540 mm) and relay rod to 23 19/64" (592 mm).

Caution: Parts must be replaced by ones with the same part numbers or with equivalent parts, if replacement becomes necessary. Do not use parts of lesser quality or substitute design. Torque values must be used as specified during reassembly to assure proper retention of these parts.

12. SUSPENSION HEIGHT ADJUSTMENT

The flow of pressurized air from the accessory air tank to the air springs is controlled by three height control valves. The two rear valves are mounted to the subframe and connected to the rear axles through an arm and link connection. The front valve is mounted to the subframe and connected to the front air tank support (Fig. 30). These connections allow the valves to apportion air pressure in the springs to the vehicle load, maintaining normal ride height.

Immediate response height control valves increase or decrease the air pressure in the suspension system as required. One height control valve is located **at center of front sway bar**, and regulates air to front suspension air springs in order to maintain the vehicle at the required height. Two are located at the drive axle, one on each inner side of rear wheelhousing.

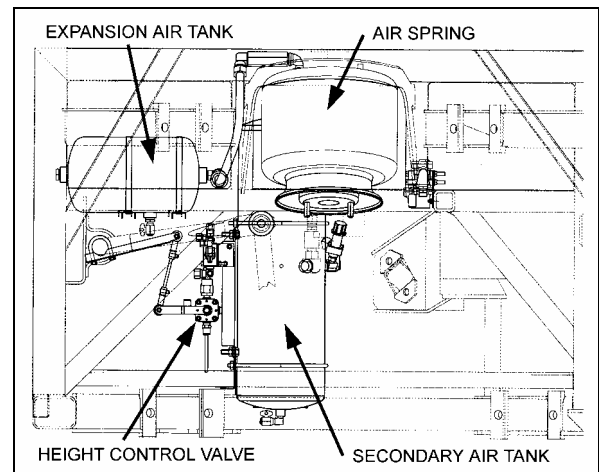


FIGURE 29: HEIGHT CONTROL VALVE LOCATION 16057

The appropriate vehicle body height is obtained by measuring the clearance of all the air springs installed on the vehicle. The two front air springs clearance should be 11 ± ¼" (279 ± 6 mm). Refer to figure 28 to identify the correct area to take measurement. The rear air springs clearance should be 11 ½ ± ¼" (292 ± 6 mm) (refer to Maintenance Manual, Section 16, under "Suspension Height Adjustment" for rear height control valves' adjustment). At this point, it should not be necessary to make an adjustment under normal service conditions. However, if an adjustment is required, change the position of the overtravel lever in relation to the overtravel control body. The lever should be moved up to raise vehicle height, and down to lower it. Check that main air pressure is at normal operating pressure and raise the vehicle to the specified height.

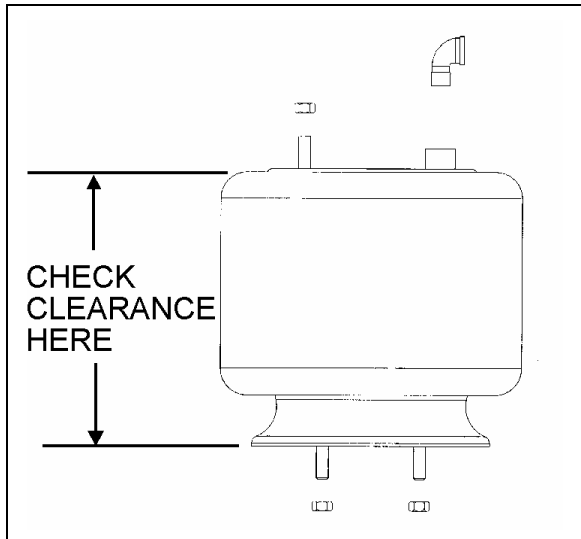


FIGURE 30: TYPICAL AIR SPRING CLEARANCE 16058

Caution: Always adjust on "fill cycle". If it is necessary to lower vehicle height, release sufficient air to be well below height, and adjust to height or fill cycle.

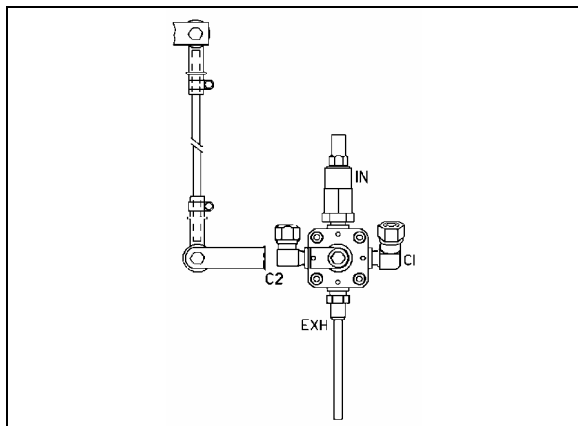


FIGURE 31: FRONT HEIGHT CONTROL VALVE 16100

The normal ride height is obtained by adjusting air spring clearance of both front and rear suspension as follows:

Front air spring clearance

1. With the vehicle at normal operating air pressure (100 - 125 psi (689 - 860 kPa)), measure air spring clearance. This clearance should be $11 \pm \frac{1}{4}$ " (279 \pm 6 mm).

Note: The measurement should be taken from underneath the upper air spring support on subframe to top of the lower air spring support on axle (refer to figure 30 for more details). If adjustment is required, begin with the drive axle.

2. Loosen the clamp on the height control valve rubber coupling and bring it up or down (Fig. 32).

Note: Allow suspension to stabilize before taking reading.

When the desired height is obtained, tighten clamp.

Rear air springs clearance

Refer to H3 Maintenance Manual, Section 16, under "Suspension Height Adjustment".

13. HEIGHT CONTROL VALVE

The height control valves automatically add air to, or release air from air springs to maintain constant suspension height regardless of load, or load distribution. Each valve adjusts independently according to the following conditions:

13.1 LOADING POSITION

As the load increases and lowers the vehicle body, the overtravel lever commands the height control valve to add air to air springs.

13.2 NEUTRAL POSITION

When vehicle body reaches the normal ride height, the height control valve overtravel lever reaches the "neutral" position and keeps both the supply and exhaust ports closed to ensure normal ride height is maintained. This condition remains static until the vehicle load is altered.

13.3 UNLOADING POSITION

As the load decreases and raises the vehicle body, the overtravel lever commands the height control valve to release air from air springs.

13.4 MAINTENANCE

The height control valve requires no periodic maintenance. Height control valve linkage operates on rubber bushings and no lubrication should be attempted at this location. Inspect the valve for loose joints, air leaks and worn bushings.

13.5 REMOVAL AND INSTALLATION

Before disconnecting a height control valve air line, securely support the vehicle by its jacking points on the body, and place safety supports underneath body. Refer to paragraph "16. Vehicle Jacking Points" in Section 18, "Body".

1. Exhaust air from air system by opening all air tank drain cocks. Remove height control valves.
2. Disconnect overtravel lever from link and pull down lever to exhaust remaining air from air springs.
3. Disconnect air supply and delivery lines from the height control valve. Cover line ends with tape to prevent entry of foreign matter.
4. Remove the nuts retaining the height control valve to the mounting bracket, then remove valve assembly.

Reverse removal procedure to replace height control valve. After installation, check for leakage using a soap and water solution.

14. "LEVEL-LOW" LEVELING SYSTEM

The purpose of the "level-low" leveling system is to adjust suspension in three separate points (front, rear right and rear left) in order to level vehicle body. This system can be put into service when the ignition key is turned to the "ON" position, and must be used only when the parking brake is applied. The "level-low" warning light on the dashboard indicates that the selector switch is not in the "OFF" position. Level low system controls are located on L.H. side control panel.

14.1 PRINCIPLES OF OPERATION

DOWN:

The (front/rear right/rear left) control solenoid valve supplies air to the (front/rear right/rear left) five-way three-position air control valve, which bypasses the (front/rear right/rear left) height control valve, and opens a passage to allow the air control and exhaust valve to release air from (front/rear right/rear left) air springs.

UP:

The (front/rear right/rear left) control solenoid valve supplies air to the (front/rear right/rear left) five-way three-position air control valve, which bypasses the (front/rear right/rear left) height control valve, and opens a passage to allow the air control and exhaust valve to supply air to (front/rear right/rear left) air springs.

DRIVE:

When the ignition key is turned to the "ON" position with selector knob in the "DRIVE" position, the drive control solenoid valve supplies air to all five-way three-position air control valves, each one opening a passage to allow height control valves to accomplish their function.

When the ignition key is turned to the "OFF" position and selector knob to the "DRIVE" position, the air is entrapped between air springs and five-way three-position air control valves to ensure the adjusted level will be kept.

Warning: Never move vehicle with selector knob in any other position than the "DRIVE" position.

14.2 MAINTENANCE

Since the kneeling action is issued from both the air system and electrical system, refer to Section: 12, "Brake and Air System" and Section 06, "Electrical System".

For diagnosis and understanding of the system, refer to wiring diagrams, and to the appropriate air system schematic diagram annexed to Section 12, "Brake and Air System".

15. AIR SYSTEM

The basic air system consists of an air compressor, tanks, valves, filters and interconnecting lines and hoses (refer to Section 12, "Brake and Air System" for complete information). It provides a means for braking, operating controls and accessories, and suspension. An air system schematic diagram is annexed at the end of this supplement for better understanding of the system.

The air coming from the air dryer is first directed to the wet air tank, then to the primary (for the primary brake system), secondary (for the secondary brake system), and accessory (for the pneumatic accessories) air tanks (Fig. 33).

In addition, an expansion air tank is installed in series with each air spring.

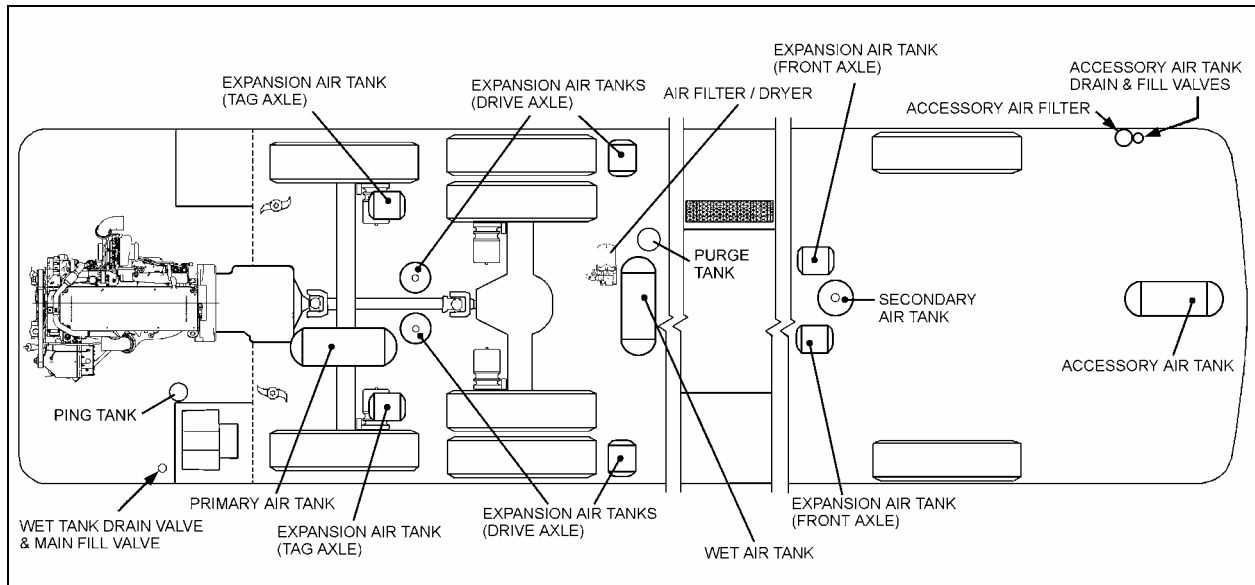


FIGURE 32: LOCATION OF AIR TANKS

12195

15.1 AIR TANK MAINTENANCE

Ensure that the accessory air tank is purged during pre-starting inspection. A good practice is to purge this tank at the end of every driving day by the remote air tank drain valve located in the steering compartment (Fig. 35).

Moreover, purge all tanks by their bottom drain valves at specified intervals.

15.1.1 Wet Air Tank

This tank is installed in front of and above drive axle in the rear wheelhousing and is provided with a bottom drain valve. It is recommended to **purge** the wet air tank by its bottom drain valve every 12,500 miles (20 000 km), or once a year, whichever comes first.

A remote valve located in engine compartment and accessible through engine R.H. side door is used to **purge daily** (Fig. 34).

15.1.2 Primary Air Tank

The primary air tank is located above tag axle.

This tank is also provided with a bottom drain valve (Fig. 33). It is recommended to purge the tank by its bottom drain valve every 12,500 miles (20 000 km), or once a year, whichever comes first.

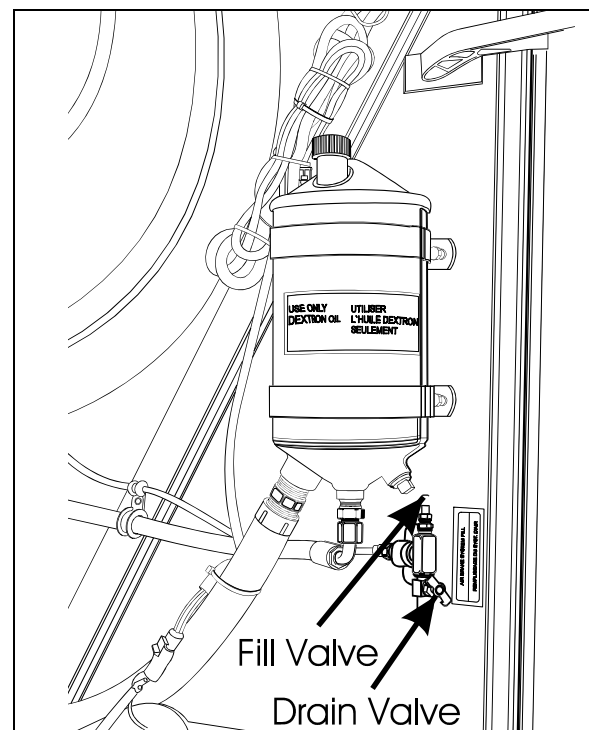


FIGURE 33: REAR VALVE LOCATION

12162

15.1.3 Secondary Air Tank

This tank is located in front wheelhousing. The tank is installed vertically and is provided with a bottom drain valve (Fig. 33).

It is recommended to purge the tank by its bottom drain valve, every 12,500 miles (20 000 km) or once a year, whichever comes first.

15.1.4 Accessory Air Tank

The accessory air tank is installed at the ceiling of spare wheel compartment. The tank is provided with a bottom drain valve (Fig. 33).

It is recommended to purge the tank by its bottom drain valve, every 12,500 miles (20 000 km) or once a year, whichever comes first.

A remote drain valve is located in front service compartment (Fig. 35) underneath the accessory air filter. Refer to Section 12, paragraph "4. Accessory Air Filter" of the maintenance manual for daily purge procedure.

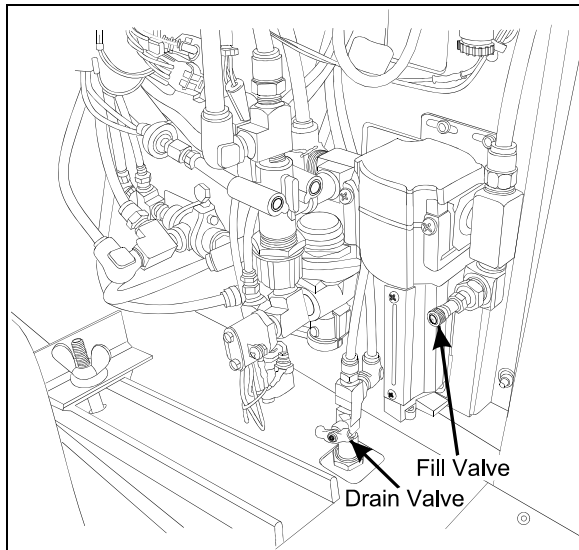


FIGURE 34: FRONT VALVE LOCATION

12144

15.1.5 Expansion Air Tank

Two expansion tanks are located in front wheelhousing. These air tanks are located behind secondary air tank. Also, six expansion tanks are located near rear air springs (Fig. 33). Expansion tanks are connected in series with air springs. Expansion tanks are used to lower the stiffness of the air spring. They are provided with a bottom drain valve.

It is recommended to purge them, with all other tanks, every 12,500 miles (20 000 km) or once a year, whichever comes first.

15.2 EMERGENCY FILL VALVES

The vehicle is equipped with two air system emergency fill valves to supplement the air system when air pressure is low and engine cannot be operated.

The rear valve is located in engine compartment and accessible from engine R.H. side door (Fig. 34).

Caution: No other point should be used to supply air system. The maximum allowable air pressure is 125 psi (860 kPa).

The front valve is located in the front service compartment close to accessory air filter (Fig. 35).

These two air valves are fitted with the same valve stems as standard tires, and can be filled by any standard external air supply line.

The rear valve will supply air for all systems (brakes, suspension and accessories) while the front valve will supply air for accessories only.

Caution: Air filled through these two points will pass through the standard air filtering system provided by Prevost. Do not fill air through any other points.

16. HUB UNIT AND SWIVEL ASSEMBLY

Refer to "DANA SPICER Service Manual General Information, Maintenance Manual Model NDS and Maintenance Manual NDS Axles" annexed to section 10 "Front Axle".

Section 16: VIP EQUIPPED WITH INDEPENDENT FRONT SUSPENSION (IFS)

17. TORQUE TABLE

DESCRIPTION	QTY	REFERENCE	TORQUE (DRY) lbf-ft / Nm	
Upper A-Arm Central Ball Joint (Castellated Hex Nut)*	2	1	310-340	420-461
Upper A-Arm Ball Joint	8	2	230-255	312- 346
Lower A-Arm Central Ball Joint (Castellated Nut)*	2	3	490-540	664- 732
Lower A-Arm Ball Joint	8	4	270-300	366-407
Air Spring Lower Nut (Front Suspension)	4	5	20-25	27-34
Air Spring Upper Nut (Front Suspension)	2	6	20-25	27-34
Shock Absorber Support	4	7	145-165	196-224
Shock Absorber Upper Mounting Pin Stud Nut	2	8	70-85	95-115
Shock Absorber Lower Mounting Pin Stud Nut	2	9	60-75	81-102
Sway Bar Link Upper and Lower Nuts (Front Suspension)	4	10	165-200	224-271
Sway Bar Bushing Collar (Front Suspension)	8	11	80-100	108-136
Idler Arm and Bell Crank Mounting Spindle Nut	8	12	90-105	122-142
Hydraulic power cylinder to bracket Stud Nut*	1	13	150-200	203-271
Hydraulic Power Cylinder End Clamp Bolt Nut	1	14 & 16	40-60	54-81
Hydraulic power cylinder to Idler Arm Stud Nut*	1	15	150-200	203-271
Relay Rod To Bell Crank Stud Nut*	1	17	150-200	203-271
Relay Rod to Idler Arm Stud Nut*	1	similar to 17	150-200	203-271
Tie Rod End Clamp Bolt Nut	4	18 & 20	40-60	55-80
Tie Rod to Steering Arm Stud Nut*	2	19	150-200	203-271
Drag Link Socket End Clamp Bolt Nut	2	21 & 25	40-60	54-81
Drag Link to Pitman Arm Stud Nut*	1	22	150-200	203-271
Steering Gear to Mounting Bracket Bolt	5	23	365-405	495-549
Pitman Arm to Steering Gear Fixing Nut	1	24	470-570	637-773
Drag Link to Bell crank Stud Nut*	1	26	150-200	203-271
Tie Rod to Bell crank Stud Nut*	1	27	150-200	203-271
Tie Rod to Idler Arm Stud Nut*	1	similar to 27	150-200	203-271
Torque Rod Stud Nut	2	28	160-215	220-290
Torque Rod Mounting Bracket Nut	4	29	140-155	190-210
Torque Rod Mounting Bracket Stud	4	30	90-110	122-150
Shock Absorber Pin	2	31	350-400	475-545
Steering Arm to Steering Knuckle Bolt (M20 X 65)	2		520-575	705-780
Steering Arm to Steering Knuckle bolt (M24 X 100)	2		751-830	1018-1125
Sway Bar Link Upper Nuts (Rear Suspension)	2		100-120	135-160
Sway Bar Link Lower Nuts (Rear Suspension)	2		70-80	95-110

* Tighten nut to specified torque, then advance to next aligning cotter pin slot and install a new cotter pin.

Section 16: VIP EQUIPPED WITH INDEPENDENT FRONT SUSPENSION (IFS)

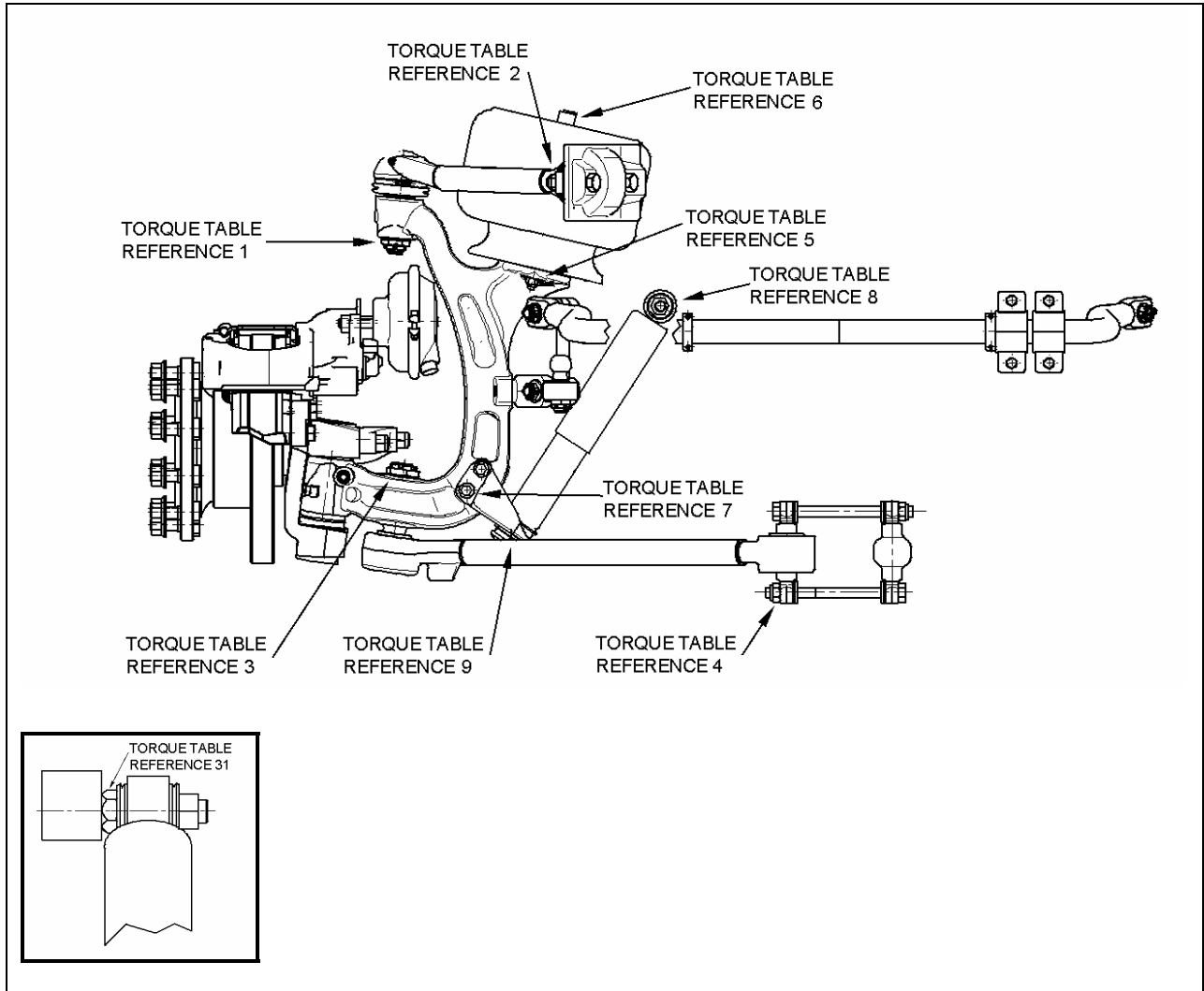


FIGURE 35: TORQUE SPECIFICATIONS

18. SPECIFICATIONS

Front Axle Air Springs

Make.....Goodyear Tire and Rubber
Diameter..... 14.5 inches
Air Inlet 1/2"- 14 NPTF
Supplier number..... 1R14-167
Prevost number..... 630239

Shock Absorbers

Collapsed length350 mm
Extended Length560 mm
Supplier number.....48170000208
Prevost number..... 630251

Height Control Valve

Make.....Barksdale
Supplier number..... 52321POAQ3-Q26 and 52321POAQ3-Q62
Prevost number..... 630156 and 630157

Steering Gear Box

Make.....ZF-Servocom
Supplier number..... 8098-988-570
Prevost number..... 661045

Steering Gear Box (Optional)

Make.....ZF-Servocomtronic
Supplier number..... 8098-988-571
Prevost number..... 661044

Power Steering Hydraulic Pump

Make.....TRW
Supplier number..... PS251616L10200
Prevost number..... 661070

Power Steering Hydraulic Cylinder

Make.....Hyco
Supplier number..... 007-0300-0
Prevost number..... 661076

Shim (Camber Adjustment)

Thickness3.175 mm
Prevost number..... 160993
Thickness 6.35 mm
Prevost number..... 160992

Sway bar bushing (Drive Axle)

Make..... Prevost
Prevost number..... 130953

CONTENTS

1. AUDIO AND VIDEO SYSTEM DESCRIPTION	4
1.1 AM/FM RADIO	6
1.1.1 Vr300 Am/Fm Radio / Cd Player.....	6
1.1.2 Security Code.....	6
1.1.3 Removal	6
1.1.4 Delphi Premium Satellite Radio Am/Fm/Mp3 Cd Stereo (Optional).....	7
1.2 VSS-04 SOUND SELECTOR	7
1.2.1 Removal	7
1.3 VD-404 MOBILE DVD PLAYER.....	7
1.4 MULTICHANNEL POWER AMPLIFIER VA400.8	8
1.5 SPEAKERS	8
1.6 VIDEO CASSETTE PLAYER (VCP).....	9
1.6.1 Removal	9
1.6.2 Installation	9
1.7 BOOM-TYPE MICROPHONE	9
1.7.1 Removal	9
1.7.2 Installation	9
1.8 HANDHELD PRIORITY MICROPHONE	9
1.9 WIRELESS MICROPHONE	10
1.10 TV TUNER.....	10
1.11 KARAOKE	10
1.11.1 Karaoke Panasonic Sound System – Mobile Dvd Player Dv1500.....	10
1.12 DRIVER'S SPEAKERS.....	10
1.13 MONITOR.....	10
1.14 SCENIC VIEWING SYSTEM.....	11
1.15 ROOF ANTENNA INSTALLATION.....	11
2. HUBODOMETER	11
2.1 DESCRIPTION	11
2.2 OPERATION.....	11
2.3 REMOVAL	11
2.4 INSTALLATION	11
3. BACK-UP CAMERA AND MONITOR	12
4. COLD STARTING AID (ETHER)	12
4.1 PREVENTIVE MAINTENANCE.....	12
4.2 TROUBLESHOOTING (IF SYSTEM IS NON-FUNCTIONING).....	12
4.3 THERMAL CUTOFF VALVE QUICK TEST.....	13
5. DESTINATION SIGN	13
5.1 DESCRIPTION	13
5.2 MAINTENANCE.....	14
5.3 ELECTRIC MOTOR REMOVAL AND INSTALLATION	14
5.4 SIGN CURTAIN REPAIR.....	14
6. WINDSHIELD SUNSHADES	14
6.1 ADJUSTMENT.....	14
7. LAVATORY	15
7.1 DESCRIPTION	15
7.2 MAINTENANCE.....	15
7.3 VENTILATION FAN	15

Section 23: ACCESSORIES

7.3.1	Description	15
7.3.2	Maintenance.....	15
7.3.3	Removal And Installation.....	15
7.4	DOOR LOCK	16
7.5	LAVATORY LIGHT	16
7.6	LAVATORY NIGHT-LIGHT.....	16
7.7	EMERGENCY BUZZER	16
7.8	FRESH WATER TANK	16
7.8.1	Fresh Water Tank Heater (Optional).....	16
7.8.2	Fresh Water Tank Draining	17
7.8.3	Fresh Water Tank Filling.....	17
7.9	LIQUID SOAP DISPENSER	17
7.10	FLUSH PUSH-BUTTON	18
7.10.1	Pneumatic Timer Removal And Installation	18
7.10.2	Timer Adjustment	18
7.11	FLUSH PUMP.....	18
7.11.1	Flush Pump Pressure Adjustment.....	18
7.12	SUMP TANK.....	18
7.12.1	Sump Tank Draining.....	18
7.12.2	Sump Tank Filling.....	19
7.13	CLEANING CABINET	19
8.	AIR HORN VALVE	19
8.1	AIR HORN VALVE MAINTENANCE.....	19
9.	HEADLIGHTS CLEANING SYSTEM.....	19
9.1	GENERAL DESCRIPTION	19
9.2	WASHER FLUID REFILLING	20
9.3	WASHER NOZZLES ADJUSTMENT	20
10.	WINDSHIELD WIPERS AND WASHERS.....	20
10.1	GENERAL DESCRIPTION	20
10.2	WIPER ARM	21
10.2.1	Sweep Adjustment	21
10.2.2	Removal	22
10.2.3	Installation	22
10.3	LOWER LINKAGE ADJUSTMENT	23
10.4	UPPER LINKAGE ADJUSTMENT.....	23
10.5	WINDSHIELD WIPER MOTORS.....	23
10.5.1	Lower Windshield Wiper Motor Replacement.....	23
10.5.2	Upper Windshield Wiper Motor Replacement.....	24
11.	AUTOMATIC FIRE SUPPRESSION SYSTEM (AFSS) (OPTIONAL ON COACHES ONLY)	26
11.1	PERIODIC MAINTENANCE	26
12.	TIRE MONITORING SYSTEM (TMS).....	31
13.	SPECIFICATIONS	32

ILLUSTRATIONS

FIGURE 1: AUDIO-VIDEO PANEL	4
FIGURE 2: AUDIO & VIDEO CONNECTIONS	5
FIGURE 3: RACKS ON AUDIO-VIDEO PANEL	6
FIGURE 4: AUDIO-VIDEO PANEL	6
FIGURE 5: VR300 CD/AM/FM STEREO RECEIVER	6
FIGURE 6: DELPHI PREMIUM SATELLITE RADIO	7
FIGURE 7: VSS-04 SOUND SELECTOR	7
FIGURE 8: VD-404 MOBILE DVD PLAYER	8
FIGURE 9: MULTICHANNEL POWER AMPLIFIER VA400.8	8
FIGURE 10: CROSSOVER ADJUSTMENT	8
FIGURE 11: 10CM COAXIAL SPEAKER	9
FIGURE 12: V3000 VIDEO CASSETTE PLAYER	9
FIGURE 13: BOOM-TYPE MICROPHONE	9
FIGURE 14: HANDHELD PRIORITY MICROPHONE	10
FIGURE 15: WIRELESS MICROPHONE	10
FIGURE 16: TUNER CONTROLS DESCRIPTION	10
FIGURE 17: PANASONIC DV1500	10
FIGURE 18: MONITOR MOUNTING	11
FIGURE 19: SCENIC VIEW CAMERA	11
FIGURE 20: HUBODOMETER	11
FIGURE 21: ENGINE	12
FIGURE 22: COLD STARTING AID	13
FIGURE 23: DESTINATION SIGN - ELECTRICAL	13
FIGURE 24: DESTINATION SIGN-ELECTRIC MOTOR	14
FIGURE 25: DESTINATION SIGN – ELECTRONIC	14
FIGURE 26: LAVATORY	15
FIGURE 27: VENTILATION FAN INSTALLATION	16
FIGURE 28: DOOR LOCK	16
FIGURE 29: FRESH WATER TANK SERVICE VALVES	17
FIGURE 30: LIQUID SOAP DISPENSER	17
FIGURE 31: FUNCTIONING OF LAVATOR	18
FIGURE 32: SUMP TANK	19
FIGURE 33: AIR HORN VALVE	19
FIGURE 34: HEADLIGHT CLEANING SYSTEM	20
FIGURE 35: HEADLIGHT HOUSING	20
FIGURE 36: WASHER NOZZLES ADJUSTMENT	20
FIGURE 37: WIPER MOTORS LOCATION	21
FIGURE 38: DASHBOARD	21
FIGURE 39: MULTIFUNCTION LEVER	21
FIGURE 40: WINDSHIELD WASHER RESERVOIR	21
FIGURE 41: LOWER WINDSHIELD WIPER	22
FIGURE 42: UPPER WINDSHIELD WIPER	22
FIGURE 43: LOWER WINDSHIELD WIPER INSTALLATION	24
FIGURE 44: UPPER WINDSHIELD WIPER INSTALLATION	25
FIGURE 45: FIRE EXTINGUISHER INSTALLATION	27
FIGURE 46: NOZZLE BRACKETS IDENTIFICATION AND INSTALLATION	28
FIGURE 47: HOSES IDENTIFICATION AND ROUTING	29
FIGURE 48: AFSS SYSTEM OVERVIEW	30

1. AUDIO AND VIDEO SYSTEM DESCRIPTION

The rack mounted components are gathered on the audio-video panel which is located in the first driver's side overhead compartment (Fig. 1). In addition to the power amplifier, options for AM/FM stereo radio and satellite radio, CD changer, karaoke, wireless microphone, DVD and videocassette player, scenic view and back-up camera system and GPS Navigation System module may be featured.

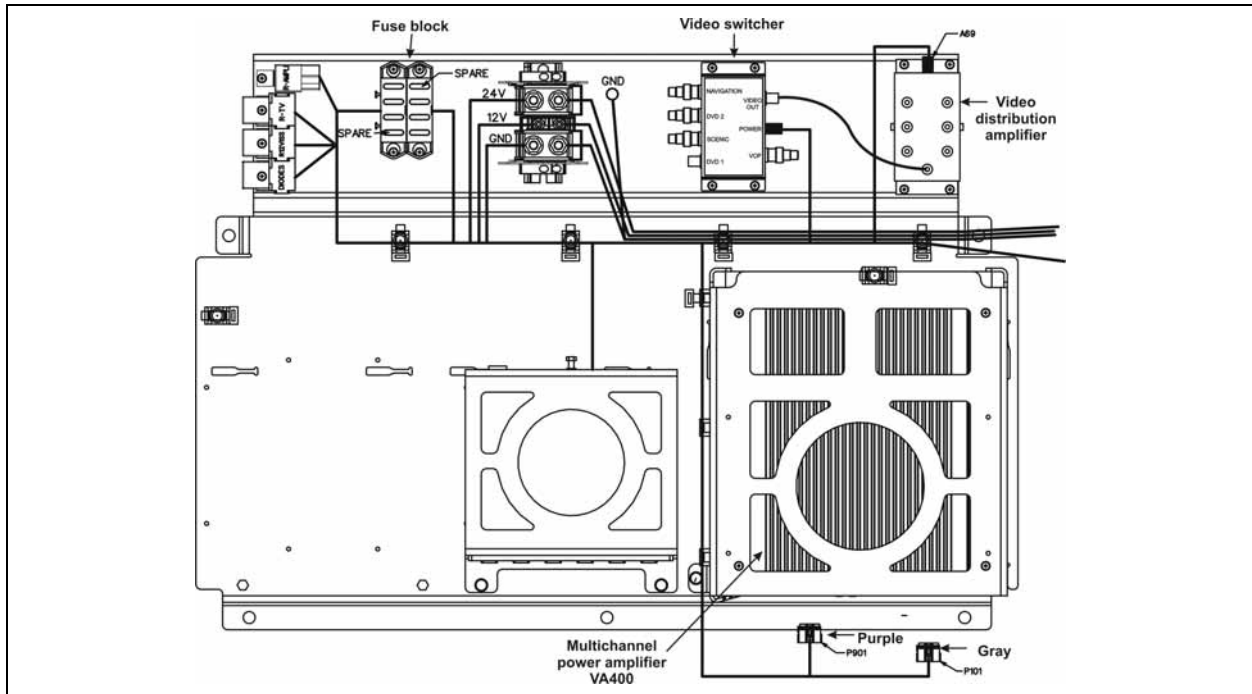


FIGURE 1: AUDIO-VIDEO PANEL

Each service module mounted to the underside of the parcel racks contains a 40-watt speaker. The speakers in the passenger section (twelve in H3-41 or sixteen in H3-45) are wired in stereo and are powered by the amplifier. A microphone outlet mounted in the driver's area is provided as standard equipment.

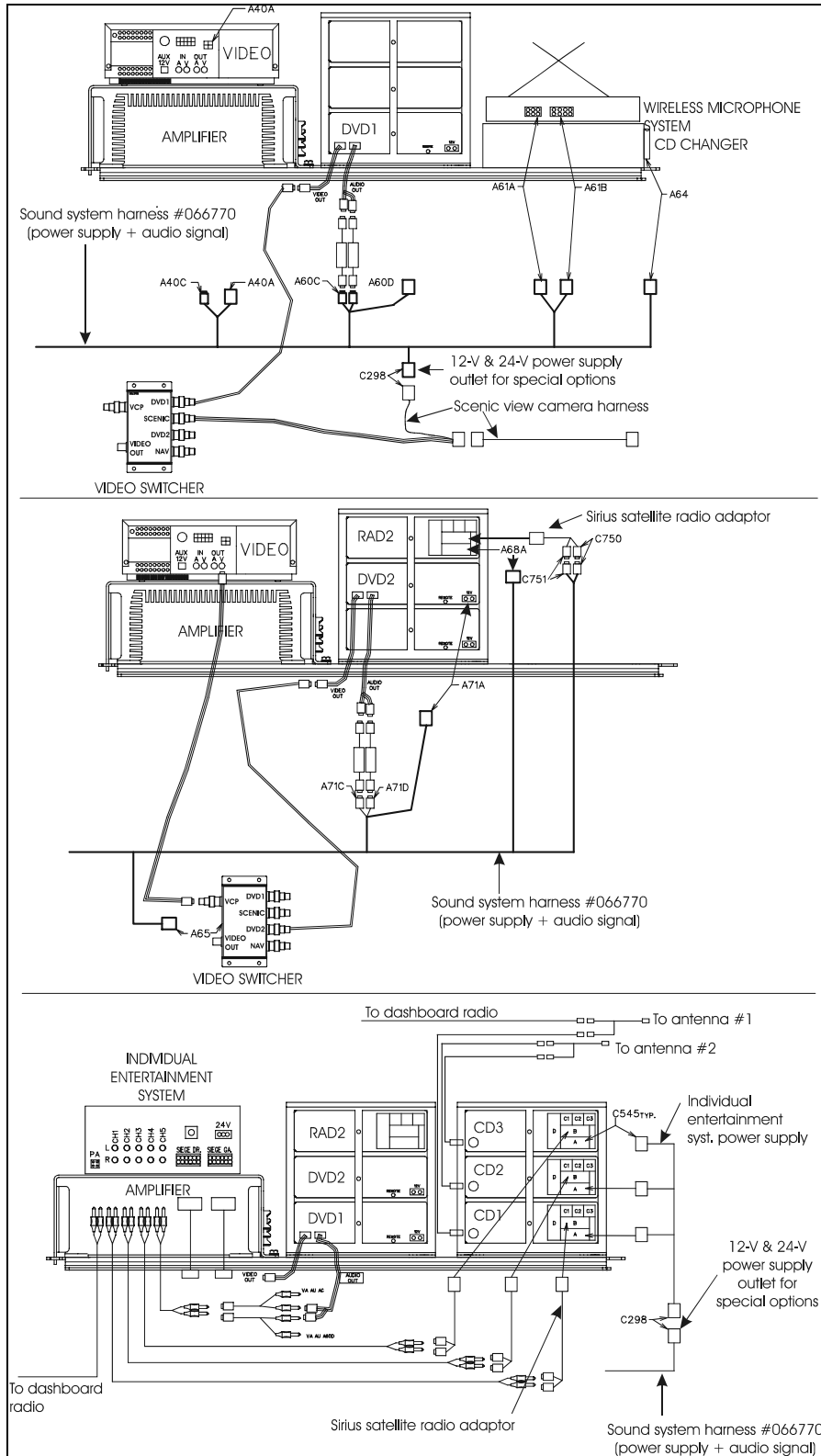


FIGURE 2: AUDIO & VIDEO CONNECTIONS

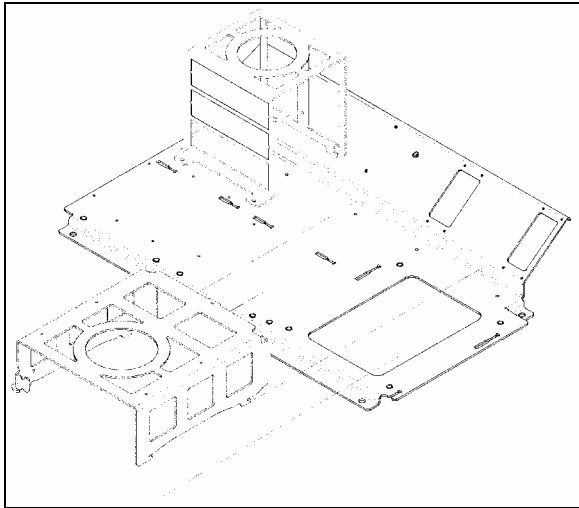


FIGURE 3: RACKS ON AUDIO-VIDEO PANEL

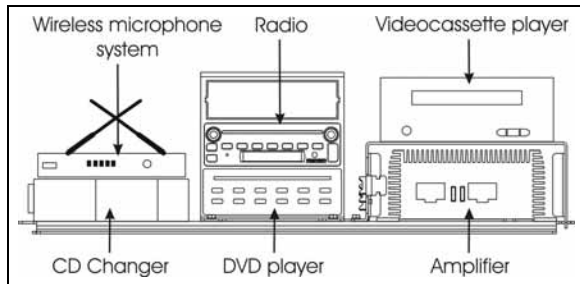


FIGURE 4: AUDIO-VIDEO PANEL

1.1 AM/FM RADIO

1.1.1 VR300 AM/FM Radio / CD Player

This AM/FM/WX (weather band) radio CD player model has external CD changer capability (Fig. 4).

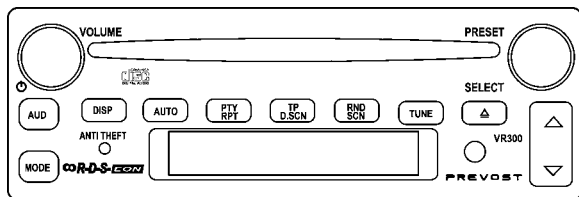


FIGURE 5: VR300 CD/AM/FM STEREO RECEIVER 23351

NOTE

Before attempting to solve an electrical problem on the sound system, refer to the wiring diagrams.

“VR300 Operating Instruction” manual is included at the end of this section. The radio is a serviceable component and should only be serviced by a qualified electronics technician.

Features:

- CD changer control
- Anti-theft
- Auto preset memory
- LED illumination
- Liquid crystal display
- Amber illumination
- Panel light dimming
- Quartz clock
- Mute function
- Search & repeat
- Track scan
- AUX input
- 4x20W power
- 4 low level outputs

1.1.2 Security Code

Your radio is protected by a security code. The security code can be found on a label delivered with the radio. The security code cannot be changed.

When the radio power is first turned on after power has been interrupted, “ID CHECK” and then “LOCK” is displayed for 3 seconds. Then “0000” is displayed.

To unlock the radio, enter the four-digit security code found on the removable label (refer to “VR300 Operating Instruction” manual).

If the code is entered correctly, the radio will switch to the last active mode (i.e. FM, CD, etc.) and is ready to use. If the code is entered incorrectly, you can try 2 more times. After 3 incorrect entries, the radio will display “LOCK.” You must turn the radio off, while leaving the ignition and battery on, for 1 continuous hour before attempting to unlock the radio again.

1.1.3 Removal

To remove the radio from its location, proceed as follows:

1. Place the ignition switch in the “OFF” position.
2. Remove the dashboard panel cover.
3. Disconnect the electrical cable connectors from radio and unfasten back plate securing nut.
4. To separate the radio from its support, insert the U shaped tool in the two pairs of holes found each side of the radio front panel.
5. Push the unit through the front dashboard panel.
6. Install a new unit by reversing the procedure.

NOTE

Remember that because power has been interrupted during removal, the radio must be unlocked by entering the four-digit security code after reinstallation.

1.1.4 DELPHI Premium Satellite Radio AM/FM/MP3 CD stereo (OPTIONAL)

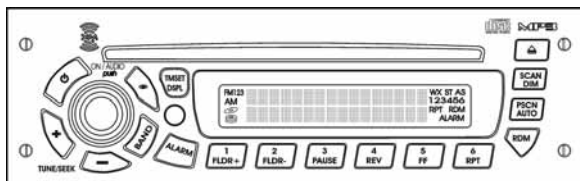


FIGURE 6: DELPHI PREMIUM SATELLITE RADIO 23355

This XM or SIRIUS satellite radio receiver can be located on the dashboard, replacing the standard radio or inside the first driver's side overhead compartment, where many radio can be installed.

Features:

- Satellite radio ready with weather band
- 7-channel weather band
- 18 FM & 6 AM presets
- Steering wheel control compatible
- Anti-theft
- Auto preset solutions
- MP3 playback capability
- LED illumination
- Liquid crystal display
- Quartz clock
- Single disc
- Random & repeat play modes
- SDARS receiver compatible
- AUX inputs
- 4x17W power

The complete operating instruction manual is included in your vehicle's *technical publications box*.

1.2 VSS-04 SOUND SELECTOR

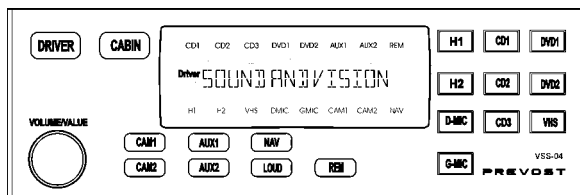


FIGURE 7: VSS-04 SOUND SELECTOR 23350

The VSS-04 Sound Selector enables the driver to select different audio or audio-video entertainment sources for the driver area and the

passengers' area. The driver may be listening to the radio and watching the Navigation System route information on the monitor while the passengers may be watching a movie from the DVD player.

With this unit, you can adjust each audio source sound settings (e.g. volume, bass, treble, balance, fade).

Features:

7 audio sources

- Radios (2)
- Microphones (2)
- CD players (3)

5 audio-video sources

- DVD players (2)
- VCR (1)
- Auxiliary (2)

3 video sources

- cameras (2)
- GPS Navigation system (1)

1.2.1 Removal

To remove the Sound Selector from its location, proceed as follows:

1. Place the battery master switch in the "OFF" position.
2. Remove the dashboard panel cover.
3. Disconnect the electrical cable connectors from unit and unfasten back plate securing nut/screw.
4. To separate the Sound Selector from its support, insert a flat screwdriver each side of the unit front panel.
5. Push the unit through the front dashboard panel.
6. Install a new unit by reversing the procedure.

The operating instructions are included in your Operator's Manual.

1.3 VD-404 MOBILE DVD PLAYER



FIGURE 8: VD-404 MOBILE DVD PLAYER

The MOBILE DVD PLAYER is located in the first parcel compartment on the driver's side. Instructions for proper use of this unit are included at the end of this section.

Features:

- **POWER**
Operating voltage: 12-volt DC
- **COMPATIBILITY**
This DVD player can play the following disc formats:
DVD, CD, VCD, DVCD, MP3, CD-R, CD-RW
- **SYSTEM FUNCTIONS**
Video output system: system MULTI, NTSC or PAL switchable.
 - 1 L/R audio output
 - 1 L/R audio input
 - 1 AUX video output
 - 1 rear camera video input
 - 3 video outputs with one dedicated self switching rear view monitor
- **ADDITIONAL VIDEO FEATURES**
Multi-angle, multi-view, multi-audio function, multi-level forward and backward motion, play position memory, resume stop and repeat function.

1.4 MULTICHANNEL POWER AMPLIFIER VA400.8

This 400-watt, 6-channels brings an added dimension to your stereo equipment and increases the total output of the system.

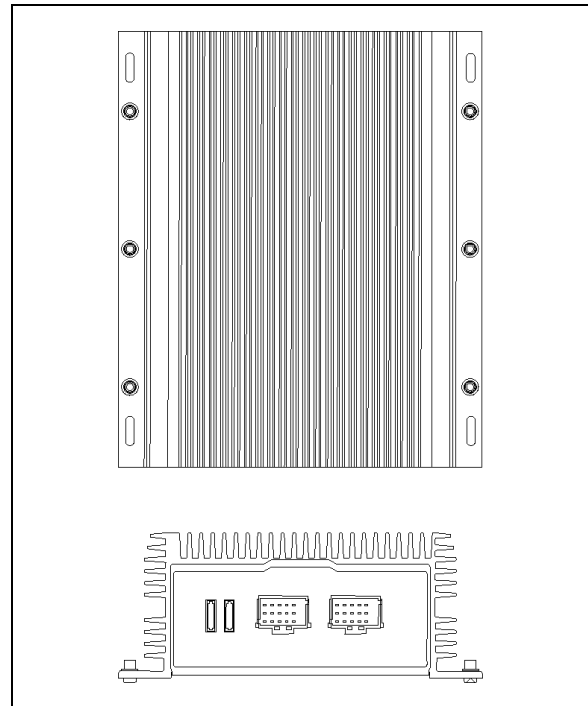


FIGURE 9: MULTICHANNEL POWER AMPLIFIER VA400.8

For optimum sound quality, adjust the subwoofer crossover filter as shown on figure 10. This adjustment is necessary to balance the subwoofers volume in respect to the other speakers and also to cut high frequencies for a better sound quality.

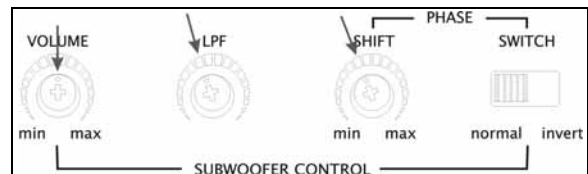


FIGURE 10: CROSSOVER ADJUSTMENT

1.5 SPEAKERS

Each passenger's overhead console mounted to the underside of the parcel racks contains a 20-watt Coaxial 10cm speaker. The speakers (24 in H3-41 or 28 in H3-45) in the passenger's section, wired in stereo and arranged in a delta configuration are powered by the amplifier.



FIGURE 11: 10CM COAXIAL SPEAKER

The vehicle may be equipped with two additional Hi-Fi speakers in the driver's area, mounted one on each side. This arrangement provides the driver with clear stereo sound. Controls for the driver's audio allow selection between the radio and the auxiliary audio (independent of the passenger's speakers) or muting the speakers.

Two specially designed subwoofers are fixed under a passenger seat with anti-vibration supports.

1.6 VIDEO CASSETTE PLAYER (VCP)

The optional VCP is located on the audio-video panel in the first overhead compartment. Instructions for proper use of the VCP are provided in the technical publication box.



FIGURE 12: V3000 VIDEO CASSETTE PLAYER

1.6.1 Removal

1. Place the ignition switch in the "OFF" position.
2. Remove the VCP/VCR mounting locknuts from rubber mounts.
3. Disconnect wiring.
4. Remove VCP/VCR unit from parcel compartment.

1.6.2 Installation

1. Install VCP/VCR unit into parcel compartment aligning rubber mount studs with mounting holes. Insert mount studs through mounting holes.
2. Install locknuts on mount studs.
3. Reconnect wiring.
5. Place the battery master switch in the "ON" position.

1.7 BOOM-TYPE MICROPHONE

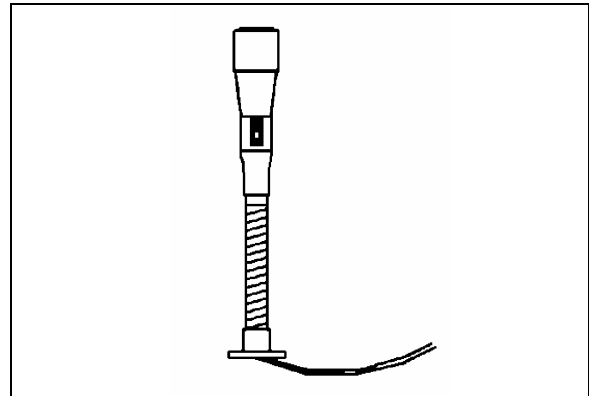


FIGURE 13: BOOM-TYPE MICROPHONE

23083

1.7.1 Removal

1. Place the ignition switch in the "OFF" position.
2. Remove the mounting screws at mounting flange.
3. Disconnect wiring.

1.7.2 Installation

1. Reconnect wiring.
2. Align mounting flange with holes and install screws.
3. Remove spacer block mounting screws.
4. Insert spacer block and install mounting screws.
5. Place the battery master switch in the "ON" position.

1.8 HANDHELD PRIORITY MICROPHONE

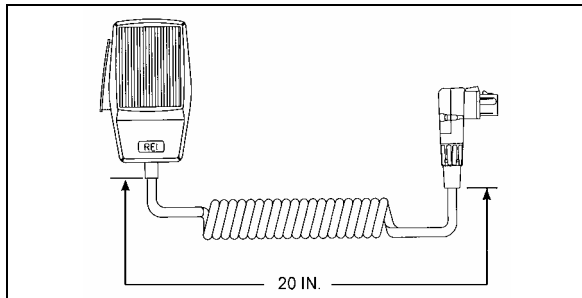


FIGURE 14: HANDHELD PRIORITY MICROPHONE 23216

1.9 WIRELESS MICROPHONE

The system 2000 16 channel wireless microphone, Receiver and Charging Cradle are custom designed units that allow for wireless PA communication from anywhere on the coach. The unit consists of a receiver mounted in the parcel area directly behind the driver, and a rechargeable hand-held microphone and charging unit. Instructions for proper use of the microphone are included in the "REI Operating Manual" which is provided in the technical publications box delivered with the vehicle.

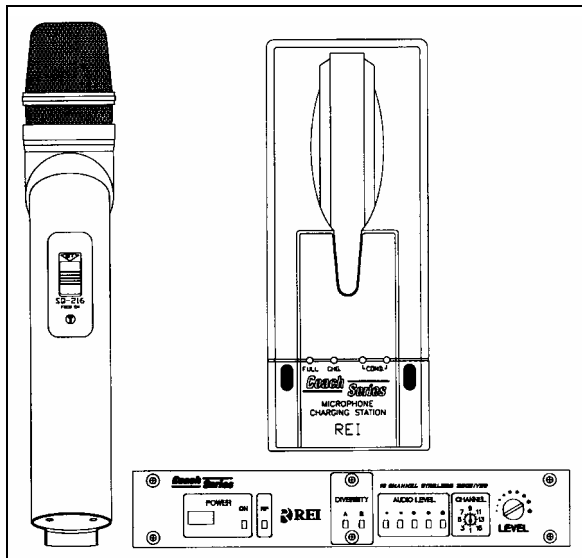


FIGURE 15: WIRELESS MICROPHONE

1.10 TV TUNER

For TV tuner control descriptions, refer to fig. 10.

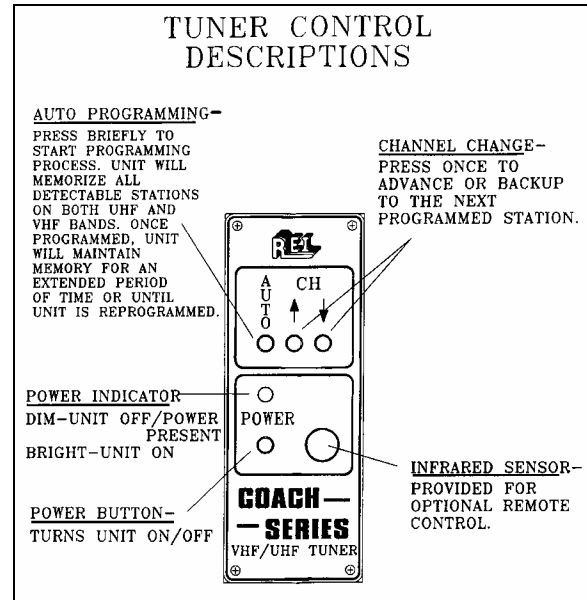


FIGURE 16: TUNER CONTROLS DESCRIPTION

1.11 KARAOKE

The modified Panasonic DVD Player powers up automatically when the video system is activated. The unit can be controlled with the plug-in remote control, or the control head, which has access to the PLAY and STOP commands.

If so equipped, instructions for proper use of the Karaoke system are included in the "Operating Manual" that is provided in the technical publications box delivered with the vehicle.

1.11.1 Karaoke Panasonic Sound System – MOBILE DVD PLAYER DV1500

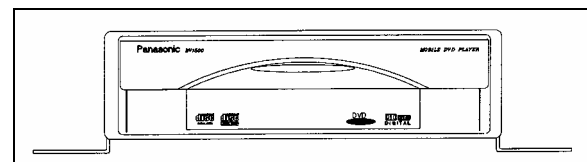


FIGURE 17: PANASONIC DV1500

1.12 DRIVER'S SPEAKERS

The driver's speakers are mounted one on each side. This arrangement provides the driver with clear stereo sound. Controls for the driver's audio allow selection between the radio and the auxiliary audio (independent of the passenger's speakers) or muting the speakers.

1.13 MONITOR

1. Place the ignition switch in the "OFF" position.

2. Unfasten the retaining screw located on the monitor R.H. side.
3. Slide the monitor to the right to release it from the mounting bracket.

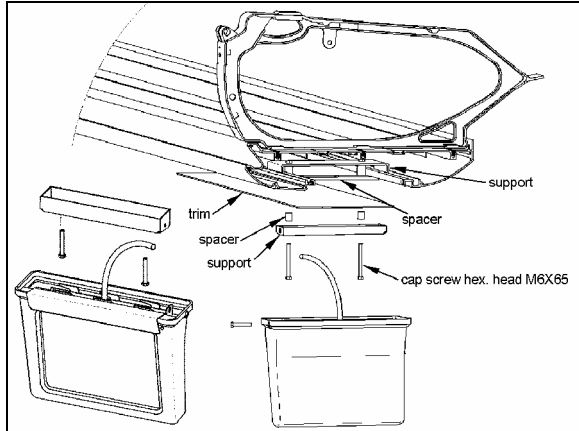


FIGURE 18: MONITOR MOUNTING 23221

1.14 SCENIC VIEWING SYSTEM

The scenic viewing system enables the passengers to view the road ahead of the vehicle. This system is composed of a camera, a dashboard mounted ON/OFF switch and the video switcher located on the audio-video panel (Figs. 13 & 14).



FIGURE 19: SCENIC VIEW CAMERA

1.15 ROOF ANTENNA INSTALLATION

1. Find the desire location and drill a hole according to specification.
2. To remove dirt and grease, wash hole edge with alcohol.
3. If so equipped, remove foam padding ring from antenna to free the metal surface (foam can produce air bulbs in new rubber seal).

4. With SIKA 205, wash the vehicle hole edge and the antenna base surface, wait at least two (2) minutes for chemical evaporation.
5. Apply new seal SIKA 221 on both, vehicle hole edge and antenna base.
6. Fix the antenna in place.
7. Remove excess seal and complete a finishing joint all around the antenna base.

2. HUBODOMETER

2.1 DESCRIPTION

An optional wheel hubodometer (Fig. 15) may have been installed on the R.H. side of the drive axle. It indicates the total distance in miles or kilometers covered by the coach since it has left the factory, including road testing.

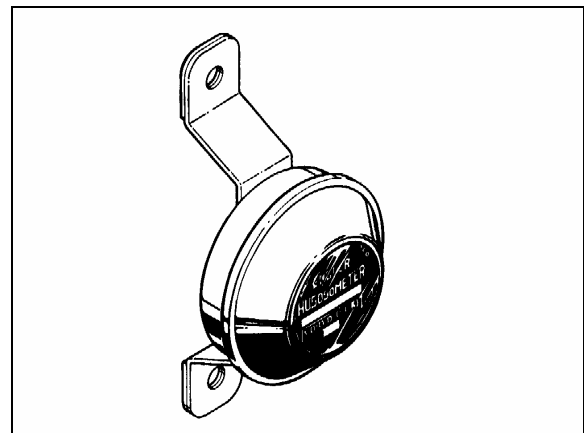


FIGURE 20: HUBODOMETER

23027

2.2 OPERATION

The hubodometer is calibrated for a specific wheel size (diameter). Wheel rotation causes a mechanism inside the hubodometer to record distance after a predetermined number of rotations. The unit should be serviced at a competent speedometer repair facility.

Note: Do not use paint, solvent or thinner on hubodometer face or on plastic hubcaps. Do not weld on hubodometer.

2.3 REMOVAL

To remove the unit, remove the two lock nuts and washers securing it to the wheel hub, and pull the unit off the studs.

2.4 INSTALLATION

Place the hubodometer unit over the wheel hub studs. Replace the lock washers and nuts. Torque stud nuts to 110-165 Lbf-ft (150-225 Nm).

3. BACK-UP CAMERA AND MONITOR

An optional back-up camera is available which provides the driver with visual assistance when backing-up. The camera is automatically activated when the transmission is put in reverse gear and the ignition switch is "ON". The TV monitor is mounted on top of the dashboard. Refer to the Owner's or the Operator's Manual for more information.

4. COLD STARTING AID (ETHER)

The vehicle can be equipped with an electrically-operated type ether cold starting aid designed to ease engine starting when temperature is below 35°F (2°C).

On vehicles equipped with cold starting aid, the system consists of the main following parts:

- Ether starting aid switch
- Ether cylinder
- Solenoid valve (24 V)
- Thermal cutout valve
- Atomizer

The control rocker switch is located on the dashboard. This switch is provided with a locking mechanism to avoid accidental use when engine is running. To activate the ether starting aid, proceed as follows:

1. Prior to cranking engine, press down rocker switch for three seconds to fill solenoid valve.
2. Release switch to discharge shot.
3. Allow three seconds for shot to discharge.
4. Start engine, use additional shots if necessary to keep engine running.

Caution: This practice should be performed only when absolutely necessary. Excessive use of fluid could result in serious engine damage.

The ether cylinder and solenoid valve assembly are mounted on the engine compartment wall and are accessible from the engine compartment R.H. side door.

The thermal cutout valve is mounted on the engine (radiator side). Its function is to prevent discharge of ether when engine is warm (over 90°F (32°C)). An atomizer is installed on top of the air intake duct (Fig. 16).

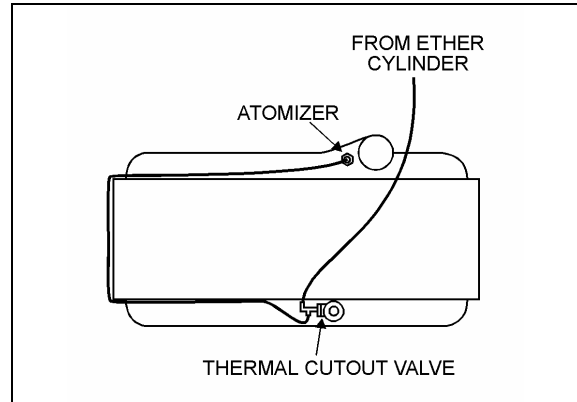


FIGURE 21: ENGINE

23032

4.1 PREVENTIVE MAINTENANCE

During the summer months, remove cylinder to avoid high temperature actuation of the cylinder safety relief device. Always screw valve cap into solenoid valve opening to prevent entrance of road dirt. When removing cylinder, be careful to prevent dirt from entering the valve.

4.2 TROUBLESHOOTING (IF SYSTEM IS NON-FUNCTIONING)

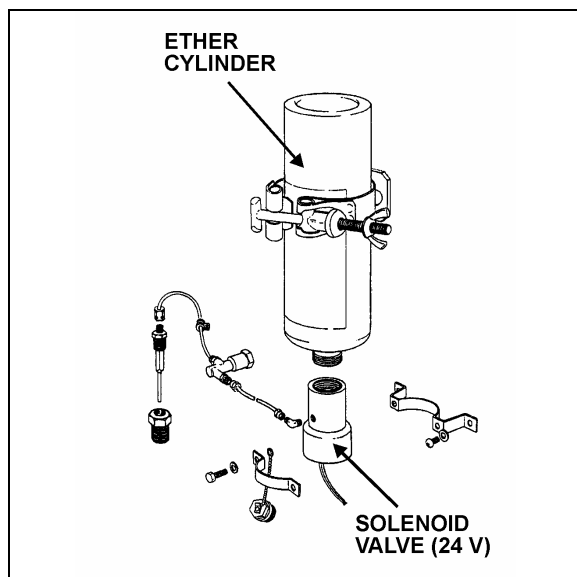


FIGURE 22: COLD STARTING AID

23048

Warning: During the following test, direct free end of tube away from personnel and all sources of ignition as this fuel is extremely flammable. Avoid breathing vapors and contacting fuel with skin. Never smoke during test.

1. Check cylinder for hand tightness and fuel supply (Fig. 17). Empty cylinder weight is approximately 17 oz (480 g); full cylinder weight is approximately 35 oz (990 g). If cylinder is empty, replace it. Before replacing cylinder, install new valve gasket in solenoid valve.
2. If still not functioning, disconnect tubing at solenoid valve fitting. Actuate solenoid valve. (Ask an assistant to actuate solenoid valve using the rocker switch on the dashboard).
 - If solenoid valve is non-functioning, check electric circuit, (refer to wiring diagrams). If sound, remove and replace the solenoid valve. If not, repair electric circuit.
 - If valve is functioning, reassemble valve fitting and connect tube. Disconnect tube at thermal cutout valve from port "Tube from valve".
3. Actuate the solenoid valve.
 - If fuel is not discharged from tube, remove tube and blow out or replace.
 - If fuel is discharged, connect tube to thermal cutout valve, and disconnect other tube.
4. Actuate the solenoid valve.
 - If fuel is not discharged, replace the cut-out valve.

Note: If engine coolant temperature is 90 °F (32°C) or over, it is normal that fuel is not discharged as the valve is in closed position.

- If fuel is discharged, connect tube to thermal cutout valve, and disconnect tube from atomizer.
5. Actuate the solenoid valve.
 - If fuel is not discharged from tube, fuel line is clogged. Remove tube and blow out or replace.
 - If fuel is discharged, replace the atomizer.
- 4.3 THERMAL CUTOUT VALVE QUICK TEST

1. Engine coolant temperature must be below 90 F (32 C).
2. Temporarily disconnect tube at thermal cutout valve from port "Tube to atomizer".
3. Actuate solenoid valve (Ask an assistant to actuate solenoid valve by means of the rocker switch on the dashboard). Fuel should be discharged through the thermal cutout valve.

Warning: Avoid breathing vapors and contacting fuel with skin. Never smoke during test.

4. Reconnect tube to thermal cutout valve.
5. Start engine, using cold starting aid if necessary. Stop engine when it reaches operating temperature.
6. Disconnect tube at thermal cutout valve as in step 2, and repeat step 3. No fuel should be discharged.

5. DESTINATION SIGN

5.1 DESCRIPTION

The destination sign is located at upper front of the vehicle. Two models are available.

ELECTRICAL DESTINATION SIGN (Optional)

The lighting is provided with a fluorescent tube, which is activated by means of a rocker switch located on the dashboard. The destination sign is electrically operated, two rocker switches mounted side by side on the destination sign control its motor. The unwinding speed control switch determines the rolling speed without actuating it. The selecting switch (momentary type) controls and actuates the rolling direction (fig. 18).

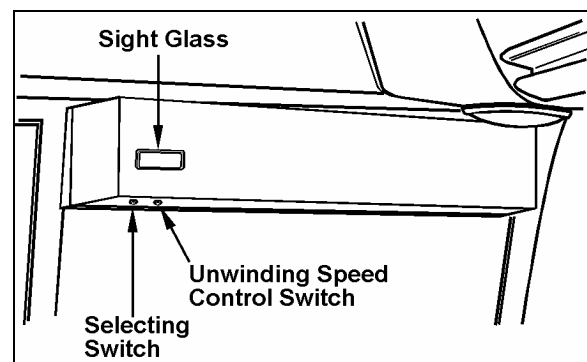


FIGURE 23: DESTINATION SIGN - ELECTRICAL 23122

5.2 MAINTENANCE

Inspect the following items regularly:

1. Check for free and easy mechanism movement.
2. Check for loose items on the sign mechanism, such as wire, loose clips, hanging tape, etc.
3. Check tension and condition of the two drive belts and replace as required.
4. Periodic lubrication is **NOT** recommended.

5.3 ELECTRIC MOTOR REMOVAL AND INSTALLATION

To remove the electric motor:

1. Remove the six Phillips-head screws and washers retaining the destination sign cover, then carefully remove the cover from its location.
2. Disconnect wires from electrical motor.
 1. Remove both screws retaining motor to destination sign frame (Fig. 19).
 4. Slide motor upwards, then remove the drive belt.
5. Remove motor through the opening intended for this purpose.

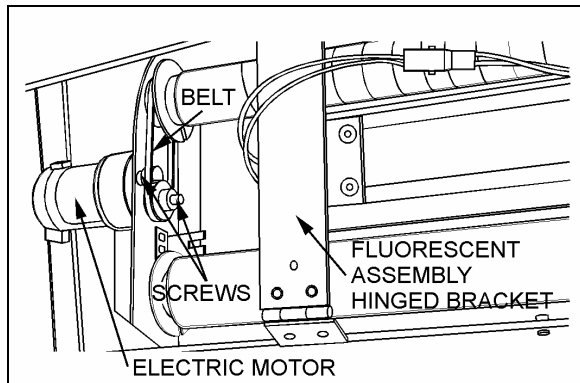


FIGURE 24: DESTINATION SIGN-ELECTRIC MOTOR 23034

6. Install the motor by reversing the above procedure.

5.4 SIGN CURTAIN REPAIR

In the event a destination sign curtain is torn, it can be repaired with 3M polyester tape or any equivalent cellophane tape. When repairing a tear, the tape should be used on both sides of the curtain.

ELECTRONIC DESTINATION SIGN (Optional)

To change the destination, depress the selecting switches until the desired destination appears in the LCD display.

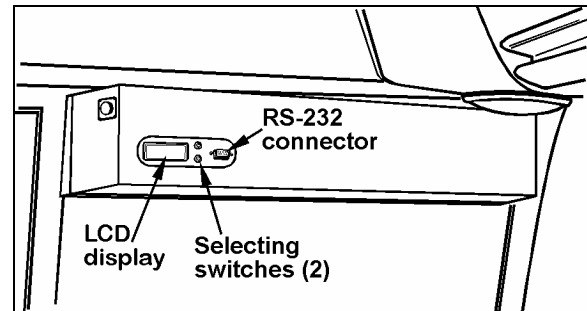


FIGURE 25: DESTINATION SIGN – ELECTRONIC 23123

Note: The destination sign must be programmed with a computer connected to the RS-232 connector prior to first use. Follow the instructions on the computer disk to install and run the software.

Note: All destination sign models are equipped with lights (bulb light or fluorescent) which illuminates automatically when the headlight or fog light switch is activated.

6. WINDSHIELD SUNSHADES

Two electrically-operated sunshades are installed behind the windshields. Two rocker switches on the dashboard operate each shade individually. Refer to Operator's Manual: "Controls and Instruments" chapter for more information.

Caution: The electric sunshades should only be operated electrically. Pulling down manually may damage the mechanism.

6.1 ADJUSTMENT

The sunshades are pre-adjusted, under no circumstances try to operate by hand. In case adjustments have to be made, proceed as follows:

1. Push the two (black and yellow) buttons into lock position. This cancels the pre-adjusted stop positions.
2. Move the sunshade into the requested upper limit position by using the electric mo-

tor (do not operate by hand). Press the button which is shaped like an arrow showing upwards. The upper position is now adjusted.

- Now move the sunshade into the requested lower limit position by using the electric motor (do not operate by hand). Press the button shaped like an arrow showing downwards. The lower stop position is now adjusted.

7. LAVATORY

7.1 DESCRIPTION

The lavatory is located in the rear R.H. corner of the coach. It is equipped with a chemical flush toilet, bathroom tissue dispenser, washbasin, towel dispenser, waste container, mirror, ashtray, and a cleaning cabinet. A liquid soap dispenser and moist towel dispenser are optional.

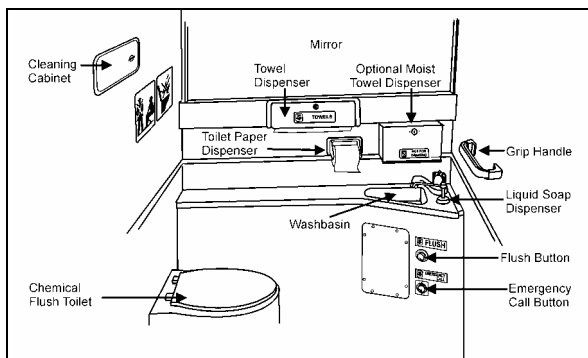


FIGURE 26: LAVATORY

Locking the lavatory door from the inside will illuminate a fluorescent light in the lavatory and two outside signs to indicate occupation. One sign is located on the outer wall of the lavatory and another sign is located over the windshield. An indicator light on the dashboard will illuminate to inform the driver when the lavatory is occupied. A night-light is permanently lit in the lavatory when the ignition switch is in the ON position.

7.2 MAINTENANCE

The servicing procedure for the lavatory is described in the "Operator's Manual" included in the technical publications box delivered with the vehicle.

7.3 VENTILATION FAN

7.3.1 Description

The lavatory ventilation fan, mounted in engine compartment over the oil reserve tank (Fig. 23), serves two purposes. It exhausts objectionable odors and provides a constant air circulation in the lavatory compartment by heating or cooling the lavatory with the vehicle ambient air. Air flows in the lavatory compartment through a vent grill located in the upper section of the lavatory door and exhausts through a grill located next to the toilet.

Note: This fan runs constantly when the ignition switch located on the dashboard is in the "ON" position.

7.3.2 Maintenance

The frequency of preventive maintenance should be determined according to vehicle mileage and operating conditions. However, it is recommended to check this item every 50,000 miles (80 000 km) or once a year, whichever comes first.

Remove fan and motor assembly. Check for fan housing wheel and motor free operation. When defective motor occurs, new motor must be installed.

7.3.3 Removal and Installation

- With the engine compartment rear door opened, remove hose clamp securing duct to ventilation fan inlet, and disconnect duct.
- Disconnect the ventilation motor wiring connector.
- Remove the two bolts retaining the ventilation fan housing support to the square tubing. Remove the ventilation fan assembly from its location.
- The unit can now be disassembled and motor replaced.
- Reverse previous steps to reinstall ventilation fan assembly on vehicle.

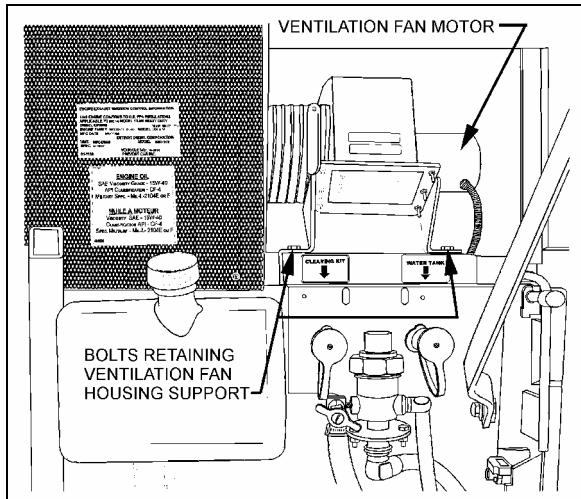


FIGURE 27: VENTILATION FAN INSTALLATION

7.4 DOOR LOCK

Lavatory door lock has inside and outside handles, as well as an inside latch to lock door from inside the compartment. If the lock fails to release, the door can be opened from the outside using a special key which is supplied to the driver. Lock assembly can be removed from the door, then readily disassembled and parts replaced, if necessary (Fig. 23). A thin coat of lubricant on all moving parts will ensure trouble-free operation.

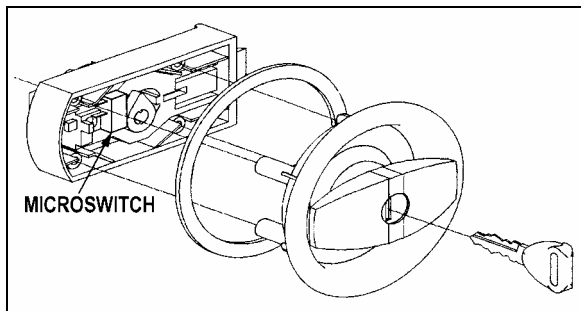


FIGURE 28: DOOR LOCK 23320

7.5 LAVATORY LIGHT

The lavatory light is installed on ceiling. A microswitch, which is mounted in the door exterior frame, is activated by the door lock mechanism upon locking to energize the circuit. This switch is readily serviced by removing the two Phillips-head screws securing the mounting plate to the door exterior frame. Proceed as Section 06, Electrical System, paragraph "13.6: Lavatory Light" for light replacement.

7.6 LAVATORY NIGHT-LIGHT

The lavatory night-light is illuminated as soon as the ignition switch is set to the "ON" position.

See Section 06, Electrical System, paragraph "13.2: Stepwell Light and Lavatory Night-Light - Bulb Removal and Replacement" for lights replacement.

7.7 EMERGENCY BUZZER

The lavatory emergency buzzer is mounted on the alarm junction box in the front service compartment and sounds when the emergency call push-button switch in the lavatory compartment is activated. For specific wiring information, refer to wiring diagrams. To remove the emergency call push-button switch, proceed as follows:

1. Remove both phillips-head screws retaining pushbutton switch plate to wall.
2. Remove steel plate located on L.H. side of pushbutton switch.
3. Remove switch through this opening, taking care to disconnect electric wires.

7.8 FRESH WATER TANK

The fresh water tank located at rear of lavatory wall (over cleaning cabinet), supplies water to the washbasin by gravity. Two tubes are connected in the upper section of tank (Fig. 24). One serves as overflow as well as vent tube and runs along the wall to the underside of the lavatory close to the engine air filter housing, while the other tube is connected to the fresh water fill valve which is mounted besides the engine oil reserve tank.

A third tube connected in the lower section of fresh water tank is provided with a T-connector and allows fresh water to flow to the washbasin faucet and to the low temperature water safety valve for automatic or manual draining. An access panel, located at rear of last R.H. side row of seats and secured in place using 6 Phillips-head screws, allow access to the cleaning cabinet and fresh water tank tubing, fresh water tank heater and different wiring connectors.

7.8.1 Fresh Water Tank Heater (Optional)

A 75 watts, 110 volts AC immersion-type water heater may have been installed in the bottom of the fresh water tank. The heated portion of element must be immersed at all times to ensure proper heater life. The 110-120 volts in-station connector mounted on the engine compartment rear door provides the water heater power source.

7.8.2 Fresh Water Tank Draining

The fresh water tank can be drained by simply opening the fresh water drain cock (Fig. 24). Don't forget to close cock when draining is done.

Caution: If fresh water tank heater is inoperative or not installed on your vehicle, water should be drained from reservoir under cold weather conditions since it might freeze and damage both reservoir and connecting links.

7.8.3 Fresh Water tank Filling

Plug the fresh water supply hose to the fresh water tank fill connection (Fig. 24); fill the tank until the overflow tube leaks, signaling that tank is full.

Warning: Never put antifreeze in fresh water tank; antifreeze is toxic.

Warning: If tank has not been drained for an extended period of time, draining and filling operations must be repeated three (3) times in order to clean tank and eliminate contaminated water.

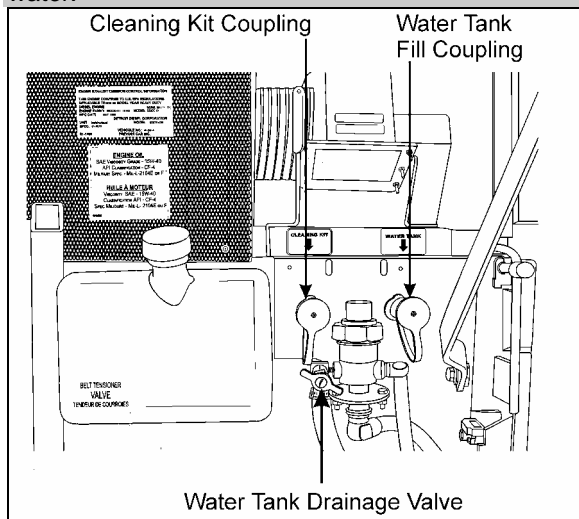


FIGURE 29: FRESH WATER TANK SERVICE VALVES

7.9 LIQUID SOAP DISPENSER

A liquid soap dispenser may have been installed as optional equipment. To refill dispenser, proceed as follows:

1. Turn cover slightly clockwise until it stops.
2. Insert projection at end of "BOBRICK" key into rectangular hole in cover (Fig. 25). Push straight in. While holding "BOBRICK" key in, turn cover counterclockwise about 1/8 turn.

Caution: Do not use "BOBRICK" key to turn cover.

3. Lift out piston and spout, cover and supply tube.
4. Fill dispenser with soap. This model can dispense vegetable oil soaps, synthetic detergents, and lotion soaps.

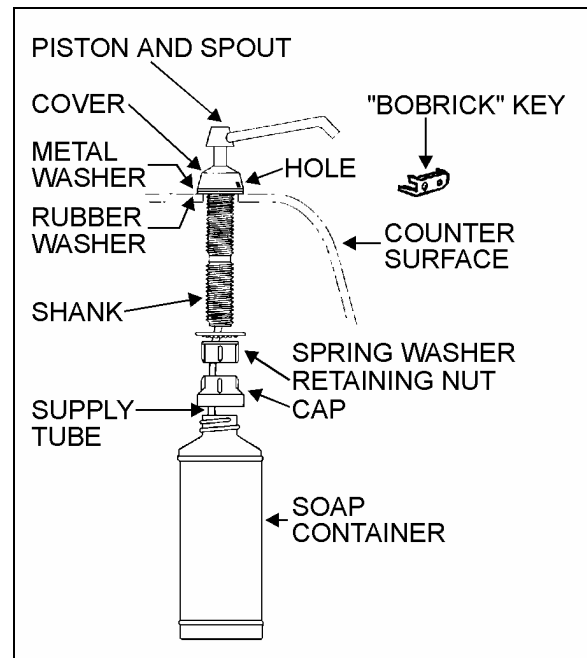


FIGURE 30: LIQUID SOAP DISPENSER

23039

Caution: Never use abrasive cleaners.

5. Replace supply tube, piston, and spout mechanism reversing the steps above.
6. Secure the cover by turning clockwise until lock snaps into position.

Note: The dispenser requires priming when extremely viscous lotion soaps are used. Remove piston and spout, cover and supply tube assembly. Pump water into assembly, then replace into dispenser.

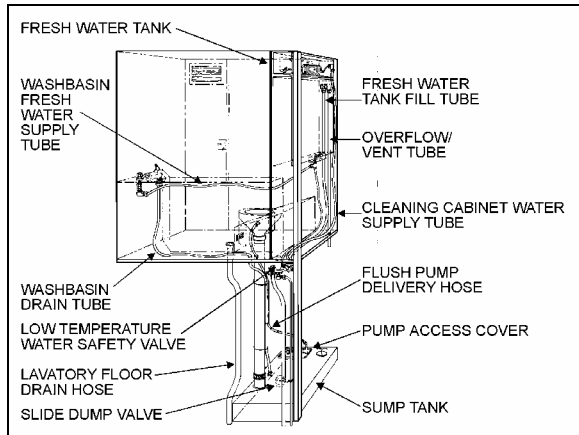


FIGURE 31: FUNCTIONING OF LAVATOR 23038

7.10 FLUSH PUSH-BUTTON

The green flush push-button is located near the toilet. Press on push-button to actuate a pneumatic timer located on the other side of wall. This timer allows an electric current flow during a preset time to a pump into the sump tank.

7.10.1 Pneumatic Timer Removal and Installation

1. Unscrew and remove the flush push-button locking ring.
2. Remove steel plate located on L.H. side of pushbutton switch.
3. Remove pneumatic timer through this opening, taking care to disconnect electric wires.

Note: Care must be taken to avoid losing the spacers installed on the mounting sleeve.

4. Reverse the above procedure to reinstall timer. The recommended torque for the lock nut is 15 Lbf-ft (21 Nm).

7.10.2 Timer Adjustment

Timer can be adjusted from 0.2 second to 3 minutes by turning the time adjustment screw clockwise to increase time, and counterclockwise to decrease time. To gain access to the time adjustment screw, repeat steps 1, 2 and 3 in the previous paragraph "6.10.1 Pneumatic Timer Removal and Installation".

7.11 FLUSH PUMP

The submersible-type flush pump is mounted inside an enclosure in the sump tank (Fig. 27).

The enclosure is provided with a screened side which, serves as a strainer to prevent solid matters from entering the pump.

The pump requires no periodic maintenance other than cleaning of the strainer side using a water jet introduced through the circular cap opening, once the sump tank is completely drained. The pump can run dry periodically without damage. However, for maximum seal life, the run dry periods should be kept to a minimum.

Caution: If vehicle is stored for an extended period of time, make sure to clean the strainer as solid matter will tend to pack, and will necessitate replacement of strainer.

7.11.1 Flush Pump Pressure Adjustment

The flush pump is provided with a manually-adjustable control valve mounted on the flush pump enclosure cover and serves to limit the flush pump output pressure. To adjust, ask an assistant to activate the flush pushbutton and check the liquid projection while you manually adjust the control valve

7.12 SUMP TANK

7.12.1 Sump Tank Draining

To drain sump tank, unscrew cap a few turns then turn drain valve handle CCW. Flush tank and pump cage with clean water. Close drain valve by turning handle CW.

Caution: The lavatory should be serviced by maintenance personnel after emergency draining. Lavatory tanks should be serviced only at suitably equipped stations.

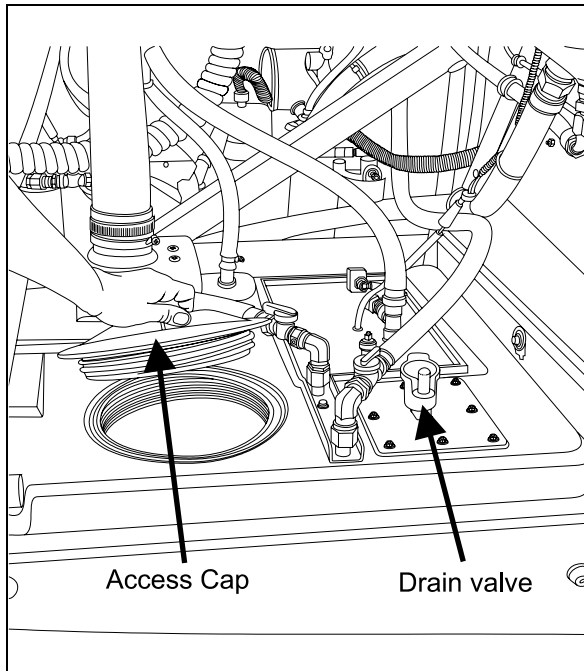


FIGURE 32: SUMP TANK

23294

7.12.2 Sump Tank Filling

Remove cap on sump tank. Fill Tank with 2 gallons (9 liters) of antifreeze and two gallons of water.

Caution: Do not overfill sump tank.

Note: The antifreeze solution in the sump tank will be diluted by fresh water coming from the lavatory sink. Regular maintenance of the sump tank is required to prevent freezing.

7.13 CLEANING CABINET

A coiled hose located in the cleaning cabinet above the toilet can be used during lavatory cleaning. To use, connect a fresh water supply to the "Hansen" quick-release coupling, identified as "Cleaning Kit", located beside the engine oil reserve tank (Fig. 24). To prevent freezing during cold weather, drain the hose after every use. To drain the hose, uncoil and open the nozzle near the lavatory floor drain. Have an assistant push on the spring ball of the quick-release coupling to allow air into the system.

8. AIR HORN VALVE

The air horn valve is located in the front service compartment and the air horn valve button is on the steering wheel center.

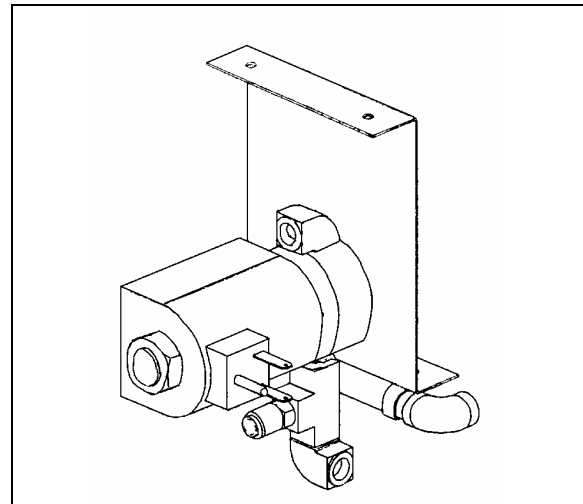


FIGURE 33: AIR HORN VALVE

23230

8.1 AIR HORN VALVE MAINTENANCE

When needed, the air horn valve can be serviced or replaced using the following procedure:

1. Unplug the cable connector;
2. Disconnect the air tubes;
3. Loosen the retaining bolts;
4. Service or replace the air horn valve;
5. Reinstall by reversing procedure.

9. HEADLIGHTS CLEANING SYSTEM

9.1 GENERAL DESCRIPTION

Note: When inspecting the headlights cleaning system, check the washer fluid hoses, fittings and connectors to be sure they are properly connected and seal with no restriction to the flow of washer fluid. Check that the washer nozzles are properly aimed.

The headlights cleaning system is independent from the windshield washer system and has its own washer fluid reservoir located in the front electrical and service compartment. However, this system shares the same switch than the upper windshield washer (refer to Operator or Owner's manual for operation). Each pressing of this switch produces 2 successive 0.7 seconds jets.

⚠ CAUTION ⚠

Do not operate the headlights washer while the washer fluid reservoir is empty. This may damage the washer fluid pump.

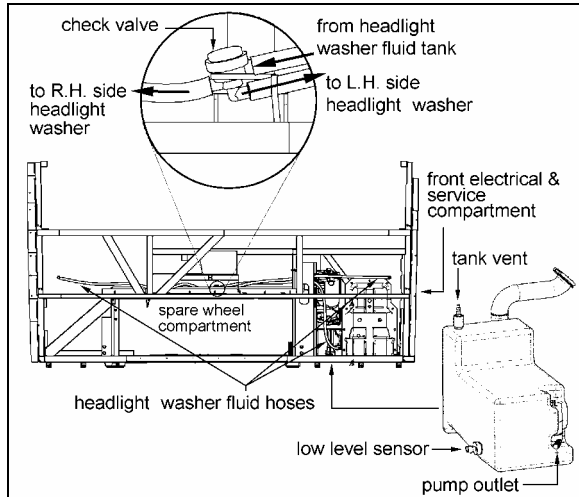


FIGURE 34: HEADLIGHT CLEANING SYSTEM 23361

9.2 WASHER FLUID REFILLING

Open the filler neck cap and had regular windshield washer fluid as required. The tank has a capacity of 10 liters (2.6 US gallons). You may use water or windshield washer fluid as well but, during cold weather days, use windshield washer fluid suitable for freezing temperature only.

9.3 WASHER NOZZLES ADJUSTMENT

To avoid waste of washer fluid, assure the fluid jets are properly aimed. Adjust nozzles so they aim as described in figure 32. Align the jet adjustment tool #800377 with the reference line shown on the front view detail. As seen on the side view, position the adjustment tool vertically for proper aiming.

⚠ CAUTION ⚠

Because they are made of plastic, firmly tighten nozzle and bulkhead fittings by hand only.

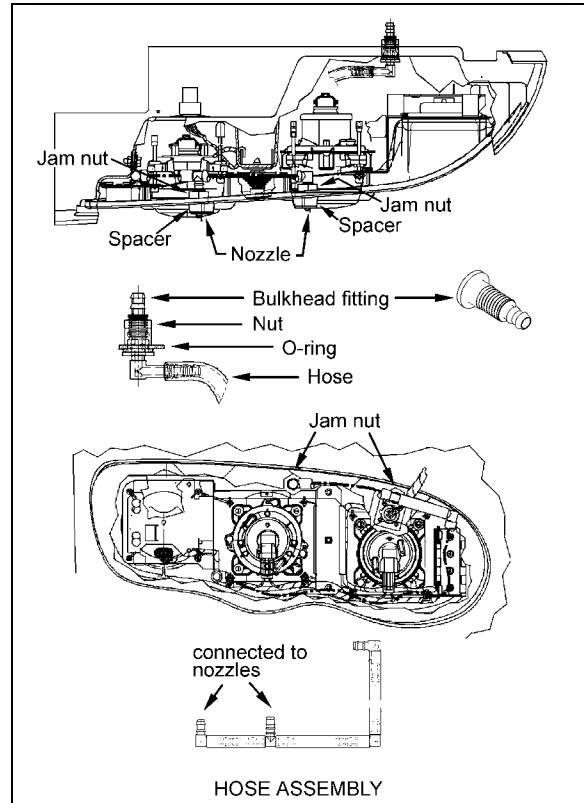


FIGURE 35: HEADLIGHT HOUSING 23362

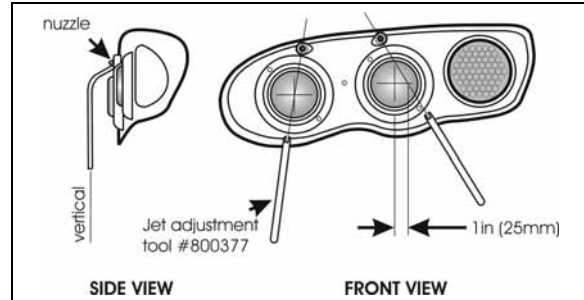


FIGURE 36: WASHER NOZZLES ADJUSTMENT 23363

10. WINDSHIELD WIPERS AND WASHERS

10.1 GENERAL DESCRIPTION

Note: When installing a wiper motor, arm or blade, follow recommended procedures to prevent misalignment, binding or malfunction. Check the windshield washer liquid hoses, fittings and connectors to be sure they are properly connected and seal with no restriction to the flow of washer liquid. Check that wiper arms have the proper sweep position and the washer nozzles are aimed so that spray is within the proper wiper pattern.

The windshield wipers are controlled by two electric wiper motors that are accessible for

maintenance after raising the appropriate access panel at the front of the coach (refer to figure 33).

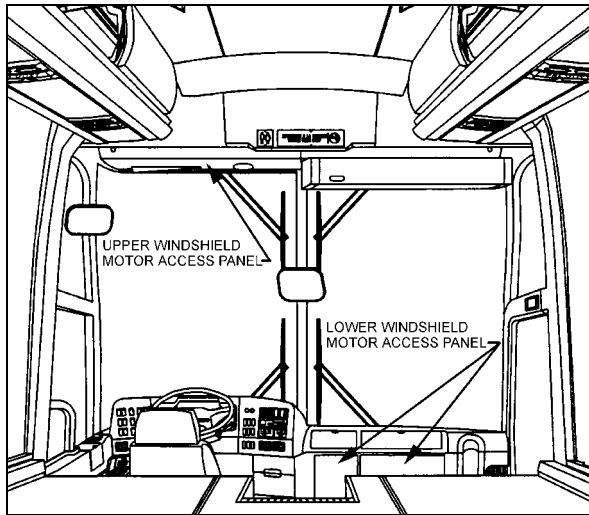


FIGURE 37: WIPER MOTORS LOCATION 23319

Each wiper motor is independently operated:

Depress the upper windshield wiper switch located on the dashboard L.H. side to the first position for intermittent wiping, and to the second position for continuous wiping (item 1, fig. 33).

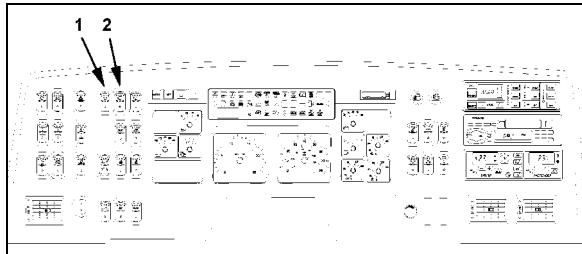


FIGURE 38: DASHBOARD

Turn the multifunction lever forward to activate lower windshield wipers (item 2, fig. 34). The first position operates the wipers at low speed and the second position operates the wipers at high speed. Turning the lever backwards will operate the wipers in the intermittent mode.

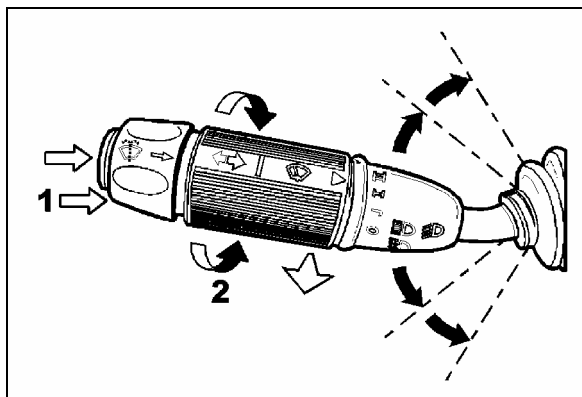


FIGURE 39: MULTIFUNCTION LEVER 23133

Each windshield washer pump is independently operated:

To activate the upper windshield washer pump, depress and hold the rocker switch on dashboard L.H. side (item 2, fig. 34). The upper wipers will come on automatically and will shut off a few seconds after releasing the rocker switch.

The lower windshield washer pump is electrically operated and is controlled by a washer control ring on the multifunction lever (item 1, fig. 34).

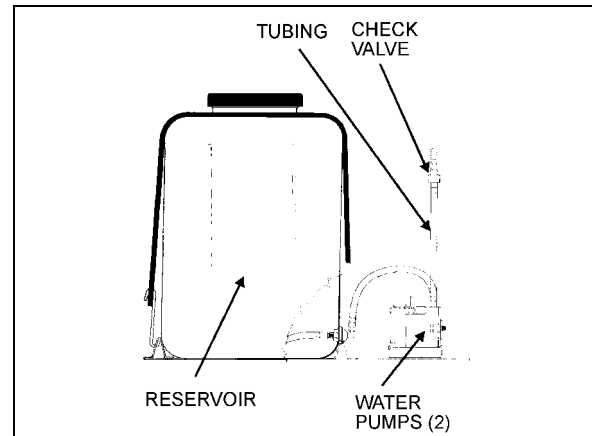


FIGURE 40: WINDSHIELD WASHER RESERVOIR 23085

The windshield washer reservoir is located in the front service compartment (Fig. 35). This unit pumps the washer liquid to the spray nozzles where it is dispersed across the windshield. Adjust nozzles with a flat tip screwdriver as needed to get proper spray coverage.

10.2 WIPER ARM

Check operation of the wipers for proper blade sweep and angle.

Caution: Do not attempt to manually move the wiper arms to make wiper blade sweep adjustments as damage to the wiper linkage or motor may occur. If it is necessary to adjust the sweep of blades, remove the arms and make adjustment by positioning the arms using serration on the wiper arm pivot shafts.

10.2.1 Sweep Adjustment

On a dry windshield, to avoid possible damage to the arm assembly or wiper motors, hold the wiper arms away from the windshield by inserting a small nail, or other such object, through the holes at the base of each wiper arm specially drilled for this purpose.

Sweep adjustment is a rough adjustment. It must be followed by lower and upper linkage adjustment. See paragraph 10.3 and 10.4.

In order to obtain the sweep adjustment, it may be necessary to remove and reposition the wiper arms, proceed as follows:

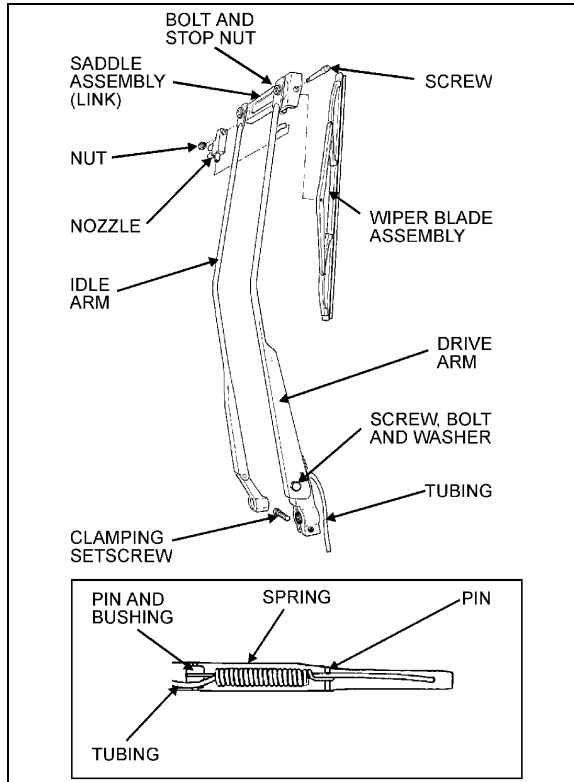


FIGURE 41: LOWER WINDSHIELD WIPER 23086

1. Remove the cap nuts from the wiper arm pivot shafts (Fig. 36 and 37);
2. Disconnect the windshield washer tubing at the base of the wiper arm (Fig 36 and 37);
3. Lower windshield wiper (Fig. 36): loosen the clamping set screw securing the drive arm to the knurled arm pivot shaft;
4. Remove the drive and idler arms (Fig. 36) or arm assembly (Fig. 37);
5. Relocate the drive arm (Fig. 36) or arm assembly (Fig. 37) on its knurled pivot shaft to obtain the desired position;
6. Lower windshield wiper (Fig. 36). Tighten the clamping set screw to secure the drive arm to the knurled shaft. Fit the idler arm onto the idler pivot shaft.
7. Install the cap nut pivot shafts.
8. Connect the windshield washer tubing at the base of the wiper arm (Fig. 33 and 37);

9. Check the adjustment on a wet windshield (Fig. 36 and 37).

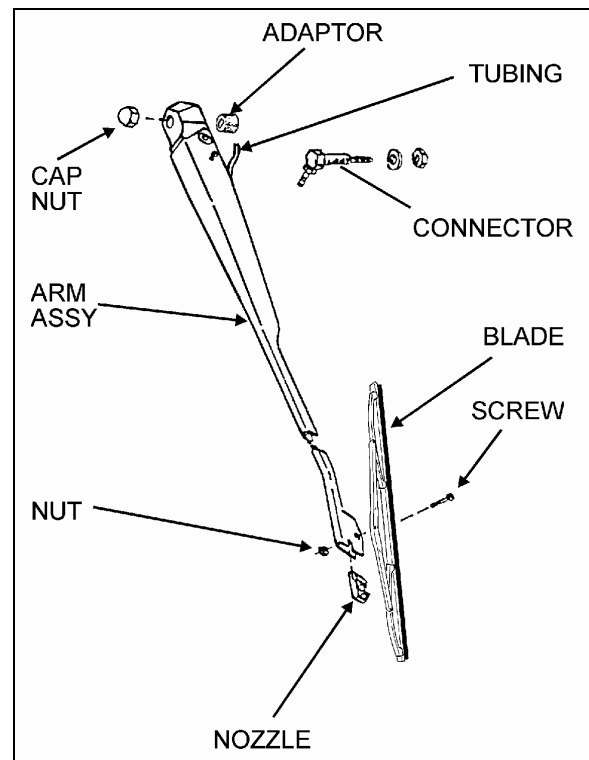


FIGURE 42: UPPER WINDSHIELD WIPER 23087

10.2.2 Removal

1. Remove the cap nuts from arms (Fig. 36 and 37);
2. Disconnect the windshield washer tubing at the base of the wiper arm (Fig. 36 and 37);
3. Mark the relationship of the arm head to the end of the knurled drive shaft to ensure the original position if the arm is to be reinstalled;
4. Lower windshield wiper (Fig. 36): loosen the clamping set screw on the base of the drive arm;
5. Remove the wiper arm assembly (Fig. 36 and 37).

10.2.3 Installation

1. Make sure the wiper motor is in the stop position. Lower windshield wiper (Fig. 36): position the wiper arm on the knurled drive shaft and idler arm on the pivot shaft. Upper windshield wiper (Fig. 37): position the wiper arm assembly on the knurled drive shaft;

2. If the original arm is reinstalled, align the marks made during removal;
3. Operate the wipers on a wet windshield to check the wiper blade sweep and angle. Readjust as necessary;
4. Lower windshield wiper (Fig. 36): Tighten clamping nut onto the drive arm. Install cap nuts onto the arm shafts (Fig. 36 and 37);
5. Connect the windshield washer tubing at the base of the wiper arm (Fig. 36 and 37);
6. Check the adjustment on a wet windshield (Fig. 36 and 37).

10.3 LOWER LINKAGE ADJUSTMENT

1. Make sure the wiper motor is in the stop position prior to working on the linkage.
2. Adjust the two pivot shafts vertically.
3. Adjust the rod length of the connecting pivot shafts. During rod length adjustment, maintain the pivot shafts in the vertical position.
4. Adjust the rod located between right pivot shaft and motor to a 40.5° angle (Fig. 38). The motor lever must be on the same axis as the rod.
5. Install the right wiper arm in its normal position (in the middle of the windshield (Fig. 33)). Refer to paragraph "9.2.1 Sweep Adjustment".
6. The right wiper arm final adjustment is made by adjusting the smallest rod length.
7. Install the left wiper arm in its normal position (in the middle of the windshield (Fig. 32)). Refer to paragraph "10.2.1 Sweep Adjustment".
8. The left wiper arm final adjustment is made by adjusting the longest rod length.
9. Check the adjustment on a wet windshield.

10.4 UPPER LINKAGE ADJUSTMENT

1. Make sure the wiper motor is in the stop position prior to working on the linkage.
2. Adjust rods length (Fig. 42).
3. Install the left wiper arm in its normal position (in the middle of the windshield (Fig. 33)). Refer to paragraph "10.2.1 Sweep Adjustment".

4. The left wiper arm final adjustment is made by adjusting the rod length to 8.46 inches (215 mm).
5. Install the right wiper arm in its normal position (in the middle of the windshield (Fig. 33)). Refer to paragraph "10.2.1 Sweep Adjustment".
6. The right wiper arm final adjustment is made by adjusting the rod length to 23.54 inches (598 mm).
7. Check the adjustment on a wet windshield

10.5 WINDSHIELD WIPER MOTORS

10.5.1 Lower Windshield Wiper Motor Replacement

The lower windshield wiper motor is located at lower front of the vehicle, behind the defroster panel. Refer to figure 33 for motor location.

Warning: Park vehicle safely, apply parking brake, stop engine and set battery master switch to the "OFF" position prior to working on the vehicle.

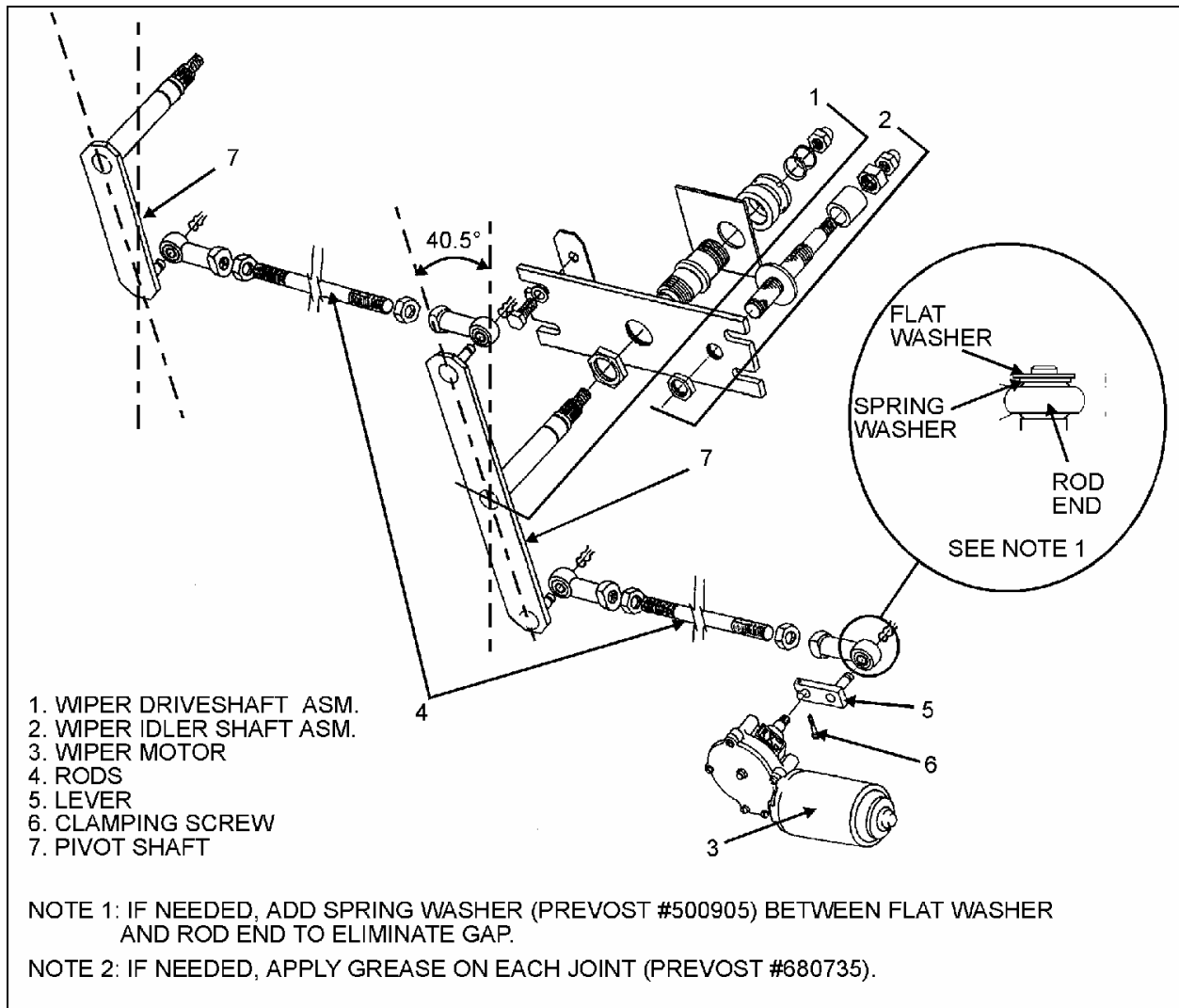


FIGURE 43: LOWER WINDSHIELD WIPER INSTALLATION

23088

1. Remove the two Phillips-head screws retaining the defroster panel, and remove panel.
2. Disconnect wiring connector from the windshield wiper motor.
3. Loosen clamping screw retaining the lever at the end of the motor driving shaft (Fig. 38).
4. Remove the three bolts holding the motor to the steel plate.
5. Remove the windshield wiper motor (Prevost #800304), reverse removal procedure to reinstall.

The upper windshield wiper motor is located above L.H. upper windshield panel, refer to figure 33 for motor location. To remove the motor, it is necessary to remove left sun visor and upper windshield panel.

Warning: Park vehicle safely, apply parking brake, stop engine and set battery master switch to the "OFF" position prior to working on the vehicle.

10.5.2 Upper Windshield Wiper Motor Replacement

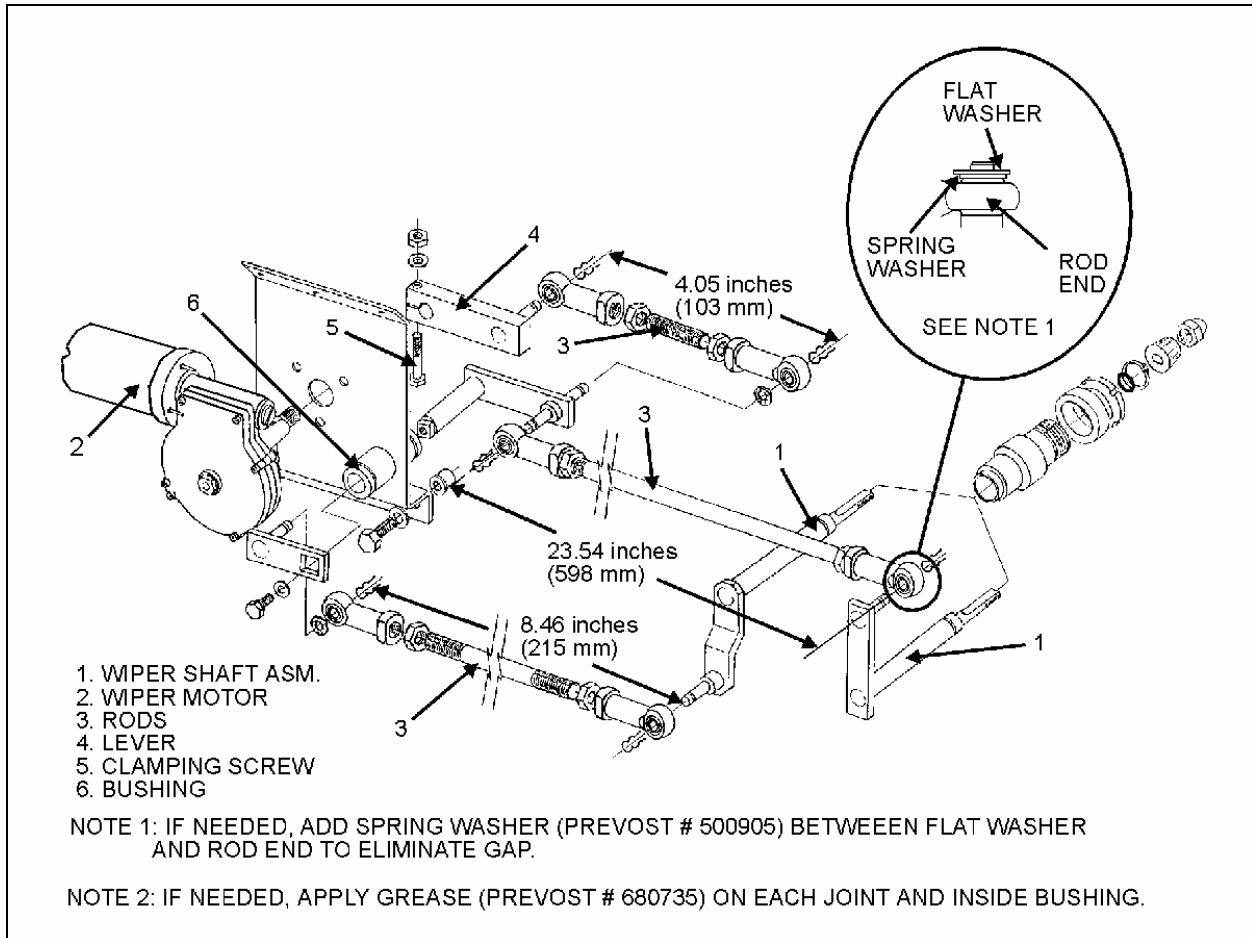


FIGURE 44: UPPER WINDSHIELD WIPER INSTALLATION

23089

1. Pull out the wiring connector (black and red wires) located on sun visor L.H. side and disconnect.
2. Remove the two Phillips-head screws at the bottom end of the sun visor arms.
3. Remove the two Phillips-head screws on each roller side, pull out the sun visor.
4. Remove the Phillips-head screws retaining the upper windshield panel.
5. If equipped with blower defroster, loosen hose clamp to remove air duct from hose.
6. Disconnect wiring connector from the windshield wiper motor.
7. Loosen the bolt retaining the lever at the end of the motor driving shaft (Fig. 39).
8. Remove the three bolts holding the motor to the steel plate.
9. Remove the windshield wiper motor (Prevost #800304), reverse removal procedure to reinstall.

11. AUTOMATIC FIRE SUPPRESSION SYSTEM (AFSS) (OPTIONAL ON COACHES ONLY)

This optional system is used to shut down the engine and to extinguish a fire in the engine compartment or in the vicinity of the preheating system if so equipped.

The system operation is fully automatic and does not require assistance from the operator, however if required, the system can be manually activated by the operator at any time.

Refer to Prevost Operator's Manual for system operation and operational sequence (fire).

If more information is needed on the system, please refer to Kidde Dual Spectrum "Operation & Maintenance Manual annexed at the end of this section.

11.1 PERIODIC MAINTENANCE

PRE-TRIP

- Verify that the Protection Panel "SYSTEM OK" lamp is on solid green.

EVERY 3000 MILES OR MONTHLY (whichever comes first)

General

- Verify that neither the protected equipment nor the hazard has changed.
- Verify that no obvious physical damage or condition exists that might prevent system operation.

Protection Panel

- Verify that all warning lamps and the audible alarm are operational by pressing the "TEST/RESET" button.

Manual Activation Switch

- Verify that the tamper seal is intact and access to the switch is unobstructed.

Fire Detectors

- Optical
 - Verify that the status lamp on the detector face is on solid green.
 - Verify that nothing is blocking the detector's field of view.
 - Verify that the windows on the face of the detector are free of excess contamination (dirt, oil, grease, etc.) – if necessary, clean using a water soaked non-abrasive towel.
- Linear Thermal
 - Verify that there is no obvious physical damage and that the unit is free of excess contamination (dirt, oil, grease, etc) – if necessary, clean using a water soaked non-abrasive towel.
 - Verify that mounting is secure and taught.

Electrical Harness

- Verify that electrical connectors and electrical wiring have no visible damage and all connectors are securely seated.

Extinguisher & Distribution System

- Verify that that the extinguisher pressure gauge pointer is in the green arc at room temperature.
- Verify that distribution piping and nozzles are intact and unobstructed and that nozzle blow-off caps are in place.

EVERY 18000 MILES OR SEMI-ANNUALLY (whichever comes first)

- Perform a comprehensive fire system test using a Kidde Dual Spectrum System Test Set (Optical Test Kit P/N 420871-2).
- Service the extinguisher in accordance with KDS Document 160296, "KDS Pre-Engineered Fire Suppression System: Installation, Operation and Maintenance Manual".

EVERY SIX YEARS

- Have the fire extinguisher rebuilt by a qualified fire protection equipment company familiar with Kidde Dual Spectrum equipment and in accordance with KDS Document 160296, "KDS Pre-Engineered Fire Suppression System: Installation, Operation and Maintenance Manual". Rebuilt shall include actuator, o-ring seals and dry chemical replacement.

EVERY TWELVE YEARS

- Have the Extinguisher cylinder hydrostatically tested by a qualified fire protection equipment company familiar with Kidde Dual Spectrum equipment and in accordance with KDS Document 160296, "KDS Pre-Engineered Fire Suppression System: Installation, Operation and Maintenance Manual".

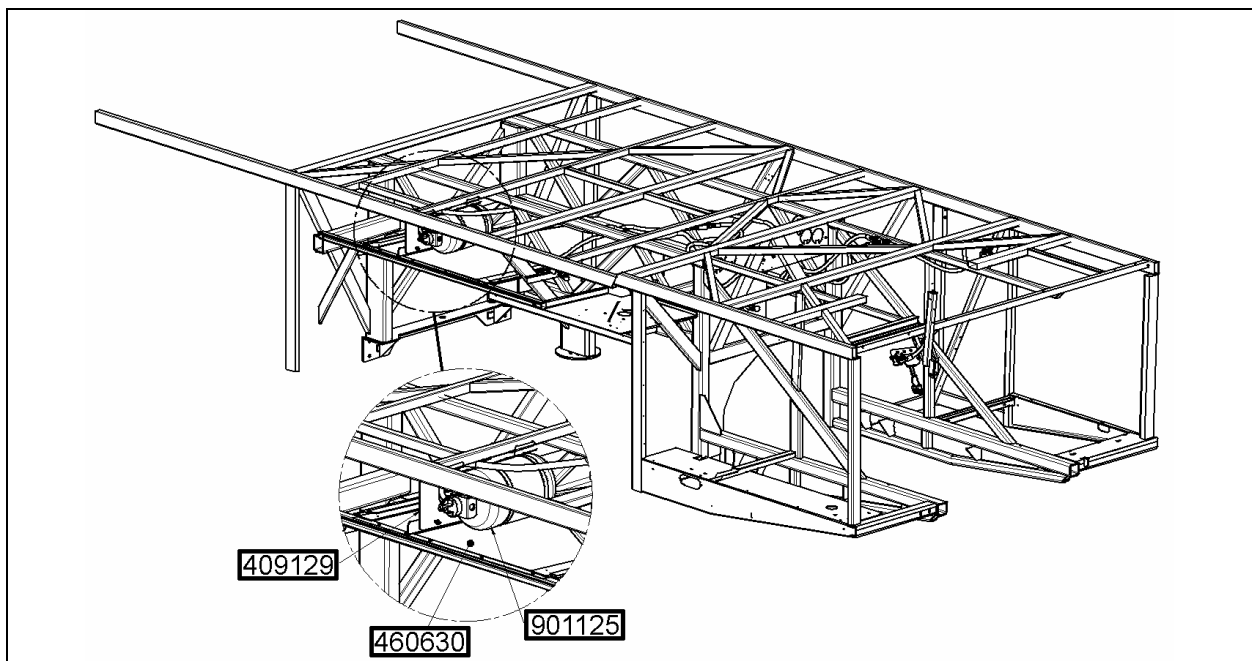


FIGURE 45: FIRE EXTINGUISHER INSTALLATION

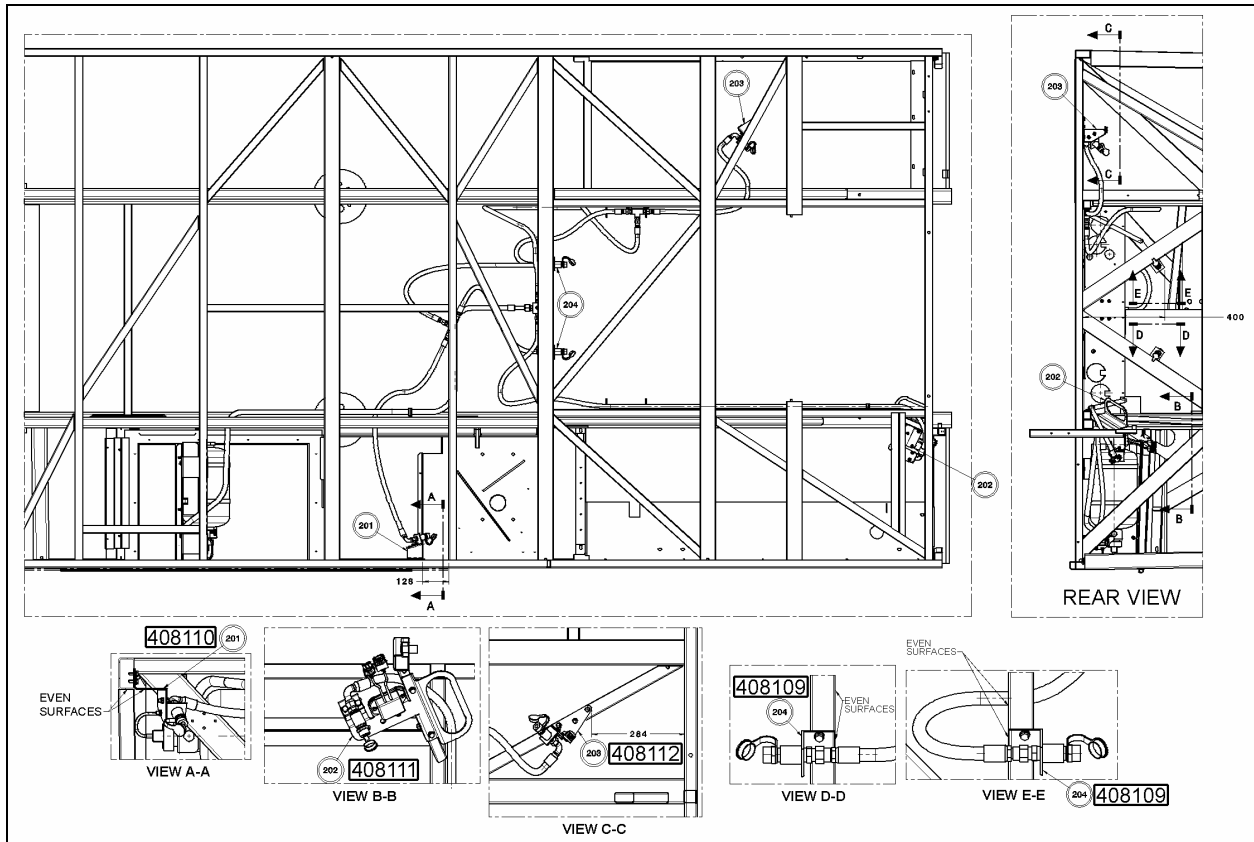


FIGURE 46: NOZZLE BRACKETS IDENTIFICATION AND INSTALLATION

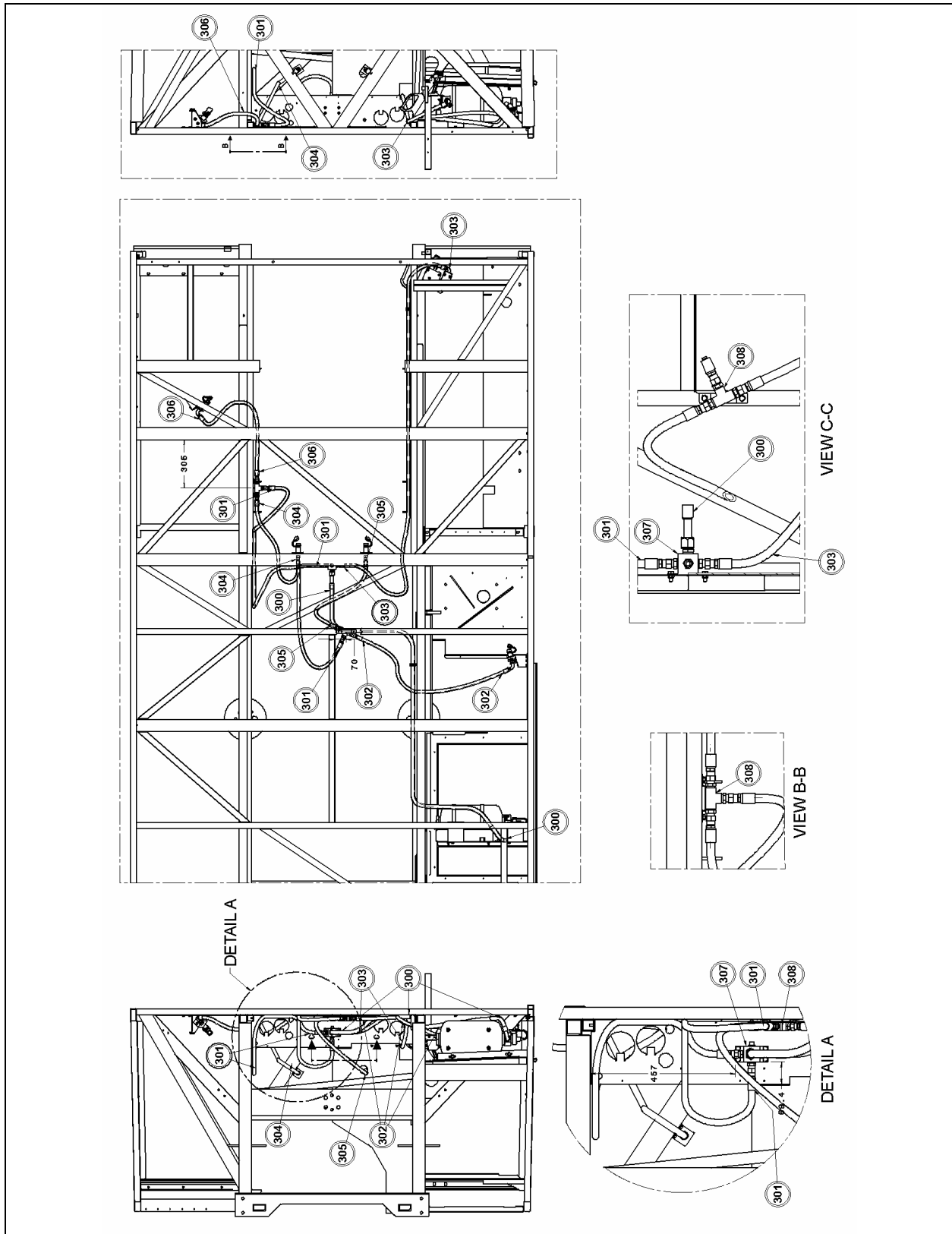


FIGURE 47: HOSES IDENTIFICATION AND ROUTING

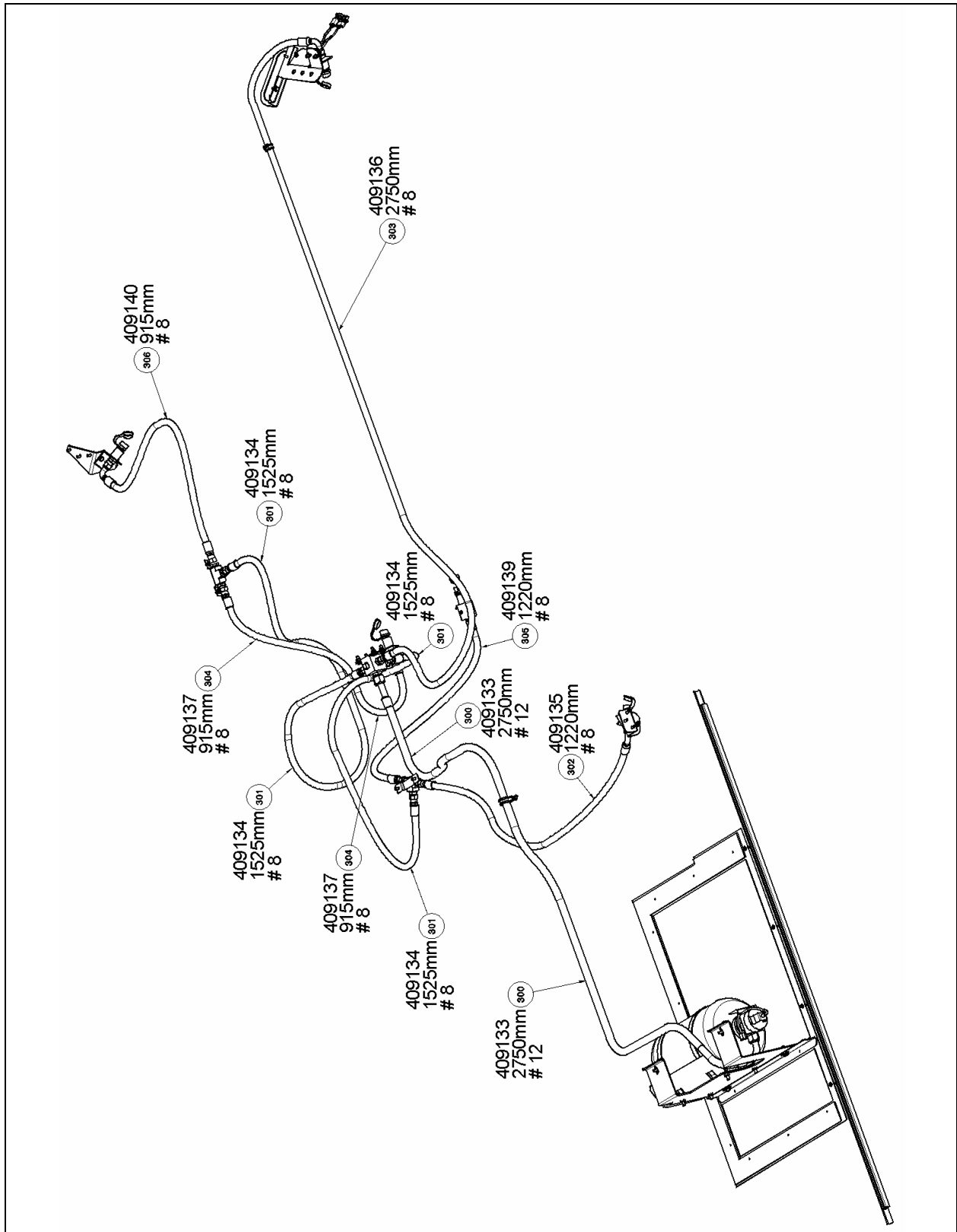


FIGURE 48: AFSS SYSTEM OVERVIEW

12. TIRE MONITORING SYSTEM (TMS)

The optional SMARTIRE active tire pressure and temperature monitoring system is a sensing device designed to identify and display tire operating data and activate an alert or warning when pressure or temperature irregularities are detected.

For more information on the operation of the system, refer to the SMARTIRE “Full Function Display User’s Manual”, which was supplied with the system and which is also annexed at the end of this section.

The SMARTIRE “Installation Guide” is also annexed at the end of this section for reference when removing or installing a tire after a sensor has been installed.

13. SPECIFICATIONS

AMPLIFIER

Model..... VA400-8
Output..... 400 watts, 6 channel RMS at 4 ohm @ 0.5 T.H.D.
Prevost number 901191

SOUND SELECTOR

Model..... VSS-04
Power source 12 volts
Prevost number 901192

AM/FM/CD PLAYER RADIO (standard)

Model..... VR300
Power source 12 volts
Prevost number 901190

AM/FM/CD SATELLITE RADIO (optional)

Model..... VR300
Power source 12 volts
Prevost number 901190

6 DISC CD CHANGER

Prevost number 901196

MOBILE DVD PLAYER

Power source 12 volts
Prevost number 901198

SPEAKER (standard)

Model..... Dual Cone
Impedance 4 ohms
Prevost number 901194

SPEAKER (optional)

Model..... Coaxial
Impedance 4 ohms
Prevost number 901195

SUBWOOFERS (optional)

Model..... J Drive VB170
Impedance 4 ohms
Prevost number 901193

VIDEO CASSETTE PLAYER (VCP)

Model..... V-3000
Prevost number 901030

VIDEO SWITCHER

Model..... V-3000
Prevost number 901030

BOOM-TYPE MICROPHONE

Prevost number 900763

HANDHELD PRIORITY MICROPHONE

Prevost number 900808

RUBBER COATED MICROPHONE

Prevost number 900745

16 CHANNEL WIRELESS MICROPHONE

Make R.E.I.

Prevost number 900954

16 CHANNEL WIRELESS MICROPHONE CHARGING STATION

Make R.E.I.

Prevost number 900953

16 CHANNEL WIRELESS MICROPHONE RECEIVER

Make R.E.I.

Prevost number 900952

KARAOKE

Make Panasonic

Model MOBILE DVD PLAYER DV1500

Prevost number 901033

TV RECEIVER

Power source 24V

Prevost number 901054

VIDEO DISTRIBUTION AMPLIFIER

Power source 24V

Prevost number 901117

TV MONITOR

Type 10.4" LCD

Power source 24V

Prevost number 901130

HUBODOMETER (US model: miles)

Make Stemco

Prevost number 650002

HUBODOMETER (Canada model: km)

Make Stemco

Prevost number 650117

ELECTRIC DESTINATION SIGN (FLUORESCENT TUBE)

Make General Electric

Length 30" (76 cm)

Outside diameter 1" (25 mm)

Wattage 20

Color Cool white

Quantity 1

Prevost number 830120

ELECTRONIC DESTINATION SIGN

Make..... Pocatec
Prevost number 940050

LAVATORY VENTILATION FAN MOTOR

Make..... Aurora
Type RG500EF
Voltage 24 volts DC
Rotation R.H.
Prevost number 870844

EMERGENCY BUZZER SWITCH (PUSH BUTTON)

Make..... Cole Hersee Co.
Voltage 24 V
Prevost number 562117

FRESH WATER TANK

Make..... Prevost
Capacity 18 US gal (68 liters)
Prevost number 403030

FRESH WATER TANK HEATER

Make..... Hot Watt
Wattage 75 watts
Voltage 115 volts AC
Prevost number 562018

FLUSH PUSH BUTTON PNEUMATIC TIMER

Make..... McGill
Type Resettable
Time 0,2 to 180 seconds
Timer 563327

FLUSH PUMP

Make..... Jabsco
Model number 30240-1024 24 V
Power source 24 volts DC
Capacity 1452 GPH
Prevost number 900496

AIR HORN

Make..... Allied Signal Inc.
Prevost number 640093

AIR HORN VALVE

Make..... Allied Signal Inc.
Prevost number 640128

WINDSHIELD WIPER MOTOR

Make..... SWF
Prevost number 800304

LOWER WIPER (BLADE)

Make..... Sprague device inc.
Prevost number 800284

UPPER WIPER (BLADE)

Make..... Sprague device inc.
Prevost number 800234

SECTION 24: LUBRICATION

CONTENTS

1. LUBRICATION	2
1.1 FIRST SERVICE ON NEW VEHICLE.....	2
1.1.1 <i>Differential</i>	2
1.1.2 <i>Coolant Strainer</i>	2
1.1.3 <i>Allison World Automatic Transmission</i>	2
1.1.4 <i>ZF-ASTRONIC Transmission</i>	2
1.1.5 <i>Engine</i>	2
2. LUBRICATION AND SERVICE SCHEDULE	2
2.1 ENGINE OIL CHANGE INTERVALS.....	3
2.1.1 <i>Engine Oil Reserve Tank</i>	3
2.2 COLD WEATHER OPERATION	3
2.3 FLEXIBLE HOSE MAINTENANCE.....	3
2.3.1 <i>Pre-Starting Inspection</i>	3
2.3.2 <i>Leaks</i>	4
2.4 WALK-AROUND INSPECTION	4
2.5 LUBRICANT AND COOLANT SPECIFICATIONS	7
2.6 PART NUMBER SPECIFICATIONS	8
2.7 LUBRICATION AND SERVICING SCHEDULE	8

ILLUSTRATIONS

FIGURE 1: ENGINE OIL RESERVE TANK.....	3
FIGURE 2: LUBRICATION AND SERVICING POINTS ON I-BEAM FRONT SUSPENSION VEHICLES (TYPICAL)	5
FIGURE 3: LUBRICATION AND SERVICING POINTS ON INDEPENDENT FRONT SUSPENSION VEHICLES (TYPICAL)	6

1 LUBRICATION

The efficiency and life expectancy of mechanical equipment is largely dependant upon proper lubrication and servicing. All mechanical components rely on a lubricating film between moving parts to reduce friction, prevent wear and oxidation. Proper lubrication also helps cool the parts and keep dirt particles away from mating surfaces. Efficient lubrication depends upon using the right type of lubricant, at specified intervals and by filling to correct capacities. Past experience shows that many service problems can be traced to an improper lubricant or to incorrect lubrication procedures.

A comprehensive maintenance and lubrication program is important to ensure the long service life this vehicle was designed for and to avoid costly repairs and associated downtime caused by premature part failure.

A lubrication schedule is included in this section to give the location of key service points on the vehicle as well as the lubricant specifications for each component to be serviced. Specific instructions on how to check and service different components are covered in their respective sections in this maintenance manual.

The recommended lubrication intervals are based on normal operating conditions and mileage accumulation.

Shorten the intervals if your vehicle operates in more severe conditions. Severe conditions include heavy towing, high vehicle weight or operation in mountainous areas. Some parts and equipment referred to in this section may not be installed on your vehicle. Check your vehicle's "Coach Final Record" for equipment list.

Dispose of used lubricants and filters in an environmentally safe manner, according to federal and/or local recommendations.

1.1 FIRST SERVICE ON NEW VEHICLE

Perform the following maintenance procedures after the first 3,000 miles (4 800 km) of operation (unless otherwise specified). Once initial maintenance is performed, refer to recommended intervals in the lubrication schedule.

Repeat a component's initial maintenance procedure when it has undergone a major repair.

1.1.1 Differential

No initial oil or filter change necessary. Refer to regular lubrication and servicing schedule.

1.1.2 Coolant Strainer

The coolant strainer is designed to recover the soldering residues trapped inside the coolant lines during their initial assembly; perform initial cleaning once vehicle has run approximately 3,000 miles (4 800 km), then according to the lubrication and servicing schedule.

Note: *If additional soldering has been performed on any point of coolant piping, clean coolant system strainer as outlined for a new vehicle at 3,000 miles (4 800 km).*

1.1.3 Allison World Automatic Transmission

Change main filter cartridges after first 5,000 miles (8000 km) of initial operation, then change filters and fluid according to the lubrication and servicing schedule.

1.1.4 ZF-ASTRONIC Transmission

No initial oil or filter change necessary. Refer to regular lubrication and servicing schedule.

1.1.5 Engine

Since engine break-in has been done in factory, there is no special break-in, so oil should be changed according to the lubrication and servicing schedule intervals. Since some oil consumption by engine is normal, check oil level daily with engine stopped and add to FULL mark on dipstick if necessary. Furthermore, the engine oil filter should be replaced each time the engine oil is changed.

2 LUBRICATION AND SERVICE SCHEDULE

Following this service schedule is the most economical and easiest way to ensure your vehicle performs at its best, safest and longest. Also, unscheduled maintenance will be minimized since inspection should expose potential problems before they become major ones.

2.1 ENGINE OIL CHANGE INTERVALS

The engine oil change intervals are related to the operating conditions, such as vehicle load, speed, etc., and may vary. It is recommended however, that the oil change be performed after every 10,000 miles (16 000 km).

The drain intervals may then be gradually increased or decreased with experience on a specific lubricant, considering the recommendations of the oil supplier (analysis of drained oil can be helpful), until the most practical service condition has been established.

Solvents should not be used as flushing oils. Dilution of the fresh refill oil supply can occur, which may be detrimental for the engine.

Engine oil temperature should be checked every 25,000 miles (40 000 km) to determine oil cooler efficiency. This check should be made by inserting a steel jacketed thermometer in the dipstick opening, immediately after stopping a hot, loaded engine. If the oil temperature exceeds the coolant temperature by more than 60 °F (33 °C), the oil cooler may be clogged.

For detailed oil specifications, refer to *"Detroit Diesel Series 60 Service Manual"* under heading *"Lubricating Oil for Detroit Diesel Engines"*.

2.1.1 Engine Oil Reserve Tank

An oil reserve tank with a capacity of 2.2 US gallons (8,3 liters) is connected to the crankcase by a hose with a shutoff valve, allowing oil to be added to crankcase by opening valve. Comparison of oil levels in sight gauge, before and after adding oil to crankcase, shows approximately how much oil has been added.

Filling of this tank can be made by opening the rear engine door. The tank is mounted on R.H. side of engine compartment, over the A/C compressor.

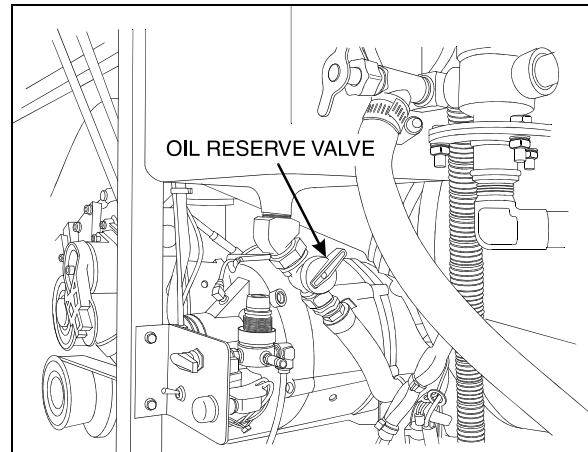


FIGURE 1: ENGINE OIL RESERVE TANK

01050

2.2 COLD WEATHER OPERATION

The proper selection of the engine oil grade will ease cold weather starting (refer to the lubrication and servicing schedule for the engine oil grade recommendation). Other practical considerations, such as the use of batteries, cables and connectors of adequate size, proper setting of voltage regulator, ether starting aid, oil and coolant heater systems, and proper fuel selection will ease cold weather starting.

2.3 FLEXIBLE HOSE MAINTENANCE

The performance of engine and equipment are greatly related to the ability of flexible hoses to supply lubricating oil, air, coolant, and fuel oil. Maintenance of hoses is an important step to ensure efficient, economical, and safe operation of the engine and related equipment.

2.3.1 Pre-Starting Inspection

Check hoses daily as part of the pre-starting inspection. Examine hose for leaks, and check all fittings, clamps, and ties carefully. Ensure that hoses are not resting on or touching shafts, couplings, heated surfaces including exhaust manifolds, any sharp edges, or other obviously damaging areas. Since all machinery vibrates and moves to a certain extent, clamps and ties can fatigue with time. To ensure proper support, inspect fasteners frequently and tighten or replace them as necessary.

2.3.2 Leaks

Investigate leaks immediately to determine if fittings have loosened or cracked, and also if hoses have ruptured or worn through. Take corrective action immediately. Leaks are not

Section 24: LUBRICATION

only potentially detrimental to machine operation, but can also result in added expenses caused by the need to replace lost fluids.

Caution: *Personal injury and/or property damage may result from fire due to the leakage of flammable fluids, such as fuel or lube oil.*

2.3.3 Service life

The limited service life of a hose is determined by the temperature and pressure of the gas or fluid within it, the time in service, its installation, the ambient temperatures, amount of flexing, and the vibration it is subjected to. With this in mind, it is recommended that all hoses be thoroughly inspected at least every 500 operating hours or after 15,000 miles (24 000 km). Look for surface damage or indications of damaged, twisted, worn, crimped, brittle, cracked, or leaking lines. Hoses having a worn outer surface or hoses with a damaged metal reinforcement should be considered unfit for further service.

It is also recommended that all hoses in this vehicle be replaced during major overhaul and/or after a maximum of five service years. Quality of replacement hose assemblies should always be equal to or superior to those supplied by the Original Equipment Manufacturer.

2.4 WALK-AROUND INSPECTION

It is good practice to make a basic visual inspection of key areas on the vehicle every day (or before every trip for private coaches) and to correct any problem found.

OUTSIDE THE VEHICLE	
ITEM*	DESCRIPTION
---	Check for leaks under vehicle and in engine compartment.
---	Check that baggage and service compartment doors close properly.
---	Inspect tires and wheels for correct tire pressure, wear or damage and for missing wheel studs and nuts.
1	Check windshield washer fluid level and add if necessary.
---	Check condition of windshield wiper blades.
---	Verify proper operation of all road lights, signal lights, brake lights, marker lights and back-up lights; Replace light bulbs as required.
2, 28	Drain accumulated water in accessory and wet air tanks.

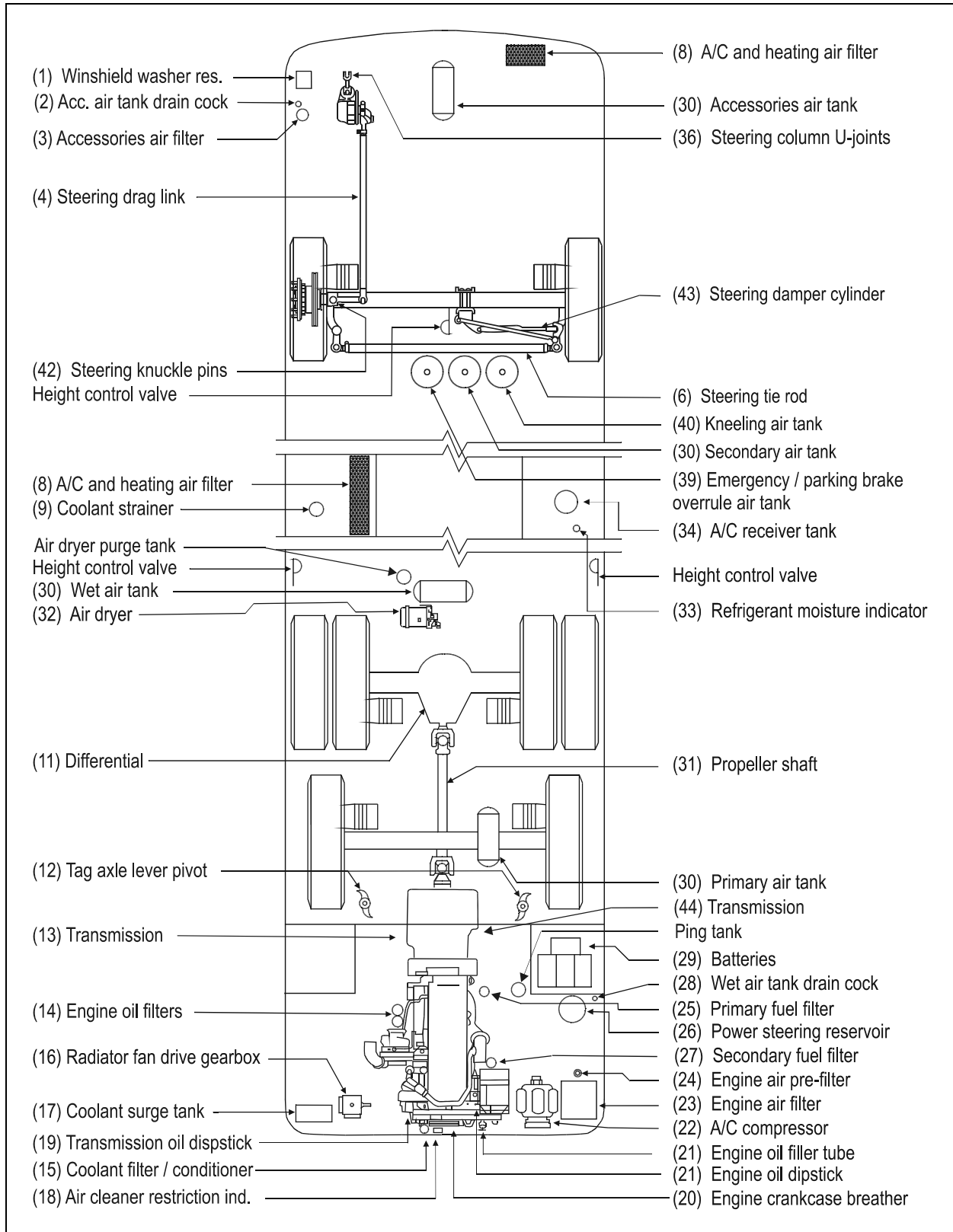


FIGURE 2: LUBRICATION AND SERVICING POINTS ON I-BEAM FRONT SUSPENSION VEHICLES (TYPICAL)

24019

Section 24: LUBRICATION

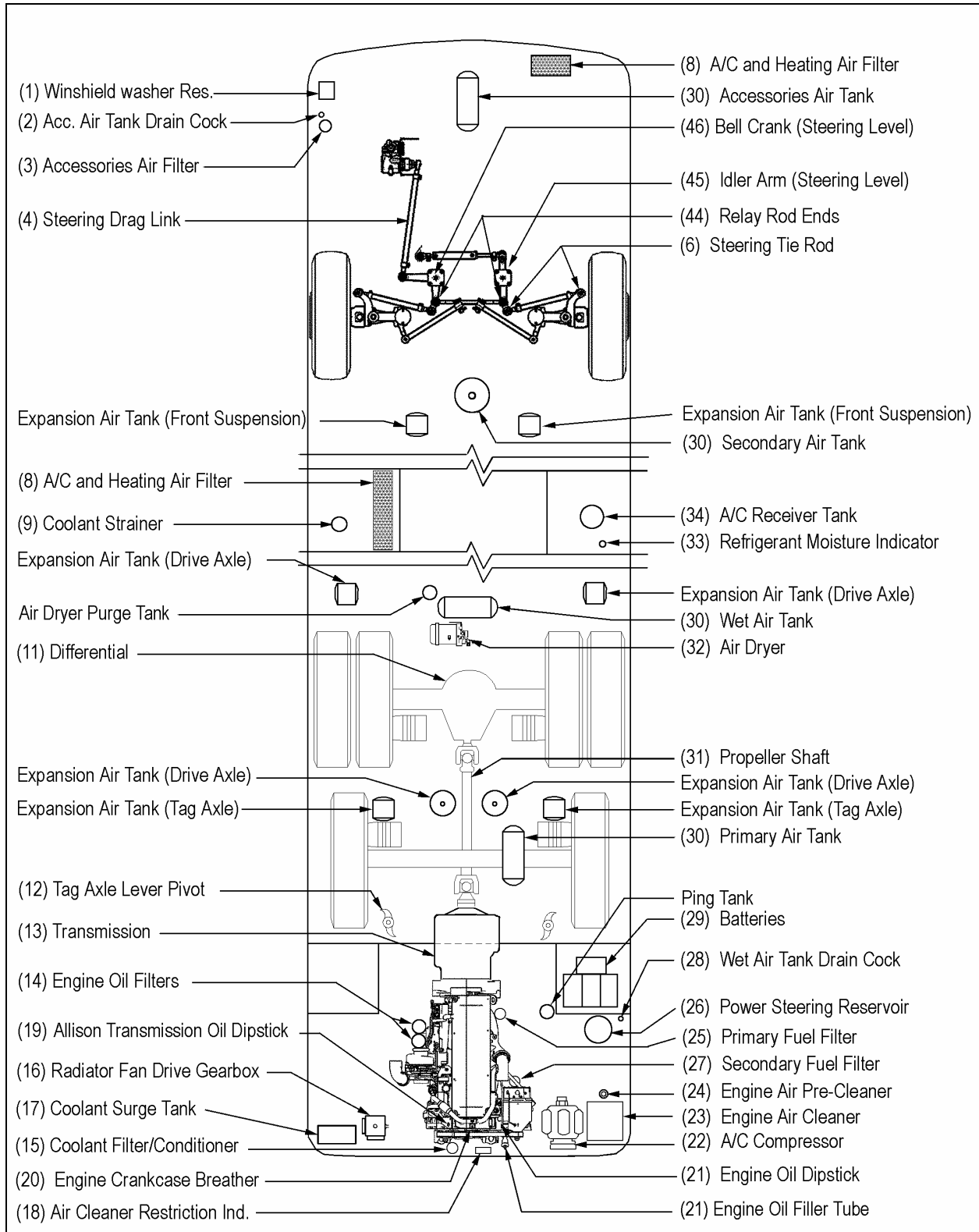


FIGURE 3: LUBRICATION AND SERVICING POINTS ON INDEPENDENT FRONT SUSPENSION VEHICLES (TYPICAL)

24005

ENGINE COMPARTMENT	
ITEM*	DESCRIPTION
21	Check engine crankcase oil level; Add if necessary.
19	Check Allison World transmission oil level (can be checked from push-button shift selector); Add if necessary.
26	Check power steering reservoir fluid level; Add if necessary.
17	Check coolant surge tank fluid level; Add if necessary.
25	Drain accumulated water in primary fuel filter/water separator (if equipped). Visually check fuel filter cartridge (Fuel-Pro 382 equipped vehicles only).
18	Check air cleaner restriction indicator; Replace air cleaner when red signals locks in full view.

INSIDE THE VEHICLE	
ITEM*	DESCRIPTION
---	Check for proper operation of the entrance door.
---	Check that emergency exit windows and roof escape hatches can be opened then close all windows and hatches securely.
---	Verify proper operation of windshield wiper/washer.
---	Adjust and clean mirrors as needed for adequate rear-view vision.
---	Start engine and check for proper operation of all gauges and indicator lights.
---	Check for proper operation of electric and air horns and back-up alarm.
---	Perform a brake test. Check both primary and secondary pressure gauges.

● Item numbers refer to figures 2 and 3.

2.5 LUBRICANT AND COOLANT SPECIFICATIONS

ITEM*	DESCRIPTION	SPECIFICATIONS
21	Engine Oil	SAE Viscosity Grade: 15W40 API Classification: CI-4
26	Power Steering Oil	Automatic Transmission Oil (Dexron-III)
17	Engine Coolant	Low silicate, ethylene glycol coolant 50% antifreeze/water solution is normally used Antifreeze concentration should be between 30% and 67%
22	A/C Compressor Oil	Polyolester Oil, HFC 134a compatible: Castrol SW-68 (POE) or equivalent
11	Differential Oil	Multigrade gear oil meeting MIL-L-2105-D: 85W140. If temperature drops below 10°F (-12°C), 80W90 should be used. Below -15°F (-26°C), 75W90 should be used. (In extreme conditions or for better performance, full synthetic gear oil can be used.)
16	Fan Gearbox Oil	Synthetic oil: ISO VG (viscosity grade) 460 Natural oil: Mobil SHC 630
13	Allison Automatic Transmission Oil	Dexron-III or Castrol "TranSynd" Synthetic Transmission Fluid for Allison, specification TES-295

Section 24: LUBRICATION

ITEM*	DESCRIPTION	SPECIFICATIONS
13	ZF-ASTronic Transmission Oil	Castrol Syntrans Grade SAE 75W-85 (Synthetic)
---	Multi Purpose Grease	Good quality lithium-base grease: NLGI No.2 Grade is suitable for most temperatures NLGI No.1 Grade is suitable for extremely low temperatures

- Item numbers refer to figures 2 and 3.

2.6 PART NUMBER SPECIFICATIONS

ITEM*	DESCRIPTION	PREVOST NO
---	Engine Oil Filters	#510458
26	Power Steering Reservoir Oil Filter	#660987
23	Engine Air Cleaner Filter	#530197
33	Refrigerant Filter Dryer Unit	#950332
25	Engine Primary Fuel Filter	#510137
25	Engine Primary Fuel Filter With Water Separator (Optional)	#531407
27	Engine Secondary Fuel Filter	#510128
27	Secondary "Racor" Fuel Filter	#531390
15	Engine Coolant Precharge Unit	#550629
15	Engine Coolant Filter/Conditioner	#550630
8	A/C And Heating Driver's Air Filter	#871147--871144
8	A/C And Heating Cabin's Air Filter	#871051
---	Parcel Rack Fan Air Filters	#871159
13	Automatic Transmission Oil Filter Kit	#571709
9	Coolant Strainer	#871029
3	Accessories Air Filter	#641340
32	Air Dryer Cartridge	#3097369

- Item numbers refer to figures 2 and 3.

2.7 LUBRICATION AND SERVICING SCHEDULE

For lubrication and servicing schedule, refer to table A.

CONTENTS

1. VEHICLE EXTERIOR	6
2. STRUCTURE	9
2.1 WELDING.....	9
3. EXTERIOR MAINTENANCE	9
3.1 CORROSION PREVENTION	9
3.2 PREVENTIVE MAINTENANCE SCHEDULE	10
3.3 RUST INHIBITOR APPLICATION.....	10
4. FIBERGLASS REPAIR.....	15
4.1 REPAIR USING FIBERGLASS CLOTH.....	15
4.2 REPAIR USING FIBERGLASS PASTE	15
4.3 TYPICAL FIBERGLASS REPAIR PROCEDURE	16
5. PAINTING	17
5.1 NEW PAINT CARE	17
5.2 PAINT TOUCHUP	17
5.3 PAINTING	17
5.3.1 <i>Safety</i>	17
5.3.2 <i>Surface Preparation and Paint Application</i>	18
5.4 FRONT AND REAR BUMPERS	18
5.4.1 <i>Paint touchup and surface preparation for vehicles equipped with urethane bumpers</i>	18
6. FRONT AND REAR BUMPERS.....	19
6.1 FRONT BUMPER REMOVAL AND INSTALLATION.....	19
6.1.1 <i>Molded Front Bumper Removal</i>	19
6.1.2 <i>Front Bumper Assembly Removal including spare wheel compartment door</i>	19
6.2 FRONT BUMPER LICENSE PLATE SUPPORT INSTALLATION	19
6.3 REAR BUMPER REMOVAL AND INSTALLATION.....	20
7. COACH ENTRANCE DOOR	20
7.1 OPERATION	20
7.2 EMERGENCY EXIT VALVES.....	21
7.2.1 <i>Without Air and/or Without Electricity</i>	21
7.2.2 <i>With Air but Without Electricity</i>	21
7.3 DOOR CYCLE SPEED ADJUSTMENT	21
7.4 HORIZONTAL AND VERTICAL ADJUSTMENT	22
7.5 DEPTH ADJUSTMENT.....	23
7.6 ROD END ADJUSTMENT	23
7.7 LUBRICATION	23
7.8 TROUBLESHOOTING	24
8. ENTRANCE DOOR (V.I.P)	25
8.1 KEYLESS ENTRY SYSTEM	25
8.2 DOOR ADJUSTMENT	25
8.2.1 <i>Horizontal and Vertical Adjustments</i>	25
8.3 DEPTH ADJUSTMENT.....	25
8.4 DOOR LOWER SECTION.....	26
8.5 REFLECTOR STRIPE INSTALLATION.....	26
8.6 DOOR SEAL REPLACEMENT	26
8.7 DOOR LUBRICATION	27
8.8 DOOR LATCH MECHANISM.....	27
9. DRIVER'S POWER WINDOW	27

Section 18: BODY

9.1	WINDOW OR REGULATOR REMOVAL	27
9.2	WINDOW OR REGULATOR INSTALLATION	27
10.	ROOF ESCAPE HATCH	28
10.1	REPAIR.....	28
10.2	SEALING.....	28
10.3	ESCAPE HATCH PANEL ASSEMBLY.....	29
10.4	ESCAPE HATCH FRAME	29
11.	REPAIR OR REPLACEMENT OF “TARABUS” FLOOR COVERING	31
11.1	FRONT STEPS REPLACEMENT PROCEDURE	33
11.2	WELDING OF JOINT BETWEEN WHITE SAFETY STRIP AND “TARABUS” FLOOR COVERING	36
11.3	REPAIR OF A WELDED JOINT.....	39
12.	PASSENGER SEATS.....	39
12.1	ROTATING SEATS.....	39
12.2	REMOVING FIXED SEATS	39
12.3	UPHOLSTERY MAINTENANCE	40
	12.3.1 Routine Cleaning.....	40
	12.3.2 Dry Cleaning	40
	12.3.3 Cleaning With Covers in Place	40
13.	COACH SIDE WINDOWS	41
13.1	EMERGENCY EXIT WINDOWS.....	41
13.2	EMERGENCY EXIT RELEASE BAR.....	41
	13.2.1 Emergency Exit Window Adjustment.....	42
13.3	FIXED WINDOW REPLACEMENT	42
13.4	EMERGENCY EXIT WINDOW REPLACEMENT	42
13.5	TRAPEZOIDAL WINDOW REPLACE-MENT	43
13.6	SMALL REAR WINDOWS REPLACEMENT	43
13.7	ADHESIVE-MOUNTED WINDOWS	43
	13.7.1 Glass Window Replacement.....	43
14.	ELECTRIC AWNING WINDOW	44
14.1	OPERATION	45
14.2	WINDOW REMOVAL	45
14.3	ACTUATOR REPLACEMENT	46
14.4	MOTOR REPLACEMENT.....	46
15.	WINDSHIELD.....	47
15.1	REMOVAL	48
15.2	WINDSHIELD INSTALLATION ONLY.....	48
15.3	INSTALLATION OF RUBBER EXTRUSION AND WINDSHIELD	49
16.	BODY PANELS AND DOORS	49
17.	WHEELCHAIR LIFT ACCESS DOOR	50
17.1	INSTALLATION	50
17.2	ADJUSTMENT	50
18.	BAGGAGE COMPARTMENT DOORS.....	53
18.1	PANTOGRAPH ADJUSTMENT	53
18.2	DOOR ADJUSTMENT	54
19.	DOOR HANDLES	56
20.	ENGINE COMPARTMENT DOOR	56

20.1	ENGINE DOOR ADJUSTMENT.....	56
20.2	MINOR TOP EDGE DEPTH ADJUSTMENT	56
20.3	MINOR LOWER EDGE DEPTH ADJUSTMENT:	56
21.	ENGINE AIR INTAKE GRILL.....	57
22.	RADIATOR DOOR ADJUSTMENT.....	57
22.1	DOOR HEIGHT ADJUSTMENT.....	57
22.2	DOOR LATERAL ADJUSTMENT.....	57
22.3	DOOR DEPTH ADJUSTMENT.....	58
23.	CONDENSER DOOR ADJUSTMENT.....	58
24.	FUEL FILLER DOOR	59
25.	FRONT SERVICE COMPARTMENT	59
25.1	LATCH MECHANISM ADJUSTMENT.....	60
26.	ENGINE COMPARTMENT R.H. SIDE DOOR	60
26.1	LATCH MECHANISM ADJUSTMENT.....	61
27.	EVAPORATOR DOOR ADJUSTMENT	61
27.1	LATCH MECHANISM ADJUSTMENT.....	61
28.	MAIN POWER COMPARTMENT	62
28.1	LATCH MECHANISM ADJUSTMENT.....	62
29.	FENDERS	62
29.1	REAR FENDER REMOVAL.....	62
29.2	FRONT FENDER REMOVAL.....	63
30.	REAR CAP.....	63
31.	FRONT CAP	63
32.	SIDE PANEL INSTALLATION PROCEDURE FOR COACHES AND VIP	64
33.	REAR VIEW MIRRORS (RAMCO).....	69
33.1	ADJUSTMENT.....	69
33.2	DISASSEMBLY	69
33.3	ASSEMBLY	69
33.4	REPLACEMENT OF MIRROR GLASS.....	69
33.5	HEATED / REMOTE CONTROLLED REAR VIEW MIRRORS.....	69
33.5.1	<i>Mirror Control</i>	<i>69</i>
33.5.2	<i>Disassembly.....</i>	<i>70</i>
33.5.3	<i>Assembly.....</i>	<i>70</i>
33.5.4	<i>Convex & Flat Mirror Removal.....</i>	<i>70</i>
34.	VEHICLE JACKING POINTS.....	70
35.	TOWING THE VEHICLE.....	71
35.1	LIFTING AND TOWING	71
35.2	TOWING WITHOUT LIFTING	72
36.	SPECIFICATIONS	73

ILLUSTRATIONS

FIGURE 1: H3-45 EXTERIOR VIEW 6

FIGURE 2: H3-41 EXTERIOR VIEW 7

FIGURE 3: VIP CONVERTED VEHICLE EXTERIOR (TYPICAL)..... 8

FIGURE 4: FIBERGLASS REPAIR..... 16

FIGURE 5: FIBERGLASS REPAIR..... 16

FIGURE 6: FIBERGLASS REPAIR..... 16

FIGURE 7: FIBERGLASS REPAIR..... 16

FIGURE 8: FIBERGLASS REPAIR..... 17

FIGURE 9: BUMPER FASTENING MECHANISM..... 19

FIGURE 10: FRONT BUMPER ASSEMBLY 19

FIGURE 11: LICENSE PLATE SUPPORTS 20

FIGURE 12: REAR BUMPER ASSEMBLY..... 20

FIGURE 13: DOOR OPERATING SWITCH 21

FIGURE 14: EMERGENCY EXIT VALVE 21

FIGURE 15: DOOR CYLINDER AND DAMPER 21

FIGURE 16: COACH ENTRANCE DOOR..... 22

FIGURE 17: DAMPER 22

FIGURE 18: UPPER DOOR HINGE (COACH) 23

FIGURE 19: DOOR LATCH (COACH)..... 23

FIGURE 20: ENTRANCE DOOR (VIP) 25

FIGURE 21: ENTRANCE DOOR (VIP, TYPICAL) 27

FIGURE 22: DRIVER’S WINDOW 27

FIGURE 23: ESCAPE HATCH 28

FIGURE 24: ESCAPE HATCH 28

FIGURE 25: TARABUS FLOOR COVERING ADHESIVE APPLICATION 32

FIGURE 26: APPLICATION OF SIKA 221 GRAY 32

FIGURE 27: ARMREST 40

FIGURE 28: SEAT PEDESTAL ASSEMBLY..... 40

FIGURE 29: H3-45 COACH..... 41

FIGURE 30: H3-41 COACH..... 41

FIGURE 31: EMERGENCY EXIT WINDOW 42

FIGURE 32: FIXED WINDOW 42

FIGURE 33: EMERGENCY WINDOW 43

FIGURE 34: ADHESIVE-MOUNTED WINDOWS 43

FIGURE 35: ADHESIVE-MOUNTED WINDOW 44

FIGURE 36: ADHESIVE-MOUNTED WINDOW 44

FIGURE 37: ADHESIVE-MOUNTED WINDOW 44

FIGURE 38: ELECTRIC AWNING WINDOW EXPLODED VIEW (FRAME)..... 45

FIGURE 39: ELECTRIC AWNING WINDOW EXPLODED VIEW (SASH) 46

FIGURE 40: WINDSHIELD 48

FIGURE 41: WINDSHIELD INSTALLATION TOP VIEW 48

FIGURE 42: WINDSHIELD INSTALLATION USING ROPE 48

FIGURE 43: WINDSHIELD INSTALLATION SIDE VIEW 49

FIGURE 44: APPLICATION OF SIKA 221 BLACK 49

FIGURE 45: BODY PANEL SPACING 50

FIGURE 46: WCL SLIDING DOOR INSTALLATION..... 50

FIGURE 47: WCL UPPER ARM AND RAIL..... 51

FIGURE 48: WCL LOWER RAIL INSTALLATION 51

FIGURE 49: WCL SLIDING DOOR OPENING MECHANISM..... 52

FIGURE 50: BAGGAGE COMPARTMENT DOOR 53

FIGURE 51: PANTOGRAPH ADJUSTMENT 53

FIGURE 52: PANTOGRAPH DOOR ADJUSTMENT 54

FIGURE 53: PANTOGRAPH DOOR ADJUSTMENT 54

FIGURE 54: BAGGAGE COMPARTMENT DOOR	54
FIGURE 55: BAGGAGE COMPARTMENT DOOR	54
FIGURE 56: BAGGAGE COMPARTMENT DOOR	55
FIGURE 57: BAGGAGE COMPARTMENT DOOR	55
FIGURE 58: BAGGAGE COMPARTMENT DOOR	55
FIGURE 59: BAGGAGE COMPARTMENT DOOR	55
FIGURE 60: BAGGAGE COMPARTMENT DOOR	55
FIGURE 61: ENGINE COMPARTMENT DOOR	56
FIGURE 62: DOOR STOP	56
FIGURE 63: REFERENCE LINE	57
FIGURE 64: PANTOGRAPH ARM ADJUSTMENT.....	57
FIGURE 65: DOOR LATERAL ADJUSTMENT	57
FIGURE 66: PROPER DOOR POSITIONING	58
FIGURE 67: DOOR DEPTH ADJUSTMENT	58
FIGURE 68: DEPTH ADJUSTMENT	58
FIGURE 69: DOOR LATCHES ADJUSTMENT	58
FIGURE 70: CONDENSER DOOR	59
FIGURE 71: FUEL FILLER DOOR	59
FIGURE 72: DOOR HINGE	60
FIGURE 73: FRONT SERVICE DOOR	60
FIGURE 74: DOOR HINGE	61
FIGURE 75: ENGINE COMPARTMENT R.H. DOOR.....	61
FIGURE 76: EVAPORATOR DOOR.....	62
FIGURE 77: MAIN POWER COMP. DOOR	62
FIGURE 78: REAR-VIEW MIRROR (RAMCO)	69
FIGURE 79: JACKING POINTS ON STRUCTURE.....	70
FIGURE 80: JACKING POINTS ON FRONT FRAME	70
FIGURE 81: JACKING POINTS ON REAR FRAME	70
FIGURE 82: JACKING POINTS ON FRONT AXLE	70
FIGURE 83: JACKING POINTS ON IND. SUSPENSION	71
FIGURE 84: JACKING POINTS ON DRIVE AXLE	71
FIGURE 85: JACKING POINTS ON TAG AXLE	71
FIGURE 86: TOW EYES UNDER VEHICLE.....	71

1. VEHICLE EXTERIOR

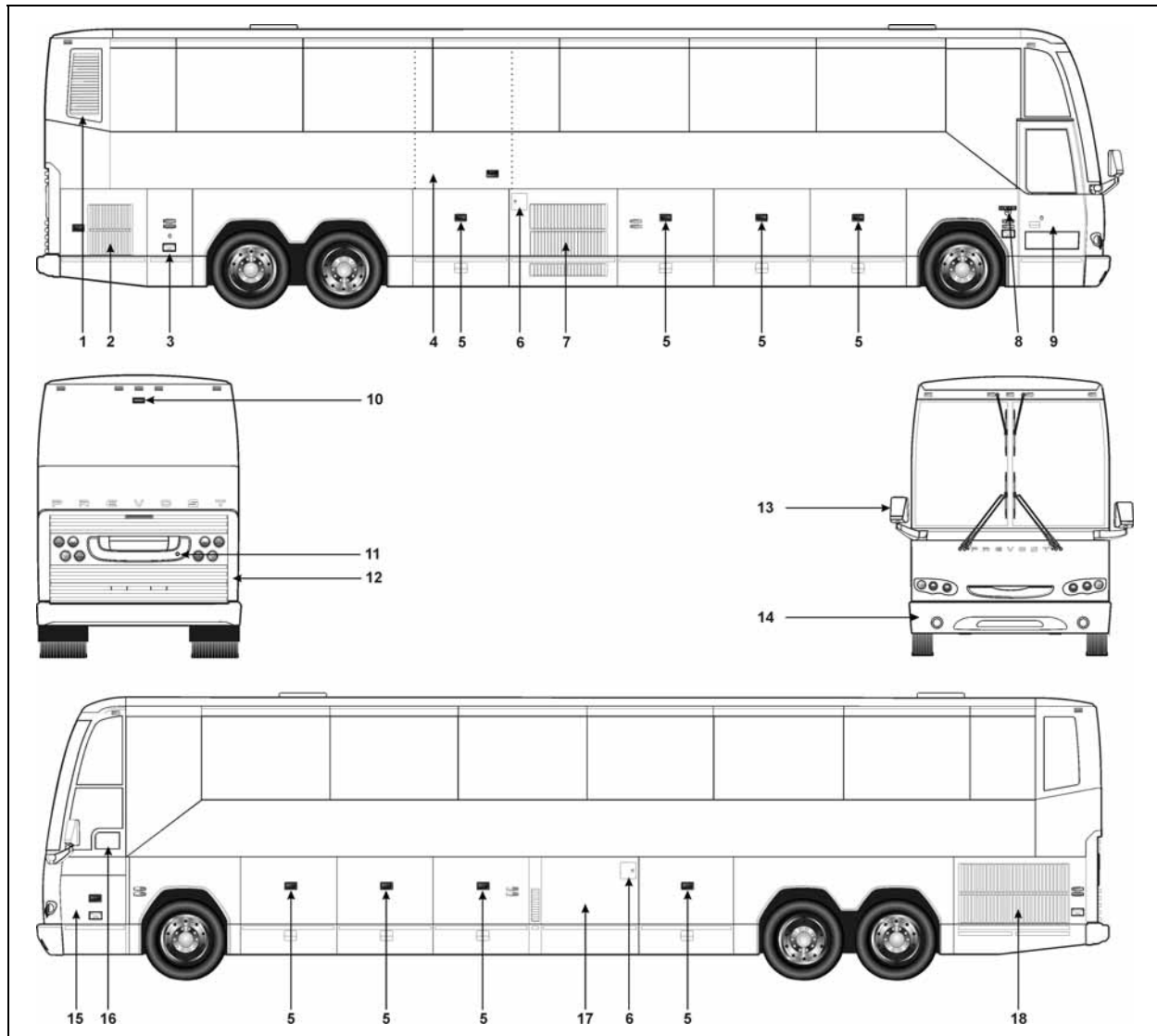


FIGURE 1: H3-45 EXTERIOR VIEW

18590

- | | |
|--|--|
| 1. Engine air intake | 12. Engine compartment rear door |
| 2. Engine compartment R.H. side door | 13. Rear-view mirrors |
| 3. Main power compartment | 14. Reclining bumper compartment |
| 4. Wheelchair lift door (option Ricon) | 15. Front electrical & service compartment |
| 5. Baggage compartment | 16. Driver's power window |
| 6. Fuel filler door | 17. Heating, ventilating and air conditioning compartment (HVAC) |
| 7. A/C condenser door | 18. Engine radiator door |
| 8. Entrance door operating switch | |
| 9. Entrance door | |
| 10. Back-up camera (option) | |
| 11. 110 - 120 volt connector | |

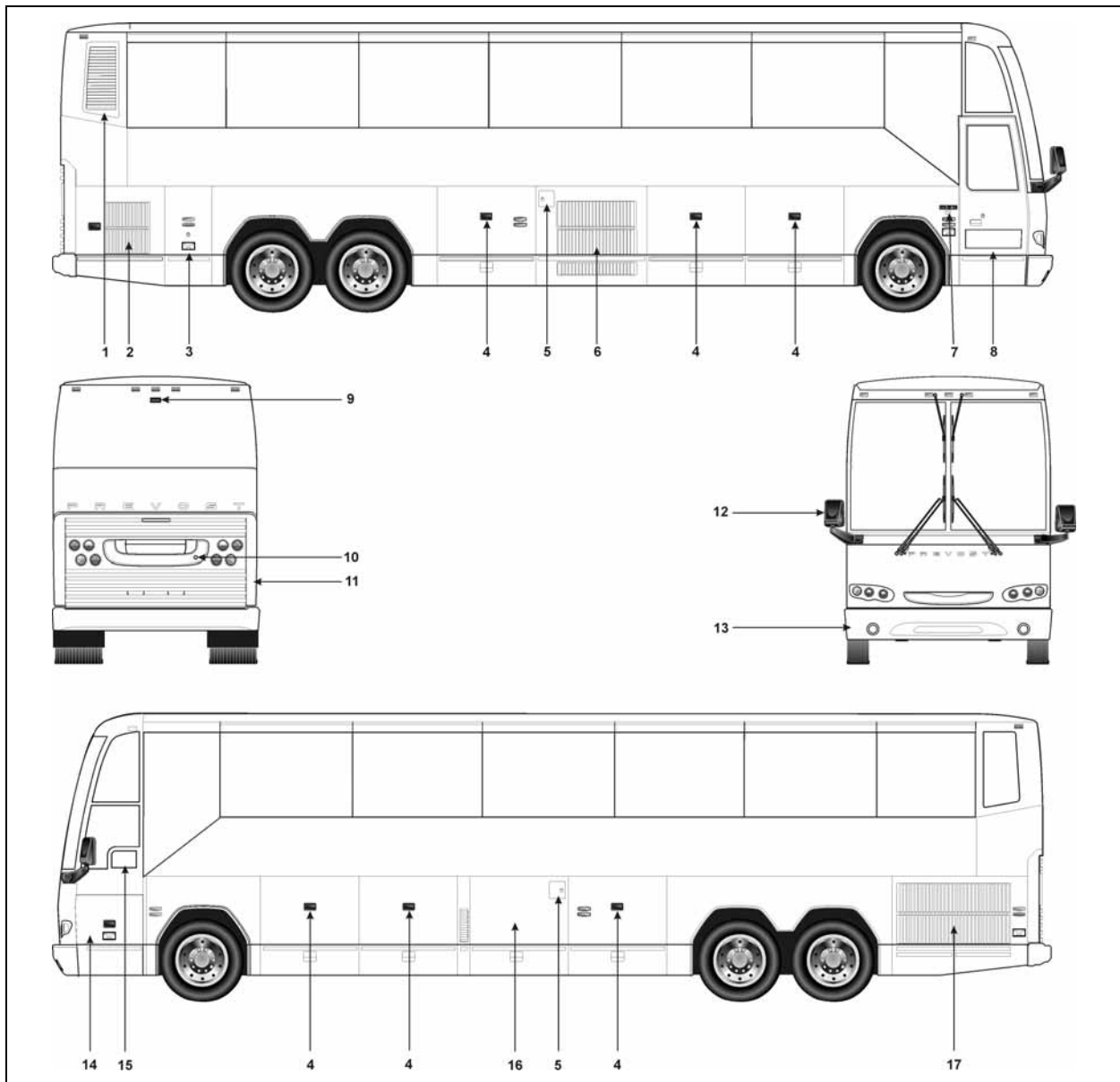


FIGURE 2: H3-41 EXTERIOR VIEW

18591

- | | |
|--|--|
| <ol style="list-style-type: none"> 1. Engine air intake 2. Engine compartment R.H. side door 3. Main power compartment 4. Baggage compartment 5. Fuel filler door 6. A/C condenser door 7. Entrance door operating switch 8. Entrance door 9. Back-up camera (option) 10. 110 - 120 volt connector | <ol style="list-style-type: none"> 11. Engine compartment rear door 12. Rear-view mirrors 13. Reclining bumper compartment 14. Front electrical & service compartment 15. Driver's power window 16. Heating, ventilating and air conditioning compartment (HVAC) 17. Engine radiator door |
|--|--|

Section 18: BODY

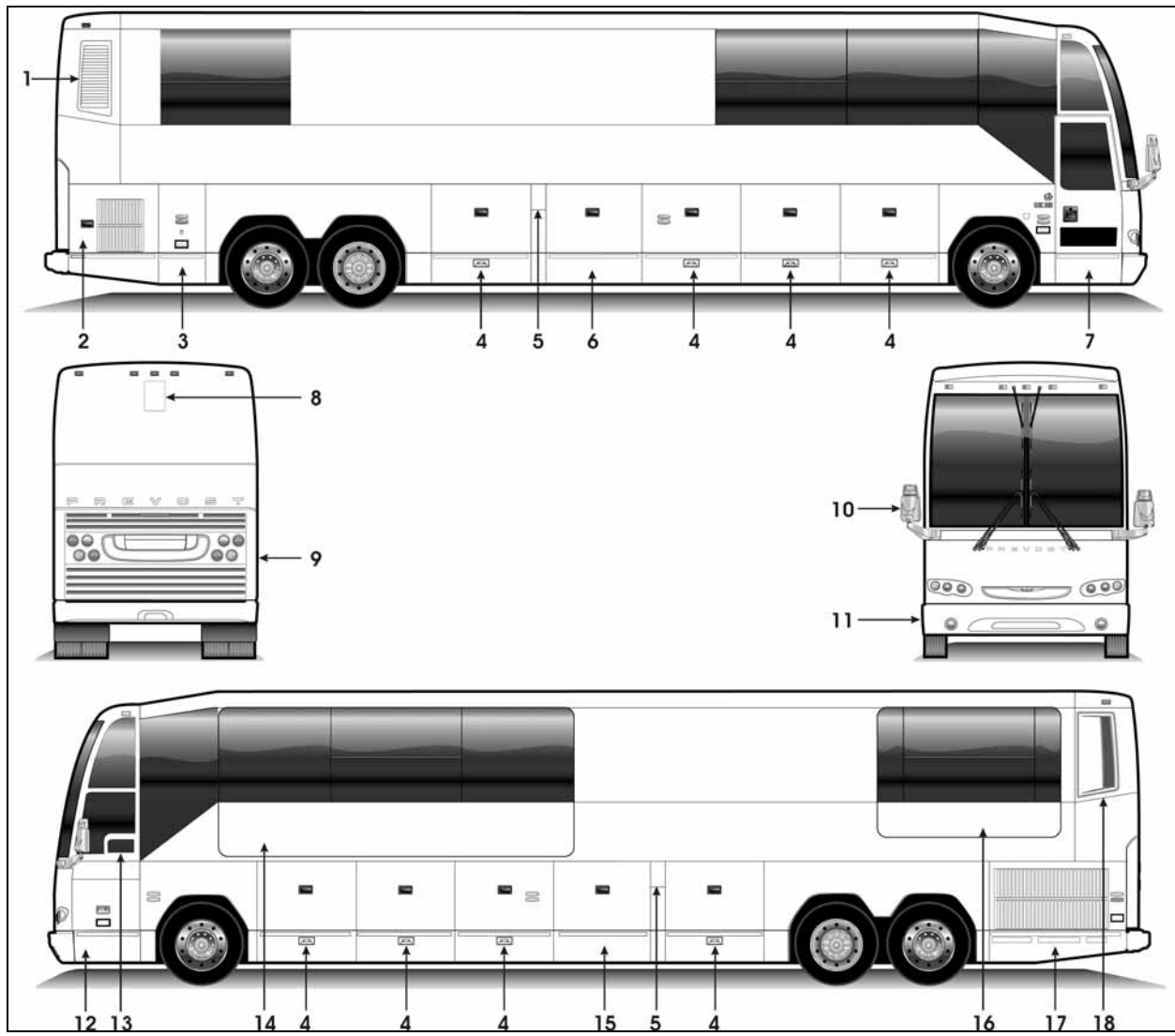


FIGURE 3: VIP CONVERTED VEHICLE EXTERIOR (TYPICAL)

18650

- | | |
|---|---|
| 1. Engine air intake | 10. Rear-view mirrors |
| 2. Engine R.H. side access door | 11. Reclining bumper compartment |
| 3. Main power compartment | 12. Front electrical and service compartment |
| 4. Baggage compartment | 13. Driver's power window |
| 5. Fuel filler door | 14. Front Slide-out |
| 6. A/C condenser compartment or baggage compartment | 15. Heating, ventilating and air conditioning compartment (HVAC) or baggage compartment |
| 7. Entrance door | 16. Rear Slide-out |
| 8. Retractable back up camera (optional) | 17. Engine radiator door |
| 9. Engine compartment rear door | 18. DPF (Diesel Particulate Filter) compartment access door |

2. STRUCTURE

The body of the H3-41, H3-45 and VIP vehicles is an integral structure made of 14, 16 and 18 gauge welded and braced high tensile steel and stainless steel members. The roof arches are made with cold rolled, electrically welded (CREW) steel tubes, 1 ½" x 2" x 14 gauge. The inside is filled with urethane foam and the exterior is primed. The front subframe is made of open sections of high-strength steel alloy. These open sections permit a better application of primer and undercoating, and does not trap moisture. The rear subframe is made of closed sections of high tensile steel sealed at both ends.

2.1 WELDING

Since welding is a procedure that may be carried out either as specific instructions from Prevost or by an independent decision of the owner, the following information pertaining to welding should be read before beginning any welding procedure. The prohibitions and requirements outlined below must be followed during welding procedure:

1. Welding must be done only by a qualified and experienced person.
2. Adequate ground contacts and shields must be positioned as required to protect components from damage due to heat, contact by weld splatter, arcing, or other potentially damaging events associated with welding.
3. The following precautions are to be taken to protect the electronic control components. Refer to Section 00, paragraph 3, "PRECAUTIONS TO BE OBSERVED BEFORE WELDING" in this manual.
4. Always wear the appropriate safety equipment.

Weld in clean and well ventilated area, and always have an appropriate fire extinguisher within your reach

3. EXTERIOR MAINTENANCE

Regular washing to remove dust and dirt is recommended. See "Operator's Manual" for more details on washing and cleaning your vehicle.

3.1 CORROSION PREVENTION

Preventive maintenance is a key factor in avoiding corrosion and must be considered as part of the regular service intervals. The entire underbody of the vehicle is sprayed with a heavy application of asphalt base undercoating.

The operating environment the vehicle is subjected to will largely influence the amount of dirt and corrosion that will accumulate over a given period. Corrosion is one of the most costly factors of part failure and shortened part life. It is, however, an item that can be controlled when it is conscientiously looked after and the proper steps are taken in a timely manner.

Certain areas of the coach are more vulnerable to corrosion than others, and it is these areas that should be addressed. For example, the rear baggage compartment bulkhead in the rear wheelhousing area contains many key components and should be examined regularly for corrosion. Other areas include the front wheelhousing area and the engine compartment.

Road splash will affect understructure, condenser coil and engine compartment. These areas must be thoroughly cleaned to remove dirt accumulations from flanges, channels and ledges. These places accumulate dirt and salt and hold it in direct contact with steel and aluminum surfaces. Use an understructure high pressure spray as part of a regular wash. Damaged undercoating or paint should be promptly repaired before corrosion can start.

Frequency of wash periods depends on operating conditions. During periods of exposure to salt, daily washing as described above is recommended. If underbody parts show evidence of rust or corrosion, treat as follows:

1. Remove dirt, grease and oil by solvent washing.
2. Remove corrosion as well as all loose coating by cleaning with a wire brush or sandblasting.

Caution: Sandblasting can be used for cleaning bulkheads, brackets and other structural members. It should not be used for exterior side paneling. Extreme care should be taken not to sandblast excessively.

3. Apply correct primer, paint and undercoating after removing all corrosion to prevent further damage.

Section 18: BODY

3.2 PREVENTIVE MAINTENANCE SCHEDULE

Note: TECTYL 185 GW rust inhibitor may have been applied on your vehicle underbody as an option, if this is the case, follow this procedure thoroughly. For future application of product, refer to paragraph 3.3 in this section.

DESCRIPTION	INTERVALS		MAINTENANCE	CORRECTIVE ACTION	REFERENCE
	MONTHS	KM MILES			
BODY, EXTERNAL WINDOW FRAME	6	40 000 25 000	VISUALLY INSPECT SEALING BEADS CONDITION	REPAIR OR REPLACE SEALING BEADS IF NECESSARY	
VEHICLE UNDERBODY	12	100 000 60 000	USE A LOW PRESSURE SPRAY TO CLEAN UNDERSTRUCTURE AND VISUALLY INSPECT FOR CALCIUM DEPOSIT, CORROSION OR ANY DIRT ACCUMULATED ONTO EXPOSED SURFACES. VISUALLY INSPECT SEALING BEADS CONDITION. VISUALLY INSPECT IF UNDERFLOOR IS PEELING. VISUALLY INSPECT WHEELHOUSING COATING. MAKE SURE DISCHARGE TUBES ARE FREE FROM OBSTRUCTIONS	APPLY UNDERCOATING LOCALLY AS NECESSARY. APPLY UNDERCOATING LOCALLY AS NECESSARY REMOVE ANY OBSTRUCTION OR REPLACE DEFECTIVE TUBE	
SUSPENSION AND UNDERSTRUCTURE	12	100 000 60 000	VERIFY THE CONDITION OF ALL SUSPENSION AND UNDERSTRUCTURE FASTENERS AND CLAMPS	TIGHTEN OR REPLACE DEFECTIVE OR MISSING FASTENERS	
FLOOR COVERING	3	20 000 12 500	VISUALLY INSPECT IF FLOOR COVERING IS SHOWING SIGNS OF DETERIORATION SUCH AS CUTS, BURNS, ETC. ALSO, VISUALLY INSPECT SEALANT ALONGSIDE TRACKS. INSPECT WALL PANELS FROM BOTTOM TO WINDOWS	REPAIR OR REPLACE DEFECTIVE COVERING. MAKE SURE PROPER SEALANT IS USED.	
FLOOR CLEANING			CLEAN FLOOR COVERING AS NECESSARY		

WARNING: Failure to follow this preventive maintenance schedule will result in warranty void.

3.3 RUST INHIBITOR APPLICATION

Material: Tectyl 185 GW



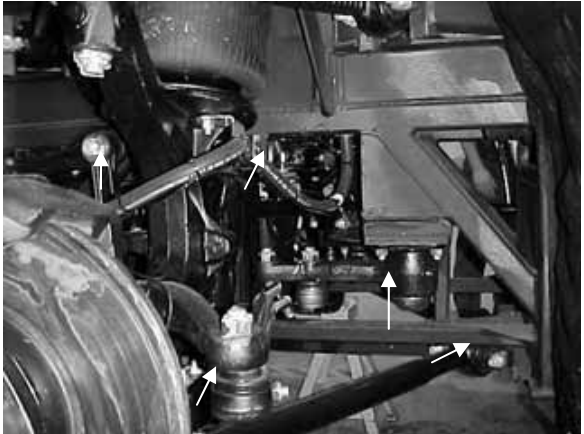
R1KG21

Safety Rules: Use safety glasses

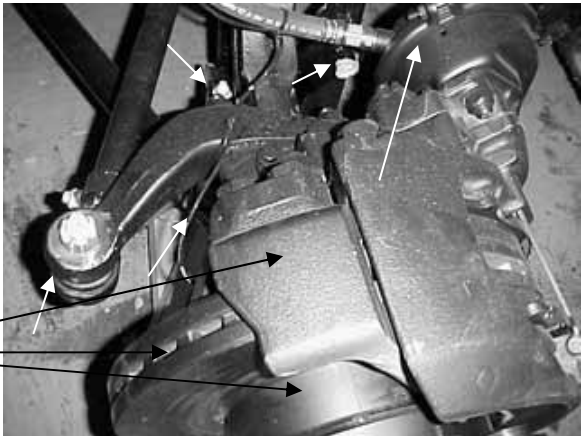

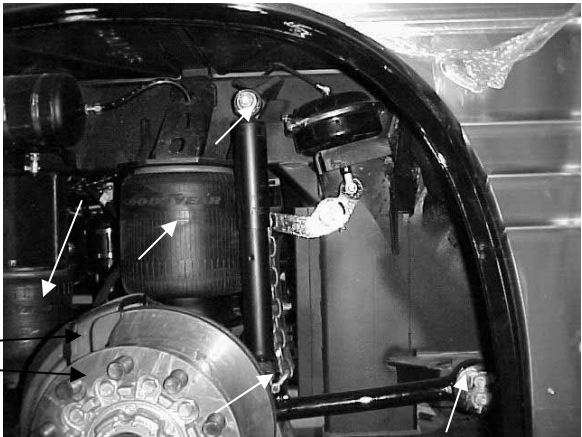
Supplied air hood

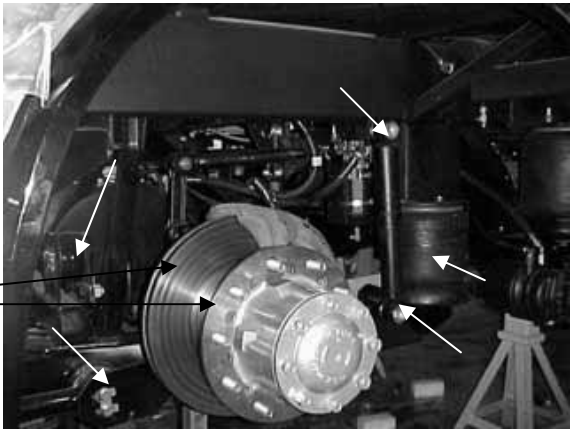
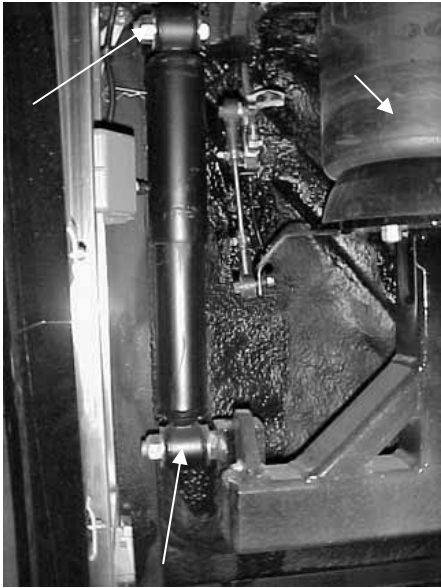
Solvent-resistant rubber gloves

1.0 Wash both wheelhousing mechanical parts before masking.	A water-hose nozzle is recommended. Water may be hot to reduce washing time especially during winter. If parts are soiled with oil, clean using R1KG21. Avoid rubber parts.
2.0 Dry all water sprayed parts. Surface temperature and dew point must be respected before applying rust	Air pressure system may be used, refer to annex 1 for

inhibitor.	surface temperature and dew point.
<p>3.0 Front wheelhousing</p> <p>a) Mask all rubber joints. Braking system must also be protected (refer to arrows). Commercial aluminum foil may be used for masking.</p>	
<p>3.1 Front wheelhousing</p> <p>Front view</p>	
<p>3.2 Front wheelhousing</p>	

Section 18: BODY

<p>3.3 Front wheelhousing</p> <p>(Entire braking system)</p>	
<p>4.0 Rear wheelhousing</p> <p>a) Mask all rubber joints. Braking system must also be protected (refer to arrows). Commercial aluminum foil may be used for masking</p> <p>(Entire braking system)</p>	
<p>4.1 Rear wheelhousing</p> <p>(Entire braking system)</p>	

<p>4.2 Rear wheelhousing</p> <p>(Entire braking system)</p>	
<p>4.3 Rear wheelhousing</p>	
<p>5.0 Close off wheelhousing using masking paper.</p>	<p>Prevent rust inhibitor from coming in contact with paint. To close off wheelhousing, a polythene sheet may be used.</p>
<p>6.0 Apply TECTYL 185 GW black rust inhibitor onto wheelhousing mechanical parts.</p>	<p>A spray gun and pumping system are required to apply the rust inhibitor. If the application is done inside a paint room, select high speed ventilation. Minimum required thickness is 10 mils wet or 5 mils dry.</p>
<p>7.0 Remove all masking material 30 minutes after application.</p>	

ANNEX 1

1. Check and confirm that dew point and surface temperature are in accordance with to the following criteria:

Surface temperature > 10°C

Surface temperature > or = to dew point + 3°C

Note: Use the following table to determine dew point.

2. Check and confirm that TECTYL temperature is between 10°C and 35°C.

Section 18: BODY

DEW POINT

	Relative Humidity (%)										
	10	20	30	40	50	60	70	80	90	100	
Temp (c)											
0	---	-16	-11	-8	-5	-3	-1	0	1	3	
1	---	-15	-10	-7	-5	-3	-1	1	2	4	
2	---	-14	-10	-6	-4	-1	0	2	3	5	
3	---	-13	-9	-5	-3	-1	1	2	4	6	
4	---	-13	-8	-5	-2	0	2	4	5	7	
5	---	-11	-7	-4	-1	1	3	5	6	8	
6	---	-11	-8	-3	0	2	4	6	7	9	
7	-18	-10	-6	-2	0	2	5	6	8	10	
8	-17	-9	-5	-1	1	4	6	7	9	11	
9	-16	-9	-4	-1	2	4	6	9	10	12	
10	-16	-8	-3	0	3	5	7	10	11	13	
11	-15	-7	-3	1	4	6	9	10	12	14	
12	-14	-6	-1	2	5	7	10	11	13	15	
13	-14	-6	-1	2	6	8	10	12	14	16	
14	-13	-5	0	4	6	9	11	14	15	17	
15	-12	-4	1	4	7	10	12	14	16	18	
16	-11	-4	1	5	9	11	13	15	17	19	
17	-10	-3	2	6	9	12	14	16	18	20	
18	-10	-2	3	7	10	13	15	17	19	21	
19	-9	-1	4	8	11	14	16	18	20	22	
20	-9	0		5	9	12	15	17	19	21	23
21	-8	0		5	10	13	16	18	20	22	24
22	-7	1		6	11	14	16	19	21	23	25
23	-6	2		7	11	15	17	20	22	24	26
24	-6	2		8	12	16	19	21	23	25	27
25	-5	3		9	13	16	20	22	24	26	28
26	-4	4		10	14	17	20	23	25	27	29
27	-4	5		11	15	19	21	24	26	28	30
28	-3	6		11	16	19	22	25	27	29	31
29	-2	6		12	17	20	23	26	28	30	32
30	-1	7		13	17	21	24	27	29	31	33
31	-1	8		14	19	22	25	27	30	32	34
32	0	9		15	20	23	26	29	31	33	35

4. FIBERGLASS REPAIR

All repairs to fiberglass parts consist of filling the damaged area with fiberglass cloth and resin or strand fiberglass and resin. The repair is allowed to harden, and then finishing operations may be performed. Use of the various materials is determined by the type of repair to be made. Large holes, torn sections and separate joints require the adhesive qualities of the resin and the reinforcing qualities of the fiberglass.

Small dents, scratches or pits can be repaired using resin and strand fiberglass and filler mixed into paste. Instructions for either mix are explained under their respective headings in this section. For best results when making repairs, temperature should be between 70 and 75 °F (21-24 °C). Some people experience a skin reaction to resins. In such cases, wipe resin off with denatured alcohol or a good thinner. Use of protective hand cream is recommended.

Warning: Always wear a respirator and goggles when grinding or sanding.

Extreme care must be taken if the sander is electrically operated, as dust from some resins is combustible when subjected to sparks or open flames. The proper tool for sanding resin is a low speed, air driven disc sander with a water attachment or a dry sander having a vacuum bag. Either will eliminate flying glass and resin dust.

The following additional tools and materials will assist in making repairs: hacksaw blade, assorted files, emery paper or cloth (150 or finer), scissors or tin snips, wax paper or cellophane sheets, a 3" (75 mm) paint roller, paint brush, putty knife, acetone and one or more heat lamps.

4.1 REPAIR USING FIBERGLASS CLOTH

Where necessary, sand paint away around damaged area and scrape away undercoating, if any, and wipe clean with solvent. Grind or file the damaged area to form a "V" at the broken or cracked portion. Sides of "V" should have a shallow pitch for maximum bonding area.

Note: Roughening the surface improves adhesion of resin.

If part is warped from original shape, use clamping equipment to straighten the surface. Preheat area to be repaired with one or two heat

lamps placed 18 to 24 inches (450-610 mm) from repair.

Caution: Temperature should not exceed 140 °F (60 °C) during 30 minutes in order to avoid distortion.

Cut fiberglass cloth with scissors or tin snips, 1 to 3 inches (25-75 mm) larger than area to be repaired. Build area to desired height.

Mix resin and hardener following instructions on their containers. Saturate layers of fiberglass with mixture and place laminates over damaged area. Smooth out wrinkles and make sure general contour of area is maintained. Bubbles and wrinkles can be eliminated with a roller.

Caution: The pot life of the mix is approximately 15 minutes. Any accidental contamination to the skin, clothing, tools, etc. must be removed within this period. Use acetone to remove uncured resin.

Heat resin material again by placing heat lamps 18 to 24 inches (450-610 mm) from repaired area. Allow 12 to 15 minutes for repair to cure. After repair is cured, grind, file or sand to contour. Files other than body files may be more suitable. Featheredge and finish sanding.

If small pits or irregularities appear after making repair, correct by using a liberal amount of chopped strand or filler mixed with resin to form a paste. Refer to heading "Repair with Fiberglass Paste" in this section.

4.2 REPAIR USING FIBERGLASS PASTE

Fiberglass paste is used for repairing small dents, scratches, and pits. Paste is made by mixing resin, hardener and fiberglass strand or filler to the consistency of putty. Where necessary, sand paint away around damaged area. On underside of coach, scrape away undercoating from damaged area, and wipe clean with solvent.

Preheat the area to be repaired using heat lamps. Mix desired quantities of resin and hardener according to manufacturer's instructions. Add powdered fiberglass strand into mixture to thicken it into a putty state.

Note: If repair is made on a vertical surface, adding powdered filler material to mixture will reduce tendency of hot resin to flow or run.

Apply the material with a putty knife or similar object, building material up to the desired

contour. For deep filling and on vertical surfaces, several layers of material may be used.

A hacksaw blade, held flat to adjacent contour and then moved in a sawing action across the repair when the resin is in a gel state, will remove excess resin from repair. Finish repair with the same procedure as when using fiberglass cloth.

4.3 TYPICAL FIBERGLASS REPAIR PROCEDURE

Remove all loose particles or damaged material using a power sander or rasp. Clean area, overlapping hole approximately 1" to 1-½" (25-40 mm) all around. Remove all dirt, grease and paint from area to ensure good bonding surface. Feather the cleaned area all around (Fig. 4).

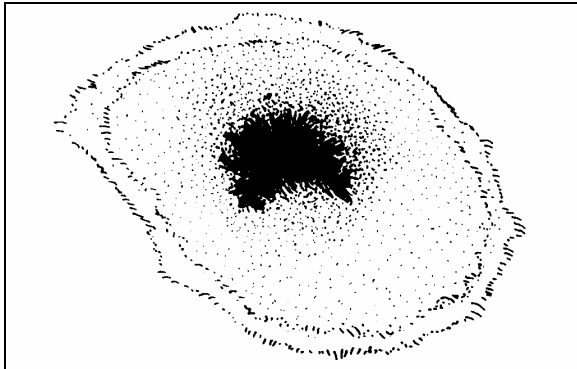


FIGURE 4: FIBERGLASS REPAIR 18089

Cut a piece of fiberglass mat slightly larger than area being repaired. Impregnate mat with general purpose polyester resin catalyzed normally. Use a clean paint brush to apply the polyester resin. Apply impregnated mat over hole and press onto surface with brush to obtain good adherence. Another coat of general purpose polyester resin can be applied at this time (Fig. 5).

Note: Remove all air between surfaces being joined. Allow area to harden and sand surface to remove any wax.

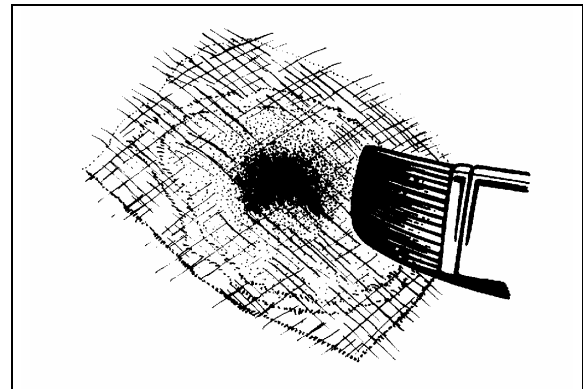


FIGURE 5: FIBERGLASS REPAIR 18090

Apply another mat, followed by a cloth patch, and another mat. All layers must be thoroughly impregnated with polyester resin, brushed well and free of air. Apply more layers of mat and cloth as required until the desired strength and thickness is obtained, minimum two 1-½ oz (43 g) mats and one 9 oz (255 g) cloth (Fig. 6).

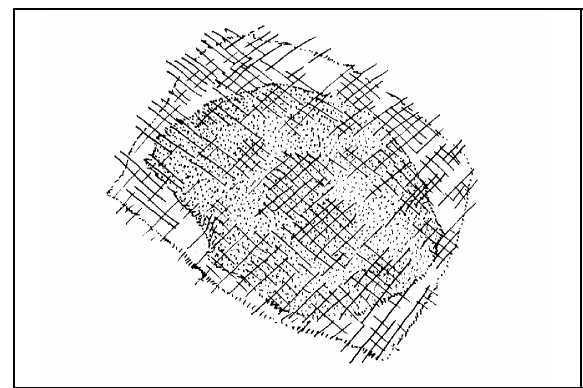


FIGURE 6: FIBERGLASS REPAIR 18091

Allow area to harden and contour the area with coarse sandpaper #100 (Fig. 7).

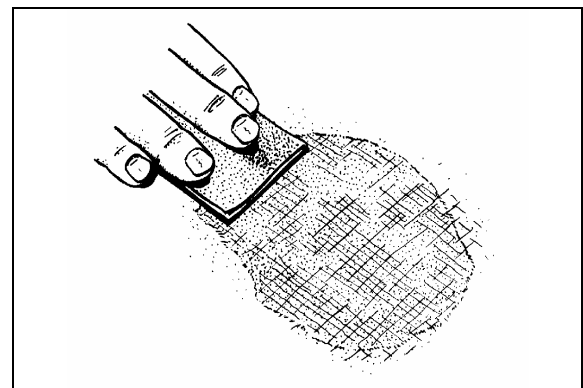


FIGURE 7: FIBERGLASS REPAIR 18092

Cover the area with a layer of resin putty and allow drying for approximately 15 to 20 minutes (Fig. 8).

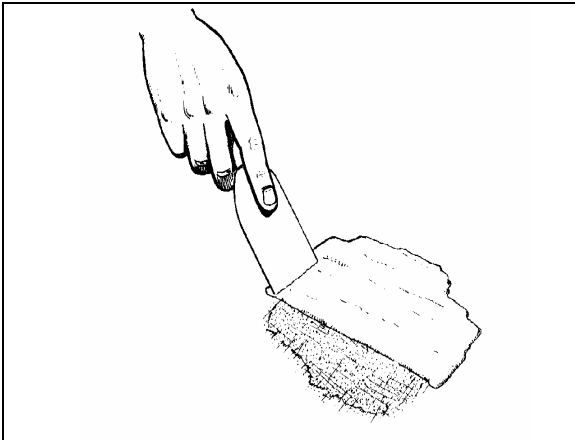


FIGURE 8: FIBERGLASS REPAIR 18093

Smooth off surface with coarse sandpaper #100 to desired shape. Further smooth surface with fine sandpaper #120 until repaired surface matches surrounding area paneling. Prime and paint the area to match surrounding paintwork.

5. PAINTING

5.1 NEW PAINT CARE

Our paint supplier recommends that you follow these simple precautions the first months of your new vehicle's life.

Caution: Apply these recommendations after repainting vehicle.

During the first 30 days:

- Do not use a commercial bus wash. Stiff brushes or sponges could mar the finish and damage the surface. Wash the vehicle by hand only and with cool water and a very mild bus wash solution. Be careful to use only a soft cloth or sponge;
- Wash vehicle in the shade, never in direct sunlight;
- Do not "dry wipe" vehicle –always use clean water. Dry wiping could scratch the finish;
- Avoid extreme heat and cold. Park vehicle in the shade whenever possible;
- Do not park under trees which drop sap or near factories with heavy smoke fallout. Tree sap and industrial fallout may mar or spot a freshly painted surface;
- Trees are also likely to attract birds. Bird droppings are highly acidic and will damage a freshly painted surface. Bird droppings, tree sap and industrial fallout should be washed off as soon as possible;

- Do not spill oil, gasoline, antifreeze, transmission fluid or windshield solvent on new finish. IMMEDIATELY rinse off any such spill with clean water, DO NOT WIPE;
- Do not drive on gravel roads. Paint finish easily chips during the first 30 days;
- Do not scrape ice or snow from the surface. A snow scraper can act like a paint scraper if the finish is new. Brush off loose material with a soft snow brush.

During the first 90 days:

- Do not wax or polish the vehicle. This will allow the finish to dry and harden completely.

5.2 PAINT TOUCHUP

When paint touchup or partial repainting is necessary, refer to the vehicle's paint scheme for color codes and paint brand.

Prevost recommends using the original paint brand to ease color matching.

In the event you sand through to the gelcoat surface you should prime the area with Standox "Non Stop Fill Primer (ST-11000)".

If you sand through to metal surface, first prime with Standox "Etch Primer (ST-11858)" then with Standox "Non Stop Fill Primer (ST-11000)".

Caution: Be sure to heed all paint manufacturer's recommendations, especially concerning paint dilution and application.

5.3 PAINTING

The standard paint used on the exterior of the vehicle is Standox Basislack. It is a high gloss polyurethane enamel finish designed for exposure to extreme conditions. Other types of paint may be called for as options by owner but are not dealt with in this section.

5.3.1 Safety

Care should be exercised in storing, handling, mixing, and applying paint and chemicals listed in this manual. The topcoat, primer, solvent, catalysts, accelerators, and cleaners are highly volatile and/or toxic if not properly used. Observe all safety instructions marked on the different packagings, as well as the following:

1. Do not smoke in the paint room or in adjacent area exposed to residue fumes.
2. Wear respirators approved by the governing safety and health regulations.

Section 18: BODY

3. Maintain adequate ventilation at all times.
4. Dispose of any leftover paint mix properly.
5. Wear rubber gloves, rubber apron, and face shield during all phases of paint and chemical handling.

5.3.2 Surface Preparation and Paint Application

	Aluminum and / or Stainless Steel	Fiberglass	Comments
Surface Preparation	Sand using P-150 grit sandpaper. It is recommended to sandblast rivets and panel edges with OLIMAG 35-70 blast media.	Sand using P-180 or P-240 sandpaper.	Do not use paint remover over aluminum or fiberglass.
Cleaning	STANDOX silicone remover ST-11654 (68-2989)		
Priming	STANDOX Reactive Etch Primer ST-13908 * Wait 30 minutes then apply STANDOX Non-Stop Füllprimer ST-11000 (68-2973)	STANDOX Non-Stop Füllprimer ST-11000 (68-2973)	Refer to product Technical Data sheet for proper mixing
Basecoat	Refer to paint scheme or coach record for proper color code and paint brand. We recommend using the same paint brand to ease color matching.		Refer to product Technical Data sheet for proper mixing
Clearcoat	STANDOX 2K MS Rapid Clear ST-11760 (68-2979) Allow 16 hours for drying		Refer to product Technical Data sheet for proper mixing

If assistance or technical information on STANDOX products is needed, please dial: 1 (800) 551-9296

5.4 FRONT AND REAR BUMPERS

5.4.1 Paint touchup and surface preparation for vehicles equipped with urethane bumpers

	COMMENTS	VIP	COACHES
Cleaning	Clean using red wool and Standoflex 11100 (ST-11425) thinner	YES	YES
	Clean again twice using Standoflex 11100 (ST-11425) thinner	YES	YES
Priming	Apply Non-Stop primer (ST-13320) with flexible agent dilution 2:1 10% in 2 or 3 coats, 15 min. flash/off between coats	YES	YES
Sanding	Sand Non-Stop primer using P-320 grit sandpaper	YES	YES
	Use a tack cloth	YES	YES
Basecoat	Apply basecoat. Wait 30 minutes.	YES	YES
Varnish dilution	Dilution without flexible agent	YES	YES
Varnishing	Apply varnish	YES	YES

If assistance or technical information on STANDOX products is needed, please dial: 1 (800) 551-9296

6. FRONT AND REAR BUMPERS

6.1 FRONT BUMPER REMOVAL AND INSTALLATION

The front bumper is hinged to give access to the spare wheel compartment. Bumper must first be tilted down before its removal. Two people are required to remove and install the front bumper.

Warning: Front bumper weighs approximately 180 lbs. (80 kg). Use proper lifting equipment to support the bumper during the removal and installation operations to avoid personal injury.

Pull on the release handle located in the front electrical and service compartment to access the spare wheel compartment.

The bumper assembly will lower gradually.

6.1.1 Molded Front Bumper Removal

Loosen 12 attaching bolts from inside the bumper, 6 near the top and 6 in the middle (Fig. 9). Let the bumper rest face down on the lifting equipment platform.

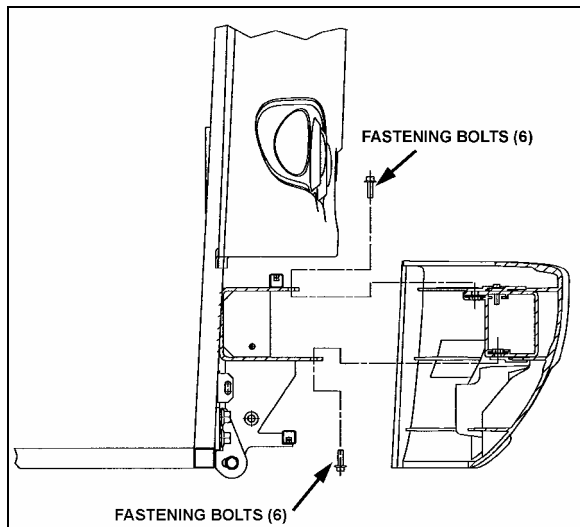


FIGURE 9: BUMPER FASTENING MECHANISM 18498

To install molded front bumper, reverse the procedure.

6.1.2 Front Bumper Assembly Removal including spare wheel compartment door

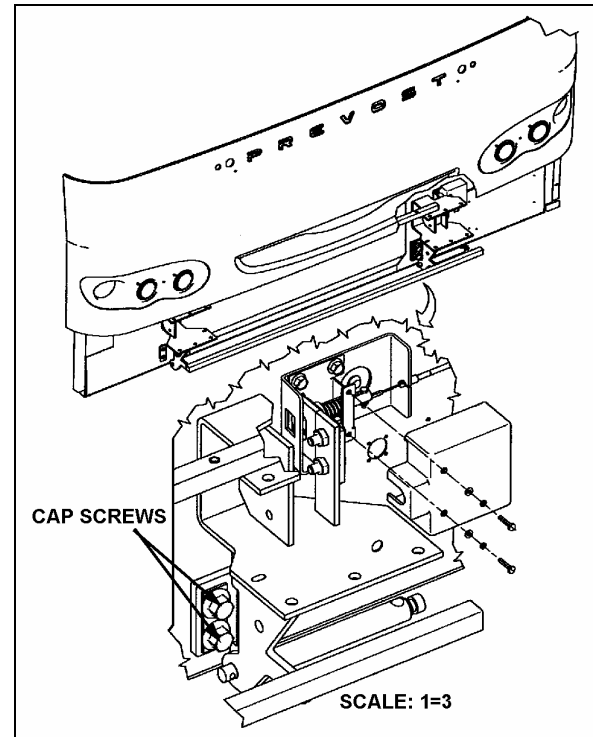


FIGURE 10: FRONT BUMPER ASSEMBLY 18499

1. Ask assistant to relieve spring tension with assistant proper tool, and relieve spring tension on one locking pin and remove it. Slowly release spring tension and remove the second locking pin. The spring is free. Repeat procedure for the other spring.

Note: A special tool kit is available from Prevost Car Inc: Kit # 410671 including tool #410708.

2. Remove 4 cap screws holding bumper to vehicle and remove bumper (Fig. 10).
3. To install bumper, reverse the removal procedure.

6.2 FRONT BUMPER LICENSE PLATE SUPPORT INSTALLATION

License plate supports are stored in the first baggage compartment.

Install supports using dedicated holes as per figure 11.

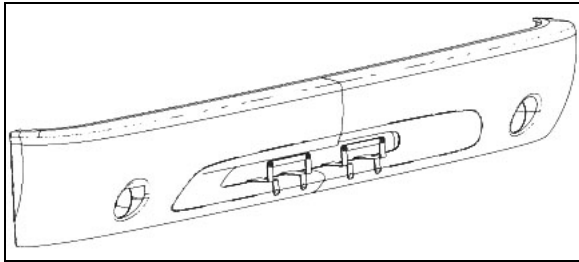


FIGURE 11: LICENSE PLATE SUPPORTS 18500

6.3 REAR BUMPER REMOVAL AND INSTALLATION

Warning: Rear bumper weighs approximately 180 lbs. (80 kg). Use proper lifting equipment to support the bumper during the removal and installation operations to avoid personal injury.

1. Remove 6 nuts (3 on each side) holding bumper assembly to vehicle and remove bumper (Fig. 12).
2. Let the bumper rest face down on the lifting equipment platform.
3. To install bumper, reverse the procedure.

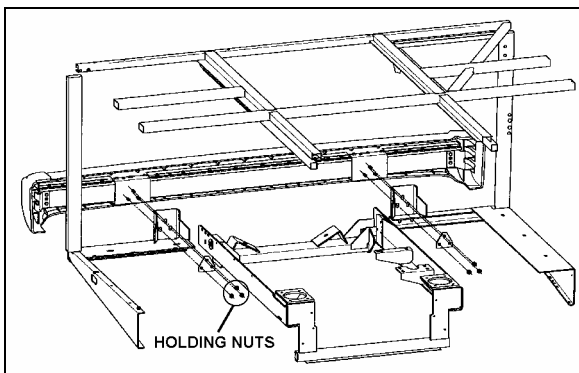


FIGURE 12: REAR BUMPER ASSEMBLY 18501

7. COACH ENTRANCE DOOR

An air operated “sedan type” entrance door, with an air door cylinder and damper assembly are installed under the right hand dash. The opening and closing door speed cycle is adjustable by a damper mounted in parallel with the door cylinder on the door hinge (Fig. 15). Door activation is controlled by a relay panel, located near the defroster and wiper motors. The accessory air reservoir supplies air to this system.

The door is held in the closed position during coach operation by two air cylinder locking mechanisms (Fig. 16). Air cylinders with return spring in the cylinder body are used. Air cylinders are controlled by an electrically

operated solenoid valve energized by a rocker switch located under the right hand dashboard.

To open the door, initial movement of the rocker switch de-energizes the air lock solenoid valve, venting the door locking cylinders. The return locking spring pulls the door lock away from the latch, unlocking the door. Door movement starts only when pressure in the central air door lock is below 10 psi. The “air cylinder open solenoid valve” opens and allows air to flow to the door cylinder, “the air cylinder close solenoid valve” exhausts air from the rod side of the cylinder.

To close the door, initial movement of the switch energizes the “air cylinder close solenoid valve” and air flows to the cylinder by its rod side port. The “air cylinder open solenoid valve” exhausts air from cylinder. When entrance door latch is grounded with the door frame, the air lock solenoid valve is de-energized and loads the door lock cylinders. The cylinder moves the door lock in a position which engages a latch on the entrance door, holding the door positively closed.

Emergency exit valves, which open the air valve circuit, should be used only in emergencies, or when the door control system does not function properly.

Refer to the air system schematic diagram annexed at the end of section 12, “Brakes” and to page 22 of the wiring diagram.

7.1 OPERATION

The air-operated door is controlled from inside the coach by two push-button switches located on the R.H. dashboard.

Opening and closing of the door from outside the coach is accomplished by a momentary toggle switch located behind the coach model nameplate (Fig. 13).

To close the door, the switch must be pushed towards the rear of the coach and held in position until the door has completed its movement.

To open the door, the switch must be pushed towards the front of the coach and held in position. When the door reaches the fully opened position, the system will keep pressure in the cylinder locking the door in that position. The door can be stopped in any position by releasing the switch. The door is not locked in position when not fully opened or closed.

If the door has been locked with the key, a lever on the door can be moved to unlock.

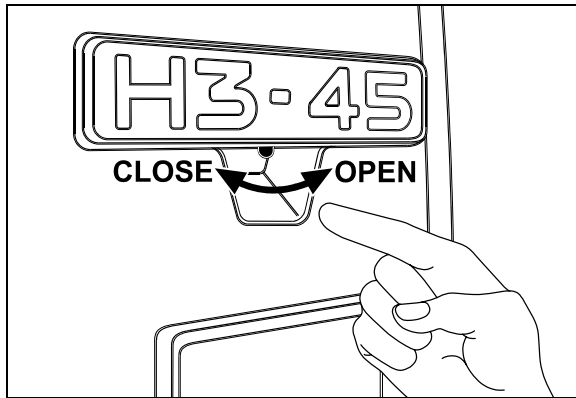


FIGURE 13: DOOR OPERATING SWITCH 18316

7.2 EMERGENCY EXIT VALVES

From inside the vehicle, an emergency exit valve located near the door on the dash panel, releases the pressure from the lock cylinders. From the exterior, an emergency exit valve located in the front service compartment, also releases the air from the lock cylinders.

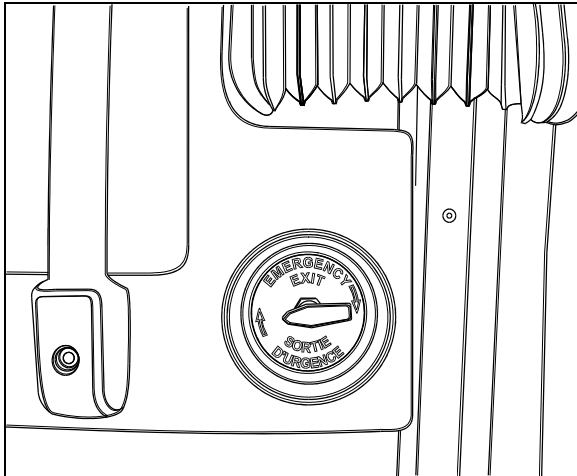


FIGURE 14: EMERGENCY EXIT VALVE 18321

7.2.1 Without Air and/or Without Electricity

If the air pressure drops while coach has or hasn't any electricity, the spring loaded cylinders will unlatch the door. In such a case, unlock the door by moving the lever on the door or by using the key, then open the door manually.

7.2.2 With Air but Without Electricity

From inside the vehicle, turn the emergency exit valve to the "UNLOCK" position. Move the lever. From the exterior, turn the emergency exit valve to the "UNLOCK" position. Open the door. Close it, lock with the key and reset the outside emergency exit valve to the "NORMAL" position.

7.3 DOOR CYCLE SPEED ADJUSTMENT

To do any adjustment, remove the two panels located next to the door hinge, as well as the door's upper hinge control.

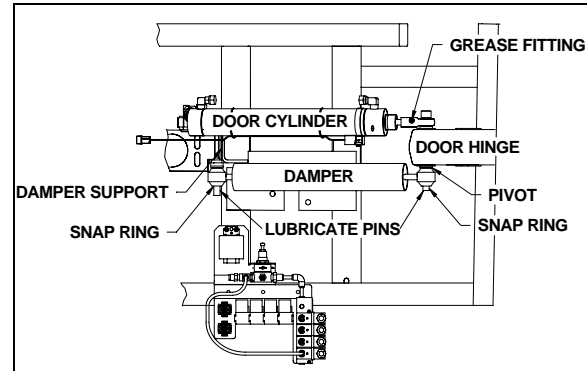


FIGURE 15: DOOR CYLINDER AND DAMPER 18161

Caution: It is important to make sure that damper does not reach end of stroke when door is completely closed or opened. The door cylinder must stop the door on opening. Screw or unscrew rod end to adjust if necessary.

To adjust opening and closing cycle speed on damper (Fig. 15):

1. Remove the damper from the vehicle and hold it vertically with the lower eye or pin attachment in a vice. Use clamp plates to prevent damage.
2. Fully close the damper while turning the dust cap or piston rod slowly CCW until it is felt that the cams of the adjusting nut engage in the recesses of the foot valve assembly (Fig. 17).

Note: In figure 17, if there is an indentation (B) in the dust cap (C) and the cover shows two holes (A), the damper is fitted with a bump rubber (D). If so, fully extend the damper and insert a round bar or screwdriver through the holes. Push the bump rubber down and remove. Remove the split plastic collar (E) (if fitted) from the piston rod.

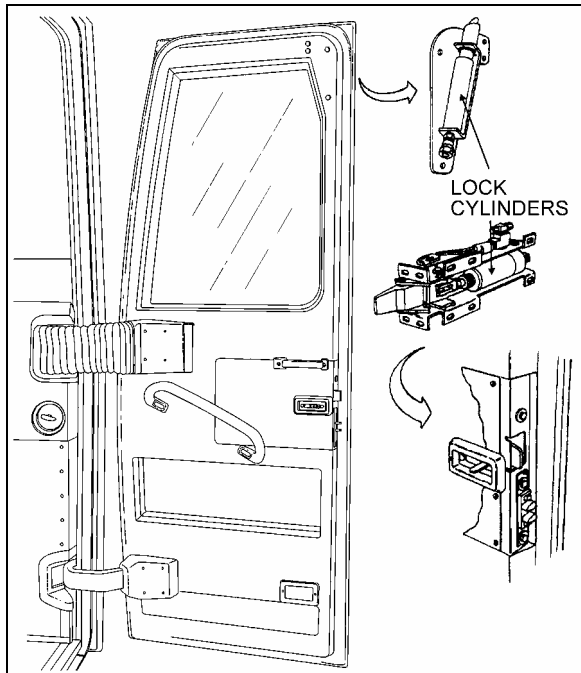


FIGURE 16: COACH ENTRANCE DOOR 18439

3. The damper may have already been adjusted. Therefore check whether the damper is adjusted or not by keeping it closed and gently turning further CCW, counting at the same time the half-turns until a stop is felt. Stop turning and do not force.
4. While keeping the damper closed, make two CW half-turns. In case of prior adjustment, add the number of half-turns previously counted. The total range is about five half-turns.
5. Pull the damper out vertically without turning for at least 3/8" (1cm) to disengage the adjusting mechanism. The dust cap or piston rod may now be turned freely.

Note: Where a bump rubber was installed, refit same inside the dust cap and by fully closing the damper, the rubber will seat again at top of the dust cap. Refit the split plastic collar E (Fig. 17)

6. The damper can now be refitted in the vehicle.
7. Reinstall panels and entrance door hinge cover.

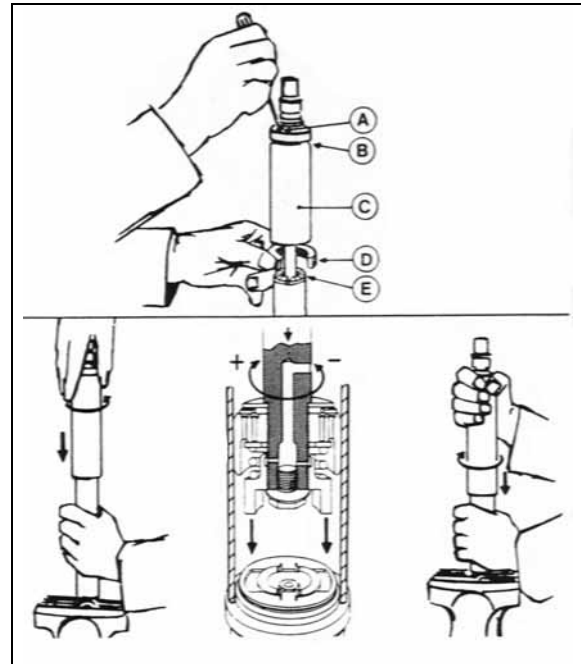


FIGURE 17: DAMPER

7.4 HORIZONTAL AND VERTICAL ADJUSTMENT

Before attempting to correct any door operating problem by adjusting any part of the air cylinder assembly, first perform the following mechanical checks and procedure.

Check around the perimeter of the door for binding. If any binding is found, adjust as follows:

1. Remove the screws and the plastic molding covering each of the hinges.

Note: Ask an assistant to help you to perform the following adjustments.

2. Remove the Allen button head screw and the washer retaining the rod end with bearing to the upper hinge. See figure 18.
3. Support the door with a wooden block and a hydraulic jack.
4. Loosen the horizontal bolts retaining the door to the hinges. Adjust the door horizontally and vertically with the jack. Tighten the bolts to 30-36 Lbf-ft (40-50 Nm). Remove the jack and the wooden block.

Caution: Make sure the entrance door does not interfere with the exterior panel.

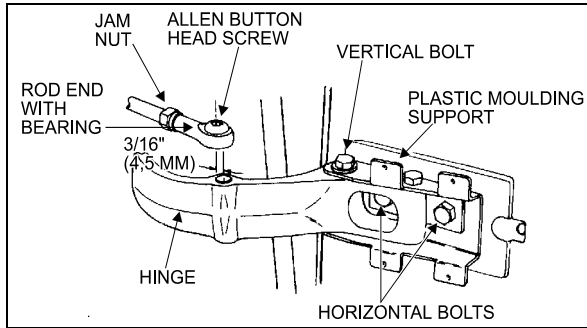


FIGURE 18: UPPER DOOR HINGE (COACH) 18058

5. Pull and fasten the rod end to the hinge with the washer and the button screw.
6. Screw the plastic moldings covering the hinges.

7.5 DEPTH ADJUSTMENT

1. Turn the emergency exit valve to the "UNLOCK" position.
2. Remove the screws and the plastic molding covering each of the hinges.

Note: Ask an assistant to help you to perform the following adjustments.

3. Remove the Allen button head screw and the washer retaining the ball and socket rod to the upper hinge. See figure 18.
4. Loosen the vertical bolts on the hinges for the front section, and for the rear section, move the central door catch on the door frame.
5. To adjust the male dovetail on L.H. side of the door, remove the two screws and loosen the two bolts. Slide the male dovetail toward the interior and loosely tighten the two bolts. Close the door slowly but firmly, then slowly open it and tighten the two bolts. Attach dovetail to the door with screws. See figure 19.

Note: The frame dovetail is not adjustable.

6. Pull and fasten the rod end to the hinge with the washer and the button screw.
7. Using the screws, attach the plastic moldings covering the hinges.
8. Reset the emergency exit valve to the normal position.

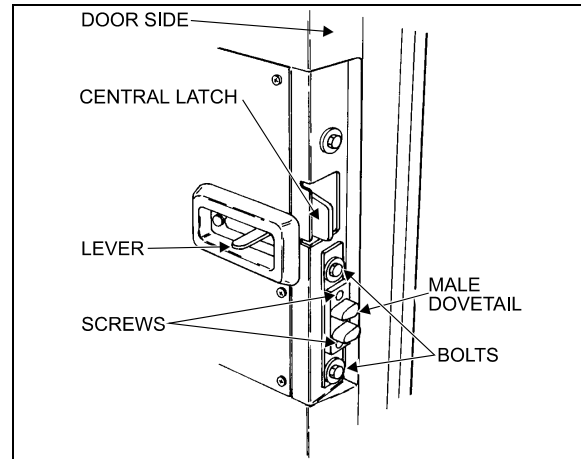


FIGURE 19: DOOR LATCH (COACH) 18059

7.6 ROD END ADJUSTMENT

1. Turn the emergency exit valve to the "UNLOCK" position.
2. Remove the screws and the plastic moldings covering the upper and lower hinges.
3. Remove the Allen button head screw and the washer retaining the rod end with bearing to upper hinge. See figure 18.
4. Loosen the jam nut locking the door cylinder rod end. Close the door firmly, adjust the rod end center hole in order to be 3/16" (4,5 mm) eccentric toward the left with the hinge hole center. Tighten the jam nut.
5. Pull and fasten the rod end to the hinge with the washer and the button screw.
6. Using the screws, attach the plastic moldings covering the hinges.
7. Reset the emergency exit valve to the normal position.

7.7 LUBRICATION

Part	Lubricant	Frequency
Latches Upper door catch Door cylinder rod end with bearing grease fitting (Fig. 15)	Low temperature grease	Every six months
Door locking mechanism	White grease	Every six months
Key hole Damper pins (Fig. 15) Hinges	Low viscosity oil	Every six months

Section 18: BODY

7.8 TROUBLESHOOTING

SYMPTOM	PROBABLE CAUSE	REMEDY
DOOR WILL NOT OPEN FROM EXTERIOR SWITCH.	Manual door locks engaged.	Release manual door locks.
	Upper and lower solenoid locks do not disengage.	Check voltage at solenoid locks when door is open. If the voltage is 24 volts then replace solenoid #641217. Else, check circuit power.
	Relay module do not receive current.	Reset breaker "ON" or check batteries power supply.
	Opening solenoid door does not receive current.	Check voltage at opening solenoid door. If the voltage is 24 volts then replace it. Else replace control relay.
	Switch malfunction.	Replace switch.
DOOR WILL NOT CLOSE FROM EXTERIOR SWITCH.	Switch malfunction.	Replace switch.
	Solenoid failure.	Check voltage at solenoid. If the voltage is 24 volts then replace solenoid. Else replace control relay.
DOOR WILL NOT OPEN FROM INTERIOR SWITCH.	Manual door locks engaged.	Release manual door locks (open position) from vehicle exterior.
	Upper and lower solenoid locks do not disengage.	Check voltage at solenoid locks when door is open. If the voltage is 24 volts then replace solenoid #641217. Else, check circuit power and replace control relay.
	Module relay does not receive electric current.	Reset breaker "ON" or check batteries power supply.
	Door opening solenoid does not receive current.	Check voltage at door opening solenoid. If the voltage is 24 volts then replace it. Else replace control relay.
	Switch malfunction.	Replace switch.
	Upper lock stays engaged.	Lubricate upper lock assembly. Check wear and replace parts if necessary.
DOOR WILL NOT CLOSE FROM INTERIOR SWITCH.	Switch malfunction.	Replace switch.
	Door closing solenoid does not receive electric current.	Check voltage at door closing solenoid. If the voltage is 24 volts then replace it. Else replace control relay.
DOOR WILL NOT OPEN AFTER DRAINING AIR FROM SYSTEM BY EMERGENCY VALVE(S).	Manual door locks engaged.	Release manual door locks (open position) from vehicle exterior.
	Damper cylinder blocks the door.	Adjust or replace damper cylinder.
	The upper lock blocks the door	Adjust lower lock. Lubricate upper latch bolt. Adjust upper latch height.
DOOR LOCKS STAY ENGAGED WHEN DOOR IS OPEN.	Power supply is cut at solenoid.	Place switch in open position.
	Solenoid lock does not disengage.	Check voltage at solenoid locks when door is OPEN. If the voltage is 24 volts then replace solenoid #641217. Else, check circuit power and replace control relay.
DOOR DO NOT LOCK WHEN DOOR IS CLOSED.	Emergency valve is open.	Close emergency valve.
	Lock solenoid stays electrified.	Check latch bolt ground on door frame. If needed clean locks for better contact. Check ground circuit.
	Lock solenoid works in reverse.	Reverse air hoses at solenoid locks.
	Relay does not function.	Replace relay.

8. ENTRANCE DOOR (V.I.P)

There are three ways of unlocking the entrance door from the inside of vehicle. The two first consist in actuating the rocker switch on the dashboard, but this last operation will also unlock the baggage compartments. Finally, you can unlock the door by sliding its lock lever to the left. If the orange tab on the door lock lever is visible, the door is unlocked.

You may lock/unlock the entrance door from the outside with the lock key provided with the vehicle. Turn key CCW to lock and CW to unlock the entrance door.

8.1 KEYLESS ENTRY SYSTEM

With this system, you can lock or unlock the entrance door as well as the baggage and service compartment doors. The keyboard is located below the entrance door handle. The module is pre-programmed by the manufacturer and this code can not be deleted. Moreover, you can program your own entry code. Refer to the "VIP Owner's Manual" for instructions on how to program your own entry code.

When you use the keyless entry system, the keyboard and stepwell lights illuminate. Do not push the buttons with a key, pencil or any other hard object as it could damage the buttons.

Although each button is provided with two digits separated by a vertical line, there is only one contact per button. Always press the center of the button (between the two digits, on the vertical line).

If you let more than five seconds pass between each button press, the system shuts down, and you have to enter your code again. If the keyless entry system does not work properly, use the key to lock or unlock entrance or compartment doors. To know more about the keyless system, refer to the "VIP Owner's Manual".

Note: You must unlock the entrance door before you unlock with the appropriate key any baggage or service compartment doors.

8.2 DOOR ADJUSTMENT

Check around the perimeter of the door for binding. If any binding is found, adjust as follows:

8.2.1 Horizontal and Vertical Adjustments

1. Remove the screws and the plastic molding covering each of the hinges.

Note: Ask an assistant to help you to perform the following adjustments.

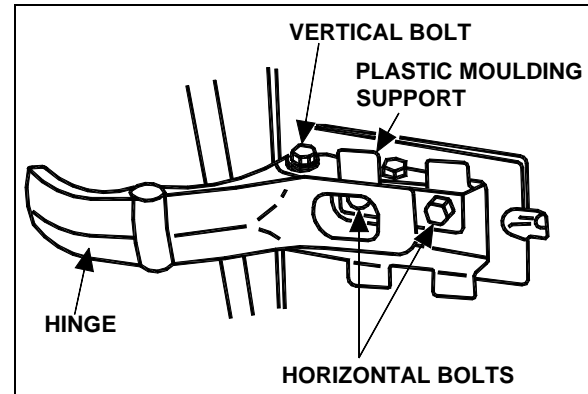


FIGURE 20: ENTRANCE DOOR (VIP)

18058VIP

2. Support the door with a wooden block and a hydraulic jack.
3. Loosen the horizontal bolts retaining the door to the hinges. Adjust the door horizontally and vertically with the jack. Tighten the bolts to 30-36 Ft-lbs (40-50 Nm). Remove the jack and the wooden block.
4. Check door fit.
5. Using the screws, fasten the plastic trim to cover the hinges.

8.3 DEPTH ADJUSTMENT

To adjust door depth on the hinged side:

1. Remove the screws and the trim covering each of the hinges.

Note: Ask an assistant to help you to perform the following adjustments.

2. Slightly loosen, but not completely the vertical bolts on both door hinges.
3. Ask your assistant to press the door from the exterior, until it will adjust with the vehicle structure. Then, tighten the vertical bolts.
4. Repeat step 3 until depth is corrected to satisfaction.
5. Using the screws, install the trim hiding the hinges.

To adjust door depth on lock side:

Depth adjustment is done by moving the two door strikers.

1. Slightly loosen the door strikers.
2. Ask your assistant to press the door from the exterior, until it will adjust with the vehicle structure. Then tighten the striker pin.
3. Repeat until the door depth is corrected to satisfaction.

8.4 DOOR LOWER SECTION

When a plastic door lower section replacement is needed, proceed the following way:

1. Remove the reflective stripe at the top edge of the door's lower section. Unscrew the retaining screws located under the reflective stripe.
2. Remove the lower section.
3. With a sharp edge knife, scrape as much tape as possible and compound left on the fiberglass door surface. Note where adhesive tape and sealing compound was applied.
4. Sand the surface of the door where new adhesive tape will be applied with 240 grit sandpaper.

Note: *Tape adheres best to smooth surfaces such as glass or gelcoat finishes. Be careful surface is as smooth as possible before applying tape.*

5. Clean contact surfaces with alcohol.
6. Clean the fiberglass door and the new plastic lower section with a "tack cloth". Make only one pass on the surface and never come back on a previously cleaned surface.

Caution: *Wear rubber gloves and do not smoke when cleaning.*

7. Prepare the door lower section with Sika #205 and a clean rag. Make only one pass on the surface and never come back on a previously cleaned surface.

Note: *Never use Sika #205 directly from the container to avoid contamination of the product.*

8. Wait at least 5 minutes before proceeding the next step to allow complete evaporation of the product.

9. Put new adhesive tape where it was previously applied. Pass a 1" (25mm) roller on it to get a good adhesion on the fiberglass.
10. Apply Sika #252 (Prevost #682462) compound where it was previously applied.
11. Remove protective paper from the adhesive tape and install the door lower section. Apply pressure with a roller where the lower door section touches the fiberglass door.
12. Replace the retaining screws.

8.5 REFLECTOR STRIPE INSTALLATION

1. Clean contact surfaces with alcohol.
2. Prepare surface of reflector stripe and door lower section with Sika #205.
3. Put two rows of adhesive tape on the lower door section.
4. Apply Sika #252 (Prevost #682462) compound between parallel tape stripes.
5. Remove protective paper from the adhesive tape and press the reflective stripe in place.

8.6 DOOR SEAL REPLACEMENT

1. Inspect the seal; if cracked or torn, it must be replaced:
2. Remove the old seal and with a sharp edge knife, scrape tape left on the fiberglass door surface.
3. Sand the surface of the door where a new seal will be applied with 240 grit sandpaper.
4. Clean the surface with alcohol.

Caution: *Wear rubber gloves and do not smoke when cleaning.*

5. Peel of protective paper from the seal. Position the seal in order to leave ¼" (6 mm) from the upper molded edge of the door and 3/16" (4,5 mm) from the sides and lower molded edges of the door.
6. Progress slowly all around the door.
7. Cut the seal and glue both ends with LOCTITE 414 glue.
8. To assure bonding, press a small roller on top of the new seal.

8.7 DOOR LUBRICATION

Part	Lubricant	Frequency
Latches Upper door catch	Low temperature grease	Every six months
Door locking mechanism	White grease	Every six months
Key hole Hinges	Low viscosity oil	Every six months

8.8 DOOR LATCH MECHANISM

Generally, when the latch mechanism malfunctions, a number of causes may be responsible for this situation. No single procedure will correct this situation. It is best to remove the protective cover and to look for binding, used or bent parts. Operate the latch mechanism and try to find where any binding occurs. Replacing a part or slightly bending a rod should be enough. Remember, having a global understanding of the mechanical activity will generally lead you to the cause of the problem, and ultimately to an easy repair.

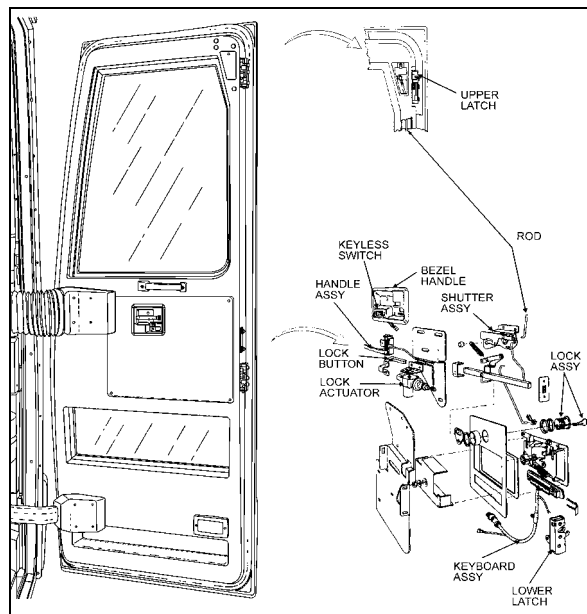


FIGURE 21: ENTRANCE DOOR (VIP, TYPICAL) 18440

9. DRIVER'S POWER WINDOW

To replace window or motor, the whole assembly must be removed. The following instructions refer to figure 22.

9.1 POWER WINDOW REMOVAL

1. Raise the driver's power window.

2. Set the battery master switch to the OFF position.
3. The window must be held in upper position. To do so, use duct tape to hold it in place.
4. Gain access to the power window mechanism. Dismount the driver's area lateral control panel and left interior trim. It may be required to remove the driver's seat and dashboard panel.
5. Unfasten bolts (item 1) fixing the window to the lifting mechanism (actuator).
6. Remove the three bolts (item 2) holding the motor support and actuator assembly in place.
7. Detach the plastic water protection shield and remove the assembly by slipping it under the vehicle structural members.
8. Dismount the window support and lower the window completely to release it from its guides.
9. Detach the motor and actuator guide from the support and plastic shield. Replace parts as required.

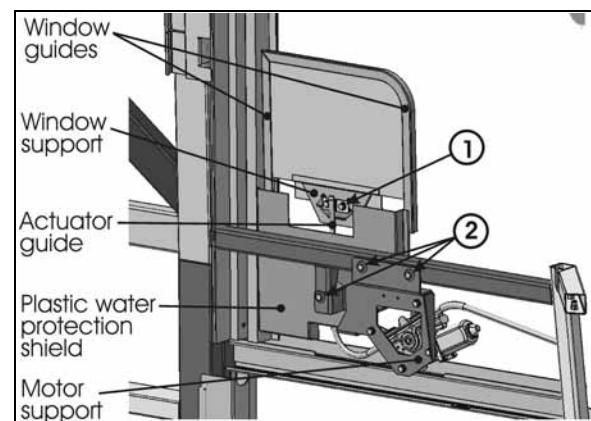


FIGURE 22: DRIVER'S WINDOW 23358

9.2 POWER WINDOW INSTALLATION

1. Energize the motor and position the actuator to its full extended position.
2. Using alcohol, a sharp knife or 240-grit sandpaper, clean off the butyl strip from the shield and frame. Install new butyl strip on plastic shield.
3. Install new window in opening. Use duct tape to hold it in upper position. Fix the window support using bolts recovered from disassembly. Use Loctite on threads.

Section 18: BODY

4. Fasten window support to actuator using the recovered bolts (item 1). Use Loctite on threads.
5. Expose the other sticky side of the butyl strip. Install motor support and actuator assembly using recovered bolts (item 2). Stick plastic shield in place.

10. ROOF ESCAPE HATCH

The vehicle can be equipped with one or two escape hatches. The escape hatch is designed to provide years of reliable service with a minimum of maintenance. All components are rust proof, and moving parts are Teflon coated to eliminate need for lubrication. Should water infiltrate the vehicle from the escape hatch, refer to the heading "Sealing" in this section for procedures on how to seal this area.

Caution: Use of lubricants, paints, or other coatings such as graffiti deterring sprays are not recommended.

Suggested maintenance includes periodic inspection of fasteners for evidence of loosening due to tampering, and regular cleaning with mild soap and water.

Although there are other cleaning solutions available, some contain solvents and other chemicals that can attack the high strength materials used in the production of the escape hatch.

Caution: Ensure that cleaning solutions are compatible with the materials used on the escape hatch.

Graffiti removing cleaners often contain acetone, ether, lacquer thinner or other solvents known to destroy the high strength properties of many plastics. Use of these cleaners must be avoided.

Graffiti-resisting coatings often leave a sticky residue that interferes with smooth up/down movement of the hatch mechanism. Some of these coatings also contain solvents that will reduce the strength of certain components.

Caution: Use of these coatings is at considerable risk and should be avoided.

10.1 REPAIR

All components used in the production of the escape hatch are available as service parts, except for one hinge that represents a possible hazard when improperly reattached to a hidden tapping plate, itself often damaged whenever the hinge is damaged. The tapping plate is

permanently laminated between the inner and outer cover assemblies, and it cannot be inspected or replaced. It is therefore necessary to replace the entire assembly following damage to the hinge. See figures 23 and 24.

Caution: Hinge assembly is critical and hinge should never be removed from cover assembly. Fasteners used in this assembly are special and have critical torque requirements and tamper-resistant heads to discourage tampering.

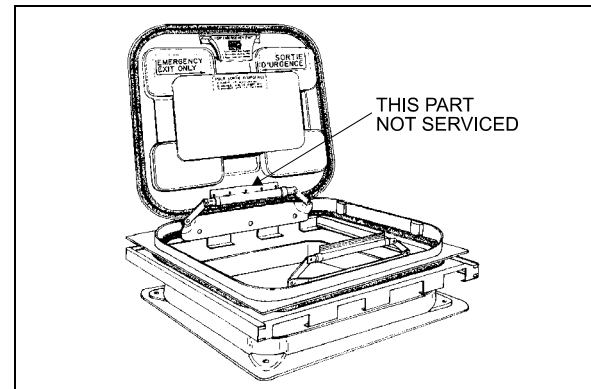


FIGURE 23: ESCAPE HATCH

18104

10.2 SEALING

1. Open and tilt up the escape hatch cover.
2. Join the 2 ends of the rubber seal.

Caution: Seal joint should be toward rear of vehicle.

3. Apply rubber adhesive CA-40 (Prevost # 681285) in the gap between the seal ends.
4. Apply Sikaflex 221 sealant (Prevost # 680532) along the outline of the escape hatch on the roof of vehicle.

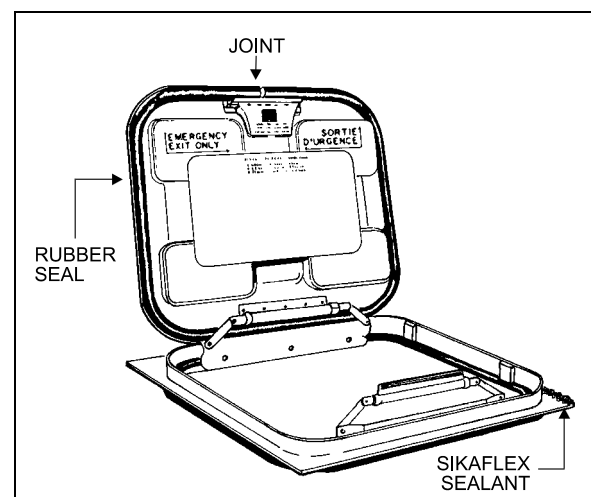


FIGURE 24: ESCAPE HATCH

18105

10.3 ESCAPE HATCH PANEL ASSEMBLY

The frame of the escape hatch is riveted to the roof of the vehicle. The escape hatch panel assembly can be replaced as a unit and a new panel assembly installed in the existing frame. To remove the panel assembly, remove the 4 bolts fastening the 2 hinges to the escape hatch frame and retain the 4 flat washers. Reinstall the panel assembly by fastening the 2 hinges with the 4 bolts and flat washers removed earlier.

Caution: *When installing, roof escape hatch's hinge must be toward the front of vehicle, to prevent the hatch from being ripped out if accidentally opened while vehicle is running.*

10.4 ESCAPE HATCH FRAME

When necessary, the escape hatch frame can be removed and replaced in the following way:

1. Support the frame from inside the vehicle.
2. Remove rivets.
3. Cut the rubber seal with a sharp edge knife and remove the hatch frame.
4. On vehicle top, using the knife, remove as much as possible the remaining rubber seal.
5. Drill holes (if needed) in the new metal frame.
6. Clean both vehicle top and new hatch frame with SIKA 205.
7. Apply rubber adhesive SIKA 221 under the hatch frame surface.
8. Install the frame in place and fix it with rivets.
9. Remove excess adhesive and clean all around.

11. REPAIR OR REPLACEMENT OF “TARABUS” FLOOR COVERING

“Tarabus” covering installed in H3 coaches may be replaced or repaired. The purpose of this paragraph is to explain the steps to be followed to ensure the best results and adherence.

MATERIAL

Part No	Description	Qty
680028	Adhesive, Tarabus Floor Covering (White)	A/R
684655	Adhesive, Contact (3M)	3.8L
684654	Adhesive, Contact (3M)	18.9L
680532	Sikaflex 221 Gray	A/R

Note : Material can be obtained through regular channels.

1. Remove number of passenger seats required to perform repair.
2. Cut and remove damaged section of floor covering.

Note: It would be preferable to cut under two rows of seats so that repair is not as noticeable.

3. Clean plywood using a scraper.

Note: Make sure that no staples are sticking out beyond surface. Adjacent plywood sheets must be leveled.

4. Fill up holes and imperfections using MAPI PRP 110 then sand.
5. Remove dirt and adhesive residue.

Caution: Do not leave floor covering folded down except temporarily during installation.

6. Apply floor covering adhesive (680028) onto plywood using a serrated spreader with 1/8-inch serration. If required, apply contact adhesive (3M) (684654 or 684655) onto aluminum molding and also onto section of floor covering, which will be in contact with molding (refer to figure 25).

Note: Allow adhesive to dry (3 to 5 minutes).

7. Compress floor covering using a roller so as to remove any trapped air bubble.
8. Apply Sikaflex 221 gray sealant (680532) alongside passenger seat fixing tracks (refer to figure 26).

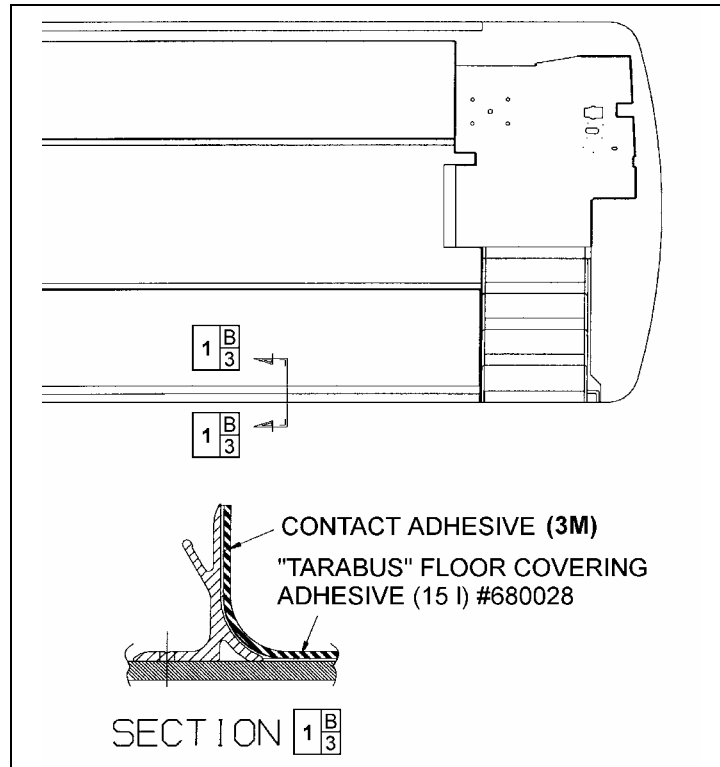


FIGURE 25: TARABUS FLOOR COVERING ADHESIVE APPLICATION

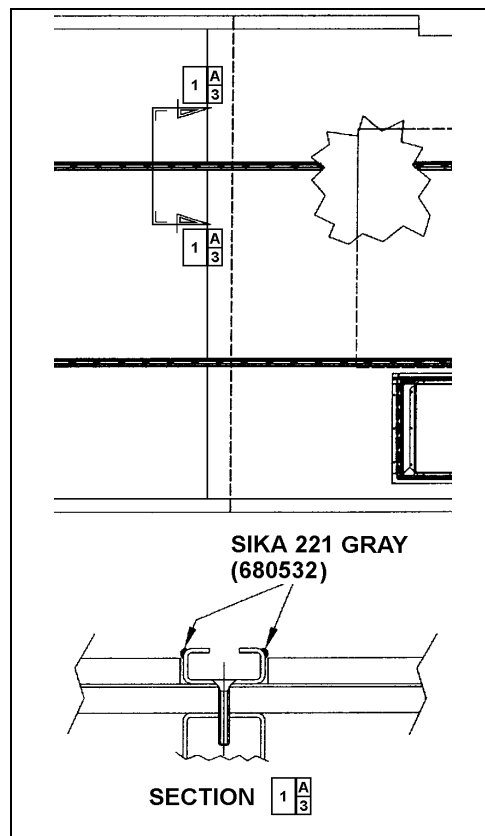


FIGURE 26: APPLICATION OF SIKA 221 GRAY

11.1 FRONT STEPS REPLACEMENT PROCEDURE

MATERIAL



Part No	Description	Qty
682989	Anti-silicone	A/R
683097	Sika 205 (1 liter)	A/R
685101	Sika Remover 208	A/R
683916	Sika 215 (1 liter)	A/R
684654	Adhesive, Contact (3M)	3.8L
684655	Adhesive, Contact (3M)	18.9L
684517	Sealant, gray	A/R

1. Cut and remove damaged step(s).
2. Remove dirt and adhesive residue.


Note: In wintertime, condensation and cold temperature may greatly influence bonding parameters. Working area must be at a temperature sufficient to prevent reaching condensation point. Mechanically preheat working area (heat lamp or heat gun) or wait until vehicle reaches room temperature.

PREPARATION OF “TARABUS” FLOOR COVERING

1. Sand under step using “Scotchbrite”.
2. Clean using anti-silicone (refer to Section A).

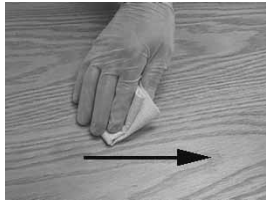
Section A Alcohol or Anti-silicone					
	<p>1. Apply</p> <p>CHIX cloth</p>				
	<p>2. Dry immediately</p> <p>Blue cloth</p>				
<p>3. Allow drying</p> <table border="1"> <tr> <td style="width: 20%;">Mandatory</td> <td>Minimum time : Wait for product to evaporate</td> </tr> <tr> <td></td> <td>After 2 hours: Start cleaning operation again</td> </tr> </table>		Mandatory	Minimum time : Wait for product to evaporate		After 2 hours: Start cleaning operation again
Mandatory	Minimum time : Wait for product to evaporate				
	After 2 hours: Start cleaning operation again				
<p>Before applying any other product</p>	<p>If surface seems dusty, greasy or with finger marks, start cleaning operation again.</p>				

3. Apply Sika Primer 215 (refer to Section D).

Section D Sika Primer 215		
	1. Shake bottle to mix product 2. Apply a thin layer	
	<div style="border: 1px dashed black; background-color: yellow; padding: 2px; display: inline-block;">CHIX cloth</div>	
3. Allow drying		
Mandatory	215	Minimum time : 20 minutes After 2 hours : Remove dust using damp cloth (pure water)
Before applying any other product		If surface seems dusty, dust using damp cloth.
		If surface seems greasy or with finger marks, reactivate with Aktivator.

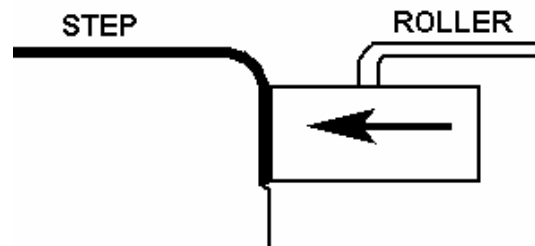
PREPARATION OF FIBERGLASS

1. Clean using anti-silicone (refer to Section A).
2. Apply Sika 205 (refer to Section B).

Section B Sika 205			
	1. Apply		
	<div style="border: 1px dashed black; background-color: yellow; padding: 2px; display: inline-block;">CHIX cloth</div>		
2. Allow drying			
Mandatory	Minimum time	- For a smooth surface (aluminum, stainless, steel, fiberglass (gelcoat side), etc.):	2 minutes
		- For a porous surface (fiberglass (non gelcoat side), etc.)	10 minutes
After 2 hours : Reactivate surface with Sika 205			
Before applying any other product		If surface seems dusty, greasy or with finger marks, start operation again.	

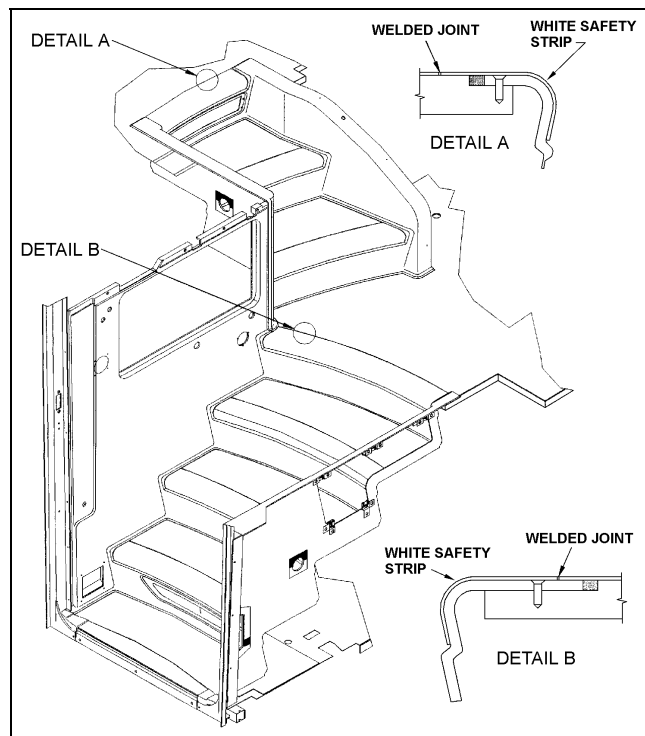
H3 VEHICLE FRONT STEPS GLUING

1. Remove adhesive tape from underneath step.
2. Apply a thin and even layer of contact adhesive (3M) (684655 or 684654) onto fiberglass and step surfaces. Allow drying for 3 to 5 minutes.
3. Install step beginning with the back and finishing with step nosing. Compress step covering using a roller paying particular attention to corners, edges and front of step.
4. Apply a bead of sealant (684517) around the perimeter of steps. Smooth out the joints.



GLUING OF WHITE SAFETY STRIP BETWEEN STEP AND “TARABUS” FLOOR COVERING

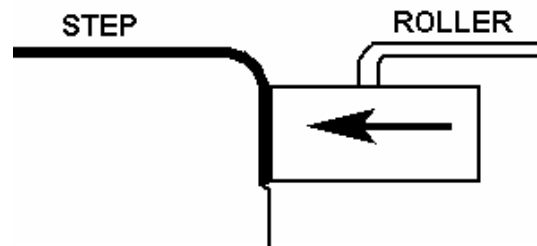
1. Sand fiberglass using “Scotchbrite”.
2. Clean using tack cloth.
3. Clean twice using anti-silicone (refer to Section A).
4. Protect surfaces around the step with masking tape.



5. Apply contact adhesive (3M) (684655 or 684654) onto both surfaces to glue (fiberglass and back of white safety strip). Drying time: 4 to 5 minutes.

Note: There should be no floor covering adhesive (680028) onto plywood before applying contact adhesive, otherwise the two surfaces won't stick.

6. Position white safety strip with reference to “Tarabus” step covering finishing with step nosing. Compress step covering using a roller paying particular attention to corners, edges and front of step.

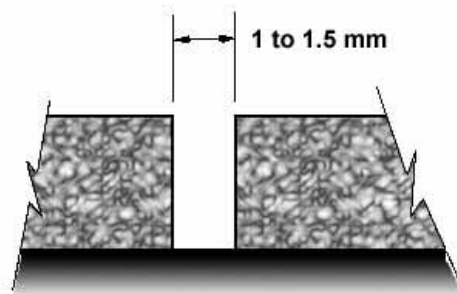


Note: Keep a gap of 1 to 1.5 mm between “Tarabus” covering and white safety strip.

7. Remove masking tape.

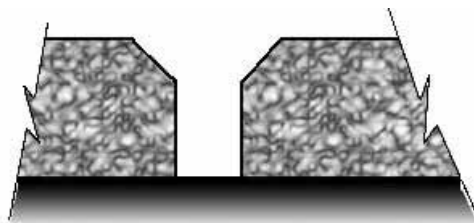
11.2 WELDING OF JOINT BETWEEN WHITE SAFETY STRIP AND “TARABUS” FLOOR COVERING

1. Pre-heat welding torch;
Set welding torch to position #4.5 (temperature of 500 °C),
Heating time: 5 minutes.
2. Before welding, visually ensure that a 1 to 1.5 mm gap exists between white safety strip and “Tarabus” floor covering. Use a knife if this is not the case.



Note: There should be no excess of adhesive on top of surfaces, clean if required using “All-Sol”.

3. Chamfer the joint.



Note: The chamfer width must always be less than the filler bead diameter (between 2.5 and 3 mm).

4. Use chamfer knife. **Be careful not to overcut or to cut to the side to prevent damaging “Tarabus” covering.**



5. Add (about 6 inches) some length to the required length of filler bead to make the joint then cut.
6. Take position with welding torch. The proper position is with a slight slope to the rear.



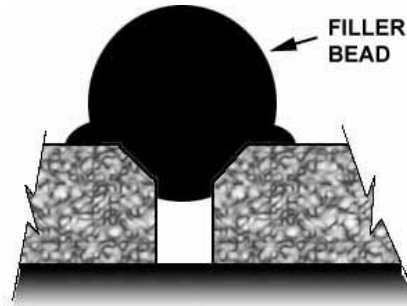
7. Once the welding torch is ready, insert the filler bead into the nozzle and immediately start welding. Move in a regular manner while pressing slightly with torch.



8. The heel of the fast nozzle must not lean against "Tarabus" covering (always parallel to the surface).

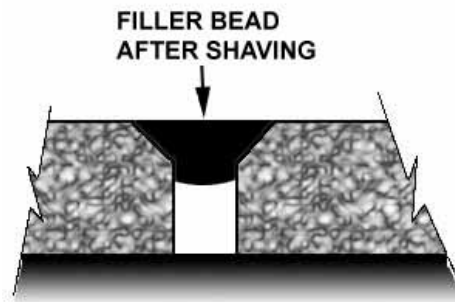


9. Allow cooling down of filler bead (about 5 minutes).



10. Shave filler bead to make it level to the floor. Use supplied knife designed for that purpose.

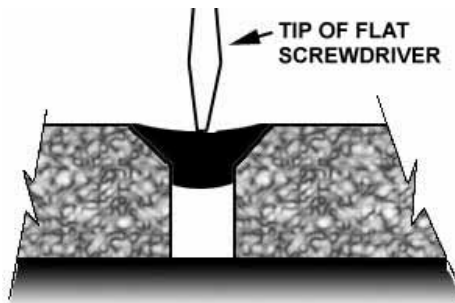
Note: To facilitate the cut, you can spray some soapy water onto the joint.



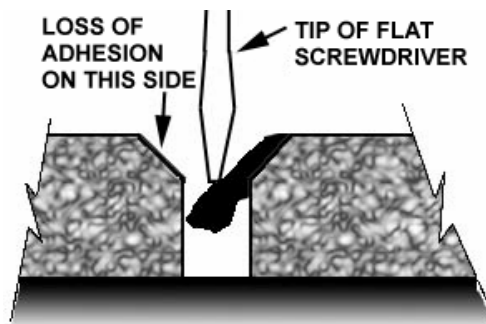
Caution: The procedure for turning the torch off must absolutely be followed. If this step is not taken, the element may burn.

11. Set temperature potentiometer to "0" position. Fan will evacuate residual heat. Leave the torch in operation as it is for 3 minutes.

12. Perform adhesion test using the tip of a flat screwdriver; apply a slight pressure on the joint.



13. If welding was not performed properly, there will a loss of adhesion on one side. If this is the case, repair the joint.



11.3 REPAIR OF A WELDED JOINT

Note: In wintertime, condensation and cold temperature may greatly influenced bonding parameters. Working area must be at a temperature sufficient to prevent reaching condensation point. Mechanically preheat working area (heat lamp or heat gun) or wait until vehicle reaches room temperature.

1. Using a knife, remove portion of joint to be repaired.

Note: Loss of adhesion may be local. If this is the case, repair may also be local.

2. Chamfer the joint again as indicated in paragraph 3, Section: WELDING OF JOINT BETWEEN WHITE SAFETY STRIP AND "TARABUS" FLOOR COVERING.
3. Re-weld the joint as indicated in paragraphs 6, 7 and 8. Use your thumb to hold the filler bead end.

Warning: Nozzle is hot.



4. Always add an extra inch of filler bead at the beginning and at the end of repair.
5. Perform steps indicated in paragraphs 9, 10 and 11.

12. PASSENGER SEATS

H3-41 and H3-45 coaches can be equipped with any of 2 basic seat models and installed in a variety of seating arrangements:

1. The "Tourismo 2" seat is the base model and is available in heights of 40" (102 cm) and 42" (107 cm). Seating arrangement includes 2 card tables which can be folded and removed, and pivoting seats ahead of each card table. Each pair of seats is built on a welded steel frame fastened to the side wall and on a track-mounted pedestal. Standard seating capacity is 48 in H3-41 and 56 in H3-45.
2. The "V.I.P." seat model is an optional seat. "V.I.P." seats are mounted on one row of paired seats built on a common frame on one side of the vehicle, and a row of single seats on the other side of the vehicle with an off-center aisle. Each "V.I.P." seat has its own set of armrests.

Each seat has a easily removable bottom cushion. Upholstery is clipped on the cushion frame for cleaning or replacement. To remove the fabric, simply unclip from the frame. The "Tourismo 2" seats have 3 armrests. The aisle

and center armrests can be folded up and down manually, while the window armrest is fixed.

12.1 ROTATING SEATS

1. Remove 1 wing nut holding each seat bottom cushion from under the seat frame.
2. Lift front part of cushions and remove cushions.
3. Remove 4 wing screws fastening seat assembly to seat frame.
4. Pull seat toward aisle and rotate.
5. Align mounting holes and reinstall 4 wing screws.
6. Reinstall seat bottom cushions with wing nuts.

12.2 REMOVING FIXED SEATS

Note: Seats on one row are not interchangeable with seats of the other row.

To remove fixed seats, proceed as follows:

1. Remove 1 nut holding each seat bottom cushion from under the front part of the seat frame.

2. Lift front part of cushions and remove cushions.
3. Remove 4 finishing screws holding plastic cover between side wall and seat frame.
4. Remove 2 cap screws, nuts, and washers holding seat frame to side wall and retain the 2 holding brackets. See figures 27 and 28.

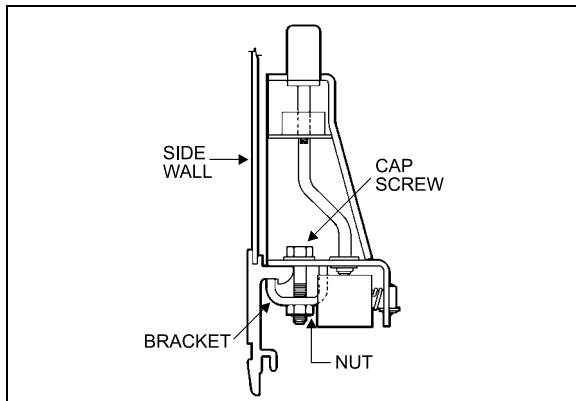


FIGURE 27: ARMREST 18106

5. Remove 2 nuts and washers holding seat frame to pedestal rods.

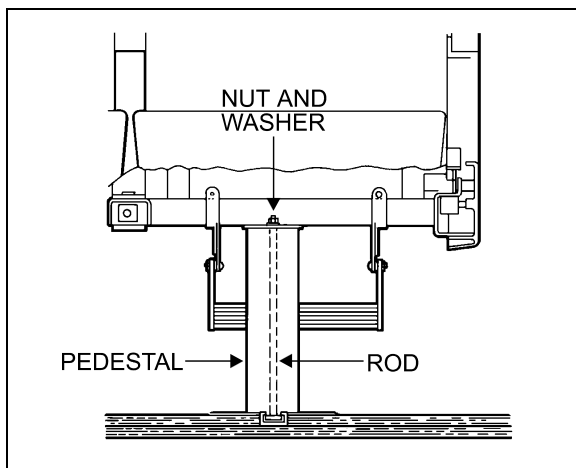


FIGURE 28: SEAT PEDESTAL ASSEMBLY 18107

Note: Bottom end of rod is coated with Loctite and threaded in a steel block which slides in the floor track. Removal of rod is possible if loosened from block. Otherwise, slide rod and block assembly to the front end of track after removing all seats located in front.

6. Remove seat assembly.
7. Reverse the above procedure to install seat assembly.

Note: On newer vehicles, the rod consists of a carriage bolt inserted in a square plate sliding in the floor track. Removal is possible only by the front or rear end of track.

12.3 UPHOLSTERY MAINTENANCE

Coach seats are lightweight, with foam-padded backs and cushions. For both appearance and wearability, best results are obtained if upholstery is cleaned at regular intervals before dirt, dust and grit have been ground into the fabric. Seat fabric is made of 50% wool, 33% cotton, 9% nylon, and 8% acrylic.

12.3.1 Routine Cleaning

All that is required to remove the dirt is a gentle beating with the hand or the back of a brush. This will bring the dirt to the surface where it is easily removed with a vacuum or brush in the direction of the pile which can easily be recognized by running a hand lightly over the pile. If the fabric become excessively dirty, particles of grit will cause gradual wear, reducing the life span of the fabric.

12.3.2 Dry Cleaning

If covers are to be removed for cleaning, dry cleaning is recommended since washing might cause some shrinkage, preventing the covers from being reapplied to the seats without damage. Other than spot cleaning the covers while they are in place, dry cleaning is not recommended, since the resulting fumes could be hazardous in the confines of the coach and the solvent could be detrimental to the foam padding of the seats.

12.3.3 Cleaning With Covers in Place

The most effective and economical method to clean the fabric seat covers is by washing with either an approved foam upholstery cleaner or with a mild household detergent.

Thoroughly vacuum the upholstery. Remove any spots or stains before the seats are washed to avoid a cleaning ring.

Dilute household detergent or liquid foam cleaner according to directions on the container. Pour a small quantity into a flat pan and work into a thick foam with a sponge or brush.

Apply only the foam to the fabric with a sponge or brush. Clean a small area of the fabric at a time with the foam. DO NOT SOAK. Rub vigorously.

Sponge the suds from the fabric with a clean sponge or cloth moistened with water. Rinse the sponge or cloth often and change the water when it becomes dirty.

Allow the upholstery to dry completely before the coach goes back into service. To speed up drying, excess moisture can be blown off the fabric with compressed air.

Caution: Oil in the air line will soil the fabric. Blow the line clear and test air discharge against a plain white piece of paper. It is also effective to press the edge of a flat hardwood stick down on the cushion and slowly draw it across the fabric.

Even very soiled areas can be returned to their original appearance by a thorough cleaning, but a regular schedule of cleaning that keeps the upholstery reasonably clean at all times will greatly enhance the life span of upholstery.

13. COACH SIDE WINDOWS

Seven passenger side windows are provided on each side on H3-41, while the H3-45 has eight. They are made of fixed, single or double-glazed, heat absorbing AS-3 glass. Windows are mounted in painted aluminum extrusions, which hold the glass in place from the top rail of the coach. The extrusion also serves as a hinge to allow the window to swing open when needed. The single-glazed windows are made of tinted tempered safety glass, while the double-glazed windows are made of tinted tempered safety glass outside and clear tempered glass inside.

The two trapezoidal windows are also mounted on an aluminum extrusion (except for H3-45 VIP, where they're mounted with adhesives. Refer to "Adhesive Mounted Windows" in this section, for more information on this type of installation). The trapezoidal windows are made of fixed, double glazed, heat absorbing AS-3 tempered safety glass inside and tempered glass outside.

13.1 EMERGENCY EXIT WINDOWS

Three of the windows on each side serve as emergency exits on the H3-41, while there are three of them on curb side of the H3-45, and four on driver's side. See figures 29 and 30.

Except for the window upper edge, the three other glass edges are unprotected, which causes the workers to be exceptionally careful when manipulating or installing such windows.

In addition, when it becomes necessary to lay down the unprotected edges of the glass

window, never use a steel or concrete floor support. It is recommended to use a wooden support, even better, a padded surface.

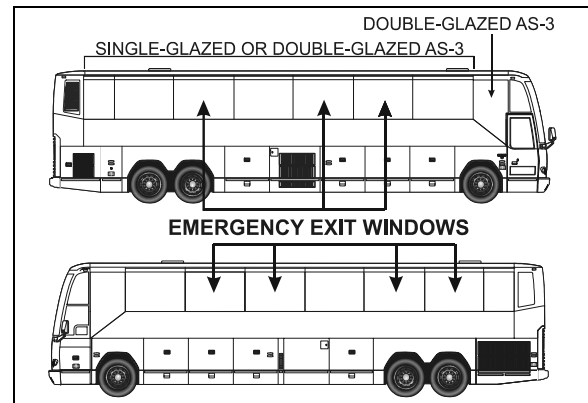


FIGURE 29: H3-45 COACH

18519

An emergency exit window can be opened by pulling the lower part of the release bar to disengage the safety latches, and then by pushing out the window frame (Fig. 31).

Emergency operating instruction decals are affixed under each emergency exit window. To close the window, pull back the window and push down the release bar.

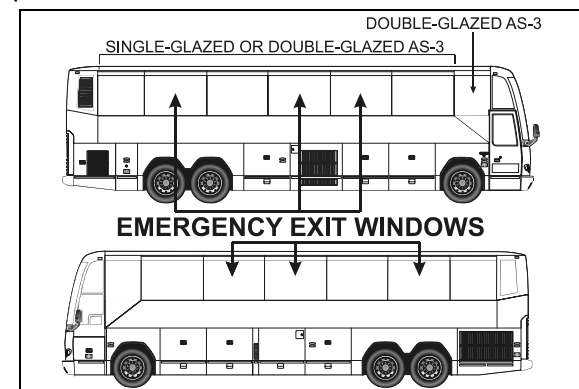


FIGURE 30: H3-41 COACH

18520

13.2 EMERGENCY EXIT RELEASE BAR

The emergency exit release bar system is generally maintenance free.

It has been designed to answer the twenty pound resistance criteria for opening the emergency window. If this handle should be replaced:

1. Remove the screws and bolts securing it to the emergency exit window;
2. To install a new release bar, reverse the procedure.

Note: Check the legal twenty pound maximum resistance to be sure to comply with regulations.

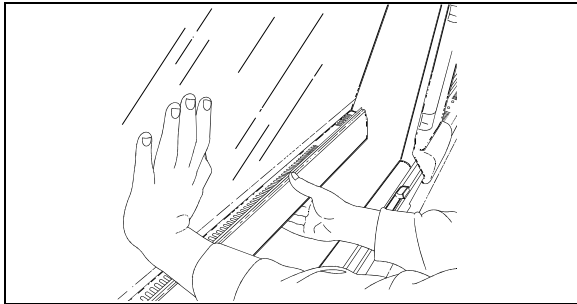


FIGURE 31: EMERGENCY EXIT WINDOW 18391

13.2.1 Emergency Exit Window Adjustment

Emergency exit windows should be checked periodically for easy opening and closing. Pulling the lower part of the release bar with both hands placed near the safety latches should disengage both locks on the window simultaneously. The tension required to release the window should not exceed twenty pounds (9 kg) of force.

The release bar mechanism itself has been designed such as no adjustments are necessary.

If too much effort is required to disengage the locks when pulling the release bar or if the window doesn't close tightly or rattles, check for interference by foreign objects or nearby parts into mechanism, such as the microswitch, rubber seal, wires, etc. Correct situation immediately.

Note: Tangs on the lock must be in a horizontal position.

13.3 FIXED WINDOW REPLACEMENT

When it becomes necessary to replace the glass of a fixed-type window, follow this procedure:

1. Unscrew the decorative plate and the bottom window bar in order to get access to the window retaining devices.
2. Remove the window bottom retaining bolts.
3. Push the glass window out ninety degrees (90°).

Warning: The window may fall out.

4. The window is free and can be unhooked.
5. Reverse procedure to install a new one.

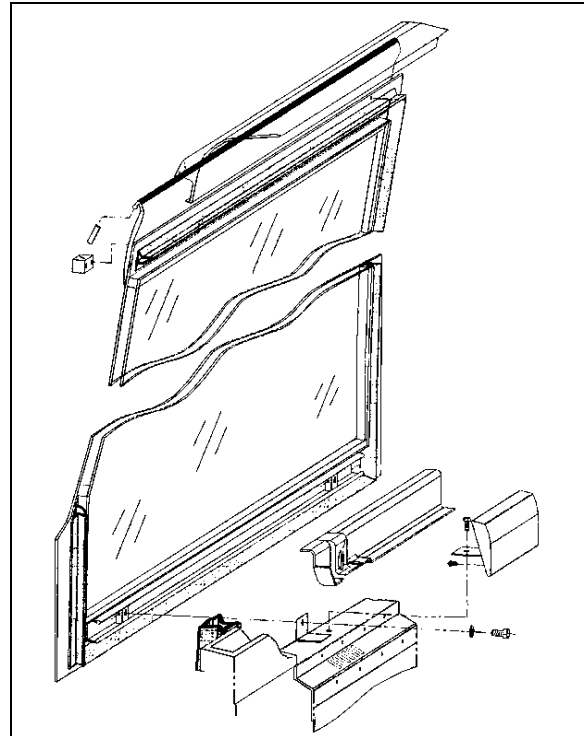


FIGURE 32: FIXED WINDOW 18434

Note: For all window replacement, it is extremely important to center the top side between the window dividing posts with great precision in order to be able to attach the bottom of window and the structural posts.

13.4 EMERGENCY EXIT WINDOW REPLACEMENT

1. Lift the bar release system and follow the same procedure mentioned above for fixed windows.
2. Remove the stop blocks from the top exterior of the window.
3. Reverse the procedure to install a new emergency exit window.

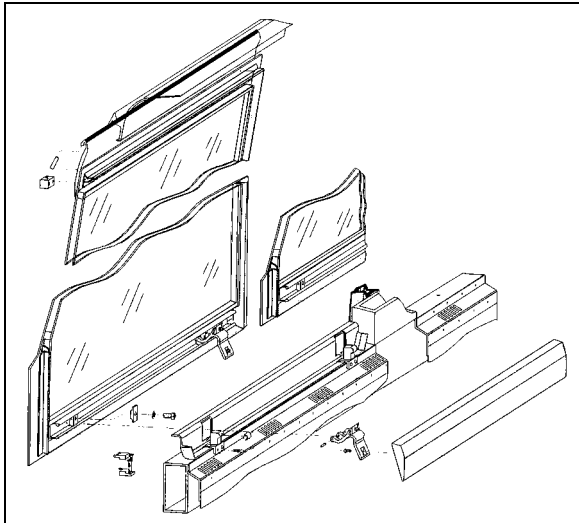


FIGURE 33: EMERGENCY WINDOW 18435

13.5 TRAPEZOIDAL WINDOW REPLACEMENT

Apply procedure for fixed window replacement described in this section but with these variations:

- The angle at which the window will detach is considerably smaller (about 45°);
- These windows are also glued to the structure at certain areas on their perimeter. Note where adhesives are used and apply gluing techniques at these areas to complete replacement of these windows.

13.6 SMALL REAR WINDOWS REPLACEMENT

These small windows are located at the vehicle's rear end, just forward of the lavatory.

Apply procedure for fixed window replacement described in this section but with these variations:

- The angle at which the window will detach is considerably smaller (about 45°);
- These windows are also glued to the structure at certain areas on their perimeter. Note where adhesives are used and apply gluing techniques at these areas to complete replacement of these windows.

Both the trapezoidal windows and the small rear window are fixed in place with adhesives. They are not serviceable, in the event that they may need replacement.

13.7 ADHESIVE-MOUNTED WINDOWS

These windows are located in the vehicle's front and rear caps (Fig. 34).

The adhesive-mounted windows are fixed, double-glazed, heat absorbing AS-2 or AS-3 glass mounted in their opening with polyurethane windshield adhesive. The double-glazed windows are tempered safety glass outside and inside.

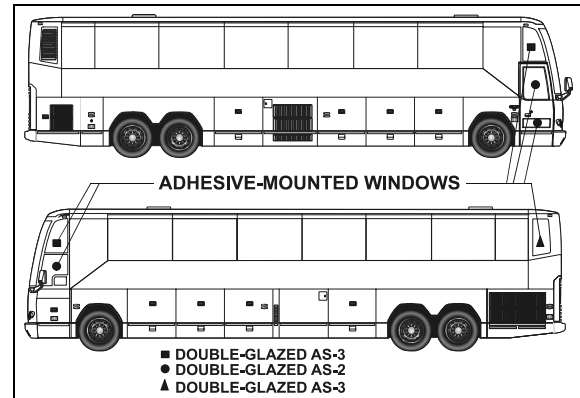


FIGURE 34: ADHESIVE-MOUNTED WINDOWS 18494

13.7.1 Glass Window Replacement

Items Needed:

- Scraper with new blade;
- Masking tape;
- Tremshield tape (Prevost #681089);
- Chix cloths (Prevost #682384);
- Isopropyl alcohol or enamel reducer or NAPA 6383 surface cleaner;
- Sika 205 cleaner;
- Sika 255 F.C. adhesive;
- Disposable vinyl gloves;

Warning: Wear disposable vinyl gloves during this procedure. Do not smoke. Dispose of unused toxic material properly. Heed all warnings on product containers.

1. Remove old window glass and scrape off remaining material up to 1/16" to 1/8" (2 to 3 mm) thick.

Note: Hardened adhesive will not remove easily. A new blade works best to remove all adhesive residue using care not to damage the fiber structure.

2. Place the new window glass in the opening and center it to leave an even gap top and bottom, and from side to side.

Section 18: BODY

Note: Use small shims to raise the glass in proper position. Shims can be cut from the tremshield tape (Fig. 35).

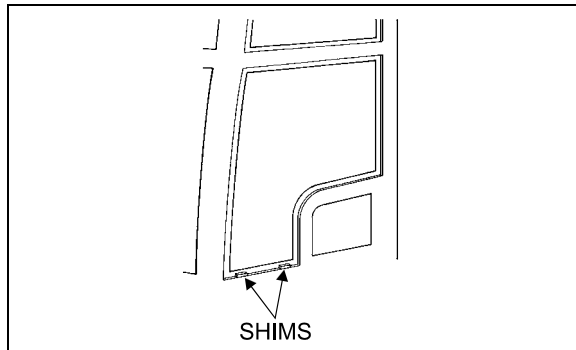


FIGURE 35: ADHESIVE-MOUNTED WINDOW 18079

3. Hold the window glass centered and have an assistant mark the inside contour of the opening on the glass with a china pencil. Remove glass and place it on a table with the pencil mark facing up.
4. Place masking tape on the inside surface of the glass to just cover the china pencil mark, leaving the outer surface exposed for the adhesive. This will make cleanup much easier. For ease of removal, do not overlap the tape at corners.

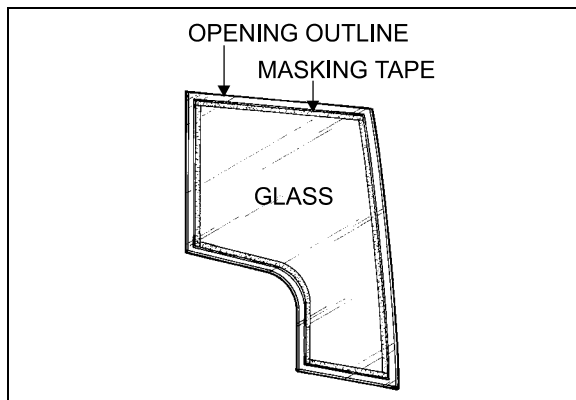


FIGURE 36: ADHESIVE-MOUNTED WINDOW 18080

5. Clean all around the window opening and the window glass edge with Sikaflex 205 (shake well before applying). Let dry 5-6 minutes minimum but no more than 8 hours.

Caution: There must be absolutely no silicone on glass or channel or Sikaflex 255 FC will not stick.

6. Put masking tape on the inner and outer contour of the window opening on the structure, approximately 1/16" (1,5 mm) from the edges of the contour.

7. Install Tremshield tape around the sealing surface of the window opening.

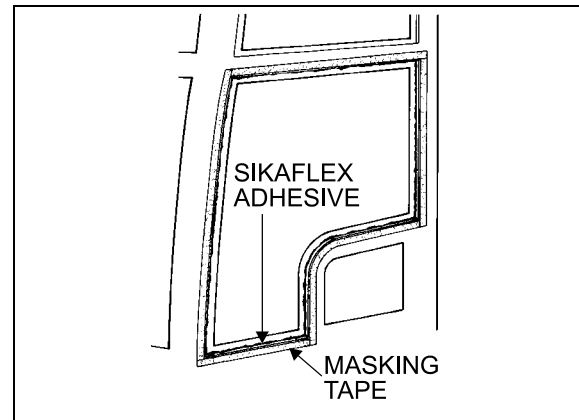


FIGURE 37: ADHESIVE-MOUNTED WINDOW 18081

8. Apply a generous bead of Sikaflex-255 FC polyurethane adhesive on the sealing surface around the window opening from outside the vehicle.

Note: To ease applying of Sikaflex 255 FC, it may be heated to 86° F (30°C).

Note: Bead should touch the side surface of the window opening.

9. Place shims correctly, and position window glass in the opening. Press firmly and evenly. Excess adhesive should flow out from behind glass.

Note: Add adhesive in areas where overflow is minimal or if air bubbles are present.

10. Smooth the adhesive joint using your finger (wear vinyl gloves). Remove excess material around both sides of the window as soon as possible before adhesive dries.

Note: Remove most of the adhesive from the scraper or trowel with a rag, and then dip tool in heavy hydrotreated naphtha (vanishing oil) after each use for cleaning.

Caution: Never use solvents to clean excess adhesive.

11. Remove masking tape at once, clamp window glass suitably and let dry overnight or at least 8 hours.
12. Spraying pure water on the joint will accelerate the drying process.

14. ELECTRIC AWNING WINDOW

The electric awning windows are connected directly on the batteries 24 V DC terminal block. As a result, they can be operated regardless of

the state open or close of the master switch. However, the circuit is protected with fuse F41 (10A) located in the front service compartment.

14.1 OPERATION

Opening sequence: switch is set to the OPEN position. Window latch solenoid SOL1-A and SOL1-B are turned on along with M1 window motor. Once the latch is open, proximity switch PROX1 is de-activated, turning sol1-A and SOL1-B off.

Closing sequence: switch is set to the CLOSE position, turning on relay R1 which turns on M1 in reverse polarity, closing the window. Once the window is closed, PROX1 is activated, turning on SOL1-A and SOL1-B in reverse polarity latching the window closed.

14.2 WINDOW REMOVAL

Replacement awning window does not include a new motor. If in working order, transfer the motor of the replaced window to the replacement window. If not, the motor can be bought separately. When replacing the window, keep the components in working order as spare parts.

1. Push the vertical latch handle downwards to release the track and then open the window using the horizontal latch handle.
2. Take out the screw at the lower end of the track to let free the swiveling arm roller.
3. Unplug connector C7 & C9. Dismount the gas spring from the window.
4. Loosen the set screws #5 (figure 39)(rotate the arm to get to the second set screw) and disengage the swiveling arm from the motor shaft extension.
5. Push the glass window out ninety degrees (90°).



The window may fall out.

6. The window is free and can be unhooked.
7. Reverse procedure to install a new one.

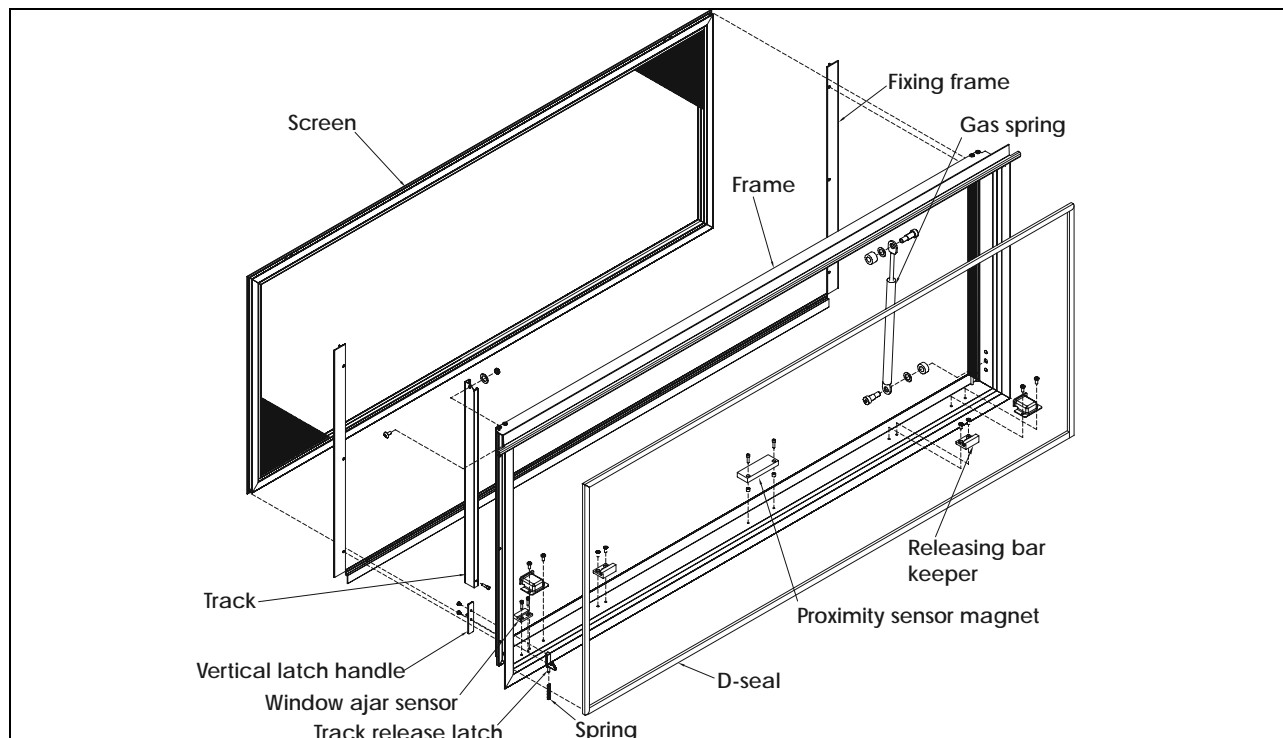


FIGURE 38: ELECTRIC AWNING WINDOW EXPLODED VIEW (FRAME)

18586

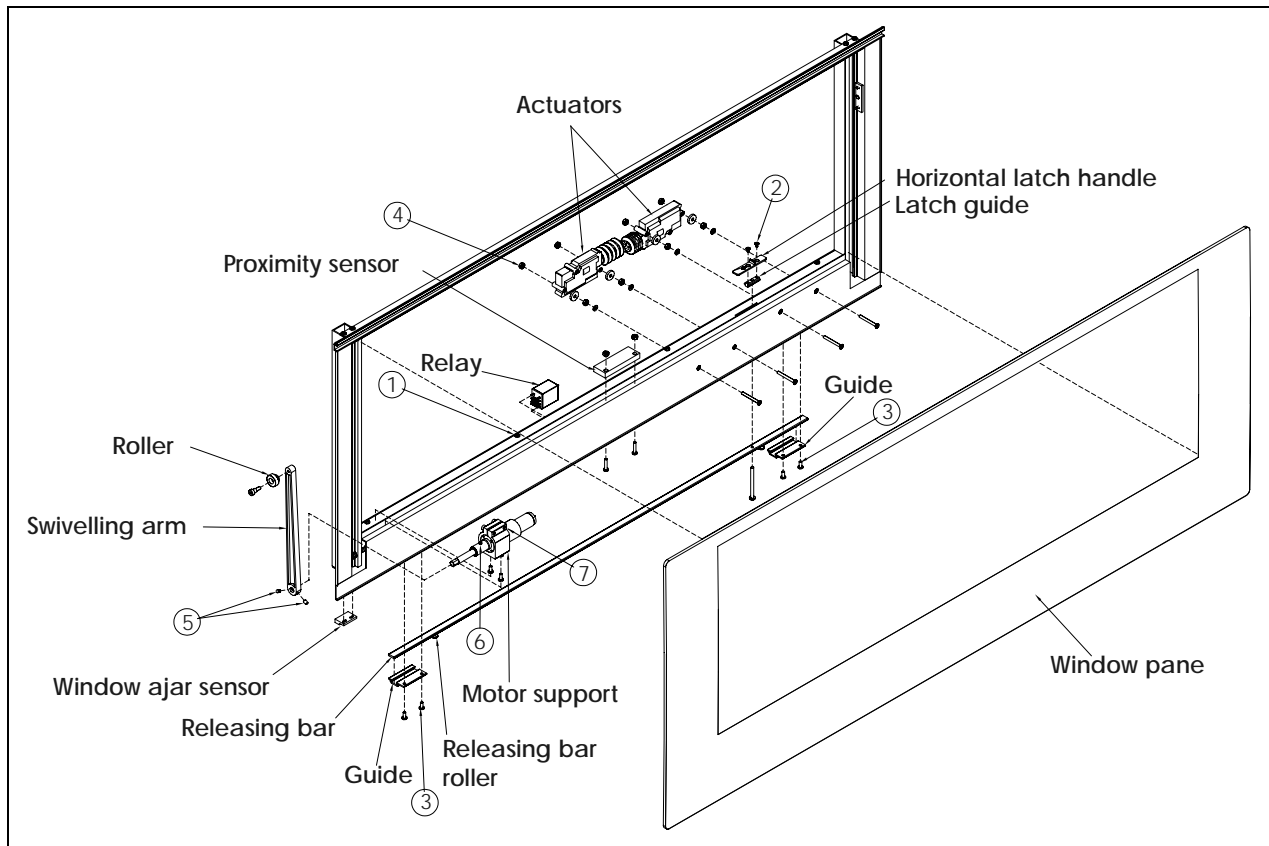


FIGURE 39: ELECTRIC AWNING WINDOW EXPLODED VIEW (SASH)

18583

14.3 ACTUATOR REPLACEMENT

1. Push the vertical latch handle downwards to release the track and then unlatch the window using the horizontal latch handle.
2. Remove actuator access cover by taking out screws #1 (8x).
3. Take out screws #2 (2x) and remove horizontal latch handle and guide.
4. Take out the guide screws #3 (4x) and remove releasing bar.
5. Unplug connector C3 or C4 from problem actuator, unscrew nuts #4 (2x) and remove the actuator.
6. Reverse operations for reinstallation.

4. Loosen the set screws #5 (rotate the arm to get to the second set screw) and disengage the swiveling arm from the motor shaft extension.
5. Unplug motor connector C2 and dismount motor and support assembly.
6. The shaft extension is glued to the motor shaft. It has to be heated to break the binding to permit removal. Loosen set screw #6 and remove the shaft extension. Also loosen screw #7 and remove motor from the support.
7. Reverse operations for reinstallation.

14.4 MOTOR REPLACEMENT

1. Push the vertical latch handle downwards to release the track and then unlatch the window using the horizontal latch handle
2. Take out the screw at the lower end of the track to let free the swiveling arm roller.
3. Remove actuator access cover by taking out screws #1 (8x).

ELECTRIC AWNING WINDOW – CONVERTER CHECKLIST	
<p>Check the electrical circuit & proximity sensor</p>	<p>A: The latching system will not operate without power.</p> <p>Is there electrical power to the latching circuit? The horizontal latch handle, on the sill sash will be seen to move if there is power on this circuit, or it can be checked with an electrical tester. If there is no power to this circuit when the window is closed and either rocker switch are switched "ON", there is a problem with the electrical system.</p> <p>B: The Proximity Sensor on the sash may not be switching power to the latching circuit if the magnet is not getting close enough to the switch OR the Proximity Sensor may be broken (or stuck in one position).</p> <p>Is the proximity sensor switching when the window is closed?</p>
<p>Check the release force required to operate the horizontal latch handle</p>	<p>A: If the pull force required to move the latch is more than 20lbs the window will not latch properly. Average pull force during testing by manufacturer is 12lbs -15lbs.</p> <p>What is the force required to release the handle? Check using a force gauge (same test done by manufacturer).</p>
<p>Check Installation</p>	<p>A: If the window is too tightly installed OR if the sequence for tightening the clamping frame screws is incorrect the window may not close properly.</p> <p>Was the window installed correctly?</p> <p>Was the correct sequence (see below) used when tightening the clamping frame screws?</p> <div style="text-align: center;"> </div> <p>B: Removing the shipping blocks before the window is installed can create major problems.</p> <p>Were the shipping blocks in place during installation?</p> <p>C: Failure to remove the shipping blocks after installation can create interference between sash and frame.</p> <p>Have the shipping blocks been removed after installation?</p> <p>D: The window is misaligned or not installed squarely.</p> <p>Is there interference with any coach parts?</p> <p>Is there proper clearance between the bottom of the outer glass and the belt-line trim / seal?</p>
<p>Check for missing parts or misaligned parts</p>	<p>A: The frame and sash are misaligned.</p> <p>Is there any interference between the sash and frame?</p> <p>Is there clearance between the sash and the rocker switch covers?</p> <p>B: Releasing bar guides are missing.</p> <p>Check that the releasing bar guides are installed. There should be 4 installed on H windows, and 3 installed on XL2 windows.</p>

15. WINDSHIELD

The windshield is single-glazed AS-1 laminated safety glass. Each windshield side is laced to a flange around an opening in the front structure by means of a one-piece black rubber extrusion and locked with two filler strips. Proper

installation of the windshield is necessary to ensure watertightness. Since glass varies in fit depending on the supplier, we recommend installing a replacement windshield obtained from Prevost Parts to ensure proper fit. Windshields obtained from other sources should be checked for proper size and curvature.

Note: For more information on windshield removal or installation, a video is available from Prevost Parts Inc.

15.1 REMOVAL

Warning: Windshield removal and installation must be performed by more than one person. To avoid personal injury, wear protective gloves when handling the windshield glass.

1. Remove the wiper arms of the affected windshield.
2. To ease damaged windshield removal, remove the two top rubber filler strips from the rubber extrusion, then the two rubber filler strips on each side. Finally, remove the rubber filler strip located on top of rubber extrusion bottom section. Leave the bottom filler strip in place.

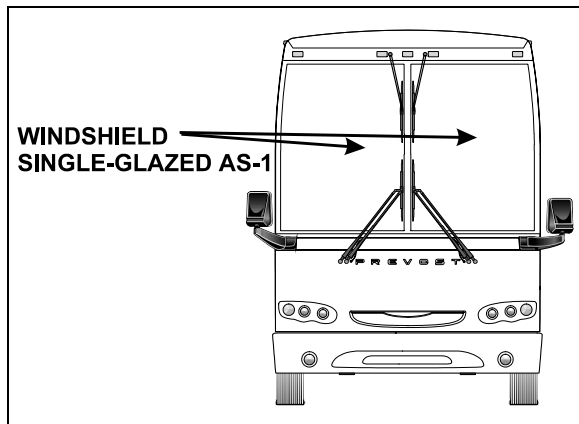


FIGURE 40: WINDSHIELD

18495

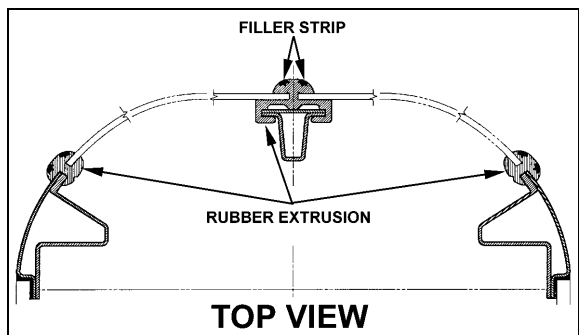


FIGURE 41: WINDSHIELD INSTALLATION TOP VIEW

18098

3. From inside of vehicle, push against the top L.H. side corner of windshield for the removal of a R.H. side windshield. If the L.H. side windshield had to be removed, you would have to push against the top R.H. side corner.

Note: We are referring to the L.H. and R.H. side as viewed from the inside of the vehicle.

4. At the same time, another person gradually lifts the rubber lip from the vehicle exterior using a plastic spatula from top to bottom.
5. Remove the entire damaged windshield and broken glass if applicable.
6. Clean the rubber extrusion channel with Sika 205. Refer to heading "Windshield Installation Only" in this section for instructions on how to reinstall windshield.

Note: If the rubber extrusion is damaged, remove and discard it, then clean the windshield opening with Sika 205. Refer to heading "Installation of Rubber Extrusion and Windshield" in this section for complete instructions.

15.2 WINDSHIELD INSTALLATION ONLY

1. Spray rubber extrusion with soapy water to ease windshield insertion.
2. Insert rope into rubber extrusion leaving enough length at each corner to make a loop. Spray soapy water onto rope and rubber extrusion (Fig. 41).
3. Slide windshield into rubber extrusion groove starting with the bottom curved side edge. Using a plastic spatula, move the rubber extrusion lip aside to gradually insert the windshield into the groove.

Note: Spray lubricant on a regular basis to ease windshield insertion.

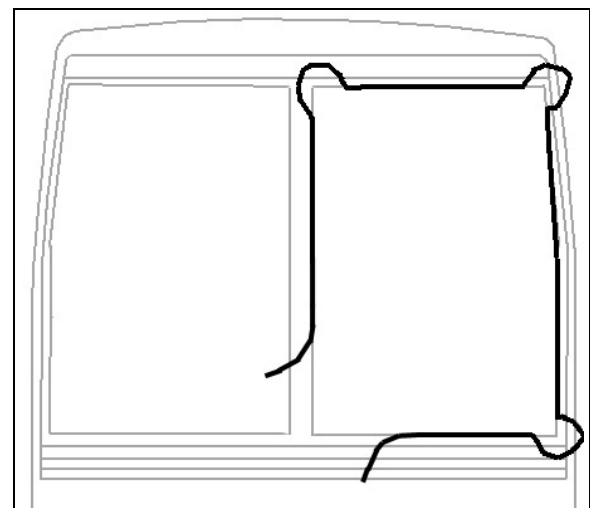


FIGURE 42: WINDSHIELD INSTALLATION USING ROPE

4. Using the same type of plastic spatula, repeat the same operation from inside of vehicle, gradually inserting the windshield into the groove.

Note: Make sure windshield bottom edge is well inserted into the rubber extrusion groove before proceeding with the sides.

- Then, working from both sides of windshield bottom to top, gradually move the rubber extrusion lip aside to insert the windshield into the groove. Use also lubricant on the inside of vehicle to insert the windshield into the rubber extrusion groove.

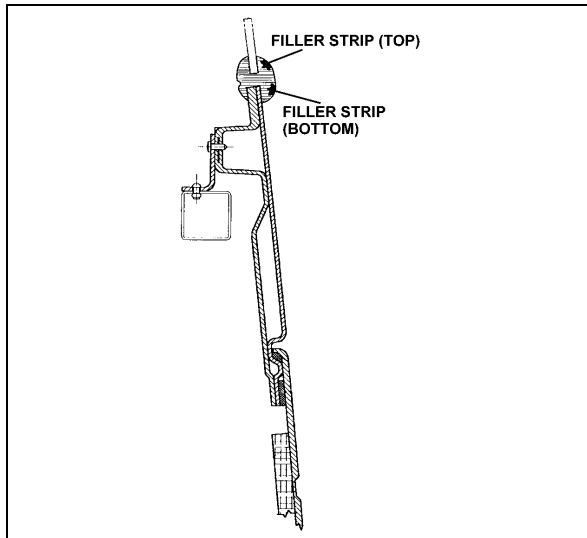


FIGURE 43: WINDSHIELD INSTALLATION SIDE VIEW 8099

- Insert the top curved corner then finish with the top of windshield.
- At the top of windshield, clean surface between fiberglass and rubber extrusion using Sika 205 (Fig. 44).

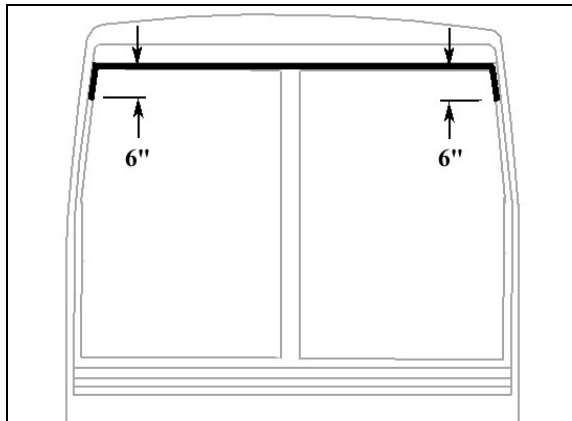


FIGURE 44: APPLICATION OF SIKA 221 BLACK

- Apply Sika 221 black between fiberglass and rubber extrusion.
- Spray filler strip and rubber extrusion groove generously with lubricant.

Note: Filler strips retract with time. Install ends of filler strips as tight as possible in the V-channel.

- Using the special filler insertion tool, insert the filler into the bottom rubber extrusion groove. Gradually insert filler ensuring to leave a 2 inch excess length at the filler extremity.
- Every 6 inches or so, it is important to compress the filler due to its tendency to contract during drying process.
- When filler insertion is almost complete, cut filler at a 45° angle leaving ¼" of excess length to thwart filler contraction over time then insert filler into groove.
- Continue with side filler strips and finish with top ones.
- Reinstall windshield wiper and destination sign if applicable.

15.3 INSTALLATION OF RUBBER EXTRUSION AND WINDSHIELD

Caution: The black rubber extrusion securing the windshield in the opening fits correctly in only one position. Find the correct position of the rubber extrusion now, and make reference marks with a china marker to avoid searching for the correct position later in the procedure.

- Clean the windshield opening sealing surfaces with Sika 205 and let dry 1 to 2 minutes.
- Clean the rubber extrusion with wiping towels soaked with Sika 205 and let dry 1 to 2 minutes.

Note: Force the soaked towels in the channels for good cleaning in these critical areas.

- Find the reference marks made earlier and install the rubber extrusion in the windshield opening.
- Install windshield as per paragraph 10.2: "Windshield Installation Only".

16. BODY PANELS AND DOORS

Each of the doors should be checked for proper operation. This includes latching. Also, inspect each of the doors for damage, missing, or loose parts. Repair or replace those parts as needed.

Unless otherwise noted, body panels and doors should be aligned and centered with surrounding panels. In general, a gap of ¼ inch (6 mm) is desirable between panels. Refer to figure 45 for specified gaps.

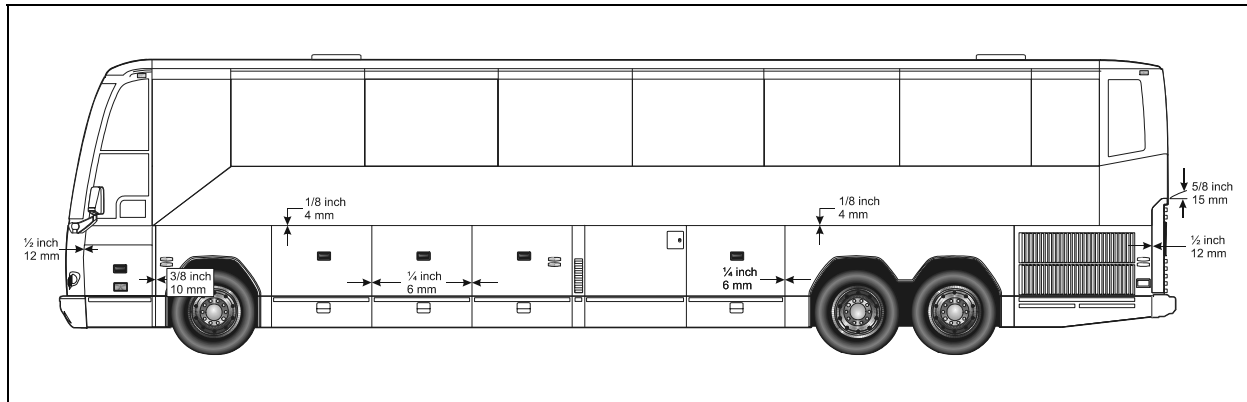


FIGURE 45: BODY PANEL SPACING

18496

17. WHEELCHAIR LIFT ACCESS DOOR

17.1 INSTALLATION

Caution: Install the sliding door onto a suitable lifting device that will allow proper lifting and positioning.

1. Lift and move the sliding door near the opening.
2. Push the door into the opening making sure the positioning lugs are properly inserted into their housing then pivot the main hinge and secure the door using 4 bolts. Do not fully tighten the bolts yet.
3. Remove the lifting device from the sliding door.

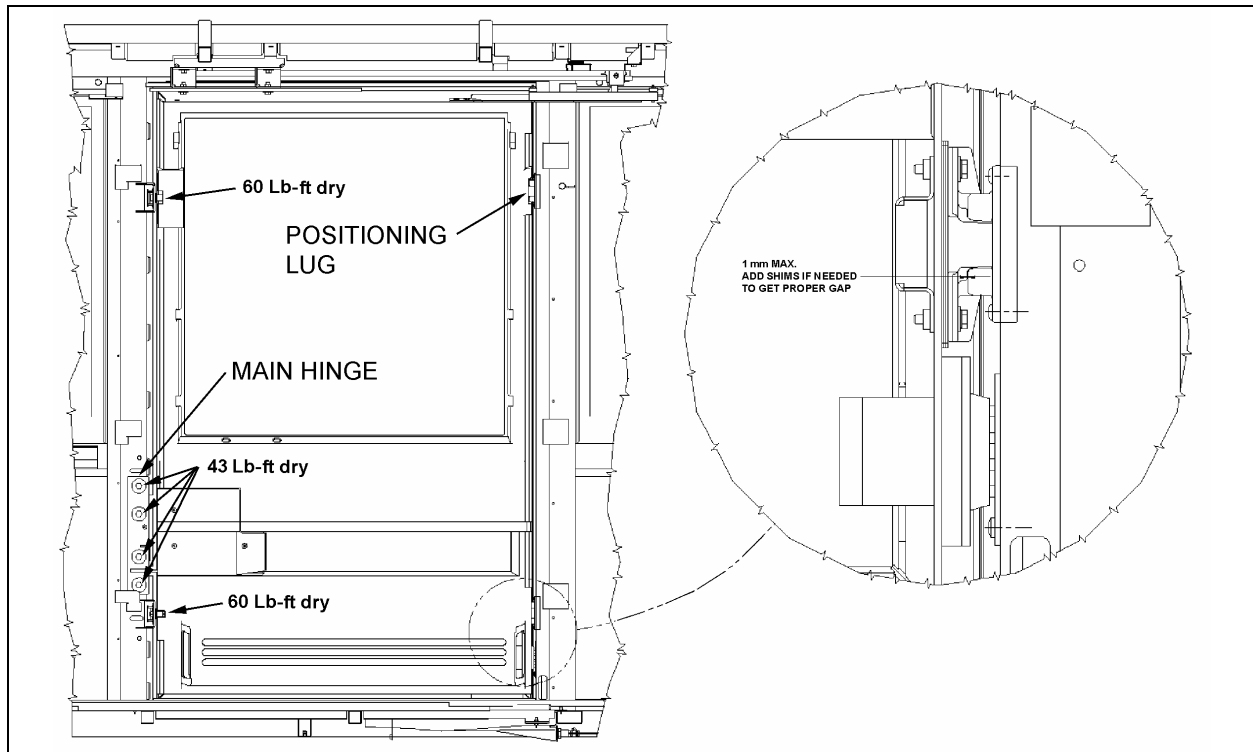


FIGURE 46: WCL SLIDING DOOR INSTALLATION

17.2 ADJUSTMENT

1. Adjust sliding door height with reference to the side panels and windows.
2. Slide the top rail into the upper arm then bolt the rail to the structure. Do not fully tighten (Refer to fig. 47).

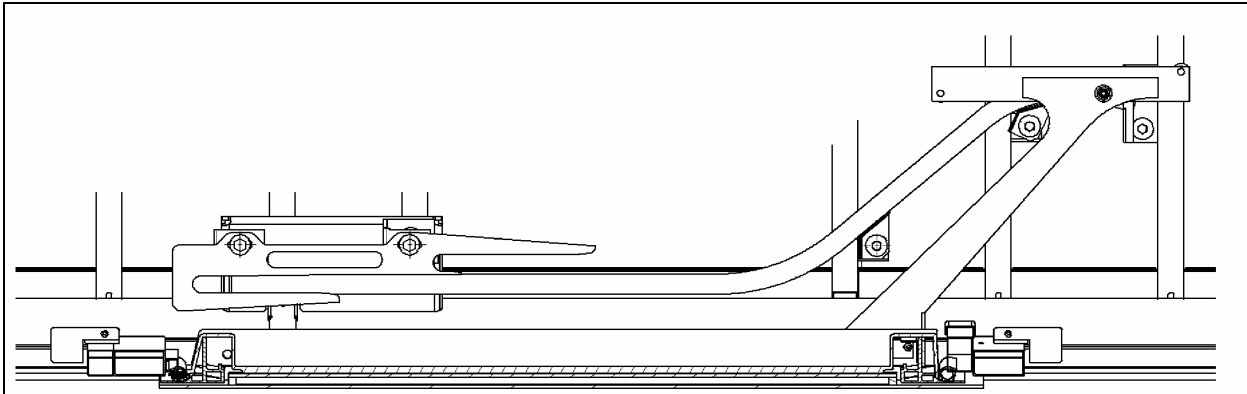


FIGURE 47: WCL UPPER ARM AND RAIL

3. Pull the door in or push from the outside to adjust the door with reference to the vehicle outside surface.
4. - Unfasten the upper arm bolt located on the door side.
 - Position the top rail at 3mm from the ceiling bracket.
 - Force the upper arm down then tighten the upper arm fixing bolt.
 - Pull the upper rail towards the inside in order to remove the play between the roller and the upper rail then tighten the rail fixing bolt at the back.
 - Push the lower rail towards the outside in order to remove the play between the roller and the lower rail then tighten the rail fixing bolt at the back.

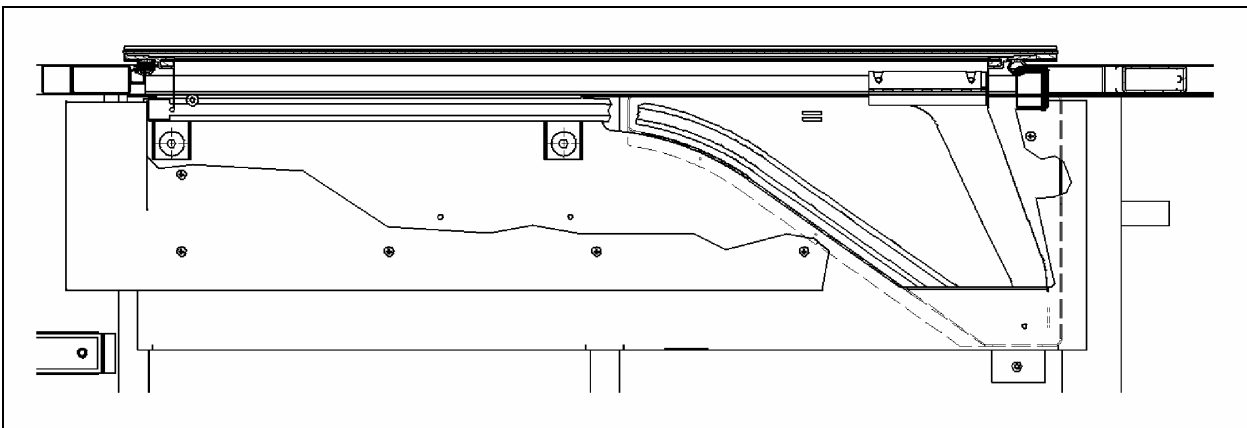


FIGURE 48: WCL LOWER RAIL INSTALLATION

5. Adjust the gap between the positioning lugs and their housing, required gap: 0.5 – 1.5mm. Add shims underneath the lugs to get the proper adjustment.
6. Take away the plays from the upper arm assembly by lifting the main hinge using a crowbar. Tighten the main hinge bolts to 43 Lb-ft.

Note: Do not exert too much force to lift the door.

7. Open WCL sliding door completely.
8. - Pull the upper rail towards the inside in order to remove the play between the roller and rail then bolt the rail at front and center. Add some shims if necessary between the rail and the structure before tightening the bolts.
 - Push the lower rail towards the outside of the vehicle in order to remove the play between the roller and rail then bolt the rail at front and center. Make sure the rollers stay in contact with the support when starting to close the door.

Section 18: BODY

9. Adjust the distance between the bottom of the guide and the roller when the door is completely open. Required distance: 2 – 3mm. Make sure the roller stay in contact with the guide.

10. Install and adjust strikers. Torque to 60 Lb-ft (Refer to figure 46).

Note: Make sure that a 2mm gap exists between the door structure and the striker.

11. Adjust latches releasing, the two latches must open simultaneously.

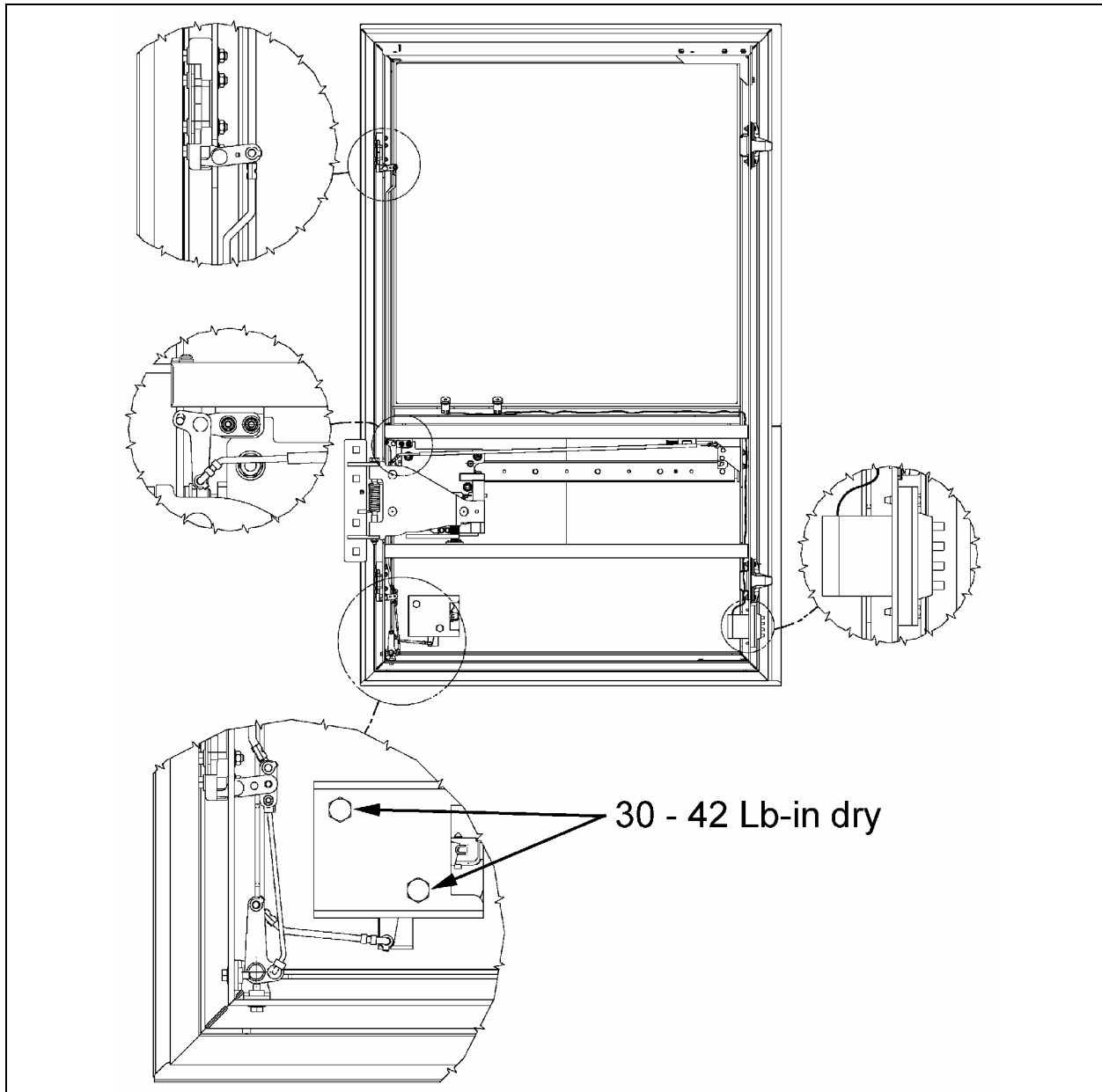


FIGURE 49: WCL SLIDING DOOR OPENING MECHANISM

18. BAGGAGE COMPARTMENT DOORS

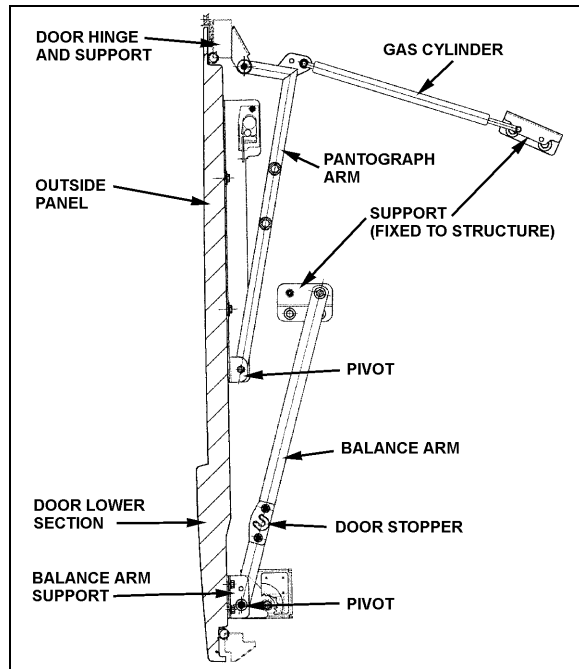


FIGURE 50: BAGGAGE COMPARTMENT DOOR 18061

There are 6 pantograph doors serving as baggage compartment doors on the H3-41, while there are 8 on the H3-45 and the V.I.P (depending on options, VIP model may have even more pantograph doors). Each of these doors is of identical design. A centrally mounted, key-lockable door handle unlatches the door which can then be pulled out and raised up in a path parallel to the side of the vehicle. The door is held in open position by two fully extended gas-charged cylinders, giving clear access to the opening of the baggage compartment.

From its fully open position, the door can be closed by pulling down on the door panel, and letting go when you sense the door will close on its own. The door will easily hinge its way back in the contour of the compartment opening and will be held closed by two latches. Each door can be opened by lifting the centrally mounted handle to unlatch the door and lifting it all the way up. If the door does not remain in the fully open position, one or both cylinders on that door is (are) defective. To test the cylinders, first support the door in the fully open position with proper equipment. Disconnect the rod end of one cylinder and try to retract the rod. If strong resistance is felt, the cylinder is in good condition and can be reinstalled. If the rod retracts with little effort, the cylinder is defective and should be replaced at once (Prevost #980024). Test the other cylinder on that door the same way.

Note: In case of malfunctioning or in specific situations, use door stoppers to secure the door in the open position.

18.1 PANTOGRAPH ADJUSTMENT

Warning: Park vehicle safely, apply parking brake, stop engine and set batteries master switches to the "OFF" position prior to working on the vehicle.

Note: Refer, if needed, to figure 50 for identification of door components.

If the door bends when opening or if pantograph does not function properly, it is probably because the pantograph arms are misadjusted.

The pantograph arms should measure the same length. Measure distance between a pantograph arm end and a straight edge resting on structure. Repeat procedure for the other arm. The distance on each side should be equal. If not, bend appropriate arm until desired measure is obtained. (Fig. 52 and 53). Doors can be adjusted by bending the arms as follows:

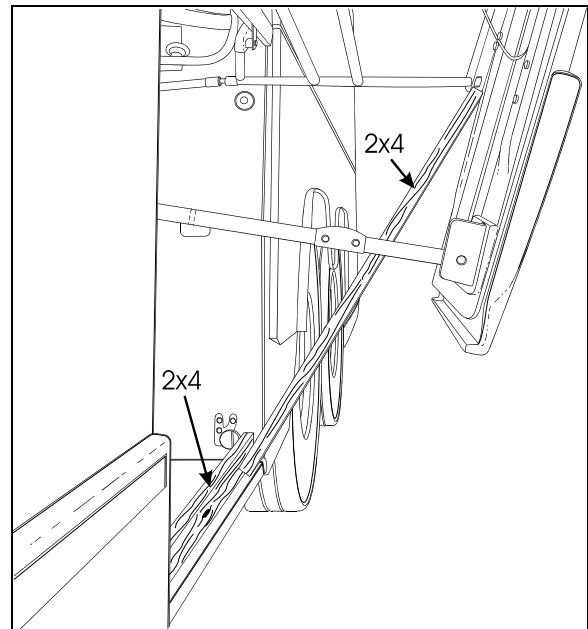


FIGURE 51: PANTOGRAPH ADJUSTMENT 18319

1. Open the door halfway up.
2. Install a piece of wood (a 2x4 will do) along the bottom of the baggage compartment. Arrange so it rests against the striker pins and is prevented from sliding further in the compartment.
3. Install another piece of 2x4 between the first piece and the bottom of the pivot of the lowest (or shortest) pantograph arm, (Fig. 51).

Section 18: BODY

4. Pull down on the opposite side of the door to bend the door around the pantograph arm pivot (prevented from moving by the 2x4).
5. When the door is straight, remove the 2x4's and check door operation and fit. A difference of $3/32$ " (2mm) between both sides is accepted (Fig. 53).
6. Repeat as necessary.

When the pantograph is correctly adjusted, the distance between the vertical steel member and the lateral edge of the door should be $1-3/8$ " (35 mm).

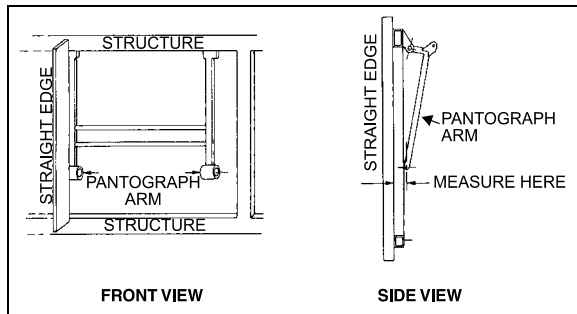


FIGURE 52: PANTOGRAPH DOOR ADJUSTMENT 18062

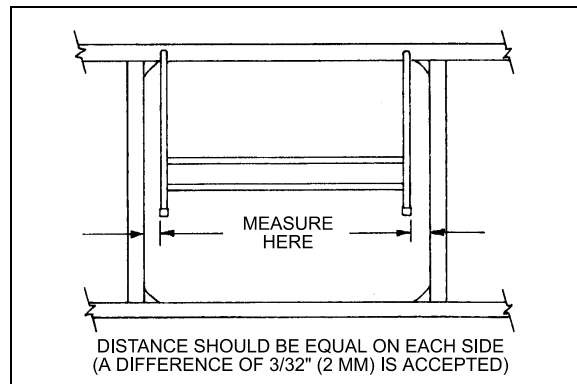


FIGURE 53: PANTOGRAPH DOOR ADJUSTMENT 18063

18.2 DOOR ADJUSTMENT

If the door is misaligned at front or rear posts, at top, or at bottom adjust as follows:

1. Unscrew and remove both striker pins. Loosen bolts retaining door to pantograph and balance arm supports. With door closed, adjust height so the top of the door fits flush with the adjacent doors. Then, complete tightening the four bolts retaining door to each pantograph arm support. A gap of $1/8$ " (3 mm) between the top of the door and the stainless steel support is given as a guide (Fig. 54).

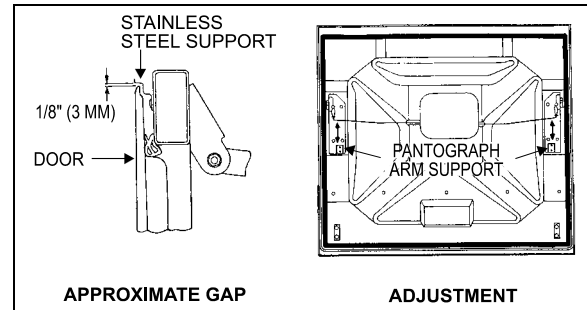


FIGURE 54: BAGGAGE COMPARTMENT DOOR 18064

2. Slightly open the door, position it to obtain a gap of 4 " (100mm) between structure and door panel upper lip, maintain door in this position while an assistant completes tightening the two bolts retaining door to each balance arm support (Fig. 55).

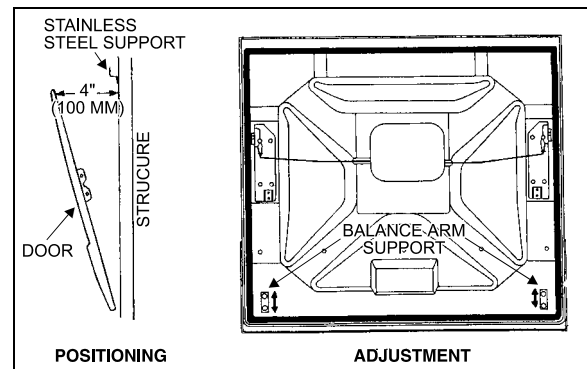


FIGURE 55: BAGGAGE COMPARTMENT DOOR 18065

3. Fully open the door, loosen the two bolts retaining each gas cylinder support to structure, position door parallel with adjacent doors and complete tightening bolts. A measure of $6" \pm 1/4$ " ($150\text{mm} \pm 7\text{mm}$) between door panel lip (at level of upper edge of lower section) and the lateral panel is given as a guide.

Caution: For converted vehicles provided with "Awning" windows, fully open window then adjust door opening angle so the door does not interfere with window.

4. With door slightly open, pull door handle while an assistant checks that both latches release simultaneously. If not, with latch engaged, gently bend the appropriate latch control rod until proper timing is achieved (Fig. 56).

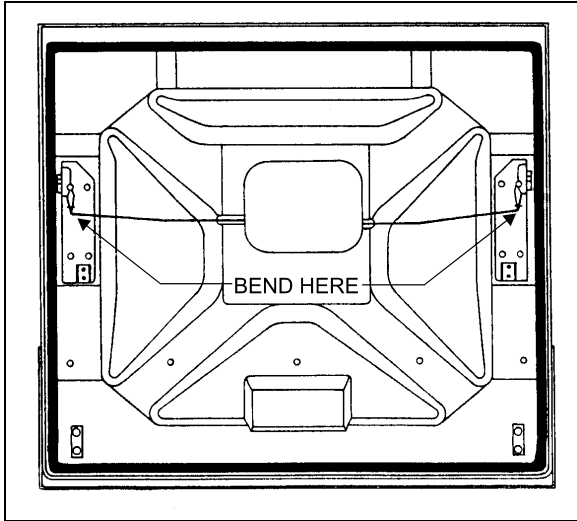


FIGURE 56: BAGGAGE COMPARTMENT DOOR 18067

5. Install both striker pins, bring the door close to them, and adjust the height of pins so they are well centered with latches (Fig. 57).

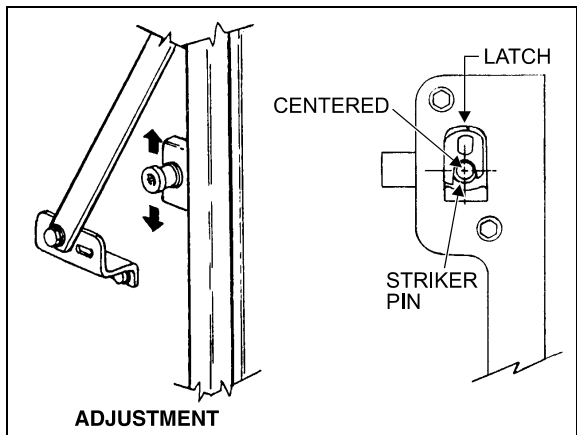


FIGURE 57: BAGGAGE COMPARTMENT DOOR 18068

Note: Before proceeding with the following step, mark the position of striker pins on structure to avoid upsetting the vertical adjustment of the pin.

6. Loosen the striker pins just enough to allow them to be moved with a hammer. Working from inside compartment and with the door closed (lower catches engaged), hit the pin washers to horizontally move the pins and consequently the door, while an outside assistant checks the fit. A gap of $1/16'' + 3/64'' - 1/64''$ (1,5mm +1mm, -0,5mm) between the stainless steel support for the lateral panel and the door panel lip is recommended (Fig. 58).

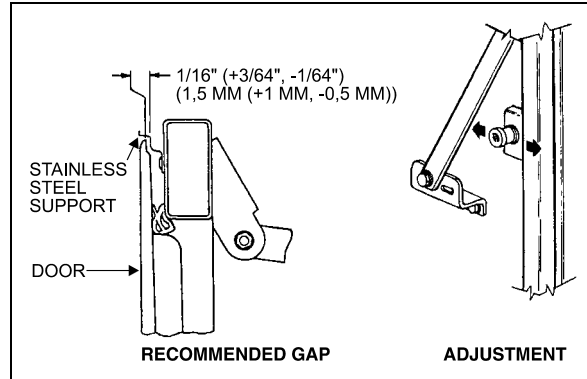


FIGURE 58: BAGGAGE COMPARTMENT DOOR 18069

7. With door shut, it should have a gap of $3/8'' \pm 5/64''$ (10mm \pm 2mm) between door panel lip (at level of upper edge of lower section) and structural post. If not, move pins horizontally until correct gap is obtained. Fully tighten the pins after adjustment is achieved (Fig. 59).

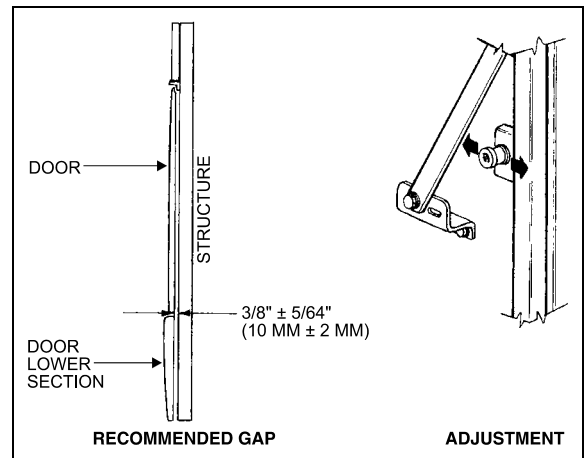


FIGURE 59: BAGGAGE COMPARTMENT DOOR 18070

8. Recheck gap mentioned in step 6. If gap has changed, correct by adjusting arm support fixed to structure. Loosen the bolt supporting the balance arm on door lower section and close the door, gap adjustment will automatically result. Tighten the bolt from inside the compartment (Fig. 60).

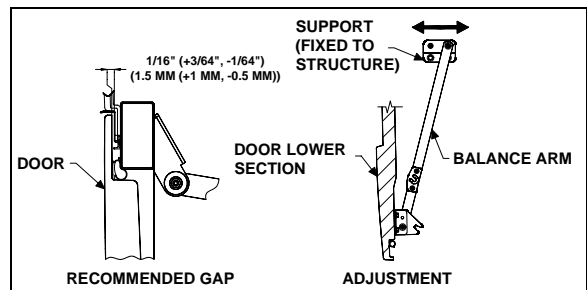


FIGURE 60: BAGGAGE COMPARTMENT DOOR 18071

Once the adjustment procedure is achieved, ensure that all bolts are securely tightened.

19. DOOR HANDLES

Compartment door handles are non serviceable. When a door handle has to be removed, proceed as follows:

1. Unscrew the four (4) retaining screws;
2. Remove the two (2) wires connecting the handle to the door latch locking mechanisms.
3. To install a new handle, reverse the procedure.

20. ENGINE COMPARTMENT DOOR

The engine compartment rear door (Fig. 61) rises in the same way as the baggage compartment doors and is held open by three gas-charged cylinders (Prevost # 980024). The engine compartment opens by lifting a handle accessed from the R.H. side of the engine compartment.

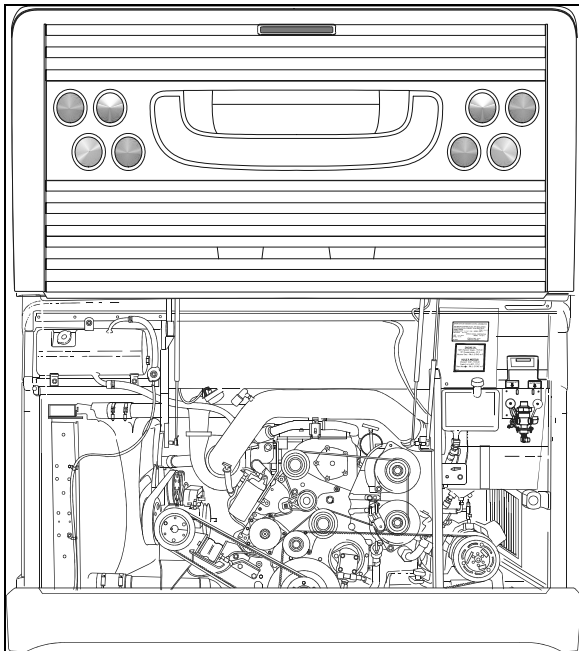


FIGURE 61: ENGINE COMPARTMENT DOOR 18497

When pushed up, the handle pulls on two steel wires, each steel wire connected to its respective door latch locking the rear door. Both steel wires are looped at the release handle and can be adjusted to proper length to ensure positive release of both catches when the handle is raised.

20.1 ENGINE DOOR ADJUSTMENT

As indicated above, the engine door mechanism is similar to the baggage door mechanism using

a pantograph and 3 gas cylinders to move the door up and down.

For a minor horizontal or vertical adjustment:

1. Open the door mid-height;
2. With the help of an assistant, pull down one side of door while holding up the other side to bend the pantograph arms in the desired position;
3. Close the door and check the top edge parallelism between the door and the vehicle end cap structure. The space may be somewhere between 10 and 15 mm;
4. Repeat until satisfied.

20.2 MINOR TOP EDGE DEPTH ADJUSTMENT

Two rubber spring loaded stops may be adjusted. They are located near the top edge on each side of the rear door.

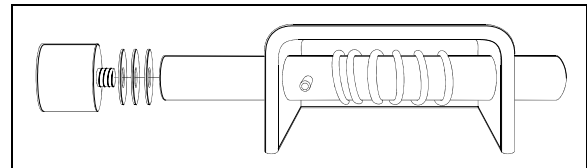


FIGURE 62: DOOR STOP

18324

To adjust:

1. Open door.
2. Unscrew rubber stop.
3. Add or remove washers as needed.
4. Firmly screw back rubber stop.

20.3 MINOR LOWER EDGE DEPTH ADJUSTMENT:

1. Open door.
2. Slightly loosen the striker pins on each side of door.
3. Using a hammer, strike striker pin gently in the desired direction (in or out).
4. Close the door slowly and check fit.
5. Repeat 3 and 4 to adjust the other striker pin.
6. When door depth is completed on the four corners, both vertical door sides should be parallel to the vehicle body structure.

7. Firmly tighten the striker pins (2) to lock them in position.

21. ENGINE AIR INTAKE GRILL

When needed, the engine air intake grill can be changed:

1. Cut the seal around the grill with a sharp edged knife.
2. Remove the grill from the vehicle.
3. On the vehicle grill opening, using the knife, remove as much adhesive as possible.
4. Sand the new grill backing edge to remove the glossy surface.
5. Clean with alcohol, wipe dry.
6. Apply SIKA 205 primer to the grill opening and the grill edges. Allow to dry at least 2 minutes for chemical evaporation.
7. Apply SIKA 255 FC adhesive on the grill edge.
8. Install the grill on the vehicle, adjust and fasten with masking tape. Allow 8 hours setting period.

22. RADIATOR DOOR ADJUSTMENT

22.1 DOOR HEIGHT ADJUSTMENT

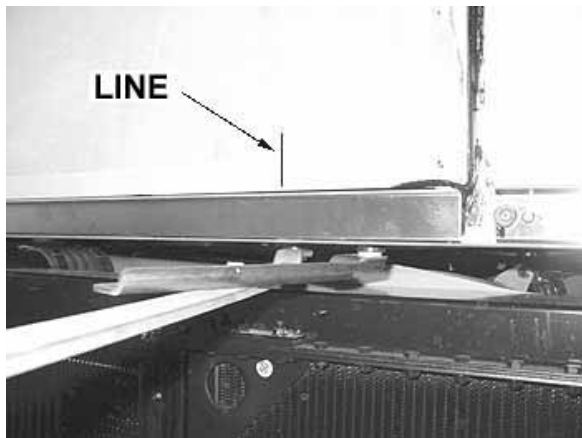


FIGURE 63: REFERENCE LINE

1. Using a pencil, draw a line onto the lateral panel in line with the balance arm.
2. Using a rubber mallet, adjust the lower part of pantograph arm in order to get 4 ± 1 mm between lateral panel and engine door (Refer to figures 64 and 66).



FIGURE 64: PANTOGRAPH ARM ADJUSTMENT

3. Tighten the bolt.

22.2 DOOR LATERAL ADJUSTMENT



FIGURE 65: DOOR LATERAL ADJUSTMENT

1. Using a rubber mallet, adjust radiator door positioning with reference to pantograph arm so that the door is parallel to the lateral panel and to the engine door.
2. Tighten the two bolts.

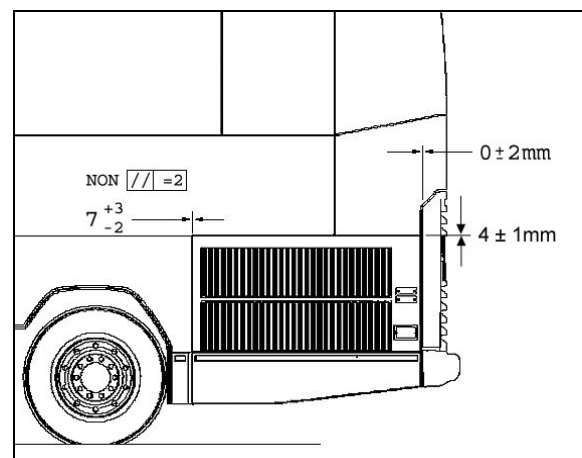


FIGURE 66: PROPER DOOR POSITIONING

22.3 DOOR DEPTH ADJUSTMENT

1. Close radiator door.
2. Check parallelism between radiator door and rear fender (max. 0 ± 2 mm).

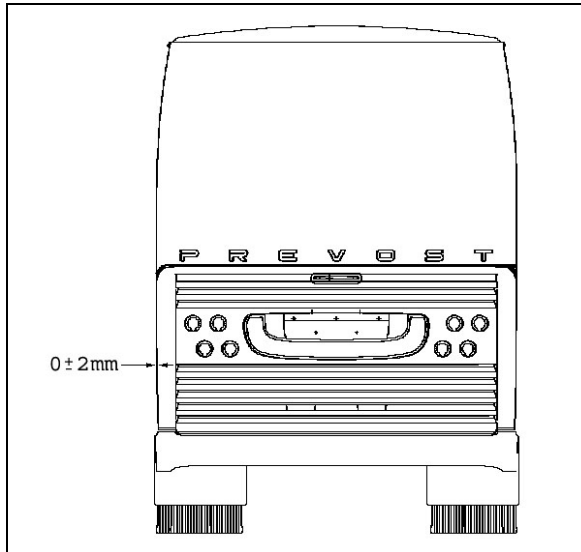


FIGURE 67: DOOR DEPTH ADJUSTMENT

3. If the door is too far inside, adjust using a rubber mallet (Refer to figure 68).
4. Tighten the bolt.
5. Close the radiator door in order to verify that latches adjustment is proper. If the gap is too small or too big, adjust latch positioning.
6. Make sure that latch striker pin engages behind the strike plate at least 10 mm. Add or remove spacers if needed. Check door fit and operation. Tighten the latches bolts.



FIGURE 68: DEPTH ADJUSTMENT

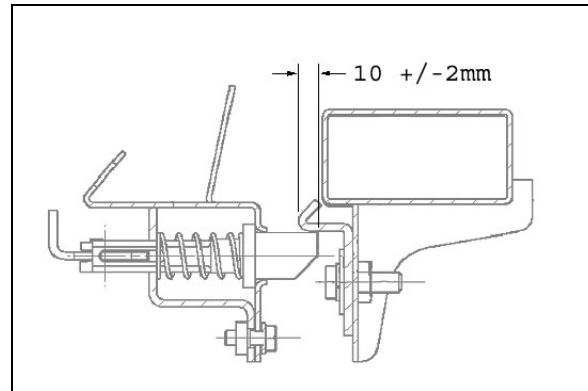


FIGURE 69: DOOR LATCHES ADJUSTMENT

23. CONDENSER DOOR ADJUSTMENT

1. Open the condenser door.
2. Loosen the nuts (1, Fig. 70) holding the hinge (3, Fig. 70) to hinge attachment (4, Fig. 70). Loosening nuts (1, Fig. 70) allows the condenser assembly to be shifted "LEFT or RIGHT" and "UP or DOWN".
3. Adjust condenser assembly position at the hinge.
4. Tighten the nuts.
5. Loosen bracket nuts holding the panel to condenser. Panel (6, Fig. 70) may be shifted "IN or OUT", "LEFT or RIGHT" and "UP or DOWN".
6. Adjust condenser panel at brackets (2, Fig. 70) and (5, Fig. 70).
7. Tighten the nuts.
8. Respect the required gap between exterior finishing panels (Fig. 45).
9. Check that the door swings freely and closes properly. It may be necessary to adjust the door latch to get proper fit and operation.

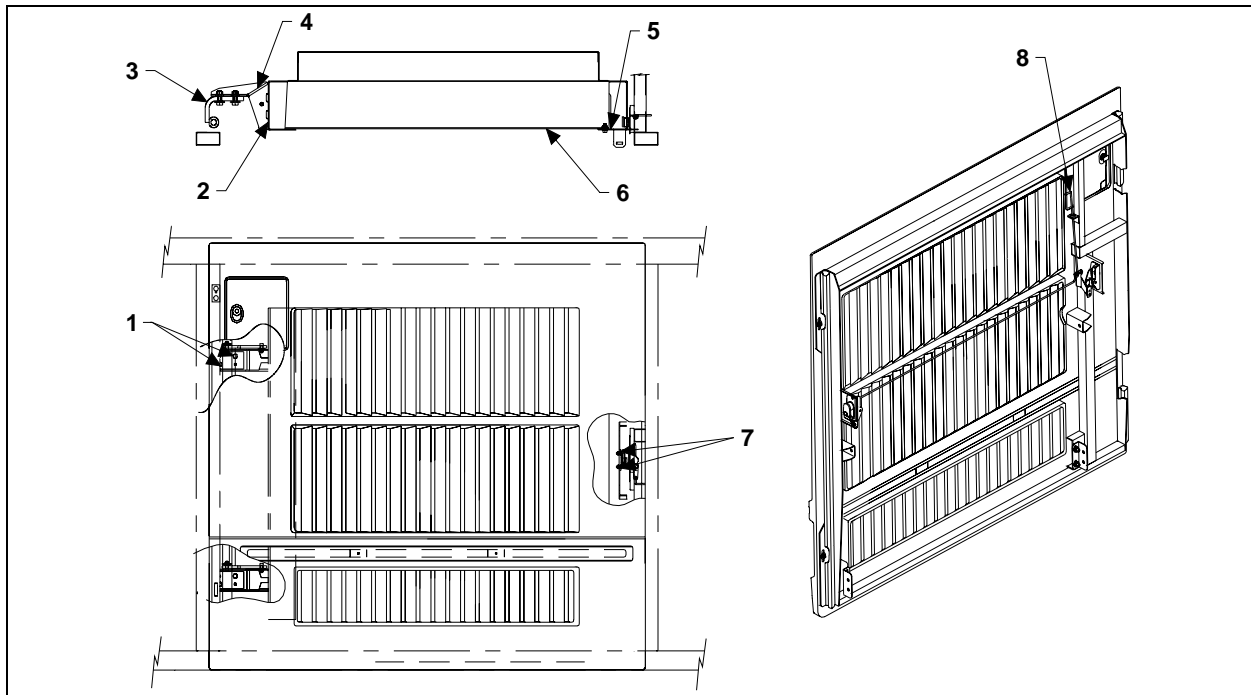


FIGURE 70: CONDENSER DOOR

D280201

24. FUEL FILLER DOOR

1. Open the fuel filler door (1, Fig. 71).
2. Loosen the screws (3, Fig. 71) holding the panel to hinge (2, Fig. 71) assembly.
3. Adjust the fuel filler door position according to distance required between exterior finishing parts (Fig. 45).
4. Tighten the nuts.
5. Check that the door swings freely and closes properly.

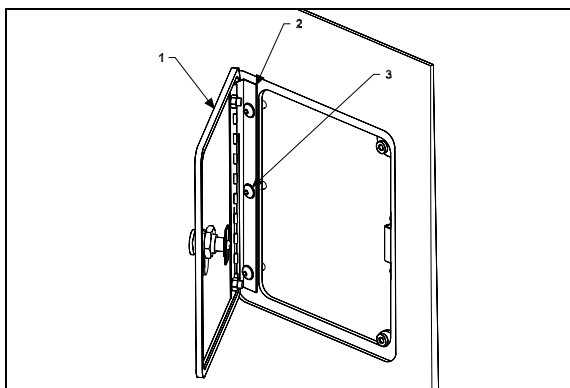


FIGURE 71: FUEL FILLER DOOR

1875003D

2. Loosen nut (2, Fig. 72).
3. Move part (1, Fig. 72), as close as possible to exterior of coach, so as to have enough clearance for proper door opening.
4. Tighten nut (2, Fig. 72).
5. Loosen nut (3, Fig. 72). Hinge allows the door to be shifted "IN or OUT".
6. Adjust door panel to have the same gap space as neighboring panels or refer to figure 45 for specified gap space. Only if necessary, use the adjustment allowed by moving part 1, Fig. 72.

25. FRONT SERVICE COMPARTMENT

Adjustment of the front service compartment door can be done by following these steps:

1. Open the door.

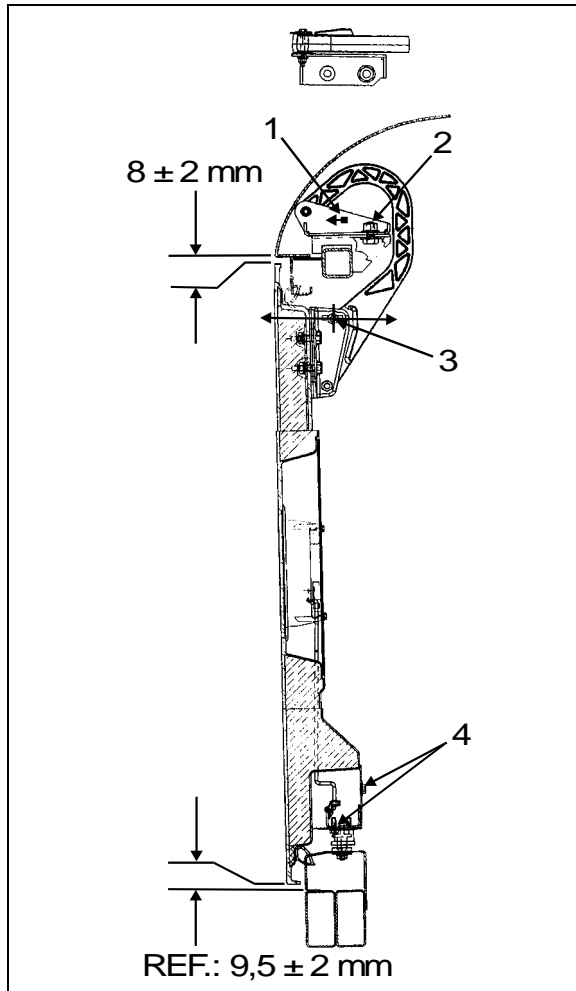


FIGURE 72: DOOR HINGE

18194

7. Loosen screws (5, Fig. 73) to allow the door to be shifted "UP or DOWN".
8. Adjust the door position.
9. Tighten the screws.
10. Check that the door swings freely and closes properly. It may be necessary to adjust the door latch to get proper fit and operation.

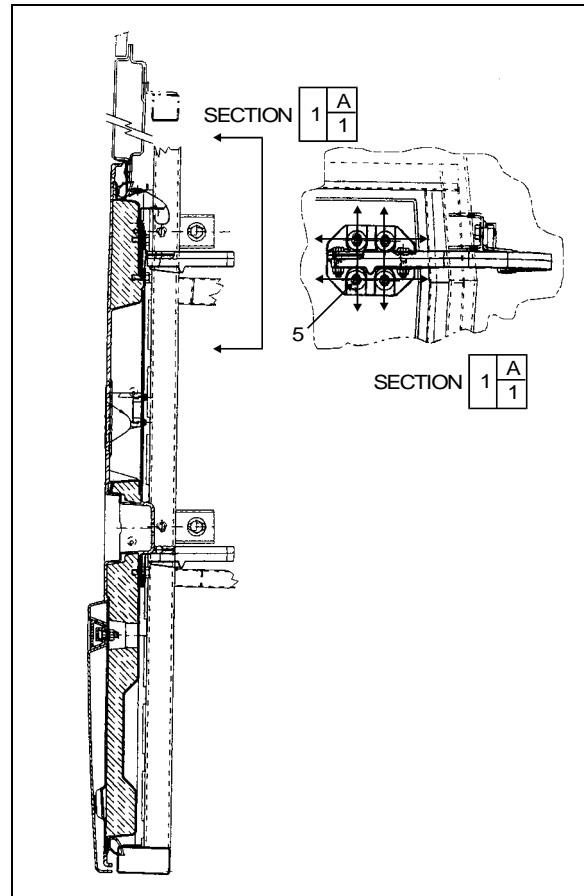


FIGURE 73: FRONT SERVICE DOOR

18195

25.1 LATCH MECHANISM ADJUSTMENT

To adjust the latch mechanism and the striker pin, open the door to access the striker pin. Slightly loosen the striker pin. Using a hammer, adjust the striker pin to center it in the door latch mechanism. Tighten the striker pin. Check door fit and operation.

26. ENGINE COMPARTMENT R.H. SIDE DOOR

The engine compartment R.H side door can be adjusted by following these steps:

1. Open the door.
2. Loosen nut (1, Fig. 74).
3. Move part (3, Fig. 74) as shown in figure for "LEFT or RIGHT" adjustment.
4. Tighten nut (1, Fig. 74).
5. Loosen nut (2, Fig. 74).
6. Hinge allows the door to be shifted "IN or OUT".

7. Adjust the door in accordance with the required distance between exterior finishing parts (Fig. 45).
8. Loosen screws (4, Fig. 75).
9. Screws allow the door to be shifted "UP or DOWN".
10. Adjust the door position according to the distance required between exterior finishing parts (Fig. 45).
11. Tighten the screws.

Check that the door swings freely and closes properly. It may be necessary to adjust the door latch to get proper fit and operation.

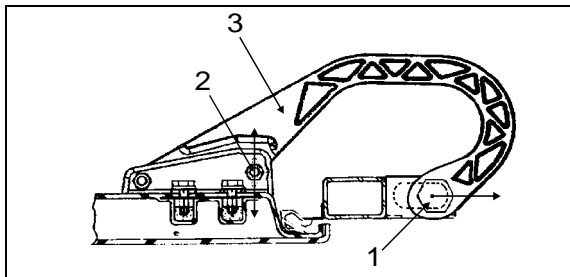


FIGURE 74: DOOR HINGE

18196

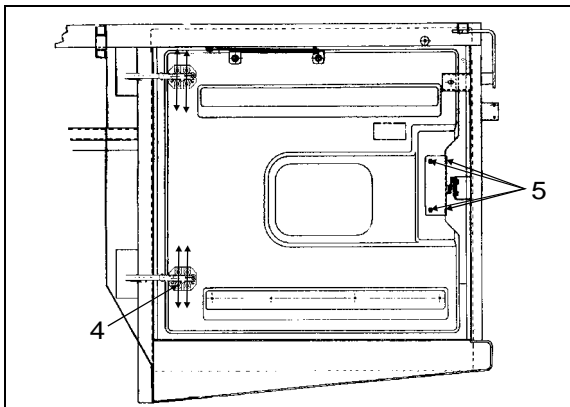


FIGURE 75: ENGINE COMPARTMENT R.H. DOOR

18197

26.1 LATCH MECHANISM ADJUSTMENT

To adjust the latch mechanism and the striker pin, open the door to access the striker pin.

Slightly loosen the striker pin. Using a hammer, adjust the striker pin to center it in the door latch mechanism. Tighten the striker pin. Check door fit and operation.

27. EVAPORATOR DOOR ADJUSTMENT

1. Open the door.
2. Loosen nut (1, Fig. 76).
3. Move part as shown in figure for "LEFT or RIGHT" adjustment.
4. Tighten nut (1, Fig. 76).
5. Loosen nut (2, Fig. 76). Hinge allows the door to be shifted "IN or OUT".
6. Adjust the door in accordance with the required distance between exterior finishing parts (Fig. 45).
7. Loosen screws (3, Fig. 76). Screws allow the door to be shifted "UP or DOWN".
8. Adjust the door position according to the distance required between exterior finishing parts (Fig. 45).
9. Tighten the screws.

Check that the door swings freely and closes properly. It may be necessary to adjust the door latch to get proper fit and operation.

27.1 LATCH MECHANISM ADJUSTMENT

1. To adjust the latch mechanism and the striker pin:
2. Open the door to access the striker pin.
3. Loosen slightly the striker pin.
4. Using a hammer, adjust the striker pin to center it in the door latch mechanism.
5. Tighten the striker pin. Check door fit and operation.

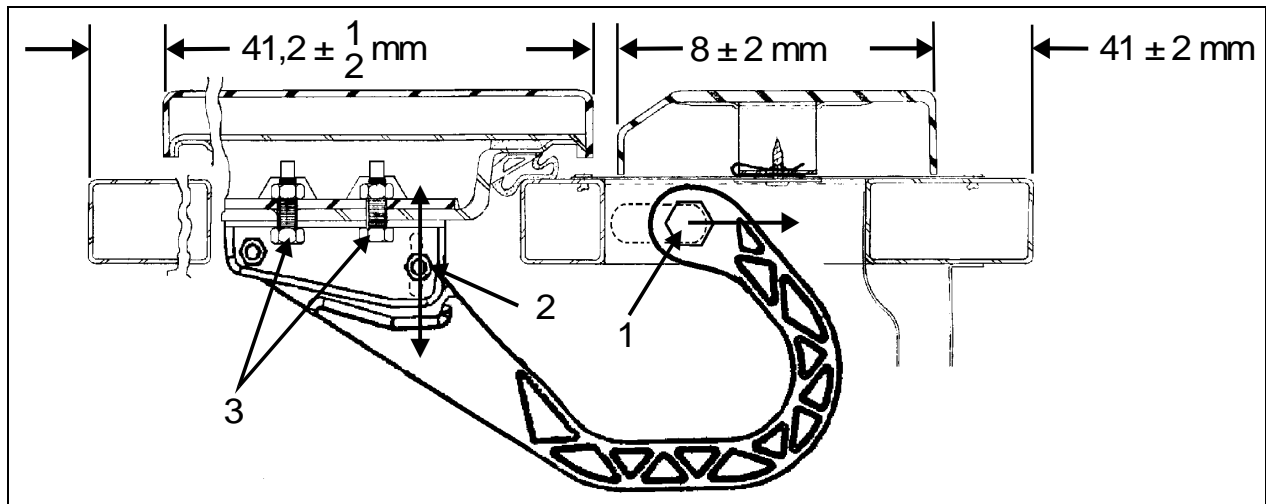


FIGURE 76: EVAPORATOR DOOR

18198

28. MAIN POWER COMPARTMENT

To adjust the main power compartment door:

1. Loosen nut (1, Fig. 77).

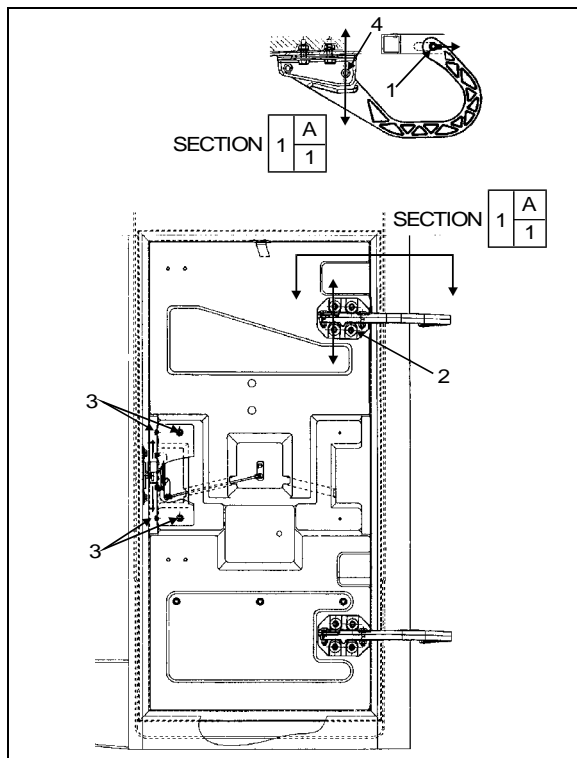


FIGURE 77: MAIN POWER COMP. DOOR

18199

2. Move part as shown in figure for "LEFT or RIGHT" adjustment.
3. Tighten nut (1, Fig. 77).
4. Loosen nut (4, Fig. 77).
5. Hinge allows the door to be shifted "IN or OUT".

6. Adjust door panel to have the same gap space as neighboring panels or refer to figure 45 for specified gap space
7. Loosen screws (2, Fig. 77). Screws allow the door to be shifted "UP or DOWN".

8. Adjust the door position.

Tighten the screws.

Check that the door swings freely and closes properly. It may be necessary to adjust the door latch to get proper fit and operation.

28.1 LATCH MECHANISM ADJUSTMENT

To adjust the latch mechanism and the striker pin:

1. Open the door to access the striker pin.
2. Loosen slightly the striker pin.
3. Using a hammer, adjust the striker pin to center it in the door latch mechanism.
4. Tighten the striker pin.

Check door fit and operation.

29. FENDERS

On the "H" series vehicle, all fenders are easily removable for maintenance on brakes and suspension. Each rear fender has three mechanical spring-loaded holding devices fixing it to the vehicle's structure.

29.1 REAR FENDER REMOVAL

1. Push the spring type rod sideways so that the lock disengages.

2. Support or have somebody hold the fender up.
3. As in 1, repeat to release both remaining holding devices.
4. Holding the fender firmly, pull it down until the top edge disengages from the holding plates.

an appointment at a Prevost service center near you.

To reinstall, reverse the procedure.

29.2 FRONT FENDER REMOVAL

1. At the bottom of fender, remove the retaining screws on one side of the fender.
2. Support or have someone hold the fender up.
3. Remove the screw on the other side of the fender.
4. Pull the fender down until the top edge disengages from the holding plates.

To reinstall, reverse the procedure.

30. REAR CAP

The fiberglass rear cap does not need any maintenance except painting as needed. For minor damages, refer to section 4 "Fiberglass Repair" and section 5 "Painting". If the rear cap ever has to be replaced:

1. Remove all accessories.
2. Drill out the retaining pop rivets.
3. With a sharp edge blade, cut the seal joint and remove the rear cap.
4. With the sharp edge blade, remove as much of the remaining seal pieces as possible.
5. Sand with #120 or #150 sandpaper.
6. Wipe clean with alcohol
7. Prepare surface with SIKA #205 and let dry for a minimum of 2 minutes.
8. Install a new seal using LOCTITE 414 glue.
9. Install the rear cap and fasten with pop rivets.

Caution: Do not attempt this procedure unless you are qualified and equipped to handle this job.

31. FRONT CAP

The front cap windshield frame does not need any maintenance. It is held in place with bolts and nuts. If it ever it has to be replaced, make

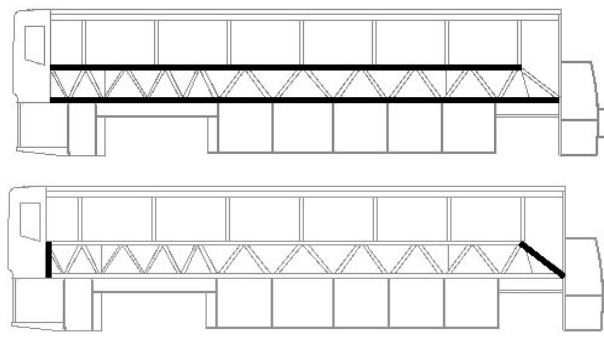
32. SIDE PANEL INSTALLATION PROCEDURE FOR COACHES AND VIP



Material:

		Scotchbrite gray (680226)	√	Sika 206 G+P 1 liter (683446)	√
Anti-silicone (682989)	√				
Tack cloth	√				
CHIX cloth (682384)	√				
Blue cloth (682383)	√			Sika 252 black	√
Pure water	√	Masking tape	√		


Equipment:


Glue gun	√	
Compression roller	√	

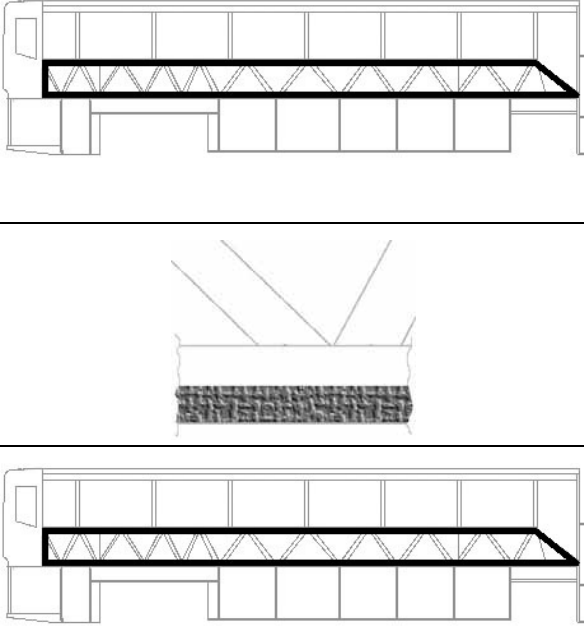
SECTION #1 SIDE PANEL INSTALLATION		
1.00	SS Body structure preparation	<div style="display: flex; align-items: flex-start;"> <div style="width: 15%; padding-right: 10px;"> <p>A)</p> <p>Clean using anti-silicone. See PR000001 section A. Use Scotchbrite to sand structure. Use 1 side of Scotchbrite for 1 side of vehicle.</p> </div> <div style="width: 85%;">  </div> </div>

PR000001 Section A Alcohol or Anti-silicone	
<div style="display: flex; align-items: center;">  <div style="margin-left: 20px;"> <p>1. Apply</p> <div style="border: 1px dashed black; background-color: yellow; padding: 2px; display: inline-block;">CHIX cloth</div> </div> </div>	<div style="display: flex; align-items: center;">  <div style="margin-left: 20px;"> <p>2. Dry immediately</p> <div style="border: 1px dashed black; background-color: cyan; padding: 2px; display: inline-block;">Blue cloth</div> </div> </div>
3. Allow to dry	
Mandatory	<p>Minimum time : Wait for product to evaporate</p> <p>After 2 hours: Start cleaning operation again</p>
Before applying any other product	<p>If surface seems dusty, greasy or with finger marks, start cleaning operation again.</p>

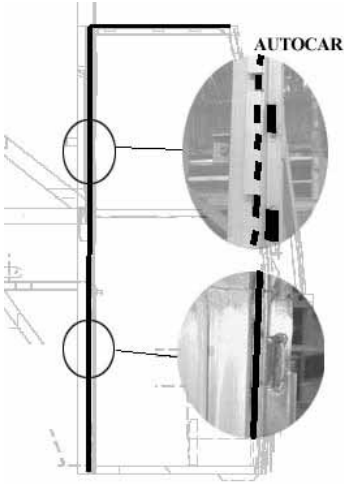


1.05	Fiberglass panel preparation (fiber side)
------	--

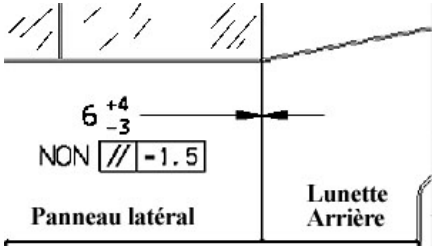
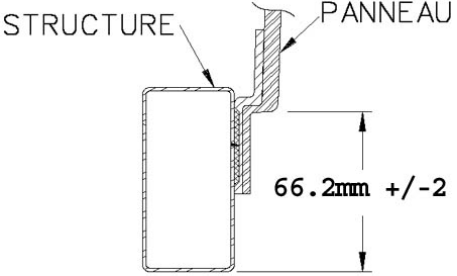



A)	Clean using tack cloth. Repeat if surface seems dusty.	
B)	Clean using anti-silicone See PR000001 section A.	
C)	Apply primer 206 G+P. See PR000001 section D.	


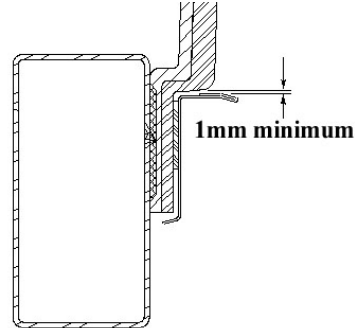
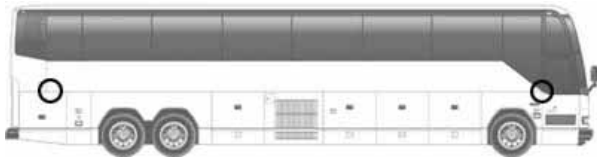
PR000001 Section D Sika Primer 206 G+P							
	<p>3. Shake bottle to mix product</p> <p>4. Apply a thin layer</p> <div style="border: 1px dashed black; background-color: yellow; padding: 2px; display: inline-block;">CHIX cloth</div>						
3. Allow to dry							
Mandatory	<table border="1" style="width: 100%;"> <tr> <td style="width: 15%; text-align: center;">206 G+P</td> <td>Minimum time : 10 minutes</td> </tr> <tr> <td></td> <td>After 2 hours: Remove dust using damp cloth (pure water)</td> </tr> <tr> <td></td> <td>After 8 days : Reactivate with Aktivator as per section "C"</td> </tr> </table>	206 G+P	Minimum time : 10 minutes		After 2 hours: Remove dust using damp cloth (pure water)		After 8 days : Reactivate with Aktivator as per section "C"
206 G+P	Minimum time : 10 minutes						
	After 2 hours: Remove dust using damp cloth (pure water)						
	After 8 days : Reactivate with Aktivator as per section "C"						
<table border="1" style="width: 100%;"> <tr> <td style="width: 40%;">Before applying any other product</td> <td>If surface seems dusty, dust using damp cloth.</td> </tr> <tr> <td></td> <td>If surface seems greasy or with finger marks, reactivate with Aktivator.</td> </tr> </table>		Before applying any other product	If surface seems dusty, dust using damp cloth.		If surface seems greasy or with finger marks, reactivate with Aktivator.		
Before applying any other product	If surface seems dusty, dust using damp cloth.						
	If surface seems greasy or with finger marks, reactivate with Aktivator.						

1.10	<table border="1" style="width: 100%;"> <tr> <th colspan="2" style="background-color: black; color: white; text-align: center;">SS Body structure preparation</th> </tr> <tr> <td data-bbox="267 1297 321 1545">A)</td> <td data-bbox="321 1297 829 1545">Clean using anti-silicone. Clean structure at least twice. Repeat is necessary until cloth comes clean. See PR000001 section A.</td> </tr> <tr> <td data-bbox="267 1545 321 1766">B)</td> <td data-bbox="321 1545 829 1766">Apply 1 ¼" protective tape along bottom structural tubing.</td> </tr> <tr> <td data-bbox="267 1766 321 1948">C)</td> <td data-bbox="321 1766 829 1948">Apply 206 G+P onto structure. See PR000001 section D.</td> </tr> </table>	SS Body structure preparation		A)	Clean using anti-silicone. Clean structure at least twice. Repeat is necessary until cloth comes clean. See PR000001 section A.	B)	Apply 1 ¼" protective tape along bottom structural tubing.	C)	Apply 206 G+P onto structure. See PR000001 section D.	 <p>The diagram illustrates the three-step process: (A) cleaning the structural frame, (B) applying protective tape to the bottom tubing, and (C) applying the primer to the entire structure.</p>
SS Body structure preparation										
A)	Clean using anti-silicone. Clean structure at least twice. Repeat is necessary until cloth comes clean. See PR000001 section A.									
B)	Apply 1 ¼" protective tape along bottom structural tubing.									
C)	Apply 206 G+P onto structure. See PR000001 section D.									

Section 18: BODY

1.15	<p>Seal entrance door perimeter using Sika 252 black, Smooth down the excess.</p>	
1.20	<p>Install lateral panel supports onto bottom structural tubing. Install lateral panel onto supports to verify proper positioning.</p>	
1.25	<p style="text-align: center;">Glue application</p> <p>A) Set (timer) or record time. 🕒 No more than 45 minutes should elapse between beginning of glue application and panel installation.</p> <p>B) Apply Sika 252 black onto structure</p> 	
1.30 *	<p>A) Install lateral panel onto supports and clamp panel in place using "C" clamps and square tubing to even out the pressure. Note: A maximum of clamps should be used (every 6 inches) to ensure proper bonding. Do not tighten too much.</p>	
	<p>B) At the rear, adjust panel height so that it is level with rear cap</p>	

	<p>C) Gap between lateral panel and rear cap must be 6mm +4/-3 and panels must be aligned within 1.5mm.</p>	
	<p>D) Using a ruler, adjust front of lateral panel.</p>	
	<p>E)  Verify if panel upper corner is in the middle of window post.</p>	
<p>1.55</p>	<p>Remove excess of glue using a spatula.</p> <p>Apply a bead of Sika 252 at the top of panel</p> <p>Spray pure water onto all the joints to speed up drying process</p>	
<p>1.60</p>	<p>Remove protective tape (installed at step 1.10b).</p>	
<p>1.70</p>	<p>Do not move the vehicle for 48 hours</p> <p>Make sure room temperature is superior to 20°C (68°F) before gluing</p> <p>Perform a visual inspection before installing side windows</p>	

SECTION #2 DRIP MOLDING INSTALLATION			
2.00 *	A)	Clean using Anti-silicone See PR000001 section A.	
	B)	Apply Sika 206 G+P See PR000001 section D.	
2.05	Remove blue paper from drip molding. Remove protective tape from double-face self adhesive tape		
2.10	Glue drip molding. Allow a gap of 1mm minimum between top of drip molding and panel.		
2.15	Compress drip molding using the compression roller to increase adherence.		
2.20	Round off rear and front drip molding corners.		

SECTION #3 REPAIR			
4.00	Remove fiberglass from structure using a screwdriver. Use wedges if necessary to hold down panel during the work.		
4.05	Remove as much glue as possible. If primer is removed, apply primer 206 G+P locally. If primer is OK, reactivate as per PR000001 section D.		
4.10	Apply Ultrafast 2 glue (heated).		
4.15	Compress panel using clamps and a metal flat bar (for an even compression). Only use screws as a last resort to compress.		
4.20	Vehicle must not move for the next 12 hours.		

33. REAR VIEW MIRRORS (RAMCO)

Your vehicle is equipped with two exterior mirrors.

The mirrors may be equipped with an optional electric heating system which serves to minimize ice and condensation on the mirror glass in extreme weather conditions. Integral thermostats are installed in both mirrors to avoid continuous heating. Use the appropriate switch on the dashboard to activate the defroster system on both mirrors simultaneously. The mirrors can easily be adjusted by using the remote controls located on the L.H. side control panel. The mirrors have easy to replace glass in case of breakage. Remote control motors can also be replaced.

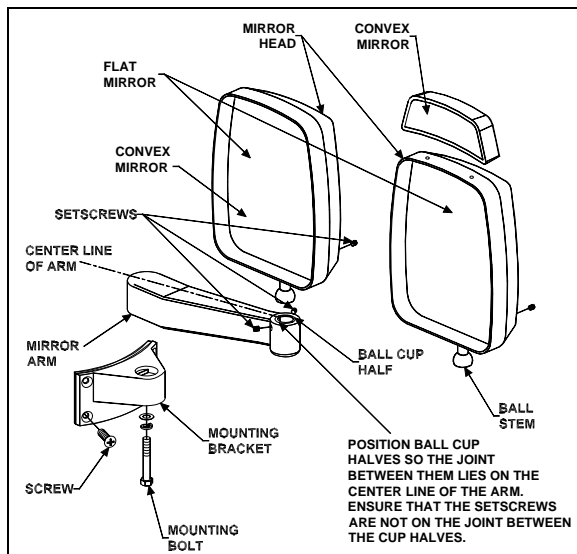


FIGURE 78: REAR-VIEW MIRROR (RAMCO)

18201

33.1 ADJUSTMENT

At the base of the mirror arm, loosen the mounting bolt to swing arm in or out.

To pivot the mirror head, loosen the setscrews on each side of the ball stub at the base of the mirror head to facilitate the adjustment.

33.2 DISASSEMBLY

At end of mirror arm, loosen the setscrews to relieve tension on the ball stem. Remove the ball stem from the arm.

Remove the four screws fastening the mirror arm base to the coach.

33.3 ASSEMBLY

Mount the mirror arm base to the coach.

Insert the ball stem into the mirror arm and tighten the socket setscrews.

Note: Position the ball cup halves so the joint between them lies on the centerline of the arm. Ensure that the setscrews are not on the joint between the cup halves.

33.4 REPLACEMENT OF MIRROR GLASS

Remove the broken glass.

Position new glass in mirror head and press to lock the Velcro in place.

33.5 HEATED / REMOTE CONTROLLED REAR VIEW MIRRORS

Heated/remote controlled external rear view mirrors may be provided to prevent the mirrors from frosting up in cold weather.

The remote controlled external rear view mirrors attach to support arms using a pivot collar secured by setscrews. Loosening the setscrews allows the whole head assembly to turn on the support arm for initial adjustment. A mounting bolt and washer hold the arm support to the mounting bracket. The arm support can be moved to position the mirror head into or away from the coach body.

The mirror heat switch is located to the left of the driver on the dashboard. This switch must be activated before the mirror heating element will energize. Once energized, the mirror heating element is kept at a sustained temperature (between 60-80°F) by a thermostat. Refer to wiring diagram annexed in the technical publication box.

Caution: Do not attach stick-on type convex mirror accessories to the heated mirror glass. This could impede uniform heat distribution on the mirror surface which could break the mirror.

33.5.1 Mirror Control

The remote control pointer knob(s) for the mirrors is (are) mounted on the L.H. side control panel. The harness to the mirror head runs through the arm support. The remote motor is mounted to the mirror head behind the mirror glass.

Turn pointer knob to the left for mirror head adjustments and to the right for convex mirror adjustment, then push down on either of the button's (4) sides to adjust the selected mirror viewing angle.

Section 18: BODY

33.5.2 Disassembly

At end of mirror arm, loosen the setscrews to relieve tension on the ball stud. Remove the ball stud. Remove the ball stud from the arm and gently pull the harness out until the connector is exposed.

Remove the four screws fastening the mirror arm base to the coach. Slide the harness free of the mirror arm base.

33.5.3 Assembly

Attach a stiff wire (snake) to the end of the harness and insert the wire through the mirror arm base and arm, gently pull the harness through the arm and disconnect the "snake".

Connect the mirror head harness. Insert the harness connector back into the mirror arm.

Insert the ball stud into the mirror arm and tighten the socket setscrews.

Note: Position the ball cup halves so the joint between them lies on the centerline of the arm. Ensure that the setscrews are not on the joint between the cup halves.

33.5.4 Convex & Flat Mirror Removal

The mirror glass assembly is mounted to the control mechanism or to mirror base with Velcro strips. Remove the mirror glass by gently pulling the lens to release the Velcro. Disconnect the heater grid at the two connectors.

Connect the connectors of the new mirror's grid to the harness. Install the lens by positioning the lens in the mirror frame and pressing to lock the Velcro in place.

34. VEHICLE JACKING POINTS

The vehicle can be lifted by applying pressure under body jacking points or front and drive axle jacking points (from fig. 79 up to 85). When it is necessary to lift the vehicle, care should be taken to ensure that the pressure is applied only on the specified areas. Equipment for lifting the front of the vehicle must have a combined lifting capacity of at least 20,000 lb. (9 100 kg).

Equipment for lifting the rear of the vehicle must have a combined lifting capacity of at least 40,000 lb. (18 200 kg).

Warning: DO NOT tow or jack vehicle with people on board.

Warning: When it is necessary to raise the vehicle, care should be taken to ensure that pressure is applied only at the points indicated in figures 79, 80, 81 and 82.

Warning: Extra lift capacity may be required if luggage or any other type of load (e.g. conversion equipment) are onboard the vehicle.

Caution: The suspension of the vehicle must be in the normal ride position before jacking. The "Level Low" system on a motorcoach must be in the "DRIVE" position prior to turning the ignition key "OFF".

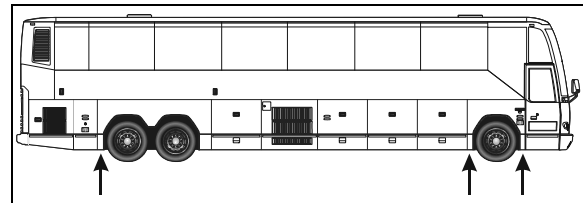


FIGURE 79: JACKING POINTS ON STRUCTURE 18480

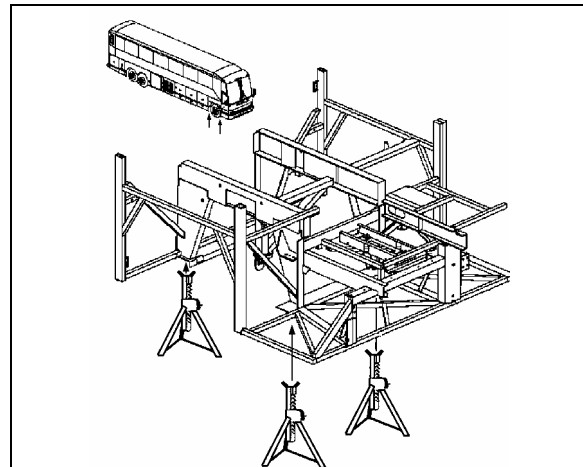


FIGURE 80: JACKING POINTS ON FRONT FRAME

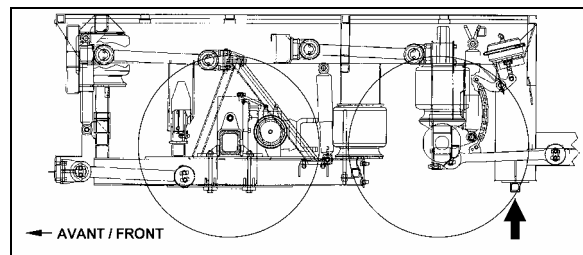


FIGURE 81: JACKING POINTS ON REAR FRAME

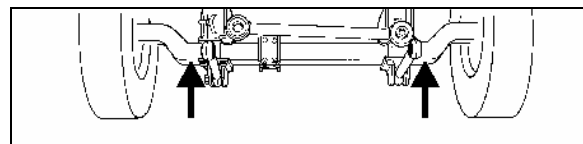


FIGURE 82: JACKING POINTS ON FRONT AXLE 18084

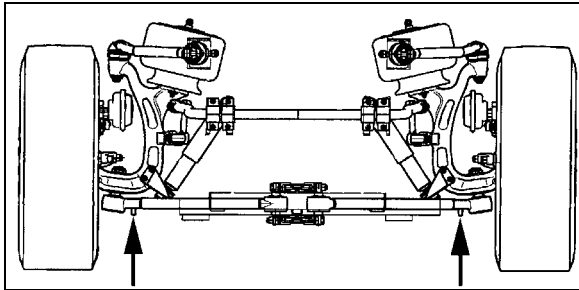


FIGURE 83: JACKING POINTS ON IND. SUSPENSION

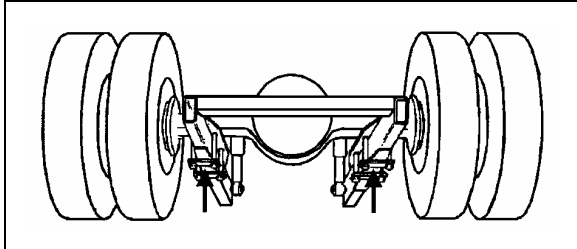


FIGURE 84: JACKING POINTS ON DRIVE AXLE 18085

Caution: Always unload or retract the tag axle before jacking the vehicle from the front and drive axle jacking points to prevent damage to suspension components.

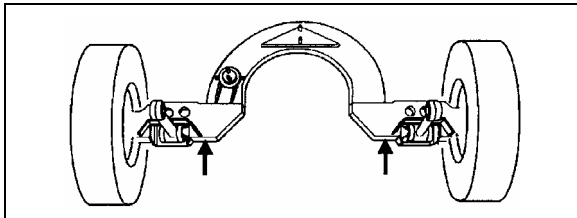


FIGURE 85: JACKING POINTS ON TAG AXLE 18086

Caution: The jacking points on the tag axle must be used for raising the tag axle only.

35. TOWING THE VEHICLE

The vehicle can be transported on a low bed semi-trailer of adequate gross axle weight capacity. When transporting a vehicle, apply parking brake and shut down the engine. Block all wheels and secure vehicle with tie-downs. Check that overall height will clear obstacles on the route to follow, and obtain required permits.

The vehicle can also be towed by lifting the front axle or by towing from the front with all wheels on the ground. These two methods are described below under their respective headings. Whatever the method used, the vehicle should be towed by truck operators authorized and experienced in towing highway coaches.

Observe normal precautions including, but not limited to, the ones listed below when towing the vehicle:

- Make sure the parking brake is released before towing.
- Do not allow passengers to ride onboard the towed vehicle.
- Tow the vehicle at a safe speed as dictated by road and weather conditions.
- Accelerate and decelerate slowly and cautiously.

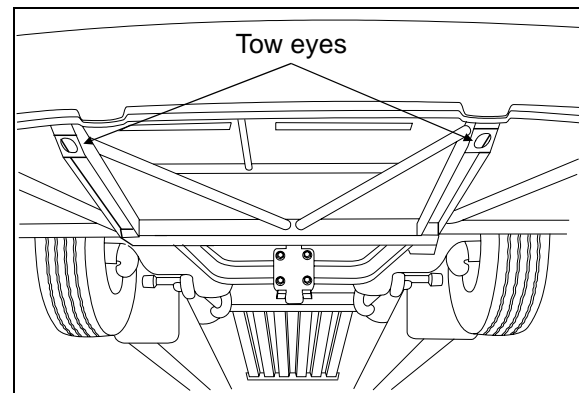


FIGURE 86: TOW EYES UNDER VEHICLE 18401

35.1 LIFTING AND TOWING

The towed vehicle must be lifted from under the front axle only. The tow truck must be equipped with the proper lifting equipment to reach under the front axle since no other lifting points are recommended. Lifting and towing from any other point are unauthorized as it may cause serious damage to the structure. Do not unload or raise the tag axle when lifting and towing to prevent overloading the drive axle.

1. Remove both drive axle shafts to prevent damage to the transmission. Plug axle tube to prevent oil loss. Refer to Rockwell's "Maintenance manual no.5" annexed at the end of Section 11, Rear axle, in this manual for correct procedure.

Caution: Transmission lubrication is inadequate when towing. With either automatic, semi-automatic or manual transmission, the drive axle shafts must be removed to avoid serious damage to the transmission.

2. Operate the engine when towing to maintain brake system air pressure. If the engine cannot be operated, connect an external air pressure line from the tow truck to the emergency fill valve in the engine compartment. The emergency fill valve in the front service compartment does not supply air

Section 18: BODY

pressure to the brake system. The air pressure must be a minimum of 75 psi (520 kPa), and the line should be attached to the air line with a clip-on chuck.

Caution: Do not tow the vehicle without external air pressure applied to the emergency fill valve if the engine does not operate. Without brake system air pressure, the brakes may apply automatically if system air drops below 40 psi (275 kPa). If failure prevents releasing the parking brakes with air pressure, disengage the parking brakes mechanically.

3. Lift the vehicle from under the front axle, and adequately secure the underside to the tow vehicle lifting attachment with chains.
4. Observe safety precautions when towing.

35.2 TOWING WITHOUT LIFTING

Caution: When towing vehicle without lifting, use only a tow truck with a solid link tow bar and related equipment. All other means of towing are unauthorized. Tow only from the front of the vehicle.

1. Remove both drive axle shafts to prevent damage to the transmission. Plug axle tube to prevent oil loss. Refer to Rockwell's "Maintenance manual no.5" annexed at the end of Section 11, Rear axle, in this manual for correct procedure.

Caution: Transmission lubrication is inadequate when towing. With automatic, semi-automatic or manual transmission, the drive axle shafts must be removed to avoid serious damage to the transmission.

2. Operate the engine when towing to maintain brake system air pressure. If the engine cannot be operated, connect an external air pressure line from the tow truck to the emergency fill valve in the engine compartment. The emergency fill valve in the front service compartment does not supply air pressure to the brake system. The air pressure must be a minimum of 75 psi (520 kPa), and the line should be attached to the air line with a clip-on chuck.

Caution: Do not tow the vehicle without external air pressure applied to the emergency fill valve if the engine does not operate. Without brake system air pressure, the brakes may apply automatically if system air drops below 40 psi (275 kPa). If failure prevents releasing the parking brakes with air pressure, disengage the parking brakes mechanically.

3. Position the tow truck so that the tow bar contacts the front bumper of the vehicle.
4. Attach the tow truck chains only in the tow eyes of the vehicle under the bumper and take up all the slack.
5. Attach safety chains as applicable.
6. Observe safety precautions when towing.

36. SPECIFICATIONS

Door cylinder

Manufacturer Bimba
Type Pneumatic
I.D. 1½" (mm)
Stroke..... 8" (mm)
Prevost number..... 780595

Damper

Manufacturer Koni
Prevost number..... 780565

Lock cylinder (upper)

Manufacturer Bimba
Type Air, single action, 1/8 NPT, hexagonal rod
I.D. 7/8" (22 mm)
Stroke..... 1" (25 mm)
Prevost number..... 641392

Lock cylinder (central)

Manufacturer Bimba
Type Air, single action, ¼ NPT
I.D. 1¾" (45 mm)
Stroke..... 1" (25 mm)
Prevost number..... 641209

Manifold solenoid

Manufacturer Norgren
Type 4 ports, 1/8 NPT
Voltage 24 VDC
Power consumption..... 6 watts
Maximum pressure..... 150 psi (1035 kPa)
Prevost number..... 641448

Solenoid valve (Latching valve)

Manufacturer Humphrey
Model 310
Operating range 0 to 125 psi (0 to 860 kPa)
Voltage 24 VDC
Voltage tolerance +10%, -15% of rated voltage
Power consumption..... 4 watts
Leak rate (max allowed) 0.245 in³/min @ 100 psi (4cc/min @ 690 kPa)
Type of operation Direct solenoid
Lubrication..... Not required (factory pre-lubed)
Filtration 40 micron recommended
Prevost number..... 641412

Pressure switch assembly

Prevost number..... 452831

SECTION 22: HEATING AND AIR CONDITIONING

CONTENTS

1. HEATING AND AIR CONDITIONING	5
2. AIR CIRCULATION WITH CENTRAL HVAC SYSTEM	5
2.1 DRIVER'S AREA	5
2.1.1 Coaches only.....	5
2.1.2 VIP only	5
2.2 PASSENGER'S (CABIN) AREA	5
3. AIR CIRCULATION WITH SMALL HVAC SYSTEM	7
3.1 AUXILIARY UNIT.....	7
4. SMALL HVAC SYSTEM OPERATION	7
4.1 DRIVER'S UNIT OPERATION.....	7
4.2 AUXILIARY UNIT OPERATION.....	7
5. CENTRAL HVAC SYSTEM OPERATION	7
5.1 DRIVER'S UNIT.....	7
5.2 PASSENGER'S UNIT	8
5.3 OVERHEAD COMPARTMENT UNIT (H3 COACHES)	9
6. HVAC UNIT MAINTENANCE	9
6.1 COIL CLEANING	10
6.2 DRIVER'S HVAC UNIT AIR FILTERS	10
6.3 PASSENGER'S UNIT AIR FILTER.....	11
6.4 OVERHEAD COMPARTMENTS FAN AIR FILTER.....	11
7. HVAC SYSTEM PARTICULARITIES, TESTING AND TROUBLESHOOTING	11
7.1 HVAC SYSTEM AND TEST MODE FOR SWITCHES AND SENSORS	12
7.2 HVAC SYSTEM AND TEST MODE FOR ELECTRIC MOTORS	12
7.3 PARTICULARITIES.....	12
7.4 HVAC SYSTEM TROUBLESHOOTING.....	13
8. CENTRAL HVAC SYSTEM - AIR CONDITIONING	14
8.1 A/C CYCLE	14
8.2 REFRIGERANT	15
8.2.1 Procurement.....	15
8.2.2 Precautions in Handling Refrigerant	15
8.2.3 Treatment in Case of Injury.....	16
8.2.4 Precautions in Handling Refrigerant Lines.....	16
8.3 REFRIGERANT SYSTEM CLEAN-OUT AFTER COMPRESSOR FAILURE.....	16
8.3.1 Determining Severity of Failure.....	17
8.3.2 Clean-out after Minor Compressor Failure.....	17
8.3.3 Clean-out After Major Compressor Failure	17
8.4 PUMPING DOWN.....	17
8.5 ADDING REFRIGERANT (VAPOR STATE).....	19
8.6 EVACUATING SYSTEM.....	20
8.6.1 Double Sweep Evacuation Procedure	20
8.7 CHARGING SYSTEM.....	21
9. CENTRAL HVAC SYSTEM – AIR CONDITIONING COMPONENTS	22
9.1 COMPRESSOR.....	22
9.1.1 Belt Replacement	22
9.1.2 Belt Play	23
9.1.3 Pulley Alignment.....	23

Section 22: HEATING AND AIR CONDITIONING

9.1.4	Longitudinal Compressor Alignment	23
9.1.5	Horizontal Compressor Alignment	23
9.1.6	Vertical Compressor Alignment.....	23
9.1.7	Compressor Maintenance	23
9.1.8	Troubleshooting Guide.....	24
9.2	MAGNETIC CLUTCH	25
9.2.1	HVAC Control Unit and Clutch Operation	25
9.3	EVAPORATOR MOTOR	25
9.3.1	Removal	25
9.3.2	Installation	26
9.3.3	Checking Operation of Brush in Holder	26
9.3.4	Brush Wear Inspection and Replacement	26
9.3.5	Seating Brushes	26
9.3.6	Brush Holder Adjustment	27
9.3.7	Checking Commutator.....	28
9.4	CONDENSER.....	28
9.4.1	Condenser Fan Motors.....	28
9.4.2	Condenser Fan Motor Removal.....	28
9.4.3	Brush Wear Inspection / Replacement.....	29
9.5	RECEIVER TANK.....	29
9.6	FILTER DRYER	29
9.6.1	Replacement	30
9.6.2	Moisture Indicator.....	30
9.7	LIQUID REFRIGERANT SOLENOID VALVE	30
9.7.1	Manual Bypass.....	30
9.7.2	Coil Replacement.....	30
9.7.3	Valve Disassembly.....	31
9.7.4	Valve Reassembly.....	31
9.8	EXPANSION VALVE	31
9.8.1	Central system	31
9.8.2	Driver's System	34
9.9	TORCH BRAZING	34
9.10	TROUBLESHOOTING	35
9.10.1	Expansion Valve.....	35
9.10.2	A/C.....	36
9.11	TEMPERATURES & PRESSURES.....	38
9.12	LEAK TESTING	38
10.	SMALL HVAC SYSTEM – AIR CONDITIONING COMPONENTS.....	39
10.1	COMPRESSOR.....	39
10.2	MAGNETIC CLUTCH	39
10.3	MAINTENANCE PRECAUTIONS	39
10.3.1	Work Area.....	39
10.3.2	Refrigerant Handling	40
10.3.3	PAG Oil Handling	40
10.3.4	Refrigerant Recovery	40
10.3.5	Compressor Handling.....	40
10.4	COMPRESSOR REMOVAL	40
10.4.1	When the compressor is operational.....	40
10.4.2	When the compressor is inoperable.....	40
10.5	INSTALLATION PRECAUTIONS	41
10.6	COMPRESSOR OIL CHANGE	41
10.6.1	Evacuating System Before Adding Refrigerant (Driver's or Auxiliary System).....	42
10.7	OIL ADDITION.....	42
10.8	COMPRESSOR OIL CONTAMINATION.....	42
10.9	OIL RETURN OPERATION.....	42
10.10	OIL CHECK INTERVAL	43

10.11	LEAK TEST PROCEDURE WITH COMPRESSOR REMOVED.....	43
10.12	TIGHTENING TORQUES.....	44
11.	HEATING SYSTEM	47
11.1	SMALL HVAC SYSTEM	48
11.2	CENTRAL HVAC SYSTEM	48
11.3	DRAINING HEATING SYSTEM.....	48
11.3.1	<i>Draining Driver's Unit Heater Core.....</i>	<i>48</i>
11.3.2	<i>Draining Passenger's Unit Heater Core.....</i>	<i>48</i>
11.4	FILLING HEATING SYSTEM.....	49
11.5	BLEEDING HEATING SYSTEM	49
11.6	SOLDERING.....	50
11.7	DRIVER'S UNIT HOT WATER PNEUMATIC VALVE.....	50
11.8	PASSENGER'S UNIT HOT WATER PNEUMATIC VALVE ASSEMBLY	50
11.8.1	<i>Description</i>	<i>50</i>
11.8.2	<i>Hot Water Pneumatic Valve Disassembly.....</i>	<i>50</i>
11.8.3	<i>Hot Water Pneumatic Valve Reassembly</i>	<i>51</i>
11.8.4	<i>Pilot Solenoid Valve</i>	<i>51</i>
11.8.5	<i>Valve Troubleshooting.....</i>	<i>51</i>
11.9	HOT WATER RECIRCULATING PUMP.....	51
11.9.1	<i>Removal</i>	<i>52</i>
11.9.2	<i>Disassembly.....</i>	<i>52</i>
11.9.3	<i>Brushes</i>	<i>52</i>
11.9.4	<i>Assembly.....</i>	<i>53</i>
11.9.5	<i>Installation</i>	<i>53</i>
11.10	WATER FILTER	53
11.10.1	<i>Maintenance</i>	<i>53</i>
11.10.2	<i>Filter Servicing.....</i>	<i>53</i>
11.11	BYPASS SOLENOID WATER VALVE (OPTIONAL)	54
11.11.1	<i>Improper Operation.....</i>	<i>54</i>
11.11.2	<i>To Remove or Change the Coil.....</i>	<i>54</i>
11.11.3	<i>Valve disassembly and Reassembly.....</i>	<i>54</i>
12.	PREHEATING SYSTEM (OPTIONAL ON COACHES ONLY).....	55
12.1	OPERATION.....	56
12.2	PREHEATING SYSTEM TIMER.....	56
12.2.1	<i>Timer operating instructions (Webasto).....</i>	<i>56</i>
12.3	TROUBLESHOOTING AND MAINTENANCE.....	58
13.	SPECIFICATIONS	59

ILLUSTRATIONS

FIGURE 1: DRIVER'S UNIT AIR CIRCULATION (COACHES & VIP).....	5
FIGURE 2: CENTRAL HVAC SYSTEM – PASSENGER'S UNIT AIR CIRCULATION (COACH)	6
FIGURE 3: OVERHEAD COMPARTMENT VENTILATION SYSTEM.....	7
FIGURE 4: CONTROL UNIT - SMALL HVAC SYST.....	7
FIGURE 5: CONTROL UNIT - CENTRAL HVAC SYST	7
FIGURE 6: MAIN BREAKERS.....	9
FIGURE 7: HVAC CONTROL PANEL	9
FIGURE 8: PASSENGER OVERHEAD COMPARTMENT UNIT.....	9
FIGURE 9: PASSENGER'S UNIT EVAPORATOR COIL	10

Section 22: HEATING AND AIR CONDITIONING

FIGURE 10: PASSENGER'S UNIT EVAPORATOR COIL (VIP WITH CENTRAL HVAC SYSTEM ONLY)	10
FIGURE 11: PASSENGER'S UNIT CONDENSER COIL	10
FIGURE 12: R.H CONSOLE AIR FILTER ACCESS GRILL (COACHES)	11
FIGURE 13: R.H. CONSOLE AIR FILTER ACCESS GRILL (VIP)	11
FIGURE 14: DRIVER'S UNIT AIR FILTERS.....	11
FIGURE 15: PASSENGER'S UNIT AIR FILTER	11
FIGURE 16: PARCEL RACK FAN AIR FILTER	11
FIGURE 17: CENTRAL HVAC SYSTEM – AIR CONDITIONING.....	19
FIGURE 18: DOUBLE SWEEP EVACUATION SET-UP	21
FIGURE 19: TENSIONING VALVE	22
FIGURE 20: DRIVE BELT TENSIONING AIR BELLOWS.....	23
FIGURE 21: BELT PLAY	23
FIGURE 22: COMPRESSOR ALIGNMENT	24
FIGURE 23: COMPRESSOR ALIGNMENT	24
FIGURE 24: EVAPORATOR COMPARTMENT	25
FIGURE 25: EVAPORATOR MOTOR ASSEMBLY.....	26
FIGURE 26: PROPER GRINDING TECHNIQUE	26
FIGURE 27: IMPROPER GRINDING TECHNIQUE	27
FIGURE 28: GRINDING WITH THE BRUSH SEATER STONE	27
FIGURE 29: SEATING SURFACE OF THE BRUSH.....	27
FIGURE 30: EVAPORATOR MOTOR	28
FIGURE 31: CONDENSER FAN SPEED IN RELATION WITH HIGH SIDE PRESSURE	28
FIGURE 32: CONDENSER FAN MOTOR	29
FIGURE 33: A/C CONDENSER COMPARTMENT	29
FIGURE 34: REFRIGERANT SOLENOID VALVE	31
FIGURE 35: EXPANSION VALVE	32
FIGURE 36: SUPERHEAT ADJUST. INSTALLATION	33
FIGURE 37: HIGH & LOW SWING TEMPERATURE AT REMOTE BULB.....	33
FIGURE 38: SELTEC TM-16HD COMPRESSOR	39
FIGURE 39: COMPRESSOR REMOVAL OR INSTALLATION.....	40
FIGURE 40: LOOSENING THE DISCHARGE SIDE CONNECTOR'S CAP.....	41
FIGURE 41: ROTATING MAGNETIC CLUTCH	41
FIGURE 42: COMPRESSOR OIL LABEL.....	41
FIGURE 43: DRAINING THE OIL	41
FIGURE 44: ADDING NEW COMPRESSOR OIL.....	41
FIGURE 45: ADDING OIL AFTER REPLACING A COMPONENT	42
FIGURE 46: DISCHARGE AND SUCTION CAPS	43
FIGURE 47: TIGHTENING TORQUES	44
FIGURE 48: SMALL HVAC SYSTEM - AIR CONDITIONING.....	45
FIGURE 49: SMALL HVAC SYSTEM - DRIVER'S AND AUXILIARY UNIT	45
FIGURE 50: SMALL HVAC SYSTEM	46
FIGURE 51: CENTRAL HVAC SYSTEM – HEATING	47
FIGURE 52: DRIVER'S UNIT AIR MIXING BOX	48
FIGURE 53: PASSENGER'S UNIT HEATER CORE (H3 COACHES).....	49
FIGURE 54: HEATER CORE INSIDE EVAPORATOR COMPARTMENT (H3 COACHES)	49
FIGURE 55: HEATER LINE SHUTOFF VALVES (CENTRAL HVAC SYSTEM)	49
FIGURE 56: HEATER LINE SHUTOFF VALVES (SMALL HVAC SYSTEM)	49
FIGURE 57: PASSENGER'S UNIT HOT WATER PNEUMATIC VALVE ASSEMBLY	50
FIGURE 58: PASSENGER'S UNIT HOT WATER PNEUMATIC VALVE	51
FIGURE 59: HOT WATER RECIRCULATING PUMP INSTALLATION (CENTRAL HVAC SYSTEM)	52
FIGURE 60: HOT WATER RECIRCULATING PUMP INSTALLATION (SMALL HVAC SYSTEM)	52
FIGURE 61: HOT WATER RECIRCULATING PUMP.....	53
FIGURE 62: WATER FILTER	54
FIGURE 63: BYPASS HOT WATER SOLENOID VALVE.....	55
FIGURE 64: WEBASTO PREHEATER (104,000 BTU)	55
FIGURE 65: WEBASTO	56

1. HEATING AND AIR CONDITIONING

The coach's interior is pressurized by its Heating, Ventilation, Air Conditioning (HVAC) system. Air flow and controls divide the vehicle in two areas: driver's area and passenger's (cabin) area. The interior of vehicle should always be slightly pressurized to prevent dust and moisture from entering vehicle. Each section has its own fresh air, returning air and discharge air ducting. The exhaust is mainly done through the lavatory ventilator and through normal air-tightness losses.

2. AIR CIRCULATION WITH CENTRAL HVAC SYSTEM

2.1 DRIVER'S AREA

Fresh air is taken from a plenum behind the front bumper and enters the mixing box through an ON/OFF damper. Return air is taken through the right console into the mixing box. Mixed air goes through cooling and heating coils, fans and discharge ducts.

Both right and left discharge ducts defrost one half of the windshield. The driver can also divert his air flow to the dashboard, from which he can direct vent to his upper body with adjustable HVAC register and to his feet with the appropriate button (see Figure 1 and Operator's manual or Owner's manual).

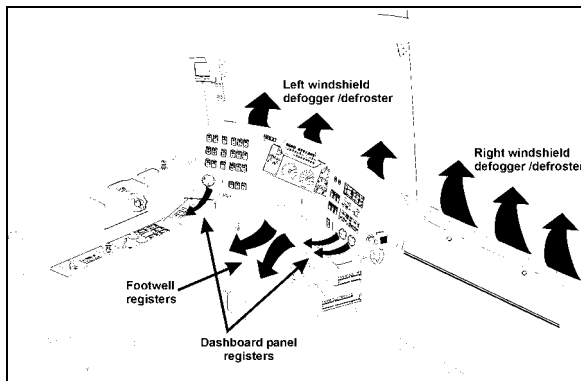


FIGURE 1: DRIVER'S UNIT AIR CIRCULATION (COACHES & VIP)

22291

2.1.1 Coaches only

Two additional air outlets are located in the driver's area but supplied by the passenger's (cabin) unit ducting system. One is located in the stepwell for step de-icing (Figure 2). The air flow outlet comes from the left side and is drawn from the first step riser. The other air outlet is located behind the driver, on his L.H. side. The air outlets can be rotated to direct Air flow. Optionally, the coach may be equipped with a

defogger/defroster system in the windshield upper-section, refer to paragraph: "Central Heating System" for more information.

2.1.2 VIP only

VIP vehicles equipped with the Central HVAC System have two additional registers called Navigator's registers located near the entrance door, at bottom of first lateral window.

2.2 PASSENGER'S (CABIN) AREA

Fresh air is taken from the left side of vehicle through a two-position damper located at the left of the evaporator compartment. The thermal control damper can be fully opened for normal operation or partially closed for extreme weather or highly polluted areas. The recirculation REC button is located on the HVAC control unit. Press down the button to partially close the fresh air damper.

NOTE

Opening the entrance door also partially closes the fresh air damper.

Return air is drawn through the first entrance step riser (coaches only), last entrance step riser and from the lower section of the floor ducts in two locations: one in the rear section of vehicle and the other in the front section of vehicle on the L.H. side (Figure 2).

A double blower fan unit, which is activated by the evaporator motor, draws mixed air through an air filter, cooling and heating coils, then forces this air in the ventilation ducts (upper section) along the walls, and finally exhausts it at the bottom of the windows.

On coaches, the Central HVAC system includes an overhead compartment ventilation system equipped with adjustable registers in the passenger's overhead console to control air flow for the passenger seats. One register per seat direct air flow by pointing or rotating register. Open or close register to adjust air flow (Figure 3). Also on coaches, the lavatory ventilator acts as the main exhaust for the whole vehicle, eliminates odors, and finally heats or cools the lavatory with the vehicle's ambient air.

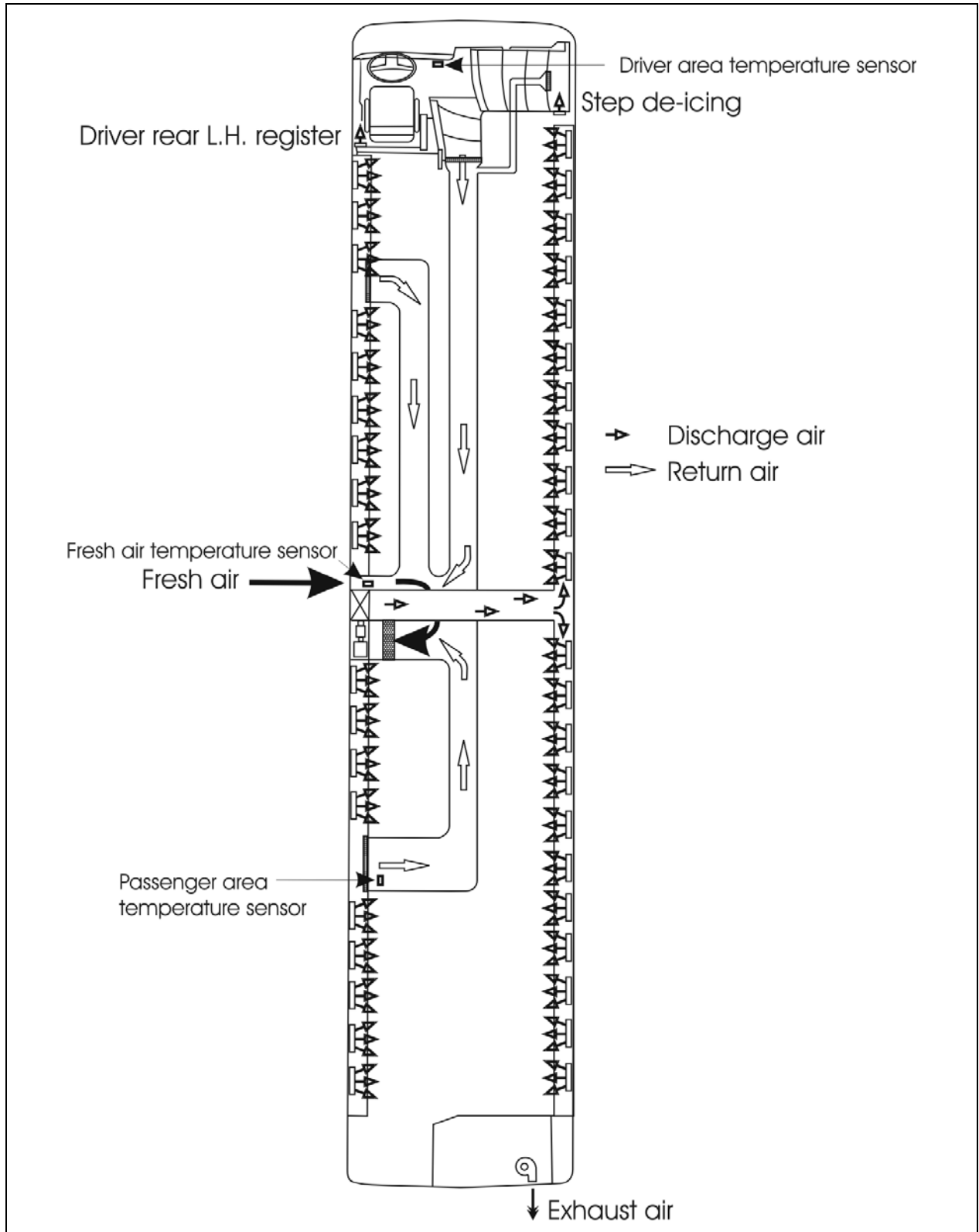


FIGURE 2: CENTRAL HVAC SYSTEM – PASSENGER'S UNIT AIR CIRCULATION (COACH)

22264

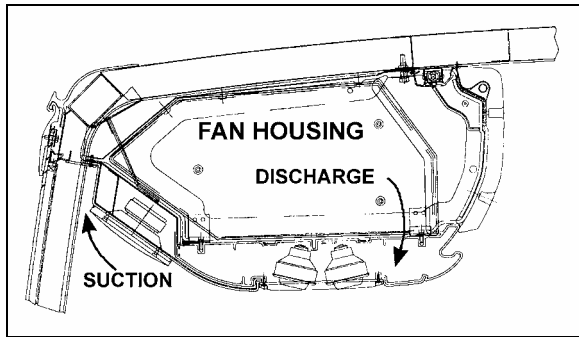


FIGURE 3: OVERHEAD COMPARTMENT VENTILATION SYSTEM 22211

3. AIR CIRCULATION WITH SMALL HVAC SYSTEM

Fresh air is taken from a plenum behind the front bumper and enters the mixing box through an adjustable damper. Returning air is taken through the right console into the mixing box. The recirculation REC button is located on the HVAC control unit (Figure 4). Mixed air goes through cooling and heating coils, fans and discharge ducts.

Both right and left discharge ducts defrost/defog one half of the windshield. The driver can divert his air flow to the dashboard, from which he can direct vent to his upper body with adjustable HVAC register and to his feet with the appropriate button (see Figure 1 and Owner's manual).

3.1 AUXILIARY UNIT

VIP vehicles with small HVAC system are equipped with an auxiliary system that provides five additional registers. Three are located behind the driver's seat and the other two are located near the entrance door, at bottom of first lateral window. The auxiliary unit comes with cooling and heating coils, fan and discharge ducts.

4. SMALL HVAC SYSTEM OPERATION

4.1 DRIVER'S UNIT OPERATION

The temperature control in the driver's area is provided directly by the HVAC control unit mounted on the dashboard R.H. side.

Using the Up/Down type switch sets the fan speed and the speed chosen is displayed on the HVAC control unit.

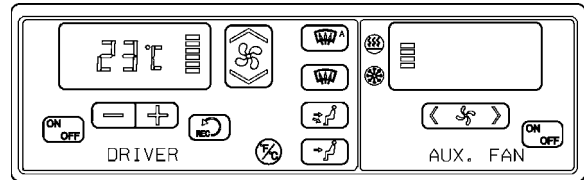


FIGURE 4: CONTROL UNIT - SMALL HVAC SYST. 22286

4.2 AUXILIARY UNIT OPERATION

The temperature control is provided by the small system HVAC control unit. The R.H. portion of the HVAC control unit enables to actuate the Auxiliary Unit and to regulate the fan speed. Using the < > type switch sets the fan speed and the speed chosen is illustrated on the window display.

5. CENTRAL HVAC SYSTEM OPERATION

To operate the air conditioning system when coach is stationary, engine should run at fast idle. During operation of the air conditioning system, windows should be kept closed and door not left open longer than necessary. In order to prevent battery discharge, HVAC system will not operate if vehicle charging system is not working properly.

5.1 DRIVER'S UNIT

The temperature control in the driver's area is provided directly by the L.H. portion of the HVAC control unit.

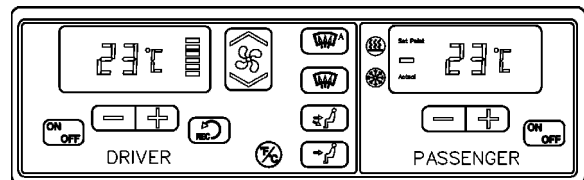


FIGURE 5: CONTROL UNIT - CENTRAL HVAC SYST 22276

The driver's unit piping is paralleled with the passenger's unit piping. Both units use the same refrigerant and coolant, and are linked to the same condenser and compressor, even if they are individually controlled. It requires the passenger's unit to engage the A/C compressor magnetic clutch; consequently, the driver's unit cannot be operated alone in the air conditioning mode.

NOTE

The driver's HVAC section turns on automatically at starting of the engine and uses the settings that were kept in memory before turning off of the system.

The A/C compressor starts automatically when the two following conditions are satisfied:

Section 22: HEATING AND AIR CONDITIONING

1. The outside temperature is above 32°F (0°C).
2. The passenger's area temperature has reached 7°F (4°C) under the set point.

NOTE

Upon starting, if the outside temperature is above 32°F (0°C) and then drops below 32°F (0°C), the compressor will keep running up to a temperature of 15°F (-9°C) to prevent condensation from forming on the windows.

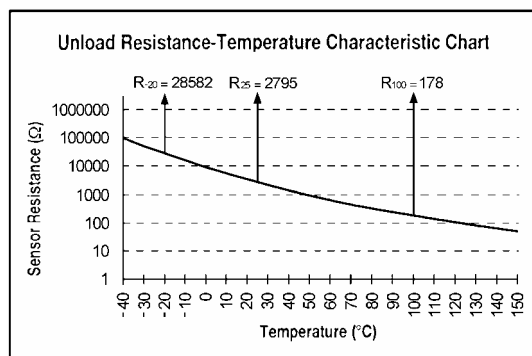
NOTE

To perform a test of the driver's section windshield defroster, it is possible to run the system without running the engine.

The following table and 2% error chart can be used to troubleshoot the driver's area air temperature sensor and the two other temperature sensors (passenger's area and fresh air).

NOTE

VIP vehicles equipped with Small HVAC System have two air temperature sensors; the driver's area temperature sensor (same place as coaches) and the exterior temperature sensor located behind the reclining bumper.



TEMPERATURE SENSOR		
Temp °C	Temp °F	Resistance Ohms
-40	-40	100865
-35	-31	72437
-30	-22	52594
-25	-13	38583
-20	-4	28582

-15	5	21371
-10	14	16120
-5	23	12261
0	32	9399
5	41	7263
10	50	5658
15	59	4441
20	68	3511
25	77	2795
30	86	2240
35	95	1806
40	104	1465
45	113	1195
50	122	980
55	131	808
60	140	670
65	149	559
70	158	468
75	167	394
80	176	333
85	185	283
90	194	241
95	203	207
100	212	178
105	221	153
110	230	133
115	239	115
120	248	100
125	257	88
130	266	77
135	275	68
140	284	60
145	293	53
150	302	47

Using the Up/Down type switch sets the fan speed and the speed chosen is illustrated on the window display.

5.2 PASSENGER'S UNIT

The passenger section of the HVAC control unit enables the selection of the temperature in the passenger's section (Refer to the VIP Owner's manual or H3 Operator's Manual for details).

Temperature control is provided in conjunction with a thermistor sensor located inside return duct, on L.H. side of vehicle (Figure 2).

The flow of water to the passenger's unit heater core is controlled by a pneumatic water valve which varies the cycling rate depending on selected temperature. A red LED indicator, located on the HVAC control unit, illuminates when the heating mode is one. A green LED indicator illuminates when compressor clutch is in operation.

The evaporator motor is located in the evaporator compartment on the L.H. side of vehicle is protected by a 90 amp, manually-resettable (CB3) circuit breaker mounted in the

main power compartment (refer to Section 06, "Electrical System" in this manual for details).

The condenser coil mounted on the opposite side of the evaporator is ventilated by two axial fans. The fan motors are protected by a manually-resettable 40 amp circuit breaker (CB 12) and a 70 amp circuit breaker (CB 7) mounted in the main power compartment on rear R.H. side of vehicle (Figure 6). Furthermore, the following relays, diodes and multiplex modules are located in the evaporator compartment (Figure 7). They are mounted on the HVAC components panel located on the R.H. side wall when facing the compartment.

Multiplex Module (evaporator compartment)	
A54	I/O-B
Relays (evaporator compartment)	
R9	24V Condenser fan R.H.
R10	24V Condenser fan L.H.
R12	24V Evaporator fan
R20	Water pump
R26	Pre-heating
Diodes (evaporator compartment)	
D9	Pre-heating
D10	Pre-heating
D16	Baggage compartment -3
D17	Baggage compartment -5
D19	Baggage compartment -2
D20	Baggage compartment -1
DXX	Not used

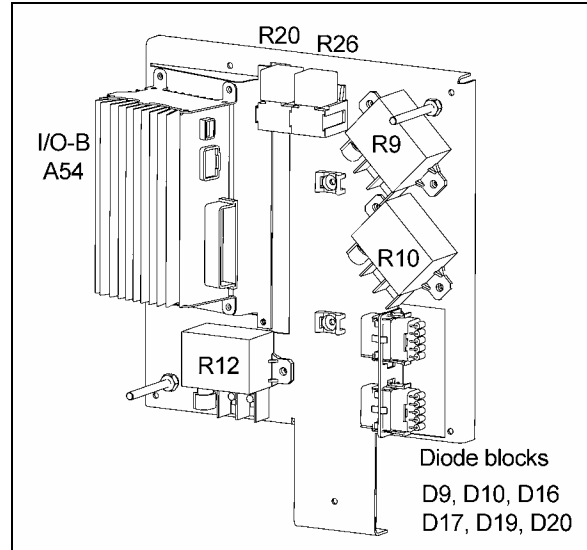


FIGURE 7: HVAC CONTROL PANEL 06596

5.3 OVERHEAD COMPARTMENT UNIT (H3 COACHES)

Optional evaporator coils may be added to both overhead compartment air systems. This air conditioning unit permits a wider temperature range in the passenger's area.

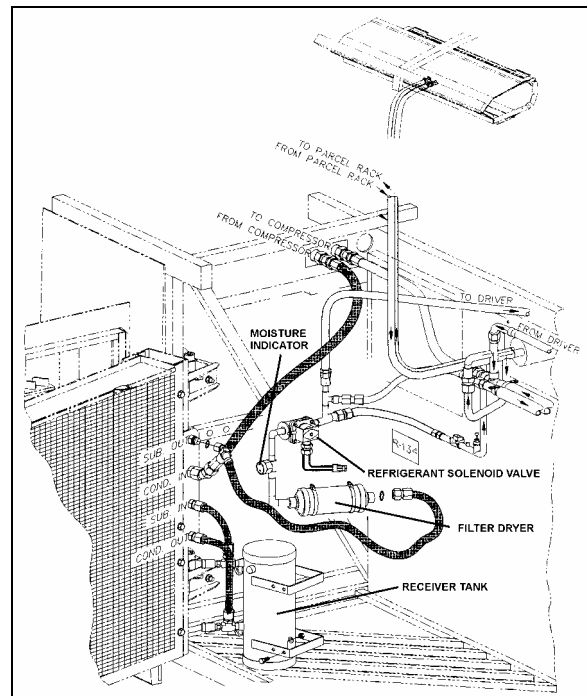


FIGURE 8: PASSENGER OVERHEAD COMPARTMENT UNIT 22221

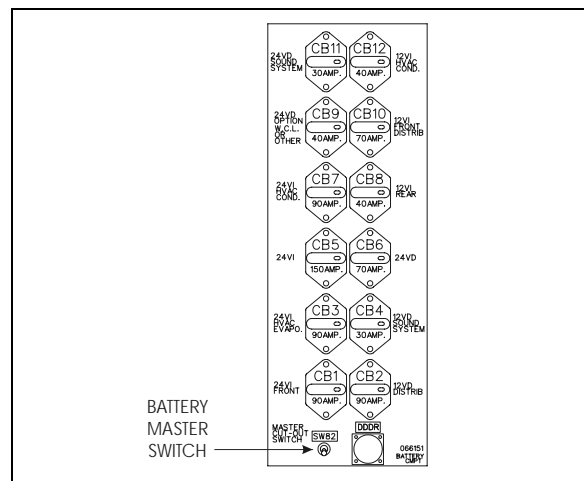


FIGURE 6: MAIN BREAKERS 06582

6. HVAC UNIT MAINTENANCE

No special maintenance is required on the passenger's and driver's units, with the

Section 22: HEATING AND AIR CONDITIONING

exception of cleaning their respective coil air filters.

NOTE

Squeeze rubber hose located under the concerned compartment, to eliminate water and dirt when you make routine maintenance.

6.1 COIL CLEANING

Check the external surface of the coil at regular intervals for dirt or any foreign matter.

For the driver's HVAC unit, remove the grill and the access panels and back flush the evaporator coil from inside (Figure 14).

For the optional windshield upper section defogger/defroster, remove the bottom access panel, remove the six bolts fixing the blower motor assembly. Use low air pressure to clean the coil.

For the passenger's unit evaporator coil, back flush the coil (Figure 9) every 12,500 miles (20 000 km) or once a year whichever comes first and for the condenser, back flush the coil (Figure 11) every 6,250 miles (10 000 km) or twice a year, whichever comes first.

Use a water jet or water mixed with low air pressure to clean the coil.

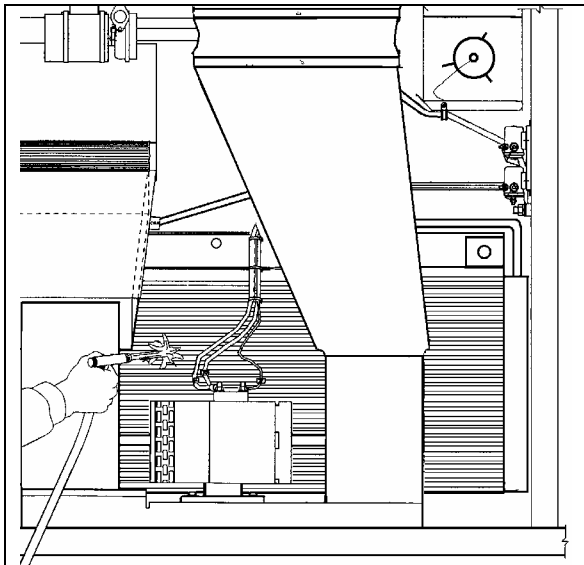


FIGURE 9: PASSENGER'S UNIT EVAPORATOR COIL 22226

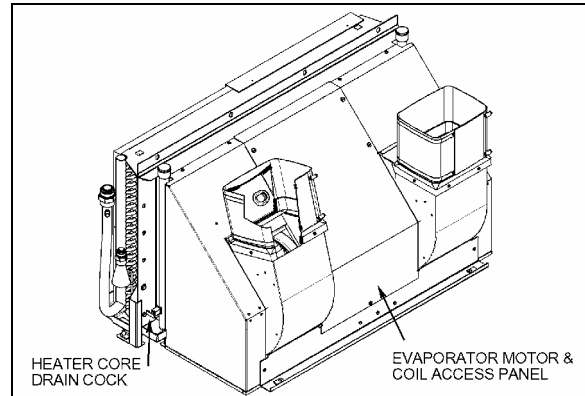


FIGURE 10: PASSENGER'S UNIT EVAPORATOR COIL (VIP WITH CENTRAL HVAC SYSTEM ONLY) 22332

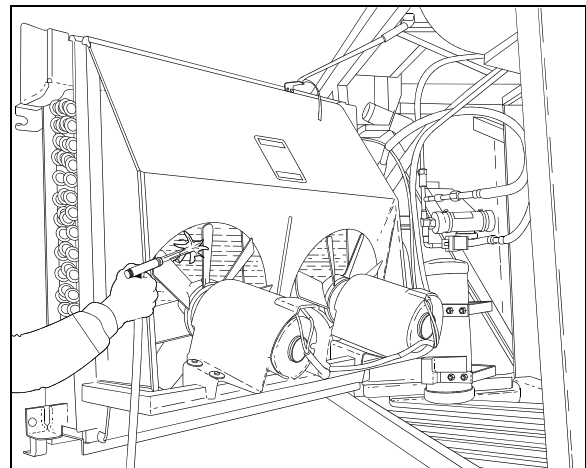


FIGURE 11: PASSENGER'S UNIT CONDENSER COIL 22170

CAUTION

Direct the pressure straight through the coil to prevent bending of fins and do not use extremely high pressure. Do not use hot water, steam or caustic soap.

6.2 DRIVER'S HVAC UNIT AIR FILTERS

The driver's unit is located behind the R.H. console panel. To gain access to the air filters, unscrew the R.H. console's grill located in the entrance stepwell. Slide out the "recirculating air filter" and "fresh air filter". To clean filter back flush with water, then dry with air, every 12,500 miles (20 000 km) or once a year, whichever comes first (Figure 12 to Figure 14).

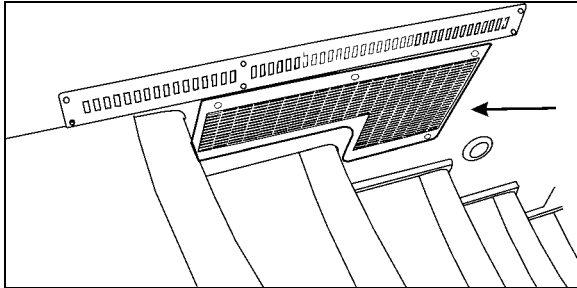


FIGURE 12: R.H. CONSOLE AIR FILTER ACCESS GRILL (COACHES) 18505

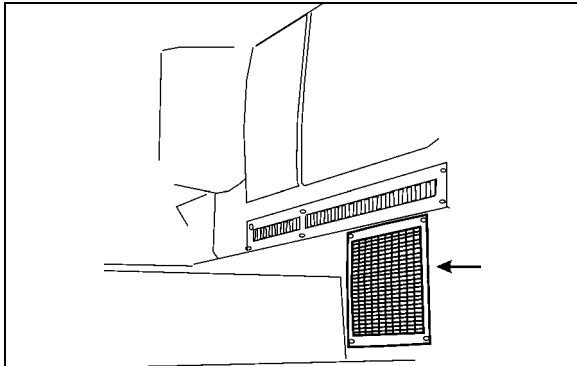


FIGURE 13: R.H. CONSOLE AIR FILTER ACCESS GRILL (VIP) 22232

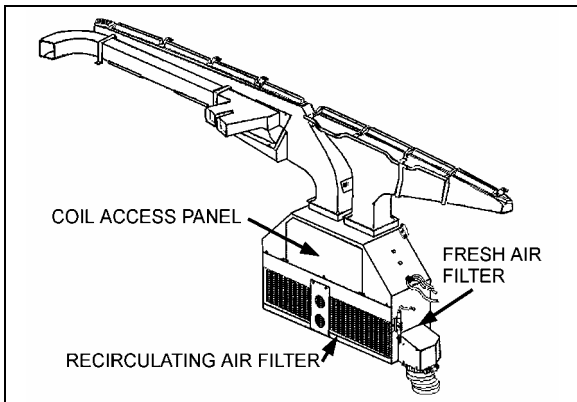


FIGURE 14: DRIVER'S UNIT AIR FILTERS 22171

6.3 PASSENGER'S UNIT AIR FILTER

The passenger's unit air filter is located in the evaporator compartment (Figure 15). To access the filter, locate access panels in one of the baggage compartments adjacent to the evaporator compartment. Open panels by turning the three screws of either panel ¼ of a turn, unsnap both fasteners on top of filter, and slide out filter. To clean filter, back flush with water or soapy water, then dry with air every 12,500 miles (20 000 km) or once a year, whichever comes first.

⚠ CAUTION ⚠
Do not use high pressure water jet to

avoid damaging filter.

⚠ CAUTION ⚠
Be sure not to reverse filter upon installation.

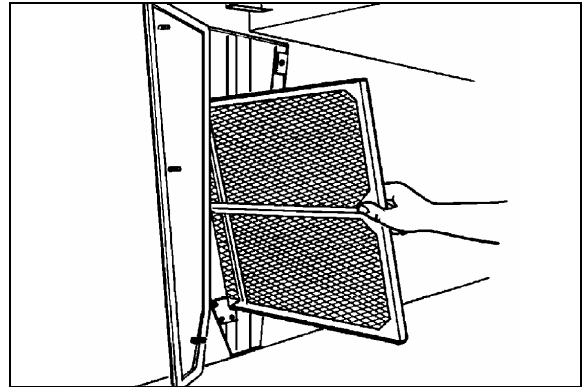


FIGURE 15: PASSENGER'S UNIT AIR FILTER 22100

6.4 OVERHEAD COMPARTMENTS FAN AIR FILTER

Air conditioning evaporator coils may be installed in both overhead compartment air systems. Only the air filters are serviceable. The air filters are accessible from inside the overhead compartments (Figure 16). Slide out the filters, then back flush with water, dry with air and replace. This procedure should be done every 12,500 miles (20,000 km) or once a year, whichever come first.

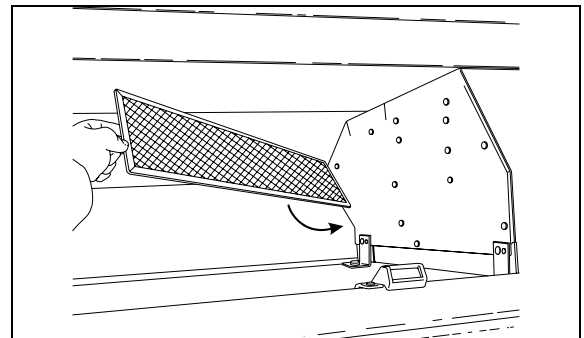


FIGURE 16: PARCEL RACK FAN AIR FILTER 22201

For air conditioning unit, ball valves are added on supply and return lines in the condenser compartment. They have service port to evacuate the A/C parcel rack circuit. When work has to be done on an evaporator coil unit, it will be easier to remove it and repair it on a bench.

7. HVAC SYSTEM PARTICULARITIES, TESTING AND TROUBLESHOOTING

Before undertaking any troubleshooting on the HVAC system, study the appropriate wiring

Section 22: HEATING AND AIR CONDITIONING

diagrams to get a complete understanding of the HVAC components circuitry, read and understand section 06:ELECTRICAL of this manual under "Troubleshooting And Testing The Multiplex Vehicles" and "Test Mode For Switches And Sensors". The information included in these paragraphs is necessary for troubleshooting the HVAC system on Multiplex vehicles.

7.1 HVAC SYSTEM AND TEST MODE FOR SWITCHES AND SENSORS

When in switch/sensor test mode (see Section 06: ELECTRICAL for complete information), the A/C compressor HI and LO pressure values are displayed one after the other instead of the outside temperature in the telltale panel LCD display. This feature can be used when the vehicle is traveling to check the A/C compressor pressure values.

NOTE

When starting the A/C compressor wait 5 seconds before checking pressures in order to give the system a chance to build its pressure. During the first 5 seconds after startup, the compressor is active on 6 cylinders and the A/C valve is open regardless of the pressure readings.

In test mode, with the parking brake applied and the passenger set point set to a value higher than 64°F (18°C), the hot water circulating pump is not set to OFF as it would normally do when the outside temperature gets above 50°F

Conditions for engaging the 2 nd speed on the evaporator motor (cooling demand).	The 2 nd speed engages if the passenger's area temperature is 1 degree above the set point and it revert to speed 1 if the temperature gets equal or below the set point.
Conditions for hot water recirculating pump activation (heating demand).	The pump turns to OFF if the outside temperature is above 50°F (10°C), when there is less demand for heating. Note: To test a working pump, it is possible to keep it active even if the outside temperature is above 50°F (10°C). See paragraph 5.2 HVAC SYSTEM AND TEST MODE FOR SWITCHES AND SENSORS.
The compressor unloaders are working based on pressure and also on the difference between the passenger's area temperature and the set point.	2 left compressor cylinders: Stop if: Passenger's area temperature is at less than 0.4°C degree above the set point or if the compressor output is above 280 psi, or if the compressor input is below 26 psi. Restart if: Passenger's area temperature is 0.9°C or more above the set point and the compressor pressure output is less than 220 psi and

(10°C). This feature allows verification of the pump when inside a garage. This is also useful when working on the heating system to remove air pockets trapped in the system.

When performing an A/C cooling test and having the water pump shut off in switch/sensor test mode is required, just set the passenger set point temperature to the minimum 64°F (18°C) to shut off the pump.

7.2 HVAC SYSTEM AND TEST MODE FOR ELECTRIC MOTORS

The test mode allows testing the motors and electric contactors without the need to have the engine running (see Section 06: ELECTRICAL under "TEST MODE FOR ELECTRICAL MOTORS" for complete information).

Use this test mode for testing of the condenser motors, the A/C compressor clutch activation, left and right unloaders, evaporator motor, water pump, hot water solenoid valve and overhead compartment air register fans.

7.3 PARTICULARITIES

	<p>the compressor pressure input is above 34 psi.</p> <p>2 right compressor cylinders:</p> <p>Stop if: Passenger's area temperature is at less than 0.2°C above the set point or if the compressor input falls below 23 psi.</p> <p>Restart if: Passenger's area temperature is 0.7°C or more above the set point and the compressor input pressure is above 32 psi.</p>
The A/C deactivation pressure is 320 psi.	<p>In case of high pressure, the analog pressure sensor connected to the Multiplex module deactivates the compressor.</p> <p>There is also a « Pressure switch » adjusted to 350 PSI that acts to stop the compressor in the instance that the Multiplex module fails.</p>

7.4 HVAC SYSTEM TROUBLESHOOTING

Problem/Symptom	Probable Causes	Actions
<p>No temperature control in the passenger area</p> <p>Passenger temperature display indicates two dashes "--"</p>	<p>Problem with the temperature sensor located in the passenger's area return air duct or the sensor wiring</p>	<p>1. Instruct the driver to manually control the temperature by playing with the passenger set point. Set above 22°C (72°F) to heat and below 22° C (72°F) to cool</p>
<p>Defroster fan not functioning</p>	<p>Module A47 is not powered or is faulty</p>	<p>1. Check the SYSTEM DIAGNOSTIC menu of the message center display (MCD). Select FAULT DIAGNOSTIC and ELECTRICAL SYSTEM. The message "Voltage Module A47, Value too Low, Active" confirms a power problem on the module</p> <p>2. Check / reset circuit breaker CB6</p> <p>3. Check / replace fuse F5</p> <p>4. Use the air release valves near the entrance door and in the front service compartment to lock / unlock the door</p>
<p>HVAC condenser fans not functioning in speed 1</p>	<p>Circuit breaker CB12 was manually tripped and not reset</p> <p>Seized bearing</p> <p>Brush problem</p> <p>Bad wiring</p>	<p>1. Check / reset circuit breaker CB12</p>
<p>HVAC condenser fans not functioning in speed 1</p>	<p>Module A54 is not powered or is faulty</p>	<p>1. Check the SYSTEM DIAGNOSTIC menu of the message center display (MCD). Select FAULT DIAGNOSTIC and ELECTRICAL SYSTEM. The message "Voltage Module A54, Value too Low, Active" confirms a power problem on the module</p> <p>2. Check / reset circuit breaker CB5</p> <p>3. Check / replace fuse F67 , F68</p>

Section 22: HEATING AND AIR CONDITIONING

Problem/Symptom	Probable Causes	Actions
HVAC condenser fans not functioning in speed 2	Circuit breaker CB7 was manually tripped and not reset Seized bearing Brush problem Bad wiring	1. Check / reset circuit breaker CB7
Defroster fan is functioning but no heat or cooling available in the driver area	Module A46 is not powered or is faulty Faulty speed control Bad wiring	1. Check the SYSTEM DIAGNOSTIC menu of the message center display (MCD). Select FAULT DIAGNOSTIC and ELECTRICAL SYSTEM. The message "Voltage Module A46, Value too Low, Active" confirms a power problem on the module 2. Check / reset circuit breaker CB1 3. Check / replace fuse F12
The A/C compressor clutch does not engage	Module A52 is not powered or is faulty	1. Check the SYSTEM DIAGNOSTIC menu of the message center display (MCD). Select FAULT DIAGNOSTIC and ELECTRICAL SYSTEM. The message "Voltage Module A52, Value too Low, Active" confirms a power problem on the module 2. Check / reset circuit breaker CB5 3. Check / replace fuse F65
Evaporator fan not functioning	Circuit breaker CB3 tripped Module A54 is not powered or is faulty Brush problem	1. Check / reset circuit breaker CB3 2. Check the SYSTEM DIAGNOSTIC menu of the message center display (MCD). Select FAULT DIAGNOSTIC and ELECTRICAL SYSTEM. The message "Voltage Module A54, Value too Low, Active" confirms a power problem on the module 3. Check / reset circuit breaker CB5 4. Check / replace fuse F67 , F68

8. CENTRAL HVAC SYSTEM - AIR CONDITIONING

The schematic of Figure 17 shows the central A/C system and its components. The central system is equipped with a 6 cylinder, 05G Twin Port-134A Carrier compressor with an air conditioning capacity of 9 tons. The receiver tank and filter dryer are mounted inside the condenser compartment.

NOTE

For opening of the A/C condenser door, open the baggage compartment door at the right of the A/C condenser compartment door. The condenser compartment door must be unbolted to fully swing open.

8.1 A/C CYCLE

Refrigeration may be defined as "the transfer of heat from a place where it is not wanted to a place where it is unobjectionable". Components required for a closed circuit refrigeration system are shown in Figure 17.

The air conditioning system used in the H3 series vehicle is the "Closed" type using R134a refrigerant.

1. The refrigerant flowing to the compressor is compressed to high pressure and reaches a temperature higher than the surrounding air. It is passed through the air-cooled fins and tubes of the condenser causing the hot, high pressure gas to be condensed into a liquid form.
2. The liquid refrigerant flows to the receiver tank, then back to the condenser sub-cooler. It leaves the condenser and passes through a filter dryer where moisture, acids and dirt are removed and then through a moisture indicator which indicates if any moisture is present in the system.
3. By its own pressure, the liquid refrigerant flows through a thermal expansion valve where the pressure drop causes the refrigerant to vaporize in a vapor-liquid state at a low temperature pressure.
4. The cold low pressure refrigerant passes through the passenger's and driver's unit evaporator coils which absorb heat from the air passing over the fins and tubes, and changes into gas. In this form, the refrigerant is drawn into the compressor to repeat the air conditioning cycle.
5. The success of the air conditioning system depends on retaining the conditioned air within the vehicle. All windows and intake vents should be closed. An opening of approximately 8 in² (5162 mm²) could easily neutralize the total capacity of the system.
6. Other causes of inadequate cooling are dirty coils or filter. Dirt acts as insulation and is also serves as a restriction to the air flow.
7. The refrigeration load is not constant and varies. It is also affected by outside temperature, relative humidity, passenger load, compressor speed, the number of stops, etc.
8. The compressor will load depending on operating conditions.

8.2 REFRIGERANT

The A/C system of this vehicle has been designed to use Refrigerant 134a as a medium. Regardless of the brand, only R-134a must be used in this system. The chemical name for this refrigerant is Ethane, 1, 1, 1, 2-Tetrafluoro.

⚠ WARNING ⚠

Refrigerant in itself is nonflammable, but if it comes in contact with an open flame, it will decompose.

8.2.1 Procurement

Refrigerant is shipped and stored in metal cylinders. It is serviced in 30 and 100 pound (13,6 and 45 kg) cylinders. Approximately 25 pounds (11,4 kg) are used in the central system.

It will be impossible to draw the entire refrigerant out of the cylinder. However, the use of warm water when charging the system will assure the extraction of a maximum amount of refrigerant from the cylinder.

8.2.2 Precautions in Handling Refrigerant

1. Do not leave refrigerant cylinder uncapped.
2. Do not subject cylinder to high temperatures, do not weld or steam clean near system or cylinder.
3. Do not fill cylinder completely.
4. Do not discharge vapor into an area where a flame is exposed.
5. Do not expose the eyes to liquid refrigerant.

All refrigerant cylinders are shipped with a heavy metal screw cap. The purpose of the cap is to protect the valve and safety plug from damage. It is a good practice to replace the cap after each use of the cylinder for the same reason. If the cylinder is exposed to the sun's radiant heat pressure increase resulting may cause release of the safety plug or the cylinder may burst.

For the same reason, the refrigerant cylinder should never be subjected to excessive temperature when charging a system. The refrigerant cylinder should be heated for charging purposes by placing it in 125°F (52°C) water. Never heat above 125°F (52°C) or use a blowtorch, radiator, or stove to heat the cylinder.

Welding or steam cleaning on or near any refrigerant line or components of the A/C system could build up dangerous and damaging pressures in the system.

If a small cylinder is ever filled from a large one, never fill the cylinder completely. Space should always be allowed above the liquid for expansion. Weighing cylinders before and

during the transfer will determine the fullness of the cylinders.

⚠ WARNING ⚠

One of the most important precautions when handling refrigerant consists in protecting the eyes. Any liquid refrigerant which may accidentally escape is approximately -40°F (-40°C). If refrigerant comes in contact with the eyes, serious injury could result. Always wear goggles to protect the eyes when opening refrigerant connections.

8.2.3 Treatment in Case of Injury

If liquid refrigerant comes in contact with the skin, treat the injury as if the skin was frost-bitten or frozen. If liquid refrigerant comes in contact with the eyes, consult an eye specialist or doctor immediately. Give the following first aid treatment:

1. Do not rub the eyes. Splash eyes with cold water to gradually bring the temperature above the freezing point.
2. Apply drops of sterile mineral oil (obtainable at any drugstore) in the eyes to reduce the possibility of infection. The mineral oil will also help in absorbing the refrigerant.

8.2.4 Precautions in Handling Refrigerant Lines

1. All metal tubing lines should be free of kinks, because of the resulting restrictions on the flow of refrigerant. A single kink can greatly reduced the refrigeration capacity of the entire system.
2. The flexible hose lines should never be allowed to come within a distance of 2-½" (6,3 cm) from the exhaust manifold.
3. Use only sealed lines from parts stock.
4. When disconnecting any fitting in the refrigeration system, the system must first be discharged of all refrigerant. However, proceed very cautiously, regardless of gauge readings. If there happens to be liquid refrigerant in the line, disconnect fittings very slowly, keeping face and hands away so that no injury can occur. If pressure is noticed when fitting is loosened, allow it to bleed off very slowly.

⚠ WARNING ⚠

Always wear safety goggles when opening refrigerant lines.

5. In the event that any line is opened to the atmosphere, it should be immediately capped to prevent entrance of moisture and dirt.
6. The use of the proper wrenches when making connections on O-ring fittings is important. The use of improper wrenches may damage the connection. The opposing fitting should always be backed up with a wrench to prevent distortion of connection lines or components. When connecting the flexible hose connections, it is important that the swaged fitting and the flare nut, as well as the coupling to which it is attached, be held at the same time using three different wrenches to prevent turning the fitting and damaging the ground seat.
7. The O-rings and seats must be in perfect condition. The slightest burr or piece of dirt may cause a leak.
8. O-rings should be coated with refrigeration oil and installed on the line before the line is inserted into the fitting to prevent damaging the O-ring. If leaks are encountered at the couplings or connectors, no attempt should be made to correct the leaks by tightening the connections beyond the recommended torque. The O-rings are designed to seal at the specified torque and overtightening the connection does not result in a satisfactory and permanently sealed connection. The connection must be disassembled and the cause of the leak (damaged O-ring, defective lines, etc.) corrected. Use new O-ring.

8.3 REFRIGERANT SYSTEM CLEAN-OUT AFTER COMPRESSOR FAILURE

Although the vast majority of reciprocating refrigerant compressors manufactured today are extremely reliable, a small percentage do fail. These failures usually result in minor or extensive system contamination depending on the severity of the failure. When an open type compressor becomes damaged internally, this provokes small particles of bearings, steel, brass, copper, and aluminum and, in severe cases, carbonized oil, which could contaminate the system. To prevent repeated failures, the problem which caused the failure should be

corrected, and depending upon the severity of the failure, the system should be thoroughly cleaned out using one of the cleanout procedures mentioned.

8.3.1 Determining Severity of Failure

The severity of compressor failure can be categorized as minor or major. A failure is considered minor when the contamination is limited to the compressor with little or no system contamination. A major failure, or burnout, results in extensive system contamination as well as compressor damage. Extensive system contamination can be determined by withdrawing a small sample of compressor oil and checking its color, odor and acidity. A Virginia Chemical "TKO" one step acid test kit is one of several compressor oil test kits that may be used. A high acid content would indicate a major failure or burnout. A small amount of refrigerant gas may be discharged. A characteristic burned odor would also indicate severe system contamination.

8.3.2 Clean-out after Minor Compressor Failure

1. Be sure to correct the problem which caused the failure.
2. Change liquid line filter dryer.
3. Run the unit for 2 hours on high speed cool only.
4. Check compressor oil level to ensure compressor is not overcharged with oil. Sometimes a significant amount of oil is pumped out of the compressor to other parts of the system when a compressor fails. This oil will return to the replacement compressor when it is started, causing an overcharge of oil in the sump of the replacement compressor. In this case, it is important that the oil level be adjusted to the proper level.
5. Withdraw a sample of the compressor oil and check its color, odor, and acidity, using instructions supplied above. If the oil is contaminated, change the oil and filter dryer, and repeat the procedure until the system is clean.

8.3.3 Clean-out After Major Compressor Failure

1. Reclaim the refrigerant into a refrigerant bottle through a filter dryer to filter out contaminants.
2. Remove the failed compressor and repair it if possible.
3. Install new or repaired compressor.
4. Change the filter dryer.
5. Circulate clean R-134a with the reclaimer to clean out many of the contaminants collected in the coil valves, TXV (Thermal Expansion Valve), solenoid valves, check valves, and any other mechanical component that may have collected contaminants.
6. Evacuate and charge the system normally.
7. Run the unit for 8 hours and monitor the pressure drop across the filter dryer. Also check the liquid line dryer for signs of restriction. If the pressure drop across the filter dryer exceeds 12 to 14 psig (82,75 to 96,5 kPa) with a 40°F (5°C) evaporator coil temperature, stop the unit and change the liquid line and suction line filter dryer. After 4 or 5 hours of operation, stop the unit and replace the filter dryer.
8. After 8 hours of operation, stop the unit and remove a sample of the compressor oil and check its color, odor, and acidity, using instructions supplied above. If the oil is contaminated, replace the oil and repeat step 7. If the oil is not contaminated, change the filter dryer again and replace the moisture-liquid indicator.
9. After approximately 7 days of operation, recheck the compressor oil for cleanliness and acidity.

8.4 PUMPING DOWN

This procedure is intended to reduce refrigerant loss by isolating it in the compressor and the receiver tank, as well as in their connecting line, in order to carry out repairs on other sections of the air conditioning system (lines and components).

NOTE

Before attempting any repair between compressor and receiver tank, use a recovery unit to remove refrigerant from the system.



When air conditioning system must be opened, refer to previous paragraph “Precautions In Handling Refrigerant” to prevent any injury.

NOTE

To ease purging and refilling of refrigerant, it is possible to open the passenger's and overhead compartment system liquid solenoid valves. To do so, connect both male and female connector housing of C24 together for the passenger's area (located in evaporator compartment). During normal use, both male and female housings of connector C24 are kept unplugged. They are connected only for refrigerant refilling and pumping down procedure.

Procedure

1. Open the solenoid valves by connecting both male and female connector housing of C24 together.
 2. Run the system for 10 minutes, shut it OFF, then close the receiver tank outlet valve by turning it clockwise, backseat the suction service valve on the compressor, install an appropriate pressure gauge set, and turn the valve forward ¼ turn to enable a visual check of the suction pressure.
 3. Disconnect the “Low Pressure Switch” connector (mounted near the A/C compressor).
 4. Start the engine, press the “Passenger ON/OFF” switch then the A/C switch, adjust “A/C Temperature” control to maximum A/C.
 5. Run the compressor until pressure reaches 1-2 psi (7-14 kPa).
7. Wait until pressure gauge reaches 1 to 2 psi (7 to 14 kPa). To accelerate procedure, lightly open compressor suction valve until pressure reaches this value.
 8. Connect the “Low Pressure Switch” connector and disconnect C24.

NOTE

During this operation, care must be taken not to fill the receiver tank over the upper sight glass. If so, stop process immediately. Always allow refrigerant piping and units to warm up to the ambient air temperature before opening system or sweating will take place inside the lines.

5. Stop engine, and close compressor outlet valve by turning it clockwise until valve is properly seated.
6. Close compressor suction valve by turning it clockwise until it is properly seated.

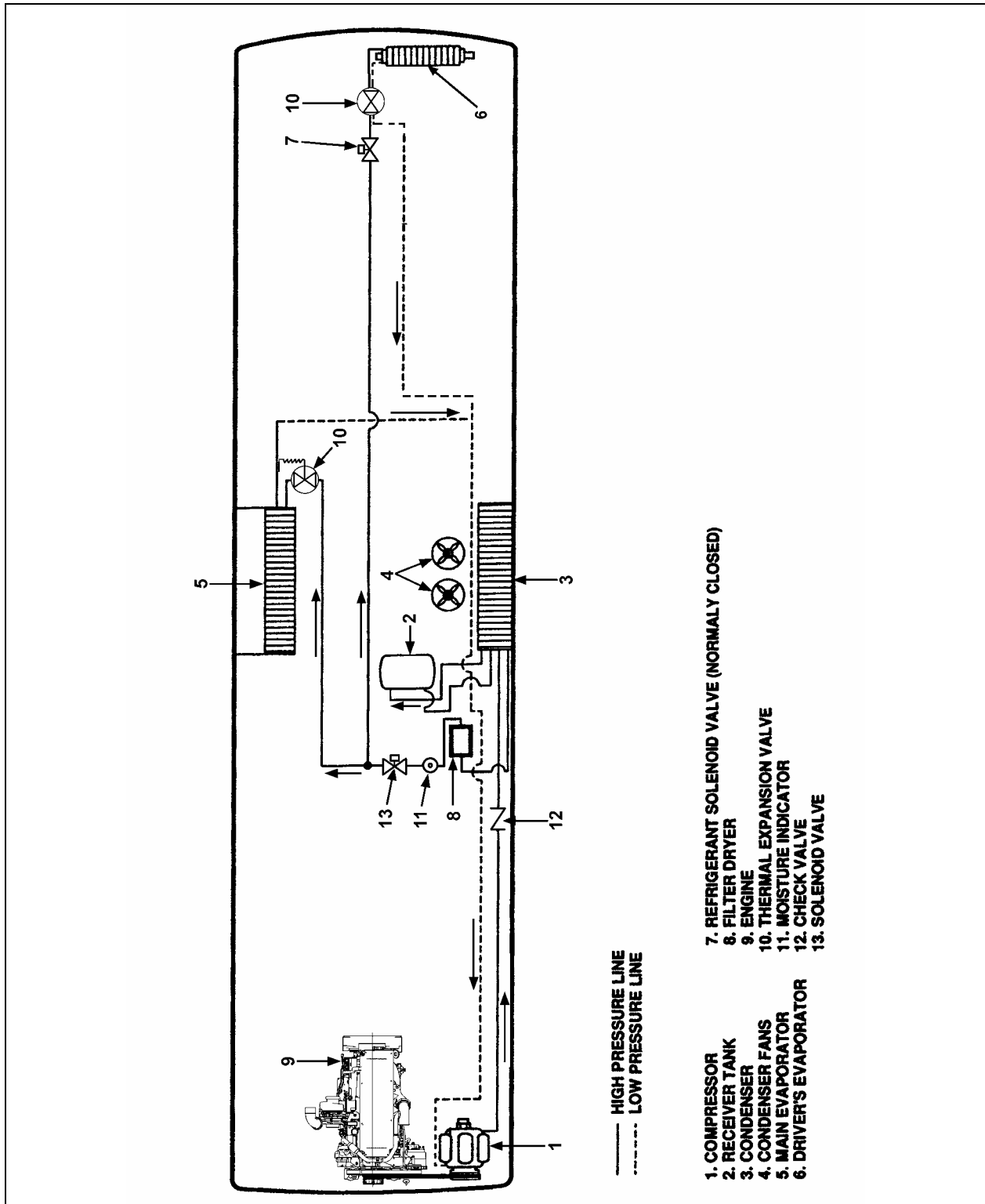


FIGURE 17: CENTRAL HVAC SYSTEM – AIR CONDITIONING

22220

8.5 ADDING REFRIGERANT (VAPOR STATE)

Use the suction service valve on the compressor to add a small quantity of refrigerant to the

system. Backseat the valve and connect a charging line from the refrigerant cylinder to the valve. Tighten connection at level of refrigerant cylinder and open tank end slightly to purge air from the charging line. Tighten the charging line

at the compressor. Screw in the stem of suction valve approximately two turns. Start the engine and run at fast idle. Add sufficient refrigerant to bring the level in lower sight glass of receiver tank to mid-point. Always charge the system with the cylinder upright and the valve on top to avoid drawing liquid out of the cylinder. Fill liquid refrigerant at the receiver tank and completely charge, if necessary, using previous procedure.

8.6 EVACUATING SYSTEM

1. Open both receiver valves by turning “out” (normal position).
2. Remove the caps from the two 90° adapters on the suction, discharge valves and connect two hoses to the vacuum.
3. Place the two compressor valves, suction and discharge, in neutral position by turning each one 3 to 4 turns “in” from the “out” position.
4. Open the solenoid valves by connecting together both male and female connector housing of C24 (located in evaporator compartment) and C44 (located on the ceiling of the spare wheel compartment).
5. Start the vacuum pump. Open the large (suction) shutoff valve and close the small vacuum gauge valve.
6. The pressure will drop to approximately 29 inches vacuum (14.2 psi or 97,9 kPa) (the dial gauge only gives a general idea of the absolute system pressure).
7. Backseat the compressor valves by turning “out” all the way.
8. Shut down the vacuum pump.
9. Remove the hoses.
10. Reinstall the caps at the suction valve take-off points.
2. Connect the evacuation manifold, vacuum pump, hoses and micron gauge to the unit.
3. With the unit service valves closed (back seated) and the vacuum pump and the thermistor valves open, start the pump and draw the manifold and hoses into a very deep vacuum. Shut the vacuum pump off and see if the vacuum holds. This is to check the setup for leaks.
4. Midseat the system service valves.
5. Open the vacuum pump and the thermistor valves. Start the pump and evacuate to a system pressure of 2000 microns.
6. Close the vacuum pump and the thermistor valves, turn off the vacuum pump (closing the thermistor valve protect the valve from damage).
7. Break the vacuum with clean refrigerant (or dry nitrogen) and raise the pressure to approximately 2 PSIG. Monitor the pressure with the compound gauge.
8. Remove the refrigerant with the recovery machine.
9. Repeat steps #5 – 8 one time.
10. After the second “sweep”, change the filter drier (if you have not done so) and evacuate to 500 microns.
11. Evacuating the system below 500 microns on systems using the Carrier 05G Twin Port compressor may risk drawing air into the system past the carbon shaft seal.
12. Check to insure that vacuum holds. (If the pressure continues to rise, it indicates a leak or moisture in the system).
13. Charge the system with the proper amount of refrigerant using recommended charging procedures.

8.6.1 Double Sweep Evacuation Procedure

1. Remove any remaining refrigerant from the system using a refrigerant recovery machine.

NOTE

This method will aid in preventing unnecessary system failures by ensuring that the refrigeration system is free of contaminants.

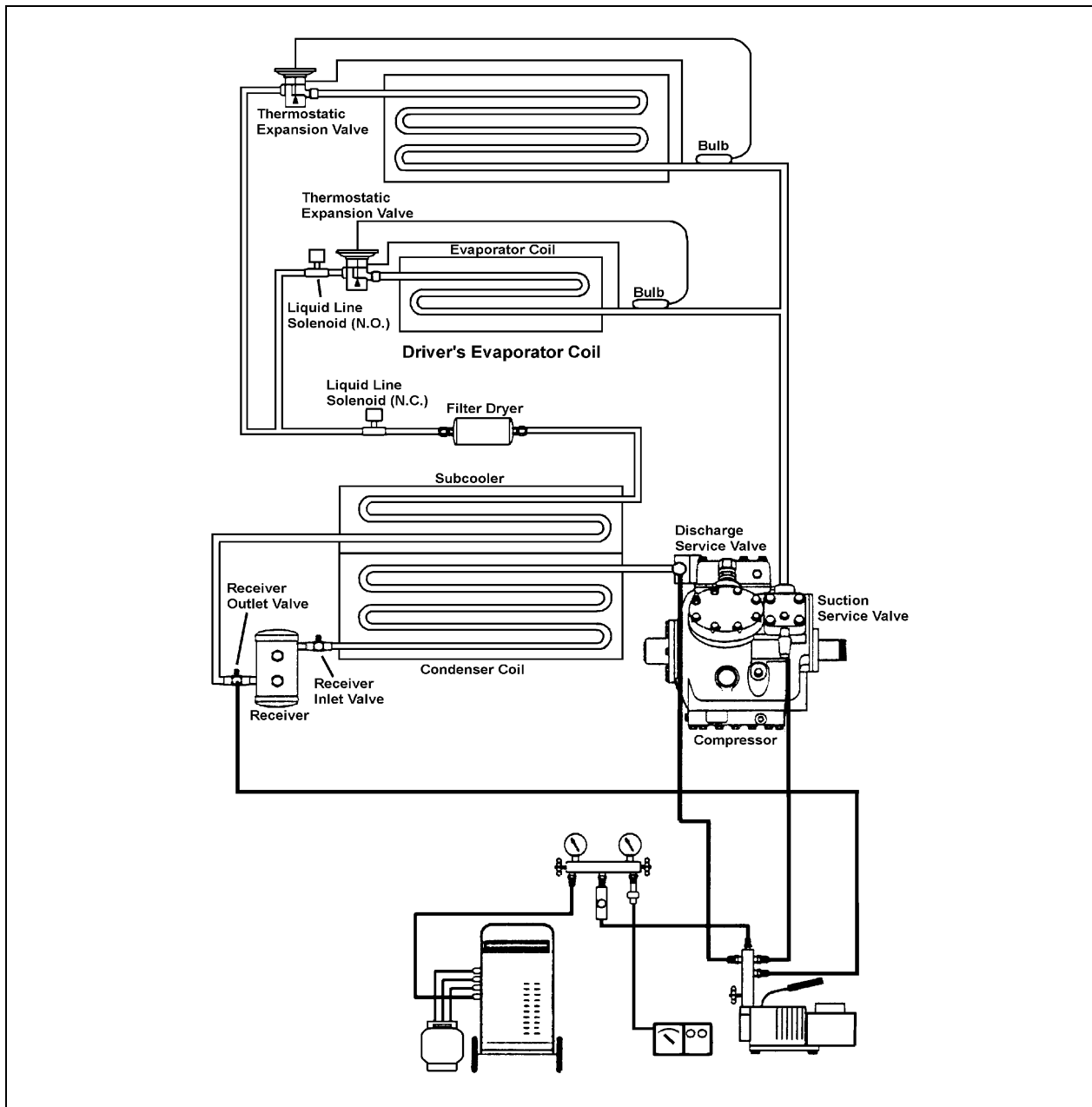


FIGURE 18: DOUBLE SWEEP EVACUATION SET-UP

8.7 CHARGING SYSTEM

When a system has been opened or if there are any questions about the air or moisture in the system, evacuate the system. Charging of an evacuated system may be accomplished by forcing liquid R-134a directly into the receiver tank.

When charging an empty system, weigh the amount of refrigerant put into the system.

This will eliminate any possibility of overfilling. A nominal charge requires 24 pounds (10,9 kg).

1. Backseat the two compressor shutoff valves ("out").
2. Install the test gauges at the shutoff valves noting that the 400 psi (2758 kPa) gauge is connected to the discharge.
3. Turn in the two shutoff valves 3 to 4 turns.
4. Open the lower receiver valve by turning "out" all the way.
5. Backseat the upper receiver valve by turning out all the way.

Section 22: HEATING AND AIR CONDITIONING

6. Remove the cover cap from the service fitting in the top receiver valve.
7. Attach a charging hose to the R-134a tank. Open the tank valve slightly permitting R-134a to escape thus purging the hose of air.
8. Connect the charging hose to the service fitting.
9. Open the R-134a tank valve.
10. To build up pressure in the receiver tank, heat the receiver tank with a heating blanket.
11. Turn in the upper receiver valve several turns. The R-134a will now enter the system.
12. The proper charge of R-134a is 24 lbs (10.89 kg). When the scale indicates this amount of charge, backseat the receiver valve and close the R-134a tank valve.
13. Disconnect the charging hose. Replace the cover caps.
14. The system is now ready for operation.

⚠ CAUTION ⚠

The evacuation of the system must be made by authorized and qualified personnel only. Refer to local laws for R-134a recuperation.

9. CENTRAL HVAC SYSTEM – AIR CONDITIONING COMPONENTS

9.1 COMPRESSOR

9.1.1 Belt Replacement

⚠ WARNING ⚠

Set the main battery disconnect switch to the “Off” position. For greater safety, set the engine starter selector switch in engine compartment to the “Off” position.

1. Open engine compartment rear doors and locate the belt tensioner two-way control valve (Figure 19), mounted above the engine R.H. side door next to the pressure

regulating valve, then turn handle counterclockwise in order to release pressure and tension on belts.

2. Slip the old belts off and the new ones on.
3. Reset belt tensioning pressure control valve (Figure 19). Pressure is factory set to 45 psi (310 kPa), periodically check proper pressure.

NOTE

Both belts must always be replaced simultaneously to ensure an equal distribution of load on each of them.

NOTE

For proper operation of the air bellows, adjust upper tensioning bracket to provide a $\frac{1}{4}$ " (7 mm) gap between stopper and bracket under normal pressure of 45 psi - 310 kPa. (Figure 20).

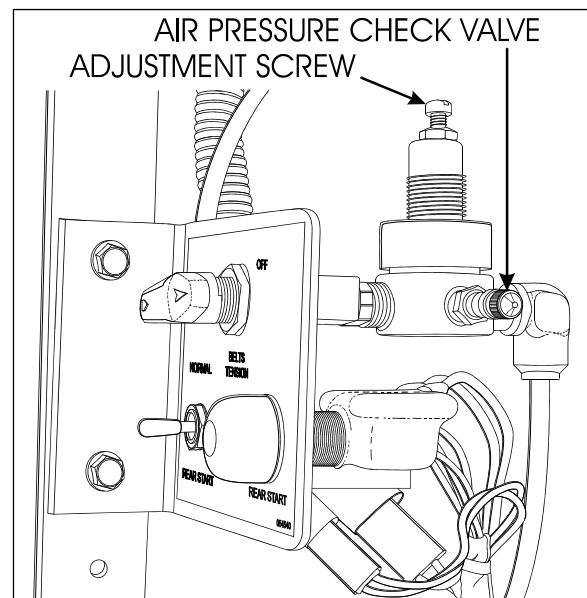


FIGURE 19: TENSIONING VALVE

01058

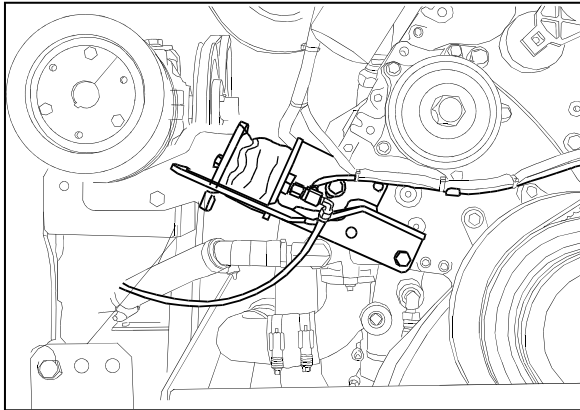


FIGURE 20: DRIVE BELT TENSIONING AIR BELLOWS⁰¹⁰⁵⁹

9.1.2 Belt Play

After belt replacement or during normal maintenance, belt play between pulleys and belt must be checked to ensure proper operation. Refer to Figure 22 for proper plays.

9.1.3 Pulley Alignment

In order to avoid skipping, disengagement and a premature wear of compressor belt, it is necessary to align compressor pulley with the crankshaft pulley. Before performing the following procedure, release air from belt tensioners by means of the two-way control valve. After completing these procedures reset belt tensioning pressure control valve to 45 psi (310 kPa).

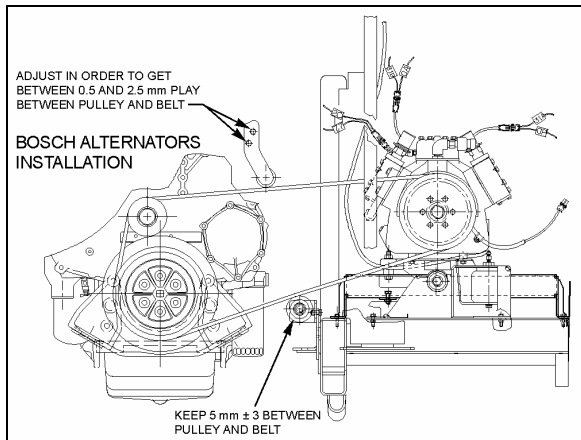


FIGURE 21: BELT PLAY

9.1.4 Longitudinal Compressor Alignment

1. Rest an extremity of a straight edge of approximately 46 inches (117 cm) against the upper part of the outer face of crankshaft pulley, positioning the other end close to the

compressor clutch pulley (Figure 22 & Figure 23).

2. Check the distance between each extremity of straight edge (1, Figure 22) and the first drive belt. If they are different, loosen the compressor support bolts and with a hammer, knock support to slide it in order to obtain the same distance; then tighten bolts.

9.1.5 Horizontal Compressor Alignment

1. Rest an extremity of the straight edge against the upper part of the outer face of compressor pulley, positioning the other end close to the crankshaft pulley.
2. Check the distance between each extremity of straight edge (1, Figure 22) and drive belt. If they are different, loosen the pillow block compressor bolts and with a hammer, knock compressor pillow block to slide it, in order to obtain the same distance; then tighten bolts.

9.1.6 Vertical Compressor Alignment

Rest a short "angle and level indicator" on the outer side face of the crankshaft pulley, adjust the level indicator inclination at 0° and check if the compressor pulley is at same angle (Figure 22 & Figure 23). If it is not the same, shim under the appropriate pillow block in order to obtain the correct angle.

9.1.7 Compressor Maintenance

For the maintenance of the A/C compressor, see the "Carrier Compressor Operation and Service Manual" included at the end of this section.

<p>⚠ CAUTION ⚠</p>
<p>Use only Castrol SW 68 (POE) oils with refrigerant 134a.</p>

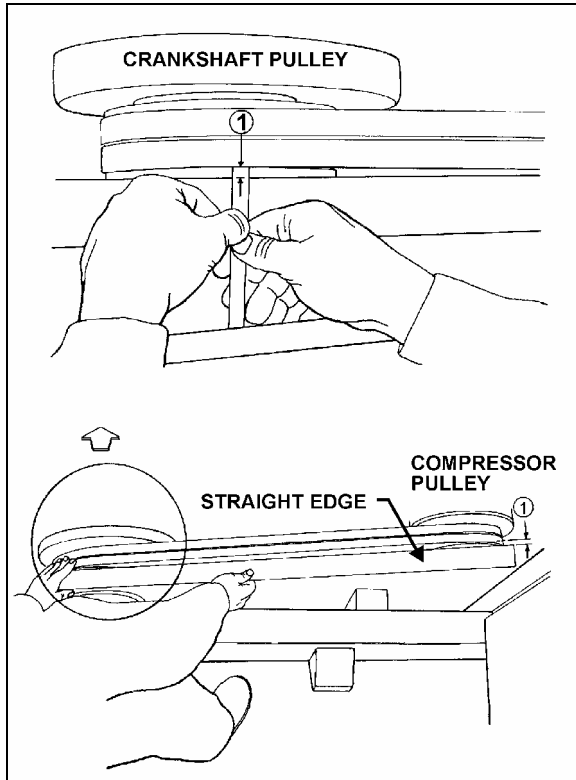


FIGURE 22: COMPRESSOR ALIGNMENT 22040

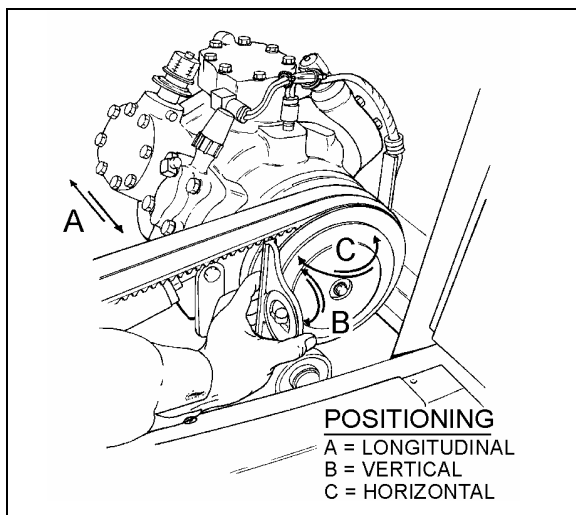


FIGURE 23: COMPRESSOR ALIGNMENT 22072

9.1.8 Troubleshooting Guide

A preliminary check may be made by simply feeling the cylinder heads with the unit in operation at ambient temperatures of 35 °F (2°C) and over. The cylinder heads are internally divided into suction and discharge valves. The lower half of the cylinder head is the suction side, and it should be relatively cool to the touch, as opposed to the hot upper discharge side. If a valve plate or head gasket is blown, or a compressor unloader is stuck open, partially

compressed refrigerant vapor will be circulated between the suction and discharge sides of the head. The affected cylinder head will then have a relatively even temperature across its surface and be neither as hot as the normal discharge temperature nor as cool as the normal suction temperature.

Blown Head Gaskets

Symptom:

- Loss of unit capacity at low temperature.
- Even cylinder head temperature.

Cause:

- Improperly torqued cylinder head bolts.
- Improperly positioned gasket at assembly.
- Warped cylinder head.
- Severe liquid refrigerant floodback.

Blown Valve Plate Gaskets

Symptom:

- Loss of unit capacity at medium and low temperatures.
- Very hot cylinder head surface.
- Higher than normal suction pressure.

Cause:

- Improperly torqued cylinder head bolts.
- Severe liquid refrigerant floodback.
- Oil slugging caused by an overcharge of oil or flood starts.
- Discharge valves not seated properly (liquid drainback during shutdown).

Broken Suction Valves

Symptom:

- Loss of unit capacity at all temperatures.
- Compressor unable to pull extremely low vacuum with suction service valve frontseated.

Cause:

- Repeated liquid refrigerant floodback.
- Flooded starts.
- Overcharge of oil.

- Discharge valves not seated properly (liquid drainback during shutdown).
- Expansion valve not controlling properly.

Unloader Valve Stuck Open

Symptom:

- Loss of unit capacity at all temperatures.
- Higher than normal suction pressure.
- Even cylinder head temperature.

Cause:

- Unloader body stem bent.
- Foreign material binding unloader piston or plunger.

9.2 MAGNETIC CLUTCH


Refer to Carrier service information entitled “Housing-Mounted Electric Clutch” at the end of this section for the description and maintenance of the magnetic clutch.


9.2.1 HVAC Control Unit and Clutch Operation

The A/C compressor starts automatically when the two following conditions are satisfied:

3. The outside temperature is above 30°F (-1°C).
4. The passenger's area temperature has reached 7°F (4°C) under the set point.

NOTE
<p><i>Upon starting, if the outside temperature is above 30°F (-1°C) and then drops below 30°F (-1°C), the compressor will keep running up to a temperature of 15°F (-9°C) to prevent condensation from forming on the windows.</i></p>

When A/C compressor clutch engages, the corresponding A/C ON indicator LED  turns on.

The A/C ON indicator LED  will also turn off and the clutch will disengage if a low pressure (5 psi cut-out, 30 psi cut-in) or a high pressure (350 psi cut-out, 245 psi cut-in) condition is present.

9.3 EVAPORATOR MOTOR

The evaporator motor is installed in the evaporator compartment (L.H. side of vehicle) (Figure 24). It is a 27.5 volt, 2HP (1,5 kW) motor which activates a double blower fan unit.

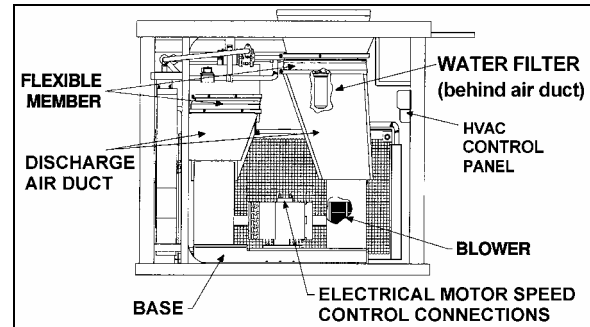




FIGURE 24: EVAPORATOR COMPARTMENT 22275

9.3.1 Removal

1. Set the battery safety switch to the “OFF” position.
2. Open the last L.H. side baggage compartment door. Pull the black release button located on the L.H. side in order to unlock and open the evaporator compartment door.
3. Identify the L.H. side discharge duct inside compartment and remove the Phillips head screws fixing the air duct to blower fan.
4. Repeat step 3 for the R.H. side return air duct.
5. Disconnect electrical motor speed control connections on the motor plate.
6. From under the vehicle, remove the eight bolts fixing the double blower fan unit base. Remove the complete unit from the evaporator compartment (Figure 25).

 CAUTION 
<p>Never support evaporator motor assembly by its output shafts while moving it. Always use double blower fan unit base.</p>

7. Install the complete unit on a work bench, unfasten the fan square head set screws, the Phillips head screws retaining cages to base and slide out the assemblies from the evaporator motor output shaft.
8. Remove motor from double blower fan unit base.

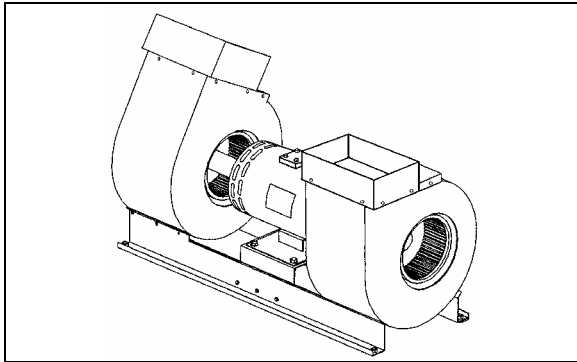


FIGURE 25: EVAPORATOR MOTOR ASSEMBLY 22228

9.3.2 Installation

To reinstall the evaporator motor, reverse "Evaporator Motor Removal" procedure.

9.3.3 Checking Operation of Brush in Holder

Lift brush slightly 1/8 inch (3 mm) and release it. Brush must produce a dry noise.

9.3.4 Brush Wear Inspection and Replacement

⚠ CAUTION ⚠

Only use replacement brushes recommended by the manufacturer. Not doing so will void warranty.

Replace the brushes if less than 3/4 inch (19 mm). New brush length is 1-1/4 inch. Clean brushes with a clean cloth impregnated with gasoline or alcohol.

⚠ WARNING ⚠

Cleaning products are flammable and may explode under certain conditions. Always handle in a well ventilated area.

To replace brushes, proceed as follows:

1. Set battery safety switch to the "OFF" position.
2. Remove the protective screen band from the motor housing by pulling down the spring loaded fastener.
3. Lift the spring, remove and replace brushes as per the following procedure: "SEATING BRUSHES".
4. For the installation, reverse procedure.

9.3.5 Seating Brushes

Grinding consists in giving to the seating face of a new brush the exact curve of the commutator or ring so that good mechanical and electric contact of the brush is ensured upon startup.

For best results, remove oil and grease from commutator before applying brush seater.

NOTE

The new motor brushes are provided with preformed seating face, i.e. with curved face machined with the required radius. This curve is only approximate and does not exempt further grinding. The advantage of preforming is to appreciably shorten the time required for grinding.

Grinding is generally done on the machine itself, in accordance with various processes' and conformably to the importance and the type of machines:

- a) Grinding with abrasive cloth medium grit (sandpaper) (grit 60) applied to a part of the commutator by hand. The new brushes installed in their brush holder and pressing against the cloth, one makes oscillate the rotor until complete grinding of the seating faces (Refer to Figure 26). It is necessary to avoid raising the cloth under the brushes otherwise it would result, after grinding, to reduce and badly definite surfaces (Refer to Figure 27).

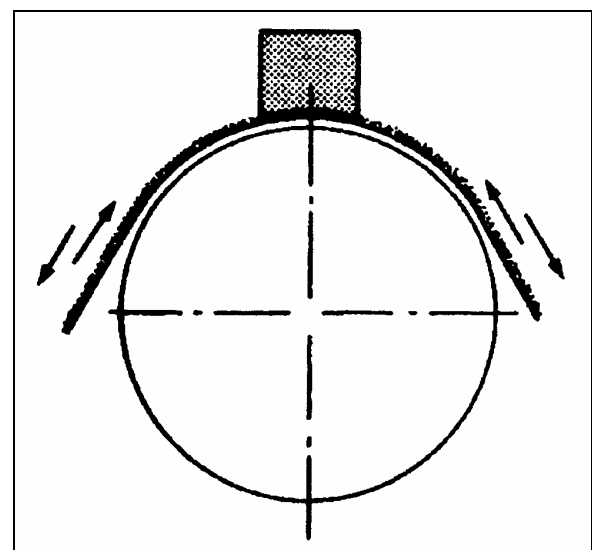


FIGURE 26: PROPER GRINDING TECHNIQUE

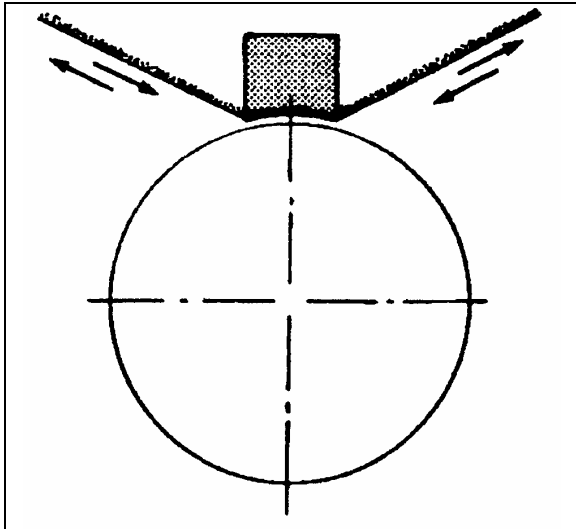


FIGURE 27: IMPROPER GRINDING TECHNIQUE

⚠ CAUTION ⚠

If grinding with a brush seater, you must disconnect the time delay in order to keep the motor in 1st speed. If you prefer, you may also install a jumper on the evaporator motor between terminal E2 and A1 to bypass relay R60 and keep the motor in 1st speed as well.

- b) Grinding with the brush seater stone is always done under no or much reduced voltage. Dust particles act like abrasive and wear down the brushes exactly with the profile of the commutator. **Do not misuse this method because grinding removes some metal from the commutator. It is applicable only to grinding requiring only reduced wear of the brushes.**

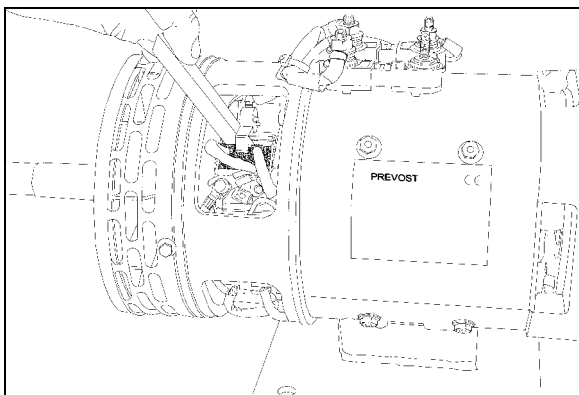


FIGURE 28: GRINDING WITH THE BRUSH SEATER STONE

Repeat method a or b until brushes are fully seated. **Seating surface of the brush must be no less than 80% of the face** (Refer to Figure 29).

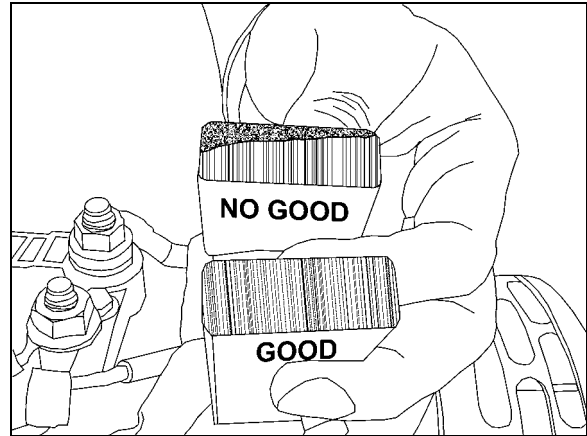


FIGURE 29: SEATING SURFACE OF THE BRUSH

⚠ CAUTION ⚠

After grinding with the sandpaper or the seater stone, it is necessary to remove the brushes from the brush holders and vigorously clean with an air gun the commutator and the seating faces of the brushes to eliminate abrasive dust and dust from brushes.

⚠ WARNING ⚠

Use a dust mask to prevent inhalation of dust particles. Protect against electrical shock when working on energized equipment. Protect against falling or slipping when working on rotating equipment.

⚠ CAUTION ⚠

If grinding is not carried out or is carried out in an incorrect way, the brush may seat against a restricted zone only, which will support the entire load. The consequences risk to be serious for the commutator as for the brush and to seriously damage the motor.

After grinding is completed, it is necessary to check the evaporator motor amperage in 1st speed and in 2nd speed. **Make sure that the evaporator compartment door is closed and that the reading is 30 A ± 3 in 1st speed. Confirm that the reading is 64 A ± 4 (MAX 68 A) in 2nd speed.**

9.3.6 Brush Holder Adjustment

NOTE

The brush holders are mounted on a support that can rotate. Rotating that rocker ring will

move all the brush holders at the same time.

1. Remove the screws securing the grid and remove the grid. Locate the 2 bolts fixing the mechanism permitting the rotation of the brush rocker ring.
2. Loosen (do not remove) the bolts just enough to release the mechanism.
3. Move gently the exposed brush holder in order to have **30 A ± 3 in 1st speed and 64 A ± 4 in 2nd speed when the door is closed** and a maximum distance of 10 mm (3/8 inch) between the brush face and a reference line passing through the center of the 2 bolts on the motor housing.

⚠ CAUTION ⚠

If rotating the rocker ring is necessary, it is preferable to mark off the angular position of the rocker ring before unfastening the bolts fixing the mechanism in order to get back to the factory setting at the end of the operation.

NOTE

Take a final reading in 1st and in 2nd speed after tightening the brush holder bolts. The amperage may have changed.

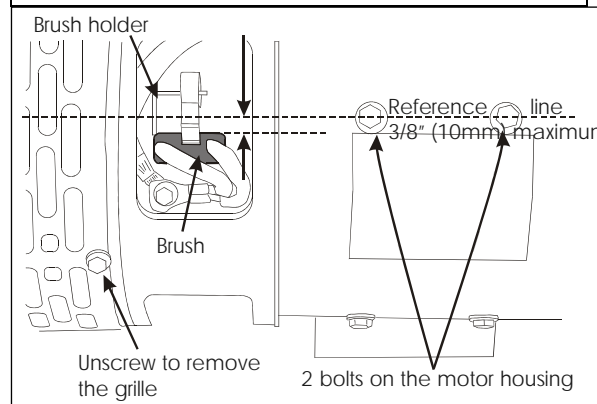


FIGURE 30: EVAPORATOR MOTOR

9.3.7 Checking Commutator

The surface must be polished. A brown-black colored surface is normal and indicates a good switching. Ensure there is no evidence of arcing or metal chips.

9.4 CONDENSER

The central A/C system condenser coil is hinge mounted on the R.H. side of the vehicle on the condenser compartment door. Since

condenser's purpose is to dissipate heat from the hot refrigerant, it is important to keep the cooling coils and fins clean. A clogged coil will cause high discharge pressure and insufficient cooling.

9.4.1 Condenser Fan Motors

Two axial fan motors are installed in condenser compartment on R.H. side of vehicle in order to ventilate the condenser coil. The fans pull outside air through the condenser coil and discharge it through an opening at bottom of compartment. Depending on pressure in receiver tank (Figure 33), the fan motors may be operated at full rpm, half rpm or not operated at all. With low pressure in receiver tank, both fan motors are connected in series and then operate at half rpm and, with a high pressure in receiver tank, both fan motors are connected in parallel and operate at full rpm. For details about electrical wiring, refer to "A/C and Heat system" in the master wiring diagram.

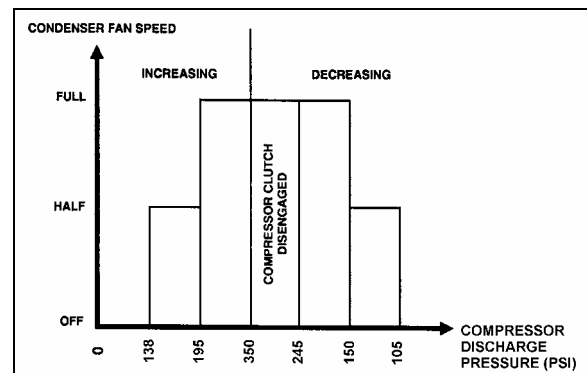


FIGURE 31: CONDENSER FAN SPEED IN RELATION WITH HIGH SIDE PRESSURE

22041

9.4.2 Condenser Fan Motor Removal

1. Set the main battery disconnect switch to the "Off" position.
2. Remove the two "Phillips" head screws retaining the fan motor protective cover to the square tubing.

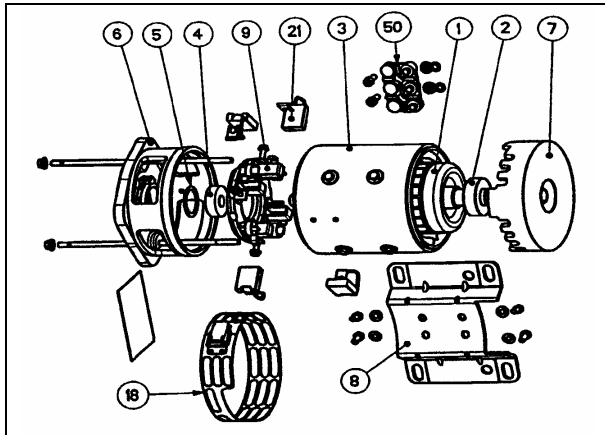


FIGURE 32: CONDENSER FAN MOTOR 22234

1	Winded armature	7	Cover
2	Bearing	8	Support
3	Winded stator	18	Screen band
4	Bearing	21	Brush
5	Spring washer	50	Terminal block
6	End cover		

3. Disconnect wiring from terminals on motor. Tag each wire to aid in identification at time of reconnection.
4. Support motor, and remove bolts which attach motor to support plate. Remove the motor.

9.4.3 Brush Wear Inspection / Replacement

Replace the brushes (21) if worn up to the wear mark. Clean brushes with a clean cloth impregnated with gasoline or alcohol.

⚠ WARNING ⚠

Cleaning products are flammable and may explode under certain conditions. Always handle in a well ventilated area.

To replace brushes, proceed as follows:

1. Set battery safety switch to the "OFF" position.
2. Remove the protective screen band (18) from the motor housing.
3. Unscrew the wire terminal, lift the torsion spring, remove and replace brushes.
4. For installation, reverse procedure.

9.5 RECEIVER TANK

The receiver tank is located in the condenser compartment (Figure 33). The function of the receiver tank is to store the liquid refrigerant. During normal operation, the level of the refrigerant should be approximately at the midpoint of the lower sight glass.

In case of extreme pressure there will be a rise in the liquid receiver tank. A pressure relief valve will break at 450 psi (3103 kPa) and relieve the receiver tank pressure.

The receiver tank incorporates an inlet valve on the inlet side (upper section) which allows the tank to be isolated or serviced. An outlet valve on the outlet side (lower section) permits complete isolation from the rest of the system.

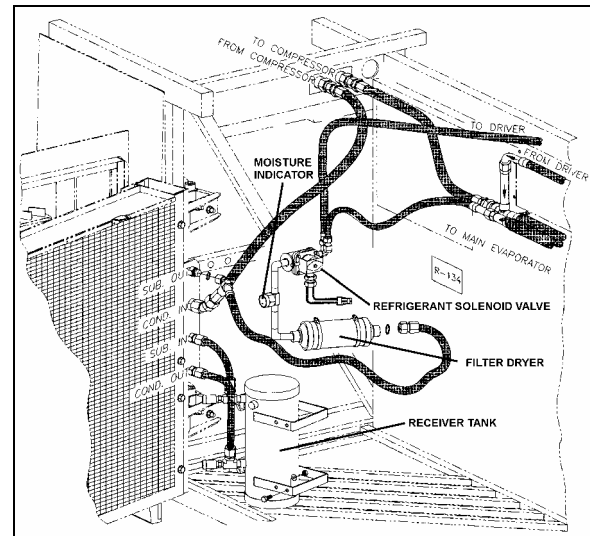


FIGURE 33: A/C CONDENSER COMPARTMENT 22219

9.6 FILTER DRYER

A filter dryer, also located in the A/C condenser compartment, is installed on the liquid refrigerant line (near the receiver tank). It is used to absorb moisture and foreign matter from refrigerant before it reaches the expansion valves.

The filter should be replaced if the system has been opened to prolonged exposure as shown by the moisture indicator sight glass.



A filter dryer, located in the engine compartment near the radiator is installed on vehicles equipped with a driver's system only. Its function is similar to that of filter used on main systems. Replace only when system is opened or a problem occurs.

Section 22: HEATING AND AIR CONDITIONING

9.6.1 Replacement

The filter is of the disposable type. When replacement is required, remove and discard the complete unit and replace with a new unit of the same type according to this procedure:

1. Isolate the refrigerant in the receiver tank by following the "Pumping Down" procedure explained in this section
2. Change the filter dryer as a unit.
3. Add a small quantity of refrigerant R-134a to the low side of the system. Check for leaks. Return the system to normal operation.

 CAUTION 
Do not use carbon tetrachloride or similar solvents to clean parts. Do not use steam guns. Use mineral spirits or naphtha. All parts should be thoroughly cleaned. Use a stiff brush to wash dirt from grooves, holes, etc.

 WARNING 
Cleaning products are flammable and may explode under certain conditions. Always handle in a well ventilated area.

9.6.2 Moisture Indicator

The moisture sensitive element consists of a color changing ring which is reversible from yellow to green and vice versa as the moisture content in the refrigerant changes. Yellow indicates a wet refrigerant, yellow green (caution) and green indicates a dry refrigerant.

Since temperature changes affect the solubility, color change will also vary with the refrigerant temperature. The following table shows the color change for R-134a at various moisture levels and liquid line refrigerant temperatures.

COLOR INDICATOR			
Temperature	BLUE (ppm)	LIGHT VIOLET (ppm)	PINK (ppm)
75°F (24°C)	Below 5	5-15	Above 15
100°F (38°C)	Below 10	10-30	Above 30
125°F (52°C)	Below 15	15-45	Above 45
p.p.m.= parts per million (moisture content)			

A moisture level of less than 15 p.p.m. for R-134a indicated in the blue color range of the above table is generally considered dry and safe. A color indication of light blue to light violet indicates the caution range of moisture level. For positive protection, the drying of the system should be continued until the color of the element turns to deep blue.

The liquid refrigerant is readily visible through the center opening of the moisture element where the presence of bubbles indicates a shortage of refrigerant or restriction in line.

Moisture is one of the main causes of chemical instability or contamination in air conditioning systems. If moisture is present, it can corrode the valves, condenser and evaporator coils, compressor and other components causing a malfunction and eventually failure of the system. Uncontrolled moisture in the system can result in expensive multiple component replacements if not corrected at an early stage. The moisture indicator permits an early detection of moisture in the system and when corrected by a desiccant charge, system contamination is greatly minimized.

9.7 LIQUID REFRIGERANT SOLENOID VALVE

The flow of liquid refrigerant to both driver's and passenger's evaporators is controlled by a normally-closed solenoid valve. The driver's solenoid valve is located on the ceiling of the spare wheel compartment and is accessible through the reclining bumper while the central HVAC system solenoid valve is located in the condenser compartment.

9.7.1 Manual Bypass

To ease purging, pumping down and refilling of refrigerant, it is possible to open the driver's, passenger's and overhead compartment system liquid solenoid valves. To do so, connect either male and female connector housing of C24 together for the passenger's area (located in evaporator compartment) or C44 for the driver's area (located on the ceiling of the spare wheel compartment). During normal use, both male and female housings of connector C24 & C44 are kept unplugged.

9.7.2 Coil Replacement

1. Disconnect connector from the coil connector.

2. Take out the retaining screw at the top of the coil housing. The entire coil assembly can then be lifted off the enclosing tube.
3. Place the new coil and yoke assembly on the enclosing tube. Lay data identification plate in place.
4. Insert the coil retaining screw, rotate housing to proper position and tighten screw securely.
5. Connect connector from coil connector.

9.7.3 Valve Disassembly

1. Remove the coil as stated previously.
2. Pump down the system as stated earlier in this section.
3. Remove the four socket head screws which hold the body and bonnet together (Figure 34).
4. Carefully lift off the bonnet assembly (upper part of the valve) so that plunger will not fall out. The diaphragm can now be lifted out.

Be careful not to damage the machined faces while the valve is apart.

9.7.4 Valve Reassembly

1. Place the diaphragm in the body with the pilot port extension up.
2. Hold the plunger with the synthetic seat against the pilot port.
3. Make sure the bonnet O-rings are in place. Lower the bonnet assembly over the plunger, making sure that the locating sleeve in the bonnet enters the mating hole in the body.
4. Insert the four socket head screws and tighten evenly.
5. Replace the coil as stated previously.
6. Add a small quantity of refrigerant R-134a to the low side of the system. Check for leaks. Return the system to normal operation.

9.8 EXPANSION VALVE

9.8.1 Central system

The expansion valve for the main system is a thermo-sensitive valve with a remote control bulb head attached to the evaporator outlet line and is accessible by the evaporator filter access door (Figure 17 & Figure 35). The valve regulates the flow of refrigerant liquid into the evaporator coils and is controlled by the suction gas temperature leaving the evaporator. The bulb head senses the refrigerant gas temperature as it leaves the evaporator. High temperature will cause expansion and pressure on the power head and spring. Such action causes the assembly valve to open, allowing a flow of refrigerant liquid into the evaporator.

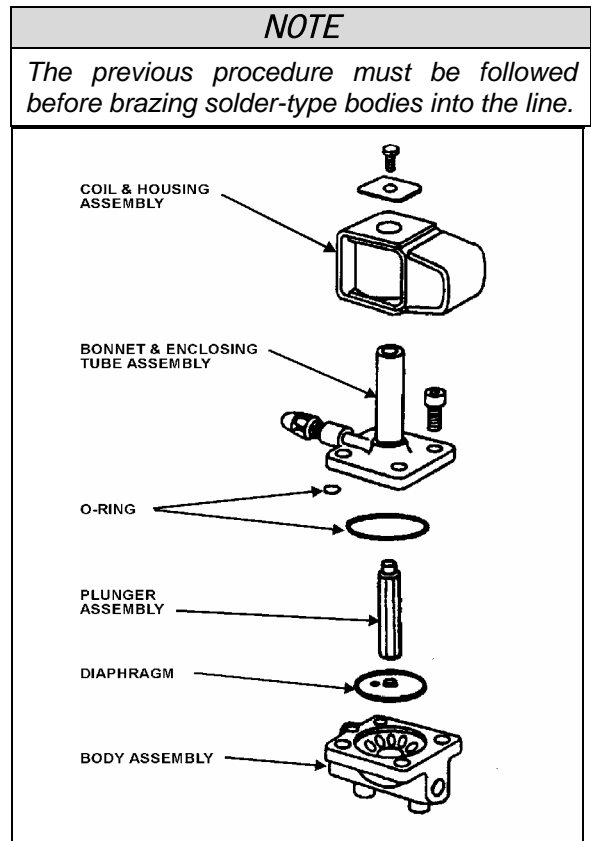


FIGURE 34: REFRIGERANT SOLENOID VALVE 22044

CAUTION

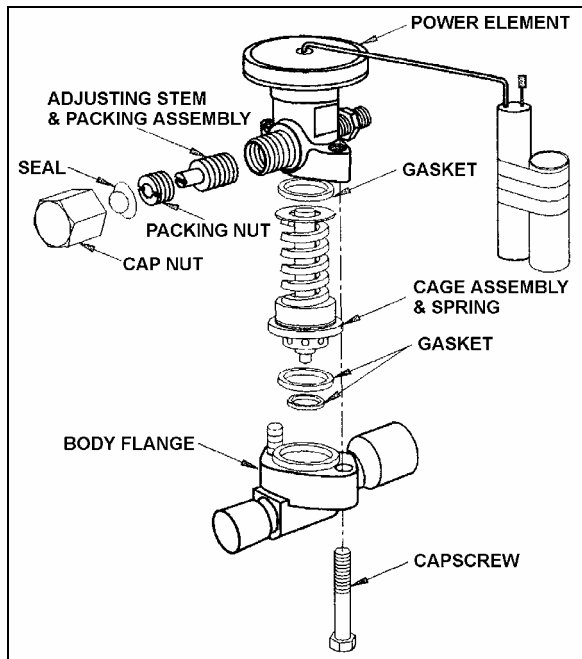


FIGURE 35: EXPANSION VALVE 22215

The remote bulb and power assembly is a closed system. The pressure within the remote bulb and power assembly corresponds to the saturation pressure of the refrigerant temperature leaving the evaporator and moves the valve pin in the opening direction. Opposed to this force, on the under side of the diaphragm and acting in the closing direction, is the force exerted by the superheat spring. As the temperature of the refrigerant gas at the evaporator outlet increases above the saturation temperature corresponding to the evaporator pressure, it becomes superheated. The pressure thus generated in the remote bulb and power assembly surpasses the combined pressures of the evaporator pressure and the superheat spring, causing the valve pin to move in the opening direction. Conversely, as the temperature of the **refrigerant** gas leaving the evaporator decreases, the pressure in the remote bulb and power assembly also decreases and the combined evaporator and spring pressures cause the valve pin to move in the closing position.

As the operating superheat is raised, the evaporator capacity decreases, since more of the evaporator surface is required to produce the superheat necessary to open the valve. It is obvious, then, that it is most important to adjust the operating superheat correctly and that a minimum change in superheat to move the valve pin to full open position, is of vital importance because it provides savings in both initial

evaporator cost of operation. Accurate and sensitive control of the refrigerant liquid flowing to the evaporator is necessary to provide maximum evaporator capacity under load conditions. The spring is adjusted to give 12 to 16° F (-11.1 to -8.8 ° C) of superheat at the evaporator outlet. This ensures that the refrigerant leaving the evaporator is in a completely gaseous state when drawn into the suction side of the compressor. Liquid would damage the compressor valve, piston and heads if allowed to return in the suction line.

A vapor is said to be superheated when its temperature is higher than the saturation temperature corresponding to its pressure. The amount of the superheat is, of course, the temperature increase above the saturation temperature at the existing pressure.

As the refrigerant moves along in the evaporator, the liquid boils off into a vapor and the amount of liquid decreases until all the liquid has evaporated due to the absorption of a quantity of heat from the surrounding atmosphere equal to the latent heat of vaporization of the refrigerant. The gas continues along in the evaporator and remains at the same pressure. However, its temperature increases due to the continued absorption of heat from the surrounding atmosphere. The degree to which the gas refrigerant is superheated is related to the amount of refrigerant being fed to the evaporator and the load to which the evaporator is exposed.

Superheat Adjustment

The easiest method of adjusting the superheat is to unscrew completely the main evaporator expansion valve adjusting screw, and screw in 13 turns clockwise for 134A (Figure 36). If this method does not provide an accurate superheat, the following procedure should be followed:

1. Operate coach for at least one-half hour at fast idle with temperature control set at 82°F (27,7°C), Then set temperature to minimum to keep the compressor on 6 cylinders.

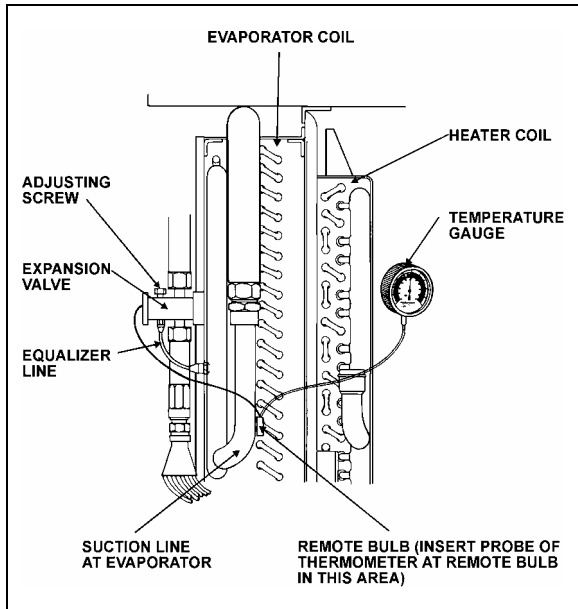


FIGURE 36: SUPERHEAT ADJUST. INSTALLATION 22046

2. Install pressure gauge at the evaporator suction header. You may install the pressure gauge at compressor suction, but then add 3 psi to reading.
3. Install a remote reading thermometer to the evaporator outlet line near the existing remote bulb (Figure 36).
4. Apply thermostatic tape around the bulb and evaporator outlet line to get a true reading of the line temperature.
5. Block condenser if necessary to keep pressure over 150 psi.
6. Check approximately 5 readings of pressure at 2-minute intervals and convert to temperature using the vapor-pressure table (page 36). Likewise check the temperature reading at the remote bulb at the same 2-minute intervals and record the low and high swing readings of the needle (refer to Figure 37).

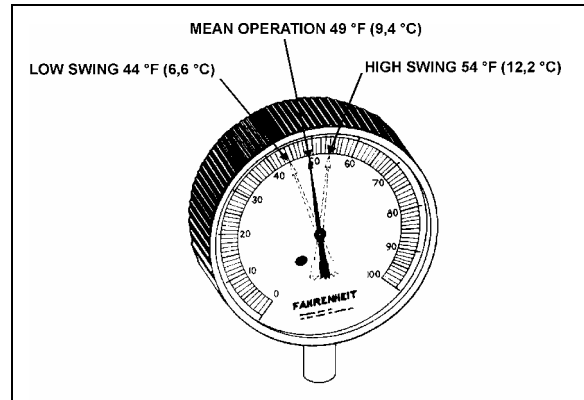


FIGURE 37: HIGH & LOW SWING TEMPERATURE AT REMOTE BULB 22047

Example of readings taken at Figure 37:

A/C pressure gauge converted to temperature at expansion valve fitting	Temperature on remote bulb	
40°F(4,4°C)	Low-swing 44°F (6,6°C)	High swing 54°F (12,2°C)
Formula for superheat 49°F-40°F=9°F (9,4°C-4,4°C = 5°C)	Average of low and high swing is 49°F (9,4°C)	

NOTE

The low swing of the superheat should be a minimum of 4°F (2,2°C) higher at the remote bulb and have an average of 12 to 16°F (4 to 6°C) higher range at the bulb than the fitting at the expansion valve.

NOTE

To reduce the superheat, flow of refrigerant is increased by turning adjusting screw of expansion valve lower evaporator temperature counterclockwise. To increase temperature or increase superheat, flow of refrigerant is reduced by turning adjustment screw of expansion valve clockwise.

7. Regulate suction pressure to temperature reading according to temperature chart or to the R-134a temperature scale on the pressure gauge.

Example: Suction pressure 30 psi (207 kPa) converted to 32°F (0°C) on chart. If temperature

Section 22: HEATING AND AIR CONDITIONING

reading is 40°F (4,4°C), subtract 32°F (0°C) and the result will be 8°F (4,4°C) of superheat.

CAUTION

Before proceeding with the expansion valve adjustment, check for restriction on suction side for plugged filter dryer and partially open valves. These conditions will give a high superheat.

Maintenance

1. Pump down the system as previously indicated in this section.
2. Disconnect the external equalizer line from the under side of the power head, and unclamp the remote control bulb from the evaporator coil outlet line.
3. Remove the two cap screws holding the power assembly to the valve body flange. Lift off the power assembly and remove the cage assembly.
4. When reassembling, replace with the new gaskets in proper location. Make sure the two lugs on the cage assembly fit into grooves provided in the power assembly. Do not force the valves together. The cage must fit properly before tightening the body flange. Tighten bolts evenly.
5. Check for leaks.

Safety Instructions

1. Make sure the valve is installed with the flow arrow on the valve body corresponding to the flow direction through the piping system.
2. Before opening any system, make sure the pressure in the system is brought to and remains at the atmospheric pressure. Failure to comply may result in system damage and/or personal injury.

9.8.2 Driver's System

The function and operation of the expansion valve for the driver's system are similar to the central system, but no superheat adjustment is required (see Figure 35).

9.9 TORCH BRAZING

Use an electrode containing 35% silver.

NOTE

A 3.5% silver low temperature brazing electrode can be used on low side pressure and liquid high side.

CAUTION

When using heat near a valve, wrap with a water saturated rag to prevent overheating of vital parts.

WARNING

Before welding any part of refrigeration system, make sure the area is well ventilated.

9.10 TROUBLESHOOTING

9.10.1 Expansion Valve

PROBABLE CAUSE	PROBABLE REMEDY
LOW SUCTION PRESSURE-HIGH SUPERHEAT	
EXPANSION VALVE LIMITING FLOW:	
Gas in liquid line due to pressure drop in the line or insufficient refrigerant charge.	Locate cause of line flash and correct by use of any of the following methods. Add R-134a. Replace or clean filter dryer.
Inlet pressure too low from excessive low condensing temperature. Resulting pressure difference across valve too small.	Increase head pressure. Verify pressure switch for fan speed control.
Superheat adjustment too high.	Adjust superheat as outlined under "Superheat Adjustment".
Power assembly failure or partial loss of charge.	Replace power assembly or replace valve.
Air filter screen clogged.	Clean or replace air filter screen.
Plugged lines.	Clean, repair or replace lines.
LOW SUCTION PRESSURE-LOW SUPERHEAT	
Uneven or inadequate evaporator loading due to poor air distribution or liquid flow.	Balance evaporator load distribution by providing correct air or liquid distribution.
HIGH SUCTION PRESSURE-HIGH SUPERHEAT	
Compressor discharge valve leaking.	Replace or repair valve.
HIGH SUCTION PRESSURE-LOW SUPERHEAT (DEFECTIVE UNLOADER)	
Valve superheat setting too low.	Adjust superheat as outlined under "Superheat Adjustment".
Compressor discharge valves leaking.	Replace or repair discharge valve.
Incorrect superheat adjustment.	Superheat adjustment 12 to 16°F.
FLUCTUATING DISCHARGE PRESSURE	
Insufficient charge.	Add R-134a to system.
HIGH DISCHARGE PRESSURE	
Air or non-condensable gases in condenser.	Purge and recharge system.
Overcharge or refrigerant.	Bleed to proper charge.

Section 22: HEATING AND AIR CONDITIONING

PROBABLE CAUSE	PROBABLE REMEDY
Condenser dirty.	Clean condenser.

9.10.2 A/C

TROUBLE	CAUSE
Low suction pressure and frosting at dryer outlet.	Clogged filter.
Low Oil Level.	Check for oil leaks and for leaking oil seal. Do not attempt to check oil level unless system has been stabilized at least 20 minutes. See oil level verification.
Excessively cold suction line.	Loss of contact between the expansion valve bulb and the suction line or sticking of the expansion valve. Check for foreign matter and clean, repair or replace the valve.
Excessively cold suction line and noisy compressor.	Check superheat adjustment. Check remote bulb contact. Check expansion valve for sticking.
Compressor squeaks or squeals when running.	Check oil level. Replace oil seal.
Noisy or knocking compressor.	Check for broken internal parts. Overhaul if required.
Compressor vibrates.	Check and tighten compressor mounting bolts and belt tension.
Low refrigerant level	Check for refrigerant leaks and add refrigerant if required.
Suction pressure rises faster than 5 pounds per minute after shutdown.	Check compressor valve for breakage or damage.
Insufficient cooling.	Check for refrigerant leaks. Check condition of air filter and motors.
Insufficient air flow.	Dirty or iced evaporator. Dirty air filter. Blowers inactive. Clogged ducts.
No flow of refrigerant through expansion valve.	Filter dryer is clogged. Remote bulb has lost charge or expansion valve is defective.
Expansion valve hisses. Bubbles in moisture and liquid indicator.	Gas in liquid line. Add refrigerant.
Loss of capacity Superheat too high.	Clogged filter. Obstructed or defective expansion valve. Reset superheat adjustment. Check for clogged external equalizer line, or filter dryer.
Reduced air flow: a. Dirty or clogged air filter; b. Evaporator motor inoperative; or c. Plugged return air ducts.	Dirty or iced evaporator coil. Clean air filter screen. Check return ducts for obstructions. Check blower motor.
Frequent startings and stoppings on low pressure control switch.	Lack of refrigerant. Check for leaks. Recharge.
Compressor intermittently starts and stops.	Intermittent contact in electrical control circuit. Compressor valves not in operating position.
Non-condensable in the refrigeration system.	Leak on system, system in vacuum in low temp. Specific symptom, pressure in system will not correspond to ambient temperature on shutdown. Only non-condensable will cause this.

TROUBLE	CAUSE
	<p>(Example: Pressure of idle R-134a system in 80°F (26.6°C) room should be 86.4 psi (595.7 kPa). See temperature chart in this section.)</p> <p>An evaporator just does a proper cooling job without sufficient air. Shortage of air can be caused by the following:</p> <ul style="list-style-type: none"> ○ Dirty filters; or ○ Dirty coils.
<p>Testing condenser pressure.</p> <p>Note: R-134A pressure is function of the temperature variation.</p> <p>Example, for an exterior temperature of 100°F. Exterior temperature (100°F) + 40°F = 140°F. Refer to paragraph "9.11 Temperatures & Pressures". Note the corresponding pressure for a temperature of 140°F., 230.5 psi. Read the condenser pressure, example 171.9 psi. 171.9 psi 199.8 psi, the pressure in the condenser is inferior to the pressure corresponding to the exterior temperature, then condenser pressure may be too low. Check for refrigerant leaks and add refrigerant if necessary. If the pressure corresponding to the condenser temperature is superior to the pressure corresponding to the exterior temperature, then air cooled condenser pressure may be too high. Most frequent causes are:</p> <p>Reduced air quantity. This may be due to:</p> <ul style="list-style-type: none"> ○ Non-condensable in system; ○ Dirt on the coil; ○ Restricted air inlet or outlet; ○ Dirty fan blades; ○ Incorrect rotation of fan; ○ Fan speed too low; ○ Fan motor going out on overload; or ○ Prevailing winds. ○ Too much refrigerant in system. Remove refrigerant if necessary. 	

Section 22: HEATING AND AIR CONDITIONING

9.11 TEMPERATURES & PRESSURES

VAPOR-PRESSURE			
TEMPERATURE		PRESSURE	
°F	°C	psi	kPa
-100	-73.3	27.8	191.7
-90	-67.8	26.9	185.5
-80	-62.2	25.6	176.5
-70	-56.7	23.8	164.1
-60	-51.1	21.5	148.2
-50	-45.6	18.5	127.6
-40	-40.0	14.7	101.4
-30	-34.4	9.8	67.6
-20	-29	3.8	26.2
-10	-23	1.8	12.4
0	-18	6.3	43.4
10	-12	11.6	80
20	-7	18.0	124.1
30	-1	25.6	176.5
40	4	34.5	237.9
50	10	44.9	309.6
60	16	56.9	392.3
70	21.1	70.7	487.5
80	27	86.4	595.7
90	32.2	104.2	718.5
100	38	124.3	857.0
110	43.3	146.8	1012.2
120	49	171.9	1185.3
130	54.4	199.8	1377.6
140	60	230.5	1589.3
150	65.6	264.4	1823.0
160	71	301.5	2078.8
170	76.7	342.0	2358.1
180	82.2	385.9	2660.8
190	87.8	433.6	2989.7
200	93.3	485.0	3344.1
210	98.9	540.3	3725.4

9.12 LEAK TESTING

Some methods such as nitrogen pressure and soap, and electronic sniffer can be used for leak

testing. However, the most common method used is a "Halide" torch consisting of an acetylene tank, a burner and a suction test hose. Proceed as follows:

⚠ WARNING ⚠

Do not inhale fumes from leak detector.

The flow of acetylene to the burner causes a depression in the test line. Any gas refrigerant present will be drawn through the hose and into the burner where it decomposes into free acids.

These acids come in contact with the hot copper reaction plate in the burner, causing color reaction in the flame. A small concentration is indicated by a green tint and a large concentration by an intense blue. Do not confuse this change in color with the change caused by shutting off the air supply through the hose by holding the end too close to an object.

The procedure for testing is:

1. Adjust flame so that the top of the cone is approximately level or within one-half inch above the plate.
2. Probe end of suction test tube around all joints, valves, etc. When a leak has been found at a soldered joint, this specific section of the system must be pumped down. Do not solder as pressure will force hot solder out. If the system is empty, it is more economical to put in just enough R-134a to produce about 15 psi (103 kPa). The pressure can be raised to about 150 psi (1034 kPa) with dry nitrogen.

NOTE

This gas is put into the suction and discharge shutoff valves at the compressor. The receiver valves must be opened. If no leaks are found, dump this mixture, evacuate the system and fill with refrigerant.

10. SMALL HVAC SYSTEM – AIR CONDITIONING COMPONENTS

10.1 COMPRESSOR

MODEL	TM-16HD
TYPE	Swash-plate type
Number of cylinders	6
Bore	36 mm (1.42")
Stroke	26.7 mm (1.05")
Displacement	163 cm ³ (10cu.in)
Permissible speed	700-6000 rpm
Refrigerant	HFC-134a
Lubricant	ZXL100PG

	180 cm ³
Mass	4.9 kg (10.9 lbs)

10.2 MAGNETIC CLUTCH

TYPE	Electromagnetic single-plate dry clutch
Rated Voltage	24/12 volts DC
Current consumption	3.75 amperes (max)
Stalling torque	49 Nm (36.1 Lbf-ft) min
Rotation	CW/CCW
Mass	2.2 kg (4.9 lbs)

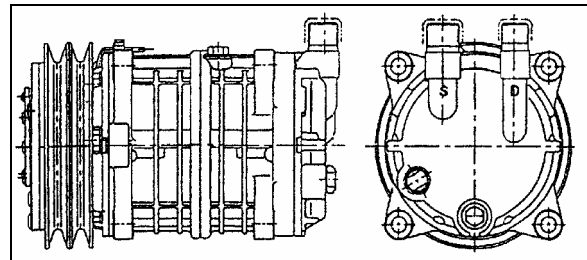


FIGURE 38: SELTEC TM-16HD COMPRESSOR

10.3 MAINTENANCE PRECAUTIONS

10.3.1 Work Area

Because the components of air conditioning systems are especially sensitive to moisture, dirt and dust, always observe the following procedures:

- Work indoors whenever possible.
- Select a level work area.
- Keep work area clean.
- Select a work area with adequate ventilation.

⚠ WARNING ⚠

Refrigerant itself is not harmful, but excessive accumulation in a closed area can cause oxygen deficiency.

- Keep open flame and flammables away from the vehicle in which the air conditioning system is being serviced. **Open flame is especially dangerous during Freon leak testing.**

⚠ WARNING ⚠

Contact with flame and high temperatures can generate toxic gases.

10.3.2 Refrigerant Handling

Never directly heat refrigerant cylinder or put in hot water heated above 40°C (104°F) since it may cause release of the safety plug or the cylinder may burst. When it is necessary to heat refrigerant cylinder for charging in cold weather, use warm water at a temperature below 40°C (104°F).



WARNING

Do not put the charge valve in warm water.

- Never store refrigerant cylinder in direct sunlight, near flame, or where the temperature exceeds 40°C (104°F). Always store refrigerant cylinder in a cool dry place.
- Never throw or strike refrigerant cylinder and never handle roughly.

10.3.3 PAG Oil Handling

Whenever a part replacement has to be done on the system, additional task about PAG oil will have to be performed.

The compressor has little reserve and is lubricated by the oil refrigerant mixture. To perform correctly, the compressor needs the mixture to be from 3% to 6% of Poly Alkaline Glycol (PAG) oil.

When a compressor has to be top off due to a severe lost, the amount of oil to be added should be evaluated with the refrigerant charge or a compressor oil change should be performed to rise up the compressor oil charge to 180 ml or the written charge on the nameplate.

- The oil should be free from moisture, dust, metal shavings, etc.
- Do not mix with other oils.
- The moisture content of the oil increases when exposed to the air for prolonged period. Therefore, after use, seal the container immediately.

DO NOT MIX PAG AND POE OR MINERAL OILS!

10.3.4 Refrigerant Recovery

Some air conditioning system refrigerant compounds are chlorofluorocarbons, and therefore may be damaging the earth's ozone layer. Consequently, the release of refrigerant into the atmosphere must be avoided. Whenever refrigerant is to be released from the

air conditioning system, a refrigerant recovery unit must be used to recover the refrigerant. This refrigerant can then be recycled and reused, which is both environmentally safe and economical.

For complete system recovery, any of the High and Low service ports can be used (Refer to Figure 17 & Figure 18). Energize liquid solenoid valve and measure the quantity of oil recovered. For the compressor only, use the service valve port and close the valves. The service valves open permits full flow of refrigerant to service port. Service valve closed permits flow of refrigerant from compressor to service port.

10.3.5 Compressor Handling

Do not strike, drop or turn the compressor upside down. If the compressor is knocked over or turned upside down, rotate the compressor's magnetic clutch 5 to 6 times by hand to circulate the oil which has settled in the cylinder. Sudden rotation with oil in the cylinder can cause valve damage and adversely affect durability.

10.4 COMPRESSOR REMOVAL

10.4.1 When the compressor is operational

- Perform the "OIL RETURN OPERATION" (Refer to paragraph 10.9).

10.4.2 When the compressor is inoperable

- Perform the "Refrigerant Recovery" operation (Refer to paragraph 10.3.4).
- Slacken bolts A (Figure 39).
- Remove bolts B & C.
- Remove the compressor.

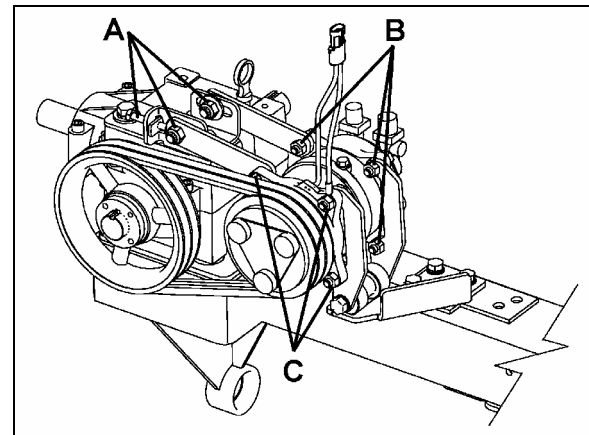


FIGURE 39: COMPRESSOR REMOVAL OR INSTALLATION

22285

10.5 INSTALLATION PRECAUTIONS

The new compressor is filled with the specified quantity of compressor oil and nitrogen gas (N²). When mounting the compressor on the vehicle, take the following steps:

Loosen the discharge side connector's cap and gently release N² from compressor (Refer to Figure 40).

Note: Take care not to let the oil escape.

- Slowly rotate the compressor's magnetic clutch several times by hand to distribute the oil which has settled in the cylinders (Figure 41).
- When using the old compressor in the system, the compressor should be installed after changing the oil.

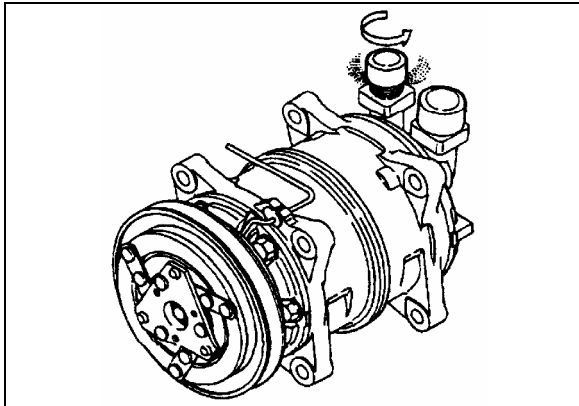


FIGURE 40: LOOSENING THE DISCHARGE SIDE CONNECTOR'S CAP

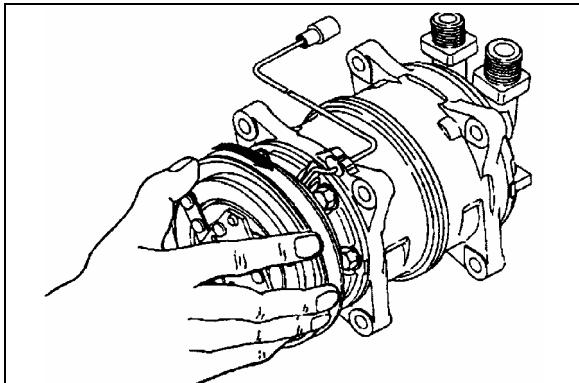


FIGURE 41: ROTATING MAGNETIC CLUTCH

10.6 COMPRESSOR OIL CHANGE

Each compressor is delivered filled with the specified quantity of compressor oil, depending on the type of air conditioning system. A label describing the amount/type of compressor oil is attached to the compressor.

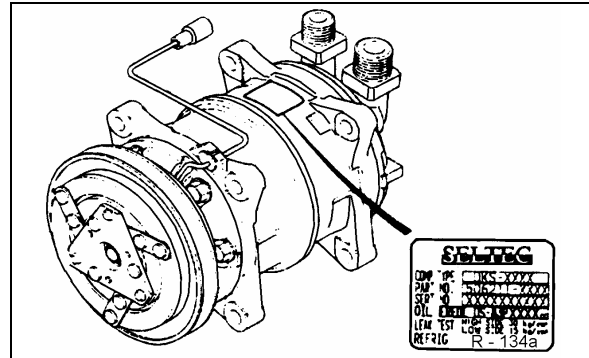


FIGURE 42: COMPRESSOR OIL LABEL

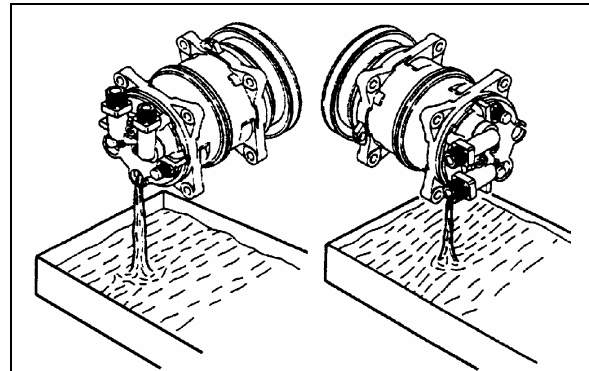


FIGURE 43: DRAINING THE OIL

- Check oil for contamination. Refer to PARAGRAPH 9.8: "COMPRESSOR OIL CONTAMINATION".

Tighten the oil drain plug with a new o'ring lightly coated with clean compressor oil to specified torque.

Torque: 13-15 Nm (9.4-10.8 Lbf-ft)

- Add new compressor oil through the suction-side connector with the amount specified on the label (180 ml).

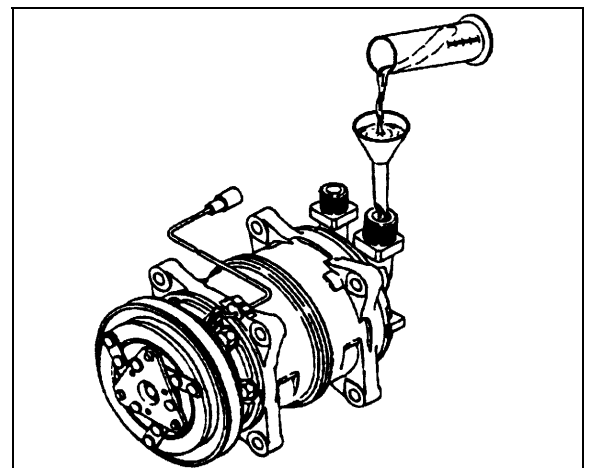


FIGURE 44: ADDING NEW COMPRESSOR OIL

Section 22: HEATING AND AIR CONDITIONING

10.6.1 Evacuating System Before Adding Refrigerant (Driver's or Auxiliary System)

When a system has been opened for repairs, change the filter dryer and evacuate the system. VIPs equipped with a driver's system must use high-pressure service port located on the other side of check valve and low-pressure port located alongside rear truss. (Figure 17 and Figure 18). It would be good practice to open the solenoid valve.

1. Connect two hoses equipped with a micron gauge between the high-pressure service port, the low-pressure service port and the vacuum pump.
2. With the unit service valves open and the vacuum pump valves open, start the pump and draw the manifold and hoses into a very deep vacuum (700 microns).
3. Close manifold valve
4. Shut down the vacuum pump.
5. Check to insure that vacuum holds. (If the pressure continues to rise, it indicates a leak or moisture in the system).
6. Charge the system with the proper amount of refrigerant through the service port near the check valve using recommended charging procedures.
7. Remove the hoses.

10.7 OIL ADDITION

The chart below shows the approximate amount of oil to be added to the system when replacing a component.

Component replaced	Typical amount of oil
Evaporator	50 cm ³ (1.7 ozs)
Condenser	30 cm ³ (1.0 ozs)
Filter-Dryer	10 cm ³ (0.3 ozs)

The amount of oil recovered with the refrigerant recovery should be added at the same time.

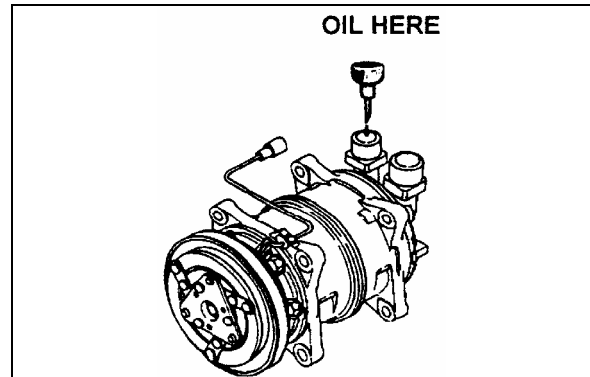


FIGURE 45: ADDING OIL AFTER REPLACING A COMPONENT

10.8 COMPRESSOR OIL CONTAMINATION

Unlike engine oil, no cleaning agent is added to the compressor oil. Even if the compressor is run for a long time, the oil never becomes turbid as long as there is nothing wrong with the compressor or its method of use. Inspect the extracted oil for any of the following conditions:

- Dirt in the oil.
- Change to a varnish color.
- Presence of foreign substance, metal shavings, etc. in the oil. When the oil extracted from the compressor is as described above, replace the oil as follows:
 1. Clean the interior of the system with approved method.
 2. Replace the filter-dryer.
 3. Supply with new oil as specified in paragraph 11.6: "COMPRESSOR OIL CHANGE".

10.9 OIL RETURN OPERATION

There is a close affinity between oil and refrigerant. During normal operation, part of the oil recirculates with the refrigerant in the system. Therefore, when checking the amount of oil in the system or replacing any system component, the compressor must be run in advance to ensure return. This procedure is as follows:

- If the amount of refrigerant in the system has decreased, charge to the proper amount.
- Start the engine and select fast idle.
- Set the fan speed to full air/full A/C and let run for 20 minutes.

10.10 OIL CHECK INTERVAL

Unlike engine oil, it is not necessary to frequently check or change the compressor oil. However, it is necessary to check and replenish or replace the compressor oil in the following cases:

- Whenever the compressor, evaporator, condenser or filter-dryer is replaced.
- Whenever refrigerant has leaked from the system, evaluate the amount of oily spot.
- Whenever refrigerant is suddenly released from the cooling cycle, replenish the compressor (180 ml) plus 150 ml.
- Whenever any oil-related problems occur in the cooling cycle.

10.11 LEAK TEST PROCEDURE WITH COMPRESSOR REMOVED

When a compressor is repaired, it must be checked prior to installation.

- Install the discharge and suction caps to the connector.

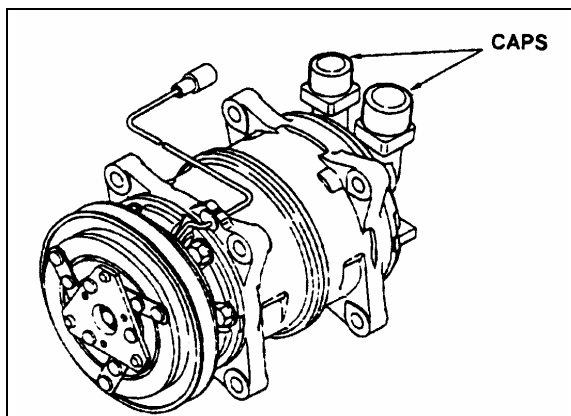


FIGURE 46: DISCHARGE AND SUCTION CAPS

- Fill the compressor with refrigerant through connector's suction port raising the pressure to at least 0.5 Mpa (70 psi).
- Check the compressor for leaks using a leak detector.

NOTE

Never leave the compressor upside down for longer than 30 seconds. This is because the oil inside the compressor will enter the cylinders, causing liquid compression which will damage the compressor's suction and delivery valves.

10.12 TIGHTENING TORQUES

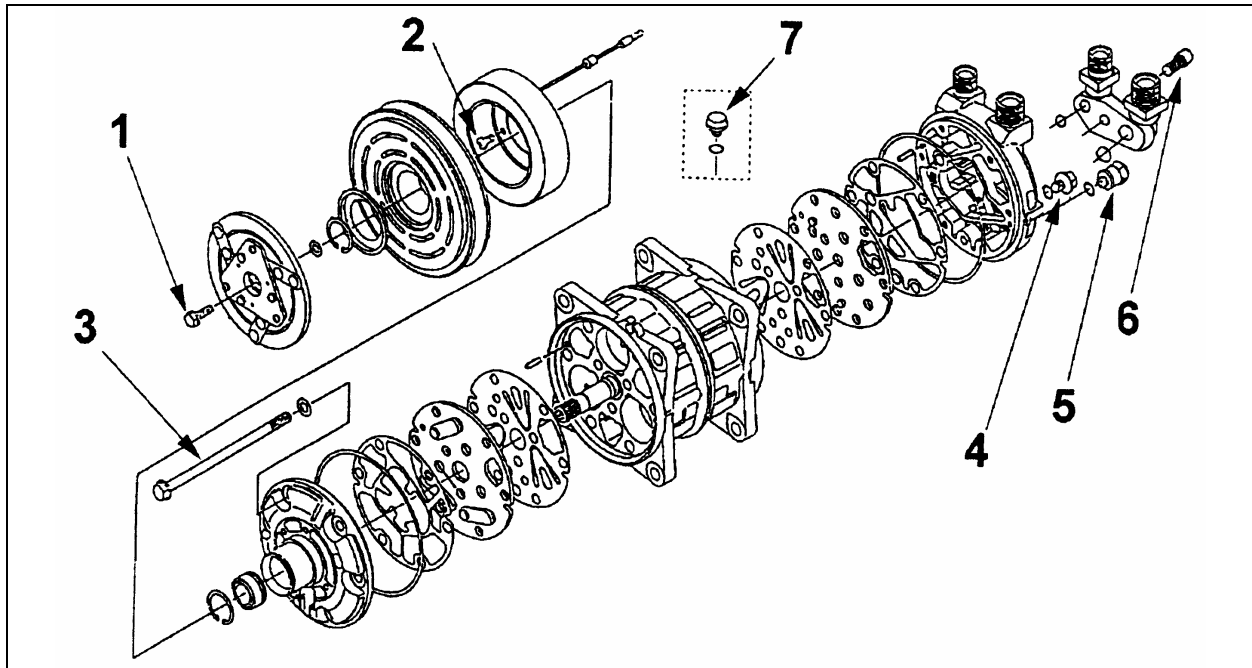


FIGURE 47: TIGHTENING TORQUES

PART	THREAD SIZE	TIGHTENING TORQUE
1. Bolt Armature	M6 x 1.0	12 - 14 Nm (8.7 - 10.1 Lbf-ft)
2. Field Coil Screw	M5 x 0.8	4 - 6 Nm (2.9 - 4.3 Lbf-ft)
3. Body Bolt	M8 x 1.25	20 - 24 Nm (14.5 - 17.3 Lbf-ft)
4. Oil Drain Plug	M8 x 1.25	13 - 15 Nm (9.4 - 10.8 Lbf-ft)
5. Pressure Relief Valve	3/8 - 24UNF	13 - 15 Nm (9.4 - 10.8 Lbf-ft)
6. Connector Bolt	M8 x 1.25	20 - 24 Nm (14.5 - 17.3 Lbf-ft)
7. Oil Filler Plug	M8 x 1.25	13 - 15 Nm (9.4 - 10.8 Lbf-ft)

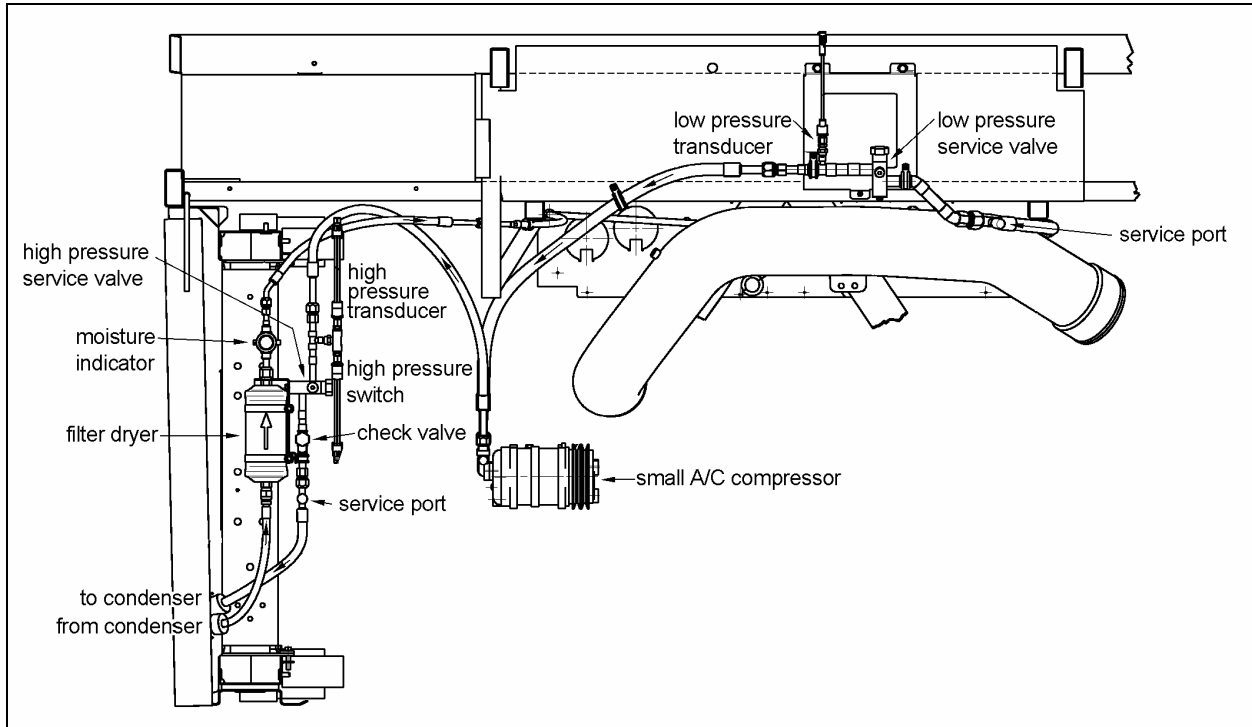


FIGURE 48: SMALL HVAC SYSTEM - AIR CONDITIONING

22293

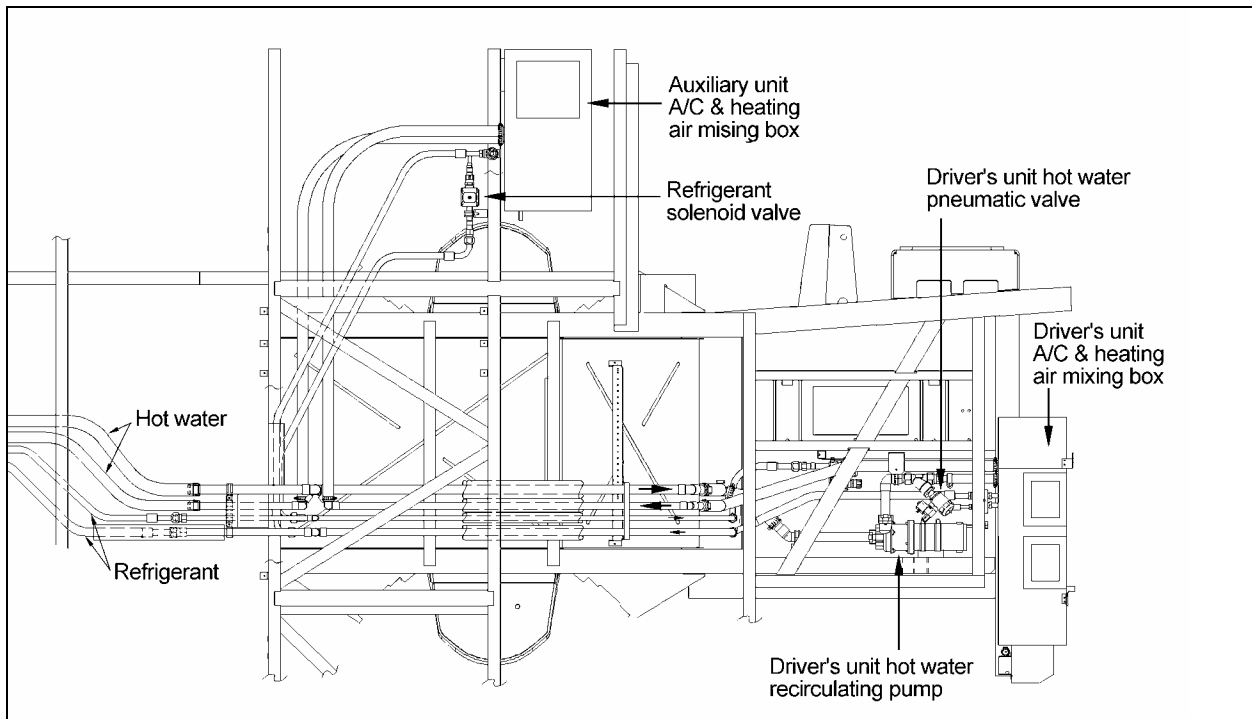


FIGURE 49: SMALL HVAC SYSTEM - DRIVER'S AND AUXILIARY UNIT

22290

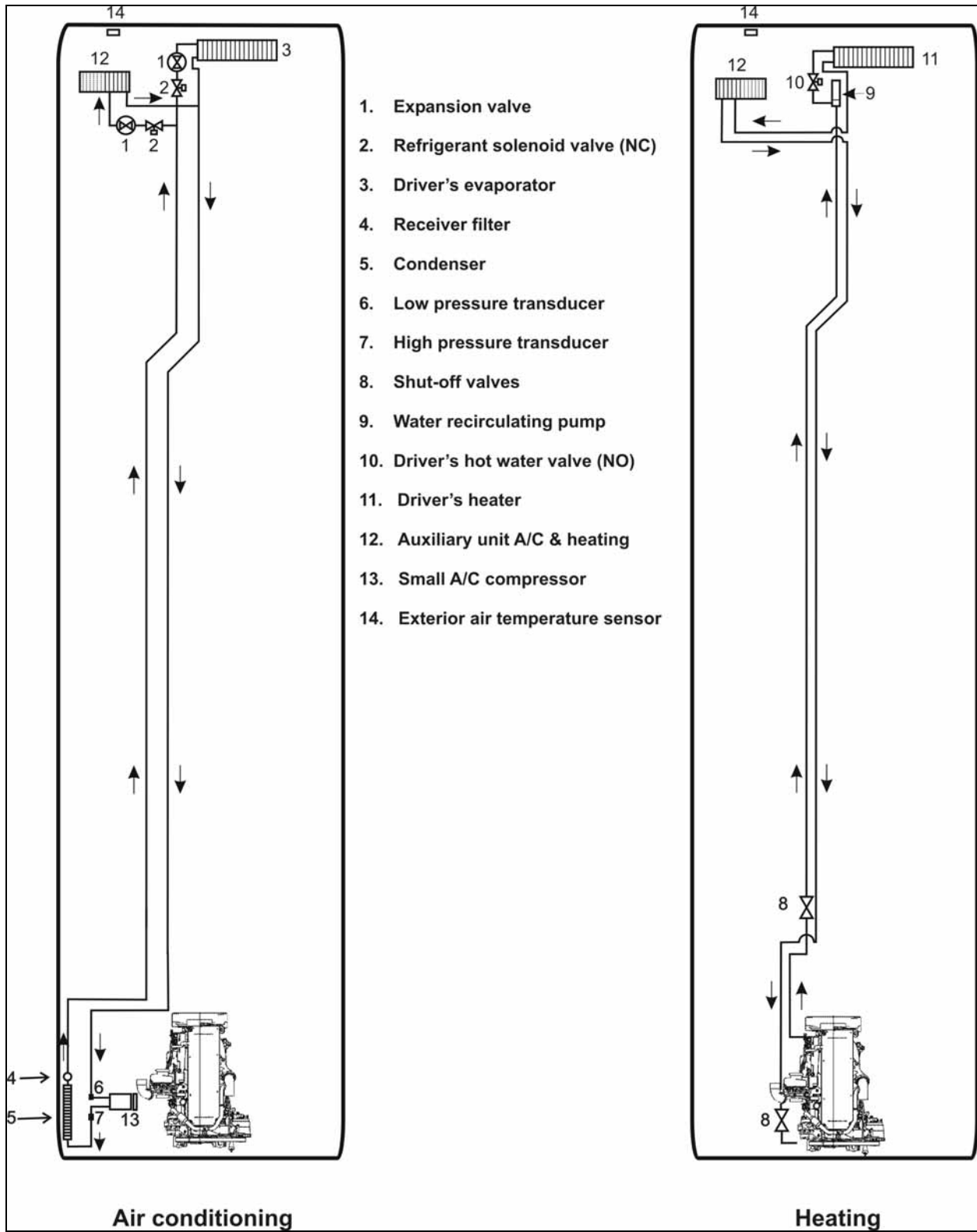


FIGURE 50: SMALL HVAC SYSTEM

22290

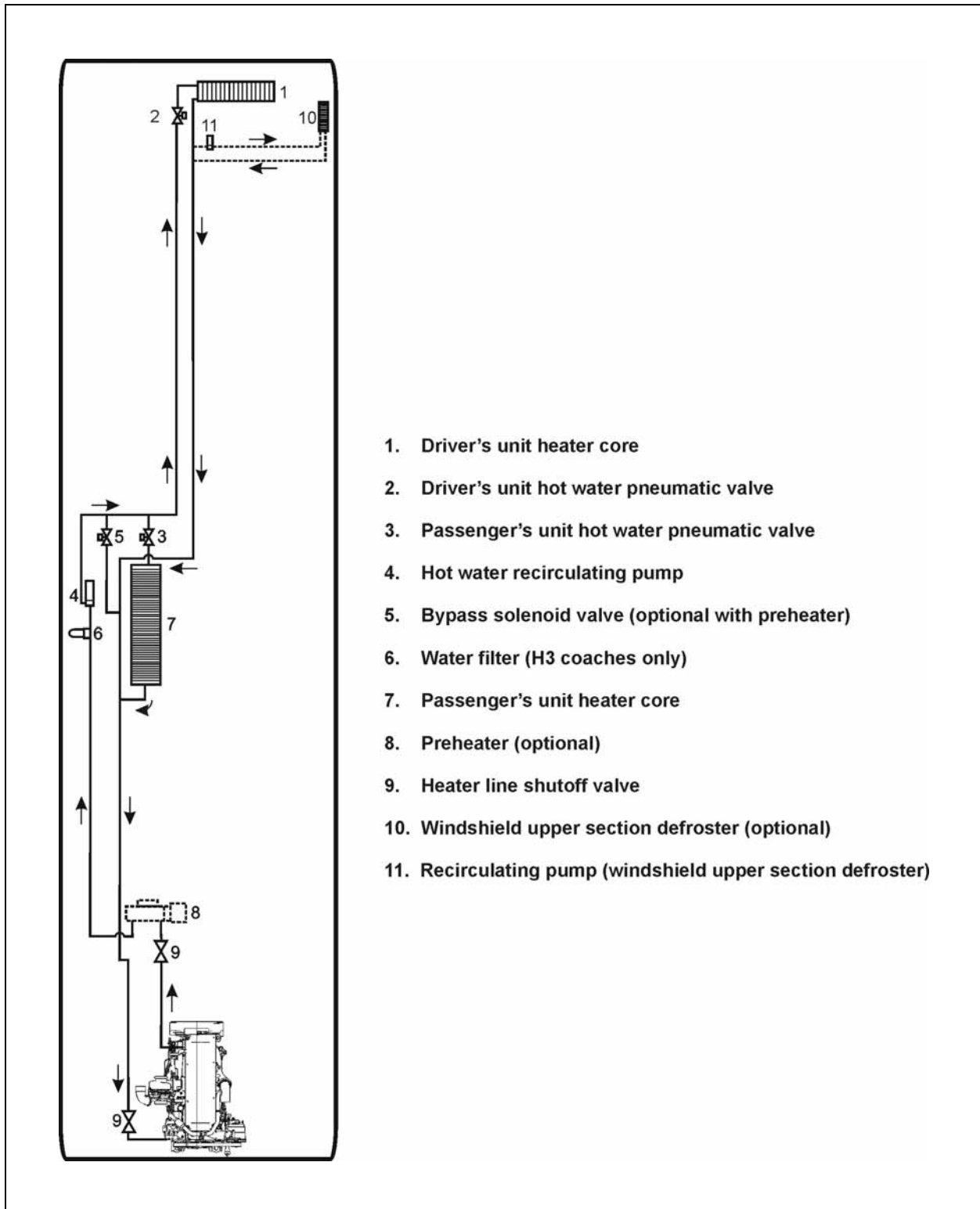


FIGURE 51: CENTRAL HVAC SYSTEM – HEATING

22262

11. HEATING SYSTEM

The schematics of Figure 50 and FIGURE 51 show respectively, the small HVAC system heating and air conditioning arrangement and the central HVAC system heating arrangement.

In addition to the normal heating provided by the engine, a preheating system (104,000 Btu/hr) (optional on coaches only) may have been installed in the vehicle.

Section 22: HEATING AND AIR CONDITIONING

11.1 SMALL HVAC SYSTEM

The small HVAC system driver's unit is similar to the driver's unit of the central HVAC system, except that the recirculating pump is located on the ceiling of the spare wheel compartment (Figure 60). For more information on components, refer to paragraph 11.2: CENTRAL HVAC SYSTEM.

Furthermore, an auxiliary unit is added in series on the return line of the small system, it increases the whole system heating capacity and gives the driver more options.

11.2 CENTRAL HVAC SYSTEM

The schematic of FIGURE 51 shows the central HVAC system heating arrangement.

On coaches only, in addition to the normal heating provided by the engine, an optional preheating system (104,000 Btu/hr) may have been installed above the rear wheelhousing on the L.H. side.

11.3 DRAINING HEATING SYSTEM

To drain the entire system, refer to Section 05, "Cooling". If only the driver's unit heater core or passenger's unit heater core must be drained, refer to the following instructions.

11.3.1 Draining Driver's Unit Heater Core

1. Stop engine and allow engine coolant to cool.
2. Locate the normally open hot water pneumatic valve on the ceiling of the spare wheel compartment (Figure 49), disconnect its wiring connector, then connect a 24-volt external power source, using jumper cables, to close valve.

WARNING

Before proceeding with the following steps, check that coolant has cooled down.

3. Loosen hose clamp, install an appropriate container to recover coolant, and disconnect silicone hose from hot water pneumatic valve.
4. From inside of vehicle, remove the grill and the access panels. Open the purge valve located inside the driver's unit (Figure 52) to ensure an efficient draining.

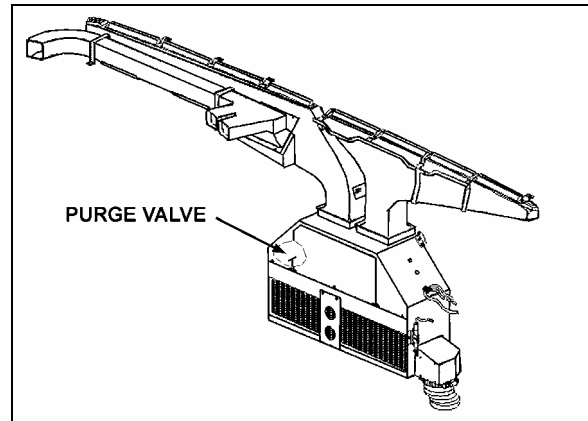


FIGURE 52: DRIVER'S UNIT AIR MIXING BOX 22171PV

11.3.2 Draining Passenger's Unit Heater Core

1. Stop engine and allow engine coolant to cool.
2. Close both heater line shutoff valves (Figure 55 & Figure 56). One is located in the engine compartment under the radiator fan gearbox, while the other one is located behind the L.H. hinged rear fender near the preheater. Refer to "Preheater System" in this section to gain access to the heater line shutoff valve.
3. Open the last L.H. side baggage compartment door and then pull the black release button located on the L.H. side in order to unlock and open the evaporator compartment door.

WARNING

Before proceeding with the following step, check that coolant has cooled down.

4. Open drain cock in bottom of heater core, then open purge valve located on top of heater core (Figure 53) in order to allow air to enter while draining.

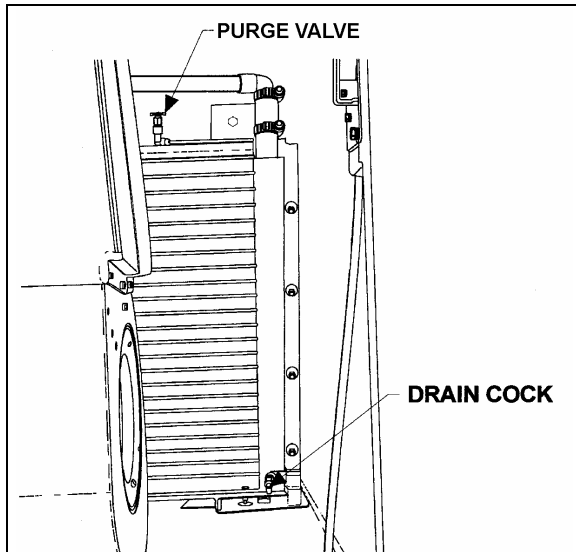


FIGURE 53: PASSENGER'S UNIT HEATER CORE (H3 COACHES) 22229

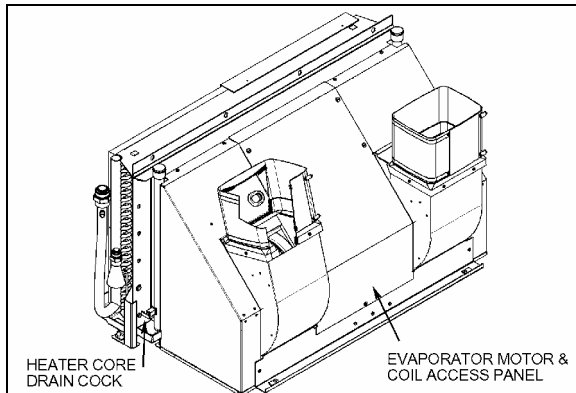


FIGURE 54: HEATER CORE INSIDE EVAPORATOR COMPARTMENT (H3 COACHES) 22332

11.4 FILLING HEATING SYSTEM

1. Ensure that the drain hose is reconnected and the purge valves and drain cock are closed.
2. Open the surge tank filler cap and slowly fill the system to level of filler neck.
3. After initial filling, the water valves should be open and the water recirculating pump should be energized to assist in circulating coolant through the heating system. To perform this operation, start the engine, switch on the HVAC control unit, both driver and passenger sections, and set temperature to their maximum positions in order to request the heating mode in each of these sections.

4. When coolant level drops below the surge tank filler neck, slowly fill the system to level of filler neck.
5. If vehicle is equipped with a windshield upper section defroster, open front baggage compartment R.H. side door. Locate recirculating pump on top of front wheelhousing, momentarily pinch the hose located between the recirculating pump suction and the defroster outlet connector to ensure windshield upper section defroster complete filling.
6. Once the level has been stabilized, replace cap.

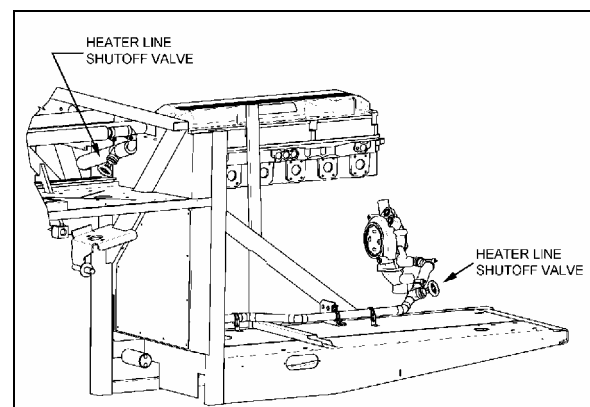


FIGURE 55: HEATER LINE SHUTOFF VALVES (CENTRAL HVAC SYSTEM)

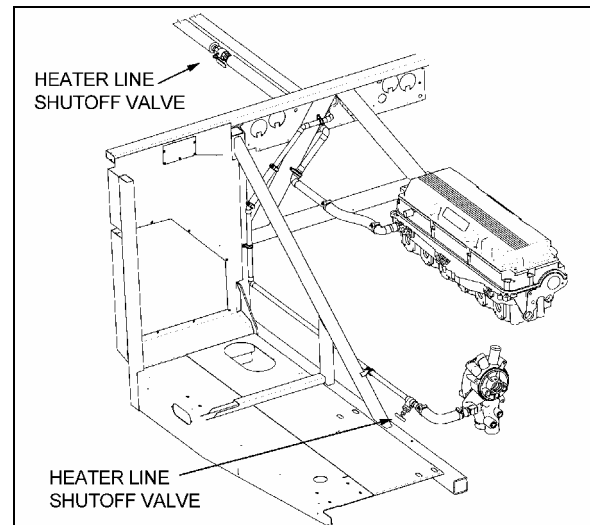


FIGURE 56: HEATER LINE SHUTOFF VALVES (SMALL HVAC SYSTEM)

11.5 BLEEDING HEATING SYSTEM

Whenever the heating system has been drained and refilled, or the system has run low on coolant and coolant has been added, it is necessary to bleed air from heating system. Locate the purge valve illustrated in Figure 52

and Figure 53, and open them momentarily until no air escapes from the lines.

NOTE

In test mode (see paragraph 7.1 HVAC SYSTEM AND TEST MODE FOR SWITCHES AND SENSORS), with the parking brake applied and the passenger set point set to a value higher than 64°F (18°C), the hot water circulating pump is not set to OFF as it would normally do when the outside temperature gets above 50°F (10°C). This feature is useful when working on the heating system to remove air pockets trapped in the system.

11.6 SOLDERING

Before soldering any part of the system, make sure the area is well ventilated. Use (stay clean) flux sparingly and apply solder (95-5 round wire 1/8 inch [3,1 mm]). After completing repairs, test for leaks.

When using heat at or near a valve, wrap with a rag saturated of water to prevent overheating of vital parts.

11.7 DRIVER'S UNIT HOT WATER PNEUMATIC VALVE

The flow of hot water to the driver's unit heater core is controlled by a pneumatic valve like the passenger's unit hot water pneumatic valve. It is mounted on the coolant inlet line of the driver's heater core, and is accessible through the spare wheel compartment (see Figure 50, FIGURE 51 & Figure 60). For more information, refer to paragraph 11.8.

11.8 PASSENGER'S UNIT HOT WATER PNEUMATIC VALVE ASSEMBLY

11.8.1 Description

The flow of hot water to the vehicle's central heater core is controlled by a NO pneumatic water valve assembly (Figure 57). The valve, located in the evaporator compartment, is designed so that the pilot solenoid valve, which is part of the assembly, opens and closes a port which directs air pressure to the actuator casing, thereby opening or closing the valve.

When the vehicle is operating with no current to the pilot solenoid valve, no air pressure is admitted to the actuator casing, the cylinder spring pushes up against the cylinder, thereby keeping the water valve open.

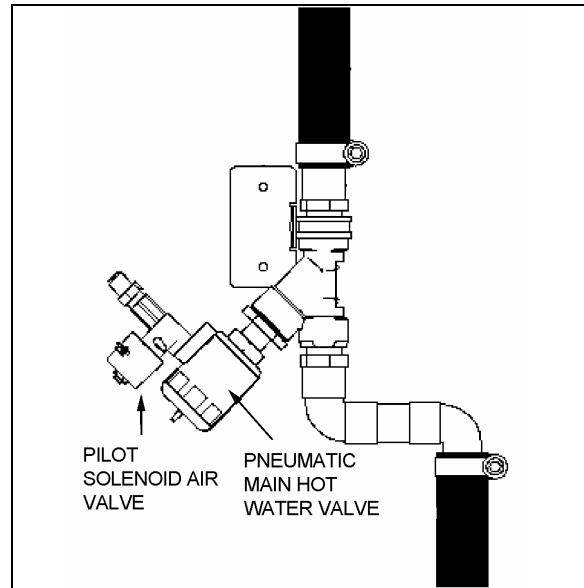


FIGURE 57: PASSENGER'S UNIT HOT WATER PNEUMATIC VALVE ASSEMBLY

22240

The passenger's unit heater water valve requires a minimum amount of maintenance. The valve should be free of dirt sediment that might interfere with its operation. No other maintenance is needed unless a malfunction occurs.

11.8.2 Hot Water Pneumatic Valve Disassembly

1. Shut off air supply pressure and electrical current to the pilot solenoid valve. Disconnect wires.
2. The water valve need not be removed from the line. Unscrew nipple, the actuator casing, tube, spindle and closure member can be removed (Figure 58).

3. Remove the snap ring using a pair of pliers.
1. You can now access all seals for replacement

Pneumatic water valve replacement seal kits:

- Water Side: 871311
- Actuator Side: 871312

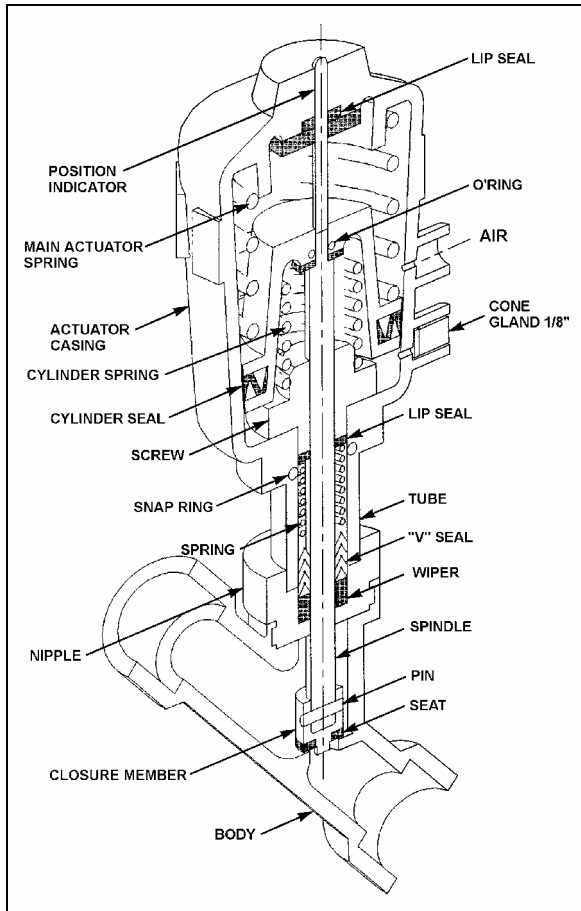


FIGURE 58: PASSENGER'S UNIT HOT WATER PNEUMATIC VALVE

22241

11.8.3 Hot Water Pneumatic Valve Reassembly

1. Assemble the actuator casing, tube, nipple, spindle and closure member.
2. Tighten the nipple in place in the body cavity as per Figure 58. Fasten pilot solenoid valve to the pneumatic water valve. Reconnect air supply pressure and electrical current to the pilot solenoid valve.
3. Check for proper operation.

11.8.4 Pilot Solenoid Valve

1. No maintenance is needed unless a malfunction occurs.
2. A pilot solenoid valve replacement seal kit is available: 871311.

11.8.5 Valve Troubleshooting

PROBLEM	PROCEDURE
Valve fails to close	1. Check electrical

	<p>supply with a voltmeter. It should agree with nameplate rating.</p> <ol style="list-style-type: none"> 2. Check pressure at pilot solenoid valve inlet. It must be at least equal to the minimum pressure stamped on the nameplate. It should not go below minimum while valve is operating.
Valve fails to open	<ol style="list-style-type: none"> 1. Check that the closure member assembly, and that main actuator and cylinder springs are free to travel. 2. Check that there is no restriction to the air escaping from the actuator casing. 3. Make sure that pilot solenoid valve operates properly.

11.9 HOT WATER RECIRCULATING PUMP

This vehicle is provided with a water recirculating pump which is located in the evaporator compartment (Figure 59) or on the ceiling of the spare wheel compartment for vehicles equipped with a small HVAC (Figure 60). The water recirculating pump consists of a centrifugal pump and an electric motor which are mounted in a compact assembly.

The motor is equipped with pre-lubricated sealed ball bearings which require no maintenance. The pump requires no periodic maintenance other than replacement of motor brushes. Replacement of motor brushes can be performed without removing the pump assembly.

Inspection of the pump, to determine to determine if the pump is working properly, should be made while the pump is in operation. If there is evidence that the pump is not operating as per specifications, the unit must be disassembled for corrective measures. Disassembly of the pump will be necessary only in the case of impellor failure or motor failure.

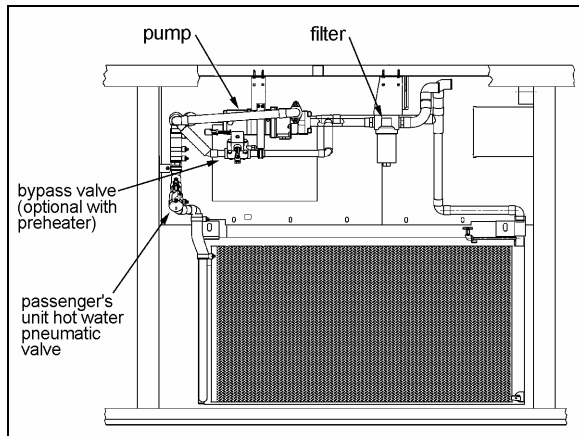


FIGURE 59: HOT WATER RECIRCULATING PUMP INSTALLATION (CENTRAL HVAC SYSTEM) 22280

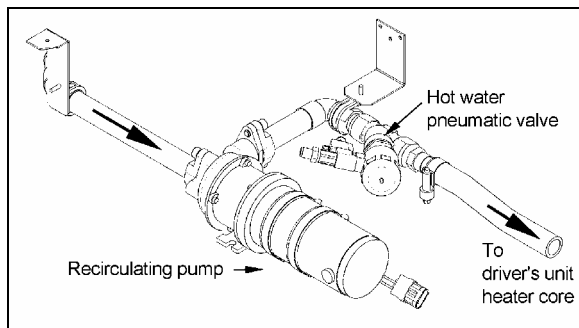
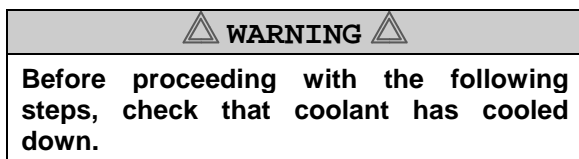


FIGURE 60: HOT WATER RECIRCULATING PUMP INSTALLATION (SMALL HVAC SYSTEM) 22292

11.9.1 Removal

1. Stop engine and allow engine coolant to cool.
2. Close shutoff valves on the heater line. Refer to "Preheater System" in this section to gain access to the heater line shutoff valve.
3. Disconnect the electrical wiring from the motor.

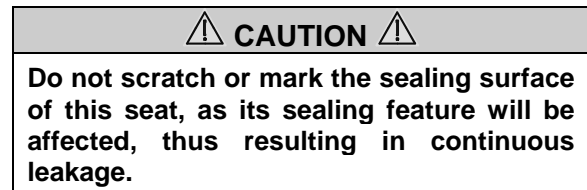


4. Disconnect water lines from the pump at the flange connections.
5. Remove the two clamps holding the pump motor to its mounting bracket. Remove the pump with the motor as an assembly.

11.9.2 Disassembly

Refer to Figure 61.

1. Separate the housing from the adapter by first removing the 4 capscrews. Remove housing carefully to prevent damaging the O-ring.
2. Remove rotor assembly, washers and shaft from the adapter.



Inspection

Components removed from the recirculating pump and motor assembly should be compared with new parts to determine the degree of wear.

11.9.3 Brushes

- 1) When removing brushes, note the position of the brush in the tube. Brush life is shortened if the brushes are not replaced properly.
- 2) Examine brushes for the following:
 - a) Wear
Replace the brushes if less than 25% of the usable brush is left (less than 0.300 inch (8 mm)).
 - b) Chipped edges
Chips can be caused by improper handling or installation. Badly chipped brushes should be replaced regardless of their length.
 - c) Annealed brush spring
This can be detected by noting the resiliency of the spring. Annealing is caused by failing to tighten the brush caps properly, thus not providing a good low resistance contact between the terminal and the brush tube. Replace brushes showing evidence of annealed springs.

- d) Frayed or broken pigtail

An improperly installed brush may have the pigtail (shunt) pinched under the terminal or between the coils of the spring. If the pigtail is badly frayed or broken, replace the brush.

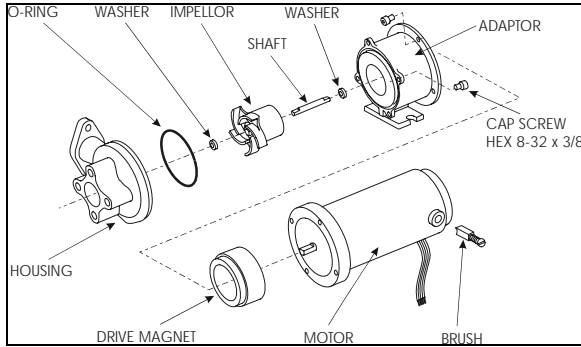


FIGURE 61: HOT WATER RECIRCULATING PUMP

- 3) Observe the following factors when replacing brushes
 - a. The face of a new brush is carefully cut to cause proper seating during the "wear-in" period.
 - b. Improper installation can harm both the brush and the commutator.
 - c. Replacement brushes should be of the proper grade.
 - d. Brush performance will be affected if the spring and terminal are not properly placed in the brush tube. The spring should be free over its entire length and the terminal should make good contact with the metal brush tube insert.

11.9.4 Assembly

Refer to Figure 61.

1. Install washer, shaft and rotor assembly into adapter.
2. Install O-ring into housing and assemble housing to the adapter.
3. Secure housing to adapter using 4 capscrews.

11.9.5 Installation

1. Apply gasket cement to the pump body line adapter and to the line flanges, put the two gaskets in place, and connect water lines from the pump at the flange connections. Position the pump and motor assembly on the mounting bracket. Position the mounting clamps over the motor and secure with mounting bolts.
2. Connect electrical wiring to the pump motor.
3. Open both shutoff valves. Refer to "Preheater System" in this section to gain access to the heater line shutoff valves.

4. Fill the cooling system as previously instructed in this section under "Filling Heating System" and then bleed the system as previously instructed in this section under "Bleeding Heating System".

11.10 WATER FILTER

This vehicle is provided with a cleanable water filter (Figure 62), which is located in the evaporator compartment behind the right air duct (Figure 24).

22277

11.10.1 Maintenance

Filter maintenance consists in changing the element at break-in 3000 miles (4 800 km), and subsequently every 50,000 miles (80 000 km) or once a year, whichever comes first.

NOTE

Each time soldering is performed on any water pipe of the heating system, operate heating system a few minutes so that any foreign matter will be routed to the filters. Clean filters.

11.10.2 Filter Servicing

1. Stop engine and allow engine coolant to cool.
2. Close the shutoff valves (Figure 55). Refer to "Preheater System" in this section to gain access to the heater line shutoff valve near the preheater.

WARNING

Before proceeding with the following steps, check that coolant has cooled down.

3. Rotate bowl counterclockwise and remove.
4. Remove filter element from housing.
5. Clean the filter element or use a new one. Place new/clean element in housing, centering it on location in the head.
6. Inspect bowl seal and replace if necessary.
7. Replace bowl. Rotate clockwise and hand-tighten.
8. Correct coolant level in surge tank as instructed previously in this section under "Filling Heating System".

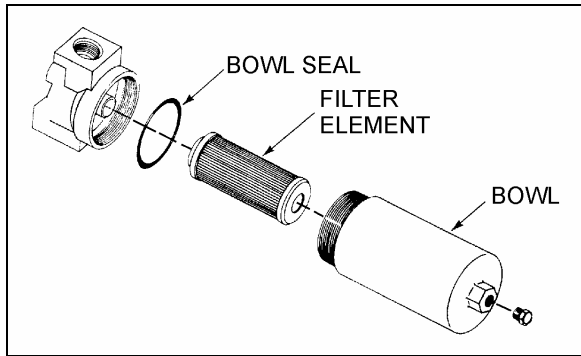


FIGURE 62: WATER FILTER

22057

11.11 BYPASS SOLENOID WATER VALVE (OPTIONAL)

This valve is optional and is installed on the vehicle equipped with a preheater. The valve is located in the evaporator compartment (Figure 59). Refer to Figure 63 for part names.

11.11.1 Improper Operation

1. Faulty control circuit: Check the electric system by energizing the solenoid. A metallic clicking noise indicates that the solenoid is operating. Absence of clicking indicates a loss of power or a defective solenoid. Check for open breaker, open-circuited or grounded coil, broken lead wires.
2. Burned-out coil: Check for open-circuited coil. Replace coil if necessary.
3. Low voltage: Check voltage across the coil leads. Voltage must be at least 85% of nameplate rating.
4. Excessive leakage: Disassemble valve and clean all parts. Replace worn or damaged parts with a complete repair kit for best results.

11.11.2 To Remove or Change the Coil

- o Stop engine and allow engine coolant to cool.
- o Close shutoff valve on the line located in the rear electric compartment. Refer to "Preheater System" in this section to gain access to the heater line shutoff valve.

To remove the solenoid coil:

First take out the retaining screw at the top of the coil housing. The entire coil assembly can be lifted off the enclosing tube.

To reassemble:

Make sure that the parts are placed on the enclosing tube in the following order:

Be sure to change electrical data plate according to coil specifications change.

1. Place coil and yoke assembly on the enclosing tube. Lay data identification plate in place.
2. Insert the coil retaining screw, rotate housing to proper position and tighten screw securely.

11.11.3 Valve disassembly and Reassembly

Disassembly:

This valve may be taken apart by removing the socket head screws which hold the body and bonnet together. After removing the screws, carefully lift off the bonnet assembly (upper part of the valve). Don't drop the plunger. The diaphragm can now be lifted out. Be careful not to damage the machined faces while the valve is apart.

NOTE

The above procedure must be followed before brazing solder type bodies into the line.

Reassembly:

Place the diaphragm in the body with the pilot port extension up. Hold the plunger with the synthetic seat against the pilot port. Make sure the bonnet O-rings are in place, the bonnet assembly over the plunger, and that the locating sleeve in the bonnet enters the mating hole in the body. Insert body screws and tighten uniformly.

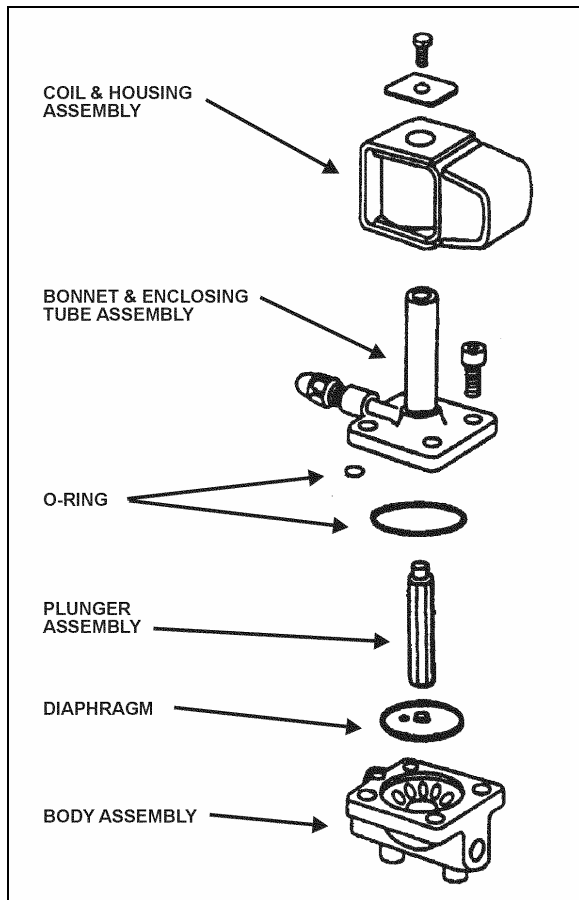


FIGURE 63: BYPASS HOT WATER SOLENOID VALVE
22044

12. PREHEATING SYSTEM (OPTIONAL ON COACHES ONLY)

The preheater is located over the rear wheelhousing, behind the vehicle's L.H. side rear fender.

To gain access to the preheater and the heater line shutoff valve next to it (Figure 55), remove the L.H side rear fender.

This Auxiliary Preheating System is used for preheating and retaining the heat of water-cooled engines. It can be used before starting the engine to ease its starting and to provide immediate inside heat upon operation of the heating system. It can also be used with engine running to maintain coolant heat and maintain the set temperature inside vehicle.

The heater operates independently from the vehicle engine. It is connected to the cooling and heating circuits, the fuel system and the electrical system of the vehicle.

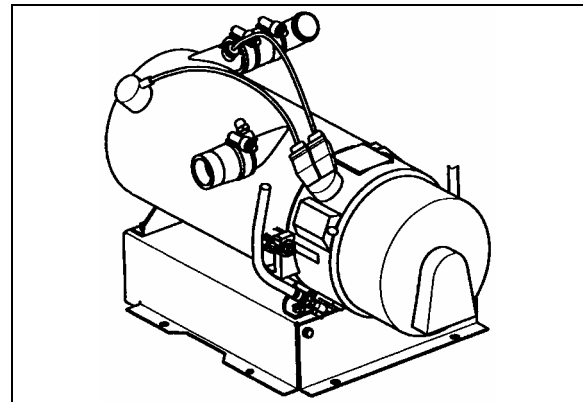


FIGURE 64: WEBASTO PREHEATER (104,000 BTU) 22224

The pilot lamp turns on when the heater is switched on. Combustion air flows in to flush out the combustion chamber and the water circulation pump is put into operation. The fuel metering pump conveys fuel in precise doses to the combustion chamber where fuel and combustion air form a combustible mixture which is ignited by the glow plug.

Once the flame sensor has signaled to the control unit that combustion has taken place correctly, the glow spark plug and ignition coil are switched off.

The hot combustion gases are diverted at the end of the flame pipe, then pass through the indirect heating surfaces of the heat exchanger and transmit their heat to the water passing through the heat exchanger.

The heat is thermostatically controlled and operates intermittently, i.e. the switched-on times of the burner vary depending on the heat requirement. The water temperature depends on the setting of the built-in water thermostat.

The water circulation pump remains in operation as long as the heater is operating, even in the regulation intervals and during the delayed cutout of the switched-off heater. The pump can also be operated independently from the heater by means of an appropriate circuit. The heater can be switched on at any time, even during the delayed cutout period. Ignition takes place once this delay time is over.

When the heater is switched off, the fuel supply is interrupted. The flame goes out, and at the same time a delayed cutout of some 2.5 minutes begins. The combustion air still flowing flushes the remaining combustion gases out of the chamber and cools off the hot parts on the exhaust side of the heat exchanger, while the water circulation pump, still running, transmits the heat present in the heat exchanger, thus

preventing local overheats. Once the delayed cutout time is over, both the combustion air blower and the water circulation pump switch off automatically.

A cutout will take place in case of any failure of the preheater.

12.1 OPERATION

Switch on the heater. The operation indicator lamp comes on and the heater motor and circulating pump begin to run. After about 10-25 seconds the solenoid valve opens and fuel is sprayed into the combustion chamber. At the same time, the electronic ignition unit produces high voltage (8000 V) and the mixture of fuel and air in the combustion chamber is ignited by the spark on the ignition electrodes. The flame is indicated by the flame detector, then the electronic ignition unit stops producing high voltage and combustion continues by itself (spark on electrodes is required only to ignite the flame). At this moment, the heater is working and producing heat.

If the heater is switched off by the on/off switch, the solenoid valve interrupts fuel supply, combustion stops and indicator lamp turns off. Combustion air fan still blows air, cleaning the combustion chamber of any fumes and cooling down the combustion chamber. Coolant circulation pumps coolant, making a purge cycle for approximately 2-3 minutes, thus protecting the heater against overheating.

If the heater is not switched off by the on/off switch, the control thermostat will switch off the heater when coolant temperature reaches $165^{\circ} \pm 6^{\circ}\text{F}$ ($75^{\circ} \pm 3^{\circ}\text{C}$) and turns it on at $154^{\circ} \pm 9^{\circ}\text{F}$ ($68^{\circ} \pm 5^{\circ}\text{C}$). During this time, the heater (combustion) is off and the indication lamp and coolant pump are on. Combustion air fan blows air for 2-3 minutes and then turns off.

12.2 PREHEATING SYSTEM TIMER

The timer, located on L.H. lateral console is used to program the starting and stopping time of the preheating system. The system indicator light, located on the timer, illuminates when the system is functional.



The preheating system should not operate for more than one hour before starting engine as this could discharge batteries.



Preheating system must not operate when vehicle is parked inside or during fuel fill stops.

NOTE

Preheating system uses the same fuel as the engine.

In case of failure:

1. Shut off and turn on again.
2. Check main circuit breaker and overhead fuse.
3. Have system repaired in a specialized shop.

12.2.1 Timer operating instructions (Webasto)

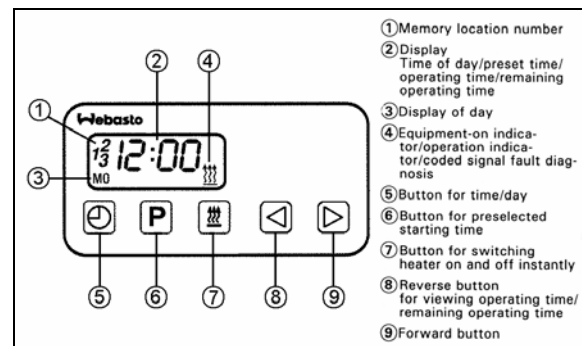


FIGURE 65: WEBASTO

22223

These instructions refer to the timer illustrated in Figure 65. They are the same instructions provided in the Webasto instruction booklet, provided with your vehicle.

Remaining Operating Time

The remaining operating time refers to the period of time the heater still continues to remain in operation. It may be changed while the heater is in operation.

Setting the Digital Timer

After the power has been connected, all symbols on the digital display are flashing. The time of the day and the day of the week must be set.

All flashing symbols of the timer can be set by means of the Forward (9) or Reverse (8) buttons.

When buttons (8) and (9) are pressed for more than 2 seconds, the quick digit advance mode is activated.

Setting the Time and Day of the Week

1. Press button (5) for more than 2 seconds (time display flashes).
2. Press (8) or (9) button to set the time of day.
3. Wait 5 seconds. The time of day is stored (time of week flashes).
4. Press (8) or (9) button to set the correct day of week.
5. Wait 5 seconds. The day of week is stored.

Viewing the Time (Ignition ON)

Continuous display of current time and day of the week.

Viewing the Time (Ignition OFF)

Briefly press button (5) to display current time and day for 5 seconds.

Switching Heater ON (Instant Heating)

With Ignition ON:

Press button (7). Heater is switched on (continuous operation) and continues to operate until button (7) is pressed again or ignition is switched off.

NOTE

If the ignition is switched off while heater is in operation, the remaining operating time of 5 minutes flashes on the display and the heater will continue to operate for this period of time.

With Ignition OFF:

Press button (7). Heater is switched on for preset operating time (the factory-set heater operating duration is 60 minutes).

Switching Heater OFF

Press button (7). The heater starts its after-run cycle and switches off thereafter.

Presetting Operating Duration

1. Press button (6). Memory location number flashes.

NOTE

By repeatedly pressing button (6), starting time 2 or 3 can be preset.

2. Press button (8) or (9) until correct startup time is set.

3. Wait 5 seconds. Preset starting time is stored and day of week flashes.
4. Press button (8) or (9) to select the correct startup day of week.
5. Wait 5 seconds. The startup day of week is stored.

The number of memory location remains on the display. The timer is now in the programmed mode and will switch the heater in a the preset time.

NOTE

We recommend that memory locations 1 and 2 be used for presetting times within 24 hours of setting the timer. Memory location 3 can be used for a starting time within the next 7 days of setting the timer.

Recalling Preset Times

Press (6) repeatedly until the desired memory location number and preset time are displayed.

Canceling Preset Time

Press button (6) repeatedly until no more memory location number is visible on the display.

Setting Operating Time

1. With heater off, press button (8). Operating time flashes.
2. Press button (8) or (9) to set the operating time (between 1 and 120 minutes).
3. Wait 5 seconds. Operating time is stored.

The heater remains in operation for the preset time (except for continuous operation).

Setting the Remaining Operating Time

1. With heater in operation, press button (8). Remaining operating time flashes.
2. Set remaining time with button (8) or (9).
3. Wait 5 seconds. Remaining operating time is stored.

Operational Failure Symptoms via Fault/Flash code

On heaters equipped with a fault diagnosis system using coded light signals, the equipment-on indicator/operation indicator flashes. Refer to the following table.

Section 22: HEATING AND AIR CONDITIONING

12.3 TROUBLESHOOTING AND MAINTENANCE

Refer to the Webasto manual for more information.

NOTE

If there are no heater faults, the heater will go through a normal start cycle and regulate based on thermostat setting.

NOTE

Switch on the preheating system briefly about once a month, even during the warm season.

CAUTION

When welding on the vehicle, disconnect the preheater module connector in order to protect this system from voltage surges.

CAUTION

To avoid running down the batteries, do not turn on the preheating system for more than one hour before starting the engine.

WARNING

The preheating system uses the same fuel as the engine. Do not operate in a building or while refueling. Operate only in a well-ventilated area.

Failure Symptom	Probable Cause	Check and Correct
1X Flash (F 01) No combustion after completion of start up sequence.	- Fuel system - Combustion air - Electronic ignition	- Fuel level - Type of fuel being used - Fuel filter - Fuel line connections (air bubbles in fuel lines) - Fuel nozzle plugged - Air intake or exhaust, restricted or plugged - Incorrect electrode gap
2X Flashes (F 02) Flame out during burner operation no restart possible	- Fuel supply (shortage of fuel)	- Restriction in the fuel system - Fuel filter - Fuel line connections (air bubbles in fuel lines) - Type of fuel being used
3X Flashes (F 03) Low voltage for more than 20 seconds	- Electrical system	- Load test batteries - Corrosion at connections - Loose connections
4X Flashes (F 04) Flame detector recognizes false flame signal during pre-start or shut-down cycle	- Defective flame detector	- Replace flame detector
5X Flashes (F 05) Flame detector	- Wiring - Defective flame detector	- Damaged wiring, open or short circuit - Replace flame detector
6X Flashes (F 06) Temperature sensor	- Wiring - Defective temperature sensor	- Damaged wiring, open or short circuit - Replace temperature sensor
7X Flashes (F 07) Fuel solenoid valve	- Wiring - Defective solenoid valve	- Damaged or corroded wiring, open or short circuit

Section 22: HEATING AND AIR CONDITIONING

		- Replace solenoid valve
8X Flashes (F 08) Combustion air fan motor	- Wiring - Wrong RPM - Defective combustion air fan motor	- Damaged wiring, open or short circuit - Replace combustion air fan - Replace combustion air fan
9X Flashes (F 09) Circulation pump motor	- Wiring - Defective circulation pump motor	- Damaged wiring, open or short circuit - Replace circulation pump motor
10X Flashes (F 10) Temperature limiter	- Overheat condition - Coolant flow - Wiring - Defective temperature limiter	- Reset temperature limiter - Coolant level or flow restriction - Air trapped in coolant circuit - Damaged or corroded wiring, open or short circuit - Replace temperature limiter
11X Flashes (F 11) Electronic ignition coil	- Wiring - Defective electronic ignition coil	- Damaged wiring, open or short circuit - Replace electronic ignition coil
12X Flashes (F 12) Heater lock out	- 3 repeated faults/flame-outs or 5 repeated start attempts	- Reinitialize control unit by switching heater on and disconnecting power.

13. SPECIFICATIONS

Passenger's unit evaporator motor

Make.....US MOTOR
 TypeT-17
 Voltage 27.5 V DC
 Current draw 68 amps
 Horsepower..... 2
 Revolution 1400 & 1800 rpm
 InsulationClass F
 Motor Life20 000 hours
 Brush life 10 000 hours
 Motor Prevost number..... 563008
 Brush Prevost number 562951

Passenger's unit condenser fan motors

Section 22: HEATING AND AIR CONDITIONING

Make.....US MOTOR
Type T11G
Voltage 28.5 V DC
Current draw 25 amps
Horsepower..... 0.57
Revolution 1950 rpm
Insulation Class F
Motor 20 000 hours
Brush life 10 000 hours
Qty..... 2
Prevost number 563051
Brush Prevost number 561914

Passenger's unit evaporator air filter

Make..... Permatron Corp.
Type Washable 1" X 23 3/8" X 43 1/2" Polypropylene filter
Prevost number 871051

Driver's unit evaporator motors

Make..... MCC
Voltage 24 V DC
Quantity 2
Prevost number 871135

Driver's unit evaporator air filter

Make..... MCC
TYPE Recirculating air 6-1/4" x 28" Washable
Prevost number 871147

Make..... MCC
TYPE Fresh air 3-5/8" X 5-1/4" Washable
Prevost number 871144

Refrigerant

Type R-134a
Quantity (standard) 24 lbs (10.89 Kg)
Quantity (with A/C unities Parcel Rack) 26 lbs (11.82 Kg)

Compressor (Central HVAC system)

Make..... Carrier Transicold
 Capacity 41 CFM
 Model..... 05G Twin Port-134A
 No. of cylinders 6
 Bore..... 2" (50,8 mm)
 Operating speed.....400 to 2200 rpm (1750 rpm. Nominal)
 Minimum speed (for lubrication)..... 400 rpm
 Nominal horsepower 15
 Oil pressure at 1750 rpm 15 to 30 psi (103-207 kPa)
 Oil capacity..... 1.13 U.S. gal (4,3 liters)
 Weight 142 lbs (64,5 kg)
 Approved oils
 -Castrol..... SW 68 (POE)

A/C Compressor (Small HVAC system)

Make.....Seltec
 Model.....TM-16HD
 Weight 10.9 lbs (4,9 kg)
 Prevost number 950372
Approved oil ZXL100PG (PAG)
 Prevost number 950382

Compressor unloader valve

Make..... Carrier Transicold
 Type Electric (AMC)
 Voltage 24 V DC
 Watts 15
 Prevost number (without coil) 950095
 Coil Prevost number..... 950096

Magnetic clutch

Make..... Carrier Transicold
 Type Housing mounted 9" dia., 2-B grooves
 Voltage 24 V DC
 Coil resistance at 68 °F (20 °C)..... 5.15 – 5.69 ohms
 Prevost number 950204

Section 22: HEATING AND AIR CONDITIONING

Compressor V belts

Make..... Dayco
Model (matching set of 2) BX97
Prevost number (with Delco 270/300 Amp Alternator) 506664

Compressor V belt

Make..... Dayco
Model..... BX100
Prevost number (with two BOSH Alternators) 506681

Condenser coil

Make..... Carrier Transicold

Aluminium

Prevost number 452968

Copper

Prevost number 453013

Receiver tank (with sight glasses)

Make..... HENRY or PARKER

Maximum pressure..... 450 psig

Prevost number 950261

Filter Dryer assembly

Make..... ALCO

Prevost number 950332

Moisture indicator

Make..... ALCO

Prevost number 950333

Driver's refrigerant liquid solenoid valve

Make..... Parker

Type Normally closed with manual bypass

Voltage 24 V DC

Amperage draw 0.67 amps

Watts 16

Prevost number (without coil) 95-0054
Coil Prevost number..... 950055
Repair kit Prevost number 950056

Driver's & passenger's hot water pneumatic valve

Make.....BURKERT
Type Normally open
Voltage 24 V DC
Pressure range..... 0 to 230 psi
Max. temperature356°F
Prevost number 871252

Hot Water recirculating pump

Make.....M.P. pumps
Voltage 24 V DC
Prevost number 871342

Water filter (standard system)

Make..... Parker
Prevost number (with element) 871028
Element Prevost number 871029

Driver's expansion valve

Prevost number 950221

Main expansion valve

Make.....CARRIER
Prevost number 950316

Bypass solenoid water valve

Make..... Parker Hanninfin
Bypass Prevost number 870886
Coil Prevost number..... 870886
Repair kit Prevost number 870980

Preheating system

Make..... WEBASTO
Model..... THERMO 300
Capacity 104 000 Btu/h (30 kW)
Heating medium Coolant

Section 22: HEATING AND AIR CONDITIONING

Rated voltage	24 V DC
Operating voltage	20-28 V DC
Electric power consumption (without coolant recirc. pump)	110 watts
Fuel consumption	1,2 US gallons/hr (4,5 liters/hr)
Prevost number	871202

SECTION 26: VIP SLIDE-OUT

CONTENTS

1 SLIDE-OUT	5
1.1 INNER STOPPER.....	5
1.1.1 Maintenance.....	5
1.1.2 Adjustment.....	5
1.2 "IN LIMIT" STOPPER.....	5
1.2.1 Maintenance.....	6
1.2.2 Adjustment.....	6
1.3 EXTERIOR EXTRUSION.....	6
1.3.1 Maintenance.....	6
1.3.2 Removal.....	6
2 SECURITY PIN	7
2.1 MAINTENANCE.....	7
2.2 AIR CYLINDER REPLACEMENT.....	7
3 ROOF REINFORCING ROD	7
4 RACK	8
4.1 MAINTENANCE.....	8
4.2 FRONT SLIDE-OUT RACK REPLACEMENT.....	8
4.3 REAR SLIDE-OUT RACK REPLACEMENT.....	8
5 PINION	9
5.1 PINION AND KEYLESS BUSHING POSITIONING.....	9
5.2 FRONT SLIDE-OUT SHAFT PINION REPLACEMENT.....	9
5.3 REAR SLIDE-OUT SHAFT PINION REPLACEMENT.....	10
5.4 KEYLESS BUSHING.....	10
5.4.1 Installation.....	10
6 ELECTRIC MOTOR	13
6.1 MAINTENANCE.....	13
6.2 REPLACEMENT.....	13
7 SPEED REDUCTION GEARBOX	13
7.1 MAINTENANCE.....	13
7.2 GEARBOX REPLACEMENT.....	13
8 JAW COUPLING	14
8.1 MAINTENANCE.....	14
8.2 REPLACEMENT & ADJUSTMENT.....	14
9 FLANGE BEARING	14
10 LOCKING COLLAR	14
10.1 INSTALLATION.....	15
11 LINEAR BEARING	15
11.1 MAINTENANCE.....	15
11.2 REPLACEMENT & ADJUSTMENT.....	15
11.3 LEVEL & TILT ADJUSTMENT.....	15
11.3.1 Procedure.....	15

12 RAIL	16
12.1 MAINTENANCE	17
12.2 REPLACEMENT	17
13 ACETAL PLASTIC BLOCKS	17
13.1 REMOVAL / INSTALLATION	17
14 SLIDE-OUT PNEUMATIC SYSTEM	18
14.1 DESCRIPTION.....	18
14.2 MAINTENANCE	19
14.3 SEAL	20
14.3.1 Maintenance.....	20
14.3.2 Seal assembly removal.....	21
14.3.3 Seal assembly installation.....	21
14.3.4 Slide-out 2" inside retraction	22
15 SLIDE-OUT ELECTRICAL SYSTEM	22
15.1 ELECTRICAL INTERCONNECTION WITH PREVOST VEHICLE.....	23
15.2 SLIDE-OUT BREAKERS	23
15.3 PROBING VOLTAGE ON THE MULTIPLEX CIRCUITS.....	23
15.4 MODULE REPLACEMENT.....	23
15.5 SLIDE-OUT LIMIT SENSORS.....	23
15.5.1 Maintenance and adjustment.....	24
16 SLIDE-OUT EXTERIOR FINISHING PANELS & WINDOWS	25
16.1 FACE PANEL REMOVAL.....	25
16.2 FACE PANEL INSTALLATION.....	25
16.3 SIDE PANEL REMOVAL.....	25
16.4 SIDE PANEL INSTALLATION.....	26
16.5 TOP AND BOTTOM PANEL REMOVAL	27
16.6 TOP AND BOTTOM PANEL INSTALLATION	28
16.7 SIDE WINDOW & HALF-WINDOW REMOVAL	29
16.8 HALF-WINDOW & SIDE WINDOW INSTALLATION	30
16.9 FACE WINDOW INSTALLATION.....	31
16.10 AWNING WINDOW INSTALLATION	32
16.11 SLIDING WINDOW INSTALLATION.....	34
16.12 FINISHING JOINT	35
17 WELDING PRECAUTION	37
18 SLIDE-OUT MANUAL OVERRIDE PROCEDURES	37
18.1 PRELIMINARY CONDITIONS FOR MANUAL OVERRIDE PROCEDURE	37
18.1.1 Manual retracting procedure – Front and rear slide-out	37
18.1.2 Manual extending procedure – Front and rear slide-out.....	39
19 SLIDE-OUT MAXIMUM LOAD	40
20 CONVERSION CHECKLIST	41
21 TROUBLESHOOTING	42
21.1 ERROR CONDITION OR MISSING OPERATION CONDITION.....	42
21.2 TROUBLESHOOTING – OPERATING CONDITIONS & CONTROL.....	42
21.3 TROUBLESHOOTING - MECHANICAL COMPONENTS.....	44
21.4 SLIDE-OUT FAULT MESSAGE ON MESSAGE CENTER DISPLAY (MCD).....	47

LIST OF ILLUSTRATIONS

FIGURE 1 : FRONT SLIDE-OUT	5
FIGURE 2 : REAR SLIDE-OUT	5
FIGURE 3 : SIDE INNER STOPPER ADJUSTMENT	5
FIGURE 4: UPPER INNER STOPPERS ADJUSTMENT	5
FIGURE 5: LOWER "IN LIMIT" STOPPER.....	6
FIGURE 6: UPPER "IN LIMIT" STOPPER	6
FIGURE 7 : EXTERIOR EXTRUSION	6
FIGURE 8: SECURITY PIN AIR CYLINDER REMOVAL	7
FIGURE 9 : FRONT SLIDE-OUT ROOF REINFORCING ROD.....	7
FIGURE 10 : RACK.....	8
FIGURE 11: PINION AND KEYLESS BUSHING POSITIONING.....	9
FIGURE 12: PINION AND KEYLESS BUSHING (BOTTOM VIEW).....	9
FIGURE 13: MECHANICAL COMPONENTS (TYPICAL).....	9
FIGURE 14 : KEYLESS BUSHING TIGHTENING.....	10
FIGURE 15 : TORQUE WRENCH FORMULA	10
FIGURE 16 : KEYLESS BUSHING INSTALLATION INSTRUCTION	12
FIGURE 17: ELECTRIC MOTOR AND SPEED REDUCTION GEARBOX.....	13
FIGURE 18: MOTOR/GEARBOX ASSEMBLY MOUNTING BOLTS	13
FIGURE 19: CLAMPING HUB POSITION ON SHAFTS	14
FIGURE 20: JAW COUPLING	14
FIGURE 21: SLIDE-OUT LEVEL ADJUSTEMENT.....	15
FIGURE 22 : SLIDE-OUT LEVELING	16
FIGURE 23: TILT ADJUSTMENT	16
FIGURE 24 : RAIL POSITIONING	17
FIGURE 25: ACETAL PLASTIC BLOCKS.....	17
FIGURE 26: REMOVE THE UPPER ACETAL PLASTIC BLOCKS WITH A PICKING TOOL.....	17
FIGURE 27: LOWER ACETAL PLASTIC BLOCK INSERTION.....	18
FIGURE 28 : FRONT SERVICE COMPARTMENT.....	19
FIGURE 29: PNEUMATIC CONTROL UNIT.....	20
FIGURE 30 : SEAL ASSEMBLY.....	20
FIGURE 31: REAR SLIDE-OUT INFLATABLE SEAL AIR INLET.....	20
FIGURE 32: WIPER SEAL CUT-OUT.....	21
FIGURE 33: SLIDE-OUT 2" INSIDE – UPPER PART	22
FIGURE 34 : DASHBOARD SLIDE-OUT TELLTALE LIGHT	23
FIGURE 35: MAIN BREAKER IN MAIN POWER COMPARTMENT	23
FIGURE 36 : SLIDE-OUT CONTROL PANEL.....	23
FIGURE 37: FRONT SLIDE-OUT SENSORS	24
FIGURE 38: REAR SLIDE-OUT SENSORS.....	24
FIGURE 39 : MAGNETS ON SLIDE-OUT UNDERBODY	24
FIGURE 40 : SLIDE-OUT PANELS AND WINDOWS	25
FIGURE 41 : SIDE PANEL INSTALLATION	26
FIGURE 42 : SIDE PANEL INSTALLATION	26
FIGURE 43 : SIDE PANEL INSTALLATION – SIKA 221 APPLICATION ON STRUCTURE	27
FIGURE 44 : SIDE PANEL INSTALLATION – SIKA 221 OR 252 APPLICATION ON STRUCTURE	27
FIGURE 45 : SIDE PANEL INSTALLATION – SIKA 206 G+P APPLICATION	27
FIGURE 46 : SIDE PANEL INSTALLATION – SIKA 221 OR 252 APPLICATION ON SIDE PANEL	27
FIGURE 47 : SIDE PANEL INSTALLATION – SIKA TACK+BOOSTER APPLICATION	27
FIGURE 48 : SIDE PANEL INSTALLATION	27
FIGURE 49 : TOP AND BOTTOM PANEL INSTALLATION - DOUBLE FACE ADHESIVE TAPE APPLICATION.....	28
FIGURE 50 TOP AND BOTTOM PANEL INSTALLATION - SIKA 206 G+P APPLICATION	29
FIGURE 51 : TOP AND BOTTOM PANEL INSTALLATION - SIKA TACK+BOOSTER APPLICATION.....	29
FIGURE 52 : TOP PANEL INSTALLATION.....	29
FIGURE 53 : BOTTOM PANEL INSTALLATION	29
FIGURE 54 : FACE WINDOW - RUBBER SEAL INSTALLATION.....	30

Section 26: VIP SLIDE-OUT

FIGURE 55 : SIDE WINDOW – ¼ X ½ DOUBLE FACE ADHESIVE TAPE INSTALLATION.....	30
FIGURE 56 : HALF-WINDOW – SIKA AKTIVATOR.....	30
FIGURE 57 : SIDE WINDOW – SIKA AKTIVATOR	30
FIGURE 58 : HALF-WINDOW INSTALLATION – SIKA AKTIVATOR.....	31
FIGURE 59 : HALF-WINDOW INSTALLATION	31
FIGURE 60 : SIDE WINDOW – SIKA TACK + BOOSTER.....	31
FIGURE 61 : HALF-WINDOW INSTALLATION – SIKA TACK+BOOSTER.....	31
FIGURE 62 : SIDE WINDOW	31
FIGURE 63 : FACE WINDOW INSTALLATION - ANCHORING BLOCKS	32
FIGURE 64 : FACE WINDOW INSTALLATION	32
FIGURE 65: SIDE BUMPERS	32
FIGURE 66: SIKA 255 APPLICATION	32
FIGURE 67: MASKING TAPE APPLICATION.....	32
FIGURE 68 : AWNING WINDOW – SIKA AKTIVATOR.....	32
FIGURE 69: AWNING WINDOW - RUBBER BUMPER INSTALLATION	33
FIGURE 70: AWNING WINDOW – SIKA 252 APPLICATION	33
FIGURE 71 : CORRECT TIGHTENING SEQUENCE.....	33
FIGURE 72 : SMOOTH DOWN THE JOINT	33
FIGURE 73 : AWNING WINDOW – SEAL THE UPPER CORNERS	33
FIGURE 74 : AWNING WINDOW – SEAL THE CHINK.....	34
FIGURE 75 : SLIDING WINDOW - SIKA AKTIVATOR.....	34
FIGURE 76 : SLIDING WINDOW - RUBBER BUSHING.....	34
FIGURE 77 : SLIDING WINDOW - SIKA 252 APPLICATION	34
FIGURE 78 : CORRECT TIGHTENING SEQUENCE.....	35
FIGURE 79 : SLIDING WINDOW – SEAL THE UPPER CORNERS.....	35
FIGURE 80 : SLIDE-OUT CIRCUIT BREAKERS CB9 & CB11 IN MAIN POWER COMPARTMENT	37
FIGURE 81 : SLIDE-OUT CONTROL PANEL IN FIRST BAGGAGE COMPARTMENT	37
FIGURE 82 : INFLATABLE SEAL RELIEVING SHUT-OFF VALVE	38
FIGURE 83 : SLIDE-OUT MOTOR ROTATION	38
FIGURE 84 : INFLATABLE SEAL PRESSURE GAGE	38
FIGURE 85 : INFLATABLE SEAL RELIEVING SHUT-OFF VALVE	39
FIGURE 86 : SLIDE-OUT MOTOR ROTATION	39
FIGURE 87 : INFLATABLE SEAL PRESSURE GAGE	39
FIGURE 88 : FRONT SLIDE-OUT DEFLECTION	40

1 SLIDE-OUT

1.1 INNER STOPPER

The front slide-out is equipped with six inner stoppers laid out in the following way: two stoppers on the top horizontal member of the slide-out, and two stoppers on each vertical upright, while the rear slide-out is equipped with only three stoppers (FIGURE 1 and figure 2). The upper inner stoppers are used to provide a support to position the slide-out perpendicularly with the vehicle structure.

The side inner stoppers are used to block the extension of the slide-out. They act as ultimate physical limits but take note that when the "out limit" sensors are properly adjusted, the slide-out extension stops before the side inner stoppers reach the side structure keys (figure 1 & 2).

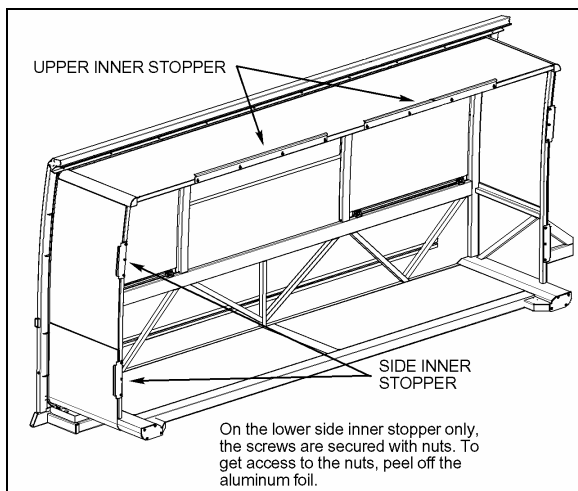


FIGURE 1 : FRONT SLIDE-OUT

1.1.1 Maintenance

Check that the inner stopper screws are tight and that no damage or deformation has taken place for both the side and the upper stoppers.

1.1.2 Adjustment

1. Adjust the side inner stoppers at 1/8" from the vehicle side structure keys, and tighten the screws. Make sure there is a minimum gap of 2mm (0.079") between the side inner stopper and the side window pane (figure 3). Use shim as required.
2. Adjust the upper inner stoppers according to FIGURE 4 with the seal deflated. When inflating, the seal presses the roof structure upward and at that moment, the upper inner

stopper comes into contact with the structure key.

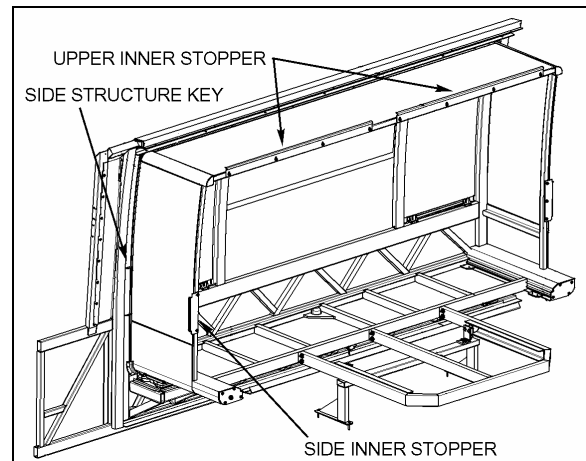


FIGURE 2 : REAR SLIDE-OUT

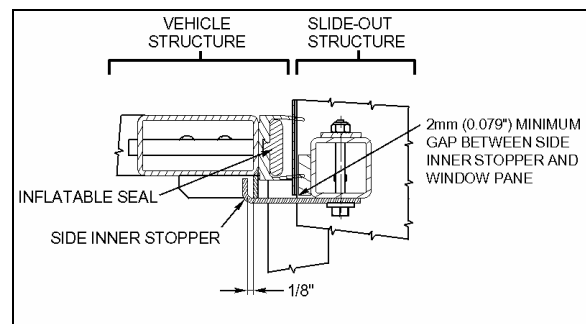


FIGURE 3 : SIDE INNER STOPPER ADJUSTMENT

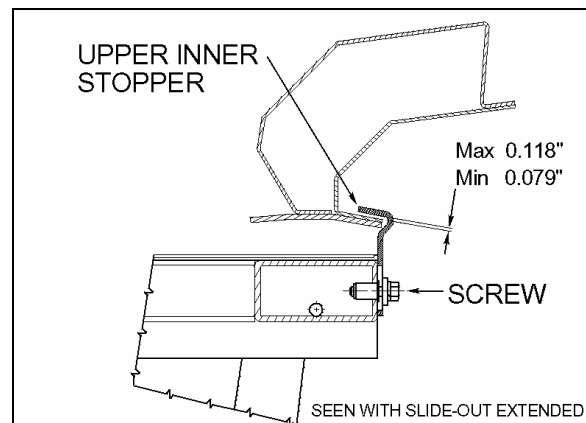


FIGURE 4 : UPPER INNER STOPPERS ADJUSTMENT

1.2 "IN LIMIT" STOPPER

Each slide-out has four "in limit" stoppers. Two "in limit" stoppers are mounted on the exterior extrusion at the top of the slide-out (FIGURE 6) and two other "in limit" stoppers are mounted under the slide-out, next to the rail (Figure 5). These stoppers are use to position the outer

face of the slide-out flush with the vehicle body when retracted.

1.2.1 Maintenance

Check that the "in limit" stoppers are clean and that there is no foreign matter accumulated between the stopper and its bearing surface. Check that the screws and set screws (where applicable) locking the stoppers in proper position are tight.

1.2.2 Adjustment

<i>NOTE</i>
<i>To properly adjust the "in limit" stoppers, the slide-out system must be turned off to prevent the "in limit" sensors from stopping the slide-out movement before having the "in limit" stoppers contacting their bearing surface.</i>

1. Extend the slide-out partially.
2. Set the ignition switch to the OFF position.
3. To adjust the lower "in limit" stoppers, loosen the set screw and then rotate the stopper CW or CCW to move it back or forward depending on the required adjustment. To adjust the upper plastic "in limit" stoppers, add or remove shims as required between the stopper and the extrusion.
4. Using the manual override procedure (paragraph 18), move the slide-out up to its full "in" position.
5. Using a straight edge, check if the outer face of the slide-out is flush with the vehicle body with the stoppers contacting their bearing surface. Readjust the stoppers if necessary.
6. Readjust the "in limit" sensor.

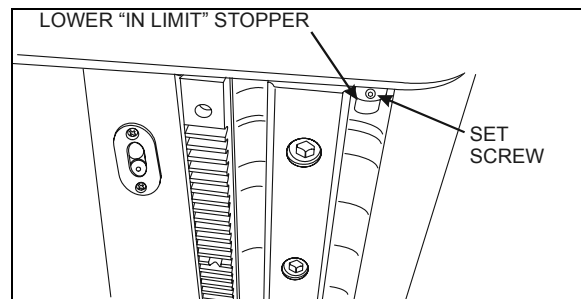


FIGURE 5: LOWER "IN LIMIT" STOPPER

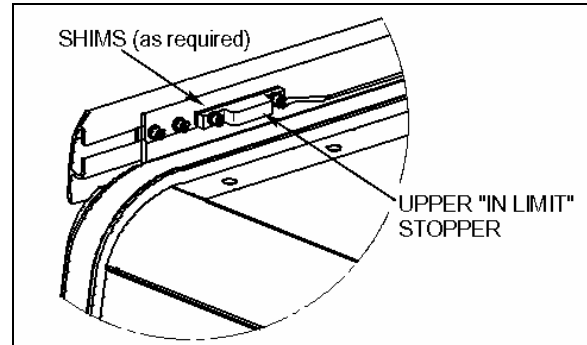


FIGURE 6: UPPER "IN LIMIT" STOPPER

<i>NOTE</i>
<i>To make sure that the lower "in limit" stoppers are contacting their bearing surface (the acetal plastic blocks) when the slide-out is closed, put white paint on the "in limit" stopper before and check if the acetal plastic blocks are marked with paint.</i>

1.3 EXTERIOR EXTRUSION

The exterior extrusion assembly function is to provide a leaning surface for the inflatable seal. When inflating, the seal presses against the extrusion support (angle), lifting the roof structure upward until it rests on the inner side of the extrusion support.

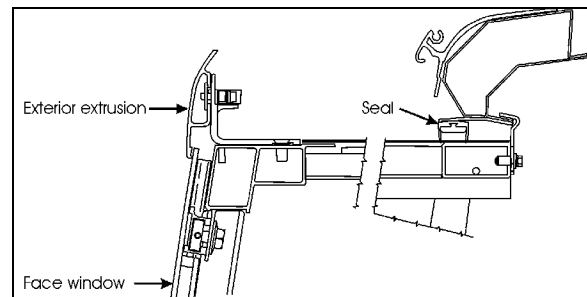


FIGURE 7 : EXTERIOR EXTRUSION

1.3.1 Maintenance

Inspect the exterior extrusion & support for any deformation or deterioration. Check that the screws are tight. Inspect the sealant condition on screw head and between the extrusion and the vehicle structure, and also at both ends of the extrusion. If needed, clean old sealant and replace with Sika 221 sealant or equivalent product.

1.3.2 Removal

Using a knife, cut the sealant between the extrusion and the roof (figure 7). Unscrew and remove the central exterior extrusion screws and the two end extrusion screws.

2 SECURITY PIN

During normal ride, the slide-out cannot extend by itself because the 740:1 ratio speed reduction worm gear type gearbox system is not reversible, the output shafts are self-locking. The security pin purpose is to lock the slide-out in retracted position if an accident occurs. It is built to stand a great lateral acceleration of the slide-out.

The system consists of a stainless steel pin connected to a single action/spring return pneumatic cylinder (FIGURE 8). The pin engages in the slide-out receptacle with releasing of the parking brake. A knocking sound may be heard at this moment. An O-ring is located at the base of the pin housing to reduce knocking when the pin retracts. The lower hole on the pin housing permits water to drain. The upper hole permits to insert a small screwdriver to prevent the pin from rotating when the air cylinder has to be removed.

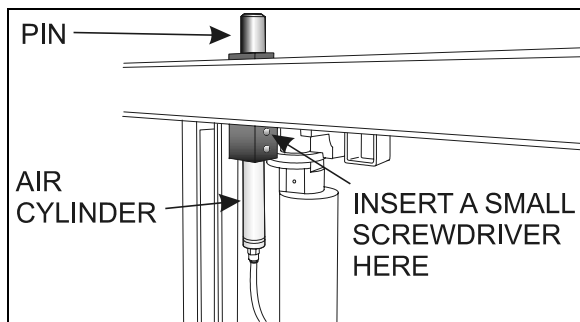


FIGURE 8: SECURITY PIN AIR CYLINDER REMOVAL

2.1 MAINTENANCE

Inspect air cylinder and fitting for air leaks. Periodically, check that the pin retracts and engages in the receptacle as it should when the parking brake is applied or released. To do so, the slide-out must be in its full "IN" position with the engine running. If the pin produces excessive knocking when it engages with releasing of the parking brake, reduce air cylinder speed by adjusting the air flow regulator on the pneumatic control module (FIGURE 29, item 11).

2.2 AIR CYLINDER REPLACEMENT

1. Assure the parking brake is applied.
2. Disconnect the cylinder air tubing from the 2nd baggage compartment (front slide-out) or under the bed structure (rear slide-out).

3. Using a wrench at its lower end, unscrew the air cylinder from the pin housing.
4. Insert a small screwdriver through the pin and housing to prevent rotation of the pin and then, unscrew the cylinder rod from the pin.
5. Transfer the fitting on the new cylinder. Place Teflon on threads.
6. Cylinder installation is the same as removal but in reverse order.

3 ROOF REINFORCING ROD

The roof reinforcing rod is located near the upper horizontal member of the front slide-out opening and is welded on the roof arches (figure 9).

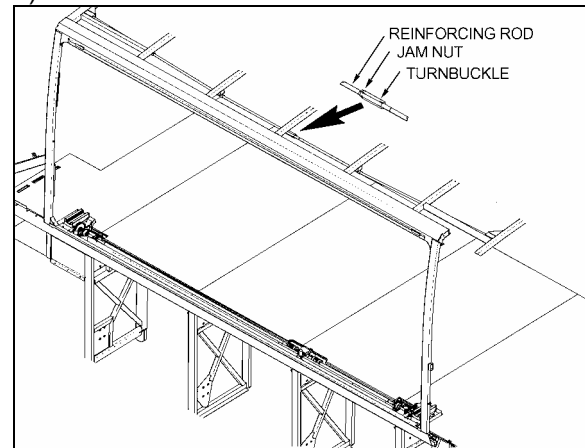


FIGURE 9 : FRONT SLIDE-OUT ROOF REINFORCING ROD

⚠ CAUTION ⚠

The maximum allowed upward shifting is 0.118" (3mm). To prevent permanent warping of the roof arches, never exceed that measurement.

The roof reinforcing rod may have already been adjusted up to the maximum shifting limit at the factory, do not attempt to move the roof any further. If an adjustment is required after a load variation inside the vehicle or on top of the vehicle, it must be done under supervision of a Prevest service representative.

4 RACK

Slide-out movement is made by a system of racks and pinions. There are two racks on each slide-out.

4.1 MAINTENANCE

Once a year, check the racks for broken or worn tooth, especially the front slide-out racks. Also, check the rack fastening hole teeth that are weaker and might break (figure 10). Replace the racks if excessive wear is present. Clean racks from sand or other debris. Check that the racks are properly secured. Check the backlash between the gear and the rack. Excessive backlash indicates rack wear.

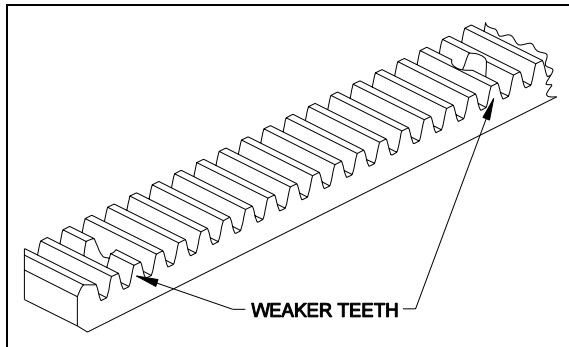


FIGURE 10 : RACK

4.2 FRONT SLIDE-OUT RACK REPLACEMENT

1. Remove the slide-out from the vehicle (removal must be performed according to the Slide-Out Removal Procedure. Ask to your Prevest service representative).
2. From under the slide-out, unscrew all the rack screws and remove the rack.
3. Install a new rack. Tighten the 2 screws located at each ends first and then the other screws to a maximum torque of 2 ft-lbs. Use Loctite™ 242 or equivalent product on threads. The clearance between rack and rail can be verified with jig #30710.



CAUTION

The counterborings required for recessed screw heads reduce plastic thickness. Do not torque higher than specified.

4. Reinstall the front slide-out inside the vehicle.

4.3 REAR SLIDE-OUT RACK REPLACEMENT

1. Using the slide-out handheld control or the manual override procedure (paragraph 18, if using the manual override procedure, do not forget to deflate the inflatable seal completely), extend the slide-out about one foot.
2. From outside, unscrew and remove only the first two screws of the rack to be changed.
3. Using the manual override procedure (paragraph 18) only, retract the slide-out to its fully closed position.
4. Loosen the pinion keyless bushing of the rack to be changed.
5. From under the slide-out, unscrew all the rack screws and remove the rack.
6. Install a new rack between the slide out structural rack seat and the pinion. Tighten the screws to a maximum torque of 2 ft-lbs. Use Loctite™ 242 or equivalent product.



CAUTION

The counterborings required for recessed screw heads reduce plastic thickness. Do not torque higher than specified.

7. Tighten the pinion keyless bushing as described in paragraph 5.4.
8. Using the slide-out manual override procedure only, extend the slide-out about one foot.
9. Tighten the two remaining crews to a maximum torque of 2 ft-lbs. Use Loctite™ 242 or equivalent product.
10. Using the slide-out handheld control switch or the manual override procedure, retract the slide-out to its fully closed position.
11. Re-inflate the air seal at 10 psi.

5 PINION

⚠ CAUTION ⚠

Make sure all keyless bushings are tightened to 125 lb-ft before moving the slide-out. Refer to paragraph 5.4 for torque wrench settings. A lower torque value may cause the bushing to slip on the shaft, and a higher torque value may break the bushing.

5.1 PINION AND KEYLESS BUSHING POSITIONING

For proper functioning, respect the positioning shown on the following figure.

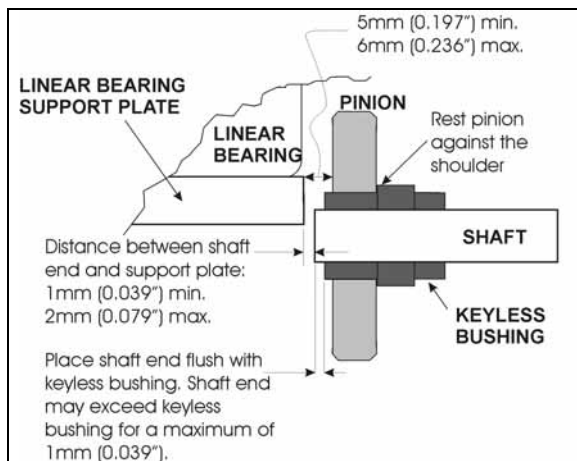


FIGURE 11: PINION AND KEYLESS BUSHING POSITIONING

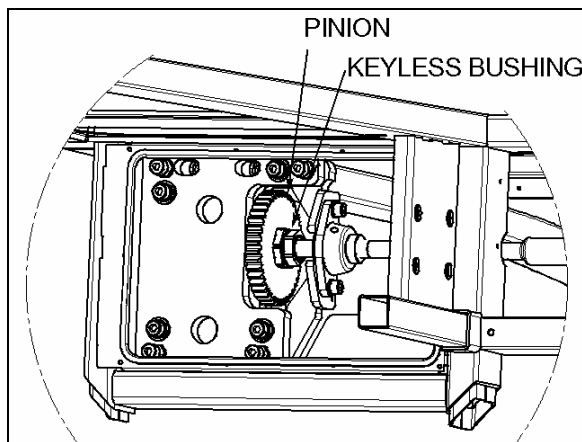


FIGURE 12: PINION AND KEYLESS BUSHING (BOTTOM VIEW)

5.2 FRONT SLIDE-OUT SHAFT PINION REPLACEMENT

⚠ CAUTION ⚠

Before reinstalling the pinion, clean the following surfaces with alcohol to prevent slippage.

- Pinion bore;
- Keyless bushing I.D. and O.D.;
- Shaft.

Before proceeding with the front slide-out shaft pinion replacement, check the following conditions:

- The locking collars located on the side of the pinion being replaced are disengaged;
- The drive motor/gearbox assembly is removed (see paragraph 7.2);

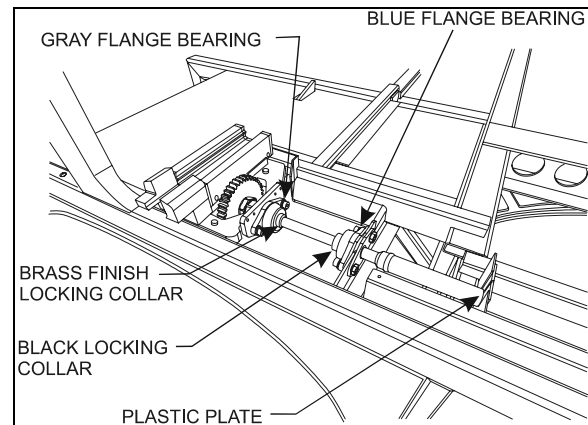


FIGURE 13: MECHANICAL COMPONENTS (TYPICAL)

1. Loosen the keyless bushing (see paragraph 5.4) of the pinion to be replaced. Slide the pinion and its bushing out of the shaft. Check the keyless bushing condition and replace if needed.

NOTE

If necessary, loosen the blue and gray flange bearing to move the pinion away from the rack.

2. Assemble new pinion on the keyless bushing and then slide on the shaft. Do not tighten the bushing at this moment.
3. Properly position the shaft end in relation to the linear bearing support plate (see FIGURE 11) and then tighten the locking collars to maintain the shaft in that position.
4. Position pinion and keyless bushing as shown on FIGURE 11 and tighten the

keyless bushing as described in paragraph 5.4.

- Reinstall the drive motor/gearbox assembly.

⚠ CAUTION ⚠

Make sure the keyless bushing is tightened to 125 lb-ft before moving the slide-out. Refer to paragraph 5.4.1 for torque wrench settings.

5.3 REAR SLIDE-OUT SHAFT PINION REPLACEMENT

The procedure is similar to the front slide-out shaft pinion replacement. Gain access to the mechanism from under the bed structure. Refer to paragraph 5.2.

5.4 KEYLESS BUSHING

The keyless bushings need a specific tightening torque value to ensure proper pinion transmitting torque. They also need specific tools to be tightened.

To tighten or loosen the keyless bushing, use those specific tools:

- crowfoot wrench 1 1/2";
- torque wrench;
- combination wrench 1 3/4";
- pipe wrench;
- drive extension 5";
- socket 1 1/2".

5.4.1 Installation

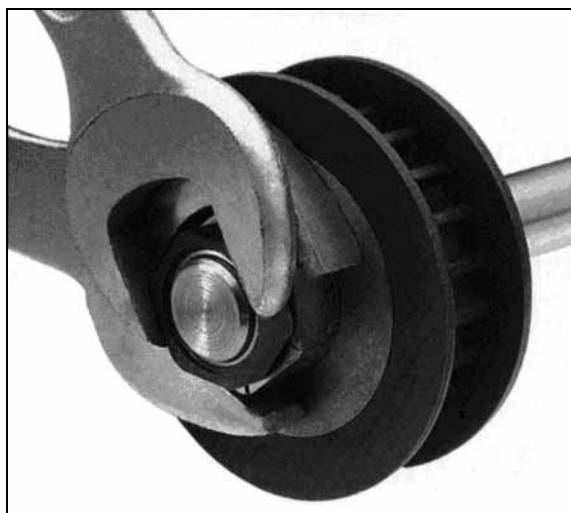


FIGURE 14 : KEYLESS BUSHING TIGHTENING

To tighten the keyless bushing, use a special open-end wrench to retain the yellow part and another wrench to tighten the black part. Figure 20 shows how to tighten the keyless bushing. When tightening, make sure the pinion does not move or rotate.

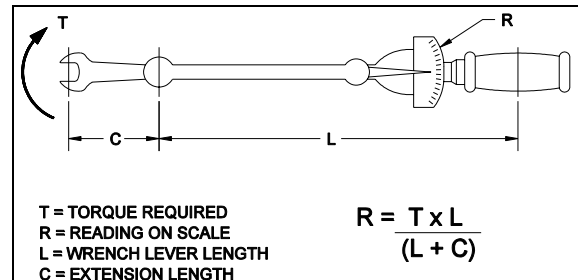


FIGURE 15 : TORQUE WRENCH FORMULA

⚠ CAUTION ⚠

Make sure all keyless bushings are tightened to 125 lb-ft before moving the slide-out. A lower torque value may cause the bushing to slip on the shaft, and a higher torque value may break the bushing. The torque may need to be recalculated depending of the wrench size. Refer to figure 15 for wrench size compensation.

Take note that when the keyless bushing nut is tightened, the pinion moves about 1/16" to 3/32" toward the slide-out center.

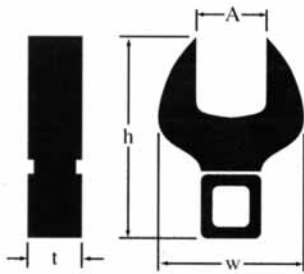
NOTE

On the front slide-out, the driver side keyless bushing is not accessible for tightening or removal unless you remove the front left wheel. If the slide-out has been removed, this keyless bushing should be tightened before reinstalling the slide-out.

WRENCHES FOR INSTALLATION

Fenner Drives offers a complete line of high-quality crowfoot wrenches for installation and to provide counter-torque. These wrenches are much narrower than earlier designs and are specifically for use with Trantorque GT units. It is recommended that both wrenches be used when installing a Trantorque GT unit.

1/2" SQUARE DRIVE



**Style C
Installation Nut**

Shaft Size	Part Number	Wrench Style	Dimensions (inches)			
			A	h	w	t
13/16 to 1	6202990024	C	1-1/2	3.44	2.75	0.75

INSTALLATION INSTRUCTIONS

A Trantorque GT Keyless Bushing offers flexible and easy installation while providing exceptional holding power. To ensure a Trantorque GT unit performs as specified, it must be installed properly.

Warning: Use no lubricants in this installation.

1. Shaft and component bore must be within $\pm 0.003"$ ($\pm 0.08\text{mm}$) [$\pm 0.0015"$ ($\pm 0.04\text{mm}$) Mini Series] of stated bore diameter and must have a surface finish of 32-125 Ra (roughness average). If the surface finish is outside these specified values, consult Fenner Drives.

2. Both shaft and component bore must be completely free of paint, grease, oil, and dirt. If necessary, clean the surfaces with a non-petroleum based solvent, such as isopropyl alcohol.

Warning: Do not lubricate the Trantorque GT bushing or shaft. The use of any lubricant on the contact surfaces could result in bushing failure and will void all warranties.

3. Insert the Trantorque GT unit into the component to be mounted, making sure the mating hub is flush against the shoulder at the hex flats.

4. Position the assembly at the desired location on the shaft and hand-tighten the nut (clockwise) until the assembly becomes snug on the shaft.

Warning: Do not hammer or use any type of impact to force the Trantorque GT assembly along the shaft.

Warning: The shaft must fully engage the shaft gripping area (Figure 1) of the Trantorque GT unit. Figure 2 illustrates minimum shaft engagement.

5. Using a torque wrench, tighten the nut to the proper installation torque. See table for torque value. (Note: Fenner Drives has available crowfoot wrenches for square drives in sizes from 1/2" to 3-1/2".) The hex flats on the outer ring are provided for counter-torque, eliminating the need to hold the component or shaft while applying installation torque.

Note: At full installation torque, the assembly will have moved approximately $\pm 0.075"$ ($\pm 1.9\text{mm}$) [$\pm 0.045"$ ($\pm 1.1\text{mm}$) Mini Series] axially along the shaft away from the nut. If axial position is critical it may be necessary to loosen the nut and reposition the assembly.

Warning: Over-tightening the nut could damage the Trantorque GT unit and/or the mounted component.

Do not use an impact wrench in the installation.

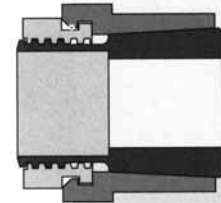


Figure 1

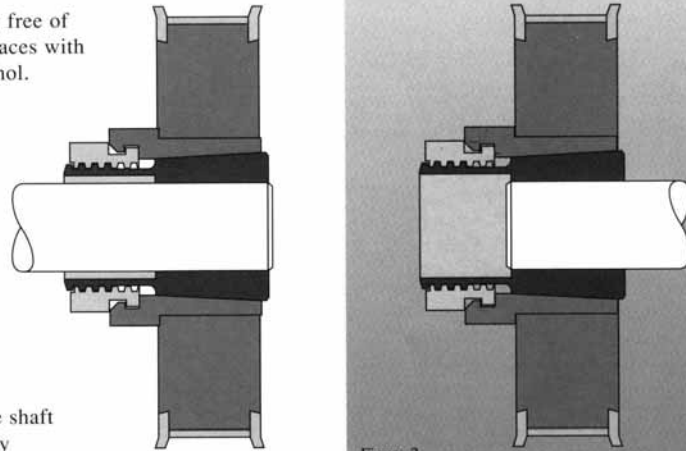


Figure 2

Installation Torque on Nut

	Inch Pound System		Metric System	
	Shaft Size	In. Lbs.	Shaft size	N-m
MINI SERIES	3/16-1/4	125	5-6mm	14.1
	5/16-3/8	150	7-9mm	17.0
	7/16-1/2	175	10-12mm	19.8
	9/16-5/8	200	14-16mm	22.6
	3/4	700	17mm	80.0
STANDARD SERIES	5/8-3/4	1200	15-19mm	136
	13/16-1	1500	20-25mm	170
	1-1/16-1-1/4	2000	28-32mm	225
	1-5/16-1-1/2	2300	34-38mm	260
	1-9/16-1-3/4	2800	40-42mm	316
LARGE SERIES	1-13/16-2	4900	45-50mm	554
	2-1/16-2-1/4	5300	55mm	600
	2-5/16-2-1/2	5600	60mm	635
	2-9/16-2-3/4	6000	65-70mm	680
	2-13/16-3	6600	75mm	750

FIGURE 16 : KEYLESS BUSHING INSTALLATION INSTRUCTION

6 ELECTRIC MOTOR

The power is supplied by a 24V 1/3 HP electric motor coupled with a speed reduction gearbox. Opposite to the gearbox, the motor is equipped with a 3/8 hexagonal shaft extension permitting to move the slide-out without using the handheld control. This is very useful when moving the slide-out very slowly is required like during the inner stoppers adjustment, the tilt adjustment or the 2" inside retraction. See paragraph 18 for the manual override procedures.



When moving the slide-out with a cordless power drill as described in the manual override procedure, be careful as the slide-out approaches its opened or closed position, in order not to overload the mechanism.

6.1 MAINTENANCE

Inspect the electrical connections for watertightness. Check that the mounting bolts are tight (FIGURE 18).

6.2 REPLACEMENT

1. The slide-out must be retracted.
2. Unplug the electric cable connector.

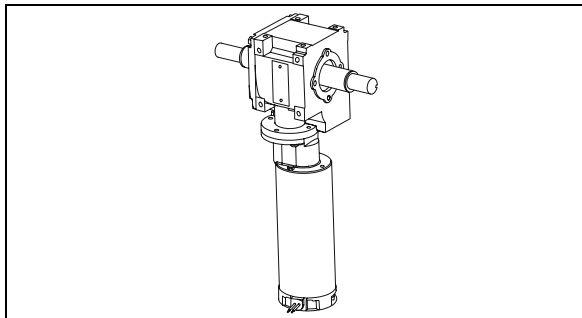


FIGURE 17: ELECTRIC MOTOR AND SPEED REDUCTION GEARBOX

3. Remove the motor from the gearbox.
4. Fasten the new motor to the gearbox using screws.
5. Connect the electric cable connector.

7 SPEED REDUCTION GEARBOX

The speed reduction gearbox used is a helical worm gear type. This gearbox has a 2-stage 740:1 ratio and the output shafts are self-locking. Keys on output shafts are glued into keyseats.

7.1 MAINTENANCE

Inspect the gearbox for leakage or backlash in the box. Replace the gearbox if excessive wear is present. Check that all bolts are tight.

The gearbox is lubricated for life and the oil should not have to be changed.

7.2 GEARBOX REPLACEMENT

1. The slide-out must be retracted.
2. Disengage the shafts jaw couplings (refer to paragraph 8: JAW COUPLING).
3. Remove the 4 cap screws securing the motor/gearbox assembly and dismount the assembly (see FIGURE 18).
4. Remove the gearbox from the motor and install the new one.
5. Reinstall the drive motor/gearbox assembly on the vehicle mounting bracket. Tighten mounting bolts to a torque of 18 ± 2 lbf-ft in a criss-cross pattern.



To prevent damaging threads, use your fingers to drive the bolts into the aluminum gearbox housing mounting holes.

6. Reinstall the jaw couplings.

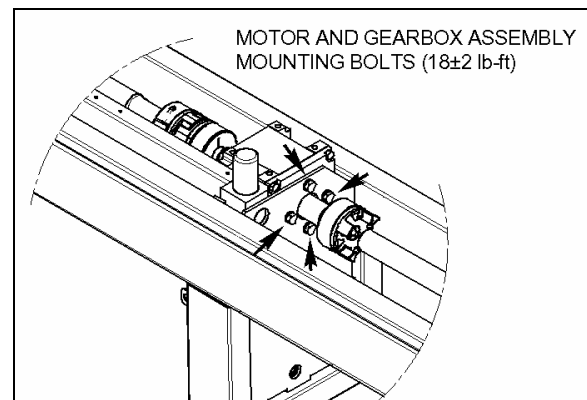


FIGURE 18: MOTOR/GEARBOX ASSEMBLY MOUNTING BOLTS

8 JAW COUPLING

8.1 MAINTENANCE

Inspect the jaw couplings for backlash between the key and the keyway. Also, check the spider condition. Check that the clamping screws are tight.

8.2 REPLACEMENT & ADJUSTMENT

1. The slide-out must be retracted.
2. Disengage the jaw coupling: loosen the clamping screw on each clamping hub. If required, rotate the motor shaft extension as described in the manual override procedure (paragraph 18) to get to the clamping screws.
3. Separate both clamping hubs.

<i>NOTE</i>
<i>It may be necessary to loosen the blue flange bearings to move the shaft out of the way.</i>

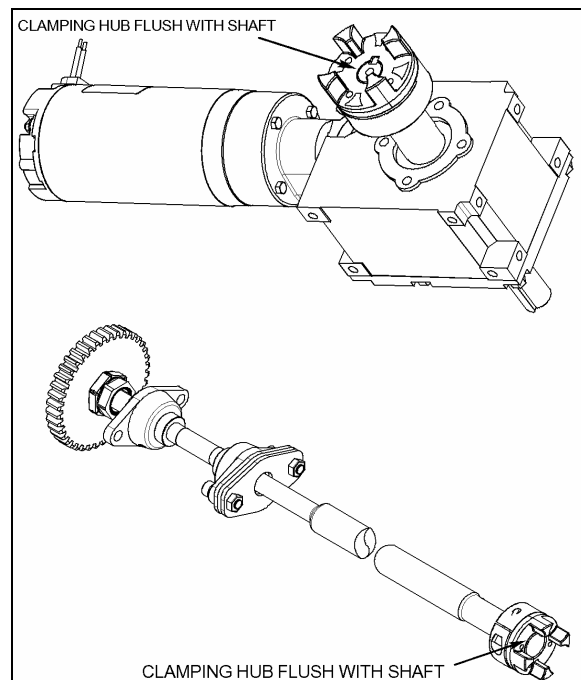


FIGURE 19: CLAMPING HUB POSITION ON SHAFTS

4. Clean and degrease the hub bore and the shaft.
5. Push the new clamping hubs onto the shaft (pinion side).

6. Install a clamping hub on one of the gearbox shaft (opposite side of gearbox mounting bolts) flush with the shaft extremity (see FIGURE 19). Tighten the clamping screw to a torque of 18 lbf-ft.
7. Install the second clamping hub on the gearbox shaft. Position the clamping hubs so that they are flush with the shafts extremity (see FIGURE 19).
8. Reconnect the clamping hubs with the spider. Leave a gap of 20mm (0.787inch) between each clamping hubs as shown on FIGURE 20. Use the motor hexagonal output shaft to align the keyways.
9. Tighten clamping screws to a torque of 18 lbf-ft dry.

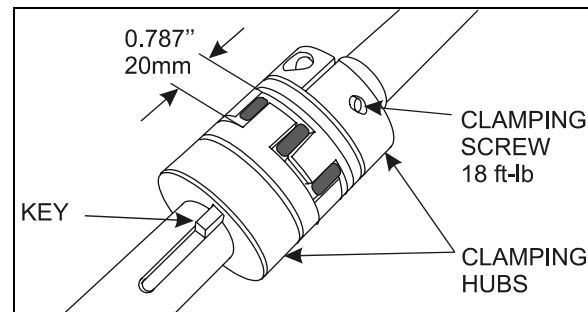


FIGURE 20: JAW COUPLING

9 FLANGE BEARING

There are two different types of flange bearing on the slide-out mechanism (FIGURE 13). Their purpose is to maintain the shaft in position while permitting rotation. The gray flange bearings are fixed to the linear bearing support plate and are not adjustable. The blue flange bearings are fixed to a support with oblong holes permitting to raise or lower the flange bearing as the linear bearing support plate level is being adjusted.

The flange bearings are pre-lubricated and no subsequent lubrication is required due to the very low extending and retracting speed of the slide-out system.

10 LOCKING COLLAR

The locking collar locks the shaft and the flange bearing together using friction. Once locked, it permits no axial translation of the shaft and prevents rotation of the shaft into the flange bearing bore.

10.1 INSTALLATION

Slide the locking collar along the shaft up to the flange bearing (FIGURE 13). Turn the locking collar clockwise while maintaining it pressed against the flange bearing. Knock the collar with a punch to lock it in place, there is a cavity on the collar made for that purpose. Tighten the set screw.

To remove, loosen the set screw and release the locking collar using channellock pliers or a small pipe wrench.

11 LINEAR BEARING

11.1 MAINTENANCE

Make every effort not to allow dust and foreign objects to enter inside the linear bearing.

The linear bearings are pre-lubricated and no subsequent lubrication is required due to the very low demanding use of the slide-out system.

11.2 REPLACEMENT & ADJUSTMENT

1. Remove the slide-out from the vehicle (removal must be performed according to the Slide-Out Removal/Installation Procedure. Ask to your Prevost service representative).
2. Disconnect the jaw coupling on the side of the linear bearing being replaced (refer to paragraph 8).
3. Dismount the blue flange bearing.
4. From the mechanism access panel, remove the retaining screws A, B, C & D (see figure 22).
5. Now, you have access to the linear bearing mounting bolts if you turn its support up side down. Dismount the linear bearing and install the new one.
6. Tighten the mounting bolts in a criss-cross pattern to a torque of 60 ft-lb dry.
7. Reinstall the support plate, retaining screws, blue flange bearing and reengage the jaw coupling. Refer to the specific procedures.

11.3 LEVEL & TILT ADJUSTMENT

Leveling of the slide-out is done by changing the linear bearing support plate height using the

leveling screws 1, 2, 3, 4 (figure 22). When proper level is attained, the retaining screws A, B, C & D maintain the support plate seated on the leveling screws. Also, the retaining screws prevent the slide-out from tipping inside the vehicle when it is retracted.

The slide-out is slightly tilted. When retracting, the upper "in limit" stoppers touch first the vehicle structure, followed by the lower "in limit" stoppers. Tilt adjustment is done by changing the linear bearing support plate inclination using the leveling screws 1 & 2 as pivot and 3 to adjust the angle (figure 22).

11.3.1 Procedure

NOTE

For the **front slide-out**, the front linear bearing leveling screws are accessible from the access panel located over the front wheel while the rear linear bearing leveling screws are accessible from the access panel in the evaporator compartment. For the **rear slide-out**, gain access to the linear bearing from under the bed structure or the radiator compartment.

⚠ WARNING ⚠

The slide-out must be retracted when the level and tilt adjustment is performed.

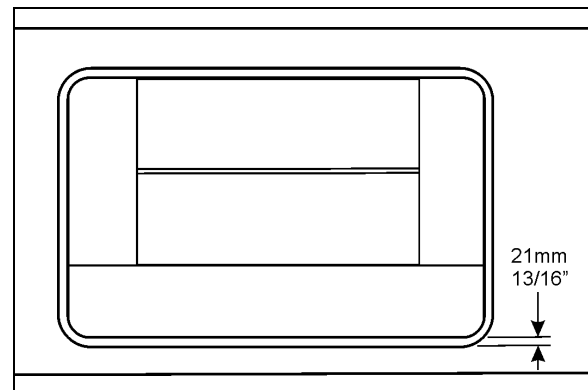


FIGURE 21: SLIDE-OUT LEVEL ADJUSTMENT

Before proceeding with the level and tilt adjustment, check the following conditions:

- The slide-out is retracted;
- The 2 lower "in limit" stoppers are perfectly adjusted, that means that the lower edge of the slide-out outer panel is flush with the vehicle body when retracted;

Section 26: VIP SLIDE-OUT

- The 2 upper “in limit” stoppers are removed from the slide-out (see paragraph 1.2).
1. Loosen the blue flange bearings mounting screws (FIGURE 13).
 2. For front slide-out only, loosen the two plastic plates mounting screws along the shafts (FIGURE 13).
 3. With the lower edge of the slide-out outer panel flush with the vehicle body, adjust the slide-out level. The distance between the top of the horizontal member under the slide-out and the slide-out under panel must be 21mm (13/16” approximately).



Never unscrew completely retaining screw A, B, C, D or the slide-out may tip inside.

To raise the linear bearing support plate, turn levelling screw 1 & 2 clockwise. Slightly and gradually, loosen the retaining screws A & B as the support plate elevates, but keep the retaining screws tighten.

To lower the linear bearing support plate, turn screw 1 & 2 counterclockwise. As the support plate goes down, maintain the retaining screw A & B tighten.

4. Loosen retaining screws C & D. Unscrew levelling screw 4. Now, the support plate should be resting on levelling screw 1, 2 & 3.
5. Using levelling screw 3, adjust the tilt in order to have the top of the slide-out recessed between 5mm and 10mm (7/32” and 3/8”) (see FIGURE 23).
6. When proper tilt is attained, tighten leveling screw 4 so that it comes into contact with the support plate.
7. Loosen slightly levelling screw 3 and then tighten it so it is perfectly in contact with the support plate. Make sure screws 1, 2, 3 & 4 are in contact with the support plate.
8. Loosen retaining screw A & B.
9. Using a crisscross pattern, tighten progressively (3 rounds) the retaining screw A, B, C & D to a torque of 50±5 ft-lb dry.
10. Assure that the levelling screw 1, 2, 3 & 4 are firmly leaning on the support plate and then firmly tighten the jam nuts.

11. Verify that the tilt is still properly adjusted (between 7/32” and 3/8”).

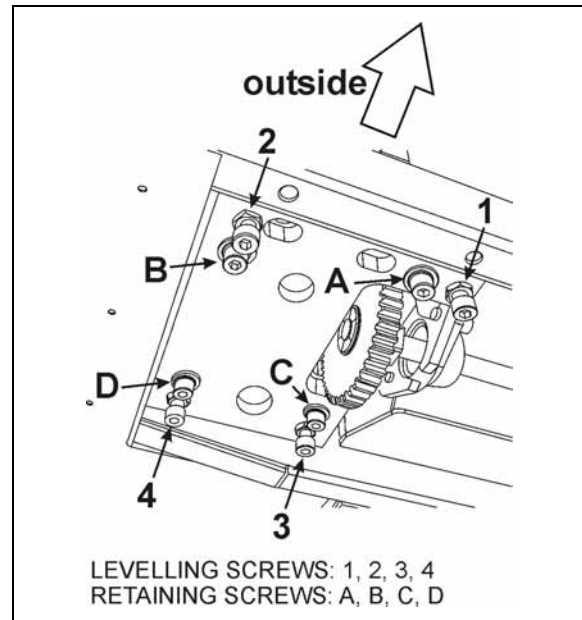


FIGURE 22 : SLIDE-OUT LEVELING

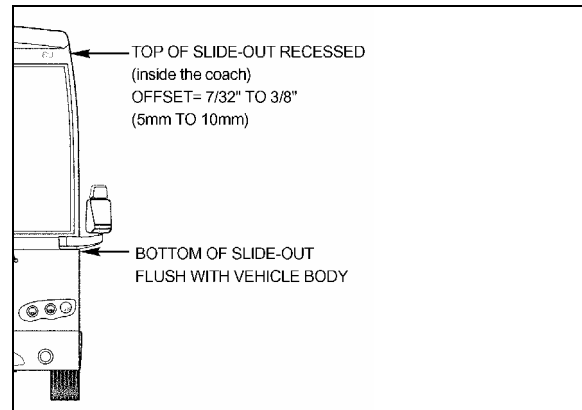


FIGURE 23: TILT ADJUSTMENT

12 RAIL

Rail and linear bearing system provide precise frictionless linear movement together with high load carrying capacity and high stiffness. These standardized equipments are fully interchangeable.

To prevent corrosion, an electrolytic film treatment is performed to the rail. Do not strike the rail with metal tools and avoid cleaning the rail surface with solvent, this could damage the treatment.

After the rail is mounted to the slide-out base, a cap is used to cover the bolt hole to prevent

foreign matters from clogging up the hole or from entering into the ball slide. The cap for the bolt hole is made of synthetic resin which is superb in its resistance to oil and wear.

12.1 MAINTENANCE

Check that all the caps for the bolt hole are present. Missing caps must be replaced. To insert a cap into the rail bolt hole, use a rubber mallet. Pound the cap gradually until its height becomes flush with the rail top face.

Clean accumulated dirt from the rails with a soft cloth.

12.2 REPLACEMENT

1. Remove the slide-out from the vehicle (removal must be performed according to the Slide-Out Removal/Installation Procedure. Ask to your Prevost service representative).
2. Remove the bolt hole cap covers. To do so, pierce a hole in the center and hook them out. They will not be reusable.
3. Remove the rail mounting bolts.
4. Wipe off the rust preventive oil applied to the new rail. Remove burrs and small bumps on the slide-out mounting face with an oilstone.
5. Carefully place the rail on the bed on its mounting face.

NOTE

The rail is bolted to a flat bar on which weldnuts are mounted. The flat bar is inserted in the slide-out lower body extrusion and can be removed through the end cap (FIGURE 24).

6. Adjust the flat bar position to align the weldnuts with the rail mounting holes.
7. Temporarily tighten the bolts.
8. Adjust the rail position as per FIGURE 24. For each rail, make sure the gap is the same both side of the rail.

NOTE

Jig #30534 (2 required) can be used to properly position the rail.

9. Tighten bolts according to the following order: 1st, 6th, 2nd, 5th, 3rd and 4th. Use blue Loctite™ on threads.
10. Cap the bolt holes.

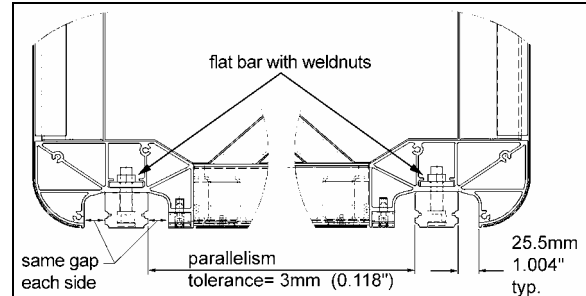


FIGURE 24 : RAIL POSITIONING

13 ACETAL PLASTIC BLOCKS

Three different acetal plastic blocks are installed next to each linear bearing to prevent dirt and foreign matter from entering inside the vehicle. They also serve as bearing surface for:

1. The inflatable seal each side of the rail.
2. The “in limit” stoppers.

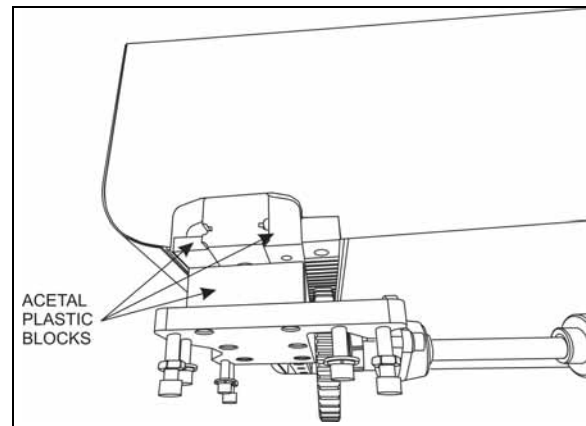


FIGURE 25: ACETAL PLASTIC BLOCKS

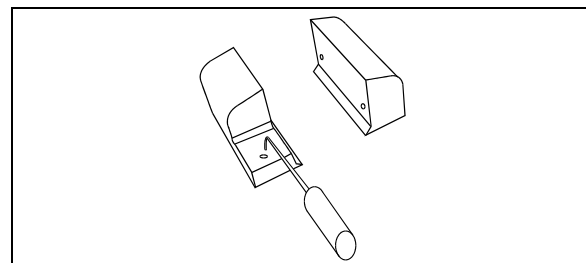


FIGURE 26: REMOVE THE UPPER ACETAL PLASTIC BLOCKS WITH A PICKING TOOL

13.1 REMOVAL / INSTALLATION

1. Gain access to the linear bearing support plate.

2. From under the support plate, remove the acetal plastic block mounting screws (see the oblong holes on figure 22).
3. Extend the slide-out just enough to gain access to the about acetal plastic blocks.
4. Remove the 2 upper acetal plastic blocks. They have holes so they can be removed with a picking tool (FIGURE 26) from outside the vehicle. If the acetal plastic blocks are too hard to reach, slightly extend the slide-out, the movement of the slide-out should bring them out.
5. To remove the lower acetal plastic block, gain access to the compartment under it. Slide the acetal plastic block toward the center of the slide-out. Proceed the same way to reinstall it.
6. Installation is the same as removal but in reverse order. When reinstalling the upper acetal plastic blocks, fold the wiper seal toward the outside with a flat tool to ease installation (FIGURE 27). Before tightening, make sure the acetal plastic blocks are leaning against the rail and the linear bearing. Tighten the mounting screws to a torque of 7 ft-lb.

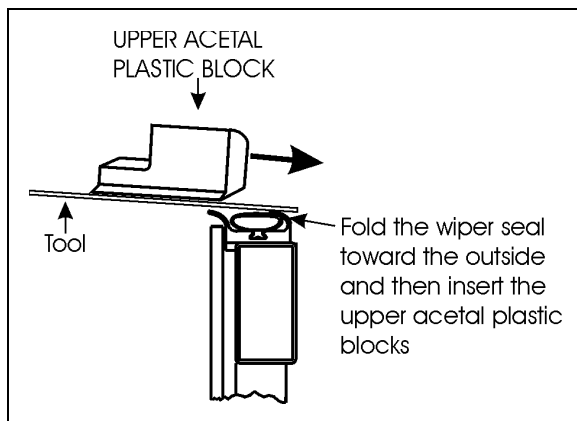


FIGURE 27: LOWER ACETAL PLASTIC BLOCK INSERTION

14 SLIDE-OUT PNEUMATIC SYSTEM

The slide-out is controlled by a pneumatic and electrical system. Mainly, the pneumatic system consists of electrically operated valves that control certain slide-out components and safety operations.

14.1 DESCRIPTION

AIR PRESSURE DELIVERY VALVE

The slide-out air pressure comes from the air pressure delivery valve on the pneumatic panel in the front service compartment (figure 28).

INFLATABLE SEAL VALVE

The inflation and the deflation of a seal are done with a 5-port 2-position valve with two solenoids. One solenoid is used for inflating of the seal and the other for deflating of the seal. When one solenoid is activated (seal deflating valve for example), the valve keeps its state even if the solenoid is deactivated. The inflating valve solenoid is activated to re-inflate the seal when the slide-out reaches its inner or outer limit. The inflatable seal pressure is set to 10 psi and in full "IN" or full "OUT" position, this pressure is continuously applied to the seal as long as the accessory air tank which supplies the slide-out is not empty.

VACUUM GENERATOR

A vacuum generator using Venturi principle is controlled by a 5-port 2-position valve and is used to evacuate the air faster from the seal and to ensure that the seal surface does not stay in contact with the slide-out.

The vacuum generator valve is activated simultaneously with seal deflating valve solenoid for 10 seconds. A pressure transducer will detect a seal, vacuum valve or generator failure if -5 psig is not reached after a 10 seconds delay. In that situation, an error code will be stored in the MCD (message center display). In normal operating condition, -5 psig is a necessary condition to consider the seal as deflated.

NOTE

When air pressure is relieved using the shut-off valve, the normal extending and retracting operation cycle is disabled, because the pressure transducer reads 0 psig and that is higher than -5 psig (vacuum). For that reason the slide-out cannot be moved with the handheld control.

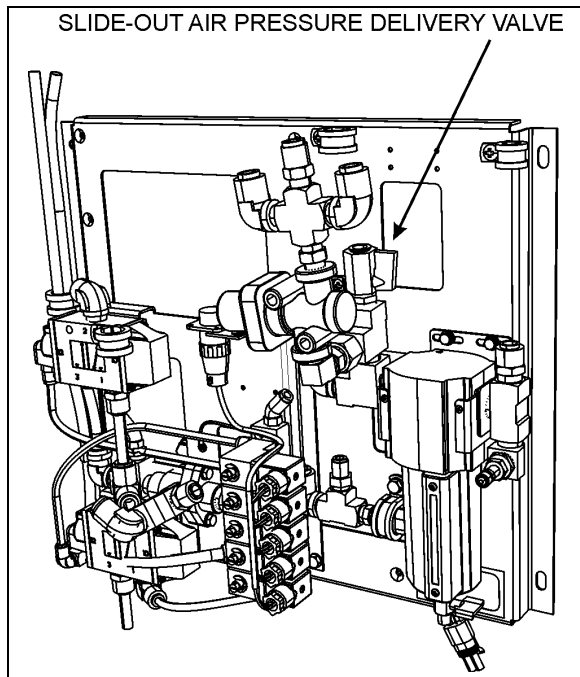


FIGURE 28 : FRONT SERVICE COMPARTMENT 12220

14.2 MAINTENANCE

COMPRESSED AIR LINE

Inspect all compressed air line tubing for cut, swelling, and kink or other damage or deterioration. Inspect the pneumatic fittings and components for any leak. The slide-out air supply is connected to the accessory air tank and the required maintenance is described in Section 12 of this manual.

INFLATABLE SEAL CIRCUIT

The efficiency of the seal could be affected by impurities, such as white powder in the pneumatic control valve. It is recommended to inspect the inflatable seal control components once a year to prevent malfunction. In this case, remove the seal valves and clean the interior valve components using a compressed air nozzle. Do the same thing with the vacuum generators.

The inflatable seal pressure must be set from 7 to 10 psi maximum. It is recommended to check the inflatable seal pressure once a month to ensure sealing efficiency and prevent any infiltration from outside.

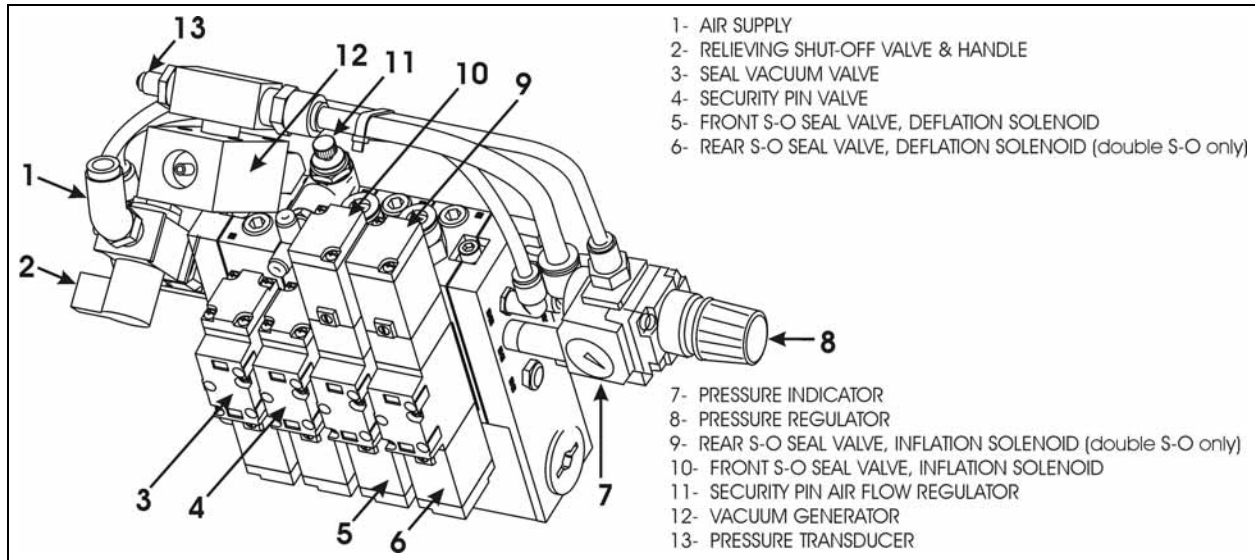


FIGURE 29: PNEUMATIC CONTROL UNIT

14.3 SEAL

NOTE

Refer to the Prevest parts manual for description of sealant and adhesives used.

The slide-out sealing device is used to prevent any type of infiltration that may occur between the body structure and the slide-out itself. It is composed of an inflatable seal which is used as a primary sealing device for both retracted and extended slide-out position and a wiper seal as a secondary sealing device which is used to wipe water out and to ensure sealing during slide-out movement.

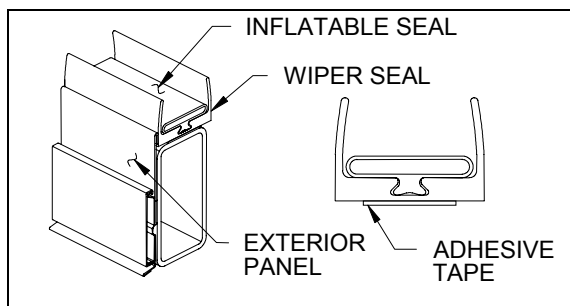


FIGURE 30 : SEAL ASSEMBLY

The seal deflation is done each time the slide-out moves. The deflating valve solenoid is activated before and during the slide-out movement. When the slide-out reaches its retracted or extended position, the deflating

solenoid is deactivated before activation of the inflating solenoid to inflate the seal.

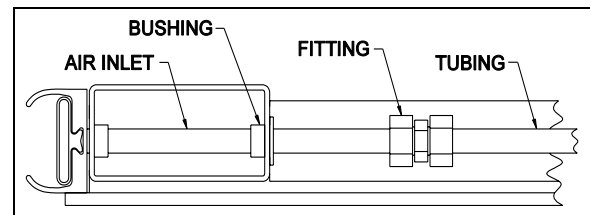


FIGURE 31: REAR SLIDE-OUT INFLATABLE SEAL AIR INLET

CAUTION

Make sure the inflatable seal is deflated when moving the slide-out manually during service maintenance. Deflate both inflatable seals completely by turning the relief shut-off valve handle clockwise (see FIGURE 29, item 2).

CAUTION

Before using any cleaning or adhesive product on seal, panel or glass to prevent alteration or damage.

14.3.1 Maintenance

The inflatable seal pressure must be set to 10 psi maximum with the pressure regulator. It is recommended to check the inflatable seal pressure once a month to ensure sealing efficiency and prevent any infiltration from outside. Check both seals for air leaks or cracks. Check the sealant between the inflatable seal

and the exterior panels and glasses. Add sealant if necessary.

14.3.2 Seal assembly removal

⚠ WARNING ⚠

Always wear the appropriate safety equipment. Maintain adequate ventilation at all time.

1. Retract the slide-out 2" inside the vehicle (paragraph 14.3.4).
2. Unplug the tubing from the inflatable seal air inlet (FIGURE 31). Keep the bushing.
3. Unstick and remove the wiper seal from the structure.
4. Scrape remaining tape from the structure and remove old sealant if applicable.

14.3.3 Seal assembly installation

NOTE

This procedure is to install the inflatable seal assembly on the structure.

⚠ CAUTION ⚠

Always apply product in the same direction to prevent dirt from being brought back.

⚠ CAUTION ⚠

Check before using any cleaning or adhesive product on seal, panel or glass to prevent alteration or damage.

NOTE

Refer to procedure PR00001 in Section 18: BODY for primer, cleaner, adhesive specifications & application.

NOTE

Refer to the product specification for drying time.

1. Retract the slide-out 2" inside the vehicle (paragraph 14.3.4).
2. Clean the area where the inflatable seal will be placed with anti-silicone. Make sure that the surface is perfectly smooth.
3. Rub the area a Scotch Brite (or equivalent product) (see PR00001paragraphe G).

4. Clean the area with anti-silicone once again.
5. Apply Sika 206 G+P on the area (see PR000001paragraphe D).
6. Insert inflatable seal air inlet tube through the hole on the frame vertical member.
7. Remove the inflatable seal adhesive tape protection in the lower corners area.
8. Press the lower corners on the frame and hold them in place for 90 to 120 seconds. Place the seal as close as possible from the exterior side of the frame.
9. Remove the inflatable seal adhesive tape protection on the rest of the lower frame area.
10. Press the seal on the frame and hold it in place for 90 to 120 seconds. Align the wiper seal drainage holes with the drainage holes on the frame. Place the seal as close as possible from the exterior side of the frame.
11. Remove the inflatable seal adhesive tape protection in the upper corners area and press the upper corners on the frame and hold them in place for 90 to 120 seconds. Place the seal as close as possible from the exterior side of the frame.
12. Install the rest of the straight upper area in the same way. Place the seal as close as possible from the exterior side of the frame.
13. Install the remaining straight inflatable seal sections on the frame. Place the seal as close as possible from the exterior side of the frame. Press for at least 15 seconds. Use a small roller to ensure a good adhesive contact on the structure.

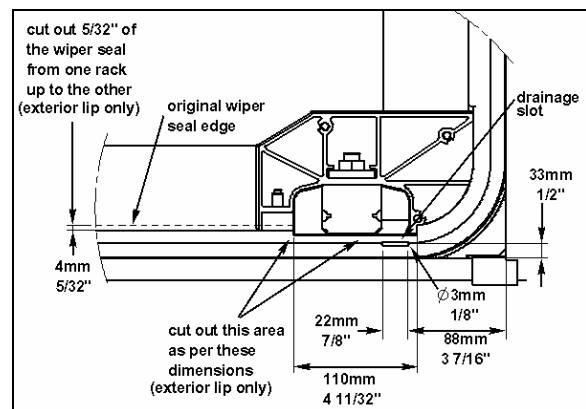


FIGURE 32: WIPER SEAL CUT-OUT

14. Cut out the exterior lip of the wiper seal as per FIGURE 32.

15. Replace the bushing and plug the pneumatic tubing on the inflatable seal air inlet (FIGURE 31).

14.3.4 Slide-out 2" inside retraction

1. For both sides of the slide-out, remove the 2 upper acetal plastic blocks shown on FIGURE 26 (refer to paragraph 13).
2. Extend the slide-out a few inches so the exterior extrusion assembly screws located on the top of the slide-out are accessible from outside (figure 7).
3. Using a knife, cut the sealant between the extrusion's support and the roof (figure 7).
4. Unscrew and remove the exterior extrusion and support.
5. Using the handheld control, retract the slide-out up to its normal "IN" position.
6. Manually deflate the seal completely by turning the relieving shut-off valve clockwise (FIGURE 29). Make sure the pressure indicator reading is "0 psi".
7. Set the ignition to the off position.
8. Using the manual override procedure (paragraph 18), move the slide-out 2" inside the vehicle, so the seal is accessible from outside (FIGURE 33).

⚠ CAUTION ⚠

Do not use the slide-out handheld control to move the slide-out 2" inside the vehicle, because the stroke limits are not recognized over the closed position. The slide-out would not stop and damage may occur.

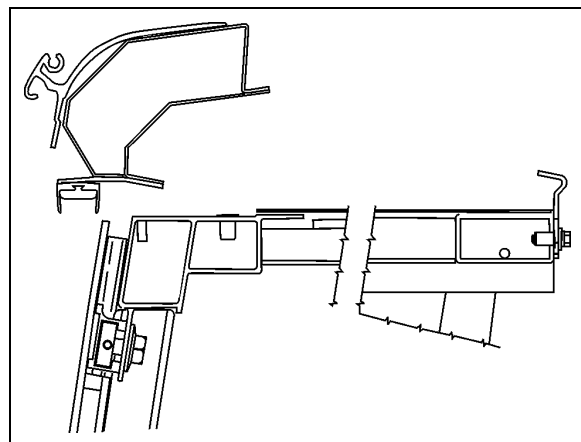


FIGURE 33: SLIDE-OUT 2" INSIDE – UPPER PART

9. Once completed, use the manual override procedure to extend the slide-out to reinstall the exterior extrusion. Apply appropriate sealant on the exterior extrusion screws and between the extrusion, the roof and the edges to prevent water infiltration.
10. Reinstall the acetal plastics blocks.
11. Finally, the seal can be re-inflated by turning the shut-off valve handle counterclockwise. Check the pressure gage on the inflatable seal regulator to see if the pressure is increasing to 10 psi.

15 SLIDE-OUT ELECTRICAL SYSTEM

⚠ WARNING ⚠

Never modify the slide-out electrical wiring without the Prevest Car approval. Any modifications may cause an unexpected slide-out action and could result in personal injuries.

Multiplexed slide-out electrical system is mainly composed of the current vehicle's Master ID module, CECM module and VEC module plus slide-out dedicated I/O-B modules.

Each slide-out has its own I/O-B module and two power relays. The I/O-B modules analyze the input signal conditions and activate outputs like the pneumatic valves, the retracting or extending programmed sequence, etc. The power relays are used to supply power coming from the I/O-B module to the electric motor and to change polarity to reverse motor rotation.

The I/O-B modules input signals are:

- Handheld control switch IN;
- Handheld control switch OUT;

Also, the following input signals are required for a safe operation of the slide-out:

- Pressure transducer;
- Parking brake;
- "in limit" sensor;
- "out limit" sensor;

The I/O-B modules output signals are:

- Handheld control green indicator light;
- Power relay current reversing;
- Seal valve inflating solenoid;
- Seal valve deflating solenoid;

- Vacuum generator valve solenoid;
- Security pin valve solenoid;
- Electric motor, first power output 15 amps;
- Electric motor, second power output 15 amps;

The CECM module output signals related to slide-outs are:

- Dashboard telltale light;
- Transmission inhibit;

⚠ WARNING ⚠

Before working on the slide-out electrical system, turn the ignition key to the "OFF" position.

15.1 ELECTRICAL INTERCONNECTION WITH PREVOST VEHICLE

The slide-out power supply comes from the 24-volts and 12-volts circuit breakers (FIGURE 35) in the main power compartment. The other interconnections are located on the pneumatic panel and the electrical panel in the front service compartment. All the interconnections are shown on the electrical diagrams of your vehicle.

A blinking signal is added on the dashboard telltale panel (figure 34) to indicate that an error condition or a missing operation condition is present on a slide-out. The slide-out telltale light also illuminates to indicate that at least one of the slide-outs is extended.

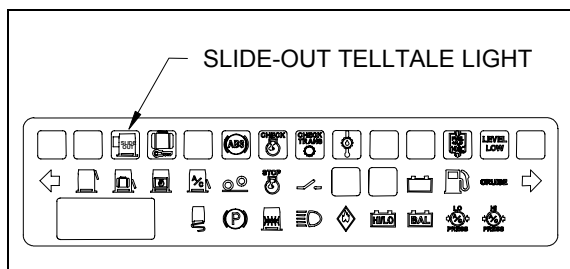


FIGURE 34 : DASHBOARD SLIDE-OUT TELLTALE LIGHT

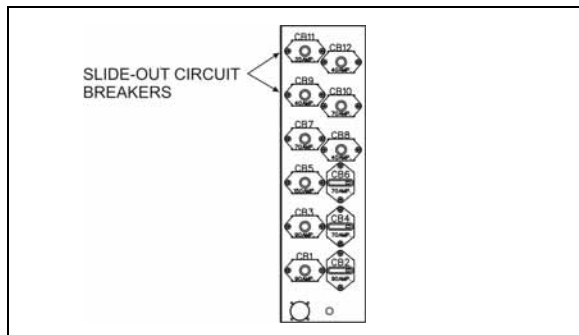


FIGURE 35: MAIN BREAKER IN MAIN POWER COMPARTMENT 26091

15.2 SLIDE-OUT BREAKERS

The 24-volts and 12-volts breakers are located in the main power compartment. Other electrical components are found on the slide-out control panel located in the first baggage compartment on the driver's side (figure 36).

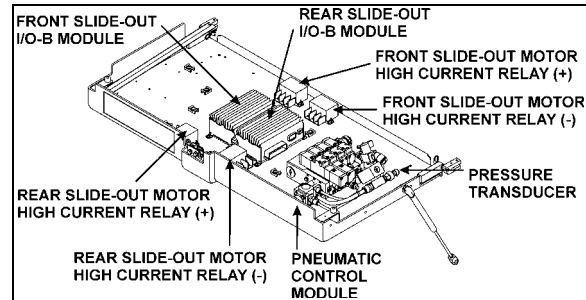


FIGURE 36 : SLIDE-OUT CONTROL PANEL

15.3 PROBING VOLTAGE ON THE MULTIPLEX CIRCUITS

Multiplex modules are supplied by 24 volts.

Inactive Multiplex output = Residual voltage of 18% to 33% of supply voltage.

Inactive Multiplex input = Residual voltage of 50% of supply voltage.

NOTE

For a 24V module: an active voltage would be 24V or 0V but not in between. If you measure an intermediate voltage (ex. 12V, 4V, or 8V) this must be interpreted as if the input or the output is inactive.

⚠ CAUTION ⚠

Never put grease, Cortec VCI-238 or other product on the multiplex modules connector terminals.

15.4 MODULE REPLACEMENT

I/O-B multiplex modules can be replaced and reprogrammed as described in Section 6: Electrical of this manual.

15.5 SLIDE-OUT LIMIT SENSORS

Two Hall-effect sensors are used on each slide-out to define stroke end limit positions. The "in

limit" and "out limit" sensor detect two pairs of permanent magnets fixed on the slide-out underbody.

15.5.1 Maintenance and adjustment

The rear slide-out sensors are accessible from inside of the vehicle, under the bed structure while the front slide-out sensors can be reached from the 3rd baggage compartment access panel. To remove the sensors, unsnap them from the mounting bracket.

To adjust the "in limit" sensors:

Prior to adjust the "in limit" sensors, assure that the "in limit" stoppers are perfectly adjusted (see paragraph 1.2.2).

1. Retract the slide-out to its full "IN" position with the "in limit" stoppers in contact with their bearing surface.
2. Loosen the "in limit" sensor mounting bracket screws and move back the sensor completely (toward the inside of the vehicle).
3. Bring slowly the sensor toward the outside of the vehicle until the light emitting diode (LED) turns on. When it does, move it 0.079" (2mm) further in the same direction and tighten the mounting bracket screws.
4. Check if the "in limit" sensor is properly adjusted. At the moment when the slide-out stops during normal retraction, the "in limit" stoppers must contact their bearing surface (lower acetal plastic block). Put white paint on the "in limit" stopper before and check if the acetal plastic blocks are marked with paint.

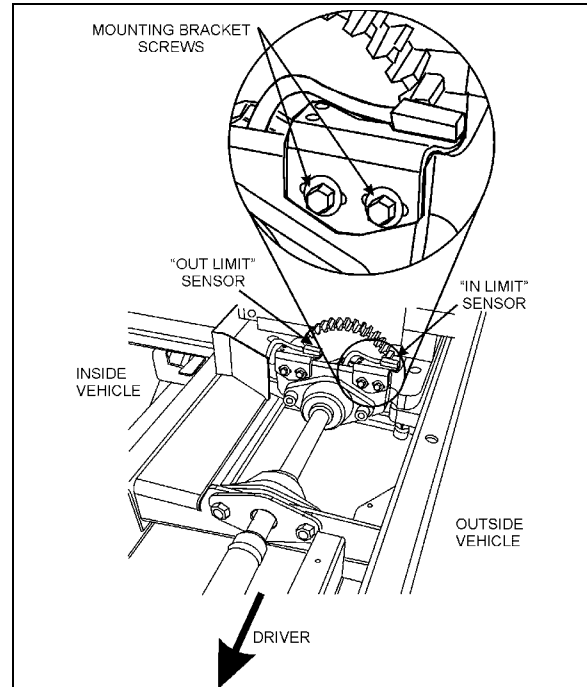


FIGURE 37: FRONT SLIDE-OUT SENSORS

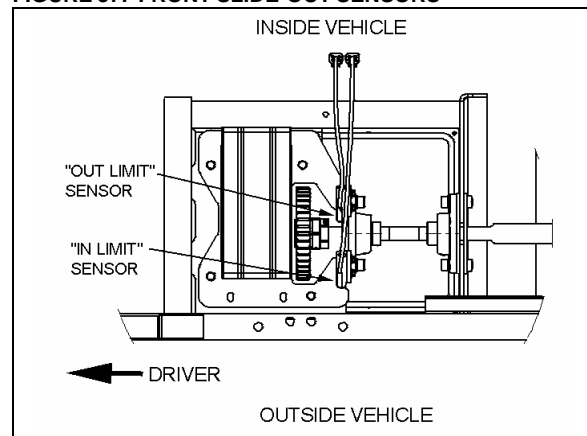


FIGURE 38: REAR SLIDE-OUT SENSORS

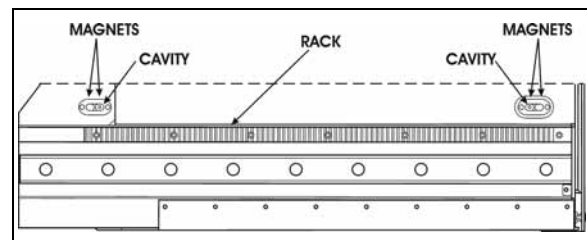


FIGURE 39 : MAGNETS ON SLIDE-OUT UNDERBODY
26097

To adjust the "out limit" sensors:

Prior to adjust the "out limit" sensors, assure that the inner stoppers are perfectly adjusted (see paragraph 1.1).

1. The slide-out is slightly tilted except when it is in its full "IN" or "OUT" position. Extend the slide-out near its full "OUT" position.

When the slide-out straitens up and that it is perpendicular with the vehicle body, stop the slide-out.

2. Loosen the “out limit” sensor mounting bracket screws and move back the sensor completely (toward the inside of the vehicle).
3. Bring slowly the sensor toward the outside of the vehicle until the light emitting diode (LED) turns on. When it does, tighten the mounting bracket screws.

NOTE

When the “out limit” sensors are properly adjusted, the slide-out extension stops before the side inner stoppers reach the vehicle structure.

16 SLIDE-OUT EXTERIOR FINISHING PANELS & WINDOWS

NOTE

The removal and installation procedures are all based on standard service methods described in section 18: BODY. Refer to this manual for procedures, tools, cleaner, adhesives and other product needed.

16.1 FACE PANEL REMOVAL

Use the same procedure as described in section 18: BODY for side panel removal, and:

- Keep the slide-out retracted;
- Check where adhesive, sealant and double face adhesive tape are on the structure and the panel back side, in order to be able to stick the new panel in the same way;
- Check the tape width and thickness. Use tape with same width and thickness when installing new panels.

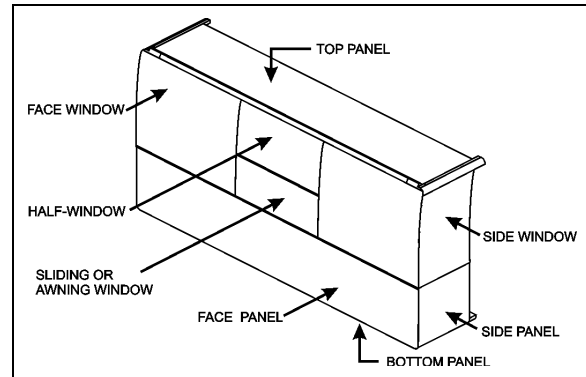


FIGURE 40 : SLIDE-OUT PANELS AND WINDOWS

16.2 FACE PANEL INSTALLATION

For surface cleaning, and preparation, panel installation and products needed, use the same procedure as the H3 or VIP “side panel installation” procedure described in section 18: BODY.

- Keep the slide-out retracted for panel alignment;
- Make sure to apply sealant between the face panels and the side panels, and also between face panel and bottom panel.

16.3 SIDE PANEL REMOVAL

Caution: Be careful not to damage the adjacent surfaces.

1. Remove the slide-out (according to the Slide-Out Removal Procedure. Ask to your Prevost service representative).
2. Drill through the rivets located at the bottom of the panel. Be careful not to let aluminum or stainless steel filings enter the corner extrusion. If necessary, remove the corner extrusion end cap to remove trapped filings.
3. Insert a flat screwdriver between the panel and the slide-out structure, in the top left and right corners of the panel, and unstick the panel from the structure.
4. Use C-clamp to peel the panel from the slide-out structure.
5. Check where adhesive, sealant and double face adhesive tape are on the structure and the panel back side, in order to be able to stick the new panel in the same way.

Section 26: VIP SLIDE-OUT

6. Check the tape width and thickness. Use tape with same width and thickness when installing new panels.

Caution: Make sure the heat gun nozzle tip is at least 4" from surface.

7. Use a heat gun and putty knife to remove the dried off adhesive and tape residue from the structure.

Warning: Because of the adhesive toxicity, never use a buffer or other sanding method to remove it.

16.4 SIDE PANEL INSTALLATION

NOTE

The side panels are made of aluminum or stainless steel in option. Use rivet of same material as the panels.

For surface cleaning and preparation, panel installation and products needed, refer to the "side panel installation" procedure described in section 18: BODY.

1. Protect adjacent surfaces with appropriate material;
2. Refer to figure 41 for 1/4X1 (#5060038) and 3/16X1 (#506207) double face adhesive tape location on diagonal member of front slide-out only. Do not remove the tape blue protective layer;

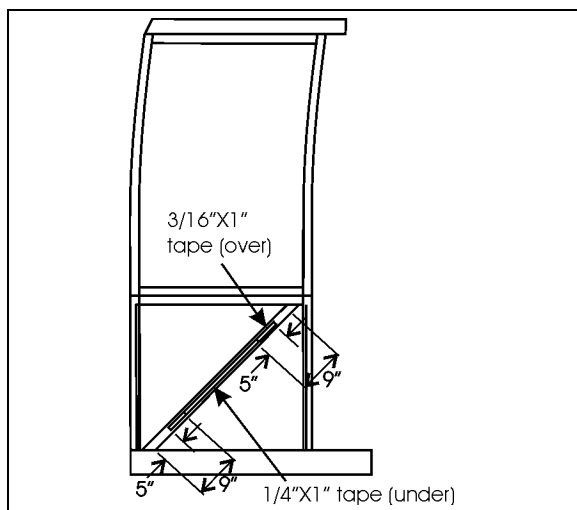


FIGURE 41 : SIDE PANEL INSTALLATION – DOUBLE FACE ADHESIVE TAPE APPLICATION ON THE SLIDE-OUT STRUCTURE (FRONT SLIDE-OUT ONLY)

NOTE

Do not remove the tape blue protective layer. The purpose of the tape is to maintain a certain gap and not to hold the panel in place.

3. Refer to figure 42 for 1/16x1/4 double face adhesive tape location on structure Do not remove the tape blue protective layer [7mm≈9/32"] [5mm≈6/32"];
4. Inspect the Sika bead at the intersection of the corner vertical member and the flat bar as shown in FIGURE 43. if it is damaged, remove adhesive residue and apply a new 3mm diameter bead of Sika 221;
5. Inspect the Sika bead shown in FIGURE 44. If it is damaged, remove adhesive residue and apply a new 5mm diameter bead of Sika 221 or 252;
6. Clean panel with anti-silicone. Sand surface using a Scotchbrite. Clean sanded surface with anti-silicone;
7. Apply Sika 206 G+P on side panel as shown in figure 45;
8. Apply a 5mm diameter bead of Sika 221 or 252 on side panel as shown on FIGURE 46; Apply Sika Tack+Booster (triangular bead: 9mm width X 6mm high [11/32"x1/4"]) as shown in Figure 47 and glue panel in place as shown in FIGURE 48. Do not remove the tape blue protective layer;

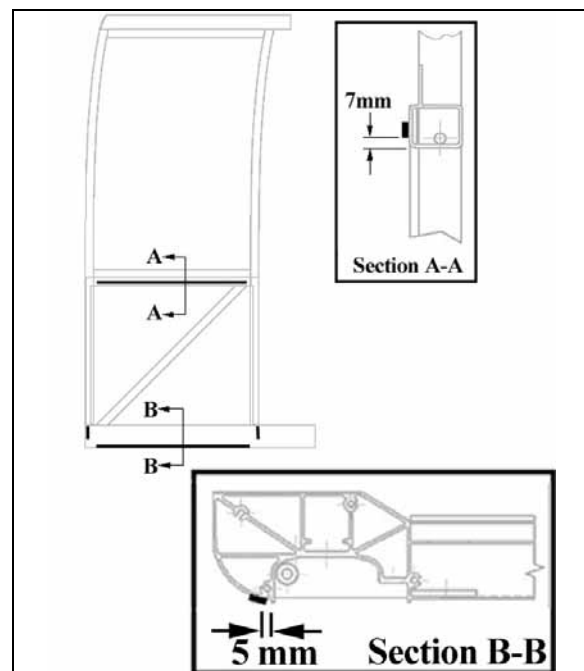


FIGURE 42 : SIDE PANEL INSTALLATION – DOUBLE FACE ADHESIVE TAPE APPLICATION ON THE SLIDE-OUT STRUCTURE

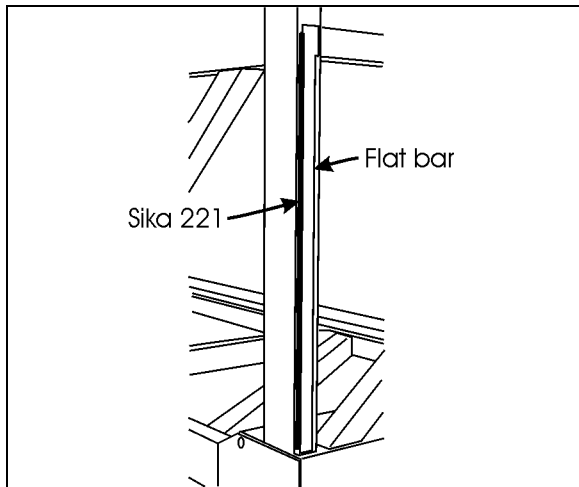


FIGURE 43 : SIDE PANEL INSTALLATION – SIKA 221 APPLICATION ON STRUCTURE

9. Exert pressure and let dry for at least 90 minutes;
10. Smooth down the joint and remove glue in excess;
11. Install rivets as per instruction sheet IS-06028 (ask to your Prevost service representative);
12. After drying, apply Sika 252 as a finishing joint. Refer to paragraph 16.12 for the finishing joint application procedure;

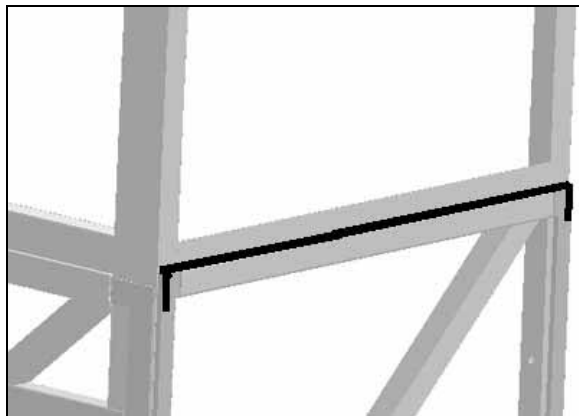


FIGURE 44 : SIDE PANEL INSTALLATION – SIKA 221 OR 252 APPLICATION ON STRUCTURE

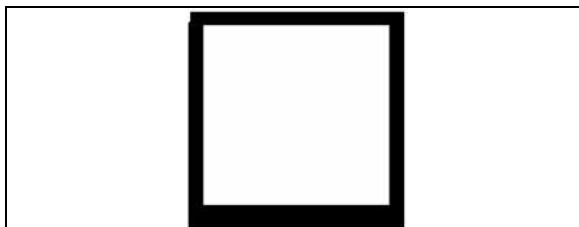


FIGURE 45 : SIDE PANEL INSTALLATION – SIKA 206 G+P APPLICATION

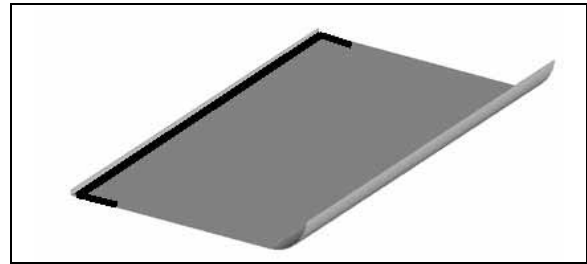


FIGURE 46 : SIDE PANEL INSTALLATION – SIKA 221 OR 252 APPLICATION ON SIDE PANEL

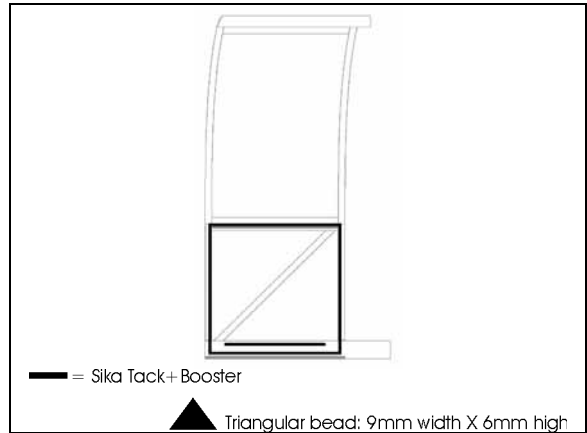


FIGURE 47 : SIDE PANEL INSTALLATION – SIKA TACK+BOOSTER APPLICATION

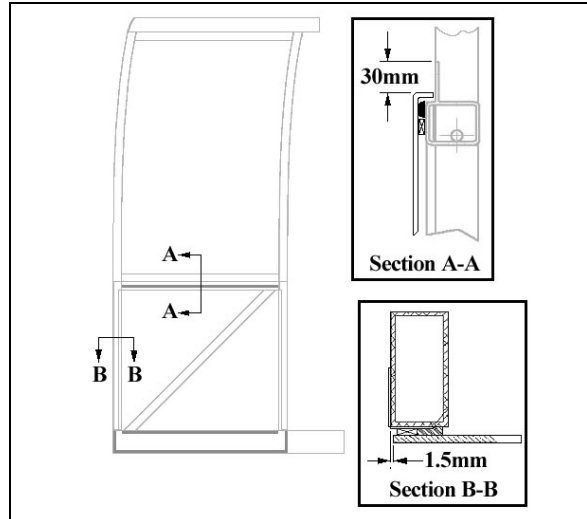


FIGURE 48 : SIDE PANEL INSTALLATION

16.5 TOP AND BOTTOM PANEL REMOVAL

NOTE

The top and bottom panels are made of aluminum sheets.

Section 26: VIP SLIDE-OUT

1. Remove the slide-out (as per the Slide-Out Removal/Installation Procedure. Ask to your Prevost service representative).
2. Insert a flat screwdriver between the panel and the slide-out structure and unstick the panel from the structure.
3. Use C-clamp to peel the panel from the slide-out structure.
4. Check where adhesive, sealant and double face adhesive tape are on the structure and the panel back side, in order to be able to stick the new panel in the same way.
5. Check the tape width and thickness. Use tape with same width and thickness when installing new panels.
6. Use a heat gun and putty knife to remove the dried off adhesive and tape residue from the structure.

Warning: Because of the adhesive toxicity, never use a buffer or other sanding method to remove it.

16.6 TOP AND BOTTOM PANEL INSTALLATION

NOTE

The top and bottom panels are made of aluminum sheets and need aluminum rivet.

For surface cleaning, preparation, panel installation and products needed, refer to the side panel installation procedure described in section 18: BODY.

1. Protect adjacent surfaces with appropriate material.
2. Refer to FIGURE 49 for 1/16x1/4 double face adhesive tape location on structure [5mm≈6/32"];

NOTE

Do not remove the tape blue protective layer. The purpose of the tape is to maintain a certain gap and not to hold the panel in place.

3. Clean panel with anti-silicone. Sand surface using a Scotchbrite. Clean sanded surface with anti-silicone;
4. Apply Sika 206 G+P on panel as shown in FIGURE 50;

5. Apply Sika Tack+Booster (triangular bead: 9mm width X 6mm high) has shown in FIGURE 51 and glue panel in place as shown in figure 52 & figure 53 ;
6. Exert pressure and let dry for at least 90 minutes;
7. Smooth down the joint and remove glue in excess;
8. After drying, apply Sika 252 as a finishing joint. Refer to paragraph 16.12 for the finishing joint application procedure.

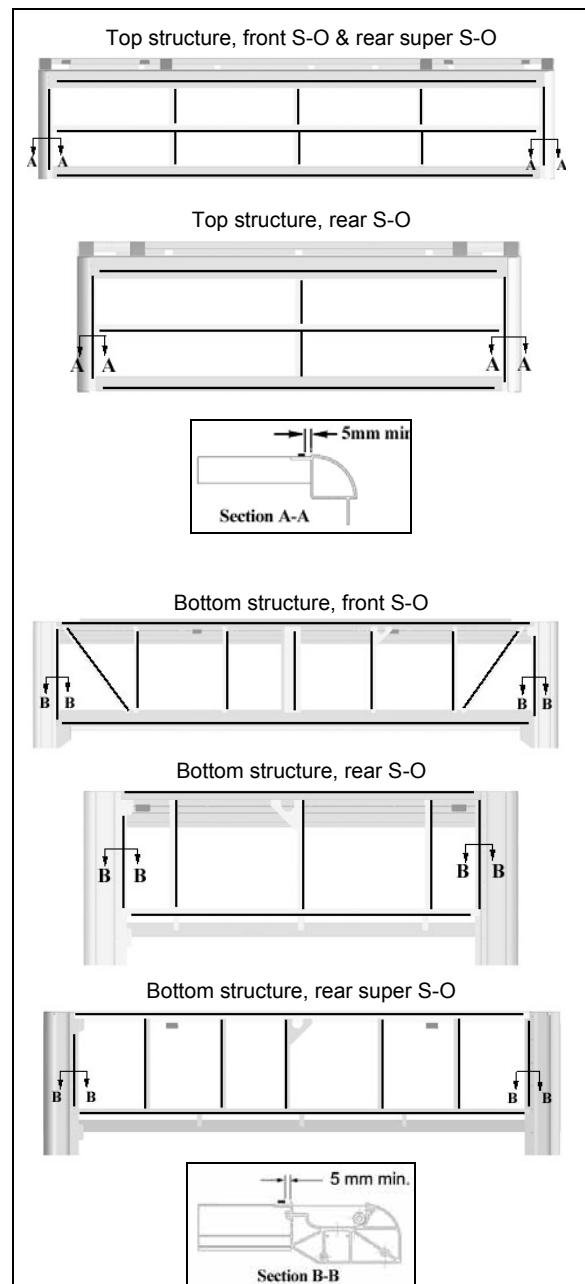


FIGURE 49 : TOP AND BOTTOM PANEL INSTALLATION - DOUBLE FACE ADHESIVE TAPE APPLICATION

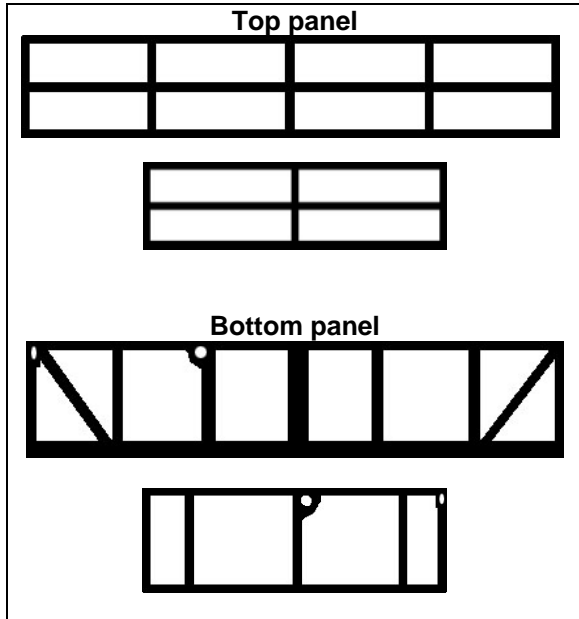


FIGURE 50 TOP AND BOTTOM PANEL INSTALLATION - SIKA 206 G+P APPLICATION

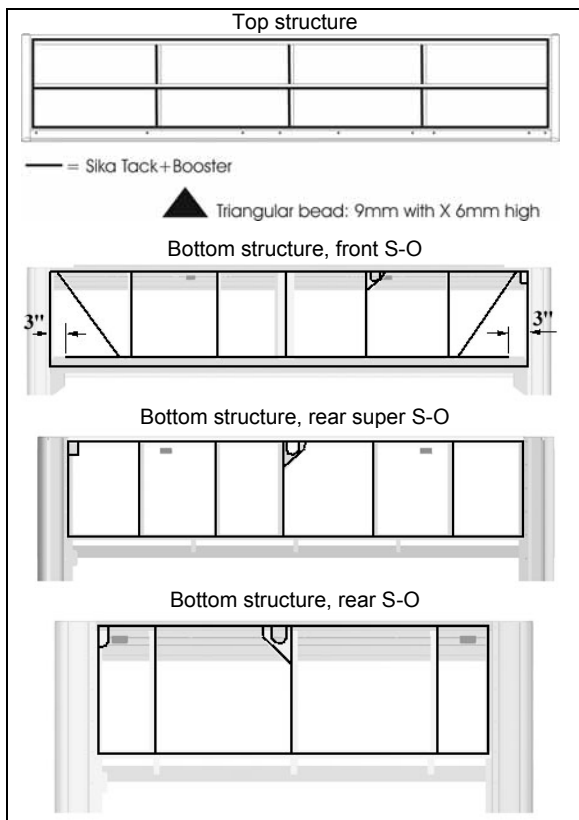


FIGURE 51 : TOP AND BOTTOM PANEL INSTALLATION - SIKA TACK+BOOSTER APPLICATION

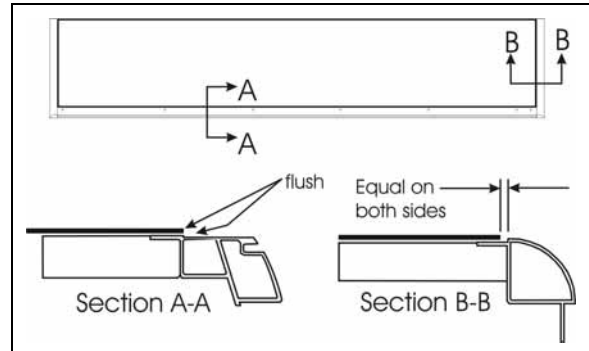


FIGURE 52 : TOP PANEL INSTALLATION

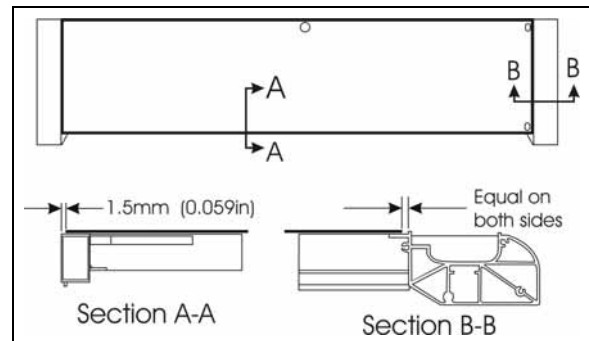


FIGURE 53 : BOTTOM PANEL INSTALLATION

NOTE

The removal and installation procedures are based on standard service methods described in section 18: BODY. Refer to these procedures for tools and adhesives specifications.

Warning: Always wear safety equipment when working with glass and chemical adhesives.

16.7 SIDE WINDOW & HALF-WINDOW REMOVAL

1. Remove the slide-out (for side window removal only).
2. If needed, remove the exterior extrusion as described in paragraph 1.3.

Caution: Be careful not to damage the adjacent surfaces.

3. With a knife or a wire, cut the sealant and the adhesive between the windows and the structure where applicable. Make sure not to damage the rubber seal between the windows.
4. With a helper, remove the window from the slide-out.

16.8 HALF-WINDOW & SIDE WINDOW INSTALLATION

Refer to procedures described in section 18: BODY of the maintenance manual for details.

1. Clean and prepare window and slide-out structure surface with appropriate cleaner, abrasives and primers [48mm≈1 7/8"];
2. If necessary, install rubber seals as per FIGURE 54. Press the seal against the structure with a roller;
3. Apply 1/4" X 1/2" double face self adhesive tape on the slide-out structure for side fixed window (see FIGURE 55) [10mm≈3/8"] [15mm≈19/32"];

NOTE

Do not remove the tape blue protective layer. The purpose of the tape is to maintain a certain gap and not to hold the panel in place.

4. Clean window with appropriate window cleaner;
5. Apply Sika Aktivator on the window pane as per FIGURE 56 (half-window) or FIGURE 57 (side window);
6. **HALF-WINDOW ONLY:** clean the sliding or awning window frame with anti-silicone and then, apply Sika Aktivator as shown on FIGURE 58;
7. **HALF-WINDOW ONLY:** place masking tape on awning or sliding window frame to protect it from smudge (see FIGURE 59);
8. **HALF-WINDOW ONLY:** On awning window, place 3 shims #790392 on frame, one at the center and the 2 other at each edge. On sliding window, place 3 shims #790392 on frame, one at the center and the 2 other at each edge in order to have a gap of 10mm between both windows (see FIGURE 59);
9. **HALF-WINDOW ONLY:** insert anchoring blocks in window extrusion (see FIGURE 63);
10. Apply Sika Tack+Booster (triangular bead: 20mm width X 15mm high) as per FIGURE 60 (side window) or FIGURE 61 (half-window) [20mm≈13/16"] [15mm≈19/32"];
11. Install side window on the slide-out structure as per FIGURE 62;
12. Install half-window centered with the awning or sliding window;

13. Press the jigs on the windows and wait for the adhesive to dry (90 minutes minimum).
14. Smooth down the joint and remove glue in excess. Clean excess adhesive with Sika 208.
15. Refer to paragraph 16.12 for the finishing joint application procedure.

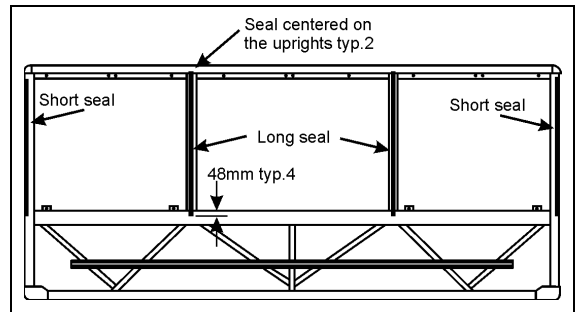


FIGURE 54 : FACE WINDOW - RUBBER SEAL INSTALLATION

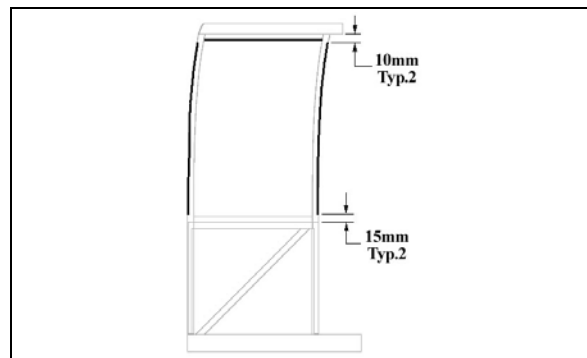


FIGURE 55 : SIDE WINDOW – 1/4 X 1/2 DOUBLE FACE ADHESIVE TAPE INSTALLATION

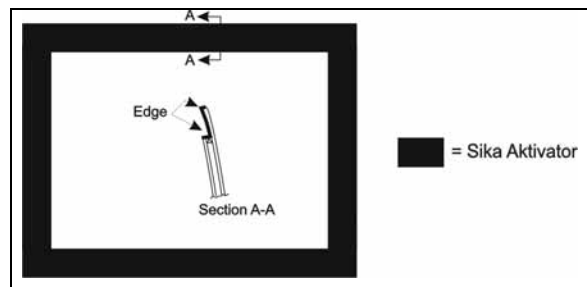


FIGURE 56 : HALF-WINDOW – SIKA AKTIVATOR

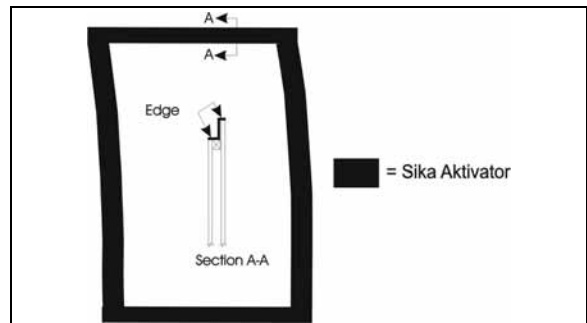


FIGURE 57 : SIDE WINDOW – SIKA AKTIVATOR

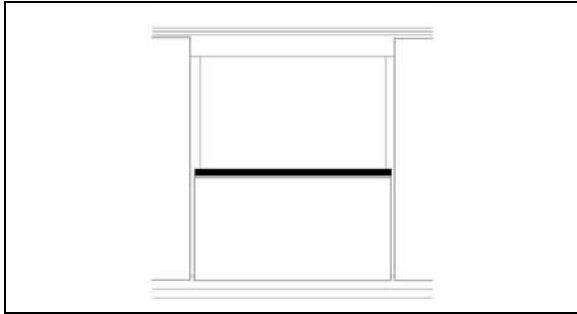


FIGURE 58 : HALF-WINDOW INSTALLATION – SIKA AKTIVATOR

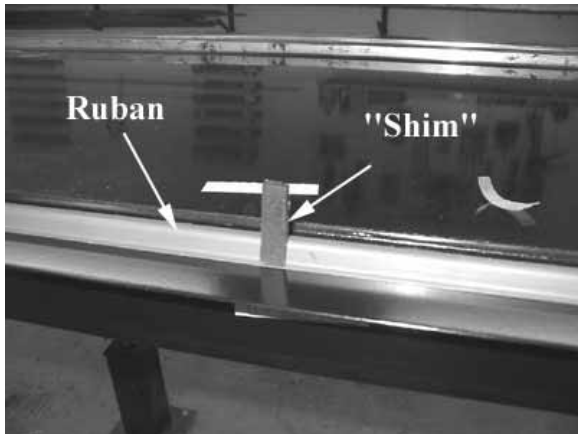


FIGURE 59 : HALF-WINDOW INSTALLATION

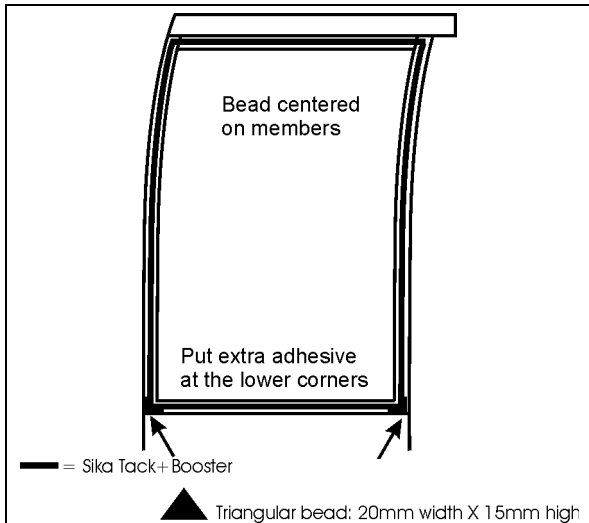
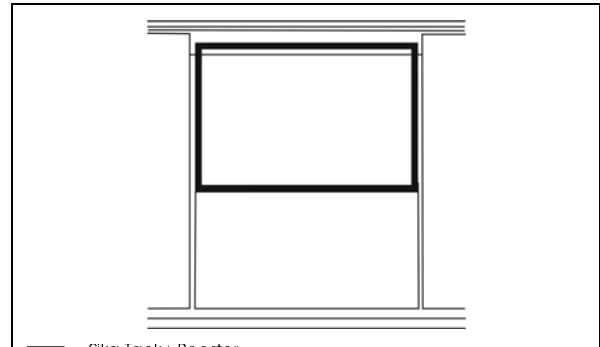


FIGURE 60 : SIDE WINDOW – SIKA TACK + BOOSTER



— = Sika Tack+Booster

▲ Triangular bead: 20mm width X 15mm high

FIGURE 61 : HALF-WINDOW INSTALLATION – SIKA TACK+BOOSTER

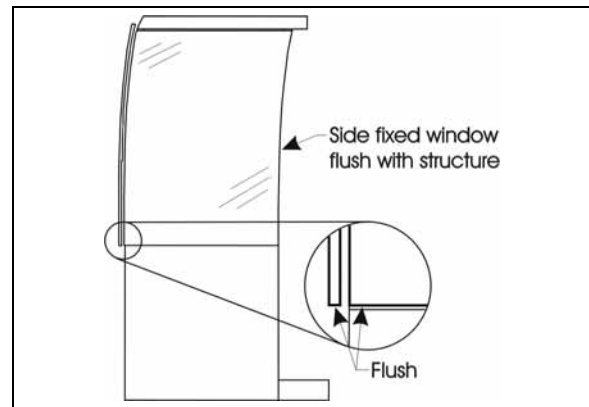


FIGURE 62 : SIDE WINDOW

16.9 FACE WINDOW INSTALLATION

Refer to procedures described in section 18: BODY of the maintenance manual for details.

1. If necessary, install the rubber seals as per FIGURE 54. Press the seal against the structure with a roller;
2. Insert anchoring blocks in window extrusion (see FIGURE 63) and install window with the lower edge flush with the sliding or awning window (see FIGURE 64);
3. Leave a gap between the face window and the sliding/awning window according to the slide-out overall length (see FIGURE 64);

Section 26: VIP SLIDE-OUT

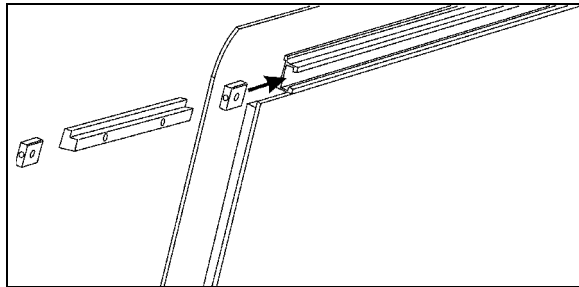


FIGURE 63 : FACE WINDOW INSTALLATION - ANCHORING BLOCKS

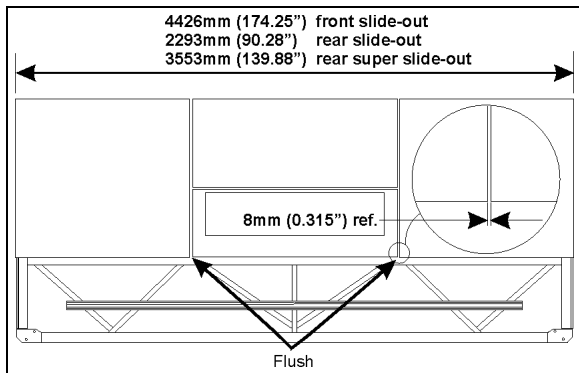


FIGURE 64 : FACE WINDOW INSTALLATION

16.10 AWNING WINDOW INSTALLATION

1. Clean and prepare window and slide-out structure surface with appropriate cleaner, abrasives and primers;
2. Glue 6 rubber bumpers (#790602) on the awning window frame as per FIGURE 65;

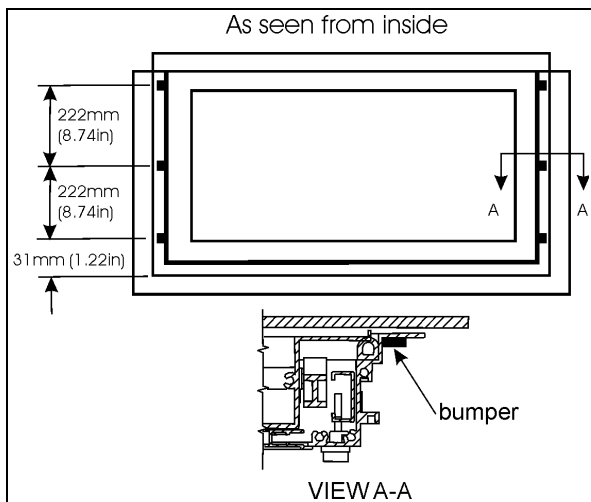


FIGURE 65: SIDE BUMPERS

3. Apply Sika 255 (or 252) at the upper and lower frame corner as per FIGURE 66.

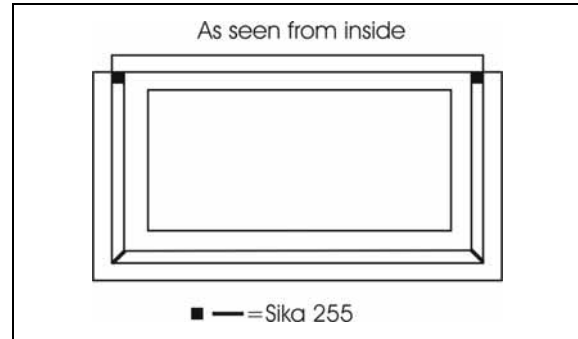


FIGURE 66: SIKA 255 APPLICATION

4. Place masking tape on the inside of the window pane as per FIGURE 67 to protect it from smudge;

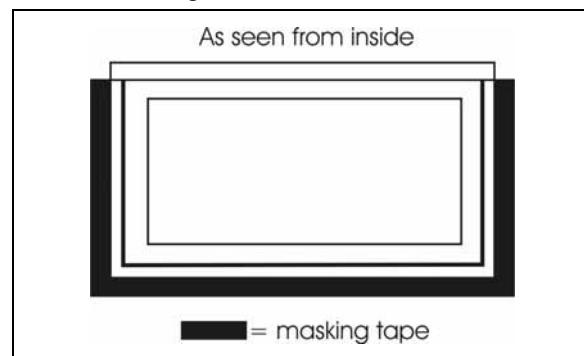


FIGURE 67: MASKING TAPE APPLICATION

5. Previously clean surface with anti-silicone and then apply Sika Aktivator as per FIGURE 68;

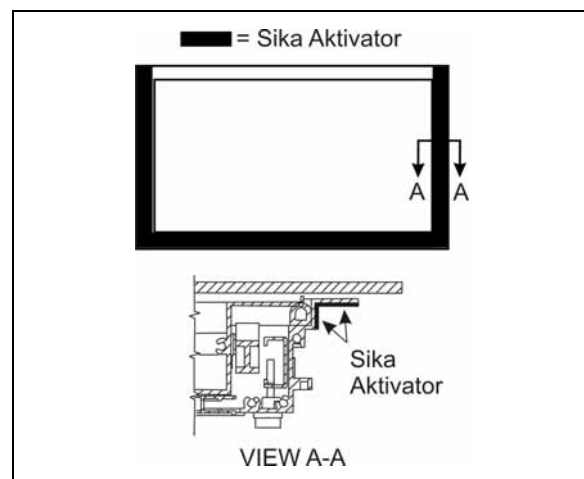


FIGURE 68 : AWNING WINDOW - SIKA AKTIVATOR

6. Glue on the structure horizontal member, 3 rubber bumpers (#790597) (see FIGURE 69) [50mm≈2"].

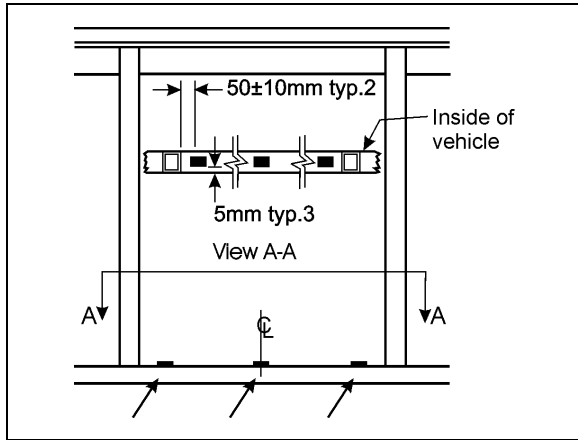


FIGURE 69: AWNING WINDOW - RUBBER BUMPER INSTALLATION

7. Apply Sika 252 as per FIGURE 70 (triangular bead: 10mm width X 10mm high) [10mm≈3/8”];

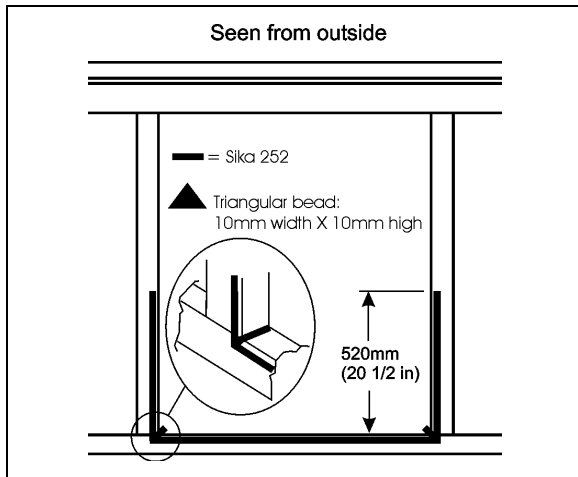


FIGURE 70: AWNING WINDOW – SIKa 252 APPLICATION

8. Install the awning window centered in the opening.
9. While a helper is pressing on the window from outside, install the awning window clamping frame and tighten screws according to the sequence shown in FIGURE 71;

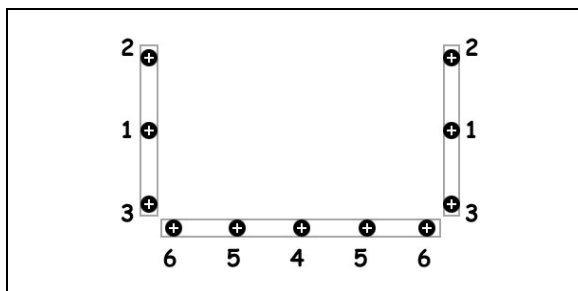


FIGURE 71 : CORRECT TIGHTENING SEQUENCE

10. Open the awning window manually and smooth down the joint (FIGURE 72) and remove glue in excess with Sika 208;

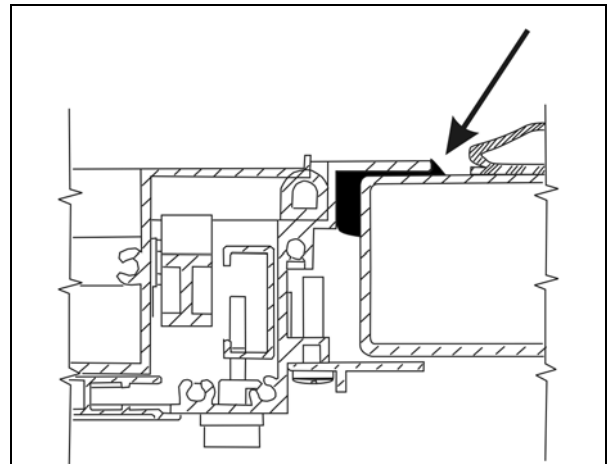


FIGURE 72 : SMOOTH DOWN THE JOINT

11. Using Sika 252 or 255, seal the upper corner of the awning window, both side (FIGURE 73);
12. Smooth down the joint from inside the vehicle;
13. Using Sika 252 or 255, seal the chink between the structure vertical member and the awning window, both side (FIGURE 74);



FIGURE 73 : AWNING WINDOW – SEAL THE UPPER CORNERS

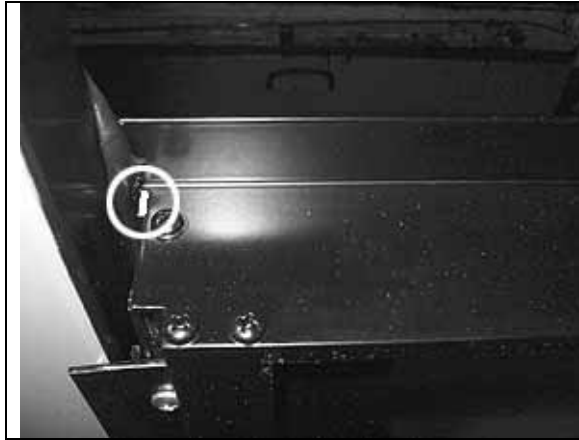


FIGURE 74 : AWNING WINDOW – SEAL THE CHINK

16.11 SLIDING WINDOW INSTALLATION

1. Clean and prepare window and slide-out structure surface with appropriate cleaner, abrasives and primers. Clean surfaces with anti-silicone;
2. Clean sliding window frame with anti-silicone and then apply Sika Aktivator as per FIGURE 75;
3. Check for presence of 1 rubber bushing at each interior corner (see FIGURE 76) and 2 other bushings under the sliding window;
4. Apply Sika 252 as per FIGURE 77 (triangular bead: 20mm width X 10mm high [13/16"X 3/8"]).
5. Install the sliding window centered in the opening;
6. While a helper is pressing on the window from outside, install the sliding window clamping frame and tighten screws according to the sequence shown in FIGURE 78;
7. Using Sika 252 or 255, seal the inside upper corner of the sliding window, both side (FIGURE 79);
8. Remove glue in excess and clean with Sika 208.

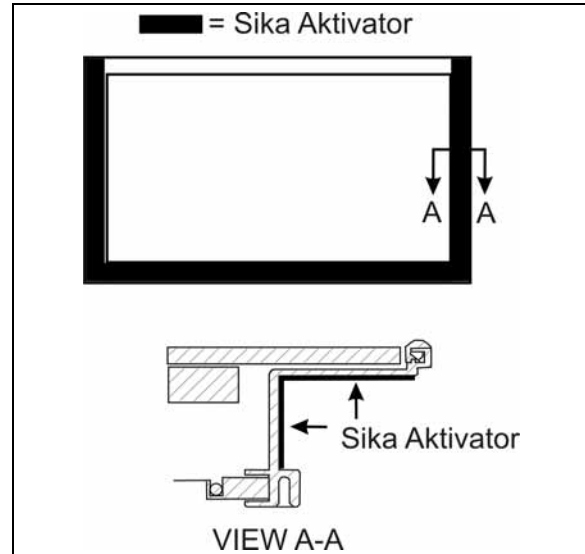


FIGURE 75 : SLIDING WINDOW - SIKA AKTIVATOR

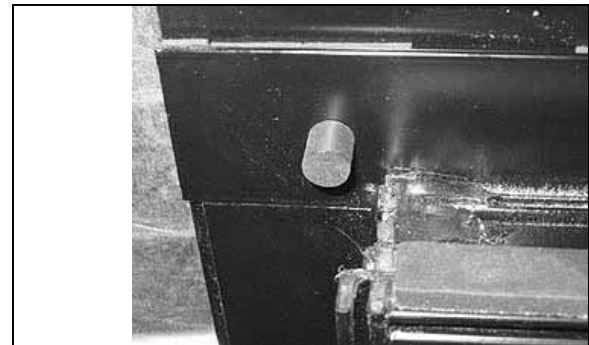


FIGURE 76 : SLIDING WINDOW - RUBBER BUSHING

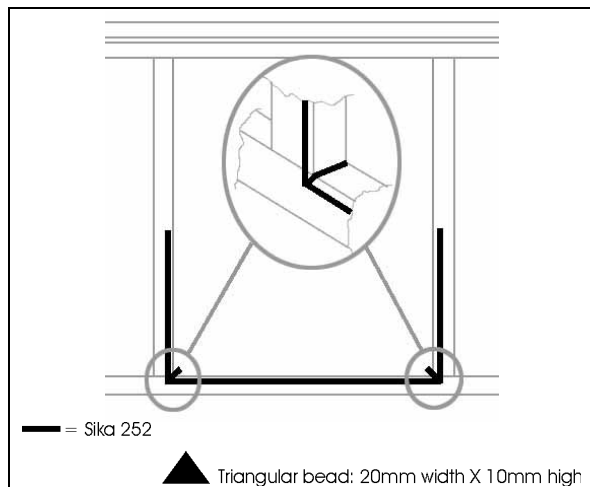


FIGURE 77 : SLIDING WINDOW - SIKA 252 APPLICATION

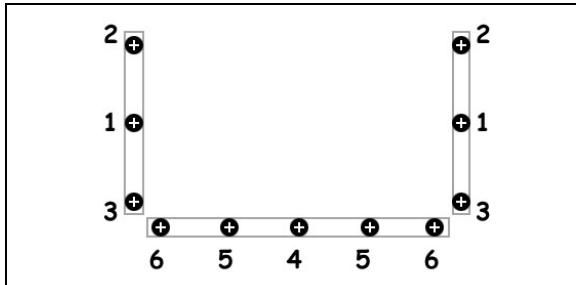


FIGURE 78 : CORRECT TIGHTENING SEQUENCE



FIGURE 79 : SLIDING WINDOW – SEAL THE UPPER CORNERS

16.12 FINISHING JOINT

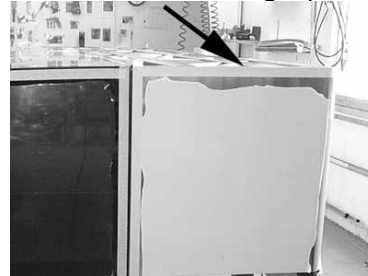
For surface cleaning and preparation, tools, cleaner, adhesives and other product needed, refer to the “side panel installation” procedure described in section 18: BODY.

1. Place masking tape to protect surfaces from smudge.
2. Apply Sika Aktivator and then apply Sika 252 as per the following pictures.
3. Remove Sika 252 in excess. Using soapy water, smooth down the joint with your finger (wear vinyl gloves).

Apply Sika Aktivator and then apply Sika 252 (black) between:

- 1- face panel & vertical structural member at the corner;
- 2- side panel & vertical structural member at the corner;

Note: as seen on the picture, protect the adjacent surface with masking tape.



Apply Sika Aktivator and then apply Sika 252 (black) between:

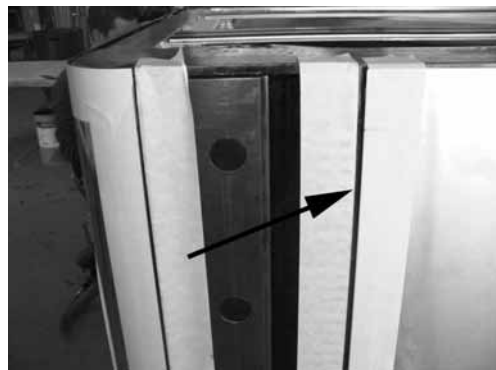
- 1- top of face window & upper horizontal structural member
- 2- top of half-window & upper horizontal structural member

Note: as seen on the picture, protect the adjacent surface with masking tape



Apply Sika Aktivator and then apply Sika 252 between edge of bottom panel and structural member

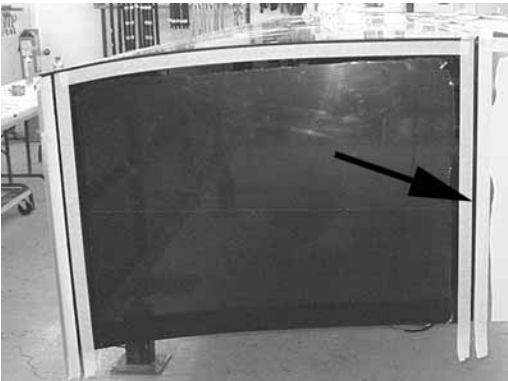
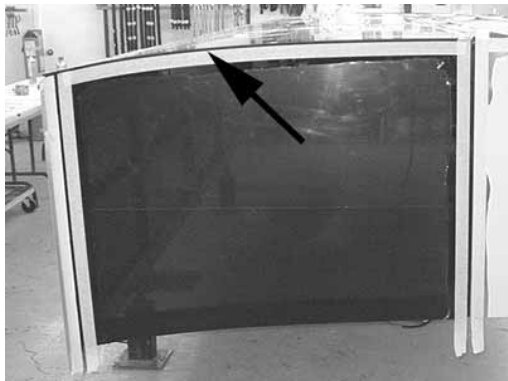
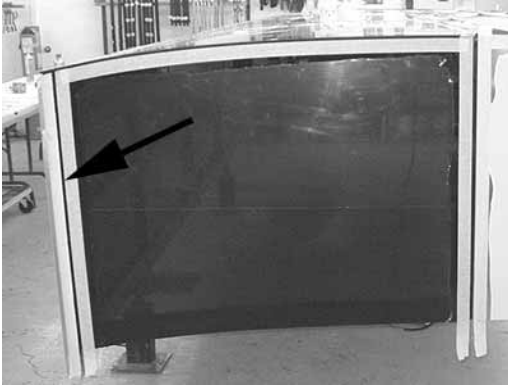
Bead must overlap both surfaces about 2mm



Section 26: VIP SLIDE-OUT

Apply Sika Aktivator and then apply Sika 252 between side window and structural member

Bead must overlap both surfaces about 2mm

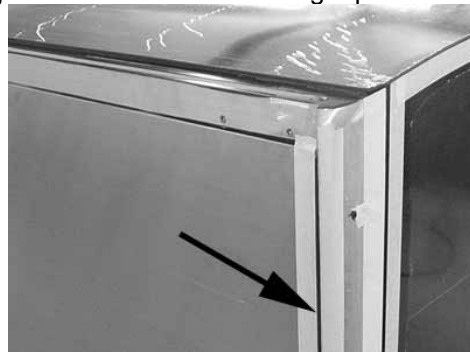


Apply Sika Aktivator and then apply Sika 252 between R.H. side edge of top panel and structural member

Apply Sika Aktivator and then apply Sika 252 between L.H. side edge of top panel and structural member

Bead must overlap both surfaces about 2mm

Note: as seen on the picture, protect the adjacent surface with masking tape



Apply Sika Aktivator and then apply Sika 252 around the security pin cavity

Bead must overlap both surfaces about 2mm



Apply Sika Aktivator and then apply Sika252 between the bottom panel and the magnets

Bead must overlap both surfaces about 2mm



17 WELDING PRECAUTION



Prior to arc welding on the vehicle, refer to the Welding Precautions Procedure Prior To Welding" in section 00 GENERAL of this manual to avoid serious damage to the vehicle components.

18 SLIDE-OUT MANUAL OVERRIDE PROCEDURES

In case of power retracting system failure, it is possible to use the manual override procedure to retract or extend the slide-out.

The manual override procedures consist in rotating the slide-out motor shaft extension using a cordless power drill with a 3/8" hexagonal socket.

However, it is very important to follow all the instructions very carefully to assure that the inflatable seal or the retraction mechanisms are not damaged.

18.1 PRELIMINARY CONDITIONS FOR MANUAL OVERRIDE PROCEDURE

Before using the slide-out manual override procedure, make sure that the problem cannot be solved by one of the following simple checks:

- Make sure that none of the breakers are tripped (slide-out circuit breakers CB9 & CB11 are located inside the main power compartment on the breaker panel).

- Make sure the parking brake is applied and that transmission is in the "NEUTRAL" position.
- Make sure the voltage is high enough by running the engine at fast idle or having a battery charger connected.



CAUTION

Before extending or retracting the slide-out, always open a window to avoid movement restriction and to prevent the motor from stopping in overcurrent because of a vacuum or pressure build up inside the vehicle.

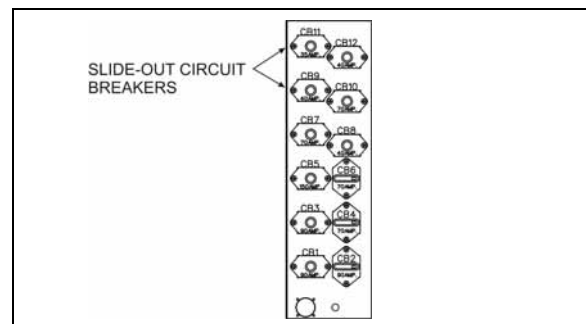


FIGURE 80 : SLIDE-OUT CIRCUIT BREAKERS CB9 & CB11 IN MAIN POWER COMPARTMENT

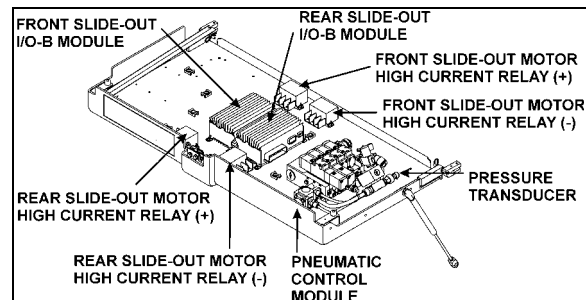


FIGURE 81 : SLIDE-OUT CONTROL PANEL IN FIRST BAGGAGE COMPARTMENT

26107

18.1.1 Manual retracting procedure – Front and rear slide-out

1. Turn the ignition switch to the "OFF" position, and remove the ignition key for more safety.
2. Deflate the inflatable seal by using the relieving shut-off valve located on the slide-out control panel. Turn the handle clockwise to deflate the seal. Make sure the pressure indicator reading is "0 psi".

CAUTION
 The pressure in the inflatable seal must be completely relieved to prevent any damage to the seal. Also, check that the security pin is retracted so it does not stop slide-out movement.

NOTE
 When air pressure is relieved using the shut-off valve, the normal extending and retracting operation cycle is disabled, for that reason the slide-out cannot be moved using the handheld control.

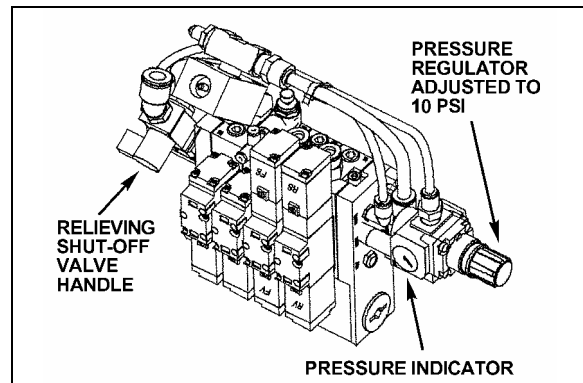


FIGURE 82 : INFLATABLE SEAL RELIEVING SHUT-OFF VALVE 26098

- To move the slide-out, use a cordless power drill with a 3/8" hexagonal socket on the shaft extension of the slide-out motor.
- Rotate the slide-out motor shaft extension with the cordless power drill until the slide-out comes to its closed position.
- Once the slide-out room is lined up to its closed position, remove the tool from the motor.

NOTE
 The **front slide-out motor** is located inside the 2nd baggage compartment while the **rear slide-out motor** is accessible from inside the vehicle, under the bed structure.

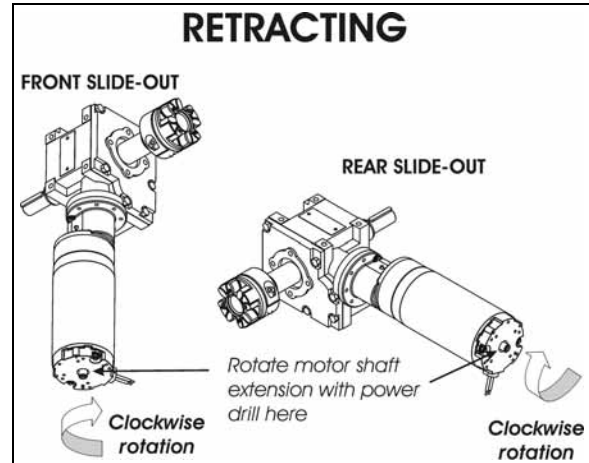


FIGURE 83 : SLIDE-OUT MOTOR ROTATION 26038

CAUTION
 Slow down on the closing speed as the slide-out approaches its closed position. As soon as the "in limit" stoppers come in contact with their bearing surface, stop immediately the cordless power drill rotating movement. Not doing so could overload the drive mechanism and cause damage to the reduction gearbox.

- Finally, the inflatable seal can be re-inflated by turning the shut-off valve handle counterclockwise. Check the pressure gage on the inflatable seal regulator to see if the pressure is increasing to 10 psi.

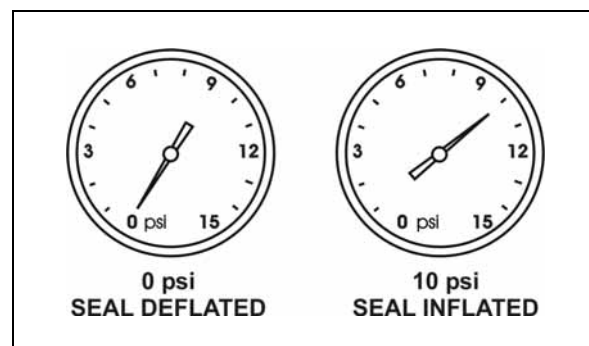


FIGURE 84 : INFLATABLE SEAL PRESSURE GAGE 26108

NOTE
 The slide-out control system inhibits transmission range selection to prevent the vehicle from moving if the slide-out is not in its full "IN" position.

18.1.2 Manual extending procedure – Front and rear slide-out

1. Apply parking brake to disengage the security pin from the receptacle.
2. Turn the ignition switch to the "OFF" position, and remove the ignition key for more safety.
3. Deflate the inflatable seal by using the relieving shut-off valve located in the slide-out control panel. Turn the handle clockwise to deflate the seal. Make sure the pressure indicator reading is "0 psi".

CAUTION
 The pressure in the inflatable seal must be completely relieved to prevent any damage to the seal. Also, check that the security pin is disengaged from the receptacle so it does not stop slide-out movement.

NOTE
 When air pressure is relieved using the shut-off valve, the normal extending and retracting operation cycle is disabled, for that reason the slide-out cannot be moved with the handheld control.

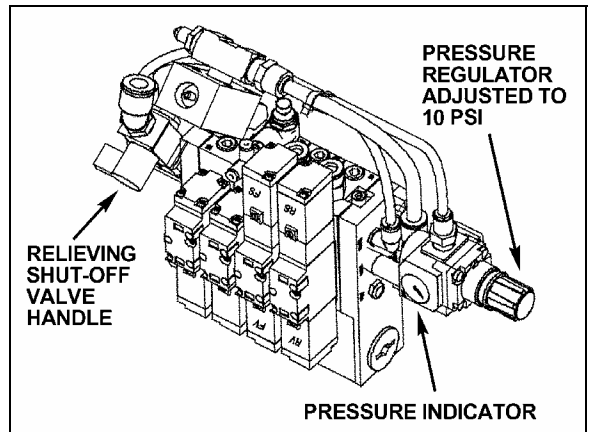


FIGURE 85 : INFLATABLE SEAL RELIEVING SHUT-OFF VALVE 26098

4. To move the slide-out, use a cordless power drill with a 3/8" hexagonal socket on the shaft extension of the slide-out motor.
5. Rotate the slide-out motor shaft extension with the cordless power drill until the slide-out comes to its opened position.

6. Once the slide-out is lined up to its opened position, remove the tool from the motor.

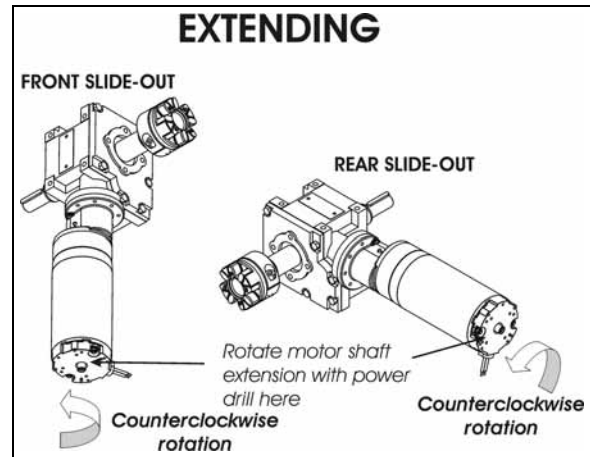


FIGURE 86 : SLIDE-OUT MOTOR ROTATION 26037

NOTE
 The **front slide-out motor** is located inside the 2nd baggage compartment while the **rear slide-out motor** is accessible from inside the vehicle, under the bed structure.

CAUTION
 Slow down on the closing speed as the slide-out approaches its extended position. As soon as the "out limit" stoppers come in contact with their bearing surface, stop immediately the cordless power drill rotating movement. Not doing so could overload the drive mechanism and cause damage to the reduction gearbox.

7. Finally, the inflatable seal can be re-inflated by turning the shut-off valve handle counterclockwise. Check the pressure gage on the inflatable seal regulator to see if the pressure is increasing to 10 psi.

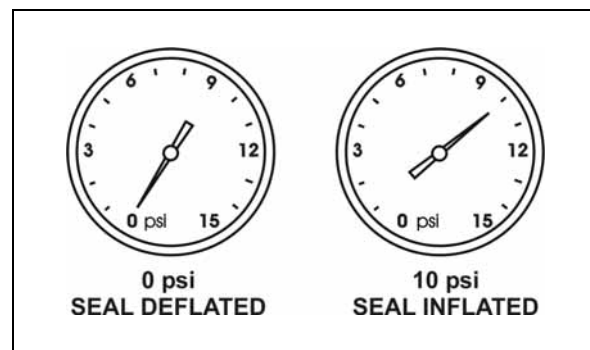


FIGURE 87 : INFLATABLE SEAL PRESSURE GAGE 26108

NOTE

The slide-out control system inhibits transmission range selection to prevent the vehicle from moving if the slide-out is not in its full "IN" position.

19 SLIDE-OUT MAXIMUM LOAD

Front slide-out:

Maximum load with vehicle at stand still
(retracted or extended)1500 lb
Maximum load with vehicle moving or slide-out
moving1200 lb¹

Rear slide-out:

Maximum load with vehicle at stand still
(retracted or extended)1500 lb
Maximum load with vehicle moving or slide-out
moving1000 lb¹

NOTE

Maximum load includes people weight and equipment added by the converters in the slide-out

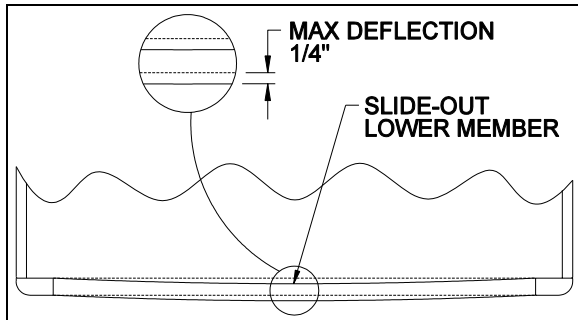
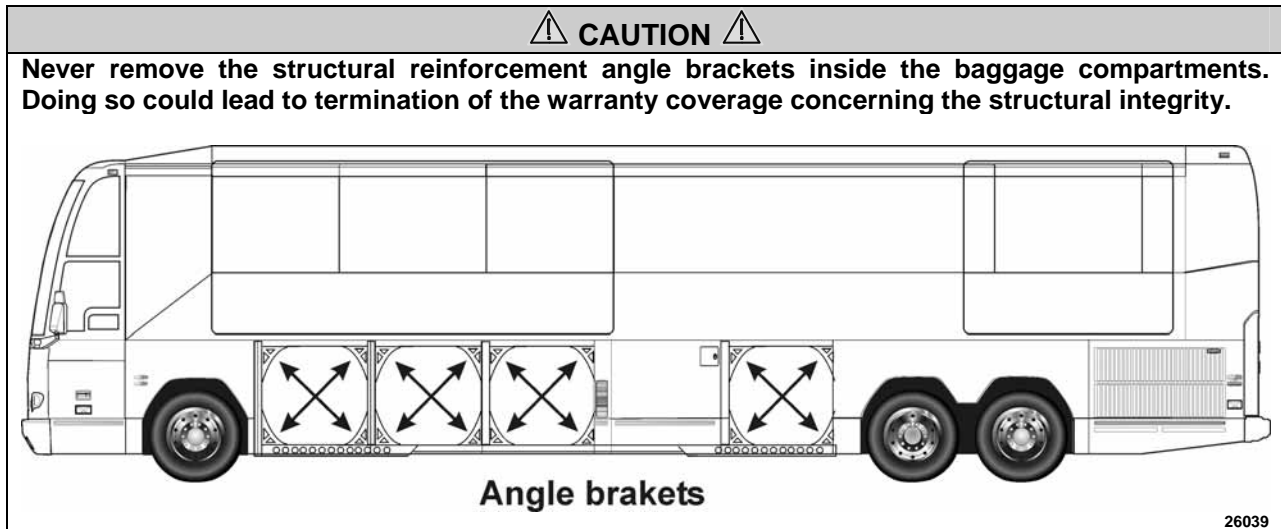


FIGURE 88 : FRONT SLIDE-OUT DEFLECTION

¹ With load distributed in the slide-out, to prevent a deflection of the inside lower member greater than 1/4" that could damage the seal.



20 CONVERSION CHECKLIST

The converter should check these points before closing the walls covering the roof reinforcing rod and the pinions:

1. Check that the front slide-out exterior panels are parallel with the vehicle panels when retracted. If not, readjust the tilt.
2. Check that the slide-out is straight when completely extended, and that it leans against upper inner stoppers.
3. Check if the vehicle upper member is parallel with the front slide-out structure. If not, an adjustment of the roof reinforcing rod may be required. This may be affected by the loading on the roof. See section 3 and contact your Prevest service representative.
4. Make sure the front slide-out lower member deflection is within 1/4". If not, redistribute the slide-out load.
5. Check the whole slide-out mechanism proper functioning. The slide-out should retract and extend smoothly without vibration.

Final check:

- Make sure the slide-out air pressure inlet valve is completely opened.
- Check the inflatable seal air pressure on the pressure regulator. The pressure should be 10 psi.

21 TROUBLESHOOTING

21.1 ERROR CONDITION OR MISSING OPERATION CONDITION

When an error condition or a missing operation condition is present on a slide-out, the green indicator light on its respective handheld control starts blinking upon releasing of the IN/OUT rocker switch. Turning the ignition OFF and ON again, will stop the blinking and reset the fault. If the error condition or a missing operation condition is still present, the blinking will start again the next time that the slide-out is operated. So, to get a fault diagnostic, use the MCD right after operating the slide-out without cycling the ignition switch.

NOTE

It is of the utmost importance to have a MCD (message center display) in working condition because it is the most important tool to achieve troubleshooting on a multiplex vehicle.

Fault diagnostic

To get more specific information about the error condition or the missing operation condition, request a diagnostic from the slide-out CECM using the dashboard message center display (MCD). Check if there are active errors in the slide-out electrical system. With the SYSTEM DIAGNOSTIC menu, highlight FAULT DIAGNOSTIC and then highlight ELECTRICAL SYSTEM to request a diagnostic of the electrical system from the CECM. Press the enter key. If applicable, the MCD shows the device ID, the fault messages or fault codes recorded. When more than one fault is recorded, an arrow pointing down appears on the right of the display. Use the down arrow to see all the fault messages.

Once the problem corrected, the MCD still shows the fault as being active. You have to leave the FAULT DIAGNOSTIC menu, wait approximately 20 to 30 seconds and then return to FAULT DIAGNOSTIC to request a new diagnostic of the ELECTRICAL SYSTEM from the CECM. The MCD should display the fault as being inactive.

21.2 TROUBLESHOOTING – OPERATING CONDITIONS & CONTROL

PROBLEM	CAUSE	CORRECTIVE ACTION
The slide-out functions normally but the handheld control green indicator light blinks	<p>Something is defective and may eventually create an issue if not repaired. The problem may be:</p> <ul style="list-style-type: none"> A. Faulty limit sensor causing the slide-out to stop in overcurrent; B. CAN network problem causing the transmission inhibit safety to be non-operational; C. Vacuum pressure transducer disconnected or damaged (vacuum is applied for a fixed time of 7 seconds); D. Seal inflating valve solenoid open circuit (the seal is not re-inflated and water can penetrate in the vehicle); E. Security pin valve solenoid open circuit (the security pin is not extended while vehicle is riding). 	Request a diagnostic from the electrical system using the MCD SYSTEM DIAGNOSTIC menu and refer to the Fault Message list in paragraph 21.4.

PROBLEM	CAUSE	CORRECTIVE ACTION
The slide-out does not extend	<p>A. The parking brake is not seen by the controller as being applied;</p> <p>B. Not enough air pressure in the accessory air tank to permit proper operation of the vacuum generator;</p> <p>C. Faulty vacuum generator, connection to the vacuum generator open, seal deflating valve solenoid open circuit;</p> <p>D. I/O-B module output defective, regulated 5-volt supply to sensors shorted to ground, "out limit" sensor shorted to ground, connection to the motor negative relay solenoid open circuit;</p>	<p>A. Make sure the parking brake is applied. Confirm parking brake application with the parking brake light on the telltale panel.</p> <p>B. Run the engine at fast idle a few minutes to increase air pressure in the accessory air tank and try again.</p> <p>C. Turn the relieving shut-off valve handle clockwise to deflate the inflatable seal, disconnect the pressure transducer. Do not forget to reconnect the pressure transducer and to close the relieving shut-off valve. Failure to do so could damage the seal and lead to water infiltration;</p> <p>D. Operate the slide-out with the manual override procedures.</p>
The slide-out does not retract	<p>A. Not enough air pressure in the accessory air tank to permit proper operation of the vacuum generator;</p> <p>B. Faulty vacuum generator, connection to the vacuum generator open, seal deflating valve solenoid open circuit;</p> <p>C. I/O-B module output defective, "in limit" sensor shorted to ground, connection to the motor positive relay solenoid open circuit;</p>	<p>A. Run the engine at fast idle a few minutes to increase air pressure in the accessory air tank and try again.</p> <p>B. Turn the relieving shut-off valve handle clockwise to deflate the inflatable seal, disconnect the pressure transducer. CAUTION, do not forget to reconnect the pressure transducer and to close the relieving shut-off valve. Failure to do so could damage the seal and lead to water infiltration;</p> <p>C. Operate the slide-out with the manual override procedures.</p>
When extending, the slide-out stops after having extended by 1 inch	<p>A. The security pin valve solenoid circuit is shorted to (+) 24-volt and the pin remains engaged;</p>	<p>A. Disconnect air supply from the safety pin cylinder;</p>
Transmission DRIVE range or REVERSE cannot be selected (the slide-out telltale light is illuminating).	<p>A. Slide-out not in full "in" position;</p> <p>B. Faulty "in limit" sensor. The slide-out is retracted but the controller doesn't see it as retracted.</p>	<p>A. Retract slide-out.</p> <p>B. Confirm that all slide-out are retracted. On the slide-out control panel, disconnect the 5 pins green connector on the I/O-B module to disable the transmission inhibit. CAUTION, this is a temporary measure, the vehicle must be serviced as soon as possible.</p>

21.3 TROUBLESHOOTING - MECHANICAL COMPONENTS

PROBLEM	CAUSE	CORRECTIVE ACTION
Slide-out does not retract or extend when depressing the control switch.	<ul style="list-style-type: none"> A. Electrical motor failure; B. Speed reduction gearbox failure; C. Security pin still engaged in receptacle; 	<ul style="list-style-type: none"> A. Replace motor. B. Inspect gearbox components, particularly: bronze wheel or first reduction stage output shaft. Replace damaged components. C. Disengage pin and check if air cylinder is damaged.
Slide-out is not straight once retracted or during retracting or extending operation.	<ul style="list-style-type: none"> A. Broken rack tooth; B. Faulty rack attachment; C. Faulty shaft key at speed reduction gearbox or jaw coupling; D. Pinion keyless bushing slipping; E. Shaft breaking; F. Flange bearing attachment loosen; 	<ul style="list-style-type: none"> A. Replace rack. B. Tighten mounting bolts, apply proper torque and use Loctite threadlocker (replace rack if necessary). C. Replace key or component having a damaged keyway. D. Realign slide-out and apply proper torque to keyless bushing. E. Replace shaft. F. Reposition shaft and tighten flange bearing mounting bolts.
Slide-out moves out slightly when vehicle is traveling.	<ul style="list-style-type: none"> A. Lower "in limit" stoppers are not leaning against the structure at the moment when the "in limit" sensor detects the magnet; 	<ul style="list-style-type: none"> A. Adjust the sensor position in order to have contact of the stoppers against the structure at the time when the system stops the slide-out retraction.
Slide-out moves when vehicle is moving.	<ul style="list-style-type: none"> A. Inflatable seal not inflated 	<ul style="list-style-type: none"> A. Check seal condition and seal air supply system.
Slide-out retracts or extends difficultly.	<ul style="list-style-type: none"> A. Foreign matters accumulated in the linear bearing; 	<ul style="list-style-type: none"> A. Inspect the linear bearing end seals to see if they are in good condition. If not, replace the end seals and clean the inside of linear bearing.
Slide-out oscillates vertically when retracting or extending	<ul style="list-style-type: none"> A. Linear bearing balls hardened due to a too heavy load; B. Linear bearing mounting bolts loosen; 	<ul style="list-style-type: none"> A. If balls clearance is excessive, replace linear bearing. B. Tighten mounting bolts.
Slide-out vibrating or noisy when extending or retracting	<ul style="list-style-type: none"> A. Acetal plastic block rubbing against the slide-out structure; B. Worn-out anti-friction coating on wiper seal around slide-out; C. Lower acetal plastic block rubbing against rail; 	<ul style="list-style-type: none"> A. Realign acetal plastic block. B. Replace wiper seal. C. Remove lower acetal plastic block and machine down 1mm (0.039").
Top of slide-out moves sideways when vehicle is	<ul style="list-style-type: none"> A. Roof reinforcing rod misadjusted; 	<ul style="list-style-type: none"> A. Readjust as per procedure.

PROBLEM	CAUSE	CORRECTIVE ACTION
moving		
Slide-out does not retract up to its full "in" position	A. Interference between the exterior extrusion and the vehicle upper horizontal member above the slide-out;	A. Check for straightness of horizontal member and adjust the roof reinforcing rod. B. Check for outer wiper seal lip straightness on the slide-out roof.
Bottom of slide-out not flush with vehicle body	A. Broken or misadjusted lower "in limit" stopper; B. Lower "in limit" stoppers are not leaning against the structure at the moment when the "in limit" sensor detects the magnet; C. Acetal plastic block serving as leaning surface for lower "in limit" stopper broken or moved;	A. Replace or adjust lower "in limit" stopper. B. Adjust the sensor position in order to have contact of the stoppers against the structure when slide-out is stopped. C. Replace or adjust acetal plastic block proper position.
Top of slide-out not flush with vehicle body	A. Broken or misadjusted leveling or retaining screw; B. Faulty upper "in limit" stopper;	A. Check and replace screw. B. Replace upper "in limit" stopper.
Lower edge of slide-out not parallel with vehicle body opening	A. Faulty leveling and retaining screw (8 screws each side).	A. Inspect screw, replace and adjust slide-out level.
Watertightness problem	A. Inflatable seal and/or wiper seal damaged or unstuck; B. Insufficient air pressure in the seal; C. No air pressure in the slide-out pneumatic system; D. Sealant missing; E. Wiper seal draining hole clogged; F. Faulty water recovery pan; G. Faulty internal gutter;	A. Check both seals condition. B. Check the pressure regulator, the relieving shut-off valve and the seal valve condition. C. Check the slide-out air pressure inlet valve condition and the accessory air tank pressure. D. Check the exterior extrusion screws, the windows and the exterior panels sealant condition. E. Unclog draining hole. F. Check the recovery pan. G. Check internal gutter.
Knocking sound at end of travel when extending slide-out	A. Inner stoppers misadjusted;	A. Readjust the inner stoppers.
Knocking sound when parking brake is released	A. Security pin retracts too rapidly;	A. Adjust security pin air flow regulator.
Inflatable seal damaged or	A. Slide-out has been retracted or extended	A. Always deflate the seal when

Section 26: VIP SLIDE-OUT

PROBLEM	CAUSE	CORRECTIVE ACTION
<p>removed, or wiper seal unstuck from the structure.</p>	<p>with the manual procedure with the inflatable seal not deflated;</p> <p>B. Pressure transducer malfunction;</p> <p>C. Faulty roof reinforcing rod adjustment;</p> <p>D. Seal valve malfunction;</p> <p>E. Excessive load in the slide-out;</p> <p>F. Slide-out not centered in the structure opening;</p>	<p>manually retracting or extending the slide-out.</p> <p>B. Check the pressure transducer condition, replace if necessary.</p> <p>C. Readjust the roof reinforcing rod.</p> <p>D. Check the seal valve condition.</p> <p>E. Reduce load or distribute load evenly in order to respect the deflection criterion and slide-out load capacity.</p> <p>F. Readjust the slide-out height and center horizontally in opening.</p>
<p>Friction at end of travel when in full OUT position or at beginning of retraction</p>	<p>A. Interference between upper structure key and upper inner stopper;</p>	<p>A. Readjust the upper inner stopper.</p>

21.4 SLIDE-OUT FAULT MESSAGE ON MESSAGE CENTER DISPLAY (MCD)

SID #	FAULT MESSAGE	TEXT	PROBABLE CAUSE	CORRECTIVE ACTION
1	Voltage Module A56	Value Too Low	Module A56 sees a Voltage less than 18 V on its power supply connector. Breaker, fuse or wiring harness open.	Check/ reset circuit breaker CBSo and CBSo1. Check/ replace fuse FSo5 Fix wiring harness
2	No Response Mod A56	Data Error	CECM module does not receive CAN communication from module A56. CAN connector A56 J3 Disconnected or CAN wiring harness open, or module A56 is defective.	Check connection A56 J3 Fix CAN wiring harness Replace module A56
3	Voltage Module A57	Value Too Low	Module A57 sees a voltage less than 18 V on its power supply connector. Breaker, fuse or wiring harness open.	Check/ reset circuit breaker CBSo and CBSo2. Check/ replace fuse FSo2 Fix wiring harness
4	No Response Mod A57	Data Error	CECM module does not receive CAN communication from module A57. CAN connector A57 J3 disconnected or CAN wiring harness open or module A57 is defective.	Check connection A57 J3 Fix CAN wiring harness Replace module
5	SldO Vacuum Sensor	Open Circuit	Pressure transducer disconnected. Faulty pressure transducer. Connection or wiring harness open.	Check/ replace vacuum transducer Check/ reconnect the connector SESo1 Fix wiring harness
		Shorted High	Pressure transducer is faulty Wiring harness shorted to 12v or 24v	Check/ replace vacuum transducer Fix wiring harness
6	SldO Seal Deaf Vac	Mechanical Fault	Does not reach vacuum level (-5 PSIG). Slide-out seal damaged or air leak in the seal deflating pneumatic circuit.	Check the seals and the pneumatic circuit.
7	SldO Motor/Limit se	Mechanical Or Electrical Fault	Slide-Out motor is activated for more than 5 seconds and the limit sensor from the departing end is still seen as active. Either the motor is defective and the slide-out is not moving or the limit sensor from the departing end is broken active.	If the slide-Out is not moving, then check the motor and its wiring. If the slide-out is moving, then check the limit sensor from the departing end. (If problem occurs when extending, check the in-limit sensor. If the problem occurred when retracting, then check the out-limit sensor).
8	SldO Park Br Signal	Mechanical Or Electrical Fault	Parking brake is not applied. Wire between parking brake switch and CECM is open.	Make sure the parking brake is applied and the parking brake telltale illuminates. Check / replace parking brake switch. Fix wiring harness.
		Shorted High	Wire between parking brake	Fix wiring harness.

Section 26: VIP SLIDE-OUT

SID #	FAULT MESSAGE	TEXT	PROBABLE CAUSE	CORRECTIVE ACTION
			switch and CECM is shorted to 12v or 24v.	
9	SldO Mot SpeedA Ctr	Shorted High	Wiring harness shorted to 12v or 24v	Fix wiring harness
		Current Above normal	Security pin or object stop the movement of a slide-out	Check / fix security pin functionality. Check / remove any object around the slide-out.
10	SldO Mot SpeedB Ctr	Shorted High	Wiring harness shorted to 12v or 24v	Fix wiring harness
		Current Above normal	Security pin or object stop the movement of a slide-out	Check / fix security pin functionality. Check / remove any object around the slide-out.
11	SldO Remote Led	Shorted High	LED or wiring harness shorted to 12v or 24v	Fix LED or wiring harness
		Shorted Low	Led or wiring harness shorted to ground	Fix LED or wiring harness
		Open Circuit	LED is broken. Bad connection on handheld control. Wiring harness is cut.	Check / fix remote LED or connection Check /fix wiring harness
		Current Above normal	Led or wiring harness shorted to 12v or 24v	Fix Led or wiring harness
12	SldO Seal Inf Sol	Shorted High	Solenoid or wiring harness shorted to 12v or 24v	Fix solenoid or wiring harness
		Shorted Low	Solenoid or wiring harness shorted to ground	Fix solenoid or wiring harness
		Open Circuit	Solenoid is broken or open. Bad connection on solenoid or bloc valve. Wiring harness is cut.	Check / fix solenoid or connection Check /fix wiring harness
		Current Above normal	Solenoid or wiring harness shorted to 12v or 24v	Fix solenoid or wiring harness
13	SldO Seal Def Sol	Shorted High	Solenoid or wiring harness shorted to 12v or 24v	Fix solenoid or wiring harness
		Shorted Low	Solenoid or wiring harness shorted to ground	Fix solenoid or wiring harness
		Open Circuit	Solenoid is broken or open. Bad connection on solenoid or bloc valve. Wiring harness is cut.	Check / fix solenoid or connection. Check /fix wiring harness
		Current Above normal	Solenoid or wiring harness shorted to 12v or 24v	Fix solenoid or wiring harness
14	SldO Vacc Gen Sol	Shorted High	Solenoid or wiring harness shorted to 12v or 24v	Fix solenoid or wiring harness
		Shorted Low	Solenoid or wiring harness Shorted to ground	Fix solenoid or wiring harness
		Open Circuit	Solenoid is broken or open. Bad connection on solenoid or bloc valve. Wiring harness is cut.	Check / fix solenoid or connection Check / fix wiring harness
		Current Above normal	Solenoid or wiring harness shorted to 12v or 24v	Fix Solenoid or wiring harness
15	SldO Mot Neg Rly	Shorted High	Relay coil or wiring harness shorted to 12v or 24v	Fix relay coil or wiring harness
		Shorted Low	Relay coil or wiring harness shorted to ground	Fix relay coil or wiring harness
		Open Circuit	Relay coil is broken or open.	Check / fix relay coil or

SID #	FAULT MESSAGE	TEXT	PROBABLE CAUSE	CORRECTIVE ACTION
			Bad connection on relay. Wiring harness is cut.	connection Check / fix wiring harness
		Current Above normal	Relay coil or wiring harness shorted to 12v or 24v	Fix relay coil or wiring harness
16	SldO Mot Pos Rly	Shorted High	Relay coil or wiring harness shorted to 12v or 24v	Fix relay coil or wiring harness
		Shorted Low	Relay coil or wiring harness shorted to ground	Fix relay coil or wiring harness
		Open Circuit	Relay coil is broken or open. Bad connection on relay. Wiring harness is cut.	Check / fix relay coil or connection Check / fix wiring harness
		Current Above normal	Relay coil or wiring harness shorted to 12v or 24v	Fix relay coil or wiring harness
17	SldO Open Sw	Shorted High	Switch or wiring harness shorted to 12v or 24v	Fix switch or wiring harness
18	SldO Close Sw	Shorted High	Switch or wiring harness shorted to 12v or 24v	Fix switch or wiring harness
19	SldO Limit In Se	Shorted High	Sensor or wiring harness shorted to 12v or 24v	Fix sensor or wiring harness
20	SldO Limit Out Se	Shorted High	Sensor or wiring harness shorted to 12v or 24v	Fix sensor or wiring harness
21	SldO Secu Pin Sol	Shorted High	Solenoid or wiring harness shorted to 12v or 24v	Fix solenoid or wiring harness
		Shorted Low	Solenoid or wiring Harness shorted to ground	Fix solenoid or wiring harness
		Open Circuit	Solenoid is broken or open. Bad connection on solenoid or bloc valve. Wiring harness is cut.	Check / fix solenoid or connection. Check / fix wiring harness
		Current Above normal	Solenoid or wiring harness shorted to 12v or 24v	Fix solenoid or wiring harness
22	SldO Limit In Out	Mechanical Or Electrical Fault	In Limit and Out Limit are seen at the same time. In Limit or Out Limit problem.	Check / replace in limit or out limit sensors Fix wiring harness.
23	Limit Sensor 5 V supply	Shorted Low	5v IO-B output is less than 2v. Wiring harness is open or shorted to ground.	Check 5v output on IO-B / replace IO-B module. Fix wiring harness.

SECTION 10: FRONT AXLE

CONTENTS

1. FRONT AXLE	2
1.1 DESCRIPTION	2
2. LUBRICATION	2
3. MAINTENANCE	2
3.1 TIE ROD END PLAY ADJUSTMENT	3
4. REMOVAL AND REPLACEMENT	3
4.1 REMOVAL	3
4.2 REPLACEMENT	3
5. SERVICE INSTRUCTIONS FOR STEER AXLE	3
6. FRONT WHEEL ALIGNMENT	4
6.1 MINOR FRONT WHEEL ALIGNMENT	4
6.2 MAJOR FRONT WHEEL ALIGNMENT	4
6.3 INSPECTION BEFORE ALIGNMENT	4
6.4 TURNING ANGLE ADJUSTMENT	4
6.4.1 <i>R.H. Turn Adjustment</i>	5
6.4.2 <i>L.H. Turn Adjustment</i>	5
6.5 HYDRAULIC STOP	5
6.6 FRONT WHEEL CAMBER	5
6.6.1 <i>Camber Check</i>	6
6.7 FRONT AXLE CASTER	6
6.8 FRONT WHEEL TOE-IN	6
6.8.1 <i>Inspection and Adjustment</i>	7
7. TROUBLESHOOTING	8
8. SPECIFICATIONS	9

ILLUSTRATIONS

FIGURE 1: FRONT AXLE ASSEMBLY	2
FIGURE 2: FRONT AXLE GREASING POINTS	2
FIGURE 3: TIE-ROD END PLAY ADJUSTMENT	3
FIGURE 4: CAMBER	5
FIGURE 5: CASTER	6
FIGURE 6: TOE-IN MEASUREMENT	7
FIGURE 7: AIR BELLOWS MOUNTING SUPPORT AND AXLE	9

1. FRONT AXLE

1.1 DESCRIPTION

This front axle is of the "Reverse Elliot" type manufactured by Dana Spicer Europe. The front axle consists of a girder section axle bed or beam with stub axles. Each stub axle is carried on a taper king pin, with a plain phosphor bronze bushing at the top and at the bottom. The unitized hub bearings used on the NDS range of axles, are non-serviceable items. Bearings are pre-adjusted, lubricated and have seals fitted as part of the manufacturing process. The bearings are greased for life and there is no need or facility for re-lubrication. Brakes are manufactured by KNORR-BREMSE. Steering ball joints with hardened balls and rubbing pads incorporate compression springs which automatically take up any wear.

The tie rod simplifies toe-in adjustment. The maximum turning angle is set through stop screws installed on the inner side of the knuckle.

Steering stabilizer (damper) and steering drag link which are mounted on the front axle are described in Section 14; "Steering" of this manual.

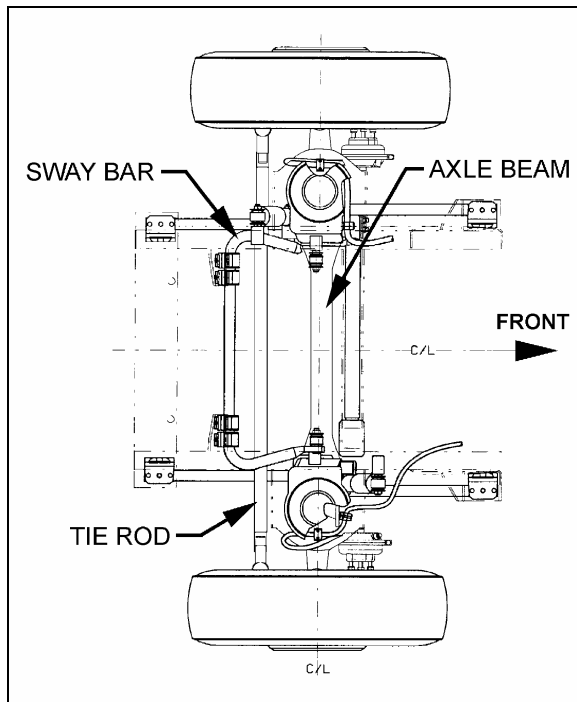


FIGURE 1: FRONT AXLE ASSEMBLY

10025

2. LUBRICATION

Pressure lubricate axle every 6 months or 30,000 miles (48 000 km) whichever comes first

(Fig. 2). Tie rod ends and knuckle pins are provided with grease fittings for pressure lubrication. These grease fittings should be serviced every 6,250 miles (10 000 km) or twice a year whichever comes first. Good quality lithium-base roller bearing grease NLGI No.1 and 2 are recommended.

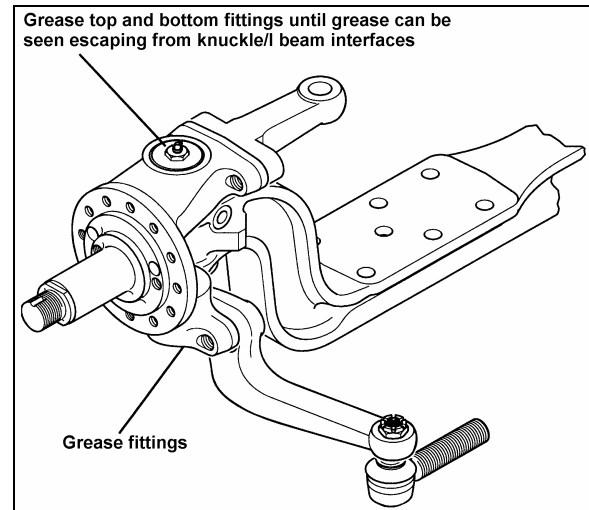


FIGURE 2: FRONT AXLE GREASING POINTS

3. MAINTENANCE

A periodic inspection of the front axle assembly should be made to check that all bolts are tight, and that no damage and distortion have taken place. Suspension support stud nuts, U-bolt nuts, tie rod arms, steering arm nuts and stop screws should be checked and tightened, as required, to the torque specifications given at the end of this section. Also check the condition of the steering knuckle pins and bushings. In case of excessive looseness, the bushings and pins should be replaced.

Any looseness in the steering linkage, under normal steering loads, is sufficient cause to immediately check all pivot points for wear, regardless of accumulated mileage. Steering linkage pivot points should be checked each time the front axle assembly is lubricated. Any looseness can be visually detected while rotating the steering wheel in both directions.

Steering knuckles, knuckle pins and bushings can be overhauled or replaced without removing the axle from the vehicle. However, if extensive overhaul work is necessary, the axle assembly should be removed.

Caution: Should removal of a locking device be required when undergoing repairs, disassembly or adjustments, always replace with a new one.

3.1 TIE ROD END PLAY ADJUSTMENT

If end play exceeds 0.047" (1.2 mm), readjustment is necessary.

Remove protective cap, using a suitable tool ie: a 1" x 1/8" x 9" long flat bar, tighten adjuster piece fully home (SOLID) locating thrust cup onto ball pin.

Still with tool located on adjuster piece, back off carefully (LEAST AMOUNT) until adjuster piece cotter pin is allowed to pass through body, then remove tool.

Reinstall protective cap.

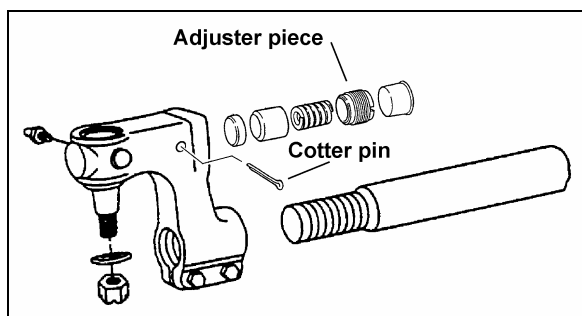


FIGURE 3: TIE-ROD END PLAY ADJUSTMENT 10029

4. REMOVAL AND REPLACEMENT

The following procedure deals with the removal of the front axle assembly. The method used to support the axle assembly and suspension components during removal and disassembly depends upon local conditions and available equipment.

4.1 REMOVAL

1. Raise the vehicle by its jacking points on the body (see Section 18, "Body" under heading 34; Vehicle Jacking Points) until vehicle body is approximately 20 inches (508 mm) from the floor. Place jack stands under frame. Remove the wheels (if required, refer to Section 13, "Wheels, Hubs and Tires").

Caution : Use only the recommended jacking points as outlined in section 18 "BODY".

2. Exhaust compressed air from the air supply system by opening the drain valve of each reservoir.
3. Install jacks under axle jacking points to support the axle weight.

Warning : To help prevent injury caused by the axle rolling off the jacks, these should be

equipped with U-adapters, or similar precautions must be taken.

4. Disconnect the steering drag link from the steering arm.
5. Remove the ABS sensors from their location in hubs (if applicable).
6. Disconnect the height control valve link from its support on the axle.
7. Disconnect air lines from front brake chambers, and cover line ends and fittings to prevent the entry of foreign matter.

Caution: Position the air lines and electric wires so they will not be damaged while removing the front axle assembly.

8. Proceed with steps a, b and c, while referring to Section 16: "SUSPENSION".
 - a) Disconnect sway bar links from axle brackets.
 - b) Remove shock absorbers.
 - c) Disconnect five radius rods: one transversal and two longitudinal from subframe, and two upper rods from axle.
9. Remove the bolts and nuts fixing the axle to the left-hand and right-hand side air bellows mounting supports.
10. Using the jacks, slowly lower the axle assembly, and carefully pull away from underneath vehicle.

4.2 REPLACEMENT

Reverse front axle "Removal" procedure. Ensure cleanliness of air bellows support mounting plates.

Note : Refer to Section 16, "SUSPENSION", Section 14, "Steering" and to paragraph 8 "Specifications" at the end of this section for applicable checks and recommended tightening torques.

5. SERVICE INSTRUCTIONS FOR STEER AXLE

Refer to "DANA SPICER Maintenance Manual Model NDS and Maintenance Manual NDS Axles" annexed at the end of this section.

6. FRONT WHEEL ALIGNMENT

Correct front wheel alignment must be maintained for steering comfort and satisfactory tire life. Road shocks and vibrations, as well as normal stress and strains on the front-end system can, under normal operating conditions, result in loss of front wheel alignment.

Check the front wheel alignment when the following occurs:

1. Every 200,000 miles (320 000 km) or 24 months (normal maintenance);
2. When the vehicle does not steer correctly; or
3. To correct a tire wear condition.

There are two types of front wheel alignment: **minor alignment** and **major alignment**.

6.1 MINOR FRONT WHEEL ALIGNMENT

Perform a minor front wheel alignment for all normal maintenance conditions.

Perform the minor front wheel alignment in the following sequence :

1. Inspect all the systems that affect the wheel alignment. See paragraph 6.3, *"Inspection Before Alignment"* in this section.
2. Check the hub bearings. See section 13, *"Wheels, hubs and Tires"* under heading 8: Front and Tag Axle Wheel Hubs.
3. Check and adjust the toe-in.

6.2 MAJOR FRONT WHEEL ALIGNMENT

Perform a major front wheel alignment to correct steering and tire wear conditions.

Perform the major front wheel alignment in the following sequence:

1. Inspect all systems affecting the wheel alignment. See paragraph 6.3, *"Inspection Before Alignment"* in this section.
2. Check the hub bearings. See section 13, *"Wheels, hubs and Tires"* under heading 8: Front and Tag Axle Wheel Hubs.

Note: *If steering angle stoppers are changed, a special procedure is required for readjusting gearbox steering limiter. See paragraph 6.5 "HYDRAULIC STOP" in this section.*

3. Check and adjust the turning angle adjustment.
4. Check the camber angle.

5. Check and adjust the caster angle.
6. Check and adjust the toe-in.

6.3 INSPECTION BEFORE ALIGNMENT

Check the following before doing a front wheel alignment:

1. Ensure that the vehicle is at normal riding height. See Section 16, *"Suspension"* under heading 7: *"Suspension Height Adjustment"*.
2. Ensure that front wheels are not the cause of the problem. See Section 13, *"Wheels, Hubs and Tires"*. Inspect the tires for wear patterns indicating suspension damage or misalignment.
 - a. Make sure the tires are inflated to the specified pressure.
 - b. Make sure the front tires are the same size and type.
 - c. Make sure the wheels are balanced.
 - d. Check wheel installation and straightness.
3. Check the wheel bearing adjustment. See Section 13, *"Wheels, Hubs and Tires"*.
4. Check steering linkage for bending and pivot points for looseness.
5. Check knuckle pins for evidence of excessive wear.
6. Check radius rods for bending and rubber bushings for evidence of excessive wear.
7. Make sure all fasteners are tightened to the specified torque. Use a torque wrench for verification. As soon as the fastener starts to move, record the torque. Correct if necessary. Replace any worn or damaged fasteners.

6.4 TURNING ANGLE ADJUSTMENT

The maximum turning angle is set through the two steering stop screws installed on the axle center. The turning angle is factory adjusted to accommodate the chassis design, and therefore, does not require adjustment on new vehicles. However, it should be checked and adjusted any time any component of the steering system is repaired, disassembled or adjusted.

Check if front tires rub against the frame or if the steering gear has been serviced.

Proceed with the following method to check the steering maximum turning angle :

6.4.1 R.H. Turn Adjustment

Caution : To prevent the steering damper from interfering with the adjustment of turning angles, make sure its fixing bracket is at the correct location on the axle center (refer to section 14 "STEERING").

1. Turn steering wheel to the right until the boss on the axle center touches the right stop screw.
2. Verify the nearest point of contact of the ball socket body with the air bellows support assembly. Measure the distance between those two points.
3. The distance between these two points should be approximately 1/8 inch (3 mm). If not, the steering stop screws must be readjusted.
4. Verify the nearest point of contact of the drag link with the tire. Measure the distance between those two points.
5. The distance should be 1 inch (25 mm) or more. If not, the steering stop screws must be readjusted.
6. This must be done for a full right turn.
7. If readjustment is required:
 - a. Remove the swivel stop screw.
 - b. Add to the stop screw the required number of washers to obtain the proper measure, tighten the stop screw afterwards. Two washers of different thickness are available: 1/16 inch and 3/16 inch.

6.4.2 L.H. Turn Adjustment

1. Turn steering wheel to the left until the boss on the axle center touches the left stop screw.
2. Verify the nearest point of contact of the ball socket body with the air bellows support assembly. Measure the distance between those two points.
3. The distance between these two points should be approximately 1/8 inch (3 mm). If not, the steering stop screws must be readjusted.
4. Check the stroke of the steering stabilizer cylinder (damper). It should not exceed 12.59 inches (320 mm).

5. The steering stopper screw must be in contact before the steering stabilizer reaches the end of the stroke.
6. This must be done for a full left turn.
7. If readjustment is required:
 - a. Remove the swivel stop screw.
 - b. Add to the stop screw the required number of washers to obtain the proper measure, tighten the stop screw afterwards. Two washers of different thickness are available: 1/16 inch and 3/16 inch.

Note : If steering angle stoppers are changed, a special procedure is required for readjusting gearbox steering limiter. See paragraph 6.5 "HYDRAULIC STOP" in this section.

6.5 HYDRAULIC STOP

Note : Before readjusting steering limiter, verify vehicle wheel alignment and ensure that oil level is checked and that air bleeding is done.

Refer to 'ZF-Servocom Repair Manual' annexed at the end of Section 14 "Steering" under heading 'Setting and Functional Test'.

6.6 FRONT WHEEL CAMBER

Wheel camber is the number of degrees the top of the wheel tilts outward (positive) or inward (negative) from a vertical angle (Fig. 4).

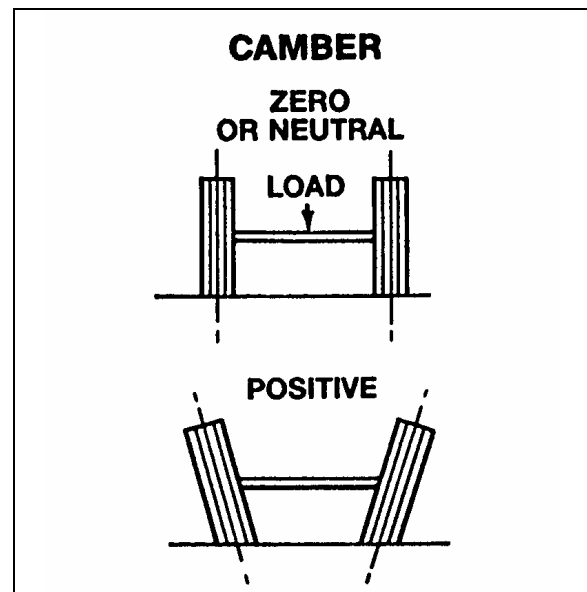


FIGURE 4: CAMBER

10006

The camber angle is not adjustable. Camber variations may be caused by wear at the wheel

bearings, steering knuckle pins or by a bent knuckle or sagging axle center. Steering effort is affected by improper camber, and uneven tire wear will result. Excessive positive camber causes an irregular wear of tire at the outer shoulder and excessive negative camber causes wear at the inner shoulder.

6.6.1 Camber Check

For camber specifications, refer to paragraph 8: "SPECIFICATIONS" in this section

Note: Camber angle varies with the axle loading. If the vehicle is not completely empty, please refer to the camber angle curve in the specifications at the end of this section.

1. Use an alignment machine to check the camber angle.
2. If camber reading is not in the specifications, adjust the wheel bearings and repeat the check. If the reading is still not within specifications, verify the steering knuckle pins and axle center.
3. See instructions in "DANA SPICER Maintenance Manual Model NDS and Maintenance Manual NDS Axles" annexed at the end of this section.
4. Check the wheel lateral distortion as instructed in Section 13, "Wheels, Hubs and Tires" under heading, "Checking for Distorted Wheel on Vehicle". If distortion is excessive, straighten or replace wheel(s).

6.7 FRONT AXLE CASTER

For caster specifications, refer to paragraph 8: "SPECIFICATIONS" in this section.

Positive caster is the rearward tilt from the vertical axis of the knuckle pin. Negative caster is the forward tilt from the vertical axis of the knuckle pin (Fig. 5). This vehicle is designed with a positive caster. The purpose of the caster angle is to give a trailing effect. This results in stabilized steering and a tendency for the wheels to return to the straight-ahead position after taking a turn.

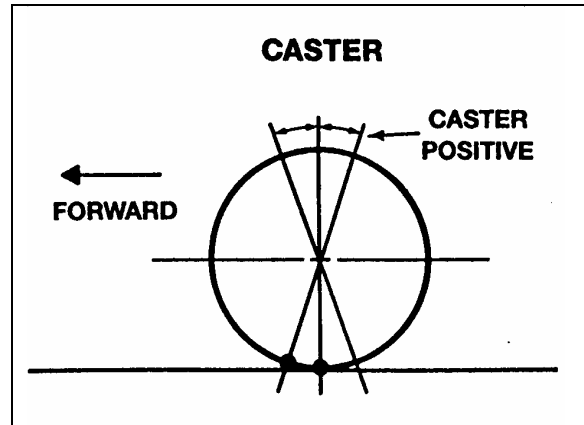


FIGURE 5: CASTER

10007

Excessive caster results in hard steering around corners. A shimmy may also develop when returning to the straight ahead position (pulling out of curves).

Insufficient caster will cause wandering and steering instability. Caster variations may be caused by a bent axle, tilting or distortion of the side suspension supports, damaged radius rod bushings, or unequal tightening of the front and rear suspension support bolts. Incorrect caster must be corrected by replacing the damaged suspension parts. A precision instrument should be used to measure the caster.

Note : The caster of this vehicle is factory set and is not adjustable. However, if after replacing damaged parts or in case of improper caster due to irregular setting, the front axle caster needs adjustment; it can be adjusted by means of shims (Prévost #110663) on the left-hand side upper radius rod support in order to obtain minor adjustment.

6.8 FRONT WHEEL TOE-IN

Wheel toe-in is the degree (usually expressed in fractions of an inch) to which the forward part of the vehicle front wheels are closer together than the rear part, measured at wheel centerline height with the wheels in the normal "straight-ahead" position of the steering gear.

Incorrect toe-in results in excessive tire wear caused by side slippage and also steering instability with a tendency to wander. Toe-in may be measured from the center of tire tread or from the inside of the tires. Take measurements at both front and rear of axle (see "A" and "B" in fig. 6).

When setting toe-in adjustment, the front suspension must be neutralized; that is, all component parts must be in the same relative position when marking the adjustment as they will be when in operation.

To neutralize the suspension, the vehicle must be rolled forward, approximately ten feet.

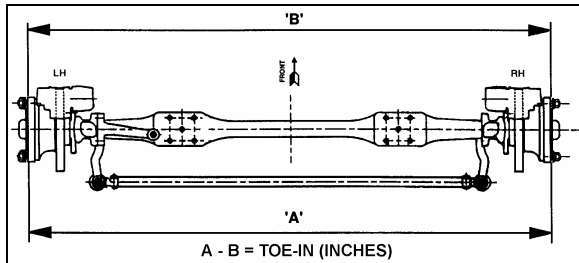


FIGURE 6: TOE-IN MEASUREMENT

10008B

For toe-in specifications, refer to paragraph 8 "Specifications" in this section.

By rolling the vehicle forward, all tolerances in the front suspension are taken up and the suspension is then in its normal operating position. Neutralizing the front suspension is extremely important, especially if the vehicle has been jacked up in order to mark the tires. Otherwise, the front wheels will not return to their normal operating position due to the tires gripping the floor surface when the vehicle jack is lowered.

Note: "Toe-in" measurements must be taken at the horizontal axis of the wheel centerline.

6.8.1 Inspection and Adjustment

Before checking front wheel toe-in, first check the camber angles and make the necessary corrections.

1. Measure the toe-in.
2. If the toe-in measurement is not within the specified tolerance, carry out the following procedure :
 - a. Loosen the pinch bolt nuts and bolts on each tie rod end.
 - b. Turn the tie rod until the specified toe-in measurement is obtained.
 - c. Tighten the pinch bolt nuts alternately and progressively to 65-75 lbf-ft (88-102 Nm), thus securing all tie rod joints.

7. TROUBLESHOOTING

CONDITION	CAUSE	CORRECTION
Tires wear out quickly or have uneven tire tread wear.	<ol style="list-style-type: none"> 1. Tires have incorrect air pressure. 2. Tires out-of-balance. 3. Incorrect tag axle alignment. 4. Incorrect toe-in setting. 5. Incorrect steering arm geometry. 	<ol style="list-style-type: none"> 1. Put specified air pressure in tires. 2. Balance or replace tires. 3. Align tag axle. 4. Adjust toe-in specified setting. 5. Service steering system as necessary.
Vehicle is hard to steer.	<ol style="list-style-type: none"> 1. Low pressure in the power steering system. 2. Steering gear not assembled correctly. 3. Steering linkage needs lubrication. 4. King pins binding. 5. Incorrect steering arm geometry. 6. Caster improperly adjusted. 7. Tie rod ends hard to move. 8. Worn thrust bearing. 	<ol style="list-style-type: none"> 1. Repair power steering system. 2. Assemble steering gear correctly. 3. Lubricate steering linkage. 4. Replace king pins. 5. Service steering system as necessary. 6. Adjust caster as necessary. 7. Replace tie rod ends. 8. Replace thrust bearing.
Bent or damaged steering arm, steering top lever or tie rod assembly.	<ol style="list-style-type: none"> 1. Too much pressure in the power steering system. 2. Cut-off pressure of the power steering system improperly adjusted. 3. Vehicle not powered on correctly. 4. Power steering system not installed correctly. 	<ol style="list-style-type: none"> 1. Replace damaged part(s), adjust power steering system to specified pressure. 2. Make sure vehicle is powered on correctly. 3. Correctly install the power steering system. 4. Correctly install the power steering system.
Worn or damaged steering ball stud.	<ol style="list-style-type: none"> 1. Drag link fasteners tightened past specified torque. 2. Lack of lubrication or incorrect lubricant. 3. Power steering stops improperly adjusted. 	<ol style="list-style-type: none"> 1. Replace damaged part(s), tighten drag link fasteners to specified torque. 2. Lubricate linkage with specified lubricant. 3. Adjust stops to specified dimension.
Worn king pins and knuckle bushings.	<ol style="list-style-type: none"> 1. Worn or missing seals and gaskets. 2. Incorrect lubricant. 3. Axle not lubricated at scheduled frequency. 4. Incorrect lubrication procedures. 5. Lubrication schedule does not match operating conditions. 	<ol style="list-style-type: none"> 1. Replace damaged part(s), replace seals and gaskets. 2. Lubricate axle with specified lubricant. 3. Lubricate axle at scheduled frequency. 4. Use correct lubrication schedule to match operating conditions. 5. Change lubrication schedule to match operating conditions.
Vibration or shimmy of front axle during operation.	<ol style="list-style-type: none"> 1. Caster not adjusted properly. 2. Wheels and/or tires out-of balance. 3. Worn steering stabilizer cylinder. 	<ol style="list-style-type: none"> 1. Adjust caster. 2. Balance or replace wheels and/or tires. 3. Replace steering stabilizer cylinder.

8. SPECIFICATIONS

Front Axle

Make DANA SPICER EUROPE
Model NDS
Front Track 84.4 inches (2 145 mm)
Rated load capacity 16,500 lbs (7 500 kg)

Torque specifications

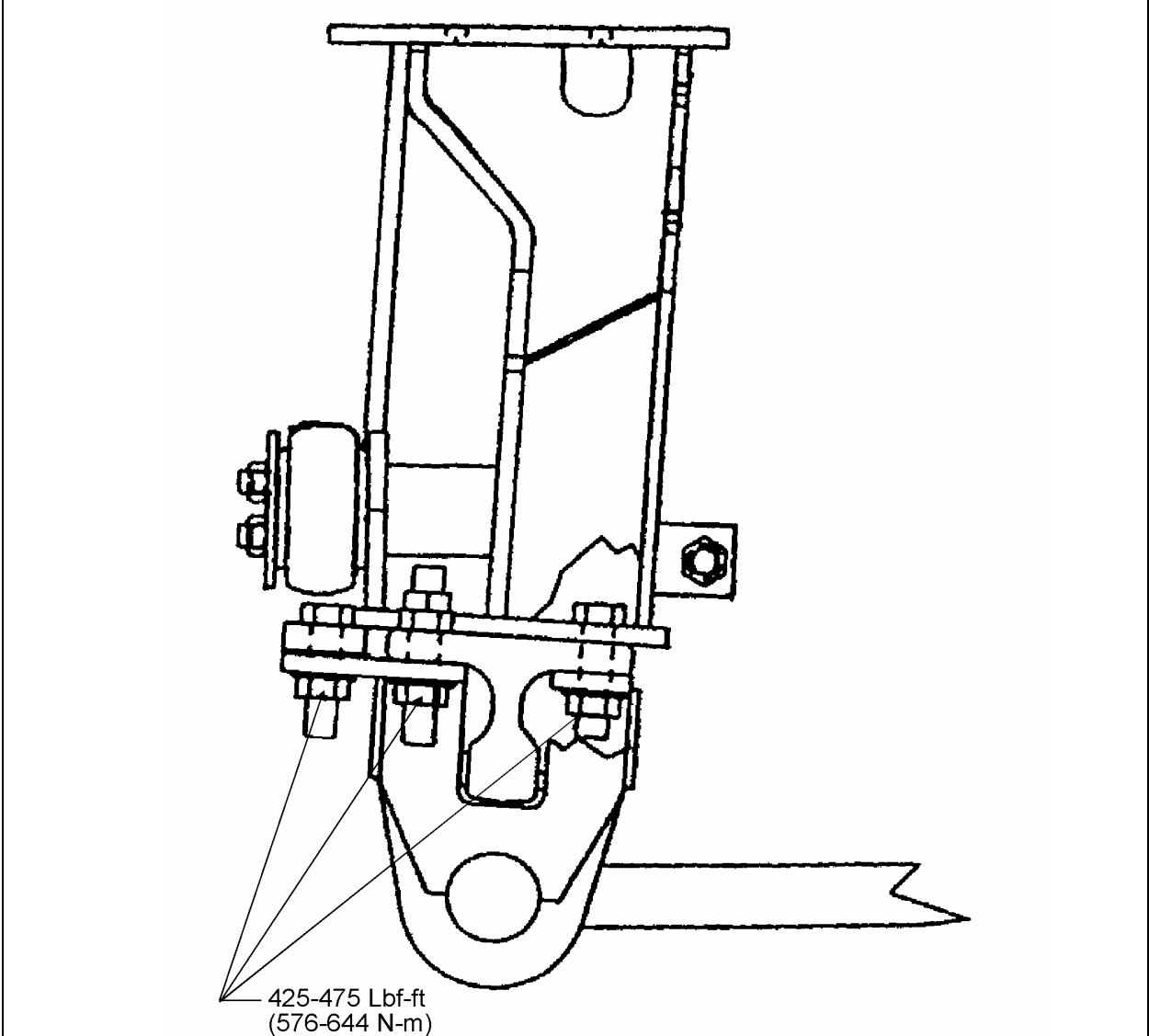


FIGURE 7: AIR BELLOWS MOUNTING SUPPORT AND AXLE

10009

For more torque specifications, see 'Dana Spicer Maintenance Manual NDS Axles and Maintenance Manual Model NDS' annexed at the end of this section.

Section 10: FRONT AXLE

FRONT WHEEL ALIGNMENT SPECIFICATIONS			
Front Wheel Alignment	Minimal	Nominal	Maximal
Camber, (degrees) R.H. and L.H. *	-0.250	0.125	0.375
Caster, (degrees) R.H. and L.H.	2	2.75	3.5
Toe-in (A minus B), (degrees)	0.06	0.08	0.10

● **Note** : *Camber angle changes with loading. The given numbers are for an empty vehicle.*