



H3-45 VIP



REV.	DATE	O.C.	EFF.	DESCRIPTION	PAGE(S)	BY	CK.	APPR.
00	2010-11-01	2010001	B-1772	First release	ALL	E.O	E.O	C.L
01	2010-11-17	2010039	B-1786	Relocate YAW sensor in front wheels	C1,C3, 1.1, 16.2	E.L.	E.L.	C.L.
02	2011-02-16	n/a	- - -	minor change on gateway ground	0, 38.1	MP	MP	C.L.
03	2011-07-18	2011015 2010119	C-1949 C-1949	Replace Power relays 70 Amp Electrical Driver's Seat General Update	0, C1, K, 3.3 L, 30.3 B1, B2, B3, G, 2.1, 5.1, 14.2, 18.2	E.L.	E.L.	C.L.
04	2011-09-14	2011003	C-2007	Replace MasterID and CECM by MCM	7.1	SD	DG	DG
05	2011-11-21	2011057 2011107 n/a	C-2047 Same Same	Volvo Link - TGW Gnd & Pwr of ACM General Update	37.1 3.1, 3.2, 3.3, 4.1, 5.1, 6.1, 7.1, 14.1, 14.5 A, B1, B2, B3, C1, 2.1	P.G. S.BEL. E.L.	D.G.	C.L
06	21-03-2012	2012020		2012_R1 ESP STD, WIRES NETWORK	A, 2.1, 3.1, 4.1, 5.1, 6.1, 7.1, 8.1, 10.1, 13.1, 14.1, 14.2, 14.5, 15.1, 16.1, 38.1, 39.1, 0, C1, C3, E.	S.B	C.L	C.L
07	2012-07-20	2012097		Reverse Mo26 front door lock	0, 29.1	M.P.	C.L.	C.L.
08	2014-05-12	NA		Pages Update	0, 3.2	S.B.	C.L.	C.L.

WIRING DIAGRAM INDEX

Information Pages							
Multiplexed Devices Index	B1 – B8						
Arrangement – Harness	C1						
Glossary	D						
Circuit Number Listing	E						
Circuit Breaker code	F						
Connectors code	G						
Diode Number Code	H						
Resistors Number Code	J						
Fuses Code	L						
Relay Code	K						
Functions							
A							
Abs	16.1						
Automatic Fire Supp. System	40.1						
B							
Back-up Camera	28.1						
Back-up lights and alarm	26.3						
Battery and Equalizer	1.1						
Battery Charger	17.1						
Brake	12.1						
C							
Charging System	3.2						
Clearance lights rear & front	26.1,26.2						
Cluster	10.1						
Converter interface	36.1						
Cornering Lights	26.3						
Cruise control	14.1						
D							
Dash Lights	19.1						
Differential lock	37.1						
Docking Lights	26.3						
Driver's Light and Backlight	19.1						
Driver's Power Window	30.1						
Driver's seat	35.2						
E							
Engine block Heater	11.1						
Engine brake and Retarder	12.1						
Engine compt lighting	25.1						
Engine Start	3.2						
Engine ECM	14.1						
Engine Override	14.1						
Entrance door	29.1						
Ether Switch	13.1						
Engine bloc heater	11.1						
F							
Fast Idle	14.1						
Fire Alarm	9.1						
Flashers	26.1,26.2						
Fog lights	26.3						
Fuel Sender	10.1						
Fuel Prime Pump	13.1						
Fuel water Filter	13.1						
G							
Grounds	2.1						
H							
Hazard	26.1						
Head Lights	26.1						
Horn	9.1						
Hvac Defroster	18.1						
Hvac Passenger	18.2						
Hvac Driver onlyr	18.3						
K							
Keyless keypad	29.1						
L							
Level low	32.1						
Luggage compt lighting	25.1						
Luggage door Lock/Unlock	33.1						
Luggage door switches	24.1						
M							
Main Distribution Ignition & Batt.	3.1						
Main Distribution Wake-Up	3.3						
Marker Lights	26.1,26.2						
Mirror Ramco	31.1						
Multiplexing power distribution	7.1						
Multiplexing Network	6.1						
P							
Park Brake Sensor	12.1						
Trailer Brake Sensor	12.1						
Parking Brake Release Switch	32.1						
Power Distribution FJB	4.1						
Power Distribution RJB	5.1						
Power Outlet	30.1						
Prime Pump	13.1						
Pneumatic Cut-Out Acc sol	9.1						
R							
Radiator Fan Clutch	13.1						
Rear junction box door fan	11.1						
S							
Service Brake Relay	12.1						
Slide out (1-2)	20.1						
Slide out (3-4)	20.2						
Spare Wires	8.1						
Stop lights	26.2						
Sun Visor	38.1						
Steering Control ZF	37.1						
Steering Multi-functions	38.1						
T							
Tag	32.1						
Tail and Licence Lights	26.2						
Test Switch	9.1						
Transmission ECU	15.1-15.2						
Trailer Package	26.4						
Tire Pressure Monitor. Sys.	39.1						
W							
Window Ajar &Awning	27.1						
Wiper & Washer	34.1						

WIRING DIAGRAM INDEX

Information Pages				
Multiplexed Devices Index	B1 – B8			
Arrangement – Harness	C1			
Glossary	D			
Circuit Number Listing	E			
Circuit Breaker code	F			
Connectors code	G			
Diode Number Code	H			
Resistors Number Code	J			
Fuses Code	L			
Relay Code	K			
Functions				
A				
Adaptive Cruise Control	38.1			
Automatic Fire Supp. System	40.1			
B				
Back-up Camera	28.1			
Back-up lights and alarm	26.3			
Battery and Equalizer	1.1			
Battery Charger	17.1			
Brake	12.1			
C				
Charging System	3.2			
Clearance lights rear & front	26.1,26.2			
Cluster	10.1			
Converter interface	36.1			
Cornering Lights	26.3			
Cruise control	14.1			
D				
Dash Lights	19.1			
Differential lock	37.1			
Docking Lights	26.3			
Driver's Light and Backlight	19.1			
Driver's Power Window	30.1			
Driver's seat	35.2			
E				
Engine block Heater	11.1			
Engine brake and Retarder	12.1			
Engine compt lighting	25.1			
Engine Start	3.2			
Engine ECM	14.1			
Engine Override	14.1			
Entrance door	29.1			
Ether Switch	13.1			
Engine bloc heater	11.1			
ESP	16.1			
F				
Fast Idle	14.1			
Fire Alarm	9.1			
Flashers	26.1,26.2			
Fog lights	26.3			
Fuel Sender	10.1			
Fuel Prime Pump	13.1			
Fuel water Filter	13.1			
Fuel Filter Preheater	13.1			
G				
Grounds	2.1			
H				
Hazard	26.1			
Head Lights	26.1			
Horn	9.1			
Hvac Defroster	18.1			
Hvac Passenger	18.2			
Hvac Driver onlyr	18.3			
K				
Keyless keypad	29.1			
L				
Level low	32.1			
Luggage compt lighting	25.1			
Luggage door Lock/Unlock	33.1			
Luggage door switches	24.1			
M				
Main Distribution Ignition & Batt.	3.1			
Main Distribution Wake-Up	3.3			
Marker Lights	26.1,26.2			
Mirror Ramco	31.1			
Multiplexing power distribution	7.1			
Multiplexing Network	6.1			
P				
Park Brake Sensor	12.1			
Trailer Brake Sensor	12.1			
Parking Brake Release Switch	32.1			
Power Distribution FJB	4.1			
Power Distribution RJB	5.1			
Power Outlet	30.1			
Prime Pump	13.1			
Pneumatic Cut-Out Acc sol	9.1			
R				
Radiator Fan Clutch	13.1			
Rear junction box door fan	11.1			
S				
Service Brake Relay	12.1			
Slide out (1-2)	20.1			
Slide out (3-4)	20.2			
Spare Wires	8.1			
Stop lights	26.2			
Sun Visor	38.1			
Steering Control ZF	37.1			
Steering Multi-functions	38.1			
T				
Tag	32.1			
Tail and Licence Lights	26.2			
Test Switch	9.1			
Transmission ECU	15.1-15.2			
Trailer Package	26.4			
Tire Pressure Monitor. Sys.	39.1			
W				
Window Ajar &Awning	27.1			
Wiper & Washer	34.1			

MULTIPLEX OUTPUT LIST

O_xx... = Physical Output Pin ; I_xx... = Physical Input Pin ; D_xx... = CAN Network Signal from the HVAC control Head ; B_xx... = Multiplex system global Network Variable

Module.Pin#	Signal name		Page	Connected devices	Input involved		
.	O_AcCluSol				B_TstModHvac	.	
					B_TstModSAC	.	
A36.JA:12	O_ClusterEsc		10.1	Res34:1, A14A.A:5	D_Stw_Sw17	.	
					I_BlinkSw	A43.J1:20	26.1
					I_BrkLtSeFrSig	A36.JB:13	12.1
					I_ParkBrSe	A36.JB:9	12.1
A36.JA:13	O_EngineRun	Engine Run Signal	3.2	A15:6	B_EngineRun	.	
					B_OneAltCharging	.	
					D_OnOffDrvSw	.	
					I_AccKeySw	A36.JB:6	3.2
					I_BatMonMod53	A53.J1:24	6.1
					I_BatMonMod54	A54.J1:24	6.1
					I_FrStrtEnSw	A53.J1:9	3.2
					I_IgnKeySw	A36.JB:2	3.2
					I_RrStrtEnSw	A53.J1:10	3.2
A36.JA:14	O_ClusterSelect		10.1	Res33:1, A14A.A:4	D_Stw_Sw16	.	
					I_BrkLtSeFrSig	A36.JB:13	12.1
					I_HiBeamCallSw	A43.J1:3	26.1
					I_ParkBrSe	A36.JB:9	12.1
A36.JA:15	O_WakeUp	WakeUp Relay	3.3		I_AccKeySw	A36.JB:6	3.2
					I_EntDrUnlockSw	A41.J1:8	29.1
					I_FrStrtEnSw	A53.J1:9	3.2
					I_HazardSw	A36.JB:4	26.1
					I_IgnKeySw	A36.JB:2	3.2
					I_RrCutOutSw	A36.JB:21	3.2
					I_RrStrtEnSw	A53.J1:10	3.2
					I_WakeUp	A36.JB:5	9.1
A36.JA:16	O_ClusterUp		10.1	Res35:1, A14A.A:6	D_Stw_Sw18	.	
					I_BrkLtSeFrSig	A36.JB:13	12.1
					I_ParkBrSe	A36.JB:9	12.1
					I_RHFishSw	A48.J1:12	26.1
A36.JA:17	O_MasterRlyLatch		3.2		B_EngineRun	.	
					B_OneAltCharging	.	
					I_IgnKeySw	A36.JB:2	3.2
					I_RrCutOutSw	A36.JB:21	3.2
A36.JA:18	O_ClusterDown		10.1	Res36:1, A14A.A:7	D_Stw_Sw19	.	
					I_BrkLtSeFrSig	A36.JB:13	12.1
					I_LHFishSw	A45.J1:9	26.1
					I_ParkBrSe	A36.JB:9	12.1
A36.JA:24	O_CutOutRel	Emergency CutOut Relay	3.2	R21:85	I_FireExt2ndAlm	A44.J1:10	40.1
					I_IgnKeySw	A36.JB:2	3.2
A36.JA:25	O_DiffLockTT		10.1	A14A.C:11	I_DiffLockSw	A43.J1:9	37.1
					I_IgnKeySw	A36.JB:2	3.2

MULTIPLEX OUTPUT LIST

O_xx... = Physical Output Pin ; I_xx... = Physical Input Pin ; D_xx... = CAN Network Signal from the HVAC control Head ; B_xx... = Multiplex system global Network Variable

Module.Pin#	Signal name		Page	Connected devices	Input involved		
A36.JA:6	O_DrUnlockRly	Luggages doors unlocks relays	33.1		I_KeylessLuggUnl	A41.J1:18	29.1
					I_LugDorULkSw	A41.J1:20	33.1
A36.JA:7	O_DrLockRly	Luggages doors locks relays	33.1		I_AccKeySw	A36.JB:6	3.2
					I_EntDrUnlockSw	A41.J1:8	29.1
					I_FrStrtEnSw	A53.J1:9	3.2
					I_HazardSw	A36.JB:4	26.1
					I_IgnKeySw	A36.JB:2	3.2
					I_KeylessLockAll	A41.J1:19	29.1
					I_LugDorLkSw	A41.J1:17	33.1
					I_RrCutOutSw	A36.JB:21	3.2
					I_RrStrtEnSw	A53.J1:10	3.2
					I_WakeUp	A36.JB:5	9.1
A41.J1:11	O_ConvWakeUp	Converter wake up signal	36.1	CC2:1, FREE:FREE, CC2:1	I_AccKeySw	A36.JB:6	3.2
					I_EntDrUnlockSw	A41.J1:8	29.1
					I_FrStrtEnSw	A53.J1:9	3.2
					I_HazardSw	A36.JB:4	26.1
					I_IgnKeySw	A36.JB:2	3.2
					I_RrCutOutSw	A36.JB:21	3.2
					I_RrStrtEnSw	A53.J1:10	3.2
					I_WakeUp	A36.JB:5	9.1
A41.J1:12	O_DoorUnlockMo	Entrance door unlock motor	29.1	R36:86	I_AccKeySw	A36.JB:6	3.2
					I_EntDorLockSw	A41.J1:9	29.1
					I_EntDorOpSe	A41.J1:5	29.1
					I_EntDrUnlockSw	A41.J1:8	29.1
					I_EntDrUnSw	A48.J1:9	
					I_FrStrtEnSw	A53.J1:9	3.2
					I_HazardSw	A36.JB:4	26.1
					I_IgnKeySw	A36.JB:2	3.2
					I_KeylessDrUnl	A41.J1:4	29.1
					I_KeylessLockAll	A41.J1:19	29.1
					I_RrCutOutSw	A36.JB:21	3.2
					I_RrStrtEnSw	A53.J1:10	3.2
					I_WakeUp	A36.JB:5	9.1
A41.J1:13	O_EntDorUpperPe	Entrance Door Upper Pen			I_ParkBrSe	A36.JB:9	12.1
A41.J1:14	O_DoorLockMo	Entrance door lock motor	29.1	R37:86	I_AccKeySw	A36.JB:6	3.2
					I_EntDorLockSw	A41.J1:9	29.1
					I_EntDorOpSe	A41.J1:5	29.1
					I_EntDrUnlockSw	A41.J1:8	29.1
					I_EntDrUnSw	A48.J1:9	
					I_FrStrtEnSw	A53.J1:9	3.2
					I_HazardSw	A36.JB:4	26.1
					I_IgnKeySw	A36.JB:2	3.2
					I_KeylessDrUnl	A41.J1:4	29.1

MULTIPLEX OUTPUT LIST

O_xx... = Physical Output Pin ; I_xx... = Physical Input Pin ; D_xx... = CAN Network Signal from the HVAC control Head ; B_xx... = Multiplex system global Network Variable

Module.Pin#	Signal name		Page	Connected devices	Input involved		
A41.J1:14	O_DoorLockMo	Entrance door lock motor	29.1	R37:86	I_KeylessLockAll	A41.J1:19	29.1
					I_RrCutOutSw	A36.JB:21	3.2
					I_RrStrtEnSw	A53.J1:10	3.2
					I_WakeUp	A36.JB:5	9.1
A41.J1:15	O_ConvParkBrk	Converter park brake signal	36.1	CC2:4, FREE:FREE, CC2:4	I_ParkBrSe	A36.JB:9	12.1
A41.J1:16	O_WakeUpA41		9.1	A36.JB:5	I_AccKeySw	A36.JB:6	3.2
					I_DrvLtSw	A41.J1:2	19.1
					I_EntDorLockSw	A41.J1:9	29.1
					I_EntDorOpSe	A41.J1:5	29.1
					I_EntDrUnlockSw	A41.J1:8	29.1
					I_FireSensorA36	A41.J1:10	9.1
					I_FrStrtEnSw	A53.J1:9	3.2
					I_HazardSw	A36.JB:4	26.1
					I_HornSw	A41.J1:3	9.1
					I_IgnKeySw	A36.JB:2	3.2
					I_KeylessDrUnl	A41.J1:4	29.1
					I_KeylessEntReq	A41.J1:21	29.1
					I_KeylessIntru	A41.J1:7	29.1
					I_KeylessLockAll	A41.J1:19	29.1
					I_KeylessLuggUnl	A41.J1:18	29.1
					I_LugDorLkSw	A41.J1:17	33.1
					I_LugDorULkSw	A41.J1:20	33.1
					I_RrCutOutSw	A36.JB:21	3.2
					I_RrStrtEnSw	A53.J1:10	3.2
					I_WakeUp	A36.JB:5	9.1
A41.J1:30	O_ConvrNeutral	Converter neutral signal	36.1	CC2:3, CC2:3, FREE:FREE	I_NeutralSe	A50.J1:11	15.1
A42.J1:11	O_ConvIgnition	Converter ignition signal	36.1	CC2:5, FREE:FREE, CC2:5	I_IgnKeySw	A36.JB:2	3.2
A42.J1:12	O_ConvEngRun	Converter engine run signal	36.1	CC2:6, FREE:FREE, CC2:6	B_EngineRun	.	
					B_OneAltCharging	.	
A42.J1:13	O_SldO2Motn	Rear Slide Out retracting	36.1	CC2:9, CC2:9, FREE:FREE	I_BatMonMod57	A57.J1:24	6.1
					I_SldO1VacPrSe	A56.J1:13	20.1
					I_SldO2CloseSw	A57.J1:10	20.1
					I_SldO2LimiOutSw	A57.J1:14	20.1
					I_SldO2LimitInSe	A57.J1:11	20.1
					I_SldO2OpenSw	A57.J1:9	20.1
					I_SldO2PBrakeSw	A57.J1:12	20.1
A42.J1:14	O_SldO1Motn	Front Slide Out retracting	36.1	CC2:7, CC2:7, FREE:FREE	I_BatMonMod56	A56.J1:24	6.1
					I_SldO1CloseSw	A56.J1:10	20.1
					I_SldO1LimiOutSw	A56.J1:14	20.1
					I_SldO1LimitInSe	A56.J1:11	20.1
					I_SldO1OpenSw	A56.J1:9	20.1
					I_SldO1PBrakeSw	A56.J1:12	20.1
					I_SldO1VacPrSe	A56.J1:13	20.1

MULTIPLEX OUTPUT LIST

O_xx... = Physical Output Pin ; I_xx... = Physical Input Pin ; D_xx... = CAN Network Signal from the HVAC control Head ; B_xx... = Multiplex system global Network Variable

Module.Pin#	Signal name		Page	Connected devices	Input involved		
A42.J1:16	O_SldO1MotOut	Front Slide Out extending	36.1	CC2:8, CC2:8, FREE:FREE	I_BatMonMod56	A56.J1:24	6.1
					I_SldO1CloseSw	A56.J1:10	20.1
					I_SldO1LimiOutSw	A56.J1:14	20.1
					I_SldO1LimitInSe	A56.J1:11	20.1
					I_SldO1OpenSw	A56.J1:9	20.1
					I_SldO1PBrakeSw	A56.J1:12	20.1
					I_SldO1VacPrSe	A56.J1:13	20.1
A43.J1:11	O_SldO2MotOut	Rear Slide Out extending	36.1	CC2:10, CC2:10, FREE:FREE	I_BatMonMod57	A57.J1:24	6.1
					I_SldO1VacPrSe	A56.J1:13	20.1
					I_SldO2CloseSw	A57.J1:10	20.1
					I_SldO2LimiOutSw	A57.J1:14	20.1
					I_SldO2LimitInSe	A57.J1:11	20.1
					I_SldO2OpenSw	A57.J1:9	20.1
					I_SldO2PBrakeSw	A57.J1:12	20.1
A43.J1:12	O_CruCtrlSet	Cruise Control Set Volvo	38.1	A81A.JA:1	D_Stw_Sw7	.	
					D_Stw_Sw8	.	
					I_LwWipIntSw	A42.J1:8	34.1
A43.J1:13	O_HornSol	Electric Horn	9.1	L1:2	I_AccKeySw	A36.JB:6	3.2
					I_EntDrUnlockSw	A41.J1:8	29.1
					I_FireExt1stAl	A36.JB:23	40.1
					I_FireExt2ndAlm	A44.J1:10	40.1
					I_FireSensorA36	A41.J1:10	9.1
					I_FrStrtEnSw	A53.J1:9	3.2
					I_HazardSw	A36.JB:4	26.1
					I_HornSelectSw	A43.J1:7	9.1
					I_HornSw	A41.J1:3	9.1
					I_IgnKeySw	A36.JB:2	3.2
					I_KeylessDrUnl	A41.J1:4	29.1
					I_KeylessIntru	A41.J1:7	29.1
					I_KeylessLockAll	A41.J1:19	29.1
					I_KeylessLuggUnl	A41.J1:18	29.1
					I_KeylessPanic	A41.J1:6	29.1
					I_LugDorLkSw	A41.J1:17	33.1
					I_RrCutOutSw	A36.JB:21	3.2
					I_RrStrtEnSw	A53.J1:10	3.2
					I_WakeUp	A36.JB:5	9.1
A43.J1:14	O_CruCtrlRsm	Cruise Control Resume Volvo	38.1	A81A.JA:2	D_Stw_Sw7	.	
					D_Stw_Sw8	.	
					I_LwWipIntSw	A42.J1:8	34.1
A43.J1:15	O_Alt	Alternator	10.1	A14A.C:7	B_EngineRun	.	
					B_OneAltCharging	.	
					I_Alt1Voltage	A49.J1:8	3.2
					I_IgnKeySw	A36.JB:2	3.2

MULTIPLEX OUTPUT LIST

O_xx... = Physical Output Pin ; I_xx... = Physical Input Pin ; D_xx... = CAN Network Signal from the HVAC control Head ; B_xx... = Multiplex system global Network Variable

Module.Pin#	Signal name		Page	Connected devices	Input involved		
A43.J1:16	O_BrkRedCompat	Brake Redundant Compatible	38.1	A81A.JA:5	D_Stw_Sw9	.	
					I_BrkLtSeFrSig	A36.JB:13	12.1
					I_BrkLtSeRrSig	A51.J1:10	12.1
					I_IgnKeySw	A36.JB:2	3.2
					I_LwWipIntSw	A42.J1:8	34.1
					I_RetdrSig	A50.J1:12	15.1
A44.J1:1	O_DashTrapPMo	Dash Trap Motor	18.1	Mo3:1	D_AirFlapBit0	.	
					D_AirFlapBit1	.	
					D_AirFlapBit2	.	
					I_IgnKeySw	A36.JB:2	3.2
A44.J1:2	O_DashTrapNMo	Dash Trap Motor Return	18.1	Mo3:3	D_AirFlapBit0	.	
					D_AirFlapBit1	.	
					D_AirFlapBit2	.	
					I_IgnKeySw	A36.JB:2	3.2
A44.J1:20	O_BackUpMon	Backup Monitor Signal	28.1	MONITOR:1	I_BackUpCamSw	A55.J1:17	28.1
A44.J1:4	O_LHFogLb2	Left Hand Fog Light Bulb	26.3	L95B:1	B_BatterySaver	.	
					B_EngineRun	.	
					B_OneAltCharging	.	
					B_TstModExtLight	.	
					I_BatMonMod45	A45.J1:24	6.1
					I_FogLightSw	A55.J1:6	26.3
					I_HdLtHiLowBmSw	A43.J1:8	26.1
I_HdLtPos2SwLH	A45.J1:12	26.1					
A44.J1:6	O_KeylessPwr		29.1	A31.A:25	I_IgnKeySw	A36.JB:2	3.2
					I_LugDorLkSw	A41.J1:17	33.1
A44.J1:7	O_DashBackLit	Dash BackLighting	19.1		I_HdLtPos1Sw	A43.J1:4	26.1
A44.J1:8	O_FrClearLb	Front Clearance Lights Bulb	26.1		B_BatterySaver	.	
					B_EngineRun	.	
					B_OneAltCharging	.	
					B_TstModExtLight	.	
					I_BlinkSw	A43.J1:20	26.1
					I_FogLightSw	A55.J1:6	26.3
					I_HdLtPos1Sw	A43.J1:4	26.1
I_HdLtPos2SwLH	A45.J1:12	26.1					
A45.J1:1	O_FootTrpPSol	Foot Trap Solenoid	18.1	Mo4:A	D_AirFlapBit0	.	
					D_AirFlapBit1	.	
					D_AirFlapBit2	.	
					I_IgnKeySw	A36.JB:2	3.2
A45.J1:2	O_FootTrpNSol	Foot Trap Solenoid	18.1	Mo4:B	D_AirFlapBit0	.	
					D_AirFlapBit1	.	
					D_AirFlapBit2	.	
					I_IgnKeySw	A36.JB:2	3.2
A45.J1:20	O_HornElectric	Horn Electric	9.1		I_AccKeySw	A36.JB:6	3.2

MULTIPLEX OUTPUT LIST

O_xx... = Physical Output Pin ; I_xx... = Physical Input Pin ; D_xx... = CAN Network Signal from the HVAC control Head ; B_xx... = Multiplex system global Network Variable

Module.Pin#	Signal name		Page	Connected devices	Input involved		
A45.J1:20	O_HornElectric	Horn Electric	9.1		I_EntDrUnlockSw	A41.J1:8	29.1
					I_FireExt1stAl	A36.JB:23	40.1
					I_FireExt2ndAlm	A44.J1:10	40.1
					I_FireSensorA36	A41.J1:10	9.1
					I_FrStrtEnSw	A53.J1:9	3.2
					I_HazardSw	A36.JB:4	26.1
					I_HornSelectSw	A43.J1:7	9.1
					I_HornSw	A41.J1:3	9.1
					I_IgnKeySw	A36.JB:2	3.2
					I_KeylessDrUnl	A41.J1:4	29.1
					I_KeylessIntru	A41.J1:7	29.1
					I_KeylessLockAll	A41.J1:19	29.1
					I_KeylessLuggUnl	A41.J1:18	29.1
					I_KeylessPanic	A41.J1:6	29.1
					I_LugDorLkSw	A41.J1:17	33.1
					I_RrCutOutSw	A36.JB:21	3.2
					I_RrStrtEnSw	A53.J1:10	3.2
					I_WakeUp	A36.JB:5	9.1
A45.J1:21	O_LHFrmkrLb	Left Hand Front Markers Light Bulb	26.1	L65:1	B_BatterySaver	.	
					B_EngineRun	.	
					B_OneAltCharging	.	
					B_TstModExtLight	.	
					I_BlinkSw	A43.J1:20	26.1
					I_EntDrUnlockSw	A41.J1:8	29.1
					I_FogLightSw	A55.J1:6	26.3
					I_FrStrtEnSw	A53.J1:9	3.2
					I_HazardSw	A36.JB:4	26.1
					I_HdLtPos1Sw	A43.J1:4	26.1
					I_HdLtPos2SwLH	A45.J1:12	26.1
					I_IgnKeySw	A36.JB:2	3.2
					I_KeylessDrUnl	A41.J1:4	29.1
					I_KeylessIntru	A41.J1:7	29.1
					I_KeylessPanic	A41.J1:6	29.1
					I_RrCutOutSw	A36.JB:21	3.2
					I_RrStrtEnSw	A53.J1:10	3.2
					I_WakeUp	A36.JB:5	9.1
A45.J1:3	O_LeftFrFlshPH		26.1		B_BatterySaver	.	
					B_EngineRun	.	
					B_OneAltCharging	.	
					B_TstModExtLight	.	
					I_HazardSw	A36.JB:4	26.1
					I_LHFflshSw	A45.J1:9	26.1
					I_LHFflshSwRrSig	A51.J1:9	26.2

MULTIPLEX OUTPUT LIST

O_xx... = Physical Output Pin ; I_xx... = Physical Input Pin ; D_xx... = CAN Network Signal from the HVAC control Head ; B_xx... = Multiplex system global Network Variable

Module.Pin#	Signal name		Page	Connected devices	Input involved		
A45.J1:3	O_LeftFrFishPH		26.1		I_RHFlshSwRrSig	A51.J1:12	26.2
A45.J1:4	O_LHFogLb1	Left Hand Fog Light Bulb	26.3	L95A:1	B_BatterySaver	.	
					B_EngineRun	.	
					B_OneAltCharging	.	
					B_TstModExtLight	.	
					I_BatMonMod45	A45.J1:24	6.1
					I_FogLightSw	A55.J1:6	26.3
					I_HdLtHiLowBmSw	A43.J1:8	26.1
					I_HdLtPos2SwLH	A45.J1:12	26.1
A45.J1:5	O_LHCornerLb	Left Hand Cornering Light Bulb	26.3	L97.A:1	B_BatterySaver	.	
					B_EngineRun	.	
					B_OneAltCharging	.	
					B_TstModExtLight	.	
					I_CorneringLtSw	A55.J1:7	26.3
					I_DockingLtSw	A55.J1:8	26.3
					I_LHFlshSw	A45.J1:9	26.1
					I_LowDockLtsSw	A55.J1:9	26.3
A45.J1:6	O_LHHiBmLb	Left Hand Hi Beam Light Bulb	26.1		B_BatterySaver	.	
					B_EngineRun	.	
					B_OneAltCharging	.	
					B_TstModExtLight	.	
					I_BatMonMod45	A45.J1:24	6.1
					I_HdLtHiLowBmSw	A43.J1:8	26.1
					I_HdLtPos2SwLH	A45.J1:12	26.1
					I_HiBeamCallSw	A43.J1:3	26.1
A45.J1:7	O_LHLwBmLb	Left Hand Low Beam Light Bulb	26.1		B_BatterySaver	.	
					B_EngineRun	.	
					B_OneAltCharging	.	
					B_TstModExtLight	.	
					I_BatMonMod45	A45.J1:24	6.1
					I_HdLtHiLowBmSw	A43.J1:8	26.1
					I_HdLtPos2SwLH	A45.J1:12	26.1
A45.J1:8	O_LHFrSidFishLb		26.1	L66:1	B_BatterySaver	.	
					B_EngineRun	.	
					B_OneAltCharging	.	
					B_TstModExtLight	.	
					I_HazardSw	A36.JB:4	26.1
					I_LHFlshSw	A45.J1:9	26.1
					I_LHFlshSwRrSig	A51.J1:9	26.2
					I_RHFlshSwRrSig	A51.J1:12	26.2
A46.J1:1	O_AuxFanSpeed	Auxiliary fan speed control	18.3	A32.A:D	B_BatterySaver	.	
					B_EngineRun	.	
					B_OneAltCharging	.	

MULTIPLEX OUTPUT LIST

O_xx... = Physical Output Pin ; I_xx... = Physical Input Pin ; D_xx... = CAN Network Signal from the HVAC control Head ; B_xx... = Multiplex system global Network Variable

Module.Pin#	Signal name		Page	Connected devices	Input involved		
A46.J1:1	O_AuxFanSpeed	Auxiliary fan speed control	18.3	A32.A:D	D_AuxFanSpdBit0	.	
					D_AuxFanSpdBit1	.	
					D_AuxFanSpdBit2	.	
					D_AuxFnOnOffSw	.	
					I_BatMonMod46	A46.J1:24	6.1
					I_IgnKeySw	A36.JB:2	3.2
A46.J1:2	O_UpWiperMot	Upper Wiper Motor	34.1	R24:85	B_BatterySaver	.	
					B_EngineRun	.	
					B_OneAltCharging	.	
					I_UpWipIntSw	A55.J1:20	34.1
					I_UpWipSw	A55.J1:21	34.1
					I_UpWshSw	A55.J1:19	34.1
A46.J1:20	O_UdrFlrLb	Under Floor Light Bulb	25.1		B_BatterySaver	.	
					B_EngineRun	.	
					B_OneAltCharging	.	
					I_AccKeySw	A36.JB:6	3.2
					I_IgnKeySw	A36.JB:2	3.2
A46.J1:21	O_HeadLmpWsh		34.1	Mo54:2	I_HeadLmpWshSw	A55.J1:18	34.1
A46.J1:3	O_LwWshPmp	Lower Wiper Washer Pump	34.1		B_BatterySaver	.	
					B_EngineRun	.	
					B_OneAltCharging	.	
					I_LwWshSw	A46.J1:9	34.1
A46.J1:4	O_UpWshPmp	Upper Wiper Washer Pump	34.1	Mo18:1	B_BatterySaver	.	
					B_EngineRun	.	
					B_OneAltCharging	.	
					I_UpWshSw	A55.J1:19	34.1
A46.J1:5	O_DrvRfgSol	Driver refrigerent solenoid	18.1	D2.A:1	B_BatterySaver	.	
					B_EngineRun	.	
					B_LowVoltage	.	
					B_OneAltCharging	.	
					B_TstModHvac	.	
					B_TstModSAC	.	
					D_AmbTempLSB	.	
					D_AmbTempMSB	.	
					D_OnOffDrvSw	.	
					I_AcPresHiSse	A52.J1:13	18.2
					I_AcPresLoSse	A52.J1:14	18.2
A46.J1:6	O_DrvHeatSol	Driver Heat Solenoid	18.1	So8:1	B_BatterySaver	.	
					B_EngineRun	.	
					B_LowVoltage	.	
					B_OneAltCharging	.	
					B_TestMode	.	
					B_TstModHvac	.	

MULTIPLEX OUTPUT LIST

O_xx... = Physical Output Pin ; I_xx... = Physical Input Pin ; D_xx... = CAN Network Signal from the HVAC control Head ; B_xx... = Multiplex system global Network Variable

Module.Pin#	Signal name		Page	Connected devices	Input involved		
A46.J1:6	O_DrvHeatSol	Driver Heat Solenoid	18.1	So8:1	B_TstModSAC	.	
					D_AirFlapBit0	.	
					D_AirFlapBit1	.	
					D_AirFlapBit2	.	
					D_AmbTempLSB	.	
					D_AmbTempMSB	.	
					D_AuxFanSpdBit0	.	
					D_AuxFanSpdBit1	.	
					D_AuxFanSpdBit2	.	
					D_DriverSetPts	.	
					D_DrvFnSpdBit0	.	
					D_DrvFnSpdBit1	.	
					D_DrvFnSpdBit2	.	
					D_HvacPump	.	
					D_OnOffDrvSw	.	
					D_OnOffPassSw	.	
					D_PassSetPts	.	
					I_BatMonMod46	A46.J1:24	6.1
					I_BatMonMod54	A54.J1:24	6.1
					I_DefrostHighSw	A47.J1:10	18.1
					I_DefrostLowSw	A47.J1:12	18.1
					I_DrvTempSe	A55.J1:1	18.1
					I_FireExt1stAl	A36.JB:23	40.1
					I_FireExt2ndAlm	A44.J1:10	40.1
					I_FireSensorA36	A41.J1:10	9.1
A46.J1:8	O_AuxSolValve	Auxiliary refrigerant solenoid valve	18.3	So38:A	B_BatterySaver	.	
					B_EngineRun	.	
					B_OneAltCharging	.	
					B_TstModSAC	.	
					D_AuxFnOnOffSw	.	
					I_AcPresHiSse	A52.J1:13	18.2
					I_AcPresLoSse	A52.J1:14	18.2
A47.J1:1	O_DrvDefFanMo	Driver Defroster Fan Motor	18.1	A24.B:B	B_BatterySaver	.	
					B_EngineRun	.	
					B_LowVoltage	.	
					B_OneAltCharging	.	
					D_DrvFnSpdBit0	.	
					D_DrvFnSpdBit1	.	
					D_DrvFnSpdBit2	.	
					D_OnOffDrvSw	.	
					I_BatMonMod47	A47.J1:24	6.1
					I_IgnKeySw	A36.JB:2	3.2
A47.J1:2	O_DrvRecTrap	Driver Recycle Trap	18.1	L203:A	B_BatterySaver	.	

MULTIPLEX OUTPUT LIST

O_xx... = Physical Output Pin ; I_xx... = Physical Input Pin ; D_xx... = CAN Network Signal from the HVAC control Head ; B_xx... = Multiplex system global Network Variable

Module.Pin#	Signal name		Page	Connected devices	Input involved		
A47.J1:2	O_DrvRecTrap	Driver Recycle Trap	18.1	L203:A	B_EngineRun	.	
					B_OneAltCharging	.	
					B_TstModHvac	.	
					B_TstModSAC	.	
					D_RecSw	.	
A47.J1:20	O_AuxWaterPump	Auxiliary water pump	18.3		B_BatterySaver	.	
					B_EngineRun	.	
					B_OneAltCharging	.	
					B_TstModSAC	.	
					D_AmbTempLSB	.	
					D_AmbTempMSB	.	
					D_AuxFanSpdBit0	.	
					D_AuxFanSpdBit1	.	
					D_AuxFanSpdBit2	.	
					D_DrvFnSpdBit0	.	
					D_DrvFnSpdBit1	.	
					D_DrvFnSpdBit2	.	
					D_HvacPump	.	
					D_OnOffDrvSw	.	
					D_StopTestMode	.	
					I_DefrostHighSw	A47.J1:10	18.1
					I_DefrostLowSw	A47.J1:12	18.1
					I_IgnKeySw	A36.JB:2	3.2
A47.J1:3	O_LwWipSpd1	Lower Wiper Speed 1	34.1	R23:86	B_BatterySaver	.	
					B_EngineRun	.	
					B_OneAltCharging	.	
					I_LwWipIntSw	A42.J1:8	34.1
					I_LwWshSw	A46.J1:9	34.1
A47.J1:5	O_EntDorStpLb	Entrance Door Step Light Bulb	29.1		I_AccKeySw	A36.JB:6	3.2
					I_EntDorOpSe	A41.J1:5	29.1
					I_EntDrUnlockSw	A41.J1:8	29.1
					I_FrStrtEnSw	A53.J1:9	3.2
					I_HazardSw	A36.JB:4	26.1
					I_IgnKeySw	A36.JB:2	3.2
					I_KeylessDrUnl	A41.J1:4	29.1
					I_KeylessLuggUnl	A41.J1:18	29.1
					I_LugDorLkSw	A41.J1:17	33.1
					I_RrCutOutSw	A36.JB:21	3.2
					I_RrStrtEnSw	A53.J1:10	3.2
					I_WakeUp	A36.JB:5	9.1
A47.J1:6	O_DriverLtLb	Driver Light Bulb	19.1		B_BatterySaver	.	
					B_EngineRun	.	
					B_OneAltCharging	.	

MULTIPLEX OUTPUT LIST

O_xx... = Physical Output Pin ; I_xx... = Physical Input Pin ; D_xx... = CAN Network Signal from the HVAC control Head ; B_xx... = Multiplex system global Network Variable

Module.Pin#	Signal name		Page	Connected devices	Input involved		
A47.J1:6	O_DriverLtLb	Driver Light Bulb	19.1		I_DrvLtSw	A41.J1:2	19.1
A47.J1:7	O_RHDefrostFan	Passenger defrost fan speed control	18.1	A30.A:D	B_BatterySaver	.	
					B_EngineRun	.	
					B_LowVoltage	.	
					B_OneAltCharging	.	
					D_DrvFnSpdBit0	.	
					D_DrvFnSpdBit1	.	
					D_DrvFnSpdBit2	.	
					D_OnOffDrvSw	.	
					I_BatMonMod47	A47.J1:24	6.1
					I_DefrostHighSw	A47.J1:10	18.1
					I_DefrostLowSw	A47.J1:12	18.1
					I_IgnKeySw	A36.JB:2	3.2
A47.J1:8	O_EntDorLtLb	Entrance Door Light Bulb	29.1	L17:1	B_BatterySaver	.	
					B_EngineRun	.	
					B_OneAltCharging	.	
					I_DrvLtSw	A41.J1:2	19.1
					I_EntDorOpSe	A41.J1:5	29.1
					I_EntDrUnlockSw	A41.J1:8	29.1
					I_FrStrtEnSw	A53.J1:9	3.2
					I_HazardSw	A36.JB:4	26.1
					I_KeylessDrUnl	A41.J1:4	29.1
					I_KeylessLuggUnl	A41.J1:18	29.1
					I_LugDorLkSw	A41.J1:17	33.1
					I_RrCutOutSw	A36.JB:21	3.2
					I_RrStrtEnSw	A53.J1:10	3.2
					I_WakeUp	A36.JB:5	9.1
A48.J1:20	O_RHFrSidFlshLb	RH Front Side Flasher L-Bulb	26.1	L64:1	B_BatterySaver	.	
					B_EngineRun	.	
					B_OneAltCharging	.	
					B_TstModExtLight	.	
					I_HazardSw	A36.JB:4	26.1
					I_LHFlshSwRrSig	A51.J1:9	26.2
					I_RHFlshSw	A48.J1:12	26.1
					I_RHFlshSwRrSig	A51.J1:12	26.2
A48.J1:21	O_RHFrMrkLb	Right Hand Front Markers Light Bulb	26.1	L63:1	B_BatterySaver	.	
					B_EngineRun	.	
					B_OneAltCharging	.	
					B_TstModExtLight	.	
					I_BlinkSw	A43.J1:20	26.1
					I_EntDrUnlockSw	A41.J1:8	29.1
					I_FogLightSw	A55.J1:6	26.3
					I_FrStrtEnSw	A53.J1:9	3.2

MULTIPLEX OUTPUT LIST

O_xx... = Physical Output Pin ; I_xx... = Physical Input Pin ; D_xx... = CAN Network Signal from the HVAC control Head ; B_xx... = Multiplex system global Network Variable

Module.Pin#	Signal name		Page	Connected devices	Input involved		
A48.J1:21	O_RHFrMrkLb	Right Hand Front Markers Light Bulb	26.1	L63:1	I_HazardSw	A36.JB:4	26.1
					I_HdLtPos1Sw	A43.J1:4	26.1
					I_HdLtPos2SwLH	A45.J1:12	26.1
					I_KeylessDrUnl	A41.J1:4	29.1
					I_KeylessIntru	A41.J1:7	29.1
					I_KeylessPanic	A41.J1:6	29.1
					I_RrCutOutSw	A36.JB:21	3.2
					I_RrStrtEnSw	A53.J1:10	3.2
					I_WakeUp	A36.JB:5	9.1
A48.J1:3	O_RHHiBeamLb	Right Hand Hi Beam Light Bulb	26.1	L302:C	B_BatterySaver	.	
					B_EngineRun	.	
					B_OneAltCharging	.	
					B_TstModExtLight	.	
					I_BatMonMod48	A48.J1:24	6.1
					I_HdLthiLowBmSw	A43.J1:8	26.1
					I_HdLtPos2SwLH	A45.J1:12	26.1
					I_HiBeamCallSw	A43.J1:3	26.1
A48.J1:4	O_RHLwBeamLb	Right Hand Low Beam Light Bulb	26.1	L302:E	B_BatterySaver	.	
					B_EngineRun	.	
					B_OneAltCharging	.	
					B_TstModExtLight	.	
					I_BatMonMod48	A48.J1:24	6.1
					I_HdLthiLowBmSw	A43.J1:8	26.1
					I_HdLtPos2SwRH	A48.J1:10	26.1
A48.J1:5	O_RHCornerLb	Right Hand Cornering Light Bulb	26.3	L98A.A:1	B_BatterySaver	.	
					B_EngineRun	.	
					B_OneAltCharging	.	
					B_TstModExtLight	.	
					I_CorneringLtSw	A55.J1:7	26.3
					I_DockingLtSw	A55.J1:8	26.3
					I_LowDockLtsSw	A55.J1:9	26.3
A48.J1:6	O_RightFrFishPH		26.1		I_RHFlshSw	A48.J1:12	26.1
					B_BatterySaver	.	
					B_EngineRun	.	
					B_OneAltCharging	.	
					B_TstModExtLight	.	
					I_HazardSw	A36.JB:4	26.1
					I_LHFlshSwRrSig	A51.J1:9	26.2
					I_RHFlshSw	A48.J1:12	26.1
I_RHFlshSwRrSig	A51.J1:12	26.2					
A48.J1:7	O_RHFogLb2	Right Hand Fog Light	26.3	L96B:1	B_BatterySaver	.	
					B_EngineRun	.	
					B_OneAltCharging	.	

MULTIPLEX OUTPUT LIST

O_xx... = Physical Output Pin ; I_xx... = Physical Input Pin ; D_xx... = CAN Network Signal from the HVAC control Head ; B_xx... = Multiplex system global Network Variable

Module.Pin#	Signal name		Page	Connected devices	Input involved		
A48.J1:7	O_RHFogLb2	Right Hand Fog Light	26.3	L96B:1	B_TstModExtLight	.	
					I_BatMonMod48	A48.J1:24	6.1
					I_FogLightSw	A55.J1:6	26.3
					I_HdLtHiLowBmSw	A43.J1:8	26.1
					I_HdLtPos2SwLH	A45.J1:12	26.1
A48.J1:8	O_RHFogLb1	Right Hand Fog Light	26.3	L96A:1	B_BatterySaver	.	
					B_EngineRun	.	
					B_OneAltCharging	.	
					B_TstModExtLight	.	
					I_BatMonMod48	A48.J1:24	6.1
					I_FogLightSw	A55.J1:6	26.3
					I_HdLtHiLowBmSw	A43.J1:8	26.1
					I_HdLtPos2SwLH	A45.J1:12	26.1
A49.J1:14	O_RetardEna	Retarder Enable	12.1		D_Stw_Sw2	.	
					D_Stw_Sw3	.	
					D_Stw_Sw5	.	
					I_RetarderSel	A55.J1:10	12.1
A50.J1:1	O_BackUpCam	Back up camera	28.1		I_BackUpCamSw	A55.J1:17	28.1
A50.J1:2	O_TransInhibit	Transmission Inhibit	15.1		I_BrkLtSeFrSig	A36.JB:13	12.1
					I_BrkLtSeRrSig	A51.J1:10	12.1
					I_SldO1LimitInSe	A56.J1:11	20.1
					I_SldO2LimitInSe	A57.J1:11	20.1
					I_SldO3LimitInSe	A58.J1:11	20.2
					I_SldO4LimitInSe	A59.J1:11	20.2
A50.J1:20	O_RevLbBuz	Reverse Alarm and Light Bulb	26.2		B_BatterySaver	.	
					B_EngineRun	.	
					B_OneAltCharging	.	
					B_TestSwBuz2	.	
					B_TestSwBuzzer	.	
					B_TstModExtLight	.	
					B_TstModHvac	.	
					B_TstModHvacNext	.	
					B_TstModSAC	.	
					B_TstModSACNext	.	
					B_TstSwBuz3	.	
					I_RrStrtEnSw	A53.J1:10	3.2
A50.J1:21	O_BrLtUpperLb		26.2		B_BatterySaver	.	
					B_EngineRun	.	
					B_OneAltCharging	.	
					B_TstModExtLight	.	
					I_BrkLtSeFrSig	A36.JB:13	12.1
					I_BrkLtSeRrSig	A51.J1:10	12.1
A50.J1:3	O_RevAlarm	Back up alarm	26.3	L187.A:A	B_BatterySaver	.	

MULTIPLEX OUTPUT LIST

O_xx... = Physical Output Pin ; I_xx... = Physical Input Pin ; D_xx... = CAN Network Signal from the HVAC control Head ; B_xx... = Multiplex system global Network Variable

Module.Pin#	Signal name		Page	Connected devices	Input involved		
A50.J1:3	O_RevAlarm	Back up alarm	26.3	L187.A:A	B_EngineRun	.	
					B_OneAltCharging	.	
					B_TestSwBuz2	.	
					B_TestSwBuzzer	.	
					B_TstModExtLight	.	
					B_TstModHvac	.	
					B_TstModHvacNext	.	
					B_TstModSAC	.	
					B_TstModSACNext	.	
					B_TstSwBuz3	.	
					D_NextWheel	.	
					I_RevAlrmSw	A43.J1:6	26.3
					I_RrStrtEnSw	A53.J1:10	3.2
A50.J1:4	O_ReClearLb	Rear Clearance Light Bulb	26.2		B_BatterySaver	.	
					B_EngineRun	.	
					B_OneAltCharging	.	
					B_TstModExtLight	.	
					I_BlinkSw	A43.J1:20	26.1
					I_FogLightSw	A55.J1:6	26.3
					I_HdLtPos1Sw	A43.J1:4	26.1
					I_HdLtPos2SwLH	A45.J1:12	26.1
A50.J1:5	O_LHCtrFishLb	Water Filter Indicator Warning	26.2	L70.A:1	B_BatterySaver	.	
					B_EngineRun	.	
					B_OneAltCharging	.	
					B_TstModExtLight	.	
					I_HazardSw	A36.JB:4	26.1
					I_LHFishSwRrSig	A51.J1:9	26.2
					I_RHFishSwRrSig	A51.J1:12	26.2
A50.J1:6	O_BrLTLowerLed		26.2		B_BatterySaver	.	
					B_EngineRun	.	
					B_OneAltCharging	.	
					B_TstModExtLight	.	
					I_BrkLtSeFrSig	A36.JB:13	12.1
					I_BrkLtSeRrSig	A51.J1:10	12.1
					I_IgnKeySw	A36.JB:2	3.2
					I_RetdrSig	A50.J1:12	15.1
A50.J1:7	O_RHCtrFishLb	Wheel Chair Lift Warning Indicator	26.2	L68.A:1	B_BatterySaver	.	
					B_EngineRun	.	
					B_OneAltCharging	.	
					B_TstModExtLight	.	
					I_HazardSw	A36.JB:4	26.1
					I_LHFishSwRrSig	A51.J1:9	26.2
					I_RHFishSwRrSig	A51.J1:12	26.2

MULTIPLEX OUTPUT LIST

O_xx... = Physical Output Pin ; I_xx... = Physical Input Pin ; D_xx... = CAN Network Signal from the HVAC control Head ; B_xx... = Multiplex system global Network Variable

Module.Pin#	Signal name		Page	Connected devices	Input involved		
A50.J1:8	O_CtrSdMrkLb	Tag Axle Warning Indicator	26.2		B_BatterySaver	.	
					B_EngineRun	.	
					B_OneAltCharging	.	
					B_TstModExtLight	.	
					I_BlinkSw	A43.J1:20	26.1
					I_FogLightSw	A55.J1:6	26.3
					I_HdLtPos1Sw	A43.J1:4	26.1
A51.J1:1	O_SerBrkTrans	Servise Brake Signal For	15.1	A1.A:62	I_HdLtPos2SwLH	A45.J1:12	26.1
					I_BrkLtSeFrSig	A36.JB:13	12.1
A51.J1:21	O_LHReFishLb	Left Hand Rear Flasher Light Bulb	26.2		B_BatterySaver	.	
					B_EngineRun	.	
					B_OneAltCharging	.	
					B_TstModExtLight	.	
					I_HazardSw	A36.JB:4	26.1
					I_LHFishSwRrSig	A51.J1:9	26.2
					I_RHFishSwRrSig	A51.J1:12	26.2
A51.J1:3	O_RHReFishLb	Right Hand Rear Flasher Light Bulb	26.2		B_BatterySaver	.	
					B_EngineRun	.	
					B_OneAltCharging	.	
					B_TstModExtLight	.	
					I_HazardSw	A36.JB:4	26.1
					I_LHFishSwRrSig	A51.J1:9	26.2
					I_RHFishSwRrSig	A51.J1:12	26.2
A51.J1:4	O_LHDockLb	Left Hand Docking Light Bulb	26.3	L93.A:1	B_BatterySaver	.	
					B_EngineRun	.	
					B_OneAltCharging	.	
					B_TstModExtLight	.	
					I_DockingLtSw	A55.J1:8	26.3
					I_LowDockLtsSw	A55.J1:9	26.3
					A51.J1:5	O_RHDockLb	Right Hand Docking Light Bulb
B_EngineRun	.						
B_OneAltCharging	.						
B_TstModExtLight	.						
I_DockingLtSw	A55.J1:8	26.3					
I_LowDockLtsSw	A55.J1:9	26.3					
A51.J1:6	O_BrLTUpperLed		26.2				
					B_EngineRun	.	
					B_OneAltCharging	.	
					B_TstModExtLight	.	
					I_BrkLtSeFrSig	A36.JB:13	12.1
					I_BrkLtSeRrSig	A51.J1:10	12.1
					A51.J1:7	O_CyclopeLt	Cyclope Brake Light
					B_EngineRun	.	

MULTIPLEX OUTPUT LIST

O_xx... = Physical Output Pin ; I_xx... = Physical Input Pin ; D_xx... = CAN Network Signal from the HVAC control Head ; B_xx... = Multiplex system global Network Variable

Module.Pin#	Signal name		Page	Connected devices	Input involved	
A51.J1:7	O_CyclopeLt	Cyclope Brake Light	26.2	L81A:in	B_OneAltCharging	.
					B_TstModExtLight	.
					I_BrkLtSeFrSig	A36.JB:13 12.1
					I_BrkLtSeRrSig	A51.J1:10 12.1
A52.J1:1	O_EngFanSpd1	Engine Fan Radiator Speed 1	13.1		B_BatterySaver	.
					B_EngineRun	.
					B_OneAltCharging	.
					B_TstModHvac	.
					D_RadFanSpd1	.
					D_StopTestMode	.
					I_AcPresHiSse	A52.J1:13 18.2
					I_FireExt1stAl	A36.JB:23 40.1
					I_FireExt2ndAlm	A44.J1:10 40.1
					I_FireSensorA36	A41.J1:10 9.1
					I_FrStrtEnSw	A53.J1:9 3.2
					I_IdleValidSw	A45.J1:11 14.1
					I_IgnKeySw	A36.JB:2 3.2
					I_ParkBrSe	A36.JB:9 12.1
					I_RrStrtEnSw	A53.J1:10 3.2
A52.J1:2	O_EngFanSpd2	Engine Fan Radiator Speed 2	13.1		B_BatterySaver	.
					B_EngineRun	.
					B_OneAltCharging	.
					B_TstModHvac	.
					D_RadFanSpd2	.
					D_StopTestMode	.
					I_AcPresHiSse	A52.J1:13 18.2
					I_FireExt1stAl	A36.JB:23 40.1
					I_FireExt2ndAlm	A44.J1:10 40.1
					I_FireSensorA36	A41.J1:10 9.1
					I_IdleValidSw	A45.J1:11 14.1
					I_IgnKeySw	A36.JB:2 3.2
					I_ParkBrSe	A36.JB:9 12.1
A52.J1:21	O_AcUnldRH	Hvac Right Hand Cylinder Unloader	18.2		B_BatterySaver	.
					B_EngineRun	.
					B_OneAltCharging	.
					B_TstModHvac	.
					D_PassSetPts	.
					I_AcPresHiSse	A52.J1:13 18.2
					I_AcPresLoSse	A52.J1:14 18.2
A52.J1:4	O_DiffLockSol	Differential lock solenoid	37.1	Shrk150	I_DiffLockSw	A43.J1:9 37.1
A52.J1:5	O_EngCmptLb	Engine Compartment Light Bulb	25.1		B_BatterySaver	.
					B_EngineRun	.
					B_OneAltCharging	.

MULTIPLEX OUTPUT LIST

O_xx... = Physical Output Pin ; I_xx... = Physical Input Pin ; D_xx... = CAN Network Signal from the HVAC control Head ; B_xx.. = Multiplex system global Network Variable

Module.Pin#	Signal name		Page	Connected devices	Input involved		
A52.J1:5	O_EngCmptLb	Engine Compartment Light Bulb	25.1		I_EngDoorSe	A52.J1:12	25.1
A52.J1:7	O_BackUpCamDr	Back up camera door solenoid	28.1	So34:A	I_BackUpCamSw	A55.J1:17	28.1
A52.J1:8	O_AcUnidLH	Hvac Left Hand Cylinder Unloader	18.2		B_BatterySaver	.	
					B_EngineRun	.	
					B_OneAltCharging	.	
					B_TstModHvac	.	
					D_PassSetPts	.	
					I_AcPresHiSSe	A52.J1:13	18.2
					I_AcPresLoSSe	A52.J1:14	18.2
A53.J1:5	O_RJBDoFanMo	Rear junction box door fan	11.1	Mo53:1	B_BatterySaver	.	
					B_EngineRun	.	
					B_OneAltCharging	.	
					B_TstModHvac	.	
					B_TstModSAC	.	
					D_AmbTempLSB	.	
					D_AmbTempMSB	.	
					I_BatMonMod53	A53.J1:24	6.1
					I_FireExt1stAl	A36.JB:23	40.1
					I_FireExt2ndAlm	A44.J1:10	40.1
					I_FireSensorA36	A41.J1:10	9.1
					I_IgnKeySw	A36.JB:2	3.2
					I_RJBLtSw	A49.J1:17	25.1
A53.J1:6	O_StarterRel	Starter Relay	3.2		B_BatterySaver	.	
					B_EngineRun	.	
					B_OneAltCharging	.	
					B_TstModHvac	.	
					B_TstModSAC	.	
					I_AccKeySw	A36.JB:6	3.2
					I_EntDrUnlockSw	A41.J1:8	29.1
					I_FrStrtEnSw	A53.J1:9	3.2
					I_HazardSw	A36.JB:4	26.1
					I_IgnKeySw	A36.JB:2	3.2
					I_KeylessDrUnl	A41.J1:4	29.1
					I_KeylessIntru	A41.J1:7	29.1
					I_NeutralSe	A50.J1:11	15.1
					I_RrCutOutSw	A36.JB:21	3.2
					I_RrStrtEnSw	A53.J1:10	3.2
					I_StartLockOut	A53.J1:12	
					I_WakeUp	A36.JB:5	9.1
A54.J1:1	O_CndSpd2Rel	Condensor Fan Speed 2 Relay	18.2		B_BatterySaver	.	
					B_EngineRun	.	
					B_LowVoltage	.	
					B_OneAltCharging	.	

MULTIPLEX OUTPUT LIST

O_xx... = Physical Output Pin ; I_xx... = Physical Input Pin ; D_xx... = CAN Network Signal from the HVAC control Head ; B_xx... = Multiplex system global Network Variable

Module.Pin#	Signal name		Page	Connected devices	Input involved		
A54.J1:1	O_CndSpd2Rel	Condensor Fan Speed 2 Relay	18.2		B_TstModHvac	.	
					D_AmbTempLSB	.	
					D_AmbTempMSB	.	
					D_DriverSetPts	.	
					D_OnOffDrvSw	.	
					D_OnOffPassSw	.	
					D_PassSetPts	.	
					I_AcPresHiSse	A52.J1:13	18.2
					I_AcPresLoSse	A52.J1:14	18.2
					I_BatMonMod53	A53.J1:24	6.1
					I_CoilTherSe	A47.J1:11	18.3
					I_DrvTempSe	A55.J1:1	18.1
					I_FireExt1stAl	A36.JB:23	40.1
					I_FireExt2ndAlm	A44.J1:10	40.1
					I_FireSensorA36	A41.J1:10	9.1
A54.J1:2	O_EvaSpd2Pilot	Evaporator Fan Speed 2	18.2	TermMo9	B_BatterySaver	.	
					B_EngineRun	.	
					B_LowVoltage	.	
					B_OneAltCharging	.	
					B_TstModHvac	.	
					D_OnOffPassSw	.	
					D_PassSetPts	.	
					I_AcPresHiSse	A52.J1:13	18.2
					I_AcPresLoSse	A52.J1:14	18.2
					I_BatMonMod54	A54.J1:24	6.1
					I_FireExt1stAl	A36.JB:23	40.1
					I_FireExt2ndAlm	A44.J1:10	40.1
					I_FireSensorA36	A41.J1:10	9.1
					I_IgnKeySw	A36.JB:2	3.2
					I_SwitchOption	A42.J1:20	
					I_SwitchOption2	A42.J1:21	
A54.J1:20	O_ACRecPass	A/C Pass. Gaz Cylinder Recycle	18.2	L205:1	B_BatterySaver	.	
					B_EngineRun	.	
					B_OneAltCharging	.	
					B_TstModHvac	.	
					B_TstModSAC	.	
					D_RecSw	.	
A54.J1:3	O_PasRfgSol	Passenger Refrigerent Solenoid	18.2	D11.A:1	B_BatterySaver	.	
					B_EngineRun	.	
					B_LowVoltage	.	
					B_OneAltCharging	.	
					B_TstModHvac	.	
					D_AmbTempLSB	.	

MULTIPLEX OUTPUT LIST

O_xx... = Physical Output Pin ; I_xx... = Physical Input Pin ; D_xx... = CAN Network Signal from the HVAC control Head ; B_xx... = Multiplex system global Network Variable

Module.Pin#	Signal name		Page	Connected devices	Input involved		
A54.J1:3	O_PasRfgSol	Passenger Refrigerent Solenoid	18.2	D11.A:1	D_AmbTempMSB	.	
					D_DriverSetPts	.	
					D_OnOffDrvSw	.	
					D_OnOffPassSw	.	
					D_PassSetPts	.	
					I_BatMonMod54	A54.J1:24	6.1
					I_CoilTherSe	A47.J1:11	18.3
					I_DrvTempSe	A55.J1:1	18.1
					I_FireExt1stAl	A36.JB:23	40.1
					I_FireExt2ndAlm	A44.J1:10	40.1
					I_FireSensorA36	A41.J1:10	9.1
A54.J1:4	O_ACWaterPmp	Hvac Water Pump	18.2		B_BatterySaver	.	
					B_EngineRun	.	
					B_OneAltCharging	.	
					B_TestMode	.	
					B_TstModHvac	.	
					D_AmbTempLSB	.	
					D_AmbTempMSB	.	
					D_DrvFnSpdBit0	.	
					D_DrvFnSpdBit1	.	
					D_DrvFnSpdBit2	.	
					D_HvacPump	.	
					D_OnOffPassSw	.	
					D_PassSetPts	.	
					D_StopTestMode	.	
					I_BatMonMod54	A54.J1:24	6.1
					I_FireExt1stAl	A36.JB:23	40.1
					I_FireExt2ndAlm	A44.J1:10	40.1
					I_FireSensorA36	A41.J1:10	9.1
					I_IgnKeySw	A36.JB:2	3.2
A54.J1:5	O_CndSpd1Rel	Condensor Fan Speed 1 Relay	18.2	R10:2	B_BatterySaver	.	
					B_EngineRun	.	
					B_LowVoltage	.	
					B_OneAltCharging	.	
					B_TstModHvac	.	
					D_AmbTempLSB	.	
					D_AmbTempMSB	.	
					D_DriverSetPts	.	
					D_OnOffDrvSw	.	
					D_OnOffPassSw	.	
					D_PassSetPts	.	
					I_AcPresHiSSe	A52.J1:13	18.2
					I_AcPresLoSSe	A52.J1:14	18.2

MULTIPLEX OUTPUT LIST

O_xx... = Physical Output Pin ; I_xx... = Physical Input Pin ; D_xx... = CAN Network Signal from the HVAC control Head ; B_xx... = Multiplex system global Network Variable

Module.Pin#	Signal name		Page	Connected devices	Input involved																																																																								
A54.J1:5	O_CndSpd1Rel	Condensor Fan Speed 1 Relay	18.2	R10:2	<table border="1"> <tr><td>I_BatMonMod54</td><td>A54.J1:24</td><td>6.1</td></tr> <tr><td>I_CoilTherSe</td><td>A47.J1:11</td><td>18.3</td></tr> <tr><td>I_DrvTempSe</td><td>A55.J1:1</td><td>18.1</td></tr> <tr><td>I_FireExt1stAl</td><td>A36.JB:23</td><td>40.1</td></tr> <tr><td>I_FireExt2ndAlm</td><td>A44.J1:10</td><td>40.1</td></tr> <tr><td>I_FireSensorA36</td><td>A41.J1:10</td><td>9.1</td></tr> </table>	I_BatMonMod54	A54.J1:24	6.1	I_CoilTherSe	A47.J1:11	18.3	I_DrvTempSe	A55.J1:1	18.1	I_FireExt1stAl	A36.JB:23	40.1	I_FireExt2ndAlm	A44.J1:10	40.1	I_FireSensorA36	A41.J1:10	9.1																																																						
I_BatMonMod54	A54.J1:24	6.1																																																																											
I_CoilTherSe	A47.J1:11	18.3																																																																											
I_DrvTempSe	A55.J1:1	18.1																																																																											
I_FireExt1stAl	A36.JB:23	40.1																																																																											
I_FireExt2ndAlm	A44.J1:10	40.1																																																																											
I_FireSensorA36	A41.J1:10	9.1																																																																											
A54.J1:7	O_EvaSpd1Rel	Evaporator Fan Speed 1 Relay	18.2	R12:2	<table border="1"> <tr><td>B_BatterySaver</td><td>.</td><td></td></tr> <tr><td>B_EngineRun</td><td>.</td><td></td></tr> <tr><td>B_LowVoltage</td><td>.</td><td></td></tr> <tr><td>B_OneAltCharging</td><td>.</td><td></td></tr> <tr><td>B_TstModHvac</td><td>.</td><td></td></tr> <tr><td>D_OnOffPassSw</td><td>.</td><td></td></tr> <tr><td>I_BatMonMod54</td><td>A54.J1:24</td><td>6.1</td></tr> <tr><td>I_FireExt1stAl</td><td>A36.JB:23</td><td>40.1</td></tr> <tr><td>I_FireExt2ndAlm</td><td>A44.J1:10</td><td>40.1</td></tr> <tr><td>I_FireSensorA36</td><td>A41.J1:10</td><td>9.1</td></tr> </table>	B_BatterySaver	.		B_EngineRun	.		B_LowVoltage	.		B_OneAltCharging	.		B_TstModHvac	.		D_OnOffPassSw	.		I_BatMonMod54	A54.J1:24	6.1	I_FireExt1stAl	A36.JB:23	40.1	I_FireExt2ndAlm	A44.J1:10	40.1	I_FireSensorA36	A41.J1:10	9.1																																										
B_BatterySaver	.																																																																												
B_EngineRun	.																																																																												
B_LowVoltage	.																																																																												
B_OneAltCharging	.																																																																												
B_TstModHvac	.																																																																												
D_OnOffPassSw	.																																																																												
I_BatMonMod54	A54.J1:24	6.1																																																																											
I_FireExt1stAl	A36.JB:23	40.1																																																																											
I_FireExt2ndAlm	A44.J1:10	40.1																																																																											
I_FireSensorA36	A41.J1:10	9.1																																																																											
A54.J1:8	O_PasHeatSol	Passenger Heat Solenoid Valve	18.2	So13:1	<table border="1"> <tr><td>B_BatterySaver</td><td>.</td><td></td></tr> <tr><td>B_EngineRun</td><td>.</td><td></td></tr> <tr><td>B_OneAltCharging</td><td>.</td><td></td></tr> <tr><td>B_TestMode</td><td>.</td><td></td></tr> <tr><td>B_TstModHvac</td><td>.</td><td></td></tr> <tr><td>B_TstModSAC</td><td>.</td><td></td></tr> <tr><td>D_AmbTempLSB</td><td>.</td><td></td></tr> <tr><td>D_AmbTempMSB</td><td>.</td><td></td></tr> <tr><td>D_AuxFanSpdBit0</td><td>.</td><td></td></tr> <tr><td>D_AuxFanSpdBit1</td><td>.</td><td></td></tr> <tr><td>D_AuxFanSpdBit2</td><td>.</td><td></td></tr> <tr><td>D_DrvFnSpdBit0</td><td>.</td><td></td></tr> <tr><td>D_DrvFnSpdBit1</td><td>.</td><td></td></tr> <tr><td>D_DrvFnSpdBit2</td><td>.</td><td></td></tr> <tr><td>D_HvacPump</td><td>.</td><td></td></tr> <tr><td>D_OnOffDrvSw</td><td>.</td><td></td></tr> <tr><td>D_OnOffPassSw</td><td>.</td><td></td></tr> <tr><td>D_PassSetPts</td><td>.</td><td></td></tr> <tr><td>I_BatMonMod54</td><td>A54.J1:24</td><td>6.1</td></tr> <tr><td>I_DefrostHighSw</td><td>A47.J1:10</td><td>18.1</td></tr> <tr><td>I_DefrostLowSw</td><td>A47.J1:12</td><td>18.1</td></tr> <tr><td>I_FireExt1stAl</td><td>A36.JB:23</td><td>40.1</td></tr> <tr><td>I_FireExt2ndAlm</td><td>A44.J1:10</td><td>40.1</td></tr> <tr><td>I_FireSensorA36</td><td>A41.J1:10</td><td>9.1</td></tr> </table>	B_BatterySaver	.		B_EngineRun	.		B_OneAltCharging	.		B_TestMode	.		B_TstModHvac	.		B_TstModSAC	.		D_AmbTempLSB	.		D_AmbTempMSB	.		D_AuxFanSpdBit0	.		D_AuxFanSpdBit1	.		D_AuxFanSpdBit2	.		D_DrvFnSpdBit0	.		D_DrvFnSpdBit1	.		D_DrvFnSpdBit2	.		D_HvacPump	.		D_OnOffDrvSw	.		D_OnOffPassSw	.		D_PassSetPts	.		I_BatMonMod54	A54.J1:24	6.1	I_DefrostHighSw	A47.J1:10	18.1	I_DefrostLowSw	A47.J1:12	18.1	I_FireExt1stAl	A36.JB:23	40.1	I_FireExt2ndAlm	A44.J1:10	40.1	I_FireSensorA36	A41.J1:10	9.1
B_BatterySaver	.																																																																												
B_EngineRun	.																																																																												
B_OneAltCharging	.																																																																												
B_TestMode	.																																																																												
B_TstModHvac	.																																																																												
B_TstModSAC	.																																																																												
D_AmbTempLSB	.																																																																												
D_AmbTempMSB	.																																																																												
D_AuxFanSpdBit0	.																																																																												
D_AuxFanSpdBit1	.																																																																												
D_AuxFanSpdBit2	.																																																																												
D_DrvFnSpdBit0	.																																																																												
D_DrvFnSpdBit1	.																																																																												
D_DrvFnSpdBit2	.																																																																												
D_HvacPump	.																																																																												
D_OnOffDrvSw	.																																																																												
D_OnOffPassSw	.																																																																												
D_PassSetPts	.																																																																												
I_BatMonMod54	A54.J1:24	6.1																																																																											
I_DefrostHighSw	A47.J1:10	18.1																																																																											
I_DefrostLowSw	A47.J1:12	18.1																																																																											
I_FireExt1stAl	A36.JB:23	40.1																																																																											
I_FireExt2ndAlm	A44.J1:10	40.1																																																																											
I_FireSensorA36	A41.J1:10	9.1																																																																											
A55.J1:11	O_SunVisorDrv	Sun Visor Driver	38.1	R43:86	<table border="1"> <tr><td>D_Stw_Sw10</td><td>.</td><td></td></tr> <tr><td>D_Stw_Sw4</td><td>.</td><td></td></tr> </table>	D_Stw_Sw10	.		D_Stw_Sw4	.																																																																			
D_Stw_Sw10	.																																																																												
D_Stw_Sw4	.																																																																												
A55.J1:12	O_JacobBrk1	Jacob Brake 1	38.1		<table border="1"> <tr><td>D_Stw_Sw2</td><td>.</td><td></td></tr> </table>	D_Stw_Sw2	.																																																																						
D_Stw_Sw2	.																																																																												

MULTIPLEX OUTPUT LIST

O_xx... = Physical Output Pin ; I_xx... = Physical Input Pin ; D_xx... = CAN Network Signal from the HVAC control Head ; B_xx.. = Multiplex system global Network Variable

Module.Pin#	Signal name		Page	Connected devices	Input involved		
A55.J1:12	O_JacobBrk1	Jacob Brake 1	38.1		D_Stw_Sw3	.	
					D_Stw_Sw5	.	
					I_RetarderSel	A55.J1:10	12.1
A55.J1:13	O_SunVisorPass	Sun Visor Driver	38.1	R42:86	D_Stw_Sw10	.	
					D_Stw_Sw4	.	
A55.J1:14	O_JacobBrk2	Jacob Brake 2	38.1		D_Stw_Sw2	.	
					D_Stw_Sw3	.	
					D_Stw_Sw5	.	
					I_RetarderSel	A55.J1:10	12.1
A55.J1:15	O_ACCTimeGapInc		14.1	A81A.JA:17	D_Stw_Sw7	.	
					D_Stw_Sw8	.	
A55.J1:16	O_ACCTimeGapDec		14.1	A81A.JB:7	D_Stw_Sw7	.	
					D_Stw_Sw8	.	
A55.J1:30	O_SunVUpDw		38.1	R41:86	D_Stw_Sw10	.	
					D_Stw_Sw4	.	
A56.J1:1	O_SldO1MoSpeedA	Slide-Out 1 Motor Speed Control A	20.1		I_BatMonMod56	A56.J1:24	6.1
					I_SldO1CloseSw	A56.J1:10	20.1
					I_SldO1LimiOutSw	A56.J1:14	20.1
					I_SldO1LimitInSe	A56.J1:11	20.1
					I_SldO1OpenSw	A56.J1:9	20.1
					I_SldO1PBrakeSw	A56.J1:12	20.1
					I_SldO1VacPrSe	A56.J1:13	20.1
A56.J1:2	O_SldO1MoSpeedB	Slide-Out 1 Motor Speed Control B	20.1		I_BatMonMod56	A56.J1:24	6.1
					I_SldO1CloseSw	A56.J1:10	20.1
					I_SldO1LimiOutSw	A56.J1:14	20.1
					I_SldO1LimitInSe	A56.J1:11	20.1
					I_SldO1OpenSw	A56.J1:9	20.1
					I_SldO1PBrakeSw	A56.J1:12	20.1
					I_SldO1VacPrSe	A56.J1:13	20.1
A56.J1:20	O_SldO1Motpos	Slide_Out 1 Motor +	20.1	RSO1.B:1	I_BatMonMod56	A56.J1:24	6.1
					I_SldO1CloseSw	A56.J1:10	20.1
					I_SldO1LimiOutSw	A56.J1:14	20.1
					I_SldO1LimitInSe	A56.J1:11	20.1
					I_SldO1OpenSw	A56.J1:9	20.1
					I_SldO1PBrakeSw	A56.J1:12	20.1
					I_SldO1VacPrSe	A56.J1:13	20.1
A56.J1:21	O_SldO1SecuPinSo	Slide-Out 1 Security Pins	20.1	SOSO4:1	I_SldO1LimitInSe	A56.J1:11	20.1
					I_SldO1PBrakeSw	A56.J1:12	20.1
					I_SldO2LimitInSe	A57.J1:11	20.1
					I_SldO2PBrakeSw	A57.J1:12	20.1
					I_SldO3LimitInSe	A58.J1:11	20.2
					I_SldO3PBrakeSw	A58.J1:12	20.2
					I_SldO4LimitInSe	A59.J1:11	20.2

MULTIPLEX OUTPUT LIST

O_xx... = Physical Output Pin ; I_xx... = Physical Input Pin ; D_xx... = CAN Network Signal from the HVAC control Head ; B_xx.. = Multiplex system global Network Variable

Module.Pin#	Signal name		Page	Connected devices	Input involved		
A56.J1:21	O_SldO1SecuPinSo	Slide-Out 1 Security Pins	20.1	SOSO4:1	I_SldO4PBrakeSw	A59.J1:12	20.2
A56.J1:3	O_SldO1RemoteLed	Slide_Out 1 Remote Led	20.1	SwSo1.A:2	I_BatMonMod56	A56.J1:24	6.1
					I_SldO1CloseSw	A56.J1:10	20.1
					I_SldO1LimiOutSw	A56.J1:14	20.1
					I_SldO1LimitInSe	A56.J1:11	20.1
					I_SldO1OpenSw	A56.J1:9	20.1
					I_SldO1PBrakeSw	A56.J1:12	20.1
					I_SldO1Supply5v	A56.J1:15	20.1
					I_SldO1VacPrSe	A56.J1:13	20.1
A56.J1:4	O_SldO1SealInfSo	Slide_Out 1 Seal Inflating Valve	20.1	SoSo5:1	I_SldO1CloseSw	A56.J1:10	20.1
					I_SldO1LimiOutSw	A56.J1:14	20.1
					I_SldO1LimitInSe	A56.J1:11	20.1
					I_SldO1OpenSw	A56.J1:9	20.1
A56.J1:5	O_SldO1SealDefSo	Slide_Out 1 Seal Deflating Valve	20.1	SoSo1:1	I_BatMonMod56	A56.J1:24	6.1
					I_SldO1CloseSw	A56.J1:10	20.1
					I_SldO1LimiOutSw	A56.J1:14	20.1
					I_SldO1LimitInSe	A56.J1:11	20.1
					I_SldO1OpenSw	A56.J1:9	20.1
					I_SldO1PBrakeSw	A56.J1:12	20.1
A56.J1:6	O_SldO1VaccGenSo	Slide_Out 1 Seal Vaccum Generator	20.1	SoSo2:1	I_BatMonMod56	A56.J1:24	6.1
					I_BatMonMod57	A57.J1:24	6.1
					I_BatMonMod58	A58.J1:24	6.1
					I_BatMonMod59	A59.J1:24	6.1
					I_SldO1CloseSw	A56.J1:10	20.1
					I_SldO1LimiOutSw	A56.J1:14	20.1
					I_SldO1LimitInSe	A56.J1:11	20.1
					I_SldO1OpenSw	A56.J1:9	20.1
					I_SldO1PBrakeSw	A56.J1:12	20.1
					I_SldO2CloseSw	A57.J1:10	20.1
					I_SldO2LimiOutSw	A57.J1:14	20.1
					I_SldO2LimitInSe	A57.J1:11	20.1
					I_SldO2OpenSw	A57.J1:9	20.1
					I_SldO2PBrakeSw	A57.J1:12	20.1
					I_SldO3CloseSw	A58.J1:10	20.2
					I_SldO3LimiOutSw	A58.J1:14	20.2
					I_SldO3LimitInSe	A58.J1:11	20.2
					I_SldO3OpenSw	A58.J1:9	20.2
					I_SldO3PBrakeSw	A58.J1:12	20.2
					I_SldO4CloseSw	A59.J1:10	20.2
I_SldO4LimiOutSw	A59.J1:14	20.2					
I_SldO4LimitInSe	A59.J1:11	20.2					
I_SldO4OpenSw	A59.J1:9	20.2					
I_SldO4PBrakeSw	A59.J1:12	20.2					

MULTIPLEX OUTPUT LIST

O_xx... = Physical Output Pin ; I_xx... = Physical Input Pin ; D_xx... = CAN Network Signal from the HVAC control Head ; B_xx... = Multiplex system global Network Variable

Module.Pin#	Signal name		Page	Connected devices	Input involved		
A56.J1:7	O_SldO1Motneg	Slide_Out 1 Motor -	20.1	RSo2.B:1	I_BatMonMod56	A56.J1:24	6.1
					I_SldO1CloseSw	A56.J1:10	20.1
					I_SldO1LimiOutSw	A56.J1:14	20.1
					I_SldO1LimitInSe	A56.J1:11	20.1
					I_SldO1OpenSw	A56.J1:9	20.1
					I_SldO1PBrakeSw	A56.J1:12	20.1
					I_SldO1VacPrSe	A56.J1:13	20.1
A57.J1:1	O_SldO2MoSpeedA	Slide-Out 2 Motor Speed Control A	20.1		I_BatMonMod57	A57.J1:24	6.1
					I_SldO1VacPrSe	A56.J1:13	20.1
					I_SldO2CloseSw	A57.J1:10	20.1
					I_SldO2LimiOutSw	A57.J1:14	20.1
					I_SldO2LimitInSe	A57.J1:11	20.1
					I_SldO2OpenSw	A57.J1:9	20.1
					I_SldO2PBrakeSw	A57.J1:12	20.1
A57.J1:2	O_SldO2MoSpeedB	Slide-Out 2 Motor Speed Control B	20.1		I_BatMonMod57	A57.J1:24	6.1
					I_SldO1VacPrSe	A56.J1:13	20.1
					I_SldO2CloseSw	A57.J1:10	20.1
					I_SldO2LimiOutSw	A57.J1:14	20.1
					I_SldO2LimitInSe	A57.J1:11	20.1
					I_SldO2OpenSw	A57.J1:9	20.1
					I_SldO2PBrakeSw	A57.J1:12	20.1
A57.J1:20	O_SldO2Motpos	Slide_Out 2 Motor +	20.1	RSO3.B:1	I_BatMonMod57	A57.J1:24	6.1
					I_SldO1VacPrSe	A56.J1:13	20.1
					I_SldO2CloseSw	A57.J1:10	20.1
					I_SldO2LimiOutSw	A57.J1:14	20.1
					I_SldO2LimitInSe	A57.J1:11	20.1
					I_SldO2OpenSw	A57.J1:9	20.1
					I_SldO2PBrakeSw	A57.J1:12	20.1
A57.J1:3	O_SldO2RemoteLed	Slide_Out 2 Remote Led	20.1	SwSo2:2	I_BatMonMod57	A57.J1:24	6.1
					I_SldO1VacPrSe	A56.J1:13	20.1
					I_SldO2CloseSw	A57.J1:10	20.1
					I_SldO2LimiOutSw	A57.J1:14	20.1
					I_SldO2LimitInSe	A57.J1:11	20.1
					I_SldO2OpenSw	A57.J1:9	20.1
					I_SldO2PBrakeSw	A57.J1:12	20.1
A57.J1:4	O_SldO2SealInfSo	Slide_Out 2 Seal Inflating Valve	20.1		I_SldO2CloseSw	A57.J1:10	20.1
					I_SldO2LimiOutSw	A57.J1:14	20.1
					I_SldO2LimitInSe	A57.J1:11	20.1
					I_SldO2OpenSw	A57.J1:9	20.1
A57.J1:5	O_SldO2SealDefSo	Slide_Out 2 Seal Deflating Valve	20.1	SoSo3:1	I_BatMonMod57	A57.J1:24	6.1
					I_SldO2CloseSw	A57.J1:10	20.1
					I_SldO2LimiOutSw	A57.J1:14	20.1

MULTIPLEX OUTPUT LIST

O_xx... = Physical Output Pin ; I_xx... = Physical Input Pin ; D_xx... = CAN Network Signal from the HVAC control Head ; B_xx... = Multiplex system global Network Variable

Module.Pin#	Signal name		Page	Connected devices	Input involved		
A57.J1:5	O_SldO2SealDefSo	Slide_Out 2 Seal Deflating Valve	20.1	SoSo3:1	I_SldO2LimitInSe	A57.J1:11	20.1
					I_SldO2OpenSw	A57.J1:9	20.1
					I_SldO2PBrakeSw	A57.J1:12	20.1
A57.J1:7	O_SldO2Motneg	Slide_Out 2 Motor -	20.1	RS04.B:1	I_BatMonMod57	A57.J1:24	6.1
					I_SldO1VacPrSe	A56.J1:13	20.1
					I_SldO2CloseSw	A57.J1:10	20.1
					I_SldO2LimiOutSw	A57.J1:14	20.1
					I_SldO2LimitInSe	A57.J1:11	20.1
					I_SldO2OpenSw	A57.J1:9	20.1
					I_SldO2PBrakeSw	A57.J1:12	20.1
A58.J1:1	O_SldO3MoSpeedA		20.2		I_BatMonMod58	A58.J1:24	6.1
					I_SldO1VacPrSe	A56.J1:13	20.1
					I_SldO3CloseSw	A58.J1:10	20.2
					I_SldO3LimiOutSw	A58.J1:14	20.2
					I_SldO3LimitInSe	A58.J1:11	20.2
					I_SldO3OpenSw	A58.J1:9	20.2
					I_SldO3PBrakeSw	A58.J1:12	20.2
A58.J1:2	O_SldO3MoSpeedB		20.2		I_BatMonMod58	A58.J1:24	6.1
					I_SldO1VacPrSe	A56.J1:13	20.1
					I_SldO3CloseSw	A58.J1:10	20.2
					I_SldO3LimiOutSw	A58.J1:14	20.2
					I_SldO3LimitInSe	A58.J1:11	20.2
					I_SldO3OpenSw	A58.J1:9	20.2
					I_SldO3PBrakeSw	A58.J1:12	20.2
A58.J1:20	O_SldO3Motpos		20.2	RS06.B:1	I_BatMonMod58	A58.J1:24	6.1
					I_SldO1VacPrSe	A56.J1:13	20.1
					I_SldO3CloseSw	A58.J1:10	20.2
					I_SldO3LimiOutSw	A58.J1:14	20.2
					I_SldO3LimitInSe	A58.J1:11	20.2
					I_SldO3OpenSw	A58.J1:9	20.2
					I_SldO3PBrakeSw	A58.J1:12	20.2
A58.J1:3	O_SldO3RemoteLed		20.2	SwSo3:2	I_BatMonMod58	A58.J1:24	6.1
					I_SldO1VacPrSe	A56.J1:13	20.1
					I_SldO3CloseSw	A58.J1:10	20.2
					I_SldO3LimiOutSw	A58.J1:14	20.2
					I_SldO3LimitInSe	A58.J1:11	20.2
					I_SldO3OpenSw	A58.J1:9	20.2
					I_SldO3PBrakeSw	A58.J1:12	20.2
					I_SldO3Supply5v	A58.J1:15	20.2
A58.J1:4	O_SldO3SealInfSo		20.2		I_SldO3CloseSw	A58.J1:10	20.2
					I_SldO3LimiOutSw	A58.J1:14	20.2
					I_SldO3LimitInSe	A58.J1:11	20.2
					I_SldO3OpenSw	A58.J1:9	20.2

MULTIPLEX OUTPUT LIST

O_xx... = Physical Output Pin ; I_xx... = Physical Input Pin ; D_xx... = CAN Network Signal from the HVAC control Head ; B_xx... = Multiplex system global Network Variable

Module.Pin#	Signal name	Page	Connected devices	Input involved
A58.J1:5	O_SldO3SealDefSo	20.2		I_BatMonMod58 A58.J1:24 6.1
				I_SldO3CloseSw A58.J1:10 20.2
				I_SldO3LimiOutSw A58.J1:14 20.2
				I_SldO3LimitInSe A58.J1:11 20.2
				I_SldO3OpenSw A58.J1:9 20.2
				I_SldO3PBrakeSw A58.J1:12 20.2
A58.J1:7	O_SldO3Motneg	20.2	RSo5.B:1	I_BatMonMod58 A58.J1:24 6.1
				I_SldO1VacPrSe A56.J1:13 20.1
				I_SldO3CloseSw A58.J1:10 20.2
				I_SldO3LimiOutSw A58.J1:14 20.2
				I_SldO3LimitInSe A58.J1:11 20.2
				I_SldO3OpenSw A58.J1:9 20.2
A59.J1:1	O_SldO4MoSpeedA	20.2		I_BatMonMod59 A59.J1:24 6.1
				I_SldO1VacPrSe A56.J1:13 20.1
				I_SldO4CloseSw A59.J1:10 20.2
				I_SldO4LimiOutSw A59.J1:14 20.2
				I_SldO4LimitInSe A59.J1:11 20.2
				I_SldO4OpenSw A59.J1:9 20.2
A59.J1:2	O_SldO4MoSpeedB	20.2		I_BatMonMod59 A59.J1:24 6.1
				I_SldO1VacPrSe A56.J1:13 20.1
				I_SldO4CloseSw A59.J1:10 20.2
				I_SldO4LimiOutSw A59.J1:14 20.2
				I_SldO4LimitInSe A59.J1:11 20.2
				I_SldO4OpenSw A59.J1:9 20.2
A59.J1:20	O_SldO4MotPos	20.2	RSo7.B:1	I_BatMonMod59 A59.J1:24 6.1
				I_SldO1VacPrSe A56.J1:13 20.1
				I_SldO4CloseSw A59.J1:10 20.2
				I_SldO4LimiOutSw A59.J1:14 20.2
				I_SldO4LimitInSe A59.J1:11 20.2
				I_SldO4OpenSw A59.J1:9 20.2
A59.J1:3	O_SldO4RemoteLed	20.2	SwSo4:2	I_BatMonMod59 A59.J1:24 6.1
				I_SldO1VacPrSe A56.J1:13 20.1
				I_SldO4CloseSw A59.J1:10 20.2
				I_SldO4LimiOutSw A59.J1:14 20.2
				I_SldO4LimitInSe A59.J1:11 20.2
				I_SldO4OpenSw A59.J1:9 20.2
A59.J1:4	O_SldO4SealInfSo	20.2	SoSo9:1	I_SldO4Supply5v A59.J1:15 20.2
				I_SldO4CloseSw A59.J1:10 20.2

MULTIPLEX OUTPUT LIST

O_xx... = Physical Output Pin ; I_xx... = Physical Input Pin ; D_xx... = CAN Network Signal from the HVAC control Head ; B_xx.. = Multiplex system global Network Variable

Module.Pin#	Signal name	Page	Connected devices	Input involved		
A59.J1:4	O_SldO4SealInfSo	20.2	SoSo9:1	I_SldO4LimiOutSw	A59.J1:14	20.2
				I_SldO4LimitInSe	A59.J1:11	20.2
				I_SldO4OpenSw	A59.J1:9	20.2
A59.J1:5	O_SldO4SealDefSo	20.2	SoSo10:1	I_BatMonMod59	A59.J1:24	6.1
				I_SldO4CloseSw	A59.J1:10	20.2
				I_SldO4LimiOutSw	A59.J1:14	20.2
				I_SldO4LimitInSe	A59.J1:11	20.2
				I_SldO4OpenSw	A59.J1:9	20.2
				I_SldO4PBrakeSw	A59.J1:12	20.2
A59.J1:7	O_SldO4MotNeg	20.2	RSo8.B:1	I_BatMonMod59	A59.J1:24	6.1
				I_SldO1VacPrSe	A56.J1:13	20.1
				I_SldO4CloseSw	A59.J1:10	20.2
				I_SldO4LimiOutSw	A59.J1:14	20.2
				I_SldO4LimitInSe	A59.J1:11	20.2
				I_SldO4OpenSw	A59.J1:9	20.2
				I_SldO4PBrakeSw	A59.J1:12	20.2

MULTIPLEX OUTPUT LIST

O_xx... = Physical Output Pin ; I_xx... = Physical Input Pin ; D_xx... = CAN Network Signal from the HVAC control Head ; B_xx... = Multiplex system global Network Variable

Module.Pin#	Signal name	Description	Page	Connected devices	Input involved		
A36.JA:12	O_ClusterEsc		10.1	Res34:1, A14A.A:5	D_Stw_Sw17	.	
					I_BlinkSw	A43.J1:20	26.1
					I_BrkLtSeFrSig	A36.JB:13	12.1
					I_ParkBrSe	A36.JB:9	12.1
A36.JA:13	O_EngineRun	Engine Run Signal	3.2	A15:6	B_EngineRun	.	
					B_OneAltCharging	.	
					D_OnOffDrvSw	.	
					I_AccKeySw	A36.JB:6	3.2
					I_BatMonMod53	A53.J1:24	6.1
					I_BatMonMod54	A54.J1:24	6.1
					I_FrStrtEnSw	A53.J1:9	3.2
					I_IgnKeySw	A36.JB:2	3.2
					I_RrStrtEnSw	A53.J1:10	3.2
A36.JA:14	O_ClusterSelect		10.1	Res33:1, A14A.A:4	D_Stw_Sw16	.	
					I_BrkLtSeFrSig	A36.JB:13	12.1
					I_HiBeamCallSw	A43.J1:3	26.1
					I_ParkBrSe	A36.JB:9	12.1
A36.JA:15	O_WakeUp	WakeUp Relay	3.3		I_AccKeySw	A36.JB:6	3.2
					I_EntDrUnlockSw	A41.J1:8	29.1
					I_FrStrtEnSw	A53.J1:9	3.2
					I_HazardSw	A36.JB:4	26.1
					I_IgnKeySw	A36.JB:2	3.2
					I_RrCutOutSw	A36.JB:21	3.2
					I_RrStrtEnSw	A53.J1:10	3.2
					I_WakeUp	A36.JB:5	9.1
A36.JA:16	O_ClusterUp		10.1	Res35:1, A14A.A:6	D_Stw_Sw18	.	
					I_BrkLtSeFrSig	A36.JB:13	12.1
					I_ParkBrSe	A36.JB:9	12.1
					I_RHFfshSw	A48.J1:12	26.1
A36.JA:17	O_MasterRlyLatch		3.2		B_EngineRun	.	
					B_OneAltCharging	.	
					I_IgnKeySw	A36.JB:2	3.2
					I_RrCutOutSw	A36.JB:21	3.2
A36.JA:18	O_ClusterDown		10.1	Res36:1, A14A.A:7	D_Stw_Sw19	.	
					I_BrkLtSeFrSig	A36.JB:13	12.1
					I_LHFfshSw	A45.J1:9	26.1
					I_ParkBrSe	A36.JB:9	12.1
A36.JA:24	O_CutOutRel	Emergency CutOut Relay	3.2		I_FireExt2ndAlm	A44.J1:10	40.1
					I_IgnKeySw	A36.JB:2	3.2
A36.JA:25	O_DiffLockTT		10.1	A14A.C:11	I_DiffLockSw	A43.J1:9	37.1
					I_IgnKeySw	A36.JB:2	3.2
A36.JA:6	O_DrUnlockRly	Luggages doors unlocks relays	33.1		I_KeylessLuggUnl	A41.J1:18	29.1
					I_LugDorUlkSw	A41.J1:20	33.1

MULTIPLEX OUTPUT LIST

O_xx... = Physical Output Pin ; I_xx... = Physical Input Pin ; D_xx... = CAN Network Signal from the HVAC control Head ; B_xx.. = Multiplex system global Network Variable

Module.Pin#	Signal name	Description	Page	Connected devices	Input involved							
A36.JA:7	O_DrLockRly	Luggages doors locks relays	33.1		I_AccKeySw	A36.JB:6	3.2					
					I_EntDrUnlockSw	A41.J1:8	29.1					
					I_FrStrtEnSw	A53.J1:9	3.2					
					I_HazardSw	A36.JB:4	26.1					
					I_IgnKeySw	A36.JB:2	3.2					
					I_KeylessLockAll	A41.J1:19	29.1					
					I_LugDorLkSw	A41.J1:17	33.1					
					I_RrCutOutSw	A36.JB:21	3.2					
					I_RrStrtEnSw	A53.J1:10	3.2					
					I_WakeUp	A36.JB:5	9.1					
					A41.J1:11	O_ConvWakeUp	Converter wake up signal	36.1	CC2:1, FREE:FREE, CC2:1	I_AccKeySw	A36.JB:6	3.2
I_EntDrUnlockSw	A41.J1:8	29.1										
I_FrStrtEnSw	A53.J1:9	3.2										
I_HazardSw	A36.JB:4	26.1										
I_IgnKeySw	A36.JB:2	3.2										
I_RrCutOutSw	A36.JB:21	3.2										
I_RrStrtEnSw	A53.J1:10	3.2										
I_WakeUp	A36.JB:5	9.1										
A41.J1:12	O_DoorUnlockMo	Entrance door unlock motor	29.1	R36:86						I_AccKeySw	A36.JB:6	3.2
										I_EntDorLockSw	A41.J1:9	29.1
										I_EntDorOpSe	A41.J1:5	29.1
					I_EntDrUnlockSw	A41.J1:8	29.1					
					I_EntDrUnSw	A48.J1:9						
					I_FrStrtEnSw	A53.J1:9	3.2					
					I_HazardSw	A36.JB:4	26.1					
					I_IgnKeySw	A36.JB:2	3.2					
					I_KeylessDrUnl	A41.J1:4	29.1					
					I_KeylessLockAll	A41.J1:19	29.1					
					I_RrCutOutSw	A36.JB:21	3.2					
A41.J1:13	O_EntDorUpperPen	Entrance Door Upper Pen			I_ParkBrSe	A36.JB:9	12.1					
					I_AccKeySw	A36.JB:6	3.2					
					I_EntDorLockSw	A41.J1:9	29.1					
					I_EntDorOpSe	A41.J1:5	29.1					
					I_EntDrUnlockSw	A41.J1:8	29.1					
					I_EntDrUnSw	A48.J1:9						
					I_FrStrtEnSw	A53.J1:9	3.2					
					I_HazardSw	A36.JB:4	26.1					
					I_IgnKeySw	A36.JB:2	3.2					
					I_KeylessDrUnl	A41.J1:4	29.1					
					I_KeylessLockAll	A41.J1:19	29.1					
A41.J1:14	O_DoorLockMo	Entrance door lock motor	29.1	R37:86	I_AccKeySw	A36.JB:6	3.2					
					I_EntDorLockSw	A41.J1:9	29.1					
					I_EntDorOpSe	A41.J1:5	29.1					
					I_EntDrUnlockSw	A41.J1:8	29.1					
					I_EntDrUnSw	A48.J1:9						
					I_FrStrtEnSw	A53.J1:9	3.2					
					I_HazardSw	A36.JB:4	26.1					
					I_IgnKeySw	A36.JB:2	3.2					
					I_KeylessDrUnl	A41.J1:4	29.1					
					I_KeylessLockAll	A41.J1:19	29.1					
					I_RrCutOutSw	A36.JB:21	3.2					

MULTIPLEX OUTPUT LIST

O_xx... = Physical Output Pin ; I_xx... = Physical Input Pin ; D_xx... = CAN Network Signal from the HVAC control Head ; B_xx... = Multiplex system global Network Variable

Module.Pin#	Signal name	Description	Page	Connected devices	Input involved		
A41.J1:14	O_DoorLockMo	Entrance door lock motor	29.1	R37:86	I_RrStrtEnSw	A53.J1:10	3.2
					I_WakeUp	A36.JB:5	9.1
A41.J1:15	O_ConvParkBrk	Converter park brake signal	36.1	CC2:4, FREE:FREE, CC2:4	I_ParkBrSe	A36.JB:9	12.1
A41.J1:16	O_WakeUpA41		9.1	A36.JB:5	I_AccKeySw	A36.JB:6	3.2
					I_DrvLtSw	A41.J1:2	19.1
					I_EntDorLockSw	A41.J1:9	29.1
					I_EntDorOpSe	A41.J1:5	29.1
					I_EntDrUnlockSw	A41.J1:8	29.1
					I_FireSensorA36	A41.J1:10	9.1
					I_FrStrtEnSw	A53.J1:9	3.2
					I_HazardSw	A36.JB:4	26.1
					I_HornSw	A41.J1:3	9.1
					I_IgnKeySw	A36.JB:2	3.2
					I_KeylessDrUnl	A41.J1:4	29.1
					I_KeylessEntReq	A41.J1:21	29.1
					I_KeylessIntru	A41.J1:7	29.1
					I_KeylessLockAll	A41.J1:19	29.1
					I_KeylessLuggUnl	A41.J1:18	29.1
					I_LugDorLkSw	A41.J1:17	33.1
					I_LugDorULkSw	A41.J1:20	33.1
					I_RrCutOutSw	A36.JB:21	3.2
					I_RrStrtEnSw	A53.J1:10	3.2
					I_WakeUp	A36.JB:5	9.1
A41.J1:30	O_ConvrNeutral	Converter neutral signal	36.1	CC2:3, CC2:3, FREE:FREE	I_NeutralSe	A50.J1:11	15.1
A42.J1:11	O_ConvIgnition	Converter ignition signal	36.1	CC2:5, FREE:FREE, CC2:5	I_IgnKeySw	A36.JB:2	3.2
A42.J1:12	O_ConvEngRun	Converter engine run signal	36.1	CC2:6, FREE:FREE, CC2:6	B_EngineRun	.	
					B_OneAltCharging	.	
A42.J1:13	O_SldO2MotIn	Rear Slide Out retracting	36.1	CC2:9, CC2:9, FREE:FREE	I_BatMonMod57	A57.J1:24	6.1
					I_SldO1VacPrSe	A56.J1:13	20.1
					I_SldO2CloseSw	A57.J1:10	20.1
					I_SldO2LimiOutSw	A57.J1:14	20.1
					I_SldO2LimitInSe	A57.J1:11	20.1
					I_SldO2OpenSw	A57.J1:9	20.1
					I_SldO2PBrakeSw	A57.J1:12	20.1
A42.J1:14	O_SldO1MotIn	Front Slide Out retracting	36.1	CC2:7, CC2:7, FREE:FREE	I_BatMonMod56	A56.J1:24	6.1
					I_SldO1CloseSw	A56.J1:10	20.1
					I_SldO1LimiOutSw	A56.J1:14	20.1
					I_SldO1LimitInSe	A56.J1:11	20.1
					I_SldO1OpenSw	A56.J1:9	20.1
					I_SldO1PBrakeSw	A56.J1:12	20.1
					I_SldO1VacPrSe	A56.J1:13	20.1
A42.J1:16	O_SldO1MotOut	Front Slide Out extending	36.1	CC2:8, CC2:8, FREE:FREE	I_BatMonMod56	A56.J1:24	6.1
					I_SldO1CloseSw	A56.J1:10	20.1

MULTIPLEX OUTPUT LIST

O_xx... = Physical Output Pin ; I_xx... = Physical Input Pin ; D_xx... = CAN Network Signal from the HVAC control Head ; B_xx... = Multiplex system global Network Variable

Module.Pin#	Signal name	Description	Page	Connected devices	Input involved		
A42.J1:16	O_SldO1MotOut	Front Slide Out extending	36.1	CC2:8, CC2:8, FREE:FREE	I_SldO1LimiOutSw	A56.J1:14	20.1
					I_SldO1LimitInSe	A56.J1:11	20.1
					I_SldO1OpenSw	A56.J1:9	20.1
					I_SldO1PBrakeSw	A56.J1:12	20.1
					I_SldO1VacPrSe	A56.J1:13	20.1
A43.J1:11	O_SldO2MotOut	Rear Slide Out extending	36.1	CC2:10, CC2:10, FREE:FREE	I_BatMonMod57	A57.J1:24	6.1
					I_SldO1VacPrSe	A56.J1:13	20.1
					I_SldO2CloseSw	A57.J1:10	20.1
					I_SldO2LimiOutSw	A57.J1:14	20.1
					I_SldO2LimitInSe	A57.J1:11	20.1
					I_SldO2OpenSw	A57.J1:9	20.1
					I_SldO2PBrakeSw	A57.J1:12	20.1
A43.J1:12	O_CruCtrlSet	Cruise Control Set Volvo	38.1	A81A.JA:1	D_Stw_Sw7	.	
					D_Stw_Sw8	.	
					I_LwWipIntSw	A42.J1:8	34.1
A43.J1:13	O_HornSol	Electric Horn	9.1	L1:2	I_AccKeySw	A36.JB:6	3.2
					I_EntDrUnlockSw	A41.J1:8	29.1
					I_FireExt1stAl	A36.JB:23	40.1
					I_FireExt2ndAlm	A44.J1:10	40.1
					I_FireSensorA36	A41.J1:10	9.1
					I_FrStrtEnSw	A53.J1:9	3.2
					I_HazardSw	A36.JB:4	26.1
					I_HornSelectSw	A43.J1:7	9.1
					I_HornSw	A41.J1:3	9.1
					I_IgnKeySw	A36.JB:2	3.2
					I_KeylessDrUnl	A41.J1:4	29.1
					I_KeylessIntru	A41.J1:7	29.1
					I_KeylessLockAll	A41.J1:19	29.1
					I_KeylessLuggUnl	A41.J1:18	29.1
					I_KeylessPanic	A41.J1:6	29.1
					I_LugDorLkSw	A41.J1:17	33.1
					I_RrCutOutSw	A36.JB:21	3.2
					I_RrStrtEnSw	A53.J1:10	3.2
					I_WakeUp	A36.JB:5	9.1
A43.J1:14	O_CruCtrlRsm	Cruise Control Resume Volvo	38.1	A81A.JA:2	D_Stw_Sw7	.	
					D_Stw_Sw8	.	
					I_LwWipIntSw	A42.J1:8	34.1
A43.J1:15	O_Alt	Alternator	10.1	A14A.C:7	B_EngineRun	.	
					B_OneAltCharging	.	
					I_Alt1Voltage	A49.J1:8	3.2
					I_IgnKeySw	A36.JB:2	3.2
A43.J1:16	O_BrkRedCompat	Brake Redundant Compatible	38.1	A81A.JA:5	D_Stw_Sw9	.	
					I_BrkLtSeFrSig	A36.JB:13	12.1

MULTIPLEX OUTPUT LIST

O_xx... = Physical Output Pin ; I_xx... = Physical Input Pin ; D_xx... = CAN Network Signal from the HVAC control Head ; B_xx... = Multiplex system global Network Variable

Module.Pin#	Signal name	Description	Page	Connected devices	Input involved		
A43.J1:16	O_BrkRedCompat	Brake Redundant Compatible	38.1	A81A.JA:5	I_BrkLtSeRrSig	A51.J1:10	12.1
					I_IgnKeySw	A36.JB:2	3.2
					I_LwWipIntSw	A42.J1:8	34.1
					I_RetdrSig	A50.J1:12	15.1
A44.J1:1	O_DashTrapPMo	Dash Trap Motor	18.1	Mo3:1	D_AirFlapBit0	.	
					D_AirFlapBit1	.	
					D_AirFlapBit2	.	
					I_IgnKeySw	A36.JB:2	3.2
A44.J1:2	O_DashTrapNMo	Dash Trap Motor Return	18.1	Mo3:3	D_AirFlapBit0	.	
					D_AirFlapBit1	.	
					D_AirFlapBit2	.	
					I_IgnKeySw	A36.JB:2	3.2
A44.J1:20	O_BackUpMon	Backup Monitor Signal	28.1	MONITOR:1	I_BackUpCamSw	A55.J1:17	28.1
A44.J1:4	O_LHFogLb2	Left Hand Fog Light Bulb	26.3	L95B:1	B_BatterySaver	.	
					B_EngineRun	.	
					B_OneAltCharging	.	
					B_TstModExtLight	.	
					I_BatMonMod45	A45.J1:24	6.1
					I_FogLightSw	A55.J1:6	26.3
					I_HdLtHiLowBmSw	A43.J1:8	26.1
					I_HdLtPos2SwLH	A45.J1:12	26.1
A44.J1:6	O_KeylessPwr		29.1	A31.A:25	I_IgnKeySw	A36.JB:2	3.2
					I_LugDorLkSw	A41.J1:17	33.1
A44.J1:7	O_DashBackLit	Dash BackLighting	19.1		I_HdLtPos1Sw	A43.J1:4	26.1
A44.J1:8	O_FrClearLb	Front Clearance Lights Bulb	26.1		B_BatterySaver	.	
					B_EngineRun	.	
					B_OneAltCharging	.	
					B_TstModExtLight	.	
					I_BlinkSw	A43.J1:20	26.1
					I_FogLightSw	A55.J1:6	26.3
					I_HdLtPos1Sw	A43.J1:4	26.1
					I_HdLtPos2SwLH	A45.J1:12	26.1
A45.J1:1	O_FootTrpPSol	Foot Trap Solenoid	18.1	Mo4:A	D_AirFlapBit0	.	
					D_AirFlapBit1	.	
					D_AirFlapBit2	.	
					I_IgnKeySw	A36.JB:2	3.2
A45.J1:2	O_FootTrpNSol	Foot Trap Solenoid	18.1	Mo4:B	D_AirFlapBit0	.	
					D_AirFlapBit1	.	
					D_AirFlapBit2	.	
					I_IgnKeySw	A36.JB:2	3.2
A45.J1:20	O_HornElectric	Horn Electric	9.1		I_AccKeySw	A36.JB:6	3.2
					I_EntDrUnlockSw	A41.J1:8	29.1
					I_FireExt1stAl	A36.JB:23	40.1

MULTIPLEX OUTPUT LIST

O_xx... = Physical Output Pin ; I_xx... = Physical Input Pin ; D_xx... = CAN Network Signal from the HVAC control Head ; B_xx... = Multiplex system global Network Variable

Module.Pin#	Signal name	Description	Page	Connected devices	Input involved		
A45.J1:20	O_HornElectric	Horn Electric	9.1		I_FireExt2ndAlm	A44.J1:10	40.1
					I_FireSensorA36	A41.J1:10	9.1
					I_FrStrtEnSw	A53.J1:9	3.2
					I_HazardSw	A36.JB:4	26.1
					I_HornSelectSw	A43.J1:7	9.1
					I_HornSw	A41.J1:3	9.1
					I_IgnKeySw	A36.JB:2	3.2
					I_KeylessDrUnl	A41.J1:4	29.1
					I_KeylessIntru	A41.J1:7	29.1
					I_KeylessLockAll	A41.J1:19	29.1
					I_KeylessLuggUnl	A41.J1:18	29.1
					I_KeylessPanic	A41.J1:6	29.1
					I_LugDorLkSw	A41.J1:17	33.1
					I_RrCutOutSw	A36.JB:21	3.2
					I_RrStrtEnSw	A53.J1:10	3.2
					I_WakeUp	A36.JB:5	9.1
A45.J1:21	O_LHFrMkrLb	Left Hand Front Markers Light Bulb	26.1	L65:1	B_BatterySaver	.	
					B_EngineRun	.	
					B_OneAltCharging	.	
					B_TstModExtLight	.	
					I_BlinkSw	A43.J1:20	26.1
					I_EntDrUnlockSw	A41.J1:8	29.1
					I_FogLightSw	A55.J1:6	26.3
					I_FrStrtEnSw	A53.J1:9	3.2
					I_HazardSw	A36.JB:4	26.1
					I_HdLtPos1Sw	A43.J1:4	26.1
					I_HdLtPos2SwLH	A45.J1:12	26.1
					I_IgnKeySw	A36.JB:2	3.2
					I_KeylessDrUnl	A41.J1:4	29.1
					I_KeylessIntru	A41.J1:7	29.1
					I_KeylessPanic	A41.J1:6	29.1
					I_RrCutOutSw	A36.JB:21	3.2
					I_RrStrtEnSw	A53.J1:10	3.2
					I_WakeUp	A36.JB:5	9.1
A45.J1:3	O_LeftFrFlshPH		26.1		B_BatterySaver	.	
					B_EngineRun	.	
					B_OneAltCharging	.	
					B_TstModExtLight	.	
					I_HazardSw	A36.JB:4	26.1
					I_LHFlshSw	A45.J1:9	26.1
					I_LHFlshSwRrSig	A51.J1:9	26.2
					I_RHFlshSwRrSig	A51.J1:12	26.2
A45.J1:4	O_LHFogLb1	Left Hand Fog Light Bulb	26.3	L95A:1	B_BatterySaver	.	

MULTIPLEX OUTPUT LIST

O_xx... = Physical Output Pin ; I_xx... = Physical Input Pin ; D_xx... = CAN Network Signal from the HVAC control Head ; B_xx.. = Multiplex system global Network Variable

Module.Pin#	Signal name	Description	Page	Connected devices	Input involved	
A45.J1:4	O_LHFogLb1	Left Hand Fog Light Bulb	26.3	L95A:1	B_EngineRun	.
					B_OneAltCharging	.
					B_TstModExtLight	.
					I_BatMonMod45	A45.J1:24 6.1
					I_FogLightSw	A55.J1:6 26.3
					I_HdLtHiLowBmSw	A43.J1:8 26.1
					I_HdLtPos2SwLH	A45.J1:12 26.1
A45.J1:5	O_LHCornerLb	Left Hand Cornering Light Bulb	26.3	L97.A:1	B_BatterySaver	.
					B_EngineRun	.
					B_OneAltCharging	.
					B_TstModExtLight	.
					I_CorneringLtSw	A55.J1:7 26.3
					I_DockingLtSw	A55.J1:8 26.3
					I_LHFlshSw	A45.J1:9 26.1
					I_LowDockLtsSw	A55.J1:9 26.3
A45.J1:6	O_LHHiBmLb	Left Hand Hi Beam Light Bulb	26.1		B_BatterySaver	.
					B_EngineRun	.
					B_OneAltCharging	.
					B_TstModExtLight	.
					I_BatMonMod45	A45.J1:24 6.1
					I_HdLtHiLowBmSw	A43.J1:8 26.1
					I_HdLtPos2SwLH	A45.J1:12 26.1
					I_HiBeamCallSw	A43.J1:3 26.1
A45.J1:7	O_LHLwBmLb	Left Hand Low Beam Light Bulb	26.1		B_BatterySaver	.
					B_EngineRun	.
					B_OneAltCharging	.
					B_TstModExtLight	.
					I_BatMonMod45	A45.J1:24 6.1
					I_HdLtHiLowBmSw	A43.J1:8 26.1
					I_HdLtPos2SwLH	A45.J1:12 26.1
A45.J1:8	O_LHFrSidFlshLb		26.1	L66:1	B_BatterySaver	.
					B_EngineRun	.
					B_OneAltCharging	.
					B_TstModExtLight	.
					I_HazardSw	A36.JB:4 26.1
					I_LHFlshSw	A45.J1:9 26.1
					I_LHFlshSwRrSig	A51.J1:9 26.2
					I_RHFlshSwRrSig	A51.J1:12 26.2
A46.J1:1	O_AuxFanSpeed	Auxiliary fan speed control	18.3	A32.A:D	B_BatterySaver	.
					B_EngineRun	.
					B_OneAltCharging	.
					D_AuxFanSpdBit0	.
					D_AuxFanSpdBit1	.

MULTIPLEX OUTPUT LIST

O_xx... = Physical Output Pin ; I_xx... = Physical Input Pin ; D_xx... = CAN Network Signal from the HVAC control Head ; B_xx.. = Multiplex system global Network Variable

Module.Pin#	Signal name	Description	Page	Connected devices	Input involved		
A46.J1:1	O_AuxFanSpeed	Auxiliary fan speed control	18.3	A32.A:D	D_AuxFanSpdBit2	.	
					D_AuxFnOnOffSw	.	
					I_BatMonMod46	A46.J1:24	6.1
					I_IgnKeySw	A36.JB:2	3.2
A46.J1:2	O_UpWiperMot	Upper Wiper Motor	34.1	R24:85	B_BatterySaver	.	
					B_EngineRun	.	
					B_OneAltCharging	.	
					I_UpWipIntSw	A55.J1:20	34.1
					I_UpWipSw	A55.J1:21	34.1
					I_UpWshSw	A55.J1:19	34.1
A46.J1:20	O_UdrFlrLb	Under Floor Light Bulb	25.1		B_BatterySaver	.	
					B_EngineRun	.	
					B_OneAltCharging	.	
					I_AccKeySw	A36.JB:6	3.2
					I_IgnKeySw	A36.JB:2	3.2
A46.J1:21	O_HeadLmpWshM		34.1	Mo54:2	I_HeadLmpWshSw	A55.J1:18	34.1
A46.J1:3	O_LwWshPmp	Lower Wiper Washer Pump	34.1		B_BatterySaver	.	
					B_EngineRun	.	
					B_OneAltCharging	.	
					I_LwWshSw	A46.J1:9	34.1
A46.J1:4	O_UpWshPmp	Upper Wiper Washer Pump	34.1	Mo18:1	B_BatterySaver	.	
					B_EngineRun	.	
					B_OneAltCharging	.	
					I_UpWshSw	A55.J1:19	34.1
A46.J1:5	O_DrvRfgSol	Driver refrigerent solenoid	18.1	D2.A:1	B_BatterySaver	.	
					B_EngineRun	.	
					B_LowVoltage	.	
					B_OneAltCharging	.	
					B_TstModHvac	.	
					B_TstModSAC	.	
					D_AmbTempLSB	.	
					D_AmbTempMSB	.	
					D_OnOffDrvSw	.	
					I_AcPresHiSse	A52.J1:13	18.2
					I_AcPresLoSse	A52.J1:14	18.2
A46.J1:6	O_DrvHeatSol	Driver Heat Solenoid	18.1	So8:1	B_BatterySaver	.	
					B_EngineRun	.	
					B_LowVoltage	.	
					B_OneAltCharging	.	
					B_TestMode	.	
					B_TstModHvac	.	
					B_TstModSAC	.	
					D_AirFlapBit0	.	

MULTIPLEX OUTPUT LIST

O_xx... = Physical Output Pin ; I_xx... = Physical Input Pin ; D_xx... = CAN Network Signal from the HVAC control Head ; B_xx.. = Multiplex system global Network Variable

Module.Pin#	Signal name	Description	Page	Connected devices	Input involved		
A46.J1:6	O_DrvHeatSol	Driver Heat Solenoid	18.1	So8:1	D_AirFlapBit1	.	
					D_AirFlapBit2	.	
					D_AmbTempLSB	.	
					D_AmbTempMSB	.	
					D_AuxFanSpdBit0	.	
					D_AuxFanSpdBit1	.	
					D_AuxFanSpdBit2	.	
					D_DriverSetPts	.	
					D_DrvFnSpdBit0	.	
					D_DrvFnSpdBit1	.	
					D_DrvFnSpdBit2	.	
					D_HvacPump	.	
					D_OnOffDrvSw	.	
					D_OnOffPassSw	.	
					D_PassSetPts	.	
					I_BatMonMod46	A46.J1:24	6.1
					I_BatMonMod54	A54.J1:24	6.1
					I_DefrostHighSw	A47.J1:10	18.1
					I_DefrostLowSw	A47.J1:12	18.1
					I_DrvTempSe	A55.J1:1	18.1
					I_FireExt1stAl	A36.JB:23	40.1
					I_FireExt2ndAlm	A44.J1:10	40.1
					I_FireSensorA36	A41.J1:10	9.1
A46.J1:8	O_AuxSolValve	Auxiliary refrigerant solenoid valve	18.3	So38:A	B_BatterySaver	.	
					B_EngineRun	.	
					B_OneAltCharging	.	
					B_TstModSAC	.	
					D_AuxFnOnOffSw	.	
					I_AcPresHiSse	A52.J1:13	18.2
					I_AcPresLoSse	A52.J1:14	18.2
A47.J1:1	O_DrvDefFanMo	Driver Defroster Fan Motor	18.1	A24.B:B	B_BatterySaver	.	
					B_EngineRun	.	
					B_LowVoltage	.	
					B_OneAltCharging	.	
					D_DrvFnSpdBit0	.	
					D_DrvFnSpdBit1	.	
					D_DrvFnSpdBit2	.	
					D_OnOffDrvSw	.	
					I_BatMonMod47	A47.J1:24	6.1
					I_IgnKeySw	A36.JB:2	3.2
A47.J1:2	O_DrvRecTrap	Driver Recycle Trap	18.1	L203:A	B_BatterySaver	.	
					B_EngineRun	.	
					B_OneAltCharging	.	

MULTIPLEX OUTPUT LIST

O_xx... = Physical Output Pin ; I_xx... = Physical Input Pin ; D_xx... = CAN Network Signal from the HVAC control Head ; B_xx.. = Multiplex system global Network Variable

Module.Pin#	Signal name	Description	Page	Connected devices	Input involved		
A47.J1:2	O_DrvRecTrap	Driver Recycle Trap	18.1	L203:A	B_TstModHvac	.	
					B_TstModSAC	.	
					D_RecSw	.	
A47.J1:20	O_AuxWaterPump	Auxiliary water pump	18.3		B_BatterySaver	.	
					B_EngineRun	.	
					B_OneAltCharging	.	
					B_TstModSAC	.	
					D_AmbTempLSB	.	
					D_AmbTempMSB	.	
					D_AuxFanSpdBit0	.	
					D_AuxFanSpdBit1	.	
					D_AuxFanSpdBit2	.	
					D_DrvFnSpdBit0	.	
					D_DrvFnSpdBit1	.	
					D_DrvFnSpdBit2	.	
					D_HvacPump	.	
					D_OnOffDrvSw	.	
					D_StopTestMode	.	
					I_DefrostHighSw	A47.J1:10	18.1
					I_DefrostLowSw	A47.J1:12	18.1
					I_IgnKeySw	A36.JB:2	3.2
A47.J1:3	O_LwWipSpd1	Lower Wiper Speed 1	34.1	R23:86	B_BatterySaver	.	
					B_EngineRun	.	
					B_OneAltCharging	.	
					I_LwWipIntSw	A42.J1:8	34.1
					I_LwWshSw	A46.J1:9	34.1
A47.J1:5	O_EntDorStpLb	Entrance Door Step Light Bulb	29.1		I_AccKeySw	A36.JB:6	3.2
					I_EntDorOpSe	A41.J1:5	29.1
					I_EntDrUnlockSw	A41.J1:8	29.1
					I_FrStrtEnSw	A53.J1:9	3.2
					I_HazardSw	A36.JB:4	26.1
					I_IgnKeySw	A36.JB:2	3.2
					I_KeylessDrUnl	A41.J1:4	29.1
					I_KeylessLuggUnl	A41.J1:18	29.1
					I_LugDorLkSw	A41.J1:17	33.1
					I_RrCutOutSw	A36.JB:21	3.2
					I_RrStrtEnSw	A53.J1:10	3.2
					I_WakeUp	A36.JB:5	9.1
A47.J1:6	O_DriverLtLb	Driver Light Bulb	19.1		B_BatterySaver	.	
					B_EngineRun	.	
					B_OneAltCharging	.	
					I_DrvLtSw	A41.J1:2	19.1
A47.J1:7	O_RHDefrostFan	Passenger defrost fan speed	18.1	A30.A:D	B_BatterySaver	.	

MULTIPLEX OUTPUT LIST

O_xx... = Physical Output Pin ; I_xx... = Physical Input Pin ; D_xx... = CAN Network Signal from the HVAC control Head ; B_xx.. = Multiplex system global Network Variable

Module.Pin#	Signal name	Description	Page	Connected devices	Input involved		
A47.J1:7	O_RHDefrostFan	Passenger defrost fan speed control	18.1	A30.A:D	B_EngineRun	.	
					B_LowVoltage	.	
					B_OneAltCharging	.	
					D_DrvFnSpdBit0	.	
					D_DrvFnSpdBit1	.	
					D_DrvFnSpdBit2	.	
					D_OnOffDrvSw	.	
					I_BatMonMod47	A47.J1:24	6.1
					I_DefrostHighSw	A47.J1:10	18.1
					I_DefrostLowSw	A47.J1:12	18.1
					I_IgnKeySw	A36.JB:2	3.2
A47.J1:8	O_EntDorLtLb	Entrance Door Light Bulb	29.1	L17:1	B_BatterySaver	.	
					B_EngineRun	.	
					B_OneAltCharging	.	
					I_DrvLtSw	A41.J1:2	19.1
					I_EntDorOpSe	A41.J1:5	29.1
					I_EntDrUnlockSw	A41.J1:8	29.1
					I_FrStrtEnSw	A53.J1:9	3.2
					I_HazardSw	A36.JB:4	26.1
					I_KeylessDrUnl	A41.J1:4	29.1
					I_KeylessLuggUnl	A41.J1:18	29.1
					I_LugDorLkSw	A41.J1:17	33.1
					I_RrCutOutSw	A36.JB:21	3.2
					I_RrStrtEnSw	A53.J1:10	3.2
					I_WakeUp	A36.JB:5	9.1
A48.J1:20	O_RHFrsidFlshLb	RH Front Side Flasher L-Bulb	26.1	L64:1	B_BatterySaver	.	
					B_EngineRun	.	
					B_OneAltCharging	.	
					B_TstModExtLight	.	
					I_HazardSw	A36.JB:4	26.1
					I_LHFlshSwRrSig	A51.J1:9	26.2
					I_RHFlshSw	A48.J1:12	26.1
					I_RHFlshSwRrSig	A51.J1:12	26.2
A48.J1:21	O_RHFrMrkLb	Right Hand Front Markers Light Bulb	26.1	L63:1	B_BatterySaver	.	
					B_EngineRun	.	
					B_OneAltCharging	.	
					B_TstModExtLight	.	
					I_BlinkSw	A43.J1:20	26.1
					I_EntDrUnlockSw	A41.J1:8	29.1
					I_FogLightSw	A55.J1:6	26.3
					I_FrStrtEnSw	A53.J1:9	3.2
					I_HazardSw	A36.JB:4	26.1
					I_HdLtPos1Sw	A43.J1:4	26.1

MULTIPLEX OUTPUT LIST

O_xx... = Physical Output Pin ; I_xx... = Physical Input Pin ; D_xx... = CAN Network Signal from the HVAC control Head ; B_xx... = Multiplex system global Network Variable

Module.Pin#	Signal name	Description	Page	Connected devices	Input involved		
A48.J1:21	O_RHFrMrkLb	Right Hand Front Markers Light Bulb	26.1	L63:1	I_HdLtPos2SwLH	A45.J1:12	26.1
					I_KeylessDrUnl	A41.J1:4	29.1
					I_KeylessIntru	A41.J1:7	29.1
					I_KeylessPanic	A41.J1:6	29.1
					I_RrCutOutSw	A36.JB:21	3.2
					I_RrStrtEnSw	A53.J1:10	3.2
					I_WakeUp	A36.JB:5	9.1
A48.J1:3	O_RHHiBeamLb	Right Hand Hi Beam Light Bulb	26.1	L302:C	B_BatterySaver	.	
					B_EngineRun	.	
					B_OneAltCharging	.	
					B_TstModExtLight	.	
					I_BatMonMod48	A48.J1:24	6.1
					I_HdLthiLowBmSw	A43.J1:8	26.1
					I_HdLtPos2SwLH	A45.J1:12	26.1
					I_HiBeamCallSw	A43.J1:3	26.1
A48.J1:4	O_RHLwBeamLb	Right Hand Low Beam Light Bulb	26.1	L302:E	B_BatterySaver	.	
					B_EngineRun	.	
					B_OneAltCharging	.	
					B_TstModExtLight	.	
					I_BatMonMod48	A48.J1:24	6.1
					I_HdLthiLowBmSw	A43.J1:8	26.1
					I_HdLtPos2SwRH	A48.J1:10	26.1
A48.J1:5	O_RHCornerLb	Right Hand Cornering Light Bulb	26.3	L98A.A:1	B_BatterySaver	.	
					B_EngineRun	.	
					B_OneAltCharging	.	
					B_TstModExtLight	.	
					I_CorneringLtSw	A55.J1:7	26.3
					I_DockingLtSw	A55.J1:8	26.3
					I_LowDockLtsSw	A55.J1:9	26.3
					I_RHFlshSw	A48.J1:12	26.1
A48.J1:6	O_RightFrFlshPH		26.1		B_BatterySaver	.	
					B_EngineRun	.	
					B_OneAltCharging	.	
					B_TstModExtLight	.	
					I_HazardSw	A36.JB:4	26.1
					I_LHFlshSwRrSig	A51.J1:9	26.2
					I_RHFlshSw	A48.J1:12	26.1
					I_RHFlshSwRrSig	A51.J1:12	26.2
A48.J1:7	O_RHFogLb2	Right Hand Fog Light	26.3	L96B:1	B_BatterySaver	.	
					B_EngineRun	.	
					B_OneAltCharging	.	
					B_TstModExtLight	.	
					I_BatMonMod48	A48.J1:24	6.1

MULTIPLEX OUTPUT LIST

O_xx... = Physical Output Pin ; I_xx... = Physical Input Pin ; D_xx... = CAN Network Signal from the HVAC control Head ; B_xx.. = Multiplex system global Network Variable

Module.Pin#	Signal name	Description	Page	Connected devices	Input involved		
A48.J1:7	O_RHFogLb2	Right Hand Fog Light	26.3	L96B:1	I_FogLightSw	A55.J1:6	26.3
					I_HdLtHiLowBmSw	A43.J1:8	26.1
					I_HdLtPos2SwLH	A45.J1:12	26.1
A48.J1:8	O_RHFogLb1	Right Hand Fog Light	26.3	L96A:1	B_BatterySaver	.	
					B_EngineRun	.	
					B_OneAltCharging	.	
					B_TstModExtLight	.	
					I_BatMonMod48	A48.J1:24	6.1
					I_FogLightSw	A55.J1:6	26.3
					I_HdLtHiLowBmSw	A43.J1:8	26.1
					I_HdLtPos2SwLH	A45.J1:12	26.1
A49.J1:14	O_RetardEna	Retarder Enable	12.1		D_Stw_Sw2	.	
					D_Stw_Sw3	.	
					D_Stw_Sw5	.	
					I_RetarderSel	A55.J1:10	12.1
A50.J1:1	O_BackUpCam	Back up camera	28.1		I_BackUpCamSw	A55.J1:17	28.1
A50.J1:2	O_TransInhibit	Transmission Inhibit	15.1		I_BrkLtSeFrSig	A36.JB:13	12.1
					I_BrkLtSeRrSig	A51.J1:10	12.1
					I_SldO1LimitInSe	A56.J1:11	20.1
					I_SldO2LimitInSe	A57.J1:11	20.1
					I_SldO3LimitInSe	A58.J1:11	20.2
					I_SldO4LimitInSe	A59.J1:11	20.2
A50.J1:20	O_RevLbBuz	Reverse Alarm and Light Bulb	26.2		B_BatterySaver	.	
					B_EngineRun	.	
					B_OneAltCharging	.	
					B_TestSwBuz2	.	
					B_TestSwBuzzer	.	
					B_TstModExtLight	.	
					B_TstModHvac	.	
					B_TstModHvacNext	.	
					B_TstModSAC	.	
					B_TstModSACNext	.	
					B_TstSwBuz3	.	
					I_RrStrtEnSw	A53.J1:10	3.2
A50.J1:21	O_BrLtUpperLb		26.2		B_BatterySaver	.	
					B_EngineRun	.	
					B_OneAltCharging	.	
					B_TstModExtLight	.	
					I_BrkLtSeFrSig	A36.JB:13	12.1
					I_BrkLtSeRrSig	A51.J1:10	12.1
A50.J1:3	O_RevAlarm	Back up alarm	26.3	L187.A:A	B_BatterySaver	.	
					B_EngineRun	.	
					B_OneAltCharging	.	

MULTIPLEX OUTPUT LIST

O_xx... = Physical Output Pin ; I_xx... = Physical Input Pin ; D_xx... = CAN Network Signal from the HVAC control Head ; B_xx.. = Multiplex system global Network Variable

Module.Pin#	Signal name	Description	Page	Connected devices	Input involved		
A50.J1:3	O_RevAlarm	Back up alarm	26.3	L187.A:A	B_TestSwBuz2	.	
					B_TestSwBuzzer	.	
					B_TstModExtLight	.	
					B_TstModHvac	.	
					B_TstModHvacNext	.	
					B_TstModSAC	.	
					B_TstModSACNext	.	
					B_TstSwBuz3	.	
					D_NextWheel	.	
					I_RevAlrmSw	A43.J1:6	26.3
					I_RrStrtEnSw	A53.J1:10	3.2
A50.J1:4	O_ReClearLb	Rear Clearance Light Bulb	26.2		B_BatterySaver	.	
					B_EngineRun	.	
					B_OneAltCharging	.	
					B_TstModExtLight	.	
					I_BlinkSw	A43.J1:20	26.1
					I_FogLightSw	A55.J1:6	26.3
					I_HdLtPos1Sw	A43.J1:4	26.1
					I_HdLtPos2SwLH	A45.J1:12	26.1
A50.J1:5	O_LHctrFlshLb	Water Filter Indicator Warning	26.2	L70.A:1	B_BatterySaver	.	
					B_EngineRun	.	
					B_OneAltCharging	.	
					B_TstModExtLight	.	
					I_HazardSw	A36.JB:4	26.1
					I_LHFlshSwRrSig	A51.J1:9	26.2
					I_RHFlshSwRrSig	A51.J1:12	26.2
A50.J1:6	O_BrLTLowerLed		26.2		B_BatterySaver	.	
					B_EngineRun	.	
					B_OneAltCharging	.	
					B_TstModExtLight	.	
					I_BrkLtSeFrSig	A36.JB:13	12.1
					I_BrkLtSeRrSig	A51.J1:10	12.1
					I_IgnKeySw	A36.JB:2	3.2
					I_RetdrSig	A50.J1:12	15.1
A50.J1:7	O_RHctrFlshLb	Wheel Chair Lift Warning Indicator	26.2	L68.A:1	B_BatterySaver	.	
					B_EngineRun	.	
					B_OneAltCharging	.	
					B_TstModExtLight	.	
					I_HazardSw	A36.JB:4	26.1
					I_LHFlshSwRrSig	A51.J1:9	26.2
					I_RHFlshSwRrSig	A51.J1:12	26.2
A50.J1:8	O_CtrSdMrkLb	Tag Axle Warning Indicator	26.2		B_BatterySaver	.	
					B_EngineRun	.	

MULTIPLEX OUTPUT LIST

O_xx... = Physical Output Pin ; I_xx... = Physical Input Pin ; D_xx... = CAN Network Signal from the HVAC control Head ; B_xx.. = Multiplex system global Network Variable

Module.Pin#	Signal name	Description	Page	Connected devices	Input involved		
A50.J1:8	O_CtrSdMrkLb	Tag Axle Warning Indicator	26.2		B_OneAltCharging	.	
					B_TstModExtLight	.	
					I_BlinkSw	A43.J1:20	26.1
					I_FogLightSw	A55.J1:6	26.3
					I_HdLtPos1Sw	A43.J1:4	26.1
					I_HdLtPos2SwLH	A45.J1:12	26.1
A51.J1:1	O_SerBrkTrans	Servise Brake Signal For Transmission	15.1	A1.A:62	I_BrkLtSeFrSig	A36.JB:13	12.1
A51.J1:21	O_LHReFlshLb	Left Hand Rear Flasher Light Bulb	26.2		B_BatterySaver	.	
					B_EngineRun	.	
					B_OneAltCharging	.	
					B_TstModExtLight	.	
					I_HazardSw	A36.JB:4	26.1
					I_LHFlshSwRrSig	A51.J1:9	26.2
					I_RHFlshSwRrSig	A51.J1:12	26.2
A51.J1:3	O_RHReFlshLb	Right Hand Rear Flasher Light Bulb	26.2		B_BatterySaver	.	
					B_EngineRun	.	
					B_OneAltCharging	.	
					B_TstModExtLight	.	
					I_HazardSw	A36.JB:4	26.1
					I_LHFlshSwRrSig	A51.J1:9	26.2
					I_RHFlshSwRrSig	A51.J1:12	26.2
A51.J1:4	O_LHDockLb	Left Hand Docking Light Bulb	26.3	L93.A:1	B_BatterySaver	.	
					B_EngineRun	.	
					B_OneAltCharging	.	
					B_TstModExtLight	.	
					I_DockingLtSw	A55.J1:8	26.3
					I_LowDockLtsSw	A55.J1:9	26.3
A51.J1:5	O_RHDockLb	Right Hand Docking Light Bulb	26.3	L94.A:1	B_BatterySaver	.	
					B_EngineRun	.	
					B_OneAltCharging	.	
					B_TstModExtLight	.	
					I_DockingLtSw	A55.J1:8	26.3
					I_LowDockLtsSw	A55.J1:9	26.3
A51.J1:6	O_BrLTUpperLed		26.2		B_BatterySaver	.	
					B_EngineRun	.	
					B_OneAltCharging	.	
					B_TstModExtLight	.	
					I_BrkLtSeFrSig	A36.JB:13	12.1
					I_BrkLtSeRrSig	A51.J1:10	12.1
A51.J1:7	O_CyclopeLt	Cyclope Brake Light	26.2	L81A:in	B_BatterySaver	.	
					B_EngineRun	.	
					B_OneAltCharging	.	
					B_TstModExtLight	.	

MULTIPLEX OUTPUT LIST

O_xx... = Physical Output Pin ; I_xx... = Physical Input Pin ; D_xx... = CAN Network Signal from the HVAC control Head ; B_xx.. = Multiplex system global Network Variable

Module.Pin#	Signal name	Description	Page	Connected devices	Input involved		
A51.J1:7	O_CyclopeLt	Cyclope Brake Light	26.2	L81A:in	I_BrkLtSeFrSig	A36.JB:13	12.1
					I_BrkLtSeRrSig	A51.J1:10	12.1
A52.J1:1	O_EngFanSpd1	Engine Fan Radiator Speed 1	13.1		B_BatterySaver	.	
					B_EngineRun	.	
					B_OneAltCharging	.	
					B_TstModHvac	.	
					D_RadFanSpd1	.	
					D_StopTestMode	.	
					I_AcPresHiSse	A52.J1:13	18.2
					I_FireExt1stAl	A36.JB:23	40.1
					I_FireExt2ndAlm	A44.J1:10	40.1
					I_FireSensorA36	A41.J1:10	9.1
					I_FrStrtEnSw	A53.J1:9	3.2
					I_IdleValidSw	A45.J1:11	14.1
					I_IgnKeySw	A36.JB:2	3.2
					I_ParkBrSe	A36.JB:9	12.1
					I_RrStrtEnSw	A53.J1:10	3.2
A52.J1:2	O_EngFanSpd2	Engine Fan Radiator Speed 2	13.1		B_BatterySaver	.	
					B_EngineRun	.	
					B_OneAltCharging	.	
					B_TstModHvac	.	
					D_RadFanSpd2	.	
					D_StopTestMode	.	
					I_AcPresHiSse	A52.J1:13	18.2
					I_FireExt1stAl	A36.JB:23	40.1
					I_FireExt2ndAlm	A44.J1:10	40.1
					I_FireSensorA36	A41.J1:10	9.1
					I_IdleValidSw	A45.J1:11	14.1
					I_IgnKeySw	A36.JB:2	3.2
					I_ParkBrSe	A36.JB:9	12.1
A52.J1:20	O_AcCluSol	Hvac AC Clutch Solenoid	18.2		B_BatterySaver	.	
					B_EngineRun	.	
					B_OneAltCharging	.	
					B_TstModHvac	.	
					B_TstModSAC	.	
					I_AcPresHiSse	A52.J1:13	18.2
					I_AcPresLoSse	A52.J1:14	18.2
A52.J1:21	O_AcUnldrRH	Hvac Right Hand Cylinder Unloader	18.2		B_BatterySaver	.	
					B_EngineRun	.	
					B_OneAltCharging	.	
					B_TstModHvac	.	
					D_PassSetPts	.	
					I_AcPresHiSse	A52.J1:13	18.2

#

MULTIPLEX OUTPUT LIST

O_xx... = Physical Output Pin ; I_xx... = Physical Input Pin ; D_xx... = CAN Network Signal from the HVAC control Head ; B_xx.. = Multiplex system global Network Variable

Module.Pin#	Signal name	Description	Page	Connected devices	Input involved		
A52.J1:21	O_AcUnldrH	Hvac Right Hand Cylinder Unloader	18.2		I_AcPresLoSse	A52.J1:14	18.2
A52.J1:4	O_DiffLockSol	Differential lock solenoid	37.1	Shrk150	I_DiffLockSw	A43.J1:9	37.1
A52.J1:5	O_EngCmptLb	Engine Compartment Light Bulb	25.1		B_BatterySaver	.	
					B_EngineRun	.	
					B_OneAltCharging	.	
					I_EngDoorSe	A52.J1:12	25.1
A52.J1:7	O_BackUpCamDrS	Back up camera door solenoid	28.1	So34:A	I_BackUpCamSw	A55.J1:17	28.1
A52.J1:8	O_AcUnldrLH	Hvac Left Hand Cylinder Unloader	18.2		B_BatterySaver	.	
					B_EngineRun	.	
					B_OneAltCharging	.	
					B_TstModHvac	.	
					D_PassSetPts	.	
					I_AcPresHiSse	A52.J1:13	18.2
					I_AcPresLoSse	A52.J1:14	18.2
A53.J1:5	O_RJBDoFanMo	Rear junction box door fan	11.1	Mo53:1	B_BatterySaver	.	
					B_EngineRun	.	
					B_OneAltCharging	.	
					B_TstModHvac	.	
					B_TstModSAC	.	
					D_AmbTempLSB	.	
					D_AmbTempMSB	.	
					I_BatMonMod53	A53.J1:24	6.1
					I_FireExt1stAl	A36.JB:23	40.1
					I_FireExt2ndAlm	A44.J1:10	40.1
					I_FireSensorA36	A41.J1:10	9.1
					I_IgnKeySw	A36.JB:2	3.2
					I_RJBLtSw	A49.J1:17	25.1
A53.J1:6	O_StarterRel	Starter Relay	3.2		B_BatterySaver	.	
					B_EngineRun	.	
					B_OneAltCharging	.	
					B_TstModHvac	.	
					B_TstModSAC	.	
					I_AccKeySw	A36.JB:6	3.2
					I_EntDrUnlockSw	A41.J1:8	29.1
					I_FrStrtEnSw	A53.J1:9	3.2
					I_HazardSw	A36.JB:4	26.1
					I_IgnKeySw	A36.JB:2	3.2
					I_KeylessDrUnl	A41.J1:4	29.1
					I_KeylessIntru	A41.J1:7	29.1
					I_NeutralSe	A50.J1:11	15.1
					I_RrCutOutSw	A36.JB:21	3.2
					I_RrStrtEnSw	A53.J1:10	3.2
					I_StartLockOut	A53.J1:12	

MULTIPLEX OUTPUT LIST

O_xx... = Physical Output Pin ; I_xx... = Physical Input Pin ; D_xx... = CAN Network Signal from the HVAC control Head ; B_xx... = Multiplex system global Network Variable

Module.Pin#	Signal name	Description	Page	Connected devices	Input involved		
A53.J1:6	O_StarterRel	Starter Relay	3.2		I_WakeUp	A36.JB:5	9.1
A54.J1:1	O_CndSpd2Rel	Condensor Fan Speed 2 Relay	18.2		B_BatterySaver	.	
					B_EngineRun	.	
					B_LowVoltage	.	
					B_OneAltCharging	.	
					B_TstModHvac	.	
					D_AmbTempLSB	.	
					D_AmbTempMSB	.	
					D_DriverSetPts	.	
					D_OnOffDrvSw	.	
					D_OnOffPassSw	.	
					D_PassSetPts	.	
					I_AcPresHiSse	A52.J1:13	18.2
					I_AcPresLoSse	A52.J1:14	18.2
					I_BatMonMod53	A53.J1:24	6.1
					I_CoilTherSe	A47.J1:11	18.3
					I_DrvTempSe	A55.J1:1	18.1
					I_FireExt1stAl	A36.JB:23	40.1
					I_FireExt2ndAlm	A44.J1:10	40.1
					I_FireSensorA36	A41.J1:10	9.1
A54.J1:2	O_EvaSpd2Pilot	Evaporator Fan Speed 2	18.2	TermMo9	B_BatterySaver	.	
					B_EngineRun	.	
					B_LowVoltage	.	
					B_OneAltCharging	.	
					B_TstModHvac	.	
					D_OnOffPassSw	.	
					D_PassSetPts	.	
					I_AcPresHiSse	A52.J1:13	18.2
					I_AcPresLoSse	A52.J1:14	18.2
					I_BatMonMod54	A54.J1:24	6.1
					I_FireExt1stAl	A36.JB:23	40.1
					I_FireExt2ndAlm	A44.J1:10	40.1
					I_FireSensorA36	A41.J1:10	9.1
					I_IgnKeySw	A36.JB:2	3.2
					I_SwitchOption	A42.J1:20	
					I_SwitchOption2	A42.J1:21	
A54.J1:20	O_ACRecPass	A/C Pass. Gaz Cylinder Recycle	18.2	L205:1	B_BatterySaver	.	
					B_EngineRun	.	
					B_OneAltCharging	.	
					B_TstModHvac	.	
					B_TstModSAC	.	
					D_RecSw	.	
A54.J1:3	O_PasRfgSol	Passenger Refrigerent Solenoid	18.2	D11.A:1	B_BatterySaver	.	

MULTIPLEX OUTPUT LIST

O_xx... = Physical Output Pin ; I_xx... = Physical Input Pin ; D_xx... = CAN Network Signal from the HVAC control Head ; B_xx.. = Multiplex system global Network Variable

Module.Pin#	Signal name	Description	Page	Connected devices	Input involved		
A54.J1:3	O_PasRfgSol	Passenger Refrigerent Solenoid	18.2	D11.A:1	B_EngineRun	.	
					B_LowVoltage	.	
					B_OneAltCharging	.	
					B_TstModHvac	.	
					D_AmbTempLSB	.	
					D_AmbTempMSB	.	
					D_DriverSetPts	.	
					D_OnOffDrvSw	.	
					D_OnOffPassSw	.	
					D_PassSetPts	.	
					I_BatMonMod54	A54.J1:24	6.1
					I_CoilTherSe	A47.J1:11	18.3
					I_DrvTempSe	A55.J1:1	18.1
					I_FireExt1stAl	A36.JB:23	40.1
					I_FireExt2ndAlm	A44.J1:10	40.1
					I_FireSensorA36	A41.J1:10	9.1
A54.J1:4	O_ACWaterPmp	Hvac Water Pump	18.2		B_BatterySaver	.	
					B_EngineRun	.	
					B_OneAltCharging	.	
					B_TestMode	.	
					B_TstModHvac	.	
					D_AmbTempLSB	.	
					D_AmbTempMSB	.	
					D_DrvFnSpdBit0	.	
					D_DrvFnSpdBit1	.	
					D_DrvFnSpdBit2	.	
					D_HvacPump	.	
					D_OnOffPassSw	.	
					D_PassSetPts	.	
					D_StopTestMode	.	
					I_BatMonMod54	A54.J1:24	6.1
					I_FireExt1stAl	A36.JB:23	40.1
					I_FireExt2ndAlm	A44.J1:10	40.1
					I_FireSensorA36	A41.J1:10	9.1
					I_IgnKeySw	A36.JB:2	3.2
A54.J1:5	O_CndSpd1Rel	Condensor Fan Speed 1 Relay	18.2	R10:2	B_BatterySaver	.	
					B_EngineRun	.	
					B_LowVoltage	.	
					B_OneAltCharging	.	
					B_TstModHvac	.	
					D_AmbTempLSB	.	
					D_AmbTempMSB	.	
					D_DriverSetPts	.	

MULTIPLEX OUTPUT LIST

O_xx... = Physical Output Pin ; I_xx... = Physical Input Pin ; D_xx... = CAN Network Signal from the HVAC control Head ; B_xx.. = Multiplex system global Network Variable

Module.Pin#	Signal name	Description	Page	Connected devices	Input involved		
A54.J1:5	O_CndSpd1Rel	Condensor Fan Speed 1 Relay	18.2	R10:2	D_OnOffDrvSw	.	
					D_OnOffPassSw	.	
					D_PassSetPts	.	
					I_AcPresHiSse	A52.J1:13	18.2
					I_AcPresLoSse	A52.J1:14	18.2
					I_BatMonMod54	A54.J1:24	6.1
					I_CoilTherSe	A47.J1:11	18.3
					I_DrvTempSe	A55.J1:1	18.1
					I_FireExt1stAl	A36.JB:23	40.1
					I_FireExt2ndAlm	A44.J1:10	40.1
					I_FireSensorA36	A41.J1:10	9.1
A54.J1:7	O_EvaSpd1Rel	Evaporator Fan Speed 1 Relay	18.2	R12:2	B_BatterySaver	.	
					B_EngineRun	.	
					B_LowVoltage	.	
					B_OneAltCharging	.	
					B_TstModHvac	.	
					D_OnOffPassSw	.	
					I_BatMonMod54	A54.J1:24	6.1
					I_FireExt1stAl	A36.JB:23	40.1
					I_FireExt2ndAlm	A44.J1:10	40.1
					I_FireSensorA36	A41.J1:10	9.1
A54.J1:8	O_PasHeatSol	Passenger Heat Solenoid Valve	18.2	So13:1	B_BatterySaver	.	
					B_EngineRun	.	
					B_OneAltCharging	.	
					B_TestMode	.	
					B_TstModHvac	.	
					B_TstModSAC	.	
					D_AmbTempLSB	.	
					D_AmbTempMSB	.	
					D_AuxFanSpdBit0	.	
					D_AuxFanSpdBit1	.	
					D_AuxFanSpdBit2	.	
					D_DrvFnSpdBit0	.	
					D_DrvFnSpdBit1	.	
					D_DrvFnSpdBit2	.	
					D_HvacPump	.	
					D_OnOffDrvSw	.	
					D_OnOffPassSw	.	
					D_PassSetPts	.	
					I_BatMonMod54	A54.J1:24	6.1
					I_DefrostHighSw	A47.J1:10	18.1
					I_DefrostLowSw	A47.J1:12	18.1
					I_FireExt1stAl	A36.JB:23	40.1

MULTIPLEX OUTPUT LIST

O_xx... = Physical Output Pin ; I_xx... = Physical Input Pin ; D_xx... = CAN Network Signal from the HVAC control Head ; B_xx.. = Multiplex system global Network Variable

Module.Pin#	Signal name	Description	Page	Connected devices	Input involved		
A54.J1:8	O_PasHeatSol	Passenger Heat Solenoid Valve	18.2	So13:1	I_FireExt2ndAlm	A44.J1:10	40.1
					I_FireSensorA36	A41.J1:10	9.1
A55.J1:11	O_SunVisorDrv	Sun Visor Driver	38.1	R43:86	D_Stw_Sw10	.	
					D_Stw_Sw4	.	
A55.J1:12	O_JacobBrk1	Jacob Brake 1	38.1		D_Stw_Sw2	.	
					D_Stw_Sw3	.	
					D_Stw_Sw5	.	
					I_RetarderSel	A55.J1:10	12.1
A55.J1:13	O_SunVisorPass	Sun Visor Driver	38.1	R42:86	D_Stw_Sw10	.	
					D_Stw_Sw4	.	
A55.J1:14	O_JacobBrk2	Jacob Brake 2	38.1		D_Stw_Sw2	.	
					D_Stw_Sw3	.	
					D_Stw_Sw5	.	
					I_RetarderSel	A55.J1:10	12.1
A55.J1:15	O_ACCTimeGapInc		14.1	A81A.JA:17	D_Stw_Sw7	.	
					D_Stw_Sw8	.	
A55.J1:16	O_ACCTimeGapDec		14.1	A81A.JB:7	D_Stw_Sw7	.	
					D_Stw_Sw8	.	
A55.J1:30	O_SunVUpDw		38.1	R41:86	D_Stw_Sw10	.	
					D_Stw_Sw4	.	
A56.J1:1	O_SldO1MoSpeedA	Slide-Out 1 Motor Speed Control A	20.1		I_BatMonMod56	A56.J1:24	6.1
					I_SldO1CloseSw	A56.J1:10	20.1
					I_SldO1LimiOutSw	A56.J1:14	20.1
					I_SldO1LimitInSe	A56.J1:11	20.1
					I_SldO1OpenSw	A56.J1:9	20.1
					I_SldO1PBrakeSw	A56.J1:12	20.1
					I_SldO1VacPrSe	A56.J1:13	20.1
A56.J1:2	O_SldO1MoSpeedB	Slide-Out 1 Motor Speed Control B	20.1		I_BatMonMod56	A56.J1:24	6.1
					I_SldO1CloseSw	A56.J1:10	20.1
					I_SldO1LimiOutSw	A56.J1:14	20.1
					I_SldO1LimitInSe	A56.J1:11	20.1
					I_SldO1OpenSw	A56.J1:9	20.1
					I_SldO1PBrakeSw	A56.J1:12	20.1
					I_SldO1VacPrSe	A56.J1:13	20.1
A56.J1:20	O_SldO1Motpos	Slide_Out 1 Motor +	20.1	RSo1.B:1	I_BatMonMod56	A56.J1:24	6.1
					I_SldO1CloseSw	A56.J1:10	20.1
					I_SldO1LimiOutSw	A56.J1:14	20.1
					I_SldO1LimitInSe	A56.J1:11	20.1
					I_SldO1OpenSw	A56.J1:9	20.1
					I_SldO1PBrakeSw	A56.J1:12	20.1
					I_SldO1VacPrSe	A56.J1:13	20.1
A56.J1:21	O_SldO1SecuPinSo	Slide-Out 1 Security Pins	20.1	SOSO4:1	I_SldO1LimitInSe	A56.J1:11	20.1
					I_SldO1PBrakeSw	A56.J1:12	20.1

MULTIPLEX OUTPUT LIST

O_xx... = Physical Output Pin ; I_xx... = Physical Input Pin ; D_xx... = CAN Network Signal from the HVAC control Head ; B_xx.. = Multiplex system global Network Variable

Module.Pin#	Signal name	Description	Page	Connected devices	Input involved		
A56.J1:21	O_Sld01SecuPinSo	Slide-Out 1 Security Pins	20.1	SOSO4:1	I_Sld02LimitInSe	A57.J1:11	20.1
					I_Sld02PBrakeSw	A57.J1:12	20.1
					I_Sld03LimitInSe	A58.J1:11	20.2
					I_Sld03PBrakeSw	A58.J1:12	20.2
					I_Sld04LimitInSe	A59.J1:11	20.2
					I_Sld04PBrakeSw	A59.J1:12	20.2
A56.J1:3	O_Sld01RemoteLed	Slide_Out 1 Remote Led	20.1	SwSo1.A:2	I_BatMonMod56	A56.J1:24	6.1
					I_Sld01CloseSw	A56.J1:10	20.1
					I_Sld01LimiOutSw	A56.J1:14	20.1
					I_Sld01LimitInSe	A56.J1:11	20.1
					I_Sld01OpenSw	A56.J1:9	20.1
					I_Sld01PBrakeSw	A56.J1:12	20.1
					I_Sld01Supply5v	A56.J1:15	20.1
					I_Sld01VacPrSe	A56.J1:13	20.1
A56.J1:4	O_Sld01SealInfSo	Slide_Out 1 Seal Inflating Valve	20.1	SoSo5:1	I_Sld01CloseSw	A56.J1:10	20.1
					I_Sld01LimiOutSw	A56.J1:14	20.1
					I_Sld01LimitInSe	A56.J1:11	20.1
					I_Sld01OpenSw	A56.J1:9	20.1
A56.J1:5	O_Sld01SealDefSo	Slide_Out 1 Seal Deflating Valve	20.1	SoSo1:1	I_BatMonMod56	A56.J1:24	6.1
					I_Sld01CloseSw	A56.J1:10	20.1
					I_Sld01LimiOutSw	A56.J1:14	20.1
					I_Sld01LimitInSe	A56.J1:11	20.1
					I_Sld01OpenSw	A56.J1:9	20.1
					I_Sld01PBrakeSw	A56.J1:12	20.1
A56.J1:6	O_Sld01VaccGenSo	Slide_Out 1 Seal Vaccum Generator	20.1	SoSo2:1	I_BatMonMod56	A56.J1:24	6.1
					I_BatMonMod57	A57.J1:24	6.1
					I_BatMonMod58	A58.J1:24	6.1
					I_BatMonMod59	A59.J1:24	6.1
					I_Sld01CloseSw	A56.J1:10	20.1
					I_Sld01LimiOutSw	A56.J1:14	20.1
					I_Sld01LimitInSe	A56.J1:11	20.1
					I_Sld01OpenSw	A56.J1:9	20.1
					I_Sld01PBrakeSw	A56.J1:12	20.1
					I_Sld02CloseSw	A57.J1:10	20.1
					I_Sld02LimiOutSw	A57.J1:14	20.1
					I_Sld02LimitInSe	A57.J1:11	20.1
					I_Sld02OpenSw	A57.J1:9	20.1
					I_Sld02PBrakeSw	A57.J1:12	20.1
					I_Sld03CloseSw	A58.J1:10	20.2
					I_Sld03LimiOutSw	A58.J1:14	20.2
					I_Sld03LimitInSe	A58.J1:11	20.2
					I_Sld03OpenSw	A58.J1:9	20.2
					I_Sld03PBrakeSw	A58.J1:12	20.2

MULTIPLEX OUTPUT LIST

O_xx... = Physical Output Pin ; I_xx... = Physical Input Pin ; D_xx... = CAN Network Signal from the HVAC control Head ; B_xx.. = Multiplex system global Network Variable

Module.Pin#	Signal name	Description	Page	Connected devices	Input involved		
A56.J1:6	O_SldO1VaccGenSo	Slide_Out 1 Seal Vaccum Generator	20.1	SoSo2:1	I_SldO4CloseSw	A59.J1:10	20.2
					I_SldO4LimiOutSw	A59.J1:14	20.2
					I_SldO4LimitInSe	A59.J1:11	20.2
					I_SldO4OpenSw	A59.J1:9	20.2
					I_SldO4PBrakeSw	A59.J1:12	20.2
A56.J1:7	O_SldO1Motneg	Slide_Out 1 Motor -	20.1	RSO2.B:1	I_BatMonMod56	A56.J1:24	6.1
					I_SldO1CloseSw	A56.J1:10	20.1
					I_SldO1LimiOutSw	A56.J1:14	20.1
					I_SldO1LimitInSe	A56.J1:11	20.1
					I_SldO1OpenSw	A56.J1:9	20.1
					I_SldO1PBrakeSw	A56.J1:12	20.1
					I_SldO1VacPrSe	A56.J1:13	20.1
A57.J1:1	O_SldO2MoSpeedA	Slide-Out 2 Motor Speed Control A	20.1		I_BatMonMod57	A57.J1:24	6.1
					I_SldO1VacPrSe	A56.J1:13	20.1
					I_SldO2CloseSw	A57.J1:10	20.1
					I_SldO2LimiOutSw	A57.J1:14	20.1
					I_SldO2LimitInSe	A57.J1:11	20.1
					I_SldO2OpenSw	A57.J1:9	20.1
					I_SldO2PBrakeSw	A57.J1:12	20.1
A57.J1:2	O_SldO2MoSpeedB	Slide-Out 2 Motor Speed Control B	20.1		I_BatMonMod57	A57.J1:24	6.1
					I_SldO1VacPrSe	A56.J1:13	20.1
					I_SldO2CloseSw	A57.J1:10	20.1
					I_SldO2LimiOutSw	A57.J1:14	20.1
					I_SldO2LimitInSe	A57.J1:11	20.1
					I_SldO2OpenSw	A57.J1:9	20.1
					I_SldO2PBrakeSw	A57.J1:12	20.1
A57.J1:20	O_SldO2Motpos	Slide_Out 2 Motor +	20.1	RSO3.B:1	I_BatMonMod57	A57.J1:24	6.1
					I_SldO1VacPrSe	A56.J1:13	20.1
					I_SldO2CloseSw	A57.J1:10	20.1
					I_SldO2LimiOutSw	A57.J1:14	20.1
					I_SldO2LimitInSe	A57.J1:11	20.1
					I_SldO2OpenSw	A57.J1:9	20.1
					I_SldO2PBrakeSw	A57.J1:12	20.1
A57.J1:3	O_SldO2RemoteLed	Slide_Out 2 Remote Led	20.1	SwSo2:2	I_BatMonMod57	A57.J1:24	6.1
					I_SldO1VacPrSe	A56.J1:13	20.1
					I_SldO2CloseSw	A57.J1:10	20.1
					I_SldO2LimiOutSw	A57.J1:14	20.1
					I_SldO2LimitInSe	A57.J1:11	20.1
					I_SldO2OpenSw	A57.J1:9	20.1
					I_SldO2PBrakeSw	A57.J1:12	20.1
					I_SldO2Supply5v	A57.J1:15	20.1
A57.J1:4	O_SldO2SealInfSo	Slide_Out 2 Seal Inflating Valve	20.1		I_SldO2CloseSw	A57.J1:10	20.1
					I_SldO2LimiOutSw	A57.J1:14	20.1

MULTIPLEX OUTPUT LIST

O_xx... = Physical Output Pin ; I_xx... = Physical Input Pin ; D_xx... = CAN Network Signal from the HVAC control Head ; B_xx.. = Multiplex system global Network Variable

Module.Pin#	Signal name	Description	Page	Connected devices	Input involved		
A57.J1:4	O_SldO2SealInfSo	Slide_Out 2 Seal Inflating Valve	20.1		I_SldO2LimitInSe	A57.J1:11	20.1
					I_SldO2OpenSw	A57.J1:9	20.1
A57.J1:5	O_SldO2SealDefSo	Slide_Out 2 Seal Deflating Valve	20.1	SoSo3:1	I_BatMonMod57	A57.J1:24	6.1
					I_SldO2CloseSw	A57.J1:10	20.1
					I_SldO2LimiOutSw	A57.J1:14	20.1
					I_SldO2LimitInSe	A57.J1:11	20.1
					I_SldO2OpenSw	A57.J1:9	20.1
					I_SldO2PBrakeSw	A57.J1:12	20.1
A57.J1:7	O_SldO2Motneg	Slide_Out 2 Motor -	20.1	RSo4.B:1	I_BatMonMod57	A57.J1:24	6.1
					I_SldO1VacPrSe	A56.J1:13	20.1
					I_SldO2CloseSw	A57.J1:10	20.1
					I_SldO2LimiOutSw	A57.J1:14	20.1
					I_SldO2LimitInSe	A57.J1:11	20.1
					I_SldO2OpenSw	A57.J1:9	20.1
					I_SldO2PBrakeSw	A57.J1:12	20.1
A58.J1:1	O_SldO3MoSpeedA		20.2		I_BatMonMod58	A58.J1:24	6.1
					I_SldO1VacPrSe	A56.J1:13	20.1
					I_SldO3CloseSw	A58.J1:10	20.2
					I_SldO3LimiOutSw	A58.J1:14	20.2
					I_SldO3LimitInSe	A58.J1:11	20.2
					I_SldO3OpenSw	A58.J1:9	20.2
					I_SldO3PBrakeSw	A58.J1:12	20.2
A58.J1:2	O_SldO3MoSpeedB		20.2		I_BatMonMod58	A58.J1:24	6.1
					I_SldO1VacPrSe	A56.J1:13	20.1
					I_SldO3CloseSw	A58.J1:10	20.2
					I_SldO3LimiOutSw	A58.J1:14	20.2
					I_SldO3LimitInSe	A58.J1:11	20.2
					I_SldO3OpenSw	A58.J1:9	20.2
					I_SldO3PBrakeSw	A58.J1:12	20.2
A58.J1:20	O_SldO3Motpos		20.2	RSo6.B:1	I_BatMonMod58	A58.J1:24	6.1
					I_SldO1VacPrSe	A56.J1:13	20.1
					I_SldO3CloseSw	A58.J1:10	20.2
					I_SldO3LimiOutSw	A58.J1:14	20.2
					I_SldO3LimitInSe	A58.J1:11	20.2
					I_SldO3OpenSw	A58.J1:9	20.2
					I_SldO3PBrakeSw	A58.J1:12	20.2
A58.J1:3	O_SldO3RemoteLed		20.2	SwSo3:2	I_BatMonMod58	A58.J1:24	6.1
					I_SldO1VacPrSe	A56.J1:13	20.1
					I_SldO3CloseSw	A58.J1:10	20.2
					I_SldO3LimiOutSw	A58.J1:14	20.2
					I_SldO3LimitInSe	A58.J1:11	20.2
					I_SldO3OpenSw	A58.J1:9	20.2
					I_SldO3PBrakeSw	A58.J1:12	20.2

MULTIPLEX OUTPUT LIST

O_xx... = Physical Output Pin ; I_xx... = Physical Input Pin ; D_xx... = CAN Network Signal from the HVAC control Head ; B_xx.. = Multiplex system global Network Variable

Module.Pin#	Signal name	Description	Page	Connected devices	Input involved		
A58.J1:3	O_SldO3RemoteLed		20.2	SwSo3:2	I_SldO3Supply5v	A58.J1:15	20.2
A58.J1:4	O_SldO3SealInfSo		20.2		I_SldO3CloseSw	A58.J1:10	20.2
					I_SldO3LimiOutSw	A58.J1:14	20.2
					I_SldO3LimitInSe	A58.J1:11	20.2
					I_SldO3OpenSw	A58.J1:9	20.2
A58.J1:5	O_SldO3SealDefSo		20.2		I_BatMonMod58	A58.J1:24	6.1
					I_SldO3CloseSw	A58.J1:10	20.2
					I_SldO3LimiOutSw	A58.J1:14	20.2
					I_SldO3LimitInSe	A58.J1:11	20.2
					I_SldO3OpenSw	A58.J1:9	20.2
					I_SldO3PBrakeSw	A58.J1:12	20.2
A58.J1:7	O_SldO3Motneg		20.2	RSo5.B:1	I_BatMonMod58	A58.J1:24	6.1
					I_SldO1VacPrSe	A56.J1:13	20.1
					I_SldO3CloseSw	A58.J1:10	20.2
					I_SldO3LimiOutSw	A58.J1:14	20.2
					I_SldO3LimitInSe	A58.J1:11	20.2
					I_SldO3OpenSw	A58.J1:9	20.2
					I_SldO3PBrakeSw	A58.J1:12	20.2
A59.J1:1	O_SldO4MoSpeedA		20.2		I_BatMonMod59	A59.J1:24	6.1
					I_SldO1VacPrSe	A56.J1:13	20.1
					I_SldO4CloseSw	A59.J1:10	20.2
					I_SldO4LimiOutSw	A59.J1:14	20.2
					I_SldO4LimitInSe	A59.J1:11	20.2
					I_SldO4OpenSw	A59.J1:9	20.2
					I_SldO4PBrakeSw	A59.J1:12	20.2
A59.J1:2	O_SldO4MoSpeedB		20.2		I_BatMonMod59	A59.J1:24	6.1
					I_SldO1VacPrSe	A56.J1:13	20.1
					I_SldO4CloseSw	A59.J1:10	20.2
					I_SldO4LimiOutSw	A59.J1:14	20.2
					I_SldO4LimitInSe	A59.J1:11	20.2
					I_SldO4OpenSw	A59.J1:9	20.2
					I_SldO4PBrakeSw	A59.J1:12	20.2
A59.J1:20	O_SldO4MotPos		20.2	RSo7.B:1	I_BatMonMod59	A59.J1:24	6.1
					I_SldO1VacPrSe	A56.J1:13	20.1
					I_SldO4CloseSw	A59.J1:10	20.2
					I_SldO4LimiOutSw	A59.J1:14	20.2
					I_SldO4LimitInSe	A59.J1:11	20.2
					I_SldO4OpenSw	A59.J1:9	20.2
					I_SldO4PBrakeSw	A59.J1:12	20.2
A59.J1:3	O_SldO4RemoteLed		20.2	SwSo4:2	I_BatMonMod59	A59.J1:24	6.1
					I_SldO1VacPrSe	A56.J1:13	20.1
					I_SldO4CloseSw	A59.J1:10	20.2
					I_SldO4LimiOutSw	A59.J1:14	20.2

MULTIPLEX INPUT LIST

O_xx... = Physical Output Pin ; I_xx... = Physical Input Pin ; D_xx... = CAN Network Signal from the HVAC control Head ; B_xx... = Multiplex system global Network Variable

Module.Pin#	Signal name		Page	Connected devices
A36.JB:13	I_BrkLtSeFrSig	Brake Lights Sensor	12.1	
A36.JB:2	I_IgnKeySw	Ignition Key switch	3.2	
A36.JB:21	I_RrCutOutSw	Rear Junction Box CutOut Switch	3.2	
A36.JB:22	I_FrEngStaSw	Front Engine Start Switch	3.2	
A36.JB:23	I_FireExt1stAl		40.1	A130:3
A36.JB:4	I_HazardSw	Hazard Switch	26.1	Sw4:3
A36.JB:5	I_WakeUp	Wake up signal (Fire alarm, horn, keyless module)	9.1	A41.J1:16
A36.JB:6	I_AccKeySw	Accessories Key switch	3.2	
A36.JB:9	I_ParkBrSe	Parking Brake Sensor	12.1	
A41.J1:10	I_FireSensorA36	Fire Sensor On A36	9.1	
A41.J1:17	I_LugDorLkSw	Luggage Door Lock Switch	33.1	
A41.J1:18	I_KeylessLuggUnl	Keyless luggages doors unlock signal	29.1	A31.B:11
A41.J1:19	I_KeylessLockAll	Keyless lock all doors signal	29.1	A31.B:22
A41.J1:2	I_DrvLtSw	Driver Light Switch	19.1	Sw24:3
A41.J1:20	I_LugDorULkSw	Luggage Door Unlock Switch	33.1	
A41.J1:21	I_KeylessEntReq		29.1	A31.B:10
A41.J1:3	I_HornSw	Horn Switch	9.1	A103:5
A41.J1:4	I_KeylessDrUnl	Keyless door unlock signal	29.1	A31.A:1
A41.J1:5	I_EntDorOpSe	Entrance Door Open Sensor	29.1	D73:A
A41.J1:6	I_KeylessPanic	Keyless panic button signal	29.1	A31.B:8
A41.J1:7	I_KeylessIntru	Keyless intrusion signal	29.1	A31.B:9
A41.J1:8	I_EntDrUnlockSw	Entrance door unlock switch	29.1	Sw104:4
A41.J1:9	I_EntDorLockSw	VIP Entrance Door Lock Switch	29.1	Sw104:6
A42.J1:20	I_SwitchOption			
A42.J1:21	I_SwitchOption2			
A42.J1:7	I_LevelLowSw	Level low switch	32.1	
A42.J1:8	I_LwWipIntSw	Lower Wiper Intermitant Switch	34.1	Sw1.C258:7
A43.J1:17	I_FJBLtSw	Front Junction Box Door Open	25.1	
A43.J1:19	I_TgAxlSw	Tag Axle Switch	32.1	Sw64.B:1
A43.J1:20	I_BlinkSw	Courtesy Blink Switch	26.1	Sw1.C258:5
A43.J1:3	I_HiBeamCallSw	Hi/Low Beam Switch	26.1	Sw1.C259:4
A43.J1:4	I_HdLtPos1Sw	Head Light Switch Position Markers	26.1	
A43.J1:6	I_RevAlarmSw	Reverse alarm switch	26.3	
A43.J1:7	I_HornSelectSw	Horn Select switch	9.1	Sw63A:3
A43.J1:8	I_HdLTHiLowBmSw	Head Lights High and Low Beam Switch	26.1	Sw1.C258:8
A43.J1:9	I_DiffLockSw	Differential lock switch	37.1	Shrk152
A44.J1:10	I_FireExt2ndAlm		40.1	A130:11
A45.J1:11	I_IdleValidSw	Idle Validation Switch	14.1	
A45.J1:12	I_HdLtPos2SwLH	Head Light Switch Beam Position 2 LH	26.1	
A45.J1:24	I_BatMonMod45		6.1	A45.J1:28
A45.J1:9	I_LHFishSw	Left Hand Flasher Switch	26.1	
A46.J1:24	I_BatMonMod46		6.1	A46.J1:26
A46.J1:9	I_LwWshSw	Lower Wiper Washer Switch	34.1	Sw1.C258:6

MULTIPLEX INPUT LIST

O_xx... = Physical Output Pin ; I_xx... = Physical Input Pin ; D_xx... = CAN Network Signal from the HVAC control Head ; B_xx... = Multiplex system global Network Variable

Module.Pin#	Signal name		Page	Connected devices
A47.J1:10	I_DefrostHighSw	Passenger defrost speed increase switch	18.1	Sw122:3
A47.J1:11	I_CoilTherSe	Coil sensing thermostat	18.3	Se52.A:1
A47.J1:12	I_DefrostLowSw	Passenger defrost speed decrease switch	18.1	Sw122:4
A47.J1:24	I_BatMonMod47		6.1	A47.J1:27
A48.J1:10	I_HdLtPos2SwRH	Head Light Switch Beam Position 2 RH	26.1	
A48.J1:12	I_RHFlshSw	Right Hand Flasher Switch	26.1	
A48.J1:24	I_BatMonMod48		6.1	A48.J1:28
A48.J1:9	I_EntDrUnSw	Entrance door unlock switch		
A49.J1:17	I_RJBLtSw	Rear Junction Light Switch	25.1	
A49.J1:2	I_WdoOpenSe	Passenger Window Open Sensor	27.1	
A49.J1:20	I_WtrFiltSe	Water Filter Sensor	13.1	Se12:B
A49.J1:3	I_AcDorOpSe	Condensor Door Open Switch	25.1	
A49.J1:4	I_LuggDoorSw	Luggage Door Switch	25.1	
A49.J1:5	I_LuggDrUnSe	Luggages doors unlock sensor	24.1	Sw118:2
A49.J1:7	I_Alt3Voltage			
A49.J1:8	I_Alt1Voltage		3.2	Alt1D.C:2
A49.J1:9	I_Alt2Voltage		3.2	Alt2D.C:2
A50.J1:11	I_NeutralSe	Neutral Signal Sensor	15.1	A1.A:41
A50.J1:12	I_RetdrSig	Retarder Signal	15.1	A1.A:24
A51.J1:10	I_BrkLtSeRrSig	Brake Lights Sensor	12.1	
A51.J1:12	I_RHFlshSwRrSig	RH FlasherSwitch Rear Signal	26.2	
A51.J1:24	I_BatMonMod51			
A51.J1:9	I_LHFlshSwRrSig	LH FlasherSwitch Rear Signal	26.2	
A52.J1:12	I_EngDoorSe	Engine Door Sensor	25.1	Se31:A
A52.J1:13	I_AcPresHiSse	Ac Pressure High Side Sensor	18.2	Se23:C
A52.J1:14	I_AcPresLoSse	Ac Pressure Low Side Sensor	18.2	Se24:C
A53.J1:10	I_RrStrtEnSw	Rear Start Enable Switch	3.2	
A53.J1:11	I_EngStaRrSw	Engine Start Rear Switch	3.2	Sw59:2
A53.J1:12	I_StartLockOut			
A53.J1:24	I_BatMonMod53		6.1	A53.J1:26
A53.J1:9	I_FrStrtEnSw	Front Start Enable Switch	3.2	Sw58:3
A54.J1:24	I_BatMonMod54		6.1	A54.J1:29
A55.J1:1	I_DrvTempSe	Driver Temperature sensor	18.1	Se21:2
A55.J1:10	I_RetarderSel	Retarder Selected	12.1	Sw16:3
A55.J1:17	I_BackUpCamSw	Back up camera switch	28.1	Sw119:3
A55.J1:18	I_HeadLmpWshSw		34.1	Sw6:4
A55.J1:19	I_UpWshSw	Upper Washer Wiper Switch	34.1	Sw6:3
A55.J1:20	I_UpWipIntSw	Upper Wiper Intermitant Switch	34.1	
A55.J1:21	I_UpWipSw	Upper Wiper Switch	34.1	Sw5:6
A55.J1:6	I_FogLightSw	Fog Lights Switch	26.3	Sw3:3
A55.J1:7	I_CorneringLtSw	Cornering Light Switch	26.3	Sw99:1
A55.J1:8	I_DockingLtSw	Docking Lights Switch	26.3	Sw99:3
A55.J1:9	I_LowDockLtsSw	Low docking lights switch	26.3	Sw102:3

MULTIPLEX INPUT LIST

O_xx... = Physical Output Pin ; I_xx... = Physical Input Pin ; D_xx... = CAN Network Signal from the HVAC control Head ; B_xx... = Multiplex system global Network Variable

Module.Pin#	Signal name	Description	Page	Connected devices
A36.JB:13	I_BrkLtSeFrSig	Brake Lights Sensor	12.1	
A36.JB:2	I_IgnKeySw	Ignition Key switch	3.2	
A36.JB:21	I_RrCutOutSw	Rear Junction Box CutOut Switch	3.2	
A36.JB:22	I_FrEngStaSw	Front Engine Start Switch	3.2	
A36.JB:23	I_FireExt1stAl		40.1	A130:3
A36.JB:4	I_HazardSw	Hazard Switch	26.1	Sw4:3
A36.JB:5	I_WakeUp	Wake up signal (Fire alarm, horn, keyless module)	9.1	A41.J1:16
A36.JB:6	I_AccKeySw	Accessories Key switch	3.2	
A36.JB:9	I_ParkBrSe	Paking Brake Sensor	12.1	
A41.J1:10	I_FireSensorA36	Fire Sensor On A36	9.1	
A41.J1:17	I_LugDorLkSw	Luggage Door Lock Switch	33.1	
A41.J1:18	I_KeylessLuggUnl	Keyless luggages doors unlock signal	29.1	A31.B:11
A41.J1:19	I_KeylessLockAll	Keyless lock all doors signal	29.1	A31.B:22
A41.J1:2	I_DrvLtSw	Driver Light Switch	19.1	Sw24:3
A41.J1:20	I_LugDorULkSw	Luggage Door Unlock Switch	33.1	
A41.J1:21	I_KeylessEntReq		29.1	A31.B:10
A41.J1:3	I_HornSw	Horn Switch	9.1	A103:5
A41.J1:4	I_KeylessDrUnl	Keyless door unlock signal	29.1	A31.A:1
A41.J1:5	I_EntDorOpSe	Entrance Door Open Sensor	29.1	D73:A
A41.J1:6	I_KeylessPanic	Keyless panic button signal	29.1	A31.B:8
A41.J1:7	I_KeylessIntru	Keyless intrusion signal	29.1	A31.B:9
A41.J1:8	I_EntDrUnlockSw	Entrance door unlock switch	29.1	Sw104:4
A41.J1:9	I_EntDorLockSw	VIP Entrance Door Lock Switch	29.1	Sw104:6
A42.J1:20	I_SwitchOption			
A42.J1:21	I_SwitchOption2			
A42.J1:7	I_LevelLowSw	Level low switch	32.1	
A42.J1:8	I_LwWipIntSw	Lower Wiper Intermitant Switch	34.1	Sw1.C258:7
A43.J1:17	I_FJBLtSw	Front Junction Box Door Open	25.1	
A43.J1:19	I_TgAxlSw	Tag Axle Switch	32.1	Sw64.B:1
A43.J1:20	I_BlinkSw	Courtesy Blink Switch	26.1	Sw1.C258:5
A43.J1:3	I_HiBeamCallSw	Hi/Low Beam Switch	26.1	Sw1.C259:4
A43.J1:4	I_HdLtPos1Sw	Head Light Switch Position Markers	26.1	
A43.J1:6	I_RevAlrmSw	Reverse alarm switch	26.3	
A43.J1:7	I_HornSelectSw	Horn Select switch	9.1	Sw63A:3
A43.J1:8	I_HdLtHiLowBmSw	Head Lights High and Low Beam Switch	26.1	Sw1.C258:8
A43.J1:9	I_DiffLockSw	Differential lock switch	37.1	Shrk152
A44.J1:10	I_FireExt2ndAlm		40.1	A130:11
A45.J1:11	I_IdleValidSw	Idle Validation Switch	14.1	
A45.J1:12	I_HdLtPos2SwLH	Head Light Switch Beam Position 2 LH	26.1	
A45.J1:24	I_BatMonMod45		6.1	A45.J1:28
A45.J1:9	I_LHFfshSw	Left Hand Flasher Switch	26.1	
A46.J1:24	I_BatMonMod46		6.1	A46.J1:26
A46.J1:9	I_LwWshSw	Lower Wiper Washer Switch	34.1	Sw1.C258:6

MULTIPLEX INPUT LIST

O_xx... = Physical Output Pin ; I_xx... = Physical Input Pin ; D_xx... = CAN Network Signal from the HVAC control Head ; B_xx... = Multiplex system global Network Variable

Module.Pin#	Signal name	Description	Page	Connected devices
A47.J1:10	I_DefrostHighSw	Passenger defrost speed increase switch	18.1	Sw122:3
A47.J1:11	I_CoilTherSe	Coil sensing thermostat	18.3	Se52.A:1
A47.J1:12	I_DefrostLowSw	Passenger defrost speed decrease switch	18.1	Sw122:4
A47.J1:24	I_BatMonMod47		6.1	A47.J1:27
A48.J1:10	I_HdLtPos2SwRH	Head Light Switch Beam Position 2 RH	26.1	
A48.J1:12	I_RHFfshSw	Right Hand Flasher Switch	26.1	
A48.J1:24	I_BatMonMod48		6.1	A48.J1:28
A48.J1:9	I_EntDrUnSw	Entrance door unlock switch		
A49.J1:17	I_RJBLtSw	Rear Junction Light Switch	25.1	
A49.J1:2	I_WdoOpenSe	Passenger Window Open Sensor	27.1	
A49.J1:20	I_WtrFiltSe	Water Filter Sensor	13.1	Se12:B
A49.J1:3	I_AcDorOpSe	Condensor Door Open Switch	25.1	
A49.J1:4	I_LuggDoorSw	Luggage Door Switch	25.1	
A49.J1:5	I_LuggDrUnSe	Luggages doors unlock sensor	24.1	Sw118:2
A49.J1:7	I_Alt3Voltage			
A49.J1:8	I_Alt1Voltage		3.2	Alt1D.C:2
A49.J1:9	I_Alt2Voltage		3.2	
A50.J1:11	I_NeutralSe	Neutral Signal Sensor	15.1	A1.A:41
A50.J1:12	I_RetdrSig	Retarder Signal	15.1	A1.A:24
A51.J1:10	I_BrkLtSeRrSig	Brake Lights Sensor	12.1	
A51.J1:12	I_RHFfshSwRrSig	RH FlasherSwitch Rear Signal	26.2	
A51.J1:24	I_BatMonMod51			
A51.J1:9	I_LHFfshSwRrSig	LH FlasherSwitch Rear Signal	26.2	
A52.J1:12	I_EngDoorSe	Engine Door Sensor	25.1	Se31:A
A52.J1:13	I_AcPresHiSse	Ac Pressure High Side Sensor	18.2	Se23:C
A52.J1:14	I_AcPresLoSse	Ac Pressure Low Side Sensor	18.2	Se24:C
A53.J1:10	I_RrStrtEnSw	Rear Start Enable Switch	3.2	
A53.J1:11	I_EngStaRrSw	Engine Start Rear Switch	3.2	Sw59:2
A53.J1:12	I_StartLockOut			
A53.J1:24	I_BatMonMod53		6.1	A53.J1:26
A53.J1:9	I_FrStrtEnSw	Front Start Enable Switch	3.2	Sw58:3
A54.J1:24	I_BatMonMod54		6.1	A54.J1:29
A55.J1:1	I_DrvTempSe	Driver Temperature sensor	18.1	Se21:2
A55.J1:10	I_RetarderSel	Retarder Selected	12.1	Sw16:3
A55.J1:17	I_BackUpCamSw	Back up camera switch	28.1	Sw119:3
A55.J1:18	I_HeadLmpWshSw		34.1	Sw6:4
A55.J1:19	I_UpWshSw	Upper Washer Wiper Switch	34.1	Sw6:3
A55.J1:20	I_UpWipIntSw	Upper Wiper Intermitant Switch	34.1	
A55.J1:21	I_UpWipSw	Upper Wiper Switch	34.1	Sw5:6
A55.J1:6	I_FogLightSw	Fog Lights Switch	26.3	Sw3:3
A55.J1:7	I_CorneringLtSw	Cornering Light Switch	26.3	Sw99:1
A55.J1:8	I_DockingLtSw	Docking Lights Switch	26.3	Sw99:3
A55.J1:9	I_LowDockLtsSw	Low docking lights switch	26.3	Sw102:3

MULTIPLEX ERROR MESSAGES LIST

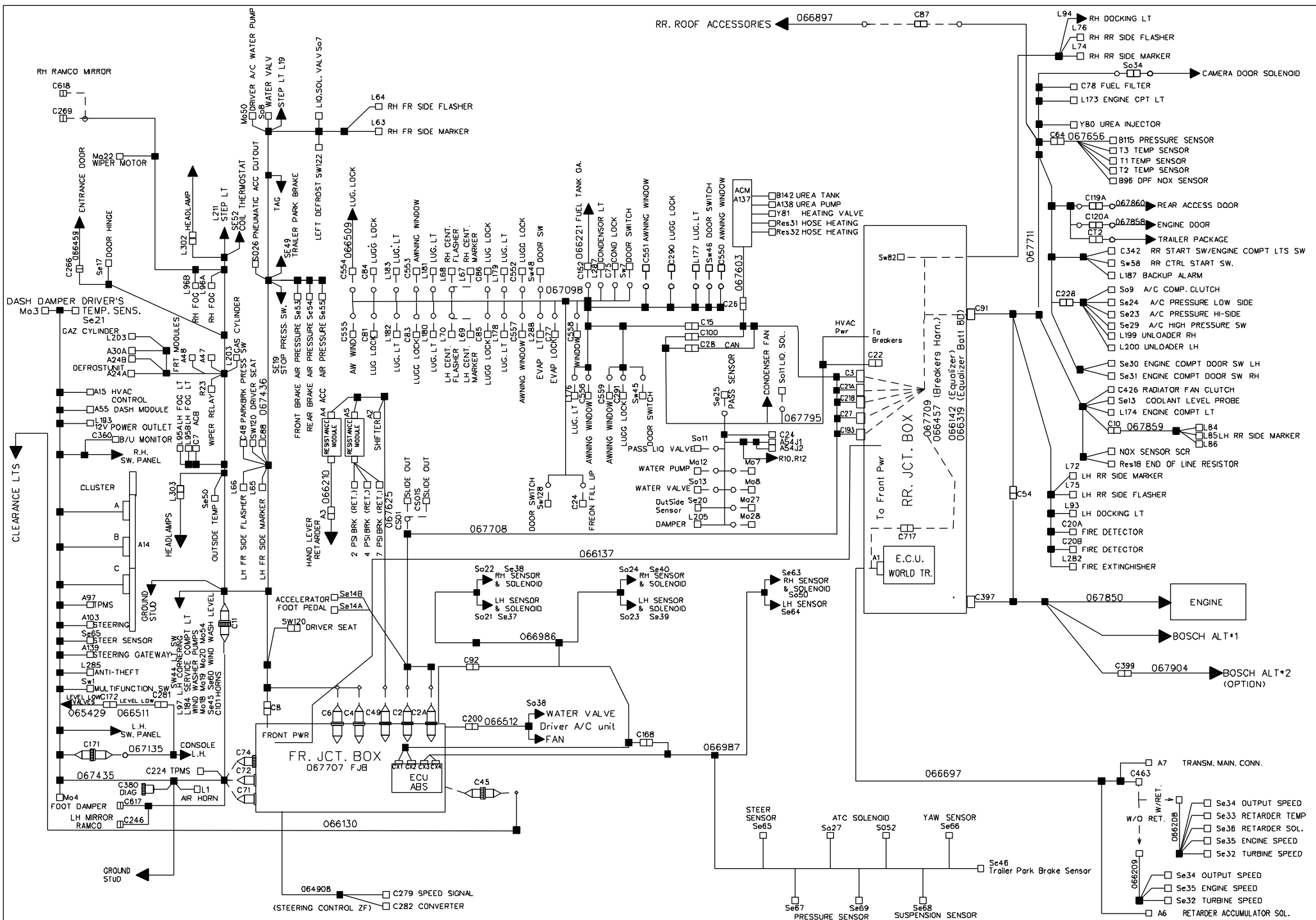
FMI 3 = Shorted High ; FMI 4 = Shorted Low ; FMI 5 = Open Circuit ; FMI 6 = Current above Normal

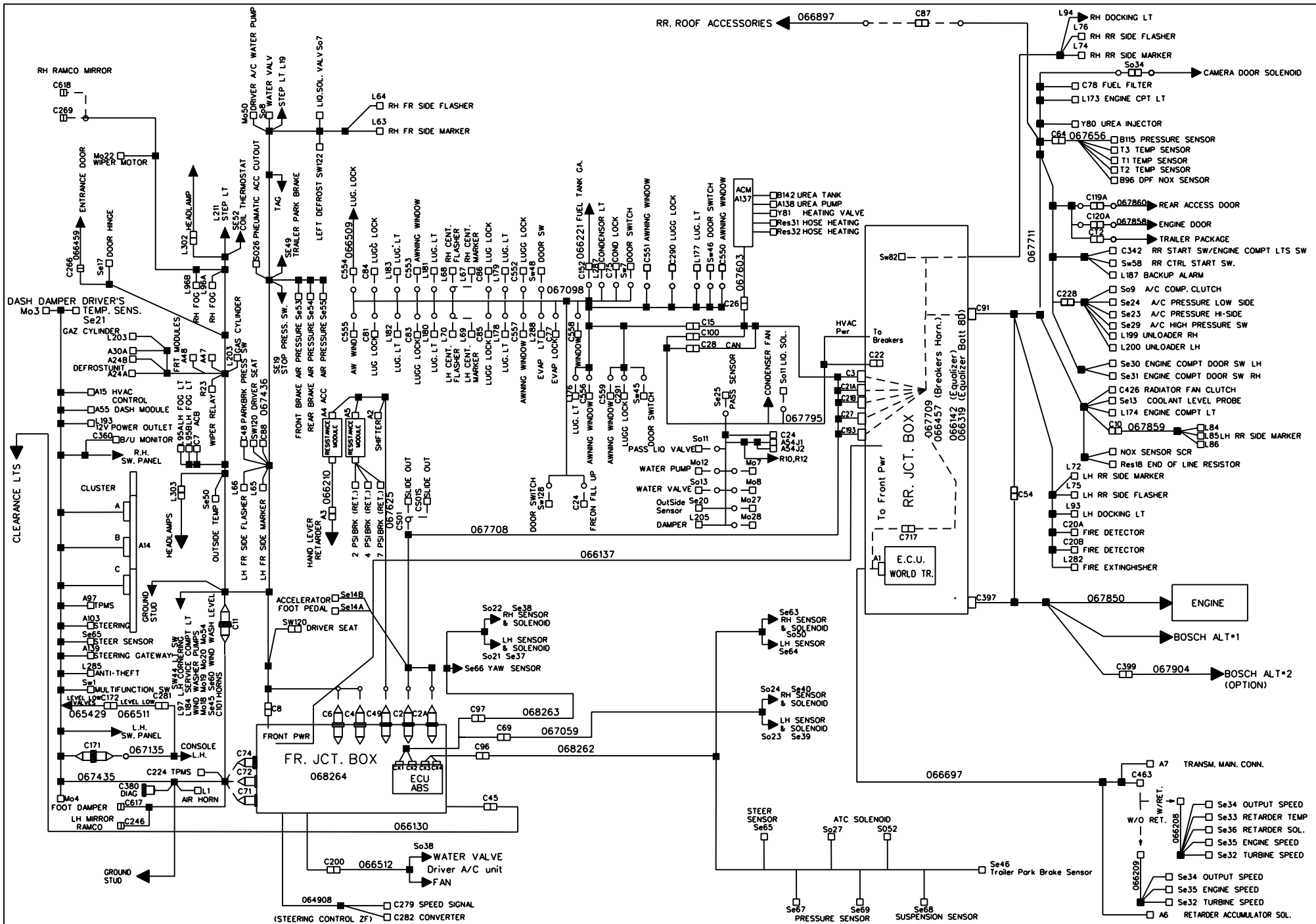
Cluster message	SID/PSID	FMI	Module.Pin#	Page	Cluster message	SID/PSID	FMI	Module.Pin#	Page
A/C Pres HiSd	PSID #12	3, 4	A52.J1:13	18.2	Hazard Switch	PSID #138	3, 4	A36.JB:4	26.1
A/C Pres LoSd	PSID #13	3, 4	A52.J1:14	18.2	Hd Light Call	PSID #140	3, 4	A43.J1:3	26.1
Aux AC fan	SID #39	3, 4, 6	A46.J1:1	18.3	HdLamp Wsh Pmp	SID #48	3, 4, 5, 6	A46.J1:21	34.1
Aux Refr sol	SID #46	3, 4, 5, 6	A46.J1:8	18.3	Head Lights Pos1	PSID #143	3, 4	A43.J1:4	26.1
Backup Light &	PSID #167	3, 4, 6	A50.J1:20	26.2	Hi Low Beam	SID #62	3, 4	A43.J1:8	26.1
Battery Equalizer	SID #61	3, 4	A45.J1:12	26.1	High Beam LH	PSID #141	3, 4, 5, 6	A45.J1:6	26.1
Blinker Sw	PSID #139	3, 4	A43.J1:20	26.1	High Beam RH	PSID #145	3, 4, 5, 6	A48.J1:3	26.1
Brk Lts Sens	PSID #119	3, 4	A36.JB:13	12.1	Horn	PSID #83	3, 4, 6	A43.J1:13	9.1
Ceiling Door Lt	PSID #108	3, 4, 5, 6	A47.J1:8	29.1	LH Corner Lts	PSID #120	3, 4, 5, 6	A45.J1:5	26.3
Center Flash LH	PSID #124	3, 4, 6	A50.J1:5	26.2	LH Docking Light	PSID #122	3, 4, 5, 6	A51.J1:4	26.3
Center Flash RH	PSID #125	3, 4, 6	A50.J1:7	26.2	Low Beam LH	PSID #142	3, 4, 6	A45.J1:7	26.1
Center Mkr	PSID #27	3, 4, 6	A50.J1:8	26.2	Low Beam RH	PSID #146	3, 4, 6	A48.J1:4	26.1
Cond Rly spd1	PSID #41	3, 4, 5, 6	A54.J1:5	18.2	Lower Stop Lamps	PSID #153	3, 4, 6	A50.J1:6	26.2
Condensor Door Sw	PSID #7	3, 4	A49.J1:3	25.1	Lower Washer pmp	PSID #181	4, 6	A46.J1:3	34.1
Cornering Dash	PSID #200	3, 4	A55.J1:7	26.3	Lower Washer Sw	PSID #188	3, 4	A46.J1:9	34.1
Cyclope Lt	PSID #116	3, 4, 6	A51.J1:7	26.2	Lower Wip Int	PSID #183	3, 4	A42.J1:8	34.1
Defr water Pmp	SID #41	3, 4	A47.J1:20	18.3	Lugg doors lock	SID #44	3, 4, 5, 6	A36.JA:7	33.1
Diff Lock sol	SID #36	3, 4, 6	A52.J1:4	37.1	Lugg doors unlk	SID #45	3, 4, 5, 6	A36.JA:6	33.1
Docking Dash Sw	PSID #40	3, 4	A55.J1:8	26.3	Park brak Sens	PSID #162	3, 4	A36.JB:9	12.1
Driver Def Fan	PSID #180	3, 4, 5, 6	A47.J1:1	18.1	Pass def fan	SID #38	3, 4, 5, 6	A47.J1:7	18.1
Driver heat Sol	PSID #16	3, 4, 5, 6	A46.J1:6	18.1	Pass Heat Sol	PSID #24	3, 4, 6	A54.J1:8	18.2
Driver Light Sw	PSID #104	3, 4, 5, 6	A47.J1:6	19.1	Pass Rfg Sol	PSID #23	3, 4, 5, 6	A54.J1:3	18.2
Driver Rfg Sol	PSID #29	3, 4, 5, 6	A46.J1:5	18.1	Pass. Wtr pump	PSID #17	4, 5, 6	A54.J1:4	18.2
Driver Sensor	PSID #28	3, 4, 5	A55.J1:1	18.1	Rear CutOut Sw	PSID #18	3, 4	A36.JB:21	3.2
Drv air Trap	SID #64	3, 4, 6	A44.J1:2	18.1	RearFlsh LH	PSID #131	3, 4, 6	A51.J1:21	26.2
Elec.Horn SW61	PSID #82	4	A41.J1:3	9.1	RearFlsh RH	PSID #132	3, 4, 6	A51.J1:3	26.2
Emergency Relay	PSID #44	3, 4, 5, 6	A36.JA:24	3.2	Retarder signal	PSID #164	3, 4	A50.J1:12	15.1
Engine Fan Spd1	PSID #53	3, 4, 5, 6	A52.J1:1	13.1	Rev lights	SID #43	3, 4, 6	A50.J1:3	26.3
Engine Fan Spd2	PSID #54	3, 4, 5, 6	A52.J1:2	13.1	RH Corner Light	PSID #121	3, 4, 5, 6	A48.J1:5	26.3
Evap Motor Rly	PSID #77	3, 4, 5, 6	A54.J1:7	18.2	RH Docking Light	PSID #123	3, 4, 5, 6	A51.J1:5	26.3
Fire Sensor	PSID #79	3, 4	A41.J1:10	9.1	Rr Clearance lights	PSID #151	3, 4, 6	A50.J1:4	26.2
Flash RH Sw	PSID #133	3, 4	A48.J1:12	26.1	Rr Start Sw	PSID #59	3, 4	A53.J1:11	3.2
Flasher LH	PSID #130	3, 4	A45.J1:9	26.1	RrStart Enable Sw	PSID #57	3, 4	A53.J1:10	3.2
Foot trap	PSID #37	3, 4, 6	A45.J1:2	18.1	Ser Brake Trans	SID #49	3, 4, 6	A51.J1:1	15.1
FR Clearance lights	PSID #137	3, 4, 6	A44.J1:8	26.1	SldO 5v supply	SID #23	4	A56.J1:15	20.1
Fr Flsh-Mkr LH	PSID #128	3, 4, 6	A45.J1:3	26.1	SldO Close Sw	SID #18	3, 4	A56.J1:10	20.1
Fr Side Flsh	PSID #10	3, 4, 6	A48.J1:20	26.1	SldO Limit In	SID #19	3, 4	A56.J1:11	20.1
Fr Start Sw	PSID #58	3, 4	A36.JB:22	3.2	SldO Limit Out	SID #20	3, 4	A56.J1:14	20.1
Front Flash RH	PSID #126	3, 4, 6	A48.J1:6	26.1	SldO Mot Neg	SID #15	3, 4, 5, 6	A56.J1:7	20.1
FrontMkr Lts LH	PSID #148	3, 4, 6	A45.J1:21	26.1	SldO Mot Pos	SID #16	3, 4, 5, 6	A56.J1:20	20.1
FrontMkr Lts RH	PSID #149	3, 4, 6	A48.J1:21	26.1	SldO Mot SpeedA	SID #9	3, 6	A56.J1:1	20.1
FrStart Enable Sw	PSID #56	3, 4	A53.J1:9	3.2	SldO Mot SpeedB	SID #10	3, 6	A56.J1:2	20.1
Fuel Filt Sens	PSID #81	3, 4	A49.J1:20	13.1	SldO Open Sw	SID #17	3, 4	A56.J1:9	20.1

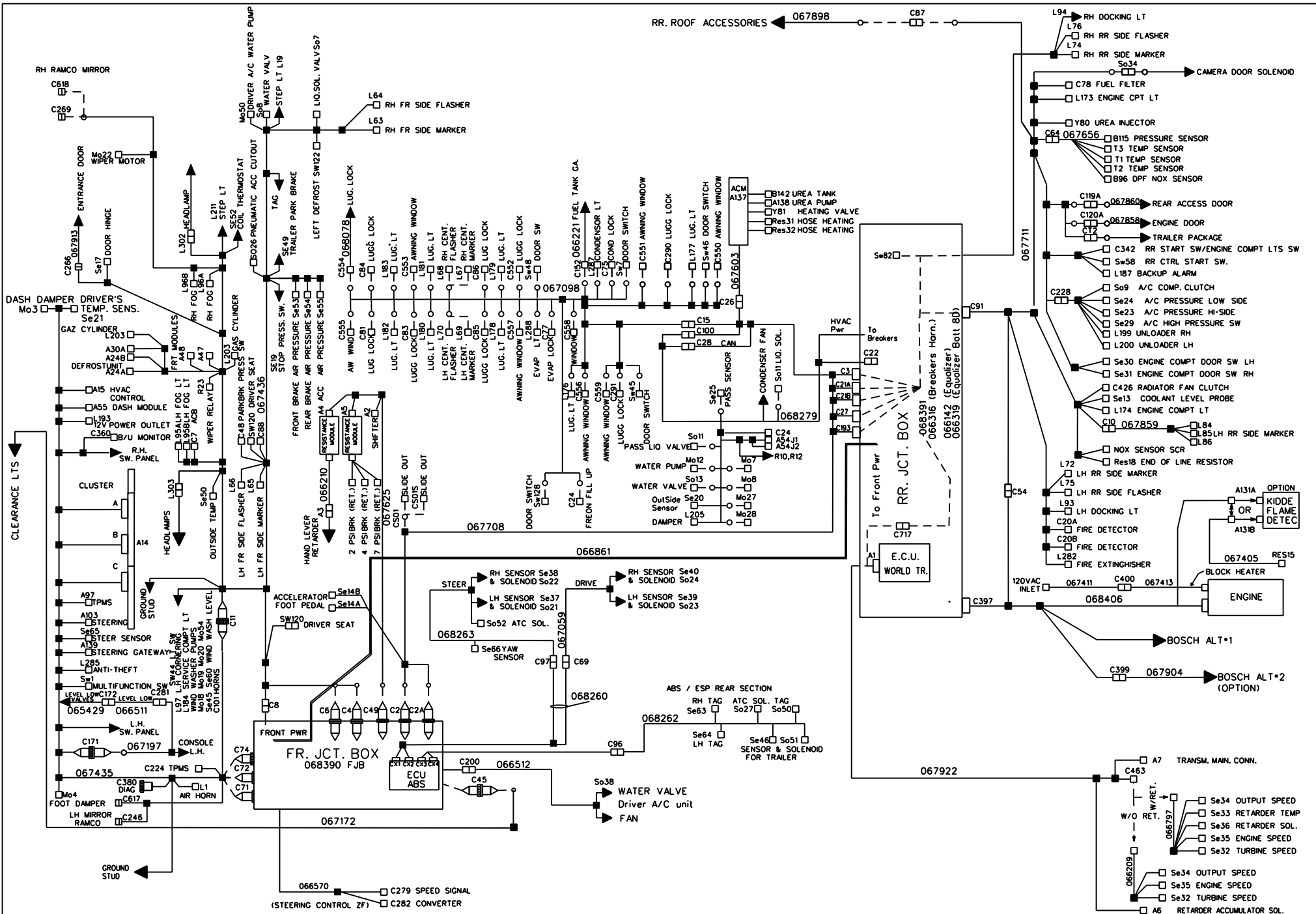
MULTIPLEX ERROR MESSAGES LIST

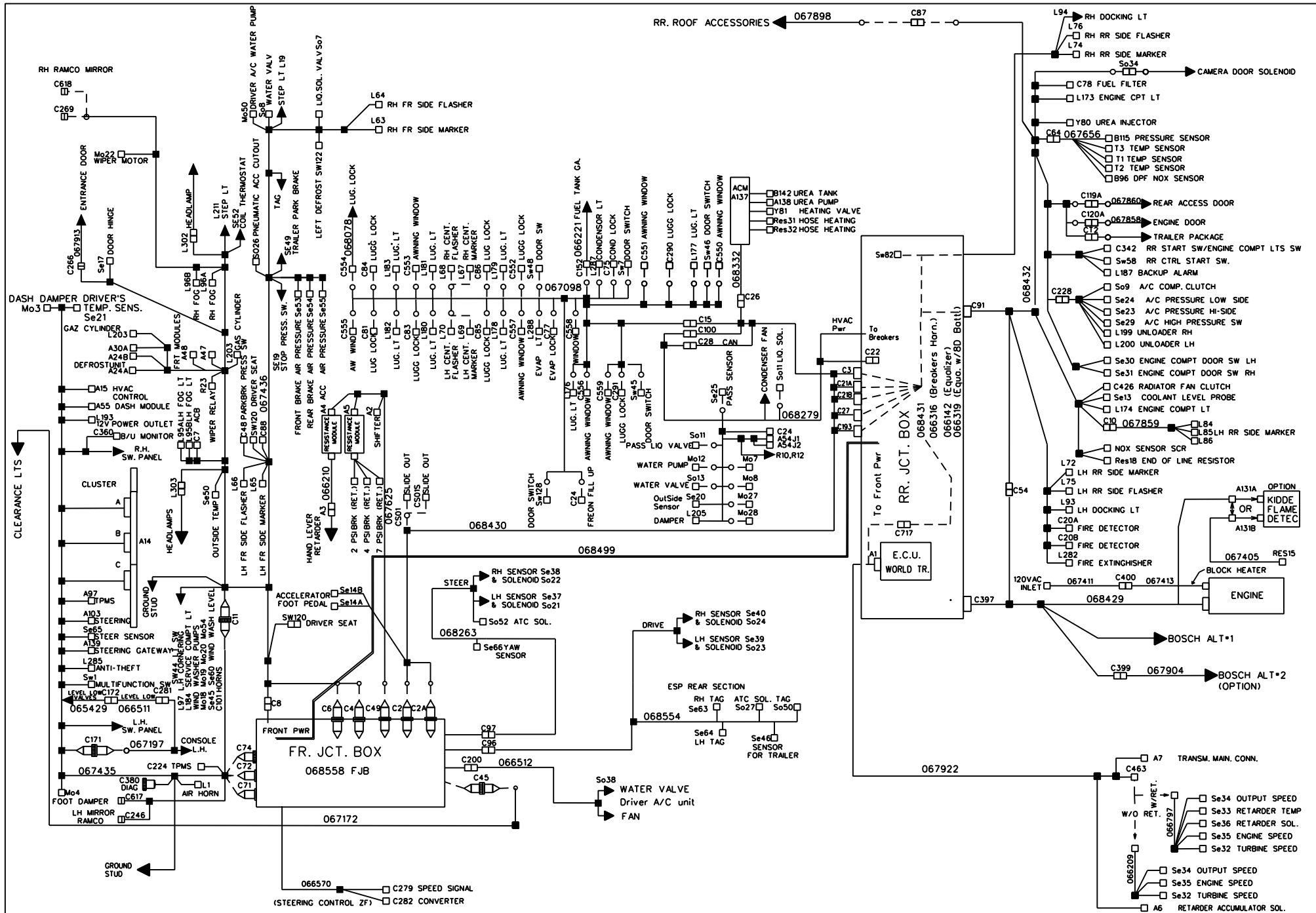
FMI 3 = Shorted High ; FMI 4 = Shorted Low ; FMI 5 = Open Circuit ; FMI 6 = Current above Normal

Cluster message	SID/PSID	FMI	Module.Pin#	Page	Cluster message	SID/PSID	FMI	Module.Pin#	Page
A/C Clutch	PSID #4	3, 4, 5, 6	A52.J1:20	18.2	Fuel Filtr Sens	PSID #81	3, 4	A49.J1:20	13.1
A/C Pres HiSd	PSID #12	3, 4	A52.J1:13	18.2	Hazard Switch	PSID #138	3, 4	A36.JB:4	26.1
A/C Pres LoSd	PSID #13	3, 4	A52.J1:14	18.2	Hd Light Call	PSID #140	3, 4	A43.J1:3	26.1
Aux AC fan	SID #39	3, 4, 6	A46.J1:1	18.3	HdLamp Wsh Pmp	SID #48	3, 4, 5, 6	A46.J1:21	34.1
Aux Refr sol	SID #46	3, 4, 5, 6	A46.J1:8	18.3	Head Lights Pos1	PSID #143	3, 4	A43.J1:4	26.1
Backup Light &	PSID #167	3, 4, 6	A50.J1:20	26.2	Hi Low Beam	SID #62	3, 4	A43.J1:8	26.1
Battery Equalizer	SID #61	3, 4	A45.J1:12	26.1	High Beam LH	PSID #141	3, 4, 5, 6	A45.J1:6	26.1
Blinker Sw	PSID #139	3, 4	A43.J1:20	26.1	High Beam RH	PSID #145	3, 4, 5, 6	A48.J1:3	26.1
Brk Lts Sens	PSID #119	3, 4	A36.JB:13	12.1	Horn	PSID #83	3, 4, 6	A43.J1:13	9.1
Ceiling Door Lt	PSID #108	3, 4, 5, 6	A47.J1:8	29.1	LH Corner Lts	PSID #120	3, 4, 5, 6	A45.J1:5	26.3
Center Flash LH	PSID #124	3, 4, 6	A50.J1:5	26.2	LH Docking Light	PSID #122	3, 4, 5, 6	A51.J1:4	26.3
Center Flash RH	PSID #125	3, 4, 6	A50.J1:7	26.2	Low Beam LH	PSID #142	3, 4, 6	A45.J1:7	26.1
Center Mkr	PSID #27	3, 4, 6	A50.J1:8	26.2	Low Beam RH	PSID #146	3, 4, 6	A48.J1:4	26.1
Cond Rly spd1	PSID #41	3, 4, 5, 6	A54.J1:5	18.2	Lower Stop Lamps	PSID #153	3, 4, 6	A50.J1:6	26.2
Condensor Door Sw	PSID #7	3, 4	A49.J1:3	25.1	Lower Washer pmp	PSID #181	4, 6	A46.J1:3	34.1
Cornering Dash	PSID #200	3, 4	A55.J1:7	26.3	Lower Washer Sw	PSID #188	3, 4	A46.J1:9	34.1
Cyclope Lt	PSID #116	3, 4, 6	A51.J1:7	26.2	Lower Wip Int	PSID #183	3, 4	A42.J1:8	34.1
Defr water Pmp	SID #41	3, 4	A47.J1:20	18.3	Lugg doors lock	SID #44	3, 4, 5, 6	A36.JA:7	33.1
Diff Lock sol	SID #36	3, 4, 6	A52.J1:4	37.1	Lugg doors unlk	SID #45	3, 4, 5, 6	A36.JA:6	33.1
Docking Dash Sw	PSID #40	3, 4	A55.J1:8	26.3	Park brak Sens	PSID #162	3, 4	A36.JB:9	12.1
Driver Def Fan	PSID #180	3, 4, 5, 6	A47.J1:1	18.1	Pass def fan	SID #38	3, 4, 5, 6	A47.J1:7	18.1
Driver heat Sol	PSID #16	3, 4, 5, 6	A46.J1:6	18.1	Pass Heat Sol	PSID #24	3, 4, 6	A54.J1:8	18.2
Driver Light Sw	PSID #104	3, 4, 5, 6	A47.J1:6	19.1	Pass Rfg Sol	PSID #23	3, 4, 5, 6	A54.J1:3	18.2
Driver Rfg Sol	PSID #29	3, 4, 5, 6	A46.J1:5	18.1	Pass. Wtr pump	PSID #17	4, 5, 6	A54.J1:4	18.2
Driver Sensor	PSID #28	3, 4, 5	A55.J1:1	18.1	Rear CutOut Sw	PSID #18	3, 4	A36.JB:21	3.2
Drv air Trap	SID #64	3, 4, 6	A44.J1:2	18.1	RearFlsh LH	PSID #131	3, 4, 6	A51.J1:21	26.2
Elec.Horn SW61	PSID #82	4	A41.J1:3	9.1	RearFlsh RH	PSID #132	3, 4, 6	A51.J1:3	26.2
Emergency Relay	PSID #44	3, 4, 5, 6	A36.JA:24	3.2	Retarder signal	PSID #164	3, 4	A50.J1:12	15.1
Engine Fan Spd1	PSID #53	3, 4, 5, 6	A52.J1:1	13.1	Rev lights	SID #43	3, 4, 6	A50.J1:3	26.3
Engine Fan Spd2	PSID #54	3, 4, 5, 6	A52.J1:2	13.1	RH Corner Light	PSID #121	3, 4, 5, 6	A48.J1:5	26.3
Evap Motor Rly	PSID #77	3, 4, 5, 6	A54.J1:7	18.2	RH Docking Light	PSID #123	3, 4, 5, 6	A51.J1:5	26.3
Fire Sensor	PSID #79	3, 4	A41.J1:10	9.1	Rr Clearance lights	PSID #151	3, 4, 6	A50.J1:4	26.2
Flash RH Sw	PSID #133	3, 4	A48.J1:12	26.1	Rr Start Sw	PSID #59	3, 4	A53.J1:11	3.2
Flasher LH	PSID #130	3, 4	A45.J1:9	26.1	RrStart Enable Sw	PSID #57	3, 4	A53.J1:10	3.2
Foot trap	PSID #37	3, 4, 6	A45.J1:2	18.1	Ser Brake Trans	SID #49	3, 4, 6	A51.J1:1	15.1
FR Clearance lights	PSID #137	3, 4, 6	A44.J1:8	26.1	SldO 5v supply	SID #23	4	A56.J1:15	20.1
Fr Flsh-Mkr LH	PSID #128	3, 4, 6	A45.J1:3	26.1	SldO Close Sw	SID #18	3, 4	A56.J1:10	20.1
Fr Side Flsh	PSID #10	3, 4, 6	A48.J1:20	26.1	SldO Limit In	SID #19	3, 4	A56.J1:11	20.1
Fr Start Sw	PSID #58	3, 4	A36.JB:22	3.2	SldO Limit Out	SID #20	3, 4	A56.J1:14	20.1
Front Flash RH	PSID #126	3, 4, 6	A48.J1:6	26.1	SldO Mot Neg	SID #15	3, 4, 5, 6	A56.J1:7	20.1
FrontMkr Lts LH	PSID #148	3, 4, 6	A45.J1:21	26.1	SldO Mot Pos	SID #16	3, 4, 5, 6	A56.J1:20	20.1
FrontMkr Lts RH	PSID #149	3, 4, 6	A48.J1:21	26.1	SldO Mot SpeedA	SID #9	3, 6	A56.J1:1	20.1
FrStart Enable Sw	PSID #56	3, 4	A53.J1:9	3.2	SldO Mot SpeedB	SID #10	3, 6	A56.J1:2	20.1









PREVOST

WIRING DIAGRAM VIP MUX

No:

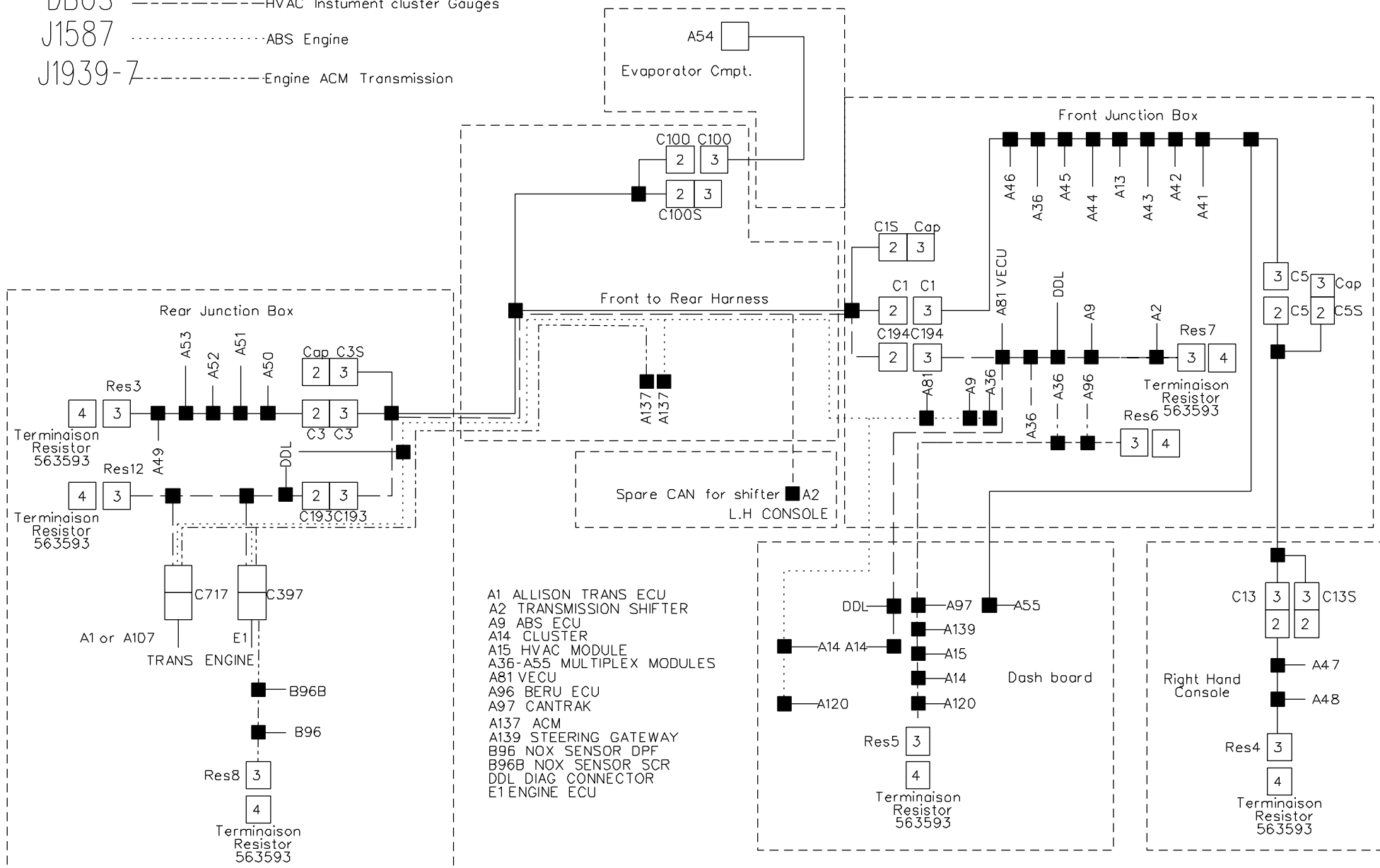
D061160

PAGE: C1

REVISION 06

CAN NETWORKS LAYOUT

CAN ————— I/O Modules
 J1939 - - - - - Engine Transmission
 DBUS - - - - - HVAC Instrument cluster Gauges
 J1587 ABS Engine
 J1939-7 Engine ACM Transmission



CAN — I/O Modules

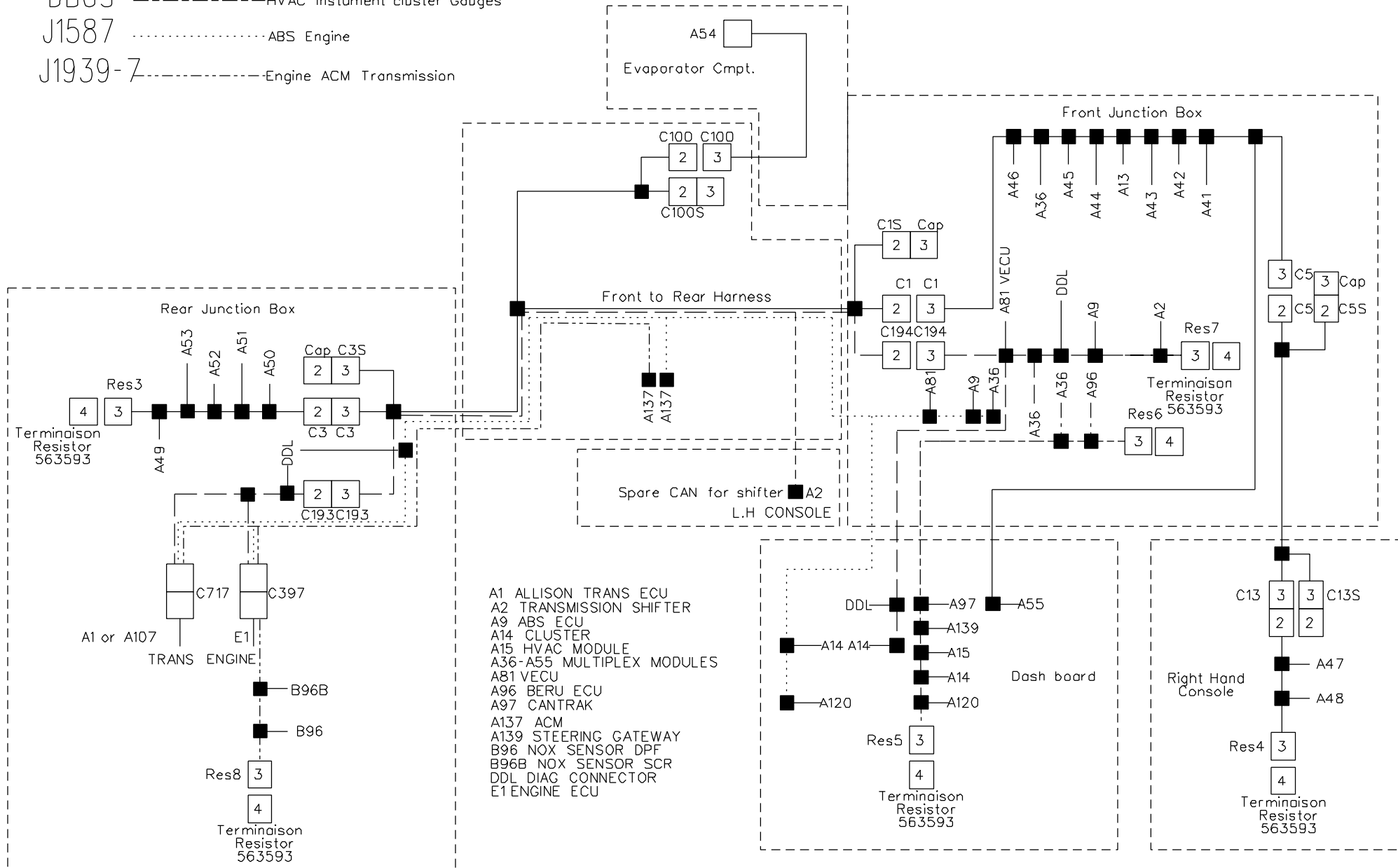
J1939 - - - - - Engine Transmission

DBUS - - - - - HVAC Instrument cluster Gauges

J1587 ABS Engine

J1939-7 Engine ACM Transmission

CAN NETWORKS LAYOUT



WIRING DIAGRAM GLOSSARY

Abbreviation	Description	Abbreviation	Description
A	Electronic Module	T24VDF1	Terminal 24 Volt Direct Front #1
Alt	Alternator	T24VDR1	Terminal 24 Volt Direct Rear #1
Batt	Battery	T24VIF1	Terminal 24 Volt Ignition Front #1
C	Connector	T24VIR1	Terminal 24 Volt Ignition Rear #1
Can	Multiplex Network	Tab	Use for Spare wire
CB	Circuit Breaker	Term	Terminal
CECM	Multiplex Module Master	TGndF	Terminal Ground Front cmpt
Circuit ID	Circuit Number	TGndR	Terminal Ground Rear cmpt
Cond	Condensor	TTLT	TellTale Lights Module
D	Diode	VECF#	Veh. Electrical Center Front cmpt Conn number
Evap	Evaporator	VECR#	Veh. Electrical Center Rear cmpt Conn number
F	Fuse		
Fr	Front		
Hvac	Heat and A/C Controller		
I/O A	Multiplex Module Low Power		
I/O B	Multiplex Module High Power		
J1587	Drive Train Information Network		
J1939	Drive Train Control Network		
L	Lamp or Load		
Master ID	Multiplex Module Downloader		
Mo	Motor		
Pot	Potentiometer		
R	Relay		
Res	Resistor		
Rly	Relay		
Rr	Rear		
Se	Sensor		
So	Solenoid		
Spk	Speaker		
Sw	Switch		
T12VDF1	Terminal 12 Volt Direct Front #1		
T12VDR1	Terminal 12 Volt Direct Rear #1		
T12VIF1	Terminal 12 Volt Ignition Front #1		
T12VIR1	Terminal 12 Volt Ignition Rear #1		

CIRCUITS LIST

CircuitID	Description	CircuitID	Description	CircuitID	Description
0	BatteriesGND	0RB3	GndRearLighting	12VICust	12VICustomer
2	CondensorDoorOpenSig	0RB4	GndLuggagesLock	12VIF	12VltoFrontVec
2B	CondSndSpdSig	0RB5	GndLuggagesLock	12VIF19	12VDdash
6	DriverLightSwitch	0RB6	GndCustomer	12VIZF	ZFsterringControl
7	GndDriverSensor	0RB7	GndToEcm	12WUp1	12VWUptoA48
9A	EngineDoorOpenSig	0RB7A	GndtoACM	12Wup1	12WUpFront
9B	EngineCmpt.Lt	0RB7B	GndtoACM	12Wup2	12WUptoDash
0A	Evap.Gnd	0RB8	GndTrailerConnector	12Wup3	24WupLuggageslock
00A	GndElectronic	0RC1	GndS/ACWaterpump	12WUp5	PwrtoModuleA51
0B	GndEngineCompt	0RC2	GndDriverCylinder	13	GndTransducer
00B	ElectronicGndofMuxModules	0RC3	RH_Console_Gnd	15	UpperWipInt.Signal
0BB	Trans.FrontAirBrake	0RC4	GndKeylessKeypad	15A	UpperWip.1StSpdSig
0C	GndStarter062214	0SA1	GndAlternator	16	Speed_signal
0CE	GND48A47	0SA2	GndAlternator	16A	UpperWasherPump
00D	RJBAjarSignal	0VE	EqualizerGnd	17	UpperWasherSwSignal
0EV1	Condensor_Gnd	0Y	ABS_Gnd	18	Wip.WasherLevel
0EV2	GndHvac	10	LuggageCmpt.LtsPwr	18A	Slide_out
0F	FJBDDoorOpenSig	10A	LuggageCmpt.LtsPwr	20	AirDryer
0FA1	GndofAccessoires	10R	LuggageDoorOpenSig	21	FlasherLHSig
0FA2	GndAuxLiqSolenoidValve	12	Converter	21A	PWERMIRROR_LED
0FA4	gnd	12A	12VDtoR3	21AA	FlashersRearLH
0FB1	GNDBackupcamera	12B	12VDTOCB2	21B	CorneringLtsLH
0FB2	GndDriverWdo	12CPC	CPCSupply	21C	GndMarkersandStopLts
0FB5	GNDMuxpower	12Ecu	12v_Engine_Ecu	22	HazardSwSig
0FC1	Driverseat	12F	12VDto12PostRJB	23	FlasherRHSig
0FC4	ElectricalHorn	12H	Backupcolor	23A	PWERLED_MIRROR
0FD1	GNDCustomer	12K	KeylessModule	23AA	FrontFlasherRHSide
0FE	Flame_Detector_Gnd	12VA	12vEqualizer	23B	CorneringLtsRH
0FE1	GNDCustomer	12VD1	12VDFrontWake-up	23C	ClearanceLts
0FE1A	GNDCustomer	12VD2	KeylessBatteryPower	24	Battery24VMainPower
0FE1B	GNDCustomer	12VD3	12vRearwake-up	24A	BoosterBlock
0FE4	Flame_Detector_Gnd	12VD4	12v_Engine_Ecu	24AW	AwiningWindowsPower
0FE5	Gnd_AFSS	12VDCust	12VDCustomer	24C0	Resistor_Pwr_Excitation
0G	GndofA54	12VDF	12VDtoFrontVec	24CO	PwrtoExcitationResistor
00G	Gateway	12VI	12VltoCB10	24D	24DtoCB6
0H	GroundCoolantSensor	12VI1	12VltoA44	24E	24VltoCB1
0L	KeylessModuleKeypadGnd	12VI2	MirrorPwr	24VA	24vEqualizer
0PR1	GndUpperWiperMotor	12VI3	PwrOutletDrawer	24VB	24VEnginePreheater
0PR2	GndFrontClearanceLts	12VI4	PwrOutletandCigarLighter	24VB1	24VEnginePreheater
0RA2	GndRJB	12VI5	12VltoVECR	24VB2	24VEnginePreheater
0RA3	GndR1-R3	12VI6	PwrtoModuleA50	24VD	24VD
0RB1	GndCameraDoorSolenoid	12VI7	EnaineDoorOpenSig	24VD1	24VD

CIRCUITS LIST

CircuitID	Description	CircuitID	Description	CircuitID	Description
24VD3	24VDofCECM	33	comp_bitzer	63AA	Clearancelts
24VD4	24VDFrontWake-up	35	EntranceDoorLights	63BB	Clearancelts
24VD5	PowerModuleA41	35A	EntranceCeilingLight	64A	Blinker
24VD7	PassandPRackPwr	35RTN	EntranceCeilingLtGnd	65	FootDamper
24VD8	UreaPowerACM	36	A59 Adress	65A	FootDamper
24VD8A	UreaPowerACM	39	DriverLtSwSig	65D	DriverCylinder
24VD8B	UreaPowerACM	39B	KeylessModuleOutput	65P	AuxiliaruLiqSolValve
24VDALT	AwiningWindowsPower	39D	DriverLt	66	MarkersSigSw2
24VDCust	24VDCustomer	39Rtn	Driver_Light_Gnd	67	EvaporatorPwr
24VI	24VI	40	WitnessGnd	67A	Condensor1stSpdSig
24VI1	24VItoRearVec	41A	24VCondensor	68	DashDamper
24VI2	Multifunctionswitchpower	41A1	CondensorPwr	68A	DashDamper
24VI3	UpperWip.MotorPwr	45	Pre-HeatSigRly	69	ElectricalHorn
24VI4	SunVisorsPwr	46	Marker_RH_Front	69A	HornPneumatic
24VI5	24VlofMuxmodules	46A	FrontMarkers	71A	DockingLtsLH
24VI6	PwrtoDefrostUnit	47	DoorOpenSignal	72A	DockingLtsRH
24VI7	LowerWiperPower	49A	DoorInsideSwCloseSig	72B	Sun_Visor
24VI8	24VItoMux	50	WitnessGndSig	72C	Sun_Visor
24VI9	24VlofA54	52	Sw102	72R	GndMarkersandStopLts
24VI9A	24VlofA54	53	LowerWip.Spd1Sig	74D	Sun_Visor
24VI9B	24VlofA54	53A	ElectricalHorn	76	FuelLevelSig
24VI12	RJBLightPwr	53B	LowerWip.Spd2Sig	76C	FuelLevelSig
24VIA	Cut-outPneumaticAcc	53C	LowerWip.IntSig	77	TransducerHi-Side
24VICust	24VICustomer	53D	LowerWip.WasherSwSig	77B	PassandPRackLiquidValve
24VIF	24VItoFrontVEC	53E	LowerWiper1stSpd	77BA	A/CClutch
24WL	Slideout24Vpower	53F	LowerWasherPump	77C	PassandPRackLiquidValve
24WUp1	24VWUptoA47	53G	LowerWip1stSpd	77K	CoilThermostatSignal
24Wup1	24WUpFront	53H	LowerWiper	78	StopLightSensorSig
25	EngineRunSignal	53J	Air_Horn	79	TranducerLow-Side
25A1	ExcitationSignal	53K	KeylessModuleOutput	79A	StopLightSensorSig
25A2	Alternator2Signal	56	Sw103	79B	Service_brk
25A4	BatteryNotChargingSig	57A	AuxiliaryWaterPump	80	BrakeRedundant
26	DriverWdoPwr	57L	Hi-Beam	81	HeadLtCallSw1
26A	DriverWdo	57R	Hi-Beam	82A	CyclopeLamp
26B	DriverWdo	57Rtn	SignalRtnHeadLtsLH	82B	CyclopeLamp
28	Flasher_LH	58L	LowBeam	82Low	StopRearLowerLamp
31	comp_bitzer	58R	LowBeam	82Up	StopRearUpperLamps
31B	LowerWip1stSpd	58Rtn	Lamp_Modul_Gnd	83	24vAccessories
31EE	UpperWipSpd.1	59	Hi/LowBeamSignal	84	StartSigSw83
32	Converter	60	FogsLtsSwSig	84A	Start_Sig_Sw83
32A	BackupLtandalarm	61	HeadLtsSig	84B	StartSigSw83
32D	Backupl tandalarm	63	Clearancelts	85	24VInnition

CIRCUITS LIST

CircuitID	Description	CircuitID	Description	CircuitID	Description
85B	Ign-AccSignal	102A	Alternator	136AA	ShifterSignal
85C	PositionNormalSw58	104	LevelLowSo28	137	Transmission
85D	RearStartPwr	105	Fog_LH	137A	MirrorPwrSig
85E	RearStartSignal	105A	Fog_Light	137B	Mirrors
85F	24VIgnition	105ARtn	Fog_Light_Gnd	137C	Mirrors
85G	EgnineStartPwrSw58	105Rtn	Fog_Light	137D	Mirrors
85H	Ign-AccSignal	106	Fog_Light	137E	Mirrors
85Y	Bus_Abs_Ind	106A	Fog_Light	137F	Mirrors
85Z	Trailer_Abs_Ind	106Rtn	GndKeylessKeypad	137H	Mirrors
86	DefrostunitSpd	111	Transmission	137J	Mirrors
86A	PassengerDefrosterControl	114	BacklightPwr	137K	Mirrors
86C	PassengerSensor	114A	Backlight	137L	Mirrors
86Rtn	GndDefrostUnit	115	Transmission	137M	Mirrors
87	ESP	115A	WitnessPwr	138	ABSSensor
88	CompressorPressureSignal	115W	Check_Trans	138A	ABSSensor
89	DriverSensorSig	116	DriverLiq	139	ABSSolenoid
90H	24VltoEvap	116A	DriverLiq	140	ABSSolenoid
90H1	Evaporator	118	Transmission	141	ABSSolenoid
91	ParkBrakeSig	119	Back_up_monitor	142	ABSSolenoid
91B	WitnessSigSw14	120	Transmission	143	ABSSensor
92	TrailerParkBrakeSig	123	FireAlarm	143A	ABSSensor
93	PassengerDefrostSwitchUp	123A	WakeUpSignal	144	ABSSensor
94	PassengerDefrostSwitchDown	124A	ShifterSignal	144A	ABSSensor
95	DockingLTswSig	125	Retarder_Lamp	145	ABSSolenoid
96	CorneringLTswSig	126F	LevelLowSignal	146	ABSSolenoid
97	LowDockingLightsSwitchSignal	127	Transmission	147	ABSSolenoid
97A	SpecialOption	128	Sun_visors	148	ABSSolenoid
98	BackupCancelSwitch	129	Sun_Visors	149	ABSSensor
00A1	GndElectronic	130	Sun_Visor	149A	ABSSensor
0B1	GndEnginePreheater	131	Evaporator2ndSpd	150	Transmission
00B1	GndEng_Start	132	DifferentialLockSignal	151	GndtoEcm
0V1	LuggageDoorOpenSig	132A	Level_Low	151A	GndToEcm
0V2	LuggageDoorOpenSig	132B	LevelLowSo30	151B	GndToEcm
0V3	LuggageDoorOpenSig	132C	LevelLowSo31	151C	GndToEcm
0V4	EvaporatorLightSwitch	132D	LevelLowSo32	151D	GroundLevelGround
0V4A	Condensorlightswitch	132E	LevelLowPower	152	Transmission
0V5	LuggageDoorOpenSig	132F	LevelLowPower	153	PwrOutletandCigarLighter
0Y2	GndChassisABSSol	133	Transmission	154	Transmission
0Y3	GndChassisABSSol	134	BatteryNotChargingSig	155	TransmissionInhibitSig
101	Starter	135	Transmission	156A	12VltoABS
101A	Starter	135A	HandLevelSig	157D	Bus_Abs_Ind
101B	Starter	136	Transmission	159	Transmission

CIRCUITS LIST

CircuitID	Description	CircuitID	Description	CircuitID	Description
163	RetarderSig	231B	Starter_Relay	346	See_H3_Design
163A	EngBrakeRetSignal	240A	12v_Engine_Ecu	347	Fire_Detect_Alarme
163B	RetarderEnSig	241A	PowertoEcm	348	See_H3_Design
164	HandLevelSig	241B	PowertoEcm	351	EngineShout-downSignal
166	WitnessSigSw16	241C	So33_Gnd	352	OverrideSignal
167	ACB	260	WindowAjarSignal	360	Cluster
168	ACB	264	AuxiliaryFanSpeedControl	361	Cluster
170A	LuggagesLocks	264Rtn	AuxiliaryFanSpeedControl	362	Cluster
170B	LuggagesLocks	272	KeylessModuleInput	363	Cluster
170D	Luggageslockrelay	274	KeylessModuleInput	364	Trans.FrontAirBrake
170E	Luggagesdoorslockrelays	276	KeylessModuleInput	365	Trans.FrontAirBrake
170F	LuggagesLocks	277	KeylessModuleKeypadLt	366	Trans.RearAirBrake
170G	LuggagesLocks	278	KeylessModuleInput	367	Trans.RearAirBrake
170K	LuggagesLocksSwitchesSignal	280	KeylessModuleInput	368	AccessoriesAirPressure
170L	LuggagesLocksSwitchesSignal	281	EntranceDoorLock	369	AccessoriesAirPressure
170M	LuggagesLocksSwitchesSignal	282	EntranceDoorLock	417	ThrottlePositionSignal
170N	LuggagesLocksSwitchesSignal	283	EntranceDoorHingeSignal	439	12VIttoCPC
170P	LuggagesLocksSwitchesSignal	283A	KeylessModuleInput	439G	Steering_Pwr
170R	LuggagesLocksSwitchesSignal	283C	EntranceDoorHingeSignal	500	DDECGND
170S	LuggagesLocksSwitchesSignal	284A	LuggagesUnlockRelays	501	Control_Ground_Relay
170T	LuggagesLocksSwitchesSignal	284B	KeylessModuleOutput	502	IVSOut
170V	LuggagesLocksSwitchesSignal	285	LuggagesLockRelays	505	UreaSystem
170W	LuggagesLockPower	285B	KeylessModuleOutput	506	UreaSystem
170Y	LuggagesLocks	285C	KeylessModuleOutput	507	UreaSystem
170Z	LuggagesLocks	286	EntranceDoorLock	510	FastIdleSignal
171	LuggageUnlockSwSig	286A	EntranceDoorLock	511	UreaSystem
174	Transmission	286B	FrontDoorLock	512	UreaSystem
175	BackupCamera	287	KeylessModuleOutput	513	UreaSystem
175B	BackupCamSignal	290	GndFanClutch	515	GroundPreheaterRelay
175C	BackupCamDoor	290A	GndFanClutch	516	UreaSystem
175D	12VIBackupcamera	290Rtn	GndMarkersandStopLts	517	UreaSystem
175E	Backupcolor	291	FanClutch	518	UreaSystem
176	Transmission	292	FanClutch	519	UreaSystem
177	Transmission	294	KeylessModuleOutput	520	UreaSystem
180	Transmission	295	KeylessModuleOutput	521	UreaSystem
190	TransPresetSpd	296	RJBDoorFan	522	UreaSystem
197	FuelFilterSig	297	TransShiftDown	523	UreaSystem
201	Upperviper&HeadlampsWasher	298	TransShiftUp	524B	IdleValidationSig
202	Head_Lamp_Washer_Pump	341	Fire_Suppression	524C	IdleValidationSig
229	Auxiliarydefrost	342	AFSS_Panel_Gnd	525	UreaSystem
229A	Auxiliarydefrost	343	Fire-EngineStopTTL	526	UreaSystem
231	Neutral	344	ExtinguisherSignal	527	UreaSystem

CIRCUITS LIST

CircuitID	Description	CircuitID	Description	CircuitID	Description
530	UreaSystem	Bref2	PassengerSensor	N5	A57Address
532	UreaSystem	BROWN	TrailerMarkerlights	N6	A43Address
541	CruiseSetSig	CAN2-H	EngineCan2	N7	A44Address
544	CruiseOn_OffSignal	CAN2-L	EngineCan2	N8	A44Address
544A	CruiseOn-OffLed	CAN2H	EngineCan2	N9	A45Address
545	CruiseResumeSig	CAN2L	EngineCan2	N10	A45Address
583	EngineBrakeB	CanH	CanHSignal	N11	A46Address
600	ABSSensor	CanH1	Sparefrttorr	N12	A46Address
600A	ABSSensor	CanL	CanLSignal	N13	A47Address
601	ABSSensor	CanL1	Sparefrttorr	N14	A47Address
601A	ABSSensor	CC1	Converterinput1	N15	A48Address
602	ABSSteering&Yawsensor	CC2	ConverterInput2	N16	A48Address
603	ABSSteering&Yawsensor	CC3	ConverterInput3	N17	A49Address
604	ABSSteering&Yawsensor	CC4	ConverterInput4	N18	A49Address
605	ABSSteering&Yawsensor	CC5	Converterinput5	N19	A50Address
606	ABSPressuresensor	CC6	Converterinput5	N20	A50Address
607	ABSPressuresensor	CC7	Converterinput2	N21	A51Address
608	ABSPressuresensor	CC8	Converterinput2	N22	A51Address
609	ABSPressuresensor	CC12	Converteroutput1	N23	A52Address
610	ABSPressuresensor	CC13	ConverterOutput3	N24	A52Address
611	AbsTagSolenoid	CC14	ConverterOutput2	N25	A53Address
612	AbsTagSolenoid	CC15	ConverterOutput4	N26	A53Address
613	AbsTagSolenoid	CC16	Converteroutput4	N27	A54Address
614	ABSSteeringSolenoid	CC17	ConverterOutput6	N28	A54Address
614A	ABSSteeringSolenoid	Cd	ComputerSignals	N29	A36Address
615	ABStrailersolenoid	Cd1	ComputerSignals	N31	A58Address
616	ABStrailersolenoid	Cts	ComputerSignals	N32	A58Address
617	ABStrailersolenoid	D1	UpperWiperMotor	N33	A55Address
900	J1587	DBusH	DBusSignal	N34	A55Address
901	J1587	DbusH	DBusSignal	N35	A59_Address
911	EmergencyCutoutRlySignal	DBusL	DBusSignal	OFB3	TireMonitoringGND
916	5VSensorPwr	DbusL	DBusSignal	OFB5	GNDTPMS
952	GndSensorRtn	Down	Cluster	ORB7	GndWindowAjar
953	Electronic_ground_DDEC_VI	Escape	Cluster	RED	StarterRelay
979	EngineBrakeA	GndA	ComputerSignals	RedFR	TPMS
BLACK	Starter_Relay	GREEN	TrailerFlasherRH	RedRL	TPMS
BikFR	TPMS	J1939H		RedRR	TPMS
BikRL	TPMS	J1939L		Rts	ComputerSignals
BikRR	TPMS	LIN	Steering_Gateway	RX	TPMS
BLUE	TrailerconnectorABSPower	N1	A41Address	RxD	ComputerSignals
BRef1	OutsideTemperatureSensor	N2	A56Address	S076A	Slide_out
Bref1	PassengerSensor	N3	A56Address	Select	Cluster

CIRCUITS LIST

CircuitID	Description	CircuitID	Description	CircuitID	Description
So1A	PowerSlideOut	So63	SldOut2SignalIn	spare20	SparesClearanceLts
So1B	PowerSlideOut	So64	SldOut3LimitIn	spare21	SparesClearanceLts
So1C	Power_SlideOut	So65	SldOut3LimitOut	spare22	SparesClearanceLts
So2	SldOutRemoteSig	So66	PowerSldOut2Sensor	spare23	SparesClearanceLts
So3	SldOutInSig	So67	SldOut2StatusLed	spare24	SparesClearanceLts
So4	SignalOut	So68	SldOut2RelaySig	spare25	SparesClearanceLts
So5	ParkBrakeSig	So69	SldOut2RelaySig	spare32	SparesFrontHarness
So6	SldOut1LimitIn	So70	SldOut2SealInflat	spare33	SparesFrontHarness
So7	SldOut1LimitOut	So71	SldOut2SealDeflatSig	spare39	SparesDash
So8	PowerSldOut1Sensor	So72	SldOut2MotorSig	spare40	SparesDash
So8	PowerSldOut1Sensor	So73	SldOutMotor2sig	spare41	SparesDash
So9	SldOut1StatusLed	So74	SldOutMotor2sig	spare42	SparesDash
So10	SldOut1RelaySig	So76	Gnd_Slide_out	spare43	SparesDash
So11	SldOut2RelaySig	So76AA	Gnd	spare44	SparesDash
So12	SealInflating	So82	SldOut1SignalOut	spare45	SparesFr-to-RearHarness
So13	SldOut1SealDeflatSig	So83	SldOut2SignalIn	spare46	SparesFr-to-RearHarness
So14	SldOut1VacumGen	So84	SldOut3LimitIn	spare49	SparesEngineCradle
So16	SensorGndRtn	So85	SldOut3LimitOut	spare50	SparesEngineCradle
So18	Slide_Out_Gnd	So86	PowerSldOut2Sensor	spare51	SparesEngineCradle
So18AA	Gnd	So87	SldOut2StatusLed	spare52	SparesEngineCradle
So19	SldOutMotor1Sig	So88	SldOut2RelaySig	spare53	SparesEngineCradle
So20	SldOutMotor1Sig	So89	SldOut2RelaySig	spare54	SparesEngineCradle
So21	SldOutMotorSig	So90	SldOut2SealInflat	spare55	SparesEnginesAccessories
So31	Power_SlideOut	So91	SldOut2SealDeflatSig	spare57	SparesEnginesAccessories
So31A	GndSlideOut	So92	SldOut2MotorSig	spare58	SparesEnginesAccessories
So31AA	Gnd	So93	SldOutMotor2sig	spare59	SparesEnginesAccessories
So32	SldOut1SignalOut	So94	SldOutMotor2sig	spare60	SparesEnginesAccessories
So33	SldOut2SignalIn	So95	SldOutMotor2sig	spare61	SparesEnginesAccessories
So36	SldOut2LimitIn	So96	Gnd_Slide_out	spare62	spareABSHarness
So37	SldOut2LimitOut	So96A	Gnd_Slide_out	spare63	spareABSHarness
So38	PowerSldOut2Sensor	So96AA	Gnd	spare64	Transmission_Spare
So39	SldOut2StatusLed	SP	ConverterVehicleSpeed	Spare65	Transmission_Spare
So40	SldOut2RelaySig	spare2	SparesFr-to-RearHarness	spare94	SparesRearClearanceHarness
So41	SldOut2RelaySig	spare3	SparesFr-to-RearHarness	spare95	SparesRearClearanceHarness
So42	SldOut2SealDeflatSig	spare4	SparesEvap.Harness	TX	TPMS
So46	SldOutMotor2sig	spare5	SparesEvap.Harness	TxD	ComputerSignals
So47	SldOutMotor2sig	spare6	SparesEvap.Harness	Up	Cluster
So48	SldOut2MotorSig	spare7	SparesEvap.Harness	WHITE	TrailerConnectorGnd
So55	SecurityPinSol	spare8	SparesEvap.Harness	WhtFR	TPMS
So58	SldOutMotor1Sig	spare9	SparesEvap.Harness	WhtRL	TPMS
So59	SldOutMotor2sig	spare17	SparesFr-to-RearHarness	WhtRR	TPMS
So61	SldOut2SealInflat	spare18	SparesFr-to-RearHarness	YFI LOW	TrailerFlasherL H

CIRCUITS LIST

CircuitID	Description	CircuitID	Description	CircuitID	Description
0	GndLevelLow	ORB2	GndBackUpCamera	12VICust	12VICustomer
2	CondensorDoorOpenSig	ORB3	GndRearLighting	12VIF	12VltoFrontVec
2B	CondSndSpdSig	ORB4	GndLuggagesLock	12VIF19	12VDdash
6	DriverLightSwitch	ORB5	GndLuggagesLock	12VIZF	ZFsterringControl
7	GndDriverSensor	ORB6	GndCustomer	12WUp1	12VWUptoA48
9A	EngineDoorOpenSig	ORB7	GndToEcm	12Wup1	12WUpFront
9B	EngineCmpt.Lt	ORB8	GND_ACM	12Wup2	12WUptoDash
0A	Evap.Gnd	ORB8A	GndtoACM	12Wup3	24WupLuggageslock
00A	GndElectronic	ORB8B	GndtoACM	12Wup5	PwrtoModuleA51
0B	GndEngineCompt	ORC1	GndS/ACWaterpump	12Wup5	12Wup
00B	ElectronicGndofMuxModules	ORC2	GndDriverCylinder	13	GndTransducer
0BB	Trans.FrontAirBrake	ORC3	RH_Console_Gnd	15	UpperWipInt.Signal
0BF	Preaheter_Fuel_Filter_GND	ORC4	GndKeylessKeypad	15A	UpperWip.1StSpdSig
0C	GndStarter062214	0SA1	GndAlternator	16	Speed_signal
0CE	GND48A47	0SA2	GndAlternator	16A	UpperWasherPump
00D	RJBArSignal	0VE	EqualizerGnd	17	UpperWasherSwSignal
0EV1	Condensor_Gnd	0Y	ABS_Gnd	18	Wip.WasherLevel
0EV2	GndHvac	10	LuggageCmpt.LtsPwr	18A	Slide_out
0F	FJBDoorOpenSig	10A	LuggageCmpt.LtsPwr	20	AirDryer
0FA1	GndofAccessoires	10R	LuggageDoorOpenSig	21	FlasherLHSig
0FA2	GndAuxLiqSolenoidValve	12	Converter	21A	PWERMIRROR_LED
0FA4	gnd	12A	12VDtoR3	21AA	FlashersRearLH
0FB1	GNDBackupcamera	12B	12VDTOCB2	21B	CorneringLtsLH
0FB2	GndDriverWdo	12Ecu	12v_Engine_Ecu	21C	GndMarkersandStopLts
0FB5	GNDMuxpower	12H	Backupcolor	22	HazardSwSig
0FC1	GndFrtExtlighting	12K	KeylessModule	23	FlasherRHSig
0FC4	ElectricalHorn	12VA	12vEqualizer	23A	PWERLED_MIRROR
0FD1	GNDCustomer	12VD1	12VDFrontWake-up	23AA	FrontFlasherRHSide
0FDS	Driver_Seat_Gnd	12VD2	KeylessBatteryPower	23B	CorneringLtsRH
0FE	Flame_Detector_Gnd	12VD3	12vRearwake-up	23C	ClearanceLts
0FE1	GNDCustomer	12VD4	12V_Engine_ECU	24	MasterRelayPwr
0FE1A	GNDCustomer	12VDCust	12VDCustomer	24A	BoosterBlock
0FE1B	GNDCustomer	12VDF	12VDtoFrontVec	24AW	Awining_Wind_Pwr
0FE4	Flame_Detector_Gnd	12VI	12VItoCB10	24C0	Resistor_Pwr_Excitation
0FE5	Gnd_AFSS	12VI1	12VIofA44	24CO	PwrtoExcitationResistor
0G	GndofA54	12VI2	MirrorPwr	24D	24DtoCB6
0H	GroundCoolantSensor	12VI3	PwrOutletDrawer	24E	24VItoCB1
0L	KeylessModuleKeypadGnd	12VI4	PwrOutletandCigarLighter	24VA	24vEquilizer
0PR1	GndUpperWiperMotor	12VI5	12VItoVECR	24VB	24VEnginePreheater
0PR2	GndFrontClearanceLts	12VI6	PwrtoModuleA50	24VB1	24VEnginePreheater
0RA2	GND_RJB	12VI7	EngineDoorOpenSig	24VB2	24VEnginePreheater
0RA3	GndR1-R3	12VI9	TireMonitoringPwr	24VD	24VD
ORB1	GndCameraDoorSolenoid	12VI250	Preheat_Fuel_Filtr_Pwr	24VD1	24VD

CIRCUITS LIST

CircuitID	Description	CircuitID	Description	CircuitID	Description
24VD2	24VDtoRearVec	32	Converter	59	Hi/LowBeamSignal
24VD3	24VDofCECM	32A	BackupLtandalarm	60	FogsLtsSwSig
24VD4	24VDFrontWake-up	32D	BackupLtandalarm	61	HeadLtsSig
24VD5	PowerModuleA41	32EE	UpperWiperMotor	63	Clearancelts
24VD6	24VD	33	comp_bitzer	63A	FrontClearancelts
24VD7	PassandPRackPwr	35	EntranceDoorLights	63AA	Clearancelts
24VD8	UREA_Pwr_ACM	35A	EntranceCeilingLight	63BB	Clearancelts
24VD8A	UreaPowerACM	35RTN	EntranceCeilingLtGnd	64A	Blinker
24VD8B	UreaPowerACM	36	A59_Adress	65	FootDamper
24VDALT	AwiningWindowsPower	39	DriverLtSwSig	65A	FootDamper
24VDCust	24VDCustomer	39B	KeylessModuleOutput	65D	DriverCylinder
24VDS	Driver_Seat_Pwr	39D	DriverLt	65P	AuxiliaruLiqSolValve
24VI	24VI	39Rtn	Driver_Light_Gnd	66	MarkersSigSw2
24VI1	24VItoRearVec	40	WitnessGnd	67	EvaporatorPwr
24VI2	Multifunctionswitchpower	41A	24VCondensor	67A	Condensor1stSpdSig
24VI3	UpperWip.MotorPwr	41A1	CondensorPwr	68	DashDamper
24VI4	SunVisorsPwr	45	Pre-HeatSigRly	68A	DashDamper
24VI5	24VIofMuxmodules	46	Marker_RH_Front	69	ElectricalHorn
24VI6	PwrtoDefrostUnit	46A	FrontMarkers	69A	HornPneumatic
24VI7	LowerWiperPower	47	DoorOpenSignal	71A	DockingLtsLH
24VI8	24VItoMux	49A	DoorInsideSwCloseSig	72A	DockingLtsRH
24VI9	24VIofA54	50	WitnessGndSig	72B	Sun_Visor
24VI9A	24VIofA54	52	Sw102	72C	Sun_Visor
24VI9B	24VIofA54	53	LowerWip.Spd1Sig	72R	GndMarkersandStopLts
24VI12	Engine_Cmpt_Lts_Pwr	53A	ElectricalHorn	74D	Sun_Visor
24VIA	Cut-outPneumaticAcc	53B	LowerWip.Spd2Sig	76	FuelLevelSig
24VICust	24VICustomer	53C	LowerWip.IntSig	76C	FuelLevelSig
24VIF	24VItoFrontVEC	53D	LowerWip.WasherSwSig	77	TransducerHi-Side
24WL	Slideout24Vpower	53E	LowerWiper1stSpd	77B	PassandPRackLiquidValve
24WUp1	24VWUptoA47	53F	LowerWasherPump	77BA	A/CClutch
24Wup1	24WUpFront	53G	LowerWip1stSpd	77C	PassandPRackLiquidValve
25	EngineRunSignal	53H	LowerWiper	77K	CoilThermostatSignal
25A1	ExcitationSignal	53J	Air_Horn	78	StopLightSensorSig
25A1D	Alternator_signal	53K	KeylessModuleOutput	79	TranducerLow-Side
25A2	Alternator2Signal	54	MarkersCenter	79A	StopLightSensorSig
25A4	BatteryNotChargingSig	56	Sw103	79B	Service_brk
26	DriverWdoPwr	57A	AuxiliaryWaterPump	80	BrakeRedundant
26A	DriverWdo	57L	Hi-Beam	81	HeadLtCallSw1
26B	DriverWdo	57R	Hi-Beam	82A	CyclopeLamp
28	Flasher_LH	57Rtn	SignalRtnHeadLtsLH	82B	CyclopeLamp
31	comp_bitzer	58L	LowBeam	82Low	StopRearLowerLamp
31B	LowerWip1stSpd	58R	LowBeam	82Up	StopRearUpperLamps
31EE	UpperWipSpd.1	58Rtn	Lamp_Modul_Gnd	83	24vAccessories

CIRCUITS LIST

CircuitID	Description	CircuitID	Description	CircuitID	Description
84	StartSigSw83	101	Starter	135	Transmission
84A	Start_Sig_Sw83	101A	Starter	135A	HandLevelSig
84B	StartSigSw83	101B	Starter	136	Transmission
85	24VIgnition	102	Alternator_Pwr	136A	Transmission_Pwr
85A	Ign-AccSignal	102A	Alternator	136AA	ShifterSignal
85B	Wake-upSig	104	LevelLowSo28	137	Transmission
85C	PositionNormalSw58	105	Fog_LH	137A	MirrorPwrSig
85D	RearStartPwr	105A	Fog_Light	137B	Mirrors
85E	RearStartSignal	105ARtn	Fog_Light_Gnd	137C	Mirrors
85F	Engine_Start_Pwr_SW58	105Rtn	Fog_Light	137D	Mirrors
85G	EgnineStartPwrSw58	106	Fog_Light	137E	Mirrors
85H	Ign-AccSignal	106A	Fog_Light	137F	Mirrors
85Z	Trailer_Abs_Ind	106Rtn	GndKeylessKeypad	137H	Mirrors
86	DefrostunitSpd	111	Transmission	137J	Mirrors
86A	PassengerDefrosterControl	114	BacklightPwr	137K	Mirrors
86C	PassengerSensor	114A	Backlight	137L	Mirrors
86Rtn	GndDefrostUnit	115	Transmission	137M	Mirrors
87	ESP	115A	WitnessPwr	138	ABSSensor
88	CompressorPressureSignal	115W	Check_Trans	138A	ABSSensor
89	DriverSensorSig	116	DriverLiq	139	ABSSolenoid
90H	24VltoEvap	116A	DriverLiq	140	ABSSolenoid
90H1	Evaporator	118	Transmission	141	ABSSolenoid
91	ParkBrakeSig	119	Back_up_monitor	142	ABSSolenoid
91B	WitnessSigSw14	120	Transmission	143	ABSSensor
92	TrailerParkBrakeSig	123	FireAlarm	143A	ABSSensor
93	PassengerDefrostSwitchUp	123A	WakeUpSignal	144	ABSSensor
94	PassengerDefrostSwitchDown	124A	ShifterSignal	144A	ABSSensor
95	DockingLTSwSig	125	Retarder_Lamp	145	ABSSolenoid
96	CorneringLTSwSig	126F	LevelLowSignal	146	ABSSolenoid
97	LowDockingLightsSwitchSignal	127	Transmission	147	ABSSolenoid
97A	SpecialOption	128	Sun_visors	148	ABSSolenoid
98	BackupCancelSwitch	129	Sun_Visors	149	ABSSensor
00A1	GndElectronic	130	Sun_Visor	149A	ABSSensor
0B1	GndEnginePreheater	131	Evaporator2ndSpd	150	Transmission
00B1	GndEng.Start	132	DifferentialLockSignal	151	GndtoEcm
OV1	LuggageDoorOpenSig	132A	Level_Low	151A	GndToEcm
OV2	LuggageDoorOpenSig	132B	LevelLowSo30	151B	GndToEcm
OV3	LuggageDoorOpenSig	132C	LevelLowSo31	151C	GndToEcm
OV4	EvaporatorLightSwitch	132D	LevelLowSo32	151D	GroundLevelGround
OV4A	Condensorlightswitch	132E	LevelLowPower	152	ABSRearAtcSolenoid
OV5	LuggageDoorOpenSig	132F	LevelLowPower	153	PwrOutletandCigarLighter
OY2	GndChassisABSSol	133	Transmission	154	Transmission
OY3	GndChassisABSSol	134	BatteryNotChargingSig	155	TransmissionInhibitSig

CIRCUITS LIST

CircuitID	Description	CircuitID	Description	CircuitID	Description
156A	12VtoABS	229	Auxiliarydefrost	341	Fire_Suppression
157D	Bus_Abs_Ind	229A	Auxiliarydefrost	342	AFSS_Panel_Gnd
159	Transmission	231	Neutral	343	Fire-EngineStopTTL
160	TagSignal	231A	CrankSignal	344	ExtinguisherSignal
163	RetarderSig	231B	Starter_Relay	345	See_H3_Design
163A	EngBrakeRetSignal	240A	12v_Engine_Ecu	346	See_H3_Design
163B	RetarderEnSig	240B	CPC_Supply	347	Fire_Detect_Alarme
164	HandLevelSig	241A	PowertoEcm	348	See_H3_Design
166	WitnessSigSw16	241B	PowertoEcm	351	EngineShout-downSignal
167	ACB	241C	WIF_Heater	352	OverrideSignal
168	ACB	260	WindowAjarSignal	360	Cluster
170A	LuggagesLocks	264	AuxiliaryFanSpeedControl	361	Cluster
170B	LuggagesLocks	264Rtn	AuxiliaryFanSpeedControl	362	Cluster
170D	Luggages_Lock_Pwr	272	KeylessModuleInput	363	Cluster
170E	Luggagesdoorslockrelays	274	KeylessModuleInput	364	Trans.FrontAirBrake
170F	LuggagesLocks	276	KeylessModuleInput	365	Trans.FrontAirBrake
170G	LuggagesLocks	277	KeylessModuleKeypadLt	366	Trans.RearAirBrake
170K	LuggagesLocksSwitchesSignal	278	KeylessModuleInput	367	Trans.RearAirBrake
170L	LuggagesLocksSwitchesSignal	280	KeylessModuleInput	368	AccessoriesAirPressure
170M	LuggagesLocksSwitchesSignal	281	EntranceDoorLock	369	AccessoriesAirPressure
170N	LuggagesLocksSwitchesSignal	282	EntranceDoorLock	417	ThrottlePositionSignal
170P	LuggagesLocksSwitchesSignal	283	EntranceDoorHingeSignal	439	12VtoCPC
170R	LuggagesLocksSwitchesSignal	283A	KeylessModuleInput	439G	Steering_Pwr
170S	LuggagesLocksSwitchesSignal	283C	EntranceDoorHingeSignal	500	DDECGND
170T	LuggagesLocksSwitchesSignal	284A	LuggagesUnlockRelays	501	Control_Ground_Relay
170V	LuggagesLocksSwitchesSignal	284B	KeylessModuleOutput	502	IVSOut
170W	Luggages_Lock_Pwr	285	LuggagesLockRelays	505	UreaSystem
170Y	LuggagesLocks	285B	KeylessModuleOutput	506	UreaSystem
170Z	LuggagesLocks	285C	KeylessModuleOutput	507	UreaSystem
171	LuggageUnlockSwSig	286	EntranceDoorLock	510	FastIdleSignal
174	Transmission	286A	EntranceDoorLock	511	UreaSystem
175	BackupCamera	286B	FrontDoorLock	512	UreaSystem
175B	BackupCamSignal	287	KeylessModuleOutput	513	UreaSystem
175C	BackupCamDoor	290	GndFanClutch	515	GroundPreheaterRelay
175D	12VIBackupcamera	290A	GndFanClutch	516	UreaSystem
175E	Backupcolor	290Rtn	GndMarkersandStopLts	517	UreaSystem
176	Transmission	291	FanClutch	518	UreaSystem
177	Transmission	292	FanClutch	519	UreaSystem
180	Transmission	294	KeylessModuleOutput	520	UreaSystem
190	TransPresetSpd	295	KeylessModuleOutput	521	UreaSystem
197	FuelFilterSig	296	RJBDoorFan	522	UreaSystem
201	Upperwiper&HeadlampsWasher	297	TransShiftDown	523	UreaSystem
202	Head_Lamp_Washer_Pump	298	TransShiftUp	524C	IdleValidationSig

CIRCUITS LIST

CircuitID	Description	CircuitID	Description	CircuitID	Description
525	UreaSystem	BlkRL	TPMS	LIN	Steering_Gateway
526	UreaSystem	BlkRR	TPMS	N1	A41Address
526A	UreaSystem	BLUE	TrailerconnectorABSPower	N2	A56Address
526B	UreaSystem	BRef1	OutsideTemperatureSensor	N3	A56Address
526C	UreaSystem	Bref1	PassengerSensor	N4	A57Address
527	UreaSystem	BRef2	OutsideTemperatureSensor	N5	A57Address
528	UreaSystem	Bref2	PassengerSensor	N6	A43Address
530	UreaSystem	BROWN	TrailerMarkerlights	N7	A44Address
531	UreaSystem	CC1	Converterinput1	N8	A44Address
532	UreaSystem	CC2	ConverterInput2	N9	A45Address
541	CruiseSetSig	CC3	ConverterInput3	N10	A45Address
544	CruiseOn_OffSignal	CC4	ConverterInput4	N11	A46Address
544A	CruiseOn-OffLed	CC5	Converterinput5	N12	A46Address
545	CruiseResumeSig	CC6	Converterinput5	N13	A47Address
583	EngineBrakeB	CC7	Converterinput2	N14	A47Address
600	ABSSensor	CC8	Converterinput2	N15	A48Address
600A	ABSSensor	CC12	Converteroutput1	N16	A48Address
601	ABSSensor	CC13	ConverterOutput3	N17	A49Address
601A	ABSSensor	CC14	ConverterOutput2	N18	A49Address
602	ABSSteering&Yawsensor	CC15	ConverterOutput4	N19	A50Address
603	ABSSteering&Yawsensor	CC16	Converteroutput4	N20	A50Address
604	ABSSteering&Yawsensor	CC17	ConverterOutput6	N21	A51Address
605	ABSSteering&Yawsensor	Cd1	ComputerSignals	N22	A51Address
606	ABSPressuresensor	CTS	MCMIntreface	N23	A52Address
607	ABSPressuresensor	Cts	ComputerSignals	N24	A52Address
608	ABSPressuresensor	D1	UpperWiperMotor	N25	A53Address
610	ABSPressuresensor	DbusL	DBusSignal	N26	A53Address
611	AbsTagSolenoid	DL1H	J1939	N27	A54Address
612	AbsTagSolenoid	DL1L	J1939	N28	A54Address
613	AbsTagSolenoid	DL3H	DBusSignal	N29	A36Address
614	ABSSteeringSolenoid	DL3L	DBusSignal	N31	A58Address
614A	ABSSteeringSolenoid	DL7H	Can2	N32	A58Address
900	J1587	DL7L	Can2	N33	A55Address
901	J1587	DL0H	Sparefrttorr	N34	A55Address
911	EmergencyCutoutRlySignal	DL0L	Sparefrttorr	N35	A59_Adress
916	5VSensorPwr	Down	Cluster	OFB3	TireMonitoringGND
952	GndSensorRtn	Escape	Cluster	OFB5	GNDTPMS
953	Electronic_ground_DDEC_VI	GndA	ComputerSignals	ORB7	GndWindowAjar
979	EngineBrakeA	GREEN	TrailerFlasherRH	RED	StarterRelay
BB2H	Can2	J1939H	J1939	RedFR	TPMS
BB2L	Can2	J1939L	J1939	RedRL	TPMS
BLACK	Starter_Relay	J1939PH	J1939P	RedRR	TPMS
BlkFR	TPMS	J1939PL	J1939P	RTS	MCMIntreface

CIRCUITS LIST

CircuitID	Description	CircuitID	Description	CircuitID	Description
Rts	ComputerSignals	So47	SldOutMotor2sig	spare6	SparesEvap.Harness
RX	TPMS	So48	SldOut2MotorSig	spare7	SparesEvap.Harness
RxD	MCMIntreface	So55	SecurityPinSol	spare8	SparesEvap.Harness
RxTx	MCMIntreface	So58	SldOutMotor1Sig	spare9	SparesEvap.Harness
S076A	Slide_out	So59	SldOutMotor2sig	spare17	SparesFr-to-RearHarness
Select	Cluster	So61	SldOut2SealInflat	spare18	SparesFr-to-RearHarness
So1	PowerSlideOut	So62	SldOut1SignalOut	spare19	SparesFr-to-RearHarness
So1A	PowerSlideOut	So63	SldOut2SignalIn	spare20	SparesClearanceLts
So1B	PowerSlideOut	So64	SldOut3LimitIn	spare21	SparesClearanceLts
So1C	Power_SlideOut	So65	SldOut3LimitOut	spare22	SparesClearanceLts
So2	SldOutRemoteSig	So66	PowerSldOut2Sensor	spare23	SparesClearanceLts
So3	SldOutInSig	So67	SldOut2StatusLed	spare24	SparesClearanceLts
So4	SignalOut	So68	SldOut2RelaySig	spare25	SparesClearanceLts
So5	ParkBrakeSig	So69	SldOut2RelaySig	spare32	SparesFrontHarness
So6	SldOut1LimitIn	So70	SldOut2SealInflat	spare33	SparesFrontHarness
So7	SldOut1LimitOut	So71	SldOut2SealDeflatSig	spare39	SparesDash
SO8	PowerSldOut1Sensor	So72	SldOut2MotorSig	spare40	SparesDash
So8	PowerSldOut1Sensor	So73	SldOutMotor2sig	spare41	SparesDash
So9	SldOut1StatusLed	So74	SldOutMotor2sig	spare42	SparesDash
So10	SldOut1RelaySig	So76	Gnd_Slide_out	spare43	SparesDash
So11	SldOut2RelaySig	So76AA	Gnd	spare44	SparesDash
So12	SealInflating	So82	SldOut1SignalOut	spare45	SparesFr-to-RearHarness
So13	SldOut1SealDeflatSig	So83	SldOut2SignalIn	spare46	SparesFr-to-RearHarness
So14	SldOut1VacumGen	So84	SldOut3LimitIn	spare49	SparesEngineCradle
So16	SensorGndRtn	So85	SldOut3LimitOut	spare50	SparesEngineCradle
So18	Slide_Out_Gnd	So86	PowerSldOut2Sensor	spare51	SparesEngineCradle
So18AA	Gnd	So87	SldOut2StatusLed	spare52	SparesEngineCradle
So19	SldOutMotor1Sig	So88	SldOut2RelaySig	spare53	SparesEngineCradle
So20	SldOutMotor1Sig	So89	SldOut2RelaySig	spare54	SparesEngineCradle
So21	SldOutMotorSig	So90	SldOut2SealInflat	spare55	SparesEnginesAccessories
So31	Power_SlideOut	So91	SldOut2SealDeflatSig	spare57	SparesEnginesAccessories
So31A	GndSlideOut	So92	SldOut2MotorSig	spare58	SparesEnginesAccessories
So31AA	Gnd	So93	SldOutMotor2sig	spare59	SparesEnginesAccessories
So32	SldOut1SignalOut	So94	SldOutMotor2sig	spare60	SparesEnginesAccessories
So33	SldOut2SignalIn	So95	SldOutMotor2sig	spare61	SparesEnginesAccessories
So36	SldOut2LimitIn	So96	Gnd_Slide_out	spare62	spareABSHarness
So37	SldOut2LimitOut	So96A	Gnd_Slide_out	spare63	spareABSHarness
So38	PowerSldOut2Sensor	So96AA	Gnd	spare64	Transmission_Spare
So39	SldOut2StatusLed	SP	ConverterVehicleSpeed	Spare65	Transmission_Spare
So40	SldOut2RelaySig	spare2	SparesFr-to-RearHarness	spare94	SparesRearClearanceHarness
So41	SldOut2RelaySig	spare3	SparesFr-to-RearHarness	spare95	SparesRearClearanceHarness
So42	SldOut2SealDeflatSig	spare4	SparesEvap.Harness	SubH	Subnet
So46	SldOutMotor2sig	spare5	SparesEvap.Harness	SubL	Subnet

CONNECTORS LIST

No	Location	Part #	Gender	No	Location	Part #	Gender
A1.A		563975	male	A44.J1	FJB	563133	male
A2A		563984	male	A44.J2	FJB	563132	male
A4A.A		562428	female	A44.J3	FJB	562957	male
A4A.B		561188	female	A45.J1	FJB	563133	male
A5A		562428	female	A45.J2	FJB	563132	male
A6		562427	male	A45.J3	FJB	562957	male
A7		563979	male	A46.J1	FJB	563133	male
A9.Cx1		564041	female	A46.J2	FJB	563132	male
A9.Cx2		563678	male	A46.J3	FJB	562957	male
A9.Cx3		564037	female	A47.J1	RightHandConsole	563133	male
A9.Cx4		564038	female	A47.J2	RightHandConsole	563132	male
A13.J1	FJB	562794	male	A47.J3	RightHandConsole	562957	male
A13.J2	FJB	562650	male	A48.J1	RightHandConsole	563133	male
A14A.A		562766	male	A48.J2	RightHandConsole	563132	male
A14A.B		562767	male	A48.J3	RightHandConsole	562957	male
A14A.C		562765	male	A49.J1	RJB	562767	male
A15	Dash	562464	male	A49.J2	RJB	563132	male
A18	FJB	562794	male	A49.J3	RJB	562957	male
A18.J2	FJB	562650	male	A50.J1	RJB	563133	male
A24	RightHandConsole	561889	female	A50.J2	RJB	563132	male
A24.A	RightHandConsole	561890	male	A50.J3	RJB	562957	male
A24.B	RightHandConsole	561566	female	A51.J1	RJB	563133	male
A27	ServiceCmpt.	562929	male	A51.J2	RJB	563132	male
A28	ServiceCmpt.	562928	male	A51.J3	RJB	562957	male
A29		562464	male	A52.J1	RJB	563133	male
A30	RightHandConsole	561889	female	A52.J2	RJB	563132	male
A30.A	RightHandConsole	561611	male	A52.J3	RJB	562957	male
A31.A	FJB	562676	male	A53.J1	RJB	563133	male
A31.B	FJB	562675	male	A53.J2	RJB	563132	male
A32.A	1stLuggCmpt.	561611	male	A53.J3	RJB	562957	male
A32.C	1stLuggCmpt.	561566	female	A54.J1	Evap.Cmpt.	563133	male
A36.JA	FJB	562767	male	A54.J2	Evap.Cmpt.	563132	male
A36.JB	FJB	562765	male	A54.J3	Evap.Cmpt.	562957	male
A36.JC	FJB	562957	male	A55.J1		562767	male
A41.J1	FJB	562767	male	A55.J2		563132	male
A41.J2		563132	male	A55.J3		562957	male
A41.J3		562957	male	A56.J1	Slide-OutPanel	563133	male
A42.J1	FJB	562767	male	A56.J2	Slide-OutPanel	563132	male
A42.J2		563132	male	A56.J3	Slide-OutPanel	562957	male
A42.J3		562957	male	A57.J1		563133	male
A43.J1	FJB	562767	male	A57.J2		563132	male
A43.J2		563132	male	A57.J3		562957	male

CONNECTORS LIST

No	Location	Part #	Gender	No	Location	Part #	Gender
A58.J2		563132	male	C4	ServiceCmpt.	563580	male
A58.J3		562957	male	C4	ServiceCmpt.	563581	female
A59.J1		563133	male	C5	FJB	563589	male
A59.J2		563132	male	C5	FJB	563590	female
A59.J3		562957	male	C5S	FJB	563589	male
A81A.JA		562767	male	C5S	FJB	563590	female
A81A.JB		562765	male	C6	ServiceCmpt.	563582	male
A81A.JC		562957	male	C6	ServiceCmpt.	563583	female
A96	FJB	564073	female	C7		562581	female
A97	Dash	563226	male	C7		562583	female
A100		563758	female	C8		563227	male
A101		563758	female	C8		563614	female
A102		563758	female	C10		562581	male
A103		562070	female	C10		562583	female
A131.A		561782	male	C11	ServiceCmpt.	563580	male
A131.B		561781	female	C11	ServiceCmpt.	563581	female
A138		563787	male	C12		561986	male
A139		564501	male	C12		561987	female
Alt1D.A		563746	female	C13S	RightHandConsole	563593	male
Alt1D.B		560815	female	C13S	RightHandConsole	563590	female
Alt1D.C		564469	female	C13_plug		563589	male
Alt2D.A		563746	female	C13_socket		563590	female
Alt2D.B		560815	female	C15	5thLuggCmpt.	561646	male
Alt2D.C		564469	female	C15	5thLuggCmpt.	561645	female
B85		563815	male	C17	RJB	561986	male
B96.J1		563821	male	C17	RJB	561987	female
B96B		563823	male	C18	FJB	561986	male
B97		563816	male	C18	FJB	561987	female
B98.J1		563817	male	C19	RJB	561986	male
B115.J1		563818	female	C19	RJB	561987	female
B142B		563793	male	C20A		562485	male
C1	FJB	563589	male	C20A		562486	female
C1	FJB	563590	female	C20B		562485	male
C1S	FJB	563589	male	C20B		562486	female
C1S	FJB	563590	female	C21A	RJB	561646	male
C2	ServiceCmpt.	563580	male	C21A	RJB	561645	female
C2	ServiceCmpt.	563581	female	C21B	RJB	561646	male
C2A		563580	male	C21B	RJB	561645	female
C2A		563581	female	C22	RJB	561847	male
C3	RJB	563589	male	C22	RJB	561862	female
C3	RJB	563590	female	C24	Evap.Cmpt.	561690	male
C3S	R.JB	563593	male	C24	Fvan Cmpt	561566	female

CONNECTORS LIST

No	Location	Part #	Gender	No	Location	Part #	Gender
C26		563581	female	C84	2ndLuggCmpt.	561668	male
C27		562005	male	C84	2ndLuggCmpt.	561551	female
C27		561714	female	C85	3rdLuggCmpt.	561668	male
C28		561637	male	C85	3rdLuggCmpt.	561551	female
C28		561636	female	C86	3rdLuggCmpt.	561668	male
C34	RightHandConsole	561986	male	C86	3rdLuggCmpt.	561551	female
C34	RightHandConsole	561987	female	C87	RearRoof	563618	male
C36		561986	male	C87	RearRoof	563616	female
C36		561987	female	C89	RearRoof	561581	male
C40	Dash	562485	male	C89	RearRoof	561582	female
C40	Dash	562486	female	C91	RJB	562285	male
C44_plug	FJB	561577	male	C91	RJB	562282	female
C44_socket	FJB	561605	female	C92		561986	male
C45	FJB	561643	male	C92		561987	female
C45	FJB	561642	female	C96		561643	male
C48	ServiceCmpt.	561690	male	C96		561642	female
C48	ServiceCmpt.	561566	female	C97		561640	male
C49A		562005	male	C97		561639	female
C49A		561714	female	C98		563817	male
C54		563580	male	C98		563830	female
C54		563581	female	C100	5thLuggCmpt.	563589	male
C64		563580	male	C100	5thLuggCmpt.	563590	female
C64		563581	female	C100S	5thLuggCmpt.	563589	male
C69		561583	male	C100S	5thLuggCmpt.	563590	female
C69		561585	female	C101	ServiceCmpt.	561690	male
C71	FJB	561646	male	C101	ServiceCmpt.	561566	female
C71	FJB	561645	female	C102		561690	male
C72	ServiceCmpt.	561646	male	C102		561566	female
C72	ServiceCmpt.	561645	female	C105		562581	male
C74	ServiceCmpt.	561645	female	C105		562583	female
C74	ServiceCmpt.	561646	male	C106_plug		562581	male
C75	4thLuggCmpt	561668	male	C106_socket		562583	female
C75	4thLuggCmpt	561551	female	C119A		563618	male
C77	4thLuggCmpt	561668	male	C119A		563616	female
C77	4thLuggCmpt	561551	female	C120A		563580	male
C78	EngineCmpt.	561690	male	C120A		563581	female
C78	EngineCmpt.	561566	female	C152	CondensorCmpt.	561611	male
C81	1stLuggCmpt.	561668	male	C152	CondensorCmpt.	561610	female
C81	4thLuggCmpt	561551	female	C171	FJB	561646	male
C82	1stLuggCmpt.	561668	male	C171	FJB	561645	female
C82	1stLuggCmpt.	561551	female	C172	ServiceCmpt.	561637	male
C83	2ndLuggCmpt	561668	male	C172	ServiceCmpt	561635	female

CONNECTORS LIST

No	Location	Part #	Gender	No	Location	Part #	Gender
C193	RJB	563590	female	C399A		562477	male
C194	FJB	563589	male	C399A		562479	female
C194	FJB	563590	female	C400_plug	EngineCmpt.	561782	male
C200	FJB	561607	male	C400_socket	EngineCmpt.	561781	female
C200	FJB	561606	female	C426		561611	male
C200B		562471	male	C426		561610	female
C200B		562348	female	C463	EngineCmpt.	562570	female
C222	FJB	562477	male	C463	EngineCmpt.	562571	male
C222	FJB	562479	female	C464	RJB	563180	male
C223		563227	male	C464	RJB	563347	female
C223	FJB	563614	female	C500	FJB	562069	male
C224	Dash	561637	male	C500	FJB	562070	female
C224	Dash	561636	female	C550	5thLuggCmpt.	561476	male
C225	FJB	562650	male	C550	5thLuggCmpt.	561477	female
C225	FJB	562649	female	C551	5thLuggCmpt.	561476	male
C228	EngineCmpt.	563227	male	C551	5thLuggCmpt.	561477	female
C228	EngineCmpt.	563614	female	C552	3rdLuggCmpt.	561476	male
C246	ServiceCmpt.	563090	male	C552	3rdLuggCmpt.	561477	female
C246	ServiceCmpt.	563091	female	C553	2ndLuggCmpt.	561476	male
C264A		563227	male	C553	2ndLuggCmpt.	561477	female
C264A		563614	female	C554	1stLuggCmpt.	561476	male
C266A		561640	male	C554	1stLuggCmpt.	561477	female
C266A		561639	female	C555	1stLuggCmpt.	561476	male
C269	RHConsole	563090	male	C555	1stLuggCmpt.	561477	female
C269	RHConsole	563091	female	C556	5thLuggCmpt.	561476	male
C279	FJB	562477	male	C556	5thLuggCmpt.	561477	female
C279	FJB	562479	female	C557	3rdLuggCmpt.	561476	male
C281	LeftHandConsole	560852	male	C557	3rdLuggCmpt.	561477	female
C281	LeftHandConsole	560851	female	C558	4thLuggCmpt.	561476	male
C290	5thLuggCmpt.	561668	male	C558	4thLuggCmpt.	561477	female
C290	5thLuggCmpt.	561551	female	C559	5thLuggCmpt.	561476	male
C291	5thLuggCmpt.	561668	male	C559	5thLuggCmpt.	561477	female
C291	5thLuggCmpt.	561551	female	C617		563801	male
C342	EngineCmpt.	562477	male	C617		563800	female
C342	EngineCmpt.	562479	female	C618		563801	male
C360	Dash	561247	male	C618		563800	female
C360	Dash	561248	female	C717		561646	male
C380	Dash	563180	male	C717		561645	female
C380	Dash	563347	female	CC1	ServiceCmpt.	563227	male
C397	RJB	562285	male	CC1	ServiceCmpt.	563614	female
C397	RJB	562282	female	CC2	ServiceCmpt.	563226	male
C399		562477	male	CC2	ServiceCmpt.	563613	female

CONNECTORS LIST

No	Location	Part #	Gender	No	Location	Part #	Gender
CS01		563613	female	L72	Rear_Vehicle	562155	male
CS01S		563226	male	L74	Rear_Vehicle	562155	male
CS01S		563613	female	L75	Rear_Vehicle	562155	male
CS02		561643	male	L76	Rear_Engine_Door	562155	male
CS02		561641	female	L87A.A		561608	female
CS05		561847	male	L87A.B		562286	male
CS05		561862	female	L88A.A		561608	female
CS07		562581	male	L88A.B		562286	male
CS07		562583	female	L89A.A		561608	female
CS08		562581	male	L89A.B		562286	male
CS08		562583	female	L90A.A		561608	female
CS09		562581	male	L90A.B		562286	male
CS09		562583	female	L93.A	Rear_Vehicle	563069	female
CT2	EngineCmpt.	563226	male	L93.B	Rear_Vehicle	563069	female
CT2	EngineCmpt.	563613	female	L94.A	EngineCmpt.	563069	female
EI		563739	male	L94.B	EngineCmpt.	563069	female
L1		562485	male	L95A		562485	male
L16	FrontRoof	562803	male	L95B		562485	male
L17	FrontRoof	562803	male	L96A		562485	male
L18A		562549	male	L96B		562485	male
L19		562549	male	L97.A	Outside_Front_LH	563069	female
L21.A	FrontRoof	561608	female	L97.B	Outside_Front_LH	563069	female
L21.B	FrontRoof	562286	male	L98A.A		563069	female
L22.A	FrontRoof	561608	female	L98A.B		563069	female
L22.B	FrontRoof	562286	male	L173		563590	female
L23.A	FrontRoof	561608	female	L174		563590	female
L23.B	FrontRoof	562286	male	L175	RJB	561247	male
L24.A	FrontRoof	561608	female	L176	5thLuggCmpt.	561247	male
L24.B	FrontRoof	562286	male	L177	5thLuggCmpt.	561247	male
L25.A	FrontRoof	561608	female	L178	3rdLuggCmpt.	561247	male
L25.B	FrontRoof	562286	male	L179	3rdLuggCmpt.	561247	male
L26.A	FrontRoof	561608	female	L180	2ndLuggCmpt.	561247	male
L26.B	FrontRoof	562286	male	L181	2ndLuggCmpt.	561247	male
L27.A	FrontRoof	561608	female	L182	1stLuggCmpt.	561247	male
L27.B	FrontRoof	562286	male	L183	1stLuggCmpt.	561247	male
L63	Outside_Front_RH	562155	male	L184	ServiceCmpt.	561247	male
L64	Outside_Front_RH	562155	male	L185.A		562651	female
L65	Outside_Front_LH	562155	male	L185.B		562290	female
L66	Outside_Front_LH	562155	male	L186.A		562651	female
L67.A		562155	male	L186.B		562290	female
L68.A		562155	male	L187.A		561690	male
L69.A		562155	male	L189	Outside_Front_RH	562069	male

CONNECTORS LIST

No	Location	Part #	Gender	No	Location	Part #	Gender
L193.A	Dash	560488	female	Mo51	1stLuggCmpt.	561690	male
L193.B	Dash	560488	female	Mo53	RJB	561248	female
L194.A	Dash	562019	female	Mo54		562474	male
L194.B	Dash	560488	female	Mo55.A		561967	male
L195.A	Dash	560488	female	Mo56		561477	female
L195.B	Dash	560488	female	Mo57.A		561967	male
L199	EngineCmpt.	562471	male	Mo58		561477	female
L199OP.A		564128	female	MONITOR	Dash	561247	male
L200	EngineCmpt.	562471	male	MoSo1.A		561967	male
L200_OP.A		564128	female	MOSO2.A		561967	male
L203	RightHandConsole	561690	male	Pot1.A	Dash	560488	female
L205	Evap.Cmpt.	562485	male	Pot1.B	Dash	560488	female
L211		562549	male	Pot1.C	Dash	560488	female
L282		561690	male	R3	RJB	563409	male
L285	Dash	561247	male	R10	Evap.Cmpt.	563409	male
L287	4thLuggCmpt	561247	male	R12	Evap.Cmpt.	563409	male
L288	4thLuggCmpt	561247	male	R17	RJB	562367	male
L298		563590	female	R18	FJB	562367	male
L302		562789	male	R19	FJB	562367	male
L303		562789	male	R21		561183	male
L350		562350	male	R23	RightHandConsole	561183	male
Mo3	Dash	561667	female	R24	FJB	561183	male
Mo4		562076	male	R25	RJB	561183	male
Mo7		563691	male	R29		563409	male
Mo8		563691	male	R30	RJB	561183	male
Mo12	Evap.Cmpt.	561690	male	R31	RJB	561183	male
Mo15		560900	female	R32	RJB	561183	male
Mo16		560900	female	R33	RJB	561183	male
Mo17	LeftHandConsole	563626	male	R34.A		562367	male
Mo18		562474	male	R36		561183	male
Mo19		562474	male	R37		561183	male
Mo20		562474	male	R41		561183	male
Mo21	FrontRoof	561186	male	R42		561183	male
Mo22	RightHandConsole	561186	male	R43		561183	male
Mo24	RightHandConsole	562348	female	Res3	RJB	563590	female
Mo25	RightHandConsole	562348	female	Res4	RightHandConsole	563590	female
Mo26A		564161	male	Res5	Dash	563590	female
Mo27		563691	male	Res6	FJB	563590	female
Mo28		563691	male	Res7.A		563590	female
Mo37		564161	male	Res15		561782	male
Mo40	1stLuggCmpt.	561477	female	Res18.A		563590	female
Mo44		561477	female	Res31		562350	male

CONNECTORS LIST

No	Location	Part #	Gender	No	Location	Part #	Gender
RS01.A		562168	female	Se39		641132	female
RS01.B		562168	female	Se40		641132	female
RS02.A		562168	female	Se45	ServiceCmpt.	563409	male
RS02.B		562168	female	Se46	AboveRearAxle	562348	female
RS03.A		562168	female	Se49		563677	male
RS03.B		562168	female	Se50		562426	male
RS04.A		562168	female	Se52.A	RightHandConsole	560488	female
RS04.B		562168	female	Se52.B	RightHandConsole	560488	female
RS05.A		562168	female	Se53		563159	female
RS05.B		562168	female	Se54		563159	female
RS06.A		562168	female	Se55		563159	female
RS06.B		562168	female	Se60		563409	male
RS07.A		562168	female	Se63		641132	female
RS07.B		562168	female	Se64		641132	female
RS08.A		562168	female	Se65		564042	female
RS08.B		562168	female	Se66		564039	female
Se11.A	Cond.Cmpt.	560082	male	Se67		563159	female
Se11.B	Cond.Cmpt.	560082	male	Se68		563159	female
Se11.C	Cond.Cmpt.	560082	male	Se69		563159	female
Se12	EngineCmpt.	561690	female	SES01		563159	male
Se13		562350	male	SES02_SESO3		562479	female
Se14.A		561782	male	SES05_SESO6		562479	female
Se14.B		561781	female	SES07_SESO8		562479	female
Se16A.A		562651	female	SES09_SESO10		562479	female
Se16A.B		562651	female	So7	ServiceCmpt.	561566	male
Se17.A	RightHandConsole	562019	female	So8	ServiceCmpt.	563204	female
Se17.B	RightHandConsole	562019	female	So9	EngineCmpt.	561566	female
Se19		563677	male	So9OP.A		564127	female
Se20		562426	male	So11	Cond.Cmpt.	561566	female
Se21	Dash	561248	female	So13	Evap.Cmpt.	563204	female
Se23	EngineCmpt.	563159	male	So21		564046	female
Se24	EngineCmpt.	563159	male	So22		564046	female
Se25	PassengerArea	561248	female	So23		564046	female
Se29	EngineCmpt.	561566	female	So24		564046	female
Se30		562877	female	So26	ServiceCmpt.	641385	male
Se31		562877	female	So27		564045	male
Se32	EngineCmpt.	563057	male	So33		563324	female
Se33	EngineCmpt.	562856	male	So34	EngineCmpt.	561690	male
Se34	EngineCmpt.	563057	male	So38	1stLuggCmpt.	561566	female
Se35	EngineCmpt.	563057	male	So50		564046	female
Se36		563628	female	So51		564046	female
Se37		641132	female	So52		564045	female

CONNECTORS LIST

No	Location	Part #	Gender	No	Location	Part #	Gender
SoSo2		641385	male	Sw50.B	2ndLuggCmpt.	562403	female
SoSo3		641385	male	Sw51.A	1stLuggCmpt.	562403	female
SOSO4		641385	male	Sw51.B	1stLuggCmpt.	562403	female
SoSo5		641385	male	Sw52	1stLuggCmpt.	562403	female
SoSo6		641385	male	Sw52.B	1stLuggCmpt.	562403	female
SoSo7		564045	female	Sw58	EngineCmpt.	562581	male
SoSo8		564045	female	Sw59	EngineCmpt.	562485	male
spBar1		564135	male	Sw63A		562763	male
spBar2.J1		564135	male	Sw64.A		560815	female
Sw1.C258	Dash	561188	female	Sw64.B		560815	female
Sw1.C259	Dash	561186	male	Sw82.A	RJB	561457	female
Sw2	Dash	562763	male	Sw82.B	RJB	561457	female
Sw3		562763	male	Sw82.C	RJB	561457	female
Sw4		562763	male	Sw82.D	RJB	561457	female
Sw5	Dash	562763	male	Sw83.A	Dash	560082	female
Sw6		562763	male	Sw83.B	Dash	560815	female
Sw7.A	Cond.Cmpt.	562403	female	Sw83.C	Dash	560082	female
Sw7.B	Cond.Cmpt.	562403	female	Sw83.D	Dash	560815	female
Sw11A		562763	male	Sw85	LeftHandConsole	562749	male
Sw14		562763	male	Sw99		562763	male
Sw16		562763	male	Sw100		562763	male
Sw17		562763	male	Sw102		562763	male
Sw18A	Dash	562763	male	Sw103A		562763	male
Sw24		562763	male	Sw104	Dash	562763	male
Sw35		562763	male	Sw106	Entrance_Door	561637	male
Sw38	LeftHandConsole	562763	male	Sw107.A		561457	female
Sw39.A	RJB	562403	female	Sw107.B		561457	female
Sw39.B	RJB	562403	female	Sw107.C		561457	female
Sw40	LeftHandConsole	561690	male	Sw107.D		561457	female
Sw41	LeftHandConsole	562749	male	Sw107.E		561457	female
Sw44.A	FJB	562403	female	Sw107.F		561457	female
Sw44.B	FJB	562403	female	Sw107.G		561457	female
Sw45.A	5thLuggCmpt.	562403	female	Sw107.H		561457	female
Sw45.B	5thLuggCmpt.	562403	female	Sw107.J		561457	female
Sw46.A	5thLuggCmpt.	562403	female	Sw107.K		561457	female
Sw46.B	5thLuggCmpt.	562403	female	Sw108	LeftHandConsole	562763	male
Sw47.A	3rdLuggCmpt.	562403	female	Sw116.A	4thLuggCmpt	560079	female
Sw47.B	3rdLuggCmpt.	562403	female	Sw116.B	4thLuggCmpt	560079	female
Sw48.A	3rdLuggCmpt.	562403	female	Sw117.A	5thLuggCmpt.	560079	female
Sw48.B	3rdLuggCmpt.	562403	female	Sw117.B	5thLuggCmpt.	560079	female
Sw49.A	2ndLuggCmpt.	562403	female	Sw119		562763	male
Sw49.B	2ndLuggCmpt.	562403	female	Sw120	DriverArea	562237	female

CONNECTORS LIST

No	Location	Part #	Gender			
Sw128.A	4thLuggCmpt	562403	female			
Sw128.B	4thLuggCmpt	562403	female			
Sw137		562763	male			
SwSo1.A		561552	female			
SwSo2		561552	female			
SwSo3		561552	female			
SwSo4		561552	female			
VECF1	FJB	563186	male			
VECF2	FJB	563183	male			
VECF3	FJB	563185	male			
VECF4	FJB	563182	male			
VECF9		563448	male			
VECF10	FJB	563181	male			
VECF11	FJB	563184	male			
VECF12	FJB	563187	male			
VECR1	RJB	563186	male			
VECR2	RJB	563183	male			
VECR3	RJB	563185	male			
VECR4	RJB	563182	male			
VECR9	RJB	563448	male			
VECR10	RJB	563181	male			
VECR11	RJB	563184	male			
VECR12	RJB	563187	male			
Y80		563789	male			
Y81		563793	male			

CONNECTORS LIST

No	Location	Part #	Gender	No	Location	Part #	Gender
A1.A	RJB	563975	male	A44.J1	FJB	563133	male
A2A	Left_Hand_Console	563984	male	A44.J2	FJB	563132	male
A4A.A	Service_Cmpt	562428	female	A44.J3	FJB	562957	male
A4A.B	Service_Cmpt	561188	female	A45.J1	FJB	563133	male
A5A	Service_Cmpt	562428	female	A45.J2	FJB	563132	male
A6	Rear_Axle_Cmpt	562427	male	A45.J3	FJB	562957	male
A7	Rear_Axle_Cmpt	563979	male	A46.J1	FJB	563133	male
A9.Cx1	FJB	564041	female	A46.J2	FJB	563132	male
A9.Cx2	FJB	563678	male	A46.J3	FJB	562957	male
A9.Cx3	FJB	564037	female	A47.J1	RightHandConsole	563133	male
A9.Cx4	FJB	564038	female	A47.J2	RightHandConsole	563132	male
A13.J1	FJB	562794	male	A47.J3	RightHandConsole	562957	male
A13.J2	FJB	562650	male	A48.J1	RightHandConsole	563133	male
A14A.A	Dash	562766	male	A48.J2	RightHandConsole	563132	male
A14A.B	Dash	562767	male	A48.J3	RightHandConsole	562957	male
A14A.C	Dash	562765	male	A49.J1	RJB	562767	male
A15	Dash	562464	male	A49.J2	RJB	563132	male
A18	FJB	562794	male	A49.J3	RJB	562957	male
A18.J2	FJB	562650	male	A50.J1	RJB	563133	male
A24	RightHandConsole	561889	female	A50.J2	RJB	563132	male
A24.A	RightHandConsole	561890	male	A50.J3	RJB	562957	male
A24.B	RightHandConsole	561566	female	A51.J1	RJB	563133	male
A27	ServiceCmpt.	562929	male	A51.J2	RJB	563132	male
A28	ServiceCmpt.	562928	male	A51.J3	RJB	562957	male
A29	Dash	562464	male	A52.J1	RJB	563133	male
A30	RightHandConsole	561889	female	A52.J2	RJB	563132	male
A30.A	RightHandConsole	561611	male	A52.J3	RJB	562957	male
A31.A	FJB	562676	male	A53.J1	RJB	563133	male
A31.B	FJB	562675	male	A53.J2	RJB	563132	male
A32.A	1stLuggCmpt.	561611	male	A53.J3	RJB	562957	male
A32.C	1stLuggCmpt.	561566	female	A54.J1	Evap.Cmpt.	563133	male
A36.JA	FJB	562767	male	A54.J2	Evap.Cmpt.	563132	male
A36.JB	FJB	562765	male	A54.J3	Evap.Cmpt.	562957	male
A36.JC	FJB	562957	male	A55.J1	Dash	562767	male
A41.J1	FJB	562767	male	A55.J2	Dash	563132	male
A41.J2	FJB	563132	male	A55.J3	Dash	562957	male
A41.J3	FJB	562957	male	A56.J1	Slide-OutPanel	563133	male
A42.J1	FJB	562767	male	A56.J2	Slide-OutPanel	563132	male
A42.J2	FJB	563132	male	A56.J3	Slide-OutPanel	562957	male
A42.J3	FJB	562957	male	A57.J1	Slide-OutPanel	563133	male
A43.J1	FJB	562767	male	A57.J2	Slide-OutPanel	563132	male
A43.J2	FJB	563132	male	A57.J3	Slide-OutPanel	562957	male
A43.J3	FJB	562957	male	A58.J1	Slide-OutPanel	563133	male

CONNECTORS LIST

No	Location	Part #	Gender	No	Location	Part #	Gender
A58.J2	Slide-OutPanel	563132	male	C3S	RJB	563593	male
A58.J3	Slide-OutPanel	562957	male	C3S	RJB	563590	female
A59.J1	Slide-OutPanel	563133	male	C4	ServiceCmpt.	563580	male
A59.J2	Slide-OutPanel	563132	male	C4	ServiceCmpt.	563581	female
A59.J3	Slide-OutPanel	562957	male	C5	FJB	563589	male
A60	Parcel_Rack_LH_1st_Cmpt	562767	male	C5	FJB	563590	female
A81A.JA	FJB	562767	male	C5S	FJB	563589	male
A81A.JB	FJB	562765	male	C5S	FJB	563590	female
A81A.JC	FJB	562957	male	C6	ServiceCmpt.	563582	male
A83A	FJB	564205	male	C6	ServiceCmpt.	563583	female
A96	FJB	564073	female	C7	Service_Cmpt	562581	female
A97	Dash	563226	male	C7	Service_Cmpt	562583	female
A100	Front_Axle_Cmpt	563758	female	C8	Service_Cmpt	563227	male
A101	Rear_Axle_Cmpt	563758	female	C8	Service_Cmpt	563614	female
A102	Rear_Axle_Cmpt	563758	female	C10	Engine_Cmpt	562581	male
A103	Dash	562070	female	C10	Engine_Cmpt	562583	female
A131.A	Engine_Cmpt	561782	male	C11	ServiceCmpt.	563580	male
A131.B	Engine_Cmpt	561781	female	C11	ServiceCmpt.	563581	female
A138	Cond_Cmpt	563787	male	C12	RJB	561986	male
A139	Dash	564501	male	C12	RJB	561987	female
Alt1D.A	Engine_Cmpt	563746	female	C13S	RightHandConsole	563593	male
Alt1D.B	Engine_Cmpt	560815	female	C13S	RightHandConsole	563590	female
Alt1D.C	Engine_Cmpt	564469	female	C13_plug	Right_Hand_Console	563589	male
Alt2D.A	Engine_Cmpt	563746	female	C13_socket	Right_Hand_Console	563590	female
Alt2D.B	Engine_Cmpt	560815	female	C15	5thLuggCmpt.	561646	male
Alt2D.C	Engine_Cmpt	564469	female	C15	5thLuggCmpt.	561645	female
B85	Engine_Cmpt	563815	male	C17	RJB	561986	male
B96.J1	Engine_Cmpt	563821	male	C17	RJB	561987	female
B96B	Engine_Cmpt	563823	male	C18	FJB	561986	male
B97	Engine_Cmpt	563816	male	C18	FJB	561987	female
B98.J1	Engine_Cmpt	563817	male	C19	RJB	561986	male
B115.J1	Engine_Cmpt	563818	female	C19	RJB	561987	female
B142B	Cond_Cmpt	563793	male	C20A	Engine_Cmpt	562485	male
C1	FJB	563589	male	C20A	Engine_Cmpt	562486	female
C1	FJB	563590	female	C20B	Engine_Cmpt	562485	male
C1S	FJB	563589	male	C20B	Engine_Cmpt	562486	female
C1S	FJB	563590	female	C21A	RJB	561646	male
C2	ServiceCmpt.	563580	male	C21A	RJB	561645	female
C2	ServiceCmpt.	563581	female	C21B	RJB	561646	male
C2A	FJB	563580	male	C21B	RJB	561645	female
C2A	FJB	563581	female	C22	RJB	561847	male
C3	RJB	563589	male	C22	RJB	561862	female
C3	RJB	563590	female	C24	Evap.Cmpt.	561690	male

CONNECTORS LIST

No	Location	Part #	Gender	No	Location	Part #	Gender
C24	Evap.Cmpt.	561566	female	C83	2ndLuggCmpt.	561668	male
C26	Cond_Cmpt	563580	male	C83	2ndLuggCmpt.	561551	female
C26	Cond_Cmpt	563581	female	C84	2ndLuggCmpt.	561668	male
C27	RJB	562005	male	C84	2ndLuggCmpt.	561551	female
C27	RJB	561714	female	C85	3rdLuggCmpt.	561668	male
C28	5thLuggCmpt.	561637	male	C85	3rdLuggCmpt.	561551	female
C28	5thLuggCmpt.	561636	female	C86	3rdLuggCmpt.	561668	male
C34	RightHandConsole	561986	male	C86	3rdLuggCmpt.	561551	female
C34	RightHandConsole	561987	female	C87	RearRoof	563618	male
C36	FJB	561986	male	C87	RearRoof	563616	female
C36	FJB	561987	female	C89	RearRoof	561581	male
C40	Dash	562485	male	C89	RearRoof	561582	female
C40	Dash	562486	female	C91	RJB	562285	male
C44_plug	FJB	561577	male	C91	RJB	562282	female
C44_socket	FJB	561605	female	C92	FJB	561986	male
C45	FJB	561643	male	C92	FJB	561987	female
C45	FJB	561642	female	C96	FJB	561643	male
C48	ServiceCmpt.	561690	male	C96	FJB	561642	female
C48	ServiceCmpt.	561566	female	C97	FJB	561640	male
C49A	FJB	562005	male	C97	FJB	561639	female
C49A	FJB	561714	female	C98	Engine_Cmpt	563817	male
C54	Engine_Cmpt	563580	male	C98	Engine_Cmpt	563830	female
C54	Engine_Cmpt	563581	female	C100	5thLuggCmpt.	563589	male
C64	Engine_Cmpt	563580	male	C100	5thLuggCmpt.	563590	female
C64	Engine_Cmpt	563581	female	C100S	5thLuggCmpt.	563589	male
C69	FJB	561583	male	C100S	5thLuggCmpt.	563590	female
C69	FJB	561585	female	C101	ServiceCmpt.	561690	male
C71	FJB	561646	male	C101	ServiceCmpt.	561566	female
C71	FJB	561645	female	C102	RJB	561690	male
C72	ServiceCmpt.	561646	male	C102	RJB	561566	female
C72	ServiceCmpt.	561645	female	C105	FJB	562581	male
C74	ServiceCmpt.	561645	female	C105	FJB	562583	female
C74	ServiceCmpt.	561646	male	C106_plug	FJB	562581	male
C75	4thLuggCmpt	561668	male	C106_socket	FJB	562583	female
C75	4thLuggCmpt	561551	female	C119A	Rear_Engine_Door	562581	male
C77	4thLuggCmpt	561668	male	C119A	Rear_Engine_Door	562583	female
C77	4thLuggCmpt	561551	female	C120A	Rear_Engine_Door	563580	male
C78	EngineCmpt.	561690	male	C120A	Rear_Engine_Door	563581	female
C78	EngineCmpt.	561566	female	C152	CondensorCmpt.	561611	male
C81	1stLuggCmpt.	561668	male	C152	CondensorCmpt.	561610	female
C81	4thLuggCmpt	561551	female	C171	FJB	561646	male
C82	1stLuggCmpt.	561668	male	C171	FJB	561645	female
C82	1stLuggCmpt.	561551	female	C172	ServiceCmpt.	561637	male

CONNECTORS LIST

No	Location	Part #	Gender	No	Location	Part #	Gender
C172	ServiceCmpt.	561635	female	C397	RJB	562285	male
C193	RJB	563589	male	C397	RJB	562282	female
C193	RJB	563590	female	C399	Engine_Cmpt	562477	male
C194	FJB	563589	male	C399	Engine_Cmpt	562479	female
C194	FJB	563590	female	C399A	Engine_Cmpt	562477	male
C200	FJB	561607	male	C399A	Engine_Cmpt	562479	female
C200	FJB	561606	female	C400_plug	EngineCmpt.	561782	male
C200B	Engine_Cmpt	562471	male	C400_socket	EngineCmpt.	561781	female
C200B	Engine_Cmpt	562348	female	C426	Engine_Cmpt	561611	male
C222	FJB	562477	male	C426	Engine_Cmpt	561610	female
C222	FJB	562479	female	C463	EngineCmpt.	562570	female
C223	FJB	563227	male	C463	EngineCmpt.	562571	male
C223	FJB	563614	female	C464	RJB	563180	male
C224	Dash	561637	male	C464	RJB	563347	female
C224	Dash	561636	female	C550	5thLuggCmpt.	561476	male
C225	FJB	562650	male	C550	5thLuggCmpt.	561477	female
C225	FJB	562649	female	C551	5thLuggCmpt.	561476	male
C228	EngineCmpt.	563227	male	C551	5thLuggCmpt.	561477	female
C228	EngineCmpt.	563614	female	C552	3rdLuggCmpt.	561476	male
C246	ServiceCmpt.	563090	male	C552	3rdLuggCmpt.	561477	female
C246	ServiceCmpt.	563091	female	C553	2ndLuggCmpt.	561476	male
C264A	Entrance_Door	563227	male	C553	2ndLuggCmpt.	561477	female
C264A	Entrance_Door	563614	female	C554	1stLuggCmpt.	561476	male
C266A	Entrance_Door	561640	male	C554	1stLuggCmpt.	561477	female
C266A	Entrance_Door	561639	female	C555	1stLuggCmpt.	561476	male
C269	RHConsole	563090	male	C555	1stLuggCmpt.	561477	female
C269	RHConsole	563091	female	C556	5thLuggCmpt.	561476	male
C279	FJB	562477	male	C556	5thLuggCmpt.	561477	female
C279	FJB	562479	female	C557	3rdLuggCmpt.	561476	male
C281	LeftHandConsole	560852	male	C557	3rdLuggCmpt.	561477	female
C281	LeftHandConsole	560851	female	C558	4thLuggCmpt	561476	male
C290	5thLuggCmpt.	561668	male	C558	4thLuggCmpt	561477	female
C290	5thLuggCmpt.	561551	female	C559	5thLuggCmpt.	561476	male
C291	5thLuggCmpt.	561668	male	C559	5thLuggCmpt.	561477	female
C291	5thLuggCmpt.	561551	female	C617	Mirror_LH	563801	male
C330	FJB	561690	male	C617	Mirror_LH	563800	female
C330	FJB	561566	female	C618	Mirror_RH	563801	male
C342	EngineCmpt.	562485	male	C618	Mirror_RH	563800	female
C342	EngineCmpt.	562486	female	C717	RJB	561646	male
C360	Dash	561247	male	C717	RJB	561645	female
C360	Dash	561248	female	CC1	ServiceCmpt.	563227	male
C380	Dash	563180	male	CC1	ServiceCmpt.	563614	female
C380	Dash	563347	female	CC2	ServiceCmpt.	563226	male

CONNECTORS LIST

No	Location	Part #	Gender	No	Location	Part #	Gender
CC2	ServiceCmpt.	563613	female	L69.A	Outside_3rd_Lugg_Door_LH	562155	male
CS01	Slide-OutPanel	563226	male	L70.A	Outside_3rd_Lugg_Door_LH	562155	male
CS01	Slide-OutPanel	563613	female	L72	Rear_Vehicle	562155	male
CS01S	Slide-OutPanel	563226	male	L74	Rear_Vehicle	562155	male
CS01S	Slide-OutPanel	563613	female	L75	Rear_Vehicle	562155	male
CS02	Slide-OutPanel	561643	male	L76	Rear_Engine_Door	562155	male
CS02	Slide-OutPanel	561641	female	L87A.A	Rear_Roof	561608	female
CS05	Slide-OutPanel	561847	male	L87A.B	Rear_Roof	562286	male
CS05	Slide-OutPanel	561862	female	L88A.A	Rear_Roof	561608	female
CS07	Slide-OutPanel	562581	male	L88A.B	Rear_Roof	562286	male
CS07	Slide-OutPanel	562583	female	L89A.A	Rear_Roof	561608	female
CS08	Slide-OutPanel	562581	male	L89A.B	Rear_Roof	562286	male
CS08	Slide-OutPanel	562583	female	L90A.A	Rear_Roof	561608	female
CS09	Slide-OutPanel	562581	male	L90A.B	Rear_Roof	562286	male
CS09	Slide-OutPanel	562583	female	L93.A	Rear_Vehicle	563069	female
CT2	EngineCmpt.	563226	male	L93.B	Rear_Vehicle	563069	female
CT2	EngineCmpt.	563613	female	L94.A	EngineCmpt.	563069	female
E1	Engine_Cmpt	563739	male	L94.B	EngineCmpt.	563069	female
L1	Service_Cmpt	562485	male	L95A	Outside_Front_LH	562485	male
L16	FrontRoof	562803	male	L95B	Outside_Front_LH	562485	male
L17	FrontRoof	562803	male	L96A	Outside_Front_RH	562485	male
L18A	Entrance_Door	562549	male	L96B	Outside_Front_RH	562485	male
L19	Entrance_Door	562549	male	L97.A	Outside_Front_LH	563069	female
L21.A	FrontRoof	561608	female	L97.B	Outside_Front_LH	563069	female
L21.B	FrontRoof	562286	male	L98A.A	Entrance_Door	563069	female
L22.A	FrontRoof	561608	female	L98A.B	Outside_Front_RH	563069	female
L22.B	FrontRoof	562286	male	L173	Engine_Cmpt	563590	female
L23.A	FrontRoof	561608	female	L174	Engine_Cmpt	563590	female
L23.B	FrontRoof	562286	male	L175	RJB	561247	male
L24.A	FrontRoof	561608	female	L176	5thLuggCmpt.	561247	male
L24.B	FrontRoof	562286	male	L177	5thLuggCmpt.	561247	male
L25.A	FrontRoof	561608	female	L178	3rdLuggCmpt.	561247	male
L25.B	FrontRoof	562286	male	L179	3rdLuggCmpt.	561247	male
L26.A	FrontRoof	561608	female	L180	2ndLuggCmpt.	561247	male
L26.B	FrontRoof	562286	male	L181	2ndLuggCmpt.	561247	male
L27.A	FrontRoof	561608	female	L182	1stLuggCmpt.	561247	male
L27.B	FrontRoof	562286	male	L183	1stLuggCmpt.	561247	male
L63	Outside_Front_RH	562155	male	L184	ServiceCmpt.	561247	male
L64	Outside_Front_RH	562155	male	L185.A	Service_Cmpt	562651	female
L65	Outside_Front_LH	562155	male	L185.B	Service_Cmpt	562290	female
L66	Outside_Front_LH	562155	male	L186.A	Service_Cmpt	562651	female
L67.A	Outside_3rd_Lugg_Door_RH	562155	male	L186.B	Service_Cmpt	562290	female
L68.A	Outside_3rd_Lugg_Door_RH	562155	male	L187.A	Engine_Cmpt	561690	male

CONNECTORS LIST

No	Location	Part #	Gender	No	Location	Part #	Gender
L189	Outside_Front_RH	562069	male	Mo37	4th_Lugg_Cmpt	564161	male
L190	Outside_Front_LH	562069	male	Mo40	1stLuggCmpt.	561477	female
L193.A	Dash	560488	female	Mo44	5th_Lugg_Cmpt	561477	female
L193.B	Dash	560488	female	Mo50	ServiceCmpt.	561782	male
L194.A	Dash	562019	female	Mo51	1stLuggCmpt.	561690	male
L194.B	Dash	560488	female	Mo53	RJB	561248	female
L195.A	Dash	560488	female	Mo54	Service_Cmpt	562474	male
L195.B	Dash	560488	female	Mo55.A	Rr_RH_Slideout	561967	male
L199	EngineCmpt.	562471	male	Mo56	5th_Lugg_Cmpt	561477	female
L199OP.A	EngineCmpt.	564128	female	Mo57.A	Front_RH_Slideout	561967	male
L200	EngineCmpt.	562471	male	Mo58	1st_Lugg_Cmpt	561477	female
L200_OP.A	EngineCmpt.	564128	female	MONITOR	Dash	561247	male
L203	RightHandConsole	561690	male	MoSo1.A	Front_LH_Slideout	561967	male
L205	Evap.Cmpt.	562485	male	MOSO2.A	Rr_LH_Slideout	561967	male
L211	Entrance_Door	562549	male	Pot1.A	Dash	560488	female
L282	Rear_Axle_Cmpt	561690	male	Pot1.B	Dash	560488	female
L285	Dash	561247	male	Pot1.C	Dash	560488	female
L287	4thLuggCmpt	561247	male	R3	RJB	563409	male
L288	4thLuggCmpt	561247	male	R10	Evap.Cmpt.	563409	male
L290	Engine_Door	562565	female	R12	Evap.Cmpt.	563409	male
L291	Engine_Door	562565	female	R17	RJB	564210	male
L298	Engine_Cmpt	563590	female	R18	FJB	564210	male
L302	Outside_Front_RH	562789	male	R19	FJB	564210	male
L303	Outside_Front_LH	562789	male	R21	RJB	561183	male
L350	Rr_Axle_Cmpt	562350	male	R23	RightHandConsole	561183	male
Mo3	Dash	561667	female	R24	FJB	561183	male
Mo4	Dash	562076	male	R25	RJB	561183	male
Mo7	Cond_Cmpt	563691	male	R29	RJB	563409	male
Mo8	Cond_Cmpt	563691	male	R30	RJB	561183	male
Mo12	Evap.Cmpt.	561690	male	R31	RJB	561183	male
Mo15	Over_Head_Driver_Area	560900	female	R32	RJB	561183	male
Mo16	Over_Head_Driver_Area	560900	female	R33	RJB	561183	male
Mo17	LeftHandConsole	563626	male	R34	RJB	564210	male
Mo18	Fr_Service_Door	562474	male	R36	FJB	561183	male
Mo19	Fr_Service_Door	562474	male	R37	FJB	561183	male
Mo20	Fr_Service_Door	562474	male	R41	FJB	561183	male
Mo21	FrontRoof	561186	male	R42	FJB	561183	male
Mo22	RightHandConsole	561186	male	R43	FJB	561183	male
Mo24	RightHandConsole	562348	female	Res3	RJB	563590	female
Mo25	RightHandConsole	562348	female	Res4	RightHandConsole	563590	female
Mo26A	Entrance_Door	564161	male	Res6	FJB	563590	female
Mo27	Cond_Cmpt	563691	male	Res7.A	FJB	563590	female
Mo28	Cond_Cmpt	563691	male	Res15	RJB	561782	male

CONNECTORS LIST

No	Location	Part #	Gender	No	Location	Part #	Gender
Res18.A	ExhaustCmpt	563590	female	Se36	Engine_Cmpt	563628	female
Res31	Cond_Cmpt	562350	male	Se37	Front_Axle_RH	641132	female
Res32	Cond_Cmpt	563764	female	Se38	Front_Axle	641132	female
RSo1.A	Slide-OutPanel	562168	female	Se39	Rear_Axle_LH	641132	female
RSo1.B	Slide-OutPanel	562168	female	Se40	Rear_Axle_LH	641132	female
RSo2.A	Slide-OutPanel	562168	female	Se45	ServiceCmpt.	563409	male
RSo2.B	Slide-OutPanel	562168	female	Se46	AboveRearAxle	562348	female
RSo3.A	Slide-OutPanel	562168	female	Se49	Engine_Cmpt	563677	male
RSo3.B	Slide-OutPanel	562168	female	Se50	Engine_Cmpt	562426	male
RSo4.A	Slide-OutPanel	562168	female	Se52.A	RightHandConsole	560488	female
RSo4.B	Slide-OutPanel	562168	female	Se52.B	RightHandConsole	560488	female
RSo5.A	Slide-OutPanel	562168	female	Se53	Service_Cmpt	563159	female
RSo5.B	Slide-OutPanel	562168	female	Se54	Service_Cmpt	563159	female
RSo6.A	Slide-OutPanel	562168	female	Se55	Service_Cmpt	563159	female
RSo6.B	Slide-OutPanel	562168	female	Se60	Service_Cmpt	563409	male
RSo7.A	Slide-OutPanel	562168	female	Se63	Rear_Axle_Cmpt	641132	female
RSo7.B	Slide-OutPanel	562168	female	Se64	Rear_Axle_Cmpt	641132	female
RSo8.A	Slide-OutPanel	562168	female	Se65	Dash	564042	female
RSo8.B	Slide-OutPanel	562168	female	Se66	Front_Axle_Cmpt	564039	female
Se11.A	Cond.Cmpt.	560082	male	Se67	Front_Axle_Cmpt	563159	female
Se11.B	Cond.Cmpt.	560082	male	Se68	Rear_Axle_Cmpt	563159	female
Se11.C	Cond.Cmpt.	560082	male	Se69	Front_Axle_Cmpt	563159	female
Se12	EngineCmpt.	561690	female	SES01	SlideOut_Panel	563159	male
Se13	Engine_Cmpt	562350	male	SES02_SESO3	SlideOut_Fr_LH	562479	female
Se14.A	Driver_Area	561782	male	SES05_SESO6	SlideOut_Rr_LH	562479	female
Se14.B	Driver_Area	561781	female	SES07_SESO8	SlideOut_Rr_RH	562479	female
Se16A.A	Entrance_Door	562651	female	SES09_SESO10	SlideOut_Fr_RH	562479	female
Se16A.B	Entrance_Door	562651	female	So7	ServiceCmpt.	561566	male
Se17.A	RightHandConsole	562019	female	So8	ServiceCmpt.	563204	female
Se17.B	RightHandConsole	562019	female	So9	Engine_Cmpt	561690	male
Se19	Service_Cmpt	563677	male	So9OP.A	Engine_Cmpt	564127	female
Se20	Evap_Cmpt	562426	male	So11	Cond.Cmpt.	561566	female
Se21	Dash	561248	female	So13	Evap.Cmpt.	563204	female
Se23	EngineCmpt.	563159	male	So21	Front_Axle_Cmpt	564046	female
Se24	EngineCmpt.	563159	male	So22	Front_Axle_Cmpt	564046	female
Se25	PassengerArea	561248	female	So23	Rear_Axle_Cmpt	564046	female
Se29	EngineCmpt.	561566	female	So24	Rear_Axle_Cmpt	564046	female
Se30	Engine_Door	562877	female	So26	ServiceCmpt.	641385	male
Se31	Compr_Door	562877	female	So27	Rear_Axle_Cmpt	564045	male
Se32	EngineCmpt.	563057	male	So34	EngineCmpt.	561690	male
Se33	EngineCmpt.	562856	male	So38	1stLuggCmpt.	561566	female
Se34	EngineCmpt.	563057	male	So50	Rear_Axle_Cmp	564046	female
Se35	EngineCmpt.	563057	male	So51	Rear_Axle_Cmp	564046	female

CONNECTORS LIST

No	Location	Part #	Gender	No	Location	Part #	Gender
So52	Front_Axle_Cmpt	564045	female	Sw49.B	2ndLuggCmpt.	562403	female
SoSo1	SlideOut_Panel	641385	male	Sw50.A	2ndLuggCmpt.	562403	female
SoSo2	SlideOut_Panel	641385	male	Sw50.B	2ndLuggCmpt.	562403	female
SoSo3	SlideOut_Panel	641385	male	Sw51.A	1stLuggCmpt.	562403	female
SOSO4	SlideOut_Panel	641385	male	Sw51.B	1stLuggCmpt.	562403	female
SoSo5	SlideOut_Panel	641385	male	Sw52	1stLuggCmpt.	562403	female
SoSo6	SlideOut_Panel	641385	male	Sw52.B	1stLuggCmpt.	562403	female
SoSo7	SlideOut_Panel	564045	female	Sw58	EngineCmpt.	562581	male
SoSo8	SlideOut_Panel	564045	female	Sw59	EngineCmpt.	562485	male
spBar1	Engine_Cmpt	564135	male	Sw63A	LH_Console	562763	male
spBar2.J1	Engine_Cmpt	564135	male	Sw64.A	Service_Cmpt	560815	female
Sw1.C258	Dash	561188	female	Sw64.B	Service_Cmpt	560815	female
Sw1.C259	Dash	561186	male	Sw82.A	RJB	561457	female
Sw2	Dash	562763	male	Sw82.B	RJB	561457	female
Sw3	Dash	562763	male	Sw82.C	RJB	561457	female
Sw4	Dash	562763	male	Sw82.D	RJB	561457	female
Sw5	Dash	562763	male	Sw83.A	Dash	560082	female
Sw6	Dash	562763	male	Sw83.B	Dash	560815	female
Sw7.A	Cond.Cmpt.	562403	female	Sw83.C	Dash	560082	female
Sw7.B	Cond.Cmpt.	562403	female	Sw83.D	Dash	560815	female
Sw11A	LH_Console	562763	male	Sw85	LeftHandConsole	562749	male
Sw14	Dash	562763	male	Sw99	Dash	562763	male
Sw16	Dash	562763	male	Sw100	Dash	562763	male
Sw17	Dash	562763	male	Sw102	Dash	562763	male
Sw18A	Dash	562763	male	Sw103A	LH_Console	562763	male
Sw24	Dash	562763	male	Sw104	Dash	562763	male
Sw35	LH_Console	562763	male	Sw106	Entrance_Door	561637	male
Sw38	LeftHandConsole	562763	male	Sw107.A	LH_Console	561457	female
Sw39.A	RJB	562403	female	Sw107.B	LH_Console	561457	female
Sw39.B	RJB	562403	female	Sw107.C	LH_Console	561457	female
Sw40	LeftHandConsole	561690	male	Sw107.D	LH_Console	561457	female
Sw41	LeftHandConsole	562749	male	Sw107.E	LH_Console	561457	female
Sw44.A	FJB	562403	female	Sw107.F	LH_Console	561457	female
Sw44.B	FJB	562403	female	Sw107.G	LH_Console	561457	female
Sw45.A	5thLuggCmpt.	562403	female	Sw107.H	LH_Console	561457	female
Sw45.B	5thLuggCmpt.	562403	female	Sw107.J	LH_Console	561457	female
Sw46.A	5thLuggCmpt.	562403	female	Sw107.K	LH_Console	561457	female
Sw46.B	5thLuggCmpt.	562403	female	Sw108	LeftHandConsole	562763	male
Sw47.A	3rdLuggCmpt.	562403	female	Sw116.A	4thLuggCmpt	560079	female
Sw47.B	3rdLuggCmpt.	562403	female	Sw116.B	4thLuggCmpt	560079	female
Sw48.A	3rdLuggCmpt.	562403	female	Sw117.A	5thLuggCmpt.	560079	female
Sw48.B	3rdLuggCmpt.	562403	female	Sw117.B	5thLuggCmpt.	560079	female
Sw49.A	2ndLuggCmpt.	562403	female	Sw119	Dash	562763	male

DIODES LIST

No	Location	Part #	Function	Page					
D1	FJB	561740	AccessoriesDiode	3.2					
D2	FJB	561740	DiodeDriverLiq.Sol.	18.1					
D3	UpperFrontCap	561740	SuppressorDiodeUpperWiper	34.1					
D4	RHConsole	561740	SuppressorDiodeLowerWiper2ndSpd	34.1					
D5	RHConsole	561740	SuppressorDiodeLowerWiper1stSpd	34.1					
D6	RJB	561740	SuppressorDiodeMasterrelay	3.1					
D11	Evap.Cmpt.	561740	DiodePass.Liq.Sol	18.2					
D15	RJB	561740	WakeUpDiode	3.2					
D24	Evap_Cmpt_	561740	Condensor_Fan	18.2					
D25	Evap.Cmpt.	561740	SuppressorDiodeEvaporatorFan	18.2					
D28	RJB	561740	SuppressorDiodeUnloaderLH	18.2					
D29	RJB	561740	SuppressorDiodeUnloaderRH	18.2					
D30	Evap.Cmpt.	561740	SuppressorDiodeWaterPump	18.2					
D31	RJB	561740	SuppressorDiodeA/CClutch	18.2					
D36	RJB	561740	SuppressorDiodeRadiatorFanClutch2ndSpd	13.1					
D37	RJB	561740	SuppressorDiodeRadiatorFanClutch1stSpd	13.1					
D44	FJB	561740	IgnitionDiode	3.2					
D50	ServiceCmpt.	561740	Cyclop	32.1					
D51	RJB	561740	Cyclop	32.1					
D52	RJB	561740	Cyclop	26.2					
D53	RJB	561740	Cyclop	26.2					
D62	RJB	561740	MasterRelay	3.2					
D66	ServiceCmpt.	561740	SuppressorDiodeWaterPump	18.3					
D73	Dash	561740	EntranceDoorHingeSwitch	29.1					
D75	Slide-OutPanel	561740	ParkBrakeDiode	20.1					
D79	ServiceCmpt.	561740	Level_low	32.1					
D81	Dash	561740	Entrancedoor	29.1					
D82	Dash	561740	Entrancedoor	29.1					
D71A	Entrance_door	563374	Entrance_door_lock	29.1					
D72A	Entrance_door	563374	Entrance_door_lock	29.1					
DSo1	Luggagescmt	563375	ZenerMotSldOut1	20.1					
DSo2	Luggagescmt	563375	ZenerMotSldOut1	20.1					
DSo3	Luggagescmt	563375	ZenerMotSldOut2	20.1					
DSo4	Luggagescmt	563375	ZenerMotSldOut2	20.1					
DSo5	Luggagescmt	563375	ZenerMotSldOut3	20.2					
DSo6	Luggagescmt	563375	ZenerMotSldOut3	20.2					
DSo7	Luggagescmt	563375	ZenerMotSldOut4	20.2					
DSo8	Luggagescmt	563375	ZenerMotSldOut4	20.2					

RELAYS LIST

No	Location	Part #	Function	Page					
R1	RJB	562364	MasterRelay	3.1					
R3	RJB	563348	12vIgn&AccRelay	3.1					
R10	Evap.Cmpt.	563348	CondensorPowerRelay	18.2					
R11	RJBVECR	563332	Ignition_Relay	5.1					
R12	Evap.Cmpt.	563348	EvaporatorRelay	18.2					
R17	RJB	561991	12vRrWUpRelay	3.3					
R18	FJB	561991	24vFrWUpRelay	3.3					
R19	FJB	561991	12vFrWUpRelay	3.3					
R21	RJB	563269	EmergencyCutoutRelay	3.2					
R22	FJB	563269	VECU_Relay	3.3					
R23	RHConsole	563332	LowerWiperRelay	34.1					
R24	FJB	563332	UpperWiperRelay	34.1					
R25	RJBVECR	563332	Ecmlgn	5.1					
R29	RJB	563348	Preheater_Volvo	14.2					
R30	RJB	563332	LuggagesDoorsLocksRelay	33.1					
R31	RJB	563332	LuggagesDoorsLocksRelay	33.1					
R32	RJB	563332	LuggagesDoorsLocksRelay	33.1					
R33	RJB	563332	LuggagesDoorsLocksRelay	33.1					
R34	RJB	561991	12v_Rr_Engine_Ecu	3.3					
R36	Right_Hand_Console	563332	Entrance_Door	29.1					
R37	Right_Hand_Console	563332	Entrance_Door	29.1					
R41	FJB	563332	SunVisor_Relay	38.1					
R42	FJB	563332	SunVisor_Relay	38.1					
R43	FJB	563332	SunVisor_Relay	38.1					
R_Starter	RJB	564095	Starter	3.2					
RSo1	LuggagesCmpt	563445	RlyCloseSlide-Out1	20.1					
RSo2	LuggagesCmpt	563445	RlyOpenSlide-Out1	20.1					
RSo3	LuggagesCmpt	563445	RlyCloseSlide-Out2	20.1					
RSo4	LuggagesCmpt	563445	RlyOpenSlide-Out2	20.1					
RSo5	Luggagescmpt	563445	RlyCloseSlide-Out3	20.2					
RSo6	Luggagescmpt	563445	RlyOpenSlide-Out3	20.2					
RSo7	Luggagescmpt	563445	RlyOpenSlide-Out	20.2					
RSo8	Luggagescmpt	563445	RlyOpenSlide-Out	20.2					

FUSES LIST

No	Location	Part #	Function	Rating	Page
F1	FuseBoxFJB	563279	CecmPower	3amp	4.1
F2	FuseBoxFJB	563279	FrontStartSwitch	3amp	4.1
F3	FuseBoxFJB	563279	DrvLiq.Vlv	3amp	4.1
F4	FuseBoxFJB	563280	Volvo_Link	5Amp	4.1
F5	FuseBoxFJB	563165	FrontWakeUpRelay	30amp	4.1
F6	FuseBoxFJB	563005	Customer24VD	7.5amp	4.1
F7	FuseBoxFJB	563279	Volvo_Link	3amp	4.1
F8	FuseBoxFJB	563279	HeadlightsSwitch	3amp	4.1
F9	FuseBoxFJB	563284	AuxFanCtrl	15amp	4.1
F10	FuseBoxFJB	563279	PneumaticSol	3amp	4.1
F11	FuseBoxFJB	563279	SunVisor	3amp	4.1
F12	FuseBoxFJB	563282	PwrMuxModule	20amp	4.1
F13	FuseBoxFJB	563282	PwrMuxModule	20amp	4.1
F14	FuseBoxFJB	563284	Customer24VI	15amp	4.1
F15	FuseBoxFJB	563004	EngineBrake	2Amp	4.1
F16	FuseBoxFJB	563153	DefrosterUnit	25Amp	4.1
F17	FuseBoxFJB	563280	LevelLow	5Amp	4.1
F18	FuseBoxFJB	563284	UpperWiper	15amp	4.1
F19	FuseBoxFJB	563279	Spare	3amp	4.1
F20	FuseBoxFJB	563279	WitnessRedLed	3amp	4.1
F21	FuseBoxFJB	563282	PwrMuxA44	20amp	4.1
F22	FuseBoxFJB	563279	SteeringCtrl	3amp	4.1
F23	FuseBoxFJB	563284	ABS	30amp	4.1
F24	FuseBoxFJB	563005	Mirror	7.5amp	4.1
F25	FuseBoxFJB	563280	Spare	5Amp	4.1
F26	FuseBoxFJB	563279	Spare	3amp	4.1
F27	FuseBoxFJB	563284	Customer	15amp	4.1
F28	FuseBoxFJB	563282	DriverSeat	20amp	4.1
F29	FuseBoxFJB	563279	ClusterandDDDR	3amp	4.1
F30	FuseBoxFJB	563284	Driverwindow	15amp	4.1
F31	FuseBoxFJB	563279	KeylessModule	3amp	4.1
F32	FuseBoxFJB	563282	Spare	20amp	4.1
F33	FuseBoxFJB	563165	FrontWakeUpRelay	30amp	4.1
F34	FuseBoxFJB	563165	FrontWakeUpRelay	30amp	4.1
F35	FuseBoxFJB	563283	12vPwrOutlet	10amp	4.1
F36	FuseBoxFJB	563279	PwrHvacandTTItModule	3amp	4.1
F37	FuseBoxFJB	563283	Spare	10amp	4.1
F38	FuseBoxFJB	563283	PwrMuxA41	10amp	4.1
F39	FuseBoxFJB	563283	Spare	10amp	4.1
F40	FuseBoxFJB	563283	Spare	15amp	4.1
F41	FuseBoxFJB	563283	12vPowerOutlet	10amp	4.1
F42	FuseBoxF.IB	563279	Spare	3amp	4.1

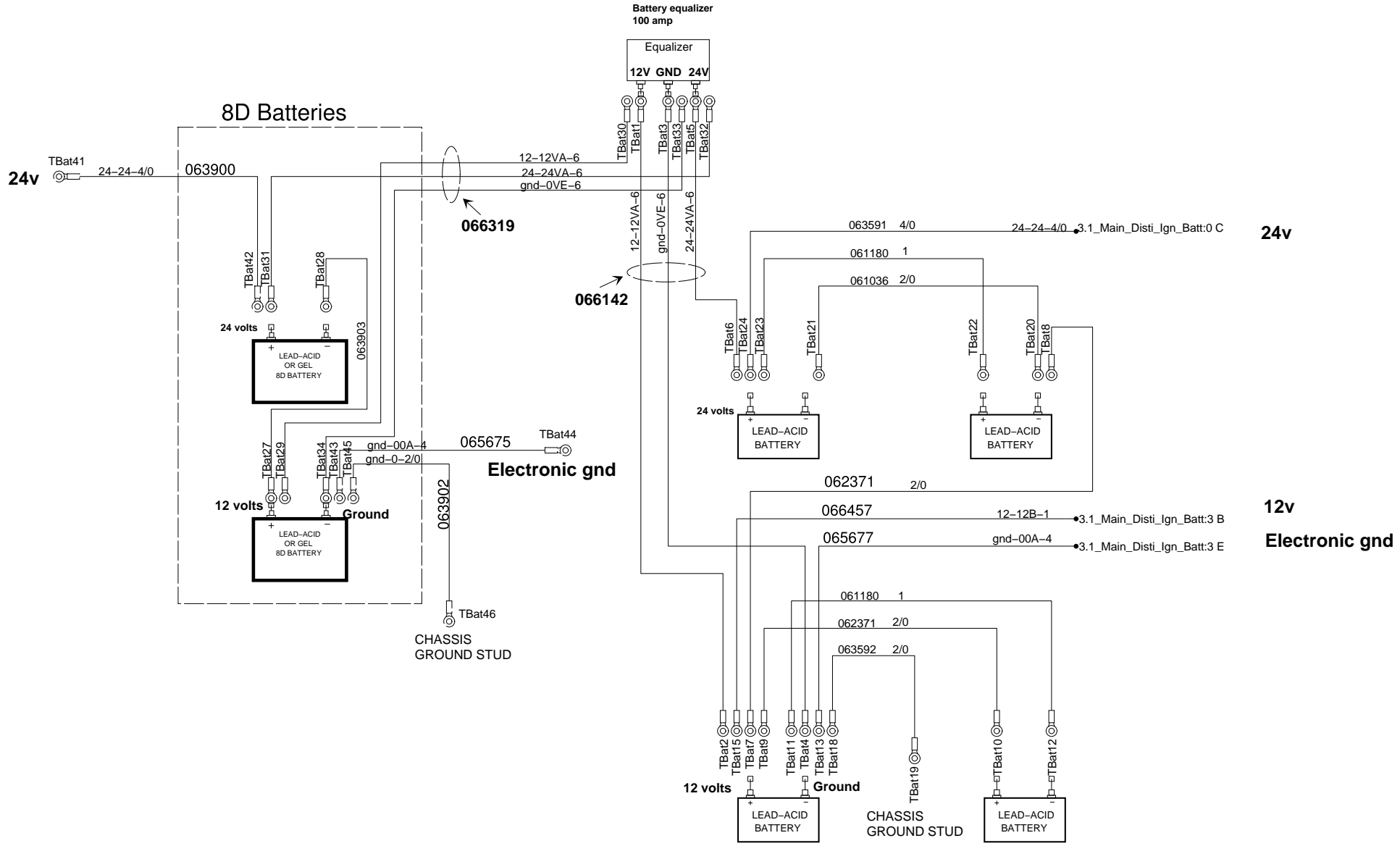
FUSES LIST

No	Location	Part #	Function	Rating	Page
F45		562604	Fire_Protection	15Amp	3.3
F50	FuseBoxRJB	563284	DelcoVoltageRegulator	15amp	5.1
F51	FuseBoxRJB	563284	Customer	25Amp	5.1
F52	FuseBoxRJB	563284	LuggagesLocksRelays	15amp	5.1
F53	FuseBoxRJB	563284	PassLiqValve	15amp	5.1
F54	FuseBoxRJB	563153	WindowAjarAwning	25amp	5.1
F55	FuseBoxRJB	563283	Spare	10amp	5.1
F56	FuseBoxRJB	563282	Spare	20amp	5.1
F57	FuseBoxRJB	563283	Spare	10amp	5.1
F58	FuseBoxRJB	563282	Spare	20amp	5.1
F59	FuseBoxRJB	563283	Spare	10amp	5.1
F62	FuseBoxRJB	563283	Spare	10amp	5.1
F63	FuseBoxRJB	563283	PrimePump	10amp	5.1
F64	FuseBoxRJB	563283	Spare	10amp	5.1
F65	FuseBoxRJB	563165	PwrMuxModuleRJB	30amp	5.1
F66	FuseBoxRJB	563279	RadiatorFanClutch	3amp	5.1
F67	FuseBoxRJB	563153	PwrMuxA54	25Amp	5.1
F68	FuseBoxRJB	563153	PwmMuxA54	25Amp	5.1
F69	FuseBoxRJB	563005	ServiceBrakeRelay	7.5amp	5.1
F70	FuseBoxRJB	563005	Customer24VI	7.5amp	5.1
F71	FuseBoxRJB	563284	RJBComptLight	15amp	5.1
F72	FuseBoxRJB	563153	PwrMuxA50	25Amp	5.1
F73	FuseBoxRJB	563282	Spare	20amp	5.1
F74	FuseBoxRJB	563283	EcuEngineIgnition	10amp	5.1
F75	FuseBoxRJB	563283	EcuTransmissionIgn	10amp	5.1
F76	FuseBoxRJB	563283	Customer	10amp	5.1
F77	FuseBoxRJB	563283	EcuTransmissionWakeUp	10amp	5.1
F78	FuseBoxRJB	563284	EcuEngineWakeUp	15amp	5.1
F79	FuseBoxRJB	563284	EcuEngineWakeUp	15amp	5.1
F80	FuseBoxRJB	563284	PwrMuxA51	15amp	5.1
F81	FuseBoxRJB	563004	Alternators	2Amp	5.1
F83	FuseBoxFJB	563005	Wake_up	10amp	4.1
F84	FuseBoxFJB	563284	Customer	15amp	4.1
F85	FuseBoxRJB	563283	Ignition_relay	10amp	5.1
F86	FuseBoxRJB	563283	Air_dryer	10amp	5.1
F87	FuseBoxRJB	563282	Trailerconnector	20amp	5.1
F88	FuseBoxRJB	563282	BackupCamera	20amp	5.1
F89	FuseBoxRJB	563282	Spare	20amp	5.1
F90	FuseBoxRJB	563282	Spare	20amp	5.1
F91	FuseBoxRJB	563282	Spare	20amp	5.1
F96	FuseBoxRJB	563282	Volvo_Urea	20amp	5.1
F98	FuseBoxR.IB	563284	Alternator	15amp	5.1

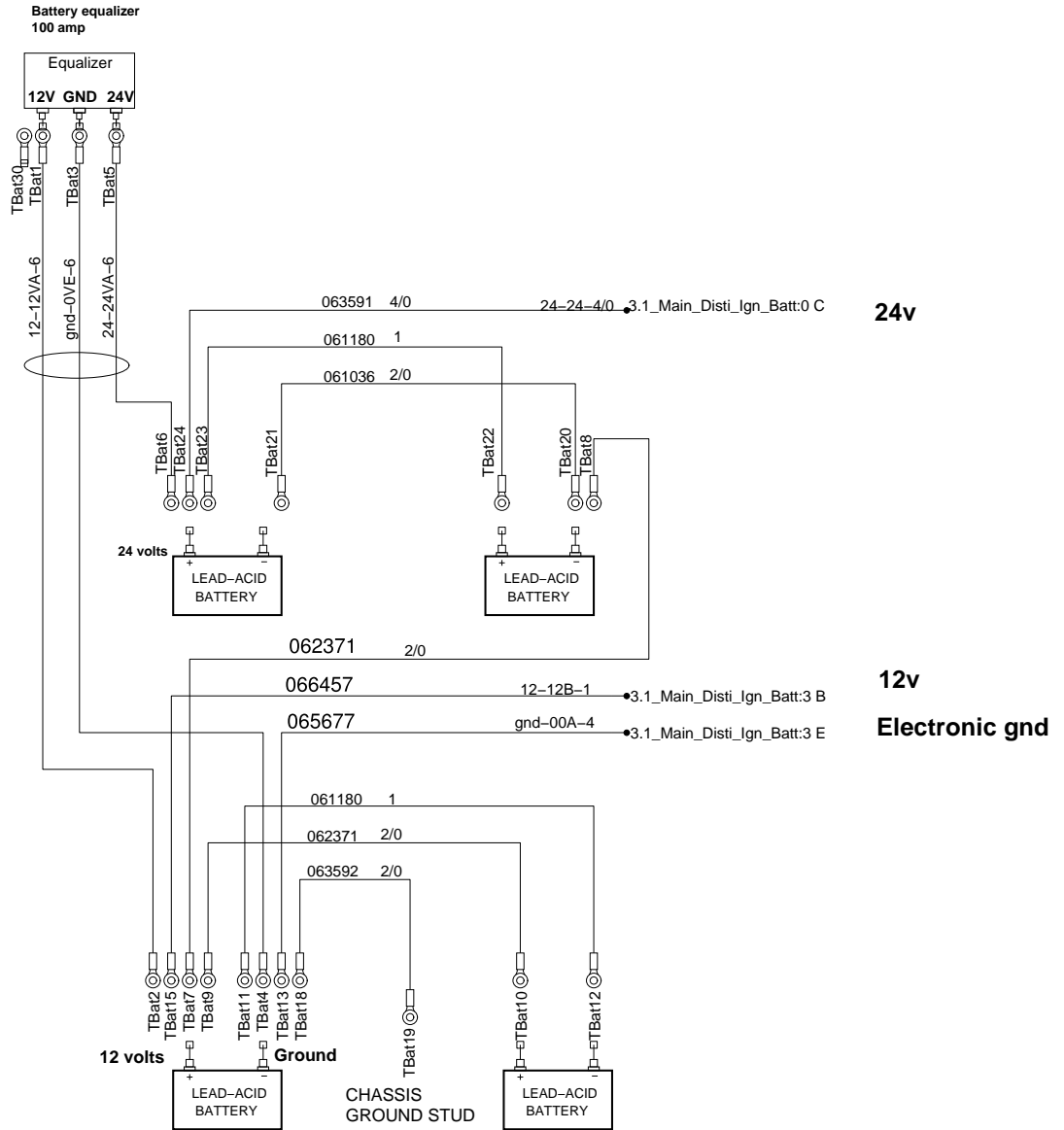
FUSES LIST

No	Location	Part #	Function	Rating	Page
F104	FuseBoxFJB	563284	Spare	15amp	4.1
F105	FuseBoxFJB	563282	Spare	20amp	4.1
F106	RJB	562597	Pre_Heater	150A	14.2

BATTERIES STANDARD AND 8D

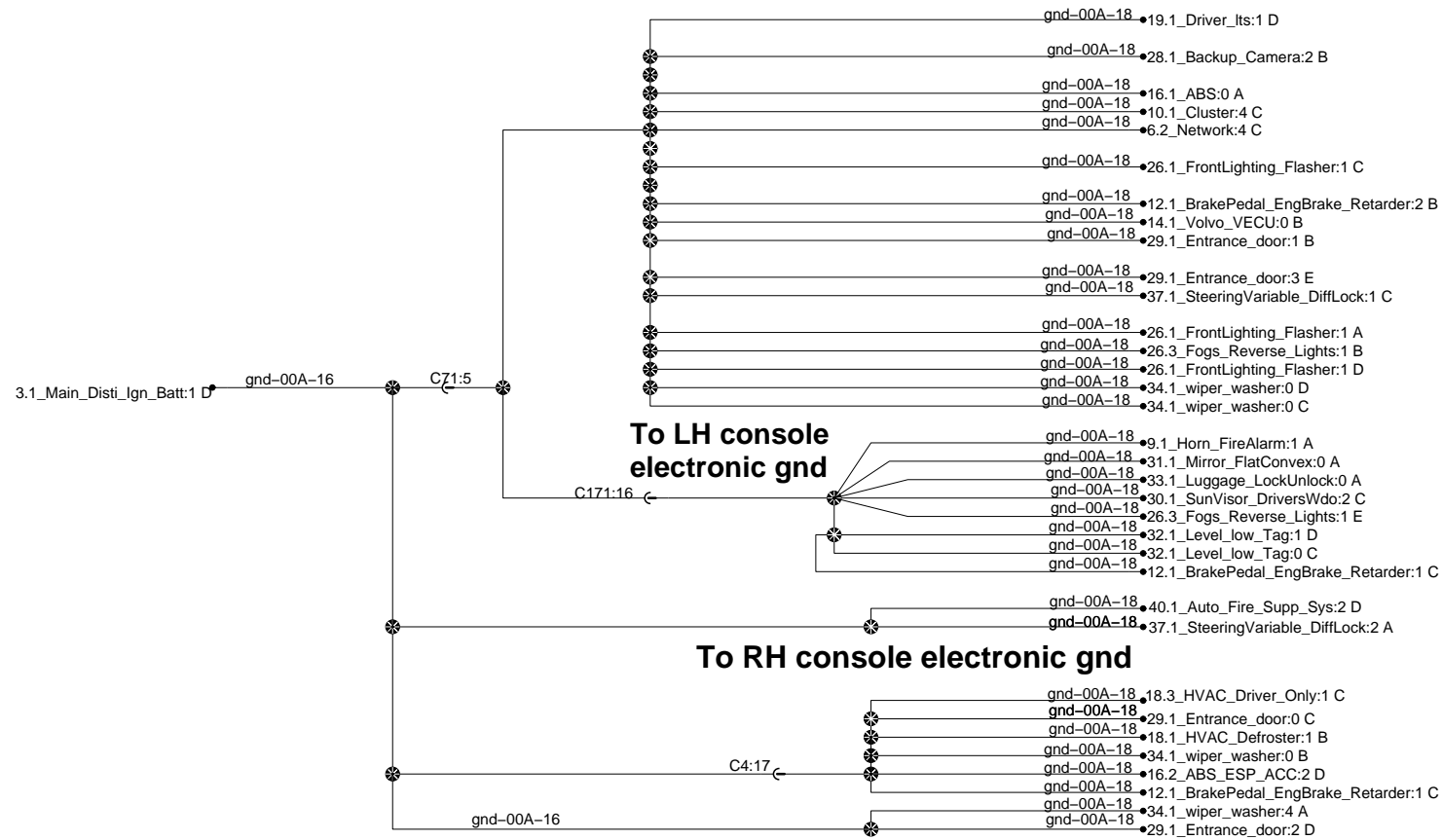


BATTERIES

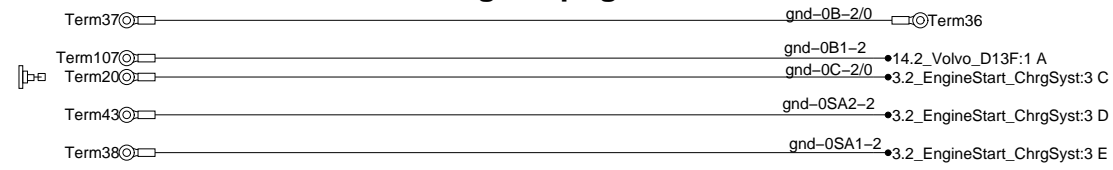


Ground Distribution

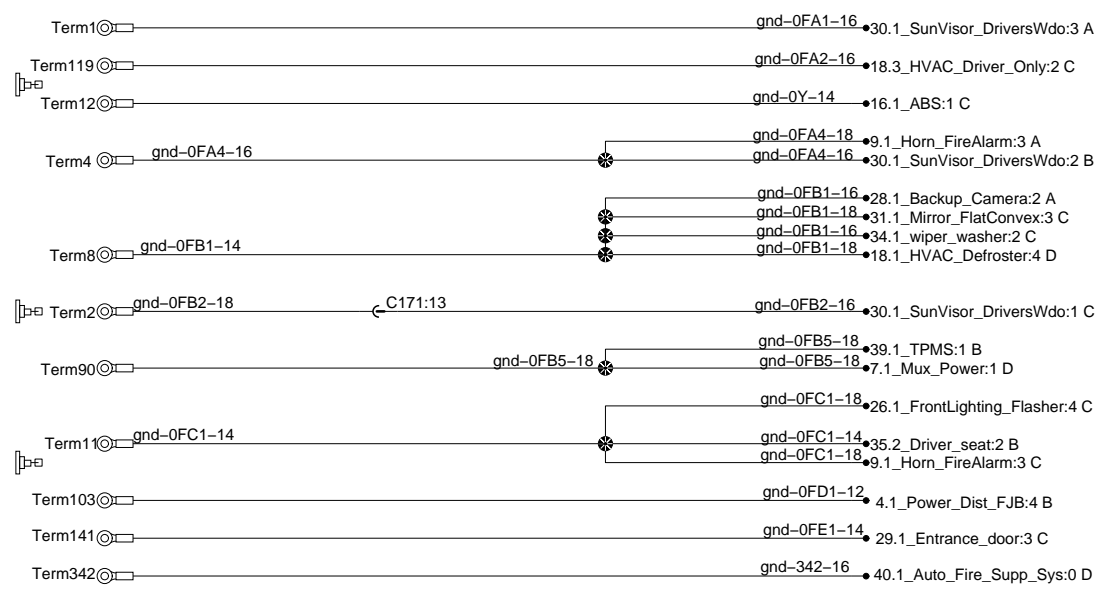
Electronic gnd to Dash harness



Eng. cmpt gnd stud



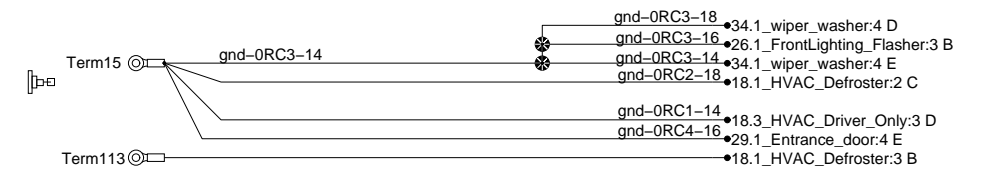
FJB gnd stud



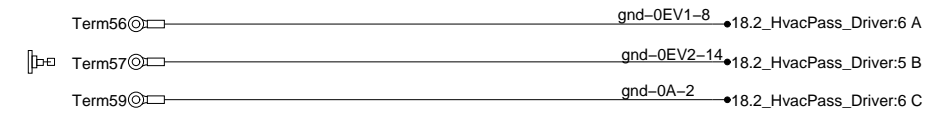
Front Top gnd stud



RH Console gnd stud



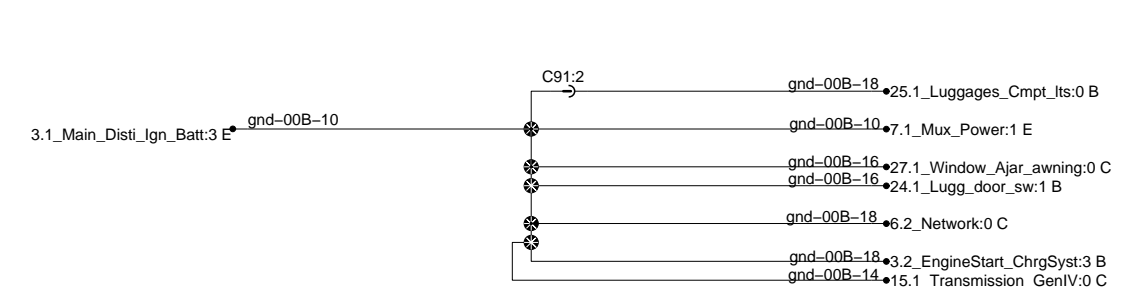
Evaporator cmpt gnd stud



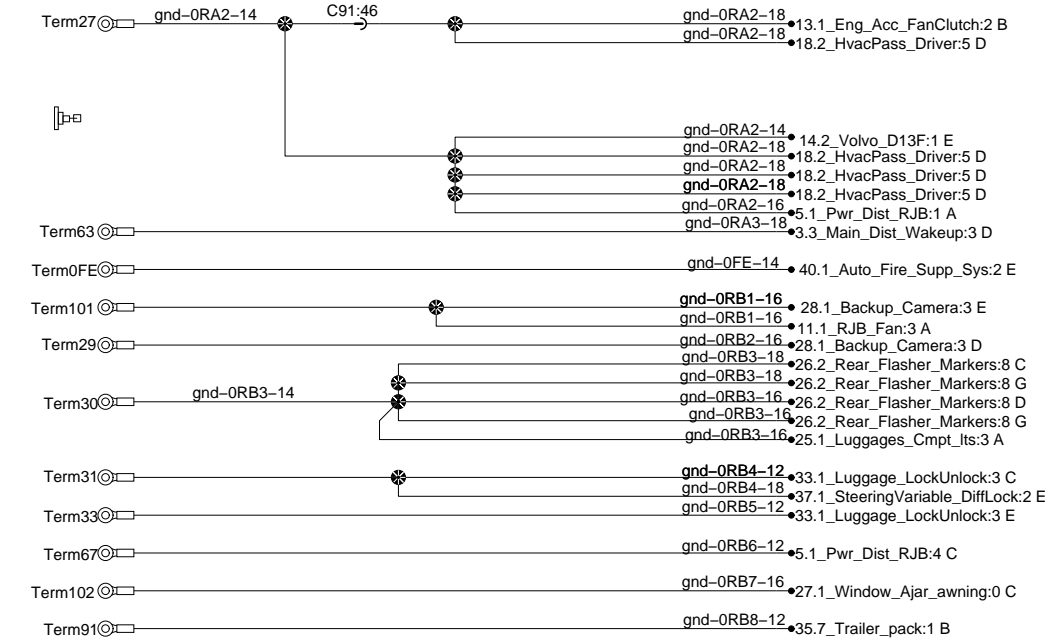
Condensor cmpt gnd stud



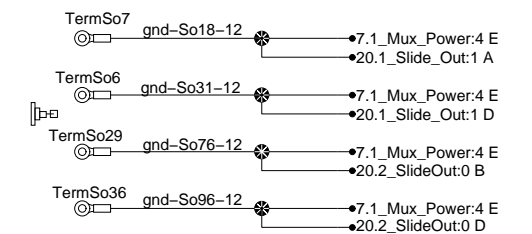
Engine cmpt electronic gnd



RJB gnd stud

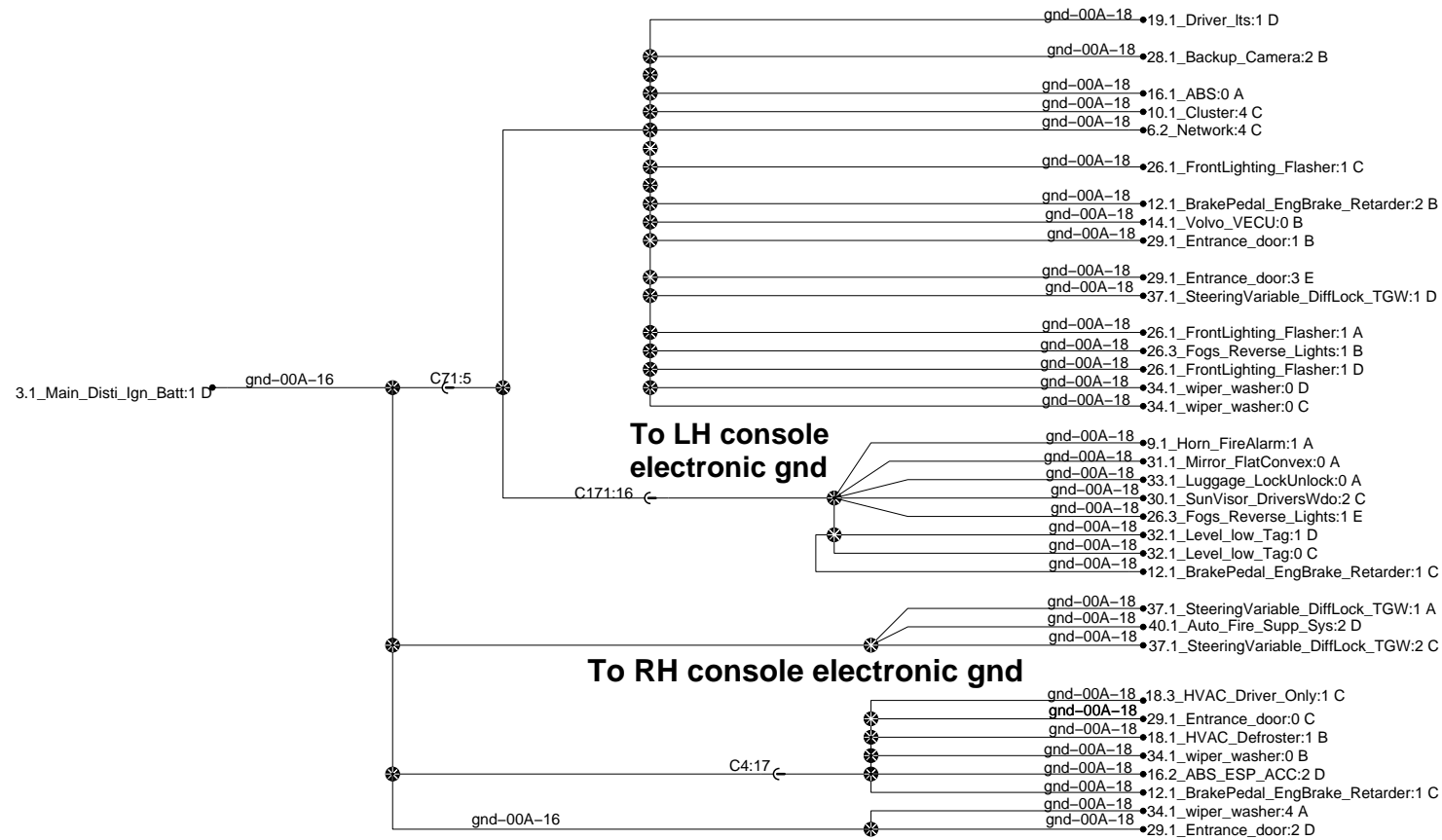


SLIDE OUT chassis gnd



Ground Distribution

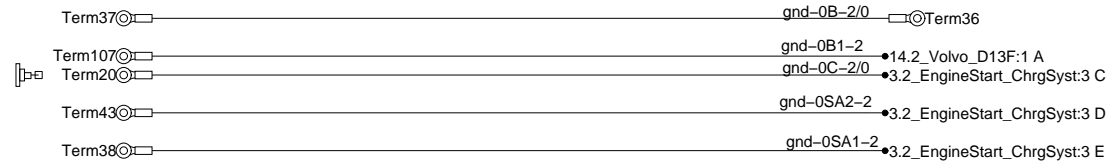
Electronic gnd to Dash harness



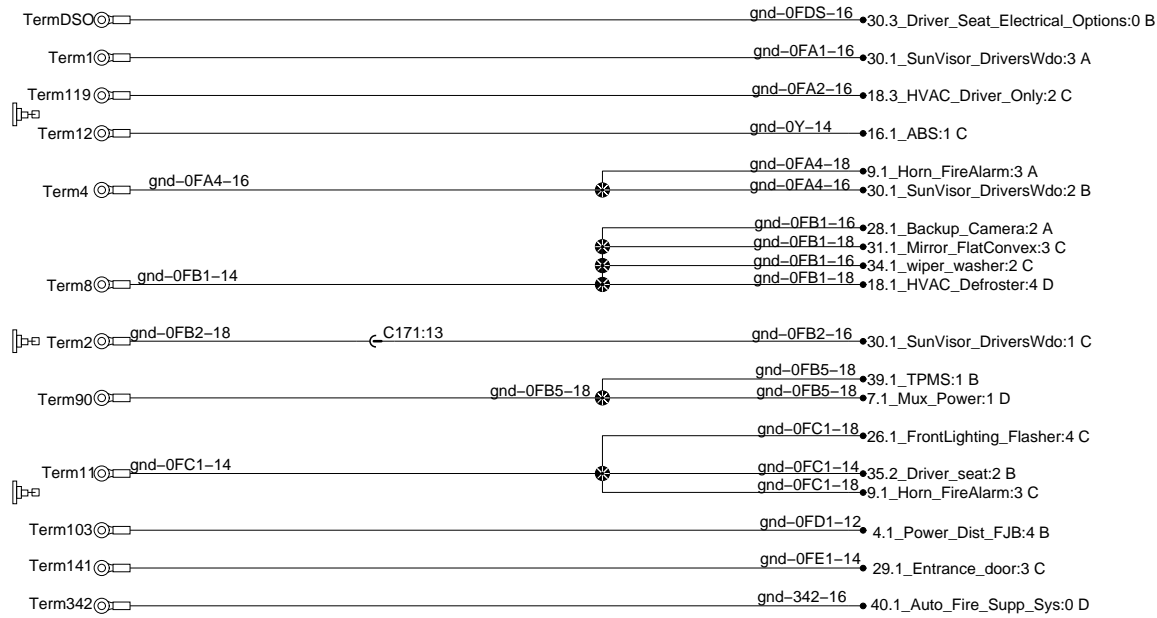
To LH console electronic gnd

To RH console electronic gnd

Eng. cmpt gnd stud



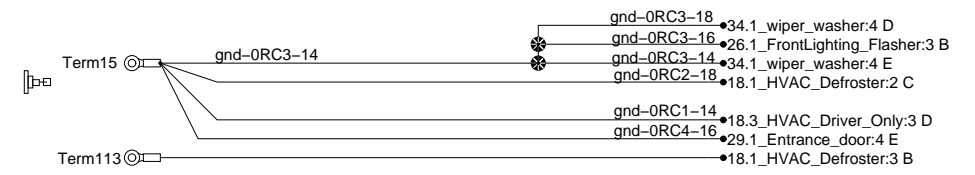
FJB gnd stud



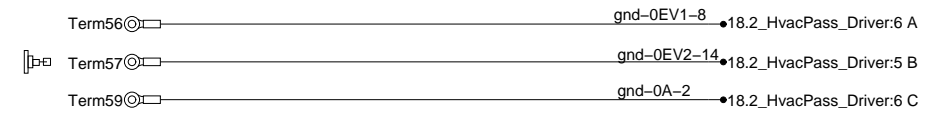
Front Top gnd stud



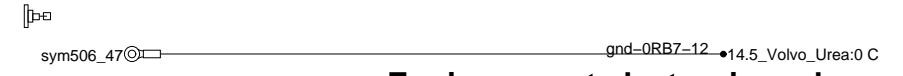
RH Console gnd stud



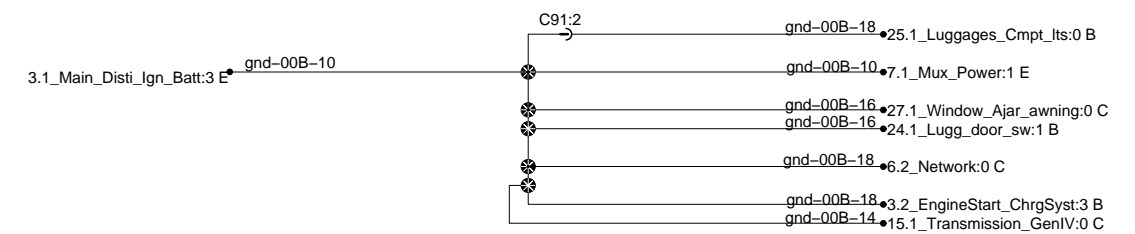
Evaporator cmpt gnd stud



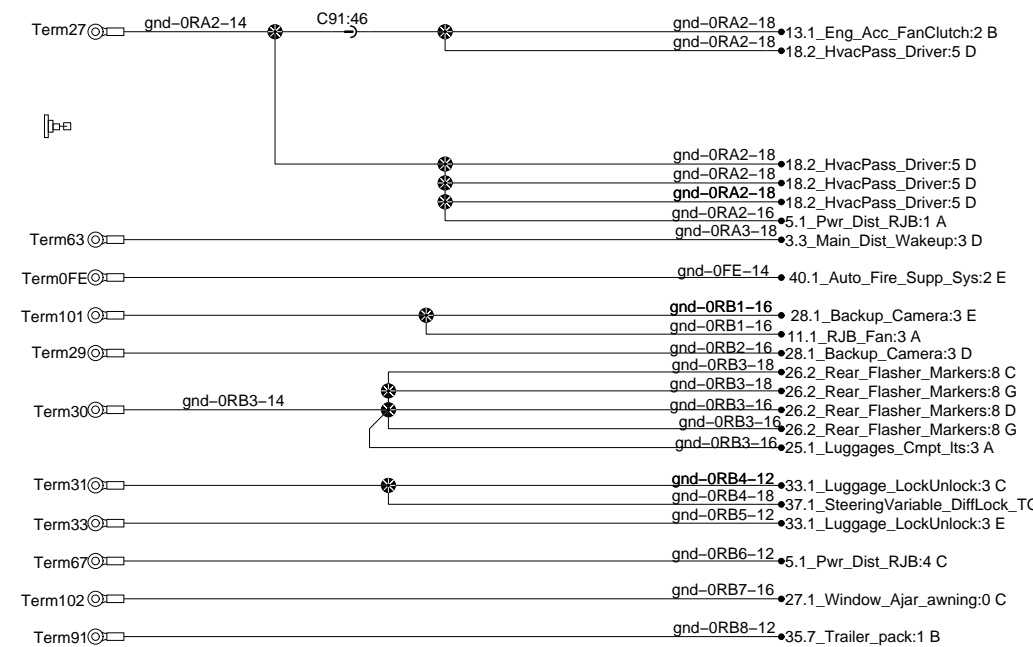
Condensor cmpt gnd stud



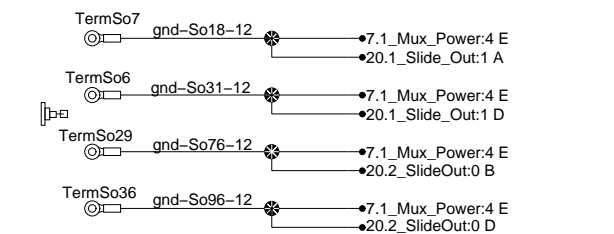
Engine cmpt electronic gnd



RJB gnd stud

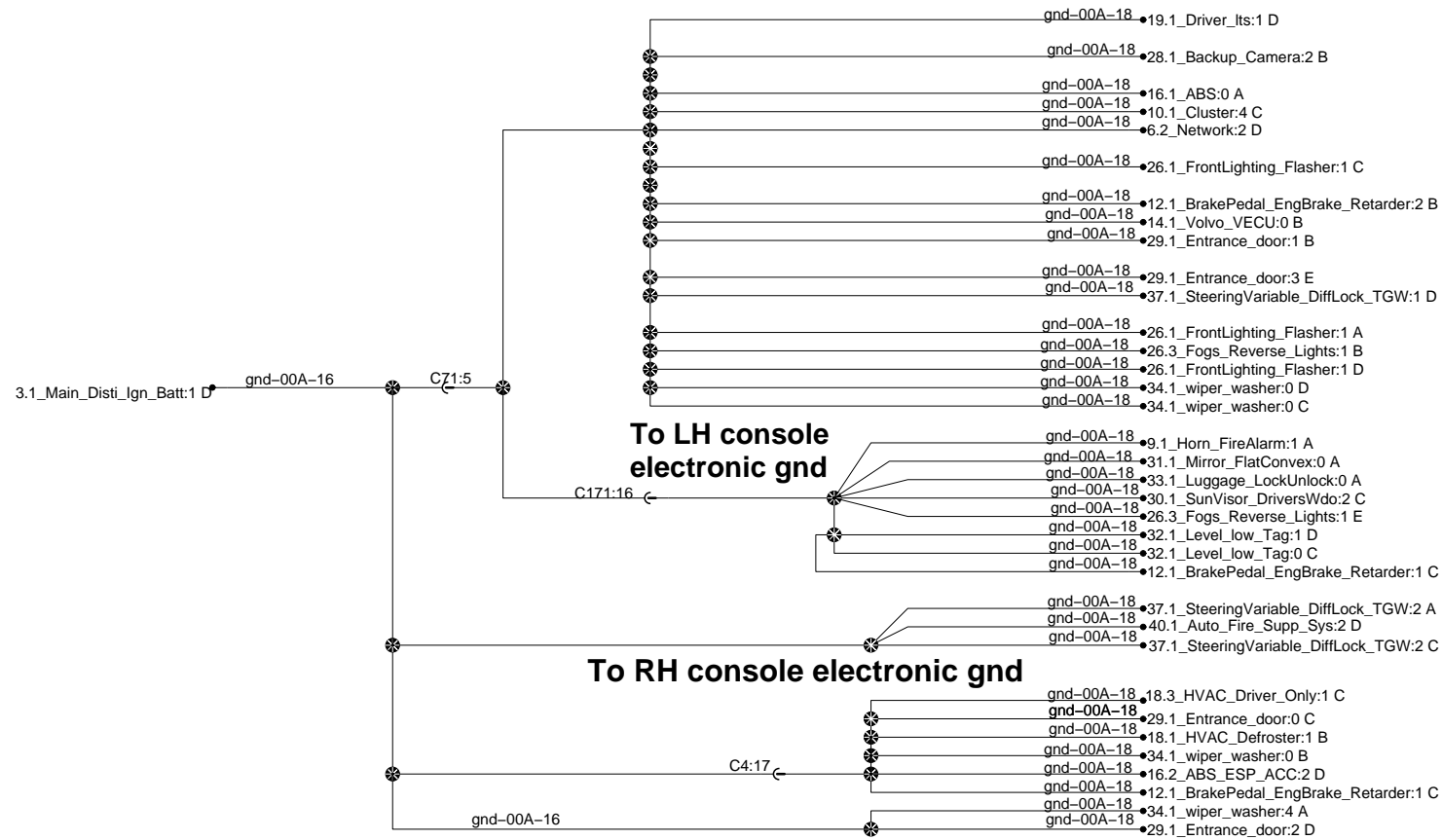


SLIDE OUT chassis gnd

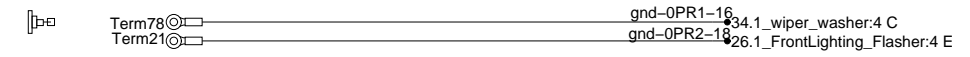


Ground Distribution

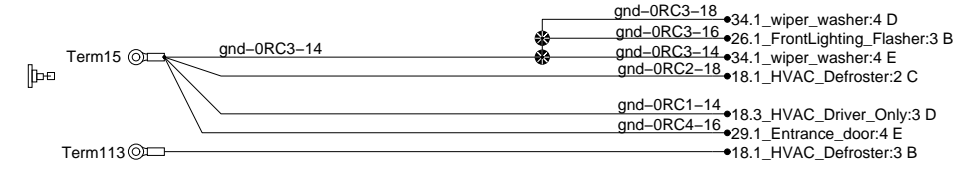
Electronic gnd to Dash harness



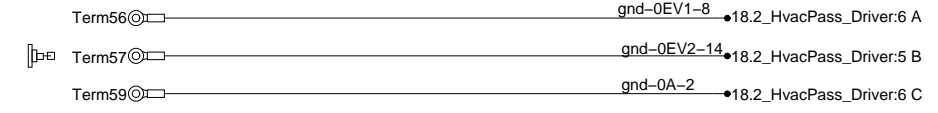
Front Top gnd stud



RH Console gnd stud



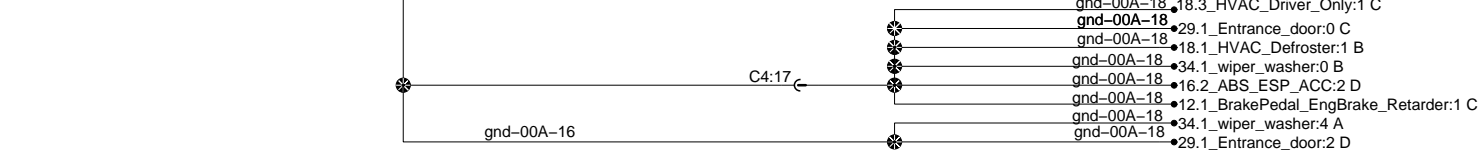
Evaporator cmpt gnd stud



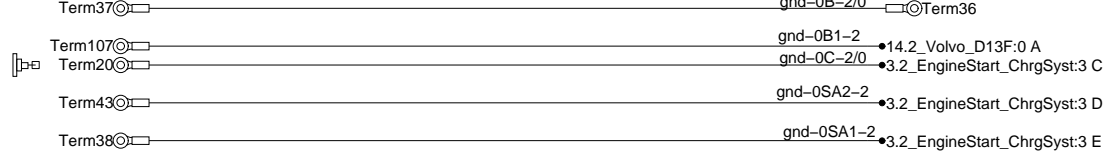
Condensor cmpt gnd stud



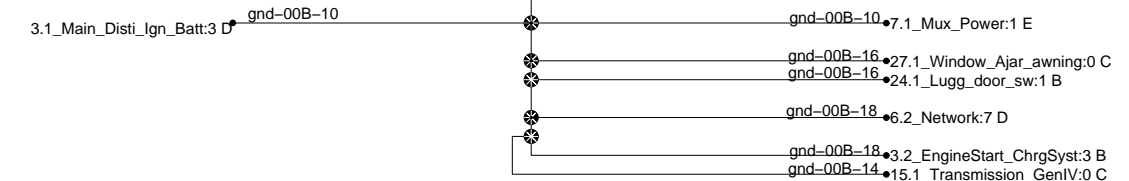
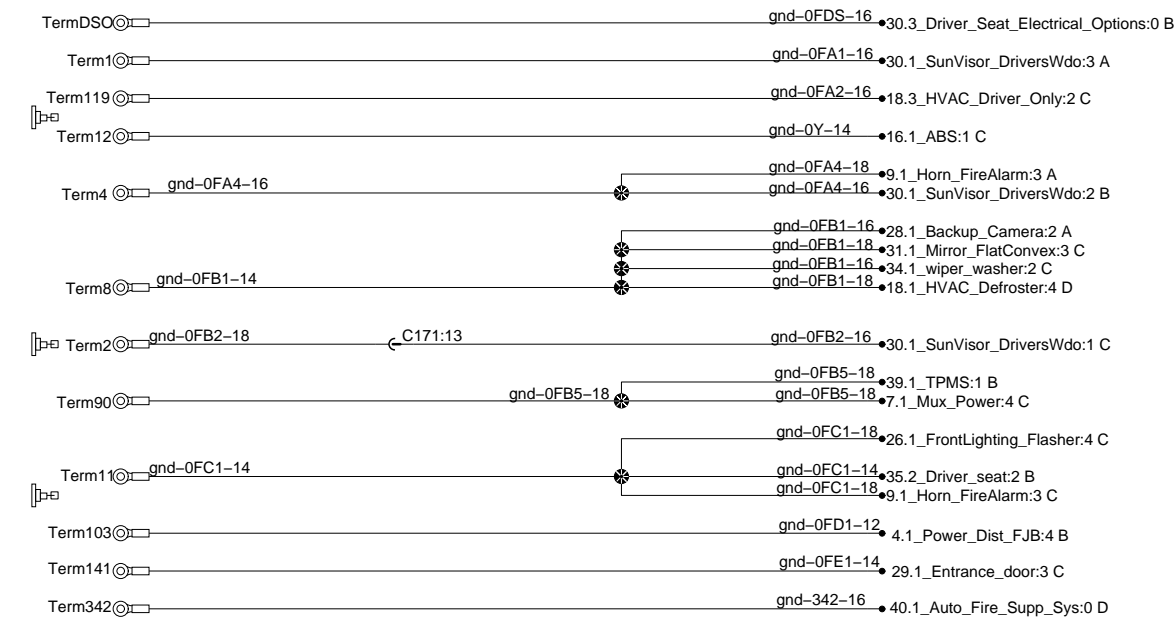
To RH console electronic gnd



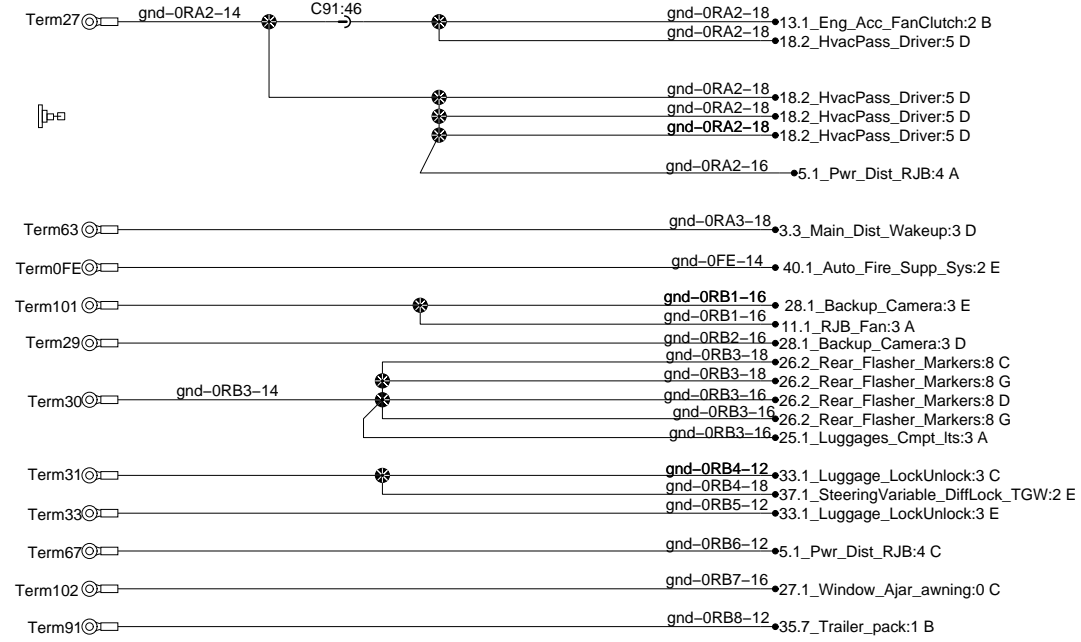
Eng. cmpt gnd stud



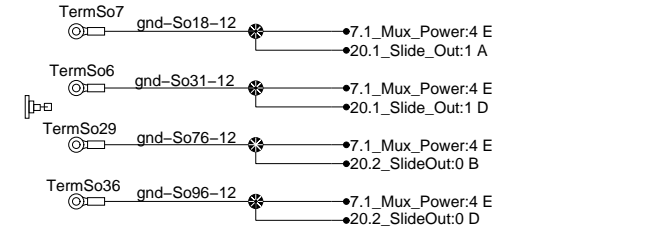
FJB gnd stud



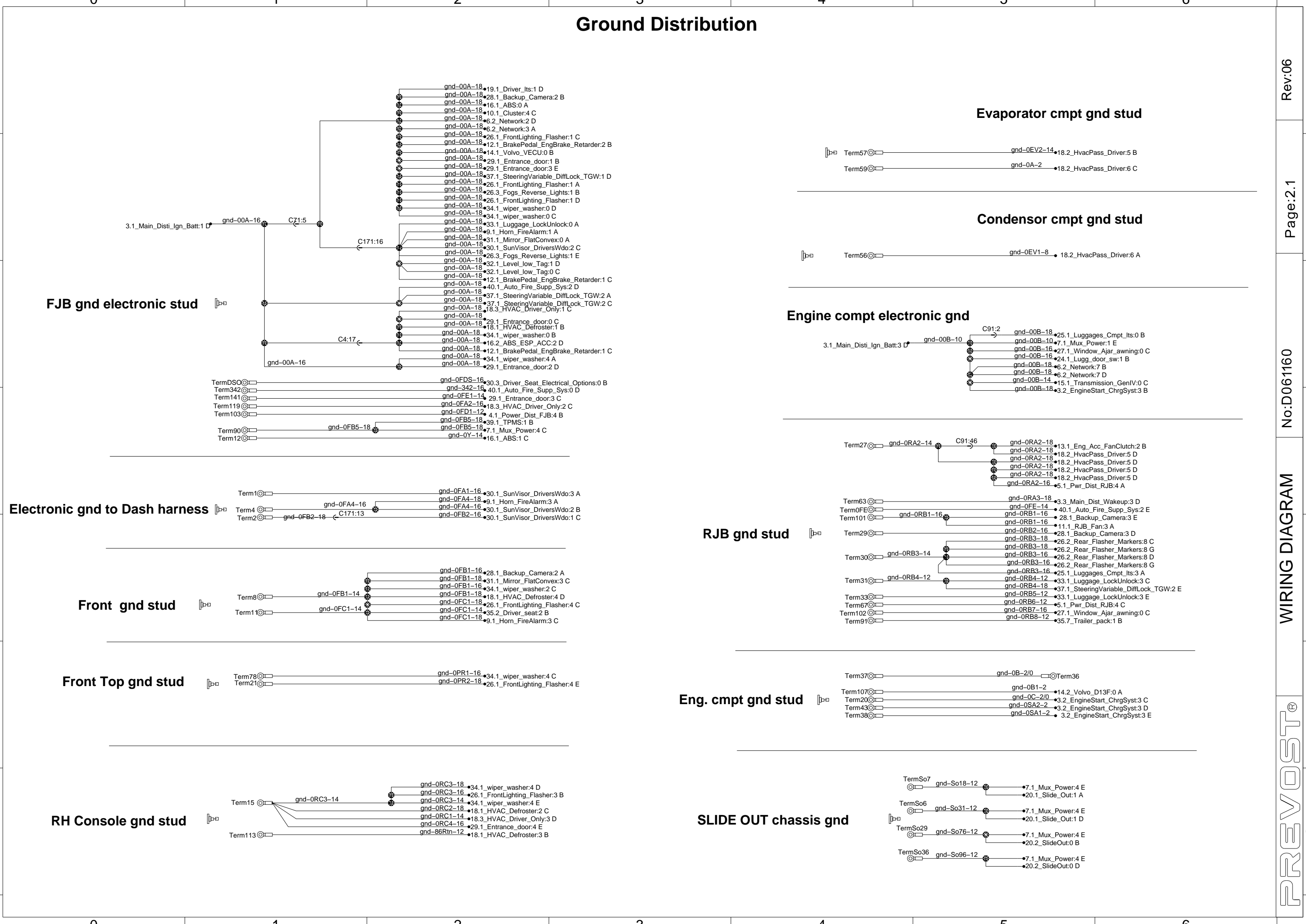
RJB gnd stud



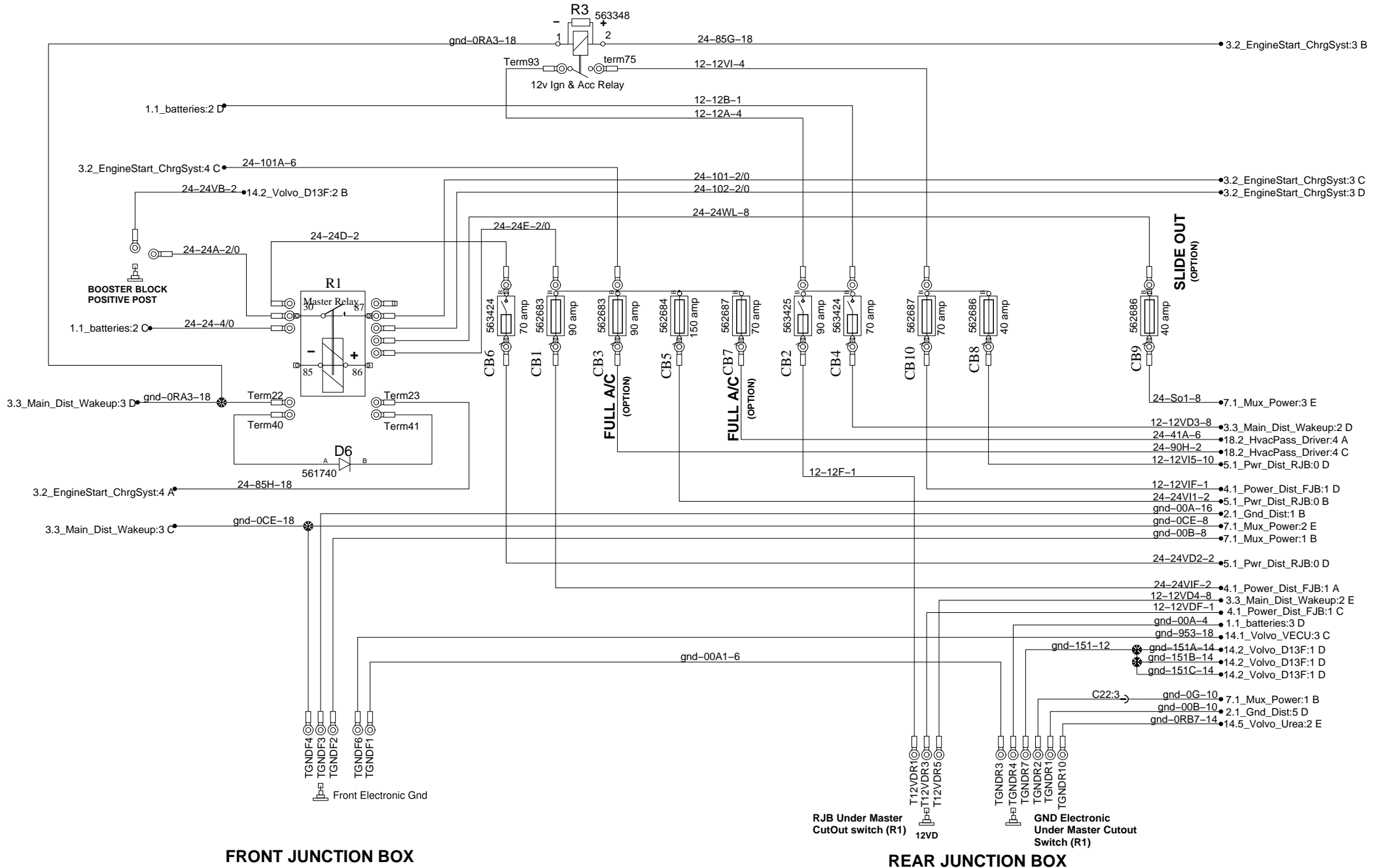
SLIDE OUT chassis gnd



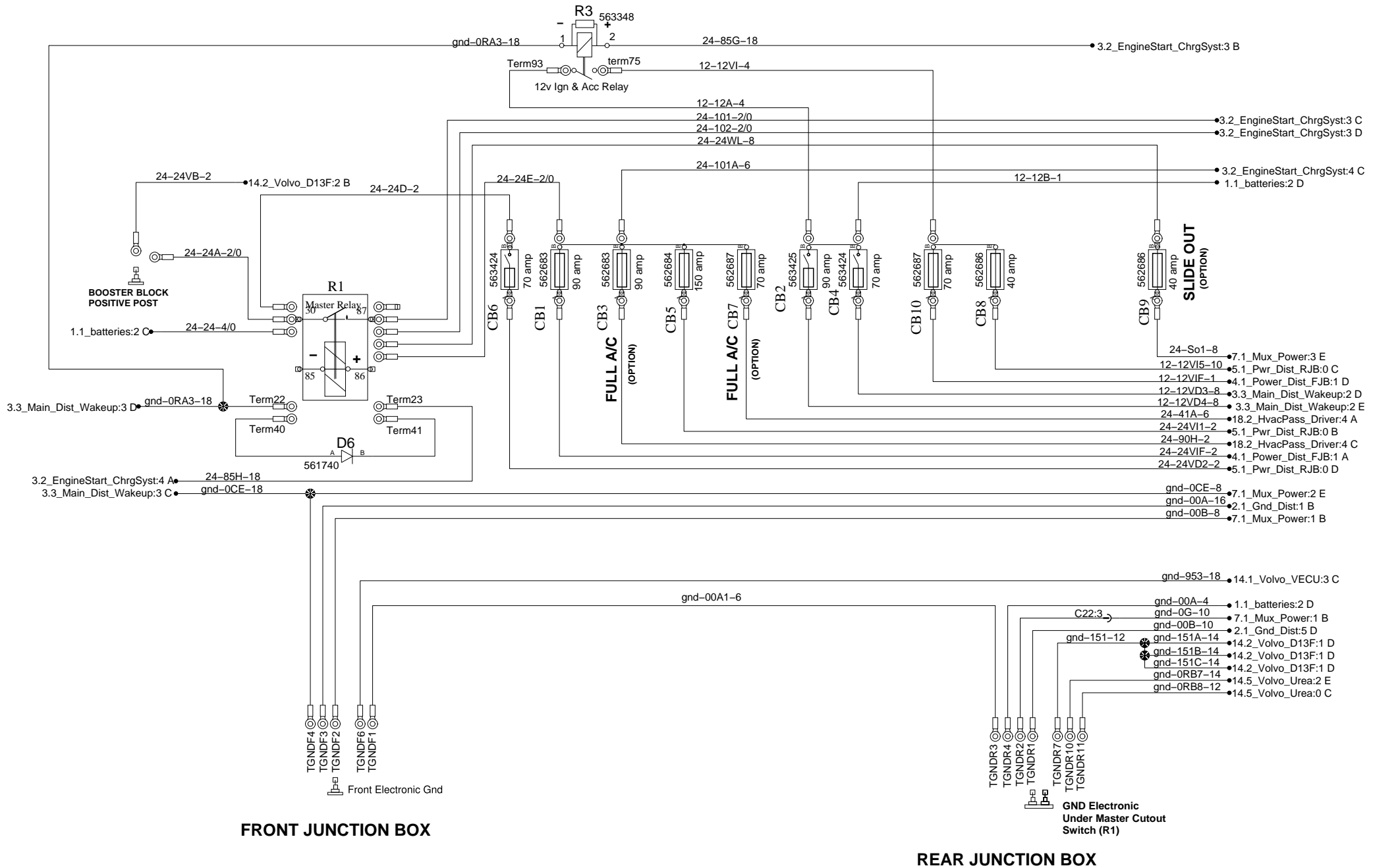
Ground Distribution



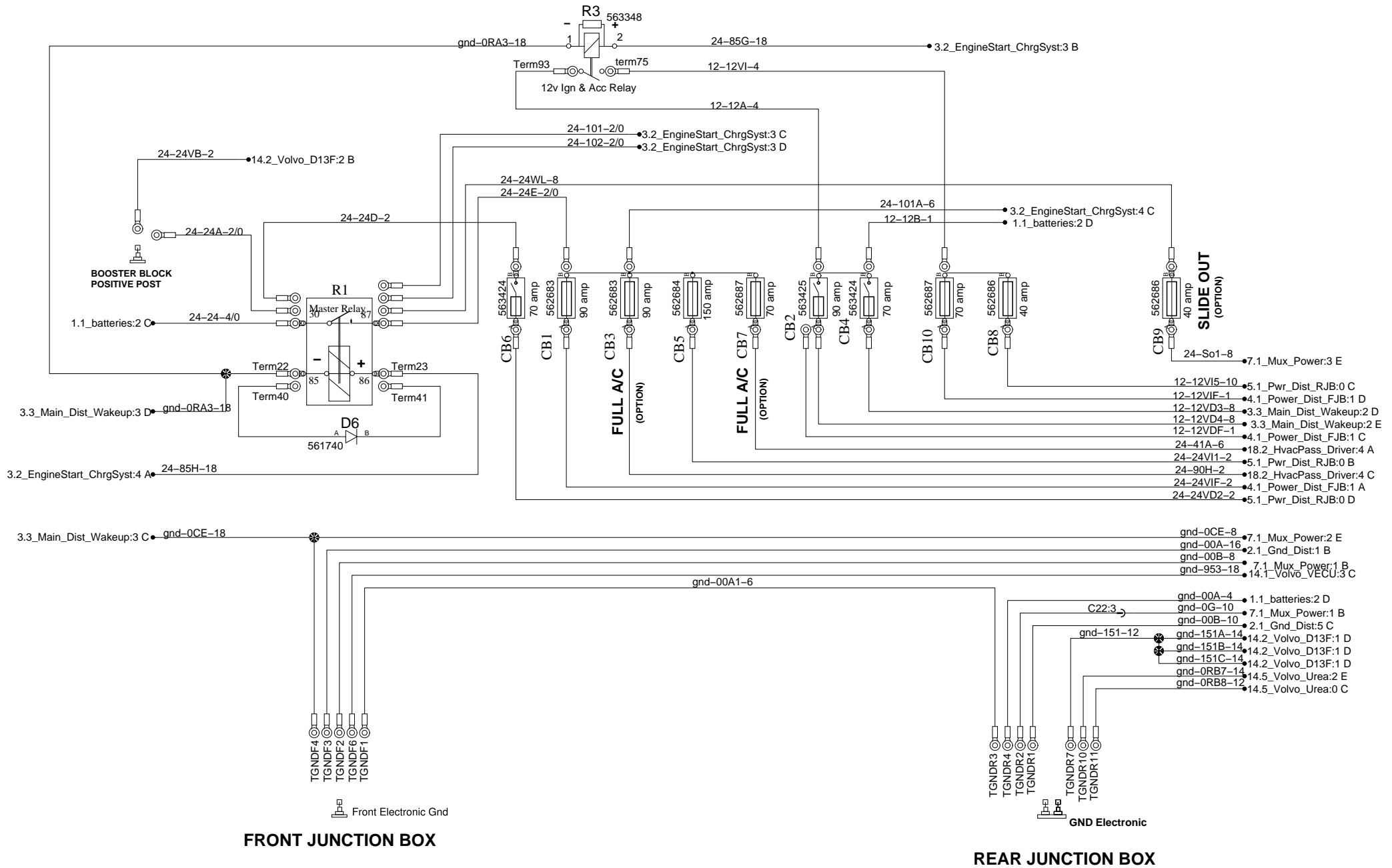
MAIN DISTRIBUTION Batteries & Ignition



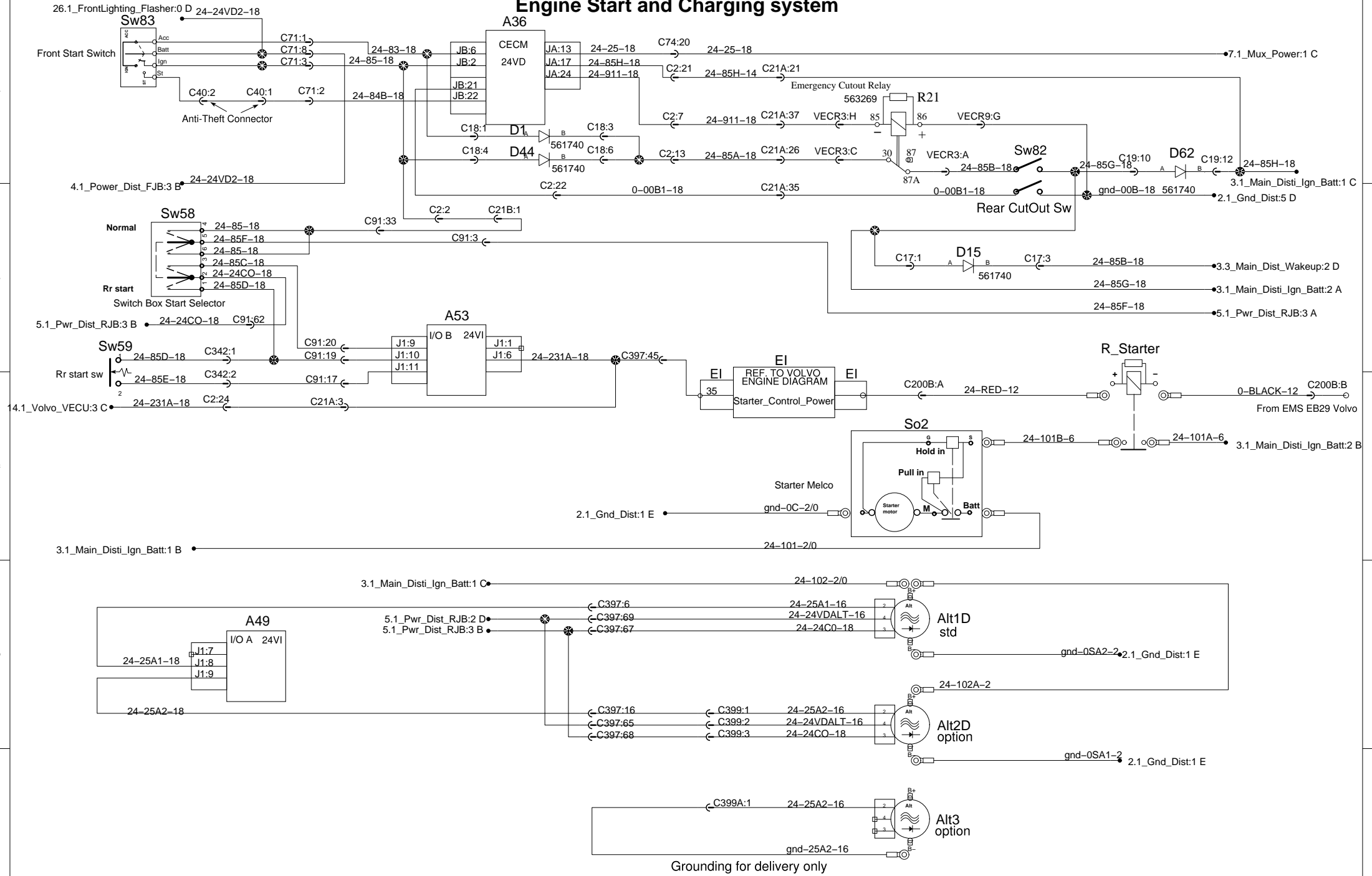
MAIN DISTRIBUTION Batteries & Ignition



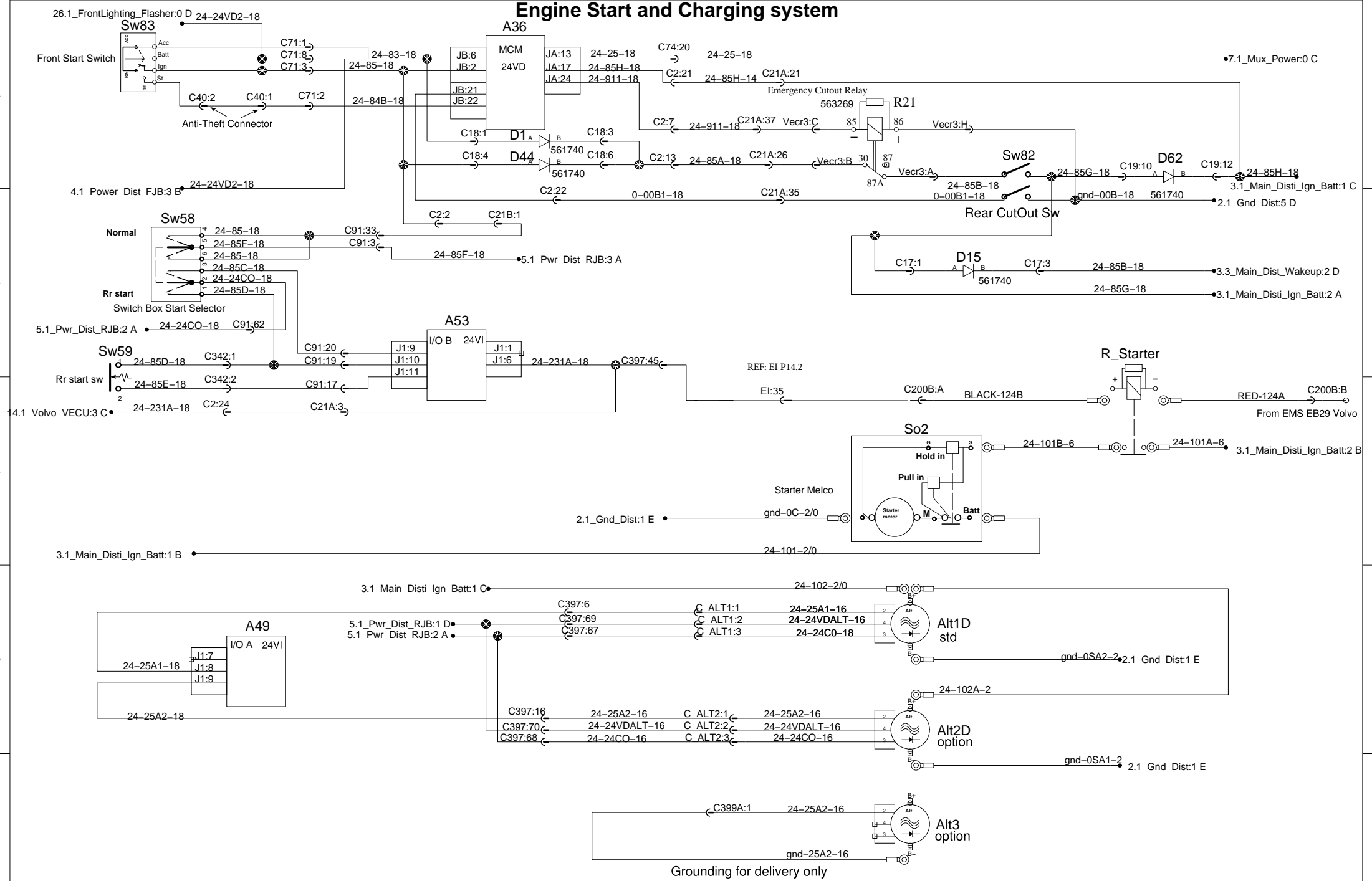
MAIN DISTRIBUTION Batteries & Ignition



Engine Start and Charging system



Engine Start and Charging system



0

1

2

3

4

A

A

B

B

C

C

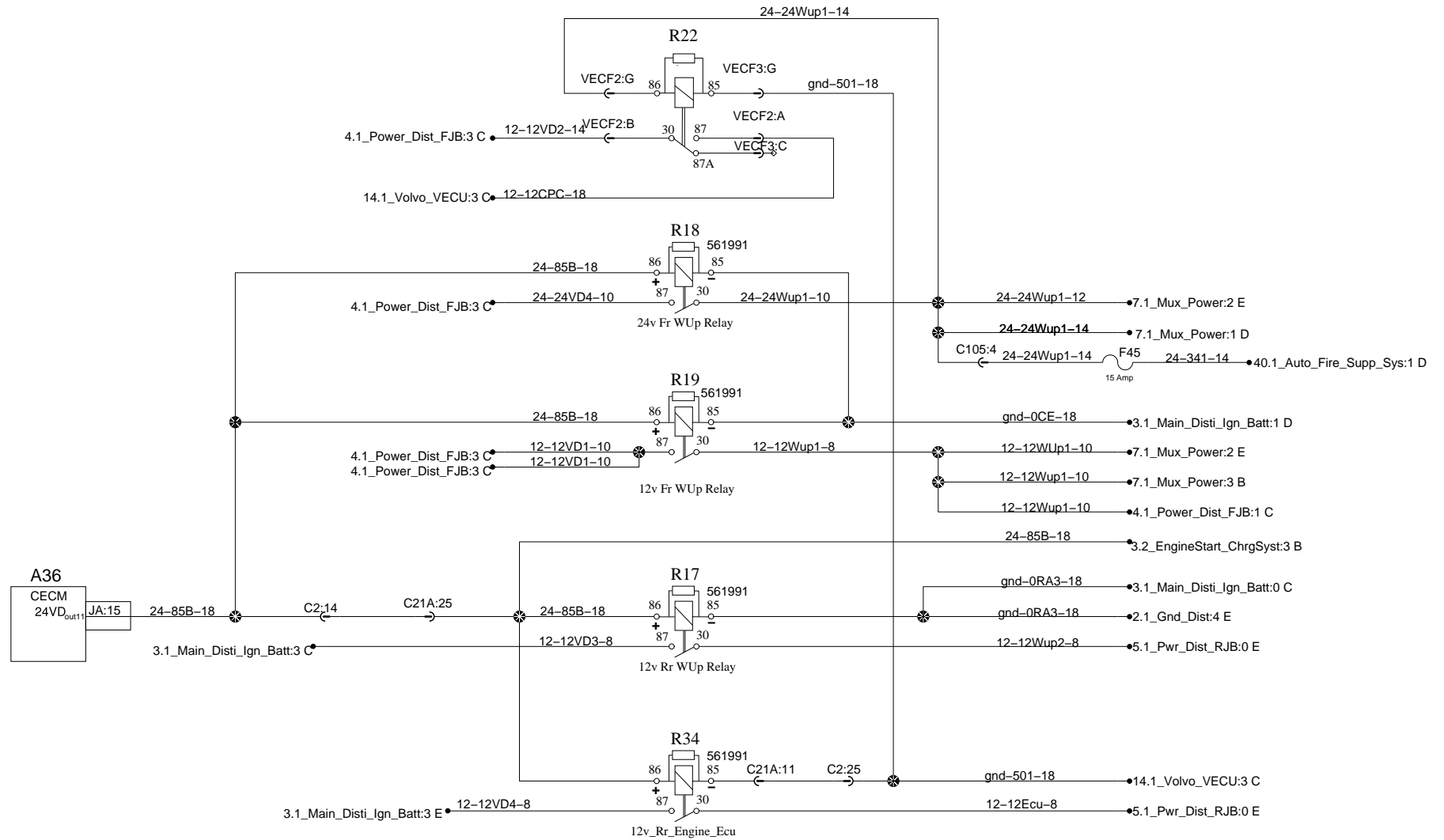
D

D

E

E

MAIN DISTRIBUTION Wake-Up



0

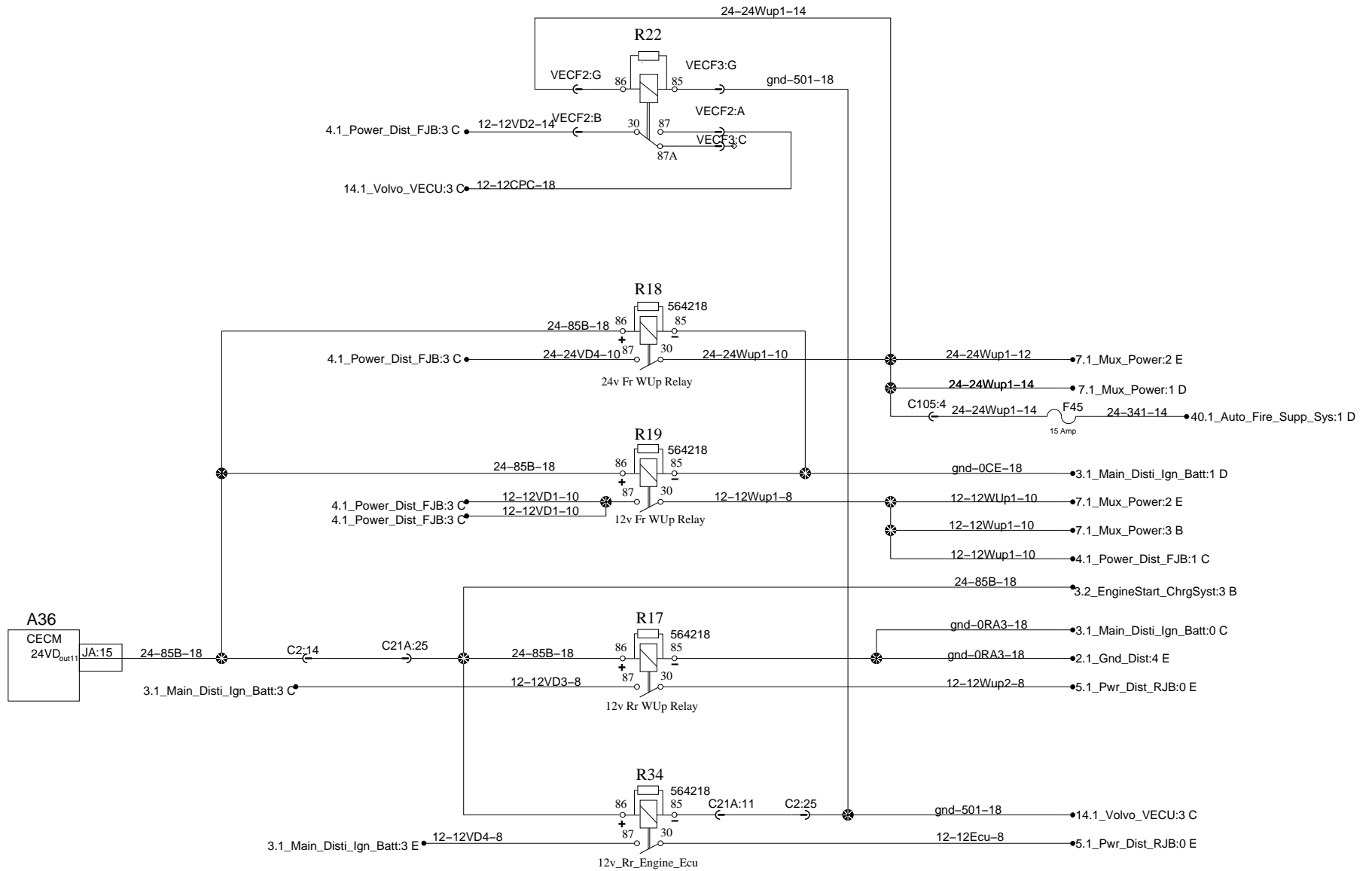
1

2

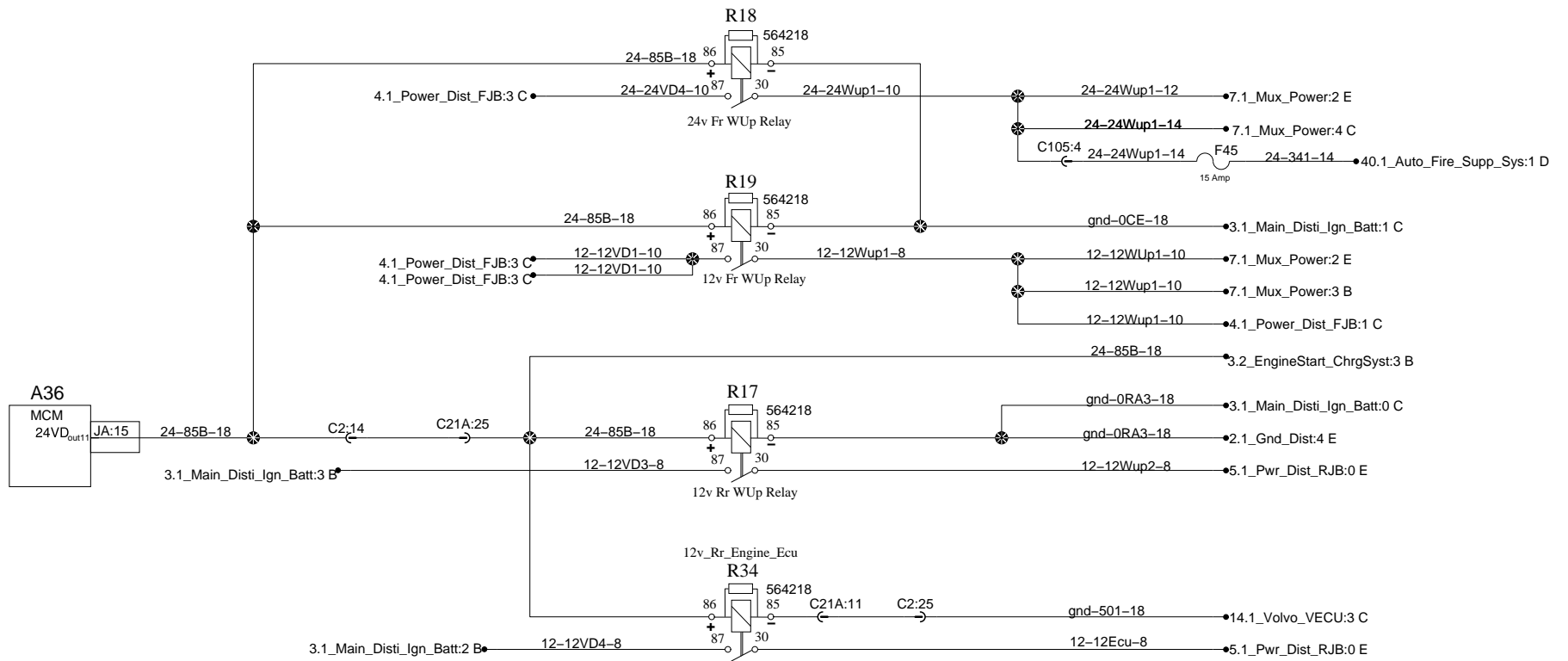
3

4

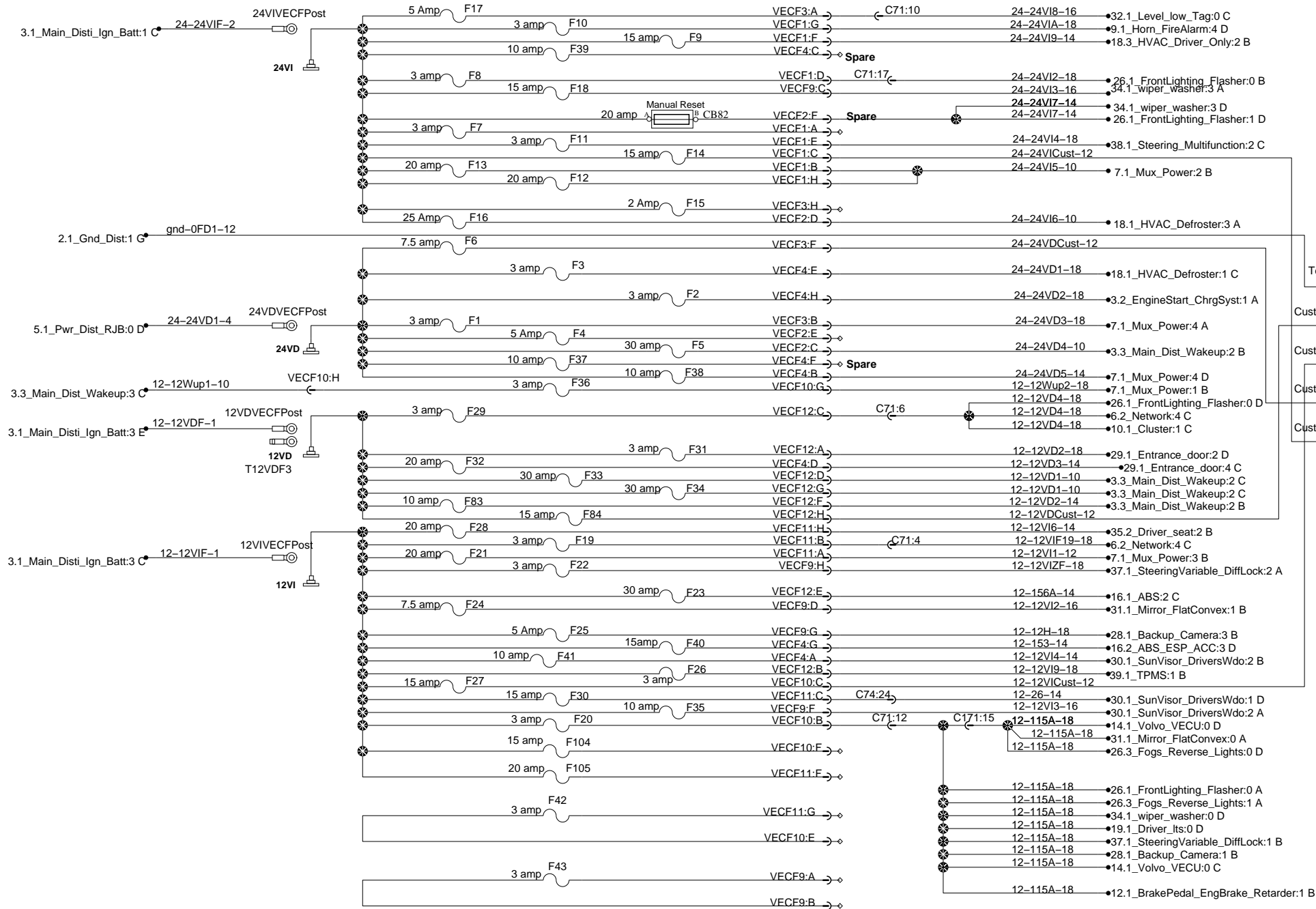
MAIN DISTRIBUTION Wake-Up



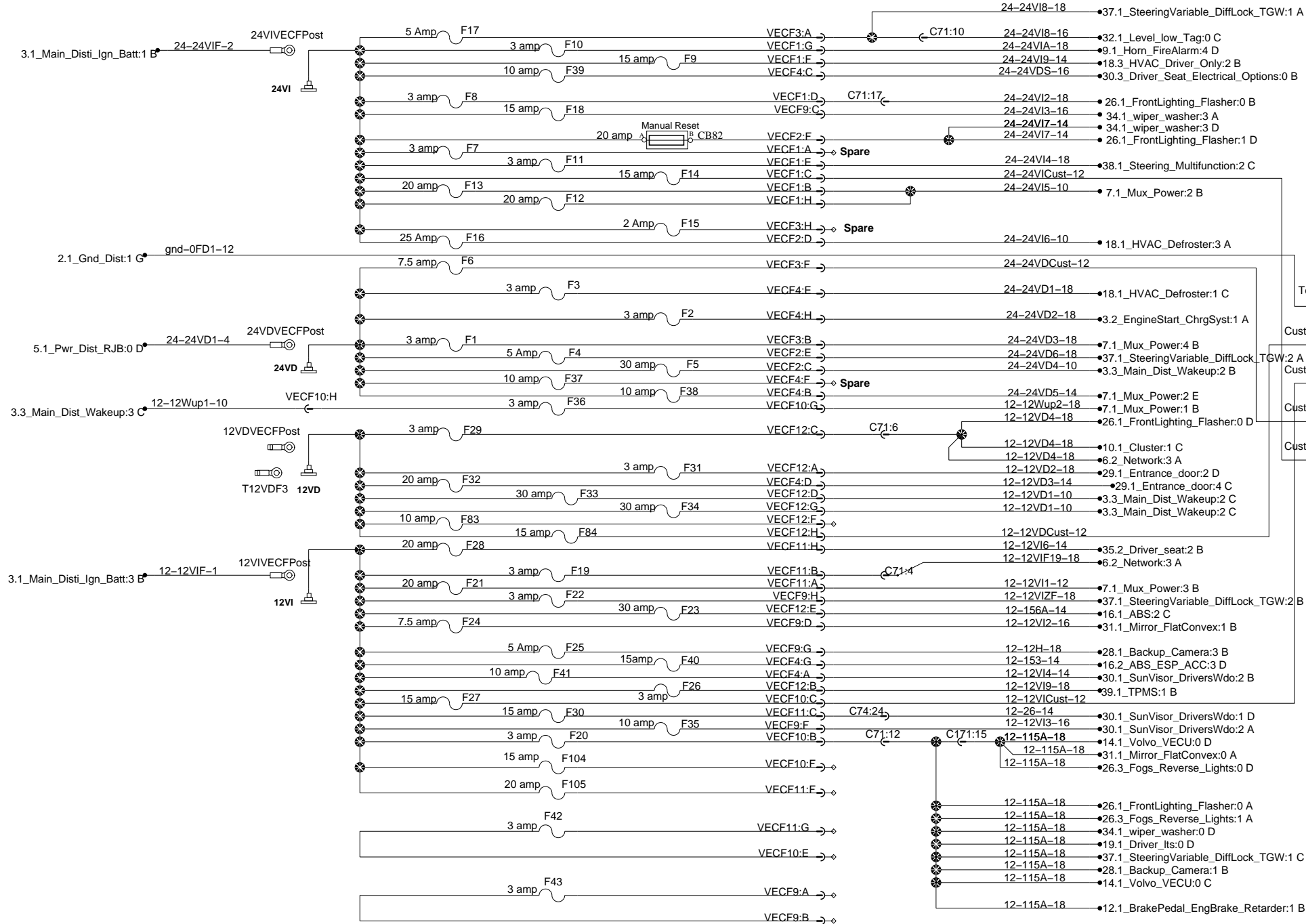
MAIN DISTRIBUTION Wake-Up



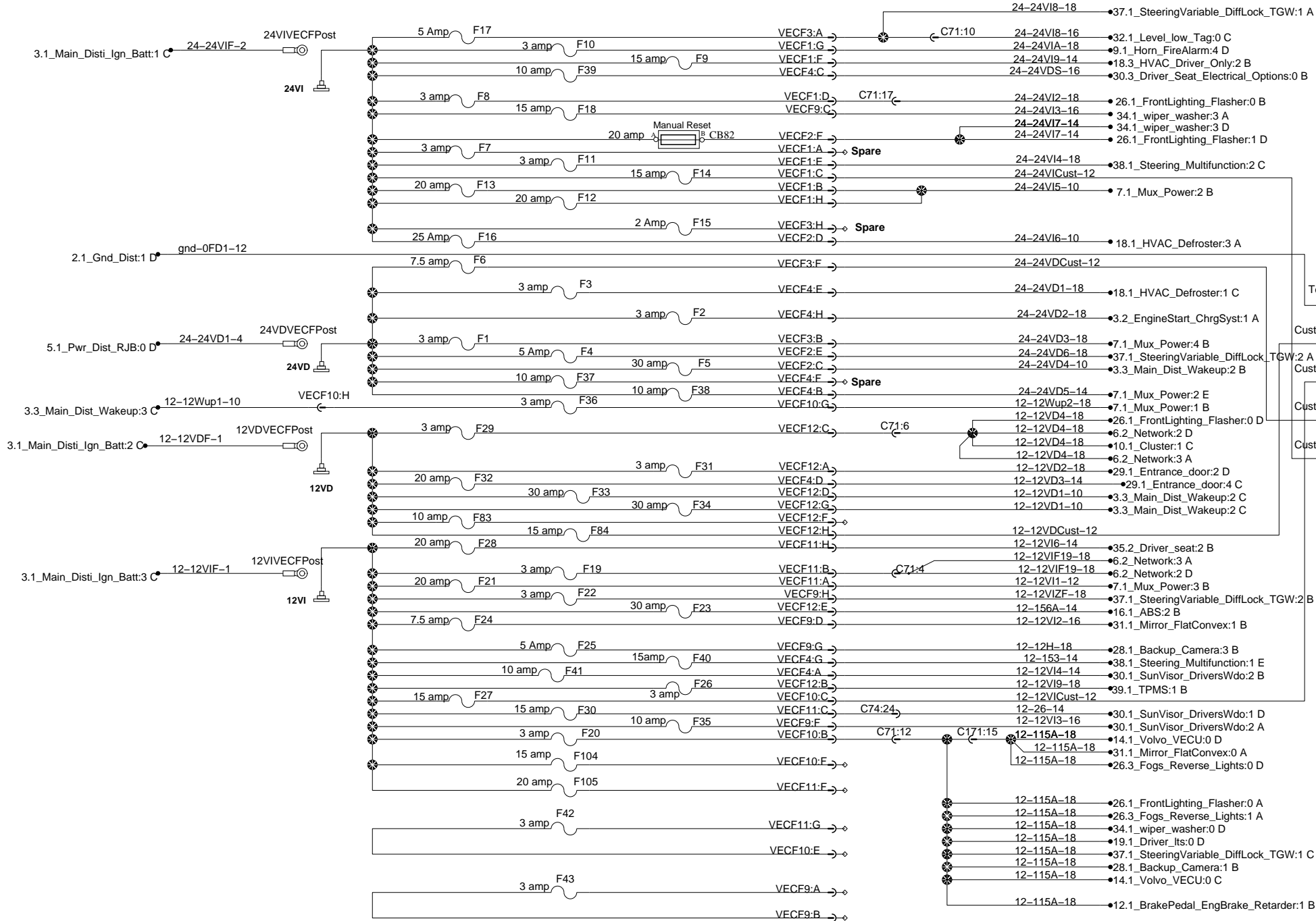
Power Distribution Front Junction Box

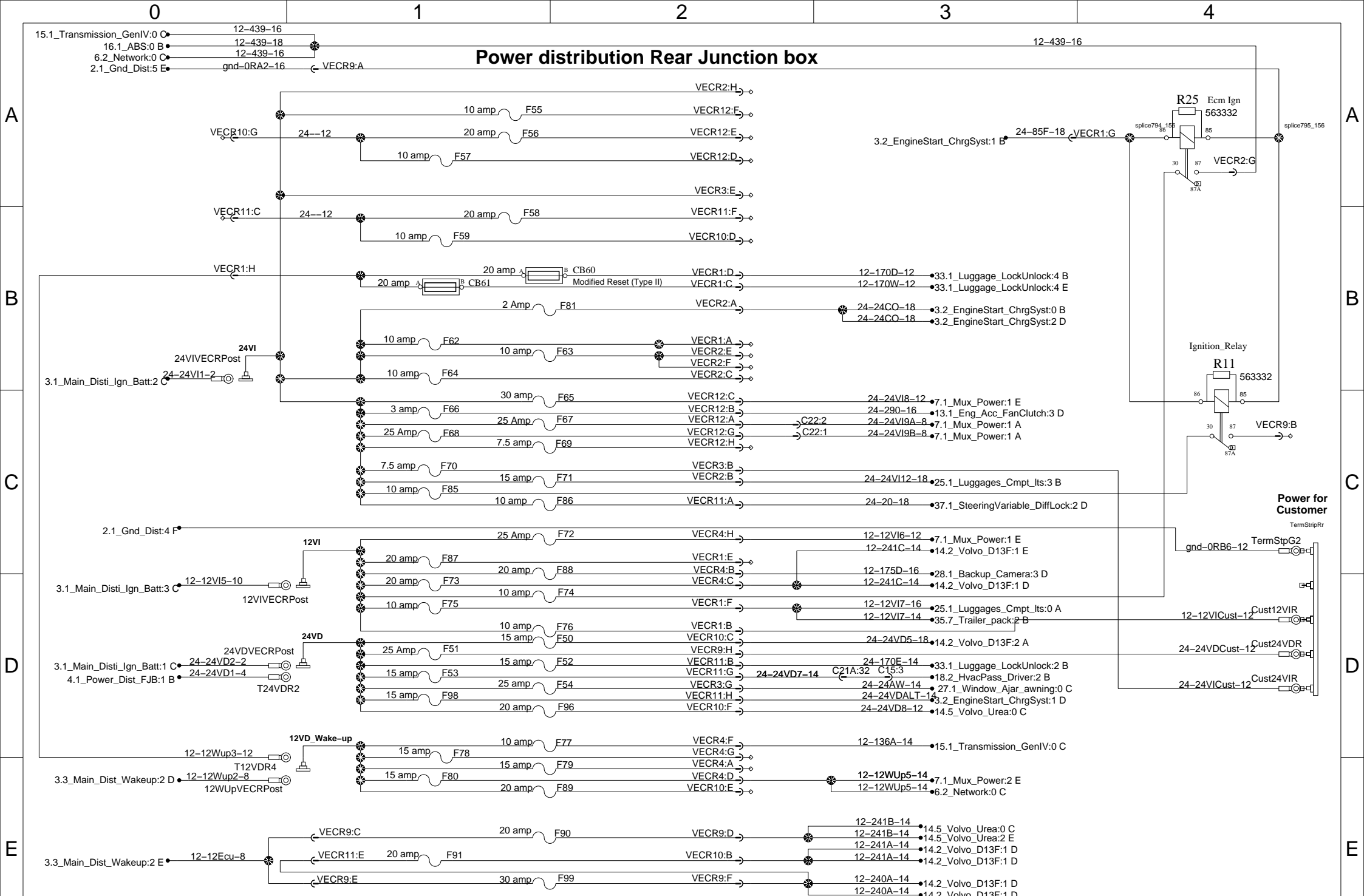


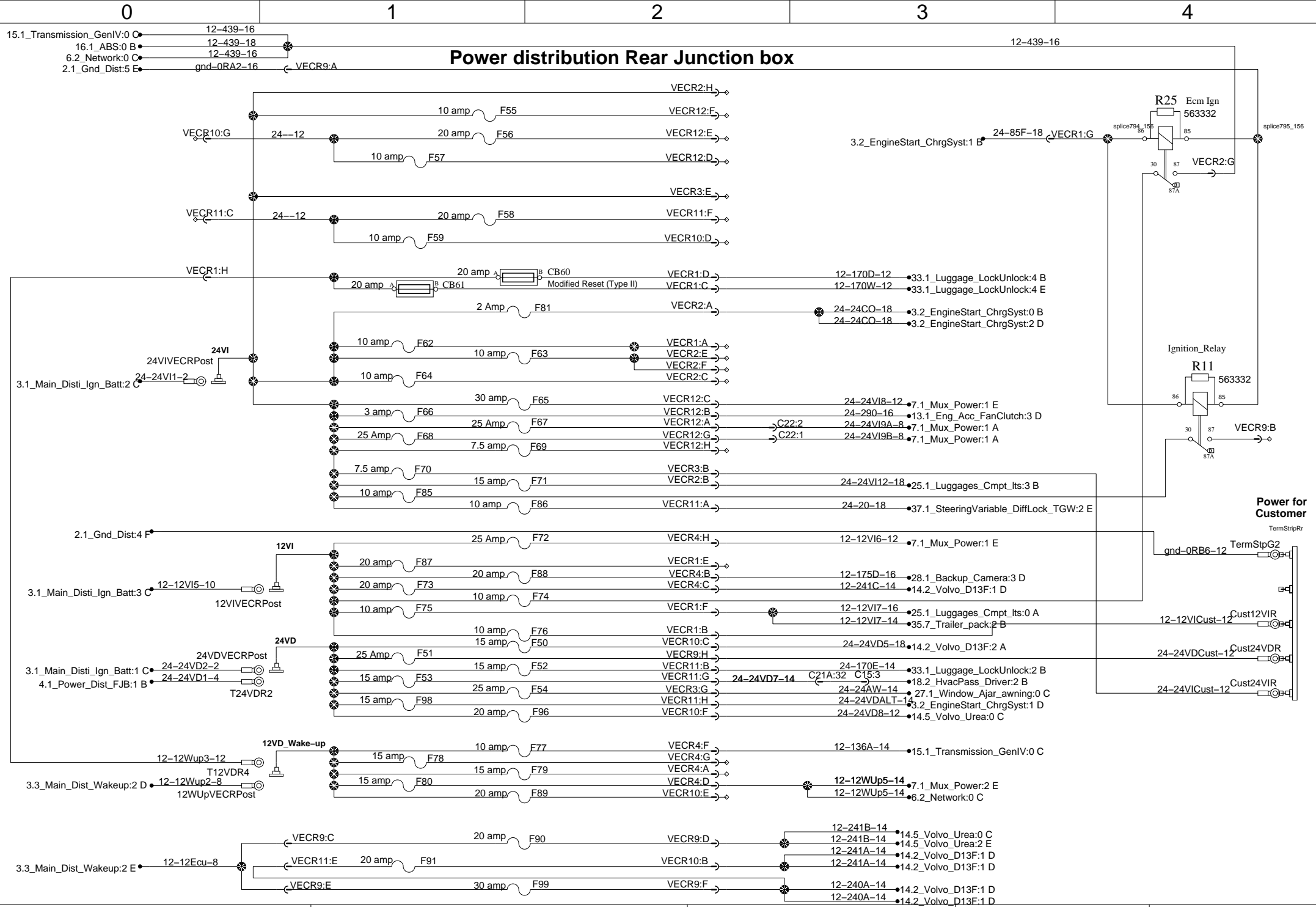
Power Distribution Front Junction Box



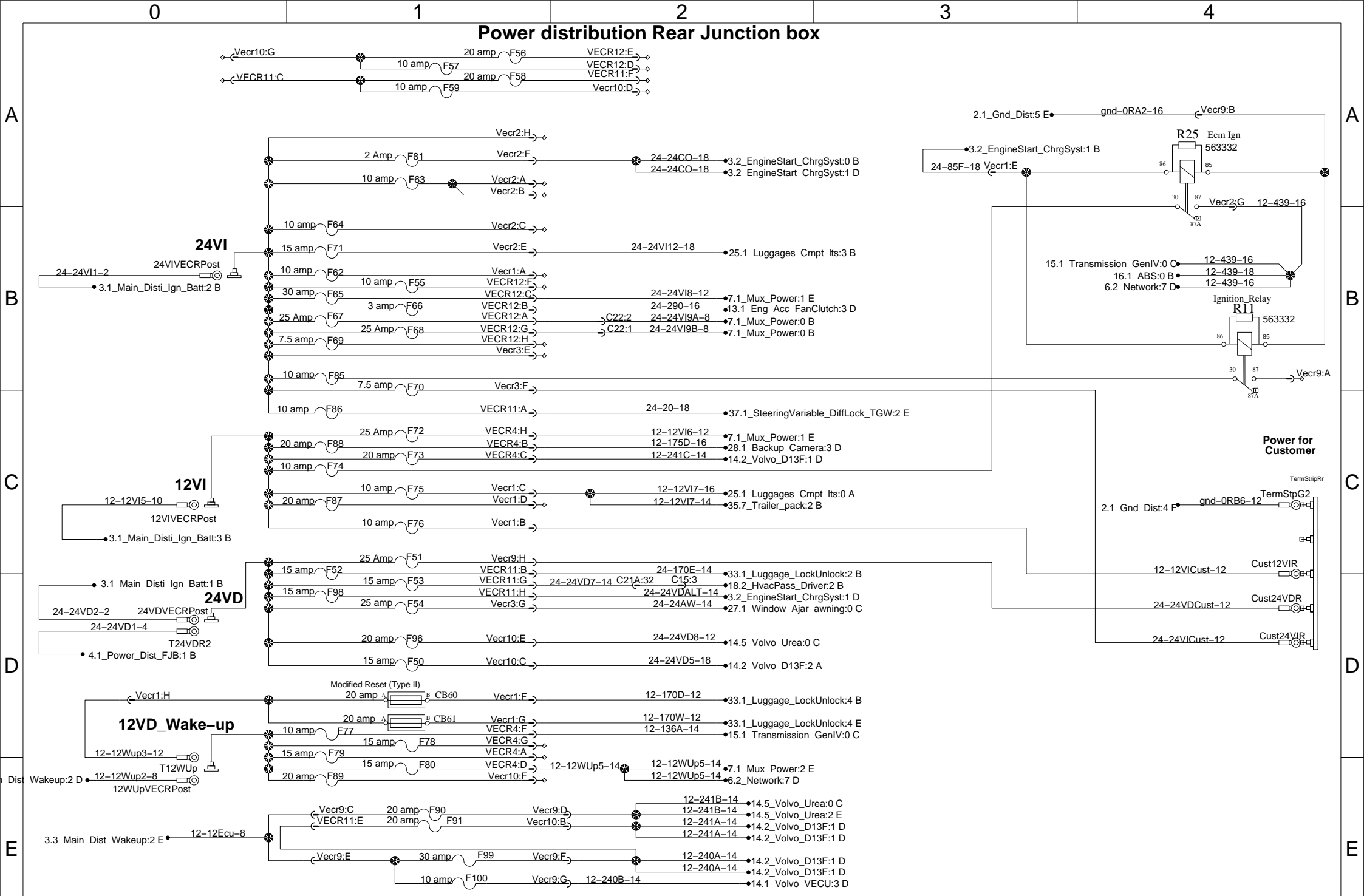
Power Distribution Front Junction Box



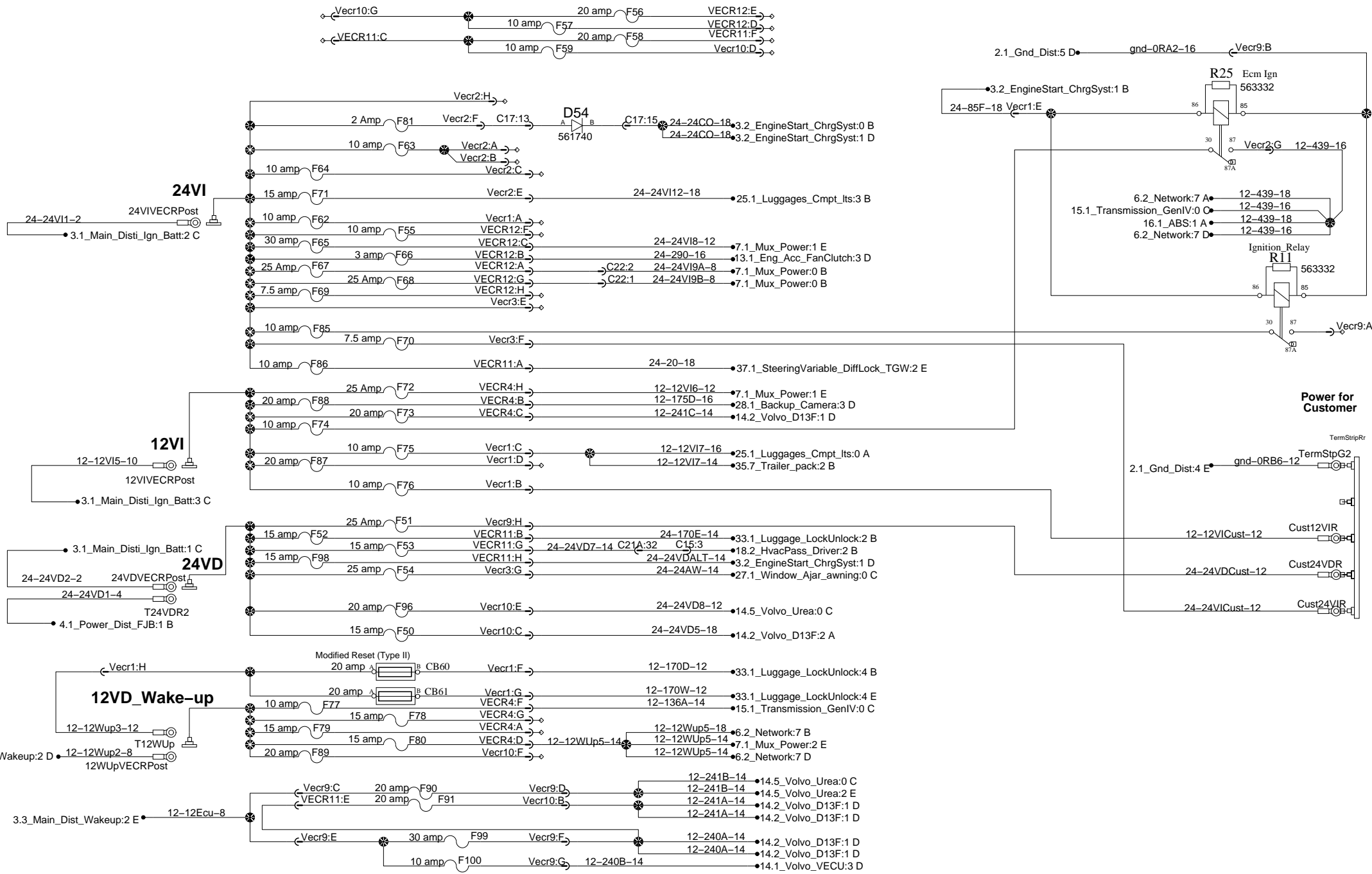




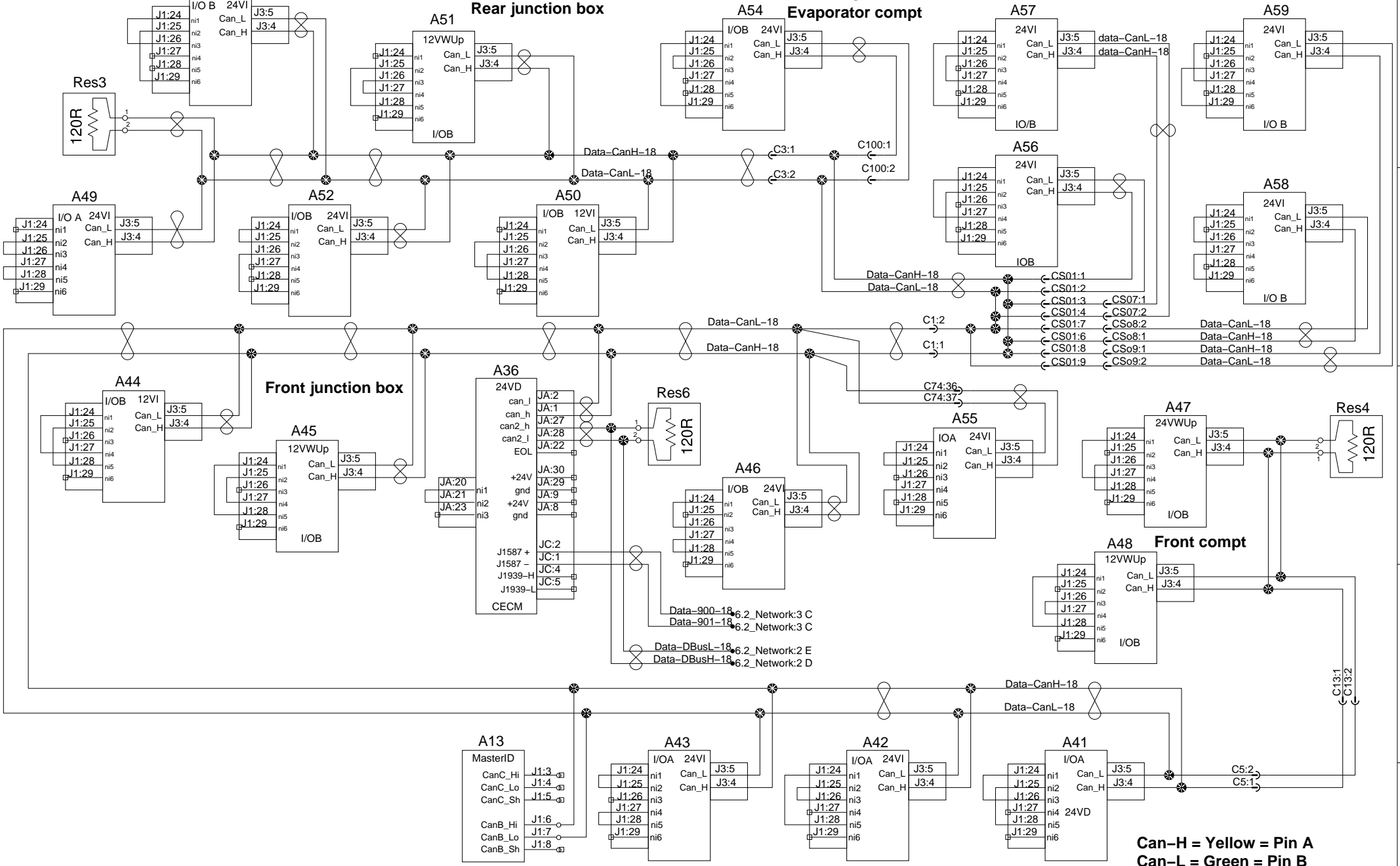
Power distribution Rear Junction box



Power distribution Rear Junction box

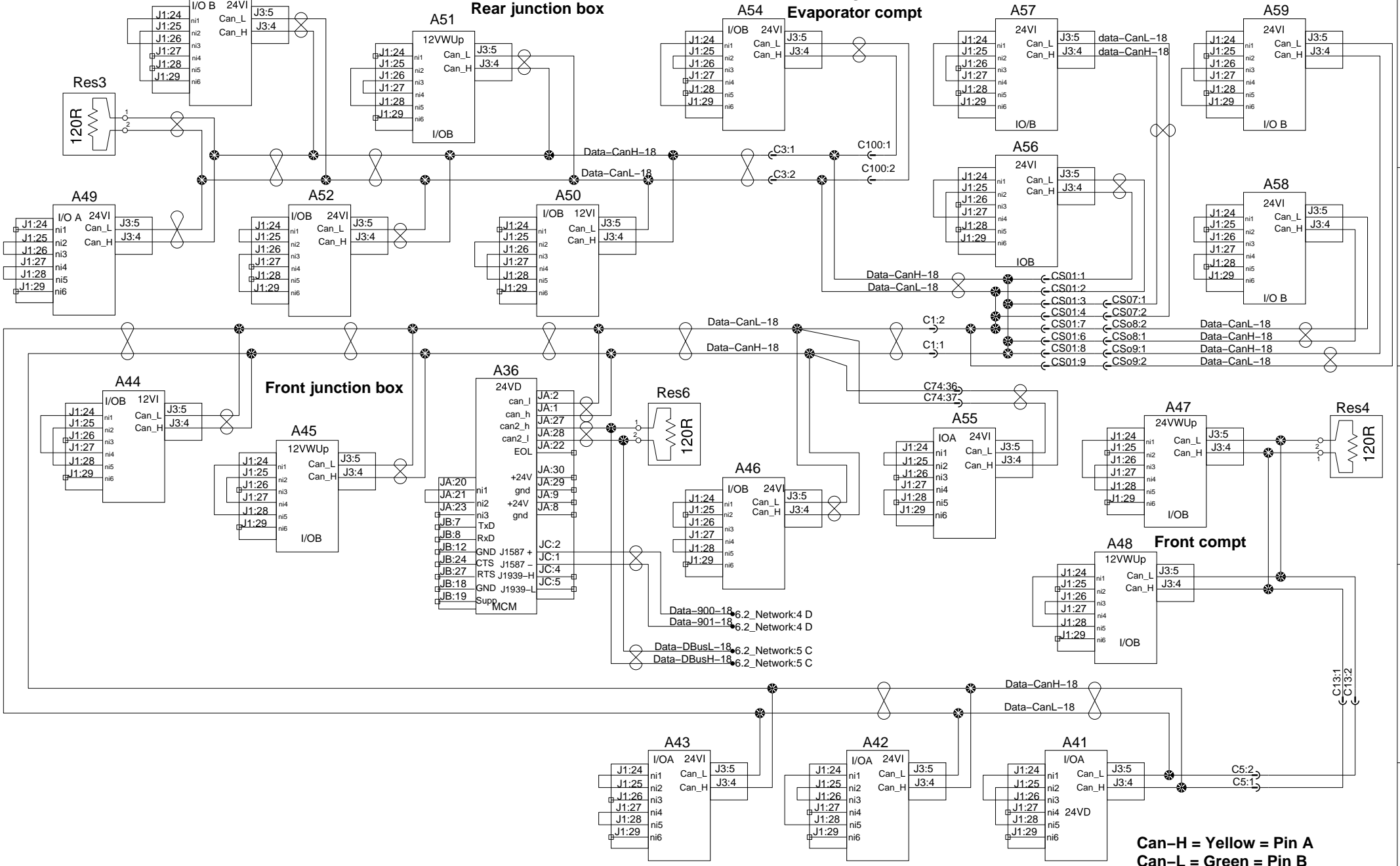


Multiplex Can, J1587 Network and Addressing

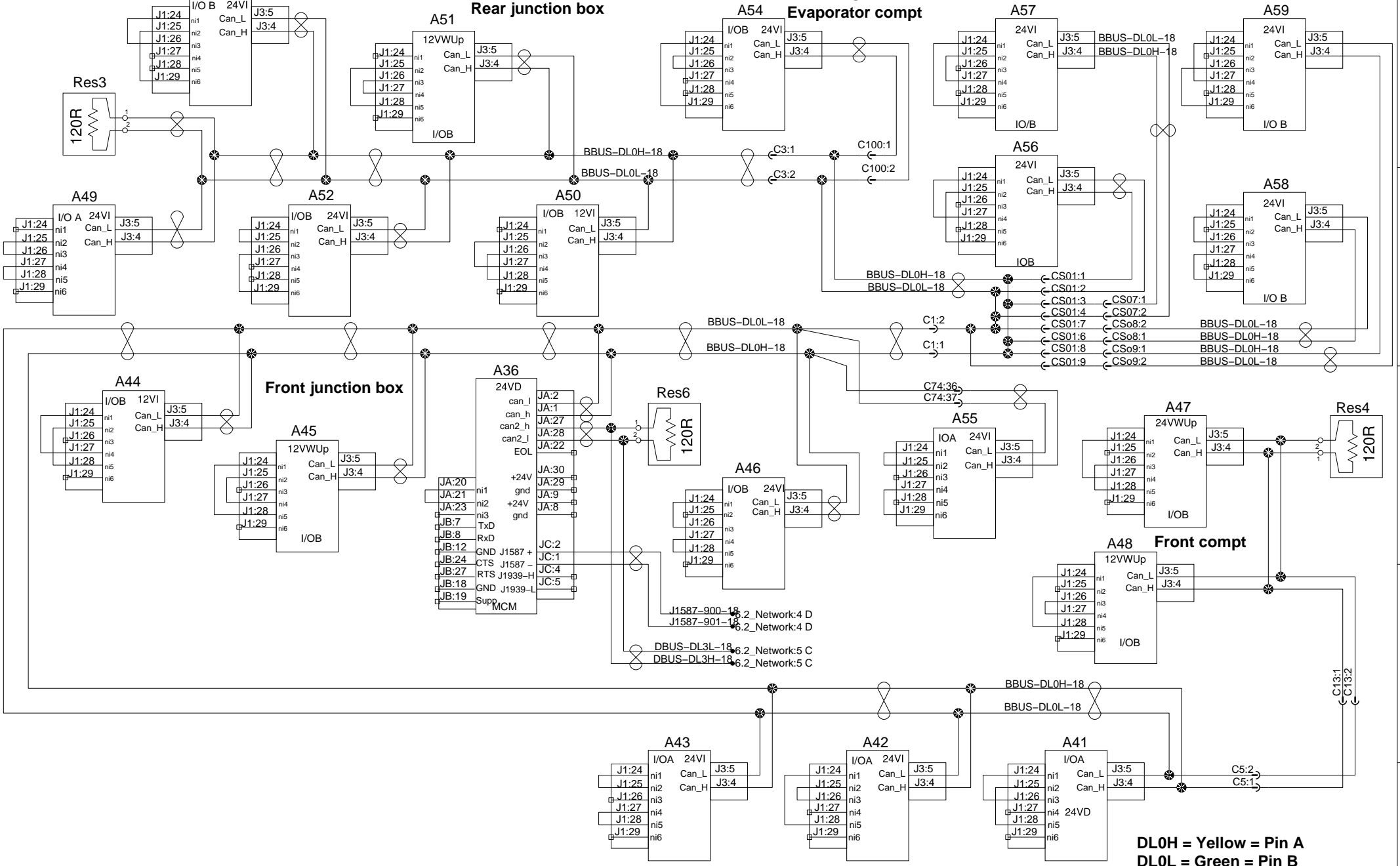


Can-H = Yellow = Pin A
 Can-L = Green = Pin B

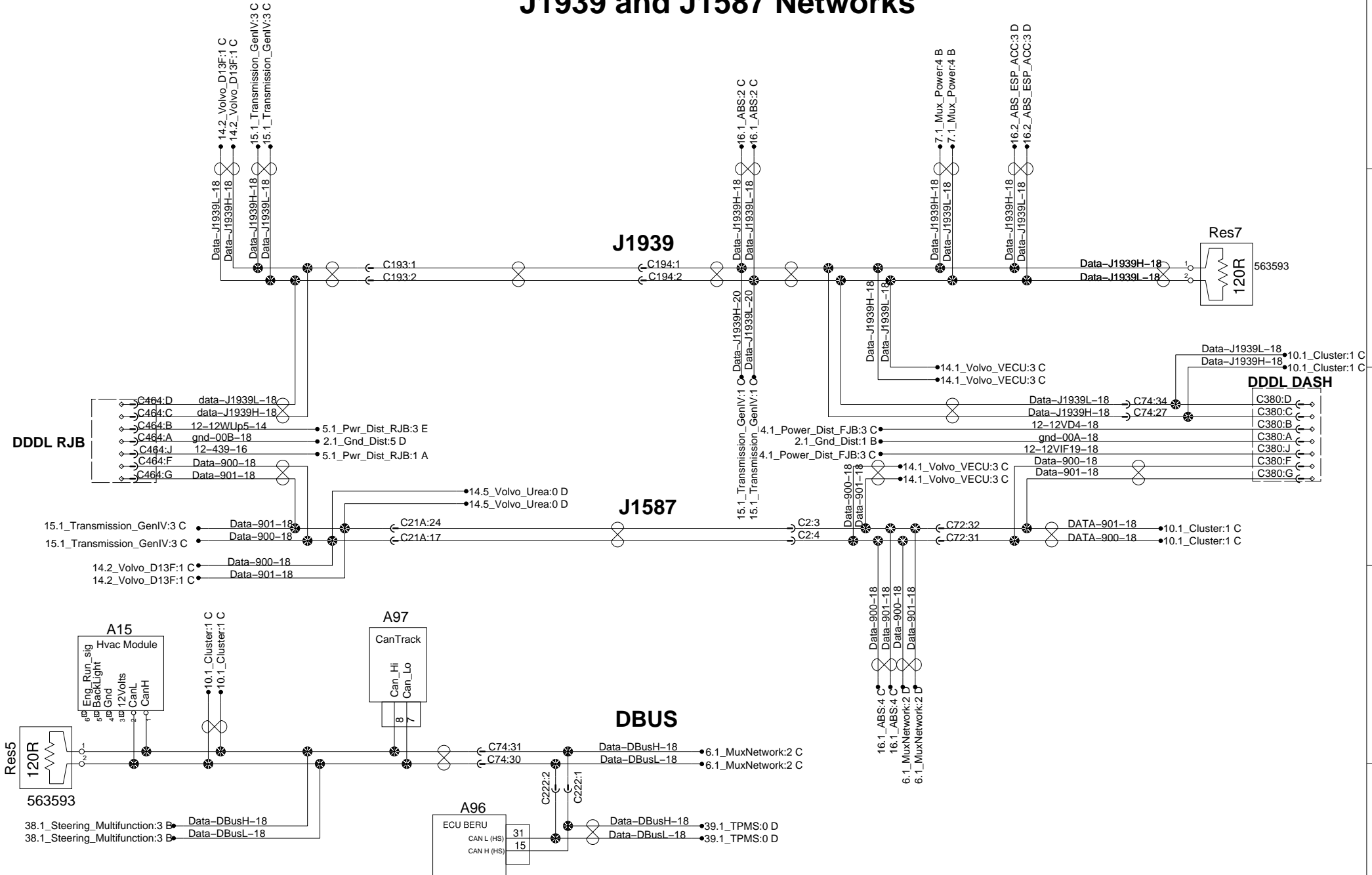
Multiplex Can, J1587 Network and Addressing

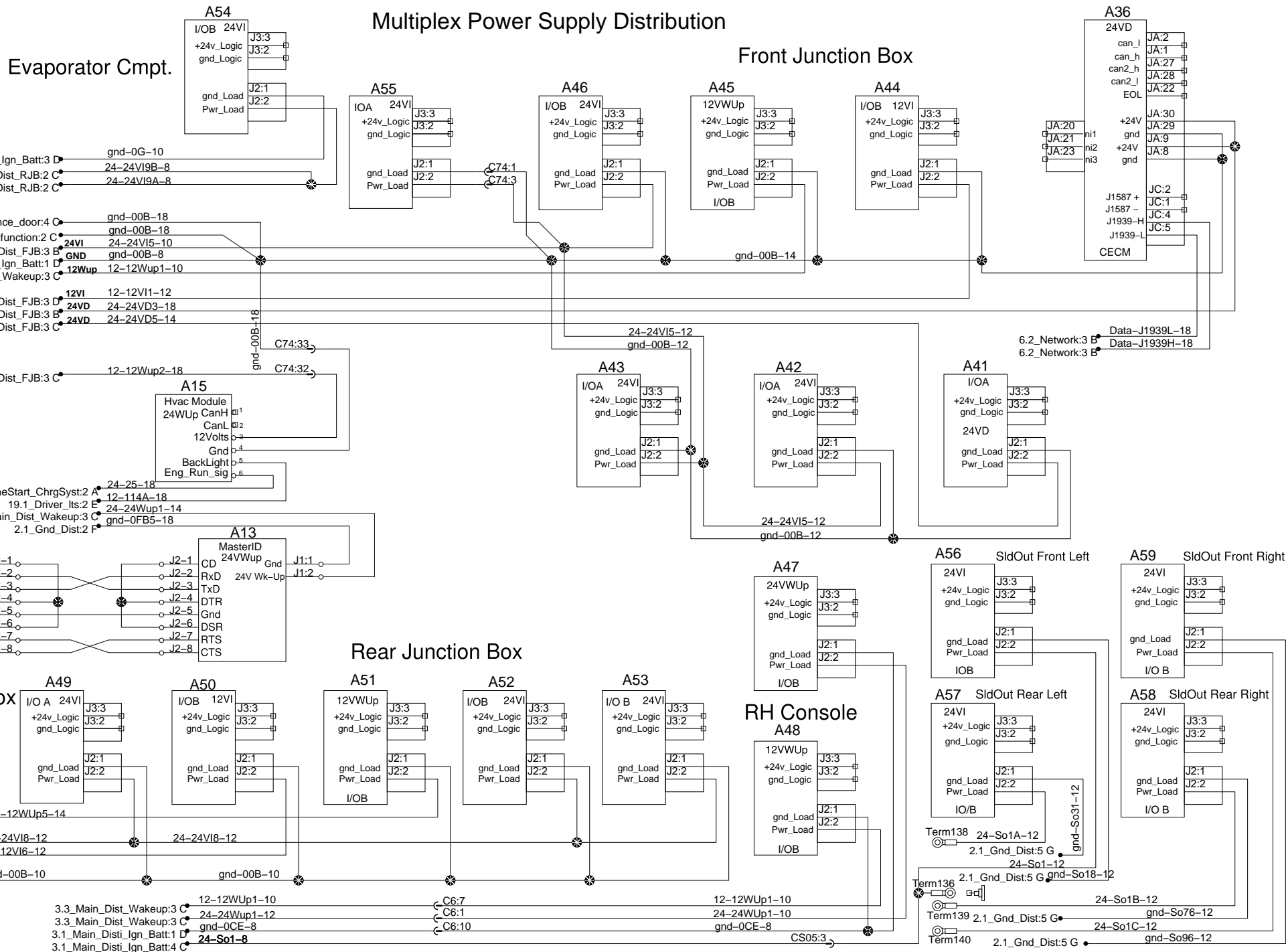


Multiplex Can, J1587 Network and Addressing



J1939 and J1587 Networks





Multiplex Power Supply Distribution

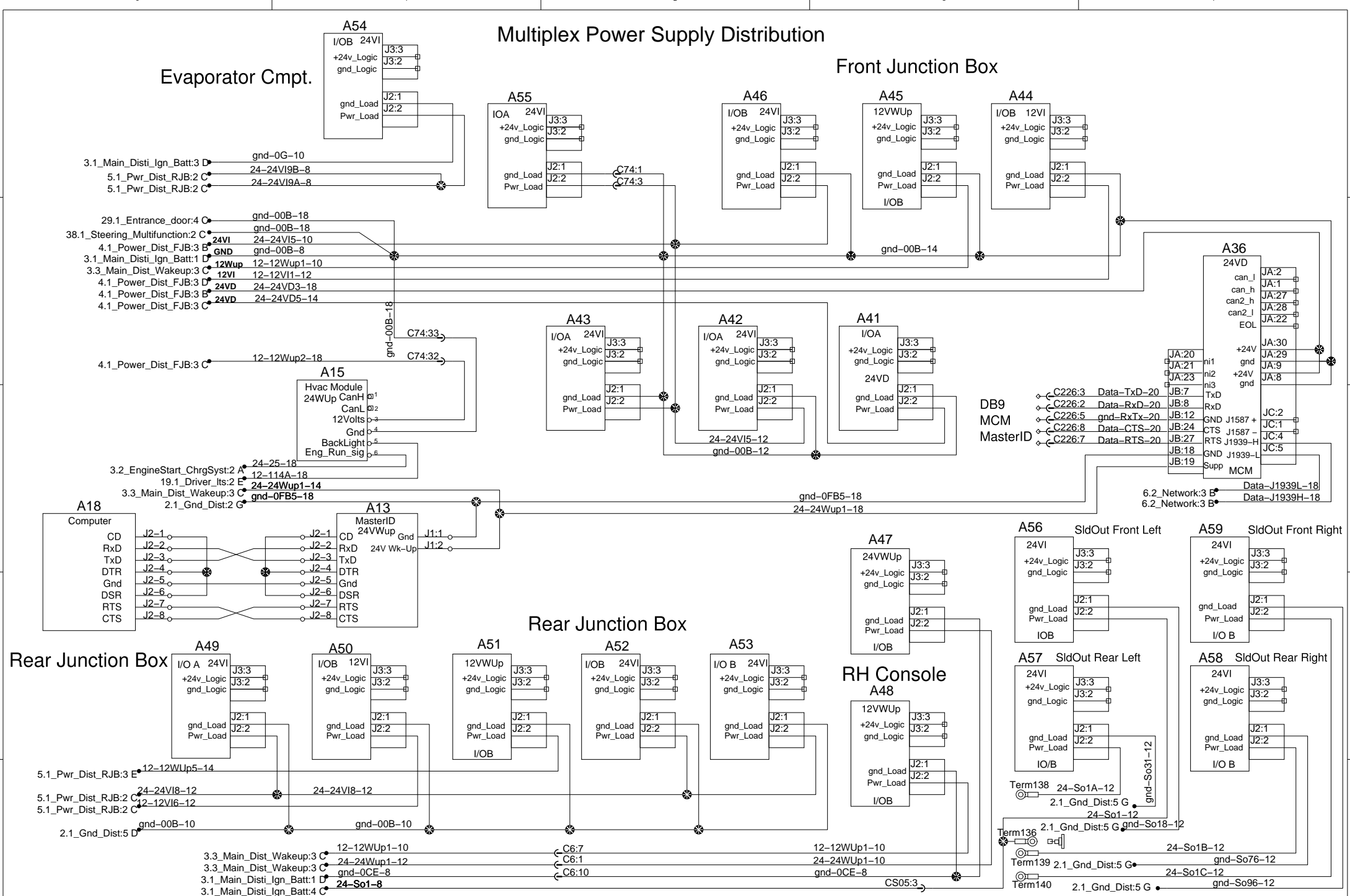
Evaporator Cmpt.

Front Junction Box

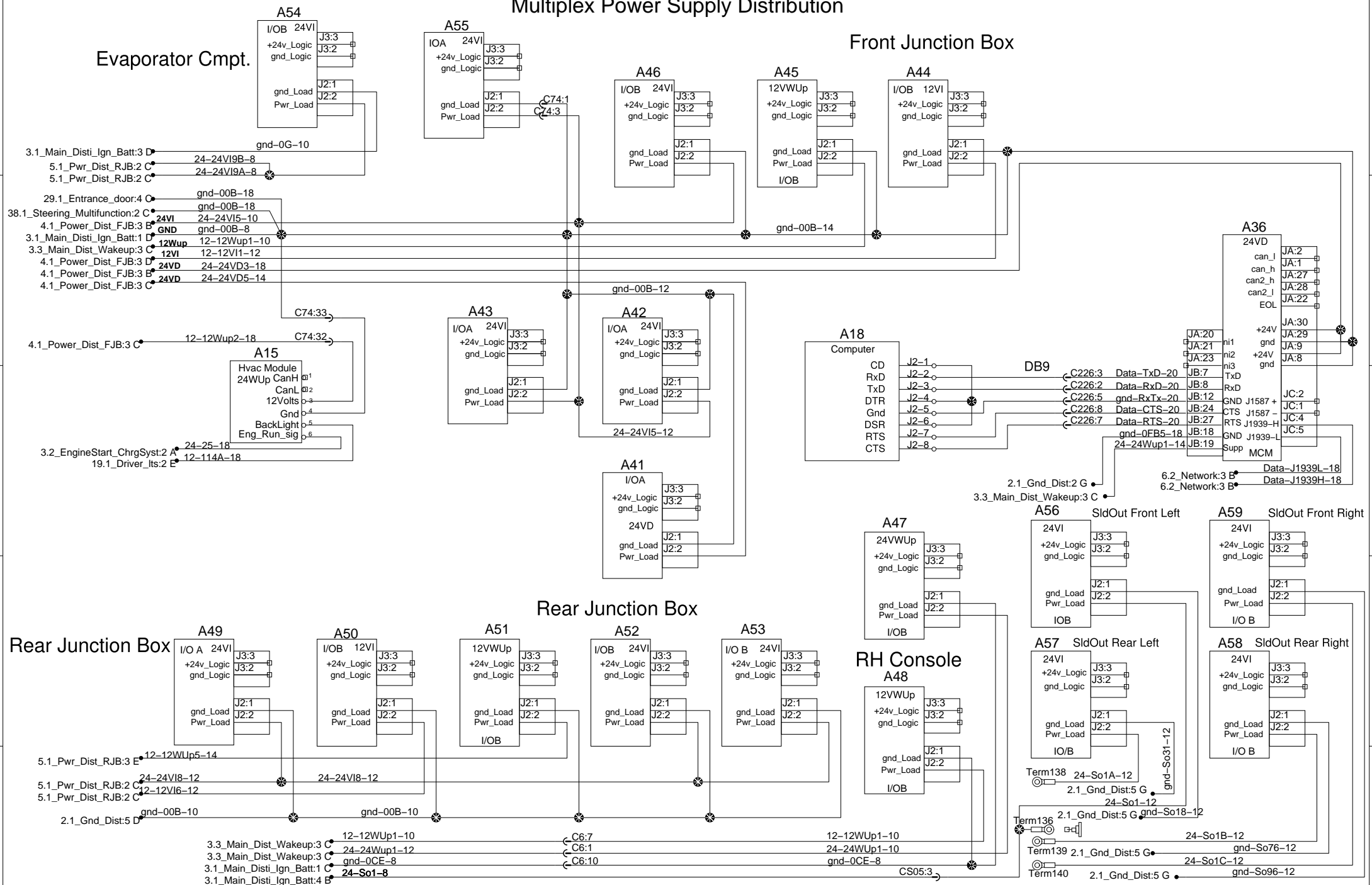
Rear Junction Box

RH Console

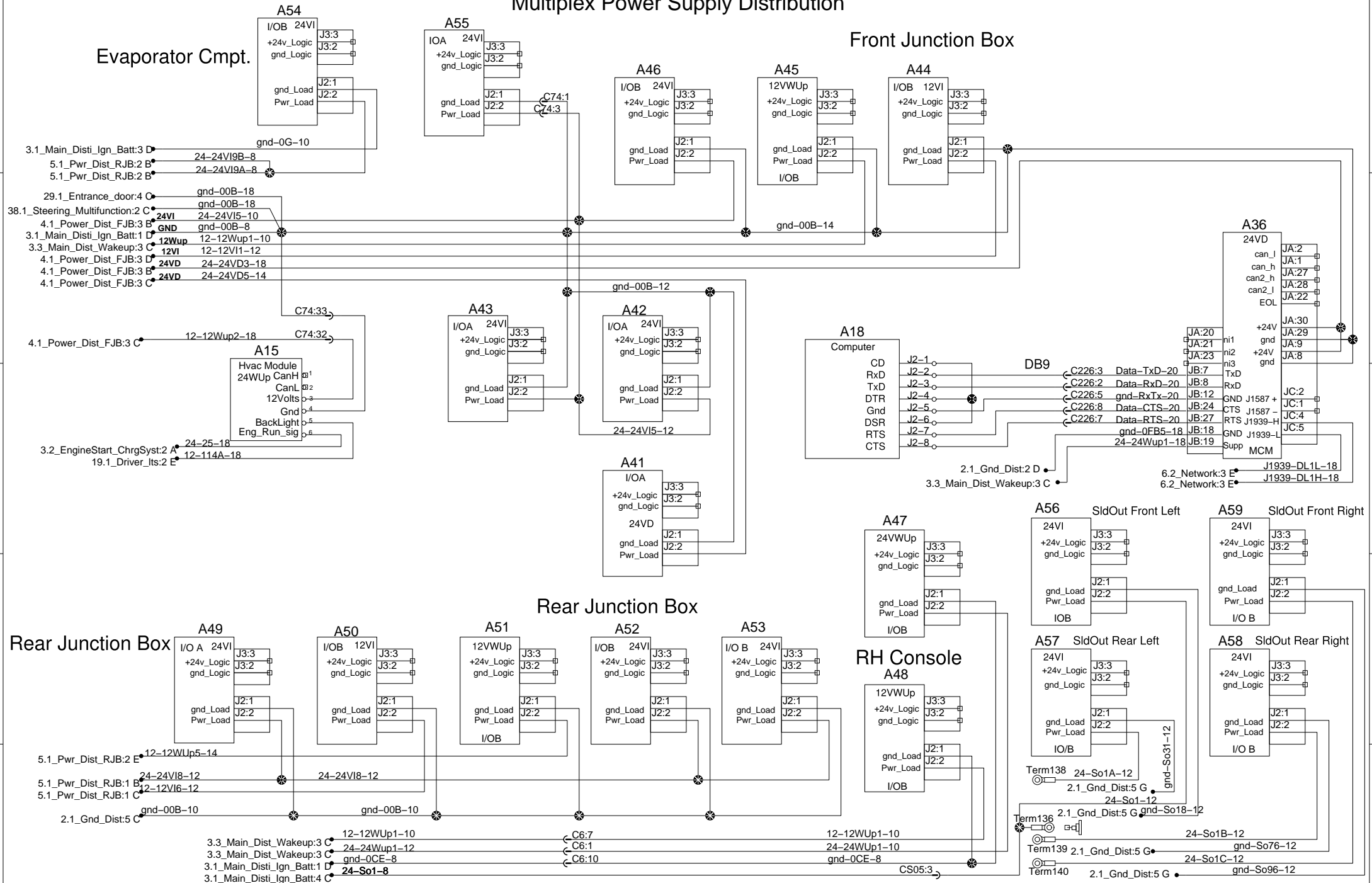
Rear Junction Box



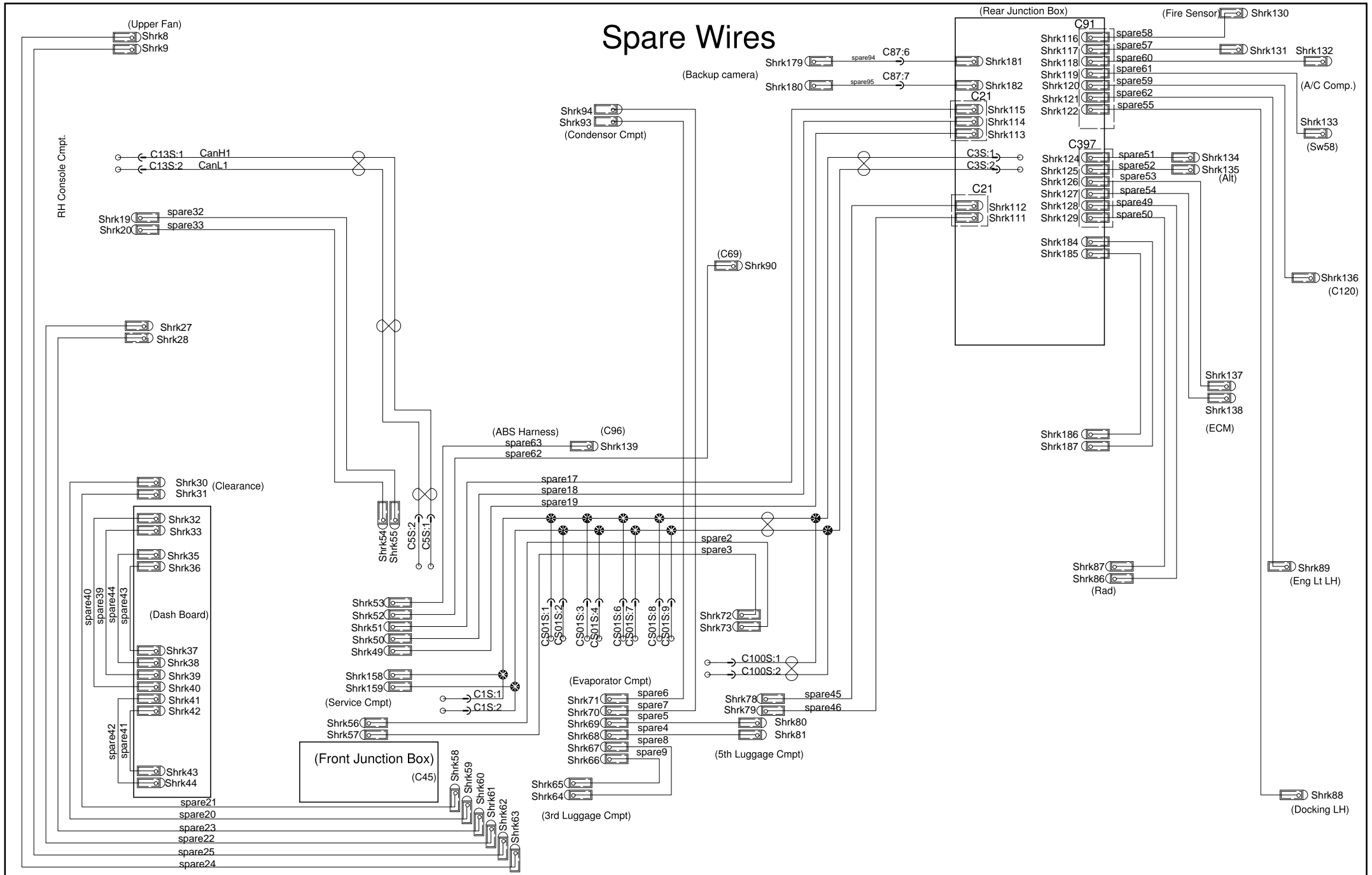
Multiplex Power Supply Distribution



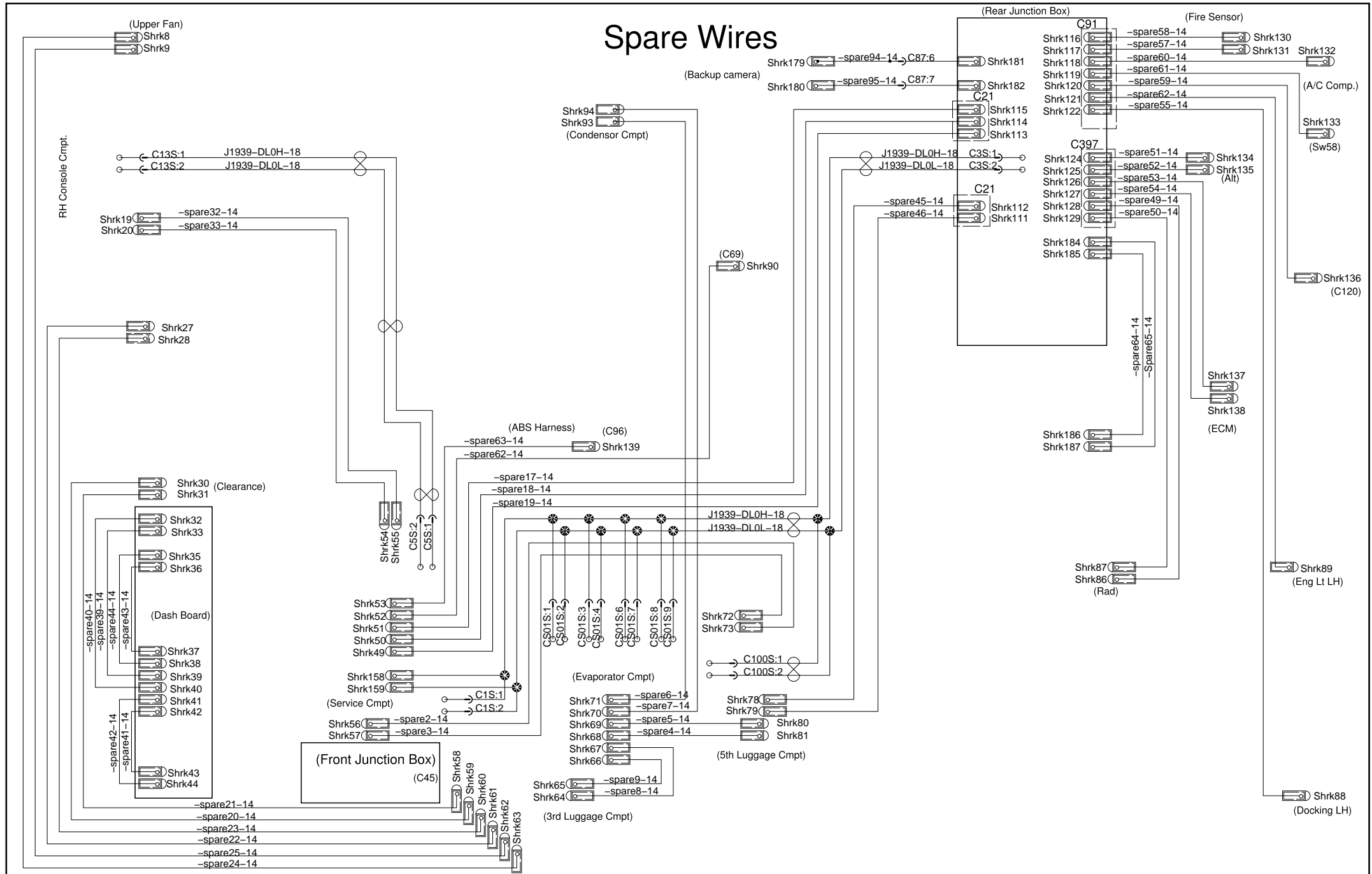
Multiplex Power Supply Distribution



Spare Wires



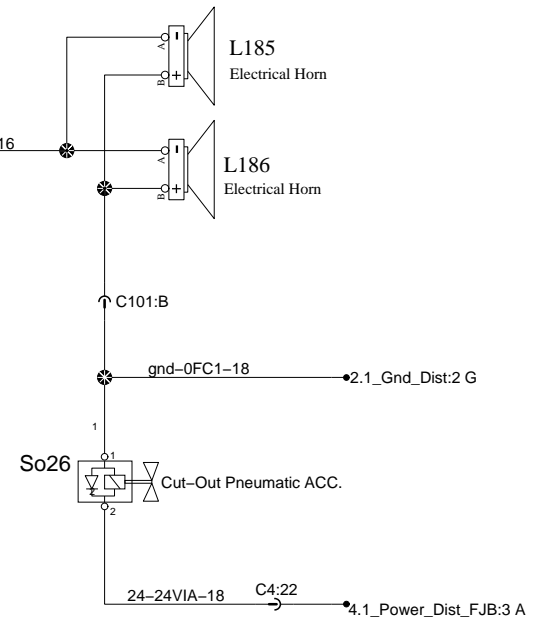
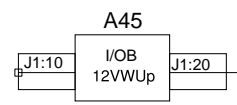
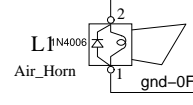
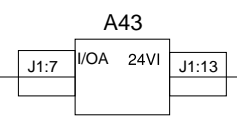
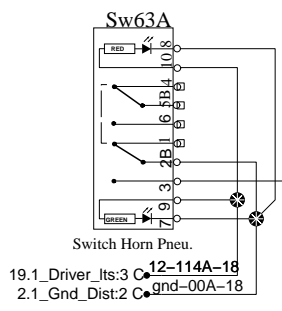
Spare Wires



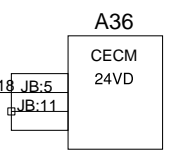
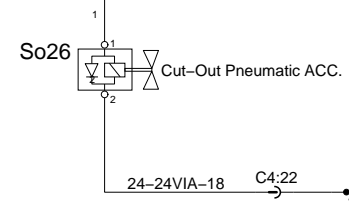
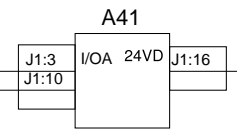
A

A

Horns, Fire Alarm



Horns



B

B

C

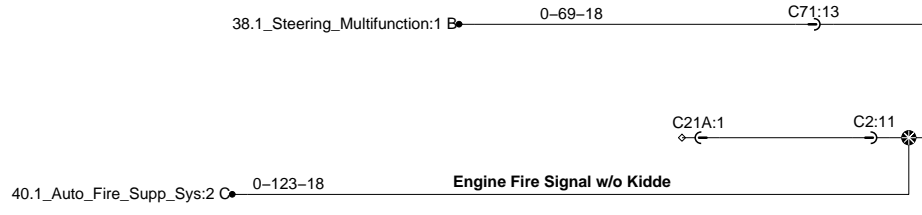
C

D

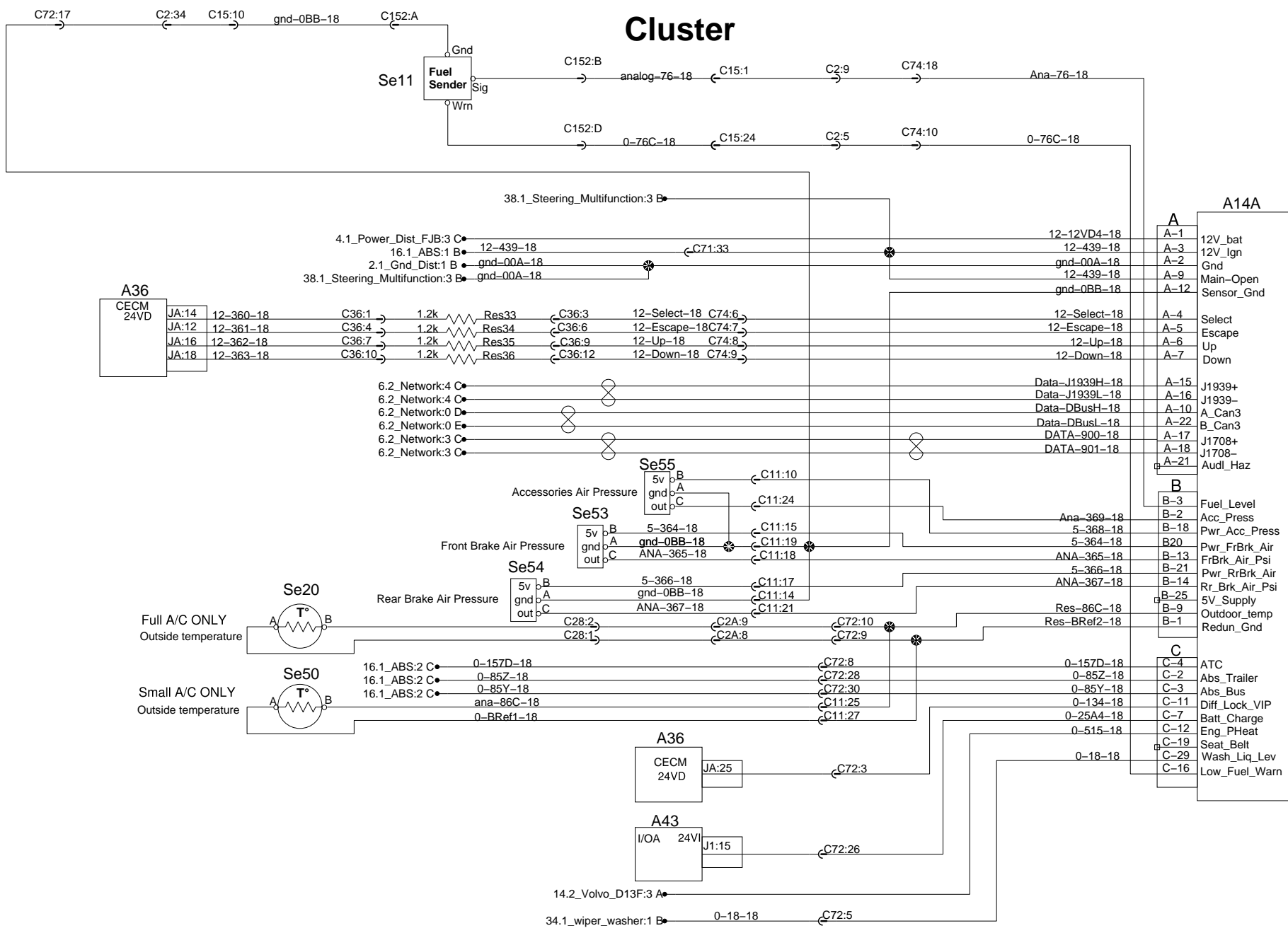
D

E

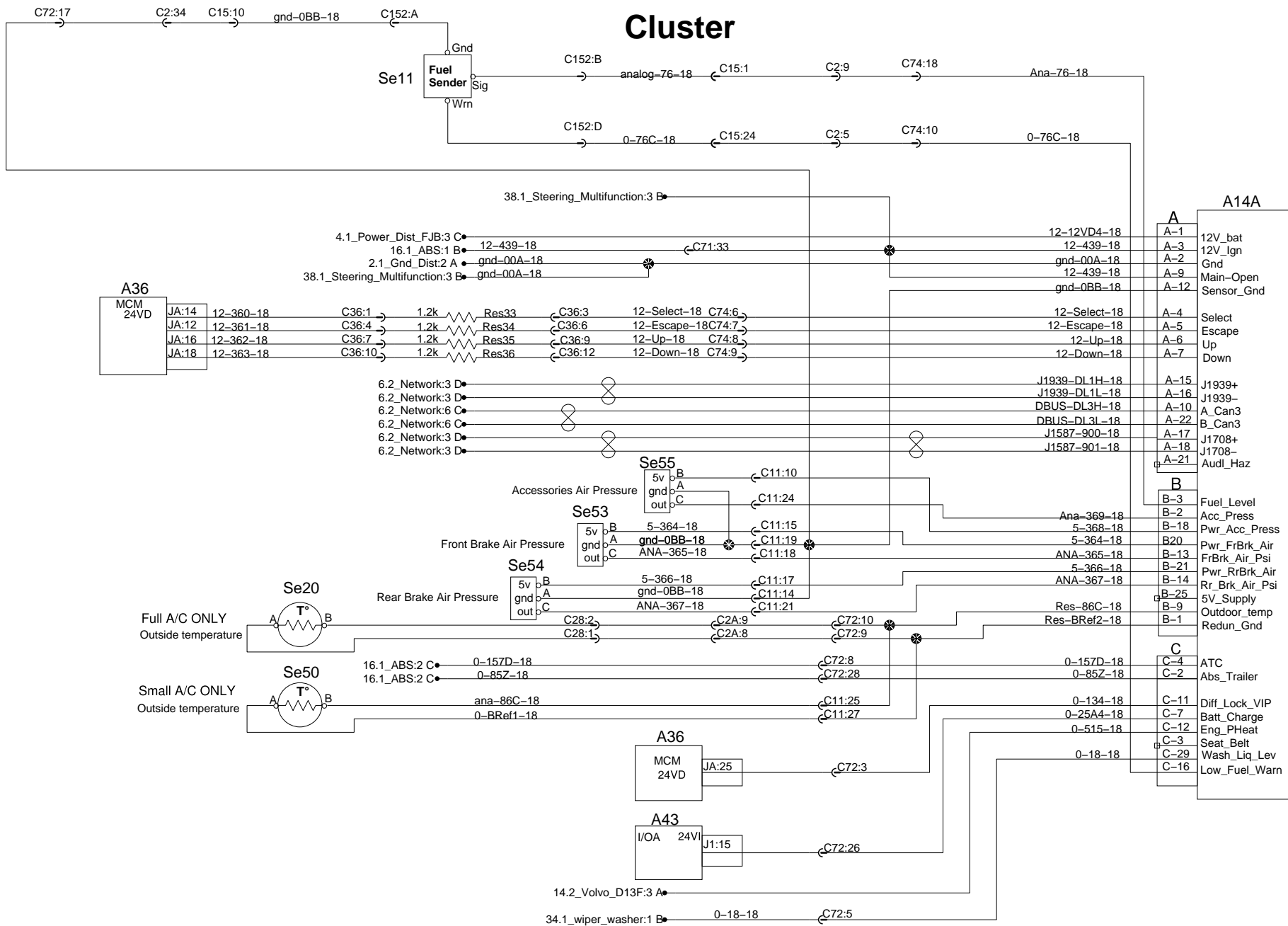
E



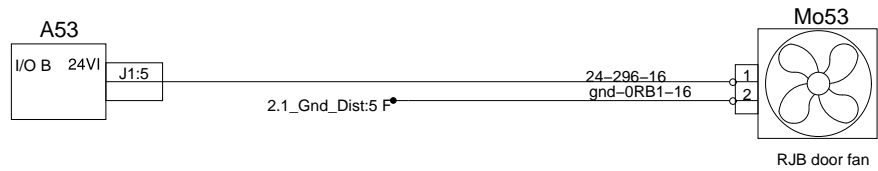
Cluster



Cluster



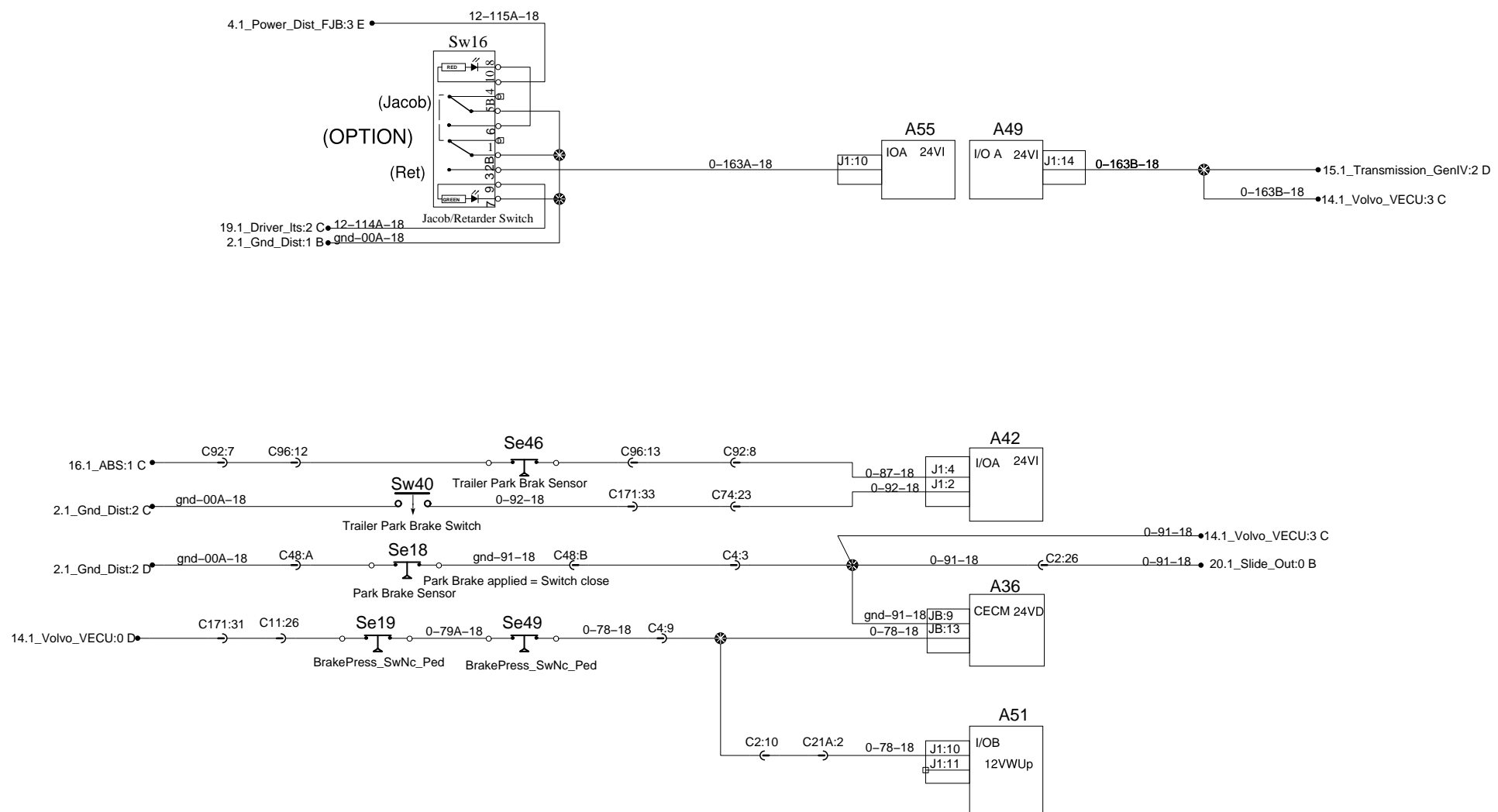
Rear Junction Box Door Fan



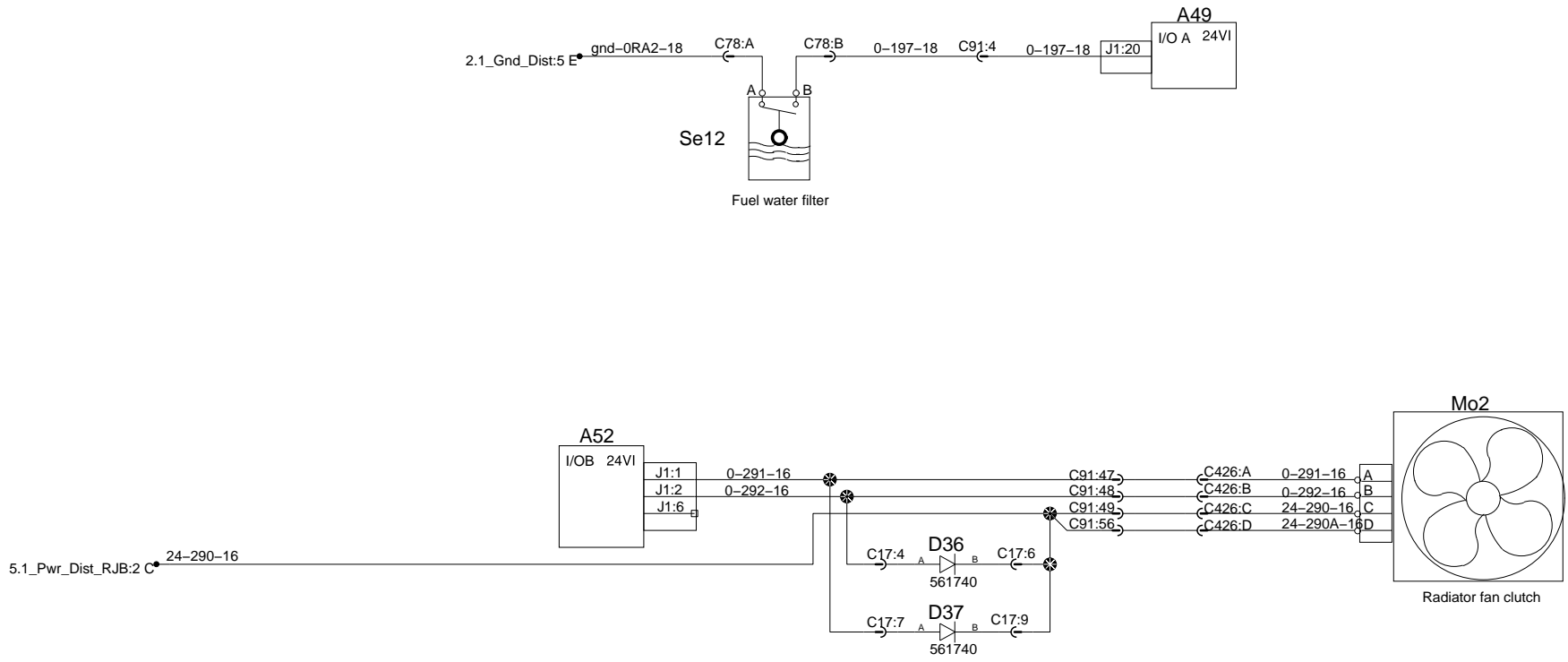
ENGINE BLOCK HEATER



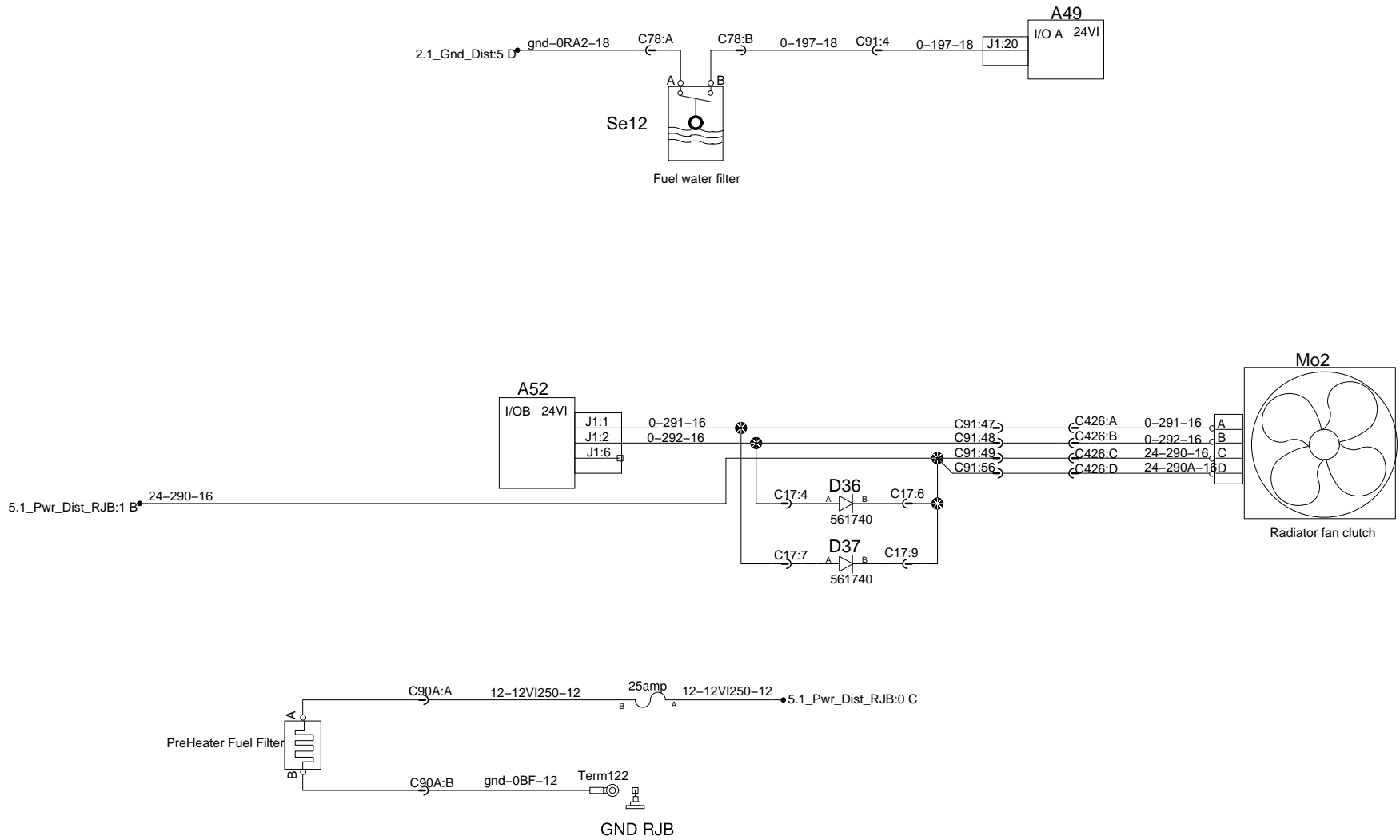
Brake, Engine Brake and Retarder

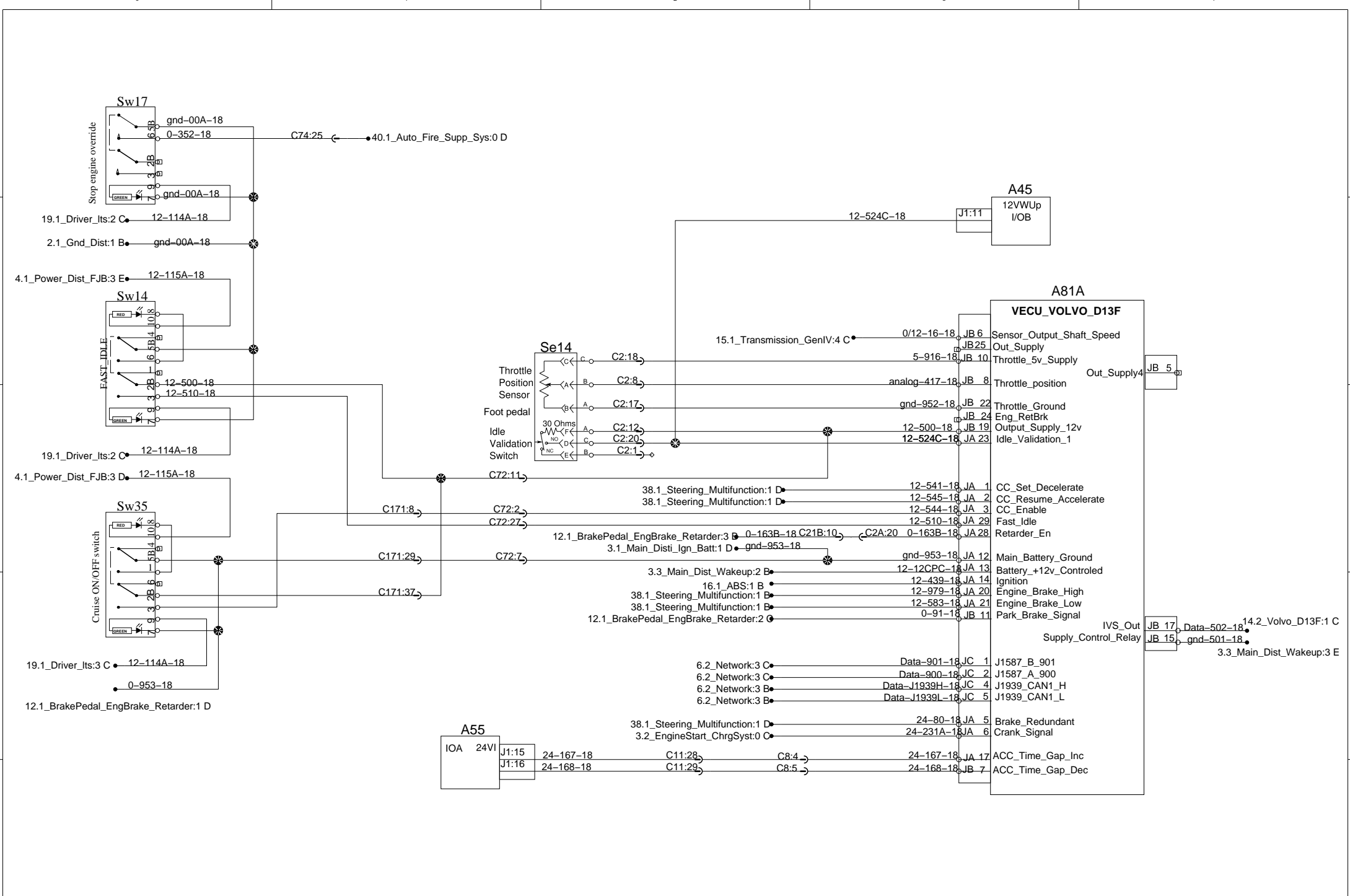


Water Filter and Fan Clutch

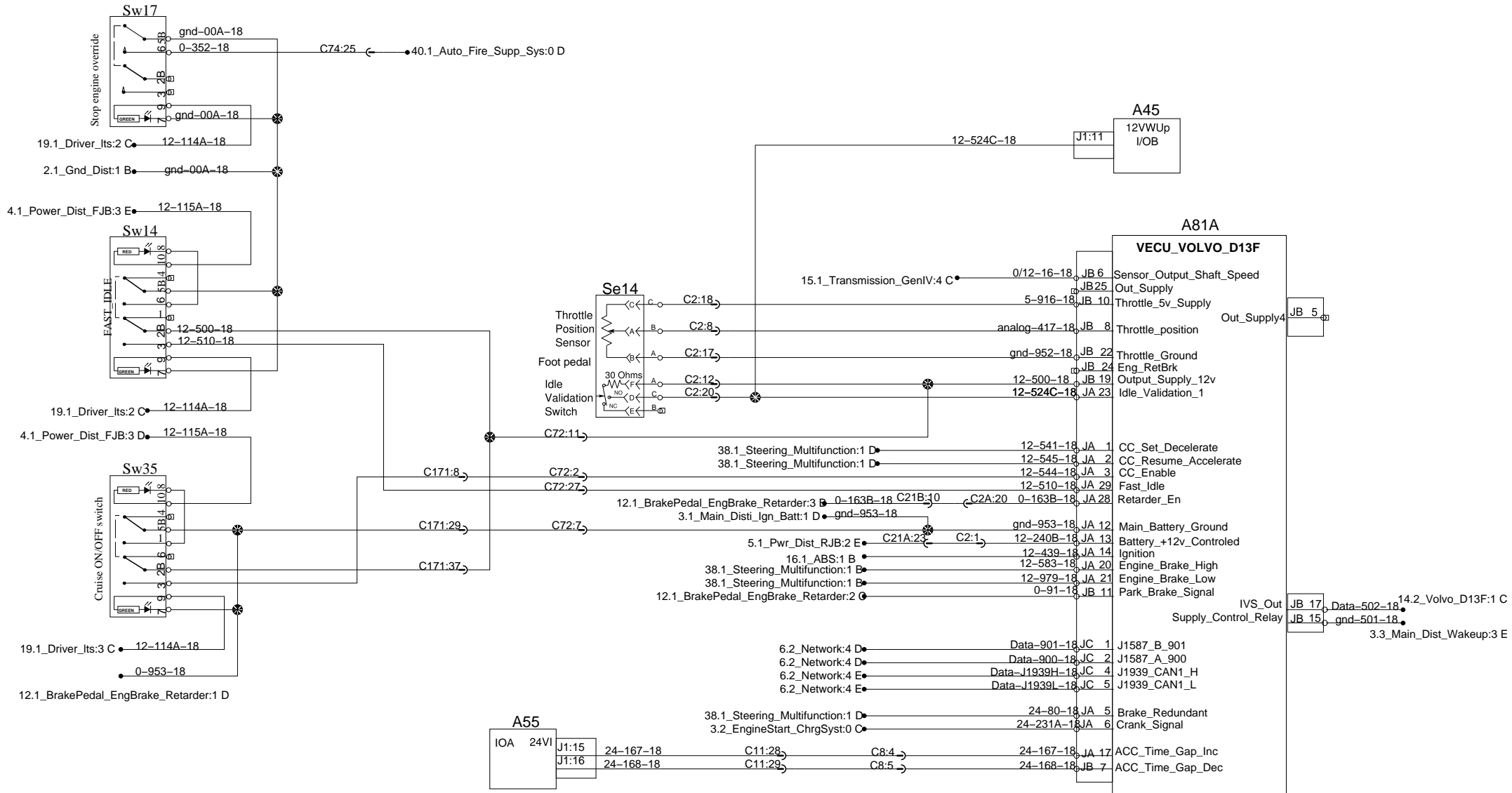


Water Filter and Fan Clutch

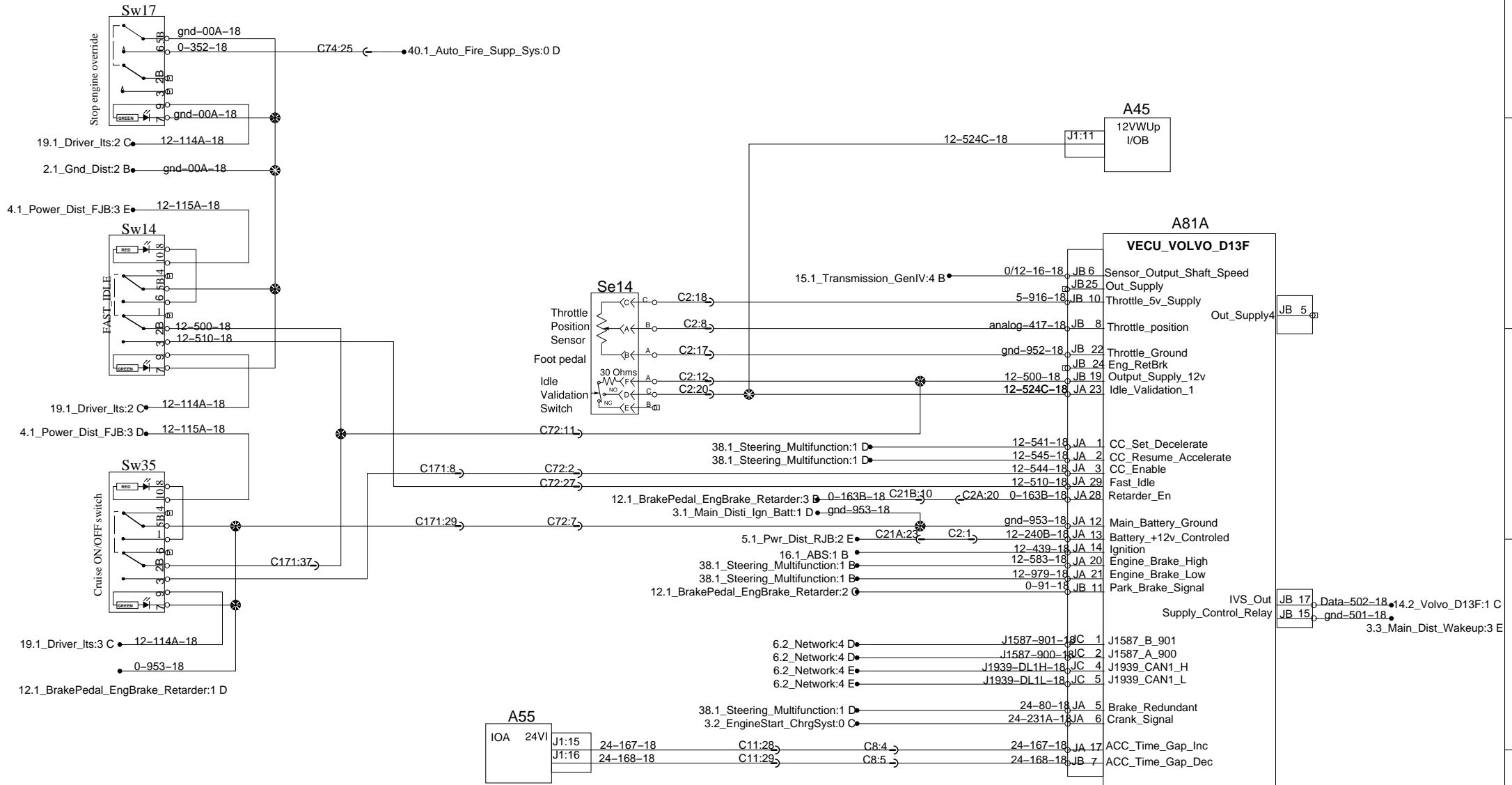


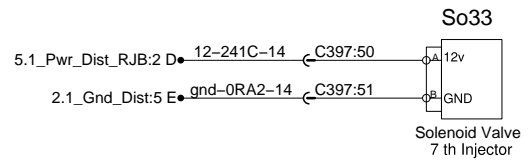
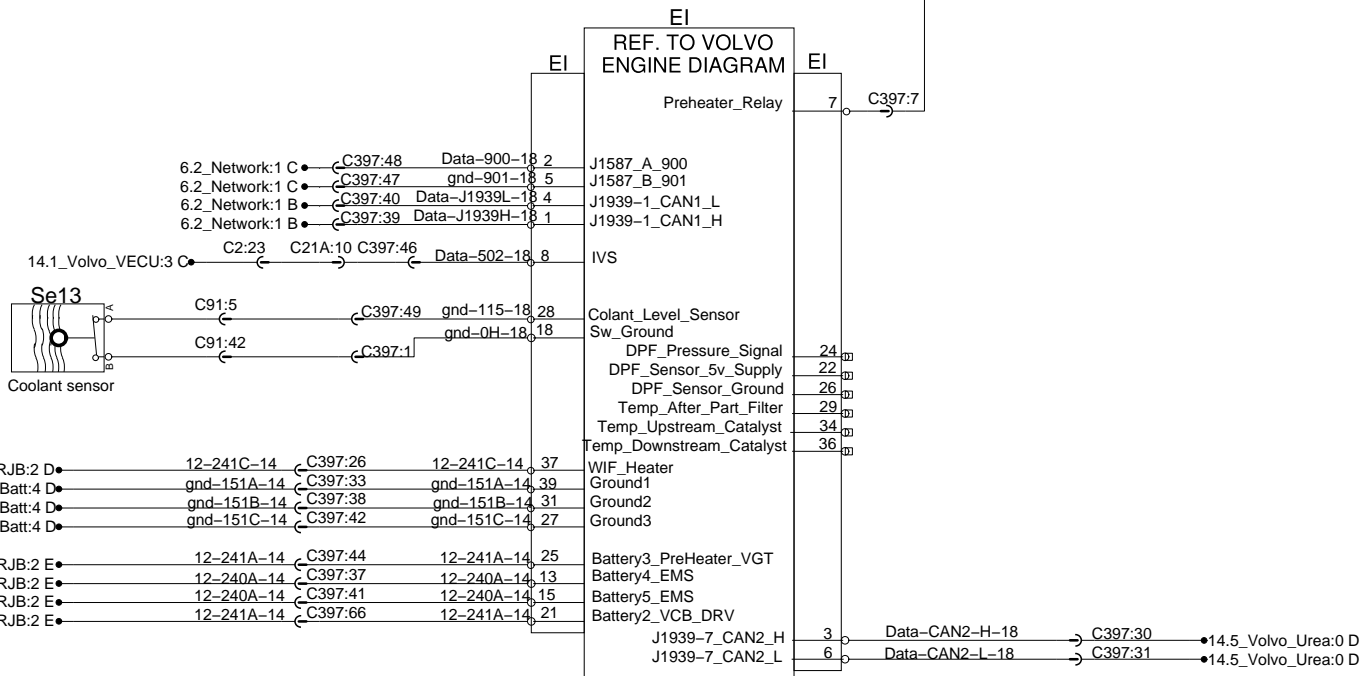
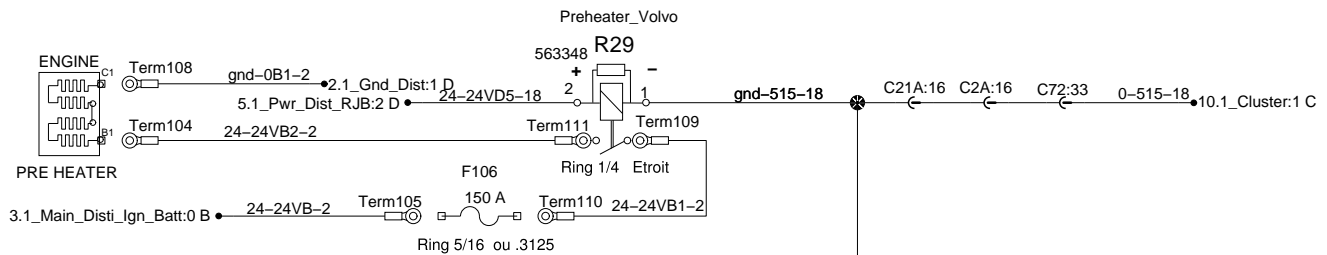


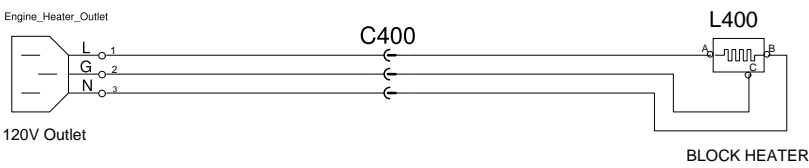
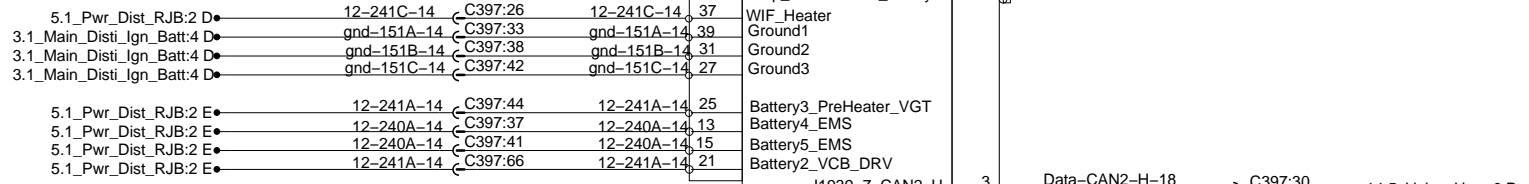
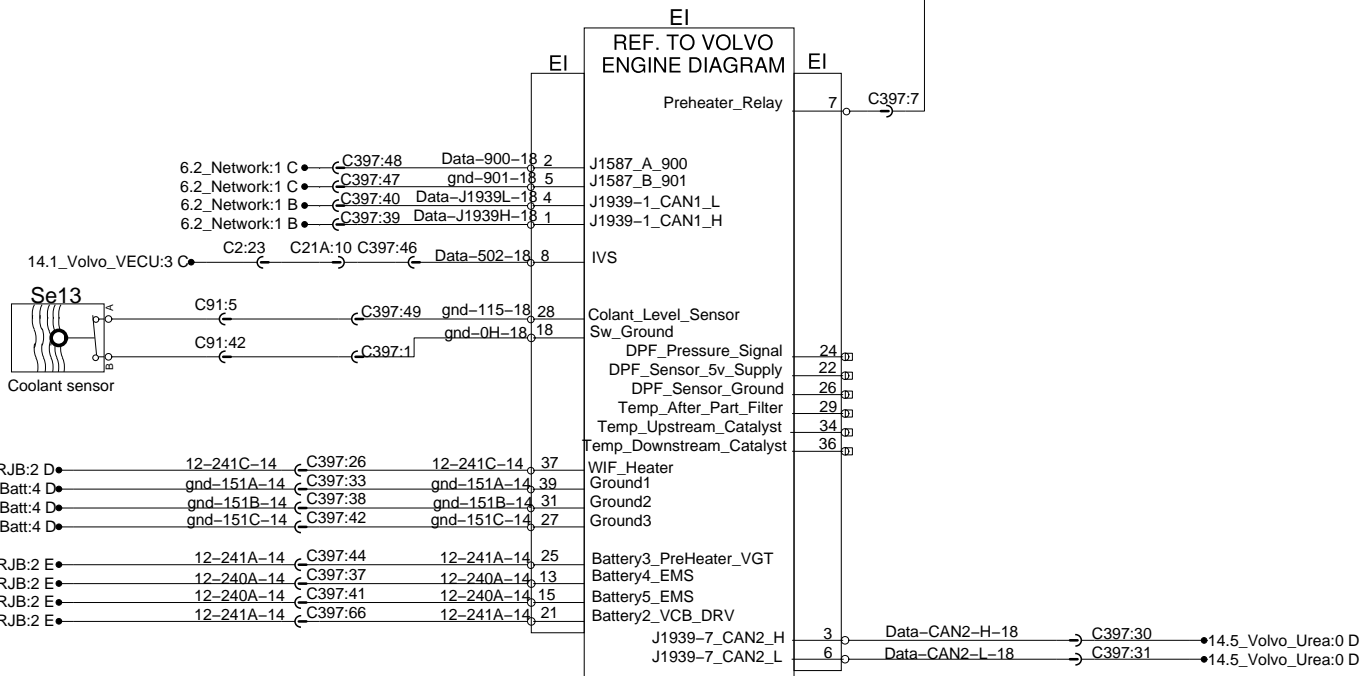
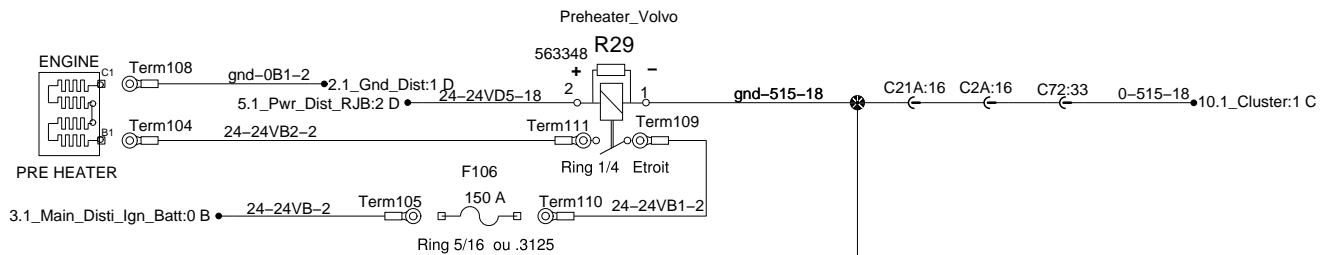
Engine ECU Volvo



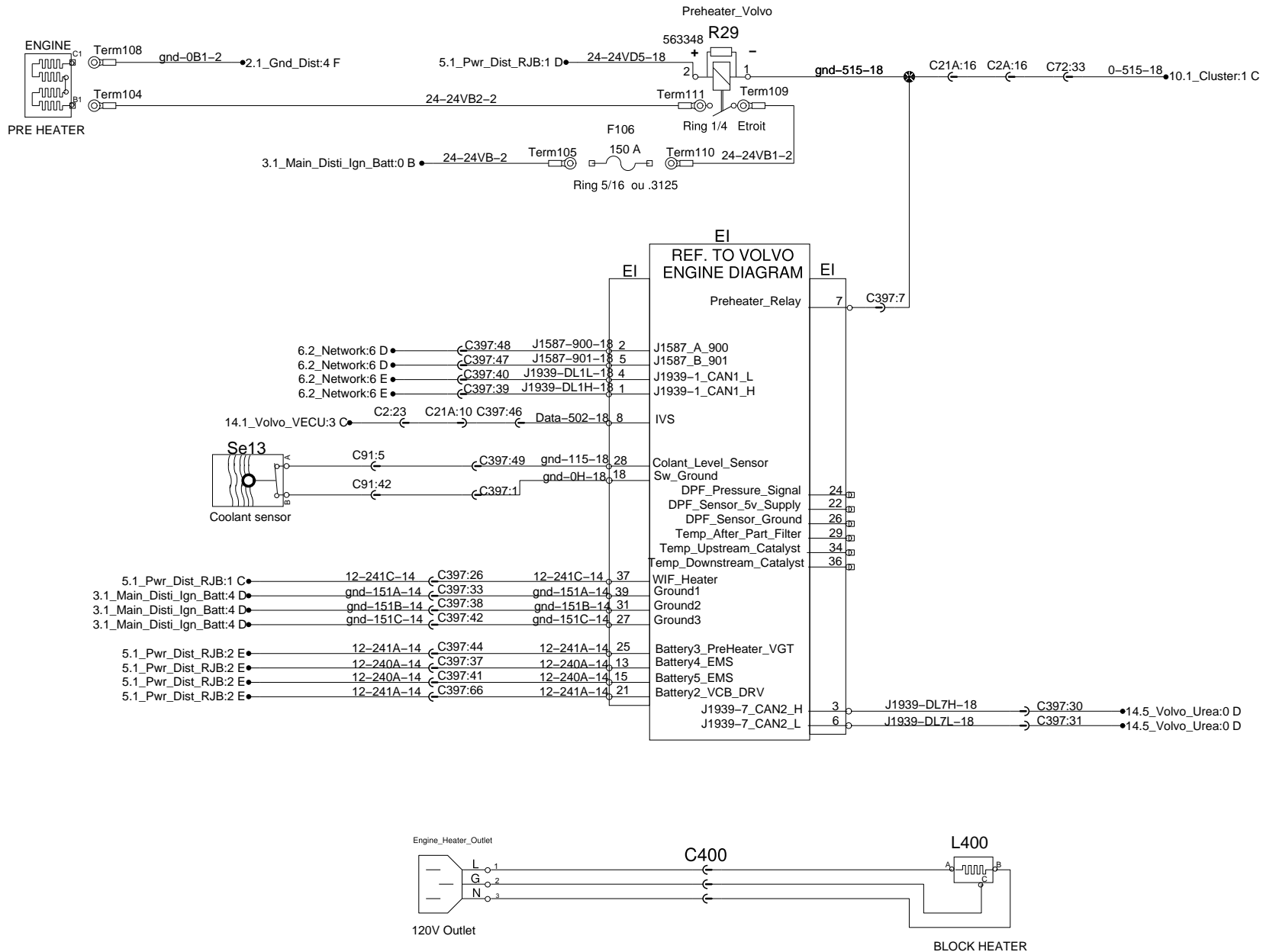
Engine ECU Volvo

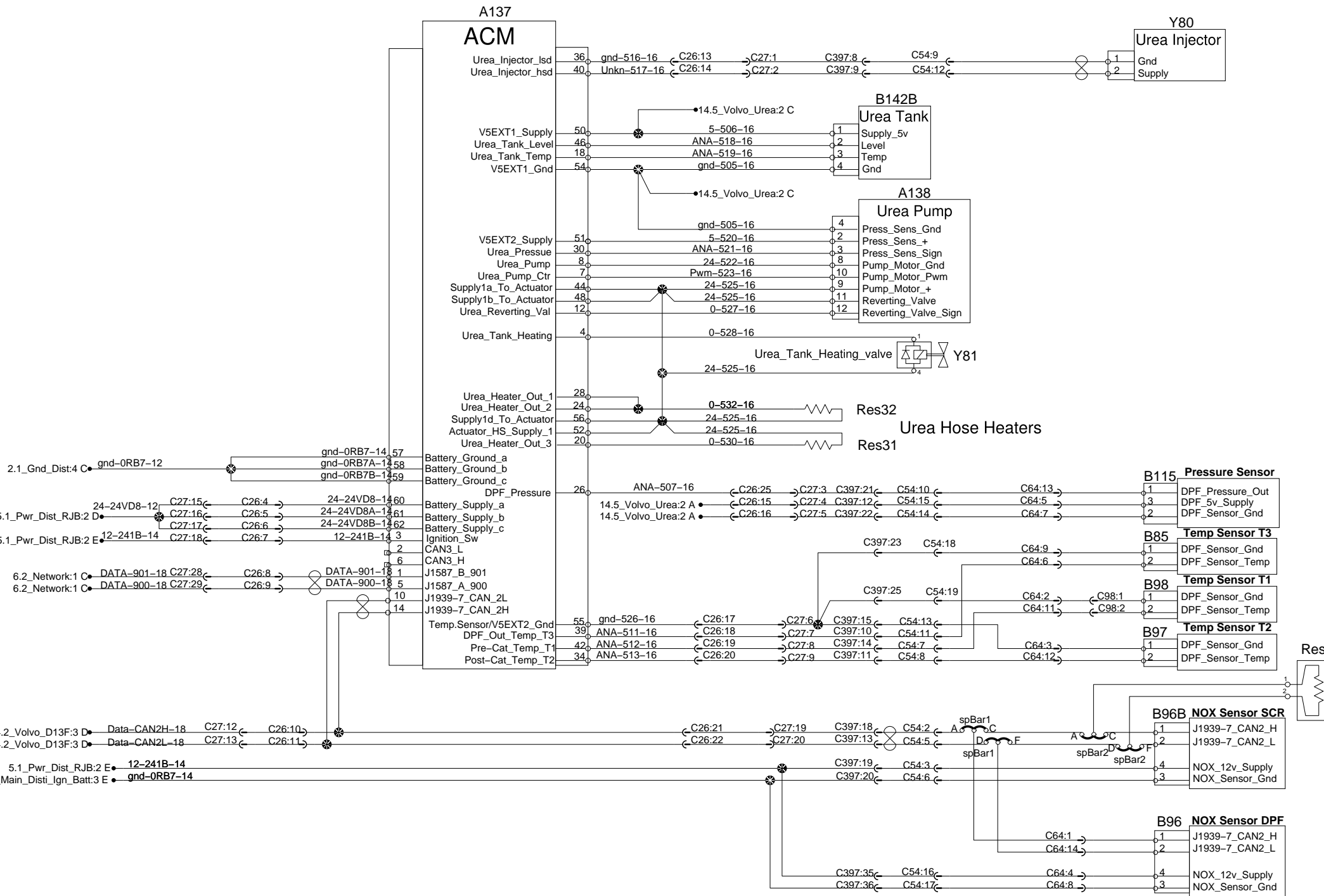


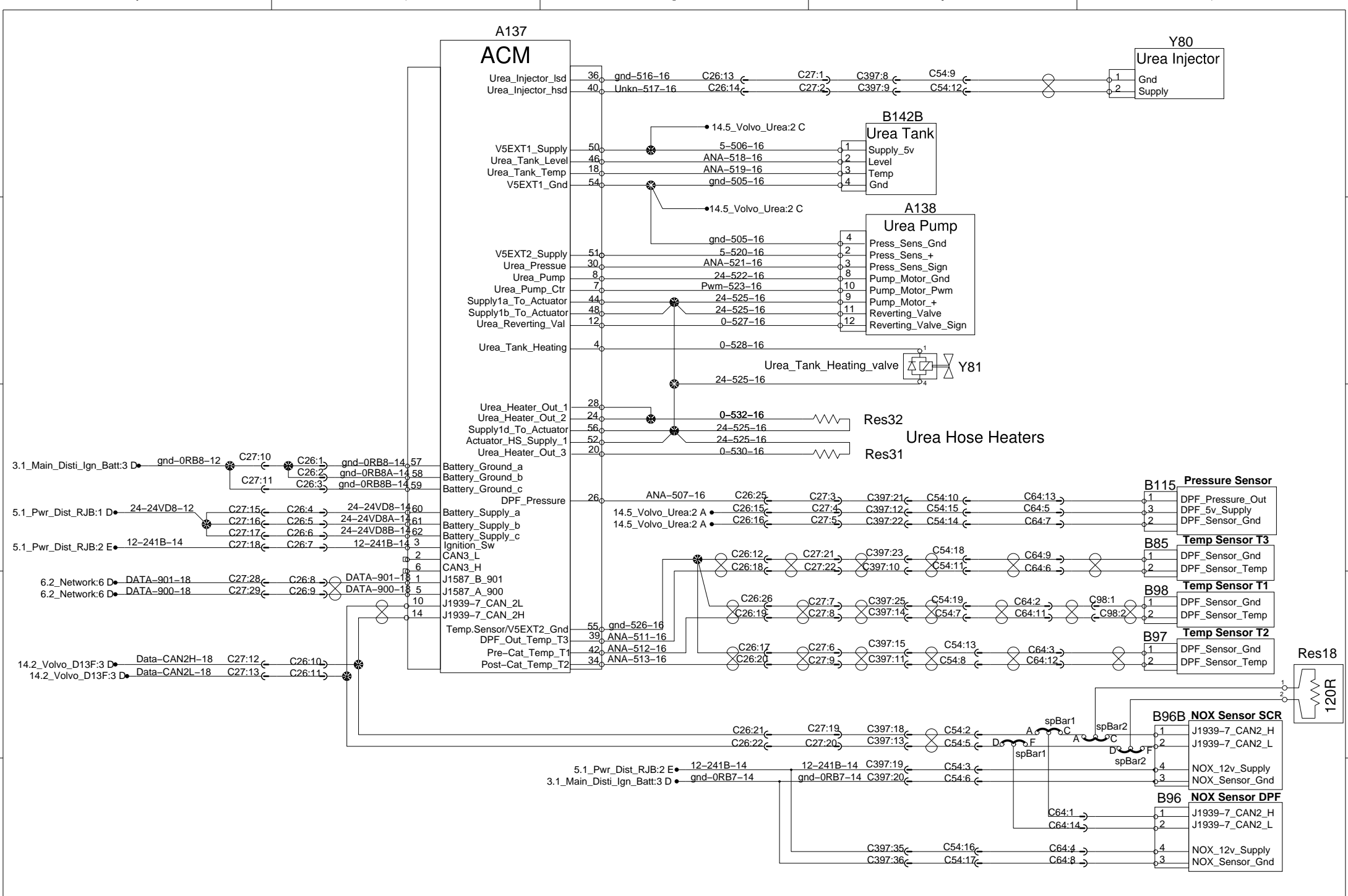


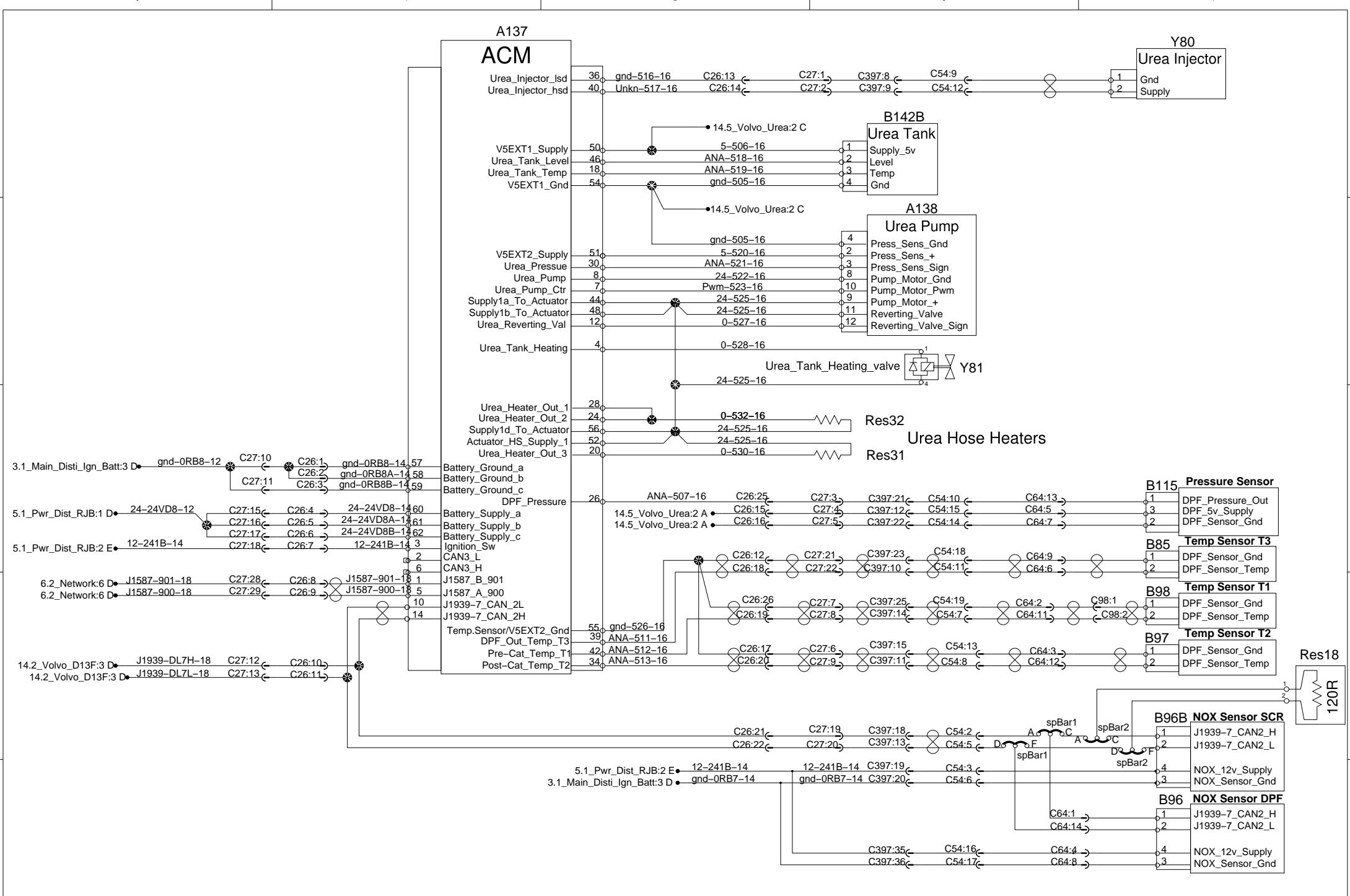


Volvo D13 Engine Ecu

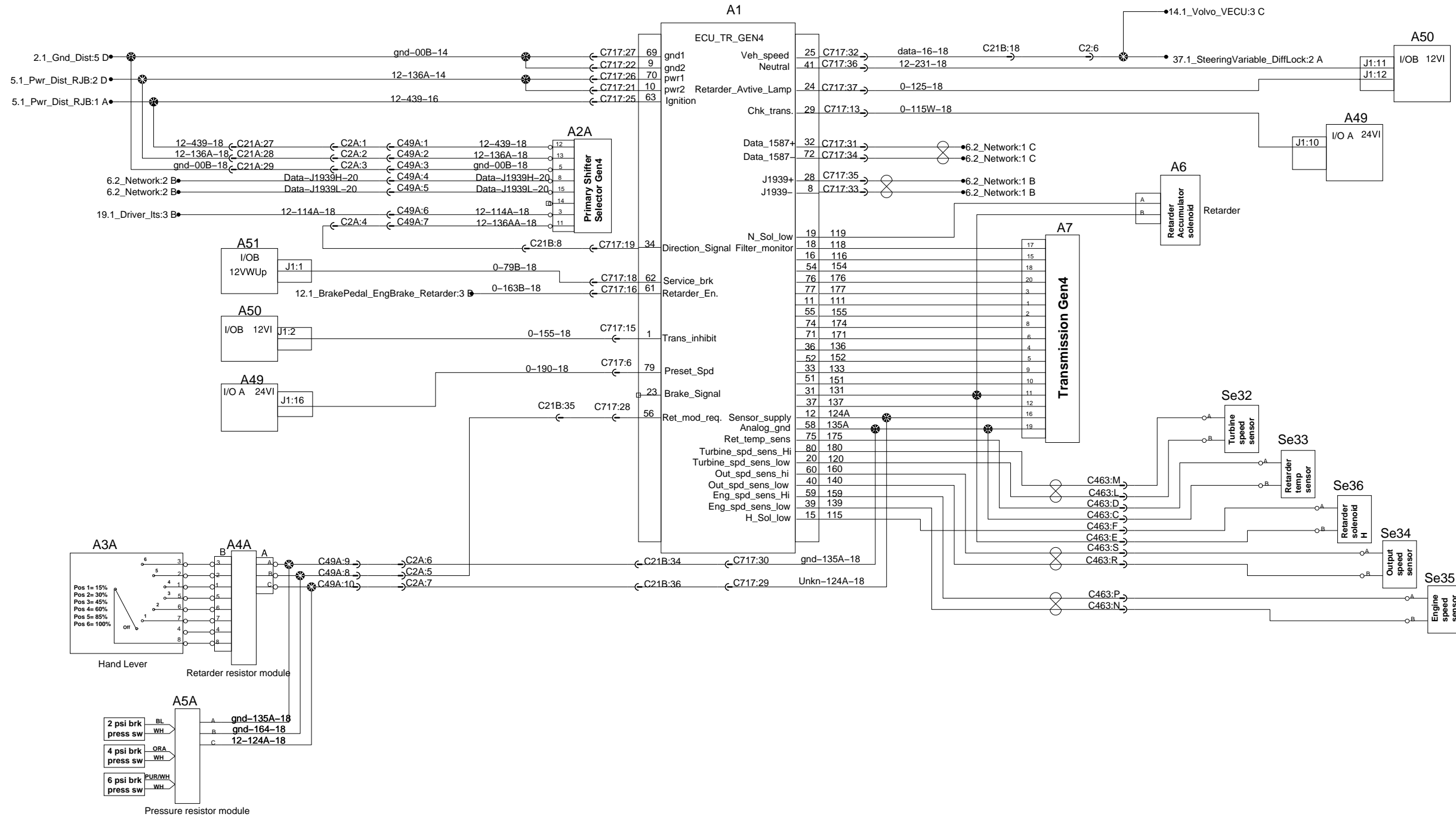




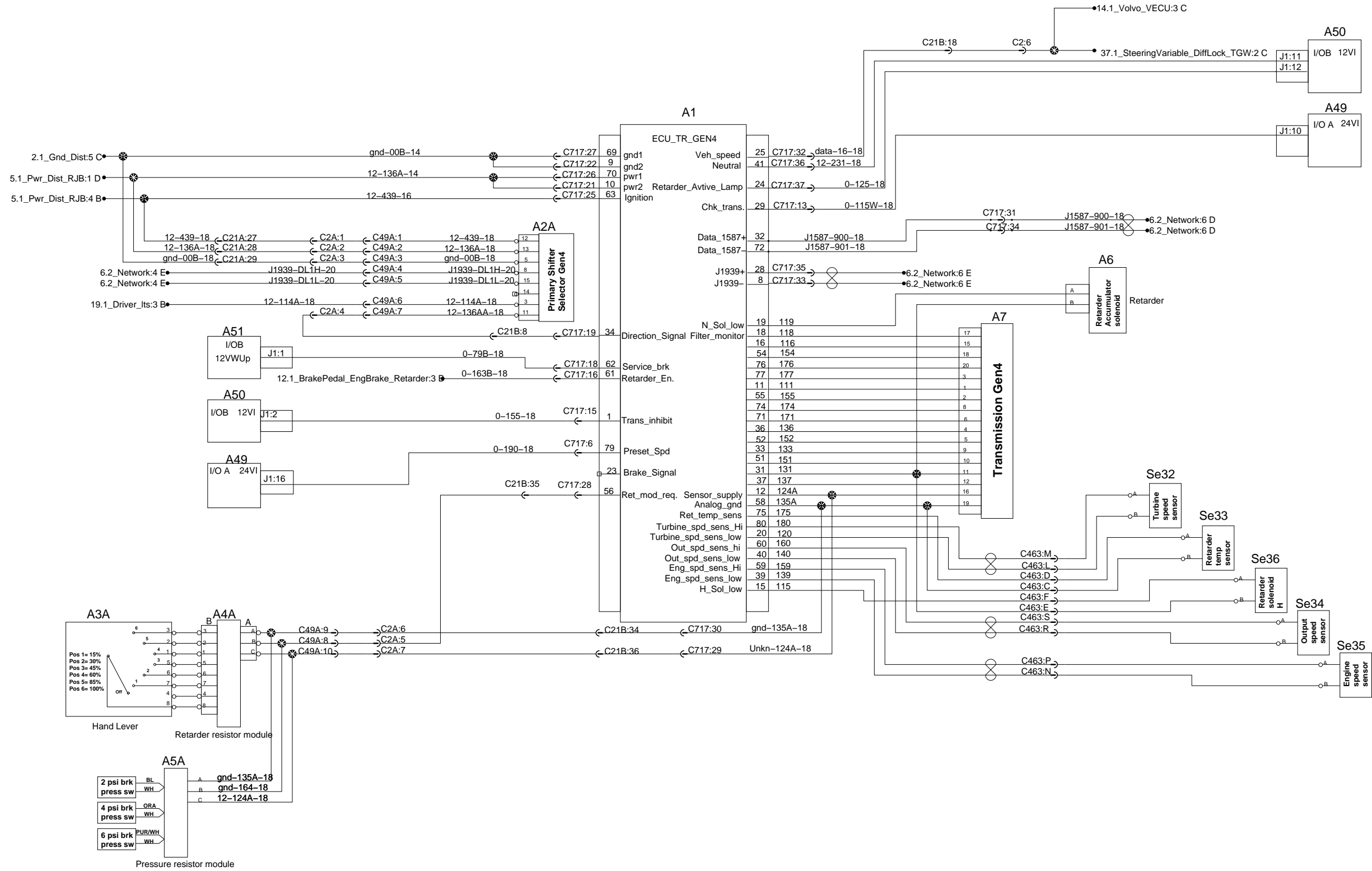




Transmission Allison Gen 4

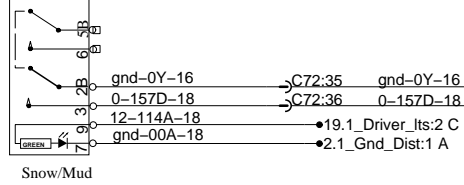


Transmission Allison Gen 4



ABS

Sw137



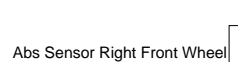
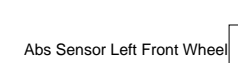
4.1_Power_Dist_FJB:3 D 12-156A-14

14.1_Volvo_VECU:3 C 12-439-18

5.1_Pwr_Dist_RJB:1 A 12-439-18 C21B:9 C2:33

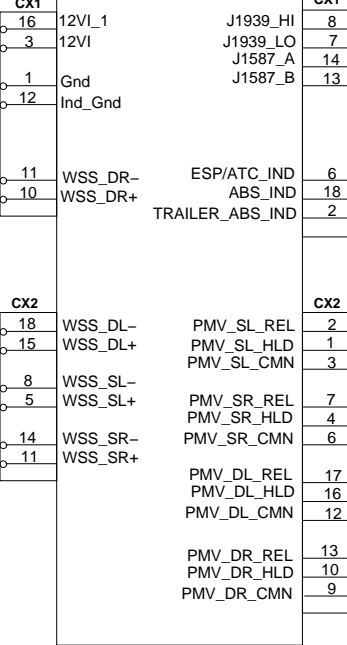
10.1_Cluster:3 C

12.1_BrakePedal_EngBrake_Retarder:1 C 2.1_Gnd_Dist:1 F



A9

Abs_Ecu



J1939_HI 8
J1939_LO 7
J1587_A 14
J1587_B 13

ESP/ATC_IND 6
ABS_IND 18
TRAILER_ABS_IND 2

PMV_SL_REL 2
PMV_SL_HLD 1
PMV_SL_CMN 3
PMV_SR_REL 7
PMV_SR_HLD 4
PMV_SR_CMN 6
PMV_DL_REL 17
PMV_DL_HLD 16
PMV_DL_CMN 12
PMV_DR_REL 13
PMV_DR_HLD 10
PMV_DR_CMN 9

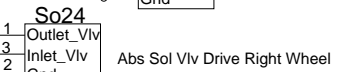
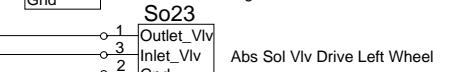
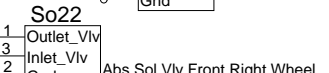
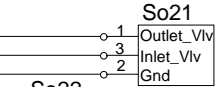
Data-J1939H-18
Data-J1939L-18
Data-900-18
Data-901-18

0-157D-18
0-85Y-18
0-85Z-18

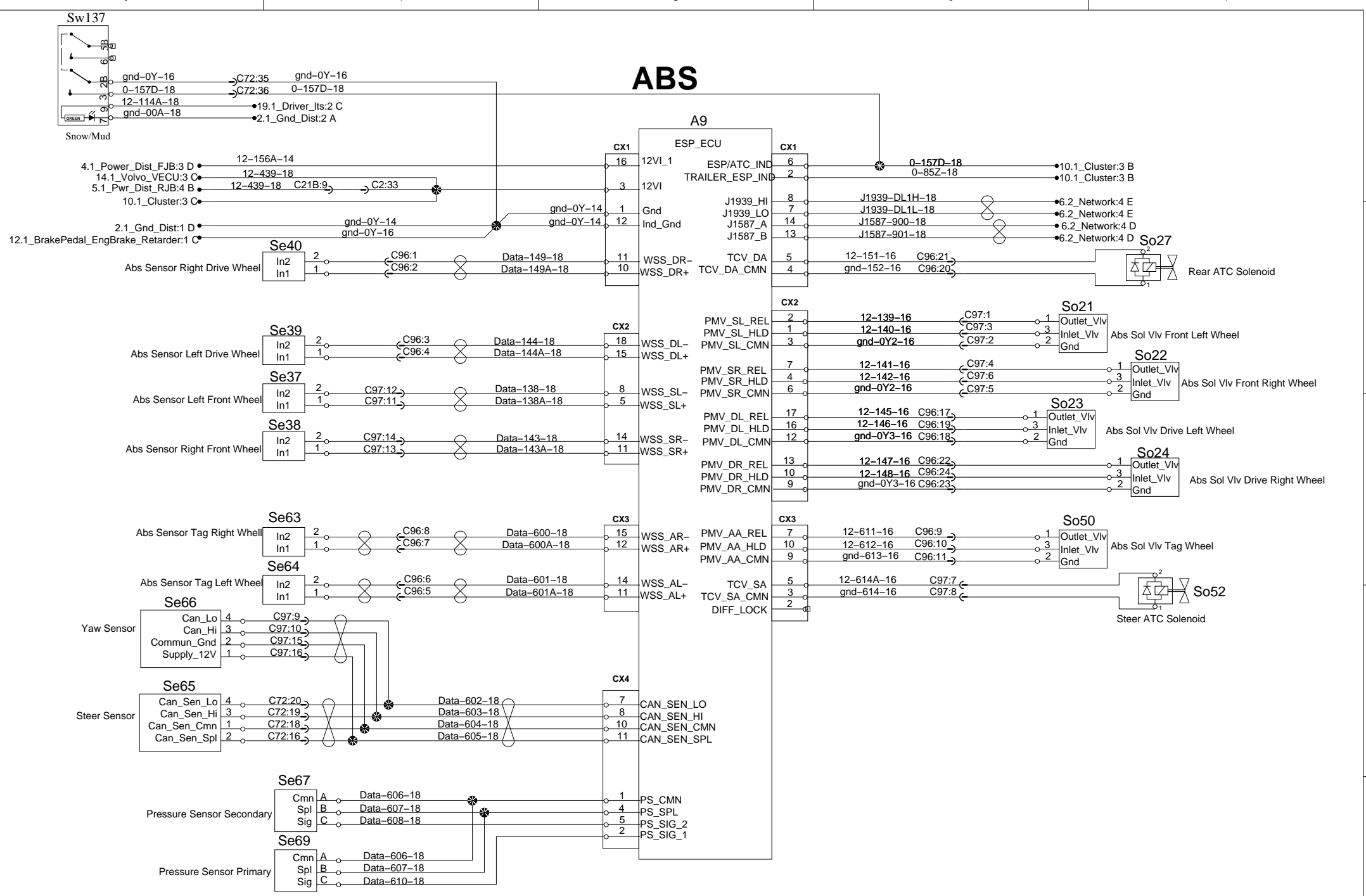
12-139-16
12-140-16
gnd-0Y2-16
12-141-16
12-142-16
gnd-0Y2-16
12-145-16
12-146-16
gnd-0Y3-16
12-147-16
12-148-16
gnd-0Y3-16

6.2_Network:2 B
6.2_Network:2 B
6.2_Network:3 C
6.2_Network:3 C

10.1_Cluster:3 B
10.1_Cluster:3 B
10.1_Cluster:3 B



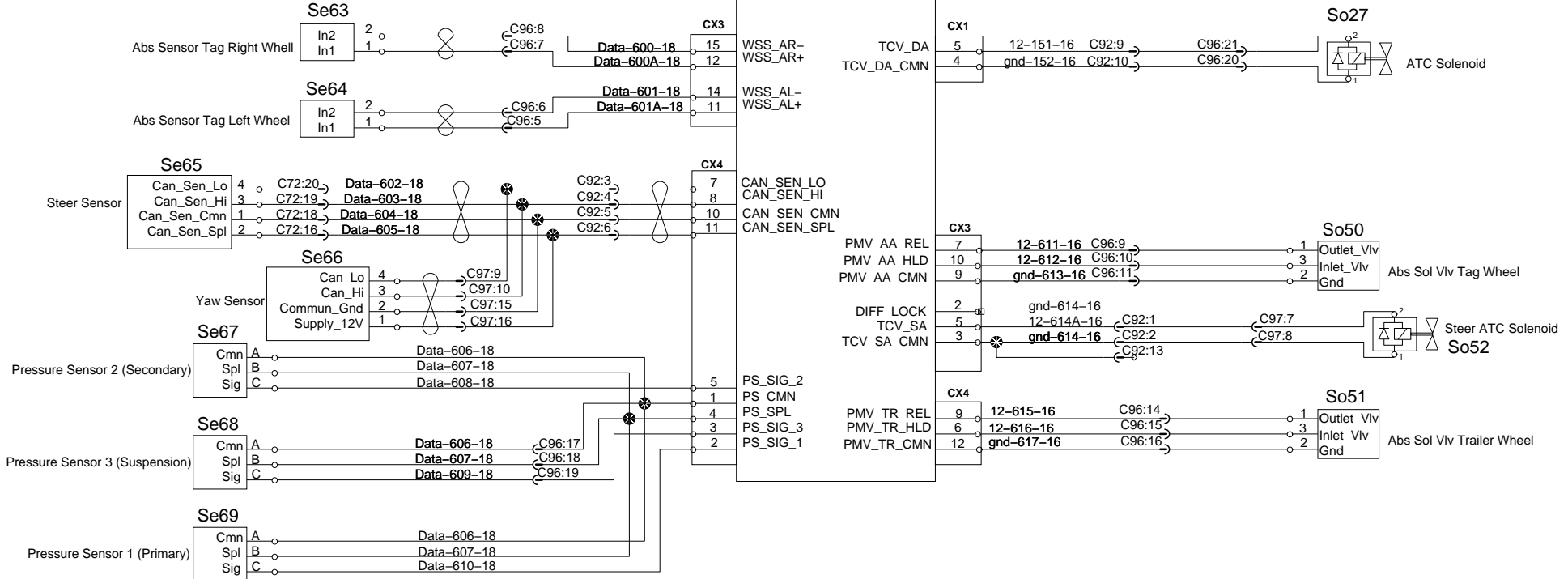
ABS



ABS ESP

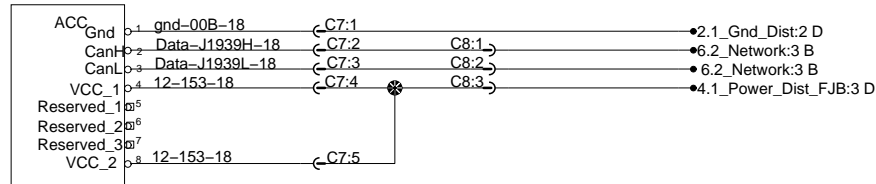
A9

Abs_Ecu



Adaptative Cruise Control Radar

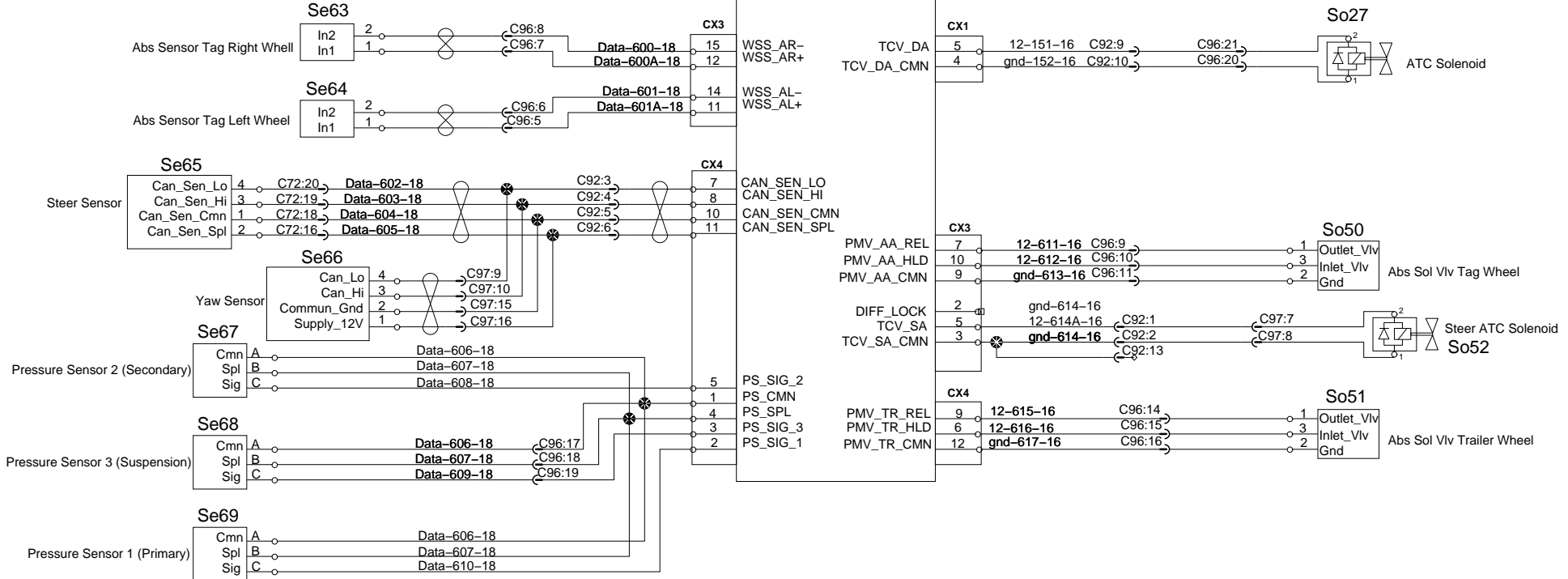
A114



ABS ESP

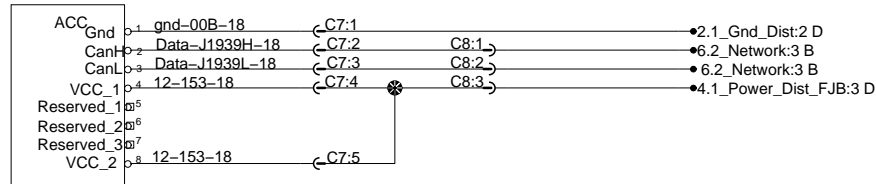
A9

Abs_Ecu

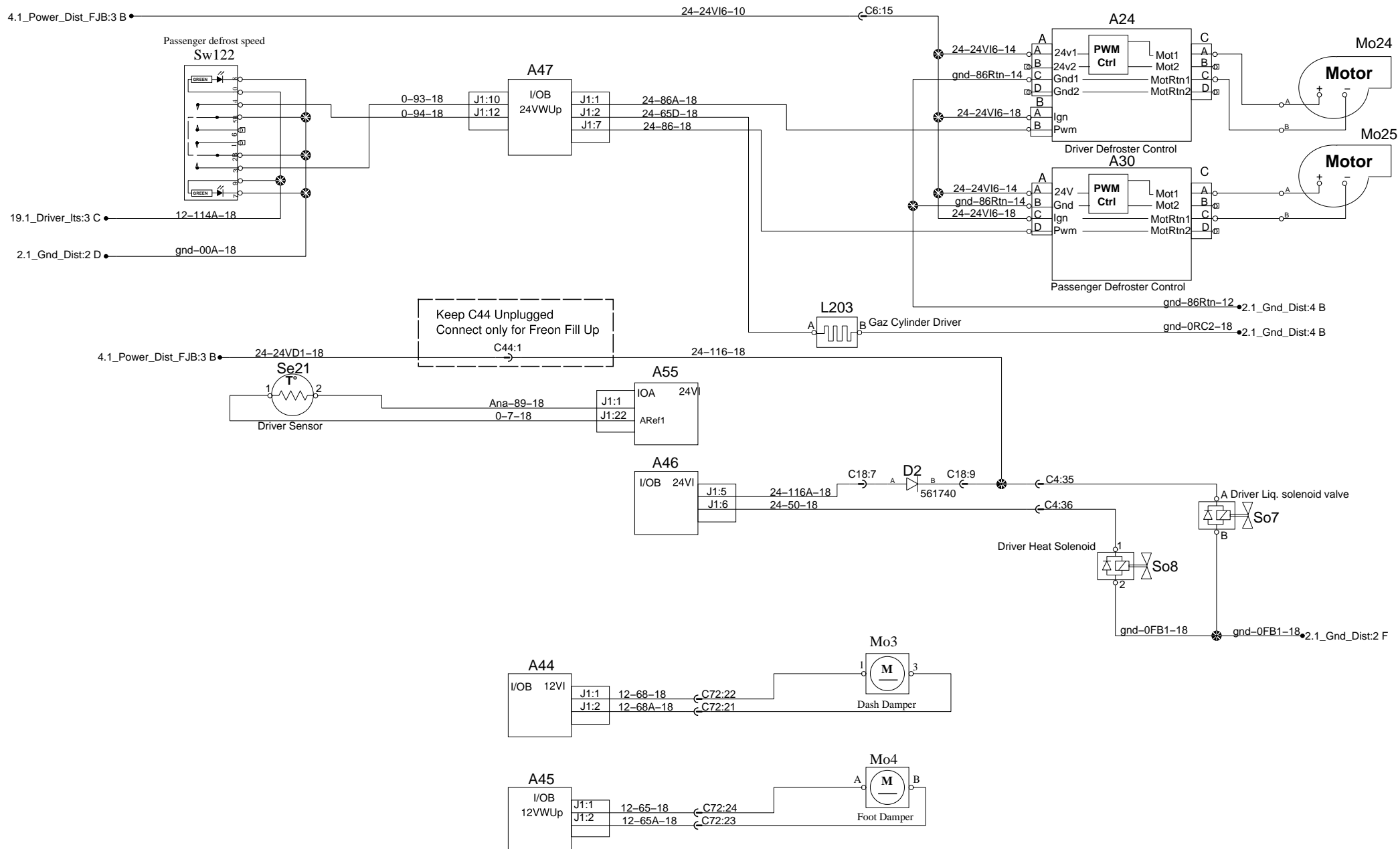


Adaptative Cruise Control Radar

A114



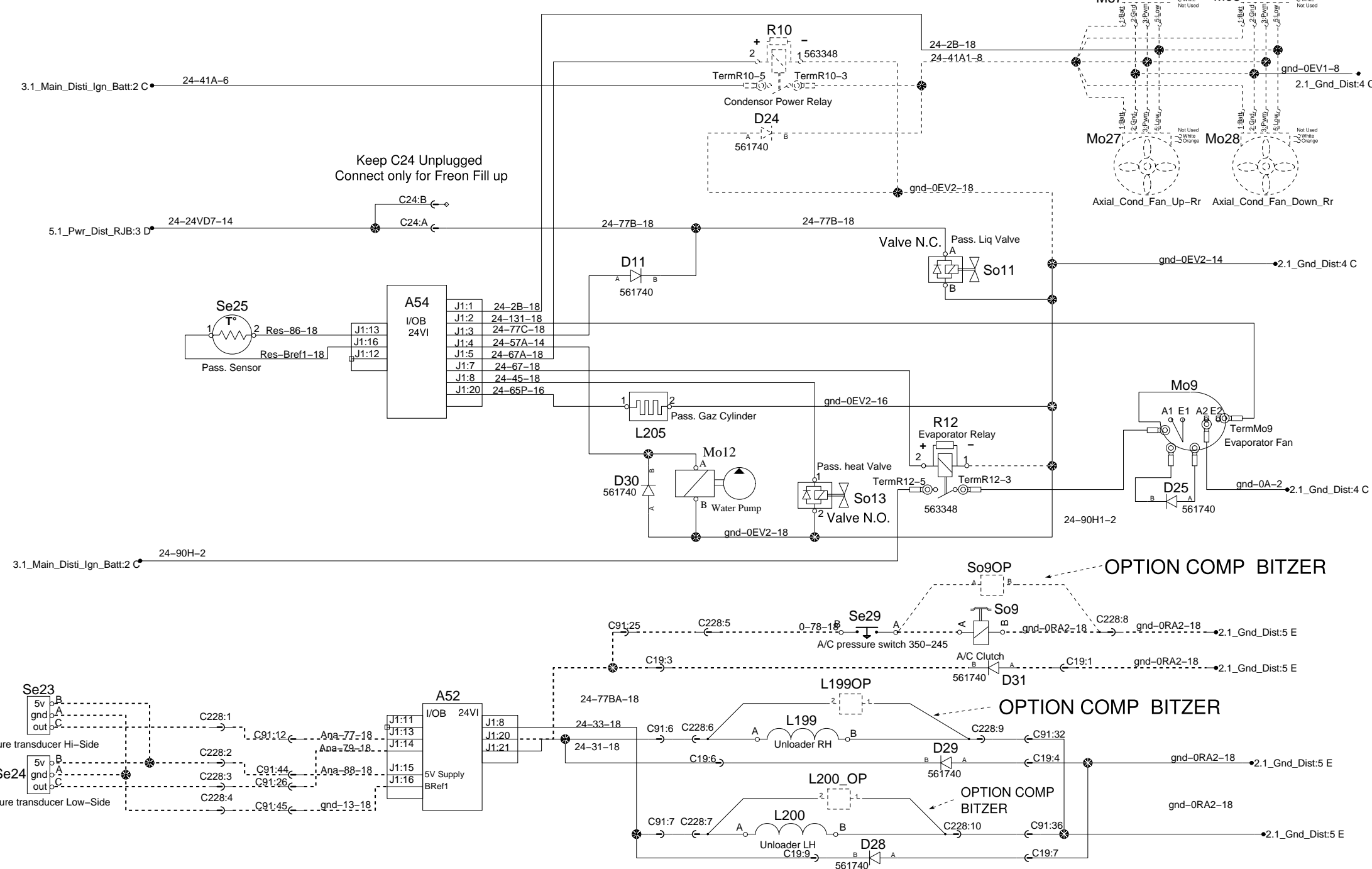
Hvac_Defroster



Hvac

Wiring identifiers

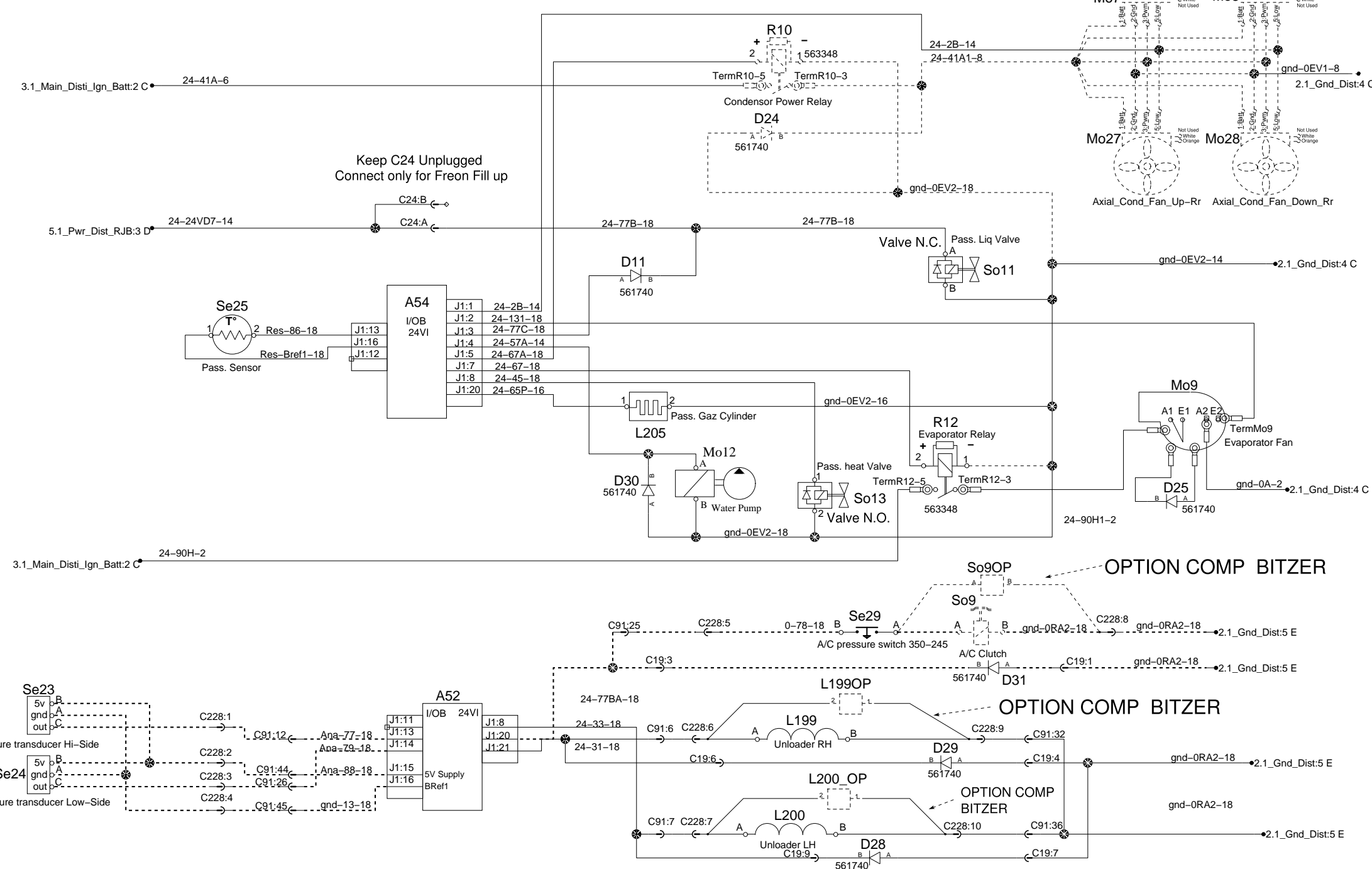
- Full A/C only
- - - - - Full and Small A/C



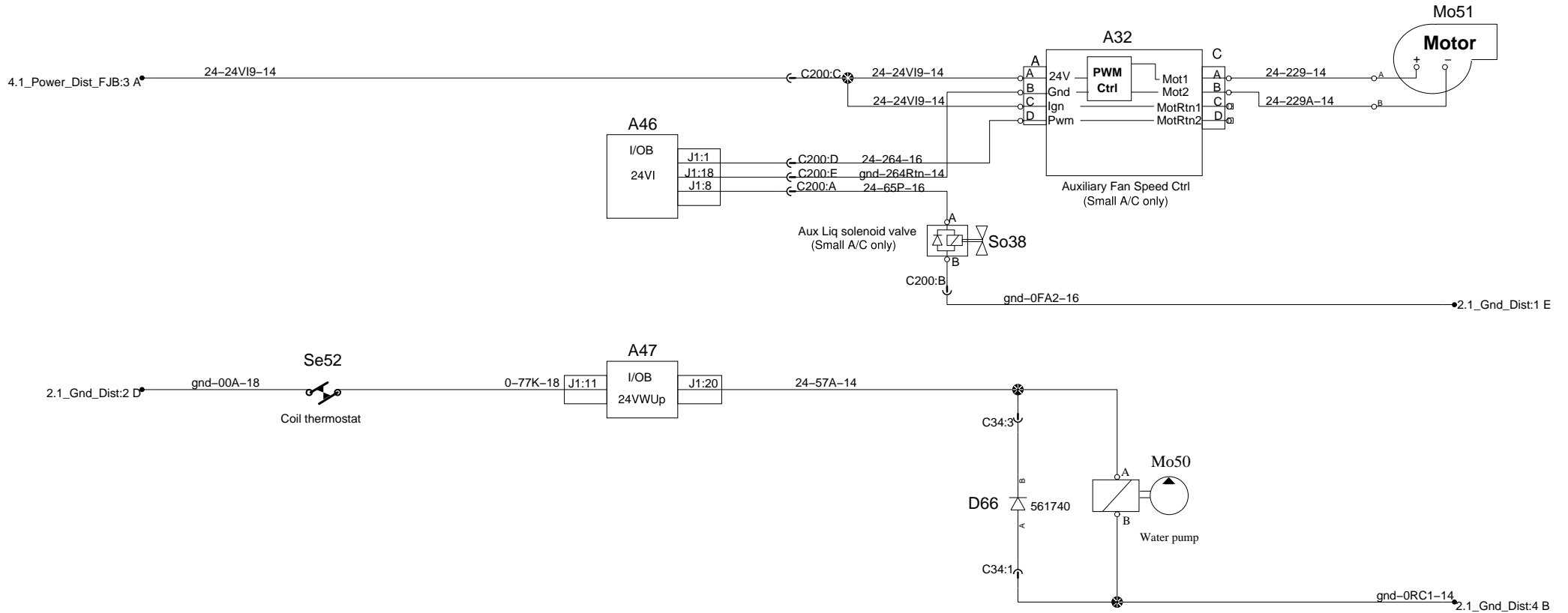
Hvac

Wiring identifiers

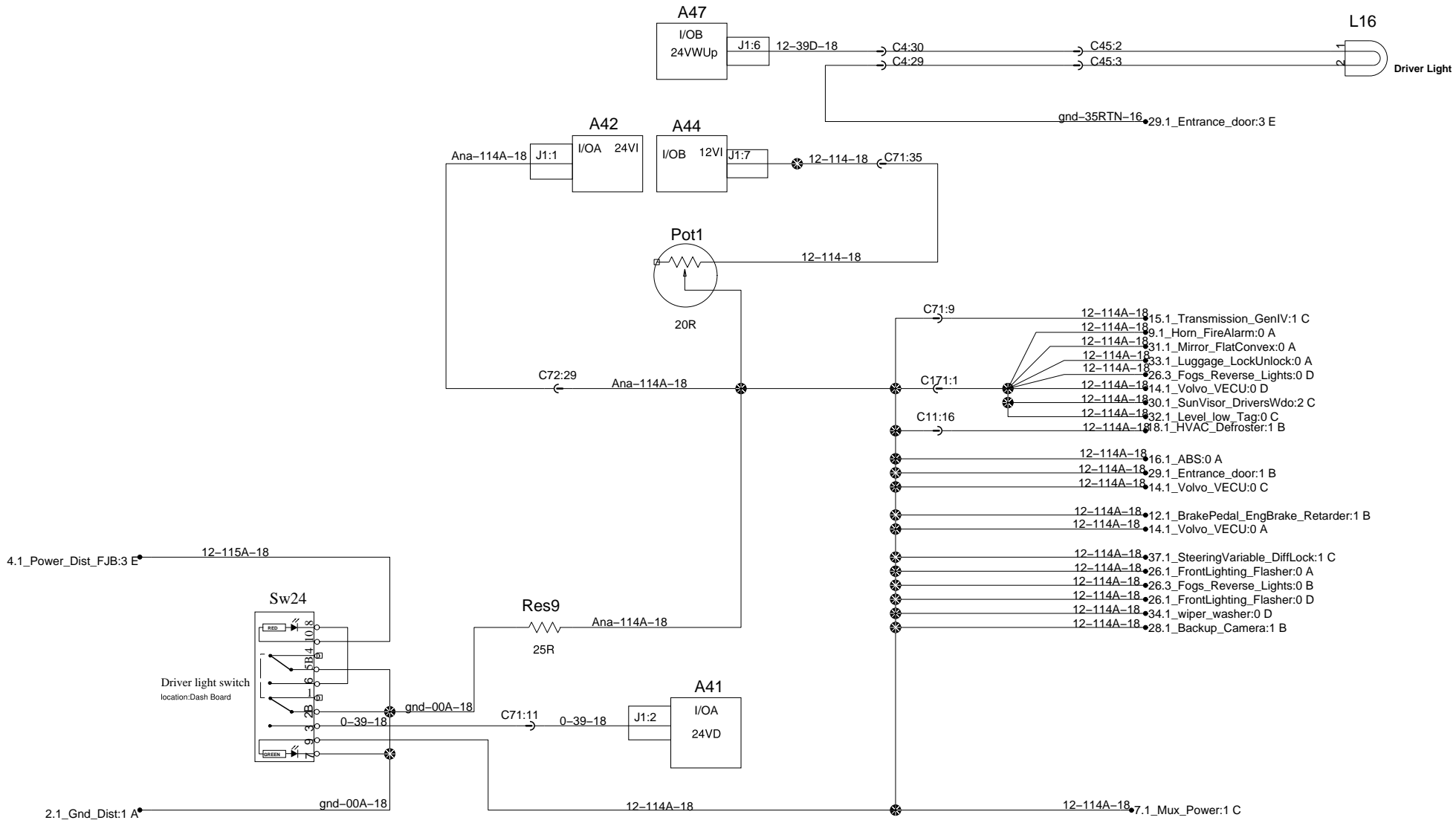
- Full A/C only
- - - - - Full and Small A/C



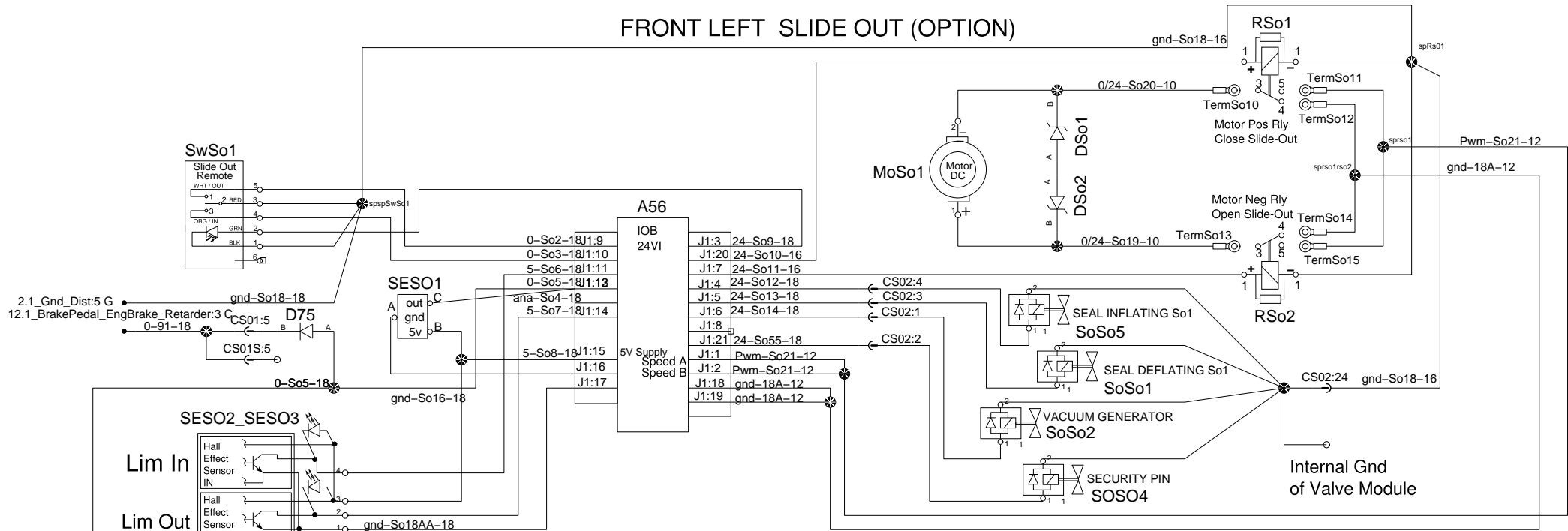
Small A/C Only



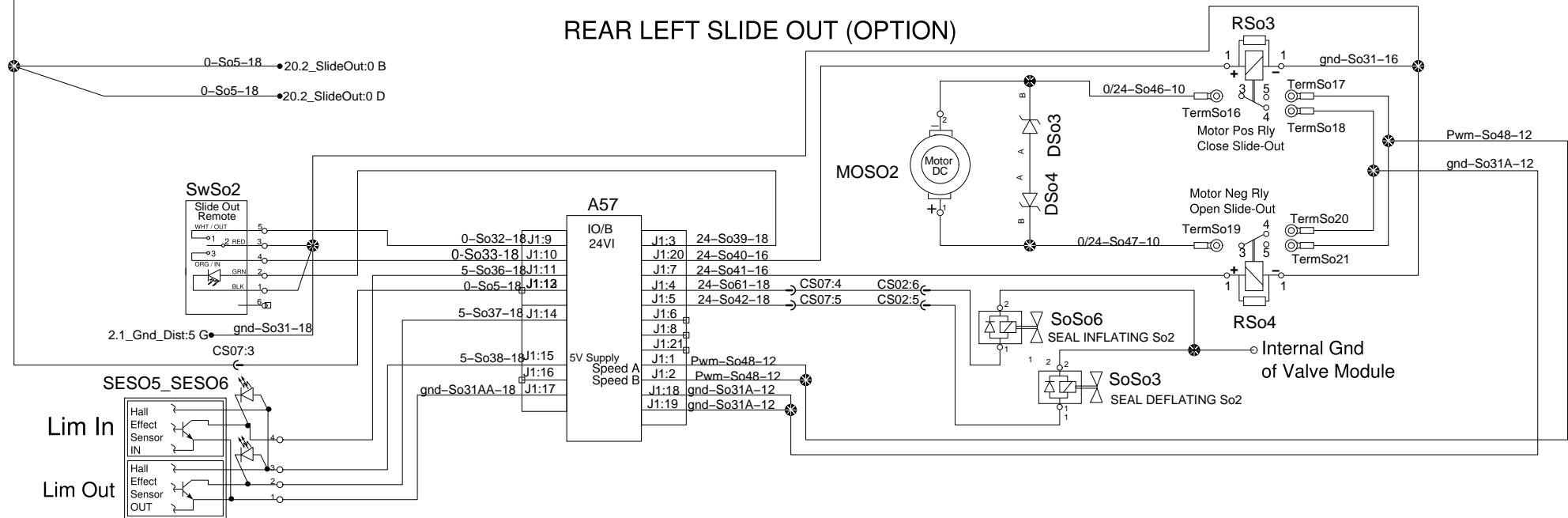
Driver lights



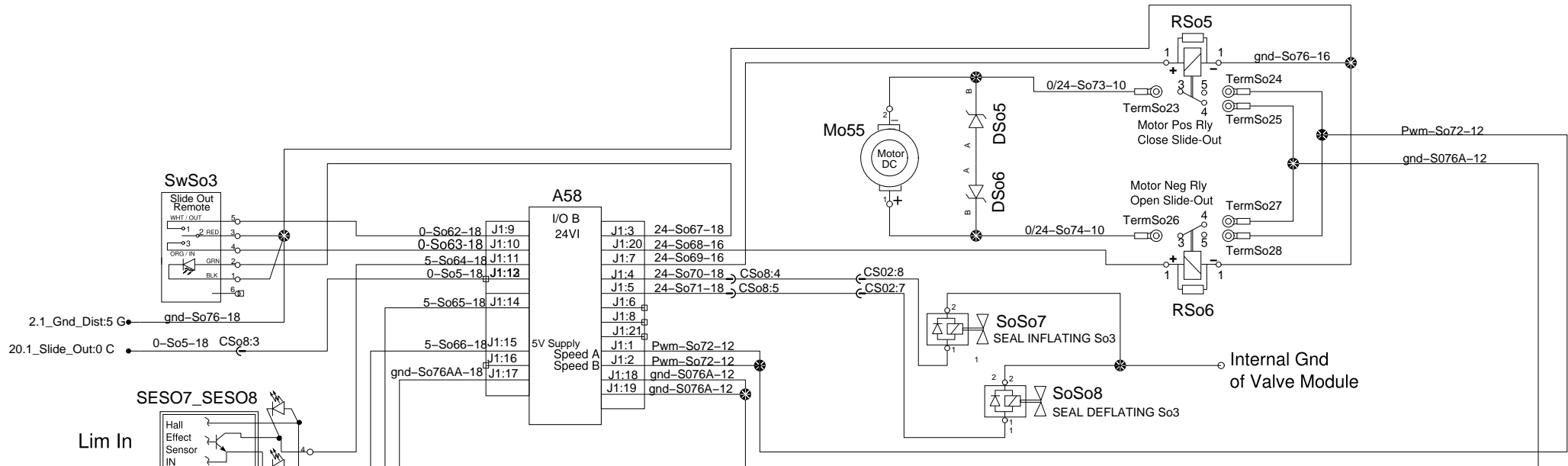
FRONT LEFT SLIDE OUT (OPTION)



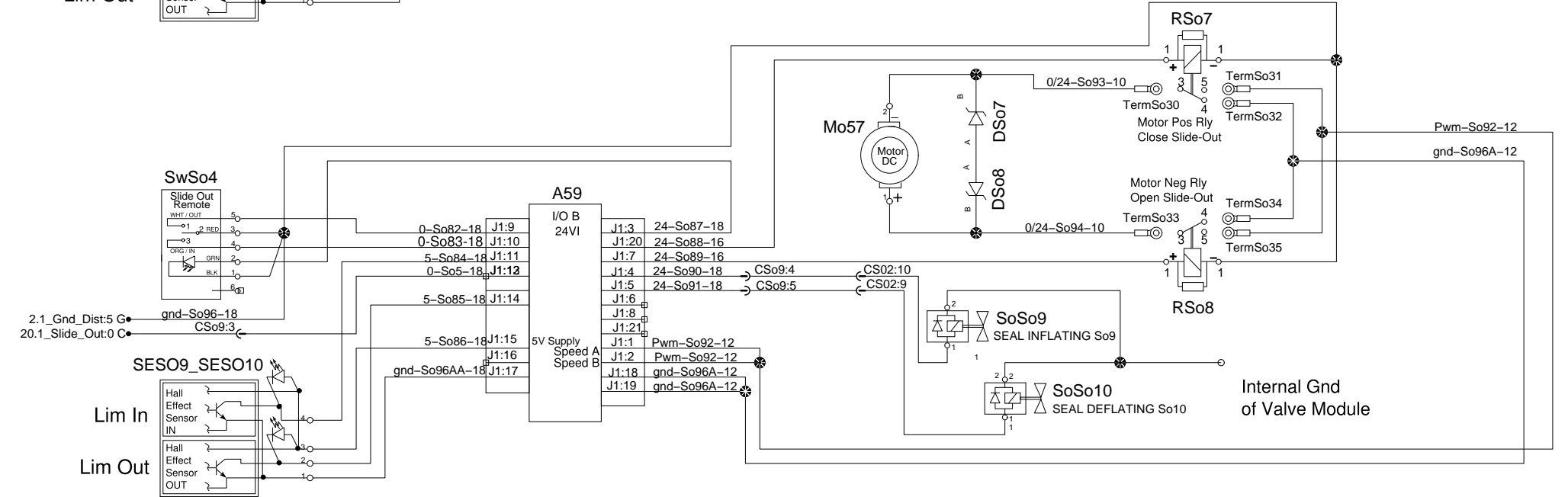
REAR LEFT SLIDE OUT (OPTION)



REAR RIGHT SLIDE OUT (OPTION)

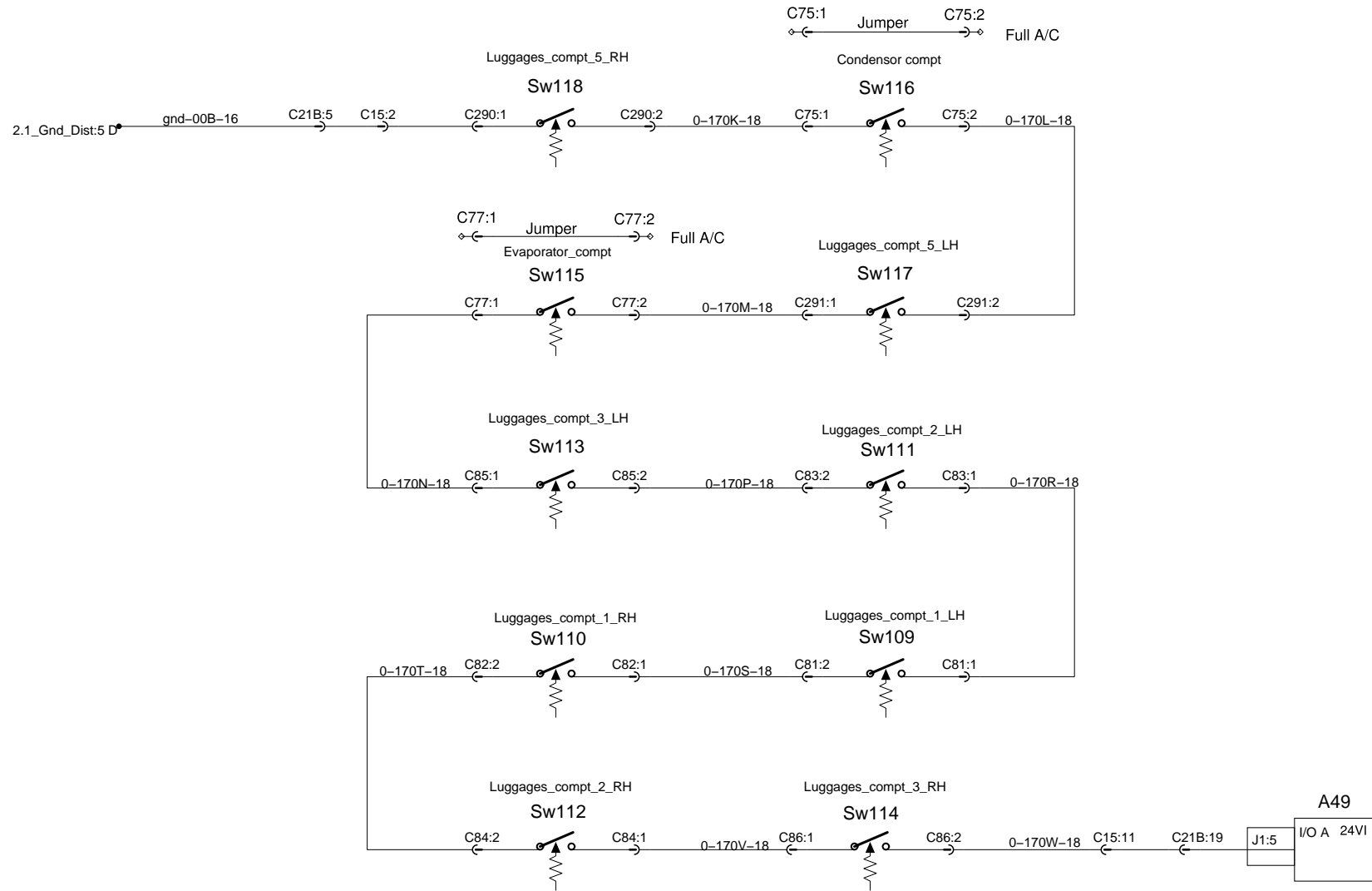


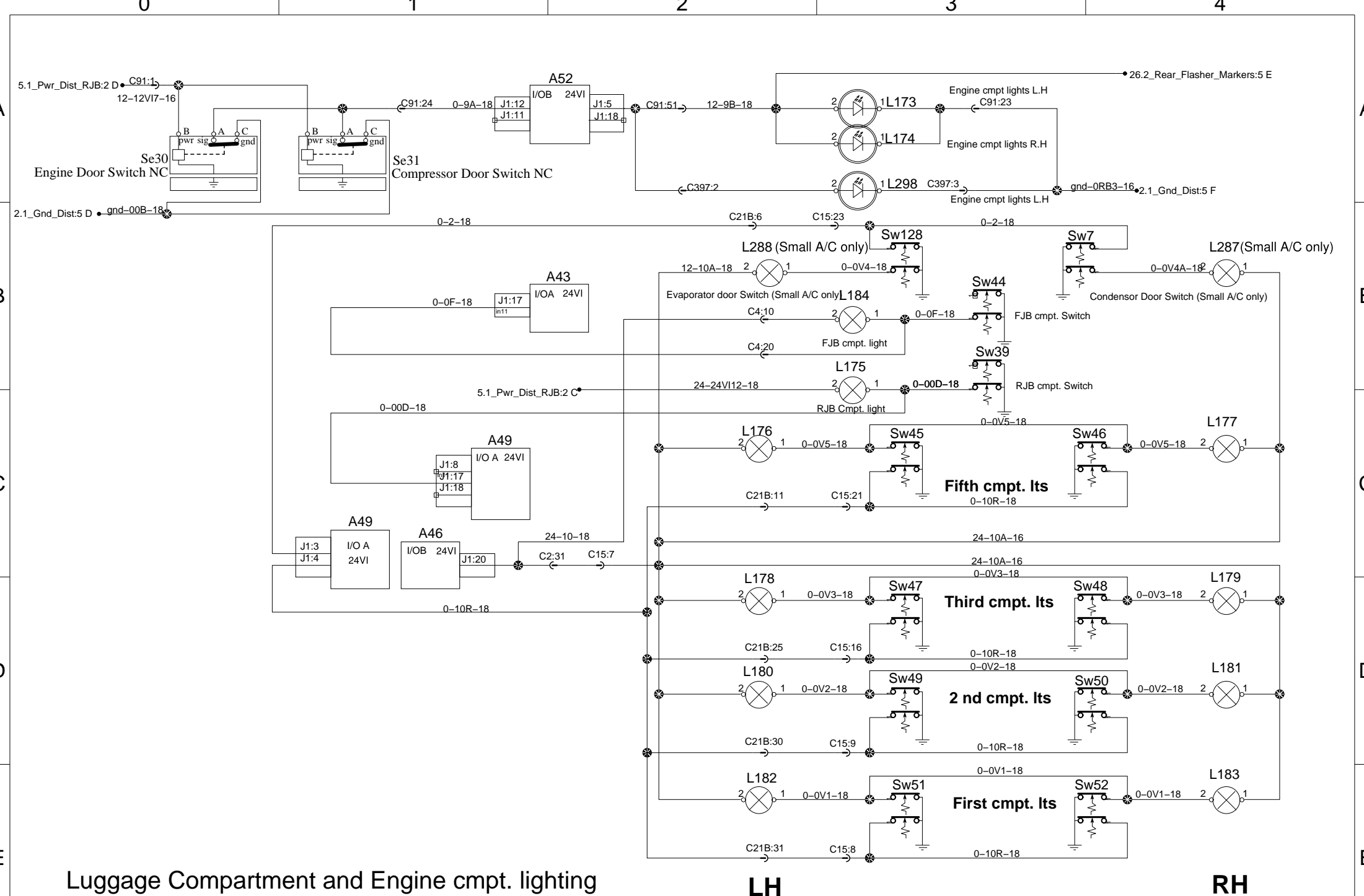
FRONT RIGHT SLIDE OUT (OPTION)



Luggage doors locks switches

(Switch closed=door locked)



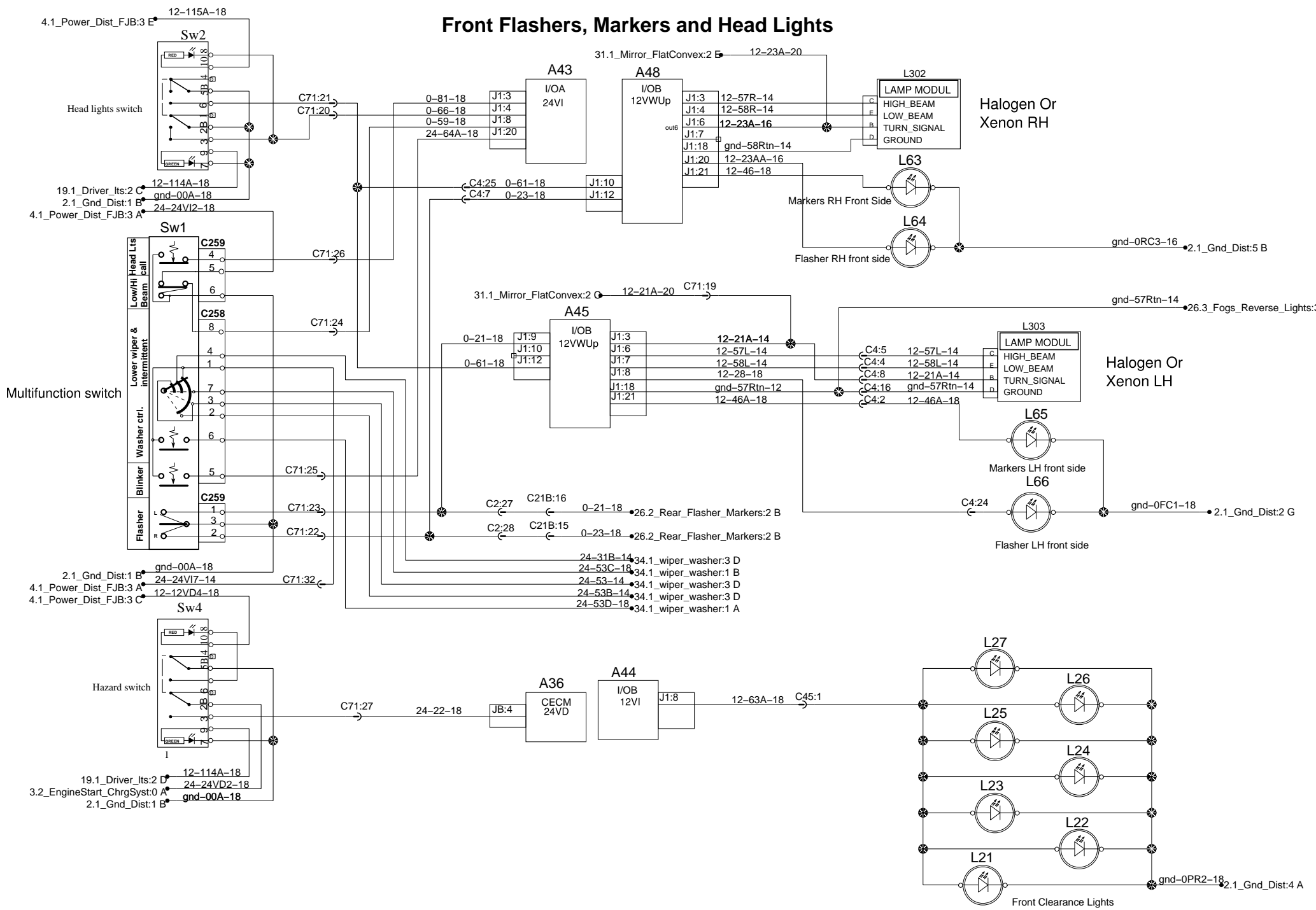


Luggage Compartment and Engine cmpt. lighting

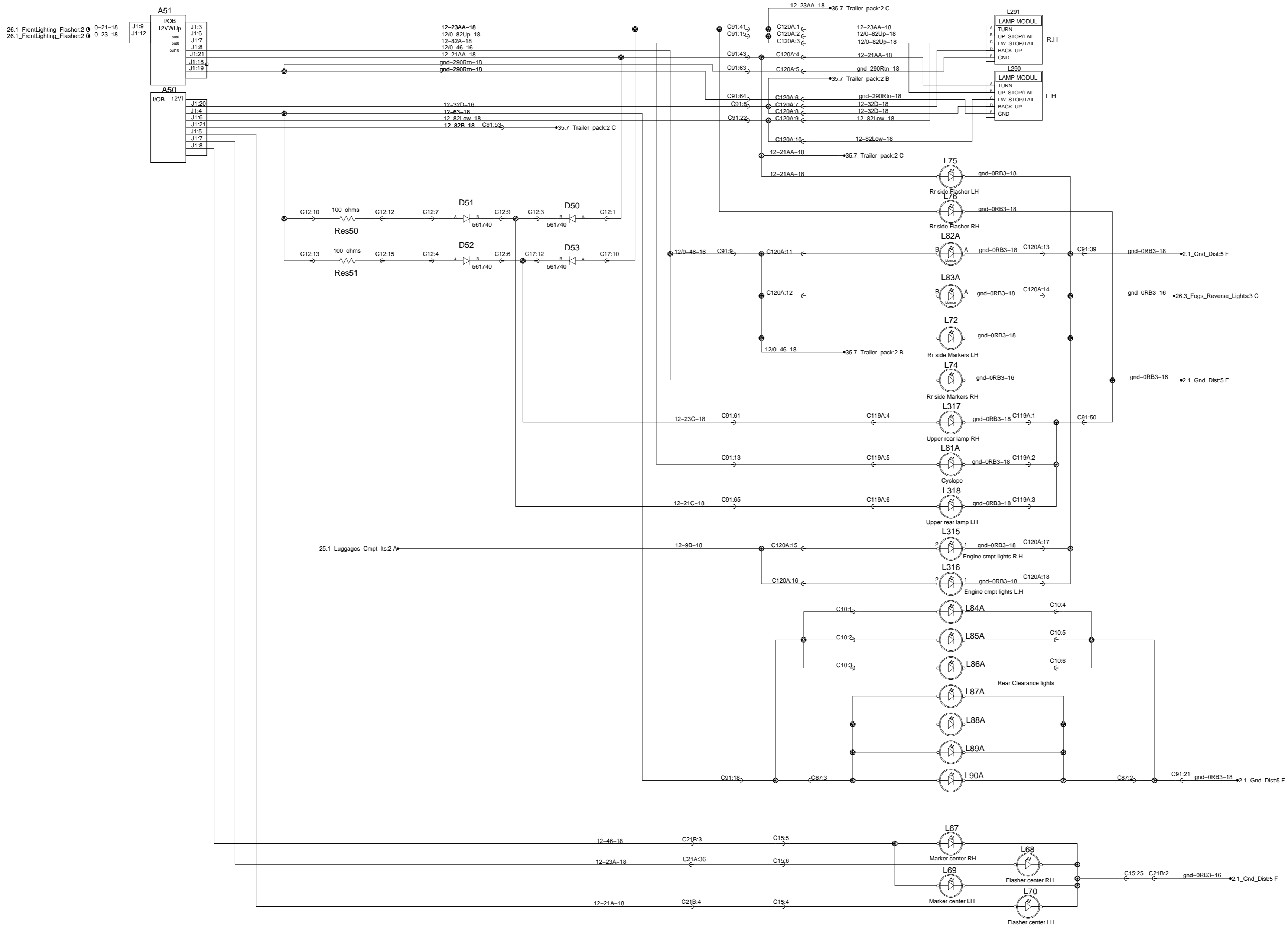
LH

RH

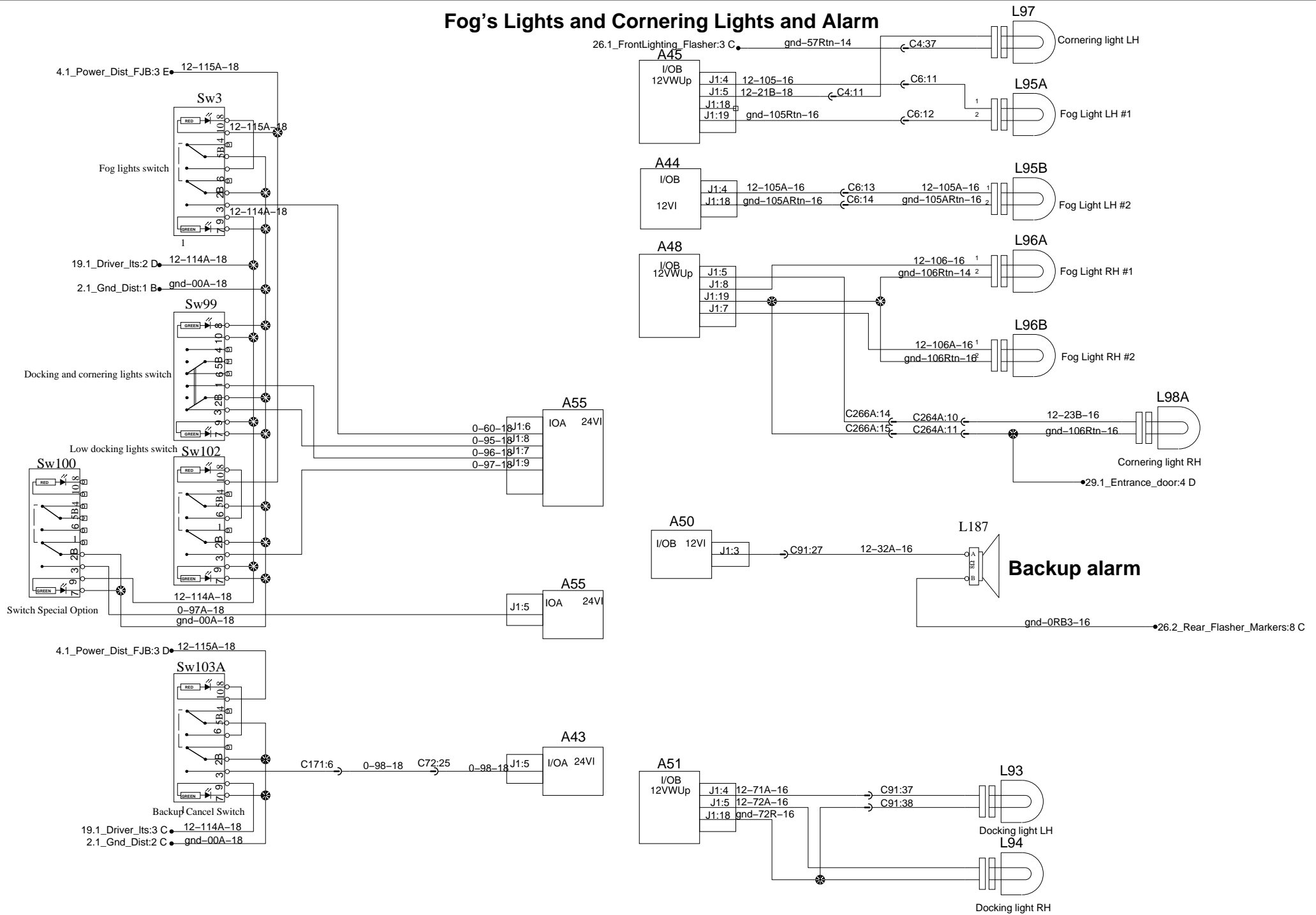
Front Flashers, Markers and Head Lights



Rear Flashers, Markers, Tail and Stop Lights



Fog's Lights and Cornering Lights and Alarm

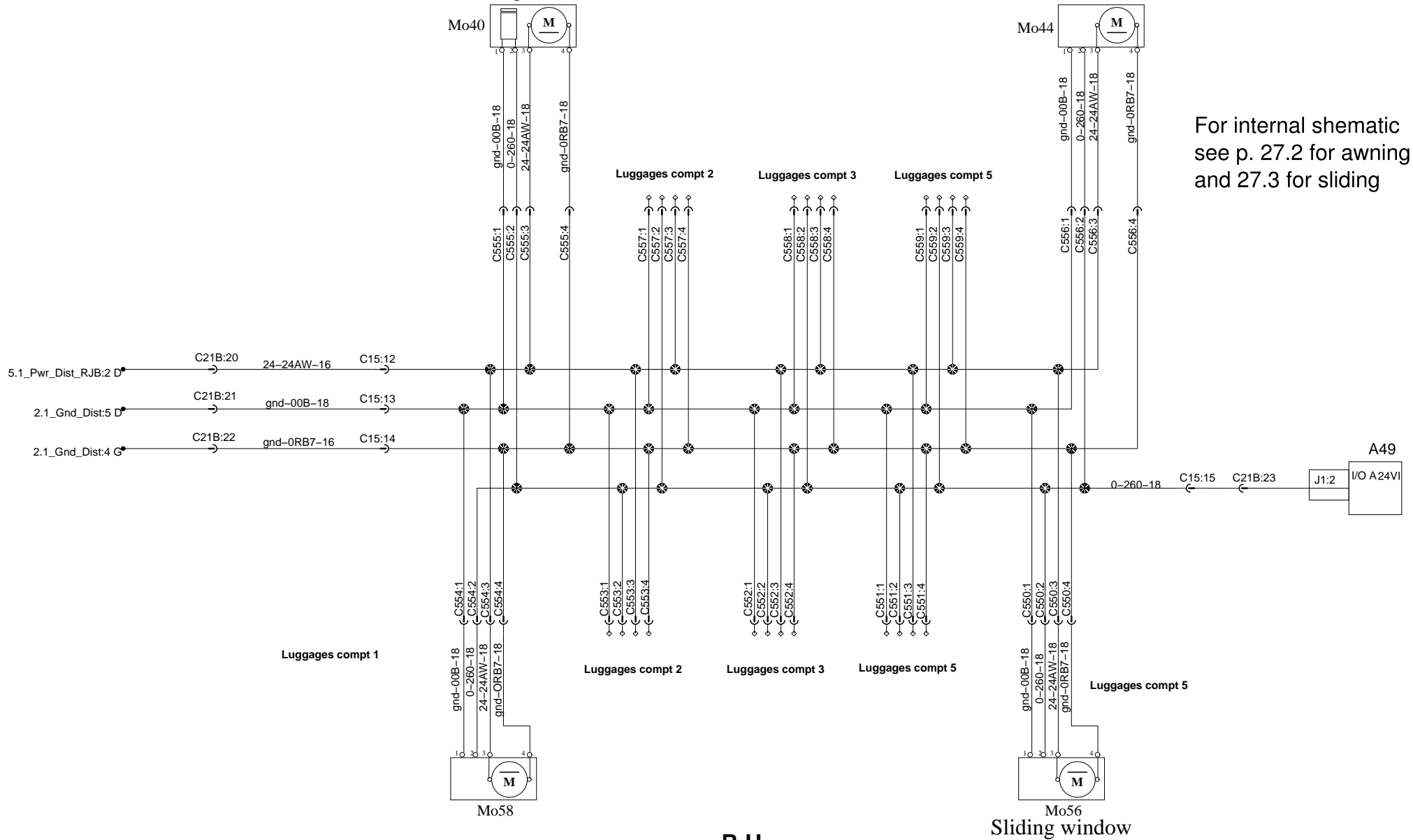


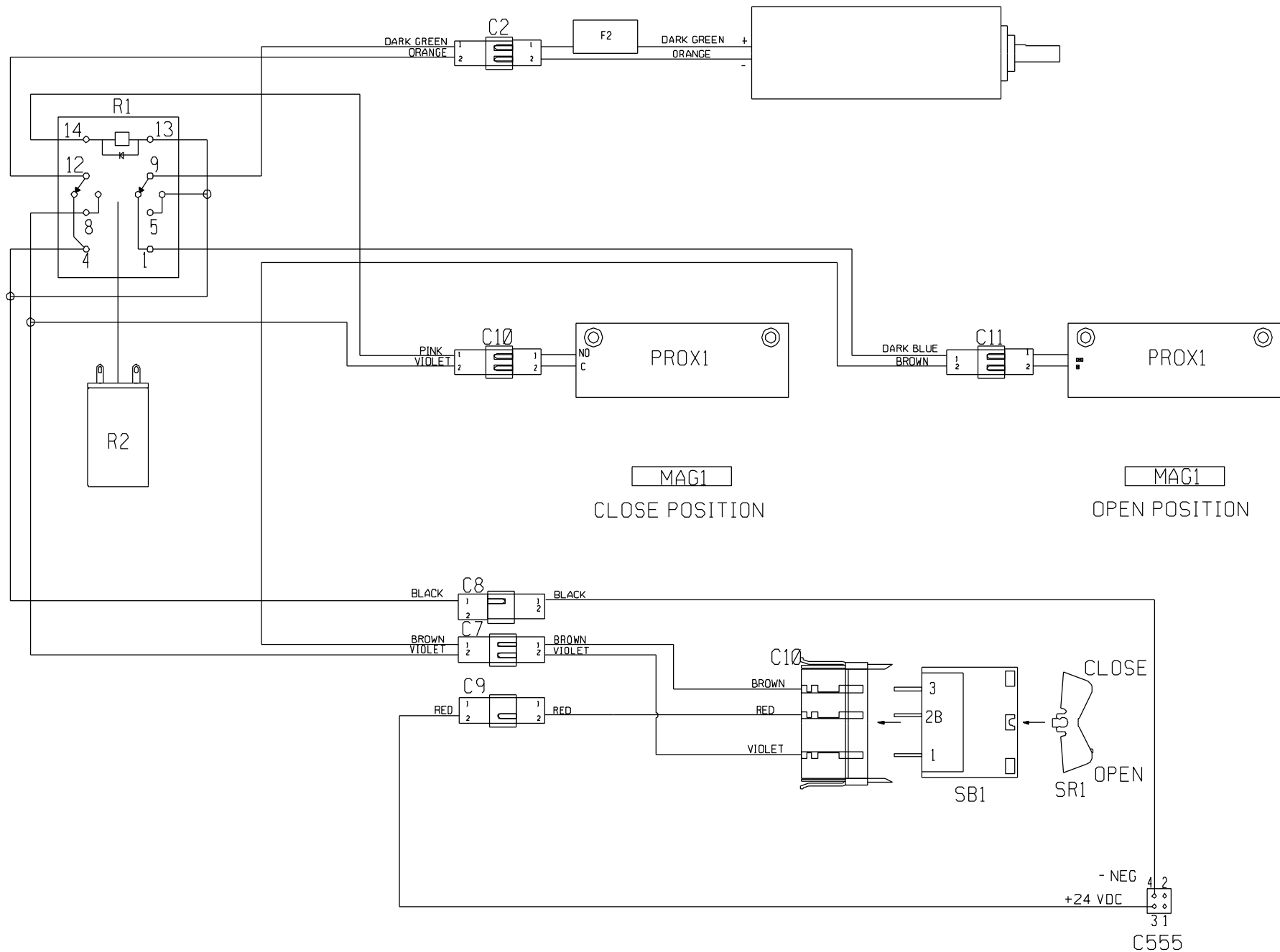
Window Ajar and awning mechanism or Sliding window

L.H.

Sliding window

Awning window

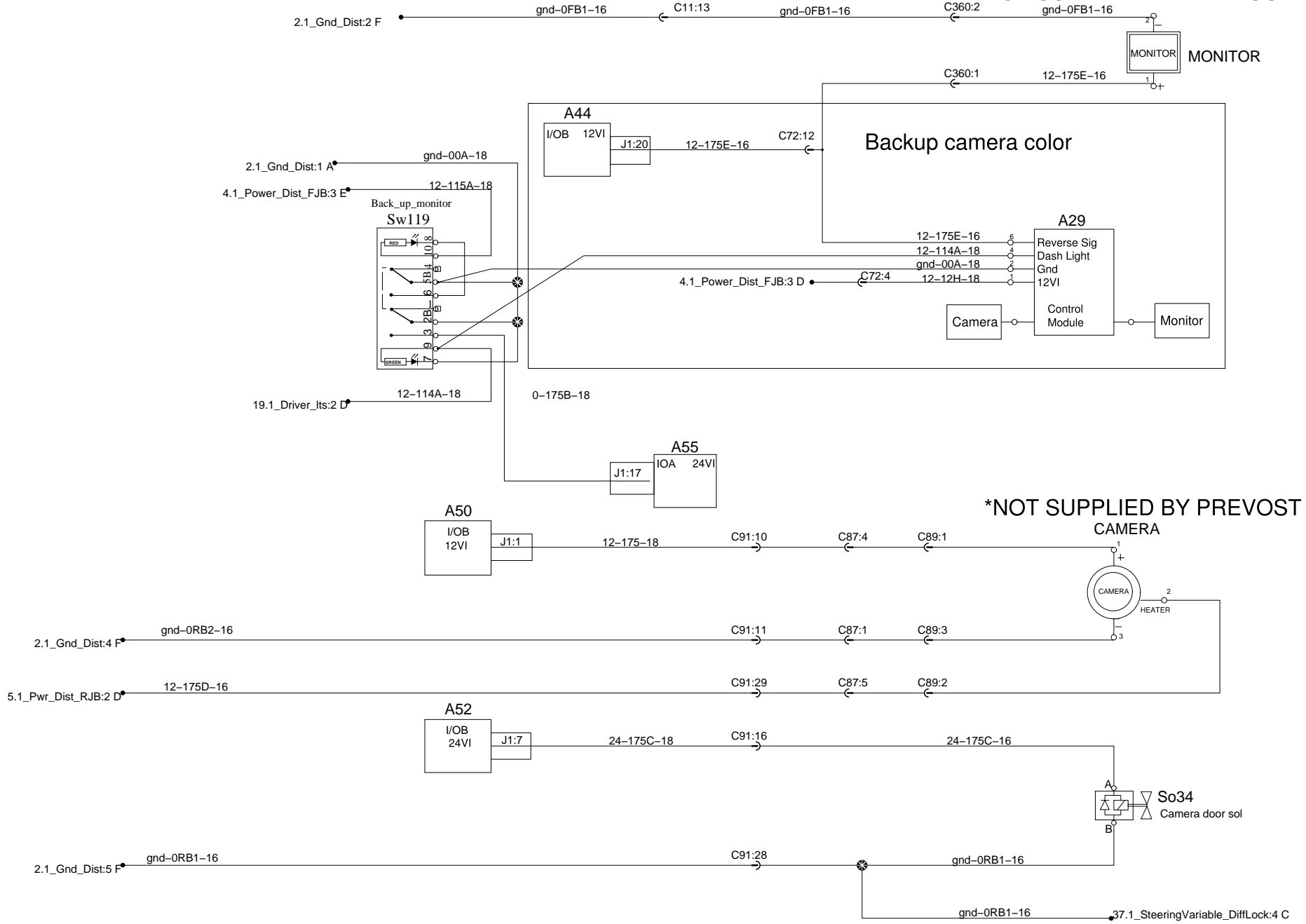




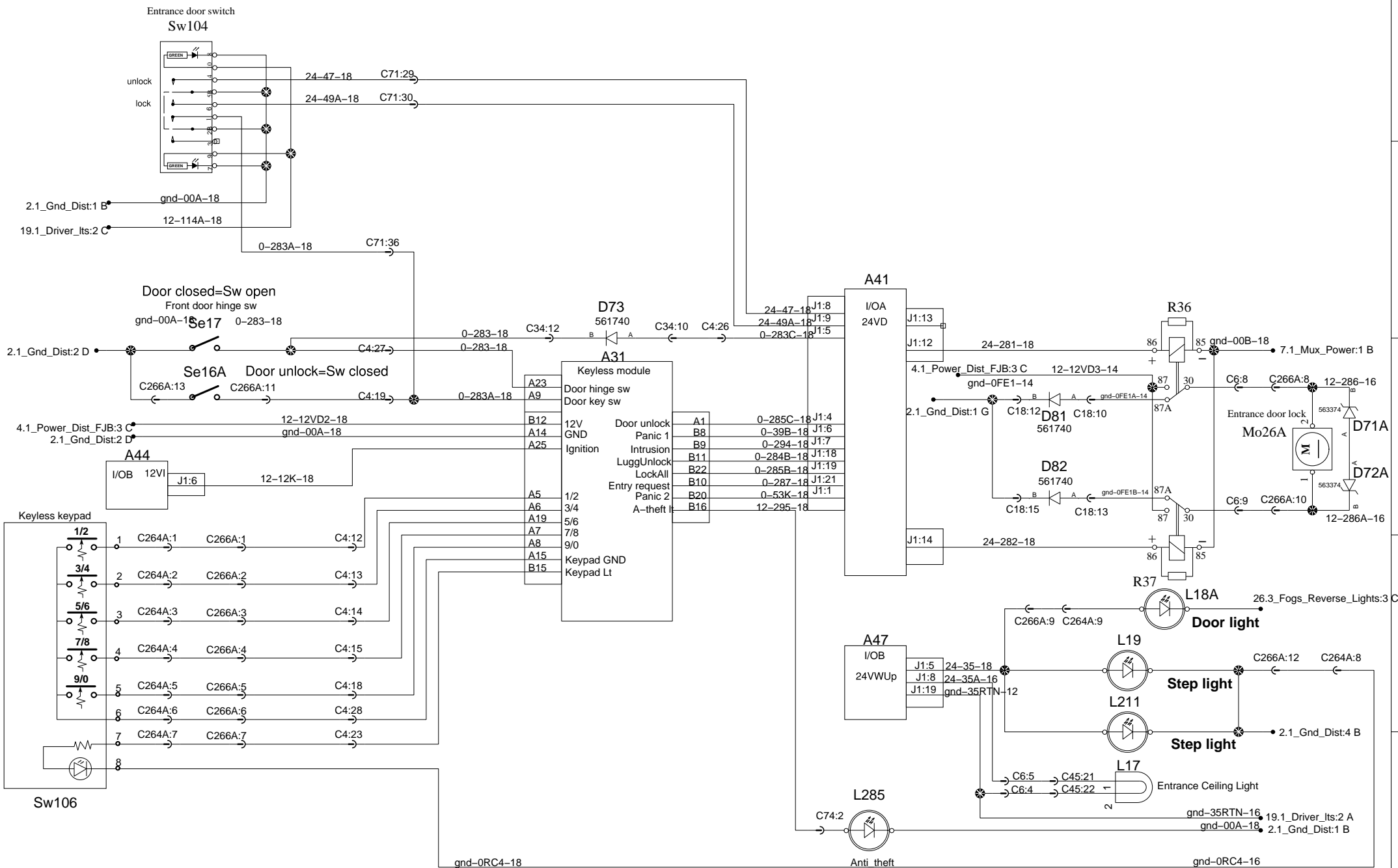
INTERNAL SCHEMATIC SLIDING WINDOW

Backup Camera

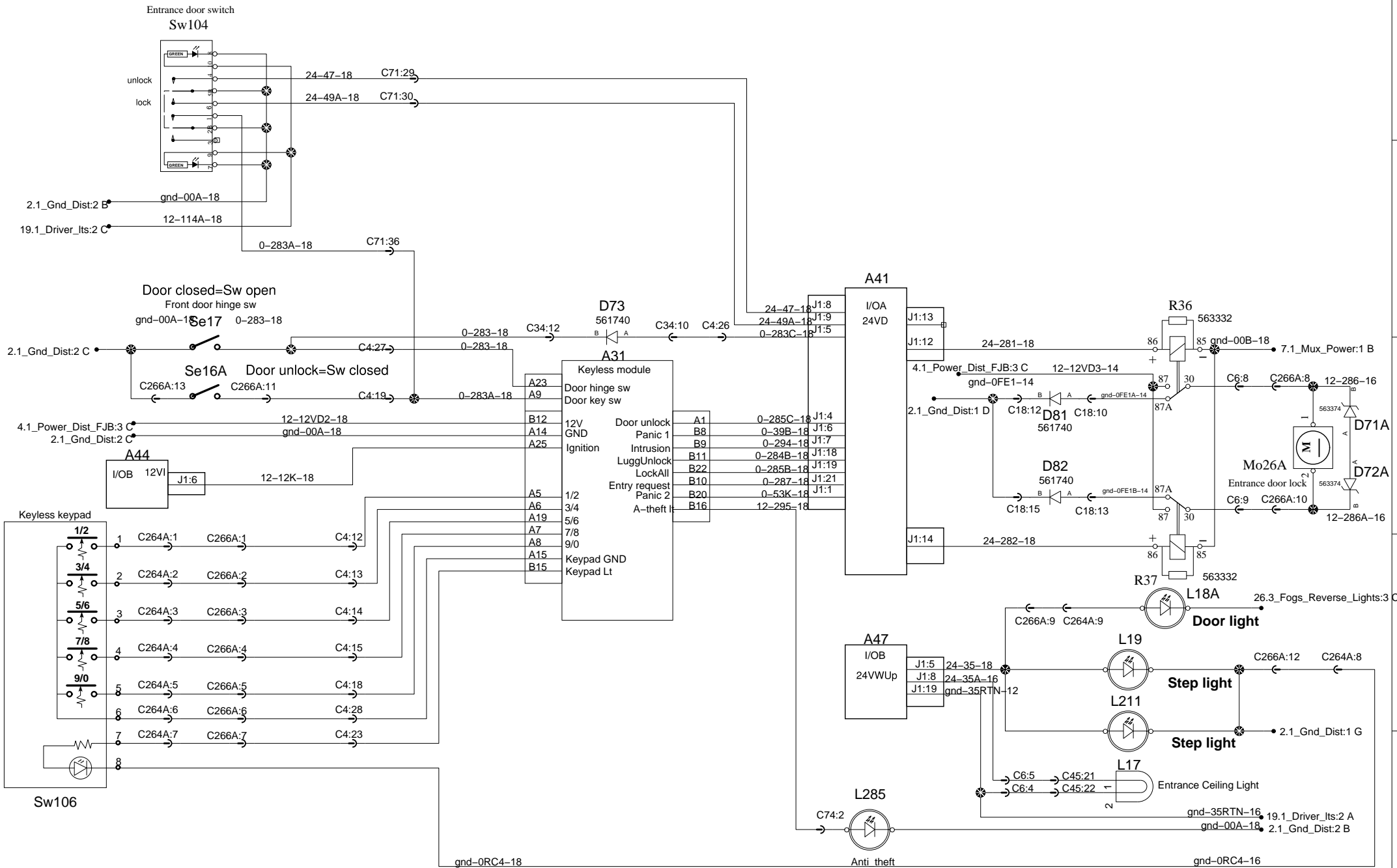
*NOT SUPPLIED BY PREVOST



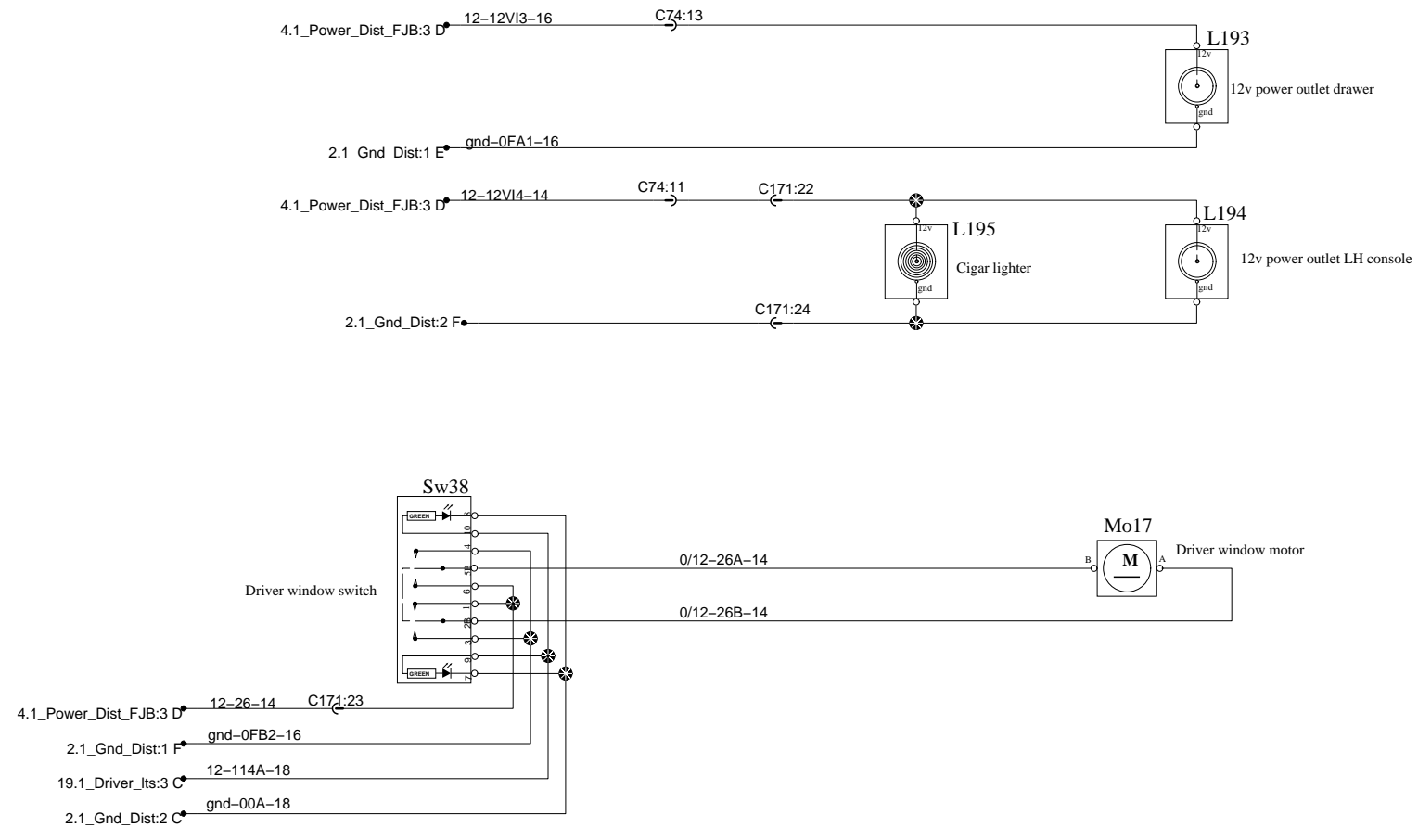
Entrance door, Keyless



Entrance door,Keyless



Driver Window and 12V Outlet



DRIVER SEAT: ELECTRICAL OPTIONS

A

A

B

B

C

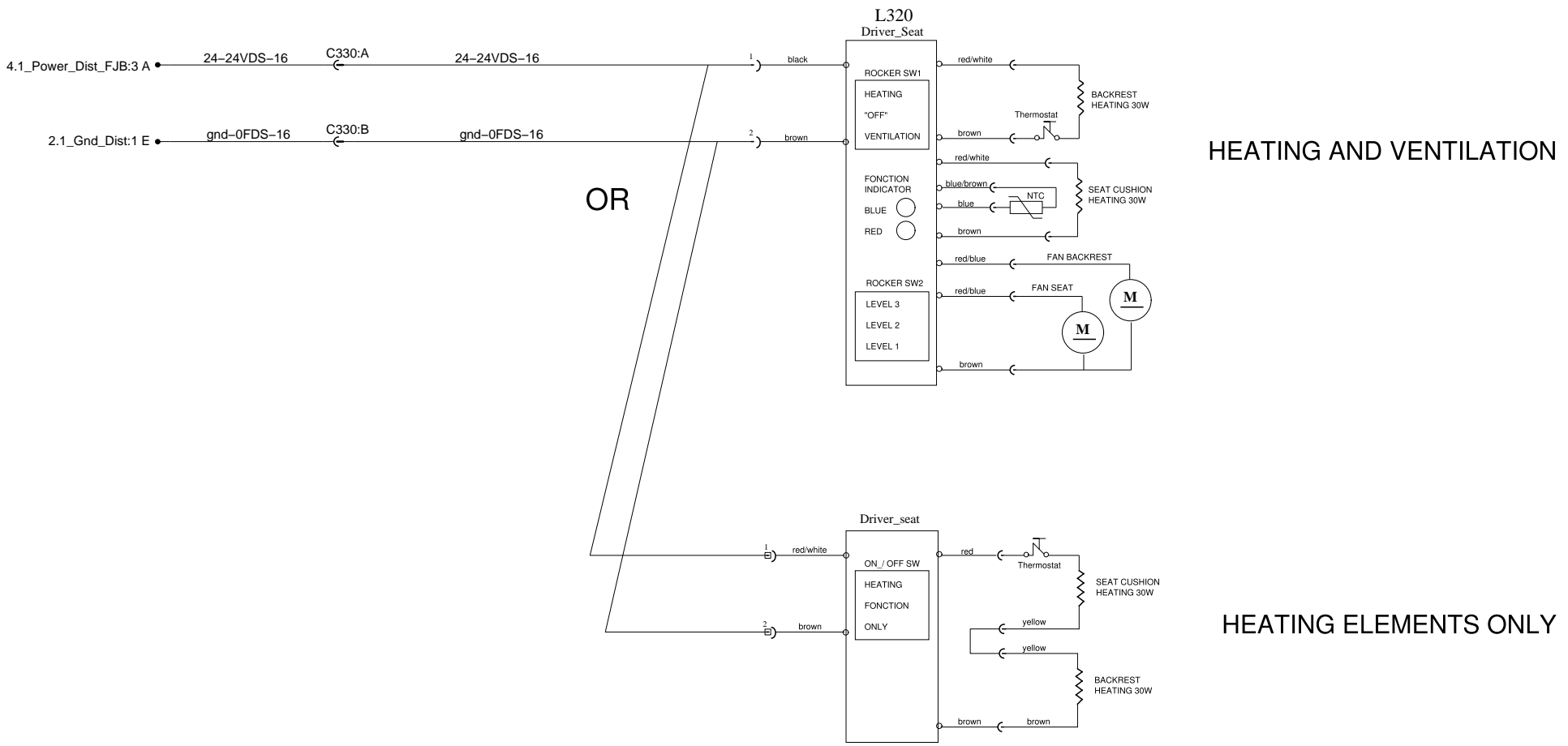
C

D

D

E

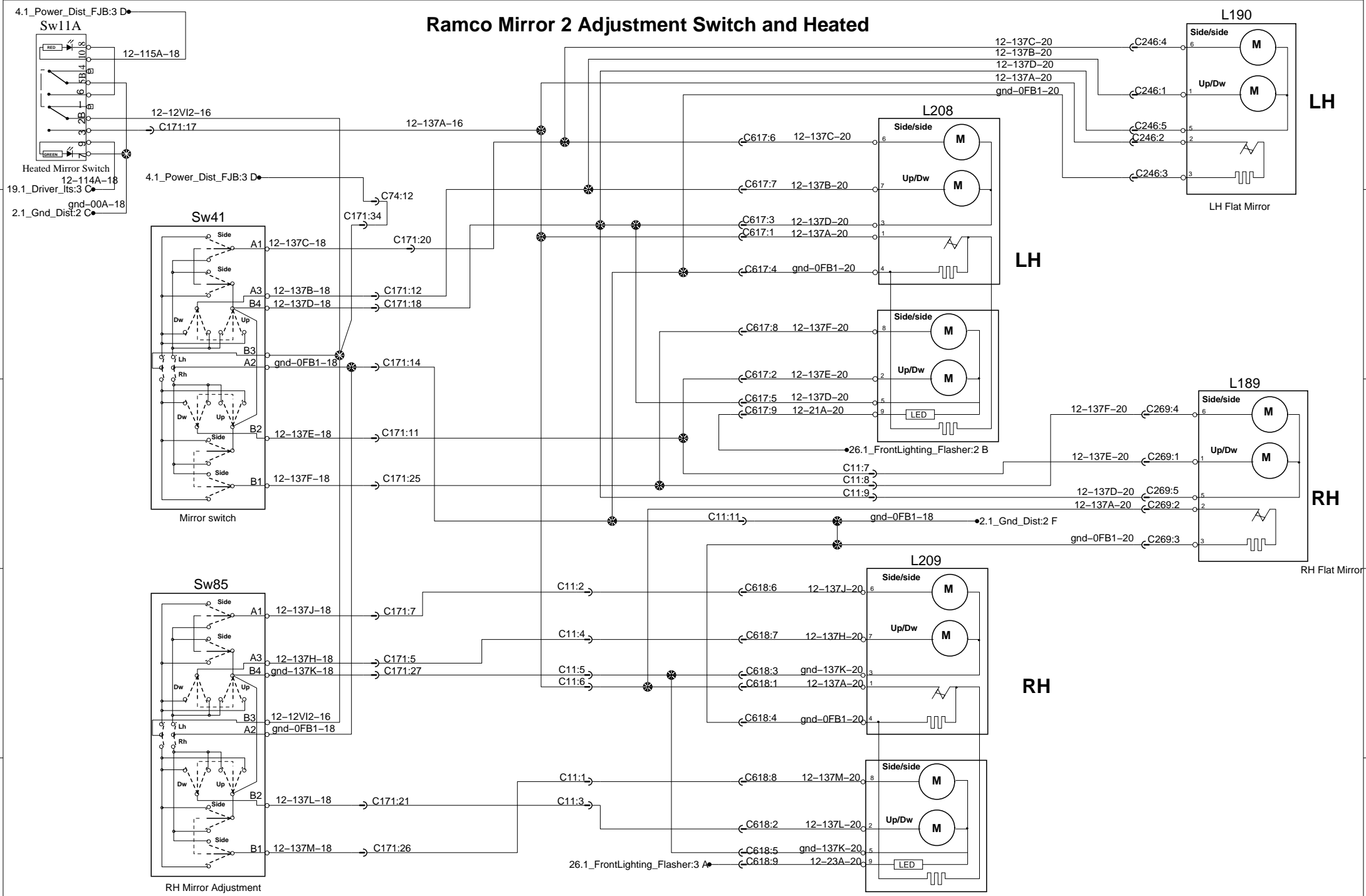
E



HEATING AND VENTILATION

HEATING ELEMENTS ONLY

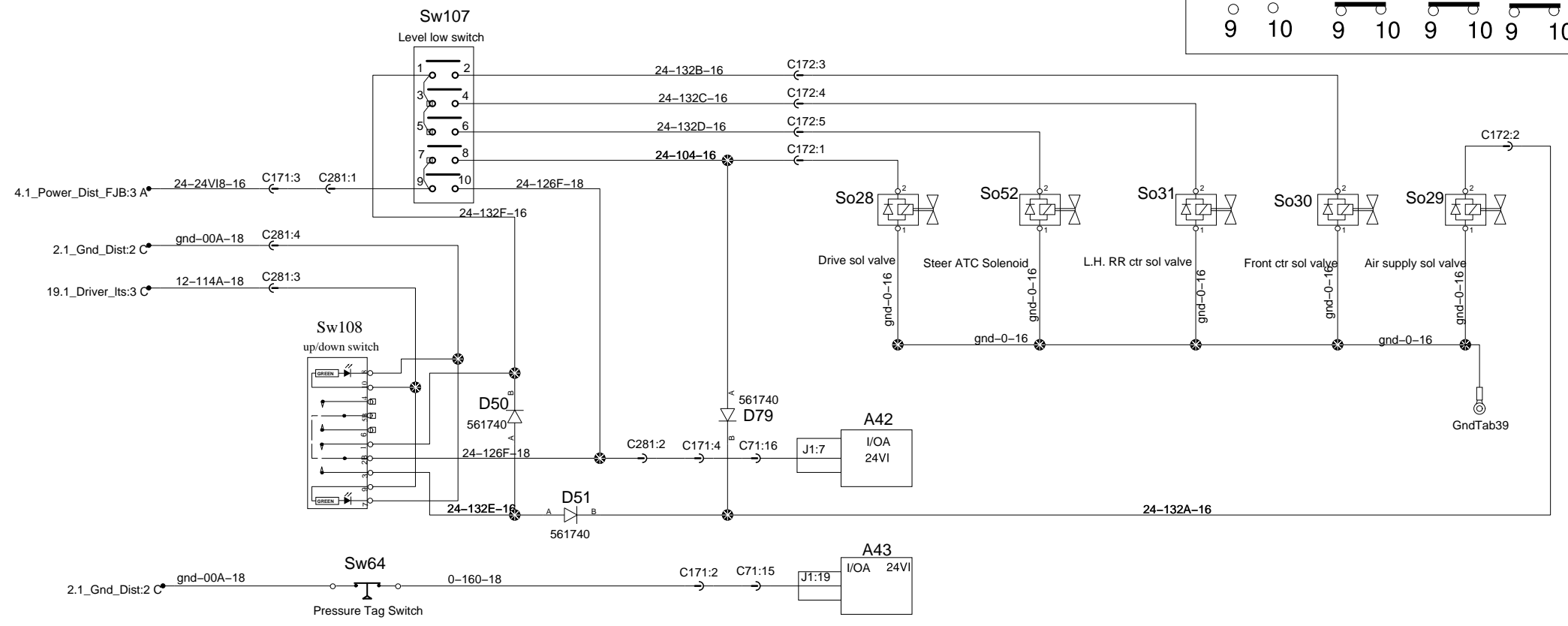
Ramco Mirror 2 Adjustment Switch and Heated



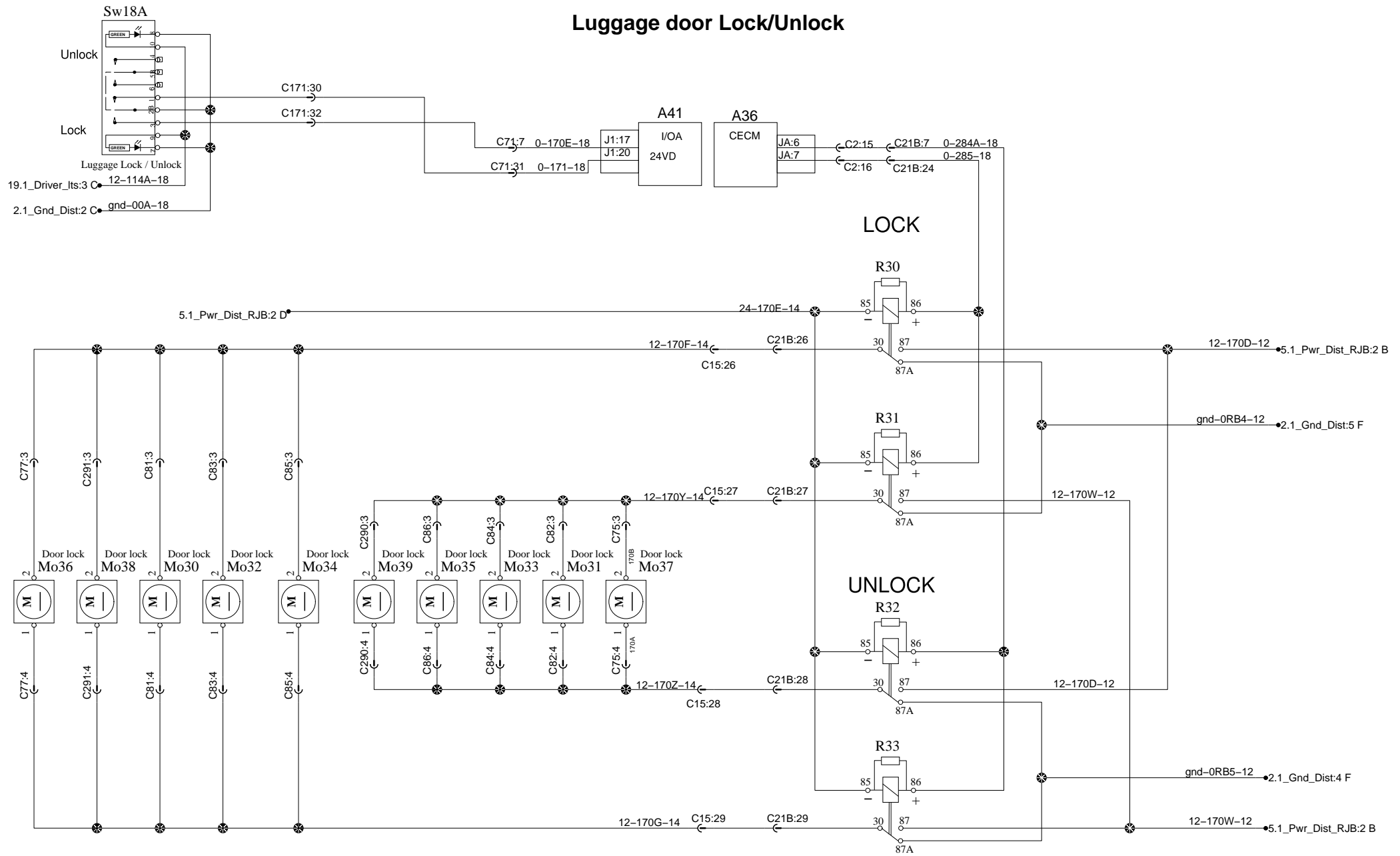
Tag and Level low

Drive Position	Front	Left Rear	Right Rear
1 2	1 2	1 2	1 2
3 4	3 4	3 4	3 4
5 6	5 6	5 6	5 6
7 8	7 8	7 8	7 8
9 10	9 10	9 10	9 10

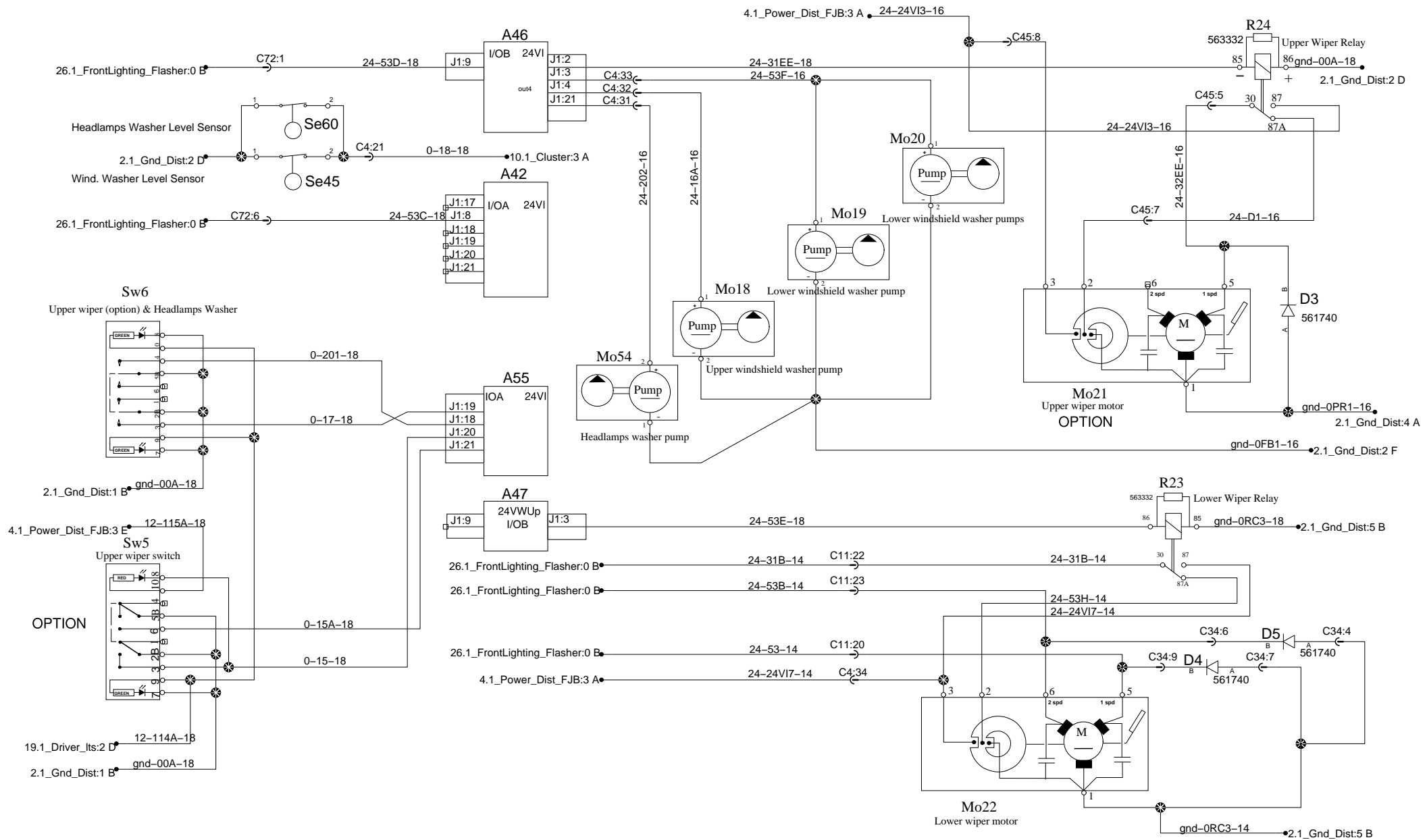
Level low control switch



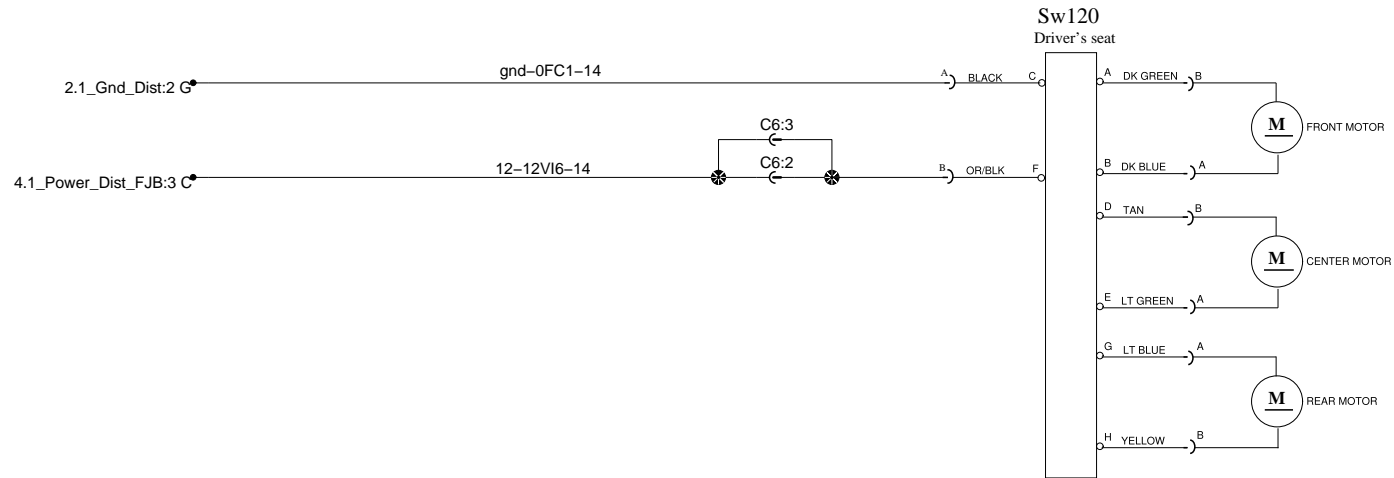
Luggage door Lock/Unlock



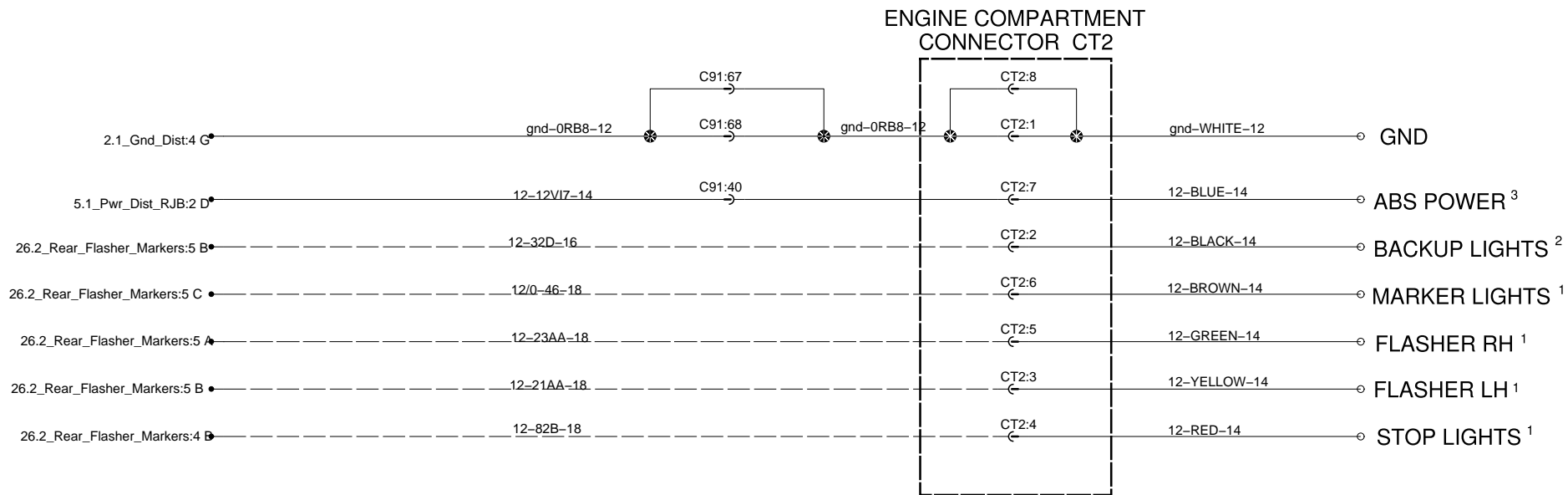
Wiper and washer



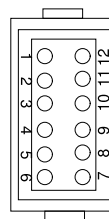
Driver seat



Trailer Package



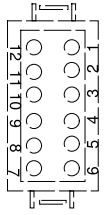
CT2



BACK OF CONNECTOR
PREVOST PART 563613
PIN TERMINALS 562481
SECONDARY LOCK 563654

NOTE 1:MAXIMUM CURRENT LOAD IS 8A .
NOTE 2 :MAXIMUM CURRENT LOAD IS 4A .
NOTE 3 :MAXIMUM CURRENT LOAD IS 10A .

CC1 (BLACK)

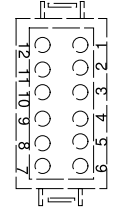


BACK OF CONNECTOR
PREVOST PART 563227
SOCKET TERMINALS 562482
SECONDARY LOCK 563228

Converter interface

Front junction box

CC2 (GREY)



BACK OF CONNECTOR
PREVOST PART 563226
SOCKET TERMINALS 562482
SECONDARY LOCK 563228

INPUTS

Retract slide out
Store roof antenna
House alternator fault
Awning windows opened

Close front bumper
Store side awning

Generator problem
Shore power cord

OUTPUTS

WAKE UP IGNITION
PARK BRAKE
NEUTRAL

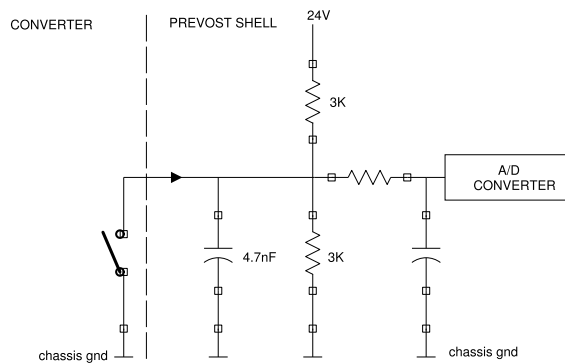
SLIDE OUT EXTENDING (rear)

IGNITION
ENGINE RUN
SLIDE OUT RETRACTING (rear)
SLIDE OUT RETRACTING (front)
SLIDE OUT EXTENDING (front)

TRANSMISSION SPEED

REVERSE GEAR
VEHICLE SPEED

TYPICAL CIRCUIT



INPUT SPECIFICATION

Active state (input contact closed):

Sourcing current : 8mA
Maximum allowed voltage drop across contact: 3V

Inactive state(input contact open):

Voltage on input:12V
Maximum allowed leakage current across contact: 3ma

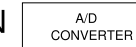
OUTPUT SPECIFICATION

Active state

Maximum current: 1A
Minimum output voltage: 22.5V

Inactive state

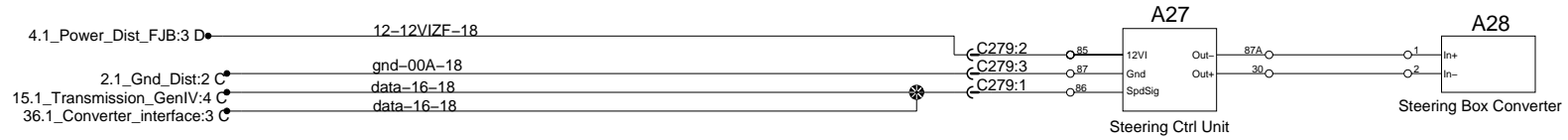
Open circuit voltage: 8V
Leakage current: 0.8ma



37.1_SteeringVariable_DiffLock:2 A data-16-18

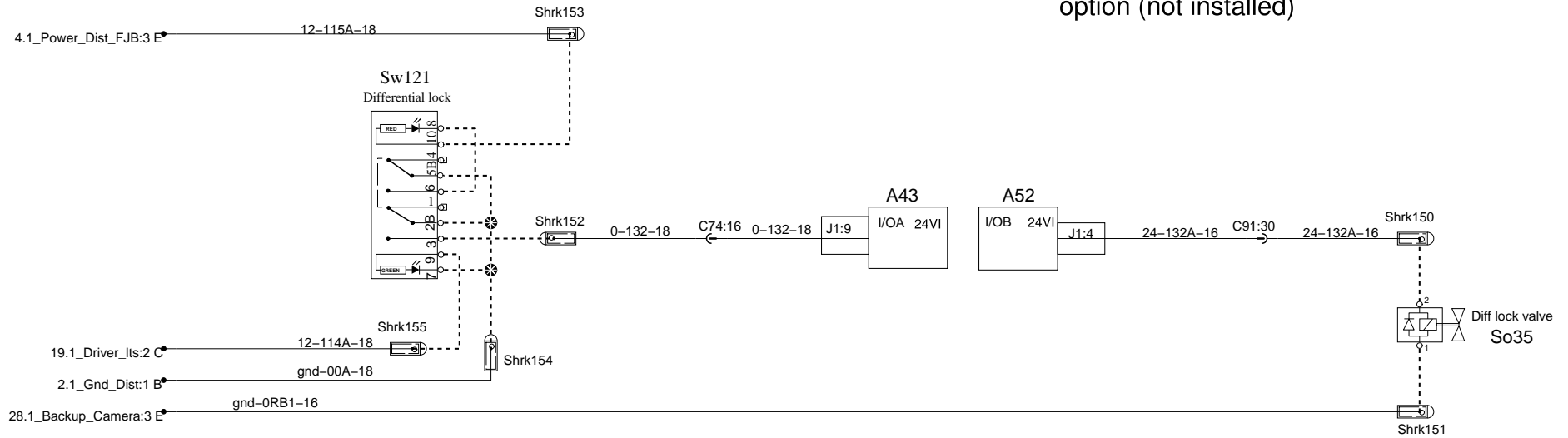
38.1_Steering_Multifunction:1 E 24-297-14
38.1_Steering_Multifunction:1 E 24-298-14

ZF Variable Steering Control

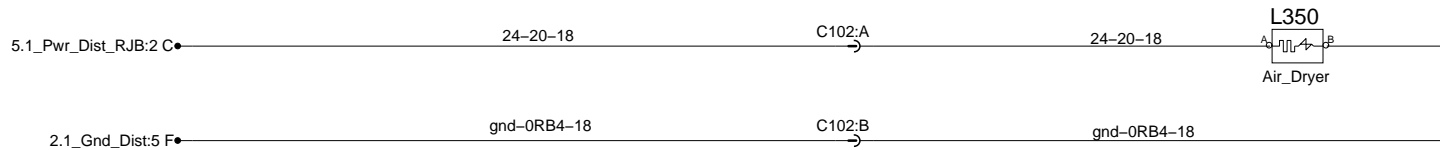


DIFFERENTIAL LOCK < 5 MPH

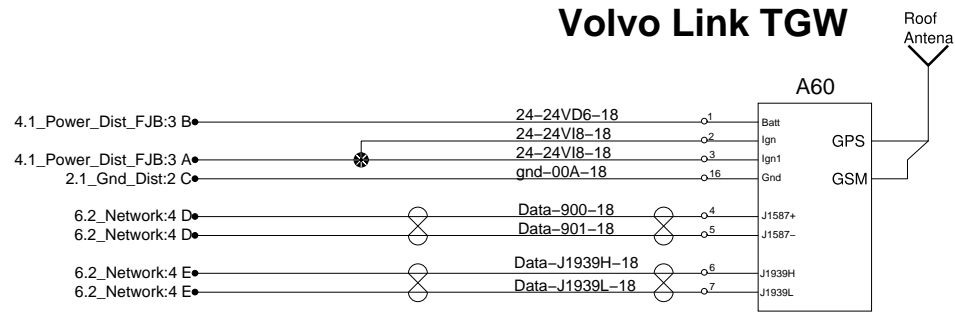
option (not installed)



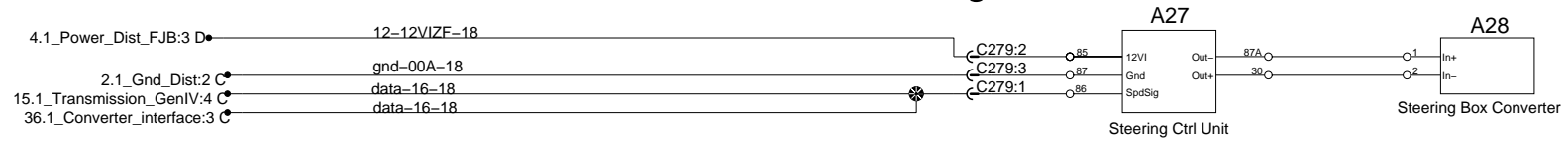
Electric Air Dryer



Volvo Link TGW

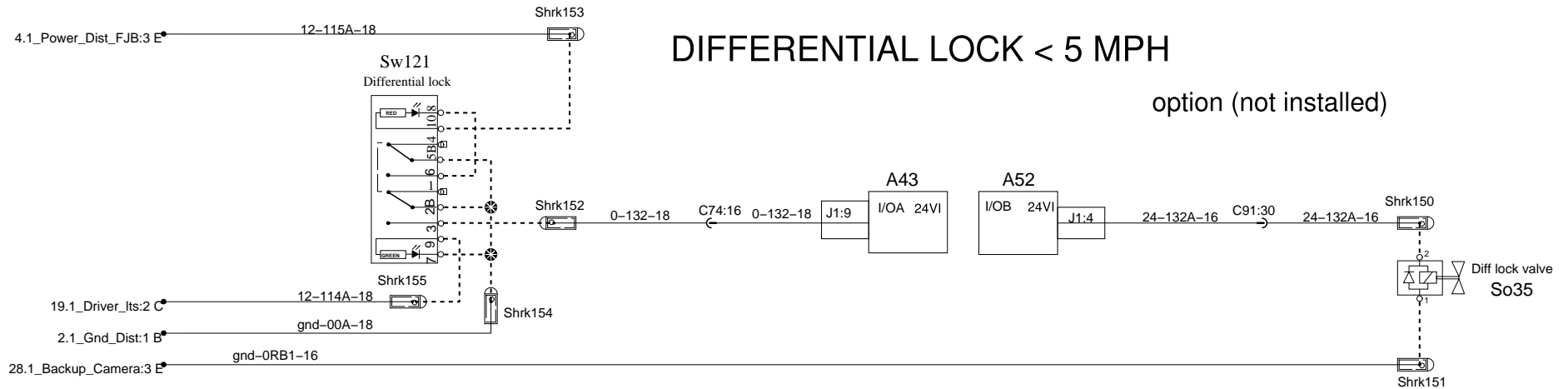


ZF Variable Steering Control

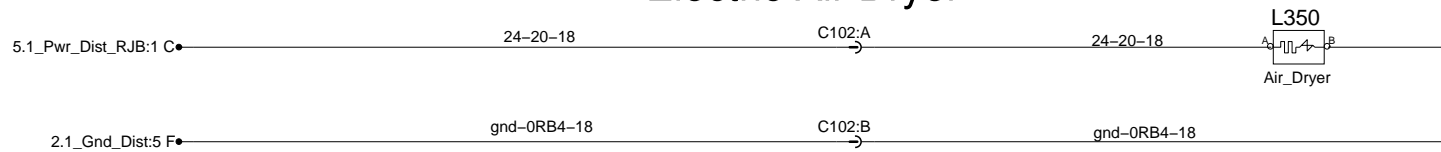


DIFFERENTIAL LOCK < 5 MPH

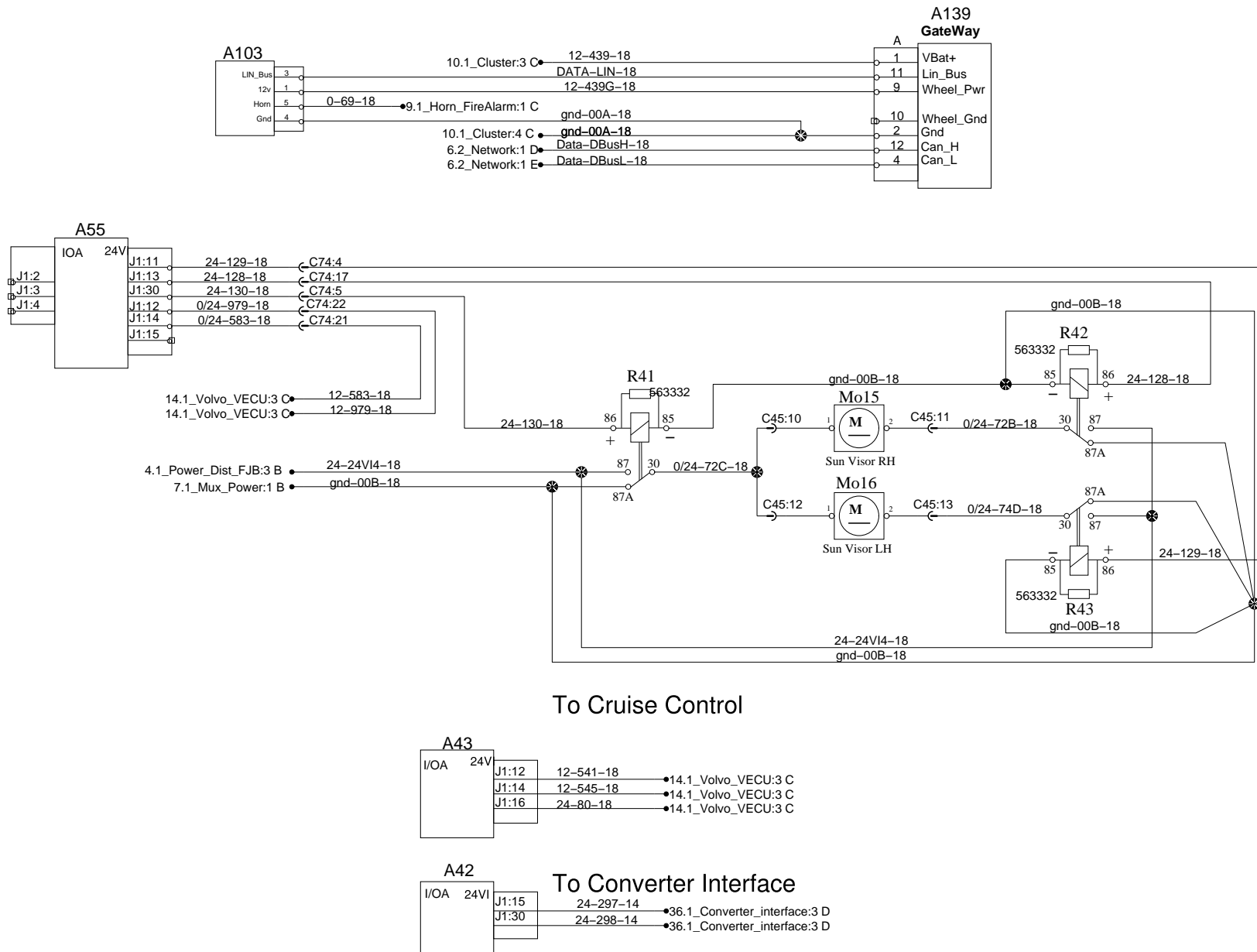
option (not installed)



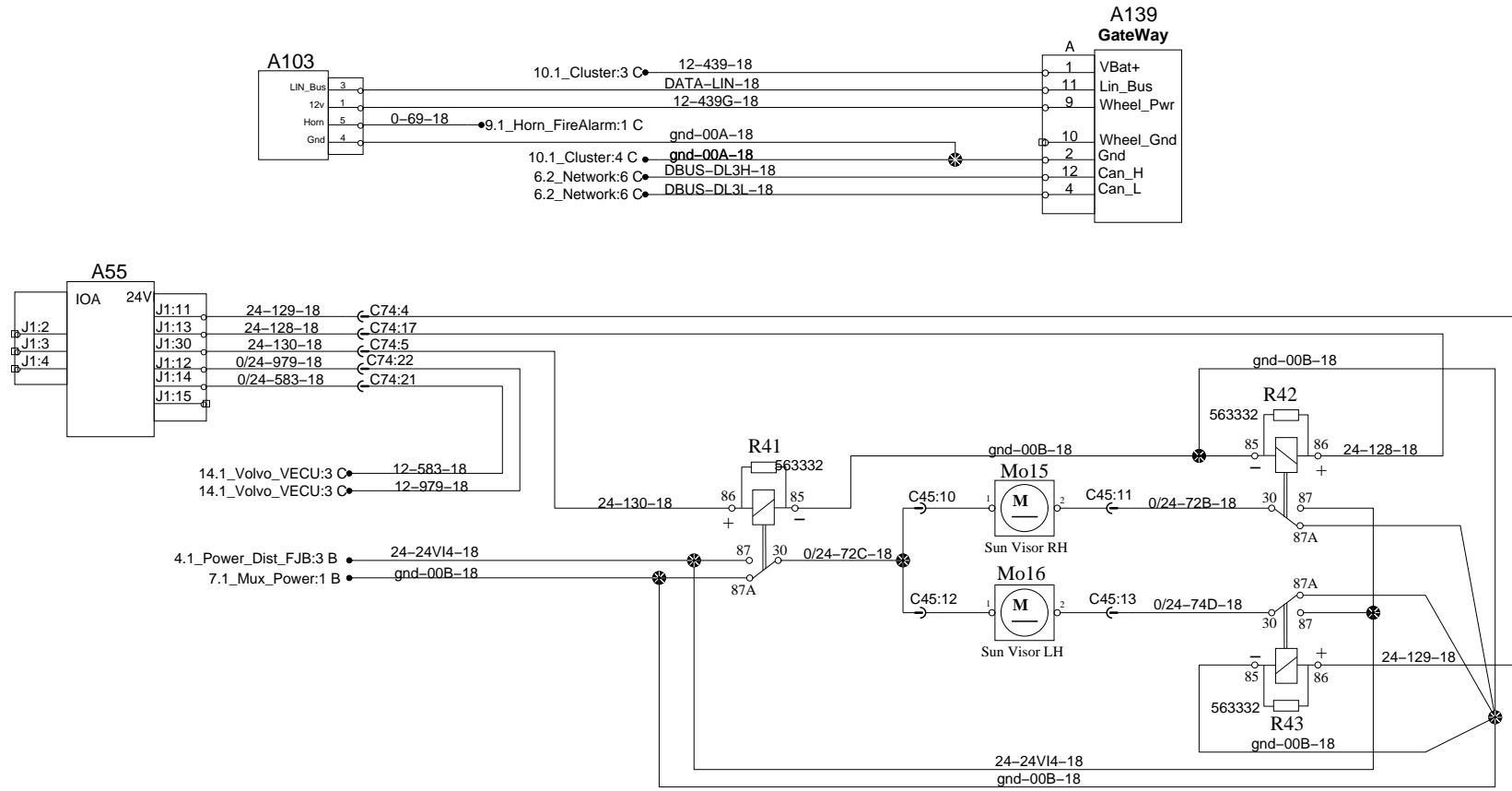
Electric Air Dryer



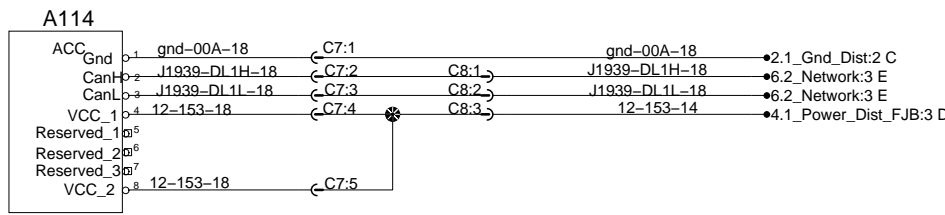
Steering Multifunctions & Sun Visor



Steering Multifunctions & Sun Visor



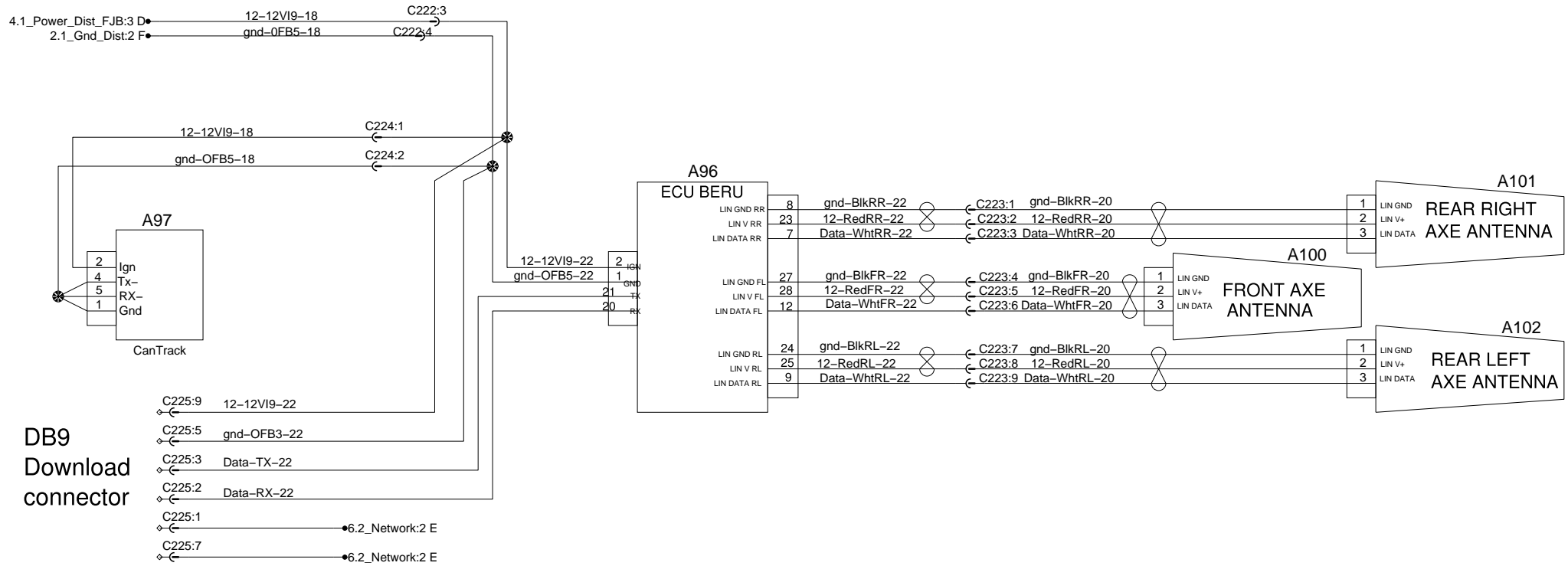
Adaptative Cruise Control Radar



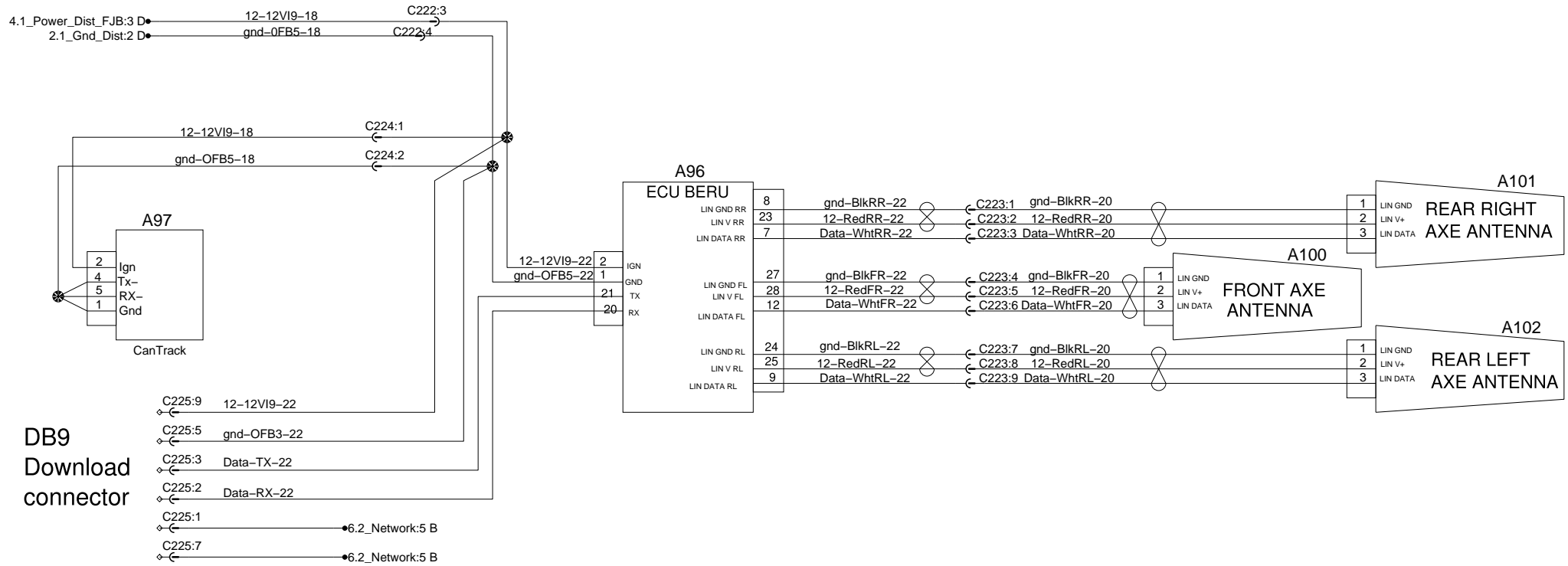
To Cruise Control

To Converter Interface

Tire Pressure Monitoring System



Tire Pressure Monitoring System



Automatic Fire Suppression System

