



XLII SHELL



| REV. | DATE | O.C. | EFF. | DESCRIPTION | PAGE(S) | BY | CK. | APPR. |
|------|------------|--|--------------------------------|---|---|--------------------------------------|------|-------|
| 0 | 2010-12-21 | 2010001 | | EFF:9971 | | E.O | C.L | C.L |
| 01 | 2011-02-01 | 2010089 | | REMOVE ENGINE LIGHT SWITCH ADD PROXIMITY SENSOR ON ENGINE DOOR | 0, 18.2, 25.1 | M.P. | C.L. | C.L. |
| 02 | 2011-02-21 | na | | move ground on gateway | 0, 32.1 | M.P. | C.L. | C.L. |
| 03 | 2011-07-19 | 2010039 2011015 2010119 | C-5087 C-5134 B-5050 | Relocate YAW sensor in Fr wheels Replace Power Relays 70 Amp Electrical Driver's Seat General Update | 16.2 0,A,C1,K,3.3 L, 2.1, 4.1, 30.3 G, 5.1,14.2 | E.L. | E.L. | C.L. |
| 04 | 2011-09-13 | 2011003 | C-5160 | Replace MasterID and CECM by MCM | 0,7.1 | S.D. | DG | DG |
| 05 | 2011-12-01 | 2011057 2011107 2011047 2011086 | C-5265 SAME SAME SAME | TGW Gnd & Pwr of ACM SEPARATE HARNESS FOR EVAP&COND Relocation AFSS TANK General Update | 11.1, 4.1, 6.2, 2.1, 16.1 3.1, 3.2, 3.3, 14.1, 14.5, 5.1 7.1, 6.1, 10.1, 18.2, 26.2 35.1 A, B1, B2, B3, C1, E, F, G, H, J, K, L | P.G. S.B. M.P. S.B. S.B. | C.L. | C.L. |
| 06 | 2012-03-22 | 2012020 | | 2012_R1 ESP STD, WIRES NETWORK | A, 5.1, 6.1, 8.1, 10.1, 20.1, 32.1, 33.1 13.1, 14.1, 14.2, 14.5, 15.1, 16.1, 0, C1, C3, E. | S.B | C.L | C.L |
| 07 | 2012-07-20 | 2012097 | | reverse Mo26 and modify luggage doors locks switches | 0, 24.1, 29.1 | M.P. | C.L. | C.L. |
| 08 | 2014-05-12 | NA | | Pages Update | 0,3.2 | S.B. | C.L. | C.L. |

WIRING DIAGRAM PAGES LIST

| Information pages | | C | | H | | S | |
|-------------------------------|------|-------------------------------|-----------|------------------------------------|-----------|-------------------------------|-----------|
| Multiplex output list | B1 | Charging System | 3.2 | Hazard | 26.1 | Service Brake Relay | 12.1 |
| Multiplex input list | B2 | Clearance lights rear & front | 26.1,26.2 | Head Lights | 26.1 | Slide out | 20.1 |
| Multiplex error messages list | B3 | Cluster | 10.1 | Horn | 9.1 | Spare Wires | 8.1 |
| Arrangement - Harness | C1 | Cornering Lights (Optional) | 26.3 | Hvac Defroster | 18.1 | Stop lights | 26.2 |
| Can Configuration | C3 | Cruise control | 14.1 | Hvac Passenger | 18.2 | Sun Visor | 30.1 |
| Glossary | D | Converter interface | 21.1 | Hvac Driver only | 18.3 | Steering Control ZF | 37.1 |
| Circuit Number Listing | E | | | | | Steering Wheel Control | 32.1 |
| Circuit Breaker code | F | D | | J | | | |
| Connectors code | G | Dash Lights | 19.1 | J1939 and 1587 Network | 6.2 | | |
| Diode Number Code | H | Differential lock | 23.1 | | | | |
| Resistors Number Code | J | Docking Lights | 26.3 | K | | | |
| Fuses Code | L | Driver's Light and Backlight | 19.1 | Keyless keypad | 29.1 | | |
| Relay Code | K | Driver's Power Window | 30.1 | | | T | |
| Multiplex Output List | B1 | Driver's seat | 17.1 | L | | Tag | 28.1 |
| Multiplex Input List | B2 | | | Level low | 28.1 | Tail and Licence Lights | 26.2 |
| Multiplex error Messages List | B3 | E | | Luggage compt lighting | 25.1 | Test Switch | 9.1 |
| | | Engine brake and Retarder | 12.1 | Luggage door Lock/Unlock | 24.2 | Transmission ECU | 15.1-15.2 |
| | | Engine compt lighting | 25.1 | Luggage door switches | 24.1 | Trailer Package | 26.4 |
| | | Engine Start | 3.2 | | | Tire Pressure Monitoring Sys. | 33.1 |
| A | | Engine ECM | 14.1 | M | | | |
| Abs | 16.1 | Engine Override | 14.1 | Main Distribution Ignition & Batt. | 3.1 | | |
| Abs-Esp | 16.2 | Entrance door | 29.1 | Main Distribution Wake-Up | 3.3 | U | |
| ACB | 16.2 | Ether Switch | 13.1 | Marker Lights | 26.1,26.2 | | |
| | | Engine bloc heater | 11.1 | Mirror Ramco | 22.1 | Urea ACM | 14.5 |
| | | Engine Volvo | 14.2 | Multiplexing Power | 7.1 | | |
| B | | | | Multiplexing Network | 6.1 | | |
| Back-up Camera | 28.1 | | | | | W | |
| Back-up lights and alarm | 26.3 | | | P | | Window Ajar &Awning | 27.1 |
| Battery and Equalizer | 1.1 | F | | Park Brake Sensor | 12.1 | Wiper & Washer | 31.1 |
| Battery Charger | 17.1 | Fast Idle | 14.1 | Trailer Brake Sensor | 12.1 | | |
| Brake Pedal Sensor | 12.1 | Fire Alarm | 9.1 | Power Distribution FJB | 4.1 | | |
| | | Flashers | 26.1,26.2 | Power Distribution RJB | 5.1 | | |
| | | Fog lights | 26.3 | Power Outlet | 30.1 | | |
| | | Fuel Sender | 10.1 | Prime Pump | 13.1 | | |
| | | Fuel Prime Pump | 13.1 | Prodriver | 11.1 | | |
| | | Fuel water Filter | 13.1 | Pneumatic Cut-Out Acc sol | 9.1 | | |
| | | | | | | | |
| | | G | | R | | | |
| | | Grounds | 2.1 | Radiator Fan Clutch | 13.1 | | |
| | | | | Rear junction box door fan | 11.1 | | |
| | | | | | | | |

WIRING DIAGRAM PAGES LIST

| Information pages | | C | | H | | S | |
|-------------------------------|------|-------------------------------|-----------|------------------------------------|-----------|-------------------------------|-----------|
| Multiplex output list | B1 | Charging System | 3.2 | Hazard | 26.1 | Service Brake Relay | 12.1 |
| Multiplex input list | B2 | Clearance lights rear & front | 26.1,26.2 | Head Lights | 26.1 | Slide out | 20.1 |
| Multiplex error messages list | B3 | Cluster | 10.1 | Horn | 9.1 | Spare Wires | 8.1 |
| Arrangement - Harness | C1 | Cornering Lights (Optional) | 26.3 | Hvac Defroster | 18.1 | Stop lights | 26.2 |
| Can Configuration | C3 | Cruise control | 14.1 | Hvac Passenger | 18.2 | Sun Visor | 30.1 |
| Glossary | D | Converter interface | 21.1 | Hvac Driver only | 18.3 | Steering Control ZF | 37.1 |
| Circuit Number Listing | E | | | | | Steering Wheel Control | 32.1 |
| Circuit Breaker code | F | D | | J | | | |
| Connectors code | G | Dash Lights | 19.1 | J1939 and 1587 Network | 6.2 | | |
| Diode Number Code | H | Differential lock | 23.1 | | | | |
| Resistors Number Code | J | Docking Lights | 26.3 | K | | | |
| Fuses Code | L | Driver's Light and Backlight | 19.1 | Keyless keypad | 29.1 | | |
| Relay Code | K | Driver's Window & Seat | 30.1,30.3 | | | T | |
| Multiplex Output List | B1 | Driver's seat | 17.1 | L | | Tag | 28.1 |
| Multiplex Input List | B2 | | | Level low | 28.1 | Tail and Licence Lights | 26.2 |
| Multiplex error Messages List | B3 | E | | Luggage compt lighting | 25.1 | Test Switch | 9.1 |
| | | Engine brake and Retarder | 12.1 | Luggage door Lock/Unlock | 24.2 | Transmission ECU | 15.1-15.2 |
| | | Engine compt lighting | 25.1 | Luggage door switches | 24.1 | Trailer Package | 26.4 |
| | | Engine Start | 3.2 | | | Tire Pressure Monitoring Sys. | 33.1 |
| A | | Engine ECM | 14.1 | M | | | |
| Abs | 16.1 | Engine Override | 14.1 | Main Distribution Ignition & Batt. | 3.1 | | |
| Abs-Esp | 16.2 | Entrance door | 29.1 | Main Distribution Wake-Up | 3.3 | U | |
| ACB | 16.2 | Ether Switch | 13.1 | Marker Lights | 26.1,26.2 | | |
| | | Engine bloc heater | 11.1 | Mirror Ramco | 22.1 | Urea ACM | 14.5 |
| | | Engine Volvo | 14.2 | Multiplexing Power | 7.1 | | |
| B | | | | Multiplexing Network | 6.1 | | |
| Back-up Camera | 28.1 | | | | | W | |
| Back-up lights and alarm | 26.3 | | | P | | Window Ajar &Awning | 27.1 |
| Battery and Equalizer | 1.1 | F | | Park Brake Sensor | 12.1 | Wiper & Washer | 31.1 |
| Battery Charger | 17.1 | Fast Idle | 14.1 | Trailer Brake Sensor | 12.1 | | |
| Brake Pedal Sensor | 12.1 | Fire Alarm | 9.1 | Power Distribution FJB | 4.1 | | |
| | | Flashers | 26.1,26.2 | Power Distribution RJB | 5.1 | | |
| | | Fog lights | 26.3 | Power Outlet | 30.1 | | |
| | | Fuel Sender | 10.1 | Prime Pump | 13.1 | | |
| | | Fuel Prime Pump | 13.1 | Prodriver | 11.1 | | |
| | | Fuel water Filter | 13.1 | Pneumatic Cut-Out Acc sol | 9.1 | | |
| | | | | | | | |
| | | G | | R | | | |
| | | Grounds | 2.1 | Radiator Fan Clutch | 13.1 | | |
| | | | | Rear junction box door fan | 11.1 | | |
| | | | | | | | |
| | | | | | | | |
| | | | | | | | |
| | | | | | | | |

WIRING DIAGRAM PAGES LIST

| Information pages | | C | | H | | S | |
|-------------------------------|------|-------------------------------|-----------|------------------------------------|-----------|-------------------------------|-----------|
| Multiplex output list | B1 | Charging System | 3.2 | Hazard | 26.1 | Service Brake Relay | 12.1 |
| Multiplex input list | B2 | Clearance lights rear & front | 26.1,26.2 | Head Lights | 26.1 | Slide out | 20.1 |
| Multiplex error messages list | B3 | Cluster | 10.1 | Horn | 9.1 | Spare Wires | 8.1 |
| Arrangement - Harness | C1 | Cornering Lights (Optional) | 26.3 | Hvac Defroster | 18.1 | Stop lights | 26.2 |
| Can Configuration | C3 | Cruise control | 14.1 | Hvac Passenger | 18.2 | Sun Visor | 32.1 |
| Glossary | D | Converter interface | 21.1 | Hvac Driver only | 18.3 | Steering Control ZF | 37.1 |
| Circuit Number Listing | E | | | | | Steering Wheel Control | 32.1 |
| Circuit Breaker code | F | D | | J | | | |
| Connectors code | G | Dash Lights | 19.1 | J1939 and 1587 Network | 6.2 | | |
| Diode Number Code | H | Differential lock | 23.1 | | | | |
| Resistors Number Code | J | Docking Lights | 26.3 | K | | | |
| Fuses Code | L | Driver's Light and Backlight | 19.1 | Keyless keypad | 29.1 | | |
| Relay Code | K | Driver's Window & Seat | 30.1,30.3 | | | T | |
| Multiplex Output List | B1 | Driver's seat | 17.1 | L | | Tag | 28.1 |
| Multiplex Input List | B2 | | | Level low | 28.1 | Tail and Licence Lights | 26.2 |
| Multiplex error Messages List | B3 | E | | Luggage compt lighting | 25.1 | Test Switch | 9.1 |
| | | Engine brake and Retarder | 12.1 | Luggage door Lock/Unlock | 24.2 | Transmission ECU | 15.1-15.2 |
| | | Engine compt lighting | 25.1 | Luggage door switches | 24.1 | Trailer Package | 26.4 |
| | | Engine Start | 3.2 | | | Tire Pressure Monitoring Sys. | 33.1 |
| A | | Engine ECM | 14.1 | M | | | |
| Abs | 16.1 | Engine Override | 14.1 | Main Distribution Ignition & Batt. | 3.1 | | |
| Abs-Esp | 16.2 | Entrance door | 29.1 | Main Distribution Wake-Up | 3.3 | U | |
| ACB | 16.2 | Ether Switch | 13.1 | Marker Lights | 26.1,26.2 | | |
| | | Engine bloc heater | 11.1 | Mirror Ramco | 22.1 | Urea ACM | 14.5 |
| | | Engine Volvo | 14.2 | Multiplexing Power | 7.1 | | |
| B | | | | Multiplexing Network | 6.1 | | |
| Back-up Camera | 28.1 | | | | | W | |
| Back-up lights and alarm | 26.3 | | | P | | Window Ajar &Awning | 27.1 |
| Battery and Equalizer | 1.1 | F | | Park Brake Sensor | 12.1 | Wiper & Washer | 31.1 |
| Battery Charger | 17.1 | Fast Idle | 14.1 | Trailer Brake Sensor | 12.1 | | |
| Brake Pedal Sensor | 12.1 | Fire Alarm | 9.1 | Power Distribution FJB | 4.1 | | |
| | | Flashers | 26.1,26.2 | Power Distribution RJB | 5.1 | | |
| | | Fog lights | 26.3 | Power Outlet | 30.1 | | |
| | | Fuel Sender | 10.1 | Prime Pump | 13.1 | | |
| | | Fuel Prime Pump | 13.1 | Prodriver | 11.1 | | |
| | | Fuel water Filter | 13.1 | Pneumatic Cut-Out Acc sol | 9.1 | | |
| | | | | | | | |
| | | G | | R | | | |
| | | Grounds | 2.1 | Radiator Fan Clutch | 13.1 | | |
| | | | | Rear junction box door fan | 11.1 | | |
| | | | | | | | |
| | | | | | | | |

WIRING DIAGRAM PAGES LIST

| Information pages | | C | | H | | S | |
|-------------------------------|------|-------------------------------|-----------|------------------------------------|-----------|-------------------------------|-----------|
| Multiplex output list | B1 | Charging System | 3.2 | Hazard | 26.1 | Service Brake Relay | 12.1 |
| Multiplex input list | B2 | Clearance lights rear & front | 26.1,26.2 | Head Lights | 26.1 | Slide out | 20.1 |
| Multiplex error messages list | B3 | Cluster | 10.1 | Horn | 9.1 | Spare Wires | 8.1 |
| Arrangement - Harness | C1 | Cornering Lights (Optional) | 26.3 | Hvac Defroster | 18.1 | Stop lights | 26.2 |
| Can Configuration | C3 | Cruise control | 14.1 | Hvac Passenger | 18.2 | Sun Visor | 32.1 |
| Glossary | D | Converter interface | 21.1 | Hvac Driver only | 18.3 | Steering Control ZF | 37.1 |
| Circuit Number Listing | E | | | | | Steering Wheel Control | 32.1 |
| Circuit Breaker code | F | D | | J | | | |
| Connectors code | G | Dash Lights | 19.1 | J1939 and 1587 Network | 6.2 | | |
| Diode Number Code | H | Differential lock | 23.1 | | | | |
| Resistors Number Code | J | Docking Lights | 26.3 | K | | | |
| Fuses Code | L | Driver's Light and Backlight | 19.1 | Keyless keypad | 29.1 | | |
| Relay Code | K | Driver's Window & Seat | 30.1,30.3 | | | T | |
| Multiplex Output List | B1 | Driver's seat | 17.1 | L | | Tag | 28.1 |
| Multiplex Input List | B2 | | | Level low | 28.1 | Tail and Licence Lights | 26.2 |
| Multiplex error Messages List | B3 | E | | Luggage compt lighting | 25.1 | Test Switch | 9.1 |
| | | Engine brake and Retarder | 12.1 | Luggage door Lock/Unlock | 24.2 | Transmission ECU | 15.1-15.2 |
| | | Engine compt lighting | 25.1 | Luggage door switches | 24.1 | Trailer Package | 26.4 |
| | | Engine Start | 3.2 | | | Tire Pressure Monitoring Sys. | 33.1 |
| A | | Engine ECM | 14.1 | M | | | |
| Adaptive Cruise Control | 32.1 | Engine Override | 14.1 | Main Distribution Ignition & Batt. | 3.1 | | |
| | | Entrance door | 29.1 | Main Distribution Wake-Up | 3.3 | U | |
| | | Ether Switch | 13.1 | Marker Lights | 26.1,26.2 | | |
| | | Engine bloc heater | 11.1 | Mirror Ramco | 22.1 | Urea ACM | 14.5 |
| | | Engine Volvo | 14.2 | Multiplexing Power | 7.1 | | |
| B | | ESP | 16.1 | Multiplexing Network | 6.1 | | |
| Back-up Camera | 28.1 | | | | | W | |
| Back-up lights and alarm | 26.3 | | | P | | Window Ajar &Awning | 27.1 |
| Battery and Equalizer | 1.1 | F | | Park Brake Sensor | 12.1 | Wiper & Washer | 31.1 |
| Battery Charger | 17.1 | Fast Idle | 14.1 | Trailer Brake Sensor | 12.1 | | |
| Brake Pedal Sensor | 12.1 | Fire Alarm | 9.1 | Power Distribution FJB | 4.1 | | |
| | | Flashers | 26.1,26.2 | Power Distribution RJB | 5.1 | | |
| | | Fog lights | 26.3 | Power Outlet | 30.1 | | |
| | | Fuel Sender | 10.1 | Prime Pump | 13.1 | | |
| | | Fuel Prime Pump | 13.1 | Prodriver | 11.1 | | |
| | | Fuel water Filter | 13.1 | Pneumatic Cut-Out Acc sol | 9.1 | | |
| | | Fuel Filter Preheater | 13.1 | | | | |
| | | G | | R | | | |
| | | Grounds | 2.1 | Radiator Fan Clutch | 13.1 | | |
| | | | | Rear junction box door fan | 11.1 | | |
| | | | | | | | |
| | | | | | | | |

MULTIPLEX OUTPUT LIST

O_xx... = Physical Output Pin ; I_xx... = Physical Input Pin ; D_xx... = CAN Network Signal from the HVAC control Head ; B_xx... = Multiplex system global Network Variable

| Module.Pin# | Signal name | | Page | Connected devices | Input involved | | |
|-------------|------------------|-------------------------------|------|-------------------|------------------|-----------|------|
| . | O_AcCluSol | | | | B_TstModHvac | . | |
| | | | | | B_TstModSAC | . | |
| A36.JA:13 | O_EngineRun | Engine Run Signal | 3.2 | A15:6 | B_EngineRun | . | |
| | | | | | D_OnOffDrvSw | . | |
| | | | | | I_AccKeySw | A36.JB:6 | 3.2 |
| | | | | | I_BatMonMod53 | A53.J1:24 | 6.1 |
| | | | | | I_BatMonMod54 | A54.J1:24 | 6.1 |
| | | | | | I_FrStrtEnSw | A53.J1:9 | 3.2 |
| | | | | | I_IgnKeySw | A36.JB:2 | 3.2 |
| | | | | | I_RrStrtEnSw | A53.J1:10 | 3.2 |
| A36.JA:14 | O_MasterRlyLatch | | 10.1 | A14A.A:4 | B_EngineRun | . | |
| | | | | | I_IgnKeySw | A36.JB:2 | 3.2 |
| | | | | | I_RrCutOutSw | A36.JB:21 | 3.2 |
| A36.JA:15 | O_WakeUp | WakeUp Relay | 3.3 | | I_AccKeySw | A36.JB:6 | 3.2 |
| | | | | | I_EntDrUnlockSw | A41.J1:8 | |
| | | | | | I_FrStrtEnSw | A53.J1:9 | 3.2 |
| | | | | | I_HazardSw | A36.JB:4 | 26.1 |
| | | | | | I_IgnKeySw | A36.JB:2 | 3.2 |
| | | | | | I_RrCutOutSw | A36.JB:21 | 3.2 |
| | | | | | I_RrStrtEnSw | A53.J1:10 | 3.2 |
| | | | | | I_WakeUp | A36.JB:5 | 38.1 |
| A36.JA:24 | O_CutOutRel | Emergency CutOut Relay | 3.2 | R21:- | I_FireExt2ndAlm | A44.J1:10 | 38.1 |
| | | | | | I_IgnKeySw | A36.JB:2 | 3.2 |
| A36.JA:6 | O_DrUnlockRly | Luggages doors unlocks relays | | | I_KeylessLuggUnl | A41.J1:18 | |
| | | | | | I_LugDorULkSw | A41.J1:20 | 18.2 |
| A36.JA:7 | O_DrLockRly | Luggages doors locks relays | | | I_AccKeySw | A36.JB:6 | 3.2 |
| | | | | | I_EntDrUnlockSw | A41.J1:8 | |
| | | | | | I_FrStrtEnSw | A53.J1:9 | 3.2 |
| | | | | | I_HazardSw | A36.JB:4 | 26.1 |
| | | | | | I_IgnKeySw | A36.JB:2 | 3.2 |
| | | | | | I_KeylessLockAll | A41.J1:19 | |
| | | | | | I_LugDorLkSw | A41.J1:17 | 18.1 |
| | | | | | I_RrCutOutSw | A36.JB:21 | 3.2 |
| | | | | | I_RrStrtEnSw | A53.J1:10 | 3.2 |
| | | | | | I_WakeUp | A36.JB:5 | 38.1 |
| A41.J1:11 | O_ConvWakeUp | Converter wake up signal | 32.1 | So20:2 | I_AccKeySw | A36.JB:6 | 3.2 |
| | | | | | I_EntDrUnlockSw | A41.J1:8 | |
| | | | | | I_FrStrtEnSw | A53.J1:9 | 3.2 |
| | | | | | I_HazardSw | A36.JB:4 | 26.1 |
| | | | | | I_IgnKeySw | A36.JB:2 | 3.2 |
| | | | | | I_RrCutOutSw | A36.JB:21 | 3.2 |
| | | | | | I_RrStrtEnSw | A53.J1:10 | 3.2 |
| | | | | | I_WakeUp | A36.JB:5 | 38.1 |

MULTIPLEX OUTPUT LIST

O_xx... = Physical Output Pin ; I_xx... = Physical Input Pin ; D_xx... = CAN Network Signal from the HVAC control Head ; B_xx.. = Multiplex system global Network Variable

| Module.Pin# | Signal name | | Page | Connected devices | Input involved | | |
|-------------|-----------------|-----------------------------|------|-------------------|------------------|-----------|------|
| A41.J1:12 | O_ConvrNeutral | Converter neutral signal | | | I_NeutralSe | A50.J1:11 | 3.2 |
| A41.J1:13 | O_EntDorUpperPe | Entrance Door Upper Pen | 11.1 | L143:1 | I_ParkBrSe | A36.JB:9 | 12.1 |
| A41.J1:15 | O_ConvParkBrk | Converter park brake signal | 32.1 | So15:2 | I_ParkBrSe | A36.JB:9 | 12.1 |
| A41.J1:16 | O_WakeUpA41 | | 32.1 | So14:1 | I_AccKeySw | A36.JB:6 | 3.2 |
| | | | | | I_DrvLtSw | A41.J1:2 | |
| | | | | | I_EntDorLockSw | A41.J1:9 | |
| | | | | | I_EntDorOpSe | A41.J1:5 | |
| | | | | | I_EntDrUnlockSw | A41.J1:8 | |
| | | | | | I_FireSensorA36 | A41.J1:10 | 22.1 |
| | | | | | I_FrStrtEnSw | A53.J1:9 | 3.2 |
| | | | | | I_HazardSw | A36.JB:4 | 26.1 |
| | | | | | I_HornSw | A41.J1:3 | 23.1 |
| | | | | | I_IgnKeySw | A36.JB:2 | 3.2 |
| | | | | | I_KeylessDrUnl | A41.J1:4 | 24.1 |
| | | | | | I_KeylessEntReq | A41.J1:21 | |
| | | | | | I_KeylessIntru | A41.J1:7 | 32.1 |
| | | | | | I_KeylessLockAll | A41.J1:19 | |
| | | | | | I_KeylessLuggUnl | A41.J1:18 | |
| | | | | | I_LugDorLkSw | A41.J1:17 | 18.1 |
| | | | | | I_LugDorULkSw | A41.J1:20 | 18.2 |
| | | | | | I_RrCutOutSw | A36.JB:21 | 3.2 |
| | | | | | I_RrStrtEnSw | A53.J1:10 | 3.2 |
| | | | | | I_WakeUp | A36.JB:5 | 38.1 |
| A42.J1:11 | O_ConvIgnition | Converter ignition signal | 11.1 | L2:1 | I_IgnKeySw | A36.JB:2 | 3.2 |
| A42.J1:12 | O_ConvEngRun | Converter engine run signal | 32.1 | | B_EngineRun | . | |
| A42.J1:13 | O_SldO2MotIn | Rear Slide Out retracting | 33.1 | So19:2 | I_BatMonMod57 | A57.J1:24 | |
| | | | | | I_SldO1VacPrSe | A56.J1:13 | |
| | | | | | I_SldO2CloseSw | A57.J1:10 | |
| | | | | | I_SldO2LimiOutSw | A57.J1:14 | |
| | | | | | I_SldO2LimitInSe | A57.J1:11 | |
| | | | | | I_SldO2OpenSw | A57.J1:9 | |
| | | | | | I_SldO2PBrakeSw | A57.J1:12 | |
| A42.J1:14 | O_SldO1MotIn | Front Slide Out retracting | 32.1 | L188:1 | I_BatMonMod56 | A56.J1:24 | |
| | | | | | I_SldO1CloseSw | A56.J1:10 | |
| | | | | | I_SldO1LimiOutSw | A56.J1:14 | |
| | | | | | I_SldO1LimitInSe | A56.J1:11 | |
| | | | | | I_SldO1OpenSw | A56.J1:9 | |
| | | | | | I_SldO1PBrakeSw | A56.J1:12 | |
| | | | | | I_SldO1VacPrSe | A56.J1:13 | |
| A42.J1:16 | O_SldO1MotOut | Front Slide Out extending | 33.1 | So18:2 | I_BatMonMod56 | A56.J1:24 | |
| | | | | | I_SldO1CloseSw | A56.J1:10 | |
| | | | | | I_SldO1LimiOutSw | A56.J1:14 | |
| | | | | | I_SldO1LimitInSe | A56.J1:11 | |

MULTIPLEX OUTPUT LIST

O_xx... = Physical Output Pin ; I_xx... = Physical Input Pin ; D_xx... = CAN Network Signal from the HVAC control Head ; B_xx.. = Multiplex system global Network Variable

| Module.Pin# | Signal name | | Page | Connected devices | Input involved | | |
|-------------|------------------|-------------------------------|------|-------------------|------------------|-----------|------|
| A42.J1:16 | O_SldO1MotOut | Front Slide Out extending | 33.1 | So18:2 | I_SldO1OpenSw | A56.J1:9 | |
| | | | | | I_SldO1PBrakeSw | A56.J1:12 | |
| | | | | | I_SldO1VacPrSe | A56.J1:13 | |
| A43.J1:11 | O_SldO2MotOut | Rear Slide Out extending | 29.1 | | I_BatMonMod57 | A57.J1:24 | |
| | | | | | I_SldO1VacPrSe | A56.J1:13 | |
| | | | | | I_SldO2CloseSw | A57.J1:10 | |
| | | | | | I_SldO2LimiOutSw | A57.J1:14 | |
| | | | | | I_SldO2LimitInSe | A57.J1:11 | |
| | | | | | I_SldO2OpenSw | A57.J1:9 | |
| | | | | | I_SldO2PBrakeSw | A57.J1:12 | |
| A44.J1:1 | O_DashTrapPMo | Dash Trap Motor | 18.1 | Mo3:1 | D_AirFlapBit0 | . | |
| | | | | | D_AirFlapBit1 | . | |
| | | | | | D_AirFlapBit2 | . | |
| | | | | | I_IgnKeySw | A36.JB:2 | 3.2 |
| A44.J1:2 | O_DashTrapNMo | Dash Trap Motor Return | 18.1 | Mo3:3 | D_AirFlapBit0 | . | |
| | | | | | D_AirFlapBit1 | . | |
| | | | | | D_AirFlapBit2 | . | |
| | | | | | I_IgnKeySw | A36.JB:2 | 3.2 |
| A44.J1:20 | O_DashBackLit | Dash BackLighting | 28.1 | | I_HdLtPos1Sw | A43.J1:4 | 26.1 |
| A44.J1:21 | O_CrankSignVecu | Crank Signal for Vecu Volvo | | | B_BatterySaver | . | |
| | | | | | B_EngineRun | . | |
| | | | | | B_TestMode | . | |
| | | | | | B_TstModHvac | . | |
| | | | | | B_TstModSAC | . | |
| | | | | | I_AccKeySw | A36.JB:6 | 3.2 |
| | | | | | I_EntDrUnlockSw | A41.J1:8 | |
| | | | | | I_FrStrtEnSw | A53.J1:9 | 3.2 |
| | | | | | I_HazardSw | A36.JB:4 | 26.1 |
| | | | | | I_IgnKeySw | A36.JB:2 | 3.2 |
| | | | | | I_KeylessDrUnl | A41.J1:4 | 24.1 |
| | | | | | I_KeylessIntru | A41.J1:7 | 32.1 |
| | | | | | I_NeutralSe | A50.J1:11 | 3.2 |
| | | | | | I_RrCutOutSw | A36.JB:21 | 3.2 |
| | | | | | I_RrStrtEnSw | A53.J1:10 | 3.2 |
| | | | | | I_StartLockOut | A53.J1:12 | 36.1 |
| | | | | | I_WakeUp | A36.JB:5 | 38.1 |
| A44.J1:4 | O_BrakeRedundant | Brake Redundant For Volvo D13 | 26.3 | L95B:1 | I_BrkLtSeFrSig | A36.JB:13 | 12.1 |
| | | | | | I_BrkLtSeRrSig | A51.J1:10 | 12.1 |
| A44.J1:6 | O_KeylessPwr | | 15.3 | | I_IgnKeySw | A36.JB:2 | 3.2 |
| | | | | | I_LugDorLkSw | A41.J1:17 | 18.1 |
| A44.J1:7 | O_BackUpMon | Backup Monitor Signal | 19.1 | Pot1.C:1 | I_BackUpCamSw | A42.J1:6 | 36.1 |
| A44.J1:8 | O_FrClearLb | Front Clearance Lights Bulb | 26.1 | | B_BatterySaver | . | |
| | | | | | B_TstModExtLight | . | |

MULTIPLEX OUTPUT LIST

O_xx... = Physical Output Pin ; I_xx... = Physical Input Pin ; D_xx... = CAN Network Signal from the HVAC control Head ; B_xx.. = Multiplex system global Network Variable

| Module.Pin# | Signal name | | Page | Connected devices | Input involved | | |
|--------------|---------------|------------------------------------|------|-------------------|------------------|-----------|------|
| A44.J1:8 | O_FrClearLb | Front Clearance Lights Bulb | 26.1 | | I_BlinkSw | A43.J1:20 | |
| | | | | | I_FogLightSw | A43.J1:10 | |
| | | | | | I_HdLtPos1Sw | A43.J1:4 | 26.1 |
| | | | | | I_HdLtPos2SwLH | A45.J1:12 | 26.1 |
| A45.J1:1 | O_FootTrpPSol | Foot Trap Solenoid | 18.1 | Mo4:A | D_AirFlapBit0 | . | |
| | | | | | D_AirFlapBit1 | . | |
| | | | | | D_AirFlapBit2 | . | |
| | | | | | I_IgnKeySw | A36.JB:2 | 3.2 |
| A45.J1:2 | O_FootTrpNSol | Foot Trap Solenoid | 18.1 | Mo4:B | D_AirFlapBit0 | . | |
| | | | | | D_AirFlapBit1 | . | |
| | | | | | D_AirFlapBit2 | . | |
| | | | | | I_IgnKeySw | A36.JB:2 | 3.2 |
| A45.J1:20 | O_HornSol | Electric Horn | 9.1 | | I_AccKeySw | A36.JB:6 | 3.2 |
| | | | | | I_EntDrUnlockSw | A41.J1:8 | |
| | | | | | I_FireExt1stAl | A36.JB:23 | 38.1 |
| | | | | | I_FireExt2ndAlm | A44.J1:10 | 38.1 |
| | | | | | I_FireSensorA36 | A41.J1:10 | 22.1 |
| | | | | | I_FrStrtEnSw | A53.J1:9 | 3.2 |
| | | | | | I_HazardSw | A36.JB:4 | 26.1 |
| | | | | | I_HornSw | A41.J1:3 | 23.1 |
| | | | | | I_IgnKeySw | A36.JB:2 | 3.2 |
| | | | | | I_KeylessDrUnl | A41.J1:4 | 24.1 |
| | | | | | I_KeylessIntru | A41.J1:7 | 32.1 |
| | | | | | I_KeylessLockAll | A41.J1:19 | |
| | | | | | I_KeylessLuggUnl | A41.J1:18 | |
| | | | | | I_KeylessPanic | A41.J1:6 | 32.1 |
| | | | | | I_LugDorLkSw | A41.J1:17 | 18.1 |
| | | | | | I_RrCutOutSw | A36.JB:21 | 3.2 |
| I_RrStrtEnSw | A53.J1:10 | 3.2 | | | | | |
| I_WakeUp | A36.JB:5 | 38.1 | | | | | |
| A45.J1:21 | O_LHFrMkrLb | Left Hand Front Markers Light Bulb | 26.1 | | B_BatterySaver | . | |
| | | | | | B_TstModExtLight | . | |
| | | | | | I_BlinkSw | A43.J1:20 | |
| | | | | | I_FogLightSw | A43.J1:10 | |
| | | | | | I_HdLtPos1Sw | A43.J1:4 | 26.1 |
| | | | | | I_HdLtPos2SwLH | A45.J1:12 | 26.1 |
| | | | | | I_IgnKeySw | A36.JB:2 | 3.2 |
| | | | | | I_KeylessIntru | A41.J1:7 | 32.1 |
| | | | | | I_KeylessPanic | A41.J1:6 | 32.1 |
| | | | | | I_KeylessPanic | A41.J1:6 | 32.1 |
| A45.J1:3 | O_LHFrlshLb | Left Hand Front Flasher Light Bulb | 26.1 | | B_BatterySaver | . | |
| | | | | | B_TstModExtLight | . | |
| | | | | | I_LHFrlshSw | A45.J1:9 | 26.1 |
| | | | | | I_LHFrlshSwRrSig | A51.J1:9 | 26.2 |

MULTIPLEX OUTPUT LIST

O_xx... = Physical Output Pin ; I_xx... = Physical Input Pin ; D_xx... = CAN Network Signal from the HVAC control Head ; B_xx... = Multiplex system global Network Variable

| Module.Pin# | Signal name | | Page | Connected devices | Input involved | | |
|-------------|----------------|------------------------------------|------|-------------------|------------------|-----------|------|
| A45.J1:3 | O_LHFrFlshLb | Left Hand Front Flasher Light Bulb | 26.1 | | I_RHFlshSwRrSig | A51.J1:12 | 26.2 |
| A45.J1:4 | O_LHFogLb | Left Hand Fog Light Bulb | 26.3 | L95A:1 | B_BatterySaver | . | |
| | | | | | B_TstModExtLight | . | |
| | | | | | I_FogLightSw | A43.J1:10 | |
| | | | | | I_HdLtHiLowBmSw | A43.J1:8 | 26.1 |
| | | | | | I_HdLtPos2SwLH | A45.J1:12 | 26.1 |
| A45.J1:5 | O_LHCornerLb | Left Hand Cornering Light Bulb | 26.3 | L97.A:1 | B_BatterySaver | . | |
| | | | | | B_TstModExtLight | . | |
| | | | | | I_CorneringLtSw | A43.J1:21 | |
| | | | | | I_DockingLtSw | A43.J1:7 | 9.1 |
| | | | | | I_LHFlshSw | A45.J1:9 | 26.1 |
| | | | | | I_LowDockLtsSw | A43.J1:5 | 26.1 |
| A45.J1:6 | O_LHHiBmLb | Left Hand Hi Beam Light Bulb | 26.1 | | B_BatterySaver | . | |
| | | | | | B_EngineRun | . | |
| | | | | | B_OneAltCharging | . | |
| | | | | | B_TstModExtLight | . | |
| | | | | | I_HdLtHiLowBmSw | A43.J1:8 | 26.1 |
| | | | | | I_HdLtPos2SwLH | A45.J1:12 | 26.1 |
| | | | | | I_HiBeamCallSw | A43.J1:3 | 26.1 |
| A45.J1:7 | O_LHLwBmLb | Left Hand Low Beam Light Bulb | 26.1 | | B_BatterySaver | . | |
| | | | | | B_TstModExtLight | . | |
| | | | | | I_HdLtPos2SwLH | A45.J1:12 | 26.1 |
| A45.J1:8 | O_FlshAudiRel | Flasher Audible Relay | 26.1 | L66:1 | I_HazardSw | A36.JB:4 | 26.1 |
| | | | | | I_IgnKeySw | A36.JB:2 | 3.2 |
| | | | | | I_LHFlshSw | A45.J1:9 | 26.1 |
| | | | | | I_LHFlshSwRrSig | A51.J1:9 | 26.2 |
| | | | | | I_RHFlshSw | A48.J1:12 | 26.1 |
| | | | | | I_RHFlshSwRrSig | A51.J1:12 | 26.2 |
| A46.J1:2 | O_UpDefHeater1 | Upper Defroster Heater #1 | 34.1 | R24:86 | B_BatterySaver | . | |
| | | | | | B_EngineRun | . | |
| | | | | | B_LowVoltage | . | |
| | | | | | D_OnOffDrvSw | . | |
| | | | | | I_FrontOutTemp | A47.J1:14 | |
| | | | | | I_OutDoorTempSe | A54.J1:14 | |
| | | | | | I_UpperDefFanSw | A42.J1:19 | |
| A46.J1:20 | O_UdrFlrLb | Under Floor Light Bulb | 25.1 | | B_BatterySaver | . | |
| | | | | | I_AccKeySw | A36.JB:6 | 3.2 |
| | | | | | I_IgnKeySw | A36.JB:2 | 3.2 |
| A46.J1:21 | O_HeadLmpWshMo | | 34.1 | | I_HeadLmpWshSw | A45.J1:11 | 15.3 |
| A46.J1:3 | O_LwWshPmp | Lower Wiper Washer Pump | 34.1 | | B_BatterySaver | . | |
| | | | | | I_LwWshSw | A46.J1:9 | |
| A46.J1:4 | O_UpDefHeater2 | Upper Defroster Heater #2 | 34.1 | | B_BatterySaver | . | |
| | | | | | B_EngineRun | . | |

MULTIPLEX OUTPUT LIST

O_xx... = Physical Output Pin ; I_xx... = Physical Input Pin ; D_xx... = CAN Network Signal from the HVAC control Head ; B_xx... = Multiplex system global Network Variable

| Module.Pin# | Signal name | | Page | Connected devices | Input involved | | |
|-------------|----------------|-----------------------------|------|-------------------|------------------|-----------|------|
| A46.J1:4 | O_UpDefHeater2 | Upper Defroster Heater #2 | 34.1 | | B_LowVoltage | . | |
| | | | | | D_OnOffDrvSw | . | |
| | | | | | I_FrontOutTemp | A47.J1:14 | |
| | | | | | I_OutDoorTempSe | A54.J1:14 | |
| | | | | | I_UpperDefFanSw | A42.J1:19 | |
| A46.J1:5 | O_DrvRfgSol | Driver refrigerent solenoid | 18.1 | D2.A:1 | B_BatterySaver | . | |
| | | | | | B_EngineRun | . | |
| | | | | | B_LowVoltage | . | |
| | | | | | B_TestMode | . | |
| | | | | | B_TstModHvac | . | |
| | | | | | B_TstModSAC | . | |
| | | | | | I_AcPresHiSse | A52.J1:13 | 18.2 |
| | | | | | I_AcPresLoSse | A52.J1:14 | 18.2 |
| | | | | | I_FrontOutTemp | A47.J1:14 | |
| | | | | | I_OutDoorTempSe | A54.J1:14 | |
| A46.J1:6 | O_DrvHeatSol | Driver Heat Solenoid | 18.1 | So8:1 | B_BatterySaver | . | |
| | | | | | B_EngineRun | . | |
| | | | | | B_LowVoltage | . | |
| | | | | | B_OneAltCharging | . | |
| | | | | | B_TestMode | . | |
| | | | | | B_TstModHvac | . | |
| | | | | | B_TstModSAC | . | |
| | | | | | D_AirFlapBit0 | . | |
| | | | | | D_AirFlapBit1 | . | |
| | | | | | D_AirFlapBit2 | . | |
| | | | | | D_DriverSetPts | . | |
| | | | | | D_DrvFnSpdBit0 | . | |
| | | | | | D_DrvFnSpdBit1 | . | |
| | | | | | D_DrvFnSpdBit2 | . | |
| | | | | | D_OnOffPassSw | . | |
| | | | | | D_PassSetPts | . | |
| | | | | | I_BatMonMod46 | A46.J1:24 | 6.1 |
| | | | | | I_BatMonMod54 | A54.J1:24 | 6.1 |
| | | | | | I_DefrostHighSw | A47.J1:10 | 29.1 |
| | | | | | I_DefrostLowSw | A47.J1:12 | 29.1 |
| | | | | | I_DrvTempSe | A46.J1:13 | 32.1 |
| | | | | | I_FireExt1stAl | A36.JB:23 | 38.1 |
| | | | | | I_FireExt2ndAlm | A44.J1:10 | 38.1 |
| | | | | | I_FireSensorA36 | A41.J1:10 | 22.1 |
| | | | | | I_FrontOutTemp | A47.J1:14 | |
| | | | | | I_OutDoorTempSe | A54.J1:14 | |
| A46.J1:8 | O_UpDefFanMo | Upper defroster Fan Motor | | | B_BatterySaver | . | |
| | | | | | B_EngineRun | . | |

MULTIPLEX OUTPUT LIST

O_xx... = Physical Output Pin ; I_xx... = Physical Input Pin ; D_xx... = CAN Network Signal from the HVAC control Head ; B_xx.. = Multiplex system global Network Variable

| Module.Pin# | Signal name | | Page | Connected devices | Input involved | | |
|-------------|----------------|-------------------------------|------|-------------------|------------------|-----------|------|
| A46.J1:8 | O_UpDefFanMo | Upper defroster Fan Motor | | | B_LowVoltage | . | |
| | | | | | D_OnOffDrvSw | . | |
| | | | | | I_FrontOutTemp | A47.J1:14 | |
| | | | | | I_OutDoorTempSe | A54.J1:14 | |
| | | | | | I_UpperDefFanSw | A42.J1:19 | |
| A47.J1:1 | O_DrvDefFanMo | Driver Defroster Fan Motor | 18.1 | A24.B:B | B_BatterySaver | . | |
| | | | | | B_EngineRun | . | |
| | | | | | B_LowVoltage | . | |
| | | | | | D_DrvFnSpdBit0 | . | |
| | | | | | D_DrvFnSpdBit1 | . | |
| | | | | | D_DrvFnSpdBit2 | . | |
| | | | | | D_OnOffDrvSw | . | |
| | | | | | I_BatMonMod47 | A47.J1:24 | 6.1 |
| | | | | | I_FrStrtEnSw | A53.J1:9 | 3.2 |
| | | | | | I_IgnKeySw | A36.JB:2 | 3.2 |
| | | | | | I_RrStrtEnSw | A53.J1:10 | 3.2 |
| A47.J1:2 | O_DrvRecTrap | Driver Recycle Trap | 18.1 | L203:A | B_BatterySaver | . | |
| | | | | | B_EngineRun | . | |
| | | | | | B_TestMode | . | |
| | | | | | B_TstModHvac | . | |
| | | | | | B_TstModSAC | . | |
| | | | | | D_RecSw | . | |
| A47.J1:20 | O_AuxWaterPump | Auxiliary water pump | 18.1 | | B_BatterySaver | . | |
| | | | | | B_EngineRun | . | |
| | | | | | B_OneAltCharging | . | |
| | | | | | B_TestMode | . | |
| | | | | | B_TstModSAC | . | |
| | | | | | D_DriverSetPts | . | |
| | | | | | D_DrvFnSpdBit0 | . | |
| | | | | | D_DrvFnSpdBit1 | . | |
| | | | | | D_DrvFnSpdBit2 | . | |
| | | | | | I_DefrostHighSw | A47.J1:10 | 29.1 |
| | | | | | I_DefrostLowSw | A47.J1:12 | 29.1 |
| | | | | | I_FrontOutTemp | A47.J1:14 | |
| | | | | | I_OutDoorTempSe | A54.J1:14 | |
| A47.J1:3 | O_LwWipSpd1 | Lower Wiper Speed 1 | 34.1 | R23:86 | B_BatterySaver | . | |
| | | | | | I_LwWipIntSw | A42.J1:8 | 34.1 |
| | | | | | I_LwWshSw | A46.J1:9 | |
| A47.J1:5 | O_EntDorStpLb | Entrance Door Step Light Bulb | 29.1 | | I_AccKeySw | A36.JB:6 | 3.2 |
| | | | | | I_EntDorOpSe | A41.J1:5 | |
| | | | | | I_EntDrUnlockSw | A41.J1:8 | |
| | | | | | I_FrStrtEnSw | A53.J1:9 | 3.2 |
| | | | | | I_HazardSw | A36.JB:4 | 26.1 |

MULTIPLEX OUTPUT LIST

O_xx... = Physical Output Pin ; I_xx... = Physical Input Pin ; D_xx... = CAN Network Signal from the HVAC control Head ; B_xx... = Multiplex system global Network Variable

| Module.Pin# | Signal name | | Page | Connected devices | Input involved | | |
|-----------------|----------------|-------------------------------------|------|-------------------|------------------|----------------|----------------------------|
| A47.J1:5 | O_EntDorStpLb | Entrance Door Step Light Bulb | 29.1 | | I_IgnKeySw | A36.JB:2 | 3.2 |
| | | | | | I_KeylessDrUnl | A41.J1:4 | 24.1 |
| | | | | | I_KeylessLuggUnl | A41.J1:18 | |
| | | | | | I_LugDorLkSw | A41.J1:17 | 18.1 |
| | | | | | I_RrCutOutSw | A36.JB:21 | 3.2 |
| | | | | | I_RrStrtEnSw | A53.J1:10 | 3.2 |
| | | | | | I_WakeUp | A36.JB:5 | 38.1 |
| A47.J1:6 | O_DriverLtLb | Driver Light Bulb | 29.1 | So6:2 | B_BatterySaver | . | |
| | | | | | I_DrvLtSw | A41.J1:2 | |
| A47.J1:7 | O_RHDefrostFan | Passenger defrost fan speed control | 29.1 | So5:2 | B_BatterySaver | . | |
| | | | | | B_EngineRun | . | |
| | | | | | B_LowVoltage | . | |
| | | | | | D_DrvFnSpdBit0 | . | |
| | | | | | D_DrvFnSpdBit1 | . | |
| | | | | | D_DrvFnSpdBit2 | . | |
| | | | | | D_OnOffDrvSw | . | |
| | | | | | I_BatMonMod47 | A47.J1:24 | 6.1 |
| | | | | | I_DefrostHighSw | A47.J1:10 | 29.1 |
| | | | | | I_DefrostLowSw | A47.J1:12 | 29.1 |
| | | | | | I_FrStrtEnSw | A53.J1:9 | 3.2 |
| I_IgnKeySw | A36.JB:2 | 3.2 | | | | | |
| I_RrStrtEnSw | A53.J1:10 | 3.2 | | | | | |
| A47.J1:8 | O_EntDorLtLb | Entrance Door Light Bulb | 29.1 | | I_AccKeySw | A36.JB:6 | 3.2 |
| | | | | | I_DrvLtSw | A41.J1:2 | |
| | | | | | I_EntDorOpSe | A41.J1:5 | |
| | | | | | I_EntDrUnlockSw | A41.J1:8 | |
| | | | | | I_FrStrtEnSw | A53.J1:9 | 3.2 |
| | | | | | I_HazardSw | A36.JB:4 | 26.1 |
| | | | | | I_IgnKeySw | A36.JB:2 | 3.2 |
| | | | | | I_KeylessDrUnl | A41.J1:4 | 24.1 |
| | | | | | I_KeylessLuggUnl | A41.J1:18 | |
| | | | | | I_LugDorLkSw | A41.J1:17 | 18.1 |
| | | | | | I_RrCutOutSw | A36.JB:21 | 3.2 |
| | | | | | I_RrStrtEnSw | A53.J1:10 | 3.2 |
| | | | | | I_WakeUp | A36.JB:5 | 38.1 |
| | | | | | A48.J1:1 | O_DoorUnlockMo | Entrance door unlock motor |
| I_EntDorOpSe | A41.J1:5 | | | | | | |
| I_EntDrUnlockSw | A41.J1:8 | | | | | | |
| I_EntDrUnSw | A48.J1:9 | | | | | | |
| I_FrStrtEnSw | A53.J1:9 | 3.2 | | | | | |
| I_HazardSw | A36.JB:4 | 26.1 | | | | | |
| I_IgnKeySw | A36.JB:2 | 3.2 | | | | | |
| I_KeylessDrUnl | A41.J1:4 | 24.1 | | | | | |

MULTIPLEX OUTPUT LIST

O_xx... = Physical Output Pin ; I_xx... = Physical Input Pin ; D_xx... = CAN Network Signal from the HVAC control Head ; B_xx... = Multiplex system global Network Variable

| Module.Pin# | Signal name | | Page | Connected devices | Input involved | | |
|-------------|-----------------|-------------------------------------|------|-------------------|------------------|-----------|------|
| A48.J1:1 | O_DoorUnlockMo | Entrance door unlock motor | 26.3 | L96B:1 | I_RrCutOutSw | A36.JB:21 | 3.2 |
| | | | | | I_RrStrtEnSw | A53.J1:10 | 3.2 |
| | | | | | I_WakeUp | A36.JB:5 | 38.1 |
| A48.J1:2 | O_DoorLockMo | Entrance door lock motor | | | I_AccKeySw | A36.JB:6 | 3.2 |
| | | | | | I_EntDorLockSw | A41.J1:9 | |
| | | | | | I_EntDorOpSe | A41.J1:5 | |
| | | | | | I_EntDrUnlockSw | A41.J1:8 | |
| | | | | | I_FrStrtEnSw | A53.J1:9 | 3.2 |
| | | | | | I_HazardSw | A36.JB:4 | 26.1 |
| | | | | | I_IgnKeySw | A36.JB:2 | 3.2 |
| | | | | | I_KeylessLockAll | A41.J1:19 | |
| | | | | | I_RrCutOutSw | A36.JB:21 | 3.2 |
| | | | | | I_RrStrtEnSw | A53.J1:10 | 3.2 |
| | | | | | I_WakeUp | A36.JB:5 | 38.1 |
| A48.J1:20 | O_RHFrSidFlshLb | RH Front Side Flasher L-Bulb | 26.1 | L64:1 | B_BatterySaver | . | |
| | | | | | B_TstModExtLight | . | |
| | | | | | I_LHFlshSwRrSig | A51.J1:9 | 26.2 |
| | | | | | I_RHFlshSw | A48.J1:12 | 26.1 |
| | | | | | I_RHFlshSwRrSig | A51.J1:12 | 26.2 |
| A48.J1:3 | O_RHHiBeamLb | Right Hand Hi Beam Light Bulb | 26.1 | L313:C | B_BatterySaver | . | |
| | | | | | B_EngineRun | . | |
| | | | | | B_OneAltCharging | . | |
| | | | | | B_TstModExtLight | . | |
| | | | | | I_HdLtHiLowBmSw | A43.J1:8 | 26.1 |
| | | | | | I_HdLtPos2SwLH | A45.J1:12 | 26.1 |
| | | | | | I_HiBeamCallSw | A43.J1:3 | 26.1 |
| A48.J1:4 | O_RHLwBeamLb | Right Hand Low Beam Light Bulb | 26.1 | L313:E | B_BatterySaver | . | |
| | | | | | B_TstModExtLight | . | |
| | | | | | I_HdLtPos2SwRH | A48.J1:10 | 26.1 |
| A48.J1:5 | O_RHCornerLb | Right Hand Cornering Light Bulb | 26.3 | L98A.A:1 | B_BatterySaver | . | |
| | | | | | B_TstModExtLight | . | |
| | | | | | I_CorneringLtSw | A43.J1:21 | |
| | | | | | I_DockingLtSw | A43.J1:7 | 9.1 |
| | | | | | I_LowDockLtsSw | A43.J1:5 | 26.1 |
| | | | | | I_RHFlshSw | A48.J1:12 | 26.1 |
| A48.J1:6 | O_RHFrFlshLb | Right Hand Front Flasher Light Bulb | 26.1 | | B_BatterySaver | . | |
| | | | | | B_TstModExtLight | . | |
| | | | | | I_LHFlshSwRrSig | A51.J1:9 | 26.2 |
| | | | | | I_RHFlshSw | A48.J1:12 | 26.1 |
| | | | | | I_RHFlshSwRrSig | A51.J1:12 | 26.2 |
| A48.J1:7 | O_RHFrMrkLb | Right Hand Front Markers Light Bulb | 26.1 | L63:1 | B_BatterySaver | . | |
| | | | | | B_TstModExtLight | . | |
| | | | | | I_BlinkSw | A43.J1:20 | |

MULTIPLEX OUTPUT LIST

O_xx... = Physical Output Pin ; I_xx... = Physical Input Pin ; D_xx... = CAN Network Signal from the HVAC control Head ; B_xx.. = Multiplex system global Network Variable

| Module.Pin# | Signal name | | Page | Connected devices | Input involved | | |
|-------------|----------------|-------------------------------------|------|-------------------|------------------|-----------|------|
| A48.J1:7 | O_RHFrMrkLb | Right Hand Front Markers Light Bulb | 26.1 | L63:1 | I_FogLightSw | A43.J1:10 | |
| | | | | | I_HdLtPos1Sw | A43.J1:4 | 26.1 |
| | | | | | I_HdLtPos2SwLH | A45.J1:12 | 26.1 |
| | | | | | I_KeylessIntru | A41.J1:7 | 32.1 |
| | | | | | I_KeylessPanic | A41.J1:6 | 32.1 |
| A48.J1:8 | O_RHFogLb | Right Hand Fog Light | 26.3 | L96A:1 | B_BatterySaver | . | |
| | | | | | B_TstModExtLight | . | |
| | | | | | I_FogLightSw | A43.J1:10 | |
| | | | | | I_HdLTHiLowBmSw | A43.J1:8 | 26.1 |
| | | | | | I_HdLtPos2SwLH | A45.J1:12 | 26.1 |
| A50.J1:1 | O_BackUpCam | Back up camera | 36.1 | | I_BackUpCamSw | A42.J1:6 | 36.1 |
| A50.J1:2 | O_TransInhibit | Transmission Inhibit | 15.1 | A1:1 | I_BrkLtSeFrSig | A36.JB:13 | 12.1 |
| | | | | | I_BrkLtSeRrSig | A51.J1:10 | 12.1 |
| | | | | | I_SldO1LimitInSe | A56.J1:11 | |
| | | | | | I_SldO2LimitInSe | A57.J1:11 | |
| | | | | | I_SldO3LimitInSe | A58.J1:11 | |
| A50.J1:20 | O_RevLbBuz | Reverse Alarm and Light Bulb | | | B_BatterySaver | . | |
| | | | | | B_EngineRun | . | |
| | | | | | B_TestMode | . | |
| | | | | | B_TestSwBuz2 | . | |
| | | | | | B_TestSwBuzzer | . | |
| | | | | | B_TstModExtLight | . | |
| | | | | | B_TstModHvac | . | |
| | | | | | B_TstModHvacNext | . | |
| | | | | | B_TstModSAC | . | |
| | | | | | B_TstModSACNext | . | |
| | | | | | B_TstSwBuz3 | . | |
| A50.J1:3 | O_RevAlarm | Back up alarm | 26.2 | | B_BatterySaver | . | |
| | | | | | B_EngineRun | . | |
| | | | | | B_TestMode | . | |
| | | | | | B_TestSwBuz2 | . | |
| | | | | | B_TestSwBuzzer | . | |
| | | | | | B_TstModExtLight | . | |
| | | | | | B_TstModHvac | . | |
| | | | | | B_TstModHvacNext | . | |
| | | | | | B_TstModSAC | . | |
| | | | | | B_TstModSACNext | . | |
| | | | | | B_TstSwBuz3 | . | |
| | | | | | D_NextWheel | . | |
| | | | | | I_RevAlrmSw | A43.J1:6 | 32.1 |
| A50.J1:4 | O_ReClearLb | Rear Clearance Light Bulb | 26.2 | | B_BatterySaver | . | |
| | | | | | B_TstModExtLight | . | |
| | | | | | I_BlinkSw | A43.J1:20 | |

MULTIPLEX OUTPUT LIST

O_xx... = Physical Output Pin ; I_xx... = Physical Input Pin ; D_xx... = CAN Network Signal from the HVAC control Head ; B_xx.. = Multiplex system global Network Variable

| Module.Pin# | Signal name | | Page | Connected devices | Input involved | | |
|-------------|---------------|---------------------------------------|------|-------------------|------------------|-----------|------|
| A50.J1:4 | O_ReClearLb | Rear Clearance Light Bulb | 26.2 | | I_FogLightSw | A43.J1:10 | |
| | | | | | I_HdLtPos1Sw | A43.J1:4 | 26.1 |
| | | | | | I_HdLtPos2SwLH | A45.J1:12 | 26.1 |
| A50.J1:5 | O_LHctrFlshLb | Water Filter Indicator Warning | 26.2 | L70A:1 | B_BatterySaver | . | |
| | | | | | B_TstModExtLight | . | |
| | | | | | I_LHFlshSwRrSig | A51.J1:9 | 26.2 |
| | | | | | I_RHFlshSwRrSig | A51.J1:12 | 26.2 |
| A50.J1:6 | O_BrLtLowerLb | | 26.2 | | B_BatterySaver | . | |
| | | | | | B_EngineRun | . | |
| | | | | | B_TstModExtLight | . | |
| | | | | | I_BrktSeFrSig | A36.JB:13 | 12.1 |
| | | | | | I_BrktSeRrSig | A51.J1:10 | 12.1 |
| | | | | | I_EngBrOnSe | A42.J1:18 | |
| | | | | | I_IgnKeySw | A36.JB:2 | 3.2 |
| | | | | | I_RetdrSig | A50.J1:12 | 12.1 |
| A50.J1:7 | O_RHctrFlshLb | Wheel Chair Lift Warning Indicator | 26.2 | L68A:1 | B_BatterySaver | . | |
| | | | | | B_TstModExtLight | . | |
| | | | | | I_LHFlshSwRrSig | A51.J1:9 | 26.2 |
| | | | | | I_RHFlshSwRrSig | A51.J1:12 | 26.2 |
| A50.J1:8 | O_CtrSdMrkLb | Tag Axle Warning Indicator | 26.2 | | B_BatterySaver | . | |
| | | | | | B_TstModExtLight | . | |
| | | | | | I_BlinkSw | A43.J1:20 | |
| | | | | | I_FogLightSw | A43.J1:10 | |
| | | | | | I_HdLtPos1Sw | A43.J1:4 | 26.1 |
| | | | | | I_HdLtPos2SwLH | A45.J1:12 | 26.1 |
| A51.J1:1 | O_SerBrkTrans | Servise Brake Signal For Transmission | 15.1 | A1:62 | I_BrktSeFrSig | A36.JB:13 | 12.1 |
| A51.J1:21 | O_LHReFlshLb | Left Hand Rear Flasher Light Bulb | 26.2 | | B_BatterySaver | . | |
| | | | | | B_TstModExtLight | . | |
| | | | | | I_LHFlshSwRrSig | A51.J1:9 | 26.2 |
| | | | | | I_RHFlshSwRrSig | A51.J1:12 | 26.2 |
| A51.J1:3 | O_RHReFlshLb | Right Hand Rear Flasher Light Bulb | 26.2 | | B_BatterySaver | . | |
| | | | | | B_TstModExtLight | . | |
| | | | | | I_LHFlshSwRrSig | A51.J1:9 | 26.2 |
| | | | | | I_RHFlshSwRrSig | A51.J1:12 | 26.2 |
| A51.J1:4 | O_LHDockLb | Left Hand Docking Light Bulb | 26.3 | L93.A:1 | B_BatterySaver | . | |
| | | | | | B_TstModExtLight | . | |
| | | | | | I_DockingLtSw | A43.J1:7 | 9.1 |
| | | | | | I_LowDockLtsSw | A43.J1:5 | 26.1 |
| A51.J1:5 | O_RHDockLb | Right Hand Docking Light Bulb | 26.3 | L94.A:1 | B_BatterySaver | . | |
| | | | | | B_TstModExtLight | . | |
| | | | | | I_DockingLtSw | A43.J1:7 | 9.1 |
| | | | | | I_LowDockLtsSw | A43.J1:5 | 26.1 |
| A51.J1:6 | O_BrLtUpperLb | | 26.2 | | B_BatterySaver | . | |

MULTIPLEX OUTPUT LIST

O_xx... = Physical Output Pin ; I_xx... = Physical Input Pin ; D_xx... = CAN Network Signal from the HVAC control Head ; B_xx.. = Multiplex system global Network Variable

| Module.Pin# | Signal name | | Page | Connected devices | Input involved | | |
|-------------|---------------|------------------------------|------|-------------------|------------------|-----------|------|
| A51.J1:6 | O_BrLtUpperLb | | 26.2 | | B_EngineRun | . | |
| | | | | | B_TstModExtLight | . | |
| | | | | | I_BrkLtSeFrSig | A36.JB:13 | 12.1 |
| | | | | | I_BrkLtSeRrSig | A51.J1:10 | 12.1 |
| | | | | | I_EngBrOnSe | A42.J1:18 | |
| | | | | | I_RetdrSig | A50.J1:12 | 12.1 |
| A51.J1:7 | O_CyclopeLt | Cyclope Brake Light | 26.2 | L81A.A:1 | B_BatterySaver | . | |
| | | | | | B_TstModExtLight | . | |
| | | | | | I_BrkLtSeFrSig | A36.JB:13 | 12.1 |
| | | | | | I_BrkLtSeRrSig | A51.J1:10 | 12.1 |
| A51.J1:8 | O_ReTailMkLb | Rear Tail Markers Light Bulb | 26.2 | | B_BatterySaver | . | |
| | | | | | B_TstModExtLight | . | |
| | | | | | I_AccKeySw | A36.JB:6 | 3.2 |
| | | | | | I_BlinkSw | A43.J1:20 | |
| | | | | | I_EntDrUnlockSw | A41.J1:8 | |
| | | | | | I_FogLightSw | A43.J1:10 | |
| | | | | | I_FrStrtEnSw | A53.J1:9 | 3.2 |
| | | | | | I_HazardSw | A36.JB:4 | 26.1 |
| | | | | | I_HdLtPos1Sw | A43.J1:4 | 26.1 |
| | | | | | I_HdLtPos2SwLH | A45.J1:12 | 26.1 |
| | | | | | I_IgnKeySw | A36.JB:2 | 3.2 |
| | | | | | I_KeylessDrUnl | A41.J1:4 | 24.1 |
| | | | | | I_KeylessIntru | A41.J1:7 | 32.1 |
| | | | | | I_KeylessPanic | A41.J1:6 | 32.1 |
| | | | | | I_RrCutOutSw | A36.JB:21 | 3.2 |
| | | | | | I_RrStrtEnSw | A53.J1:10 | 3.2 |
| | | | | | I_WakeUp | A36.JB:5 | 38.1 |
| A52.J1:1 | O_EngFanSpd1 | Engine Fan Radiator Speed 1 | 13.1 | | B_BatterySaver | . | |
| | | | | | B_EngineRun | . | |
| | | | | | B_TestMode | . | |
| | | | | | B_TstModHvac | . | |
| | | | | | B_TstModSAC | . | |
| | | | | | I_AcPresHiSse | A52.J1:13 | 18.2 |
| | | | | | I_EngFanSpd1 | A52.J1:9 | |
| | | | | | I_EngFanSw | A36.JB:14 | |
| | | | | | I_FireExt1stAl | A36.JB:23 | 38.1 |
| | | | | | I_FireExt2ndAlm | A44.J1:10 | 38.1 |
| | | | | | I_FireSensorA36 | A41.J1:10 | 22.1 |
| A52.J1:2 | O_EngFanSpd2 | Engine Fan Radiator Speed 2 | 13.1 | | B_BatterySaver | . | |
| | | | | | B_EngineRun | . | |
| | | | | | B_TestMode | . | |
| | | | | | B_TstModHvac | . | |
| | | | | | B_TstModSAC | . | |

MULTIPLEX OUTPUT LIST

O_xx... = Physical Output Pin ; I_xx... = Physical Input Pin ; D_xx... = CAN Network Signal from the HVAC control Head ; B_xx... = Multiplex system global Network Variable

| Module.Pin# | Signal name | | Page | Connected devices | Input involved | | |
|-------------|-----------------|-----------------------------------|------|-------------------|-----------------|-----------|------|
| A52.J1:2 | O_EngFanSpd2 | Engine Fan Radiator Speed 2 | 13.1 | | I_AcPresHiSse | A52.J1:13 | 18.2 |
| | | | | | I_EngFanSpd1 | A52.J1:9 | |
| | | | | | I_EngFanSpd2 | A52.J1:10 | |
| | | | | | I_EngFanSw | A36.JB:14 | |
| | | | | | I_FireExt1stAl | A36.JB:23 | 38.1 |
| | | | | | I_FireExt2ndAlm | A44.J1:10 | 38.1 |
| | | | | | I_FireSensorA36 | A41.J1:10 | 22.1 |
| A52.J1:21 | O_AcUnldRH | Hvac Right Hand Cylinder Unloader | 18.2 | | B_BatterySaver | . | |
| | | | | | B_EngineRun | . | |
| | | | | | B_TestMode | . | |
| | | | | | B_TstModHvac | . | |
| | | | | | D_PassSetPts | . | |
| | | | | | I_AcPresHiSse | A52.J1:13 | 18.2 |
| | | | | | I_AcPresLoSse | A52.J1:14 | 18.2 |
| A52.J1:4 | O_DiffLockSol | Differential lock solenoid | 11.1 | | I_DiffLockSw | A43.J1:9 | |
| A52.J1:5 | O_EngCmptLbZF | Engine Compartment Light Switch | 25.1 | | I_EngCmptLtSw | A52.J1:11 | |
| A52.J1:6 | O_EngEthrSol | Engine Ether Solenoid | | | B_EngineRun | . | |
| | | | | | I_EtherSw | A42.J1:5 | |
| | | | | | I_IgnKeySw | A36.JB:2 | 3.2 |
| A52.J1:7 | O_BackUpCamDr | Back up camera door solenoid | 11.1 | | I_BackUpCamSw | A42.J1:6 | 36.1 |
| A52.J1:8 | O_AcUnldLH | Hvac Left Hand Cylinder Unloader | 18.2 | | B_BatterySaver | . | |
| | | | | | B_EngineRun | . | |
| | | | | | B_TestMode | . | |
| | | | | | B_TstModHvac | . | |
| | | | | | D_PassSetPts | . | |
| | | | | | I_AcPresHiSse | A52.J1:13 | 18.2 |
| | | | | | I_AcPresLoSse | A52.J1:14 | 18.2 |
| A53.J1:1 | O_StarterRlyRtn | Starter Relay Return | | | I_IgnKeySw | A36.JB:2 | 3.2 |
| A53.J1:6 | O_StarterRel | Starter Relay | 3.2 | | B_BatterySaver | . | |
| | | | | | B_EngineRun | . | |
| | | | | | B_TestMode | . | |
| | | | | | B_TstModHvac | . | |
| | | | | | B_TstModSAC | . | |
| | | | | | I_AccKeySw | A36.JB:6 | 3.2 |
| | | | | | I_EntDrUnlockSw | A41.J1:8 | |
| | | | | | I_FrStrtEnSw | A53.J1:9 | 3.2 |
| | | | | | I_HazardSw | A36.JB:4 | 26.1 |
| | | | | | I_IgnKeySw | A36.JB:2 | 3.2 |
| | | | | | I_KeylessDrUnl | A41.J1:4 | 24.1 |
| | | | | | I_KeylessIntru | A41.J1:7 | 32.1 |
| | | | | | I_NeutralSe | A50.J1:11 | 3.2 |
| | | | | | I_RrCutOutSw | A36.JB:21 | 3.2 |
| | | | | | I_RrStrtEnSw | A53.J1:10 | 3.2 |

MULTIPLEX OUTPUT LIST

O_xx... = Physical Output Pin ; I_xx... = Physical Input Pin ; D_xx... = CAN Network Signal from the HVAC control Head ; B_xx.. = Multiplex system global Network Variable

| Module.Pin# | Signal name | | Page | Connected devices | Input involved | | |
|-------------|--------------|--------------------------------|------|-------------------|-----------------|-----------|------|
| A53.J1:6 | O_StarterRel | Starter Relay | 3.2 | | I_StartLockOut | A53.J1:12 | 36.1 |
| | | | | | I_WakeUp | A36.JB:5 | 38.1 |
| A54.J1:1 | O_CndSpd2Rel | Condensor Fan Speed 2 Relay | 18.2 | | B_BatterySaver | . | |
| | | | | | B_EngineRun | . | |
| | | | | | B_LowVoltage | . | |
| | | | | | B_TestMode | . | |
| | | | | | B_TstModHvac | . | |
| | | | | | D_DriverSetPts | . | |
| | | | | | D_OnOffPassSw | . | |
| | | | | | D_PassSetPts | . | |
| | | | | | I_AcPresHiSse | A52.J1:13 | 18.2 |
| | | | | | I_AcPresLoSse | A52.J1:14 | 18.2 |
| | | | | | I_BatMonMod54 | A54.J1:24 | 6.1 |
| | | | | | I_CoilTherSe | A47.J1:11 | |
| | | | | | I_DrvTempSe | A46.J1:13 | 32.1 |
| | | | | | I_FireExt1stAl | A36.JB:23 | 38.1 |
| | | | | | I_FireExt2ndAlm | A44.J1:10 | 38.1 |
| | | | | | I_FireSensorA36 | A41.J1:10 | 22.1 |
| | | | | | I_FrontOutTemp | A47.J1:14 | |
| | | | | | I_OutDoorTempSe | A54.J1:14 | |
| A54.J1:2 | O_EvaSpd2Rel | Evaporator Fan Speed 2 | 18.2 | | B_BatterySaver | . | |
| | | | | | B_EngineRun | . | |
| | | | | | B_LowVoltage | . | |
| | | | | | B_TestMode | . | |
| | | | | | B_TstModHvac | . | |
| | | | | | D_OnOffPassSw | . | |
| | | | | | D_PassSetPts | . | |
| | | | | | I_Alt2Voltage | A49.J1:9 | 3.2 |
| | | | | | I_BatMonMod53 | A53.J1:24 | 6.1 |
| | | | | | I_BatMonMod54 | A54.J1:24 | 6.1 |
| | | | | | I_FireExt1stAl | A36.JB:23 | 38.1 |
| | | | | | I_FireExt2ndAlm | A44.J1:10 | 38.1 |
| | | | | | I_FireSensorA36 | A41.J1:10 | 22.1 |
| A54.J1:20 | O_ACRecPass | A/C Pass. Gaz Cylinder Recycle | 18.2 | L205:1 | B_BatterySaver | . | |
| | | | | | B_EngineRun | . | |
| | | | | | B_TestMode | . | |
| | | | | | B_TstModHvac | . | |
| | | | | | B_TstModSAC | . | |
| | | | | | D_RecSw | . | |
| A54.J1:3 | O_PasRfgSol | Passenger Refrigerent Solenoid | 18.2 | D11.A:1 | B_BatterySaver | . | |
| | | | | | B_EngineRun | . | |
| | | | | | B_LowVoltage | . | |
| | | | | | B_TestMode | . | |

MULTIPLEX OUTPUT LIST

O_xx... = Physical Output Pin ; I_xx... = Physical Input Pin ; D_xx... = CAN Network Signal from the HVAC control Head ; B_xx.. = Multiplex system global Network Variable

| Module.Pin# | Signal name | | Page | Connected devices | Input involved | | |
|-------------|--------------|--------------------------------|------|-------------------|------------------|-----------|------|
| A54.J1:3 | O_PasRfgSol | Passenger Refrigerent Solenoid | 18.2 | D11.A:1 | B_TstModHvac | . | |
| | | | | | D_DriverSetPts | . | |
| | | | | | D_OnOffPassSw | . | |
| | | | | | D_PassSetPts | . | |
| | | | | | I_BatMonMod54 | A54.J1:24 | 6.1 |
| | | | | | I_CoilTherSe | A47.J1:11 | |
| | | | | | I_DrvTempSe | A46.J1:13 | 32.1 |
| | | | | | I_FireExt1stAl | A36.JB:23 | 38.1 |
| | | | | | I_FireExt2ndAlm | A44.J1:10 | 38.1 |
| | | | | | I_FireSensorA36 | A41.J1:10 | 22.1 |
| | | | | | I_FrontOutTemp | A47.J1:14 | |
| | | | | | I_OutDoorTempSe | A54.J1:14 | |
| A54.J1:4 | O_ACWaterPmp | Hvac Water Pump | 18.2 | D9.A:1 | B_BatterySaver | . | |
| | | | | | B_EngineRun | . | |
| | | | | | B_OneAltCharging | . | |
| | | | | | B_TestMode | . | |
| | | | | | B_TstModHvac | . | |
| | | | | | D_DrvFnSpdBit0 | . | |
| | | | | | D_DrvFnSpdBit1 | . | |
| | | | | | D_DrvFnSpdBit2 | . | |
| | | | | | D_OnOffPassSw | . | |
| | | | | | D_PassSetPts | . | |
| | | | | | I_BatMonMod54 | A54.J1:24 | 6.1 |
| | | | | | I_FireExt1stAl | A36.JB:23 | 38.1 |
| | | | | | I_FireExt2ndAlm | A44.J1:10 | 38.1 |
| | | | | | I_FireSensorA36 | A41.J1:10 | 22.1 |
| | | | | | I_FrontOutTemp | A47.J1:14 | |
| | | | | | I_OutDoorTempSe | A54.J1:14 | |
| A54.J1:5 | O_CndSpd1Rel | Condensor Fan Speed 1 Relay | 18.2 | R10:2 | B_BatterySaver | . | |
| | | | | | B_EngineRun | . | |
| | | | | | B_LowVoltage | . | |
| | | | | | B_TestMode | . | |
| | | | | | B_TstModHvac | . | |
| | | | | | D_DriverSetPts | . | |
| | | | | | D_OnOffPassSw | . | |
| | | | | | D_PassSetPts | . | |
| | | | | | I_AcPresHiSse | A52.J1:13 | 18.2 |
| | | | | | I_AcPresLoSse | A52.J1:14 | 18.2 |
| | | | | | I_BatMonMod54 | A54.J1:24 | 6.1 |
| | | | | | I_CoilTherSe | A47.J1:11 | |
| | | | | | I_DrvTempSe | A46.J1:13 | 32.1 |
| | | | | | I_FireExt1stAl | A36.JB:23 | 38.1 |
| | | | | | I_FireExt2ndAlm | A44.J1:10 | 38.1 |

MULTIPLEX OUTPUT LIST

O_xx... = Physical Output Pin ; I_xx... = Physical Input Pin ; D_xx... = CAN Network Signal from the HVAC control Head ; B_xx... = Multiplex system global Network Variable

| Module.Pin# | Signal name | | Page | Connected devices | Input involved | | |
|-------------|-----------------|-----------------------------------|------|-------------------|------------------|-----------|------|
| A54.J1:5 | O_CndSpd1Rel | Condensor Fan Speed 1 Relay | 18.2 | R10:2 | I_FireSensorA36 | A41.J1:10 | 22.1 |
| | | | | | I_FrontOutTemp | A47.J1:14 | |
| | | | | | I_OutDoorTempSe | A54.J1:14 | |
| A54.J1:7 | O_EvaSpd1Rel | Evaporator Fan Speed 1 Relay | 18.2 | R12:2 | B_BatterySaver | . | |
| | | | | | B_EngineRun | . | |
| | | | | | B_LowVoltage | . | |
| | | | | | B_TestMode | . | |
| | | | | | B_TstModHvac | . | |
| | | | | | D_OnOffPassSw | . | |
| | | | | | I_BatMonMod54 | A54.J1:24 | 6.1 |
| | | | | | I_FireExt1stAl | A36.JB:23 | 38.1 |
| | | | | | I_FireExt2ndAlm | A44.J1:10 | 38.1 |
| | | | | | I_FireSensorA36 | A41.J1:10 | 22.1 |
| A54.J1:8 | O_PasHeatSol | Passenger Heat Solenoid Valve | 18.2 | R26:87 | B_BatterySaver | . | |
| | | | | | B_EngineRun | . | |
| | | | | | B_OneAltCharging | . | |
| | | | | | B_TestMode | . | |
| | | | | | B_TstModHvac | . | |
| | | | | | B_TstModSAC | . | |
| | | | | | D_DriverSetPts | . | |
| | | | | | D_DrvFnSpdBit0 | . | |
| | | | | | D_DrvFnSpdBit1 | . | |
| | | | | | D_DrvFnSpdBit2 | . | |
| | | | | | D_OnOffPassSw | . | |
| | | | | | D_PassSetPts | . | |
| | | | | | I_BatMonMod54 | A54.J1:24 | 6.1 |
| | | | | | I_DefrostHighSw | A47.J1:10 | 29.1 |
| | | | | | I_DefrostLowSw | A47.J1:12 | 29.1 |
| | | | | | I_FireExt1stAl | A36.JB:23 | 38.1 |
| | | | | | I_FireExt2ndAlm | A44.J1:10 | 38.1 |
| | | | | | I_FireSensorA36 | A41.J1:10 | 22.1 |
| | | | | | I_FrontOutTemp | A47.J1:14 | |
| | | | | | I_OutDoorTempSe | A54.J1:14 | |
| A56.J1:1 | O_SldO1MoSpeedA | Slide-Out 1 Motor Speed Control A | | | I_BatMonMod56 | A56.J1:24 | |
| | | | | | I_SldO1CloseSw | A56.J1:10 | |
| | | | | | I_SldO1LimiOutSw | A56.J1:14 | |
| | | | | | I_SldO1LimitInSe | A56.J1:11 | |
| | | | | | I_SldO1OpenSw | A56.J1:9 | |
| | | | | | I_SldO1PBrakeSw | A56.J1:12 | |
| | | | | | I_SldO1VacPrSe | A56.J1:13 | |
| A56.J1:2 | O_SldO1MoSpeedB | Slide-Out 1 Motor Speed Control B | | | I_BatMonMod56 | A56.J1:24 | |
| | | | | | I_SldO1CloseSw | A56.J1:10 | |
| | | | | | I_SldO1LimiOutSw | A56.J1:14 | |

MULTIPLEX OUTPUT LIST

O_xx... = Physical Output Pin ; I_xx... = Physical Input Pin ; D_xx... = CAN Network Signal from the HVAC control Head ; B_xx.. = Multiplex system global Network Variable

| Module.Pin# | Signal name | | Page | Connected devices | Input involved | |
|-------------|------------------|-----------------------------------|------|-------------------|------------------|-----------|
| A56.J1:2 | O_SldO1MoSpeedB | Slide-Out 1 Motor Speed Control B | | | I_SldO1LimitInSe | A56.J1:11 |
| | | | | | I_SldO1OpenSw | A56.J1:9 |
| | | | | | I_SldO1PBrakeSw | A56.J1:12 |
| | | | | | I_SldO1VacPrSe | A56.J1:13 |
| A56.J1:20 | O_SldO1Motpos | Slide_Out 1 Motor + | | | I_BatMonMod56 | A56.J1:24 |
| | | | | | I_SldO1CloseSw | A56.J1:10 |
| | | | | | I_SldO1LimiOutSw | A56.J1:14 |
| | | | | | I_SldO1LimitInSe | A56.J1:11 |
| | | | | | I_SldO1OpenSw | A56.J1:9 |
| | | | | | I_SldO1PBrakeSw | A56.J1:12 |
| | | | | | I_SldO1VacPrSe | A56.J1:13 |
| A56.J1:21 | O_SldO1SecuPinSo | Slide-Out 1 Security Pins | | | I_SldO1LimitInSe | A56.J1:11 |
| | | | | | I_SldO1PBrakeSw | A56.J1:12 |
| | | | | | I_SldO2LimitInSe | A57.J1:11 |
| | | | | | I_SldO2PBrakeSw | A57.J1:12 |
| | | | | | I_SldO3LimitInSe | A58.J1:11 |
| | | | | | I_SldO3PBrakeSw | A58.J1:12 |
| A56.J1:3 | O_SldO1RemoteLed | Slide_Out 1 Remote Led | | | I_BatMonMod56 | A56.J1:24 |
| | | | | | I_SldO1CloseSw | A56.J1:10 |
| | | | | | I_SldO1LimiOutSw | A56.J1:14 |
| | | | | | I_SldO1LimitInSe | A56.J1:11 |
| | | | | | I_SldO1OpenSw | A56.J1:9 |
| | | | | | I_SldO1PBrakeSw | A56.J1:12 |
| | | | | | I_SldO1Supply5v | A56.J1:15 |
| | | | | | I_SldO1VacPrSe | A56.J1:13 |
| A56.J1:4 | O_SldO1SealInfSo | Slide_Out 1 Seal Inflating Valve | | | I_SldO1CloseSw | A56.J1:10 |
| | | | | | I_SldO1LimiOutSw | A56.J1:14 |
| | | | | | I_SldO1LimitInSe | A56.J1:11 |
| | | | | | I_SldO1OpenSw | A56.J1:9 |
| A56.J1:5 | O_SldO1SealDefSo | Slide_Out 1 Seal Deflating Valve | | | I_BatMonMod56 | A56.J1:24 |
| | | | | | I_SldO1CloseSw | A56.J1:10 |
| | | | | | I_SldO1LimiOutSw | A56.J1:14 |
| | | | | | I_SldO1LimitInSe | A56.J1:11 |
| | | | | | I_SldO1OpenSw | A56.J1:9 |
| | | | | | I_SldO1PBrakeSw | A56.J1:12 |
| A56.J1:6 | O_SldO1VaccGenSo | Slide_Out 1 Seal Vaccum Generator | | | I_BatMonMod56 | A56.J1:24 |
| | | | | | I_BatMonMod57 | A57.J1:24 |
| | | | | | I_BatMonMod58 | A58.J1:24 |
| | | | | | I_SldO1CloseSw | A56.J1:10 |
| | | | | | I_SldO1LimiOutSw | A56.J1:14 |
| | | | | | I_SldO1LimitInSe | A56.J1:11 |
| | | | | | I_SldO1OpenSw | A56.J1:9 |
| | | | | | I_SldO1PBrakeSw | A56.J1:12 |

MULTIPLEX OUTPUT LIST

O_xx... = Physical Output Pin ; I_xx... = Physical Input Pin ; D_xx... = CAN Network Signal from the HVAC control Head ; B_xx... = Multiplex system global Network Variable

| Module.Pin# | Signal name | | Page | Connected devices | Input involved | |
|-------------|------------------|-----------------------------------|------|-------------------|------------------|-----------|
| A56.J1:6 | O_SldO1VaccGenSo | Slide_Out 1 Seal Vaccum Generator | | | I_SldO2CloseSw | A57.J1:10 |
| | | | | | I_SldO2LimiOutSw | A57.J1:14 |
| | | | | | I_SldO2LimitInSe | A57.J1:11 |
| | | | | | I_SldO2OpenSw | A57.J1:9 |
| | | | | | I_SldO2PBrakeSw | A57.J1:12 |
| | | | | | I_SldO3CloseSw | A58.J1:10 |
| | | | | | I_SldO3LimiOutSw | A58.J1:14 |
| | | | | | I_SldO3LimitInSe | A58.J1:11 |
| | | | | | I_SldO3OpenSw | A58.J1:9 |
| | | | | | I_SldO3PBrakeSw | A58.J1:12 |
| A56.J1:7 | O_SldO1Motneg | Slide_Out 1 Motor - | | | I_BatMonMod56 | A56.J1:24 |
| | | | | | I_SldO1CloseSw | A56.J1:10 |
| | | | | | I_SldO1LimiOutSw | A56.J1:14 |
| | | | | | I_SldO1LimitInSe | A56.J1:11 |
| | | | | | I_SldO1OpenSw | A56.J1:9 |
| | | | | | I_SldO1PBrakeSw | A56.J1:12 |
| | | | | | I_SldO1VacPrSe | A56.J1:13 |
| A57.J1:1 | O_SldO2MoSpeedA | Slide-Out 2 Motor Speed Control A | | | I_BatMonMod57 | A57.J1:24 |
| | | | | | I_SldO1VacPrSe | A56.J1:13 |
| | | | | | I_SldO2CloseSw | A57.J1:10 |
| | | | | | I_SldO2LimiOutSw | A57.J1:14 |
| | | | | | I_SldO2LimitInSe | A57.J1:11 |
| | | | | | I_SldO2OpenSw | A57.J1:9 |
| | | | | | I_SldO2PBrakeSw | A57.J1:12 |
| A57.J1:2 | O_SldO2MoSpeedB | Slide-Out 2 Motor Speed Control B | | | I_BatMonMod57 | A57.J1:24 |
| | | | | | I_SldO1VacPrSe | A56.J1:13 |
| | | | | | I_SldO2CloseSw | A57.J1:10 |
| | | | | | I_SldO2LimiOutSw | A57.J1:14 |
| | | | | | I_SldO2LimitInSe | A57.J1:11 |
| | | | | | I_SldO2OpenSw | A57.J1:9 |
| | | | | | I_SldO2PBrakeSw | A57.J1:12 |
| A57.J1:20 | O_SldO2Motpos | Slide_Out 2 Motor + | | | I_BatMonMod57 | A57.J1:24 |
| | | | | | I_SldO1VacPrSe | A56.J1:13 |
| | | | | | I_SldO2CloseSw | A57.J1:10 |
| | | | | | I_SldO2LimiOutSw | A57.J1:14 |
| | | | | | I_SldO2LimitInSe | A57.J1:11 |
| | | | | | I_SldO2OpenSw | A57.J1:9 |
| | | | | | I_SldO2PBrakeSw | A57.J1:12 |
| A57.J1:3 | O_SldO2RemoteLed | Slide_Out 2 Remote Led | | | I_BatMonMod57 | A57.J1:24 |
| | | | | | I_SldO1VacPrSe | A56.J1:13 |
| | | | | | I_SldO2CloseSw | A57.J1:10 |
| | | | | | I_SldO2LimiOutSw | A57.J1:14 |
| | | | | | I_SldO2LimitInSe | A57.J1:11 |

MULTIPLEX OUTPUT LIST

O_xx... = Physical Output Pin ; I_xx... = Physical Input Pin ; D_xx... = CAN Network Signal from the HVAC control Head ; B_xx.. = Multiplex system global Network Variable

| Module.Pin# | Signal name | | Page | Connected devices | Input involved | | |
|-------------|------------------|----------------------------------|------|-------------------|------------------|-----------|--|
| A57.J1:3 | O_SldO2RemoteLed | Slide_Out 2 Remote Led | | | I_SldO2OpenSw | A57.J1:9 | |
| | | | | | I_SldO2PBrakeSw | A57.J1:12 | |
| | | | | | I_SldO2Supply5v | A57.J1:15 | |
| A57.J1:4 | O_SldO2SealInfSo | Slide_Out 2 Seal Inflating Valve | | | I_SldO2CloseSw | A57.J1:10 | |
| | | | | | I_SldO2LimiOutSw | A57.J1:14 | |
| | | | | | I_SldO2LimitInSe | A57.J1:11 | |
| | | | | | I_SldO2OpenSw | A57.J1:9 | |
| A57.J1:5 | O_SldO2SealDefSo | Slide_Out 2 Seal Deflating Valve | | | I_BatMonMod57 | A57.J1:24 | |
| | | | | | I_SldO2CloseSw | A57.J1:10 | |
| | | | | | I_SldO2LimiOutSw | A57.J1:14 | |
| | | | | | I_SldO2LimitInSe | A57.J1:11 | |
| | | | | | I_SldO2OpenSw | A57.J1:9 | |
| | | | | | I_SldO2PBrakeSw | A57.J1:12 | |
| A57.J1:7 | O_SldO2Motneg | Slide_Out 2 Motor - | | | I_BatMonMod57 | A57.J1:24 | |
| | | | | | I_SldO1VacPrSe | A56.J1:13 | |
| | | | | | I_SldO2CloseSw | A57.J1:10 | |
| | | | | | I_SldO2LimiOutSw | A57.J1:14 | |
| | | | | | I_SldO2LimitInSe | A57.J1:11 | |
| | | | | | I_SldO2OpenSw | A57.J1:9 | |
| | | | | | I_SldO2PBrakeSw | A57.J1:12 | |
| A58.J1:1 | O_SldO3MoSpeedA | | | | I_BatMonMod58 | A58.J1:24 | |
| | | | | | I_SldO1VacPrSe | A56.J1:13 | |
| | | | | | I_SldO3CloseSw | A58.J1:10 | |
| | | | | | I_SldO3LimiOutSw | A58.J1:14 | |
| | | | | | I_SldO3LimitInSe | A58.J1:11 | |
| | | | | | I_SldO3OpenSw | A58.J1:9 | |
| | | | | | I_SldO3PBrakeSw | A58.J1:12 | |
| A58.J1:2 | O_SldO3MoSpeedB | | | | I_BatMonMod58 | A58.J1:24 | |
| | | | | | I_SldO1VacPrSe | A56.J1:13 | |
| | | | | | I_SldO3CloseSw | A58.J1:10 | |
| | | | | | I_SldO3LimiOutSw | A58.J1:14 | |
| | | | | | I_SldO3LimitInSe | A58.J1:11 | |
| | | | | | I_SldO3OpenSw | A58.J1:9 | |
| | | | | | I_SldO3PBrakeSw | A58.J1:12 | |
| A58.J1:20 | O_SldO3Motpos | | | | I_BatMonMod58 | A58.J1:24 | |
| | | | | | I_SldO1VacPrSe | A56.J1:13 | |
| | | | | | I_SldO3CloseSw | A58.J1:10 | |
| | | | | | I_SldO3LimiOutSw | A58.J1:14 | |
| | | | | | I_SldO3LimitInSe | A58.J1:11 | |
| | | | | | I_SldO3OpenSw | A58.J1:9 | |
| | | | | | I_SldO3PBrakeSw | A58.J1:12 | |
| A58.J1:3 | O_SldO3RemoteLed | | | | I_BatMonMod58 | A58.J1:24 | |
| | | | | | I_SldO1VacPrSe | A56.J1:13 | |

MULTIPLEX OUTPUT LIST

O_xx... = Physical Output Pin ; I_xx... = Physical Input Pin ; D_xx... = CAN Network Signal from the HVAC control Head ; B_xx... = Multiplex system global Network Variable

| Module.Pin# | Signal name | Page | Connected devices | Input involved | | |
|-------------|------------------|------|-------------------|------------------|-----------|--|
| | | | | | | |
| A58.J1:3 | O_SldO3RemoteLed | | | I_SldO3CloseSw | A58.J1:10 | |
| | | | | I_SldO3LimiOutSw | A58.J1:14 | |
| | | | | I_SldO3LimitInSe | A58.J1:11 | |
| | | | | I_SldO3OpenSw | A58.J1:9 | |
| | | | | I_SldO3PBrakeSw | A58.J1:12 | |
| | | | | I_SldO3Supply5v | A58.J1:15 | |
| A58.J1:4 | O_SldO3SealInfSo | | | I_SldO3CloseSw | A58.J1:10 | |
| | | | | I_SldO3LimiOutSw | A58.J1:14 | |
| | | | | I_SldO3LimitInSe | A58.J1:11 | |
| | | | | I_SldO3OpenSw | A58.J1:9 | |
| A58.J1:5 | O_SldO3SealDefSo | | | I_BatMonMod58 | A58.J1:24 | |
| | | | | I_SldO3CloseSw | A58.J1:10 | |
| | | | | I_SldO3LimiOutSw | A58.J1:14 | |
| | | | | I_SldO3LimitInSe | A58.J1:11 | |
| | | | | I_SldO3OpenSw | A58.J1:9 | |
| | | | | I_SldO3PBrakeSw | A58.J1:12 | |
| A58.J1:7 | O_SldO3Motneg | | | I_BatMonMod58 | A58.J1:24 | |
| | | | | I_SldO1VacPrSe | A56.J1:13 | |
| | | | | I_SldO3CloseSw | A58.J1:10 | |
| | | | | I_SldO3LimiOutSw | A58.J1:14 | |
| | | | | I_SldO3LimitInSe | A58.J1:11 | |
| | | | | I_SldO3OpenSw | A58.J1:9 | |
| | | | | I_SldO3PBrakeSw | A58.J1:12 | |
| | | | | | | |
| | | | | | | |
| | | | | | | |
| | | | | | | |
| | | | | | | |
| | | | | | | |
| | | | | | | |
| | | | | | | |
| | | | | | | |
| | | | | | | |
| | | | | | | |
| | | | | | | |
| | | | | | | |
| | | | | | | |
| | | | | | | |
| | | | | | | |
| | | | | | | |
| | | | | | | |

MULTIPLEX INPUT LIST

O_xx... = Physical Output Pin ; I_xx... = Physical Input Pin ; D_xx... = CAN Network Signal from the HVAC control Head ; B_xx.. = Multiplex system global Network Variable

| Module.Pin# | Signal name | | Page | Connected devices |
|-------------|------------------|---|------|-------------------|
| A36.JB:11 | I_InputTest | | | |
| A36.JB:13 | I_BrkLtSeFrSig | Brake Lights Sensor | 12.1 | |
| A36.JB:14 | I_EngFanSw | Radiator Fan Switch | | |
| A36.JB:2 | I_IgnKeySw | Ignition Key switch | 3.2 | |
| A36.JB:21 | I_RrCutOutSw | Rear Junction Box CutOut Switch | 3.2 | |
| A36.JB:22 | I_FrEngStaSw | Front Engine Start Switch | 3.2 | |
| A36.JB:23 | I_FireExt1stAl | | 38.1 | |
| A36.JB:4 | I_HazardSw | Hazard Switch | 26.1 | Sw4:3 |
| A36.JB:5 | I_WakeUp | Wake up signal (Fire alarm, horn, keyless module) | 38.1 | |
| A36.JB:6 | I_AccKeySw | Accessories Key switch | 3.2 | |
| A36.JB:9 | I_ParkBrSe | Paking Brake Sensor | 12.1 | |
| A41.J1:10 | I_FireSensorA36 | Fire Sensor On A36 | 22.1 | Sw26:3 |
| A41.J1:17 | I_LugDorLkSw | Luggage Door Lock Switch | 18.1 | Sw21:3 |
| A41.J1:18 | I_KeylessLuggUnl | Keyless luggages doors unlock signal | | |
| A41.J1:19 | I_KeylessLockAll | Keyless lock all doors signal | | |
| A41.J1:2 | I_DrvLtSw | Driver Light Switch | | |
| A41.J1:20 | I_LugDorUlKSw | Luggage Door Unlock Switch | 18.2 | Sw27:3 |
| A41.J1:21 | I_KeylessEntReq | | | |
| A41.J1:3 | I_HornSw | Horn Switch | 23.1 | |
| A41.J1:4 | I_KeylessDrUnl | Keyless door unlock signal | 24.1 | Sw25:6 |
| A41.J1:5 | I_EntDorOpSe | Entrance Door Open Sensor | | |
| A41.J1:6 | I_KeylessPanic | Keyless panic button signal | 32.1 | |
| A41.J1:7 | I_KeylessIntru | Keyless intrusion signal | 32.1 | |
| A41.J1:8 | I_EntDrUnlockSw | Entrance door unlock switch | | |
| A41.J1:9 | I_EntDorLockSw | VIP Entrance Door Lock Switch | | |
| A42.J1:10 | I_ChkEngSe | Check Engine Signal | | |
| A42.J1:18 | I_EngBrOnSe | Engine Brake ACTIVE Sensor | | |
| A42.J1:19 | I_UpperDefFanSw | Upper Defrost Dash Switch | | |
| A42.J1:2 | I_ConvTellTale5 | Converter tell tale 5 | 12.1 | Sw40:A |
| A42.J1:5 | I_EtherSw | Ether Switch | | |
| A42.J1:6 | I_BackUpCamSw | Back up camera switch | 36.1 | Sw20:3 |
| A42.J1:7 | I_LevelLowSw | Level low switch | 32.1 | Sw11A:1 |
| A42.J1:8 | I_LwWiplntSw | Lower Wiper Intermitant Switch | 34.1 | |
| A42.J1:9 | I_StopEngSe | Stop Engine Sensor | | |
| A43.J1:1 | I_ConvTellTale1 | Converter tell-tale 1 | | |
| A43.J1:10 | I_FogLightSw | Fog Lights Switch | | |
| A43.J1:17 | I_FJBLtSw | Front Junction Box Door Open | 25.1 | |
| A43.J1:18 | I_ConvTellTale2 | Converter tell-tale 2 | | |
| A43.J1:19 | I_TgAxlSw | Tag Axle Switch | 32.1 | Sw64.B:1 |
| A43.J1:20 | I_BlinkSw | Courtesy Blink Switch | | |
| A43.J1:21 | I_CorneringLtSw | Cornering Light Switch | | |
| A43.J1:3 | I_HiBeamCallSw | Hi/Low Beam Switch | 26.1 | Sw1.C259:4 |
| A43.J1:4 | I_HdLtPos1Sw | Head Light Switch Position Markers | 26.1 | |

MULTIPLEX INPUT LIST

O_xx... = Physical Output Pin ; I_xx... = Physical Input Pin ; D_xx... = CAN Network Signal from the HVAC control Head ; B_xx.. = Multiplex system global Network Variable

| Module.Pin# | Signal name | | Page | Connected devices |
|-------------|-----------------|---|------|-------------------|
| A43.J1:5 | I_LowDockLtsSw | Low docking lights switch | 26.1 | Sw1.C258:5 |
| A43.J1:6 | I_RevAlrmSw | Reverse alarm switch | 32.1 | |
| A43.J1:7 | I_DockingLtSw | Docking Lights Switch | 9.1 | |
| A43.J1:8 | I_HdLtHiLowBmSw | Head Lights High and Low Beam Switch | 26.1 | Sw1.C258:8 |
| A43.J1:9 | I_DiffLockSw | Differential lock switch | | |
| A44.J1:10 | I_FireExt2ndAlm | | 38.1 | |
| A45.J1:11 | I_HeadLmpWshSw | | 15.3 | |
| A45.J1:12 | I_HdLtPos2SwLH | Head Light Switch Beam Position 2 LH | 26.1 | |
| A45.J1:9 | I_LHFlshSw | Left Hand Flasher Switch | 26.1 | |
| A46.J1:10 | I_ConvTellTale3 | Converter tell-tale 3 | 33.1 | |
| A46.J1:11 | I_ConvTellTale4 | Converter tell-tale 4 | 33.1 | |
| A46.J1:13 | I_DrvTempSe | Driver Temperature sensor | 32.1 | Se79:4 |
| A46.J1:24 | I_BatMonMod46 | | 6.1 | A46.J1:26 |
| A46.J1:9 | I_LwWshSw | Lower Wiper Washer Switch | | |
| A47.J1:10 | I_DefrostHighSw | Passenger defrost speed increase switch | 29.1 | Term115 |
| A47.J1:11 | I_CoilTherSe | Coil sensing thermostat | | |
| A47.J1:12 | I_DefrostLowSw | Passenger defrost speed decrease switch | 29.1 | D7:B |
| A47.J1:14 | I_FrontOutTemp | Front outside temperature sensor | | |
| A47.J1:24 | I_BatMonMod47 | | 6.1 | A47.J1:27 |
| A48.J1:10 | I_HdLtPos2SwRH | Head Light Switch Beam Position 2 RH | 26.1 | |
| A48.J1:12 | I_RHFlshSw | Right Hand Flasher Switch | 26.1 | |
| A48.J1:9 | I_EntDrUnSw | Entrance door unlock switch | | |
| A49.J1:10 | I_ChkTrans | Check Transmission Signal | 15.1 | |
| A49.J1:2 | I_WdoOpenSe | Passenger Window Open Sensor | 25.1 | |
| A49.J1:3 | I_AcDorOpSe | Condensor Door Open Switch | | |
| A49.J1:4 | I_LuggDoorSw | Luggage Door Switch | 36.1 | Sw31:A |
| A49.J1:5 | I_LuggDrUnSe | Luggages doors unlock sensor | | |
| A49.J1:9 | I_Alt2Voltage | | 3.2 | |
| A50.J1:11 | I_NeutralSe | Neutral Signal Sensor | 3.2 | A1:41 |
| A50.J1:12 | I_RetdrSig | Retarder Signal | 12.1 | |
| A51.J1:10 | I_BrkLtSeRrSig | Brake Lights Sensor | 12.1 | |
| A51.J1:12 | I_RHFlshSwRrSig | RH FlasherSwitch Rear Signal | 26.2 | |
| A51.J1:9 | I_LHFlshSwRrSig | LH FlasherSwitch Rear Signal | 26.2 | |
| A52.J1:10 | I_EngFanSpd2 | Engine Fan Signal Speed 2 | | |
| A52.J1:11 | I_EngCmptLtSw | Engine Compartment Light Switch | | |
| A52.J1:13 | I_AcPresHiSse | Ac Pressure High Side Sensor | 18.2 | Se23:C |
| A52.J1:14 | I_AcPresLoSse | Ac Pressure Low Side Sensor | 18.2 | Se24:C |
| A52.J1:9 | I_EngFanSpd1 | Engine Fan Signal Speed 1 | | |
| A53.J1:10 | I_RrStrtEnSw | Rear Start Enable Switch | 3.2 | |
| A53.J1:11 | I_EngStaRrSw | Engine Start Rear Switch | 3.2 | Sw59:2 |
| A53.J1:12 | I_StartLockOut | | 36.1 | Sw52.B:1 |
| A53.J1:24 | I_BatMonMod53 | | 6.1 | A53.J1:26 |
| A53.J1:9 | I_FrStrtEnSw | Front Start Enable Switch | 3.2 | Sw58:3 |

MULTIPLEX INPUT LIST

O_xx... = Physical Ouput Pin ; I_xx... = Physical Input Pin ; D_xx... = CAN Network Signal from the HVAC control Head ; B_xx.. = Multiplex system global Network Variable

| Module.Pin# | Signal name | | Page | Connected devices |
|-------------|------------------|--|------|-------------------|
| A54.J1:14 | I_OutDoorTempSe | Outside Temperature Sensor | | |
| A54.J1:24 | I_BatMonMod54 | | 6.1 | A54.J1:29 |
| A56.J1:10 | I_SldO1CloseSw | Slide-Out 1 Close Sw | | |
| A56.J1:11 | I_SldO1LimitInSe | Slide-Out 1 Limit In Detection Sw | | |
| A56.J1:12 | I_SldO1PBrakeSw | Slide-Out 1 Parking Brake Sw | | |
| A56.J1:13 | I_SldO1VacPrSe | Slide-Out 1 Vaccum Pressure Transducer | | |
| A56.J1:14 | I_SldO1LimiOutSw | Slide-Out 1 Limit Out Detection Sw | | |
| A56.J1:15 | I_SldO1Supply5v | Slide Out 1 5v Supply | | |
| A56.J1:24 | I_BatMonMod56 | | | |
| A56.J1:9 | I_SldO1OpenSw | Slide-Out 1 Open Sw | | |
| A57.J1:10 | I_SldO2CloseSw | Slide-Out 2 Close Sw | | |
| A57.J1:11 | I_SldO2LimitInSe | Slide-Out 2 Limit In Detection Sw | | |
| A57.J1:12 | I_SldO2PBrakeSw | Slide-Out 2 Parking Brake Sw | | |
| A57.J1:14 | I_SldO2LimiOutSw | Slide-Out 2 Limit Out Detection Sw | | |
| A57.J1:15 | I_SldO2Supply5v | Slide Out 2 5v Supply | | |
| A57.J1:24 | I_BatMonMod57 | | | |
| A57.J1:9 | I_SldO2OpenSw | Slide-Out 2 Open Sw | | |
| A58.J1:10 | I_SldO3CloseSw | | | |
| A58.J1:11 | I_SldO3LimitInSe | | | |
| A58.J1:12 | I_SldO3PBrakeSw | | | |
| A58.J1:14 | I_SldO3LimiOutSw | | | |
| A58.J1:15 | I_SldO3Supply5v | Slide Out 3 Power Supply | | |
| A58.J1:24 | I_BatMonMod58 | | | |
| A58.J1:9 | I_SldO3OpenSw | | | |
| | | | | |
| | | | | |
| | | | | |
| | | | | |
| | | | | |
| | | | | |
| | | | | |
| | | | | |
| | | | | |
| | | | | |
| | | | | |
| | | | | |
| | | | | |
| | | | | |
| | | | | |
| | | | | |
| | | | | |
| | | | | |
| | | | | |
| | | | | |
| | | | | |

MULTIPLEX ERROR MESSAGES LIST

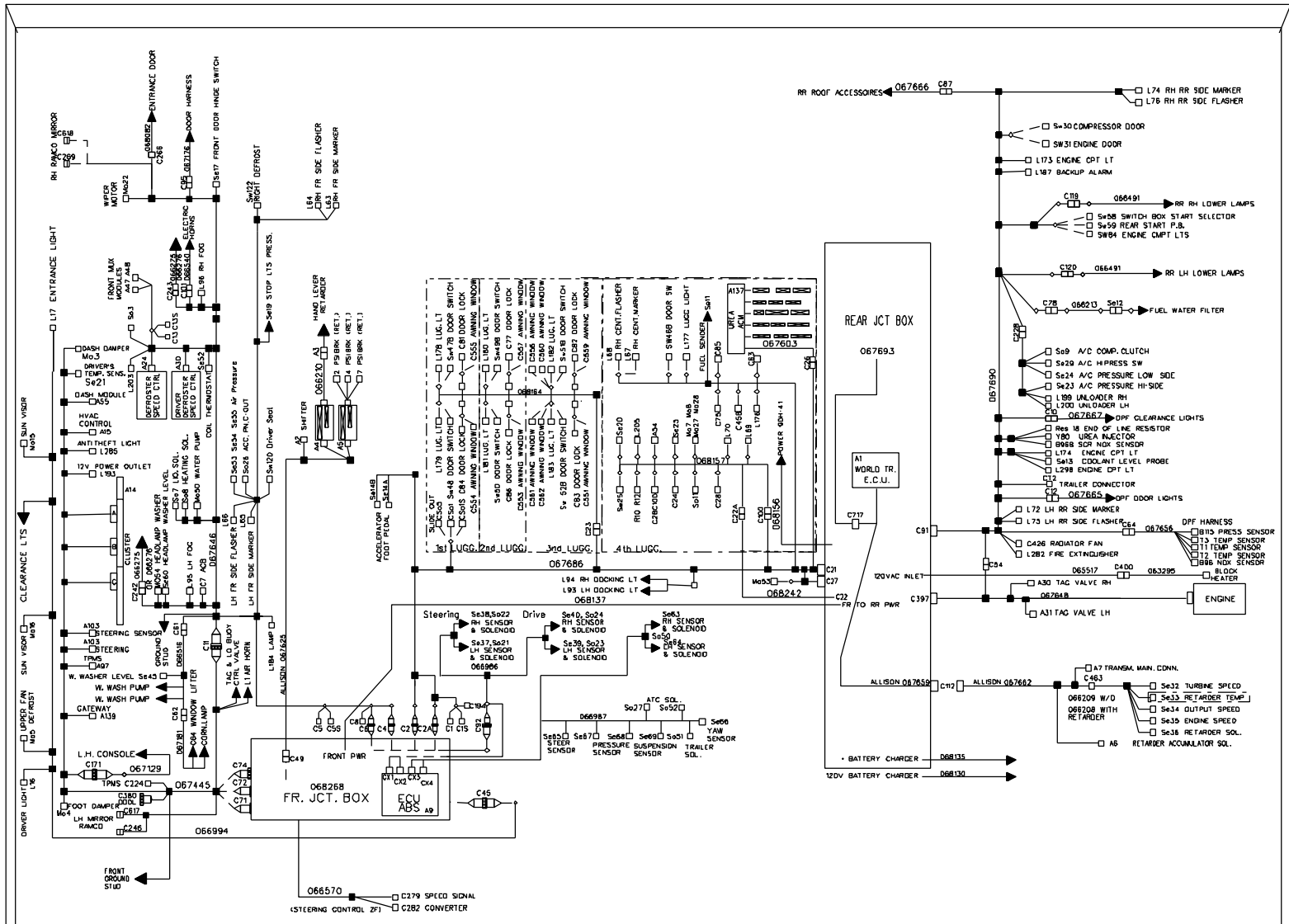
FMI 3 = Shorted High ; FMI 4 = Shorted Low ; FMI 5 = Open Circuit ; FMI 6 = Current above Normal

| Cluster message | SID/PSID | FMI | Module.Pin# | Page | Cluster message | SID/PSID | FMI | Module.Pin# | Page |
|-------------------|-----------|------------|-------------|------|---------------------|-----------|------------|-------------|------|
| A/C Pres HiSd | PSID #12 | 3, 4 | A52.J1:13 | 18.2 | FR Clearance lights | PSID #137 | 3, 4, 6 | A44.J1:8 | 26.1 |
| A/C Pres LoSd | PSID #13 | 3, 4 | A52.J1:14 | 18.2 | Fr Flsh-Mkr LH | PSID #128 | 3, 4, 6 | A45.J1:3 | 26.1 |
| Backup Light & | PSID #167 | 3, 4, 6 | A50.J1:20 | | Fr Side Flsh | PSID #10 | 3, 4, 6 | A48.J1:20 | 26.1 |
| Battery Equalizer | SID #61 | 3, 4 | A45.J1:12 | 26.1 | Fr Start Sw | PSID #58 | 3, 4 | A36.JB:22 | 3.2 |
| Blinker Sw | PSID #139 | 3, 4 | A43.J1:20 | | Front Flash RH | PSID #126 | 3, 4, 6 | A48.J1:6 | 26.1 |
| Brk Lts Sens | PSID #119 | 3, 4 | A36.JB:13 | 12.1 | FrontMkr Lts LH | PSID #148 | 3, 4, 6 | A45.J1:21 | 26.1 |
| Center Flash LH | PSID #124 | 3, 4, 6 | A50.J1:5 | 26.2 | FrontMkr Lts RH | PSID #149 | 3, 4, 6 | A48.J1:7 | 26.1 |
| Center Flash RH | PSID #125 | 3, 4, 6 | A50.J1:7 | 26.2 | FrStart Enable Sw | PSID #56 | 3, 4 | A53.J1:9 | 3.2 |
| Center Mkr | PSID #27 | 3, 4, 6 | A50.J1:8 | 26.2 | Hazard Switch | PSID #138 | 3, 4 | A36.JB:4 | 26.1 |
| Chk Eng Signal | PSID #147 | 3, 4 | A42.J1:10 | | Hd Light Call | PSID #140 | 3, 4 | A43.J1:3 | 26.1 |
| Cond Rly spd1 | PSID #41 | 3, 4, 5, 6 | A54.J1:5 | 18.2 | HdLamp Wsh Pmp | SID #48 | 3, 4, 6 | A46.J1:21 | 34.1 |
| Cond Rly spd2 | PSID #42 | 3, 4, 5, 6 | A54.J1:1 | 18.2 | Head Lights Pos1 | PSID #143 | 3, 4 | A43.J1:4 | 26.1 |
| Condensor Door Sw | PSID #7 | 3, 4 | A49.J1:3 | | Hi Low Beam | SID #62 | 3, 4 | A43.J1:8 | 26.1 |
| Cornering Dash | PSID #200 | 3, 4 | A43.J1:21 | | High Beam LH | PSID #141 | 3, 4, 5, 6 | A45.J1:6 | 26.1 |
| Cyclope Lt | PSID #116 | 3, 4, 6 | A51.J1:7 | 26.2 | High Beam RH | PSID #145 | 3, 4, 5, 6 | A48.J1:3 | 26.1 |
| Defr water Pmp | SID #41 | 3, 4 | A47.J1:20 | 18.1 | Horn | PSID #83 | 3, 4, 5, 6 | A45.J1:20 | 9.1 |
| Diff Lock sol | SID #36 | 3, 4, 6 | A52.J1:4 | 11.1 | LH Corner Lts | PSID #120 | 3, 4, 5, 6 | A45.J1:5 | 26.3 |
| Docking Dash Sw | PSID #40 | 3, 4 | A43.J1:7 | 9.1 | LH Docking Light | PSID #122 | 3, 4, 5, 6 | A51.J1:4 | 26.3 |
| Driver Def Fan | PSID #180 | 3, 4, 5, 6 | A47.J1:1 | 18.1 | Low Beam LH | PSID #142 | 3, 4, 6 | A45.J1:7 | 26.1 |
| Driver heat Sol | PSID #16 | 3, 4, 5, 6 | A46.J1:6 | 18.1 | Low Beam RH | PSID #146 | 3, 4, 6 | A48.J1:4 | 26.1 |
| Driver Light | PSID #105 | 3, 4 | A41.J1:2 | | Lower Stop Lamps | PSID #153 | 3, 4, 6 | A50.J1:6 | 26.2 |
| Driver Light Sw | PSID #104 | 3, 4, 5, 6 | A47.J1:6 | 29.1 | Lower Washer pmp | PSID #181 | 4, 6 | A46.J1:3 | 34.1 |
| Driver Rfg Sol | PSID #29 | 3, 4, 5, 6 | A46.J1:5 | 18.1 | Lower Washer Sw | PSID #188 | 3, 4 | A46.J1:9 | |
| Driver Sensor | PSID #28 | 3, 4, 5 | A46.J1:13 | 32.1 | Lower Wip Int | PSID #183 | 3, 4 | A42.J1:8 | 34.1 |
| Drv air Trap | SID #64 | 3, 4, 6 | A44.J1:2 | 18.1 | Lugg doors lock | SID #44 | 3, 4, 5, 6 | A36.JA:7 | |
| Drv Rec Cylind | PSID #30 | 3, 4, 5, 6 | A47.J1:2 | 18.1 | Lugg doors unlk | SID #45 | 3, 4, 5, 6 | A36.JA:6 | |
| Elec.Horn SW61 | PSID #82 | | 4 A41.J1:3 | 23.1 | OutDoor Sens | PSID #161 | 3, 4, 5 | A54.J1:14 | |
| Emergency Relay | PSID #44 | 3, 4, 5, 6 | A36.JA:24 | 3.2 | Park brak Sens | PSID #162 | 3, 4 | A36.JB:9 | 12.1 |
| Eng Brk Active | PSID #45 | 3, 4 | A42.J1:18 | | Pass def fan | SID #38 | 3, 4, 5, 6 | A47.J1:7 | 29.1 |
| Eng Cmpt Bulb | PSID #106 | 3, 4, 6 | A52.J1:5 | 25.1 | Pass Heat Sol | PSID #24 | 3, 4, 6 | A54.J1:8 | 18.2 |
| Eng Cmpt Sw | PSID #107 | 3, 4 | A52.J1:11 | | Pass Rfg Sol | PSID #23 | 3, 4, 5, 6 | A54.J1:3 | 18.2 |
| Eng Fan Spd1 | PSID #51 | 3, 4 | A52.J1:9 | | Pass. Wtr pump | PSID #17 | 4, 6 | A54.J1:4 | 18.2 |
| Eng Fan Spd2 | PSID #52 | 3, 4 | A52.J1:10 | | Rear CutOut Sw | PSID #18 | 3, 4 | A36.JB:21 | 3.2 |
| Engine Fan Spd1 | PSID #53 | 3, 4, 5, 6 | A52.J1:1 | 13.1 | RearFlsh LH | PSID #131 | 3, 4, 6 | A51.J1:21 | 26.2 |
| Engine Fan Spd2 | PSID #54 | 3, 4, 5, 6 | A52.J1:2 | 13.1 | RearFlsh RH | PSID #132 | 3, 4, 6 | A51.J1:3 | 26.2 |
| Evap Motor Rly | PSID #77 | 3, 4, 5, 6 | A54.J1:7 | 18.2 | Retarder signal | PSID #164 | 3, 4 | A50.J1:12 | 12.1 |
| Evap Spd Ctrl | PSID #78 | 4, 6 | A54.J1:2 | 18.2 | Rev lights | SID #43 | 3, 4, 6 | A50.J1:3 | 26.2 |
| Fire Sensor | PSID #79 | 3, 4 | A41.J1:10 | 22.1 | RH Corner Light | PSID #121 | 3, 4, 5, 6 | A48.J1:5 | 26.3 |
| Flash RH Sw | PSID #133 | 3, 4 | A48.J1:12 | 26.1 | RH Docking Light | PSID #123 | 3, 4, 5, 6 | A51.J1:5 | 26.3 |
| Flasher LH | PSID #130 | 3, 4 | A45.J1:9 | 26.1 | RJB fan | SID #37 | 3, 4, 6 | A46.J1:7 | 18.1 |
| Fog's Lights LH | PSID #134 | 3, 4, 6 | A45.J1:4 | 26.3 | Rr Clearance lights | PSID #151 | 3, 4, 6 | A50.J1:4 | 26.2 |
| Fog's lights RH | PSID #136 | 3, 4, 6 | A48.J1:8 | 26.3 | Rr Start Sw | PSID #59 | 3, 4 | A53.J1:11 | 3.2 |
| Foot trap | PSID #37 | 3, 4, 6 | A45.J1:2 | 18.1 | RrStart Enable Sw | PSID #57 | 3, 4 | A53.J1:10 | 3.2 |

MULTIPLEX ERROR MESSAGES LIST

FMI 3 = Shorted High ; FMI 4 = Shorted Low ; FMI 5 = Open Circuit ; FMI 6 = Current above Normal

| Cluster message | SID/PSID | FMI | Module.Pin# | Page | | | | | |
|--------------------|-----------|------------|-------------|------|--|--|--|--|--|
| Ser Brake Trans | SID #49 | 3, 4, 6 | A51.J1:1 | 15.1 | | | | | |
| SlDO 5v supply | SID #23 | | 4 A56.J1:15 | | | | | | |
| SlDO Close Sw | SID #18 | 3, 4 | A56.J1:10 | | | | | | |
| SlDO Limit In | SID #19 | 3, 4 | A56.J1:11 | | | | | | |
| SlDO Limit Out | SID #20 | 3, 4 | A56.J1:14 | | | | | | |
| SlDO Mot Neg | SID #15 | 3, 4, 5, 6 | A56.J1:7 | | | | | | |
| SlDO Mot Pos | SID #16 | 3, 4, 5, 6 | A56.J1:20 | | | | | | |
| SlDO Mot SpeedA | SID #9 | 3, 6 | A56.J1:1 | | | | | | |
| SlDO Mot SpeedB | SID #10 | 3, 6 | A56.J1:2 | | | | | | |
| SlDO Open Sw | SID #17 | 3, 4 | A56.J1:9 | | | | | | |
| SlDO Park Br | SID #8 | 3, 4 | A56.J1:12 | | | | | | |
| SlDO Remote Led | SID #11 | 3, 4, 5, 6 | A56.J1:3 | | | | | | |
| SlDO Seal Def | SID #13 | 3, 4, 5, 6 | A56.J1:5 | | | | | | |
| SlDO Seal Inf | SID #12 | 3, 4, 5, 6 | A56.J1:4 | | | | | | |
| SlDO Secu Pin | SID #21 | 3, 4, 5, 6 | A56.J1:21 | | | | | | |
| SlDO Vacc Gen | SID #14 | 3, 4, 5, 6 | A56.J1:6 | | | | | | |
| SlDO Vacuum Sensor | SID #5 | 3, 4 | A56.J1:13 | | | | | | |
| Starter Relay | PSID #60 | 4, 6 | A53.J1:6 | 3.2 | | | | | |
| Starter Relay | PSID #60 | 3, 6 | A53.J1:1 | | | | | | |
| Tag axle Sw | PSID #165 | 3, 4 | A43.J1:19 | 32.1 | | | | | |
| Tail Lights | PSID #152 | 3, 4, 6 | A51.J1:8 | 26.2 | | | | | |
| Trans Neutral Sens | PSID #168 | 3, 4 | A50.J1:11 | 3.2 | | | | | |
| Under Floor lights | PSID #112 | 4, 6 | A46.J1:20 | 25.1 | | | | | |
| Unloader LHO | PSID #31 | 3, 4, 6 | A52.J1:8 | 18.2 | | | | | |
| Unloader RH | PSID #32 | 3, 4, 6 | A52.J1:21 | 18.2 | | | | | |
| Upper Brk Lamp | PSID #43 | 3, 4, 6 | A51.J1:6 | 26.2 | | | | | |
| Upper Def Fan | PSID #33 | 4, 6 | A46.J1:8 | | | | | | |
| | | | | | | | | | |
| | | | | | | | | | |
| | | | | | | | | | |
| | | | | | | | | | |
| | | | | | | | | | |
| | | | | | | | | | |
| | | | | | | | | | |
| | | | | | | | | | |
| | | | | | | | | | |
| | | | | | | | | | |
| | | | | | | | | | |
| | | | | | | | | | |
| | | | | | | | | | |
| | | | | | | | | | |
| | | | | | | | | | |
| | | | | | | | | | |
| | | | | | | | | | |
| | | | | | | | | | |
| | | | | | | | | | |
| | | | | | | | | | |
| | | | | | | | | | |
| | | | | | | | | | |
| | | | | | | | | | |
| | | | | | | | | | |
| | | | | | | | | | |
| | | | | | | | | | |
| | | | | | | | | | |
| | | | | | | | | | |
| | | | | | | | | | |
| | | | | | | | | | |
| | | | | | | | | | |



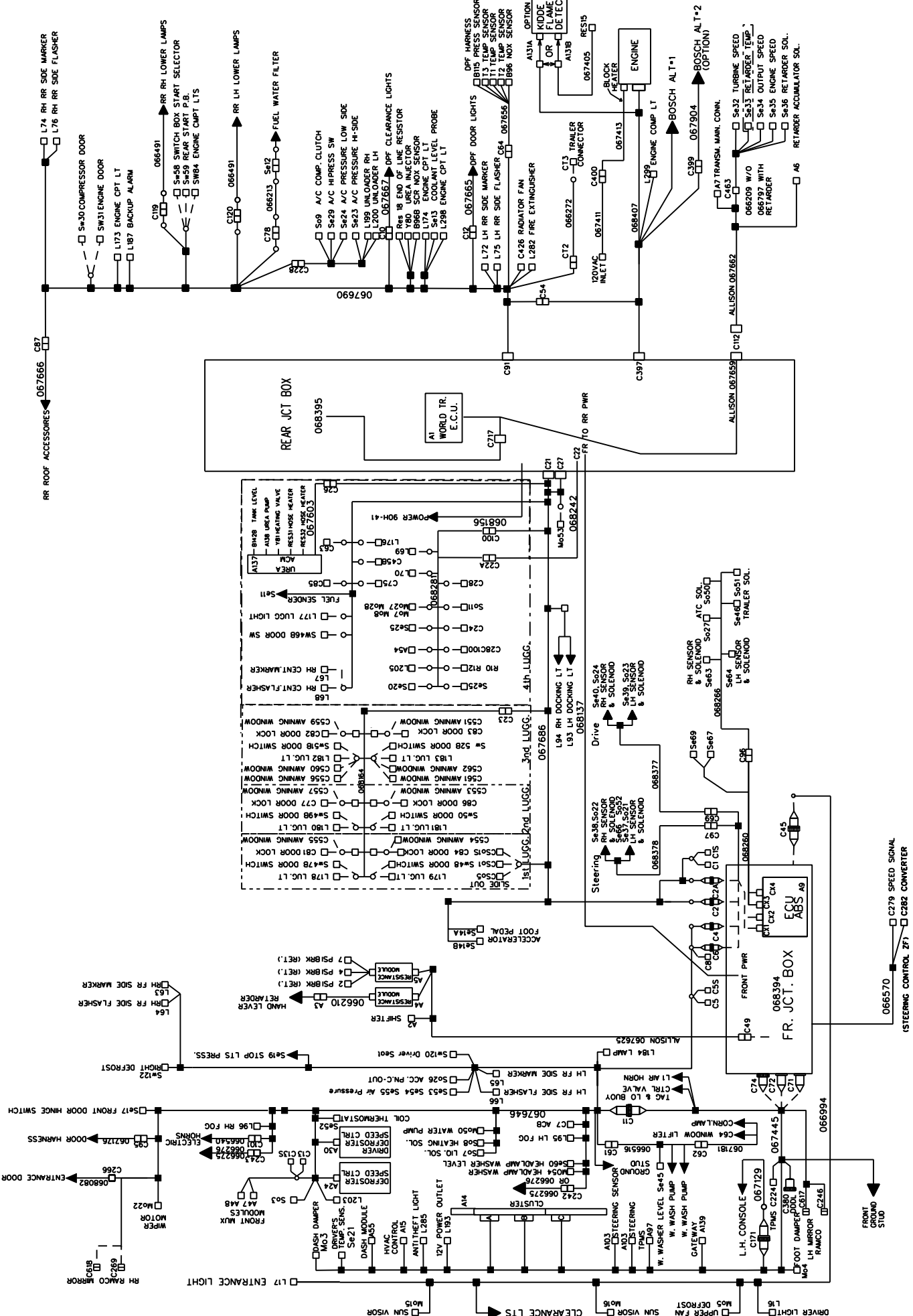
PREVOST

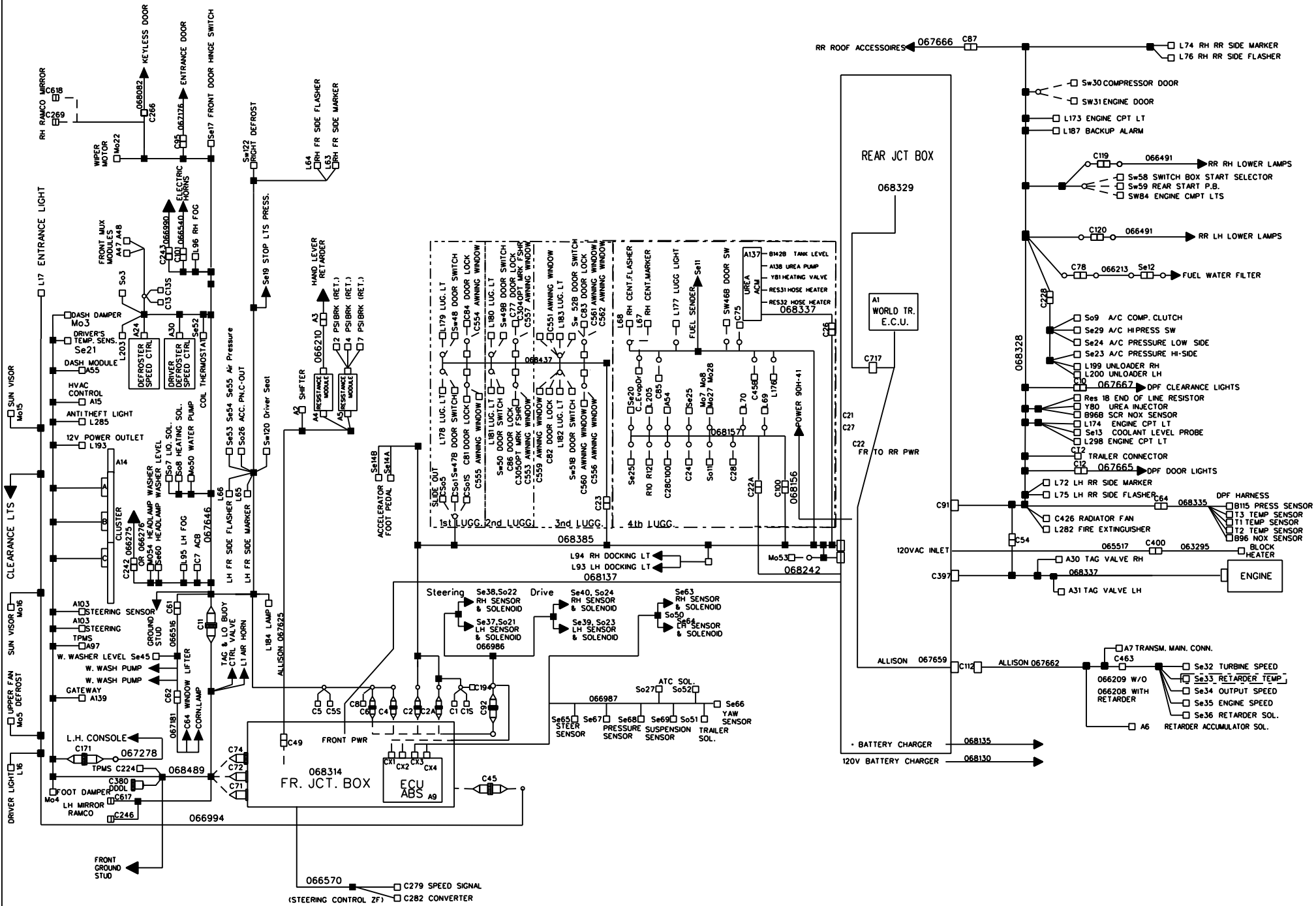
WIRING DIAGRAM

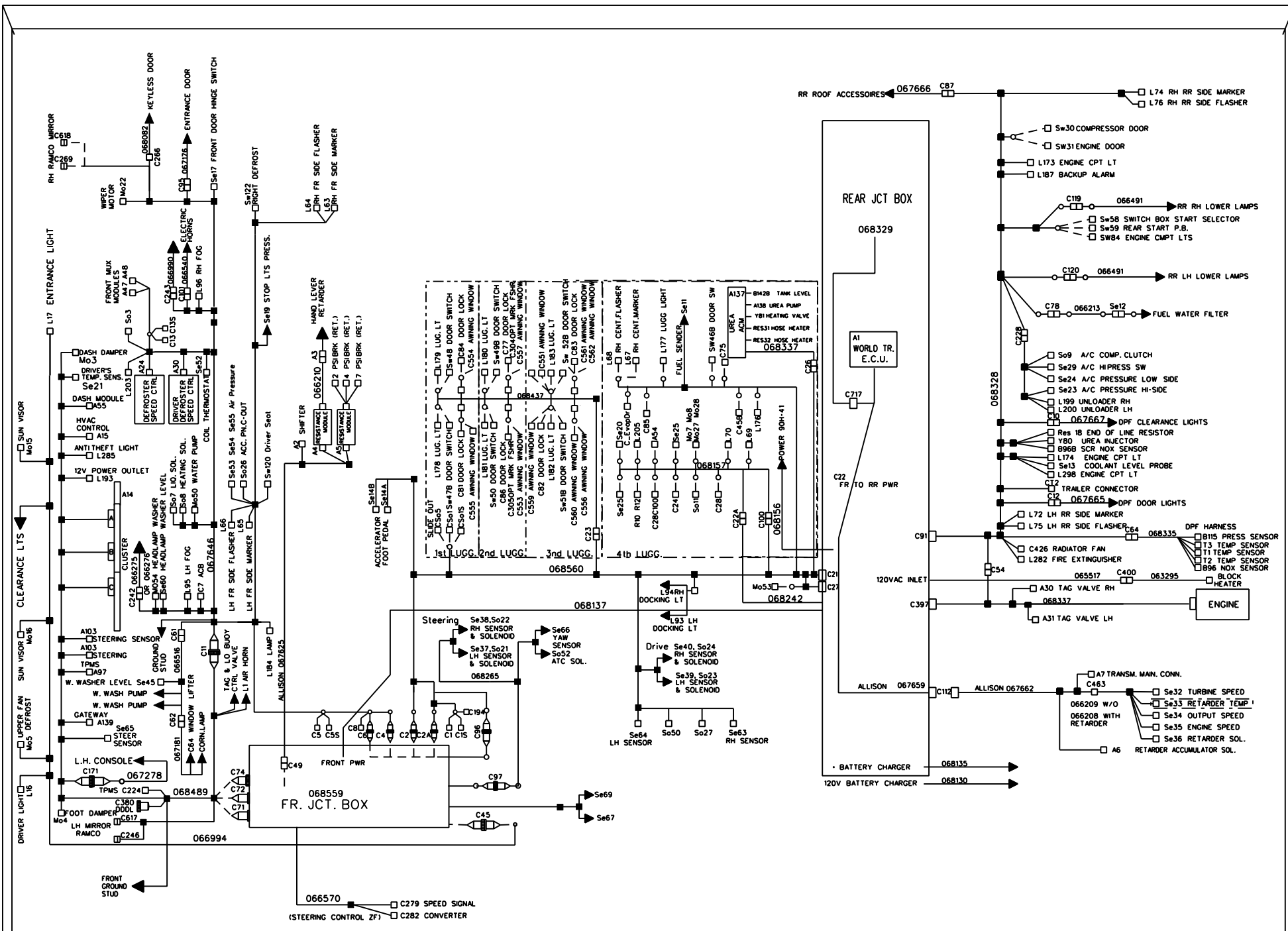
NO: D061170

PAGE: C1

REVISION 0

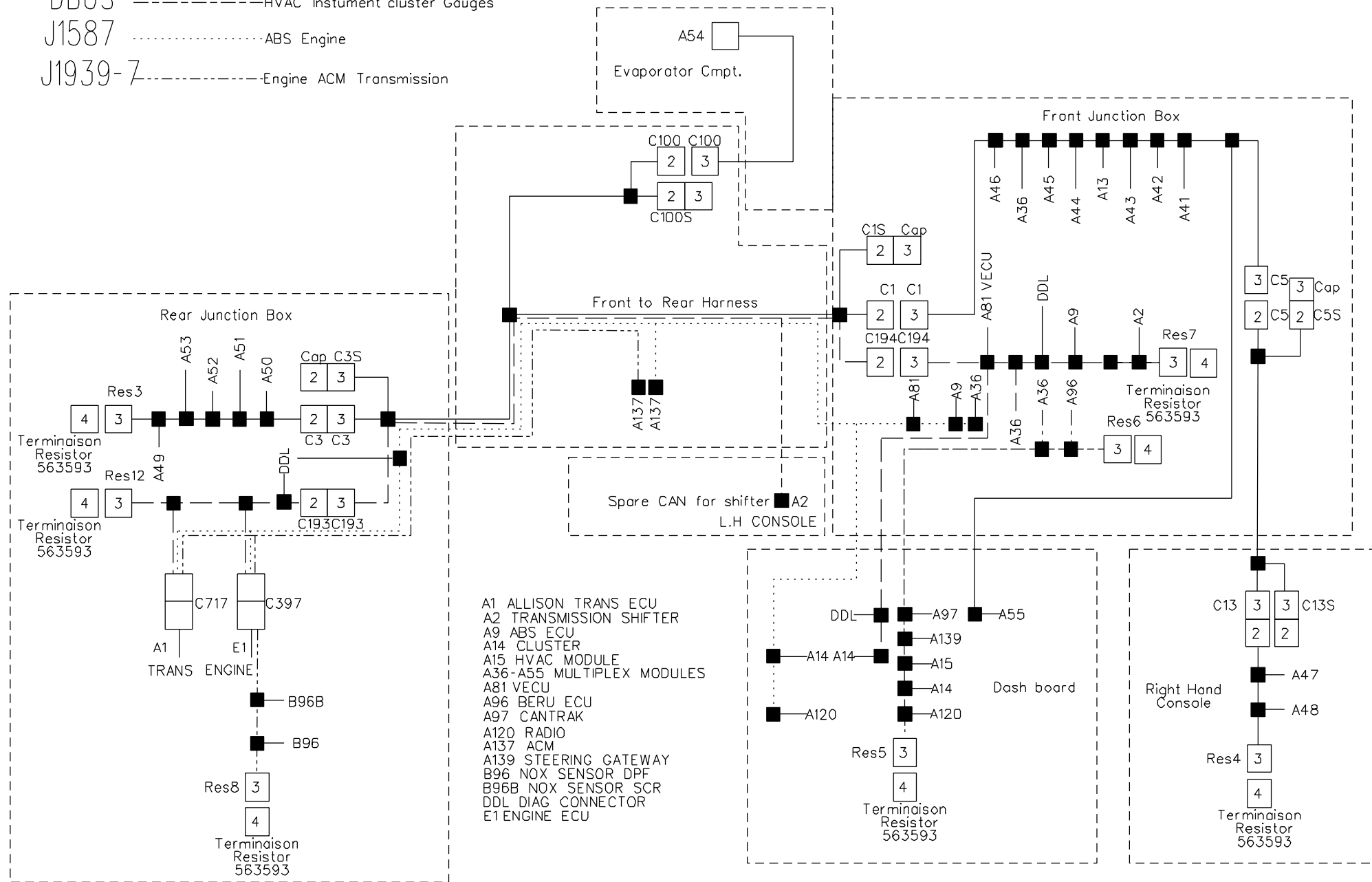






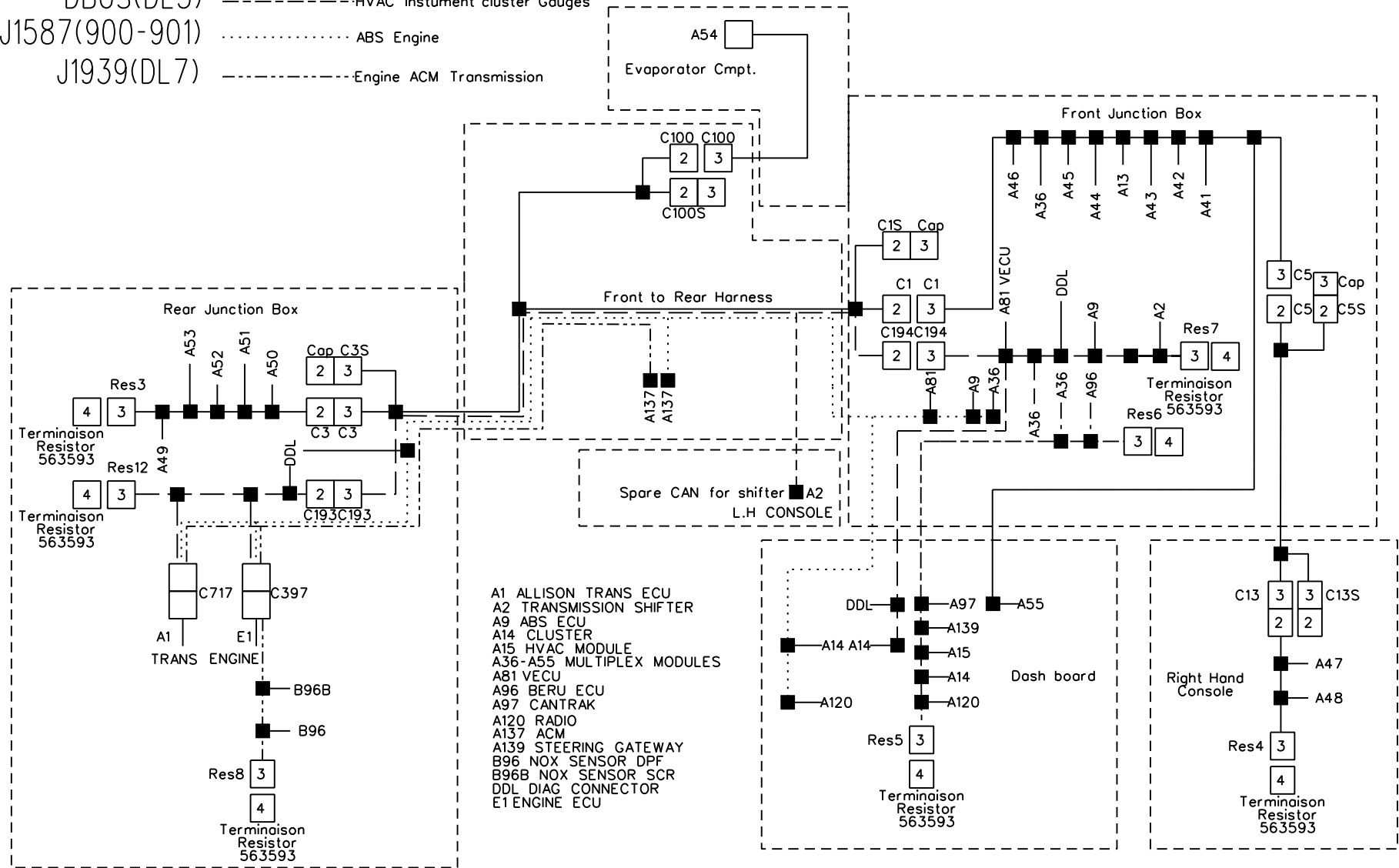
CAN NETWORKS LAYOUT

- CAN ————— I/O Modules
- J1939 - - - - - Engine Transmission
- DBUS - - - - - HVAC Instrument cluster Gauges
- J1587 ········ ABS Engine
- J1939-7 - - - - - Engine ACM Transmission



CAN NETWORKS LAYOUT

- J1939(DL0) ——— I/O Modules
- J1939(DL1) - - - - - Engine Transmission
- DBUS(DL3) - - - - - HVAC Instrument cluster Gauges
- J1587(900-901) ABS Engine
- J1939(DL7) - - - - - Engine ACM Transmission



- A1 ALLISON TRANS ECU
- A2 TRANSMISSION SHIFTER
- A9 ABS ECU
- A14 CLUSTER
- A15 HVAC MODULE
- A36-A55 MULTIPLEX MODULES
- A81 VECU
- A96 BERU ECU
- A97 CANTRAK
- A120 RADIO
- A137 ACM
- A139 STEERING GATEWAY
- B96 NOX SENSOR DPF
- B96B NOX SENSOR SCR
- DDL DIAG CONNECTOR
- E1 ENGINE ECU

CIRCUITS LIST

| CircuitID | Description | CircuitID | Description | CircuitID | Description |
|-----------|---------------------------|-----------|------------------------------|-----------|-------------------------|
| 0 | GndLevelLow | 0RC2 | GndDriverCylinder | 12WUp5 | PwrtoModuleA51 |
| 2B | CondSndSpdSig | 0RC3 | | 12w_up | VecrInside |
| 5A | UpperHeaterPwr | 0RC4 | Gnd | 13 | GndTransducer |
| 5B | UpperHeaterPwr | 0RC5 | Gnd | 16 | SpeedSignal |
| 5C | UpperHeaterPwr | 0RC5A | Gnd | 18 | Wip.WasherLevel |
| 7 | DriverSensorRtn | 0RC5B | Gnd | 20 | Air_Dryer_Pwr |
| 9A | GndEngineDoorSe | 0SA1 | GND_Alt120A | 21 | FlasherLHSig |
| 9B | EngineCmpt.Lt | 0VA | Equalizer_Gnd | 21A | FrontFlasher |
| 0A | Evap.Gnd | 0Y | ABS_Gnd | 21AA | FlashersRearLH |
| 00A | GndElectronic | 10 | LuggageCmpt.LtsPwr | 21B | CorneringLtsLH |
| 00AB | Sw103A | 10A | LuggageCmpt.LtsPwr | 21BR | GndFoglights |
| 00B | ElectronicGndofMuxModules | 12 | RearSlideOutRetractingSignal | 21C | UpperRearLights |
| 0BB | SensorGnd | 12A | 12Direct | 22 | HazardSwSig |
| 0BR3 | GndRearLighting | 12CPC | R22_DDEC | 23 | FlasherRHSig |
| 0C | GndStarter062214 | 12Ecu | 12v_Engine_Ecu | 23A | FrontFlasherRH |
| 0CE | GND48A47 | 12ecu | VecrInside | 23AA | FrontFlasherRHSide |
| 0CG | 67888 | 12K | KeyLessIgn | 23B | CorneringLtsRH |
| 0EV1 | CondensorPwr | 12VB | Equalizer_Power | 23BR | GndFogandCorneringLtsRH |
| 0EV2 | GndHvac | 12VD | 12VDTOCB2 | 23C | UpperRearLights |
| 0F | FJBDDoorOpenSig | 12VD1 | 12VDFrontWake-up | 24A | Battery_24V |
| 0FA1 | GndofEntranceWdo | 12VD2 | 12Direct | 24AW | AwiningWindowsPower |
| 0FA4 | Chassisgnd | 12VD3 | 12vRearwake-up | 24CO | PwrtoExcitationResistor |
| 0FB1 | GndMirrors | 12VD4 | 12v_Engine_Ecu | 24D | 24Direct |
| 0FB2 | GndDriverWdo | 12VDCust | 12VDCustomer | 24EE1 | 24Ignition |
| 0FB3 | GNDCustomer | 12VDF | 12VDtoFrontVec | 24EE2 | 24Ignition |
| 0FC1 | Driverseat | 12VI | 12VitoCB10 | 24VB | Equalizer_Power |
| 0FC4 | ElectricalHorn | 12vi | VecrInside | 24VB1 | 24VEnginePreheater |
| 0FD1 | GNDMuxpower | 12VI1 | 12VlofA44 | 24VB2 | 24VEnginePreheater |
| 0FE | Gnd_AFSS | 12VI2 | MirrorPwr | 24VD | MasterRelayPwr |
| 0G | GndofA54 | 12VI3 | PwrOutletDrawer | 24vd | VecrInside |
| 00G | Steering_Gnd | 12VI4 | PwrOutletandCigarLighter | 24VD1 | 24VDtoFront |
| 0H | GroundCoolantSensor | 12VI5 | 12VitoVECR | 24VD2 | 24VDtoRearVec |
| 0L | KeylessModuleKeypadGnd | 12VI6 | PwrtoModuleA50 | 24VD3 | 24VDofCECM |
| 0PR2 | GndFrontClearanceLts | 12VI7 | TrailerABSPower | 24VD4 | 24VDFrontWake-up |
| 0PR3 | UpperDefrosterGnd | 12VI9 | TPMSPow | 24VD5 | 24VD |
| 0RA2 | SignalGndR1 | 12VICust | 12VICustomer | 24VD7 | PassandPRackPwr |
| 0RB3 | Gnd | 12VIF | 12VitoFrontVec | 24VD8 | UreaPowerACM |
| 0RB4 | Air_Dryer_Gnd | 12VIF19 | 12VI_DDDL | 24VD8A | UreaPowerACM |
| 0RB6 | Luggageslockunlockrelay | 12VIZF | ZFsterringControl | 24VD8B | UreaPowerACM |
| 0RB7 | GndToEcm | 12Wup | Vecr_Inside | 24VDCust | 24VDCustomer |
| 0RB7A | GndtoACM | 12WUp1 | 12VWUptoA48 | 24VI | 24VI |
| 0RB7B | GndtoACM | 12WIn1 | 12WInFront | 24vi | VecrInside |

CIRCUITS LIST

| CircuitID | Description | CircuitID | Description | CircuitID | Description |
|-----------|--------------------------|-----------|----------------------|-----------|---------------------------|
| 24VI2 | Multifunctionswitchpower | 46A | FrontMarkers | 69A | PneumaticHorn |
| 24VI3 | 24vIgn | 47 | DoorOpenSignal | 71A | DockingLtsLH |
| 24VI4 | SunVisorsPwr | 48A | DoorUpperPen | 72A | DockingLtsRH |
| 24VI5 | 24VlofMuxmodules | 48B | DoorUpperPenSig | 72B | Sunvisor |
| 24VI6 | PwrtoDefrostUnit | 48C | DoorUpperPenSig | 72C | Sunvisor |
| 24VI7 | WiperPower | 49A | DoorInsideSwCloseSig | 72R | GndRJB |
| 24VI8 | 24VltoMux | 50 | WitnessGndSig | 74D | Sunvisor |
| 24VI9A | 24VlofA54 | 52 | Sw102 | 76 | FuelLevelSig |
| 24VI10 | 24VI | 53 | LowerWip.Spd1Sig | 76C | FuelLevelSig |
| 24VIA | Cut-outPneumaticAcc | 53A | ElectricalHorn | 77 | TransducerHi-Side |
| 24VICust | 24VICustomer | 53B | Wiper | 77B | PassandPRackLiquidValve |
| 24VIF | 24VltoFrontVEC | 53C | LowerWip.IntSig | 77BA | A/CClutch |
| 24WUp1 | 24VWUptoA47 | 53D | LowerWip.WasherSwSig | 77BB | A/CClutchsmalla/c |
| 24Wup1 | 24WUpFront | 53E | LowerWiper1stSpd | 77C | PassandPRackLiquidValve |
| 25 | EngineRunSignal | 53F | LowerWasherPump | 77K | CoilThermostatSignal |
| 25A1 | ExcitationSignal | 53H | LowerWiper | 78 | StopLightSensorSig |
| 25A2 | Alternator2Signal | 53J | HornElectric | 79 | 12V_Wup |
| 25A4 | BatteryNotChargingSig | 53K | KeyLessSig | 79A | DecelSignal |
| 26 | DriverWdoPwr | 57A | AuxiliaryWaterPump | 79C | DecelSignal |
| 26A | DriverWdo | 57L | Hi-Beam | 80 | BrakeRedundant |
| 26B | DriverWdo | 57R | HighBeamRH | 81 | HeadLtCallSw1 |
| 26D | EntranceWdo | 57Rtn | SignalRtnHeadLtsLH | 82A | Transmission |
| 26E | EntranceWdo | 58L | LowBeam | 82Low | StopRearLowerLamp |
| 27 | PowerEntranceDoorWdo | 58R | LowBeamRH | 82Up | StopRearUpperLamps |
| 31 | UnloaderRH | 58Rtn | HeadLampRHRtn | 83 | 24vAccessories |
| 31B | WiperPower | 59 | Hi/LowBeamSignal | 84B | StartSigSw83 |
| 32 | FrontSlideOutExtending | 60 | FogsLtsSwSig | 85 | 24VIgnition |
| 32A | BackupLtandalarm | 61 | HeadLtsSig | 85A | Ign-AccSignal |
| 32D | BackupLtandalarm | 63 | ClearanceLts | 85a | Ign-AccSignal |
| 33 | UnloaderLH | 63A | FrontClearanceLts | 85B | Wake-upSig |
| 35 | EntranceDoorLights | 63AA | ClearanceLts | 85C | PositionNormalSw58 |
| 35A | EntranceLight | 63BB | ClearanceLts | 85D | RearStartPwr |
| 39 | DriverLtSwSig | 64A | Blinker | 85E | RearStartSignal |
| 39AA | GndElectronic | 65 | FootDamper | 85F | 24VIgnition |
| 39B | KeyLessSig | 65A | FootDamper | 85G | EgnineStartPwrSw58 |
| 39D | DriverLt | 65D | DriverCylinder | 85J | CutoutRlyLatchSig |
| 39Rtn | GndDriverLt | 65P | Pass.Cylinder | 85Y | Abs_Bus_Signal |
| 40 | WitnessGnd | 66 | MarkersSigSw2 | 85Z | ABS_Trailer_Sig |
| 41 | 24VCondensor | 67 | EvaporatorPwr | 86 | DefrostunitSpd |
| 41A1 | CondensorPwr | 67A | Condensor1stSpdSig | 86A | PassengerDefrosterControl |
| 45 | UpperdefrosterSwSig | 68 | DashDamper | 86ARtn | GndReturn |
| 45A | PassengerHeatSig | 68A | DashDamper | 86BRtn | GndReturn |

CIRCUITS LIST

| CircuitID | Description | CircuitID | Description | CircuitID | Description |
|-----------|------------------------------|-----------|------------------------|-----------|-------------------------|
| 86D | PassengerSensor | 120 | Transmission | 141 | Transmission |
| 86RTN | GndEntrancedoorLt | 123 | AFSS | 142 | ABSSolenoid |
| 86Rtn | GndPassengerDefrosterControl | 123A | WakeUpSignal | 143 | ABSSensor |
| 87 | TrailerParkBrakeSig | 124A | Transmission | 143A | ABSSensor |
| 88 | CompressorPressureSignal | 125 | RetarderSig | 144 | ABSSensor |
| 89 | Drivensorsig | 126F | LevelLowSignal | 144A | ABSSensor |
| 90H | 24VltoEvap | 127 | Transmission | 145 | ABSSolenoid |
| 90H1 | Evaporator | 128 | SunVisors | 146 | ABSSolenoid |
| 91 | ParkBrakeSig | 129 | SunVisors | 147 | ABSSolenoid |
| 91B | WitnessSigSw14 | 130 | SunVisors | 148 | Transmission |
| 92 | TrailerParkBrakeSig | 131 | Transmission | 149 | Transmission |
| 93 | PassengerDefrostSwitchUp | 132 | DifferentialLockSignal | 149A | ABSSensor |
| 94 | PassengerDefrostSwitchDown | 132A | LevelLowPower | 150 | Transmission |
| 95 | DockingLTswSig | 132B | LevelLowSo30 | 151 | GndtoEcm |
| 96 | CorneringLTswSig | 132C | LevelLowSo31 | 151A | GndtoEcm |
| 97 | LowDockingLightsSwitchSignal | 132D | LevelLowSo32 | 151B | GndToEcm |
| 98 | BackupCancelSwitch | 132E | LevelLowPower | 151C | GndtoEcm |
| 00A1 | GndElectronic | 132F | LevelLowPower | 151D | Coolant_Ground_Level |
| 0B1 | GndEnginePreheater | 133 | Transmission | 152 | Transmission |
| 00B1 | GndEng.Start | 134 | BatteryNotChargingSig | 153 | MirrorPwr |
| 0V1 | LuggageDoorOpenSig | 135 | Transmission | 154 | Transmission |
| 0V2 | LuggageDoorOpenSig | 135A | Transmission | 155 | Transmission |
| 0V3 | LuggageDoorOpenSig | 136 | Transmission | 156A | 12VltoABS |
| 0V5 | LuggageDoorOpenSig | 136A | TransmissionPwr | 157D | Abs_Bus_Signal |
| 0Y2 | GndChassisABSSol | 136AA | ShifterSignal | 159 | Transmission |
| 0Y3 | GndChassisABSSol | 137 | Transmission | 160 | TagSignal |
| 101 | PwrtoStarter | 137A | MirrorPwrSig | 163 | Transmission |
| 101A | Starter_Relay | 137B | Mirrors | 163A | EngBrakeRetSignal |
| 101B | Starter_Relay | 137C | Mirrors | 163B | Transmission |
| 102A | PWR_Alt120A | 137D | Mirrors | 164 | HandLevelSig |
| 104 | LevelLowSo28 | 137E | Mirrors | 166 | WitnessSigSw16 |
| 105 | FogLtsLH | 137F | Mirrors | 167 | ACB |
| 106 | FogLtsRH | 137H | Mirrors | 168 | ACB |
| 111 | Transmission | 137J | Mirrors | 170A | LuggagesLocks |
| 114 | BacklightPwr | 137K | Mirrors | 170B | LuggagesLocks |
| 114A | Backlight | 137L | Mirrors | 170D | Luggageslockrelay |
| 115 | Transmission | 137M | Mirrors | 170E | Luggagesdoorslockrelays |
| 115A | WitnessLampPwr | 137N | Mirrors | 170F | LuggagesLocks |
| 115W | Transmission | 137P | Mirrors | 170G | LuggagesLocks |
| 116 | DriverLiq | 138 | Transmission | 170K | LuggagesLocksSwitch |
| 116A | DriverLiq | 138A | ABSSensor | 170L | LuggagesLocksSwitch |
| 118 | Transmission | 139 | Transmission | 170M | LuggagesLocksSwitch |

CIRCUITS LIST

| CircuitID | Description | CircuitID | Description | CircuitID | Description |
|-----------|-------------------------|-----------|------------------------|-----------|-----------------------|
| 170P | LuggagesLocksSwitch | 285B | KeyLessSig | 510 | FastIdleSignal |
| 170Q | LuggagesLocksSwitch | 286 | EntranceDoorLock | 511 | UreaSystem |
| 170R | LuggagesLocksSwitch | 286A | EntranceDoorLock | 512 | UreaSystem |
| 170S | LuggagesLocksSwitch | 286B | FrontDoorLock | 513 | UreaSystem |
| 170SS | LuggagesLocksSwitch | 287 | KeyLessSig | 515 | GndPreHeaterRelay |
| 170T | LuggagesLocksSwitch | 290 | GndFanClutch | 516 | UreaSystem |
| 170V | LuggagesLocksSwitch | 290A | GndFanClutch | 517 | UreaSystem |
| 170W | Luggageslockrelay | 291 | FanClutch | 518 | UreaSystem |
| 170X | LuggagesLocksSwitch | 292 | FanClutch | 519 | UreaSystem |
| 170Y | LuggagesLocks | 294 | KeyLessSig | 520 | UreaSystem |
| 170Z | LuggagesLocks | 295 | KeylessModuleOutput | 521 | UreaSystem |
| 171 | LuggageUnlockSwSig | 296 | RJBDoorFan | 522 | UreaSystem |
| 174 | Transmission | 297 | TransShiftDown | 523 | UreaSystem |
| 175 | Transmission | 298 | TransShiftUp | 524B | IdleValidationSig |
| 176 | Transmission | 341 | See_H3_Design | 524C | IdleValidationSig |
| 177 | Transmission | 342 | AFSS | 525 | UreaSystem |
| 180 | Transmission | 343 | See_H3_Design | 526 | UreaSystem |
| 185 | TransmissionInhibitSig | 344 | ExtinguisherSignal | 527 | UreaSystem |
| 197 | FuelFilterSig | 345 | See_H3_Design | 528 | UreaSystem |
| 201 | HeadLampSignal | 346 | PowerSensors | 530 | UreaSystem |
| 202 | HeadLampWash.Pump | 347 | Fire_Detect_Alarme | 532 | UreaSystem |
| 231 | NeutralSignal | 348 | See_H3_Design | 541 | CruiseSetSig |
| 231A | StarterRelay | 351 | EngineShout-downSignal | 544 | CruiseOn_OffSignal |
| 231B | Starter_Relay | 352 | AFSS | 544A | CruiseOn-OffLed |
| 240A | 12v_Engine_Ecu | 360 | ClusterKeyPad | 545 | CruiseResumeSig |
| 241A | PwrDDDRConn | 361 | ClusterKeyPad | 583 | EngineBrakeB |
| 241B | PwrDDDRConn | 362 | ClusterKeyPad | 600 | ABSSensor |
| 241C | WaterInFuelHeater | 363 | ClusterKeyPad | 600A | ABSSensor |
| 260 | WindowAjarSignal | 364 | FrontAirBrakePress | 601 | ABSSensor |
| 272 | KeylessModuleInput | 365 | FrontAirBrakePress | 601A | ABSSensor |
| 274 | KeylessModuleInput | 366 | RearAirBrakePress | 602 | ABSSteering&Yawsensor |
| 276 | KeylessModuleInput | 367 | RearAirBrakePress | 603 | ABSSteering&Yawsensor |
| 277 | KeylessModuleKeypadLt | 368 | AccAirPress | 604 | ABSSteering&Yawsensor |
| 278 | KeylessModuleInput | 369 | AccAirPress | 605 | ABSSteering&Yawsensor |
| 280 | KeylessModuleInput | 417 | ThrottlePositionSignal | 606 | ABSPressuresensor |
| 281 | KeyLessSigUnlock | 439 | | 607 | ABSPressuresensor |
| 282 | KeyLessSigUnlock | 439G | Steering | 608 | ABSPressuresensor |
| 283 | EntranceDoorHingeSignal | 500 | DDECGND | 609 | ABSPressuresensor |
| 283A | UnlockSig | 501 | Ground_Control_Relay | 610 | ABSPressuresensor |
| 283C | EntranceDoorHingeSignal | 502 | IVSOut | 611 | AbsTagSolenoid |
| 284A | LuggagesUnlockRelays | 505 | DPFVolvo | 612 | AbsTagSolenoid |
| 284B | KeyLessSig | 506 | DPFVolvo | 613 | AbsTagSolenoid |

CIRCUITS LIST

| CircuitID | Description | CircuitID | Description | CircuitID | Description |
|-----------|---------------------------|-----------|------------------|-----------|----------------------|
| 614A | ABSSteeringSolenoid | CC12 | ConverterOutput1 | N19 | A50Adress |
| 615 | ABStrailersolenoid | CC13 | ConverterOutput3 | N20 | A50Adress |
| 616 | ABStrailersolenoid | CC14 | ConverterOutput2 | N21 | A51Adress |
| 617 | ABStrailersolenoid | CC15 | ConverterOutput4 | N22 | A51Adress |
| 900 | J1587+ | CC16 | ConverterOutput5 | N23 | A52Adress |
| 901 | J1587- | CC17 | ConverterOutput6 | N24 | A52Adress |
| 911 | EmergencyCutoutRlySignal | Cd | ComputerSignals | N25 | A53Adress |
| 916 | 5VSensorPwr | Cd1 | ComputerSignals | N26 | A53Adress |
| 952 | GndSensorRtn | Cts | ComputerSignals | N27 | A54Adress |
| 953 | Electronic_ground_DDEC_VI | D | Trans.HandLever | N28 | A54Adress |
| 979 | EngineBrakeA | DBusH | DBusH | N29 | A36Adress |
| 980H | Hispeedfanevaporator | DbusH | DBusSignal | N30 | A56Adress |
| 980L | lowspeedfanevaporator | DBusL | DBusL | N31 | A56Adress |
| A | Trans.HandLever | DbusL | DBusSignal | N32 | A57Adress |
| B | Trans.HandLever | Down | ClusterKeyPad | N33 | A55_Adress |
| BLACK | TrailerBackupLights | E | Trans.HandLever | N34 | A55_Adress |
| BikFR | TPMSGND | Escape | ClusterKeyPad | nil | Inside_VECF |
| BikRL | TPMSGND | F | Trans.HandLever | OFB3 | TPMSGND |
| BikRR | TPMSGND | G | Trans.HandLever | RED | Volvo_Starter_Signal |
| BLUE | TrailerconnectorABSPower | GndA | ComputerSignals | RedFR | TPMS12V |
| BRef1 | OutsideTemperatureSensor | GREEN | TrailerFlasherRH | RedRL | TPMS12V |
| Bref1 | PassengerSensor | H | Trans.HandLever | RedRR | TPMS12V |
| Bref2 | PassengerSensor | J1939H | J1939 | Rts | ComputerSignals |
| BROWN | TrailerMarkerlights | J1939L | J1939 | RX | TPMSDATA |
| C | Trans.HandLever | LIN | Steering | RxD | ComputerSignals |
| CAN2-H | EngineCan2 | N1 | A41Adress | Select | ClusterKeyPad |
| CAN2-L | EngineCan2 | N2 | A41Adress | So1 | Gnd |
| CAN2H | DPFVolvo | N3 | A42Adress | So2 | SldOutRemoteSig |
| CAN2L | DPFVolvo | N4 | A42Adress | So3 | SldOutInSig |
| CanH | CanHSignal | N5 | A43Adress | So4 | SignalOut |
| CanH1 | Sparefrttorr | N6 | A43Adress | So6 | Proximitysignal |
| CanL | CanLSignal | N7 | A44Adress | So7 | Proximitysignal |
| CanL1 | Sparefrttorr | N8 | A44Adress | SO8 | PowerSldOut1Sensor |
| Can_H | Can_HSignal | N9 | A45Adress | So8 | PowerSldOut1Sensor |
| Can_L | Can_LSignal | N10 | A45Adress | So9 | SldOut1StatusLed |
| CC1 | Converterinput1 | N11 | A46Adress | So10 | SldOut1RelaySig |
| CC2 | Converterinput2 | N12 | A46Adress | So11 | SldOut2RelaySig |
| CC3 | Converterinput3 | N13 | A47Adress | So12 | SealInflating |
| CC4 | ConverterInput4 | N14 | A47Adress | So13 | SldOut1SealDeflatSig |
| CC5 | Converterinput5 | N15 | A48Adress | So14 | SldOut1VacumGen |
| CC6 | Converterinput5 | N16 | A48Adress | So16 | SensorGndRtn |
| CC7 | ConverterInnit2 | N17 | A49Adress | So18 | GndSlideOut |

CIRCUITS LIST

| CircuitID | Description | CircuitID | Description | | |
|-----------|-------------------------|-----------|-------------------------|--|--|
| So20 | SldOutMotor1Sig | spare30 | SparesFrontHarness | | |
| So21 | SldOut1MotorSig | spare31 | SparesFrontHarness | | |
| So26 | SlideOut | spare32 | SparesFrontHarness | | |
| So31 | GndSlideOut | spare33 | SparesFrontHarness | | |
| So32 | SldOut1SignalOut | spare34 | SparesFrontHarness | | |
| So33 | SldOut2SignalIn | spare35 | SparesFrontHarness | | |
| So36 | Proximitysignal | spare36 | SparesFrontHarness | | |
| So37 | Proximitysignal | spare37 | SparesFrontHarness | | |
| So38 | PowerSldOut2Sensor | spare38 | SparesFrontHarness | | |
| So39 | SldOut2StatusLed | spare39 | SparesDash | | |
| So40 | SldOut2RelaySig | spare40 | SparesDash | | |
| So41 | SldOut2RelaySig | spare41 | SparesDash | | |
| So42 | SldOut2SealDeflatSig | spare42 | SparesDash | | |
| So46 | SldOutMotor2sig | spare43 | SparesDash | | |
| So47 | SldOutMotor2sig | spare44 | SparesDash | | |
| So48 | SldOut2MotorSig | spare45 | SparesFr-to-RearHarness | | |
| So55 | SecurityPinSol | spare46 | SparesFr-to-RearHarness | | |
| So58 | SldOutMotor1Sig | spare51 | SparesEngineCradle | | |
| So59 | SldOutMotor2sig | spare52 | SparesEngineCradle | | |
| So61 | SldOut2SealInflat | spare53 | SparesEngineCradle | | |
| SP | ConverterVehicleSpeed | spare54 | SparesEngineCradle | | |
| Spare | VecrInside | spare62 | spareABSHarness | | |
| spare | VecrInside | spare63 | spareABSHarness | | |
| spare2 | SparesFr-to-RearHarness | spare64 | spare | | |
| spare3 | SparesFr-to-RearHarness | spare65 | spare | | |
| spare4 | SparesEvap.Harness | spare96 | spare | | |
| spare6 | SparesEvap.Harness | spare97 | spare | | |
| spare7 | SparesEvap.Harness | spare98 | spare | | |
| spare8 | SparesEvap.Harness | TX | TPMSDATA | | |
| spare9 | SparesEvap.Harness | TxD | ComputerSignals | | |
| spare17 | SparesFr-to-RearHarness | Up | ClusterKeyPad | | |
| spare18 | SparesFr-to-RearHarness | VDALT | Alternator | | |
| spare19 | SparesFr-to-RearHarness | WHITE | TrailerConnectorGnd | | |
| spare20 | SparesClearanceLts | WhtFR | TPMSDATA | | |
| spare21 | SparesClearanceLts | WhtRR | TPMSDATA | | |
| spare22 | SparesClearanceLts | YELLOW | TrailerFlasherLH | | |
| spare23 | SparesClearanceLts | | | | |
| spare24 | SparesClearanceLts | | | | |
| spare25 | SparesClearanceLts | | | | |
| spare26 | SparesFrontHarness | | | | |
| spare27 | SparesFrontHarness | | | | |
| spare28 | SparesFrontHarness | | | | |

CIRCUITS LIST

| CircuitID | Description | CircuitID | Description | CircuitID | Description |
|-----------|-----------------------------|-----------|------------------------------|-----------|--------------------------|
| 0 | GndLevelLow | 0RC5 | Gnd | 21A | FlashersCenterLH |
| 2B | CondSndSpdSig | 0RC5A | Gnd | 21AA | FlashersRearLH |
| 5A | UpperHeaterPwr | 0RC5B | Gnd | 21B | CorneringLtsLH |
| 7 | DriverSensorRtn | 0SA1 | GND_Alt120A | 21BR | GndFoglights |
| 9A | GndEngineDoorSe | 0VA | Equalizer_Gnd | 21C | UpperRearLights |
| 9B | EngineCmpt.Lt | 0Y | GndChassistoABSModule | 22 | HazardSwSig |
| 0A | Evap.Gnd | 10 | DPFVolvo | 23 | FlasherRHSig |
| 00A | GndElectronic | 10A | LuggageCmpt.LtsPwr | 23A | FlasherCenterRH |
| 00AB | gnd | 12 | RearSlideOutRetractingSignal | 23AA | FrontFlasherRHSide |
| 00B | ElectronicGndofMuxModules | 12A | 12Direct | 23B | CorneringLtsRH |
| 0BB | GndElectronic | 12CPC | R22_DDEC | 23BR | GndFogandCorneringLtsRH |
| 0C | GndStarter062214 | 12Ecu | 12v_Engine_Ecu | 23C | UpperRearLights |
| 0CE | R22_GND | 12K | KeyLessIgn | 24A | Battery_24V |
| 0CG | 67888 | 12VB | Equalizer_Power | 24AW | AwiningWindowsPower |
| 0EV1 | CondensorPwr | 12VD | 12VDTOCB2 | 24CO | ExcitationSignal |
| 0EV2 | GndHvac | 12VD1 | 12VDFrontWake-up | 24CO | ExcitationSignal |
| 0F | FJBDoorOpenSig | 12VD2 | 12Direct | 24D | 24Direct |
| 0FA1 | GndPwrOutlet | 12VD3 | RLock/RUnlock_Door | 24EE1 | 24Ignition |
| 0FA4 | Chassisgnd | 12VD4 | 12v`_Engine_Ecu | 24EE2 | 24Ignition |
| 0FB1 | GndMirrors | 12VDCust | 12VDCustomer | 24VB | Equalizer_Power |
| 0FB2 | GndDriverWdo | 12VDF | 12VDtoFrontVec | 24VB1 | 24VEnginePreheater |
| 0FB3 | GNDCustomer | 12VI | Vecr_Inside | 24VB2 | 24VEnginePreheater |
| 0FC1 | GndFJB | 12VI1 | 12VlofA44 | 24VD | Vecr_Inside |
| 0FC4 | ElectricalHorn | 12VI2 | MirrorPwr | 24vd | VecrInside |
| 0FD1 | GNDCustomer | 12VI3 | PwrOutletDrawer | 24VD1 | 24VDDriverLiq |
| 0FDS | Driver_Seat_Gnd | 12VI4 | PwrOutletandCigarLighter | 24VD2 | 24VDtoRearVec |
| 0FE | Gnd_AFSS | 12VI5 | 12VitoVECR | 24VD3 | 24VDofCECM |
| 0G | GndofA54 | 12VI6 | PwrtoModuleA50 | 24VD4 | 24VDFrontWake-up |
| 0H | GroundCoolantSensor | 12VI7 | TrailerABSPower | 24VD5 | 24VD |
| 0L | KeylessModuleKeypadGnd | 12VI9 | TPMSPow | 24VD7 | PassandPRackPwr |
| 0PR2 | GndFrontClearanceLts | 12VICust | 12VICustomer | 24VD8 | UreaPowerACM |
| 0PR3 | UpperDefrosterGnd | 12VIF | 12VitoFrontVec | 24VD8A | UreaPowerACM |
| 0RA2 | GndRJB | 12VIF19 | 12VI_DDDL | 24VD8B | UreaPowerACM |
| 0RB3 | GndFlashersandMarkersCenter | 12w_up | VecrInside | 24VDCust | 24VDCustomer |
| 0RB4 | Air_Dryer_Gnd | 12Wup | Vecr_Inside | 24VDS | Driver_Seat_Pwr |
| 0RB6 | Luggageslockunlockrelay | 12WUp1 | 12WUpFront | 24VI | Vecr_Inside |
| 0RB7 | GndToEcm | 12Wup2 | 12WUpToDash | 24vi | VecrInside |
| 0RB8 | GndtoACM | 12WUp5 | PwrtoDDEC | 24VI1 | 24VtoRearVec |
| 0RB8A | GndtoACM | 13 | GndTransducer | 24VI2 | Multifunctionswitchpower |
| 0RB8B | GndtoACM | 16 | SpeedSignal | 24VI3 | 24vIgn |
| 0RC2 | GndDriverCylinder | 18 | Wip.WasherLevel | 24VI4 | SunVisorsPwr |
| 0RC3 | ElectricGnd | 20 | Air_Dryer_Pwr | 24VI5 | 24VlofMuxmodules |
| 0RC4 | GndKeylessKeypad | 21 | FlasherLHSig | 24VI6 | PwrtoDefrostUnit |

CIRCUITS LIST

| CircuitID | Description | CircuitID | Description | CircuitID | Description |
|-----------|------------------------|-----------|----------------------|-----------|------------------------------|
| 24VI7 | WiperPower | 50 | DriverHeatValve | 72R | GndRJB |
| 24VI8 | 24VILevelLowSwitch | 52 | Sw102 | 74D | Sunvisor |
| 24VI9A | 24VlofA54 | 53 | LowerWip.Spd1Sig | 76 | FuelLevelSig |
| 24VI10 | 24VI | 53A | ElectricalHorn | 76C | FuelLevelSig |
| 24VIA | Cut-outPneumaticAcc | 53B | Wiper | 77 | TransducerHi-Side |
| 24VICust | 24VICustomer | 53C | LowerWip.IntSig | 77B | PassandPRackLiquidValve |
| 24VIF | 24VltoFrontVEC | 53D | LowerWip.WasherSwSig | 77BA | A/Cclutch |
| 24WUp1 | 24VWUptoA47 | 53E | LowerWiper1stSpd | 77BB | A/Cclutch |
| 25 | EngineRunSignal | 53F | LowerWasherPump | 77C | PassandPRackLiquidValve |
| 25A1 | ExcitationSignal | 53H | LowerWiper | 77K | CoilThermostatSignal |
| 25A2 | ExcitationSignal | 53J | HornElectric | 78 | StopLightSensorSig |
| 25A4 | BatteryNotChargingSig | 53K | KeyLessSig | 79 | TranducerLow-Side |
| 26 | DriverWdoPwr | 57A | Waterpump | 79A | DecelSignal |
| 26A | DriverWdo | 57L | Hi-Beam | 79C | DecelSignal |
| 26B | DriverWdo | 57R | HighBeamRH | 80 | BrakeRedundant |
| 26D | EntranceWdo | 57Rtn | SignalRtnHeadLtsLH | 81 | HeadLtCallSw1 |
| 26E | EntranceWdo | 58L | LowBeam | 82A | CyclopeLamp |
| 27 | PowerEntranceDoorWdo | 58R | LowBeamRH | 82Low | StopRearLowerLamp |
| 31 | UnloaderRH | 58Rtn | HeadLampRHRtn | 82Up | StopRearUpperLamps |
| 31B | WiperPower | 59 | Hi/LowBeamSignal | 83 | 24vAccessories |
| 32 | FrontSlideOutExtending | 60 | FogsLtsSwSig | 84B | StartSigSw83 |
| 32A | BackupLtandalarm | 61 | HeadLtsSig | 85 | Ign-AccSignal |
| 32D | BackupLtandalarm | 63 | DPF | 85A | Ign-AccSignal |
| 33 | UnloaderLH | 63A | FrontClearancelts | 85a | Ign-AccSignal |
| 35 | EntranceDoorLights | 63AA | Clearancelts | 85B | Wake-upSig |
| 35A | Entrancelight | 63BB | Clearancelts | 85C | PositionNormalSw58 |
| 39 | DriverLtSwSig | 64A | Blinker | 85D | RearStartPwr |
| 39AA | GndElectronic | 65 | FootDamper | 85F | 24Vignition |
| 39B | KeyLessSig | 65 | FootDamper | 85G | EgnineStartPwrSw58 |
| 39D | DriverLt | 65A | FootDamper | 85J | CutoutRlyLatchSig |
| 39Rtn | GndDriverLt | 65D | DriverCylinder | 85Z | ABS_Trailer_Sig |
| 40 | WitnessGnd | 65P | Pass.Cylinder | 86 | PassengerSensor |
| 41 | 24VCondensor | 66 | MarkersSigSw2 | 86A | PassengerDefrosterControl |
| 41A1 | CondensorPwr | 67 | EvaporatorPwr | 86ARtn | GndReturn |
| 45 | UpperdefrosterSwSig | 67A | Condensor1stSpdSig | 86C | Outsidetempssensor |
| 45A | PassengerHeatSig | 68 | DashDamper | 86D | PassengerSensor |
| 46 | MarkersCenter | 68A | DashDamper | 86RTN | GndEntrancedoorLt |
| 46A | FrontMarkers | 69 | ElectricalHorn | 86Rtn | GndPassengerDefrosterControl |
| 47 | DoorOpenSignal | 69A | PneumaticHorn | 87 | TrailerParkBrakeSig |
| 48A | DoorUpperPen | 71A | DockingLtsLH | 88 | CompressorPressureSignal |
| 48B | DoorUpperPenSig | 72A | DockingLtsRH | 89 | Drivesensorsig |
| 48C | DoorUpperPenSig | 72B | Sunvisor | 90H | 24VltoEvap |
| 49A | DoorInsideSwCloseSig | 72C | Sunvisor | 90H1 | Evaporator |

CIRCUITS LIST

| CircuitID | Description | CircuitID | Description | CircuitID | Description |
|-----------|------------------------------|-----------|------------------------|-----------|-------------------------|
| 91 | ParkBrakeSig | 129 | SunVisors | 147 | ABSSolenoid |
| 91B | WitnessSigSw14 | 130 | SunVisors | 148 | ABSSolenoid |
| 92 | TrailerParkBrakeSig | 131 | Evaporator2ndSpd | 149 | Transmission |
| 93 | PassengerDefrostSwitchUp | 132 | DifferentialLockSignal | 149A | ABSSensor |
| 94 | PassengerDefrostSwitchDown | 132A | DifferentialLocksol | 150 | Transmission |
| 95 | DockingLTSwSig | 132B | LevelLowSo30 | 151 | ABSRearAtcSolenoid |
| 96 | CorneringLTSwSig | 132C | LevelLowSo31 | 151A | GndtoEcm |
| 97 | LowDockingLightsSwitchSignal | 132D | LevelLowSo32 | 151B | GndtoEcm |
| 98 | BackupCancelSwitch | 132E | LevelLowPower | 151C | GndToEcm |
| 00A1 | GndElectronic | 132F | LevelLowPower | 151D | Coolant_Ground_Level |
| 0B1 | GndEnginePreheater | 133 | Transmission | 152 | ABSRearAtcSolenoid |
| 00B1 | GndEng.Start | 134 | BatteryNotChargingSig | 153 | MirrorPwr |
| 0V1 | LuggageDoorOpenSig | 135 | Transmission | 154 | Transmission |
| 0V2 | LuggageDoorOpenSig | 135A | Transmission | 155 | Transmission |
| 0V3 | LuggageDoorOpenSig | 136 | Transmission | 156A | 12VtoABS |
| 0V5 | LuggageDoorOpenSig | 136A | TransmissionPwr | 157D | Abs_Bus_Signal |
| 0Y2 | GndChassisABSSol | 136AA | ShifterSignal | 159 | Transmission |
| 0Y3 | GndChassisABSSol | 137 | Transmission | 160 | TagSignal |
| 101 | PwrtoStarter | 137A | MirrorPwrSig | 163 | Transmission |
| 101A | Starter_Relay | 137B | Mirrors | 163A | EngBrakeRetSignal |
| 101B | Starter_Relay | 137C | Mirrors | 163B | Transmission |
| 102A | PWR_Alt120A | 137D | Mirrors | 164 | HandLevelSig |
| 104 | LevelLowSo28 | 137E | Mirrors | 166 | WitnessSigSw16 |
| 105 | FogLtsLH | 137F | Mirrors | 167 | ACB |
| 106 | FogLtrRH | 137H | Mirrors | 168 | ACB |
| 111 | Transmission | 137J | Mirrors | 170A | LuggagesLocks |
| 114 | BacklightPwr | 137K | Mirrors | 170B | LuggagesLocks |
| 114A | Backlight | 137L | Mirrors | 170D | LuggagesLockPower |
| 115 | CoolantLevelSignal | 137M | Mirrors | 170E | Luggagesdoorslockrelays |
| 115A | WitnessLampPwr | 137N | Mirrors | 170F | LuggagesLocks |
| 115W | Transmission | 137P | Mirrors | 170G | LuggagesLocks |
| 116 | Transmission | 138 | ABSSensor | 170K | LuggagesLocksSwitch |
| 116A | DriverLiq | 138A | ABSSensor | 170L | LuggagesLocksSwitch |
| 118 | Transmission | 139 | Transmission | 170L | LuggagesLocksSwitch |
| 119 | Transmission | 140 | ABSSolenoid | 170M | LuggagesLocksSwitch |
| 120 | Transmission | 141 | Transmission | 170N | LuggagesLocksSwitch |
| 123 | AFSS | 142 | ABSSolenoid | 170P | LuggagesLocksSwitch |
| 123A | WakeUpSignal | 143 | ABSSensor | 170Q | LuggagesLocksSwitch |
| 124A | Transmission | 143A | ABSSensor | 170R | LuggagesLocksSwitch |
| 125 | RetarderSig | 144 | ABSSensor | 170S | LuggagesLocksSwitch |
| 126F | LevelLowSignal | 144A | ABSSensor | 170SS | LuggagesLocksSwitch |
| 127 | Transmission | 145 | ABSSolenoid | 170T | LuggagesLocksSwitch |
| 128 | SunVisors | 146 | ABSSolenoid | 170V | LuggagesLocksSwitch |

CIRCUITS LIST

| CircuitID | Description | CircuitID | Description | CircuitID | Description |
|-----------|-------------------------|-----------|------------------------|-----------|-----------------------|
| 170W | LuggagesLocksSwitch | 291 | FanClutch | 518 | UreaSystem |
| 170X | LuggagesLocksSwitch | 292 | FanClutch | 519 | UreaSystem |
| 170Y | LuggagesLocks | 294 | KeyLessSig | 520 | UreaSystem |
| 170Z | LuggagesLocks | 295 | KeylessModuleOutput | 521 | UreaSystem |
| 171 | Transmission | 296 | RJBDoorFan | 522 | UreaSystem |
| 174 | Transmission | 297 | TransShiftDown | 523 | UreaSystem |
| 175 | Transmission | 298 | TransShiftUp | 524B | IdleValidationSig |
| 176 | Transmission | 341 | See_H3_Design | 524C | IdleValidationSig |
| 177 | Transmission | 342 | AFSS | 525 | UreaSystem |
| 180 | Transmission | 343 | Fire_EngineStopTTL | 526 | UreaSystem |
| 185 | TransmissionInhibitSig | 344 | ExtinguisherSignal | 526A | UreaSystem |
| 197 | FuelFilterSig | 345 | See_H3_Design | 526B | DPFVolvo |
| 201 | HeadLampSignal | 346 | PowerSensors | 526C | UreaSystem |
| 202 | HeadLampWash.Pump | 347 | Fire_Detect_Alarme | 527 | UreaSystem |
| 231 | NeutralSignal | 348 | See_H3_Design | 528 | UreaSystem |
| 231A | StarterRelay | 351 | EngineShout-downSignal | 530 | UreaSystem |
| 231B | Starter_Relay | 352 | See_H3_Design | 531 | UreaSystem |
| 240A | 12v_Engine_Ecu | 360 | ClusterKeyPad | 532 | UreaSystem |
| 240B | R22_DDEC | 361 | ClusterKeyPad | 541 | CruiseSetSig |
| 241A | PwrDDDRConn | 362 | ClusterKeyPad | 544 | CruiseOn_OffSignal |
| 241C | WaterInFuelHeater | 363 | ClusterKeyPad | 544A | CruiseOn-OffLed |
| 260 | WindowAjarSignal | 364 | FrontAirBrakePress | 545 | CruiseResumeSig |
| 272 | KeylessModuleInput | 365 | FrontAirBrakePress | 583 | EngineBrakeB |
| 274 | KeylessModuleInput | 366 | RearAirBrakePress | 600 | ABSSensor |
| 276 | KeylessModuleInput | 367 | RearAirBrakePress | 601 | ABSSensor |
| 277 | KeylessModuleKeypadLt | 368 | AccAirPress | 601A | ABSSensor |
| 278 | KeylessModuleInput | 369 | AccAirPress | 602 | ABSSteering&Yawsensor |
| 280 | KeylessModuleInput | 417 | ThrottlePositionSignal | 603 | ABSSteering&Yawsensor |
| 281 | KeyLessSigUnlock | 439 | IgnitionSignal | 604 | ABSSteering&Yawsensor |
| 282 | KeyLessSigUnlock | 439G | Steering | 605 | ABSSteering&Yawsensor |
| 283 | EntranceDoorHingeSignal | 500 | DDECND | 606 | ABSPressuresensor |
| 283A | UnlockSig | 501 | Ground_Control_Relay | 607 | ABSPressuresensor |
| 283C | EntranceDoorHingeSignal | 502 | IVSOut | 608 | ABSPressuresensor |
| 284A | LuggagesUnlockRelays | 505 | UreaSystem | 609 | ABSPressuresensor |
| 284B | KeyLessSig | 506 | DPFVolvo | 610 | ABSPressuresensor |
| 285 | LuggagesLockRelays | 507 | UreaSystem | 611 | AbsTagSolenoid |
| 285B | KeyLessSig | 510 | FastIdleSignal | 612 | AbsTagSolenoid |
| 286 | EntranceDoorLock | 511 | UreaSystem | 613 | AbsTagSolenoid |
| 286A | EntranceDoorLock | 512 | DPFVolvo | 614 | ABSSteeringSolenoid |
| 286B | FrontDoorLock | 513 | UreaSystem | 614A | ABSSteeringSolenoid |
| 287 | KeyLessSig | 515 | GndPreHeaterRelay | 615 | ABStrailersolenoid |
| 290 | GndFanClutch | 516 | UreaSystem | 615 | ABStrailersolenoid |
| 290A | GndFanClutch | 517 | UreaSystem | 616 | ABStrailersolenoid |

CIRCUITS LIST

| CircuitID | Description | CircuitID | Description | CircuitID | Description |
|-----------|---------------------------|-----------|------------------|-----------|----------------------|
| 617 | ABStrailersolenoid | Cd1 | ComputerSignals | N31 | A56Address |
| 900 | J1587 | CTS | MCMInterface | N32 | A57Address |
| 901 | J1587 | Cts | ComputerSignals | N33 | A55_Address |
| 911 | EmergencyCutoutRlySignal | DBusH | DBusH | N33 | A57Address |
| 916 | 5VSensorPwr | DBusL | tpmsdataLo | N34 | A55_Address |
| 952 | GndSensorRtn | DbusL | DBusSignal | OFB3 | TPMSGND |
| 953 | Electronic_ground_DDEC_VI | Down | ClusterKeyPad | RED | Volvo_Starter_Signal |
| 979 | EngineBrakeA | Escape | ClusterKeyPad | RedRL | TPMS12V |
| 980H | Hispeedfanevaporator | GndA | ComputerSignals | RTS | MCMInterface |
| 980L | lowspeedfanevaporator | GREEN | TrailerFlasherRH | Rts | ComputerSignals |
| A | Trans.HandLever | J1939H | J1939 | RX | TPMSDATA |
| B | Trans.HandLever | J1939L | J1939 | RxD | ComputerSignals |
| BB2H | Can2 | LIN | Steering | RxTx | MCMInterface |
| BB2L | Can2 | N1 | A41Adress | Select | ClusterKeyPad |
| BLACK | TrailerBackupLights | N2 | A41Adress | So1 | GndSlideOut |
| BIKFR | TPMSGND | N3 | A42Adress | So2 | SldOutRemoteSig |
| BLUE | TrailerconnectorABSPower | N4 | A42Adress | So3 | SldOutInSig |
| BRef1 | OutsideTemperatureSensor | N5 | A43Adress | So4 | SignalOut |
| Bref1 | PassengerSensor | N6 | A43Adress | So6 | Proximitysignal |
| BROWN | TrailerMarkerlights | N7 | A44Adress | So7 | Proximitysignal |
| CAN2-H | EngineCan2 | N8 | A44Adress | SO8 | PowerSldOut1Sensor |
| CAN2-L | EngineCan2 | N9 | A45Adress | So9 | SldOut1StatusLed |
| CAN2L | DPFVolvo | N10 | A45Adress | So10 | SldOut1RelaySig |
| CanH | CanHSignal | N11 | A46Adress | So11 | SldOut2RelaySig |
| CanH1 | Sparefrttorr | N12 | A46Adress | So12 | SealInflating |
| CanL | CanLSignal | N13 | A47Adress | So13 | SldOut1SealDeflatSig |
| CanL1 | SparesFr-to-RearHarness | N14 | A47Adress | So14 | SldOut1VacumGen |
| Can_H | Can_HSignal | N15 | A48Adress | So16 | SensorGndRtn |
| Can_L | Can_LSignal | N16 | A48Adress | So18 | GndSlideOut |
| CC1 | Converterinput1 | N17 | A49Adress | So19 | SldOutMotor1Sig |
| CC2 | ConverterInput2 | N18 | A49Adress | So20 | SldOutMotor1Sig |
| CC3 | Converterinput3 | N19 | A50Adress | So21 | SldOut1MotorSig |
| CC4 | Converterinput4 | N20 | A50Adress | So26 | SlideOut |
| CC5 | Converterinput5 | N21 | A51Adress | So31 | GndSlideOut |
| CC6 | Converterinput5 | N22 | A51Adress | So32 | SldOut1SignalOut |
| CC7 | ConverterInput2 | N23 | A52Adress | So33 | SldOut2SignalIn |
| CC8 | ConverterInput2 | N24 | A52Adress | So36 | Proximitysignal |
| CC12 | Converteroutput1 | N25 | A53Adress | So37 | Proximitysignal |
| CC13 | Converteroutput2 | N26 | A53Adress | So38 | PowerSldOut2Sensor |
| CC14 | ConverterOutput2 | N27 | A54Adress | So39 | SldOut2StatusLed |
| CC15 | Converteroutput4 | N28 | A54Adress | So40 | SldOut2RelaySig |
| CC16 | ConverterOutput5 | N29 | A36Adress | So41 | SldOut2RelaySig |
| CC17 | Converteroutput6 | N30 | A56Address | So42 | SldOut2SealDeflatSig |

CIRCUITS LIST

| CircuitID | Description | CircuitID | Description | CircuitID | Description |
|-----------|-------------------------|-----------|-------------------------|-----------|-------------|
| So46 | SldOutMotor2sig | spare45 | SparesFr-to-RearHarness | | |
| So47 | SldOutMotor2sig | spare46 | SparesFr-to-RearHarness | | |
| So48 | SldOut2MotorSig | spare51 | SparesEngineCradle | | |
| So55 | SecurityPinSol | spare52 | SparesEngineCradle | | |
| So58 | SldOutMotor1Sig | spare53 | SparesEngineCradle | | |
| So59 | SldOutMotor2sig | spare54 | SparesEngineCradle | | |
| So61 | SldOut2SealInflat | spare62 | spareABSHarness | | |
| SP | ConverterVehicleSpeed | spare63 | spareABSHarness | | |
| spare2 | SparesFr-to-RearHarness | spare64 | spare | | |
| spare3 | SparesFr-to-RearHarness | spare65 | spare | | |
| spare4 | SparesEvap.Harness | spare96 | spare | | |
| spare6 | SparesEvap.Harness | spare97 | spare | | |
| spare7 | SparesEvap.Harness | spare98 | spare | | |
| spare8 | SparesEvap.Harness | SubH | Subnet | | |
| spare9 | SparesEvap.Harness | SubL | Subnet | | |
| spare17 | SparesFr-to-RearHarness | TX | TPMSDATA | | |
| spare18 | SparesFr-to-RearHarness | TxD | MCMInterface | | |
| spare19 | SparesFr-to-RearHarness | Up | ClusterKeyPad | | |
| spare20 | SparesClearanceLts | VDALT | Alternator | | |
| spare21 | SparesClearanceLts | WHITE | TrailerConnectorGnd | | |
| spare22 | SparesClearanceLts | WhtFR | TPMSDATA | | |
| spare23 | SparesClearanceLts | YELLOW | TrailerFlasherLH | | |
| spare24 | SparesClearanceLts | | | | |
| spare25 | SparesClearanceLts | | | | |
| spare26 | SparesFrontHarness | | | | |
| spare27 | SparesFrontHarness | | | | |
| spare28 | SparesFrontHarness | | | | |
| spare29 | SparesFrontHarness | | | | |
| spare30 | SparesFrontHarness | | | | |
| spare31 | SparesFrontHarness | | | | |
| spare32 | SparesFrontHarness | | | | |
| spare33 | SparesFrontHarness | | | | |
| spare34 | SparesFrontHarness | | | | |
| spare35 | SparesFrontHarness | | | | |
| spare36 | SparesFrontHarness | | | | |
| spare37 | SparesFrontHarness | | | | |
| spare38 | SparesFrontHarness | | | | |
| spare39 | SparesDash | | | | |
| spare40 | SparesDash | | | | |
| spare41 | SparesDash | | | | |
| spare42 | SparesDash | | | | |
| spare43 | SparesDash | | | | |
| spare44 | SparesDash | | | | |

CIRCUITS LIST

| CircuitID | Description | CircuitID | Description | CircuitID | Description |
|-----------|---------------------------|-----------|------------------------------|-----------|-------------------------|
| 0 | GndLevelLow | ORC3 | | 12WUp5 | PwrtoModuleA51 |
| 2B | CondSndSpdSig | ORC4 | Gnd | 12Wup5 | 12Wup |
| 5A | UpperHeaterPwr | ORC5 | Gnd | 13 | GndTransducer |
| 5B | UpperHeaterPwr | ORC5A | Gnd | 16 | SpeedSignal |
| 5C | UpperHeaterPwr | ORC5B | Gnd | 18 | Wip.WasherLevel |
| 7 | DriverSensorRtn | OSA1 | GND_Alt120A | 20 | Air_Dryer_Pwr |
| 9A | GndEngineDoorSe | OVA | Equalizer_Gnd | 21 | FlasherLHSig |
| 9B | EngineCmpt.Lt | 0Y | ABS_Gnd | 21A | FrontFlasher |
| 0A | Evap.Gnd | 10 | LuggageCmpt.LtsPwr | 21AA | FlashersRearLH |
| 00A | GndElectronic | 10A | LuggageCmpt.LtsPwr | 21B | CorneringLtsLH |
| 00AB | Sw103A | 12 | RearSlideOutRetractingSignal | 21BR | GndFoglights |
| 00B | ElectronicGndofMuxModules | 12A | 12Direct | 21C | UpperRearLights |
| 0BB | SensorGnd | 12CPC | R22_DDEC | 22 | HazardSwSig |
| 0C | GndStarter062214 | 12Ecu | VecrInside | 23 | FlasherRHSig |
| 0CE | GND48A47 | 12ecu | VecrInside | 23A | FrontFlasherRH |
| 0CG | 67888 | 12K | KeyLessIgn | 23AA | FrontFlasherRHSide |
| 0EV1 | CondensorPwr | 12VB | Equalizer_Power | 23B | CorneringLtsRH |
| 0EV2 | GndHvac | 12VD | 12VDTOCB2 | 23BR | GndFogandCorneringLtsRH |
| 0F | FJBDoorOpenSig | 12VD1 | 12VDFrontWake-up | 23C | UpperRearLights |
| 0FA1 | GndofEntranceWdo | 12VD2 | 12Direct | 24A | Battery_24V |
| 0FA4 | Chassisgnd | 12VD3 | 12vRearwake-up | 24AW | |
| 0FB1 | GndMirrors | 12VD4 | 12v_Engine_Ecu | 24CO | PwrtoExcitationResistor |
| 0FB2 | GndDriverWdo | 12VDCust | 12VDCustomer | 24D | 24Direct |
| 0FB3 | GNDCustomer | 12VDF | 12VDtoFrontVec | 24EE1 | 24Ignition |
| 0FC1 | Driverseat | 12VI | 12VItoCB10 | 24EE2 | 24Ignition |
| 0FC4 | ElectricalHorn | 12vi | VecrInside | 24VB | Equalizer_Power |
| 0FD1 | GNDMuxpower | 12VI1 | 12VIofA44 | 24VB1 | 24VEnginePreheater |
| 0FDS | Driver_Seat_Gnd | 12VI2 | MirrorPwr | 24VB2 | 24VEnginePreheater |
| 0FE | Gnd_AFSS | 12VI3 | PwrOutletDrawer | 24VD | MasterRelayPwr |
| 0G | GndofA54 | 12VI4 | PwrOutletandCigarLighter | 24vd | VecrInside |
| 0H | GroundCoolantSensor | 12VI5 | 12VItoVECR | 24VD1 | 24VDtoFront |
| 0L | KeylessModuleKeypadGnd | 12VI6 | PwrtoModuleA50 | 24VD2 | 24VDtoRearVec |
| 0PR2 | GndFrontClearanceLts | 12VI7 | TrailerABSPower | 24VD3 | 24VDofCECM |
| 0PR3 | UpperDefrosterGnd | 12VI9 | TPMSPow | 24VD4 | 24VDFrontWake-up |
| 0RA2 | SignalGndR1 | 12VICust | 12VICustomer | 24VD5 | 24VD |
| 0RB3 | Gnd | 12VIF | 12VItoFrontVec | 24VD7 | PassandPRackPwr |
| 0RB4 | Air_Dryer_Gnd | 12VIF19 | 12VI_DDDL | 24VD8 | |
| 0RB6 | Luggageslockunlockrelay | 12VIZF | ZFsterringControl | 24VD8A | UreaPowerACM |
| 0RB7 | GndToEcm | 12w_up | VecrInside | 24VD8B | UreaPowerACM |
| 0RB8 | | 12Wup | Vecr_Inside | 24VDCust | 24VDCustomer |
| 0RB8A | GndtoACM | 12WUp1 | 12VWUptoA48 | 24VDS | Driver_Seat_Pwr |
| 0RB8B | GndtoACM | 12Wup1 | 12WUpFront | 24VI | 24VI |
| 0RC2 | GndDriverCylinder | 12Wup2 | 12WUptoDash | 24vi | VecrInside |

CIRCUITS LIST

| CircuitID | Description | CircuitID | Description | CircuitID | Description |
|-----------|--------------------------|-----------|----------------------|-----------|---------------------------|
| 24V11 | 24VltoRearVec | 46 | FrontFlasherRh | 69 | ElectricalHorn |
| 24V12 | Multifunctionswitchpower | 46A | FrontMarkers | 69A | PneumaticHorn |
| 24V13 | 24vlgn | 47 | DoorOpenSignal | 71A | DockingLtsLH |
| 24V14 | SunVisorsPwr | 48A | DoorUpperPen | 72A | DockingLtsRH |
| 24V15 | 24VlofMuxmodules | 48B | DoorUpperPenSig | 72B | Sunvisor |
| 24V16 | PwrtoDefrostUnit | 48C | DoorUpperPenSig | 72C | Sunvisor |
| 24V17 | WiperPower | 49A | DoorInsideSwCloseSig | 72R | GndRJB |
| 24V18 | 24VltoMux | 50 | WitnessGndSig | 74D | Sunvisor |
| 24V19A | 24VlofA54 | 52 | Sw102 | 76 | FuelLevelSig |
| 24V110 | 24VI | 53 | LowerWip.Spd1Sig | 76C | FuelLevelSig |
| 24VIA | Cut-outPneumaticAcc | 53A | ElectricalHorn | 77 | TransducerHi-Side |
| 24VICust | 24VICustomer | 53B | Wiper | 77B | PassandPRackLiquidValve |
| 24VIF | 24VltoFrontVEC | 53C | LowerWip.IntSig | 77BA | A/CCLutch |
| 24WUp1 | 24VWUptoA47 | 53D | LowerWip.WasherSwSig | 77BB | A/CCLutchsmalla/c |
| 24Wup1 | 24WUpFront | 53E | LowerWiper1stSpd | 77C | PassandPRackLiquidValve |
| 25 | EngineRunSignal | 53F | LowerWasherPump | 77K | CoilThermostatSignal |
| 25A1 | ExcitationSignal | 53H | LowerWiper | 78 | StopLightSensorSig |
| 25A2 | Alternator2Signal | 53J | HornElectric | 79 | 12V_Wup |
| 25A4 | BatteryNotChargingSig | 53K | KeyLessSig | 79A | DecelSignal |
| 26 | DriverWdoPwr | 57A | AuxiliaryWaterPump | 79C | DecelSignal |
| 26A | DriverWdo | 57L | Hi-Beam | 80 | BrakeRedundant |
| 26B | DriverWdo | 57R | HighBeamRH | 81 | HeadLtCallSw1 |
| 26D | EntranceWdo | 57Rtn | SignalRtnHeadLtsLH | 82A | Transmission |
| 26E | EntranceWdo | 58L | LowBeam | 82Low | StopRearLowerLamp |
| 27 | PowerEntranceDoorWdo | 58R | LowBeamRH | 82Up | StopRearUpperLamps |
| 31 | UnloaderRH | 58Rtn | HeadLampRHRtn | 83 | 24vAccessories |
| 31B | WiperPower | 59 | Hi/LowBeamSignal | 84B | StartSigSw83 |
| 32 | FrontSlideOutExtending | 60 | FogsLtsSwSig | 85 | 24VIgnition |
| 32A | BackupLtandalarm | 61 | HeadLtsSig | 85A | Ign-AccSignal |
| 32D | BackupLtandalarm | 63 | ClearanceLts | 85a | Ign-AccSignal |
| 33 | UnloaderLH | 63A | FrontClearanceLts | 85B | Wake-upSig |
| 35 | EntranceDoorLights | 63AA | ClearanceLts | 85C | PositionNormalSw58 |
| 35A | EntranceLight | 63BB | ClearanceLts | 85D | RearStartPwr |
| 39 | DriverLtSwSig | 64A | Blinker | 85E | RearStartSignal |
| 39AA | GndElectronic | 65 | FootDamper | 85F | 24VIgnition |
| 39B | KeyLessSig | 65A | FootDamper | 85G | EgnineStartPwrSw58 |
| 39D | DriverLt | 65D | DriverCylinder | 85J | CutoutRlyLatchSig |
| 39Rtn | GndDriverLt | 65P | Pass.Cylinder | 85Z | ABS_Trailer_Sig |
| 40 | WitnessGnd | 66 | MarkersSigSw2 | 86 | DefrostunitSpd |
| 41 | 24VCondensor | 67 | EvaporatorPwr | 86A | PassengerDefrosterControl |
| 41A1 | CondensorPwr | 67A | Condensor1stSpdSig | 86ARtn | GndReturn |
| 45 | UpperdefrosterSwSig | 68 | DashDamper | 86BRtn | GndReturn |
| 45A | PassengerHeatSig | 68A | DashDamper | 86C | PassengerSensor |

CIRCUITS LIST

| CircuitID | Description | CircuitID | Description | CircuitID | Description |
|-----------|------------------------------|-----------|------------------------|-----------|-------------------------|
| 86D | PassengerSensor | 120 | Transmission | 141 | Transmission |
| 86RTN | GndEntrancedoorLt | 123 | AFSS | 142 | ABSSolenoid |
| 86Rtn | GndPassengerDefrosterControl | 123A | WakeUpSignal | 143 | ABSSensor |
| 87 | TrailerParkBrakeSig | 124A | Transmission | 143A | ABSSensor |
| 88 | CompressorPressureSignal | 125 | RetarderSig | 144 | ABSSensor |
| 89 | Drivesensorsig | 126F | LevelLowSignal | 144A | ABSSensor |
| 90H | 24VtoEvap | 127 | Transmission | 145 | ABSSolenoid |
| 90H1 | Evaporator | 128 | SunVisors | 146 | ABSSolenoid |
| 91 | ParkBrakeSig | 129 | SunVisors | 147 | ABSSolenoid |
| 91B | WitnessSigSw14 | 130 | SunVisors | 148 | Transmission |
| 92 | TrailerParkBrakeSig | 131 | Transmission | 149 | Transmission |
| 93 | PassengerDefrostSwitchUp | 132 | DifferentialLockSignal | 149A | ABSSensor |
| 94 | PassengerDefrostSwitchDown | 132A | LevelLowPower | 150 | Transmission |
| 95 | DockingLTswSig | 132B | LevelLowSo30 | 151 | GndtoEcm |
| 96 | CorneringLTswSig | 132C | LevelLowSo31 | 151A | GndtoEcm |
| 97 | LowDockingLightsSwitchSignal | 132D | LevelLowSo32 | 151B | GndToEcm |
| 98 | BackupCancelSwitch | 132E | LevelLowPower | 151C | GndtoEcm |
| 00A1 | GndElectronic | 132F | LevelLowPower | 151D | Coolant_Ground_Level |
| 0B1 | GndEnginePreheater | 133 | Transmission | 152 | Transmission |
| 00B1 | GndEng.Start | 134 | BatteryNotChargingSig | 153 | MirrorPwr |
| OV1 | LuggageDoorOpenSig | 135 | Transmission | 154 | Transmission |
| OV2 | LuggageDoorOpenSig | 135A | Transmission | 155 | Transmission |
| OV3 | LuggageDoorOpenSig | 136 | Transmission | 156A | 12VtoABS |
| OV5 | LuggageDoorOpenSig | 136A | TransmissionPwr | 157D | Abs_Bus_Signal |
| OY2 | GndChassisABSSol | 136AA | ShifterSignal | 159 | Transmission |
| OY3 | GndChassisABSSol | 137 | Transmission | 160 | TagSignal |
| 101 | PwrtoStarter | 137A | MirrorPwrSig | 163 | Transmission |
| 101A | Starter_Relay | 137B | Mirrors | 163A | EngBrakeRetSignal |
| 101B | Starter_Relay | 137C | Mirrors | 163B | Transmission |
| 102A | PWR_Alt120A | 137D | Mirrors | 164 | HandLevelSig |
| 104 | LevelLowSo28 | 137E | Mirrors | 166 | WitnessSigSw16 |
| 105 | FogLtsLH | 137F | Mirrors | 167 | ACB |
| 106 | FogLtrH | 137H | Mirrors | 168 | ACB |
| 111 | Transmission | 137J | Mirrors | 170A | LuggagesLocks |
| 114 | BacklightPwr | 137K | Mirrors | 170B | LuggagesLocks |
| 114A | Backlight | 137L | Mirrors | 170D | |
| 115 | Transmission | 137M | Mirrors | 170E | Luggagesdoorslockrelays |
| 115A | WitnessLampPwr | 137N | Mirrors | 170F | LuggagesLocks |
| 115W | Transmission | 137P | Mirrors | 170G | LuggagesLocks |
| 116 | DriverLiq | 138 | Transmission | 170K | LuggagesLocksSwitch |
| 116A | DriverLiq | 138A | ABSSensor | 170L | LuggagesLocksSwitch |
| 118 | Transmission | 139 | Transmission | 170M | LuggagesLocksSwitch |
| 119 | Transmission | 140 | Transmission | 170N | LuggagesLocksSwitch |

CIRCUITS LIST

| CircuitID | Description | CircuitID | Description | CircuitID | Description |
|-----------|-------------------------|-----------|------------------------|-----------|-----------------------|
| 170P | LuggagesLocksSwitch | 285 | LuggagesLockRelays | 507 | DPFVolvo |
| 170Q | LuggagesLocksSwitch | 285B | KeyLessSig | 510 | FastIdleSignal |
| 170R | LuggagesLocksSwitch | 286 | EntranceDoorLock | 511 | DPFVolvo |
| 170S | LuggagesLocksSwitch | 286A | EntranceDoorLock | 512 | DPFVolvo |
| 170SS | LuggagesLocksSwitch | 286B | FrontDoorLock | 513 | DPFVolvo |
| 170T | LuggagesLocksSwitch | 287 | KeyLessSig | 515 | GndPreHeaterRelay |
| 170V | LuggagesLocksSwitch | 290 | GndFanClutch | 516 | UreaSystem |
| 170W | | 290A | GndFanClutch | 517 | UreaSystem |
| 170X | LuggagesLocksSwitch | 291 | FanClutch | 518 | UreaSystem |
| 170Y | LuggagesLocks | 292 | FanClutch | 519 | UreaSystem |
| 170Z | LuggagesLocks | 294 | KeyLessSig | 520 | UreaSystem |
| 171 | LuggageUnlockSwSig | 295 | KeylessModuleOutput | 521 | UreaSystem |
| 174 | Transmission | 296 | RJBDoorFan | 522 | UreaSystem |
| 175 | Transmission | 297 | TransShiftDown | 523 | UreaSystem |
| 176 | Transmission | 298 | TransShiftUp | 524B | IdleValidationSig |
| 177 | Transmission | 341 | See_H3_Design | 524C | IdleValidationSig |
| 180 | Transmission | 342 | AFSS | 525 | UreaSystem |
| 185 | TransmissionInhibitSig | 343 | See_H3_Design | 526 | UreaSystem |
| 197 | FuelFilterSig | 344 | ExtinguisherSignal | 526A | DPFVolvo |
| 201 | HeadLampSignal | 345 | See_H3_Design | 526B | DPFVolvo |
| 202 | HeadLampWash.Pump | 346 | PowerSensors | 526C | UreaSystem |
| 231 | NeutralSignal | 347 | Fire_Detect_Alarme | 527 | UreaSystem |
| 231A | StarterRelay | 348 | See_H3_Design | 528 | UreaSystem |
| 231B | Starter_Relay | 351 | EngineShout-downSignal | 530 | UreaSystem |
| 240A | 12v_Engine_Ecu | 352 | AFSS | 531 | UreaSystem |
| 240B | | 360 | ClusterKeyPad | 532 | UreaSystem |
| 241A | PwrDDDRConn | 361 | ClusterKeyPad | 541 | CruiseSetSig |
| 241B | PowertoEcm | 362 | ClusterKeyPad | 544 | CruiseOn_OffSignal |
| 241C | WaterInFuelHeater | 363 | ClusterKeyPad | 544A | CruiseOn-OffLed |
| 260 | WindowAjarSignal | 364 | FrontAirBrakePress | 545 | CruiseResumeSig |
| 272 | KeylessModuleInput | 365 | FrontAirBrakePress | 583 | EngineBrakeB |
| 274 | KeylessModuleInput | 366 | RearAirBrakePress | 600 | ABSSensor |
| 276 | KeylessModuleInput | 367 | RearAirBrakePress | 600A | ABSSensor |
| 277 | KeylessModuleKeypadLt | 368 | AccAirPress | 601 | ABSSensor |
| 278 | KeylessModuleInput | 369 | AccAirPress | 601A | ABSSensor |
| 280 | KeylessModuleInput | 417 | ThrottlePositionSignal | 602 | ABSSteering&Yawsensor |
| 281 | KeyLessSigUnlock | 439 | | 603 | ABSSteering&Yawsensor |
| 282 | KeyLessSigUnlock | 439G | Steering | 604 | ABSSteering&Yawsensor |
| 283 | EntranceDoorHingeSignal | 500 | DDECGND | 605 | ABSSteering&Yawsensor |
| 283A | UnlockSig | 501 | Groud_Control_Relay | 606 | ABSPressuresensor |
| 283C | EntranceDoorHingeSignal | 502 | IVSOut | 607 | ABSPressuresensor |
| 284A | LuggagesUnlockRelays | 505 | DPFVolvo | 608 | ABSPressuresensor |
| 284B | KeyLessSig | 506 | DPFVolvo | 609 | ABSPressuresensor |

CIRCUITS LIST

| CircuitID | Description | CircuitID | Description | CircuitID | Description |
|-----------|---------------------------|-----------|------------------|-----------|----------------------|
| 610 | ABSPressuresensor | CC14 | ConverterOutput2 | N15 | A48Address |
| 611 | AbsTagSolenoid | CC15 | ConverterOutput4 | N16 | A48Address |
| 612 | AbsTagSolenoid | CC16 | ConverterOutput5 | N17 | A49Address |
| 613 | AbsTagSolenoid | CC17 | ConverterOutput6 | N18 | A49Address |
| 614 | ABSSteeringSolenoid | Cd1 | ComputerSignals | N19 | A50Address |
| 614A | ABSSteeringSolenoid | CTS | MCMInterface | N20 | A50Address |
| 615 | ABStrailersolenoid | Cts | ComputerSignals | N21 | A51Address |
| 616 | ABStrailersolenoid | D | Trans.HandLever | N22 | A51Address |
| 617 | ABStrailersolenoid | DL1H | J1939 | N23 | A52Address |
| 900 | J1587+ | DL1L | J1939 | N24 | A52Address |
| 901 | J1587- | DL2H | Can2 | N25 | A53Address |
| 911 | EmergencyCutoutRlySignal | DL2L | Can2 | N26 | A53Address |
| 916 | 5VSensorPwr | DL3H | DBusL | N27 | A54Address |
| 952 | GndSensorRtn | DL3L | DBusH | N28 | A54Address |
| 953 | Electronic_ground_DDEC_VI | DL7H | EngineCan2 | N29 | A36Address |
| 979 | EngineBrakeA | DL7L | EngineCan2 | N30 | A56Address |
| 980H | Hispeedfan evaporator | DL0H | Sparefrttorr | N31 | A56Address |
| 980L | lowspeedfan evaporator | DL0L | Sparefrttorr | N32 | A57Address |
| 0L282 | | Down | ClusterKeyPad | N33 | A55_Address |
| A | Trans.HandLever | E | Trans.HandLever | N34 | A55_Address |
| B | Trans.HandLever | Escape | ClusterKeyPad | nil | Inside_VECF |
| BB2H | BB2 | F | Trans.HandLever | OFB3 | TPMSGND |
| BB2L | BB2 | G | Trans.HandLever | RED | Volvo_Starter_Signal |
| BLACK | TrailerBackupLights | GndA | ComputerSignals | RedFR | TPMS12V |
| BlkFR | TPMSGND | GREEN | TrailerFlasherRH | RedRL | TPMS12V |
| BlkRL | TPMSGND | H | Trans.HandLever | RedRR | TPMS12V |
| BlkRR | TPMSGND | J1939H | J1939 | RTS | MCMInterface |
| BLUE | TrailerconnectorABSPower | J1939L | J1939 | Rts | ComputerSignals |
| BRef1 | OutsideTemperatureSensor | LIN | Steering | RX | TPMSDATA |
| Bref1 | PassengerSensor | N1 | A41Address | RxD | ComputerSignals |
| Bref2 | PassengerSensor | N2 | A41Address | RxTx | MCMInterface |
| BROWN | TrailerMarkerlights | N3 | A42Address | Select | ClusterKeyPad |
| C | Trans.HandLever | N4 | A42Address | So1 | Gnd |
| CC1 | Converterinput1 | N5 | A43Address | So2 | SldOutRemoteSig |
| CC2 | Converterinput2 | N6 | A43Address | So3 | SldOutInSig |
| CC3 | Converterinput3 | N7 | A44Address | So4 | SignalOut |
| CC4 | ConverterInput4 | N8 | A44Address | So6 | Proximitysignal |
| CC5 | Converterinput5 | N9 | A45Address | So7 | Proximitysignal |
| CC6 | Converterinput5 | N10 | A45Address | SO8 | PowerSldOut1Sensor |
| CC7 | ConverterInput2 | N11 | A46Address | So8 | PowerSldOut1Sensor |
| CC8 | ConverterInput2 | N12 | A46Address | So9 | SldOut1StatusLed |
| CC12 | Converteroutput1 | N13 | A47Address | So10 | SldOut1RelaySig |
| CC13 | ConverterOutput3 | N14 | A47Address | So11 | SldOut2RelaySig |

CIRCUITS LIST

| CircuitID | Description | CircuitID | Description | CircuitID | Description |
|-----------|-------------------------|-----------|-------------------------|-----------|------------------|
| So12 | SealInflating | spare24 | SparesClearanceLts | YELLOW | TrailerFlasherLH |
| So13 | SldOut1SealDeflatSig | spare25 | SparesClearanceLts | | |
| So14 | SldOut1VacumGen | spare26 | SparesFrontHarness | | |
| So16 | SensorGndRtn | spare27 | SparesFrontHarness | | |
| So18 | GndSlideOut | spare28 | SparesFrontHarness | | |
| So19 | SldOutMotor1Sig | spare29 | SparesFrontHarness | | |
| So20 | SldOutMotor1Sig | spare30 | SparesFrontHarness | | |
| So21 | SldOut1MotorSig | spare31 | SparesFrontHarness | | |
| So26 | SlideOut | spare32 | SparesFrontHarness | | |
| So31 | GndSlideOut | spare33 | SparesFrontHarness | | |
| So32 | SldOut1SignalOut | spare34 | SparesFrontHarness | | |
| So33 | SldOut2SignalIn | spare35 | SparesFrontHarness | | |
| So36 | Proximitysignal | spare36 | SparesFrontHarness | | |
| So37 | Proximitysignal | spare37 | SparesFrontHarness | | |
| So38 | PowerSldOut2Sensor | spare38 | SparesFrontHarness | | |
| So39 | SldOut2StatusLed | spare39 | SparesDash | | |
| So40 | SldOut2RelaySig | spare40 | SparesDash | | |
| So41 | SldOut2RelaySig | spare41 | SparesDash | | |
| So42 | SldOut2SealDeflatSig | spare42 | SparesDash | | |
| So46 | SldOutMotor2sig | spare43 | SparesDash | | |
| So47 | SldOutMotor2sig | spare44 | SparesDash | | |
| So48 | SldOut2MotorSig | spare45 | SparesFr-to-RearHarness | | |
| So55 | SecurityPinSol | spare46 | SparesFr-to-RearHarness | | |
| So58 | SldOutMotor1Sig | spare51 | SparesEngineCradle | | |
| So59 | SldOutMotor2sig | spare52 | SparesEngineCradle | | |
| So61 | SldOut2SealInflat | spare53 | SparesEngineCradle | | |
| SP | ConverterVehicleSpeed | spare54 | SparesEngineCradle | | |
| spare | VecrInside | spare62 | spareABSHarness | | |
| spare | VecrInside | spare63 | spareABSHarness | | |
| spare2 | SparesFr-to-RearHarness | spare64 | spare | | |
| spare3 | SparesFr-to-RearHarness | spare65 | spare | | |
| spare4 | SparesEvap.Harness | spare96 | spare | | |
| spare6 | SparesEvap.Harness | spare97 | spare | | |
| spare7 | SparesEvap.Harness | spare98 | spare | | |
| spare8 | SparesEvap.Harness | SubH | Subnet | | |
| spare9 | SparesEvap.Harness | SubL | Subnet | | |
| spare17 | SparesFr-to-RearHarness | TX | TPMSDATA | | |
| spare18 | SparesFr-to-RearHarness | TxD | MCMInterface | | |
| spare19 | SparesFr-to-RearHarness | Up | ClusterKeyPad | | |
| spare20 | SparesClearanceLts | VDALT | Alternator | | |
| spare21 | SparesClearanceLts | WHITE | TrailerConnectorGnd | | |
| spare22 | SparesClearanceLts | WhtFR | TPMSDATA | | |
| spare23 | SparesClearanceLts | WhtRR | TPMSDATA | | |

BREAKERS LIST

| No | Location | Part # | Function | Rating | Page | | | | | | | |
|------|-----------|--------|-------------------|--------|------|--|--|--|--|--|--|--|
| CB1 | RJB | 563709 | 12VD | 150amp | 3.1 | | | | | | | |
| CB2 | RJB | 563710 | 24VDirect | 50amp | 3.1 | | | | | | | |
| CB3 | RJB | 563707 | 24VI_FJB | 70amp | 3.1 | | | | | | | |
| CB4 | RJB | 563708 | 24VI_Evaporator | 90amp | 3.1 | | | | | | | |
| CB5 | RJB | 563707 | 24VI_Condensor | 70amp | 3.1 | | | | | | | |
| CB6 | RJB | 563704 | 24VI_SlideOut | 35amp | 3.1 | | | | | | | |
| CB7 | RJB | 563706 | 24VI_RJB | 60amp | 3.1 | | | | | | | |
| CB9 | RJB | 563707 | 12VI_FJB_RJB | 70amp | 3.1 | | | | | | | |
| CB60 | {RJBVECR} | 563699 | Luggage_Door_Lock | 20amp | 5.1 | | | | | | | |
| CB61 | {RJBVECR} | 563699 | Luggage_Door_Lock | 20amp | 5.1 | | | | | | | |
| CB82 | {FJBVECF} | 564464 | Lower_Wiper | 20amp | 4.1 | | | | | | | |
| | | | | | | | | | | | | |
| | | | | | | | | | | | | |
| | | | | | | | | | | | | |
| | | | | | | | | | | | | |
| | | | | | | | | | | | | |
| | | | | | | | | | | | | |
| | | | | | | | | | | | | |
| | | | | | | | | | | | | |
| | | | | | | | | | | | | |
| | | | | | | | | | | | | |
| | | | | | | | | | | | | |
| | | | | | | | | | | | | |
| | | | | | | | | | | | | |
| | | | | | | | | | | | | |
| | | | | | | | | | | | | |
| | | | | | | | | | | | | |
| | | | | | | | | | | | | |
| | | | | | | | | | | | | |
| | | | | | | | | | | | | |
| | | | | | | | | | | | | |
| | | | | | | | | | | | | |
| | | | | | | | | | | | | |
| | | | | | | | | | | | | |
| | | | | | | | | | | | | |
| | | | | | | | | | | | | |
| | | | | | | | | | | | | |
| | | | | | | | | | | | | |
| | | | | | | | | | | | | |
| | | | | | | | | | | | | |
| | | | | | | | | | | | | |
| | | | | | | | | | | | | |
| | | | | | | | | | | | | |
| | | | | | | | | | | | | |
| | | | | | | | | | | | | |
| | | | | | | | | | | | | |
| | | | | | | | | | | | | |
| | | | | | | | | | | | | |
| | | | | | | | | | | | | |
| | | | | | | | | | | | | |
| | | | | | | | | | | | | |
| | | | | | | | | | | | | |
| | | | | | | | | | | | | |
| | | | | | | | | | | | | |
| | | | | | | | | | | | | |
| | | | | | | | | | | | | |
| | | | | | | | | | | | | |
| | | | | | | | | | | | | |
| | | | | | | | | | | | | |
| | | | | | | | | | | | | |
| | | | | | | | | | | | | |
| | | | | | | | | | | | | |
| | | | | | | | | | | | | |
| | | | | | | | | | | | | |
| | | | | | | | | | | | | |
| | | | | | | | | | | | | |
| | | | | | | | | | | | | |
| | | | | | | | | | | | | |
| | | | | | | | | | | | | |
| | | | | | | | | | | | | |
| | | | | | | | | | | | | |
| | | | | | | | | | | | | |
| | | | | | | | | | | | | |
| | | | | | | | | | | | | |
| | | | | | | | | | | | | |
| | | | | | | | | | | | | |
| | | | | | | | | | | | | |
| | | | | | | | | | | | | |
| | | | | | | | | | | | | |
| | | | | | | | | | | | | |
| | | | | | | | | | | | | |
| | | | | | | | | | | | | |
| | | | | | | | | | | | | |
| | | | | | | | | | | | | |
| | | | | | | | | | | | | |
| | | | | | | | | | | | | |

BREAKERS LIST

| No | Location | Part # | Function | Rating | Page | | | | | | |
|------|-----------|--------|-------------------|--------|------|--|--|--|--|--|--|
| CB1 | RJB | 563425 | 12VD | 90amp | 3.1 | | | | | | |
| CB2 | RJB | 563424 | 24VD | 70amp | 3.1 | | | | | | |
| CB3 | RJB | 562687 | 24VIF | 70amp | 3.1 | | | | | | |
| CB4 | RJB | 562686 | 24SO | 40amp | 3.1 | | | | | | |
| CB5 | RJB | 562687 | 24HVAC | 70amp | 3.1 | | | | | | |
| CB6 | RJB | 562683 | HVAC | 90amp | 3.1 | | | | | | |
| CB7 | RJB | 562687 | 24VI | 70amp | 3.1 | | | | | | |
| CB8 | RJB | 562687 | 12VI | 70amp | 3.1 | | | | | | |
| CB60 | {RJBVECR} | 563699 | Luggage_Door_Lock | 20amp | 5.1 | | | | | | |
| CB61 | {RJBVECR} | 563699 | Luggage_Door_Lock | 20amp | 5.1 | | | | | | |
| CB82 | {RJBVECF} | 564464 | Lower_Wiper | 20amp | 4.1 | | | | | | |
| | | | | | | | | | | | |
| | | | | | | | | | | | |
| | | | | | | | | | | | |
| | | | | | | | | | | | |
| | | | | | | | | | | | |
| | | | | | | | | | | | |
| | | | | | | | | | | | |
| | | | | | | | | | | | |
| | | | | | | | | | | | |
| | | | | | | | | | | | |
| | | | | | | | | | | | |
| | | | | | | | | | | | |
| | | | | | | | | | | | |
| | | | | | | | | | | | |
| | | | | | | | | | | | |
| | | | | | | | | | | | |
| | | | | | | | | | | | |
| | | | | | | | | | | | |
| | | | | | | | | | | | |
| | | | | | | | | | | | |
| | | | | | | | | | | | |
| | | | | | | | | | | | |
| | | | | | | | | | | | |
| | | | | | | | | | | | |
| | | | | | | | | | | | |
| | | | | | | | | | | | |
| | | | | | | | | | | | |
| | | | | | | | | | | | |

CONNECTORS LIST

| No | Location | Part # | Gender | No | Location | Part # | Gender |
|---------|--------------|--------|--------|----------|------------------|--------|--------|
| A1 | | 563975 | male | A44.J3 | | 562957 | male |
| A2A | | 563984 | male | A45.J1 | FJB | 563133 | male |
| A4A.A | | 562428 | female | A45.J2 | FJB | 563132 | male |
| A4A.B | | 561188 | female | A45.J3 | FJB | 562957 | male |
| A5A.A | | 562428 | female | A46.J1 | FJB | 563133 | male |
| A6 | | 562427 | male | A46.J2 | FJB | 563132 | male |
| A7 | | 563979 | male | A46.J3 | FJB | 562957 | male |
| A9.Cx1 | | 564041 | female | A47.J1 | RightHandConsole | 563133 | male |
| A9.Cx2 | | 563678 | male | A47.J2 | RightHandConsole | 563132 | male |
| A9.Cx3 | | 564037 | female | A47.J3 | RightHandConsole | 562957 | male |
| A9.Cx4 | | 564038 | female | A48.J1 | | 563133 | male |
| A12 | Dash | 562464 | male | A48.J2 | | 563132 | male |
| A13.J1 | FJB | 562794 | male | A48.J3 | | 562957 | male |
| A13.J2 | FJB | 562650 | male | A49.J1 | | 562767 | male |
| A14A.A | | 562766 | male | A49.J2 | | 563132 | male |
| A14A.B | | 562767 | male | A49.J3 | | 562957 | male |
| A14A.C | | 562765 | male | A50.J1 | RJB | 563133 | male |
| A15 | Dash | 562464 | male | A50.J2 | RJB | 563132 | male |
| A18 | FJB | 562794 | male | A50.J3 | RJB | 562957 | male |
| A18.J2 | FJB | 562650 | male | A51.J1 | RJB | 563133 | male |
| A24 | | 561889 | female | A51.J2 | RJB | 563132 | male |
| A24.A | | 561890 | male | A51.J3 | RJB | 562957 | male |
| A24.B | | 561566 | female | A52.J1 | RJB | 563133 | male |
| A27 | ServiceCmpt. | 562929 | male | A52.J2 | RJB | 563132 | male |
| A28 | ServiceCmpt. | 562928 | male | A52.J3 | RJB | 562957 | male |
| A30.A | | 561611 | male | A53.J1 | RJB | 563133 | male |
| A30.C | | 561889 | female | A53.J2 | RJB | 563132 | male |
| A31.A | | 562676 | male | A53.J3 | RJB | 562957 | male |
| A31.B | | 562675 | male | A54.J1 | Evap.Cmpt. | 563133 | male |
| A36.JA | | 562767 | male | A54.J2 | Evap.Cmpt. | 563132 | male |
| A36.JB | | 562765 | male | A54.J3 | Evap.Cmpt. | 562957 | male |
| A36.JC | | 562957 | male | A55.J1 | | 562767 | male |
| A41.J1 | FJB | 562767 | male | A55.J2 | | 563132 | male |
| A41.J2 | | 563132 | male | A55.J3 | | 562957 | male |
| A41.J3 | | 562957 | male | A56.J1 | | 563133 | male |
| A42.J1 | | 562767 | male | A56.J2 | | 563132 | male |
| A42.J2 | | 563132 | male | A56.J3 | | 562957 | male |
| A42.J3 | | 562957 | male | A57.J1 | | 563133 | male |
| A43.J1 | FJB | 562767 | male | A57.J2 | | 563132 | male |
| A43.J2 | | 563132 | male | A57.J3 | | 562957 | male |
| A43.J3 | | 562957 | male | A61 | | 562767 | male |
| A44 .J1 | | 563133 | male | A81A .JA | | 562767 | male |

CONNECTORS LIST

| No | Location | Part # | Gender | No | Location | Part # | Gender |
|-----------|--------------|--------|--------|------------|--------------|--------|--------|
| A81A.JC | | 562957 | male | C5S | | 563589 | male |
| A96 | FJB | 564073 | female | C5S | | 563590 | female |
| A97 | Dash | 563226 | male | C6 | ServiceCmpt. | 563582 | male |
| A100 | | 563758 | female | C6 | ServiceCmpt. | 563583 | female |
| A101 | | 563758 | female | C7 | | 562566 | male |
| A102 | | 563758 | female | C7 | | 562565 | female |
| A103 | | 562070 | female | C8 | | 563227 | male |
| A114 | | 563850 | male | C8 | | 563614 | female |
| A130 | | 563226 | male | C10 | | 562477 | male |
| A131.A | | 561782 | male | C10 | | 562479 | female |
| A131.B | | 561781 | female | C11 | ServiceCmpt. | 563580 | male |
| A137 | | 563782 | male | C11 | ServiceCmpt. | 563581 | female |
| A138 | | 563787 | male | C12 | | 562581 | male |
| A139 | | 564501 | male | C12 | | 562583 | female |
| Alt1D.A | | 563746 | female | C13S | | 563593 | male |
| Alt1D.B | | 560815 | female | C13S | | 563590 | female |
| Alt1D.C | | 564469 | female | C13_plug | | 563589 | male |
| Alt2D.A | | 563746 | female | C13_socket | | 563590 | female |
| Alt2D.B | | 560815 | female | C15 | | 562477 | male |
| Alt2D.C | | 564469 | female | C15 | | 562479 | female |
| B85 | | 563815 | male | C17 | RJB | 561986 | male |
| B96.J1 | | 563821 | male | C17 | RJB | 561987 | female |
| B96B | | 563823 | male | C18 | FJB | 561986 | male |
| B97 | | 563816 | male | C18 | FJB | 561987 | female |
| B98.J1 | | 563817 | female | C19 | RJB | 561986 | male |
| B115.J1 | | 563818 | female | C19 | RJB | 561987 | female |
| B142B | | 563793 | male | C20 | | 561986 | male |
| C1 | | 563589 | male | C20 | | 561987 | female |
| C1 | | 563590 | female | C21 | | 562285 | male |
| C1S | | 563589 | male | C21 | | 562282 | female |
| C1S | | 563590 | female | C22 | | 564034 | male |
| C2 | ServiceCmpt. | 563580 | male | C22 | | 564035 | female |
| C2 | ServiceCmpt. | 563581 | female | C22A | | 564034 | male |
| C2A | | 563580 | male | C22A | | 564035 | female |
| C2A | | 563581 | female | C23 | | 561643 | male |
| C3S | | 563593 | male | C23 | | 561642 | female |
| C3S | | 563590 | female | C24_plug | | 561690 | male |
| C3_plug | | 563589 | male | C24_socket | | 561566 | female |
| C3_socket | | 563590 | female | C26 | | 562005 | male |
| C4 | ServiceCmpt. | 563580 | male | C26 | | 561714 | female |
| C4 | ServiceCmpt. | 563581 | female | C27 | | 562284 | male |
| C5 | | 563589 | male | C27 | | 562281 | female |

CONNECTORS LIST

| No | Location | Part # | Gender | No | Location | Part # | Gender |
|------------|------------------|--------|--------|-------------|--------------|--------|--------|
| C28 | | 561636 | female | C78 | | 561690 | male |
| C34 | RightHandConsole | 561986 | male | C78 | | 561566 | female |
| C34 | RightHandConsole | 561987 | female | C81 | | 560852 | male |
| C35 | | 561986 | male | C81 | | 560851 | female |
| C35 | | 561987 | female | C82 | | 560852 | male |
| C36 | | 561986 | male | C82 | | 560851 | female |
| C36 | | 561987 | female | C83 | | 560852 | male |
| C41 | | 562477 | male | C83 | | 560851 | female |
| C41 | | 562479 | female | C84 | | 560852 | male |
| C44_plug | FJB | 561577 | male | C84 | | 560851 | female |
| C44_socket | FJB | 561605 | female | C85 | | 560852 | male |
| C45 | FJB | 561643 | male | C85 | | 560851 | female |
| C45 | FJB | 561642 | female | C86 | | 560852 | male |
| C48 | ServiceCmpt. | 561690 | male | C86 | | 560851 | female |
| C48 | ServiceCmpt. | 561566 | female | C87 | Lavatory | 562485 | male |
| C49A | | 562005 | male | C87 | Lavatory | 562486 | female |
| C49A | | 561714 | female | C91 | RJB | 562285 | male |
| C54 | | 563580 | male | C91 | RJB | 562282 | female |
| C54 | | 563581 | female | C92 | | 561986 | male |
| C54B | | 562477 | male | C92 | | 561987 | female |
| C54B | | 562479 | female | C95 | | 562581 | male |
| C60 | | 561986 | male | C95 | | 562583 | female |
| C60 | | 561987 | female | C96 | | 561643 | male |
| C61 | | 561669 | male | C96 | | 561642 | female |
| C61 | | 561670 | female | C97 | | 561639 | female |
| C62 | | 562566 | male | C97_0_1 | | 561640 | male |
| C62 | | 562565 | female | C100 | | 563589 | male |
| C63 | | 562477 | male | C100 | | 563590 | female |
| C63 | | 562479 | female | C100S | | 563589 | male |
| C64 | | 563580 | male | C100S | | 563590 | female |
| C64 | | 563581 | female | C101 | ServiceCmpt. | 561690 | male |
| C69 | | 561583 | male | C101 | ServiceCmpt. | 561566 | female |
| C69 | | 561585 | female | C102 | | 561690 | male |
| C71 | FJB | 561646 | male | C102 | | 561566 | female |
| C71 | FJB | 561645 | female | C105 | | 562581 | male |
| C72 | ServiceCmpt. | 561646 | male | C105 | | 562583 | female |
| C72 | ServiceCmpt. | 561645 | female | C106_plug | | 562581 | male |
| C74 | ServiceCmpt. | 561645 | female | C106_socket | | 562583 | female |
| C74 | ServiceCmpt. | 561646 | male | C112 | | 562284 | male |
| C75 | | 560852 | male | C112 | | 562281 | female |
| C75 | | 560851 | female | C112B | | 562284 | male |
| C77 | | 560852 | male | C112B | | 562281 | female |

CONNECTORS LIST

| No | Location | Part # | Gender | No | Location | Part # | Gender |
|-------------|----------------|--------|--------|-------------|----------|--------|--------|
| C114 | | 563583 | female | C279 | | 562477 | male |
| C115 | | 563580 | male | C279 | | 562479 | female |
| C115 | | 563581 | female | C281 | | 560852 | male |
| C116 | | 563226 | male | C281 | | 560851 | female |
| C116 | | 563613 | female | C290 | | 560852 | male |
| C119 | EngineDoor | 561607 | male | C290 | | 560851 | female |
| C119 | EngineDoor | 561606 | female | C291 | | 560852 | male |
| C120 | EngineDoor | 561607 | male | C291 | | 560851 | female |
| C120 | EngineDoor | 561606 | female | C380 | Dash | 563180 | male |
| C171 | | 561646 | male | C380 | Dash | 563347 | female |
| C171 | | 561645 | female | C397 | | 562285 | male |
| C172 | | 561637 | male | C397 | | 562282 | female |
| C172 | | 561635 | female | C399 | | 562477 | male |
| C193_plug | | 563589 | male | C399 | | 562479 | female |
| C193_socket | RJB | 563590 | female | C400_plug | | 561782 | male |
| C194 | {ServiceCmpt.} | 563589 | male | C400_socket | | 561781 | female |
| C194 | | 563590 | female | C426 | | 561611 | male |
| C200_plug | | 562471 | male | C426 | | 561610 | female |
| C200_socket | | 562348 | female | C463 | | 562571 | male |
| C222 | FJB | 562477 | male | C463 | | 562570 | female |
| C222 | FJB | 562479 | female | C464 | RJB | 563180 | male |
| C223 | FJB | 563227 | male | C464 | RJB | 563347 | female |
| C223 | FJB | 563614 | female | C500 | | 562069 | male |
| C224 | FJB | 561637 | male | C500 | | 562070 | female |
| C224 | FJB | 561636 | female | C550 | | 561476 | male |
| C225 | FJB | 562650 | male | C550 | | 561477 | female |
| C225 | FJB | 562649 | female | C551 | | 561476 | male |
| C228 | | 563227 | male | C551 | | 561477 | female |
| C228 | | 563614 | female | C552 | | 561476 | male |
| C230 | EngineCmpt. | 562485 | male | C552 | | 561477 | female |
| C230 | EngineCmpt. | 562486 | female | C553 | | 561476 | male |
| C242 | ServiceCmpt. | 563347 | male | C553 | | 561477 | female |
| C242 | ServiceCmpt. | 563180 | female | C554 | | 561476 | male |
| C243 | ServiceCmpt. | 563347 | male | C554 | | 561477 | female |
| C243 | ServiceCmpt. | 563180 | female | C555 | | 561476 | male |
| C246 | ServiceCmpt. | 563090 | male | C555 | | 561477 | female |
| C246 | ServiceCmpt. | 563091 | female | C556 | | 561476 | male |
| C264 | | 561637 | male | C556 | | 561477 | female |
| C264 | | 561636 | female | C557 | | 561476 | male |
| C266 | | 561640 | male | C557 | | 561477 | female |
| C266 | | 561639 | female | C558 | | 561476 | male |
| C269 | RHConsole | 563090 | male | C558 | | 561477 | female |

CONNECTORS LIST

| No | Location | Part # | Gender | No | Location | Part # | Gender |
|-------|-----------|--------|--------|-------|------------------|--------|--------|
| C559 | | 561477 | female | L23.A | FrontRoof | 561608 | female |
| C560 | | 561476 | male | L23.B | FrontRoof | 562286 | male |
| C560 | | 561477 | female | L24.A | FrontRoof | 561608 | female |
| C561 | | 561476 | male | L24.B | FrontRoof | 562286 | male |
| C561 | | 561477 | female | L25.A | FrontRoof | 561608 | female |
| C562 | | 561476 | male | L25.B | FrontRoof | 562286 | male |
| C562 | | 561477 | female | L26.A | FrontRoof | 561608 | female |
| C617 | | 563801 | male | L26.B | FrontRoof | 562286 | male |
| C617 | | 563800 | female | L27.A | FrontRoof | 561608 | female |
| C618 | | 563801 | male | L27.B | FrontRoof | 562286 | male |
| C618 | | 563800 | female | L57.A | | 563366 | male |
| C717 | | 561646 | male | L57.B | | 562623 | male |
| C717 | | 561645 | female | L58.A | | 562623 | male |
| CC1 | | 563227 | male | L58.B | | 562623 | male |
| CC1 | | 563614 | female | L59.A | Outside_Front_RH | 562623 | male |
| CC2 | | 563226 | male | L59.B | Outside_Front_RH | 562623 | male |
| CC2 | | 563613 | female | L60.A | Outside_Front_LH | 562623 | male |
| CCust | | 562477 | male | L60.B | Outside_Front_LH | 562623 | male |
| CCust | | 562479 | female | L61 | | 562601 | male |
| CR1 | | 561247 | male | L62 | Outside_Front_LH | 562601 | male |
| CR1 | | 561248 | female | L63 | Outside_Front_RH | 562155 | male |
| CSo1 | | 562581 | male | L64 | Outside_Front_RH | 562155 | male |
| CSo1 | | 562583 | female | L65 | Outside_Front_LH | 562155 | male |
| CSo1S | | 562581 | male | L66 | Outside_Front_LH | 562155 | male |
| CSo1S | | 562583 | female | L67 | 3rdLuggCmpt. | 562155 | male |
| CSo2 | | 561643 | male | L68 | 3rdLuggCmpt. | 562155 | male |
| CSo2 | | 561641 | female | L69 | 3rdLuggCmpt. | 562155 | male |
| CSo5 | | 561847 | male | L70 | 3rdLuggCmpt. | 562155 | male |
| CSo5 | | 561862 | female | L71 | Rear_Engine_Door | 562601 | male |
| CSo7 | | 561695 | male | L72 | Rear_Vehicle | 562155 | male |
| CSo7 | | 561694 | female | L73 | Rear_Vehicle | 562601 | male |
| CT2 | | 563226 | male | L74 | Rear_Vehicle | 562155 | male |
| CT2 | | 563613 | female | L75 | Rear_Vehicle | 562155 | male |
| EI | | 563739 | male | L76 | Rear_Engine_Door | 562155 | male |
| L1 | | 562848 | male | L77 | Rear_Engine_Door | 562601 | male |
| L16 | FrontRoof | 562803 | male | L78 | Rear_Engine_Door | 562601 | male |
| L17 | | 562803 | male | L79 | Rear_Engine_Door | 562601 | male |
| L18.A | | 561539 | male | L80 | Rear_Engine_Door | 562601 | male |
| L18.B | | 561539 | male | L81.A | Rear_Engine_Door | 562835 | female |
| L21.A | FrontRoof | 561608 | female | L81.B | Rear_Engine_Door | 562834 | male |
| L21.B | FrontRoof | 562286 | male | L82 | | 562348 | female |
| L22.A | FrontRoof | 561608 | female | L83 | Rear Engine Door | 562348 | female |

CONNECTORS LIST

| No | Location | Part # | Gender | No | Location | Part # | Gender |
|--------|------------------|--------|--------|--------|------------------|--------|--------|
| L84.B | RearRoof | 562286 | male | L195.A | Dash | 560488 | female |
| L85.A | | 561608 | female | L195.B | Dash | 560488 | female |
| L85.B | RearRoof | 562286 | male | L199 | EngineCmpt. | 562471 | male |
| L86.A | | 561608 | female | L200 | EngineCmpt. | 562471 | male |
| L86.B | RearRoof | 562286 | male | L203 | | 561690 | male |
| L87.A | | 561608 | female | L205.A | Evap.Cmpt. | 562485 | male |
| L87.B | RearRoof | 562286 | male | L282 | | 561690 | male |
| L88.A | | 561608 | female | L285 | | 561247 | male |
| L88.B | RearRoof | 562286 | male | L286.A | | 562835 | female |
| L89.A | | 561608 | female | L286.B | | 562834 | male |
| L89.B | RearRoof | 562286 | male | L297.A | | 562835 | female |
| L90.A | RearRoof | 561608 | female | L297.B | | 562834 | male |
| L90.B | RearRoof | 562286 | male | L298 | | 563590 | female |
| L91 | EngineCmpt. | 562755 | male | L299 | | 563590 | female |
| L92 | EngineCmpt. | 562755 | male | L304 | | 562155 | male |
| L93.A | | 563069 | female | L305 | | 562155 | male |
| L93.B | | 563069 | female | L306 | | 562155 | male |
| L94.A | EngineCmpt. | 563069 | female | L307 | | 562155 | male |
| L94.B | EngineCmpt. | 563069 | female | L350 | | 562350 | male |
| L95 | Outside_Front_LH | 562902 | female | Mo3 | Dash | 561667 | female |
| L96 | Outside_Front_RH | 562902 | female | Mo4 | | 562076 | male |
| L97.A | Outside_Front_LH | 563069 | female | Mo5 | | 561515 | male |
| L97.B | Outside_Front_LH | 563069 | female | Mo7 | | 563691 | male |
| L98.A | Entrance_Door | 563069 | female | Mo8 | | 563691 | male |
| L98.B | Outside_Front_RH | 563069 | female | Mo12.A | Evap.Cmpt. | 561690 | male |
| L173 | | 563590 | female | Mo15 | | 560900 | female |
| L174 | | 563590 | female | Mo16 | | 560900 | female |
| L176 | 5thLuggCmpt. | 561247 | male | Mo17 | | 563626 | male |
| L177 | 5thLuggCmpt. | 561247 | male | Mo19 | {ServiceCmpt.} | 562474 | male |
| L178 | 3rdLuggCmpt. | 561247 | male | Mo20 | {ServiceCmpt.} | 562474 | male |
| L179 | 3rdLuggCmpt. | 561247 | male | Mo22 | RightHandConsole | 561186 | male |
| L180 | 2ndLuggCmpt. | 561247 | male | Mo24 | RightHandConsole | 562348 | female |
| L181 | 2ndLuggCmpt. | 561247 | male | Mo25 | RightHandConsole | 562348 | female |
| L182 | 1stLuggCmpt. | 561247 | male | Mo26 | | 564161 | male |
| L183 | 1stLuggCmpt. | 561247 | male | Mo27 | | 563691 | male |
| L184 | ServiceCmpt. | 561247 | male | Mo28 | | 563691 | male |
| L187 | | 561690 | male | Mo31 | | 564161 | male |
| L189 | Outside_Front_RH | 562069 | male | Mo37 | | 564161 | male |
| L190 | Outside_Front_LH | 562069 | male | Mo38 | | 564161 | male |
| L193.A | Dash | 560488 | female | Mo40 | | 561477 | female |
| L193.B | Dash | 560488 | female | Mo44 | | 561477 | female |
| L194.A | Dash | 562019 | female | Mo50 | | 561782 | male |

CONNECTORS LIST

| No | Location | Part # | Gender | No | Location | Part # | Gender |
|---------|--------------------|--------|--------|---------|------------------|--------|--------|
| Mo54 | | 562474 | male | RSo2.B | SlideOut_Jct_Box | 561626 | female |
| Mo55.A | | 563626 | male | RSo3.A | SlideOut_Jct_Box | 561626 | female |
| Mo56 | | 564161 | male | RSo3.B | SlideOut_Jct_Box | 561626 | female |
| Mo57.A | | 561477 | female | RSo4.A | SlideOut_Jct_Box | 561626 | female |
| Mo58.A | | 561477 | female | RSo4.B | SlideOut_Jct_Box | 561626 | female |
| MoSo1.A | | 561967 | male | RUnlock | | 561183 | male |
| MOSO2.A | | 561967 | male | Se11.A | | 564460 | female |
| Pot1.A | Dash | 560488 | female | Se11.B | | 564460 | female |
| Pot1.B | Dash | 560488 | female | Se11.C | | 564460 | female |
| Pot1.C | Dash | 560488 | female | Se12 | EngineCmpt. | 561690 | female |
| R3 | RJB | 563409 | male | Se13 | | 562350 | male |
| R10.A | Evap.Cmpt. | 563409 | male | Se14.A | | 561782 | male |
| R11 | | 561183 | male | Se14.B | | 561781 | female |
| R12.A | Evap.Cmpt. | 563409 | male | Se15.A | | 562651 | female |
| R17 | | 562367 | male | Se15.B | | 562651 | female |
| R17_0_1 | | 562367 | male | Se15.C | | 562651 | female |
| R18 | FJB | 562367 | male | Se16.A | | 562651 | female |
| R19 | FJB | 562367 | male | Se16.B | | 562651 | female |
| R22 | {FJBVECF} | 561183 | male | Se17.A | | 562291 | female |
| R23 | RightHandConsole | 561183 | male | Se17.B | | 562291 | female |
| R25 | RJB | 561183 | male | Se17.C | | 562291 | female |
| R29 | | 563409 | male | Se18.A | | 560815 | female |
| R30 | RJB | 561183 | male | Se18.B | | 560815 | female |
| R31 | RJB | 561183 | male | Se19.A | | 563677 | male |
| R32 | RJB | 561183 | male | Se19A.A | | 563677 | male |
| R33 | RJB | 561183 | male | Se20 | | 562426 | male |
| R34 | | 562367 | male | Se21 | Dash | 561248 | female |
| R41 | FJB | 561183 | male | Se23 | EngineCmpt. | 563159 | male |
| R42 | FJB | 561183 | male | Se24 | EngineCmpt. | 563159 | male |
| R43 | FJB | 561183 | male | Se25 | | 561248 | female |
| Res3 | RJB | 563590 | female | Se29 | | 561566 | female |
| Res4.A | {RightHandConsole} | 563590 | female | Se30 | | 562877 | female |
| Res5 | Dash | 563590 | female | Se31 | | 562877 | female |
| Res6 | FJB | 563590 | female | Se32 | | 563057 | male |
| Res7.A | | 563590 | female | Se33 | | 562856 | male |
| Res15 | | 561782 | male | Se34 | | 563057 | male |
| Res18.A | | 563590 | female | Se35 | | 563057 | male |
| Res31 | | 562350 | male | Se36 | | 563629 | female |
| Res32 | | 563764 | female | Se37 | | 641132 | female |
| RLock | | 561183 | male | Se38 | | 641132 | female |
| RSo1.A | SlideOut_Jct_Box | 561626 | female | Se39 | | 641132 | female |
| RSo1.B | SlideOut_Jct_Box | 561626 | female | Se40 | | 641132 | female |

CONNECTORS LIST

| No | Location | Part # | Gender | No | Location | Part # | Gender |
|---------|--------------|--------|--------|----------|-----------------|--------|--------|
| Se46 | | 562348 | female | SOSO4.A | | 641385 | male |
| Se50 | | 562426 | male | SoSo5.A | | 564045 | female |
| Se52.A | | 560488 | female | spBar1 | | 564135 | male |
| Se52.B | | 560488 | female | spBar2 | | 564135 | male |
| Se53 | | 563159 | female | Sw1.C258 | | 561188 | female |
| Se54 | | 563159 | female | Sw1.C259 | | 561186 | male |
| Se55 | | 563159 | female | Sw2 | Dash | 562763 | male |
| Se60 | | 563409 | male | Sw3 | | 562763 | male |
| Se63 | | 641132 | female | Sw4 | | 562763 | male |
| Se64 | | 641132 | female | Sw6 | | 562763 | male |
| Se65 | | 564042 | female | Sw11A | | 562763 | male |
| Se66 | | 564039 | female | Sw14 | | 562763 | male |
| Se67 | | 563159 | female | Sw16 | | 562763 | male |
| Se68 | | 563159 | female | Sw17 | Dash | 562763 | male |
| Se69 | | 563159 | female | Sw18A | | 562763 | male |
| SESO1.A | | 563159 | male | Sw21 | | 562763 | male |
| SESO2.A | | 562479 | female | Sw24 | | 562763 | male |
| SESO3.A | | 562479 | female | Sw34 | | 562763 | male |
| SESO5.A | | 562479 | female | Sw35 | | 562763 | male |
| SESO6.A | | 562479 | female | Sw38 | LeftHandConsole | 562763 | male |
| So3 | | 641385 | male | Sw40 | LeftHandConsole | 561690 | male |
| So7 | ServiceCmpt. | 561566 | male | Sw41 | LeftHandConsole | 562749 | male |
| So8 | ServiceCmpt. | 563204 | female | Sw44.A | | 562403 | female |
| So9 | | 561566 | female | Sw44.B | | 562403 | female |
| So11.A | | 561566 | female | Sw45.A | 5thLuggCmpt. | 562403 | female |
| So13.A | | 563204 | female | Sw45.B | 5thLuggCmpt. | 562403 | female |
| So21 | | 564046 | female | Sw46.A | 5thLuggCmpt. | 562403 | female |
| So22 | | 564046 | female | Sw46.B | 5thLuggCmpt. | 562403 | female |
| So23 | | 564046 | female | Sw47.A | 3rdLuggCmpt. | 562403 | female |
| So24 | | 564046 | female | Sw47.B | 3rdLuggCmpt. | 562403 | female |
| So26 | | 562848 | male | Sw48.A | 3rdLuggCmpt. | 562403 | female |
| So27 | | 564045 | female | Sw48.B | 3rdLuggCmpt. | 562403 | female |
| So28 | | 641385 | male | Sw49.A | 2ndLuggCmpt. | 562403 | female |
| So29 | | 641385 | male | Sw49.B | 2ndLuggCmpt. | 562403 | female |
| So30 | | 641385 | male | Sw50.A | 2ndLuggCmpt. | 562403 | female |
| So31 | | 641385 | male | Sw50.B | 2ndLuggCmpt. | 562403 | female |
| So32 | | 641385 | male | Sw51.A | 1stLuggCmpt. | 562403 | female |
| So33 | | 563324 | female | Sw51.B | 1stLuggCmpt. | 562403 | female |
| So36 | | 561690 | male | Sw52 | 1stLuggCmpt. | 562403 | female |
| So50 | | 564046 | female | Sw52.B | 1stLuggCmpt. | 562403 | female |
| So51 | | 564046 | female | Sw58 | EngineCmpt. | 562581 | male |
| So52 | | 564045 | female | Sw59 | | 562348 | female |

CONNECTORS LIST

| No | Location | Part # | Gender | No | Location | Part # | Gender |
|---------|-------------------|--------|--------|--------|----------|--------|--------|
| Sw64.A | | 560815 | female | VECR1 | RJB | 563186 | male |
| Sw64.B | | 560815 | female | VECR2 | RJB | 563183 | male |
| Sw83.A | | 560082 | female | VECR3 | RJB | 563185 | male |
| Sw83.B | | 560815 | female | VECR4 | RJB | 563182 | male |
| Sw83.C | | 560082 | female | VECR9 | RJB | 563448 | male |
| Sw83.D | | 560815 | female | VECR10 | RJB | 563181 | male |
| Sw85 | LeftHandConsole | 562749 | male | VECR11 | RJB | 563184 | male |
| Sw99 | | 562763 | male | VECR12 | RJB | 563187 | male |
| Sw102 | | 562763 | male | Y80 | | 563789 | male |
| Sw103A | | 562763 | male | Y81 | | 563793 | male |
| Sw104 | | 562763 | male | | | | |
| Sw106 | | 561637 | male | | | | |
| Sw107.A | | 561190 | female | | | | |
| Sw107.B | | 561190 | female | | | | |
| Sw107.C | | 561190 | female | | | | |
| Sw107.D | | 561190 | female | | | | |
| Sw107.E | | 561190 | female | | | | |
| Sw107.F | | 561190 | female | | | | |
| Sw107.G | | 561190 | female | | | | |
| Sw107.H | {LeftHandConsole} | 561190 | female | | | | |
| Sw107.J | {LeftHandConsole} | 561190 | female | | | | |
| Sw107.K | {LeftHandConsole} | 561190 | female | | | | |
| Sw108 | | 562763 | male | | | | |
| Sw112.A | | 560079 | female | | | | |
| Sw112.B | | 560079 | female | | | | |
| Sw117.A | | 560079 | female | | | | |
| Sw117.B | | 560079 | female | | | | |
| Sw120 | | 562237 | female | | | | |
| Sw122 | | 562763 | male | | | | |
| Sw134.A | | 560079 | female | | | | |
| Sw134.B | | 560079 | female | | | | |
| Sw137 | | 562763 | male | | | | |
| Sw152 | | 562471 | male | | | | |
| SwSo1.A | | 561552 | female | | | | |
| SwSo2.A | | 561552 | female | | | | |
| VECF1 | FJB | 563186 | male | | | | |
| VECF2 | FJB | 563183 | male | | | | |
| VECF3 | | 563185 | male | | | | |
| VECF4 | FJB | 563182 | male | | | | |
| VECF9 | | 563448 | male | | | | |
| VECF10 | FJB | 563181 | male | | | | |
| VECF11 | F.IR | 563184 | male | | | | |

CONNECTORS LIST

| No | Location | Part # | Gender | No | Location | Part # | Gender |
|--------|--------------|--------|--------|---------|------------------|--------|--------|
| A1 | RJB | 563975 | male | A45.J3 | FJB | 562957 | male |
| A2A | FJB | 563984 | male | A46.J1 | FJB | 563133 | male |
| A4A.A | Service_Cmpt | 562428 | female | A46.J2 | FJB | 563132 | male |
| A4A.B | Service_Cmpt | 561188 | female | A46.J3 | FJB | 562957 | male |
| A5A.A | Service_Cmpt | 562428 | female | A47.J1 | RightHandConsole | 563133 | male |
| A6 | Engine_Cmpt | 562427 | male | A47.J2 | RightHandConsole | 563132 | male |
| A7 | Rr_Axle_Cmpt | 563979 | male | A47.J3 | RightHandConsole | 562957 | male |
| A9.Cx1 | FJB | 564041 | female | A48.J1 | RH_Console | 563133 | male |
| A9.Cx2 | FJB | 563678 | male | A48.J2 | RH_Console | 563132 | male |
| A9.Cx3 | FJB | 564037 | female | A48.J3 | RH_Console | 562957 | male |
| A9.Cx4 | FJB | 564038 | female | A49.J1 | RJB | 562767 | male |
| A14A.A | Dash | 562766 | male | A49.J2 | RJB | 563132 | male |
| A14A.B | Dash | 562767 | male | A49.J3 | RJB | 562957 | male |
| A14A.C | Dash | 562765 | male | A50.J1 | RJB | 563133 | male |
| A15 | Dash | 562464 | male | A50.J2 | RJB | 563132 | male |
| A18 | FJB | 562794 | male | A50.J3 | RJB | 562957 | male |
| A18.J2 | FJB | 562650 | male | A51.J1 | RJB | 563133 | male |
| A24 | RH_Console | 561889 | female | A51.J2 | RJB | 563132 | male |
| A24.A | RH_Console | 561890 | male | A51.J3 | RJB | 562957 | male |
| A24.B | RH_Console | 561566 | female | A52.J1 | RJB | 563133 | male |
| A27 | ServiceCmpt. | 562929 | male | A52.J2 | RJB | 563132 | male |
| A28 | ServiceCmpt. | 562928 | male | A52.J3 | RJB | 562957 | male |
| A30.A | RH_Console | 561611 | male | A53.J1 | RJB | 563133 | male |
| A30.C | RH_Console | 561889 | female | A53.J2 | RJB | 563132 | male |
| A31.A | FJB | 562676 | male | A53.J3 | RJB | 562957 | male |
| A31.B | FJB | 562675 | male | A54.J1 | Evap.Cmpt. | 563133 | male |
| A36.JA | FJB | 562767 | male | A54.J2 | Evap.Cmpt. | 563132 | male |
| A36.JB | FJB | 562765 | male | A54.J3 | Evap.Cmpt. | 562957 | male |
| A36.JC | FJB | 562957 | male | A55.J1 | Dash | 562767 | male |
| A41.J1 | FJB | 562767 | male | A55.J2 | Dash | 563132 | male |
| A41.J2 | FJB | 563132 | male | A55.J3 | Dash | 562957 | male |
| A41.J3 | FJB | 562957 | male | A56.J1 | Slide-OutPanel | 563133 | male |
| A42.J1 | FJB | 562767 | male | A56.J2 | Slide-OutPanel | 563132 | male |
| A42.J2 | FJB | 563132 | male | A56.J3 | Slide-OutPanel | 562957 | male |
| A42.J3 | FJB | 562957 | male | A57.J1 | Slide-OutPanel | 563133 | male |
| A43.J1 | FJB | 562767 | male | A57.J2 | Slide-OutPanel | 563132 | male |
| A43.J2 | FJB | 563132 | male | A57.J3 | Slide-OutPanel | 562957 | male |
| A43.J3 | FJB | 562957 | male | A61A | FJB | 564205 | male |
| A44.J1 | FJB | 563133 | male | A81A.JA | FJB | 562767 | male |
| A44.J2 | FJB | 563132 | male | A81A.JB | FJB | 562765 | male |
| A44.J3 | FJB | 562957 | male | A81A.JC | FJB | 562957 | male |
| A45.J1 | FJB | 563133 | male | A96 | FJB | 564073 | female |
| A45.J2 | FJB | 563132 | male | A97 | Dash | 563226 | male |

CONNECTORS LIST

| No | Location | Part # | Gender | No | Location | Part # | Gender |
|-----------|-----------------|----------|--------|------------|------------------|--------|--------|
| A100 | Front_Axle_Cmpt | 563758 | female | C6 | ServiceCmpt. | 563582 | male |
| A101 | Rear_Axle_Cmpt | 563758 | female | C6 | ServiceCmpt. | 563583 | female |
| A102 | Rear_Axle_Cmpt | 563758 | female | C7 | ServiceCmpt. | 562566 | male |
| A103 | Dash | 562070 | female | C7 | ServiceCmpt. | 562565 | female |
| A114 | Service_Cmpt | 563850 | male | C8 | FJB | 563227 | male |
| A130 | Driver_Area | 563226 | male | C8 | FJB | 563614 | female |
| A131.A | Engine_Cmpt | 561782 | male | C10 | Engine_Cmpt | 562477 | male |
| A131.B | Engine_Cmpt | 561781 | female | C10 | Engine_Cmpt | 562479 | female |
| A137 | Cond_Cmpt | 563782 | male | C11 | ServiceCmpt. | 563580 | male |
| A137A | Cond_Cmpt | 20429843 | male | C11 | ServiceCmpt. | 563581 | female |
| A138 | Cond_Cmpt | 563787 | male | C12 | Engine_Cmpt | 562581 | male |
| A139 | Dash | 564501 | male | C12 | Engine_Cmpt | 562583 | female |
| Alt1D.A | Engine_Cmpt | 563746 | female | C13S | RH_Console | 563593 | male |
| Alt1D.B | Engine_Cmpt | 560815 | female | C13S | RH_Console | 563590 | female |
| Alt1D.C | Engine_Cmpt | 564469 | female | C13_plug | RH_Console | 563589 | male |
| Alt2D.A | Engine_Cmpt | 563746 | female | C13_socket | RH_Console | 563590 | female |
| Alt2D.B | Engine_Cmpt | 560815 | female | C15 | Evap_Cmpt | 562477 | male |
| Alt2D.C | Engine_Cmpt | 564469 | female | C15 | Evap_Cmpt | 562479 | female |
| B85 | Engine_Cmpt | 563815 | male | C17 | RJB | 561986 | male |
| B96.J1 | Engine_Cmpt | 563821 | male | C17 | RJB | 561987 | female |
| B96B | Engine_Cmpt | 563823 | male | C18 | FJB | 561986 | male |
| B97 | Engine_Cmpt | 563816 | male | C18 | FJB | 561987 | female |
| B98.J1 | Engine_Cmpt | 563817 | female | C19 | RJB | 561986 | male |
| B115.J1 | Engine_Cmpt | 563818 | female | C19 | RJB | 561987 | female |
| B142B | Cond_Cmpt | 563793 | male | C20 | Evap_Cmpt | 561986 | male |
| C1 | FJB | 563589 | male | C20 | Evap_Cmpt | 561987 | female |
| C1 | FJB | 563590 | female | C21 | RJB | 562285 | male |
| C1S | FJB | 563589 | male | C21 | RJB | 562282 | female |
| C1S | FJB | 563590 | female | C22 | RJB | 564034 | male |
| C2 | ServiceCmpt. | 563580 | male | C22 | RJB | 564035 | female |
| C2 | ServiceCmpt. | 563581 | female | C22A | Evap_Cmpt | 564034 | male |
| C2A | FJB | 563580 | male | C22A | Evap_Cmpt | 564035 | female |
| C2A | FJB | 563581 | female | C23 | 3rd_Lugg_Cmpt | 561643 | male |
| C3S | RJB | 563593 | male | C23 | 3rd_Lugg_Cmpt | 561642 | female |
| C3S | RJB | 563590 | female | C24_plug | Evap_Cmpt | 561690 | male |
| C3_plug | RJB | 563589 | male | C24_socket | Evap_Cmpt | 561566 | female |
| C3_socket | RJB | 563590 | female | C26 | Cond_Cmpt | 563580 | male |
| C4 | ServiceCmpt. | 563580 | male | C26 | Cond_Cmpt | 563581 | female |
| C4 | ServiceCmpt. | 563581 | female | C27 | RJB | 562284 | male |
| C5 | FJB | 563589 | male | C27 | RJB | 562281 | female |
| C5 | FJB | 563590 | female | C28 | Evap_Cmpt | 562477 | male |
| C5S | FJB | 563589 | male | C28 | Evap_Cmpt | 562479 | female |
| C5S | FJB | 563590 | female | C34 | RightHandConsole | 561986 | male |

CONNECTORS LIST

| No | Location | Part # | Gender | No | Location | Part # | Gender |
|------------|------------------|--------|--------|-------------|---------------|--------|--------|
| C34 | RightHandConsole | 561987 | female | C81 | 1st_Lugg_Cmpt | 560852 | male |
| C35 | RJB | 561986 | male | C81 | 1st_Lugg_Cmpt | 560851 | female |
| C35 | RJB | 561987 | female | C82 | 1st_Lugg_Cmpt | 560852 | male |
| C36 | FJB | 561986 | male | C82 | 1st_Lugg_Cmpt | 560851 | female |
| C36 | FJB | 561987 | female | C83 | 2nd_Lugg_Cmpt | 560852 | male |
| C41 | RJB | 562477 | male | C83 | 2nd_Lugg_Cmpt | 560851 | female |
| C41 | RJB | 562479 | female | C84 | 2nd_Lugg_Cmpt | 560852 | male |
| C44_plug | FJB | 561577 | male | C84 | 2nd_Lugg_Cmpt | 560851 | female |
| C44_socket | FJB | 561605 | female | C85 | 3rd_Lugg_Cmpt | 560852 | male |
| C45 | FJB | 561643 | male | C85 | 3rd_Lugg_Cmpt | 560851 | female |
| C45 | FJB | 561642 | female | C86 | 4rd_Lugg_Cmpt | 560852 | male |
| C48 | ServiceCmpt. | 561690 | male | C86 | 4nd_Lugg_Cmpt | 560851 | female |
| C48 | ServiceCmpt. | 561566 | female | C87 | Lavatory | 562485 | male |
| C49A | FJB | 562005 | male | C87 | Lavatory | 562486 | female |
| C49A | FJB | 561714 | female | C91 | RJB | 562285 | male |
| C54 | Engine_Cmpt | 563580 | male | C91 | RJB | 562282 | female |
| C54 | Engine_Cmpt | 563581 | female | C92 | FJB | 561986 | male |
| C58 | Cond_Cmpt | 563226 | male | C92 | FJB | 561987 | female |
| C58 | Cond_Cmpt | 563613 | female | C95 | Entrance_Door | 562581 | male |
| C60 | RJB | 561986 | male | C95 | Entrance_Door | 562583 | female |
| C60 | RJB | 561987 | female | C96 | FJB | 561643 | male |
| C61 | Fr_Service_Door | 561669 | male | C96 | FJB | 561642 | female |
| C61 | Fr_Service_Door | 561670 | female | C97 | FJB | 561640 | male |
| C62 | Fr_Service_Door | 562566 | male | C97 | FJB | 561639 | female |
| C62 | Fr_Service_Door | 562565 | female | C100 | Evap_Cmpt | 563589 | male |
| C63 | Front_Axle_Cmpt | 562477 | male | C100 | Evap_Cmpt | 563590 | female |
| C63 | Front_Axle_Cmpt | 562479 | female | C100S | Evap_Cmpt | 563589 | male |
| C64 | Engine_Cmpt | 563580 | male | C100S | Evap_Cmpt | 563590 | female |
| C64 | Engine_Cmpt | 563581 | female | C101 | ServiceCmpt. | 561690 | male |
| C69 | FJB | 561583 | male | C101 | ServiceCmpt. | 561566 | female |
| C69 | FJB | 561585 | female | C102 | Service_Cmpt | 561690 | male |
| C71 | FJB | 561646 | male | C102 | Service_Cmpt | 561566 | female |
| C71 | FJB | 561645 | female | C105 | FJB | 562581 | male |
| C72 | ServiceCmpt. | 561646 | male | C105 | FJB | 562583 | female |
| C72 | ServiceCmpt. | 561645 | female | C106_plug | FJB | 562581 | male |
| C74 | ServiceCmpt. | 561645 | female | C106_socket | FJB | 562583 | female |
| C74 | ServiceCmpt. | 561646 | male | C112 | RJB | 562284 | male |
| C75 | Parcel_Rack_RH | 560852 | male | C112 | RJB | 562281 | female |
| C75 | Parcel_Rack_RH | 560851 | female | C112B | RJB | 562284 | male |
| C77 | 2nd_Lugg_Cmpt | 560852 | male | C112B | RJB | 562281 | female |
| C77 | 2nd_Lugg_Cmpt | 560851 | female | C119 | EngineDoor | 561607 | male |
| C78 | Engine_Cmpt | 561690 | male | C119 | EngineDoor | 561606 | female |
| C78 | Engine_Cmpt | 561566 | female | C120 | EngineDoor | 561607 | male |

CONNECTORS LIST

| No | Location | Part # | Gender | No | Location | Part # | Gender |
|-------------|---------------|--------|--------|-------------|----------------|--------|--------|
| C120 | EngineDoor | 561606 | female | C290 | Rr_Vehicule | 560852 | male |
| C152 | Cond_Cmpt | 561611 | male | C290 | Rr_Vehicule | 560851 | female |
| C152 | Cond_Cmpt | 561610 | female | C304 | 2nd_Lugg_Cmpt | 560852 | male |
| C171 | LH_Console | 561646 | male | C304 | 2nd_Lugg_Cmpt | 560851 | female |
| C171 | LH_Console | 561645 | female | C305 | 2nd_Lugg_Cmpt | 560852 | male |
| C172 | Service_Cmpt | 561637 | male | C305 | 2nd_Lugg_Cmpt | 560851 | female |
| C172 | Service_Cmpt | 561635 | female | C330 | FJB | 561690 | male |
| C193_plug | RJB | 563589 | male | C330 | FJB | 561566 | female |
| C193_socket | RJB | 563590 | female | C380 | Dash | 563180 | male |
| C194 | FJB | 563589 | male | C380 | Dash | 563347 | female |
| C194 | FJB | 563590 | female | C380A | Dash | 564222 | male |
| C200_plug | RJB | 562471 | male | C380A | Dash | 564224 | female |
| C200_socket | RJB | 562348 | female | C397 | RJB | 562285 | male |
| C222 | FJB | 562477 | male | C397 | RJB | 562282 | female |
| C222 | FJB | 562479 | female | C399 | Engine_Cmpt | 562477 | male |
| C223 | FJB | 563227 | male | C399 | Engine_Cmpt | 562479 | female |
| C223 | FJB | 563614 | female | C400_plug | Engine_Cmpt | 561782 | male |
| C224 | FJB | 561637 | male | C400_socket | Engine_Cmpt | 561781 | female |
| C224 | FJB | 561636 | female | C426 | Engine_Cmpt | 561611 | male |
| C225 | FJB | 562650 | male | C426 | Engine_Cmpt | 561610 | female |
| C225 | FJB | 562649 | female | C463 | Rear_Axle_Cmpt | 562571 | male |
| C226 | FJB | 562650 | male | C463 | Rear_Axle_Cmpt | 562570 | female |
| C226 | FJB | 562649 | female | C464 | RJB | 563180 | male |
| C228 | Engine_Cmpt | 563227 | male | C464 | RJB | 563347 | female |
| C228 | Engine_Cmpt | 563614 | female | C464A | RJB | 564222 | male |
| C230 | EngineCmpt. | 562485 | male | C464A | RJB | 564224 | female |
| C230 | EngineCmpt. | 562486 | female | C551 | 3rd_Lugg_Cmpt | 561476 | male |
| C242 | ServiceCmpt. | 563347 | male | C551 | 3rd_Lugg_Cmpt | 561477 | female |
| C242 | ServiceCmpt. | 563180 | female | C553 | 2nd_Lugg_Cmpt | 561476 | male |
| C243 | ServiceCmpt. | 563347 | male | C553 | 2nd_Lugg_Cmpt | 561477 | female |
| C243 | ServiceCmpt. | 563180 | female | C554 | 1st_Lugg_Cmpt | 561476 | male |
| C246 | ServiceCmpt. | 563090 | male | C554 | 1st_Lugg_Cmpt | 561477 | female |
| C246 | ServiceCmpt. | 563091 | female | C555 | 1st_Lugg_Cmpt | 561476 | male |
| C264 | Entrance_Door | 561637 | male | C555 | 1st_Lugg_Cmpt | 561477 | female |
| C264 | Entrance_Door | 561636 | female | C556 | 3rd_Lugg_Cmpt | 561476 | male |
| C266 | Entrance_Door | 561640 | male | C556 | 3rd_Lugg_Cmpt | 561477 | female |
| C266 | Entrance_Door | 561639 | female | C557 | 2nd_Lugg_Cmpt | 561476 | male |
| C269 | Mirror_RH | 563090 | male | C557 | 2nd_Lugg_Cmpt | 561477 | female |
| C269 | Mirror_RH | 563091 | female | C558 | 2nd_Lugg_Cmpt | 561476 | male |
| C279 | Service_Cmpt | 562477 | male | C558 | 2nd_Lugg_Cmpt | 561477 | female |
| C279 | Service_Cmpt | 562479 | female | C559 | 3rd_Lugg_Cmpt | 561476 | male |
| C281 | LH_Console | 560852 | male | C559 | 3rd_Lugg_Cmpt | 561477 | female |
| C281 | LH_Console | 560851 | female | C560 | 3rd_Lugg_Cmpt | 561476 | male |

CONNECTORS LIST

| No | Location | Part # | Gender | No | Location | Part # | Gender |
|---------|----------------|--------|--------|-------|------------------|--------|--------|
| C560 | 3rd_Lugg_Cmpt | 561477 | female | L18.A | Entrance_Door | 561539 | male |
| C561 | 3rd_Lugg_Cmpt | 561476 | male | L18.B | Entrance_Door | 561539 | male |
| C561 | 3rd_Lugg_Cmpt | 561477 | female | L21.A | FrontRoof | 561608 | female |
| C562 | 3rd_Lugg_Cmpt | 561476 | male | L21.B | FrontRoof | 562286 | male |
| C562 | 3rd_Lugg_Cmpt | 561477 | female | L22.A | FrontRoof | 561608 | female |
| C617 | Mirror_LH | 563801 | male | L22.B | FrontRoof | 562286 | male |
| C617 | Mirror_LH | 563800 | female | L23.A | FrontRoof | 561608 | female |
| C618 | Mirror_RH | 563801 | male | L23.B | FrontRoof | 562286 | male |
| C618 | Mirror_RH | 563800 | female | L24.A | FrontRoof | 561608 | female |
| C717 | RJB | 561646 | male | L24.B | FrontRoof | 562286 | male |
| C717 | RJB | 561645 | female | L25.A | FrontRoof | 561608 | female |
| CC1 | FJB | 563227 | male | L25.B | FrontRoof | 562286 | male |
| CC1 | FJB | 563614 | female | L26.A | FrontRoof | 561608 | female |
| CC2 | FJB | 563226 | male | L26.B | FrontRoof | 562286 | male |
| CC2 | FJB | 563613 | female | L27.A | FrontRoof | 561608 | female |
| CCust | RJB | 562477 | male | L27.B | FrontRoof | 562286 | male |
| CCust | RJB | 562479 | female | L57.A | OutSide_Front_RH | 563366 | male |
| CR1 | RJB | 561247 | male | L57.B | OutSide_Front_RH | 562623 | male |
| CR1 | RJB | 561248 | female | L58.A | OutSide_Front_LH | 562623 | male |
| CSo1 | SlideOut_Panel | 562581 | male | L58.B | OutSide_Front_LH | 562623 | male |
| CSo1 | SlideOut_Panel | 562583 | female | L59.A | Outside_Front_RH | 562623 | male |
| CSo1S | SlideOut_Panel | 562581 | male | L59.B | Outside_Front_RH | 562623 | male |
| CSo1S | SlideOut_Panel | 562583 | female | L60.A | Outside_Front_LH | 562623 | male |
| CSo2 | SlideOut_Panel | 561643 | male | L60.B | Outside_Front_LH | 562623 | male |
| CSo2 | SlideOut_Panel | 561641 | female | L61 | Front_OutSide_RH | 562601 | male |
| CSo5 | SlideOut_Panel | 561847 | male | L62 | Outside_Front_LH | 562601 | male |
| CSo5 | SlideOut_Panel | 561862 | female | L63 | Outside_Front_RH | 562155 | male |
| CSo7 | SlideOut_Panel | 561695 | male | L64 | Outside_Front_RH | 562155 | male |
| CSo7 | SlideOut_Panel | 561694 | female | L65 | Outside_Front_LH | 562155 | male |
| CT2 | Engine_Cmpt | 563226 | male | L66 | Outside_Front_LH | 562155 | male |
| CT2 | Engine_Cmpt | 563613 | female | L67 | 3rdLuggCmpt. | 562155 | male |
| C_ALT1 | Engine_Cmpt | 562477 | male | L68 | 3rdLuggCmpt. | 562155 | male |
| C_ALT1 | Engine_Cmpt | 562479 | female | L69 | Evap_Cmpt. | 562155 | male |
| C_ALT2 | Engine_Cmpt | 562477 | male | L70 | Evap_Cmpt. | 562155 | male |
| C_ALT2 | Engine_Cmpt | 562479 | female | L71 | Rear_Engine_Door | 562601 | male |
| C_EVAP | Evap_Cmpt | 563582 | male | L72 | Rear_Vehicle | 562155 | male |
| C_EVAP | Evap_Cmpt | 563583 | female | L73 | Rear_Vehicle | 562601 | male |
| C_EvpDr | Evap_Cmpt | 562477 | male | L74 | Rear_Vehicle | 562155 | male |
| C_EvpDr | Evap_Cmpt | 562479 | female | L75 | Rear_Vehicle | 562155 | male |
| EI | Engine_Cmpt | 563739 | male | L76 | Rear_Engine_Door | 562155 | male |
| L1 | Service_Cmpt | 562848 | male | L77 | Rear_Engine_Door | 562601 | male |
| L16 | FrontRoof | 562803 | male | L78 | Rear_Engine_Door | 562601 | male |
| L17 | Entrance_Door | 562803 | male | L79 | Rear_Engine_Door | 562601 | male |

CONNECTORS LIST

| No | Location | Part # | Gender | No | Location | Part # | Gender |
|-------|------------------|--------|--------|--------|--------------------------|--------|--------|
| L80 | Rear_Engine_Door | 562601 | male | L189 | Outside_Front_RH | 562069 | male |
| L81.A | Rear_Engine_Door | 562835 | female | L190 | Outside_Front_LH | 562069 | male |
| L81.B | Rear_Engine_Door | 562834 | male | L193.A | Dash | 560488 | female |
| L82 | Rear_Engine_Door | 562348 | female | L193.B | Dash | 560488 | female |
| L83 | Rear_Engine_Door | 562348 | female | L194.A | LH_Console | 562019 | female |
| L84.A | RearRoof | 561608 | female | L194.B | LH_Console | 560488 | female |
| L84.B | RearRoof | 562286 | male | L195.A | LH_Console | 560488 | female |
| L85.A | RearRoof | 561608 | female | L195.B | LH_Console | 560488 | female |
| L85.B | RearRoof | 562286 | male | L199 | EngineCmpt. | 562471 | male |
| L86.A | RearRoof | 561608 | female | L200 | EngineCmpt. | 562471 | male |
| L86.B | RearRoof | 562286 | male | L203 | RH_Console | 561690 | male |
| L87.A | RearRoof | 561608 | female | L205.A | Evap.Cmpt. | 562485 | male |
| L87.B | RearRoof | 562286 | male | L282A | Engine_Cmpt | 561690 | male |
| L88.A | RearRoof | 561608 | female | L285 | Dash | 561247 | male |
| L88.B | RearRoof | 562286 | male | L286.A | Rear_Vehicule | 562835 | female |
| L89.A | RearRoof | 561608 | female | L286.B | Rear_Vehicule | 562834 | male |
| L89.B | RearRoof | 562286 | male | L297.A | Rear_Vehicule | 562835 | female |
| L90.A | RearRoof | 561608 | female | L297.B | Rear_Vehicule | 562834 | male |
| L90.B | RearRoof | 562286 | male | L298 | Engine_Cmpt | 563590 | female |
| L91 | EngineCmpt. | 562755 | male | L299 | Engine_Cmpt | 563590 | female |
| L92 | EngineCmpt. | 562755 | male | L304 | OutSide_1st_Lugg_Door_LH | 562155 | male |
| L93.A | Rear_OutSide_LH | 563069 | female | L305 | OutSide_1st_Lugg_Door_RH | 562155 | male |
| L93.B | Rear_OutSide_LH | 563069 | female | L306 | OutSide_1st_Lugg_Door_RH | 562155 | male |
| L94.A | Rear_OutSide_RH | 563069 | female | L307 | OutSide_1st_Lugg_Door_LH | 562155 | male |
| L94.B | Rear_OutSide_RH | 563069 | female | L350 | Rr_Axle_Cmpt | 562251 | male |
| L95 | Outside_Front_LH | 562902 | female | Mo3 | Dash | 561667 | female |
| L96 | Outside_Front_RH | 562902 | female | Mo4 | Dash | 562076 | male |
| L97.A | Outside_Front_LH | 563069 | female | Mo5 | Front_Roof | 561515 | male |
| L97.B | Outside_Front_LH | 563069 | female | Mo7 | Cond_Cmpt | 563691 | male |
| L98.A | Entrance_Door | 563069 | female | Mo8 | Cond_Cmpt | 563691 | male |
| L98.B | Outside_Front_RH | 563069 | female | Mo12.A | Evap.Cmpt. | 561690 | male |
| L173 | Engine_Cmpt | 563590 | female | Mo15 | Front_Ceiling | 560900 | female |
| L174 | Engine_Cmpt | 563590 | female | Mo16 | Front_Ceiling | 560900 | female |
| L176 | Evap_Cmpt. | 561247 | male | Mo17 | RH_Console | 563626 | male |
| L177 | Cond_Cmpt. | 561247 | male | Mo19 | {ServiceCmpt.} | 562474 | male |
| L178 | 1st_LuggCmpt. | 561247 | male | Mo20 | {ServiceCmpt.} | 562474 | male |
| L179 | 1st_LuggCmpt. | 561247 | male | Mo22 | RightHandConsole | 561186 | male |
| L180 | 2ndLuggCmpt. | 561247 | male | Mo24 | RightHandConsole | 562348 | female |
| L181 | 2ndLuggCmpt. | 561247 | male | Mo25 | RightHandConsole | 562348 | female |
| L182 | 3rd_LuggCmpt. | 561247 | male | Mo26 | Entrance_Door | 564161 | male |
| L183 | 3rd_LuggCmpt. | 561247 | male | Mo27 | Cond_Cmpt | 563691 | male |
| L184 | ServiceCmpt. | 561247 | male | Mo28 | Cond_Cmpt | 563691 | male |
| L187 | Engine_Cmpt | 561690 | male | Mo31 | 3rd_Door_Lugg_RH | 564161 | male |

CONNECTORS LIST

| No | Location | Part # | Gender | No | Location | Part # | Gender |
|---------|--------------------|--------|--------|---------|------------------|--------|--------|
| Mo37 | 1st_Door_Lugg_RH | 564161 | male | Res32 | Cond_Cmpt | 563764 | female |
| Mo38 | 2nd_Door_Lugg_LH | 564161 | male | Res53.A | FJB | 563590 | female |
| Mo40 | 1st_Lugg_Cmpt_LH | 561477 | female | RLock | Service_Cmpt | 561183 | male |
| Mo44 | 3rd_Lugg_Cmpt_LH | 561477 | female | RSo1.A | SlideOut_Jct_Box | 561626 | female |
| Mo50 | Service_Cmpt | 561782 | male | RSo1.B | SlideOut_Jct_Box | 561626 | female |
| Mo53 | RJB | 561248 | female | RSo2.A | SlideOut_Jct_Box | 561626 | female |
| Mo54 | Service_Cmpt | 562474 | male | RSo2.B | SlideOut_Jct_Box | 561626 | female |
| Mo55.A | Entrance_Door | 563626 | male | RSo3.A | SlideOut_Jct_Box | 561626 | female |
| Mo56 | Engine_Door | 564161 | male | RSo3.B | SlideOut_Jct_Box | 561626 | female |
| Mo57.A | 2nd_Lugg_Cmpt_LH | 561477 | female | RSo4.A | SlideOut_Jct_Box | 561626 | female |
| Mo58.A | 2nd_Lugg_Cmpt_LH | 561477 | female | RSo4.B | SlideOut_Jct_Box | 561626 | female |
| MoSo1.A | SlideOut_Fr_LH | 561967 | male | RUnlock | Service_Cmpt | 561183 | male |
| MOSO2.A | SlideOut_Fr_LH | 561967 | male | Se11.A | Cond_Cmpt | 564460 | female |
| Pot1.A | Dash | 560488 | female | Se11.B | Cond_Cmpt | 564460 | female |
| Pot1.B | Dash | 560488 | female | Se11.C | Cond_Cmpt | 564460 | female |
| Pot1.C | Dash | 560488 | female | Se12 | EngineCmpt. | 561690 | female |
| R3 | RJB | 563409 | male | Se13 | EngineCmpt. | 562350 | male |
| R10.A | Evap.Cmpt. | 563409 | male | Se14.A | Driver_Area | 561782 | male |
| R11 | RJB | 561183 | male | Se14.B | Driver_Area | 561781 | female |
| R12.A | Evap.Cmpt. | 563409 | male | Se15.A | Entrance_Door | 562651 | female |
| R17 | RJB | 564210 | male | Se15.B | Entrance_Door | 562651 | female |
| R17_0_1 | | 562367 | male | Se15.C | Entrance_Door | 562651 | female |
| R18 | FJB | 564210 | male | Se16.A | Entrance_Door | 562651 | female |
| R19 | FJB | 564210 | male | Se16.B | Entrance_Door | 562651 | female |
| R22 | RJB | 561183 | male | Se17.A | Service_Cmpt | 562291 | female |
| R23 | RightHandConsole | 561183 | male | Se17.B | Service_Cmpt | 562291 | female |
| R25 | RJB | 561183 | male | Se17.C | Service_Cmpt | 562291 | female |
| R29 | RJB | 563409 | male | Se18.A | Service_Cmpt | 560815 | female |
| R30 | RJB | 561183 | male | Se18.B | Service_Cmpt | 560815 | female |
| R31 | RJB | 561183 | male | Se19.A | Service_Cmpt | 563677 | male |
| R32 | RJB | 561183 | male | Se19A.A | Service_Cmpt | 563677 | male |
| R33 | RJB | 561183 | male | Se20 | Evap_Cmpt | 562426 | male |
| R34 | RJB | 564210 | male | Se21 | Dash | 561248 | female |
| R41 | FJB | 561183 | male | Se23 | EngineCmpt. | 563159 | male |
| R42 | FJB | 561183 | male | Se24 | EngineCmpt. | 563159 | male |
| R43 | FJB | 561183 | male | Se25 | Evap_Cmpt | 561248 | female |
| Res3 | RJB | 563590 | female | Se29 | Engine_Cmpt | 561566 | female |
| Res4.A | {RightHandConsole} | 563590 | female | Se30 | Engine_Cmpt | 562877 | female |
| Res6 | FJB | 563590 | female | Se31 | Engine_Cmpt | 562877 | female |
| Res7.A | FJB | 563590 | female | Se32 | Rear_Axle_Cmpt | 563057 | male |
| Res15 | Engine_Cmpt | 561782 | male | Se33 | Rear_Axle_Cmpt | 562856 | male |
| Res18.A | Rear_Roof | 563590 | female | Se34 | Rear_Axle_Cmpt | 563057 | male |
| Res31 | Cond_Cmpt | 562350 | male | Se35 | Rear_Axle_Cmpt | 563057 | male |

CONNECTORS LIST

| No | Location | Part # | Gender | No | Location | Part # | Gender |
|---------|-----------------|--------|--------|----------|-----------------|--------|--------|
| Se36 | Rear_Axle_Cmpt | 563629 | female | So36 | Engine_Cmpt | 561690 | male |
| Se37 | Front_Axle_Cmpt | 641132 | female | So50 | Rear_Axle_Cmpt | 564046 | female |
| Se38 | Front_Axle_Cmpt | 641132 | female | So51 | Rear_Axle_Cmpt | 564046 | female |
| Se39 | Rear_Axle_Cmpt | 641132 | female | So52 | Front_Axle_Cmpt | 564045 | female |
| Se40 | Rear_Axle_Cmpt | 641132 | female | SoSo1.A | SlideOut_Panel | 564045 | female |
| Se45 | {ServiceCmpt.} | 562426 | male | SOSO4.A | SlideOut_Panel | 641385 | male |
| Se46 | Rear_Axle_Cmpt | 562348 | female | SoSo5.A | SlideOut_Panel | 564045 | female |
| Se50 | Engine_Cmpt | 562426 | male | spBar1 | Engine_Cmpt | 564135 | male |
| Se52.A | RH_Console | 560488 | female | spBar2 | Engine_Cmpt | 564135 | male |
| Se52.B | RH_Console | 560488 | female | spBar4 | Engine_Cmpt | 564135 | male |
| Se53 | Service_Cmpt | 563159 | female | spBar5 | Engine_Cmpt | 564135 | male |
| Se54 | Service_Cmpt | 563159 | female | Sw1.C258 | Dash | 561188 | female |
| Se55 | Service_Cmpt | 563159 | female | Sw1.C259 | Dash | 561186 | male |
| Se60 | Service_Cmpt | 563409 | male | Sw2 | Dash | 562763 | male |
| Se63 | Rear_Axle_Cmpt | 641132 | female | Sw3 | Dash | 562763 | male |
| Se64 | Rear_Axle_Cmpt | 641132 | female | Sw4 | Dash | 562763 | male |
| Se65 | Dash | 564042 | female | Sw6 | Dash | 562763 | male |
| Se66 | Front_Axle_Cmpt | 564039 | female | Sw11A | LH_Console | 562763 | male |
| Se67 | Front_Axle_Cmpt | 563159 | female | Sw14 | Dash | 562763 | male |
| Se68 | Rear_Axle_Cmpt | 563159 | female | Sw16 | Dash | 562763 | male |
| Se69 | Front_Axle_Cmpt | 563159 | female | Sw17 | Dash | 562763 | male |
| SESO1.A | SlideOut_Panel | 563159 | male | Sw18A | LH_Console | 562763 | male |
| SESO2.A | SlideOut_Fr_LH | 562479 | female | Sw21 | Dash | 562763 | male |
| SESO3.A | SlideOut_Fr_LH | 562479 | female | Sw24 | Dash | 562763 | male |
| SESO5.A | SlideOut_Rr_LH | 562479 | female | Sw34 | Dash | 562763 | male |
| SESO6.A | SlideOut_Rr_LH | 562479 | female | Sw35 | LH_Console | 562763 | male |
| So3 | RH_Console | 641385 | male | Sw38 | LeftHandConsole | 562763 | male |
| So7 | ServiceCmpt. | 561566 | male | Sw40 | LeftHandConsole | 561690 | male |
| So8 | ServiceCmpt. | 563204 | female | Sw41 | LeftHandConsole | 562749 | male |
| So9 | Engine_Cmpt | 561566 | female | Sw44.A | Service_Cmpt | 562403 | female |
| So11.A | Cond_Cmpt | 561566 | female | Sw44.B | Service_Cmpt | 562403 | female |
| So13.A | Evap_Cmpt | 563204 | female | Sw45.A | Evap_Cmpt | 562403 | female |
| So21 | Front_Axle_Cmpt | 564046 | female | Sw45.B | Evap_Cmpt | 562403 | female |
| So22 | Front_Axle_Cmpt | 564046 | female | Sw46.A | Cond_Cmpt | 562403 | female |
| So23 | Rear_Axle_Cmpt | 564046 | female | Sw46.B | Cond_Cmpt | 562403 | female |
| So24 | Rear_Axle_Cmpt | 564046 | female | Sw47.A | 1st_Lugg_Cmpt | 562403 | female |
| So26 | Service_Cmpt | 562848 | male | Sw47.B | 1st_Lugg_Cmpt | 562403 | female |
| So27 | Rear_Axle_Cmpt | 564045 | female | Sw48.A | 1st_Lugg_Cmpt | 562403 | female |
| So28 | Engine_Cmpt | 641385 | male | Sw48.B | 1st_Lugg_Cmpt | 562403 | female |
| So29 | Service_Cmpt | 641385 | male | Sw49.A | 2ndLuggCmpt. | 562403 | female |
| So30 | Service_Cmpt | 641385 | male | Sw49.B | 2ndLuggCmpt. | 562403 | female |
| So31 | Service_Cmpt | 641385 | male | Sw50.A | 2ndLuggCmpt. | 562403 | female |
| So32 | Service_Cmpt | 641385 | male | Sw50.B | 2ndLuggCmpt. | 562403 | female |

CONNECTORS LIST

| No | Location | Part # | Gender | No | Location | Part # | Gender |
|---------|-------------------|--------|--------|--------|-----------|--------|--------|
| Sw51.A | 3rd_Lugg_Cmpt | 562403 | female | VECF2 | FJB | 563183 | male |
| Sw51.B | 3rd_Lugg_Cmpt | 562403 | female | VECF3 | FJB | 563185 | male |
| Sw52 | 3rd_Lugg_Cmpt | 562403 | female | VECF4 | FJB | 563182 | male |
| Sw52.B | 3rd_Lugg_Cmpt | 562403 | female | VECF9 | FJB | 563448 | male |
| Sw58 | EngineCmpt. | 562581 | male | VECF10 | FJB | 563181 | male |
| Sw59 | EngineCmpt. | 562348 | female | VECF11 | FJB | 563184 | male |
| Sw63A | LH_Console | 562763 | male | VECF12 | FJB | 563187 | male |
| Sw64.A | Service_Cmpt | 560815 | female | Vecr1 | RJB | 563186 | male |
| Sw64.B | Service_Cmpt | 560815 | female | Vecr2 | RJB | 563183 | male |
| Sw83.A | Dash | 560082 | female | Vecr3 | RJB | 563185 | male |
| Sw83.B | Dash | 560815 | female | VECR4 | RJB | 563182 | male |
| Sw83.C | Dash | 560082 | female | Vecr9 | RJB | 563448 | male |
| Sw83.D | Dash | 560815 | female | Vecr10 | RJB | 563181 | male |
| Sw85 | LeftHandConsole | 562749 | male | VECR11 | RJB | 563184 | male |
| Sw99 | Dash | 562763 | male | VECR12 | RJB | 563187 | male |
| Sw102 | Dash | 562763 | male | Y80 | Eng_Cmpt | 563789 | male |
| Sw103A | LH_Console | 562763 | male | Y81 | Cond_Cmpt | 563793 | male |
| Sw104 | Dash | 562763 | male | | | | |
| Sw106 | FJB | 561637 | male | | | | |
| Sw107.A | LH_Console | 561190 | female | | | | |
| Sw107.B | LH_Console | 561190 | female | | | | |
| Sw107.C | LH_Console | 561190 | female | | | | |
| Sw107.D | LH_Console | 561190 | female | | | | |
| Sw107.E | LH_Console | 561190 | female | | | | |
| Sw107.F | LH_Console | 561190 | female | | | | |
| Sw107.G | LH_Console | 561190 | female | | | | |
| Sw107.H | {LeftHandConsole} | 561190 | female | | | | |
| Sw107.J | {LeftHandConsole} | 561190 | female | | | | |
| Sw107.K | {LeftHandConsole} | 561190 | female | | | | |
| Sw108 | LH_Console | 562763 | male | | | | |
| Sw112.A | 3rd_Lugg_Cmpt_RH | 560079 | female | | | | |
| Sw112.B | 3rd_Lugg_Cmpt_RH | 560079 | female | | | | |
| Sw117.A | Lugg_Cmpt_RH | 560079 | female | | | | |
| Sw117.B | Lugg_Cmpt_RH | 560079 | female | | | | |
| Sw120 | Service_Cmpt | 562237 | female | | | | |
| Sw122 | Service_Cmpt | 562763 | male | | | | |
| Sw134.A | Engine_Cmpt | 560079 | female | | | | |
| Sw134.B | Engine_Cmpt | 560079 | female | | | | |
| Sw137 | Dash | 562763 | male | | | | |
| Sw152 | Driver_Area | 562471 | male | | | | |
| SwSo1.A | Front_Slide_Out | 561552 | female | | | | |
| SwSo2.A | Front_Slide_Out | 561552 | female | | | | |
| VECF1 | FJB | 563186 | male | | | | |

DIODES LIST

| No | Location | Part # | Function | Page | | | | | |
|-------|-------------------|--------|--|------|--|--|--|--|--|
| D1 | FJB | 561740 | AccessoriesDiode | 3.2 | | | | | |
| D2 | FJB | 561740 | DiodeDriverLiq.Sol. | 18.1 | | | | | |
| D4 | RHConsole | 561740 | SuppressorDiodeLowerWiper2ndSpd | 31.1 | | | | | |
| D5 | RHConsole | 561740 | SuppressorDiodeLowerWiper1stSpd | 31.1 | | | | | |
| D6 | RJB | 561740 | SuppressorDiodeMasterrelay | 3.1 | | | | | |
| D11 | Evap.Cmpt. | 561740 | DiodePass.Liq.Sol | 18.2 | | | | | |
| D15 | RJB | 561740 | WakeUpDiode | 3.2 | | | | | |
| D24 | Evap_Cmpt_ | 561740 | SuppressorDiodeCondensorFans | 18.2 | | | | | |
| D25 | Evap.Cmpt. | 561740 | SuppressorDiodeEvaporatorFan | 18.2 | | | | | |
| D28 | RJB | 561740 | SuppressorDiodeUnloaderLH | 18.2 | | | | | |
| D29 | RJB | 561740 | SuppressorDiodeUnloaderRH | 18.2 | | | | | |
| D30 | Evap.Cmpt. | 561740 | SuppressorDiodeWaterPump | 18.2 | | | | | |
| D31 | RJB | 561740 | SuppressorDiodeA/Cclutch | 18.2 | | | | | |
| D36 | RJB | 561740 | SuppressorDiodeRadiatorFanClutch2ndSpd | 13.1 | | | | | |
| D37 | RJB | 561740 | SuppressorDiodeRadiatorFanClutch1stSpd | 13.1 | | | | | |
| D44 | FJB | 561740 | IgnitionDiode | 3.2 | | | | | |
| D51 | ServiceCmpt. | 561740 | LevelLow_Diode | 28.1 | | | | | |
| D62 | RJB | 561740 | Cut_Out_Relay | 3.2 | | | | | |
| D66 | ServiceCmpt. | 561740 | SuppressorDiodeWaterPump | 18.1 | | | | | |
| D67 | RJB | 561740 | DiodeforCyclope | 26.2 | | | | | |
| D68 | RJB | 561740 | DiodeforCyclope | 26.2 | | | | | |
| D69 | RJB | 561740 | DiodeforCyclope | 26.2 | | | | | |
| D70 | RJB | 561740 | DiodeforCyclope | 26.2 | | | | | |
| D71 | LHConsole | 563374 | Front_Door_Lock | 29.1 | | | | | |
| D72 | LHConsole | 563374 | Front_Door_Lock | 29.1 | | | | | |
| D73 | Evap.Cmpt. | 561740 | Front_Door | 29.1 | | | | | |
| D75 | SlideOut_Jct_Box | 561740 | ParkBrakeDiode | 20.1 | | | | | |
| D79 | ServiceCmpt. | 561740 | LevelLow_Diode | 28.1 | | | | | |
| D80 | ServiceCmpt. | 561740 | Level_Low | 28.1 | | | | | |
| D81 | Evap.Cmpt. | 561740 | Entrance_Door | 29.1 | | | | | |
| D82 | Evap.Cmpt. | 561740 | Entrance_Door | 29.1 | | | | | |
| d1_87 | | | | 21.1 | | | | | |
| DS01 | Slide_Out_Jct_Box | 563375 | Front_SlideOut | 20.1 | | | | | |
| DS02 | Slide_Out_Jct_Box | 563375 | Front_SlideOut | 20.1 | | | | | |
| DS03 | Slide_Out_Jct_Box | 563375 | Rear_SlideOut | 20.1 | | | | | |
| DS04 | Slide_Out_Jct_Box | 563375 | Rear_SlideOut | 20.1 | | | | | |
| | | | | | | | | | |
| | | | | | | | | | |
| | | | | | | | | | |
| | | | | | | | | | |
| | | | | | | | | | |
| | | | | | | | | | |
| | | | | | | | | | |
| | | | | | | | | | |

DIODES LIST

| No | Location | Part # | Function | Page | | | | | |
|------|-------------------|--------|--|------|--|--|--|--|--|
| D1 | FJB | 561740 | AccessoriesDiode | 3.2 | | | | | |
| D2 | FJB | 561740 | DiodeDriverLiq.Sol. | 18.1 | | | | | |
| D4 | RHConsole | 561740 | SuppressorDiodeLowerWiper2ndSpd | 31.1 | | | | | |
| D5 | RHConsole | 561740 | SuppressorDiodeLowerWiper1stSpd | 31.1 | | | | | |
| D6 | RJB | 561740 | SuppressorDiodeMasterrelay | 3.1 | | | | | |
| D11 | Evap.Cmpt. | 561740 | DiodePass.Liq.Sol | 18.2 | | | | | |
| D15 | RJB | 561740 | WakeUpDiode | 3.2 | | | | | |
| D24 | Evap_Cmpt_ | 561740 | SuppressorDiodeCondensorFans | 18.2 | | | | | |
| D25 | Evap.Cmpt. | 561740 | SuppressorDiodeEvaporatorFan | 18.2 | | | | | |
| D28 | RJB | 561740 | SuppressorDiodeUnloaderLH | 18.2 | | | | | |
| D29 | RJB | 561740 | SuppressorDiodeUnloaderRH | 18.2 | | | | | |
| D30 | Evap.Cmpt. | 561740 | SuppressorDiodeWaterPump | 18.2 | | | | | |
| D31 | RJB | 561740 | SuppressorDiodeA/Cclutch | 18.2 | | | | | |
| D36 | RJB | 561740 | SuppressorDiodeRadiatorFanClutch2ndSpd | 13.1 | | | | | |
| D37 | RJB | 561740 | SuppressorDiodeRadiatorFanClutch1stSpd | 13.1 | | | | | |
| D44 | FJB | 561740 | IgnitionDiode | 3.2 | | | | | |
| D51 | ServiceCmpt. | 561740 | LevelLow_Diode | 28.1 | | | | | |
| D62 | RJB | 561740 | Cut_Out_Relay | 3.2 | | | | | |
| D66 | ServiceCmpt. | 561740 | SuppressorDiodeWaterPump | 18.1 | | | | | |
| D67 | RJB | 561740 | DiodeforCyclope | 26.2 | | | | | |
| D68 | RJB | 561740 | DiodeforCyclope | 26.2 | | | | | |
| D69 | RJB | 561740 | DiodeforCyclope | 26.2 | | | | | |
| D70 | RJB | 561740 | DiodeforCyclope | 26.2 | | | | | |
| D71 | LHConsole | 563374 | Front_Door_Lock | 29.1 | | | | | |
| D72 | LHConsole | 563374 | Front_Door_Lock | 29.1 | | | | | |
| D73 | Evap.Cmpt. | 561740 | Front_Door | 29.1 | | | | | |
| D75 | SlideOut_Jct_Box | 561740 | ParkBrakeDiode | 20.1 | | | | | |
| D79 | ServiceCmpt. | 561740 | LevelLow_Diode | 28.1 | | | | | |
| D80 | ServiceCmpt. | 561740 | Level_Low | 28.1 | | | | | |
| D81 | Evap.Cmpt. | 561740 | Entrance_Door | 29.1 | | | | | |
| D82 | Evap.Cmpt. | 561740 | Entrance_Door | 29.1 | | | | | |
| DSO1 | Slide_Out_Jct_Box | 563375 | Front_SlideOut | 20.1 | | | | | |
| DSO2 | Slide_Out_Jct_Box | 563375 | Front_SlideOut | 20.1 | | | | | |
| DSO3 | Slide_Out_Jct_Box | 563375 | Rear_SlideOut | 20.1 | | | | | |
| DSO4 | Slide_Out_Jct_Box | 563375 | Rear_SlideOut | 20.1 | | | | | |
| | | | | | | | | | |
| | | | | | | | | | |
| | | | | | | | | | |
| | | | | | | | | | |
| | | | | | | | | | |
| | | | | | | | | | |
| | | | | | | | | | |

RESISTORS LIST

| No | Location | Part # | Function | Page | | | | | |
|-------|-------------|--------|-----------------------|------|--|--|--|--|--|
| Res3 | RJB | 563593 | TerminaisonResistor | 6.1 | | | | | |
| Res4 | RJB | 563593 | TerminaisonResistor | 6.1 | | | | | |
| Res5 | RJB | 563593 | TerminaisonResistor | 6.2 | | | | | |
| Res6 | FJB | 563593 | TerminaisonResistor | 6.1 | | | | | |
| Res7 | FJB | 563593 | TerminaisonResistor | 6.2 | | | | | |
| Res9 | Dash | 564164 | Dimmer_Resistor | 19.1 | | | | | |
| Res15 | EngineCmpt. | 563587 | ENDOFLINEDEVICE | 35.1 | | | | | |
| Res16 | RJB | 563006 | CurrentLimitResistor | 26.2 | | | | | |
| Res17 | RJB | 563006 | CurrentLimitResistor | 26.2 | | | | | |
| Res18 | RearRoof | 563593 | TerminaisonResistor | 14.5 | | | | | |
| Res31 | Cond.Cmpt. | NA | UreaHoseHeater | 14.5 | | | | | |
| Res32 | Cond.Cmpt. | NA | Urea_Hose_Heater | 14.5 | | | | | |
| Res33 | FJB | 561534 | Cluster_Switch_Select | 10.1 | | | | | |
| Res34 | FJB | 561534 | Cluster_Switch_Escape | 10.1 | | | | | |
| Res35 | FJB | 561534 | Cluster_Switch_Up | 10.1 | | | | | |
| Res36 | FJB | 561534 | Cluster_Switch_Down | 10.1 | | | | | |
| | | | | | | | | | |
| | | | | | | | | | |
| | | | | | | | | | |
| | | | | | | | | | |
| | | | | | | | | | |
| | | | | | | | | | |
| | | | | | | | | | |
| | | | | | | | | | |
| | | | | | | | | | |
| | | | | | | | | | |
| | | | | | | | | | |
| | | | | | | | | | |
| | | | | | | | | | |
| | | | | | | | | | |
| | | | | | | | | | |
| | | | | | | | | | |
| | | | | | | | | | |
| | | | | | | | | | |
| | | | | | | | | | |
| | | | | | | | | | |
| | | | | | | | | | |
| | | | | | | | | | |
| | | | | | | | | | |
| | | | | | | | | | |
| | | | | | | | | | |

RESISTORS LIST

| No | Location | Part # | Function | Page | | | | | |
|-------|-------------|--------|-----------------------|------|--|--|--|--|--|
| Res3 | RJB | 563593 | TerminaisonResistor | 6.1 | | | | | |
| Res4 | RJB | 563593 | TerminaisonResistor | 6.1 | | | | | |
| Res6 | FJB | 563593 | TerminaisonResistor | 6.1 | | | | | |
| Res7 | FJB | 563593 | TerminaisonResistor | 6.2 | | | | | |
| Res9 | Dash | 564164 | Dimmer_Resistor | 19.1 | | | | | |
| Res15 | EngineCmpt. | 563587 | ENDOFLINEDEVICE | 35.1 | | | | | |
| Res16 | RJB | 563006 | CurrentLimitResistor | 26.2 | | | | | |
| Res17 | RJB | 563006 | CurrentLimitResistor | 26.2 | | | | | |
| Res18 | RearRoof | 563593 | TerminaisonResistor | 14.5 | | | | | |
| Res31 | Cond.Cmpt. | NA | UreaHoseHeater | 14.5 | | | | | |
| Res32 | Cond.Cmpt. | NA | Urea_Hose_Heater | 14.5 | | | | | |
| Res33 | FJB | 561534 | Cluster_Switch_Select | 10.1 | | | | | |
| Res34 | FJB | 561534 | Cluster_Switch_Escape | 10.1 | | | | | |
| Res35 | FJB | 561534 | Cluster_Switch_Up | 10.1 | | | | | |
| Res36 | FJB | 561534 | Cluster_Switch_Down | 10.1 | | | | | |
| Res53 | FJB | 563593 | TerminaisonResistor | 6.2 | | | | | |
| | | | | | | | | | |
| | | | | | | | | | |
| | | | | | | | | | |
| | | | | | | | | | |
| | | | | | | | | | |
| | | | | | | | | | |
| | | | | | | | | | |
| | | | | | | | | | |
| | | | | | | | | | |
| | | | | | | | | | |
| | | | | | | | | | |
| | | | | | | | | | |
| | | | | | | | | | |
| | | | | | | | | | |
| | | | | | | | | | |
| | | | | | | | | | |
| | | | | | | | | | |
| | | | | | | | | | |
| | | | | | | | | | |
| | | | | | | | | | |
| | | | | | | | | | |
| | | | | | | | | | |
| | | | | | | | | | |
| | | | | | | | | | |
| | | | | | | | | | |
| | | | | | | | | | |
| | | | | | | | | | |
| | | | | | | | | | |
| | | | | | | | | | |
| | | | | | | | | | |
| | | | | | | | | | |
| | | | | | | | | | |

RELAYS LIST

| No | Location | Part # | Function | Page | | | | |
|-----------|-------------------|--------|-------------------------|------|--|--|--|--|
| R1 | RJB | 562364 | 24vlgn&AccRelay | 3.1 | | | | |
| R3 | RJB | 563348 | 12vlgn&AccRelay | 3.1 | | | | |
| R10 | Evap.Cmpt. | 563348 | CondensorRelay1stSpeed | 18.2 | | | | |
| R11 | RJBVECR | 563332 | 24V_Ign | 5.1 | | | | |
| R12 | Evap.Cmpt. | 563348 | EvaporatorRelay | 18.2 | | | | |
| R17 | FJB | 561991 | 12vRrWup | 3.3 | | | | |
| R18 | FJB | 561991 | 24vFrWUpRelay | 3.3 | | | | |
| R19 | FJB | 561991 | 12vFrWUpRelay | 3.3 | | | | |
| R21 | RJB | 563269 | EmergencyCutoutRelay | 3.2 | | | | |
| R22 | FJB | 563269 | 12_WakeUp_To_CPC | 3.3 | | | | |
| R23 | RHConsole | 563332 | LowerWiperRelay | 31.1 | | | | |
| R25 | RJBVECR | 563332 | Ecmlgn | 5.1 | | | | |
| R29 | RJB | 563348 | Preheater_Volvo | 14.2 | | | | |
| R30 | RJB | 563332 | Luggage_Door_LockUnlock | 24.2 | | | | |
| R31 | RJB | 563332 | Luggage_Door_LockUnlock | 24.2 | | | | |
| R32 | RJB | 563332 | Luggage_Door_LockUnlock | 24.2 | | | | |
| R33 | RJB | 563332 | Luggage_Door_LockUnlock | 24.2 | | | | |
| R34 | FJB | 561991 | 12v_Rr_Engine_Ecu | 3.3 | | | | |
| R41 | FJB | 563332 | SunVisor_Relay | 32.1 | | | | |
| R42 | FJB | 563332 | SunVisor_Relay | 32.1 | | | | |
| R43 | FJB | 563332 | SunVisor_Relay | 32.1 | | | | |
| R_Starter | RJB | 564095 | Starter_Relay | 3.2 | | | | |
| r1_10 | | | | 21.1 | | | | |
| r2_10 | | | | 21.1 | | | | |
| r3_10 | | | | 21.1 | | | | |
| r4_10 | | | | 21.1 | | | | |
| r5_10 | | | | 21.1 | | | | |
| r6_10 | | | | 21.1 | | | | |
| RLock | Front | 563332 | Keyless | 29.1 | | | | |
| RSo1 | Slide_Out_Jct_Box | 563445 | SlideOut_Relay | 20.1 | | | | |
| RSo2 | Slide_Out_Jct_Box | 563445 | SlideOut_Relay | 20.1 | | | | |
| RSo3 | Slide_Out_Jct_Box | 563445 | SlideOut_Relay | 20.1 | | | | |
| RSo4 | Slide_Out_Jct_Box | 563445 | SlideOut_Relay | 20.1 | | | | |
| RUnlock | Front | 563332 | Keyless | 29.1 | | | | |
| | | | | | | | | |
| | | | | | | | | |
| | | | | | | | | |
| | | | | | | | | |
| | | | | | | | | |
| | | | | | | | | |
| | | | | | | | | |
| | | | | | | | | |

RELAYS LIST

| No | Location | Part # | Function | Page | | | | | |
|-----------|-------------------|--------|-------------------------|------|--|--|--|--|--|
| R1 | RJB | 562364 | 24vIgn&AccRelay | 3.1 | | | | | |
| R3 | RJB | 563348 | 12vIgn&AccRelay | 3.1 | | | | | |
| R10 | Evap.Cmpt. | 563348 | CondensorRelay1stSpeed | 18.2 | | | | | |
| R11 | RJBVECR | 563332 | 24V_Ign | 5.1 | | | | | |
| R12 | Evap.Cmpt. | 563348 | EvaporatorRelay | 18.2 | | | | | |
| R17 | FJB | 564218 | 12vRrWup | 3.3 | | | | | |
| R18 | FJB | 564218 | 24vFrWUpRelay | 3.3 | | | | | |
| R19 | FJB | 564218 | 12vFrWUpRelay | 3.3 | | | | | |
| R21 | RJB | 563269 | EmergencyCutoutRelay | 3.2 | | | | | |
| R22 | FJB | 563269 | 12_WakeUp_To_CPC | 3.3 | | | | | |
| R23 | RHConsole | 563332 | LowerWiperRelay | 31.1 | | | | | |
| R25 | RJBVECR | 563332 | Ecmlgn | 5.1 | | | | | |
| R29 | RJB | 563348 | Preheater_Volvo | 14.2 | | | | | |
| R30 | RJB | 563332 | Luggage_Door_LockUnlock | 24.2 | | | | | |
| R31 | RJB | 563332 | Luggage_Door_LockUnlock | 24.2 | | | | | |
| R32 | RJB | 563332 | Luggage_Door_LockUnlock | 24.2 | | | | | |
| R33 | RJB | 563332 | Luggage_Door_LockUnlock | 24.2 | | | | | |
| R34 | FJB | 561991 | 12v_Rr_Engine_Ecu | 3.3 | | | | | |
| R41 | FJB | 563332 | SunVisor_Relay | 32.1 | | | | | |
| R42 | FJB | 563332 | SunVisor_Relay | 32.1 | | | | | |
| R43 | FJB | 563332 | SunVisor_Relay | 32.1 | | | | | |
| R_Starter | RJB | 564095 | Starter_Relay | 3.2 | | | | | |
| r1_10 | | | | 21.1 | | | | | |
| r2_10 | | | | 21.1 | | | | | |
| r3_10 | | | | 21.1 | | | | | |
| r4_10 | | | | 21.1 | | | | | |
| r5_10 | | | | 21.1 | | | | | |
| r6_10 | | | | 21.1 | | | | | |
| RLock | Front | 563332 | Keyless | 29.1 | | | | | |
| RSo1 | Slide_Out_Jct_Box | 563445 | SlideOut_Relay | 20.1 | | | | | |
| RSo2 | Slide_Out_Jct_Box | 563445 | SlideOut_Relay | 20.1 | | | | | |
| RSo3 | Slide_Out_Jct_Box | 563445 | SlideOut_Relay | 20.1 | | | | | |
| RSo4 | Slide_Out_Jct_Box | 563445 | SlideOut_Relay | 20.1 | | | | | |
| RUnlock | Front | 563332 | Keyless | 29.1 | | | | | |
| | | | | | | | | | |
| | | | | | | | | | |
| | | | | | | | | | |
| | | | | | | | | | |
| | | | | | | | | | |
| | | | | | | | | | |
| | | | | | | | | | |
| | | | | | | | | | |
| | | | | | | | | | |
| | | | | | | | | | |
| | | | | | | | | | |

RELAYS LIST

| No | Location | Part # | Function | Page | | | | | |
|-----------|-------------------|--------|-------------------------|------|--|--|--|--|--|
| R1 | RJB | 562364 | 24vIgn&AccRelay | 3.1 | | | | | |
| R3 | RJB | 563348 | 12vIgn&AccRelay | 3.1 | | | | | |
| R10 | Evap.Cmpt. | 563348 | CondensorRelay1stSpeed | 18.2 | | | | | |
| R11 | RJBVECR | 563332 | 24V_Ign | 5.1 | | | | | |
| R12 | Evap.Cmpt. | 563348 | EvaporatorRelay | 18.2 | | | | | |
| R17 | FJB | 564218 | 12vRrWup | 3.3 | | | | | |
| R18 | FJB | 564218 | 24vFrWUpRelay | 3.3 | | | | | |
| R19 | FJB | 564218 | 12vFrWUpRelay | 3.3 | | | | | |
| R21 | RJB | 563269 | EmergencyCutoutRelay | 3.2 | | | | | |
| R22 | FJB | 563269 | 12_WakeUp_To_CPC | 3.3 | | | | | |
| R23 | RHConsole | 563332 | LowerWiperRelay | 31.1 | | | | | |
| R25 | RJBVECR | 563332 | Ecmlgn | 5.1 | | | | | |
| R29 | RJB | 563348 | Preheater_Volvo | 14.2 | | | | | |
| R30 | RJB | 563332 | Luggage_Door_LockUnlock | 24.2 | | | | | |
| R31 | RJB | 563332 | Luggage_Door_LockUnlock | 24.2 | | | | | |
| R32 | RJB | 563332 | Luggage_Door_LockUnlock | 24.2 | | | | | |
| R33 | RJB | 563332 | Luggage_Door_LockUnlock | 24.2 | | | | | |
| R34 | FJB | 564218 | 12v_Rr_Engine_Ecu | 3.3 | | | | | |
| R41 | FJB | 563332 | SunVisor_Relay | 32.1 | | | | | |
| R42 | FJB | 563332 | SunVisor_Relay | 32.1 | | | | | |
| R43 | FJB | 563332 | SunVisor_Relay | 32.1 | | | | | |
| R_Starter | RJB | 564095 | Starter_Relay | 3.2 | | | | | |
| Rlock | Front | 563332 | Keyless | 29.1 | | | | | |
| RSo1 | Slide_Out_Jct_Box | 563445 | SlideOut_Relay | 20.1 | | | | | |
| RSo2 | Slide_Out_Jct_Box | 563445 | SlideOut_Relay | 20.1 | | | | | |
| RSo3 | Slide_Out_Jct_Box | 563445 | SlideOut_Relay | 20.1 | | | | | |
| RSo4 | Slide_Out_Jct_Box | 563445 | SlideOut_Relay | 20.1 | | | | | |
| RUnlock | Front | 563332 | Keyless | 29.1 | | | | | |
| | | | | | | | | | |
| | | | | | | | | | |
| | | | | | | | | | |
| | | | | | | | | | |
| | | | | | | | | | |
| | | | | | | | | | |
| | | | | | | | | | |
| | | | | | | | | | |
| | | | | | | | | | |
| | | | | | | | | | |
| | | | | | | | | | |

FUSES LIST

| No | Location | Part # | Function | Rating | Page |
|-----|------------|--------|-------------------------------|--------|------|
| F1 | FuseBoxFJB | 563279 | CecmPower | 3amp | 4.1 |
| F2 | FuseBoxFJB | 563279 | FrontStartMainSwitch | 3amp | 4.1 |
| F3 | FuseBoxFJB | 563279 | EnginePre-HeatH.W.+DrvLiq.Vlv | 3amp | 4.1 |
| F4 | FuseBoxFJB | 563280 | Spare | 5Amp | 4.1 |
| F5 | FuseBoxFJB | 563165 | 24vtoWUp | 30amp | 4.1 |
| F6 | FuseBoxFJB | 563005 | Customer24VD | 7.5amp | 4.1 |
| F7 | FuseBoxFJB | 563279 | Abs+PreHeatController | 3amp | 4.1 |
| F8 | FuseBoxFJB | 563279 | AirHorn | 3amp | 4.1 |
| F9 | FuseBoxFJB | 563284 | Spare | 15amp | 4.1 |
| F10 | FuseBoxFJB | 563279 | SpareFuse | 3amp | 4.1 |
| F11 | FuseBoxFJB | 563279 | SunVisor | 3amp | 4.1 |
| F12 | FuseBoxFJB | 563282 | PwrMuxModule | 20amp | 4.1 |
| F13 | FuseBoxFJB | 563282 | PwrMuxModule | 20amp | 4.1 |
| F14 | FuseBoxFJB | 563284 | Customer | 15amp | 4.1 |
| F15 | FuseBoxFJB | 563004 | Spare | 2Amp | 4.1 |
| F16 | FuseBoxFJB | 563153 | DefrosterUnit | 25Amp | 4.1 |
| F17 | FuseBoxFJB | 563280 | DestinationSign | 5Amp | 4.1 |
| F18 | FuseBoxFJB | 563284 | Spare | 15amp | 4.1 |
| F19 | FuseBoxFJB | 563279 | Prodriver | 3amp | 4.1 |
| F20 | FuseBoxFJB | 563005 | WitnessLedPower | 7.5amp | 4.1 |
| F21 | FuseBoxFJB | 563282 | PwrMuxA44 | 20amp | 4.1 |
| F22 | FuseBoxFJB | 563279 | SteeringCtrl | 3amp | 4.1 |
| F23 | FuseBoxFJB | 563284 | ABS | 15amp | 4.1 |
| F24 | FuseBoxFJB | 563005 | Mirror | 7.5amp | 4.1 |
| F25 | FuseBoxFJB | 563280 | Spare | 5Amp | 4.1 |
| F26 | FuseBoxFJB | 563279 | SpareFuse | 3amp | 4.1 |
| F27 | FuseBoxFJB | 563284 | Customer | 15amp | 4.1 |
| F28 | FuseBoxFJB | 563282 | DriverWindow | 20amp | 4.1 |
| F29 | FuseBoxFJB | 563279 | ClusterandDDDR | 3amp | 4.1 |
| F30 | FuseBoxFJB | 563284 | PwrOutletandCigarLighter | 15amp | 4.1 |
| F31 | FuseBoxFJB | 563279 | KeylessModule | 3amp | 4.1 |
| F32 | FuseBoxFJB | 563282 | Spare | 20amp | 4.1 |
| F33 | FuseBoxFJB | 563165 | 12VDtoWakeUp | 30amp | 4.1 |
| F34 | FuseBoxFJB | 563165 | 12VDtoWakeUp | 30amp | 4.1 |
| F35 | FuseBoxFJB | 563283 | 12vPwrOutlet | 10amp | 4.1 |
| F36 | FuseBoxFJB | 563279 | PwrHvacandTTItModule | 3amp | 4.1 |
| F37 | FuseBoxFJB | 563283 | Spare | 10amp | 4.1 |
| F38 | FuseBoxFJB | 563283 | SpareFuse | 10amp | 4.1 |
| F39 | FuseBoxFJB | 563283 | Spare | 10amp | 4.1 |
| F40 | FuseBoxFJB | 563284 | SpareFuse | 15amp | 4.1 |
| F41 | FuseBoxFJB | 563283 | SpareFuse | 10amp | 4.1 |
| F42 | FuseBoxFJB | 563283 | Spare | 10amp | 4.1 |

FUSES LIST

| No | Location | Part # | Function | Rating | Page |
|-----|-------------|--------|-----------------------|--------|------|
| F45 | FJB | 562604 | FireProtectionSys. | 15Amp | 3.3 |
| F50 | FuseBoxRJB | 563284 | EnginePre-Heat | 15amp | 5.1 |
| F51 | FuseBoxRJB | 563284 | EnginePre-Heat | 25Amp | 5.1 |
| F52 | FuseBoxRJB | 563284 | SpareFuse | 15amp | 5.1 |
| F53 | FuseBoxRJB | 563284 | PwrMuxA54 | 15amp | 5.1 |
| F54 | FuseBoxRJB | 563153 | Customer | 25Amp | 5.1 |
| F55 | FuseBoxRJB | 563283 | Spare | 10amp | 5.1 |
| F56 | FuseBoxRJB | 563282 | Spare | 20amp | 5.1 |
| F57 | FuseBoxRJB | 563283 | Spare | 10amp | 5.1 |
| F58 | FuseBoxRJB | 563282 | Spare | 20amp | 5.1 |
| F59 | FuseBoxRJB | 563283 | DirectLightingRH | 10amp | 5.1 |
| F62 | FuseBoxRJB | 563283 | Spare | 10amp | 5.1 |
| F63 | FuseBoxRJB | 563283 | EnginePre-Heat | 10amp | 5.1 |
| F64 | FuseBoxRJB | 563283 | Spare | 10amp | 5.1 |
| F65 | FuseBoxRJB | 563165 | PwrMuxModuleRJB | 30amp | 5.1 |
| F66 | FuseBoxRJB | 563279 | RadiatorFanClutch | 3amp | 5.1 |
| F67 | FuseBoxRJB | 563153 | PwrMuxA54 | 25Amp | 5.1 |
| F68 | FuseBoxRJB | 563153 | PwmMuxA54 | 25Amp | 5.1 |
| F69 | FuseBoxRJB | 563279 | R8Power | 3amp | 5.1 |
| F70 | FuseBoxRJB | 563005 | Customer24VI | 7.5amp | 5.1 |
| F71 | FuseBoxRJB | 563284 | Spare | 15amp | 5.1 |
| F72 | FuseBoxRJB | 563153 | PwrMuxA50 | 25Amp | 5.1 |
| F73 | FuseBoxRJB | 563282 | Spare | 20amp | 5.1 |
| F74 | FuseBoxRJB | 563283 | EcuEngineIgnition | 10amp | 5.1 |
| F75 | FuseBoxRJB | 563283 | EcuTransmissionIgn | 10amp | 5.1 |
| F76 | FuseBoxRJB | 563283 | Customer | 10amp | 5.1 |
| F77 | FuseBoxRJB | 563283 | EcuTransmissionWakeUp | 10amp | 5.1 |
| F78 | FuseBoxRJB | 563284 | Spare | 15amp | 5.1 |
| F79 | FuseBoxRJB | 563284 | Spare | 15amp | 5.1 |
| F80 | FuseBoxRJB | 563284 | PwrMuxA51 | 15amp | 5.1 |
| F81 | FuseBoxRJB | 563004 | PwrOfRearSwitchBox | 2Amp | 5.1 |
| F83 | FuseBoxFJB | 563283 | VECU | 10amp | 4.1 |
| F84 | FuseBoxFJB | 563284 | Customer | 15amp | 4.1 |
| F85 | FuseBoxRJB | 563283 | SpareFuse | 10amp | 5.1 |
| F86 | FuseBoxRJB | 563283 | SpareFuse | 10amp | 5.1 |
| F87 | FuseBoxRJB | 563282 | TrailerPackage | 20amp | 5.1 |
| F88 | FuseBoxRJB | 563282 | Spare | 20amp | 5.1 |
| F89 | FuseBoxRJB | 563282 | Spare | 20amp | 5.1 |
| F90 | FuseBoxRJB | 563153 | Volvo_Engine | 25Amp | 5.1 |
| F91 | FuseBoxRJB | 563282 | Volvo_Engine | 20amp | 5.1 |
| F96 | FuseBoxRJB | 563282 | Spare | 20amp | 5.1 |
| F98 | FuseBoxR.IB | 563284 | Spare | 15amp | 5.1 |

FUSES LIST

| No | Location | Part # | Function | Rating | Page |
|-----|------------|--------|-------------------------------|--------|------|
| F1 | FuseBoxFJB | 563279 | CecmPower | 3amp | 4.1 |
| F2 | FuseBoxFJB | 563279 | FrontStartMainSwitch | 3amp | 4.1 |
| F3 | FuseBoxFJB | 563279 | EnginePre-HeatH.W.+DrvLiq.Vlv | 3amp | 4.1 |
| F4 | FuseBoxFJB | 563280 | Spare | 5Amp | 4.1 |
| F5 | FuseBoxFJB | 563165 | 24vtoWUp | 30amp | 4.1 |
| F6 | FuseBoxFJB | 563005 | Customer24VD | 7.5amp | 4.1 |
| F7 | FuseBoxFJB | 563279 | Abs+PreHeatController | 3amp | 4.1 |
| F8 | FuseBoxFJB | 563279 | AirHorn | 3amp | 4.1 |
| F9 | FuseBoxFJB | 563284 | Spare | 15amp | 4.1 |
| F10 | FuseBoxFJB | 563279 | SpareFuse | 3amp | 4.1 |
| F11 | FuseBoxFJB | 563279 | SunVisor | 3amp | 4.1 |
| F12 | FuseBoxFJB | 563282 | PwrMuxModule | 20amp | 4.1 |
| F13 | FuseBoxFJB | 563282 | PwrMuxModule | 20amp | 4.1 |
| F14 | FuseBoxFJB | 563284 | Customer | 15amp | 4.1 |
| F15 | FuseBoxFJB | 563004 | Spare | 2Amp | 4.1 |
| F16 | FuseBoxFJB | 563153 | DefrosterUnit | 25Amp | 4.1 |
| F17 | FuseBoxFJB | 563280 | DestinationSign | 5Amp | 4.1 |
| F18 | FuseBoxFJB | 563284 | Spare | 15amp | 4.1 |
| F19 | FuseBoxFJB | 563279 | Prodriver | 3amp | 4.1 |
| F20 | FuseBoxFJB | 563005 | WitnessLedPower | 7.5amp | 4.1 |
| F21 | FuseBoxFJB | 563282 | PwrMuxA44 | 20amp | 4.1 |
| F22 | FuseBoxFJB | 563279 | SteeringCtrl | 3amp | 4.1 |
| F23 | FuseBoxFJB | 563284 | ABS | 15amp | 4.1 |
| F24 | FuseBoxFJB | 563005 | Mirror | 7.5amp | 4.1 |
| F25 | FuseBoxFJB | 563280 | Spare | 5Amp | 4.1 |
| F26 | FuseBoxFJB | 563279 | SpareFuse | 3amp | 4.1 |
| F27 | FuseBoxFJB | 563284 | Customer | 15amp | 4.1 |
| F28 | FuseBoxFJB | 563282 | DriverWindow | 20amp | 4.1 |
| F29 | FuseBoxFJB | 563279 | ClusterandDDDR | 3amp | 4.1 |
| F30 | FuseBoxFJB | 563284 | PwrOutletandCigarLighter | 15amp | 4.1 |
| F31 | FuseBoxFJB | 563279 | KeylessModule | 3amp | 4.1 |
| F32 | FuseBoxFJB | 563282 | Spare | 20amp | 4.1 |
| F33 | FuseBoxFJB | 563165 | 12VDtoWakeUp | 30amp | 4.1 |
| F34 | FuseBoxFJB | 563165 | 12VDtoWakeUp | 30amp | 4.1 |
| F35 | FuseBoxFJB | 563283 | 12vPwrOutlet | 10amp | 4.1 |
| F36 | FuseBoxFJB | 563279 | PwrHvacandTTItModule | 3amp | 4.1 |
| F37 | FuseBoxFJB | 563283 | Spare | 10amp | 4.1 |
| F38 | FuseBoxFJB | 563283 | SpareFuse | 10amp | 4.1 |
| F39 | FuseBoxFJB | 563283 | ElectricalDriverSeatOption | 10amp | 4.1 |
| F40 | FuseBoxFJB | 563284 | SpareFuse | 15amp | 4.1 |
| F41 | FuseBoxFJB | 563283 | SpareFuse | 10amp | 4.1 |
| F42 | FuseBoxFJB | 563283 | Spare | 10amp | 4.1 |
| F43 | FuseBoxFJB | 563282 | Spare | 20amp | 4.1 |

FUSES LIST

| No | Location | Part # | Function | Rating | Page |
|-----|------------|--------|-----------------------|--------|------|
| F45 | FJB | 562604 | FireProtectionSys. | 15Amp | 3.3 |
| F50 | FuseBoxRJB | 563284 | EnginePre-Heat | 15amp | 5.1 |
| F51 | FuseBoxRJB | 563284 | EnginePre-Heat | 25Amp | 5.1 |
| F52 | FuseBoxRJB | 563284 | SpareFuse | 15amp | 5.1 |
| F53 | FuseBoxRJB | 563284 | PwrMuxA54 | 15amp | 5.1 |
| F54 | FuseBoxRJB | 563153 | Customer | 25Amp | 5.1 |
| F55 | FuseBoxRJB | 563283 | Spare | 10amp | 5.1 |
| F56 | FuseBoxRJB | 563282 | Spare | 20amp | 5.1 |
| F57 | FuseBoxRJB | 563283 | Spare | 10amp | 5.1 |
| F58 | FuseBoxRJB | 563282 | Spare | 20amp | 5.1 |
| F59 | FuseBoxRJB | 563283 | DirectLightingRH | 10amp | 5.1 |
| F62 | FuseBoxRJB | 563283 | Spare | 10amp | 5.1 |
| F63 | FuseBoxRJB | 563283 | EnginePre-Heat | 10amp | 5.1 |
| F64 | FuseBoxRJB | 563283 | Spare | 10amp | 5.1 |
| F65 | FuseBoxRJB | 563165 | PwrMuxModuleRJB | 30amp | 5.1 |
| F66 | FuseBoxRJB | 563279 | RadiatorFanClutch | 3amp | 5.1 |
| F67 | FuseBoxRJB | 563153 | PwrMuxA54 | 25Amp | 5.1 |
| F68 | FuseBoxRJB | 563153 | PwmMuxA54 | 25Amp | 5.1 |
| F69 | FuseBoxRJB | 563279 | R8Power | 3amp | 5.1 |
| F70 | FuseBoxRJB | 563005 | Customer24Vl | 7.5amp | 5.1 |
| F71 | FuseBoxRJB | 563284 | Spare | 15amp | 5.1 |
| F72 | FuseBoxRJB | 563153 | PwrMuxA50 | 25Amp | 5.1 |
| F73 | FuseBoxRJB | 563282 | Spare | 20amp | 5.1 |
| F74 | FuseBoxRJB | 563283 | EcuEngineIgnition | 10amp | 5.1 |
| F75 | FuseBoxRJB | 563283 | EcuTransmissionIgn | 10amp | 5.1 |
| F76 | FuseBoxRJB | 563283 | Customer | 10amp | 5.1 |
| F77 | FuseBoxRJB | 563283 | EcuTransmissionWakeUp | 10amp | 5.1 |
| F78 | FuseBoxRJB | 563284 | Spare | 15amp | 5.1 |
| F79 | FuseBoxRJB | 563284 | Spare | 15amp | 5.1 |
| F80 | FuseBoxRJB | 563284 | PwrMuxA51 | 15amp | 5.1 |
| F81 | FuseBoxRJB | 563004 | PwrOfRearSwitchBox | 2Amp | 5.1 |
| F83 | FuseBoxFJB | 563283 | VECU | 10amp | 4.1 |
| F84 | FuseBoxFJB | 563284 | Customer | 15amp | 4.1 |
| F85 | FuseBoxRJB | 563283 | SpareFuse | 10amp | 5.1 |
| F86 | FuseBoxRJB | 563283 | SpareFuse | 10amp | 5.1 |
| F87 | FuseBoxRJB | 563282 | TrailerPackage | 20amp | 5.1 |
| F88 | FuseBoxRJB | 563282 | Spare | 20amp | 5.1 |
| F89 | FuseBoxRJB | 563282 | Spare | 20amp | 5.1 |
| F90 | FuseBoxRJB | 563153 | Volvo_Engine | 25Amp | 5.1 |
| F91 | FuseBoxRJB | 563282 | Volvo_Engine | 20amp | 5.1 |
| F96 | FuseBoxRJB | 563282 | Spare | 20amp | 5.1 |
| F98 | FuseBoxRJB | 563284 | Spare | 15amp | 5.1 |
| F99 | FuseBoxRJB | 563165 | Volvo_Engine | 30amp | 5.1 |

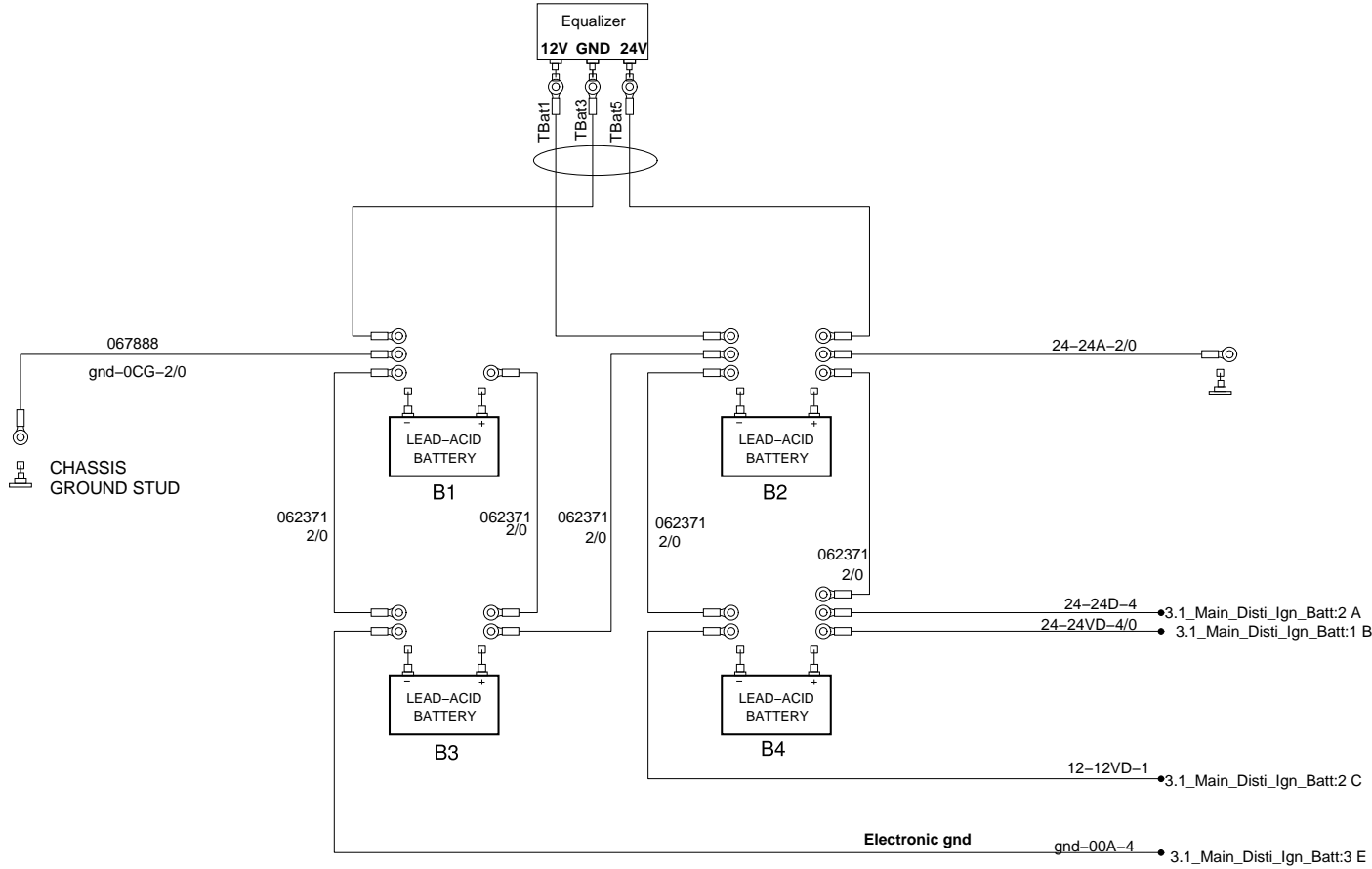
FUSES LIST

| No | Location | Part # | Function | Rating | Page |
|-----|------------|--------|-------------------------------|--------|------|
| F1 | FuseBoxFJB | 563279 | CecmPower | 3amp | 4.1 |
| F2 | FuseBoxFJB | 563279 | FrontStartMainSwitch | 3amp | 4.1 |
| F3 | FuseBoxFJB | 563279 | EnginePre-HeatH.W.+DrvLiq.Vlv | 3amp | 4.1 |
| F4 | FuseBoxFJB | 563280 | Spare | 5Amp | 4.1 |
| F5 | FuseBoxFJB | 563165 | 24vtoWUp | 30amp | 4.1 |
| F6 | FuseBoxFJB | 563005 | Custumer24VD | 7.5amp | 4.1 |
| F7 | FuseBoxFJB | 563279 | Abs+PreHeatController | 3amp | 4.1 |
| F8 | FuseBoxFJB | 563279 | AirHorn | 3amp | 4.1 |
| F9 | FuseBoxFJB | 563284 | Spare | 15amp | 4.1 |
| F10 | FuseBoxFJB | 563279 | SpareFuse | 3amp | 4.1 |
| F11 | FuseBoxFJB | 563279 | SunVisor | 3amp | 4.1 |
| F12 | FuseBoxFJB | 563282 | PwrMuxModule | 20amp | 4.1 |
| F13 | FuseBoxFJB | 563282 | PwrMuxModule | 20amp | 4.1 |
| F14 | FuseBoxFJB | 563284 | Custumer | 15amp | 4.1 |
| F15 | FuseBoxFJB | 563004 | Spare | 2Amp | 4.1 |
| F16 | FuseBoxFJB | 563153 | DefrosterUnit | 25Amp | 4.1 |
| F17 | FuseBoxFJB | 563280 | DestinationSign | 5Amp | 4.1 |
| F18 | FuseBoxFJB | 563284 | Spare | 15amp | 4.1 |
| F19 | FuseBoxFJB | 563279 | Prodriver | 3amp | 4.1 |
| F20 | FuseBoxFJB | 563005 | WitnessLedPower | 7.5amp | 4.1 |
| F21 | FuseBoxFJB | 563282 | PwrMuxA44 | 20amp | 4.1 |
| F22 | FuseBoxFJB | 563279 | SteeringCtrl | 3amp | 4.1 |
| F23 | FuseBoxFJB | 563284 | ABS | 15amp | 4.1 |
| F24 | FuseBoxFJB | 563005 | Mirror | 7.5amp | 4.1 |
| F25 | FuseBoxFJB | 563280 | Spare | 5Amp | 4.1 |
| F26 | FuseBoxFJB | 563279 | SpareFuse | 3amp | 4.1 |
| F27 | FuseBoxFJB | 563284 | Custumer | 15amp | 4.1 |
| F28 | FuseBoxFJB | 563282 | DriverWindow | 20amp | 4.1 |
| F29 | FuseBoxFJB | 563279 | ClusterandDDDR | 3amp | 4.1 |
| F30 | FuseBoxFJB | 563284 | PwrOutletandCigarLighter | 15amp | 4.1 |
| F31 | FuseBoxFJB | 563279 | KeylessModule | 3amp | 4.1 |
| F32 | FuseBoxFJB | 563282 | Spare | 20amp | 4.1 |
| F33 | FuseBoxFJB | 563165 | 12VDtoWakeUp | 30amp | 4.1 |
| F34 | FuseBoxFJB | 563165 | 12VDtoWakeUp | 30amp | 4.1 |
| F35 | FuseBoxFJB | 563283 | 12vPwrOutlet | 10amp | 4.1 |
| F36 | FuseBoxFJB | 563279 | PwrHvacandTTItModule | 3amp | 4.1 |
| F37 | FuseBoxFJB | 563283 | Spare | 10amp | 4.1 |
| F38 | FuseBoxFJB | 563283 | SpareFuse | 10amp | 4.1 |
| F39 | FuseBoxFJB | 563283 | ElectricalDriverSeatOption | 10amp | 4.1 |
| F40 | FuseBoxFJB | 563284 | SpareFuse | 15amp | 4.1 |
| F41 | FuseBoxFJB | 563283 | SpareFuse | 10amp | 4.1 |
| F42 | FuseBoxFJB | 563283 | Spare | 10amp | 4.1 |
| F43 | FuseBoxFJB | 563282 | Spare | 20amp | 4.1 |

FUSES LIST

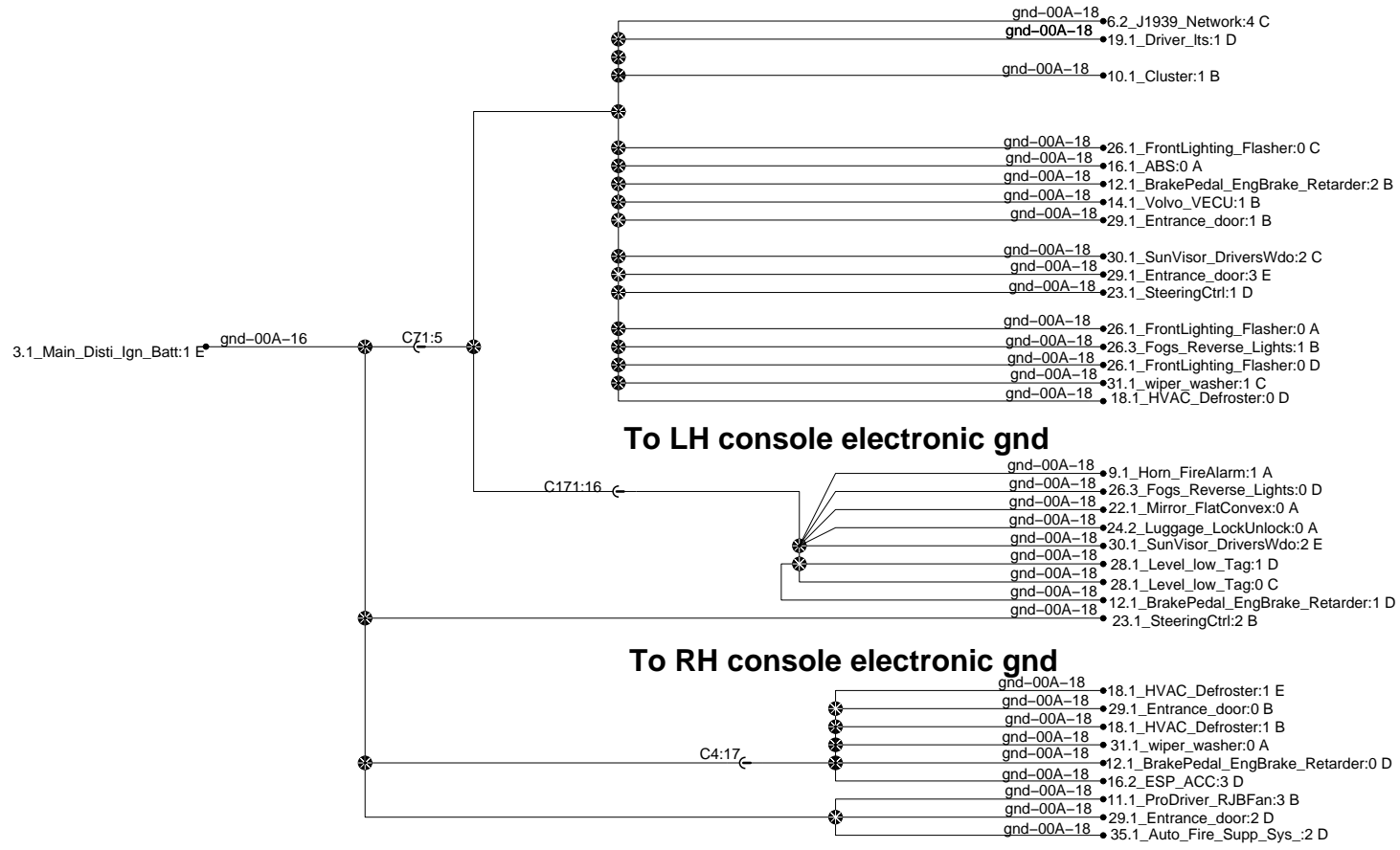
| No | Location | Part # | Function | Rating | Page |
|-----|------------|--------|-----------------------|--------|------|
| F45 | FJB | 562604 | FireProtectionSys. | 15Amp | 3.3 |
| F50 | FuseBoxRJB | 563284 | EnginePre-Heat | 15amp | 5.1 |
| F51 | FuseBoxRJB | 563284 | EnginePre-Heat | 25Amp | 5.1 |
| F52 | FuseBoxRJB | 563284 | SpareFuse | 15amp | 5.1 |
| F53 | FuseBoxRJB | 563284 | PwrMuxA54 | 15amp | 5.1 |
| F54 | FuseBoxRJB | 563153 | Customer | 25Amp | 5.1 |
| F55 | FuseBoxRJB | 563283 | Spare | 10amp | 5.1 |
| F56 | FuseBoxRJB | 563282 | Spare | 20amp | 5.1 |
| F57 | FuseBoxRJB | 563283 | Spare | 10amp | 5.1 |
| F58 | FuseBoxRJB | 563282 | Spare | 20amp | 5.1 |
| F59 | FuseBoxRJB | 563283 | DirectLightingRH | 10amp | 5.1 |
| F62 | FuseBoxRJB | 563283 | Spare | 10amp | 5.1 |
| F63 | FuseBoxRJB | 563283 | EnginePre-Heat | 10amp | 5.1 |
| F64 | FuseBoxRJB | 563283 | Spare | 10amp | 5.1 |
| F65 | FuseBoxRJB | 563165 | PwrMuxModuleRJB | 30amp | 5.1 |
| F66 | FuseBoxRJB | 563279 | RadiatorFanClutch | 3amp | 5.1 |
| F67 | FuseBoxRJB | 563153 | PwrMuxA54 | 25Amp | 5.1 |
| F68 | FuseBoxRJB | 563153 | PwmMuxA54 | 25Amp | 5.1 |
| F69 | FuseBoxRJB | 563279 | R8Power | 3amp | 5.1 |
| F70 | FuseBoxRJB | 563005 | Customer24Vl | 7.5amp | 5.1 |
| F71 | FuseBoxRJB | 563284 | Spare | 15amp | 5.1 |
| F72 | FuseBoxRJB | 563153 | PwrMuxA50 | 25Amp | 5.1 |
| F73 | FuseBoxRJB | 563282 | Spare | 20amp | 5.1 |
| F74 | FuseBoxRJB | 563283 | EcuEngineIgnition | 10amp | 5.1 |
| F75 | FuseBoxRJB | 563283 | EcuTransmissionIgn | 10amp | 5.1 |
| F76 | FuseBoxRJB | 563283 | Customer | 10amp | 5.1 |
| F77 | FuseBoxRJB | 563283 | EcuTransmissionWakeUp | 10amp | 5.1 |
| F78 | FuseBoxRJB | 563284 | Spare | 15amp | 5.1 |
| F79 | FuseBoxRJB | 563284 | Spare | 15amp | 5.1 |
| F80 | FuseBoxRJB | 563284 | PwrMuxA51 | 15amp | 5.1 |
| F81 | FuseBoxRJB | 563004 | PwrOfRearSwitchBox | 2Amp | 5.1 |
| F83 | FuseBoxFJB | 563283 | Spare | 10amp | 4.1 |
| F84 | FuseBoxFJB | 563284 | Customer | 15amp | 4.1 |
| F85 | FuseBoxRJB | 563283 | SpareFuse | 10amp | 5.1 |
| F86 | FuseBoxRJB | 563283 | SpareFuse | 10amp | 5.1 |
| F87 | FuseBoxRJB | 563282 | TrailerPackage | 20amp | 5.1 |
| F88 | FuseBoxRJB | 563282 | Spare | 20amp | 5.1 |
| F89 | FuseBoxRJB | 563282 | Spare | 20amp | 5.1 |
| F90 | FuseBoxRJB | 563153 | Volvo_Engine | 25Amp | 5.1 |
| F91 | FuseBoxRJB | 563282 | Volvo_Engine | 20amp | 5.1 |
| F96 | FuseBoxRJB | 563282 | Spare | 20amp | 5.1 |
| F98 | FuseBoxRJB | 563284 | Spare | 15amp | 5.1 |
| F99 | FuseBoxRJB | 563165 | Volvo_Engine | 30amp | 5.1 |

BATTERIES STANDARD



Ground Distribution

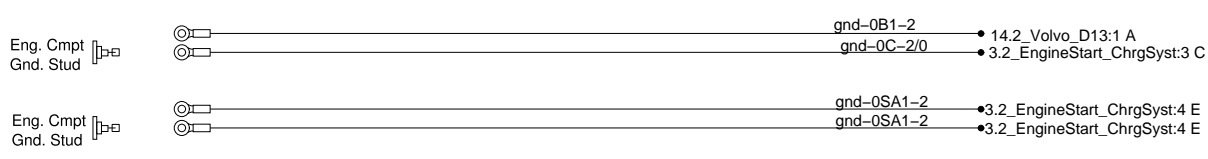
Electronic gnd to Dash harness



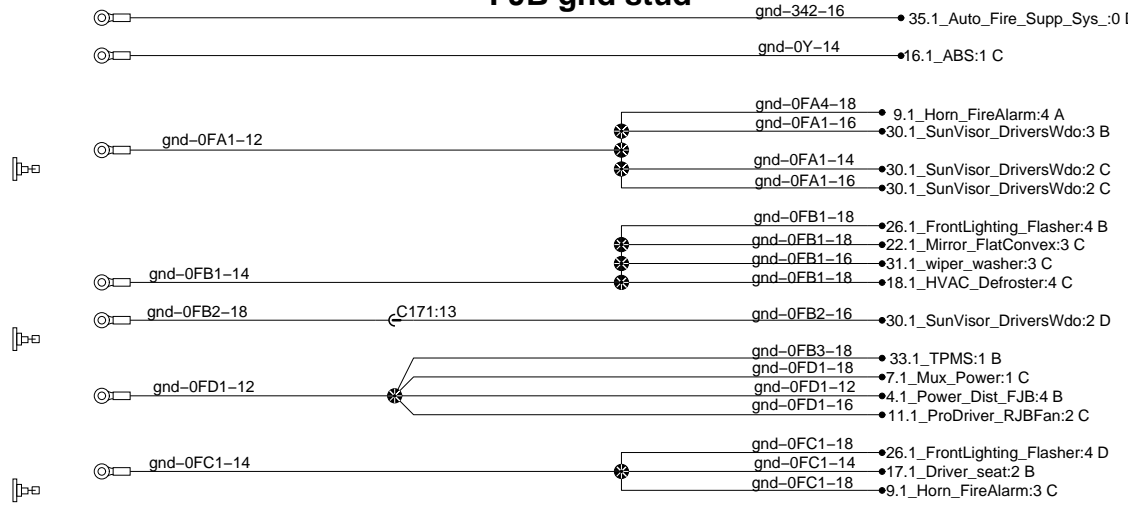
To LH console electronic gnd

To RH console electronic gnd

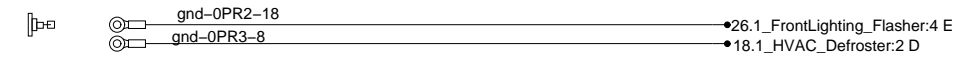
Eng. cmpt gnd stud



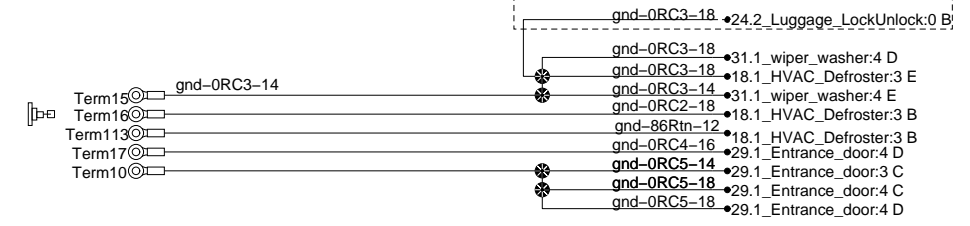
FJB gnd stud



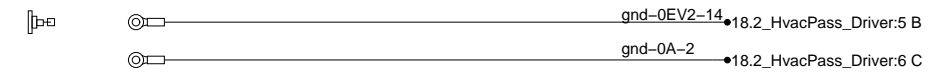
Front Top gnd stud



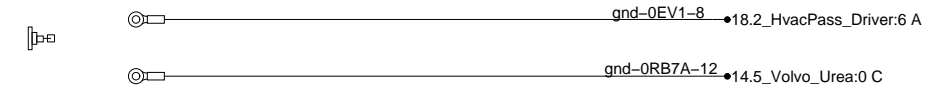
RH Console gnd stud



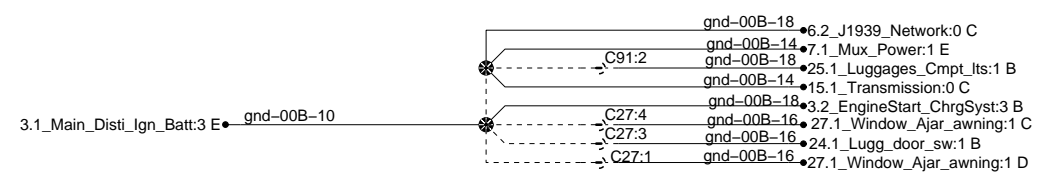
Evaporator cmpt gnd stud



Condensor cmpt gnd stud

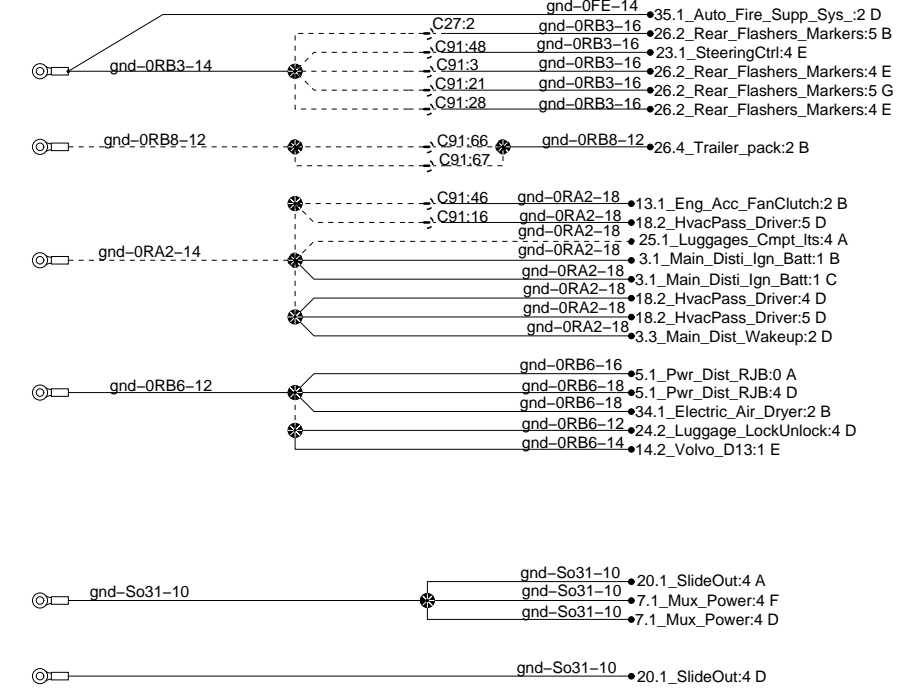


RJB Electronic gnd



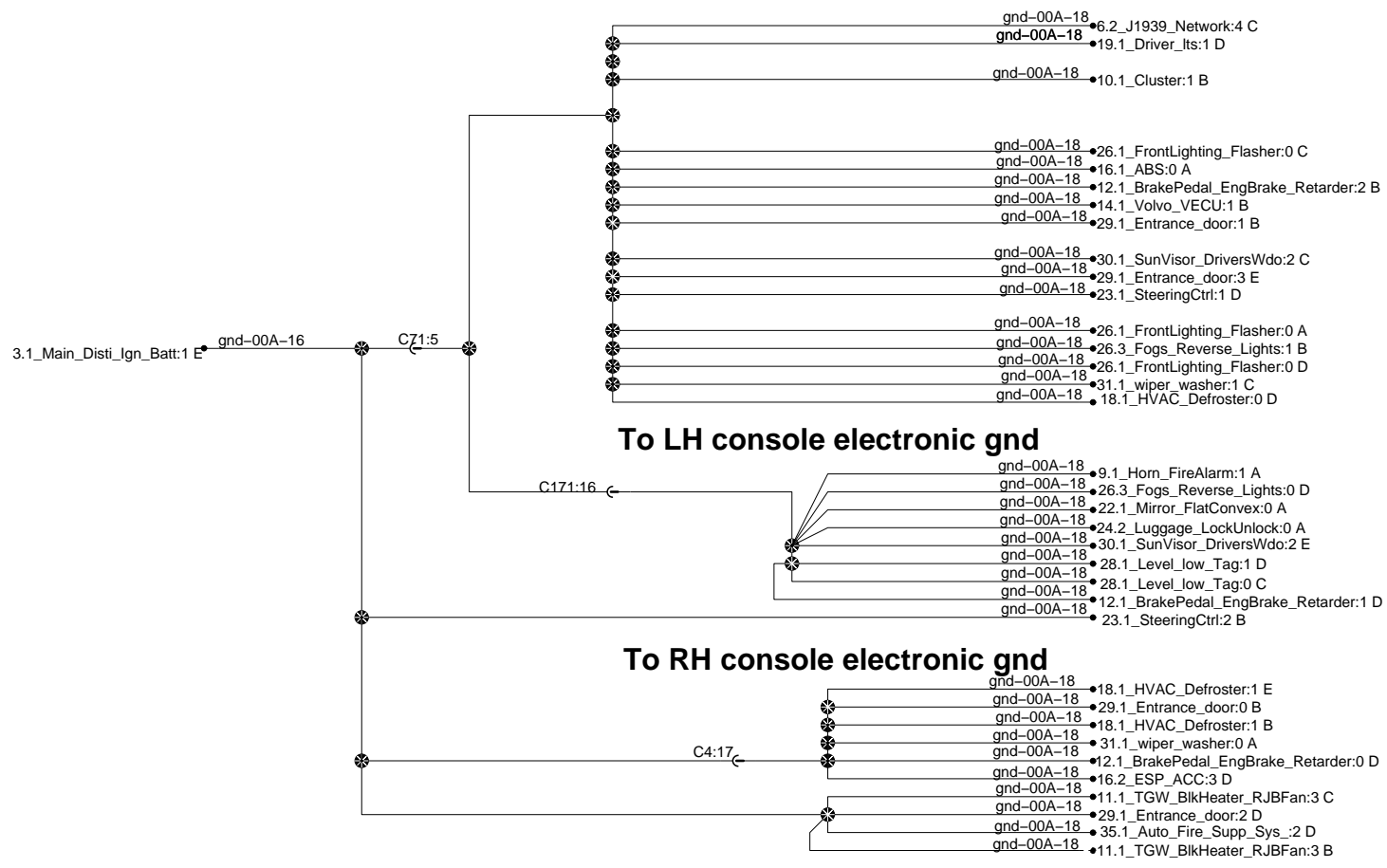
RJB gnd stud

SlideOut Elec.Cmpt Chassis Gnd



Ground Distribution

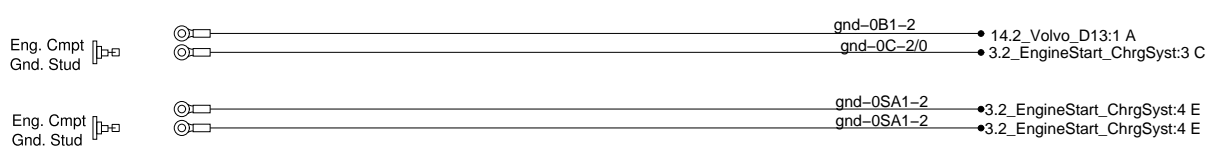
Electronic gnd to Dash harness



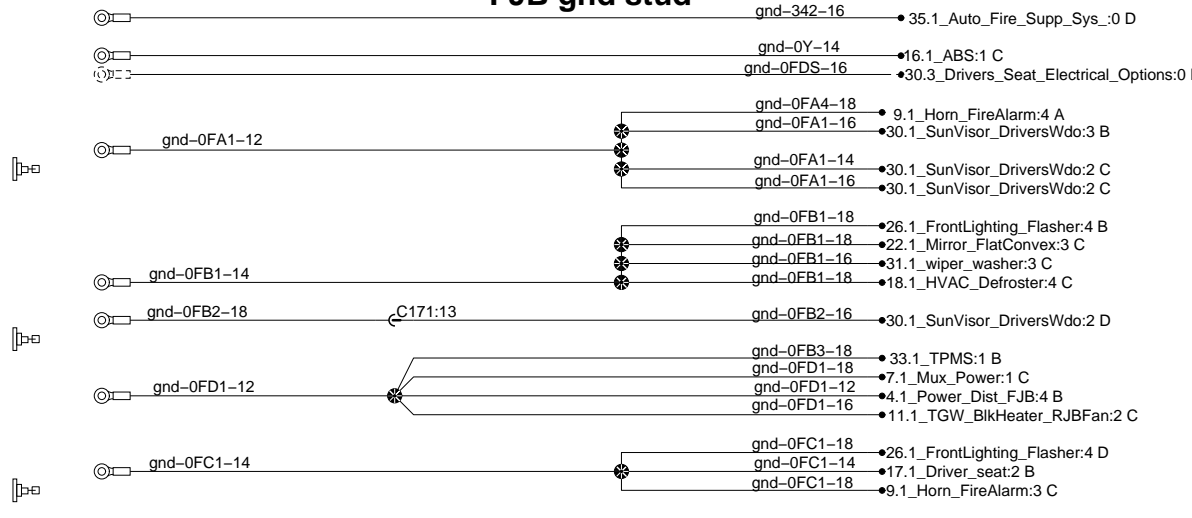
To LH console electronic gnd

To RH console electronic gnd

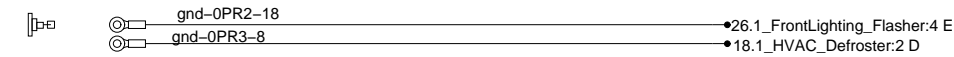
Eng. cmpt gnd stud



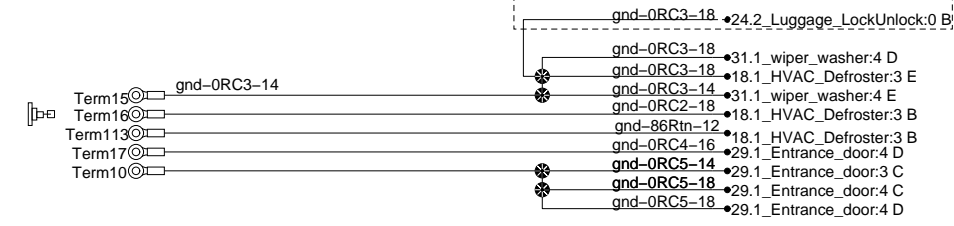
FJB gnd stud



Front Top gnd stud



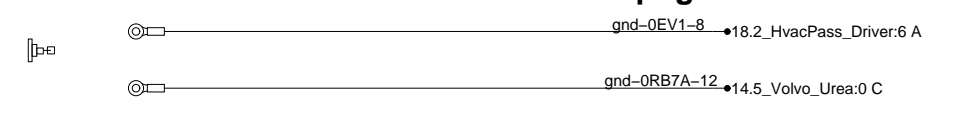
RH Console gnd stud



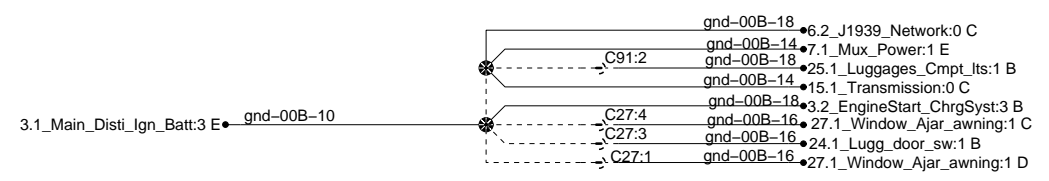
Evaporator cmpt gnd stud



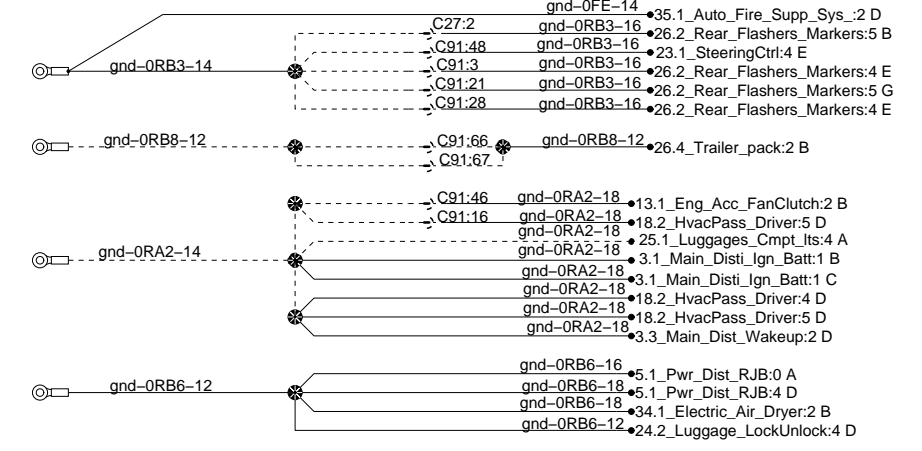
Condensor cmpt gnd stud



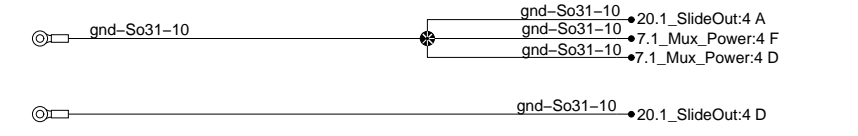
RJB Electronic gnd



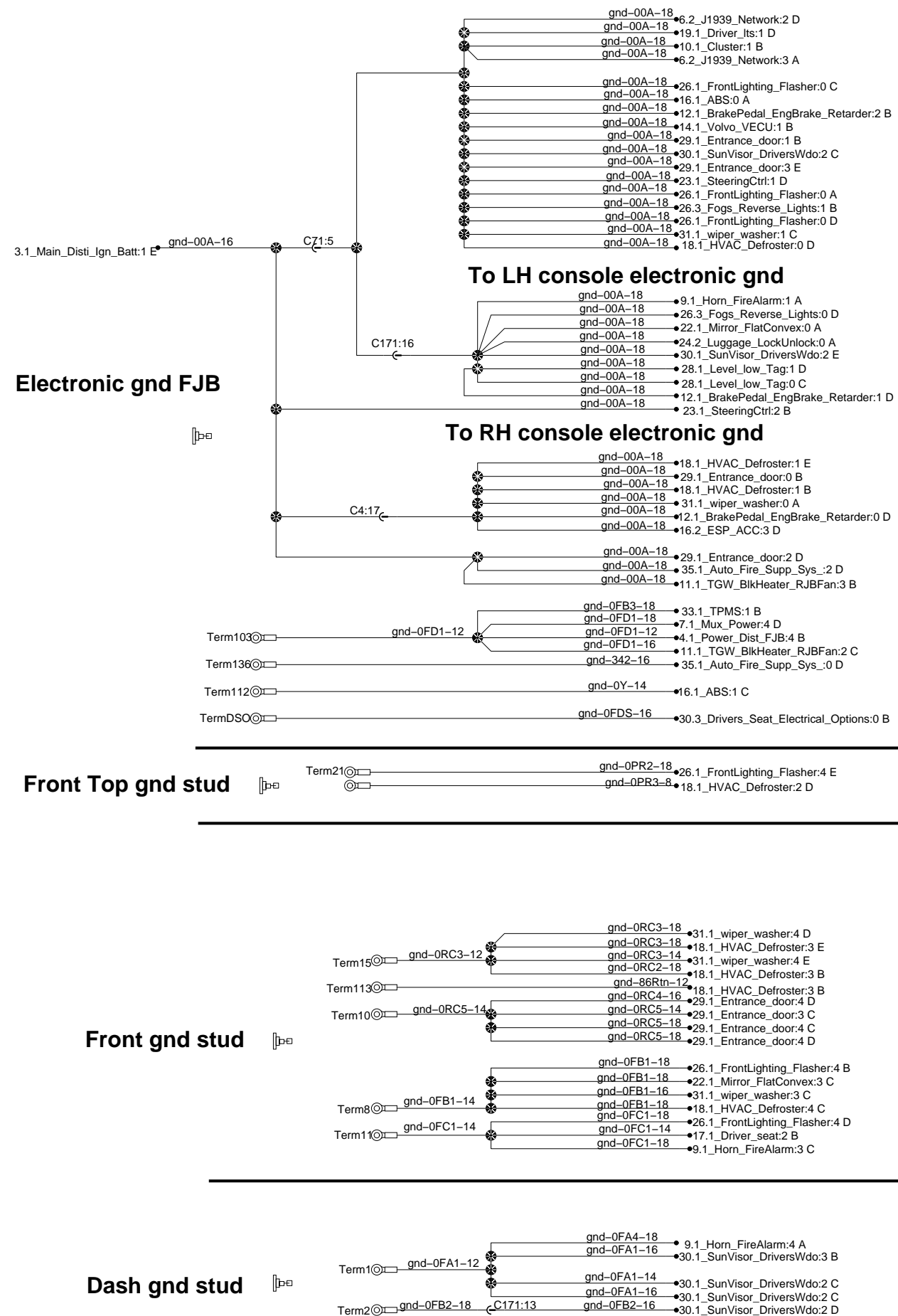
RJB gnd stud



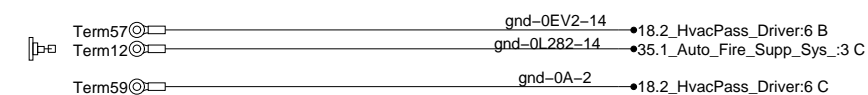
SlideOut Elec.Cmpt Chassis Gnd



Ground Distribution



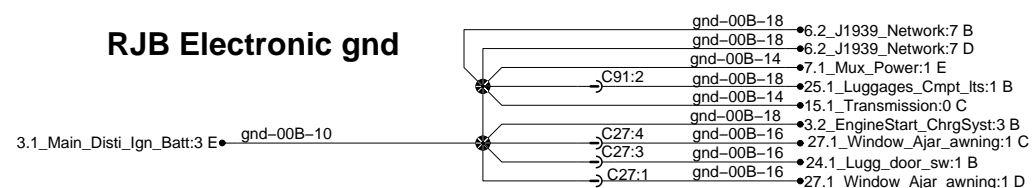
Evaporator cmpt gnd stud



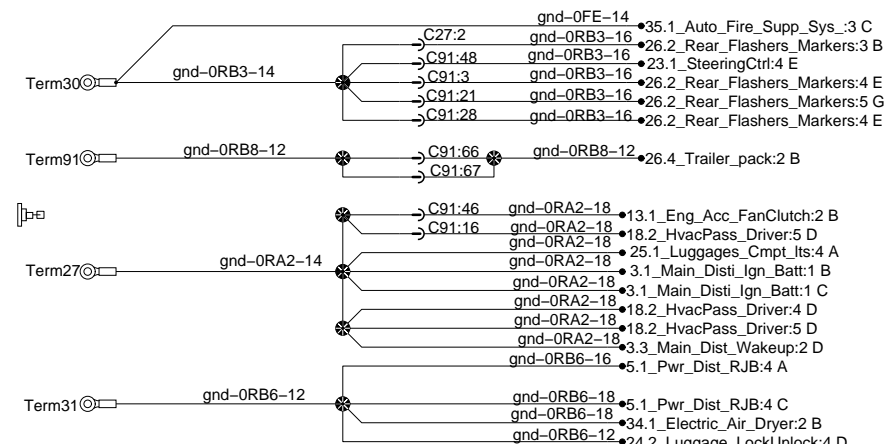
Condensator cmpt gnd stud



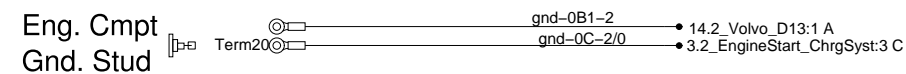
RJB Electronic gnd



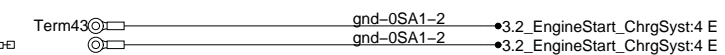
RJB gnd stud



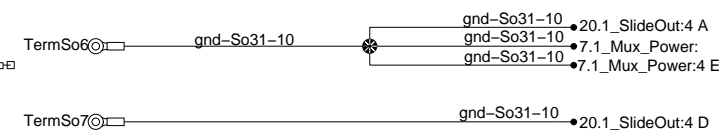
Eng. cmpt gnd stud



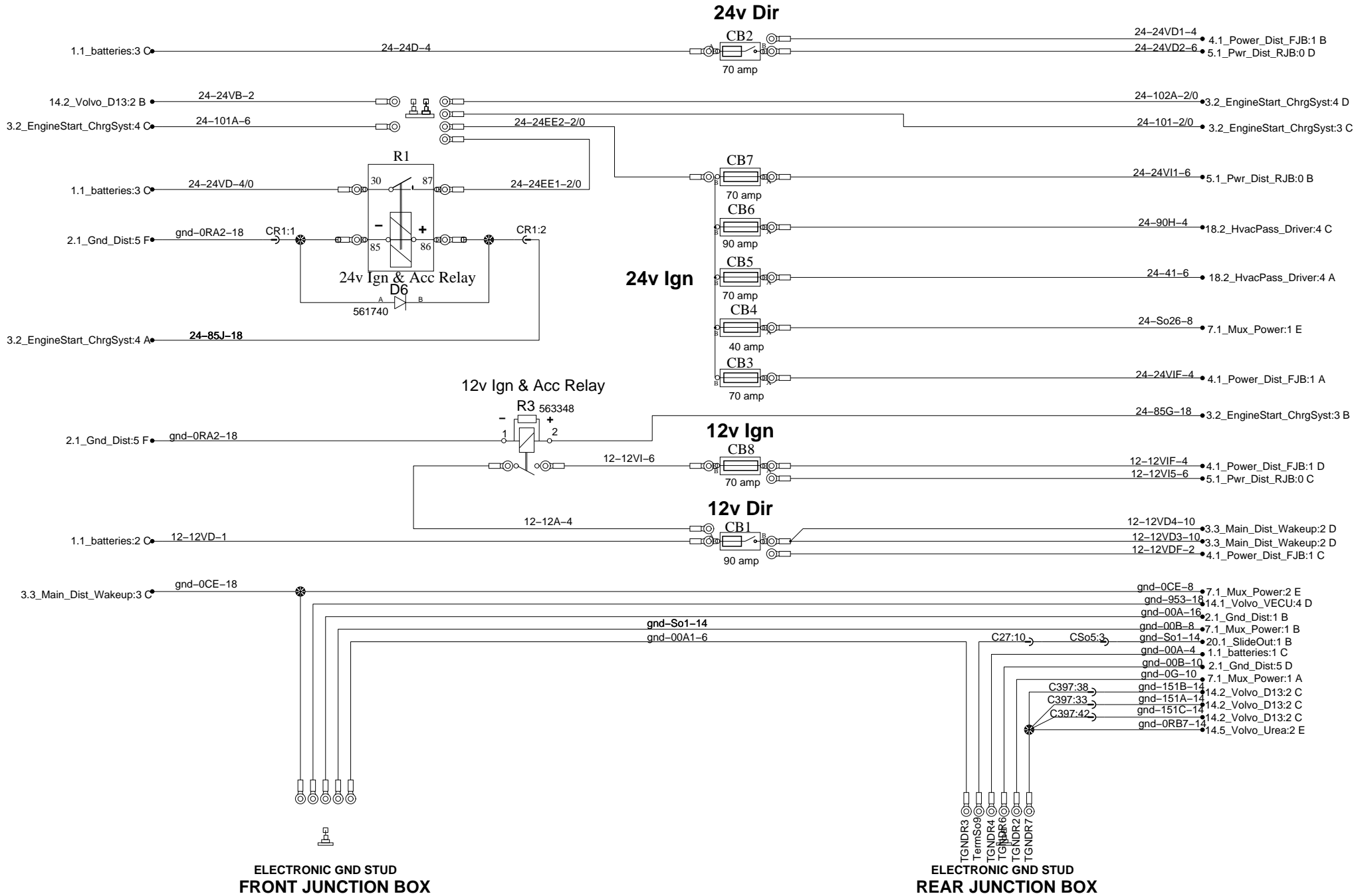
Eng. Cmpt Gnd. Stud



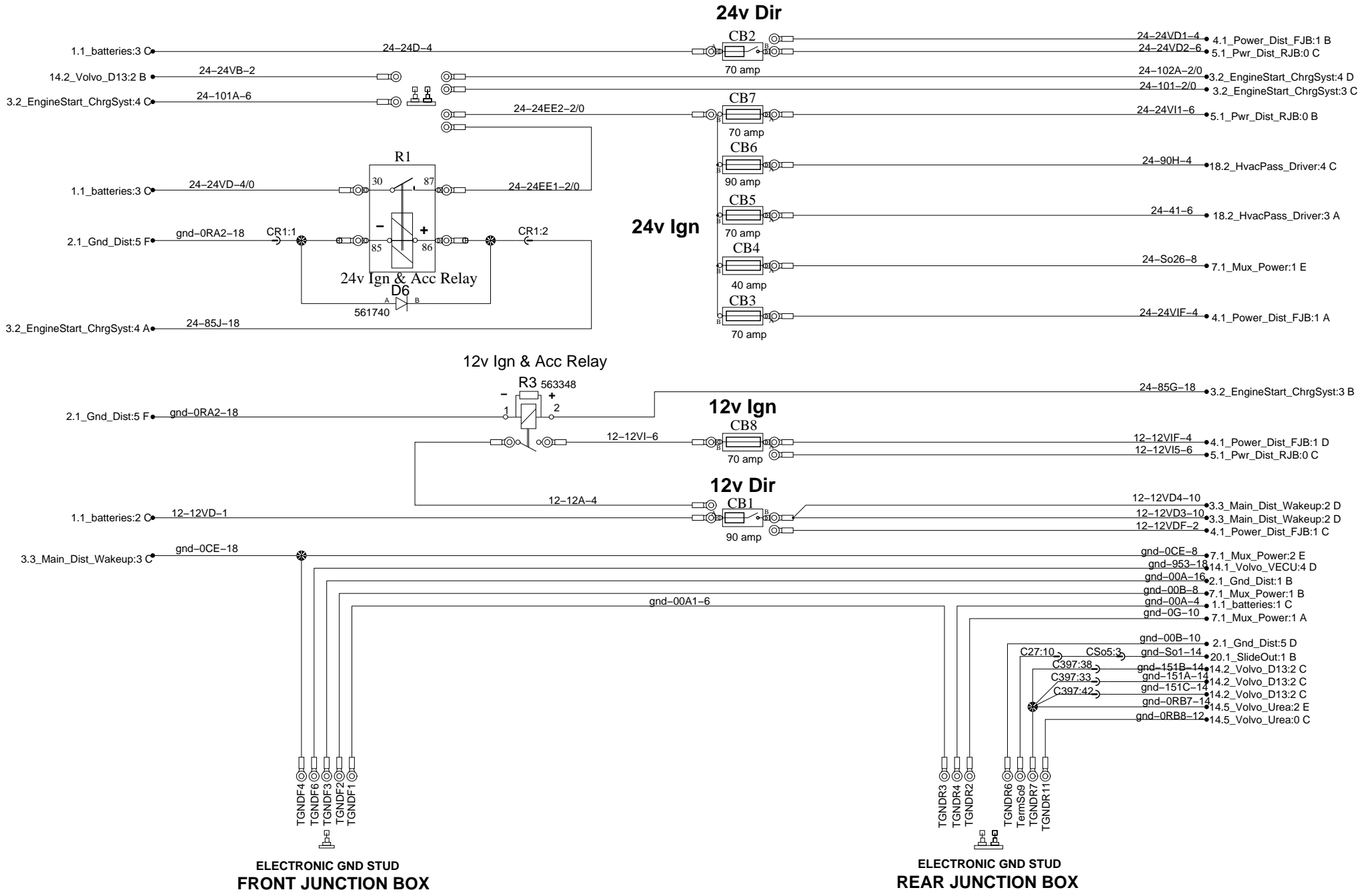
SlideOut Elec.Cmpt Chassis Gnd



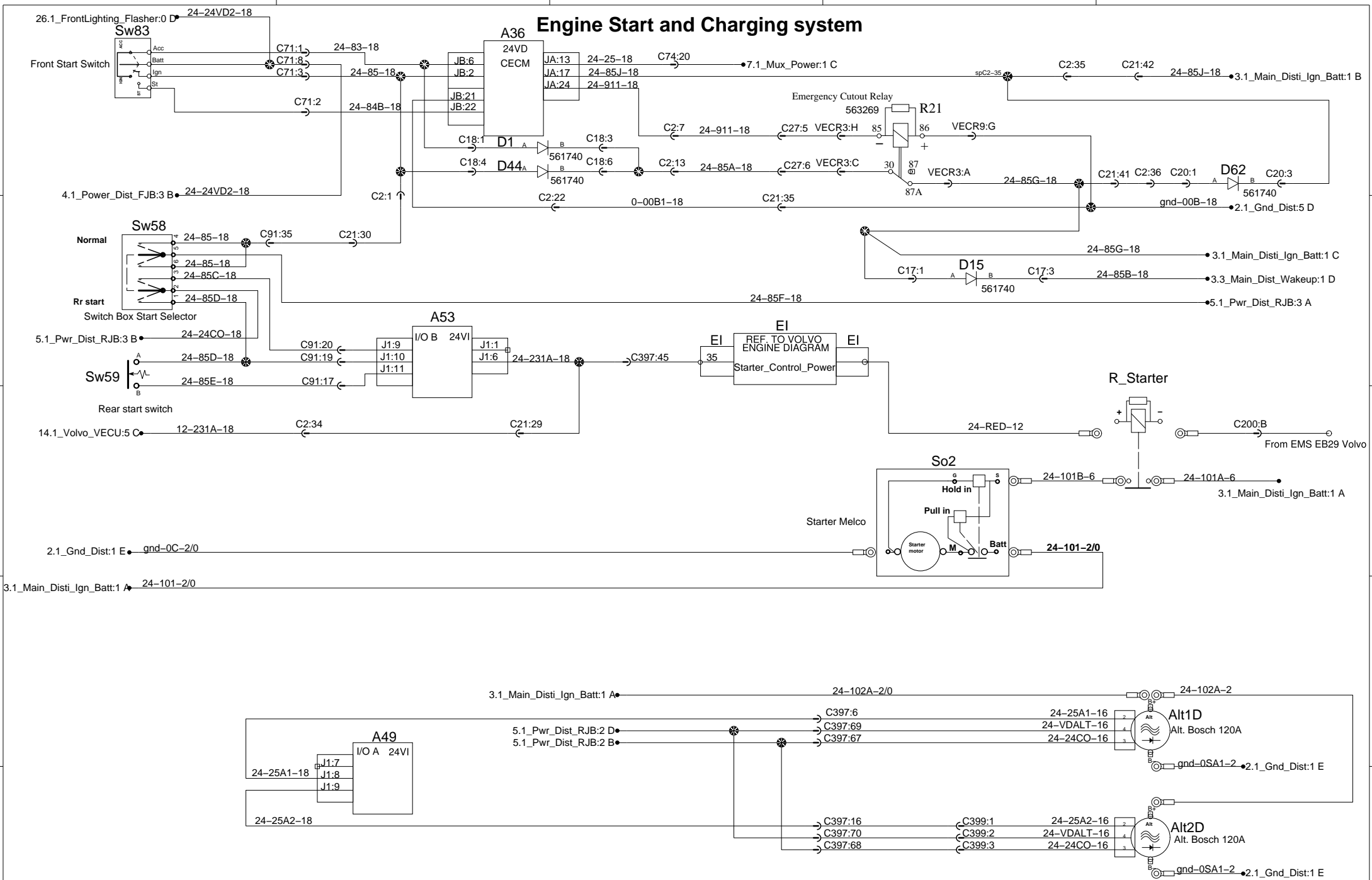
MAIN DISTRIBUTION Equalizer, Batteries & Ignition



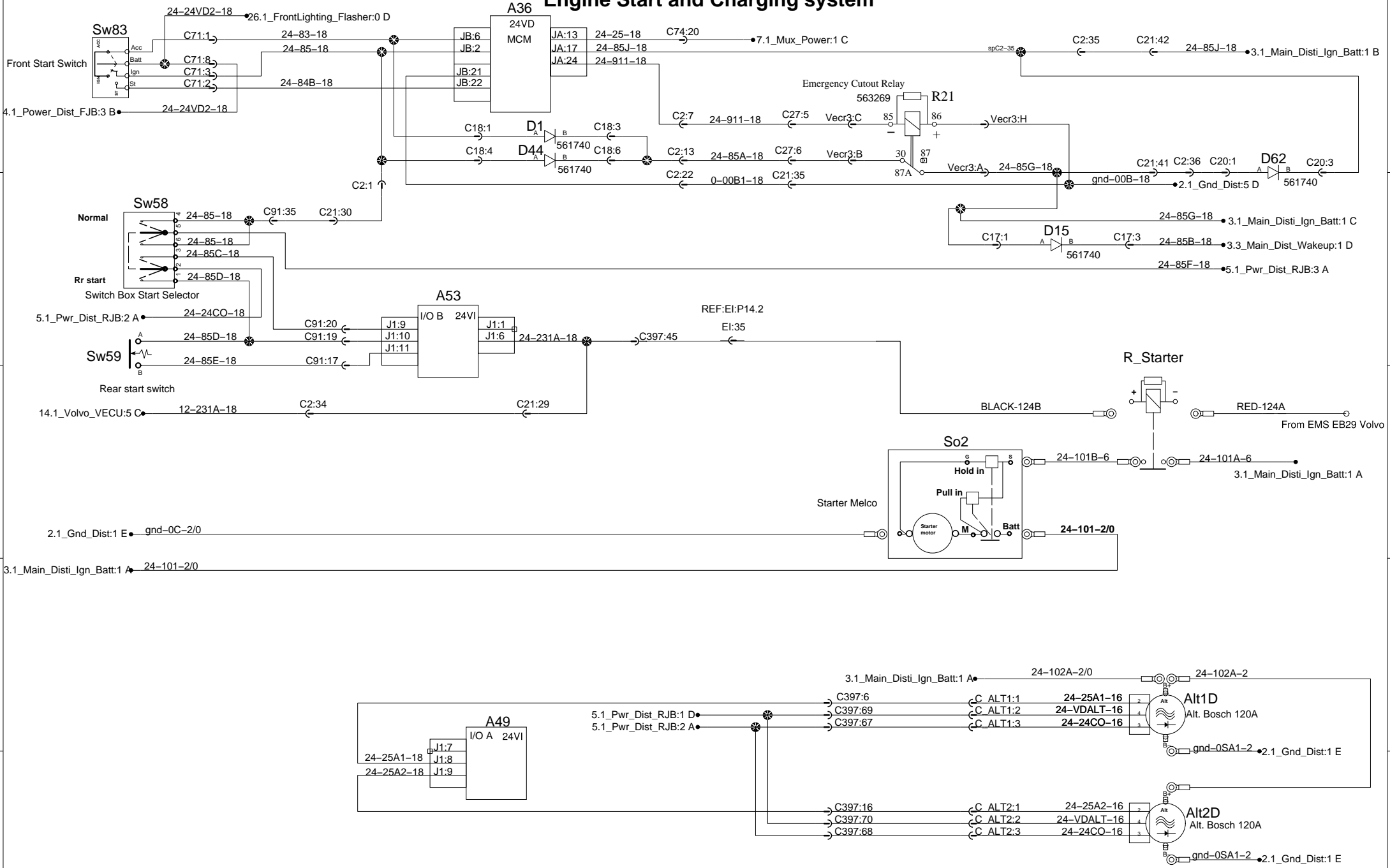
MAIN DISTRIBUTION & IGNITION



Engine Start and Charging system



Engine Start and Charging system



0

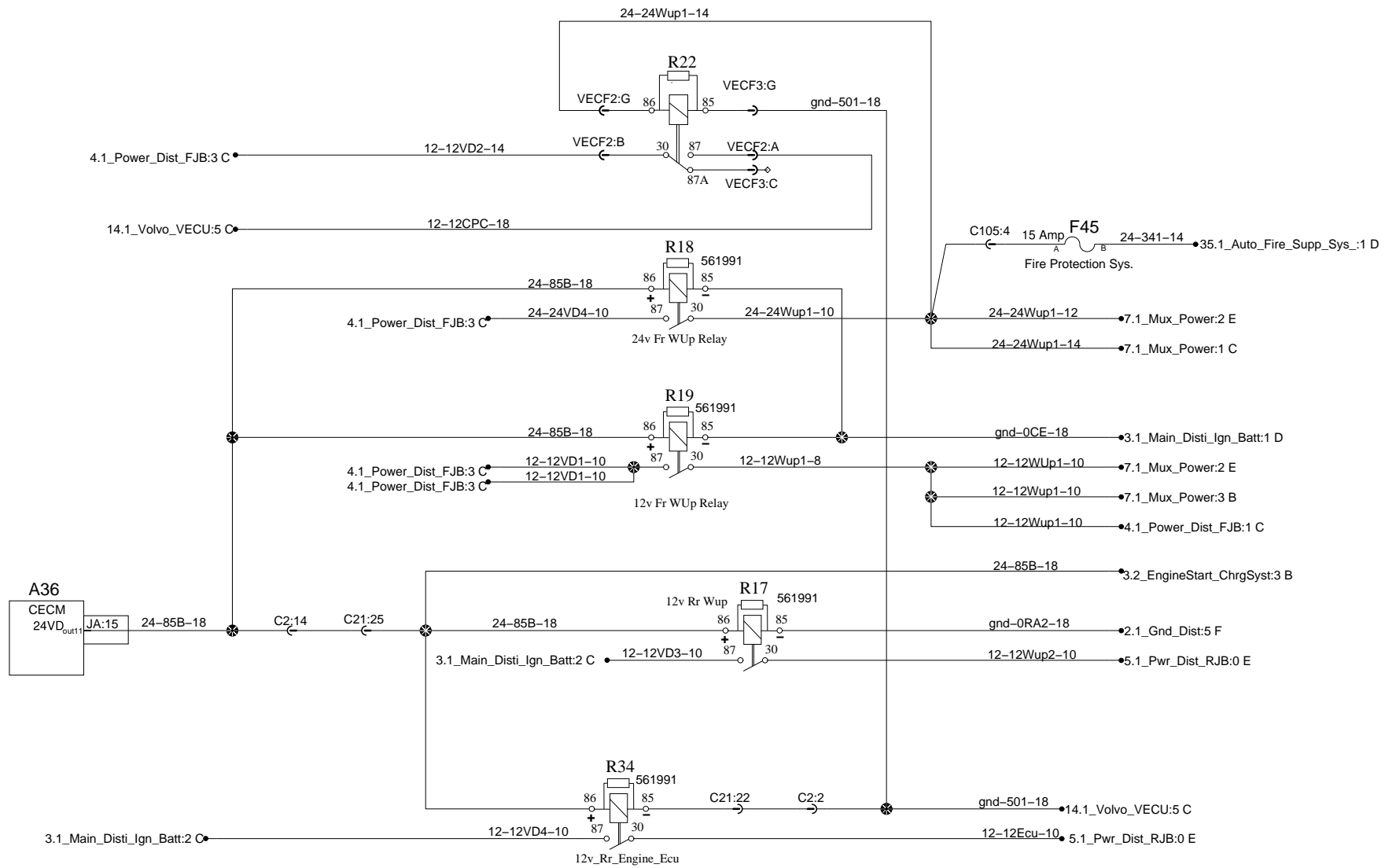
1

2

3

4

MAIN DISTRIBUTION Wake-Up



0

1

2

3

4

0

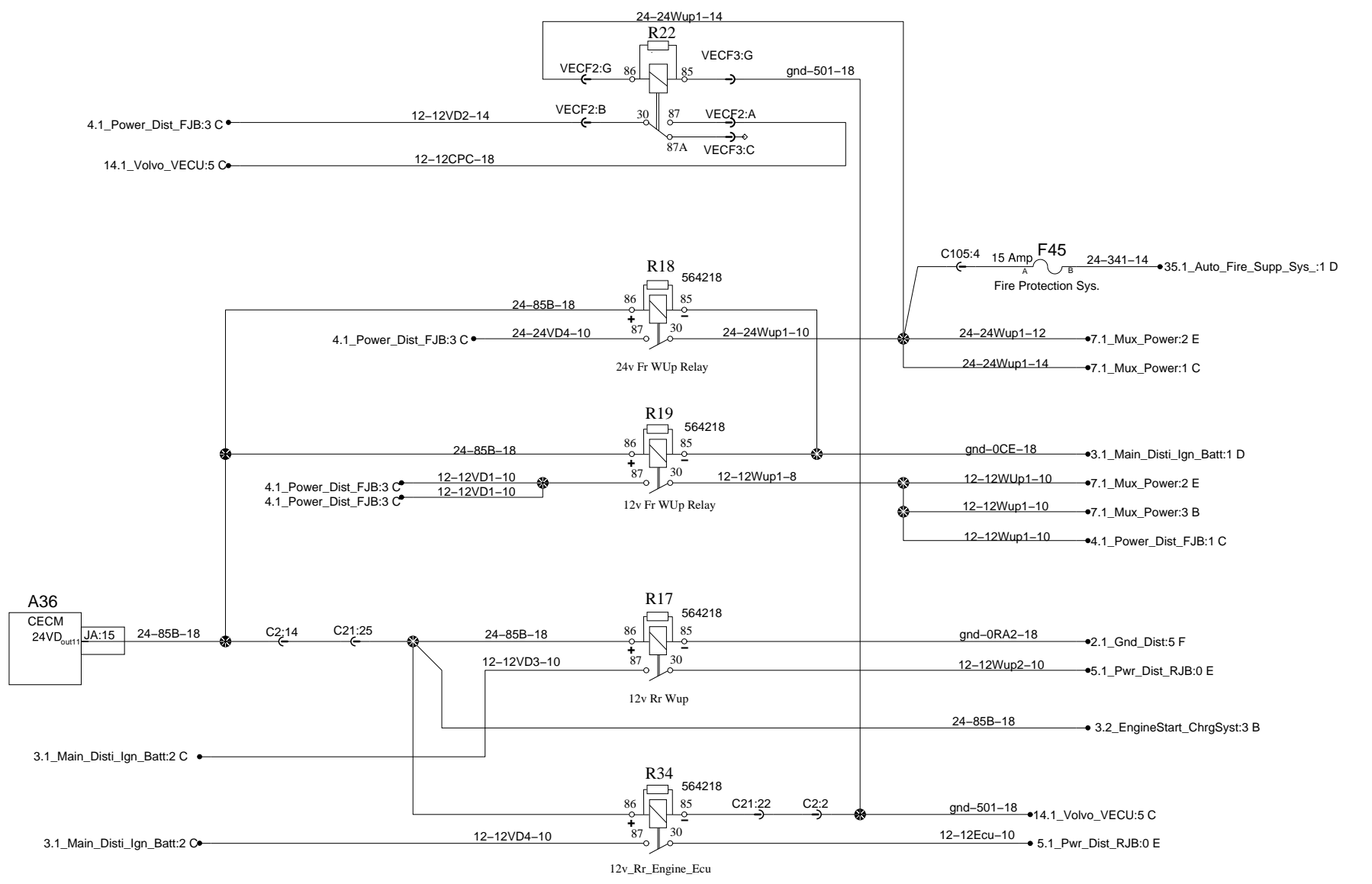
1

2

3

4

MAIN DISTRIBUTION Wake-Up



0

1

2

3

4

0

1

2

3

4

MAIN DISTRIBUTION Wake-Up

A

A

B

B

C

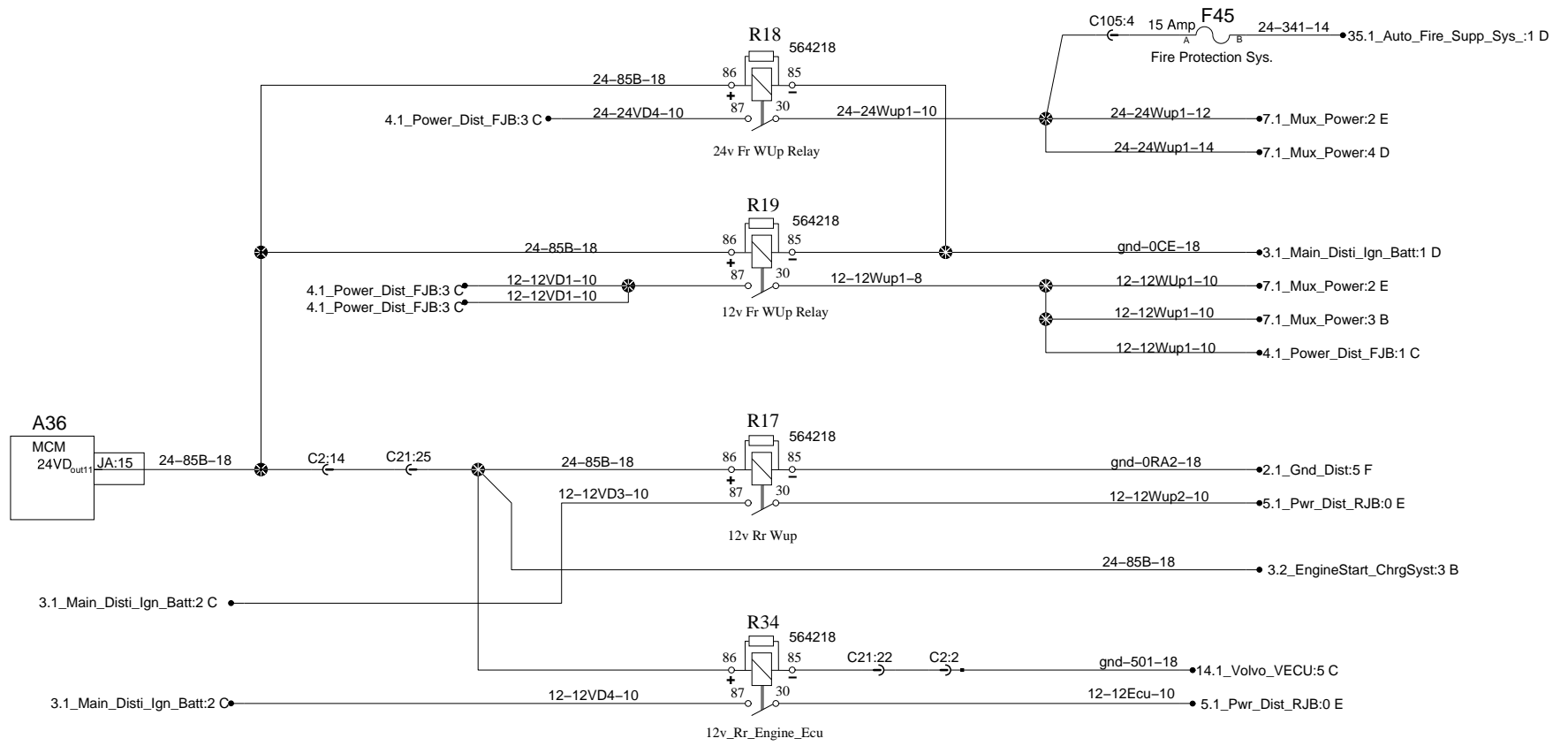
C

D

D

E

E



0

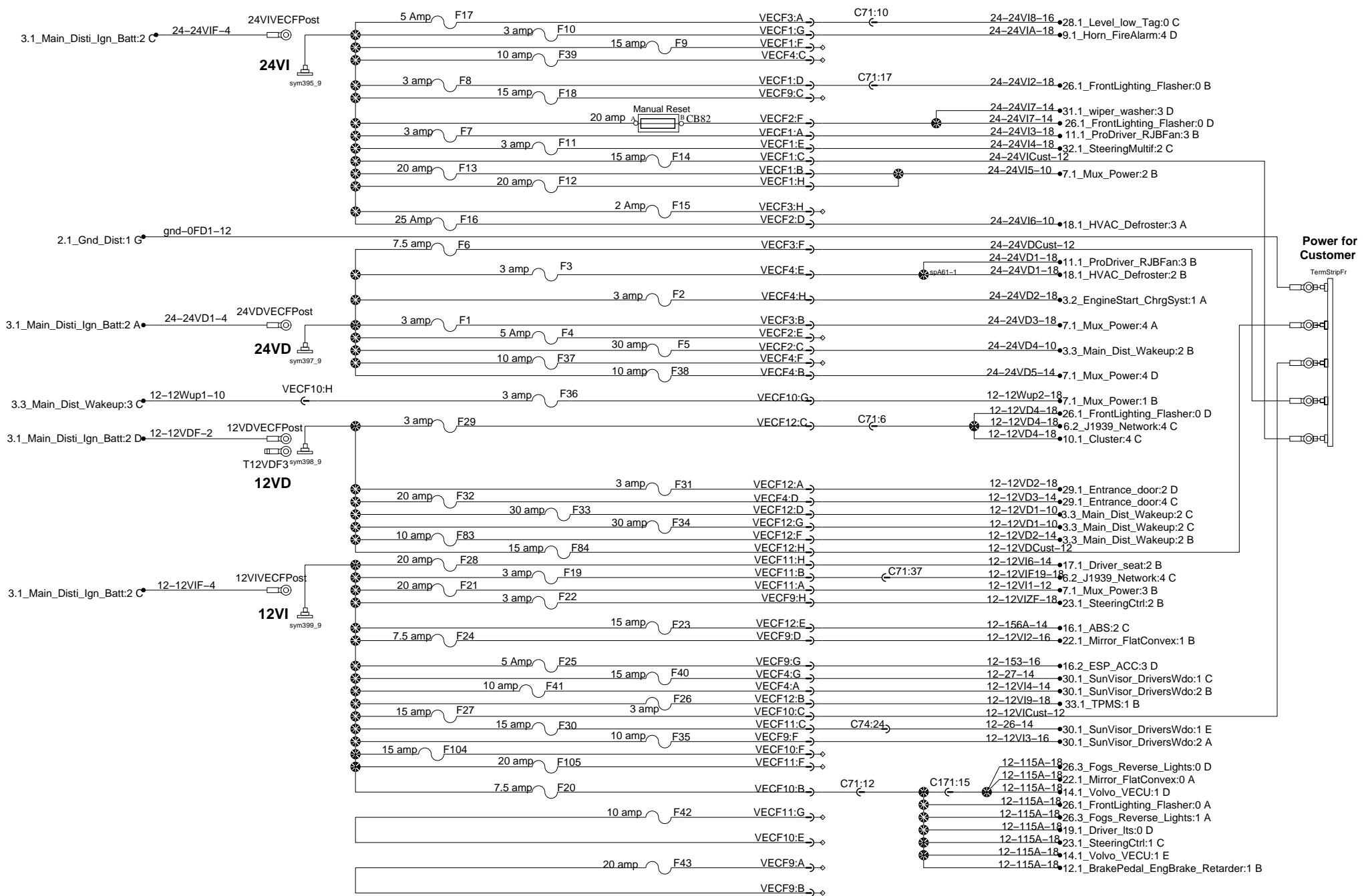
1

2

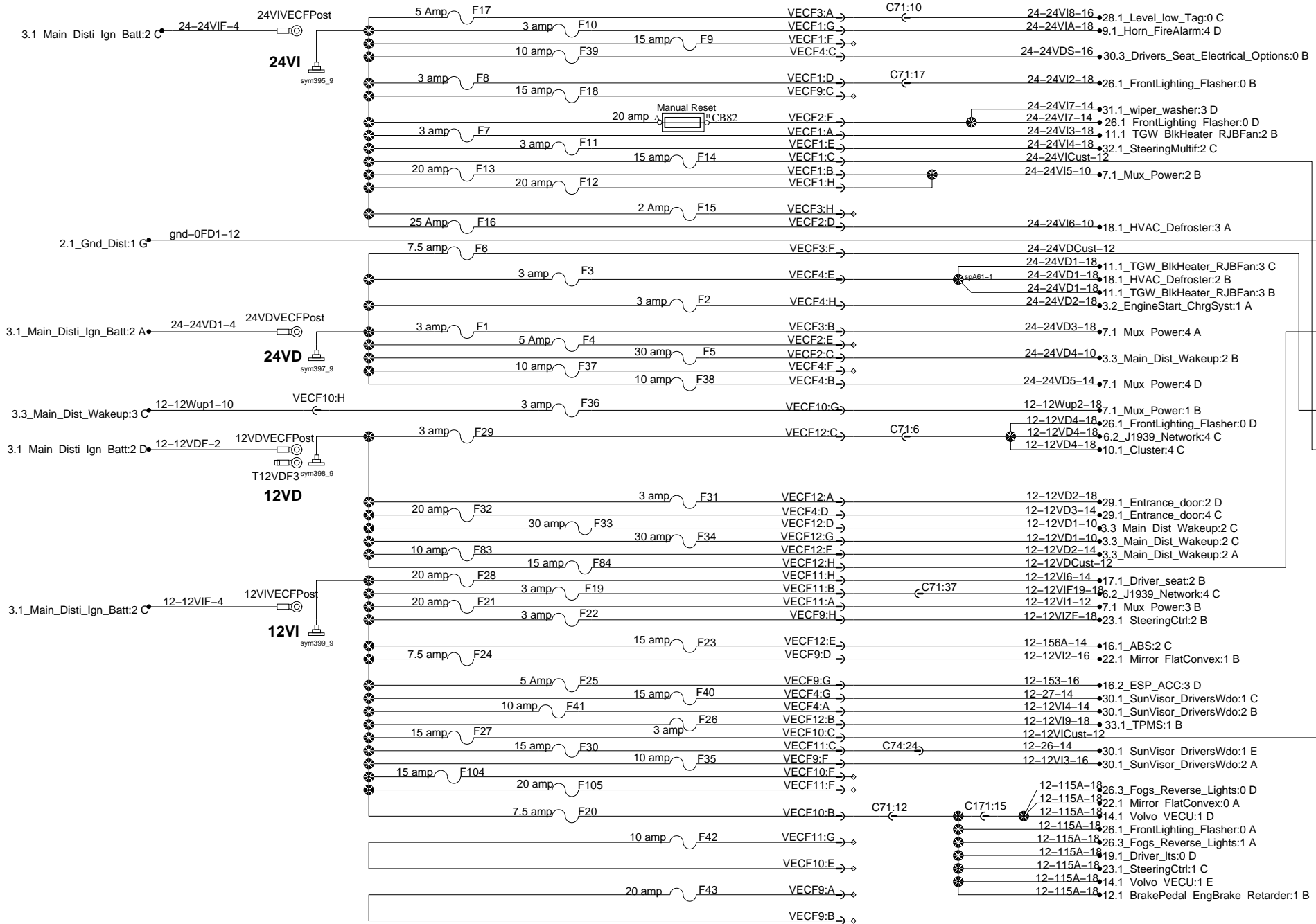
3

4

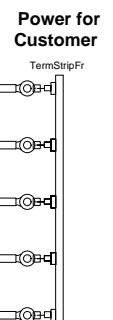
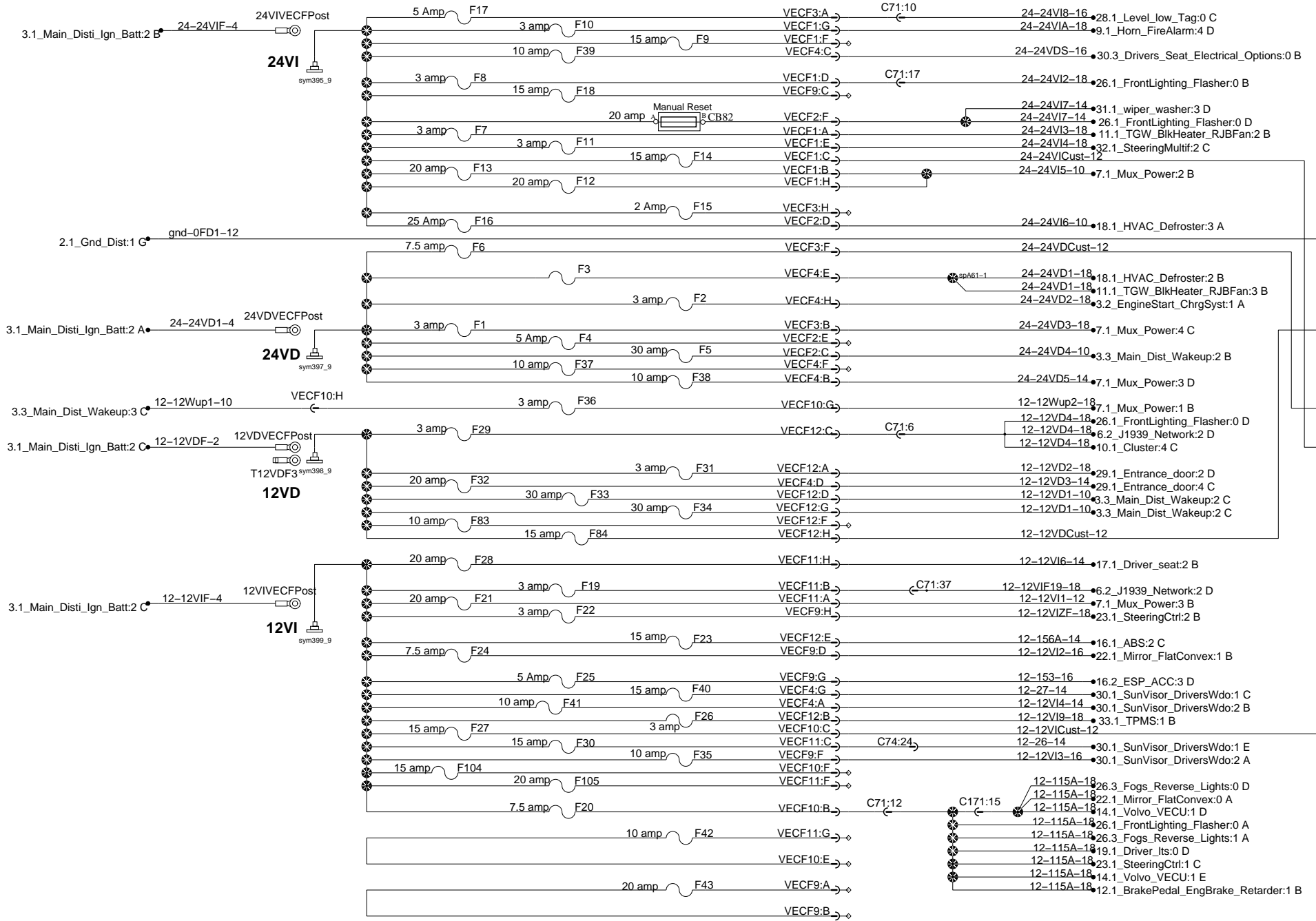
Power Distribution Front Junction Box



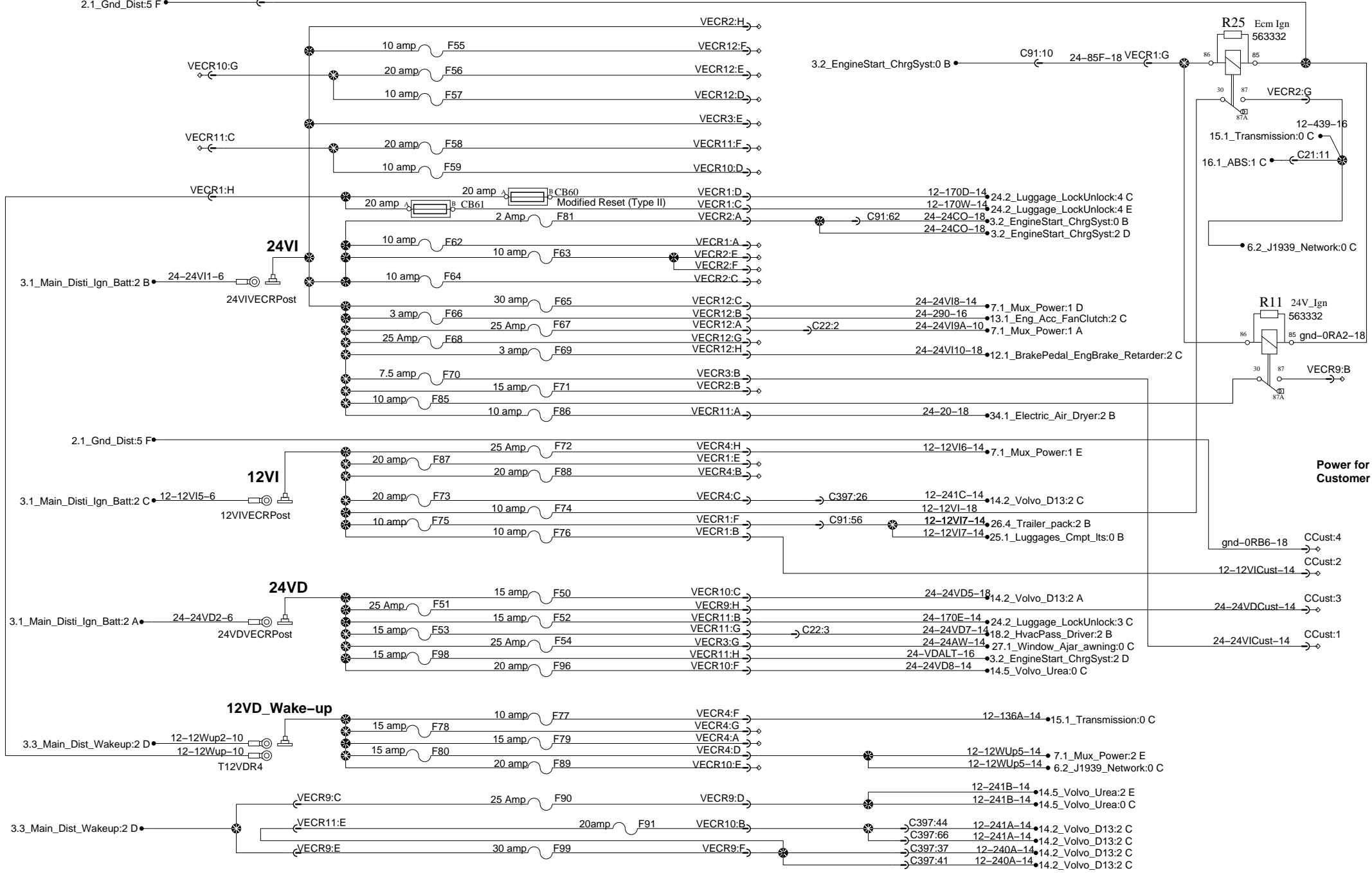
Power Distribution Front Junction Box



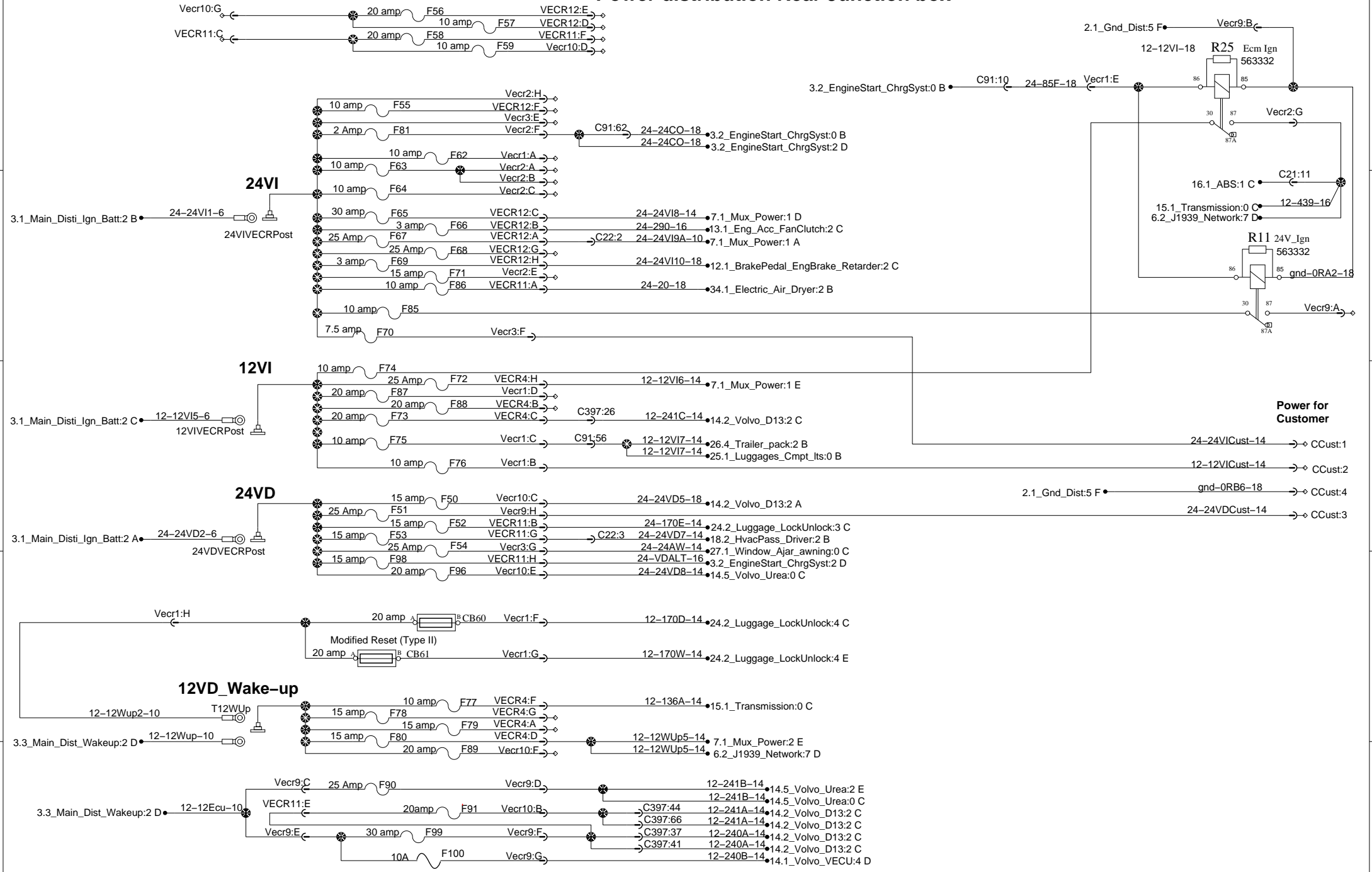
Power Distribution Front Junction Box



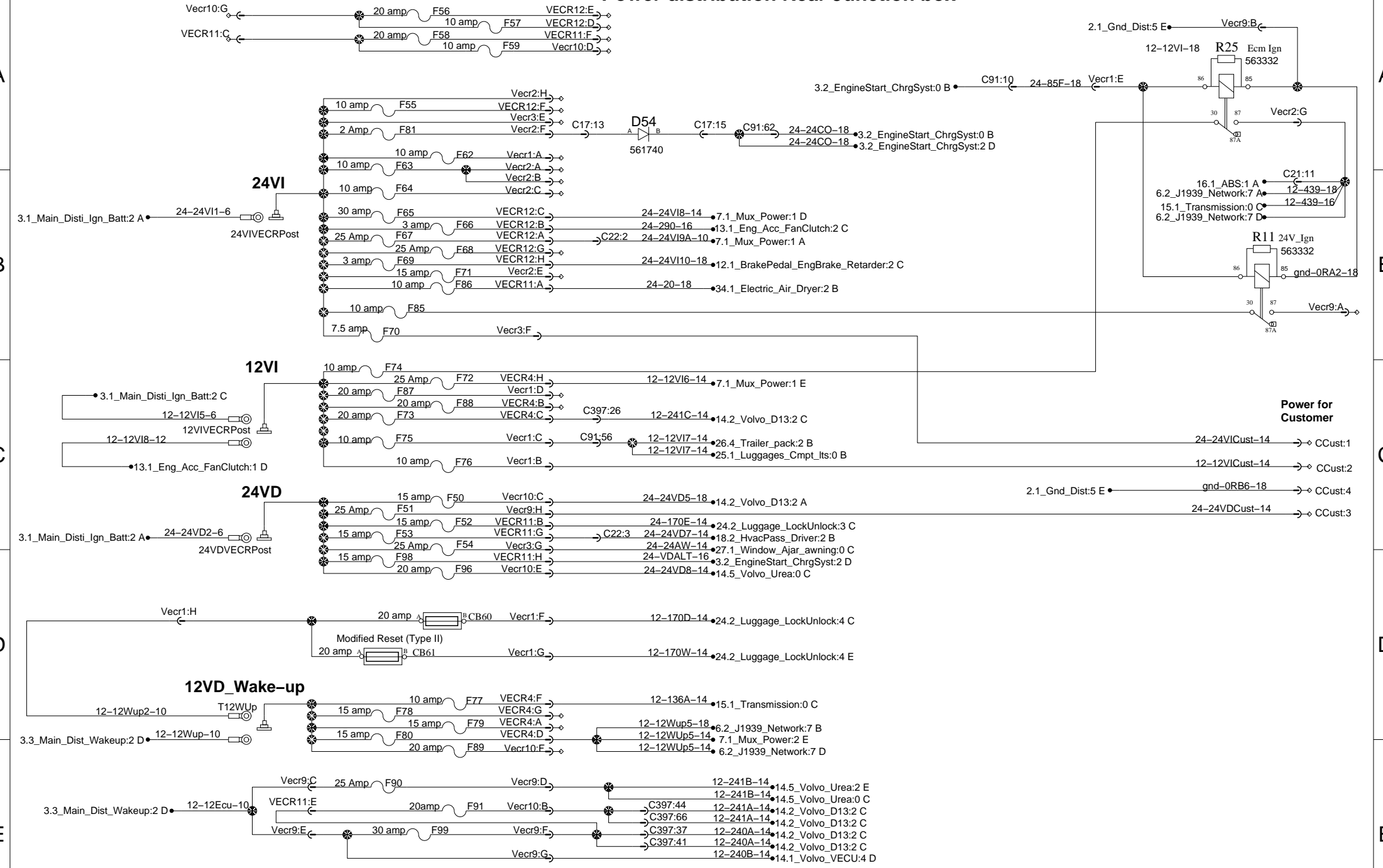
Power distribution Rear Junction box



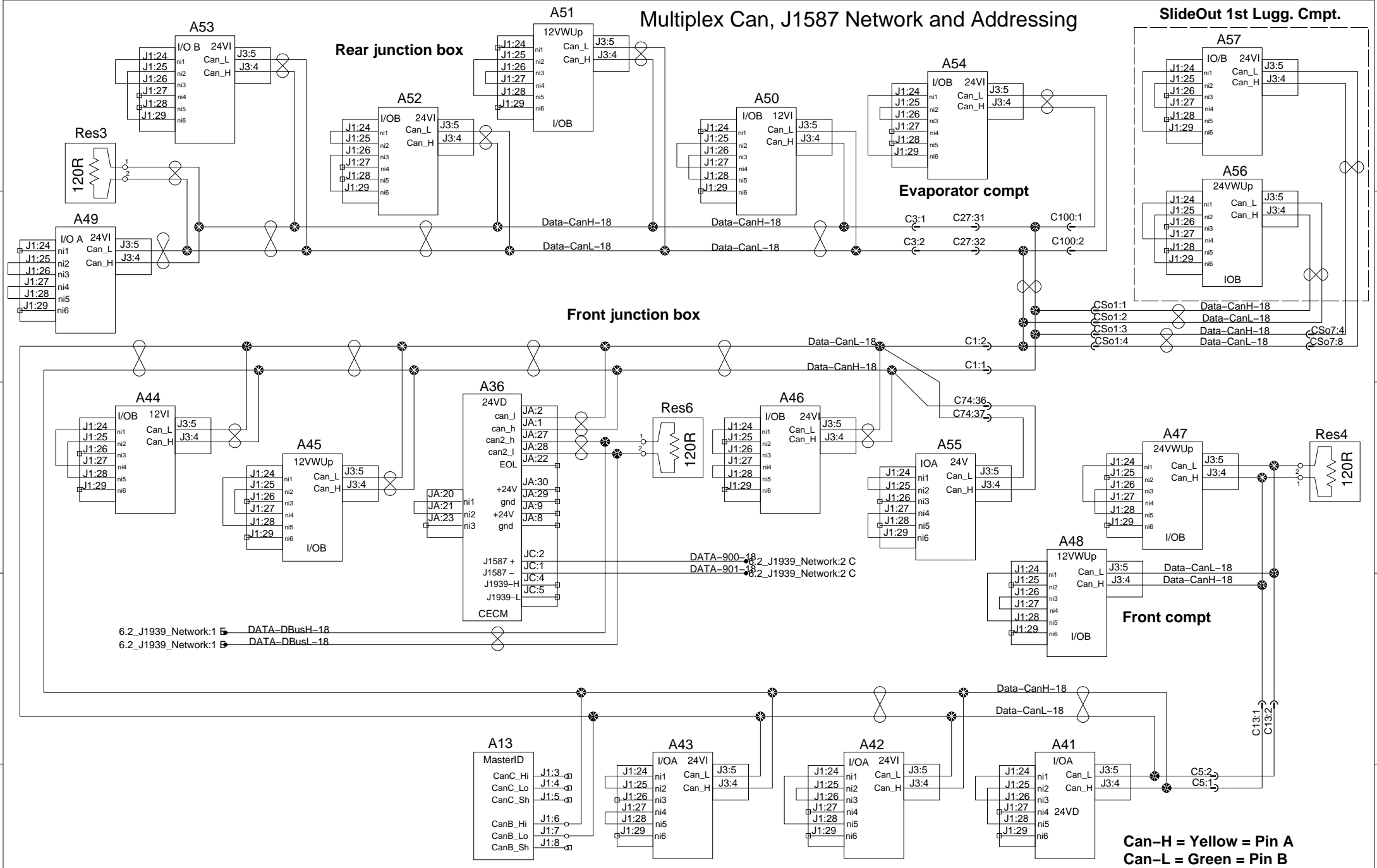
Power distribution Rear Junction box



Power distribution Rear Junction box



Multiplex Can, J1587 Network and Addressing



Multiplex Can, J1587 Network and Addressing

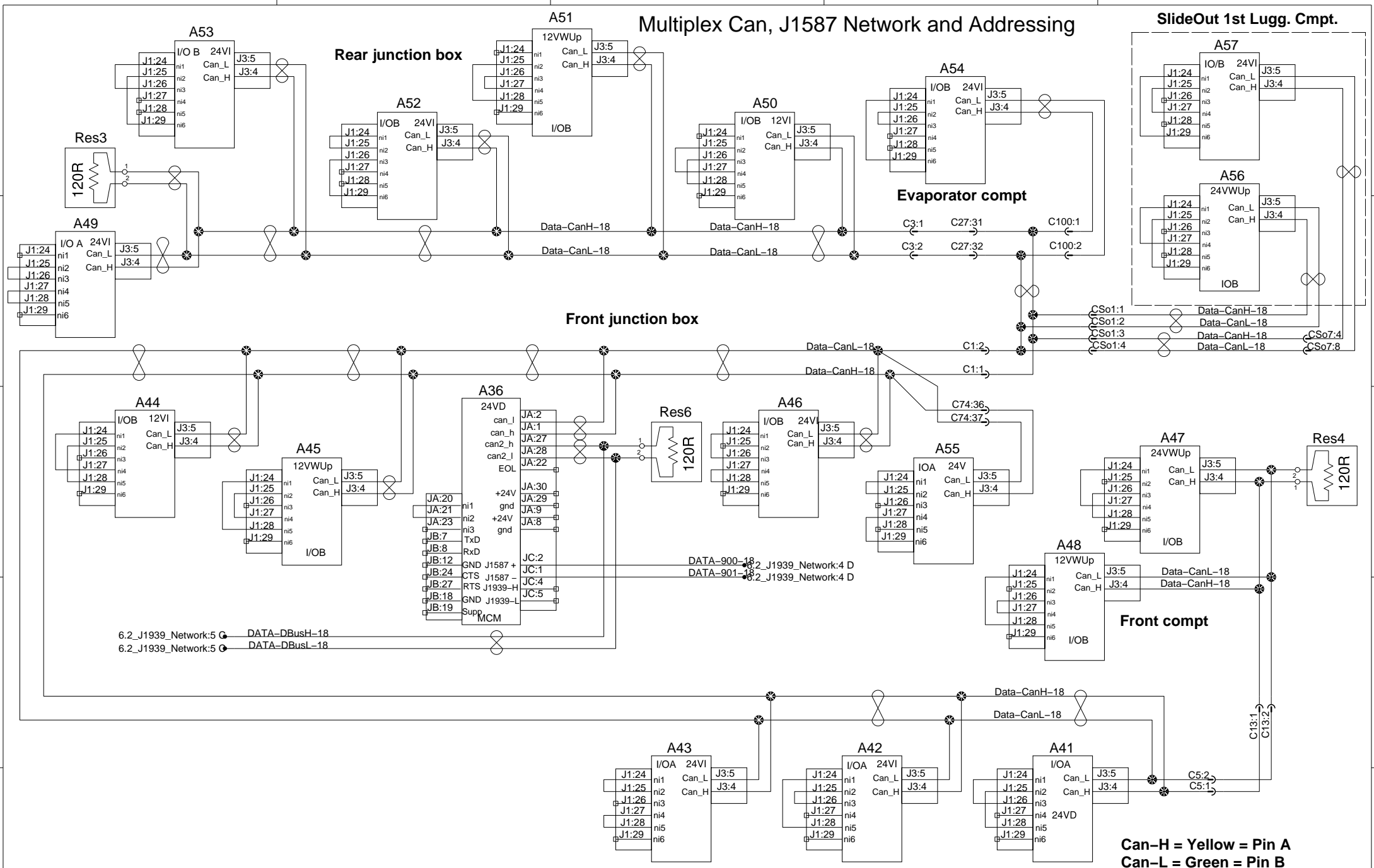
SlideOut 1st Lugg. Cmnt.

Rear junction box

Front junction box

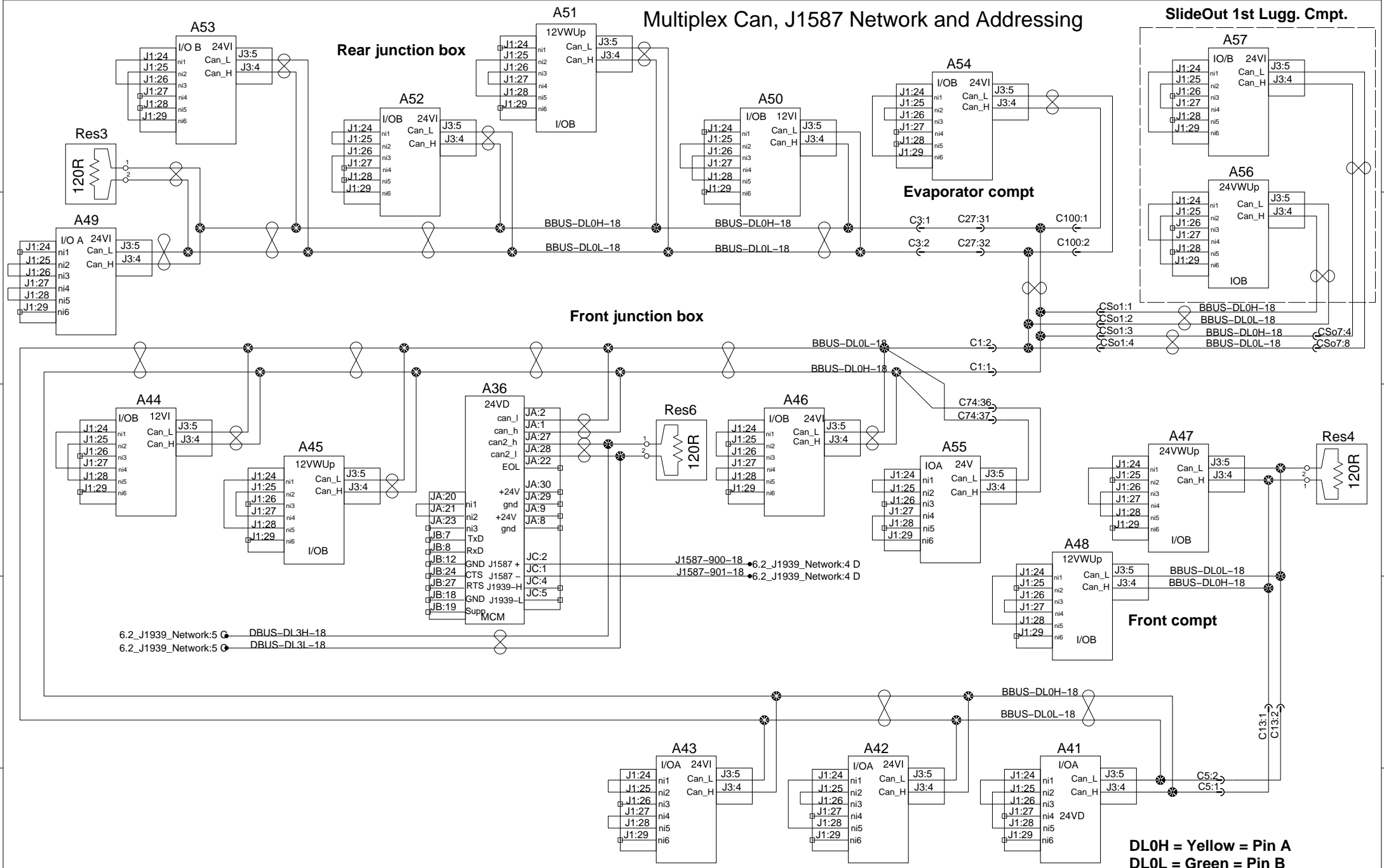
Evaporator cmnt

Front cmnt



Can-H = Yellow = Pin A
 Can-L = Green = Pin B

Multiplex Can, J1587 Network and Addressing



DL0H = Yellow = Pin A
DL0L = Green = Pin B

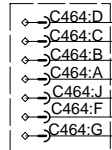
J1939 and J1587 Networks

J1939

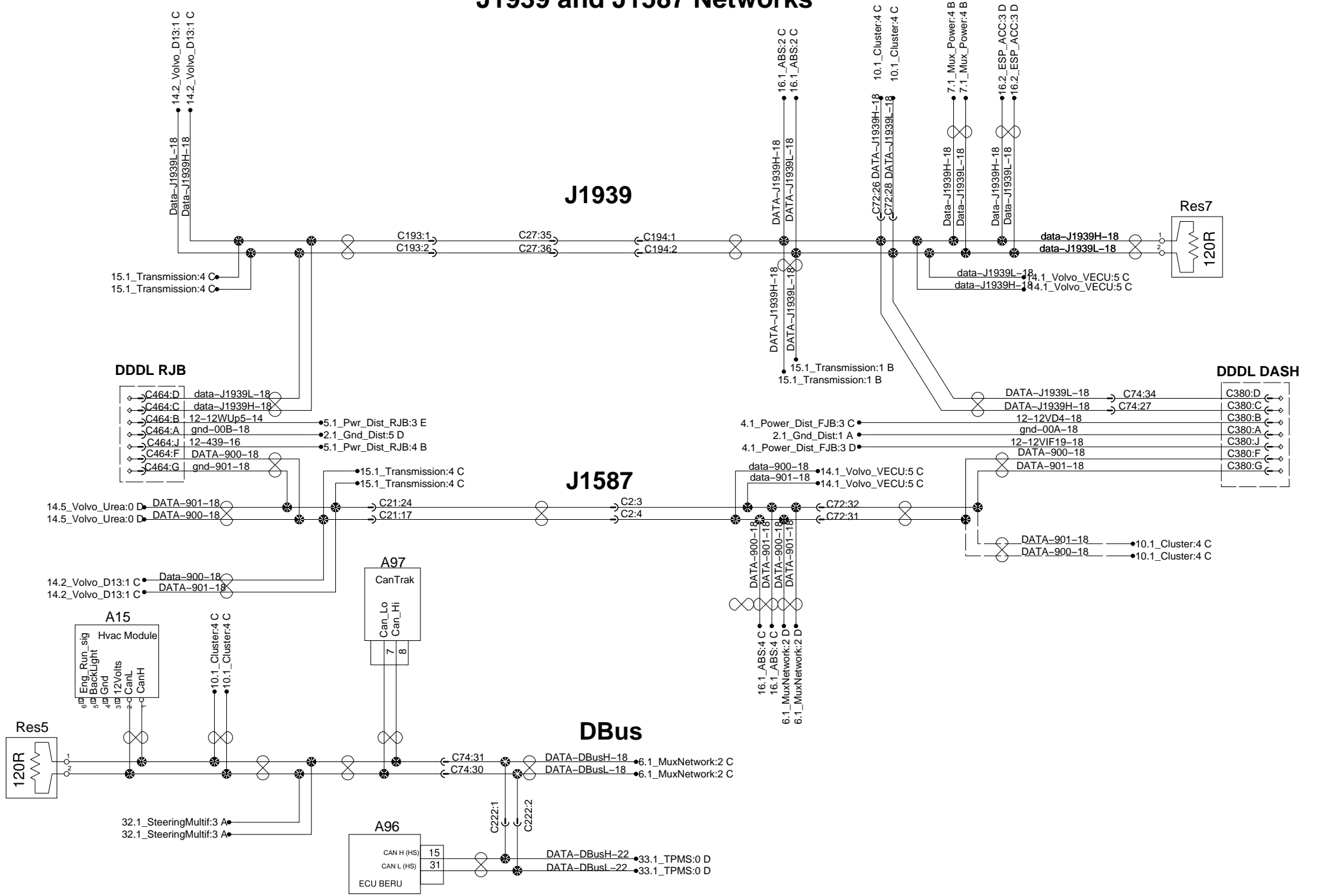
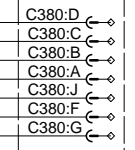
J1587

DBus

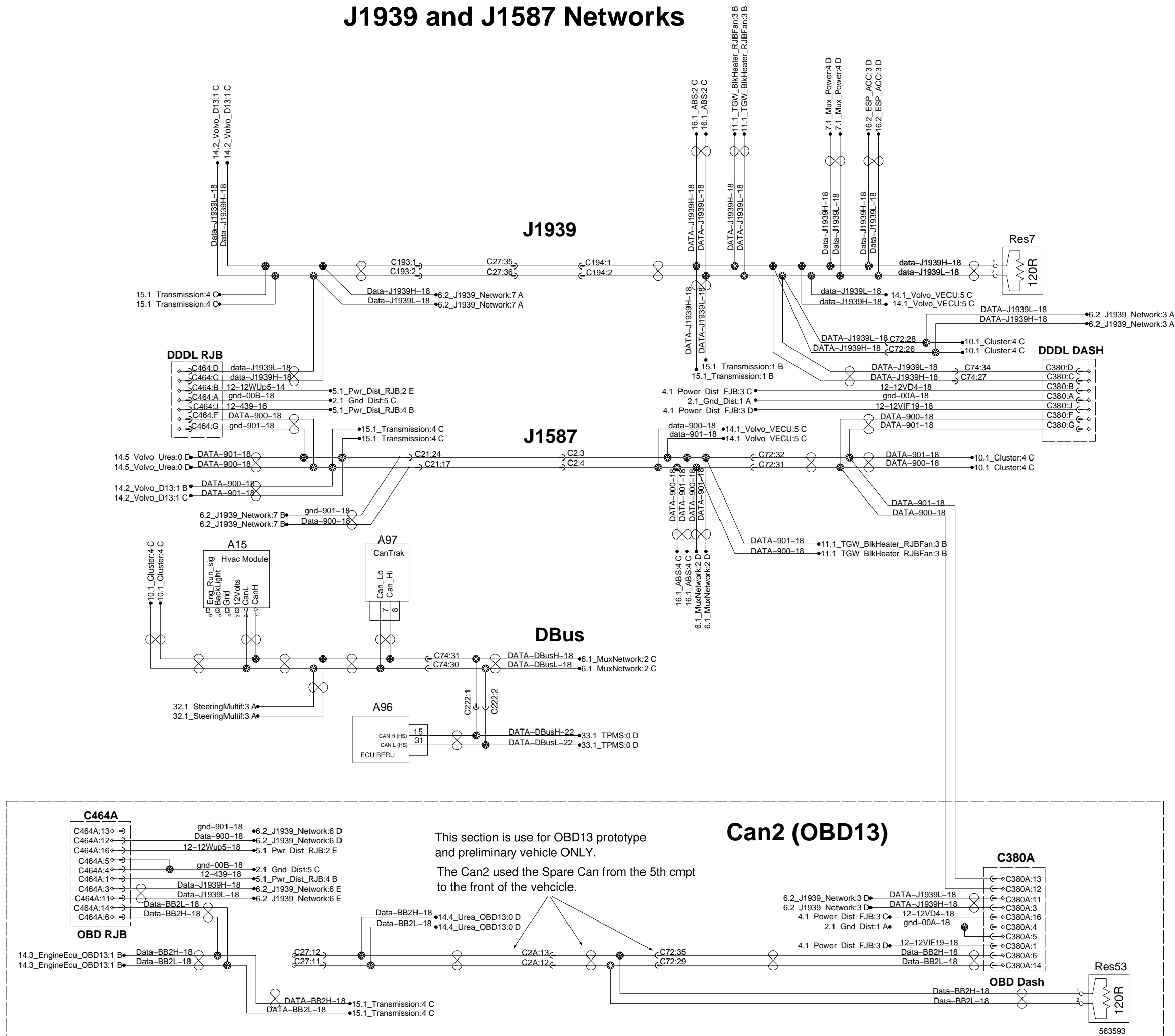
DDDL RJB



DDDL DASH



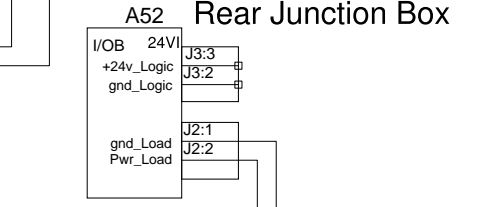
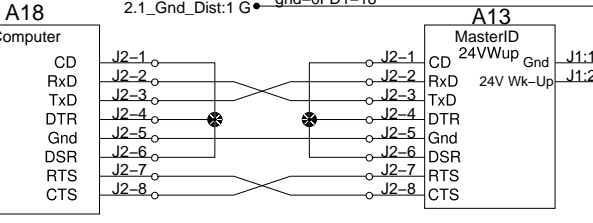
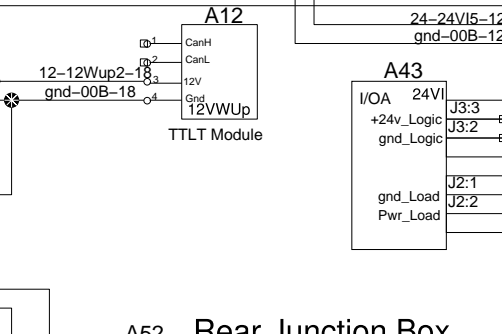
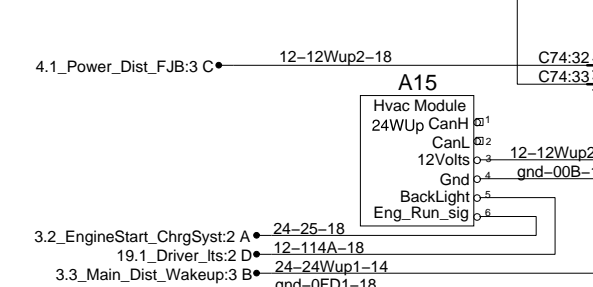
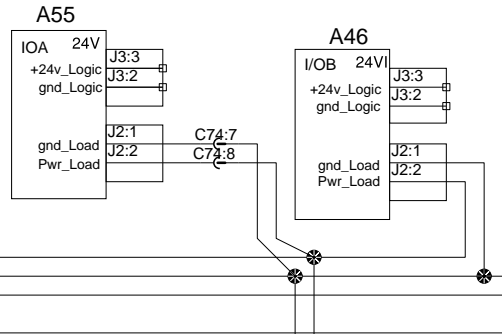
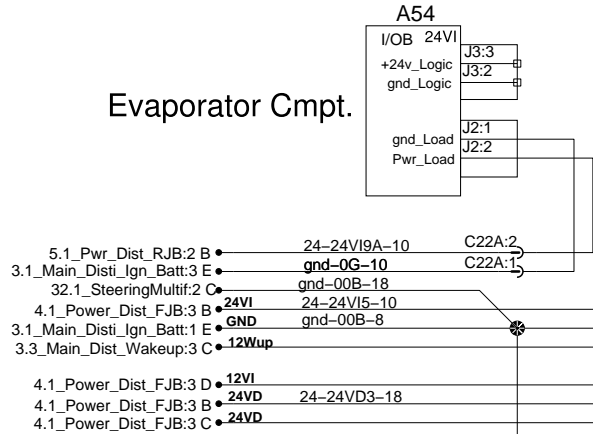
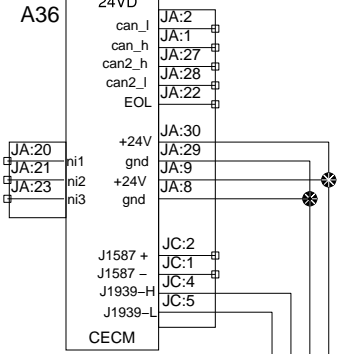
J1939 and J1587 Networks



Evaporator Cmpt.

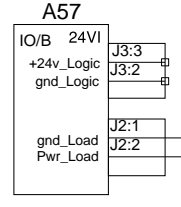
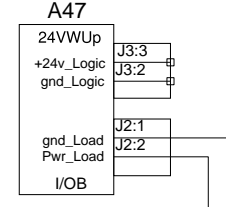
Multiplex Power Supply Distribution

Front Junction Box

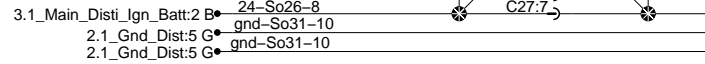
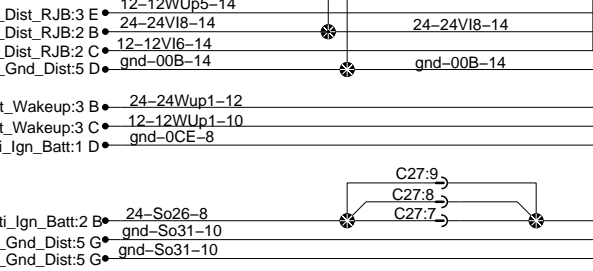
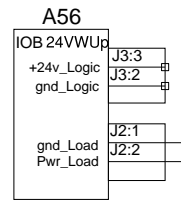
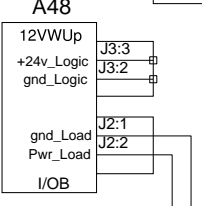
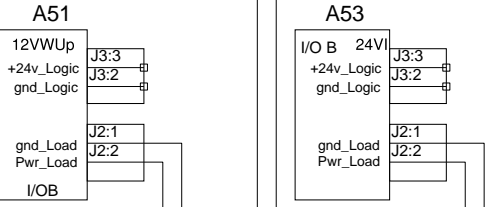
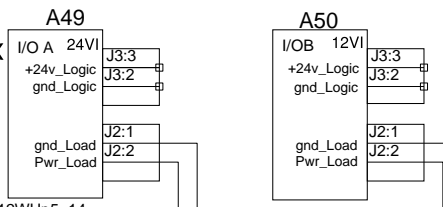


RH Console

SlideOut



Rear Junction Box



Evaporator Cmpt.

Multiplex Power Supply Distribution

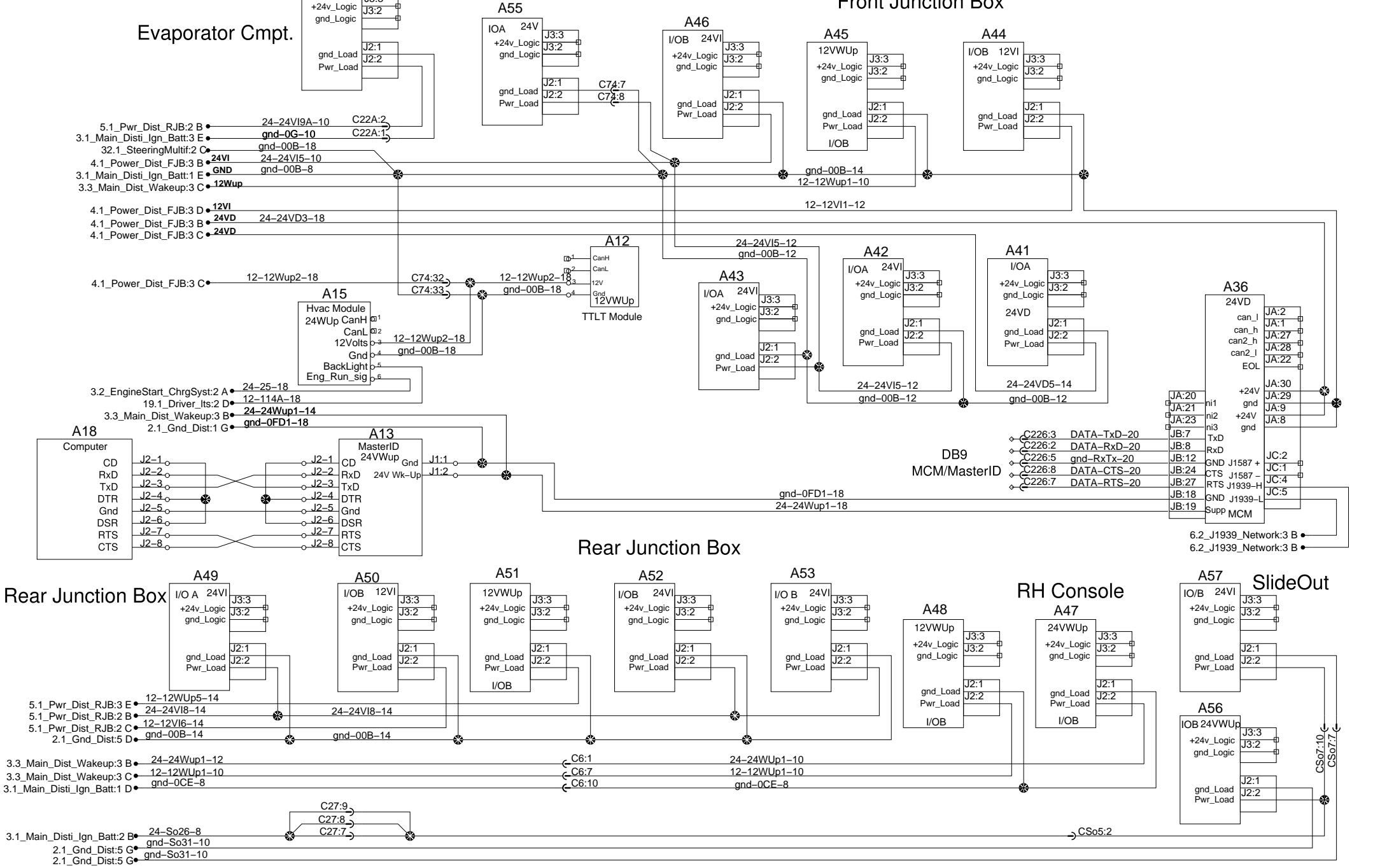
Front Junction Box

Rear Junction Box

RH Console

SlideOut

Rear Junction Box



Evaporator Cmpt.

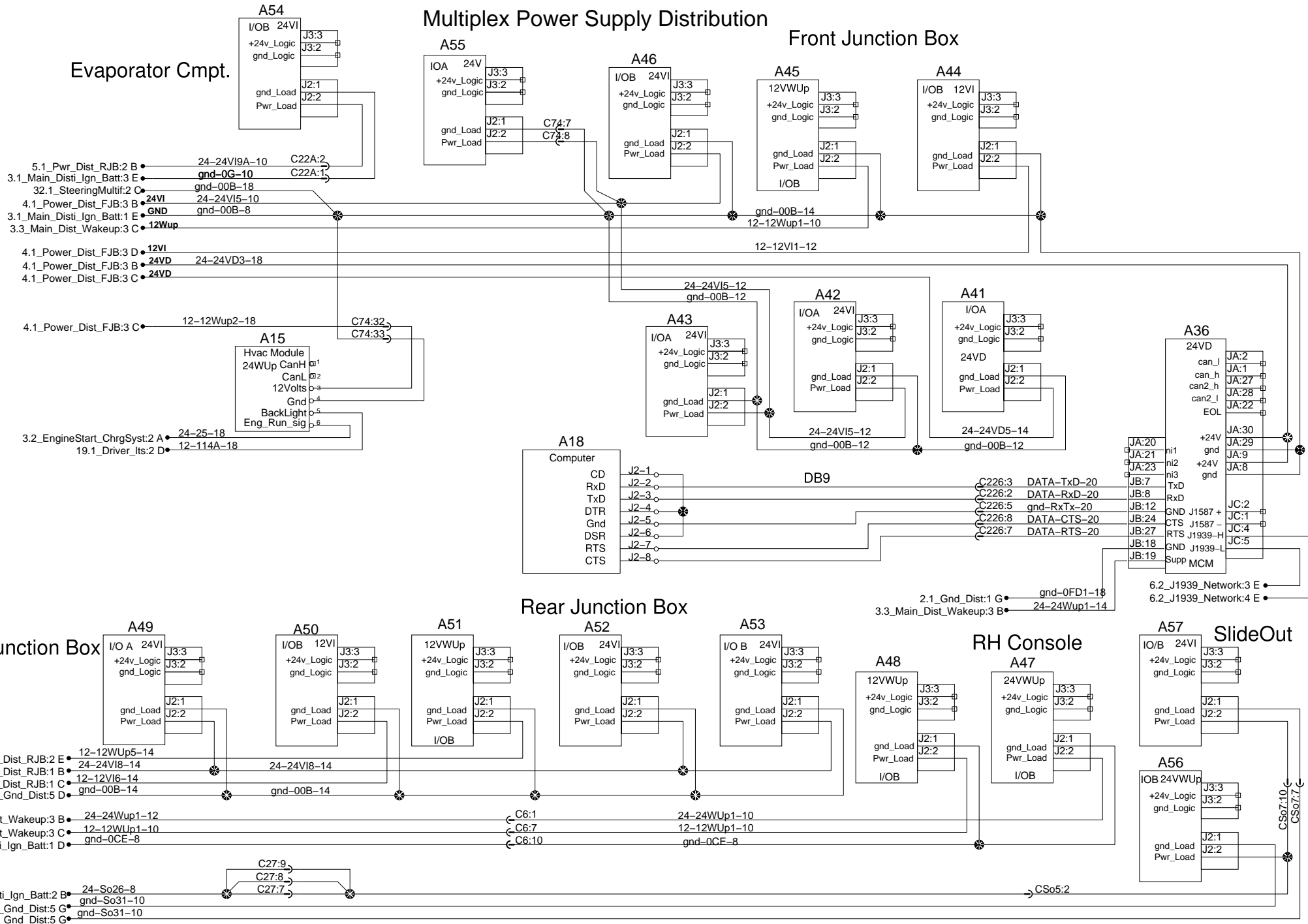
Multiplex Power Supply Distribution

Front Junction Box

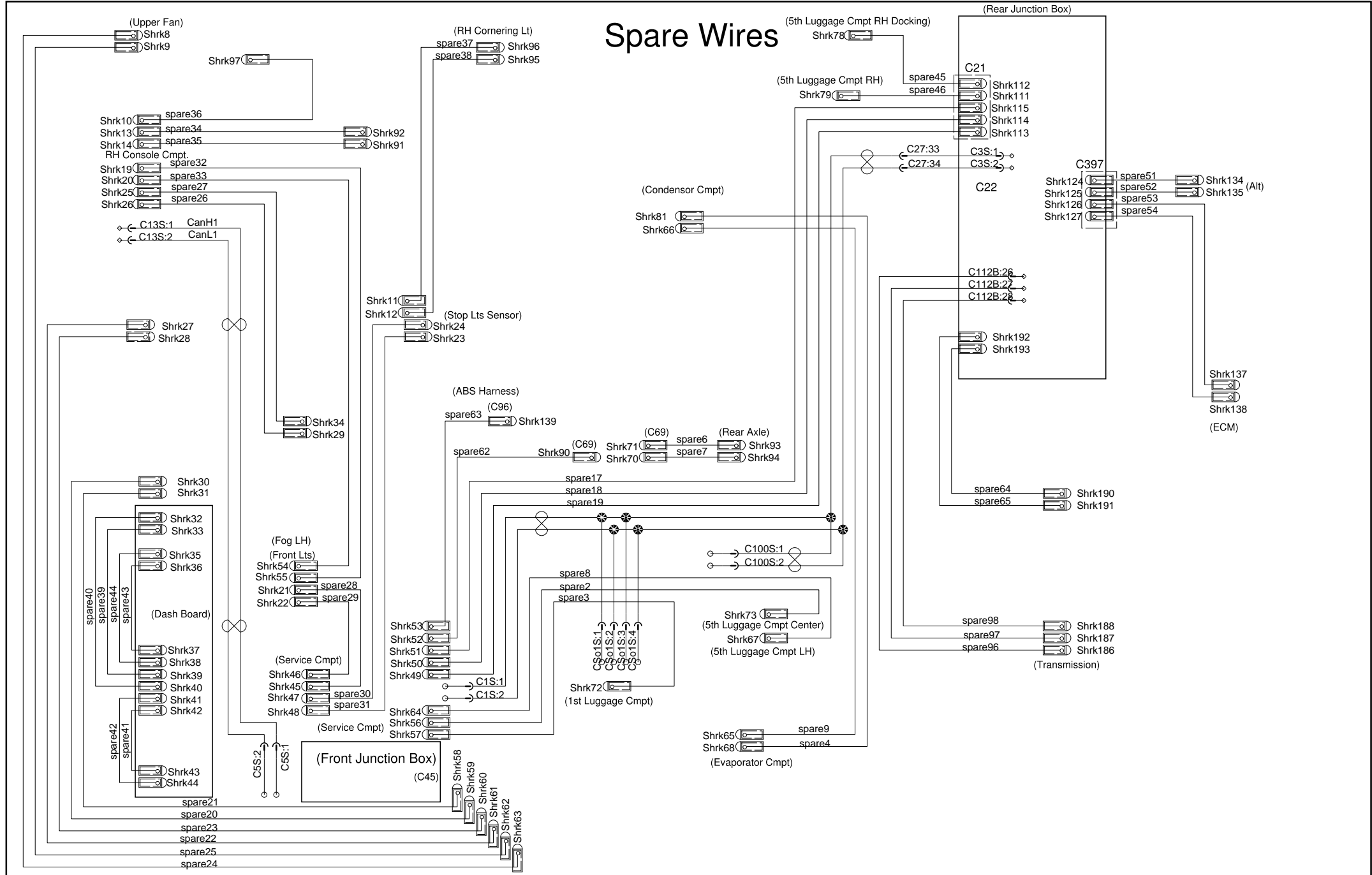
Rear Junction Box

RH Console

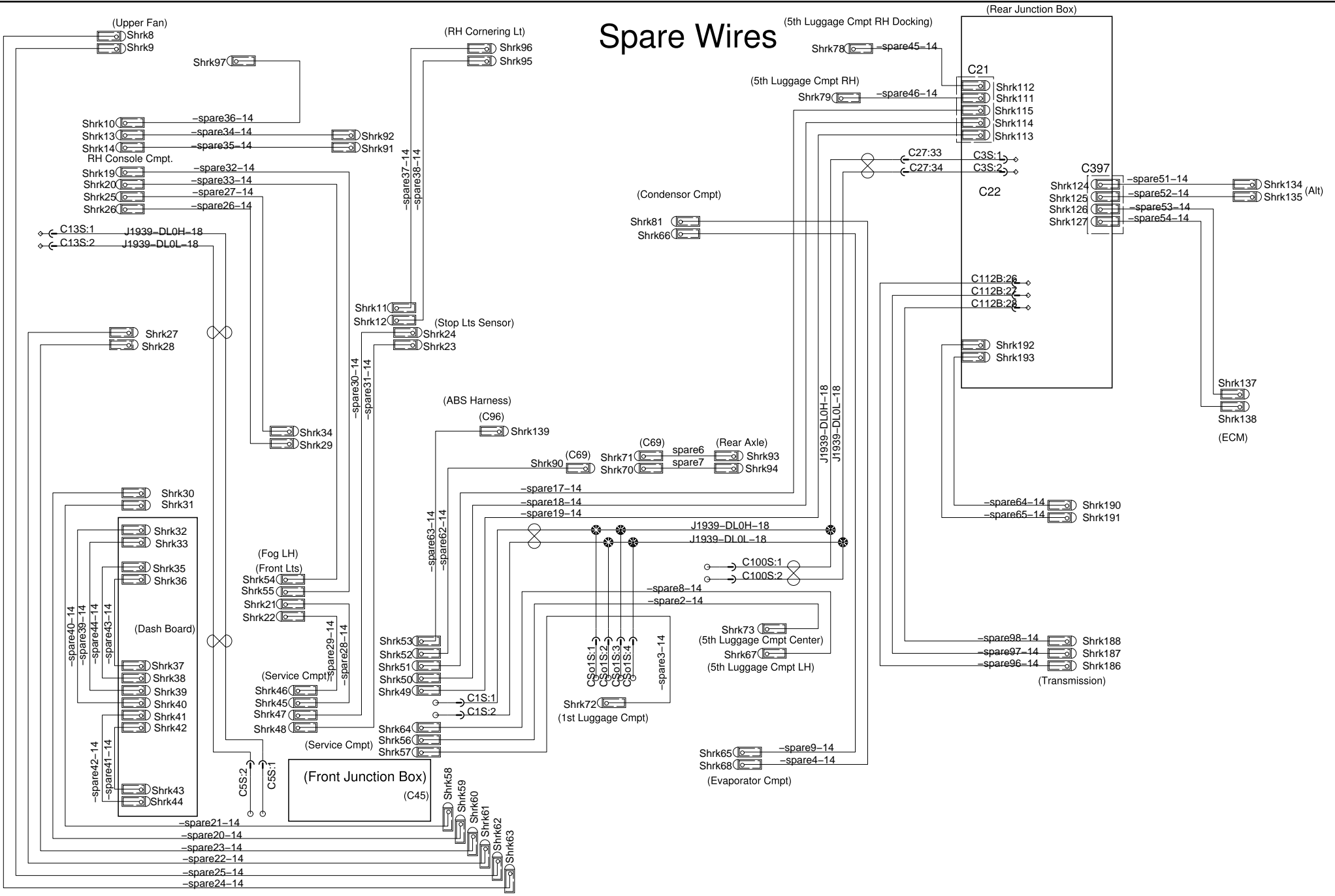
SlideOut



Spare Wires



Spare Wires



0

1

2

3

4

A

A

B

B

C

C

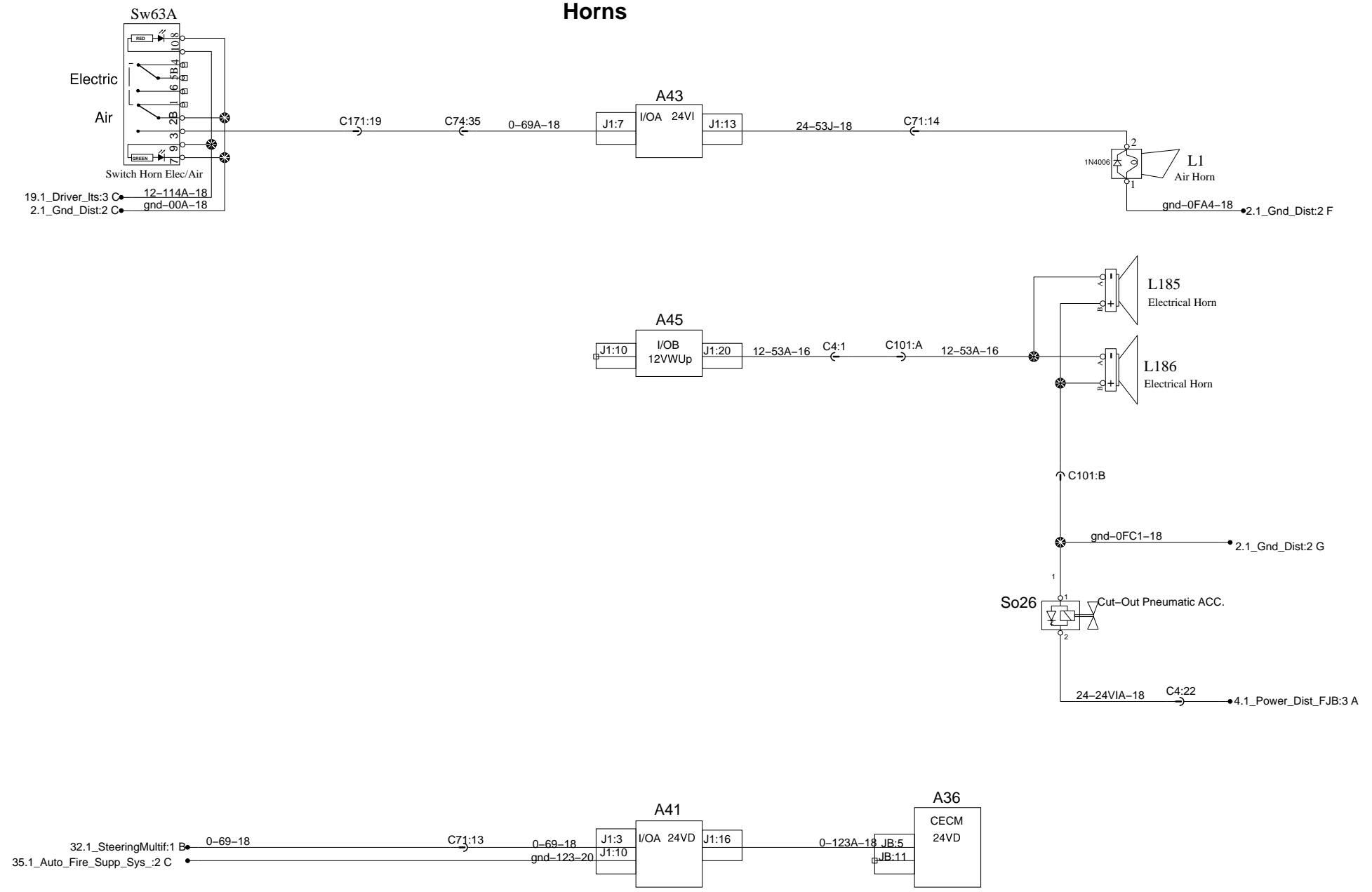
D

D

E

E

Horns



0

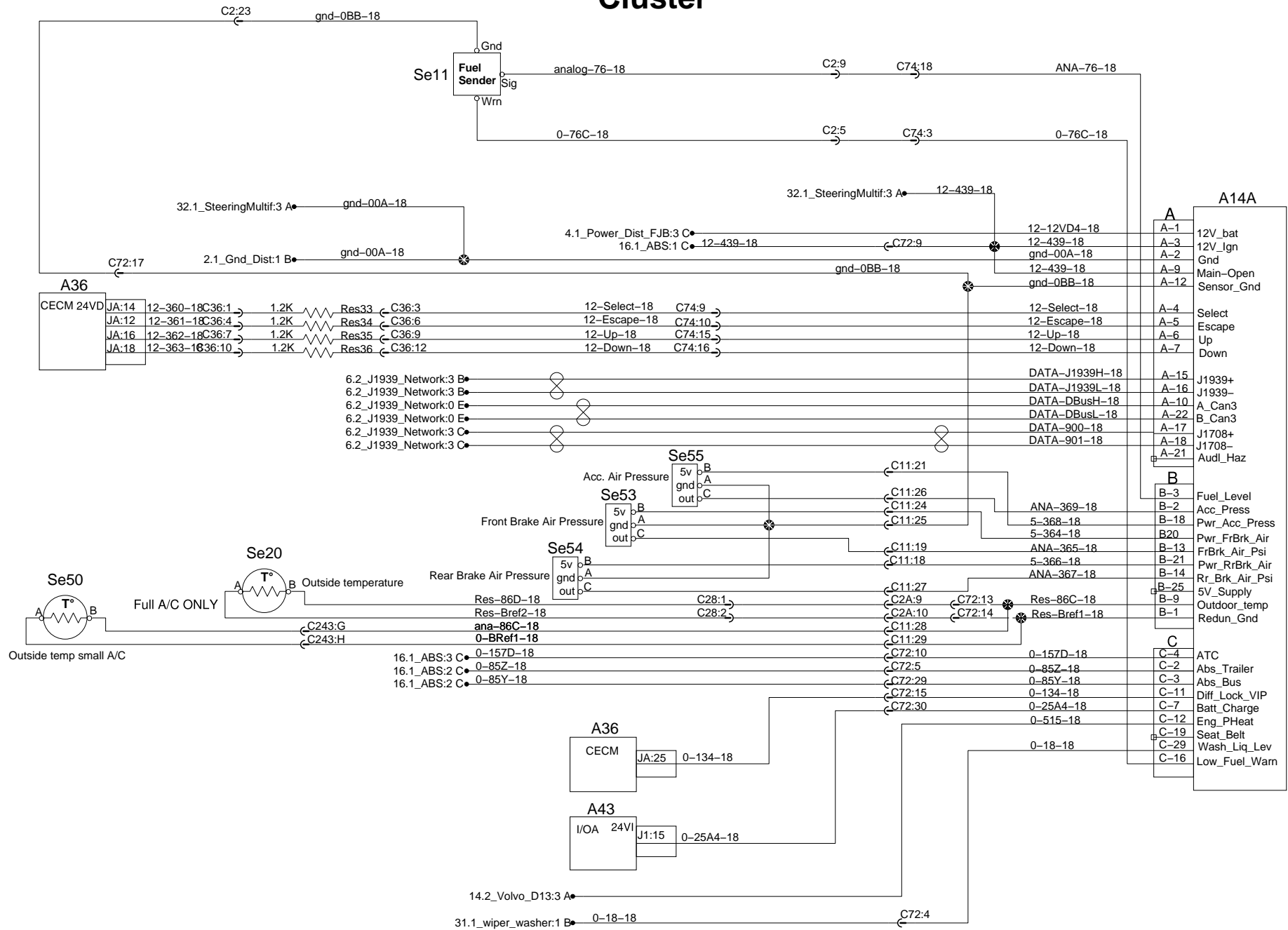
1

2

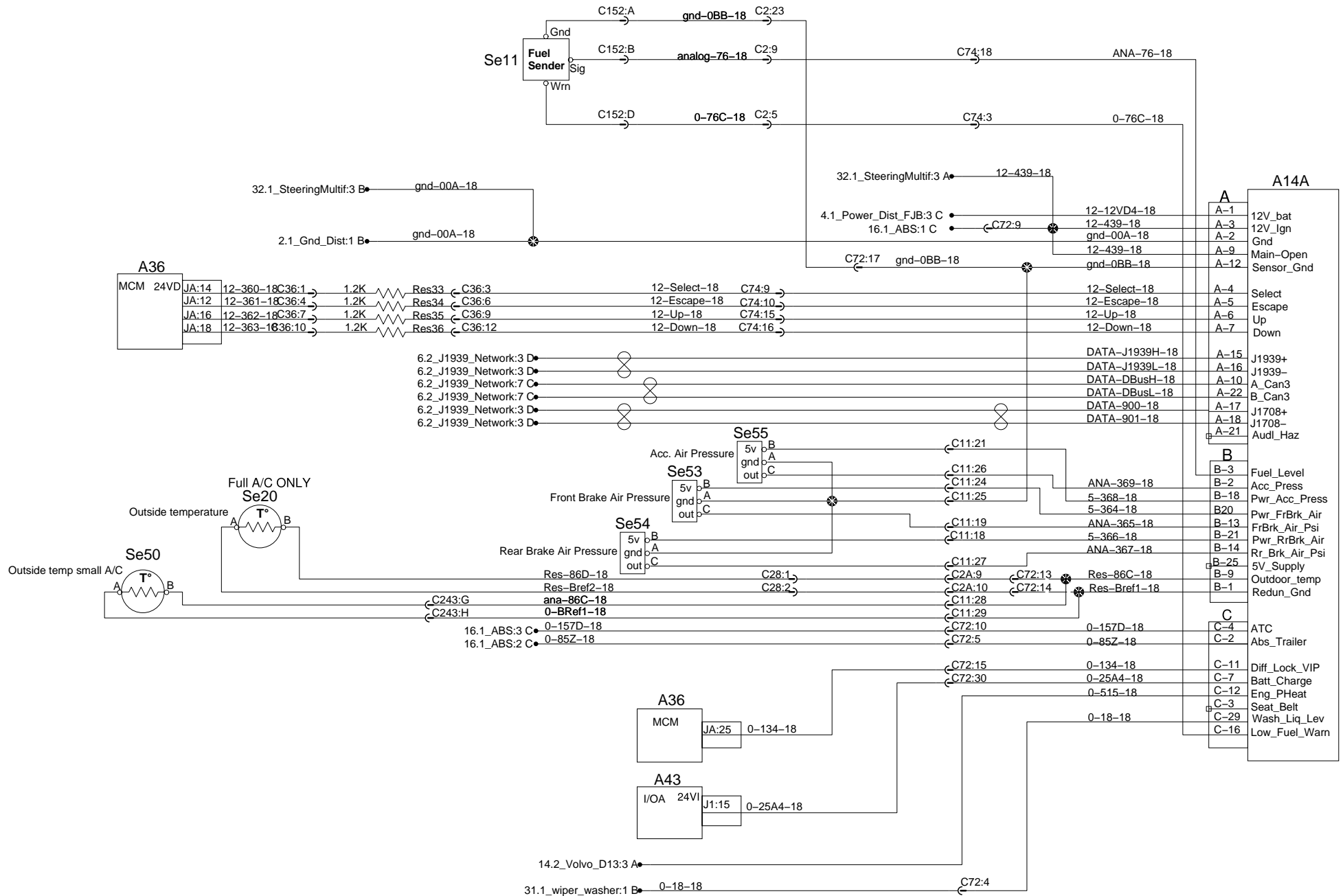
3

4

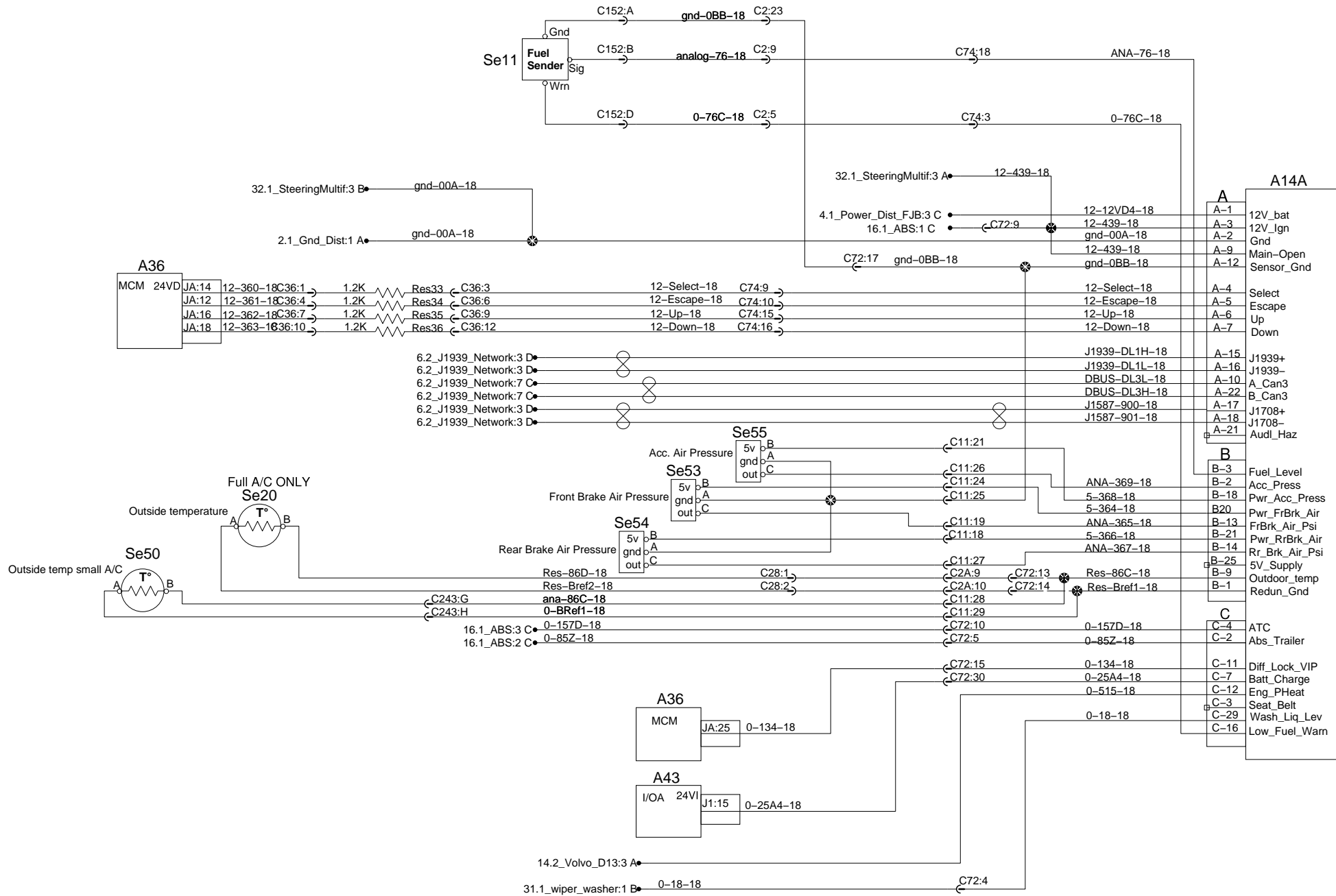
Cluster



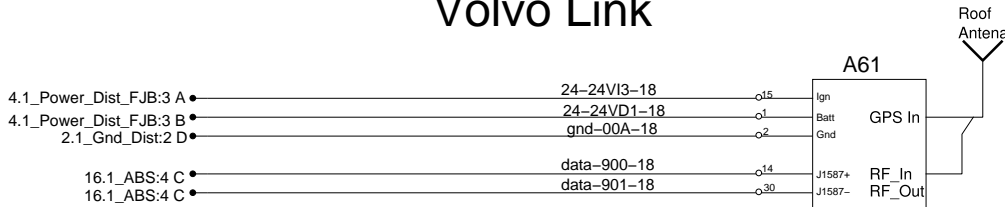
Cluster



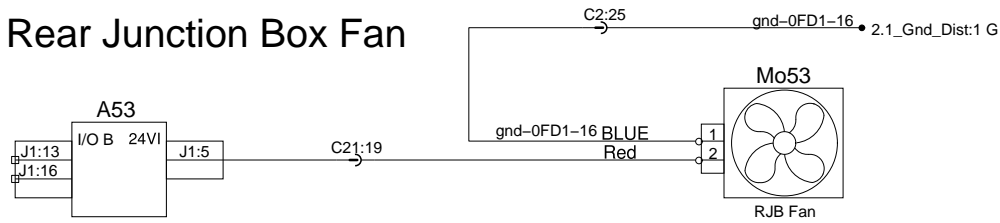
Cluster



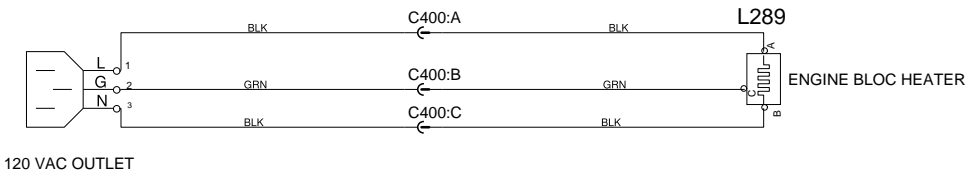
Volvo Link



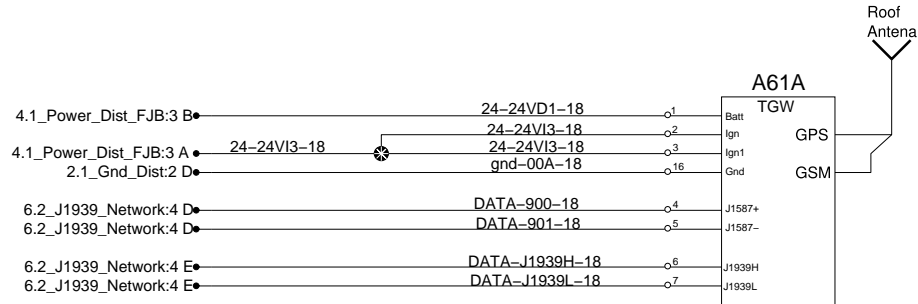
Rear Junction Box Fan



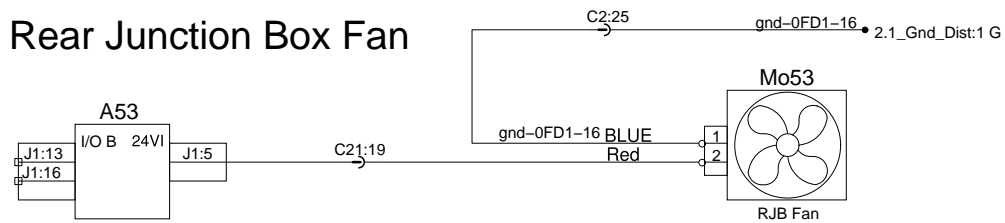
ENGINE BLOCK HEATER



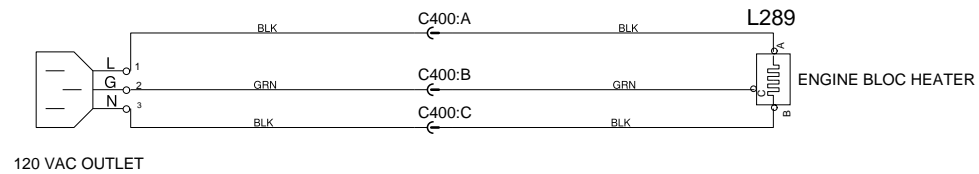
Volvo Link (TGW)



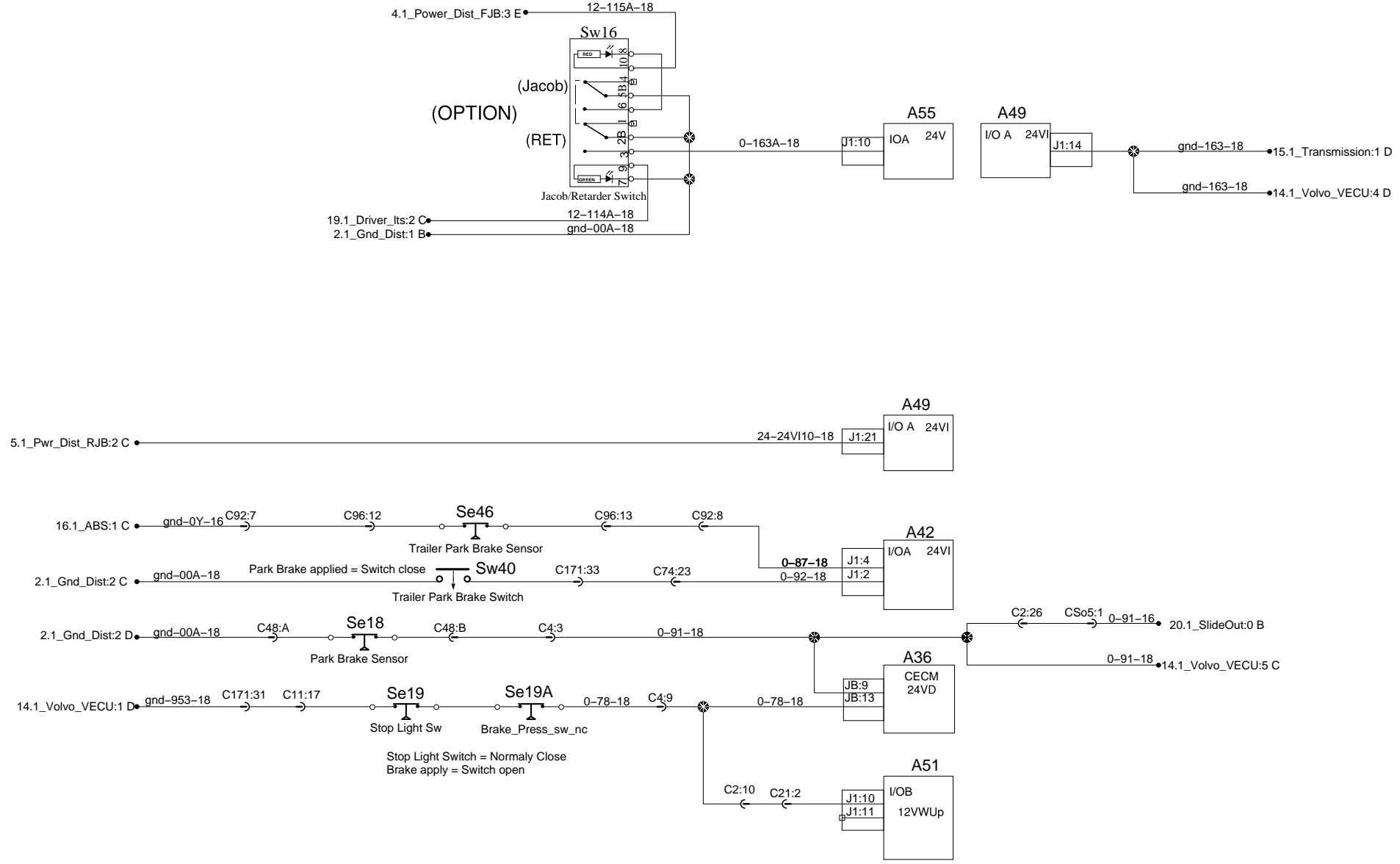
Rear Junction Box Fan



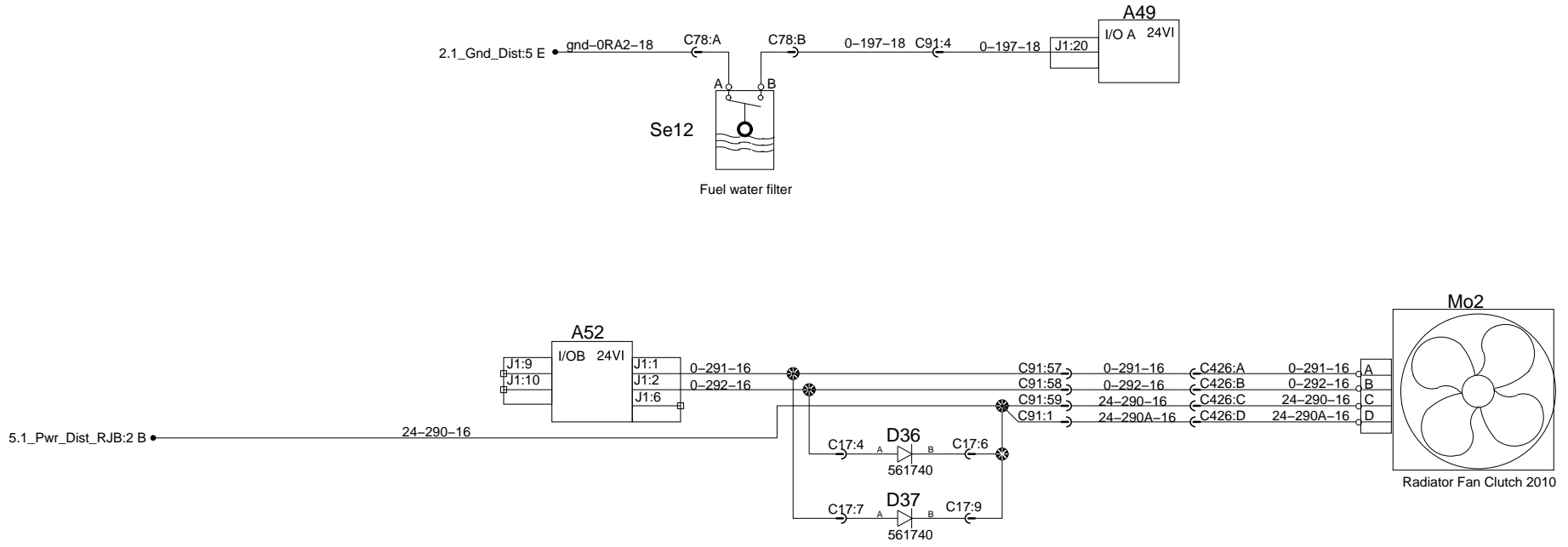
ENGINE BLOCK HEATER



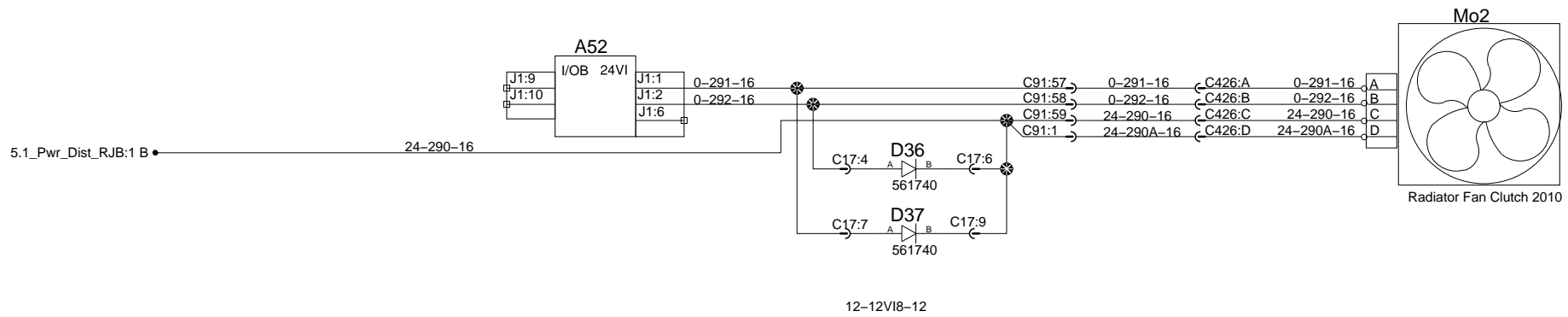
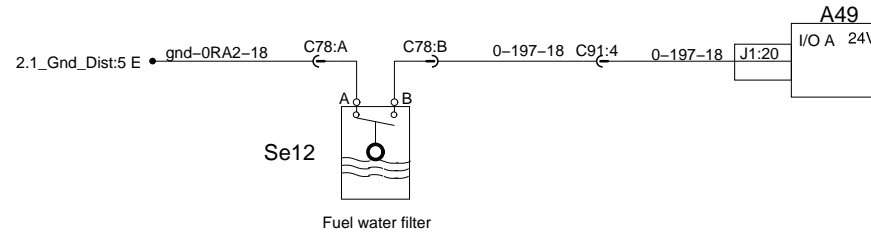
Brake, Engine Brake and Retarder



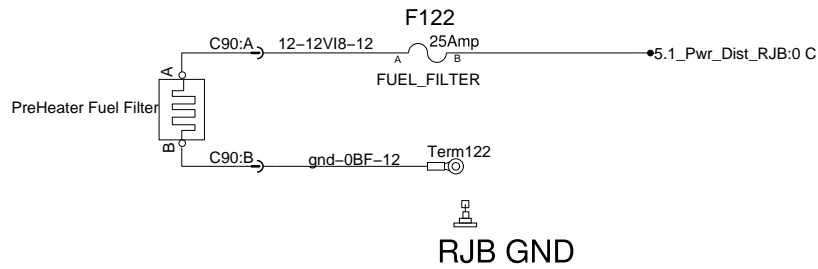
Water Filter and Fan Clutch

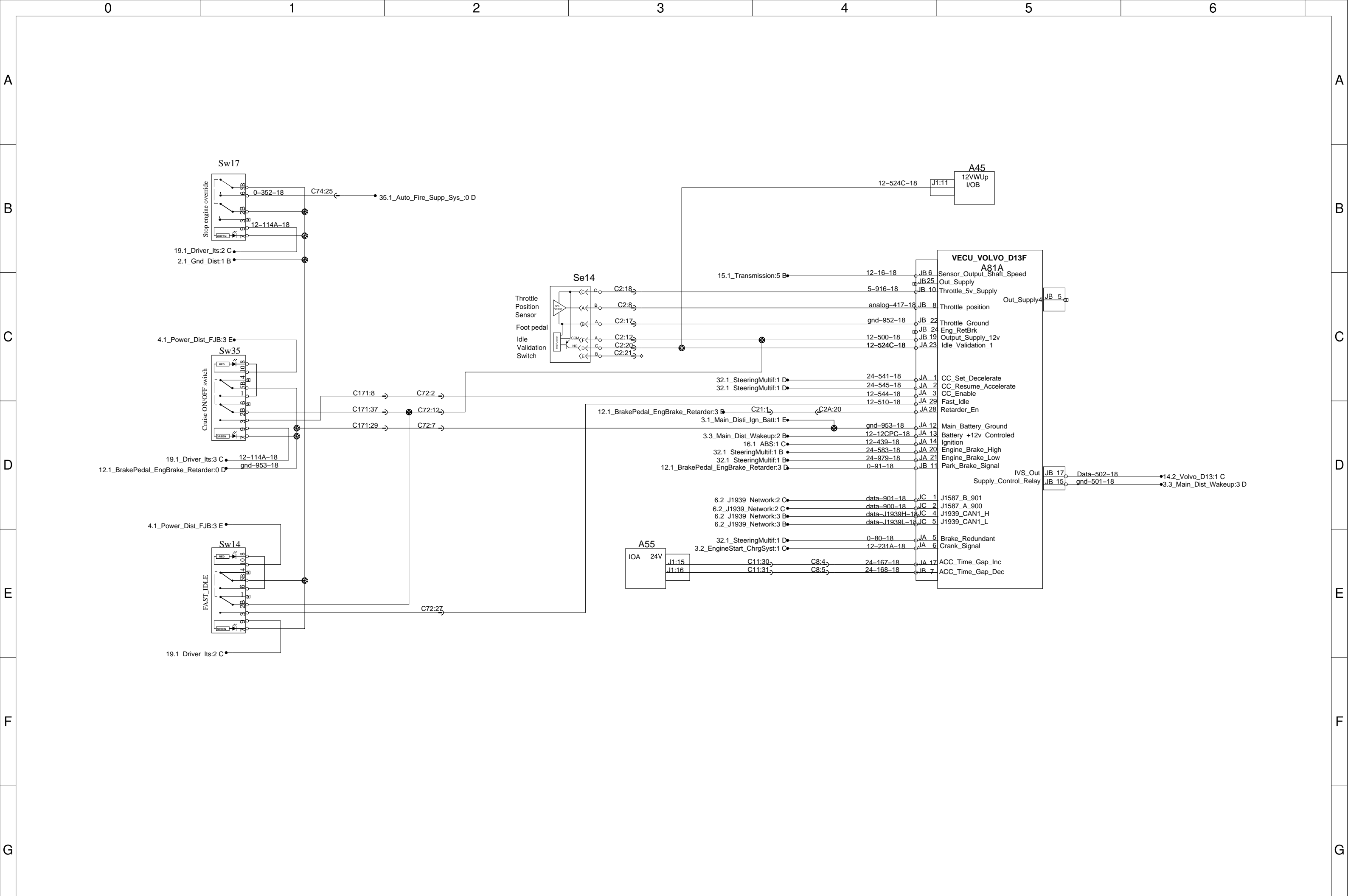


Water Filter and Fan Clutch

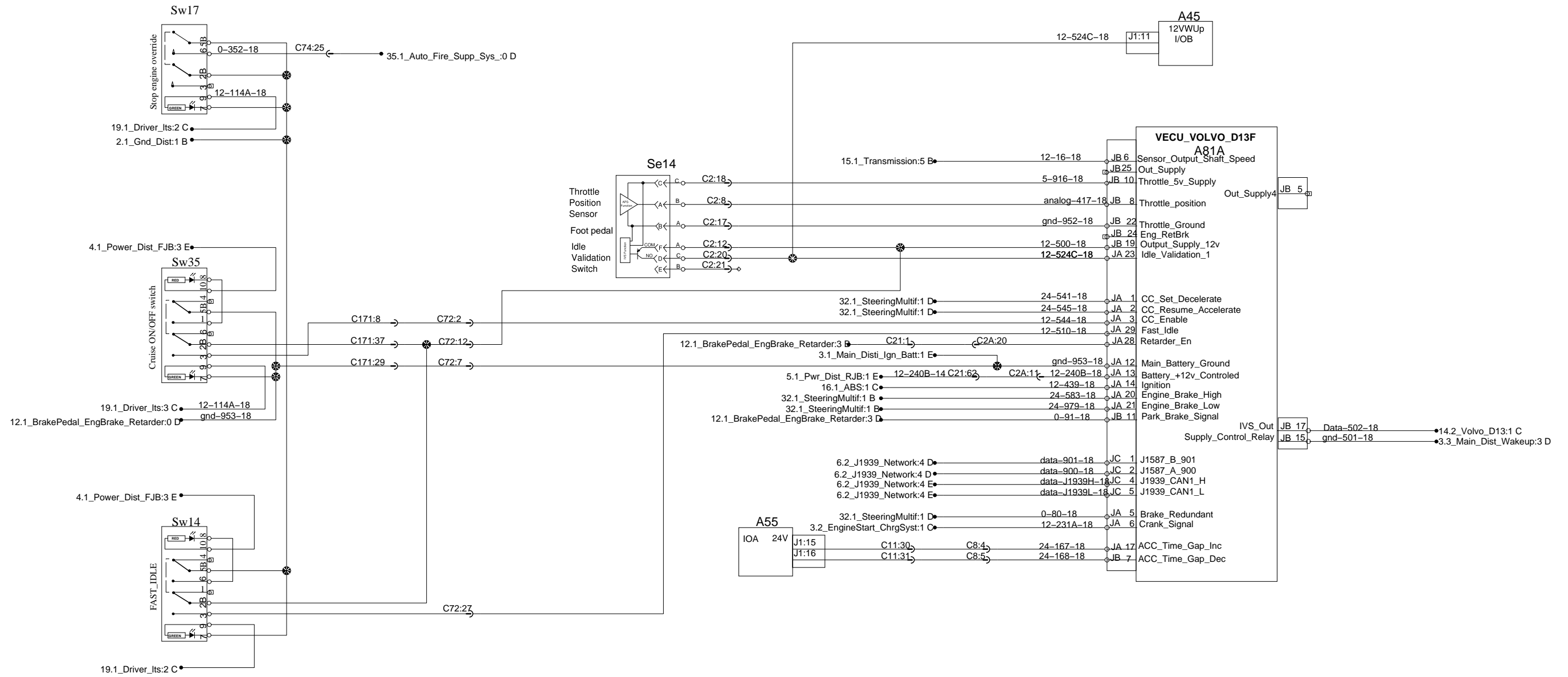


Preheater Fuel Filter

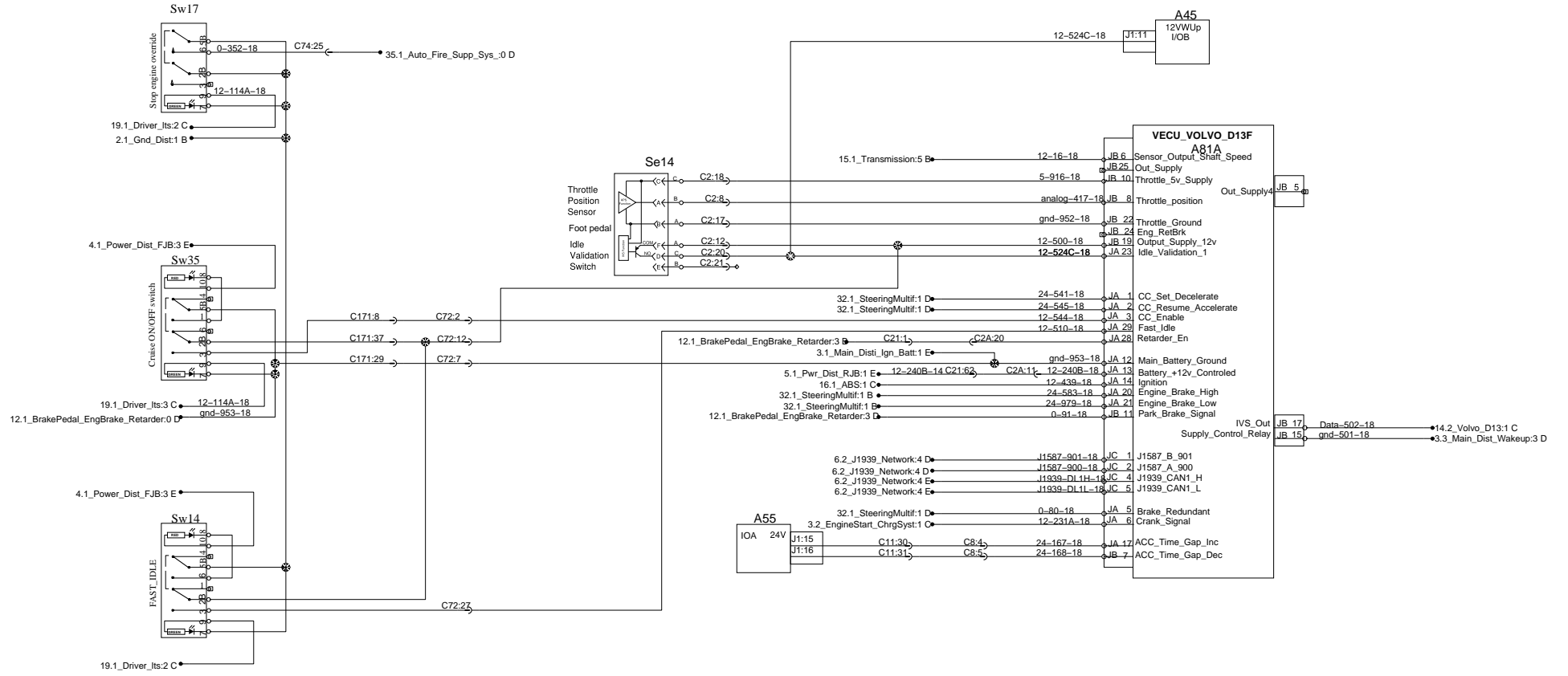




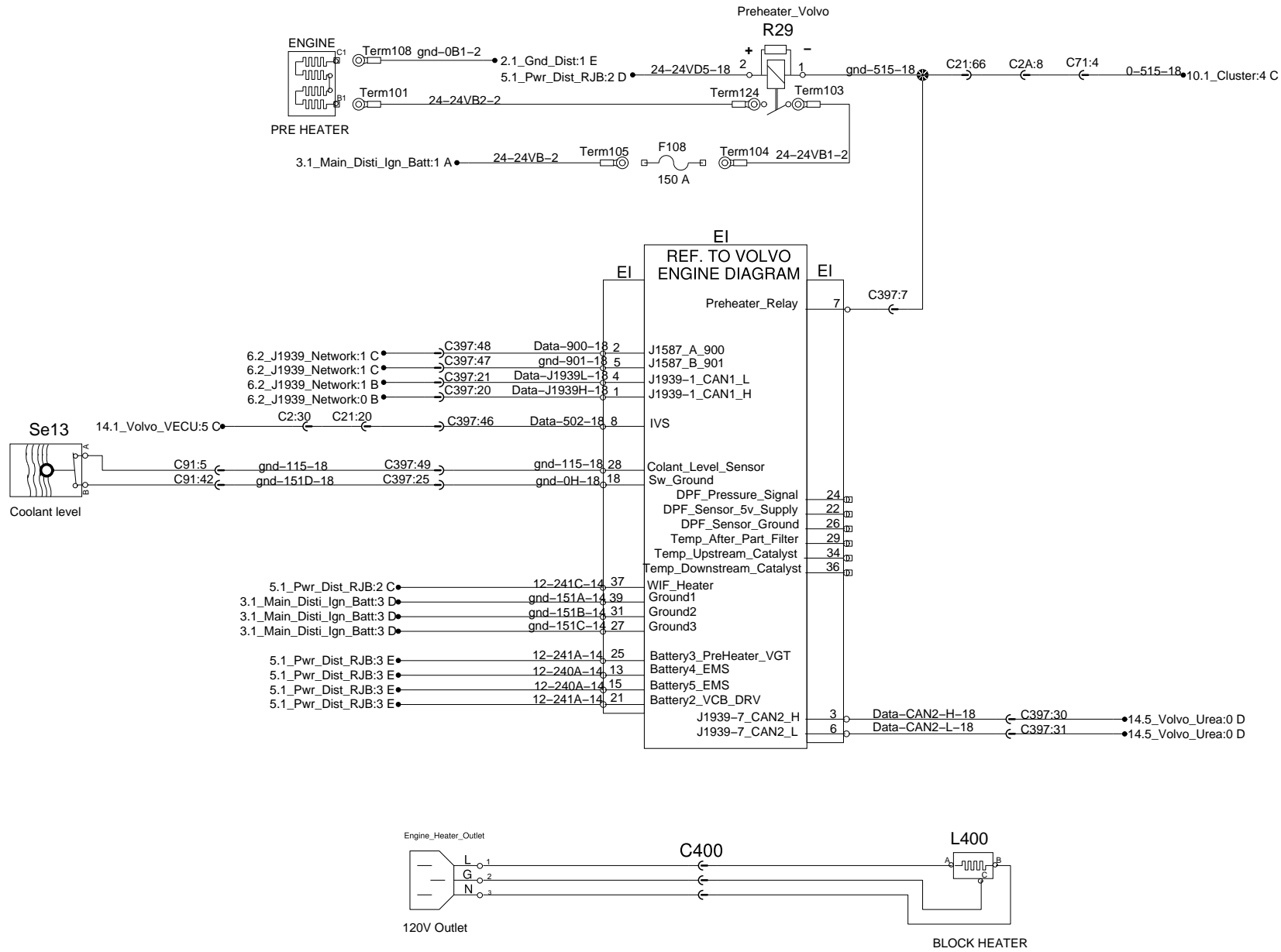
Engine ECU Volvo



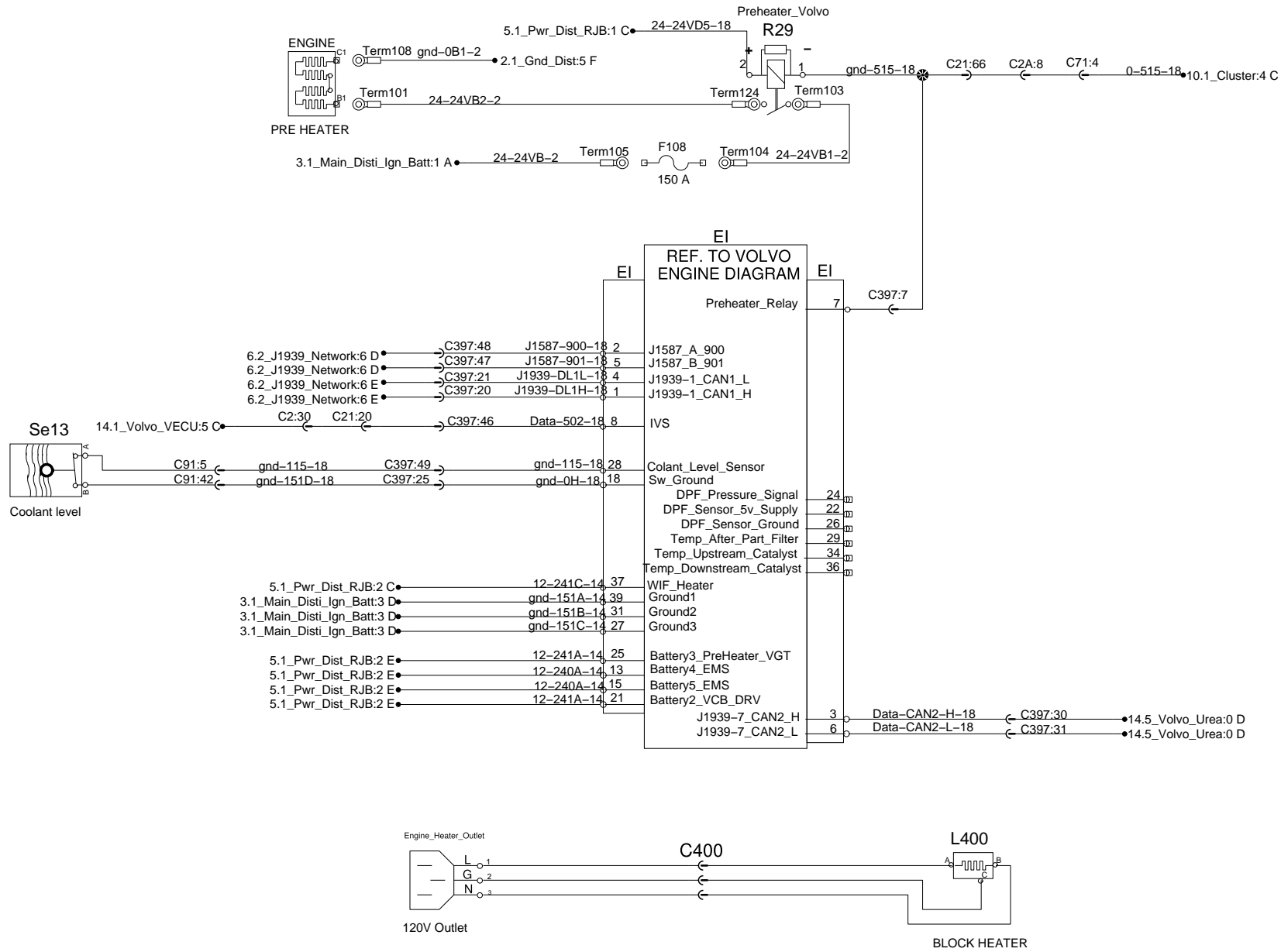
Engine ECU Volvo

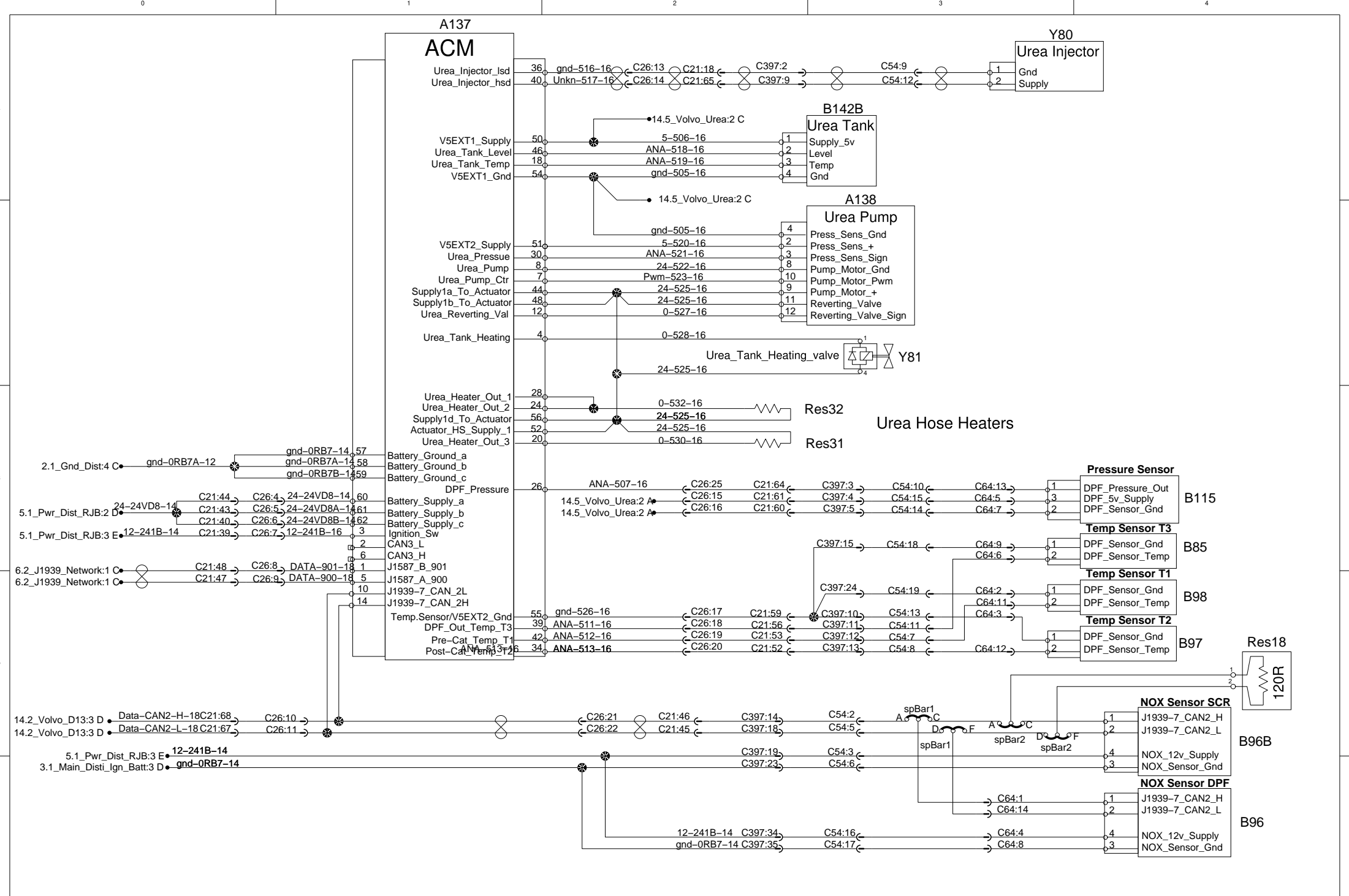


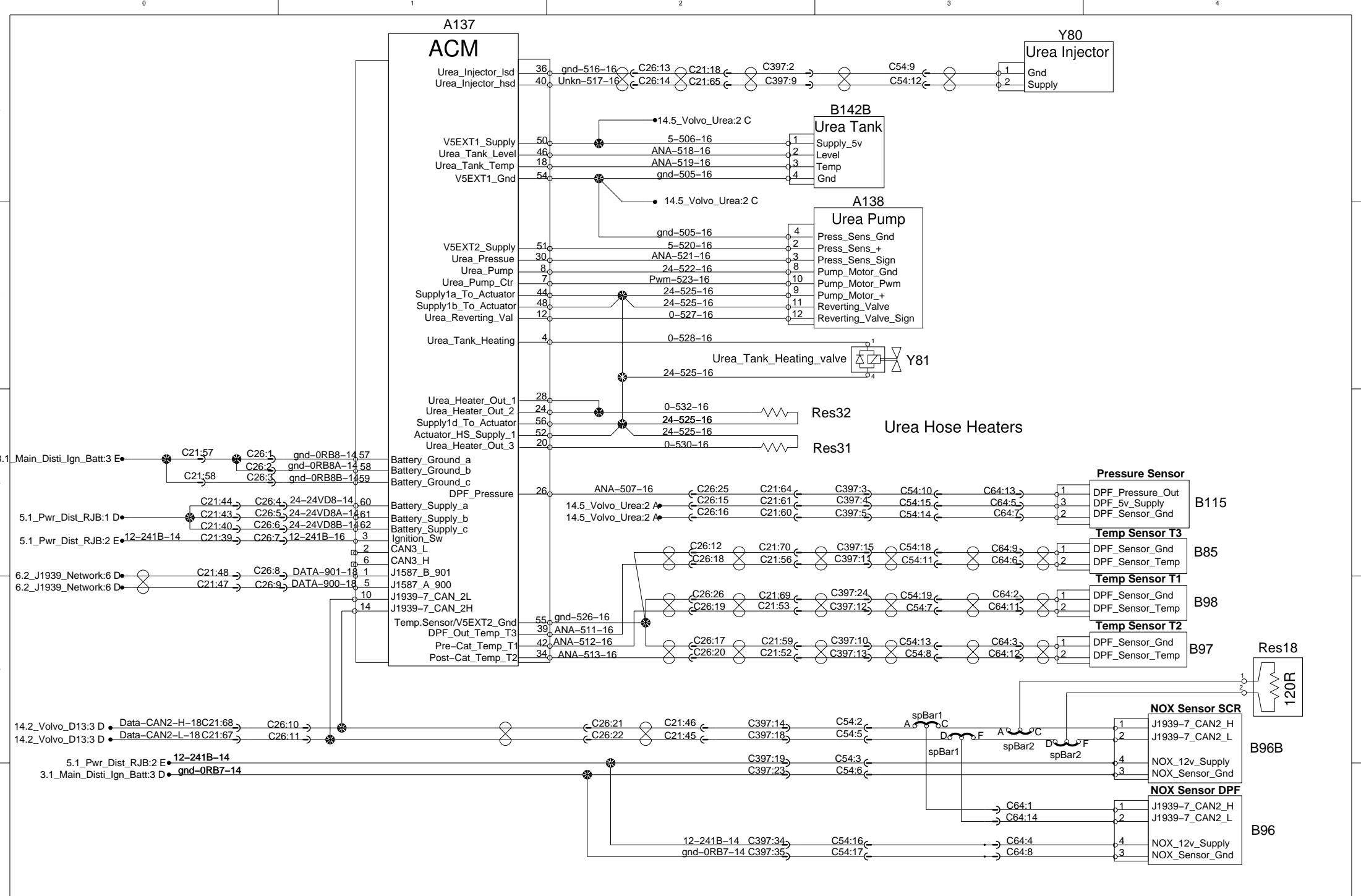
Engine ECU Volvo

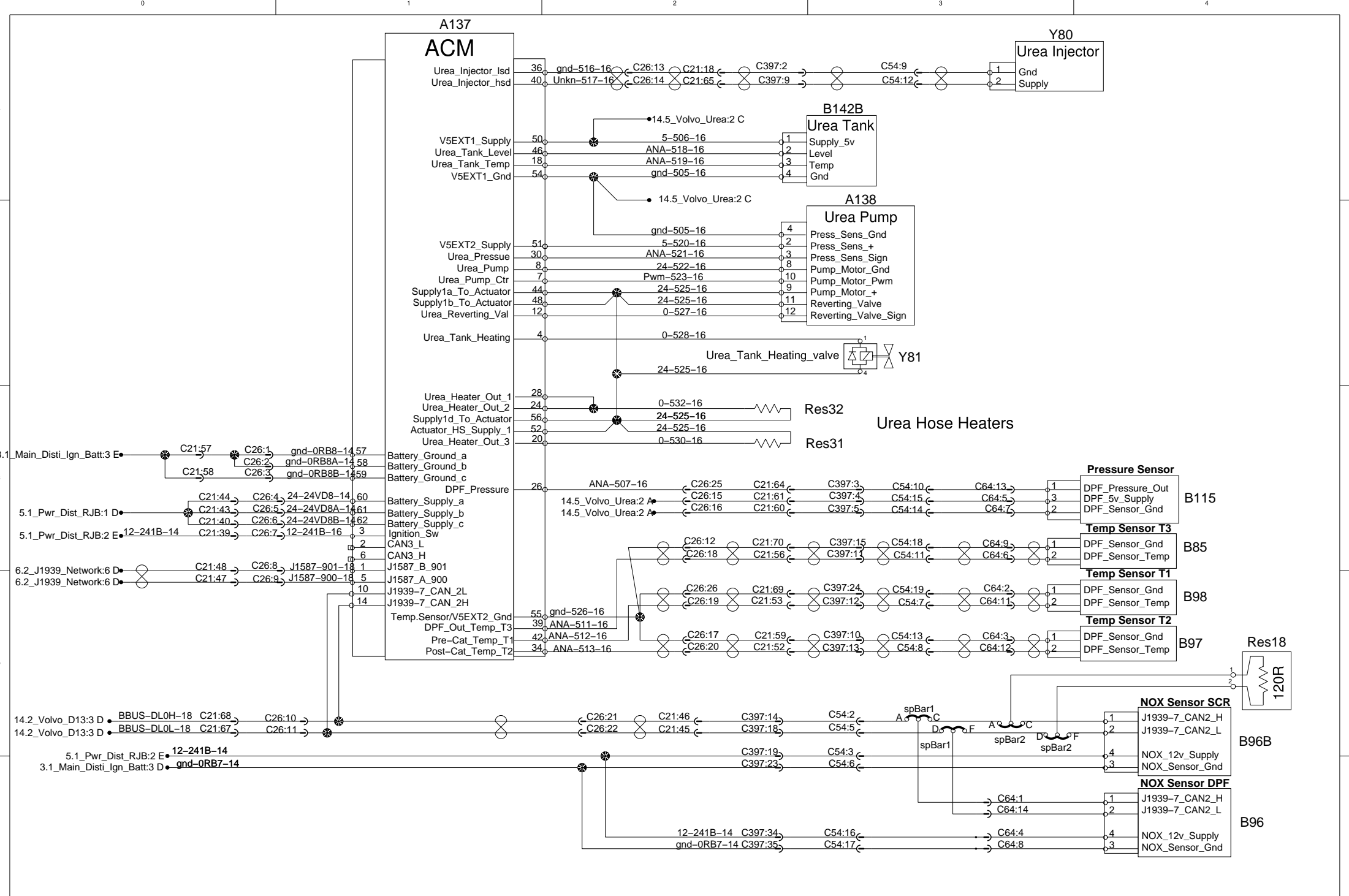


Engine ECU Volvo

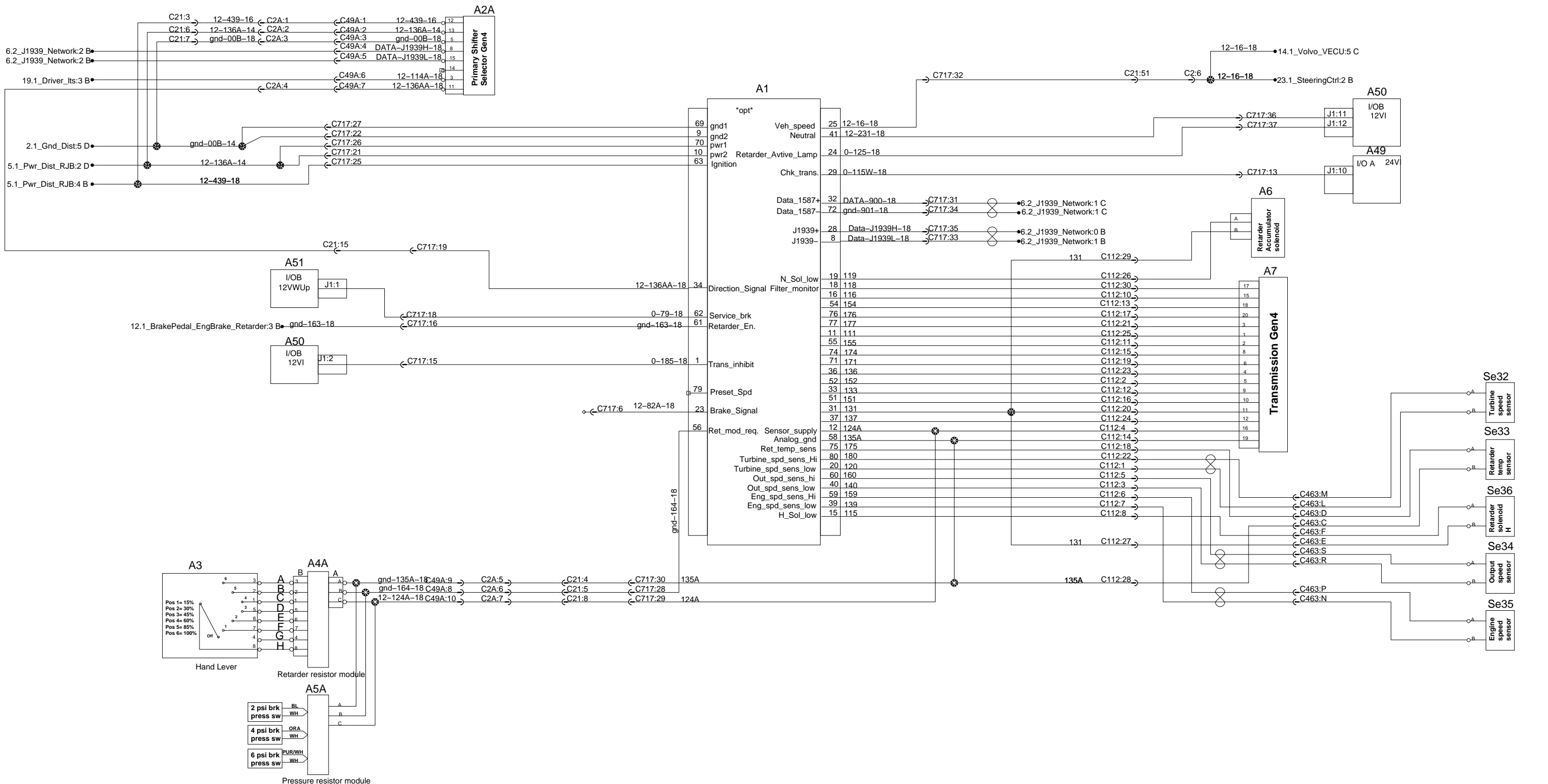




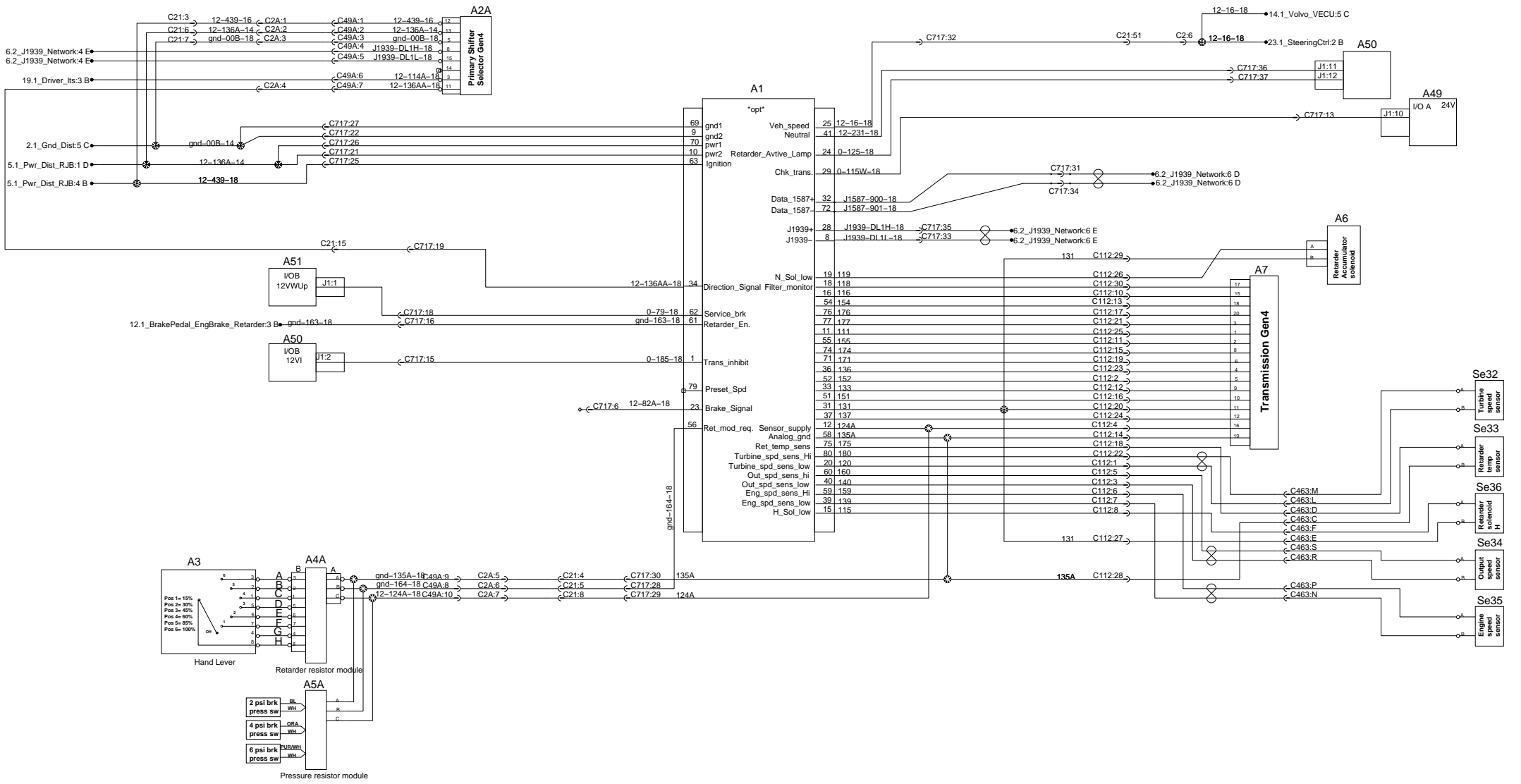




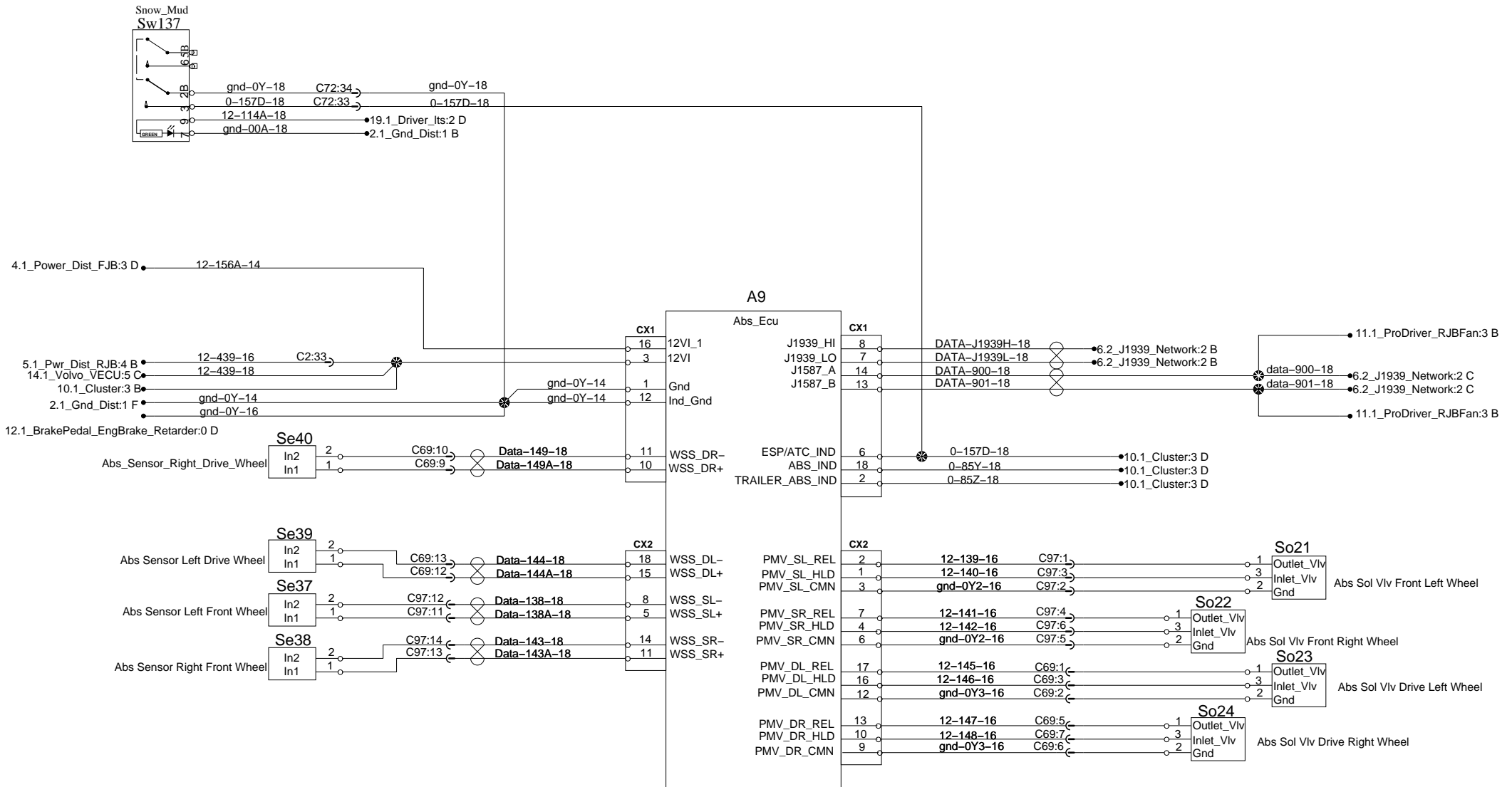
Transmission Allison Gen 4



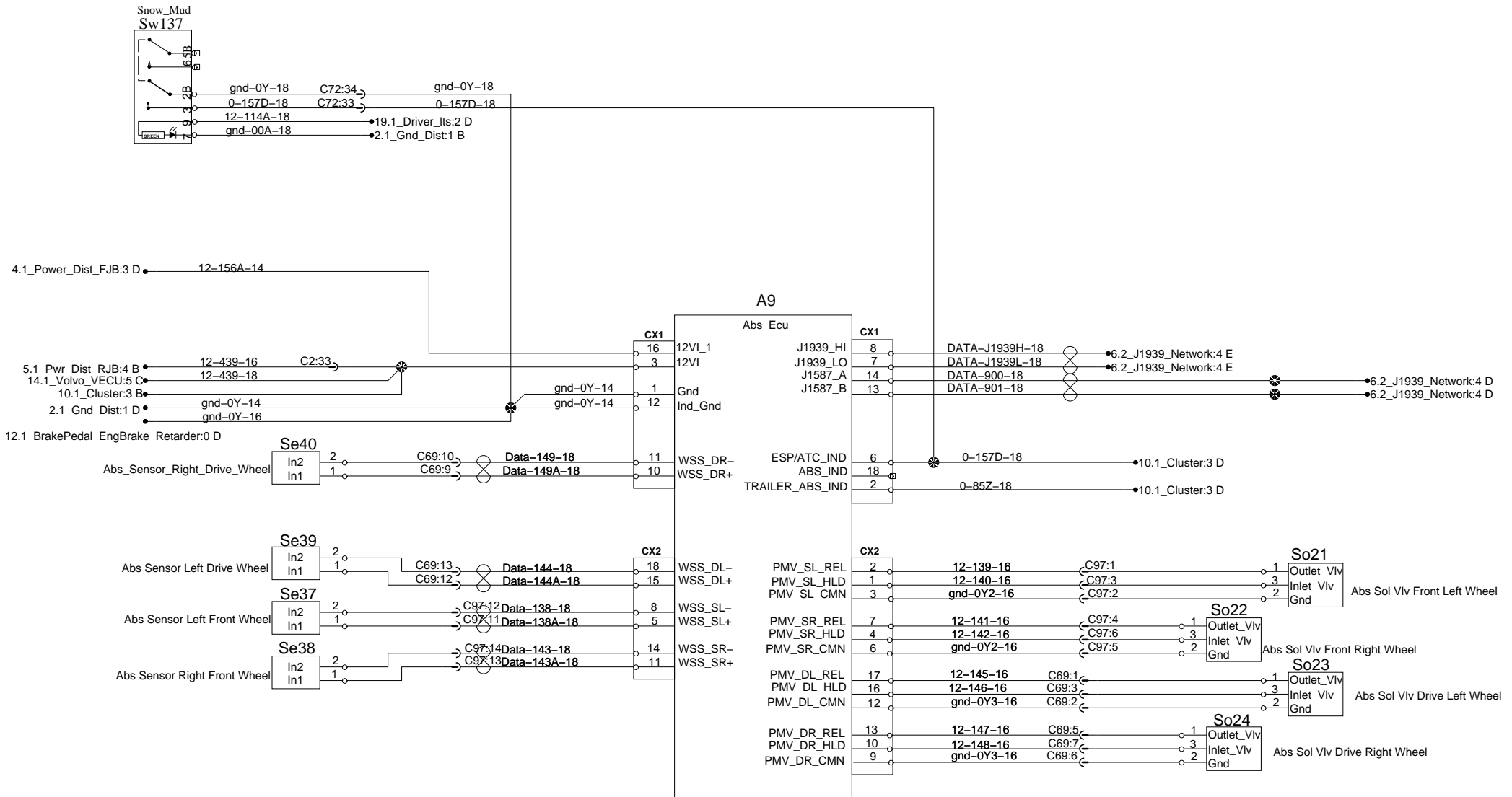
Transmission Allison Gen 4



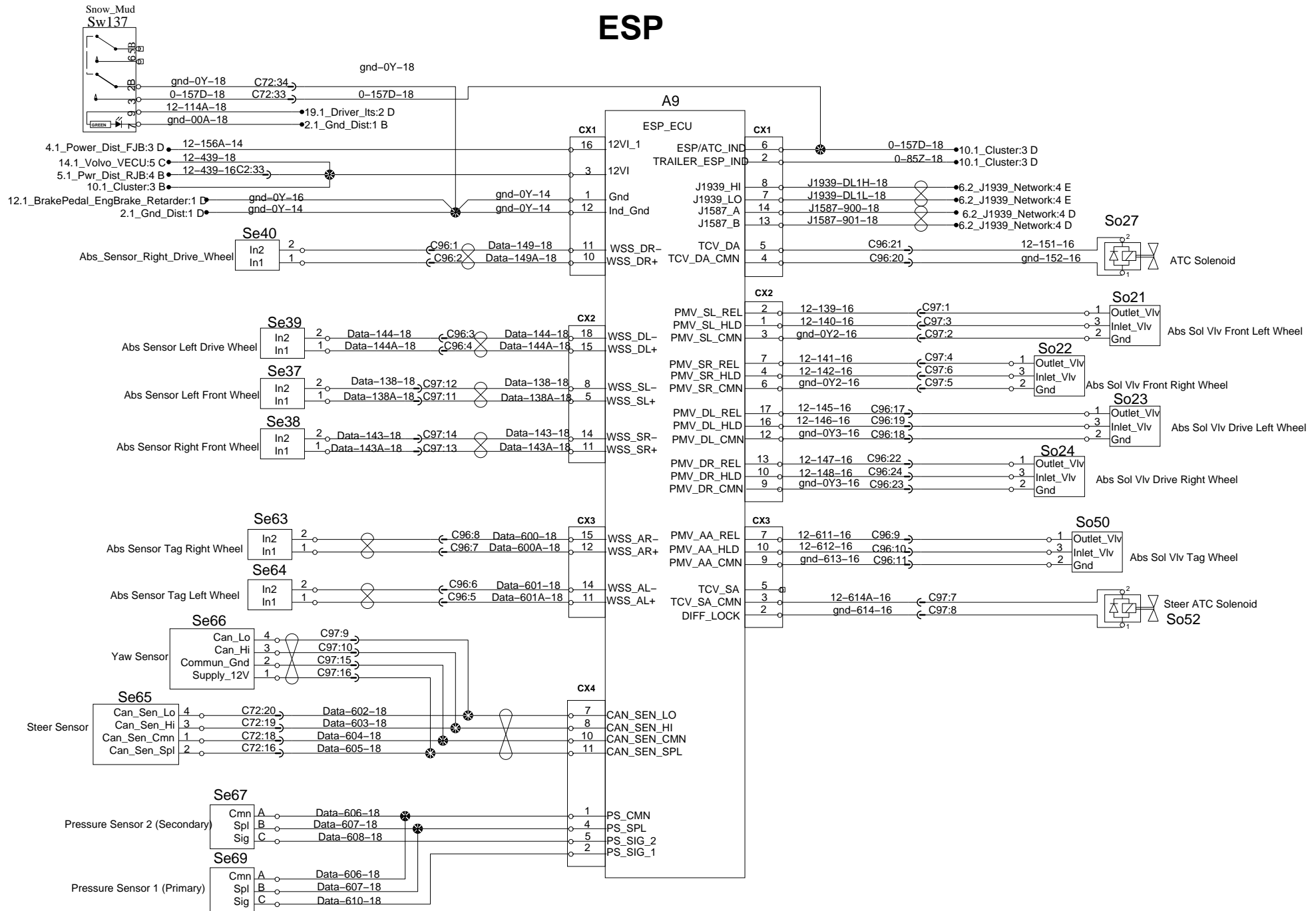
ABS



ABS



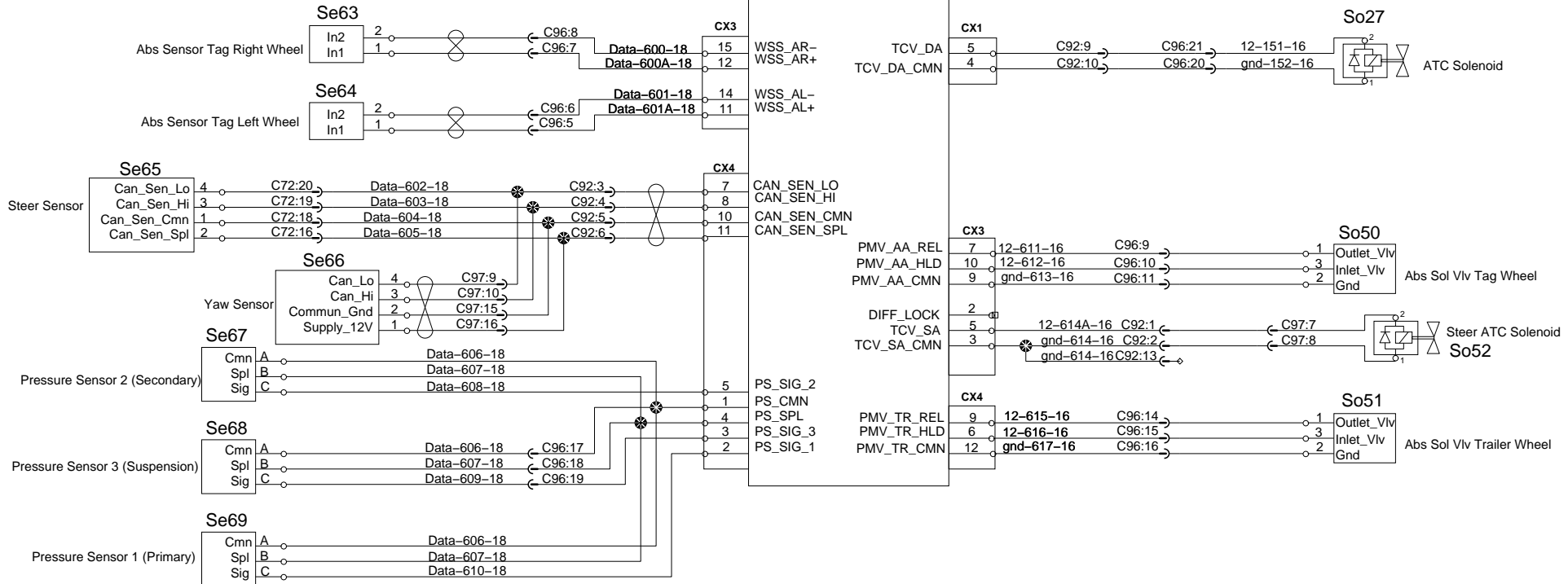
ESP



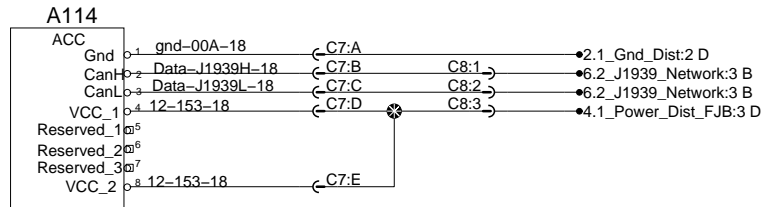
ABS ESP

A9

Abs_Ecu



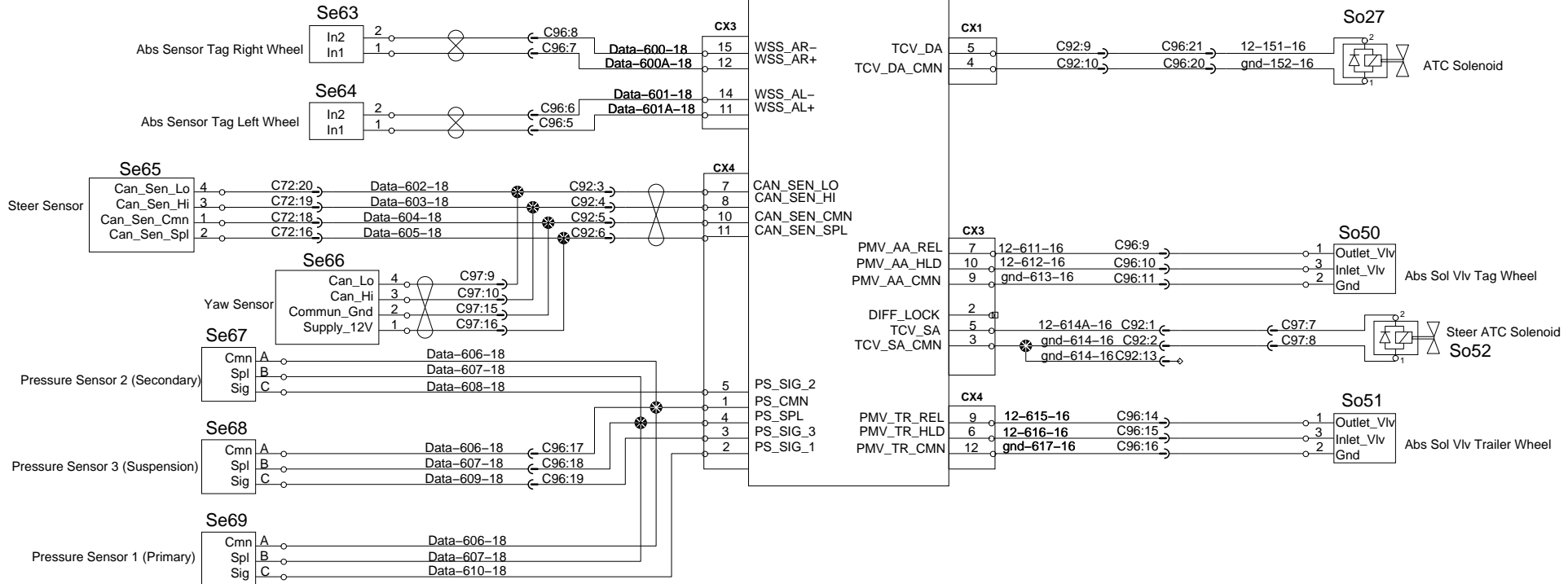
Adaptative Cruise Control Radar



ABS ESP

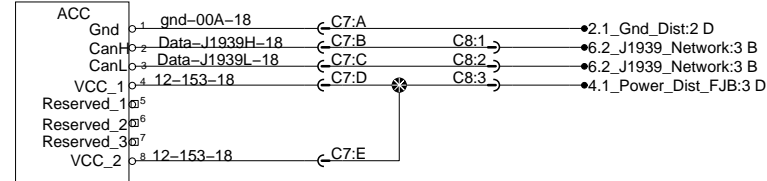
A9

Abs_Ecu



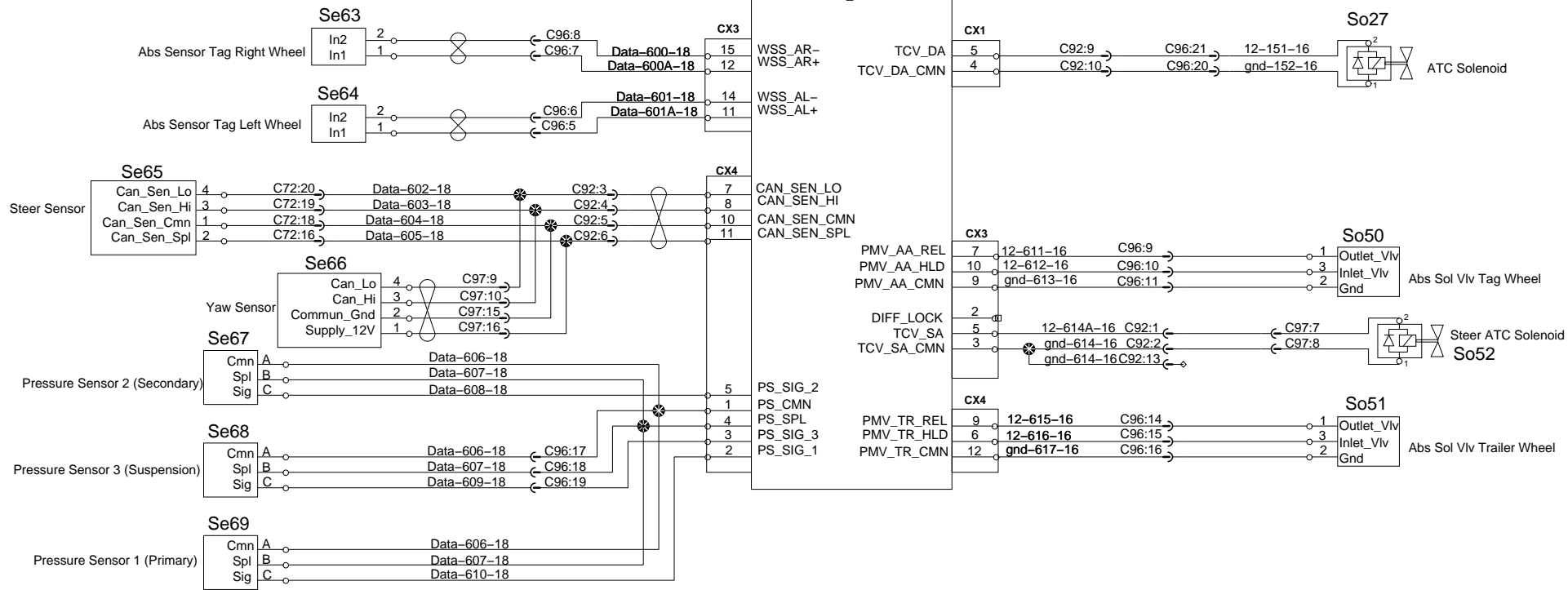
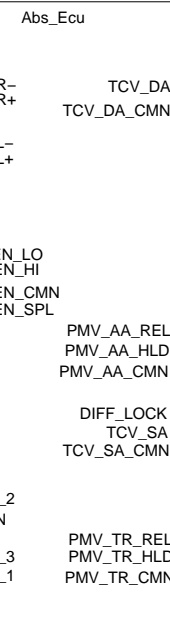
Adaptative Cruise Control Radar

A114

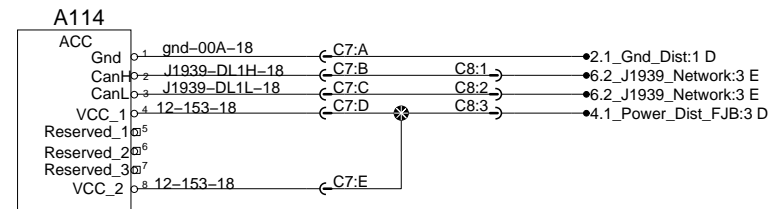


ABS ESP

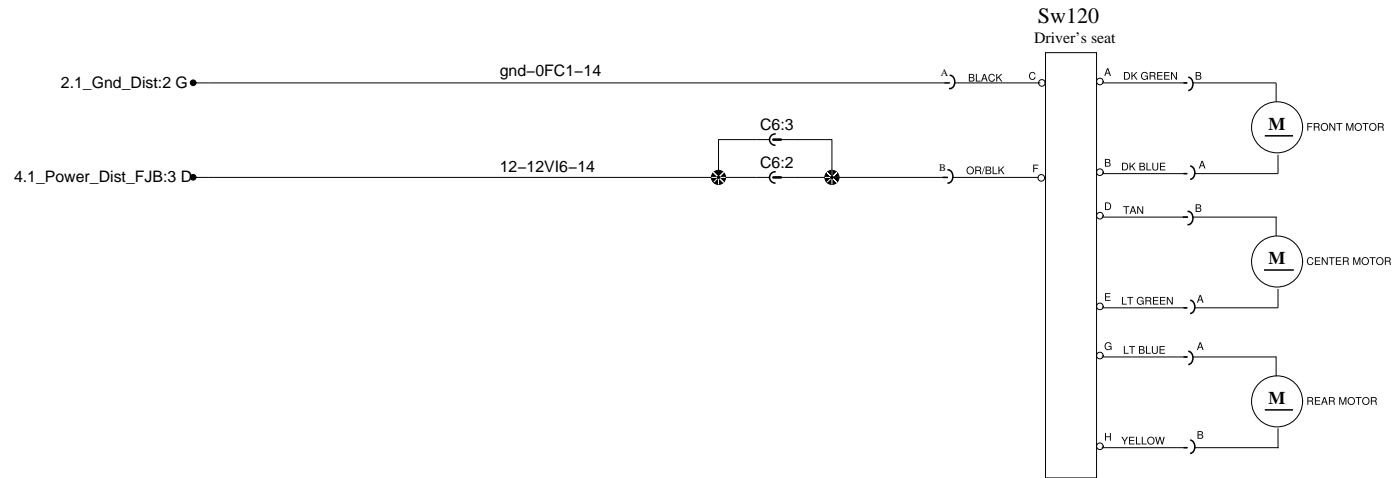
A9



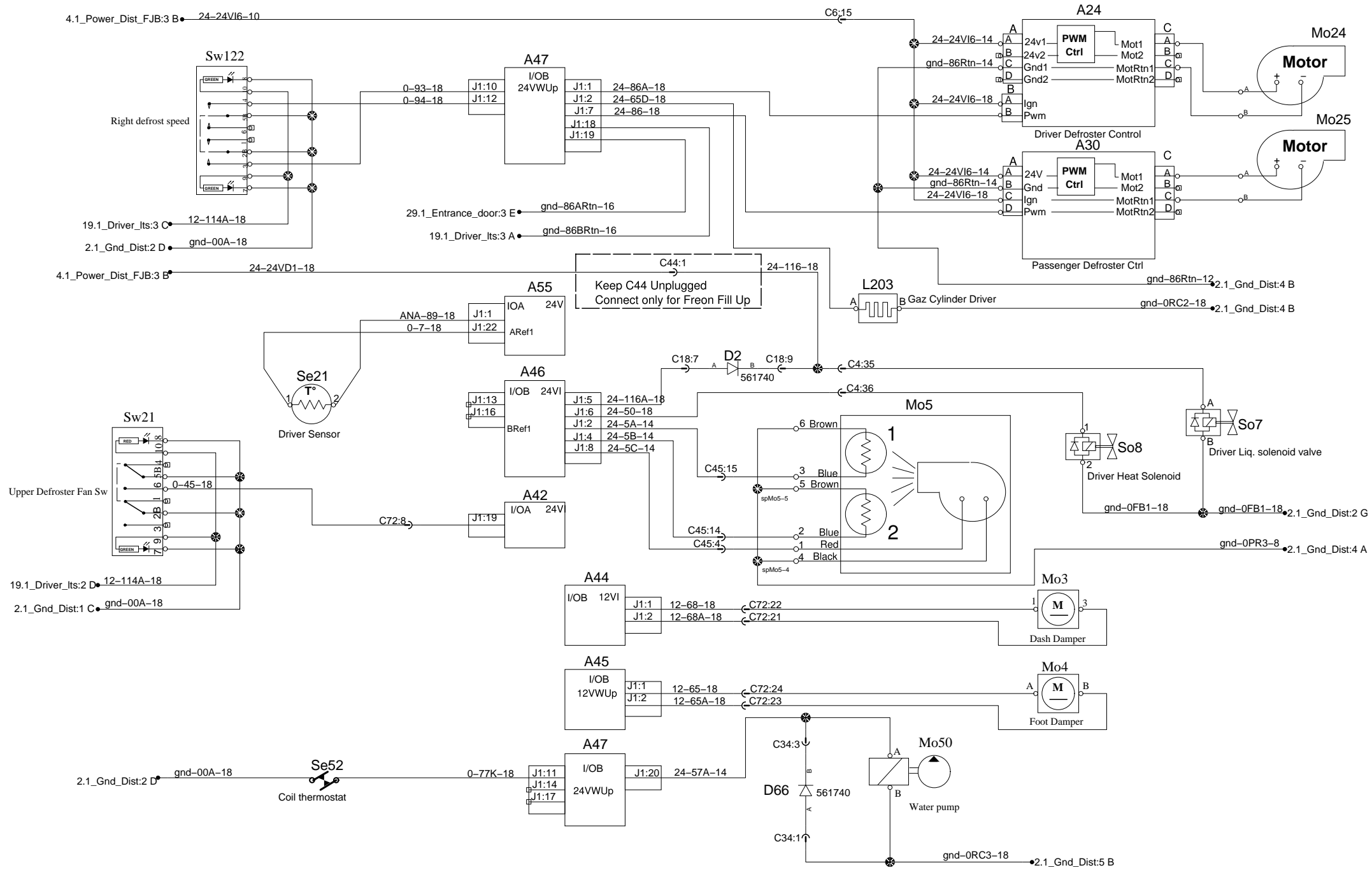
Adaptative Cruise Control Radar



Driver seat



Hvac_Defroster



Hvac

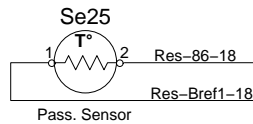
Wiring identifiers ————— Full A/C
 - - - - - Full A/C and Small A/C

(If 2B wire is 24V= Low speed : 0V = Hi speed)

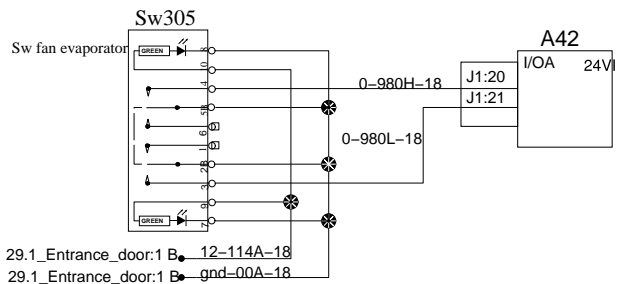
3.1_Main_Disti_Ign_Batt:2 B ● 24-41-6

Keep C24 Unplugged
 Connect only for Freon Fill up

5.1_Pwr_Dist_RJB:2 D ● 24-24V7-14 C22A:3

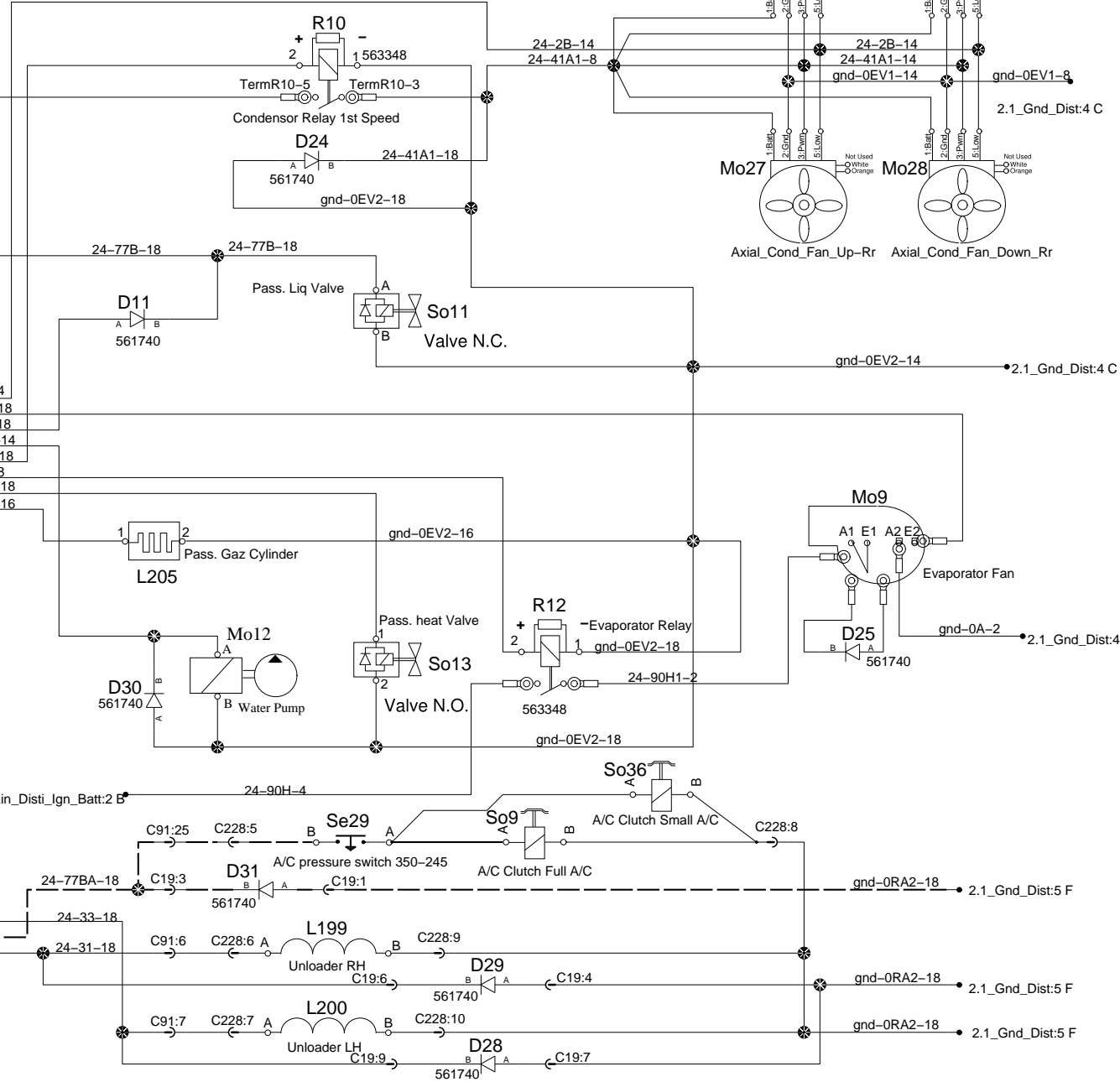
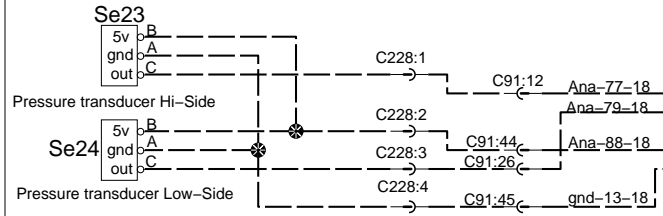


| | |
|-------|-----------|
| J1:1 | 24-2B-14 |
| J1:2 | 24-131-18 |
| J1:3 | 24-77C-18 |
| J1:4 | 24-57A-14 |
| J1:5 | 24-67A-18 |
| J1:7 | 24-67-18 |
| J1:8 | 24-45A-18 |
| J1:20 | 24-65P-16 |



29.1_Entrance_door:1 B ● 12-114A-18
 29.1_Entrance_door:1 B ● gnd-00A-18

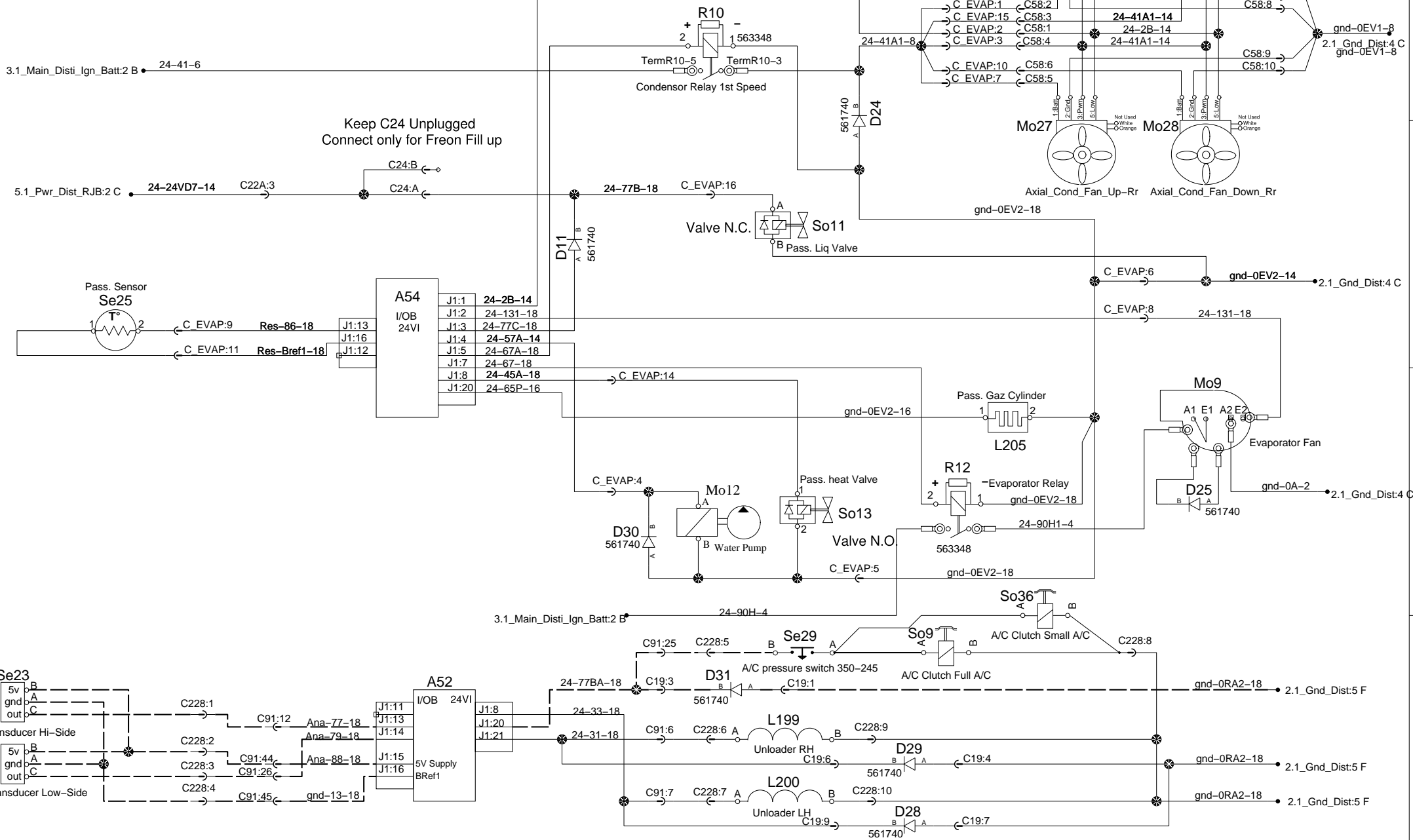
OPTION HIGH, LO SW TO CONTROL EVAPOR FAN



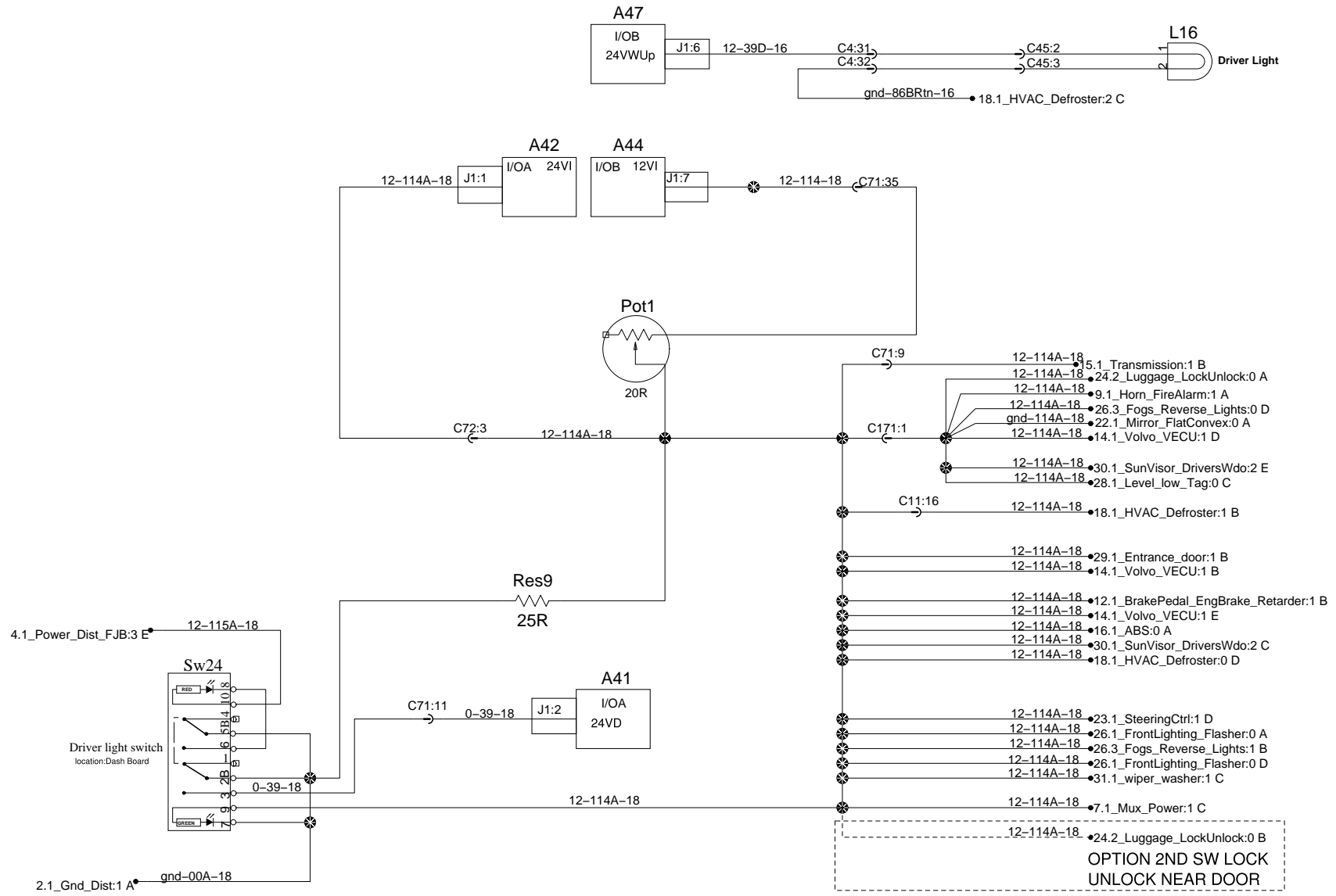
Hvac System

Wiring identifiers Full A/C
 Full A/C and Small A/C

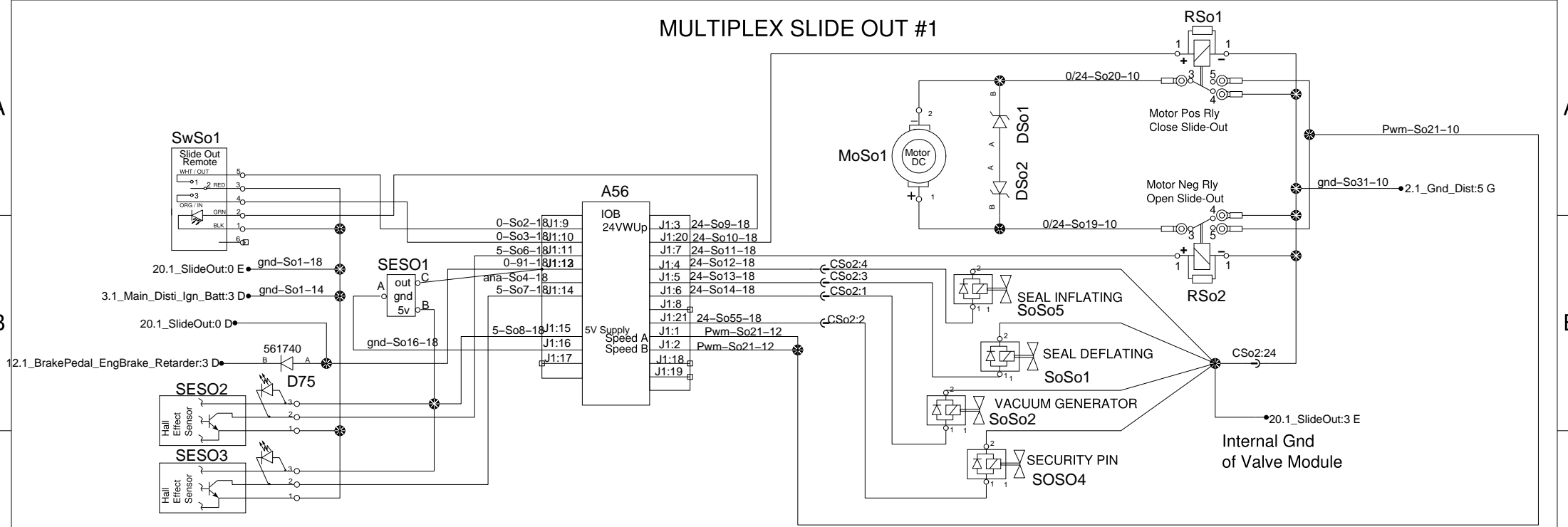
(If 2B wire is 24V= Low speed : 0V = Hi speed)



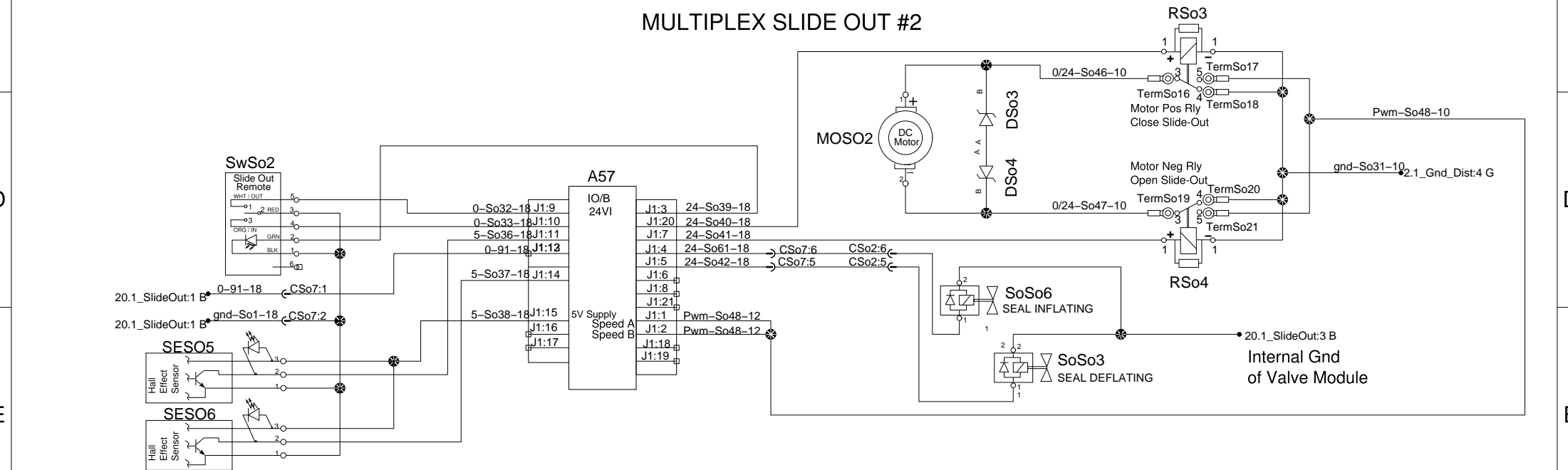
Driver lights



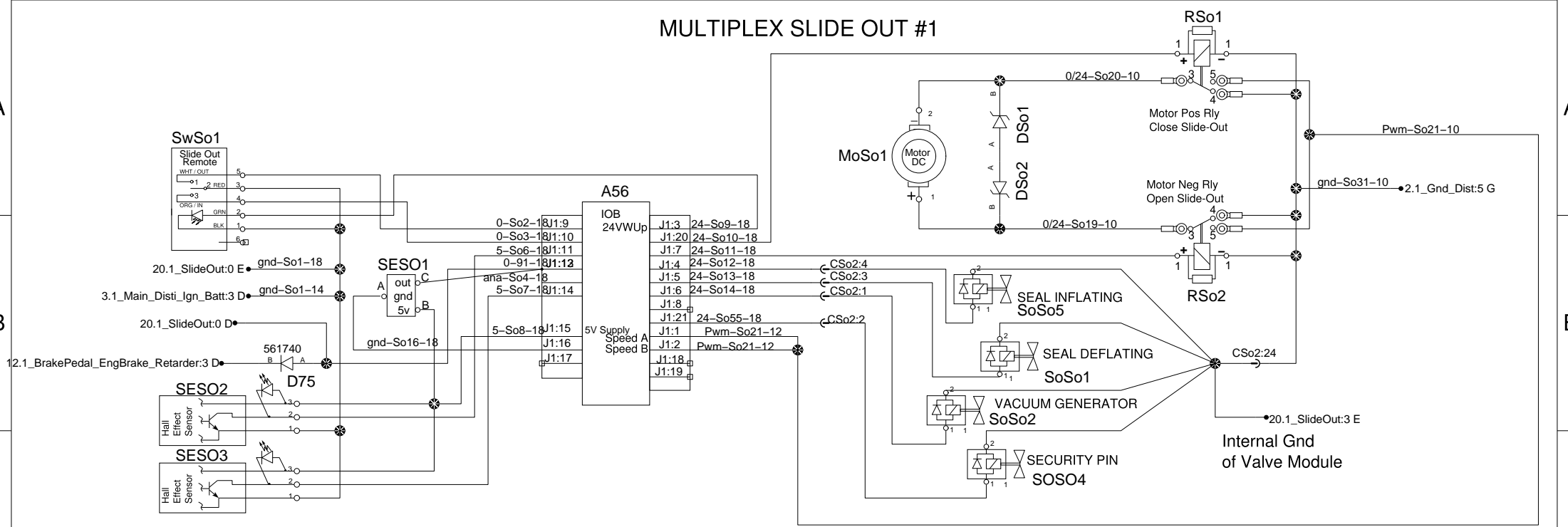
MULTIPLEX SLIDE OUT #1



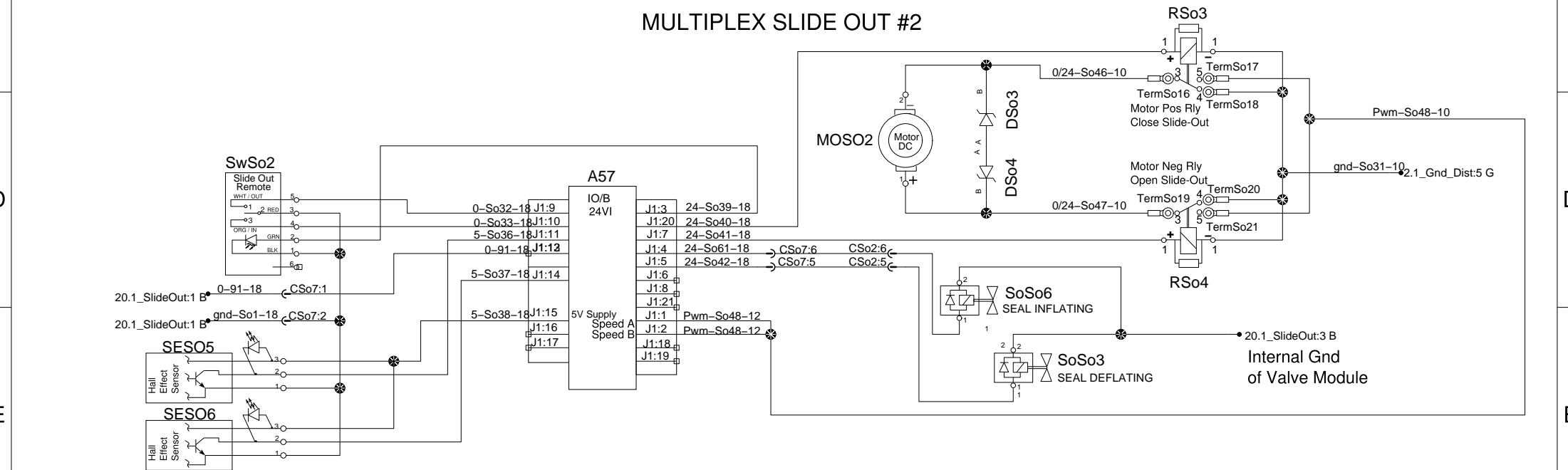
MULTIPLEX SLIDE OUT #2



MULTIPLEX SLIDE OUT #1



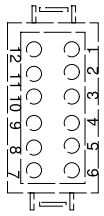
MULTIPLEX SLIDE OUT #2



Converter interface

Front junction box

CC1 (BLACK)



BACK OF CONNECTOR
PREVOST PART 563227
SOCKET TERMINALS 562482
SECONDARY LOCK 563228

INPUTS

Retract slide out
Store roof antenna
House alternator fault
Awning windows opened

Close front bumper
Store side awning

Generator problem
Shore power cord

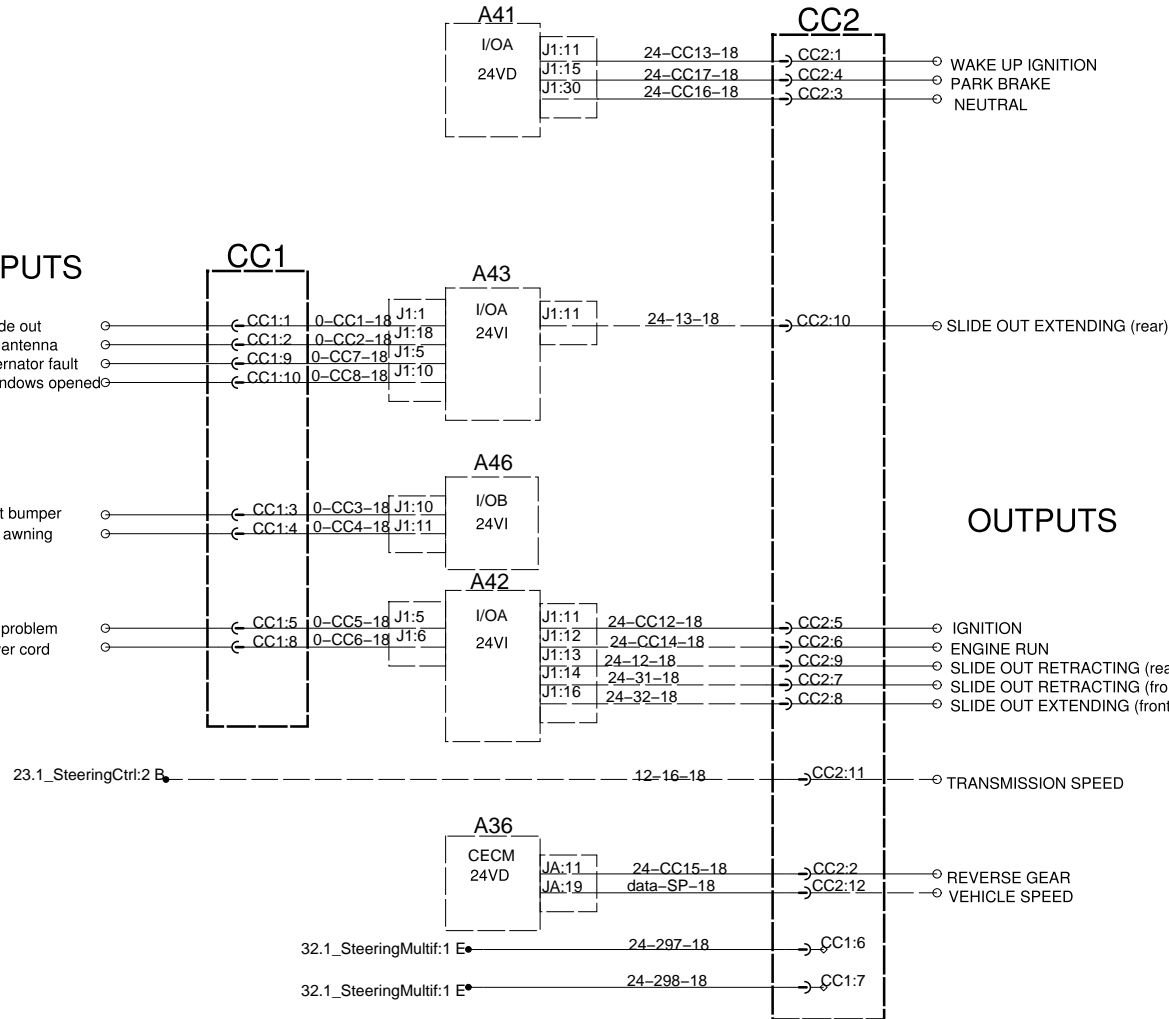
CC2 (GREY)



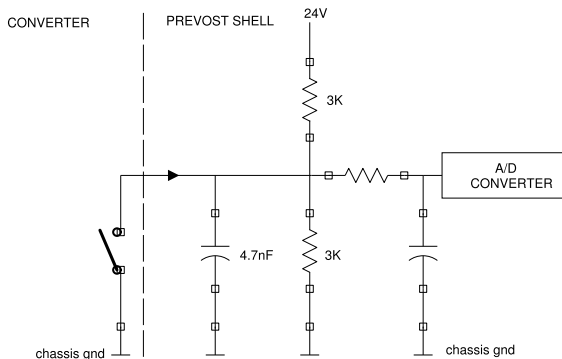
BACK OF CONNECTOR
PREVOST PART 563226
SOCKET TERMINALS 562482
SECONDARY LOCK 563228

OUTPUTS

* SPECIAL CIRCUIT CECM J1:12



TYPICAL CIRCUIT



INPUT SPECIFICATION

Active state (input contact closed):
Sourcing current : 8mA
Maximum allowed voltage drop across contact: 3V

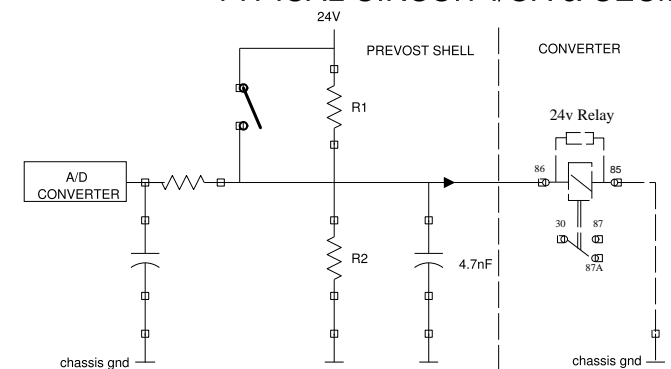
Inactive state(input contact open):
Voltage on input:12V
Maximum allowed leakage current across contact: 3ma

OUTPUT SPECIFICATION

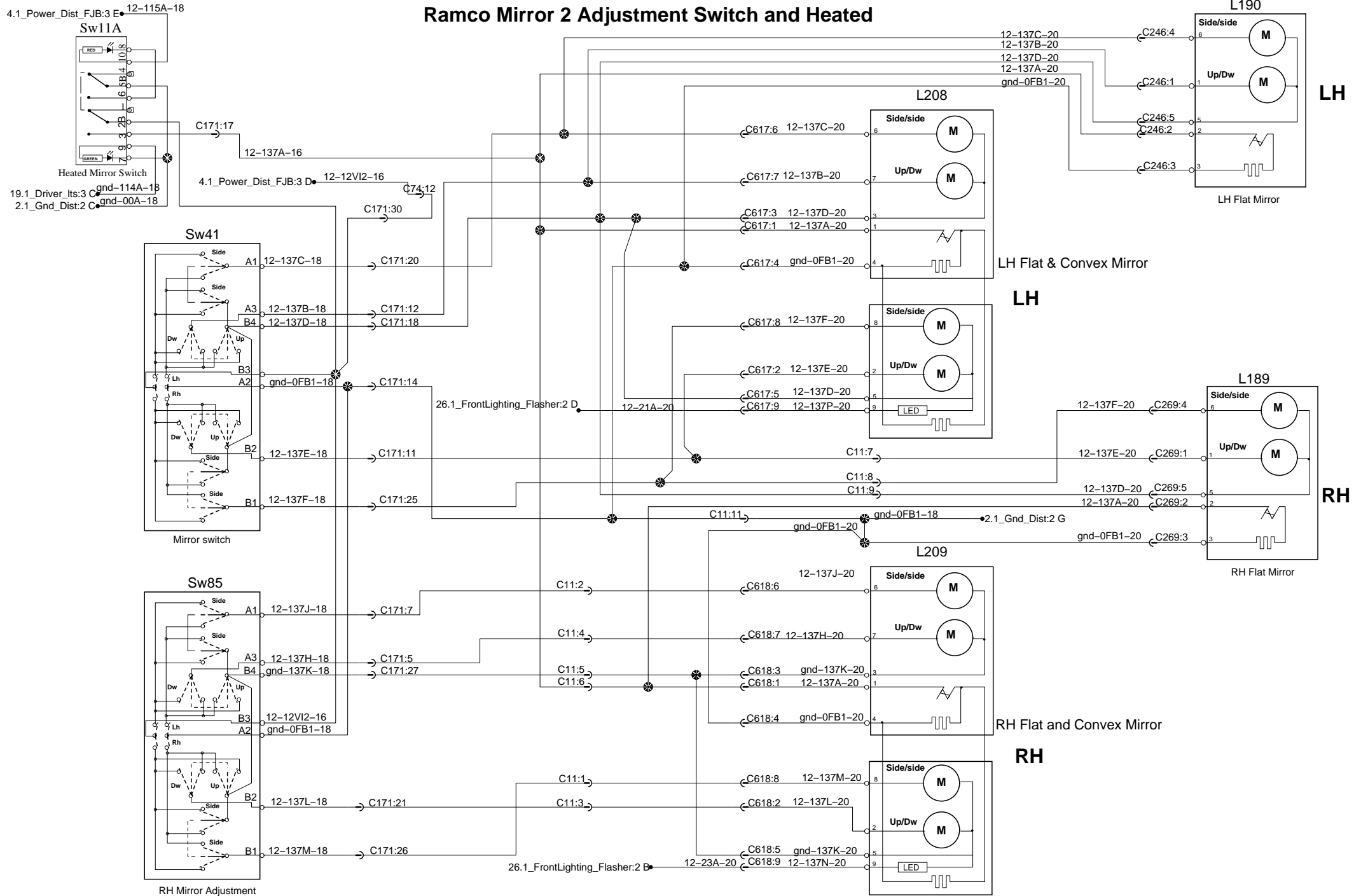
Active state
Maximum current: 1A I/OA /125ma CECM
Minimum output voltage: 22.5V

Inactive state
Open circuit voltage: 6v to 8v except CECM J1:12 = 0v *
Leakage current: 0.8ma

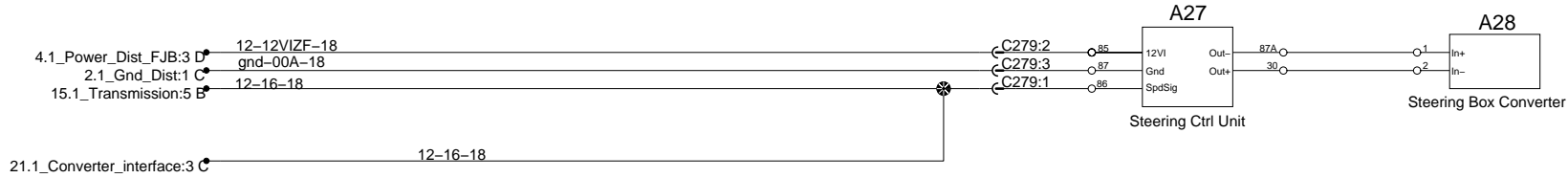
TYPICAL CIRCUIT I/OA & CECM



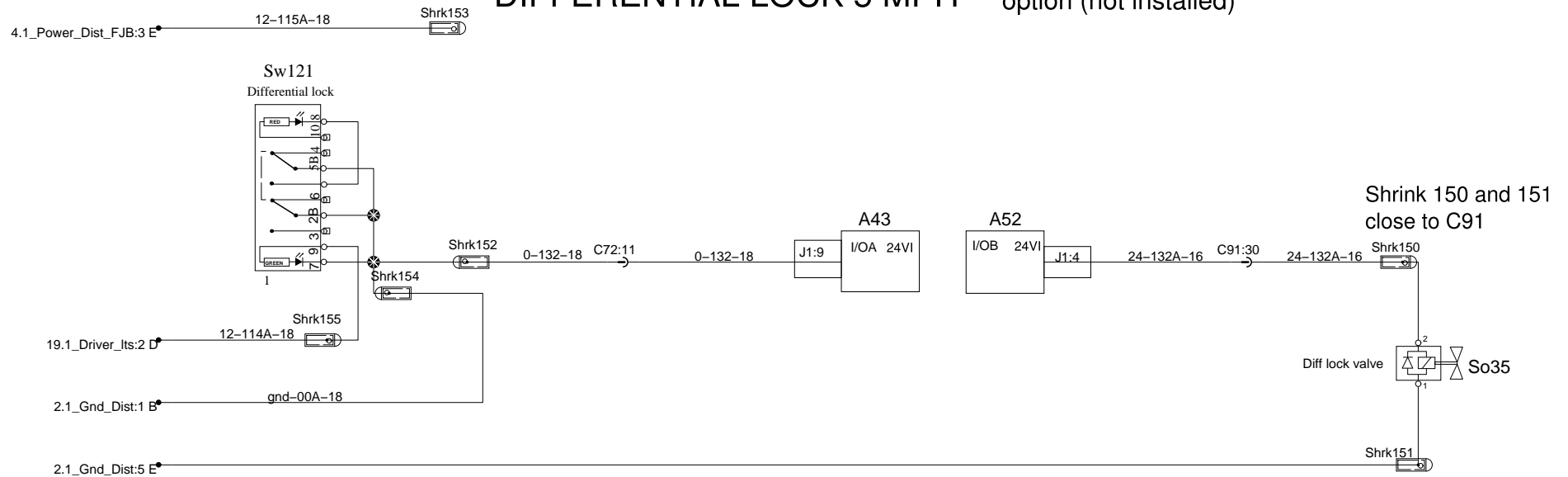
Ramco Mirror 2 Adjustment Switch and Heated



ZF Steering Control

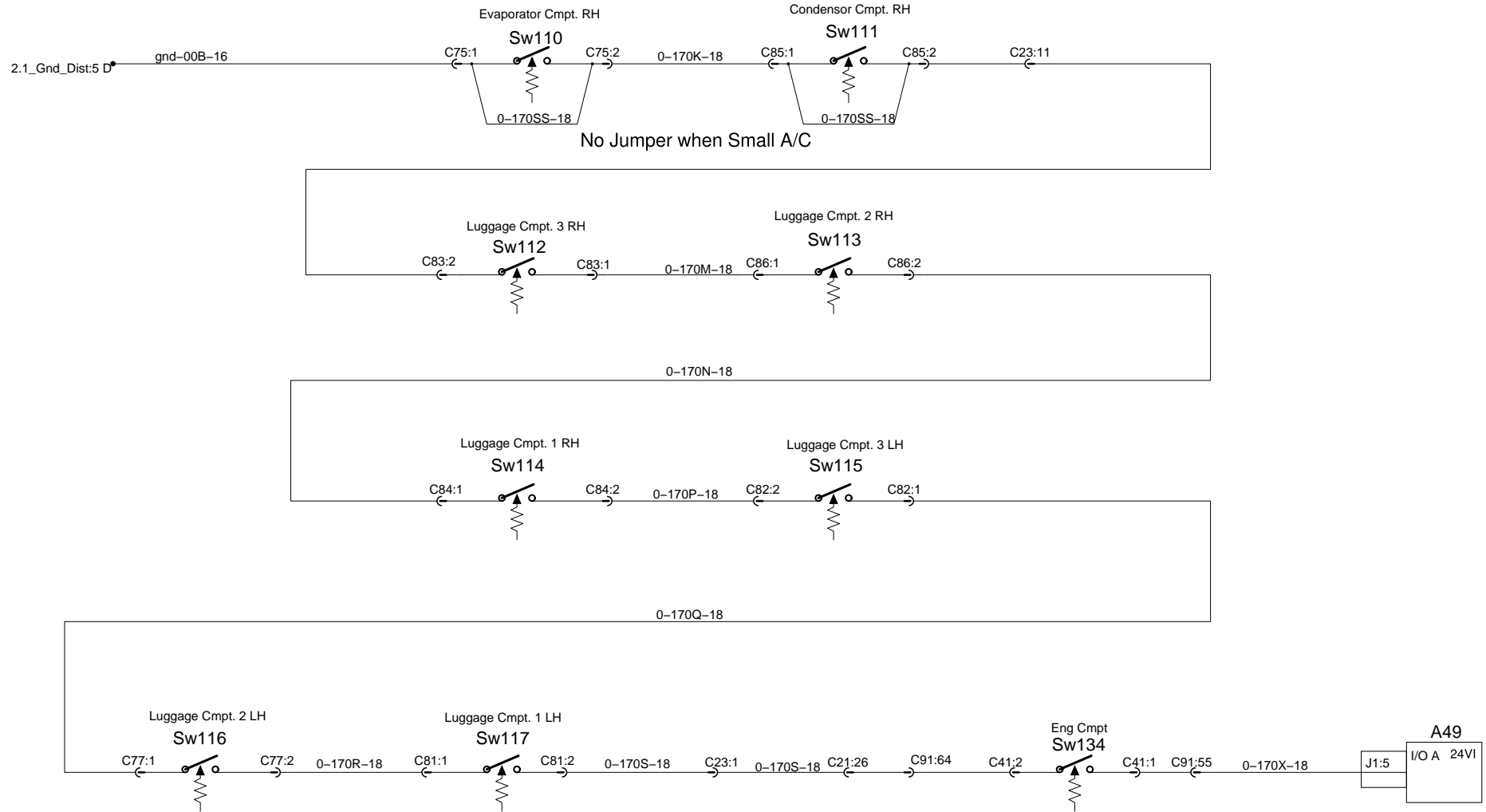


DIFFERENTIAL LOCK 5 MPH option (not installed)

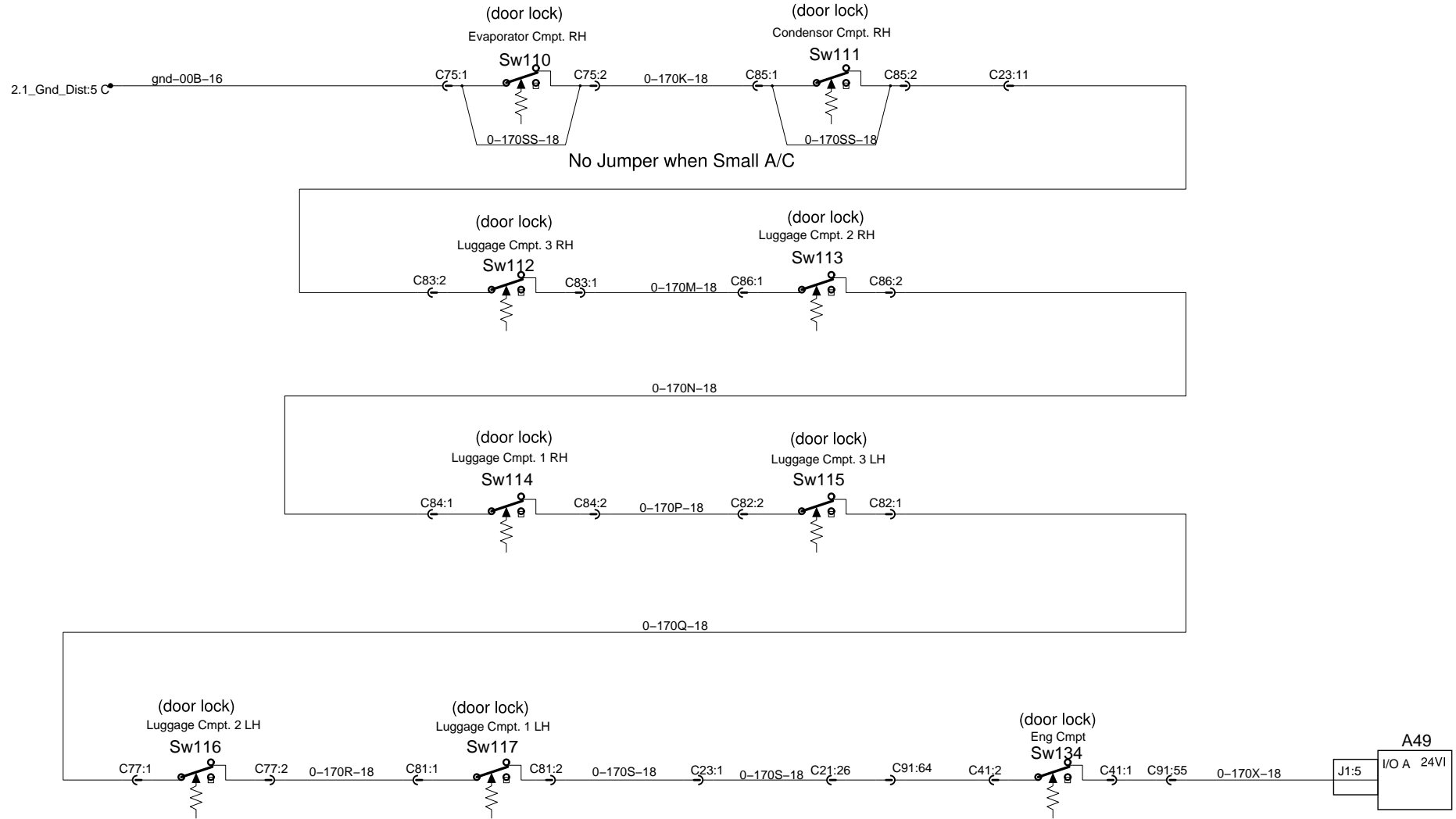


Luggage doors locks switches

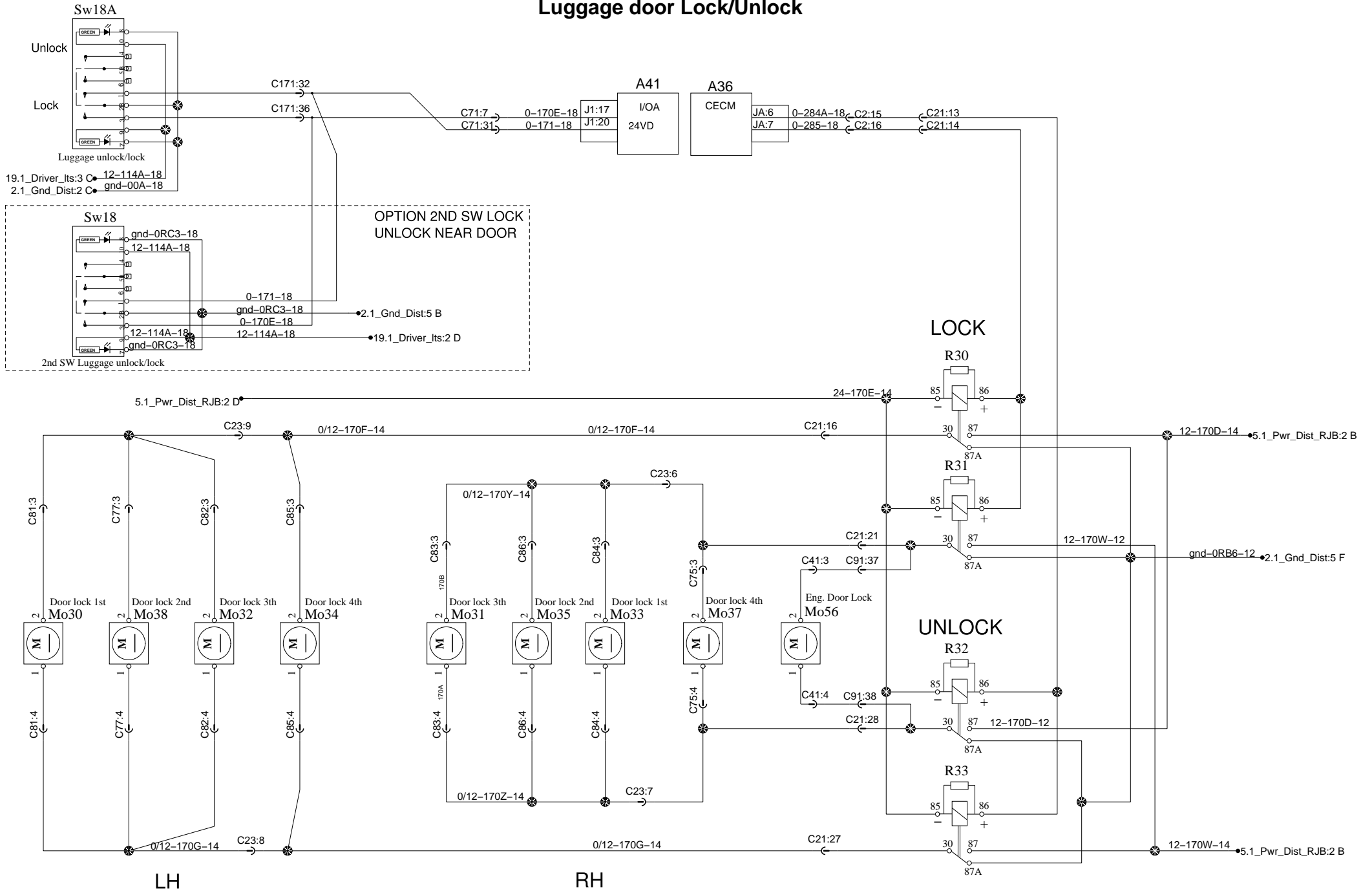
(Switch closed=door locked)



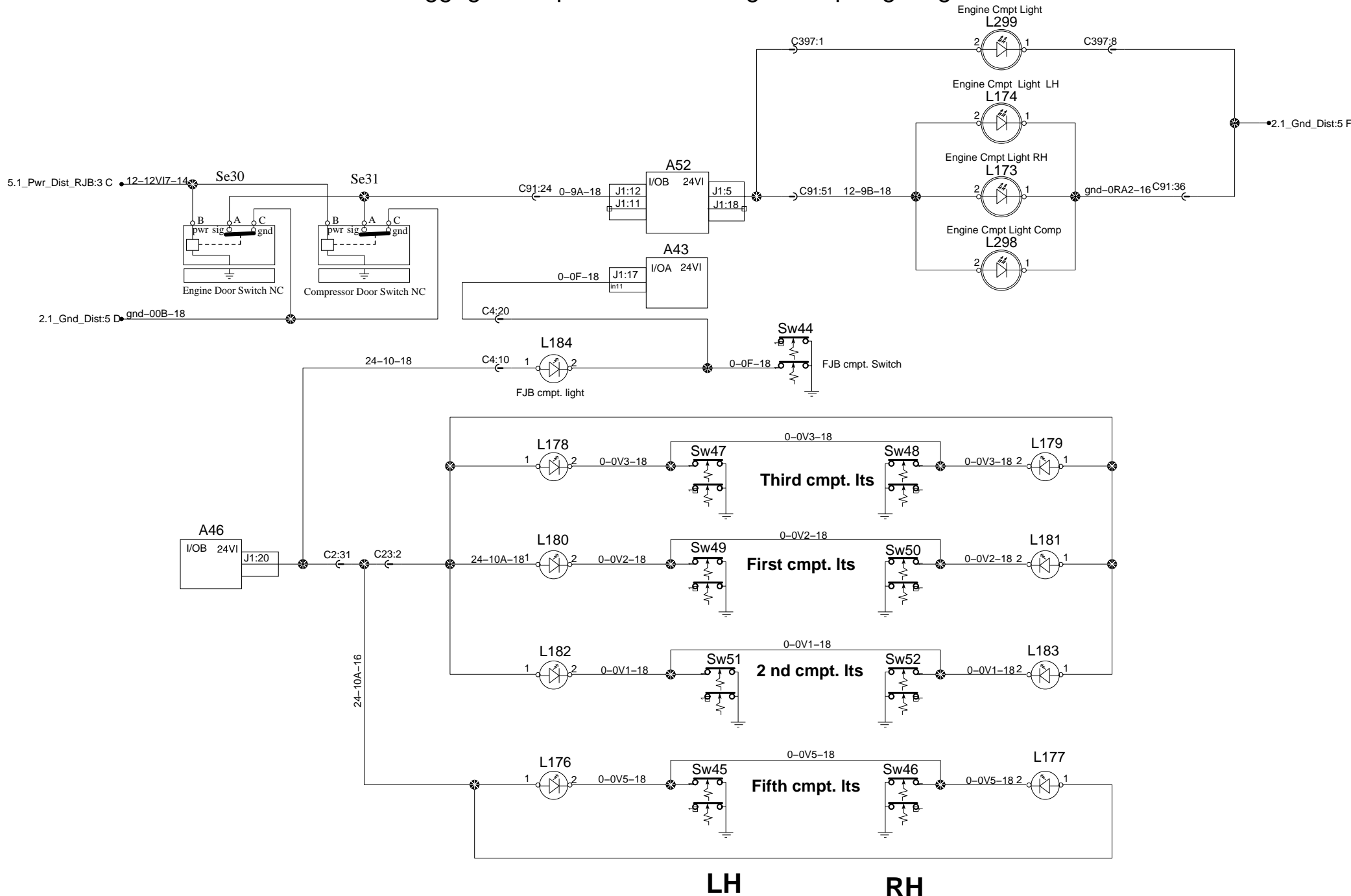
Luggage doors locks switches



Luggage door Lock/Unlock



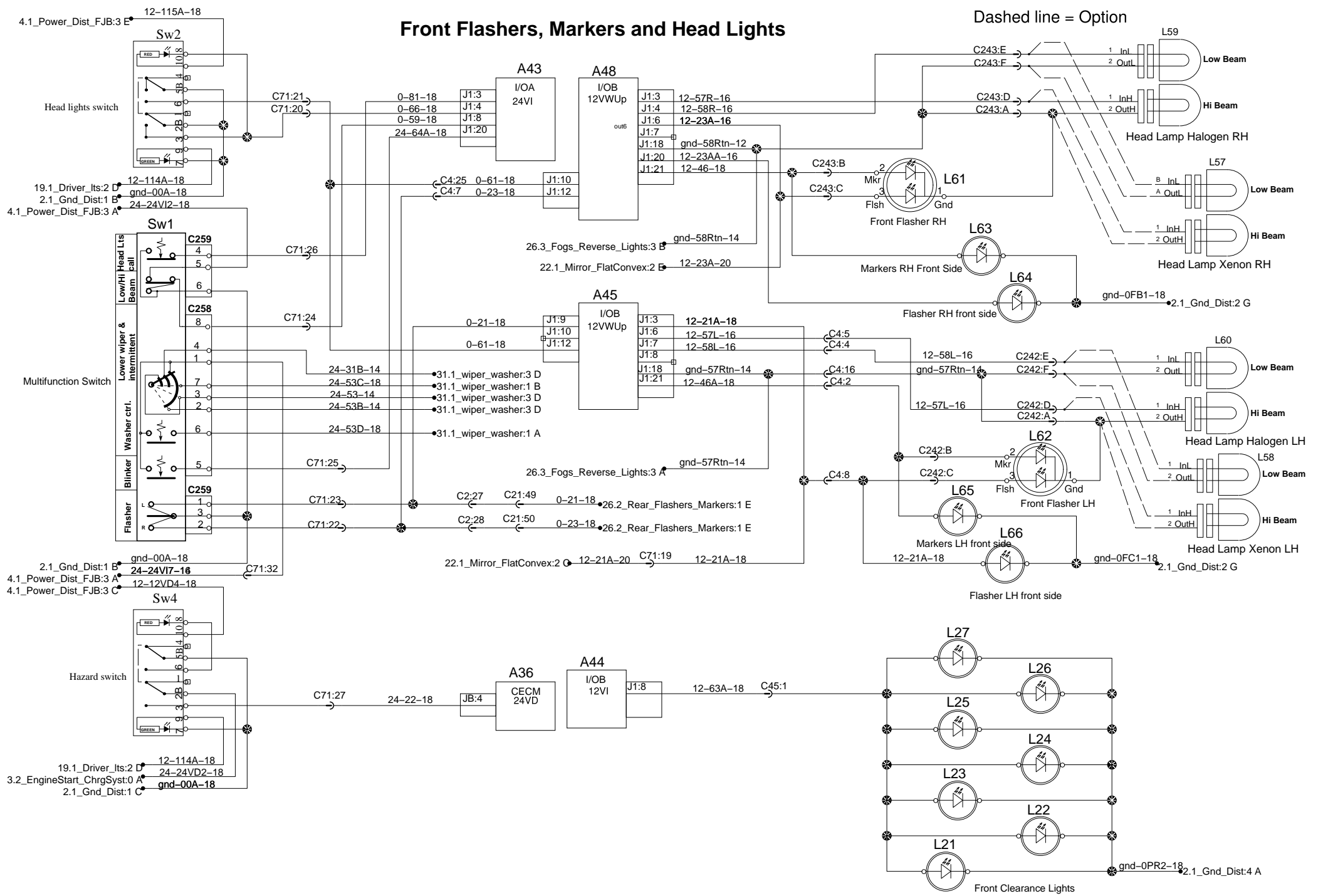
Luggage Compartment and Engine cmpt. lighting



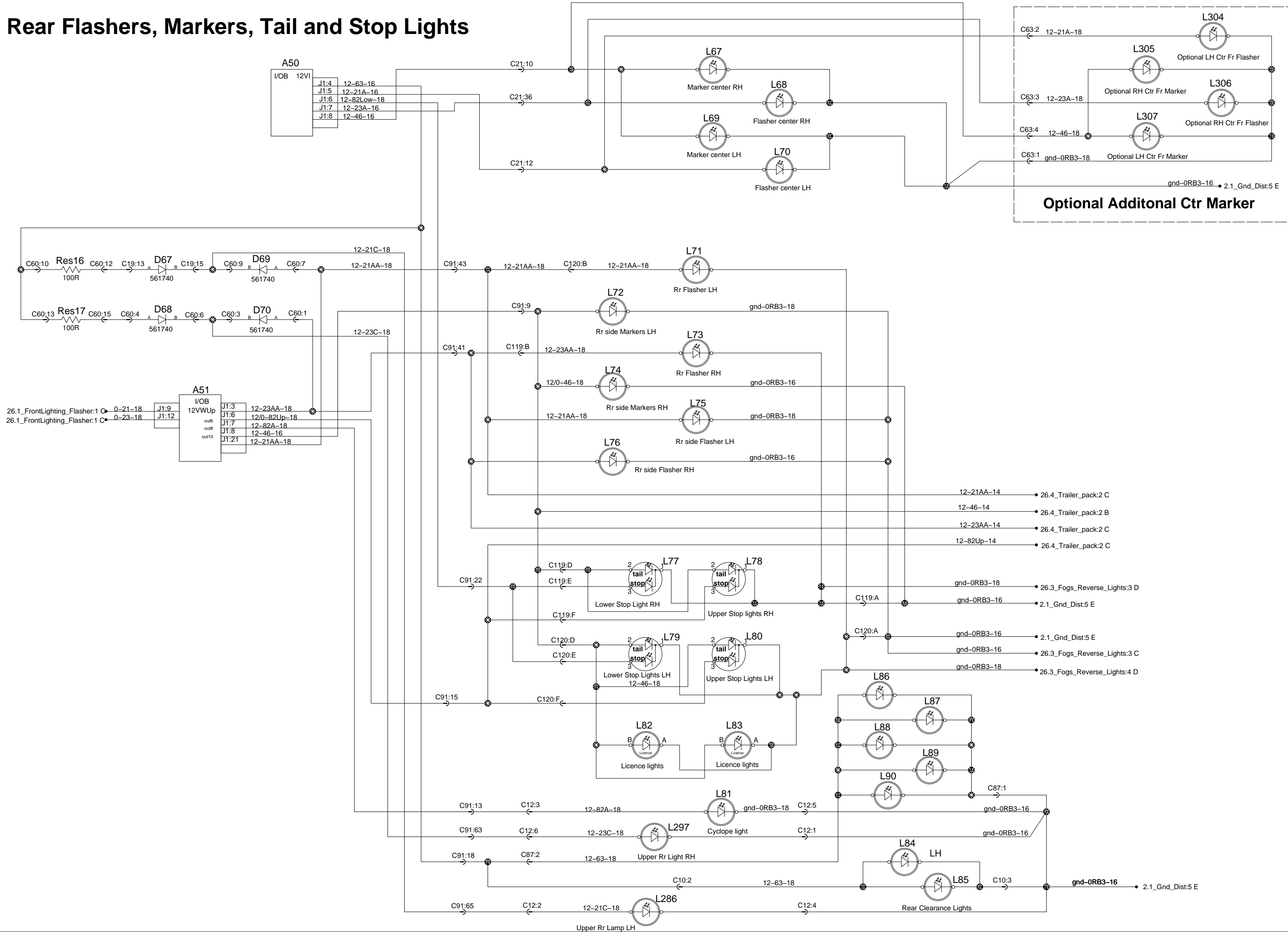
LH RH

Front Flashers, Markers and Head Lights

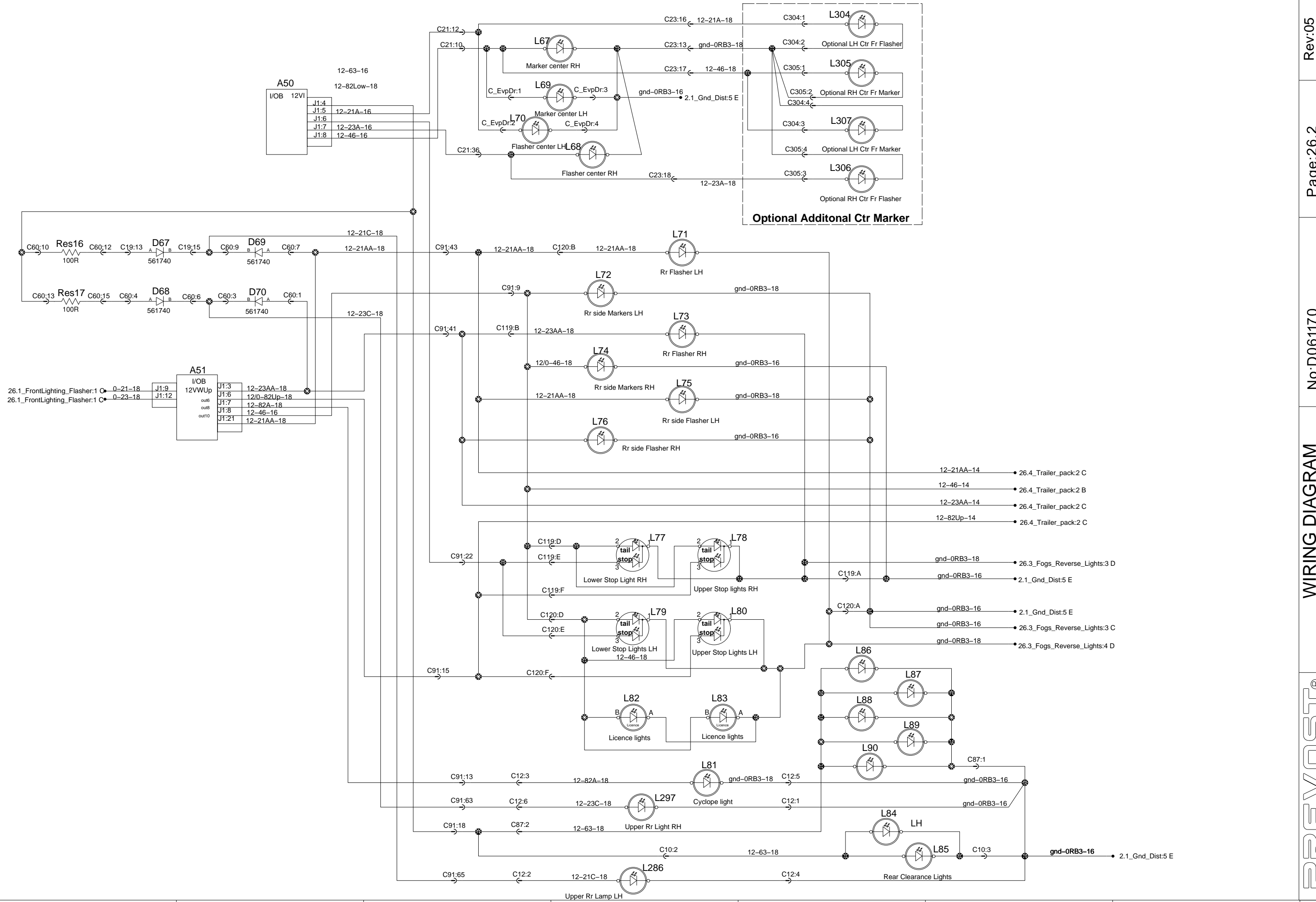
Dashed line = Option



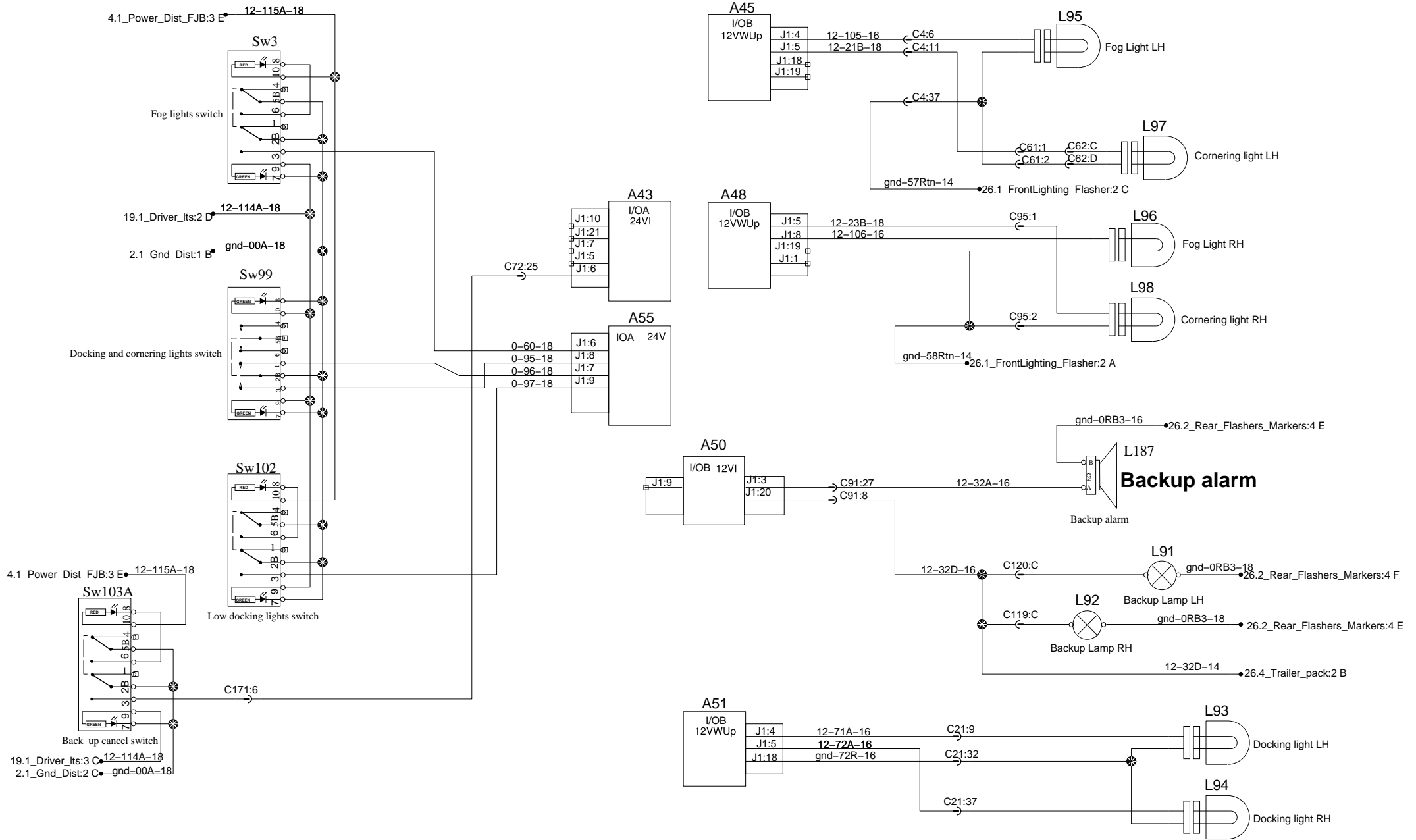
Rear Flashers, Markers, Tail and Stop Lights



Rear Flashers, Markers, Tail and Stop Lights

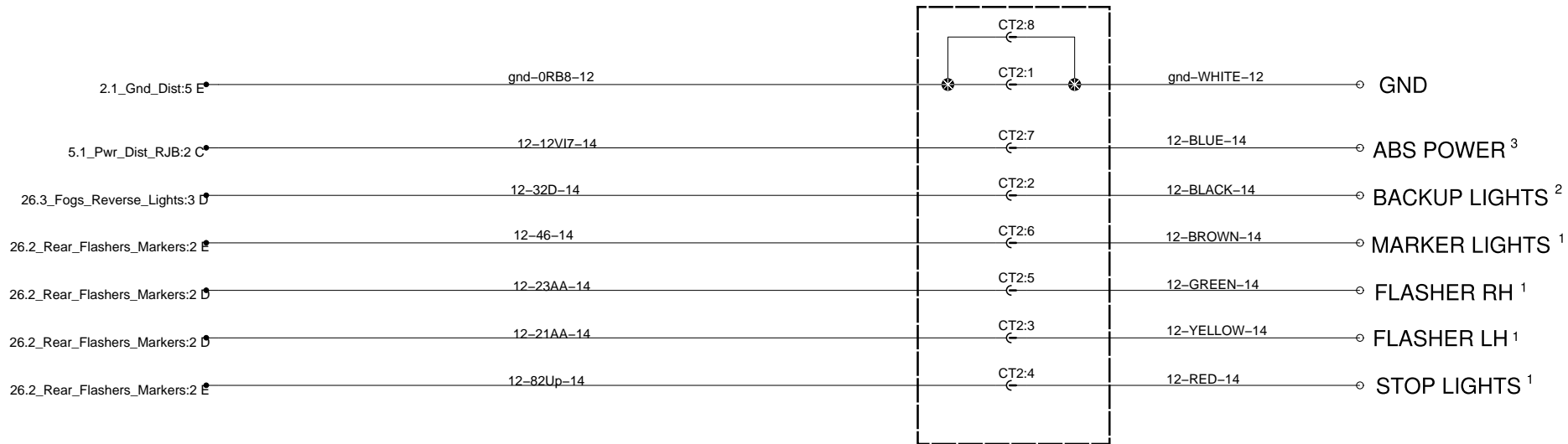


Fog's Lights and Backup Lights and Alarm

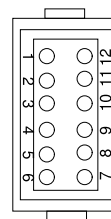


Trailer Package

ENGINE COMPARTMENT CONNECTOR CT2



CT2



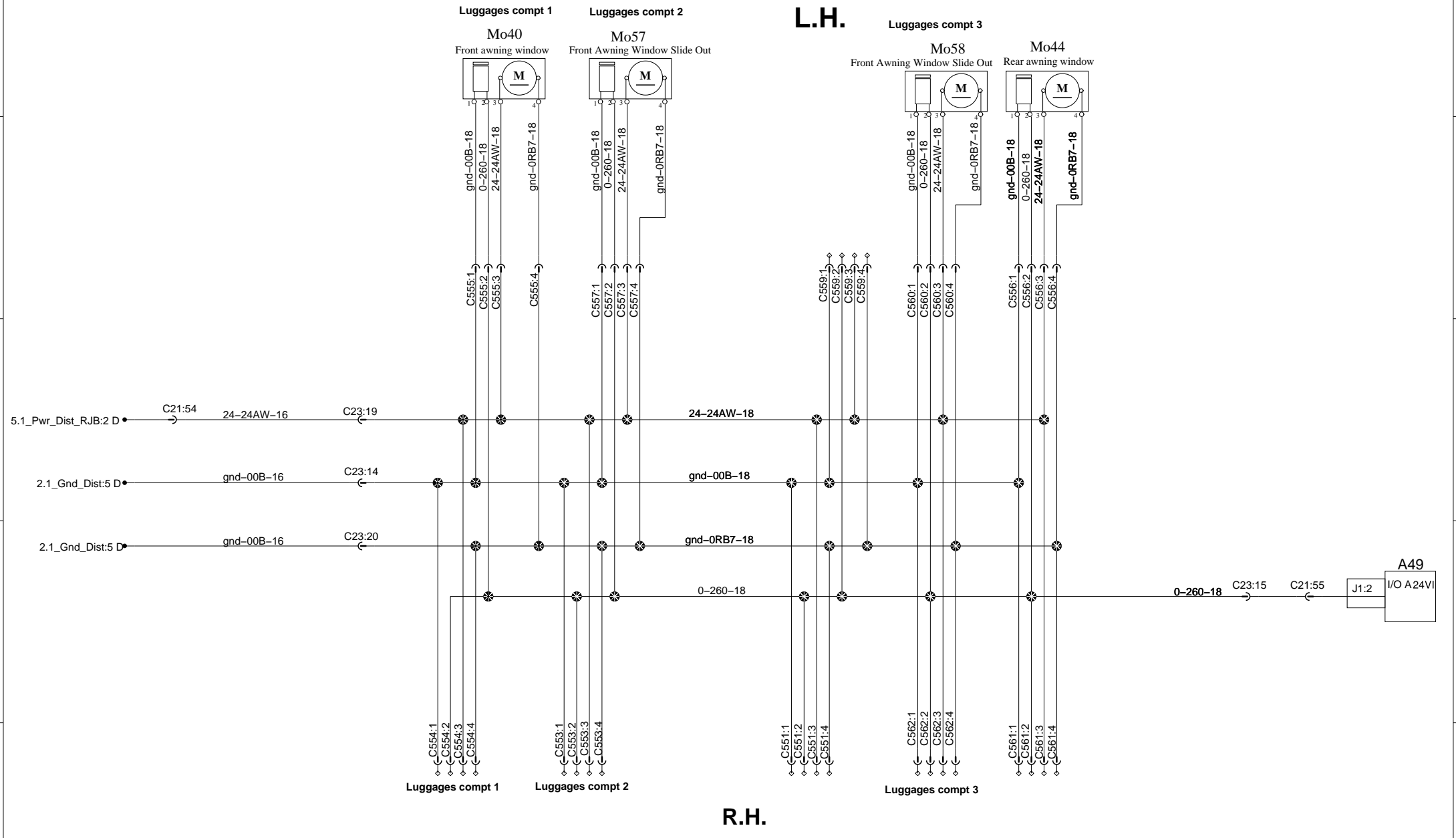
BACK OF CONNECTOR
PREVOST PART 563613
PIN TERMINALS 562481
SECONDARY LOCK

NOTE 1:MAXIMUM CURRENT LOAD IS 8A .

NOTE 2 :MAXIMUM CURRENT LOAD IS 4A .

NOTE 3 :MAXIMUM CURRENT LOAD IS 10A .

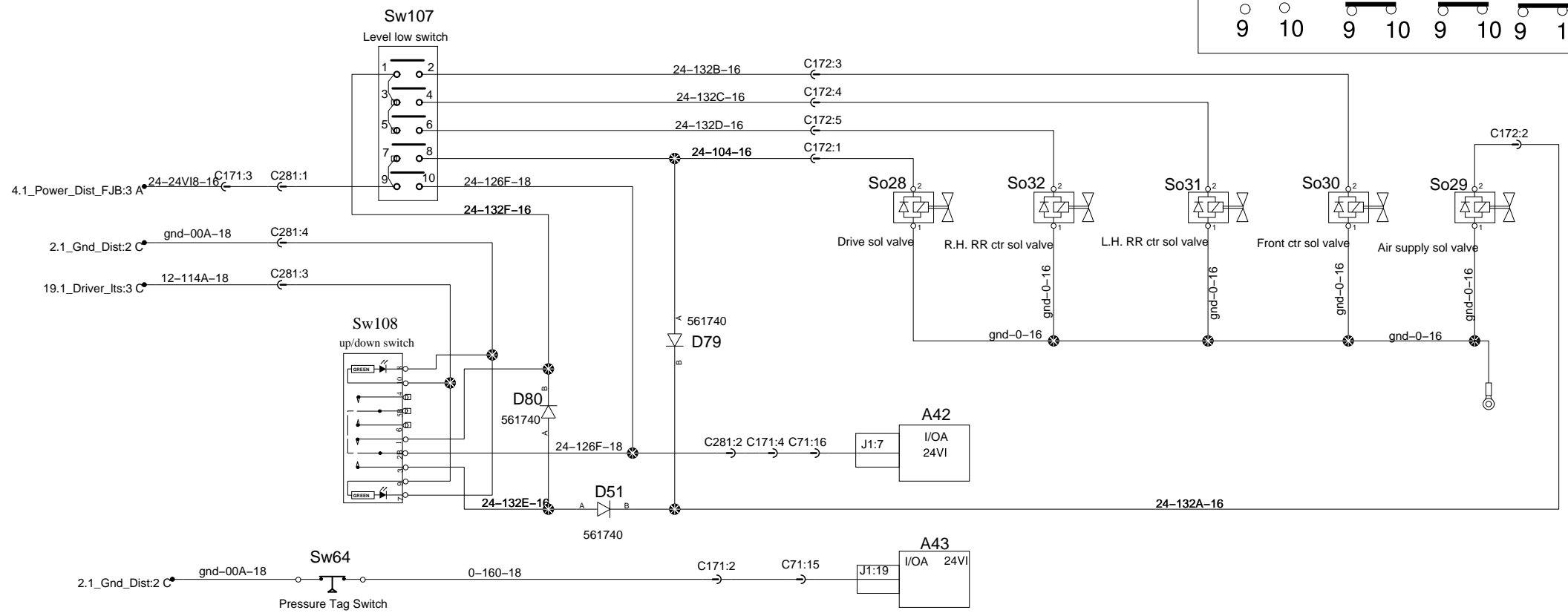
Window Ajar and awning mechanism



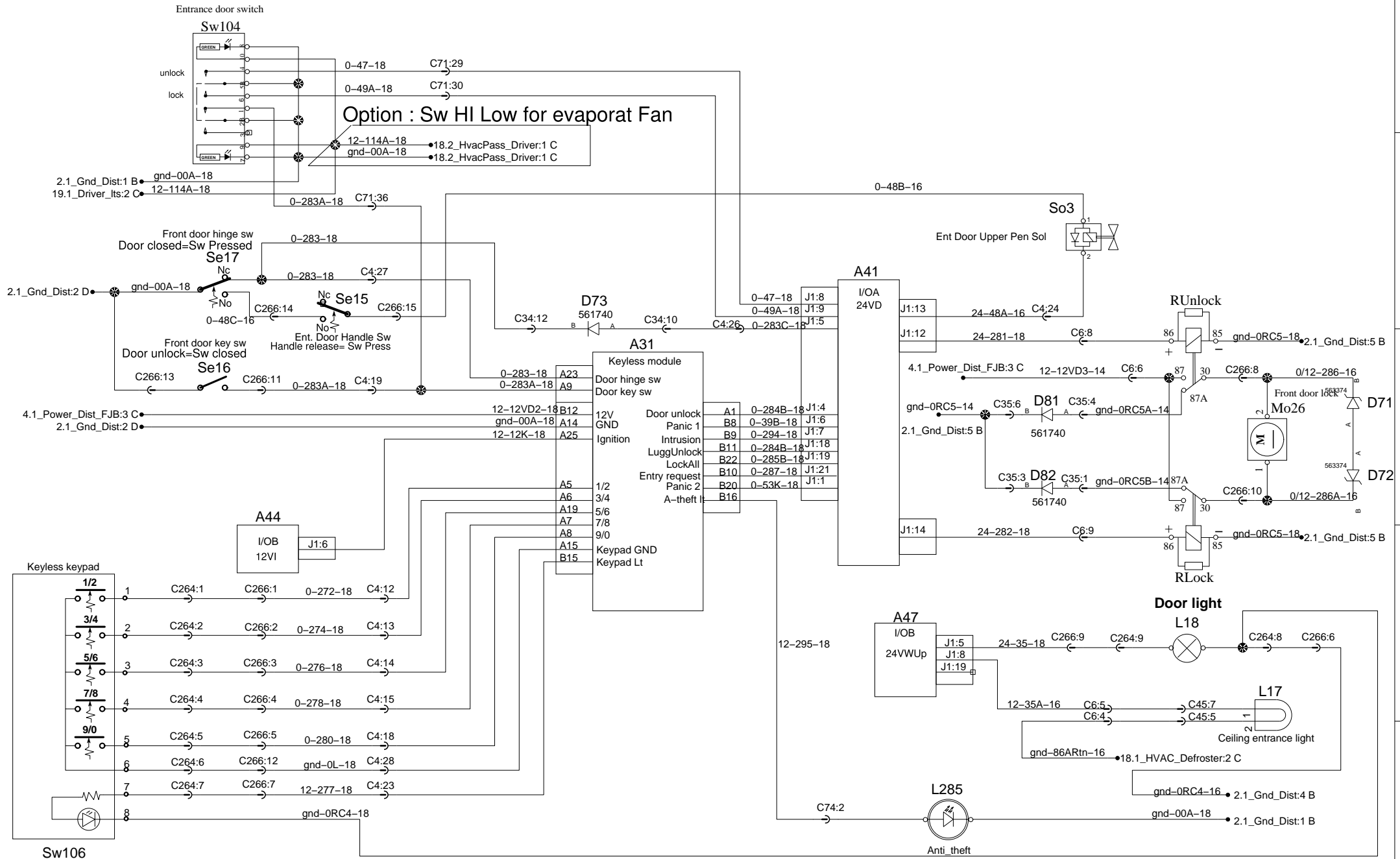
Tag and Level low

| Drive Position | Front | Left Rear | Right Rear |
|----------------|-------|-----------|------------|
| | | | |
| | | | |
| | | | |
| | | | |
| | | | |

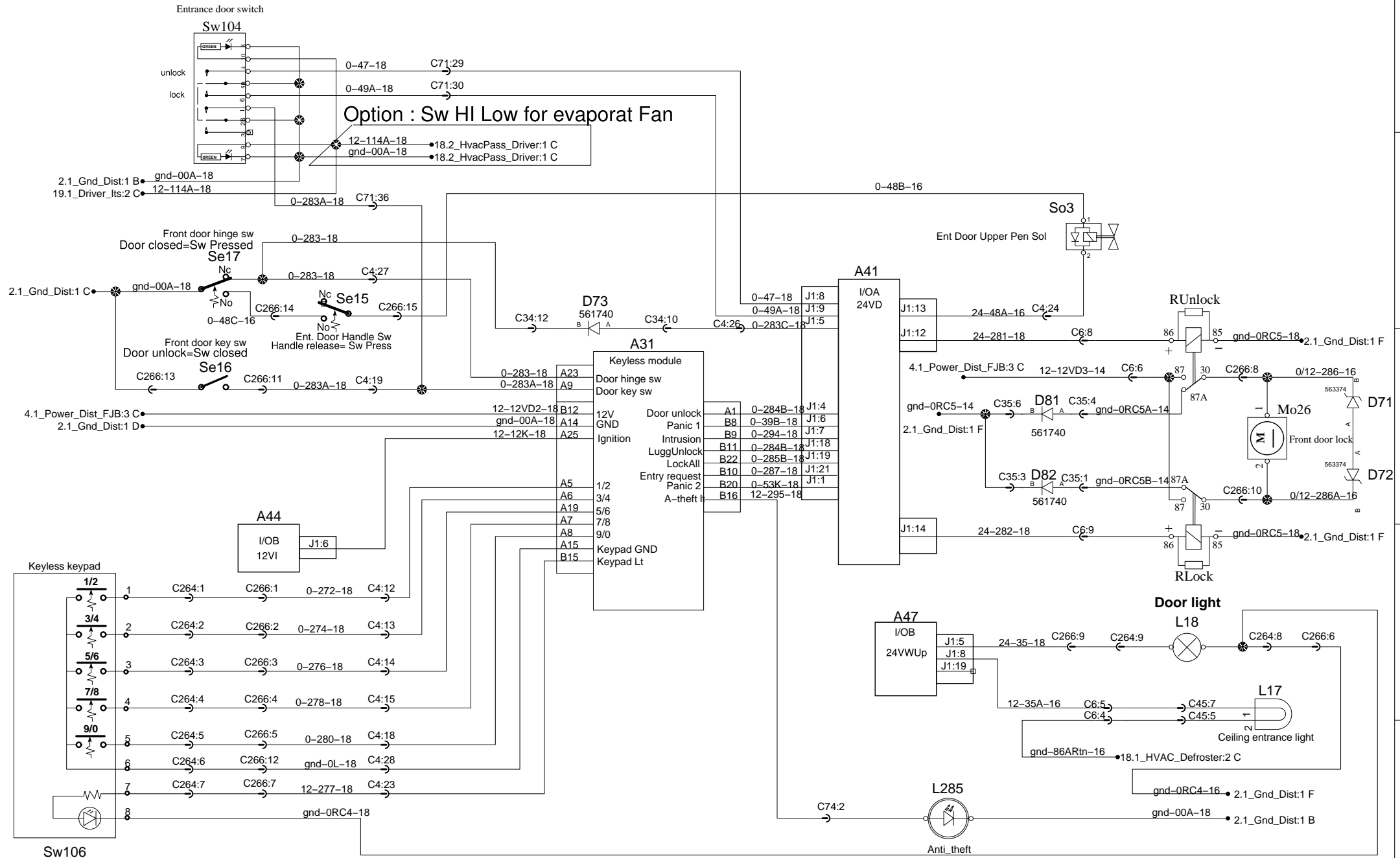
Level low control switch



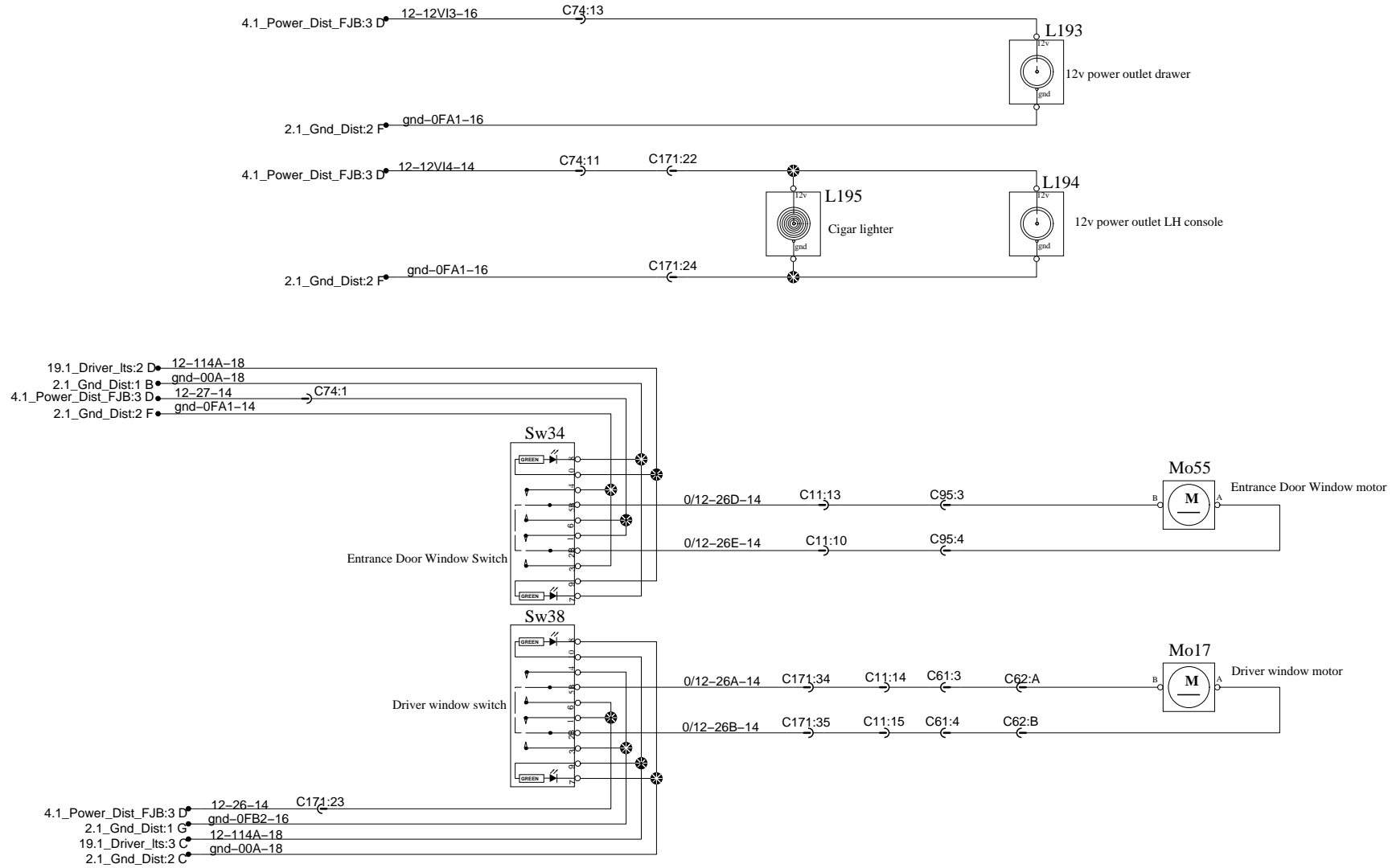
Entrance door, Keyless



Entrance door,Keyless



Driver and Entrance Window and 12V Outlet



DRIVER SEAT: ELECTRICAL OPTIONS

A

A

B

B

C

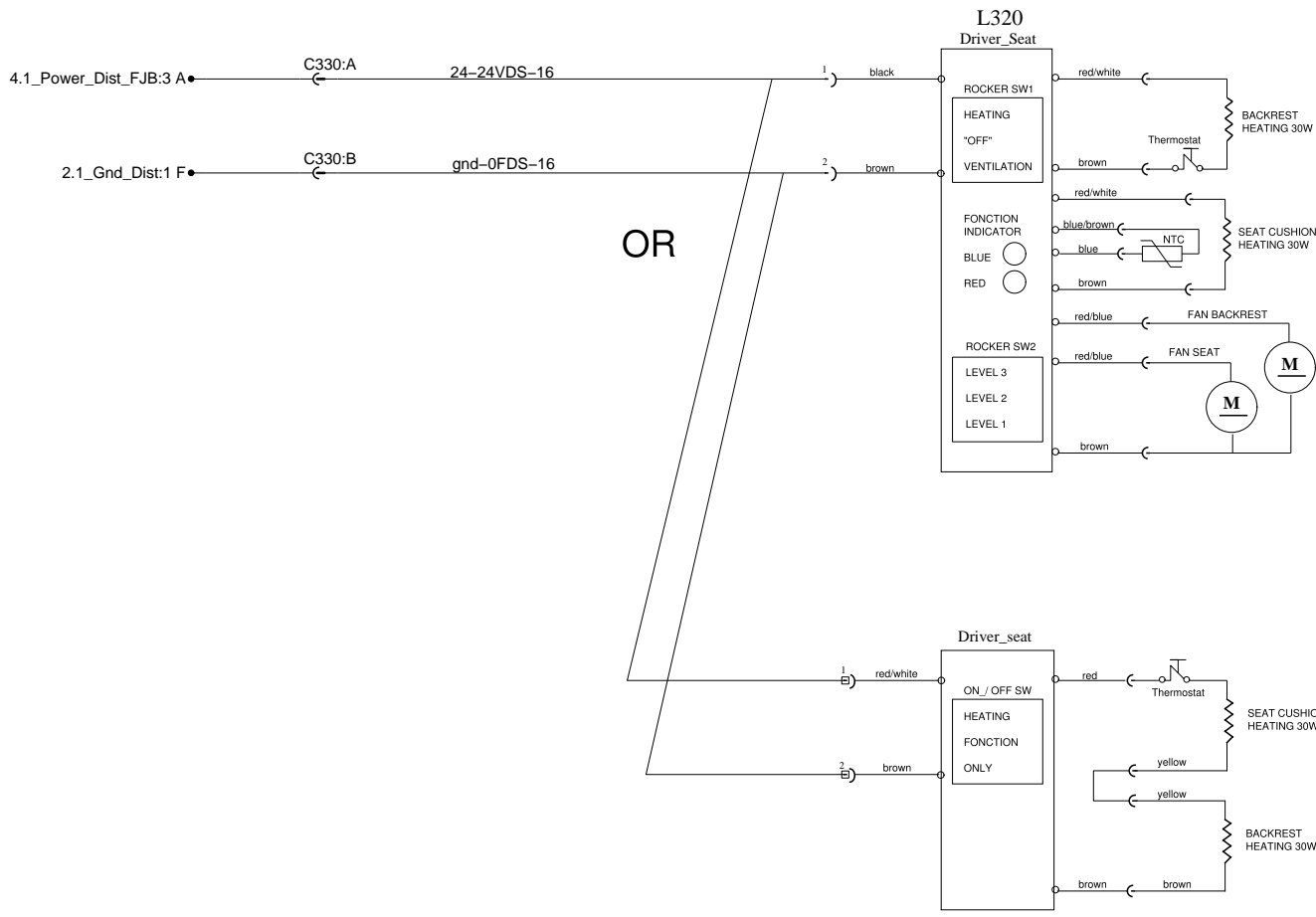
C

D

D

E

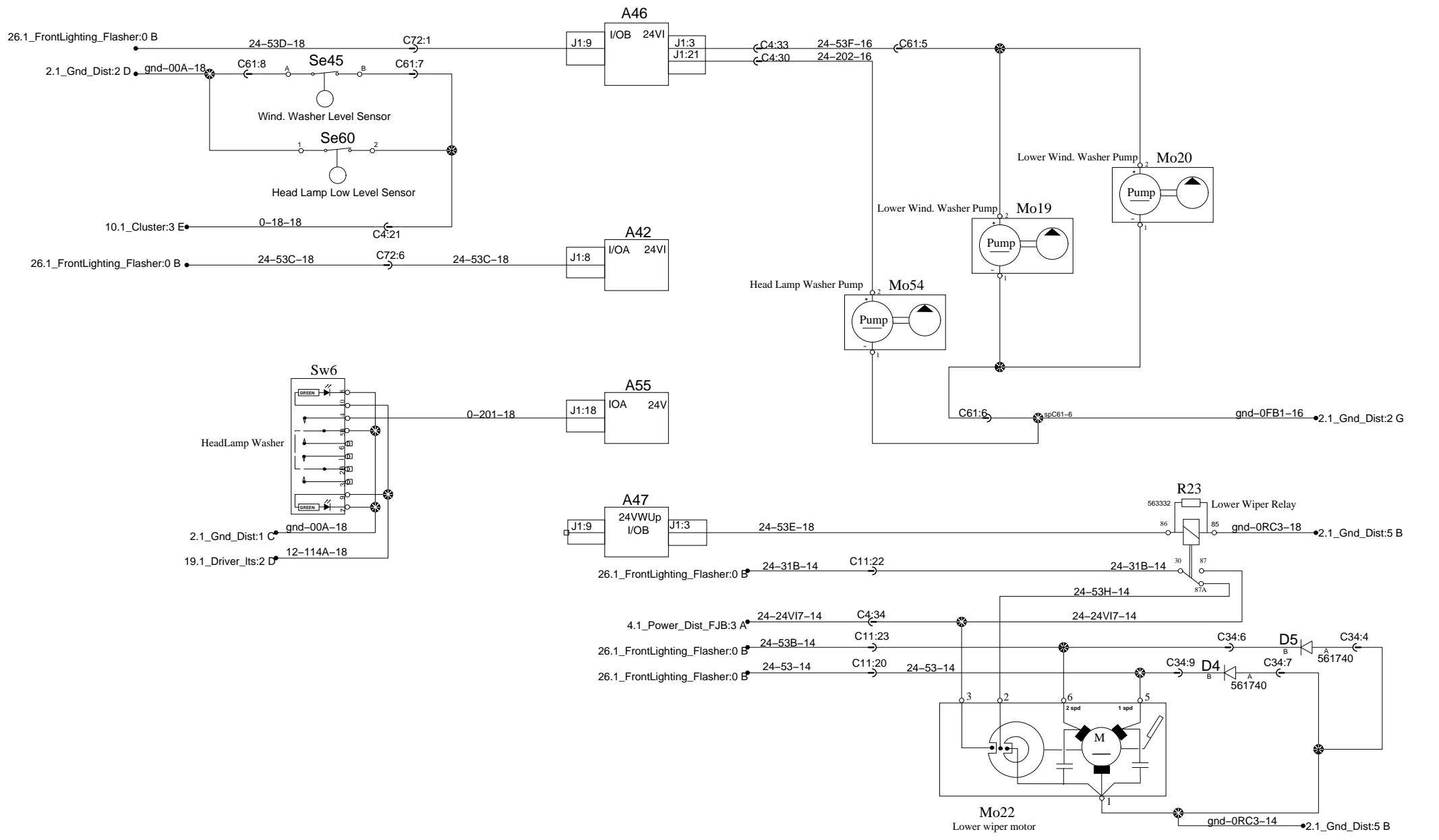
E



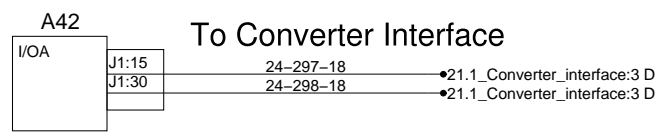
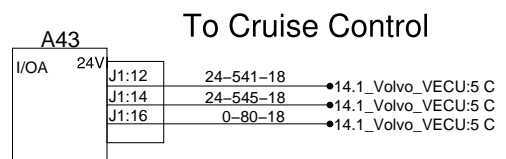
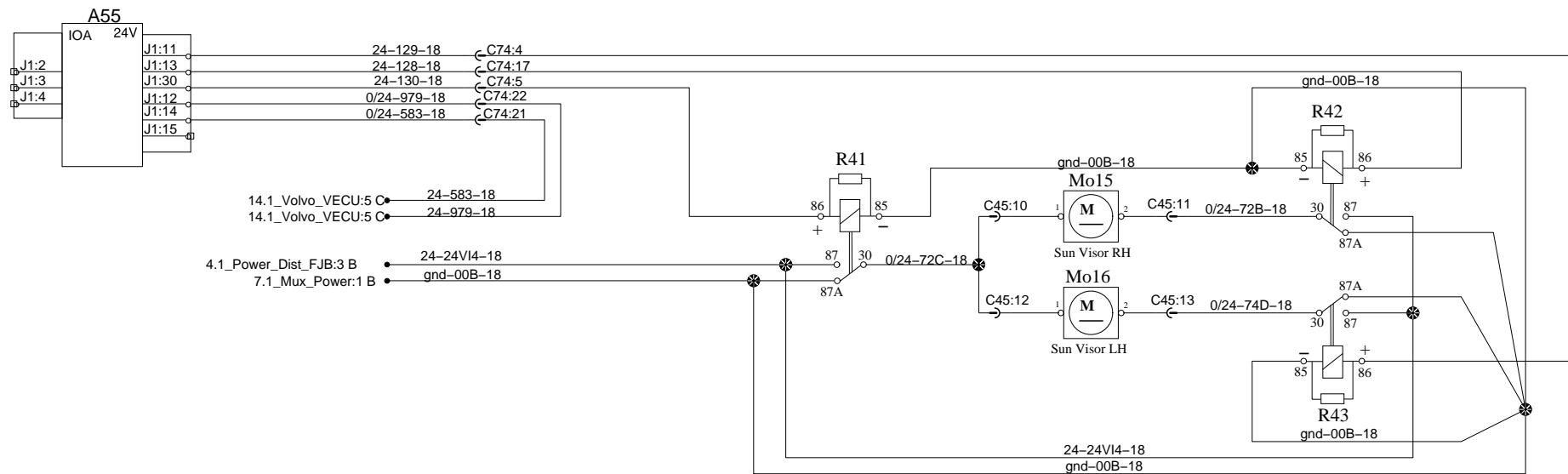
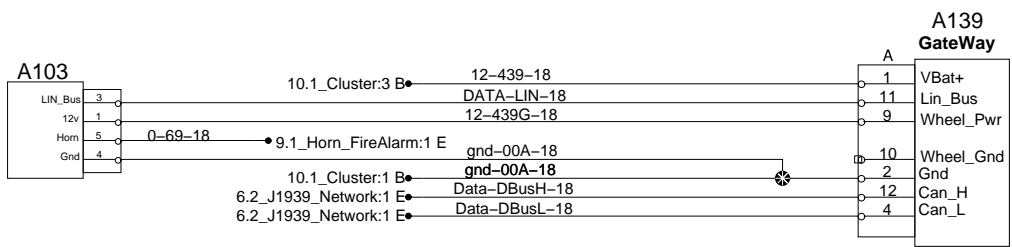
HEATING AND VENTILATION

HEATING ELEMENTS ONLY

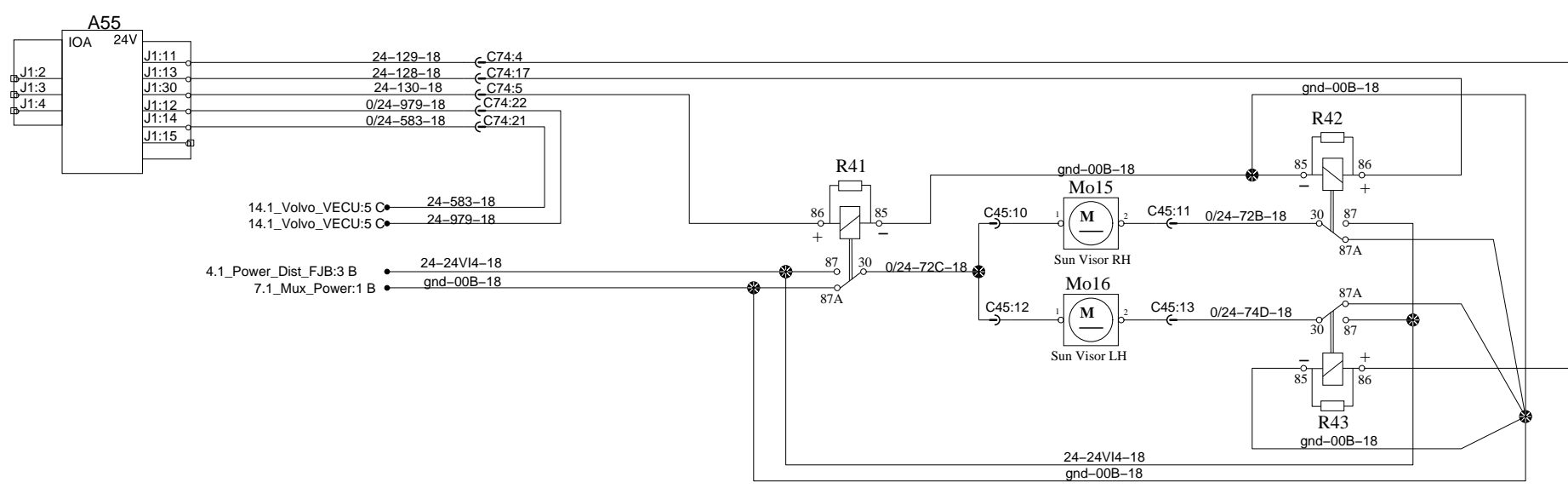
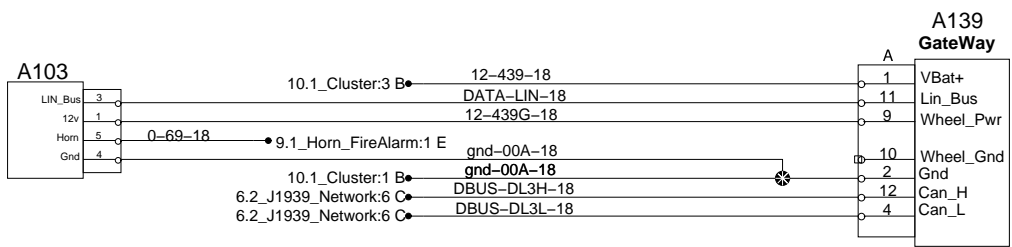
Wiper and washer



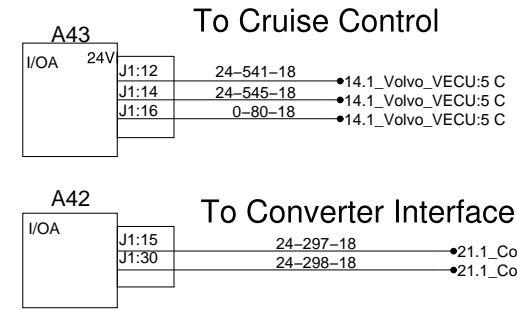
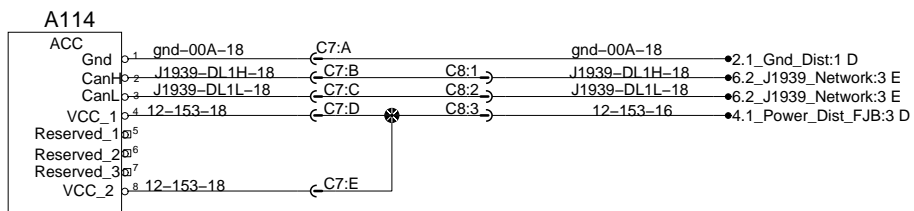
Steering Multifunctions & Sun Visor



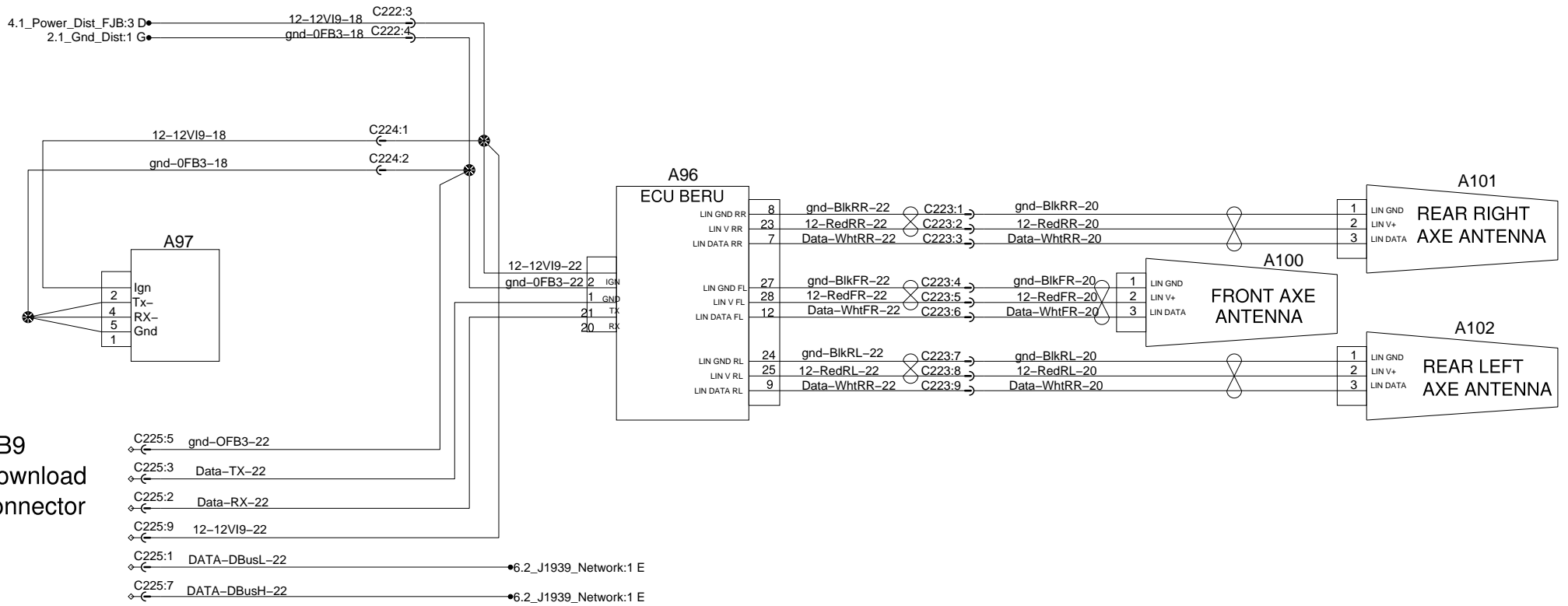
Steering Multifunctions & Sun Visor



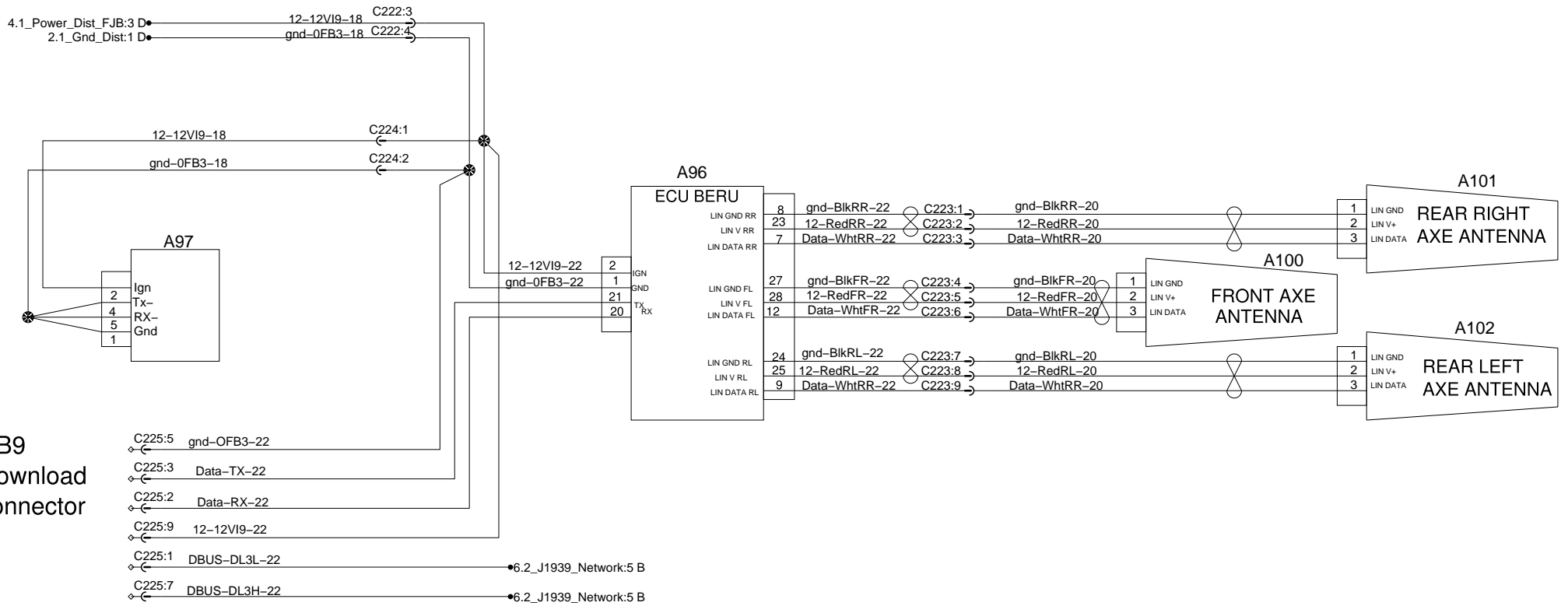
Adaptative Cruise Control Radar



Tire Pressure Monitoring System



Tire Pressure Monitoring System



0

1

2

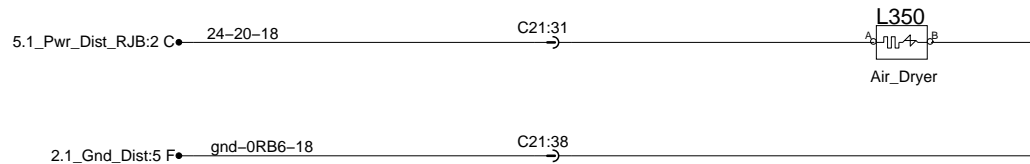
3

4

A

A

Electric Air Dryer



B

B

C

C

D

D

E

E

0

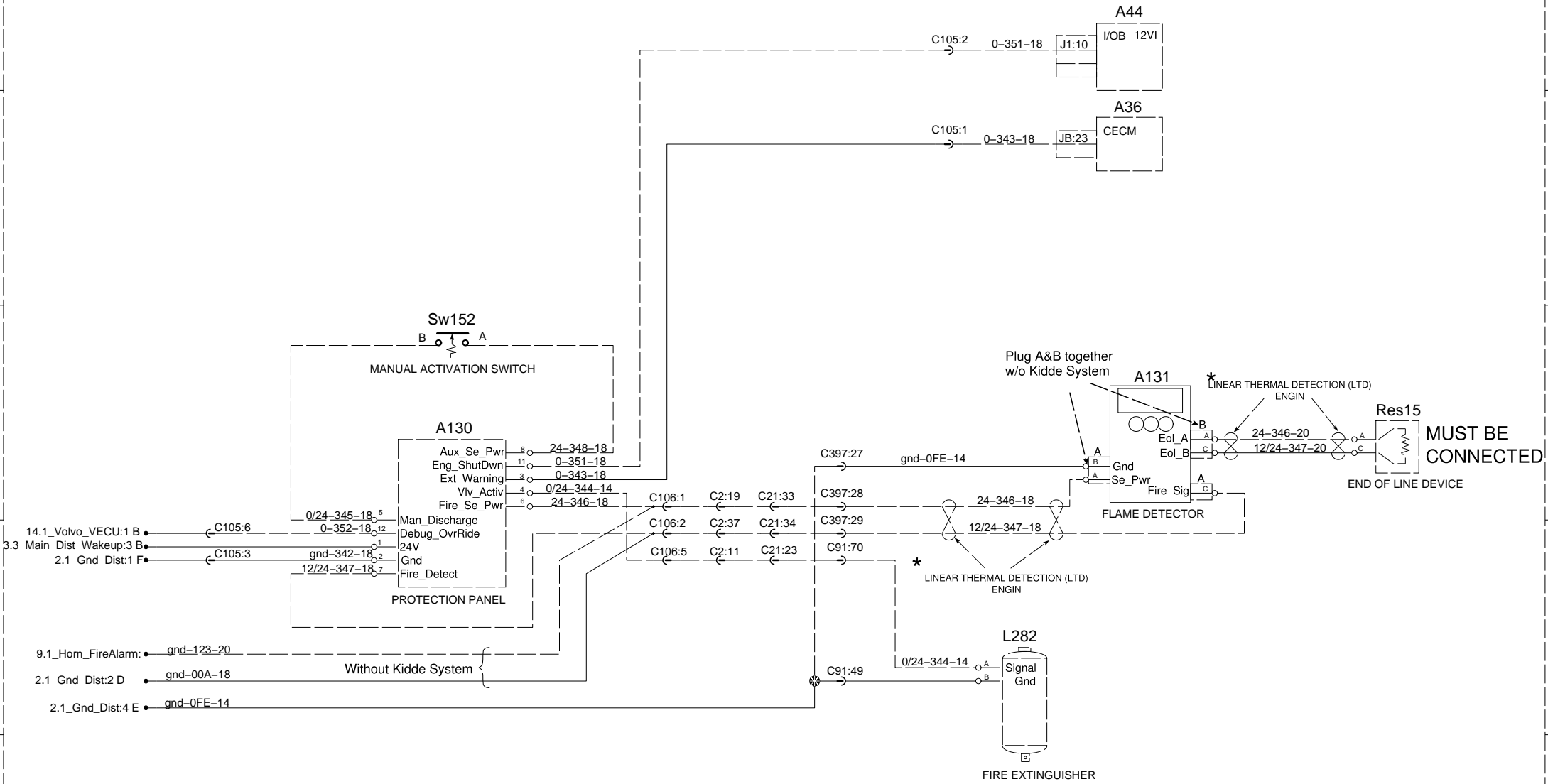
1

2

3

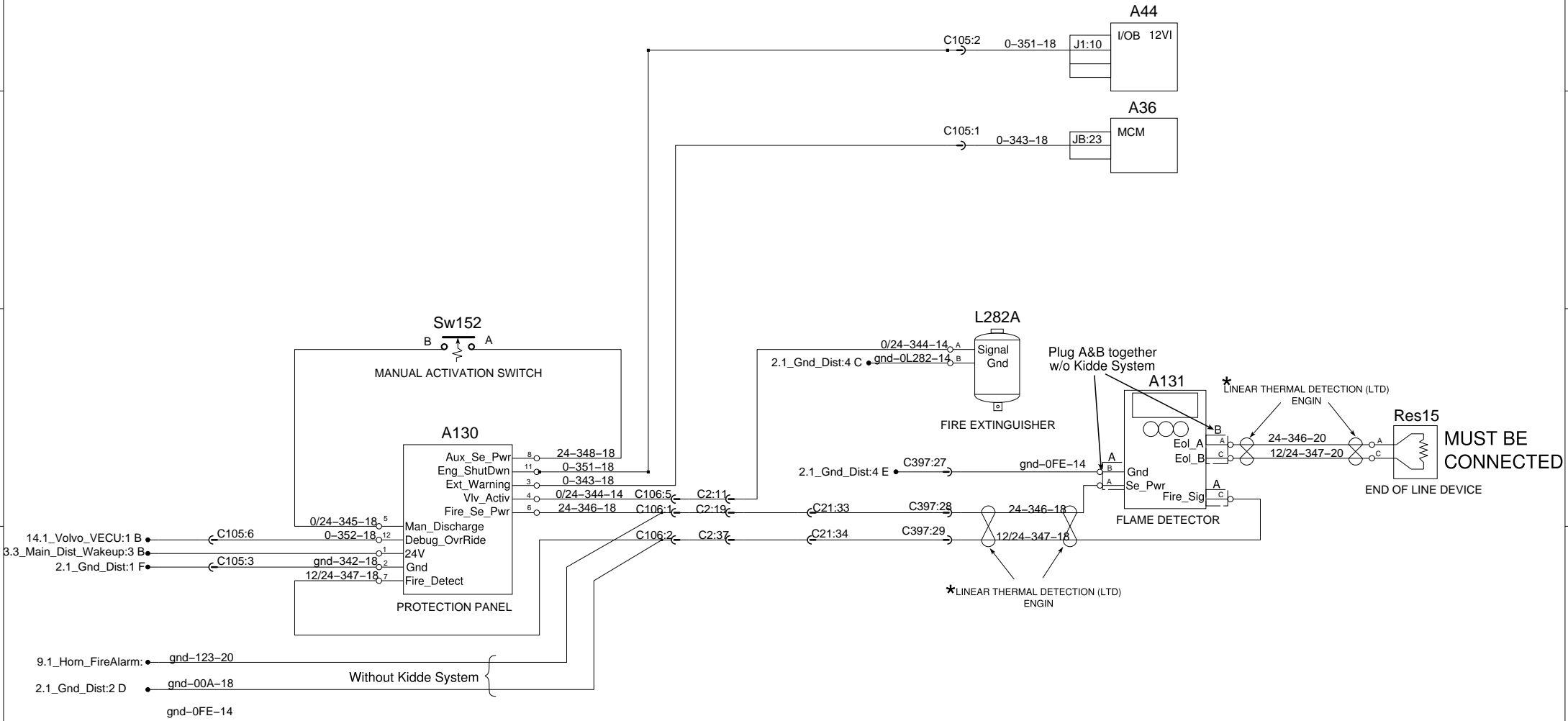
4

Automatic Fire Suppression System



*LTD ARE RATED TO ALARM BETWEEN 334F (168C) AND 356F (180C), IF THE TEMPERATURE-SENSITIVE INSULATION MELT, THE TWO WIRES GIVE A SIGNAL BY A SHORT-CIRCUITING.

Automatic Fire Suppression System



*LTD ARE RATED TO ALARM BETWEEN 334F (168C) AND 356F (180C), IF THE TEMPERATURE-SENSITIVE INSULATION MELT, THE TWO WIRES GIVE A SIGNAL BY A SHORT-CIRCUITING.