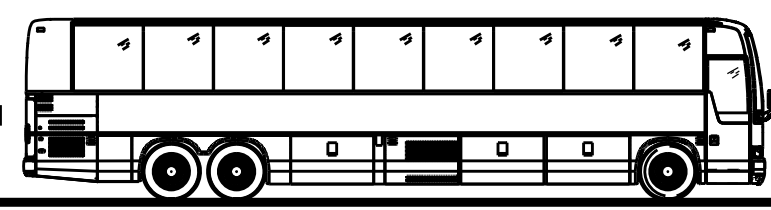


WIRING DIAGRAM

PREVOST

LE MIRAGE BUS XL2 45'



REFERENCE: STANDARD - MODEL 2003		NO: D060993				
EFF. W/ OC* 2000090	PRIOR TO / OC*	DR. ERIC LANDRY	DATE: 02-01-20			
EFF. W/ VEH.* 4-7965,4-8028,4-8102,4-8123,4-8165	PRIOR TO / VEH.*	CK. SYLVAIN DESBIENS	APPR. ROLAND LAPOINTE			
REV.	DATE	DESCRIPTION	PAGE	BY	CK.	APPR.
00	02-01-20	COOLING 2002 OC*2000090		E.L.	S.D.	β
01	03-02-18	ZF TRANSMISSION & GENERAL UPDATE	C1,C,H,I,11,2,1, 3,1,8,3,8,1,8,1SP1, 9,3,9,3SP1	A.S.	E.L.	β
02	03-04-17	UPPER DEFROST CABLE MODIFICATIONS - OC*2002060 REV.B EFF: 4-8213	1,1,5,4 C,9,3SP1	E.L.	S.D.	β
03	03-06-06	ZF TRANSMISSION MODIFICATIONS & GENERAL UPDATE	A,C,I,F,1,1,4,1, 4,1SP1,4,1SP2, 4,1SP3,4,2,5,1,29,1	A.S.	E.L.	β
04	03-08-15	NEW VIDEO PANEL ARRANGEMENT - OC*2003038 EFF: 4-8271	C2,D,0,3, 28,1, 28,3, 28,4, 28,5, 28,8	M.L.	S.D.	β
05	03-08-25	NEW FUSE BLOCK OC*2003033 EFF: 4-8271	E,1,4,2,6,1,6,3,7,1, 7,2,8,1,9,2,9,3,11,1, 11,2,11,3,11,4,11,5, 13,1,14,15,2,15,3, 16,1,18,19,1,25,1, 28,3,4,2SP1,3,2SP1, 9,3SP1,11,4SP1, 11,5SP1	E.L.	S.D.	β
		ENGINE CABLE SINGLE TO DOUBLE BRAID OC*2003075 EFF: 4-8279	NO PAGES MODIFIED	A.S.	S.D.	β
		WCL REMOVABLE OC*2002105 EFF: 4-8279	C1,G,29,1	S.D.	E.L.	β
06	03-09-09	VIDEO STABILIZER REMOVED AND NEW DISTRIBUTION AMPLIFIER (DUAL INPUT) WITH DVD OC*2003099 AND NEW DVD OC*2003098 EFF: 4-8279	L, 28,3, 28,7, 28,8	M.L.	S.D.	β
07	03-10-28	CORRECTION NEW DISTRIBUTION AMPLIFIER OC*2003099 EFF: 4-8279	28,3, 28,8	M.L.	S.D.	β

LE MIRAGE BUS XL2 45' D060993 P.2

REV.	DATE	DESCRIPTION	PAGE	BY	CK.	APPR.
08	03-12-11	NEW COOLING 2004 DDEC V OC*2003055 PRELIM.: 4-8279 EFF: 5-8359	B1,B2,C1,E,G,H,1,1,2, 1,2SP1,3,1,5,1,5,2, 6,1,6,3,7,2,9,3,9,3SP1, 18,1,21,1,29,1	S.D.	S.D.	β
		FACE LIFT: NEW FOG & HEADLAMPS OC*2002132 EFF: 4-8359	F,J,2,1,3,1,9,5	E.L.	β	β
		XENON HEADLAMPS OPTION OC*2003030 EFF: 4-8359	N/A			
		NEW HVAC MODULE PROGRAMMATION OC*2003120 EFF: 5-8359				
		MARKER & DIRECTIONAL LTS CONNECTORS OC*2003079 EFF: 5-8359	9,1,9,2,9,2SP1	A.S.	β	β
		A/C COMPRESSOR CONNECTOR OC*2003089 EFF: 5-8359	15,2			
09	04-03-11	CLEARANCE LTS W/JIFFY SPLICE OC*2003118 EFF: 5-8408	C1	A.S.	β	β
		PAGES UPDATED →	B1,1, 6,1,6,3,14,4, 14,4,5SP3,15,4,22,1	E.L.		
10	04-05-04	BOSCH ALT. C-399 ELIMINATED OC*2004020 EFF: 5-8426	C1,G,4,2	E.L.	β	β
		PAGES UPDATED →	C2,24,1			
11	04-05-24	CUT-OFF SWITCHES FOR MONITORS AND SPEAKERS EFF: 5-8457	E, J, G, 28,2SP1, 28,3SP1, 28,8SP1	S.L.	β	β
12	04-06-18	PROGRAMMABLE DIGITAL CLOCK OC*2004045	13,1	S.L.	β	β
13	04-07-08	UP DATE: DIGITAL CLOCK →	13,1	S.L.	β	β
		CUT-OFF SWITCHES FOR SPEAKERS →	28,2SP1,28,3SP1, 28,8SP1,28,8SP1	S.L.	β	β
		SATELLITE ANTENNA, EFF: 5-8457 →				
		ETHERNET NETWORK →	28,9SP1	S.L.	β	β
14	04-09-22	LAVATORY FAN'S SPEED (REDUCE BY HALF) SPECIAL OPTION	E2, 2,1SP1, 26,1SP3	S.L.	S.D.	β

LE MIRAGE BUS XL2 45' D060993 P.3

REV.	DATE	DESCRIPTION	PAGE	BY	CK.	APPR.
15	15-01-06	24 VDC MINI-RELAYS CHANGE TO VOLVO OC*2004108 EFF: 5-8578	1, 2, 1, 2, 1SP1, 4, 1, 4, 1SP3, 4, 1SP2, 4, 1SP3, 5, 1, 5, 2, 6, 1, 6, 3, 7, 2, 8, 1, 9, 1, 9, 2, 9, 2SP1, 9, 3, 9, 3SP1, 9, 5, 11, 2, 11, 4, 11, 4SP1, 11, 5, 11, 5SP1, 11, 5SP2, 12, 1, 14, 4, 14, 4SP1, 14, 4SP2, 15, 1, 15, 1SP1, 15, 2, 15, 3, 15, 3SP1, 18, 1, 18, 1SP1, 21, 1, 22, 1, 24, 1, 26, 1, 26, 1SP1, 27, 1, 28, 1, 28, 3, 28, 3SP1, 29, 1, 29, 1SP1	J.PRO	β	β
16	05-05-01	NEW CONTROL FOR R89 WATER PUMP RELAY AND PASSENGER LIQ. SOL. VALVE OC *2004103 EFF: 5-8645	C1,15,2,15,3	J.PRO	β	β
17	05-05-01	NEW REGULATION FOR WCL 2005 OC *2004089 EFF: 5-8606	C1,E,G,1,5,1,6,1,6,3, 7,2,29,1	SD	S.D.	β
18	05-05-17	OPTION XM RADIO SYSTEM OC*2005024 EFF: 5-8678	C2,G,28,1SP1, 28,1SP2, 28,1SP3	J.PRO	β	β
		ADD RELAY ON LAVATORY FAN OC*2005029 EFF: 6-8759	C1, 1, 11, 11, 3, 26, 1, 26, 1SP3	J.PRO	β	β
		UP-DATE	A,E,F,8,1SP2	SL	β	β

WIRING DIAGRAM INDEX

A A/C & VENTILATION PARCEL RACK Page: 15.1 A/C & HEAT – VENTILATION Page: 15.2 A/C & HEAT – UPPER DEFROST Page: 15.4 ALARM & SIGNAL Page: 7.2 ABS Page: 22.1 ARRANGEMENT - CABLE Page: B ARRANGEMENT - HARNESS Page: C ARRANGEMENT - SPARE WIRE Page: D	E ENGINE BLOCK HEATER Page: 20.1 ENGINE BRAKE SYSTEM Page: 21.1 ENGINE CONTROL Page: 4.1 ENTRANCE DOOR (SEDAN) Page: 24.1 ETHER COLD START Page: 8.1 EXTERIOR LIGHTING Page: 9	S RETARDER - WORLD TRANSM. Page: 21.1 SEAT AUDIO Page: 28.6 SOUND SYSTEM Page: 28.1 SPEED SIGNAL Page: 17.1 SPEEDOMETER Page: 7.1 STARTER Page: 4.2 STEERING CONTROL Page: 17.1 STEP LIGHTS Page: 24.1 SUN VISOR Page: 19.1
B BACK-UP ALARM Page: 9.3 BACK-UP CAMERA Page: 25.1 BATTERY Page: 1.2 BATTERY CHARGER Page: 11.5	F FAN-CLUTCH RADIATOR Page: 8.1 FAST IDLE - DDEC Page: 5.2 FIRE DETECTOR Page: 7.2 FRONT DESTINATION SIGN Page: 25.1 FUEL WATER FILTER Page: 8.1 FUEL PRIME PUMP Page: 19.1	T TACHOMETER Page: 7.1 TRANSMISSION – WTEC 3 Page: 6.1 TRANSMISSION – ZF Page: 6.3 TELL TALE LIGHT MODULES Page: 23.1 V TV TUNER Page: 28.3
C CAMERA SCENIC VIEW Page: 28.4 CHARGING SYSTEM Page: 4.2 CIGAR LIGHTER & 12V OUTLET Page: 13.1 CLUSTER Page: 7.1 CODE - CIRCUIT NUMBER Page: E CODE - CIRCUIT BREAKER Page: F CODE - CONNECTOR Page: G CODE - DIODE Page: H CODE - FUSE Page: L CODE - RELAY Page: I CODE - RESISTOR Page: J CODE – TRUTH TABLE Page: M CODE - WIRING KEY Page: K CRUISE CONTROL - DDEC Page: 5.1	G GROUND SYSTEM Page: 7.2 H GALLEY Page: 27.1 HORN Page: 7.2 HI-BUOY Page: 18.1 I HOTESS CHIME Page: 11.4 INTERIOR LIGHTING Page: 11 K INTERCOM Page: 30.1 KNEELING SYSTEM Page: 18.1	W WATER HEATER PRE-HEAT Page: 14.1 WATER TANK HEATER Page: 20.1 WINDOW AJAR Page: 20.1 WINDOW LIFTER Page: 19.1 WIPER & WASHER Page: 10.1 WIRELESS MICROPHONE Page: 28.5 WHEELCHAIR LIFT Page: 29.1
D DASH INSTRUMENT Page: 7.1 DDEC IV Page: 5 DIGITAL CLOCK Page: 13.1 DISCONNECT SWITCH 12V, 24V Page: 1.1 DISTRIBUTION 24 VOLTS Page: 1.1 DISTRIBUTION 12 VOLTS Page: 2.1 DRIVER'S SEAT (WIRING ONLY) Page: 13.1	L LAVATORY Page: 26.1 LOW BUOY Page: 18.1 M LUGGAGE DOOR LOCK Page: 12.1 P MIRROR-REAR VIEW Page: 16 PARKING BRAKE SWITCH & ALARM Page: 8.1 R POWER 12V OUTLET Page: 13.1	

WIRING DIAGRAM INDEX

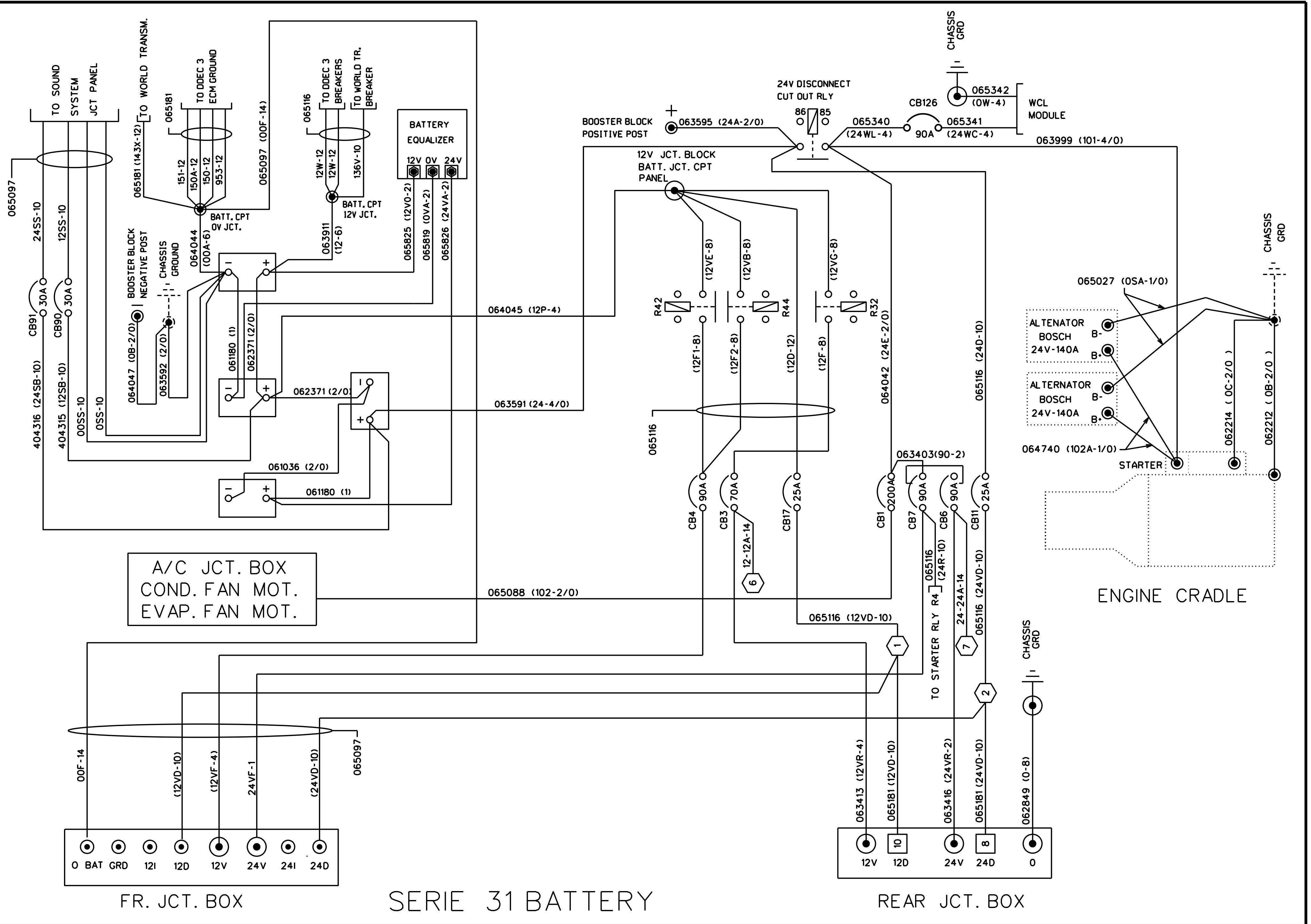
A A/C & VENT.- PARCEL RACK Page: 15.1 A/C, HEAT & VENTILATION Page: 15.2 A/C, HEAT & UPPER DEFROST Page: 15.4 ALARM & SIGNAL Page: 7.2 ABS Page: 22.1 ARRANGEMENT - CABLE Page: B ARRANGEMENT - HARNESS Page: C ARRANGEMENT - SPARE WIRE Page: D	E ENGINE BLOCK HEATER Page: 20.1 ENGINE BRAKE SYSTEM Page: 21.1 ENGINE CONTROL Page: 4.1 ENTRANCE DOOR (SEDAN) Page: 24.1 ETHER COLD START Page: 8.1 EXTERIOR LIGHTING Page: 9	R RETARDER - WORLD TRANSM. Page: 21.1
B BACK-UP ALARM Page: 9.3 BACK-UP CAMERA Page: 25.1 BATTERY Page: 1.2 BATTERY CHARGER Page: 11.5	F FAN-CLUTCH RADIATOR Page: 8.1 FAST IDLE - DDEC Page: 5.2 FIRE DETECTOR Page: 7.2 FRONT DESTINATION SIGN Page: 25.1 FUEL WATER FILTER Page: 8.1 FUEL PRIME PUMP Page: 19.1	S SEAT AUDIO Page: 28.6 SOUND SYSTEM Page: 28.1 SPEED SIGNAL Page: 17.1 SPEEDOMETER Page: 7.1 STARTER Page: 4.2 STEERING CONTROL Page: 17.1 STEP LIGHTS Page: 24.1 SUN VISOR Page: 19.1
C CAMERA SCENIC VIEW Page: 28.4 CHARGING SYSTEM Page: 4.2 CIGAR LIGHTER & 12V OUTLET Page: 13.1 CLUSTER Page: 7.1 CODE - CIRCUIT NUMBER Page: E CODE - CIRCUIT BREAKER Page: F CODE - CONNECTOR Page: G CODE - DIODE Page: H CODE - FUSE Page: L CODE - RELAY Page: I CODE - RESISTOR Page: J CODE - TRUTH TABLE Page: M CODE - WIRING KEY Page: K CRUISE CONTROL - DDEC Page: 5.1	G GROUND SYSTEM Page: 7.2 GALLEY Page: 27.1	T TACHOMETER Page: 7.1 TRANSMISSION – WTEC 3 Page: 6.1 TRANSMISSION – ZF Page: 6.3 TELL TALE LIGHT MODULES Page : 23.1 TV TUNER Page : 28.3
D DASH INSTRUMENT Page: 7.1 DDEC IV Page: 5 DIGITAL CLOCK Page: 13.1 DISCONNECT SWITCH 12V, 24V Page: 1.1 DISTRIBUTION 24 VOLTS Page: 1.1 DISTRIBUTION 12 VOLTS Page: 2.1 DRIVER'S SEAT (WIRING ONLY) Page: 13.1	H HORN Page: 7.2 HI-BUOY Page: 18.1 HOSTESS CHIME Page: 11.4	V VIDEO SYSTEM Page : 28.3
	I INTERIOR LIGHTING Page: 11 INTERCOM Page : 30.1	W WATER HEATER PRE-HEAT Page: 14.1 WATER TANK HEATER Page: 20.1 WINDOW AJAR Page: 20.1 WINDOW LIFTER Page: 19.1 WIPER & WASHER Page: 10.1 WIRELESS MICROPHONE Page: 28.5 WHEELCHAIR LIFT Page: 29.1
	K KNEELING SYSTEM Page: 18.1	
	L LAVATORY Page: 26.1 LOW BUOY Page: 18.1 LUGGAGE DOOR LOCK Page: 12.1	
	M MIRROR-REAR VIEW Page: 16	
	P PARKING BRAKE SWITCH & Page: 8.1 ALARM POWER 12V OUTLET Page: 13.1	

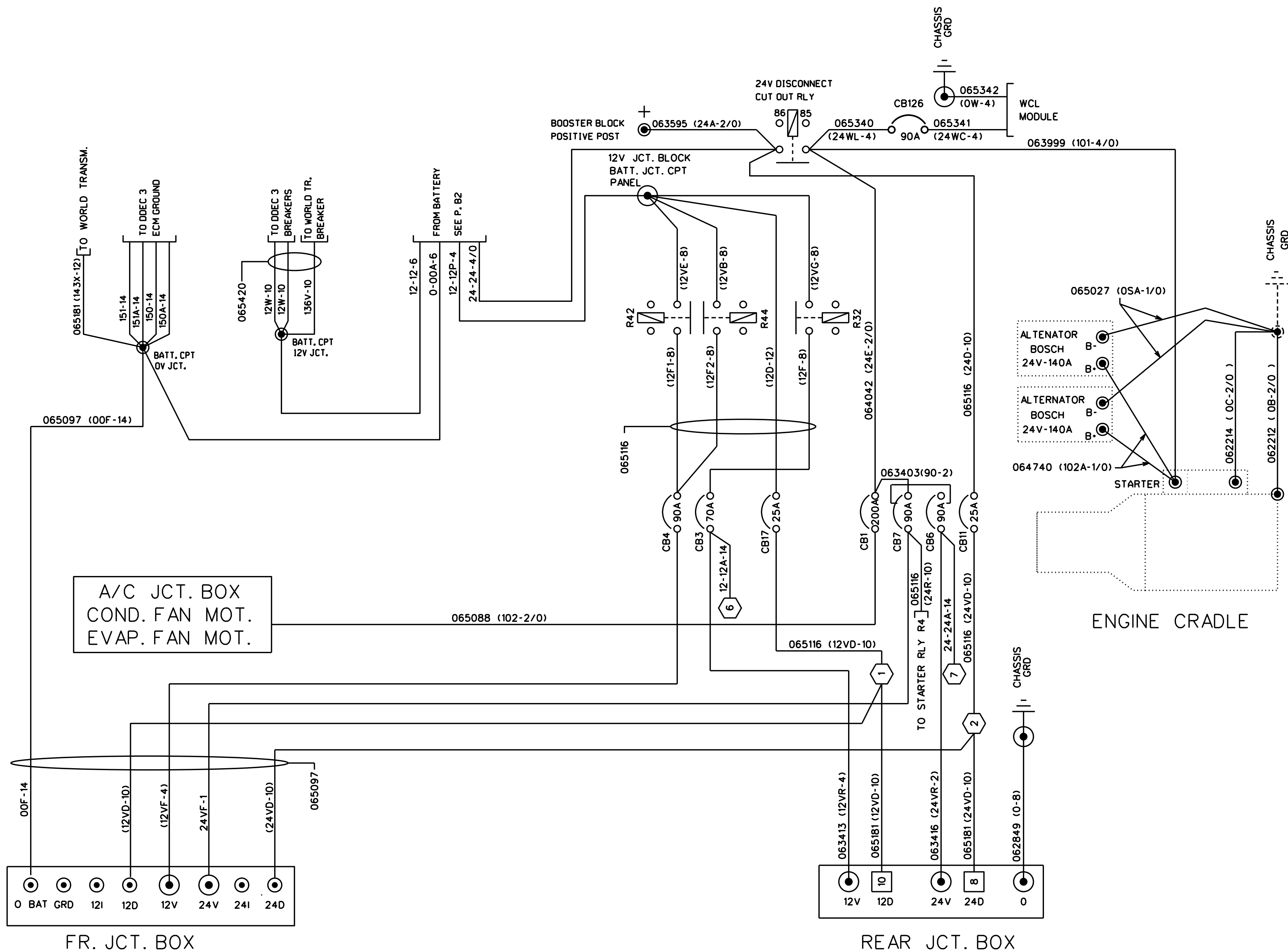
WIRING DIAGRAM INDEX

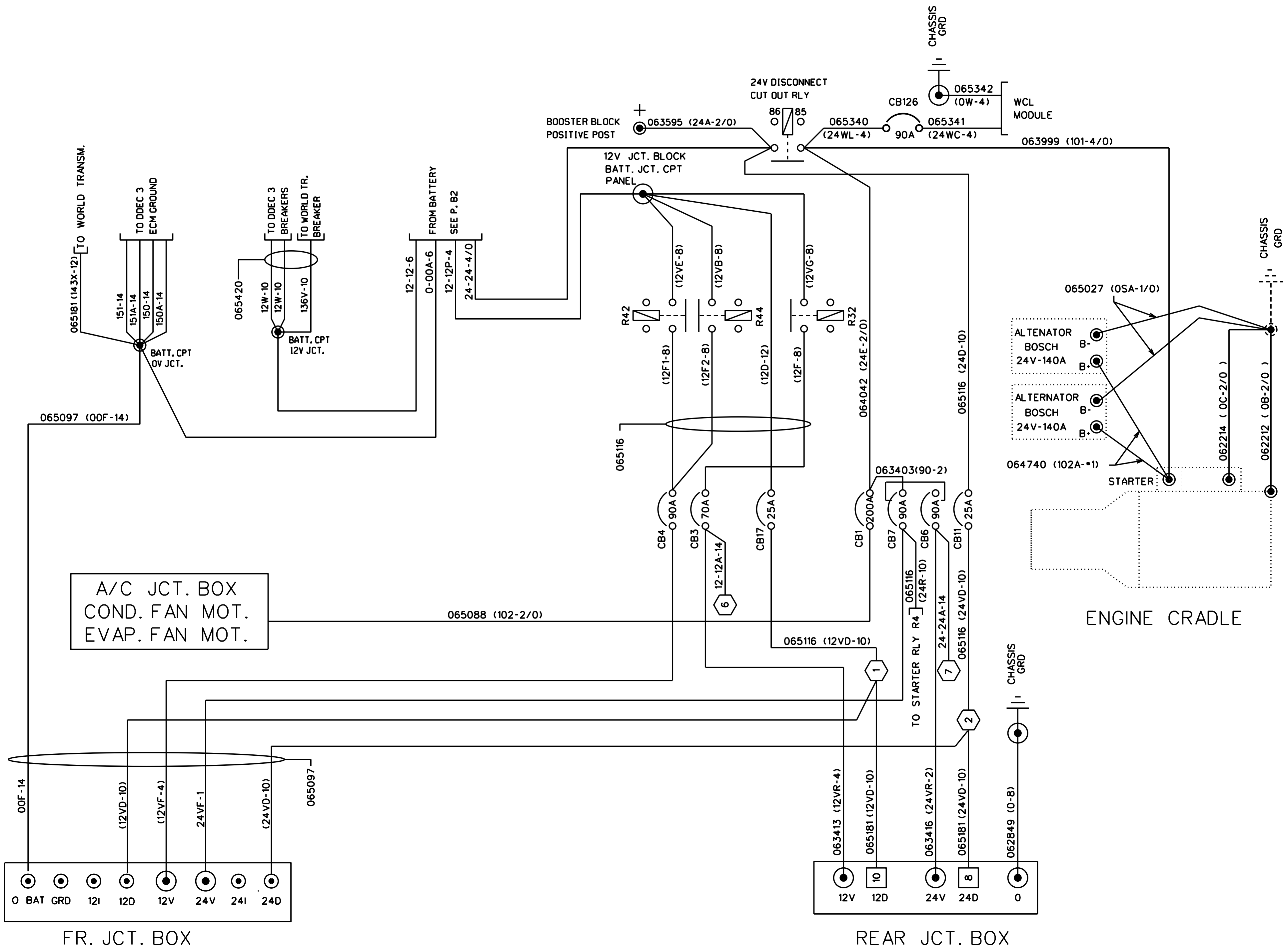
WIRING DIAGRAM INDEX

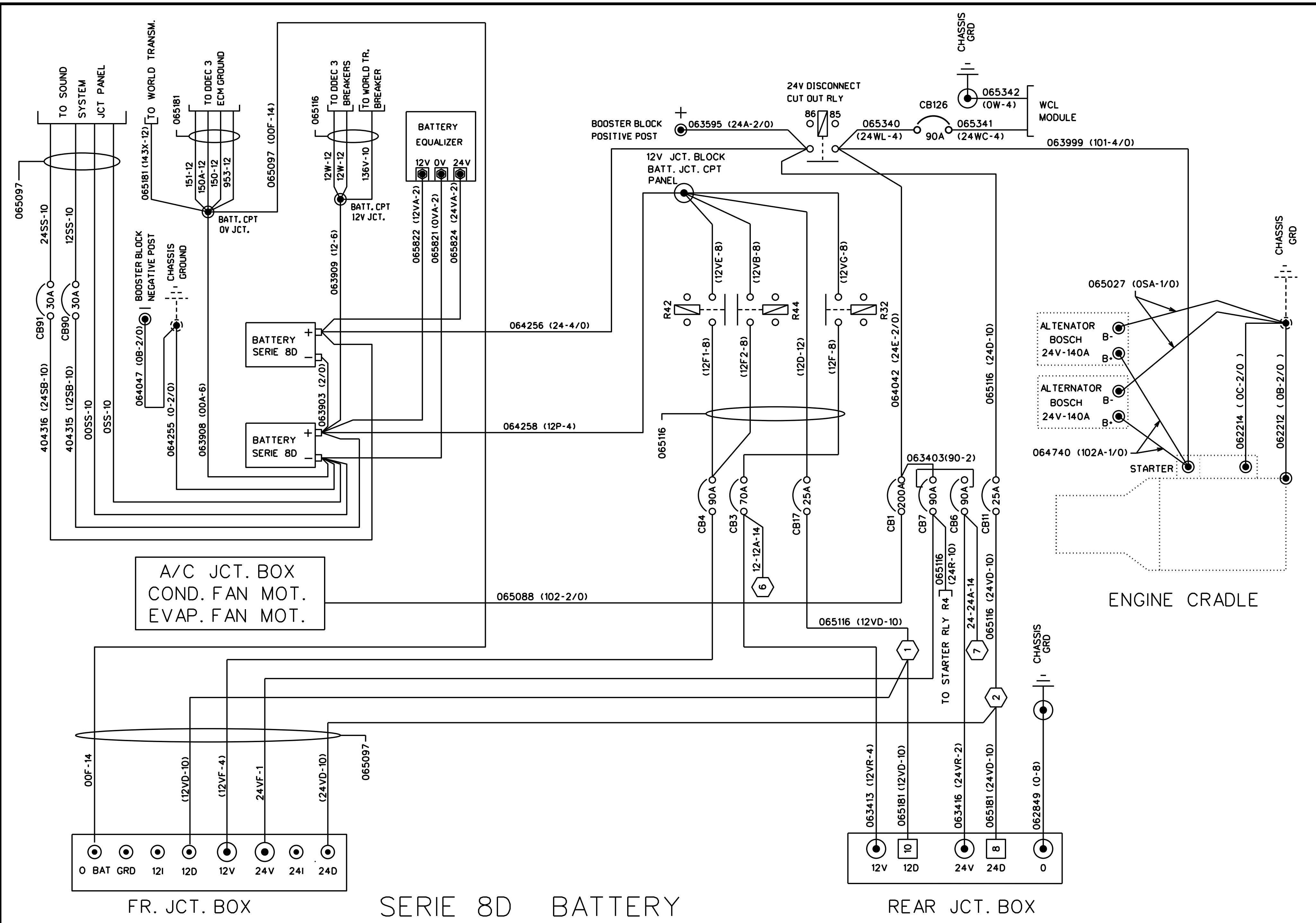
A A/C & VENT.- PARCEL RACK Page: 15.1 A/C, HEAT & VENTILATION Page: 15.2 A/C, HEAT & UPPER DEFROST Page: 15.4 AIR DRYER Page: 8.1SP2 ALARM & SIGNAL Page: 7.2 ABS Page: 22.1 ARRANGEMENT - CABLE Page: B ARRANGEMENT - HARNESS Page: C ARRANGEMENT - SPARE WIRE Page: D	E ENGINE BLOCK HEATER Page: 20.1 ENGINE BRAKE SYSTEM Page: 21.1 ENGINE CONTROL Page: 4.1 ENTRANCE DOOR (SEDAN) Page: 24.1 ETHER COLD START Page: 8.1 EXTERIOR LIGHTING Page: 9	POWER 12V OUTLET Page: 13.1 R RETARDER - WORLD TRANSM. Page: 21.1 S SEAT AUDIO Page: 28.6 SOUND SYSTEM Page: 28.1 SPEED SIGNAL Page: 17.1 SPEEDOMETER Page: 7.1 STARTER Page: 4.2 STEERING CONTROL Page: 17.1 STEP LIGHTS Page: 24.1 SUN VISOR Page: 19.1
B BACK-UP ALARM Page: 9.3 BACK-UP CAMERA Page: 25.1 BATTERY Page: 1.2 BATTERY CHARGER Page: 11.5	F FAN-CLUTCH RADIATOR Page: 8.1 FAST IDLE - DDEC Page: 5.2 FIRE DETECTOR Page: 7.2 FRONT DESTINATION SIGN Page: 25.1 FUEL WATER FILTER Page: 8.1 FUEL PRIME PUMP Page: 19.1	T TACHOMETER Page: 7.1 TRANSMISSION – WTEC 3 Page: 6.1 TRANSMISSION – ZF Page: 6.3 TELL TALE LIGHT MODULES Page : 23.1 TV TUNER Page : 28.3
C CAMERA SCENIC VIEW Page: 28.4 CHARGING SYSTEM Page: 4.2 CIGAR LIGHTER & 12V OUTLET Page: 13.1 CLUSTER Page: 7.1 CODE - CIRCUIT NUMBER Page: E CODE - CIRCUIT BREAKER Page: F CODE - CONNECTOR Page: G CODE - DIODE Page: H CODE - FUSE Page: L CODE - RELAY Page: I CODE - RESISTOR Page: J CODE – TRUTH TABLE Page: M CODE - WIRING KEY Page: K CRUISE CONTROL - DDEC Page: 5.1	G GROUND SYSTEM Page: 7.2 GALLEY Page: 27.1 H HORN Page: 7.2 HI-BUOY Page: 18.1 HOSTESS CHIME Page: 11.4	V VIDEO SYSTEM Page : 28.3 W WATER HEATER PRE-HEAT Page: 14.1 WATER TANK HEATER Page: 20.1 WINDOW AJAR Page: 20.1 WINDOW LIFTER Page: 19.1 WIPER & WASHER Page: 10.1 WIRELESS MICROPHONE Page: 28.5 WHEELCHAIR LIFT Page: 29.1
D DASH INSTRUMENT Page: 7.1 DDEC IV Page: 5 DIGITAL CLOCK Page: 13.1 DISCONNECT SWITCH 12V, 24V Page: 1.1 DISTRIBUTION 24 VOLTS Page: 1.1 DISTRIBUTION 12 VOLTS Page: 2.1	I INTERIOR LIGHTING Page: 11 INTERCOM Page : 30.1 K KNEELING SYSTEM Page: 18.1 L LAVATORY Page: 26.1 LOW BUOY Page: 18.1 LUGGAGE DOOR LOCK Page: 12.1	M MIRROR-REAR VIEW Page: 16 P PARKING BRAKE SWITCH & Page: 8.1 ALARM

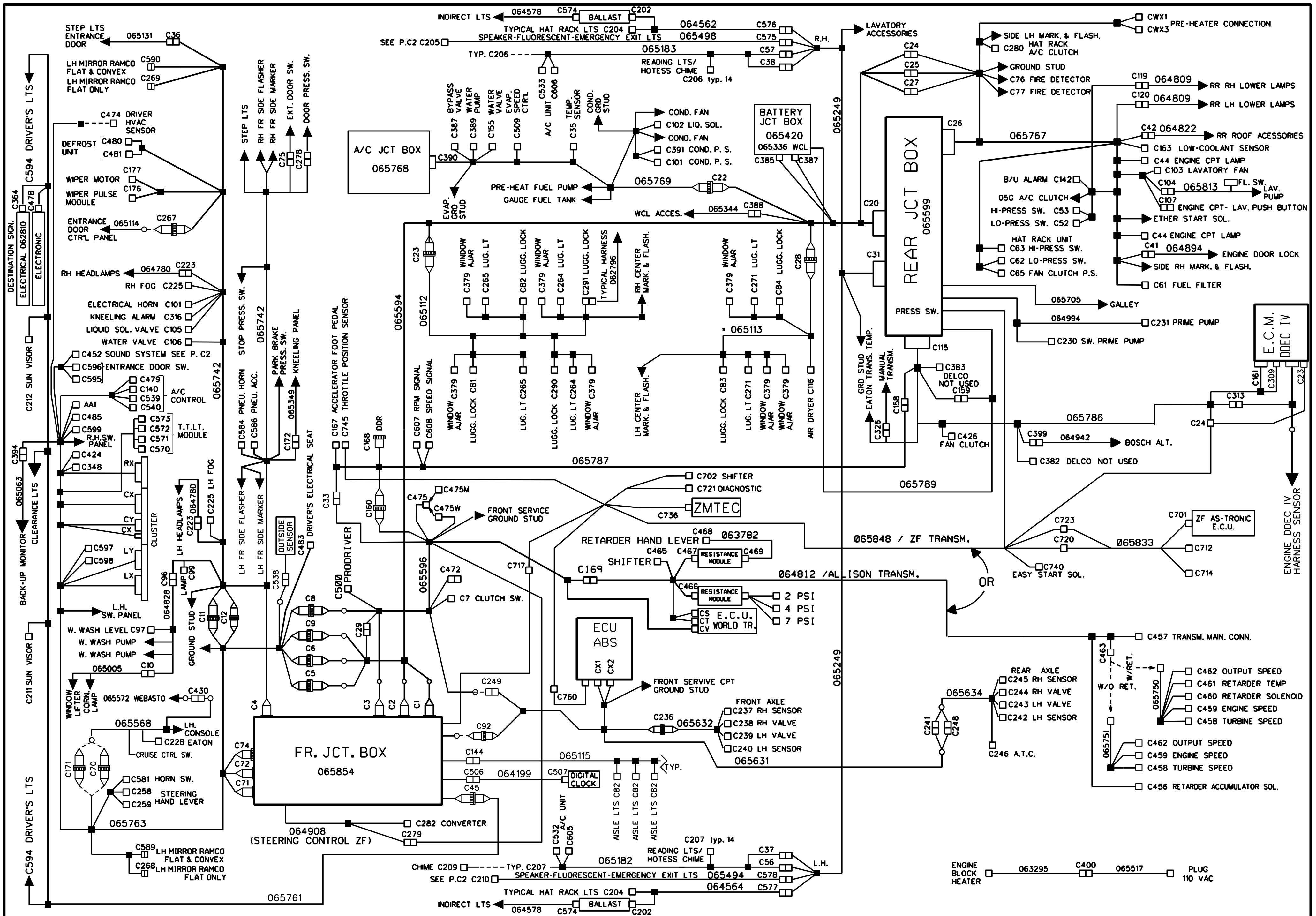
WIRING DIAGRAM INDEX

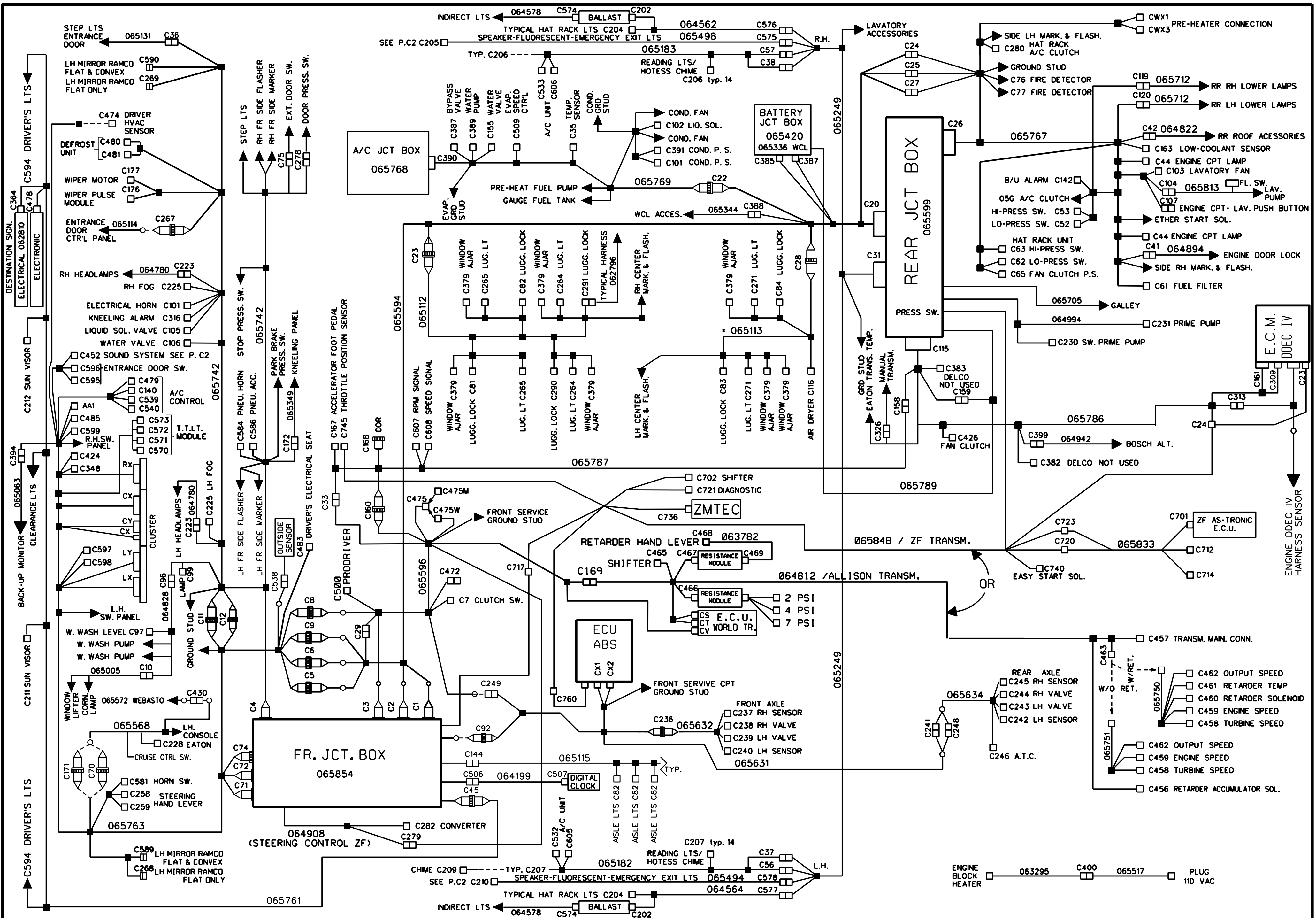


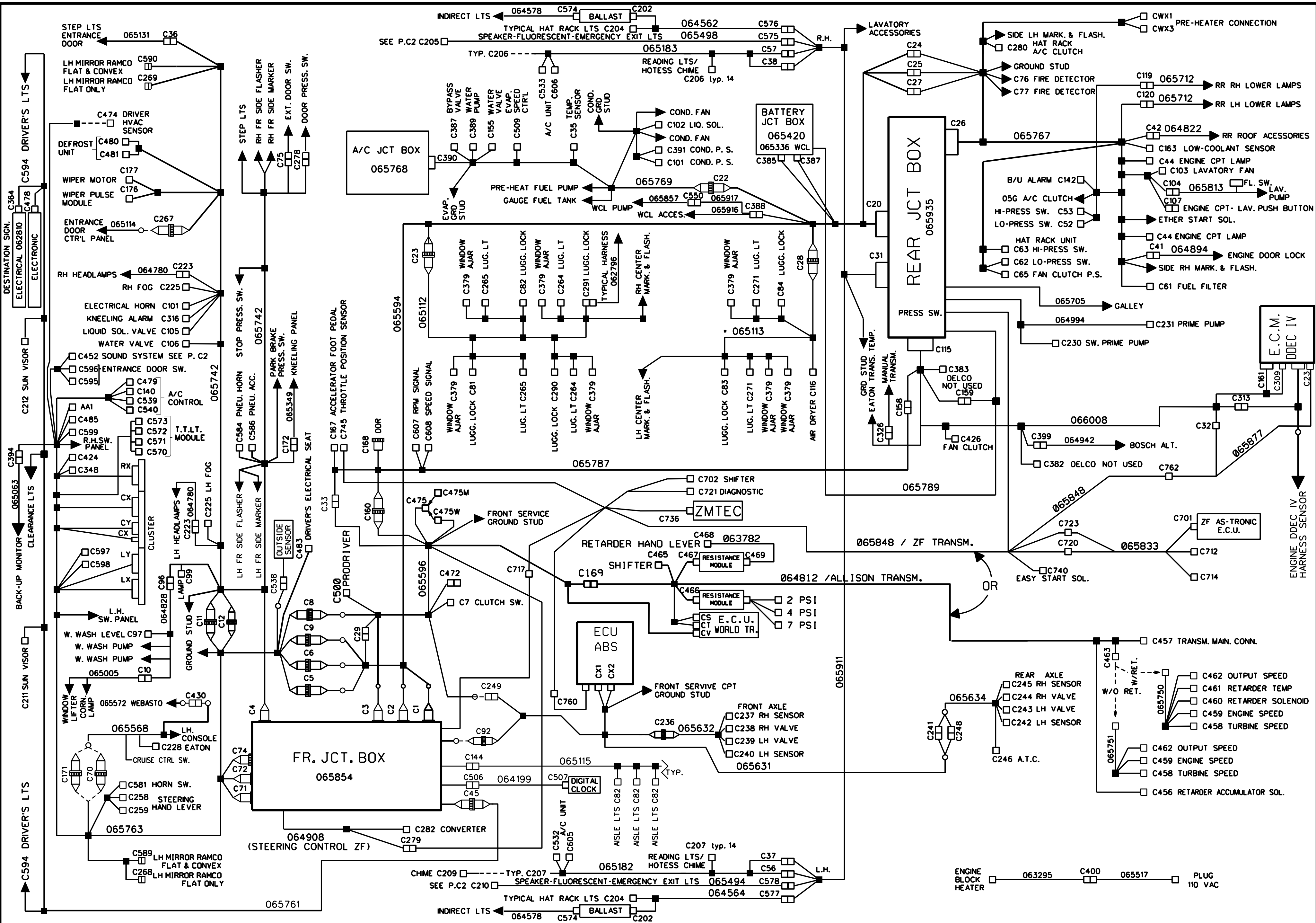


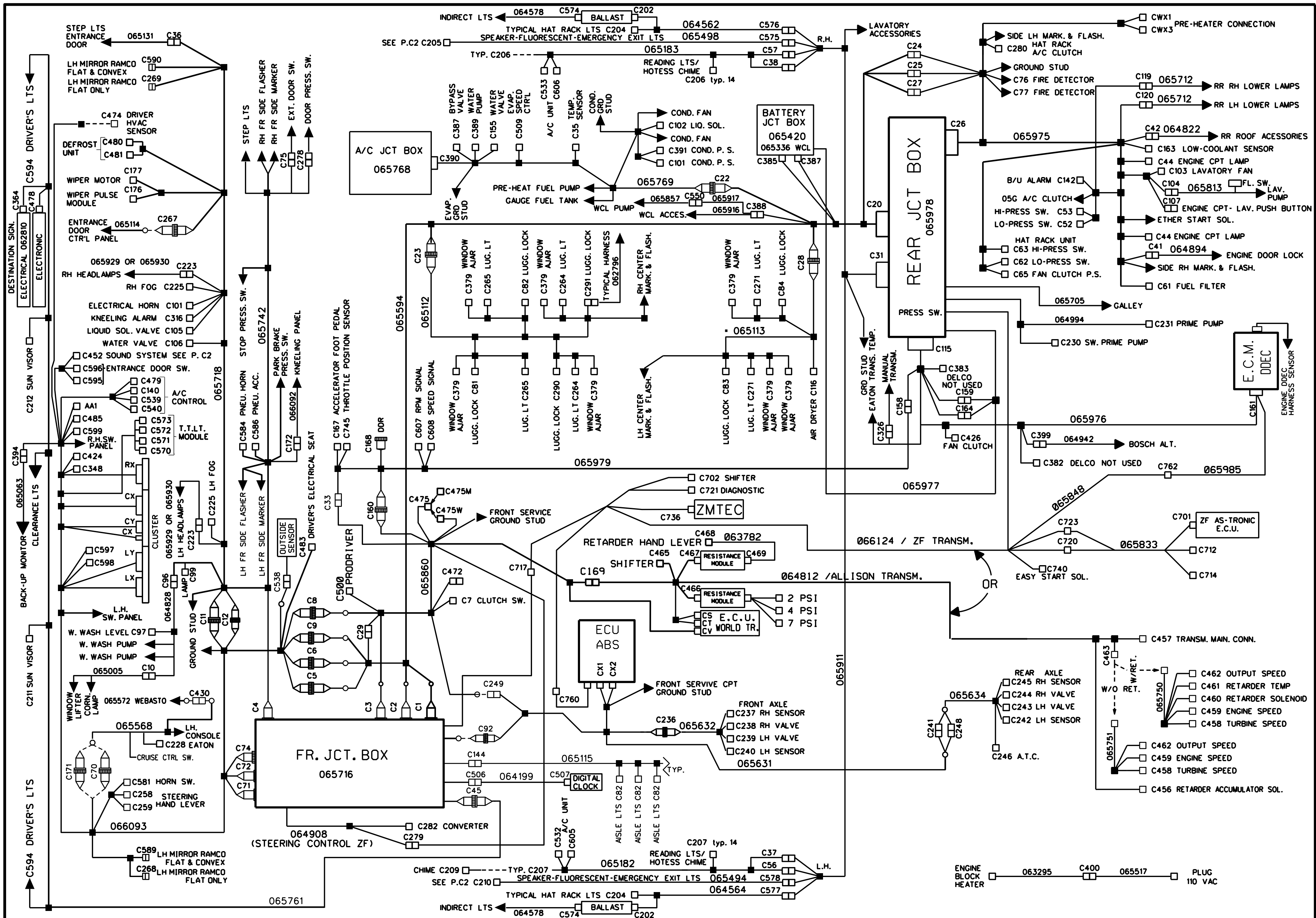


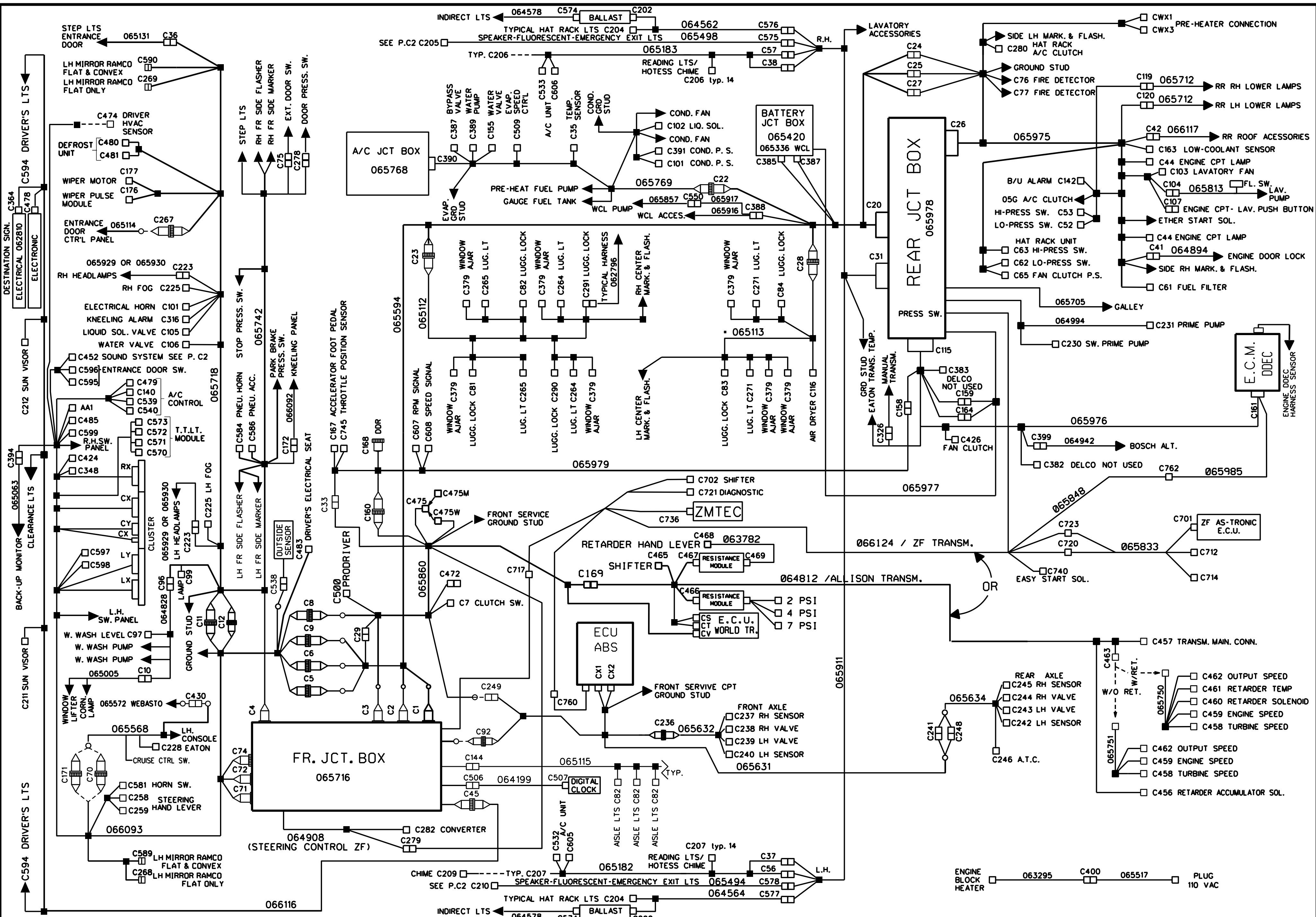


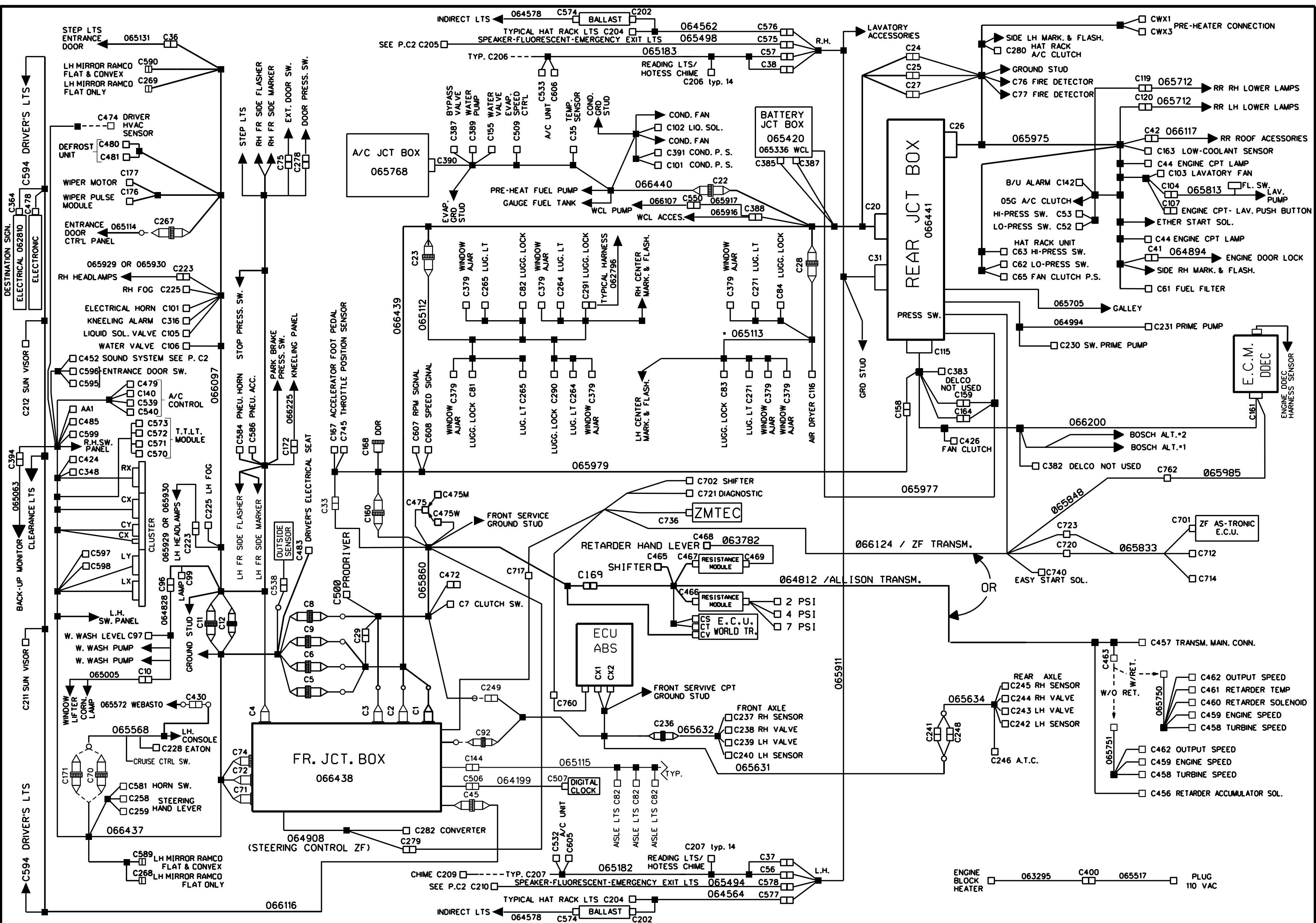


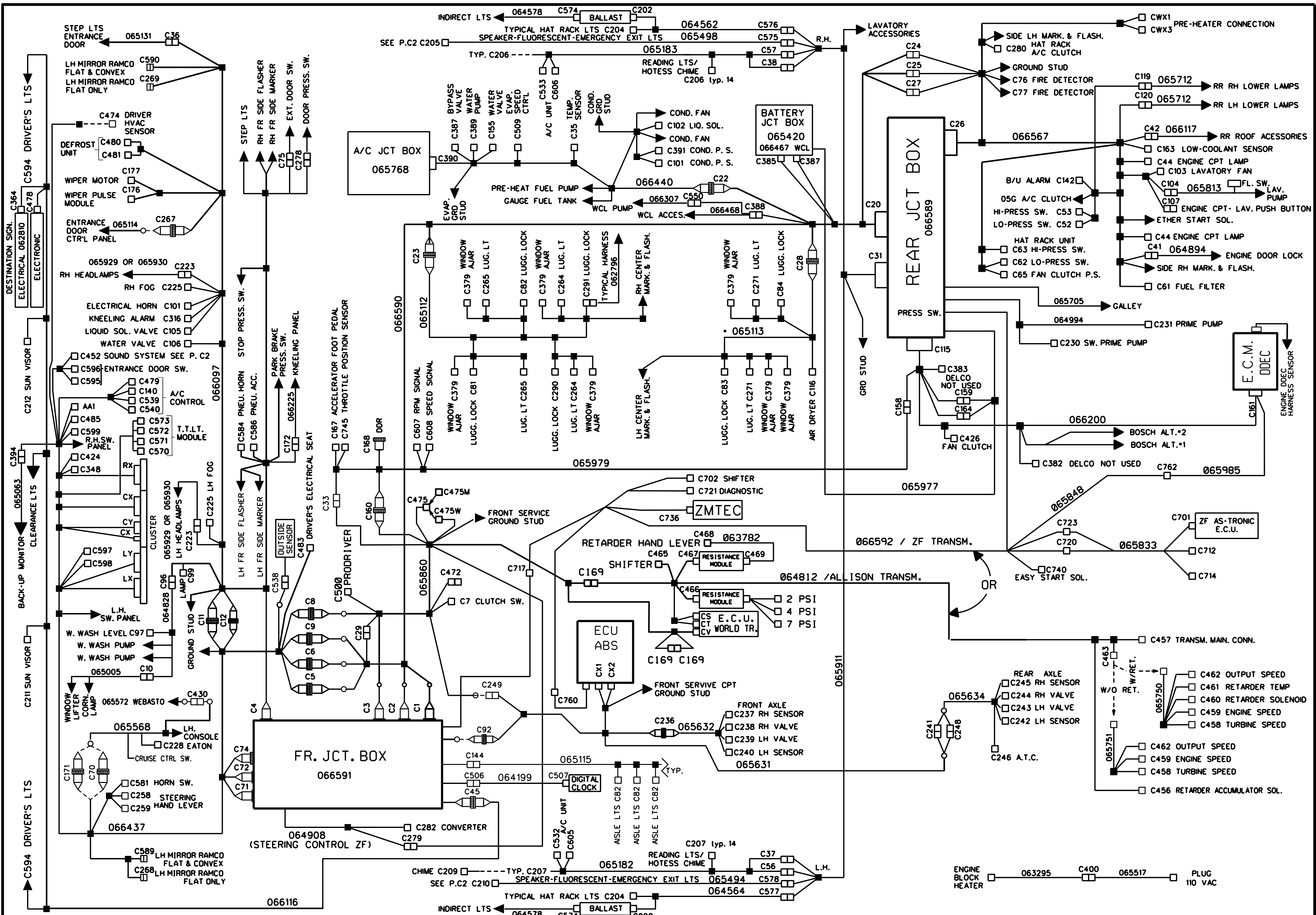




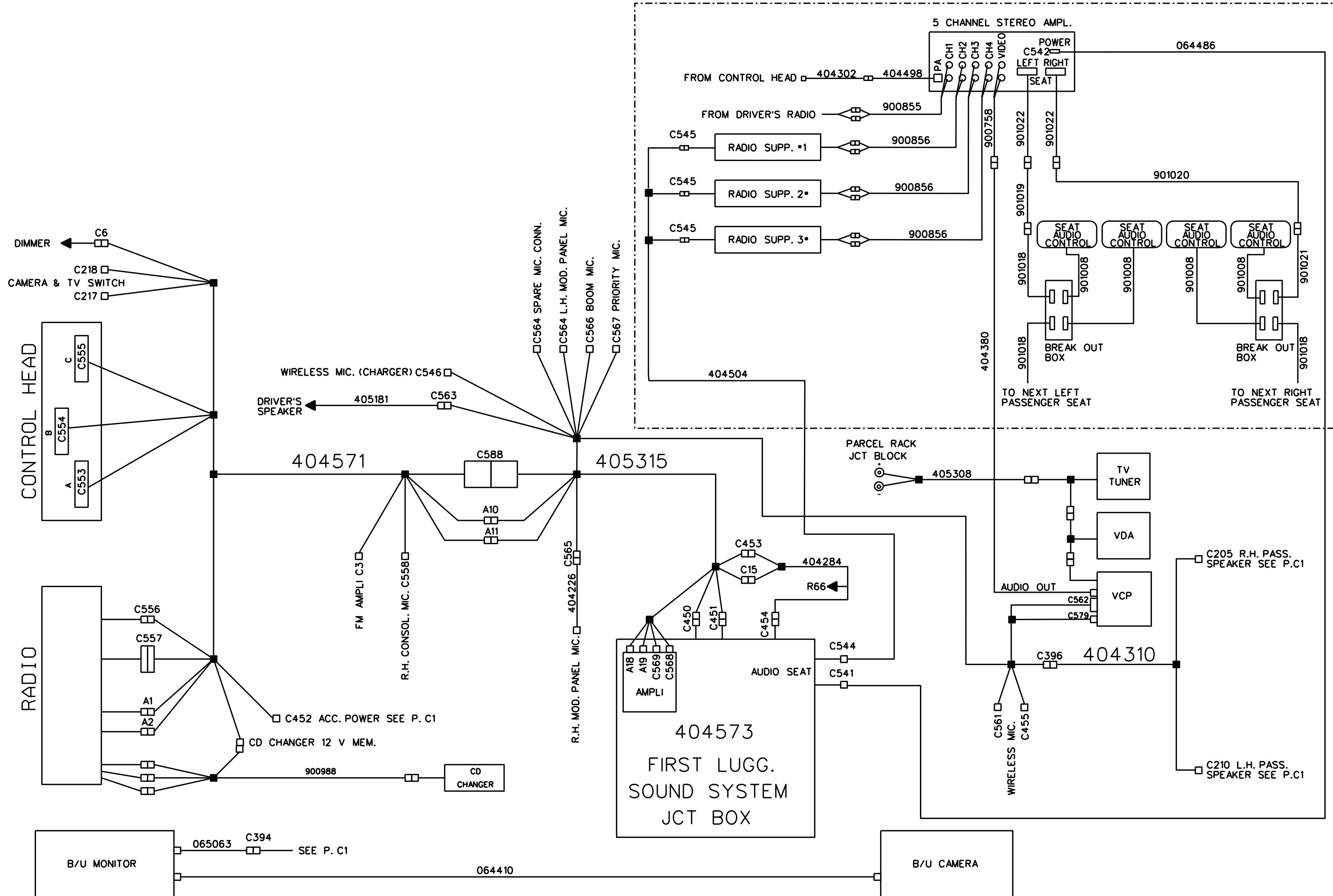




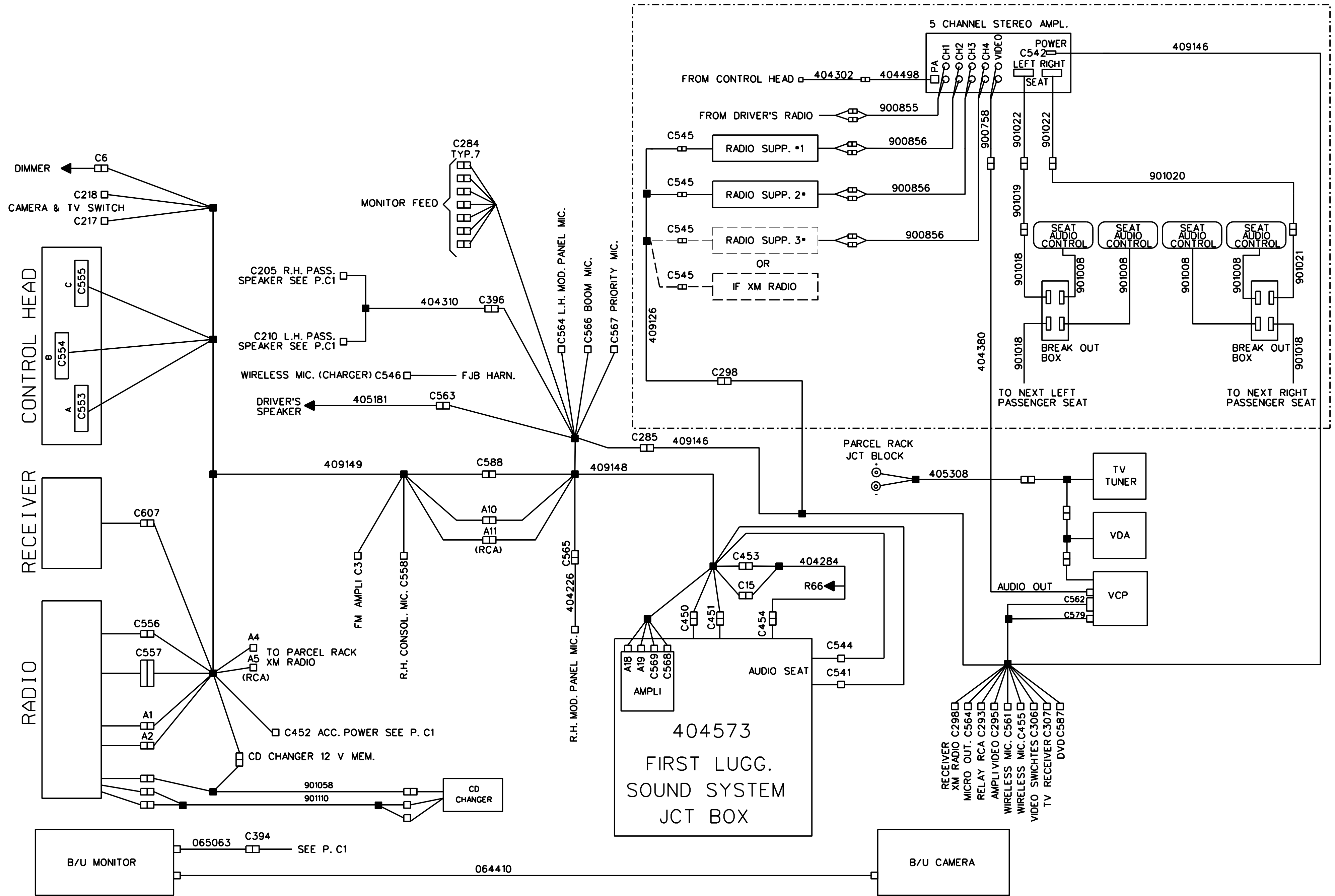


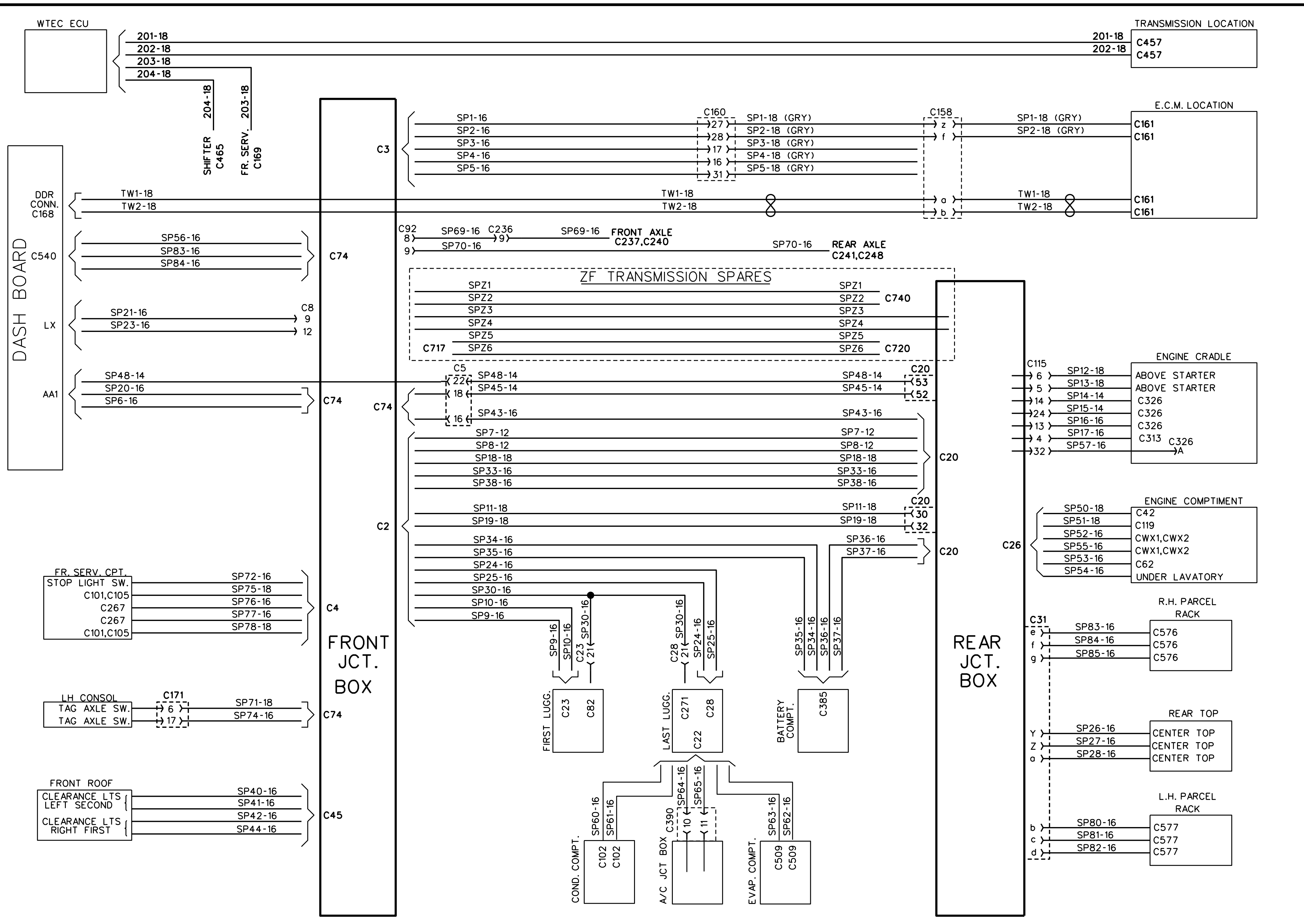


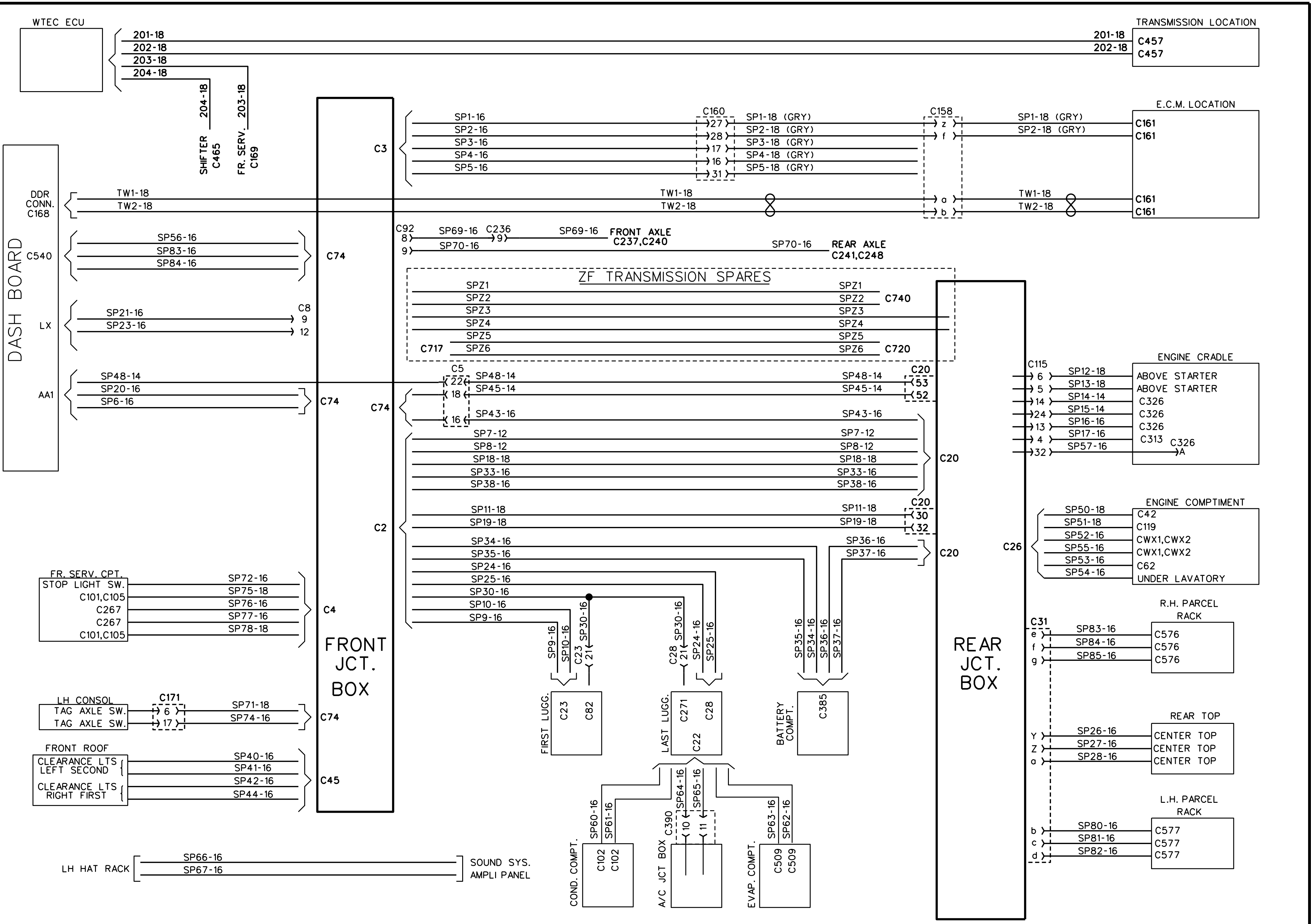
5 CHANNEL SLIM-LINE SEAT AUDIO SYSTEM



5 CHANNEL SLIM-LINE SEAT AUDIO SYSTEM







CIRCUIT NUMBER CODE

NO.	DESCRIPTION	NO.	DESCRIPTION	NO.	DESCRIPTION	NO.	DESCRIPTION
A1	RADIO SYSTEM	C15	AUDIO AMPLI	SP10	SPARE WIRE	SP74	SPARE WIRE
A2	RADIO SYSTEM	D1	PASSENGER SPEAKER	SP11	SPARE WIRE	SP75	SPARE WIRE
A3	AUDIO AMPLI	D2	PASSENGER SPEAKER	SP12	SPARE WIRE	SP76	SPARE WIRE
A8	VIDEO SYSTEM	D3	PASSENGER SPEAKER	SP13	SPARE WIRE	SP77	SPARE WIRE
A9	RADIO SYSTEM	D4	PASSENGER SPEAKER	SP14	SPARE WIRE	SP78	SPARE WIRE
A10	AUDIO AMPLI	D5	PASSENGER SPEAKER	SP15	SPARE WIRE	SP80	SPARE WIRE
A11	AUDIO AMPLI	D6	PASSENGER SPEAKER	SP16	SPARE WIRE	SP81	SPARE WIRE
A12	AUDIO AMPLI	D7	PASSENGER SPEAKER	SP17	SPARE WIRE	SP82	SPARE WIRE
A13	AUDIO AMPLI	D8	PASSENGER SPEAKER	SP18	SPARE WIRE	SP83	SPARE WIRE
A15	AUDIO AMPLI	DR1	DRIVER'S SPEAKER	SP19	SPARE WIRE	SP84	SPARE WIRE
A16	VIDEO SYSTEM	DR2	DRIVER'S SPEAKER	SP20	SPARE WIRE	SP85	SPARE WIRE
B1	MICROPHONE	DR3	DRIVER'S SPEAKER	SP21	SPARE WIRE	SPZ1	SPARE WIRE-ZF TRANSM.
B2	MICROPHONE	DR4	DRIVER'S SPEAKER	SP23	SPARE WIRE	SPZ2	SPARE WIRE-ZF TRANSM.
B3	MICROPHONE	G1	PASSENGER SPEAKER	SP24	SPARE WIRE	SPZ3	SPARE WIRE-ZF TRANSM.
B4	MICROPHONE	G2	PASSENGER SPEAKER	SP25	SPARE WIRE	SPZ4	SPARE WIRE-ZF TRANSM.
B5	MICROPHONE	G3	PASSENGER SPEAKER	SP26	SPARE WIRE	SPZ5	SPARE WIRE-ZF TRANSM.
B6	MICROPHONE	G4	PASSENGER SPEAKER	SP27	SPARE WIRE	SPZ6	SPARE WIRE-ZF TRANSM.
B7	MICROPHONE	G5	PASSENGER SPEAKER	SP28	SPARE WIRE	TW1	TWISTED SPARE
B8	MICROPHONE	G6	PASSENGER SPEAKER	SP30	SPARE WIRE	TW2	TWISTED SPARE
B10	MICROPHONE	G7	PASSENGER SPEAKER	SP33	SPARE WIRE	W1	STEERING BOX CONVERTER
B11	MICROPHONE	G8	PASSENGER SPEAKER	SP34	SPARE WIRE	W2	STEERING BOX CONVERTER
B12	MICROPHONE	IPJ1	CLUSTER - BULB TEST POS	SP35	SPARE WIRE	Y1A	FLUORESCENT BALLAST
B1A	FLUORESCENT BALLAST	IPJ2	CLUSTER - BULB TEST NEG.	SP36	SPARE WIRE	Y1B	FLUORESCENT BALLAST
B1B	FLUORESCENT BALLAST	IPJ5	CLUSTER - FUEL GAUGE	SP37	SPARE WIRE	Y2A	FLUORESCENT BALLAST
B2A	FLUORESCENT BALLAST	IPJ6	CLUSTER - BULB TEST POS.	SP38	SPARE WIRE	Y2B	FLUORESCENT BALLAST
B2B	FLUORESCENT BALLAST	IPJ7	CLUSTER - BULB TEST NEG.	SP40	SPARE WIRE	Y3A	FLUORESCENT BALLAST
B3A	FLUORESCENT BALLAST	IPJ8	CLUSTER - MASTER WARNING	SP41	SPARE WIRE	Y3B	FLUORESCENT BALLAST
B3B	FLUORESCENT BALLAST	L8	WATER TANK HEATER	SP42	SPARE WIRE	Y4A	FLUORESCENT BALLAST
B4A	FLUORESCENT BALLAST	L9	WATER TANK HEATER	SP43	SPARE WIRE	Y4B	FLUORESCENT BALLAST
B4B	FLUORESCENT BALLAST	LX5	CLUSTER - COMPUTER MODE	SP44	SPARE WIRE	Y5A	FLUORESCENT BALLAST
B5A	FLUORESCENT BALLAST	LX6	CLUSTER - COMPUTER DOWN	SP45	SPARE WIRE	Y5B	FLUORESCENT BALLAST
B5B	FLUORESCENT BALLAST	LX7	CLUSTER - COMPUTER SET	SP48	SPARE WIRE	Y6A	FLUORESCENT BALLAST
B6A	FLUORESCENT BALLAST	LX16	CLUSTER - COMPUTER UP	SP50	SPARE WIRE	Y6B	FLUORESCENT BALLAST
B6B	FLUORESCENT BALLAST	LX21	CLUSTER - COMPUTER COM.	SP51	SPARE WIRE	Y7A	FLUORESCENT BALLAST
B7A	FLUORESCENT BALLAST	R1A	FLUORESCENT BALLAST	SP52	SPARE WIRE	Y7B	FLUORESCENT BALLAST
B7B	FLUORESCENT BALLAST	R1B	FLUORESCENT BALLAST	SP53	SPARE WIRE	0	BATTERY - MAIN GROUND
B14	RADIO SYSTEM	RT	T.T.L.T. MODULE - TEST SW.	SP54	SPARE WIRE	0	EVAP. COMPT. GROUND
B15	RADIO SYSTEM	SPK1	PASSENGER SPEAKER	SP55	SPARE WIRE	0	RJB - INSIDE GRD
C2	RADIO SYSTEM	SPK2	PASSENGER SPEAKER	SP56	SPARE WIRE	0	WCL MODULE
C3	CONTROL HEAD ANTENNA	SPK3	PASSENGER SPEAKER	SP57	SPARE WIRE	0	INVERTER CUT OFF RELAY
C5	VIDEO SYSTEM	SPK4	PASSENGER SPEAKER	SP60	SPARE WIRE	0A	LAVATORY ACCESSORIES
C6	CONTROL HEAD DIMMER	SP1	SPARE WIRE	SP61	SPARE WIRE	0A	EVAP. FAN GROUND
C7	RADIO SYSTEM	SP2	SPARE WIRE	SP62	SPARE WIRE	0A	FR. ROOF ACC. GRD
C8	AUDIO AMPLI	SP3	SPARE WIRE	SP63	SPARE WIRE	0B	BOOSTER BLOCK GROUND
C9	VIDEO SYSTEM	SP4	SPARE WIRE	SP64	SPARE WIRE	0B	A/C - CONDENSER GRD
C10	VIDEO SYSTEM	SP5	SPARE WIRE	SP65	SPARE WIRE	0B	24V&12V CUT OUT REL.COIL
C11	VIDEO SYSTEM	SP6	SPARE WIRE	SP69	SPARE WIRE	0BE	OV BATTERY MONITOR
C12	VIDEO SYSTEM	SP7	SPARE WIRE	SP70	SPARE WIRE	0C	R.J.B. - GRB
C13	VIDEO SYSTEM	SP8	SPARE WIRE	SP71	SPARE WIRE	0C	MOTOR STARTER GROUND
C14	VIDEO SYSTEM	SP9	SPARE WIRE	SP72	SPARE WIRE	0C	F.R. SERV. CPT- ACC.

CIRCUIT NUMBER CODE

NO.	DESCRIPTION	NO.	DESCRIPTION	NO.	DESCRIPTION	NO.	DESCRIPTION
0C1	ENTRANCE DOOR SEDAN	00SS	SOUND SYSTEM GROUND	10A	INTERIOR LTS-LUGGAGE CPT	12L	CORNERING LTS FEEDING
0C2	STEERING CONTROL GROUND	0S2	RADIO GROUND	10A	AUX. COMPRESSOR CLUTCH	12LX	CLUSTER 12V HOT WIRE
0C3	SOUND SYSTEM RELAY	0S3	VIDEO GROUND	10B	INTERIOR LTS-LUGGAGE CPT	12M	ABS-FR JCT PNL 12V DISC.SW
0C4	F.J.B. GRD	0T	LAVATORY FAN & PUMP	10C	INTERIOR LTS-LUGGAGE CPT	12P	12V BATTERY JCT BLOCK
0CJ	CRUISE SW. JUMPER	0T	SPEED SW. CONNECTOR	10E	INTERIOR LTS-BATTERY CPT	12R	12V MEMORY RADIO
0D	FLUORESCENT GRD	0T1	DASH ACC. GROUND	10H	AUX. COMPRESSOR CLUTCH	12P	12V POWER OUTLET
0D	COND FAN GRD	0T2	CLUSTER ACC. GROUND	10L	AUX. COMPRESSOR CLUTCH	12SB	12V SOUND SYSTEM FEEDING
0E	BATT. COMPT. LTS GROUND	0T2	WINDOW AWNING	10X	AUX. COMPRESSOR CLUTCH	12SS	12V SOUND SYSTEM FEEDING
0E	READING LIGHTS GROUND	0T3	ALTERNATOR MODULE	11	DESTINATION SIGN	12S	12V RADIO FEEDING
0F	FLUORESCENT GRD	0T4	12V OUTLET - CTR MODULE	11A	DESTINATION SIGN	12S1	12V RADIO FEEDING
0F	PRO-DRIVER GROUND	0T5	FS.HVAC DASH MODULE. GND	11B	DESTINATION SIGN	12S1A	12V DVD KARAOKE FEEDING
0G	READING LIGHTS GROUND	0VA	BATTERY EQUALIZER GROUND	11C	DESTINATION SIGN	12S2	12V RADIO FEEDING
0H	ENG. CPT. - ACC. GRD	0W	FJB - TRANSM. RLY GRD	11D	DESTINATION SIGN	12S2A	12V DVD KARAOKE FEEDING
0IN	INTERCOM SYSTEM	0W	SHIFT SELECTOR GROUND	11E	DESTINATION SIGN	12T	RR JCT BOX 12V DISC SW
0J	PARCEL RACK A/C UNIT	0W	WCL MODULE	11K	DESTINATION SIGN	12VA	12V BATTERY EQUALIZER
0K	PARCEL RACK A/C UNIT	0WA	WCL DOOR AJAR	11J	DESTINATION SIGN	12VB	FR JCT PANEL 12V DISC SW
0L	ENG.CPT -CLEAR.LTS RR ROOF	0WC	WCL BATTERY CPT. ACCES.	11P	DESTINATION SIGN	12VD	12V HOT WIRE DISTRIBUTION
0L	R.J.B. - GRD	0WL	WCL SIGNAL DOOR AJAR ALARM	12	12V ELECTRONIC TERMINAL	12VE	FR JCT PANEL 12V DISC SW
0L	FR - SIDE MARK. & FLASH GRD	0Y1	ABS SYSTEM-GRD	12A	FR JCT PANEL 12V DISC SW	12VF	12 VOLTS FRONT DISTRIBUTIUON
0L1	ENG.CPT-SIDE MARK. & FL. GRD	0Y2	ABS SYSTEM-GRD	12A	BATT. JCT PANEL 12V DISC SW	12VG	RR JCT PANEL 12V DISC SW
0L2	HEAD LTS GROUND	0Y3	ABS SYSTEM-GRD	12B	FR JCT PANEL 12V DISC SW	12VI	12V IGNITION DISTRIBUTION
0L3	FR.SERV.DR. & ENT.DOOR GRD	0Y4	ABS SYSTEM-GRD	12BE	12V BATTERY MONITOR	12VO	12V BATTERY EQUALIZER
0L4	FOG LTS RESISTOR GRD	0Y5	ABS SYSTEM-GRD	12C	FR JCT PANEL 12V DISC SW	12VR	12V REAR DISTRIBUTION
0L5	LH CONSOL - ACC. GRD	0Y6	ABS SYSTEM-GRD	12C	RR JCT BOX 12V DISC SW	12W	12V HOT WIRE DDEC FEEDING
0L5	W.C.L.DOOR	0Z1	ZF TRANSM. GRD	12D	BATT. JCT PANEL 12V HOT WIRE	12WA	ENTRANCE DOOR SYSTEM
0L6	MARKER&FLASH. GROUND	0Z2	ZF TRANSM. GRD	12D	FR JCT PANEL 12V HOT WIRE	12WR	WCL DOOR TOP LT
0L7	AISLE LIGHTS GROUND	00A	ELECTRONIC TERMINAL GROUND	12D	RR JCT PANEL 12V HOT WIRE	14	LAVATORY PUMP
0L8	DOCKING LTS	00F	FRONT ELECTRONIC GROUND	12DD	FR JCT PANEL 12V HOT WIRE	14A	LAVATORY PUMP- P.BUTTON
0LV	WINDSHIELD WASHER LEVEL	2B	A/C & HEAT SYSTEM	12DDR	FR JCT BOX 12V HOT DDR CONN	14P	LAVATORY PUMP
0M	WIPER 2 MIRROR MOTOR	2D	A/C & HEAT SYSTEM	12DT	T.T. LT MODULE	15	WIPER & WASHER FEEDING
0M3	DEFROST GRD	2DD	A/C & HEAT SYSTEM	12DZ	ZF TRANSM. 12V HOT WIRE	16	SPEEDOMETER (+)
0M4	HORN & DR'S WINDOW LIFTER	2E	A/C & HEAT SYSTEM	12E	FR JCT PANEL 12V DISC SW	16T	SPEED SW SIGNAL IN (+)
0M5	SUN VISOR MOTOR	2EE	A/C & HEAT SYSTEM	12F	RR JCT PANEL 12V DISC SW	17	EXTERIOR LTS-FLASHER UNIT
0M6	UPPER FAN DEFROST	2F	A/C & HEAT SYS.-EVAP. SPEED	12F1	FR JCT PANEL 12V DISC SW	17A	EXTERIOR LTS-FLASHER UNIT
0M7	DR'S WIND.LIFT. & RH MIR. SW	2H	A/C & HEAT SYS-LO-PRESS SW.	12F2	FR JCT PANEL 12V DISC SW	17C	JUMPER LTS SW. - HAZARD
0M7A	LH MIRROR SW.	2L	A/C & HEAT SYS-HI-PRESS SW.	12FL	RR JCT PANEL 12V DISC SW	18	UPPER FAN DEFROST
0P	ENG.CDT - PRE-HEATER	4A	HOTESS CHIME MAIN SWITCH	12G	FR JCT PANEL 12V DISC SW	19	UPPER FAN DEFROST
0R	SOUND SYSTEM RELAY GROUND	4C	HOTESS CHIME P. RACK SW.	12H	12V IGN. DASH ACCESS.	20	SPEEDOMETER SIGNAL (-)
0SA	BOSCH ALTERNATOR GROUND	5	AISLE LTS FEEDING	12I	RR JCT BOX 12V IGNITION	21	LEFT DIRECTIONNAL LTS
0SA	PARCEL RACK LTS SWITCH	5N	EMERGENCY LTS	12I	FR JCT PANEL 12V IGNITION	21A	LEFT DIRECTIONNAL LTS SIGN.
0SB	PARCEL RACK LTS SWITCH	5N0	SPEED SIGNAL HIGHER 5MPH	12IA	FR JCT PANEL 12V IGNITION	21B	HAZARD SWITCH SIGNAL
0SC	PARCEL RACK LTS SWITCH	5NC	SPEED SIGNAL LOWER 5MPH	12IA	RR JCT PANEL 12V IGNITION	21BB	LEFT DIRECTIONNAL LTS FEED.
0SE	PARCEL RACK LTS SWITCH	6	AISLE LTS	12IB	FR JCT PANEL 12V IGNITION	21H	EXTERIOR LTS-HAZARD SIGNAL
0SF	PARCEL RACK LTS SWITCH	7B	ENTRANCE DOOR FEED.-24V HW	12IB	STEERING BOX ECU FEEDING	21M	AUX. LTS - DIRECTIONAL LH
0SG	PARCEL RACK LTS SWITCH	9	INTERIOR LTS-ENGINE CPT	12IE	ABS-FR JCT PANEL 12V IGN.	23	RIGHT DIRECTIONNAL LTS
0SH	PARCEL RACK LTS SWITCH	9F	INTERIOR LTS - FR-SERV. CPT	12IZ	ZF TRANSM. IGNITION	23A	RIGHT DIRECTIONNAL LTS SIGN.
0SJ	PARCEL RACK LTS SWITCH	10	INTERIOR LTS-LUGGAGE CPT	12J	12 VOLTS DISC.SW. INTERCOM	23BB	RIGHT DIRECTIONNAL LTS FEED.
0SS	SOUND SYSTEM GROUND	10	INTERIOR LTS-FR SERV. CPT	12J	FR JCT PANEL 12V DISC.SW.		
		10	INTERIOR LTS-FR SERV. CPT	12K	FR JCT PANEL 12V DISC.SW.		

CIRCUIT NUMBER CODE

NO.	DESCRIPTION	NO.	DESCRIPTION	NO.	DESCRIPTION	NO.	DESCRIPTION
23H	EXTERIOR LTS-HAZARD SIGNAL	24WL	WCL PUMP FEEDING	43X	PARCEL RACK A/C	63	EXTERIOR LTS-CLEAR. FEED
23K	RIGHT DIRECT. LTS W/KNELLING	24WR	WCL POWER ACCES.	44	EXTERIOR LTS-FOG	63B	EXTERIOR LTS-CLEARANCE
23M	AUX LTS - DIRECTIONAL RH	25	EITHER ALTERNAT. RUN SIGNAL	44A	EXTERIOR LTS-FOG	63C	EXT. LTS-MARKER SIGNAL
24	24 VOLTS BATTERY DIST.	25A	TT.LT. ALTERNATOR #1	44B	EXTERIOR LTS-FOG	63D	BLINKER RELAY
24	24 V. DISC. FRONT DIST.	25A1	BOSCH ALTERNATOR SIGNAL D+	44C	FOG,LTS & HVAC FEEDING	63E	BLINKER RELAY
24A	BATT. JCT PANEL 24V DISC SW	25A2	BOSCH ALTERNATOR SIGNAL D+	44D	EXTERIOR LTS - FOG	63F	EXT. LTS-MARKER BLINKER
24A	24V BOOSTER BLOCK	25B	EXT. LTS-DAYTIME RUN LTS	44E	EXTERNAL LTS - FOG	64	DRIVER'S FAN SPEED CTR
24A	FR JCT PANEL 24V DISC. SW	25D	BOTH ALTERNATOR RUN SIGNAL	45A	A/C & HEAT SYSTEM FULL AIR	64A	A/C SPARE
24A	RR JCT PANEL 24V DISC. SW	25E	EXT. LTS-DAYTIME RUN LTS	45B	A/C & HEAT SYS.-WATER PUMP	64B	A/C SPARE
24BE	BATTERY MONITOR	25K	T.T LT. ALTERNATOR #2	45C	A/C & HEAT SYS.-WATER VALV	65	FOOT DAMPER MOTOR
24C	FR JCT PANEL 24V DISC SW	26	DR'S & ENT. WINDOW LIFTER	45D	A/C & HEAT SYS.-WATER VALV	65A	FOOT DAMPER MOTOR
24D	24 V. HOT WIRE FEEDING	26A	CIGAR LIGHT. & POW.OUTLET LH	45G	A/C & HEAT SYS.-DR'S HTR	65D	DRIVER'S REC. DAMPER
24D	FR JCT BOX 24V HOT WIRE	26B	DRIVER'S WINDOW LIFTER	45H	A/C & HEAT SYS.-EVAP. SPEED	65E	DRIVER'S REC. DAMPER L.H.
24DD	FR JCT BOX 24V HOT WIRE	26C	DRIVER'S WINDOW LIFTER	46	EXTERIOR LTS-MARKER	65F	DRIVER'S REC. DAMPER L.H.
24DS	WIRELESS MICRO FEEDING	27	LAVATORY ALARM	46A	EXTERIOR LTS-AUX LTS RESIS.	66	A/C PASSENGER - ON/OFF
24E	24 VOLTS POWER DISTRIBUTION	28H	T.T.LT MODULE - HI A/C PRES.	46C	EXTERIOR LTS-MARKER	67A	A/C & HEAT SYSTEM
24E	RR JCT PANEL 24V DISC SW	28T	T.T.LT MODULE - LO A/C PRES.	46D	EXTERIOR LTS-AUX LTS RESIS.	68	DASH & DEFROST DAMPER MOT
24F	RR JCT PANEL 24V DISC SW	29	A/C & HEAT SYS.-DR'S HTR	48	ENTRANCE DOOR OPEN SIGNAL	68A	DASH & DEFROST DAMPER MOT
24G	FR JCT PANEL 24V DISC SW	29H	HVAC DASH MODILE	48A	ENTRANCE DOOR OPEN SOL.	69	DAMPER MIX LIMIT SWITCH
24H	RR JCT PANEL 24V DISC SW	30A	GALLEY SWITCH SIGNAL	48B	ENTRANCE DOOR OPEN SIGNAL	70	HAT RACK & NIGHT LTS FEEDING
24I	FR JCT PANEL 24V IGNITION	30J	GALLEY SWITCH LED	48C	ENTRANCE DOOR SYSTEM	72	SUN VISOR - FEED
24IA	RR JCT PANEL 24V IGNITION	30J	GALLEY SWITCH LED	48D	ENTRANCE DOOR SYSTEM	72A	SUN VISOR RH
24IA	FR JCT PANEL 24V IGNITION	31B	WIPER & WASHER SYSTEM	48W	ENTRANCE DOOR SEDAN	72B	SUN VISOR RH
24IB	FR JCT PANEL 24V IGNITION	32	EXTERIOR LTS-BACK-UP	49	ENTRANCE DOOR CLOSE SIGNAL	72C	SUN VISOR LH
24IF	FR JCT PANEL 24V IGNITION	32B	EXTERIOR LTS-BACK-UP	49A	ENTRANCE DOOR SYSTEM	72D	SUN VISOR LH
24IZ	FR JCT COMPT	35	ENTRANCE STEP LIGHTS	49B	ENTRANCE DOOR SYSTEM	74	R.H. READING LAMP FEEDING
24K	RR JCT PANEL 24V DISC SW	36	ENGINE BRAKE SYSTEM	50	AIR DRYER	74A	R.H. HOTESS CHIME FEEDING
24L	RR JCT PANEL 24V DISC SW	36A	ENGINE BRAKE SYSTEM & RET.	52	ALARM & SIGNAL-ELEC.HORN	74B	WCL R.H. READING LAMP FEED.
24M	RR JCT PANEL 24V DISC SW	37	LAVATORY LTS FEEDING	52A	ALARM & SIGNAL-ELEC.HORN	74D	READING LAMP SWITCH
24P	FR JCT PANEL 24V DISC SW	38	FLUORESCENT RELAY FEEDING	52B	PNEUMATIC HORN	74J	READING LAMP INDICATOR SW.
24P2	RR BENCH- INVERTER	38A	R.H FLUORESCENT	53	ALARM & SIGNAL-ELEC.HORN	75	L.H. READING LAMP FEEDING
24PV	RR BENCH- INVERTER	38B	L.H. FLUORESCENT	53B	WIPER & WASHER SYSTEM	75A	L.H. HOTESS CHIME FEEDING
24R	24V STARTER RELAY	38C	FLUORESCENT FEEDING	53C	WIPER & WASHER SYSTEM	76	FUEL TANK GAUGE
24R	SCENIC VIEW SIGNAL ON	39	INTERIOR LTS-DRIVER'S LTS	53E	WIPER & WASHER SYSTEM	76C	LOW FUEL T.T.LT
24SB	24V SOUND SYSTEM FEEDING	39D	INTERIOR LTS - DRIVER' LTS	53J	WIPER & WASHER SYSTEM	76M	FUEL PRIME PUMP
24SS	24V SOUND SYSTEM FEEDING	41	A/C SYS.-COND FAN MOTOR	55	EXTERIOR LTS-HI BEAM	76P	FUEL PRIME PUMP FEEDING
24S1	AMPLIFIER FEEDING	41A	A/C SYS.-COND FAN MOTOR	57	EXTERIOR LTS-HI BEAM	77B	A/C SYS. - LIQ. SOL. VALVE
24S2	AMPLIFIER FEEDING	41B	A/C SYS.-COND FAN MOTOR	57A	EXTERIOR LTS-HI BEAM	77C	A/C & HEAT SYS.- COMPRESSOR
24S3	VIDEO FEEDING	42	A/C SYS.-COND FAN MOTOR	57B	A/C & HEAT SYS.-WATER PUMP	77H	A/C SYS.-LIQ. SOL. VALVE
24S4	VIDEO FEEDING	42A	A/C SYS.-COND FAN MOTOR	57C	A/C & HEAT SYS.-WATER PUMP	81	EXTERIOR LTS-STOP SW
24T	RR JCT PANEL 24V DISC SW	43	PARCEL RACK A/C	57E	A/C & HEAT SYS.-WATER VALV	82	EXTERIOR LTS-STOP SIGNAL
24VA	24 VOLTS BATTERY EQUALIZER	43A	PARCEL RACK A/C	57W	PRE-HEAT WATER HEATER	82A	EXTERIOR LTS-STOP SIGNAL
24VD	24V HOT WIRE FEED	43B	PARCEL RACK A/C	58	EXTERIOR LTS-LO BEAM	82B	EXTERIOR LTS-STOP LTS
24VF	24 VOLTS FRONT DISTRIBUTION	43C	PARCEL RACK A/C	58A	EXTERIOR LTS-LO BEAM	82C	EXTERIOR LTS-STOP LTS
24VI	24 VOLTS IGNITION REAR DIST.	43D	PARCEL RACK A/C	58B	EXTERIOR LTS-LO BEAM	82L	EXT. LTS-STOP LTS & CYCLOP
24VR	24 VOLTS REAR DISTRIBUTION	43E	PARCEL RACK A/C	59A	ENGINE BRAKE SYSTEM	82R	EXTERIOR LTS-STOP LTS
24Y	24 VOLTS POWER GALLEY	43F	PARCEL RACK A/C	61	EXTERIOR LTS-24V FEED SW	83	ENG. CTR-MAST. KEY SW ACC.
24WC	WCL PUMP FEEDING	43G	PARCEL RACK A/C	61A	EXTERIOR LTS-HEAD SIGNAL		
		43M	PARCEL RACK A/C	62	LAVATORY INDICATOR		

CIRCUIT NUMBER CODE

NO.	DESCRIPTION	NO.	DESCRIPTION	NO.	DESCRIPTION	NO.	DESCRIPTION
83A	24V&12V CUT RELAY COIL	112	WORLD TR.-SPARE OUTPUT (+)	128B	PRE-HEAT WATER HEATER	140	ABS SYSTEM-VALVE
83B	24V&12V CUT RELAY COIL	113W	WORLD TR.-REVERSE WARNING	129	WORLD TRANSM-E SOL.	141	ABS SYSTEM-VALVE
84	ENG. CTR-MAST KEY SW START	113Z	ZF TRANSM.- REVERSE	129	PRE-HEAT WATER HEATER	141	WORLD TR.-ENGINE SPEED HI
84A	ENG. CTR-MAST KEY SW START	114	INTERIOR LT-DASH LT RHEOS.	129B	PRE-HEAT WATER HEATER	142	ABS SYSTEM-VALVE
84J	ENG. CTR-MAST KEY SW START	114A	INTERIOR LT-DASH LT RHEOS.	130	WORLD TRANSM-SOL. SUPPLY	143	ABS SYSTEM-SENSOR
85	24V IGNITION SIGNAL	114B	INT. LT-DASH LT RHEOST.FEED	130	EVAP. FAN MAIN CABLE	143A	ABS SYSTEM-SENSOR
85A	24V IGN DASH INSTRUMENT.	115	DDEC -COOLANT LEVEL	130A	EVAP. FAN MAIN CABLE	143A	WORLD TRANS-BATTERY GRD
85C	24V IGNITION - FEED	115W	TRANSM.-DO NOT SHIFT SIGN	131	WORLD TRANSM-D SOL.	143W	WORLD TRANSM-BATTERY GRD
85F	RAD. FAN CONTROL W/RETARD	115W	ZF -CHECK TRANSM. TTLT	132	WORLD TRANSM-ENGINE BRAKE	143X	WORLD TRANSM-BATTERY GRD
85W	OUT SPEED INTERLOCK-24V IGN.	116	WORLD TR.-SOL. SUPPLY	133	GALLEY HEATING CONTAINER	143Y	WORLD TRANSM.BATT.GRD
85X	ABS-24V IGN	116B	A/C & HEAT SYSTEM-DR'S HTR	133A	GALLEY HEATING CONTAINER	143W	FROM GROUND STUD
85Y	ABS-WARNING LT	116C	A/C SYS.-TRIG. DEFROST	133B	GALLEY HEATING CONTAINER	144	ABS SYSTEM-SENSOR
86	ENG. CTR-STARTER SOL.	119	WORLD TRANSM-ENGINE BRAKE	133C	GALLEY HEATING CONTAINER	144A	ABS SYSTEM-SENSOR
86A	ENG. CTR-STARTER RELAY COIL	120	WORLD TRANSM-A SOL.	134	GALLEY HEATING CONTAINER	145	ABS SYSTEM
86F	TELL TALE STARTER ON	121	WORLD TRANSM-SOL.SUPPLY	134A	GALLEY HEATING CONTAINER	146	ABS SYSTEM
86T	TELL TALE STARTER ON	123	WORLD TR.-NEUTRAL START	135	GALLEY HEATING CONTAINER	146A	WORLD TRANSM-12V IGNITION
87B	ENGINE CTR-24V IGNITION	123A	ALARM & SIGNAL-FIRE DETECT.	135A	WORLD TR.-RES MODULE RET.	146AA	WORLD TRANSM-DIAGN.CONN.
88	ENGINE CTR-RR START SIGNAL	123B	ALARM & SIGNAL-FIRE DETECT.	135B	A/C & HEAT SYS.-AIR SENSOR	147	WORLD TRANSM-OIL TEMP
89	ENGINE CTR-RR START SIGNAL	124	WORLD TR.-SENSOR POWER	135C	A/C & HEAT SYS.-AIR SENSOR	147	ABS SYSTEM-VALVE
90	DASH MAGNETIC SWITCH	124A	WORLD TRANSM-SENSOR PWR	136	MICRO-WAVE OVEN SWITCH	147A	ETHER COLD START
90B	ENG. CTR-MAST KEY SW FEED	125	LAVATORY FAN	136A	GALLEY LAMP	147C	ETHER COLD START
91	PARKING BRAKE SW SIGNAL	125	WORLD TR.-RETARDER INDICAT.	136A	WORLD TRANSM-12V BATTERY	148	ABS SYSTEM-VALVE
91A	DDEC -FAST IDLE SIGNAL	125	WORLD TR.-RETARDER INDICAT.	136A1	WORLD TRANSM-12V BATTERY	148	WORLD TR.-OUTPUT SPEED LO
91B	D.R.L. CANCEL RELAY	125W	WORLD TR.-RETARDER INDICAT.	136A2	WORLD TRANSM-12V BATTERY	149	WORLD TR.-TURBINE SPEED H
91C	PARKING BRAKE - T.T.LT	126	24 V IGN. SPEED SWITCH	136AA	WORLD TRANSM-SHIFTER PWR	149	ABS SYSTEM-SENSOR
91J	FAST IDLE - JUMPER SW.	126	24 V IGN. SPEED SWITCH	136V	WORLD TRANSM-12V BATTERY	149A	ABS SYSTEM
91W	WCL PARKING BRAKE SIGNAL	126A	KNEELING SYSTEM	136W	WORLD TRANSM-12V BATTERY	150	WORLD TR.-ENGINE SPEED LO
92	BATT. EQUAL.-CHECK BALANCE	126AA	KNEELING SYSTEM	136X	WORLD TRANSM-12V BATTERY	150	DDEC -ECM BATTERY GRD
93	BATT. EQUALIZ.-CHECK LO/HI	126B	HI-BUOY SIGNAL	137	WORLD TRANSM-RETARDER	150A	DDEC -ECM BATTERY GRD
95A	ENG. BRAKE & RETARDER SYS.	126C	KNEELING SYSTEM	137	RR VIEW MIRROR	151	DDEC -ECM BATTERY GRD
95B	ENG. BRAKE & RETARDER SYS.	126D	KNEELING SYSTEM	137A	RR VIEW MIRROR	151	ATC VALVE
100	INTERIOR LTS RELAY COIL	126F	KNEELING SYSTEM	137B	RR VIEW MIRROR	152	ATC VALVE
100	INDIRECT LTS FEEDING	126G	KNEELING SYSTEM	137C	RR VIEW MIRROR	153	ELECTRICAL DRIVER'S SEAT
100A	INDIRECT LTS RELAY COIL	126H	SPEED SIGN 5NC - 24V	137D	RR VIEW MIRROR	154	WORLD TRANSM-ABS INPUT (-)
100B	INDIRECT LTS FEEDING	126H	SPEED SIGN 5NC - 24V	137E	RR VIEW MIRROR	154	ABS SYSTEM-FEED
100C	INDIRECT LTS FEEDING	126K	KNEELING SYSTEM	137F	RR VIEW MIRROR	156A	ABS SYSTEM-FEED
101	24 VOLTS POWER STARTER	126L	KNEELING SYSTEM	137G	RR VIEW MIRROR	157B	ABS SYSTEM
101	WORLD TR.- LO SIGN SOL.LO	126P	KNEELING SYSTEM	137H	RR VIEW MIRROR	159	WORLD TRANSM-DIAGNOSTIC
102	24 VOLTS A/C DISTRIBUTION	126R	KNEELING SYSTEM	137J	RR VIEW MIRROR	160	ALARM & SIGN.-TAG PRESS SW
102	WORLD TRANSM.-SOL. SUPPLY	126S	KNEELING SYSTEM	137K	RR VIEW MIRROR	161B	WORLD TRANSM-SIGNALGRD
102A	BOSCH ALTERNATOR FEEDING	126T	KNEELING SYSTEM	137L	RR VIEW MIRROR	162	WORLD TRANSM-PRESS. SW C
103	WORLD TRANSM.- B.SOL.LO	126W	KNEELING SYSTEM	137M	RR VIEW MIRROR FEED	163	WORLD TR.-RETARDER ENABLE
103	LOW BUOY SYSTEM	126W	WORLD TRANSM-NOT USED	137R	WORLD TRANSM-RETARDER	164	WORLD TR.-RET. ACTUAT. SIGN
104	WORLD TR. -G SOL.	127	WORLD TRANSM.- H SOL.	137T	MIRROR HEAT SW-JUMPER	165	WORLD TR.-OIL LEVEL SIGNAL
105W	WORLD TR-SOL.-RET.OIL TT.LT	127	24HOT WIRE PREHEAT	138	WORLD TR.-RETARDER TEMP	166	WORLD TRANSM. OUTPUT 7
107	WORLD TR. - SOL. SUPPLY	127A	PRE-HEAT WATER HEATER	138	ABS SYSTEM-SENSOR	167	W. TR.-OUT SPEED INTERLOCK
110	WORLD TR.-F SOL. LO	127B	PRE-HEAT WATER HEATER	138A	ABS SYSTEM-SENSOR	167Z	ZMTEC MODULE
		127S	PRE-HEAT WATER HEATER	139	ABS SYSTEM-VALVE	169	WORLD TRANSM-PRE-SELECT #1
		128	WORLD TRANSM-B SOL.	139	WORLD TR.-OUTPUT SPEED HI	170	WORLD TRANSM-SHIFTER
		128A	PRE-HEAT WATER HEATER	140	WORLD TR.-TURBINE SPEED LO	170C	LUGGAGE DOOR LOCK-T.T.LT

CIRCUIT NUMBER CODE

NO.	DESCRIPTION	NO.	DESCRIPTION	NO.	DESCRIPTION	NO.	DESCRIPTION
170D	LUGGAGE DOOR LOCK-FEED	254	GALLEY REFRIGERATOR	564	DDEC-DIGITAL OUTPUT		
170E	LUG. DOOR LOCK-UNLOCK SIGN	254A	GALLEY REFRIGERATOR	565	DDEC-ENGINE BRAKE ACTIVE		
170F	LUGGAGE DOOR LOCK-FEED	254F	GALLEY REFRIGERATOR	583	DDEC-ENGINE BRAKE 4 CYL.		
170G	LUGGAGE DOOR LOCK-FEED	255	GALLEY COFFEEMAKER	700	J1587(+)		
170K	LUGGAGE DOOR-LOCK SIGN	255A	GALLEY COFFEEMAKER	701	J1587(-)		
170L	LUGG DOOR LOCK-SIGN T.T.LT	255B	GALLEY COFFEEMAKER	705	ZF SIGNALS		
170N	LUGG DOOR LOCK-SIGN T.T.LT	260	WINDOW AJAR-T.T.LT	706	ZF SIGNALS		
170R	LUGG DOOR LOCK-SIGN. T.T.LT.	290	FAN CLUTCH RADIATOR-FEED	707	ZF SIGNALS		
170S	LUGG DOOR LOCK-SIGN T.T.LT	290A	FAN CLUTCH RADIATOR-FEED	717	ZF SIGNALS		
170T	LUGG DOOR LOCK-SIGN T.T.LT	291	FAN CLUTCH RADIATOR SPD 1	718	ZF SIGNALS		
170V	LUGG DOOR LOCK-SIGN T.T.LT	292	FAN CLUTCH RADIATOR SPD 2	719	ZF SIGNALS		
170W	LUGGAGE DOOR LOCK-FEED	292J	FAN OVERRIDE LTS SWITCH	720	ZF SIGNALS		
170X	LUGG DOOR LOCK-SIGN T.T.LT	300	WCL POWER SYSTEM & ACCESS.	740	EASY START VALVE		
170Y	LUGGAGE DOOR LOCK-FEED	300A	WCL POWER SYSTEM SW.	900	DDEC-DATA LINK (+)		
170Z	LUGGAGE DOOR LOCK	301J	WCL POWER SW. JUMPER LED	901	DDEC-DATA LINK (-)		
171	WORLD TRANSM-SHIFTER	301	WCL SIGNAL POWER SW.	908	DDEC-HYDRAU. PWM#1 OUTPUT		
172	WORLD TRANSM-SHIFTER	302	WCL DOOR AJAR TTLT & ALARM	916	DDEC-SENSOR SUPPLY (5VDC)		
173	WORLD TRANSM-SHIFTER	304	WCL DOOR TOP LT.	925	J1939(+)		
174	WORLD TRANSM-SHIFTER	305	WCL PARKING BRAKE SOL. VALVE	926	J1939(-)		
175A	WORLD TRANSM-SHIFTER	305A	WCL DOOR OPEN SIGNAL	927	J1939(SHIELD)		
176	WORLD TRANSM-SHIFTER	305B	WCL DOOR TOP LT.	952	DDEC-SENSOR RETURN		
180	OUTSIDE TEMP. DISPLAY	306	WCL CONTROL SYSTEM	953	DDEC-BATTERY GRD		
180A	OUTSIDE TEMP. DISPLAY	307	WCL CONTROL SYSTEM	979	DDEC-ENGINE BRAKE 2 CYL.		
180A	WORLD TRANSM-SHIFTER	308	WCL CONTROL SYSTEM	2123	FLASHER SIGNAL LTS		
180B	OUTSIDE TEMP. DISPLAY	309	WCL CONTROL SYSTEM				
180C	OUTSIDE TEMP. DISPLAY	417	DDEC-LIMIT SPEED GOVERNOR				
181	FROZEN POINT T.T.LT	419	DDEC -CHEK ENGINE LIGHT				
181A	TEMP. CTR'L INSIDE SENSOR	439	DDEC-12V IGNITION				
181B	TEMP. CTR'L INSIDE SENSOR	451	DDEC-A/C FAN CLUTCH				
181C	THERMOMET. OUTSIDE SENSOR	499	DDEC-OUTPUT PWR SHUTDOWN				
181D	THERMOMET. OUTSIDE SENSOR	505	DDEC-TACHOMETER DRIVE				
195	WORLD TRANSM-TRANS ID	509	DDEC-STOP ENGINE LIGHT				
197	FUEL WATER FILTER	510	DDEC-FAST IDLE SIGNAL				
197A	FUEL WATER FILTER	524	DDEC-ENGINE BRAKEDISABLE				
		524B	ZF THROTTLE				
201	WORLD TRANSM-SPARE	525	DDEC-FAST IDLE SIGNAL				
202	WORLD TRANSM-SPARE	528	DDEC-STOP ENG. OVERRIDE				
203	WORLD TRANSM-SPARE	531	DDEC-CRUISE CLUTCH CUT OUT				
204	WORLD TRANSM-SPARE	540	DDEC-CRUISE ENABLE T.T.LT				
214	WORLD TR.-BACK-UP SIGNAL	541	DDEC-CRUISE SET SW				
231	WORLD TR.-NEUTRAL SIGN GRD	542	INPUT PARK BRAKE INTERLOCK				
231F	WORLD TR.-NEUTRAL SIGN GRD	543	DDEC-CRUISE BRAKE PEDAL				
231W	W.TR.-NEUTRAL SIGN GRD WCL	544	DDEC-CRUISE ON/OFF SW				
231Z	ZF NEUTRAL SIGNAL	545	DDEC-CRUISE RESUME SW				
240	DDEC -ECM 12V FEEDING	555	DDEC-FAN CLUTCH SPEED#1				
241	DDEC -ECM 12V FEEDING	556	DDEC-VEHICULE SPEED (+)				
253	24V SIGNAL GALLEY INVERTER	557	DDEC-VEHICULE SPEED (-)				
		563	DDEC-FAN CLUTCH SPEED#2				

CIRCUIT NUMBER CODE

NO.	DESCRIPTION	NO.	DESCRIPTION	NO.	DESCRIPTION	NO.	DESCRIPTION
A1	RADIO SYSTEM	C15	AUDIO AMPLI	SP10	SPARE WIRE	SP74	SPARE WIRE
A2	RADIO SYSTEM	D1	PASSENGER SPEAKER	SP11	SPARE WIRE	SP75	SPARE WIRE
A3	AUDIO AMPLI	D2	PASSENGER SPEAKER	SP12	SPARE WIRE	SP76	SPARE WIRE
A8	VIDEO SYSTEM	D3	PASSENGER SPEAKER	SP13	SPARE WIRE	SP77	SPARE WIRE
A9	RADIO SYSTEM	D4	PASSENGER SPEAKER	SP14	SPARE WIRE	SP78	SPARE WIRE
A10	AUDIO AMPLI	D5	PASSENGER SPEAKER	SP15	SPARE WIRE	SP80	SPARE WIRE
A11	AUDIO AMPLI	D6	PASSENGER SPEAKER	SP16	SPARE WIRE	SP81	SPARE WIRE
A12	AUDIO AMPLI	D7	PASSENGER SPEAKER	SP17	SPARE WIRE	SP82	SPARE WIRE
A13	AUDIO AMPLI	D8	PASSENGER SPEAKER	SP18	SPARE WIRE	SP83	SPARE WIRE
A15	AUDIO AMPLI	DR1	DRIVER'S SPEAKER	SP19	SPARE WIRE	SP84	SPARE WIRE
A16	VIDEO SYSTEM	DR2	DRIVER'S SPEAKER	SP20	SPARE WIRE	SP85	SPARE WIRE
B1	MICROPHONE	DR3	DRIVER'S SPEAKER	SP21	SPARE WIRE	SPZ1	SPARE WIRE-ZF TRANSM.
B2	MICROPHONE	DR4	DRIVER'S SPEAKER	SP23	SPARE WIRE	SPZ2	SPARE WIRE-ZF TRANSM.
B3	MICROPHONE	G1	PASSENGER SPEAKER	SP24	SPARE WIRE	SPZ3	SPARE WIRE-ZF TRANSM.
B4	MICROPHONE	G2	PASSENGER SPEAKER	SP25	SPARE WIRE	SPZ4	SPARE WIRE-ZF TRANSM.
B5	MICROPHONE	G3	PASSENGER SPEAKER	SP26	SPARE WIRE	SPZ5	SPARE WIRE-ZF TRANSM.
B6	MICROPHONE	G4	PASSENGER SPEAKER	SP27	SPARE WIRE	SPZ6	SPARE WIRE-ZF TRANSM.
B7	MICROPHONE	G5	PASSENGER SPEAKER	SP28	SPARE WIRE	TW1	TWISTED SPARE
B8	MICROPHONE	G6	PASSENGER SPEAKER	SP30	SPARE WIRE	TW2	TWISTED SPARE
B10	MICROPHONE	G7	PASSENGER SPEAKER	SP33	SPARE WIRE	W1	STEERING BOX CONVERTER
B11	MICROPHONE	G8	PASSENGER SPEAKER	SP34	SPARE WIRE	W2	STEERING BOX CONVERTER
B12	MICROPHONE	IPJ1	CLUSTER - BULB TEST POS	SP35	SPARE WIRE	Y1A	FLUORESCENT BALLAST
B1A	FLUORESCENT BALLAST	IPJ2	CLUSTER - BULB TEST NEG.	SP36	SPARE WIRE	Y1B	FLUORESCENT BALLAST
B1B	FLUORESCENT BALLAST	IPJ5	CLUSTER - FUEL GAUGE	SP37	SPARE WIRE	Y2A	FLUORESCENT BALLAST
B2A	FLUORESCENT BALLAST	IPJ6	CLUSTER - BULB TEST POS.	SP38	SPARE WIRE	Y2B	FLUORESCENT BALLAST
B2B	FLUORESCENT BALLAST	IPJ7	CLUSTER - BULB TEST NEG.	SP40	SPARE WIRE	Y3A	FLUORESCENT BALLAST
B3A	FLUORESCENT BALLAST	IPJ8	CLUSTER - MASTER WARNING	SP41	SPARE WIRE	Y3B	FLUORESCENT BALLAST
B3B	FLUORESCENT BALLAST	L8	WATER TANK HEATER	SP42	SPARE WIRE	Y4A	FLUORESCENT BALLAST
B4A	FLUORESCENT BALLAST	L9	WATER TANK HEATER	SP43	SPARE WIRE	Y4B	FLUORESCENT BALLAST
B4B	FLUORESCENT BALLAST	LX5	CLUSTER - COMPUTER MODE	SP44	SPARE WIRE	Y5A	FLUORESCENT BALLAST
B5A	FLUORESCENT BALLAST	LX6	CLUSTER - COMPUTER DOWN	SP45	SPARE WIRE	Y5B	FLUORESCENT BALLAST
B5B	FLUORESCENT BALLAST	LX7	CLUSTER - COMPUTER SET	SP48	SPARE WIRE	Y6A	FLUORESCENT BALLAST
B6A	FLUORESCENT BALLAST	LX16	CLUSTER - COMPUTER UP	SP50	SPARE WIRE	Y6B	FLUORESCENT BALLAST
B6B	FLUORESCENT BALLAST	LX21	CLUSTER - COMPUTER COM.	SP51	SPARE WIRE	Y7A	FLUORESCENT BALLAST
B7A	FLUORESCENT BALLAST	R1A	FLUORESCENT BALLAST	SP52	SPARE WIRE	Y7B	FLUORESCENT BALLAST
B7B	FLUORESCENT BALLAST	R1B	FLUORESCENT BALLAST	SP53	SPARE WIRE	0	BATTERY - MAIN GROUND
B14	RADIO SYSTEM	RT	T.T.L.T. MODULE - TEST SW.	SP54	SPARE WIRE	0	EVAP. COMPT. GROUND
B15	RADIO SYSTEM	SPK1	PASSENGER SPEAKER	SP55	SPARE WIRE	0	RJB - INSIDE GRD
C2	RADIO SYSTEM	SPK2	PASSENGER SPEAKER	SP56	SPARE WIRE	0	WCL MODULE
C3	CONTROL HEAD ANTENNA	SPK3	PASSENGER SPEAKER	SP57	SPARE WIRE	0	INVERTER CUT OFF RELAY
C5	VIDEO SYSTEM	SPK4	PASSENGER SPEAKER	SP60	SPARE WIRE	0A	LAVATORY ACCESSORIES
C6	CONTROL HEAD DIMMER	SP1	SPARE WIRE	SP61	SPARE WIRE	0A	EVAP. FAN GROUND
C7	RADIO SYSTEM	SP2	SPARE WIRE	SP62	SPARE WIRE	0A	FR. ROOF ACC. GRD
C8	AUDIO AMPLI	SP3	SPARE WIRE	SP63	SPARE WIRE	0B	BOOSTER BLOCK GROUND
C9	VIDEO SYSTEM	SP4	SPARE WIRE	SP64	SPARE WIRE	0B	A/C - CONDENSER GRD
C10	VIDEO SYSTEM	SP5	SPARE WIRE	SP65	SPARE WIRE	0B	24V&12V CUT OUT REL.COIL
C11	VIDEO SYSTEM	SP6	SPARE WIRE	SP69	SPARE WIRE	0BE	OV BATTERY MONITOR
C12	VIDEO SYSTEM	SP7	SPARE WIRE	SP70	SPARE WIRE	0C	R.J.B. - GRB
C13	VIDEO SYSTEM	SP8	SPARE WIRE	SP71	SPARE WIRE	0C	MOTOR STARTER GROUND
C14	VIDEO SYSTEM	SP9	SPARE WIRE	SP72	SPARE WIRE	0C	F.R. SERV. CPT- ACC.

CIRCUIT NUMBER CODE

NO.	DESCRIPTION	NO.	DESCRIPTION	NO.	DESCRIPTION	NO.	DESCRIPTION
0C1	ENTRANCE DOOR SEDAN	00SS	SOUND SYSTEM GROUND	10A	INTERIOR LTS-LUGGAGE CPT	12L	CORNERING LTS FEEDING
0C2	STEERING CONTROL GROUND	0S2	RADIO GROUND	10A	AUX. COMPRESSOR CLUTCH	12LX	CLUSTER 12V HOT WIRE
0C3	SOUND SYSTEM RELAY	0S3	VIDEO GROUND	10B	INTERIOR LTS-LUGGAGE CPT	12M	ABS-FR JCT PNL 12V DISC.SW
0C4	F.J.B. GRD	0T	LAVATORY FAN & PUMP	10C	INTERIOR LTS-LUGGAGE CPT	12P	12V BATTERY JCT BLOCK
0CJ	CRUISE SW. JUMPER	0T	SPEED SW. CONNECTOR	10E	INTERIOR LTS-BATTERY CPT	12R	12V MEMORY RADIO
0D	FLUORESCENT GRD	0T1	DASH ACC. GROUND	10H	AUX. COMPRESSOR CLUTCH	12P	12V POWER OUTLET
0D	COND FAN GRD	0T2	CLUSTER ACC. GROUND	10L	AUX. COMPRESSOR CLUTCH	12SB	12V SOUND SYSTEM FEEDING
0E	BATT. COMPT. LTS GROUND	0T2	WINDOW AWNING	10X	AUX. COMPRESSOR CLUTCH	12SS	12V SOUND SYSTEM FEEDING
0E	READING LIGHTS GROUND	0T3	ALTERNATOR MODULE	11	DESTINATION SIGN	12S	12V RADIO FEEDING
0F	FLUORESCENT GRD	0T4	12V OUTLET - CTR MODULE	11A	DESTINATION SIGN	12S1	12V RADIO FEEDING
0F	PRO-DRIVER GROUND	0T5	FS.HVAC DASH MODULE. GND	11B	DESTINATION SIGN	12S1A	12V DVD KARAOKE FEEDING
0G	READING LIGHTS GROUND	0VA	BATTERY EQUALIZER GROUND	11C	DESTINATION SIGN	12S2	12V RADIO FEEDING
0H	ENG. CPT. - ACC. GRD	0W	FJB - TRANSM. RLY GRD	11D	DESTINATION SIGN	12S2A	12V DVD KARAOKE FEEDING
0IN	INTERCOM SYSTEM	0W	SHIFT SELECTOR GROUND	11E	DESTINATION SIGN	12T	RR JCT BOX 12V DISC SW
0J	PARCEL RACK A/C UNIT	0W	WCL MODULE	11K	DESTINATION SIGN	12VA	12V BATTERY EQUALIZER
0K	PARCEL RACK A/C UNIT	0WA	WCL DOOR AJAR	11J	DESTINATION SIGN	12VB	FR JCT PANEL 12V DISC SW
0L	ENG.CPT -CLEAR.LTS RR ROOF	0WC	WCL BATTERY CPT. ACCES.	11P	DESTINATION SIGN	12VD	12V HOT WIRE DISTRIBUTION
0L	R.J.B. - GRD	0WL	WCL SIGNAL DOOR AJAR ALARM	12	12V ELECTRONIC TERMINAL	12VE	FR JCT PANEL 12V DISC SW
0L	FR - SIDE MARK. & FLASH GRD	0Y1	ABS SYSTEM-GRD	12A	FR JCT PANEL 12V DISC SW	12VF	12 VOLTS FRONT DISTRIBUTIUON
0L1	ENG.CPT-SIDE MARK. & FL. GRD	0Y2	ABS SYSTEM-GRD	12A	BATT. JCT PANEL 12V DISC SW	12VG	RR JCT PANEL 12V DISC SW
0L2	HEAD LTS GROUND	0Y3	ABS SYSTEM-GRD	12B	FR JCT PANEL 12V DISC SW	12VI	12V IGNITION DISTRIBUTION
0L3	FR.SERV.DR. & ENT.DOOR GRD	0Y4	ABS SYSTEM-GRD	12BE	12V BATTERY MONITOR	12VO	12V BATTERY EQUALIZER
0L4	FOG LTS RESISTOR GRD	0Y5	ABS SYSTEM-GRD	12C	FR JCT PANEL 12V DISC SW	12VR	12V REAR DISTRIBUTION
0L5	LH CONSOL - ACC. GRD	0Y6	ABS SYSTEM-GRD	12C	RR JCT BOX 12V DISC SW	12W	12V HOT WIRE DDEC FEEDING
0L5	W.C.L.DOOR	0Z1	ZF TRANSM. GRD	12D	BATT. JCT PANEL 12V HOT WIRE	12WA	ENTRANCE DOOR SYSTEM
0L6	MARKER&FLASH. GROUND	0Z2	ZF TRANSM. GRD	12D	FR JCT PANEL 12V HOT WIRE	12WR	WCL DOOR TOP LT
0L7	AISLE LIGHTS GROUND	00A	ELECTRONIC TERMINAL GROUND	12D	RR JCT PANEL 12V HOT WIRE	14	LAVATORY PUMP
0L8	DOCKING LTS	00F	FRONT ELECTRONIC GROUND	12DD	FR JCT PANEL 12V HOT WIRE	14A	LAVATORY PUMP- P.BUTTON
0LV	WINDSHIELD WASHER LEVEL	2B	A/C & HEAT SYSTEM	12DDR	FR JCT BOX 12V HOT DDR CONN	14P	LAVATORY PUMP
0M	WIPER 2 MIRROR MOTOR	2D	A/C & HEAT SYSTEM	12DT	T.T. LT MODULE	15	WIPER & WASHER FEEDING
0M3	DEFROST GRD	2DD	A/C & HEAT SYSTEM	12DZ	ZF TRANSM. 12V HOT WIRE	16	SPEEDOMETER (+)
0M4	HORN & DR'S WINDOW LIFTER	2E	A/C & HEAT SYSTEM	12E	FR JCT PANEL 12V DISC SW	16T	SPEED SW SIGNAL IN (+)
0M5	SUN VISOR MOTOR	2EE	A/C & HEAT SYSTEM	12F	RR JCT PANEL 12V DISC SW	17	EXTERIOR LTS-FLASHER UNIT
0M6	UPPER FAN DEFROST	2F	A/C & HEAT SYS.-EVAP. SPEED	12F1	FR JCT PANEL 12V DISC SW	17A	EXTERIOR LTS-FLASHER UNIT
0M7	DR'S WIND.LIFT. & RH MIR. SW	2H	A/C & HEAT SYS-LO-PRESS SW.	12F2	FR JCT PANEL 12V DISC SW	17C	JUMPER LTS SW. - HAZARD
0M7A	LH MIRROR SW.	2L	A/C & HEAT SYS-HI-PRESS SW.	12FL	RR JCT PANEL 12V DISC SW	18	UPPER FAN DEFROST
0P	ENG.CDT - PRE-HEATER	4A	HOTESS CHIME MAIN SWITCH	12G	FR JCT PANEL 12V DISC SW	19	UPPER FAN DEFROST
0R	SOUND SYSTEM RELAY GROUND	4C	HOTESS CHIME P. RACK SW.	12H	12V IGN. DASH ACCESS.	20	SPEEDOMETER SIGNAL (-)
0SA	BOSCH ALTERNATOR GROUND	5	AISLE LTS FEEDING	12I	RR JCT BOX 12V IGNITION	21	LEFT DIRECTIONNAL LTS
0SA	PARCEL RACK LTS SWITCH	5N	EMERGENCY LTS	12I	FR JCT PANEL 12V IGNITION	21A	LEFT DIRECTIONNAL LTS SIGN.
0SB	PARCEL RACK LTS SWITCH	5N0	SPEED SIGNAL HIGHER 5MPH	12IA	FR JCT PANEL 12V IGNITION	21B	HAZARD SWITCH SIGNAL
0SC	PARCEL RACK LTS SWITCH	5NC	SPEED SIGNAL LOWER 5MPH	12IA	RR JCT PANEL 12V IGNITION	21BB	LEFT DIRECTIONNAL LTS FEED.
0SE	PARCEL RACK LTS SWITCH	6	AISLE LTS	12IB	FR JCT PANEL 12V IGNITION	21H	EXTERIOR LTS-HAZARD SIGNAL
0SF	PARCEL RACK LTS SWITCH	7B	ENTRANCE DOOR FEED.-24V HW	12IB	STEERING BOX ECU FEEDING	21M	AUX. LTS - DIRECTIONAL LH
0SG	PARCEL RACK LTS SWITCH	9	INTERIOR LTS-ENGINE CPT	12IE	ABS-FR JCT PANEL 12V IGN.	23	RIGHT DIRECTIONNAL LTS
0SH	PARCEL RACK LTS SWITCH	9F	INTERIOR LTS - FR-SERV. CPT	12IZ	ZF TRANSM. IGNITION	23A	RIGHT DIRECTIONNAL LTS SIGN.
0SJ	PARCEL RACK LTS SWITCH	10	INTERIOR LTS-LUGGAGE CPT	12J	12 VOLTS DISC.SW. INTERCOM	23BB	RIGHT DIRECTIONNAL LTS FEED.
0SS	SOUND SYSTEM GROUND	10	INTERIOR LTS-FR SERV. CPT	12J	FR JCT PANEL 12V DISC.SW.		
		10	INTERIOR LTS-FR SERV. CPT	12K	FR JCT PANEL 12V DISC.SW.		

CIRCUIT NUMBER CODE

NO.	DESCRIPTION	NO.	DESCRIPTION	NO.	DESCRIPTION	NO.	DESCRIPTION
23H	EXTERIOR LTS-HAZARD SIGNAL	24WC	WCL PUMP FEEDING	43M	PARCEL RACK A/C	62	LAVATORY INDICATOR
23K	RIGHT DIRECT. LTS W/KNELLING	24WL	WCL PUMP FEEDING	43X	PARCEL RACK A/C	63	EXTERIOR LTS-CLEAR. FEED
23M	AUX LTS - DIRECTIONAL RH	24WR	WCL POWER ACCES.	44	EXTERIOR LTS-FOG	63B	EXTERIOR LTS-CLEARANCE
24	24 VOLTS BATTERY DIST.	25	EITHER ALTERNAT. RUN SIGNAL	44A	EXTERIOR LTS-FOG	63C	EXT. LTS-MARKER SIGNAL
24	24 V. DISC. FRONT DIST.	25A	TT.LT. ALTERNATOR #1	44B	EXTERIOR LTS-FOG	63D	BLINKER RELAY
24A	BATT. JCT PANEL 24V DISC SW	25A1	BOSCH ALTERNATOR SIGNAL D+	44C	FOG,LTS & HVAC FEEDING	63E	BLINKER RELAY
24A	24V BOOSTER BLOCK	25A2	BOSCH ALTERNATOR SIGNAL D+	44D	EXTERIOR LTS - FOG	63F	EXT. LTS-MARKER BLINKER
24A	FR JCT PANEL 24V DISC. SW	25B	EXT. LTS-DAYTIME RUN LTS	44E	EXTERNAL LTS - FOG	64	DRIVER'S FAN SPEED CTR
24A	RR JCT PANEL 24V DISC. SW	25D	BOTH ALTERNATOR RUN SIGNAL	45A	A/C & HEAT SYSTEM FULL AIR	64A	A/C SPARE
24BE	BATTERY MONITOR	25K	T.T LT. ALTERNATOR #2	45B	A/C & HEAT SYS.-WATER PUMP	64B	A/C SPARE
24C	FR JCT PANEL 24V DISC SW	26	DR'S & ENT. WINDOW LIFTER	45C	A/C & HEAT SYS.-WATER VALV	65	FOOT DAMPER MOTOR
24D	24 V. HOT WIRE FEEDING	26A	CIGAR LIGHT. & POW.OUTLET LH	45D	A/C & HEAT SYS.-WATER VALV	65A	FOOT DAMPER MOTOR
24D	FR JCT BOX 24V HOT WIRE	26B	DRIVER'S WINDOW LIFTER	45G	A/C & HEAT SYS.-DR'S HTR	65D	DRIVER'S REC. DAMPER
24DD	FR JCT BOX 24V HOT WIRE	26C	DRIVER'S WINDOW LIFTER	45H	A/C & HEAT SYS.-EVAP. SPEED	65E	DRIVER'S REC. DAMPER L.H.
24DS	WIRELSS MICRO FEEDING	27	LAVATORY ALARM	46	EXTERIOR LTS-MARKER	65F	DRIVER'S REC. DAMPER L.H.
24DZ	ZF TRANSM. 24V HOT WIRE	28H	T.T.LT MODULE - HI A/C PRES.	46A	EXTERIOR LTS-AUX LTS RESIS.	66	A/C PASSENGER - ON/OFF
24E	24 VOLTS POWER DISTRIBUTION	28T	T.T.LT MODULE - LO A/C PRES.	46C	EXTERIOR LTS-MARKER	67A	A/C & HEAT SYSTEM
24E	RR JCT PANEL 24V DISC SW	29	A/C & HEAT SYS.-DR'S HTR	46D	EXTERIOR LTS-AUX LTS RESIS.	68	DASH & DEFROST DAMPER MOT
24F	RR JCT PANEL 24V DISC SW	29H	HVAC DASH MODILE	48	ENTRANCE DOOR OPEN SIGNAL	68A	DASH & DEFROST DAMPER MOT
24G	FR JCT PANEL 24V DISC SW	30A	GALLEY SWITCH SIGNAL	48A	ENTRANCE DOOR OPEN SOL.	69	DAMPER MIX LIMIT SWITCH
24H	RR JCT PANEL 24V DISC SW	30J	GALLEY SWITCH LED	48B	ENTRANCE DOOR OPEN SIGNAL	70	HAT RACK & NIGHT LTS FEEDING
24I	FR JCT PANEL 24V IGNITION	30B	WIPER & WASHER SYSTEM	48C	ENTRANCE DOOR SYSTEM	72	SUN VISOR - FEED
24IA	RR JCT PANEL 24V IGNITION	31B	EXTERIOR LTS-BACK-UP	48D	ENTRANCE DOOR SYSTEM	72A	SUN VISOR RH
24IA	FR JCT PANEL 24V IGNITION	32	EXTERIOR LTS-BACK-UP	48W	ENTRANCE DOOR SEDAN	72B	SUN VISOR RH
24IB	FR JCT PANEL 24V IGNITION	32B	EXTERIOR LTS-BACK-UP	49	ENTRANCE DOOR CLOSE SIGNAL	72C	SUN VISOR LH
24IF	FR JCT PANEL 24V IGNITION	35	ENTRANCE STEP LIGHTS	49A	ENTRANCE DOOR SYSTEM	72D	SUN VISOR LH
24IZ	ZF TRANSM. IGNITION	36	ENGINE BRAKE SYSTEM	49B	ENTRANCE DOOR SYSTEM	74	R.H. READING LAMP FEEDING
24K	RR JCT PANEL 24V DISC SW	36A	ENGINE BRAKE SYSTEM & RET.	50	AD-9 AIR DRYER	74A	R.H. HOTESS CHIME FEEDING
24L	RR JCT PANEL 24V DISC SW	37	LAVATORY LTS FEEDING	52	ALARM & SIGNAL-ELEC.HORN	74B	WCL R.H. READING LAMP FEED.
24M	RR JCT PANEL 24V DISC SW	38	FLUORESCENT RELAY FEEDING	52A	ALARM & SIGNAL-ELEC.HORN	74D	READING LAMP SWITCH
24P	FR JCT PANEL 24V DISC SW	38A	R.H FLUORESCENT	52B	PNEUMATIC HORN	74J	READING LAMP INDICATOR SW.
24P2	RR BENCH- INVERTER	38B	L.H. FLUORESCENT	53	ALARM & SIGNAL-ELEC.HORN	75	L.H. READING LAMP FEEDING
24PV	RR BENCH- INVERTER	38C	FLUORESCENT FEEDING	53B	WIPER & WASHER SYSTEM	75A	L.H. HOTESS CHIME FEEDING
24R	24V STARTER RELAY	39	INTERIOR LTS-DRIVER'S LTS	53C	WIPER & WASHER SYSTEM	76	FUEL TANK GAUGE
24R	SCENIC VIEW SIGNAL ON	39D	INTERIOR LTS - DRIVER' LTS	53E	WIPER & WASHER SYSTEM	76C	LOW FUEL T.T.LT
24SB	24V SOUND SYSTEM FEEDING	41	A/C SYS.-COND FAN MOTOR	53J	WIPER & WASHER SYSTEM	76M	FUEL PRIME PUMP
24SS	24V SOUND SYSTEM FEEDING	41A	A/C SYS.-COND FAN MOTOR	55	EXTERIOR LTS-HI BEAM	76P	FUEL PRIME PUMP FEEDING
24S1	AMPLIFIER FEEDING	41B	A/C SYS.-COND FAN MOTOR	57	EXTERIOR LTS-HI BEAM	77B	A/C SYS. - LIQ. SOL. VALVE
24S2	AMPLIFIER FEEDING	42	A/C SYS.-COND FAN MOTOR	57A	EXTERIOR LTS-HI BEAM	77C	A/C & HEAT SYS.- COMPRESSOR
24S3	VIDEO FEEDING	42A	A/C SYS.-COND FAN MOTOR	57B	A/C & HEAT SYS.-WATER PUMP	77H	A/C SYS.-LIQ. SOL. VALVE
24S4	VIDEO FEEDING	43	PARCEL RACK A/C	57C	A/C & HEAT SYS.-WATER PUMP	81	EXTERIOR LTS-STOP SW
24T	RR JCT PANEL 24V DISC SW	43A	PARCEL RACK A/C	57E	A/C & HEAT SYS.-WATER VALV	82	EXTERIOR LTS-STOP SIGNAL
24VA	24 VOLTS BATTERY EQUALIZER	43B	PARCEL RACK A/C	57W	PRE-HEAT WATER HEATER	82A	EXTERIOR LTS-STOP SIGNAL
24VD	24V HOT WIRE FEED	43C	PARCEL RACK A/C	58	EXTERIOR LTS-LO BEAM	82B	EXTERIOR LTS-STOP LTS
24VF	24 VOLTS FRONT DISTRIBUTION	43D	PARCEL RACK A/C	58A	EXTERIOR LTS-LO BEAM	82C	EXTERIOR LTS-STOP LTS
24VI	24 VOLTS IGNITION REAR DIST.	43E	PARCEL RACK A/C	58B	EXTERIOR LTS-LO BEAM	82L	EXT. LTS-STOP LTS & CYCLOP
24VR	24 VOLTS REAR DISTRIBUTION	43F	PARCEL RACK A/C	59A	ENGINE BRAKE SYSTEM	82R	EXTERIOR LTS-STOP LTS
24Y	24 VOLTS POWER GALLEY	43G	PARCEL RACK A/C	61	EXTERIOR LTS-24V FEED SW		
				61A	EXTERIOR LTS-HEAD SIGNAL		

CIRCUIT NUMBER CODE

NO.	DESCRIPTION	NO.	DESCRIPTION	NO.	DESCRIPTION	NO.	DESCRIPTION
83	ENG. CTR-MAST. KEY SW ACC.	110	WORLD TR.-F SOL. LO	128A	PRE-HEAT WATER HEATER	140	ABS SYSTEM-VALVE
83A	24V&12V CUT RELAY COIL	112	WORLD TR.-SPARE OUTPUT (+)	128B	PRE-HEAT WATER HEATER	141	ABS SYSTEM-VALVE
83B	24V&12V CUT RELAY COIL	113W	WORLD TR.-REVERSE WARNING	129	WORLD TRANSM-E SOL.	141	WORLD TR.-ENGINE SPEED HI
84	ENG. CTR-MAST KEY SW START	113Z	ZF TRANSM.- REVERSE	129	PRE-HEAT WATER HEATER	142	ABS SYSTEM-VALVE
84A	ENG. CTR-MAST KEY SW START	114	INTERIOR LT-DASH LT RHEOS.	129B	PRE-HEAT WATER HEATER	143	ABS SYSTEM-SENSOR
84J	ENG. CTR-MAST KEY SW START	114A	INTERIOR LT-DASH LT RHEOS.	130	WORLD TRANSM-SOL. SUPPLY	143A	ABS SYSTEM-SENSOR
85	24V IGNITION SIGNAL	114B	INT. LT-DASH LT RHEOST.FEED	130	EVAP. FAN MAIN CABLE	143A	WORLD TRANS-BATTERY GRD
85A	24V IGN DASH INSTRUMENT.	115	DDEC -COOLANT LEVEL	130A	EVAP. FAN MAIN CABLE	143W	WORLD TRANSM-BATTERY GRD
85C	24V IGNITION - FEED	115W	TRANSM.-DO NOT SHIFT SIGN	131	WORLD TRANSM-D SOL.	143X	WORLD TRANSM-BATTERY GRD
85F	RAD. FAN CONTROL W/RETARD	115W	ZF -CHECK TRANSM. TTLT	132	WORLD TRANSM-ENGINE BRAKE	143Y	WORLD TRANSM.BATT.GRD
85W	OUT SPEED INTERLOCK-24V IGN.	116	WORLD TR.-SOL. SUPPLY	133	GALLEY HEATING CONTAINER	143W	FROM GROUND STUD
85X	ABS-24V IGN	116B	A/C & HEAT SYSTEM-DR'S HTR	133A	GALLEY HEATING CONTAINER	144	ABS SYSTEM-SENSOR
85Y	ABS-WARNING LT	116C	A/C SYS.-TRIG. DEFROST	133B	GALLEY HEATING CONTAINER	144A	ABS SYSTEM-SENSOR
86	ENG. CTR-STARTER SOL.	119	WORLD TRANSM-ENGINE BRAKE	133C	GALLEY HEATING CONTAINER	145	ABS SYSTEM
86A	ENG. CTR-STARTER RELAY COIL	120	WORLD TRANSM-A SOL.	134	GALLEY HEATING CONTAINER	146	ABS SYSTEM
86F	TELL TALE STARTER ON	121	WORLD TRANSM-SOL.SUPPLY	134A	GALLEY HEATING CONTAINER	146A	WORLD TRANSM-12V IGNITION
86T	TELL TALE STARTER ON	123	WORLD TR.-NEUTRAL START	135	GALLEY HEATING CONTAINER	146AA	WORLD TRANSM-DIAGN.CONN.
87B	ENGINE CTR-24V IGNITION	123A	ALARM & SIGNAL-FIRE DETECT.	135A	WORLD TR.-RES MODULE RET.	147	WORLD TRANSM-OIL TEMP
88	ENGINE CTR-RR START SIGNAL	123B	ALARM & SIGNAL-FIRE DETECT.	135B	A/C & HEAT SYS.-AIR SENSOR	147	ABS SYSTEM-VALVE
89	ENGINE CTR-RR START SIGNAL	124	WORLD TR.-SENSOR POWER	135C	A/C & HEAT SYS.-AIR SENSOR	147A	ETHER COLD START
90	DASH MAGNETIC SWITCH	124A	WORLD TRANSM-SENSOR PWR	136	MICRO-WAVE OVEN SWITCH	147C	ETHER COLD START
90B	ENG. CTR-MAST KEY SW FEED	125	LAVATORY FAN	136A	GALLEY LAMP	148	ABS SYSTEM-VALVE
91	PARKING BRAKE SW SIGNAL	125	WORLD TR-RETARDER INDICAT.	136A1	WORLD TRANSM-12V BATTERY	148	WORLD TR.-OUTPUT SPEED LO
91A	DDEC -FAST IDLE SIGNAL	125W	WORLD TR-RETARDER INDICAT.	136A2	WORLD TRANSM-12V BATTERY	149	WORLD TR.-TURBINE SPEED HI
91B	D.R.L. CANCEL RELAY	126	24 V IGN. SPEED SWITCH	136AA	WORLD TRANSM-SHIFTER PWR	149	ABS SYSTEM-SENSOR
91C	PARKING BRAKE - T.T.LT	126A	KNEELING SYSTEM	136V	WORLD TRANSM-12V BATTERY	149A	ABS SYSTEM
91J	FAST IDLE - JUMPER SW.	126AA	KNEELING SYSTEM	136W	WORLD TRANSM-12V BATTERY	150	WORLD TR.-ENGINE SPEED LO
91W	WCL PARKING BRAKE SIGNAL	126B	KNEELING SYSTEM	136X	WORLD TRANSM-12V BATTERY	150A	DDEC -ECM BATTERY GRD
92	BATT. EQUAL.-CHECK BALANCE	126B	HI-BUOY SIGNAL	137	WORLD TRANSM-RETARDER	151	DDEC -ECM BATTERY GRD
93	BATT. EQUALIZ.-CHECK LO/HI	126C	KNEELING SYSTEM	137	RR VIEW MIRROR	151	ATC VALVE
95A	ENG. BRAKE & RETARDER SYS.	126C	KNEELING SYSTEM	137A	RR VIEW MIRROR	152	ATC VALVE
95B	ENG. BRAKE & RETARDER SYS.	126D	KNEELING SYSTEM	137B	RR VIEW MIRROR	153	ELECTRICAL DRIVER'S SEAT
100	INTERIOR LTS RELAY COIL	126F	KNEELING SYSTEM	137C	RR VIEW MIRROR	154	WORLD TRANSM-ABS INPUT (-)
100	INDIRECT LTS FEEDING	126G	KNEELING SYSTEM	137D	RR VIEW MIRROR	156A	ABS SYSTEM-FEED
100A	INDIRECT LTS RELAY COIL	126H	SPEED SIGN 5NC - 24V	137E	RR VIEW MIRROR	157B	ABS SYSTEM
100B	INDIRECT LTS FEEDING	126K	KNEELING SYSTEM	137F	RR VIEW MIRROR	159	WORLD TRANSM-DIAGNOSTIC
100C	INDIRECT LTS FEEDING	126L	KNEELING SYSTEM	137G	RR VIEW MIRROR	160	ALARM & SIGN.-TAG PRESS SW
101	24 VOLTS POWER STARTER	126P	KNEELING SYSTEM	137H	RR VIEW MIRROR	161B	WORLD TRANSM-SIGNALGRD
101	WORLD TR.- LO SIGN SOL.LO	126R	KNEELING SYSTEM	137J	RR VIEW MIRROR	162	WORLD TRANSM-PRESS. SW C3
102	24 VOLTS A/C DISTRIBUTION	126S	KNEELING SYSTEM	137K	RR VIEW MIRROR	163	WORLD TR.-RETARDER ENABLE
102	WORLD TRANSM.-SOL. SUPPLY	126T	KNEELING SYSTEM	137L	RR VIEW MIRROR	164	WORLD TR.-RET. ACTUAT. SIGN
102A	BOSCH ALTERNATOR FEEDING	126W	KNEELING SYSTEM	137M	RR VIEW MIRROR FEED	165	WORLD TR.-OIL LEVEL SIGNAL
103	WORLD TRANSM.- B.SOL.LO	126W	WORLD TRANSM-NOT USED	137R	WORLD TRANSM-RETARDER	166	WORLD TRANSM. OUTPUT 7
103	LOW BUOY SYSTEM	127	WORLD TRANSM. - H SOL.	137T	MIRROR HEAT SW-JUMPER	167	W. TR.-OUT SPEED INTERLOCK
104	WORLD TR.-G SOL.	127	24HOT WIRE PREHEAT	138	WORLD TR.-RETARDER TEMP	167Z	ZMTEC MODULE
105W	WORLD TR-SOL.-RET.OIL TT.LT	127A	PRE-HEAT WATER HEATER	138A	ABS SYSTEM-SENSOR	169	WORLD TRANSM-PRE-SELECT #1
107	WORLD TR. - SOL. SUPPLY	127B	PRE-HEAT WATER HEATER	139	ABS SYSTEM-VALVE	170	WORLD TRANSM-SHIFTER
		127S	PRE-HEAT WATER HEATER	139	WORLD TR.-OUTPUT SPEED HI	170C	LUGGAGE DOOR LOCK-T.T.LT
		128	WORLD TRANSM-B SOL.	140	WORLD TR.-TURBINE SPEED LO		

CIRCUIT NUMBER CODE

NO.	DESCRIPTION	NO.	DESCRIPTION	NO.	DESCRIPTION	NO.	DESCRIPTION
170D	LUGGAGE DOOR LOCK-FEED	253	24V SIGNAL GALLEY INVERTER	563	DDEC-FAN CLUTCH SPEED#2		
170E	LUG. DOOR LOCK-UNLOCK SIGN	254	GALLEY REFRIGERATOR	564	DDEC-DIGTAL OUTPUT		
170F	LUGGAGE DOOR LOCK-FEED	254A	GALLEY REFRIGERATOR	565	DDEC-ENGINE BRAKE ACTIVE		
170G	LUGGAGE DOOR LOCK-FEED	254F	GALLEY REFRIGERATOR	565Z	DECELERATION LTS		
170K	LUGGAGE DOOR-LOCK SIGN	255	GALLEY COFFEEMAKER	583	DDEC-ENGINE BRAKE 4 CYL.		
170L	LUGG DOOR LOCK-SIGN T.T.LT	255A	GALLEY COFFEEMAKER	700	J1587(+)		
170N	LUGG DOOR LOCK-SIGN T.T.LT	255B	GALLEY COFFEEMAKER	701	J1587(-)		
170R	LUGG DOOR LOCK-SIGN. T.T.LT.	260	WINDOW AJAR-T.T.LT	705	ZF SIGNALS		
170S	LUGG DOOR LOCK-SIGN T.T.LT	290	FAN CLUTCH RADIATOR-FEED	706	ZF SIGNALS		
170T	LUGG DOOR LOCK-SIGN T.T.LT	290A	FAN CLUTCH RADIATOR-FEED	707	ZF SIGNALS		
170V	LUGG DOOR LOCK-SIGN T.T.LT	291	FAN CLUTCH RADIATOR SPD 1	717	ZF SIGNALS		
170W	LUGGAGE DOOR LOCK-FEED	292	FAN CLUTCH RADIATOR SPD 2	718	ZF SIGNALS		
170X	LUGG DOOR LOCK-SIGN T.T.LT	292J	FAN OVERRIDE LTS SWITCH	719	ZF SIGNALS		
170Y	LUGGAGE DOOR LOCK-FEED	300	WCL POWER SYSTEM & ACCESS.	720	ZF SIGNALS		
170Z	LUGGAGE DOOR LOCK	300A	WCL POWER SYSTEM SW.	740	EASY START VALVE		
171	WORLD TRANSM-SHIFTER	301J	WCL POWER SW. JUMPER LED	761	ZF SIGNALS		
172	WORLD TRANSM-SHIFTER	301	WCL SIGNAL POWER SW.	900	DDEC-DATA LINK (+)		
173	WORLD TRANSM-SHIFTER	302	WCL DOOR AJAR TTLT & ALARM	901	DDEC-DATA LINK (-)		
174	WORLD TRANSM-SHIFTER	304	WCL DOOR TOP LT.	908	DDEC-HYDRAU. PWM#1 OUTPUT		
175A	WORLD TRANSM-SHIFTER	305	WCL PARKING BRAKE SOL. VALVE	916	DDEC-SENSOR SUPPLY (5VDC)		
176	WORLD TRANSM-SHIFTER	305A	WCL DOOR OPEN SIGNAL	925	J1939(+)		
180	OUTSIDE TEMP. DISPLAY	305B	WCL DOOR TOP LT.	926	J1939(-)		
180A	OUTSIDE TEMP. DISPLAY	306	WCL CONTROL SYSTEM	927	J1939(SHIELD)		
180A	WORLD TRANSM-SHIFTER	307	WCL CONTROL SYSTEM	952	DDEC-SENSOR RETURN		
180B	OUTSIDE TEMP. DISPLAY	308	WCL CONTROL SYSTEM	953	DDEC-BATTERY GRD		
180C	OUTSIDE TEMP. DISPLAY	309	WCL CONTROL SYSTEM	979	DDEC-ENGINE BRAKE 2 CYL.		
181	FROZEN POINT T.T.LT	309	WCL CONTROL SYSTEM	2123	FLASHER SIGNAL LTS		
181A	TEMP. CTR'L INSIDE SENSOR	417	DDEC-LIMIT SPEED GOVERNOR				
181B	TEMP. CTR'L INSIDE SENSOR	419	DDEC -CHEK ENGINE LIGHT				
181C	THERMOMET. OUTSIDE SENSOR	439	DDEC-12V IGNITION				
181D	THERMOMET. OUTSIDE SENSOR	451	DDEC-A/C FAN CLUTCH				
195	WORLD TRANSM-TRANS ID	499	DDEC-OUTPUT PWR SHUTDOWN				
197	FUEL WATER FILTER	505	DDEC-TACHOMETER DRIVE				
197A	FUEL WATER FILTER	509	DDEC-STOP ENGINE LIGHT				
		510	DDEC-FAST IDLE SIGNAL				
		524	DDEC-ENGINE BRAKEDISABLE				
		524B	ZF SIGNAL-AUX.SENS.THROTTLE				
201	WORLD TRANSM-SPARE	525	DDEC-FAST IDLE SIGNAL				
202	WORLD TRANSM-SPARE	528	DDEC-STOP ENG. OVERRIDE				
203	WORLD TRANSM-SPARE	531	DDEC-CRUISE CLUTCH CUT OUT				
204	WORLD TRANSM-SPARE	540	DDEC-CRUISE ENABLE T.T.LT				
214	WORLD TR.-BACK-UP SIGNAL	541	DDEC-CRUISE SET SW				
231	WORLD TR.-NEUTRAL SIGN GRD	542	INPUT PARK BRAKE INTERLOCK				
		543	DDEC-CRUISE BRAKE PEDAL				
231F	WORLD TR.-NEUTRAL SIGN GRD	544	DDEC-CRUISE ON/OFF SW				
231W	W.TR.-NEUTRAL SIGN GRD WCL	545	DDEC-CRUISE RESUME SW				
231Z	ZF NEUTRAL SIGNAL GRD	555	DDEC-FAN CLUTCH SPEED#1				
240	DDEC -ECM 12V FEEDING	556	DDEC-VEHICULE SPEED (+)				
241	DDEC -ECM 12V FEEDING	557	DDEC-VEHICULE SPEED (-)				

CIRCUIT NUMBER CODE

NO.	DESCRIPTION	NO.	DESCRIPTION	NO.	DESCRIPTION	NO.	DESCRIPTION
A1	RADIO SYSTEM	C15	AUDIO AMPLI	SP10	SPARE WIRE	SP71	SPARE WIRE
A2	RADIO SYSTEM	D1	PASSENGER SPEAKER	SP11	SPARE WIRE	SP72	SPARE WIRE
A3	AUDIO AMPLI	D2	PASSENGER SPEAKER	SP12	SPARE WIRE	SP74	SPARE WIRE
A8	VIDEO SYSTEM	D3	PASSENGER SPEAKER	SP13	SPARE WIRE	SP75	SPARE WIRE
A9	RADIO SYSTEM	D4	PASSENGER SPEAKER	SP14	SPARE WIRE	SP76	SPARE WIRE
A10	AUDIO AMPLI	D5	PASSENGER SPEAKER	SP15	SPARE WIRE	SP77	SPARE WIRE
A11	AUDIO AMPLI	D6	PASSENGER SPEAKER	SP16	SPARE WIRE	SP78	SPARE WIRE
A12	AUDIO AMPLI	D7	PASSENGER SPEAKER	SP17	SPARE WIRE	SP80	SPARE WIRE
A13	AUDIO AMPLI	D8	PASSENGER SPEAKER	SP18	SPARE WIRE	SP81	SPARE WIRE
A15	AUDIO AMPLI	DR1	DRIVER'S SPEAKER	SP19	SPARE WIRE	SP82	SPARE WIRE
A16	VIDEO SYSTEM	DR2	DRIVER'S SPEAKER	SP20	SPARE WIRE	SP83	SPARE WIRE
B1	MICROPHONE	DR3	DRIVER'S SPEAKER	SP21	SPARE WIRE	SP84	SPARE WIRE
B2	MICROPHONE	DR4	DRIVER'S SPEAKER	SP23	SPARE WIRE	SP85	SPARE WIRE
B3	MICROPHONE	G1	PASSENGER SPEAKER	SP24	SPARE WIRE	SPZ1	SPARE WIRE-ZF TRANSM.
B4	MICROPHONE	G2	PASSENGER SPEAKER	SP25	SPARE WIRE	SPZ2	SPARE WIRE-ZF TRANSM.
B5	MICROPHONE	G3	PASSENGER SPEAKER	SP26	SPARE WIRE	SPZ3	SPARE WIRE-ZF TRANSM.
B6	MICROPHONE	G4	PASSENGER SPEAKER	SP27	SPARE WIRE	SPZ4	SPARE WIRE-ZF TRANSM.
B7	MICROPHONE	G5	PASSENGER SPEAKER	SP28	SPARE WIRE	SPZ5	SPARE WIRE-ZF TRANSM.
B8	MICROPHONE	G6	PASSENGER SPEAKER	SP30	SPARE WIRE	SPZ6	SPARE WIRE-ZF TRANSM.
B10	MICROPHONE	G7	PASSENGER SPEAKER	SP33	SPARE WIRE	TW1	TWISTED SPARE
B11	MICROPHONE	G8	PASSENGER SPEAKER	SP34	SPARE WIRE	TW2	TWISTED SPARE
B12	MICROPHONE	IPJ1	CLUSTER - BULB TEST POS	SP35	SPARE WIRE	W1	STEERING BOX CONVERTER
B1A	FLUORESCENT BALLAST	IPJ2	CLUSTER - BULB TEST NEG.	SP36	SPARE WIRE	W2	STEERING BOX CONVERTER
B1B	FLUORESCENT BALLAST	IPJ5	CLUSTER - FUEL GAUGE	SP37	SPARE WIRE	Y1A	FLUORESCENT BALLAST
B2A	FLUORESCENT BALLAST	IPJ6	CLUSTER - BULB TEST POS.	SP38	SPARE WIRE	Y1B	FLUORESCENT BALLAST
B2B	FLUORESCENT BALLAST	IPJ7	CLUSTER - BULB TEST NEG.	SP40	SPARE WIRE	Y2A	FLUORESCENT BALLAST
B3A	FLUORESCENT BALLAST	IPJ8	CLUSTER - MASTER WARNING	SP41	SPARE WIRE	Y2B	FLUORESCENT BALLAST
B3B	FLUORESCENT BALLAST	L8	WATER TANK HEATER	SP42	SPARE WIRE	Y3A	FLUORESCENT BALLAST
B4A	FLUORESCENT BALLAST	L9	WATER TANK HEATER	SP43	SPARE WIRE	Y3B	FLUORESCENT BALLAST
B4B	FLUORESCENT BALLAST	LX5	CLUSTER - COMPUTER MODE	SP44	SPARE WIRE	Y4A	FLUORESCENT BALLAST
B5A	FLUORESCENT BALLAST	LX6	CLUSTER - COMPUTER DOWN	SP45	SPARE WIRE	Y4B	FLUORESCENT BALLAST
B5B	FLUORESCENT BALLAST	LX7	CLUSTER - COMPUTER SET	SP48	SPARE WIRE	Y5A	FLUORESCENT BALLAST
B6A	FLUORESCENT BALLAST	LX16	CLUSTER - COMPUTER UP	SP50	SPARE WIRE	Y5B	FLUORESCENT BALLAST
B6B	FLUORESCENT BALLAST	LX21	CLUSTER - COMPUTER COM.	SP51	SPARE WIRE	Y6A	FLUORESCENT BALLAST
B7A	FLUORESCENT BALLAST	R1A	FLUORESCENT BALLAST	SP52	SPARE WIRE	Y6B	FLUORESCENT BALLAST
B7B	FLUORESCENT BALLAST	R1B	FLUORESCENT BALLAST	SP53	SPARE WIRE	Y7A	FLUORESCENT BALLAST
B14	RADIO SYSTEM	RT	T.T.L.T. MODULE - TEST SW.	SP54	SPARE WIRE	Y7B	FLUORESCENT BALLAST
B15	RADIO SYSTEM	SPK1	PASSENGER SPEAKER	SP55	SPARE WIRE	0	BATTERY - MAIN GROUND
C2	RADIO SYSTEM	SPK2	PASSENGER SPEAKER	SP56	SPARE WIRE	0	EVAP. COMPT. GROUND
C3	CONTROL HEAD ANTENNA	SPK3	PASSENGER SPEAKER	SP57	SPARE WIRE	0	RJB - INSIDE GRD
C5	VIDEO SYSTEM	SPK4	PASSENGER SPEAKER	SP60	SPARE WIRE	0	WCL MODULE
C6	CONTROL HEAD DIMMER	SP1	SPARE WIRE	SP61	SPARE WIRE	0	INVERTER CUT OFF RELAY
C7	RADIO SYSTEM	SP2	SPARE WIRE	SP62	SPARE WIRE	0A	LAVATORY ACCESSORIES
C8	AUDIO AMPLI	SP3	SPARE WIRE	SP63	SPARE WIRE	0A	EVAP. FAN GROUND
C9	VIDEO SYSTEM	SP4	SPARE WIRE	SP64	SPARE WIRE	0A	FR. ROOF ACC. GRD
C10	VIDEO SYSTEM	SP5	SPARE WIRE	SP65	SPARE WIRE	0B	BOOSTER BLOCK GROUND
C11	VIDEO SYSTEM	SP6	SPARE WIRE	SP66	SPARE WIRE	0B	A/C - CONDENSER GRD
C12	VIDEO SYSTEM	SP7	SPARE WIRE	SP67	SPARE WIRE	0B	24V&12V CUT OUT REL.COIL
C13	VIDEO SYSTEM	SP8	SPARE WIRE	SP69	SPARE WIRE	0BE	OV BATTERY MONITOR
C14	VIDEO SYSTEM	SP9	SPARE WIRE	SP70	SPARE WIRE	0C	R.J.B. - GRB

CIRCUIT NUMBER CODE

NO.	DESCRIPTION	NO.	DESCRIPTION	NO.	DESCRIPTION	NO.	DESCRIPTION
0C	MOTOR STARTER GROUND	0SH	PARCEL RACK LTS SWITCH	9	INTERIOR LTS-ENGINE CPT	12IZ	ZF TRANSM. IGNITION
0C	F.R. SERV. CPT- ACC.	0SJ	PARCEL RACK LTS SWITCH	9F	INTERIOR LTS - FR-SERV. CPT	12IN	12 VOLTS DISC.SW. INTERCOM
0C1	ENTRANCE DOOR SEDAN	0SS	SOUND SYSTEM GROUND	10	INTERIOR LTS-LUGGAGE CPT	12J	FR JCT PANEL 12V DISC.SW.
0C2	STEERING CONTROL GROUND	00SS	SOUND SYSTEM GROUND	10	INTERIOR LTS-FR SERV. CPT	12K	FR JCT PANEL 12V DISC.SW.
0C3	SOUND SYSTEM RELAY	0S2	RADIO GROUND	10A	INTERIOR LTS-LUGGAGE CPT	12L	CORNERING LTS FEEDING
0C4	F.J.B. GRD	0S3	VIDEO GROUND	10A	AUX. COMPRESSOR CLUTCH	12LX	CLUSTER 12V HOT WIRE
0CJ	CRUISE SW. JUMPER	0T	LAVATORY FAN & PUMP	10B	INTERIOR LTS-LUGGAGE CPT	12M	ABS-FR JCT PNL 12V DISC.SW
0D	FLUORESCENT GRD	0T	SPEED SW. CONNECTOR	10C	INTERIOR LTS-LUGGAGE CPT	12P	12V BATTERY JCT BLOCK
0D	COND FAN GRD	0T1	DASH ACC. GROUND	10E	INTERIOR LTS-BATTERY CPT	12R	12V MEMORY RADIO
0E	BATT. COMPT. LTS GROUND	0T2	CLUSTER ACC. GROUND	10H	AUX. COMPRESSOR CLUTCH	12P	12V POWER OUTLET
0E	READING LIGHTS GROUND	0T2	WINDOW AWNING	10L	AUX. COMPRESSOR CLUTCH	12SB	12V SOUND SYSTEM FEEDING
0F	FLUORESCENT GRD	0T3	ALTERNATOR MODULE	10X	AUX. COMPRESSOR CLUTCH	12SS	12V SOUND SYSTEM FEEDING
0F	PRO-DRIVER GROUND	0T4	12V OUTLET - CTR MODULE	11	DESTINATION SIGN	12S	12V RADIO FEEDING
0G	READING LIGHTS GROUND	0T5	FS.HVAC DASH MODULE. GND	11A	DESTINATION SIGN	12S1	12V RADIO FEEDING
0H	ENG. CPT. - ACC. GRD	0T6	FS-DDR GROUND	11B	DESTINATION SIGN	12S1A	12V DVD KARAOKE FEEDING
0IN	INTERCOM SYSTEM	0VA	BATTERY EQUALIZER GROUND	11C	DESTINATION SIGN	12S2	12V RADIO FEEDING
0J	PARCEL RACK A/C UNIT	0W	FJB - TRANSM. RLY GRD	11D	DESTINATION SIGN	12S2A	12V DVD KARAOKE FEEDING
0K	PARCEL RACK A/C UNIT	0W	SHIFT SELECTOR GROUND	11E	DESTINATION SIGN	12T	RR JCT BOX 12V DISC SW
0L	ENG.CPT -CLEAR.LTS RR ROOF	0W	WCL MODULE	11K	DESTINATION SIGN	12VA	12V BATTERY EQUALIZER
0L	R.J.B. - GRD	0WA	WCL DOOR AJAR	11J	DESTINATION SIGN	12VB	FR JCT PANEL 12V DISC SW
0L	FR - SIDE MARK. & FLASH GRD	0WC	WCL BATTERY CPT. ACCES.	11P	DESTINATION SIGN	12VD	12V HOT WIRE DISTRIBUTION
0L1	ENG.CPT-SIDE MARK. & FL. GRD	0WL	WCL SIGNAL DOOR AJAR ALARM	12	12V ELECTRONIC TERMINAL	12VE	FR JCT PANEL 12V DISC SW
0L2	HEAD LTS GROUND	0Y1	ABS SYSTEM-GRD	12A	FR JCT PANEL 12V DISC SW	12VF	12 VOLTS FRONT DISTRIBUTIUN
0L3	FR.SERV.DR. & ENT.DOOR GRD	0Y2	ABS SYSTEM-GRD	12A	BATT. JCT PANEL 12V DISC SW	12VG	RR JCT PANEL 12V DISC SW
0L4	FOG LTS RESISTOR GRD	0Y3	ABS SYSTEM-GRD	12B	FR JCT PANEL 12V DISC SW	12VI	12V IGNITION DISTRIBUTION
0L5	LH CONSOL - ACC. GRD	0Y4	ABS SYSTEM-GRD	12BE	12V BATTERY MONITOR	12VO	12V BATTERY EQUALIZER
0L5	W.C.L.DOOR	0Y5	ABS SYSTEM-GRD	12C	FR JCT PANEL 12V DISC SW	12VR	12V REAR DISTRIBUTION
0L6	MARKER&FLASH. GROUND	0Y6	ABS SYSTEM-GRD	12C	RR JCT BOX 12V DISC SW	12W	12V HOT WIRE DDEC FEEDING
0L7	AISLE LIGHTS GROUND	0Z1	ZF TRANSM. GRD	12D	BATT. JCT PANEL 12V HOT WIRE	12WA	ENTRANCE DOOR SYSTEM
0L8	DOCKING LTS	0Z2	ZF TRANSM. GRD	12D	FR JCT PANEL 12V HOT WIRE	12WR	WCL DOOR TOP LT
0LV	WINDSHIELD WASHER LEVEL	00A	ELECTRONIC TERMINAL GROUND	12D	RR JCT PANEL 12V HOT WIRE	14	LAVATORY PUMP
0M	WIPER 2 MIRROR MOTOR	00F	FRONT ELECTRONIC GROUND	12DD	FR JCT PANEL 12V HOT WIRE	14A	LAVATORY PUMP- P.BUTTON
0M3	DEFROST GRD	2B	A/C & HEAT SYSTEM	12DDR	FR JCT BOX 12V HOT DDR CONN	14P	LAVATORY PUMP
0M4	HORN & DR'S WINDOW LIFTER	2D	A/C & HEAT SYSTEM	12DT	T.T. LT MODULE	15	WIPER & WASHER FEEDING
0M5	SUN VISOR MOTOR	2DD	A/C & HEAT SYSTEM	12DZ	ZF TRANSM. 12V HOT WIRE	16	SPEEDOMETER (+)
0M6	UPPER FAN DEFROST	2E	A/C & HEAT SYSTEM	12E	FR JCT PANEL 12V DISC SW	16T	SPEED SW SIGNAL IN (+)
0M7	DR'S WIND.LIFT. & RH MIR. SW	2EE	A/C & HEAT SYSTEM	12F	RR JCT PANEL 12V DISC SW	17	EXTERIOR LTS-FLASHER UNIT
0M7A	LH MIRROR SW.	2F	A/C & HEAT SYS.-EVAP. SPEED	12F1	FR JCT PANEL 12V DISC SW	17A	EXTERIOR LTS-FLASHER UNIT
0P	ENG.CDT - PRE-HEATER	2H	A/C & HEAT SYS-LO-PRESS SW.	12F2	FR JCT PANEL 12V DISC SW	17C	JUMPER LTS SW. - HAZARD
0P1	A/C COMPRESSOR GRD	2L	A/C & HEAT SYS-HI-PRESS SW.	12FL	RR JCT PANEL 12V DISC SW	18	UPPER FAN DEFROST
0R	SOUND SYSTEM RELAY GROUND	4A	HOTESS CHIME MAIN SWITCH	12G	FR JCT PANEL 12V DISC SW	19	UPPER FAN DEFROST
0SA	BOSCH ALTERNATOR GROUND	4C	HOTESS CHIME P. RACK SW.	12H	12V IGN. DASH ACCESS.	20	SPEEDOMETER SIGNAL (-)
0SA	PARCEL RACK LTS SWITCH	5	AISLE LTS FEEDING	12I	RR JCT BOX 12V IGNITION	21	LEFT DIRECTIONNAL LTS
0SB	PARCEL RACK LTS SWITCH	5N	EMERGENCY LTS	12I	FR JCT PANEL 12V IGNITION	21A	LEFT DIRECTIONNAL LTS SIGNAL.
0SC	PARCEL RACK LTS SWITCH	5N0	SPEED SIGNAL HIGHER 5MPH	12IA	FR JCT PANEL 12V IGNITION	21B	HAZARD SWITCH SIGNAL
0SE	PARCEL RACK LTS SWITCH	5NC	SPEED SIGNAL LOWER 5MPH	12IA	RR JCT PANEL 12V IGNITION	21BB	LEFT DIRECTIONNAL LTS FEED.
0SF	PARCEL RACK LTS SWITCH	6	AISLE LTS	12IB	FR JCT PANEL 12V IGNITION	21H	EXTERIOR LTS-HAZARD SIGNAL
0SG	PARCEL RACK LTS SWITCH	7B	ENTRANCE DOOR FEED.-24V HW	12IB	STEERING BOX ECU FEEDING	21M	AUX. LTS - DIRECTIONAL LH
				12IE	ABS-FR JCT PANEL 12V IGN.		

CIRCUIT NUMBER CODE

NO.	DESCRIPTION	NO.	DESCRIPTION	NO.	DESCRIPTION	NO.	DESCRIPTION
23	RIGHT DIRECTIONAL LTS	24VF	24 VOLTS FRONT DISTRIBUTION	43C	PARCEL RACK A/C	58A	EXTERIOR LTS-LO BEAM
23A	RIGHT DIRECTIONAL LTS SIGN.	24VI	24 VOLTS IGNITION REAR DIST.	43D	PARCEL RACK A/C	58B	EXTERIOR LTS-LO BEAM
23BB	RIGHT DIRECTIONAL LTS FEED.	24VR	24 VOLTS REAR DISTRIBUTION	43E	PARCEL RACK A/C	59A	ENGINE BRAKE SYSTEM
23H	EXTERIOR LTS-HAZARD SIGNAL	24Y	24 VOLTS POWER GALLEY	43F	PARCEL RACK A/C	61	EXTERIOR LTS-24V FEED SW
23K	RIGHT DIRECT. LTS W/KNELLING	24WC	WCL PUMP FEEDING	43G	PARCEL RACK A/C	61A	EXTERIOR LTS-HEAD SIGNAL
23M	AUX LTS - DIRECTIONAL RH	24WL	WCL PUMP FEEDING	43M	PARCEL RACK A/C	62	LAVATORY INDICATOR
24	24 VOLTS BATTERY DIST.	24WR	WCL POWER ACCES.	43X	PARCEL RACK A/C	63	EXTERIOR LTS-CLEAR. FEED
24	24 V. DISC. FRONT DIST.	25	EITHER ALTERNAT. RUN SIGNAL	44	EXTERIOR LTS-FOG	63B	EXTERIOR LTS-CLEARANCE
24A	BATT. JCT PANEL 24V DISC SW	25A	TT.LT. ALTERNATOR #1	44A	EXTERIOR LTS-FOG	63C	EXT. LTS-MARKER SIGNAL
24A	24V BOOSTER BLOCK	25A1	BOSCH ALTERNATOR SIGNAL D+	44B	EXTERIOR LTS-FOG	63D	BLINKER RELAY
24A	FR JCT PANEL 24V DISC. SW	25A2	BOSCH ALTERNATOR SIGNAL D+	44C	FOG,LTS & HVAC FEEDING	63E	BLINKER RELAY
24A	RR JCT PANEL 24V DISC. SW	25B	EXT. LTS-DAYTIME RUN LTS	44D	EXTERIOR LTS - FOG	63F	EXT. LTS-MARKER BLINKER
24BE	BATTERY MONITOR	25D	BOTH ALTERNATOR RUN SIGNAL	44E	EXTERNAL LTS - FOG	64	DRIVER'S FAN SPEED CTR
24C	FR JCT PANEL 24V DISC SW	25K	T.T LT. ALTERNATOR #2	45A	A/C & HEAT SYSTEM FULL AIR	64A	A/C SPARE
24D	24 V. HOT WIRE FEEDING	26	DR'S & ENT. WINDOW LIFTER	45B	A/C & HEAT SYS.-WATER PUMP	64B	A/C SPARE
24D	FR JCT BOX 24V HOT WIRE	26A	CIGAR LIGHT. & POW.OUTLET LH	45C	A/C & HEAT SYS.-WATER VALV	65	FOOT DAMPER MOTOR
24DD	FR JCT BOX 24V HOT WIRE	26B	DRIVER'S WINDOW LIFTER	45D	A/C & HEAT SYS.-WATER VALV	65A	FOOT DAMPER MOTOR
24DS	WIRELESS MICRO FEEDING	26C	DRIVER'S WINDOW LIFTER LAVATORY ALARM	45E	A/C & HEAT SYS.-DR'S HTR	65D	DRIVER'S REC. DAMPER
24DZ	ZF TRANSM. 24V HOT WIRE	27	LAVATORY ALARM	45G	A/C & HEAT SYS.-EVAP. SPEED	65E	DRIVER'S REC. DAMPER L.H.
24E	24 VOLTS POWER DISTRIBUTION	28H	T.T.LT MODULE - HI A/C PRES.	45H	A/C & HEAT SYS.-EVAP. SPEED	65F	DRIVER'S REC. DAMPER L.H.
24E	RR JCT PANEL 24V DISC SW	28T	T.T.LT MODULE - LO A/C PRES.	46	EXTERIOR LTS-MARKER	66	A/C PASSENGER - ON/OFF
24F	RR JCT PANEL 24V DISC SW	29	A/C & HEAT SYS.-DR'S HTR	46A	EXTERIOR LTS-AUX LTS RESIS.	67A	A/C & HEAT SYSTEM
24G	FR JCT PANEL 24V DISC SW	29H	HVAC DASH MODILE	46C	EXTERIOR LTS-MARKER	68	DASH & DEFROST DAMPER MOT
24H	RR JCT PANEL 24V DISC SW	30A	GALLEY SWITCH SIGNAL	46D	EXTERIOR LTS-AUX LTS RESIS.	68A	DASH & DEFROST DAMPER MOT
24I	FR JCT PANEL 24V IGNITION	30J	GALLEY SWITCH LED	48	ENTRANCE DOOR OPEN SIGNAL	69	DAMPER MIX LIMIT SWITCH
24IA	RR JCT PANEL 24V IGNITION	31B	WIPER & WASHER SYSTEM	48A	ENTRANCE DOOR OPEN SOL.	70	HAT RACK & NIGHT LTS FEEDING
24IA	FR JCT PANEL 24V IGNITION	32	EXTERIOR LTS-BACK-UP	48B	ENTRANCE DOOR OPEN SIGNAL	72	SUN VISOR - FEED
24IB	FR JCT PANEL 24V IGNITION	32B	EXTERIOR LTS-BACK-UP	48C	ENTRANCE DOOR SYSTEM	72A	SUN VISOR RH
24IF	FR JCT PANEL 24V IGNITION	35	ENTRANCE STEP LIGHTS	48D	ENTRANCE DOOR SYSTEM	72B	SUN VISOR RH
24IZ	ZF TRANSM. IGNITION	36	ENGINE BRAKE SYSTEM	48W	ENTRANCE DOOR SEDAN	72C	SUN VISOR LH
24K	RR JCT PANEL 24V DISC SW	36A	ENGINE BRAKE SYSTEM & RET.	49	ENTRANCE DOOR CLOSE SIGNAL	72D	SUN VISOR LH
24L	RR JCT PANEL 24V DISC SW	37	LAVATORY LTS FEEDING	49A	ENTRANCE DOOR SYSTEM	74	R.H. READING LAMP FEEDING
24M	RR JCT PANEL 24V DISC SW	38	FLUORESCENT RELAY FEEDING	49B	ENTRANCE DOOR SYSTEM	74A	R.H. HOTESS CHIME FEEDING
24P	FR JCT PANEL 24V DISC SW	38A	R.H FLUORESCENT	50	AD-9 AIR DRYER	74B	WCL R.H. READING LAMP FEED.
24P2	RR BENCH- INVERTER	38B	L.H. FLUORESCENT	52	ALARM & SIGNAL-ELEC.HORN	74D	READING LAMP SWITCH
24PV	RR BENCH- INVERTER	38C	FLUORESCENT FEEDING	52A	ALARM & SIGNAL-ELEC.HORN	74J	READING LAMP INDICATOR SW.
24R	SCENIC VIEW SIGNAL ON	39	INTERIOR LTS-DRIVER'S LTS	52B	PNEUMATIC HORN	75	L.H. READING LAMP FEEDING
24SB	24V SOUND SYSTEM FEEDING	39D	INTERIOR LTS - DRIVER' LTS	53	ALARM & SIGNAL-ELEC.HORN	75A	L.H. HOTESS CHIME FEEDING
24SS	24V SOUND SYSTEM FEEDING	41	A/C SYS.-COND FAN MOTOR	53B	WIPER & WASHER SYSTEM	76	FUEL TANK GAUGE
24S1	AMPLIFIER FEEDING	41A	A/C SYS.-COND FAN MOTOR	53C	WIPER & WASHER SYSTEM	76C	LOW FUEL T.T.LT
24S2	AMPLIFIER FEEDING	41B	A/C SYS.-COND FAN MOTOR	53E	WIPER & WASHER SYSTEM	76M	FUEL PRIME PUMP
24S3	VIDEO FEEDING	42	A/C SYS.-COND FAN MOTOR	55	WIPER & WASHER SYSTEM	76P	FUEL PRIME PUMP FEEDING
24S4	VIDEO FEEDING	42A	A/C SYS.-COND FAN MOTOR	57	EXTERIOR LTS-HI BEAM	77B	A/C SYS. - LIQ. SOL. VALVE
24T	RR JCT PANEL 24V DISC SW	43	PARCEL RACK A/C	57A	EXTERIOR LTS-HI BEAM	77C	A/C & HEAT SYS.-COMPRESSOR
24VA	24 VOLTS BATTERY EQUALIZER	43A	PARCEL RACK A/C	57B	EXTERIOR LTS-HI BEAM	77H	A/C SYS.-LIQ. SOL. VALVE
24VD	24V HOT WIRE FEED	43B	PARCEL RACK A/C	57C	EXTERIOR LTS-HI BEAM	81	EXTERIOR LTS-STOP SW
				57E	PRE-HEAT WATER HEATER	82	EXTERIOR LTS-STOP SIGNAL
				57W	EXTERIOR LTS-LO BEAM		
				58	EXTERIOR LTS-LO BEAM		

CIRCUIT NUMBER CODE

NO.	DESCRIPTION	NO.	DESCRIPTION	NO.	DESCRIPTION	NO.	DESCRIPTION
82A	EXTERIOR LTS-STOP SIGNAL	103	WORLD TRASM.- B.SOL.LO	127	WORLD TRASM. - H SOL.	138	WORLD TR.-RETARDER TEMP
82B	EXTERIOR LTS-STOP LTS	103	LOW BUOY SYSTEM	127	24HOT WIRE PREHEAT	138	ABS SYSTEM-SENSOR
82C	EXTERIOR LTS-STOP LTS	104	WORLD TR. -G SOL.	127A	PRE-HEAT WATER HEATER	138A	ABS SYSTEM-SENSOR
82L	EXT. LTS-STOP LTS & CYCLOP	105W	WORLD TR.-SOL.-RET.OIL TT.LT	127B	PRE-HEAT WATER HEATER	139	ABS SYSTEM-VALVE
82R	EXTERIOR LTS-STOP LTS	107	WORLD TR. - SOL. SUPPLY	127S	PRE-HEAT WATER HEATER	139	WORLD TR.-OUTPUT SPEED HI
83	ENG. CTR-MAST. KEY SW ACC.	110	WORLD TR.-F SOL. LO	128	WORLD TRASM-B SOL.	140	WORLD TR.-TURBINE SPEED LO
83A	24V&12V CUT RELAY COIL	112	WORLD TR.-SPARE OUTPUT (+)	128A	PRE-HEAT WATER HEATER	140	ABS SYSTEM-VALVE
83B	24V&12V CUT RELAY COIL	113W	WORLD TR.-REVERSE WARNING	128B	PRE-HEAT WATER HEATER	141	ABS SYSTEM-VALVE
84	ENG. CTR-MAST KEY SW START	113Z	ZF TRASM.- REVERSE	129	WORLD TRASM-E SOL.	141	WORLD TR.-ENGINE SPEED HI
84A	ENG. CTR-MAST KEY SW START	114	INTERIOR LT-DASH LT RHEOS.	129	PRE-HEAT WATER HEATER	142	ABS SYSTEM-VALVE
84J	ENG. CTR-MAST KEY SW START	114A	INTERIOR LT-DASH LT RHEOS.	129B	PRE-HEAT WATER HEATER	143	ABS SYSTEM-SENSOR
85	24V IGNITION SIGNAL	114B	INT. LT-DASH LT RHEOST.FEED	130	WORLD TRASM-SOL. SUPPLY	143A	ABS SYSTEM-SENSOR
85A	24V IGN DASH INSTRUMENT.	115	DDEC -COOLANT LEVEL	130	EVAP. FAN MAIN CABLE	143A	WORLD TRANS-BATERY GRD
85C	24V IGNITION - FEED	115W	TRASM.-DO NOT SHIFT SIGN	130A	EVAP. FAN MAIN CABLE	143W	WORLD TRASM-BATTERY GRD
85F	RAD. FAN CONTROL W/RETARD	115W	ZF -CHECK TRASM. TTLT	131	WORLD TRASM-D SOL.	143X	WORLD TRASM-BATTERY GRD
85W	OUT SPEED INTERLOCK-24V IGN.	116	WORLD TR.-SOL. SUPPLY	132	WORLD TRASM-ENGINE BRAKE	143Y	WORLD TRASM.BATT.GRD
85X	ABS-24V IGN	116B	A/C & HEAT SYSTEM-DR'S HTR	133	GALLEY HEATING CONTAINER	143W	FROM GROUND STUD
85Y	ABS-WARNING LT	116C	A/C SYS.-TRIG. DEFROST	133A	GALLEY HEATING CONTAINER	144	ABS SYSTEM-SENSOR
86	ENG. CTR-STARTER SOL.	119	WORLD TRASM-ENGINE BRAKE	133B	GALLEY HEATING CONTAINER	144A	ABS SYSTEM-SENSOR
86A	ENG. CTR-STARTER RELAY COIL	120	WORLD TRASM-A SOL.	133C	GALLEY HEATING CONTAINER	145	ABS SYSTEM
86F	TELL TALE STARTER ON	121	WORLD TRASM-SOL.SUPPLY	134	GALLEY HEATING CONTAINER	146	ABS SYSTEM
86T	TELL TALE STARTER ON	123	WORLD TR.-NEUTRAL START	134A	GALLEY HEATING CONTAINER	146A	WORLD TRASM-12V IGNITION
87B	ENGINE CTR-24V IGNITION	123A	ALARM & SIGNAL-FIRE DETECT.	135	GALLEY HEATING CONTAINER	146AA	WORLD TRASM-DIAGN.CONN.
88	ENGINE CTR-RR START SIGNAL	123B	ALARM & SIGNAL-FIRE DETECT.	135A	WORLD TR.-RES MODULE RET.	147	WORLD TRASM-OIL TEMP
89	ENGINE CTR-RR START SIGNAL	124	WORLD TR.-SENSOR POWER	135B	A/C & HEAT SYS.-AIR SENSOR	147	ABS SYSTEM-VALVE
90	DASH MAGNETIC SWITCH	124A	WORLD TRASM-SENSOR PWR	135C	A/C & HEAT SYS.-AIR SENSOR	147A	ETHER COLD START
90B	ENG. CTR-MAST KEY SW FEED	125	LAVATORY FAN	136	MICRO-WAVE OVEN SWITCH	147C	ETHER COLD START
91	PARKING BRAKE SW SIGNAL	125	WORLD TR.-RETARDER INDICAT.	136A	GALLEY LAMP	148	ABS SYSTEM-VALVE
91A	DDEC -FAST IDLE SIGNAL	125	WORLD TR.-RETARDER INDICAT.	136A1	WORLD TRASM-12V BATTERY	148	WORLD TR.-OUTPUT SPEED LO
91B	D.R.L. CANCEL RELAY	125W	WORLD TR.-RETARDER INDICAT.	136A2	WORLD TRASM-12V BATTERY	149	WORLD TR.-TURBINE SPEED HI
91C	PARKING BRAKE - T.T.LT	126	24 V IGN. SPEED SWITCH	136AA	WORLD TRASM-SHIFTER PWR	149	ABS SYSTEM-SENSOR
91J	FAST IDLE - JUMPER SW.	126A	KNEELING SYSTEM	136V	WORLD TRASM-12V BATTERY	149A	ABS SYSTEM
91W	WCL PARKING BRAKE SIGNAL	126AA	KNEELING SYSTEM	136W	WORLD TRASM-12V BATTERY	150	WORLD TR.-ENGINE SPEED LO
92	BATT. EQUAL.-CHECK BALANCE	126B	HI-BUOY SIGNAL	136X	WORLD TRASM-12V BATTERY	150	DDEC -ECM BATTERY GRD
93	BATT. EQUALIZ.-CHECK LO/HI	126C	KNEELING SYSTEM	137	WORLD TRASM-RETARDER	150A	DDEC -ECM BATTERY GRD
95A	ENG. BRAKE & RETARDER SYS.	126D	KNEELING SYSTEM	137	RR VIEW MIRROR	151	DDEC -ECM BATTERY GRD
95B	ENG. BRAKE & RETARDER SYS.	126E	KNEELING SYSTEM	137A	RR VIEW MIRROR	151	ATC VALVE
100	INTERIOR LTS RELAY COIL	126F	KNEELING SYSTEM	137B	RR VIEW MIRROR	152	ATC VALVE
100	INDIRECT LTS FEEDING	126G	KNEELING SYSTEM	137C	RR VIEW MIRROR	153	ELECTRICAL DRIVER'S SEAT
100A	INDIRECT LTS RELAY COIL	126H	SPEED SIGN 5NC - 24V	137D	RR VIEW MIRROR	154	WORLD TRASM-ABS INPUT (-)
100B	INDIRECT LTS FEEDING	126K	KNEELING SYSTEM	137E	RR VIEW MIRROR	156A	ABS SYSTEM-FEED
100C	INDIRECT LTS FEEDING	126L	KNEELING SYSTEM	137F	RR VIEW MIRROR	157B	ABS SYSTEM
101	24 VOLTS POWER STARTER	126P	KNEELING SYSTEM	137H	RR VIEW MIRROR	159	WORLD TRASM-DIAGNOSTIC
101	WORLD TR.- LO SIGN SOL.LO	126R	KNEELING SYSTEM	137J	RR VIEW MIRROR	160	ALARM & SIGN.-TAG PRESS SW
102	24 VOLTS A/C DISTRIBUTION	126S	KNEELING SYSTEM	137K	RR VIEW MIRROR	161B	WORLD TRASM-SIGNALGRD
102	WORLD TRASM.-SOL. SUPPLY	126T	KNEELING SYSTEM	137L	RR VIEW MIRROR	162	WORLD TRASM-PRESS. SW C3
102A	BOSCH ALTERNATOR FEEDING	126W	KNEELING SYSTEM	137M	RR VIEW MIRROR FEED	163	WORLD TR.-RETARDER ENABLE
		126W	WORLD TRASM-NOT USED	137R	WORLD TRASM-RETARDER MIRROR HEAT SW-JUMPER	164	WORLD TR.-RET. ACTUAT. SIGN
				137T		165	WORLD TR.-OIL LEVEL SIGNAL
						166	WORLD TRASM. OUTPUT 7

CIRCUIT NUMBER CODE

NO.	DESCRIPTION	NO.	DESCRIPTION	NO.	DESCRIPTION	NO.	DESCRIPTION
167	W. TR.-OUT SPEED INTERLOCK	231F	WORLD TR.-NEUTRAL SIGN GRD	542	INPUT PARK BRAKE INTERLOCK		
167Z	ZMTEC MODULE	231W	W.TR.-NEUTRAL SIGN GRD WCL	543	DDEC-CRUISE BRAKE PEDAL		
169	WORLD TRANSM-PRE-SELECT #1	231Z	ZF NEUTRAL SIGNAL GRD	544	DDEC-CRUISE ON/OFF SW		
170	WORLD TRANSM-SHIFTER	240	DDEC -ECM 12V FEEDING	545	DDEC-CRUISE RESUME SW		
170C	LUGGAGE DOOR LOCK-T.T.LT	241	DDEC -ECM 12V FEEDING	555	DDEC-FAN CLUTCH SPEED#1		
170D	LUGGAGE DOOR LOCK-FEED	253	24V SIGNAL GALLEY INVERTER	556	DDEC-VEHICULE SPEED (+)		
170E	LUG. DOOR LOCK-UNLOCK SIGN	254	GALLEY REFRIGERATOR	557	DDEC-VEHICULE SPEED (-)		
170F	LUGGAGE DOOR LOCK-FEED	254A	GALLEY REFRIGERATOR	563	DDEC-FAN CLUTCH SPEED#2		
170G	LUGGAGE DOOR LOCK-FEED	254F	GALLEY REFRIGERATOR	564	DDEC-DIGTAL OUTPUT		
170K	LUGGAGE DOOR-LOCK SIGN	255	GALLEY COFFEEMAKER	564B	DDEC-DIGTAL OUTPUT		
170L	LUGG DOOR LOCK-SIGN T.T.LT	255A	GALLEY COFFEEMAKER	565	DDEC-ENGINE BRAKE ACTIVE		
170N	LUGG DOOR LOCK-SIGN T.T.LT	255B	GALLEY COFFEEMAKER	565Z	DECELERATION LTS		
170R	LUGG DOOR LOCK-SIGN. T.T.LT.	260	WINDOW AJAR-T.T.LT	583	DDEC-ENGINE BRAKE 4 CYL.		
170S	LUGG DOOR LOCK-SIGN T.T.LT	290	FAN CLUTCH RADIATOR-FEED	700	J1587(+)		
170T	LUGG DOOR LOCK-SIGN T.T.LT	290A	FAN CLUTCH RADIATOR-FEED	701	J1587(-)		
170V	LUGG DOOR LOCK-SIGN T.T.LT	291	FAN CLUTCH RADIATOR SPD 1	705	ZF SIGNALS		
170W	LUGGAGE DOOR LOCK-FEED	292	FAN CLUTCH RADIATOR SPD 2	706	ZF SIGNALS		
170X	LUGG DOOR LOCK-SIGN T.T.LT	292J	FAN OVERRIDE LTS SWITCH	707	ZF SIGNALS		
170Y	LUGGAGE DOOR LOCK-FEED	300	WCL POWER SYS. & ACCESS.	717	ZF SIGNALS		
170Z	LUGGAGE DOOR LOCK	300A	WCL POWER SYSTEM SW.	718	ZF SIGNALS		
171	WORLD TRANSM-SHIFTER	301J	WCL POWER SW. JUMPER LED	719	ZF SIGNALS		
172	WORLD TRANSM-SHIFTER	301	WCL SIGNAL POWER SW.	720	ZF SIGNALS		
173	WORLD TRANSM-SHIFTER	302	WCL DOOR AJAR TTLT & ALARM	740	EASY START VALVE		
174	WORLD TRANSM-SHIFTER	303	WCL FR RH FLASHER	761	ZF SIGNALS		
175A	WORLD TRANSM-SHIFTER	303A	WCL FR RH FLASHER	900	DDEC-DATA LINK (+)		
176	WORLD TRANSM-SHIFTER	304	WCL DOOR TOP LT.	901	DDEC-DATA LINK (-)		
180	OUTSIDE TEMP. DISPLAY	305	WCL PARKING BRAKE SOL. VALVE	908	DDEC-HYDRAU. PWM#1 OUTPUT		
180A	OUTSIDE TEMP. DISPLAY	305A	WCL DOOR OPEN SIGNAL	916	DDEC-SENSOR SUPPLY (5VDC)		
180A	WORLD TRANSM-SHIFTER	305B	WCL DOOR TOP LT.	925	J1939(+)		
180B	OUTSIDE TEMP. DISPLAY	306	WCL CONTROL SYSTEM	926	J1939(-)		
180C	OUTSIDE TEMP. DISPLAY	307	WCL CONTROL SYSTEM	927	J1939(SHIELD)		
181	FROZEN POINT T.T.LT	308	WCL CONTROL SYSTEM	952	DDEC-SENSOR RETURN#1		
181A	TEMP. CTR'L INSIDE SENSOR	309	WCL CONTROL SYSTEM	953	DDEC-SENSOR RETURN#2		
181B	TEMP. CTR'L INSIDE SENSOR	417	DDEC-LIMIT SPEED GOVERNOR	979	DDEC-ENGINE BRAKE 2 CYL.		
181C	THERMOMET. OUTSIDE SENSOR	419	DDEC -CHEK ENGINE LIGHT	2123	FLASHER SIGNAL LTS		
181D	THERMOMET. OUTSIDE SENSOR	439	DDEC-12V IGNITION				
195	WORLD TRANSM-TRANS ID	451	DDEC-A/C FAN CLUTCH				
197	FUEL WATER FILTER	499	DDEC-OUTPUT PWR SHUTDOWN				
197A	FUEL WATER FILTER	505	DDEC-TACHOMETER DRIVE				
		509	DDEC-STOP ENGINE LIGHT				
		510	DDEC-FAST IDLE SIGNAL				
201	WORLD TRANSM-SPARE	524	DDEC-ENGINE BRAKEDISABLE				
202	WORLD TRANSM-SPARE	524B	ZF SIGNAL-AUX.SENS.THROTTLE				
203	WORLD TRANSM-SPARE	525	DDEC-FAST IDLE SIGNAL				
204	WORLD TRANSM-SPARE	528	DDEC-STOP ENG. OVERRIDE				
214	WORLD TR.-BACK-UP SIGNAL	531	DDEC-CRUISE CLUTCH CUT OUT				
231	WORLD TR.-NEUTRAL SIGN GRD	540	DDEC-CRUISE ENABLE T.T.LT				
		541	DDEC-CRUISE SET SW				

CIRCUIT NUMBER CODE

NO.	DESCRIPTION	NO.	DESCRIPTION	NO.	DESCRIPTION	NO.	DESCRIPTION
A1	RADIO SYSTEM	C15	AUDIO AMPLI	SP8	SPARE WIRE	SP69	SPARE WIRE
A2	RADIO SYSTEM	D1	PASSENGER SPEAKER	SP9	SPARE WIRE	SP70	SPARE WIRE
A3	AUDIO AMPLI	D2	PASSENGER SPEAKER	SP10	SPARE WIRE	SP71	SPARE WIRE
A8	VIDEO SYSTEM	D3	PASSENGER SPEAKER	SP11	SPARE WIRE	SP72	SPARE WIRE
A9	RADIO SYSTEM	D4	PASSENGER SPEAKER	SP12	SPARE WIRE	SP74	SPARE WIRE
A10	AUDIO AMPLI	D4S	PASSENGER SPEAKER	SP13	SPARE WIRE	SP75	SPARE WIRE
A11	AUDIO AMPLI	D5	PASSENGER SPEAKER	SP14	SPARE WIRE	SP76	SPARE WIRE
A12	AUDIO AMPLI	D6	PASSENGER SPEAKER	SP15	SPARE WIRE	SP77	SPARE WIRE
A13	AUDIO AMPLI	D7	PASSENGER SPEAKER	SP16	SPARE WIRE	SP78	SPARE WIRE
A15	AUDIO AMPLI	D8	PASSENGER SPEAKER	SP17	SPARE WIRE	SP80	SPARE WIRE
A16	VIDEO SYSTEM	DR1	DRIVER'S SPEAKER	SP18	SPARE WIRE	SP81	SPARE WIRE
B1	MICROPHONE	DR2	DRIVER'S SPEAKER	SP19	SPARE WIRE	SP82	SPARE WIRE
B2	MICROPHONE	DR3	DRIVER'S SPEAKER	SP20	SPARE WIRE	SP83	SPARE WIRE
B3	MICROPHONE	DR4	DRIVER'S SPEAKER	SP21	SPARE WIRE	SP84	SPARE WIRE
B4	MICROPHONE	G1	PASSENGER SPEAKER	SP23	SPARE WIRE	SP85	SPARE WIRE
B5	MICROPHONE	G2	PASSENGER SPEAKER	SP24	SPARE WIRE	SPZ1	SPARE WIRE-ZF TRANSM.
B6	MICROPHONE	G3	PASSENGER SPEAKER	SP25	SPARE WIRE	SPZ2	SPARE WIRE-ZF TRANSM.
B7	MICROPHONE	G4	PASSENGER SPEAKER	SP26	SPARE WIRE	SPZ3	SPARE WIRE-ZF TRANSM.
B8	MICROPHONE	G5	PASSENGER SPEAKER	SP27	SPARE WIRE	SPZ4	SPARE WIRE-ZF TRANSM.
B10	MICROPHONE	G6	PASSENGER SPEAKER	SP28	SPARE WIRE	SPZ5	SPARE WIRE-ZF TRANSM.
B11	MICROPHONE	G7	PASSENGER SPEAKER	SP30	SPARE WIRE	SPZ6	SPARE WIRE-ZF TRANSM.
B12	MICROPHONE	G8	PASSENGER SPEAKER	SP33	SPARE WIRE	TW1	TWISTED SPARE
B1A	FLUORESCENT BALLAST	G8S	PASSENGER SPEAKER	SP34	SPARE WIRE	TW2	TWISTED SPARE
B1B	FLUORESCENT BALLAST	IPJ1	CLUSTER - BULB TEST POS	SP35	SPARE WIRE	W1	STEERING BOX CONVERTER
B2A	FLUORESCENT BALLAST	IPJ2	CLUSTER - BULB TEST NEG.	SP36	SPARE WIRE	W2	STEERING BOX CONVERTER
B2B	FLUORESCENT BALLAST	IPJ5	CLUSTER - FUEL GAUGE	SP37	SPARE WIRE	Y1A	FLUORESCENT BALLAST
B3A	FLUORESCENT BALLAST	IPJ6	CLUSTER - BULB TEST POS.	SP38	SPARE WIRE	Y1B	FLUORESCENT BALLAST
B3B	FLUORESCENT BALLAST	IPJ7	CLUSTER - BULB TEST NEG.	SP40	SPARE WIRE	Y2A	FLUORESCENT BALLAST
B4A	FLUORESCENT BALLAST	IPJ8	CLUSTER - MASTER WARNING	SP41	SPARE WIRE	Y2B	FLUORESCENT BALLAST
B4B	FLUORESCENT BALLAST	L8	WATER TANK HEATER	SP42	SPARE WIRE	Y3A	FLUORESCENT BALLAST
B5A	FLUORESCENT BALLAST	L9	WATER TANK HEATER	SP43	SPARE WIRE	Y3B	FLUORESCENT BALLAST
B5B	FLUORESCENT BALLAST	LX5	CLUSTER - COMPUTER MODE	SP44	SPARE WIRE	Y4A	FLUORESCENT BALLAST
B6A	FLUORESCENT BALLAST	LX6	CLUSTER - COMPUTER DOWN	SP45	SPARE WIRE	Y4B	FLUORESCENT BALLAST
B6B	FLUORESCENT BALLAST	LX7	CLUSTER - COMPUTER SET	SP48	SPARE WIRE	Y5A	FLUORESCENT BALLAST
B7A	FLUORESCENT BALLAST	LX16	CLUSTER - COMPUTER UP	SP50	SPARE WIRE	Y5B	FLUORESCENT BALLAST
B7B	FLUORESCENT BALLAST	LX21	CLUSTER - COMPUTER COM.	SP51	SPARE WIRE	Y6A	FLUORESCENT BALLAST
B14	RADIO SYSTEM	R1A	FLUORESCENT BALLAST	SP52	SPARE WIRE	Y6B	FLUORESCENT BALLAST
B15	RADIO SYSTEM	R1B	FLUORESCENT BALLAST	SP53	SPARE WIRE	Y7A	FLUORESCENT BALLAST
C2	RADIO SYSTEM	RT	T.T.L.T. MODULE - TEST SW.	SP54	SPARE WIRE	Y7B	FLUORESCENT BALLAST
C3	CONTROL HEAD ANTENNA	SPK1	PASSENGER SPEAKER	SP55	SPARE WIRE	0	BATTERY - MAIN GROUND
C5	VIDEO SYSTEM	SPK2	PASSENGER SPEAKER	SP56	SPARE WIRE	0	EVAP. COMPT. GROUND
C6	CONTROL HEAD DIMMER	SPK3	PASSENGER SPEAKER	SP57	SPARE WIRE	0	RJB - INSIDE GRD
C7	RADIO SYSTEM	SPK4	PASSENGER SPEAKER	SP60	SPARE WIRE	0	WCL MODULE
C8	AUDIO AMPLI	SP1	SPARE WIRE	SP61	SPARE WIRE	0	INVERTER CUT OFF RELAY
C9	VIDEO SYSTEM	SP2	SPARE WIRE	SP62	SPARE WIRE	0A	LAVATORY ACCESSORIES
C10	VIDEO SYSTEM	SP3	SPARE WIRE	SP63	SPARE WIRE	0A	EVAP. FAN GROUND
C11	VIDEO SYSTEM	SP4	SPARE WIRE	SP64	SPARE WIRE	0A	FR. ROOF ACC. GRD
C12	VIDEO SYSTEM	SP5	SPARE WIRE	SP65	SPARE WIRE	0B	BOOSTER BLOCK GROUND
C13	VIDEO SYSTEM	SP6	SPARE WIRE	SP66	SPARE WIRE	0B	A/C - CONDENSER GRD
C14	VIDEO SYSTEM	SP7	SPARE WIRE	SP67	SPARE WIRE	0B	24V&12V CUT OUT REL.COIL

CIRCUIT NUMBER CODE

NO.	DESCRIPTION	NO.	DESCRIPTION	NO.	DESCRIPTION	NO.	DESCRIPTION
0BE	OV BATTERY MONITOR	0SF	PARCEL RACK LTS SWITCH	4C	HOTESS CHIME P. RACK SW.	12H	12V IGN. DASH ACCESS.
0C	R.J.B. - GRB	0SG	PARCEL RACK LTS SWITCH	5	aisle LTS FEEDING	12I	RR JCT BOX 12V IGNITION
0C	MOTOR STARTER GROUND	0SH	PARCEL RACK LTS SWITCH	5N	EMERGENCY LTS	12I	FR JCT PANEL 12V IGNITION
0C	F.R. SERV. CPT- ACC.	0SJ	PARCEL RACK LTS SWITCH	5N0	SPEED SIGNAL HIGHER 5MPH	12IA	FR JCT PANEL 12V IGNITION
0C1	ENTRANCE DOOR SEDAN	0SS	SOUND SYSTEM GROUND	5NC	SPEED SIGNAL LOWER 5MPH	12IA	RR JCT PANEL 12V IGNITION
0C2	STEERING CONTROL GROUND	00SS	SOUND SYSTEM GROUND	6	aisle LTS	12IB	FR JCT PANEL 12V IGNITION
0C3	SOUND SYSTEM RELAY	0S2	RADIO GROUND	7B	ENTRANCE DOOR FEED.-24V HW	12IB	STEERING BOX ECU FEEDING
0C4	F.J.B. GRD	0S3	VIDEO GROUND	9	INTERIOR LTS-ENGINE CPT	12IE	ABS-FR JCT PANEL 12V IGN.
0CJ	CRUISE SW. JUMPER	0S3A	VIDEO GROUND	9F	INTERIOR LTS - FR-SERV. CPT	12IZ	ZF TRANSM. IGNITION
0D	FLUORESCENT GRD	0S3B	VIDEO GROUND	10	INTERIOR LTS-LUGGAGE CPT	12IN	12 VOLTS DISC.SW. INTERCOM
0D	COND FAN GRD	0S3C	VIDEO GROUND	10	INTERIOR LTS-FR SERV. CPT	12J	FR JCT PANEL 12V DISC.SW.
0E	BATT. COMPT. LTS GROUND	0S3D	VIDEO GROUND	10A	INTERIOR LTS-LUGGAGE CPT	12K	FR JCT PANEL 12V DISC.SW.
0E	READING LIGHTS GROUND	0S3E	VIDEO GROUND	10A	AUX. COMPRESSOR CLUTCH	12L	CORNERING LTS FEEDING
0F	FLUORESCENT GRD	0T	LAVATORY FAN & PUMP	10A	INTERIOR LTS-LUGGAGE CPT	12LX	CLUSTER 12V HOT WIRE
0F	PRO-DRIVER GROUND	0T	SPEED SW. CONNECTOR	10B	INTERIOR LTS-LUGGAGE CPT	12M	ABS-FR JCT PNL 12V DISC.SW
0G	READING LIGHTS GROUND	0T1	DASH ACC. GROUND	10C	INTERIOR LTS-LUGGAGE CPT	12P	12V BATTERY JCT BLOCK
0H	ENG. CPT. - ACC. GRD	0T2	CLUSTER ACC. GROUND	10E	INTERIOR LTS-BATTERY CPT	12R	12V MEMORY RADIO
0IN	INTERCOM SYSTEM	0T2	WINDOW AWNING	10H	AUX. COMPRESSOR CLUTCH	12P	12V POWER OUTLET
0J	PARCEL RACK A/C UNIT	0T3	ALTERNATOR MODULE	10L	AUX. COMPRESSOR CLUTCH	12SB	12V SOUND SYSTEM FEEDING
0K	PARCEL RACK A/C UNIT	0T4	12V OUTLET - CTR MODULE	10X	AUX. COMPRESSOR CLUTCH	12SS	12V SOUND SYSTEM FEEDING
0L	ENG.CPT -CLEAR.LTS RR ROOF	0T5	FS.HVAC DASH MODULE. GND	11	DESTINATION SIGN	12S	12V RADIO FEEDING
0L	R.J.B. - GRD	0T6	FS-DDR GROUND	11A	DESTINATION SIGN	12S1	12V RADIO FEEDING
0L	FR - SIDE MARK. & FLASH GRD	0VA	BATTERY EQUALIZER GROUND	11B	DESTINATION SIGN	12S1A	12V DVD KARAOKE FEEDING
0L1	ENG.CPT-SIDE MARK. & FL. GRD	0W	FJB - TRANSM. RLY GRD	11C	DESTINATION SIGN	12S2	12V RADIO FEEDING
0L2	HEAD LTS GROUND	0W	SHIFT SELECTOR GROUND	11D	DESTINATION SIGN	12S2A	12V DVD KARAOKE FEEDING
0L3	FR.SERV.DR. & ENT.DOOR GRD	0W	WCL MODULE	11E	DESTINATION SIGN	12T	RR JCT BOX 12V DISC SW
0L4	FOG LTS RESISTOR GRD	0WA	WCL DOOR AJAR	11K	DESTINATION SIGN	12VA	12V BATTERY EQUALIZER
0L5	LH CONSOL - ACC. GRD	0WC	WCL BATTERY CPT. ACCES.	11J	DESTINATION SIGN	12VB	FR JCT PANEL 12V DISC SW
0L5	W.C.L.DOOR	0WL	WCL SIGNAL DOOR AJAR ALARM	11P	DESTINATION SIGN	12VD	12V HOT WIRE DISTRIBUTION
0L6	MARKER&FLASH. GROUND	0Y1	ABS SYSTEM-GRD	12	12V ELECTRONIC TERMINAL	12VE	FR JCT PANEL 12V DISC SW
0L7	aisle LIGHTS GROUND	0Y2	ABS SYSTEM-GRD	12A	FR JCT PANEL 12V DISC SW	12VF	12 VOLTS FRONT DISTRIBUTIUON
0L8	DOCKING LTS	0Y3	ABS SYSTEM-GRD	12A	BATT. JCT PANEL 12V DISC SW	12VG	RR JCT PANEL 12V DISC SW
0LV	WINDSHIELD WASHER LEVEL	0Y4	ABS SYSTEM-GRD	12B	FR JCT PANEL 12V DISC SW	12VI	12V IGNITION DISTRIBUTION
0M	WIPER 2 MIRROR MOTOR	0Y5	ABS SYSTEM-GRD	12BE	12V BATTERY MONITOR	12VO	12V BATTERY EQUALIZER
0M3	DEFROST GRD	0Y6	ABS SYSTEM-GRD	12C	FR JCT PANEL 12V DISC SW	12VR	12V REAR DISTRIBUTION
0M4	HORN & DR'S WINDOW LIFTER	0Z1	ZF TRANSM. GRD	12C	RR JCT BOX 12V DISC SW	12W	12V HOT WIRE DDEC FEEDING
0M5	SUN VISOR MOTOR	0Z2	ZF TRANSM. GRD	12D	BATT. JCT PANEL 12V HOT WIRE	12WA	ENTRANCE DOOR SYSTEM
0M6	UPPER FAN DEFROST	00A	ELECTRONIC TERMINAL GROUND	12D	FR JCT PANEL 12V HOT WIRE	12WR	WCL DOOR TOP LT
0M7	DR'S WIND.LIFT. & RH MIR. SW	00F	FRONT ELECTRONIC GROUND	12D	RR JCT PANEL 12V HOT WIRE	14	LAVATORY PUMP
0M7A	LH MIRROR SW.	2B	A/C & HEAT SYSTEM	12DD	FR JCT PANEL 12V HOT WIRE	14A	LAVATORY PUMP- P.BUTTON
0P	ENG.CDT - PRE-HEATER	2D	A/C & HEAT SYSTEM	12DDR	FR JCT BOX 12V HOT DDR CONN	14P	LAVATORY PUMP
0P1	A/C COMPRESSOR GRD	2DD	A/C & HEAT SYSTEM	12DT	T.T. LT MODULE	15	WIPER & WASHER FEEDING
0R	SOUND SYSTEM RELAY GROUND	2E	A/C & HEAT SYSTEM	12DZ	ZF TRANSM. 12V HOT WIRE	16	SPEEDOMETER (+)
0SA	BOSCH ALTERNATOR GROUND	2EE	A/C & HEAT SYSTEM	12E	FR JCT PANEL 12V DISC SW	16T	SPEED SW SIGNAL IN (+)
0SA	PARCEL RACK LTS SWITCH	2F	A/C & HEAT SYS.-EVAP. SPEED	12F	RR JCT PANEL 12V DISC SW	17	EXTERIOR LTS-FLASHER UNIT
0SB	PARCEL RACK LTS SWITCH	2H	A/C & HEAT SYS-LO-PRESS SW.	12F1	FR JCT PANEL 12V DISC SW	17A	EXTERIOR LTS-FLASHER UNIT
0SC	PARCEL RACK LTS SWITCH	2L	A/C & HEAT SYS-HI-PRESS SW.	12F2	FR JCT PANEL 12V DISC SW	17C	JUMPER LTS SW. - HAZARD
0SE	PARCEL RACK LTS SWITCH	4A	HOTESS CHIME MAIN SWITCH	12FL	RR JCT PANEL 12V DISC SW	18	UPPER FAN DEFROST
				12FT	RR JCT PANEL 12V DISC SW	19	UPPER FAN DEFROST
				12G	FR JCT PANEL 12V DISC SW	20	SPEEDOMETER SIGNAL (-)

CIRCUIT NUMBER CODE

NO.	DESCRIPTION	NO.	DESCRIPTION	NO.	DESCRIPTION	NO.	DESCRIPTION
21	LEFT DIRECTIONNAL LTS	24S1	AMPLIFIER FEEDING	30A	GALLEY SWITCH SIGNAL	48C	ENTRANCE DOOR SYSTEM
21A	LEFT DIRECTIONNAL LTS SIGN.	24S1A	AMPLIFIER FEEDING	30J	GALLEY SWITCH LED	48D	ENTRANCE DOOR SYSTEM
21B	HAZARD SWITCH SIGNAL	24S1B	AMPLIFIER FEEDING	31B	WIPER & WASHER SYSTEM	48W	ENTRANCE DOOR SEDAN
21BB	LEFT DIRECTIONNAL LTS FEED.	24S1C	AMPLIFIER FEEDING	32	EXTERIOR LTS-BACK-UP	49	ENTRANCE DOOR CLOSE SIGNAL
21H	EXTERIOR LTS-HAZARD SIGNAL	24S1D	AMPLIFIER FEEDING	32B	EXTERIOR LTS-BACK-UP	49A	ENTRANCE DOOR SYSTEM
21M	AUX. LTS - DIRECTIONAL LH	24S1E	AMPLIFIER FEEDING	35	ENTRANCE STEP LIGHTS	49B	ENTRANCE DOOR SYSTEM
23	RIGHT DIRECTIONNAL LTS	24S2	AMPLIFIER FEEDING	36	ENGINE BRAKE SYSTEM	50	AD-9 AIR DRYER
23A	RIGHT DIRECTIONNAL LTS SIGN.	24S3	VIDEO FEEDING	36A	ENGINE BRAKE SYSTEM & RET.	52	ALARM & SIGNAL-ELEC.HORN
23BB	RIGHT DIRECTIONNAL LTS FEED.	24S3A	VIDEO FEEDING	37	LAVATORY LTS FEEDING	52A	ALARM & SIGNAL-ELEC.HORN
23H	EXTERIOR LTS-HAZARD SIGNAL	24S3B	VIDEO FEEDING	38	FLUORESCENT RELAY FEEDING	52B	PNEUMATIC HORN
23K	RIGHT DIRECT. LTS W/KNELLING	24S3C	VIDEO FEEDING	38A	R.H FLUORESCENT	53	ALARM & SIGNAL-ELEC.HORN
23M	AUX LTS - DIRECTIONAL RH	24S3D	VIDEO FEEDING	38B	L.H. FLUORESCENT	53B	WIPER & WASHER SYSTEM
24	24 VOLTS BATTERY DIST.	24S3E	VIDEO FEEDING	38C	FLUORESCENT FEEDING	53C	WIPER & WASHER SYSTEM
24	24 V. DISC. FRONT DIST.	24S3F	VIDEO FEEDING	39	INTERIOR LTS-DRIVER'S LTS	53E	WIPER & WASHER SYSTEM
24A	BATT. JCT PANEL 24V DISC SW	24S3G	VIDEO FEEDING	39D	INTERIOR LTS - DRIVER' LTS	53J	WIPER & WASHER SYSTEM
24A	24V BOOSTER BLOCK	24S3H	VIDEO FEEDING	41	A/C SYS.-COND FAN MOTOR	55	EXTERIOR LTS-HI BEAM
24A	FR JCT PANEL 24V DISC. SW	24S3I	VIDEO FEEDING	41A	A/C SYS.-COND FAN MOTOR	57	EXTERIOR LTS-HI BEAM
24A	RR JCT PANEL 24V DISC. SW	24S3J	VIDEO FEEDING	41B	A/C SYS.-COND FAN MOTOR	57A	EXTERIOR LTS-HI BEAM
24BE	BATTERY MONITOR	24S4	VIDEO FEEDING	42	A/C SYS.-COND FAN MOTOR	57B	A/C & HEAT SYS.-WATER PUMP
24C	FR JCT PANEL 24V DISC SW	24T	RR JCT PANEL 24V DISC SW	42A	A/C SYS.-COND FAN MOTOR	57C	A/C & HEAT SYS.-WATER PUMP
24D	24 V. HOT WIRE FEEDING	24VA	24 VOLTS BATTERY EQUALIZER	43	PARCEL RACK A/C	57E	A/C & HEAT SYS.-WATER VALV
24D	FR JCT BOX 24V HOT WIRE	24VD	24V HOT WIRE FEED	43A	PARCEL RACK A/C	57W	PRE-HEAT WATER HEATER
24DD	FR JCT BOX 24V HOT WIRE	24VF	24 VOLTS FRONT DISTRIBUTION	43B	PARCEL RACK A/C	58	EXTERIOR LTS-LO BEAM
24DS	WIRELSS MICRO FEEDING	24VI	24 VOLTS IGNITION REAR DIST.	43C	PARCEL RACK A/C	58A	EXTERIOR LTS-LO BEAM
24DZ	ZF TRANSM. 24V HOT WIRE	24VR	24 VOLTS REAR DISTRIBUTION	43D	PARCEL RACK A/C	58B	EXTERIOR LTS-LO BEAM
24E	24 VOLTS POWER DISTRIBUTION	24V	24 VOLTS POWER GALLEY	43E	PARCEL RACK A/C	59A	ENGINE BRAKE SYSTEM
24E	RR JCT PANEL 24V DISC SW	24WC	WCL PUMP FEEDING	43F	PARCEL RACK A/C	61	EXTERIOR LTS-24V FEED SW
24F	RR JCT PANEL 24V DISC SW	24WL	WCL PUMP FEEDING	43G	PARCEL RACK A/C	61A	EXTERIOR LTS-HEAD SIGNAL
24G	FR JCT PANEL 24V DISC SW	24WR	WCL POWER ACCES.	43M	PARCEL RACK A/C	62	LAVATORY INDICATOR
24H	RR JCT PANEL 24V DISC SW	25	EITHER ALTERNAT. RUN SIGNAL	43X	PARCEL RACK A/C	63	EXTERIOR LTS-CLEAR. FEED
24I	FR JCT PANEL 24V IGNITION	25A	TT.LT. ALTERNATOR #1	44	EXTERIOR LTS-FOG	63B	EXTERIOR LTS-CLEARANCE
24IA	RR JCT PANEL 24V IGNITION	25A1	BOSCH ALTERNATOR SIGNAL D+	44A	EXTERIOR LTS-FOG	63C	EXT. LTS-MARKER SIGNAL
24IA	FR JCT PANEL 24V IGNITION	25A2	BOSCH ALTERNATOR SIGNAL D+	44B	EXTERIOR LTS-FOG	63D	BLINKER RELAY
24IB	FR JCT PANEL 24V IGNITION	25B	EXT. LTS-DAYTIME RUN LTS	44C	FOG,LTS & HVAC FEEDING	63E	BLINKER RELAY
24IF	FR JCT PANEL 24V IGNITION	25D	BOTH ALTERNATOR RUN SIGNAL	44D	EXTERIOR LTS - FOG	63F	EXT. LTS-MARKER BLINKER
24IZ	ZF TRANSM. IGNITION	25K	T.T LT. ALTERNATOR #2	44E	EXTERNAL LTS - FOG	64	DRIVER'S FAN SPEED CTR
24K	RR JCT PANEL 24V DISC SW	26	DR'S & ENT. WINDOW LIFTER	45A	A/C & HEAT SYSTEM FULL AIR	64A	A/C SPARE
24L	RR JCT PANEL 24V DISC SW	26A	CIGAR LIGHT. & POW.OUTLET LH	45B	A/C & HEAT SYS.-WATER PUMP	64B	A/C SPARE
24M	RR JCT PANEL 24V DISC SW	26B	DRIVER'S WINDOW LIFTER	45C	A/C & HEAT SYS.-WATER VALV	65	FOOT DAMPER MOTOR
24P	FR JCT PANEL 24V DISC SW	26C	DRIVER'S WINDOW LIFTER	45D	A/C & HEAT SYS.-WATER VALV	65A	FOOT DAMPER MOTOR
24P2	RR BENCH- INVERTER	27	LAVATORY ALARM	45G	A/C & HEAT SYS.-DR'S HTR	65D	DRIVER'S REC. DAMPER
24PV	RR BENCH- INVERTER	28H	T.T.LT MODULE - HI A/C PRES.	45H	A/C & HEAT SYS.-EVAP. SPEED	65E	DRIVER'S REC. DAMPER L.H.
24R	24V STARTER RELAY	28T	T.T.LT MODULE - LO A/C PRES.	46	EXTERIOR LTS-MARKER	65F	DRIVER'S REC. DAMPER L.H.
24R	SCENIC VIEW SIGNAL ON	29	A/C & HEAT SYS.-DR'S HTR	46A	EXTERIOR LTS-AUX LTS RESIS.	66	A/C PASSENGER - ON/OFF
24SB	24V SOUND SYSTEM FEEDING	29H	HVAC DASH MODILE	46C	EXTERIOR LTS-MARKER	67A	A/C & HEAT SYSTEM
24SS	24V SOUND SYSTEM FEEDING			46D	EXTERIOR LTS-AUX LTS RESIS.	68	DASH & DEFROST DAMPER MOT
				48	ENTRANCE DOOR OPEN SIGNAL	68A	DASH & DEFROST DAMPER MOT
				48A	ENTRANCE DOOR OPEN SOL.	69	DAMPER MIX LIMIT SWITCH
				48B	ENTRANCE DOOR OPEN SIGNAL	70	HAT RACK & NIGHT LTS

CIRCUIT NUMBER CODE

NO.	DESCRIPTION	NO.	DESCRIPTION	NO.	DESCRIPTION	NO.	DESCRIPTION
	FEEDING	90	DASH MAGNETIC SWITCH	124A	WORLD TRANSM-SENSOR PWR	136A	WORLD TRANSM-12V BATTERY
72	SUN VISOR - FEED	90B	ENG. CTR-MAST KEY SW FEED	125	LAVATORY FAN	136A1	WORLD TRANSM-12V BATTERY
72A	SUN VISOR RH	91	PARKING BRAKE SW SIGNAL	125	WORLD TR.-RETARDER INDICAT.	136A2	WORLD TRANSM-12V BATTERY
72B	SUN VISOR RH	91A	DDEC -FAST IDLE SIGNAL	125W	WORLD TR.-RETARDER INDICAT.	136AA	WORLD TRANSM-SHIFTER PWR
72C	SUN VISOR LH	91B	D.R.L. CANCEL RELAY	126	24 V IGN. SPEED SWITCH	136V	WORLD TRANSM-12V BATTERY
72D	SUN VISOR LH	91C	PARKING BRAKE - T.T.LT	126	KNEELING SYSTEM	136W	WORLD TRANSM-12V BATTERY
74	R.H. READING LAMP FEEDING	91J	FAST IDLE - JUMPER SW.	126A	KNEELING SYSTEM	136X	WORLD TRANSM-12V BATTERY
74A	R.H. HOTESS CHIME FEEDING	91W	WCL PARKING BRAKE SIGNAL	126AA	KNEELING SYSTEM	137	WORLD TRANSM-RETARDER
74B	WCL R.H. READING LAMP FEED.	92	BATT. EQUAL.-CHECK BALANCE	126B	HI-BUOY SIGNAL	137	RR VIEW MIRROR
74D	READING LAMP SWITCH	93	BATT. EQUALIZ.-CHECK LO/HI	126C	KNEELING SYSTEM	137A	RR VIEW MIRROR
74J	READING LAMP INDICATOR SW.	95A	ENG. BRAKE & RETARDER SYS.	126D	KNEELING SYSTEM	137B	RR VIEW MIRROR
75	L.H. READING LAMP FEEDING	95B	ENG. BRAKE & RETARDER SYS.	126F	KNEELING SYSTEM	137C	RR VIEW MIRROR
75A	L.H. HOTESS CHIME FEEDING	100	INTERIOR LTS RELAY COIL	126G	KNEELING SYSTEM	137D	RR VIEW MIRROR
76	FUEL TANK GAUGE	100	INDIRECT LTS FEEDING	126H	SPEED SIGN 5NC - 24V	137E	RR VIEW MIRROR
76C	LOW FUEL T.T.LT	100A	INDIRECT LTS RELAY COIL	126K	KNEELING SYSTEM	137F	RR VIEW MIRROR
76M	FUEL PRIME PUMP	100B	INDIRECT LTS FEEDING	126L	KNEELING SYSTEM	137H	RR VIEW MIRROR
76P	FUEL PRIME PUMP FEEDING	100C	INDIRECT LTS FEEDING	126P	KNEELING SYSTEM	137J	RR VIEW MIRROR
77B	A/C SYS. - LIQ. SOL. VALVE	101	24 VOLTS POWER STARTER	126R	KNEELING SYSTEM	137K	RR VIEW MIRROR
77C	A/C & HEAT SYS.-COMPRESSOR	101	WORLD TR.- LO SIGN SOL.LO	126S	KNEELING SYSTEM	137L	RR VIEW MIRROR
77H	A/C SYS.-LIQ. SOL. VALVE	102	24 VOLTS A/C DISTRIBUTION	126T	KNEELING SYSTEM	137M	RR VIEW MIRROR FEED
81	EXTERIOR LTS-STOP SW	102	WORLD TRANSM.-SOL. SUPPLY	126W	KNEELING SYSTEM	137R	WORLD TRANSM-RETARDER
82	EXTERIOR LTS-STOP SIGNAL	102A	BOSCH ALTERNATOR FEEDING	126W	WORLD TRANSM-NOT USED	137T	MIRROR HEAT SW-JUMPER
82A	EXTERIOR LTS-STOP SIGNAL	103	WORLD TRANSM.- B.SOL.LO	127	WORLD TRANSM. - H SOL.	138	WORLD TR.-RETARDER TEMP
82B	EXTERIOR LTS-STOP LTS	103	LOW BUOY SYSTEM	127	24HOT WIRE PREHEAT	138	ABS SYSTEM-SENSOR
82C	EXTERIOR LTS-STOP LTS	104	WORLD TR. -G SOL.	127A	PRE-HEAT WATER HEATER	138A	ABS SYSTEM-SENSOR
82L	EXT. LTS-STOP LTS & CYCLOP	105W	WORLD TR-SOL.-RET.OIL TT.LT	127B	PRE-HEAT WATER HEATER	139	ABS SYSTEM-VALVE
82R	EXTERIOR LTS-STOP LTS	107	WORLD TR. - SOL. SUPPLY	127S	PRE-HEAT WATER HEATER	139	WORLD TR.-OUTPUT SPEED HI
83	ENG. CTR-MAST. KEY SW ACC.	110	WORLD TR.- F SOL. LO	128	WORLD TRANSM-B SOL.	140	WORLD TR.-TURBINE SPEED LO
83A	24V&12V CUT RELAY COIL	112	WORLD TR.-SPARE OUTPUT (+)	128A	PRE-HEAT WATER HEATER	140	ABS SYSTEM-VALVE
83B	24V&12V CUT RELAY COIL	113W	WORLD TR.-REVERSE WARNING	128B	PRE-HEAT WATER HEATER	141	ABS SYSTEM-VALVE
84	ENG. CTR-MAST KEY SW START	113Z	ZF TRANSM.- REVERSE	129	WORLD TRANSM-E SOL.	141	WORLD TR.-ENGINE SPEED HI
84A	ENG. CTR-MAST KEY SW START	114	INTERIOR LT-DASH LT RHEOS.	129	PRE-HEAT WATER HEATER	142	ABS SYSTEM-VALVE
84J	ENG. CTR-MAST KEY SW START	114A	INTERIOR LT-DASH LT RHEOS.	129B	PRE-HEAT WATER HEATER	143	ABS SYSTEM-SENSOR
85	24V IGNITION SIGNAL	114B	INT. LT-DASH LT RHEOST.FEED	130	WORLD TRANSM-SOL. SUPPLY	143A	ABS SYSTEM-SENSOR
85A	24V IGN DASH INSTRUMENT.	115	DDEC -COOLANT LEVEL	130	EVAP. FAN MAIN CABLE	143A	WORLD TRANS-BATTERY GRD
85C	24V IGNITION - FEED	115W	TRANSM.-DO NOT SHIFT SIGN	130A	EVAP. FAN MAIN CABLE	143W	WORLD TRANSM-BATTERY GRD
85F	RAD. FAN CONTROL W/RETARD	115W	ZF -CHECK TRANSM. TTLT	131	WORLD TRANSM-D SOL.	143X	WORLD TRANSM-BATTERY GRD
85W	OUT SPEED INTERLOCK-24V IGN.	116	WORLD TR.-SOL. SUPPLY	132	WORLD TRANSM-ENGINE BRAKE	143Y	WORLD TRANSM.BATT.GRD
85X	ABS-24V IGN	116B	A/C & HEAT SYSTEM-DR'S HTR	133	GALLEY HEATING CONTAINER	143W	FROM GROUND STUD
85Y	ABS-WARNING LT	116C	A/C SYS.-TRIG. DEFROST	133A	GALLEY HEATING CONTAINER	144	ABS SYSTEM-SENSOR
86	ENG. CTR-STARTER SOL.	119	WORLD TRANSM-ENGINE BRAKE	133B	GALLEY HEATING CONTAINER	144A	ABS SYSTEM-SENSOR
86A	ENG. CTR-STARTER RELAY COIL	120	WORLD TRANSM-A SOL.	133C	GALLEY HEATING CONTAINER	145	ABS SYSTEM
86F	TELL TALE STARTER ON	121	WORLD TRANSM-SOL.SUPPLY	134	GALLEY HEATING CONTAINER	146	ABS SYSTEM
86T	TELL TALE STARTER ON	123	WORLD TR.-NEUTRAL START	134A	GALLEY HEATING CONTAINER	146A	WORLD TRANSM-12V IGNITION
87B	ENGINE CTR-24V IGNITION	123A	ALARM & SIGNAL-FIRE DETECT.	135	GALLEY HEATING CONTAINER	146AA	WORLD TRANSM-DIAGN.CONN.
88	ENGINE CTR-RR START SIGNAL	123B	ALARM & SIGNAL-FIRE DETECT.	135A	WORLD TR.-RES MODULE RET.	147	WORLD TRANSM-OIL TEMP
89	ENGINE CTR-RR START SIGNAL	124	WORLD TR.-SENSOR POWER	135B	A/C & HEAT SYS.-AIR SENSOR	147	ABS SYSTEM-VALVE
				135C	A/C & HEAT SYS.-AIR SENSOR	147A	ETHER COLD START
				136	MICRO-WAVE OVEN SWITCH	147C	ETHER COLD START
				136A	GALLEY LAMP	148	ABS SYSTEM-VALVE

CIRCUIT NUMBER CODE

NO.	DESCRIPTION	NO.	DESCRIPTION	NO.	DESCRIPTION	NO.	DESCRIPTION
148	WORLD TR.-OUTPUT SPEED LO	180	OUTSIDE TEMP. DISPLAY		VALVE	916	DDEC-SENSOR SUPPLY (5VDC)
149	WORLD TR.-TURBINE SPEED HI	180A	OUTSIDE TEMP. DISPLAY	305A	WCL DOOR OPEN SIGNAL	925	J1939(+)
149	ABS SYSTEM-SENSOR	180A	WORLD TRANSM-SHIFTER	305B	WCL DOOR TOP LT.	926	J1939(-)
149A	ABS SYSTEM	180B	OUTSIDE TEMP. DISPLAY	306	WCL CONTROL SYSTEM	927	J1939(SHIELD)
150	WORLD TR.-ENGINE SPEED LO	180C	OUTSIDE TEMP. DISPLAY	307	WCL CONTROL SYSTEM	952	DDEC-SENSOR RETURN#1
150	DDEC -ECM BATTERY GRD	181	FROZEN POINT T.T.LT	308	WCL CONTROL SYSTEM	953	DDEC-SENSOR RETURN#2
150A	DDEC -ECM BATTERY GRD	181A	TEMP. CTR'L INSIDE SENSOR	309	WCL CONTROL SYSTEM	979	DDEC-ENGINE BRAKE 2 CYL.
151	DDEC -ECM BATTERY GRD	181B	TEMP. CTR'L INSIDE SENSOR	417	DDEC-LIMIT SPEED GOVERNOR	2123	FLASHER SIGNAL LTS
151	ATC VALVE	181C	THERMOMET. OUTSIDE SENSOR	419	DDEC -CHEK ENGINE LIGHT		
152	ATC VALVE		THERMOMET. OUTSIDE SENSOR	439	DDEC-12V IGNITION		
153	ELECTRICAL DRIVER'S SEAT	181D	THERMOMET. OUTSIDE SENSOR	451	DDEC-A/C FAN CLUTCH		
154	WORLD TRANSM-ABS INPUT (-)	195	WORLD TRANSM-TRANS ID	499	DDEC-OUTPUT PWR SHUTDOWN		
156A	ABS SYSTEM-FEED	197	FUEL WATER FILTER	505	DDEC-TACHOMETER DRIVE		
157B	ABS SYSTEM	197A	FUEL WATER FILTER	509	DDEC-STOP ENGINE LIGHT		
159	WORLD TRANSM-DIAGNOSTIC			510	DDEC-FAST IDLE SIGNAL		
160	ALARM & SIGN.-TAG PRESS SW	201	WORLD TRANSM-SPARE	524	DDEC-ENGINE BRAKEDISABLE		
161B	WORLD TRANSM-SIGNALGRD	202	WORLD TRANSM-SPARE	524B	ZF SIGNAL-AUX.SENS.THROTTLE		
162	WORLD TRANSM-PRESS. SW C3	203	WORLD TRANSM-SPARE	525	DDEC-FAST IDLE SIGNAL		
163	WORLD TR.-RETARDER ENABLE	204	WORLD TRANSM-SPARE	528	DDEC-STOP ENG. OVERRIDE		
164	WORLD TR.-RET. ACTUAT. SIGN	214	WORLD TR.-BACK-UP SIGNAL	531	DDEC-CRUISE CLUTCH CUT OUT		
165	WORLD TR.-OIL LEVEL SIGNAL	231	WORLD TR.-NEUTRAL SIGN GRD	540	DDEC-CRUISE ENABLE T.T.LT		
166	WORLD TRANSM. OUTPUT 7			541	DDEC-CRUISE SET SW		
167	W. TR.-OUT SPEED INTERLOCK	231F	WORLD TR.-NEUTRAL SIGN GRD	542	INPUT PARK BRAKE INTERLOCK		
167Z	ZMTEC MODULE			543	DDEC-CRUISE BRAKE PEDAL		
169	WORLD TRANSM-PRE-SELECT #1	231W	W. TR.-NEUTRAL SIGN GRD WCL	544	DDEC-CRUISE ON/OFF SW		
170	WORLD TRANSM-SHIFTER	231Z	ZF NEUTRAL SIGNAL GRD	545	DDEC-CRUISE RESUME SW		
170C	LUGGAGE DOOR LOCK-T.T.LT	240	DDEC -ECM 12V FEEDING	555	DDEC-FAN CLUTCH SPEED#1		
170D	LUGGAGE DOOR LOCK-FEED	241	DDEC -ECM 12V FEEDING	556	DDEC-VEHICULE SPEED (+)		
170E	LUG. DOOR LOCK-UNLOCK SIGN	253	24V SIGNAL GALLEY INVERTER	557	DDEC-VEHICULE SPEED (-)		
170F	LUGGAGE DOOR LOCK-FEED	254	GALLEY REFRIGERATOR	563	DDEC-FAN CLUTCH SPEED#2		
170G	LUGGAGE DOOR LOCK-FEED	254A	GALLEY REFRIGERATOR	564	DDEC-DIGTAL OUTPUT		
170K	LUGGAGE DOOR-LOCK SIGN	254F	GALLEY REFRIGERATOR	564B	DDEC-DIGTAL OUTPUT		
170L	LUGG DOOR LOCK-SIGN T.T.LT	255	GALLEY COFFEEMAKER	565	DDEC-ENGINE BRAKE ACTIVE		
170N	LUGG DOOR LOCK-SIGN T.T.LT	255A	GALLEY COFFEEMAKER	565Z	DECELERATION LTS		
170R	LUGG DOOR LOCK-SIGN. T.T.LT.	255B	GALLEY COFFEEMAKER	583	DDEC-ENGINE BRAKE 4 CYL.		
170S	LUGG DOOR LOCK-SIGN T.T.LT	260	WINDOW AJAR-T.T.LT	700	J1587(+)		
170T	LUGG DOOR LOCK-SIGN T.T.LT	290	FAN CLUTCH RADIATOR-FEED	701	J1587(-)		
170V	LUGG DOOR LOCK-SIGN T.T.LT	290A	FAN CLUTCH RADIATOR-FEED	705	ZF SIGNALS		
170W	LUGGAGE DOOR LOCK-FEED	291	FAN CLUTCH RADIATOR SPD 1	706	ZF SIGNALS		
170X	LUGG DOOR LOCK-SIGN T.T.LT	292	FAN CLUTCH RADIATOR SPD 2	707	ZF SIGNALS		
170Y	LUGGAGE DOOR LOCK-FEED	292J	FAN OVERRIDE LTS SWITCH	717	ZF SIGNALS		
170Z	LUGGAGE DOOR LOCK	300	WCL POWER SYS. & ACCESS.	718	ZF SIGNALS		
171	WORLD TRANSM-SHIFTER	300A	WCL POWER SYSTEM SW.	719	ZF SIGNALS		
172	WORLD TRANSM-SHIFTER	301J	WCL POWER SW. JUMPER LED	720	ZF SIGNALS		
173	WORLD TRANSM-SHIFTER	301	WCL SIGNAL POWER SW.	740	EASY START VALVE		
174	WORLD TRANSM-SHIFTER	302	WCL DOOR AJAR TTLT& ALARM	761	ZF SIGNALS		
175A	WORLD TRANSM-SHIFTER	303	WCL FR RH FLASHER	900	DDEC-DATA LINK (+)		
176	WORLD TRANSM-SHIFTER	303A	WCL FR RH FLASHER	901	DDEC-DATA LINK (-)		
		304	WCL DOOR TOP LT.	908	DDEC-HYDRAU. PWM#1 OUTPUT		
		305	WCL PARKING BRAKE SOL.				

CIRCUIT NUMBER CODE

NO.	DESCRIPTION	NO.	DESCRIPTION	NO.	DESCRIPTION	NO.	DESCRIPTION
A1	RADIO SYSTEM	C15	AUDIO AMPLI	SP8	SPARE WIRE	SP69	SPARE WIRE
A2	RADIO SYSTEM	D1	PASSENGER SPEAKER	SP9	SPARE WIRE	SP70	SPARE WIRE
A3	AUDIO AMPLI	D2	PASSENGER SPEAKER	SP10	SPARE WIRE	SP71	SPARE WIRE
A8	VIDEO SYSTEM	D3	PASSENGER SPEAKER	SP11	SPARE WIRE	SP72	SPARE WIRE
A9	RADIO SYSTEM	D4	PASSENGER SPEAKER	SP12	SPARE WIRE	SP74	SPARE WIRE
A10	AUDIO AMPLI	D4S	PASSENGER SPEAKER	SP13	SPARE WIRE	SP75	SPARE WIRE
A11	AUDIO AMPLI	D5	PASSENGER SPEAKER	SP14	SPARE WIRE	SP76	SPARE WIRE
A12	AUDIO AMPLI	D6	PASSENGER SPEAKER	SP15	SPARE WIRE	SP77	SPARE WIRE
A13	AUDIO AMPLI	D7	PASSENGER SPEAKER	SP16	SPARE WIRE	SP78	SPARE WIRE
A15	AUDIO AMPLI	D8	PASSENGER SPEAKER	SP17	SPARE WIRE	SP80	SPARE WIRE
A16	VIDEO SYSTEM	DR1	DRIVER'S SPEAKER	SP18	SPARE WIRE	SP81	SPARE WIRE
B1	MICROPHONE	DR2	DRIVER'S SPEAKER	SP19	SPARE WIRE	SP82	SPARE WIRE
B2	MICROPHONE	DR3	DRIVER'S SPEAKER	SP20	SPARE WIRE	SP83	SPARE WIRE
B3	MICROPHONE	DR4	DRIVER'S SPEAKER	SP21	SPARE WIRE	SP84	SPARE WIRE
B4	MICROPHONE	G1	PASSENGER SPEAKER	SP23	SPARE WIRE	SP85	SPARE WIRE
B5	MICROPHONE	G2	PASSENGER SPEAKER	SP24	SPARE WIRE	SPZ1	SPARE WIRE-ZF TRANSM.
B6	MICROPHONE	G3	PASSENGER SPEAKER	SP25	SPARE WIRE	SPZ2	SPARE WIRE-ZF TRANSM.
B7	MICROPHONE	G4	PASSENGER SPEAKER	SP26	SPARE WIRE	SPZ3	SPARE WIRE-ZF TRANSM.
B8	MICROPHONE	G5	PASSENGER SPEAKER	SP27	SPARE WIRE	SPZ4	SPARE WIRE-ZF TRANSM.
B10	MICROPHONE	G6	PASSENGER SPEAKER	SP28	SPARE WIRE	SPZ5	SPARE WIRE-ZF TRANSM.
B11	MICROPHONE	G7	PASSENGER SPEAKER	SP30	SPARE WIRE	SPZ6	SPARE WIRE-ZF TRANSM.
B12	MICROPHONE	G8	PASSENGER SPEAKER	SP33	SPARE WIRE	TW1	TWISTED SPARE
B1A	FLUORESCENT BALLAST	G8S	PASSENGER SPEAKER	SP34	SPARE WIRE	TW2	TWISTED SPARE
B1B	FLUORESCENT BALLAST	IPJ1	CLUSTER - BULB TEST POS	SP35	SPARE WIRE	W1	STEERING BOX CONVERTER
B2A	FLUORESCENT BALLAST	IPJ2	CLUSTER - BULB TEST NEG.	SP36	SPARE WIRE	W2	STEERING BOX CONVERTER
B2B	FLUORESCENT BALLAST	IPJ5	CLUSTER - FUEL GAUGE	SP37	SPARE WIRE	Y1A	FLUORESCENT BALLAST
B3A	FLUORESCENT BALLAST	IPJ6	CLUSTER - BULB TEST POS.	SP38	SPARE WIRE	Y1B	FLUORESCENT BALLAST
B3B	FLUORESCENT BALLAST	IPJ7	CLUSTER - BULB TEST NEG.	SP40	SPARE WIRE	Y2A	FLUORESCENT BALLAST
B4A	FLUORESCENT BALLAST	IPJ8	CLUSTER - MASTER WARNING	SP41	SPARE WIRE	Y2B	FLUORESCENT BALLAST
B4B	FLUORESCENT BALLAST	L8	WATER TANK HEATER	SP42	SPARE WIRE	Y3A	FLUORESCENT BALLAST
B5A	FLUORESCENT BALLAST	L9	WATER TANK HEATER	SP43	SPARE WIRE	Y3B	FLUORESCENT BALLAST
B5B	FLUORESCENT BALLAST	LX5	CLUSTER - COMPUTER MODE	SP44	SPARE WIRE	Y4A	FLUORESCENT BALLAST
B6A	FLUORESCENT BALLAST	LX6	CLUSTER - COMPUTER DOWN	SP45	SPARE WIRE	Y4B	FLUORESCENT BALLAST
B6B	FLUORESCENT BALLAST	LX7	CLUSTER - COMPUTER SET	SP48	SPARE WIRE	Y5A	FLUORESCENT BALLAST
B7A	FLUORESCENT BALLAST	LX16	CLUSTER - COMPUTER UP	SP50	SPARE WIRE	Y5B	FLUORESCENT BALLAST
B7B	FLUORESCENT BALLAST	LX21	CLUSTER - COMPUTER COM.	SP51	SPARE WIRE	Y6A	FLUORESCENT BALLAST
B14	RADIO SYSTEM	R1A	FLUORESCENT BALLAST	SP52	SPARE WIRE	Y6B	FLUORESCENT BALLAST
B15	RADIO SYSTEM	R1B	FLUORESCENT BALLAST	SP53	SPARE WIRE	Y7A	FLUORESCENT BALLAST
C2	RADIO SYSTEM	RT	T.T.L.T. MODULE - TEST SW.	SP54	SPARE WIRE	Y7B	FLUORESCENT BALLAST
C3	CONTROL HEAD ANTENNA	SPK1	PASSENGER SPEAKER	SP55	SPARE WIRE	0	BATTERY - MAIN GROUND
C5	VIDEO SYSTEM	SPK2	PASSENGER SPEAKER	SP56	SPARE WIRE	0	EVAP. COMPT. GROUND
C6	CONTROL HEAD DIMMER	SPK3	PASSENGER SPEAKER	SP57	SPARE WIRE	0	RJB - INSIDE GRD
C7	RADIO SYSTEM	SPK4	PASSENGER SPEAKER	SP60	SPARE WIRE	0	WCL MODULE
C8	AUDIO AMPLI	SP1	SPARE WIRE	SP61	SPARE WIRE	0	INVERTER CUT OFF RELAY
C9	VIDEO SYSTEM	SP2	SPARE WIRE	SP62	SPARE WIRE	0A	LAVATORY ACCESSORIES
C10	VIDEO SYSTEM	SP3	SPARE WIRE	SP63	SPARE WIRE	0A	EVAP. FAN GROUND
C11	VIDEO SYSTEM	SP4	SPARE WIRE	SP64	SPARE WIRE	0A	FR. ROOF ACC. GRD
C12	VIDEO SYSTEM	SP5	SPARE WIRE	SP65	SPARE WIRE	0B	BOOSTER BLOCK GROUND
C13	VIDEO SYSTEM	SP6	SPARE WIRE	SP66	SPARE WIRE	0B	A/C - CONDENSER GRD
C14	VIDEO SYSTEM	SP7	SPARE WIRE	SP67	SPARE WIRE	0B	24V&12V CUT OUT REL.COIL

CIRCUIT NUMBER CODE

NO.	DESCRIPTION	NO.	DESCRIPTION	NO.	DESCRIPTION	NO.	DESCRIPTION
0BE	OV BATTERY MONITOR	0SF	PARCEL RACK LTS SWITCH	4C	HOTESS CHIME P. RACK SW.	12H	12V IGN. DASH ACCESS.
0C	R.J.B. - GRB	0SG	PARCEL RACK LTS SWITCH	5	AISLE LTS FEEDING	12I	RR JCT BOX 12V IGNITION
0C	MOTOR STARTER GROUND	0SH	PARCEL RACK LTS SWITCH	5N	EMERGENCY LTS	12I	FR JCT PANEL 12V IGNITION
0C	F.R. SERV. CPT- ACC.	0SJ	PARCEL RACK LTS SWITCH	5N0	SPEED SIGNAL HIGHER 5MPH	12IA	FR JCT PANEL 12V IGNITION
0C1	ENTRANCE DOOR SEDAN	0SS	SOUND SYSTEM GROUND	5NC	SPEED SIGNAL LOWER 5MPH	12IA	RR JCT PANEL 12V IGNITION
0C2	STEERING CONTROL GROUND	00SS	SOUND SYSTEM GROUND	6	AISLE LTS	12IB	FR JCT PANEL 12V IGNITION
0C3	SOUND SYSTEM RELAY	0S2	RADIO GROUND	7B	ENTRANCE DOOR FEED.-24V HW	12IB	STEERING BOX ECU FEEDING
0C4	F.J.B. GRD	0S3	VIDEO GROUND	9	INTERIOR LTS-ENGINE CPT	12IE	ABS-FR JCT PANEL 12V IGN.
0CJ	CRUISE SW. JUMPER	0S3A	VIDEO GROUND	9F	INTERIOR LTS - FR-SERV. CPT	12IZ	ZF TRANSM. IGNITION
0D	FLUORESCENT GRD	0S3B	VIDEO GROUND	10	INTERIOR LTS-LUGGAGE CPT	12IN	12 VOLTS DISC.SW. INTERCOM
0D	COND FAN GRD	0S3C	VIDEO GROUND	10	INTERIOR LTS-FR SERV. CPT	12J	FR JCT PANEL 12V DISC.SW.
0E	BATT. COMPT. LTS GROUND	0S3D	VIDEO GROUND	10A	INTERIOR LTS-LUGGAGE CPT	12K	FR JCT PANEL 12V DISC.SW.
0E	READING LIGHTS GROUND	0S3E	VIDEO GROUND	10A	AUX. COMPRESSOR CLUTCH	12L	CORNERING LTS FEEDING
0F	FLUORESCENT GRD	0T	LAVATORY FAN & PUMP	10A	INTERIOR LTS-LUGGAGE CPT	12LX	CLUSTER 12V HOT WIRE
0F	PRO-DRIVER GROUND	0T	SPEED SW. CONNECTOR	10B	INTERIOR LTS-LUGGAGE CPT	12M	ABS-FR JCT PNL 12V DISC.SW
0G	READING LIGHTS GROUND	0T1	DASH ACC. GROUND	10C	INTERIOR LTS-LUGGAGE CPT	12P	12V BATTERY JCT BLOCK
0H	ENG. CPT. - ACC. GRD	0T2	CLUSTER ACC. GROUND	10E	INTERIOR LTS-BATTERY CPT	12R	12V MEMORY RADIO
0IN	INTERCOM SYSTEM	0T2	WINDOW AWNING	10H	AUX. COMPRESSOR CLUTCH	12P	12V POWER OUTLET
0J	PARCEL RACK A/C UNIT	0T3	ALTERNATOR MODULE	10L	AUX. COMPRESSOR CLUTCH	12SB	12V SOUND SYSTEM FEEDING
0K	PARCEL RACK A/C UNIT	0T4	12V OUTLET - CTR MODULE	10X	AUX. COMPRESSOR CLUTCH	12SS	12V SOUND SYSTEM FEEDING
0L	ENG.CPT -CLEAR.LTS RR ROOF	0T5	FS.HVAC DASH MODULE. GND	11	DESTINATION SIGN	12S	12V RADIO FEEDING
0L	R.J.B. - GRD	0T6	FS-DDR GROUND	11A	DESTINATION SIGN	12S1	12V RADIO FEEDING
0L	FR - SIDE MARK. & FLASH GRD	0VA	BATTERY EQUALIZER GROUND	11B	DESTINATION SIGN	12S1A	12V DVD KARAOKE FEEDING
0L1	ENG.CPT-SIDE MARK. & FL. GRD	0W	FJB - TRANSM. RLY GRD	11C	DESTINATION SIGN	12S2	12V RADIO FEEDING
0L2	HEAD LTS GROUND	0W	SHIFT SELECTOR GROUND	11D	DESTINATION SIGN	12S2A	12V DVD KARAOKE FEEDING
0L3	FR.SERV.DR. & ENT.DOOR GRD	0W	WCL MODULE	11E	DESTINATION SIGN	12T	RR JCT BOX 12V DISC SW
0L4	FOG LTS RESISTOR GRD	0WA	WCL DOOR AJAR	11K	DESTINATION SIGN	12VA	12V BATTERY EQUALIZER
0L5	LH CONSOL - ACC. GRD	0WC	WCL BATTERY CPT. ACCES.	11J	DESTINATION SIGN	12VB	FR JCT PANEL 12V DISC SW
0L5	W.C.L.DOOR	0WL	WCL SIGNAL DOOR AJAR ALARM	11P	DESTINATION SIGN	12VD	12V HOT WIRE DISTRIBUTION
0L6	MARKER&FLASH. GROUND	0Y1	ABS SYSTEM-GRD	12	12V ELECTRONIC TERMINAL	12VE	FR JCT PANEL 12V DISC SW
0L7	AISLE LIGHTS GROUND	0Y2	ABS SYSTEM-GRD	12A	FR JCT PANEL 12V DISC SW	12VF	12 VOLTS FRONT DISTRIBUTIUON
0L8	DOCKING LTS	0Y3	ABS SYSTEM-GRD	12A	BATT. JCT PANEL 12V DISC SW	12VG	RR JCT PANEL 12V DISC SW
0LV	WINDSHIELD WASHER LEVEL	0Y4	ABS SYSTEM-GRD	12B	FR JCT PANEL 12V DISC SW	12VI	12V IGNITION DISTRIBUTION
0M	WIPER 2 MIRROR MOTOR	0Y5	ABS SYSTEM-GRD	12BE	12V BATTERY MONITOR	12VO	12V BATTERY EQUALIZER
0M3	DEFROST GRD	0Y6	ABS SYSTEM-GRD	12C	FR JCT PANEL 12V DISC SW	12VR	12V REAR DISTRIBUTION
0M4	HORN & DR'S WINDOW LIFTER	0Z1	ZF TRANSM. GRD	12C	RR JCT BOX 12V DISC SW	12W	12V HOT WIRE DDEC FEEDING
0M5	SUN VISOR MOTOR	0Z2	ZF TRANSM. GRD	12D	BATT. JCT PANEL 12V HOT WIRE	12WA	ENTRANCE DOOR SYSTEM
0M6	UPPER FAN DEFROST	00A	ELECTRONIC TERMINAL GROUND	12D	FR JCT PANEL 12V HOT WIRE	12WR	WCL DOOR TOP LT
0M7	DR'S WIND.LIFT. & RH MIR. SW	00F	FRONT ELECTRONIC GROUND	12D	RR JCT PANEL 12V HOT WIRE	14	LAVATORY PUMP
0M7A	LH MIRROR SW.	2B	A/C & HEAT SYSTEM	12DD	FR JCT PANEL 12V HOT WIRE	14A	LAVATORY PUMP- P.BUTTON
0P	ENG.CDT - PRE-HEATER	2D	A/C & HEAT SYSTEM	12DDR	FR JCT BOX 12V HOT DDR CONN	14P	LAVATORY PUMP
0P1	A/C COMPRESSOR GRD	2DD	A/C & HEAT SYSTEM	12DT	T.T. LT MODULE	15	WIPER & WASHER FEEDING
0R	SOUND SYSTEM RELAY GROUND	2E	A/C & HEAT SYSTEM	12DZ	ZF TRANSM. 12V HOT WIRE	16	SPEEDOMETER (+)
0SA	BOSCH ALTERNATOR GROUND	2EE	A/C & HEAT SYSTEM	12E	FR JCT PANEL 12V DISC SW	16T	SPEED SW SIGNAL IN (+)
0SA	PARCEL RACK LTS SWITCH	2F	A/C & HEAT SYS.-EVAP. SPEED	12F	RR JCT PANEL 12V DISC SW	17	EXTERIOR LTS-FLASHER UNIT
0SB	PARCEL RACK LTS SWITCH	2H	A/C & HEAT SYS-LO-PRESS SW.	12F1	FR JCT PANEL 12V DISC SW	17A	EXTERIOR LTS-FLASHER UNIT
0SC	PARCEL RACK LTS SWITCH	2L	A/C & HEAT SYS-HI-PRESS SW.	12F2	FR JCT PANEL 12V DISC SW	17C	JUMPER LTS SW. - HAZARD
0SE	PARCEL RACK LTS SWITCH	4A	HOTESS CHIME MAIN SWITCH	12FL	RR JCT PANEL 12V DISC SW	18	UPPER FAN DEFROST
				12FT	RR JCT PANEL 12V DISC SW	19	UPPER FAN DEFROST
				12G	FR JCT PANEL 12V DISC SW	20	SPEEDOMETER SIGNAL (-)

CIRCUIT NUMBER CODE

NO.	DESCRIPTION	NO.	DESCRIPTION	NO.	DESCRIPTION	NO.	DESCRIPTION
21	LEFT DIRECTIONAL LTS	24SS	24V SOUND SYSTEM FEEDING	29H	HVAC DASH MODILE	48B	ENTRANCE DOOR OPEN SIGNAL
21A	LEFT DIRECTIONAL LTS SIGN.	24S1	AMPLIFIER FEEDING	30A	GALLEY SWITCH SIGNAL	48C	ENTRANCE DOOR SYSTEM
21B	HAZARD SWITCH SIGNAL	24S1A	AMPLIFIER FEEDING	30J	GALLEY SWITCH LED	48D	ENTRANCE DOOR SYSTEM
21BB	LEFT DIRECTIONAL LTS FEED.	24S1B	AMPLIFIER FEEDING	31B	WIPER & WASHER SYSTEM	48W	ENTRANCE DOOR SEDAN
21H	EXTERIOR LTS-HAZARD SIGNAL	24S1C	AMPLIFIER FEEDING	32	EXTERIOR LTS-BACK-UP	49	ENTRANCE DOOR CLOSE SIGNAL
21M	AUX. LTS - DIRECTIONAL LH	24S1D	AMPLIFIER FEEDING	32B	EXTERIOR LTS-BACK-UP	49A	ENTRANCE DOOR SYSTEM
22	AIR DRYER	24S1E	AMPLIFIER FEEDING	35	ENTRANCE STEP LIGHTS	49B	ENTRANCE DOOR SYSTEM
23	RIGHT DIRECTIONAL LTS	24S2	AMPLIFIER FEEDING	36	ENGINE BRAKE SYSTEM	50	AD-9 AIR DRYER
23A	RIGHT DIRECTIONAL LTS SIGN.	24S3	VIDEO FEEDING	36A	ENGINE BRAKE SYSTEM & RET.	52	ALARM & SIGNAL-ELEC.HORN
23BB	RIGHT DIRECTIONAL LTS FEED.	24S3A	VIDEO FEEDING	37	LAVATORY LTS FEEDING	52A	ALARM & SIGNAL-ELEC.HORN
23H	EXTERIOR LTS-HAZARD SIGNAL	24S3B	VIDEO FEEDING	38	FLUORESCENT RELAY FEEDING	52B	PNEUMATIC HORN
23K	RIGHT DIRECT. LTS W/KNELLING	24S3C	VIDEO FEEDING	38A	R.H FLUORESCENT	53	ALARM & SIGNAL-ELEC.HORN
23M	AUX LTS - DIRECTIONAL RH	24S3D	VIDEO FEEDING	38B	L.H. FLUORESCENT	53B	WIPER & WASHER SYSTEM
24	24 VOLTS BATTERY DIST.	24S3E	VIDEO FEEDING	38C	FLUORESCENT FEEDING	53C	WIPER & WASHER SYSTEM
24A	BATT. JCT PANEL 24V DISC SW	24S3F	VIDEO FEEDING	39	INTERIOR LTS-DRIVER'S LTS	53E	WIPER & WASHER SYSTEM
24A	24V BOOSTER BLOCK	24S3G	VIDEO FEEDING	39D	INTERIOR LTS - DRIVER' LTS	53J	WIPER & WASHER SYSTEM
24A	FR JCT PANEL 24V DISC. SW	24S3H	VIDEO FEEDING	41	A/C SYS.-COND FAN MOTOR	55	EXTERIOR LTS-HI BEAM
24A	RR JCT PANEL 24V DISC. SW	24S3I	VIDEO FEEDING	41A	A/C SYS.-COND FAN MOTOR	57	EXTERIOR LTS-HI BEAM
24BE	BATTERY MONITOR	24S3J	VIDEO FEEDING	41B	A/C SYS.-COND FAN MOTOR	57A	EXTERIOR LTS-HI BEAM
24C	FR JCT PANEL 24V DISC SW	24S4	VIDEO FEEDING	42	A/C SYS.-COND FAN MOTOR	57B	A/C & HEAT SYS.-WATER PUMP
24D	24 V. HOT WIRE FEEDING	24T	RR JCT PANEL 24V DISC SW	42A	A/C SYS.-COND FAN MOTOR	57C	A/C & HEAT SYS.-WATER PUMP
24D	FR JCT BOX 24V HOT WIRE	24VA	24 VOLTS BATTERY EQUALIZER	43	PARCEL RACK A/C	57E	A/C & HEAT SYS.-WATER VALV
24DD	FR JCT BOX 24V HOT WIRE	24VD	24V HOT WIRE FEED	43A	PARCEL RACK A/C	57W	PRE-HEAT WATER HEATER
24DS	WIRELESS MICRO FEEDING	24VF	24 VOLTS FRONT DISTRIBUTION	43B	PARCEL RACK A/C	58	EXTERIOR LTS-LO BEAM
24DZ	ZF TRANSM. 24V HOT WIRE	24VI	24 VOLTS IGNITION REAR DIST.	43C	PARCEL RACK A/C	58A	EXTERIOR LTS-LO BEAM
24E	24 VOLTS POWER DISTRIBUTION	24VR	24 VOLTS REAR DISTRIBUTION	43D	PARCEL RACK A/C	58B	EXTERIOR LTS-LO BEAM
24E	RR JCT PANEL 24V DISC SW	24V	24 VOLTS POWER GALLEY	43E	PARCEL RACK A/C	59A	ENGINE BRAKE SYSTEM
24F	RR JCT PANEL 24V DISC SW	24WC	WCL PUMP FEEDING	43F	PARCEL RACK A/C	61	EXTERIOR LTS-24V FEED SW
24G	FR JCT PANEL 24V DISC SW	24WL	WCL PUMP FEEDING	43G	PARCEL RACK A/C	61A	EXTERIOR LTS-HEAD SIGNAL
24H	RR JCT PANEL 24V DISC SW	24WR	WCL POWER ACCES.	43M	PARCEL RACK A/C	62	LAVATORY INDICATOR
24I	FR JCT PANEL 24V IGNITION	25	EITHER ALTERNAT. RUN SIGNAL	43X	PARCEL RACK A/C	63	EXTERIOR LTS-CLEAR. FEED
24IA	RR JCT PANEL 24V IGNITION	25A	TT.LT. ALTERNATOR #1	44	EXTERIOR LTS-FOG	63B	EXTERIOR LTS-CLEARANCE
24IA	FR JCT PANEL 24V IGNITION	25A1	BOSCH ALTERNATOR SIGNAL D+	44A	EXTERIOR LTS-FOG	63C	EXT. LTS-MARKER SIGNAL
24IB	FR JCT PANEL 24V IGNITION	25A2	BOSCH ALTERNATOR SIGNAL D+	44B	EXTERIOR LTS-FOG	63D	BLINKER RELAY
24IF	FR JCT PANEL 24V IGNITION	25B	EXT. LTS-DAYTIME RUN LTS	44C	FOG,LTS & HVAC FEEDING	63E	BLINKER RELAY
24IZ	ZF TRANSM. IGNITION	25D	BOTH ALTERNATOR RUN SIGNAL	44D	EXTERIOR LTS - FOG	63F	EXT. LTS-MARKER BLINKER
24K	RR JCT PANEL 24V DISC SW	25K	T.T LT. ALTERNATOR #2	44E	EXTERNAL LTS - FOG	64	DRIVER'S FAN SPEED CTR
24L	RR JCT PANEL 24V DISC SW	26	DR'S & ENT. WINDOW LIFTER	45A	A/C & HEAT SYSTEM FULL AIR	64A	A/C SPARE
24M	RR JCT PANEL 24V DISC SW	26A	CIGAR LIGHT. & POW.OUTLET LH	45B	A/C & HEAT SYS.-WATER PUMP	64A	A/C SPARE
24P	FR JCT PANEL 24V DISC SW	26B	DRIVER'S WINDOW LIFTER	45C	A/C & HEAT SYS.-WATER VALV	64B	A/C SPARE
24P2	RR BENCH- INVERTER	26C	DRIVER'S WINDOW LIFTER	45D	A/C & HEAT SYS.-WATER VALV	65	FOOT DAMPER MOTOR
24PV	RR BENCH- INVERTER	27	LAVATORY ALARM	45E	A/C & HEAT SYS.-DR'S HTR	65A	FOOT DAMPER MOTOR
24R	24V STARTER RELAY	28H	T.T.LT MODULE - HI A/C PRES.	45G	A/C & HEAT SYS.-EVAP. SPEED	65D	DRIVER'S REC. DAMPER
24R	SCENIC VIEW SIGNAL ON	28T	T.T.LT MODULE - LO A/C PRES.	45H	A/C & HEAT SYS.-EVAP. SPEED	65E	DRIVER'S REC. DAMPER L.H.
24SB	24V SOUND SYSTEM FEEDING	29	A/C & HEAT SYS.-DR'S HTR	46	EXTERIOR LTS-MARKER	65F	DRIVER'S REC. DAMPER L.H.
				46A	EXTERIOR LTS-AUX LTS RESIS.	66	A/C PASSENGER - ON/OFF
				46C	EXTERIOR LTS-MARKER	67A	A/C & HEAT SYSTEM
				46D	EXTERIOR LTS-AUX LTS RESIS.	68	DASH & DEFROST DAMPER MOT
				48	ENTRANCE DOOR OPEN SIGNAL	68A	DASH & DEFROST DAMPER MOT
				48A	ENTRANCE DOOR OPEN SOL.	69	DAMPER MIX LIMIT SWITCH

CIRCUIT NUMBER CODE

NO.	DESCRIPTION	NO.	DESCRIPTION	NO.	DESCRIPTION	NO.	DESCRIPTION
70	HAT RACK & NIGHT LTS FEEDING	89	ENGINE CTR-RR START SIGNAL		DETECT.	135C	A/C & HEAT SYS.-AIR SENSOR
72	SUN VISOR - FEED	90	DASH MAGNETIC SWITCH	123B	ALARM & SIGNAL-FIRE DETECT.	136	MICRO-WAVE OVEN SWITCH
72A	SUN VISOR RH	90B	ENG. CTR-MAST KEY SW FEED	124	WORLD TR.-SENSOR POWER	136A	GALLEY LAMP
72B	SUN VISOR RH	91	PARKING BRAKE SW SIGNAL	124A	WORLD TRANSM-SENSOR PWR	136A	WORLD TRANSM-12V BATTERY
72C	SUN VISOR LH	91A	DDEC -FAST IDLE SIGNAL	125	LAVATORY FAN	136A1	WORLD TRANSM-12V BATTERY
72D	SUN VISOR LH	91B	D.R.L. CANCEL RELAY	125	WORLD TR-RETARDER INDICAT.	136A2	WORLD TRANSM-12V BATTERY
74	R.H. READING LAMP FEEDING	91C	PARKING BRAKE - T.T.LT	125W	WORLD TR-RETARDER INDICAT.	136AA	WORLD TRANSM-SHIFTER PWR
74A	R.H. HOTESS CHIME FEEDING	91J	FAST IDLE - JUMPER SW.	126	24 V IGN. SPEED SWITCH	136V	WORLD TRANSM-12V BATTERY
74B	WCL R.H. READING LAMP FEED.	91W	WCL PARKING BRAKE SIGNAL	126A	KNEELING SYSTEM	136W	WORLD TRANSM-12V BATTERY
74D	READING LAMP SWITCH	92	BATT. EQUAL.-CHECK BALANCE	126AA	KNEELING SYSTEM	136X	WORLD TRANSM-12V BATTERY
74J	READING LAMP INDICATOR SW.	93	BATT. EQUALIZ.-CHECK LO/HI	126B	HI-BUOY SIGNAL	137	WORLD TRANSM-RETARDER
75	L.H. READING LAMP FEEDING	95A	ENG. BRAKE & RETARDER SYS.	126B	HI-BUOY SIGNAL	137	RR VIEW MIRROR
75A	L.H. HOTESS CHIME FEEDING	95B	ENG. BRAKE & RETARDER SYS.	126C	KNEELING SYSTEM	137A	RR VIEW MIRROR
76	FUEL TANK GAUGE	98A	TRAIL PARK BRAKE PRESS SW	126D	KNEELING SYSTEM	137B	RR VIEW MIRROR
76C	LOW FUEL T.T.LT	98B	TRAIL BRAKE PRESS SW	126F	KNEELING SYSTEM	137C	RR VIEW MIRROR
76M	FUEL PRIME PUMP	100	INTERIOR LTS RELAY COIL	126G	KNEELING SYSTEM	137D	RR VIEW MIRROR
76P	FUEL PRIME PUMP FEEDING	100	INDIRECT LTS FEEDING	126H	SPEED SIGN 5NC - 24V	137E	RR VIEW MIRROR
77B	A/C SYS. - LIQ. SOL. VALVE	100A	INDIRECT LTS RELAY COIL	126K	KNEELING SYSTEM	137F	RR VIEW MIRROR
77C	A/C & HEAT SYS.-COMPRESSOR	100B	INDIRECT LTS FEEDING	126L	KNEELING SYSTEM	137H	RR VIEW MIRROR
77H	A/C SYS.-LIQ. SOL. VALVE	100C	INDIRECT LTS FEEDING	126P	KNEELING SYSTEM	137J	RR VIEW MIRROR
81	EXTERIOR LTS-STOP SW	101	24 VOLTS POWER STARTER	126R	KNEELING SYSTEM	137K	RR VIEW MIRROR
82	EXTERIOR LTS-STOP SIGNAL	101	WORLD TR.- LO SIGN SOL.LO	126S	KNEELING SYSTEM	137L	RR VIEW MIRROR
82A	EXTERIOR LTS-STOP SIGNAL	102	24 VOLTS A/C DISTRIBUTION	126T	KNEELING SYSTEM	137M	RR VIEW MIRROR FEED
82B	EXTERIOR LTS-STOP LTS	102	WORLD TRANSM.-SOL. SUPPLY	126W	KNEELING SYSTEM	137R	WORLD TRANSM-RETARDER
82C	EXTERIOR LTS-STOP LTS	102A	BOSCH ALTERNATOR FEEDING	126W	WORLD TRANSM-NOT USED	137T	MIRROR HEAT SW-JUMPER
82L	EXT. LTS-STOP LTS & CYCLOP	103	WORLD TRANSM.- B.SOL.LO	127	WORLD TRANSM. - H SOL.	138	WORLD TR.-RETARDER TEMP
82R	EXTERIOR LTS-STOP LTS	103	LOW BUOY SYSTEM	127	24HOT WIRE PREHEAT	138	ABS SYSTEM-SENSOR
83	ENG. CTR-MAST. KEY SW ACC.	104	WORLD TR. -G SOL.	127A	PRE-HEAT WATER HEATER	138A	ABS SYSTEM-SENSOR
83A	24V&12V CUT RELAY COIL	105W	WORLD TR-SOL.-RET.OIL TT.LT	127B	PRE-HEAT WATER HEATER	139	ABS SYSTEM-VALVE
83B	24V&12V CUT RELAY COIL	107	WORLD TR. - SOL. SUPPLY	127S	PRE-HEAT WATER HEATER	139	WORLD TR.-OUTPUT SPEED HI
84	ENG. CTR-MAST KEY SW START	110	WORLD TR.-F SOL. LO	128	WORLD TRANSM-B SOL.	140	WORLD TR.-TURBINE SPEED LO
84A	ENG. CTR-MAST KEY SW START	112	WORLD TR.-SPARE OUTPUT (+)	128A	PRE-HEAT WATER HEATER	140	ABS SYSTEM-VALVE
84J	ENG. CTR-MAST KEY SW START	113W	WORLD TR.-REVERSE WARNING	128B	PRE-HEAT WATER HEATER	141	ABS SYSTEM-VALVE
85	24V IGNITION SIGNAL	113Z	ZF TRANSM.- REVERSE	129	WORLD TRANSM-E SOL.	141	WORLD TR.-ENGINE SPEED HI
85A	24V IGN DASH INSTRUMENT.	114	INTERIOR LT-DASH LT RHEOS.	129	PRE-HEAT WATER HEATER	142	ABS SYSTEM-VALVE
85C	24V IGNITION - FEED	114A	INTERIOR LT-DASH LT RHEOS.	129B	PRE-HEAT WATER HEATER	143	ABS SYSTEM-SENSOR
85F	RAD. FAN CONTROL W/RETARD	114B	INT. LT-DASH LT RHEOST.FEED	130	WORLD TRANSM-SOL. SUPPLY	143A	ABS SYSTEM-SENSOR
85W	OUT SPEED INTERLOCK-24V IGN.	115	DDEC -COOLANT LEVEL	130	EVAP. FAN MAIN CABLE	143A	WORLD TRANS-BATERY GRD
85X	ABS-24V IGN	115W	TRANSM.-DO NOT SHIFT SIGN	130A	EVAP. FAN MAIN CABLE	143W	WORLD TRANSM-BATTERY GRD
85Y	ABS-WARNING LT	115W	ZF -CHECK TRANSM. TTLT	131	WORLD TRANSM-D SOL.	143X	WORLD TRANSM-BATTERY GRD
86	ENG. CTR-STARTER SOL.	116	WORLD TR.-SOL. SUPPLY	132	WORLD TRANSM-ENGINE BRAKE	143Y	WORLD TRANSM.BATT.GRD
86A	ENG. CTR-STARTER RELAY COIL	116B	A/C & HEAT SYSTEM-DR'S HTR	133	GALLEY HEATING CONTAINER	143W	FROM GROUND STUD
86F	TELL TALE STARTER ON	116C	A/C SYS.-TRIG. DEFROST	133A	GALLEY HEATING CONTAINER	144	ABS SYSTEM-SENSOR
86T	TELL TALE STARTER ON	119	WORLD TRANSM-ENGINE BRAKE	133B	GALLEY HEATING CONTAINER	144A	ABS SYSTEM-SENSOR
87B	ENGINE CTR-24V IGNITION	120	WORLD TRANSM-A SOL.	133C	GALLEY HEATING CONTAINER	145	ABS SYSTEM
88	ENGINE CTR-RR START SIGNAL	121	WORLD TRANSM-SOL.SUPPLY	134	GALLEY HEATING CONTAINER	146	ABS SYSTEM
		123	WORLD TR.-NEUTRAL START	134A	GALLEY HEATING CONTAINER	146A	WORLD TRANSM-12V IGNITION
		123A	ALARM & SIGNAL-FIRE	135	GALLEY HEATING CONTAINER	146AA	WORLD TRANSM-DIAGN.CONN.
				135A	WORLD TR.-RES MODULE RET.	147	WORLD TRANSM-OIL TEMP
				135B	A/C & HEAT SYS.-AIR SENSOR	147	ABS SYSTEM-VALVE

CIRCUIT NUMBER CODE

NO.	DESCRIPTION	NO.	DESCRIPTION	NO.	DESCRIPTION	NO.	DESCRIPTION
147A	ETHER COLD START	174	WORLD TRASM-SHIFTER	303A	WCL FR RH FLASHER	901	DDEC-DATA LINK (-)
147C	ETHER COLD START	175A	WORLD TRASM-SHIFTER	304	WCL DOOR TOP LT.	908	DDEC-HYDRAU. PWM#1 OUTPUT
148	ABS SYSTEM-VALVE	176	WORLD TRASM-SHIFTER	305	WCL PARKING BRAKE SOL. VALVE	916	DDEC-SENSOR SUPPLY (5VDC)
148	WORLD TR.-OUTPUT SPEED LO	180	OUTSIDE TEMP. DISPLAY	305A	WCL DOOR OPEN SIGNAL	925	J1939(+)
149	WORLD TR.-TURBINE SPEED HI	180A	OUTSIDE TEMP. DISPLAY	305B	WCL DOOR TOP LT.	926	J1939(-)
149	ABS SYSTEM-SENSOR	180A	WORLD TRASM-SHIFTER	306	WCL CONTROL SYSTEM	927	J1939(SHIELD)
149A	ABS SYSTEM	180B	OUTSIDE TEMP. DISPLAY	307	WCL CONTROL SYSTEM	952	DDEC-SENSOR RETURN#1
150	WORLD TR.-ENGINE SPEED LO	180C	OUTSIDE TEMP. DISPLAY	308	WCL CONTROL SYSTEM	953	DDEC-SENSOR RETURN#2
150	DDEC -ECM BATTERY GRD	181	FROZEN POINT T.T.LT	309	WCL CONTROL SYSTEM	979	DDEC-ENGINE BRAKE 2 CYL.
150A	DDEC -ECM BATTERY GRD	181A	TEMP. CTR'L INSIDE SENSOR	417	DDEC-LIMIT SPEED GOVERNOR	2123	FLASHER SIGNAL LTS
151	DDEC -ECM BATTERY GRD	181B	TEMP. CTR'L INSIDE SENSOR	419	DDEC -CHEK ENGINE LIGHT		
151	ATC VALVE	181C	THERMOMET. OUTSIDE SENSOR	439	DDEC-12V IGNITION		
152	ATC VALVE	181C	THERMOMET. OUTSIDE SENSOR	451	DDEC-A/C FAN CLUTCH		
153	ELECTRICAL DRIVER'S SEAT	181D	THERMOMET. OUTSIDE SENSOR	499	DDEC-OUTPUT PWR SHUTDOWN		
154	WORLD TRASM-ABS INPUT (-)	195	WORLD TRASM-TRANS ID	505	DDEC-TACHOMETER DRIVE		
156A	ABS SYSTEM-FEED	197	FUEL WATER FILTER	509	DDEC-STOP ENGINE LIGHT		
157B	ABS SYSTEM	197A	FUEL WATER FILTER	510	DDEC-FAST IDLE SIGNAL		
159	WORLD TRASM-DIAGNOSTIC			510	DDEC-FAST IDLE SIGNAL		
160	ALARM & SIGN.-TAG PRESS SW	201	WORLD TRASM-SPARE	524	DDEC-ENGINE BRAKEDISABLE		
161B	WORLD TRASM-SIGNALGRD	202	WORLD TRASM-SPARE	524B	ZF SIGNAL-AUX.SENS.THROTTLE		
162	WORLD TRASM-PRESS. SW C3	203	WORLD TRASM-SPARE	525	DDEC-FAST IDLE SIGNAL		
163	WORLD TR.-RETARDER ENABLE	204	WORLD TRASM-SPARE	528	DDEC-STOP ENG. OVERRIDE		
164	WORLD TR.-RET. ACTUAT. SIGN	214	WORLD TR.-BACK-UP SIGNAL	531	DDEC-CRUISE CLUTCH CUT OUT		
165	WORLD TR.-OIL LEVEL SIGNAL	231	WORLD TR.-NEUTRAL SIGN GRD	540	DDEC-CRUISE ENABLE T.T.LT		
166	WORLD TRASM. OUTPUT 7			541	DDEC-CRUISE SET SW		
167	W. TR.-OUT SPEED INTERLOCK	231F	WORLD TR.-NEUTRAL SIGN GRD	542	INPUT PARK BRAKE INTERLOCK		
167Z	ZMTEC MODULE	231W	W. TR.-NEUTRAL SIGN GRD WCL	543	DDEC-CRUISE BRAKE PEDAL		
169	WORLD TRASM-PRE-SELECT #1	231Z	ZF NEUTRAL SIGNAL GRD	544	DDEC-CRUISE ON/OFF SW		
170	WORLD TRASM-SHIFTER	240	DDEC -ECM 12V FEEDING	545	DDEC-CRUISE RESUME SW		
170C	LUGGAGE DOOR LOCK-T.T.LT	241	DDEC -ECM 12V FEEDING	555	DDEC-FAN CLUTCH SPEED#1		
170D	LUGGAGE DOOR LOCK-FEED	253	24V SIGNAL GALLEY INVERTER	556	DDEC-VEHICULE SPEED (+)		
170E	LUG. DOOR LOCK-UNLOCK SIGN	254	GALLEY REFRIGERATOR	557	DDEC-VEHICULE SPEED (-)		
170F	LUGGAGE DOOR LOCK-FEED	254A	GALLEY REFRIGERATOR	563	DDEC-FAN CLUTCH SPEED#2		
170G	LUGGAGE DOOR LOCK-FEED	254F	GALLEY REFRIGERATOR	564	DDEC-DIGTAL OUTPUT		
170K	LUGGAGE DOOR-LOCK SIGN	255	GALLEY COFFEEMAKER	564B	DDEC-DIGTAL OUTPUT		
170L	LUGG DOOR LOCK-SIGN T.T.LT	255A	GALLEY COFFEEMAKER	565	DDEC-ENGINE BRAKE ACTIVE		
170N	LUGG DOOR LOCK-SIGN T.T.LT	255B	GALLEY COFFEEMAKER	565Z	DECELERATION LTS		
170R	LUGG DOOR LOCK-SIGN. T.T.LT.	260	WINDOW AJAR-T.T.LT	583	DDEC-ENGINE BRAKE 4 CYL.		
170S	LUGG DOOR LOCK-SIGN T.T.LT	290	FAN CLUTCH RADIATOR-FEED	700	J1587(+)		
170T	LUGG DOOR LOCK-SIGN T.T.LT	290A	FAN CLUTCH RADIATOR-FEED	701	J1587(-)		
170V	LUGG DOOR LOCK-SIGN T.T.LT	291	FAN CLUTCH RADIATOR SPD 1	705	ZF SIGNALS		
170W	LUGGAGE DOOR LOCK-FEED	292	FAN CLUTCH RADIATOR SPD 2	706	ZF SIGNALS		
170X	LUGG DOOR LOCK-SIGN T.T.LT	292J	FAN OVERRIDE LTS SWITCH	707	ZF SIGNALS		
170Y	LUGGAGE DOOR LOCK-FEED	300	WCL POWER SYS. & ACCESS.	717	ZF SIGNALS		
170Z	LUGGAGE DOOR LOCK	300A	WCL POWER SYSTEM SW.	718	ZF SIGNALS		
171	WORLD TRASM-SHIFTER	301J	WCL POWER SW. JUMPER LED	719	ZF SIGNALS		
172	WORLD TRASM-SHIFTER	301	WCL SIGNAL POWER SW.	720	ZF SIGNALS		
173	WORLD TRASM-SHIFTER	302	WCL DOOR AJAR TTLT & ALARM	740	EASY START VALVE		
		303	WCL FR RH FLASHER	761	ZF SIGNALS		
				900	DDEC-DATA LINK (+)		

CIRCUIT BREAKERS CODE

No.	PAGE	AMP.	#PREV.	LOCATION	FUNCTION	No.	PAGE	AMP.	#PREV.	LOCATION	FUNCTION
CB 1	1.1	200A	560838	BATT. COMPT.	A/C FULL AIR	CB 59					
CB 2	1.1	25A	561795	BATT. COMPT.	12V HOT WIRE	CB 60					
CB 3	1.1	70A	562687	BATT. COMPT.	12V FEDD RR JCT BOX	CB 61					
CB 4	1.1	90A	562683	BATT. COMPT.	12V FEDD FR JCT BOX	CB 62					
CB 5	1.1	25A	561795	BATT. COMPT.	24V HOT WIRE	CB 63					
CB 6	1.1	90A	562683	BATT. COMPT.	24V FEED RR JCT BOX	CB 64					
CB 7	1.1	90A	562683	BATT. COMPT.	24V FEED FR JCT BOX	CB 65					
CB 8	15.3	40A	562686	A/C JCT BOX	CONDENSER FAN MOTOR L.H.	CB 66					
CB 9	15.3	120A	562688	A/C JCT BOX	EVAPORATOR FAN MOTOR	CB 67					
CB 10	4.1	8A	561791	FR JCT BOX	MASTER SWITCH	CB 68					
CB 11	15.3	40A	562686	A/C JCT BOX	CONDENSER FAN MOTOR R.H.	CB 69					
CB 12	29.1	90A	562683	BATT. COMPT.	WCL MOTOR PUMP	CB 70					
CB 13	6.1	3A	561797	RR JCT BOX	12 HOT WIRE DDR CONNECTOR	CB 71					
CB 14	15.4	25A	561795	FR JCT BOX	UPPER FAN DEFROST	CB 72	15.2	10A	561792	RR JCT BOX	A/C COMPRESSOR CLUTCH
CB 15						CB 73	15.3	15A	561793	FR JCT BOX	WATER PUMP
CB 16	4.1	8A	561791	RR JCT BOX	ENGINE-RR CTR & START SW	CB 74					
CB 17						CB 75	15.1	8A	561791	RR JCT BOX	PARCEL RACK A/C COMPRESSOR
CB 18	4.1	6A	561791	RR JCT BOX	ENGINE-FR CTR SW	CB 76					
CB 19	5.1	15A	561793	BATT. COMPT.	DDEC E.C.M. POWER	CB 77					
CB 20	5.1	15A	561793	BATT. COMPT.	DDEC E.C.M. POWER	CB 78					
CB 21	5.1	10A	561790	RR JCT BOX	DDEC 12V IGNITION	CB 79	15.2	15A	561792	FR JCT BOX	DRIVER'S DEFROSTER FAN
CB 22						CB 80	24.1	6A	561790	FR JCT BOX	ENTRANCE DOOR
CB 23						CB 81					
CB 24	6.3	30A	870860	BATT. COMPT.	EATON TR. 12V BATT	CB 82					
CB 25						CB 83	6.1	20A	561794	RR JCT BOX	WORLD TRANSMISSION VIM POWER
CB 26	9.3	10A	561792	RR JCT BOX	BACK-UP LTS & ALARM	CB 84					
CB 27	7.2	8A	561791	FR JCT BOX	24V IGN DASH ACCESSORIES	CB 85					
CB 28	7.1	6A	561790	FR JCT BOX	12V IGN. DASH ACCESSORIES	CB 86	26.1	8A	561791	RR JCT BOX	LAVATORY PUMP
CB 29						CB 87					
CB 30						CB 88					
CB 31						CB 89	26.1	8A	561791	RR JCT BOX	LAVATORY LIGHTS
CB 32						CB 90	1.2	30A	870860	BATT. COMPT.	12V SOUND SYSTEM
CB 33						CB 91	1.2	30A	870860	BATT. COMPT.	24V SOUND SYSTEM
CB 34						CB 92	17.1	6A	561790	FR JCT BOX	DECEL SW & KNEELING
CB 35	9.3	6A	561790	FR JCT BOX	FOG & A/C MODULE	CB 93	15.2	6A	561790	FR JCT BOX	DR'S REC. DAMPER CYL. L.H.
CB 36						CB 95	28.1	10A	561792	S.S. JCT BOX	AUDIO AMPLIFIER
CB 37	9.1	8A	561791	FR JCT BOX	HEAD & MULTI-FUNC. SW	CB 96	28.1	10A	561792	S.S. JCT BOX	VIDEO MONITOR
CB 38						CB 98	28.1	15A	561793	S.S. JCT BOX	RADIO
CB 39						CB 105	22.1	6A	561790	FR JCT BOX	ABS E . C . U .
CB 40	9.1	10A	561791	FR JCT BOX	MARKER CLEARANCE & ID. LTS	CB 106	22.1	15A	561793	FR JCT BOX	ABS E . C . U .
CB 41						CB 107					
CB 42	9.1	10A	561792	RR JCT BOX	RR TAIL & LICENCE LTS	CB 109	26.1	8A	561791	RR JCT BOX	LAVATORY FAN
CB 43	9.1	20A	561794	FR JCT BOX	HEADLAMP (HI)	CB 115					
CB 44	9.1	20A	561793	FR JCT BOX	HEADLAMP (LO)	CB 118	12.1	20A	561794	RR JCT BOX	LUGGAGE DOOR LOCK MOTOR
CB 45	9.2	10A	561792	FR JCT BOX	MULTI-FUNC. SW (WIPER CTR)	CB 120	12.1	20A	561794	RR JCT BOX	LUGGAGE DOOR LOCK MOTOR
CB 46	29.1	10A	561792	BATT. COMPT.	WCL SYSTEM POWER	CB 124	8.1	6A	561790	RR JCT BOX	FAN CLUTCH RADIATOR
CB 47	29.1	8A	561791	BATT. COMPT.	WCL DOOR TOP LT.	CB 125	9.2	20A	561794	FR JCT BOX	DIRECTIONAL LTS LH
CB 48	9.3	6A	561790	FR JCT BOX	STOP SW	CB 126	9.2	20A	561794	FR JCT BOX	DIRECTIONAL LTS RH
CB 49	9.3	15A	561793	RR JCT BOX	LH STOP LTS	CB 127	15.1	15A	561793	RR JCT BOX	PARCEL RACK VENTILATION
CB 50						CB 128	15.1	15A	561793	RR JCT BOX	PARCEL RACK VENTILATION
CB 51	9.3	15A	561793	RR JCT BOX	RH STOP LTS & TRAILER SIGN.	CB 129	7.1	6A	561790	FR JCT BOX	CLUSTER
CB 52	11.1	15A	561793	FR JCT BOX	LUGGAGE LTS	CB 130	23.1	6A	561790	FR JCT BOX	TT LT MODULE
CB 53						CB 132	14.1	15A	561793	RR JCT BOX	WATER HEATER
CB 54						CB 138	14.1	20A	561793	RR JCT BOX	WATER HEATER
CB 55						CB 142	2.1	15A	561790	RR JCT BOX	12V IGNITION FR. & RR. JCT. BOX
CB 56											
CB 57	11.2	8A	561791	FR JCT BOX	DASH LTS RHEOSTAT						
CB 58	15.2	6A	561790	FR JCT BOX	HVAC DASH MODULE						

CIRCUIT BREAKERS CODE

No. PAGE AMP. #PREV. LOCATION FUNCTION

No. PAGE AMP. #PREV. LOCATION FUNCTION

CIRCUIT BREAKERS CODE

No.	PAGE	AMP.	#PREV.	LOCATION	FUNCTION	No.	PAGE	AMP.	#PREV.	LOCATION	FUNCTION
CB 1	1.1	200A	560838	BATT. COMPT.	A/C FULL AIR	CB 59					
CB 2	1.1	25A	561795	BATT. COMPT.	12V HOT WIRE	CB 60					
CB 3	1.1	70A	562687	BATT. COMPT.	12V FEDD RR JCT BOX	CB 61					
CB 4	1.1	90A	562683	BATT. COMPT.	12V FEDD FR JCT BOX	CB 62					
CB 5	1.1	25A	561795	BATT. COMPT.	24V HOT WIRE	CB 63					
CB 6	1.1	90A	562683	BATT. COMPT.	24V FEED RR JCT BOX	CB 64					
CB 7	1.1	90A	562683	BATT. COMPT.	24V FEED FR JCT BOX	CB 65					
CB 8	15.3	40A	562686	A/C JCT BOX	CONDENSER FAN MOTOR L.H.	CB 66					
CB 9	15.3	120A	562688	A/C JCT BOX	EVAPORATOR FAN MOTOR	CB 67					
CB 10	4.1	8A	561791	FR JCT BOX	MASTER SWITCH	CB 68					
CB 11	15.3	40A	562686	A/C JCT BOX	CONDENSER FAN MOTOR R.H.	CB 69					
CB 12	29.1	90A	562683	BATT. COMPT.	WCL MOTOR PUMP	CB 70					
CB 13	6.1	3A	561797	RR JCT BOX	12 HOT WIRE DDR CONNECTOR	CB 71					
CB 14	15.4	25A	561795	FR JCT BOX	UPPER FAN DEFROST	CB 72	15.2	10A	561792	RR JCT BOX	A/C COMPRESSOR CLUTCH
CB 15						CB 73	15.3	15A	561793	FR JCT BOX	WATER PUMP
CB 16	4.1	8A	561791	RR JCT BOX	ENGINE-RR CTR & START SW	CB 74					
CB 17						CB 75	15.1	8A	561791	RR JCT BOX	PARCEL RACK A/C COMPRESSOR
CB 18	4.1	6A	561791	RR JCT BOX	ENGINE-FR CTR SW	CB 76					
CB 19	5.1	15A	561793	BATT. COMPT.	DDEC E.C.M. POWER	CB 77					
CB 20	5.1	15A	561793	BATT. COMPT.	DDEC E.C.M. POWER	CB 78					
CB 21	5.1	10A	561790	RR JCT BOX	DDEC 12V IGNITION	CB 79	15.2	15A	561792	FR JCT BOX	DRIVER'S DEFROSTER FAN
CB 22						CB 80	24.1	6A	561790	FR JCT BOX	ENTRANCE DOOR
CB 23						CB 81					
CB 24	6.3	30A	870860	BATT. COMPT.	EATON TR. 12V BATT	CB 82					
CB 25						CB 83	6.1	20A	561794	RR JCT BOX	WORLD TRANSMISSION VIM POWER
CB 26	9.3	10A	561792	RR JCT BOX	BACK-UP LTS & ALARM	CB 84					
CB 27	7.2	8A	561791	FR JCT BOX	24V IGN DASH ACCESSORIES	CB 85					
CB 28	7.1	6A	561790	FR JCT BOX	12V IGN. DASH ACCESSORIES	CB 86	26.1	8A	561791	RR JCT BOX	LAVATORY PUMP
CB 29						CB 87					
CB 30						CB 88					
CB 31						CB 89	26.1	8A	561791	RR JCT BOX	LAVATORY LIGHTS
CB 32						CB 90	1.2	30A	870860	BATT. COMPT.	12V SOUND SYSTEM
CB 33						CB 91	1.2	30A	870860	BATT. COMPT.	24V SOUND SYSTEM
CB 34						CB 92	17.1	6A	561790	FR JCT BOX	DECEL SW & KNEELING
CB 35	9.3	6A	561790	FR JCT BOX	FOG & A/C MODULE	CB 93	15.2	6A	561790	FR JCT BOX	DR'S REC. DAMPER CYL. L.H.
CB 36						CB 95	28.1	10A	561792	S.S. JCT BOX	AUDIO AMPLIFIER
CB 37	9.1	8A	561791	FR JCT BOX	HEAD & MULTI-FUNC. SW	CB 96	28.1	10A	561792	S.S. JCT BOX	VIDEO MONITOR
CB 38						CB 98	28.1	15A	561793	S.S. JCT BOX	RADIO
CB 39						CB 105	22.1	6A	561790	FR JCT BOX	ABS E . C . U .
CB 40	9.1	10A	561791	FR JCT BOX	MARKER CLEARANCE & ID. LTS	CB 106	22.1	15A	561793	FR JCT BOX	ABS E . C . U .
CB 41						CB 107					
CB 42	9.1	10A	561792	RR JCT BOX	RR TAIL & LICENCE LTS	CB 109	26.1	8A	561791	RR JCT BOX	LAVATORY FAN
CB 43	9.1	20A	561794	FR JCT BOX	HEADLAMP (HI)	CB 115					
CB 44	9.1	20A	561793	FR JCT BOX	HEADLAMP (LO)	CB 118	12.1	20A	561794	RR JCT BOX	LUGGAGE DOOR LOCK MOTOR
CB 45	9.2	10A	561792	FR JCT BOX	MULTI-FUNC. SW (WIPER CTR)	CB 120	12.1	20A	561794	RR JCT BOX	LUGGAGE DOOR LOCK MOTOR
CB 46	29.1	10A	561792	BATT. COMPT.	WCL SYSTEM POWER	CB 124	8.1	8A	561791	RR JCT BOX	FAN CLUTCH RADIATOR
CB 47	29.1	8A	561791	BATT. COMPT.	WCL DOOR TOP LT.	CB 125	9.2	20A	561794	FR JCT BOX	DIRECTIONAL LTS LH
CB 48	9.3	6A	561790	FR JCT BOX	STOP SW	CB 126	9.2	20A	561794	FR JCT BOX	DIRECTIONAL LTS RH
CB 49	9.3	15A	561793	RR JCT BOX	LH STOP LTS	CB 127	15.1	15A	561793	RR JCT BOX	PARCEL RACK VENTILATION
CB 50						CB 128	15.1	15A	561793	RR JCT BOX	PARCEL RACK VENTILATION
CB 51	9.3	15A	561793	RR JCT BOX	RH STOP LTS & TRAILER SIGN.	CB 129	7.1	6A	561790	FR JCT BOX	CLUSTER
CB 52	11.1	15A	561793	FR JCT BOX	LUGGAGE LTS	CB 130	23.1	6A	561790	FR JCT BOX	TT LT MODULE
CB 53						CB 132	14.1	15A	561793	RR JCT BOX	WATER HEATER
CB 54						CB 138	14.1	20A	561793	RR JCT BOX	WATER HEATER
CB 55						CB 142	2.1	15A	561790	RR JCT BOX	12V IGNITION FR. & RR. JCT. BOX
CB 56											
CB 57	11.2	8A	561791	FR JCT BOX	DASH LTS RHEOSTAT						
CB 58	15.2	6A	561790	FR JCT BOX	HVAC DASH MODULE						

CIRCUIT BREAKERS CODE

No. PAGE AMP. #PREV. LOCATION FUNCTION

No. PAGE AMP. #PREV. LOCATION FUNCTION

CIRCUIT BREAKERS CODE

No.	PAGE	AMP.	#PREV.	LOCATION	FUNCTION	No.	PAGE	AMP.	#PREV.	LOCATION	FUNCTION
CB 1	1.1	200A	560838	BATT. COMPT.	A/C FULL AIR	CB 59					
CB 2	1.1	25A	561795	BATT. COMPT.	12V HOT WIRE	CB 60					
CB 3	1.1	70A	562687	BATT. COMPT.	12V FEDD RR JCT BOX	CB 61					
CB 4	1.1	90A	562683	BATT. COMPT.	12V FEDD FR JCT BOX	CB 62					
CB 5	1.1	25A	561795	BATT. COMPT.	24V HOT WIRE	CB 63					
CB 6	1.1	90A	562683	BATT. COMPT.	24V FEED RR JCT BOX	CB 64					
CB 7	1.1	90A	562683	BATT. COMPT.	24V FEED FR JCT BOX	CB 65					
CB 8	15.3	40A	562686	A/C JCT BOX	CONDENSER FAN MOTOR L.H.	CB 66					
CB 9	15.3	120A	562688	A/C JCT BOX	EVAPORATOR FAN MOTOR	CB 67					
CB 10	4.1	8A	561791	FR JCT BOX	MASTER SWITCH	CB 68					
CB 11	15.3	40A	562686	A/C JCT BOX	CONDENSER FAN MOTOR R.H.	CB 69					
CB 12	29.1	50A	563355	BATT. COMPT.	WCL MOTOR PUMP	CB 70					
CB 13	6.1	3A	561797	RR JCT BOX	12 HOT WIRE DDR CONNECTOR	CB 71					
CB 14	15.4	25A	561795	FR JCT BOX	UPPER FAN DEFROST	CB 72	15.2	15A	561793	RR JCT BOX	A/C COMPRESSOR CLUTCH
CB 15						CB 73	15.3	15A	561793	FR JCT BOX	WATER PUMP
CB 16	4.1	8A	561791	RR JCT BOX	ENGINE-RR CTR & START SW	CB 74					
CB 17						CB 75	15.1	8A	561791	RR JCT BOX	PARCEL RACK A/C COMPRESSOR
CB 18	4.1	6A	561791	RR JCT BOX	ENGINE-FR CTR SW	CB 76					
CB 19	5.1	15A	561793	BATT. COMPT.	DDEC E.C.M. POWER	CB 77					
CB 20	5.1	15A	561793	BATT. COMPT.	DDEC E.C.M. POWER	CB 78					
CB 21	5.1	10A	561790	RR JCT BOX	DDEC 12V IGNITION	CB 79	15.2	15A	561792	FR JCT BOX	DRIVER'S DEFROSTER FAN
CB 22						CB 80	24.1	6A	561790	FR JCT BOX	ENTRANCE DOOR
CB 23						CB 81					
CB 24	6.3	30A	870860	BATT. COMPT.	EATON TR. 12V BATT	CB 82					
CB 25						CB 83	6.1	20A	561794	RR JCT BOX	WORLD TRANSMISSION VIM POWER
CB 26	9.3	10A	561792	RR JCT BOX	BACK-UP LTS & ALARM	CB 84					
CB 27	7.2	8A	561791	FR JCT BOX	24V IGN DASH ACCESSORIES	CB 85					
CB 28	7.1	6A	561790	FR JCT BOX	12V IGN. DASH ACCESSORIES	CB 86	26.1	8A	561791	RR JCT BOX	LAVATORY PUMP
CB 29						CB 87					
CB 30						CB 88					
CB 31						CB 89	26.1	8A	561791	RR JCT BOX	LAVATORY LIGHTS
CB 32						CB 90	1.2	30A	870860	BATT. COMPT.	12V SOUND SYSTEM
CB 33						CB 91	1.2	30A	870860	BATT. COMPT.	24V SOUND SYSTEM
CB 34						CB 92	17.1	6A	561790	FR JCT BOX	DECEL SW & KNEELING
CB 35	9.3	6A	561790	FR JCT BOX	FOG & A/C MODULE	CB 93	15.2	6A	561790	FR JCT BOX	DR'S REC. DAMPER CYL. L.H.
CB 36						CB 95	28.1	10A	561792	S.S. JCT BOX	AUDIO AMPLIFIER
CB 37	9.1	8A	561791	FR JCT BOX	HEAD & MULTI-FUNC. SW	CB 96	28.1	10A	561792	S.S. JCT BOX	VIDEO MONITOR
CB 38						CB 98	28.1	15A	561793	S.S. JCT BOX	RADIO
CB 39						CB 105	22.1	6A	561790	FR JCT BOX	ABS E . C . U .
CB 40	9.1	10A	561791	FR JCT BOX	MARKER CLEARANCE & ID. LTS	CB 106	22.1	15A	561793	FR JCT BOX	ABS E . C . U .
CB 41						CB 107					
CB 42	9.1	10A	561792	RR JCT BOX	RR TAIL & LICENCE LTS	CB 109	26.1	8A	561791	RR JCT BOX	LAVATORY FAN
CB 43	9.1	20A	561794	FR JCT BOX	HEADLAMP (HI)	CB 115					
CB 44	9.1	20A	561793	FR JCT BOX	HEADLAMP (LO)	CB 118	12.1	20A	561794	RR JCT BOX	LUGGAGE DOOR LOCK MOTOR
CB 45	9.2	10A	561792	FR JCT BOX	MULTI-FUNC. SW (WIPER CTR)	CB 120	12.1	20A	561794	RR JCT BOX	LUGGAGE DOOR LOCK MOTOR
CB 46	29.1	10A	561792	BATT. COMPT.	WCL SYSTEM POWER	CB 124	8.1	8A	561791	RR JCT BOX	FAN CLUTCH RADIATOR
CB 47	29.1	8A	561791	BATT. COMPT.	WCL DOOR TOP LT.	CB 125	9.2	20A	561794	FR JCT BOX	DIRECTIONAL LTS LH
CB 48	9.3	6A	561790	FR JCT BOX	STOP SW	CB 126	9.2	20A	561794	FR JCT BOX	DIRECTIONAL LTS RH
CB 49	9.3	15A	561793	RR JCT BOX	LH STOP LTS	CB 127	15.1	15A	561793	RR JCT BOX	PARCEL RACK VENTILATION
CB 50						CB 128	15.1	15A	561793	RR JCT BOX	PARCEL RACK VENTILATION
CB 51	9.3	15A	561793	RR JCT BOX	RH STOP LTS & TRAILER SIGN.	CB 129	7.1	6A	561790	FR JCT BOX	CLUSTER
CB 52	11.1	15A	561793	FR JCT BOX	LUGGAGE LTS	CB 130	23.1	6A	561790	FR JCT BOX	TT LT MODULE
CB 53						CB 132	14.1	15A	561793	RR JCT BOX	WATER HEATER
CB 54						CB 138	14.1	20A	561793	RR JCT BOX	WATER HEATER
CB 55						CB 142	2.1	15A	561790	RR JCT BOX	12V IGNITION FR. & RR. JCT. BOX
CB 56											
CB 57	11.2	8A	561791	FR JCT BOX	DASH LTS RHEOSTAT						
CB 58	15.2	6A	561790	FR JCT BOX	HVAC DASH MODULE						

CIRCUIT BREAKERS CODE

No. PAGE AMP. #PREV. LOCATION FUNCTION

No. PAGE AMP. #PREV. LOCATION FUNCTION

CIRCUIT BREAKERS CODE

No.	PAGE	AMP.	#PREV.	LOCATION	FUNCTION	No.	PAGE	AMP.	#PREV.	LOCATION	FUNCTION
CB 1	1.1	200A	560838	BATT. COMPT.	A/C FULL AIR	CB 59					
CB 2	1.1	25A	561795	BATT. COMPT.	12V HOT WIRE	CB 60					
CB 3	1.1	70A	562687	BATT. COMPT.	12V FEDD RR JCT BOX	CB 61					
CB 4	1.1	90A	562683	BATT. COMPT.	12V FEDD FR JCT BOX	CB 62					
CB 5	1.1	25A	561795	BATT. COMPT.	24V HOT WIRE	CB 63					
CB 6	1.1	90A	562683	BATT. COMPT.	24V FEED RR JCT BOX	CB 64					
CB 7	1.1	90A	562683	BATT. COMPT.	24V FEED FR JCT BOX	CB 65					
CB 8	15.3	40A	562686	A/C JCT BOX	CONDENSER FAN MOTOR L.H.	CB 66					
CB 9	15.3	120A	562688	A/C JCT BOX	EVAPORATOR FAN MOTOR	CB 67					
CB 10	4.1	8A	561791	FR JCT BOX	MASTER SWITCH	CB 68					
CB 11	15.3	40A	562686	A/C JCT BOX	CONDENSER FAN MOTOR R.H.	CB 69					
CB 12	29.1	50A	563355	BATT. COMPT.	WCL MOTOR PUMP	CB 70					
CB 13	6.1	3A	561797	RR JCT BOX	12 HOT WIRE DDR CONNECTOR	CB 71					
CB 14	15.4	25A	561795	FR JCT BOX	UPPER FAN DEFROST	CB 72	15.2	15A	561793	RR JCT BOX	A/C COMPRESSOR CLUTCH
CB 15						CB 73	15.3	15A	561793	FR JCT BOX	WATER PUMP
CB 16	4.1	8A	561791	RR JCT BOX	ENGINE-RR CTR & START SW	CB 74					
CB 17						CB 75	15.1	8A	561791	RR JCT BOX	PARCEL RACK A/C COMPRESSOR
CB 18	4.1	6A	561791	RR JCT BOX	ENGINE-FR CTR SW	CB 76					
CB 19	5.1	15A	561793	BATT. COMPT.	DDEC E.C.M. POWER	CB 77					
CB 20	5.1	15A	561793	BATT. COMPT.	DDEC E.C.M. POWER	CB 78					
CB 21	5.1	10A	561790	RR JCT BOX	DDEC 12V IGNITION	CB 79	15.2	25A	561795	FR JCT BOX	DRIVER'S DEFROSTER FAN
CB 22						CB 80	24.1	6A	561790	FR JCT BOX	ENTRANCE DOOR
CB 23						CB 81					
CB 24	6.3	30A	870860	BATT. COMPT.	EATON TR. 12V BATT	CB 82					
CB 25						CB 83	6.1	20A	561794	RR JCT BOX	WORLD TRANSMISSION VIM POWER
CB 26	9.3	10A	561792	RR JCT BOX	BACK-UP LTS & ALARM	CB 84					
CB 27	7.2	8A	561791	FR JCT BOX	24V IGN DASH ACCESSORIES	CB 85					
CB 28	7.1	6A	561790	FR JCT BOX	12V IGN. DASH ACCESSORIES	CB 86	26.1	8A	561791	RR JCT BOX	LAVATORY PUMP
CB 29						CB 87					
CB 30						CB 88					
CB 31						CB 89	26.1	8A	561791	RR JCT BOX	LAVATORY LIGHTS
CB 32						CB 90	1.2	30A	870860	BATT. COMPT.	12V SOUND SYSTEM
CB 33						CB 91	1.2	30A	870860	BATT. COMPT.	24V SOUND SYSTEM
CB 34						CB 92	17.1	6A	561790	FR JCT BOX	DECEL SW & KNEELING
CB 35	9.3	6A	561790	FR JCT BOX	FOG & A/C MODULE	CB 93	15.2	6A	561790	FR JCT BOX	DR'S REC. DAMPER CYL. L.H.
CB 36						CB 95	28.1	10A	561792	S.S. JCT BOX	AUDIO AMPLIFIER
CB 37	9.1	8A	561791	FR JCT BOX	HEAD & MULTI-FUNC. SW	CB 96	28.1	10A	561792	S.S. JCT BOX	VIDEO MONITOR
CB 38						CB 98	28.1	15A	561793	S.S. JCT BOX	RADIO
CB 39						CB 105	22.1	6A	561790	FR JCT BOX	ABS E . C . U .
CB 40	9.1	10A	561791	FR JCT BOX	MARKER CLEARANCE & ID. LTS	CB 106	22.1	15A	561793	FR JCT BOX	ABS E . C . U .
CB 41						CB 107					
CB 42	9.1	10A	561792	RR JCT BOX	RR TAIL & LICENCE LTS	CB 109	26.1	8A	561791	RR JCT BOX	LAVATORY FAN
CB 43	9.5	15A	561793	FR JCT BOX	HEADLAMP (HI)	CB 115					
CB 44	9.5	15A	561793	FR JCT BOX	HEADLAMP (LO)	CB 118	12.1	20A	561794	RR JCT BOX	LUGGAGE DOOR LOCK MOTOR
CB 45	9.2	10A	561792	FR JCT BOX	MULTI-FUNC. SW (WIPER CTR)	CB 120	12.1	20A	561794	RR JCT BOX	LUGGAGE DOOR LOCK MOTOR
CB 46	29.1	10A	561792	BATT. COMPT.	WCL SYSTEM POWER	CB 124	8.1	8A	561791	RR JCT BOX	FAN CLUTCH RADIATOR
CB 47	29.1	8A	561791	BATT. COMPT.	WCL DOOR TOP LT.	CB 125	9.2	20A	561794	FR JCT BOX	DIRECTIONAL LTS LH
CB 48	9.3	6A	561790	FR JCT BOX	STOP SW	CB 126	9.2	20A	561794	FR JCT BOX	DIRECTIONAL LTS RH
CB 49	9.3	15A	561793	RR JCT BOX	LH STOP LTS	CB 127	15.1	15A	561793	RR JCT BOX	PARCEL RACK VENTILATION
CB 50	8.1SP1	8A	561791	RR JCT BOX	AIR DRYER	CB 128	15.1	15A	561793	RR JCT BOX	PARCEL RACK VENTILATION
CB 51	9.3	15A	561793	RR JCT BOX	RH STOP LTS & TRAILER SIGN.	CB 129	7.1	6A	561790	FR JCT BOX	CLUSTER
CB 52	11.1	15A	561793	FR JCT BOX	LUGGAGE LTS	CB 130	23.1	6A	561790	FR JCT BOX	TT LT MODULE
CB 53						CB 132	14.1	15A	561793	RR JCT BOX	WATER HEATER
CB 54						CB 138	14.1	20A	561793	RR JCT BOX	WATER HEATER
CB 55						CB 142	2.1	15A	561790	RR JCT BOX	12V IGNITION FR. & RR. JCT. BOX
CB 56											
CB 57	11.2	8A	561791	FR JCT BOX	DASH LTS RHEOSTAT						
CB 58	15.2	6A	561790	FR JCT BOX	HVAC DASH MODULE						

CIRCUIT BREAKERS CODE

No. PAGE AMP. #PREV. LOCATION FUNCTION

No. PAGE AMP. #PREV. LOCATION FUNCTION

CONNECTORS CODE

NO	LOCATION	TYPE	CAVITY	#PIN	#SOCKET	NO	LOCATION	TYPE	CAVITY	#PIN	#SOCKET
				HOUSING	HOUSING					HOUSING	HOUSING
A 1	UNDER DASH – AUDIO SIGNAL	RCA	1	562090	562330	C 57	RH PARCEL RACK - FEEDING	MOLEX	6	562558	562557
A 2	UNDER DASH – AUDIO SIGNAL	RCA	1	562090	562330	C 58					
A 10	UNDER DASH – AUDIO SIGNAL	RCA	1	562090	562330	C 59					
A 11	UNDER DASH – AUDIO SIGNAL	RCA	1	562090	562330	C 60					
A 18	S. S. PANEL – AUDIO SIGNAL	RCA	1	562090	562330	C 61	ENGINE COMPT - FUEL FILTER	PED WP	2	561566	561690
A 19	S. S. PANEL – AUDIO SIGNAL	RCA	1	562090	562330	C 62	ENGINE COMPT – COMPR. AUX. PRESS. SW.	PED WP	2	561566	561690
AA 1	UNDER DASH PANEL- SONALERT	BOSCH	5	-----	561183	C 63	ENGINE COMPT – COMPR. AUX. PRESS. SW.	PED WP	2	561566	561690
C 1	FR JCT BOX COMPARTIMENT	AMP CPC	14	561585	561584	C 64					
C 2	FR JCT BOX COMPARTIMENT	AMP CPC	16	561638	561640	C 65	ENGINE CPT – A/C PRESS SW FAN CLUTCH	PED WP	2	561566	561690
C 3	FR JCT BOX COMPARTIMENT	AMP CPC	37	561644	561646	C 66	ENGINE CPT – SPARE CONNECTOR	PED WP	1	561605	561577
C 4	FR JCT BOX COMPARTIMENT	AMP CPC	24	561641	561643	C 67					
C 5	FR SERVICE COMPT. - UNDERNEATH	AMP CPC	37	561645	561646	C 68					
C 6	FR SERVICE COMPT. - UNDERNEATH	AMP CPC	16	561639	561640	C 69					
C 7	FR SERVICE COMPT - CLUTCH SW	ITT SS	3	561080	561111	C 70	LH CONSOLE	AMP CPC	16	561639	561640
C 8	FR SERVICE COMPT. - UNDERNEATH	AMP CPC	24	561642	561643	C 71	FR JCT BOX COMPT.	AMP CPC	37	561645	561646
C 9	FR SERVICE COMPT. - UNDERNEATH	AMP CPC	24	561642	561643	C 72	FR JCT BOX COMPT.	AMP CPC	24	561642	561643
C 10	FR SERVICE DOOR ACCESS.	DEUTSCH	5	562565	562566	C 73					
C 11	FR SERV. CPT ACCESS	AMP CPC	37	561645	561646	C 74	FR JCT BOX COMPT.	AMP CPC	37	561645	561646
C 12	FR SERV. CPT ACCESS	AMP CPC	16	561639	561640	C 75	SERVICE COMPT. EXT. ENTRANCE DOOR SW.	DEUTSCH	4	562479	562477
C 13	FR JCT BOX COMPARTIMENT	AMP MNL	2	561248	561247	C 75	RH PARCEL RACK – READ. LTS FEED. WCL	MOLEX	6	562558	562557
C 14	LAST LUGGAGE COMP(4) - DOCKING LTS	AMP MNL	2	561248	561247	C 76	ENGINE COMPT. FIRE DETECTOR	DEUTSCH	2	562486	562485
C 15	UNDER STAIRS – CORNERING LTS	AMP MNL	2	560900	560898	C 77	ENGINE COMPT. FIRE DETECTOR	DEUTSCH	2	562486	562485
C 16	LH CONSOLE SW-CRUISE ON/OFF	EATON	12	-----	562763	C 78					
C 17	LH CONSOLE SW-CRUISE RESUME	EATON	12	-----	562763	C 79					
C 18	LH CONSOLE SW-CRUISE SET	EATON	12	-----	562763	C 80					
C 19	LH CONSOLE SW-DECEL SW	EATON	12	-----	562763	C 81	LUGGAGE COMPT - DOOR LOCK	AMP MNL	4	560851	560852
C 20	RR JCT BOX	DEUTSCH	70	562282	562285	C 82	UNDER SEAT – AISLE LTS	AMP MNL	2	560900	560898
C 21	ENGINE COMPT - LOCK DOOR MOT.	PED WP	2	-----	562076	C 82	LUGGAGE COMPT - DOOR LOCK	AMP MNL	4	560851	560852
C 22	LUGGAGE COMPT (A) - A/C & FUEL TANK	AMP CPC	16	561639	561640	C 83	LUGGAGE COMPT - DOOR LOCK	AMP MNL	4	560851	560852
C 23	LUGGAGE COMPT (1) – LUGG. ACCESS.	AMP CPC	24	561642	561643	C 84	LUGGAGE COMPT - DOOR LOCK	AMP MNL	4	560851	560852
C 24	ENGINE COMPT. – INTERF RJB	PED WP	6	561606	561607	C 85					
C 25	ENGINE COMPT. – INTERF RJB	PED WP	6	561606	561607	C 86					
C 26	ENGINE COMPT. ACCESS	DEUTSCH	40	562281	562284	C 87					
C 27	ENGINE COMPT. – INTERF. RJB	DEUTSCH	6	562583	562581	C 88	FR SERV. CPT. PRESS SW PARK BRAKE	PED WP	2	561566	561690
C 28	LUGGAGE COMPT(4) – LUGG. ACCESS	AMP CPC	24	561642	561643	C 89					
C 29	FR SERVICE COMPT – E.C.U. FEED	PED WP	3	561781	561782	C 90					
C 30	ENGINE COMPT – MASTER SW. SIGN.	DEUTSCH	2	562486	562485	C 91					
C 31	RR JCT BOX – PARCEL RACK FEEDING	DEUTSCH	31	562572	562536	C 92	FR JCT BOX COMPT - ABS	AMP CPC	9	561635	561637
C 32	ENGINE COMPT. – 12VI FOR OPTION	PED WP	1	-----	561577	C 93					
C 33	FR SERV. COMPT. – VSS SIGNAL	PED WP	2	561566	561690	C 94					
C 34	FR JCT BOX EATON TRANS. J1939	DEUTSCH	3	562877	562884	C 95					
C 35	A/C COMPT - AIR RETURN SENSOR	AMP MNL	2	561248	561247	C 96	FR SERVICE DOOR ACCESS	AMP MNL	9	561670	561669
C 36	UNDER STAIRS – STEP LIGHTS	AMP MNL	2	561248	561247	C 97	FR SERVICE DOOR – WATER TANK	PED MP	2	-----	562426
C 36	RH PARCEL RACK – EMERGENCY LTS	AMP MNL	2	560900	560898	C 98					
C 37	LH PARCEL RACK - FEEDING	MOLEX	6	562558	562557	C 99	FR SERVICE CPT. LTS	AMP MNL	2	561248	561247
C 38	RH PARCEL RACK - FEEDING	MOLEX	6	562558	562557	C 100					
C 39	ENGINE COMPT. ECM J1939	DEUTSCH	3	562877	562884	C 101	FR SERVICE COMPT. ELEC. HORNS	PED WP	2	561566	561690
C 40						C 101	CONDENSER COMPT - A/C PRES. SW 1SP	PED WP	2	561566	561690
C 41	ENGINE COMPT – RH DOOR LOCK	DEUTSCH	4	562479	562477	C 102	CONDENS. COMPT – LIQU. SOL. VAL. PRES.	PED WP	2	561566	561690
C 42	ENGINE COMPT – RR CAP LIGHTING	DEUTSCH	6	562583	562581	C 103	ENGINE COMPT. – LAVATORY FAN	PED WP	2	561566	561690
C 43	FR JCT BOX – ALT. MODULE	AMP MNL	12	561735	561734	C 104	ENGINE COMPT. – LAVATORY PUMP	DEUTSCH	4	562479	562477
C 44	ENGINE COMPT - LIGHTS	GROTE	2	-----	563268	C 105	UNDER DASH RH - DRV LIO SOL VL	PED WP	2	561566	561690
C 45	FR JCT BOX COMPT – ROOF ACCESS	AMP CPC	24	561642	561643	C 106	UNDER DASH RH - DRV WTR VALVE	PED WP	2	561566	561690
C 46	ENGINE COMPT. ECM J1939	DEUTSCH	3	562877	562884	C 107	ENGINE COMPT-LAVATORY PUSH BUTTON	PED WP	2	561566	561690
C 47	ENGINE DDEC-ECM J1939	PED MP	6	-----	561962	C 108	FR. SERICE COMPT – GAZ CYLINDER L.H.	DEUTSCH	2	562486	562485
C 48	FR SERV. CPT. PRESS SW PARK BRAKE	PED WP	2	561566	561690	C 109					
C 49	LAVATORY ROOF – NIGHT LIGHT	AMP MNL	2	560900	560898	C 110					
C 50	LAVATORY ROOF - LIGHT	LEECRAFT	2	-----	562803	C 111					
C 50	LH SWITCH PANEL – SAFETY SW.	EATON	12	-----	562763	C 112					
C 51	FR SERV.CPT.PARK. BRAKE SOL. VALVE	PNEUMAC	2	-----	641385	C 113					
C 52	ENGINE COMPT - COMPRESSOR	PED WP	2	561566	561690	C 114	ENGINE DDEC - SPEED SIGNAL	PED WP	2	561566	561690
C 53	ENGINE COMPT - COMPRESSOR	PED WP	2	561566	561690	C 115	RR JCT BOX – ENGINE ACCESS	DEUTSCH	40	562281	562284
C 54	FRONT ROOF – UPPER FAN DEFROST	AMP MNL	6	561552	561515	C 116	DRIVE AXLE COMPT-AIR DRYER	PED MP	2	n/a	562251
C 55	CENTRAL DOOR LOCK	DEUTSCH	4	562479	562477	C 117					
C 56	LH PARCEL RACK - FEEDING	MOLEX	6	562558	562557	C 118	ENGINE COMPT - LICENCE	DOM. AUT	2	930210	

CONNECTORS CODE

NO	LOCATION	TYPE	CAVITY	#PIN	#SOCKET	NO	LOCATION	TYPE	CAVITY	#PIN	#SOCKET
				HOUSING	HOUSING					HOUSING	HOUSING
C 119	ENGINE COMPT - RH LOWER LAMP	PED WP	6	561606	561607	C 182					
C 120	ENGINE COMPT - LH LOWER LAMP	PED WP	6	561606	561607	C 183					
C 121						C 184	FR SERV. COMPT. - KNEELING PROX. SW.	ITT SS	3	561080	561111
C 122						C 185	KNEELING PANEL - DOWN SOL. VALVE	PNEUMAC	3		641385
C 123						C 186					
C 124						C 187	FR SERVICE JCT BOX - RESISTORS	AMP MNL	6	561552	561515
C 125						C 187	KNEELING PANEL- PARK BRAKE INTERLOCK	PNEUMAC	3		641385
C 126						C 188					
C 127						C 189	ENGINE COMPT - DOOR LIGHT BACK UP	TRUCK-LITE	2	562755	
C 128						C 190	ENGINE COMPT - DOOR LIGHT STOP/TURN	AMP SS	3		562601
C 129						C 191	ENGINE COMPT - DOOR LIGHT STOP/TURN	AMP SS	3		562601
C 130						C 192	ENGINE COMPT - DOOR LIGHT PARKING	AMP SS	3		562601
C 131						C 193					
C 132						C 194					
C 133						C 195					
C 134	FR JCT BOX - DIODE CONN.	AMP MNL	15	561987	561986	C 196	KNEELING PANEL - UP SOL. VALVE	PNEUMAC	3		641385
C 135	FR JCT BOX - DIODE CONN.	AMP MNL	15	561987	561986	C 197	KNEELING PANEL - CTR SOL. VALVE	PNEUMAC	3		641385
C 136	FR JCT BOX - DIODE CONN.	AMP MNL	15	561987	561986	C 198					
C 137	FR JCT BOX - DIODE CONN.	AMP MNL	15	561987	561986	C 199					
C 138						C 200	PARCEL RACK - FLUORESCENT LTS	AMP MNL	2	561248	561247
C 139						C 201	PARCEL RACK - FLUORESCENT LTS	AMP MNL	2	561248	561247
C 140	HVAC DASH MODULE THERMOMETER	MOLEX	4		562782	C 202	RH PARCEL RACK - INDIRECT LTS	MOLEX	2		562758
C 141	RR DASH PANEL - LTS CONN. (SPARE)	AMP MNL	2	561248	561247	C 203	PARCEL RACK - FLUORESCENT LTS	MOLEX	6		562759
C 142	ENGINE COMPT. B/U ALARM	PED WP	2	561566	561690	C 204	RH PARCEL RACK - RACK LTS	AMP MNL	2	560900	560858
C 143						C 205	RH PARCEL RACK - FEEDING	AMP MNL	9	561661	561662
C 144	FR JCT BOX - AISLE LTS FEEDING	AMP MNL	2	561248	561247	C 206	RH PARCEL RACK - FEEDING	AMP FF	4	562760	562756
C 145						C 207	LH PARCEL RACK - FEEDING	AMP FF	4	562760	562756
C 146						C 208	PARCEL RACK - FLUORESCENT LTS	MOLEX	2		562758
C 147						C 209	LH PARCEL RACK - HOTESS CHIME	AMP MNL	3	561667	561550
C 148						C 210	LH PARCEL RACK - FEEDING	AMP MNL	9	561661	561662
C 149						C 211	FR ROOF - SUN VISOR LH	AMP MNL	2	560900	560898
C 150						C 212	FR ROOF - SUN VISOR RH	AMP MNL	2	560900	560898
C 151						C 213	WCL DOOR UP HING-DOOR READ & HOST. SW	AMP MNL	6	561552	561515
C 152						C 214					
C 153						C 215					
C 154						C 216					
C 155	EVAPORATOR CPT - WATER VALVE	BURKERT	3		563204	C 217	RH PANEL SW. - SCENIC VIEW CAMERA	EATON	12		562763
C 156						C 218	RH PANEL SW. - LIGHTS SPARE	AMP MNL	2	560900	560898
C 157	FR SERV. CPT - WATER PUMP DR'S	PED WP	3	561781	561782	C 219					
C 158	ENGINE CPT - DDEC INTERFACE CONNECTOR	DEUTSCH	31	562572	562536	C 220					
C 159	ENGINE CPT - DDE FEED	PED WP	6	561606	561607	C 221					
C 160	FR SERVICE CPT - INTERFACE	AMP CPC	37	561644	561646	C 222					
C 161	ENGINE DDEC - ECM	PED MP	30		561600	C 223	HEAD LIGHTS - FLASHER	DEUTSCH	5	562565	562566
C 162	ENGINE DDEC - ACCESSORIES	PED WP	4	561610	561611	C 224	HEAD LIGHTS	PED MP	3		562099
C 163	ENGINE CPT - COOLANT PROBE	PED MP	2		562350	C 225	FOG LIGHTS	DEUTSCH	3	562902	562901
C 164						C 226	FRONT HEADLIGHTS - MARKER & FLASHER	PED	3	562137	
C 165						C 226	BATT. COMPT. - INTERIOR LTS	AMP MNL	2	561248	561247
C 166						C 227					
C 167	FR SERVICE CPT - EL. FOOT PEDAL	PED WP	3	561781	561782	C 228					
C 168	FR SERVICE CPT - DDR	DEUTSCH	6	562360		C 229	BATT. COMPT. - CHARGER 110V.	PED WP	1	561577	561605
C 169	FR SERVICE CPT - WORLD TR. INTERFACE	AMP CPC	16	561639	561640	C 230	ENGINE COMPT. - FUEL PRIME PUMP SW.	PED WP	2	561566	561690
C 169	FR SERV. COMPT. - SPEED SWITCH	AMP	15	562011	562012	C 231	ENGINE COMPT. - FUEL PRIME PUMP	PED WP	2	561566	561690
C 170	FR JCT BOX FLASHER UNIT	PED	2		561940	C 232					
C 171	LH CONSOLE	AMP CPC	24	561642	561643	C 233	FIRST LUGGAGE CPT.	VDO	8		562043
C 172	FR SERVICE COMPT - KNEELING PANEL	AMP CPC	16	561639	561640	C 234	FIRST LUGGAGE CPT.	VDO	8		562044
C 172	ENGINE COMPT. - WATER TANK HEATER	PED WP	2	561566	561690	C 235	FIRST LUGGAGE CPT.	VDO	8		562041
C 173						C 236	FIRST LUGGAGE CPT.	AMP MNL	4	560851	560858
C 174						C 236	FR SERVICE CPT CENTER - ABS	AMP CPC	14	561636	561637
C 175						C 237	FR AXLE CPT - ABS RH SENSOR	WABCO	2	641132	
C 176	UNDER DASH RH - WIPER PULSE	AMP FF	6		561186	C 238	FR AXLE CPT - ABS RH VALVE	WABCO	3	641098	
C 177	UNDER DASH RH - WIPER MOTOR	AMP FF	6		561186	C 239	FR AXLE CPT - ABS LH VALVE	WABCO	3	641098	
C 178						C 240	FR AXLE CPT - ABS LH SENSOR	WABCO	2	641132	
C 179						C 241	LAST LUGGAGE COMPT - ABS	PED WP	6	561606	561607
C 180	KNEELING PANEL - DIODE SOCKET	AMP MNL	15	561987	561986	C 242	DRIVE AXLE CPT - ABS LH SENSOR	WABCO	2	641132	
C 181						C 243	DRIVE AXLE CPT - ABS LH VALVE	WABCO	3	641098	

CONNECTORS CODE

NO	LOCATION	TYPE	CAVITY	#PIN	#SOCKET	NO	LOCATION	TYPE	CAVITY	#PIN	#SOCKET
				HOUSING	HOUSING					HOUSING	HOUSING
C 244	DRIVE AXLE CPT - ABS RH VALVE	WABCO	3	641098		C 307					
C 245	DRIVE AXLE CPT - ABS RH SENSOR	WABCO	2	641132		C 308					
C 246	DRIVE AXLE CPT - ATC SOL.	PED WP	2	561566	561690	C 309	ENGINE DDEC - ECM POWER	PED	4	561610	561611
C 247	E.C.U. EATON TRANS.	PED MP	18		562573	C 310	LH CONSOLE SW - LUG. DOOR LOCK	EATON	12		562763
C 248	LAST LUGGAGE CPT - ABS	PED WP	6	561606	561607	C 311	RH SWITCH PANEL - HOTESS CHIME	EATON	12		562763
C 249	FR SERVICE CPT - ABS/DDEC	PED WP	2	561566	561690	C 312	ENGINE DDEC - ACCESSORIES	PED WP	3	561781	561782
C 250	LH CONSOLE - LOW BOUY	PED WP	2	561566	561690	C 312	RH SWITCH PANEL - READING LAMP	EATON	12		562763
C 251	LH SW PANEL - FAST IDLE	EATON	12		562763	C 313	ENGINE DDEC - INTERFACE	FCI	10	563207	
C 252	LUGGAGE COMPT. - WINDOW AJAR	MOLEX	4	561477	561476	C 313	RH SWITCH PANEL - INTERIOR LTS	EATON	12		562763
C 253	LH SWITCH PANEL - ETHER	EATON	12		562763	C 314	KNEELING PANEL - PRESS SW.	PED WP	2	561566	561690
C 254						C 314	RH SWITCH PANEL - INTERIOR LTS	EATON	12		562763
C 255	LH SWITCH PANEL - ENGINE BRAKE	EATON	12		562763	C 315	LH SWITCH PANEL - LH SUN VISOR SW.	EATON	12		562763
C 256						C 316	INTO HORN BOX - KNEELING BUZZER	DEUTSCH	2	562486	562485
C 257						C 317	LH SWITCH PANEL - RH SUN VISOR SW.	EATON	12		562763
C 258	LH SWITCH PANEL - MULTI FUNC. SW	AMP FF	8	561188		C 318	LH CONSOLE SW - DR'S WINDOW SW.	EATON	12		562763
C 259						C 319	ENGINE DDEC - ECM POWER	PED	4	561610	561611
C 259	LH SWITCH PANEL - MULTI FUNC. SW	AMP FF	6		561186	C 320	RT SWITCH PANEL - DRIVER'S LTS SW.	EATON	12		562763
C 260						C 321	UNDER DASH RH - KEYLESS MODULE	AMP COM	26		562676
C 261						C 322	UNDER DASH RH - KEYLESS MODULE	AMP COM	22		562675
C 262						C 323	DRIVER'S WINDOW MOTOR	PED	2		561848
C 263	LUGGAGE COMPT. LTS COMPT #3	AMP MNL	2	561248	561247	C 324	LH SWITCH PANEL - UPPER FAN DEFROST	EATON	12		562763
C 264	LUGGAGE COMPT. LTS COMPT #2	AMP MNL	2	561248	561247	C 325	LH SWITCH PANEL - KNEELING	EATON	12		562763
C 265	LUGGAGE COMPT. LTS COMPT #1	AMP MNL	2	561248	561247	C 326					
C 266	ENTRANCE DOOR KEYLESS	AMP CPC	14	561585	561583	C 327					
C 267	UNDER DASH RH - ENT. DOOR PANEL	AMP CPC	24	561642	561643	C 328	RR ROOF - GALLEY LAMP		2		
C 268	FR MIRROR RH	CONXALL	5	563091	563090	C 329					
C 269	FR MIRROR LH	CONXALL	5	563091	563090	C 330					
C 270	LUGGAGE COMPT LTS - 3 LH	AMP MNL	2	561248	561247	C 331					
C 271	LUGGAGE COMPT LTS - 4	AMP MNL	2	561248	561247	C 332					
C 272						C 333					
C 273	ENT. DOOR PANEL - DIODE SOCKET	AMP MNL	9	561670	561669	C 334					
C 274						C 335					
C 275	ENT. DOOR PANEL - DIODE SOCKET	AMP MNL	9	561670	561669	C 336					
C 276						C 337					
C 277	RH UNDER DASH - ENT. DOOR REED SW.	AMP MNL	2	560900	560858	C 338					
C 278	RH PASS. AIR DUCT - ENT DOOR PRESS SW.	PED WP	2	561566	561690	C 339	KNEELING PANEL - HI BUOY SOL. VALVE	PNEUMAC	3		641385
C 279	RH UNDER DASH - ENT. DOOR REED SW.	AMP MNL	2	560900	560858	C 340	FR JCT BOX - FIRE PIEZO ALARM	AMP MNL	2	560900	560898
C 279	FR SERVICE COMPT LH - STEERING ZF	DEUTSCH	2		562485	C 341	LH SWITCH PANEL - HEAT MIRROR SW.	EATON	12		562763
C 280	ENGINE COMPT - A/C COMPRESSOR AUX.	PED WP	2	561566	561690	C 342					
C 281						C 343	LH SWITCH PANEL - HEAD LAMP SW.	EATON	12		562763
C 282	FR SERVICE COMPT - STEERING ZF	VOLVO	2		562928	C 344	LH SWITCH PANEL - HAZARD LT SW.	EATON	12		562763
C 283	LH CONSOLE - SPARE SW. LTS	AMP MNL	2	561248	561247	C 345	LH SWITCH PANEL - FOG LT SW.	EATON	12		562763
C 284						C 346					
C 285						C 347					
C 286						C 348	INSTR. PANEL CENT. - RACOR MODULE	MOLEX	6	562070	562069
C 287						C 349					
C 288						C 350					
C 289						C 351					
C 290	LUGGAGE CPT - DOOR LOCK	AMP MNL	4	560851	560852	C 352					
C 291	LUGGAGE CPT - DOOR LOCK	AMP MNL	4	560851	560852	C 353					
C 292						C 354					
C 293						C 355					
C 294						C 356					
C 295						C 357					
C 296						C 358					
C 297						C 359	RH SWITCH PANEL - ENT. DOOR WIND. SW.	EATON	12		562763
C 298						C 360	ENTRANCE WINDOW MOTOR	PED	2		561848
C 299	RH SWITCH PANEL - GALLEY	EATON	12		562763	C 361					
C 300						C 362					
C 301						C 363					
C 302						C 364	FRONT ROOF - ELECTRICAL DEST. SIGN	AMP MNL	3	561667	561550
C 303	RR JCT BOX - DIODES	AMP MNL	15	561987	561986	C 365					
C 304	RR JCT BOX - DIODES	AMP MNL	15	561987	561986	C 366					
C 305						C 367					
C 306						C 368	FRONT ROOF - ELECTRICAL DEST. SIGN	AMP MNL	3	561667	561550

CONNECTORS CODE

NO	LOCATION	TYPE	CAVITY	#PIN	#SOCKET	NO	LOCATION	TYPE	CAVITY	#PIN	#SOCKET
				HOUSING	HOUSING					HOUSING	HOUSING
C 369	FRONT ROOF – ELECTRICAL DEST. SIGN	TORRIX	5	562110		C 433					
C 370	FRONT ROOF – ELECTRICAL DEST. SIGN	AMP MNL	2	560900	560858	C 434					
C 371	FRONT ROOF – ELECTRICAL DEST. SIGN	AMP MNL	3	561667	561550	C 435					
C 372	FRONT ROOF – ELECTRICAL DEST. SIGN	MOLEX	4	561477	561476	C 436					
C 373						C 437					
C 374						C 438					
C 375						C 439					
C 376						C 440					
C 377	LH SWITCH PANEL – STOP ENGINE OVERRIDE	EATON	12		562763	C 441					
C 378						C 442					
C 379	LUGGAGE COMPT. – WINDOW AJAR SW.	MOLEX	4	561477	561476	C 443					
C 380						C 444					
C 381	UNDER DASH PANEL – ANTI THILED	AMP MNL	2	561248	561247	C 445					
C 382	ENGINE GENERATOR (1)	PED WP	1	561605	561577	C 446					
C 383	ENGINE COMPT – VOLTAGE REGULATOR	PED WP	1	561605	561577	C 447					
C 384						C 448					
C 385	BATT. COMPT. – BJB INTERFACE	AMP MNL	12	561735	561736	C 449					
C 386	LH SWITCH PANEL – W.C.LIFT	EATON	12		562763	C 450	S.S. PANEL - FEEDING	MOLEX	4	562507	562503
C 387	EVAPORATOR COMPT. - BY-PASS VALVE	PED WP	2	561566	561690	C 451	S.S. PANEL - FEEDING	MOLEX	2	562550	562549
C 387	BATTERY COMPT. – WCL ACCES.	AMP CPC	16	561639	561640	C 452	UNDER DASH – S.S. ACC. SIGNAL	MOLEX	2	562550	562549
C 388	LUGG. COMPT.(4) – WCL DOOR ACCESS.	AMP MNL	12	561735	561736	C 453	S. S. PANEL – VCR FEEDING	PED WP	2	561566	561690
C 389	EVAPORATOR COMPT. – WATER PUMP	PED WP	2	561566	561690	C 454	S. S. PANEL – VCR FEEDING	PED WP	2	561566	561690
C 390	EVAPORATOR COMPT. – A/C JCT. BOX	DEUTSCH	24	562280	562283	C 455	PARCEL RACK – WIRELESS MICROPHONE	MOLEX	6		562464
C 391	CONDENSER COMPT. A/C PRESS SW 2 SP	PED WP	2	561566	561690	C 456	WORLD TRANS. - RETARDER ACCUM.	PED MP	2		562427
C 392						C 457	WORLD TRANS. - MAIN CONNECTOR	DEUTSCH	31	562572	562536
C 393						C 458	WORLD TRANS. - TURBINE SP. SENS.	PED MP	2		562426
C 394	UNDER DASH - B/U MONITOR	AMP MNL	4	560851	560852	C 459	WORLD TRANS. - ENGINE SP. SENS.	PED MP	2		562426
C 395	UNDER DASH - B/U MONITOR	CLARION	4		990335	C 460	WORLD TRANS. - SPEED SENSOR	ITT	2		562541
C 396	PARCEL RACK – SPEAKER FEEDING	MOLEX	4	562507	562503	C 461	WORLD TRANS. - RETARDER TEMP.	PED MP	2		562856
C 397						C 462	WORLD TRANS. - RETARDER SOL. "K"	PED MP	2		562426
C 398						C 463	WORLD TRANS. - SENSOR CONN.	DEUTSCH	16	562570	562571
C 399	ENGINE GENERATOR (2)	PED WP	2	561566	561690	C 464	RR JCT BOX - DDL CONN	DEUTSCH	6		565360
C 400	ENGINE COMPT. – BLOCK HEATER	PED WP	3	561781	561782	C 465	LH CONSOLE - SHIFTER SELECTOR	PED	20		562825
C 401						C 466	FR SERVICE CPT - RESIS. MOD.	PED WP	3		562428
C 402						C 467	FR SERVICE CPT - RESIS. MOD.	PED WP	3		562428
C 403	GALLEY – REFRIGERATOR		2			C 468	STEERING COLUMN – RET. HAND LEVER	AMP FF	8	561188	562363
C 404	GALLEY – LAMP SWITCH		2			C 469	FR SERVICE COMPT. – RESIS. MOD.	AMP FF	8	561188	562363
C 405	INVERTER SIGNAL	AMP MNL	2	561248	561247	C 470					
C 406						C 471					
C 407						C 472	FR SERVICE CPT – SILENT 1000 OR EATON	PED WP	2	561566	561690
C 408						C 473					
C 409						C 474	DRIVER'S TEMP SENSOR	AMP MNL	2	561248	561247
C 410						C 475	FR SERVICE CPT – SPEED SIGN. CONNECT.	DEUTSCH	6	562583	562581
C 411						C 475M	FR SERVICE CPT – SPEED SIGN. W. TR.	DEUTSCH	6	562583	562581
C 412						C 475W	FR SERVICE CPT – SPEED SIGN. W. TR.	DEUTSCH	6	562583	562581
C 413						C 476					
C 414						C 477					
C 415						C 478	FRONT ROOF – ELECTRONIC DEST. SIGN	AMP CPC	9	561636	561637
C 416						C 479	UNDER DASH – HVAC DASH MODULE	MOLEX	3		562783
C 417						C 480	UNDER DASH RH – DR'S FAN SPEED CTR	PED WP	4	561889	561890
C 418						C 481	UNDER DASH RH – DR'S FAN SPEED CTR	PED WP	3	561781	561782
C 419	FR JCT BOX – RET/JAKE SELECTION	AMP MNL	3	561667	561550	C 482					
C 420						C 483	FR SERVICE CPT – ELECTRICAL SEAT	PED	2	562237	
C 421	ENGINE COMPT. - WEBASTO	AMP FF	2	562473	562474	C 484	UNDER DASH LH – FOOT DAMPER MOTOR	PED	2		562076
C 422	ENGINE COMPT. - WEBASTO	PED	2	562644	561597	C 485	UNDER DASH LH – DASH & DEF. DAMP. M.	AMP MNL	3	561667	561558
C 423						C 486	WCL ROOF DOOR – DOOR LT.	LEECRAFT	2	-----	562803
C 424	UNDER DASH – AUDIBLE FLASHER	AMP MNL	3	561667	561550	C 487	S.S PANEL – AUDIO IN AMPLI	MOLEX	4	-----	563071
C 425						C 488	S.S PANEL – AMPLI SIGNAL	MOLEX	8	-----	562465
C 426	ENGINE S60 RAD. FAN CLUTCH	PED WP	3	561781	561782	C 489	S.S PANEL – SPEAKER OUTLET	MOLEX	6	-----	562464
C 427						C 490					
C 428	RH SW PANEL – DASH LTS RHEOSTAT	AMP MNL	3	561667	561550	C 491					
C 429						C 492					
C 430	LH CONSOLE – PRE-HEAT TIMER	AMP FF	8	561188	562363	C 493					
C 431	LH CONSOLE – PRE-HEAT TIMER		1		560488	C 494					
C 432						C 495					

CONNECTORS CODE

NO	LOCATION	TYPE	CAVITY	#PIN	#SOCKET	NO	LOCATION	TYPE	CAVITY	#PIN	#SOCKET
				HOUSING	HOUSING					HOUSING	HOUSING
C 496						C 566	FR. SERV. COMPT. - MIC. OUTLET	MOLEX	4	562507	562503
C 497						C 567	FR. SERV. COMPT. - MIC. OUTLET	MOLEX	4	562507	562503
C 498						C 568	S.S. PANEL - SPEAKER OUTLET	CINTCH	4	562553	
C 499						C 569	S. S. PANEL - AMPLI SIGNAL	MOLEX	9	562556	562555
C 500	FR JCT PANEL - PRODRIVER	MOLEX	6	562070	562069	C 570	UNDER DASH PANEL - T.T.LT MODULE	MOLEX	6		562464
C 501						C 571	UNDER DASH PANEL - T.T.LT MODULE	MOLEX	20		562778
C 502	LH DASH PANEL - PRE- HEAT SW.	EATON	12		562763	C 572	UNDER DASH PANEL - T.T.LT MODULE	MOLEX	18		562779
C 503	LH CONSOLE-PROHEAT TIMER	PED MP	6	-----	562878	C 573	UNDER DASH PANEL - T.T.LT MODULE	MOLEX	8		562465
C 504	LH CONSOLE -WEBASTO TIMER	AMP	8	-----	562852	C 574	PARCEL RACK - INDIRECT LTS BALLAST	MOLEX			562759
C 505	LH CONSOLE -ESPAR TIMER	AMP	12	-----	562681	C 575	RH PARCEL RACK - FFEDING	MOLEX	4	562507	562503
C 506	FR JCT BOX - DIGITAL CLOCK	AMP CPC	4	561685	561687	C 576	RH PARCEL RACK - FFEDING	AMP MNL	3	561667	561550
C 507	LH HAT RACK - DIGITAL CLOCK	MOLEX	4	561477	561476	C 577	LH PARCEL RACK - FFEDING	AMP MNL	3	561667	561550
C 508	RR JCT BOX - FAN CLUTCH RETARDER	AMP MNL	6	561552	561515	C 578	LH PARCEL RACK - FFEDING	MOLEX	4	562507	562503
C 509	EVAP. COMPT. - NOT USED	DEUTSCH	5		562566	C 579	LHPARCEL RACK-VCR POWER	MOLEX	4		563071
C 515	FR JCT BOX CPT. - INTERCOM	MOLEX	4	561477	561476	C 580	LH DASH PANEL - PARCEL RACK A/C SW.	EATON	12		562763
C 516	FR JCT BOX CPT. - INTERCOM	MOLEX	6	562070	562069	C 581	LH DASH PANEL - ELECTRICAL HORN	PED MP	2		562777
C 517	LAVATORY WALL - INTERCOM	MOLEX	6	562070	562069	C 582					
C 519A	RH UNDER DASH - ENTRANCE DOOR SOL.	PNEUMAC	3		641385	C 583	LH DASH PANEL - MASTER KEY SW.	DEUTSCH	2	562486	562485
C 519B	RH UNDER DASH - ENTRANCE DOOR SOL.	PNEUMAC	3		641385	C 584	FR. SERVICE COMPT - HORN PNEU. VALVE	PNEUMAC	3		562848
C 520	RH UNDER DASH - ENTRANCE DOOR SOL.	PNEUMAC	3		641385	C 585					
C 521	RH UNDER DASH - ENTRANCE DOOR SOL.	PNEUMAC	3		641385	C 586	FR SERVICE COMPT - ACC. PNEU.VALVE	PNEUMAC	3		562848
C 522	FR JCT BOX - DAYTIME LTS MODULE	BOSCH	5		561183	C 587	LH PARCEL RACK DVD UNIT	MOLEX	4	563040	563071
C 523	FR JCT BOX - FUSE BLOCK	PED	8	562647	562646	C 588	FR SERV. COMPT. - S.S. INTERFACE	AMP CPC	37	561645	561646
C 524	FR JCT BOX - FUSE BLOCK	PED	8	562647	562646	C 589	FR. MIRROR LH	CONXALL	8	563163	563088
C 525	FR JCT BOX - FUSE BLOCK	PED	8	562647	562646	C 590	FR. MIRROR RH	CONXALL	8	563163	563088
C 526	FR JCT BOX - FUSE BLOCK	PED	8	562647	562646	C 591	LH CONSOLE - LH MIRROR SW.	EURAMT.	8		562749
C 527	FR JCT BOX - FUSE BLOCK	PED	8	562647	562646	C 592	LH CONSOLE - RH MIRROR SW.	EURAMT.	8		562749
C 528						C 594	FRONT ROOF - DRIVER'S LTS	LEEKRAFT	2	-----	562803
C 529						C 595	RH DASH PANEL - ENTRANCE DOOR SW.	MOLEX	4	562507	562503
C 530	RR JCT BOX - FUSE BLOCK	PED	8	562647	562646	C 596	RH DASH PANEL - ENTRANCE DOOR SW.	MOLEX	4	562507	562503
C 531	RR JCT BOX - FUSE BLOCK	PED	8	562647	562646	C 597	LH DASH PANEL - DISPLAY SET SW.	AMP	5		562905
C 532	LH PARCEL RACK - A/C LIQ. SOL.	AMP MNL	2	561248	561247	C 598	LH DASH PANEL - DISPLAY SET SW.	AMP	5		562905
C 533	RH PARCEL RACK - A/C LIQ. SOL.	AMP MNL	2	561248	561247	C 599	UND. DASH - MAGN. SW CTR POS. DR'S AIR	AMP MNL	2	561248	561247
C 534						C 604	LH PARCEL RACK DVD VIDEO STABILIZER	SWITCHCRAFT	1		563074
C 535						C 605	LH PARCEL RACK - A/C UNIT	AMP MNL	6	561552	561515
C 536						C 606	RH PARCEL RACK - A/C UNIT	AMP MNL	6	561552	561515
C 537	A/C JCT BOX RESISTOR SIGN. RLY	AMP MNL	2	561248	561247	C 607					
C 538	FR SERV. CPT RH - OUTSIDE TEMP. SENS	AMP MNL	2	561248	561247	C 608					
C 539	HVAC DASH MODULE OUTPUT CONN.	MOLEX	24		562780	C 609	FR SERV. COMPT - SPEED SIGNAL (SPARE)	PED WP	2	561566	561690
C 540	HVAC DASH MODULE INPUT CONN.	MOLEX	22		562781	C 610					
C 541						C 611	RH PARCEL RACK READING LTS WCL	MOLEX	6	562558	562557
C 542						C 612	RH PARCEL RACK LUOR. INSTATION LTS WCL	MOLEX	4	562507	562503
C 543						C 613	RH PARCEL RACK INDIRECT LTS WCL	AMP MNL	3	561667	561550
C 544	S.S. PANEL - AUDIO SEAT	PED WP	3	561781	561782	C 614	RH PARCEL RACK INDIRECT LTS WCL	AMP MNL	3	561667	561550
C 545						C 615	LH PARCEL RACK DVD SIGN ALONG ADAPTOR	MOLEX	2	562550	562549
C 546	FR. JCT BOX - CHARGER WIRELESS MIC.	MOLEX	2		563025	C 701	ZF TRANSMISSION ECU	KOSTAL	20		
C 547						C 702	SHIFT SELECTOR - LH CONSOLE	AMP	14		563338
C 548	LH DASH PANEL - T.T.LT TEST SW.	EATON	12		562763	C 712	NEUTRAL SWITCH ON ZF TRANSM. (TOP)	AMP	4		563340
C 549	LH DASH PANEL - ENGINE FAN OVERRIDE	EATON	12		562763	C 714	OUTPUT SENSOR ON ZF TRANSM. (BOTTOM)	AMP	4		563340
C 550	LAST LUGG. CPT. -WCL MODULE	AMP CPC	16	561694	561695	C 717	FR SERV. COMPT - MAIN CONN.	AMP CPC	22	561642	561643
C 551	LAST LUGG. CPT. -WCL REMOTE	AMP CPC	9	561636	561637	C 720	ENGINE COMPT - BLKHD CONNECTOR	DEUTSCH	31	563359	563358
C 552						C 721					
C 553	UNDER DASH - S.S. CONTROL HEAD	MOLEX	16		562559	C 723	ENGINE COMPT - FOR TRANSM.	DEUTSCH	3		562884
C 554	UNDER DASH - S.S. CONTROL HEAD	MOLEX	16		562559	C 736	FR SERV. COMPT - ZMTEC MODULE	PACKARD	30	563053	
C 555	UNDER DASH - S.S. CONTROL HEAD	MOLEX	16		562559	C 740	ABOVE DRIVE AXLE - EASY START SOL VALVE	LEONI	2		641949
C 556	UNDER DASH - RADIO FEEDING	MOLEX	2	562550	562549	C 742	REAR JCT BOX - FUSE BLOCK	AMP	8	562446	
C 557	UNDER DASH - RADIO FEEDING	MOLEX	9	562556	562555	C 745	FR SERV COMPT - THROTTLE POS. SENSOR	PED WP	3	561781	
C 558	FR. SERV. COMPT. - MIC. OUTLET	MOLEX	4	562507	562503	C 760	ENGINE COMPT - TO J1939	DEUTSCH	3		
C 559						C 761	ENGINE COMPT - TO J1939	DEUTSCH	3		562884
C 560						C 762	ENGINE COMPT - TO J1939	DEUTSCH	3		562884
C 561	LH PARCEL RACK - WIRELESS MIC.	MOLEX	8		562465	C 763	ENGINE COMPT - TO J1939	DEUTSCH	3		562884
C 562	LH PARCEL RACK - VCR SIGNAL	MOLEX	12		563070	C 764	ENGINE COMPT - TO J1939	DEUTSCH	3		562884
C 563	FR. SERV. COMPT. - DRIVER SPEAKER	MOLEX	4	562507	562503	C 765	ENGINE COMPT - TO J1939	DEUTSCH	3		562884
C 564	FR. SERV. COMPT. - MIC. OUTLET	MOLEX	4	562507	562503	C 766	ENGINE COMPT - TO J1939	DEUTSCH	3		562884
C 565	FR. SERV. COMPT. - MIC. OUTLET	MOLEX	4	562507	562503	CS	FR SERVICE CPT - ECU WOLRD TR.	PED MP	32		562817

CONNECTORS CODE

NO	LOCATION	TYPE	CAVITY	#PIN	#SOCKET	NO	LOCATION	TYPE	CAVITY	#PIN	#SOCKET
				HOUSING	HOUSING					HOUSING	HOUSING
CT	FR SERVICE CPT - ECU WORLD TR.	PED MP	32		562824						
CV	FR SERVICE CPT - ECU WORLD TR.	PED MP	32		562823						
CX	CLUSTER	JAE	5		562957						
CX 1	FR SERVICE CPT - ECU ABS	AMP JN	15		563200						
CX 2	FR SERVICE CPT - ECU ABS	AMP JN	18		563201						
CY	CLUSTER	JAE	30		562765						
CW X1	ENGINE COMPT. - WATER HEATER	AMP	7	563134	563135						
CW X3	ENGINE COMPT. - WATER HEATER	AMP	7	563134	563135						
LX	CLUSTER	JAE	22		562766						
LY	CLUSTER	JAE	30		562767						
RX	CLUSTER	JAE	30		562767						
WEB 1	ENGINE COMPT. - WEBASTO	AMP FF	2	562473	562474						
WEB 2	ENGINE COMPT. - WEBASTO	AMP FF	2	562643							
ZF 1	FR JCT BOX - STEERING E.C.U.	HELLA	9		562929						

CONNECTORS CODE

NO	LOCATION	TYPE	CAVITY	#PIN	#SOCKET	NO	LOCATION	TYPE	CAVITY	#PIN	#SOCKET
				HOUSING	HOUSING					HOUSING	HOUSING
A 1	UNDER DASH – AUDIO SIGNAL	RCA	1	562090	562330	C 57	RH PARCEL RACK - FEEDING	MOLEX	6	562558	562557
A 2	UNDER DASH – AUDIO SIGNAL	RCA	1	562090	562330	C 58					
A 10	UNDER DASH – AUDIO SIGNAL	RCA	1	562090	562330	C 59					
A 11	UNDER DASH – AUDIO SIGNAL	RCA	1	562090	562330	C 60					
A 18	S. S. PANEL – AUDIO SIGNAL	RCA	1	562090	562330	C 61	ENGINE COMPT - FUEL FILTER	PED WP	2	561566	561690
A 19	S. S. PANEL – AUDIO SIGNAL	RCA	1	562090	562330	C 62	ENGINE COMPT – COMPR. AUX. PRESS. SW.	PED WP	2	561566	561690
AA 1	UNDER DASH PANEL- SONALERT	BOSCH	5	-----	561183	C 63	ENGINE COMPT – COMPR. AUX. PRESS. SW.	PED WP	2	561566	561690
C 1	FR JCT BOX COMPARTIMENT	AMP CPC	14	561585	561584	C 64					
C 2	FR JCT BOX COMPARTIMENT	AMP CPC	16	561638	561640	C 65	ENGINE CPT – A/C PRESS SW FAN CLUTCH	PED WP	2	561566	561690
C 3	FR JCT BOX COMPARTIMENT	AMP CPC	37	561644	561646	C 66	ENGINE CPT – SPARE CONNECTOR	PED WP	1	561605	561577
C 4	FR JCT BOX COMPARTIMENT	AMP CPC	24	561641	561643	C 67					
C 5	FR SERVICE COMPT. - UNDERNEATH	AMP CPC	37	561645	561646	C 68					
C 6	FR SERVICE COMPT. - UNDERNEATH	AMP CPC	16	561639	561640	C 69					
C 7	FR SERVICE COMPT - CLUTCH SW	ITT SS	3	561080	561111	C 70	LH CONSOLE	AMP CPC	16	561639	561640
C 8	FR SERVICE COMPT. - UNDERNEATH	AMP CPC	24	561642	561643	C 71	FR JCT BOX COMPT.	AMP CPC	37	561645	561646
C 9	FR SERVICE COMPT. - UNDERNEATH	AMP CPC	24	561642	561643	C 72	FR JCT BOX COMPT.	AMP CPC	24	561642	561643
C 10	FR SERVICE DOOR ACCESS.	DEUTSCH	5	562565	562566	C 73					
C 11	FR SERV. CPT ACCESS	AMP CPC	37	561645	561646	C 74	FR JCT BOX COMPT.	AMP CPC	37	561645	561646
C 12	FR SERV. CPT ACCESS	AMP CPC	16	561639	561640	C 75	SERVICE COMPT. EXT. ENTRANCE DOOR SW.	DEUTSCH	4	562479	562477
C 13	FR JCT BOX COMPARTIMENT	AMP MNL	2	561248	561247	C 75	RH PARCEL RACK – READ. LTS FEED. WCL	MOLEX	6	562558	562557
C 14	LAST LUGGAGE COMP(4) - DOCKING LTS	AMP MNL	2	561248	561247	C 76	ENGINE COMPT. FIRE DETECTOR	DEUTSCH	2	562486	562485
C 15	UNDER STAIRS – CORNERING LTS	AMP MNL	2	560900	560898	C 77	ENGINE COMPT. FIRE DETECTOR	DEUTSCH	2	562486	562485
C 16	LH CONSOLE SW-CRUISE ON/OFF	EATON	12	-----	562763	C 78					
C 17	LH CONSOLE SW-CRUISE RESUME	EATON	12	-----	562763	C 79					
C 18	LH CONSOLE SW-CRUISE SET	EATON	12	-----	562763	C 80					
C 19	LH CONSOLE SW-DECEL SW	EATON	12	-----	562763	C 81	LUGGAGE COMPT - DOOR LOCK	AMP MNL	4	560851	560852
C 20	RR JCT BOX	DEUTSCH	70	562282	562285	C 82	UNDER SEAT – AISLE LTS	AMP MNL	2	560900	560898
C 21	ENGINE COMPT - LOCK DOOR MOT.	PED WP	2	562076	562076	C 82	LUGGAGE COMPT - DOOR LOCK	AMP MNL	4	560851	560852
C 22	LUGGAGE COMPT (A) - A/C & FUEL TANK	AMP CPC	16	561639	561640	C 83	LUGGAGE COMPT - DOOR LOCK	AMP MNL	4	560851	560852
C 23	LUGGAGE COMPT (1) – LUGG. ACCESS.	AMP CPC	24	561642	561643	C 84	LUGGAGE COMPT - DOOR LOCK	AMP MNL	4	560851	560852
C 24	ENGINE COMPT. – INTERF RJB	PED WP	6	561606	561607	C 85					
C 25	ENGINE COMPT. – INTERF RJB	PED WP	6	561606	561607	C 86					
C 26	ENGINE COMPT. ACCESS	DEUTSCH	40	562281	562284	C 87					
C 27	ENGINE COMPT. – INTERF. RJB	DEUTSCH	6	562583	562581	C 88	FR SERV. CPT. PRESS SW PARK BRAKE	PED WP	2	561566	561690
C 28	LUGGAGE COMPT(4) – LUGG. ACCESS	AMP CPC	24	561642	561643	C 89					
C 29	FR SERVICE COMPT – E.C.U. FEED	PED WP	3	561781	561782	C 90					
C 30	ENGINE COMPT – MASTER SW. SIGN.	DEUTSCH	2	562486	562485	C 91					
C 31	RR JCT BOX – PARCEL RACK FEEDING	DEUTSCH	31	562572	562536	C 92	FR JCT BOX COMPT - ABS	AMP CPC	9	561635	561637
C 32	ENGINE COMPT. – 12VI FOR OPTION	PED WP	1	-----	561577	C 93					
C 33	FR SERV. COMPT. – VSS SIGNAL	PED WP	2	561566	561690	C 94					
C 34	FR JCT BOX EATON TRANS. J1939	DEUTSCH	3	562877	562884	C 95					
C 35	A/C COMPT - AIR RETURN SENSOR	AMP MNL	2	561248	561247	C 96	FR SERVICE DOOR ACCESS	AMP MNL	9	561670	561669
C 36	UNDER STAIRS – STEP LIGHTS	AMP MNL	2	561248	561247	C 97	FR SERVICE DOOR – WATER TANK	PED MP	2	562426	562426
C 36	RH PARCEL RACK – EMERGENCY LTS	AMP MNL	2	560900	560898	C 98					
C 37	LH PARCEL RACK - FEEDING	MOLEX	6	562558	562557	C 99	FR SERVICE CPT. LTS	AMP MNL	2	561248	561247
C 38	RH PARCEL RACK - FEEDING	MOLEX	6	562558	562557	C 100					
C 39	ENGINE COMPT. ECM J1939	DEUTSCH	3	562877	562884	C 101	FR SERVICE COMPT. ELEC. HORNS	PED WP	2	561566	561690
C 40						C 101	CONDENSER COMPT - A/C PRES. SW 1SP	PED WP	2	561566	561690
C 41	ENGINE COMPT – RH DOOR LOCK	DEUTSCH	4	562479	562477	C 102	CONDENS. COMPT – LIQU. SOL. VAL. PRES.	PED WP	2	561566	561690
C 42	ENGINE COMPT – RR CAP LIGHTING	DEUTSCH	6	562583	562581	C 103	ENGINE COMPT. – LAVATORY FAN	PED WP	2	561566	561690
C 43	FR JCT BOX – ALT. MODULE	AMP MNL	12	561735	561734	C 104	ENGINE COMPT. – LAVATORY PUMP	DEUTSCH	4	562479	562477
C 44	ENGINE COMPT - LIGHTS	GROTE	2	563268	563268	C 105	UNDER DASH RH - DRV LIO SOL VL	PED WP	2	561566	561690
C 45	FR JCT BOX COMPT – ROOF ACCESS	AMP CPC	24	561642	561643	C 106	UNDER DASH RH - DRV WTR VALVE	PED WP	2	561566	561690
C 46	ENGINE COMPT. ECM J1939	DEUTSCH	3	562877	562884	C 107	ENGINE COMPT - LAVATORY PUSH BUTTON	PED WP	2	561566	561690
C 47	ENGINE DDEC-ECM J1939	PED MP	6	-----	561962	C 108	FR. SERICE COMPT – GAZ CYLINDER L.H.	DEUTSCH	2	562486	562485
C 48	FR SERV. CPT. PRESS SW PARK BRAKE	PED WP	2	561566	561690	C 109					
C 49	LAVATORY ROOF – NIGHT LIGHT	AMP MNL	2	560900	560898	C 110					
C 50	LAVATORY ROOF - LIGHT	LEECRAFT	2	-----	562803	C 111					
C 50	LH SWITCH PANEL – SAFETY SW.	EATON	12	-----	562763	C 112					
C 51	FR SERV.CPT.PARK. BRAKE SOL. VALVE	PNEUMAC	2	-----	641385	C 113					
C 52	ENGINE COMPT - COMPRESSOR	PED WP	2	561566	561690	C 114	ENGINE DDEC - SPEED SIGNAL	PED WP	2	561566	561690
C 53	ENGINE COMPT - COMPRESSOR	PED WP	2	561566	561690	C 115	RR JCT BOX – ENGINE ACCESS	DEUTSCH	40	562281	562284
C 54	FRONT ROOF – UPPER FAN DEFROST	AMP MNL	6	561552	561515	C 116					
C 55	CENTRAL DOOR LOCK	DEUTSCH	4	562479	562477	C 117					
C 56	LH PARCEL RACK - FEEDING	MOLEX	6	562558	562557	C 118	ENGINE COMPT - LICENCE	DOM. AUT	2	930210	

CONNECTORS CODE

NO	LOCATION	TYPE	CAVITY	#PIN	#SOCKET	NO	LOCATION	TYPE	CAVITY	#PIN	#SOCKET
				HOUSING	HOUSING					HOUSING	HOUSING
C 119	ENGINE COMPT - RH LOWER LAMP	PED WP	6	561606	561607	C 182					
C 120	ENGINE COMPT - LH LOWER LAMP	PED WP	6	561606	561607	C 183					
C 121						C 184	FR SERV. COMPT. - KNEELING PROX. SW.	ITT SS	3	561080	561111
C 122						C 185	KNEELING PANEL - DOWN SOL. VALVE	PNEUMAC	3		641385
C 123						C 186					
C 124						C 187	FR SERVICE JCT BOX - RESISTORS	AMP MNL	6	561552	561515
C 125						C 187	KNEELING PANEL- PARK BRAKE INTERLOCK	PNEUMAC	3		641385
C 126						C 188					
C 127						C 189	ENGINE COMPT - DOOR LIGHT BACK UP	TRUCK-LITE	2	562755	
C 128						C 190	ENGINE COMPT - DOOR LIGHT STOP/TURN	AMP SS	3		562601
C 129						C 191	ENGINE COMPT - DOOR LIGHT STOP/TURN	AMP SS	3		562601
C 130						C 192	ENGINE COMPT - DOOR LIGHT PARKING	AMP SS	3		562601
C 131						C 193					
C 132						C 194					
C 133						C 195					
C 134	FR JCT BOX - DIODE CONN.	AMP MNL	15	561987	561986	C 196	KNEELING PANEL - UP SOL. VALVE	PNEUMAC	3		641385
C 135	FR JCT BOX - DIODE CONN.	AMP MNL	15	561987	561986	C 197	KNEELING PANEL - CTR SOL. VALVE	PNEUMAC	3		641385
C 136	FR JCT BOX - DIODE CONN.	AMP MNL	15	561987	561986	C 198					
C 137	FR JCT BOX - DIODE CONN.	AMP MNL	15	561987	561986	C 199					
C 138						C 200	PARCEL RACK - FLUORESCENT LTS	AMP MNL	2	561248	561247
C 139						C 201	PARCEL RACK - FLUORESCENT LTS	AMP MNL	2	561248	561247
C 140	HVAC DASH MODULE THERMOMETER	MOLEX	4		562782	C 202	RH PARCEL RACK - INDIRECT LTS	MOLEX	2		562758
C 141	RR DASH PANEL - LTS CONN. (SPARE)	AMP MNL	2	561248	561247	C 203	PARCEL RACK - FLUORESCENT LTS	MOLEX	6		562759
C 142	ENGINE COMPT. B/U ALARM	PED WP	2	561566	561690	C 204	RH PARCEL RACK - RACK LTS	AMP MNL	2	560900	560858
C 143						C 205	RH PARCEL RACK - FEEDING	AMP MNL	9	561661	561662
C 144	FR JCT BOX - AISLE LTS FEEDING	AMP MNL	2	561248	561247	C 206	RH PARCEL RACK - FEEDING	AMP FF	4	562760	562756
C 145						C 207	LH PARCEL RACK - FEEDING	AMP FF	4	562760	562756
C 146						C 208	PARCEL RACK - FLUORESCENT LTS	MOLEX	2		562758
C 147						C 209	LH PARCEL RACK - HOTESS CHIME	AMP MNL	3	561667	561550
C 148						C 210	LH PARCEL RACK - FEEDING	AMP MNL	9	561661	561662
C 149						C 211	FR ROOF - SUN VISOR LH	AMP MNL	2	560900	560898
C 150						C 212	FR ROOF - SUN VISOR RH	AMP MNL	2	560900	560898
C 151						C 213	WCL DOOR UP HING-DOOR READ & HOST. SW	AMP MNL	6	561552	561515
C 152						C 214					
C 153						C 215					
C 154						C 216					
C 155	EVAPORATOR CPT - WATER VALVE	BURKERT	3		563204	C 217	RH PANEL SW. - SCENIC VIEW CAMERA	EATON	12		562763
C 156						C 218	RH PANEL SW. - LIGHTS SPARE	AMP MNL	2	560900	560898
C 157	FR SERV. CPT - WATER PUMP DR'S	PED WP	3	561781	561782	C 219					
C 158	ENGINE CPT - DDEC INTERFACE CONNECTOR	DEUTSCH	31	562572	562536	C 220					
C 159	ENGINE CPT - DDE FEED	PED WP	6	561606	561607	C 221					
C 160	FR SERVICE CPT - INTERFACE	AMP CPC	37	561644	561646	C 222					
C 161	ENGINE DDEC - ECM	PED MP	30		561600	C 223	HEAD LIGHTS - FLASHER	DEUTSCH	5	562565	562566
C 162	ENGINE DDEC - ACCESSORIES	PED WP	4	561610	561611	C 224	HEAD LIGHTS	PED MP	3		562099
C 163	ENGINE CPT - COOLANT PROBE	PED MP	2		562350	C 225	FOG LIGHTS	DEUTSCH	3	562902	562901
C 164						C 226	FRONT HEADLIGHTS - MARKER & FLASHER	PED	3	562137	
C 165						C 226	BATT. COMPT. - INTERIOR LTS	AMP MNL	2	561248	561247
C 166						C 227					
C 167	FR SERVICE CPT - EL. FOOT PEDAL	PED WP	3	561781	561782	C 228					
C 168	FR SERVICE CPT - DDR	DEUTSCH	6	562360		C 229	BATT. COMPT. - CHARGER 110V.	PED WP	1	561577	561605
C 169	FR SERVICE CPT - WORLD TR. INTERFACE	AMP CPC	16	561639	561640	C 230	ENGINE COMPT. - FUEL PRIME PUMP SW.	PED WP	2	561566	561690
C 169	FR SERV. COMPT. - SPEED SWITCH	AMP	15	562011	562012	C 231	ENGINE COMPT. - FUEL PRIME PUMP	PED WP	2	561566	561690
C 170	FR JCT BOX FLASHER UNIT	PED	2		561940	C 232					
C 171	LH CONSOLE	AMP CPC	24	561642	561643	C 233	FIRST LUGGAGE CPT.	VDO	8		562043
C 172	FR SERVICE COMPT - KNEELING PANEL	AMP CPC	16	561639	561640	C 234	FIRST LUGGAGE CPT.	VDO	8		562044
C 172	ENGINE COMPT. - WATER TANK HEATER	PED WP	2	561566	561690	C 235	FIRST LUGGAGE CPT.	VDO	8		562041
C 173						C 236	FIRST LUGGAGE CPT.	AMP MNL	4	560851	560858
C 174						C 236	FR SERVICE CPT CENTER - ABS	AMP CPC	14	561636	561637
C 175						C 237	FR AXLE CPT - ABS RH SENSOR	WABCO	2	641132	
C 176	UNDER DASH RH - WIPER PULSE	AMP FF	6		561186	C 238	FR AXLE CPT - ABS RH VALVE	WABCO	3	641098	
C 177	UNDER DASH RH - WIPER MOTOR	AMP FF	6		561186	C 239	FR AXLE CPT - ABS LH VALVE	WABCO	3	641098	
C 178						C 240	FR AXLE CPT - ABS LH SENSOR	WABCO	2	641132	
C 179						C 241	LAST LUGGAGE COMPT - ABS	PED WP	6	561606	561607
C 180	KNEELING PANEL - DIODE SOCKET	AMP MNL	15	561987	561986	C 242	DRIVE AXLE CPT - ABS LH SENSOR	WABCO	2	641132	
C 181						C 243	DRIVE AXLE CPT - ABS LH VALVE	WABCO	3	641098	

CONNECTORS CODE

NO	LOCATION	TYPE	CAVITY	#PIN	#SOCKET	NO	LOCATION	TYPE	CAVITY	#PIN	#SOCKET
				HOUSING	HOUSING					HOUSING	HOUSING
C 244	DRIVE AXLE CPT - ABS RH VALVE	WABCO	3	641098		C 307					
C 245	DRIVE AXLE CPT - ABS RH SENSOR	WABCO	2	641132		C 308					
C 246	DRIVE AXLE CPT - ATC SOL.	PED WP	2	561566	561690	C 309	ENGINE DDEC - ECM POWER	PED	4	561610	561611
C 247	E.C.U. EATON TRANS.	PED MP	18		562573	C 310	LH CONSOLE SW - LUG. DOOR LOCK	EATON	12		562763
C 248	LAST LUGGAGE CPT - ABS	PED WP	6	561606	561607	C 311	RH SWITCH PANEL - HOTESS CHIME	EATON	12		562763
C 249	FR SERVICE CPT - ABS/DDEC	PED WP	2	561566	561690	C 312	ENGINE DDEC - ACCESSORIES	PED WP	3	561781	561782
C 250	LH CONSOLE - LOW BOUY	PED WP	2	561566	561690	C 312	RH SWITCH PANEL - READING LAMP	EATON	12		562763
C 251	LH SW PANEL - FAST IDLE	EATON	12		562763	C 313	ENGINE DDEC - INTERFACE	FCI	10	563207	
C 252	LUGGAGE COMPT. - WINDOW AJAR	MOLEX	4	561477	561476	C 313	RH SWITCH PANEL - INTERIOR LTS	EATON	12		562763
C 253	LH SWITCH PANEL - ETHER	EATON	12		562763	C 314	KNEELING PANEL - PRESS SW.	PED WP	2	561566	561690
C 254						C 314	RH SWITCH PANEL - INTERIOR LTS	EATON	12		562763
C 255	LH SWITCH PANEL - ENGINE BRAKE	EATON	12		562763	C 315	LH SWITCH PANEL - LH SUN VISOR SW.	EATON	12		562763
C 256						C 316	INTO HORN BOX - KNEELING BUZZER	DEUTSCH	2	562486	562485
C 257						C 317	LH SWITCH PANEL - RH SUN VISOR SW.	EATON	12		562763
C 258	LH SWITCH PANEL - MULTI FUNC. SW	AMP FF	8	561188		C 318	LH CONSOLE SW - DR'S WINDOW SW.	EATON	12		562763
C 259						C 319	ENGINE DDEC - ECM POWER	PED	4	561610	561611
C 259	LH SWITCH PANEL - MULTI FUNC. SW	AMP FF	6		561186	C 320	RT SWITCH PANEL - DRIVER'S LTS SW.	EATON	12		562763
C 260						C 321	UNDER DASH RH - KEYLESS MODULE	AMP COM	26		562676
C 261						C 322	UNDER DASH RH - KEYLESS MODULE	AMP COM	22		562675
C 262						C 323	DRIVER'S WINDOW MOTOR	PED	2		561848
C 263	LUGGAGE COMPT. LTS COMPT #3	AMP MNL	2	561248	561247	C 324	LH SWITCH PANEL - UPPER FAN DEFROST	EATON	12		562763
C 264	LUGGAGE COMPT. LTS COMPT #2	AMP MNL	2	561248	561247	C 325	LH SWITCH PANEL - KNEELING	EATON	12		562763
C 265	LUGGAGE COMPT. LTS COMPT #1	AMP MNL	2	561248	561247	C 326					
C 266	ENTRANCE DOOR KEYLESS	AMP CPC	14	561585	561583	C 327					
C 267	UNDER DASH RH - ENT. DOOR PANEL	AMP CPC	24	561642	561643	C 328	RR ROOF - GALLEY LAMP		2		
C 268	FR MIRROR RH	CONXALL	5	563091	563090	C 329					
C 269	FR MIRROR LH	CONXALL	5	563091	563090	C 330					
C 270	LUGGAGE COMPT LTS - 3 LH	AMP MNL	2	561248	561247	C 331					
C 271	LUGGAGE COMPT LTS - 4	AMP MNL	2	561248	561247	C 332					
C 272						C 333					
C 273	ENT. DOOR PANEL - DIODE SOCKET	AMP MNL	9	561670	561669	C 334					
C 274						C 335					
C 275	ENT. DOOR PANEL - DIODE SOCKET	AMP MNL	9	561670	561669	C 336					
C 276						C 337					
C 277	RH UNDER DASH - ENT. DOOR REED SW.	AMP MNL	2	560900	560858	C 338					
C 278	RH PASS. AIR DUCT - ENT DOOR PRESS SW.	PED WP	2	561566	561690	C 339	KNEELING PANEL - HI BUOY SOL. VALVE	PNEUMAC	3		641385
C 279	RH UNDER DASH - ENT. DOOR REED SW.	AMP MNL	2	560900	560858	C 340	FR JCT BOX - FIRE PIEZO ALARM	AMP MNL	2	560900	560898
C 279	FR SERVICE COMPT LH - STEERING ZF	DEUTSCH	2		562485	C 341	LH SWITCH PANEL - HEAT MIRROR SW.	EATON	12		562763
C 280	ENGINE COMPT - A/C COMPRESSOR AUX.	PED WP	2	561566	561690	C 342					
C 281						C 343	LH SWITCH PANEL - HEAD LAMP SW.	EATON	12		562763
C 282	FR SERVICE COMPT - STEERING ZF	VOLVO	2		562928	C 344	LH SWITCH PANEL - HAZARD LT SW.	EATON	12		562763
C 283	LH CONSOLE - SPARE SW. LTS	AMP MNL	2	561248	561247	C 345	LH SWITCH PANEL - FOG LT SW.	EATON	12		562763
C 284						C 346					
C 285						C 347					
C 286						C 348	INSTR. PANEL CENT. - RACOR MODULE	MOLEX	6	562070	562069
C 287						C 349					
C 288						C 350					
C 289						C 351					
C 290	LUGGAGE CPT - DOOR LOCK	AMP MNL	4	560851	560852	C 352					
C 291	LUGGAGE CPT - DOOR LOCK	AMP MNL	4	560851	560852	C 353					
C 292						C 354					
C 293						C 355					
C 294						C 356					
C 295						C 357					
C 296						C 358					
C 297						C 359	RH SWITCH PANEL - ENT. DOOR WIND. SW.	EATON	12		562763
C 298						C 360	ENTRANCE WINDOW MOTOR	PED	2		561848
C 299	RH SWITCH PANEL - GALLEY	EATON	12		562763	C 361					
C 300						C 362					
C 301						C 363					
C 302						C 364	FRONT ROOF - ELECTRICAL DEST. SIGN	AMP MNL	3	561667	561550
C 303	RR JCT BOX - DIODES	AMP MNL	15	561987	561986	C 365					
C 304	RR JCT BOX - DIODES	AMP MNL	15	561987	561986	C 366					
C 305						C 367					
C 306						C 368	FRONT ROOF - ELECTRICAL DEST. SIGN	AMP MNL	3	561667	561550

CONNECTORS CODE

NO	LOCATION	TYPE	CAVITY	#PIN	#SOCKET	NO	LOCATION	TYPE	CAVITY	#PIN	#SOCKET
				HOUSING	HOUSING					HOUSING	HOUSING
C 369	FRONT ROOF – ELECTRICAL DEST. SIGN	TORRIX	5	562110		C 433					
C 370	FRONT ROOF – ELECTRICAL DEST. SIGN	AMP MNL	2	560900	560858	C 434					
C 371	FRONT ROOF – ELECTRICAL DEST. SIGN	AMP MNL	3	561667	561550	C 435					
C 372	FRONT ROOF – ELECTRICAL DEST. SIGN	MOLEX	4	561477	561476	C 436					
C 373						C 437					
C 374						C 438					
C 375						C 439					
C 376						C 440					
C 377	LH SWITCH PANEL – STOP ENGINE OVERRIDE	EATON	12		562763	C 441					
C 378						C 442					
C 379	LUGGAGE COMPT. – WINDOW AJAR SW.	MOLEX	4	561477	561476	C 443					
C 380						C 444					
C 381	UNDER DASH PANEL – ANTI THILED	AMP MNL	2	561248	561247	C 445					
C 382	ENGINE GENERATOR (1)	PED WP	1	561605	561577	C 446					
C 383	ENGINE COMPT – VOLTAGE REGULATOR	PED WP	1	561605	561577	C 447					
C 384						C 448					
C 385	BATT. COMPT. – BJB INTERFACE	AMP MNL	12	561735	561736	C 449					
C 386	LH SWITCH PANEL – W.C.LIFT	EATON	12		562763	C 450	S.S. PANEL - FEEDING	MOLEX	4	562507	562503
C 387	EVAPORATOR COMPT. - BY-PASS VALVE	PED WP	2	561566	561690	C 451	S.S. PANEL - FEEDING	MOLEX	2	562550	562549
C 387	BATTERY COMPT. – WCL ACCES.	AMP CPC	16	561639	561640	C 452	UNDER DASH – S.S. ACC. SIGNAL	MOLEX	2	562550	562549
C 388	LUGG. COMPT.(4) – WCL DOOR ACCESS.	AMP MNL	12	561735	561736	C 453	S. S. PANEL – VCR FEEDING	PED WP	2	561566	561690
C 389	EVAPORATOR COMPT. – WATER PUMP	PED WP	2	561566	561690	C 454	S. S. PANEL – VCR FEEDING	PED WP	2	561566	561690
C 390	EVAPORATOR COMPT. – A/C JCT. BOX	DEUTSCH	24	562280	562283	C 455	PARCEL RACK – WIRELESS MICROPHONE	MOLEX	6		562464
C 391	CONDENSER COMPT. A/C PRESS SW 2 SP	PED WP	2	561566	561690	C 456	WORLD TRANS. - RETARDER ACCUM.	PED MP	2		562427
C 392						C 457	WORLD TRANS. - MAIN CONNECTOR	DEUTSCH	31	562572	562536
C 393						C 458	WORLD TRANS. - TURBINE SP. SENS.	PED MP	2		562426
C 394	UNDER DASH - B/U MONITOR	AMP MNL	4	560851	560852	C 459	WORLD TRANS. - ENGINE SP. SENS.	PED MP	2		562426
C 395	UNDER DASH - B/U MONITOR	CLARION	4		990335	C 460	WORLD TRANS. - SPEED SENSOR	ITT	2		562541
C 396	PARCEL RACK – SPEAKER FEEDING	MOLEX	4	562507	562503	C 461	WORLD TRANS. - RETARDER TEMP.	PED MP	2		562856
C 397						C 462	WORLD TRANS. - RETARDER SOL. "K"	PED MP	2		562426
C 398						C 463	WORLD TRANS. - SENSOR CONN.	DEUTSCH	16	562570	562571
C 399	ENGINE GENERATOR (2)	PED WP	2	561566	561690	C 464	RR JCT BOX - DDL CONN	DEUTSCH	6		565360
C 400	ENGINE COMPT. – BLOCK HEATER	PED WP	3	561781	561782	C 465	LH CONSOLE - SHIFTER SELECTOR	PED	20		562825
C 401						C 466	FR SERVICE CPT - RESIS. MOD.	PED WP	3		562428
C 402						C 467	FR SERVICE CPT - RESIS. MOD.	PED WP	3		562428
C 403	GALLEY – REFRIGERATOR		2			C 468	STEERING COLUMN – RET. HAND LEVER	AMP FF	8	561188	562363
C 404	GALLEY – LAMP SWITCH		2			C 469	FR SERVICE COMPT. – RESIS. MOD.	AMP FF	8	561188	562363
C 405	INVERTER SIGNAL	AMP MNL	2	561248	561247	C 470					
C 406						C 471					
C 407						C 472	FR SERVICE CPT – SILENT 1000 OR EATON	PED WP	2	561566	561690
C 408						C 473					
C 409						C 474	DRIVER'S TEMP SENSOR	AMP MNL	2	561248	561247
C 410						C 475	FR SERVICE CPT – SPEED SIGN. CONNECT.	DEUTSCH	6	562583	562581
C 411						C 475M	FR SERVICE CPT – SPEED SIGN. W. TR.	DEUTSCH	6	562583	562581
C 412						C 475W	FR SERVICE CPT – SPEED SIGN. W. TR.	DEUTSCH	6	562583	562581
C 413						C 476					
C 414						C 477					
C 415						C 478	FRONT ROOF – ELECTRONIC DEST. SIGN	AMP CPC	9	561636	561637
C 416						C 479	UNDER DASH – HVAC DASH MODULE	MOLEX	3		562783
C 417						C 480	UNDER DASH RH – DR'S FAN SPEED CTR	PED WP	4	561889	561890
C 418						C 481	UNDER DASH RH – DR'S FAN SPEED CTR	PED WP	3	561781	561782
C 419	FR JCT BOX – RET/JAKE SELECTION	AMP MNL	3	561667	561550	C 482					
C 420						C 483	FR SERVICE CPT – ELECTRICAL SEAT	PED	2	562237	
C 421	ENGINE COMPT. - WEBASTO	AMP FF	2	562473	562474	C 484	UNDER DASH LH – FOOT DAMPER MOTOR	PED	2		562076
C 422	ENGINE COMPT. - WEBASTO	PED	2	562644	561597	C 485	UNDER DASH LH – DASH & DEFR. DAMP. M.	AMP MNL	3	561667	561558
C 423						C 486	WCL ROOF DOOR – DOOR LT.	LEECRAFT	2	-----	562803
C 424	UNDER DASH – AUDIBLE FLASHER	AMP MNL	3	561667	561550	C 487	S.S PANEL – AUDIO IN AMPLI	MOLEX	4	-----	563071
C 425						C 488	S.S PANEL – AMPLI SIGNAL	MOLEX	8	-----	562465
C 426	ENGINE S60 RAD. FAN CLUTCH	PED WP	3	561781	561782	C 489	S.S PANEL – SPEAKER OUTLET	MOLEX	6	-----	562464
C 427						C 490					
C 428	RH SW PANEL – DASH LTS RHEOSTAT	AMP MNL	3	561667	561550	C 491					
C 429						C 492					
C 430	LH CONSOLE – PRE-HEAT TIMER	AMP FF	8	561188	562363	C 493					
C 431	LH CONSOLE – PRE-HEAT TIMER		1		560488	C 494					
C 432						C 495					

CONNECTORS CODE

NO	LOCATION	TYPE	CAVITY	#PIN	#SOCKET	NO	LOCATION	TYPE	CAVITY	#PIN	#SOCKET
				HOUSING	HOUSING					HOUSING	HOUSING
C 496						C 566	FR. SERV. COMPT. - MIC. OUTLET	MOLEX	4	562507	562503
C 497						C 567	FR. SERV. COMPT. - MIC. OUTLET	MOLEX	4	562507	562503
C 498						C 568	S.S. PANEL - SPEAKER OUTLET	CINTCH	4	562553	
C 499						C 569	S. S. PANEL - AMPLI SIGNAL	MOLEX	9	562556	562555
C 500	FR JCT PANEL - PRODRIVER	MOLEX	6	562070	562069	C 570	UNDER DASH PANEL - T.T.LT MODULE	MOLEX	6		562464
C 501						C 571	UNDER DASH PANEL - T.T.LT MODULE	MOLEX	20		562778
C 502	LH DASH PANEL - PRE- HEAT SW.	EATON	12		562763	C 572	UNDER DASH PANEL - T.T.LT MODULE	MOLEX	18		562779
C 503	LH CONSOLE-PROHEAT TIMER	PED MP	6	-----	562878	C 573	UNDER DASH PANEL - T.T.LT MODULE	MOLEX	8		562465
C 504	LH CONSOLE -WEBASTO TIMER	AMP	8	-----	562852	C 574	PARCEL RACK - INDIRECT LTS BALLAST	MOLEX			562759
C 505	LH CONSOLE -ESPAR TIMER	AMP	12	-----	562681	C 575	RH PARCEL RACK - FFEDING	MOLEX	4	562507	562503
C 506	FR JCT BOX - DIGITAL CLOCK	AMP CPC	4	561685	561687	C 576	RH PARCEL RACK - FFEDING	AMP MNL	3	561667	561550
C 507	LH HAT RACK - DIGITAL CLOCK	MOLEX	4	561477	561476	C 577	LH PARCEL RACK - FFEDING	AMP MNL	3	561667	561550
C 508	RR JCT BOX - FAN CLUTCH RETARDER	AMP MNL	6	561552	561515	C 578	LH PARCEL RACK - FFEDING	MOLEX	4	562507	562503
C 509	EVAP. COMPT. - NOT USED	DEUTSCH	5		562566	C 579	LHPARCEL RACK-VCR POWER	MOLEX	4		563071
C 515	FR JCT BOX CPT. - INTERCOM	MOLEX	4	561477	561476	C 580	LH DASH PANEL - PARCEL RACK A/C SW.	EATON	12		562763
C 516	FR JCT BOX CPT. - INTERCOM	MOLEX	6	562070	562069	C 581	LH DASH PANEL - ELECTRICAL HORN	PED MP	2		562777
C 517	LAVATORY WALL - INTERCOM	MOLEX	6	562070	562069	C 582					
C 519A	RH UNDER DASH - ENTRANCE DOOR SOL.	PNEUMAC	3		641385	C 583	LH DASH PANEL - MASTER KEY SW.	DEUTSCH	2	562486	562485
C 519B	RH UNDER DASH - ENTRANCE DOOR SOL.	PNEUMAC	3		641385	C 584	FR. SERVICE COMPT - HORN PNEU. VALVE	PNEUMAC	3		562848
C 520	RH UNDER DASH - ENTRANCE DOOR SOL.	PNEUMAC	3		641385	C 585					
C 521	RH UNDER DASH - ENTRANCE DOOR SOL.	PNEUMAC	3		641385	C 586	FR SERVICE COMPT - ACC. PNEU.VALVE	PNEUMAC	3		562848
C 522	FR JCT BOX - DAYTIME LTS MODULE	BOSCH	5		561183	C 587	LH PARCEL RACK DVD UNIT	MOLEX	4	563040	563071
C 523	FR JCT BOX - FUSE BLOCK	PED	8	562647	562646	C 588	FR SERV. COMPT. - S.S. INTERFACE	AMP CPC	37	561645	561646
C 524	FR JCT BOX - FUSE BLOCK	PED	8	562647	562646	C 589	FR. MIRROR LH	CONXALL	8	563163	563088
C 525	FR JCT BOX - FUSE BLOCK	PED	8	562647	562646	C 590	FR. MIRROR RH	CONXALL	8	563163	563088
C 526	FR JCT BOX - FUSE BLOCK	PED	8	562647	562646	C 591	LH CONSOLE - LH MIRROR SW.	EURAMT.	8		562749
C 527	FR JCT BOX - FUSE BLOCK	PED	8	562647	562646	C 592	LH CONSOLE - RH MIRROR SW.	EURAMT.	8		562749
C 528						C 594	FRONT ROOF - DRIVER'S LTS	LEEKRAFT	2	-----	562803
C 529						C 595	RH DASH PANEL - ENTRANCE DOOR SW.	MOLEX	4	562507	562503
C 530	RR JCT BOX - FUSE BLOCK	PED	8	562647	562646	C 596	RH DASH PANEL - ENTRANCE DOOR SW.	MOLEX	4	562507	562503
C 531	RR JCT BOX - FUSE BLOCK	PED	8	562647	562646	C 597	LH DASH PANEL - DISPLAY SET SW.	AMP	5		562905
C 532	LH PARCEL RACK - A/C LIQ. SOL.	AMP MNL	2	561248	561247	C 598	LH DASH PANEL - DISPLAY SET SW.	AMP	5		562905
C 533	RH PARCEL RACK - A/C LIQ. SOL.	AMP MNL	2	561248	561247	C 599	UND. DASH - MAGN. SW CTR POS. DR'S AIR	AMP MNL	2	561248	561247
C 534						C 604	LH PARCEL RACK DVD VIDEO STABILIZER	SWITCHCRAFT	1		563074
C 535						C 605	LH PARCEL RACK - A/C UNIT	AMP MNL	6	561552	561515
C 536						C 606	RH PARCEL RACK - A/C UNIT	AMP MNL	6	561552	561515
C 537	A/C JCT BOX RESISTOR SIGN. RLY	AMP MNL	2	561248	561247	C 607					
C 538	FR SERV. CPT RH - OUTSIDE TEMP. SENS	AMP MNL	2	561248	561247	C 608					
C 539	HVAC DASH MODULE OUTPUT CONN.	MOLEX	24		562780	C 609	FR SERV. COMPT - SPEED SIGNAL (SPARE)	PED WP	2	561566	561690
C 540	HVAC DASH MODULE INPUT CONN.	MOLEX	22		562781	C 610					
C 541						C 611	RH PARCEL RACK READING LTS WCL	MOLEX	6	562558	562557
C 542						C 612	RH PARCEL RACK LUOR. INSTATION LTS WCL	MOLEX	4	562507	562503
C 543						C 613	RH PARCEL RACK INDIRECT LTS WCL	AMP MNL	3	561667	561550
C 544	S.S. PANEL - AUDIO SEAT	PED WP	3	561781	561782	C 614	RH PARCEL RACK INDIRECT LTS WCL	AMP MNL	3	561667	561550
C 545						C 615	LH PARCEL RACK DVD SIGN ALONG ADAPTOR	MOLEX	2	562550	562549
C 546	FR. JCT BOX - CHARGER WIRELESS MIC.	MOLEX	2		563025	C 701	ZF TRANSMISSION ECU	KOSTAL	20		
C 547						C 702	SHIFT SELECTOR - LH CONSOLE	AMP	14		563338
C 548	LH DASH PANEL - T.T.LT TEST SW.	EATON	12		562763	C 712	NEUTRAL SWITCH ON ZF TRANSM. (TOP)	AMP	4		563340
C 549	LH DASH PANEL - ENGINE FAN OVERRIDE	EATON	12		562763	C 714	OUTPUT SENSOR ON ZF TRANSM. (BOTTOM)	AMP	4		563340
C 550	LAST LUGG. CPT. -WCL MODULE	AMP CPC	16	561694	561695	C 717	FR SERV. COMPT - MAIN CONN.	AMP CPC	22	561642	561643
C 551	LAST LUGG. CPT. -WCL REMOTE	AMP CPC	9	561636	561637	C 720	ENGINE COMPT - BLKHD CONNECTOR	DEUTSCH	31	563359	563358
C 552						C 721					
C 553	UNDER DASH - S.S. CONTROL HEAD	MOLEX	16		562559	C 723	ENGINE COMPT - FOR TRANSM.	DEUTSCH	3		562884
C 554	UNDER DASH - S.S. CONTROL HEAD	MOLEX	16		562559	C 736	FR SERV. COMPT - ZMTEC MODULE	PACKARD	30	563053	
C 555	UNDER DASH - S.S. CONTROL HEAD	MOLEX	16		562559	C 740	ABOVE DRIVE AXLE - EASY START SOL VALVE	LEONI	2		641949
C 556	UNDER DASH - RADIO FEEDING	MOLEX	2	562550	562549	C 742	REAR JCT BOX - FUSE BLOCK	AMP	8	562446	
C 557	UNDER DASH - RADIO FEEDING	MOLEX	9	562556	562555	C 745	FR SERV COMPT - THROTTLE POS. SENSOR	PED WP	3	561781	
C 558	FR. SERV. COMPT. - MIC. OUTLET	MOLEX	4	562507	562503	C 760	FR SERVICE COMPT - TO J1939	DEUTSCH	3		
C 559						C 761	FR SERVICE COMPT - TO J1939	DEUTSCH	3		562884
C 560						C 762	ENGINE COMPT - TO J1939	DEUTSCH	3		562884
C 561	LH PARCEL RACK - WIRELESS MIC.	MOLEX	8		562465	C 763	ENGINE COMPT - TO J1939	DEUTSCH	3		562884
C 562	LH PARCEL RACK - VCR SIGNAL	MOLEX	12		563070	C 764	ENGINE COMPT - TO J1939	DEUTSCH	3		562884
C 563	FR. SERV. COMPT. - DRIVER SPEAKER	MOLEX	4	562507	562503	C 765	ENGINE COMPT - TO J1939	DEUTSCH	3		562884
C 564	FR. SERV. COMPT. - MIC. OUTLET	MOLEX	4	562507	562503	C 766	ENGINE COMPT - TO J1939	DEUTSCH	3		562884
C 565	FR. SERV. COMPT. - MIC. OUTLET	MOLEX	4	562507	562503	CS	FR SERVICE CPT - ECU WOLRD TR.	PED MP	32		562817

CONNECTORS CODE

NO	LOCATION	TYPE	CAVITY	#PIN	#SOCKET	NO	LOCATION	TYPE	CAVITY	#PIN	#SOCKET
				HOUSING	HOUSING					HOUSING	HOUSING
CT	FR SERVICE CPT - ECU WORLD TR.	PED MP	32		562824						
CV	FR SERVICE CPT - ECU WORLD TR.	PED MP	32		562823						
CX	CLUSTER	JAE	5		562957						
CX 1	FR SERVICE CPT - ECU ABS	AMP JN	15		563200						
CX 2	FR SERVICE CPT - ECU ABS	AMP JN	18		563201						
CY	CLUSTER	JAE	30		562765						
CW X1	ENGINE COMPT. - WATER HEATER	AMP	7	563134	563135						
CW X3	ENGINE COMPT. - WATER HEATER	AMP	7	563134	563135						
LX	CLUSTER	JAE	22		562766						
LY	CLUSTER	JAE	30		562767						
RX	CLUSTER	JAE	30		562767						
WEB 1	ENGINE COMPT. - WEBASTO	AMP FF	2	562473	562474						
WEB 2	ENGINE COMPT. - WEBASTO	AMP FF	2	562643							
ZF 1	FR JCT BOX - STEERING E.C.U.	HELLA	9		562929						

CONNECTORS CODE

NO	LOCATION	TYPE	CAVITY	#PIN	#SOCKET	NO	LOCATION	TYPE	CAVITY	#PIN	#SOCKET
				HOUSING	HOUSING					HOUSING	HOUSING
A 1	UNDER DASH – AUDIO SIGNAL	RCA	1	562090	562330	C 57	RH PARCEL RACK - FEEDING	MOLEX	6	562558	562557
A 2	UNDER DASH – AUDIO SIGNAL	RCA	1	562090	562330	C 58					
A 10	UNDER DASH – AUDIO SIGNAL	RCA	1	562090	562330	C 59					
A 11	UNDER DASH – AUDIO SIGNAL	RCA	1	562090	562330	C 60					
A 18	S. S. PANEL – AUDIO SIGNAL	RCA	1	562090	562330	C 61	ENGINE COMPT - FUEL FILTER	PED WP	2	561566	561690
A 19	S. S. PANEL – AUDIO SIGNAL	RCA	1	562090	562330	C 62	ENGINE COMPT – COMPR. AUX. PRESS. SW.	PED WP	2	561566	561690
AA 1	UNDER DASH PANEL- SONALERT	BOSCH	5	-----	561183	C 63	ENGINE COMPT – COMPR. AUX. PRESS. SW.	PED WP	2	561566	561690
C 1	FR JCT BOX COMPARTIMENT	AMP CPC	14	561585	561584	C 64					
C 2	FR JCT BOX COMPARTIMENT	AMP CPC	16	561638	561640	C 65	ENGINE CPT – A/C PRESS SW FAN CLUTCH	PED WP	2	561566	561690
C 3	FR JCT BOX COMPARTIMENT	AMP CPC	37	561644	561646	C 66	ENGINE CPT – SPARE CONNECTOR	PED WP	1	561605	561577
C 4	FR JCT BOX COMPARTIMENT	AMP CPC	24	561641	561643	C 67					
C 5	FR SERVICE COMPT. - UNDERNEATH	AMP CPC	37	561645	561646	C 68					
C 6	FR SERVICE COMPT. - UNDERNEATH	AMP CPC	16	561639	561640	C 69					
C 7	FR SERVICE COMPT - CLUTCH SW	ITT SS	3	561080	561111	C 70	LH CONSOLE	AMP CPC	16	561639	561640
C 8	FR SERVICE COMPT. - UNDERNEATH	AMP CPC	24	561642	561643	C 71	FR JCT BOX COMPT.	AMP CPC	37	561645	561646
C 9	FR SERVICE COMPT. - UNDERNEATH	AMP CPC	24	561642	561643	C 72	FR JCT BOX COMPT.	AMP CPC	24	561642	561643
C 10	FR SERVICE DOOR ACCESS.	DEUTSCH	5	562565	562566	C 73					
C 11	FR SERV. CPT ACCESS	AMP CPC	37	561645	561646	C 74	FR JCT BOX COMPT.	AMP CPC	37	561645	561646
C 12	FR SERV. CPT ACCESS	AMP CPC	16	561639	561640	C 75	SERVICE COMPT. EXT. ENTRANCE DOOR SW.	DEUTSCH	4	562479	562477
C 13	FR JCT BOX COMPARTIMENT	AMP MNL	2	561248	561247	C 75	RH PARCEL RACK – READ. LTS FEED. WCL	MOLEX	6	562558	562557
C 14	LAST LUGGAGE COMP(4) - DOCKING LTS	AMP MNL	2	561248	561247	C 76	ENGINE COMPT. FIRE DETECTOR	DEUTSCH	2	562486	562485
C 15	UNDER STAIRS – CORNERING LTS	AMP MNL	2	560900	560898	C 77	ENGINE COMPT. FIRE DETECTOR	DEUTSCH	2	562486	562485
C 16	LH CONSOLE SW-CRUISE ON/OFF	EATON	12	-----	562763	C 78					
C 17	LH CONSOLE SW-CRUISE RESUME	EATON	12	-----	562763	C 79					
C 18	LH CONSOLE SW-CRUISE SET	EATON	12	-----	562763	C 80					
C 19	LH CONSOLE SW-DECEL SW	EATON	12	-----	562763	C 81	LUGGAGE COMPT - DOOR LOCK	AMP MNL	4	560851	560852
C 20	RR JCT BOX	DEUTSCH	70	562282	562285	C 82	UNDER SEAT – AISLE LTS	AMP MNL	2	560900	560898
C 21	ENGINE COMPT - LOCK DOOR MOT.	PED WP	2	-----	562076	C 82	LUGGAGE COMPT - DOOR LOCK	AMP MNL	4	560851	560852
C 22	LUGGAGE COMPT (A) - A/C & FUEL TANK	AMP CPC	16	561639	561640	C 83	LUGGAGE COMPT - DOOR LOCK	AMP MNL	4	560851	560852
C 23	LUGGAGE COMPT (1) – LUGG. ACCESS.	AMP CPC	24	561642	561643	C 84	LUGGAGE COMPT - DOOR LOCK	AMP MNL	4	560851	560852
C 24	ENGINE COMPT. – INTERF RJB	PED WP	6	561606	561607	C 85					
C 25	ENGINE COMPT. – INTERF RJB	PED WP	6	561606	561607	C 86					
C 26	ENGINE COMPT. ACCESS	DEUTSCH	40	562281	562284	C 87					
C 27	ENGINE COMPT. – INTERF. RJB	DEUTSCH	6	562583	562581	C 88	FR SERV. CPT. PRESS SW PARK BRAKE	PED WP	2	561566	561690
C 28	LUGGAGE COMPT(4) – LUGG. ACCESS	AMP CPC	24	561642	561643	C 89					
C 29	FR SERVICE COMPT – E.C.U. FEED	PED WP	3	561781	561782	C 90					
C 30	ENGINE COMPT – MASTER SW. SIGN.	DEUTSCH	2	562486	562485	C 91					
C 31	RR JCT BOX – PARCEL RACK FEEDING	DEUTSCH	31	562572	562536	C 92	FR JCT BOX COMPT - ABS	AMP CPC	9	561635	561637
C 32	ENGINE COMPT. – 12VI FOR OPTION	PED WP	1	-----	561577	C 93					
C 33	FR SERV. COMPT. – VSS SIGNAL	PED WP	2	561566	561690	C 94					
C 34	FR JCT BOX EATON TRANS. J1939	DEUTSCH	3	562877	562884	C 95					
C 35	A/C COMPT - AIR RETURN SENSOR	AMP MNL	2	561248	561247	C 96	FR SERVICE DOOR ACCESS	AMP MNL	9	561670	561669
C 36	UNDER STAIRS – STEP LIGHTS	AMP MNL	2	561248	561247	C 97	FR SERVICE DOOR – WATER TANK	PED MP	2	-----	562426
C 36	RH PARCEL RACK – EMERGENCY LTS	AMP MNL	2	560900	560898	C 98					
C 37	LH PARCEL RACK - FEEDING	MOLEX	6	562558	562557	C 99	FR SERVICE CPT. LTS	AMP MNL	2	561248	561247
C 38	RH PARCEL RACK - FEEDING	MOLEX	6	562558	562557	C 100					
C 39	ENGINE COMPT. ECM J1939	DEUTSCH	3	562877	562884	C 101	FR SERVICE COMPT. ELEC. HORNS	PED WP	2	561566	561690
C 40						C 101	CONDENSER COMPT - A/C PRES. SW 1SP	PED WP	2	561566	561690
C 41	ENGINE COMPT – RH DOOR LOCK	DEUTSCH	4	562479	562477	C 102	CONDENS. COMPT – LIQU. SOL. VAL. PRES.	PED WP	2	561566	561690
C 42	ENGINE COMPT – RR CAP LIGHTING	DEUTSCH	6	562583	562581	C 103	ENGINE COMPT. – LAVATORY FAN	PED WP	2	561566	561690
C 43	FR JCT BOX – ALT. MODULE	AMP MNL	12	561735	561734	C 104	ENGINE COMPT. – LAVATORY PUMP	DEUTSCH	4	562479	562477
C 44	ENGINE COMPT - LIGHTS	GROTE	2	-----	563268	C 105	UNDER DASH RH - DRV LIO SOL VL	PED WP	2	561566	561690
C 45	FR JCT BOX COMPT – ROOF ACCESS	AMP CPC	24	561642	561643	C 106	UNDER DASH RH - DRV WTR VALVE	PED WP	2	561566	561690
C 46	ENGINE COMPT. ECM J1939	DEUTSCH	3	562877	562884	C 107	ENGINE COMPT - LAVATORY PUSH BUTTON	PED WP	2	561566	561690
C 47	ENGINE DDEC-ECM J1939	PED MP	6	-----	561962	C 108	FR. SERICE COMPT – GAZ CYLINDER L.H.	DEUTSCH	2	562486	562485
C 48	FR SERV. CPT. PRESS SW PARK BRAKE	PED WP	2	561566	561690	C 109					
C 49	LAVATORY ROOF – NIGHT LIGHT	AMP MNL	2	560900	560898	C 110					
C 50	LAVATORY ROOF - LIGHT	LEECRAFT	2	-----	562803	C 111					
C 50	LH SWITCH PANEL – SAFETY SW.	EATON	12	-----	562763	C 112					
C 51	FR SERV.CPT.PARK. BRAKE SOL. VALVE	PNEUMAC	2	-----	641385	C 113					
C 52	ENGINE COMPT - COMPRESSOR	PED WP	2	561566	561690	C 114	ENGINE DDEC - SPEED SIGNAL	PED WP	2	561566	561690
C 53	ENGINE COMPT - COMPRESSOR	PED WP	2	561566	561690	C 115	RR JCT BOX – ENGINE ACCESS	DEUTSCH	40	562281	562284
C 54	FRONT ROOF – UPPER FAN DEFROST	AMP MNL	6	561552	561515	C 116					
C 55	CENTRAL DOOR LOCK	DEUTSCH	4	562479	562477	C 117					
C 56	LH PARCEL RACK - FEEDING	MOLEX	6	562558	562557	C 118	ENGINE COMPT - LICENCE	DOM. AUT	2	930210	

CONNECTORS CODE

NO	LOCATION	TYPE	CAVITY	#PIN	#SOCKET	NO	LOCATION	TYPE	CAVITY	#PIN	#SOCKET
				HOUSING	HOUSING					HOUSING	HOUSING
C 119	ENGINE COMPT - RH LOWER LAMP	PED WP	6	561606	561607	C 182					
C 120	ENGINE COMPT - LH LOWER LAMP	PED WP	6	561606	561607	C 183					
C 121						C 184	FR SERV. COMPT. - KNEELING PROX. SW.	ITT SS	3	561080	561111
C 122						C 185	KNEELING PANEL - DOWN SOL. VALVE	PNEUMAC	3		641385
C 123						C 186					
C 124						C 187	FR SERVICE JCT BOX - RESISTORS	AMP MNL	6	561552	561515
C 125						C 187	KNEELING PANEL - PARK BRAKE INTERLOCK	PNEUMAC	3		641385
C 126						C 188					
C 127						C 189	ENGINE COMPT - DOOR LIGHT BACK UP	TRUCK-LITE	2	562755	
C 128						C 190	ENGINE COMPT - DOOR LIGHT STOP/TURN	AMP SS	3		562601
C 129						C 191	ENGINE COMPT - DOOR LIGHT STOP/TURN	AMP SS	3		562601
C 130						C 192	ENGINE COMPT - DOOR LIGHT PARKING	AMP SS	3		562601
C 131						C 193					
C 132						C 194					
C 133						C 195					
C 134	FR JCT BOX - DIODE CONN.	AMP MNL	15	561987	561986	C 196	KNEELING PANEL - UP SOL. VALVE	PNEUMAC	3		641385
C 135	FR JCT BOX - DIODE CONN.	AMP MNL	15	561987	561986	C 197	KNEELING PANEL - CTR SOL. VALVE	PNEUMAC	3		641385
C 136	FR JCT BOX - DIODE CONN.	AMP MNL	15	561987	561986	C 198					
C 137	FR JCT BOX - DIODE CONN.	AMP MNL	15	561987	561986	C 199					
C 138						C 200	PARCEL RACK - FLUORESCENT LTS	AMP MNL	2	561248	561247
C 139						C 201	PARCEL RACK - FLUORESCENT LTS	AMP MNL	2	561248	561247
C 140	HVAC DASH MODULE THERMOMETER	MOLEX	4		562782	C 202	RH PARCEL RACK - INDIRECT LTS	MOLEX	2		562758
C 141	RR DASH PANEL - LTS CONN. (SPARE)	AMP MNL	2	561248	561247	C 203	PARCEL RACK - FLUORESCENT LTS	MOLEX	6		562759
C 142	ENGINE COMPT. B/U ALARM	PED WP	2	561566	561690	C 204	RH PARCEL RACK - RACK LTS	AMP MNL	2	560900	560858
C 143						C 205	RH PARCEL RACK - FEEDING	AMP MNL	9	561661	561662
C 144	FR JCT BOX - AISLE LTS FEEDING	AMP MNL	2	561248	561247	C 206	RH PARCEL RACK - FEEDING	AMP FF	4	562760	562756
C 145						C 207	LH PARCEL RACK - FEEDING	AMP FF	4	562760	562756
C 146						C 208	PARCEL RACK - FLUORESCENT LTS	MOLEX	2		562758
C 147						C 209	LH PARCEL RACK - HOTESS CHIME	AMP MNL	3	561667	561550
C 148						C 210	LH PARCEL RACK - FEEDING	AMP MNL	9	561661	561662
C 149						C 211	FR ROOF - SUN VISOR LH	AMP MNL	2	560900	560898
C 150						C 212	FR ROOF - SUN VISOR RH	AMP MNL	2	560900	560898
C 151						C 213	WCL DOOR UP HING-DOOR READ & HOST. SW	AMP MNL	6	561552	561515
C 152						C 214					
C 153						C 215					
C 154						C 216					
C 155	EVAPORATOR CPT - WATER VALVE	BURKERT	3		563204	C 217	RH PANEL SW. - SCENIC VIEW CAMERA	EATON	12		562763
C 156						C 218	RH PANEL SW. - LIGHTS SPARE	AMP MNL	2	560900	560898
C 157	FR SERV. CPT - WATER PUMP DR'S	PED WP	3	561781	561782	C 219					
C 158	ENGINE CPT - DDEC INTERFACE CONNECTOR	DEUTSCH	31	562572	562536	C 220					
C 159	ENGINE CPT - DDE FEED	PED WP	6	561606	561607	C 221					
C 160	FR SERVICE CPT - INTERFACE	AMP CPC	37	561644	561646	C 222					
C 161	ENGINE DDEC - ECM	PED MP	30		561600	C 223	HEAD LIGHTS - FLASHER	DEUTSCH	5	562565	562566
C 162	ENGINE DDEC - ACCESSORIES	PED WP	4	561610	561611	C 224	HEAD LIGHTS	PED MP	3		562099
C 163	ENGINE CPT - COOLANT PROBE	PED MP	2		562350	C 225	FOG LIGHTS	DEUTSCH	3	562902	562901
C 164						C 226	FRONT HEADLIGHTS - MARKER & FLASHER	PED	3	562137	
C 165						C 226	BATT. COMPT. - INTERIOR LTS	AMP MNL	2	561248	561247
C 166						C 227					
C 167	FR SERVICE CPT - EL. FOOT PEDAL	PED WP	3	561781	561782	C 228					
C 168	FR SERVICE CPT - DDR	DEUTSCH	6	562360		C 229	BATT. COMPT. - CHARGER 110V.	PED WP	1	561577	561605
C 169	FR SERVICE CPT - WORLD TR. INTERFACE	AMP CPC	16	561639	561640	C 230	ENGINE COMPT. - FUEL PRIME PUMP SW.	PED WP	2	561566	561690
C 169	FR SERV. COMPT. - SPEED SWITCH	AMP	15	562011	562012	C 231	ENGINE COMPT. - FUEL PRIME PUMP	PED WP	2	561566	561690
C 170	FR JCT BOX FLASHER UNIT	PED	2		561940	C 232					
C 171	LH CONSOLE	AMP CPC	24	561642	561643	C 233	FIRST LUGGAGE CPT.	VDO	8		562043
C 172	FR SERVICE COMPT - KNEELING PANEL	AMP CPC	16	561639	561640	C 234	FIRST LUGGAGE CPT.	VDO	8		562044
C 172	ENGINE COMPT. - WATER TANK HEATER	PED WP	2	561566	561690	C 235	FIRST LUGGAGE CPT.	VDO	8		562041
C 173						C 236	FIRST LUGGAGE CPT.	AMP MNL	4	560851	560858
C 174						C 236	FR SERVICE CPT CENTER - ABS	AMP CPC	14	561636	561637
C 175						C 237	FR AXLE CPT - ABS RH SENSOR	WABCO	2	641132	
C 176	UNDER DASH RH - WIPER PULSE	AMP FF	6		561186	C 238	FR AXLE CPT - ABS RH VALVE	WABCO	3	641098	
C 177	UNDER DASH RH - WIPER MOTOR	AMP FF	6		561186	C 239	FR AXLE CPT - ABS LH VALVE	WABCO	3	641098	
C 178						C 240	FR AXLE CPT - ABS LH SENSOR	WABCO	2	641132	
C 179						C 241	LAST LUGGAGE COMPT - ABS	PED WP	6	561606	561607
C 180	KNEELING PANEL - DIODE SOCKET	AMP MNL	15	561987	561986	C 242	DRIVE AXLE CPT - ABS LH SENSOR	WABCO	2	641132	
C 181						C 243	DRIVE AXLE CPT - ABS LH VALVE	WABCO	3	641098	

CONNECTORS CODE

NO	LOCATION	TYPE	CAVITY	#PIN	#SOCKET	NO	LOCATION	TYPE	CAVITY	#PIN	#SOCKET
				HOUSING	HOUSING					HOUSING	HOUSING
C 244	DRIVE AXLE CPT - ABS RH VALVE	WABCO	3	641098		C 307					
C 245	DRIVE AXLE CPT - ABS RH SENSOR	WABCO	2	641132		C 308					
C 246	DRIVE AXLE CPT - ATC SOL.	PED WP	2	561566	561690	C 309	ENGINE DDEC - ECM POWER	PED	4	561610	561611
C 247	E.C.U. EATON TRANS.	PED MP	18		562573	C 310	LH CONSOLE SW - LUG. DOOR LOCK	EATON	12		562763
C 248	LAST LUGGAGE CPT - ABS	PED WP	6	561606	561607	C 311	RH SWITCH PANEL - HOTESS CHIME	EATON	12		562763
C 249	FR SERVICE CPT - ABS/DDEC	PED WP	2	561566	561690	C 312	ENGINE DDEC - ACCESSORIES	PED WP	3	561781	561782
C 250	LH CONSOLE - LOW BOUY	PED WP	2	561566	561690	C 312	RH SWITCH PANEL - READING LAMP	EATON	12		562763
C 251	LH SW PANEL - FAST IDLE	EATON	12		562763	C 313	ENGINE DDEC - INTERFACE	FCI	10	563207	
C 252	LUGGAGE COMPT. - WINDOW AJAR	MOLEX	4	561477	561476	C 313	RH SWITCH PANEL - INTERIOR LTS	EATON	12		562763
C 253	LH SWITCH PANEL - ETHER	EATON	12		562763	C 314	KNEELING PANEL - PRESS SW.	PED WP	2	561566	561690
C 254						C 314	RH SWITCH PANEL - INTERIOR LTS	EATON	12		562763
C 255	LH SWITCH PANEL - ENGINE BRAKE	EATON	12		562763	C 315	LH SWITCH PANEL - LH SUN VISOR SW.	EATON	12		562763
C 256						C 316	INTO HORN BOX - KNEELING BUZZER	DEUTSCH	2	562486	562485
C 257						C 317	LH SWITCH PANEL - RH SUN VISOR SW.	EATON	12		562763
C 258	LH SWITCH PANEL - MULTI FUNC. SW	AMP FF	8	561188		C 318	LH CONSOLE SW - DR'S WINDOW SW.	EATON	12		562763
C 259						C 319	ENGINE DDEC - ECM POWER	PED	4	561610	561611
C 259	LH SWITCH PANEL - MULTI FUNC. SW	AMP FF	6		561186	C 320	RT SWITCH PANEL - DRIVER'S LTS SW.	EATON	12		562763
C 260						C 321	UNDER DASH RH - KEYLESS MODULE	AMP COM	26		562676
C 261						C 322	UNDER DASH RH - KEYLESS MODULE	AMP COM	22		562675
C 262						C 323	DRIVER'S WINDOW MOTOR	PED	2		561848
C 263	LUGGAGE COMPT. LTS COMPT #3	AMP MNL	2	561248	561247	C 324	LH SWITCH PANEL - UPPER FAN DEFROST	EATON	12		562763
C 264	LUGGAGE COMPT. LTS COMPT #2	AMP MNL	2	561248	561247	C 325	LH SWITCH PANEL - KNEELING	EATON	12		562763
C 265	LUGGAGE COMPT. LTS COMPT #1	AMP MNL	2	561248	561247	C 326					
C 266	ENTRANCE DOOR KEYLESS	AMP CPC	14	561585	561583	C 327					
C 267	UNDER DASH RH - ENT. DOOR PANEL	AMP CPC	24	561642	561643	C 328	RR ROOF - GALLEY LAMP		2		
C 268	FR MIRROR RH	CONXALL	5	563091	563090	C 329					
C 269	FR MIRROR LH	CONXALL	5	563091	563090	C 330					
C 270	LUGGAGE COMPT LTS - 3 LH	AMP MNL	2	561248	561247	C 331					
C 271	LUGGAGE COMPT LTS - 4	AMP MNL	2	561248	561247	C 332					
C 272						C 333					
C 273	ENT. DOOR PANEL - DIODE SOCKET	AMP MNL	9	561670	561669	C 334					
C 274						C 335					
C 275	ENT. DOOR PANEL - DIODE SOCKET	AMP MNL	9	561670	561669	C 336					
C 276						C 337					
C 277	RH UNDER DASH - ENT. DOOR REED SW.	AMP MNL	2	560900	560858	C 338					
C 278	RH PASS. AIR DUCT - ENT DOOR PRESS SW.	PED WP	2	561566	561690	C 339	KNEELING PANEL - HI BUOY SOL. VALVE	PNEUMAC	3		641385
C 279	RH UNDER DASH - ENT. DOOR REED SW.	AMP MNL	2	560900	560858	C 340	FR JCT BOX - FIRE PIEZO ALARM	AMP MNL	2	560900	560898
C 279	FR SERVICE COMPT LH - STEERING ZF	DEUTSCH	2		562485	C 341	LH SWITCH PANEL - HEAT MIRROR SW.	EATON	12		562763
C 280	ENGINE COMPT - A/C COMPRESSOR AUX.	PED WP	2	561566	561690	C 342					
C 281						C 343	LH SWITCH PANEL - HEAD LAMP SW.	EATON	12		562763
C 282	FR SERVICE COMPT - STEERING ZF	VOLVO	2		562928	C 344	LH SWITCH PANEL - HAZARD LT SW.	EATON	12		562763
C 283	LH CONSOLE - SPARE SW. LTS	AMP MNL	2	561248	561247	C 345	LH SWITCH PANEL - FOG LT SW.	EATON	12		562763
C 284						C 346					
C 285						C 347					
C 286						C 348	INSTR. PANEL CENT. - RACOR MODULE	MOLEX	6	562070	562069
C 287						C 349					
C 288						C 350					
C 289						C 351					
C 290	LUGGAGE CPT - DOOR LOCK	AMP MNL	4	560851	560852	C 352					
C 291	LUGGAGE CPT - DOOR LOCK	AMP MNL	4	560851	560852	C 353					
C 292						C 354					
C 293						C 355					
C 294						C 356					
C 295						C 357					
C 296						C 358					
C 297						C 359	RH SWITCH PANEL - ENT. DOOR WIND. SW.	EATON	12		562763
C 298						C 360	ENTRANCE WINDOW MOTOR	PED	2		561848
C 299	RH SWITCH PANEL - GALLEY	EATON	12		562763	C 361					
C 300						C 362					
C 301						C 363					
C 302						C 364	FRONT ROOF - ELECTRICAL DEST. SIGN	AMP MNL	3	561667	561550
C 303	RR JCT BOX - DIODES	AMP MNL	15	561987	561986	C 365					
C 304	RR JCT BOX - DIODES	AMP MNL	15	561987	561986	C 366					
C 305						C 367					
C 306						C 368	FRONT ROOF - ELECTRICAL DEST. SIGN	AMP MNL	3	561667	561550

CONNECTORS CODE

NO	LOCATION	TYPE	CAVITY	#PIN	#SOCKET	NO	LOCATION	TYPE	CAVITY	#PIN	#SOCKET
				HOUSING	HOUSING					HOUSING	HOUSING
C 369	FRONT ROOF – ELECTRICAL DEST. SIGN	TORRIX	5	562110		C 433					
C 370	FRONT ROOF – ELECTRICAL DEST. SIGN	AMP MNL	2	560900	560858	C 434					
C 371	FRONT ROOF – ELECTRICAL DEST. SIGN	AMP MNL	3	561667	561550	C 435					
C 372	FRONT ROOF – ELECTRICAL DEST. SIGN	MOLEX	4	561477	561476	C 436					
C 373						C 437					
C 374						C 438					
C 375						C 439					
C 376						C 440					
C 377	LH SWITCH PANEL – STOP ENGINE OVERRIDE	EATON	12		562763	C 441					
C 378						C 442					
C 379	LUGGAGE COMPT. – WINDOW AJAR SW.	MOLEX	4	561477	561476	C 443					
C 380						C 444					
C 381	UNDER DASH PANEL – ANTI THILED	AMP MNL	2	561248	561247	C 445					
C 382	ENGINE GENERATOR (1)	PED WP	1	561605	561577	C 446					
C 383	ENGINE COMPT – VOLTAGE REGULATOR	PED WP	1	561605	561577	C 447					
C 384						C 448					
C 385	BATT. COMPT. – BJB INTERFACE	AMP MNL	12	561735	561736	C 449					
C 386	LH SWITCH PANEL – W.C.LIFT	EATON	12		562763	C 450	S.S. PANEL - FEEDING	MOLEX	4	562507	562503
C 387	EVAPORATOR COMPT. - BY-PASS VALVE	PED WP	2	561566	561690	C 451	S.S. PANEL - FEEDING	MOLEX	2	562550	562549
C 387	BATTERY COMPT. – WCL ACCES.	AMP CPC	16	561639	561640	C 452	UNDER DASH – S.S. ACC. SIGNAL	MOLEX	2	562550	562549
C 388	LUGG. COMPT.(4) – WCL DOOR ACCESS.	AMP MNL	12	561735	561736	C 453	S. S. PANEL – VCR FEEDING	PED WP	2	561566	561690
C 389	EVAPORATOR COMPT. – WATER PUMP	PED WP	2	561566	561690	C 454	S. S. PANEL – VCR FEEDING	PED WP	2	561566	561690
C 390	EVAPORATOR COMPT. – A/C JCT. BOX	DEUTSCH	24	562280	562283	C 455	PARCEL RACK – WIRELESS MICROPHONE	MOLEX	6		562464
C 391	CONDENSER COMPT. A/C PRESS SW 2 SP	PED WP	2	561566	561690	C 456	WORLD TRANS. - RETARDER ACCUM.	PED MP	2		562427
C 392						C 457	WORLD TRANS. - MAIN CONNECTOR	DEUTSCH	31	562572	562536
C 393						C 458	WORLD TRANS. - TURBINE SP. SENS.	PED MP	2		562426
C 394	UNDER DASH - B/U MONITOR	AMP MNL	4	560851	560852	C 459	WORLD TRANS. - ENGINE SP. SENS.	PED MP	2		562426
C 395	UNDER DASH - B/U MONITOR	CLARION	4		990335	C 460	WORLD TRANS. - SPEED SENSOR	ITT	2		562541
C 396	PARCEL RACK – SPEAKER FEEDING	MOLEX	4	562507	562503	C 461	WORLD TRANS. - RETARDER TEMP.	PED MP	2		562856
C 397						C 462	WORLD TRANS. - RETARDER SOL. "K"	PED MP	2		562426
C 398						C 463	WORLD TRANS. - SENSOR CONN.	DEUTSCH	16	562570	562571
C 399	ENGINE GENERATOR (2)	PED WP	2	561566	561690	C 464	RR JCT BOX - DDL CONN	DEUTSCH	6		565360
C 400	ENGINE COMPT. – BLOCK HEATER	PED WP	3	561781	561782	C 465	LH CONSOLE - SHIFTER SELECTOR	PED	20		562825
C 401						C 466	FR SERVICE CPT - RESIS. MOD.	PED WP	3		562428
C 402						C 467	FR SERVICE CPT - RESIS. MOD.	PED WP	3		562428
C 403	GALLEY – REFRIGERATOR		2			C 468	STEERING COLUMN – RET. HAND LEVER	AMP FF	8	561188	562363
C 404	GALLEY – LAMP SWITCH		2			C 469	FR SERVICE COMPT. – RESIS. MOD.	AMP FF	8	561188	562363
C 405	INVERTER SIGNAL	AMP MNL	2	561248	561247	C 470					
C 406						C 471					
C 407						C 472	FR SERVICE CPT – SILENT 1000 OR EATON	PED WP	2	561566	561690
C 408						C 473					
C 409						C 474	DRIVER'S TEMP SENSOR	AMP MNL	2	561248	561247
C 410						C 475	FR SERVICE CPT – SPEED SIGN. CONNECT.	DEUTSCH	6	562583	562581
C 411						C 475M	FR SERVICE CPT – SPEED SIGN. W. TR.	DEUTSCH	6	562583	562581
C 412						C 475W	FR SERVICE CPT – SPEED SIGN. W. TR.	DEUTSCH	6	562583	562581
C 413						C 476					
C 414						C 477					
C 415						C 478	FRONT ROOF – ELECTRONIC DEST. SIGN	AMP CPC	9	561636	561637
C 416						C 479	UNDER DASH – HVAC DASH MODULE	MOLEX	3		562783
C 417						C 480	UNDER DASH RH – DR'S FAN SPEED CTR	PED WP	4	561889	561890
C 418						C 481	UNDER DASH RH – DR'S FAN SPEED CTR	PED WP	3	561781	561782
C 419	FR JCT BOX – RET/JAKE SELECTION	AMP MNL	3	561667	561550	C 482					
C 420						C 483	FR SERVICE CPT – ELECTRICAL SEAT	PED	2	562237	
C 421	ENGINE COMPT. - WEBASTO	AMP FF	2	562473	562474	C 484	UNDER DASH LH – FOOT DAMPER MOTOR	PED	2		562076
C 422	ENGINE COMPT. - WEBASTO	PED	2	562644	561597	C 485	UNDER DASH LH – DASH & DEF. DAMP. M.	AMP MNL	3	561667	561558
C 423						C 486	WCL ROOF DOOR – DOOR LT.	LEECRAFT	2	-----	562803
C 424	UNDER DASH – AUDIBLE FLASHER	AMP MNL	3	561667	561550	C 487	S.S PANEL – AUDIO IN AMPLI	MOLEX	4	-----	563071
C 425						C 488	S.S PANEL – AMPLI SIGNAL	MOLEX	8	-----	562465
C 426	ENGINE S60 RAD. FAN CLUTCH	PED WP	3	561781	561782	C 489	S.S PANEL – SPEAKER OUTLET	MOLEX	6	-----	562464
C 427						C 490					
C 428	RH SW PANEL – DASH LTS RHEOSTAT	AMP MNL	3	561667	561550	C 491					
C 429						C 492					
C 430	LH CONSOLE – PRE-HEAT TIMER	AMP FF	8	561188	562363	C 493					
C 431	LH CONSOLE – PRE-HEAT TIMER		1		560488	C 494					
C 432						C 495					

CONNECTORS CODE

NO	LOCATION	TYPE	CAVITY	#PIN	#SOCKET	NO	LOCATION	TYPE	CAVITY	#PIN	#SOCKET
				HOUSING	HOUSING					HOUSING	HOUSING
C 496						C 566	FR. SERV. COMPT. - MIC. OUTLET	MOLEX	4	562507	562503
C 497						C 567	FR. SERV. COMPT. - MIC. OUTLET	MOLEX	4	562507	562503
C 498						C 568	S.S. PANEL - SPEAKER OUTLET	CINTCH	4	562553	
C 499						C 569	S. S. PANEL - AMPLI SIGNAL	MOLEX	9	562556	562555
C 500	FR JCT PANEL - PRODRIVER	MOLEX	6	562070	562069	C 570	UNDER DASH PANEL - T.T.LT MODULE	MOLEX	6		562464
C 501						C 571	UNDER DASH PANEL - T.T.LT MODULE	MOLEX	20		562778
C 502	LH DASH PANEL - PRE- HEAT SW.	EATON	12		562763	C 572	UNDER DASH PANEL - T.T.LT MODULE	MOLEX	18		562779
C 503	LH CONSOLE-PROHEAT TIMER	PED MP	6	-----	562878	C 573	UNDER DASH PANEL - T.T.LT MODULE	MOLEX	8		562465
C 504	LH CONSOLE -WEBASTO TIMER	AMP	8	-----	562852	C 574	PARCEL RACK - INDIRECT LTS BALLAST	MOLEX			562759
C 505	LH CONSOLE -ESPAR TIMER	AMP	12	-----	562681	C 575	RH PARCEL RACK - FFEDING	MOLEX	4	562507	562503
C 506	FR JCT BOX - DIGITAL CLOCK	AMP CPC	4	561685	561687	C 576	RH PARCEL RACK - FFEDING	AMP MNL	3	561667	561550
C 507	LH HAT RACK - DIGITAL CLOCK	MOLEX	4	561477	561476	C 577	LH PARCEL RACK - FFEDING	AMP MNL	3	561667	561550
C 508	RR JCT BOX - FAN CLUTCH RETARDER	AMP MNL	6	561552	561515	C 578	LH PARCEL RACK - FFEDING	MOLEX	4	562507	562503
C 509	EVAP. COMPT. - NOT USED	DEUTSCH	5		562566	C 579	LHPARCEL RACK-VCR POWER	MOLEX	4		563071
C 515	FR JCT BOX CPT. - INTERCOM	MOLEX	4	561477	561476	C 580	LH DASH PANEL - PARCEL RACK A/C SW.	EATON	12		562763
C 516	FR JCT BOX CPT. - INTERCOM	MOLEX	6	562070	562069	C 581	LH DASH PANEL - ELECTRICAL HORN	PED MP	2		562777
C 517	LAVATORY WALL - INTERCOM	MOLEX	6	562070	562069	C 582					
C 519A	RH UNDER DASH - ENTRANCE DOOR SOL.	PNEUMAC	3		641385	C 583	LH DASH PANEL - MASTER KEY SW.	DEUTSCH	2	562486	562485
C 519B	RH UNDER DASH - ENTRANCE DOOR SOL.	PNEUMAC	3		641385	C 584	FR. SERVICE COMPT - HORN PNEU. VALVE	PNEUMAC	3		562848
C 520	RH UNDER DASH - ENTRANCE DOOR SOL.	PNEUMAC	3		641385	C 585					
C 521	RH UNDER DASH - ENTRANCE DOOR SOL.	PNEUMAC	3		641385	C 586	FR SERVICE COMPT - ACC. PNEU.VALVE	PNEUMAC	3		562848
C 522	FR JCT BOX - DAYTIME LTS MODULE	BOSCH	5		561183	C 587	LH PARCEL RACK DVD UNIT	MOLEX	4	563040	563071
C 523	FR JCT BOX - FUSE BLOCK	PED	8	562647	562646	C 588	FR SERV. COMPT. - S.S. INTERFACE	AMP CPC	37	561645	561646
C 524	FR JCT BOX - FUSE BLOCK	PED	8	562647	562646	C 589	FR. MIRROR LH	CONXALL	8	563163	563088
C 525	FR JCT BOX - FUSE BLOCK	PED	8	562647	562646	C 590	FR. MIRROR RH	CONXALL	8	563163	563088
C 526	FR JCT BOX - FUSE BLOCK	PED	8	562647	562646	C 591	LH CONSOLE - LH MIRROR SW.	EURAMT.	8		562749
C 527	FR JCT BOX - FUSE BLOCK	PED	8	562647	562646	C 592	LH CONSOLE - RH MIRROR SW.	EURAMT.	8		562749
C 528						C 594	FRONT ROOF - DRIVER'S LTS	LEEKRAFT	2	-----	562803
C 529						C 595	RH DASH PANEL - ENTRANCE DOOR SW.	MOLEX	4	562507	562503
C 530	RR JCT BOX - FUSE BLOCK	PED	8	562647	562646	C 596	RH DASH PANEL - ENTRANCE DOOR SW.	MOLEX	4	562507	562503
C 531	RR JCT BOX - FUSE BLOCK	PED	8	562647	562646	C 597	LH DASH PANEL - DISPLAY SET SW.	AMP	5		562905
C 532	LH PARCEL RACK - A/C LIQ. SOL.	AMP MNL	2	561248	561247	C 598	LH DASH PANEL - DISPLAY SET SW.	AMP	5		562905
C 533	RH PARCEL RACK - A/C LIQ. SOL.	AMP MNL	2	561248	561247	C 599	UND. DASH - MAGN. SW CTR POS. DR'S AIR	AMP MNL	2	561248	561247
C 534						C 604	LH PARCEL RACK DVD VIDEO STABILIZER	SWITCHCRAFT	1		563074
C 535						C 605	LH PARCEL RACK - A/C UNIT	AMP MNL	6	561552	561515
C 536						C 606	RH PARCEL RACK - A/C UNIT	AMP MNL	6	561552	561515
C 537	A/C JCT BOX RESISTOR SIGN. RLY	AMP MNL	2	561248	561247	C 607					
C 538	FR SERV. CPT RH - OUTSIDE TEMP. SENS	AMP MNL	2	561248	561247	C 608					
C 539	HVAC DASH MODULE OUTPUT CONN.	MOLEX	24		562780	C 609	FR SERV. COMPT - SPEED SIGNAL (SPARE)	PED WP	2	561566	561690
C 540	HVAC DASH MODULE INPUT CONN.	MOLEX	22		562781	C 610					
C 541						C 611	RH PARCEL RACK READING LTS WCL	MOLEX	6	562558	562557
C 542						C 612	RH PARCEL RACK LUOR. INSTATION LTS WCL	MOLEX	4	562507	562503
C 543						C 613	RH PARCEL RACK INDIRECT LTS WCL	AMP MNL	3	561667	561550
C 544	S.S. PANEL - AUDIO SEAT	PED WP	3	561781	561782	C 614	RH PARCEL RACK INDIRECT LTS WCL	AMP MNL	3	561667	561550
C 545						C 615	LH PARCEL RACK DVD SIGN ALONG ADAPTOR	MOLEX	2	562550	562549
C 546	FR. JCT BOX - CHARGER WIRELESS MIC.	MOLEX	2		563025	C 701	ZF TRANSMISSION ECU	KOSTAL	20		
C 547						C 702	SHIFT SELECTOR - LH CONSOLE	AMP	14		563338
C 548	LH DASH PANEL - T.T.LT TEST SW.	EATON	12		562763	C 712	NEUTRAL SWITCH ON ZF TRANSM. (TOP)	AMP	4		563340
C 549	LH DASH PANEL - ENGINE FAN OVERRIDE	EATON	12		562763	C 714	OUTPUT SENSOR ON ZF TRANSM. (BOTTOM)	AMP	4		563340
C 550	LAST LUGG. CPT. -WCL MODULE	AMP CPC	16	561694	561695	C 717	FR SERV. COMPT - MAIN CONN.	AMP CPC	22	561642	561643
C 551	LAST LUGG. CPT. -WCL REMOTE	AMP CPC	9	561636	561637	C 720	ENGINE COMPT - BLKHD CONNECTOR	DEUTSCH	31	563359	563358
C 552						C 721	LH CONSOLE - ZF TESTMAN DIAG. TOOLS	AMP MNL	6	563356	
C 553	UNDER DASH - S.S. CONTROL HEAD	MOLEX	16		562559	C 723	ENGINE COMPT - FOR TRANSM.	DEUTSCH	3		562884
C 554	UNDER DASH - S.S. CONTROL HEAD	MOLEX	16		562559	C 736	FR SERV. COMPT - ZMTEC MODULE	PACKARD	30	563053	
C 555	UNDER DASH - S.S. CONTROL HEAD	MOLEX	16		562559	C 740	ABOVE DRIVE AXLE - EASY START SOL VALVE	LEONI	2		641949
C 556	UNDER DASH - RADIO FEEDING	MOLEX	2	562550	562549	C 742	REAR JCT BOX - FUSE BLOCK	AMP	8	562446	
C 557	UNDER DASH - RADIO FEEDING	MOLEX	9	562556	562555	C 745	FR SERV COMPT - THROTTLE POS. SENSOR	PED WP	3	561781	
C 558	FR. SERV. COMPT. - MIC. OUTLET	MOLEX	4	562507	562503	C 760	FR SERVICE COMPT - TO J1939	DEUTSCH	3		
C 559						C 761	FR SERVICE COMPT - TO J1939	DEUTSCH	3		562884
C 560						C 762	ENGINE COMPT - TO J1939	DEUTSCH	3		562884
C 561	LH PARCEL RACK - WIRELESS MIC.	MOLEX	8		562465	C 763	ENGINE COMPT - TO J1939	DEUTSCH	3		562884
C 562	LH PARCEL RACK - VCR SIGNAL	MOLEX	12		563070	C 764	ENGINE COMPT - TO J1939	DEUTSCH	3		562884
C 563	FR. SERV. COMPT. - DRIVER SPEAKER	MOLEX	4	562507	562503	C 765	ENGINE COMPT - TO J1939	DEUTSCH	3		562884
C 564	FR. SERV. COMPT. - MIC. OUTLET	MOLEX	4	562507	562503	C 766	ENGINE COMPT - TO J1939	DEUTSCH	3		562884
C 565	FR. SERV. COMPT. - MIC. OUTLET	MOLEX	4	562507	562503	CS	FR SERVICE CPT - ECU WOLRD TR.	PED MP	32		562817

CONNECTORS CODE

NO	LOCATION	TYPE	CAVITY	#PIN	#SOCKET	NO	LOCATION	TYPE	CAVITY	#PIN	#SOCKET
				HOUSING	HOUSING					HOUSING	HOUSING
CT	FR SERVICE CPT - ECU WORLD TR.	PED MP	32		562824						
CV	FR SERVICE CPT - ECU WORLD TR.	PED MP	32		562823						
CX	CLUSTER	JAE	5		562957						
CX 1	FR SERVICE CPT - ECU ABS	AMP JN	15		563200						
CX 2	FR SERVICE CPT - ECU ABS	AMP JN	18		563201						
CY	CLUSTER	JAE	30		562765						
CW X1	ENGINE COMPT. - WATER HEATER	AMP	7	563134	563135						
CW X3	ENGINE COMPT. - WATER HEATER	AMP	7	563134	563135						
LX	CLUSTER	JAE	22		562766						
LY	CLUSTER	JAE	30		562767						
RX	CLUSTER	JAE	30		562767						
WEB 1	ENGINE COMPT. - WEBASTO	AMP FF	2	562473	562474						
WEB 2	ENGINE COMPT. - WEBASTO	AMP FF	2	562643							
ZF 1	FR JCT BOX - STEERING E.C.U.	HELLA	9		562929						

CONNECTORS CODE

NO	LOCATION	TYPE	CAVITY	#PIN	#SOCKET	NO	LOCATION	TYPE	CAVITY	#PIN	#SOCKET
				HOUSING	HOUSING					HOUSING	HOUSING
A 1	UNDER DASH – AUDIO SIGNAL	RCA	1	562090	562330	C 57	RH PARCEL RACK - FEEDING	MOLEX	6	562558	562557
A 2	UNDER DASH – AUDIO SIGNAL	RCA	1	562090	562330	C 58					
A 10	UNDER DASH – AUDIO SIGNAL	RCA	1	562090	562330	C 59					
A 11	UNDER DASH – AUDIO SIGNAL	RCA	1	562090	562330	C 60					
A 18	S. S. PANEL – AUDIO SIGNAL	RCA	1	562090	562330	C 61	ENGINE COMPT - FUEL FILTER	PED WP	2	561566	561690
A 19	S. S. PANEL – AUDIO SIGNAL	RCA	1	562090	562330	C 62	ENGINE COMPT – COMPR. AUX. PRESS. SW.	PED WP	2	561566	561690
AA 1	UNDER DASH PANEL- SONALERT	BOSCH	5	-----	561183	C 63	ENGINE COMPT – COMPR. AUX. PRESS. SW.	PED WP	2	561566	561690
C 1	FR JCT BOX COMPARTIMENT	AMP CPC	14	561585	561584	C 64					
C 2	FR JCT BOX COMPARTIMENT	AMP CPC	16	561638	561640	C 65	ENGINE CPT – A/C PRESS SW FAN CLUTCH	PED WP	2	561566	561690
C 3	FR JCT BOX COMPARTIMENT	AMP CPC	37	561644	561646	C 66	ENGINE CPT – SPARE CONNECTOR	PED WP	1	561605	561577
C 4	FR JCT BOX COMPARTIMENT	AMP CPC	24	561641	561643	C 67					
C 5	FR SERVICE COMPT. - UNDERNEATH	AMP CPC	37	561645	561646	C 68					
C 6	FR SERVICE COMPT. - UNDERNEATH	AMP CPC	16	561639	561640	C 69					
C 7	FR SERVICE COMPT - CLUTCH SW	ITT SS	3	561080	561111	C 70	LH CONSOLE	AMP CPC	16	561639	561640
C 8	FR SERVICE COMPT. - UNDERNEATH	AMP CPC	24	561642	561643	C 71	FR JCT BOX COMPT.	AMP CPC	37	561645	561646
C 9	FR SERVICE COMPT. - UNDERNEATH	AMP CPC	24	561642	561643	C 72	FR JCT BOX COMPT.	AMP CPC	24	561642	561643
C 10	FR SERVICE DOOR ACCESS.	DEUTSCH	5	562565	562566	C 73					
C 11	FR SERV. CPT ACCESS	AMP CPC	37	561645	561646	C 74	FR JCT BOX COMPT.	AMP CPC	37	561645	561646
C 12	FR SERV. CPT ACCESS	AMP CPC	16	561639	561640	C 75	SERVICE COMPT. EXT. ENTRANCE DOOR SW.	DEUTSCH	4	562479	562477
C 13	FR JCT BOX COMPARTIMENT	AMP MNL	2	561248	561247	C 75	RH PARCEL RACK – READ. LTS FEED. WCL	MOLEX	6	562558	562557
C 14	LAST LUGGAGE COMP(4) - DOCKING LTS	AMP MNL	2	561248	561247	C 76	ENGINE COMPT. FIRE DETECTOR	DEUTSCH	2	562486	562485
C 15	UNDER STAIRS – CORNERING LTS	AMP MNL	2	560900	560898	C 77	ENGINE COMPT. FIRE DETECTOR	DEUTSCH	2	562486	562485
C 16	LH CONSOLE SW-CRUISE ON/OFF	EATON	12	-----	562763	C 78					
C 17	LH CONSOLE SW-CRUISE RESUME	EATON	12	-----	562763	C 79					
C 18	LH CONSOLE SW-CRUISE SET	EATON	12	-----	562763	C 80					
C 19	LH CONSOLE SW-DECEL SW	EATON	12	-----	562763	C 81	LUGGAGE COMPT - DOOR LOCK	AMP MNL	4	560851	560852
C 20	RR JCT BOX	DEUTSCH	70	562282	562285	C 82	UNDER SEAT – AISLE LTS	AMP MNL	2	560900	560898
C 21	ENGINE COMPT - LOCK DOOR MOT.	PED WP	2	562076	562076	C 82	LUGGAGE COMPT - DOOR LOCK	AMP MNL	4	560851	560852
C 22	LUGGAGE COMPT (A) - A/C & FUEL TANK	AMP CPC	16	561639	561640	C 83	LUGGAGE COMPT - DOOR LOCK	AMP MNL	4	560851	560852
C 23	LUGGAGE COMPT (1) – LUGG. ACCESS.	AMP CPC	24	561642	561643	C 84	LUGGAGE COMPT - DOOR LOCK	AMP MNL	4	560851	560852
C 24	ENGINE COMPT. – INTERF RJB	PED WP	6	561606	561607	C 85					
C 25	ENGINE COMPT. – INTERF RJB	PED WP	6	561606	561607	C 86					
C 26	ENGINE COMPT. ACCESS	DEUTSCH	40	562281	562284	C 87					
C 27	ENGINE COMPT. – INTERF. RJB	DEUTSCH	6	562583	562581	C 88	FR SERV. CPT. PRESS SW PARK BRAKE	PED WP	2	561566	561690
C 28	LUGGAGE COMPT(4) – LUGG. ACCESS	AMP CPC	24	561642	561643	C 89					
C 29	FR SERVICE COMPT – E.C.U. FEED	PED WP	3	561781	561782	C 90					
C 30	ENGINE COMPT – MASTER SW. SIGN.	DEUTSCH	2	562486	562485	C 91					
C 31	RR JCT BOX – PARCEL RACK FEEDING	DEUTSCH	31	562572	562536	C 92	FR JCT BOX COMPT - ABS	AMP CPC	9	561635	561637
C 32	ENGINE COMPT. – 12VI FOR OPTION	PED WP	1	-----	561577	C 93					
C 33	FR SERV. COMPT. – VSS SIGNAL	PED WP	2	561566	561690	C 94					
C 34	FR JCT BOX EATON TRANS. J1939	DEUTSCH	3	562877	562884	C 95					
C 35	A/C COMPT - AIR RETURN SENSOR	AMP MNL	2	561248	561247	C 96	FR SERVICE DOOR ACCESS	AMP MNL	9	561670	561669
C 36	UNDER STAIRS – STEP LIGHTS	AMP MNL	2	561248	561247	C 97	FR SERVICE DOOR – WATER TANK	PED MP	2	562426	
C 36	RH PARCEL RACK – EMERGENCY LTS	AMP MNL	2	560900	560898	C 98					
C 37	LH PARCEL RACK - FEEDING	MOLEX	6	562558	562557	C 99	FR SERVICE CPT. LTS	AMP MNL	2	561248	561247
C 38	RH PARCEL RACK - FEEDING	MOLEX	6	562558	562557	C 100					
C 39	ENGINE COMPT. ECM J1939	DEUTSCH	3	562877	562884	C 101	FR SERVICE COMPT. ELEC. HORNS	PED WP	2	561566	561690
C 40						C 101	CONDENSER COMPT - A/C PRES. SW 1SP	PED WP	2	561566	561690
C 41	ENGINE COMPT – RH DOOR LOCK	DEUTSCH	4	562479	562477	C 102	CONDENS. COMPT – LIQU. SOL. VAL. PRES.	PED WP	2	561566	561690
C 42	ENGINE COMPT – RR CAP LIGHTING	DEUTSCH	6	562583	562581	C 103	ENGINE COMPT. – LAVATORY FAN	PED WP	2	561566	561690
C 43	FR JCT BOX – ALT. MODULE	AMP MNL	12	561735	561734	C 104	ENGINE COMPT. – LAVATORY PUMP	DEUTSCH	4	562479	562477
C 44	ENGINE COMPT - LIGHTS	GROTE	2	563268		C 105	UNDER DASH RH - DRV LIO SOL VL	PED WP	2	561566	561690
C 45	FR JCT BOX COMPT – ROOF ACCESS	AMP CPC	24	561642	561643	C 106	UNDER DASH RH - DRV WTR VALVE	PED WP	2	561566	561690
C 46	ENGINE COMPT. ECM J1939	DEUTSCH	3	562877	562884	C 107	ENGINE COMPT - LAVATORY PUSH BUTTON	PED WP	2	561566	561690
C 47	ENGINE DDEC-ECM J1939	PED MP	6	-----	561962	C 108	FR. SERICE COMPT – GAZ CYLINDER L.H.	DEUTSCH	2	562486	562485
C 48	FR SERV. CPT. PRESS SW PARK BRAKE	PED WP	2	561566	561690	C 109					
C 49	LAVATORY ROOF – NIGHT LIGHT	AMP MNL	2	560900	560898	C 110					
C 50	LAVATORY ROOF - LIGHT	LEECRAFT	2	-----	562803	C 111					
C 50	LH SWITCH PANEL – SAFETY SW.	EATON	12	-----	562763	C 112					
C 51	FR SERV.CPT.PARK. BRAKE SOL. VALVE	PNEUMAC	2	-----	641385	C 113					
C 52	ENGINE COMPT - COMPRESSOR	PED WP	2	561566	561690	C 114	ENGINE DDEC - SPEED SIGNAL	PED WP	2	561566	561690
C 53	ENGINE COMPT - COMPRESSOR	PED WP	2	561566	561690	C 115	RR JCT BOX – ENGINE ACCESS	DEUTSCH	40	562281	562284
C 54	FRONT ROOF – UPPER FAN DEFROST	AMP MNL	6	561552	561515	C 116					
C 55	CENTRAL DOOR LOCK	DEUTSCH	4	562479	562477	C 117					
C 56	LH PARCEL RACK - FEEDING	MOLEX	6	562558	562557	C 118	ENGINE COMPT - LICENCE	DOM. AUT	2	930210	

CONNECTORS CODE

NO	LOCATION	TYPE	CAVITY	#PIN	#SOCKET	NO	LOCATION	TYPE	CAVITY	#PIN	#SOCKET
				HOUSING	HOUSING					HOUSING	HOUSING
C 119	ENGINE COMPT - RH LOWER LAMP	PED WP	6	561606	561607	C 182					
C 120	ENGINE COMPT - LH LOWER LAMP	PED WP	6	561606	561607	C 183					
C 121						C 184	FR SERV. COMPT. - KNEELING PROX. SW.	ITT SS	3	561080	561111
C 122						C 185	KNEELING PANEL - DOWN SOL. VALVE	PNEUMAC	3		641385
C 123						C 186					
C 124						C 187	FR SERVICE JCT BOX - RESISTORS	AMP MNL	6	561552	561515
C 125						C 187	KNEELING PANEL- PARK BRAKE INTERLOCK	PNEUMAC	3		641385
C 126						C 188					
C 127						C 189	ENGINE COMPT - DOOR LIGHT BACK UP	TRUCK-LITE	2	562755	
C 128						C 190	ENGINE COMPT - DOOR LIGHT STOP/TURN	AMP SS	3		562601
C 129						C 191	ENGINE COMPT - DOOR LIGHT STOP/TURN	AMP SS	3		562601
C 130						C 192	ENGINE COMPT - DOOR LIGHT PARKING	AMP SS	3		562601
C 131						C 193					
C 132						C 194					
C 133						C 195					
C 134	FR JCT BOX - DIODE CONN.	AMP MNL	15	561987	561986	C 196	KNEELING PANEL - UP SOL. VALVE	PNEUMAC	3		641385
C 135	FR JCT BOX - DIODE CONN.	AMP MNL	15	561987	561986	C 197	KNEELING PANEL - CTR SOL. VALVE	PNEUMAC	3		641385
C 136	FR JCT BOX - DIODE CONN.	AMP MNL	15	561987	561986	C 198					
C 137	FR JCT BOX - DIODE CONN.	AMP MNL	15	561987	561986	C 199					
C 138						C 200	PARCEL RACK - FLUORESCENT LTS	AMP MNL	2	561248	561247
C 139						C 201	PARCEL RACK - FLUORESCENT LTS	AMP MNL	2	561248	561247
C 140	HVAC DASH MODULE THERMOMETER	MOLEX	4		562782	C 202	RH PARCEL RACK - INDIRECT LTS	MOLEX	2		562758
C 141	RR DASH PANEL - LTS CONN. (SPARE)	AMP MNL	2	561248	561247	C 203	PARCEL RACK - FLUORESCENT LTS	MOLEX	6		562759
C 142	ENGINE COMPT. B/U ALARM	PED WP	2	561566	561690	C 204	RH PARCEL RACK - RACK LTS	AMP MNL	2	560900	560858
C 143						C 205	RH PARCEL RACK - FEEDING	AMP MNL	9	561661	561662
C 144	FR JCT BOX - AISLE LTS FEEDING	AMP MNL	2	561248	561247	C 206	RH PARCEL RACK - FEEDING	AMP FF	4	562760	562756
C 145						C 207	LH PARCEL RACK - FEEDING	AMP FF	4	562760	562756
C 146						C 208	PARCEL RACK - FLUORESCENT LTS	MOLEX	2		562758
C 147						C 209	LH PARCEL RACK - HOTESS CHIME	AMP MNL	3	561667	561550
C 148						C 210	LH PARCEL RACK - FEEDING	AMP MNL	9	561661	561662
C 149						C 211	FR ROOF - SUN VISOR LH	AMP MNL	2	560900	560898
C 150						C 212	FR ROOF - SUN VISOR RH	AMP MNL	2	560900	560898
C 151						C 213	WCL DOOR UP HING-DOOR READ & HOST. SW	AMP MNL	6	561552	561515
C 152						C 214					
C 153						C 215					
C 154						C 216					
C 155	EVAPORATOR CPT - WATER VALVE	BURKERT	3		563204	C 217	RH PANEL SW. - SCENIC VIEW CAMERA	EATON	12		562763
C 156						C 218	RH PANEL SW. - LIGHTS SPARE	AMP MNL	2	560900	560898
C 157	FR SERV. CPT - WATER PUMP DR'S	PED WP	3	561781	561782	C 219					
C 158	ENGINE CPT - DDEC INTERFACE CONNECTOR	DEUTSCH	31	562572	562536	C 220					
C 159	ENGINE CPT - DDE FEED	PED WP	6	561606	561607	C 221					
C 160	FR SERVICE CPT - INTERFACE	AMP CPC	37	561644	561646	C 222					
C 161	ENGINE DDEC - ECM	PED MP	30		561600	C 223	HEAD LIGHTS - FLASHER	DEUTSCH	5	562565	562566
C 162	ENGINE DDEC - ACCESSORIES	PED WP	4	561610	561611	C 224	HEAD LIGHTS	PED MP	3		562099
C 163	ENGINE CPT - COOLANT PROBE	PED MP	2		562350	C 225	FOG LIGHTS	DEUTSCH	3	562902	562901
C 164						C 226	FRONT HEADLIGHTS - MARKER & FLASHER	PED	3	562137	
C 165						C 226	BATT. COMPT. - INTERIOR LTS	AMP MNL	2	561248	561247
C 166						C 227					
C 167	FR SERVICE CPT - EL. FOOT PEDAL	PED WP	3	561781	561782	C 228					
C 168	FR SERVICE CPT - DDR	DEUTSCH	6	562360		C 229	BATT. COMPT. - CHARGER 110V.	PED WP	1	561577	561605
C 169	FR SERVICE CPT - WORLD TR. INTERFACE	AMP CPC	16	561639	561640	C 230	ENGINE COMPT. - FUEL PRIME PUMP SW.	PED WP	2	561566	561690
C 169	FR SERV. COMPT. - SPEED SWITCH	AMP	15	562011	562012	C 231	ENGINE COMPT. - FUEL PRIME PUMP	PED WP	2	561566	561690
C 170	FR JCT BOX FLASHER UNIT	PED	2		561940	C 232					
C 171	LH CONSOLE	AMP CPC	24	561642	561643	C 233	FIRST LUGGAGE CPT.	VDO	8		562043
C 172	FR SERVICE COMPT - KNEELING PANEL	AMP CPC	16	561639	561640	C 234	FIRST LUGGAGE CPT.	VDO	8		562044
C 172	ENGINE COMPT. - WATER TANK HEATER	PED WP	2	561566	561690	C 235	FIRST LUGGAGE CPT.	VDO	8		562041
C 173						C 236	FIRST LUGGAGE CPT.	AMP MNL	4	560851	560858
C 174						C 236	FR SERVICE CPT CENTER - ABS	AMP CPC	14	561636	561637
C 175						C 237	FR AXLE CPT - ABS RH SENSOR	WABCO	2	641132	
C 176	UNDER DASH RH - WIPER PULSE	AMP FF	6		561186	C 238	FR AXLE CPT - ABS RH VALVE	WABCO	3	641098	
C 177	UNDER DASH RH - WIPER MOTOR	AMP FF	6		561186	C 239	FR AXLE CPT - ABS LH VALVE	WABCO	3	641098	
C 178						C 240	FR AXLE CPT - ABS LH SENSOR	WABCO	2	641132	
C 179						C 241	LAST LUGGAGE COMPT - ABS	PED WP	6	561606	561607
C 180	KNEELING PANEL - DIODE SOCKET	AMP MNL	15	561987	561986	C 242	DRIVE AXLE CPT - ABS LH SENSOR	WABCO	2	641132	
C 181						C 243	DRIVE AXLE CPT - ABS LH VALVE	WABCO	3	641098	

CONNECTORS CODE

NO	LOCATION	TYPE	CAVITY	#PIN	#SOCKET	NO	LOCATION	TYPE	CAVITY	#PIN	#SOCKET
				HOUSING	HOUSING					HOUSING	HOUSING
C 244	DRIVE AXLE CPT - ABS RH VALVE	WABCO	3	641098		C 306					
C 245	DRIVE AXLE CPT - ABS RH SENSOR	WABCO	2	641132		C 307					
C 246	DRIVE AXLE CPT - ATC SOL.	PED WP	2	561566	561690	C 308					
C 247	E.C.U. EATON TRANS.	PED MP	18		562573	C 309	ENGINE DDEC - ECM POWER	PED	4	561610	561611
C 248	LAST LUGGAGE CPT - ABS	PED WP	6	561606	561607	C 310	LH CONSOLE SW - LUG. DOOR LOCK	EATON	12		562763
C 249	FR SERVICE CPT - ABS/DDEC	PED WP	2	561566	561690	C 311	RH SWITCH PANEL - HOTESS CHIME	EATON	12		562763
C 250	LH CONSOLE - LOW BOUY	PED WP	2	561566	561690	C 312	ENGINE DDEC - ACCESSORIES	PED WP	3	561781	561782
C 251	LH SW PANEL - FAST IDLE	EATON	12		562763	C 312	RH SWITCH PANEL - READING LAMP	EATON	12		562763
C 252	LUGGAGE COMPT. - WINDOW AJAR	MOLEX	4	561477	561476	C 313	ENGINE DDEC - INTERFACE	FCI	10	563207	
C 253	LH SWITCH PANEL - ETHER	EATON	12		562763	C 313	RH SWITCH PANEL - INTERIOR LTS	EATON	12		562763
C 254						C 314	KNEELING PANEL - PRESS SW.	PED WP	2	561566	561690
C 255	LH SWITCH PANEL - ENGINE BRAKE	EATON	12		562763	C 314	RH SWITCH PANEL - INTERIOR LTS	EATON	12		562763
C 256						C 315	LH SWITCH PANEL - LH SUN VISOR SW.	EATON	12		562763
C 257						C 316	INTO HORN BOX - KNEELING BUZZER	DEUTSCH	2	562486	562485
C 258	LH SWITCH PANEL - MULTI FUNC. SW	AMP FF	8	561188		C 317	LH SWITCH PANEL - RH SUN VISOR SW.	EATON	12		562763
C 259						C 318	LH CONSOLE SW - DR'S WINDOW SW.	EATON	12		562763
C 259	LH SWITCH PANEL - MULTI FUNC. SW	AMP FF	6		561186	C 319	ENGINE DDEC - ECM POWER	PED	4	561610	561611
C 260						C 320	RT SWITCH PANEL - DRIVER'S LTS SW.	EATON	12		562763
C 261						C 321	UNDER DASH RH - KEYLESS MODULE	AMP COM	26		562676
C 262						C 322	UNDER DASH RH - KEYLESS MODULE	AMP COM	22		562675
C 263	LUGGAGE COMPT. LTS COMPT #3	AMP MNL	2	561248	561247	C 323	DRIVER'S WINDOW MOTOR	PED	2		561848
C 264	LUGGAGE COMPT. LTS COMPT #2	AMP MNL	2	561248	561247	C 324	LH SWITCH PANEL - UPPER FAN DEFROST	EATON	12		562763
C 265	LUGGAGE COMPT. LTS COMPT #1	AMP MNL	2	561248	561247	C 325	LH SWITCH PANEL - KNEELING	EATON	12		562763
C 266	ENTRANCE DOOR KEYLESS	AMP CPC	14	561585	561583	C 326					
C 267	UNDER DASH RH - ENT. DOOR PANEL	AMP CPC	24	561642	561643	C 327					
C 268	FR MIRROR RH	CONXALL	5	563091	563090	C 328	RR ROOF - GALLEY LAMP		2		
C 269	FR MIRROR LH	CONXALL	5	563091	563090	C 329					
C 270	LUGGAGE COMPT LTS - 3 LH	AMP MNL	2	561248	561247	C 330					
C 271	LUGGAGE COMPT LTS - 4	AMP MNL	2	561248	561247	C 331					
C 272						C 332					
C 273	ENT. DOOR PANEL - DIODE SOCKET	AMP MNL	9	561670	561669	C 333					
C 274						C 334					
C 275	ENT. DOOR PANEL - DIODE SOCKET	AMP MNL	9	561670	561669	C 335					
C 276						C 336					
C 277	RH UNDER DASH - ENT. DOOR REED SW.	AMP MNL	2	560900	560858	C 337					
C 278	RH PASS. AIR DUCT - ENT DOOR PRESS SW.	PED WP	2	561566	561690	C 338					
C 279	RH UNDER DASH - ENT. DOOR REED SW.	AMP MNL	2	560900	560858	C 339	KNEELING PANEL - HI BUOY SOL. VALVE	PNEUMAC	3		641385
C 279	FR SERVICE COMPT LH - STEERING ZF	DEUTSCH	2		562485	C 340	FR JCT BOX - FIRE PIEZO ALARM	AMP MNL	2	560900	560898
C 280	ENGINE COMPT - A/C COMPRESSOR AUX.	PED WP	2	561566	561690	C 341	LH SWITCH PANEL - HEAT MIRROR SW.	EATON	12		562763
C 281						C 342					
C 282	FR SERVICE COMPT - STEERING ZF	VOLVO	2		562928	C 343	LH SWITCH PANEL - HEAD LAMP SW.	EATON	12		562763
C 283	LH CONSOLE - SPARE SW. LTS	AMP MNL	2	561248	561247	C 344	LH SWITCH PANEL - HAZARD LT SW.	EATON	12		562763
C 284	LH DR'S ROOF - MONITOR FEED	PED WP	3	561781	561782	C 345	LH SWITCH PANEL - FOG LT SW.	EATON	12		562763
C 285	LH DR'S ROOF - SOUND SYSTEM	AMP CPC	24	561642	561643	C 346					
C 286						C 347					
C 287						C 348	INSTR. PANEL CENT. - RACOR MODULE	MOLEX	6	562070	562069
C 288						C 349					
C 289						C 350					
C 290	LUGGAGE CPT - DOOR LOCK	AMP MNL	4	560851	560852	C 351					
C 291	LUGGAGE CPT - DOOR LOCK	AMP MNL	4	560851	560852	C 352					
C 292	LH PARCEL RACK VIDEO PANEL- MONITOR	MOLEX	4	563040	563071	C 353					
C 293	LH PARCEL RACK VIDEO PANEL - RCA RELAY	AMP MNL	2	561248	561247	C 354					
C 294	LH PARCEL RACK VIDEO PANEL - RCA RELAY	AMP MNL	2	561248	561247	C 355					
C 295	LH PARCEL RACK VID. PANEL- AMPLI VIDEO	MOLEX	4	563040	563071	C 356					
C 296	LH PARCEL RACK VIDEO PANEL - MICRO SIGNAL	MOLEX	4	562507	562503	C 357					
C 297						C 358					
C 298						C 359	RH SWITCH PANEL - ENT. DOOR WIND. SW.	EATON	12		562763
C 299	RH SWITCH PANEL - GALLEY	EATON	12		562763	C 360	ENTRANCE WINDOW MOTOR	PED	2		561848
C 300						C 361					
C 301						C 362					
C 302						C 363					
C 303	RR JCT BOX - DIODES	AMP MNL	15	561987	561986	C 364	FRONT ROOF - ELECTRICAL DEST. SIGN	AMP MNL	3	561667	561550
C 304	RR JCT BOX - DIODES	AMP MNL	15	561987	561986	C 365					
C 305						C 366					
						C 367					

CONNECTORS CODE

NO	LOCATION	TYPE	CAVITY	#PIN	#SOCKET	NO	LOCATION	TYPE	CAVITY	#PIN	#SOCKET
				HOUSING	HOUSING					HOUSING	HOUSING
C 368	FRONT ROOF – ELECTRICAL DEST. SIGN	AMP MNL	3	561667	561550	C 432					
C 369	FRONT ROOF – ELECTRICAL DEST. SIGN	TORRIX	5	562110		C 433					
C 370	FRONT ROOF – ELECTRICAL DEST. SIGN	AMP MNL	2	560900	560858	C 434					
C 371	FRONT ROOF – ELECTRICAL DEST. SIGN	AMP MNL	3	561667	561550	C 435					
C 372	FRONT ROOF – ELECTRICAL DEST. SIGN	MOLEX	4	561477	561476	C 436					
C 373						C 437					
C 374						C 438					
C 375						C 439					
C 376						C 440					
C 377	LH SWITCH PANEL – STOP ENGINE OVERRIDE	EATON	12		562763	C 441					
C 378						C 442					
C 379	LUGGAGE COMPT. – WINDOW AJAR SW.	MOLEX	4	561477	561476	C 443					
C 380						C 444					
C 381	UNDER DASH PANEL – ANTI THILED	AMP MNL	2	561248	561247	C 445					
C 382	ENGINE GENERATOR (1)	PED WP	1	561605	561577	C 446					
C 383	ENGINE COMPT – VOLTAGE REGULATOR	PED WP	1	561605	561577	C 447					
C 384						C 448					
C 385	BATT. COMPT. – BJB INTERFACE	AMP MNL	12	561735	561736	C 449					
C 386	LH SWITCH PANEL – W.C.LIFT	EATON	12		562763	C 450	S.S. PANEL - FEEDING	MOLEX	4	562507	562503
C 387	EVAPORATOR COMPT. - BY-PASS VALVE	PED WP	2	561566	561690	C 451	S.S. PANEL - FEEDING	MOLEX	2	562550	562549
C 387	BATTERY COMPT. – WCL ACCES.	AMP CPC	16	561639	561640	C 452	UNDER DASH – S.S. ACC. SIGNAL	MOLEX	2	562550	562549
C 388	LUGG. COMPT.(4) – WCL DOOR ACCESS.	AMP MNL	12	561735	561736	C 453	S. S. PANEL – VCR FEEDING	PED WP	2	561566	561690
C 389	EVAPORATOR COMPT. – WATER PUMP	PED WP	2	561566	561690	C 454	S. S. PANEL – VCR FEEDING	PED WP	2	561566	561690
C 390	EVAPORATOR COMPT. – A/C JCT. BOX	DEUTSCH	24	562280	562283	C 455	PARCEL RACK – WIRELESS MICROPHONE	MOLEX	6		562464
C 391	CONDENSER COMPT. A/C PRESS SW 2 SP	PED WP	2	561566	561690	C 456	WORLD TRANS. - RETARDER ACCUM.	PED MP	2		562427
C 392						C 457	WORLD TRANS. - MAIN CONNECTOR	DEUTSCH	31	562572	562536
C 393						C 458	WORLD TRANS. - TURBINE SP. SENS.	PED MP	2		562426
C 394	UNDER DASH - B/U MONITOR	AMP MNL	4	560851	560852	C 459	WORLD TRANS. - ENGINE SP. SENS.	PED MP	2		562426
C 395	UNDER DASH - B/U MONITOR	CLARION	4		990335	C 460	WORLD TRANS. - SPEED SENSOR	ITT	2		562541
C 396	PARCEL RACK – SPEAKER FEEDING	MOLEX	4	562507	562503	C 461	WORLD TRANS. - RETARDER TEMP.	PED MP	2		562856
C 397						C 462	WORLD TRANS. - RETARDER SOL. "K"	PED MP	2		562426
C 398						C 463	WORLD TRANS. - SENSOR CONN.	DEUTSCH	16	562570	562571
C 399	ENGINE GENERATOR (2)	PED WP	2	561566	561690	C 464	RR JCT BOX - DDL CONN	DEUTSCH	6		565360
C 400	ENGINE COMPT. – BLOCK HEATER	PED WP	3	561781	561782	C 465	LH CONSOLE - SHIFTER SELECTOR	PED	20		562825
C 401						C 466	FR SERVICE CPT - RESIS. MOD.	PED WP	3		562428
C 402						C 467	FR SERVICE CPT - RESIS. MOD.	PED WP	3		562428
C 403	GALLEY – REFRIGERATOR		2			C 468	STEERING COLUMN – RET. HAND LEVER	AMP FF	8	561188	562363
C 404	GALLEY – LAMP SWITCH		2			C 469	FR SERVICE COMPT. – RESIS. MOD.	AMP FF	8	561188	562363
C 405	INVERTER SIGNAL	AMP MNL	2	561248	561247	C 470					
C 406						C 471					
C 407						C 472	FR SERVICE CPT – SILENT 1000 OR EATON	PED WP	2	561566	561690
C 408						C 473					
C 409						C 474	DRIVER'S TEMP SENSOR	AMP MNL	2	561248	561247
C 410						C 475	FR SERVICE CPT - SPEED SIGN. CONNECT.	DEUTSCH	6	562583	562581
C 411						C 475M	FR SERVICE CPT – SPEED SIGN. W. TR.	DEUTSCH	6	562583	562581
C 412						C 475W	FR SERVICE CPT – SPEED SIGN. W. TR.	DEUTSCH	6	562583	562581
C 413						C 476					
C 414						C 477					
C 415						C 478	FRONT ROOF – ELECTRONIC DEST. SIGN	AMP CPC	9	561636	561637
C 416						C 479	UNDER DASH – HVAC DASH MODULE	MOLEX	3		562783
C 417						C 480	UNDER DASH RH – DR'S FAN SPEED CTR	PED WP	4	561889	561890
C 418						C 481	UNDER DASH RH – DR'S FAN SPEED CTR	PED WP	3	561781	561782
C 419	FR JCT BOX – RET/JAKE SELECTION	AMP MNL	3	561667	561550	C 482					
C 420						C 483	FR SERVICE CPT – ELECTRICAL SEAT	PED	2	562237	
C 421	ENGINE COMPT. - WEBASTO	AMP FF	2	562473	562474	C 484	UNDER DASH LH – FOOT DAMPER MOTOR	PED	2		562076
C 422	ENGINE COMPT. - WEBASTO	PED	2	562644	561597	C 485	UNDER DASH LH – DASH & DEFR. DAMP. M.	AMP MNL	3	561667	561558
C 423						C 486	WCL ROOF DOOR – DOOR LT.	LEECRAFT	2	-----	562803
C 424	UNDER DASH – AUDIBLE FLASHER	AMP MNL	3	561667	561550	C 487	S.S PANEL – AUDIO IN AMPLI	MOLEX	4	-----	563071
C 425						C 488	S.S PANEL – AMPLI SIGNAL	MOLEX	8	-----	562465
C 426	ENGINE S60 RAD. FAN CLUTCH	PED WP	3	561781	561782	C 489	S.S PANEL – SPEAKER OUTLET	MOLEX	6	-----	562464
C 427						C 490					
C 428	RH SW PANEL – DASH LTS RHEOSTAT	AMP MNL	3	561667	561550	C 491					
C 429						C 492					
C 430	LH CONSOLE – PRE-HEAT TIMER	AMP FF	8	561188	562363	C 493					
C 431	LH CONSOLE – PRE-HEAT TIMER		1		560488	C 494					

CONNECTORS CODE

NO	LOCATION	TYPE	CAVITY	#PIN	#SOCKET	NO	LOCATION	TYPE	CAVITY	#PIN	#SOCKET
				HOUSING	HOUSING					HOUSING	HOUSING
C 495						C 565	FR. SERV. COMPT. - MIC. OUTLET	MOLEX	4	562507	562503
C 496						C 566	FR. SERV. COMPT. - MIC. OUTLET	MOLEX	4	562507	562503
C 497						C 567	FR. SERV. COMPT. - MIC. OUTLET	MOLEX	4	562507	562503
C 498						C 568	S.S. PANEL - SPEAKER OUTLET	CINTCH	4	562553	
C 499						C 569	S. S. PANEL - AMPLI SIGNAL	MOLEX	9	562556	562555
C 500	FR JCT PANEL - PRODRIVER	MOLEX	6	562070	562069	C 570	UNDER DASH PANEL - T.T.LT MODULE	MOLEX	6		562464
C 501						C 571	UNDER DASH PANEL - T.T.LT MODULE	MOLEX	20		562778
C 502	LH DASH PANEL - PRE- HEAT SW.	EATON	12		562763	C 572	UNDER DASH PANEL - T.T.LT MODULE	MOLEX	18		562779
C 503	LH CONSOLE-PROHEAT TIMER	PED MP	6		562878	C 573	UNDER DASH PANEL - T.T.LT MODULE	MOLEX	8		562465
C 504	LH CONSOLE -WEBASTO TIMER	AMP	8		562852	C 574	PARCEL RACK - INDIRECT LTS BALLAST	MOLEX			562759
C 505	LH CONSOLE -ESPAR TIMER	AMP	12		562681	C 575	RH PARCEL RACK - FFEDING	MOLEX	4	562507	562503
C 506	FR JCT BOX - DIGITAL CLOCK	AMP CPC	4	561685	561687	C 576	RH PARCEL RACK - FFEDING	AMP MNL	3	561667	561550
C 507	LH HAT RACK - DIGITAL CLOCK	MOLEX	4	561477	561476	C 577	LH PARCEL RACK - FFEDING	AMP MNL	3	561667	561550
C 508	RR JCT BOX - FAN CLUTCH RETARDER	AMP MNL	6	561552	561515	C 578	LH PARCEL RACK - FFEDING	MOLEX	4	562507	562503
C 509	EVAP. COMPT. - NOT USED	DEUTSCH	5		562566	C 579	LH PARCEL RACK-VCR POWER	MOLEX	4		563071
C 515	FR JCT BOX CPT. - INTERCOM	MOLEX	4	561477	561476	C 580	LH DASH PANEL - PARCEL RACK A/C SW.	EATON	12		562763
C 516	FR JCT BOX CPT. - INTERCOM	MOLEX	6	562070	562069	C 581	LH DASH PANEL - ELECTRICAL HORN	PED MP	2		562777
C 517	LAVATORY WALL - INTERCOM	MOLEX	6	562070	562069	C 582					
C 519A	RH UNDER DASH - ENTRANCE DOOR SOL.	PNEUMAC	3		641385	C 583	LH DASH PANEL - MASTER KEY SW.	DEUTSCH	2	562486	562485
C 519B	RH UNDER DASH - ENTRANCE DOOR SOL.	PNEUMAC	3		641385	C 584	FR. SERVICE COMPT - HORN PNEU. VALVE	PNEUMAC	3		562848
C 520	RH UNDER DASH - ENTRANCE DOOR SOL.	PNEUMAC	3		641385	C 585					
C 521	RH UNDER DASH - ENTRANCE DOOR SOL.	PNEUMAC	3		641385	C 586	FR SERVICE COMPT - ACC. PNEU.VALVE	PNEUMAC	3		562848
C 522	FR JCT BOX - DAYTIME LTS MODULE	BOSCH	5		561183	C 587	LH PARCEL RACK DVD UNIT	MOLEX	4	563040	563071
C 523	FR JCT BOX - FUSE BLOCK	PED	8	562647	562646	C 588	FR SERV. COMPT. - S.S. INTERFACE	AMP CPC	37	561645	561646
C 524	FR JCT BOX - FUSE BLOCK	PED	8	562647	562646	C 589	FR. MIRROR LH	CONXALL	8	563163	563088
C 525	FR JCT BOX - FUSE BLOCK	PED	8	562647	562646	C 590	FR. MIRROR RH	CONXALL	8	563163	563088
C 526	FR JCT BOX - FUSE BLOCK	PED	8	562647	562646	C 591	LH CONSOLE - LH MIRROR SW.	EURAMT.	8		562749
C 527	FR JCT BOX - FUSE BLOCK	PED	8	562647	562646	C 592	LH CONSOLE - RH MIRROR SW.	EURAMT.	8		562749
C 528						C 594	FRONT ROOF - DRIVER'S LTS	LEEKRAFT	2		562803
C 529						C 595	RH DASH PANEL - ENTRANCE DOOR SW.	MOLEX	4	562507	562503
C 530	RR JCT BOX - FUSE BLOCK	PED	8	562647	562646	C 596	RH DASH PANEL - ENTRANCE DOOR SW.	MOLEX	4	562507	562503
C 531	RR JCT BOX - FUSE BLOCK	PED	8	562647	562646	C 597	LH DASH PANEL - DISPLAY SET SW.	AMP	5		562905
C 532	LH PARCEL RACK - A/C LIQ. SOL.	AMP MNL	2	561248	561247	C 598	LH DASH PANEL - DISPLAY SET SW.	AMP	5		562905
C 533	RH PARCEL RACK - A/C LIQ. SOL.	AMP MNL	2	561248	561247	C 599	UND. DASH - MAGN. SW CTR POS. DR'S AIR	AMP MNL	2	561248	561247
C 534						C 604	LH PARCEL RACK DVD VIDEO STABILIZER	SWITCHCRAFT	1	563074	
C 535						C 605	LH PARCEL RACK - A/C UNIT	AMP MNL	6	561552	561515
C 536						C 606	RH PARCEL RACK - A/C UNIT	AMP MNL	6	561552	561515
C 537	A/C JCT BOX RESISTOR SIGN. RLY	AMP MNL	2	561248	561247	C 607					
C 538	FR SERV. CPT RH - OUTSIDE TEMP. SENS	AMP MNL	2	561248	561247	C 608	FR SERV. COMPT - SPEED SIGNAL (SPARE)	PED WP	2	561566	561690
C 539	HVAC DASH MODULE OUTPUT CONN.	MOLEX	24		562780	C 609					
C 540	HVAC DASH MODULE INPUT CONN.	MOLEX	22		562781	C 610					
C 541						C 611	RH PARCEL RACK READING LTS WCL	MOLEX	6	562558	562557
C 542						C 612	RH PARCEL RACK LUOR. INSTANTION LTS WCL	MOLEX	4	562507	562503
C 543						C 613	RH PARCEL RACK INDIRECT LTS WCL	AMP MNL	3	561667	561550
C 544	S.S. PANEL - AUDIO SEAT	PED WP	3	561781	561782	C 614	RH PARCEL RACK INDIRECT LTS WCL	AMP MNL	3	561667	561550
C 545						C 615	LH PARCEL RACK DVD SIGN ALONG ADAPTOR	MOLEX	2	562550	562549
C 546	FR. JCT BOX - CHARGER WIRELESS MIC.	MOLEX	2		563025	C 701	ZF TRANSMISSION ECU	KOSTAL	20		
C 547						C 702	SHIFT SELECTOR - LH CONSOLE	AMP	14		563338
C 548	LH DASH PANEL - T.T.LT TEST SW.	EATON	12		562763	C 712	NEUTRAL SWITCH ON ZF TRANSM. (TOP)	AMP	4		563340
C 549	LH DASH PANEL - ENGINE FAN OVERRIDE	EATON	12		562763	C 714	OUTPUT SENSOR ON ZF TRANSM. (BOTTOM)	AMP	4		563340
C 550	LAST LUGG. CPT. -WCL MODULE	POLLAK	7	563350	563352	C 717	FR SERV. COMPT - MAIN CONN.	AMP CPC	22	561642	561643
C 551	LAST LUGG. CPT. -WCL CASSETTE	POLLAK	7	563350	563352	C 720	ENGINE COMPT - BLKHD CONNECTOR	DEUTSCH	31	563359	563358
C 552	LAST LUGG. CPT. -WCL REMOTE	AMP CPC	9	561636	561637	C 721	LH CONSOLE - ZF TESTMAN DIAG. TOOLS	AMP MNL	6	563356	
C 553	UNDER DASH - S.S. CONTROL HEAD	MOLEX	16		562559	C 723	ENGINE COMPT - FOR TRANSM.	DEUTSCH	3		562884
C 554	UNDER DASH - S.S. CONTROL HEAD	MOLEX	16		562559	C 736	FR SERV. COMPT - ZMTEC MODULE	PACKARD	30	563053	
C 555	UNDER DASH - S.S. CONTROL HEAD	MOLEX	16		562559	C 740	ABOVE DRIVE AXLE - EASY START SOL VALVE	LEONI	2		641949
C 556	UNDER DASH - RADIO FEEDING	MOLEX	2	562550	562549	C 742	REAR JCT BOX - FUSE BLOCK	AMP	8	562446	
C 557	UNDER DASH - RADIO FEEDING	MOLEX	9	562556	562555	C 745	FR SERV COMPT - THROTTLE POS. SENSOR	PED WP	3	561781	
C 558	FR. SERV. COMPT. - MIC. OUTLET	MOLEX	4	562507	562503	C 760	FR SERVICE COMPT - TO J1939	DEUTSCH	3		
C 559						C 761	FR SERVICE COMPT - TO J1939	DEUTSCH	3		562884
C 560						C 762	ENGINE COMPT - TO J1939	DEUTSCH	3		562884
C 561	LH PARCEL RACK - WIRELESS MIC.	MOLEX	8		562465	C 763	ENGINE COMPT - TO J1939	DEUTSCH	3		562884
C 562	LH PARCEL RACK - VCR SIGNAL	MOLEX	12		563070	C 764	ENGINE COMPT - TO J1939	DEUTSCH	3		562884
C 563	FR. SERV. COMPT. - DRIVER SPEAKER	MOLEX	4	562507	562503	C 765	ENGINE COMPT - TO J1939	DEUTSCH	3		562884
C 564	FR. SERV. COMPT. - MIC. OUTLET	MOLEX	4	562507	562503	C 766	ENGINE COMPT - TO J1939	DEUTSCH	3		562884

CONNECTORS CODE

NO	LOCATION	TYPE	CAVITY	#PIN	#SOCKET	NO	LOCATION	TYPE	CAVITY	#PIN	#SOCKET
				HOUSING	HOUSING					HOUSING	HOUSING
CS	FR SERVICE CPT - ECU WOLRD TR.	PED MP	32		562817						
CT	FR SERVICE CPT - ECU WORLD TR.	PED MP	32		562824						
CV	FR SERVICE CPT - ECU WORLD TR.	PED MP	32		562823						
CX	CLUSTER	JAE	5		562957						
CX 1	FR SERVICE CPT - ECU ABS	AMP JN	15		563200						
CX 2	FR SERVICE CPT - ECU ABS	AMP JN	18		563201						
CY	CLUSTER	JAE	30		562765						
CW X1	ENGINE COMPT. - WATER HEATER	AMP	7	563134	563135						
CW X3	ENGINE COMPT. - WATER HEATER	AMP	7	563134	563135						
LX	CLUSTER	JAE	22		562766						
LY	CLUSTER	JAE	30		562767						
RX	CLUSTER	JAE	30		562767						
WEB 1	ENGINE COMPT. - WEBASTO	AMP FF	2	562473	562474						
WEB 2	ENGINE COMPT. - WEBASTO	AMP FF	2	562643							
ZF 1	FR JCT BOX - STEERING E.C.U.	HELLA	9		562929						

CONNECTORS CODE

NO	LOCATION	TYPE	CAVITY	#PIN	#SOCKET	NO	LOCATION	TYPE	CAVITY	#PIN	#SOCKET
				HOUSING	HOUSING					HOUSING	HOUSING
A 1	UNDER DASH – AUDIO SIGNAL	RCA	1	562090	562330	C 57	RH PARCEL RACK - FEEDING	MOLEX	6	562558	562557
A 2	UNDER DASH – AUDIO SIGNAL	RCA	1	562090	562330	C 58					
A 10	UNDER DASH – AUDIO SIGNAL	RCA	1	562090	562330	C 59					
A 11	UNDER DASH – AUDIO SIGNAL	RCA	1	562090	562330	C 60					
A 18	S. S. PANEL – AUDIO SIGNAL	RCA	1	562090	562330	C 61	ENGINE COMPT - FUEL FILTER	PED WP	2	561566	561690
A 19	S. S. PANEL – AUDIO SIGNAL	RCA	1	562090	562330	C 62	ENGINE COMPT – COMPR. AUX. PRESS. SW.	PED WP	2	561566	561690
AA 1	UNDER DASH PANEL- SONALERT	BOSCH	5	-----	561183	C 63	ENGINE COMPT – COMPR. AUX. PRESS. SW.	PED WP	2	561566	561690
C 1	FR JCT BOX COMPARTIMENT	AMP CPC	14	561585	561584	C 64					
C 2	FR JCT BOX COMPARTIMENT	AMP CPC	16	561638	561640	C 65	ENGINE CPT – A/C PRESS SW FAN CLUTCH	PED WP	2	561566	561690
C 3	FR JCT BOX COMPARTIMENT	AMP CPC	37	561644	561646	C 66	ENGINE CPT – SPARE CONNECTOR	PED WP	1	561605	561577
C 4	FR JCT BOX COMPARTIMENT	AMP CPC	24	561641	561643	C 67					
C 5	FR SERVICE COMPT. - UNDERNEATH	AMP CPC	37	561645	561646	C 68					
C 6	FR SERVICE COMPT. - UNDERNEATH	AMP CPC	16	561639	561640	C 69					
C 7	FR SERVICE COMPT - CLUTCH SW	ITT SS	3	561080	561111	C 70	LH CONSOLE	AMP CPC	16	561639	561640
C 8	FR SERVICE COMPT. - UNDERNEATH	AMP CPC	24	561642	561643	C 71	FR JCT BOX COMPT.	AMP CPC	37	561645	561646
C 9	FR SERVICE COMPT. - UNDERNEATH	AMP CPC	24	561642	561643	C 72	FR JCT BOX COMPT.	AMP CPC	24	561642	561643
C 10	FR SERVICE DOOR ACCESS.	DEUTSCH	5	562565	562566	C 73					
C 11	FR SERV. CPT ACCESS	AMP CPC	37	561645	561646	C 74	FR JCT BOX COMPT.	AMP CPC	37	561645	561646
C 12	FR SERV. CPT ACCESS	AMP CPC	16	561639	561640	C 75	SERVICE COMPT. EXT. ENTRANCE DOOR SW.	DEUTSCH	4	562479	562477
C 13	FR JCT BOX COMPARTIMENT	AMP MNL	2	561248	561247	C 75	RH PARCEL RACK – READ. LTS FEED. WCL	MOLEX	6	562558	562557
C 14	LAST LUGGAGE COMP(4) - DOCKING LTS	AMP MNL	2	561248	561247	C 76	ENGINE COMPT. FIRE DETECTOR	DEUTSCH	2	562486	562485
C 15	UNDER STAIRS – CORNERING LTS	AMP MNL	2	560900	560898	C 77	ENGINE COMPT. FIRE DETECTOR	DEUTSCH	2	562486	562485
C 16	LH CONSOLE SW-CRUISE ON/OFF	EATON	12	-----	562763	C 78					
C 17	LH CONSOLE SW-CRUISE RESUME	EATON	12	-----	562763	C 79					
C 18	LH CONSOLE SW-CRUISE SET	EATON	12	-----	562763	C 80					
C 19	LH CONSOLE SW-DECEL SW	EATON	12	-----	562763	C 81	LUGGAGE COMPT - DOOR LOCK	AMP MNL	4	560851	560852
C 20	RR JCT BOX	DEUTSCH	70	562282	562285	C 82	UNDER SEAT – AISLE LTS	AMP MNL	2	560900	560898
C 21	ENGINE COMPT - LOCK DOOR MOT.	PED WP	2	562076	562076	C 82	LUGGAGE COMPT - DOOR LOCK	AMP MNL	4	560851	560852
C 22	LUGGAGE COMPT (A) - A/C & FUEL TANK	AMP CPC	16	561639	561640	C 83	LUGGAGE COMPT - DOOR LOCK	AMP MNL	4	560851	560852
C 23	LUGGAGE COMPT (1) – LUGG. ACCESS.	AMP CPC	24	561642	561643	C 84	LUGGAGE COMPT - DOOR LOCK	AMP MNL	4	560851	560852
C 24	ENGINE COMPT. – INTERF RJB	PED WP	6	561606	561607	C 85					
C 25	ENGINE COMPT. – INTERF RJB	PED WP	6	561606	561607	C 86					
C 26	ENGINE COMPT. ACCESS	DEUTSCH	40	562281	562284	C 87					
C 27	ENGINE COMPT. – INTERF. RJB	DEUTSCH	6	562583	562581	C 88	FR SERV. CPT. PRESS SW PARK BRAKE	PED WP	2	561566	561690
C 28	LUGGAGE COMPT(4) – LUGG. ACCESS	AMP CPC	24	561642	561643	C 89					
C 29	FR SERVICE COMPT – E.C.U. FEED	PED WP	3	561781	561782	C 90					
C 30	ENGINE COMPT – MASTER SW. SIGN.	DEUTSCH	2	562486	562485	C 91					
C 31	RR JCT BOX – PARCEL RACK FEEDING	DEUTSCH	31	562572	562536	C 92	FR JCT BOX COMPT - ABS	AMP CPC	9	561635	561637
C 32						C 93					
C 33	FR SERV. COMPT. – VSS SIGNAL	PED WP	2	561566	561690	C 94					
C 34	FR JCT BOX EATON TRANS. J1939	DEUTSCH	3	562877	562884	C 95					
C 35	A/C COMPT - AIR RETURN SENSOR	AMP MNL	2	561248	561247	C 96	FR SERVICE DOOR ACCESS	AMP MNL	9	561670	561669
C 36	UNDER STAIRS – STEP LIGHTS	AMP MNL	2	561248	561247	C 97	FR SERVICE DOOR – WATER TANK	PED MP	2	562426	562426
C 36	RH PARCEL RACK – EMERGENCY LTS	AMP MNL	2	560900	560898	C 98					
C 37	LH PARCEL RACK - FEEDING	MOLEX	6	562558	562557	C 99	FR SERVICE CPT. LTS	AMP MNL	2	561248	561247
C 38	RH PARCEL RACK - FEEDING	MOLEX	6	562558	562557	C 100	SIDE (LH/FR & CENTER) DIR LTS	GROTE	2	-----	562155
C 39	ENGINE COMPT. ECM J1939	DEUTSCH	3	562877	562884	C 101	FR SERVICE COMPT. ELEC. HORNS	PED WP	2	561566	561690
C 40						C 101	CONDENSER COMPT - A/C PRES. SW 1SP	PED WP	2	561566	561690
C 41	ENGINE COMPT – RH DOOR LOCK	DEUTSCH	4	562479	562477	C 102	CONDENS. COMPT – LIQU. SOL. VAL. PRES.	PED WP	2	561566	561690
C 42	ENGINE COMPT – RR CAP LIGHTING	DEUTSCH	6	562583	562581	C 103	ENGINE COMPT. – LAVATORY FAN	PED WP	2	561566	561690
C 43	FR JCT BOX – ALT. MODULE	AMP MNL	12	561735	561734	C 104	ENGINE COMPT. – LAVATORY PUMP	DEUTSCH	4	562479	562477
C 44	ENGINE COMPT - LIGHTS	GROTE	2	563268	563268	C 105	UNDER DASH RH - DRV LIO SOL VL	PED WP	2	561566	561690
C 45	FR JCT BOX COMPT – ROOF ACCESS	AMP CPC	24	561642	561643	C 106	UNDER DASH RH - DRV WTR VALVE	PED WP	2	561566	561690
C 46	ENGINE COMPT. ECM J1939	DEUTSCH	3	562877	562884	C 107	ENGINE COMPT - LAVATORY PUSH BUTTON	PED WP	2	561566	561690
C 47						C 108	FR. SERICE COMPT – GAZ CYLINDER L.H.	DEUTSCH	2	562486	562485
C 48	FR SERV. CPT. PRESS SW PARK BRAKE	PED WP	2	561566	561690	C 109	SIDE (RH/FR & CENTER) DIR LTS	GROTE	2	-----	562155
C 49	LAVATORY ROOF – NIGHT LIGHT	AMP MNL	2	560900	560898	C 110	SIDE (LH/FR) MARKER LTS	GROTE	2	-----	562155
C 50	LAVATORY ROOF - LIGHT	LEECRAFT	2	-----	562803	C 111	SIDE (RH/FR) MARKER LTS	GROTE	2	-----	562155
C 50	LH SWITCH PANEL – SAFETY SW.	EATON	12	-----	562763	C 112	SIDE (LH/CENTER) MARKER LTS	GROTE	2	-----	562155
C 51	FR SERV.CPT.PARK. BRAKE SOL. (SP. OPTION)	PED WP	2	561566	561690	C 113	SIDE (LH/RR) MARKER LTS	GROTE	2	-----	562155
C 52	ENGINE COMPT - COMPRESSOR	PED WP	2	561566	561690	C 114	ENGINE DDEC - SPEED SIGNAL	PED WP	2	561566	561690
C 53	ENGINE COMPT - COMPRESSOR	PED WP	2	561566	561690	C 115	RR JCT BOX – ENGINE ACCESS	DEUTSCH	40	562281	562284
C 54	FRONT ROOF – UPPER FAN DEFROST	AMP MNL	6	561552	561515	C 116	SIDE (RH/CENTER) MARKER LTS	GROTE	2	-----	562155
C 55	CENTRAL DOOR LOCK	DEUTSCH	4	562479	562477	C 117	SIDE (RH/RR) MARKER LTS	GROTE	2	-----	562155
C 56	LH PARCEL RACK - FEEDING	MOLEX	6	562558	562557	C 118	ENGINE COMPT - LICENCE	DOM. AUT	2	930210	930210

CONNECTORS CODE

NO	LOCATION	TYPE	CAVITY	#PIN	#SOCKET	NO	LOCATION	TYPE	CAVITY	#PIN	#SOCKET
				HOUSING	HOUSING					HOUSING	HOUSING
C 119	ENGINE COMPT - RH LOWER LAMP	PED WP	6	561606	561607	C 182					
C 120	ENGINE COMPT - LH LOWER LAMP	PED WP	6	561606	561607	C 183					
C 121	SIDE (RH/RR) DIR LTS	GROTE	2	-----	562155	C 184	FR SERV. COMPT. - KNEELING PROX. SW.	ITT SS	3	561080	561111
C 122	SIDE (LH/RR) DIR LTS	GROTE	2	-----	562155	C 185	KNEELING PANEL - DOWN SOL. VALVE	PNEUMAC	3		641385
C 123						C 186					
C 124						C 187	FR SERVICE JCT BOX - RESISTORS	AMP MNL	6	561552	561515
C 125						C 187	KNEELING PANEL - PARK BRAKE INTERLOCK	PNEUMAC	3		641385
C 126						C 188					
C 127						C 189	ENGINE COMPT - DOOR LIGHT BACK UP	TRUCK-LITE	2	562755	
C 128						C 190	ENGINE COMPT - DOOR LIGHT STOP/TURN	AMP SS	3		562601
C 129						C 191	ENGINE COMPT - DOOR LIGHT STOP/TURN	AMP SS	3		562601
C 130						C 192	ENGINE COMPT - DOOR LIGHT PARKING	AMP SS	3		562601
C 131						C 193					
C 132						C 194					
C 133						C 195					
C 134	FR JCT BOX - DIODE CONN.	AMP MNL	15	561987	561986	C 196	KNEELING PANEL - UP SOL. VALVE	PNEUMAC	3		641385
C 135	FR JCT BOX - DIODE CONN.	AMP MNL	15	561987	561986	C 197	KNEELING PANEL - CTR SOL. VALVE	PNEUMAC	3		641385
C 136	FR JCT BOX - DIODE CONN.	AMP MNL	15	561987	561986	C 198					
C 137	FR JCT BOX - DIODE CONN.	AMP MNL	15	561987	561986	C 199					
C 138						C 200	PARCEL RACK - FLUORESCENT LTS	AMP MNL	2	561248	561247
C 139						C 201	PARCEL RACK - FLUORESCENT LTS	AMP MNL	2	561248	561247
C 140	HVAC DASH MODULE THERMOMETER	MOLEX	4		562782	C 202	RH PARCEL RACK - INDIRECT LTS	MOLEX	2		562758
C 141	RR DASH PANEL - LTS CONN. (SPARE)	AMP MNL	2	561248	561247	C 203	PARCEL RACK - FLUORESCENT LTS	MOLEX	6		562759
C 142	ENGINE COMPT. B/U ALARM	PED WP	2	561566	561690	C 204	RH PARCEL RACK - RACK LTS	AMP MNL	2	560900	560858
C 143						C 205	RH PARCEL RACK - FEEDING	AMP MNL	9	561661	561662
C 144	FR JCT BOX - AISLE LTS FEEDING	AMP MNL	2	561248	561247	C 206	RH PARCEL RACK - FEEDING	AMP FF	4	562760	562756
C 145						C 207	LH PARCEL RACK - FEEDING	AMP FF	4	562760	562756
C 146						C 208	PARCEL RACK - FLUORESCENT LTS	MOLEX	2		562758
C 147						C 209	LH PARCEL RACK - HOTESS CHIME	AMP MNL	3	561667	561550
C 148						C 210	LH PARCEL RACK - FEEDING	AMP MNL	9	561661	561662
C 149						C 211	FR ROOF - SUN VISOR LH	AMP MNL	2	560900	560898
C 150						C 212	FR ROOF - SUN VISOR RH	AMP MNL	2	560900	560898
C 151						C 213	WCL DOOR UP HING-DOOR READ & HOST. SW	AMP MNL	6	561552	561515
C 152						C 214					
C 153						C 215					
C 154						C 216					
C 155	EVAPORATOR CPT - WATER VALVE	BURKERT	3		563204	C 217	RH PANEL SW. - SCENIC VIEW CAMERA	EATON	12		562763
C 156						C 218	RH PANEL SW. - LIGHTS SPARE	AMP MNL	2	560900	560898
C 157	FR SERV. CPT - WATER PUMP DR'S	PED WP	3	561781	561782	C 219					
C 158	ENGINE CPT - DDEC INTERFACE CONNECTOR	DEUTSCH	31	562572	562536	C 220					
C 159	ENGINE CPT - DDE FEED	PED WP	4	561889	561890	C 221					
C 160	FR SERVICE CPT - INTERFACE	AMP CPC	37	561644	561646	C 222	HEADLAMPS - LOW BEAM	HELLA	2		562623
C 161	ENGINE DDEC - ECM	AMP	68		563403	C 222	HEADLAMPS - LOW BEAM (XENON OPTION)	PED MP	2		563366
C 162	ENGINE DDEC - ACCESSORIES	PED WP	4	561610	561611	C 223	HEAD LIGHTS - FLASHER	DEUTSCH	6	565131	562789
C 163	ENGINE CPT - COOLANT PROBE	PED MP	2		562350	C 224	HEAD LIGHTS - HI BEAM	PED MP	3		562623
C 164	ENGINE CPT - DDE FEED	PED WP	4	561889	561890	C 225	FOG LIGHTS	DEUTSCH	3	562902	562901
C 165						C 226	FLASHER (FR)	PED	3	562137	
C 166						C 226	BATT. COMPT. - INTERIOR LTS	AMP MNL	2	561248	561247
C 167	FR SERVICE CPT - EL. FOOT PEDAL	PED WP	3	561781	561782	C 227					
C 168	FR SERVICE CPT - DDR	DEUTSCH	6	562360		C 228	A/C COMPRESSOR	PED WP	2	561566	
C 169	FR SERVICE CPT - WORLD TR. INTERFACE	AMP CPC	16	561639	561640	C 229	BATT. COMPT. - CHARGER 110V.	PED WP	1	561577	561605
C 169	FR SERV. COMPT. - SPEED SWITCH	AMP	15	562011	562012	C 230	ENGINE COMPT. - FUEL PRIME PUMP SW.	PED WP	2	561566	561690
C 170	FR JCT BOX FLASHER UNIT	PED	2		561940	C 231	ENGINE COMPT. - FUEL PRIME PUMP	PED WP	2	561566	561690
C 171	LH CONSOLE	AMP CPC	24	561642	561643	C 232					
C 172	FR SERVICE COMPT - KNEELING PANEL	AMP CPC	16	561639	561640	C 233	FIRST LUGGAGE CPT.	VDO	8		562043
C 172	ENGINE COMPT. - WATER TANK HEATER	PED WP	2	561566	561690	C 234	FIRST LUGGAGE CPT.	VDO	8		562044
C 173						C 235	FIRST LUGGAGE CPT.	VDO	8		562041
C 174						C 236	FIRST LUGGAGE CPT.	AMP MNL	4	560851	560858
C 175						C 236	FR SERVICE CPT CENTER - ABS	AMP CPC	14	561636	561637
C 176	UNDER DASH RH - WIPER PULSE	AMP FF	6		561186	C 237	FR AXLE CPT - ABS RH SENSOR	WABCO	2	641132	
C 177	UNDER DASH RH - WIPER MOTOR	AMP FF	6		561186	C 238	FR AXLE CPT - ABS RH VALVE	WABCO	3	641098	
C 178						C 239	FR AXLE CPT - ABS LH VALVE	WABCO	3	641098	
C 179						C 240	FR AXLE CPT - ABS LH SENSOR	WABCO	2	641132	
C 180	KNEELING PANEL - DIODE SOCKET	AMP MNL	15	561987	561986	C 241	LAST LUGGAGE COMPT - ABS	PED WP	6	561606	561607
C 181						C 242	DRIVE AXLE CPT - ABS LH SENSOR	WABCO	2	641132	

CONNECTORS CODE

NO	LOCATION	TYPE	CAVITY	#PIN	#SOCKET	NO	LOCATION	TYPE	CAVITY	#PIN	#SOCKET
				HOUSING	HOUSING					HOUSING	HOUSING
C 243	DRIVE AXLE CPT - ABS LH VALVE	WABCO	3	641098		C 306					
C 244	DRIVE AXLE CPT - ABS RH VALVE	WABCO	3	641098		C 307					
C 245	DRIVE AXLE CPT - ABS RH SENSOR	WABCO	2	641132		C 308					
C 246	DRIVE AXLE CPT - ATC SOL.	PED WP	2	561566	561690	C 309					
C 247	E.C.U. EATON TRANS.	PED MP	18		562573	C 310	LH CONSOLE SW - LUG. DOOR LOCK	EATON	12		562763
C 248	LAST LUGGAGE CPT - ABS	PED WP	6	561606	561607	C 311	RH SWITCH PANEL - HOTESS CHIME	EATON	12		562763
C 249	FR SERVICE CPT - ABS/DDEC	PED WP	2	561566	561690	C 312	ENGINE DDEC - ACCESSORIES	PED WP	3	561781	561782
C 250	LH CONSOLE - LOW BOUY	PED WP	2	561566	561690	C 312	RH SWITCH PANEL - READING LAMP	EATON	12		562763
C 251	LH SW PANEL - FAST IDLE	EATON	12		562763	C 313					
C 252	LUGGAGE COMPT. - WINDOW AJAR	MOLEX	4	561477	561476	C 313	RH SWITCH PANEL - INTERIOR LTS	EATON	12		562763
C 253	LH SWITCH PANEL - ETHER	EATON	12		562763	C 314	KNEELING PANEL - PRESS SW.	PED WP	2	561566	561690
C 254						C 314	RH SWITCH PANEL - INTERIOR LTS	EATON	12		562763
C 255	LH SWITCH PANEL - ENGINE BRAKE	EATON	12		562763	C 315	LH SWITCH PANEL - LH SUN VISOR SW.	EATON	12		562763
C 256						C 316	INTO HORN BOX - KNEELING BUZZER	DEUTSCH	2	562486	562485
C 257						C 317	LH SWITCH PANEL - RH SUN VISOR SW.	EATON	12		562763
C 258	LH SWITCH PANEL - MULTI FUNC. SW	AMP FF	8	561188		C 318	LH CONSOLE SW - DR'S WINDOW SW.	EATON	12		562763
C 259						C 319	ENGINE DDEC - ECM POWER	PED	4	561610	561611
C 259	LH SWITCH PANEL - MULTI FUNC. SW	AMP FF	6		561186	C 320	RT SWITCH PANEL - DRIVER'S LTS SW.	EATON	12		562763
C 260						C 321	UNDER DASH RH - KEYLESS MODULE	AMP COM	26		562676
C 261						C 322	UNDER DASH RH - KEYLESS MODULE	AMP COM	22		562675
C 262						C 323	DRIVER'S WINDOW MOTOR	PED	2		561848
C 263	LUGGAGE COMPT. LTS COMPT #3	AMP MNL	2	561248	561247	C 324	LH SWITCH PANEL - UPPER FAN DEFROST	EATON	12		562763
C 264	LUGGAGE COMPT. LTS COMPT #2	AMP MNL	2	561248	561247	C 325	LH SWITCH PANEL - KNEELING	EATON	12		562763
C 265	LUGGAGE COMPT. LTS COMPT #1	AMP MNL	2	561248	561247	C 326					
C 266	ENTRANCE DOOR KEYLESS	AMP CPC	14	561585	561583	C 327					
C 267	UNDER DASH RH - ENT. DOOR PANEL	AMP CPC	24	561642	561643	C 328	RR ROOF - GALLEY LAMP		2		
C 268	FR MIRROR RH	CONXALL	5	563091	563090	C 329					
C 269	FR MIRROR LH	CONXALL	5	563091	563090	C 330					
C 270	LUGGAGE COMPT LTS - 3 LH	AMP MNL	2	561248	561247	C 331					
C 271	LUGGAGE COMPT LTS - 4	AMP MNL	2	561248	561247	C 332					
C 272						C 333					
C 273	ENT. DOOR PANEL - DIODE SOCKET	AMP MNL	9	561670	561669	C 334					
C 274						C 335					
C 275	ENT. DOOR PANEL - DIODE SOCKET	AMP MNL	9	561670	561669	C 336					
C 276						C 337					
C 277	RH UNDER DASH - ENT. DOOR REED SW.	AMP MNL	2	560900	560858	C 338					
C 278	RH PASS. AIR DUCT - ENT DOOR PRESS SW.	PED WP	2	561566	561690	C 339	KNEELING PANEL - HI BUOY SOL. VALVE	PNEUMAC	3		641385
C 279	RH UNDER DASH - ENT. DOOR REED SW.	AMP MNL	2	560900	560858	C 340	FR JCT BOX - FIRE PIEZO ALARM	AMP MNL	2	560900	560898
C 279	FR SERVICE COMPT LH - STEERING ZF	DEUTSCH	2		562485	C 341	LH SWITCH PANEL - HEAT MIRROR SW.	EATON	12		562763
C 280	ENGINE COMPT - A/C COMPRESSOR AUX.	PED WP	2	561566	561690	C 342					
C 281						C 343	LH SWITCH PANEL - HEAD LAMP SW.	EATON	12		562763
C 282	FR SERVICE COMPT - STEERING ZF	VOLVO	2		562928	C 344	LH SWITCH PANEL - HAZARD LT SW.	EATON	12		562763
C 283	LH CONSOLE - SPARE SW. LTS	AMP MNL	2	561248	561247	C 345	LH SWITCH PANEL - FOG LT SW.	EATON	12		562763
C 284	LH DR'S ROOF - MONITOR FEED	PED WP	3	561781	561782	C 346					
C 285	LH DR'S ROOF - SOUND SYSTEM	AMP CPC	24	561642	561643	C 347					
C 286						C 348	INSTR. PANEL CENT. - RACOR MODULE	MOLEX	6	562070	562069
C 287						C 349					
C 288						C 350					
C 289						C 351					
C 290	LUGGAGE CPT - DOOR LOCK	AMP MNL	4	560851	560852	C 352					
C 291	LUGGAGE CPT - DOOR LOCK	AMP MNL	4	560851	560852	C 353					
C 292	LH PARCEL RACK VIDEO PANEL - MONITOR	MOLEX	4	563040	563071	C 354					
C 293	LH PARCEL RACK VIDEO PANEL - RCA RELAY	AMP MNL	2	561248	561247	C 355					
C 294	LH PARCEL RACK VIDEO PANEL - RCA RELAY	AMP MNL	2	561248	561247	C 356					
C 295	LH PARCEL RACK VID. PANEL - AMPLI VIDEO	MOLEX	4	563040	563071	C 357					
C 296	LH PARCEL RACK VID. PANEL - MICRO SIGNAL	MOLEX	4	562507	562503	C 358					
C 297						C 359	RH SWITCH PANEL - ENT. DOOR WIND. SW.	EATON	12		562763
C 298						C 360	ENTRANCE WINDOW MOTOR	PED	2		561848
C 299	RH SWITCH PANEL - GALLEY	EATON	12		562763	C 361					
C 300	FR JCT BOX - LOW BEAM RESISTOR	PED WP	2	561566	561690	C 362					
C 301						C 363					
C 302						C 364	FRONT ROOF - ELECTRICAL DEST. SIGN	AMP MNL	3	561667	561550
C 303	RR JCT BOX - DIODES	AMP MNL	15	561987	561986	C 365					
C 304	RR JCT BOX - DIODES	AMP MNL	15	561987	561986	C 366					
C 305						C 367					

CONNECTORS CODE

NO	LOCATION	TYPE	CAVITY	#PIN	#SOCKET	NO	LOCATION	TYPE	CAVITY	#PIN	#SOCKET
				HOUSING	HOUSING					HOUSING	HOUSING
C 368	FRONT ROOF – ELECTRICAL DEST. SIGN	AMP MNL	3	561667	561550	C 432					
C 369	FRONT ROOF – ELECTRICAL DEST. SIGN	TORRIX	5	562110		C 433					
C 370	FRONT ROOF – ELECTRICAL DEST. SIGN	AMP MNL	2	560900	560858	C 434					
C 371	FRONT ROOF – ELECTRICAL DEST. SIGN	AMP MNL	3	561667	561550	C 435					
C 372	FRONT ROOF – ELECTRICAL DEST. SIGN	MOLEX	4	561477	561476	C 436					
C 373						C 437					
C 374						C 438					
C 375						C 439					
C 376						C 440					
C 377	LH SWITCH PANEL – STOP ENGINE OVERRIDE	EATON	12		562763	C 441					
C 378						C 442					
C 379	LUGGAGE COMPT. – WINDOW AJAR SW.	MOLEX	4	561477	561476	C 443					
C 380						C 444					
C 381	UNDER DASH PANEL – ANTI THILED	AMP MNL	2	561248	561247	C 445					
C 382	ENGINE GENERATOR (1)	PED WP	1	561605	561577	C 446					
C 383	ENGINE COMPT – VOLTAGE REGULATOR	PED WP	1	561605	561577	C 447					
C 384						C 448					
C 385	BATT. COMPT. – BJB INTERFACE	AMP MNL	12	561735	561736	C 449					
C 386	LH SWITCH PANEL – W.C.LIFT	EATON	12		562763	C 450	S.S. PANEL - FEEDING	MOLEX	4	562507	562503
C 387	EVAPORATOR COMPT. - BY-PASS VALVE	PED WP	2	561566	561690	C 451	S.S. PANEL - FEEDING	MOLEX	2	562550	562549
C 387	BATTERY COMPT. – WCL ACCES.	AMP CPC	16	561639	561640	C 452	UNDER DASH – S.S. ACC. SIGNAL	MOLEX	2	562550	562549
C 388	LUGG. COMPT.(4) – WCL DOOR ACCESS.	AMP MNL	12	561735	561736	C 453	S. S. PANEL – VCR FEEDING	PED WP	2	561566	561690
C 389	EVAPORATOR COMPT. – WATER PUMP	PED WP	2	561566	561690	C 454	S. S. PANEL – VCR FEEDING	PED WP	2	561566	561690
C 390	EVAPORATOR COMPT. – A/C JCT. BOX	DEUTSCH	24	562280	562283	C 455	PARCEL RACK – WIRELESS MICROPHONE	MOLEX	6		562464
C 391	CONDENSER COMPT. A/C PRESS SW 2 SP	PED WP	2	561566	561690	C 456	WORLD TRANS. - RETARDER ACCUM.	PED MP	2		562427
C 392						C 457	WORLD TRANS. - MAIN CONNECTOR	DEUTSCH	31	562572	562536
C 393						C 458	WORLD TRANS. - TURBINE SP. SENS.	PED MP	2		562426
C 394	UNDER DASH - B/U MONITOR	AMP MNL	4	560851	560852	C 459	WORLD TRANS. - ENGINE SP. SENS.	PED MP	2		562426
C 395	UNDER DASH - B/U MONITOR	CLARION	4		990335	C 460	WORLD TRANS. - SPEED SENSOR	ITT	2		562541
C 396	PARCEL RACK – SPEAKER FEEDING	MOLEX	4	562507	562503	C 461	WORLD TRANS. - RETARDER TEMP.	PED MP	2		562856
C 397						C 462	WORLD TRANS. - RETARDER SOL. "K"	PED MP	2		562426
C 398						C 463	WORLD TRANS. - SENSOR CONN.	DEUTSCH	16	562570	562571
C 399	ENGINE GENERATOR (2)	PED WP	2	561566	561690	C 464	RR JCT BOX - DDL CONN	DEUTSCH	6		565360
C 400	ENGINE COMPT. – BLOCK HEATER	PED WP	3	561781	561782	C 465	LH CONSOLE - SHIFTER SELECTOR	PED	20		562825
C 401						C 466	FR SERVICE CPT - RESIS. MOD.	PED WP	3		562428
C 402						C 467	FR SERVICE CPT - RESIS. MOD.	PED WP	3		562428
C 403	GALLEY – REFRIGERATOR		2			C 468	STEERING COLUMN – RET. HAND LEVER	AMP FF	8	561188	562363
C 404	GALLEY – LAMP SWITCH		2			C 469	FR SERVICE COMPT. – RESIS. MOD.	AMP FF	8	561188	562363
C 405	INVERTER SIGNAL	AMP MNL	2	561248	561247	C 470					
C 406						C 471					
C 407						C 472	FR SERVICE CPT – SILENT 1000 OR EATON	PED WP	2	561566	561690
C 408						C 473					
C 409						C 474	DRIVER'S TEMP SENSOR	AMP MNL	2	561248	561247
C 410						C 475	FR SERVICE CPT - SPEED SIGN. CONNECT.	DEUTSCH	6	562583	562581
C 411						C 475M	FR SERVICE CPT – SPEED SIGN. W. TR.	DEUTSCH	6	562583	562581
C 412						C 475W	FR SERVICE CPT – SPEED SIGN. W. TR.	DEUTSCH	6	562583	562581
C 413						C 476					
C 414						C 477					
C 415						C 478	FRONT ROOF – ELECTRONIC DEST. SIGN	AMP CPC	9	561636	561637
C 416						C 479	UNDER DASH – HVAC DASH MODULE	MOLEX	3		562783
C 417						C 480	UNDER DASH RH – DR'S FAN SPEED CTR	PED WP	4	561889	561890
C 418						C 481	UNDER DASH RH – DR'S FAN SPEED CTR	PED WP	3	561781	561782
C 419	FR JCT BOX – RET/JAKE SELECTION	AMP MNL	3	561667	561550	C 482					
C 420						C 483	FR SERVICE CPT – ELECTRICAL SEAT	PED	2	562237	
C 421	ENGINE COMPT. - WEBASTO	AMP FF	2	562473	562474	C 484	UNDER DASH LH – FOOT DAMPER MOTOR	PED	2		562076
C 422	ENGINE COMPT. - WEBASTO	PED	2	562644	561597	C 485	UNDER DASH LH – DASH & DEFR. DAMP. M.	AMP MNL	3	561667	561558
C 423						C 486	WCL ROOF DOOR – DOOR LT.	LEECRAFT	2	-----	562803
C 424	UNDER DASH – AUDIBLE FLASHER	AMP MNL	3	561667	561550	C 487	S.S PANEL – AUDIO IN AMPLI	MOLEX	4	-----	563071
C 425						C 488	S.S PANEL – AMPLI SIGNAL	MOLEX	8	-----	562465
C 426	ENGINE S60 RAD. FAN CLUTCH	PED WP	3	561781	561782	C 489	S.S PANEL – SPEAKER OUTLET	MOLEX	6	-----	562464
C 427						C 490					
C 428	RH SW PANEL – DASH LTS RHEOSTAT	AMP MNL	3	561667	561550	C 491					
C 429						C 492					
C 430	LH CONSOLE – PRE-HEAT TIMER	AMP FF	8	561188	562363	C 493					
C 431	LH CONSOLE – PRE-HEAT TIMER		1		560488	C 494					

CONNECTORS CODE

NO	LOCATION	TYPE	CAVITY	#PIN	#SOCKET	NO	LOCATION	TYPE	CAVITY	#PIN	#SOCKET
				HOUSING	HOUSING					HOUSING	HOUSING
C 495						C 565	FR. SERV. COMPT. - MIC. OUTLET	MOLEX	4	562507	562503
C 496						C 566	FR. SERV. COMPT. - MIC. OUTLET	MOLEX	4	562507	562503
C 497						C 567	FR. SERV. COMPT. - MIC. OUTLET	MOLEX	4	562507	562503
C 498						C 568	S.S. PANEL - SPEAKER OUTLET	CINTCH	4	562553	
C 499						C 569	S. S. PANEL - AMPLI SIGNAL	MOLEX	9	562556	562555
C 500	FR JCT PANEL - PRODRIVER	MOLEX	6	562070	562069	C 570	UNDER DASH PANEL - T.T.LT MODULE	MOLEX	6		562464
C 501						C 571	UNDER DASH PANEL - T.T.LT MODULE	MOLEX	20		562778
C 502	LH DASH PANEL - PRE- HEAT SW.	EATON	12		562763	C 572	UNDER DASH PANEL - T.T.LT MODULE	MOLEX	18		562779
C 503	LH CONSOLE-PROHEAT TIMER	PED MP	6		562878	C 573	UNDER DASH PANEL - T.T.LT MODULE	MOLEX	8		562465
C 504	LH CONSOLE -WEBASTO TIMER	AMP	8		562852	C 574	PARCEL RACK - INDIRECT LTS BALLAST	MOLEX			562759
C 505	LH CONSOLE -ESPAR TIMER	AMP	12		562681	C 575	RH PARCEL RACK - FFEDING	MOLEX	4	562507	562503
C 506	FR JCT BOX - DIGITAL CLOCK	AMP CPC	4	561685	561687	C 576	RH PARCEL RACK - FFEDING	AMP MNL	3	561667	561550
C 507	LH HAT RACK - DIGITAL CLOCK	MOLEX	4	561477	561476	C 577	LH PARCEL RACK - FFEDING	AMP MNL	3	561667	561550
C 508	RR JCT BOX - FAN CLUTCH RETARDER	AMP MNL	6	561552	561515	C 578	LH PARCEL RACK - FFEDING	MOLEX	4	562507	562503
C 509	EVAP. COMPT. - NOT USED	DEUTSCH	5		562566	C 579	LH PARCEL RACK-VCR POWER	MOLEX	4		563071
C 515	FR JCT BOX CPT. - INTERCOM	MOLEX	4	561477	561476	C 580	LH DASH PANEL - PARCEL RACK A/C SW.	EATON	12		562763
C 516	FR JCT BOX CPT. - INTERCOM	MOLEX	6	562070	562069	C 581	LH DASH PANEL - ELECTRICAL HORN	PED MP	2		562777
C 517	LAVATORY WALL - INTERCOM	MOLEX	6	562070	562069	C 582					
C 519A	RH UNDER DASH - ENTRANCE DOOR SOL.	PNEUMAC	3		641385	C 583	LH DASH PANEL - MASTER KEY SW.	DEUTSCH	2	562486	562485
C 519B	RH UNDER DASH - ENTRANCE DOOR SOL.	PNEUMAC	3		641385	C 584	FR. SERVICE COMPT - HORN PNEU. VALVE	PNEUMAC	3		562848
C 520	RH UNDER DASH - ENTRANCE DOOR SOL.	PNEUMAC	3		641385	C 585					
C 521	RH UNDER DASH - ENTRANCE DOOR SOL.	PNEUMAC	3		641385	C 586	FR SERVICE COMPT - ACC. PNEU.VALVE	PNEUMAC	3		562848
C 522	FR JCT BOX - DAYTIME LTS MODULE	BOSCH	5		561183	C 587	LH PARCEL RACK DVD UNIT	MOLEX	4	563040	563071
C 523	FR JCT BOX - FUSE BLOCK	PED	8	562647	562646	C 588	FR SERV. COMPT. - S.S. INTERFACE	AMP CPC	37	561645	561646
C 524	FR JCT BOX - FUSE BLOCK	PED	8	562647	562646	C 589	FR. MIRROR LH	CONXALL	8	563163	563088
C 525	FR JCT BOX - FUSE BLOCK	PED	8	562647	562646	C 590	FR. MIRROR RH	CONXALL	8	563163	563088
C 526	FR JCT BOX - FUSE BLOCK	PED	8	562647	562646	C 591	LH CONSOLE - LH MIRROR SW.	EURAMT.	8		562749
C 527	FR JCT BOX - FUSE BLOCK	PED	8	562647	562646	C 592	LH CONSOLE - RH MIRROR SW.	EURAMT.	8		562749
C 528						C 594	FRONT ROOF - DRIVER'S LTS	LEEKRAFT	2		562803
C 529						C 595	RH DASH PANEL - ENTRANCE DOOR SW.	MOLEX	4	562507	562503
C 530	RR JCT BOX - FUSE BLOCK	PED	8	562647	562646	C 596	RH DASH PANEL - ENTRANCE DOOR SW.	MOLEX	4	562507	562503
C 531	RR JCT BOX - FUSE BLOCK	PED	8	562647	562646	C 597	LH DASH PANEL - DISPLAY SET SW.	AMP	5		562905
C 532	LH PARCEL RACK - A/C LIQ. SOL.	AMP MNL	2	561248	561247	C 598	LH DASH PANEL - DISPLAY SET SW.	AMP	5		562905
C 533	RH PARCEL RACK - A/C LIQ. SOL.	AMP MNL	2	561248	561247	C 599	UND. DASH - MAGN. SW CTR POS. DR'S AIR	AMP MNL	2	561248	561247
C 534						C 604	LH PARCEL RACK DVD VIDEO STABILIZER	SWITCHCRAFT	1	563074	
C 535						C 605	LH PARCEL RACK - A/C UNIT	AMP MNL	6	561552	561515
C 536						C 606	RH PARCEL RACK - A/C UNIT	AMP MNL	6	561552	561515
C 537	A/C JCT BOX RESISTOR SIGN. RLY	AMP MNL	2	561248	561247	C 607					
C 538	FR SERV. CPT RH - OUTSIDE TEMP. SENS	AMP MNL	2	561248	561247	C 608	FR SERV. COMPT - SPEED SIGNAL (SPARE)	PED WP	2	561566	561690
C 539	HVAC DASH MODULE OUTPUT CONN.	MOLEX	24		562780	C 609					
C 540	HVAC DASH MODULE INPUT CONN.	MOLEX	22		562781	C 610					
C 541						C 611	RH PARCEL RACK READING LTS WCL	MOLEX	6	562558	562557
C 542						C 612	RH PARCEL RACK LUOR. INSTATION LTS WCL	MOLEX	4	562507	562503
C 543						C 613	RH PARCEL RACK INDIRECT LTS WCL	AMP MNL	3	561667	561550
C 544	S.S. PANEL - AUDIO SEAT	PED WP	3	561781	561782	C 614	RH PARCEL RACK INDIRECT LTS WCL	AMP MNL	3	561667	561550
C 545						C 615	LH PARCEL RACK DVD SIGN ALONG ADAPTOR	MOLEX	2	562550	562549
C 546	FR. JCT BOX - CHARGER WIRELESS MIC.	MOLEX	2		563025	C 701	ZF TRANSMISSION ECU	KOSTAL	20		
C 547						C 702	SHIFT SELECTOR - LH CONSOLE	AMP	14		563338
C 548	LH DASH PANEL - T.T.LT TEST SW.	EATON	12		562763	C 712	NEUTRAL SWITCH ON ZF TRANSM. (TOP)	AMP	4		563340
C 549	LH DASH PANEL - ENGINE FAN OVERRIDE	EATON	12		562763	C 714	OUTPUT SENSOR ON ZF TRANSM. (BOTTOM)	AMP	4		563340
C 550	LAST LUGG. CPT. -WCL MODULE	POLLAK	7	563350	563352	C 717	FR SERV. COMPT - MAIN CONN.	AMP CPC	22	561642	561643
C 551	LAST LUGG. CPT. -WCL CASSETTE	POLLAK	7	563350	563352	C 720	ENGINE COMPT - BLKHD CONNECTOR	DEUTSCH	31	563359	563358
C 552	LAST LUGG. CPT. -WCL REMOTE	AMP CPC	9	561636	561637	C 721	LH CONSOLE - ZF TESTMAN DIAG. TOOLS	AMP MNL	6	563356	
C 553	UNDER DASH - S.S. CONTROL HEAD	MOLEX	16		562559	C 723	ENGINE COMPT - FOR TRANSM.	DEUTSCH	3		562884
C 554	UNDER DASH - S.S. CONTROL HEAD	MOLEX	16		562559	C 736	FR SERV. COMPT - ZMTEC MODULE	PACKARD	30	563053	
C 555	UNDER DASH - S.S. CONTROL HEAD	MOLEX	16		562559	C 740	ABOVE DRIVE AXLE - EASY START SOL VALVE	LEONI	2		641949
C 556	UNDER DASH - RADIO FEEDING	MOLEX	2	562550	562549	C 742	REAR JCT BOX - FUSE BLOCK	AMP	8	562446	
C 557	UNDER DASH - RADIO FEEDING	MOLEX	9	562556	562555	C 745	FR SERV COMPT - THROTTLE POS. SENSOR	PED WP	3	561781	
C 558	FR. SERV. COMPT. - MIC. OUTLET	MOLEX	4	562507	562503	C 760	FR SERVICE COMPT - TO J1939	DEUTSCH	3		
C 559						C 761	FR SERVICE COMPT - TO J1939	DEUTSCH	3		562884
C 560						C 762	ENGINE COMPT - TO J1939	DEUTSCH	3		562884
C 561	LH PARCEL RACK - WIRELESS MIC.	MOLEX	8		562465	C 763	ENGINE COMPT - TO J1939	DEUTSCH	3		562884
C 562	LH PARCEL RACK - VCR SIGNAL	MOLEX	12		563070	C 764	ENGINE COMPT - TO J1939	DEUTSCH	3		562884
C 563	FR. SERV. COMPT. - DRIVER SPEAKER	MOLEX	4	562507	562503	C 765	ENGINE COMPT - TO J1939	DEUTSCH	3		562884
C 564	FR. SERV. COMPT. - MIC. OUTLET	MOLEX	4	562507	562503	C 766	ENGINE COMPT - TO J1939	DEUTSCH	3		562884

CONNECTORS CODE

NO	LOCATION	TYPE	CAVITY	#PIN	#SOCKET	NO	LOCATION	TYPE	CAVITY	#PIN	#SOCKET
				HOUSING	HOUSING					HOUSING	HOUSING
CS	FR SERVICE CPT - ECU WOLRD TR.	PED MP	32		562817						
CT	FR SERVICE CPT - ECU WORLD TR.	PED MP	32		562824						
CTCI	ENGINE COMPT. - TURBO TEMP.	FCI	2		563404						
CV	FR SERVICE CPT - ECU WORLD TR.	PED MP	32		562823						
CX	CLUSTER	JAE	5		562957						
CX 1	FR SERVICE CPT - ECU ABS	AMP JN	15		563200						
CX 2	FR SERVICE CPT - ECU ABS	AMP JN	18		563201						
CY	CLUSTER	JAE	30		562765						
CW X1	ENGINE COMPT. - WATER HEATER	AMP	7	563134	563135						
CW X3	ENGINE COMPT. - WATER HEATER	AMP	7	563134	563135						
LX	CLUSTER	JAE	22		562766						
LY	CLUSTER	JAE	30		562767						
RX	CLUSTER	JAE	30		562767						
WEB 1	ENGINE COMPT. - WEBASTO	AMP FF	2	562473	562474						
WEB 2	ENGINE COMPT. - WEBASTO	AMP FF	2	562643							
ZF 1	FR JCT BOX - STEERING E.C.U.	HELLA	9		562929						

CONNECTORS CODE

NO	LOCATION	TYPE	CAVITY	#PIN	#SOCKET	NO	LOCATION	TYPE	CAVITY	#PIN	#SOCKET
				HOUSING	HOUSING					HOUSING	HOUSING
A 1	UNDER DASH – AUDIO SIGNAL	RCA	1	562090	562330	C 55	CENTRAL DOOR LOCK	DEUTSCH	4	562479	562477
A 2	UNDER DASH – AUDIO SIGNAL	RCA	1	562090	562330	C 56	LH PARCEL RACK - FEEDING	MOLEX	6	562558	562557
A 10	UNDER DASH – AUDIO SIGNAL	RCA	1	562090	562330	C 57	RH PARCEL RACK - FEEDING	MOLEX	6	562558	562557
A 11	UNDER DASH – AUDIO SIGNAL	RCA	1	562090	562330	C 58					
A 18	S. S. PANEL – AUDIO SIGNAL	RCA	1	562090	562330	C 59					
A 19	S. S. PANEL – AUDIO SIGNAL	RCA	1	562090	562330	C 60					
AA 1	UNDER DASH PANEL- SONALERT	BOSCH	5	-----	561183	C 61	ENGINE COMPT - FUEL FILTER	PED WP	2	561566	561690
C 1	FR JCT BOX COMPARTIMENT	AMP CPC	14	561585	561584	C 62	ENGINE COMPT – COMPR. AUX. PRESS. SW.	PED WP	2	561566	561690
C 2	FR JCT BOX COMPARTIMENT	AMP CPC	16	561638	561640	C 63	ENGINE COMPT – COMPR. AUX. PRESS. SW.	PED WP	2	561566	561690
C 3	FR JCT BOX COMPARTIMENT	AMP CPC	37	561644	561646	C 64					
C 4	FR JCT BOX COMPARTIMENT	AMP CPC	24	561641	561643	C 65	ENGINE CPT – A/C PRESS SW FAN CLUTCH	PED WP	2	561566	561690
C 5	FR SERVICE COMPT. - UNDERNEATH	AMP CPC	37	561645	561646	C 66	ENGINE CPT – SPARE CONNECTOR	PED WP	1	561605	561577
C 6	FR SERVICE COMPT. - UNDERNEATH	AMP CPC	16	561639	561640	C 67					
C 7	FR SERVICE COMPT - CLUTCH SW	ITT SS	3	561080	561111	C 68					
C 8	FR SERVICE COMPT. - UNDERNEATH	AMP CPC	24	561642	561643	C 69					
C 9	FR SERVICE COMPT. - UNDERNEATH	AMP CPC	24	561642	561643	C 70	LH CONSOLE	AMP CPC	16	561639	561640
C 10	FR SERVICE DOOR ACCESS.	DEUTSCH	5	562565	562566	C 71	FR JCT BOX COMPT.	AMP CPC	37	561645	561646
C 11	FR SERV. CPT ACCESS	AMP CPC	37	561645	561646	C 72	FR JCT BOX COMPT.	AMP CPC	24	561642	561643
C 12	FR SERV. CPT ACCESS	AMP CPC	16	561639	561640	C 73					
C 13	FR JCT BOX COMPARTIMENT	AMP MNL	2	561248	561247	C 74	FR JCT BOX COMPT.	AMP CPC	37	561645	561646
C 14	LAST LUGGAGE COMPT(4) - DOCKING LTS	AMP MNL	2	561248	561247	C 75	SERVICE COMPT. EXT. ENTRANCE DOOR SW.	DEUTSCH	4	562479	562477
C 15	UNDER STAIRS – CORNERING LTS	AMP MNL	2	560900	560898	C 75	RH PARCEL RACK – READ. LTS FEED. WCL	MOLEX	6	562558	562557
C 16	LH CONSOLE SW-CRUISE ON/OFF	EATON	12	-----	562763	C 76	ENGINE COMPT. FIRE DETECTOR	DEUTSCH	2	562486	562485
C 17	LH CONSOLE SW-CRUISE RESUME	EATON	12		562763	C 77	ENGINE COMPT. FIRE DETECTOR	DEUTSCH	2	562486	562485
C 18	LH CONSOLE SW-CRUISE SET	EATON	12		562763	C 78					
C 19	LH CONSOLE SW-DECEL SW	EATON	12		562763	C 79					
C 20	RR JCT BOX	DEUTSCH	70	562282	562285	C 80					
C 21	ENGINE COMPT - LOCK DOOR MOT.	PED WP	2		562076	C 81	LUGGAGE COMPT - DOOR LOCK	AMP MNL	4	560851	560852
C 22	LUGGAGE COMPT (A) - A/C & FUEL TANK	AMP CPC	16	561639	561640	C 82	UNDER SEAT – AISLE LTS	AMP MNL	2	560900	560898
C 23	LUGGAGE COMPT (1) – LUGG. ACCESS.	AMP CPC	24	561642	561643	C 82	LUGGAGE COMPT - DOOR LOCK	AMP MNL	4	560851	560852
C 24	ENGINE COMPT. – INTERF RJB	PED WP	6	561606	561607	C 83	LUGGAGE COMPT - DOOR LOCK	AMP MNL	4	560851	560852
C 25	ENGINE COMPT. – INTERF RJB	PED WP	6	561606	561607	C 84	LUGGAGE COMPT - DOOR LOCK	AMP MNL	4	560851	560852
C 26	ENGINE COMPT. ACCESS	DEUTSCH	40	562281	562284	C 85					
C 27	ENGINE COMPT. – INTERF. RJB	DEUTSCH	6	562583	562581	C 86					
C 28	LUGGAGE COMPT(4) – LUGG. ACCESS	AMP CPC	24	561642	561643	C 87					
C 29	FR SERVICE COMPT – E.C.U. FEED	PED WP	3	561781	561782	C 88	FR SERV. CPT. PRESS SW PARK BRAKE	PED WP	2	561566	561690
C 29	LAST LUGG. CPT. -WCL CASSETTE	COLE HER.	12	563652	563651	C 89					
C 30	ENGINE COMPT – MASTER SW. SIGN.	DEUTSCH	2	562486	562485	C 90					
C 30	LAST LUGG. CPT. -WCL MODULE	AMP CPC	22	561709	561710	C 91					
C 31	RR JCT BOX – PARCEL RACK FEEDING	DEUTSCH	31	562572	562536	C 92	FR JCT BOX COMPT - ABS	AMP CPC	9	561635	561637
C 32						C 93					
C 33	FR SERV. COMPT. – VSS SIGNAL	PED WP	2	561566	561690	C 94					
C 34	FR JCT BOX EATON TRANS. J1939	DEUTSCH	3	562877	562884	C 95					
C 35	A/C COMPT - AIR RETURN SENSOR	AMP MNL	2	561248	561247	C 96	FR SERVICE DOOR ACCESS	AMP MNL	9	561670	561669
C 36	UNDER STAIRS – STEP LIGHTS	AMP MNL	2	561248	561247	C 97	FR SERVICE DOOR – WATER TANK	PED MP	2		562426
C 36	RH PARCEL RACK – EMERGENCY LTS	AMP MNL	2	560900	560898	C 98					
C 37	LH PARCEL RACK - FEEDING	MOLEX	6	562558	562557	C 99	FR SERVICE CPT. LTS	AMP MNL	2	561248	561247
C 38	RH PARCEL RACK - FEEDING	MOLEX	6	562558	562557	C 100	SIDE (LH/FR & CENTER) DIR LTS	GROTE	2	-----	562155
C 39	ENGINE COMPT. ECM J1939	DEUTSCH	3	562877	562884	C 101	FR SERVICE COMPT. ELEC. HORNS	PED WP	2	561566	561690
C 40						C 101	CONDENSER COMPT - A/C PRES. SW 1SP	PED WP	2	561566	561690
C 41	ENGINE COMPT – RH DOOR LOCK	DEUTSCH	4	562479	562477	C 102	CONDENS. COMPT – LIQU. SOL. VAL. PRES.	PED WP	2	561566	561690
C 42	ENGINE COMPT – RR CAP LIGHTING	DEUTSCH	6	562583	562581	C 102	BATTERIE COMPT.	PED WP	2	561566	561690
C 43	FR JCT BOX – ALT. MODULE	AMP MNL	12	561735	561734	C 103	ENGINE COMPT. – LAVATORY FAN	PED WP	2	561566	561690
C 44	ENGINE COMPT - LIGHTS	GROTE	2		563268	C 104	ENGINE COMPT. – LAVATORY PUMP	DEUTSCH	4	562479	562477
C 45	FR JCT BOX COMPT – ROOF ACCESS	AMP CPC	24	561642	561643	C 105	UNDER DASH RH - DRV LIO SOL VL	PED WP	2	561566	561690
C 46	ENGINE COMPT. ECM J1939	DEUTSCH	3	562877	562884	C 106	UNDER DASH RH - DRV WTR VALVE	PED WP	2	561566	561690
C 47						C 107	ENGINE COMPT- LAVATORY PUSH BUTTON	PED WP	2	561566	561690
C 48	FR SERV. CPT. PRESS SW PARK BRAKE	PED WP	2	561566	561690	C 108	FR. SERVICE COMPT – GAZ CYLINDER L.H.	DEUTSCH	2	562486	562485
C 49	LAVATORY ROOF – NIGHT LIGHT	AMP MNL	2	560900	560898	C 109	SIDE (RH/FR & CENTER) DIR LTS	GROTE	2	-----	562155
C 50	LAVATORY ROOF - LIGHT	LEECRAFT	2	-----	562803	C 110	SIDE (LH/FR) MARKER LTS	GROTE	2	-----	562155
C 50	LH SWITCH PANEL – SAFETY SW.	EATON	12	-----	562763	C 111	SIDE (RH/FR) MARKER LTS	GROTE	2	-----	562155
C 51	FR SERV.CPT.PARK. BRAKE SOL. (SP. OPTION)	PED WP	2	561566	561690	C 112	SIDE (LH/CENTER) MARKER LTS	GROTE	2	-----	562155
C 52	ENGINE COMPT - COMPRESSOR	PED WP	2	561566	561690	C 113	SIDE (LH/RR) MARKER LTS	GROTE	2	-----	562155
C 53	ENGINE COMPT - COMPRESSOR	PED WP	2	561566	561690	C 114	ENGINE DDEC - SPEED SIGNAL	PED WP	2	561566	561690
C 54	FRONT ROOF – UPPER FAN DEFROST	AMP MNL	6	561552	561515	C 115	RR JCT BOX – ENGINE ACCESS	DEUTSCH	40	562281	562284

CONNECTORS CODE

NO	LOCATION	TYPE	CAVITY	#PIN	#SOCKET	NO	LOCATION	TYPE	CAVITY	#PIN	#SOCKET
				HOUSING	HOUSING					HOUSING	HOUSING
C 116	SIDE (RH/CENTER) MARKER LTS	GROTE	2	-----	562155	C 179					
C 117	SIDE (RH/RR) MARKER LTS	GROTE	2	-----	562155	C 180	KNEELING PANEL - DIODE SOCKET	AMP MNL	15	561987	561986
C 118	ENGINE COMPT - LICENCE	DOM. AUT	2	930210		C 181					
C 119	ENGINE COMPT - RH LOWER LAMP	PED WP	6	561606	561607	C 182					
C 120	ENGINE COMPT - LH LOWER LAMP	PED WP	6	561606	561607	C 183					
C 121	SIDE (RH/RR) DIR LTS	GROTE	2	-----	562155	C 184	FR SERV. COMPT. - KNEELING PROX. SW.	ITT SS	3	561080	561111
C 122	SIDE (LH/RR) DIR LTS	GROTE	2	-----	562155	C 185	KNEELING PANEL - DOWN SOL. VALVE	PNEUMAC	3		641385
C 123						C 186					
C 124						C 187	FR SERVICE JCT BOX - RESISTORS	AMP MNL	6	561552	561515
C 125						C 187	KNEELING PANEL- PARK BRAKE INTERLOCK	PNEUMAC	3		641385
C 126						C 188	KNEELING UP ALARM - NJ COACHE ONLY	AMP MNL	15	561987	561986
C 127						C 189	ENGINE COMPT - DOOR LIGHT BACK UP	TRUCK-LITE	2	562755	
C 128						C 190	ENGINE COMPT - DOOR LIGHT STOP/TURN	AMP SS	3		562601
C 129						C 191	ENGINE COMPT - DOOR LIGHT STOP/TURN	AMP SS	3		562601
C 130						C 192	ENGINE COMPT - DOOR LIGHT PARKING	AMP SS	3		562601
C 131						C 193					
C 132						C 194					
C 133						C 195					
C 134	FR JCT BOX - DIODE CONN.	AMP MNL	15	561987	561986	C 196	KNEELING PANEL - UP SOL. VALVE	PNEUMAC	3		641385
C 135	FR JCT BOX - DIODE CONN.	AMP MNL	15	561987	561986	C 197	KNEELING PANEL - CTR SOL. VALVE	PNEUMAC	3		641385
C 136	FR JCT BOX - DIODE CONN.	AMP MNL	15	561987	561986	C 198					
C 137	FR JCT BOX - DIODE CONN.	AMP MNL	15	561987	561986	C 199					
C 138						C 200	PARCEL RACK - FLUORESCENT LTS	AMP MNL	2	561248	561247
C 139						C 201	PARCEL RACK - FLUORESCENT LTS	AMP MNL	2	561248	561247
C 140	HVAC DASH MODULE THERMOMETER	MOLEX	4		562782	C 202	RH PARCEL RACK - INDIRECT LTS	MOLEX	2		562758
C 141	RR DASH PANEL - LTS CONN. (SPARE)	AMP MNL	2	561248	561247	C 203	PARCEL RACK - FLUORESCENT LTS	MOLEX	6		562759
C 142	ENGINE COMPT. B/U ALARM	PED WP	2	561566	561690	C 204	RH PARCEL RACK - RACK LTS	AMP MNL	2	560900	560858
C 143						C 205	RH PARCEL RACK - FEEDING	AMP MNL	9	561661	561662
C 144	FR JCT BOX - AISLE LTS FEEDING	AMP MNL	2	561248	561247	C 206	RH PARCEL RACK - FEEDING	AMP FF	4	562760	562756
C 145						C 207	LH PARCEL RACK - FEEDING	AMP FF	4	562760	562756
C 146						C 208	PARCEL RACK - FLUORESCENT LTS	MOLEX	2		562758
C 147						C 209	LH PARCEL RACK - HOTESS CHIME	AMP MNL	3	561667	561550
C 148						C 210	LH PARCEL RACK - FEEDING	AMP MNL	9	561661	561662
C 149						C 211	FR ROOF - SUN VISOR LH	AMP MNL	2	560900	560898
C 150						C 212	FR ROOF - SUN VISOR RH	AMP MNL	2	560900	560898
C 151						C 213	WCL DOOR UP HING-DOOR READ & HOST. SW	AMP MNL	6	561552	561515
C 152						C 214					
C 153						C 215					
C 154						C 216					
C 155	EVAPORATOR CPT - WATER VALVE	BURKERT	3		563204	C 217	RH PANEL SW. - SCENIC VIEW CAMERA	EATON	12		562763
C 156						C 218	RH PANEL SW. - LIGHTS SPARE	AMP MNL	2	560900	560898
C 157	FR SERV. CPT - WATER PUMP DR'S	PED WP	3	561781	561782	C 219					
C 158	ENGINE CPT - DDEC INTERFACE CONNECTOR	DEUTSCH	31	562572	562536	C 220					
C 159	ENGINE CPT - DDE FEED	PED WP	4	561889	561890	C 221					
C 160	FR SERVICE CPT - INTERFACE	AMP CPC	37	561644	561646	C 222	HEADLAMPS - LOW BEAM	HELLA	2		562623
C 161	ENGINE DDEC - ECM	AMP	68		563403	C 222	HEADLAMPS - LOW BEAM (XENON OPTION)	PED MP	2		563366
C 162	ENGINE DDEC - ACCESSORIES	PED WP	4	561610	561611	C 223	HEAD LIGHTS - FLASHER	DEUTSCH	6	565131	562789
C 163	ENGINE CPT - COOLANT PROBE	PED MP	2		562350	C 224	HEAD LIGHTS - HI BEAM	PED MP	3		562623
C 164	ENGINE CPT - DDE FEED	PED WP	4	561889	561890	C 225	FOG LIGHTS	DEUTSCH	3	562902	562901
C 165						C 226	FLASHER (FR)	PED	3	562137	
C 166						C 226	BATT. COMPT. - INTERIOR LTS	AMP MNL	2	561248	561247
C 167	FR SERVICE CPT - EL. FOOT PEDAL	PED WP	3	561781	561782	C 227					
C 168	FR SERVICE CPT - DDR	DEUTSCH	6	562360		C 228	A/C COMPRESSOR	PED WP	2	561566	
C 169	FR SERVICE CPT - WORLD TR. INTERFACE	AMP CPC	16	561639	561640	C 229	BATT. COMPT. - CHARGER 110V.	PED WP	1	561577	561605
C 169	FR SERV. COMPT. - SPEED SWITCH	AMP	15	562011	562012	C 230	ENGINE COMPT. - FUEL PRIME PUMP SW.	PED WP	2	561566	561690
C 170	FR JCT BOX FLASHER UNIT	PED	2		561940	C 231	ENGINE COMPT. - FUEL PRIME PUMP	PED WP	2	561566	561690
C 171	LH CONSOLE	AMP CPC	24	561642	561643	C 232					
C 172	FR SERVICE COMPT - KNEELING PANEL	AMP CPC	16	561639	561640	C 233	FIRST LUGGAGE CPT.	VDO	8		562043
C 172	ENGINE COMPT. - WATER TANK HEATER	PED WP	2	561566	561690	C 234	FIRST LUGGAGE CPT.	VDO	8		562044
C 173						C 235	FIRST LUGGAGE CPT.	VDO	8		562041
C 174						C 236	FIRST LUGGAGE CPT.	AMP MNL	4	560851	560858
C 175						C 236	FR SERVICE CPT CENTER - ABS	AMP CPC	14	561636	561637
C 176	UNDER DASH RH - WIPER PULSE	AMP FF	6		561186	C 237	FR AXLE CPT - ABS RH SENSOR	WABCO	2	641132	
C 177	UNDER DASH RH - WIPER MOTOR	AMP FF	6		561186	C 238	FR AXLE CPT - ABS RH VALVE	WABCO	3	641098	
C 178						C 239	FR AXLE CPT - ABS LH VALVE	WABCO	3	641098	

CONNECTORS CODE

NO	LOCATION	TYPE	CAVITY	#PIN	#SOCKET	NO	LOCATION	TYPE	CAVITY	#PIN	#SOCKET
				HOUSING	HOUSING					HOUSING	HOUSING
C 240	FR AXLE CPT - ABS LH SENSOR	WABCO	2	641132		C 303	RR JCT BOX - DIODES	AMP MNL	15	561987	561986
C 241	LAST LUGGAGE COMPT - ABS	PED WP	6	561606	561607	C 304	RR JCT BOX - DIODES	AMP MNL	15	561987	561986
C 242	DRIVE AXLE CPT - ABS LH SENSOR	WABCO	2	641132		C 305					
C 243	DRIVE AXLE CPT - ABS LH VALVE	WABCO	3	641098		C 306					
C 244	DRIVE AXLE CPT - ABS RH VALVE	WABCO	3	641098		C 307					
C 245	DRIVE AXLE CPT - ABS RH SENSOR	WABCO	2	641132		C 308					
C 246	DRIVE AXLE CPT - ATC SOL.	PED WP	2	561566	561690	C 309					
C 247	E.C.U. EATON TRANS.	PED MP	18		562573	C 310	LH CONSOLE SW - LUG. DOOR LOCK	EATON	12		562763
C 248	LAST LUGGAGE CPT - ABS	PED WP	6	561606	561607	C 311	RH SWITCH PANEL - HOTESS CHIME	EATON	12		562763
C 249	FR SERVICE CPT - ABS/DDEC	PED WP	2	561566	561690	C 312	ENGINE DDEC - ACCESSORIES	PED WP	3	561781	561782
C 250	LH CONSOLE - LOW BOUY	PED WP	2	561566	561690	C 312	RH SWITCH PANEL - READING LAMP	EATON	12		562763
C 251	LH SW PANEL - FAST IDLE	EATON	12		562763	C 313					
C 252	LUGGAGE COMPT. - WINDOW AJAR	MOLEX	4	561477	561476	C 313	RH SWITCH PANEL - INTERIOR LTS	EATON	12		562763
C 253	LH SWITCH PANEL - ETHER	EATON	12		562763	C 314	KNEELING PANEL - PRESS SW.	PED WP	2	561566	561690
C 254						C 314	RH SWITCH PANEL - INTERIOR LTS	EATON	12		562763
C 255	LH SWITCH PANEL - ENGINE BRAKE	EATON	12		562763	C 315	LH SWITCH PANEL - LH SUN VISOR SW.	EATON	12		562763
C 256						C 316	INTO HORN BOX - KNEELING BUZZER	DEUTSCH	2	562486	562485
C 257						C 317	LH SWITCH PANEL - RH SUN VISOR SW.	EATON	12		562763
C 258	LH SWITCH PANEL - MULTI FUNC. SW	AMP FF	8	561188		C 318	LH CONSOLE SW - DR'S WINDOW SW.	EATON	12		562763
C 259						C 319	ENGINE DDEC - ECM POWER	PED	4	561610	561611
C 259	LH SWITCH PANEL - MULTI FUNC. SW	AMP FF	6		561186	C 320	RT SWITCH PANEL - DRIVER'S LTS SW.	EATON	12		562763
C 260						C 321	UNDER DASH RH - KEYLESS MODULE	AMP COM	26		562676
C 261						C 322	UNDER DASH RH - KEYLESS MODULE	AMP COM	22		562675
C 262						C 323	DRIVER'S WINDOW MOTOR	PED	2		561848
C 263	LUGGAGE COMPT. LTS COMPT #3	AMP MNL	2	561248	561247	C 324	LH SWITCH PANEL - UPPER FAN DEFROST	EATON	12		562763
C 264	LUGGAGE COMPT. LTS COMPT #2	AMP MNL	2	561248	561247	C 325	LH SWITCH PANEL - KNEELING	EATON	12		562763
C 265	LUGGAGE COMPT. LTS COMPT #1	AMP MNL	2	561248	561247	C 326					
C 266	ENTRANCE DOOR KEYLESS	AMP CPC	14	561585	561583	C 327					
C 267	UNDER DASH RH - ENT. DOOR PANEL	AMP CPC	24	561642	561643	C 328	RR ROOF - GALLEY LAMP		2		
C 268	FR MIRROR RH	CONXALL	5	563091	563090	C 329					
C 269	FR MIRROR LH	CONXALL	5	563091	563090	C 330					
C 270	LUGGAGE COMPT LTS - 3 LH	AMP MNL	2	561248	561247	C 331					
C 271	LUGGAGE COMPT LTS - 4	AMP MNL	2	561248	561247	C 332					
C 272						C 333					
C 273	ENT. DOOR PANEL - DIODE SOCKET	AMP MNL	9	561670	561669	C 334					
C 274						C 335					
C 275	ENT. DOOR PANEL - DIODE SOCKET	AMP MNL	9	561670	561669	C 336					
C 276						C 337					
C 277	RH UNDER DASH - ENT. DOOR REED SW.	AMP MNL	2	560900	560858	C 338					
C 278	RH PASS. AIR DUCT - ENT DOOR PRESS SW.	PED WP	2	561566	561690	C 339	KNEELING PANEL - HI BUOY SOL. VALVE	PNEUMAC	3		641385
C 279	RH UNDER DASH - ENT. DOOR REED SW.	AMP MNL	2	560900	560858	C 340	RR JCT BOX - FIRE PIEZO ALARM	AMP MNL	2	560900	560898
C 279	FR SERVICE COMPT LH - STEERING ZF	DEUTSCH	2		562485	C 341	LH SWITCH PANEL - HEAT MIRROR SW.	EATON	12		562763
C 280	ENGINE COMPT - A/C COMPRESSOR AUX.	PED WP	2	561566	561690	C 342					
C 281						C 343	LH SWITCH PANEL - HEAD LAMP SW.	EATON	12		562763
C 282	FR SERVICE COMPT - STEERING ZF	VOLVO	2		562928	C 344	LH SWITCH PANEL - HAZARD LT SW.	EATON	12		562763
C 283	LH CONSOLE - SPARE SW. LTS	AMP MNL	2	561248	561247	C 345	LH SWITCH PANEL - FOG LT SW.	EATON	12		562763
C 284	LH DR'S ROOF - MONITOR FEED	PED WP	3	561781	561782	C 346					
C 285	LH DR'S ROOF - SOUND SYSTEM	AMP CPC	24	561642	561643	C 347					
C 286						C 348	INSTR. PANEL CENT. - RACOR MODULE	MOLEX	6	562070	562069
C 287						C 349					
C 288						C 350					
C 289						C 351					
C 290	LUGGAGE CPT - DOOR LOCK	AMP MNL	4	560851	560852	C 352					
C 291	LUGGAGE CPT - DOOR LOCK	AMP MNL	4	560851	560852	C 353					
C 292	LH PARCEL RACK VIDEO PANEL- MONITOR	MOLEX	4	563040	563071	C 354					
C 293	LH PARCEL RACK VIDEO PANEL - RCA RELAY	AMP MNL	2	561248	561247	C 355					
C 294	LH PARCEL RACK VIDEO PANEL - RCA RELAY	AMP MNL	2	561248	561247	C 356					
C 295	LH PARCEL RACK VID. PANEL- AMPLI VIDEO	MOLEX	4	563040	563071	C 357					
C 296	LH PARCEL RACK VID. PANEL - MICRO SIGNAL	MOLEX	4	562507	562503	C 358					
C 297						C 359	RH SWITCH PANEL - ENT. DOOR WIND. SW.	EATON	12		562763
C 298	LH PARCEL RACK-12V ALIM. RADIO	PED WP	3	561781	561782	C 360	ENTRANCE WINDOW MOTOR	PED	2		561848
C 299	RH SWITCH PANEL - GALLEY	EATON	12		562763	C 361					
C 300	FR JCT BOX - LOW BEAM RESISTOR	PED WP	2	561566	561690	C 362					
C 301	FR SERV. CPT ACCESS - DR'S FAN SPEED	PED WP	1	561605	561577	C 363					
C 302						C 364	FRONT ROOF - ELECTRICAL DEST. SIGN	AMP MNL	3	561667	561550

CONNECTORS CODE

NO	LOCATION	TYPE	CAVITY	#PIN	#SOCKET	NO	LOCATION	TYPE	CAVITY	#PIN	#SOCKET
				HOUSING	HOUSING					HOUSING	HOUSING
C 365						C 429					
C 366						C 430	LH CONSOLE – PRE-HEAT TIMER	AMP FF	8	561188	562363
C 367						C 431	LH CONSOLE – PRE-HEAT TIMER		1		560488
C 368	FRONT ROOF – ELECTRICAL DEST. SIGN	AMP MNL	3	561667	561550	C 432	HAT RACK CUT-OFF SPEAKERS	EATON	12		562763
C 369	FRONT ROOF – ELECTRICAL DEST. SIGN	TORRIX	5	562110		C 433	HAT RACK CUT-OFF SPEAKERS	EATON	12		562763
C 370	FRONT ROOF – ELECTRICAL DEST. SIGN	AMP MNL	2	560900	560858	C 434	HAT RACK CUT-OFF SPEAKERS	EATON	12		562763
C 371	FRONT ROOF – ELECTRICAL DEST. SIGN	AMP MNL	3	561667	561550	C 435	HAT RACK CUT-OFF MONITORS	EATON	12		562763
C 372	FRONT ROOF – ELECTRICAL DEST. SIGN	MOLEX	4	561477	561476	C 436	HAT RACK CUT-OFF MONITORS	EATON	12		562763
C 373						C 437	HAT RACK CUT-OFF MONITORS	EATON	12		562763
C 374						C 438					
C 375						C 439					
C 376						C 440					
C 377	LH SWITCH PANEL – STOP ENGINE OVERRIDE	EATON	12		562763	C 441					
C 378						C 442					
C 379	LUGGAGE COMPT. – WINDOW AJAR SW.	MOLEX	4	561477	561476	C 443					
C 380						C 444					
C 381	UNDER DASH PANEL – ANTI THILED	AMP MNL	2	561248	561247	C 445					
C 382	ENGINE GENERATOR (1)	PED WP	1	561605	561577	C 446					
C 383	ENGINE COMPT – VOLTAGE REGULATOR	PED WP	1	561605	561577	C 447					
C 384						C 448					
C 385	BATT. COMPT. – BJB INTERFACE	AMP MNL	12	561735	561736	C 449					
C 386	LH SWITCH PANEL – W.C.LIFT	EATON	12		562763	C 450	S.S. PANEL - FEEDING	MOLEX	4	562507	562503
C 387	EVAPORATOR COMPT. - BY-PASS VALVE	PED WP	2	561566	561690	C 451	S.S. PANEL - FEEDING	MOLEX	2	562550	562549
C 387	BATTERY COMPT. – WCL ACCES.	AMP CPC	16	561639	561640	C 452	UNDER DASH – S.S. ACC. SIGNAL	MOLEX	2	562550	562549
C 388	LUGG. COMPT.(4) – WCL DOOR ACCESS.	AMP MNL	12	561735	561736	C 453	S. S. PANEL – VCR FEEDING	PED WP	2	561566	561690
C 389	EVAPORATOR COMPT. – WATER PUMP	PED WP	2	561566	561690	C 454	S. S. PANEL – VCR FEEDING	PED WP	2	561566	561690
C 390	EVAPORATOR COMPT. – A/C JCT. BOX	DEUTSCH	24	562280	562283	C 455	PARCEL RACK – WIRELESS MICROPHONE	MOLEX	6		562464
C 391	CONDENSER COMPT. A/C PRESS SW 2 SP	PED WP	2	561566	561690	C 456	WORLD TRANS. - RETARDER ACCUM.	PED MP	2		562427
C 392						C 457	WORLD TRANS. - MAIN CONNECTOR	DEUTSCH	31	562572	562536
C 393						C 458	WORLD TRANS. - TURBINE SP. SENS.	PED MP	2		562426
C 394	UNDER DASH - B/U MONITOR	AMP MNL	4	560851	560852	C 459	WORLD TRANS. - ENGINE SP. SENS.	PED MP	2		562426
C 395	UNDER DASH - B/U MONITOR	CLARION	4		990335	C 460	WORLD TRANS. - SPEED SENSOR	ITT	2		562541
C 396	PARCEL RACK – SPEAKER FEEDING	MOLEX	4	562507	562503	C 461	WORLD TRANS. - RETARDER TEMP.	PED MP	2		562856
C 397						C 462	WORLD TRANS. - RETARDER SOL. "K"	PED MP	2		562426
C 398						C 463	WORLD TRANS. - SENSOR CONN.	DEUTSCH	16	562570	562571
C 399						C 464	RR JCT BOX - DDL CONN	DEUTSCH	6		565360
C 400	ENGINE COMPT. – BLOCK HEATER	PED WP	3	561781	561782	C 465	LH CONSOLE - SHIFTER SELECTOR	PED	20		562825
C 401						C 466	FR SERVICE CPT - RESIS. MOD.	PED WP	3		562428
C 402						C 467	FR SERVICE CPT - RESIS. MOD.	PED WP	3		562428
C 403	GALLEY – REFRIGERATOR		2			C 468	STEERING COLUMN – RET. HAND LEVER	AMP FF	8	561188	562363
C 404	GALLEY – LAMP SWITCH		2			C 469	FR SERVICE COMPT. – RESIS. MOD.	AMP FF	8	561188	562363
C 405	INVERTER SIGNAL	AMP MNL	2	561248	561247	C 470					
C 406						C 471					
C 407						C 472	FR SERVICE CPT – SILENT 1000 OR EATON	PED WP	2	561566	561690
C 408						C 473					
C 409						C 474	DRIVER'S TEMP SENSOR	AMP MNL	2	561248	561247
C 410						C 475	FR SERVICE CPT - SPEED SIGN. CONNECT.	DEUTSCH	6	562583	562581
C 411						C 475M	FR SERVICE CPT – SPEED SIGN. W. TR.	DEUTSCH	6	562583	562581
C 412						C 475W	FR SERVICE CPT – SPEED SIGN. W. TR.	DEUTSCH	6	562583	562581
C 413						C 476					
C 414						C 477					
C 415						C 478	FRONT ROOF – ELECTRONIC DEST. SIGN	AMP CPC	9	561636	561637
C 416						C 479	UNDER DASH – HVAC DASH MODULE	MOLEX	3		562783
C 417						C 480	UNDER DASH RH – DR'S FAN SPEED CTR	PED WP	4	561889	561890
C 418						C 481	UNDER DASH RH – DR'S FAN SPEED CTR	PED WP	3	561781	561782
C 419	FR JCT BOX – RET/JAKE SELECTION	AMP MNL	3	561667	561550	C 482					
C 420						C 483	FR SERVICE CPT – ELECTRICAL SEAT	PED	2	562237	
C 421	ENGINE COMPT. - WEBASTO	AMP FF	2	562473	562474	C 484	UNDER DASH LH – FOOT DAMPER MOTOR	PED	2		562076
C 422	ENGINE COMPT. - WEBASTO	PED	2	562644	561597	C 485	UNDER DASH LH – DASH & DEFRR. DAMP. M.	AMP MNL	3	561667	561558
C 423						C 486	WCL ROOF DOOR – DOOR LT.	LEECRAFT	2	-----	562803
C 424	UNDER DASH – AUDIBLE FLASHER	AMP MNL	3	561667	561550	C 487	S.S PANEL – AUDIO IN AMPLI	MOLEX	4	-----	563071
C 425						C 488	S.S PANEL – AMPLI SIGNAL	MOLEX	8	-----	562465
C 426	ENGINE S60 RAD. FAN CLUTCH	PED WP	3	561781	561782	C 489	S.S PANEL – SPEAKER OUTLET	MOLEX	6	-----	562464
C 427						C 490					
C 428	RH SW PANEL – DASH LTS RHEOSTAT	AMP MNL	3	561667	561550	C 491					

CONNECTORS CODE

NO	LOCATION	TYPE	CAVITY	#PIN	#SOCKET	NO	LOCATION	TYPE	CAVITY	#PIN	#SOCKET
				HOUSING	HOUSING					HOUSING	HOUSING
C 492						C 565	FR. SERV. COMPT. - MIC. OUTLET	MOLEX	4	562507	562503
C 493						C 566	FR. SERV. COMPT. - MIC. OUTLET	MOLEX	4	562507	562503
C 494						C 567	FR. SERV. COMPT. - MIC. OUTLET	MOLEX	4	562507	562503
C 495						C 568	S.S. PANEL - SPEAKER OUTLET	CINTCH	4	562553	
C 496						C 569	S. S. PANEL - AMPLI SIGNAL	MOLEX	9	562556	562555
C 497						C 570	UNDER DASH PANEL - T.T.LT MODULE	MOLEX	6		562464
C 498						C 571	UNDER DASH PANEL - T.T.LT MODULE	MOLEX	20		562778
C 499						C 572	UNDER DASH PANEL - T.T.LT MODULE	MOLEX	18		562779
C 500	FR JCT PANEL - PRODRIVER	MOLEX	6	562070	562069	C 573	UNDER DASH PANEL - T.T.LT MODULE	MOLEX	8		562465
C 501						C 574	PARCEL RACK - INDIRECT LTS BALLAST	MOLEX			562759
C 502	LH DASH PANEL - PRE- HEAT SW.	EATON	12		562763	C 575	RH PARCEL RACK - FFEDING	MOLEX	4	562507	562503
C 503	LH CONSOLE-PROHEAT TIMER	PED MP	6	-----	562878	C 576	RH PARCEL RACK - FFEDING	AMP MNL	3	561667	561550
C 504	LH CONSOLE -WEBASTO TIMER	AMP	8	-----	562852	C 577	LH PARCEL RACK - FFEDING	AMP MNL	3	561667	561550
C 505	LH CONSOLE -ESPAR TIMER	AMP	12	-----	562681	C 578	LH PARCEL RACK - FFEDING	MOLEX	4	562507	562503
C 506	FR JCT BOX - DIGITAL CLOCK	AMP CPC	4	561685	561687	C 579	LH PARCEL RACK-VCR POWER	MOLEX	4		563071
C 507	LH HAT RACK - DIGITAL CLOCK	MOLEX	4	561477	561476	C 580	LH DASH PANEL - PARCEL RACK A/C SW.	EATON	12		562763
C 508	RR JCT BOX - FAN CLUTCH RETARDER	AMP MNL	6	561552	561515	C 581	LH DASH PANEL - ELECTRICAL HORN	PED MP	2		562777
C 509	EVAP. COMPT. - NOT USED	DEUTSCH	5		562566	C 582					
C 515	FR JCT BOX CPT. - INTERCOM	MOLEX	4	561477	561476	C 583	LH DASH PANEL - MASTER KEY SW.	DEUTSCH	2	562486	562485
C 516	FR JCT BOX CPT. - INTERCOM	MOLEX	6	562070	562069	C 584	FR. SERVICE COMPT - HORN PNEU. VALVE	PNEUMAC	3		562848
C 517	LAVATORY WALL - INTERCOM	MOLEX	6	562070	562069	C 585					
C 519A	RH UNDER DASH - ENTRANCE DOOR SOL.	PNEUMAC	3		641385	C 586	FR SERVICE COMPT - ACC. PNEU.VALVE	PNEUMAC	3		562848
C 519B	RH UNDER DASH - ENTRANCE DOOR SOL.	PNEUMAC	3		641385	C 587	LH PARCEL RACK DVD UNIT	MOLEX	4	563040	563071
C 520	RH UNDER DASH - ENTRANCE DOOR SOL.	PNEUMAC	3		641385	C 588	FR SERV. COMPT. - S.S. INTERFACE	AMP CPC	37	561645	561646
C 521	RH UNDER DASH - ENTRANCE DOOR SOL.	PNEUMAC	3		641385	C 589	FR. MIRROR LH	CONXALL	8	563163	563088
C 522	FR JCT BOX - DAYTIME LTS MODULE	BOSCH	5		561183	C 590	FR. MIRROR RH	CONXALL	8	563163	563088
C 523	FR JCT BOX - FUSE BLOCK	PED	8	562647	562646	C 591	LH CONSOLE - LH MIRROR SW.	EURAMT.	8		562749
C 524	FR JCT BOX - FUSE BLOCK	PED	8	562647	562646	C 592	LH CONSOLE - RH MIRROR SW.	EURAMT.	8		562749
C 525	FR JCT BOX - FUSE BLOCK	PED	8	562647	562646	C 594	FRONT ROOF - DRIVER'S LTS	LEEKRAFT	2	-----	562803
C 526	FR JCT BOX - FUSE BLOCK	PED	8	562647	562646	C 595	RH DASH PANEL - ENTRANCE DOOR SW.	MOLEX	4	562507	562503
C 527	FR JCT BOX - FUSE BLOCK	PED	8	562647	562646	C 596	RH DASH PANEL - ENTRANCE DOOR SW.	MOLEX	4	562507	562503
C 528						C 597	LH DASH PANEL - DISPLAY SET SW.	AMP	5		562905
C 529						C 598	LH DASH PANEL - DISPLAY SET SW.	AMP	5		562905
C 530	RR JCT BOX - FUSE BLOCK	PED	8	562647	562646	C 599	UND. DASH - MAGN. SW CTR POS. DR'S AIR	AMP MNL	2	561248	561247
C 531	RR JCT BOX - FUSE BLOCK	PED	8	562647	562646	C 604	LH PARCEL RACK DVD VIDEO STABILIZER	SWITCHCRAFT	1		563074
C 532	LH PARCEL RACK - A/C LIQ. SOL.	AMP MNL	2	561248	561247	C 605	LH PARCEL RACK - A/C UNIT	AMP MNL	6	561552	561515
C 533	RH PARCEL RACK - A/C LIQ. SOL.	AMP MNL	2	561248	561247	C 606	RH PARCEL RACK - A/C UNIT	AMP MNL	6	561552	561515
C 534						C 607	FR SERV. COMPT. - RADIO RECEIVER	PED WP	3	561781	561782
C 535						C 608	FR SERV. COMPT - SPEED SIGNAL (SPARE)	PED WP	2	561566	561690
C 536						C 609					
C 537	A/C JCT BOX RESISTOR SIGN. RLY	AMP MNL	2	561248	561247	C 610					
C 538	FR SERV. CPT RH - OUTSIDE TEMP. SENS	AMP MNL	2	561248	561247	C 611	RH PARCEL RACK READING LTS WCL	MOLEX	6	562558	562557
C 539	HVAC DASH MODULE OUTPUT CONN.	MOLEX	24		562780	C 612	RH PARCEL RACK LUOR. INSTATION LTS WCL	MOLEX	4	562507	562503
C 540	HVAC DASH MODULE INPUT CONN.	MOLEX	22		562781	C 613	RH PARCEL RACK INDIRECT LTS WCL	AMP MNL	3	561667	561550
C 541						C 614	RH PARCEL RACK INDIRECT LTS WCL	AMP MNL	3	561667	561550
C 542						C 615	LH PARCEL RACK DVD SIGN ALONG ADAPTOR	MOLEX	2	562550	562549
C 543						C 701	ZF TRANSMISSION ECU	KOSTAL	20		
C 544	S.S. PANEL - AUDIO SEAT	PED WP	3	561781	561782	C 702	SHIFT SELECTOR - LH CONSOLE	AMP	14		563338
C 545						C 712	NEUTRAL SWITCH ON ZF TRANSM. (TOP)	AMP	4		563340
C 546	FR. JCT BOX - CHARGER WIRELESS MIC.	MOLEX	2		563025	C 714	OUTPUT SENSOR ON ZF TRANSM. (BOTTOM)	AMP	4		563340
C 547						C 717	FR SERV. COMPT - MAIN CONN.	AMP CPC	22	561642	561643
C 548	LH DASH PANEL - T.T.LT TEST SW.	EATON	12		562763	C 720	ENGINE COMPT - BLKHD CONNECTOR	DEUTSCH	31	563359	563358
C 549	LH DASH PANEL - ENGINE FAN OVERRIDE	EATON	12		562763	C 721	LH CONSOLE - ZF TESTMAN DIAG. TOOLS	AMP MNL	6	563356	
C 553	UNDER DASH - S.S. CONTROL HEAD	MOLEX	16		562559	C 723	ENGINE COMPT - FOR TRANSM.	DEUTSCH	3		562884
C 554	UNDER DASH - S.S. CONTROL HEAD	MOLEX	16		562559	C 736	FR SERV. COMPT - ZMTEC MODULE	PACKARD	30	563053	
C 555	UNDER DASH - S.S. CONTROL HEAD	MOLEX	16		562559	C 740	ABOVE DRIVE AXLE - EASY START SOL VALVE	LEONI	2		641949
C 556	UNDER DASH - RADIO FEEDING	MOLEX	2	562550	562549	C 742	REAR JCT BOX - FUSE BLOCK	AMP	8	562446	
C 557	UNDER DASH - RADIO FEEDING	MOLEX	9	562556	562555	C 745	FR SERV COMPT - THROTTLE POS. SENSOR	PED WP	3	561781	
C 558	FR. SERV. COMPT. - MIC. OUTLET	MOLEX	4	562507	562503	C 760	FR SERVICE COMPT - TO J1939	DEUTSCH	3		
C 559						C 761	FR SERVICE COMPT - TO J1939	DEUTSCH	3		562884
C 560						C 762	ENGINE COMPT - TO J1939	DEUTSCH	3		562884
C 561	LH PARCEL RACK - WIRELESS MIC.	MOLEX	8		562465	C 763	ENGINE COMPT - TO J1939	DEUTSCH	3		562884
C 562	LH PARCEL RACK - VCR SIGNAL	MOLEX	12		563070	C 764	ENGINE COMPT - TO J1939	DEUTSCH	3		562884
C 563	FR. SERV. COMPT. - DRIVER SPEAKER	MOLEX	4	562507	562503	C 765	ENGINE COMPT - TO J1939	DEUTSCH	3		562884
C 564	FR. SERV. COMPT. - MIC. OUTLET	MOLEX	4	562507	562503	C 766	ENGINE COMPT - TO J1939	DEUTSCH	3		562884

CONNECTORS CODE

NO	LOCATION	TYPE	CAVITY	#PIN	#SOCKET	NO	LOCATION	TYPE	CAVITY	#PIN	#SOCKET
				HOUSING	HOUSING					HOUSING	HOUSING
CS	FR SERVICE CPT - ECU WOLRD TR.	PED MP	32		562817						
CT	FR SERVICE CPT - ECU WORLD TR.	PED MP	32		562824						
CTCI	ENGINE COMPT. - TURBO TEMP.	FCI	2		563404						
CV	FR SERVICE CPT - ECU WORLD TR.	PED MP	32		562823						
CX	CLUSTER	JAE	5		562957						
CX 1	FR SERVICE CPT - ECU ABS	AMP JN	15		563200						
CX 2	FR SERVICE CPT - ECU ABS	AMP JN	18		563201						
CY	CLUSTER	JAE	30		562765						
CW X1	ENGINE COMPT. - WATER HEATER	AMP	7	563134	563135						
CW X3	ENGINE COMPT. - WATER HEATER	AMP	7	563134	563135						
LX	CLUSTER	JAE	22		562766						
LY	CLUSTER	JAE	30		562767						
RX	CLUSTER	JAE	30		562767						
SW 42	LAST LUGG. CPT. -WCL REMOTE	AMP CPC	9	561636	561637						
WEB 1	ENGINE COMPT. - WEBASTO	AMP FF	2	562473	562474						
WEB 2	ENGINE COMPT. - WEBASTO	AMP FF	2	562643							
ZF 1	FR JCT BOX - STEERING E.C.U.	HELLA	9		562929						
CM 1	LH DR'S ROOF-MONITOR CUT OFF OPTION	PED WP	3	561781	561782						
CM 2	LH DR'S ROOF-MONITOR CUT OFF OPTION	PED WP	3	561781	561782						
CM 3	LH DR'S ROOF-MONITOR CUT OFF OPTION	PED WP	3	561781	561782						
CM 4	LH DR'S ROOF-MONITOR CUT OFF OPTION	PED WP	3	561781	561782						
CM 5	LH DR'S ROOF-MONITOR CUT OFF OPTION	PED WP	3	561781	561782						
CM 1A	LH DR'S ROOF-MONITOR CUT OFF OPTION	PED WP	3	561781	561782						
CM 2A	LH DR'S ROOF-MONITOR CUT OFF OPTION	PED WP	3	561781	561782						
CM 3A	LH DR'S ROOF-MONITOR CUT OFF OPTION	PED WP	3	561781	561782						
CM 4A	LH DR'S ROOF-MONITOR CUT OFF OPTION	PED WP	3	561781	561782						
CM 5A	LH DR'S ROOF-MONITOR CUT OFF OPTION	PED WP	3	561781	561782						
L85	REAR AXELS	PED MP	2	-	562251						

DIODES NUMBER CODE

No.	PAGE	AMP	#PREV.	LOCATION	FUNCTION	No.	PAGE	AMP	#PREV.	LOCATION	FUNCTION
D 1	9.2	3A	561740	FR JCT BOX	KNEELING WARNING FLASHER	D 56	9.3	3A	561740	RR JCT BOX	PARKING ACTIVE STOP LTS
D 2	15.3	3A	063849	FR JCT BOX	WATER PUMP RRE-HEAT SIGN	D 57					
D 3	15.3	3A	063849	FR JCT BOX	WATER PUMP	D 58	18.1	3A	561740	FRONT SERV. COMPT.	KNEELING SYSTEM
D 4	9.2	3A	561740	FR JCT BOX	WARNING HAZARD -RH	D 59					
D 5	9.2	3A	561740	FR JCT BOX	WARNING HAZARD -LH	D 60	15.2	3A	561740	RR JCT BOX	A/C COMPR. CLUTCH
D 6						D 61	15.1	3A	561740	RR JCT BOX	A/C COMPR. AUX.
D 7						D 62					
D 8						D 63					
D 9						D 64					
D 10	18.1	3A	561740	FR SERV. COMPT.	KNEELING SYSTEM	D 65					
D 11						D 66					
D 12	18.1	3A	561740	FR SERV. COMPT.	KNEELING SYSTEM	D 67					
D 12	25.1	3A	561740	FRONT ROOF	ELECTRICAL DEST. SIGN	D 68					
D 13	18.1	3A	561740	FR SERV. COMPT.	KNEELING SYSTEM	D 69					
D 13	25.1	3A	561740	FRONT ROOF	ELECTRICAL DEST. SIGN	D 70	18.1	3A	561740	FRONT SERV. COMPT.	LOW BUOY SYSTEM
D 14	18.1	3A	561740	FR SERV. COMPT.	KNEELING SYSTEM	D 71	18.1	3A	561740	FRONT SERV. COMPT.	LOW BUOY SYSTEM
D 15						D 72	18.1	3A	561740	FRONT SERV. COMPT.	LOW BUOY SYSTEM
D 16	9.1	3A	561740	FR JCT BOX	DAYTIME RUNNING LTS	D 73	18.1	3A	561740	FRONT SERV. COMPT.	PARKING BRAKE WCL
D 17	9.2	3A	561740	FR JCT BOX	TURN SIGNAL LT-LH	D 74					
D 18	9.2	3A	561740	FR JCT BOX	TURN SIGNAL LT-RH	D 75	4.1	3A	561740	BATT. COMPT.	STARTER RELAY SUPPRESSOR
D 19	9.1	3A	561740	FR JCT BOX	DAYTIME RUNNING LTS	D 76					
D 20	9.1	3A	561740	FR JCT BOX	DAYTIME RUNNING LTS	D 77					
D 21	9.2	3A	561740	UNDER DASH	AUDIBLE FLASHER RLY LH	D 78	14.1	3A	561740	LH CONSOLE	PRE-HEATER TIMER
D 22	9.2	3A	561740	UNDER DASH	AUDIBLE FLASHER RLY RH	D 79	14.1	3A	561740	LH CONSOLE	PRE-HEATER TIMER
D 23						D 80	9.3	3A	561740	RR JCT BOX	CYCLOP LTS RELAY R 80
D 24	8.1	3A	561740	RR JCT BOX	FAN CLUTCH RADIATOR	D 81	18.1	3A	561740	FRONT SERV. COMPT.	KNEELING SYSTEM
D 25	8.1	3A	561740	RR JCT BOX	FAN CLUTCH RADIATOR	D 82					
D 26						D 83	8.1	3A	561740	RR JCT BOX	RAD. FAN CLUTCH W. A/C OR RETARDER
D 27						D 84					
D 27	9.3	3A	561740	RR JCT BOX	AUX LTS-TAIL	D 85					
D 28	9.3	3A	561740	RR JCT BOX	AUX LTS-STOP	D 86	24.1	3A	561740	RH UNDER DASH	ENTRANCE DOOR
D 29						D 87	24.1	3A	561740	RH UNDER DASH	ENTRANCE DOOR
D 30	4.1	3A	561740	FR JCT BOX	MASTER KEY SW. CUT-OFF	D 88	24.1	3A	561740	RH UNDER DASH	ENTRANCE DOOR
D 31	4.1	3A	561740	FR JCT BOX	MASTER KEY SW. CUT-OFF	D 89	24.1	3A	561740	RH UNDER DASH	ENTRANCE DOOR
D 32	9.2	3A	561740	FR JCT BOX	HAZARD MASTER RLY CUT OUT	D 90	24.1	3A	561740	RH UNDER DASH	ENTRANCE DOOR
D 33						D 91	24.1	3A	561740	RH UNDER DASH	ENTRANCE DOOR
D 34	15.3	3A	561740	FR JCT BOX	A/C WATER VALVE						
D 35	15.3	3A	561740	FR JCT BOX	A/C WATER VALVE						
D 36	15.2	3A	561740	EVAP. CPT.	BY-PASS VALVE						
D 37	6.1	3A	561740	FR JCT BOX	NEUTRAL SIGNAL						
D 38	6.1	3A	561740	FR JCT BOX	NEUTRAL SIGNAL						
D 39	6.1	3A	561740	FR JCT BOX	NEUTRAL SIGNAL						
D 40											
D 41											
D 42											
D 43											
D 44											
D 45											
D 46	9.3	3A	561740	FR JCT BOX	PARKING BRAKE ACTIVATES STOP LTS						
D 47											
D 48											
D 49											
D 50	29.1	3A	561740	LAST LUGG. COMPT.	WCL DOOR AJAR SIGNAL TOP LT						
D 51	29.1	3A	561740	LAST LUGG. COMPT.	WCL DOOR AJAR SIGNAL TOP LT						
D 52											
D 53											
D 54											
D 55	29.1	3A	561740	RR JCT BOX	WCL SHIFTER INHIBIT SIGNAL						

DIODES NUMBER CODE

No.	PAGE	AMP	#PREV.	LOCATION	FUNCTION	No.	PAGE	AMP	#PREV.	LOCATION	FUNCTION
D 1	9.2	3A	561740	FR JCT BOX	KNEELING WARNING FLASHER	D 56	9.3	3A	561740	RR JCT BOX	PARKING ACTIVE STOP LTS
D 2	15.3	3A	063849	FR JCT BOX	WATER PUMP RRE-HEAT SIGN	D 57					
D 3	15.3	3A	063849	FR JCT BOX	WATER PUMP	D 58	18.1	3A	561740	FRONT SERV. COMPT.	KNEELING SYSTEM
D 4	9.2	3A	561740	FR JCT BOX	WARNING HAZARD -RH	D 59					
D 5	9.2	3A	561740	FR JCT BOX	WARNING HAZARD -LH	D 60	15.2	3A	561740	RR JCT BOX	A/C COMPR. CLUTCH
D 6						D 61	15.1	3A	561740	RR JCT BOX	A/C COMPR. AUX.
D 7						D 62					
D 8						D 63					
D 9						D 64					
D 10	18.1	3A	561740	FR SERV. COMPT.	KNEELING SYSTEM	D 65					
D 11						D 66					
D 12	18.1	3A	561740	FR SERV. COMPT.	KNEELING SYSTEM	D 67					
D 12	25.1	3A	561740	FRONT ROOF	ELECTRICAL DEST. SIGN	D 68					
D 13	18.1	3A	561740	FR SERV. COMPT.	KNEELING SYSTEM	D 69					
D 13	25.1	3A	561740	FRONT ROOF	ELECTRICAL DEST. SIGN	D 70	18.1	3A	561740	FRONT SERV. COMPT.	LOW BUOY SYSTEM
D 14	18.1	3A	561740	FR SERV. COMPT.	KNEELING SYSTEM	D 71	18.1	3A	561740	FRONT SERV. COMPT.	LOW BUOY SYSTEM
D 15						D 72	18.1	3A	561740	FRONT SERV. COMPT.	LOW BUOY SYSTEM
D 16	9.1	3A	561740	FR JCT BOX	DAYTIME RUNNING LTS	D 73	18.1	3A	561740	FRONT SERV. COMPT.	PARKING BRAKE WCL
D 17	9.2	3A	561740	FR JCT BOX	TURN SIGNAL LT-LH	D 74					
D 18	9.2	3A	561740	FR JCT BOX	TURN SIGNAL LT-RH	D 75	4.1	3A	561740	BATT. COMPT.	STARTER RELAY SUPPRESSOR
D 19	9.1	3A	561740	FR JCT BOX	DAYTIME RUNNING LTS	D 76					
D 20	9.1	3A	561740	FR JCT BOX	DAYTIME RUNNING LTS	D 77					
D 21	9.2	3A	561740	UNDER DASH	AUDIBLE FLASHER RLY LH	D 78	14.1	3A	561740	LH CONSOLE	PRE-HEATER TIMER
D 22	9.2	3A	561740	UNDER DASH	AUDIBLE FLASHER RLY RH	D 79	14.1	3A	561740	LH CONSOLE	PRE-HEATER TIMER
D 23						D 80	9.3	3A	561740	RR JCT BOX	CYCLOP LTS RELAY R 80
D 24	8.1	3A	561740	RR JCT BOX	FAN CLUTCH RADIATOR	D 81	18.1	3A	561740	FRONT SERV. COMPT.	KNEELING SYSTEM
D 25	8.1	3A	561740	RR JCT BOX	FAN CLUTCH RADIATOR	D 82					
D 26						D 83	8.1	3A	561740	RR JCT BOX	RAD. FAN CLUTCH W. A/C OR RETARDER
D 27						D 84					
D 27	9.3	3A	561740	RR JCT BOX	AUX LTS-TAIL	D 85					
D 28	9.3	3A	561740	RR JCT BOX	AUX LTS-STOP	D 86	24.1	3A	561740	RH UNDER DASH	ENTRANCE DOOR
D 29						D 87	24.1	3A	561740	RH UNDER DASH	ENTRANCE DOOR
D 30	4.1	3A	561740	FR JCT BOX	MASTER KEY SW. CUT-OFF	D 88	24.1	3A	561740	RH UNDER DASH	ENTRANCE DOOR
D 31	4.1	3A	561740	FR JCT BOX	MASTER KEY SW. CUT-OFF	D 89	24.1	3A	561740	RH UNDER DASH	ENTRANCE DOOR
D 32	9.2	3A	561740	FR JCT BOX	HAZARD MASTER RLY CUT OUT	D 90	24.1	3A	561740	RH UNDER DASH	ENTRANCE DOOR
D 33						D 91	24.1	3A	561740	RH UNDER DASH	ENTRANCE DOOR
D 34	15.3	3A	561740	FR JCT BOX	A/C WATER VALVE	D 92	6.3	3A	561740	FRONT SERV. COMPT.	ZF TRANSMISSION
D 35	15.3	3A	561740	FR JCT BOX	A/C WATER VALVE	D 93	6.3	3A	561740	FRONT SERV. COMPT.	ZF TRANSMISSION
D 36	15.2	3A	561740	EVAP. CPT.	BY-PASS VALVE						
D 37	6.1	3A	561740	FR JCT BOX	NEUTRAL SIGNAL						
D 38	6.1	3A	561740	FR JCT BOX	NEUTRAL SIGNAL						
D 39	6.1	3A	561740	FR JCT BOX	NEUTRAL SIGNAL						
D 40											
D 41											
D 42											
D 43											
D 44											
D 45											
D 46	9.3	3A	561740	FR JCT BOX	PARKING BRAKE ACTIVATES STOP LTS						
D 47											
D 48											
D 49											
D 50	29.1	3A	561740	LAST LUGG. COMPT.	WCL DOOR AJAR SIGNAL TOP LT						
D 51	29.1	3A	561740	LAST LUGG. COMPT.	WCL DOOR AJAR SIGNAL TOP LT						
D 52											
D 53											
D 54											
D 55	29.1	3A	561740	RR JCT BOX	WCL SHIFTER INHIBIT SIGNAL						

RELAYS NUMBER CODE

No.	PAGE	COIL V	#PREV.	LOCATION	FUNCTION	No.	PAGE	COIL V	#PREV.	LOCATION	FUNCTION
R1	1.1	24V	561991	FR JCT BOX	IGNITION (24) FR	R 68	28.1	24V	561991	S.S. PANEL	S.S. ACC. SWITCH
R2						R 69	12.1	12V	563337	RR JCT BOX	LUGG DOOR LOCK
R3						R 70	12.1	12V	563337	RR JCT BOX	LUGG DOOR UNLOCK
R4	4.1	24V	560407	RR JCT BOX	STARTING MOTOR	R 71	12.1	24V	563332	FR JCT BOX	LUGG DOOR UNLOCK TT LT
R5	5.1	24V	563332	FR JCT BOX	CRUISE CTR BRAKE CUT-OFF	R 72	29.1	24V	563332	POWER JCT BOX	WCL-SYTEME ON
R6						R 73	29.1	24V	563332	POWER JCT BOX	WCL-DOOR OPEN SW. SIGNAL
R7	5.1	24V	563332	FR JCT BOX	DDEC FAST IDLE SIGNAL	R 74	12.1	12V	563337	RR JCT BOX	LUGG DOOR LOCK
R8						R 75	12.1	12V	563337	RR JCT BOX	LUGG DOOR UNLOCK
R9	9.3	24V	563332	RR JCT BOX	BACK-UP LTS	R 76	9.3	24V	563332	RR JCT BOX	STOP LTS-ENGINE BRK & RETARDER SYST.
R10						R 77	9.2	12V	563337	UNDER DASH	AUDIBLE FLASHER RLY
R11	6.1	24V	563332	FR JCT BOX	TRANS. INHIBIT	R 78	8.1	24V	563332	RR JCT BOX	DDEC FAN CONTROL SPEED#1
R12	7.2	12V	563337	FR JCT BOX	ELECTRICAL HORNS	R 79	8.1	24V	563332	RR JCT BOX	DDEC FAN CONTROL SPEED#2
R13	9.3	24V	563332	FR JCT BOX	FOG LTS-12V	R 79	27.1	24V	563332	GALLEY PANEL	REFREGIRATOR
R14	9.1	24V	563332	FR JCT BOX	BLINKER	R 80	9.3	24V	563332	RR JCT BOX	CYCLOP LTS WITH BRAKE
R15	15.4	24V	561991	FR JCT BOX	UPPER FAN DEFROST	R 81	26.1	24V	563332	FR JCT BOX	LAVATORY SW.
R16	9.1	24V	563332	FR JCT BOX	FRONT CLEARANCE LIGHT	R 82	21.1	24V	563332	FR JCT BOX	RETARDER SYSTEM
R17	9.1	24V	563332	RR JCT BOX	TAIL LICENCE. RR LTS	R 83	14.4SP	24V	563332	RR JCT BOX	WATER PUMP RLY - PROHEAT OPTIONAL
R18	9.1	24V	563332	FR JCT BOX	DAYTIME RUN LTS-CUT-OUT	R 84	15.2	24V	563332	RR JCT BOX	HVAC ON-OFF SIGNAL (FULL AIR)
R19	9.5	24V	563332	FR JCT BOX	HI-BEAM	R 85	15.2	24V	563332	FR JCT BOX	HVAC DR'S REC. DAMPER CYL. L.H.
R20	9.5	24V	563332	FR JCT BOX	LO-BEAM	R 86	15.2	24V	563332	RR JCT BOX	HVAC MODE COOL/HEAT
R21	9.2	24V	563332	FR JCT BOX	LH DIRECTIONNAL LTS	R 86	18.1	24V	563332	FR SERV. COMPT.	KNEELING SYSTEM
R22						R 87	21.1	24V	563332	FR JCT BOX	ENGINE BRAKE PRESELECT #1
R23	9.2	24V	563332	FR JCT BOX	RH DIRECTIONNAL LTS	R 87A	18.1	24V	563332	FR SERV. COMPT.	KNEELING SYSTEM
R24	9.2sp1	24v	563332	FR JCT BOX	RH CORNERING LTS	R 88	4.1	24V	563332	FR JCT BOX	LATCHING 24V CUT OUT SW.
R25	9.2sp1	24v	563332	FR JCT BOX	LH CORNERING LTS	R 88	18.1	24V	563332	FR SERV. COMPT.	KNEELING SYSTEM
R26	9.3	24V	563332	RR JCT BOX	STOP LTS	R 89	15.3	24V	563332	FR JCT BOX	WATER PUMP RELAY
R27	11.3	24v	563332	FR JCT BOX	AISLE LTS	R 90	18.1	24V	563332	FR JCT BOX	KNEELING CANCELLATION
R28	11.2	24V	563332	FR JCT BOX	DASH LTS RHEOSTAT	R 94	9.3	24V	563332	RR JCT BOX	AUX READ LAMP-LH
R29	15.3	24V	561005	A/C JCT BOX	CONDENSER FAN	R 95	9.3	24V	563332	RR JCT BOX	AUX READ LAMP-RH
R30	15.3	24V	561005	A/C JCT BOX	EVAPORATOR FAN	R 96	29.1	24V	563332	POWER JCT BOX	WCL - DOOR AJAR SIGNAL
R31	15.3	24V	563332	FR JCT BOX	WATER VALVE & BYPASS	R 97	29.1	24V	563332	POWER JCT BOX	WCL - DOOR AJAR PARKING BRAKE
R32	1.1	24V	561991	POWER JCT BOX	12 V. CUT-OUT REAR	R 98	29.1	24V	563332	POWER JCT BOX	WCL - ALTERNATOR SIGNAL
R33						R 99	8.1	24V	563332	RR JCT BOX	RADIATOR FAN CLUTCH
R34	15.1	24V	563332	RR JCT BOX	A/C RAD. FAN CLUTCH (PARCEL RACK)	R 103	15.1	24V	563332	RR JCT BOX	PARCEL RACK VENTILATION
R35	15.3	24V	563332	FR JCT BOX	WATER PUMP	R 104	15.1	24V	563332	RR JCT BOX	PARCEL RACK VENTILATION
R36	15.1	24V	563332	RR JCT BOX	A/C COMPR. CLUTCH (PARCEL RACK)	R 105	15.1	24V	563332	RR JCT BOX	PARCEL RACK VENTILATION
R37	11.4	24V	563332	RR JCT BOX	READING LAMP	R 107					
R38	11.4	24V	563332	RR JCT BOX	READING LAMP	R 109	5.1	24V	563332	RR JCT BOX	THROTTLE INHIBIT WITH WCL
R39	11.5	24V	563332	RR JCT BOX	24 V FLUORESCENT	R 111	4.1SP2	24V	563332	POWER JCT BOX	HEATER RUN. WITH CHARGER 110V ACTIVED
R40	15.3	24V	561005	A/C JCT BOX	CONDENSER FAN	R 112	4.1SP2	24V	563332	POWER JCT BOX	HEATER RUN. WITH CHARGER 110V ACTIVED
R41	15.3	24V	561005	A/C JCT BOX	CONDENSER FAN	R F1	8.1	24V	563332	RR JCT BOX	FAN CLUTCH SP#1 OPT. RETARDER
R42	1.1	24V	561991	POWER JCT BOX	12 V. CUT-OUT FRONT	R F2	8.1	24V	563332	RR JCT BOX	FAN CLUTCH SP#2 OPT. RETARDER
R43						R F3	8.1	24V	560772	RR JCT BOX	TIME DELAY FAN CLUTCH
R44	1.1	24V	561991	POWER JCT BOX	12 V. CUT-OUT FRONT	R H3	15.1	24V	563332	A/C JCT BOX	LUGGAGE CPT. FAN BEFORE FILTER
R45	11.4	24V	563332	RR JCT BOX	INDIRECT LTS	R H4	15.1SP	24V	563332	A/C JCT BOX	LUGGAGE CPT. FAN AFTER FLITER
R46						R LFL	11.5SP	24V	563332	RR JCT BOX	LAST FLUOR. OPT.
R47	27.1	24V	563332	GALLEY PANEL	COFFEE CONTAINERS	R LA	24.1	24V	563332	RH UNDER DASH	ENTRANCE DOOR SYSTEM
R48	27.1	24V	563332	GALLEY PANEL	COFFEE MAKER	R LO	24.1	24V	563332	RH UNDER DASH	ENTRANCE DOOR SYSTEM
R49	22.1	12V	563337	FR JCT BOX	12V ABS - ENGINE BRAKE	R LT	24.1	24V	563332	RH UNDER DASH	ENTRANCE DOOR SYSTEM
R50						R LV	24.1	24V	563332	RH UNDER DASH	ENTRANCE DOOR SYSTEM
R51	11.2	24V	563332	FR JCT BOX	DRIVER'S LTS KEYLERSS ALARM	R RL1	11.4SP	24V	563332	RR JCT BOX	READING LAMP OPT.
R52	22.1	12V	563337	FR JCT BOX	12V ABS - RETARDER	R RL2	11.4SP	24V	563332	RR JCT BOX	READING LAMP OPT.
R53	1.1	24V	561991	RR JCT BOX	IGNITION 24V RR	Z F1	6.1	12V	563033	FR JCT BOX	ZF STEERING GEAR BOX - CONTROL UNIT
R54	2.1	24V	563332	RR JCT BOX	IGNITION 12V RR	R SP	4.1SP3	24V	563332	FR JCT BOX	POWER SHUTDOWN OPT
R59	9.3sp1	24V	563332	RR JCT BOX	DOCKING LTS	R SCF	4.1SP1	24V	563332	N/D	STARTER LOCKOUT OPT
R61	15.3	24V	563332	A/C JCT BOX	EVAPORATOR FAN - SPEED RLY	R ZF2	6.3	24V	563332	FR JCT BOX	EASY START CONTROL - ZF TRANSMISSION
R62	5.1	24V	563332	FR JCT BOX	DDEC PARK. BRAKE SIGNAL	R ZF3	9.3	24V	563332	RR JCT BOX	DECELERATION LIGHT - ZF TRANSMISSION
R63	15.3	24V	560772	A/C JCT BOX	EVAPORATOR FAN - TIMER RLY	V IM1	6.1	12V	563337	FR JCT BOX	VIM WORLD TR.-OUTPUT 1 SPEED INTERLOCK
R64	27.1	24V	561005	GALLEY PANEL	INVERTER CUT OFF	V IM2	6.1	12V	563337	FR JCT BOX	VIM WORLD TR.-OUTPUT 2 ENG. BRK DISABLE
R65	28.4	24V	OPTION	HAT RACK	SCENIC VIEW CAMERA	V IM3	6.1	12V	563337	FR JCT BOX	VIM WORLD TR.-OUTPUT 3
R66	28.3	24V	563332	S.S. PANEL	VIDEO TRIGGER	V IM4	6.1	12V	563337	FR JCT BOX	VIM WORLD TR.-OUTPUT 4 RETARD. ON SIGNAL
R67	28.1	12V	563337	S.S. PANEL	RARIO TRIGGER	V IMN	6.1	12V	563337	FR JCT BOX	VIM WORLD TR.-NEUTRAL SIGNAL
						V IMR	6.1	12V	563337	FR JCT BOX	VIM WORLD TR.-B/U SIGNAL

RELAYS NUMBER CODE

No. PAGE COIL V #PREV. LOCATION FUNCTION

No. PAGE COIL V #PREV. LOCATION FUNCTION

RESISTORS NUMBER CODE

No.	PAGE	OHM(S)	#PREV.	LOCATION	FUNCTION
RS1	5.1	11K	562307	FR JCT BOX	DDEC III-FAST IDLE
RS2	5.1	3.6K	562306	FR JCT BOX	DDEC III-FAST IDLE
RS3	9.3	1 (2)	561537	FR JCT BOX	FOG LT - RH
RS4	9.3	1 (2)	561537	FR JCT BOX	FOG LT - LH
RS5	22.1	620	563205	FR. SERV. COMPT.	ABS
RS6	22.1	620	563205	FR. SERV. COMPT.	TRAILER ABS
RS7					
RS8					
RS9	7.1	100	563006	UNDER DASH	DISPLAY SW. INDICATOR
RS10	25.1	82	562108	FRONT ROOF	ELECTRICAL DEST. SIGN
RS11	15.1	2		PARCEL RACK	A/C VENTILATION UNIT
RS12	15.1	2		PARCEL RACK	A/C VENTILATION UNIT
RS13	15.1	470K	560805	RR JCT BOX	A/C COMPRESSOR AUX. DELAY
RS14					
RS15					
RS16					
RS17	7.2	220	562498	FR JCT BOX	FIRE ALARM
RS18	8.1	75K	064208	RR JCT BOX	FAN CLUTCH WITH A/C STD & OR RETARDER
RS19	9.3	24	562903	RR JCT BOX	CYCLOPS LTS - TAIL
RS20	17.1	1K	562470	FR SERV COMPT.	VSS SIGNAL-VOLTAGE DIVIDER
RS21	24.1	100	563006	RH UNDER DASH	ENTRANCE DOOR OPEN SOL.
RS22					
RS23					
RS24	9.1	1.5K	562908	UNDER DASH	HEAD LTS SWITCH LED
RS25	9.3	1.5K	562908	UNDER DASH	FOG LTS SWITCH LED
RS26					
RS27					
RS28					
RS29	27.1	1.5K	562908	GALLEY	LED SWITCH - VOLTAGE DIVIDER
RS30	27.1	1.5K	562908	GALLEY	LED SWITCH - VOLTAGE DIVIDER
RS31	27.1	1.5K	562908	GALLEY	LED SWITCH - VOLTAGE DIVIDER
RS32	27.1	1.5K	562908	GALLEY	LED SWITCH - VOLTAGE DIVIDER
RS33	27.1	1.5K	562908	GALLEY	LED SWITCH - VOLTAGE DIVIDER
RS34	27.1	1.5K	562908	GALLEY	LED SWITCH - VOLTAGE DIVIDER
RS35	27.1	1.5K	562908	GALLEY	LED SWITCH - VOLTAGE DIVIDER
RS36					
RS37					
RS38	5.2	120	562882	DDEC ECM	EATON TERMINATING RESISTOR
RS39	6.3	120	562882	FR JCT BOX	EATON TERMINATING RESISTOR
RS40	15.4	1.5K	562908	UNDER DASH	LED SWITCH -UPPER FAN DEFROST
RS41	26.1	1M	065830	LAVATORY TRAP SW	FLUSH PUMP TIME DELAY
RS63	26.1	330K	065755	EVAP. COMPT.	EVAP. MOTOR - TIME DELAY

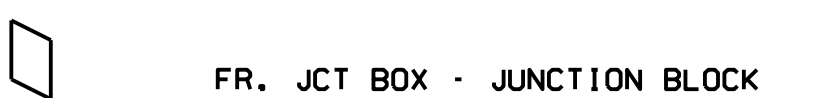
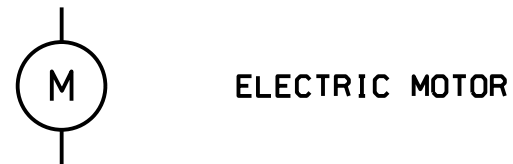
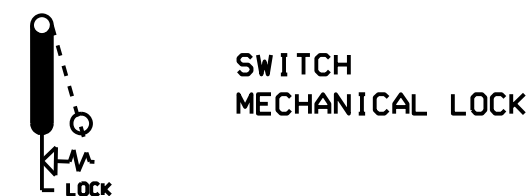
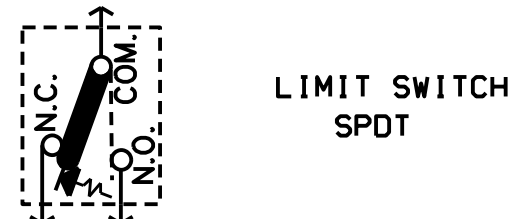
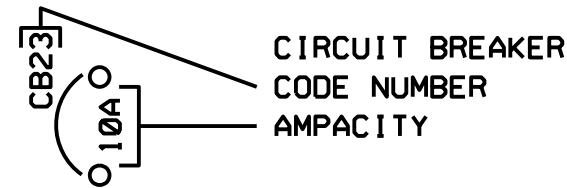
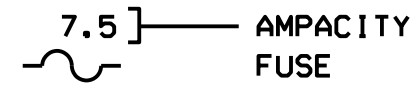
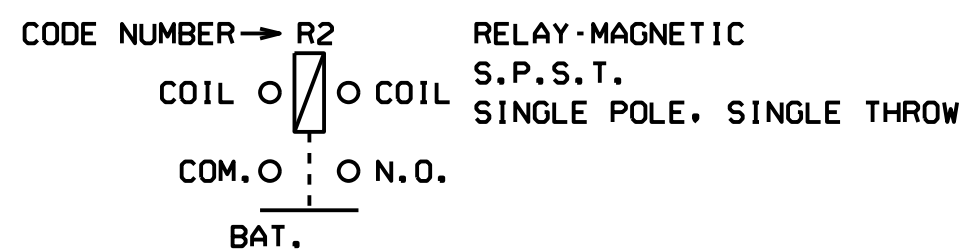
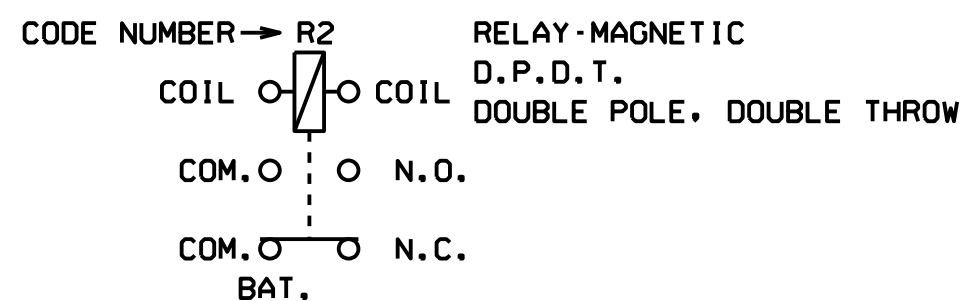
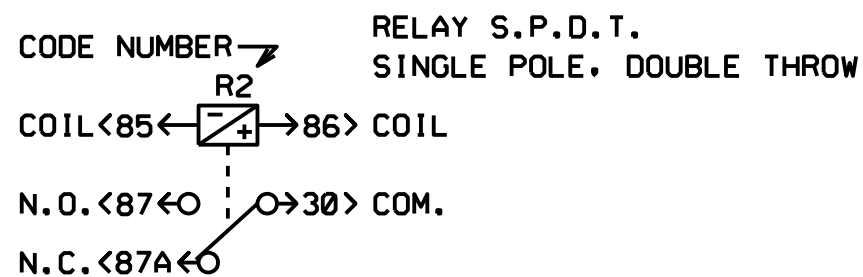
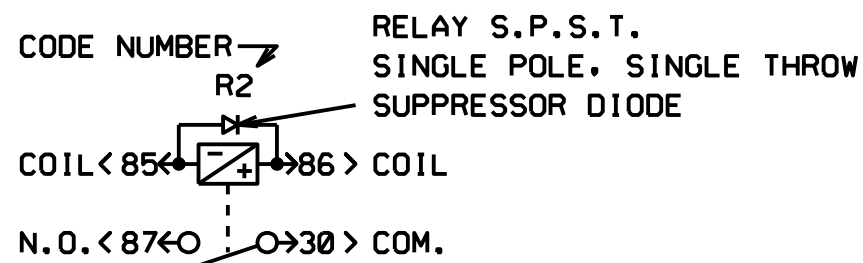
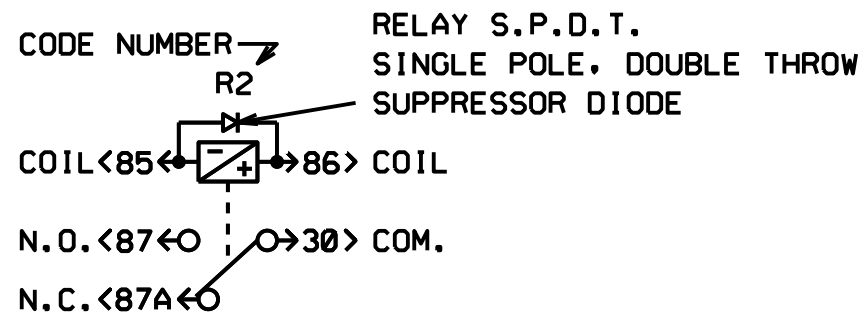
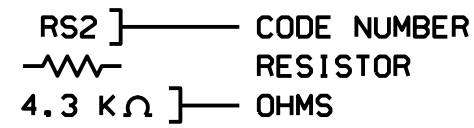
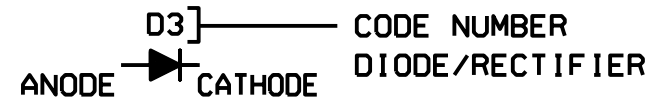
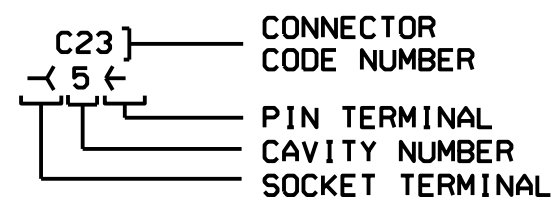
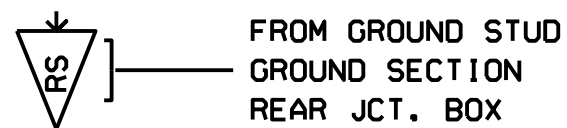
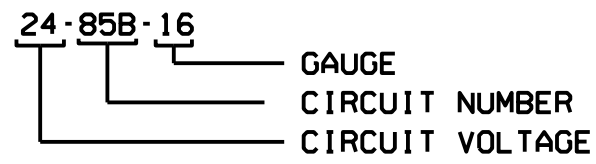
RESISTORS NUMBER CODE

No.	PAGE	OHM(S)	#PREV.	LOCATION	FUNCTION
RS1	5.1	11K	562307	FR JCT BOX	DDEC III-FAST IDLE
RS2	5.1	3.6K	562306	FR JCT BOX	DDEC III-FAST IDLE
RS3	9.3	1 (2)	561537	FR JCT BOX	FOG LT - RH
RS4	9.3	1 (2)	561537	FR JCT BOX	FOG LT - LH
RS5	22.1	620	563205	FR. SERV. COMPT.	ABS
RS6	22.1	620	563205	FR. SERV. COMPT.	TRAILER ABS
RS7					
RS8					
RS9	7.1	100	563006	UNDER DASH	DISPLAY SW. INDICATOR
RS10	25.1	82	562108	FRONT ROOF	ELECTRICAL DEST. SIGN
RS11	15.1	2		PARCEL RACK	A/C VENTILATION UNIT
RS12	15.1	2		PARCEL RACK	A/C VENTILATION UNIT
RS13	15.1	470K	560805	RR JCT BOX	A/C COMPRESSOR AUX. DELAY
RS14					
RS15					
RS16					
RS17	7.2	220	562498	FR JCT BOX	FIRE ALARM
RS18	8.1	75K	064208	RR JCT BOX	FAN CLUTCH WITH A/C STD & OR RETARDER
RS19	9.3	24	562903	RR JCT BOX	CYCLOPS LTS - TAIL
RS20	17.1	1K	562470	FR SERV COMPT.	VSS SIGNAL-VOLTAGE DIVIDER
RS21	24.1	100	563006	RH UNDER DASH	ENTRANCE DOOR OPEN SOL.
RS22					
RS23					
RS24	9.1	1.5K	562908	UNDER DASH	HEAD LTS SWITCH LED
RS25	9.3	1.5K	562908	UNDER DASH	FOG LTS SWITCH LED
RS26					
RS27					
RS28					
RS29	27.1	1.5K	562908	GALLEY	LED SWITCH - VOLTAGE DIVIDER
RS30	27.1	1.5K	562908	GALLEY	LED SWITCH - VOLTAGE DIVIDER
RS31	27.1	1.5K	562908	GALLEY	LED SWITCH - VOLTAGE DIVIDER
RS32	27.1	1.5K	562908	GALLEY	LED SWITCH - VOLTAGE DIVIDER
RS33	27.1	1.5K	562908	GALLEY	LED SWITCH - VOLTAGE DIVIDER
RS34	27.1	1.5K	562908	GALLEY	LED SWITCH - VOLTAGE DIVIDER
RS35	27.1	1.5K	562908	GALLEY	LED SWITCH - VOLTAGE DIVIDER
RS36					
RS37					
RS38	5.2	120	562882	DDEC ECM	EATON TERMINATING RESISTOR
RS39	6.3	120	562882	FR JCT BOX	EATON TERMINATING RESISTOR
RS40	15.4	1.5K	562908	UNDER DASH	LED SWITCH -UPPER FAN DEFROST
RS41	26.1	1M	065830	LAVATORY TRAP SW	FLUSH PUMP TIME DELAY
RS42	9.5	0.2	066001	FR JCT BOX	HALOGEN HEAD LTS RESISTOR
RS43	9.5	0.2	066001	FR JCT BOX	HALOGEN HEAD LTS RESISTOR
RS63	26.1	330K	065755	EVAP. COMPT.	EVAP. MOTOR - TIME DELAY

RESISTORS NUMBER CODE

No.	PAGE	OHM(S)	#PREV.	LOCATION	FUNCTION
RS 1	5.1	11K	562307	FR JCT BOX	DDEC III-FAST IDLE
RS 2	5.1	3.6K	562306	FR JCT BOX	DDEC III-FAST IDLE
RS 3	9.3	1 (2)	561537	FR JCT BOX	FOG LT - RH
RS 4	9.3	1 (2)	561537	FR JCT BOX	FOG LT - LH
RS 5	22.1	620	563205	FR. SERV. COMPT.	ABS
RS 6	22.1	620	563205	FR. SERV. COMPT.	TRAILER ABS
RS 7					
RS 8					
RS 9	7.1	100	563006	UNDER DASH	DISPLAY SW. INDICATOR
RS 10	25.1	82	562108	FRONT ROOF	ELECTRICAL DEST. SIGN
RS 11	15.1	2		PARCEL RACK	A/C VENTILATION UNIT
RS 12	15.1	2		PARCEL RACK	A/C VENTILATION UNIT
RS 13	15.1	470K	560805	RR JCT BOX	A/C COMPRESSOR AUX. DELAY
RS 14					
RS 15					
RS 16					
RS 17	7.2	220	562498	FR JCT BOX	FIRE ALARM
RS 18	8.1	75K	064208	RR JCT BOX	FAN CLUTCH WITH A/C STD & OR RETARDER
RS 19	9.3	24	562903	RR JCT BOX	CYCLOPS LTS - TAIL
RS 20	17.1	1K	562470	FR SERV COMPT.	VSS SIGNAL-VOLTAGE DIVIDER
RS 21	24.1	100	563006	RH UNDER DASH	ENTRANCE DOOR OPEN SOL.
RS 22					
RS 23					
RS 24	9.1	1.5K	562908	UNDER DASH	HEAD LTS SWITCH LED
RS 25	9.3	1.5K	562908	UNDER DASH	FOG LTS SWITCH LED
RS 26					
RS 27					
RS 28					
RS 29	27.1	1.5K	562908	GALLEY	LED SWITCH - VOLTAGE DIVIDER
RS 30	27.1	1.5K	562908	GALLEY	LED SWITCH - VOLTAGE DIVIDER
RS 31	27.1	1.5K	562908	GALLEY	LED SWITCH - VOLTAGE DIVIDER
RS 32	27.1	1.5K	562908	GALLEY	LED SWITCH - VOLTAGE DIVIDER
RS 33	27.1	1.5K	562908	GALLEY	LED SWITCH - VOLTAGE DIVIDER
RS 34	27.1	1.5K	562908	GALLEY	LED SWITCH - VOLTAGE DIVIDER
RS 35	27.1	1.5K	562908	GALLEY	LED SWITCH - VOLTAGE DIVIDER
RS 36					
RS 37					
RS 38	5.2	120	562882	DDEC ECM	EATON TERMINATING RESISTOR
RS 39	6.3	120	562882	FR JCT BOX	EATON TERMINATING RESISTOR
RS 40	15.4	1.5K	562908	UNDER DASH	LED SWITCH - UPPER FAN DEFROST
RS 41	26.1	1M	065830	LAVATORY TRAP SW	FLUSH PUMP TIME DELAY
RS 42	9.5	0.2	066001	FR JCT BOX	HALOGEN HEAD LTS RESISTOR
RS 43	9.5	0.2	066001	FR JCT BOX	HALOGEN HEAD LTS RESISTOR
RS 44	28.3SP1	1.5K	562908	HAT RACK	LED SWITCH - VOLTAGE DIVIDER
RS 45	28.3SP1	1.5K	562908	HAT RACK	LED SWITCH - VOLTAGE DIVIDER
RS 46	28.3SP1	1.5K	562908	HAT RACK	LED SWITCH - VOLTAGE DIVIDER
RS 47	28.2	2		HAT RACK	SPEAKER LOAD RESISTOR
RS 48	28.2	2		HAT RACK	SPEAKER LOAD RESISTOR
RS 49	28.2	2		HAT RACK	SPEAKER LOAD RESISTOR
RS 50	28.2	2		HAT RACK	SPEAKER LOAD RESISTOR
RS 51	28.2	2		HAT RACK	SPEAKER LOAD RESISTOR
RS 52	28.2	2		HAT RACK	SPEAKER LOAD RESISTOR
RS 63	26.1	330K	065755	EVAP. COMPT.	EVAP. MOTOR - TIME DELAY

WIRING DIAGRAM KEYS



- BLK BLACK
- YEL YELLOW
- RED RED
- WH WHITE
- GRY GREY
- ORA ORANGE
- BLU BLUE
- GRN GREEN
- BRN BROWN
- PUR PURPLE
- PK PINK

FUSES CODE

No.	PAGE	AMP.	#PREV.	LOCATION	FUNCTION	No.	PAGE	AMP	#PREV	LOCATION	FUNCTION
F 1	6.1	10A	562407	FR JCT BOX	WORLD TRANSM 12V BATT	F 76	28.7	1A	562597	SOUND SYS JC BOX	DVD KARAOKE
F 2	6.1	10A	562407	FR JCT BOX	WORLD TRANSM 12V IGN.	F 77	28.7	3A	562599	SOUND SYS JC BOX	DVD KARAOKE
F 3	7.2	20A	562605	FR JCT BOX	ELECTRICAL HORNS	F 78					
F 4	7.2	5A	562259	FR JCT BOX	FIRE ALARME	F 79					
F 5	8.1	7.5 A	562602	FR JCT BOX	AIR DRYER	F 80					
F 6	17.1	3A	562599	FR JCT BOX	STEERING CONTROL	F 81	6.3	10A	562407	FR JCT BOX	ZF RANSMISSION
F 7	4.2	3A	560893	RH ENG.CPT.	STARTER ON T.T.LT.	F 82	6.3	10A	562407	FR JCT BOX	ZF RANSMISSION
F 8						F 83	6.3	10A	562407	FR JCT BOX	ZF RANSMISSION
F 9	11.1	3A	560893	BATT. COMPT.	BATT. COMPT. LTS						
F 10	9.3	15A	562604	FR JCT BOX	FOG LTS						
F 11											
F 12	11.3	10	562407	FR JCT BOX	aisle LTS						
F 13	11.3	7.5	562602	FR JCT BOX	EMERGENCY LTS						
F 14	11.2	15A	562604	FR JCT BOX	DRIVER'S LTS SW.						
F 15	11.4	15A	562604	RR JCT BOX	READING LAMP						
F 16	11.4	15A	562604	RR JCT BOX	READING LAMP						
F 17	11.3	7.5	562602	RR JCT BOX	HAT RACK LTS						
F 18	11.5	10A	562407	RR JCT BOX	24V FLUORESCENT						
F 19	11.5	10A	562407	RR JCT BOX	24V FLUORESCENT						
F 20	11.4	5A	562259	FR JCT BOX	INTERIOR LTS SWITCH						
F 21	19.1	10A	562407	RR JCT BOX	FUEL PRIME PUMP						
F 22	13.1	10A	562407	FR JCT BOX	POWER OUTLET DASH R.H.						
F 23	19.1	15A	562604	FR JCT BOX	DRIVER'S & ENTRANCE WINDOW LIFTER						
F 24	13.1	15A	562604	FR JCT BOX	CIGAR LIGHTER & POWER OUTLET L.H.CONSOLE						
F 25	19.1	3A	562599	FR JCT BOX	SUN VISOR						
F 26	14.1	7.5A	562602	FR JCT BOX	WATER HTR TIMER						
F 27	11.4	10A	562407	RR JCT BOX	INDIRECT LTS						
F 28	11.4	10A	562407	RR JCT BOX	INDIRECT LTS						
F 29	28.1	7A		UNDER DASH	RADIO						
F 30	28.1	7.5A		UNDER DASH	RADIO						
F 31	25.1	5A	562259	FR JCT BOX	DESTINATION SIGN						
F 32											
F 33	18.1	5A	562259	FR JCT BOX	KNEELING SYSTEM						
F 34											
F 35											
F 36											
F 37											
F 38											
F 39											
F 40	28.5	7.5A		FR JCT BOX	CB OPTION						
F 41											
F 42	28.5	3A		FR JCT BOX	WIRELESS MICRO CHARGER						
F 43	1.2	3A	562599	BATT. COMP.	12V SIGNAL.TO BATT. MONITOR						
F 44	1.2	3A	562599	BATT. COMP.	12V SIGNAL.TO BATT. MONITOR						
F 45											
F 46	9.3sp1	10A	562407	RR JCT BOX	DOCKING LTS						
F 47	16.1	7.5A	562602	FR JCT BOX	RR VIEW MIRROR						
F 48	9.2	3A	562599	FR JCT BOX	KNEELING WARN. IND.						
F 49	6.3	10A	562407	FR JCT BOX	EATON TRANS						
F 61	30.1	1A	561134	FR JCT BOX	INTERCOM						
F 70	27.1	7.5A		GALLEY	RH CONTAINER						
F 71	27.1	7.5A		GALLEY	LH CONTAINER						
F 72	27.1	10A		GALLEY	REFRIGERATOR						
F 73	27.1	35A		GALLEY	COFFEEMAKER						
F 74	27.1	7.5A		GALLEY	REFRIGERATOR						
F 75	9.2sp1	10A	562407	FR JCT BOX	CORNERING LTS						

FUSES CODE

No. PAGE AMP. #PREV. LOCATION FUNCTION

No. PAGE AMP #PREV LOCATION FUNCTION

FUSES CODE

No.	PAGE	AMP.	#PREV.	LOCATION	FUNCTION	No.	PAGE	AMP	#PREV	LOCATION	FUNCTION
F 1	6.1	10A	562407	FR JCT BOX	WORLD TRANSM 12V BATT	F 76	28.7	1A	562597	SOUND SYS JC BOX	DVD KARAOKE
F 2	6.1	10A	562407	FR JCT BOX	WORLD TRANSM 12V IGN.	F 77	28.7	3A	562599	SOUND SYS JC BOX	DVD KARAOKE
F 3	7.2	20A	562605	FR JCT BOX	ELECTRICAL HORNS	F 78					
F 4	7.2	5A	562259	FR JCT BOX	FIRE ALARME	F 79					
F 5						F 80					
F 6	17.1	3A	562599	FR JCT BOX	STEERING CONTROL	F 81	6.3	10A	562407	FR JCT BOX	ZF TRANSMISSION
F 7	4.2	3A	560893	RH ENG.CPT.	STARTER ON T.T.LT.	F 82	6.3	10A	562407	FR JCT BOX	ZF TRANSMISSION
F 8						F 83	6.3	10A	562407	FR JCT BOX	ZF TRANSMISSION
F 9	11.1	3A	560893	BATT. COMPT.	BATT. COMPT. LTS	F 84	6.3	10A	562407	FR JCT BOX	ZF TRANSMISSION
F 10	9.3	15A	562604	FR JCT BOX	FOG LTS						
F 11											
F 12	11.3	10	562407	FR JCT BOX	AISLE LTS						
F 13	11.3	7.5	562602	FR JCT BOX	EMERGENCY LTS						
F 14	11.2	15A	562604	FR JCT BOX	DRIVER'S LTS SW.						
F 15	11.4	15A	562604	RR JCT BOX	READING LAMP						
F 16	11.4	15A	562604	RR JCT BOX	READING LAMP						
F 17	11.3	7.5	562602	RR JCT BOX	HAT RACK LTS						
F 18	11.5	10A	562407	RR JCT BOX	24V FLUORESCENT						
F 19	11.5	10A	562407	RR JCT BOX	24V FLUORESCENT						
F 20	11.4	5A	562259	FR JCT BOX	INTERIOR LTS SWITCH						
F 21	19.1	10A	562407	RR JCT BOX	FUEL PRIME PUMP						
F 22	13.1	10A	562407	FR JCT BOX	POWER OUTLET DASH R.H.						
F 23	19.1	15A	562604	FR JCT BOX	DRIVER'S & ENTRANCE WINDOW LIFTER						
F 24	13.1	15A	562604	FR JCT BOX	CIGAR LIGHTER & POWER OUTLET L.H.CONSOLE						
F 25	19.1	3A	562599	FR JCT BOX	SUN VISOR						
F 26	14.1	7.5A	562602	FR JCT BOX	WATER HTR TIMER						
F 27	11.4	10A	562407	RR JCT BOX	INDIRECT LTS						
F 28	11.4	10A	562407	RR JCT BOX	INDIRECT LTS						
F 29	28.1	7A		UNDER DASH	RADIO						
F 30	28.1	7.5A		UNDER DASH	RADIO						
F 31	25.1	5A	562259	FR JCT BOX	DESTINATION SIGN						
F 32											
F 33	18.1	5A	562259	FR JCT BOX	KNEELING SYSTEM						
F 34											
F 35											
F 36											
F 37											
F 38											
F 39											
F 40	28.5	7.5A		FR JCT BOX	CB OPTION						
F 41											
F 42	28.5	3A		FR JCT BOX	WIRELESS MICRO CHARGER						
F 43	1.2	3A	562599	BATT. COMP.	12V SIGNAL.TO BATT. MONITOR						
F 44	1.2	3A	562599	BATT. COMP.	12V SIGNAL.TO BATT. MONITOR						
F 45											
F 46	9.3sp1	10A	562407	RR JCT BOX	DOCKING LTS						
F 47	16.1	7.5A	562602	FR JCT BOX	RR VIEW MIRROR						
F 48	9.2	3A	562599	FR JCT BOX	KNEELING WARN. IND.						
F 49	6.3	10A	562407	FR JCT BOX	EATON TRANS						
F 61	30.1	1A	561134	FR JCT BOX	INTERCOM						
F 70	27.1	7.5A		GALLEY	RH CONTAINER						
F 71	27.1	7.5A		GALLEY	LH CONTAINER						
F 72	27.1	10A		GALLEY	REFRIGERATOR						
F 73	27.1	35A		GALLEY	COFFEEMAKER						
F 74	27.1	7.5A		GALLEY	REFRIGERATOR						
F 75	9.2sp1	10A	562407	FR JCT BOX	CORNERING LTS						

FUSES CODE

No. PAGE AMP. #PREV. LOCATION FUNCTION

No. PAGE AMP #PREV LOCATION FUNCTION

FUSES CODE

No.	PAGE	AMP.	#PREV.	LOCATION	FUNCTION	No.	PAGE	AMP	#PREV	LOCATION	FUNCTION
F 1	6.1	10A	562407	FR JCT BOX	WORLD TRANSM 12V BATT	F 76	28.7	1A	562597	SOUND SYS JC BOX	DVD KARAOKE
F 2	6.1	10A	562407	FR JCT BOX	WORLD TRANSM 12V IGN.	F 77	28.7	3A	562599	SOUND SYS JC BOX	DVD KARAOKE
F 3	7.2	20A	562605	FR JCT BOX	ELECTRICAL HORNS	F 78					
F 4	7.2	5A	562259	FR JCT BOX	FIRE ALARME	F 79					
F 5						F 80	9.3	3A	560893	RR JCT BOX	CYCLOP CENTRE
F 6	17.1	3A	562599	FR JCT BOX	STEERING CONTROL	F 81	6.3	10A	562407	FR JCT BOX	ZF TRANSMISSION
F 7S	4.2	3A	560893	RH ENG.CPT.	STARTER "ON" T.T.LT.	F 82	6.3	10A	562407	FR JCT BOX	ZF TRANSMISSION
F 8						F 83	6.3	10A	562407	FR JCT BOX	ZF TRANSMISSION
F 9	11.1	3A	560893	BATT. COMPT.	BATT. COMPT. LTS	F 84	6.3	10A	562407	FR JCT BOX	ZF TRANSMISSION
F 10	9.3	15A	562604	FR JCT BOX	FOG LTS						
F 11											
F 12	11.3	10	562407	FR JCT BOX	aisle LTS						
F 13	11.3	7.5	562602	FR JCT BOX	EMERGENCY LTS						
F 14	11.2	15A	562604	FR JCT BOX	DRIVER'S LTS SW.						
F 15	11.4	15A	562604	RR JCT BOX	READING LAMP						
F 16	11.4	15A	562604	RR JCT BOX	READING LAMP						
F 17	11.3	7.5	562602	RR JCT BOX	HAT RACK LTS						
F 18	11.5	10A	562407	RR JCT BOX	24V FLUORESCENT						
F 19	11.5	10A	562407	RR JCT BOX	24V FLUORESCENT						
F 20	11.4	5A	562259	FR JCT BOX	INTERIOR LTS SWITCH						
F 21	19.1	10A	560061	RR JCT BOX	FUEL PRIME PUMP						
F 22	13.1	10A	562407	FR JCT BOX	POWER OUTLET DASH R.H.						
F 23	19.1	15A	562604	FR JCT BOX	DRIVER'S & ENTRANCE WINDOW LIFTER						
F 24	13.1	15A	562604	FR JCT BOX	CIGAR LIGHTER & POWER OUTLET L.H.CONSOLE						
F 25	19.1	3A	562599	FR JCT BOX	SUN VISOR						
F 26	14.1	7.5A	562602	FR JCT BOX	WATER HTR TIMER						
F 27	11.4	10A	562407	RR JCT BOX	INDIRECT LTS						
F 28	11.4	10A	562407	RR JCT BOX	INDIRECT LTS						
F 29	28.1	7A		UNDER DASH	RADIO						
F 30	28.1	7.5A		UNDER DASH	RADIO						
F 31	25.1	5A	562259	FR JCT BOX	DESTINATION SIGN						
F 32											
F 33	18.1	5A	562259	FR JCT BOX	KNEELING SYSTEM						
F 34											
F 35											
F 36											
F 37											
F 38											
F 39											
F 40	28.5	7.5A		FR JCT BOX	CB OPTION						
F 41											
F 42	28.5	3A		FR JCT BOX	WIRELESS MICRO CHARGER						
F 43	1.2	3A	562599	BATT. COMP.	12V SIGNAL.TO BATT. MONITOR						
F 44	1.2	3A	562599	BATT. COMP.	12V SIGNAL.TO BATT. MONITOR						
F 45											
F 46	9.3sp1	10A	562407	RR JCT BOX	DOCKING LTS - OPTIONAL						
F 47	16.1	7.5A	562602	FR JCT BOX	RR VIEW MIRROR						
F 48	9.2	3A	562599	FR JCT BOX	KNEELING WARN. IND.						
F 49	6.3	10A	562407	FR JCT BOX	EATON TRANS						
F 61	30.1	1A	561134	FR JCT BOX	INTERCOM						
F 63	25.1	3A	560893	DASH BOARD	BACK-UP MONITOR CLARION						
F 70	27.1	7.5A	562602	GALLEY	RH CONTAINER						
F 71	27.1	7.5A	562602	GALLEY	LH CONTAINER						
F 72	27.1	10A	562407	GALLEY	REFRIGERATOR						
F 73	27.1	35A	562608	GALLEY	COFFEEMAKER						
F 74	27.1	7.5A	560598	GALLEY	REFRIGERATOR						
F 75	9.2sp1	10A	562407	FR JCT BOX	CORNERING LTS						

FUSES CODE

No. PAGE AMP. #PREV. LOCATION FUNCTION

No. PAGE AMP #PREV LOCATION FUNCTION

FUSES CODE

No.	PAGE	AMP.	#PREV.	LOCATION	FUNCTION	No.	PAGE	AMP	#PREV	LOCATION	FUNCTION
F 1	6.1	10A	562407	FR JCT BOX	WORLD TRANSM 12V BATT	F 75	9.2sp1	10A	562407	FR JCT BOX	CORNERING LTS
F 2	6.1	10A	562407	FR JCT BOX	WORLD TRANSM 12V IGN.	F 76	28.7	3A	562599	SOUND SYS JC BOX	DVD KARAOKE
F 3	7.2	20A	562605	FR JCT BOX	ELECTRICAL HORNS	F 77					
F 4	7.2	5A	562259	FR JCT BOX	FIRE ALARME	F 78					
F 5						F 79					
F 6	17.1	3A	562599	FR JCT BOX	STEERING CONTROL	F 80	9.3	3A	560893	RR JCT BOX	CYCLOP CENTRE
F 7S	4.2	3A	560893	RH ENG.CPT.	STARTER "ON" T.T.LT.	F 81	6.3	10A	562407	FR JCT BOX	ZF TRANSMISSION
F 8						F 82	6.3	10A	562407	FR JCT BOX	ZF TRANSMISSION
F 9	11.1	3A	560893	BATT. COMPT.	BATT. COMPT. LTS	F 83	6.3	10A	562407	FR JCT BOX	ZF TRANSMISSION
F 10	9.3	15A	562604	FR JCT BOX	FOG LTS	F 84	6.3	10A	562407	FR JCT BOX	ZF TRANSMISSION
F 11											
F 12	11.3	10	562407	FR JCT BOX	AISLE LTS						
F 13	11.3	7.5	562602	FR JCT BOX	EMERGENCY LTS						
F 14	11.2	15A	562604	FR JCT BOX	DRIVER'S LTS SW.						
F 15	11.4	15A	562604	RR JCT BOX	READING LAMP						
F 16	11.4	15A	562604	RR JCT BOX	READING LAMP						
F 17	11.3	7.5	562602	RR JCT BOX	HAT RACK LTS						
F 18	11.5	10A	562407	RR JCT BOX	24V FLUORESCENT						
F 19	11.5	10A	562407	RR JCT BOX	24V FLUORESCENT						
F 20	11.4	5A	562259	FR JCT BOX	INTERIOR LTS SWITCH						
F 21	19.1	10A	560061	RR JCT BOX	FUEL PRIME PUMP						
F 22	13.1	10A	562407	FR JCT BOX	POWER OUTLET DASH R.H.						
F 23	19.1	15A	562604	FR JCT BOX	DRIVER'S & ENTRANCE WINDOW LIFTER						
F 24	13.1	15A	562604	FR JCT BOX	CIGAR LIGHTER & POWER OUTLET L.H.CONSOLE						
F 25	19.1	3A	562599	FR JCT BOX	SUN VISOR						
F 26	14.1	7.5A	562602	FR JCT BOX	WATER HTR TIMER						
F 27	11.4	10A	562407	RR JCT BOX	INDIRECT LTS						
F 28	11.4	10A	562407	RR JCT BOX	INDIRECT LTS						
F 29	28.1	7A		UNDER DASH	RADIO						
F 30	28.1	7.5A		UNDER DASH	RADIO						
F 31	25.1	5A	562259	FR JCT BOX	DESTINATION SIGN						
F 32											
F 33	18.1	5A	562259	FR JCT BOX	KNEELING SYSTEM						
F 34											
F 35											
F 36											
F 37											
F 38											
F 39											
F 40	28.5	7.5A		FR JCT BOX	CB OPTION						
F 41											
F 42	28.5	3A		FR JCT BOX	WIRELESS MICRO CHARGER						
F 43	1.2	3A	562599	BATT. COMP.	12V SIGNAL.TO BATT. MONITOR						
F 44	1.2	3A	562599	BATT. COMP.	12V SIGNAL.TO BATT. MONITOR						
F 45											
F 46	9.3sp1	10A	562407	RR JCT BOX	DOCKING LTS - OPTIONAL						
F 47	16.1	7.5A	562602	FR JCT BOX	RR VIEW MIRROR						
F 48	9.2	3A	562599	FR JCT BOX	KNEELING WARN. IND.						
F 49	6.3	10A	562407	FR JCT BOX	EATON TRANS						
F 61	30.1	1A	561134	FR JCT BOX	INTERCOM						
F 63	25.1	3A	560893	DASH BOARD	BACK-UP MONITOR CLARION						
F 70	27.1	7.5A	562602	GALLEY	RH CONTAINER						
F 71	27.1	7.5A	562602	GALLEY	LH CONTAINER						
F 72	27.1	10A	562407	GALLEY	REFRIGERATOR						
F 73	27.1	35A	562608	GALLEY	COFFEEMAKER						
F 74	27.1	7.5A	560598	GALLEY	REFRIGERATOR						

FUSES CODE

No. PAGE AMP. #PREV. LOCATION FUNCTION

No. PAGE AMP #PREV LOCATION FUNCTION

LOGIC GATE

TRUTH TABLE

AND GATE		
INPUT		OUT
A	B	C
0	0	0
0	1	0
1	0	0
1	1	1

• OUTPUT IS 1 WHEN ALL INPUT IS 1

NAND GATE		
INPUT		OUT
A	B	C
0	0	1
0	1	1
1	0	1
1	1	0

• OUTPUT IS 0 WHEN ALL INPUT IS 1

OR GATE		
INPUT		OUT
A	B	C
0	0	0
0	1	1
1	0	1
1	1	1

• OUTPUT IS 1 WHEN AT LEAST ONE INPUT IS 1

NOR GATE		
INPUT		OUT
A	B	C
0	0	1
0	1	0
1	0	0
1	1	0

• OUTPUT IS 1 WHEN NONE INPUT IS 1

NOT GATE		
INPUT	OUT	
A	B	
0	1	
1	0	

• OUTPUT IS REVERSE OF INPUT

ON-DELAY	
XX SECOND AFTER A=1 THAN B=1	

OFF-DELAY	
XX SECOND AFTER A=0 THAN B=0	

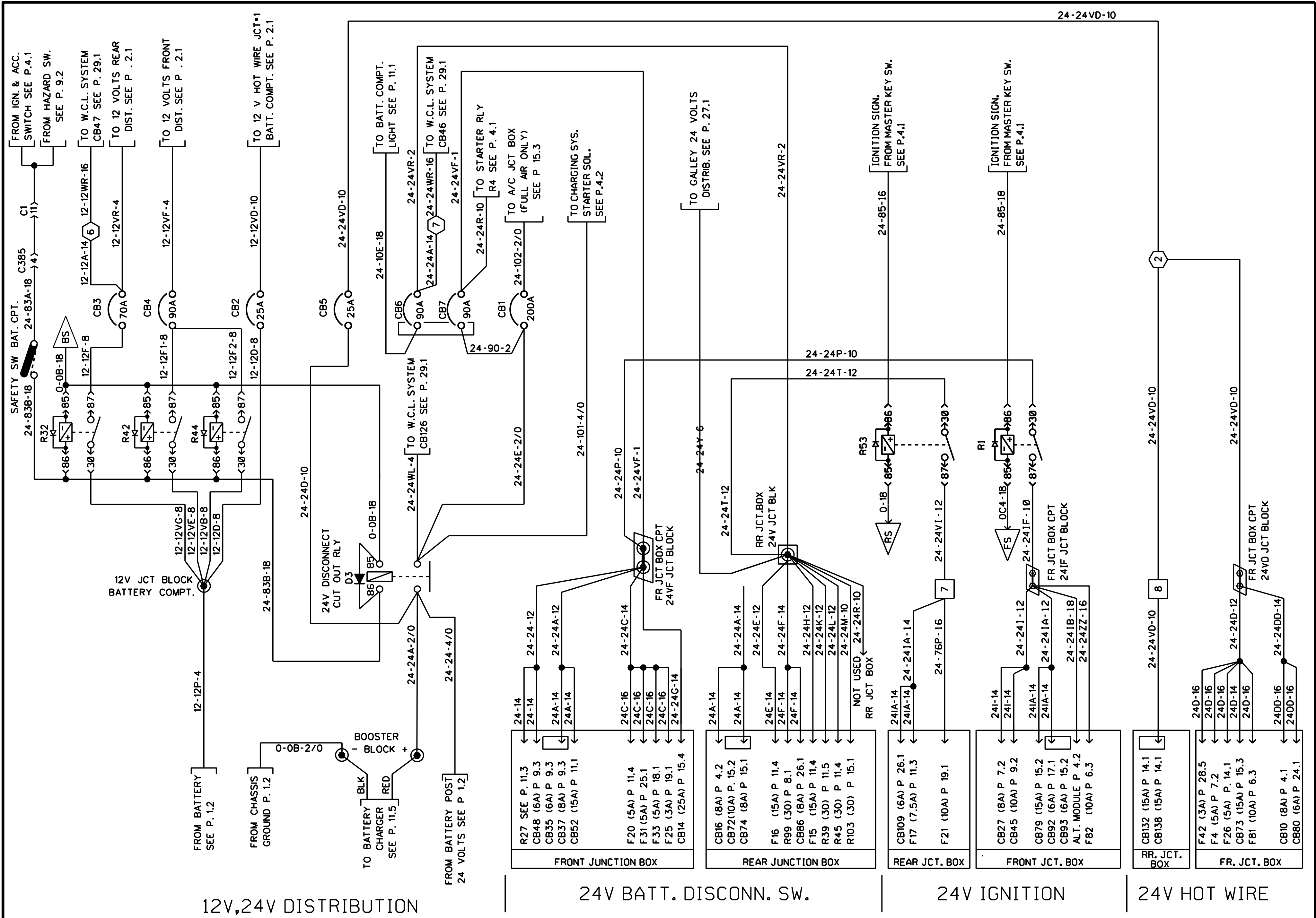
POSITIVE INPUT	
INPUT CONNECTED WITH SIGNAL 12V OR 24V SWITCH CLOSED • LEVEL 1 SWITCH OPENED • LEVEL 0	

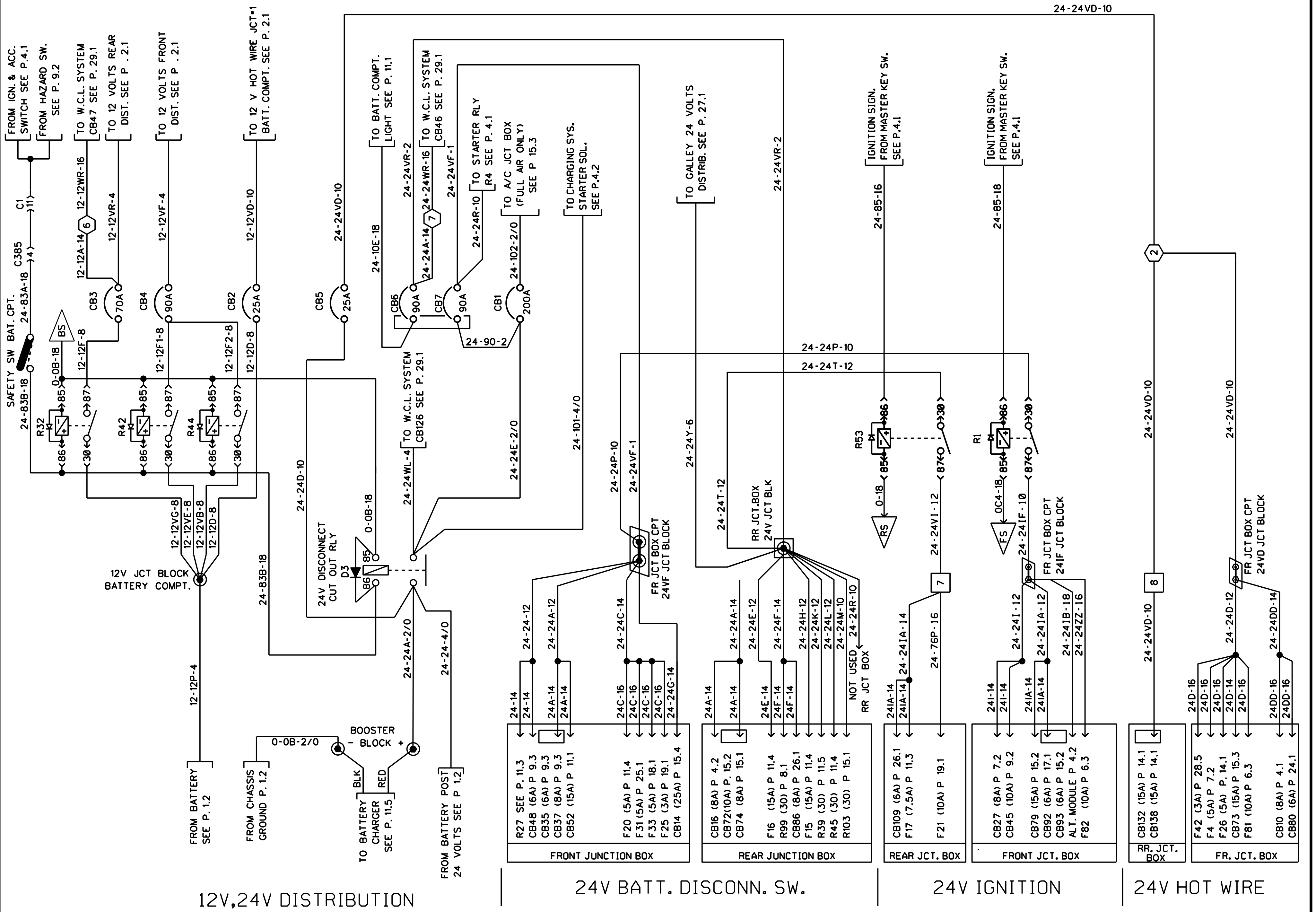
NEGATIVE INPUT	
INPUT CONNECTED WITH SIGNAL GROUND SWITCH CLOSED • LEVEL 0 SWITCH OPENED • LEVEL 1	

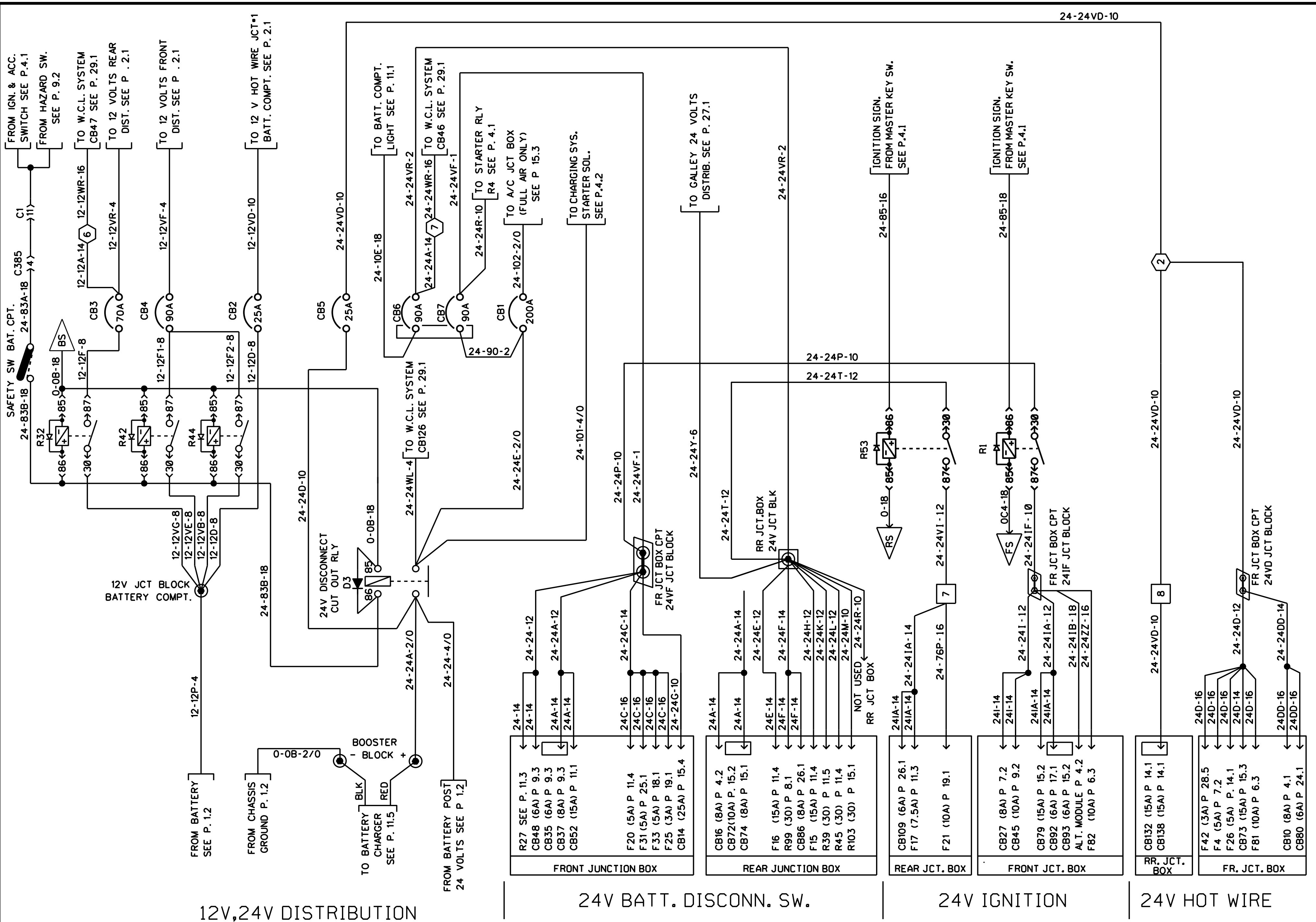
INPUT OR OUTPUT LEVEL

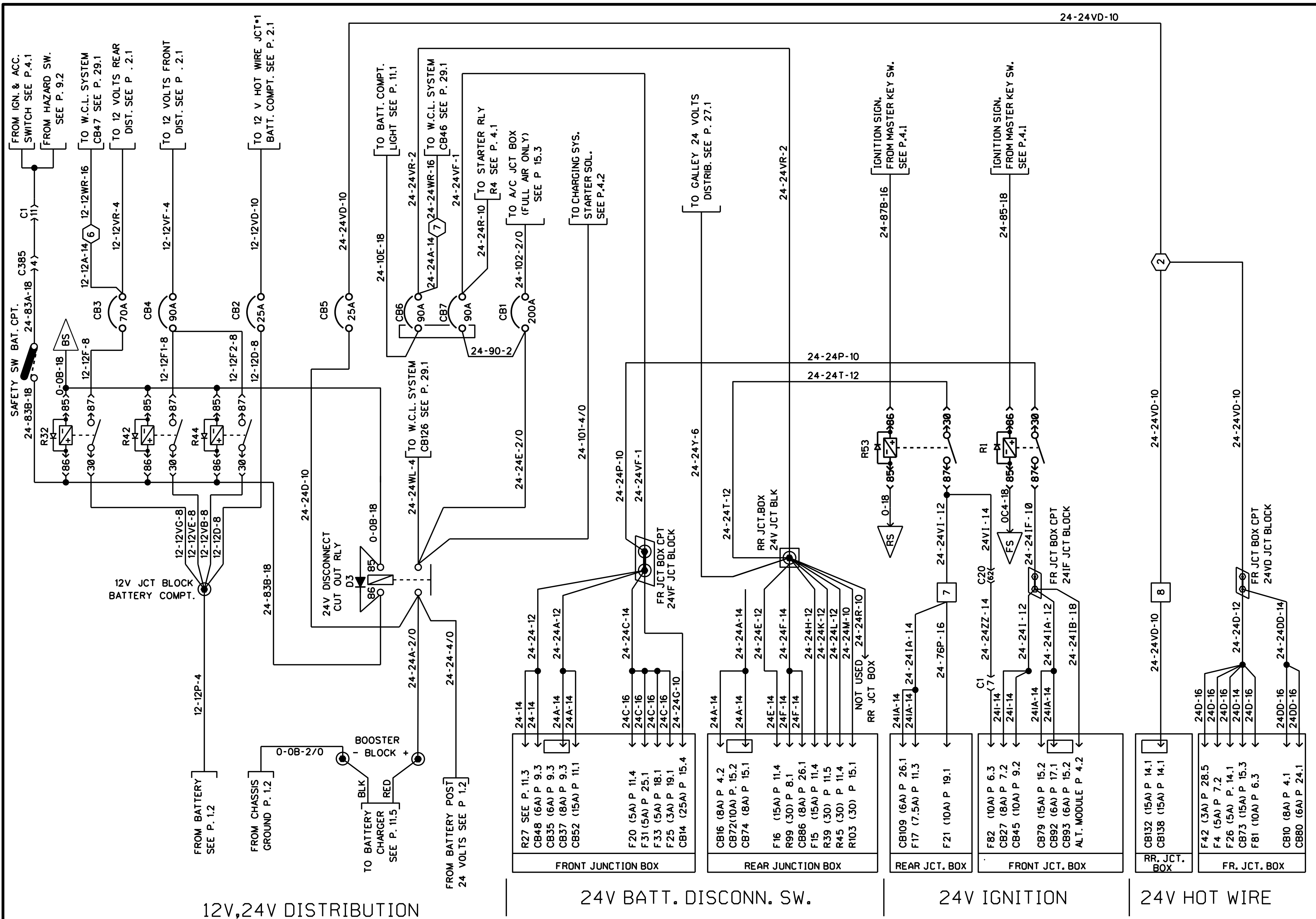
LEVEL 1 = 12 VOLTS OR 24 VOLTS

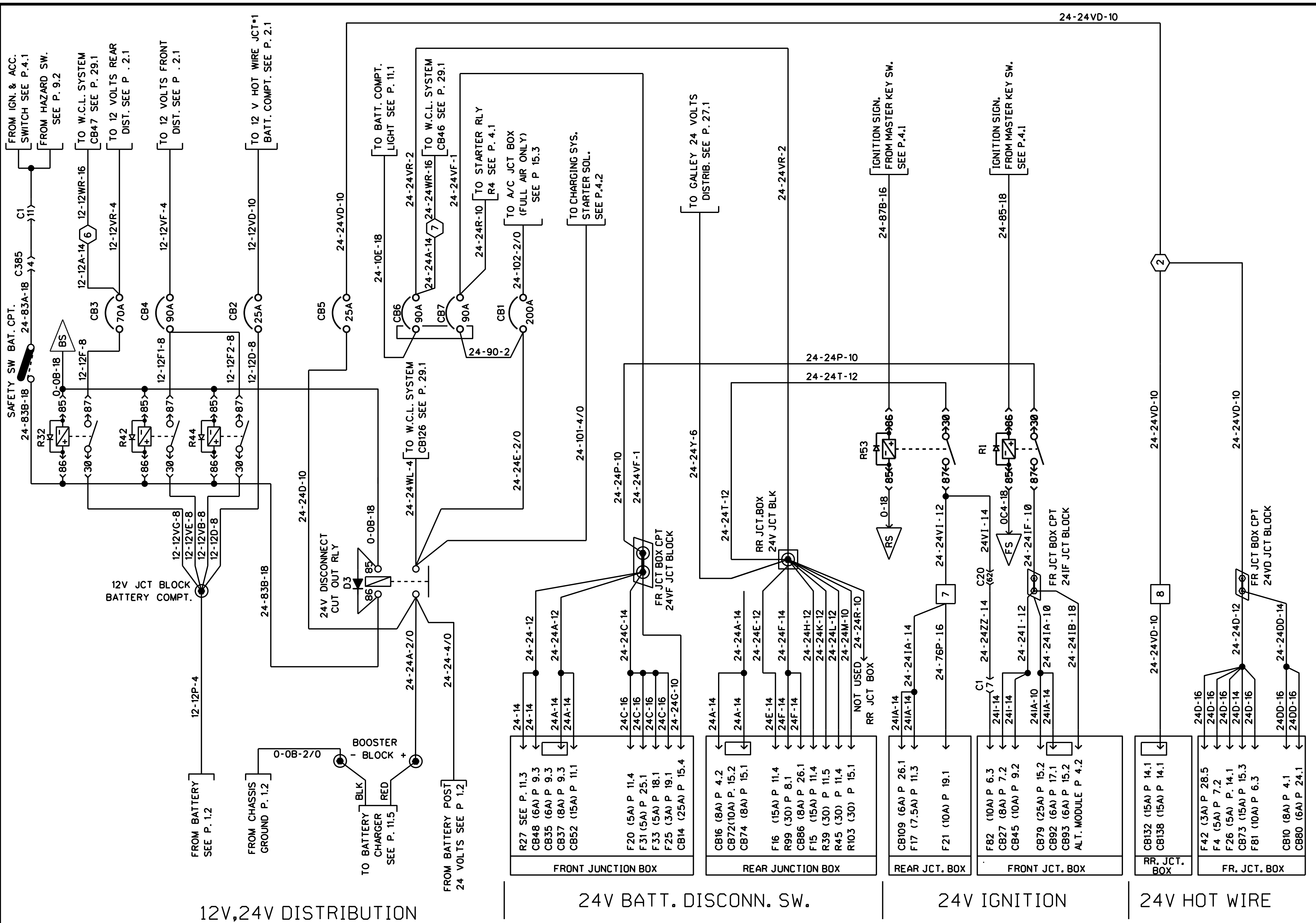
LEVEL 0 = 0 VOLT (TO GROUND)

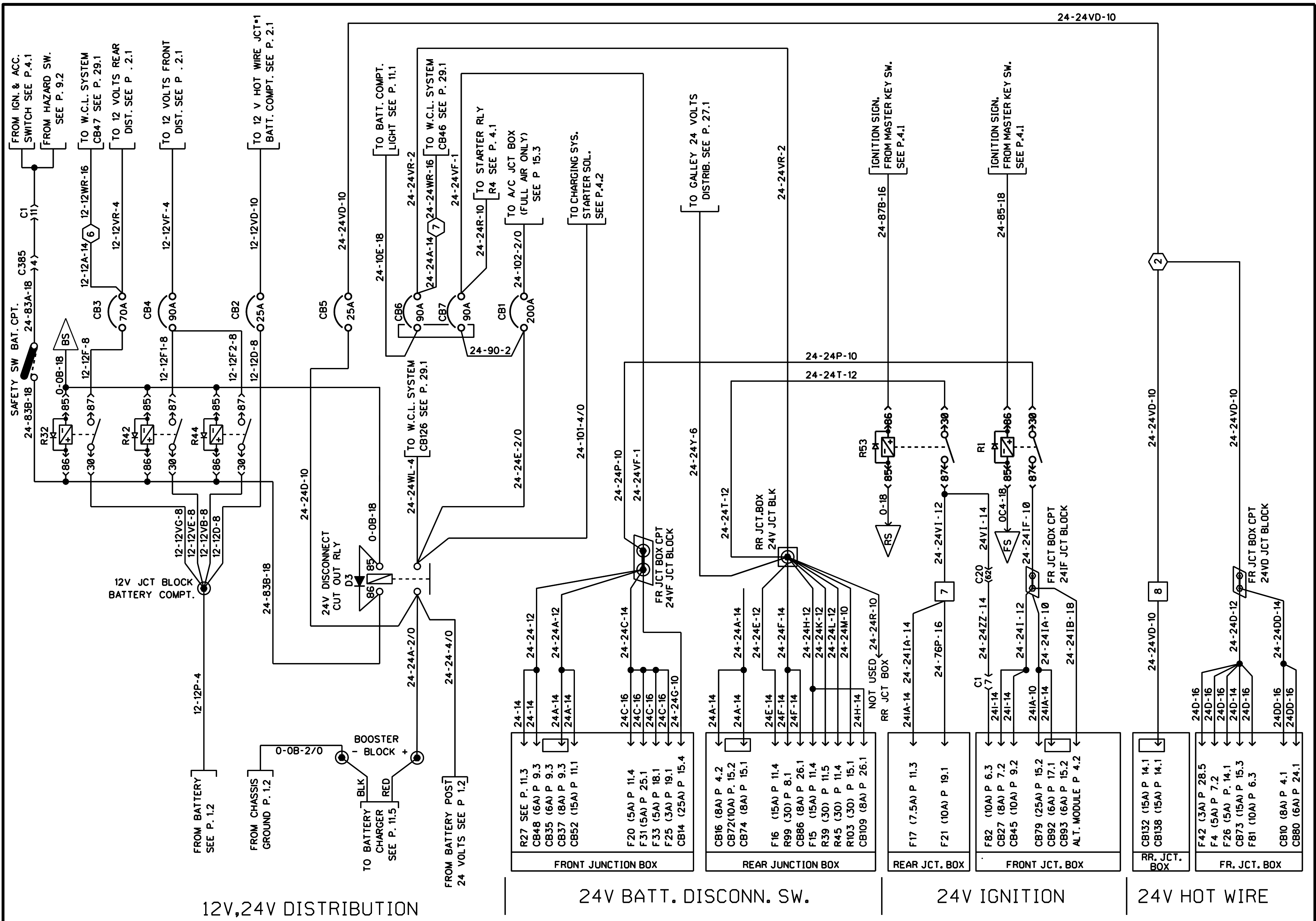


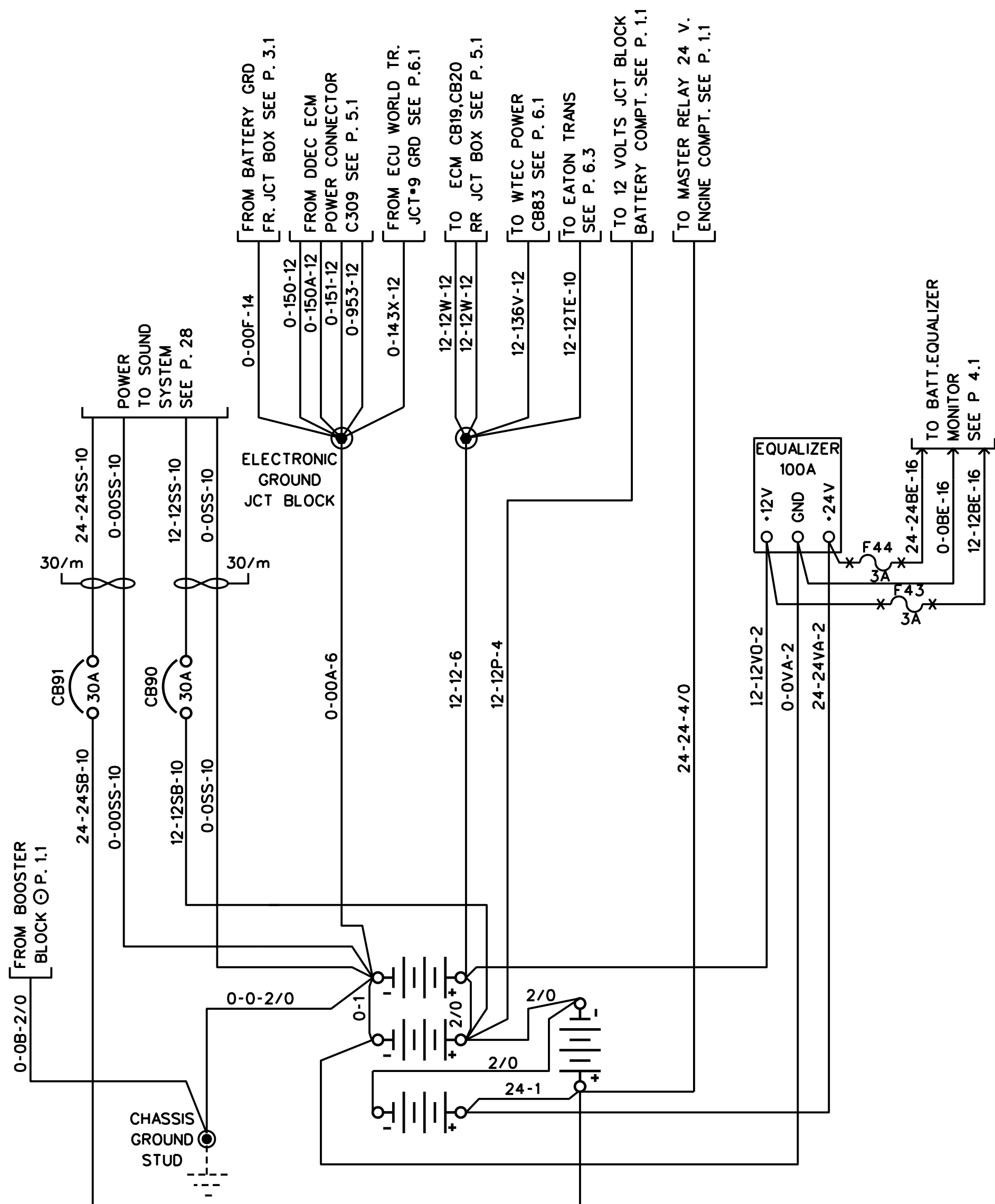




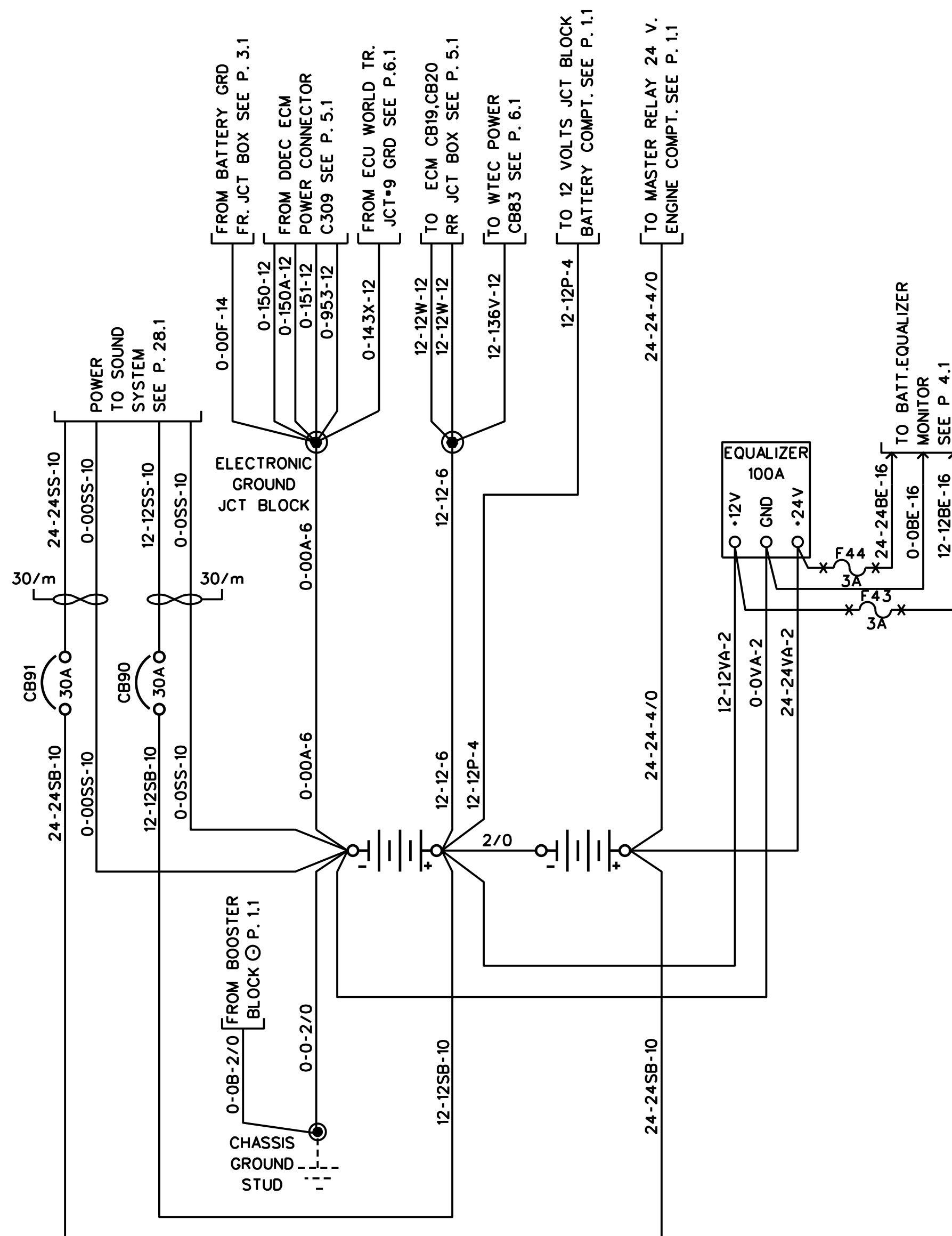




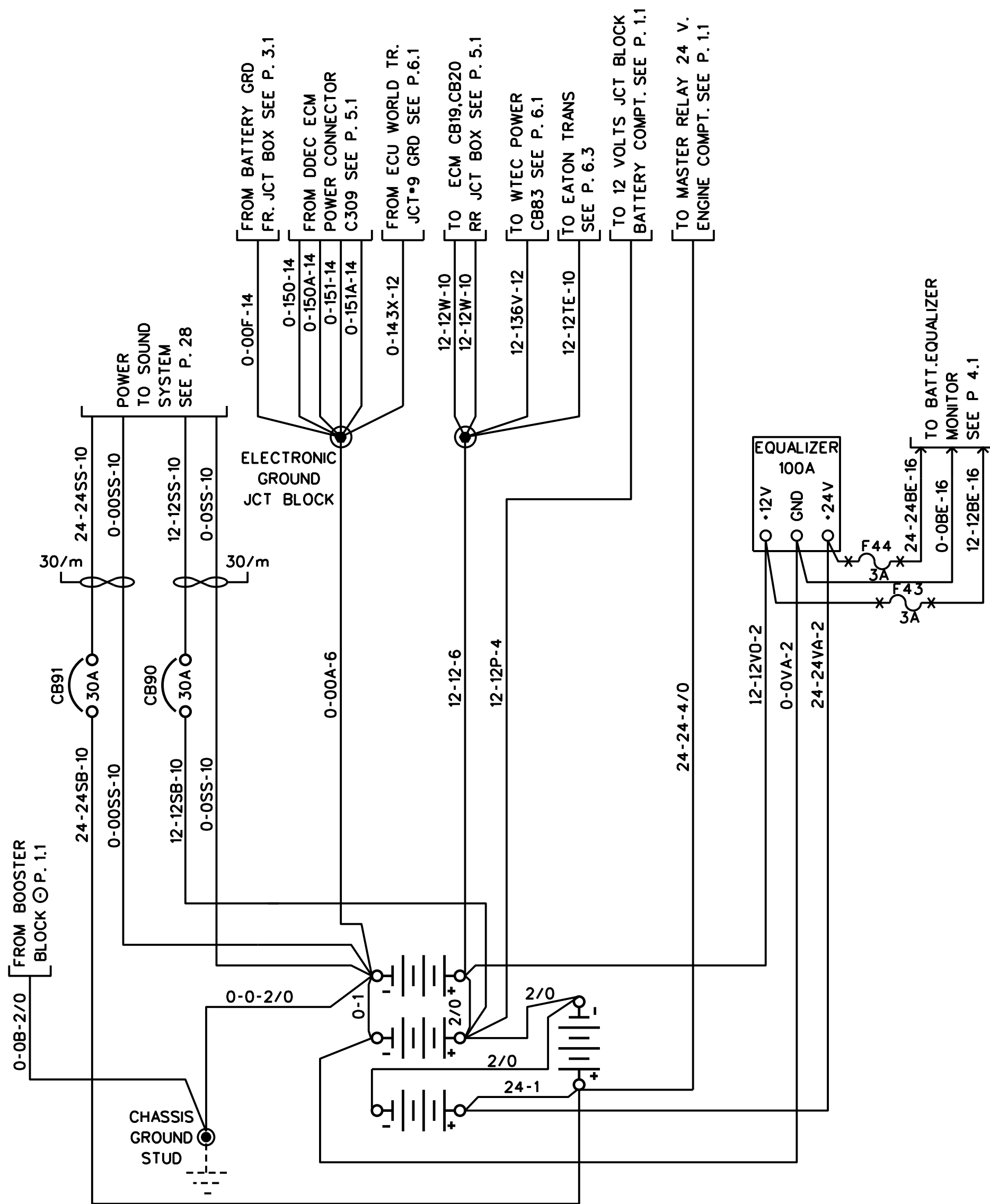




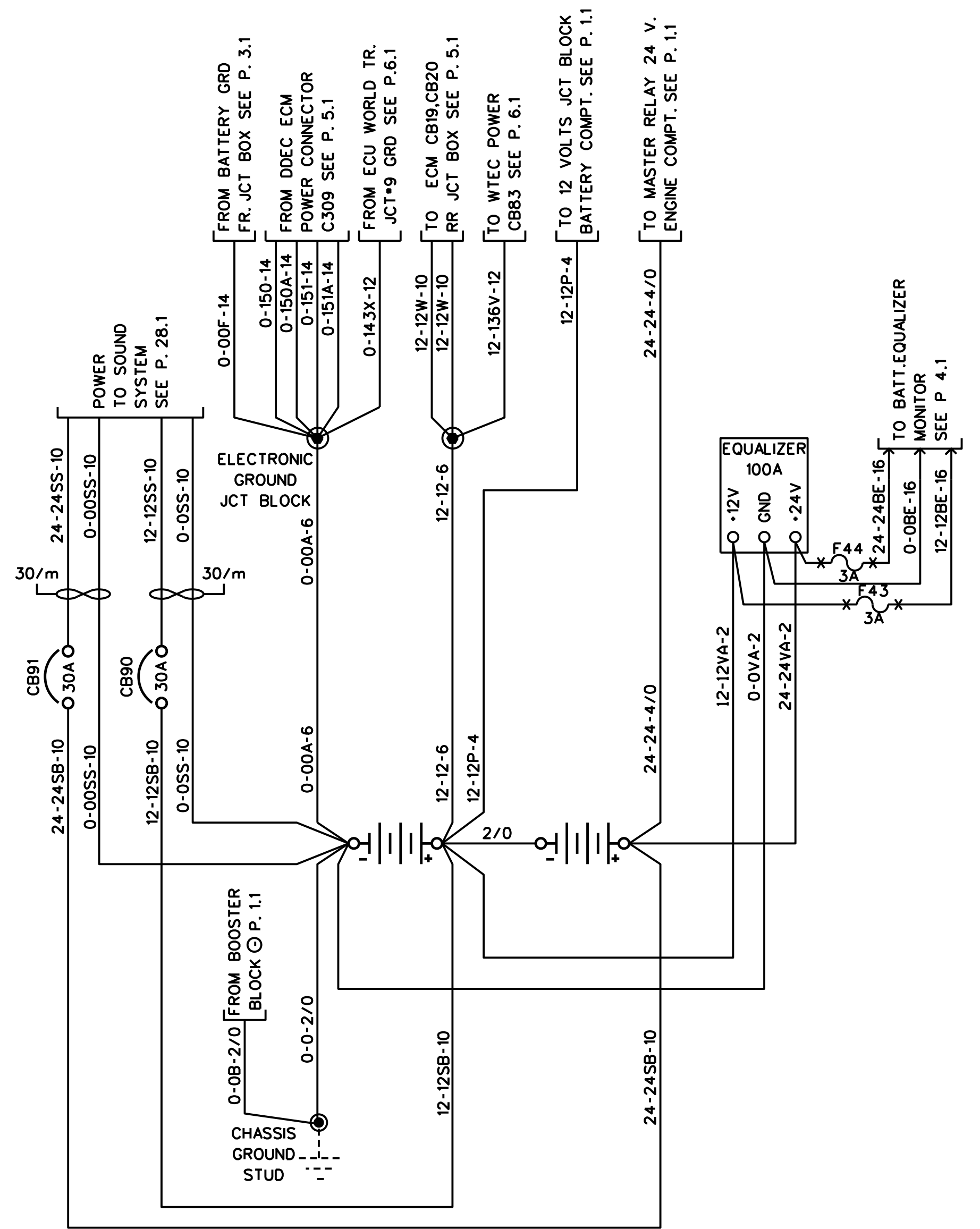
SERIE 31 BATTERY



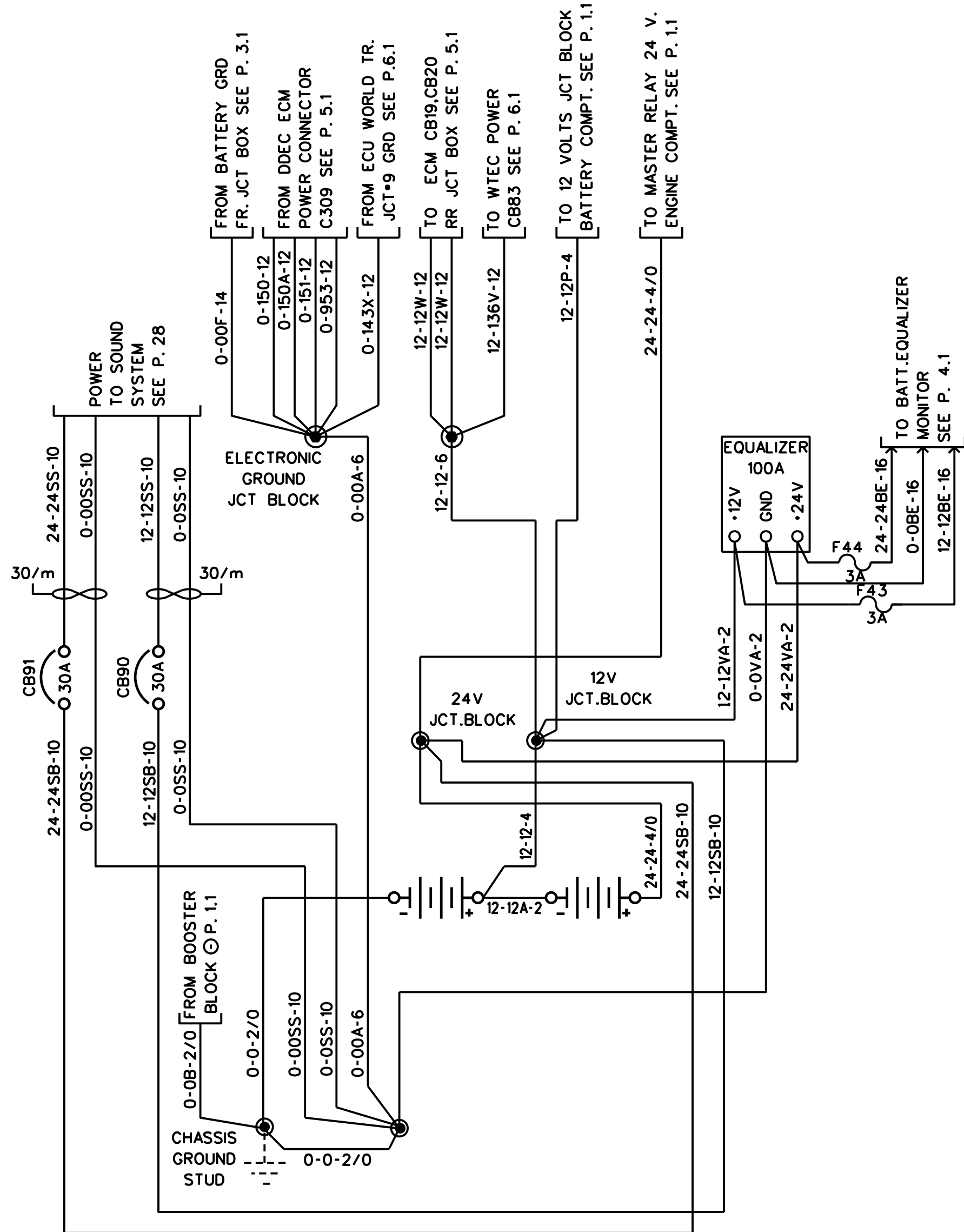
SERIE 8D BATTERY



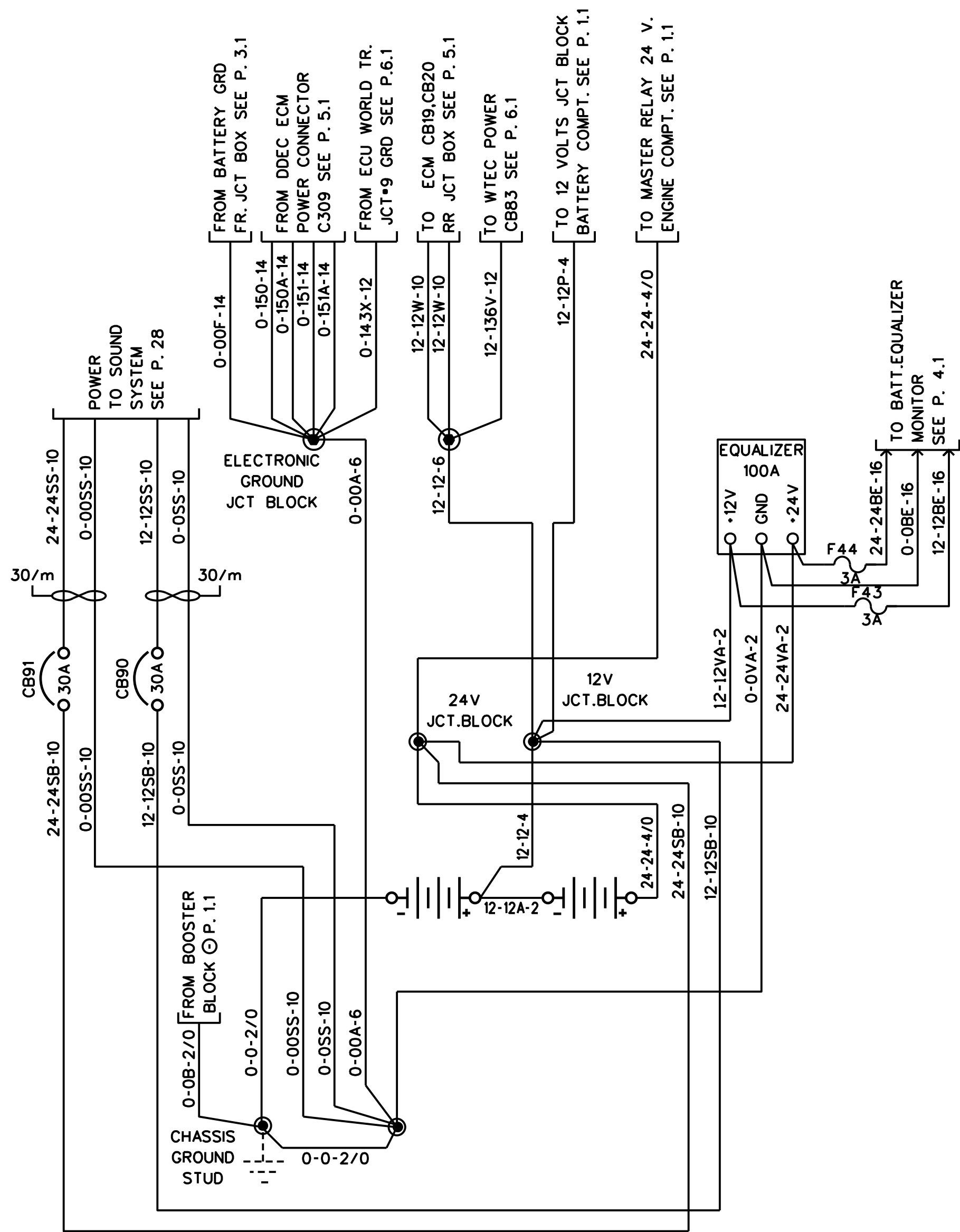
SERIE 31 BATTERY



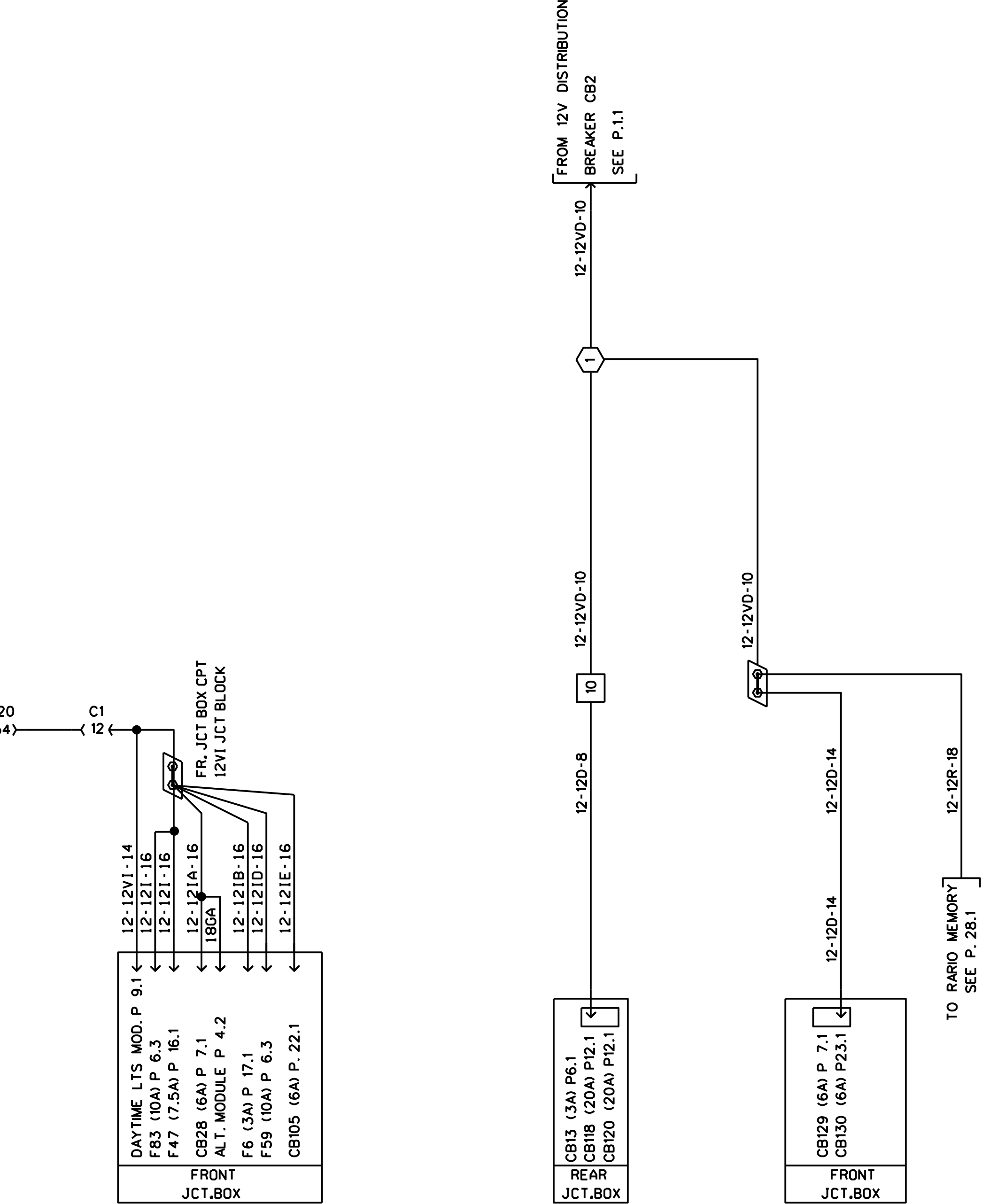
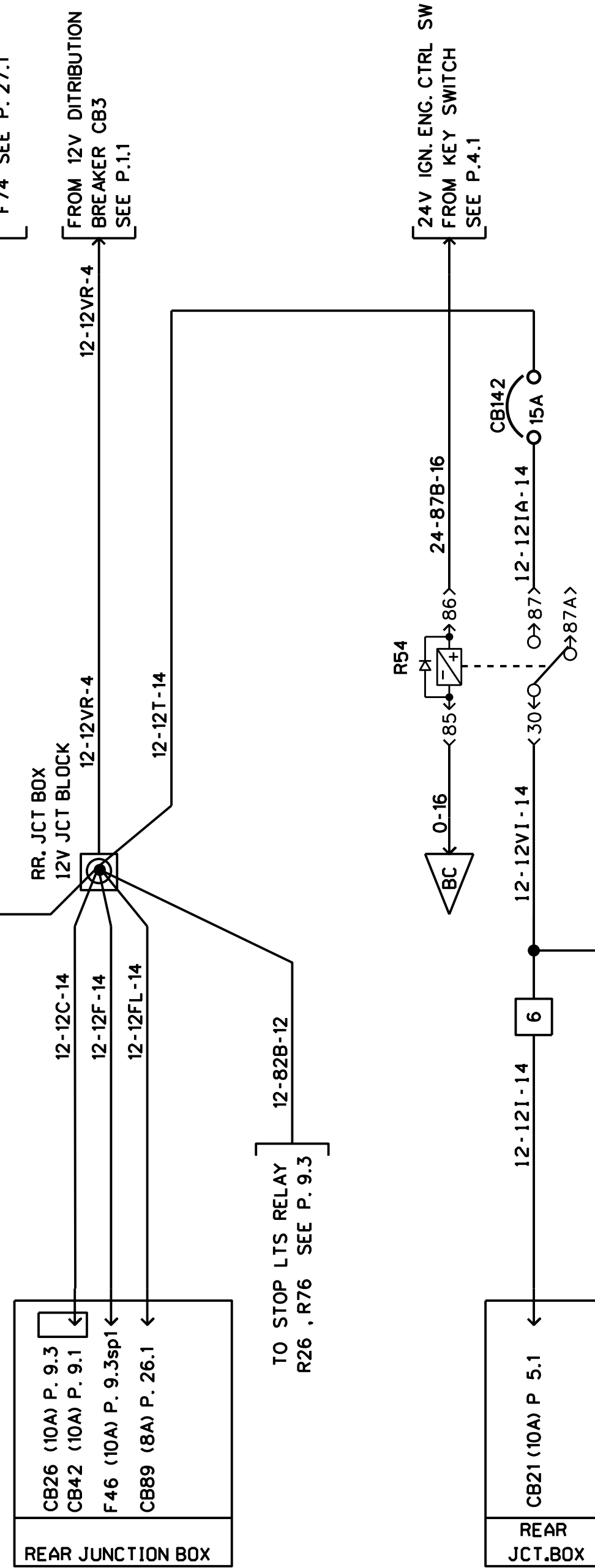
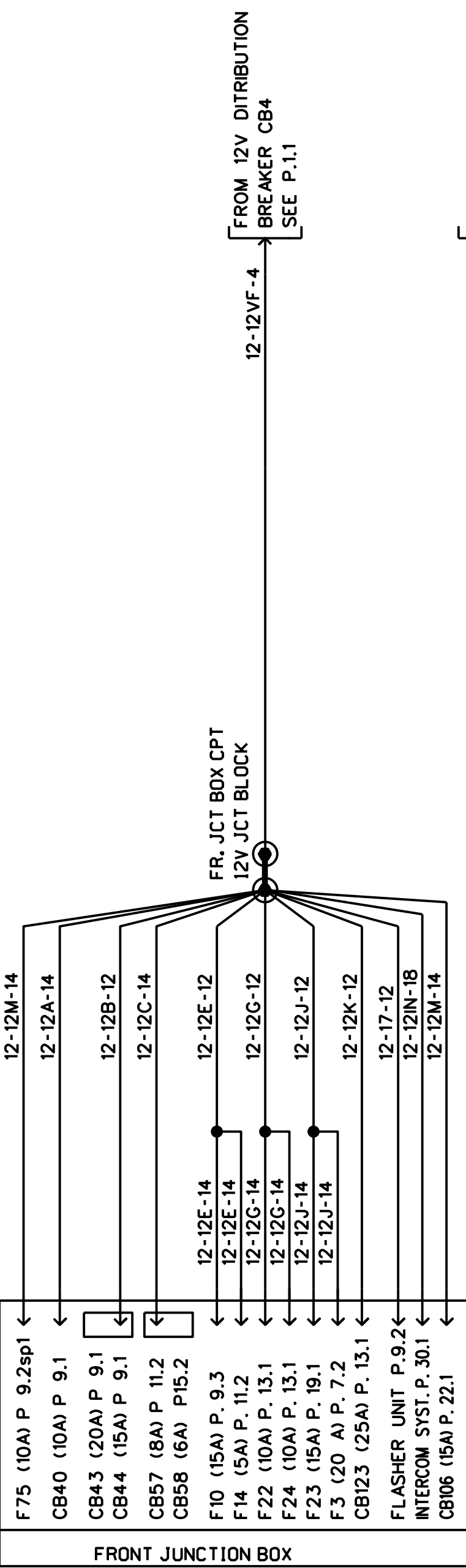
SERIE 8D BATTERY

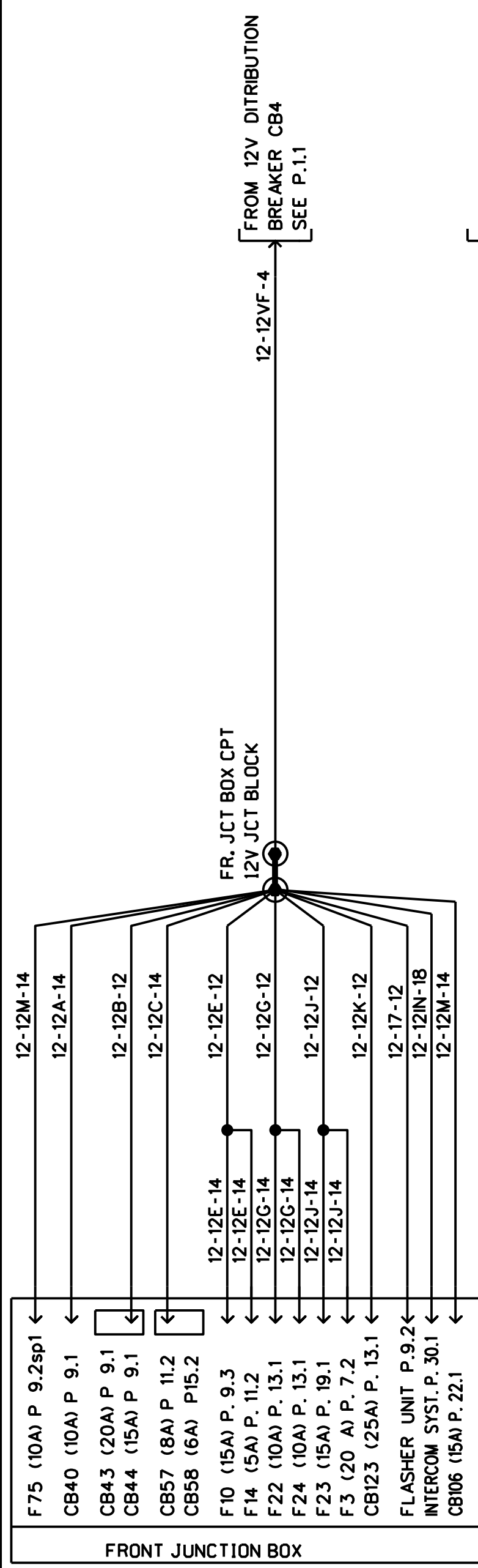


SERIE 8D BATTERY TOP POST

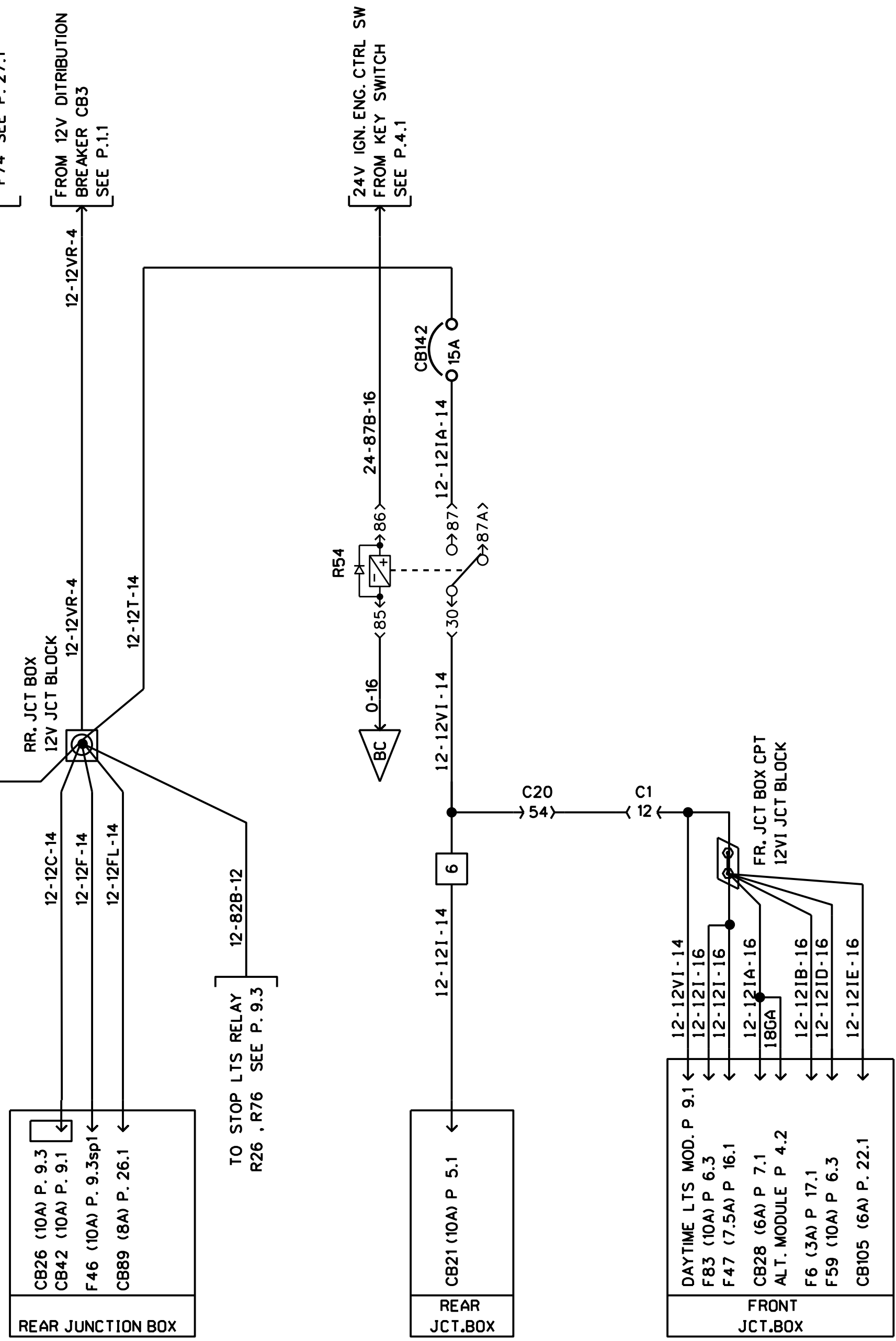


SERIE 8D BATTERY TOP POST

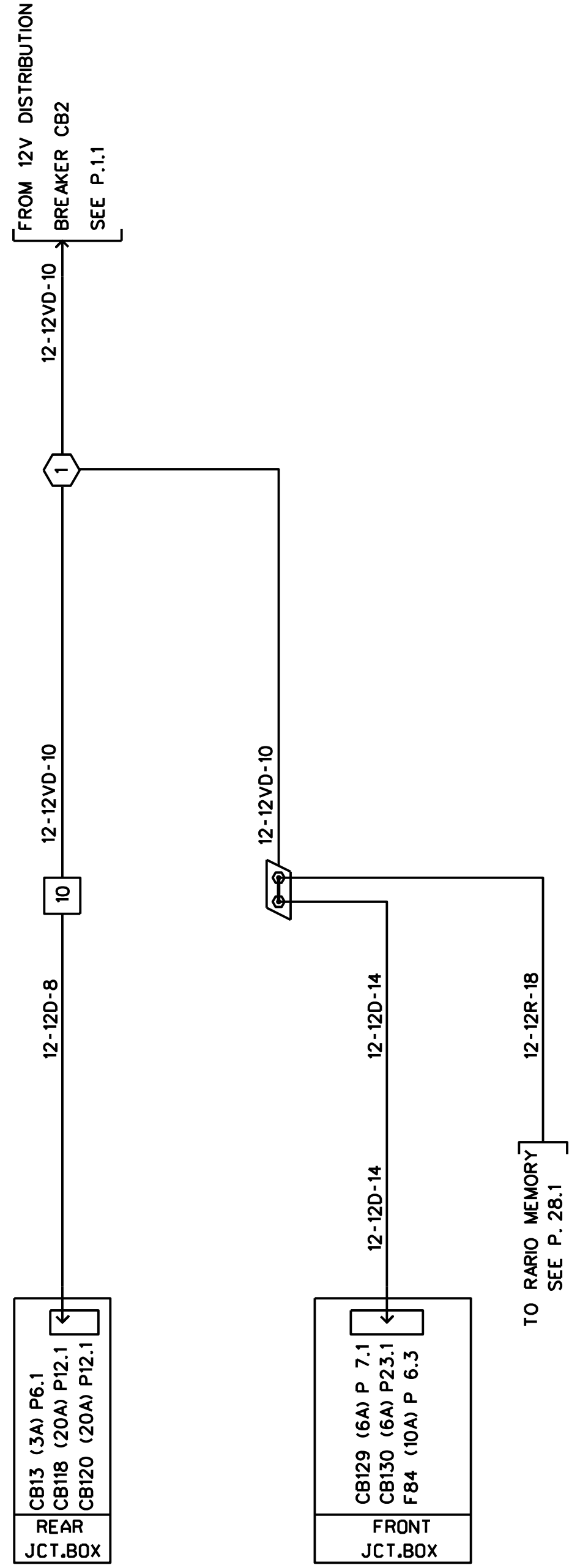




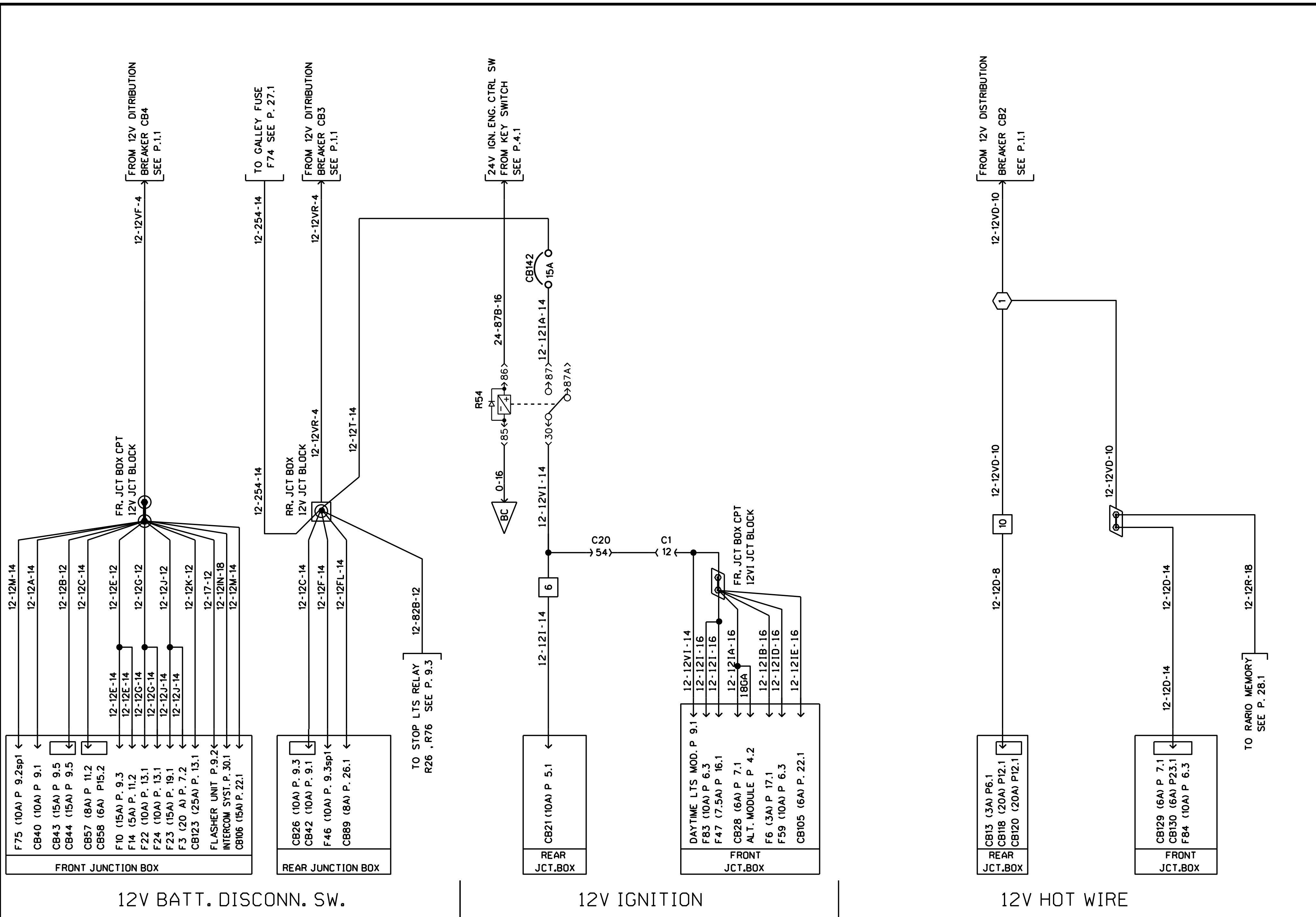
12V BATT. DISCONN. SW.

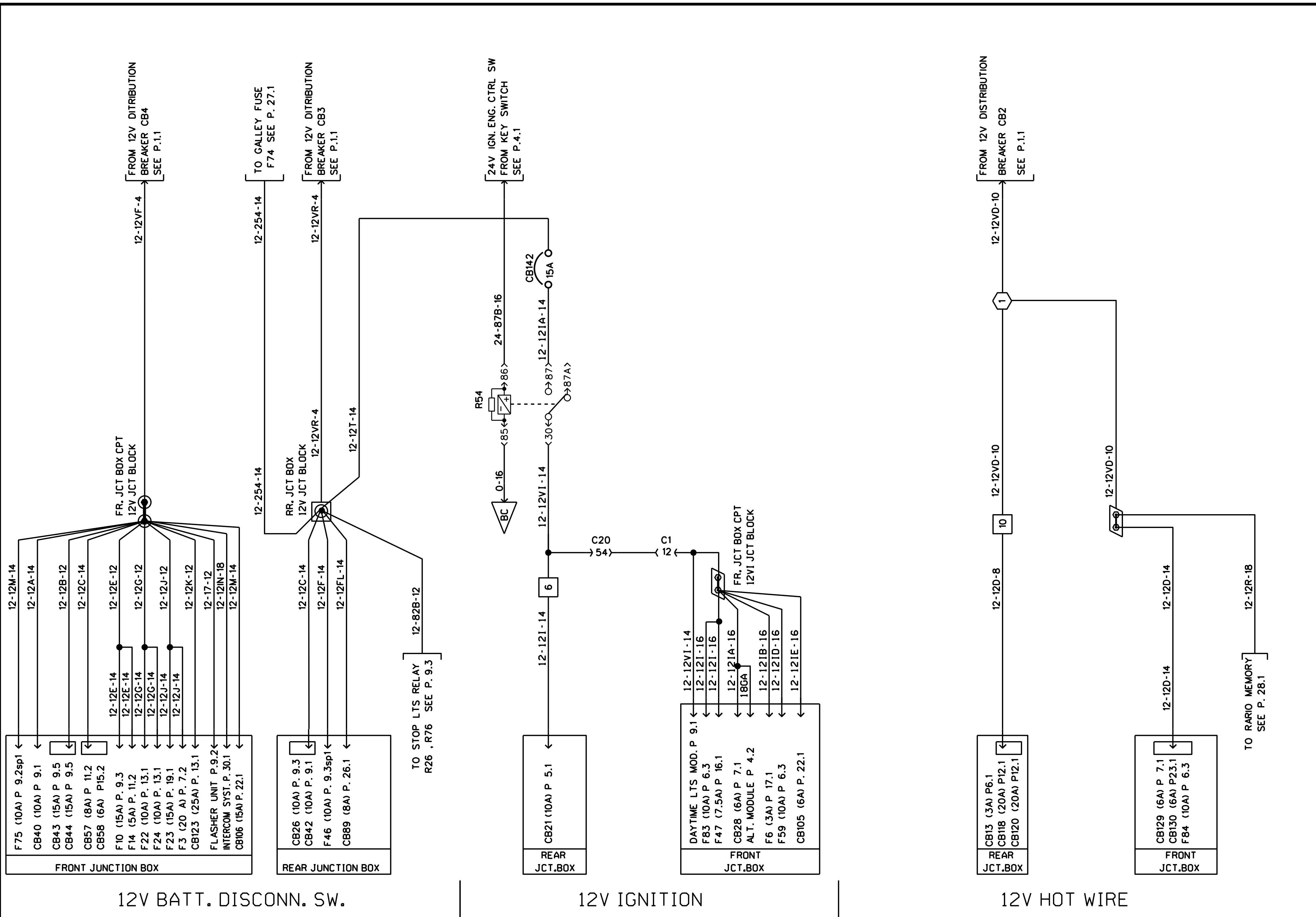


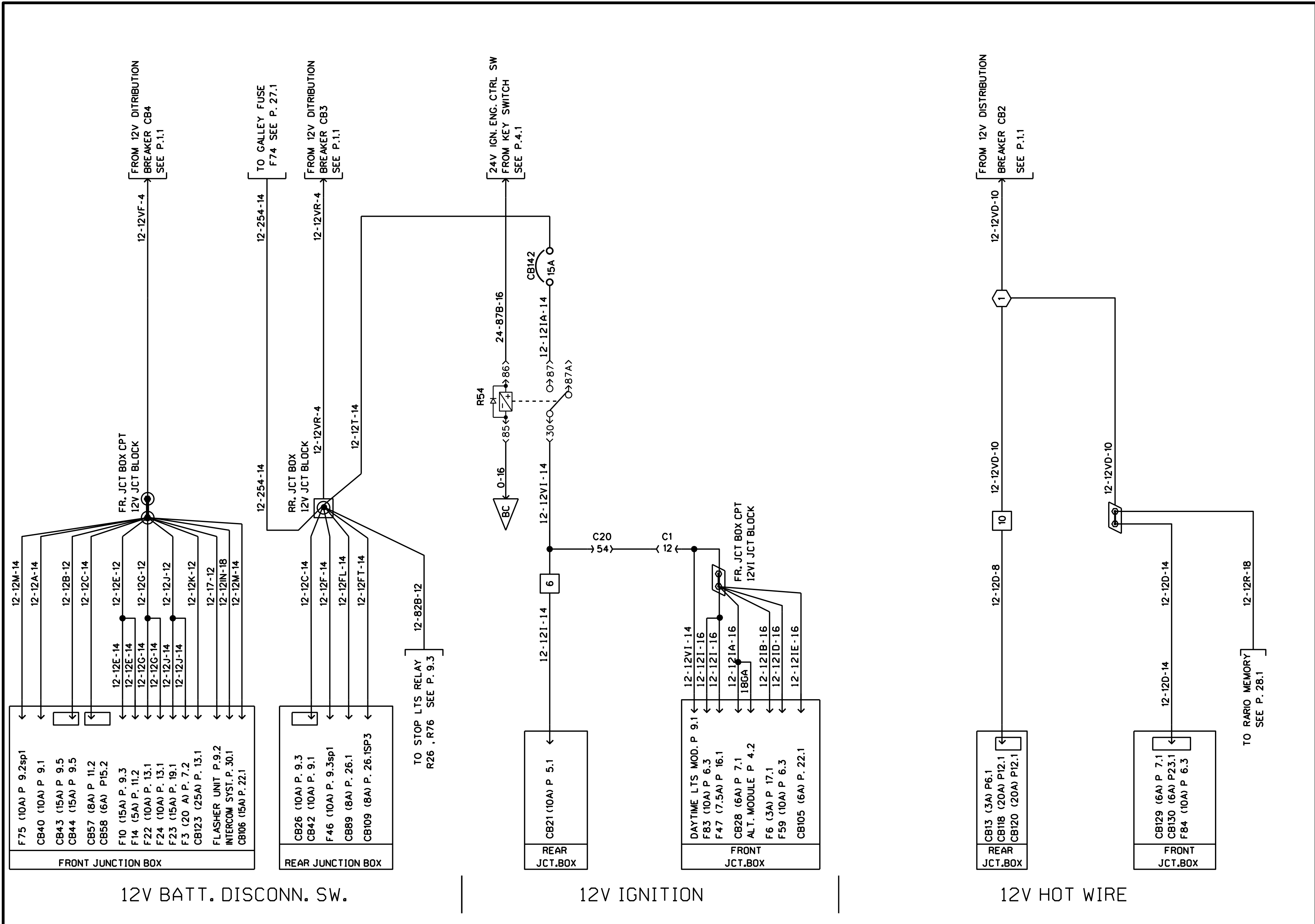
12V IGNITION

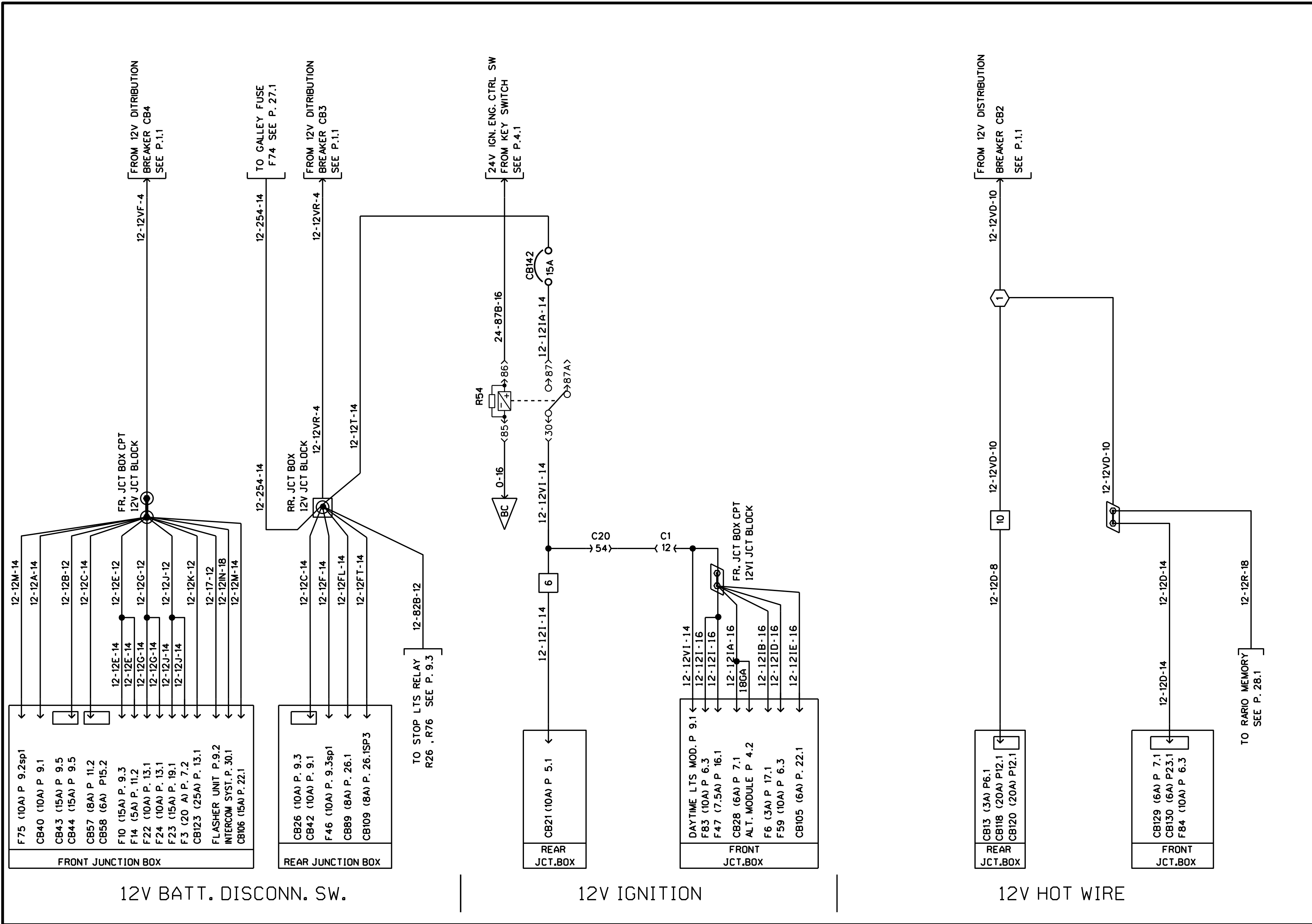


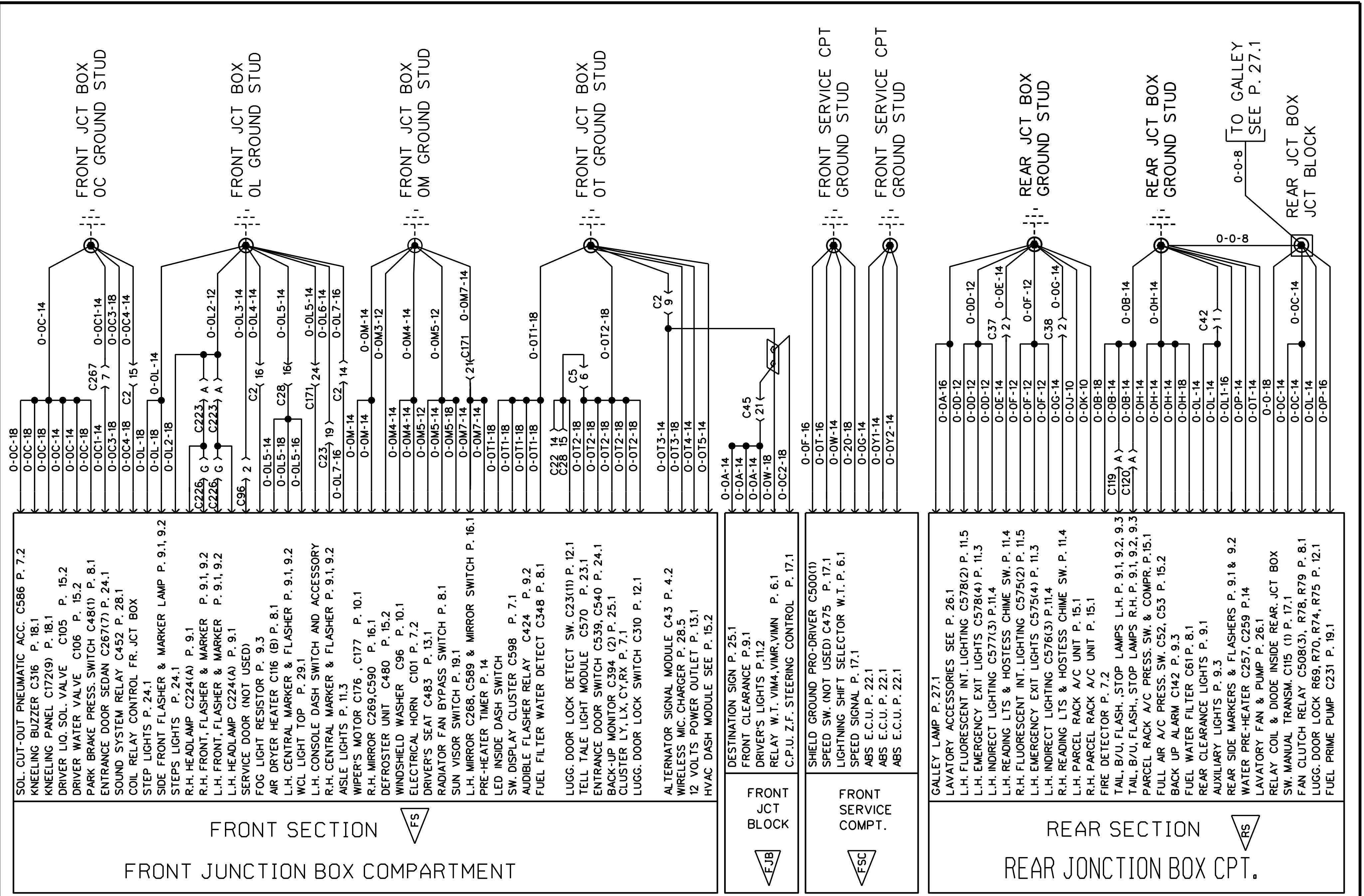
12V HOT WIRE









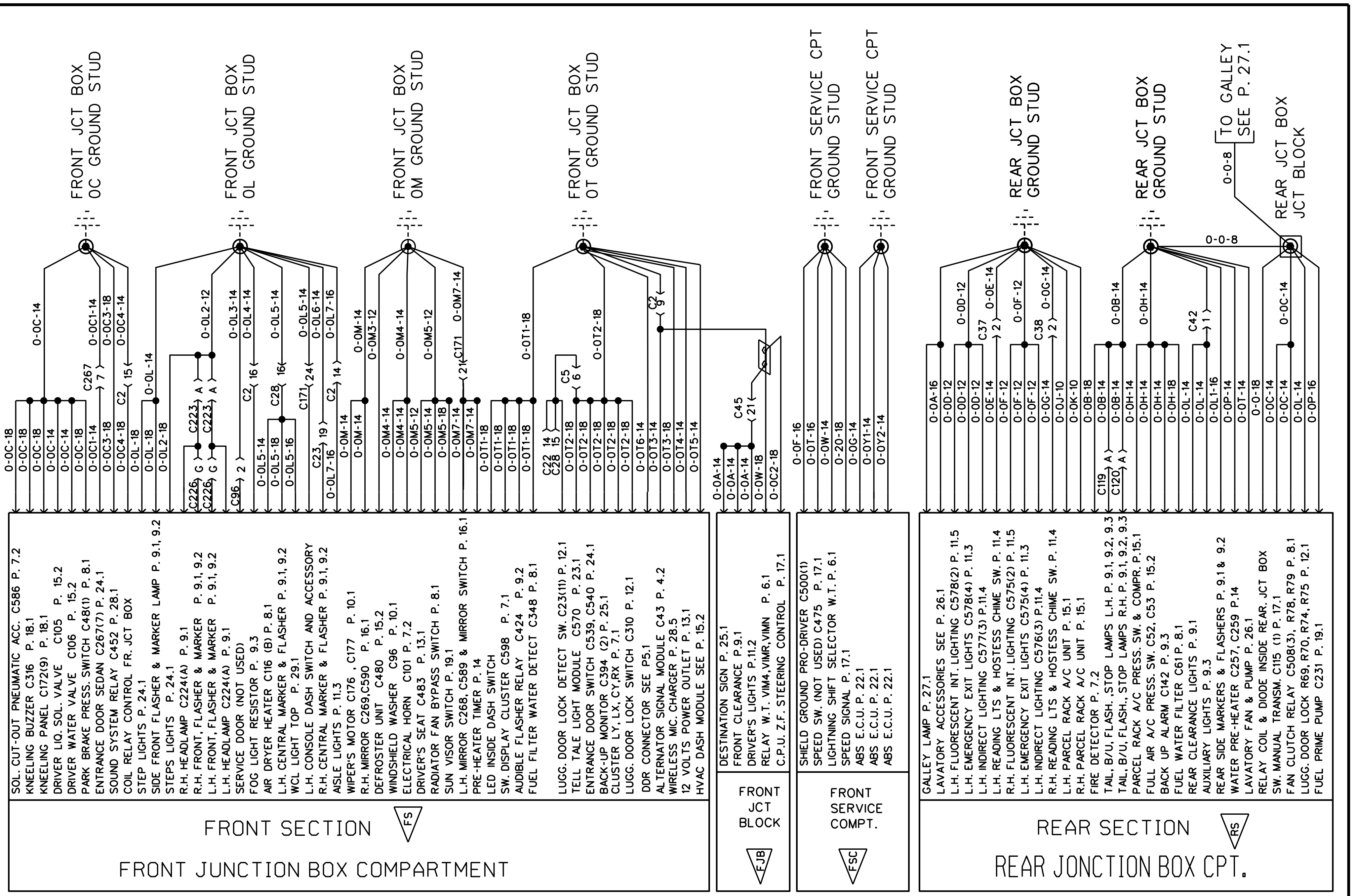


FRONT SECTION  FRONT JUNCTION BOX COMPARTMENT  CHASSIS GROUND

FRONT SERVICE COMPT.  FRONT SERVICE CPT GROUND STUD

REAR SECTION  REAR JUNCTION BOX CPT.  REAR JCT BOX GROUND STUD

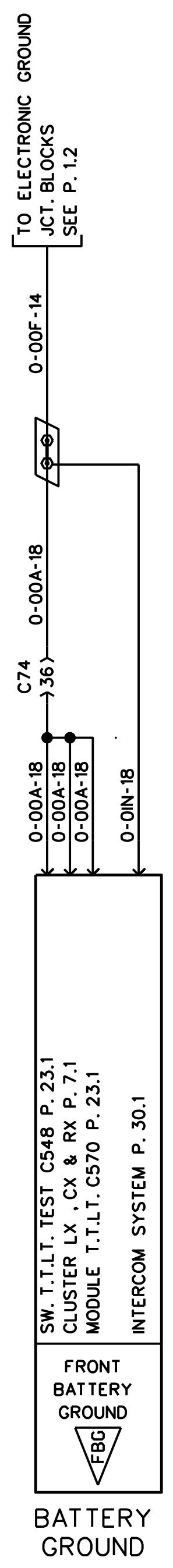
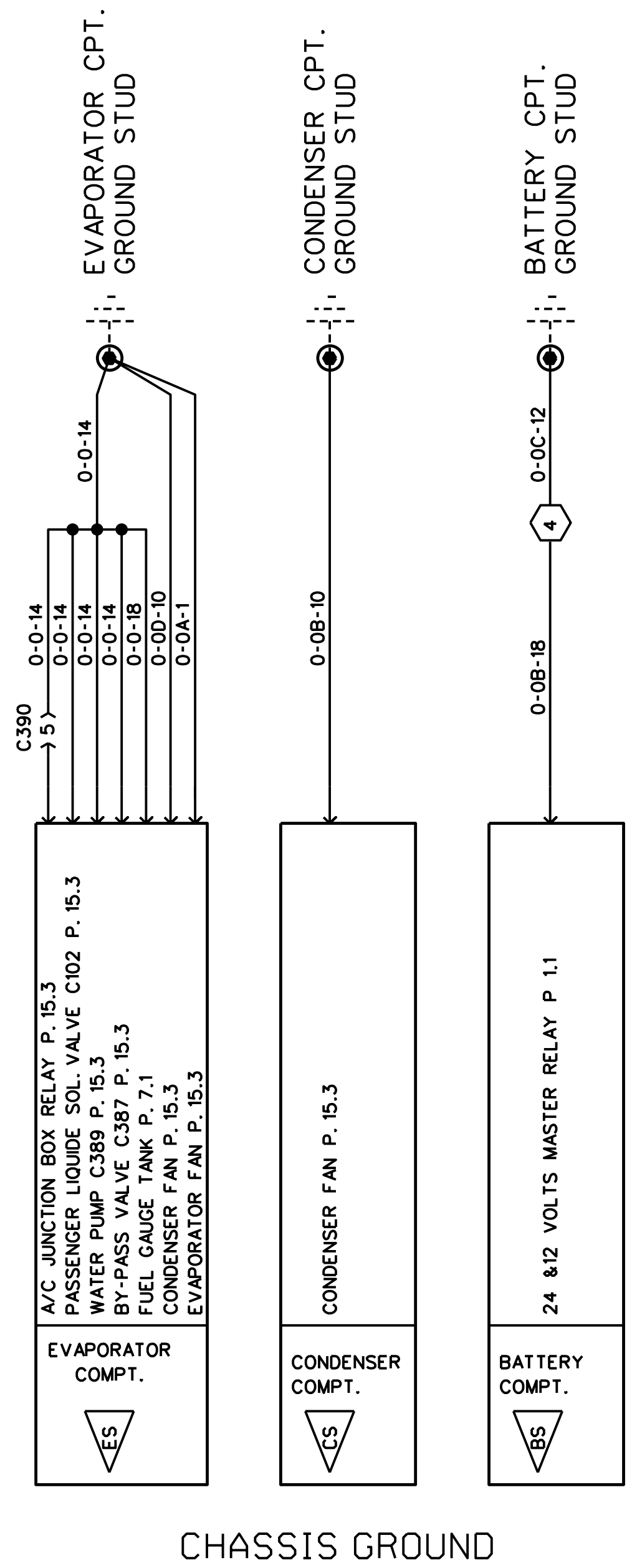
TO GALLEY SEE P. 27.1

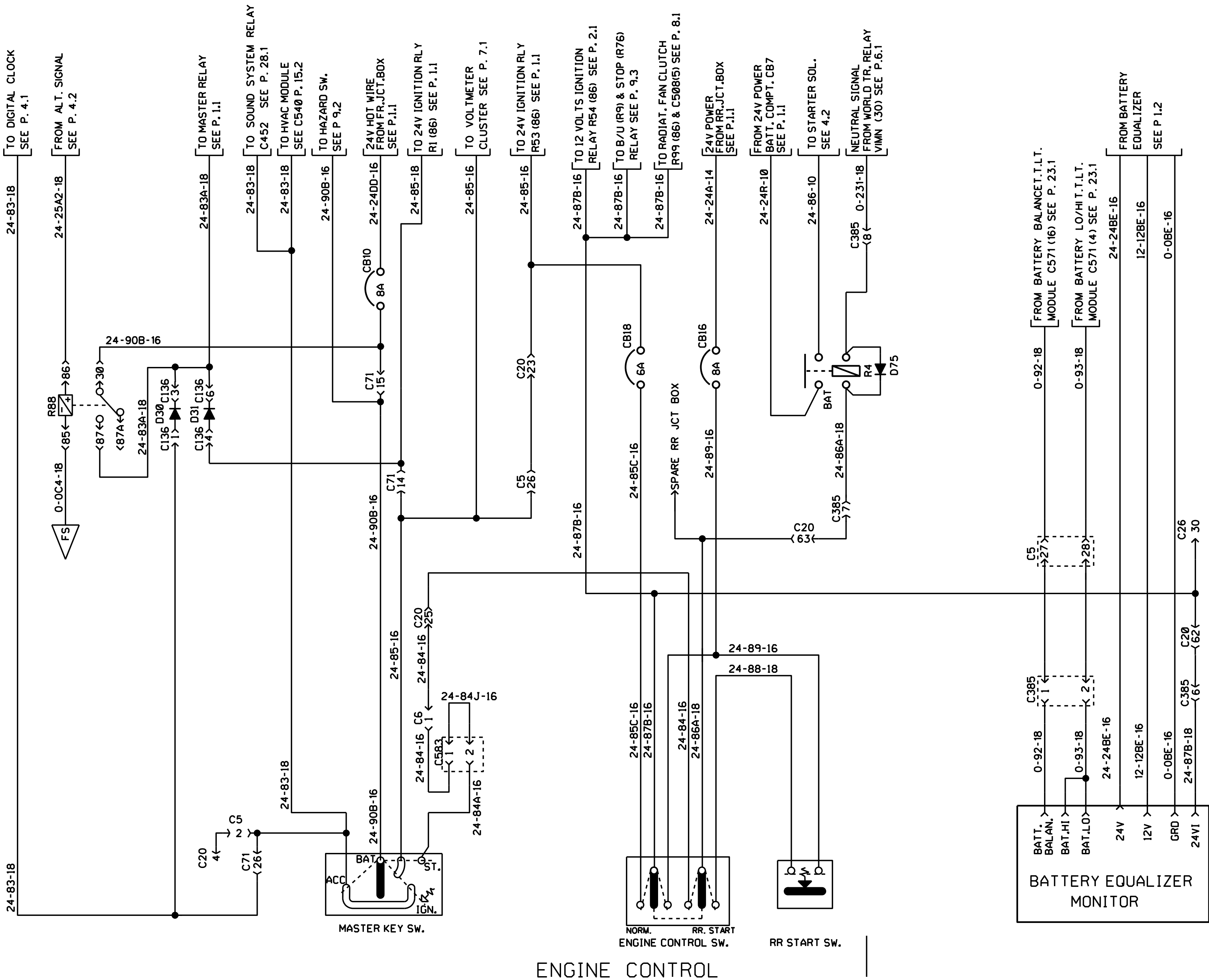


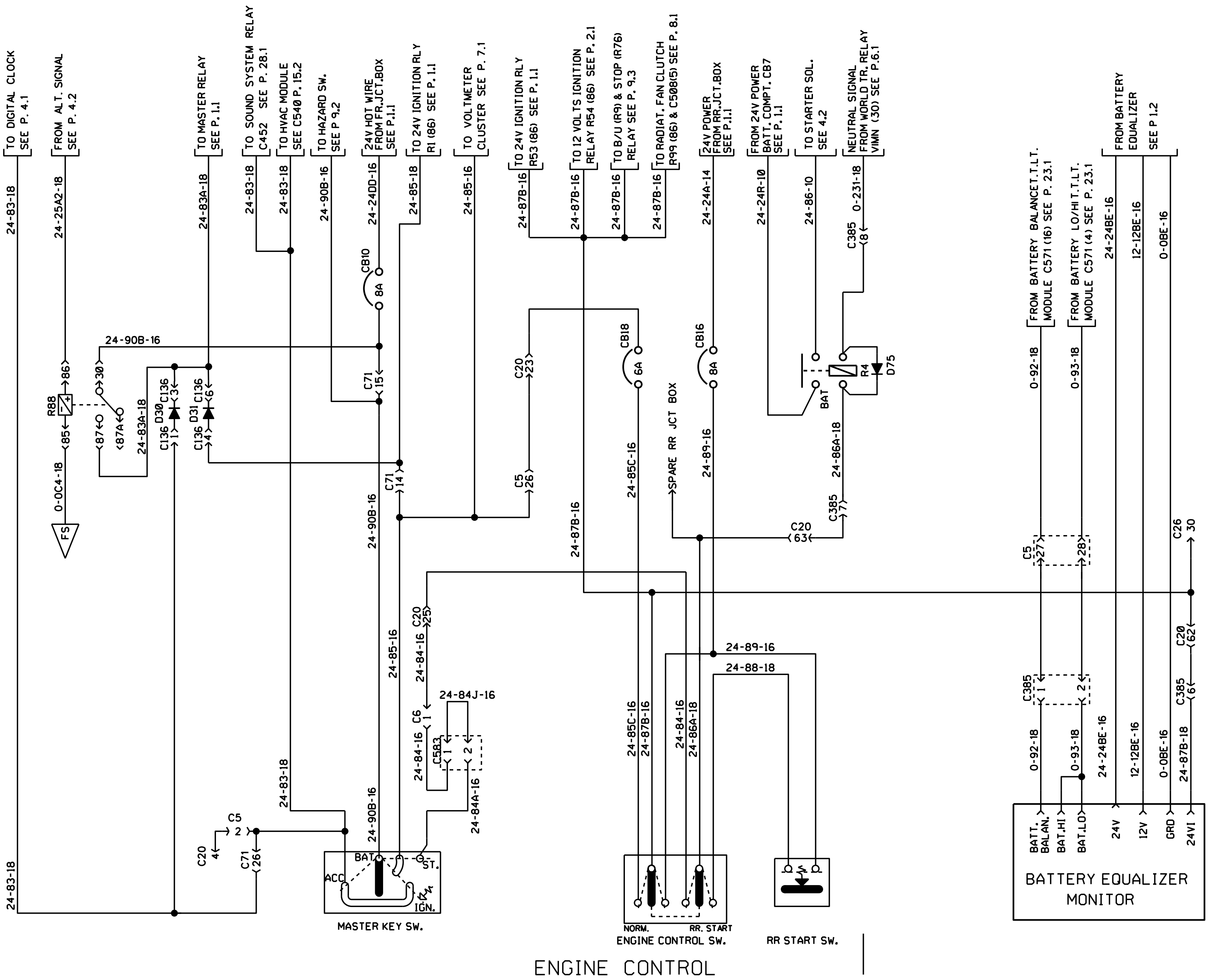
SOL. CUT-OUT PNEUMATIC ACC. C586 P. 7.2
 KNEELING BUZZER C316 P. 18.1
 KNEELING PANEL C172(9) P. 18.1
 DRIVER LIQ. SOL. VALVE C105 P. 15.2
 DRIVER WATER VALVE C106 P. 15.2
 PARK BRAKE PRESS. SWITCH C48(1) P. 8.1
 ENTRANCE DOOR SEDAN C267(7) P. 24.1
 SOUND SYSTEM RELAY C452 P. 28.1
 COIL RELAY CONTROL FR. JCT BOX
 STEP LIGHTS P. 24.1
 SIDE FRONT FLASHER & MARKER LAMP P. 9.1, 9.2
 STEPS LIGHTS P. 24.1
 R.H. HEADLAMP C224(A) P. 9.1
 R.H. FRONT, FLASHER & MARKER P. 9.1, 9.2
 L.H. FRONT, FLASHER & MARKER P. 9.1, 9.2
 L.H. HEADLAMP C224(A) P. 9.1
 SERVICE DOOR (NOT USED)
 FOG LIGHT RESISTOR P. 9.3
 AIR DRYER HEATER C116 (B) P. 8.1
 L.H. CENTRAL MARKER & FLASHER P. 9.1, 9.2
 WCL LIGHT TOP P. 29.1
 L.H. CONSOLE DASH SWITCH AND ACCESSORY
 R.H. CENTRAL MARKER & FLASHER P. 9.1, 9.2
 AISLE LIGHTS P. 11.3
 WIPER'S MOTOR C176, C177 P. 10.1
 R.H. MIRROR C269, C590 P. 16.1
 DEFROSTER UNIT C480 P. 15.2
 WINDSHIELD WASHER C96 P. 10.1
 ELECTRICAL HORN C101 P. 7.2
 DRIVER'S SEAT C483 P. 13.1
 RADIATOR FAN BYPASS SWITCH P. 8.1
 SUN VISOR SWITCH P. 19.1
 L.H. MIRROR C268, C589 & MIRROR SWITCH P. 16.1
 PRE-HEATER TIMER P. 14
 LED INSIDE DASH SWITCH
 SW. DISPLAY CLUSTER C598 P. 7.1
 AUDIBLE FLASHER RELAY C424 P. 9.2
 FUEL FILTER WATER DETECT C348 P. 8.1
 LUGG. DOOR LOCK DETECT SW. C23(11) P. 12.1
 TELL TALE LIGHT MODULE C570 P. 23.1
 ENTRANCE DOOR SWITCH C539, C540 P. 24.1
 BACK-UP MONITOR C394 (2) P. 25.1
 CLUSTER LY, LX, CY, RX P. 7.1
 LUGG. DOOR LOCK SWITCH C310 P. 12.1
 DDR CONNECTOR SEE P. 5.1
 ALTERNATOR SIGNAL MODULE C43 P. 4.2
 WIRELESS MIC. CHARGER P. 28.5
 12 VOLTS POWER OUTLET P. 13.1
 HVAC DASH MODULE SEE P. 15.2

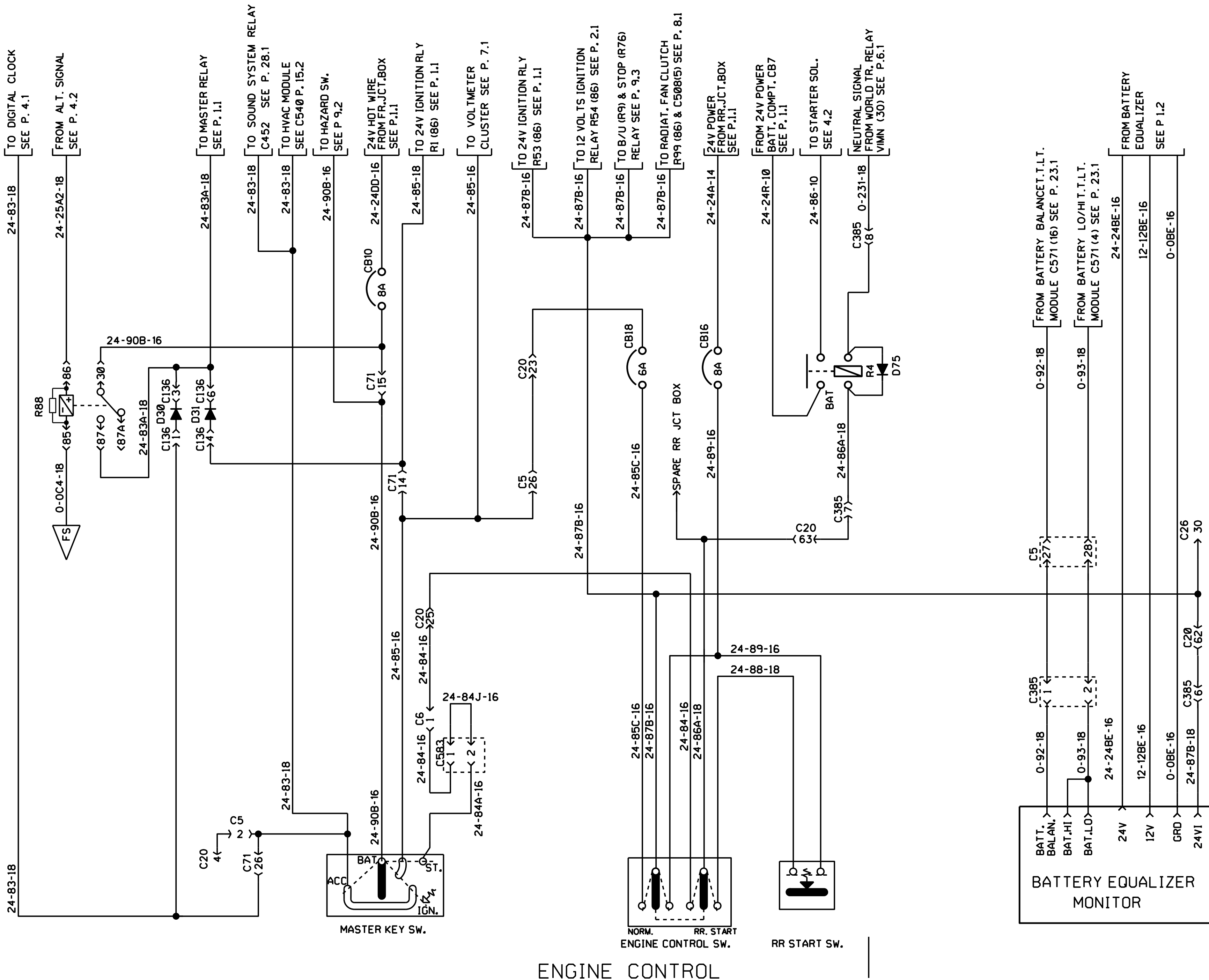
DESTINATION SIGN P. 25.1
 FRONT CLEARANCE P. 9.1
 DRIVER'S LIGHTS P. 11.2
 RELAY W.T. VIM4, VIMR, VMN P. 6.1
 C.P.U. Z.F. STEERING CONTROL P. 17.1
 SHIELD GROUND PRO-DRIVER C500(1)
 SPEED SW. (NOT USED) C475 P. 17.1
 LIGHTNING SHIFT SELECTOR W.T. P. 6.1
 SPEED SIGNAL P. 17.1
 ABS E.C.U. P. 22.1
 ABS E.C.U. P. 22.1
 ABS E.C.U. P. 22.1

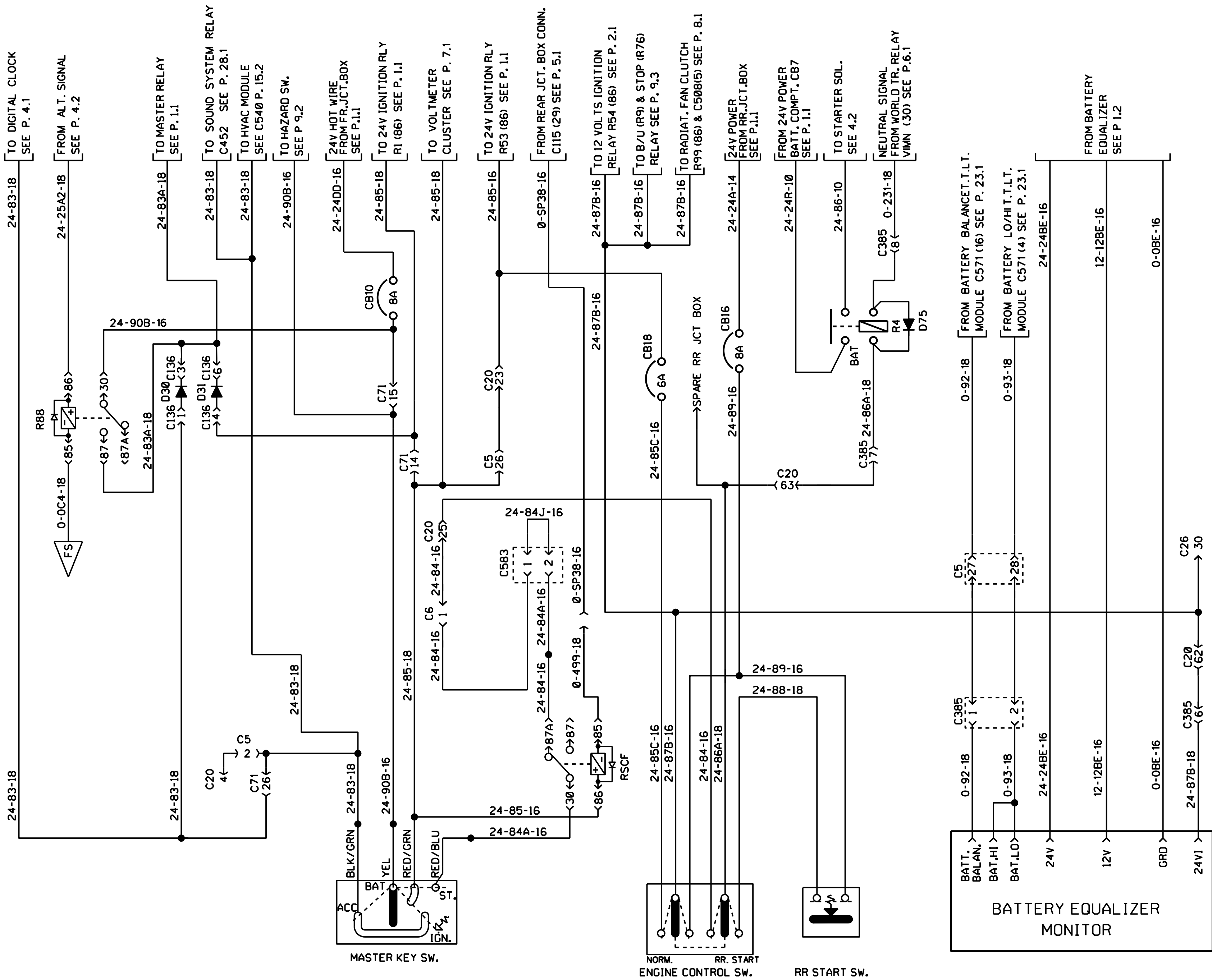
GALLEY LAMP P. 27.1
 LAVATORY ACCESSORIES SEE P. 26.1
 L.H. FLUORESCENT INT. LIGHTING C578(2) P. 11.5
 L.H. EMERGENCY EXIT LIGHTS C578(4) P. 11.3
 L.H. INDIRECT LIGHTING C577(3) P. 11.4
 L.H. READING LTS & HOSTESS CHIME SW. P. 11.4
 R.H. FLUORESCENT INT. LIGHTING C575(2) P. 11.5
 L.H. EMERGENCY EXIT LIGHTS C575(4) P. 11.3
 L.H. INDIRECT LIGHTING C576(3) P. 11.4
 R.H. READING LTS & HOSTESS CHIME SW. P. 11.4
 L.H. PARCEL RACK A/C UNIT P. 15.1
 R.H. PARCEL RACK A/C UNIT P. 15.1
 FIRE DETECTOR P. 7.2
 TAIL, B/U, FLASH, STOP LAMPS L.H. P. 9.1, 9.2, 9.3
 TAIL, B/U, FLASH, STOP LAMPS R.H. P. 9.1, 9.2, 9.3
 PARCEL RACK A/C PRESS. SW. & COMPR. P. 15.1
 FULL AIR A/C PRESS. SW. C52, C53 P. 15.2
 BACK UP ALARM C142 P. 9.3
 FUEL WATER FILTER C61 P. 8.1
 REAR CLEARANCE LIGHTS P. 9.1
 AUXILIARY LIGHTS P. 9.3
 REAR SIDE MARKERS & FLASHERS P. 9.1 & 9.2
 WATER PRE-HEATER C257, C259 P. 14
 LAVATORY FAN & PUMP P. 26.1
 RELAY COIL & DIODE INSIDE REAR JCT BOX
 SW. MANUAL TRANSM. C115 (1) P. 17.1
 FAN CLUTCH RELAY C508(3), R78, R79 P. 8.1
 LUGG. DOOR LOCK R69, R70, R74, R75 P. 12.1
 FUEL PRIME PUMP C231 P. 19.1



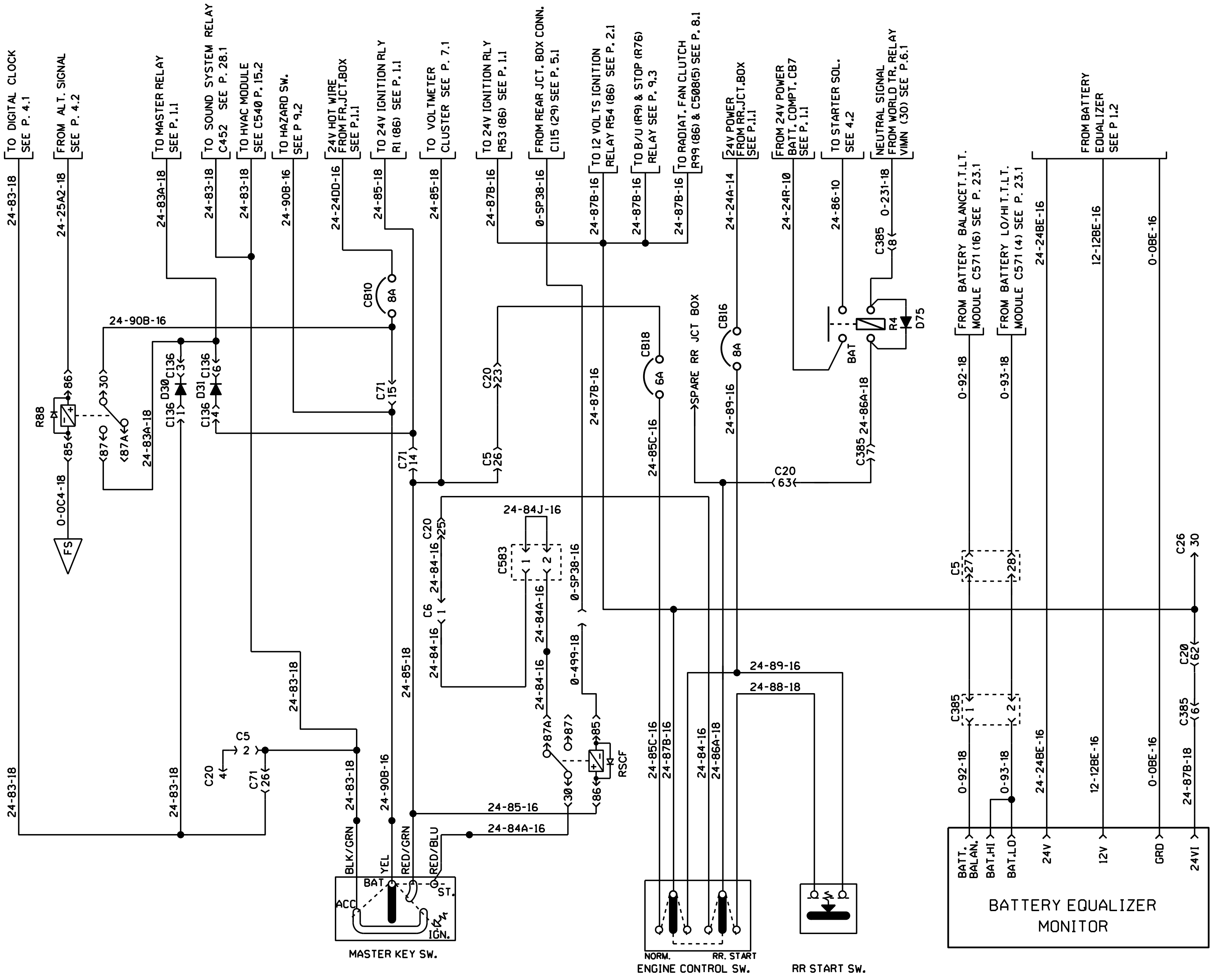




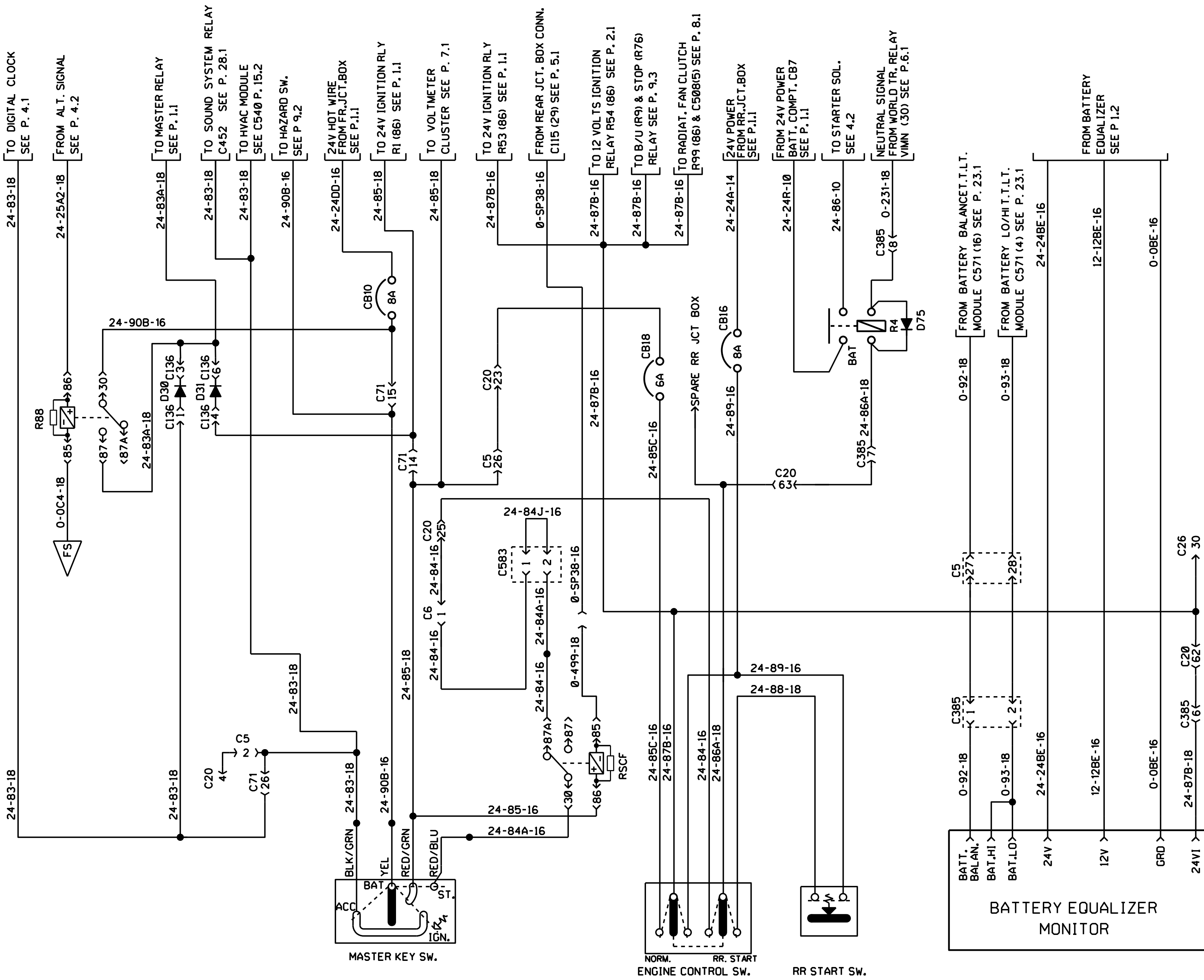




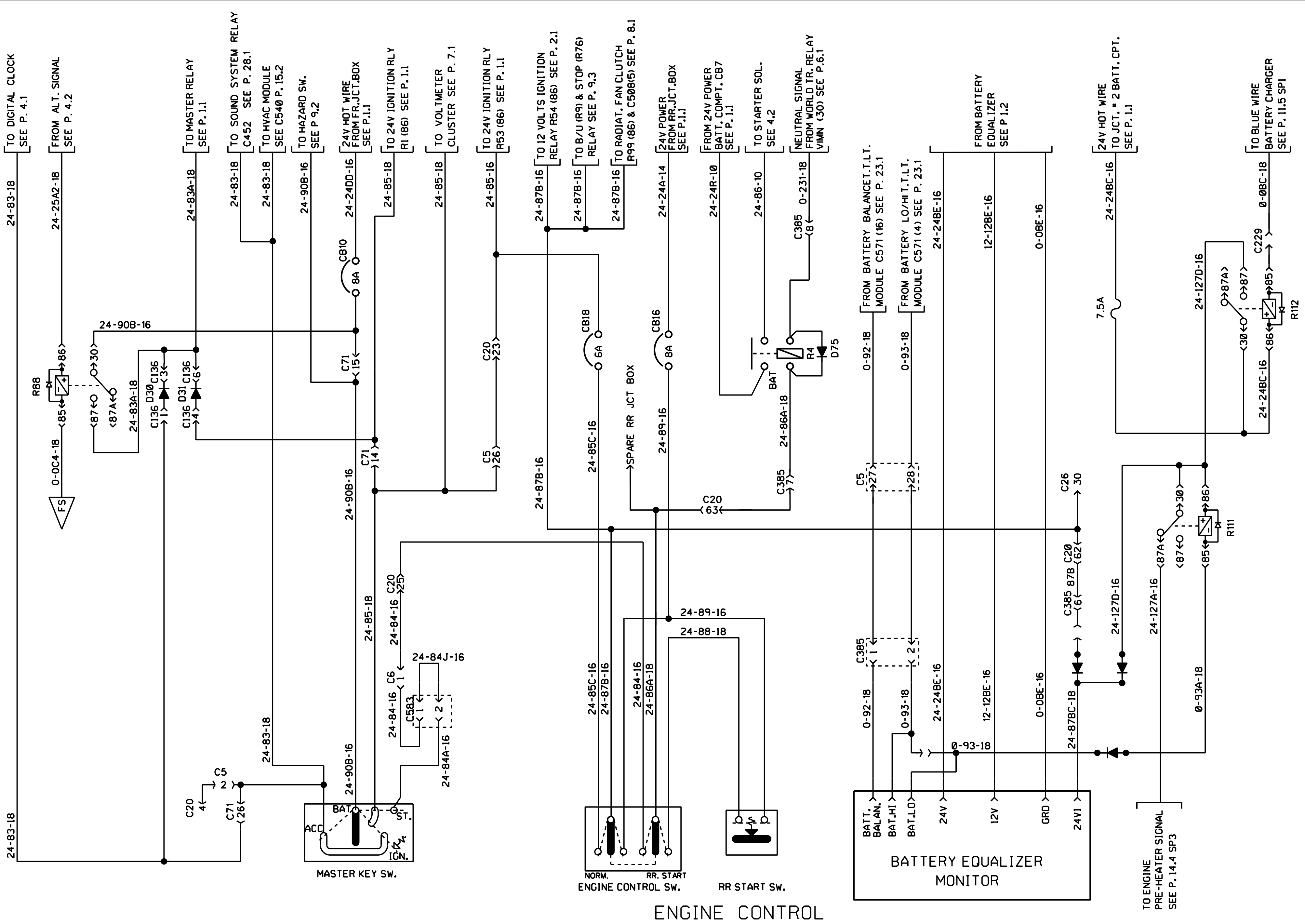
ENGINE CONTROL WITH FORD KEY

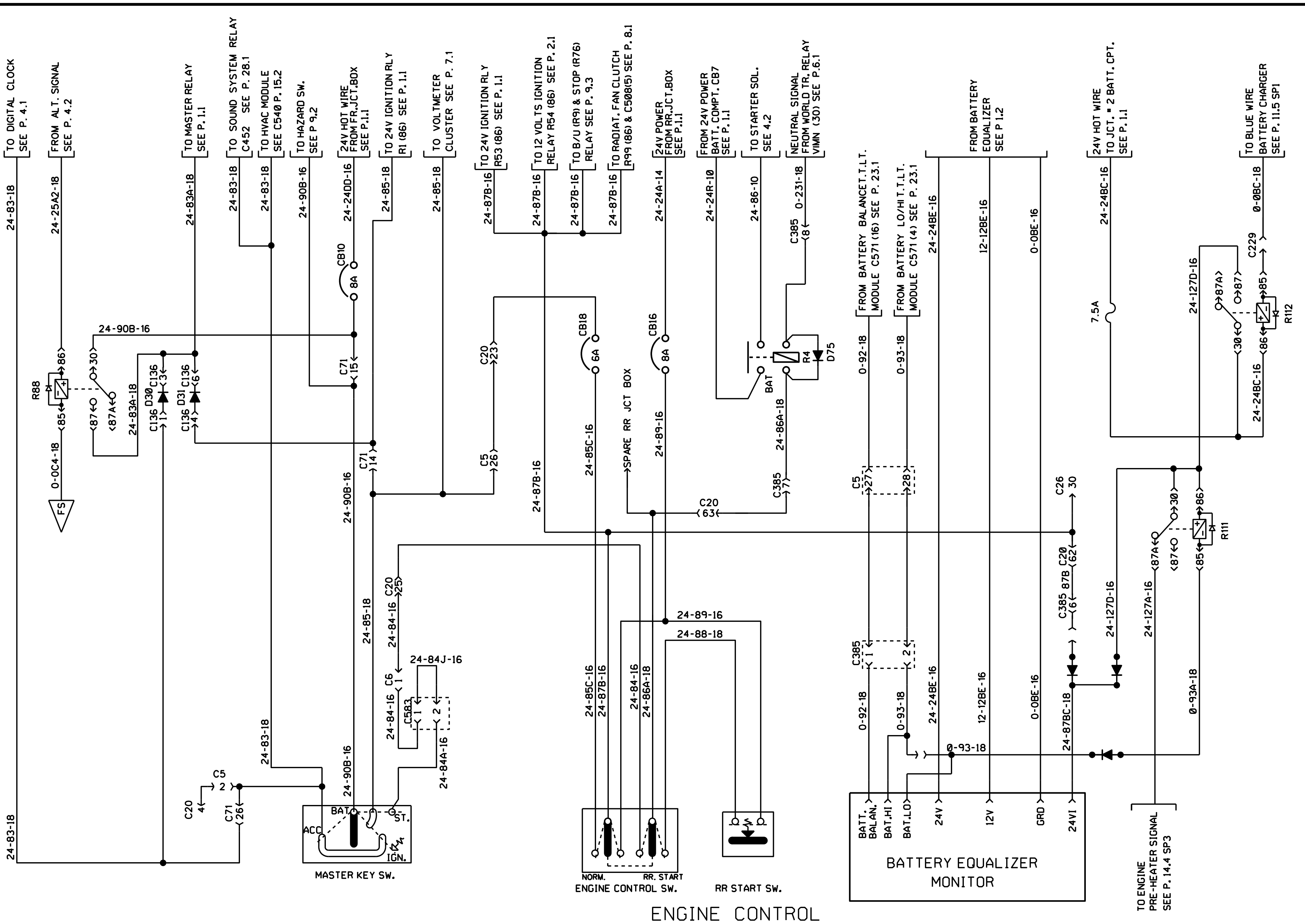


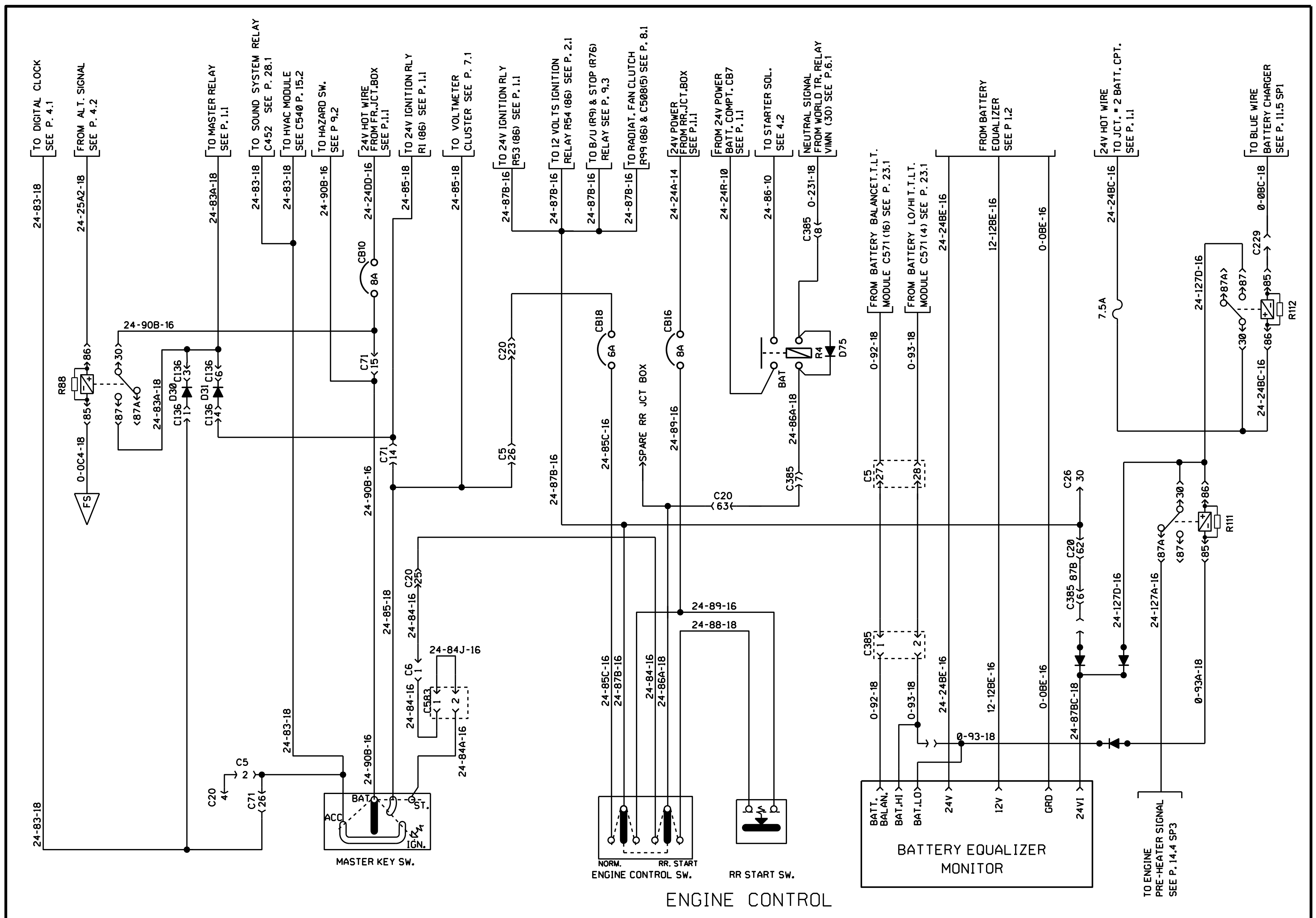
ENGINE CONTROL WITH FORD KEY

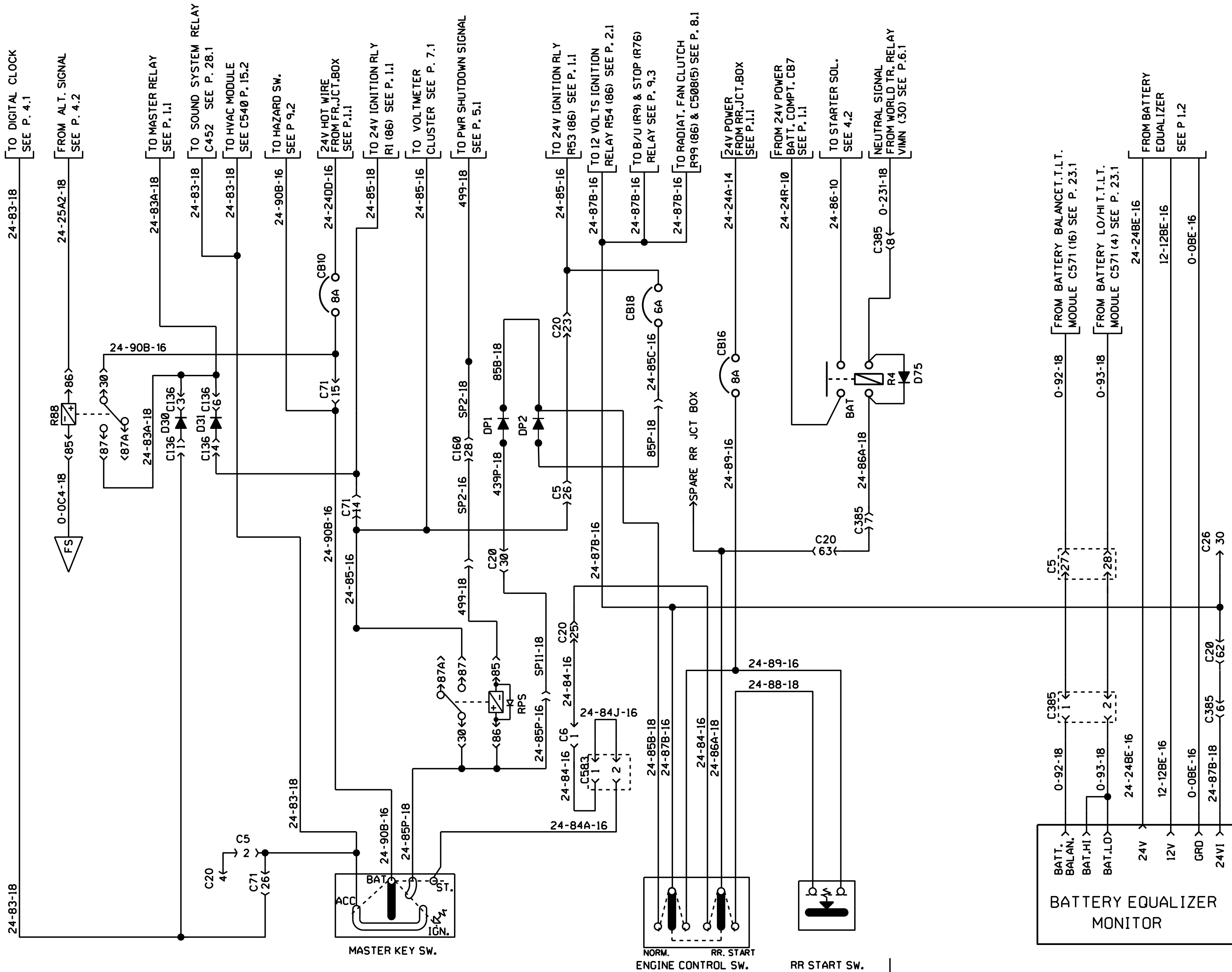


ENGINE CONTROL WITH FORD KEY

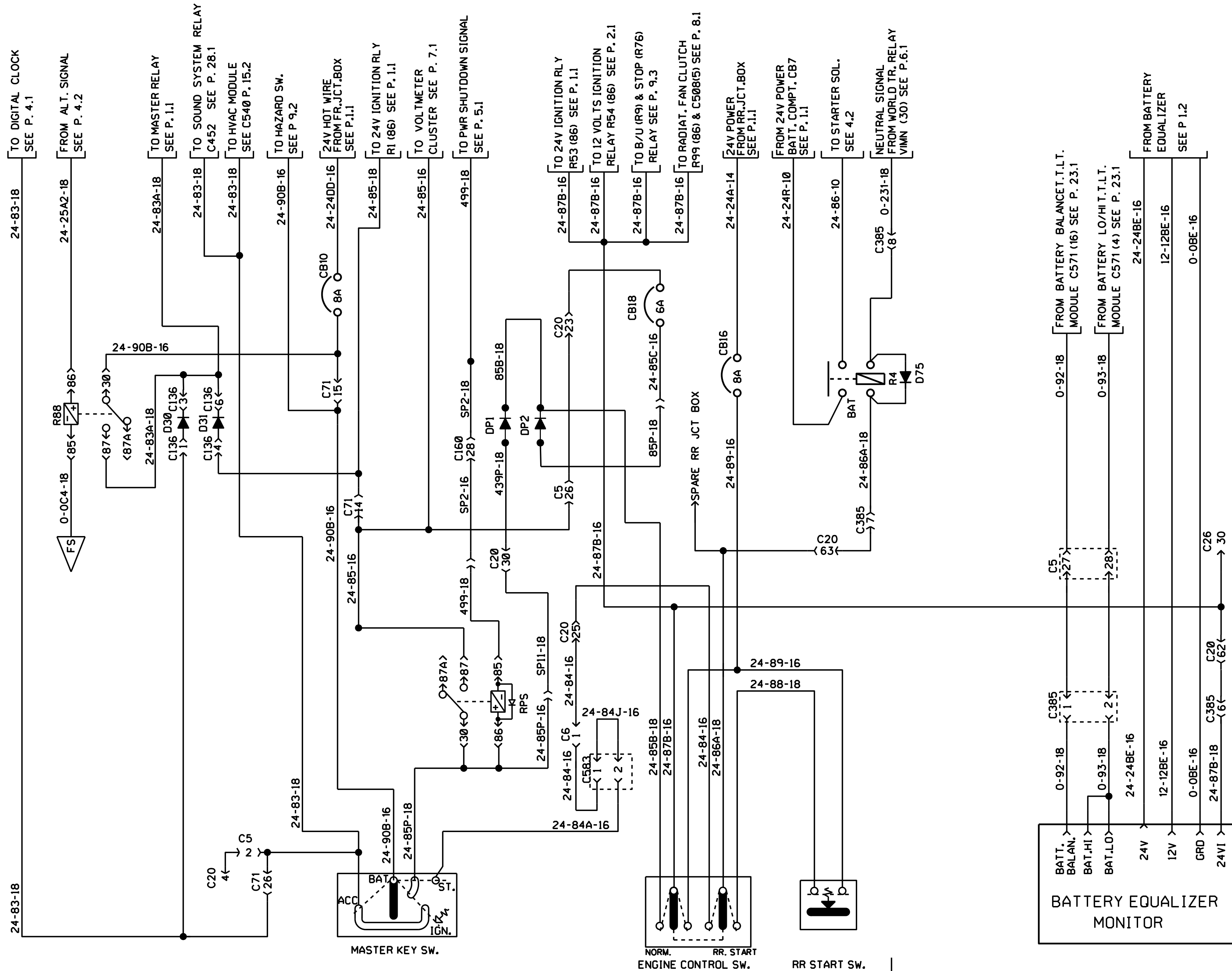




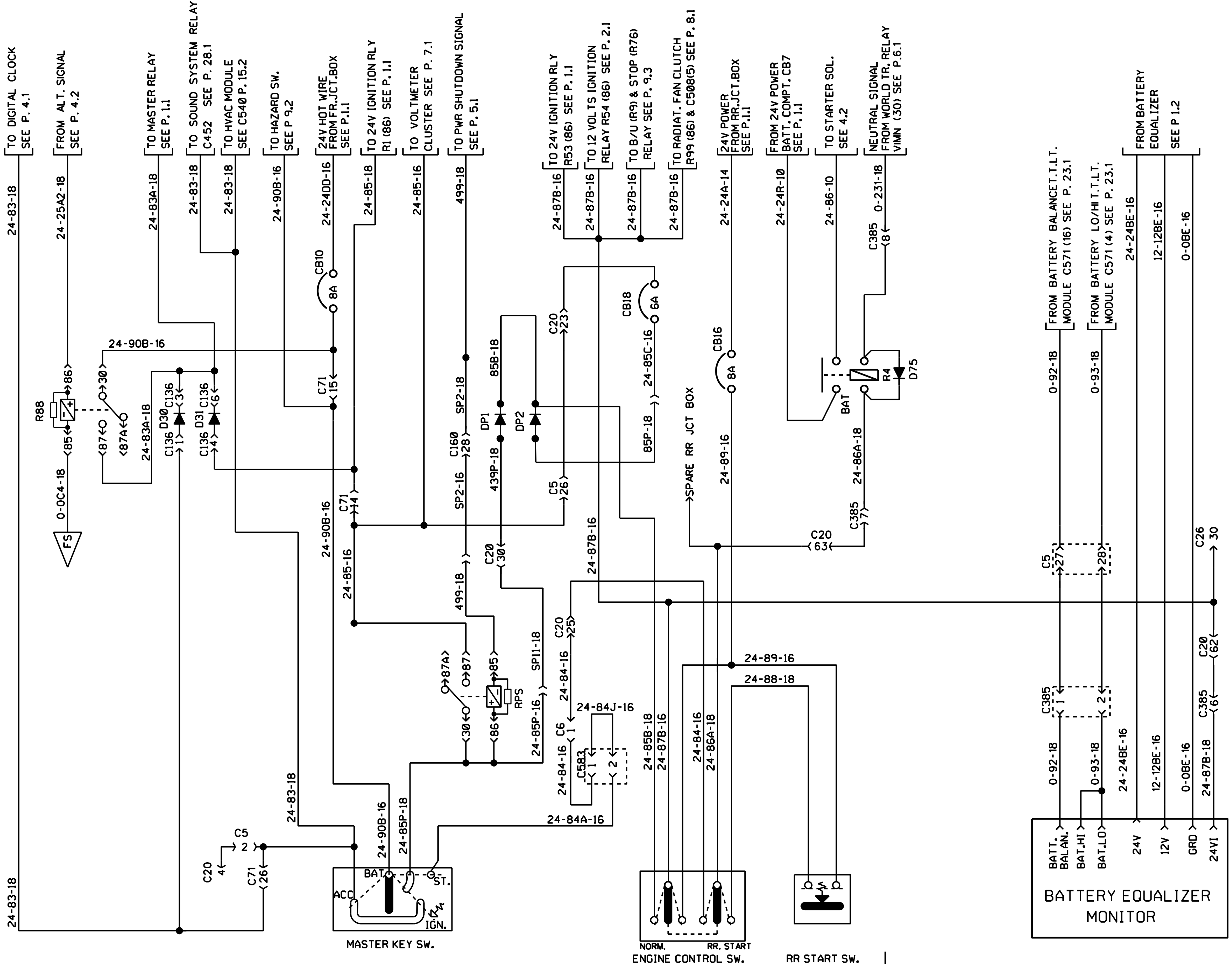




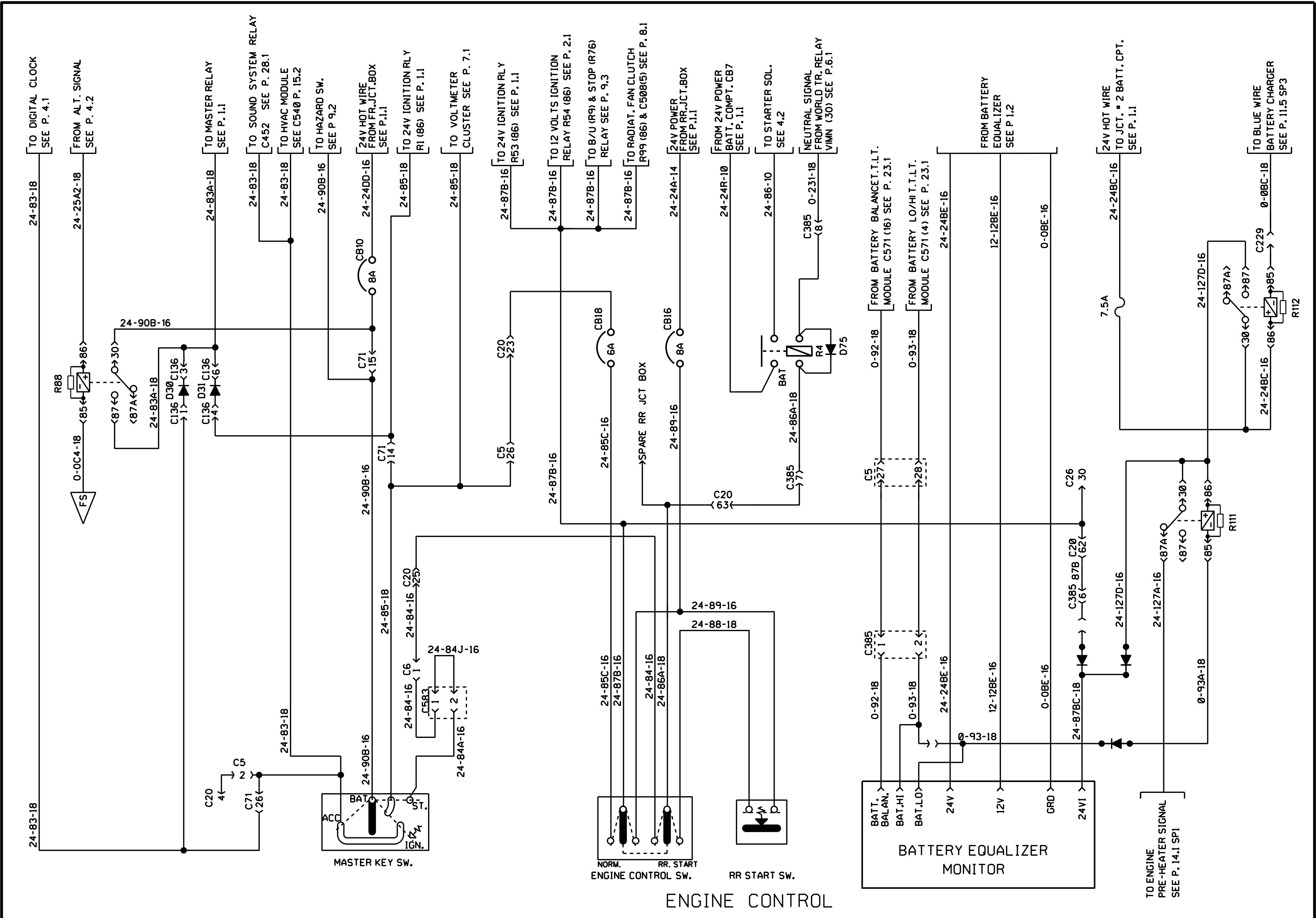
ENGINE CONTROL WITH POWER SHUTDOWN & IDLER TIMER

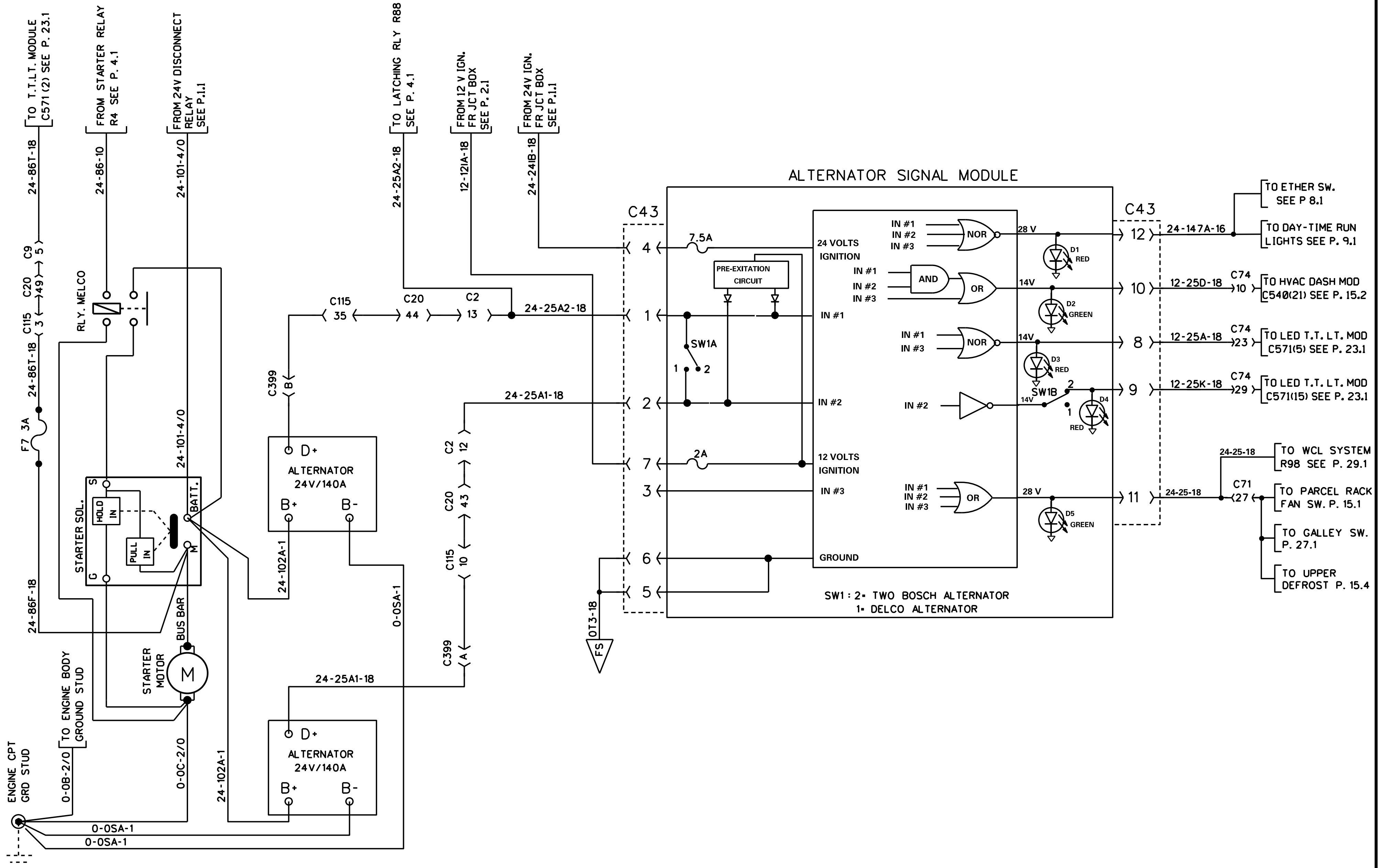


ENGINE CONTROL WITH POWER SHUTDOWN & IDLER TIMER



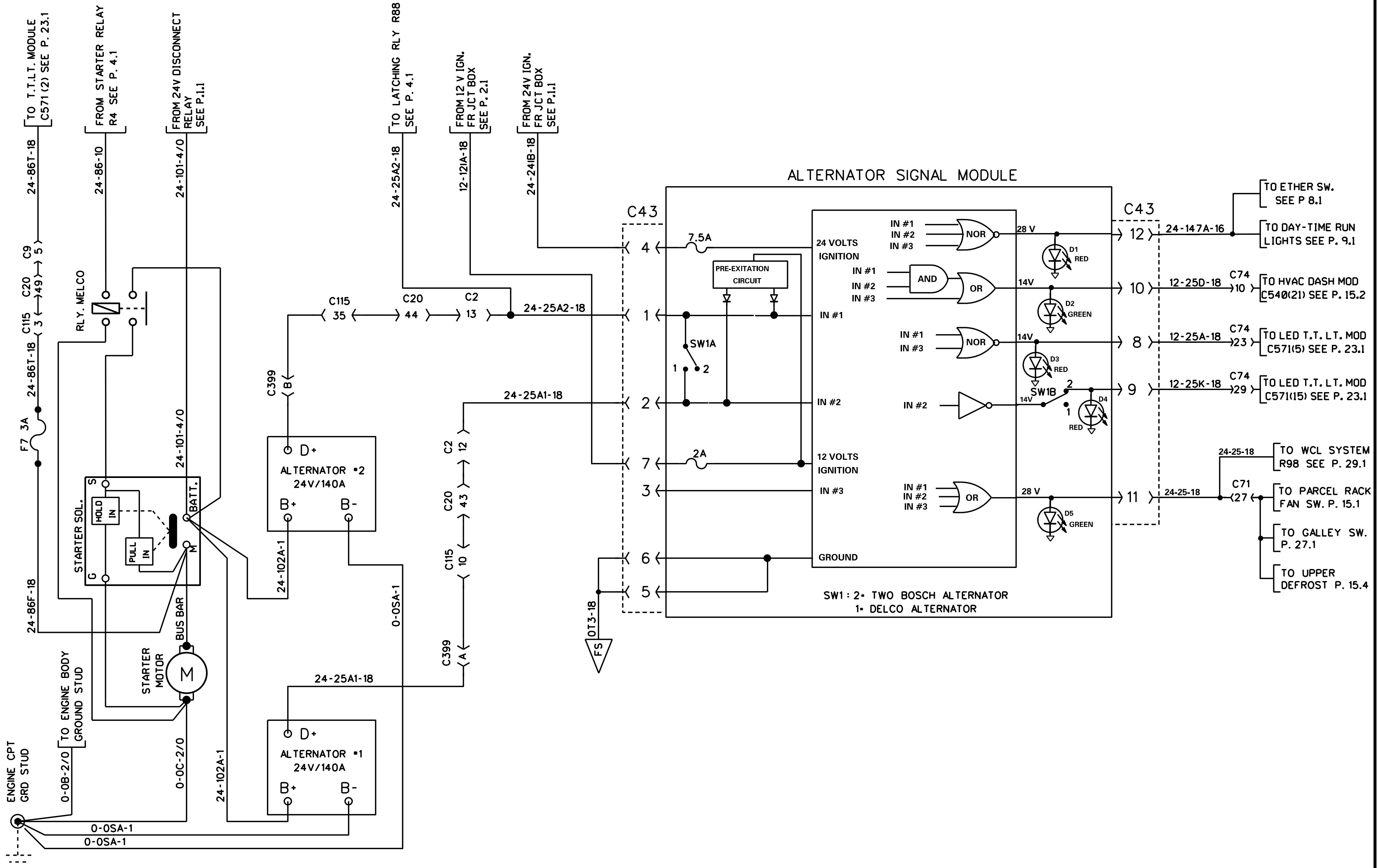
ENGINE CONTROL WITH POWER SHUTDOWN & IDLER TIMER





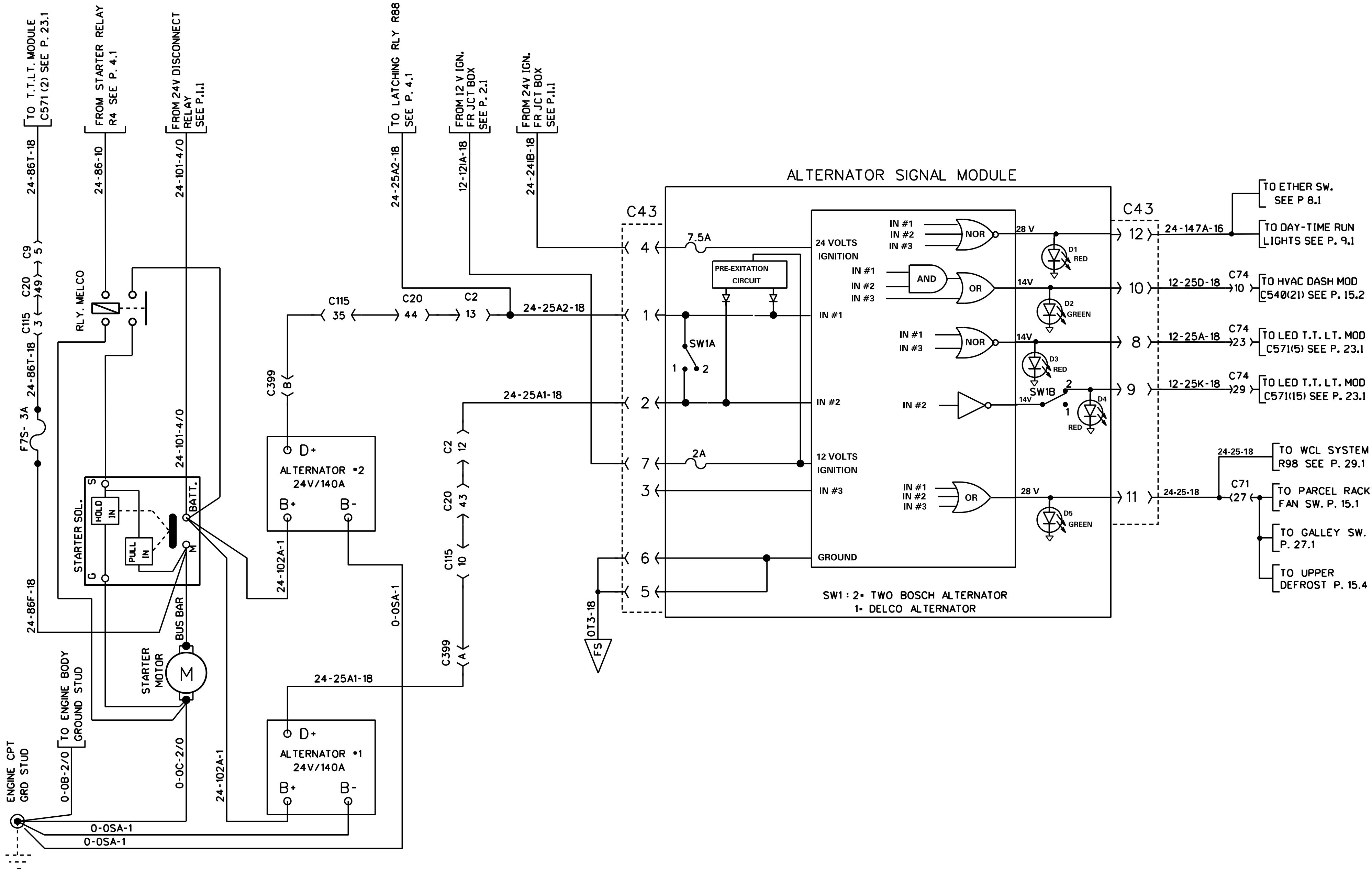
STARTER

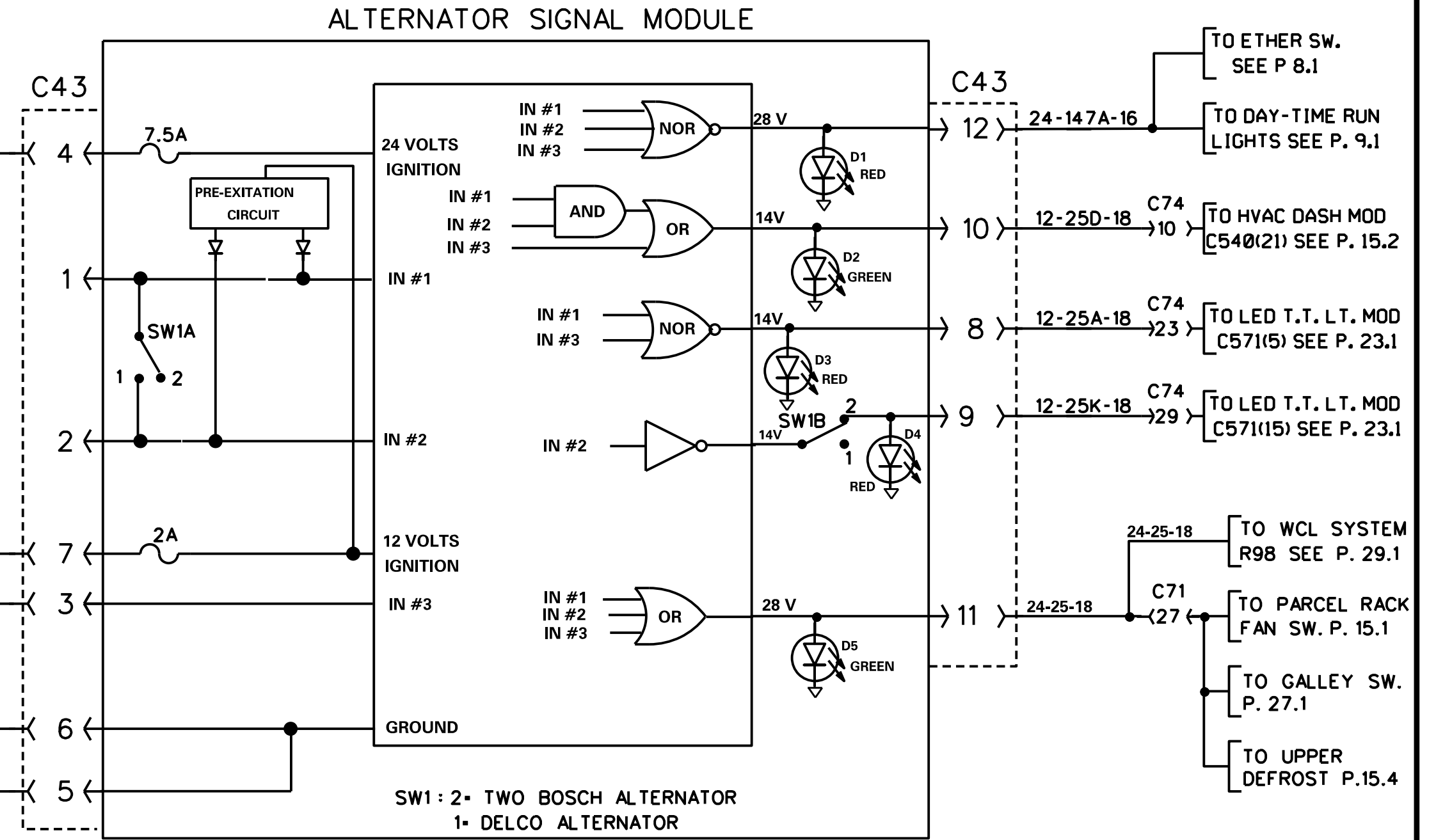
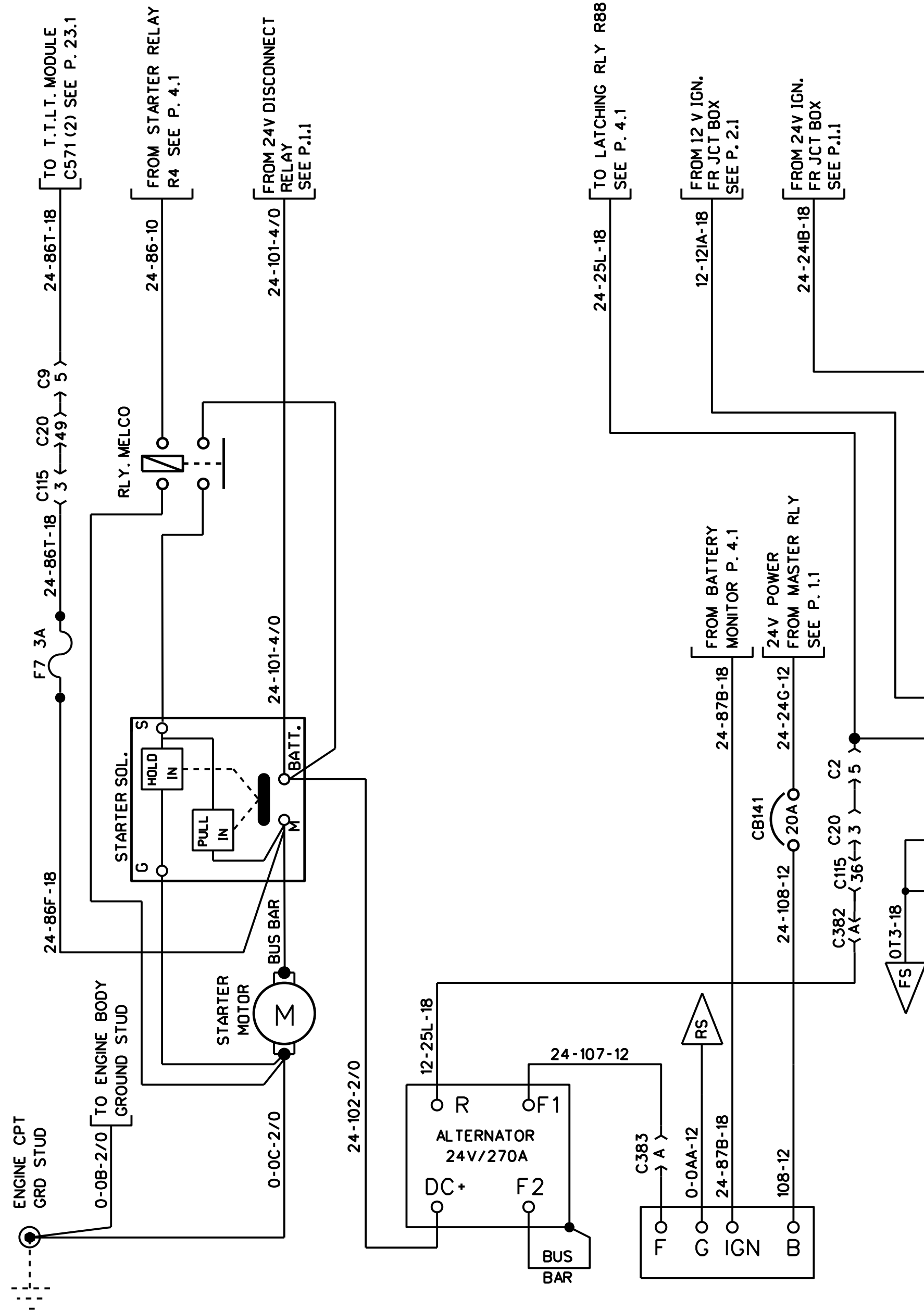
DUAL BOSCH ALTERNATOR



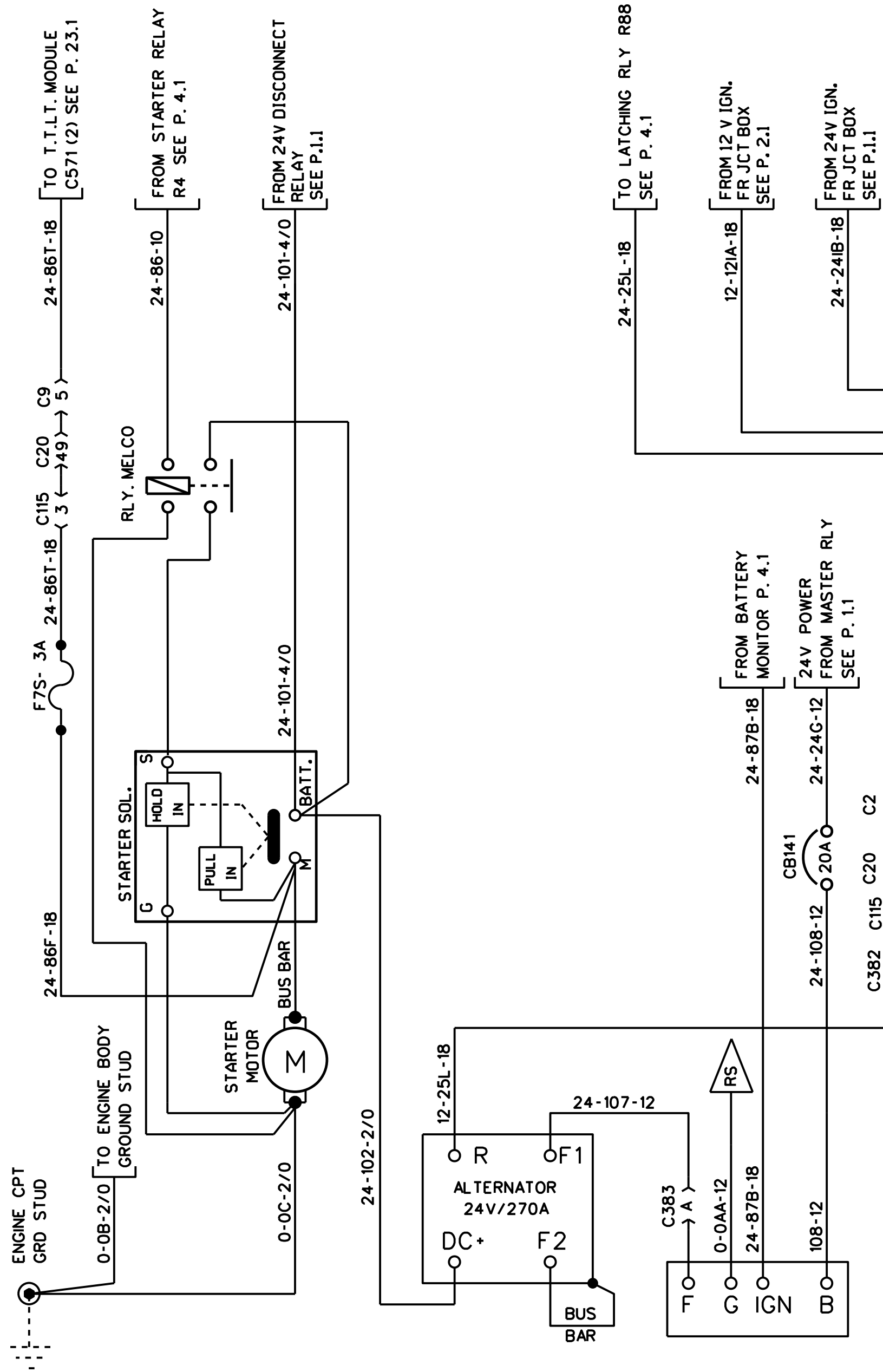
STARTER

DUAL BOSCH ALTERNATOR

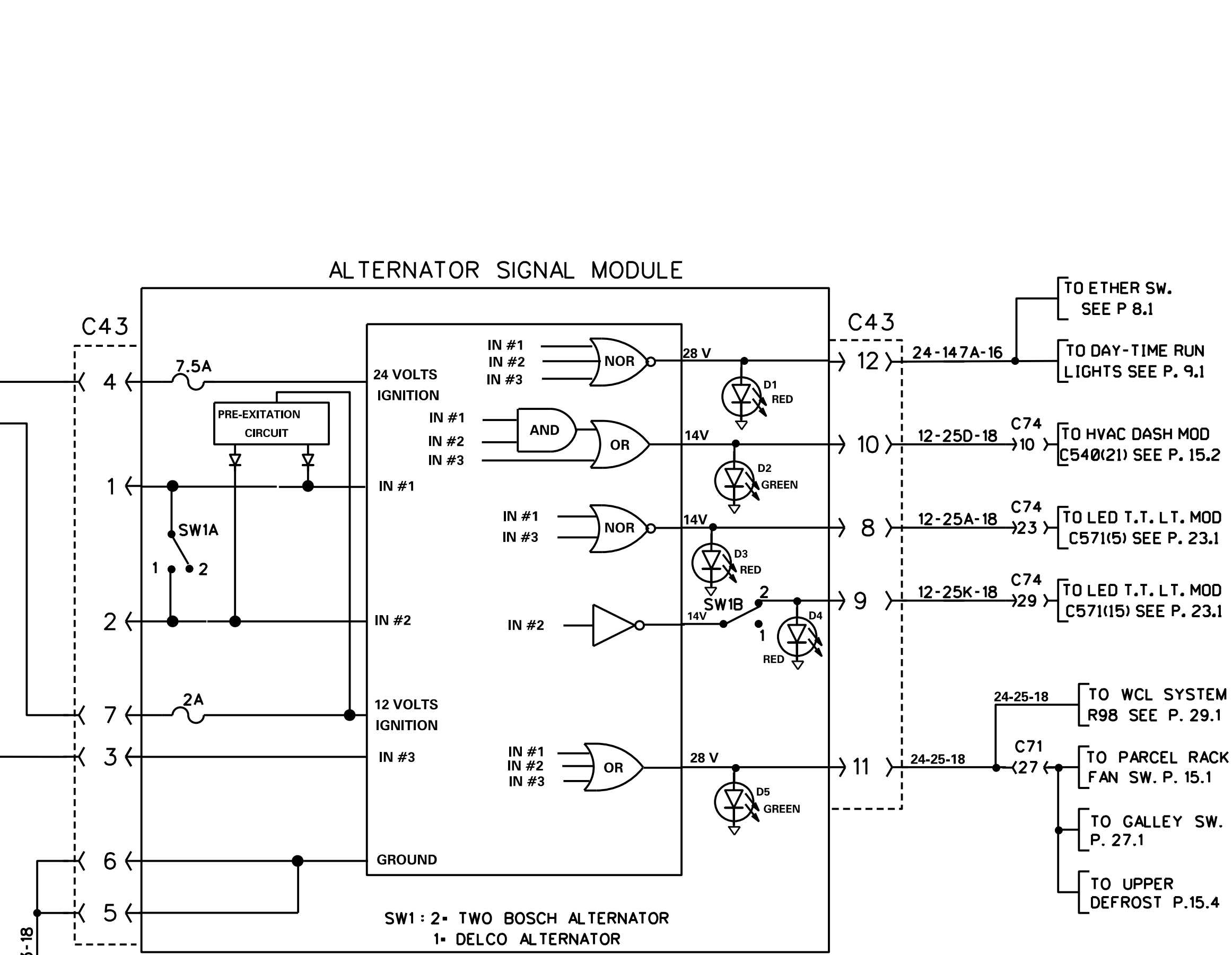




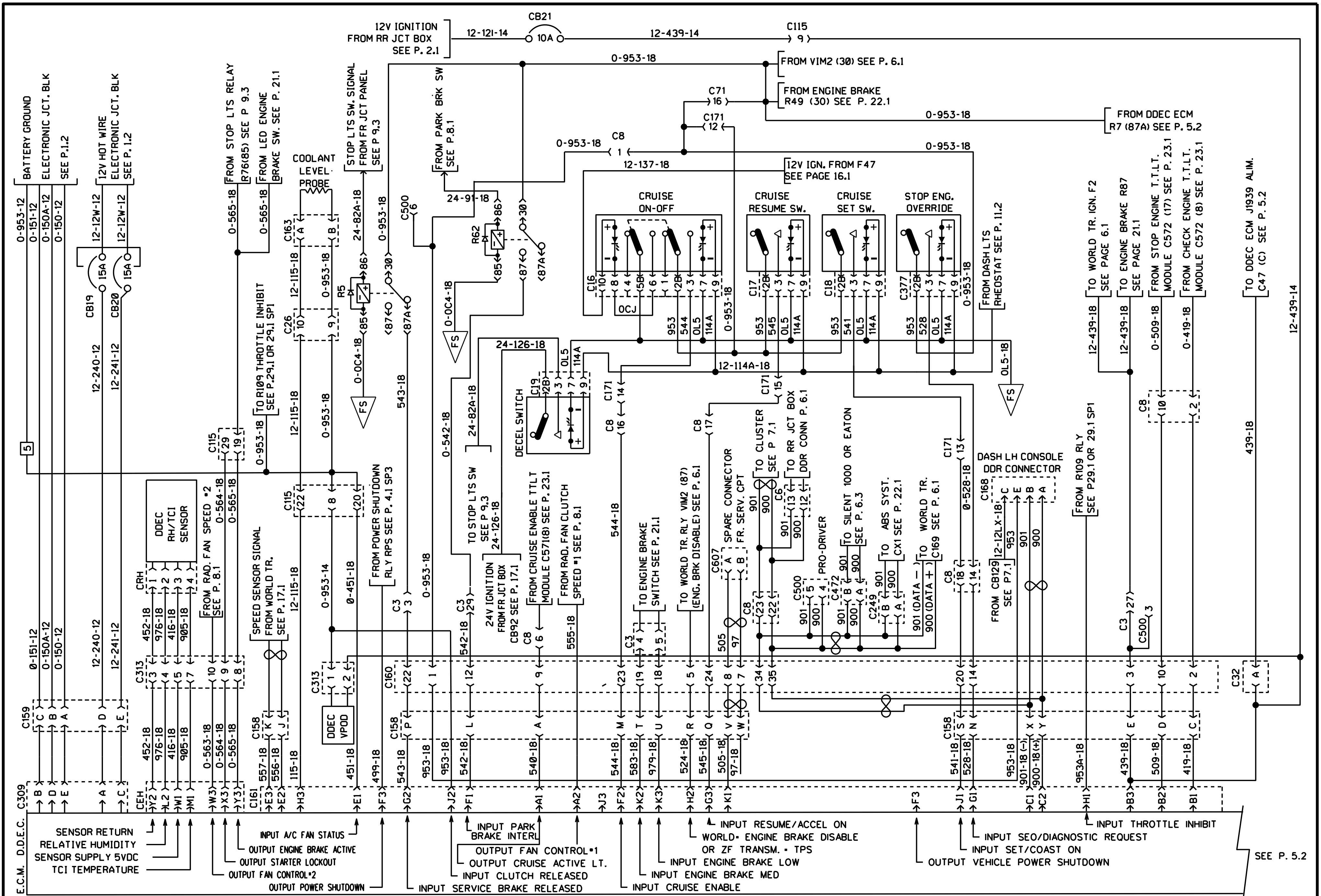
DELCO ALTERNATOR



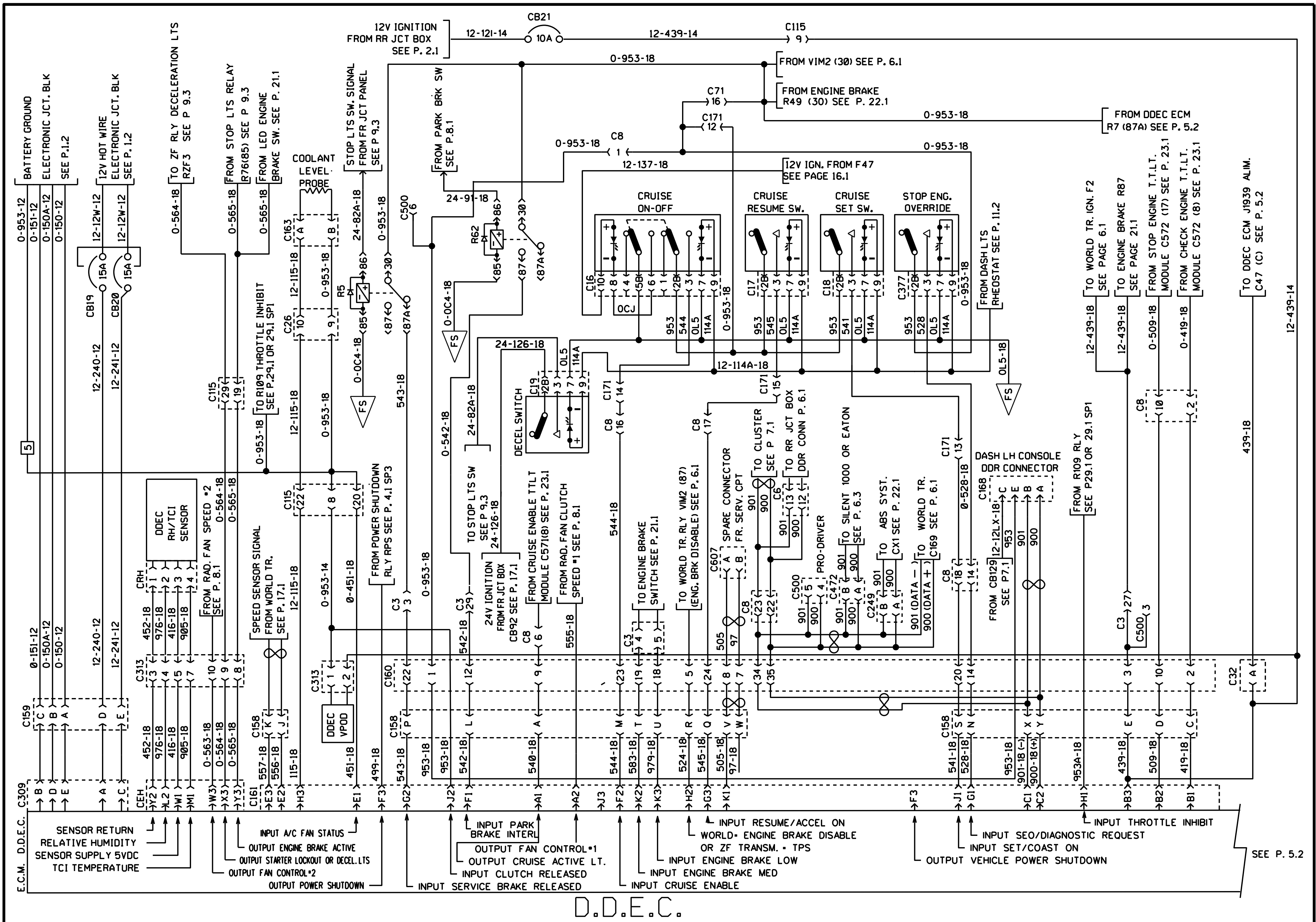
STARTER



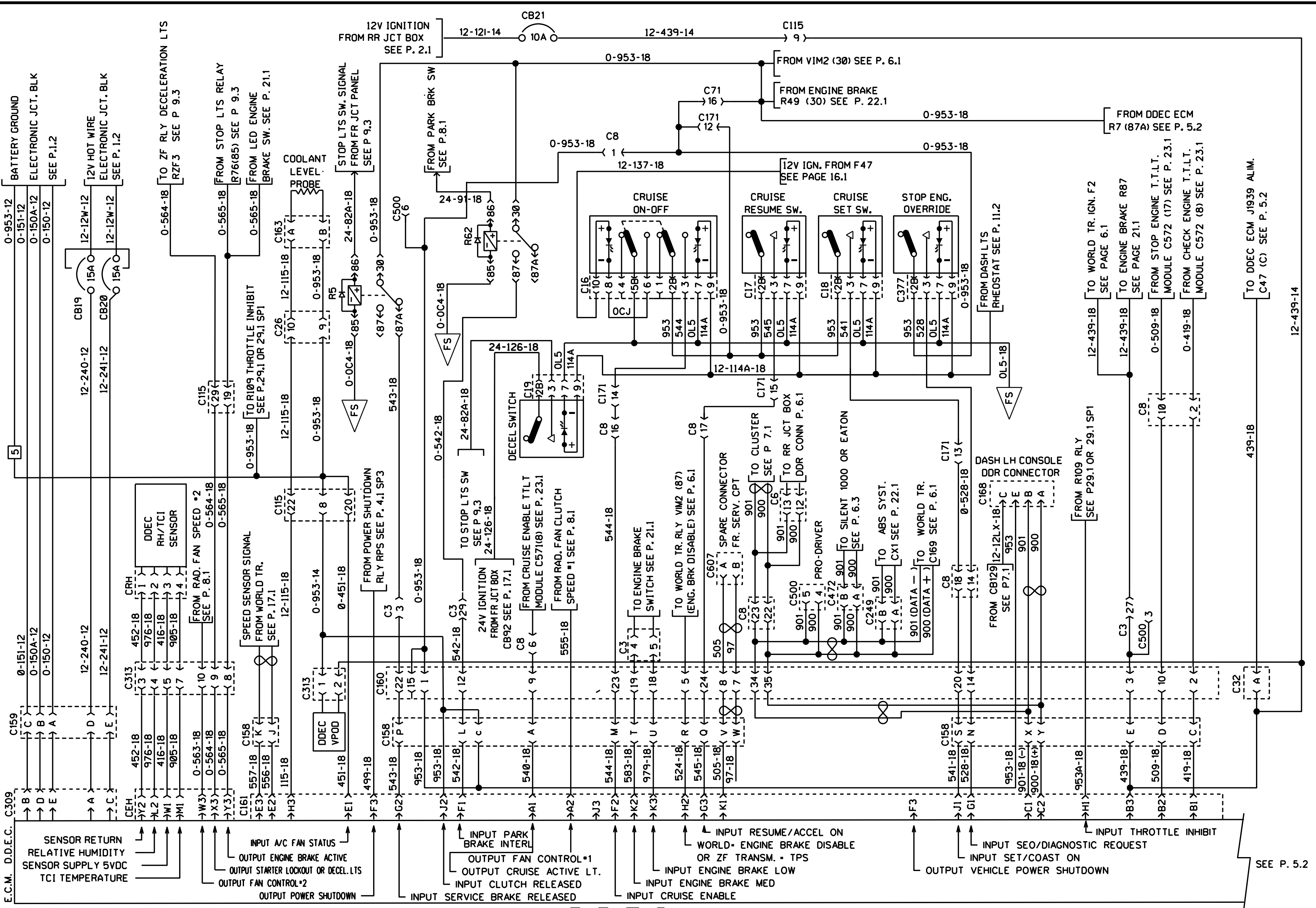
DELCO ALTERNATOR



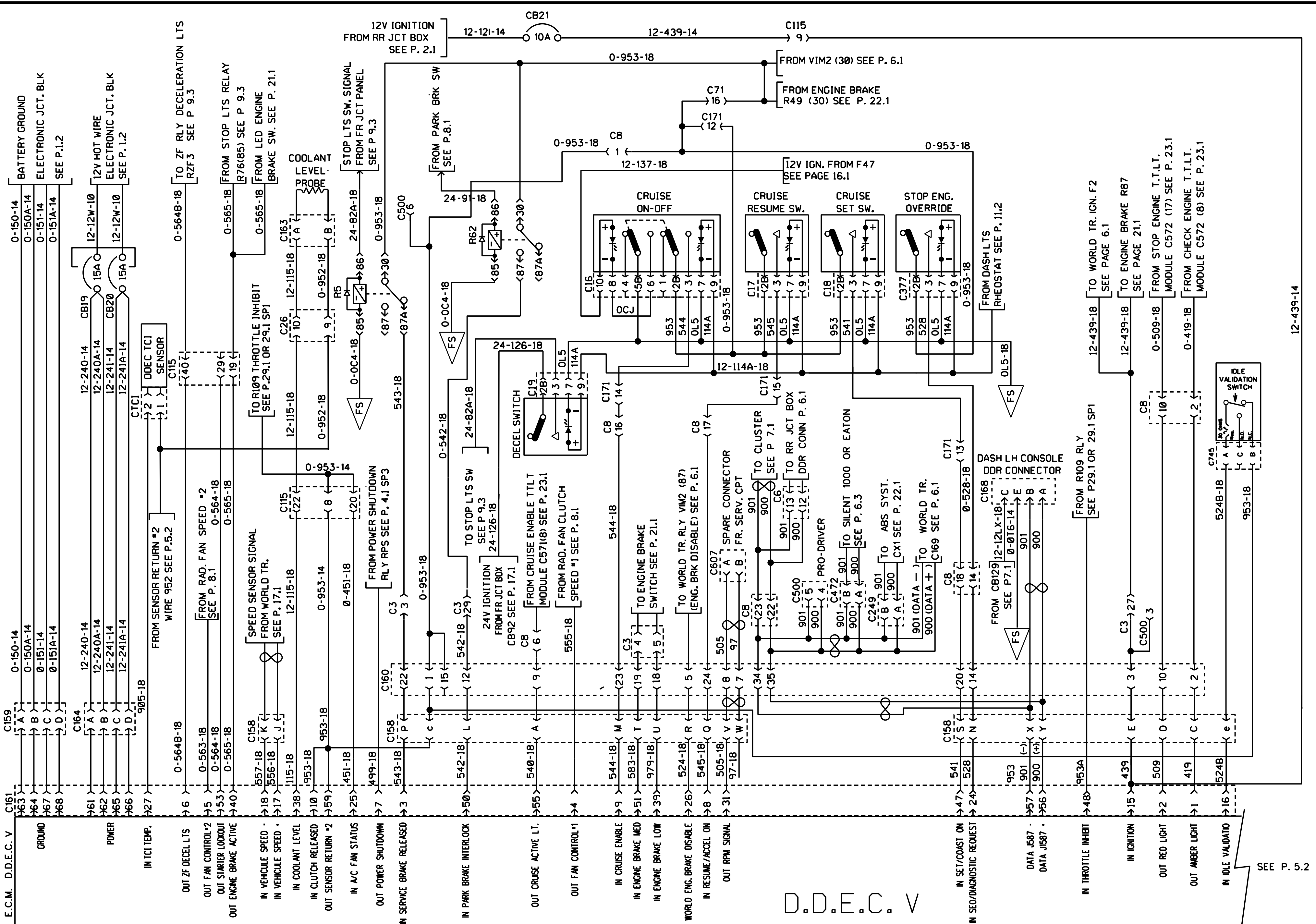
D.D.E.C.



- C159 → B → SENSOR RETURN
- C159 → C → RELATIVE HUMIDITY
- C159 → D → SENSOR SUPPLY 5VDC
- C159 → E → TCI TEMPERATURE
- C313 → 3 → CRH
- C313 → 4 → 452-18
- C313 → 5 → 976-18
- C313 → 6 → 416-18
- C313 → 7 → 905-18
- C313 → 8 → 0-563-18
- C313 → 9 → 0-564-18
- C313 → 10 → 0-565-18
- C115 → 29 → FROM RAD. FAN SPEED *2
- C115 → 19 → 0-564-18
- C115 → 18 → 0-565-18
- C158 → K → SPEED SENSOR SIGNAL
- C158 → J → FROM WORLD TR.
- C158 → I → SEE P. 17.1
- C115 → 22 → 12-115-18
- C115 → 21 → 0-953-18
- C115 → 20 → 0-451-18
- C313 → 1 → 0-953-14
- C313 → 2 → 0-542-18
- C160 → 22 → 543-18
- C160 → 21 → 0-953-18
- C160 → 20 → 544-18
- C160 → 19 → 542-18
- C160 → 18 → 542-18
- C160 → 17 → 542-18
- C160 → 16 → 542-18
- C160 → 15 → 542-18
- C160 → 14 → 542-18
- C160 → 13 → 542-18
- C160 → 12 → 542-18
- C160 → 11 → 542-18
- C160 → 10 → 542-18
- C160 → 9 → 542-18
- C160 → 8 → 542-18
- C160 → 7 → 542-18
- C160 → 6 → 542-18
- C160 → 5 → 542-18
- C160 → 4 → 542-18
- C160 → 3 → 542-18
- C160 → 2 → 542-18
- C160 → 1 → 542-18
- C160 → 0 → 542-18
- C160 → -1 → 542-18
- C160 → -2 → 542-18
- C160 → -3 → 542-18
- C160 → -4 → 542-18
- C160 → -5 → 542-18
- C160 → -6 → 542-18
- C160 → -7 → 542-18
- C160 → -8 → 542-18
- C160 → -9 → 542-18
- C160 → -10 → 542-18
- C160 → -11 → 542-18
- C160 → -12 → 542-18
- C160 → -13 → 542-18
- C160 → -14 → 542-18
- C160 → -15 → 542-18
- C160 → -16 → 542-18
- C160 → -17 → 542-18
- C160 → -18 → 542-18
- C160 → -19 → 542-18
- C160 → -20 → 542-18
- C160 → -21 → 542-18
- C160 → -22 → 542-18
- C160 → -23 → 542-18
- C160 → -24 → 542-18
- C160 → -25 → 542-18
- C160 → -26 → 542-18
- C160 → -27 → 542-18
- C160 → -28 → 542-18
- C160 → -29 → 542-18
- C160 → -30 → 542-18
- C160 → -31 → 542-18
- C160 → -32 → 542-18
- C160 → -33 → 542-18
- C160 → -34 → 542-18
- C160 → -35 → 542-18
- C160 → -36 → 542-18
- C160 → -37 → 542-18
- C160 → -38 → 542-18
- C160 → -39 → 542-18
- C160 → -40 → 542-18
- C160 → -41 → 542-18
- C160 → -42 → 542-18
- C160 → -43 → 542-18
- C160 → -44 → 542-18
- C160 → -45 → 542-18
- C160 → -46 → 542-18
- C160 → -47 → 542-18
- C160 → -48 → 542-18
- C160 → -49 → 542-18
- C160 → -50 → 542-18
- C160 → -51 → 542-18
- C160 → -52 → 542-18
- C160 → -53 → 542-18
- C160 → -54 → 542-18
- C160 → -55 → 542-18
- C160 → -56 → 542-18
- C160 → -57 → 542-18
- C160 → -58 → 542-18
- C160 → -59 → 542-18
- C160 → -60 → 542-18
- C160 → -61 → 542-18
- C160 → -62 → 542-18
- C160 → -63 → 542-18
- C160 → -64 → 542-18
- C160 → -65 → 542-18
- C160 → -66 → 542-18
- C160 → -67 → 542-18
- C160 → -68 → 542-18
- C160 → -69 → 542-18
- C160 → -70 → 542-18
- C160 → -71 → 542-18
- C160 → -72 → 542-18
- C160 → -73 → 542-18
- C160 → -74 → 542-18
- C160 → -75 → 542-18
- C160 → -76 → 542-18
- C160 → -77 → 542-18
- C160 → -78 → 542-18
- C160 → -79 → 542-18
- C160 → -80 → 542-18
- C160 → -81 → 542-18
- C160 → -82 → 542-18
- C160 → -83 → 542-18
- C160 → -84 → 542-18
- C160 → -85 → 542-18
- C160 → -86 → 542-18
- C160 → -87 → 542-18
- C160 → -88 → 542-18
- C160 → -89 → 542-18
- C160 → -90 → 542-18
- C160 → -91 → 542-18
- C160 → -92 → 542-18
- C160 → -93 → 542-18
- C160 → -94 → 542-18
- C160 → -95 → 542-18
- C160 → -96 → 542-18
- C160 → -97 → 542-18
- C160 → -98 → 542-18
- C160 → -99 → 542-18
- C160 → -100 → 542-18

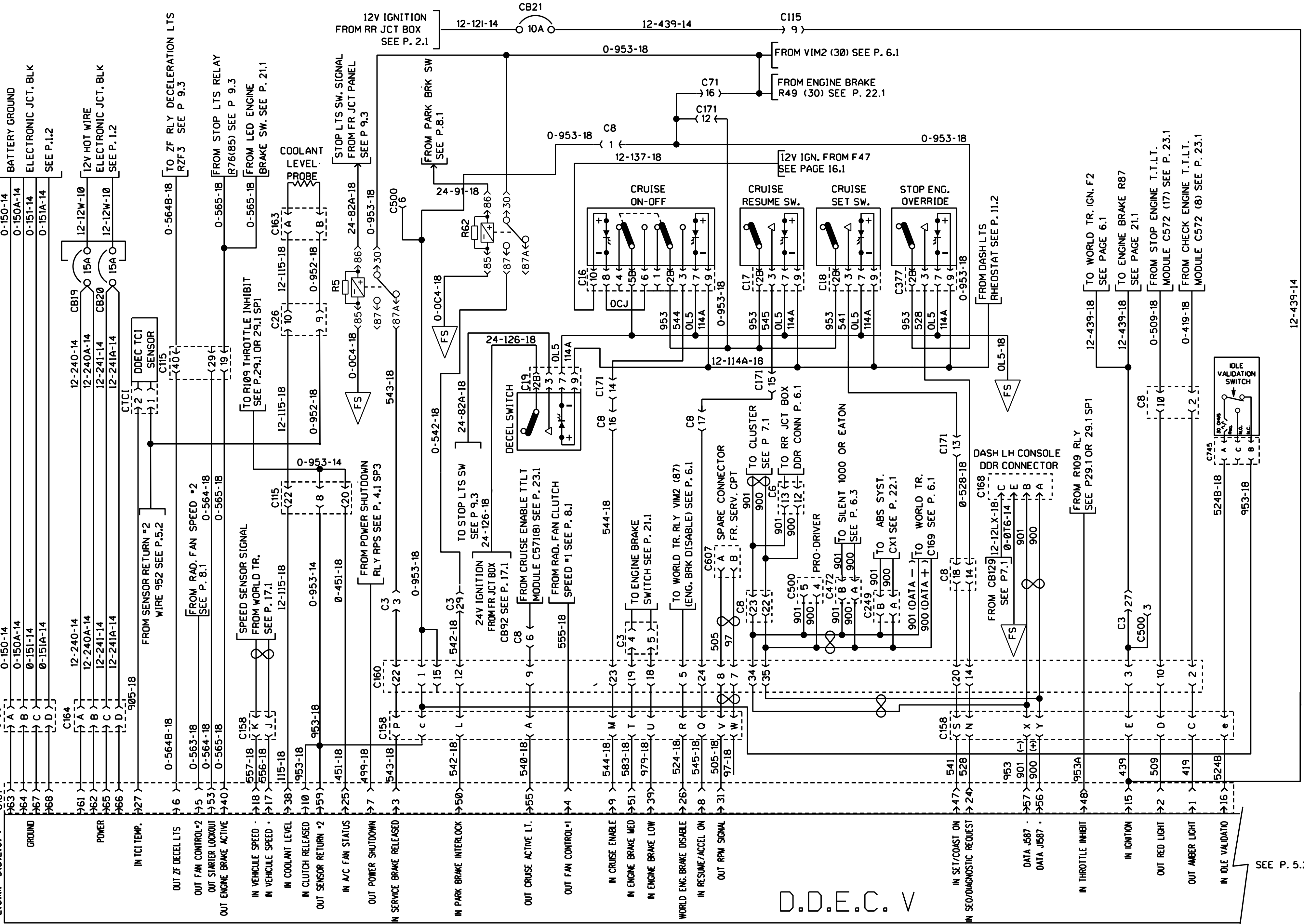


D.D.E.C.



SEE P. 5.2

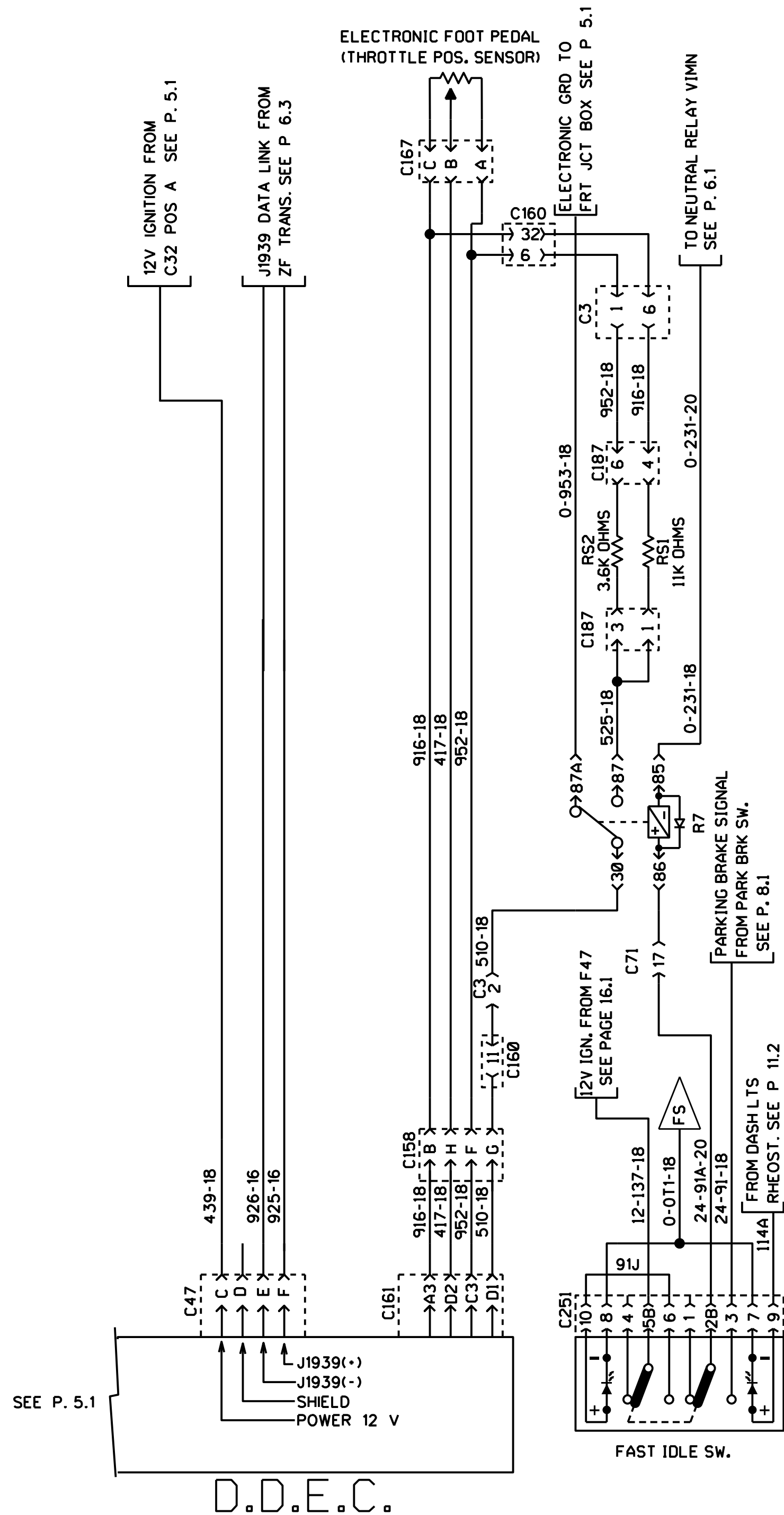
E.C.M. D.D.E.C. V



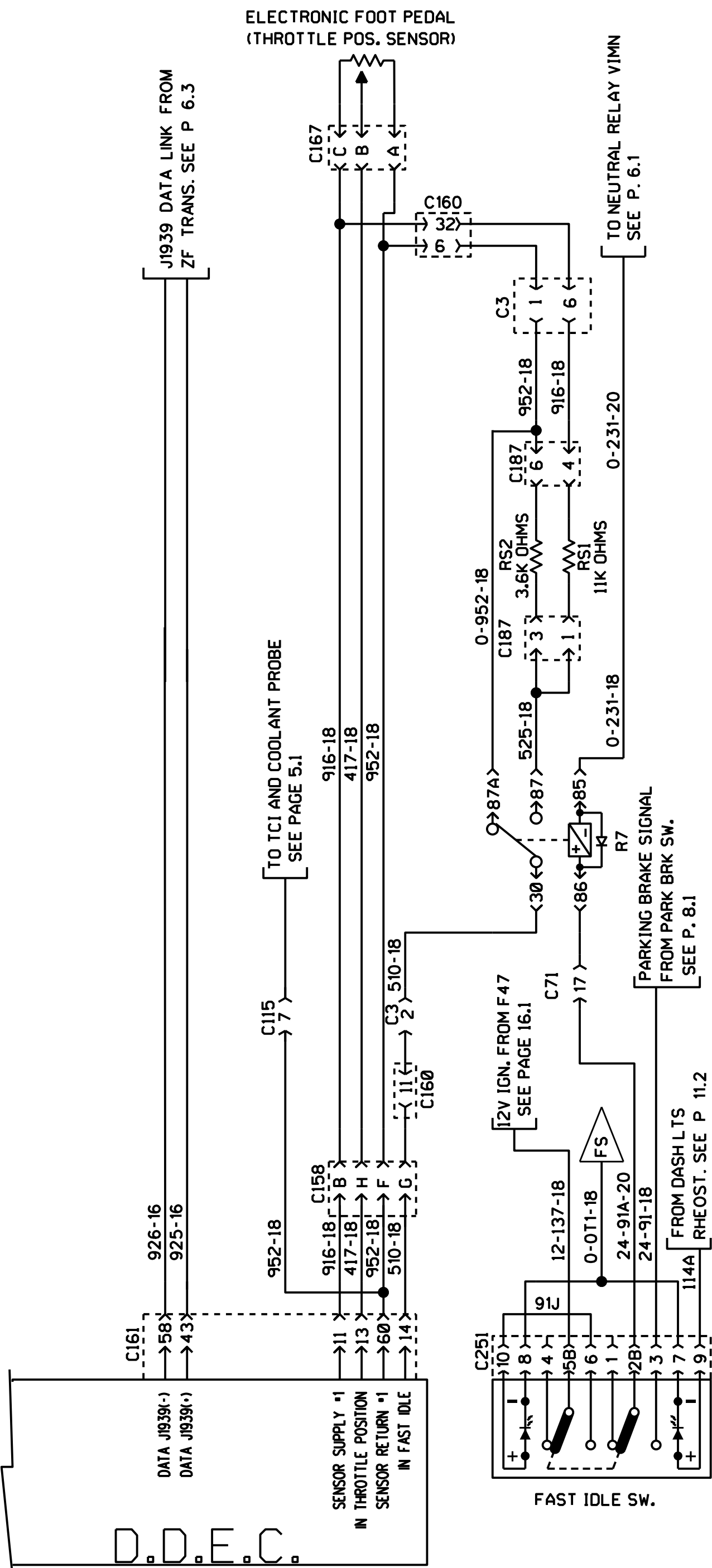
D.D.E.C. V

SEE P. 5.2

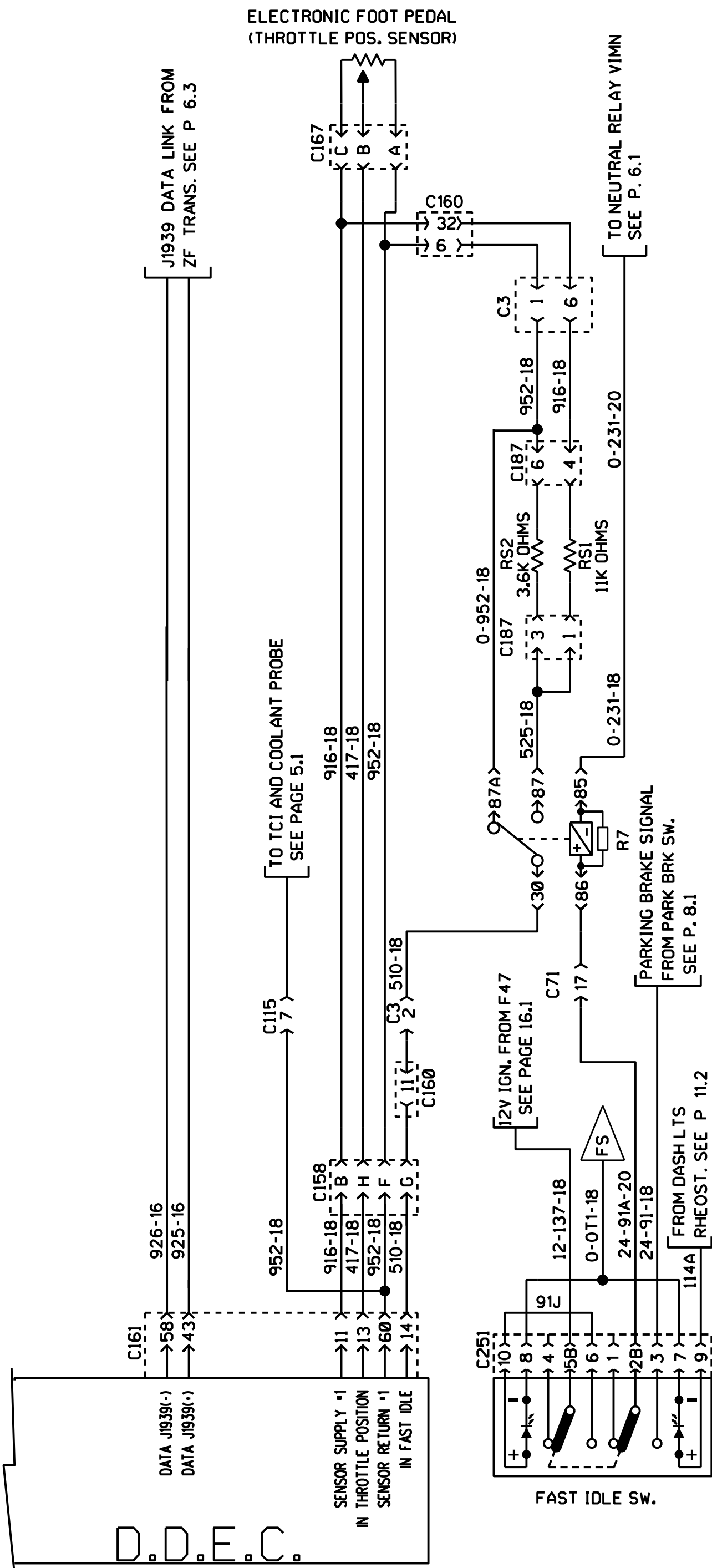
12-439-14

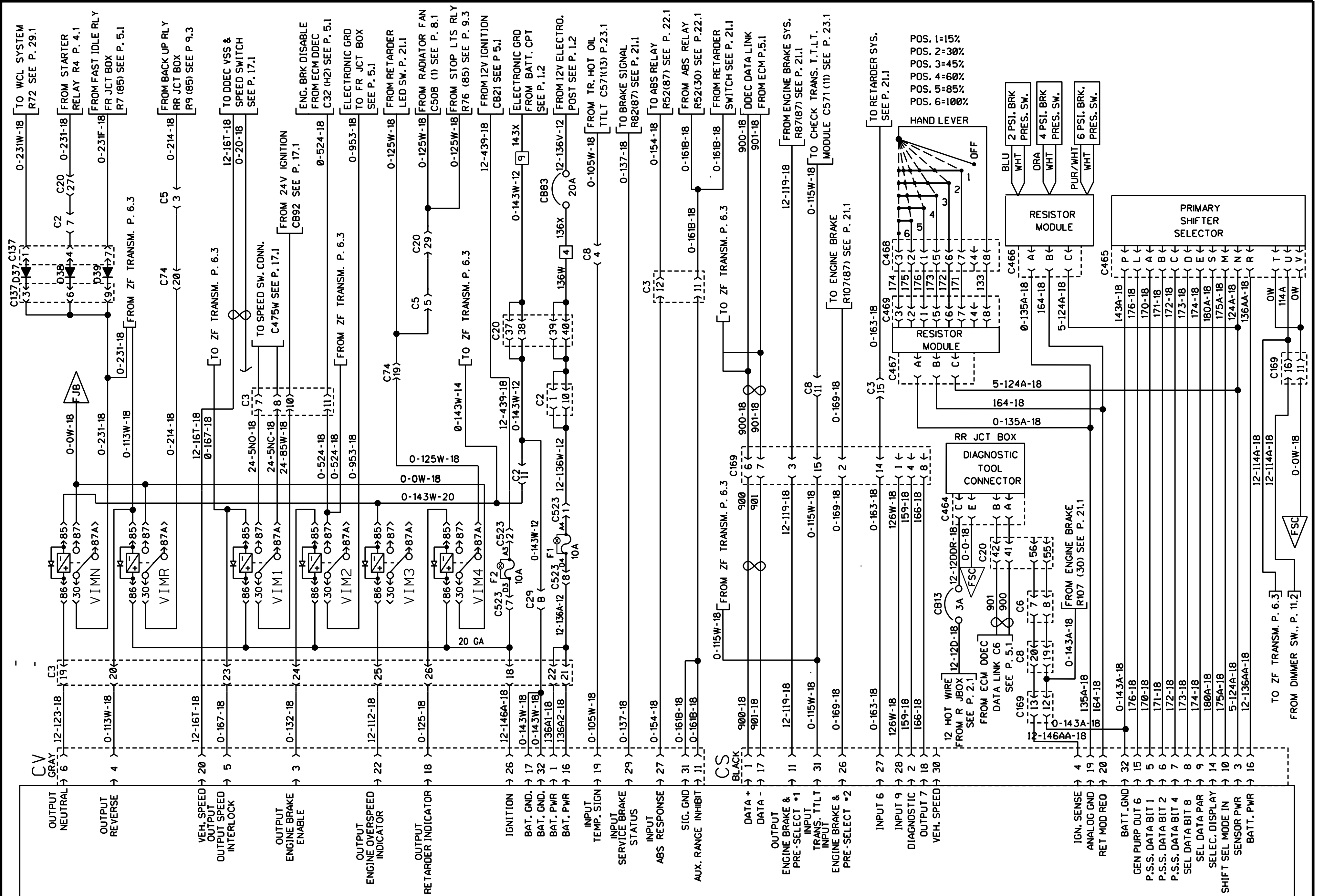


SEE P. 5.1



SEE P. 5.1





WORLD TRANSMISSION E.C.U.

PREVOST

WIRING DIAGRAM

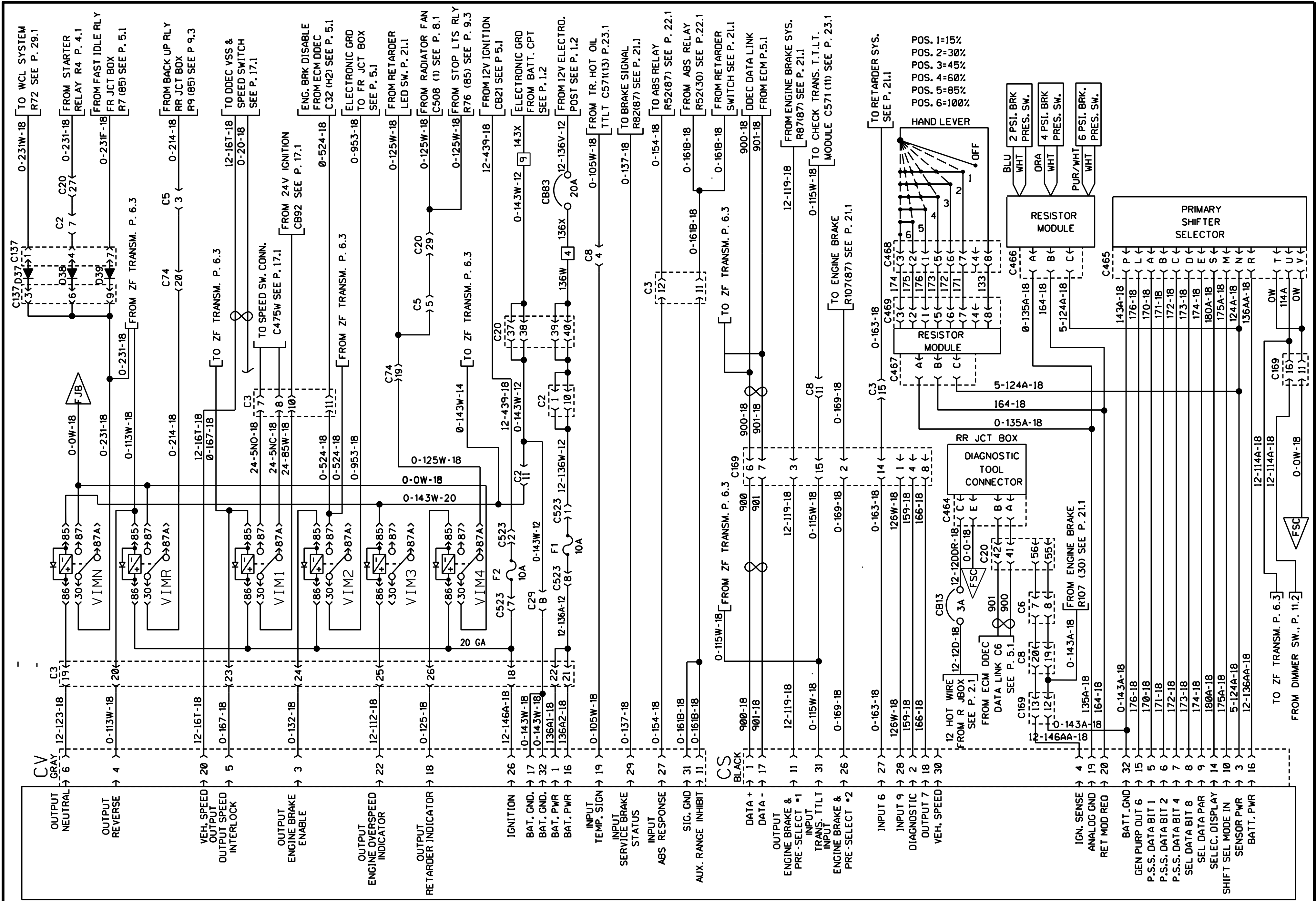
NO:

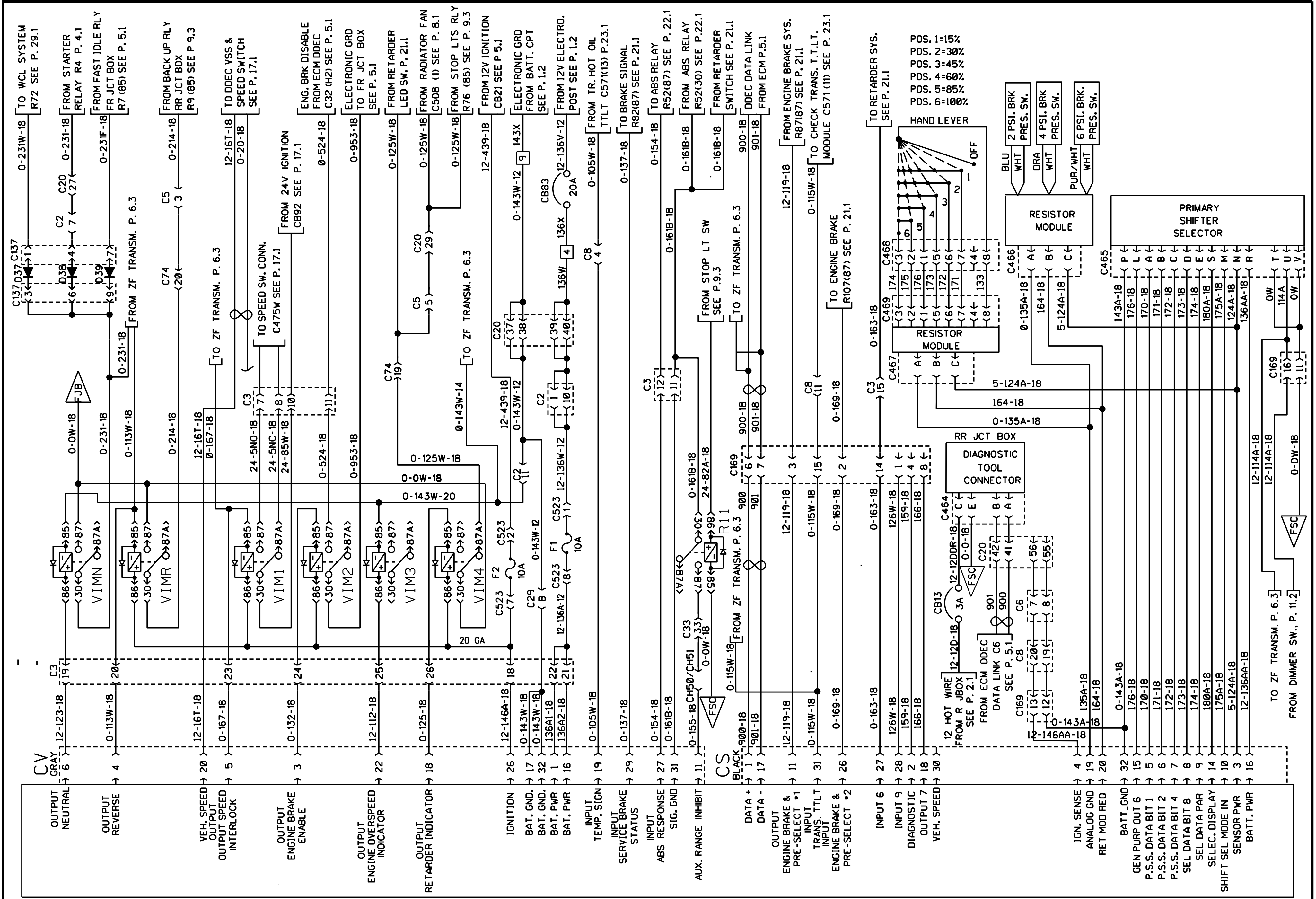
D060993

PAGE:

6.1

REVISION
00





WORLD TRANSMISSION E.C.U.

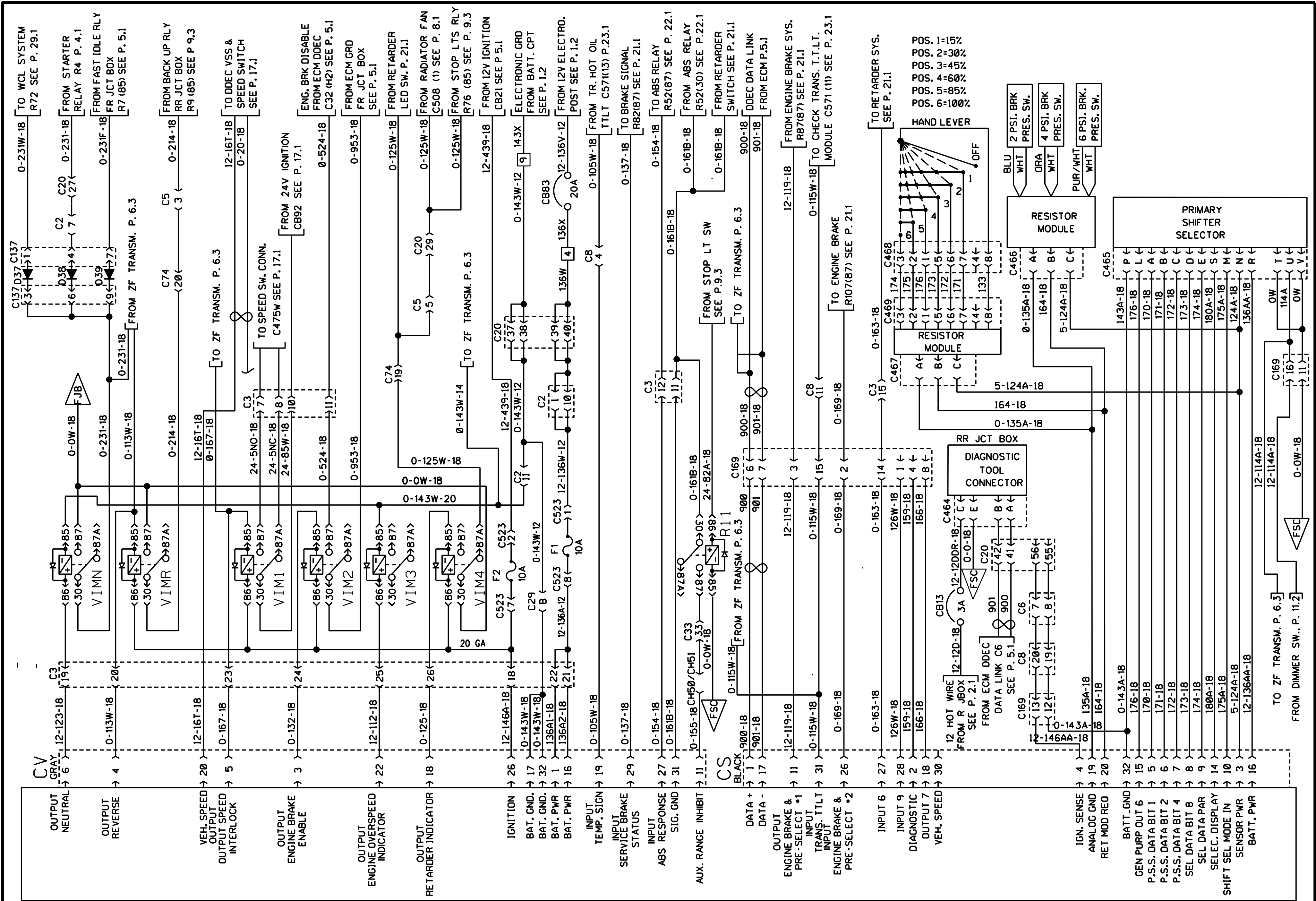
PREVOST

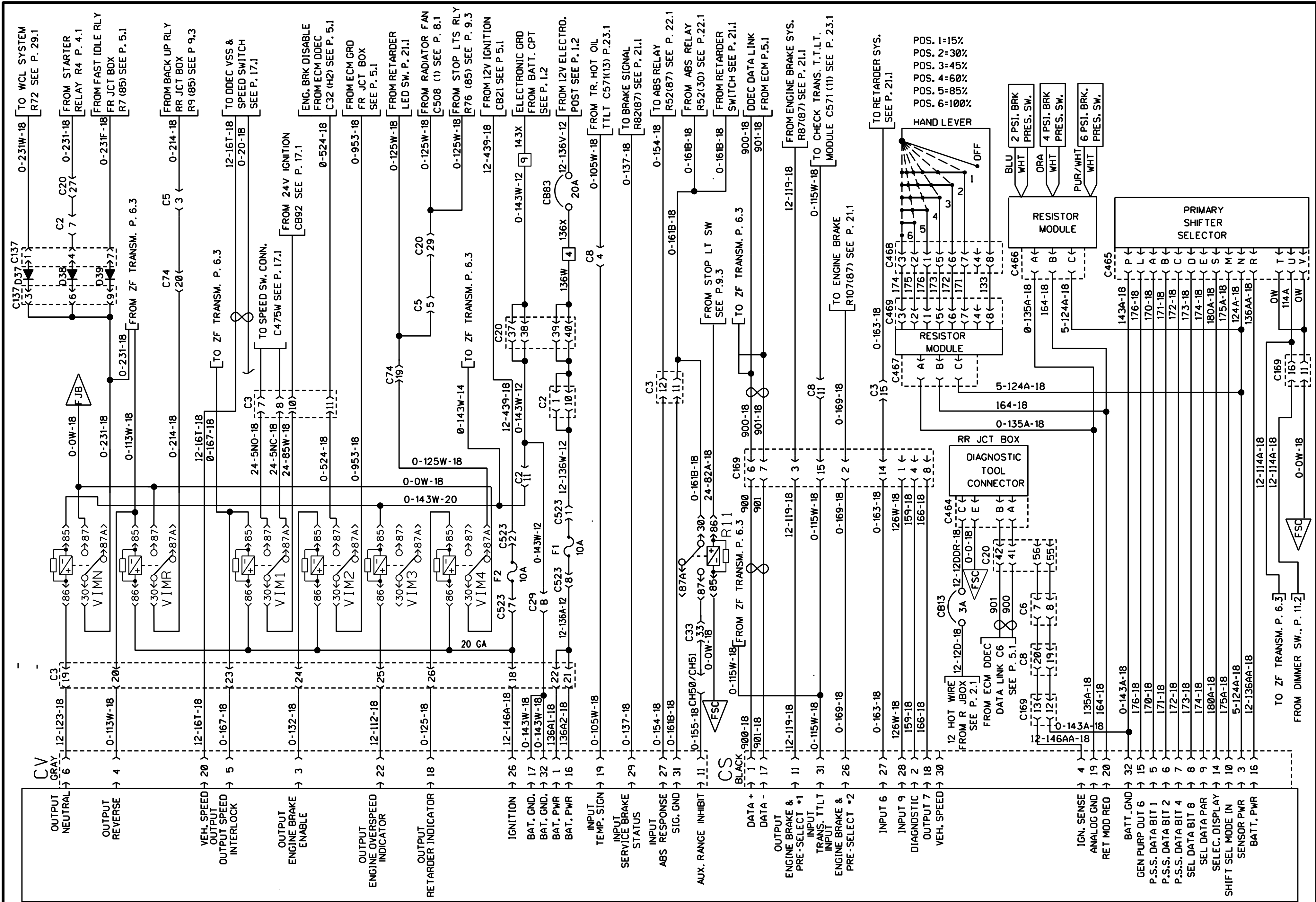
WIRING DIAGRAM

NO: **D060993**

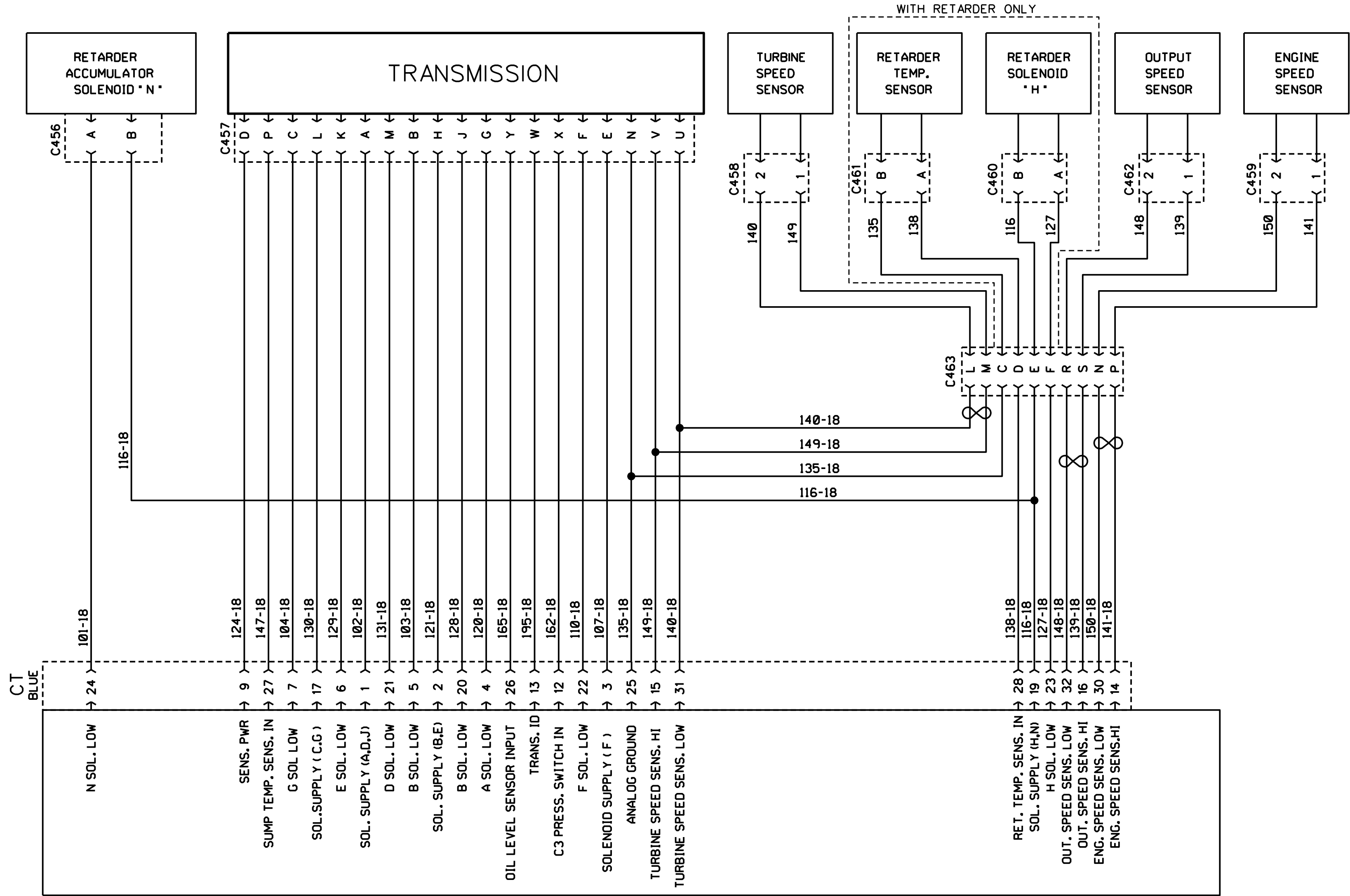
PAGE: **6.1**

REVISION
08

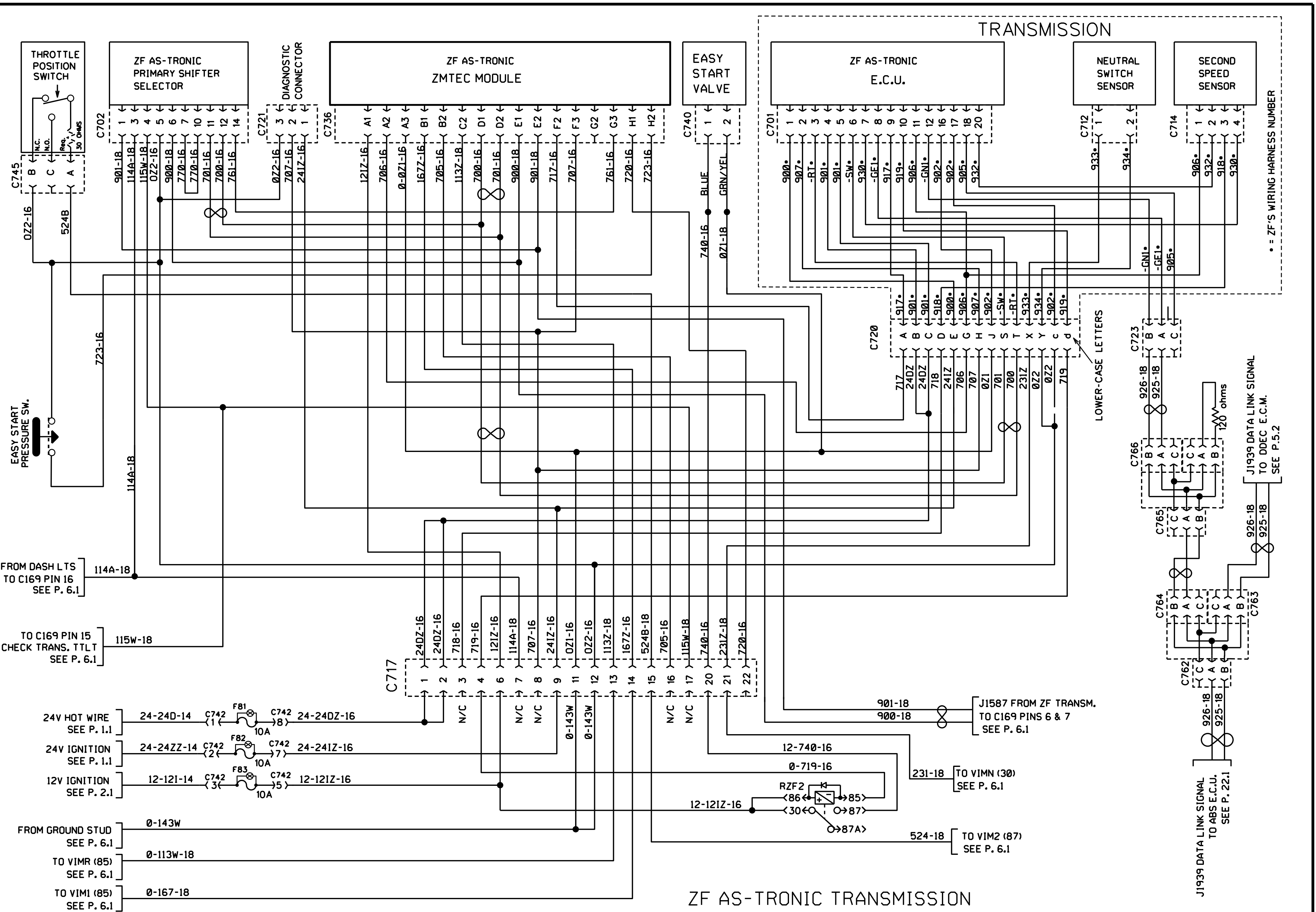


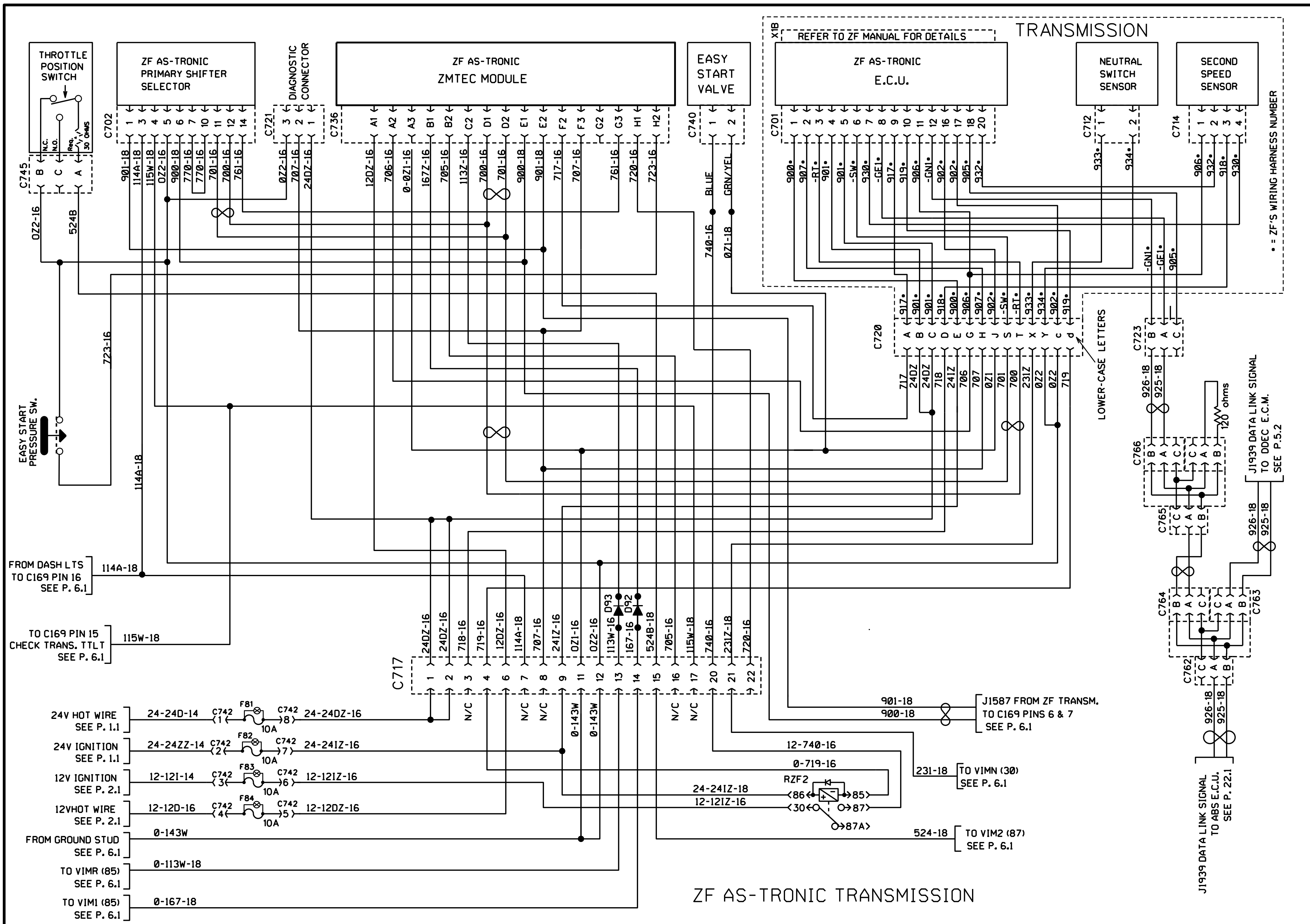


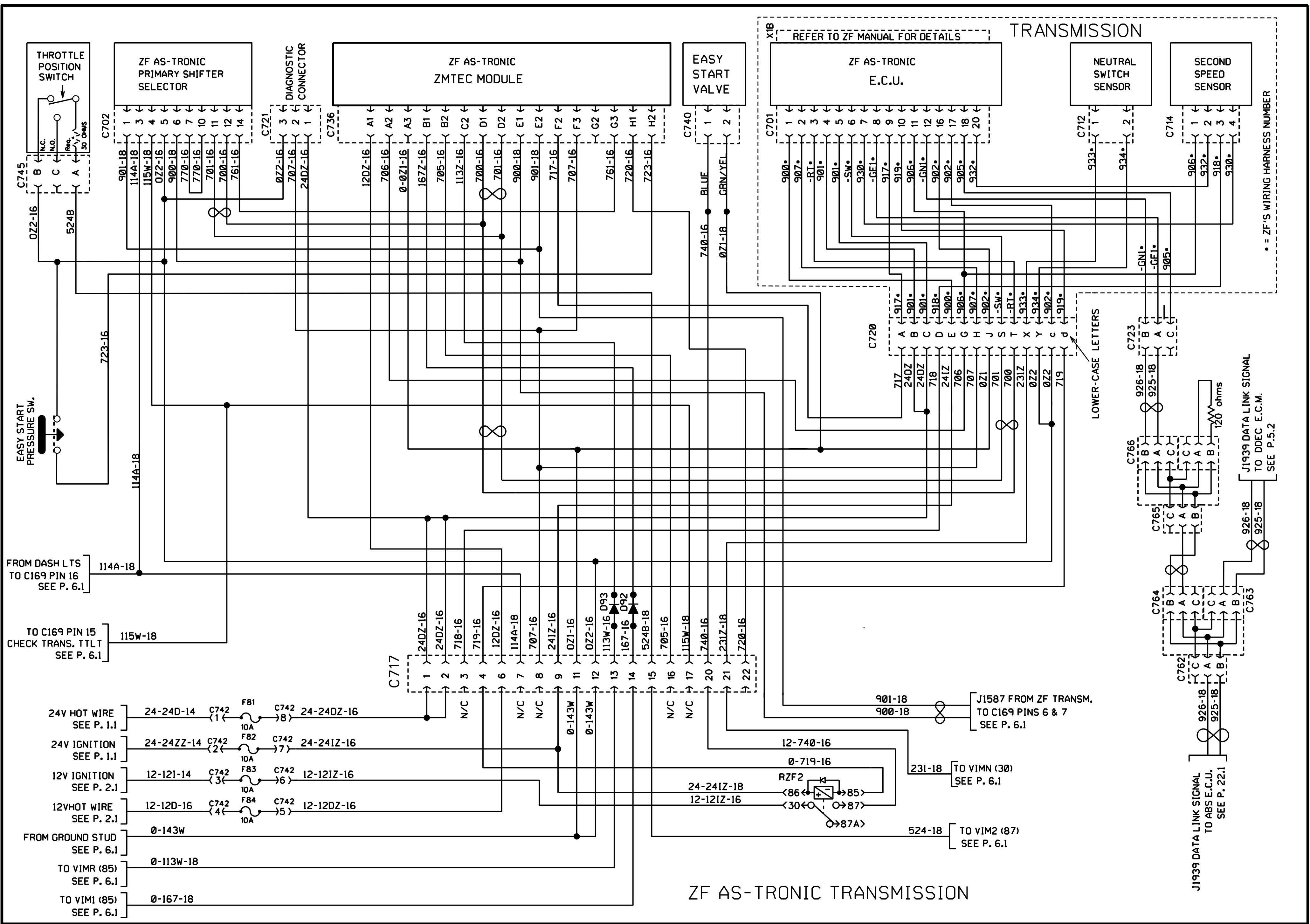
WORLD TRANSMISSION F.C.U.

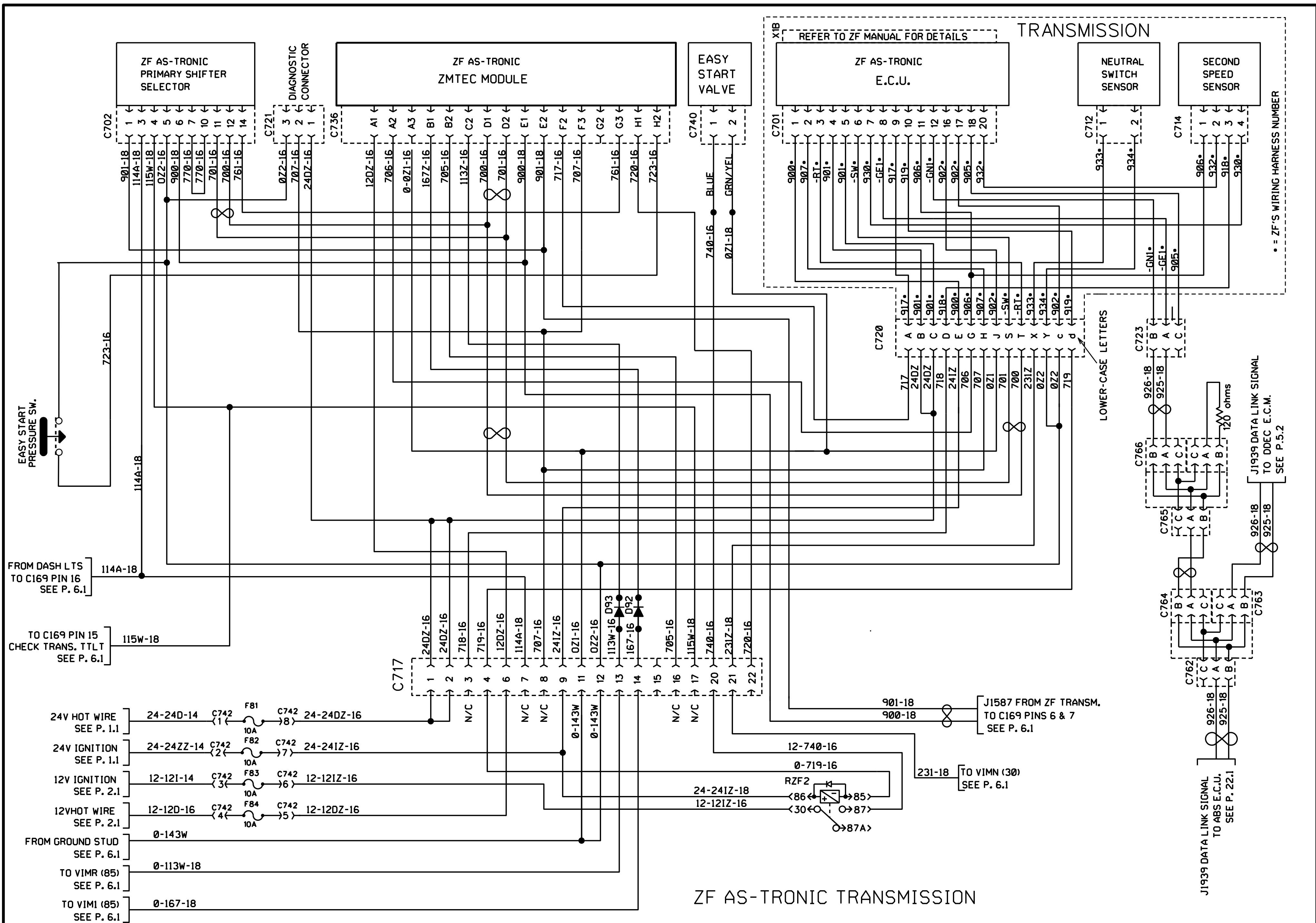


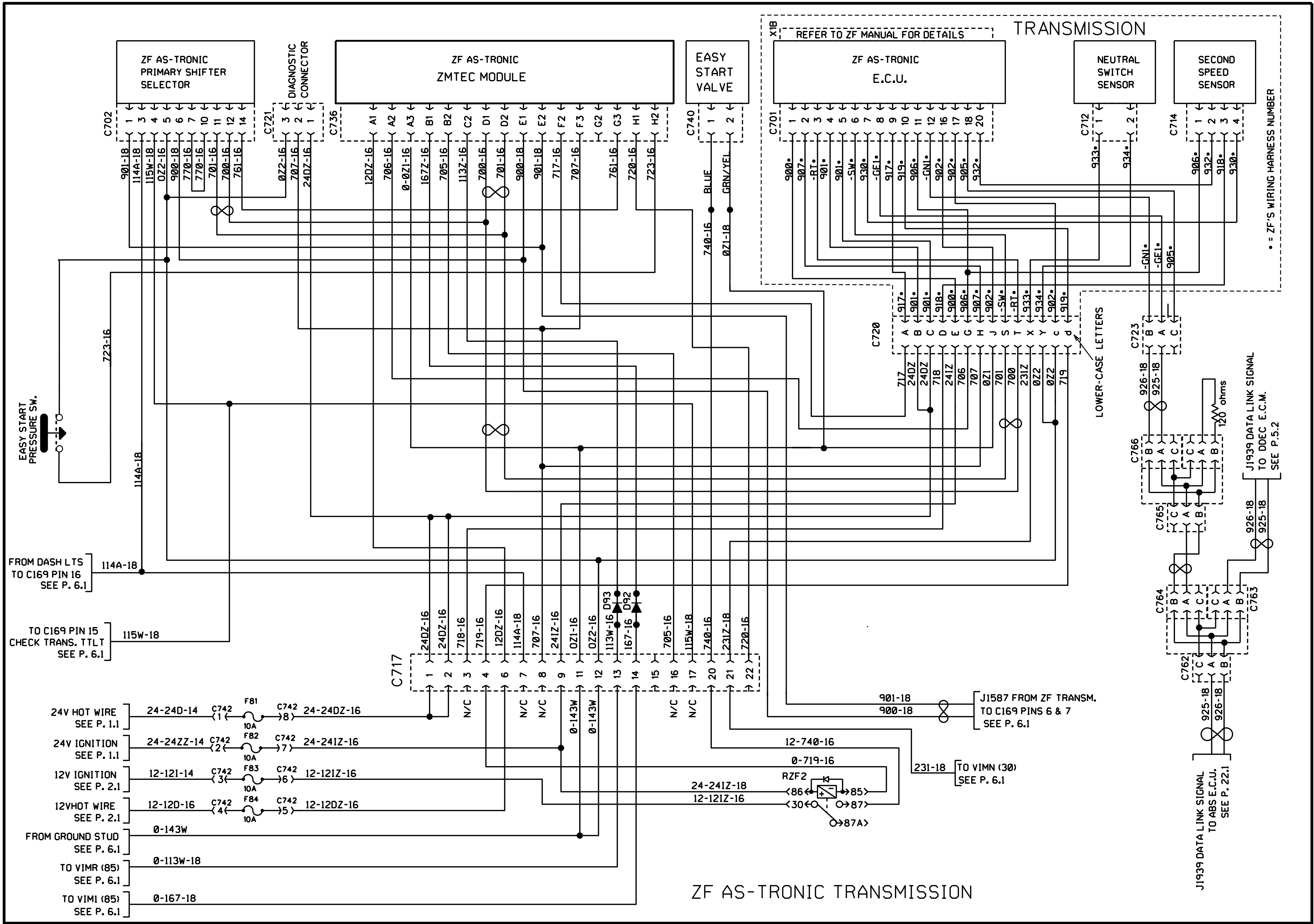
WORLD TRANSMISSION E.C.U. (SUITE)



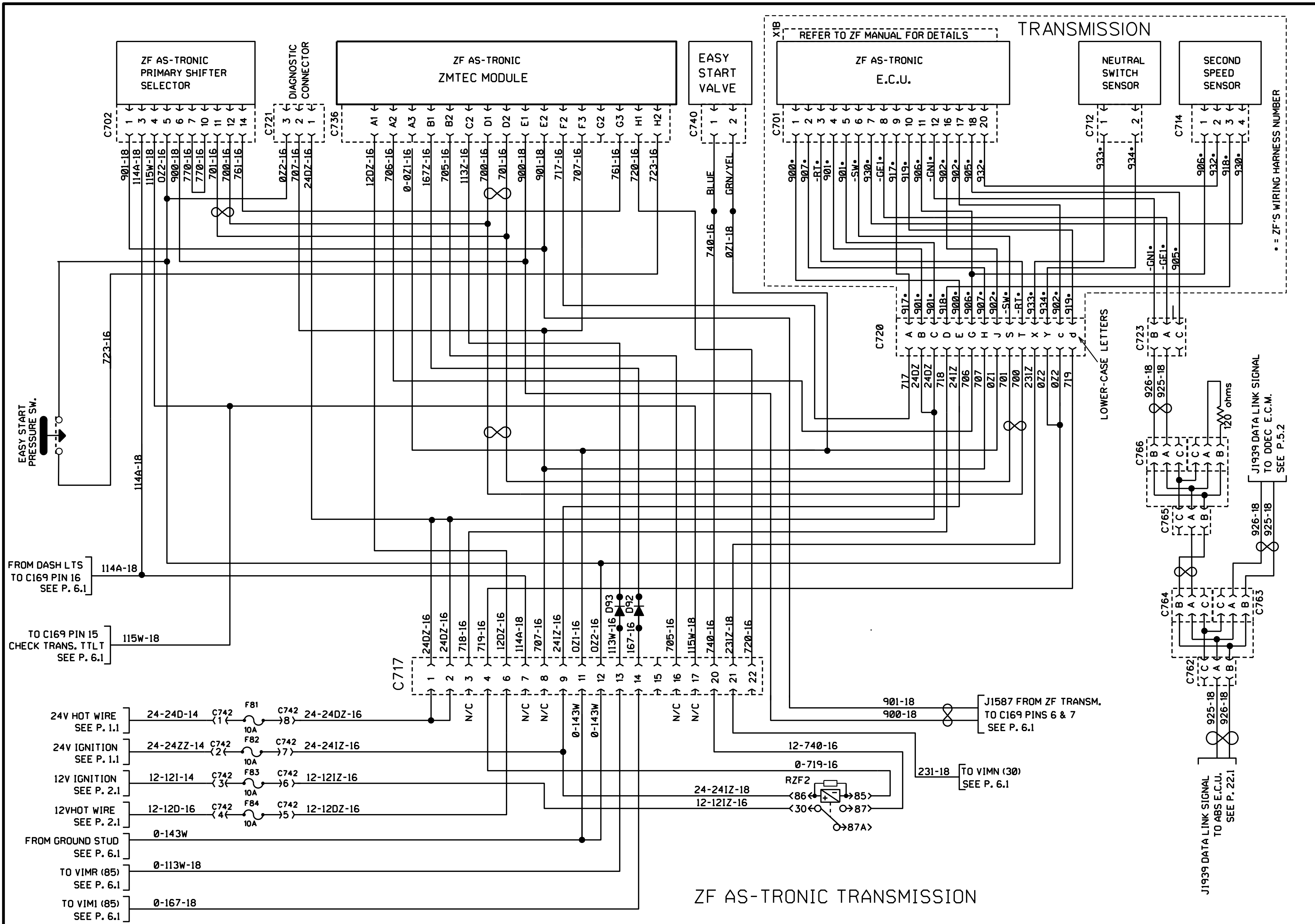


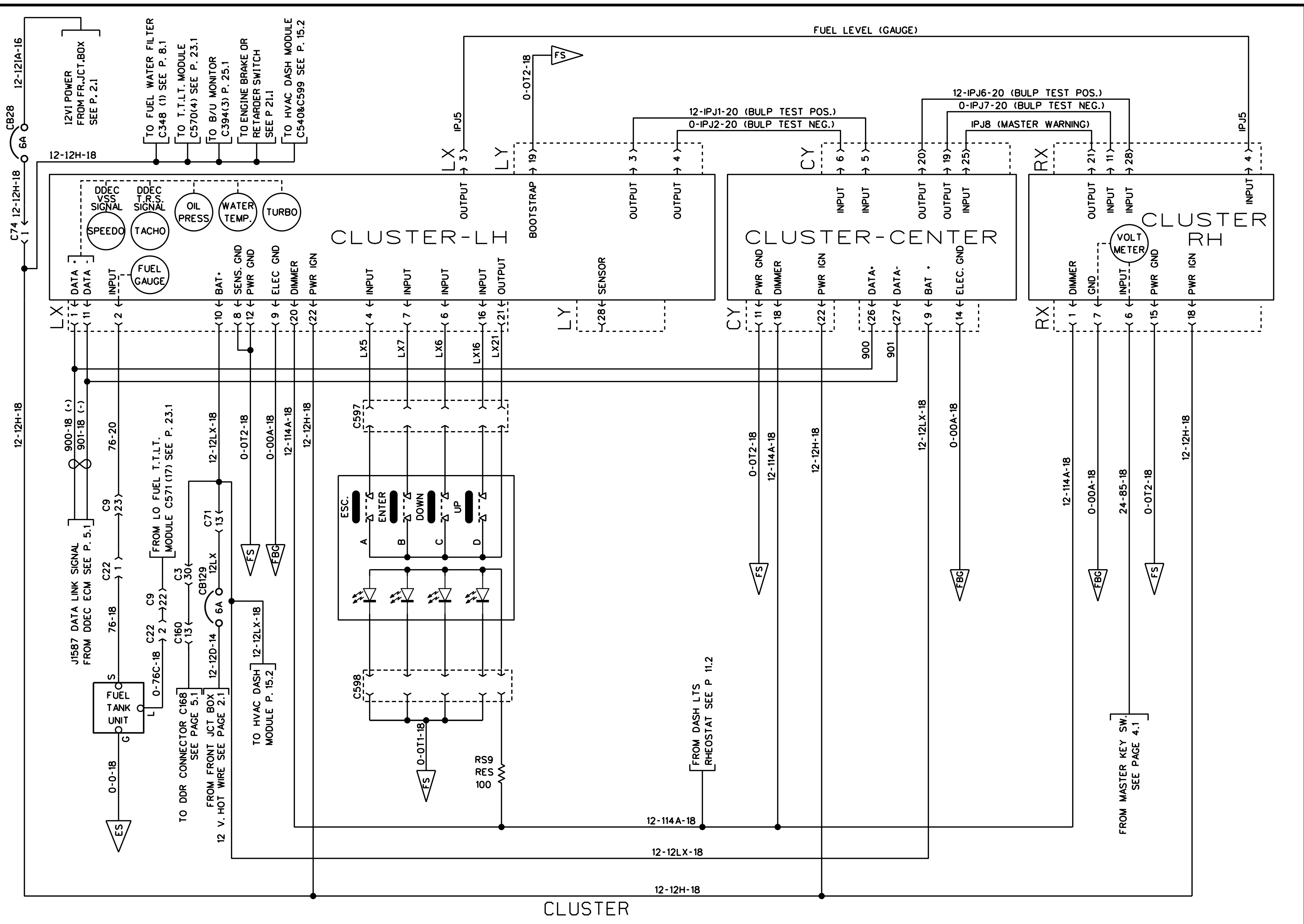


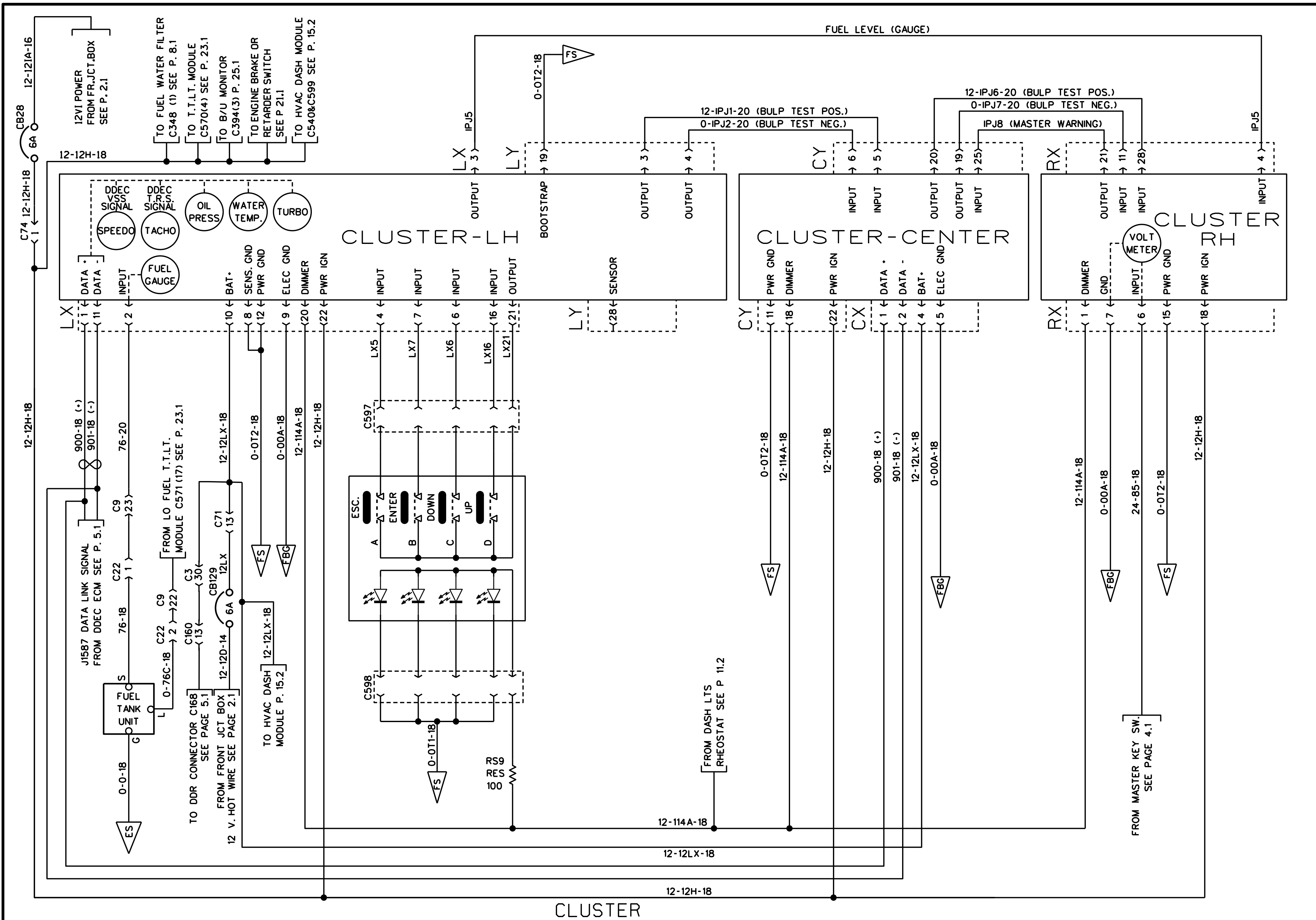


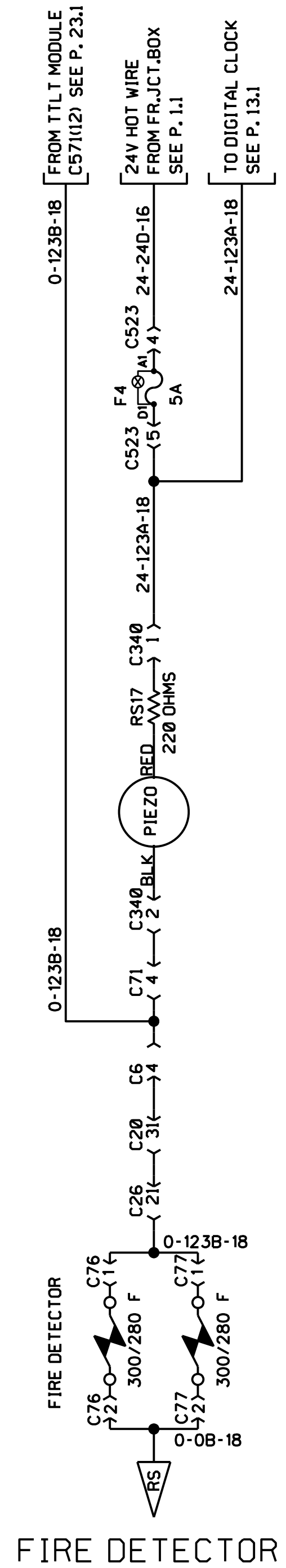
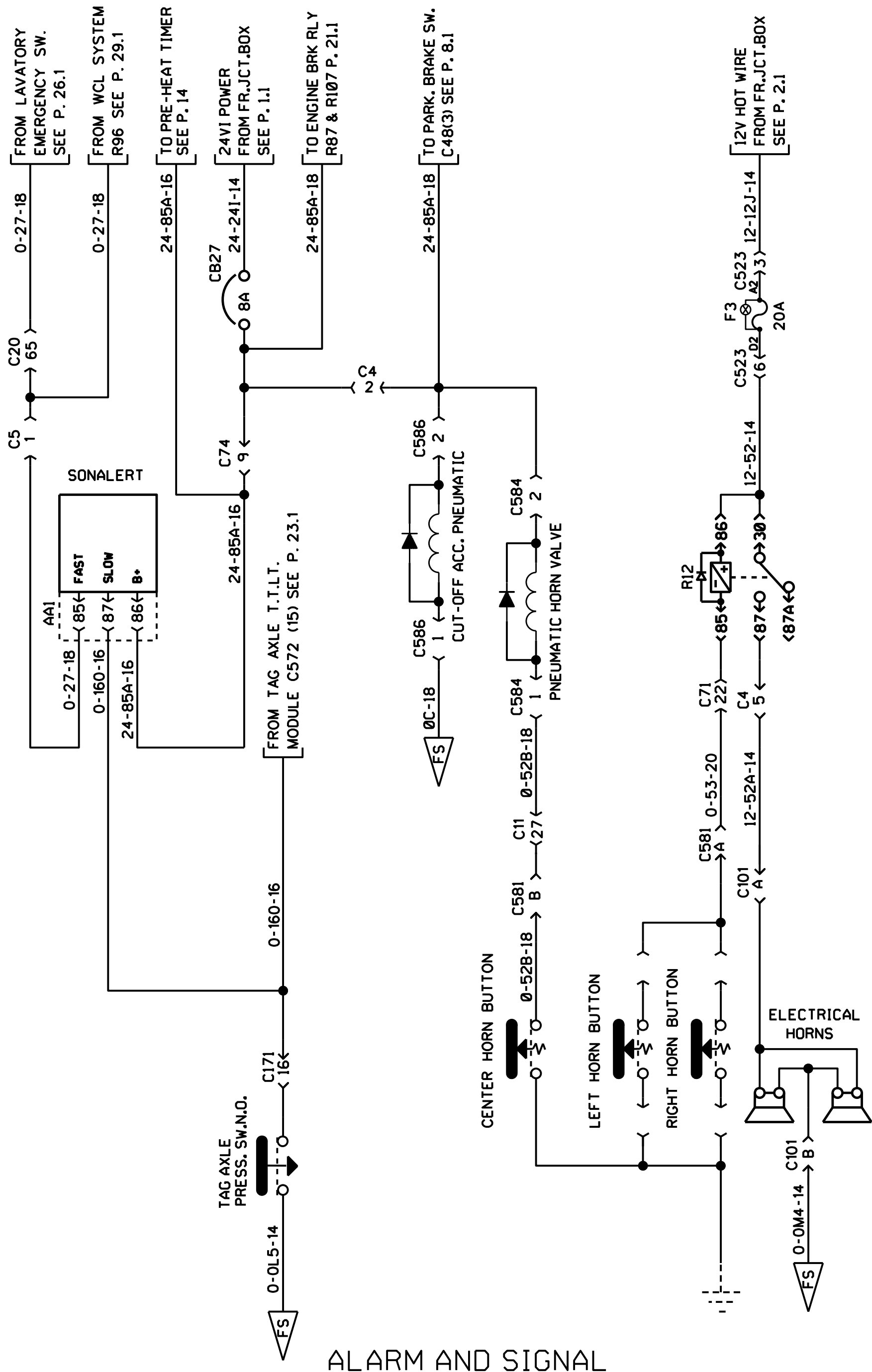


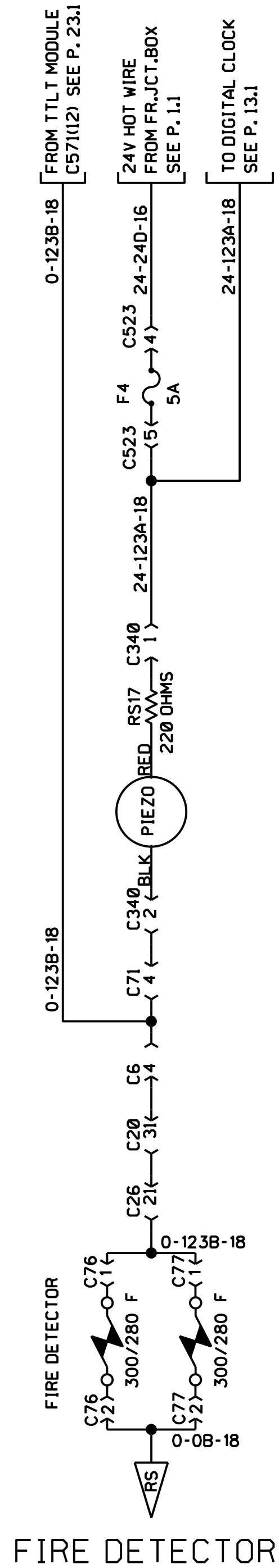
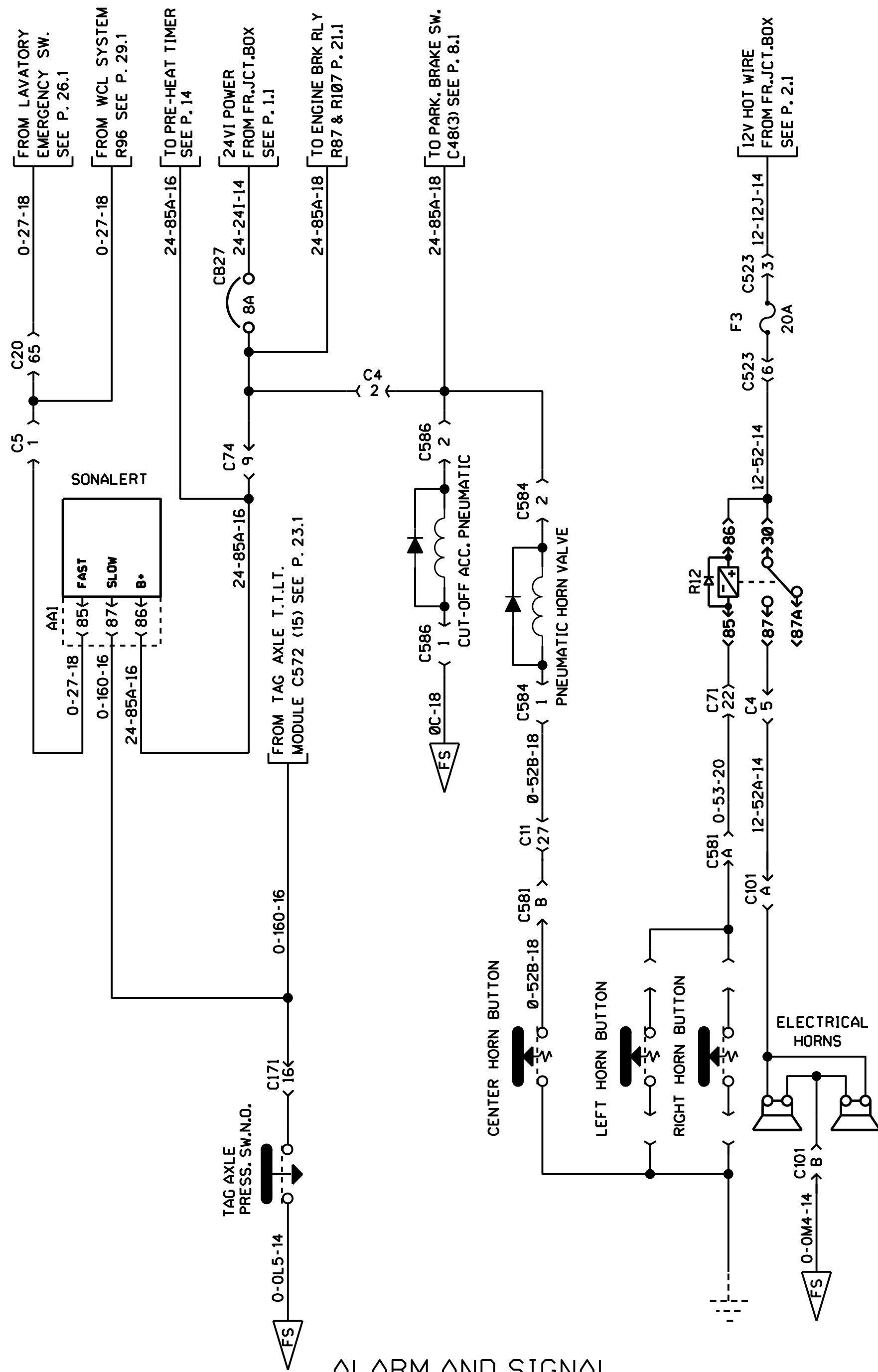
ZF AS-TRONIC TRANSMISSION

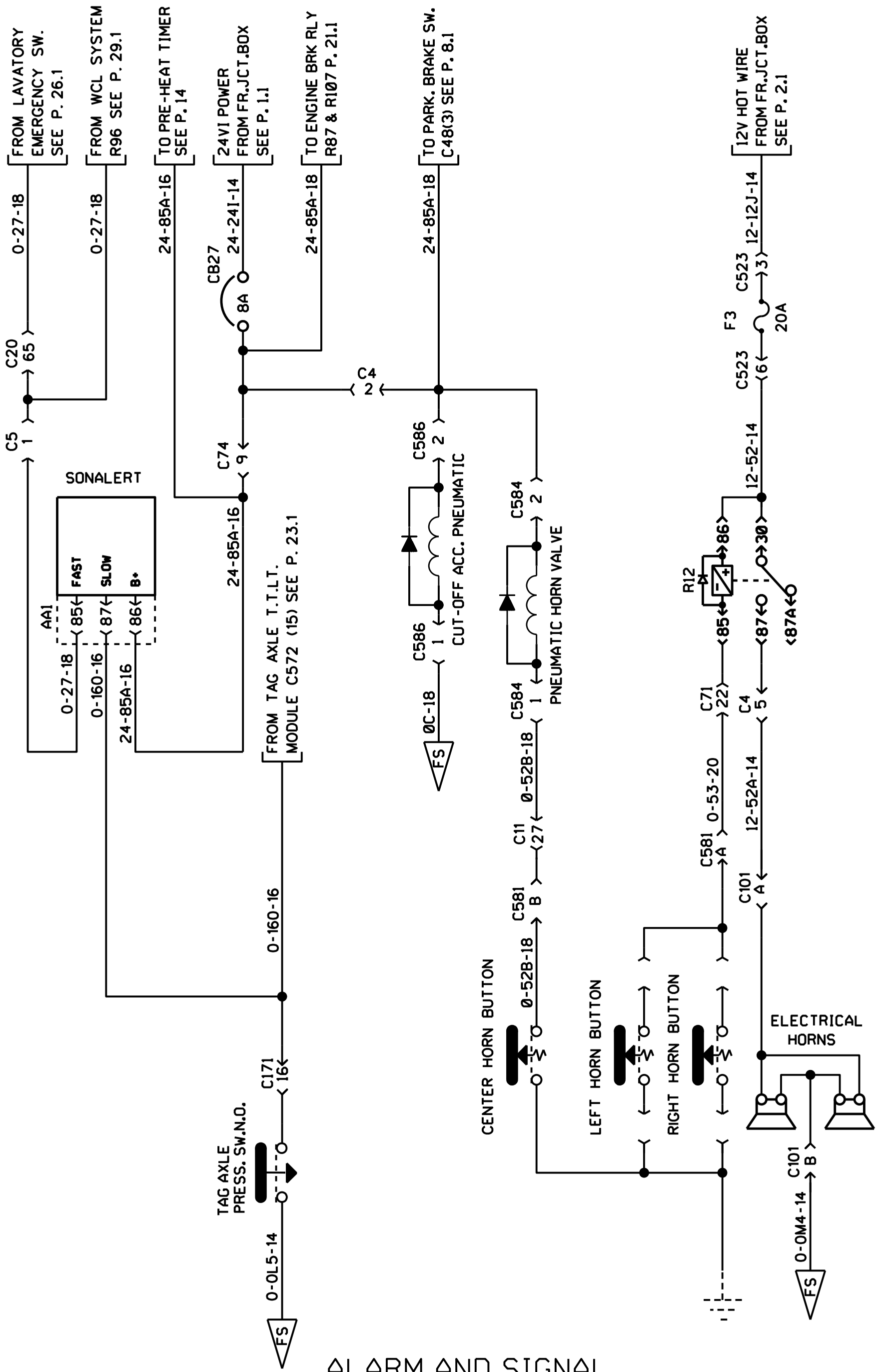




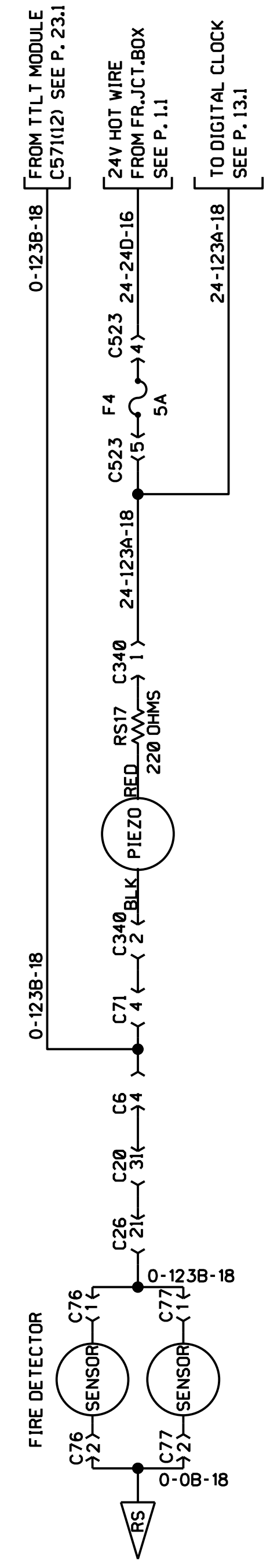




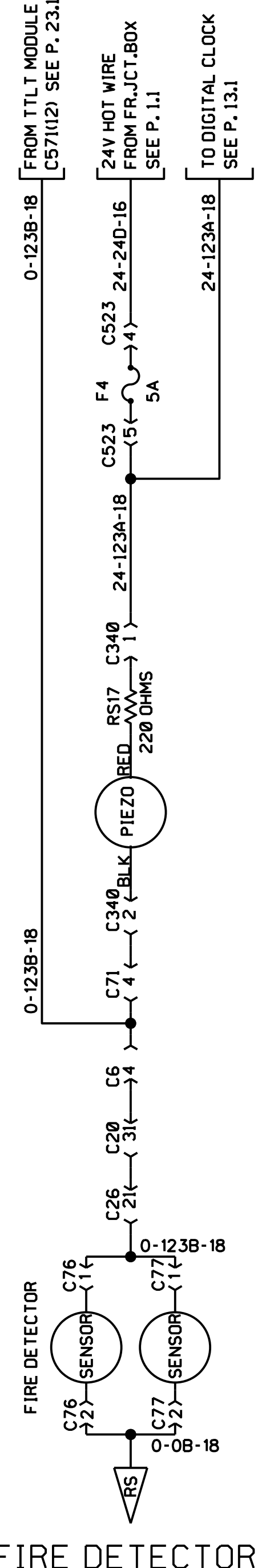
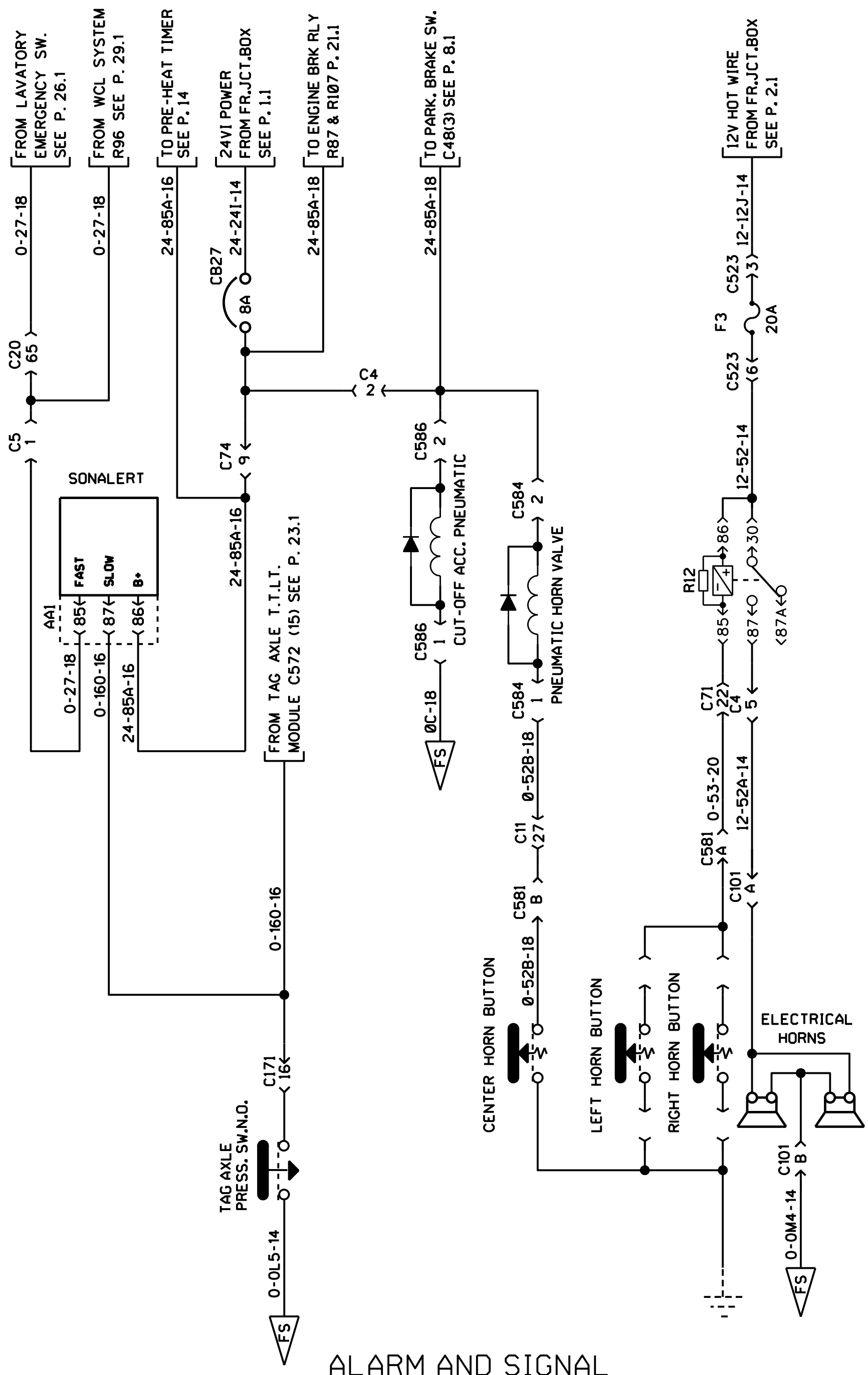


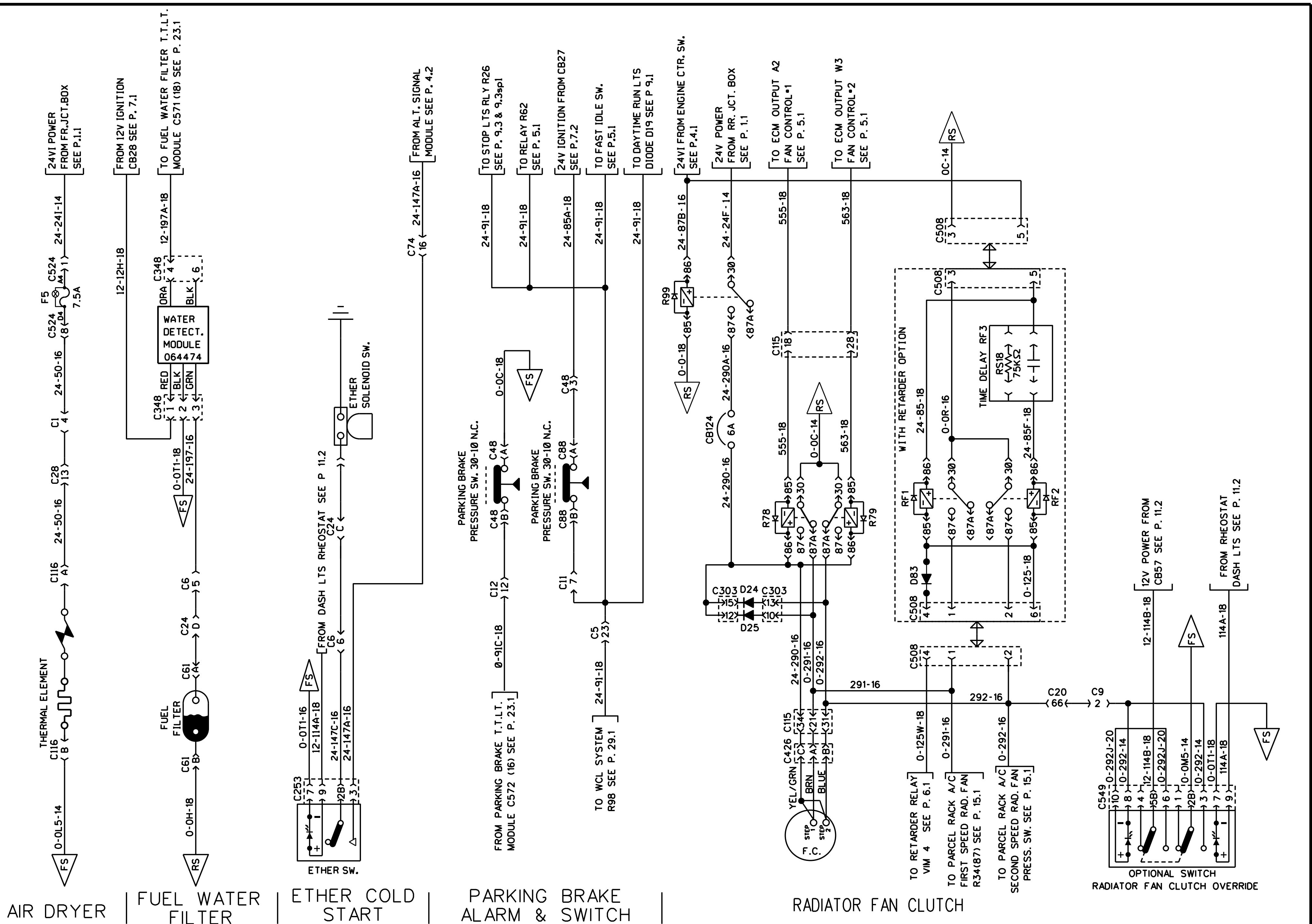


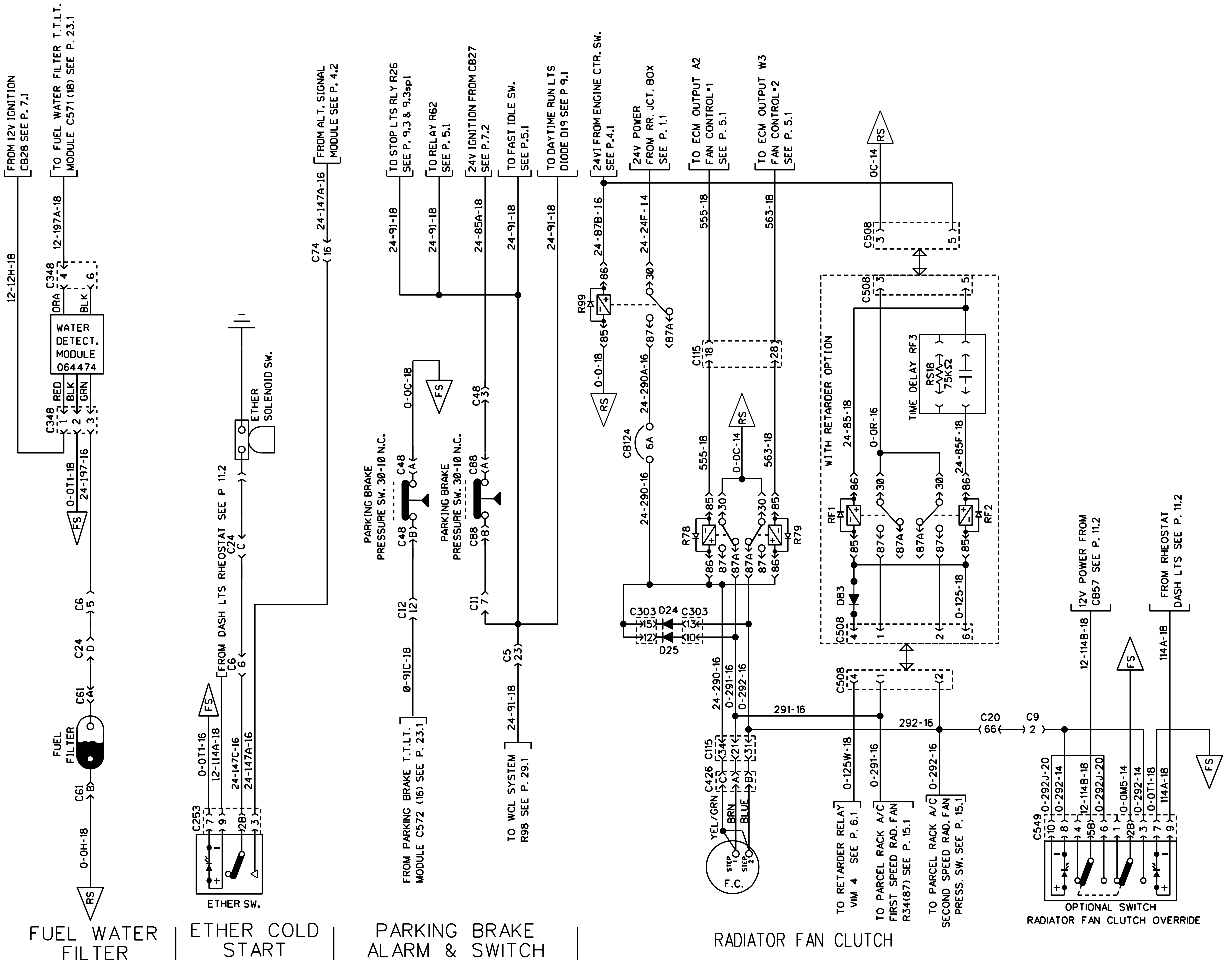
ALARM AND SIGNAL

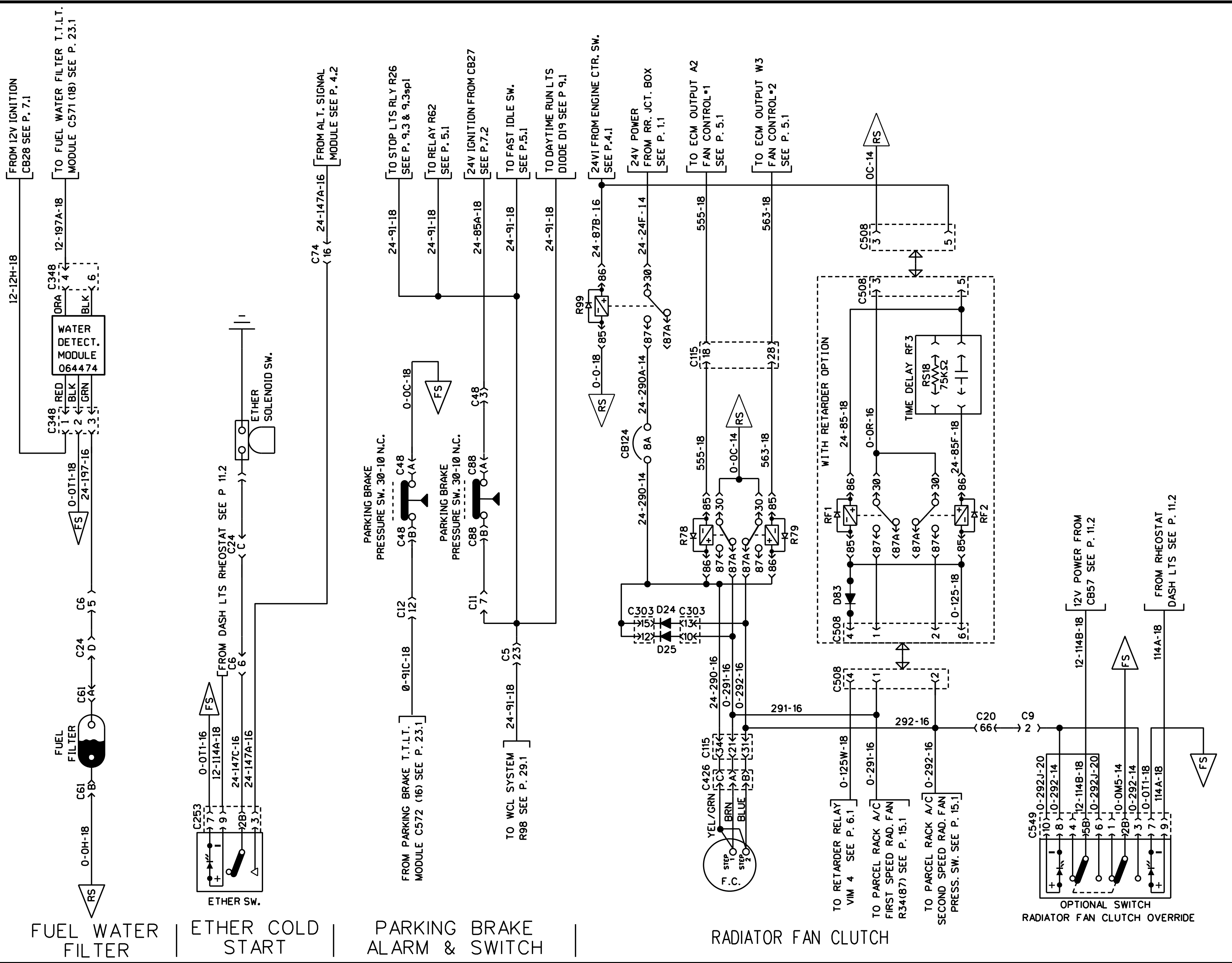


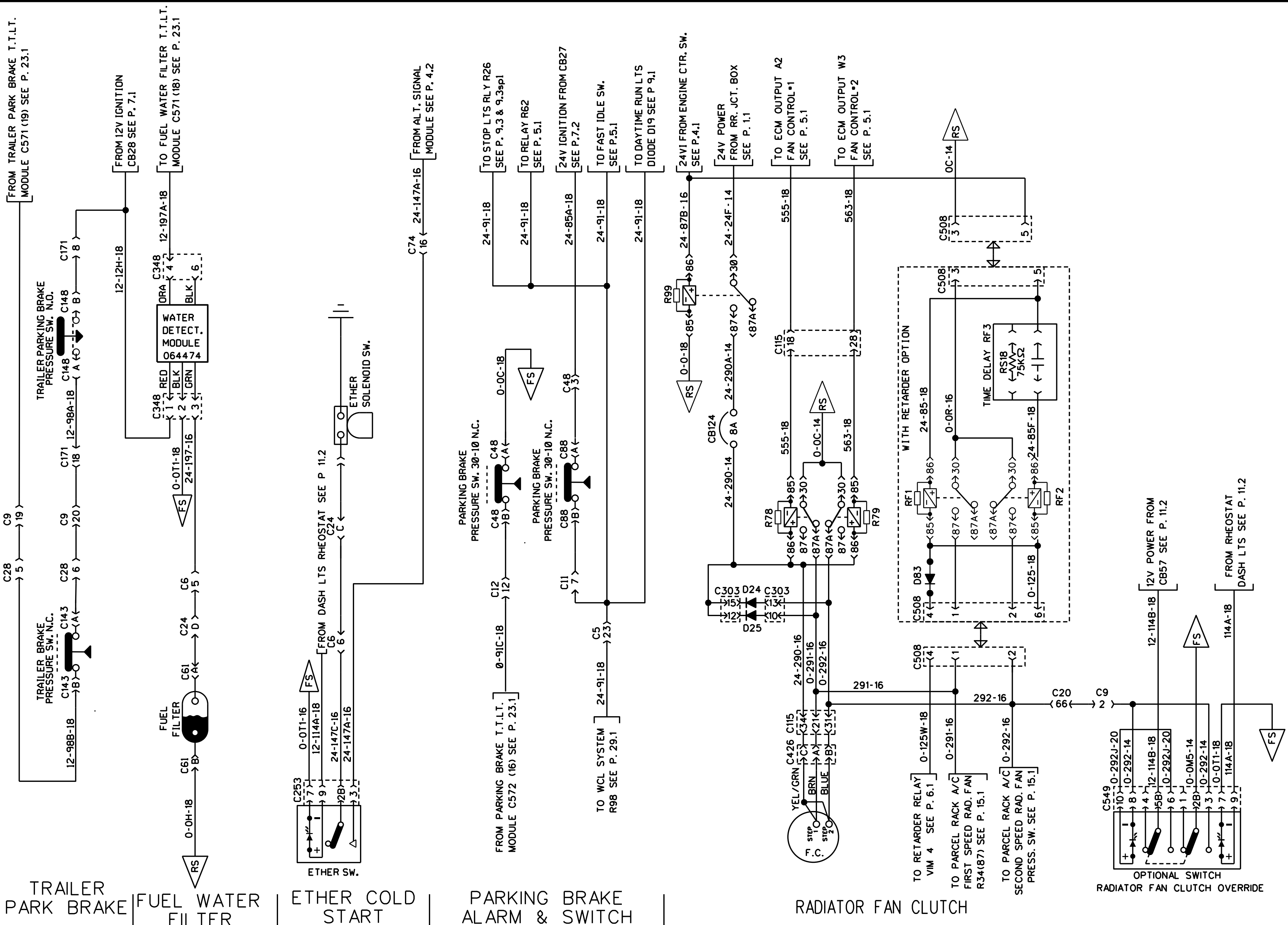
FIRE DETECTOR

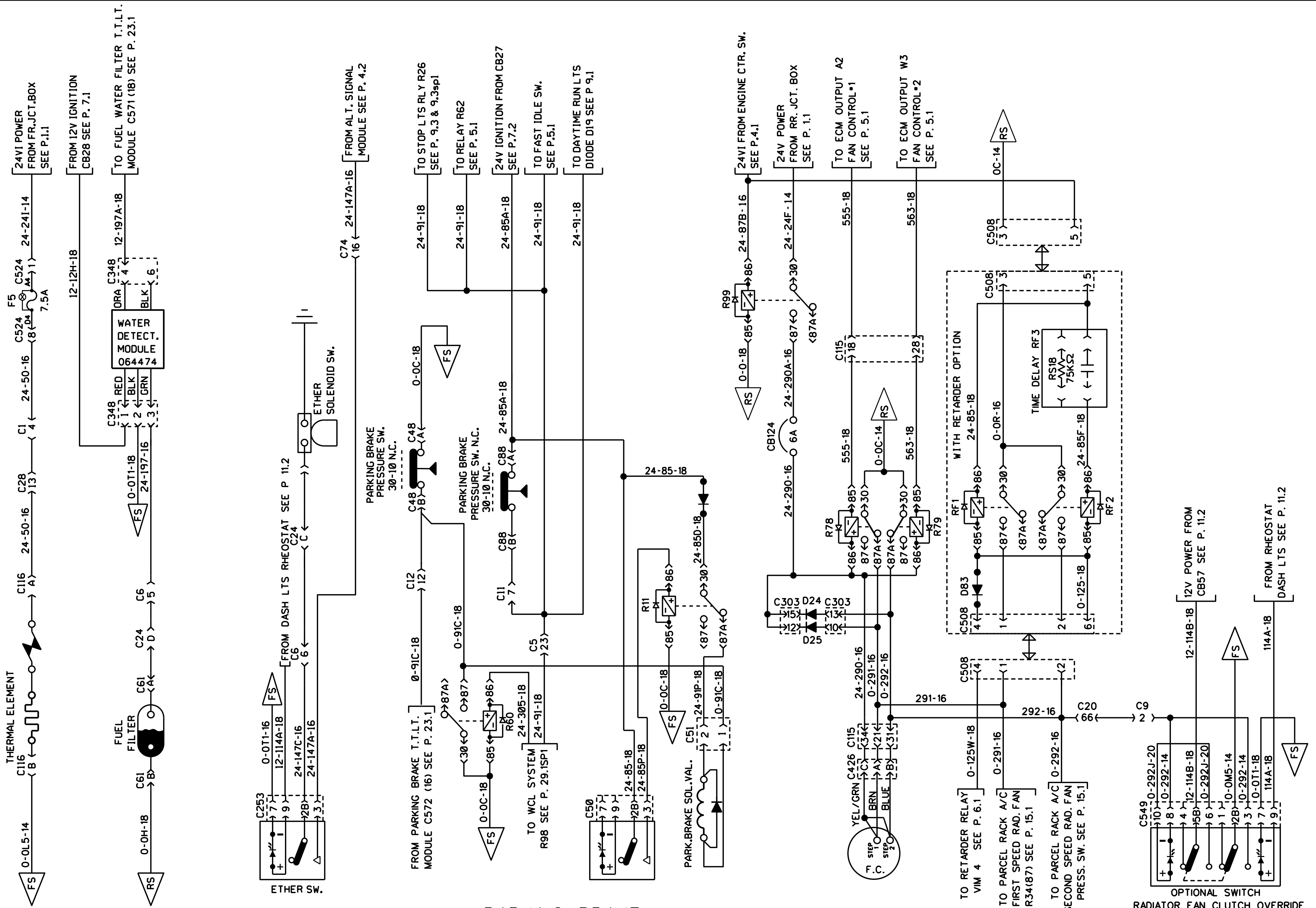












AIR DRYER

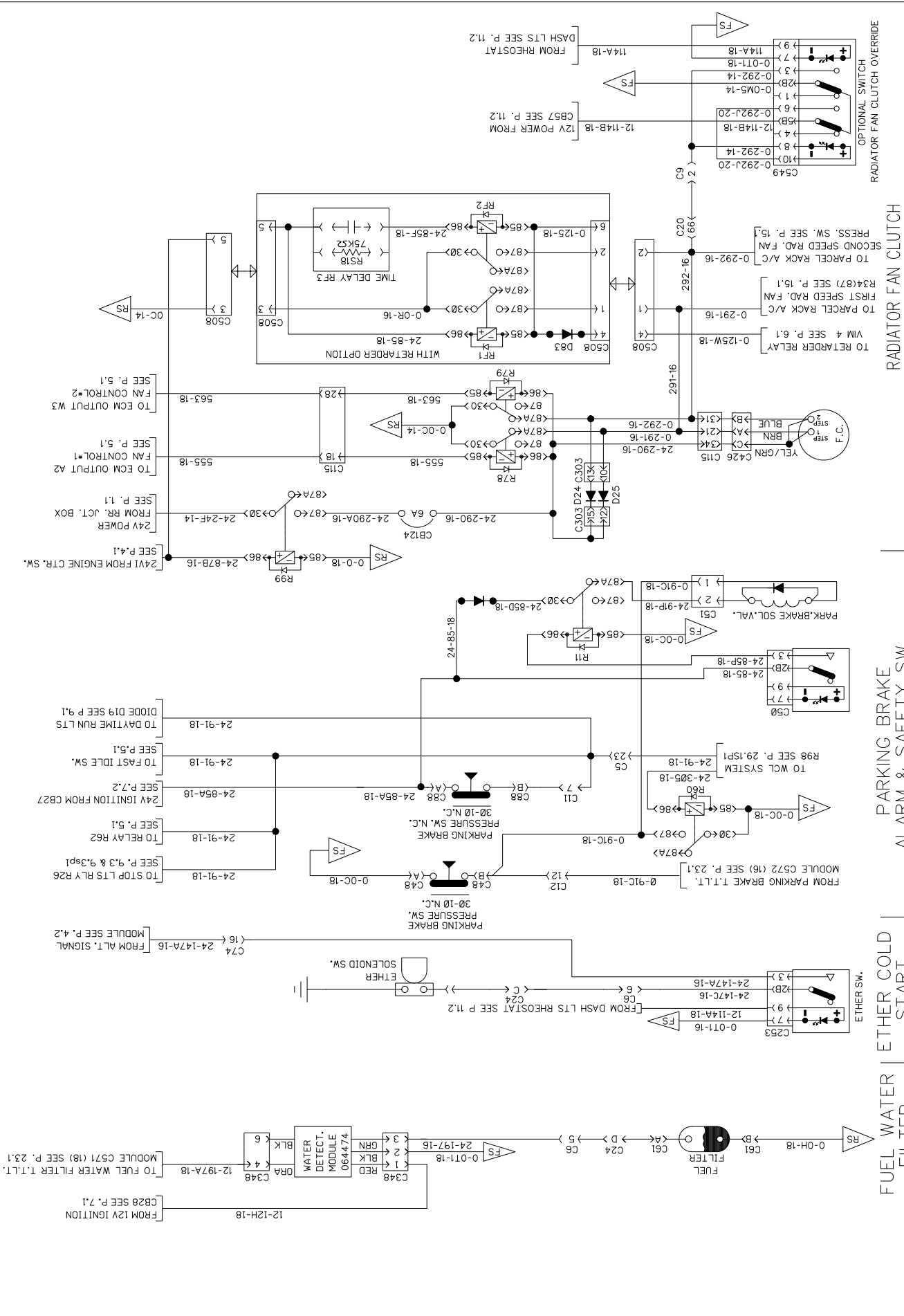
FUEL WATER FILTER

ETHER COLD START

PARKING BRAKE ALARM & SAFETY SW.

RADIATOR FAN CLUTCH

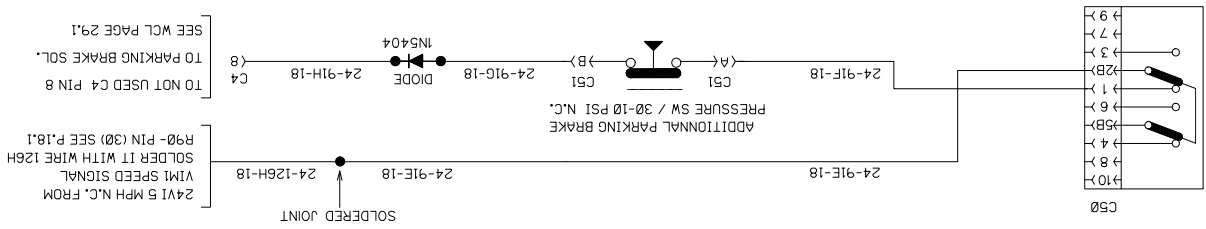
OPTIONAL SWITCH RADIATOR FAN CLUTCH OVERRIDE

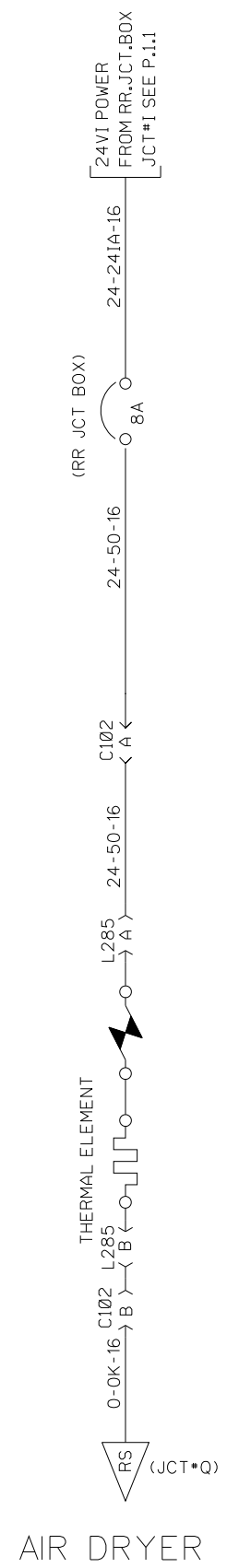


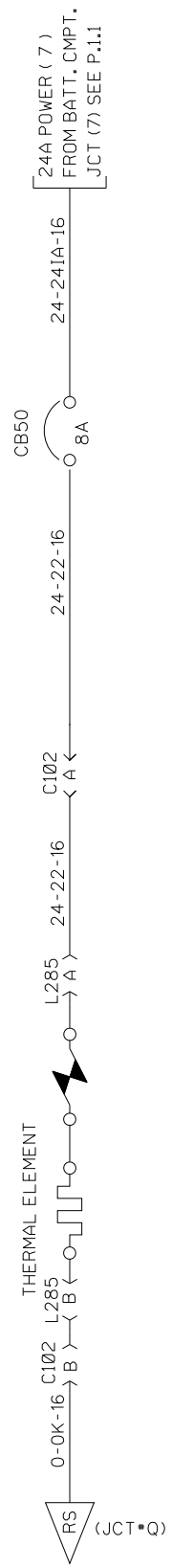
FUEL WATER | ETHER COLD
 FILTER START | PARKING BRAKE
 ALARM & SAFETY SW.

RADIATOR FAN CLUTCH
 RADIATOR FAN CLUTCH
 RADIATOR FAN CLUTCH OVERRIDE

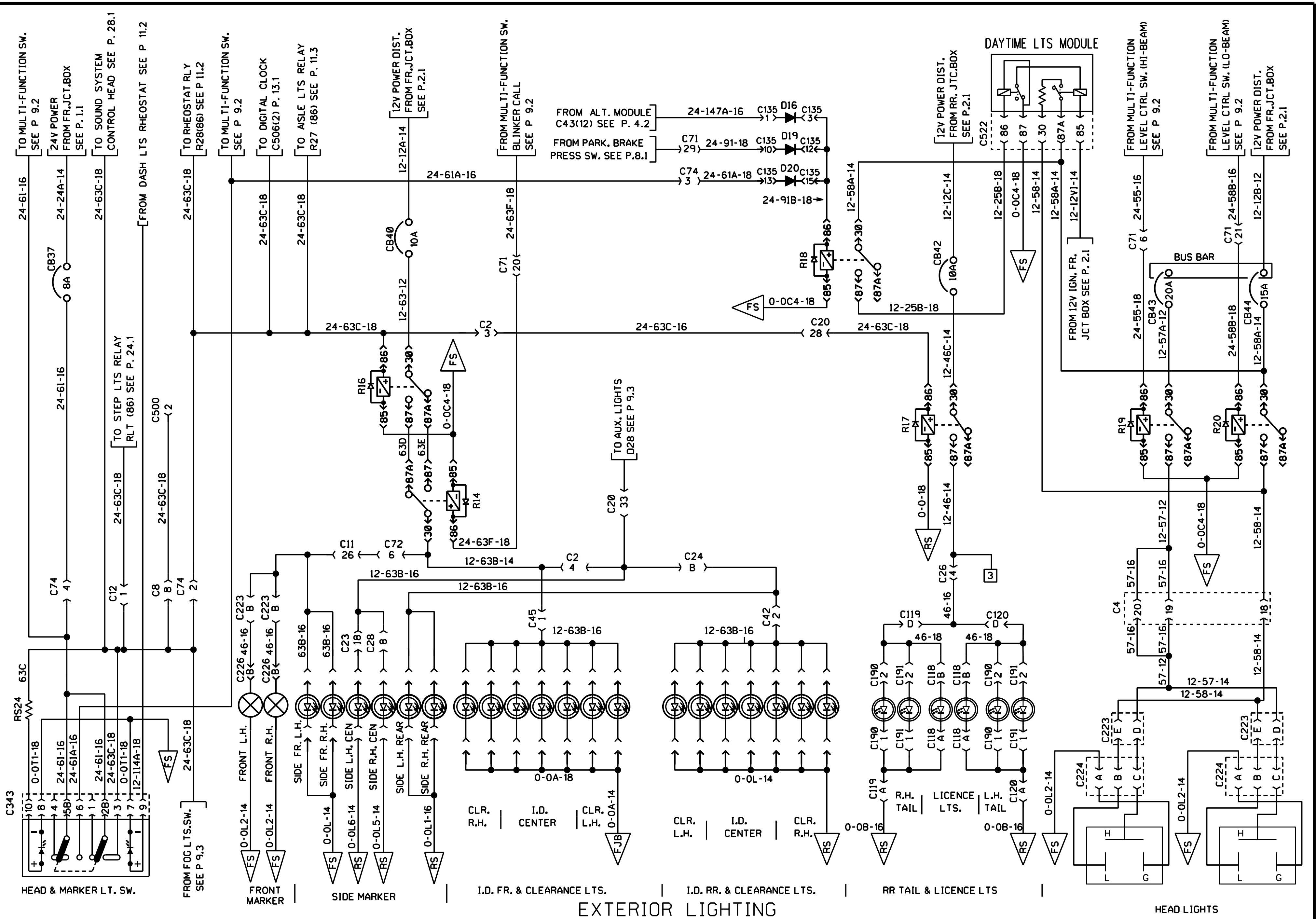
PARKING BRAKE
SAFETY SWITCH

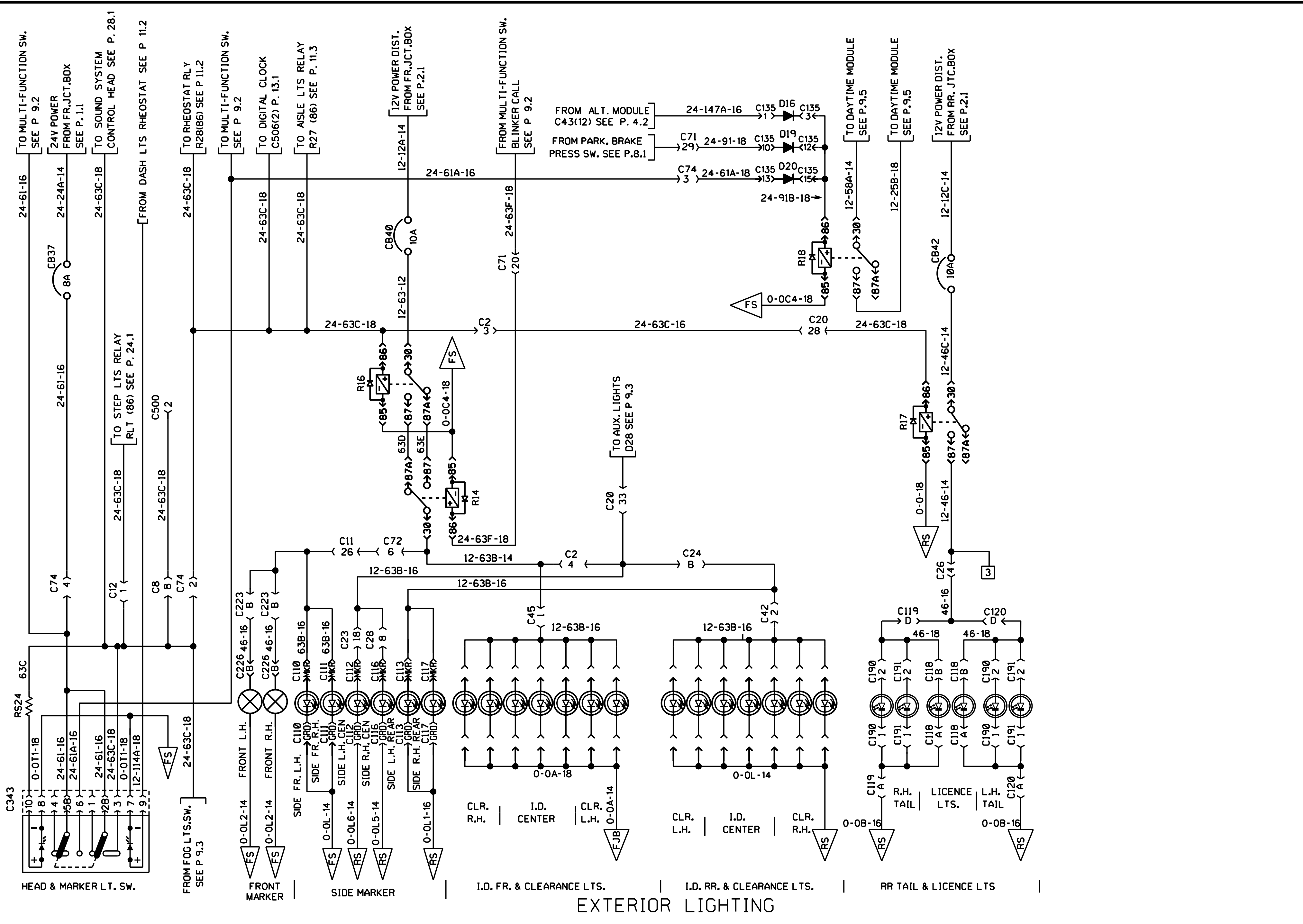


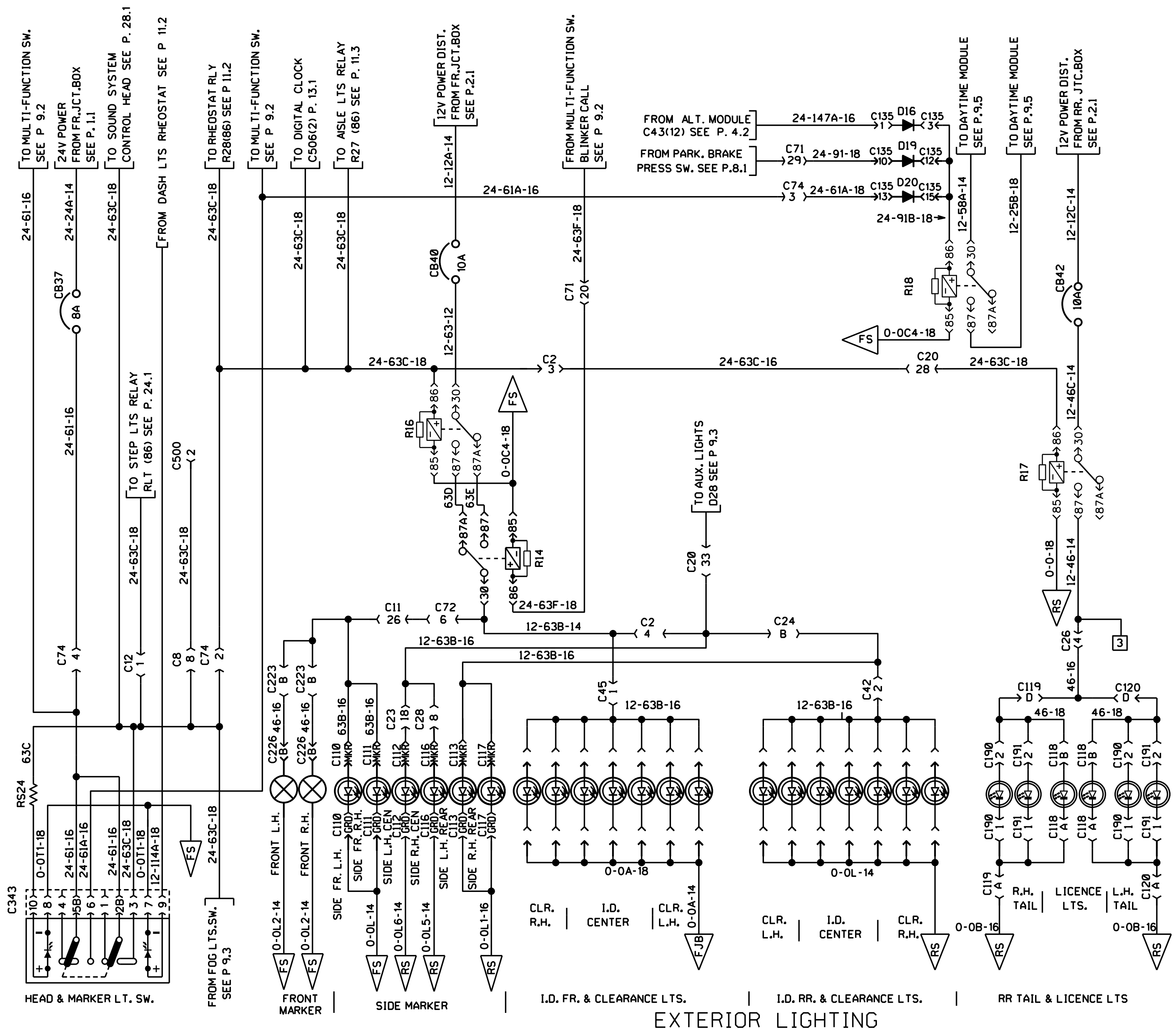


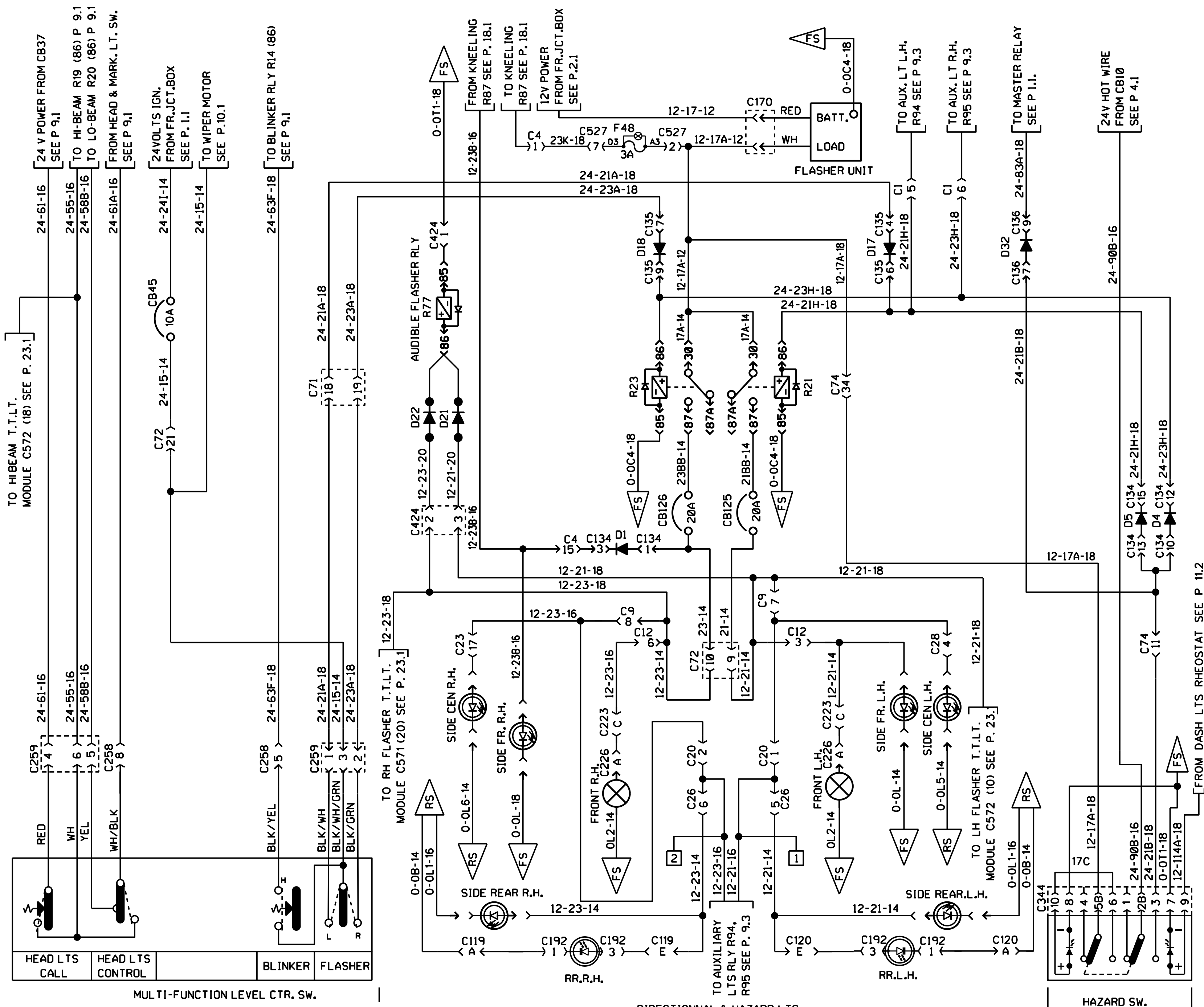


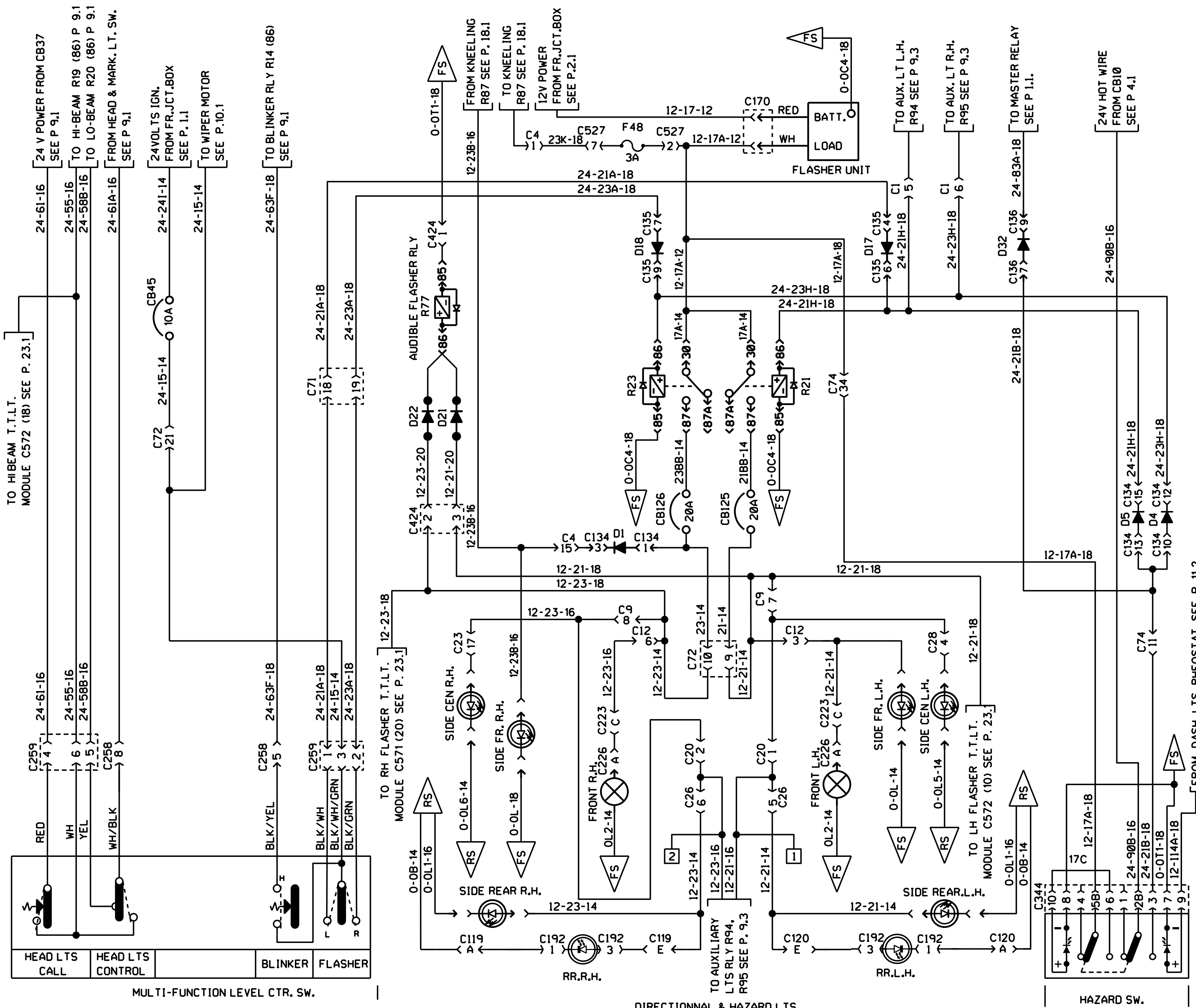
AIR DRYER

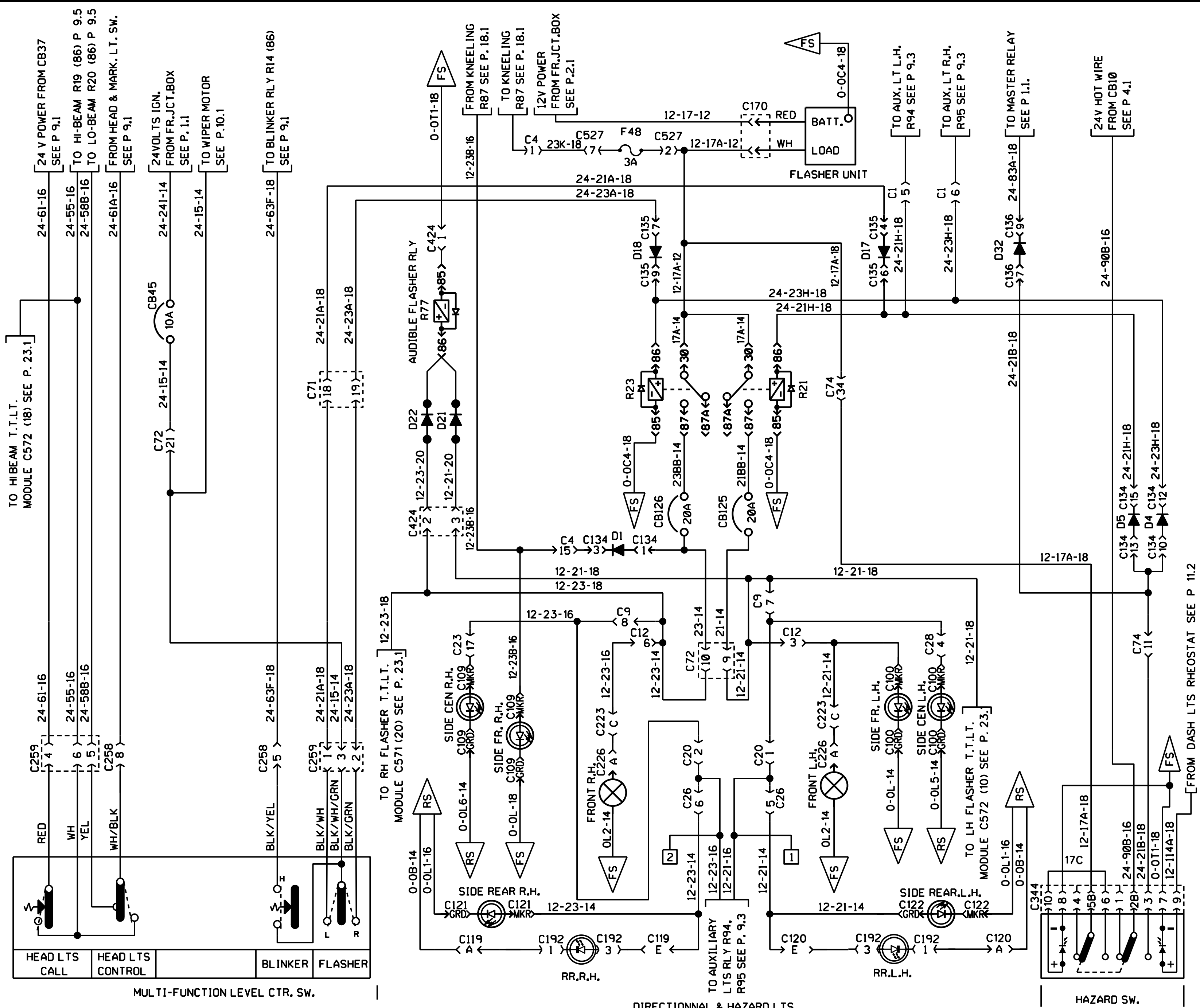


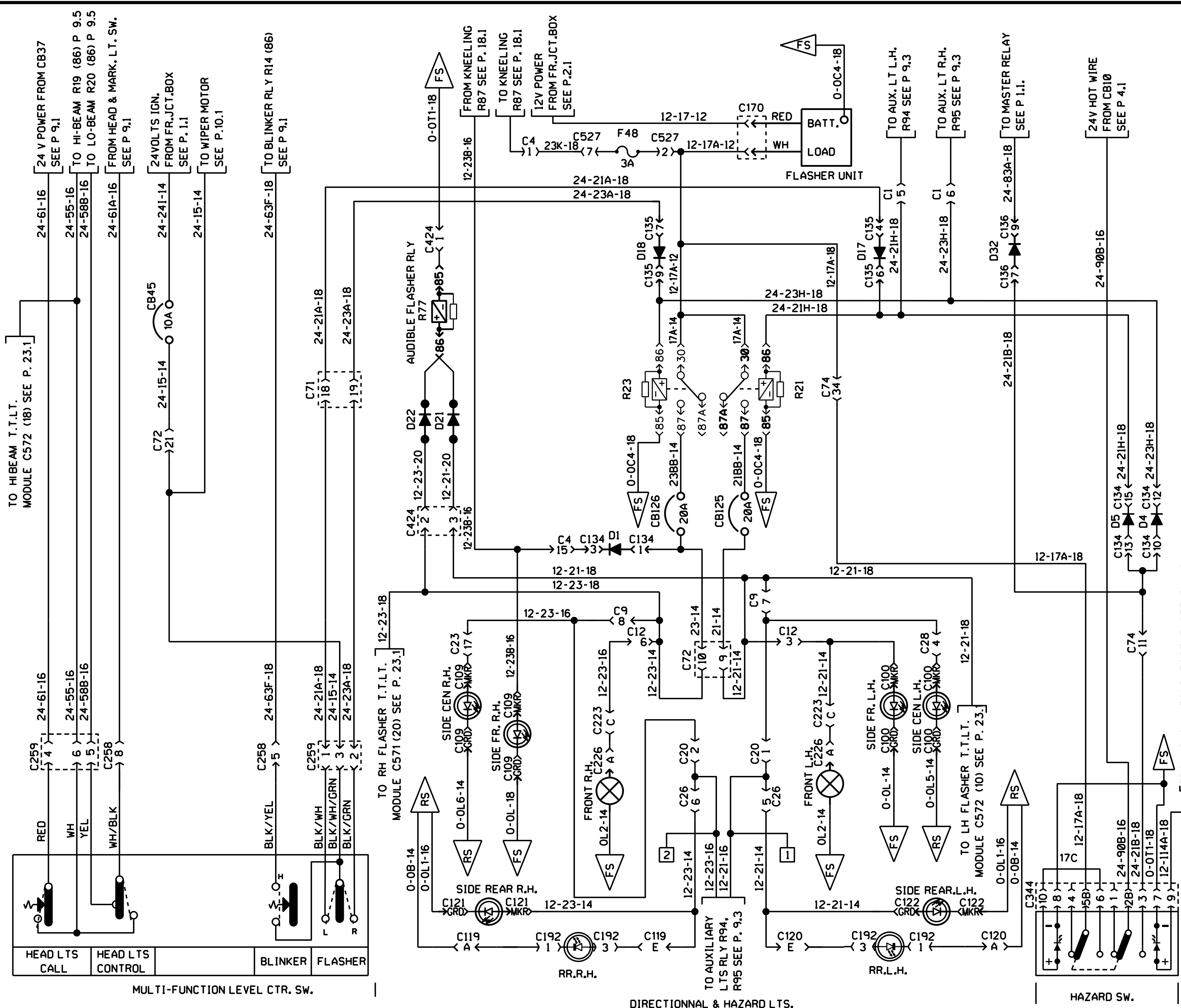


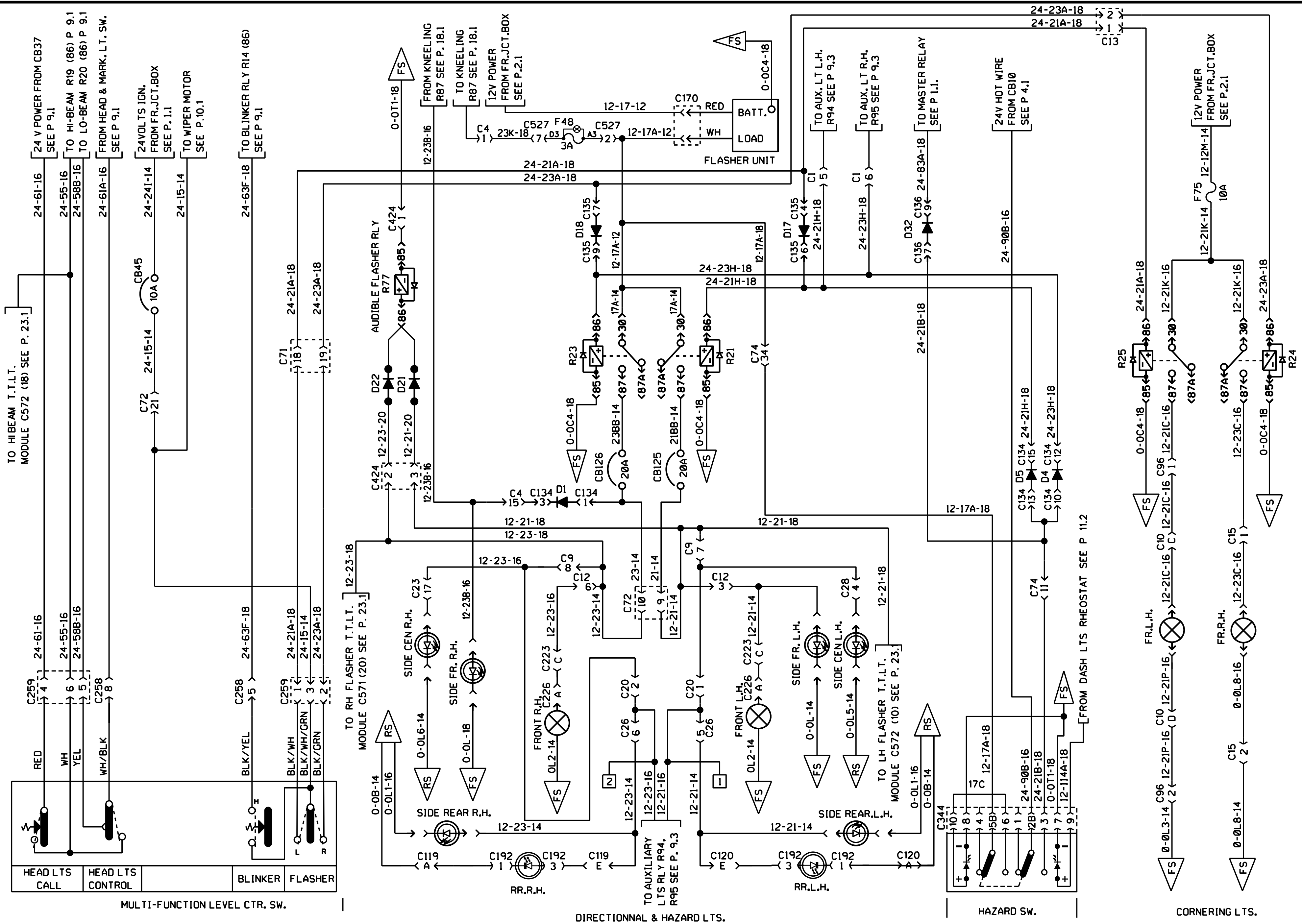


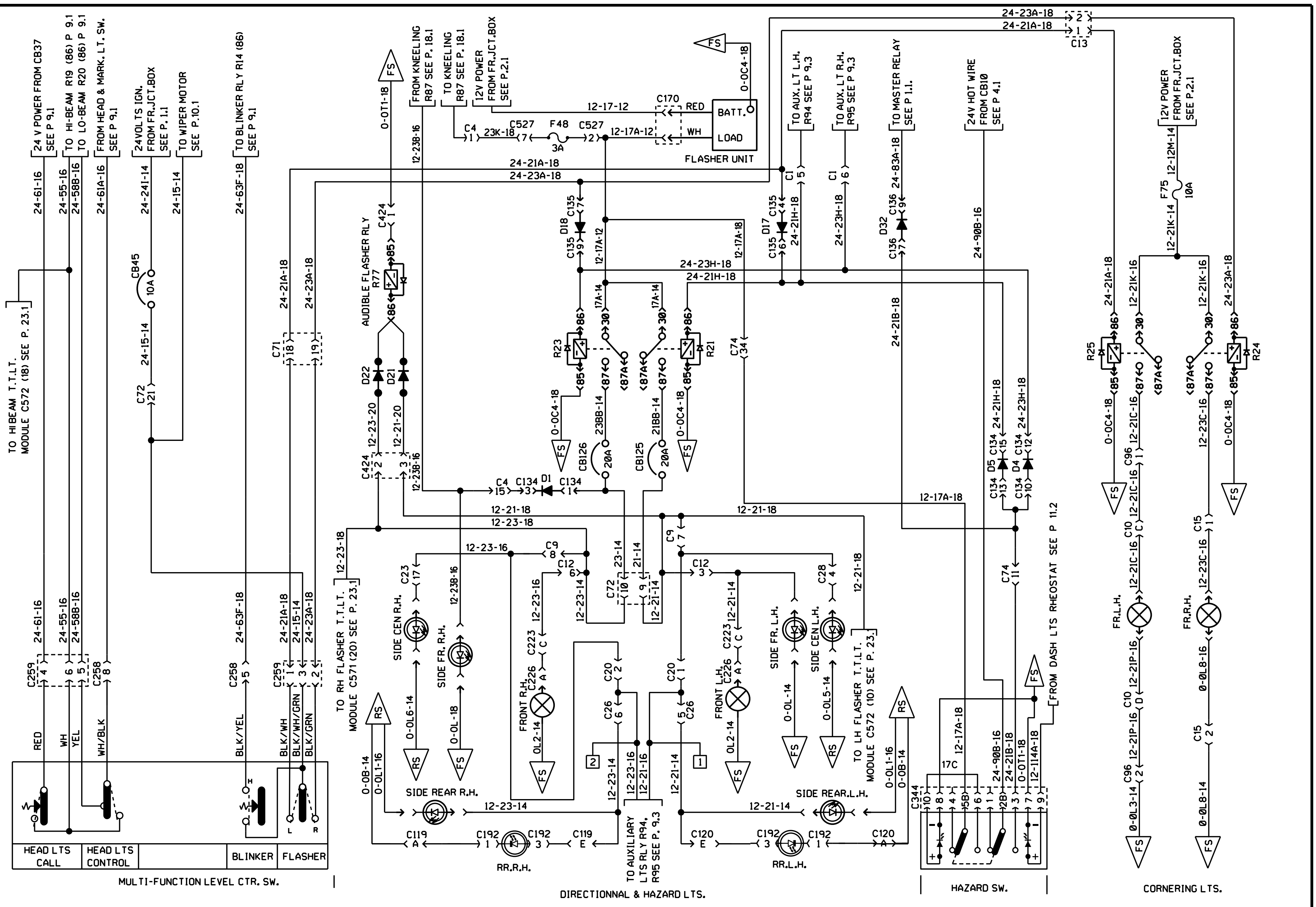


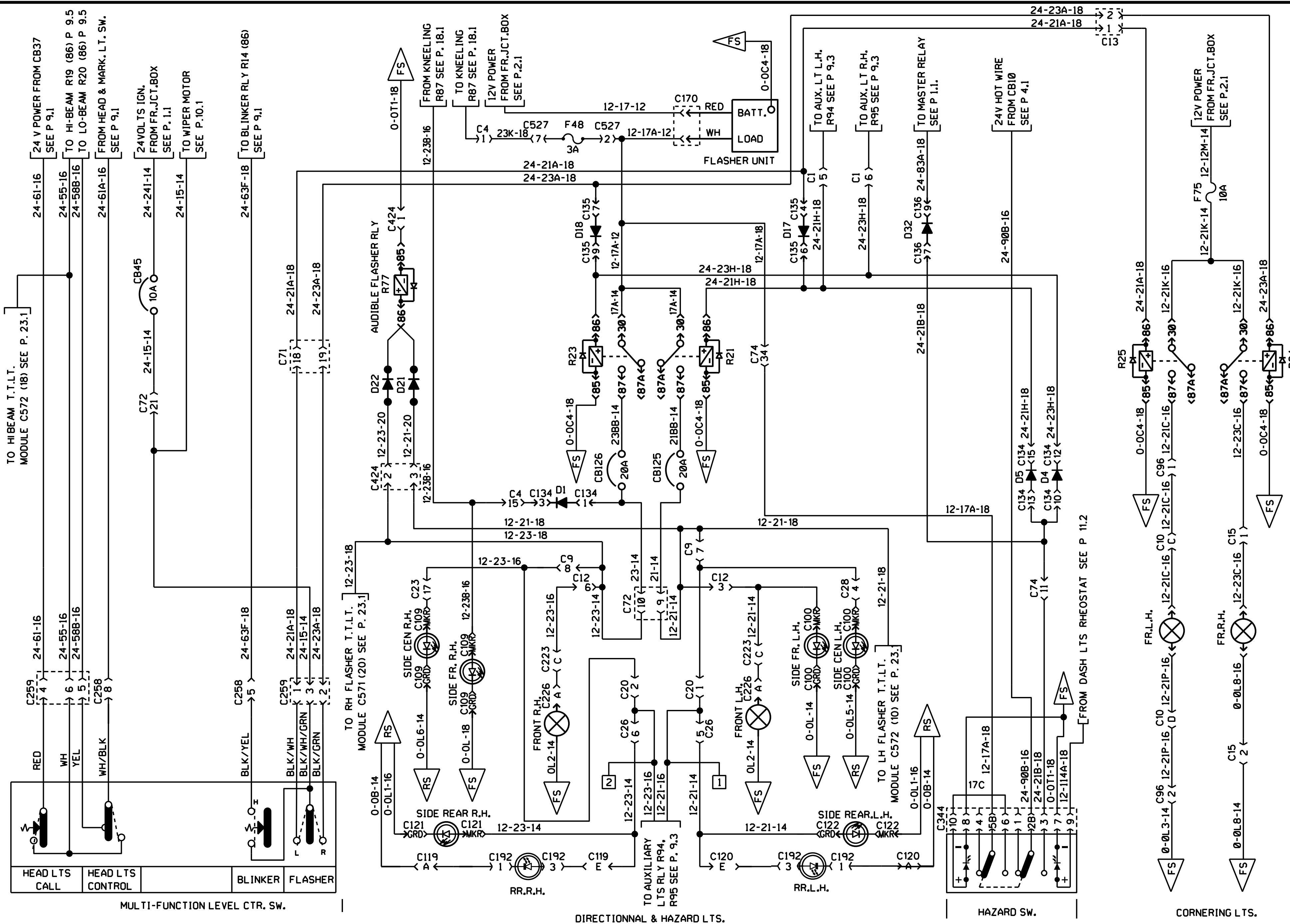


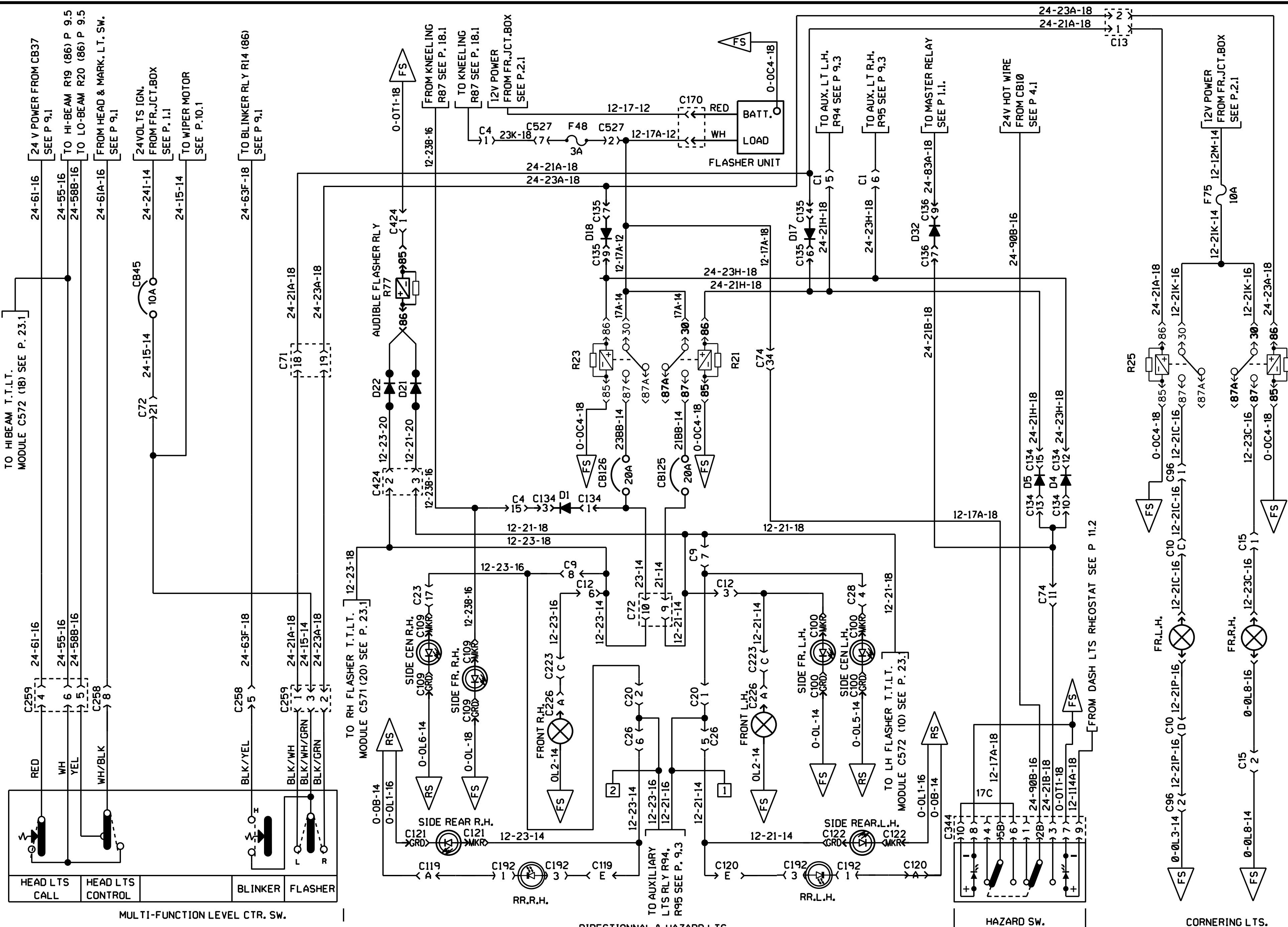


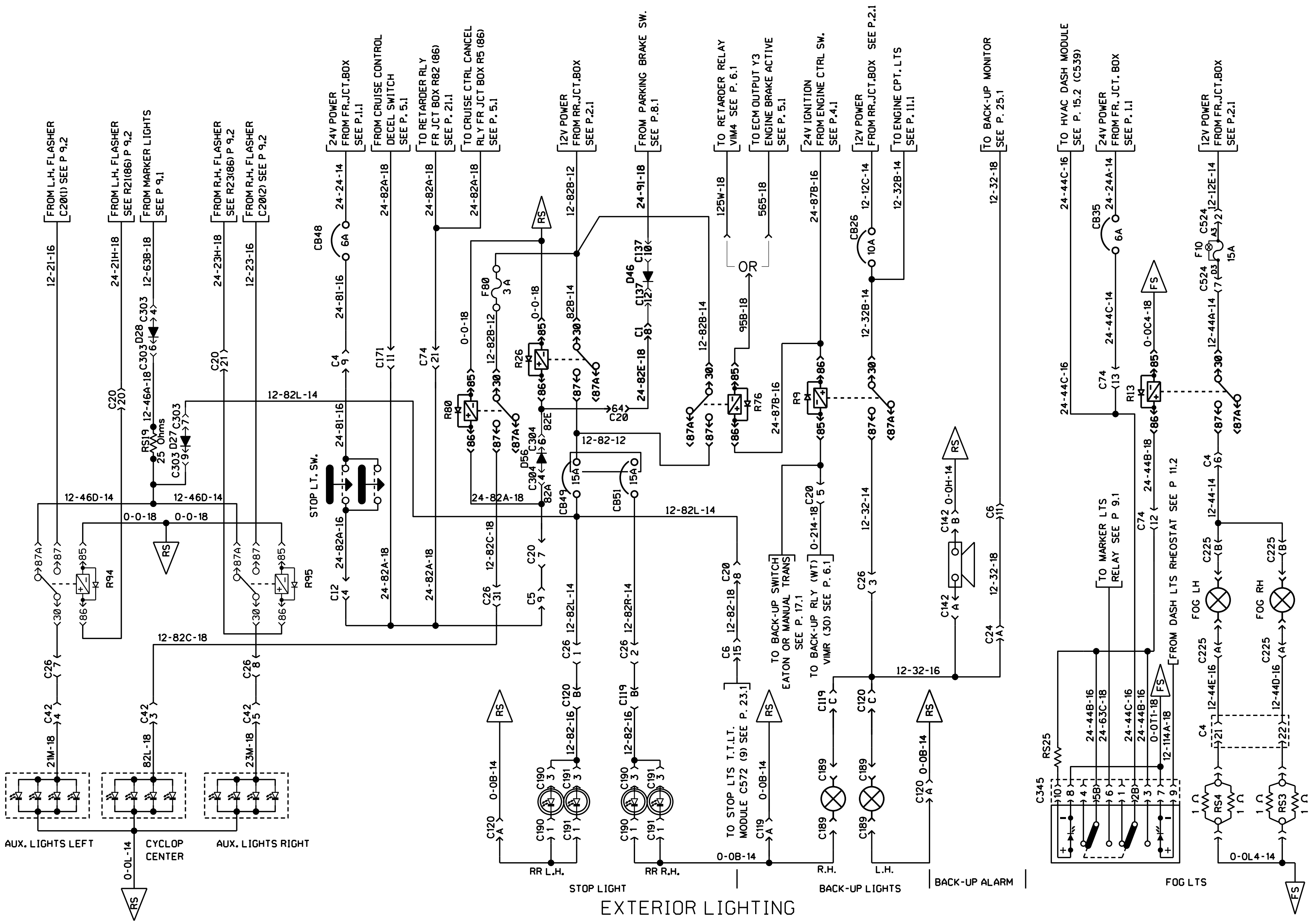


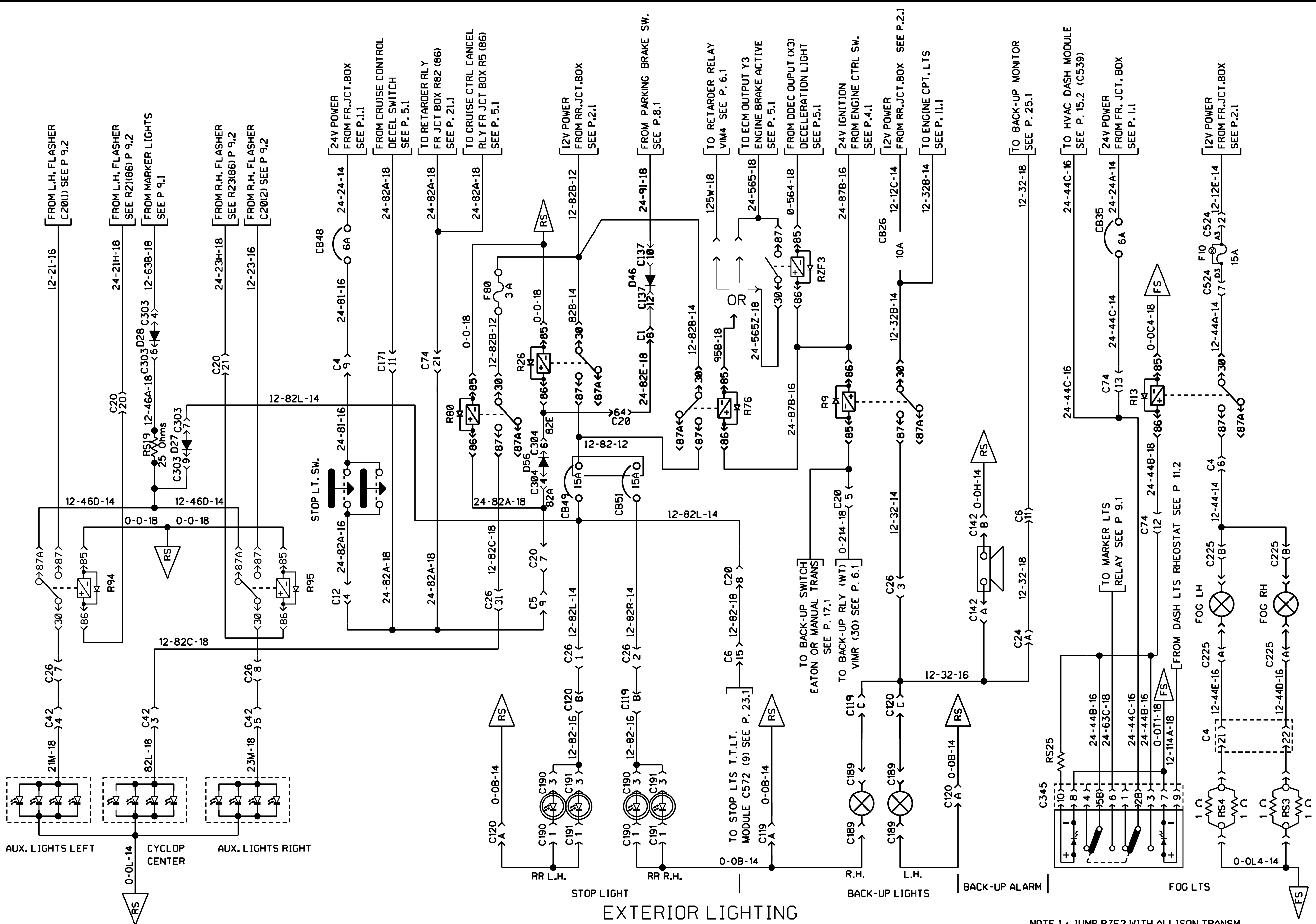




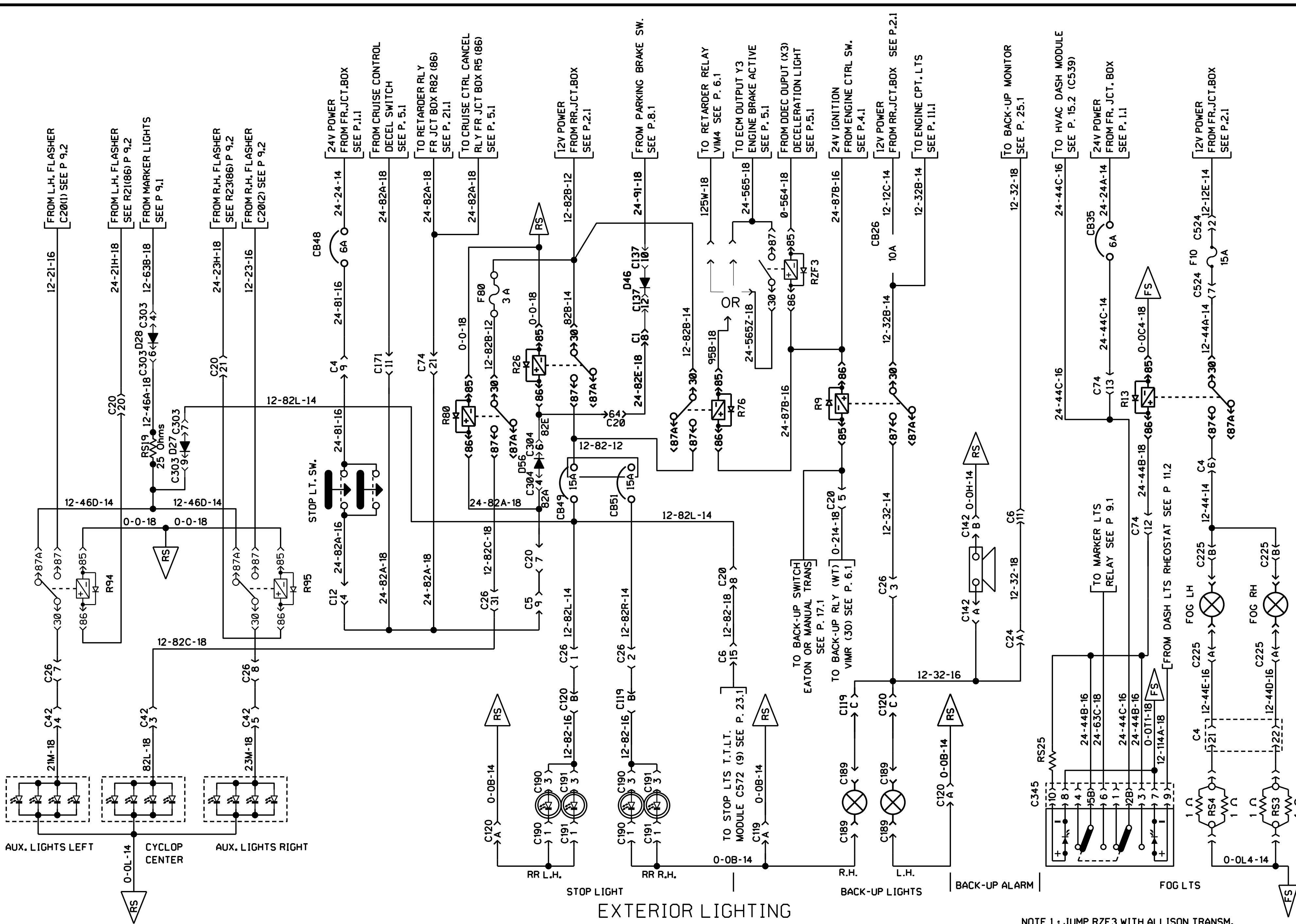




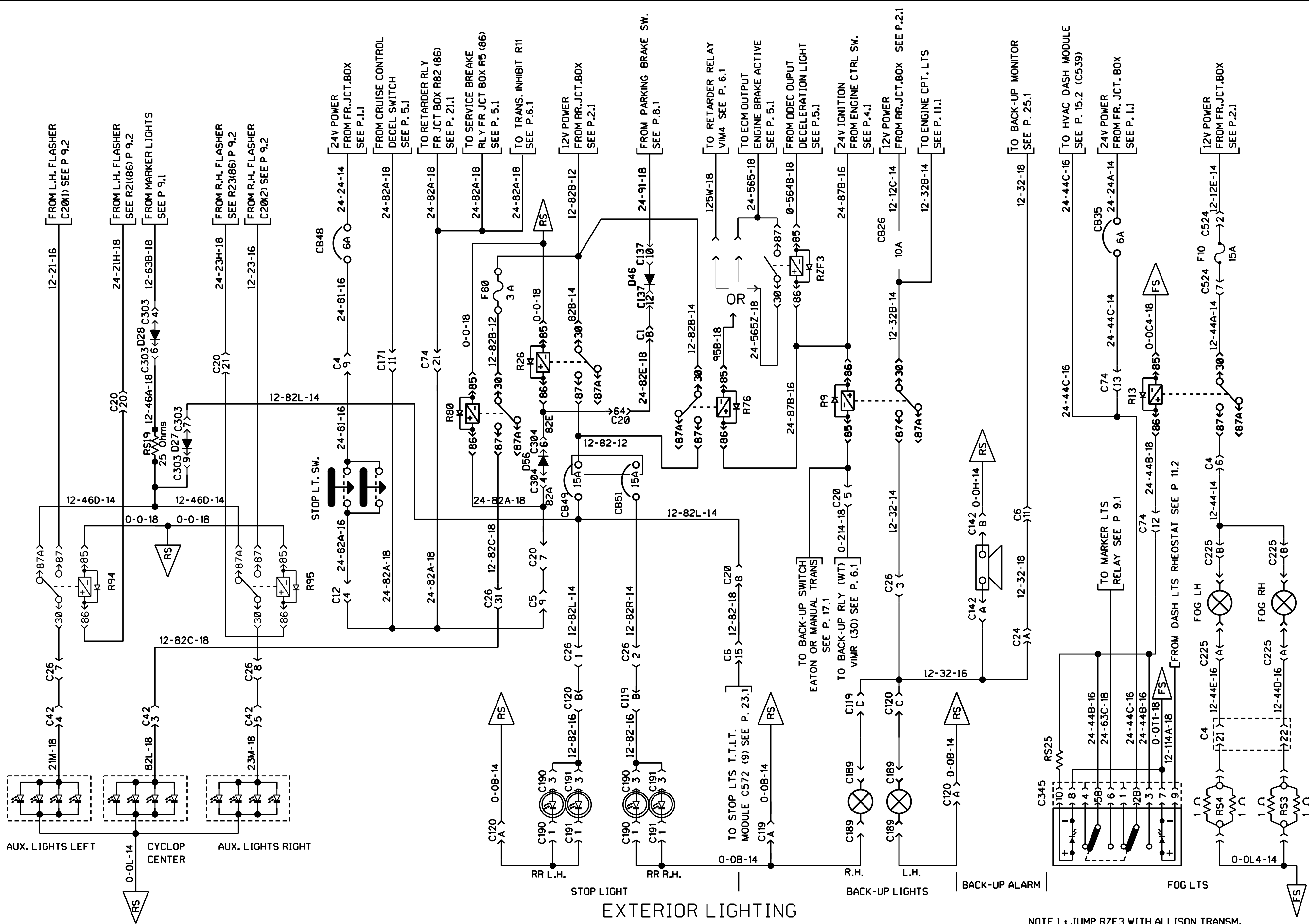




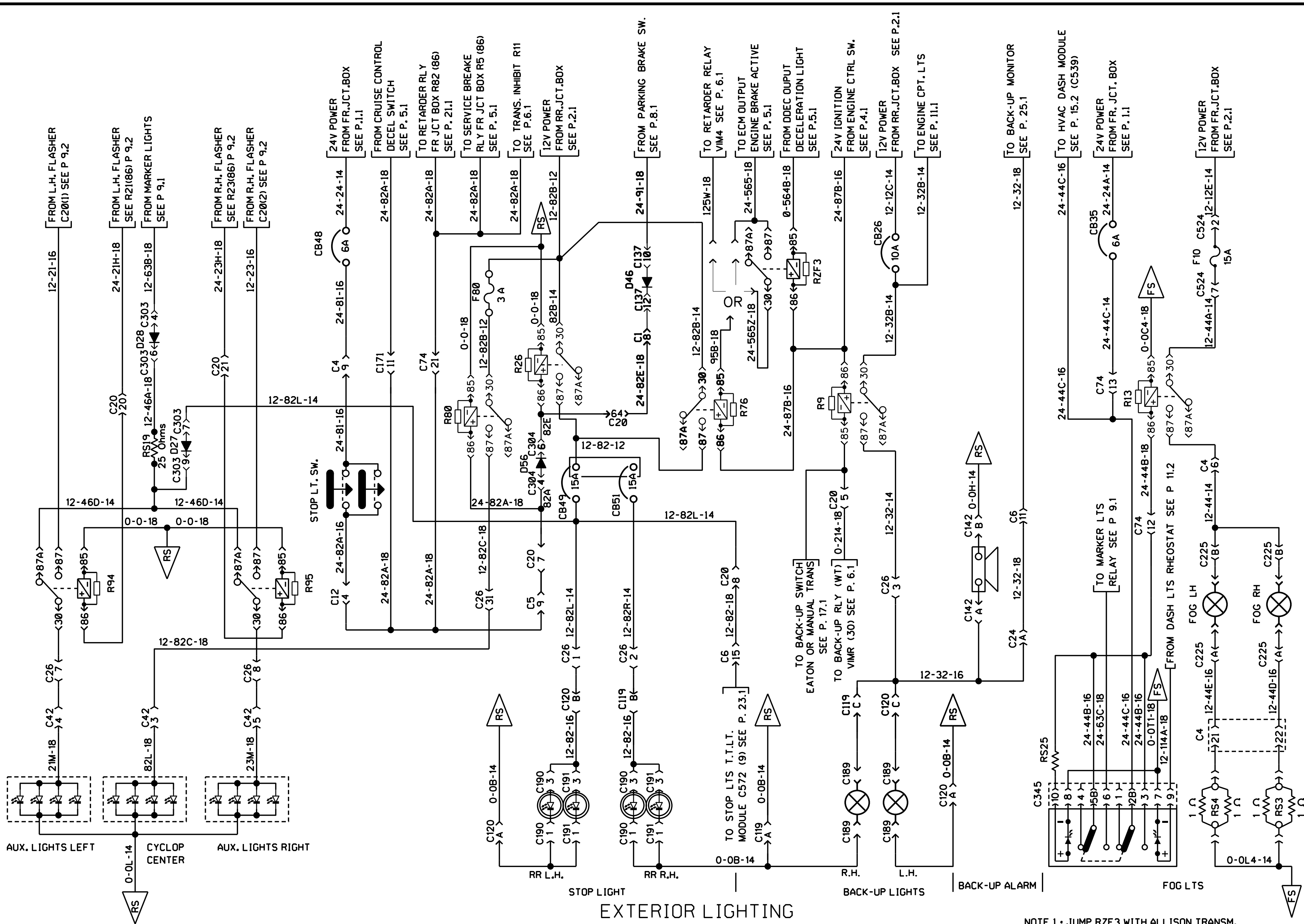
NOTE 1: JUMP RZF3 WITH ALLISON TRANSM.



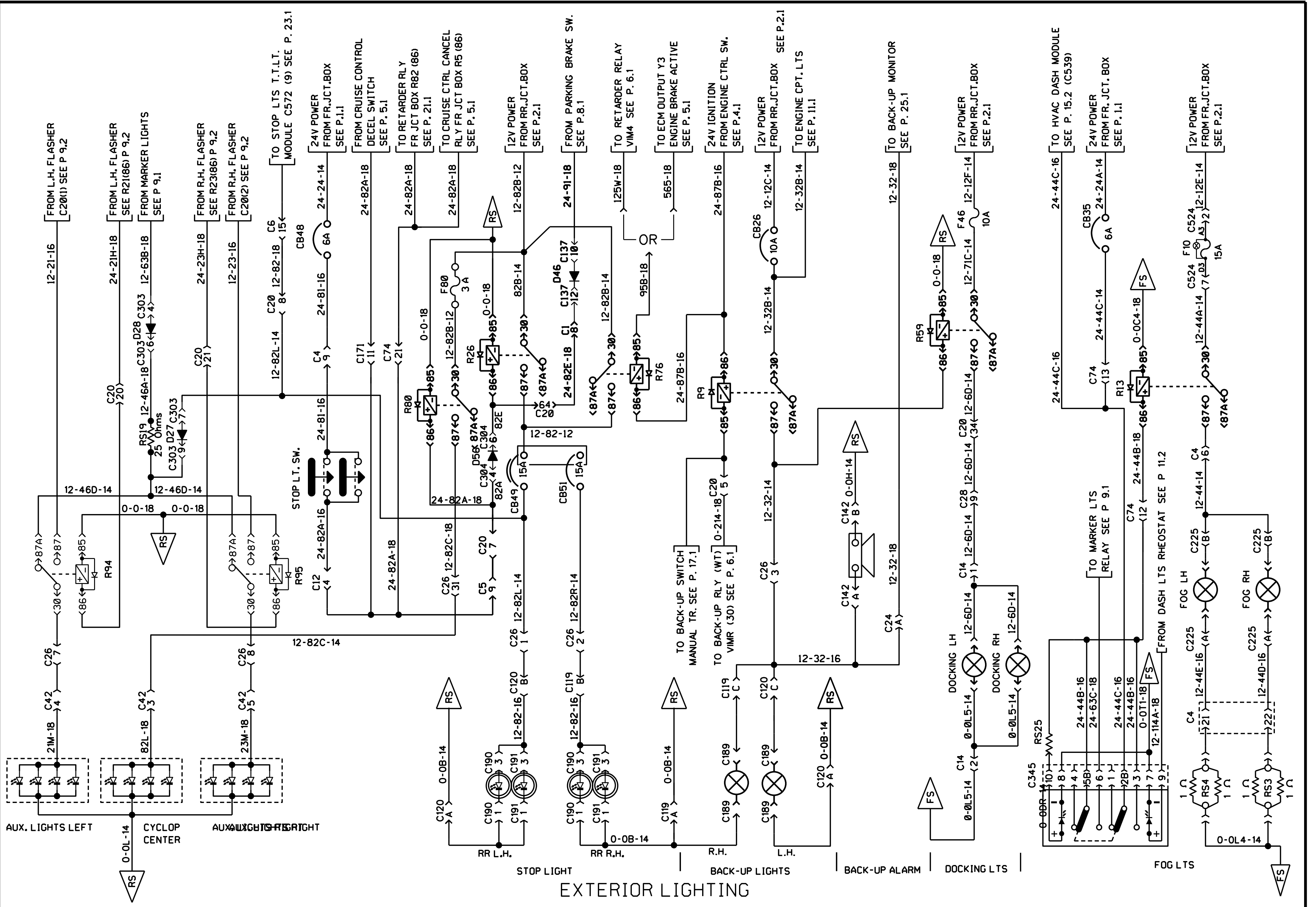
NOTE 1 : JUMP RZF3 WITH ALLISON TRANSM.



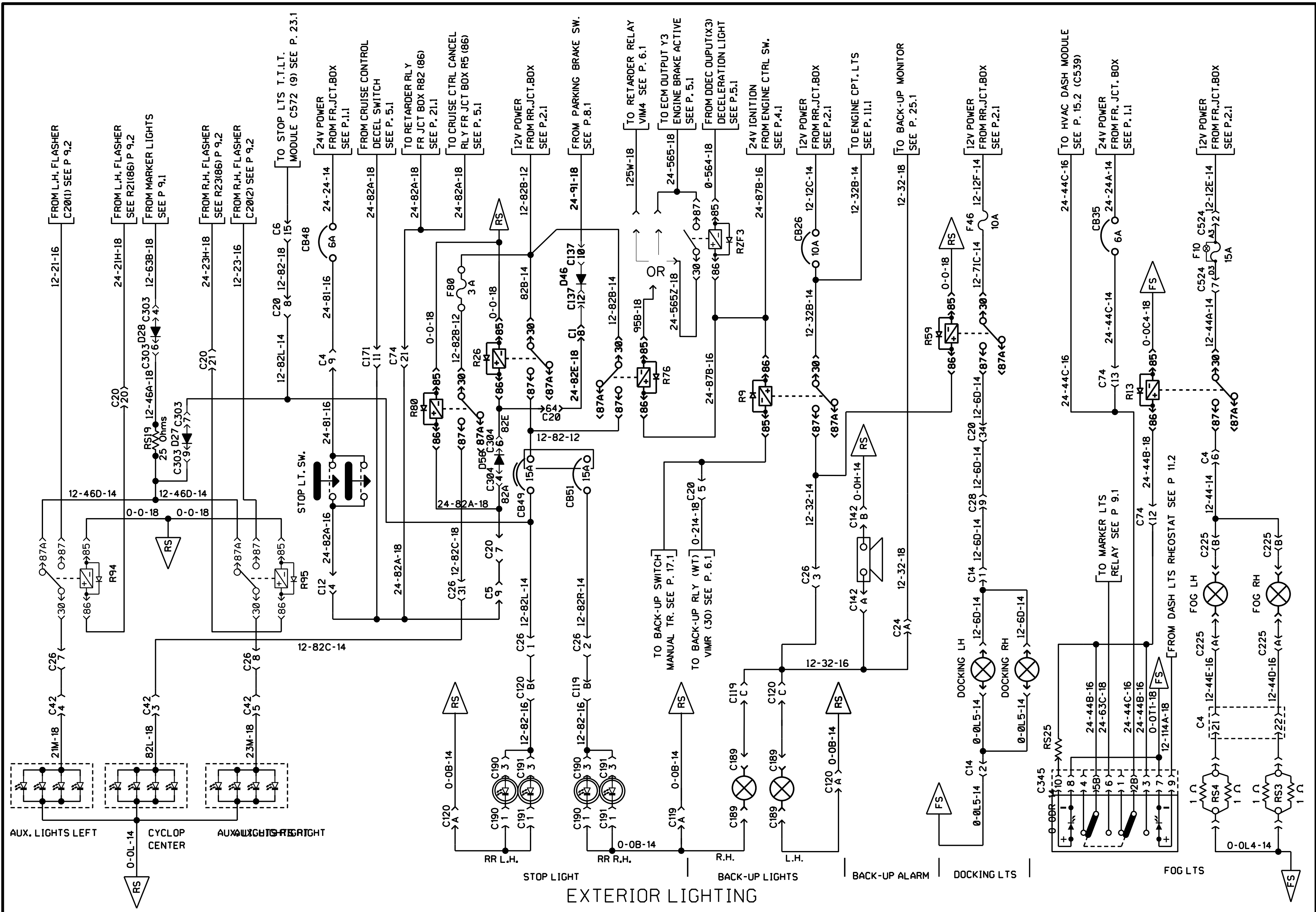
NOTE 1: JUMP RZF3 WITH ALLISON TRANSM.

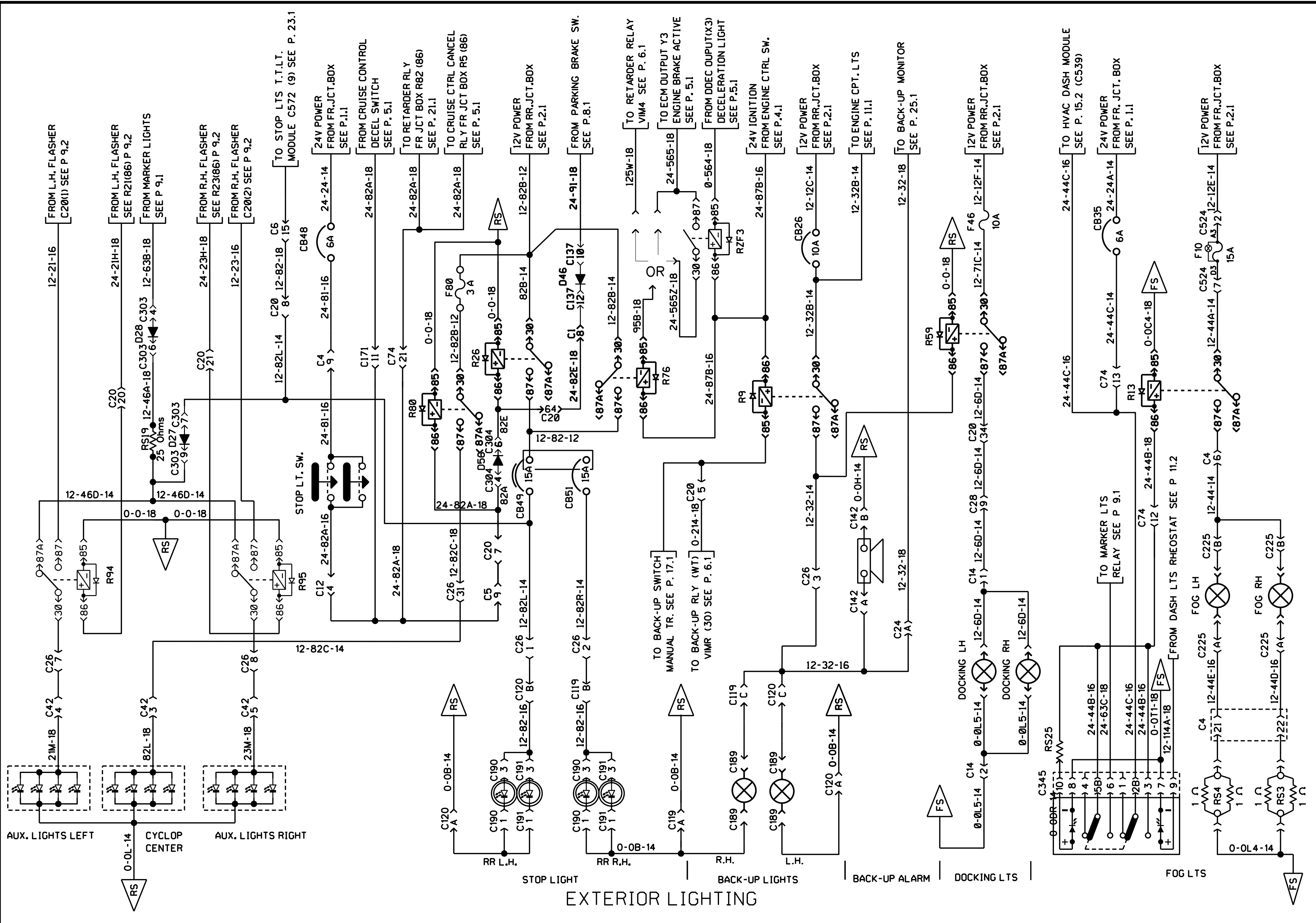


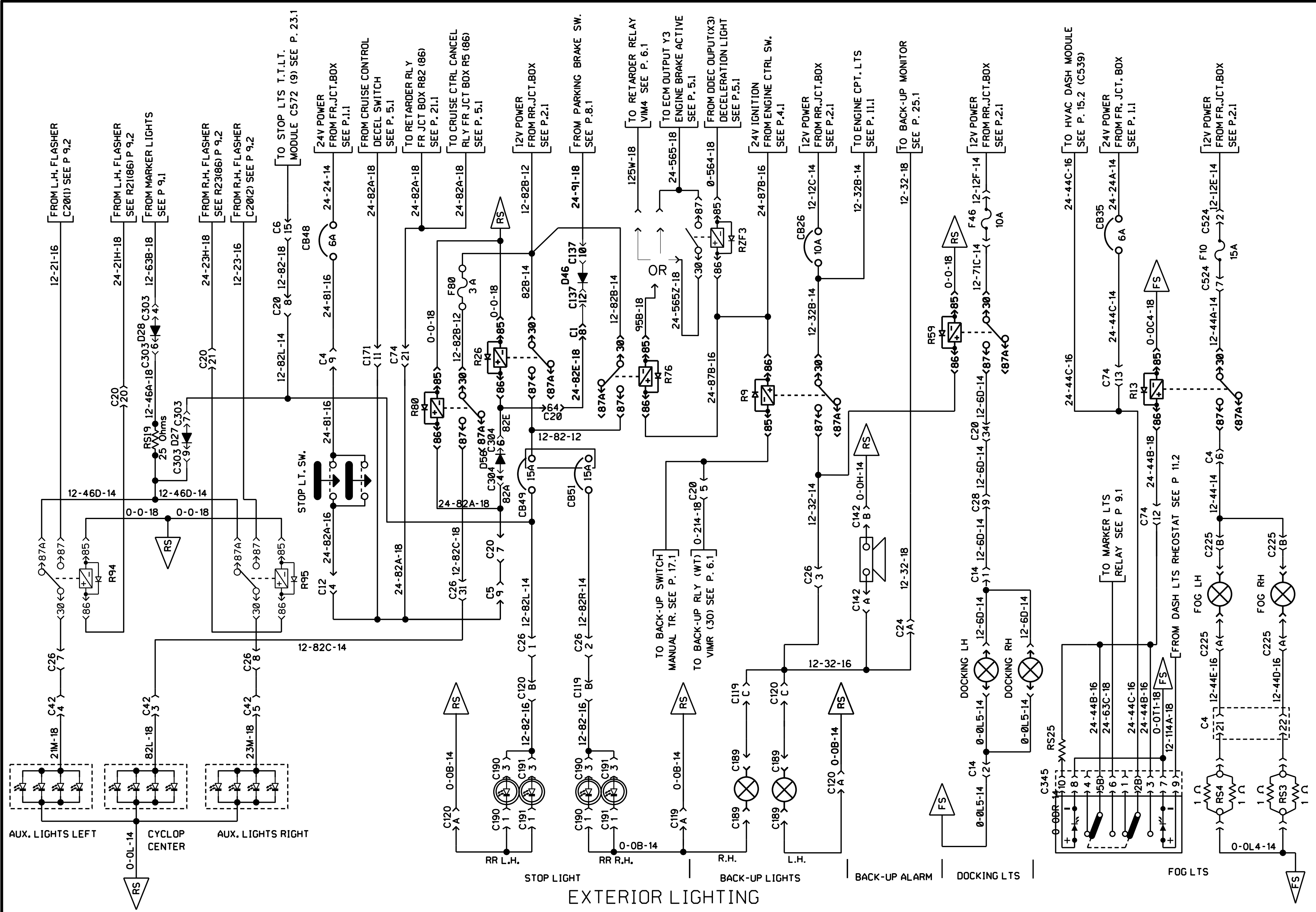
NOTE 1: JUMP RZF3 WITH ALLISON TRANS.

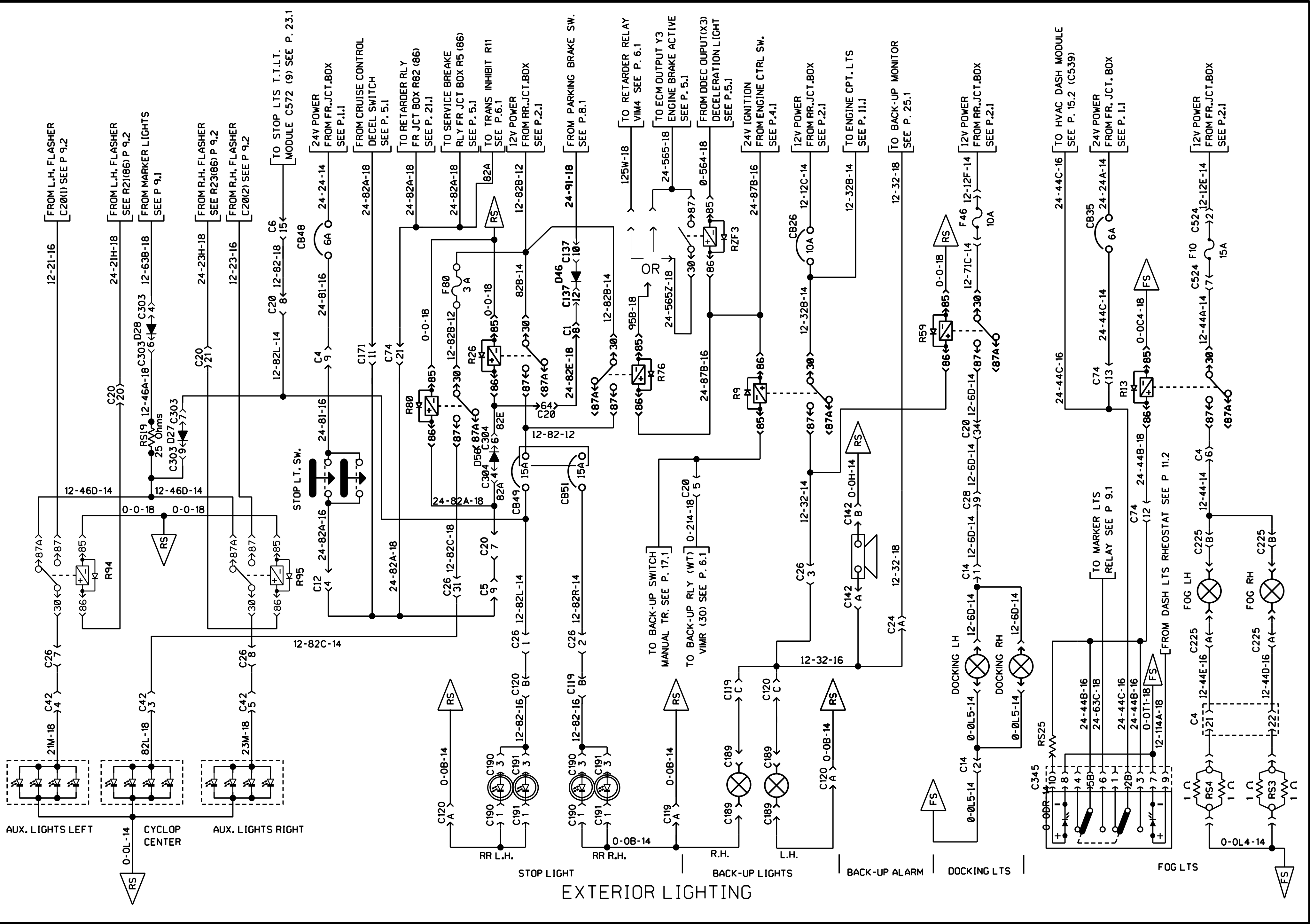


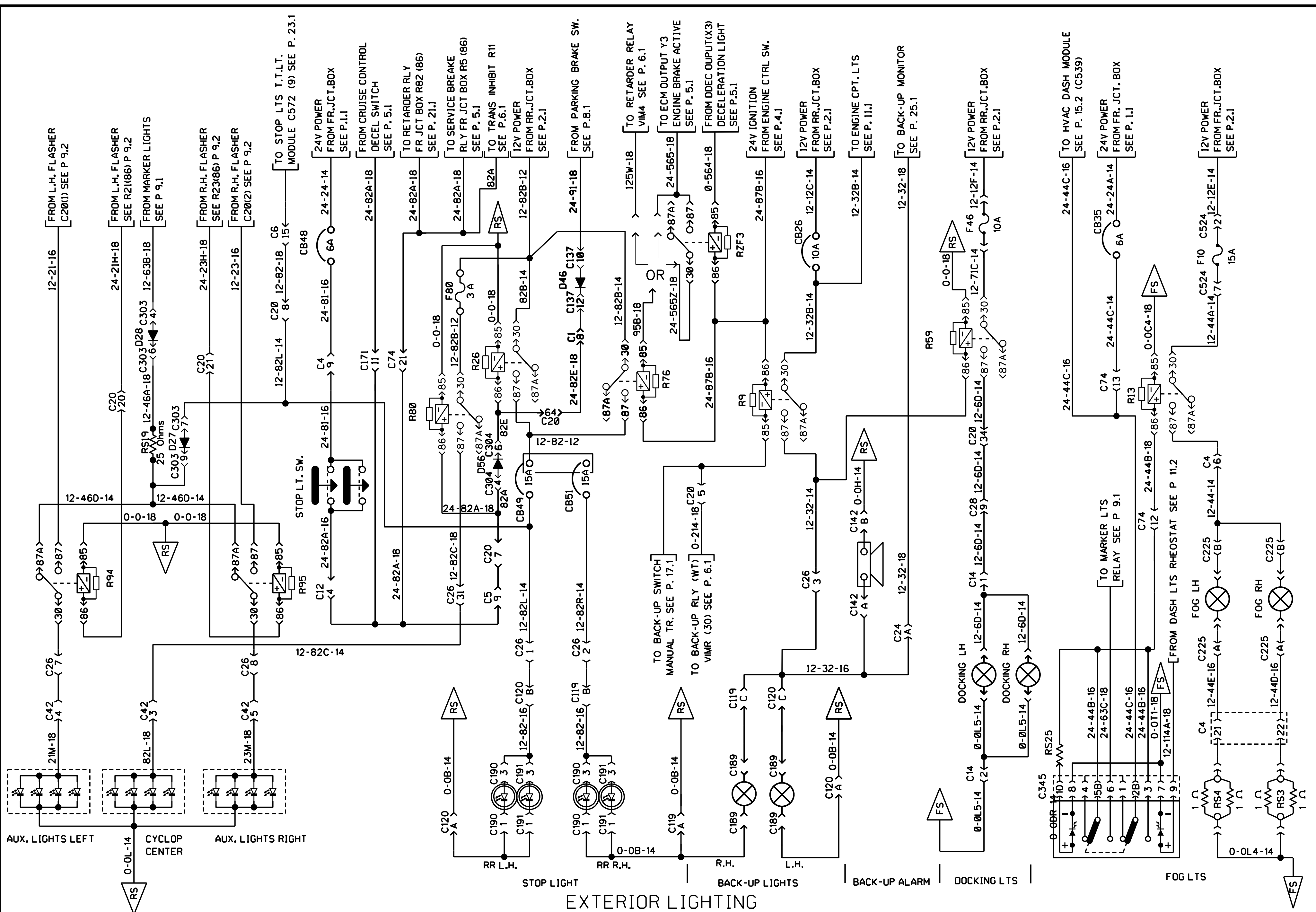
EXTERIOR LIGHTING

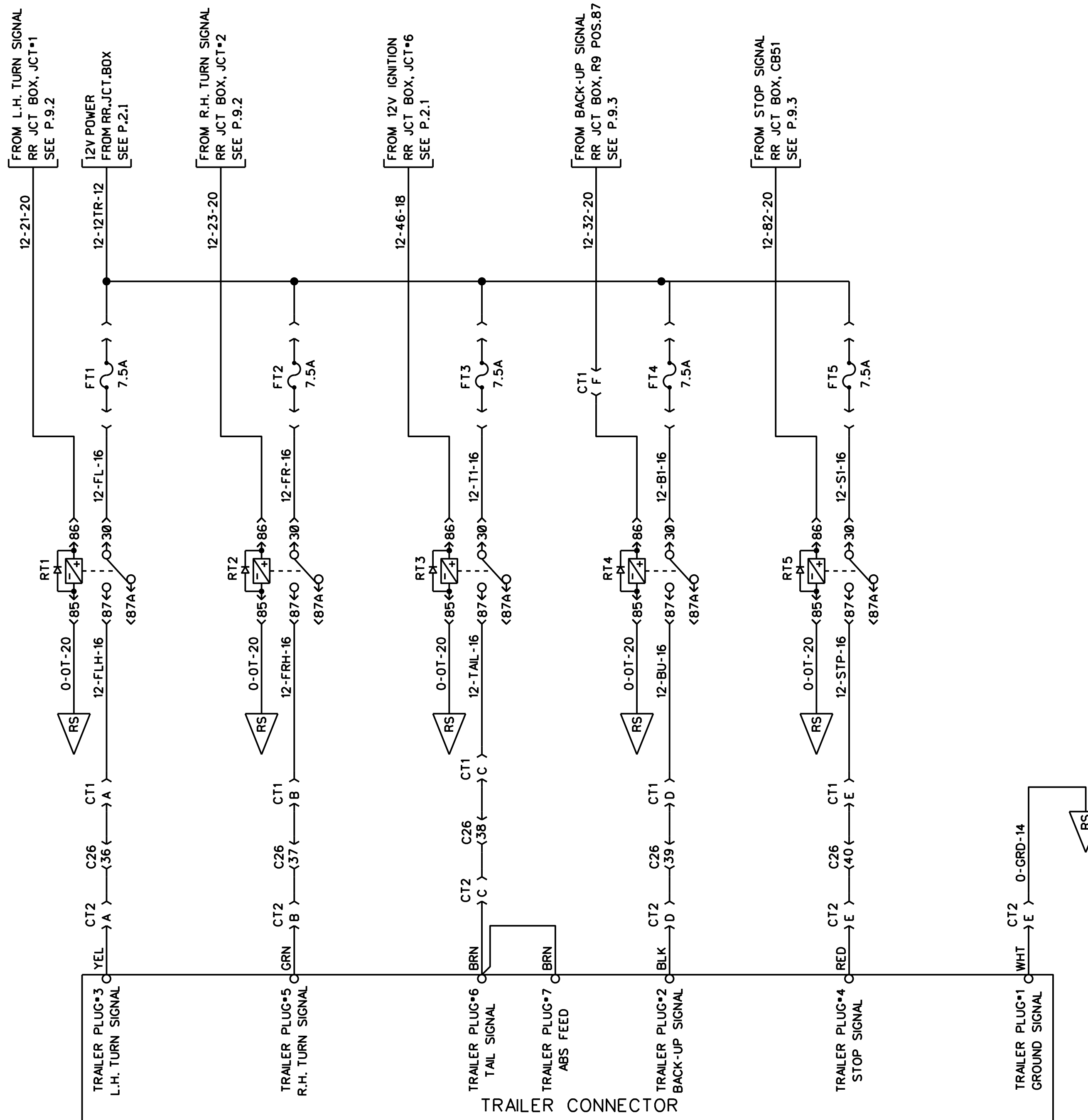




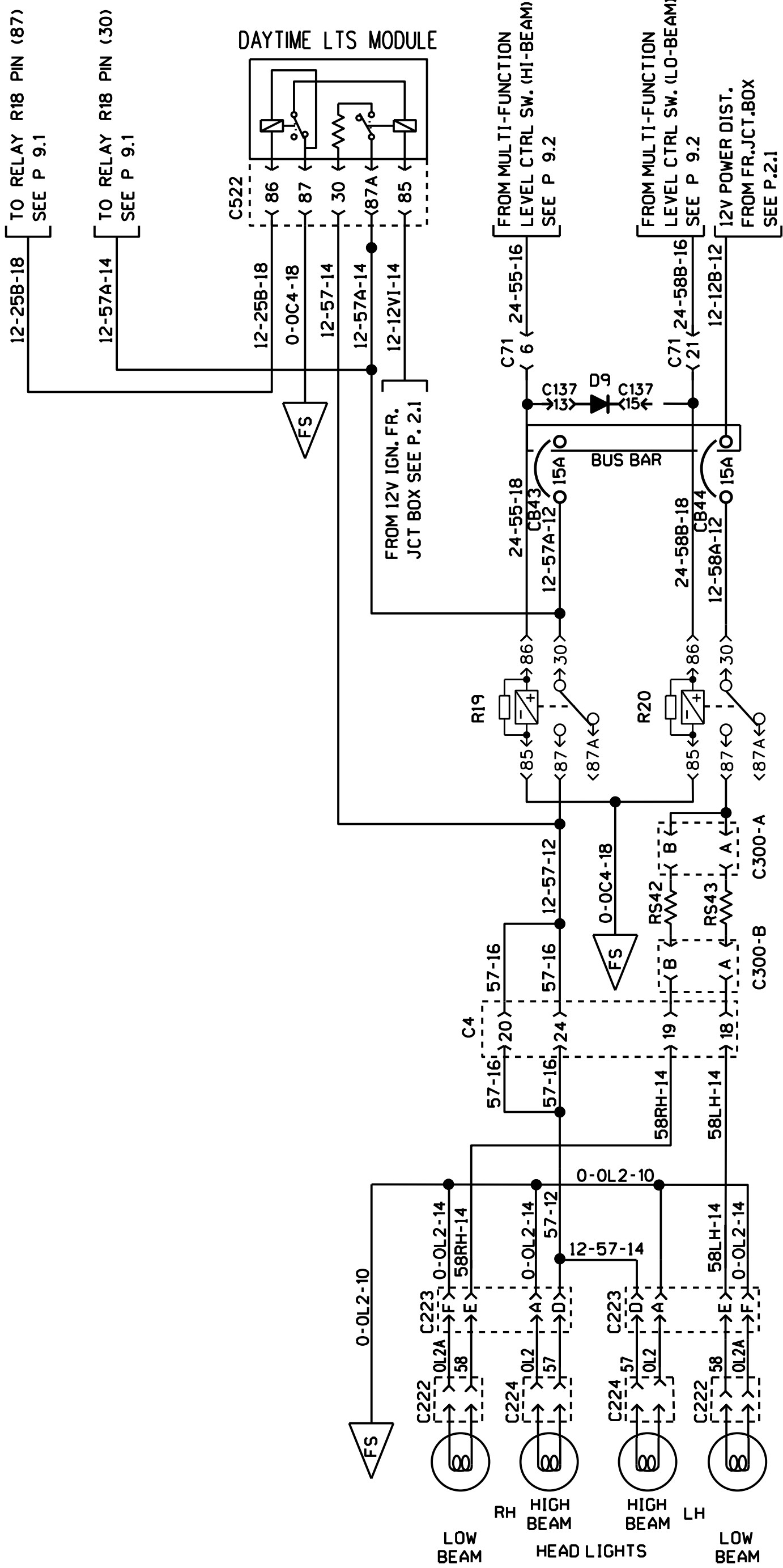






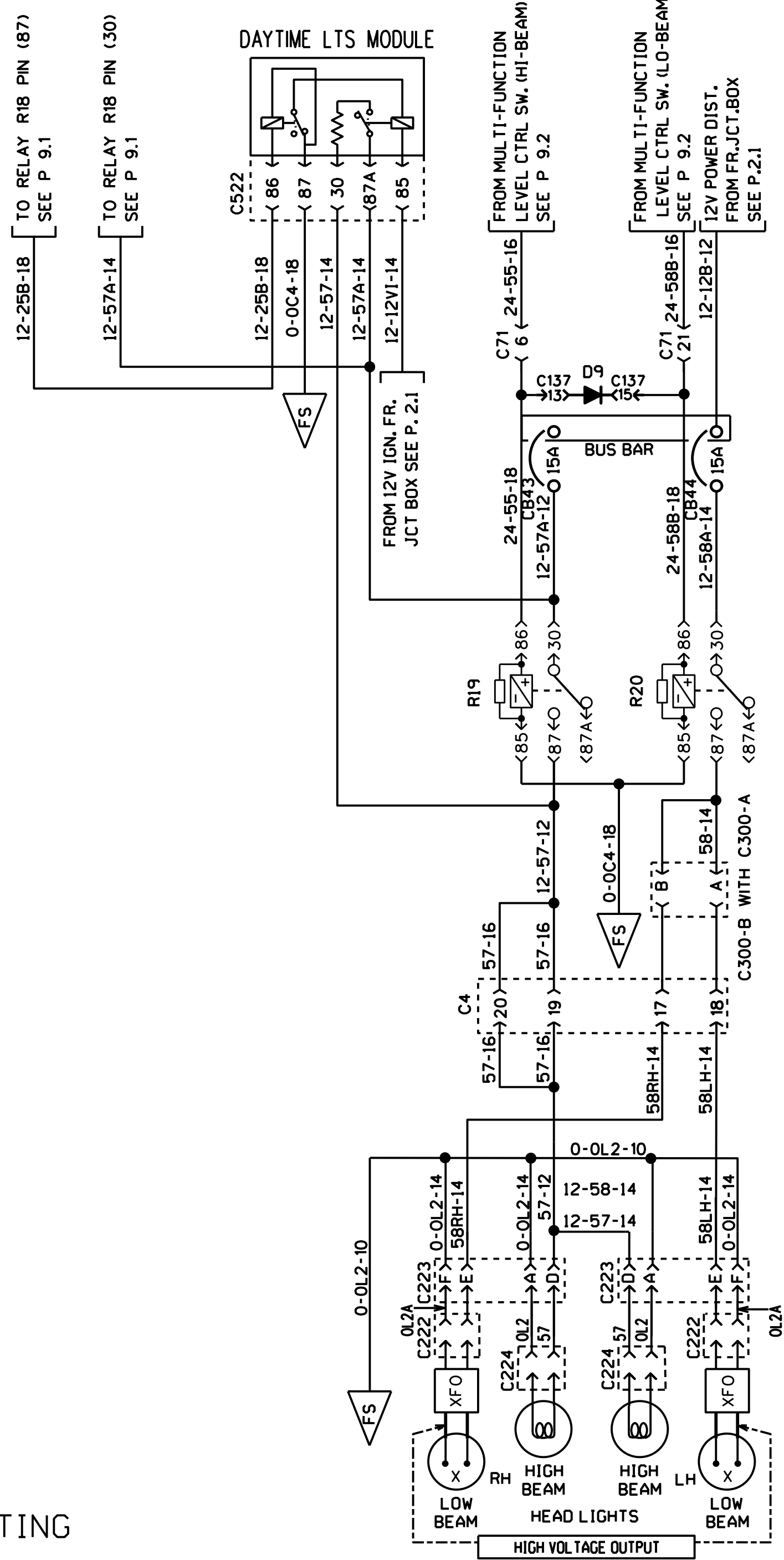


EXTERIOR TRAILER LIGHTING

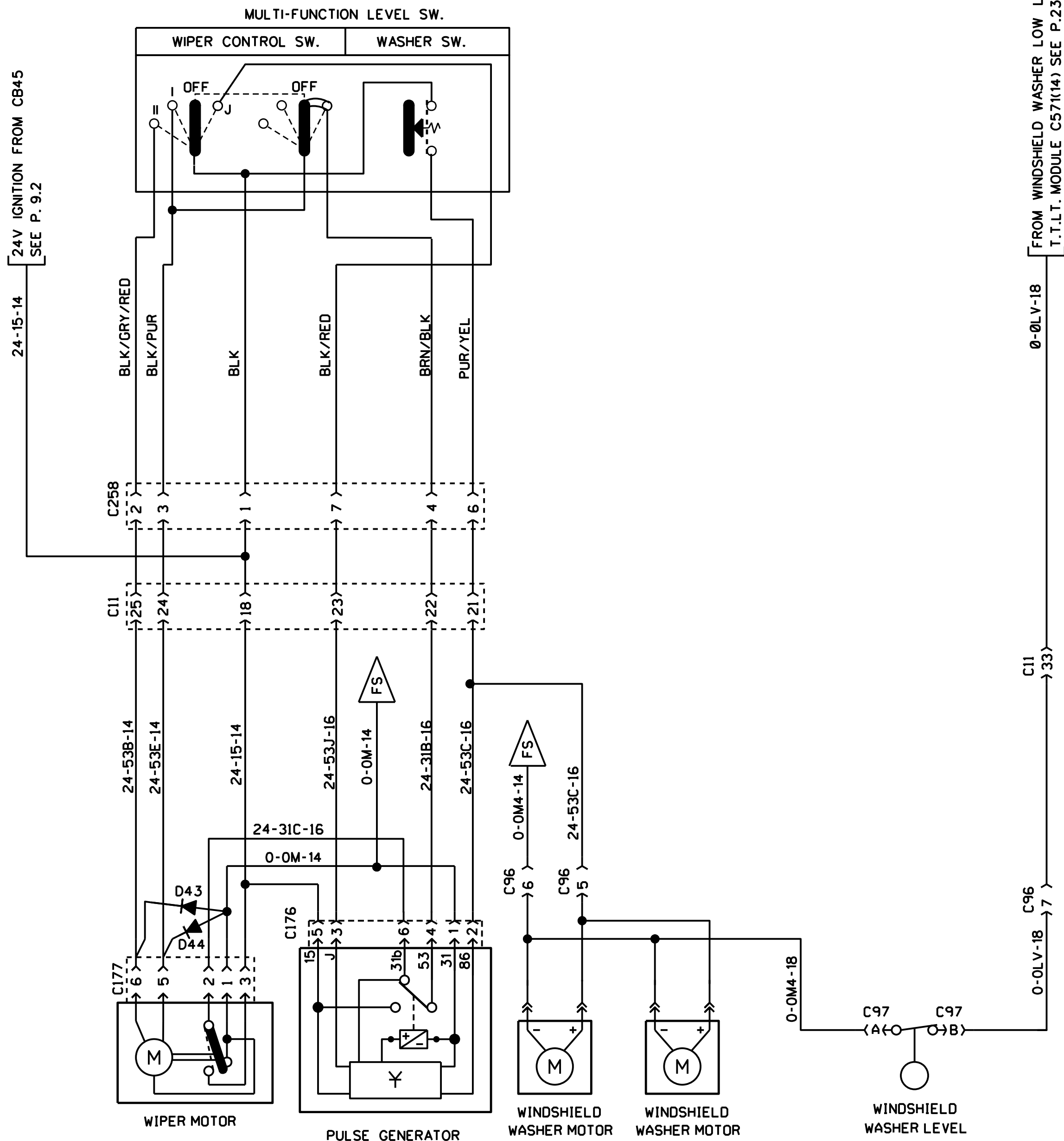


HALOGEN - STANDARD

EXTERIOR LIGHTING

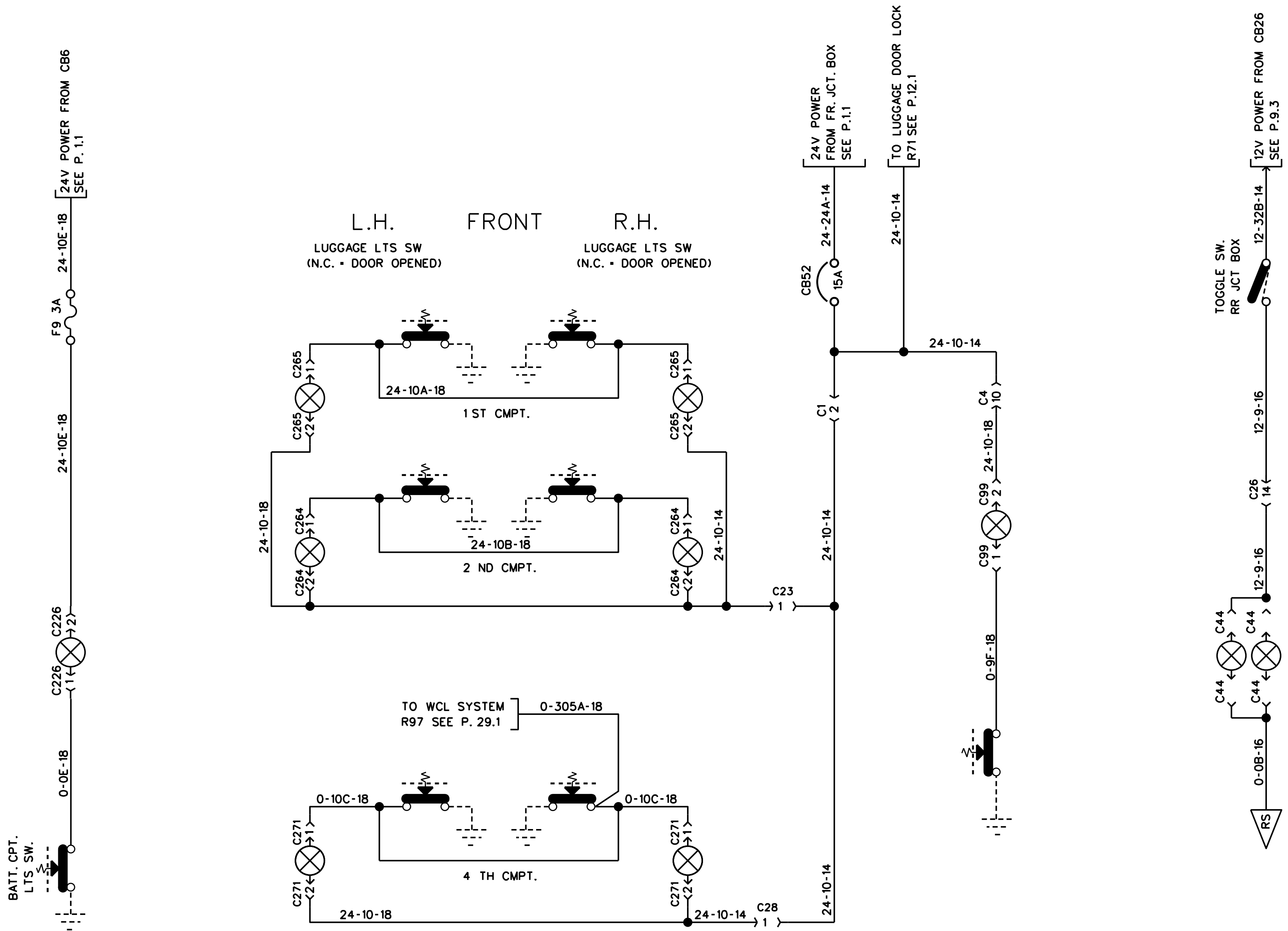


XENON LAMPS - OPTION



WINDSHIELD WIPER AND WASHER

FROM WINDSHIELD WASHER LOW LEVEL T.T.T. MODULE C57(14) SEE P.23.1



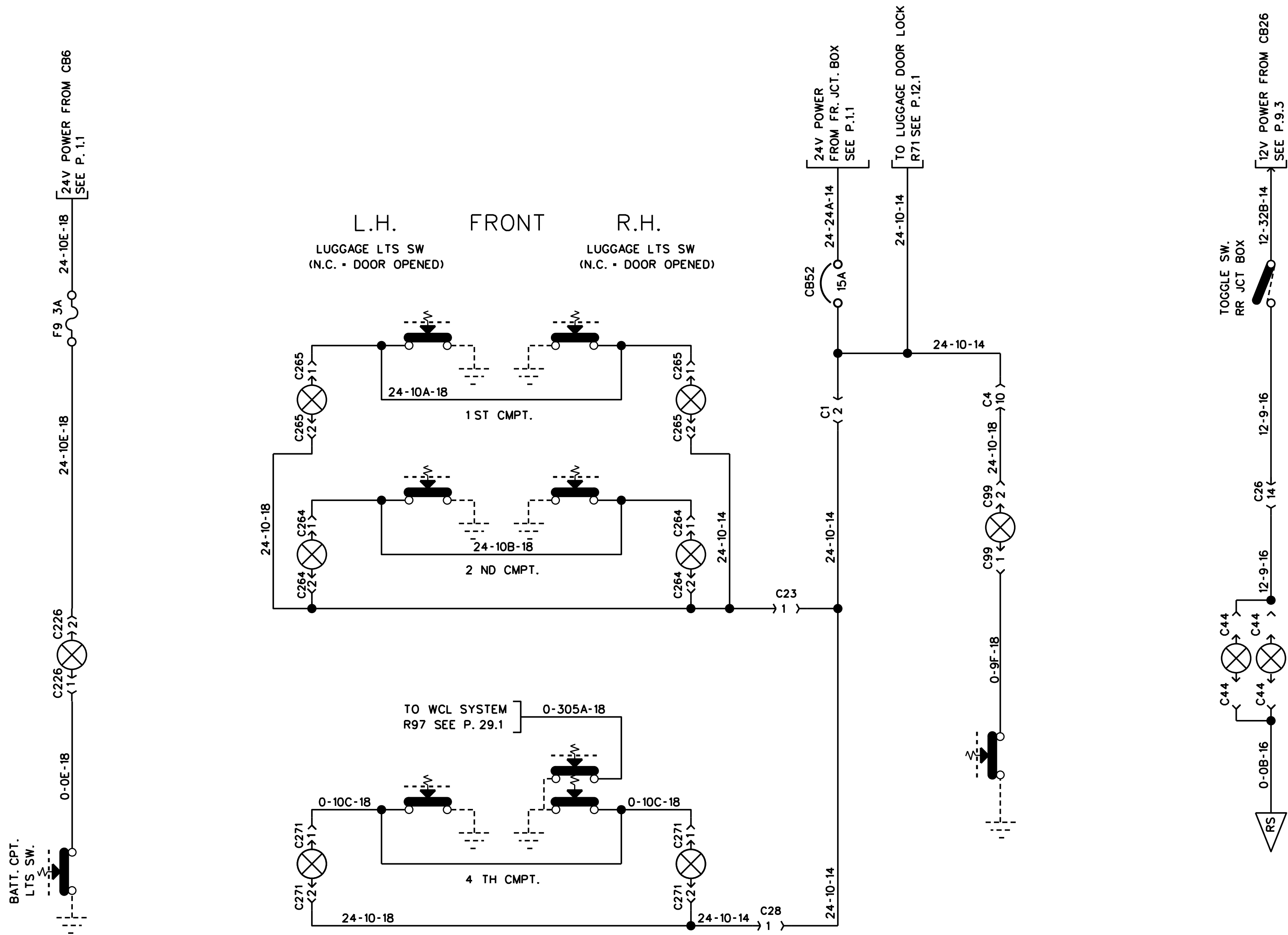
BATT. COMPT. LT.

LUGGAGE COMPARTMENT LTS.

FR. SERV. COMPT. LT.

ENGINE COMPT. LTS.

INTERIOR LIGHTING



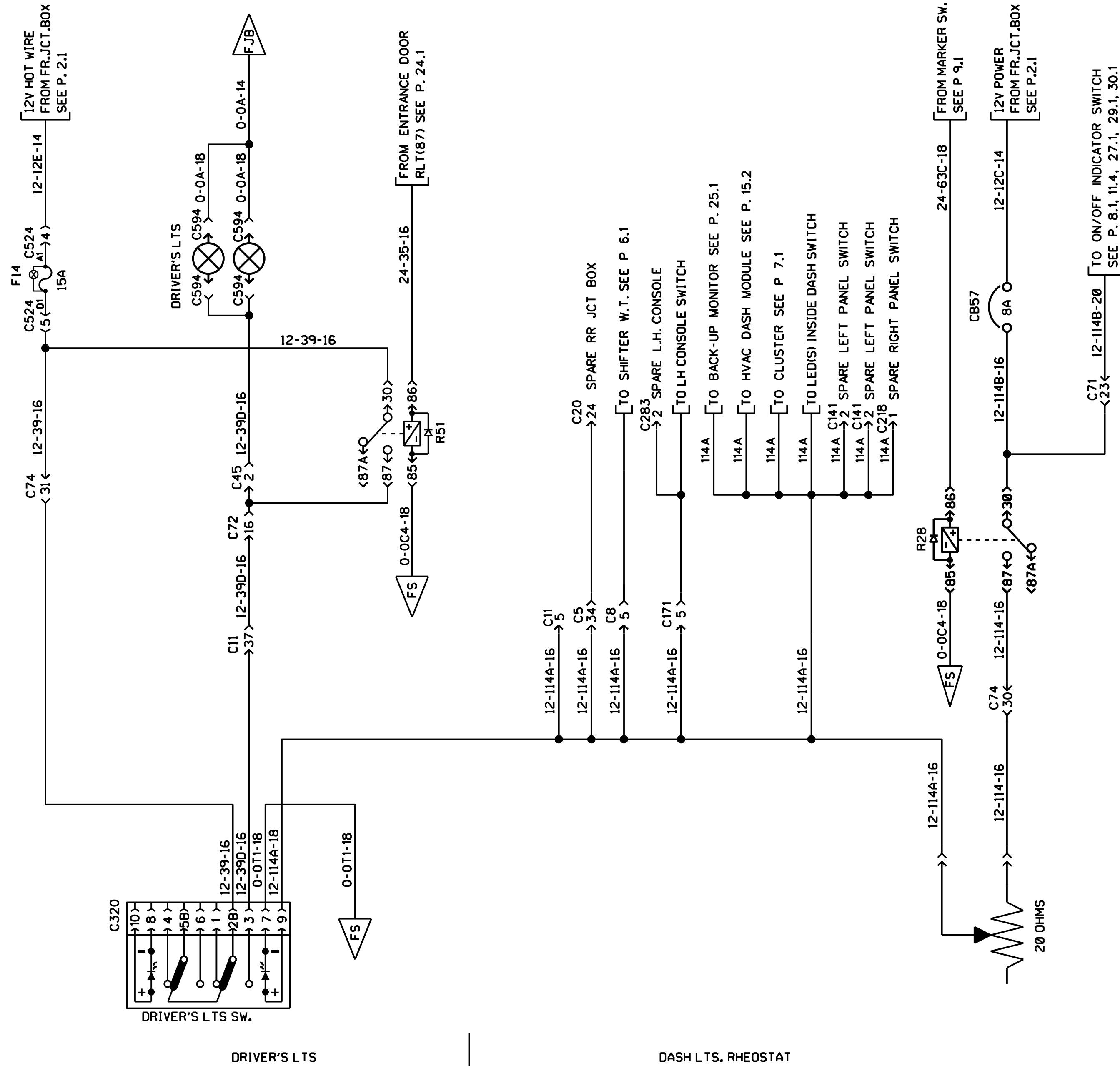
BATT. COMPT. LT. |

LUGGAGE COMPARTMENT LTS. |

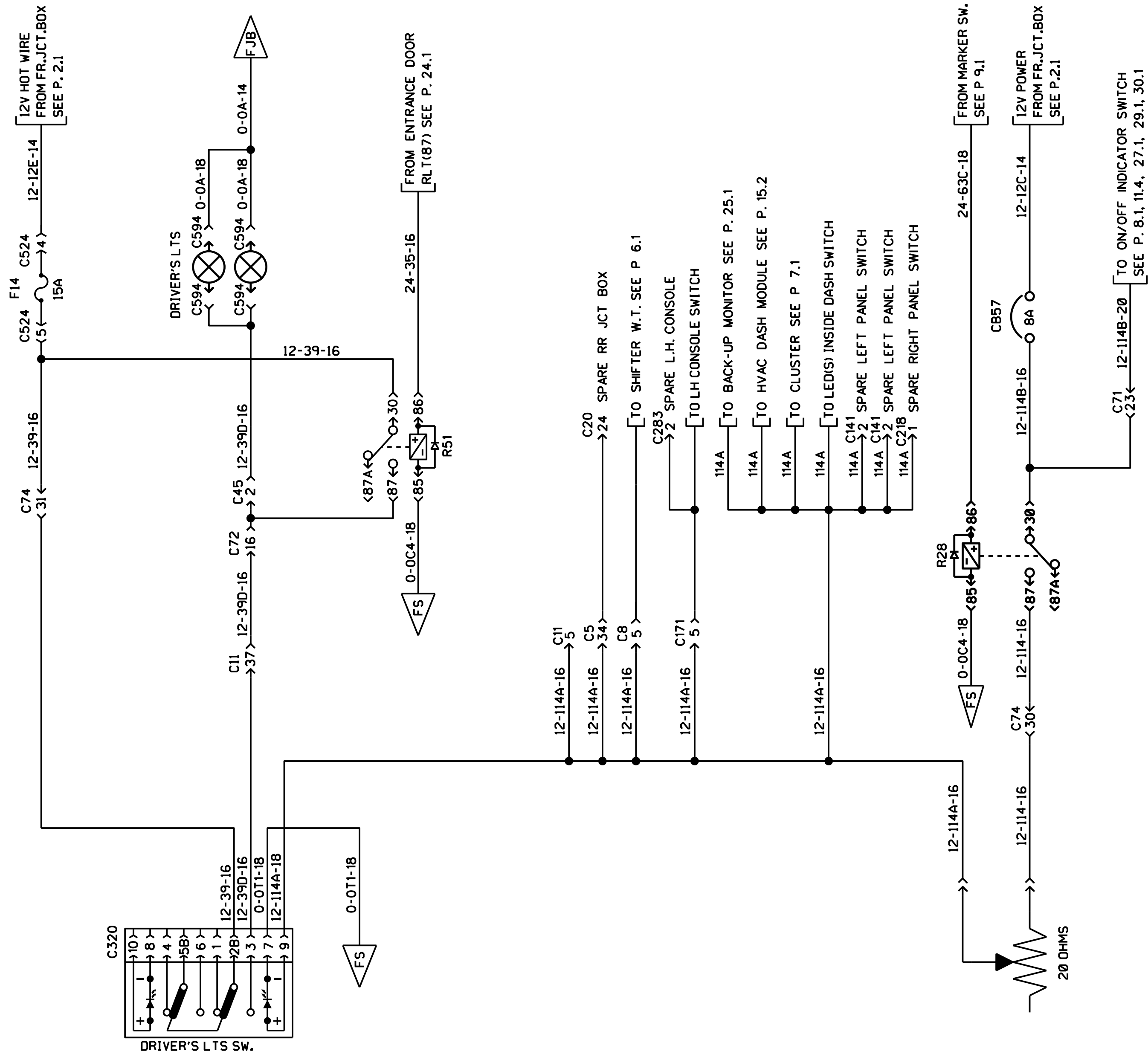
FR. SERV. CPT. LT. |

ENGINE COMPT. LTS.

INTERIOR LIGHTING



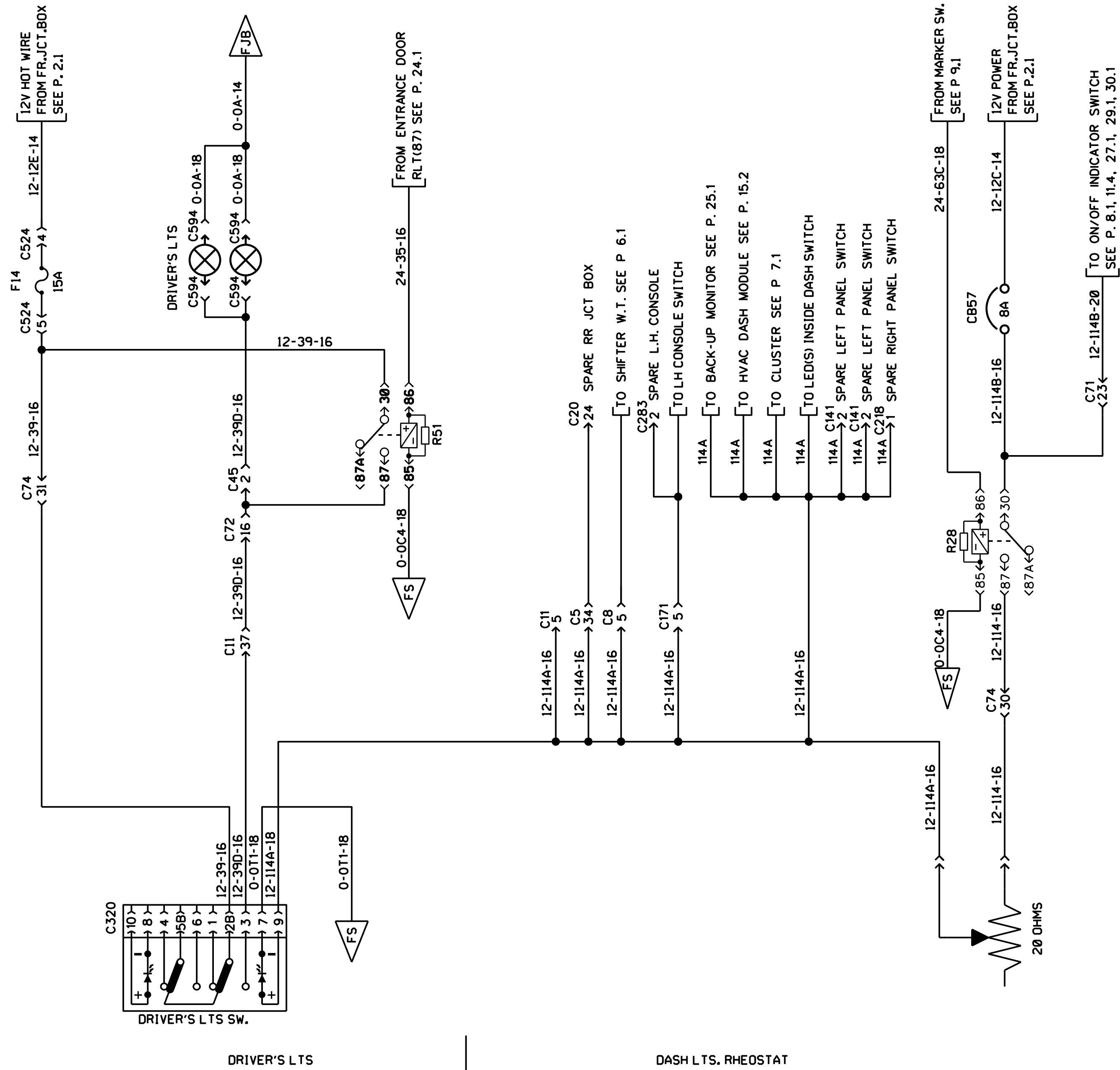
INTERIOR LIGHTING

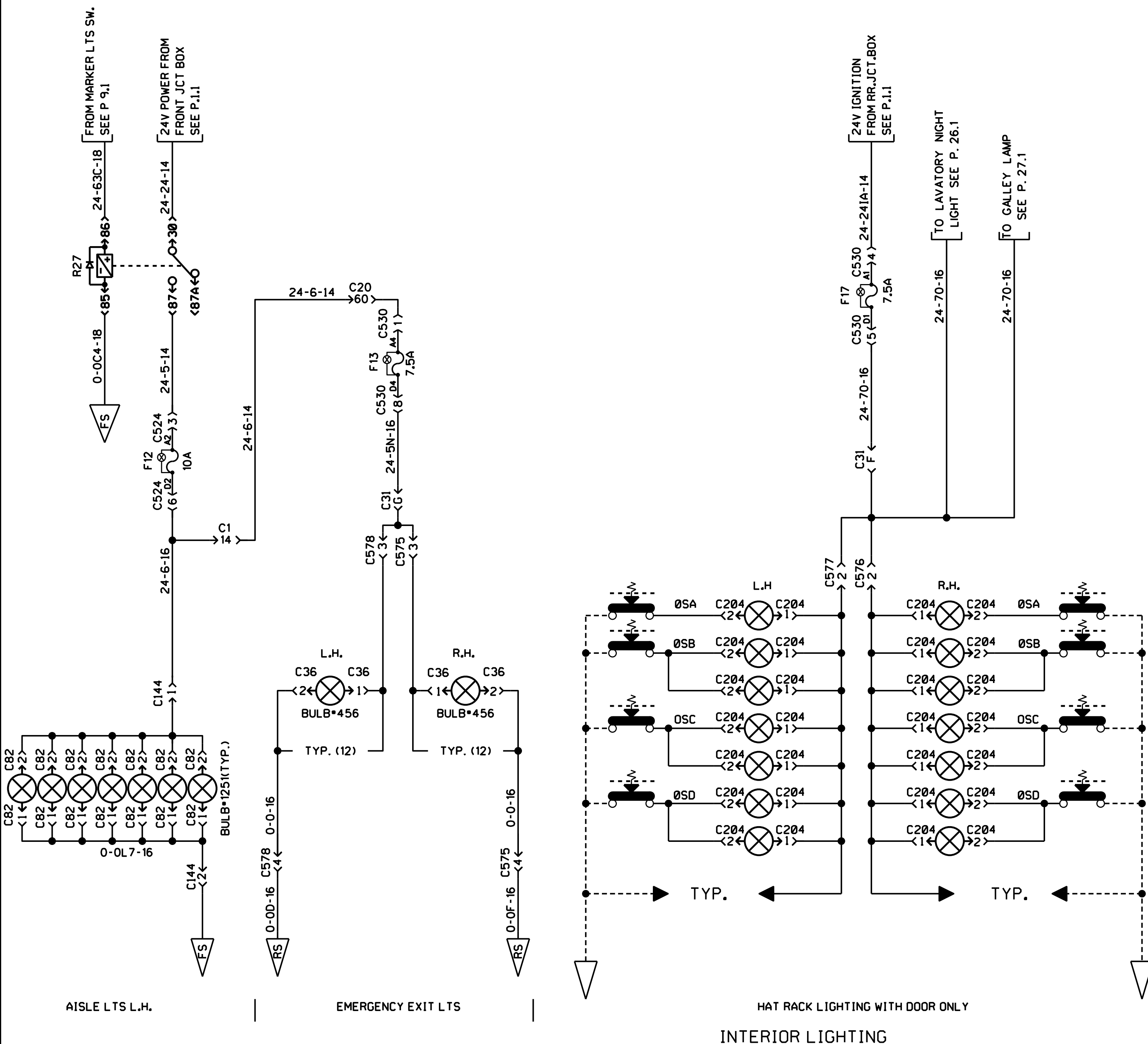


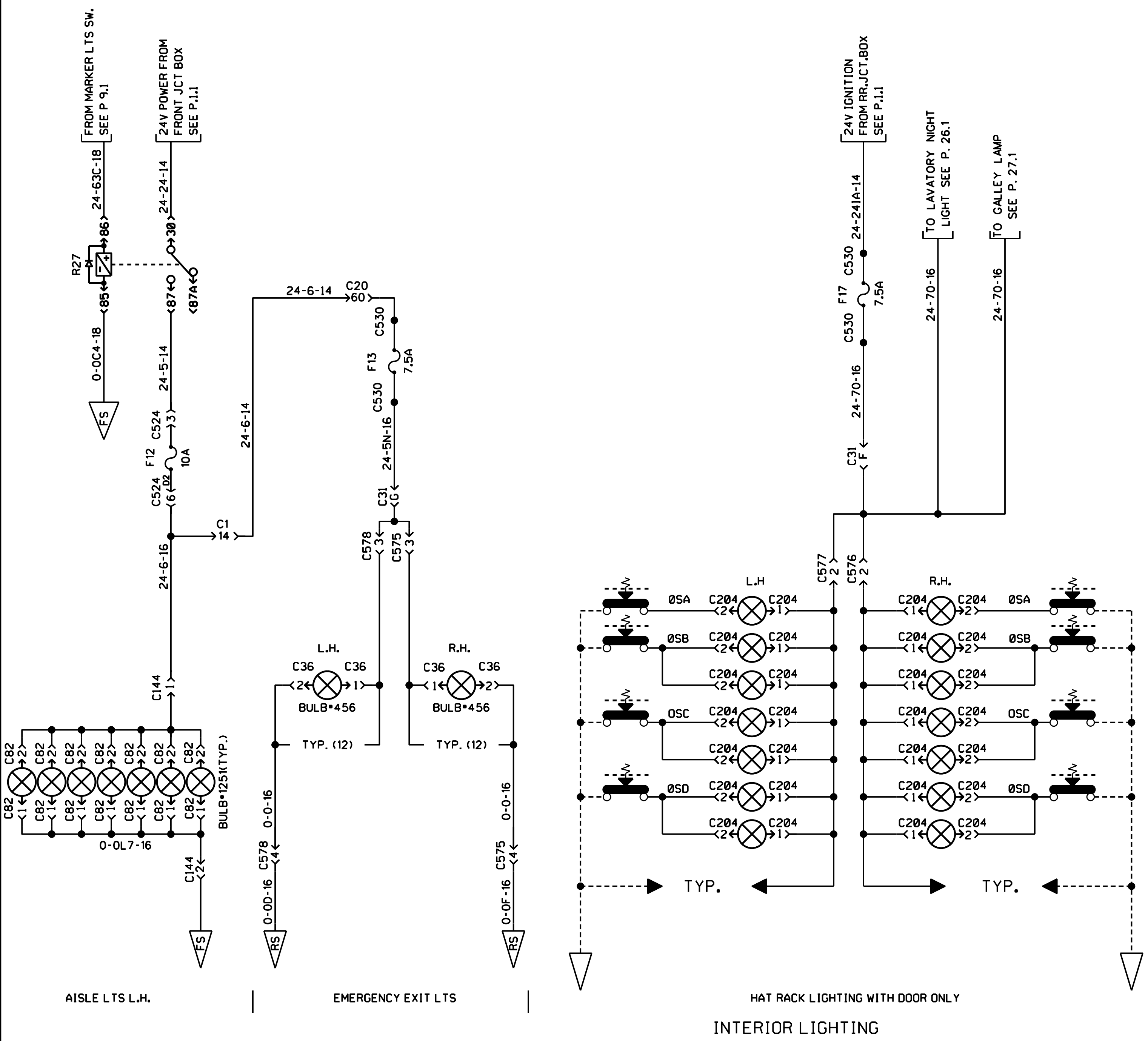
DRIVER'S L.T.S

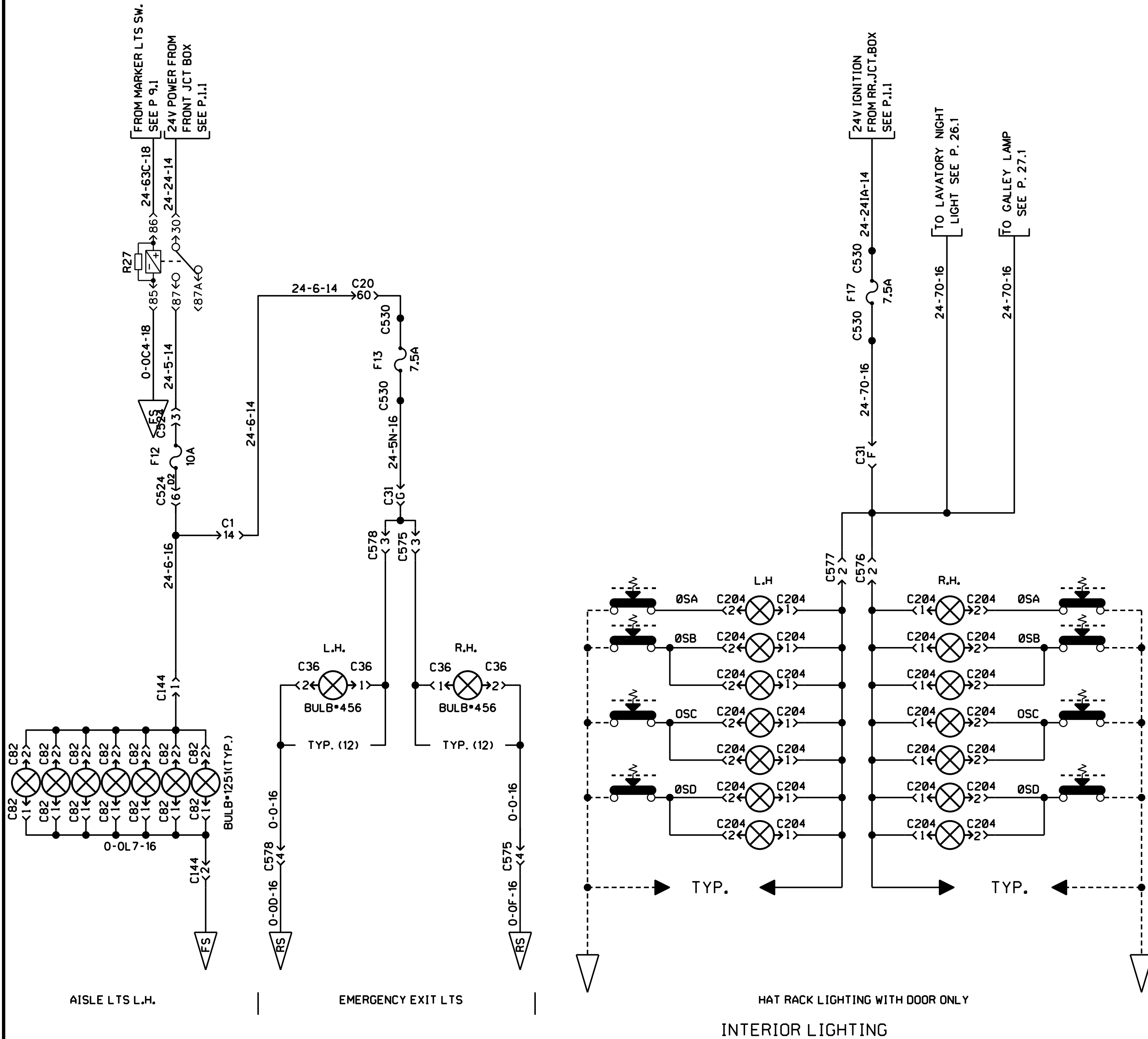
DASH L.T.S. RHEOSTAT

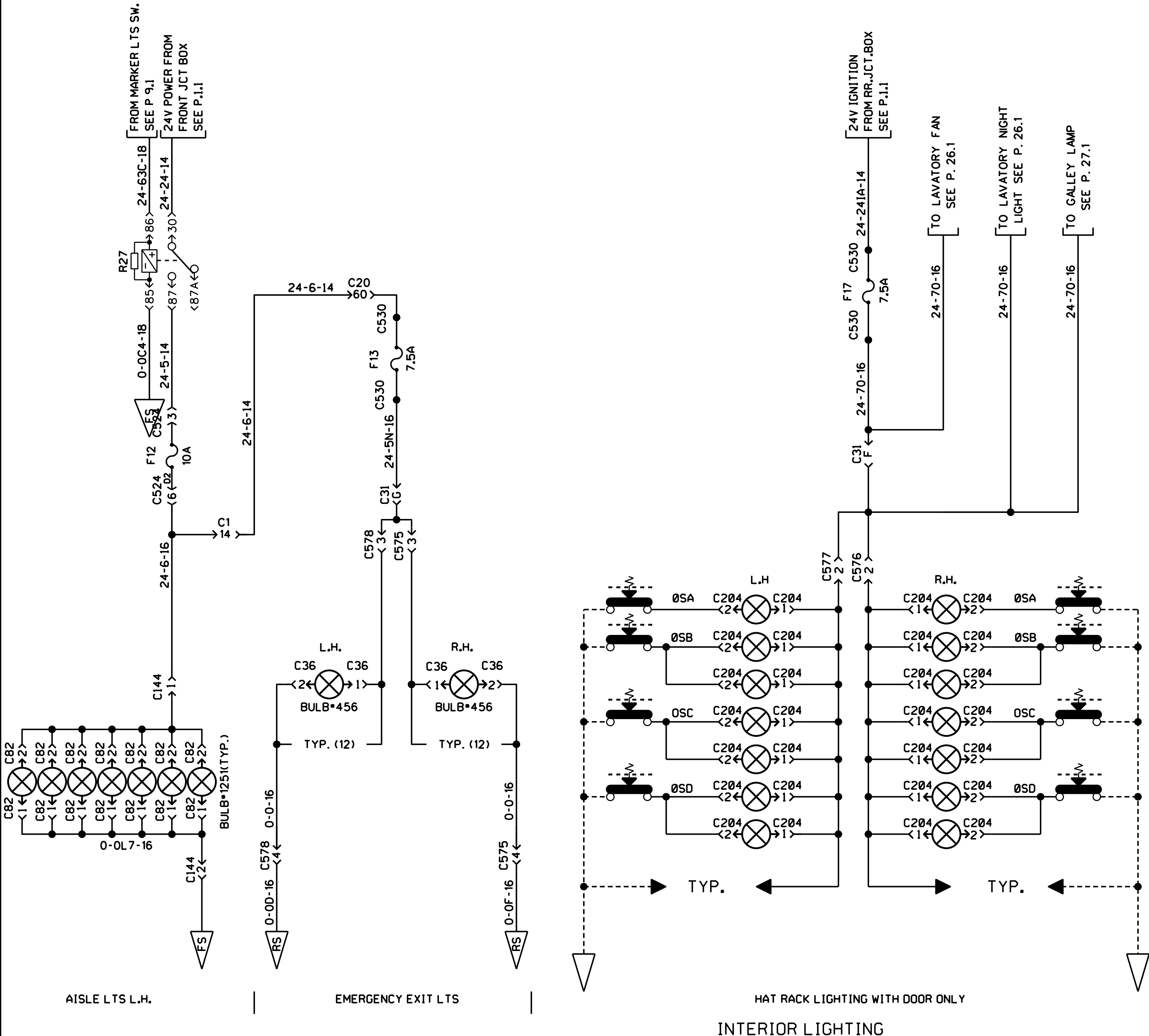
INTERIOR LIGHTING

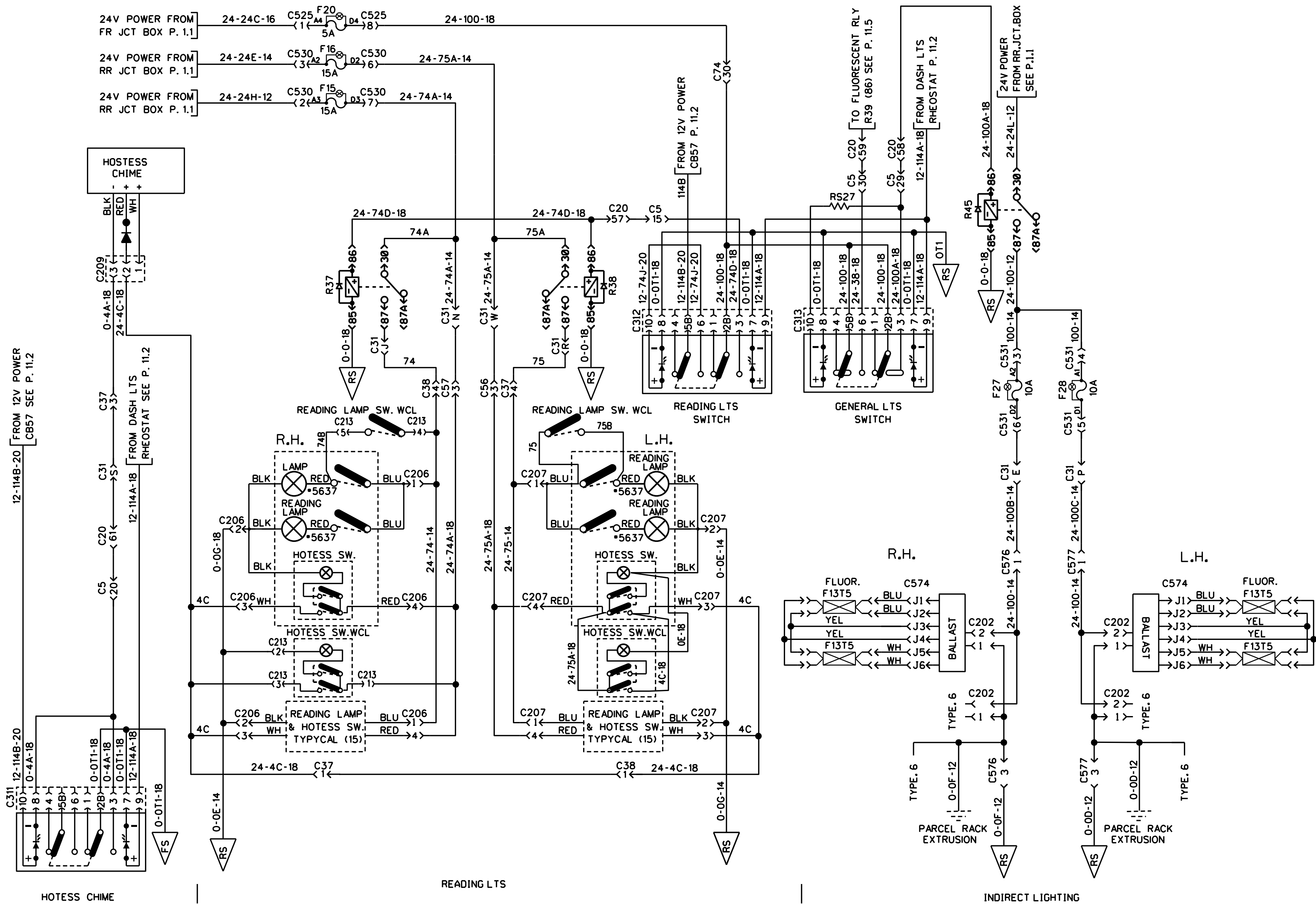


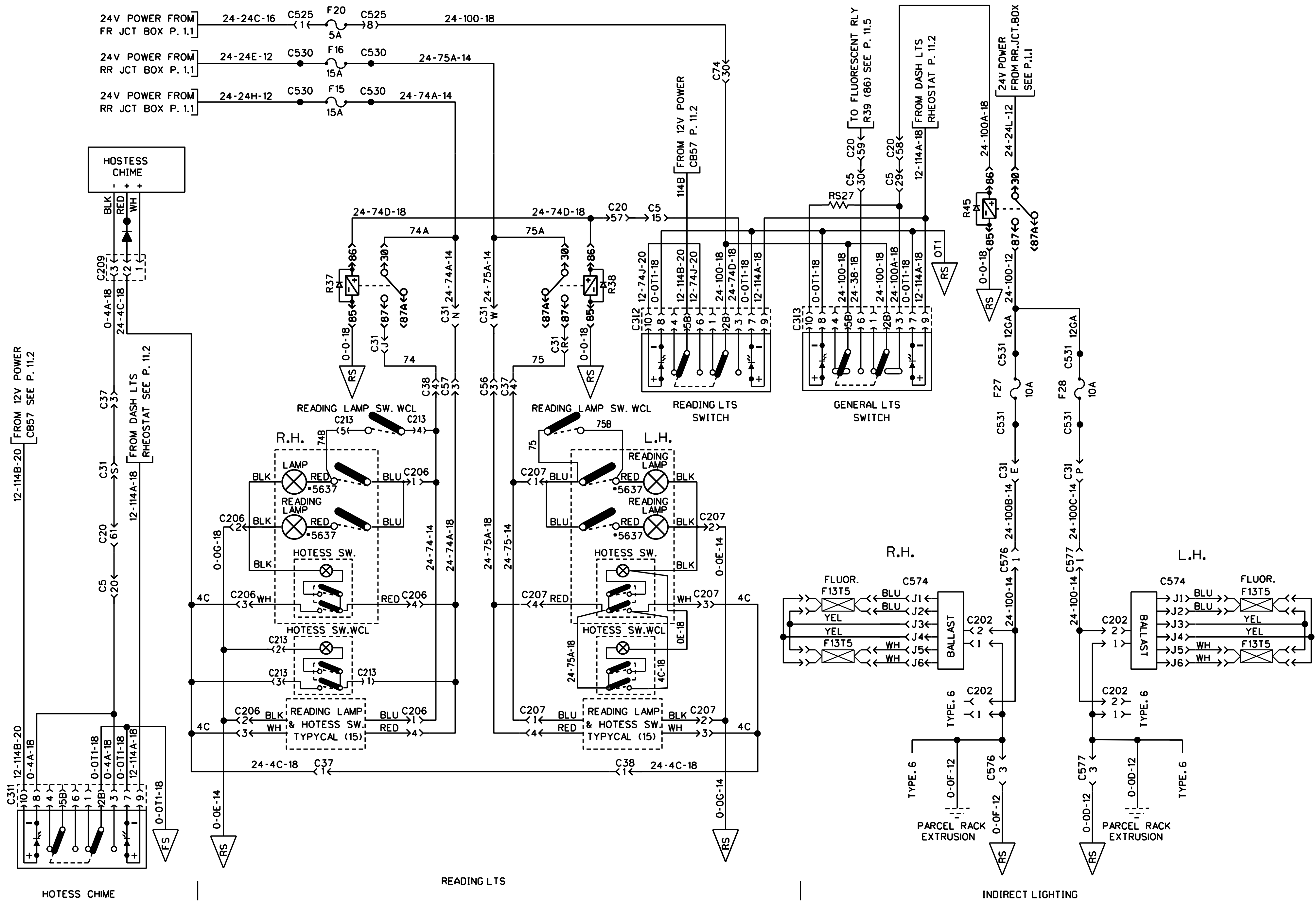


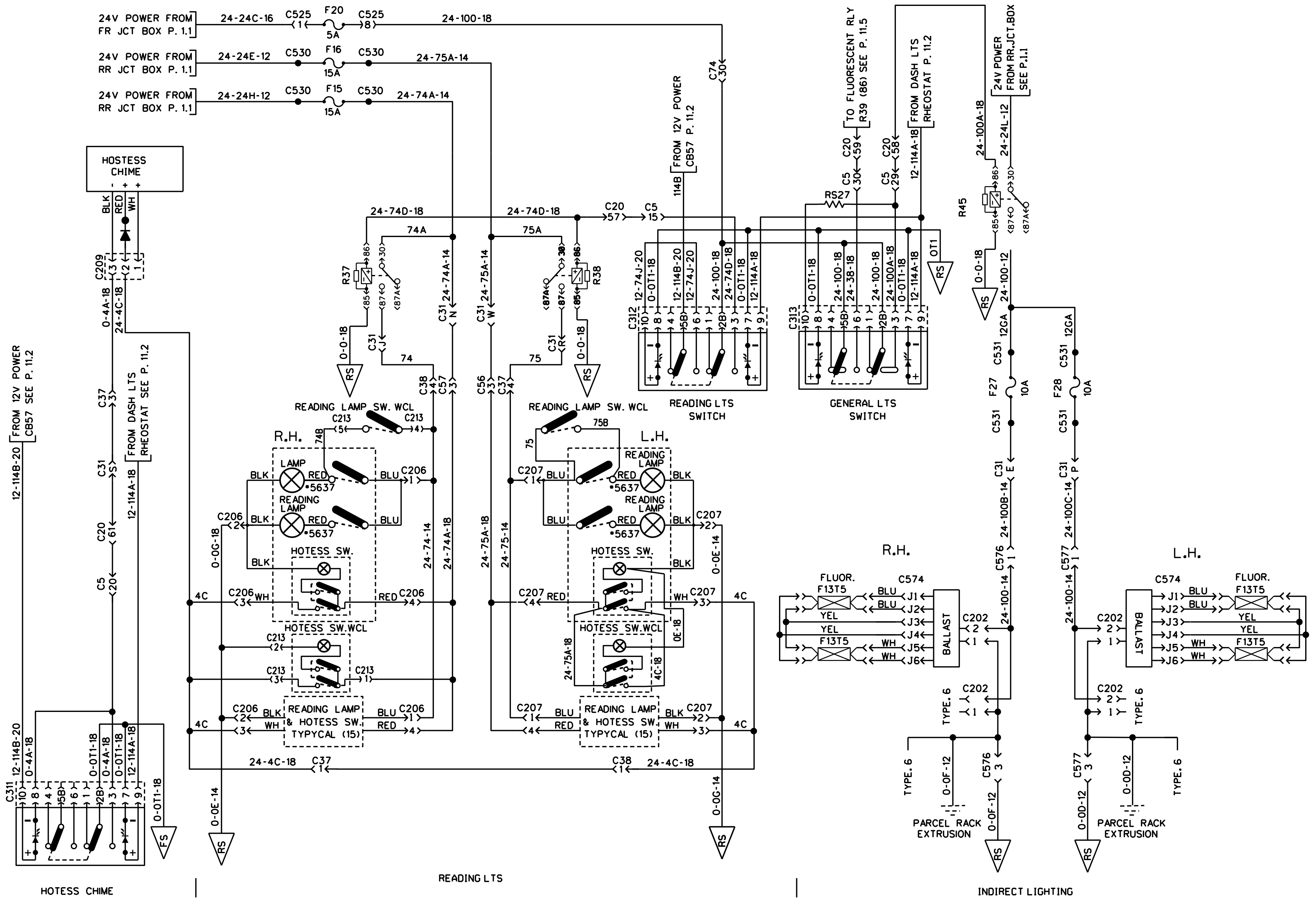


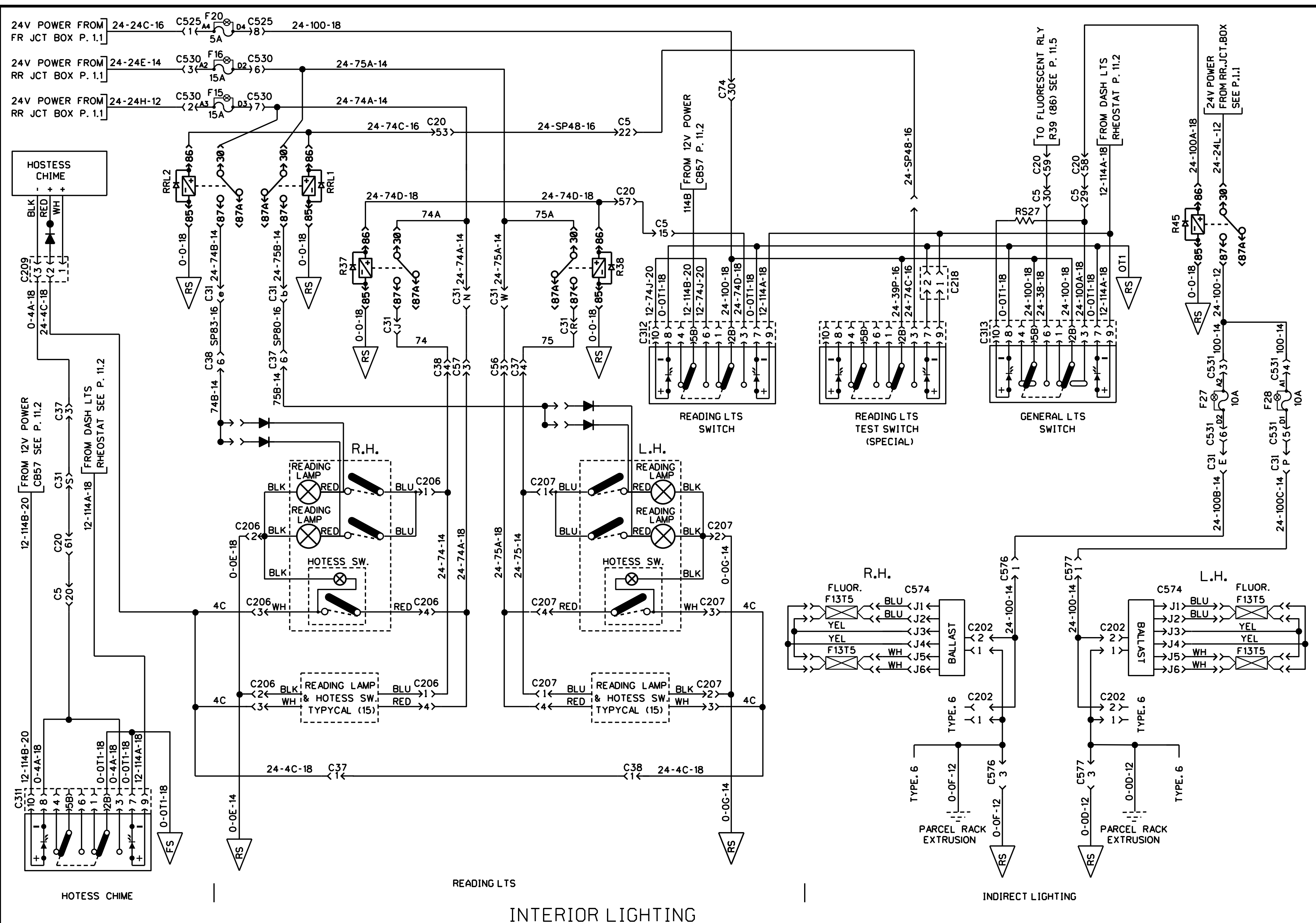


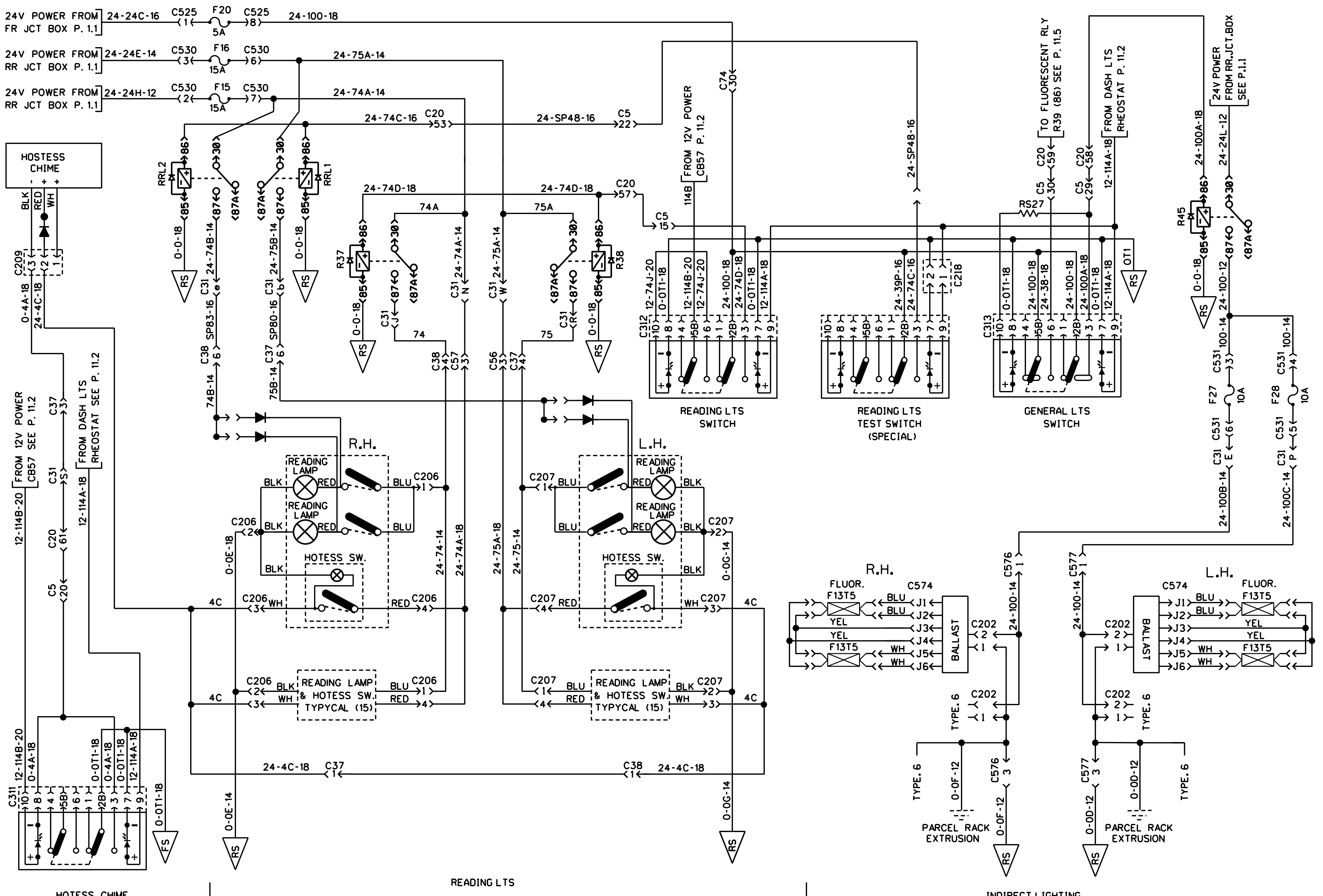


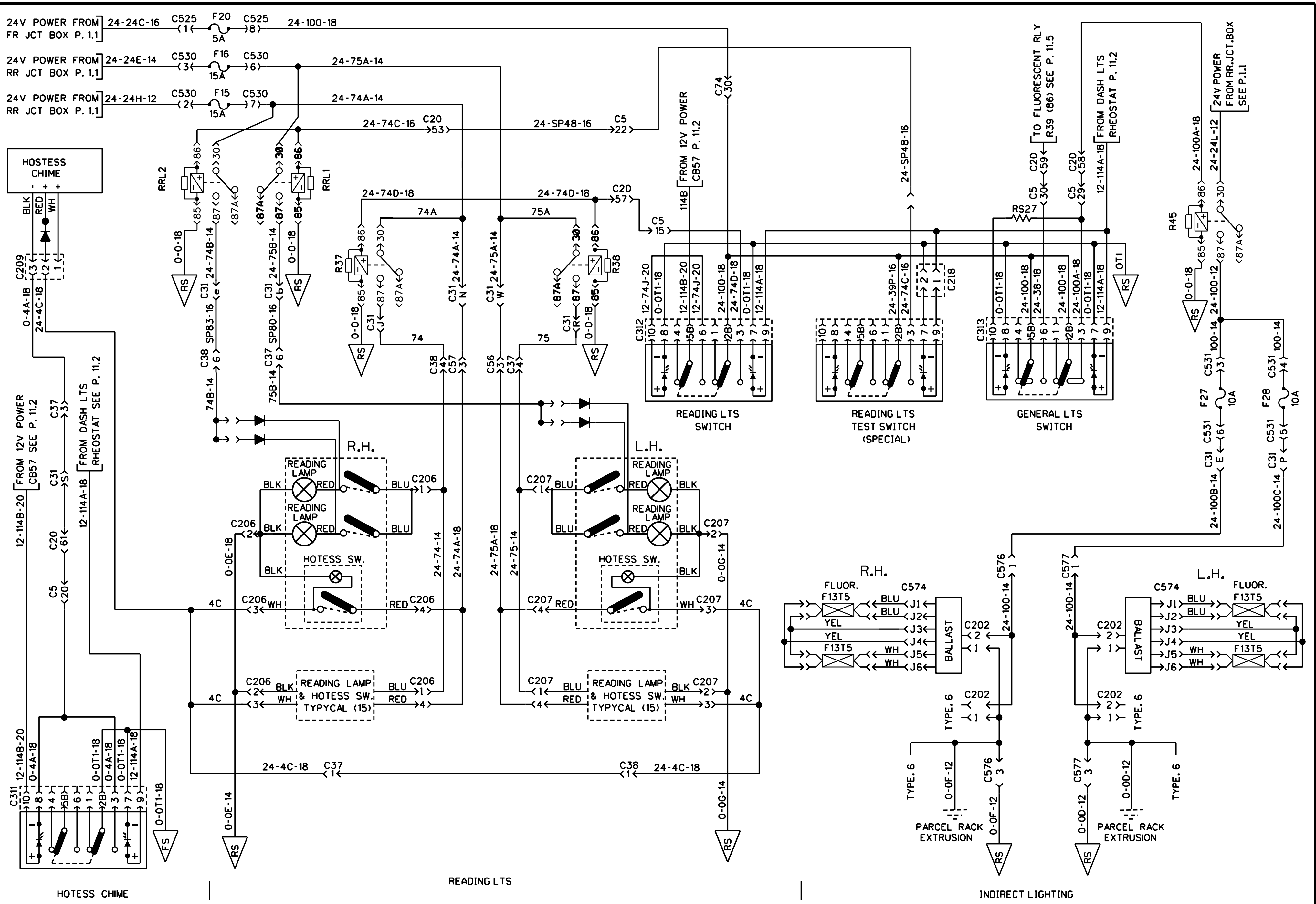




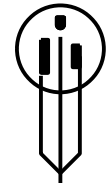




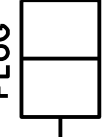




SHORE PLUG 110V



CHARGER PLUG

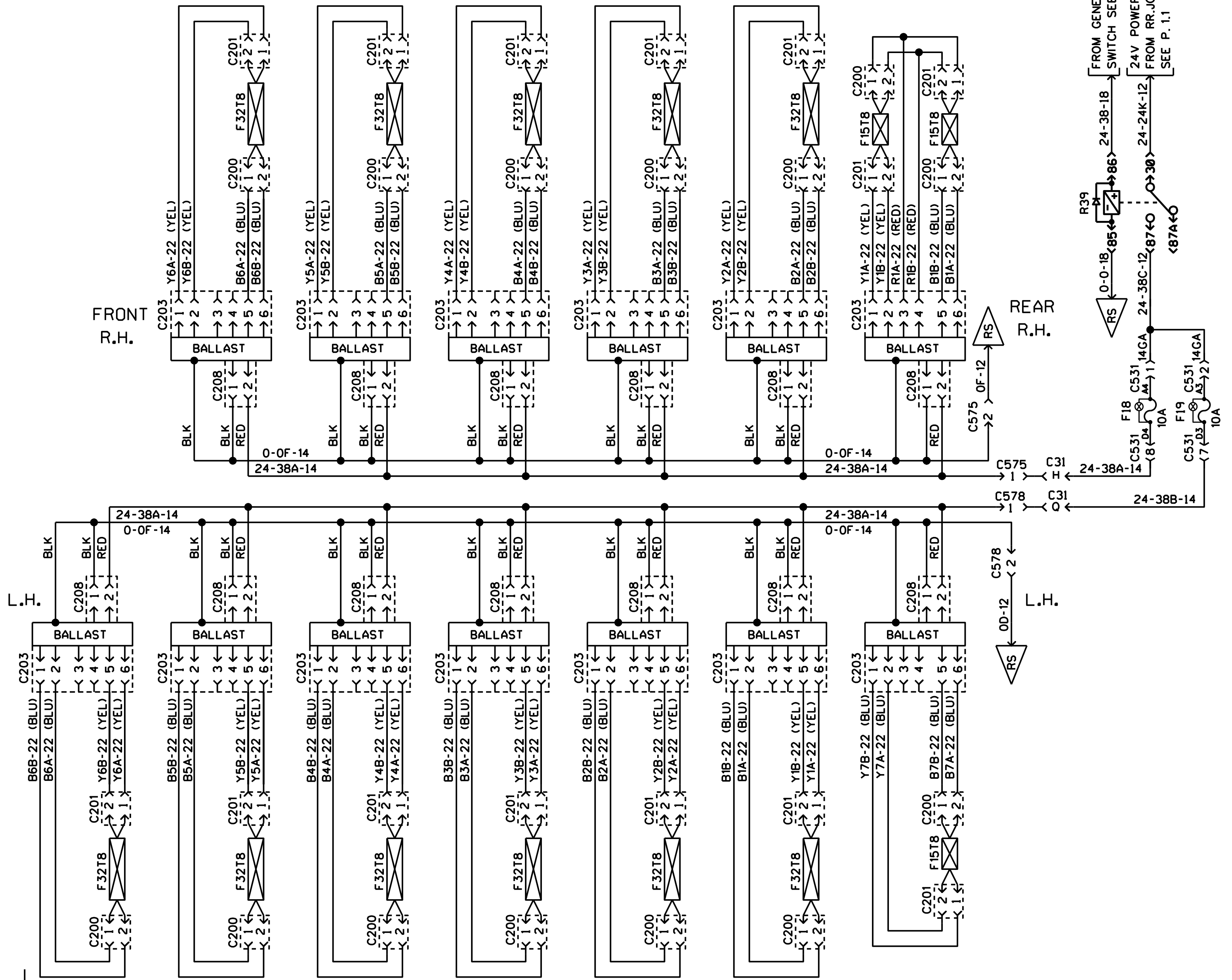


THREE STAGE BATTERY CHARGER 28 V / 41 AMP.

TO BOOSTER BLOCK SEE P. 1.1

FRONT R.H.

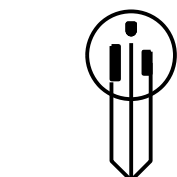
REAR R.H.



BATTERY CHARGER OR IN-STATION LIGHTING

24V FLUORESCENT INTERIOR LIGHTING

SHORE PLUG 110V

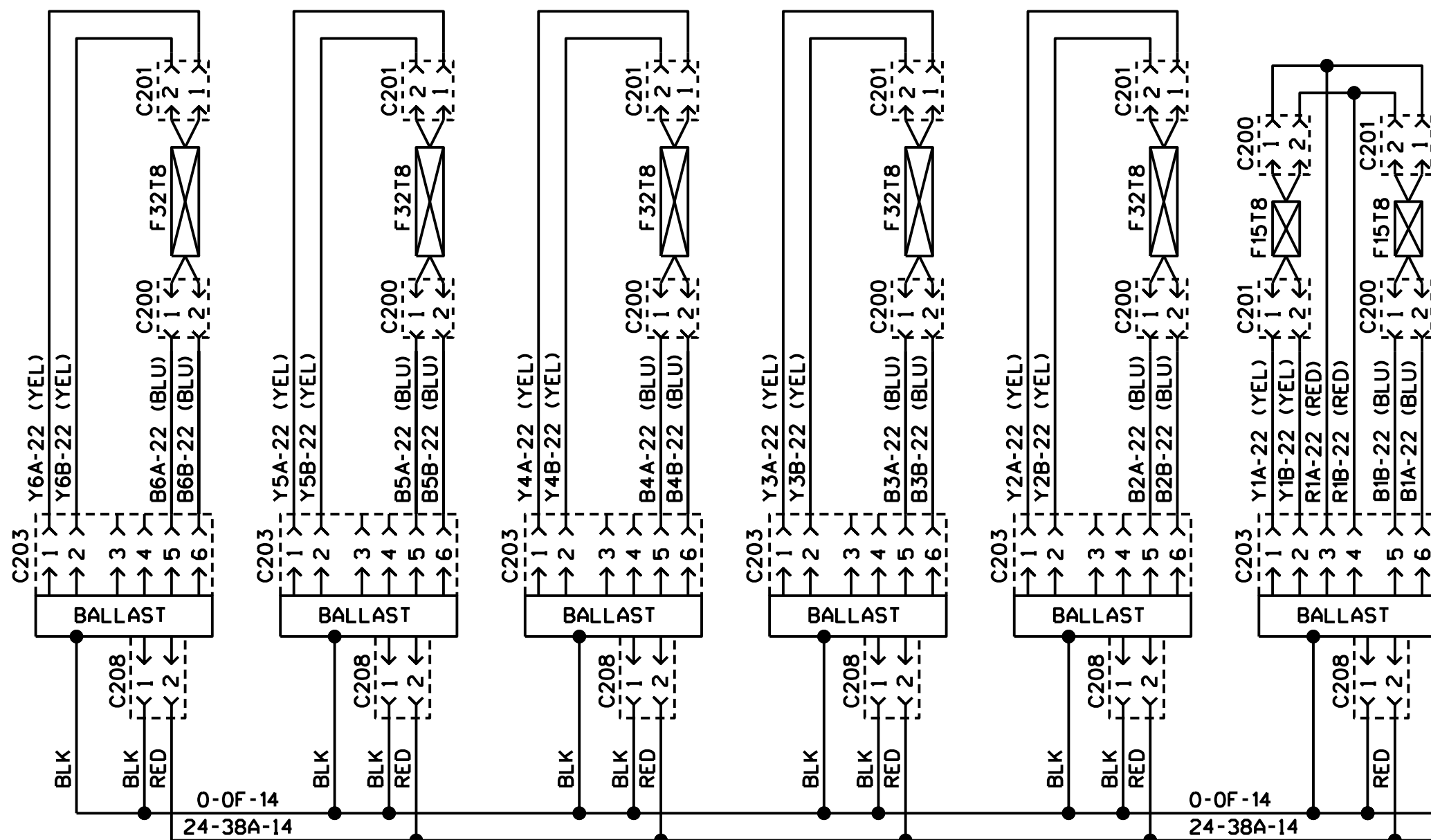


CHARGER PLUG

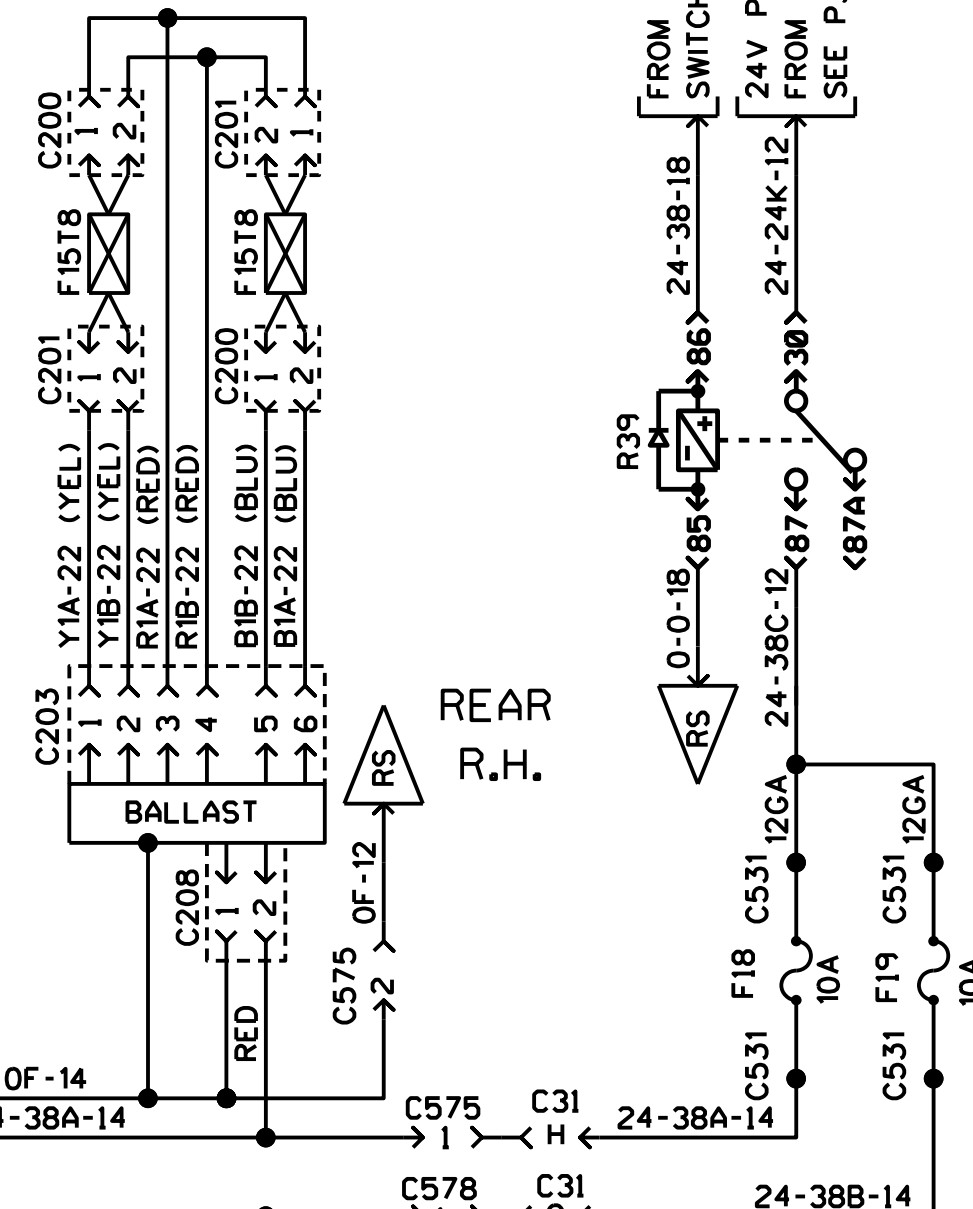
THREE STAGE BATTERY CHARGER 28 V /41 AMP.

TO BOOSTER BLOCK SEE P. 1.1

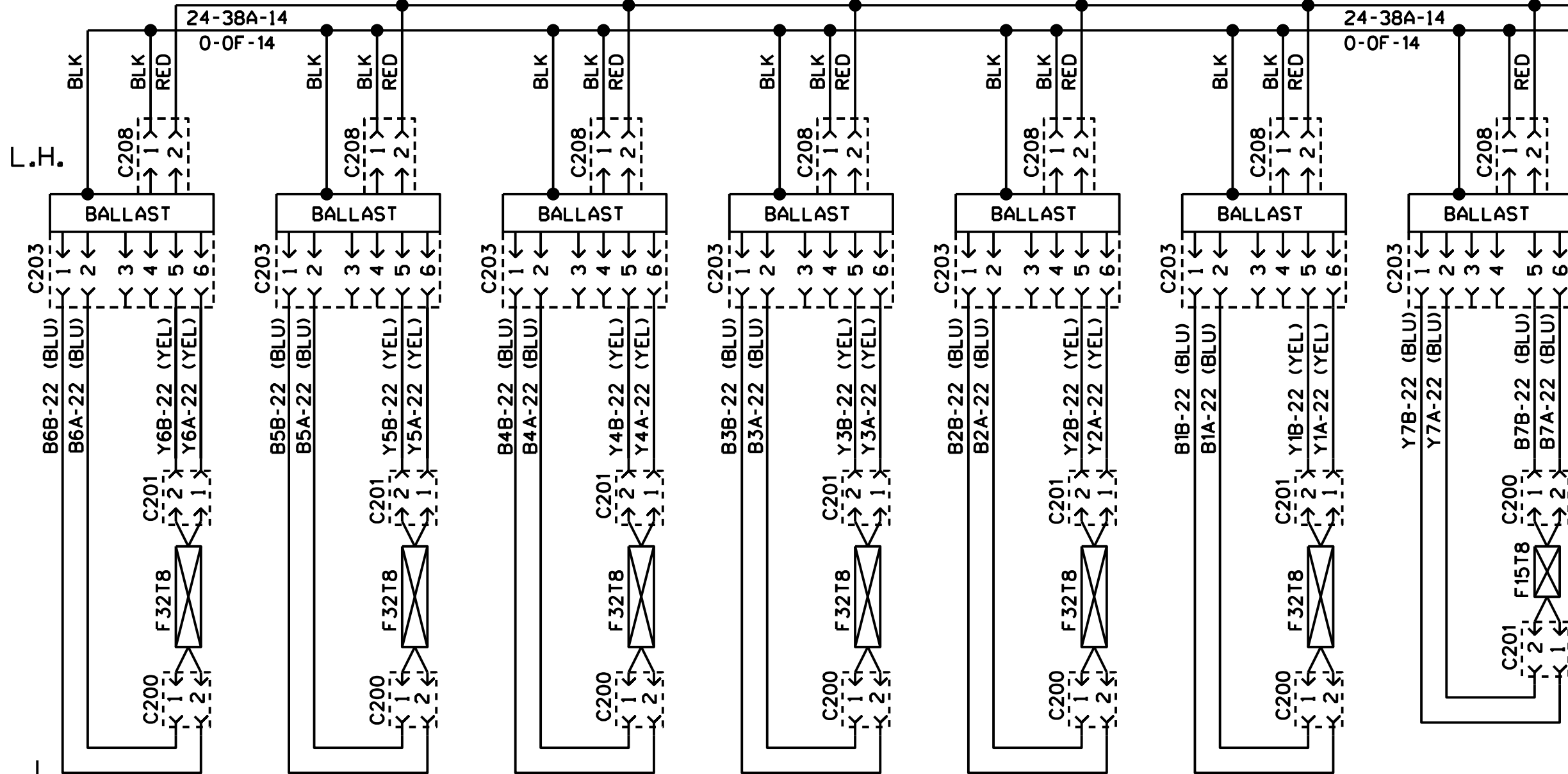
FRONT R.H.



REAR R.H.



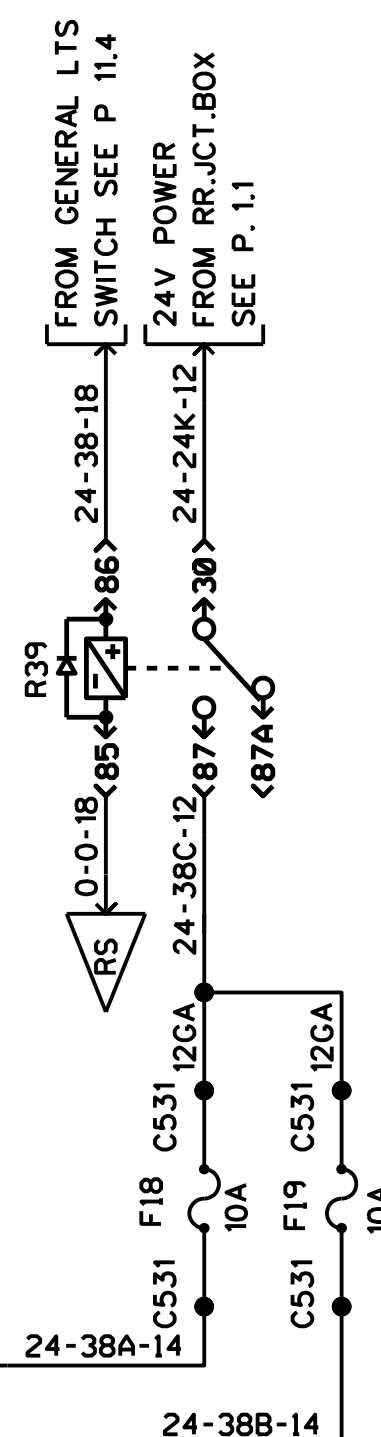
L.H.



L.H.

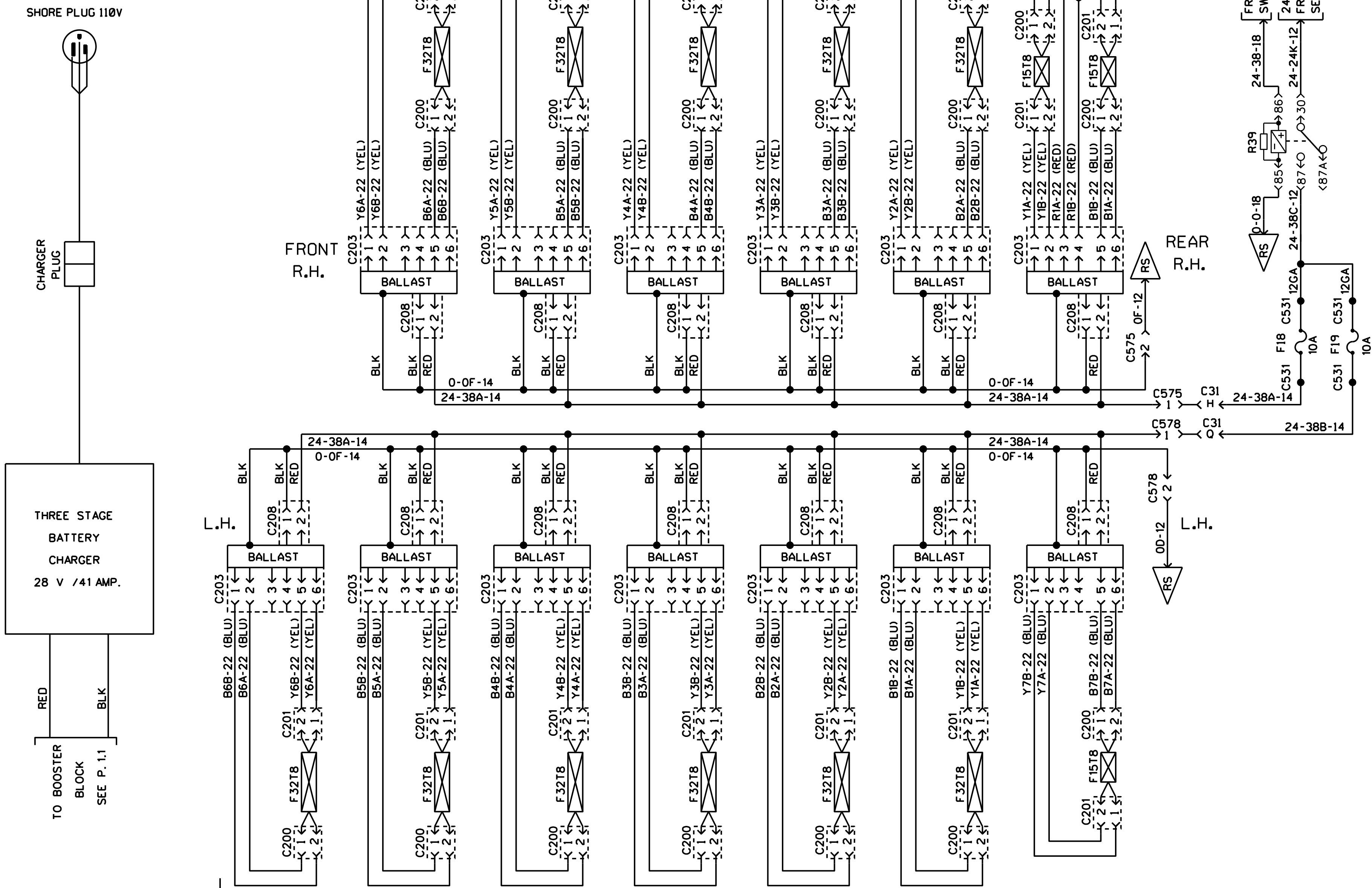
24V FLUORESCENT INTERIOR LIGHTING

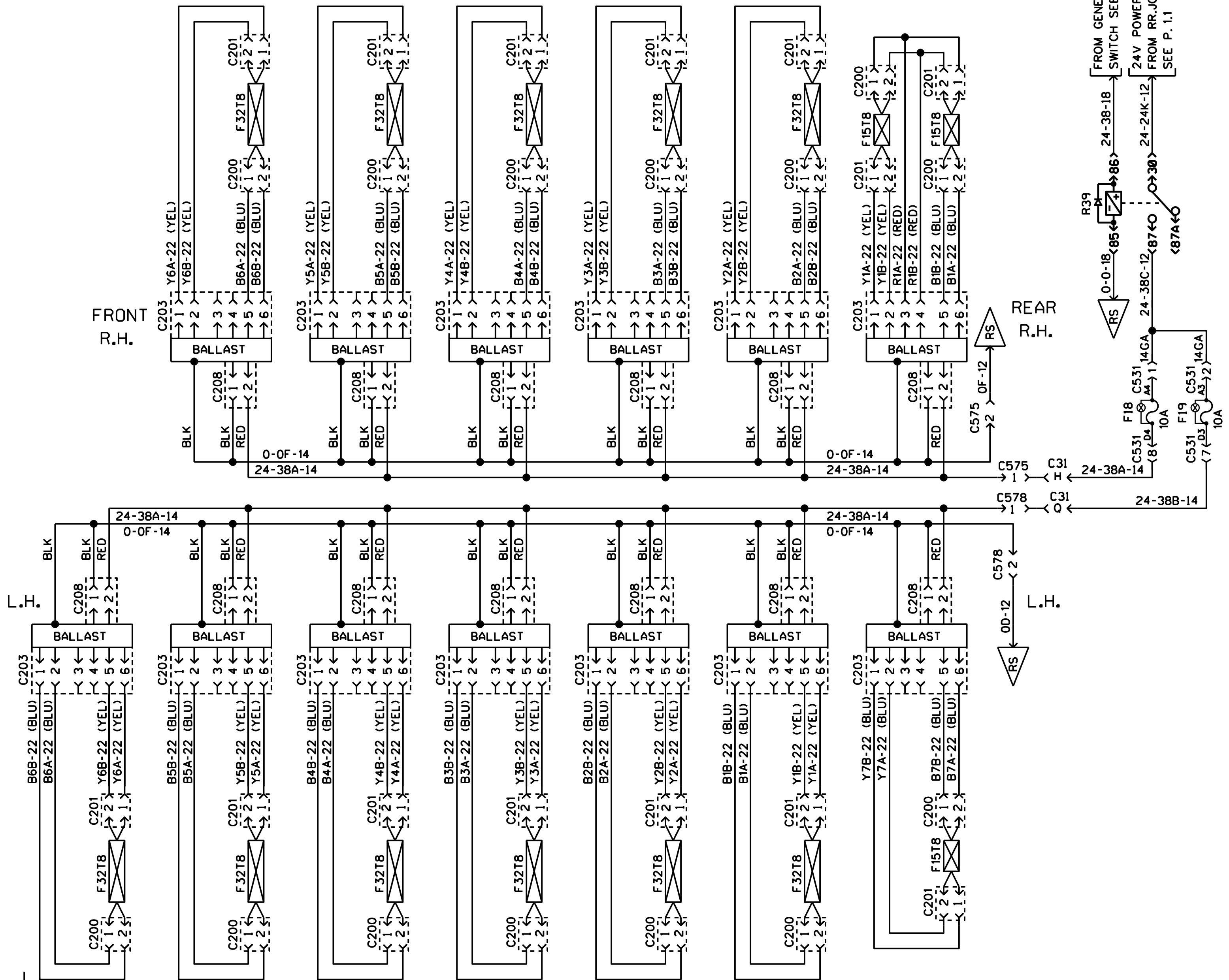
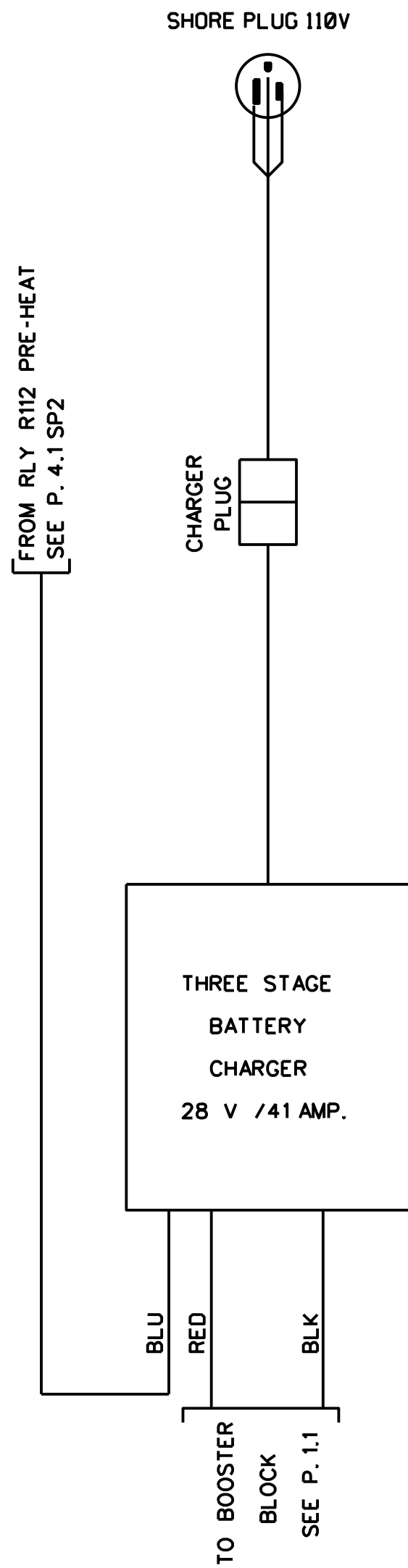
BATTERY CHARGER OR IN-STATION LIGHTING



BATTERY CHARGER OR
IN-STATION LIGHTING

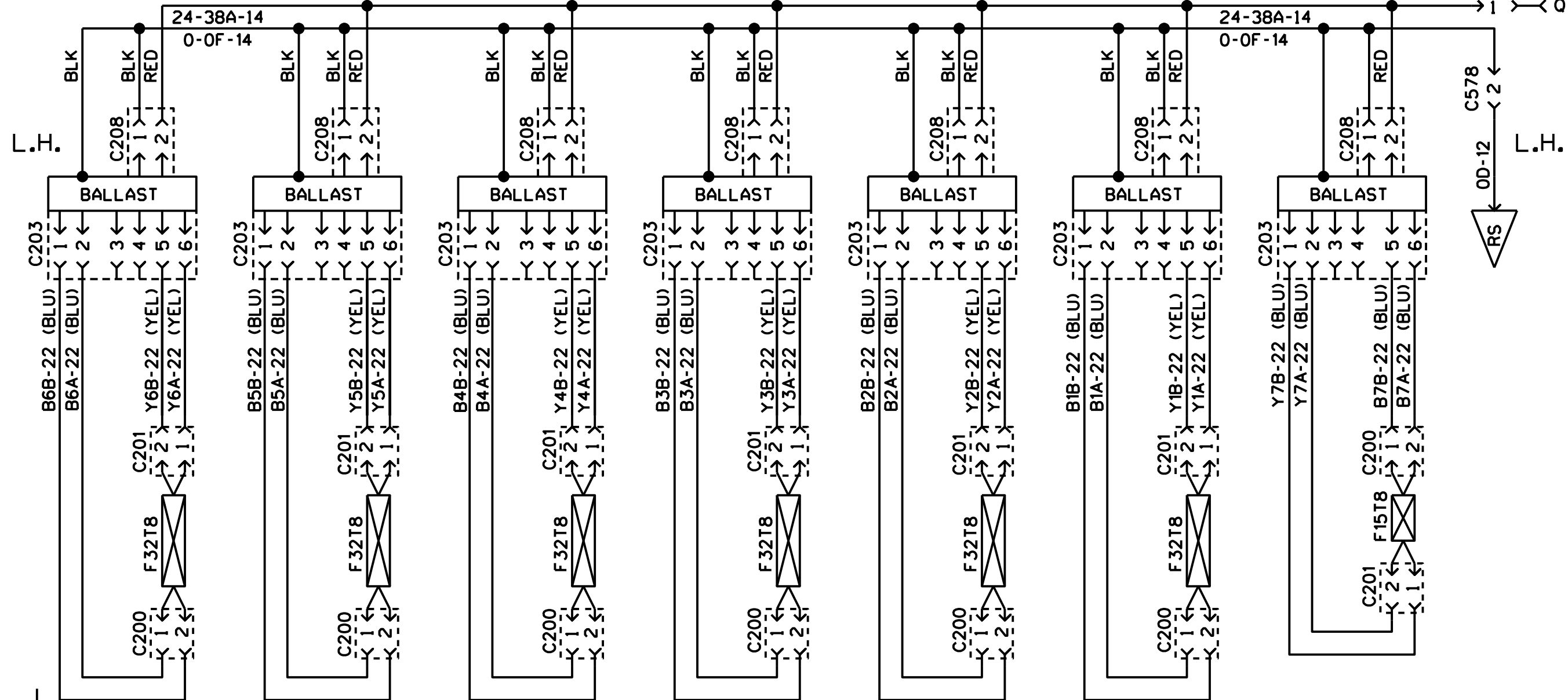
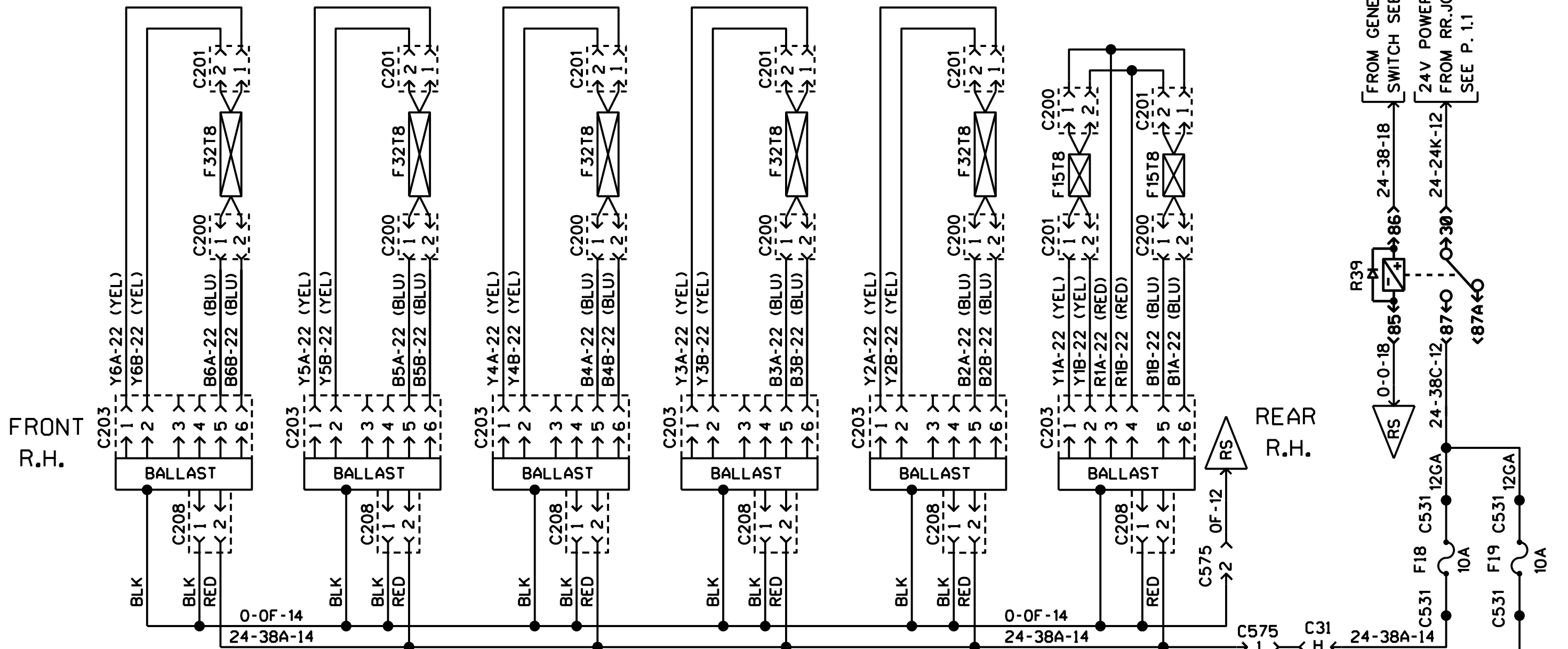
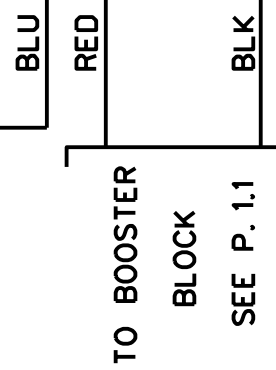
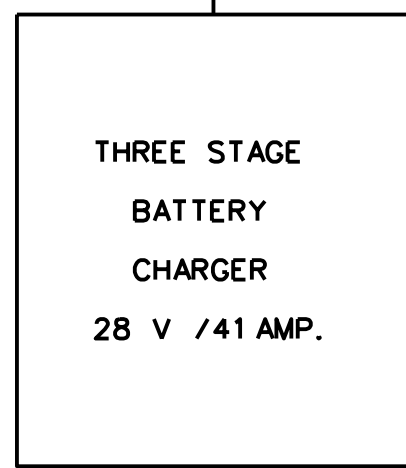
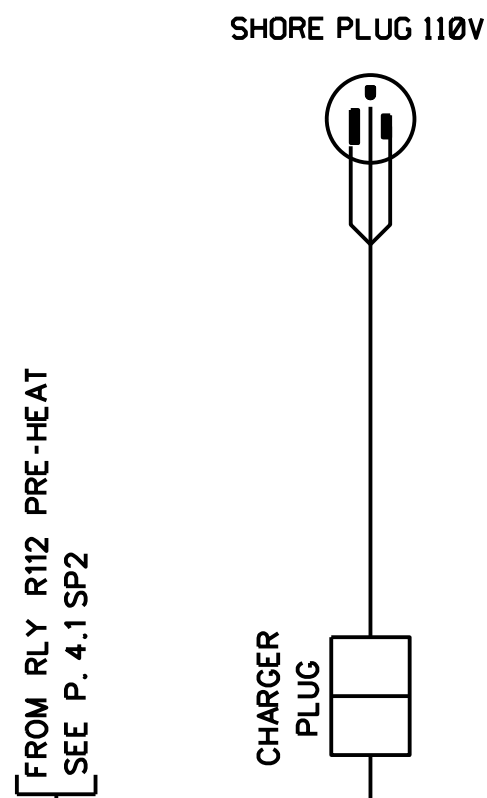
24V FLUORESCENT INTERIOR LIGHTING





BATTERY CHARGER OR IN-STATION LIGHTING

24V FLUORESCENT INTERIOR LIGHTING

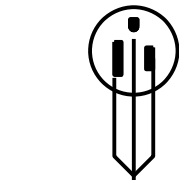


24V FLUORESCENT INTERIOR LIGHTING

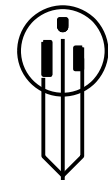
BATTERY CHARGER OR
IN-STATION LIGHTING

FROM RLY R112 PRE-HEAT
SEE P. 4.1 SP2

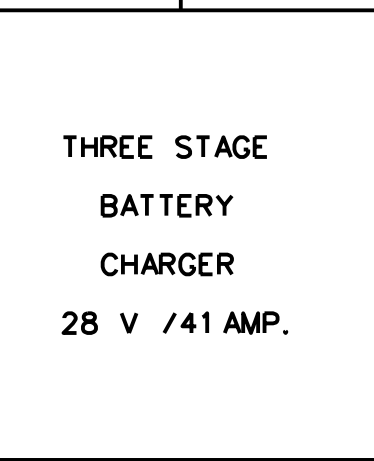
SHORE PLUG 110V



CHARGER
PLUG

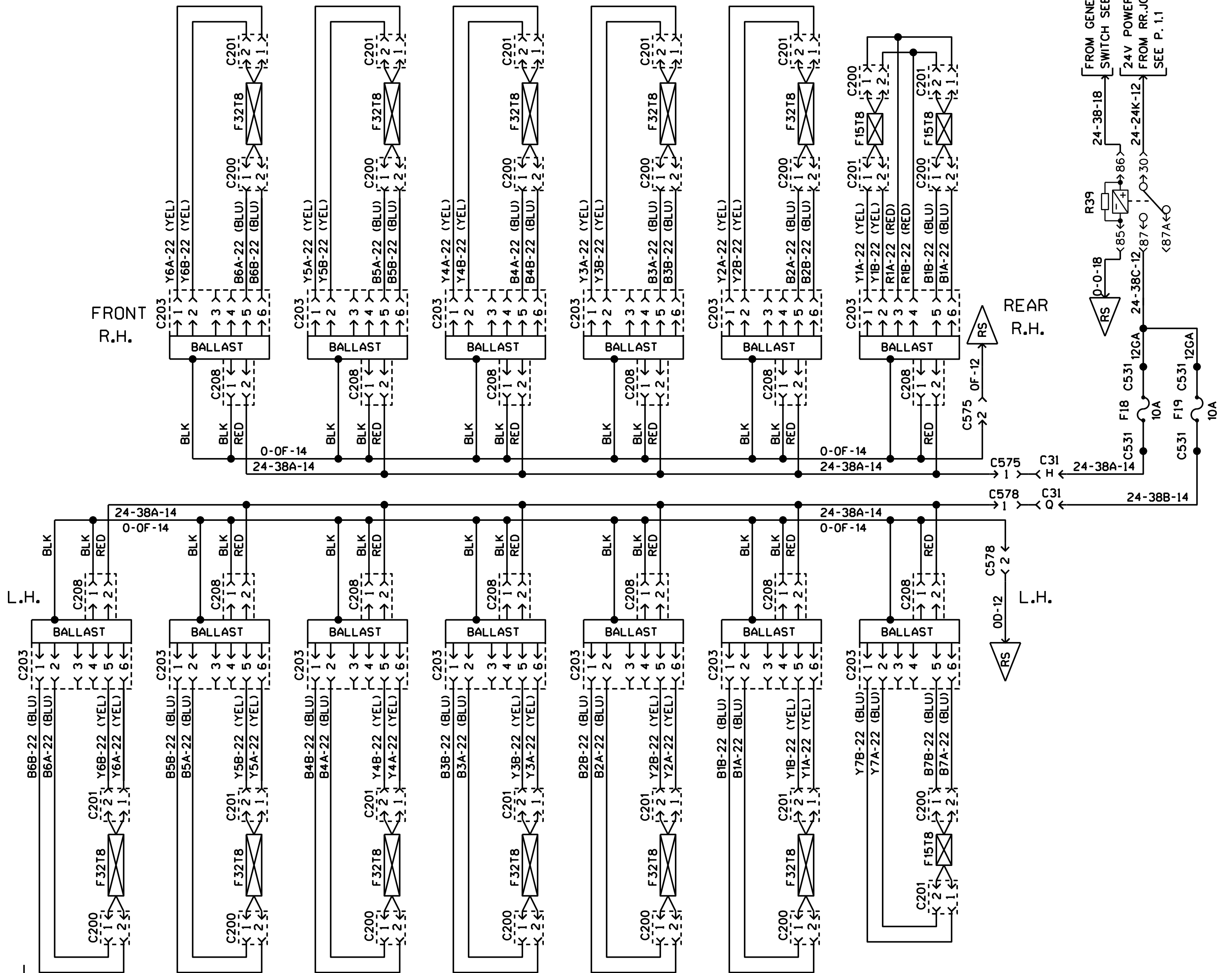


THREE STAGE
BATTERY
CHARGER
28 V / 41 AMP.



BLU
RED
BLK

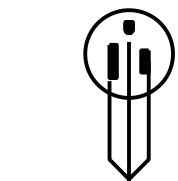
TO BOOSTER
BLOCK
SEE P. 1.1



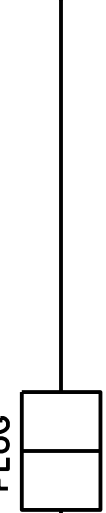
BATTERY CHARGER OR
IN-STATION LIGHTING

24V FLUORESCENT INTERIOR LIGHTING

SHORE PLUG 110V



CHARGER PLUG

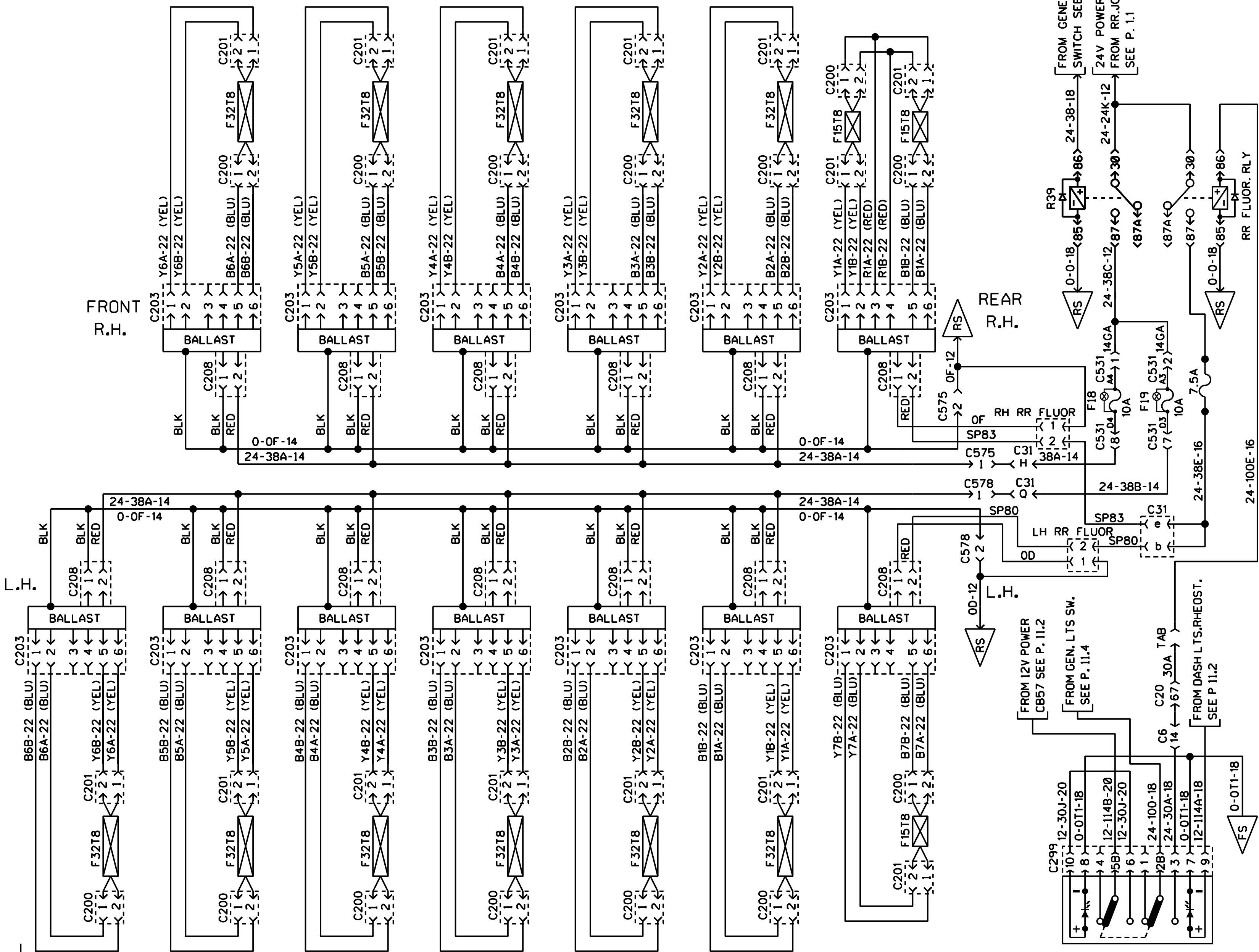


THREE STAGE BATTERY CHARGER 28 V /41 AMP.

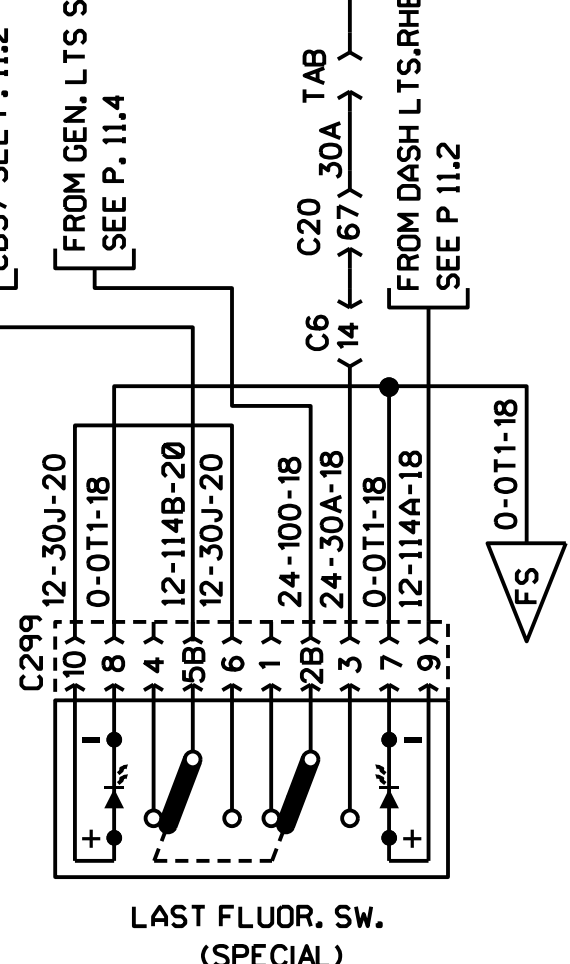
TO BOOSTER BLOCK SEE P. 1.1

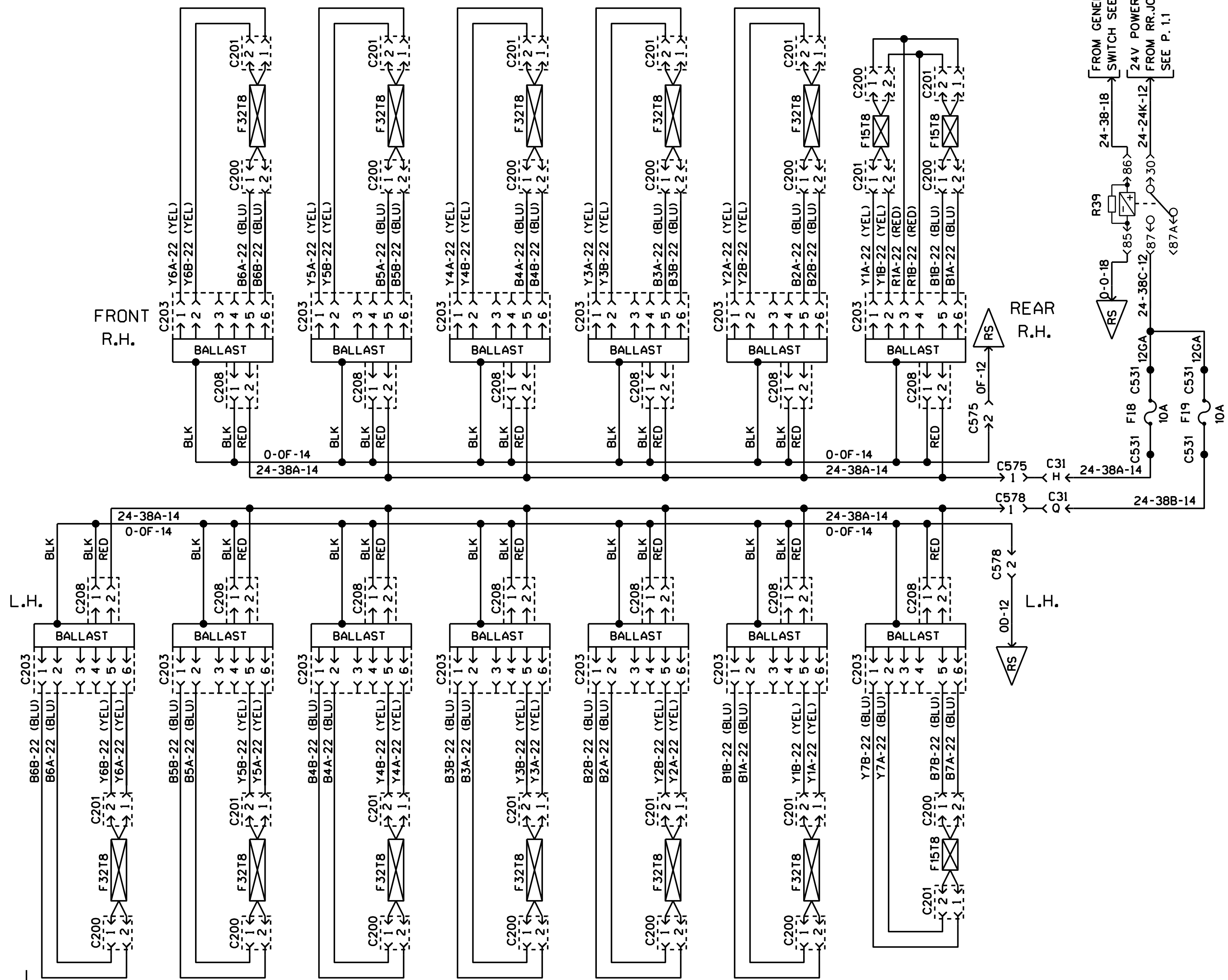
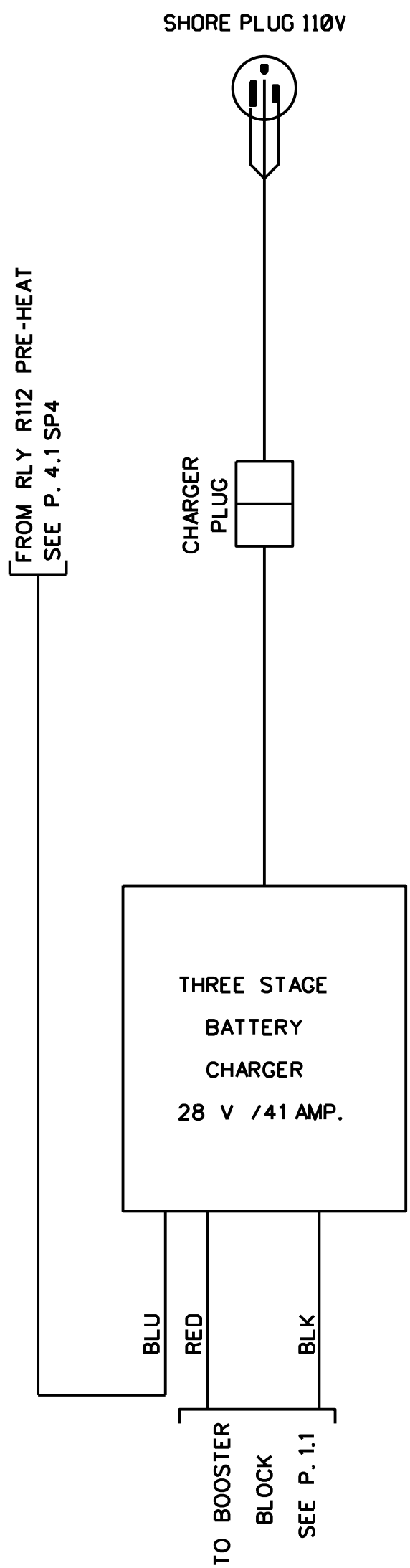
BATTERY CHARGER OR IN-STATION LIGHTING

FRONT R.H.



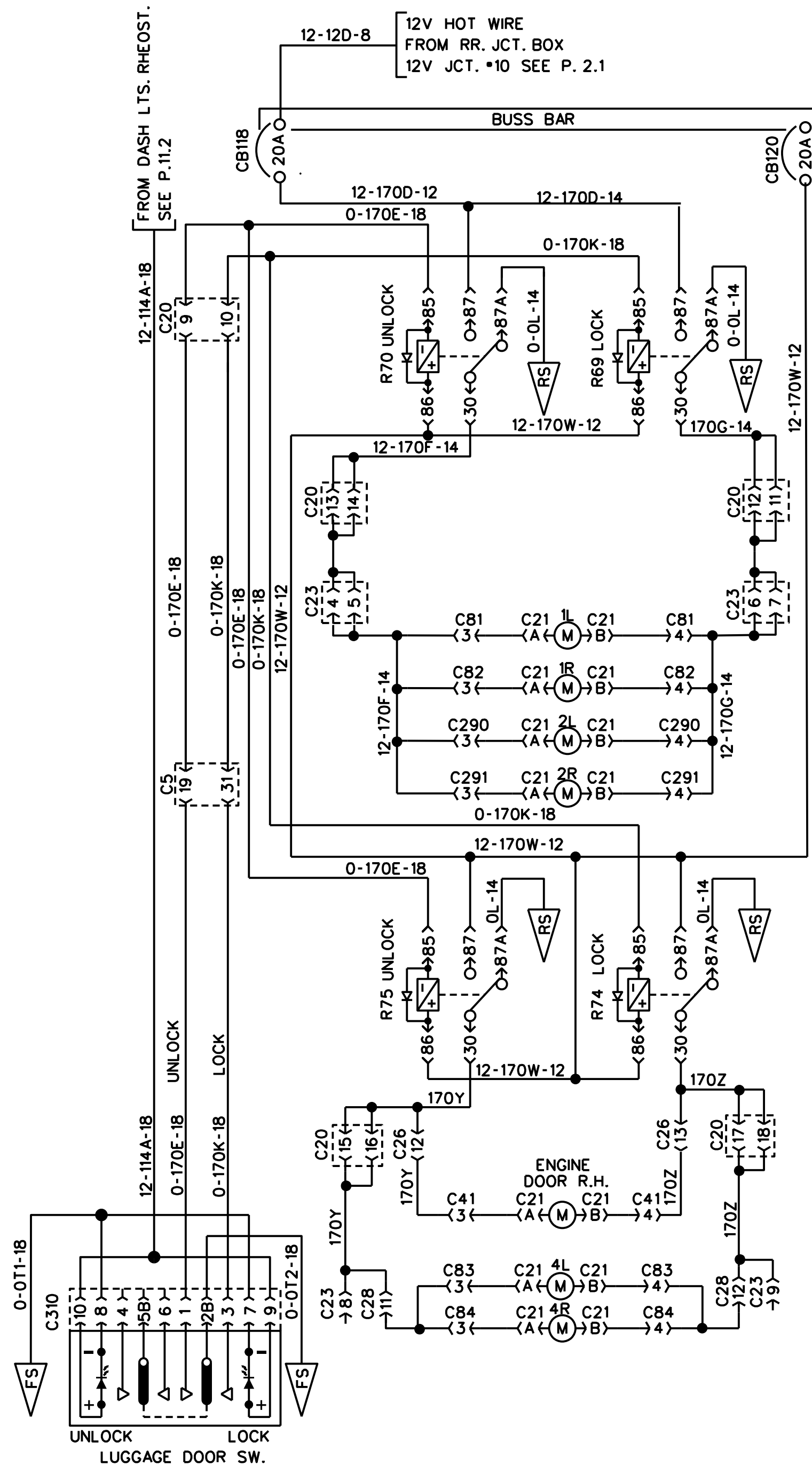
24V FLUORESCENT INTERIOR LIGHTING



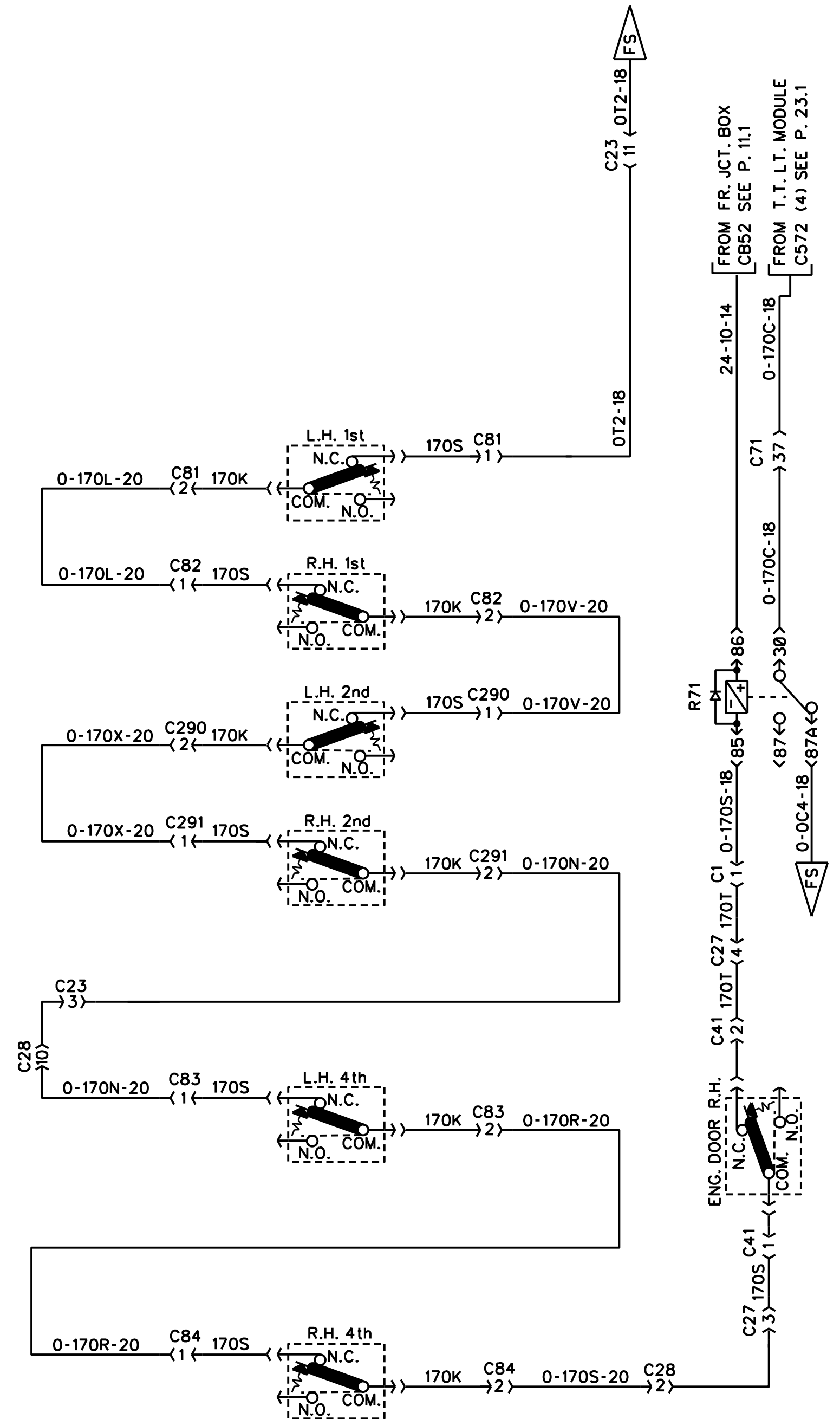


BATTERY CHARGER OR
IN-STATION LIGHTING

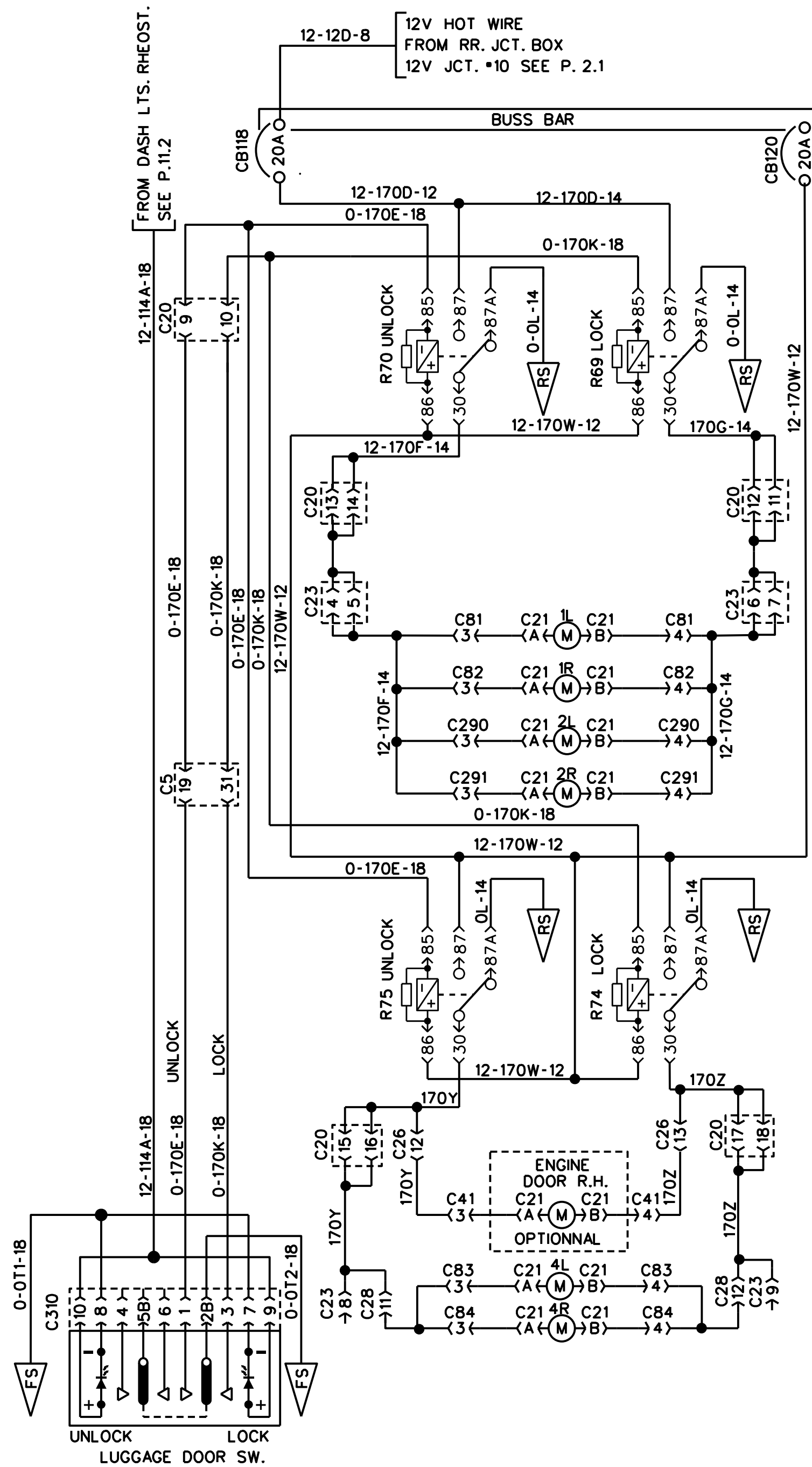
24V FLUORESCENT INTERIOR LIGHTING



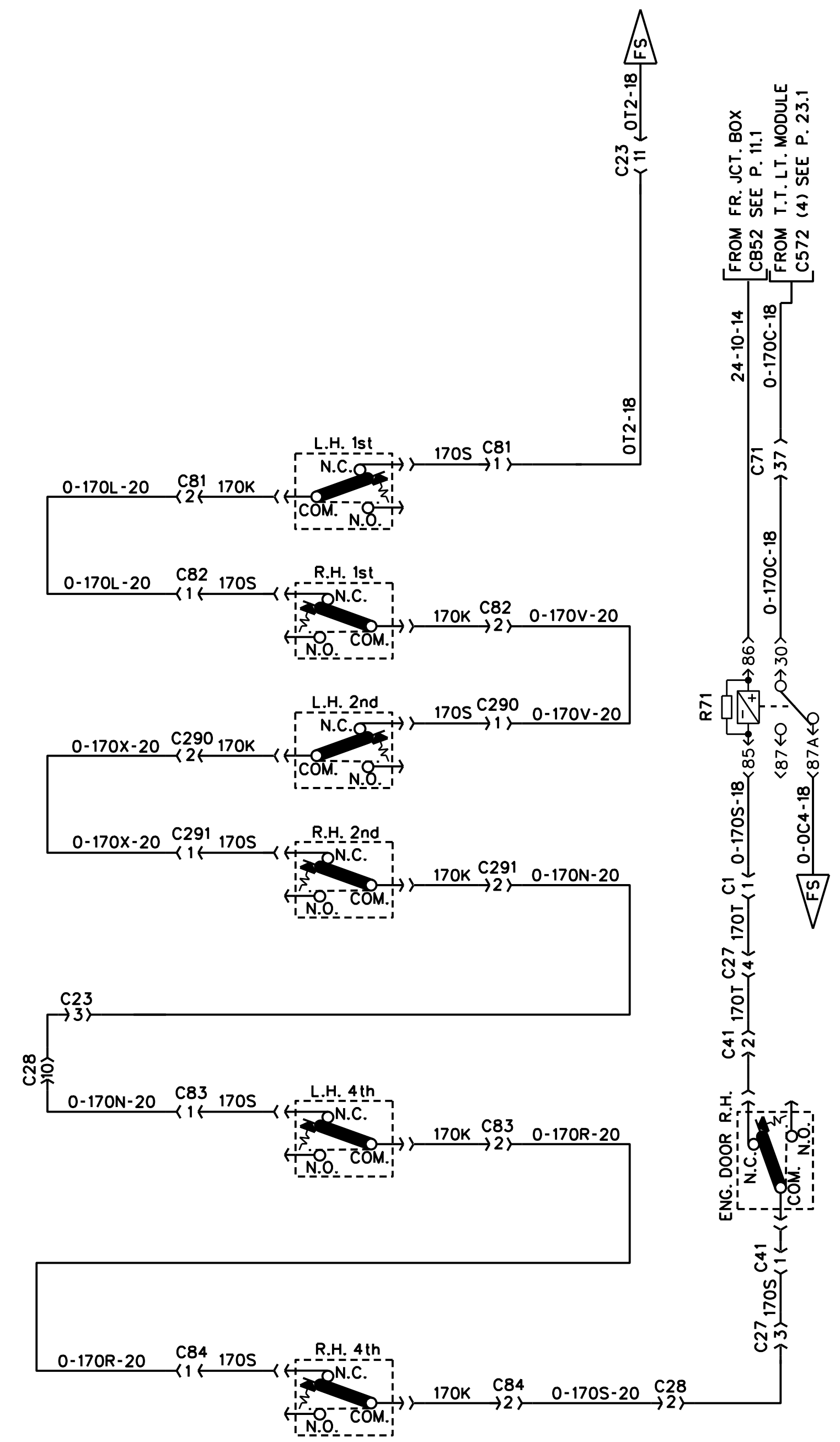
LUGGAGE DOOR LOCK



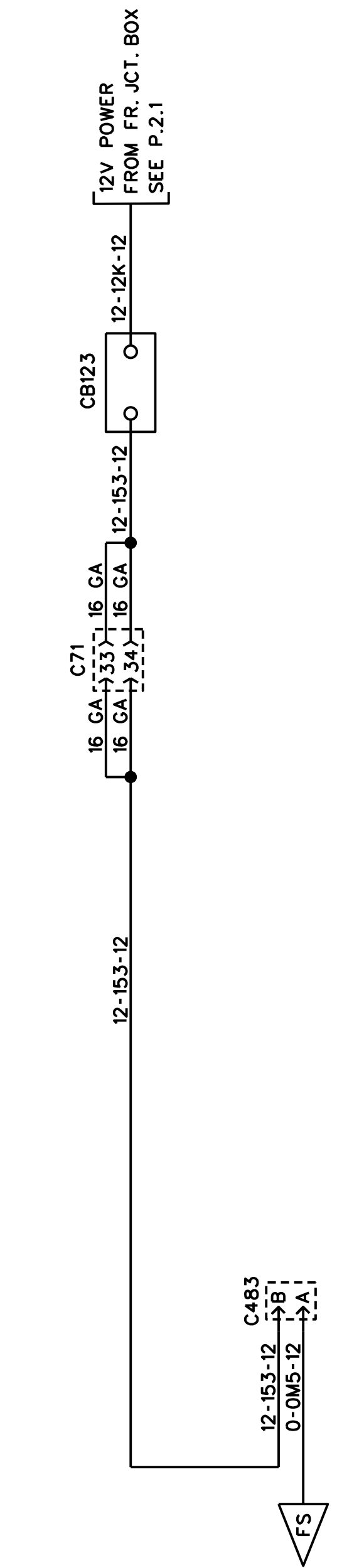
NOTE : DOOR UNLOCK - SW. PRESS



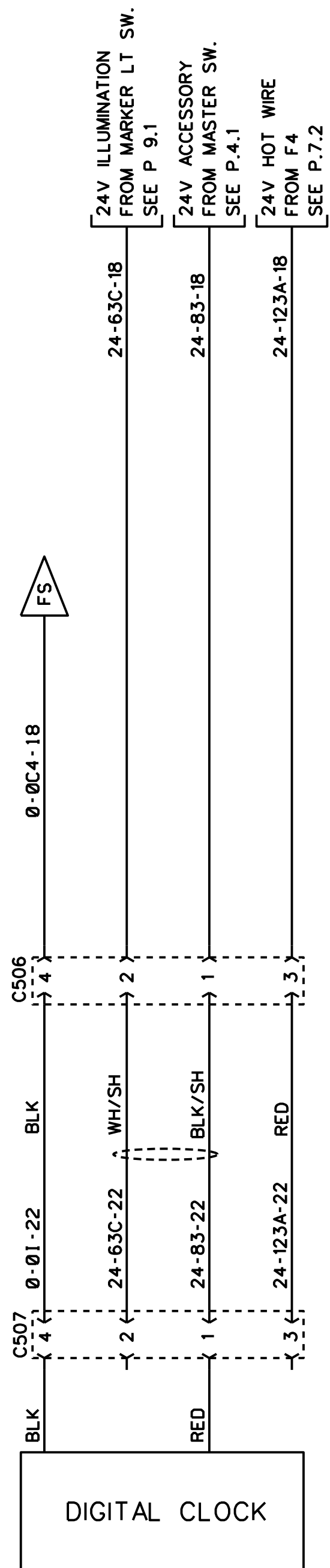
LUGGAGE DOOR LOCK



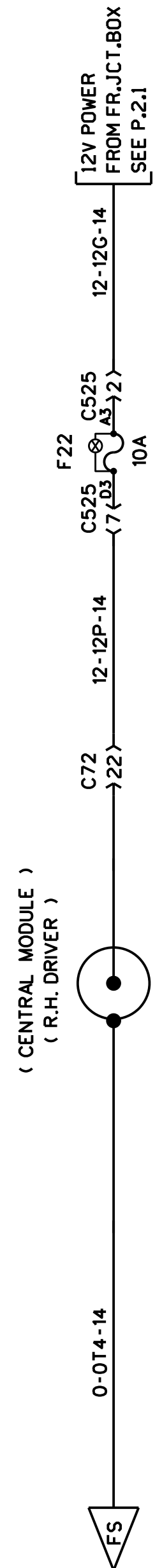
NOTE : DOOR UNLOCK - SW. PRESS



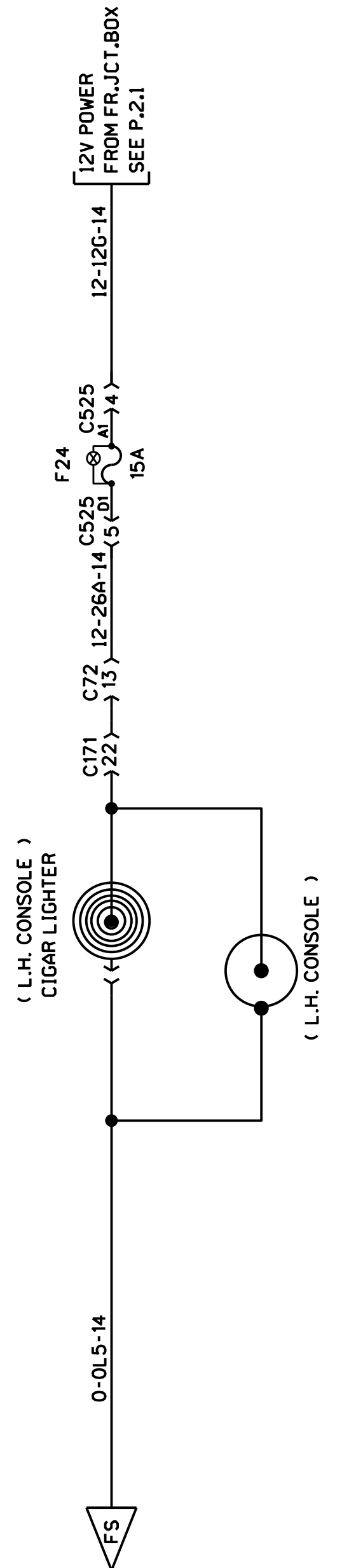
WIRING FOR DRIVER'S SEAT ELECT. ADJ.



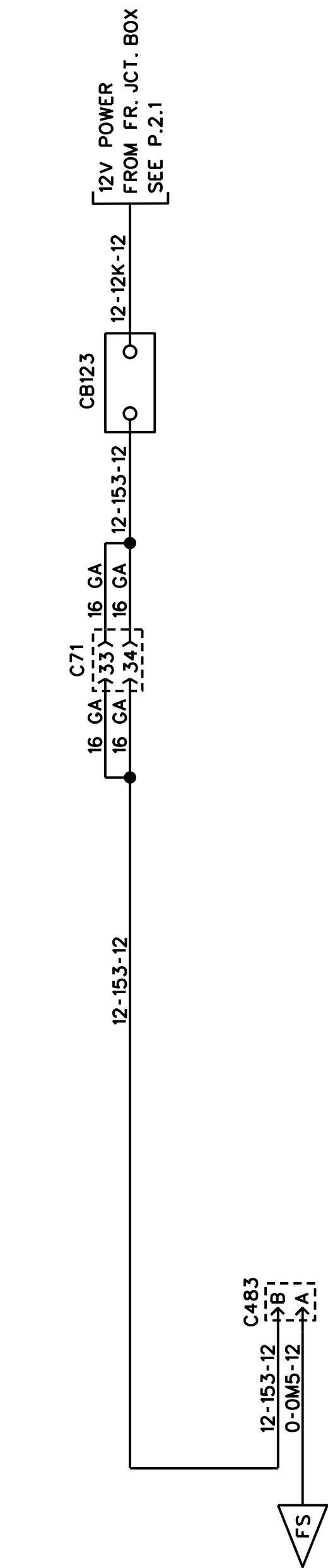
DIGITAL CLOCK



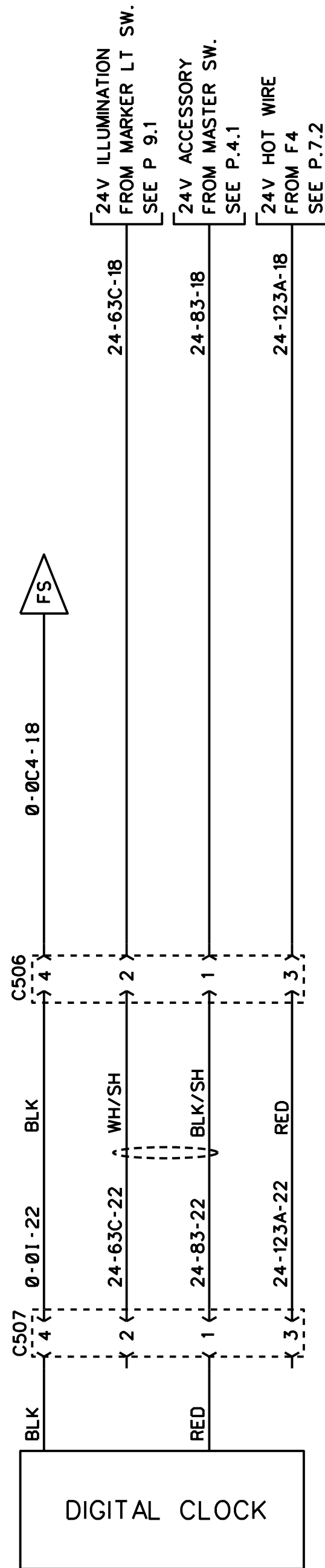
POWER 12 VOLT OUTLET



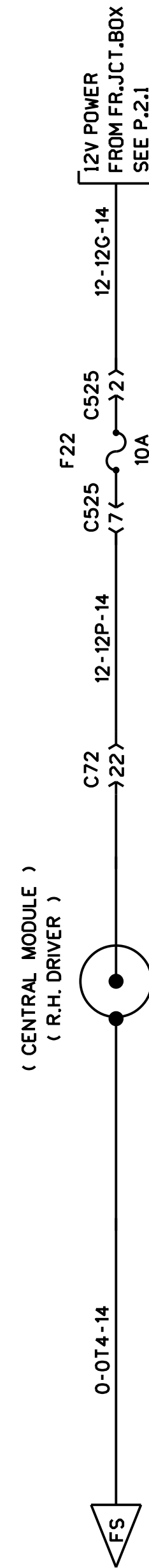
(L.H. CONSOLE) CIGAR LIGHTER (L.H. CONSOLE)



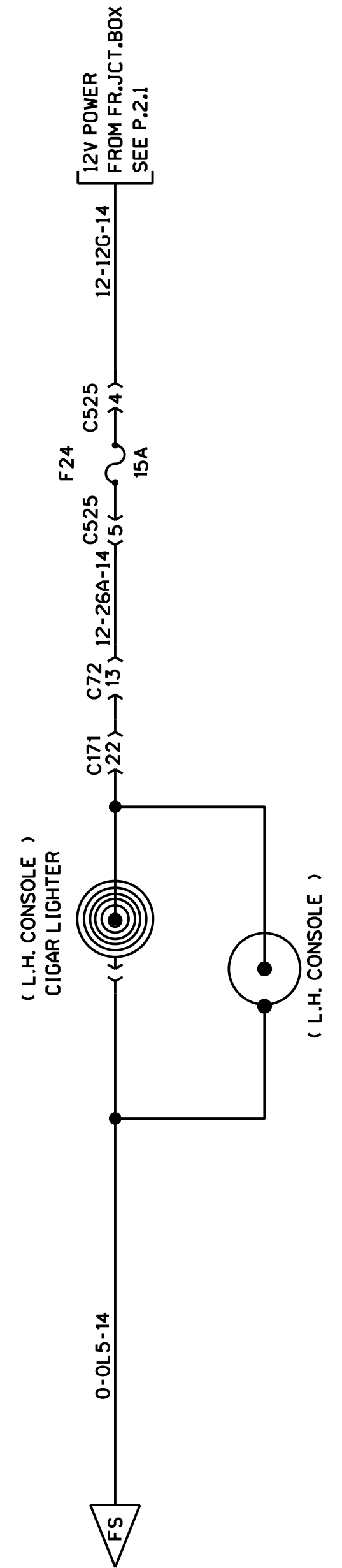
WIRING FOR DRIVER'S SEAT ELECT. ADJ.

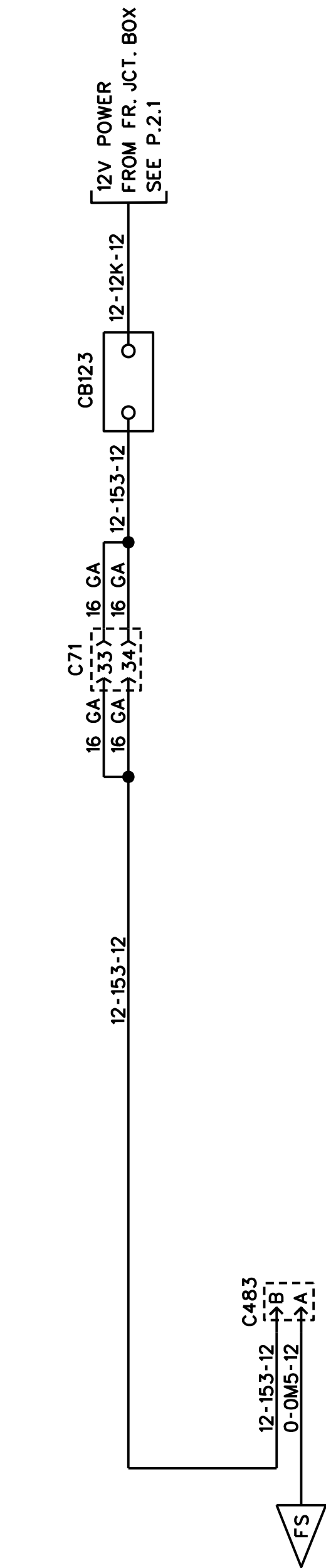


DIGITAL CLOCK

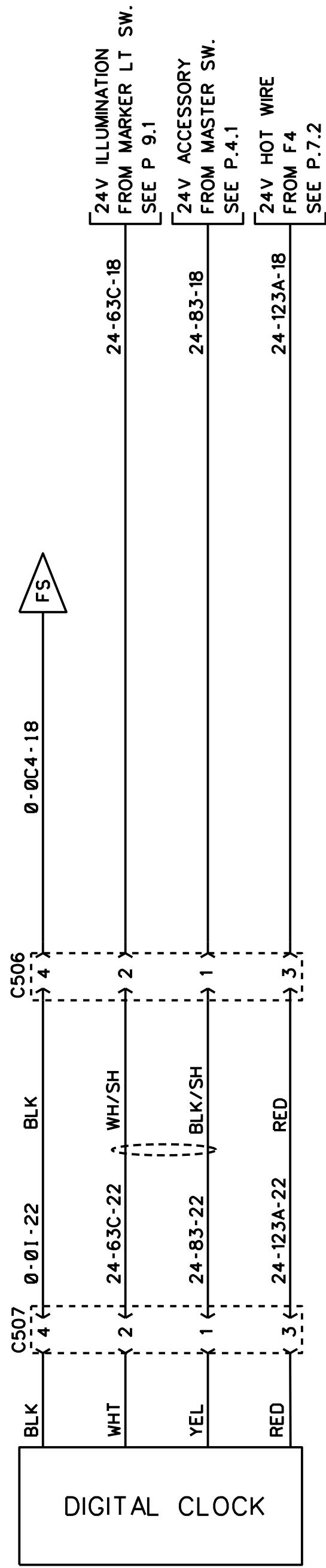


POWER 12 VOLT OUTLET

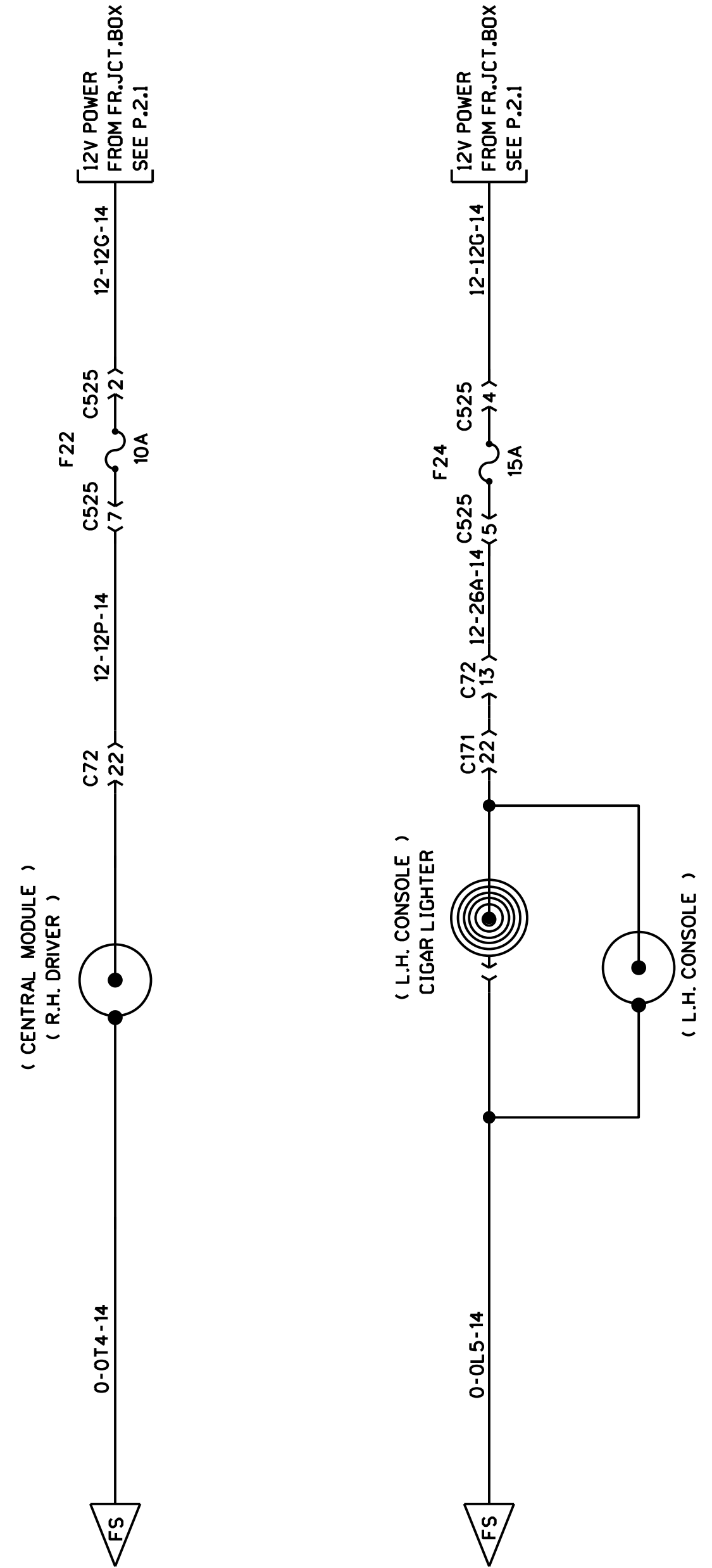




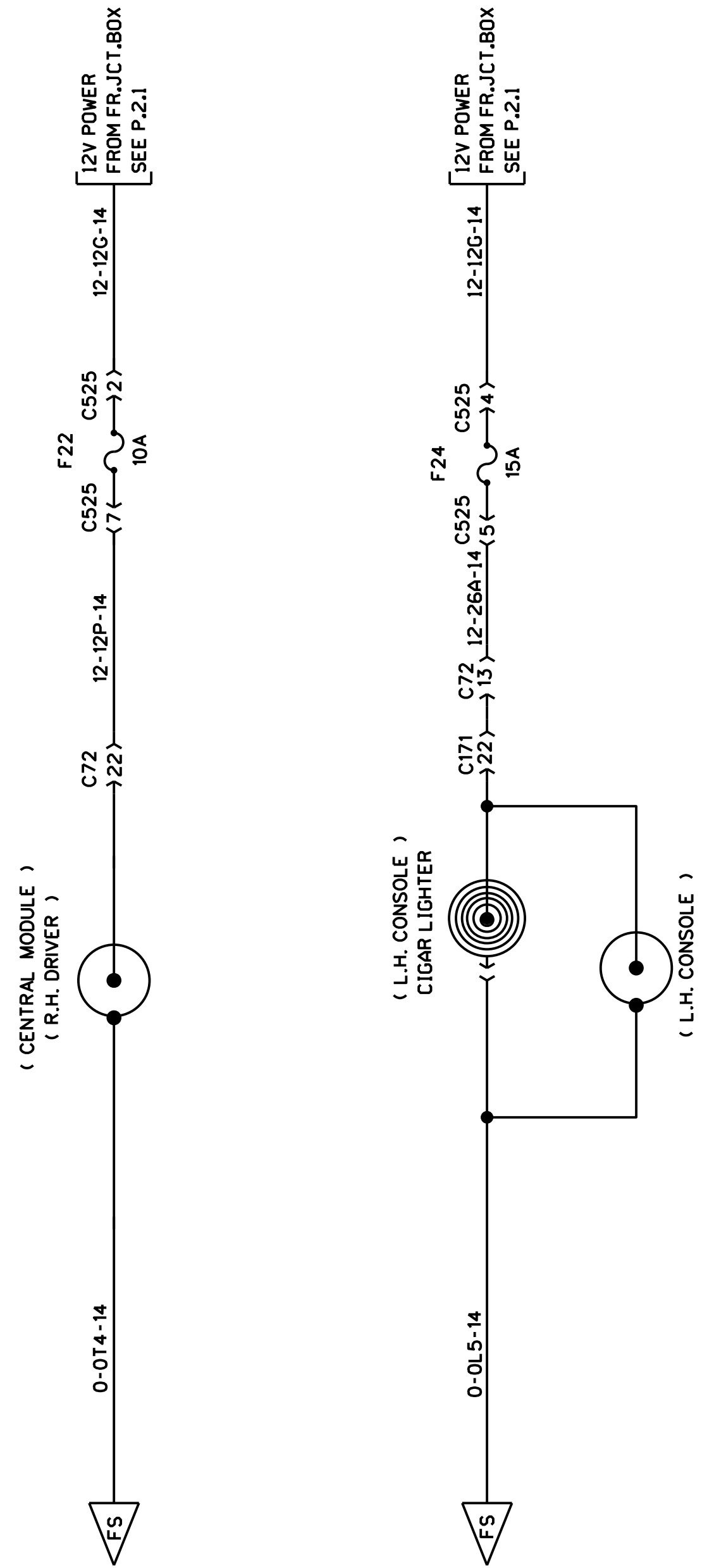
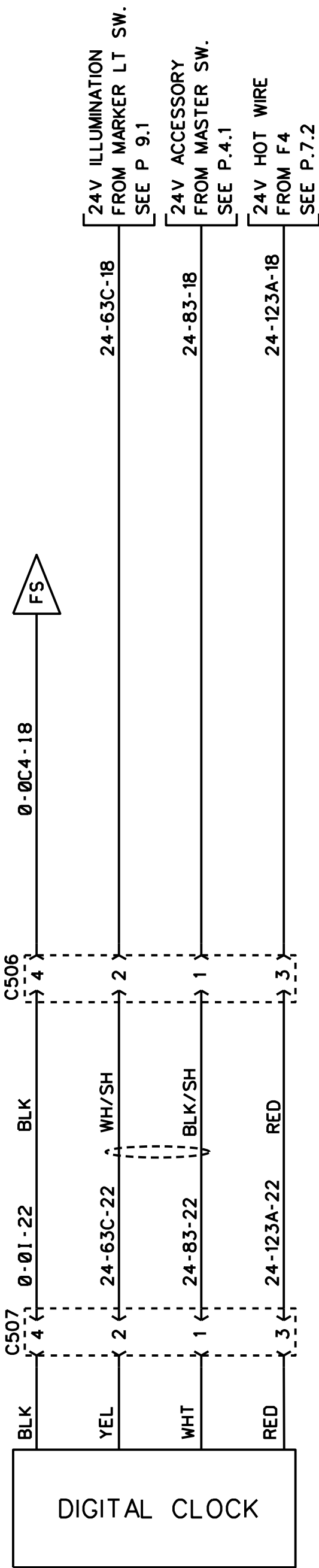
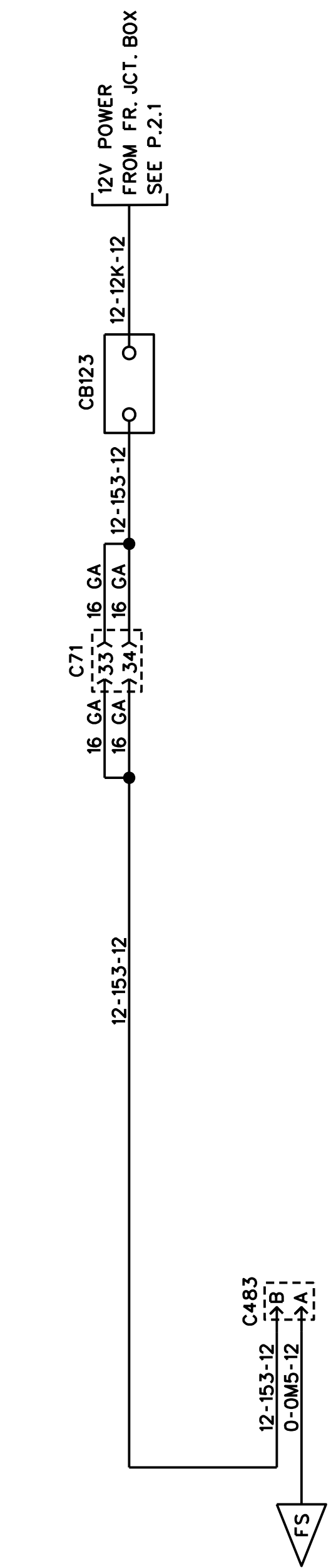
WIRING FOR DRIVER'S SEAT ELECT. ADJ.

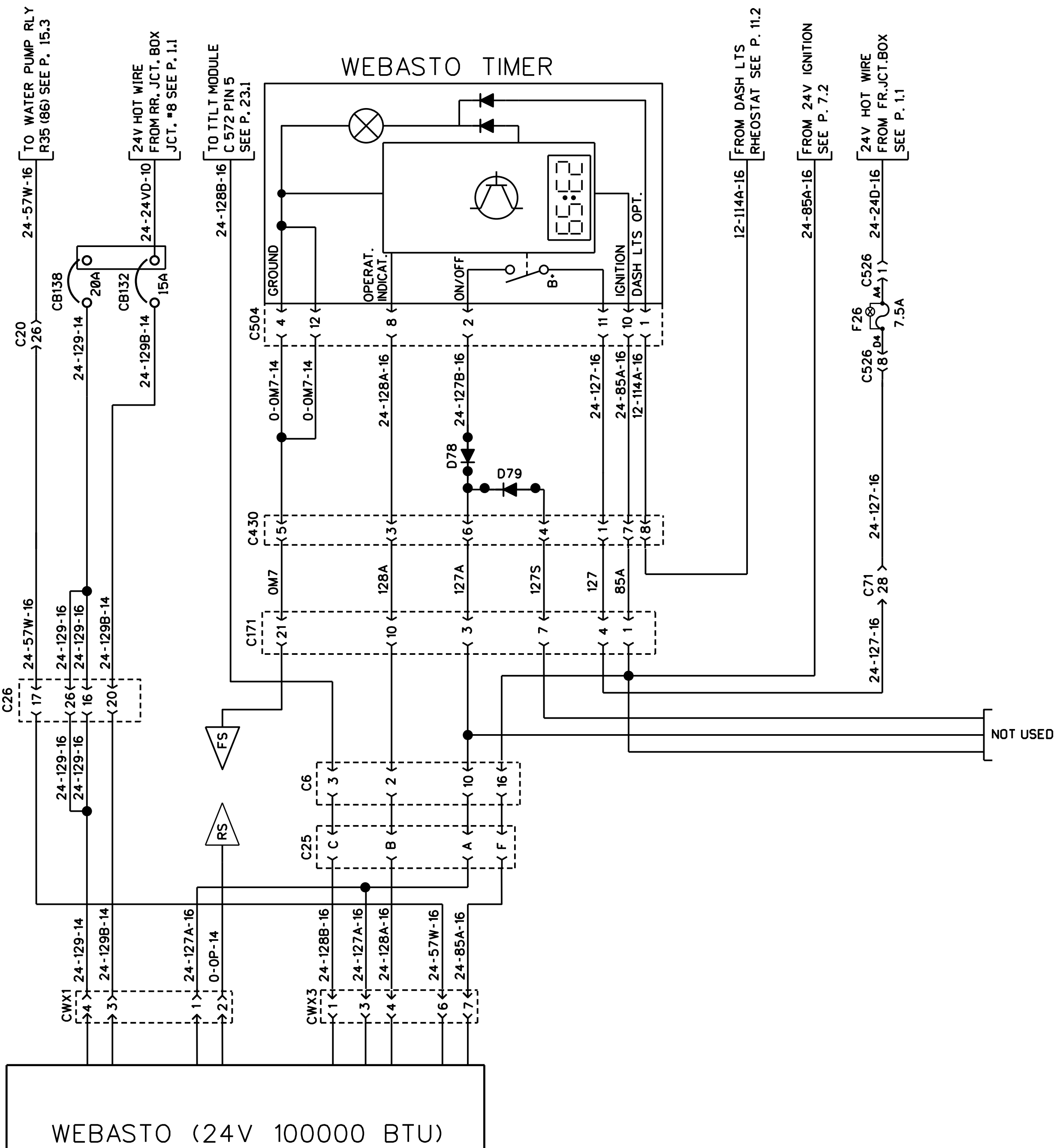


DIGITAL CLOCK

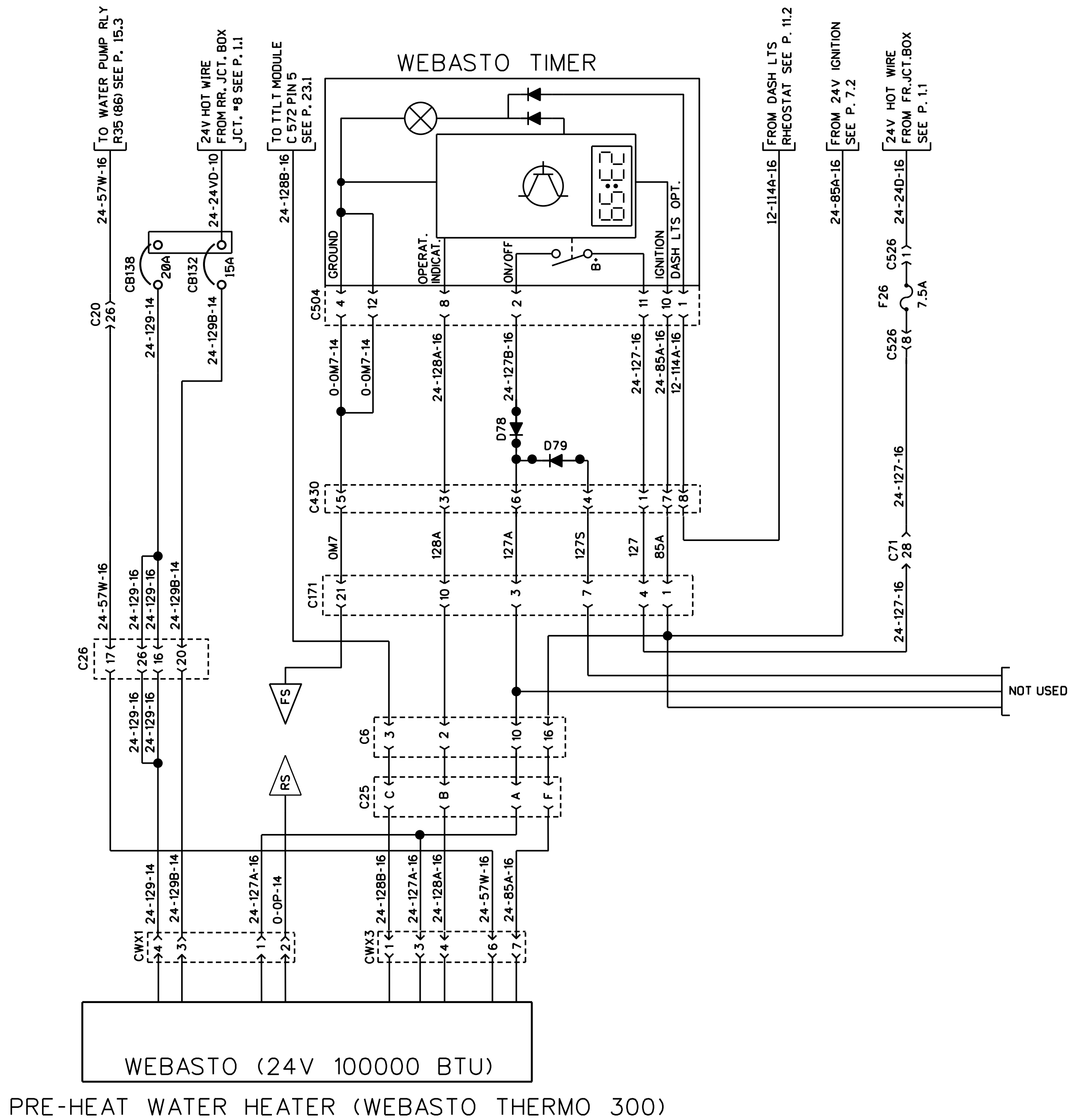


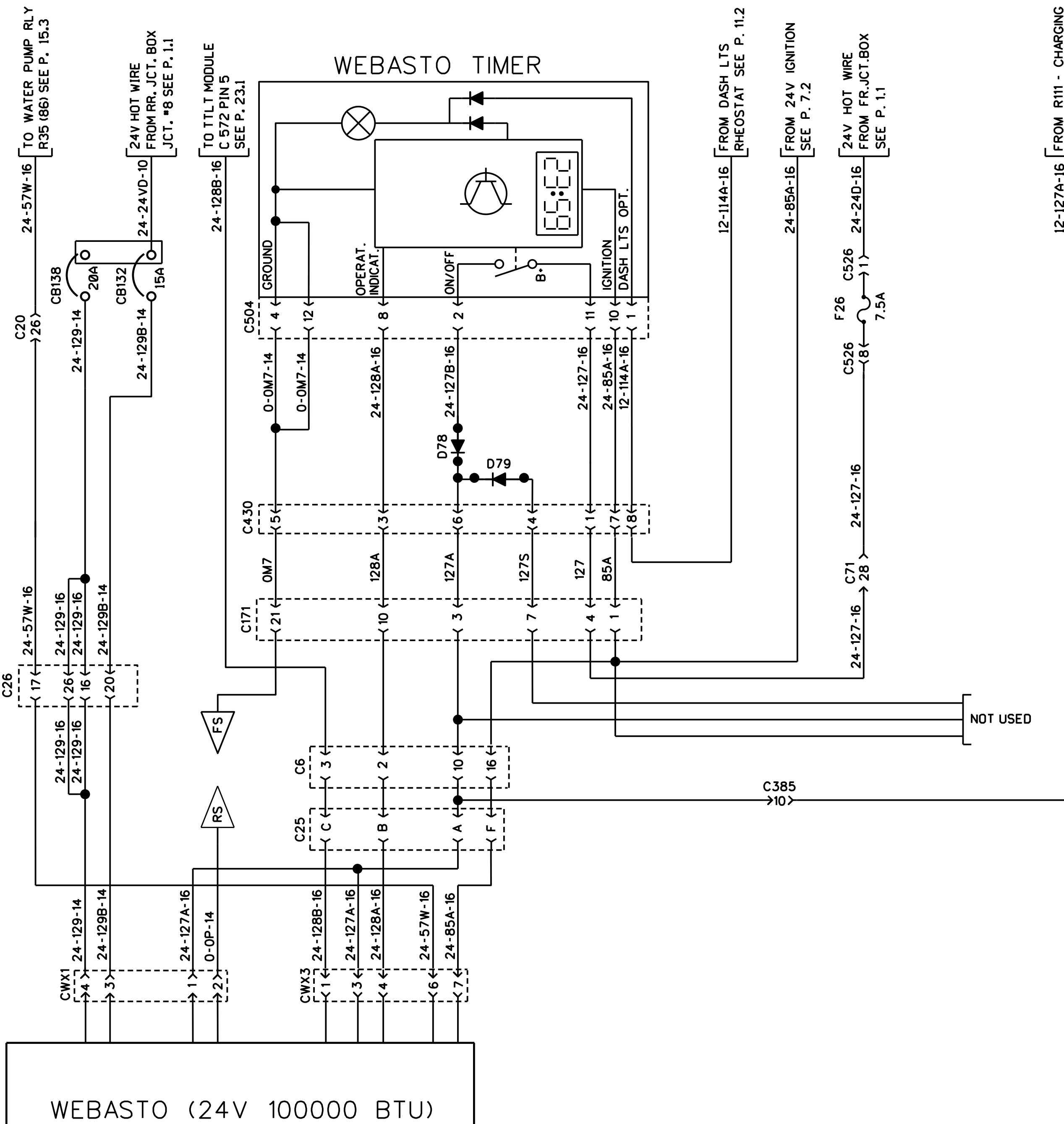
POWER 12 VOLT OUTLET



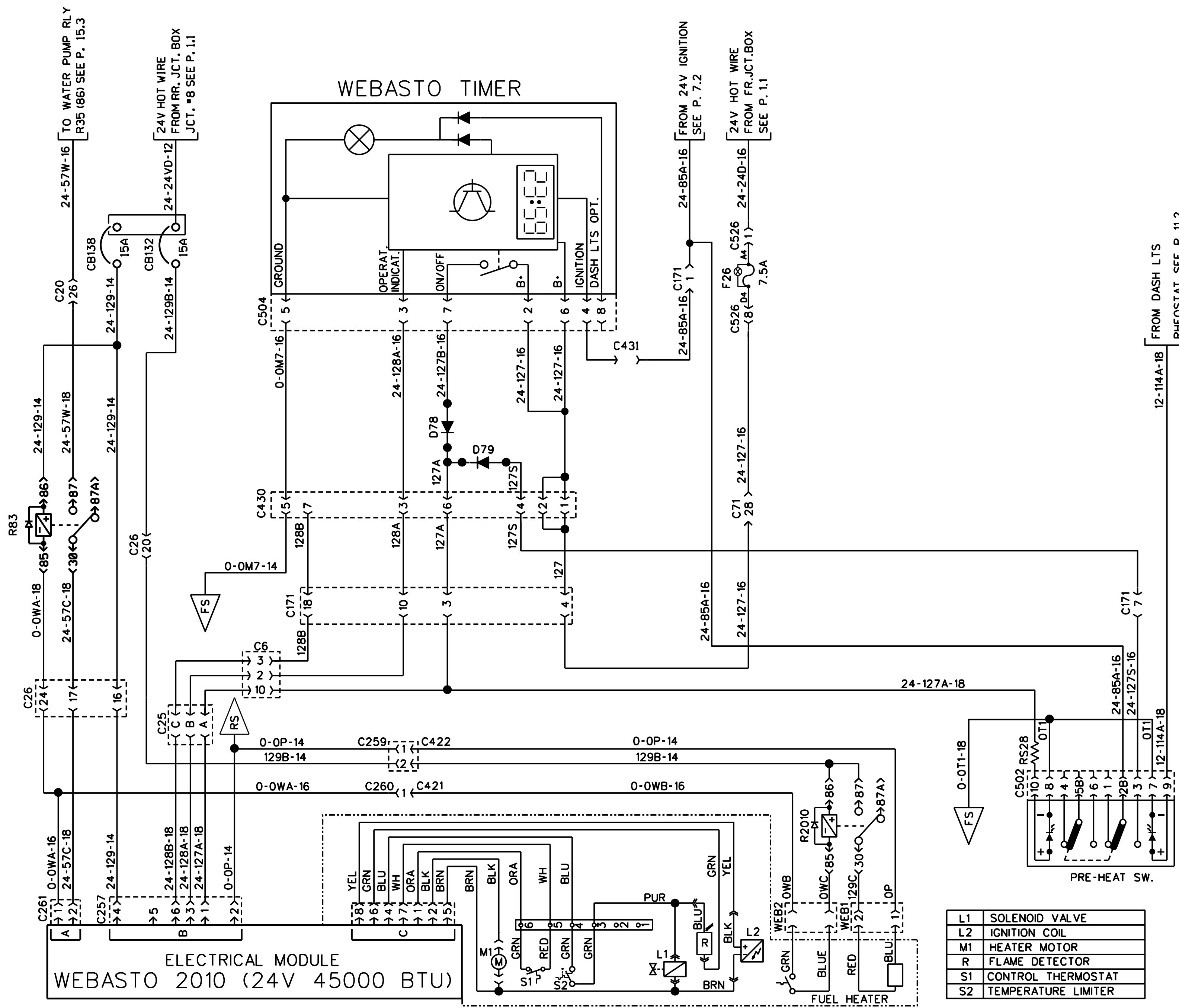


PRE-HEAT WATER HEATER (WEBASTO THERMO 300)



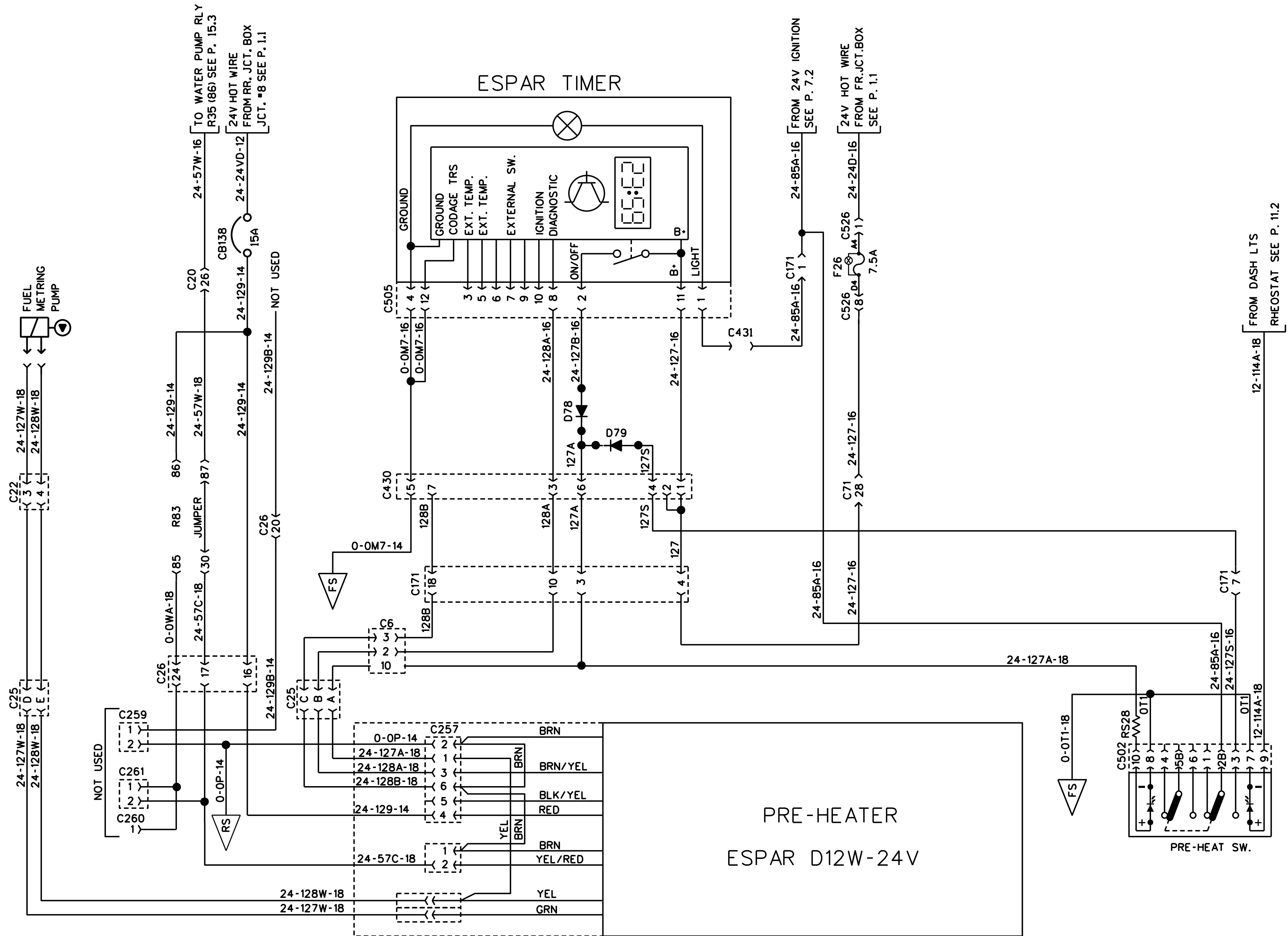


WEBASTO (24V 100000 BTU)
 PRE-HEAT WATER HEATER (WEBASTO THERMO 300)

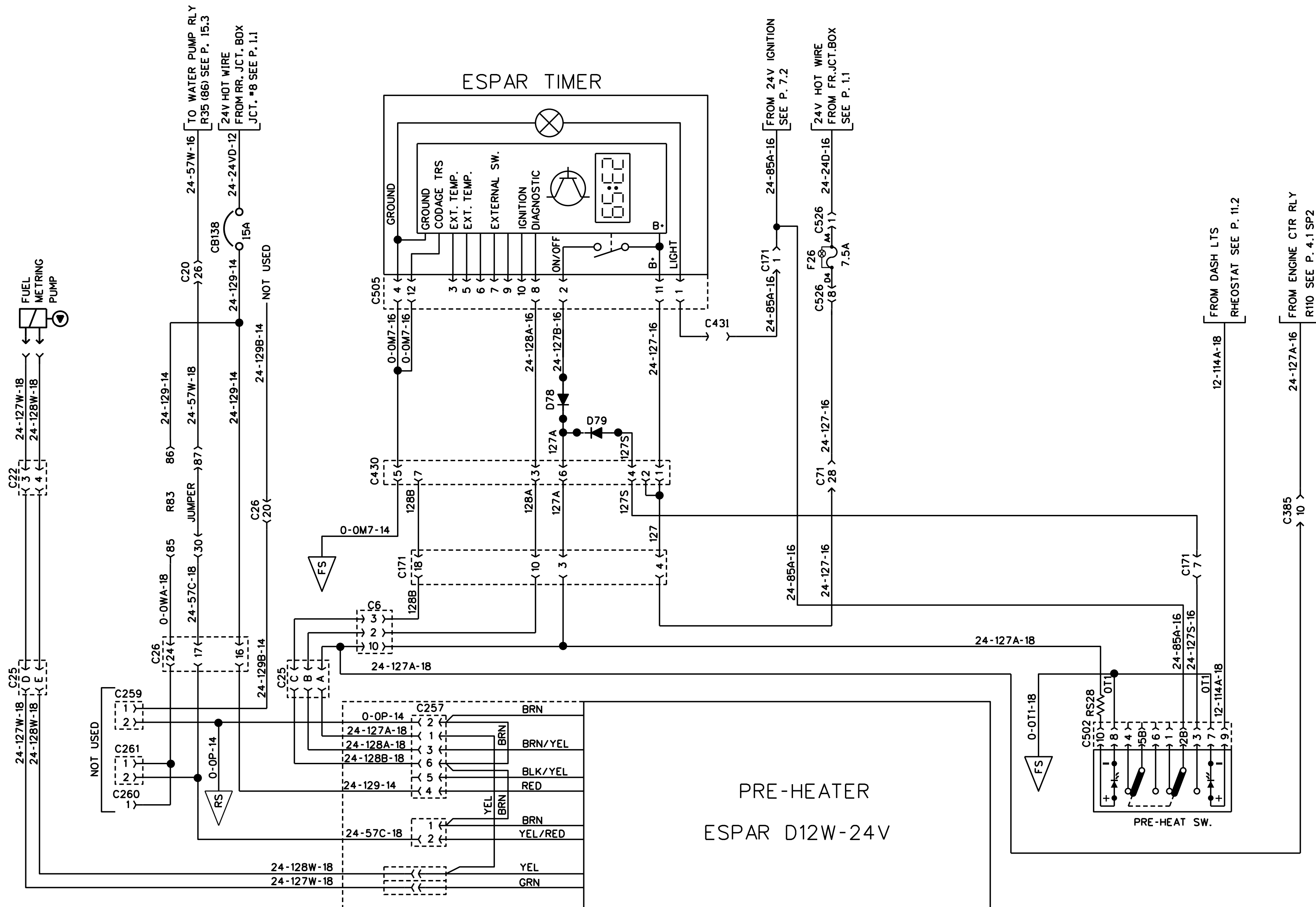


PRE-HEAT WATER HEATER (WEBASTO 2010)

L1	SOLENOID VALVE
L2	IGNITION COIL
M1	HEATER MOTOR
R	FLAME DETECTOR
S1	CONTROL THERMOSTAT
S2	TEMPERATURE LIMITER

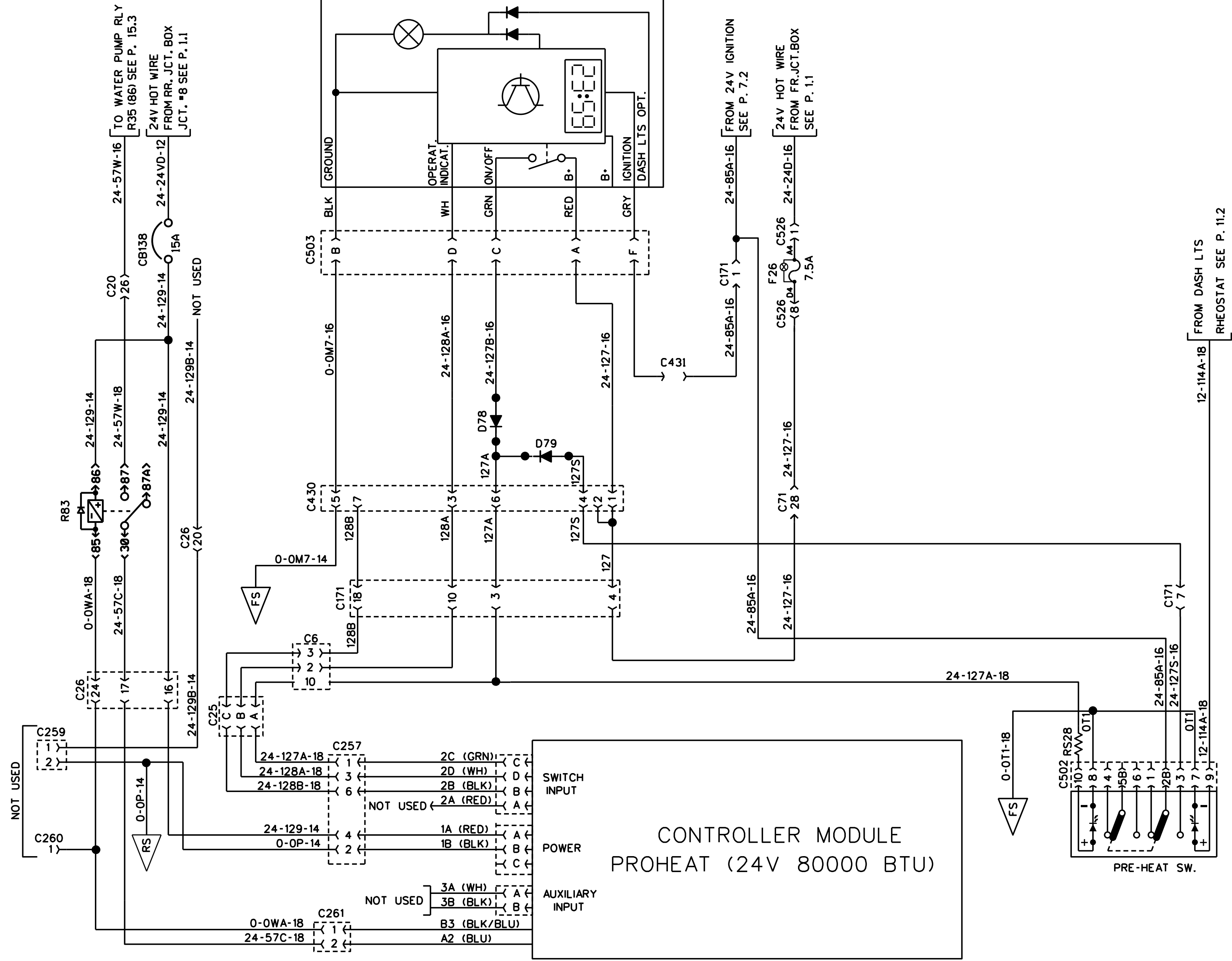


PRE-HEAT ESPAR D12W-24V (41000 BTU)

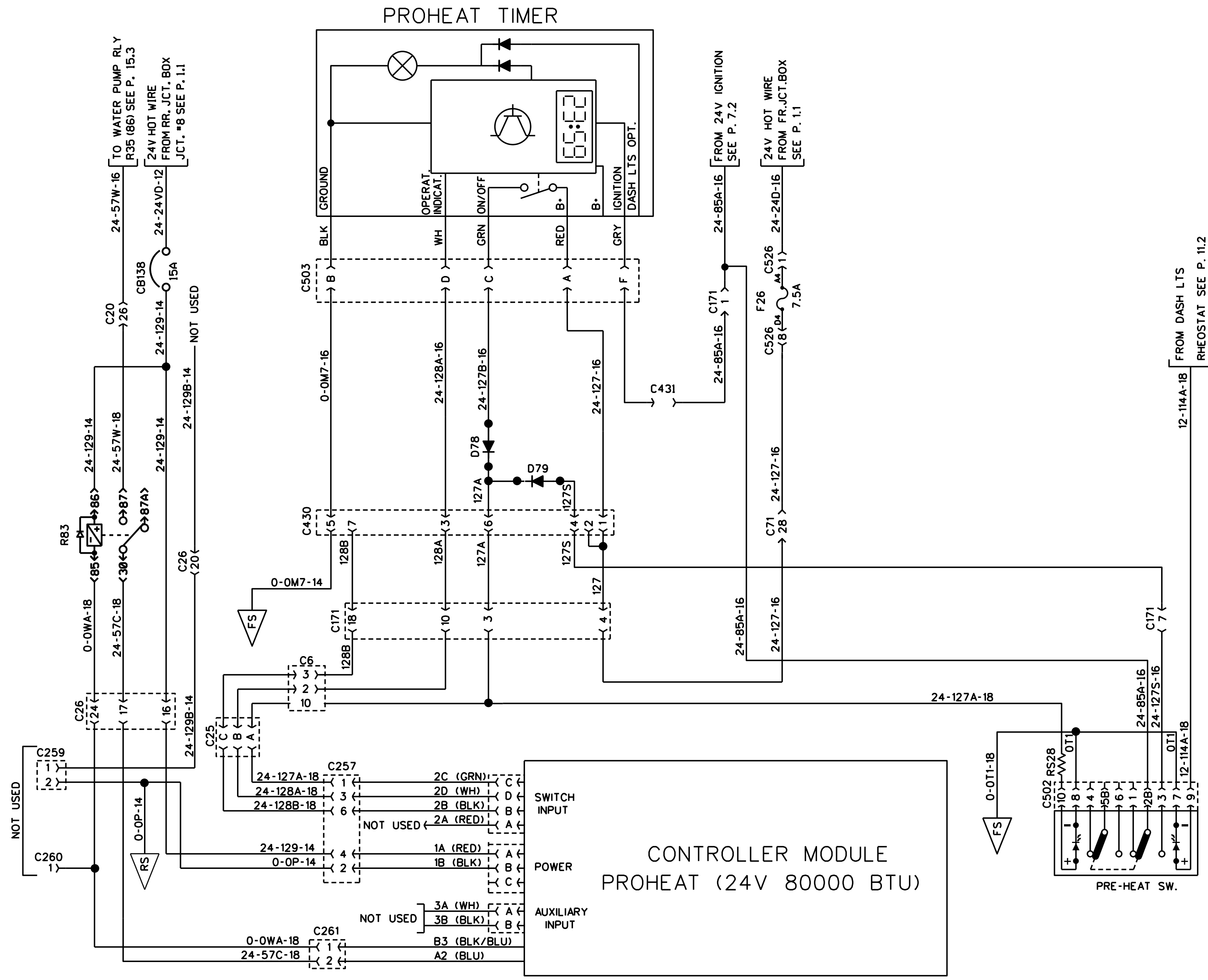


PRE-HEAT ESPAR D12W-24V (41000 BTU) AUTOMATIC ON BATTERY CHARGER

PROHEAT TIMER

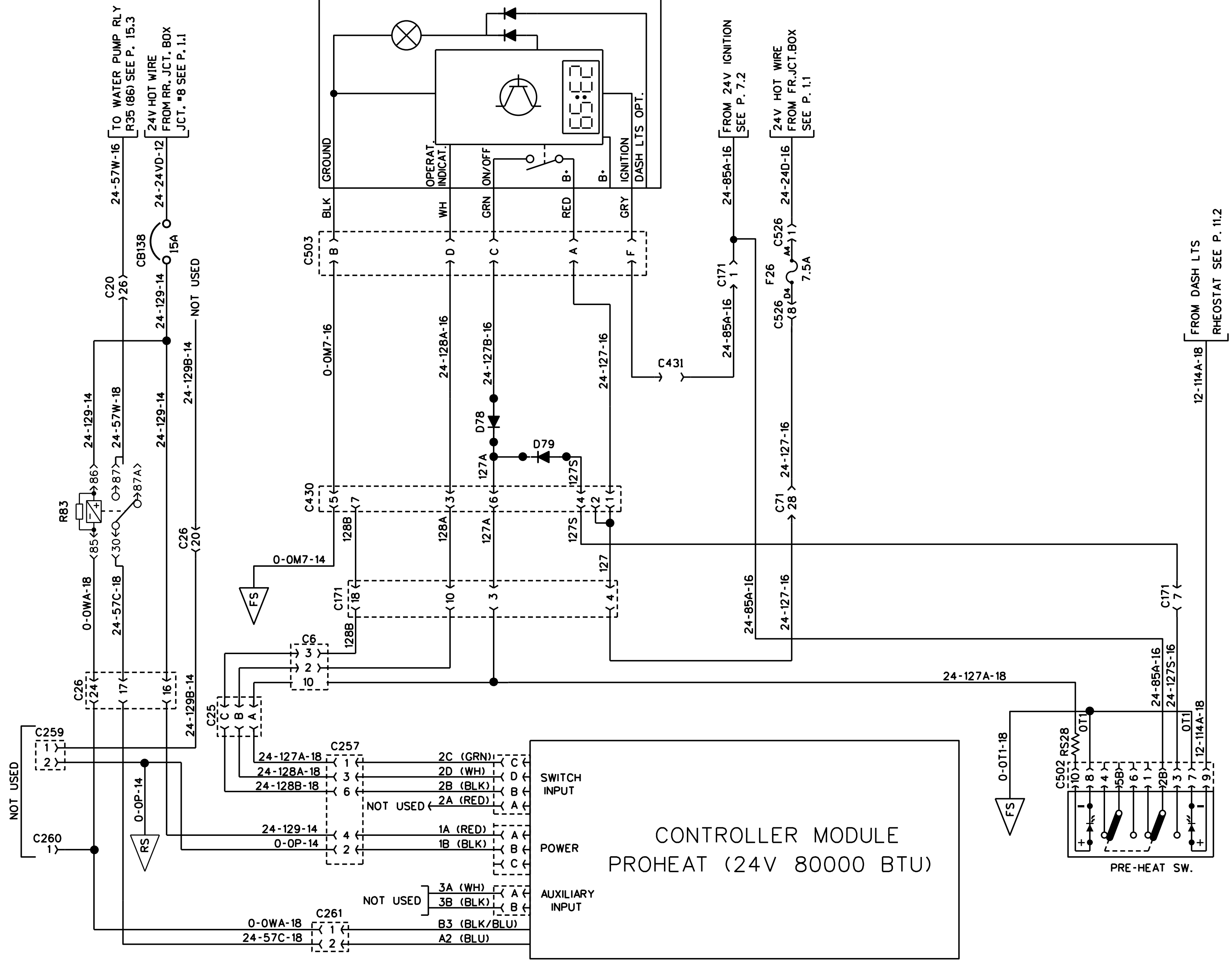


PRE-HEAT WATER HEATER PROHEAT (80000 BTU)

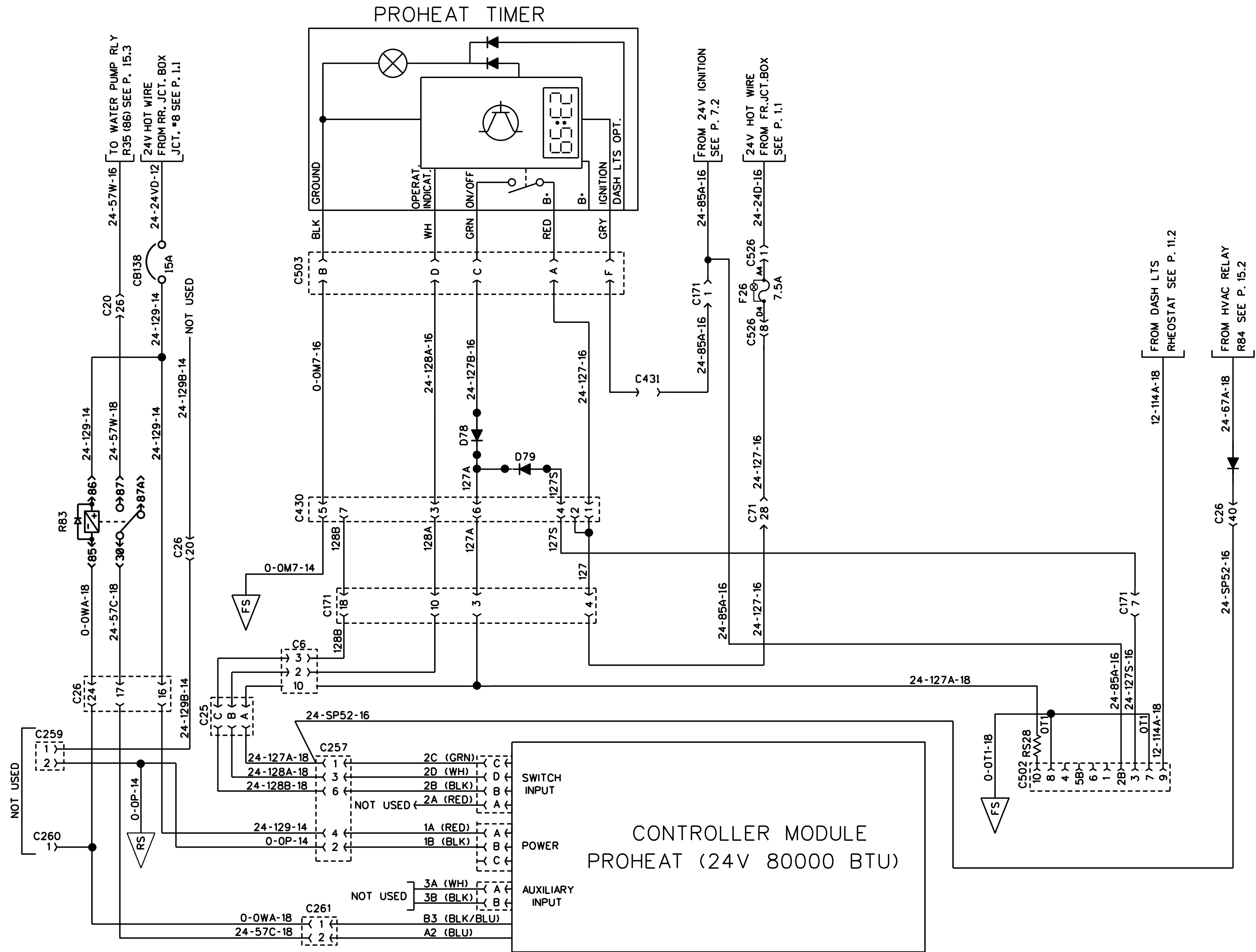


PRE-HEAT WATER HEATER PROHEAT (80000 BTU)

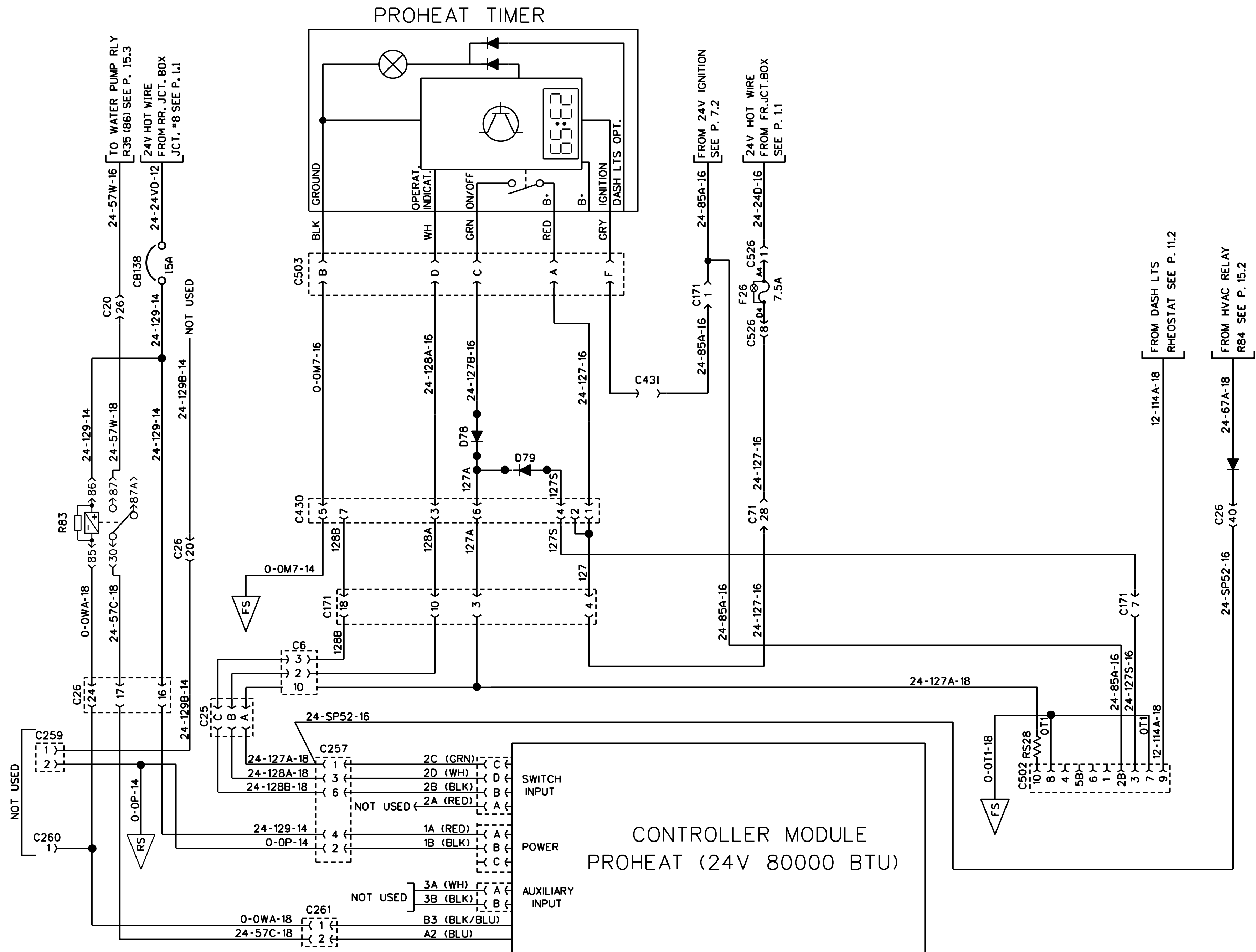
PROHEAT TIMER



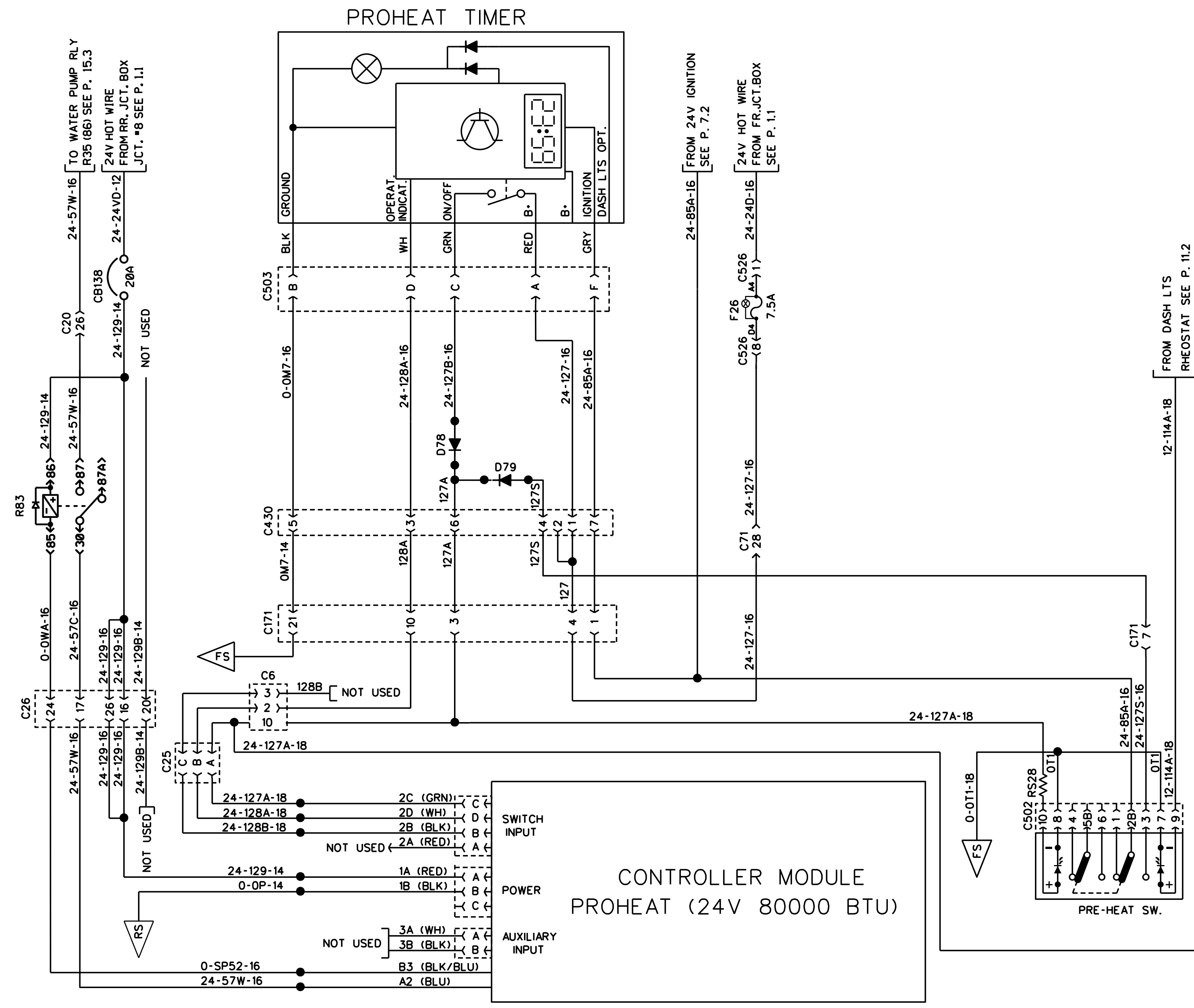
PRE-HEAT WATER HEATER PROHEAT (80000 BTU)



PRE-HEAT WATER HEATER (PROHEAT AUTOMATIC ON A/C)

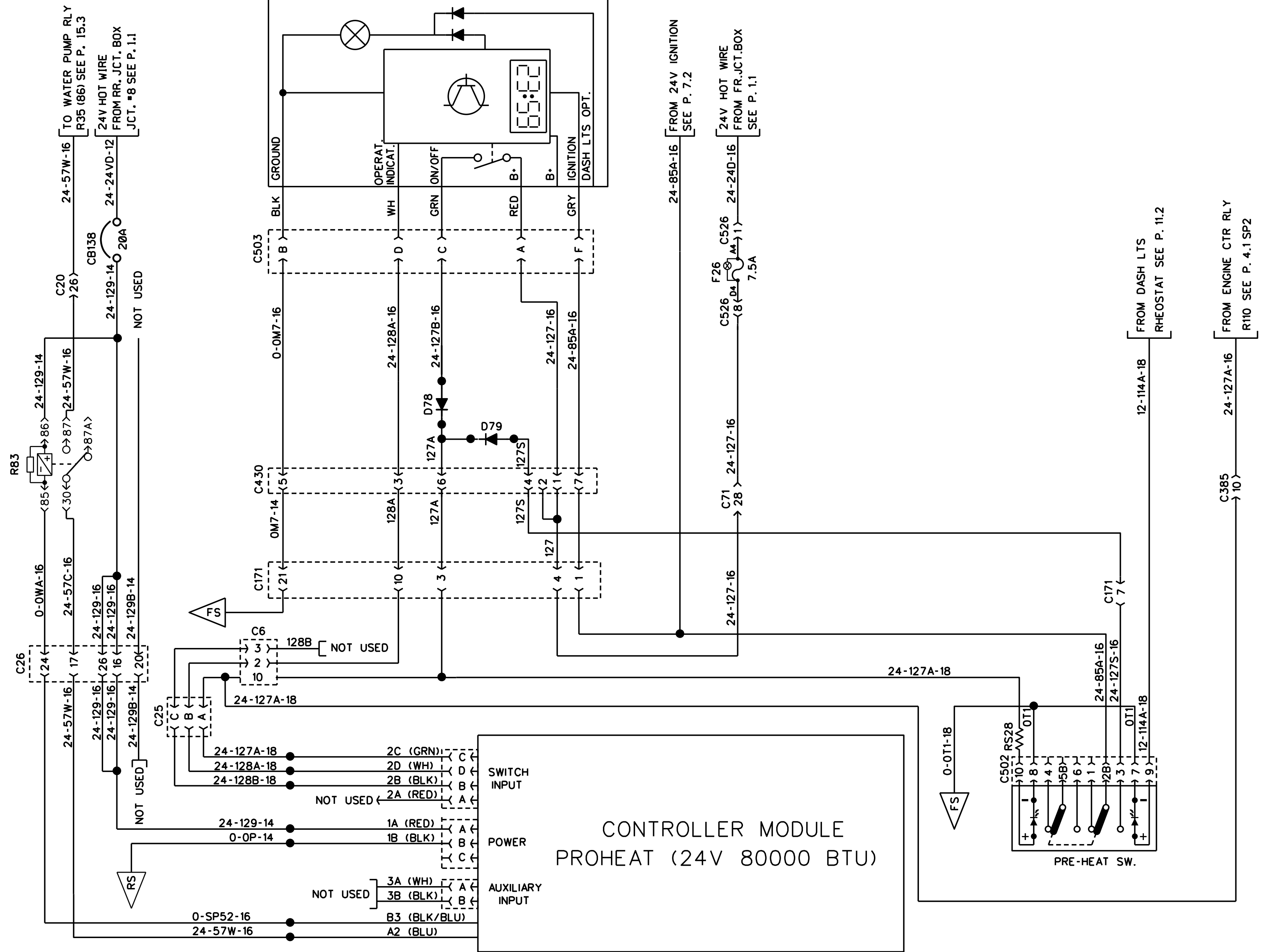


PRE-HEAT WATER HEATER (PROHEAT AUTOMATIC ON A/C)

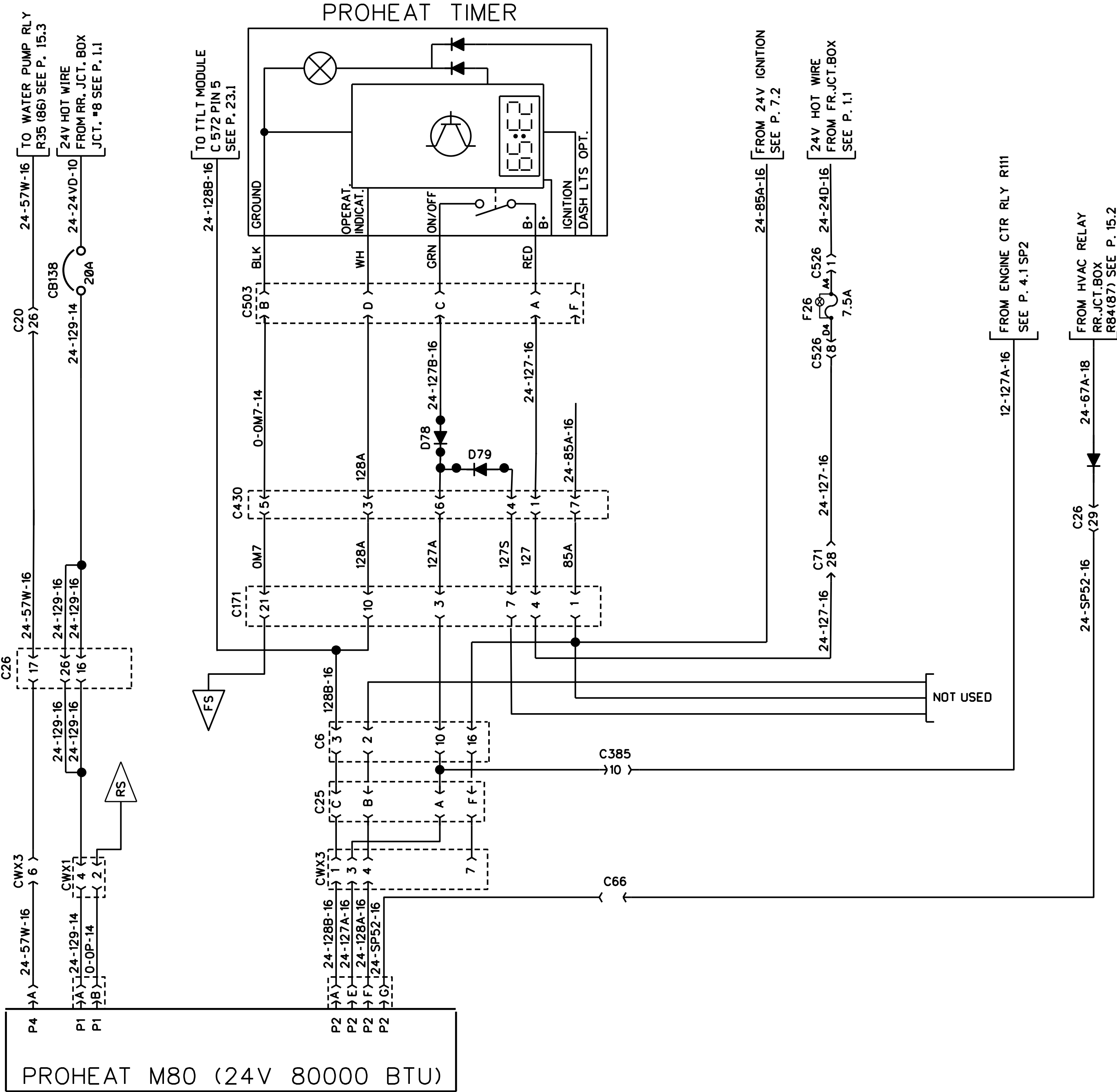


PRE-HEAT WATER HEATER PROHEAT AUTOMATIC ON BATTERY CHARGER

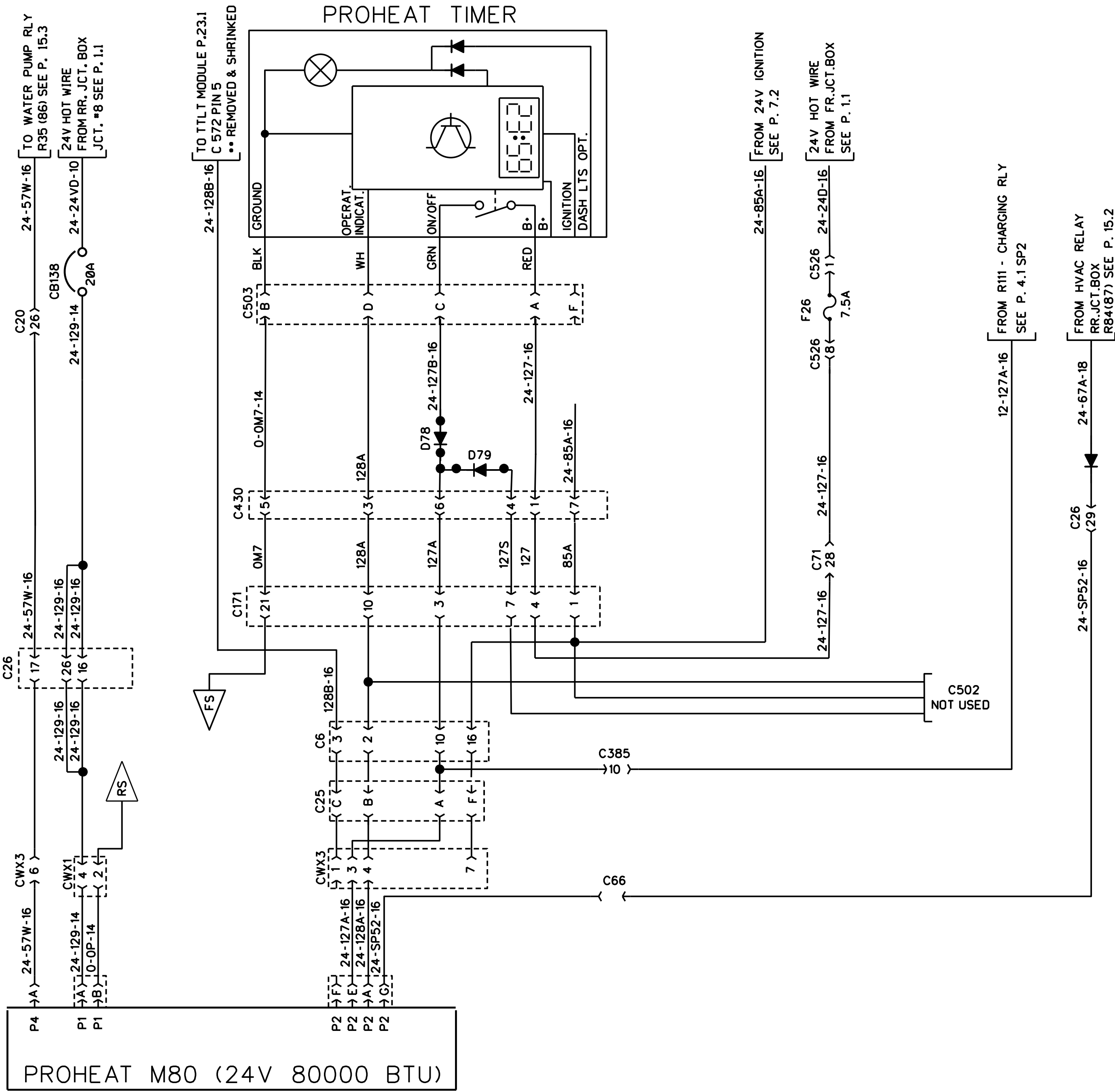
PROHEAT TIMER



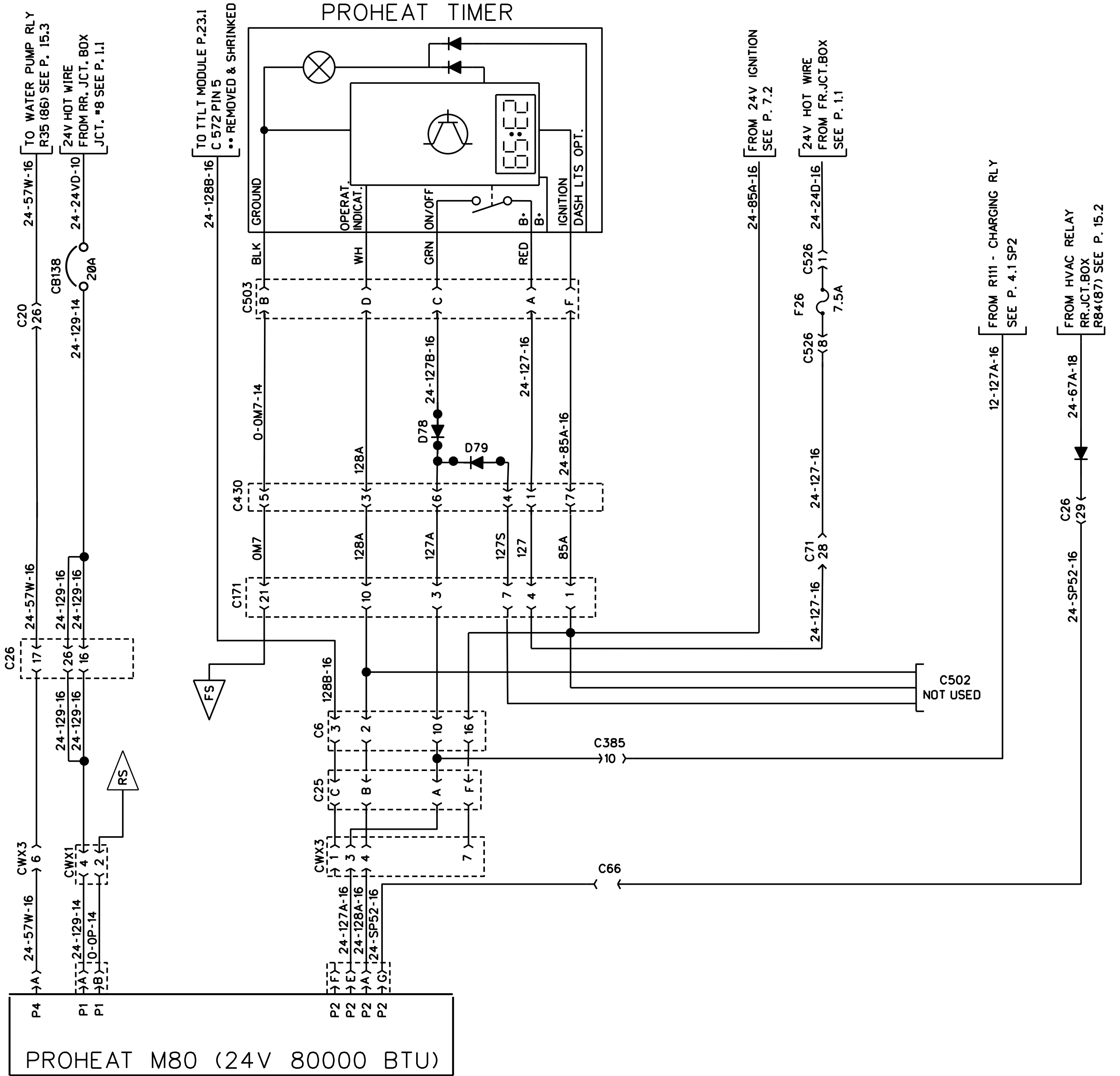
PRE-HEAT WATER HEATER PROHEAT AUTOMATIC ON BATTERY CHARGER



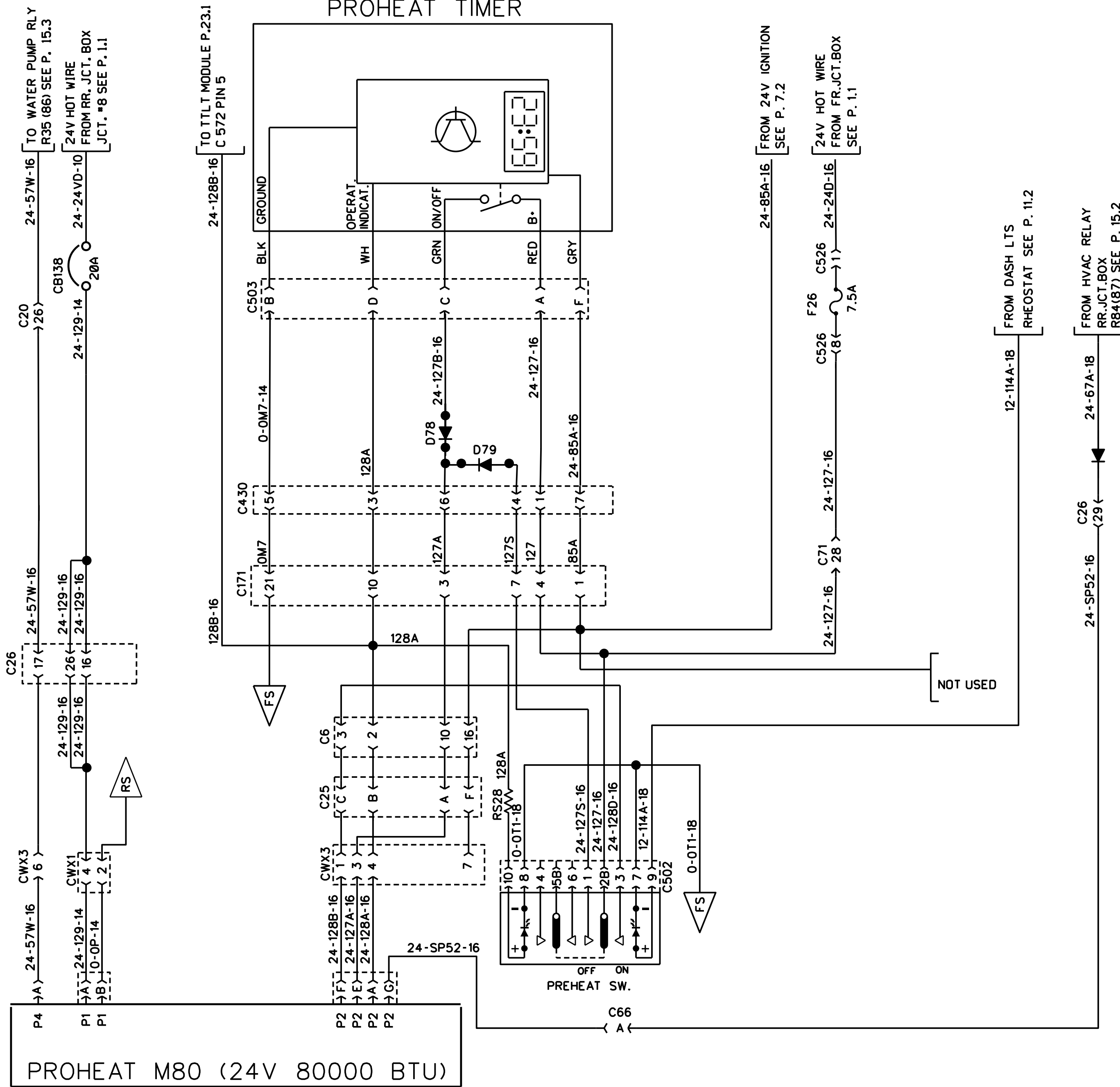
PRE-HEAT WATER HEATER (PROHEAT M80 AUTOMATIC ON A/C AND BATTERY CHARGER)



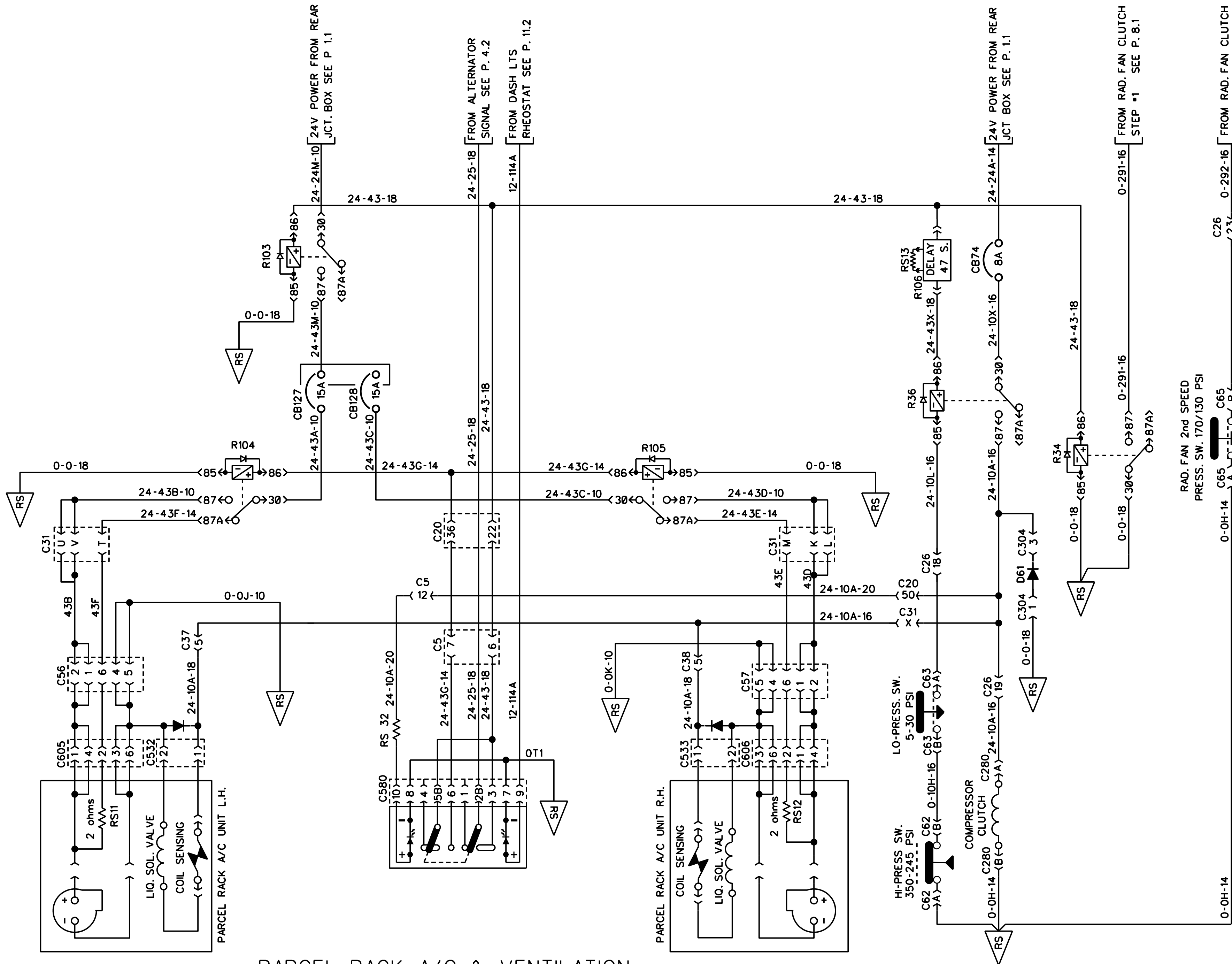
PRE-HEAT WATER HEATER (PROHEAT M80 AUTOMATIC ON A/C AND BATTERY CHARGER)



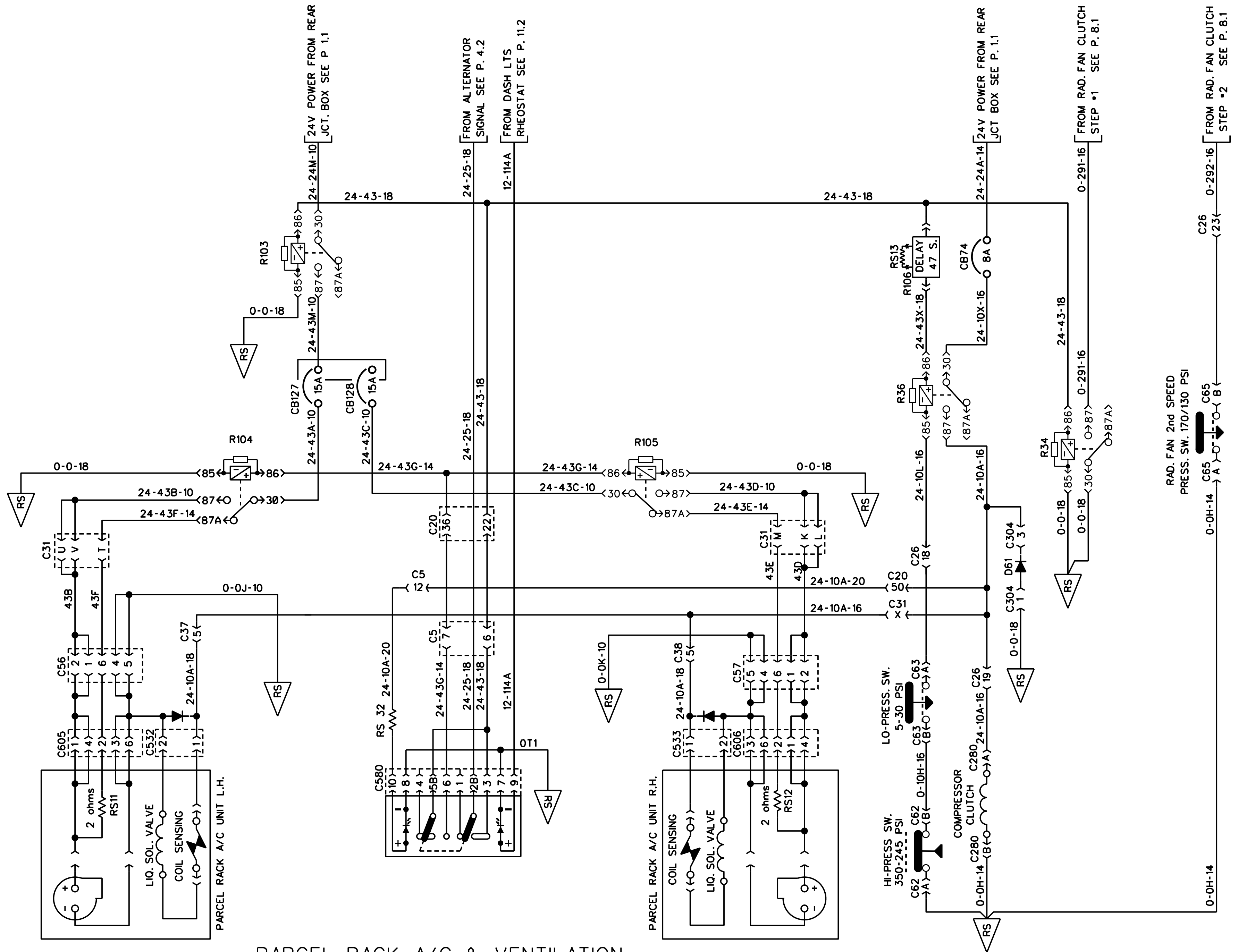
PRE-HEAT WATER HEATER (PROHEAT M80 AUTOMATIC ON A/C AND BATTERY CHARGER)

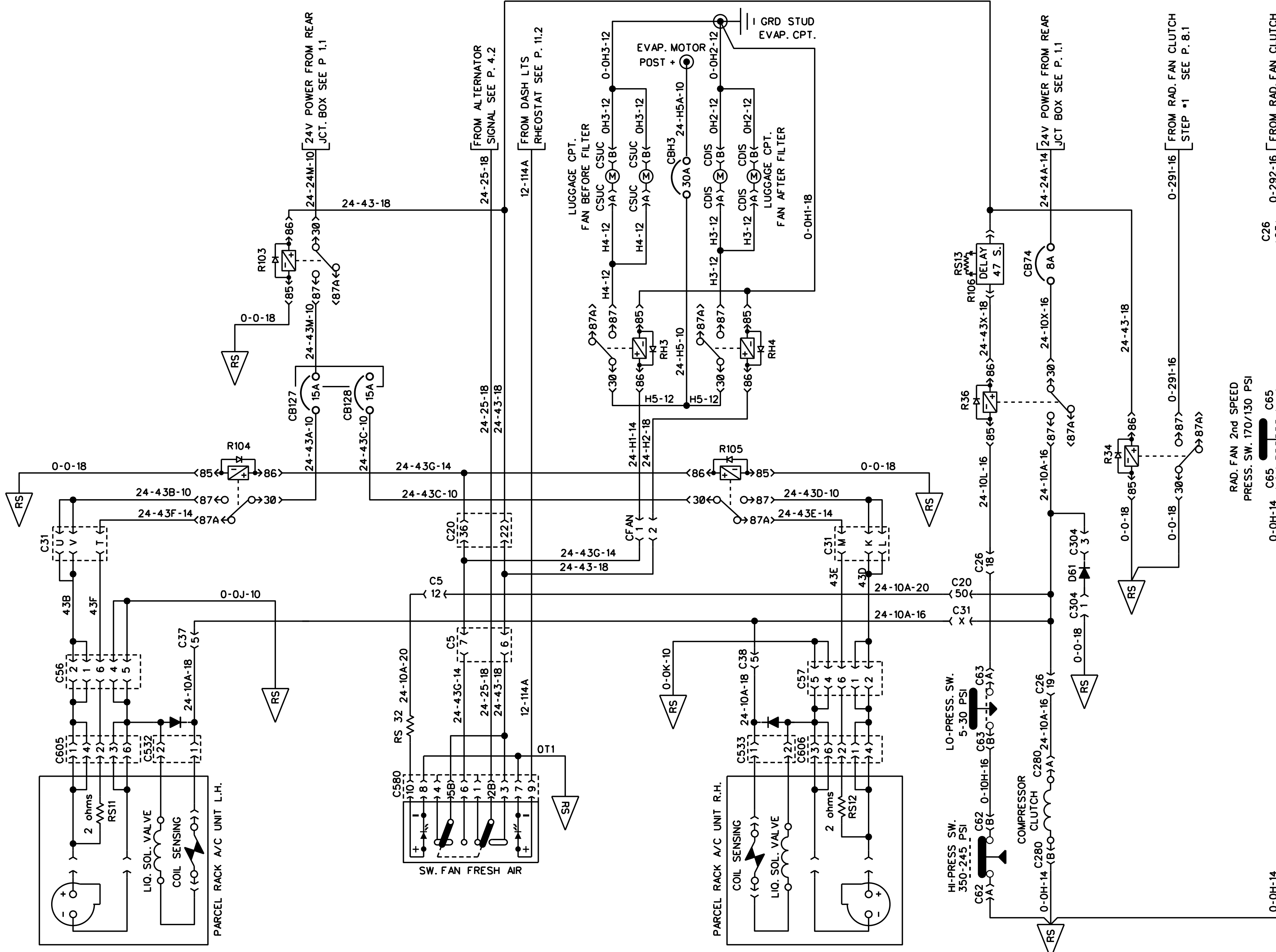


PRE-HEAT WATER HEATER (PROHEAT M80 AUTOMATIC ON A/C AND ON/OFF SWITCH)

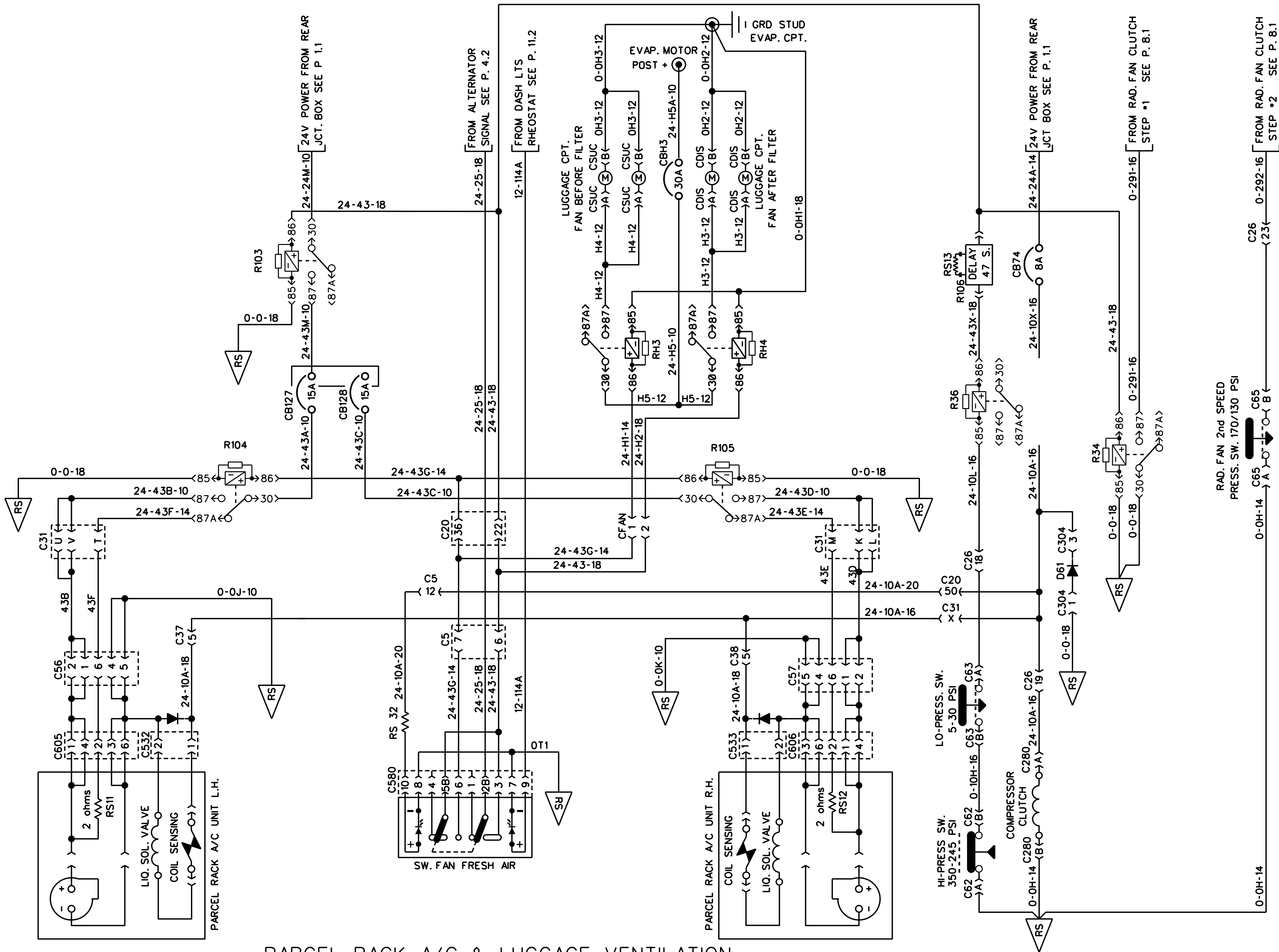


PARCEL RACK A/C & VENTILATION

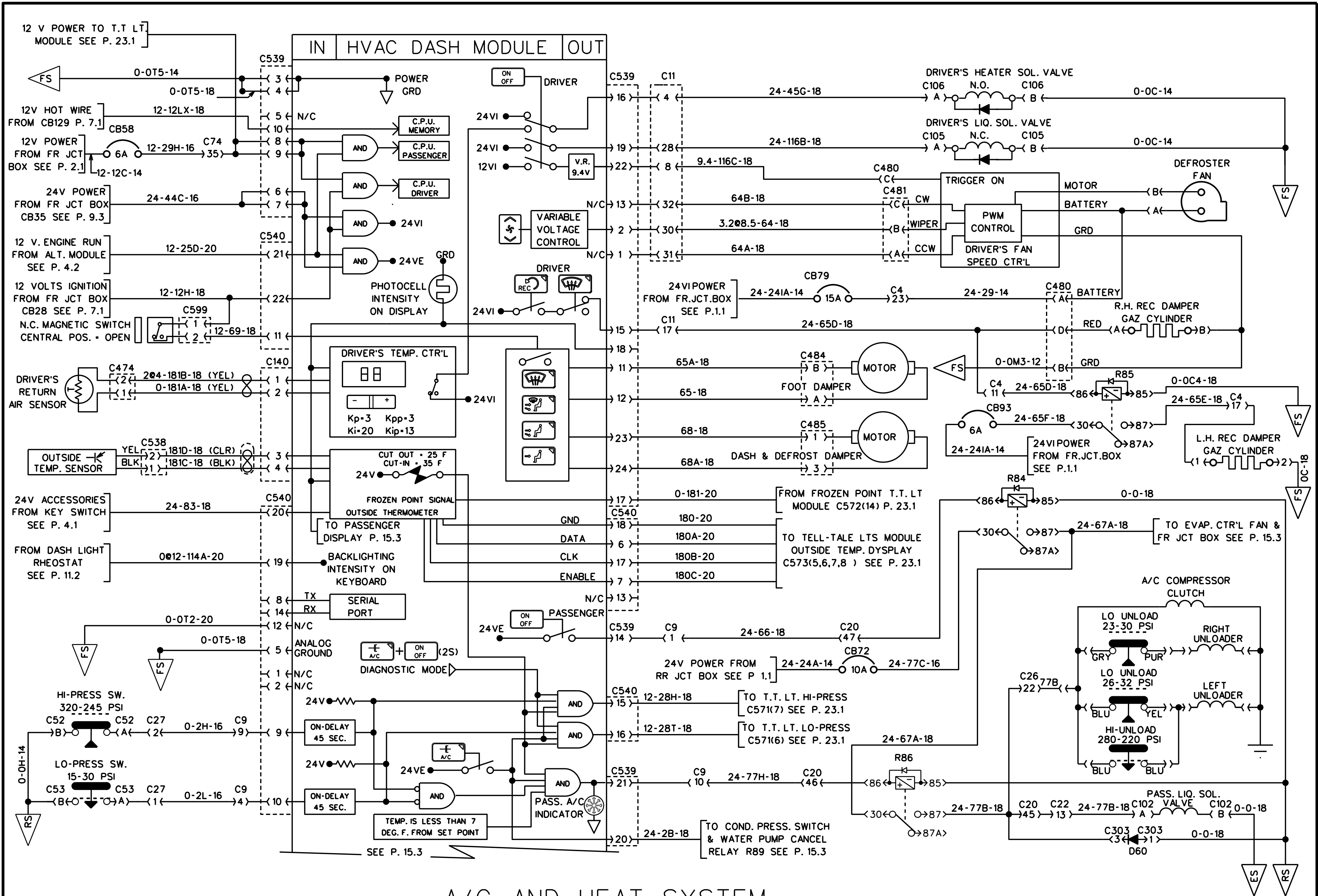




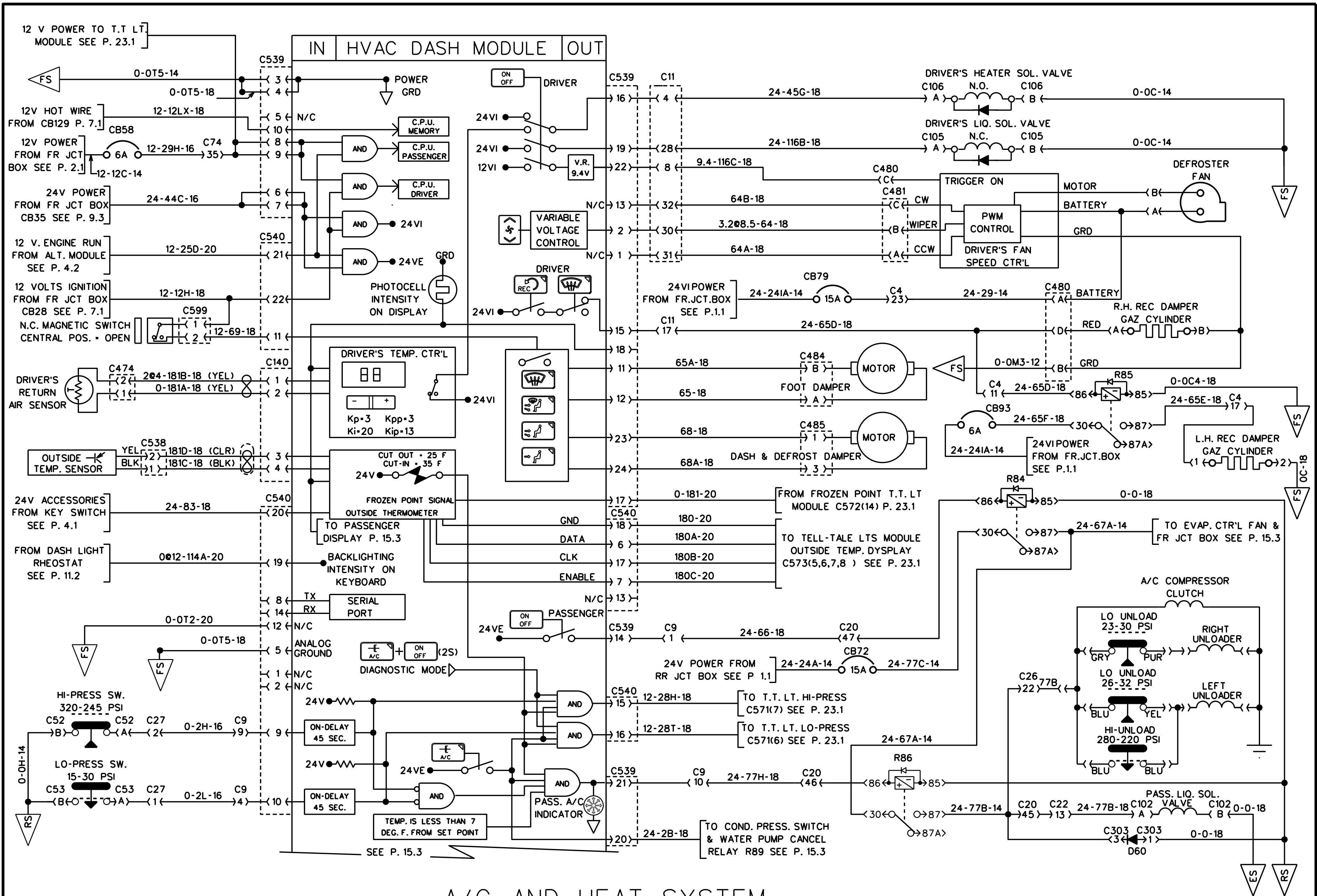
PARCEL RACK A/C & LUGGAGE VENTILATION



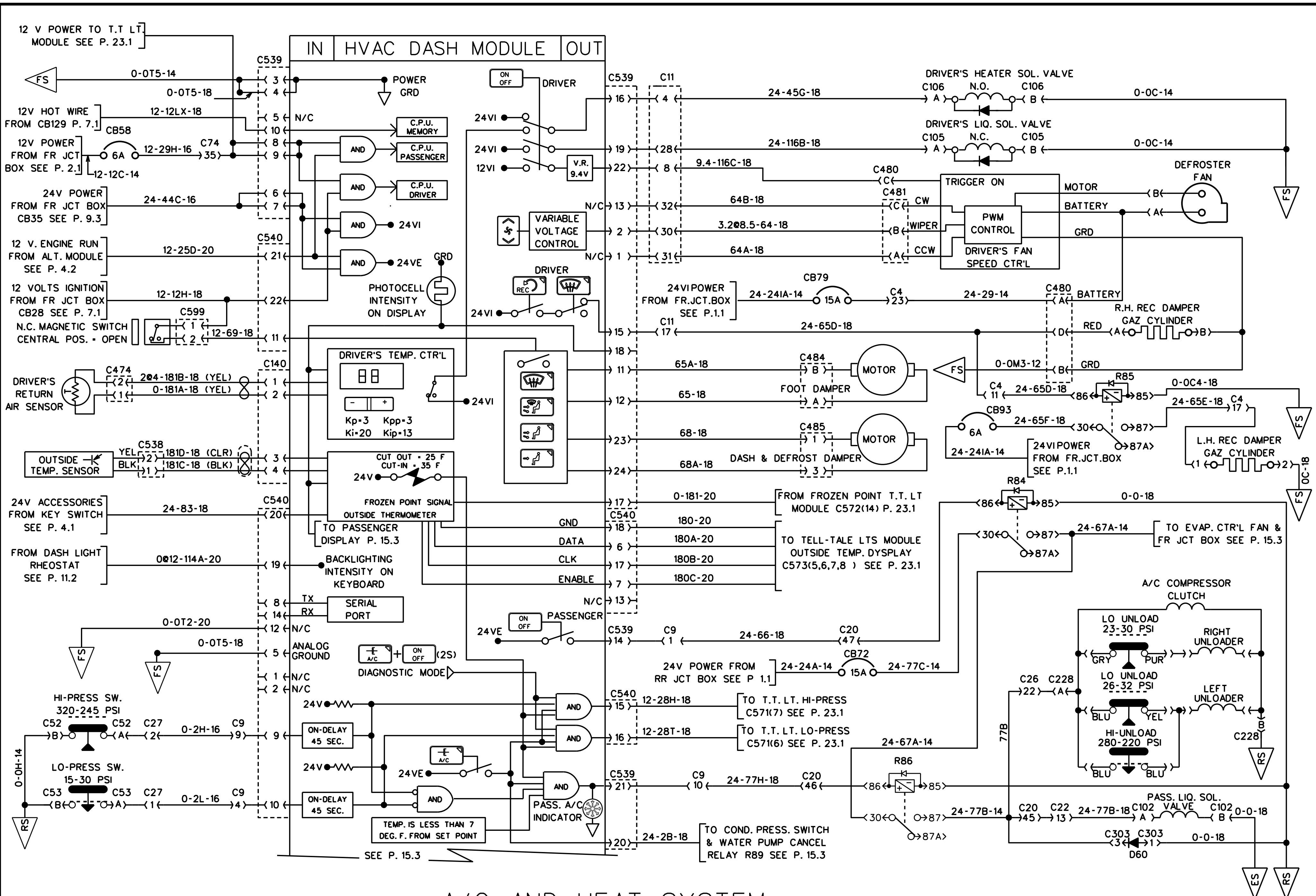
PARCEL RACK A/C & LUGGAGE VENTILATION



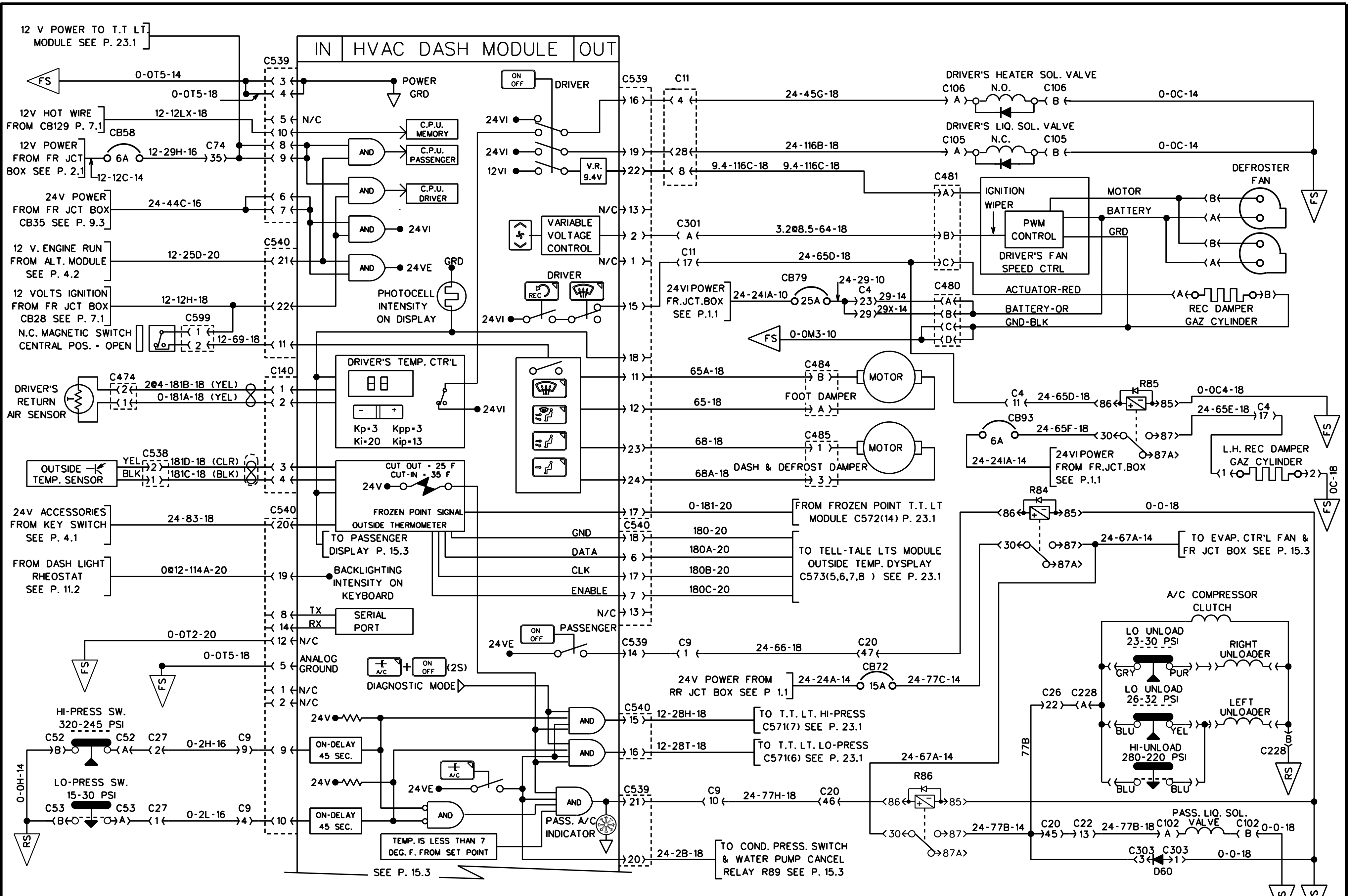
A/C AND HEAT SYSTEM



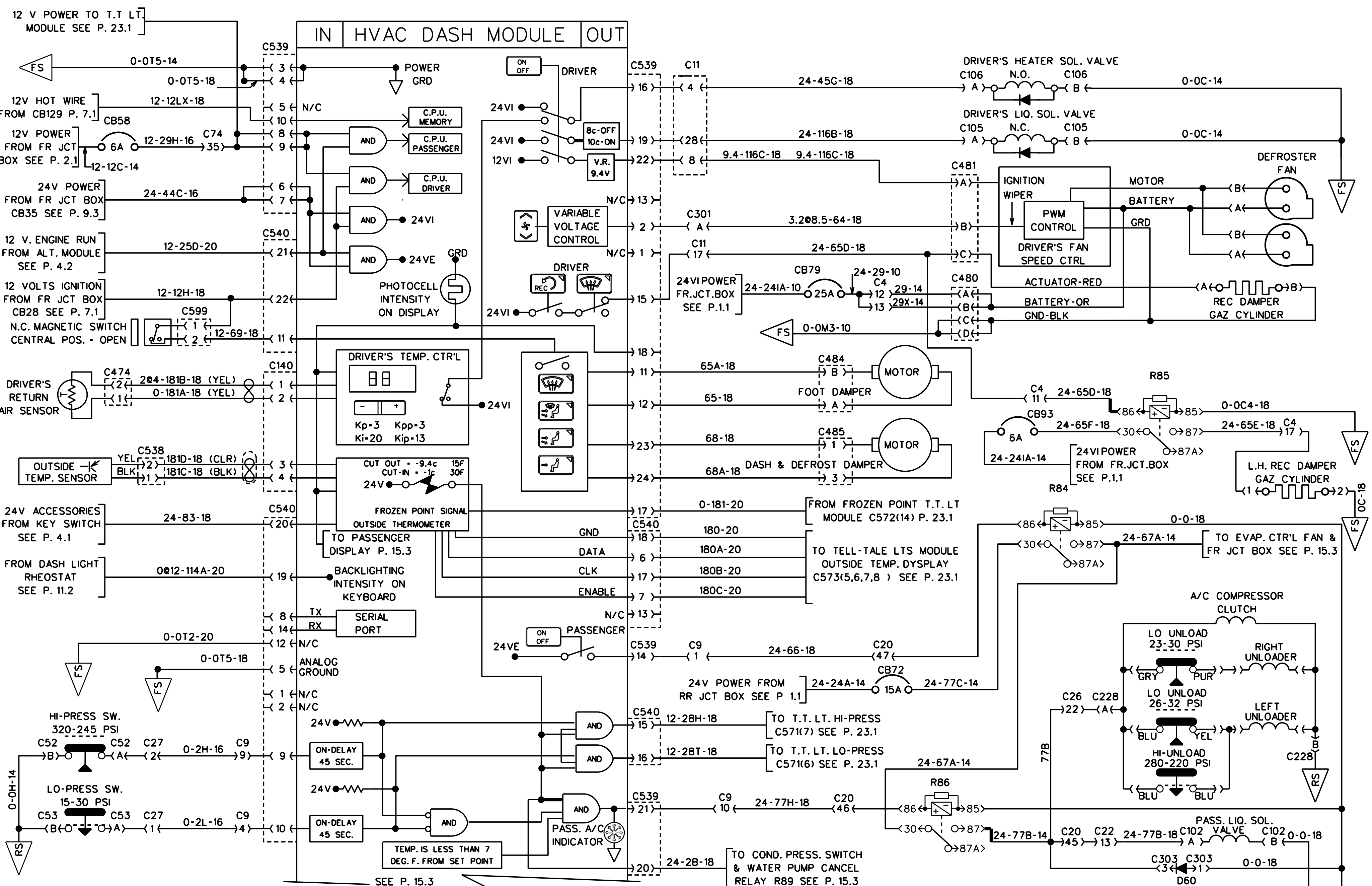
A/C AND HEAT SYSTEM



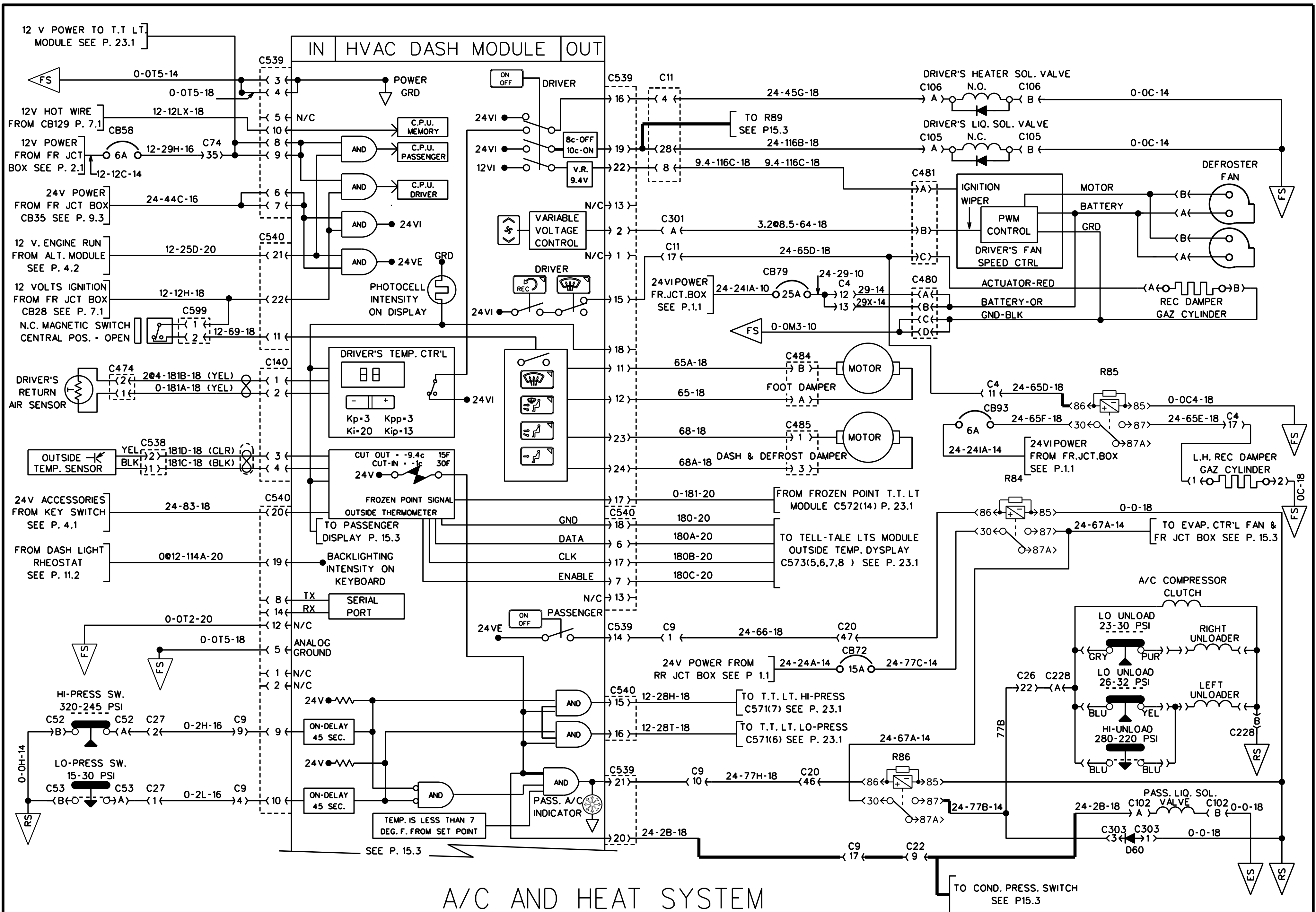
A/C AND HEAT SYSTEM



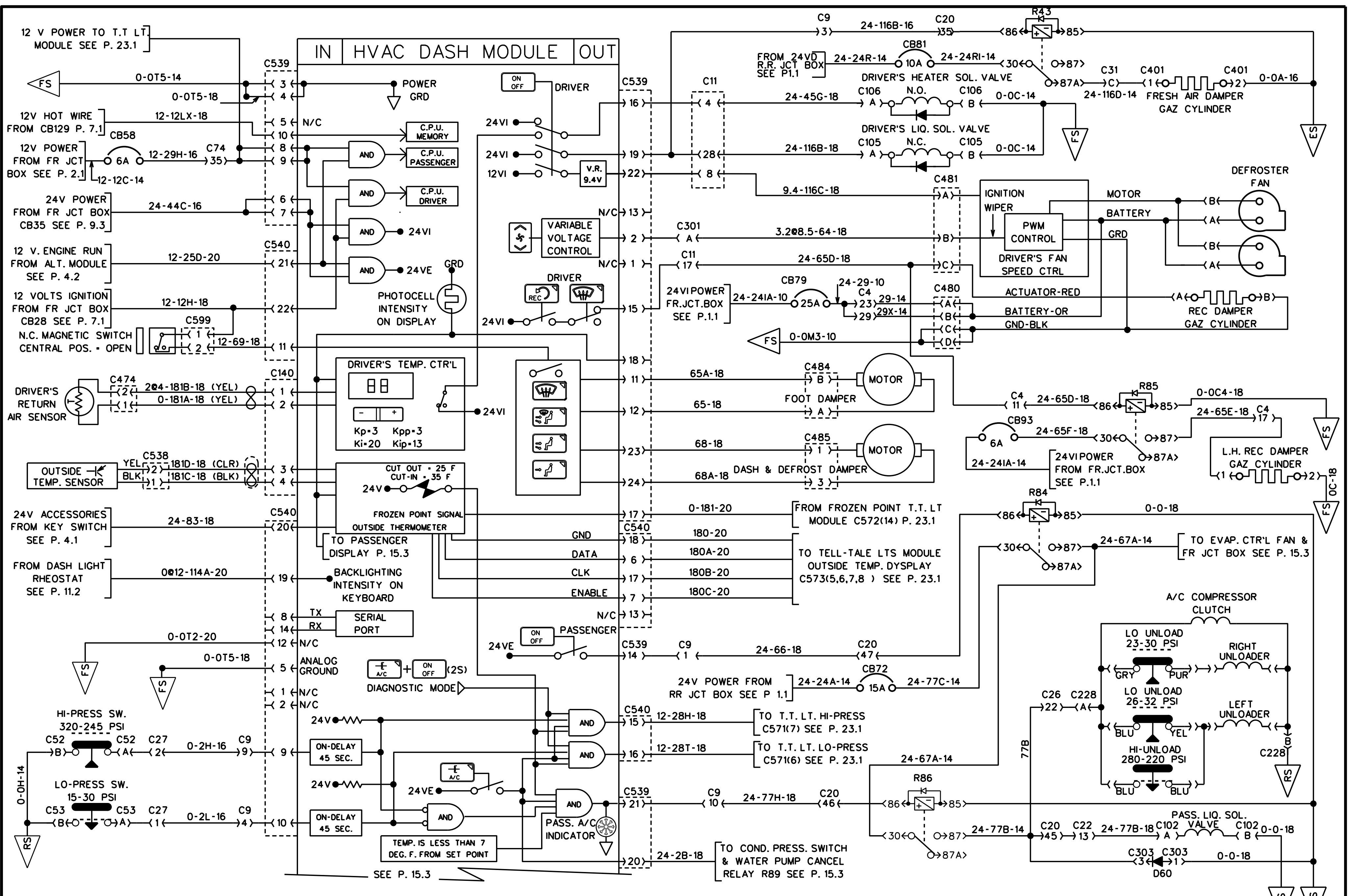
A/C AND HEAT SYSTEM



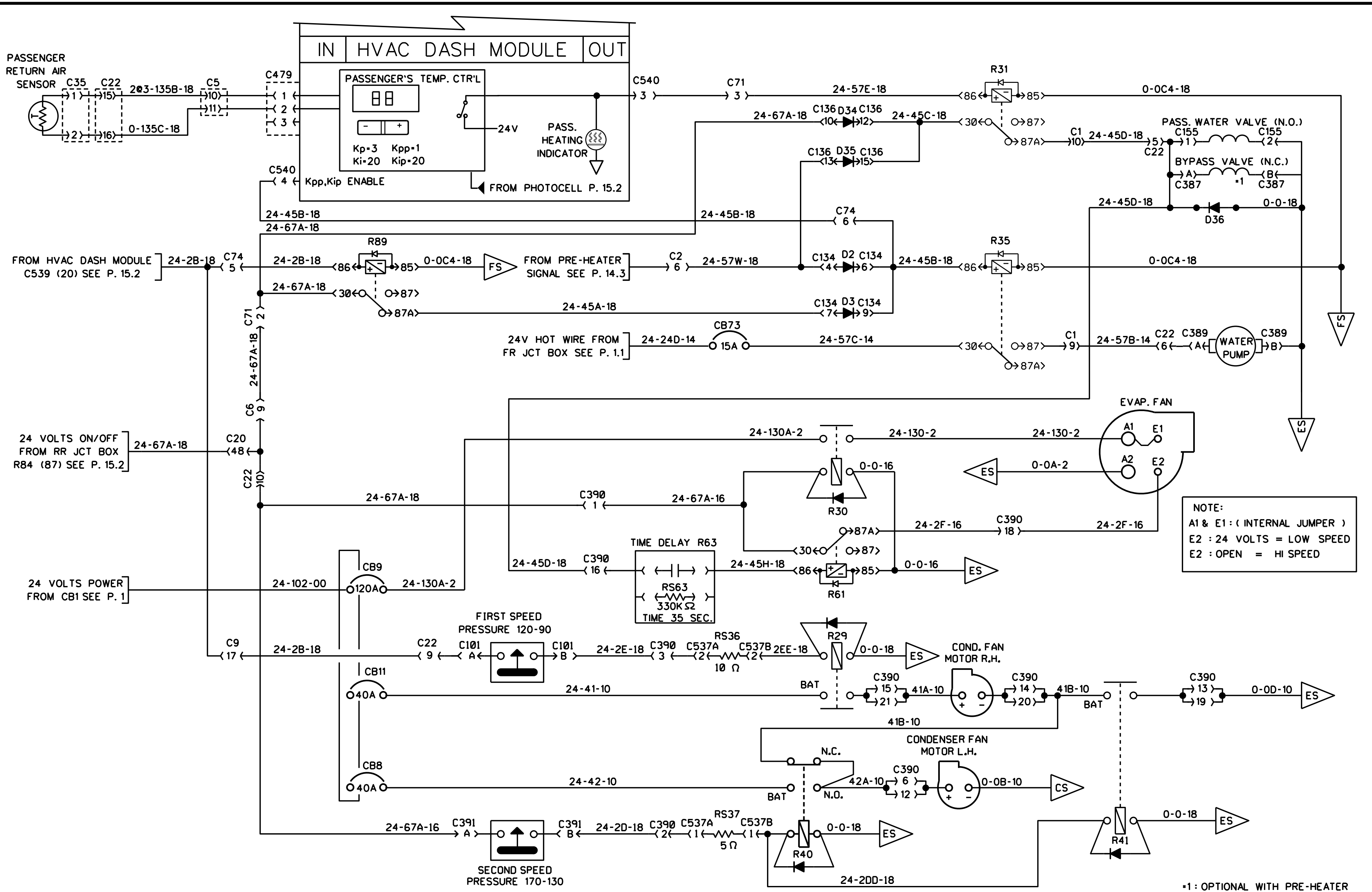
A/C AND HEAT SYSTEM



A/C AND HEAT SYSTEM



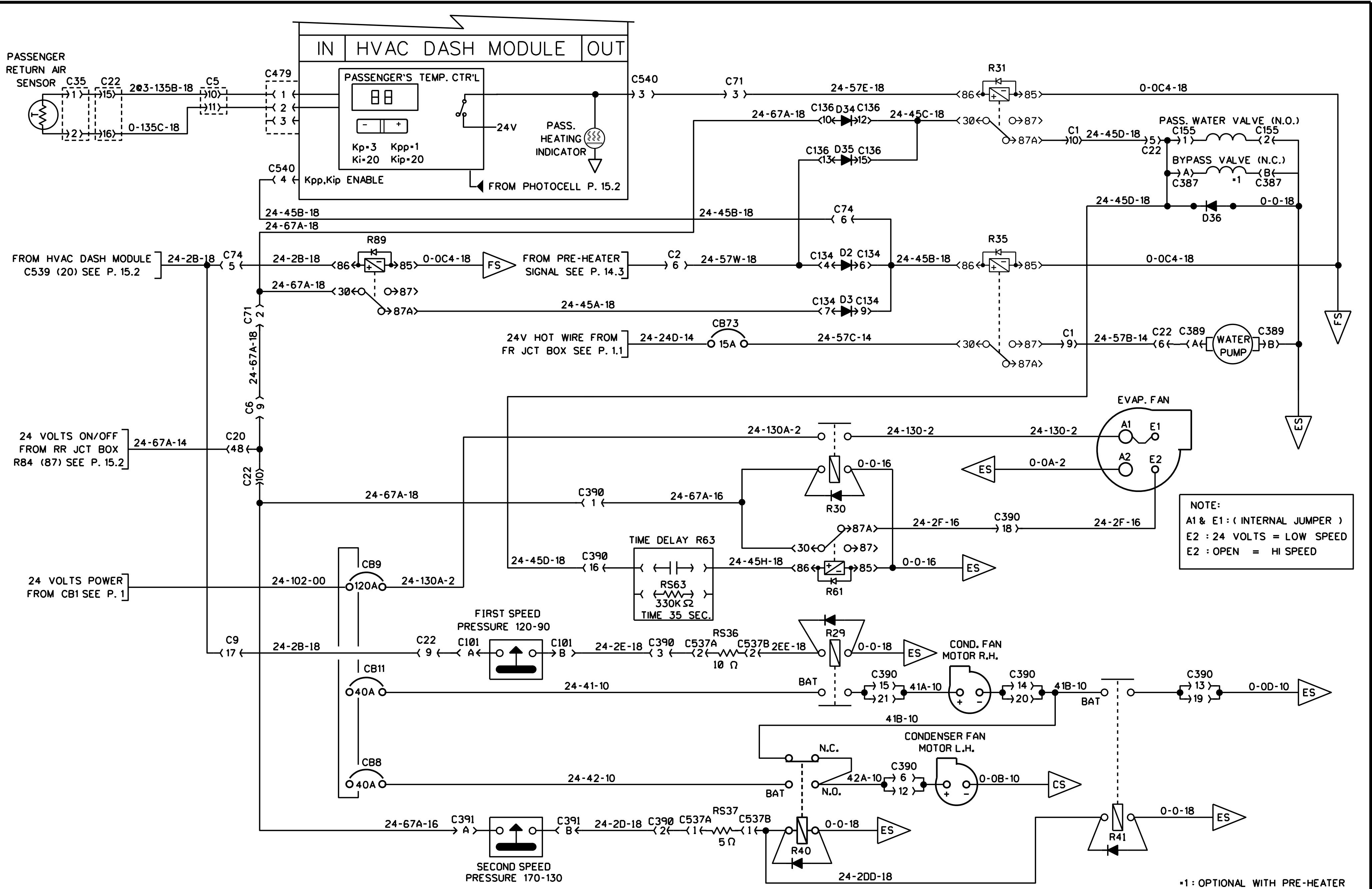
A/C AND HEAT SYSTEM



NOTE:
 A1 & E1 : (INTERNAL JUMPER)
 E2 : 24 VOLTS = LOW SPEED
 E2 : OPEN = HI SPEED

*1 : OPTIONAL WITH PRE-HEATER

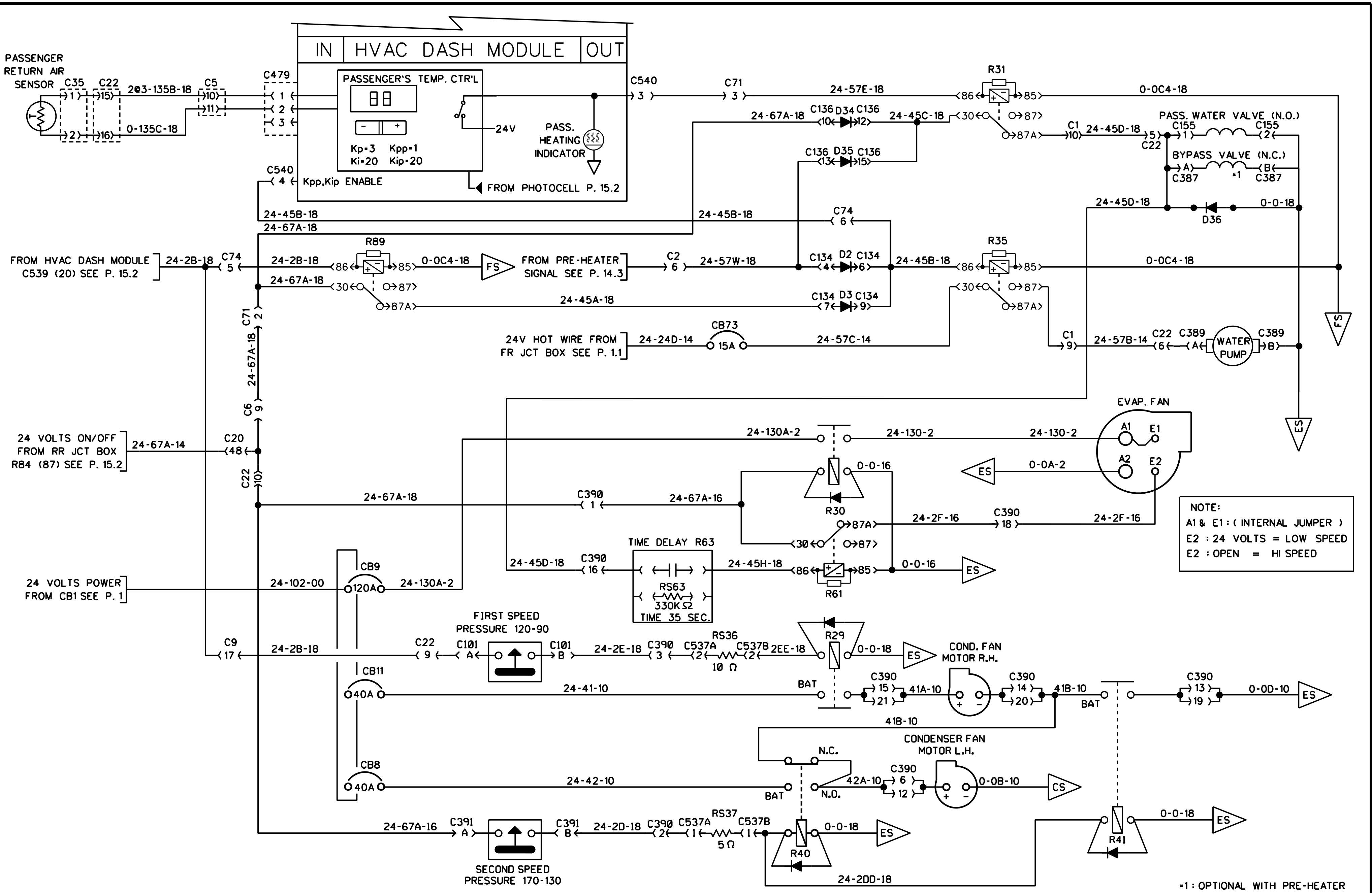
A/C AND HEAT SYSTEM



NOTE:
 A1 & E1 : (INTERNAL JUMPER)
 E2 : 24 VOLTS = LOW SPEED
 E2 : OPEN = HI SPEED

*1 : OPTIONAL WITH PRE-HEATER

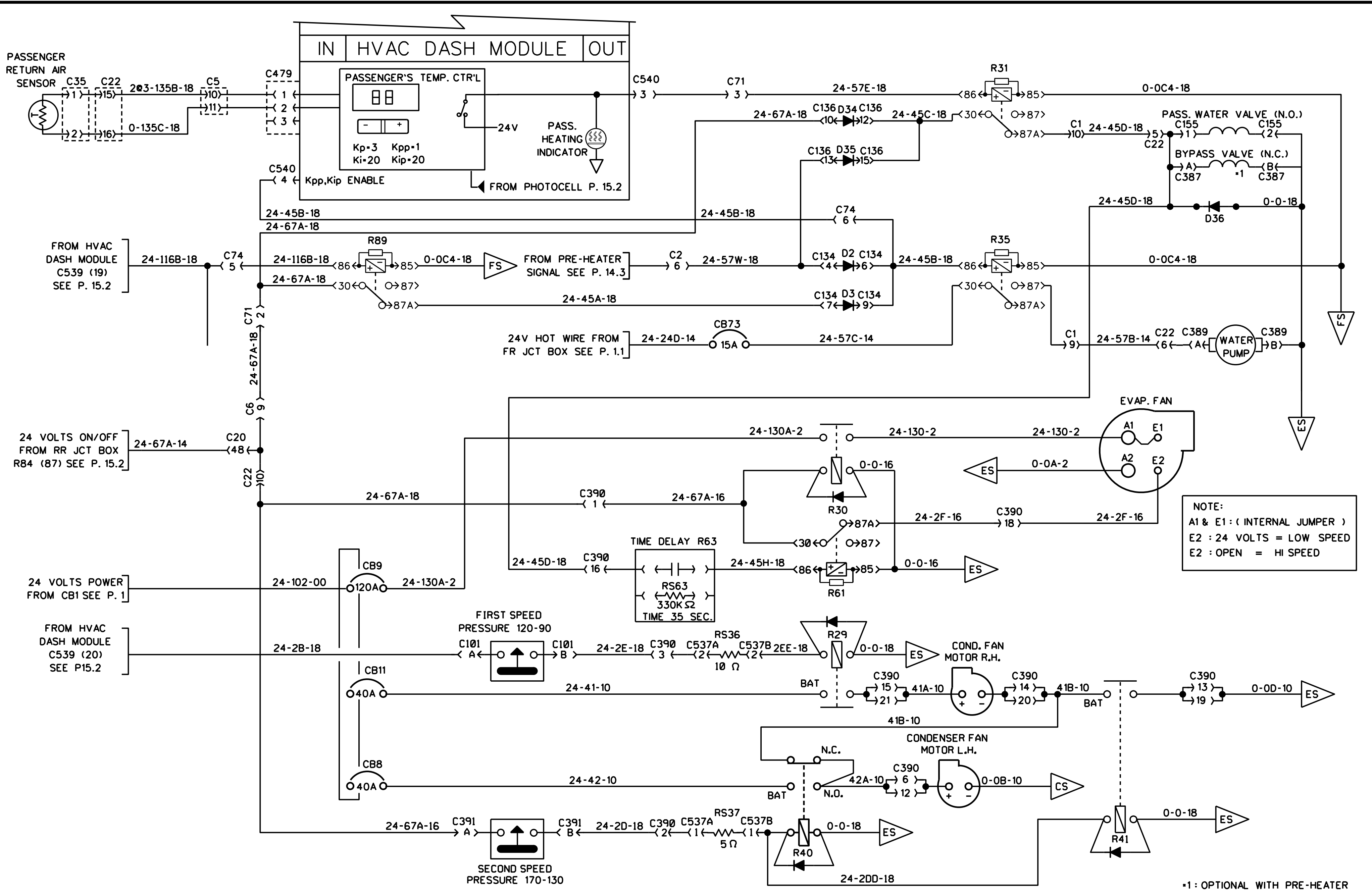
A/C AND HEAT SYSTEM



NOTE:
 A1 & E1 : (INTERNAL JUMPER)
 E2 : 24 VOLTS = LOW SPEED
 E2 : OPEN = HI SPEED

*1 : OPTIONAL WITH PRE-HEATER

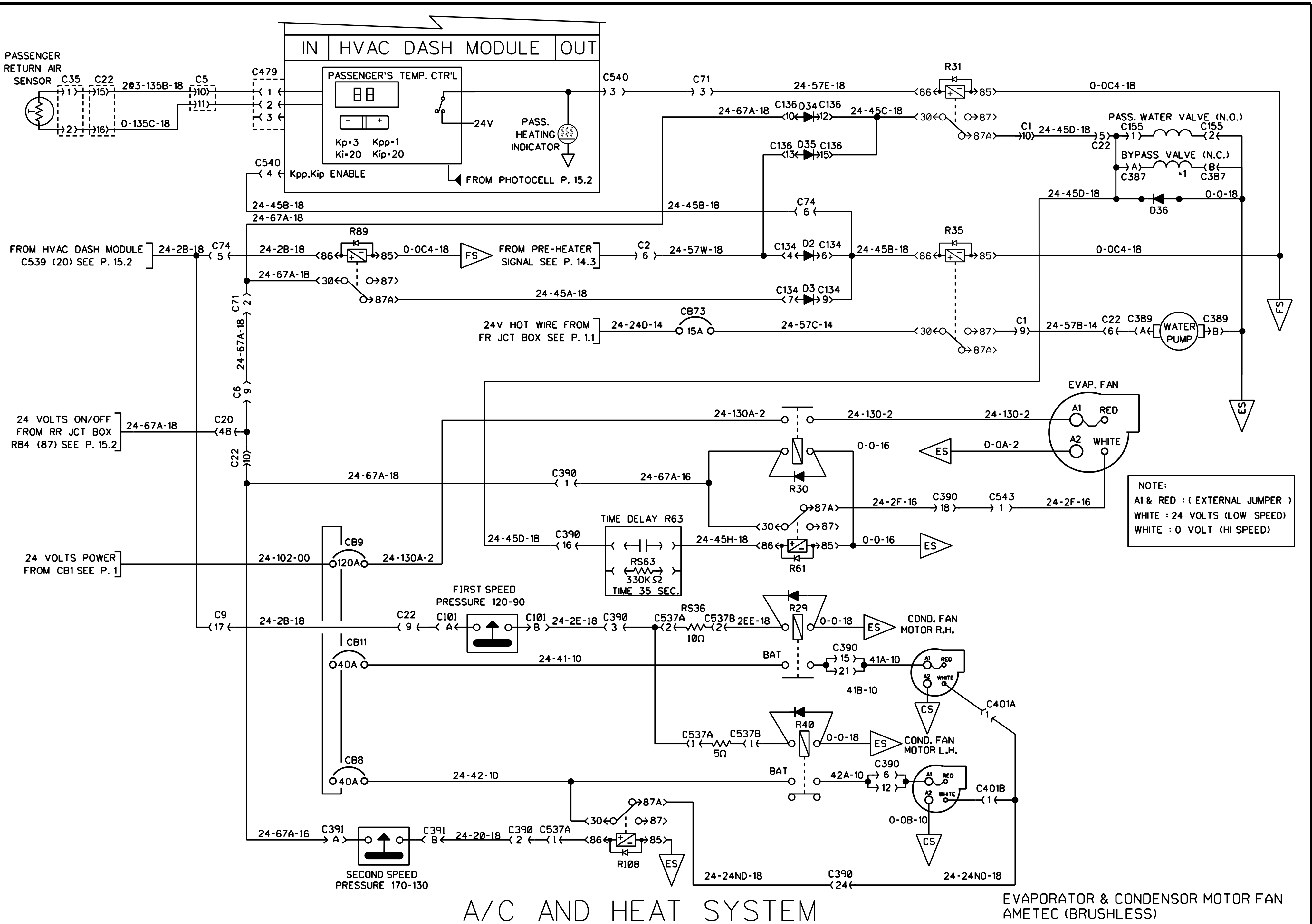
A/C AND HEAT SYSTEM



NOTE:
 A1 & E1: (INTERNAL JUMPER)
 E2: 24 VOLTS = LOW SPEED
 E2: OPEN = HI SPEED

*1: OPTIONAL WITH PRE-HEATER

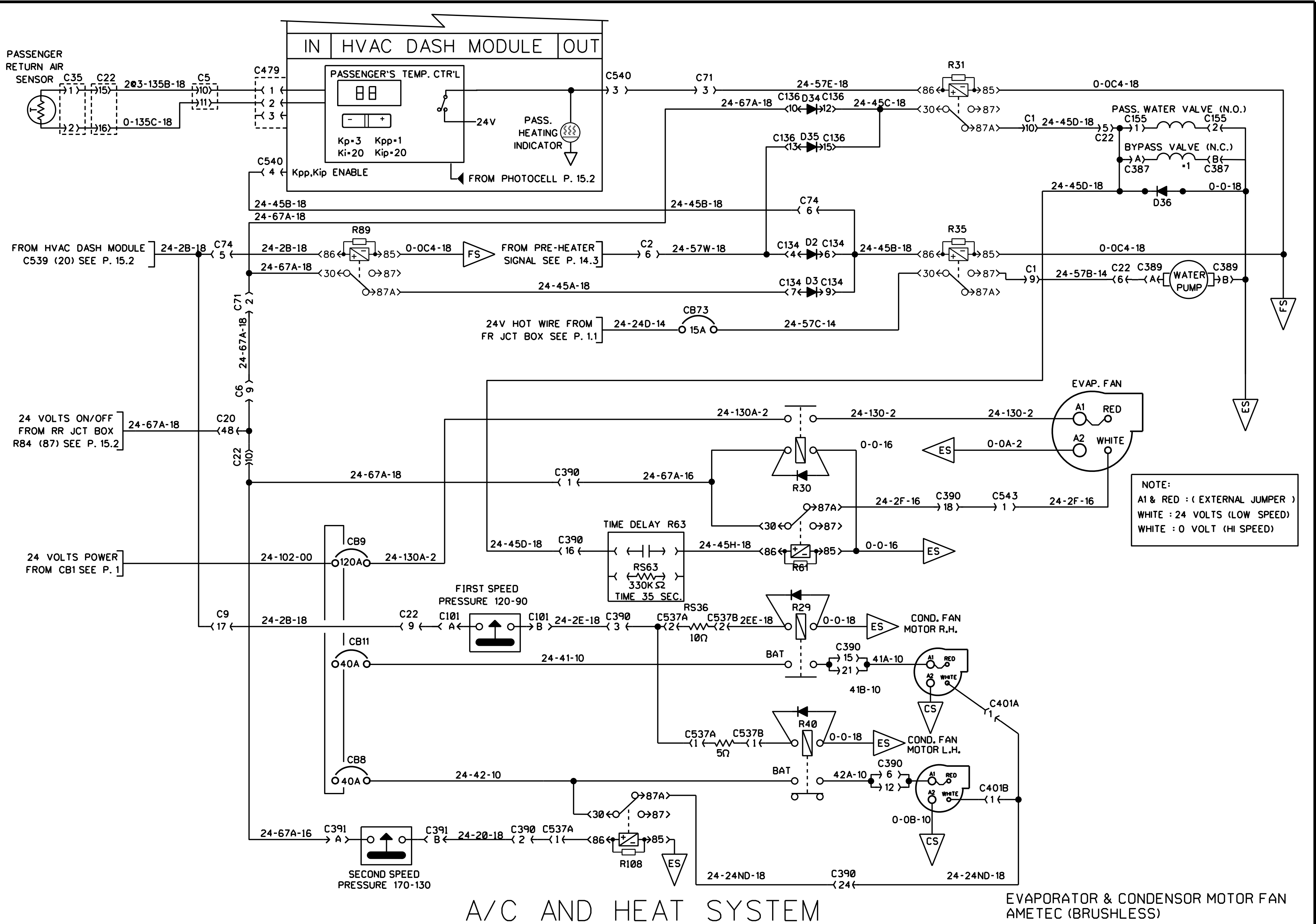
A/C AND HEAT SYSTEM



NOTE:
 A1 & RED : (EXTERNAL JUMPER)
 WHITE : 24 VOLTS (LOW SPEED)
 WHITE : 0 VOLT (HI SPEED)

A/C AND HEAT SYSTEM

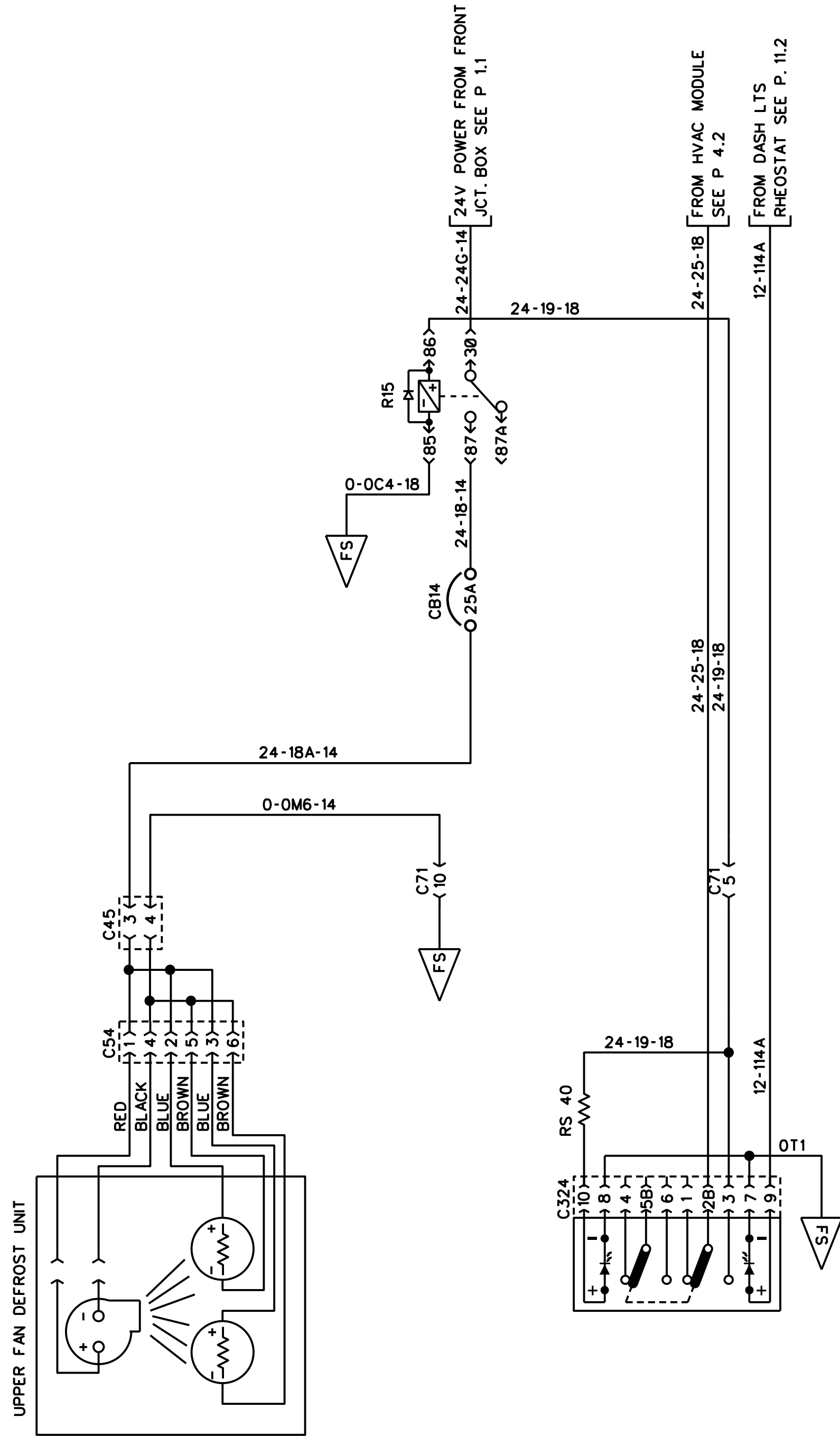
EVAPORATOR & CONDENSOR MOTOR FAN
 AMETEC (BRUSHLESS)



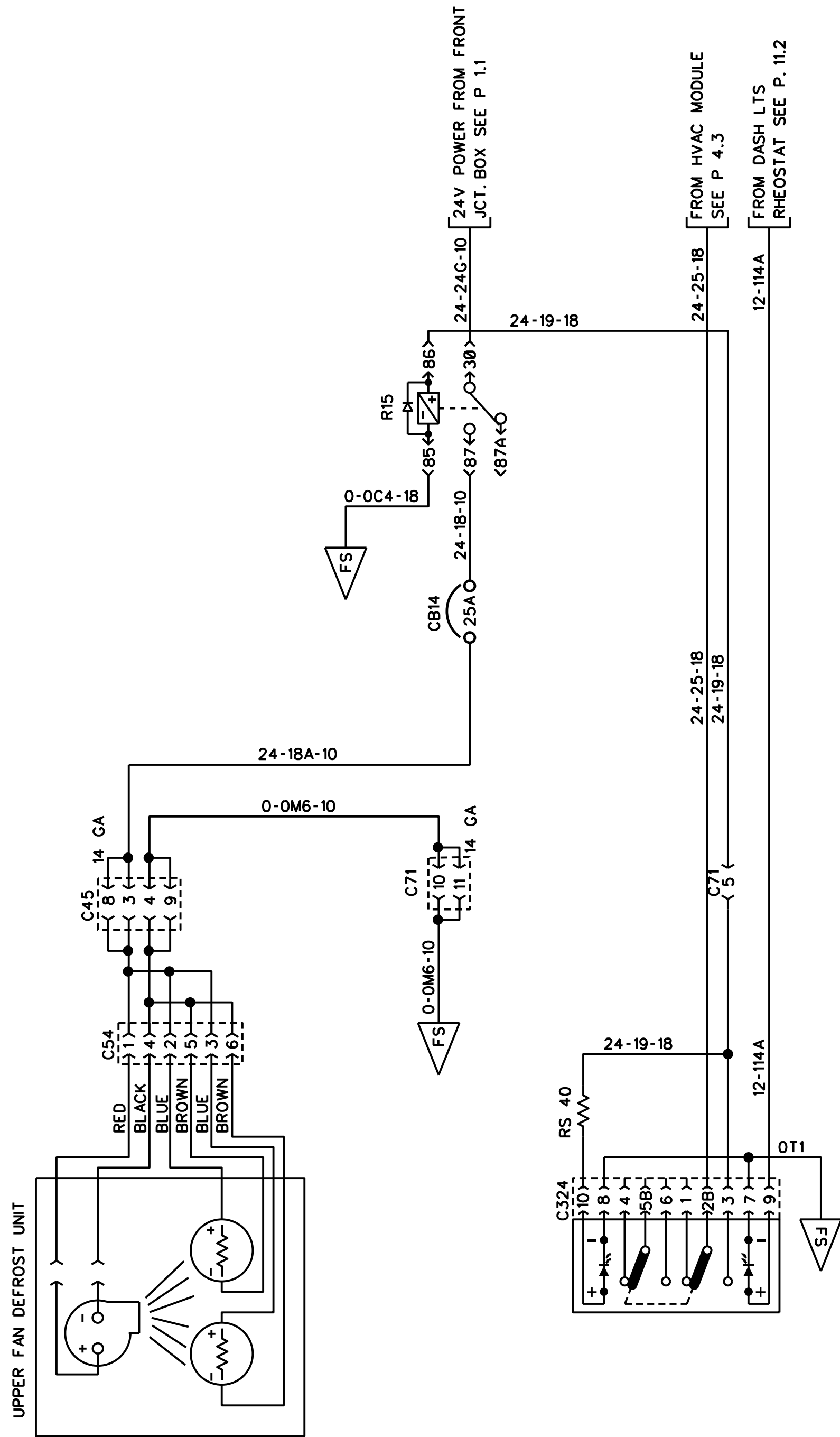
NOTE:
 A1 & RED : (EXTERNAL JUMPER)
 WHITE : 24 VOLTS (LOW SPEED)
 WHITE : 0 VOLT (HI SPEED)

A/C AND HEAT SYSTEM

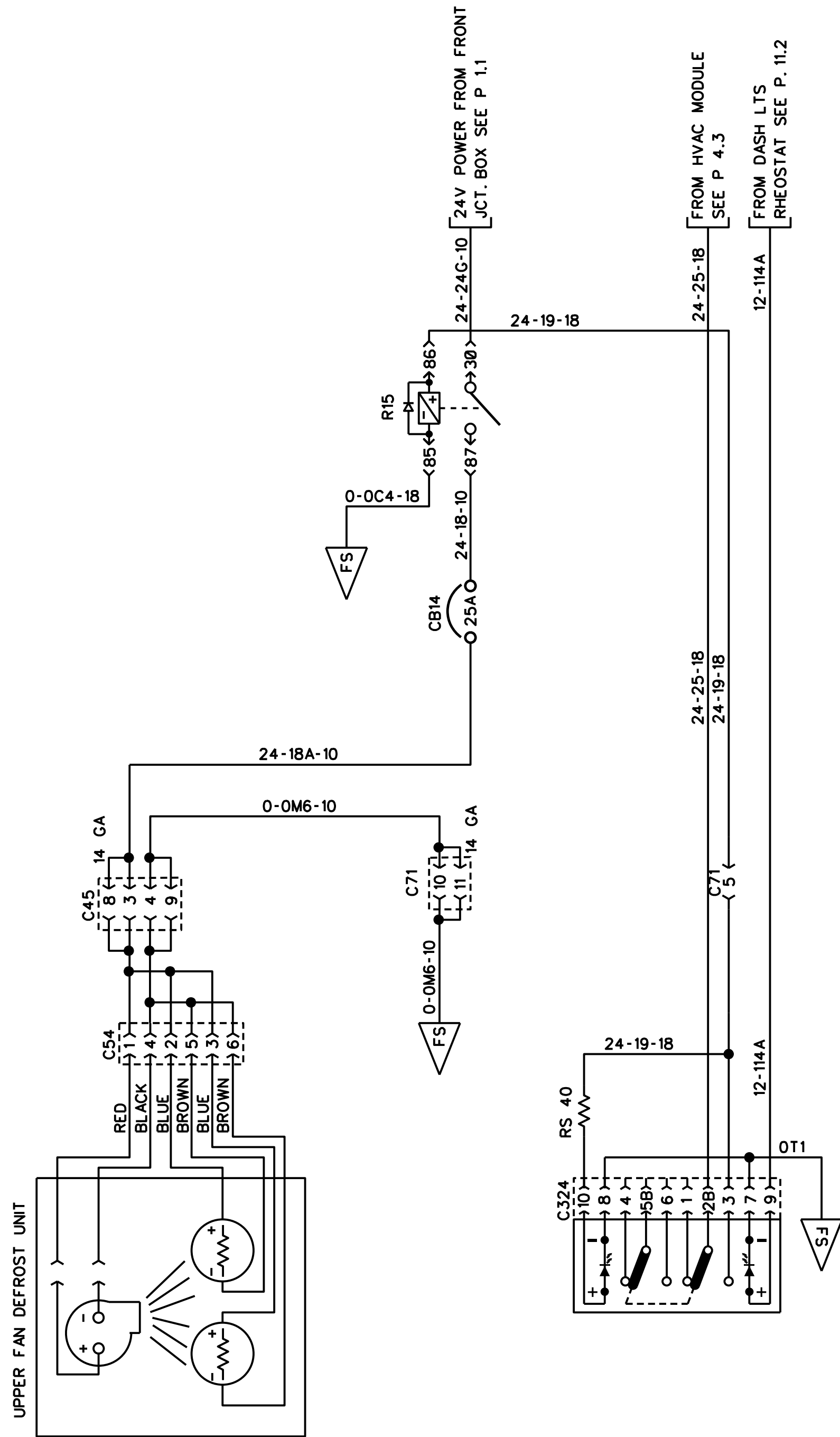
EVAPORATOR & CONDENSOR MOTOR FAN
 AMETEC (BRUSHLESS)



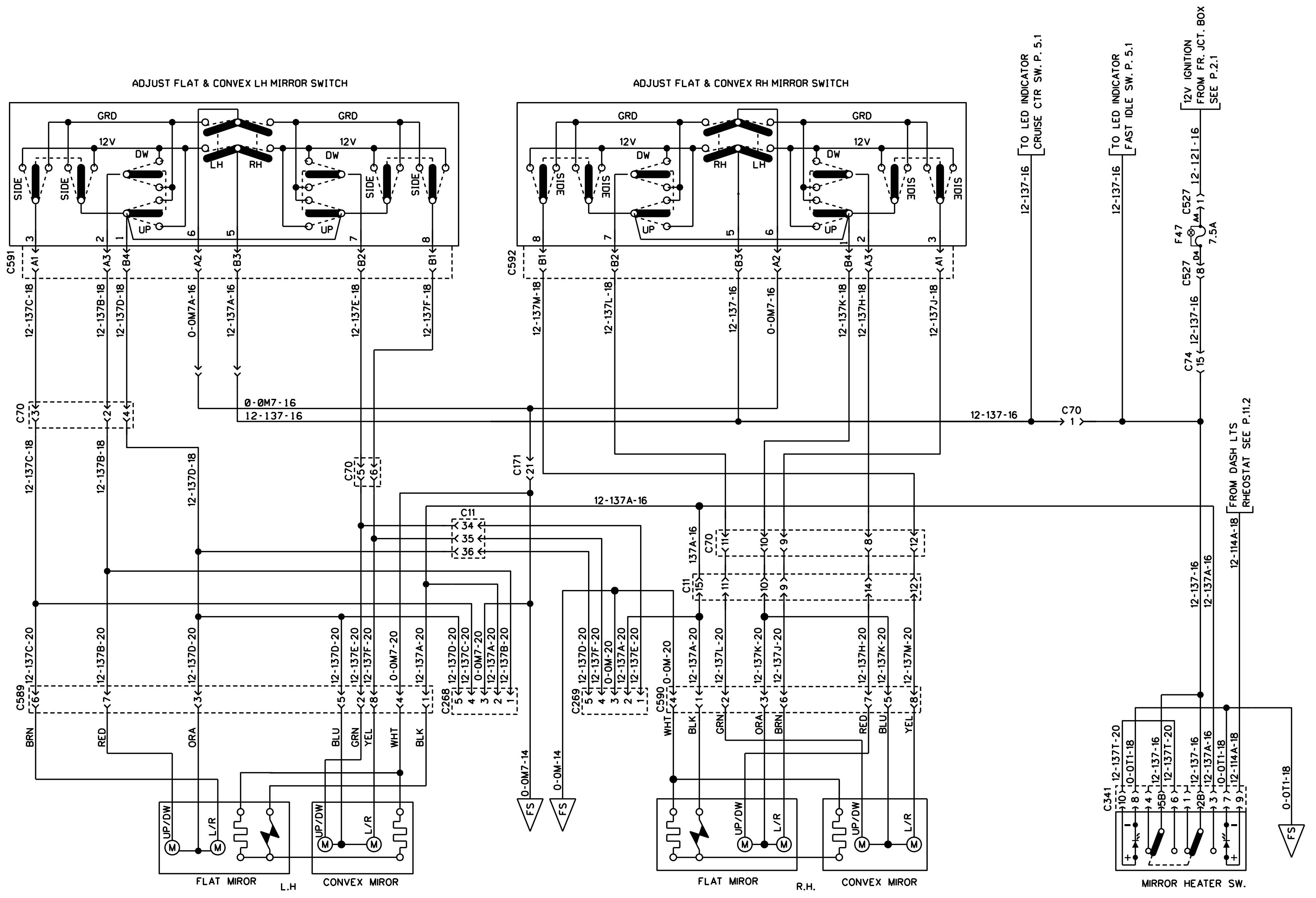
UPPER WINDSHIELD FAN DEFROST



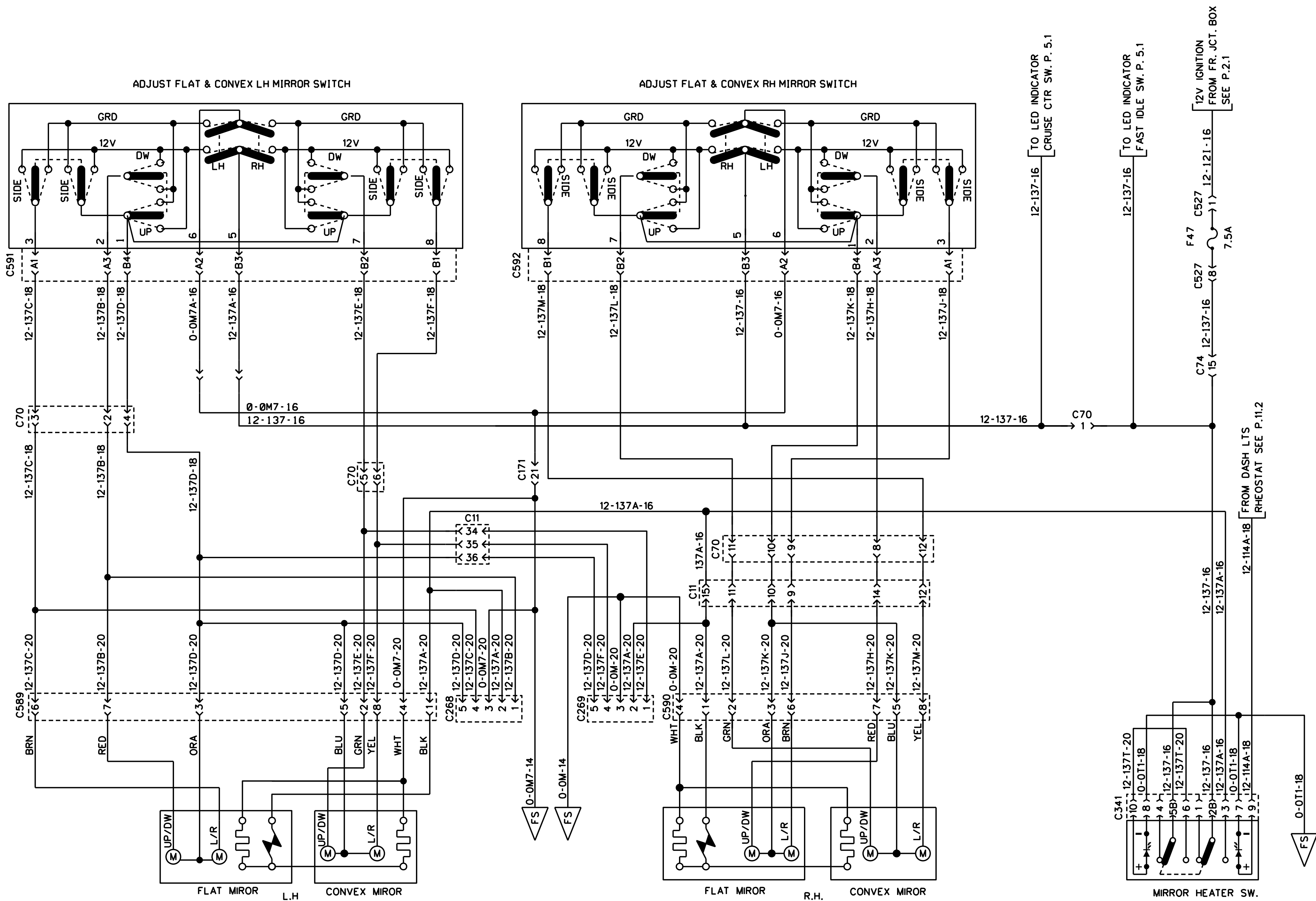
UPPER WINDSHIELD FAN DEFROST



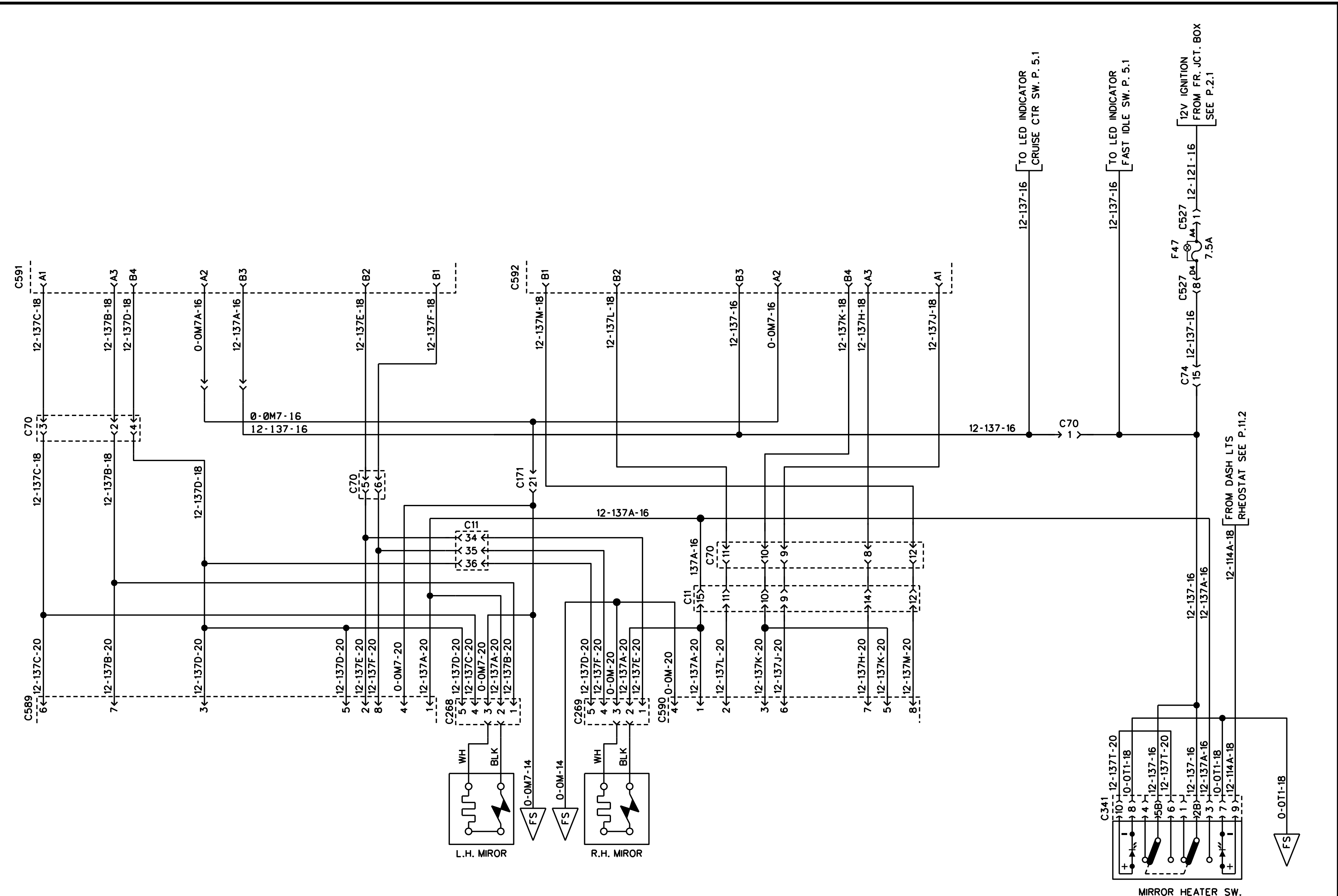
UPPER WINDSHIELD FAN DEFROST



REAR VIEW MIRROR RAMCO FLAT & CONVEX - 2 ADJUSTMENT SW. & 1 HEATED SW.

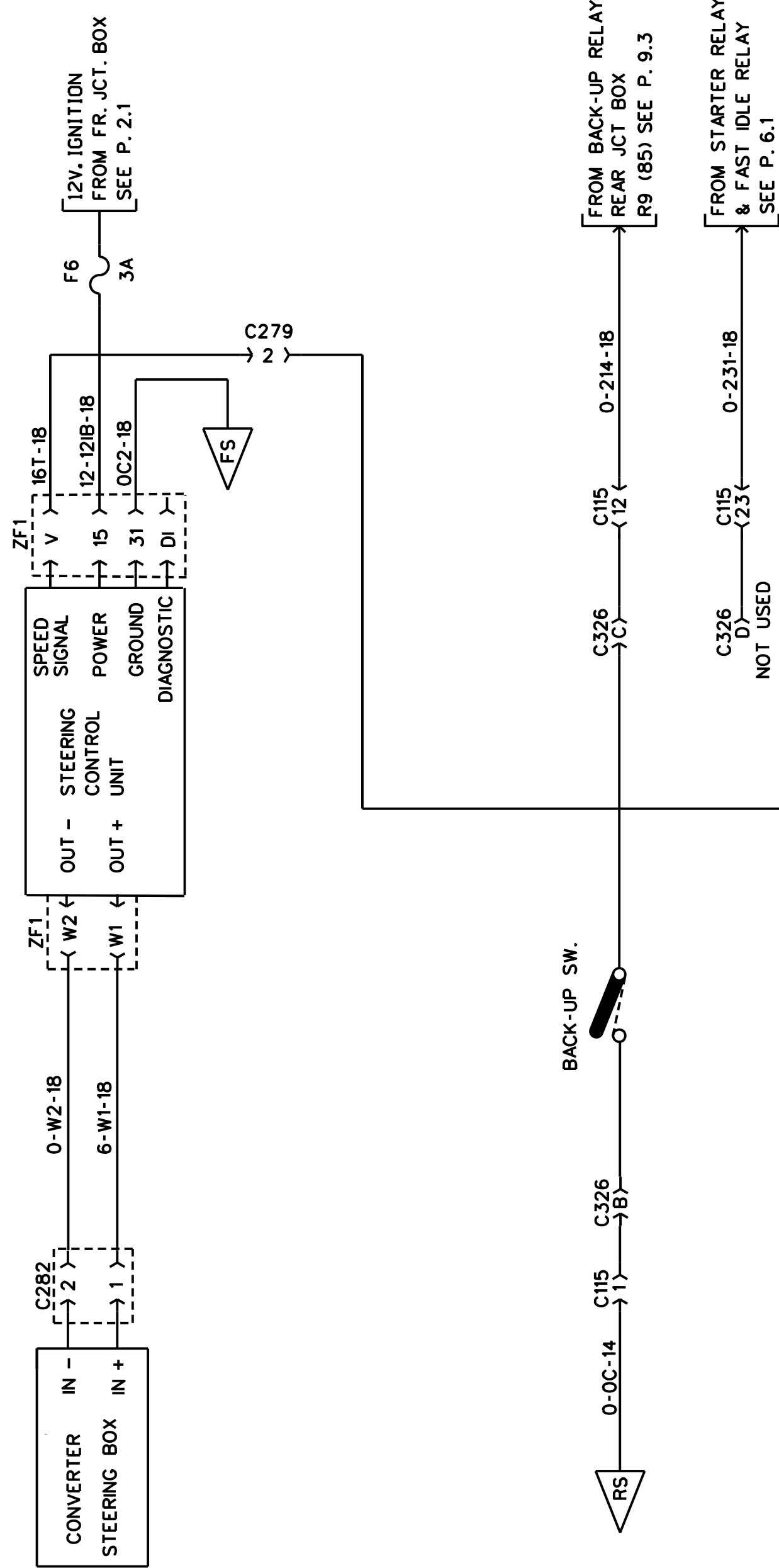


REAR VIEW MIRROR RAMCO FLAT & CONVEX - 2 ADJUSTMENT SW. & 1 HEATED SW.

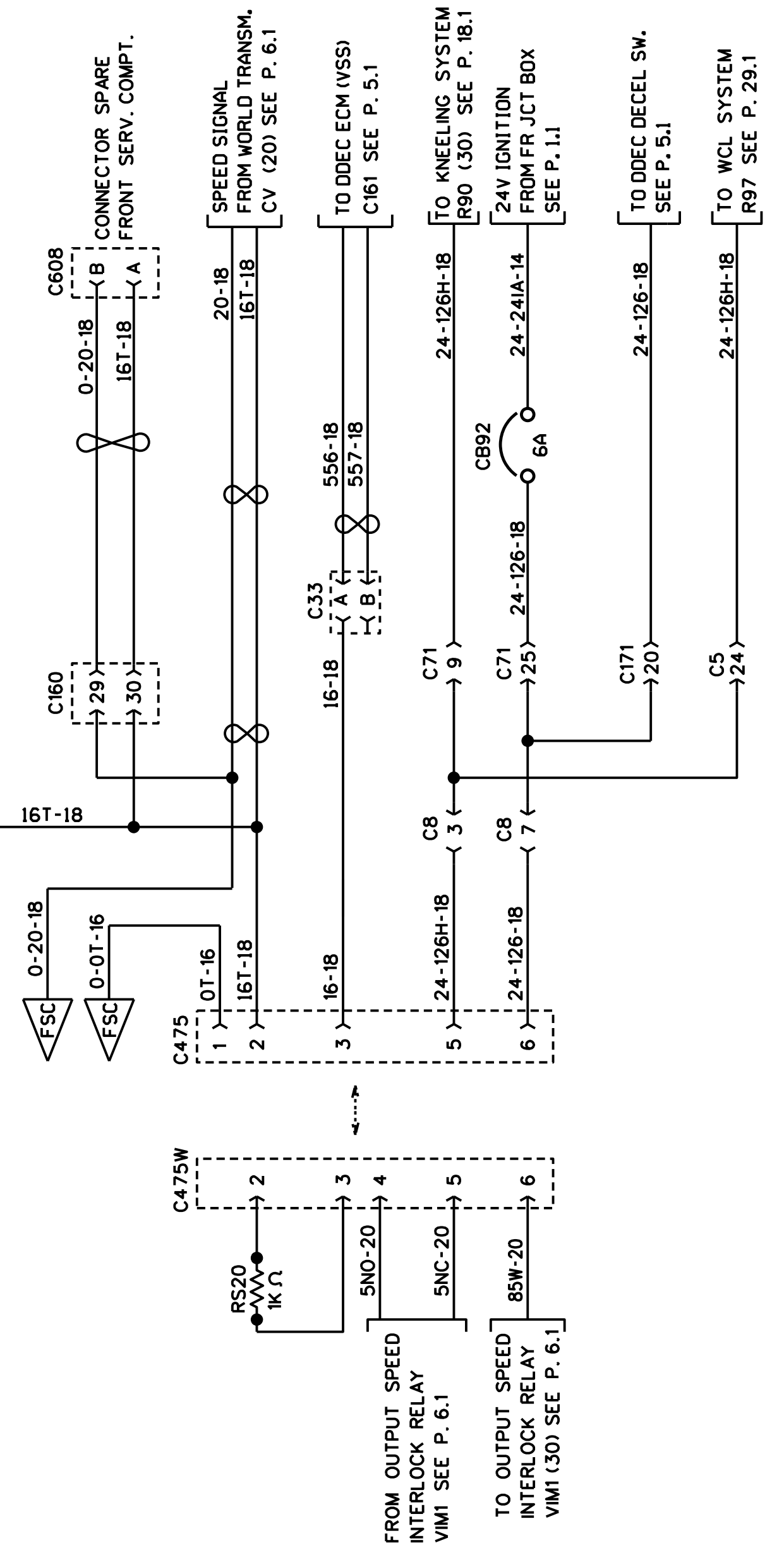


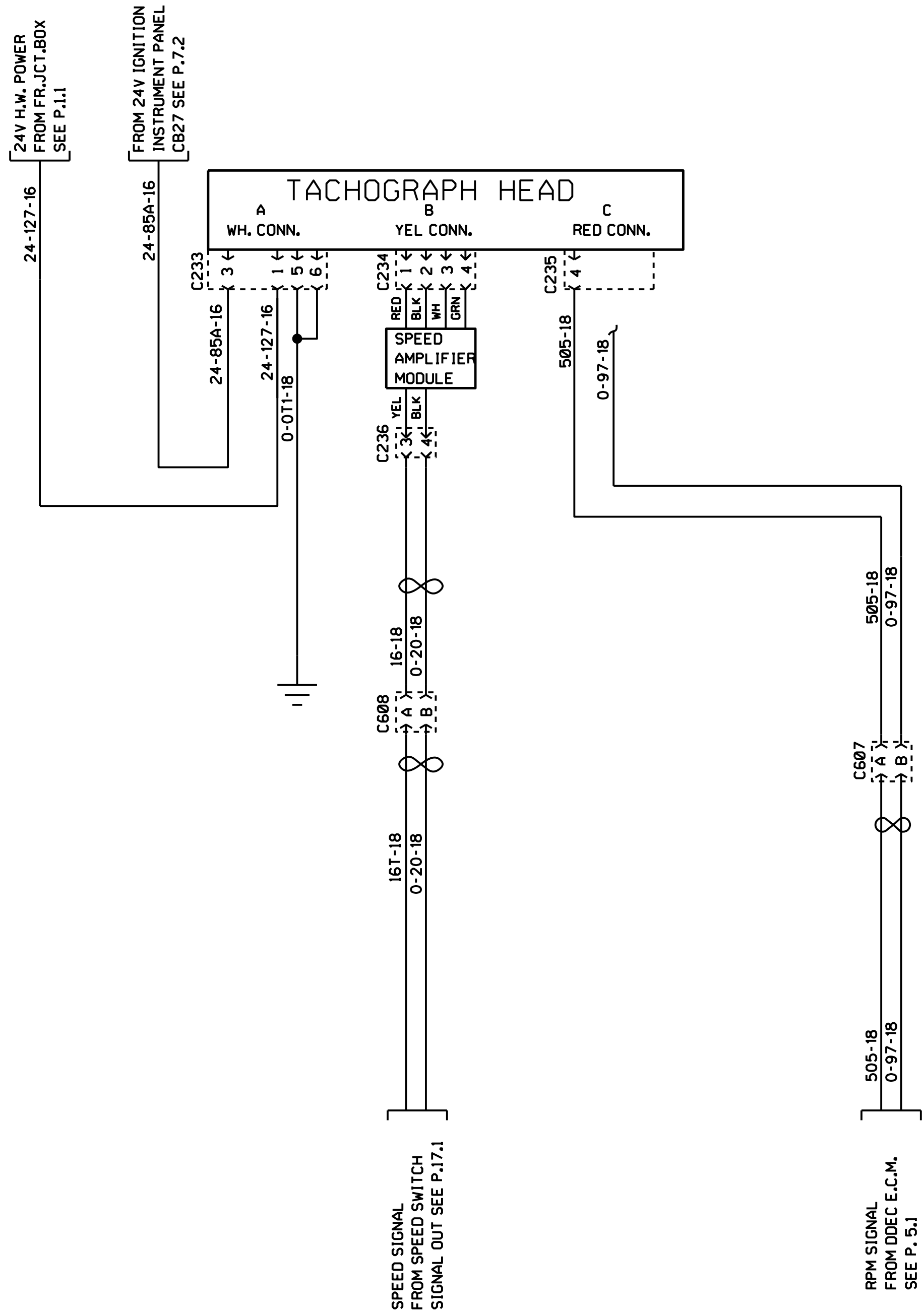
REAR VIEW MIRROR RAMCO ELECTRICAL HEATING ONLY

STEERING CONTROL

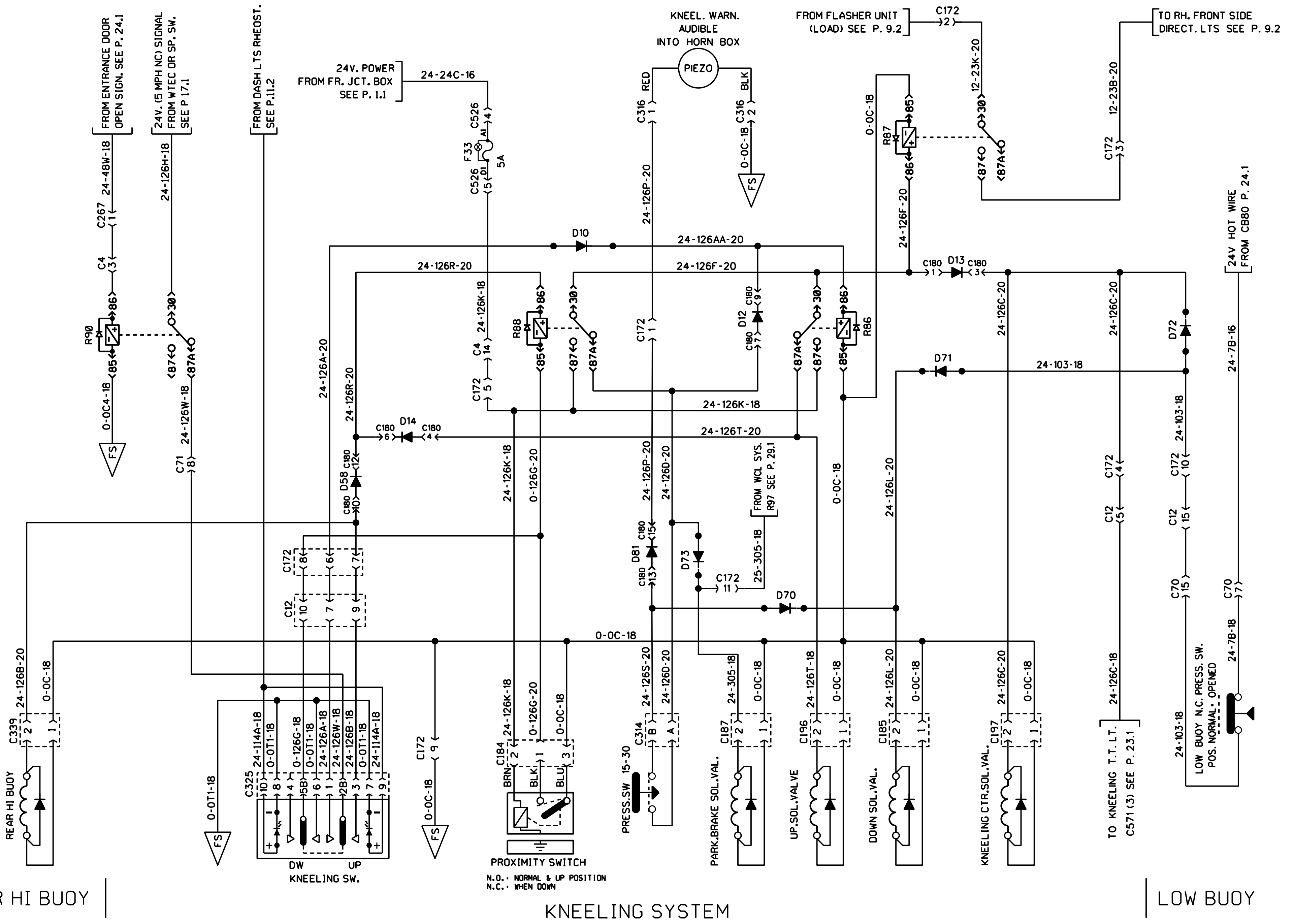


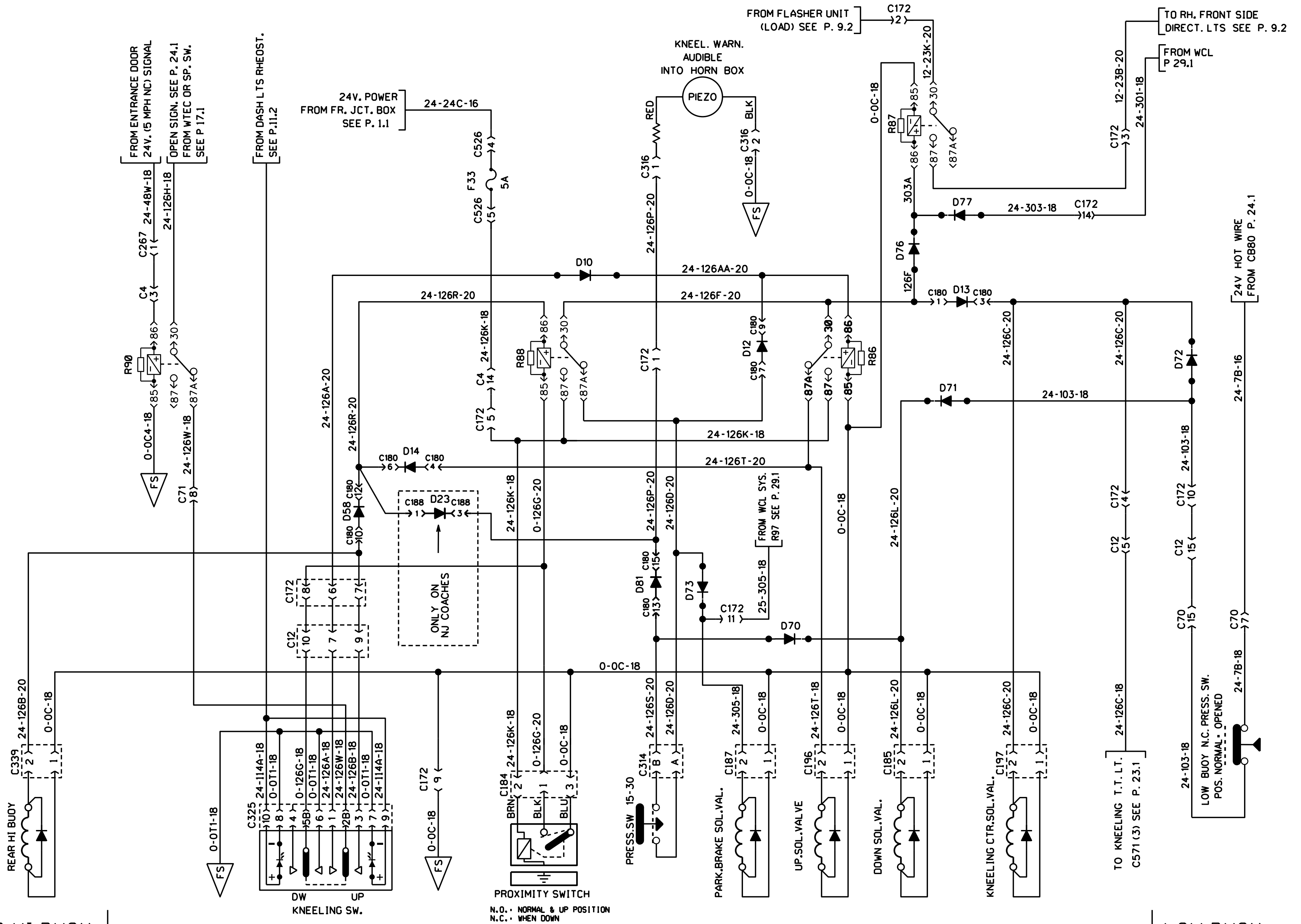
STD TRANSMISSION SPEED SIGNAL





ELECTRONIC TACHOGRAPH



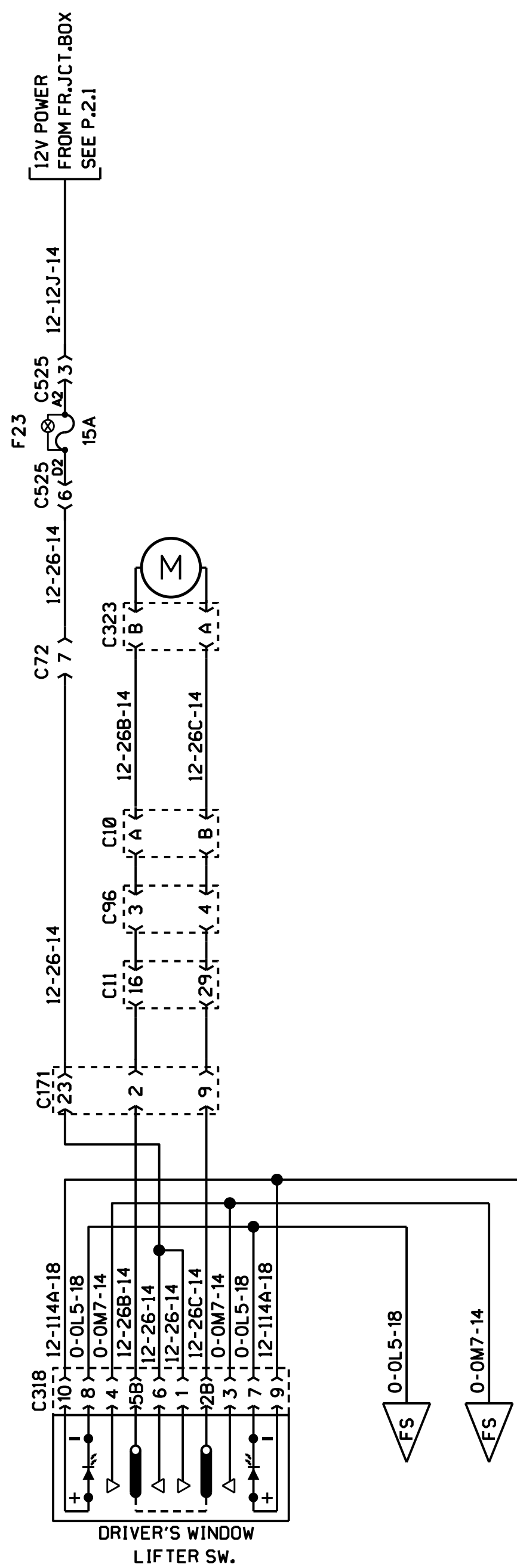


REAR HI BUOY

KNEELING SYSTEM

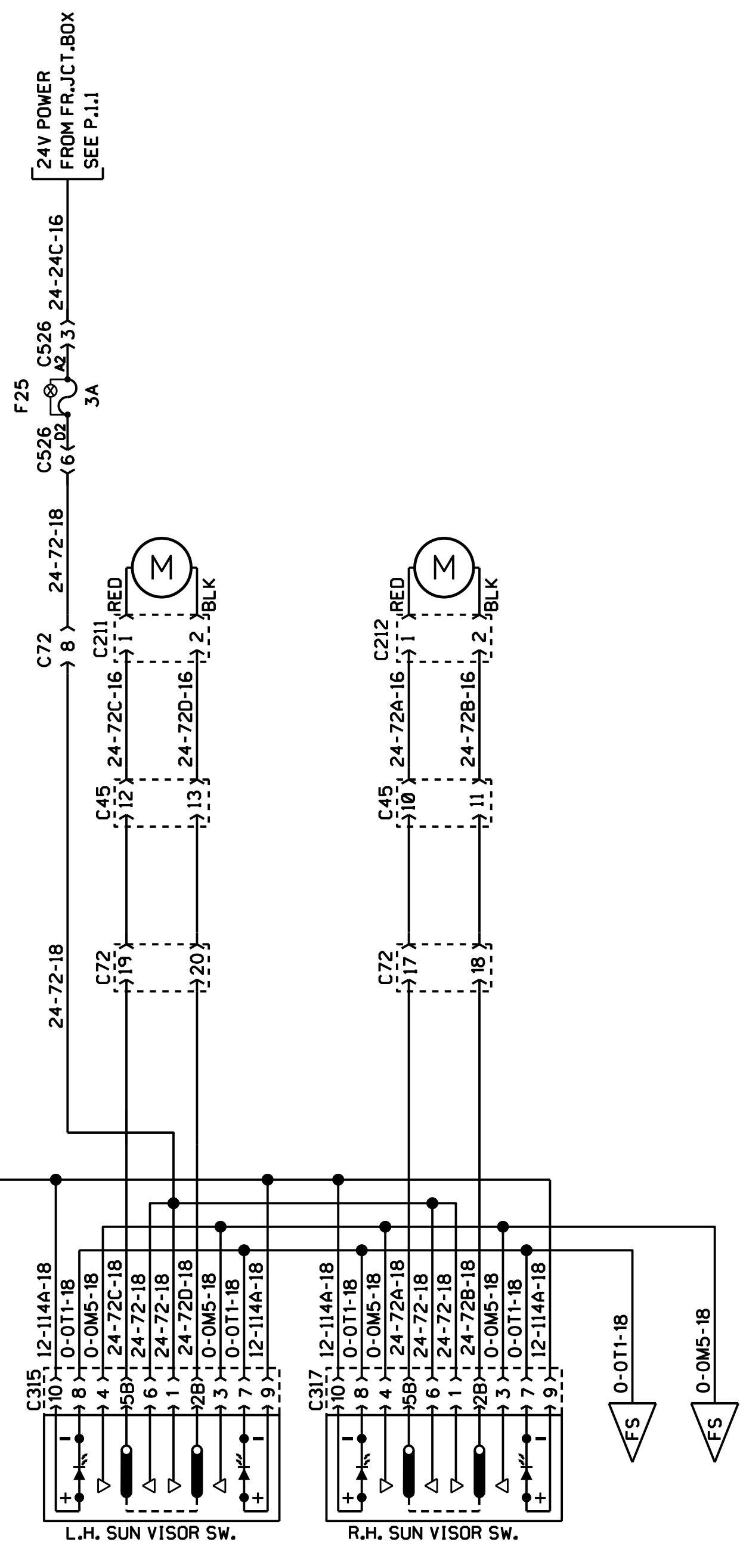
LOW BUOY

12V POWER
FROM FR.JCT.BOX
SEE P.2.1



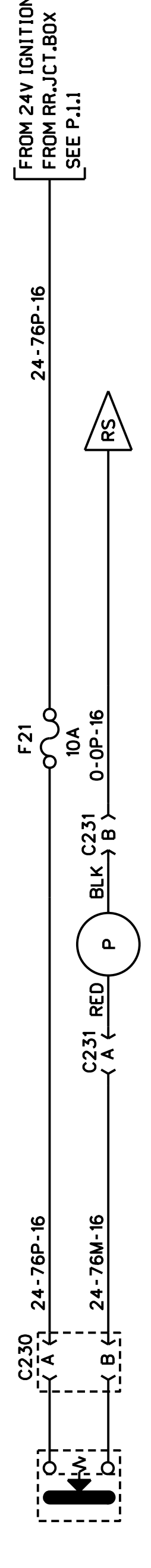
ENTRANCE DOOR AND DRIVER'S WINDOW LIFTER

24V POWER
FROM FR.JCT.BOX
SEE P.1.1



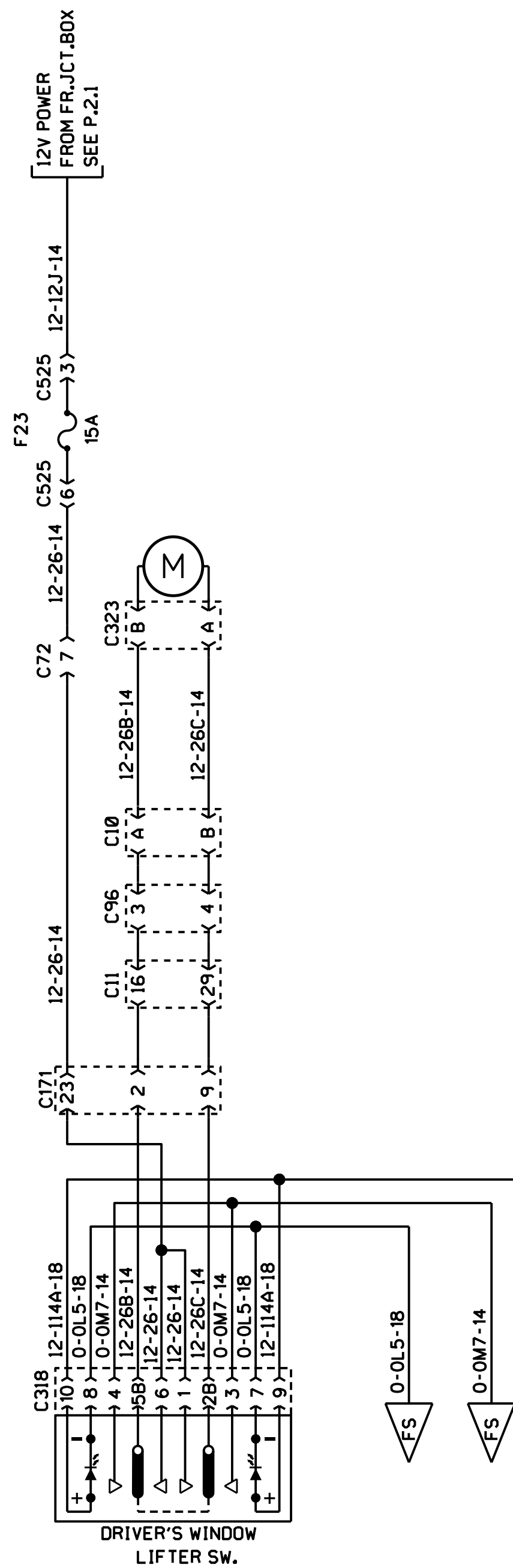
SUN VISOR

FROM 24V IGNITION
FROM RR.JCT.BOX
SEE P.1.1

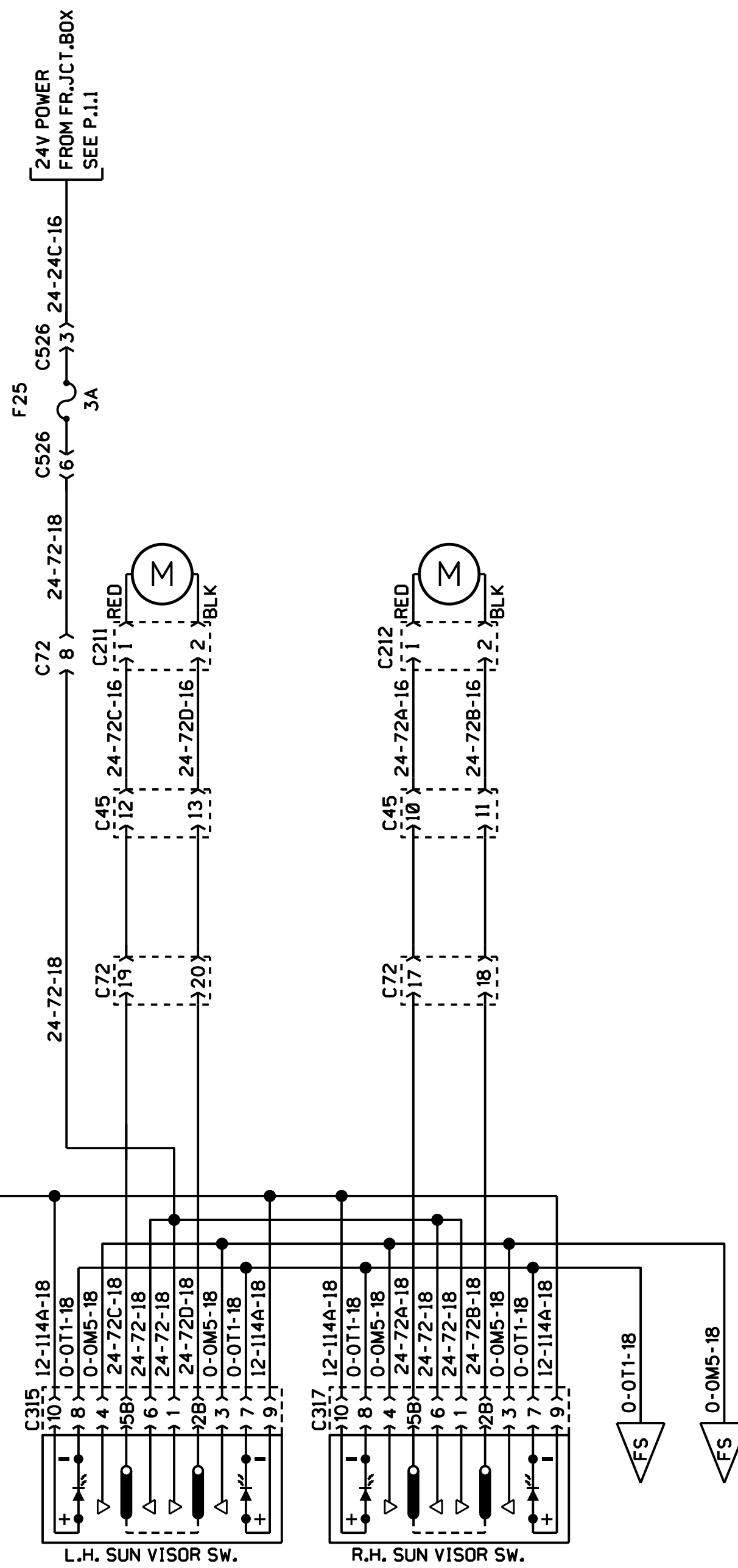


FUEL PRIME PUMP

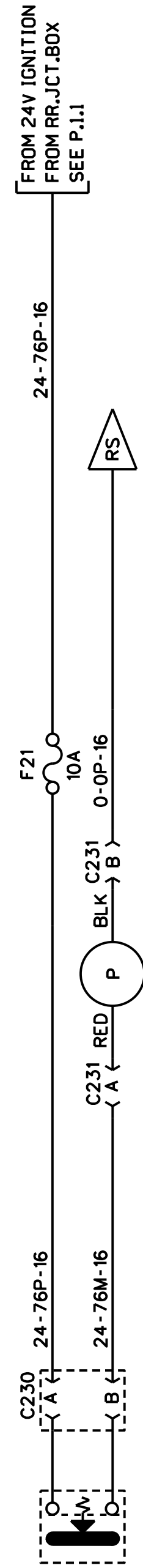
12-114A-18 [FROM DASH LTS RHEOSTAT SEE P 11.2



ENTRANCE DOOR AND DRIVER'S WINDOW LIFTER

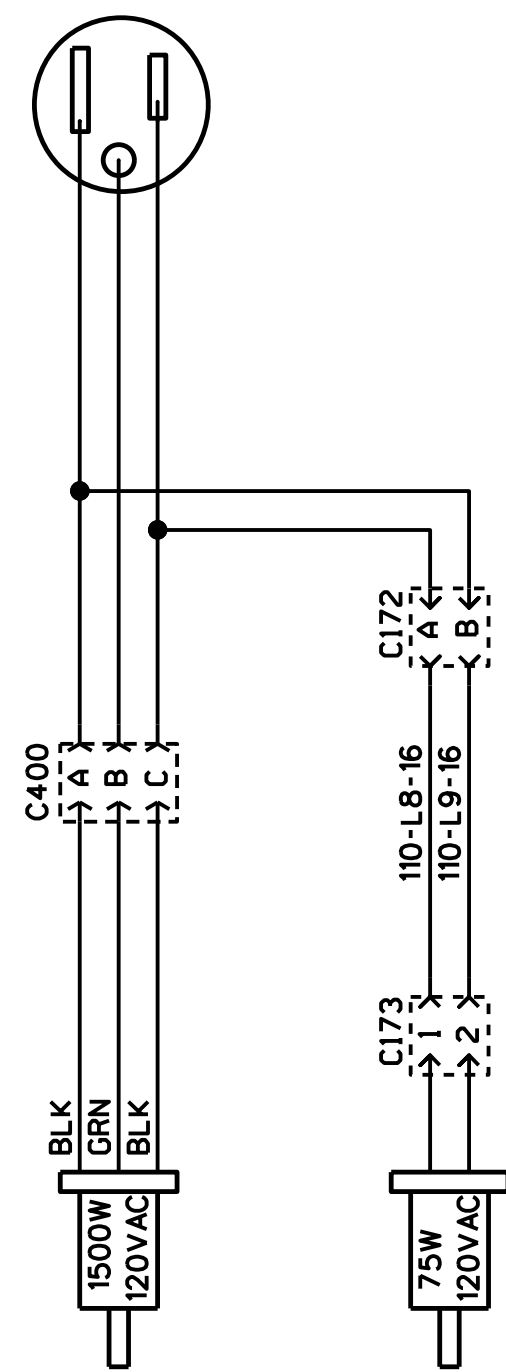


SUN VISOR

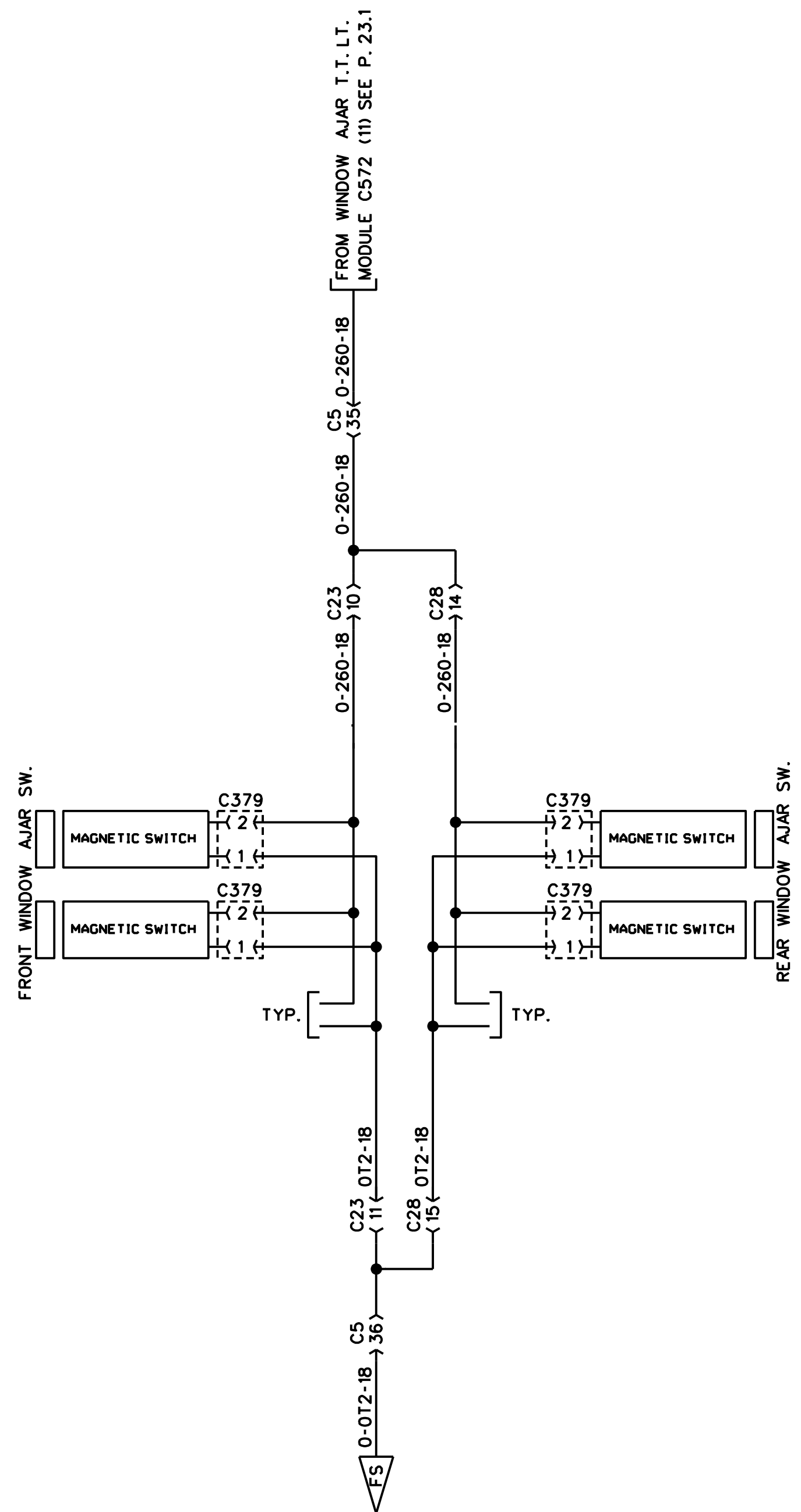


FUEL PRIME PUMP

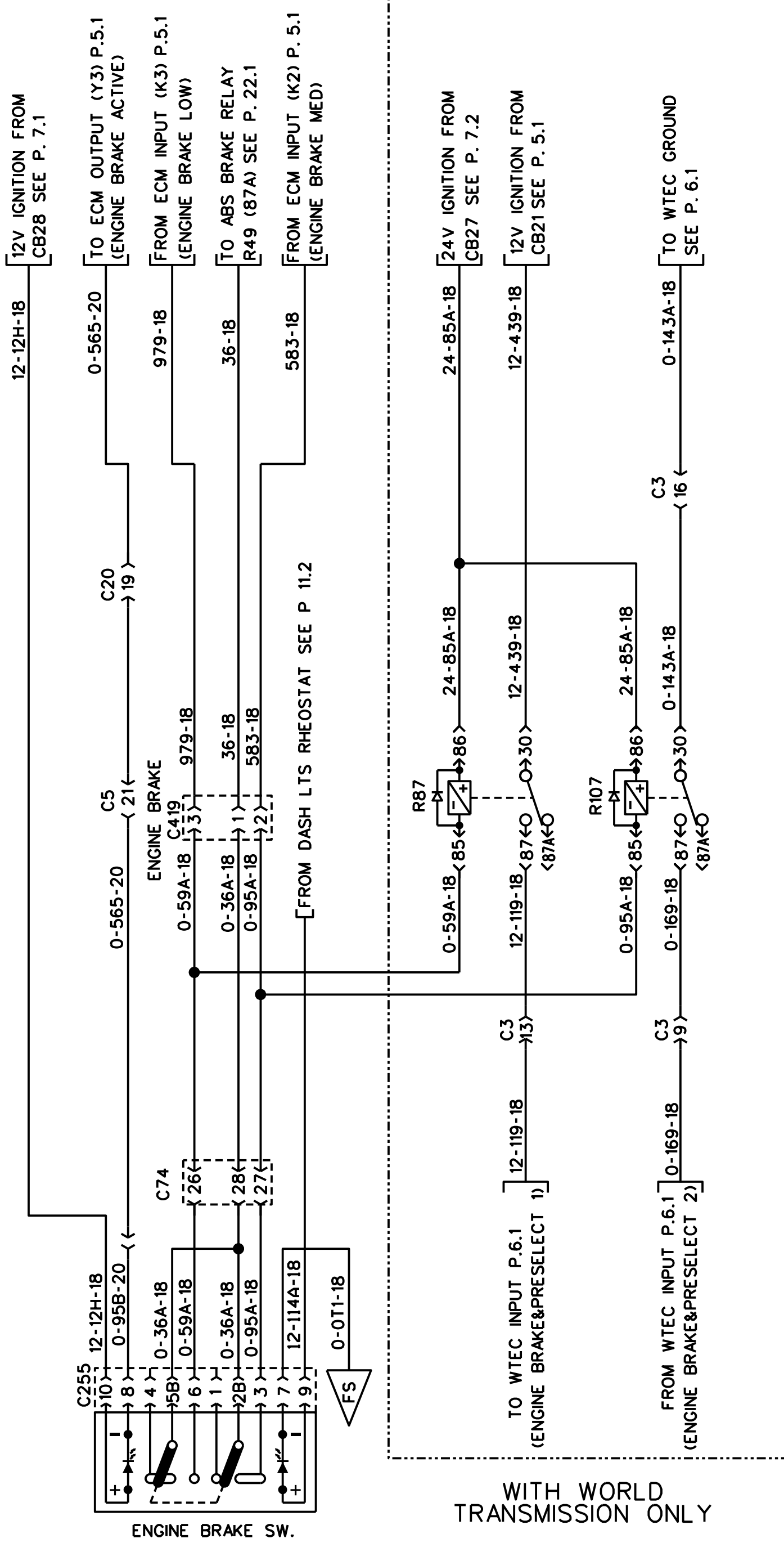
110V PLUG
RR ENGINE DOOR



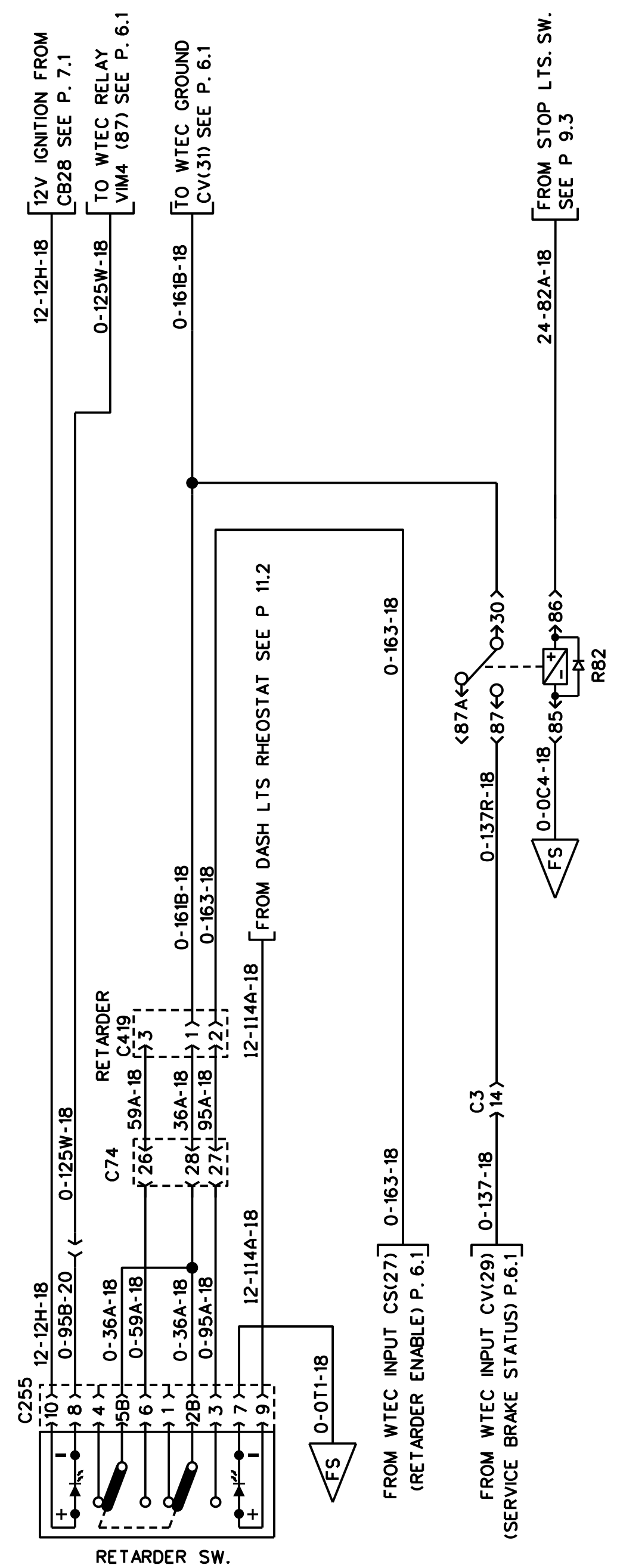
ENGINE BLOCK HEATER | WATER TANK HEATER



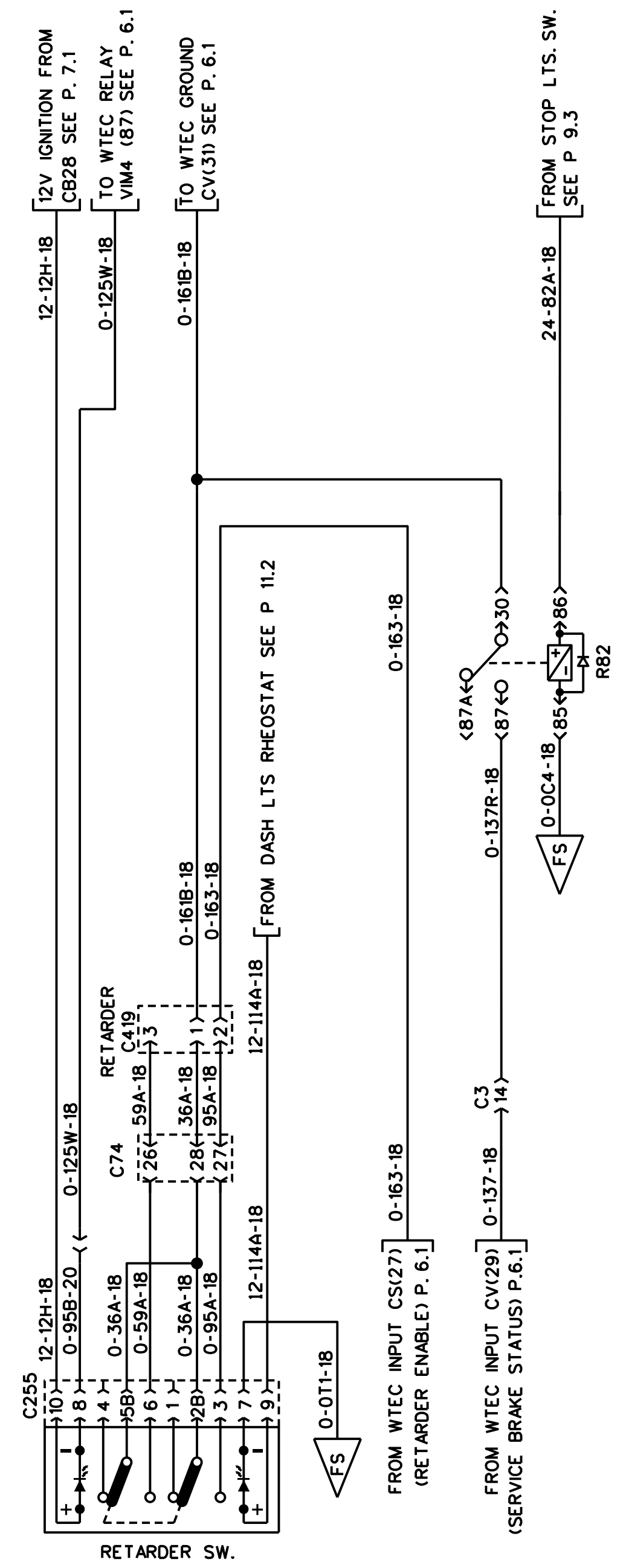
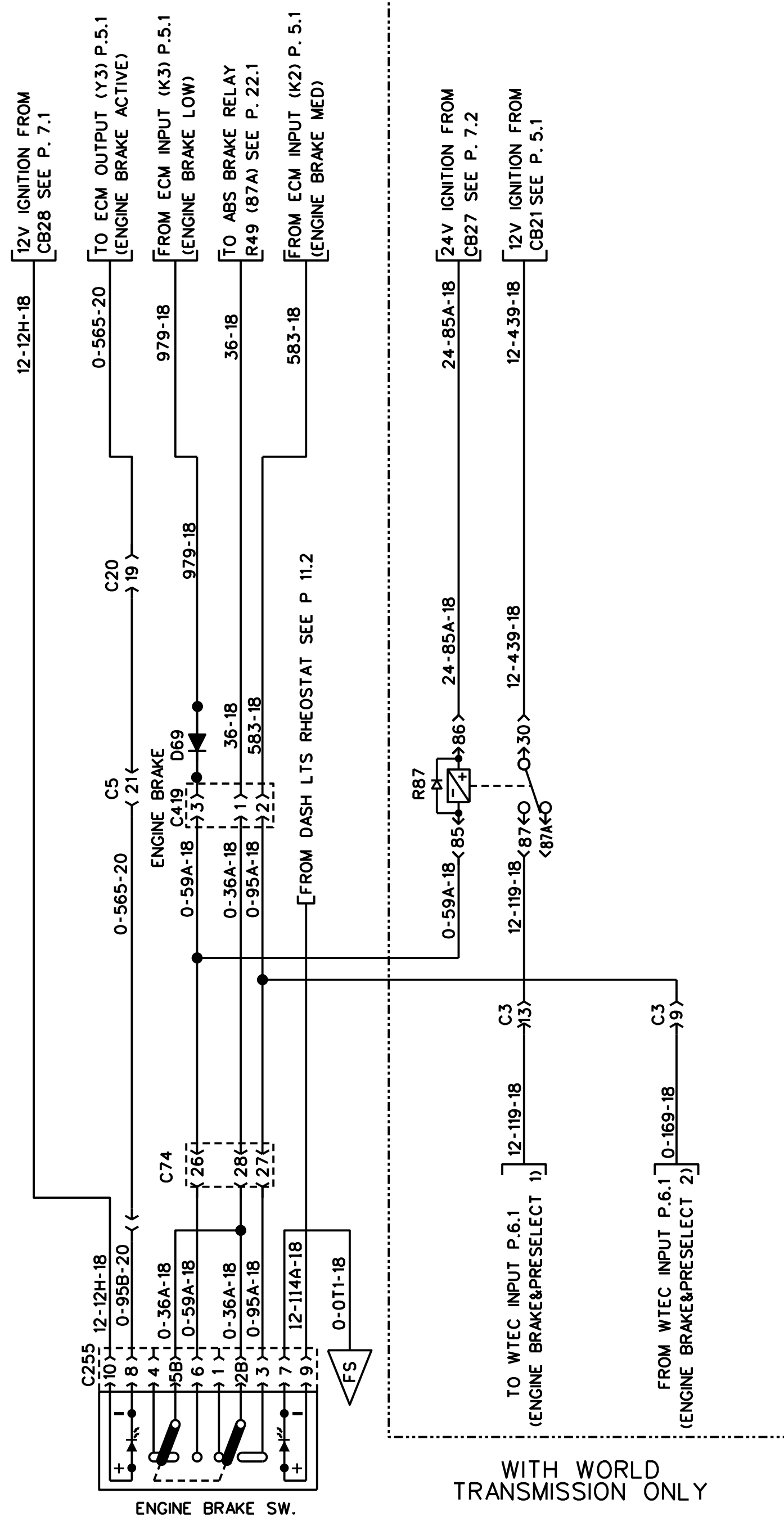
WINDOW AJAR

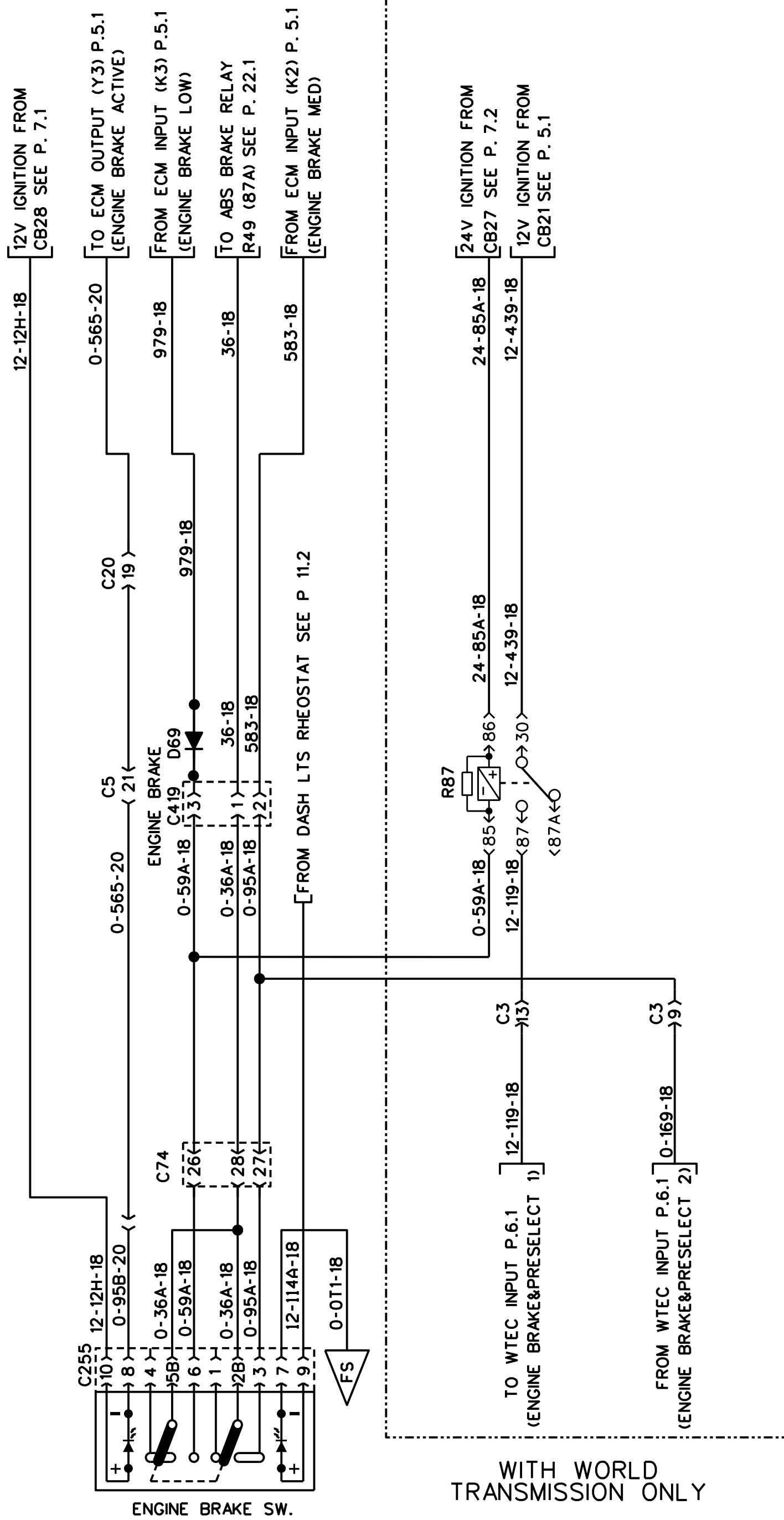


ENGINE BRAKE SYSTEM

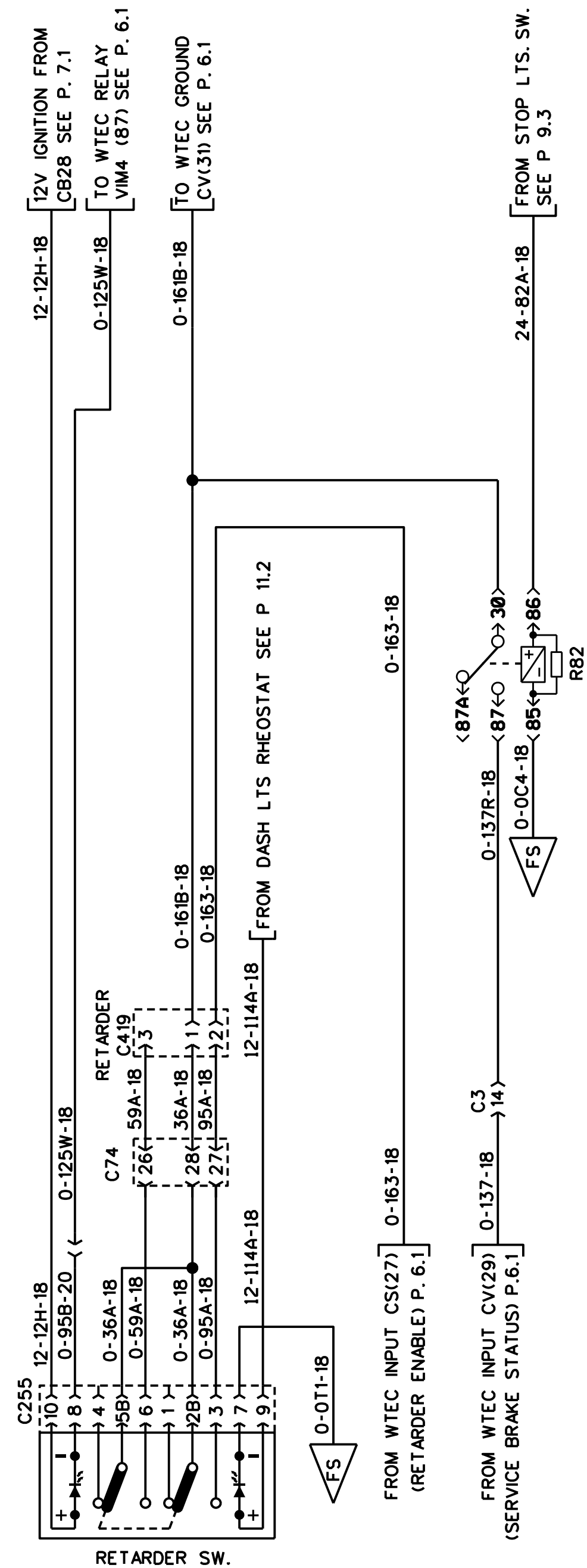


RETARDER SYSTEM
(WORLD TRANSMISSION)

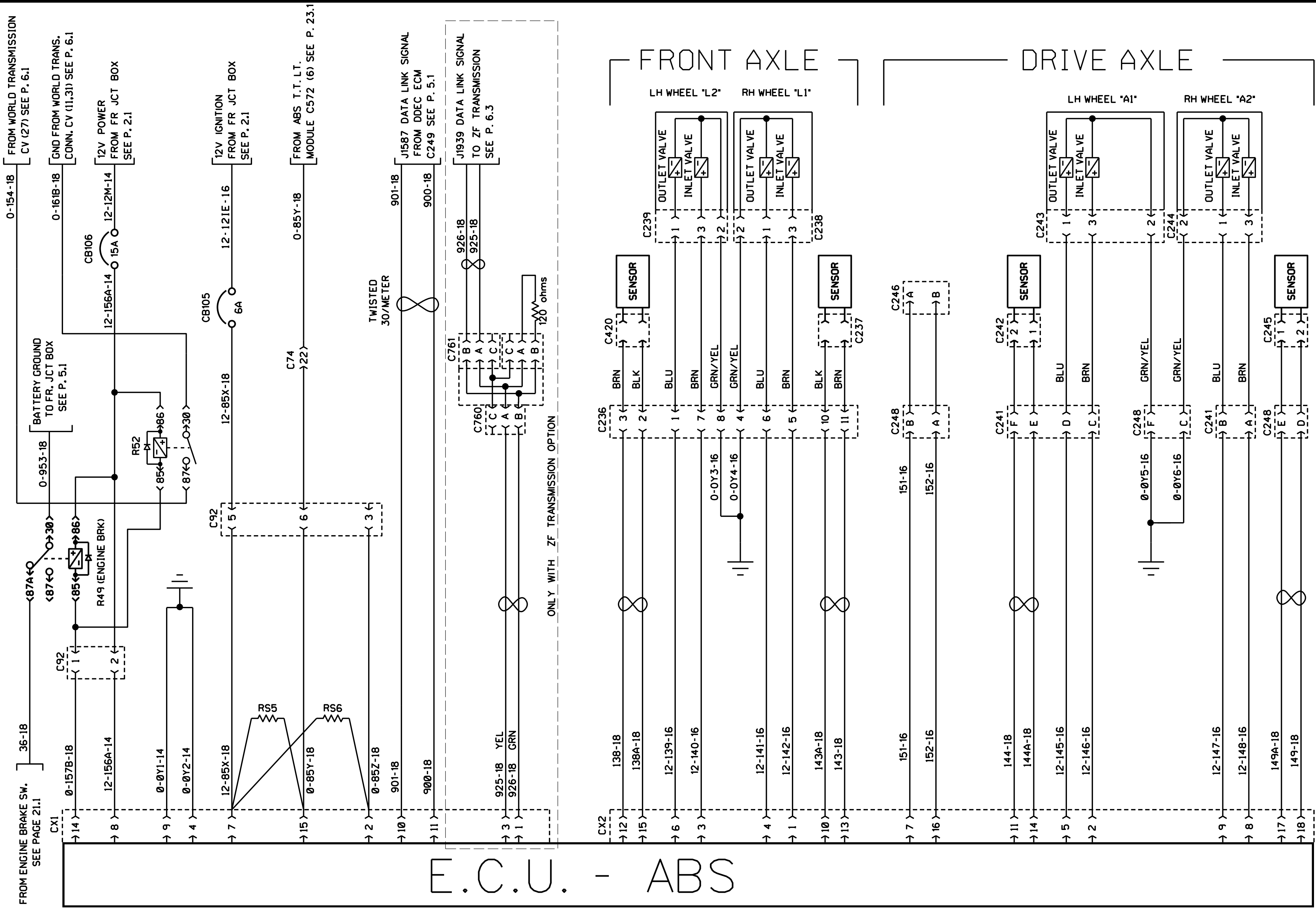


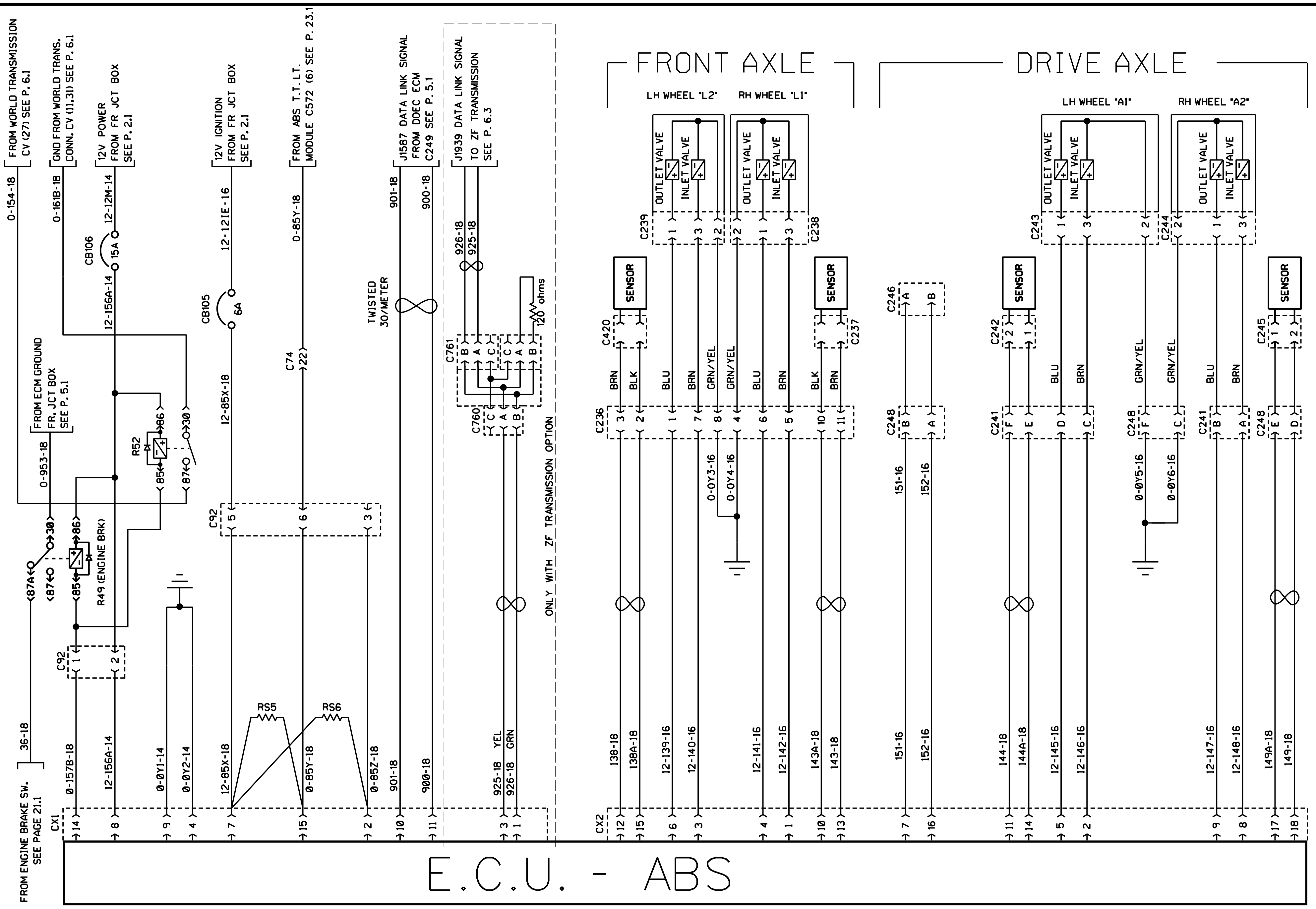


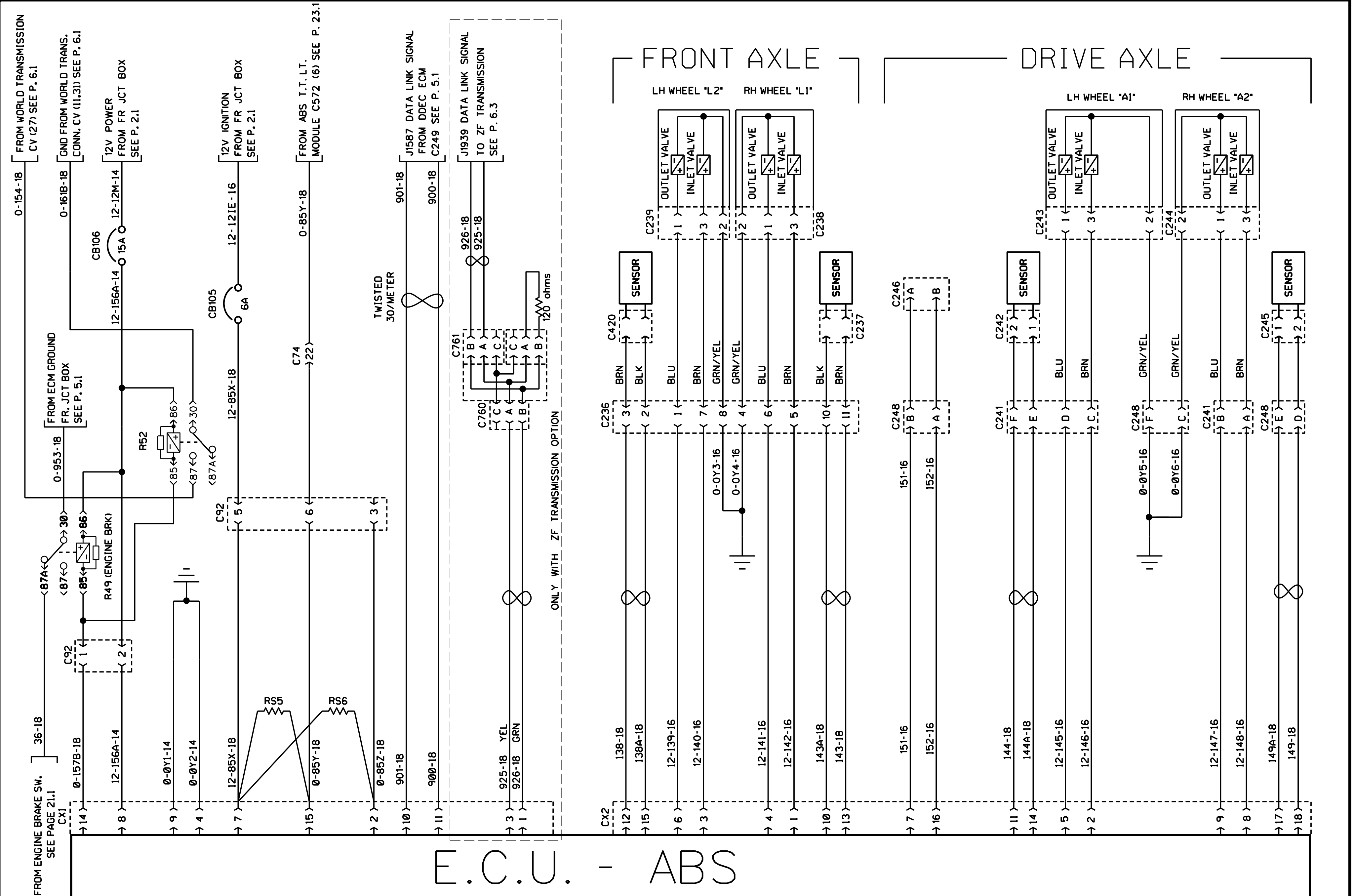
ENGINE BRAKE SYSTEM

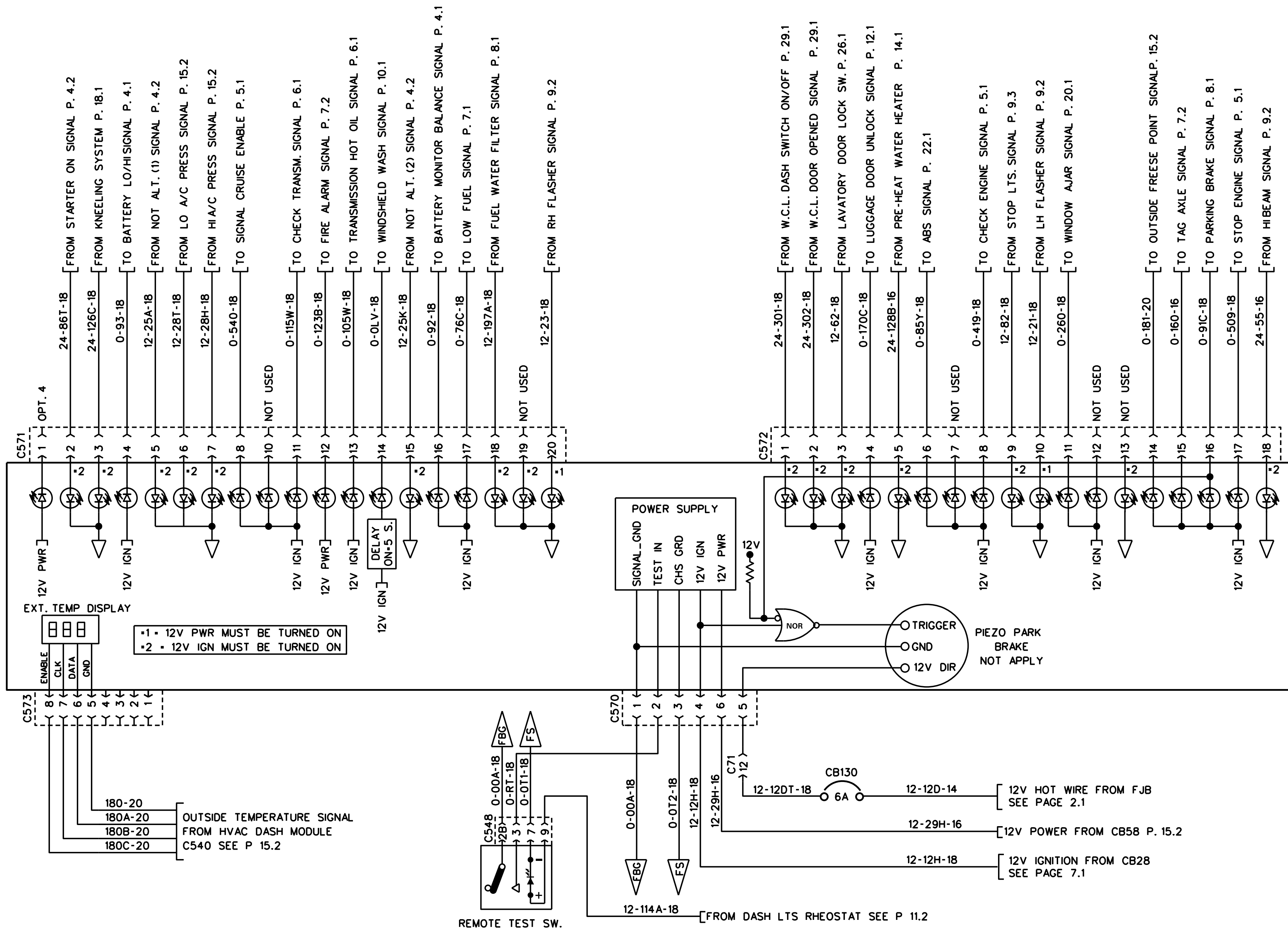


RETARDER SYSTEM
(WORLD TRANSMISSION)

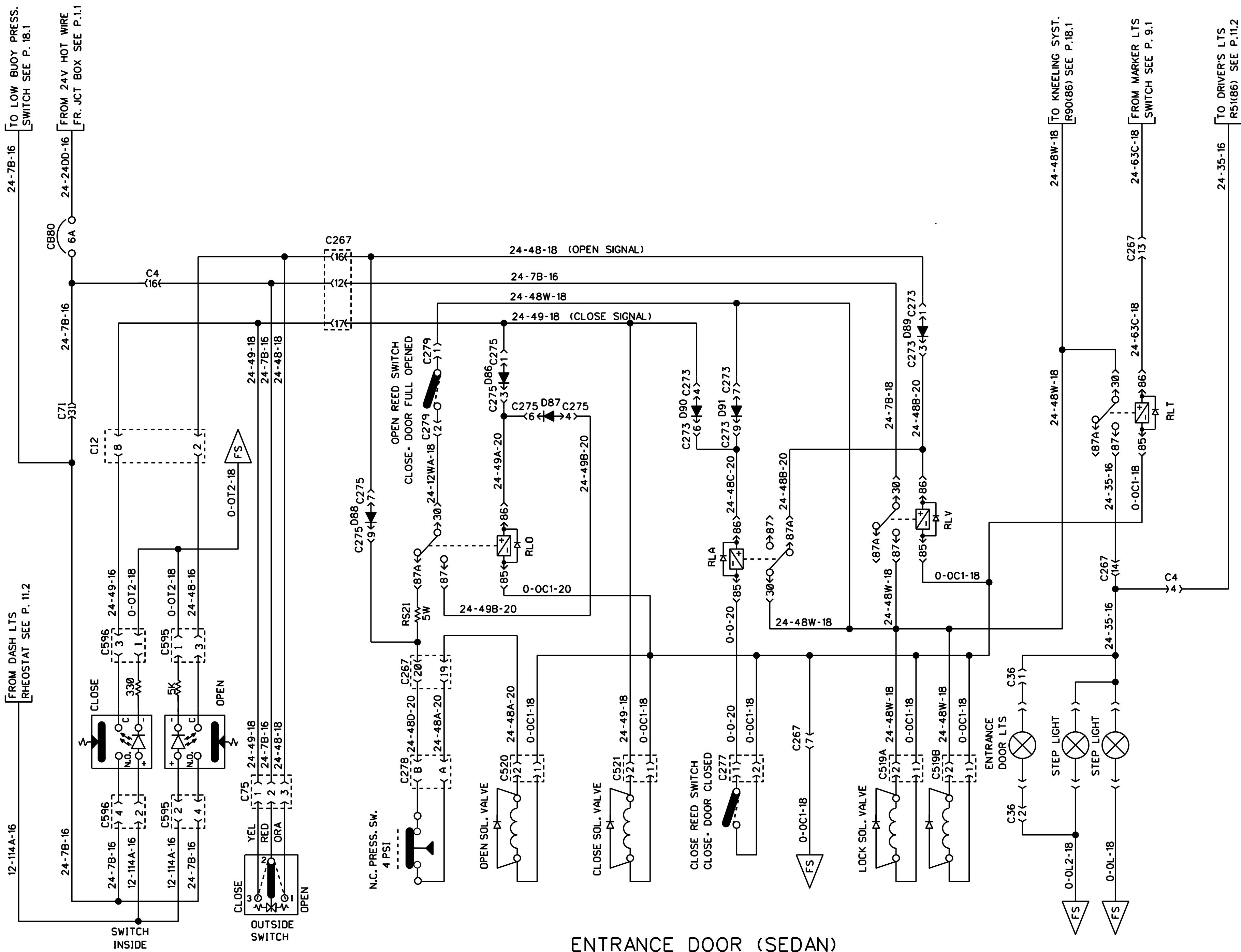




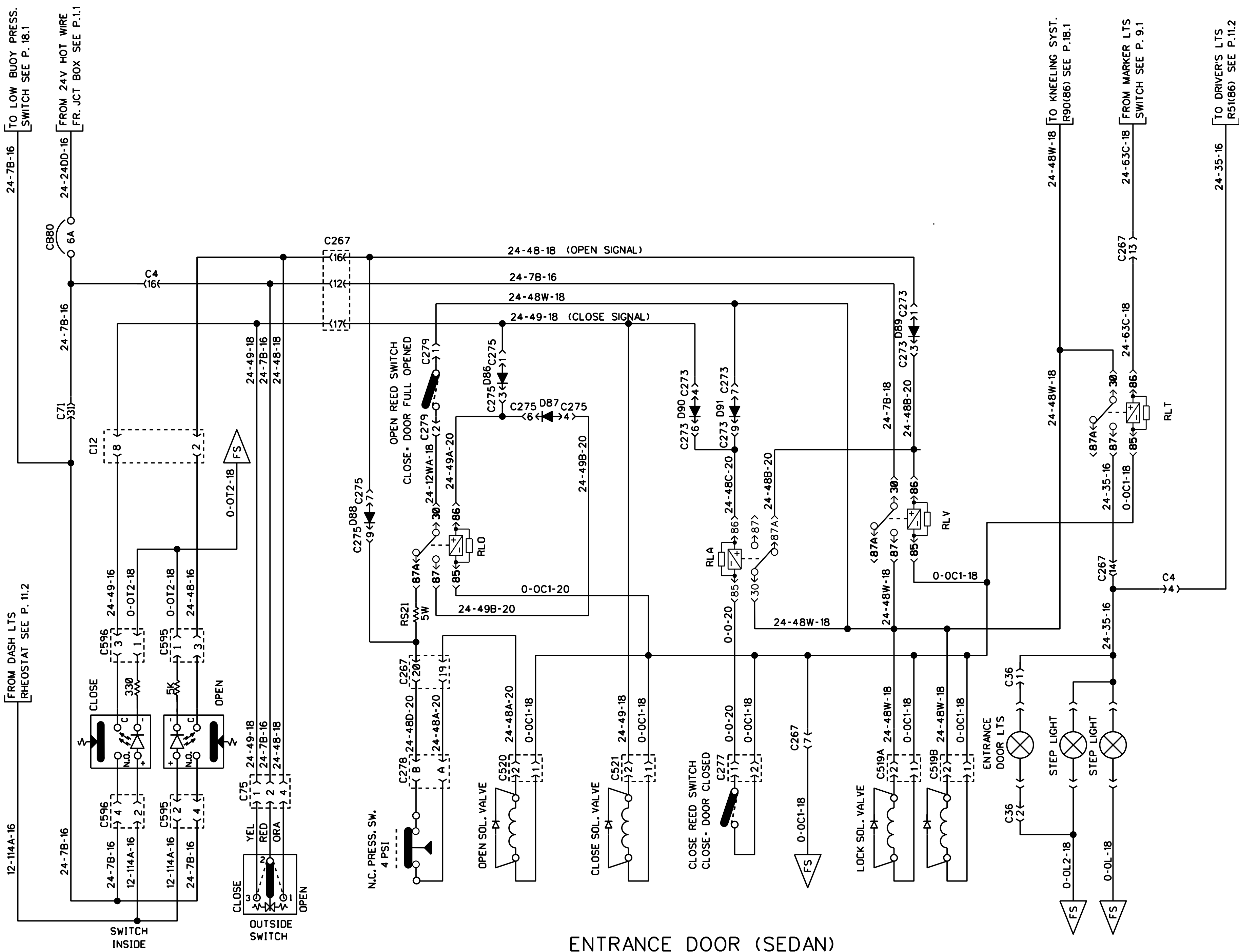




TELL TALE LIGHTS MODULE

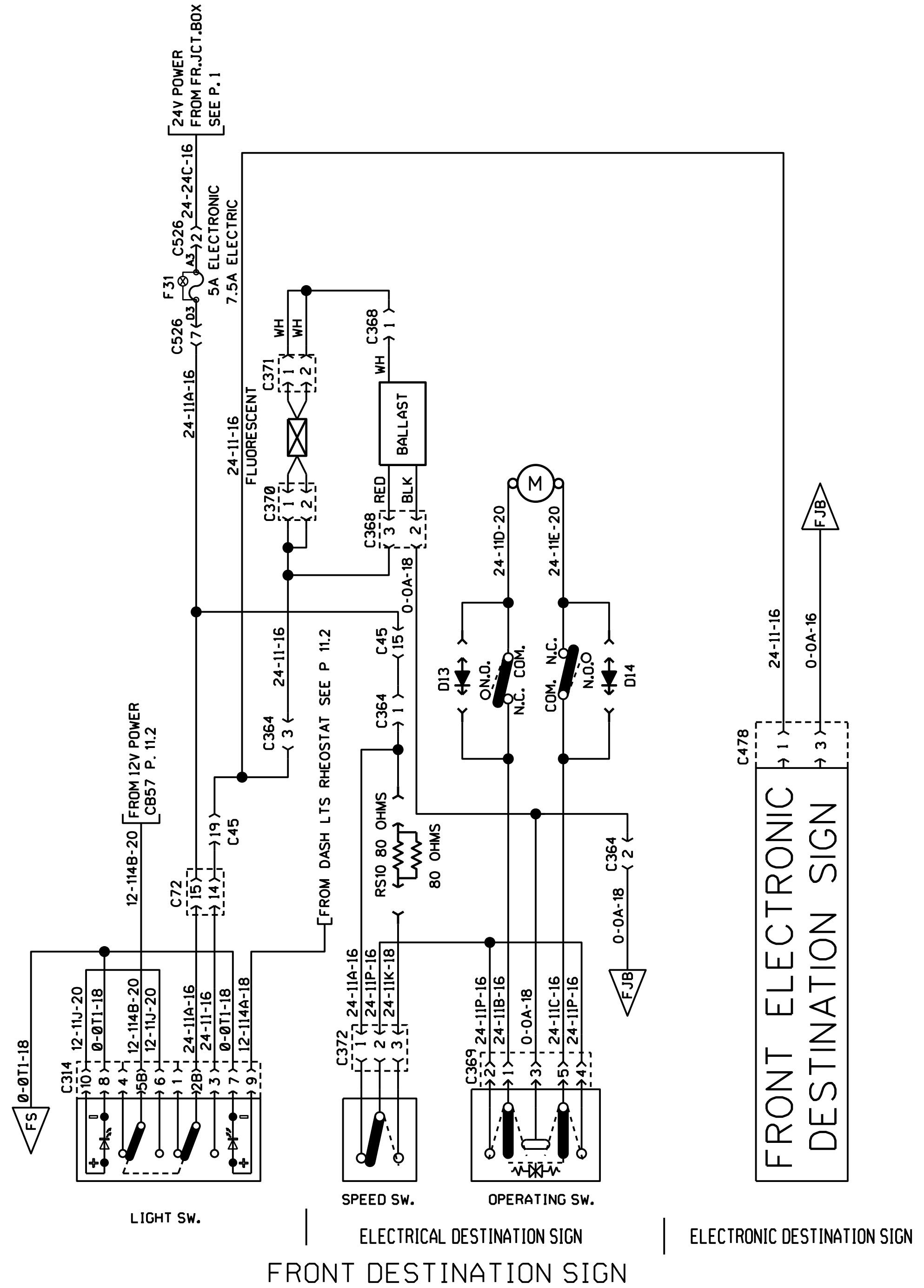
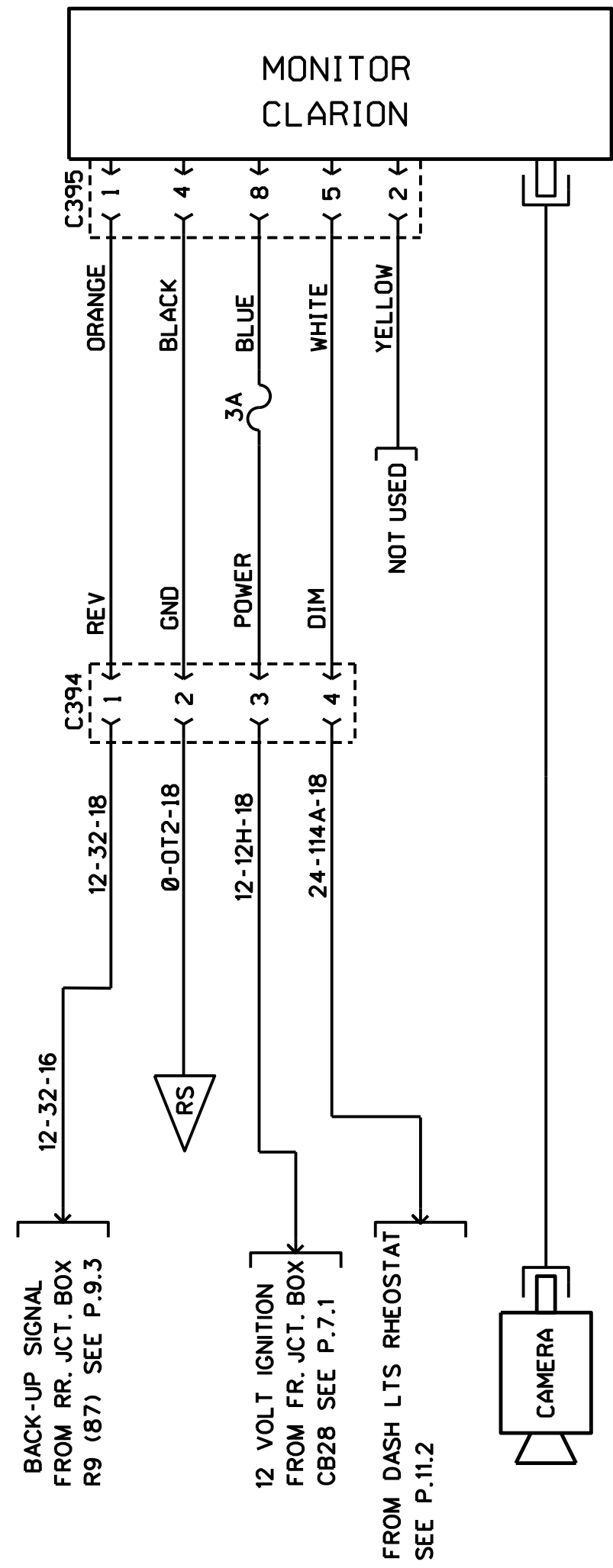


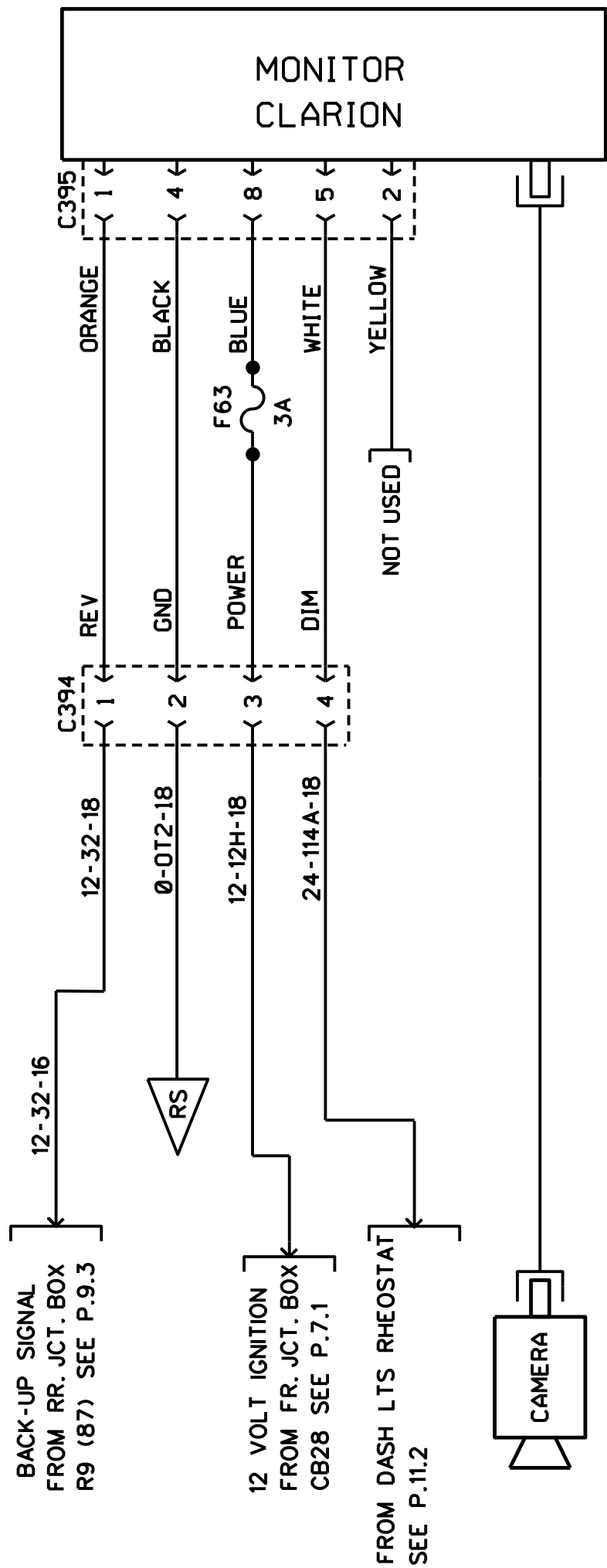
ENTRANCE DOOR (SEDAN)



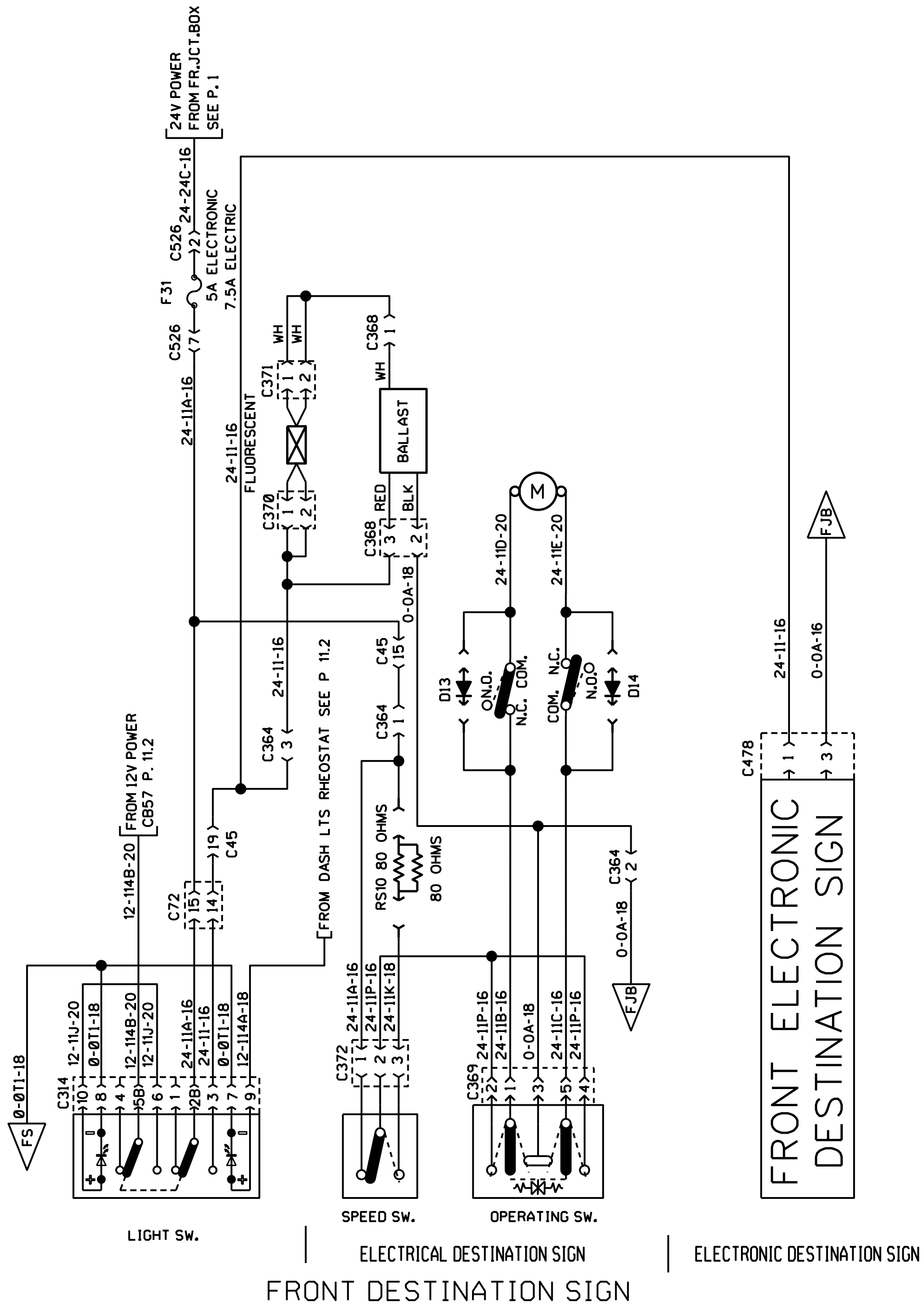
ENTRANCE DOOR (SEDAN)

BACK-UP MONITOR (CLARION)

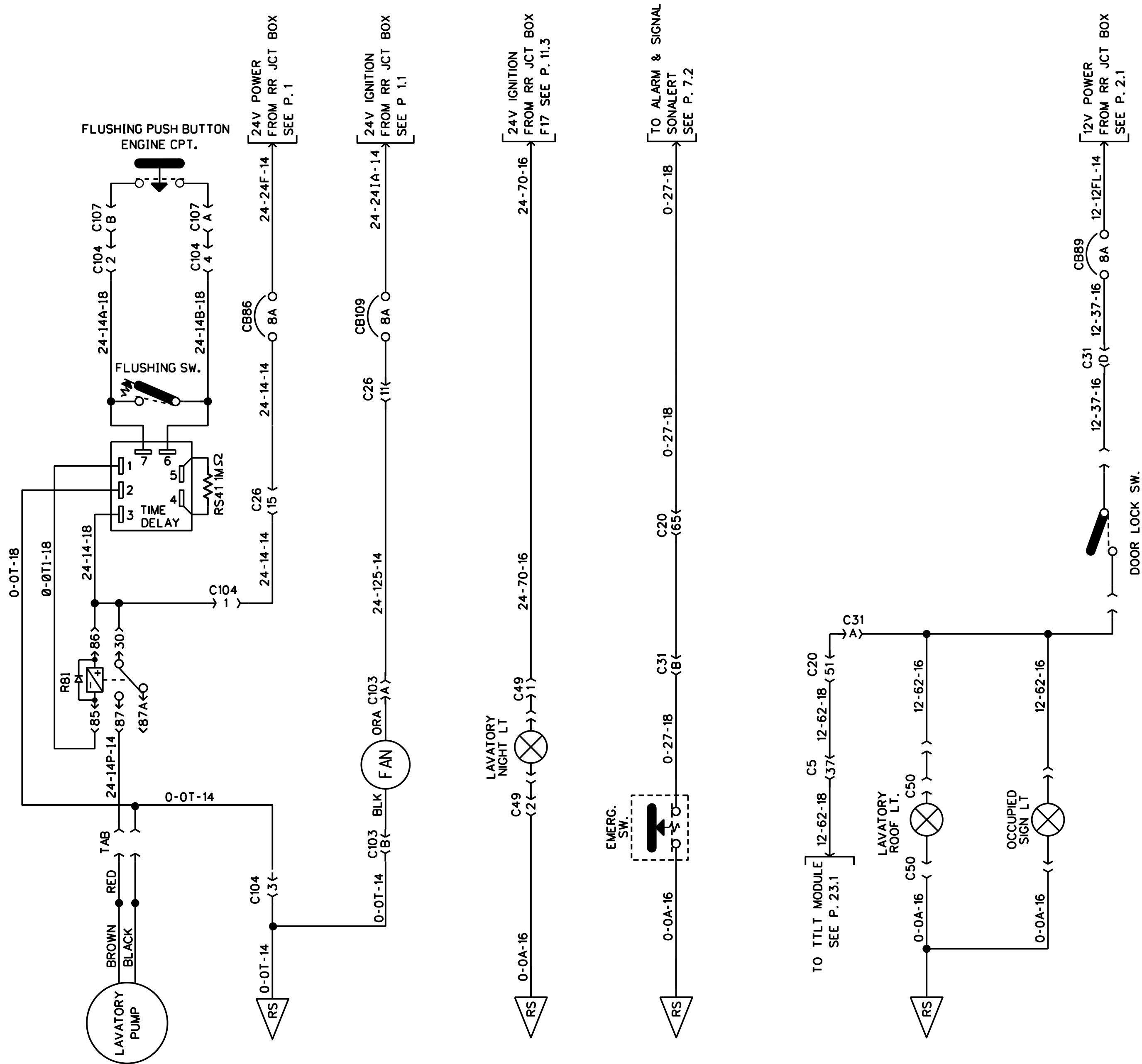




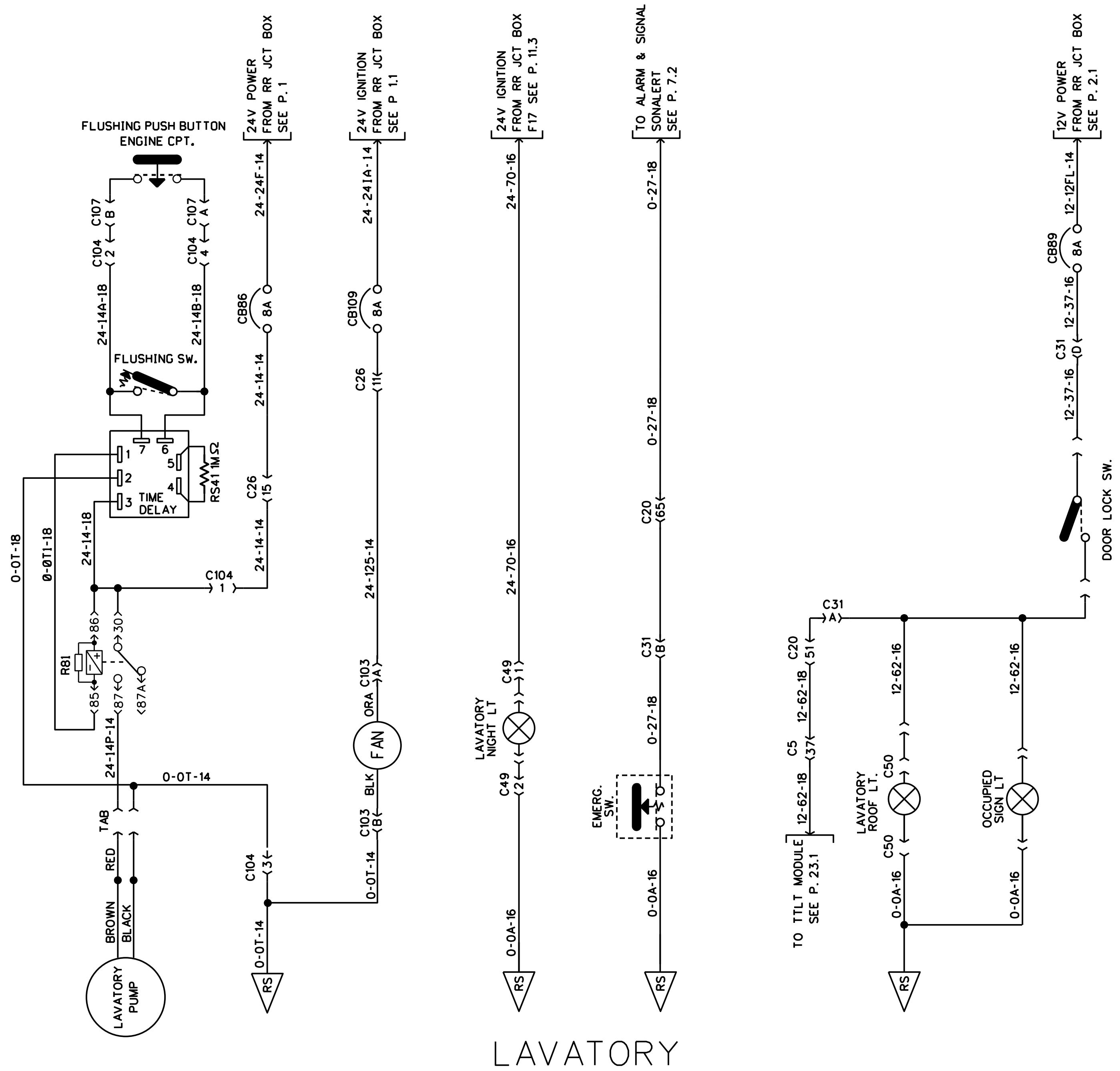
BACK-UP MONITOR (CLARION)



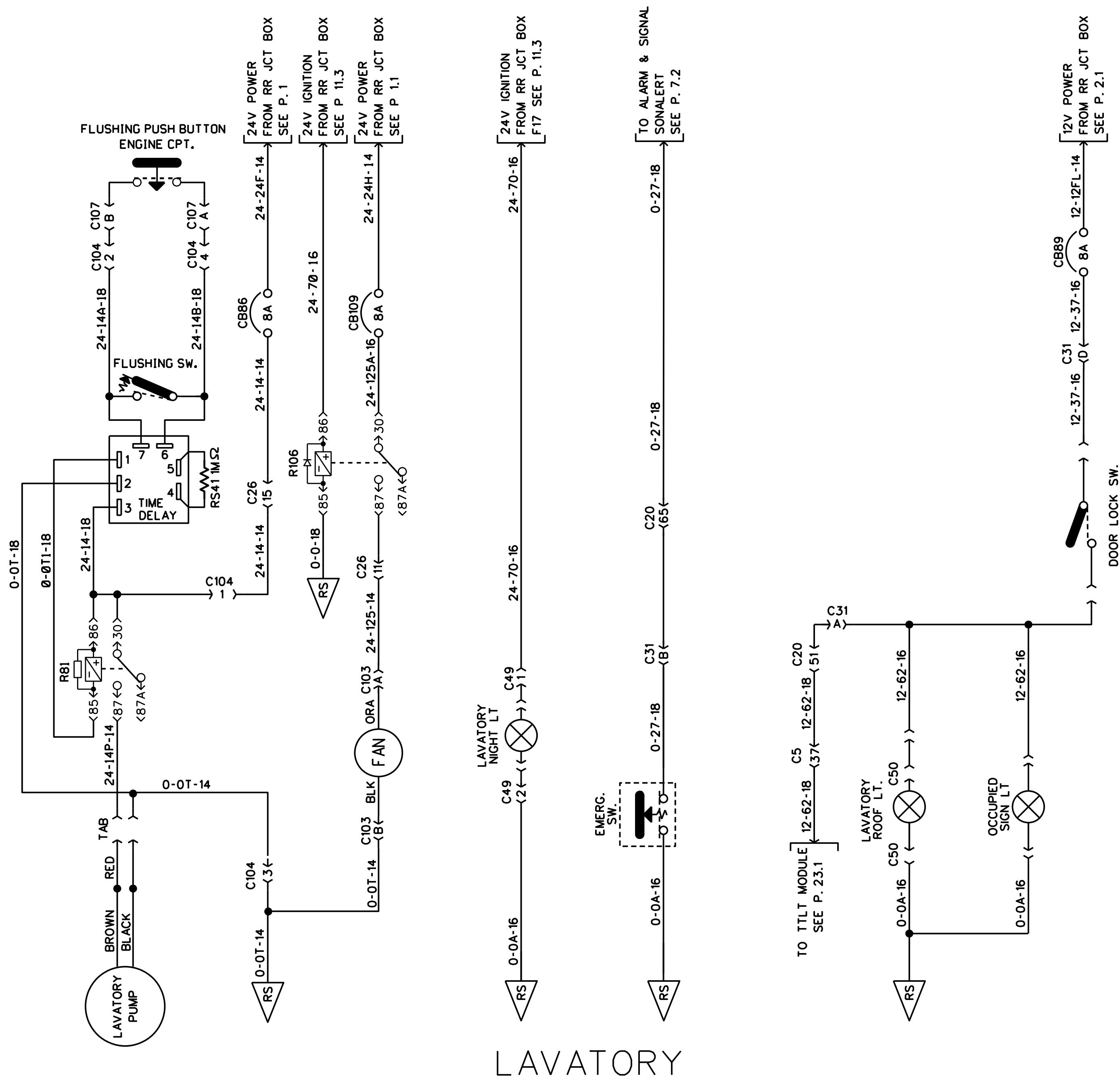
FRONT DESTINATION SIGN



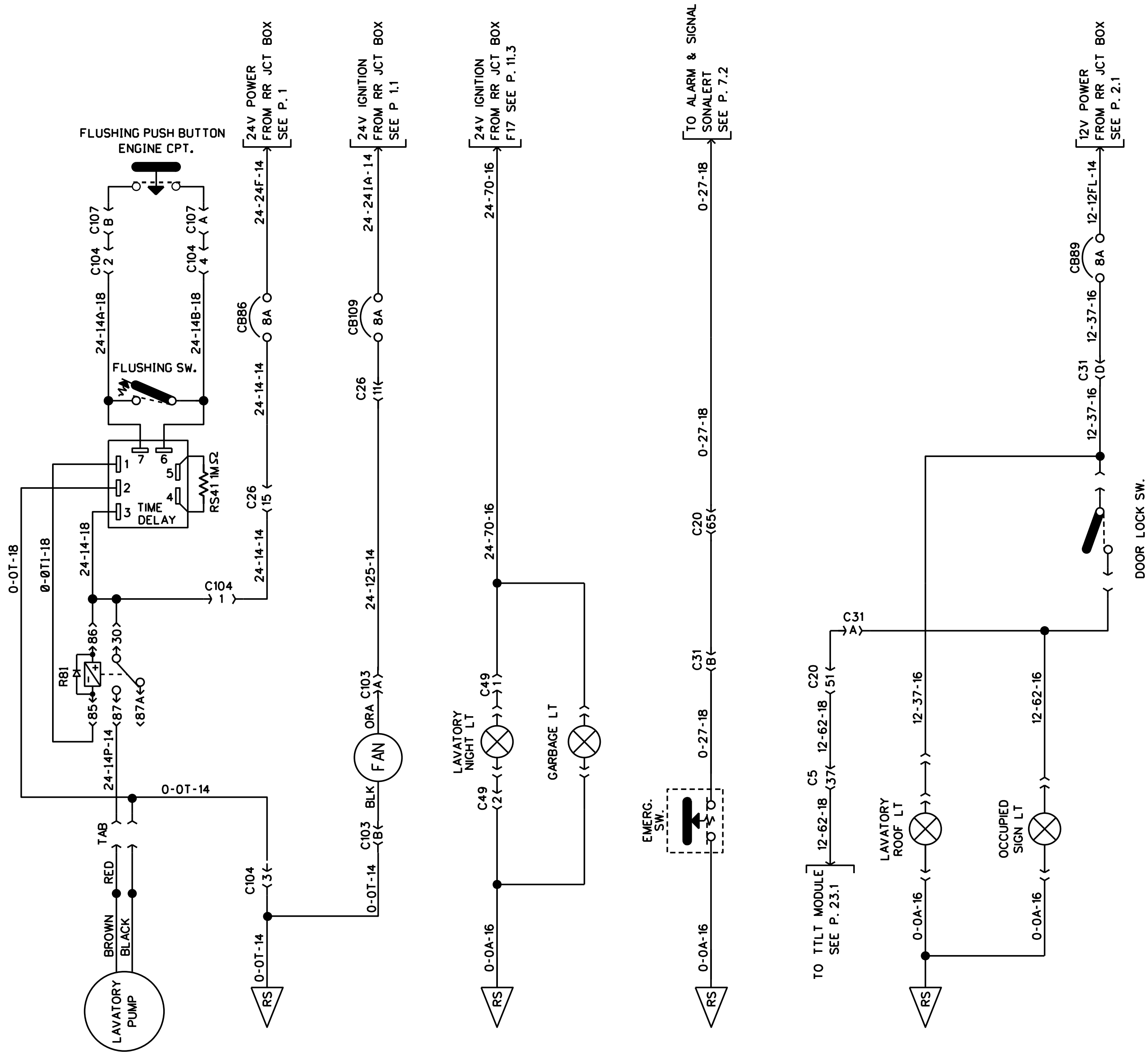
LAVATORY



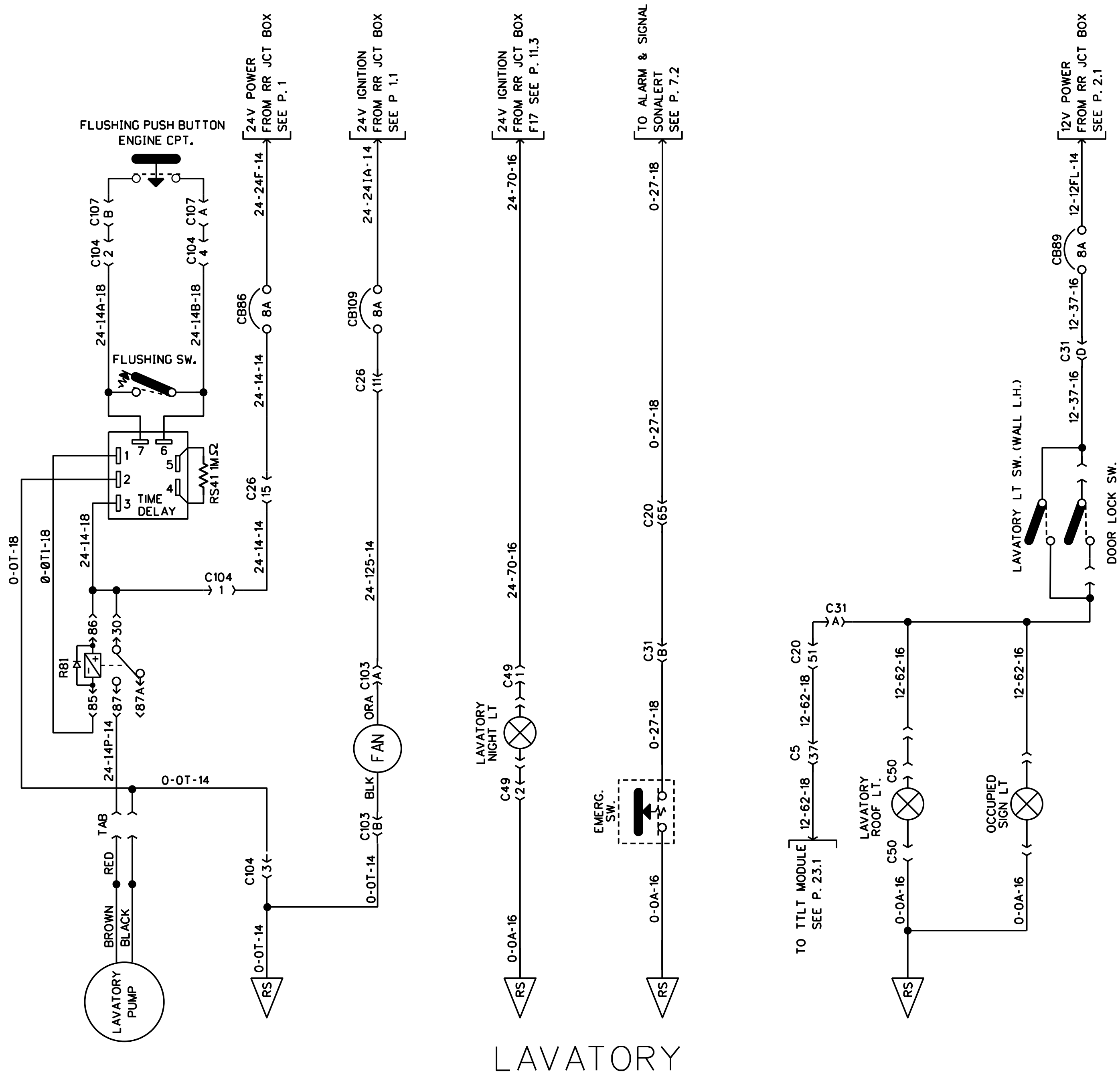
LAVATORY



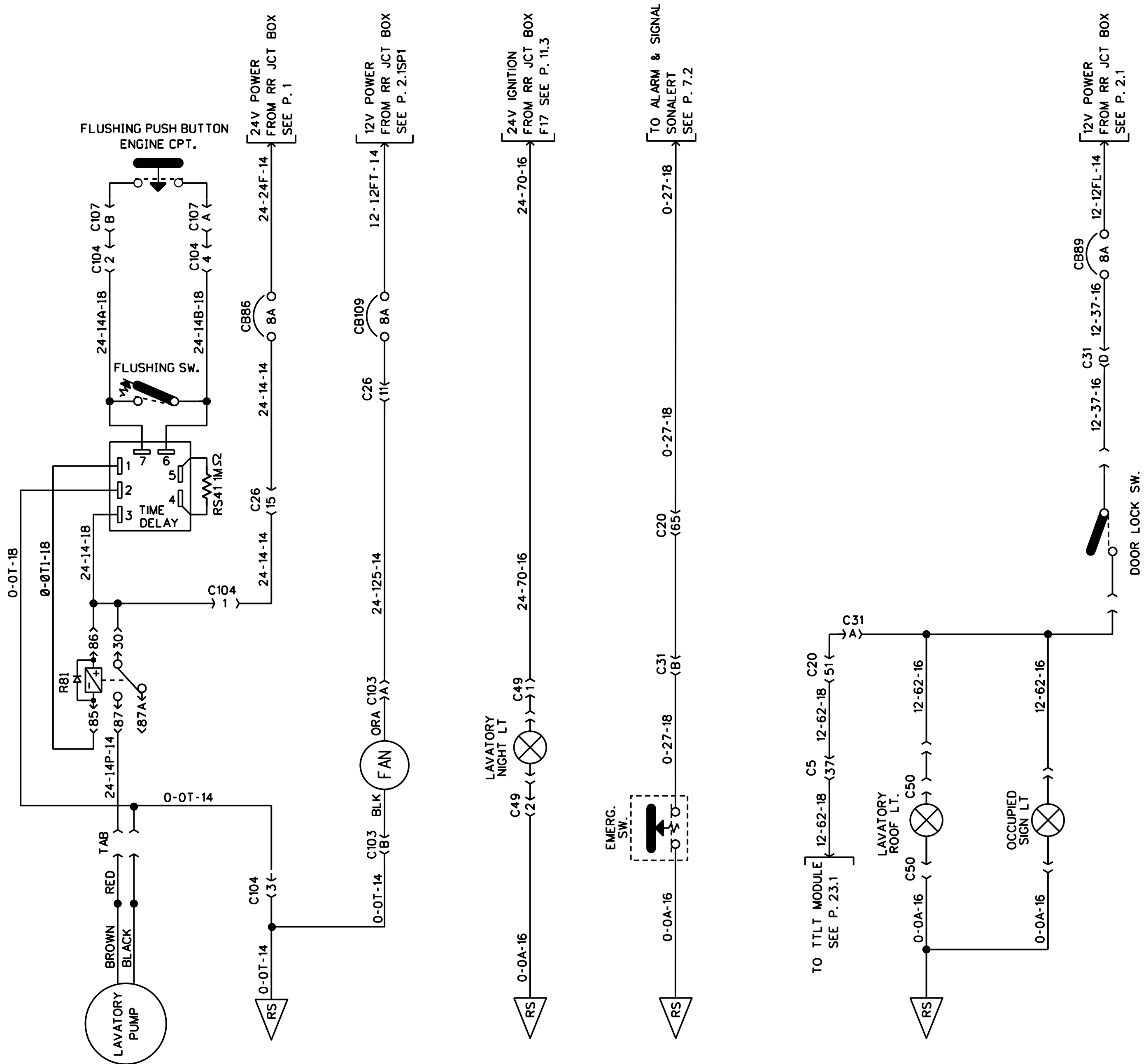
LAVATORY



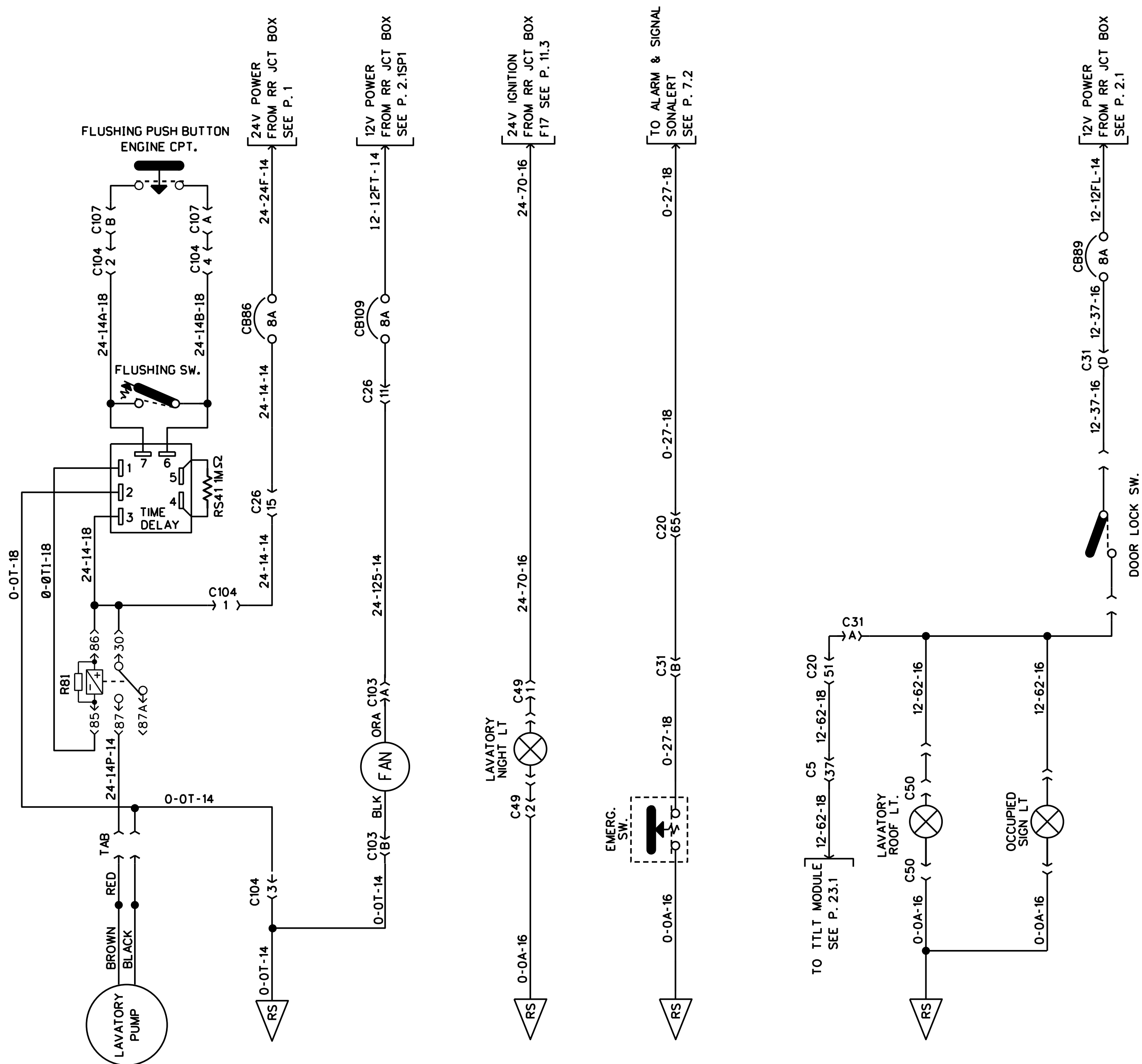
LAVATORY



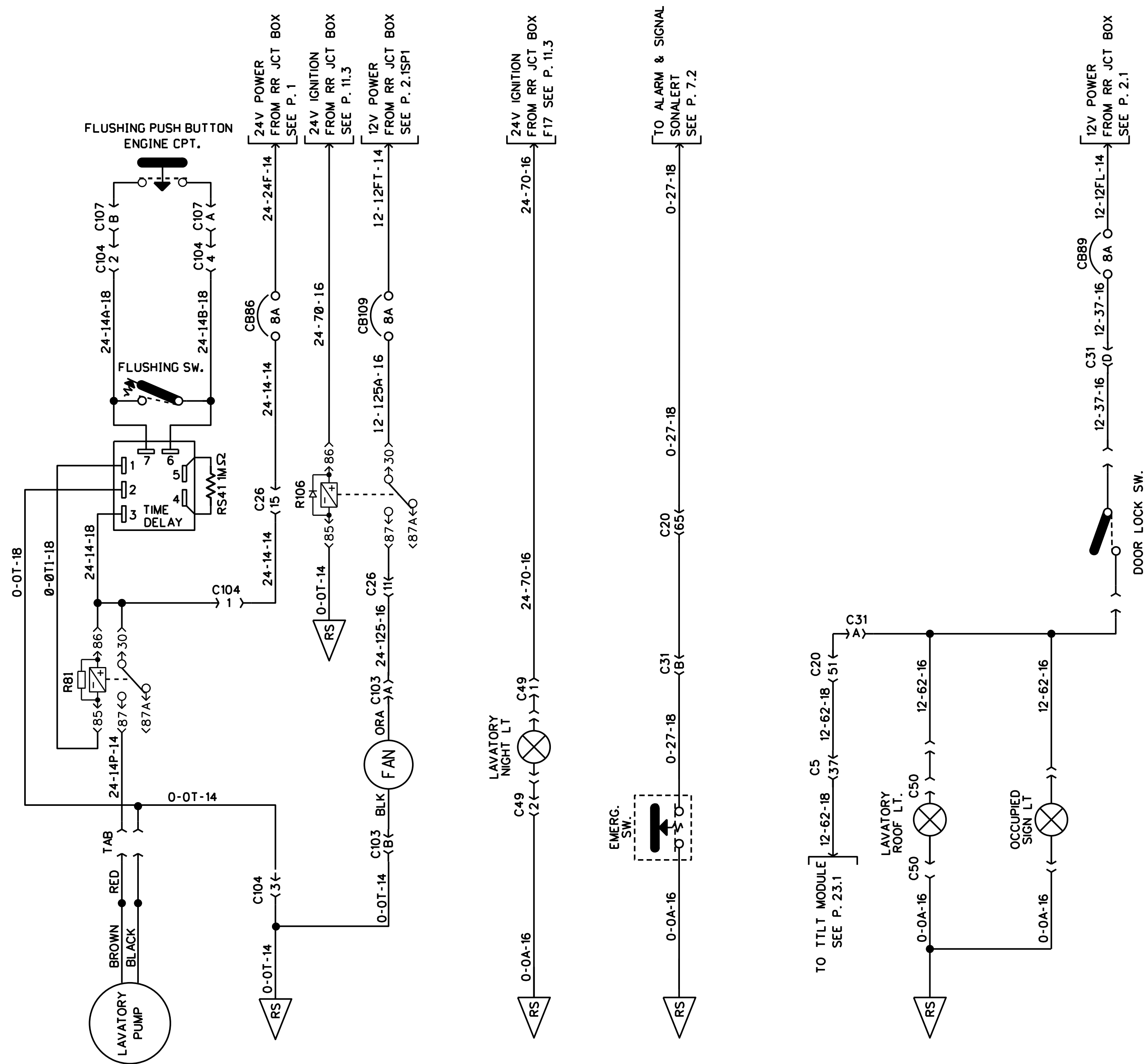
LAVATORY



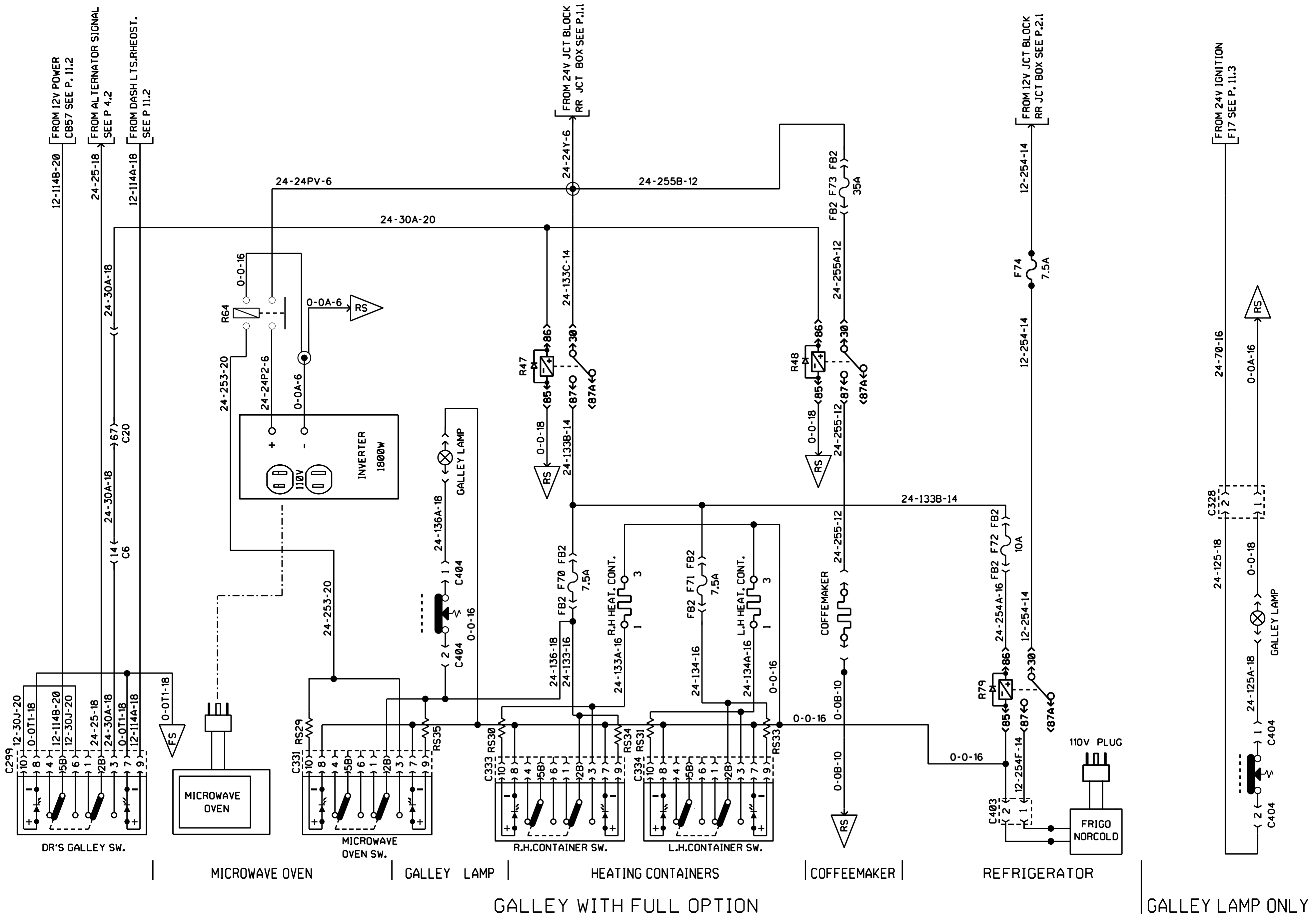
LAVATORY



LAVATORY

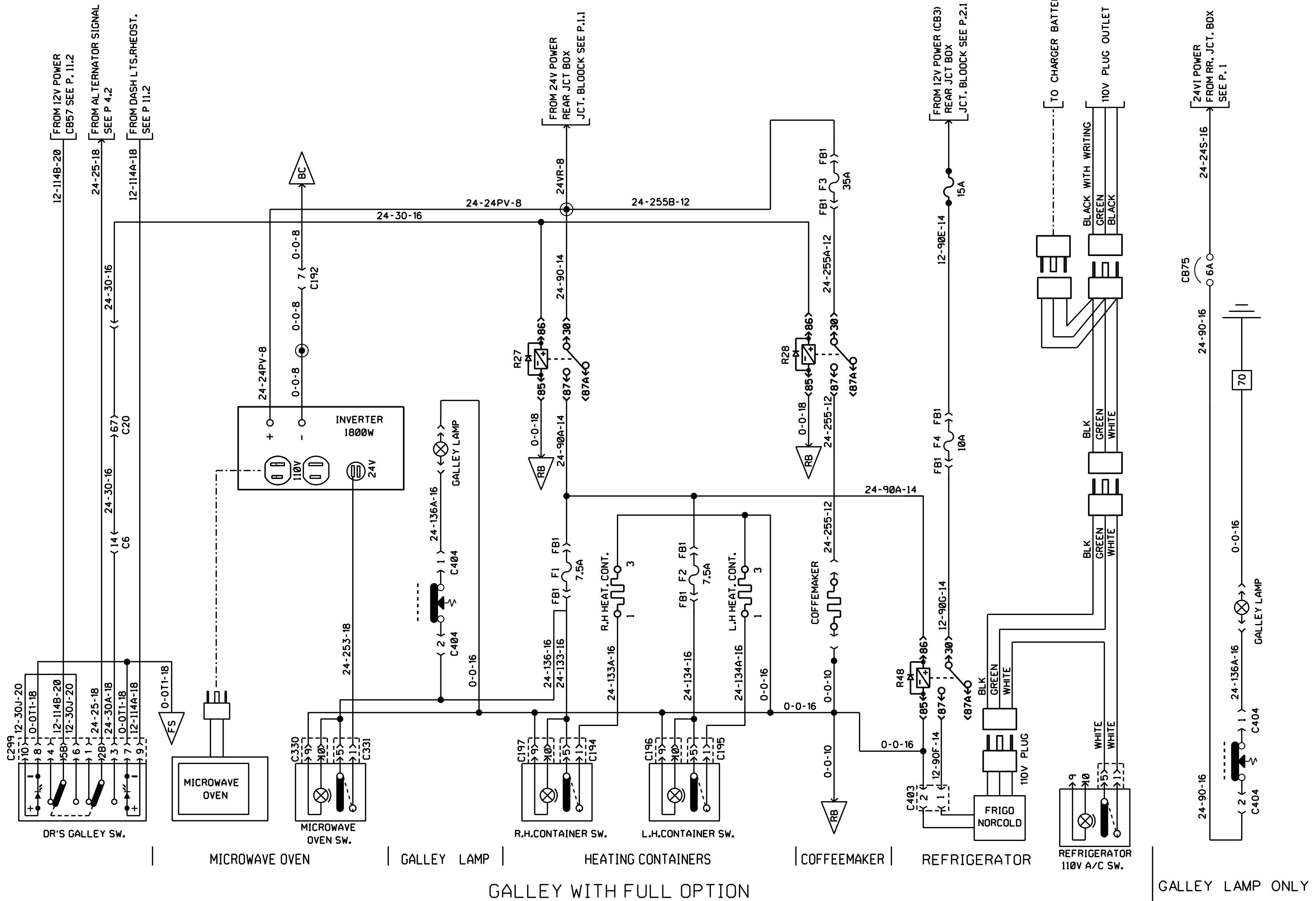


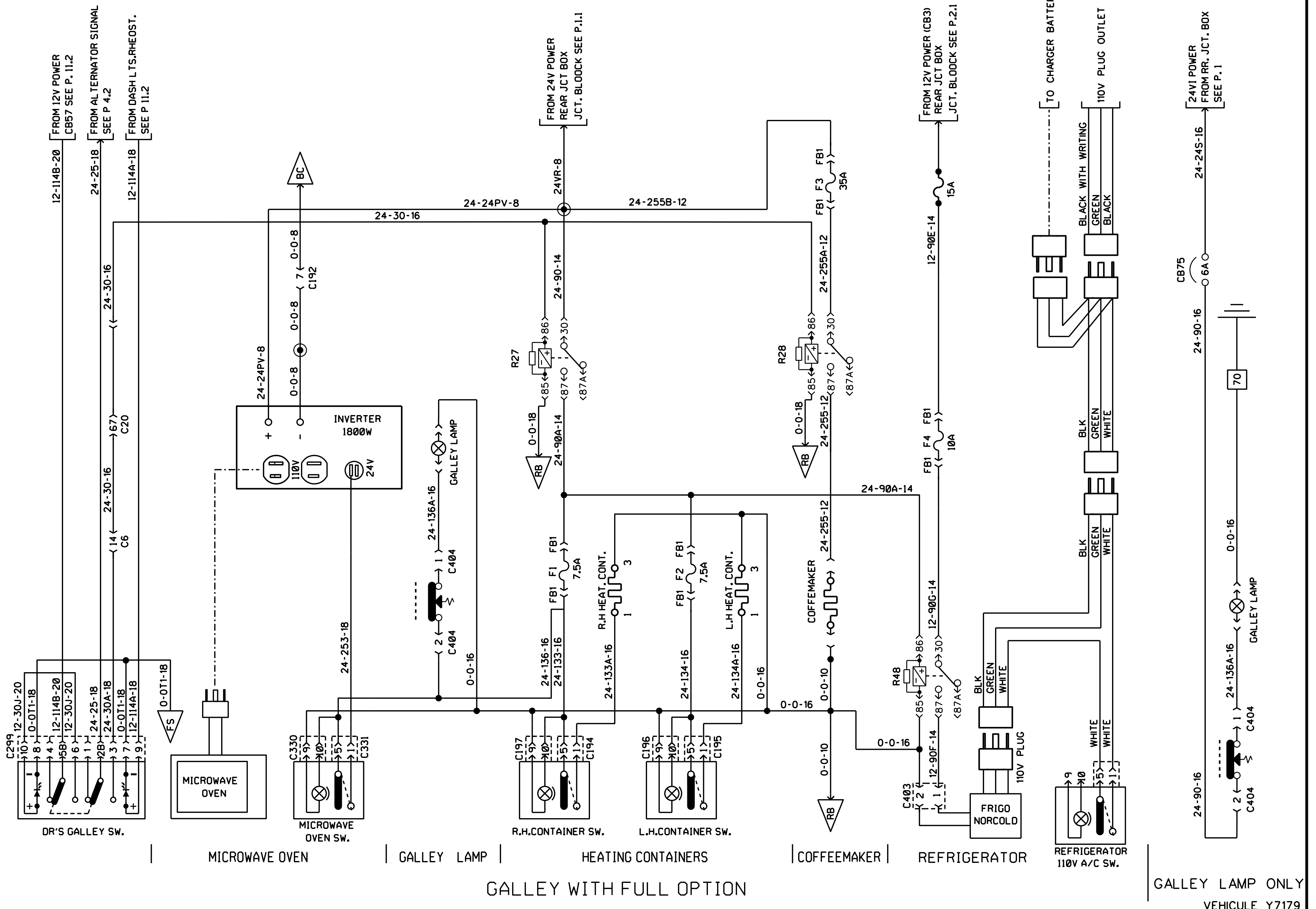
LAVATORY



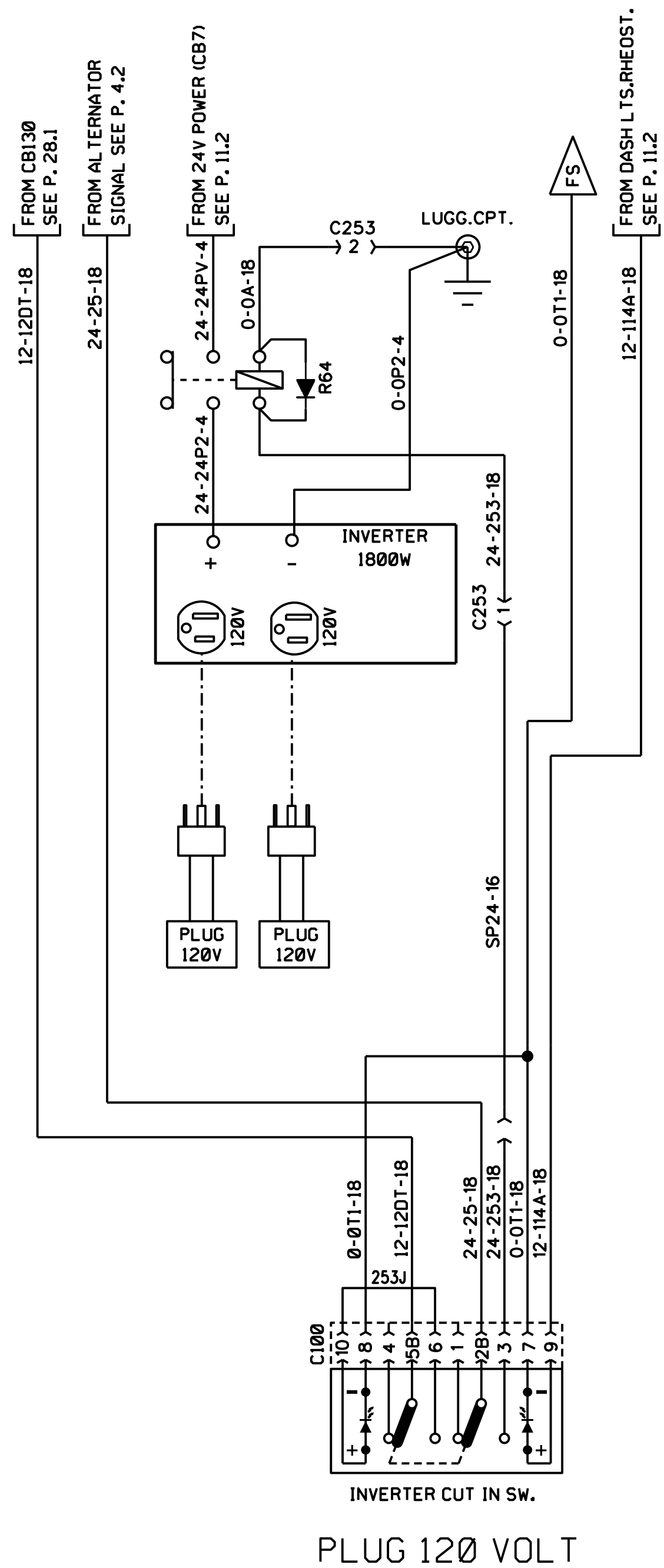
GALLEY WITH FULL OPTION

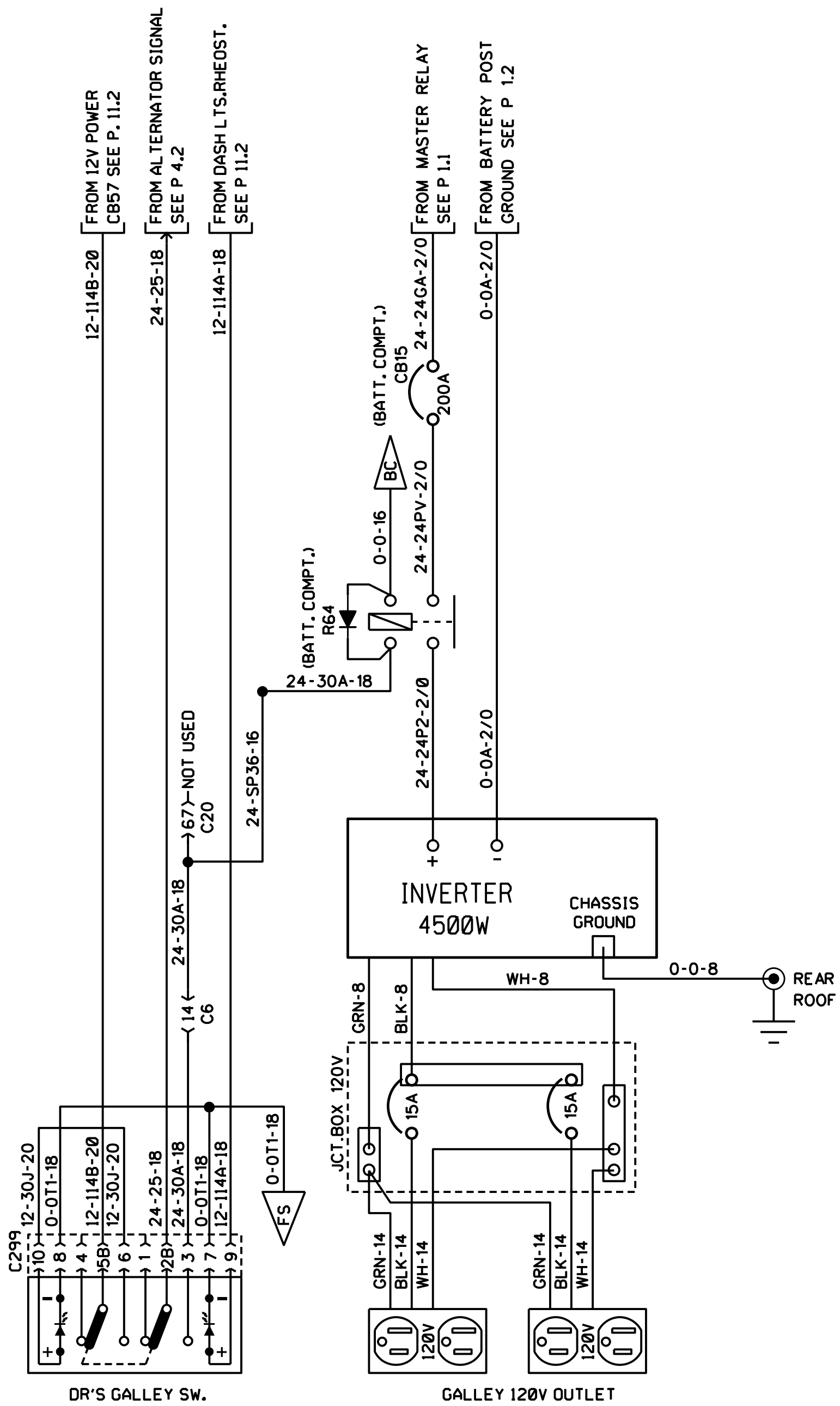
GALLEY LAMP ONLY



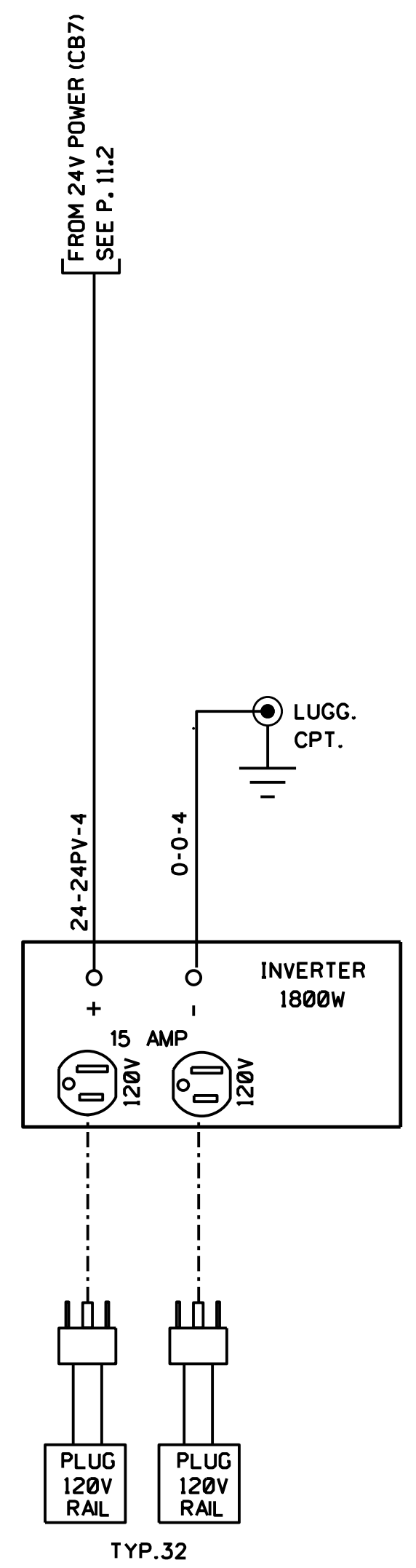


GALLEY LAMP ONLY
VEHICLE Y7179

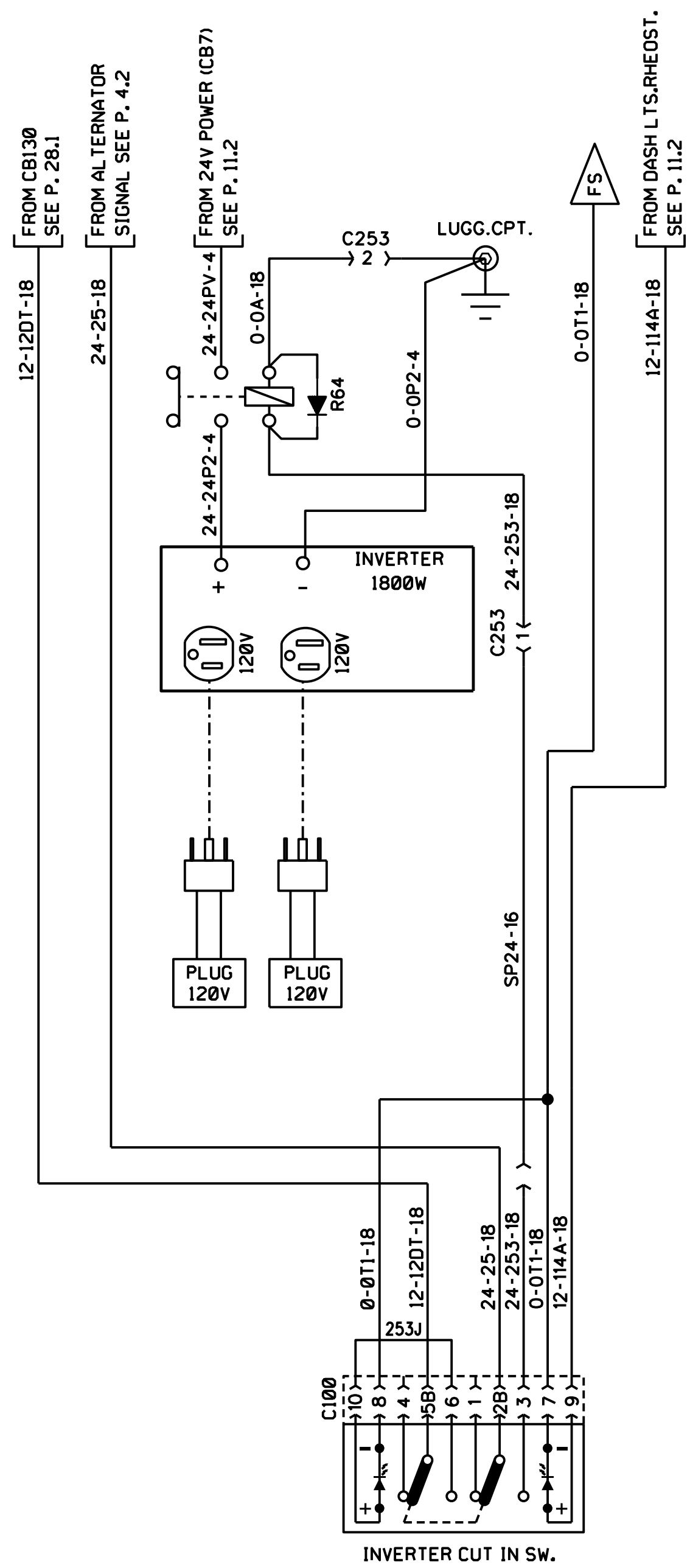




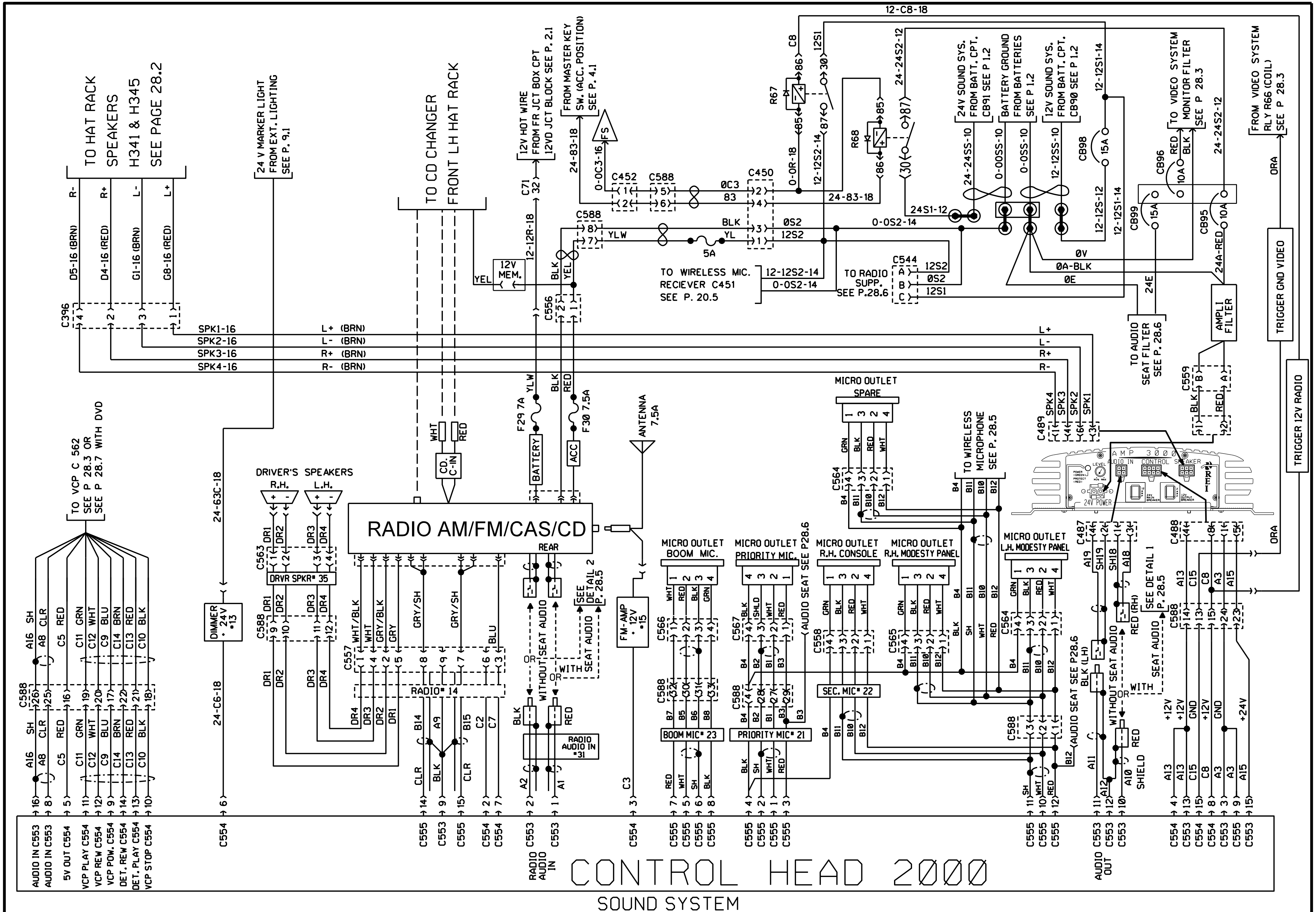
INVERTER GALLEY



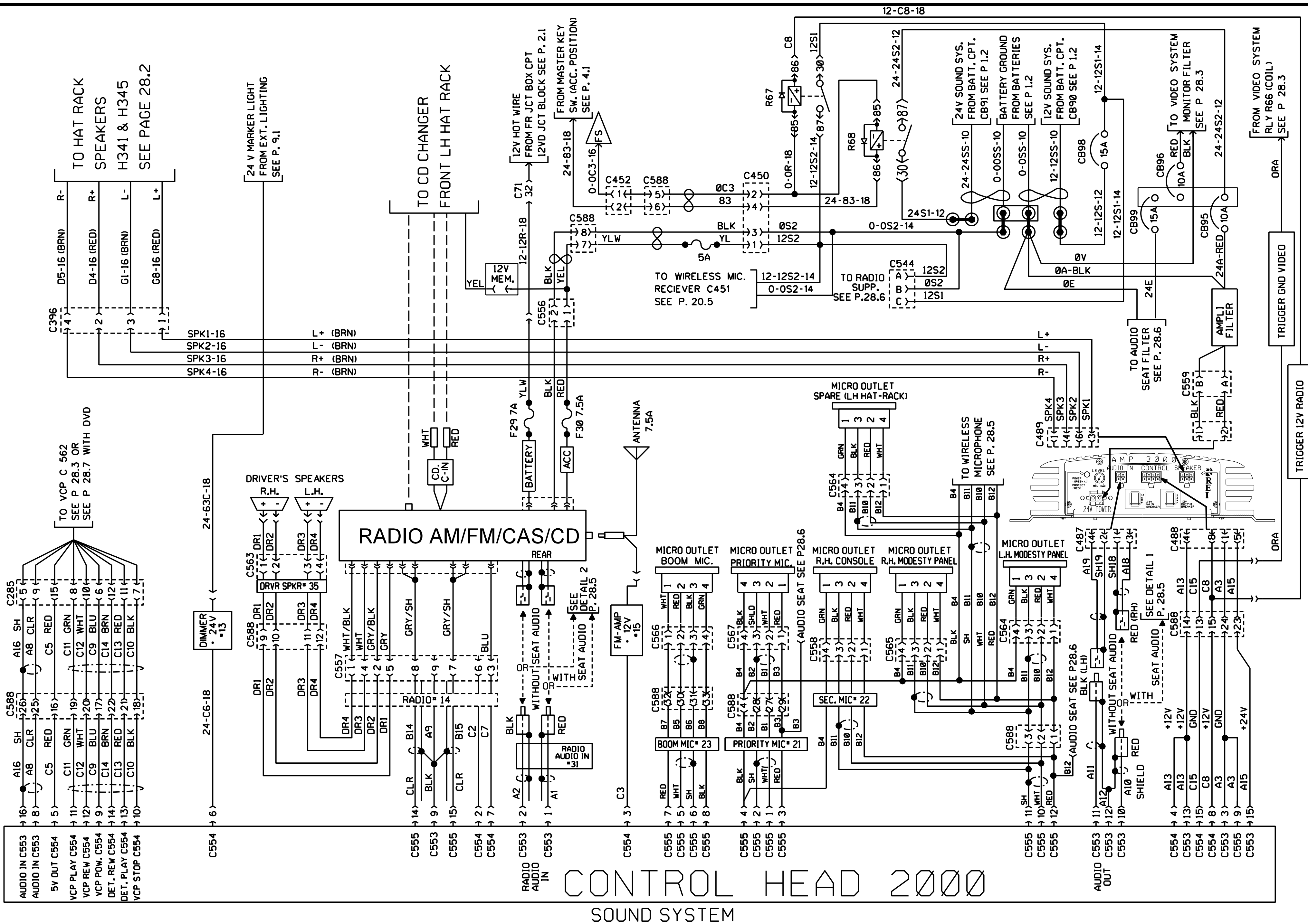
INVERTER PLUG 120 VOLT

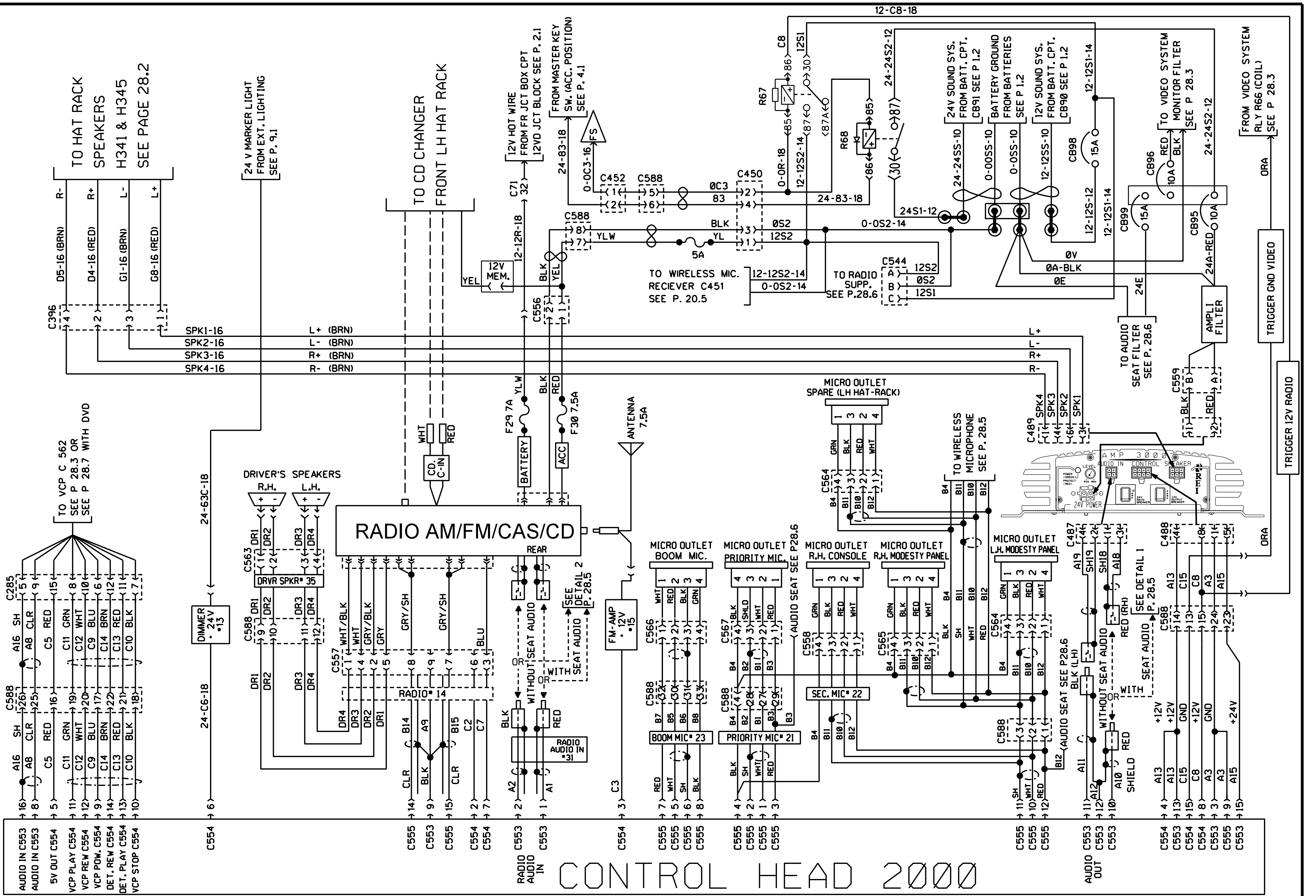


PLUG 120 VOLT

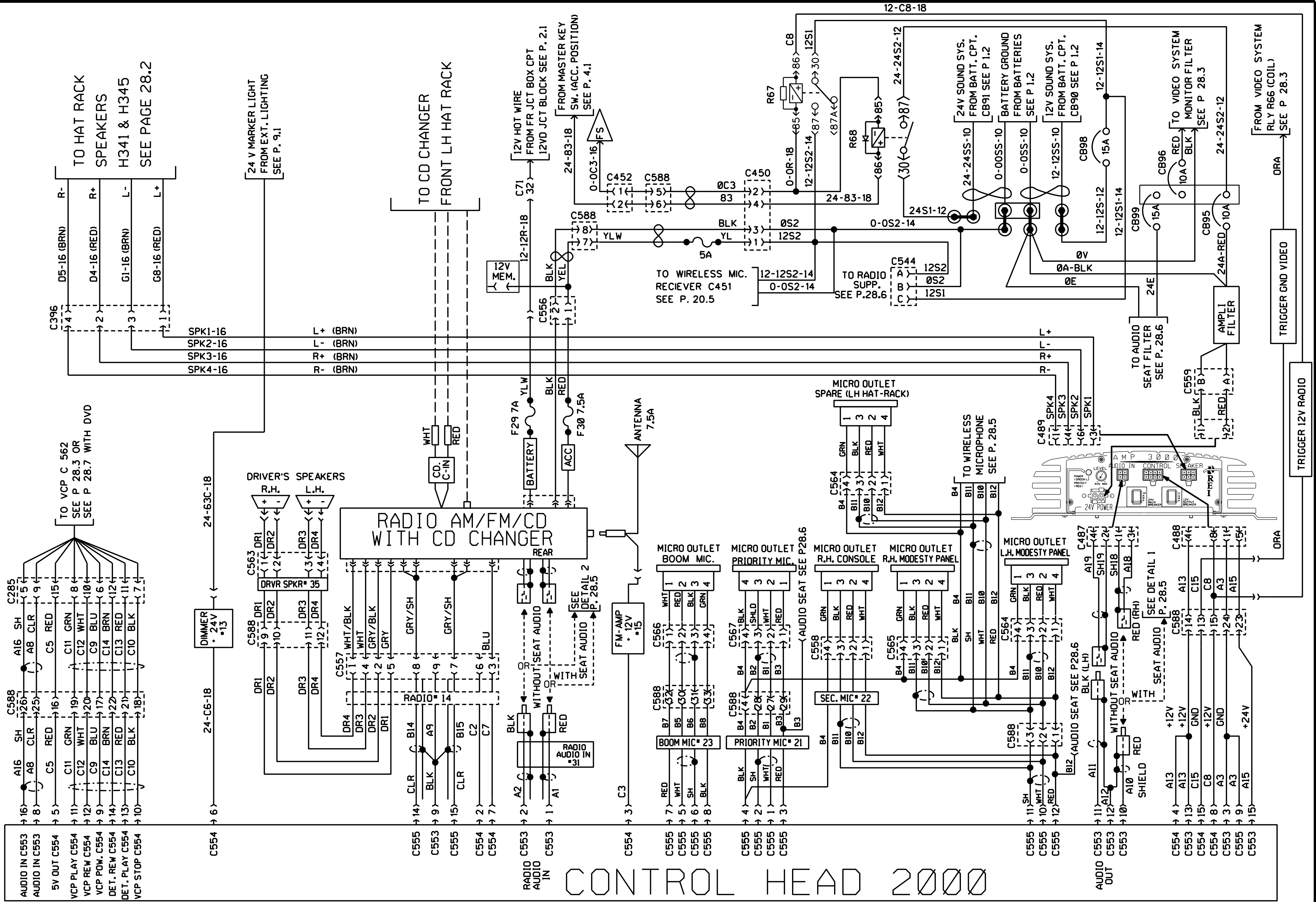


CONTROL HEAD 2000
SOUND SYSTEM





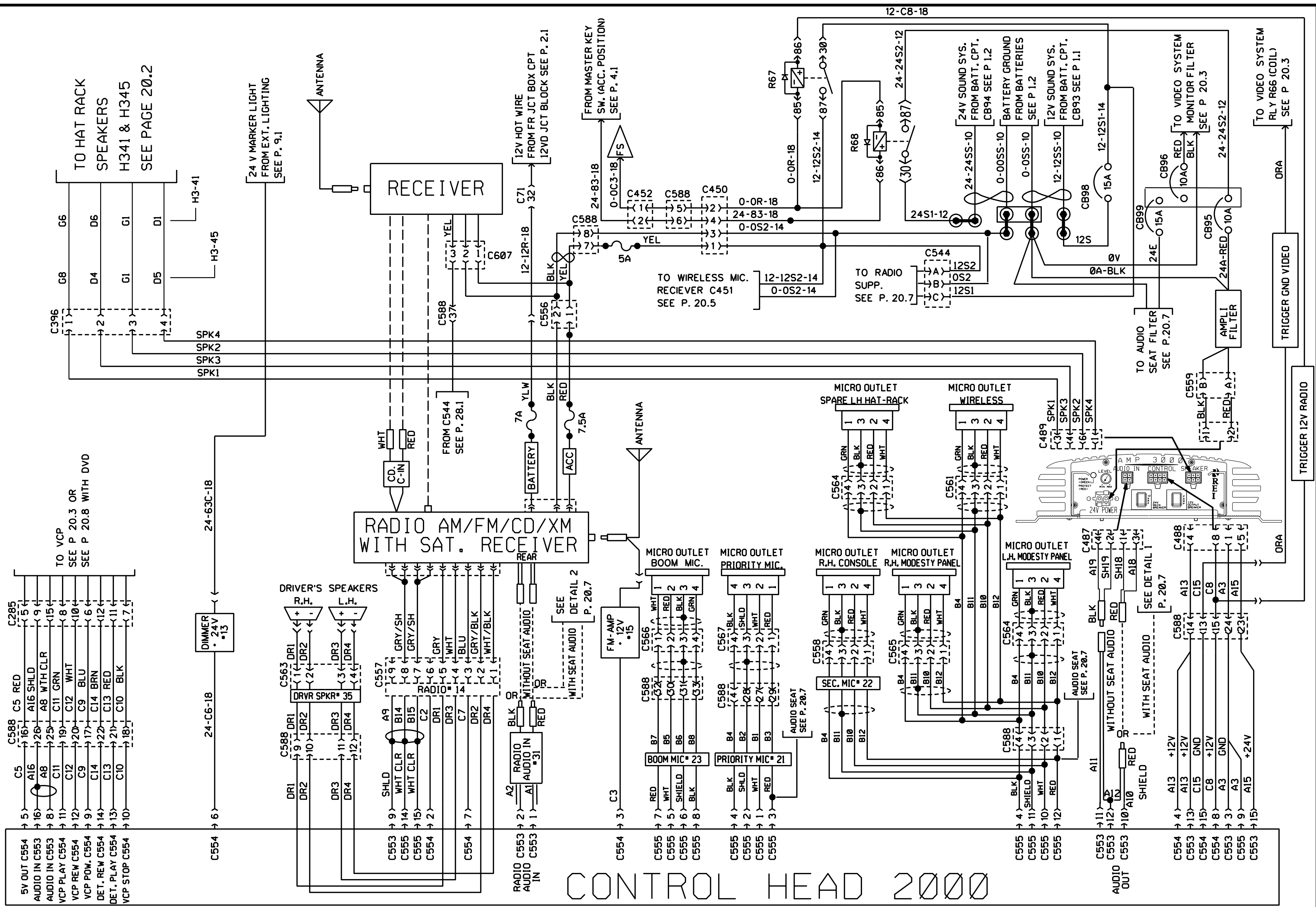
CONTROL HEAD 2000
SOUND SYSTEM



CONTROL HEAD 2000

SOUND SYSTEM

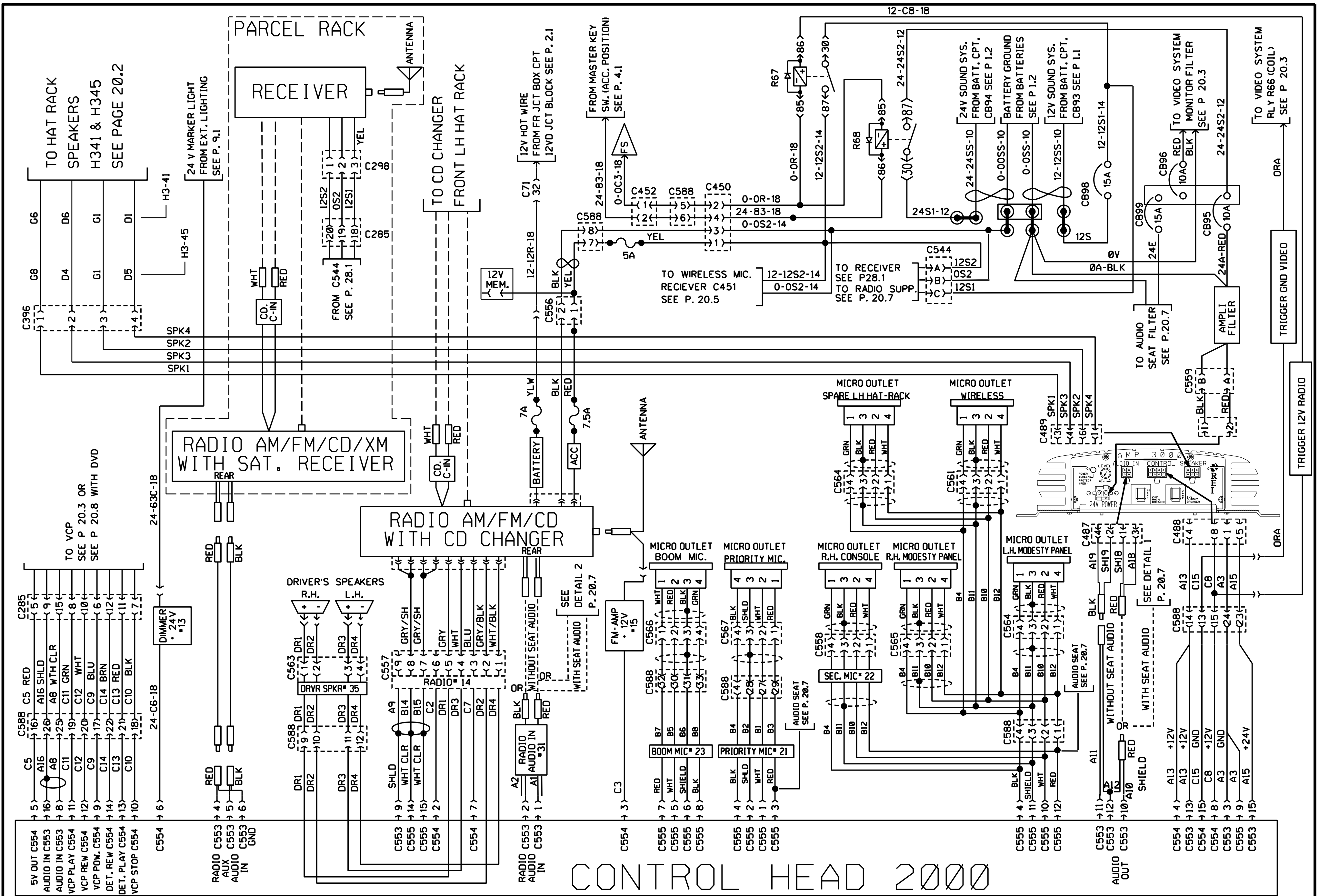
RADIO AM/FM/CD WITH CD CHANGER



CONTROL HEAD 2000

SOUND SYSTEM XL2 45

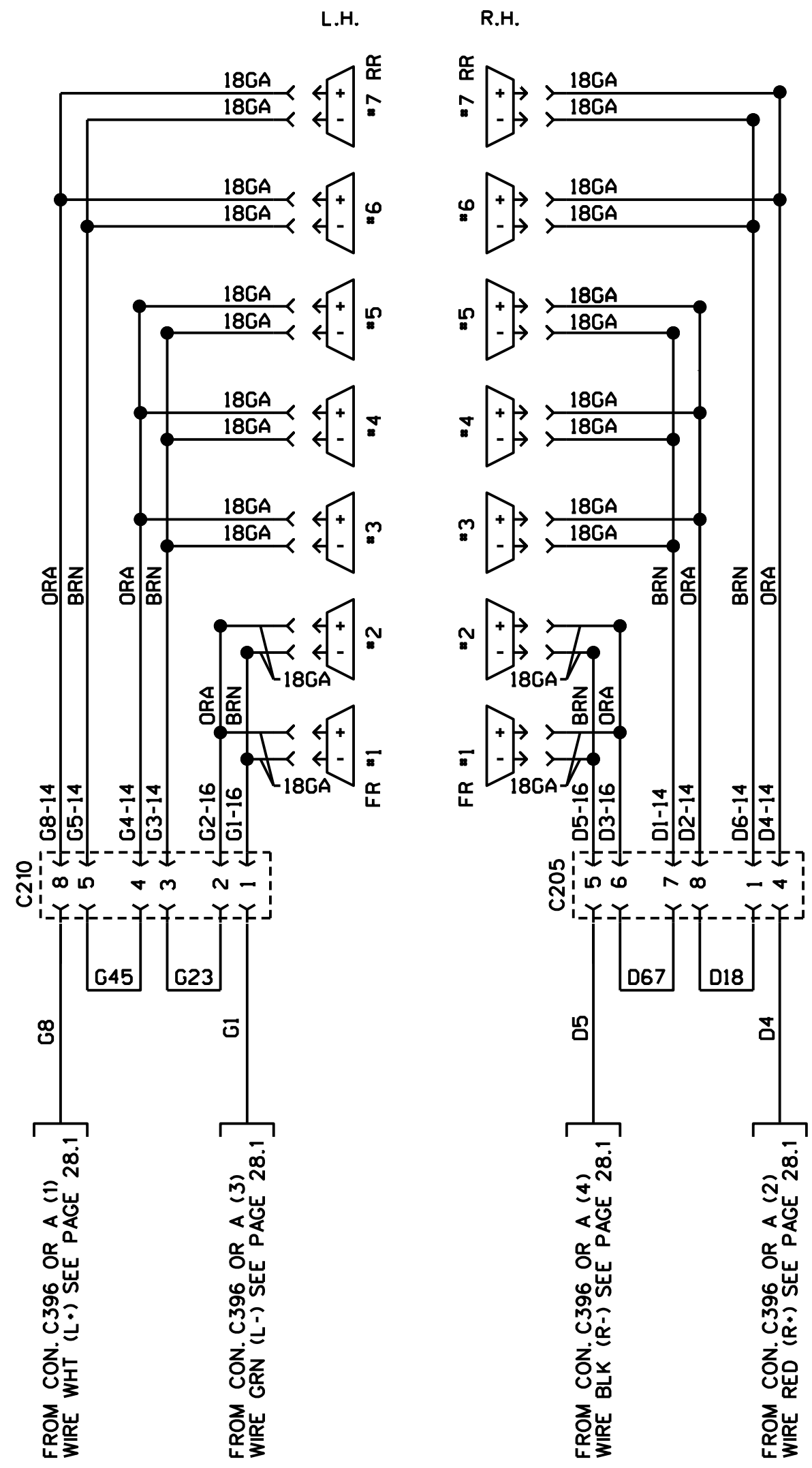
RADIO XM WITH SATELLITE RECEIVER



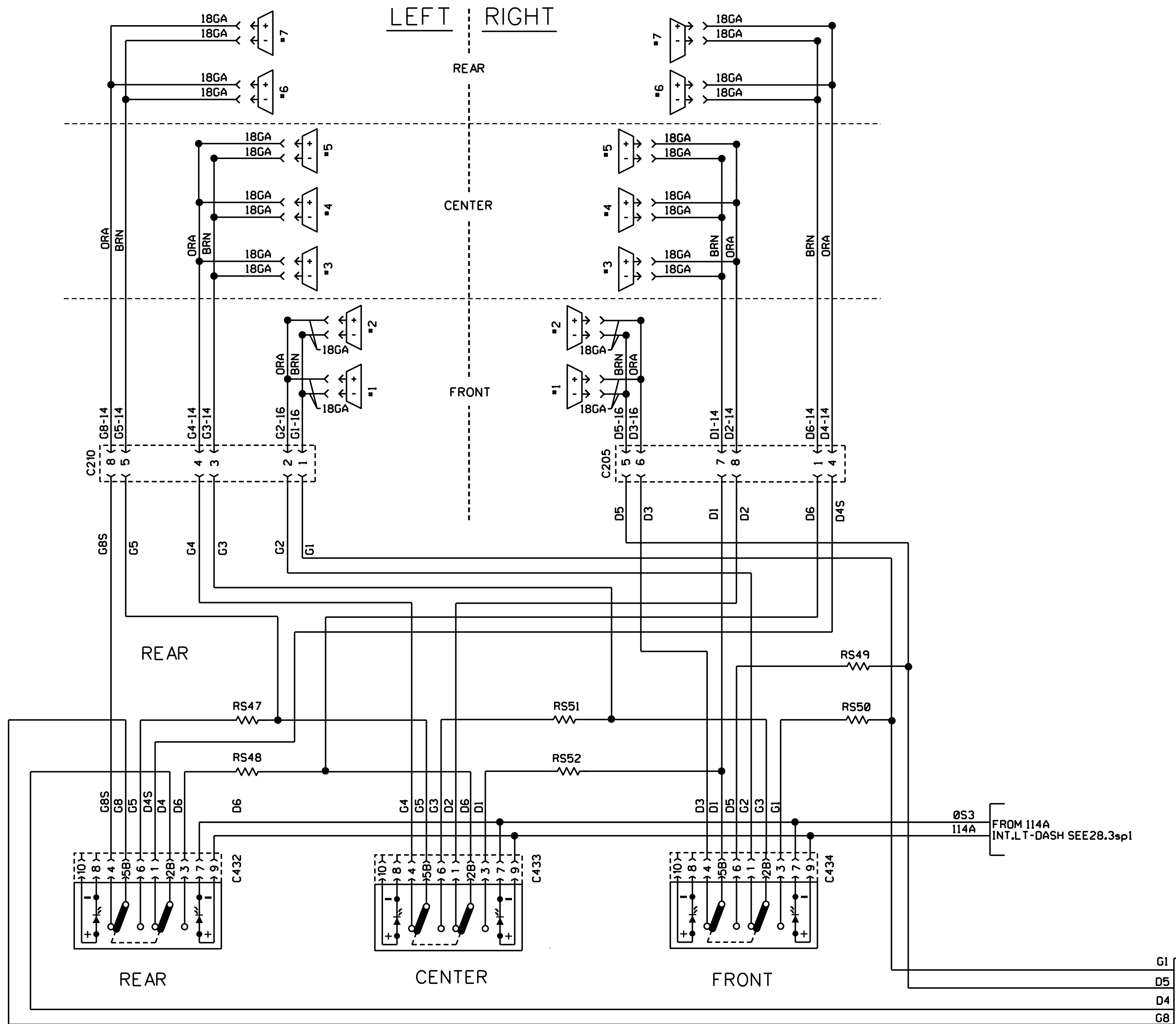
SOUND SYSTEM XL2 45

RADIO XM CD CHANGER & RADIO XM WITH SATELLITE RECEIVER

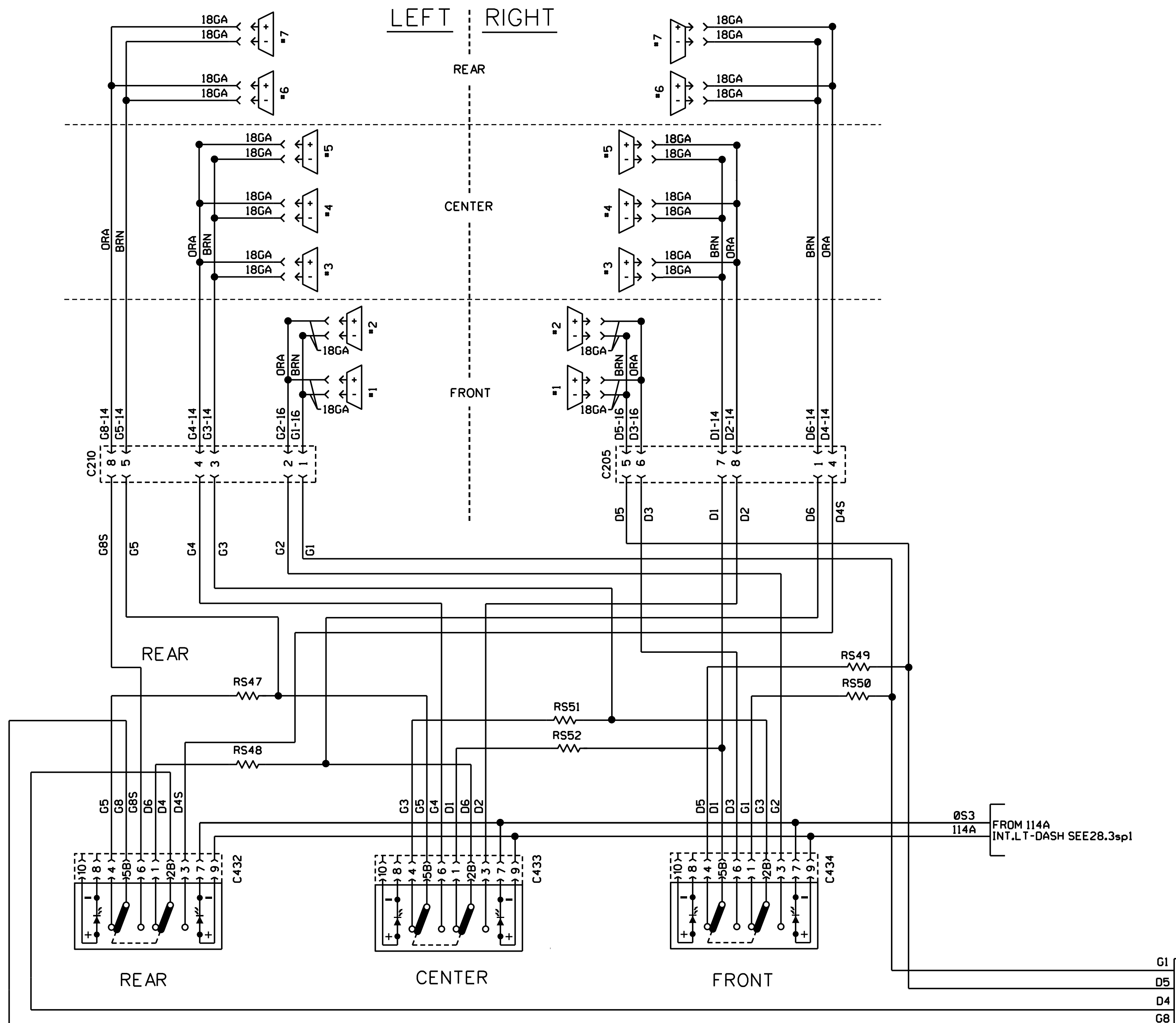
CONTROL HEAD 2000



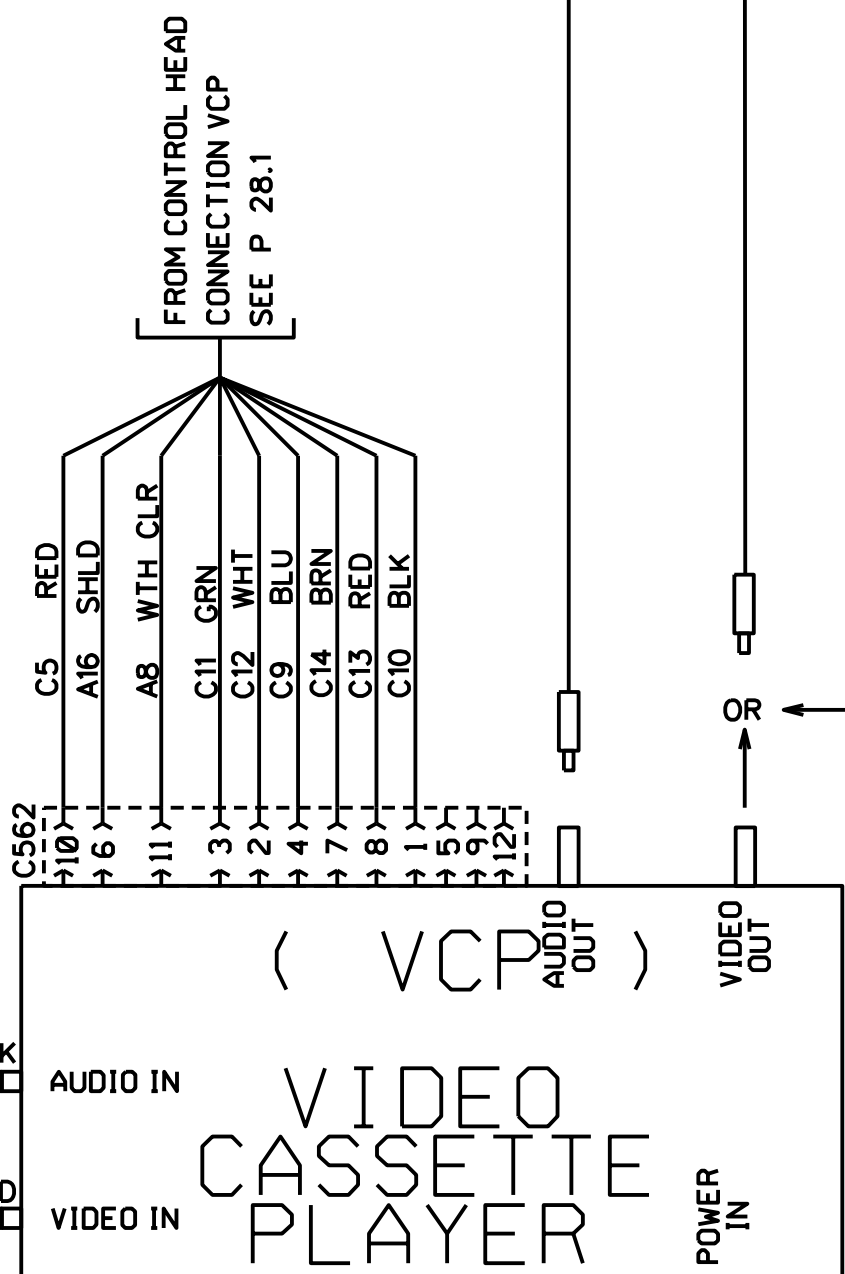
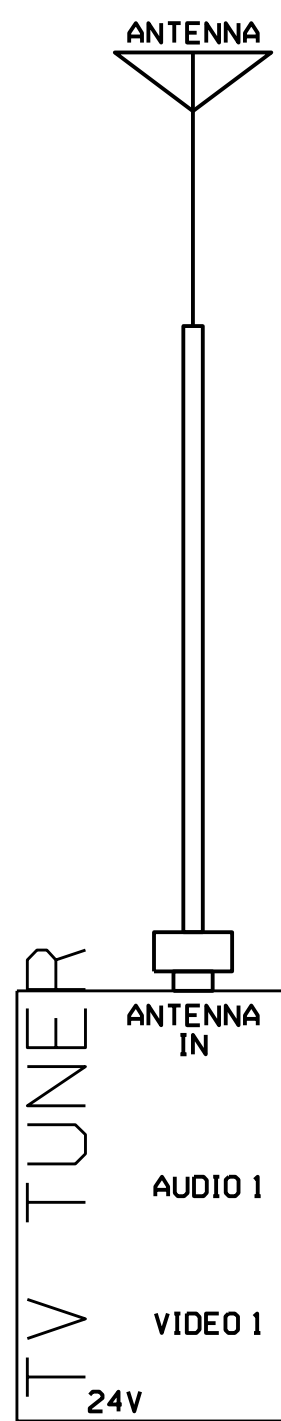
HAT RACK SPEAKERS XL2-45



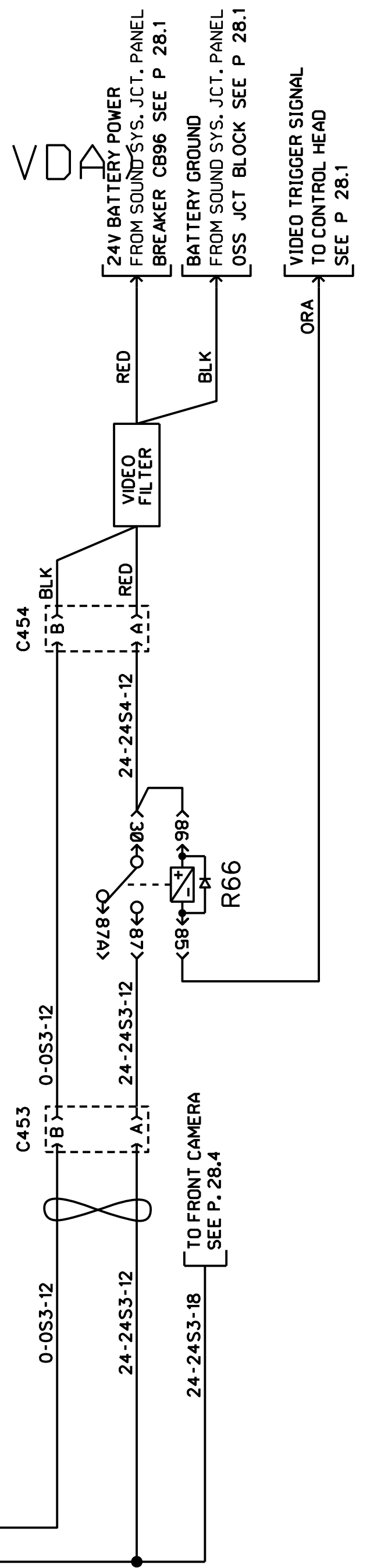
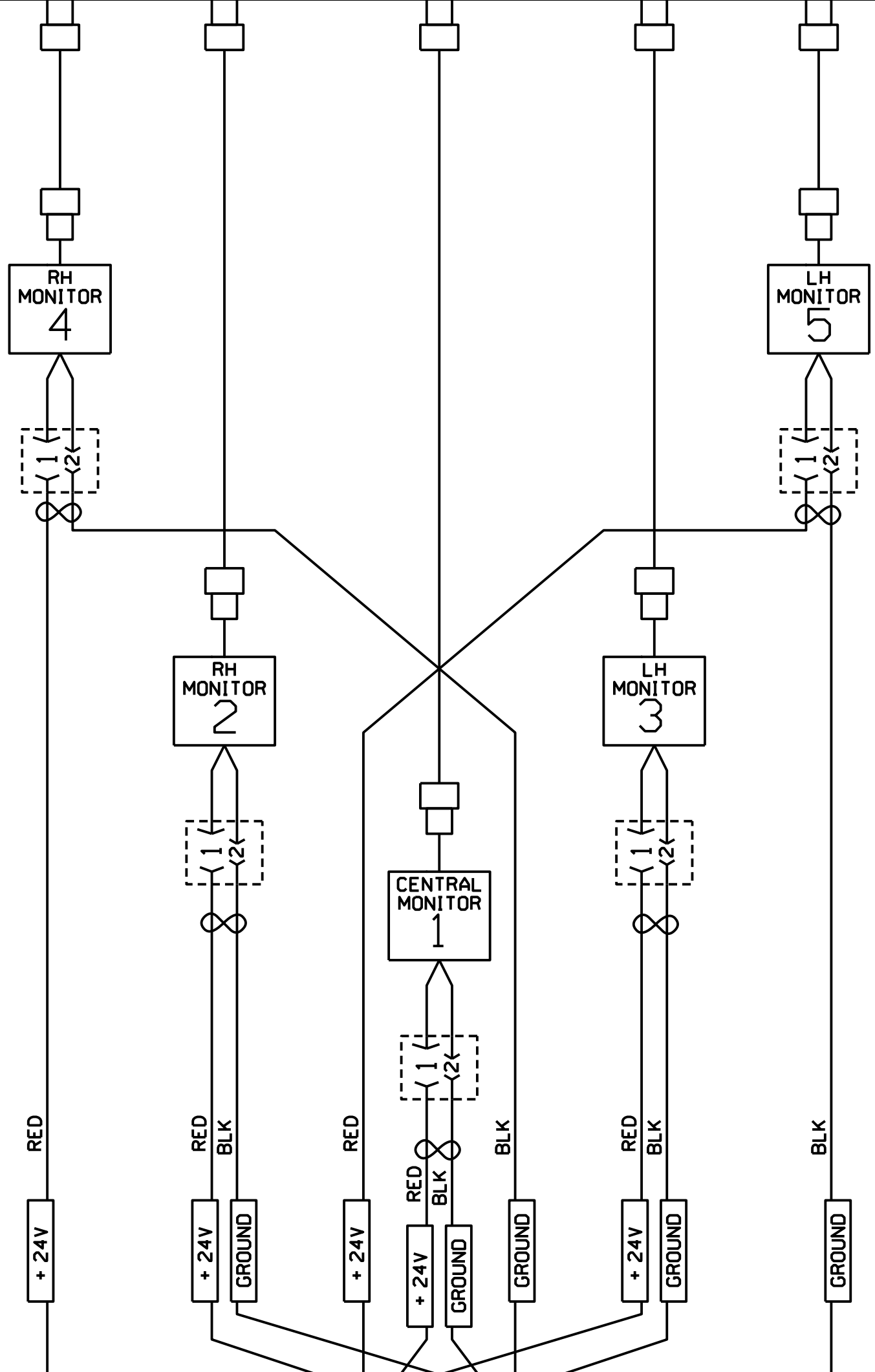
HAT RACK SPEAKERS XL2-45 (CUT-OFF SELECTION) (PRAIRIE BUS LINES)



HAT RACK SPEAKERS XL2-45 (CUT-OFF SELECTION) (PRAIRIE BUS LINES)



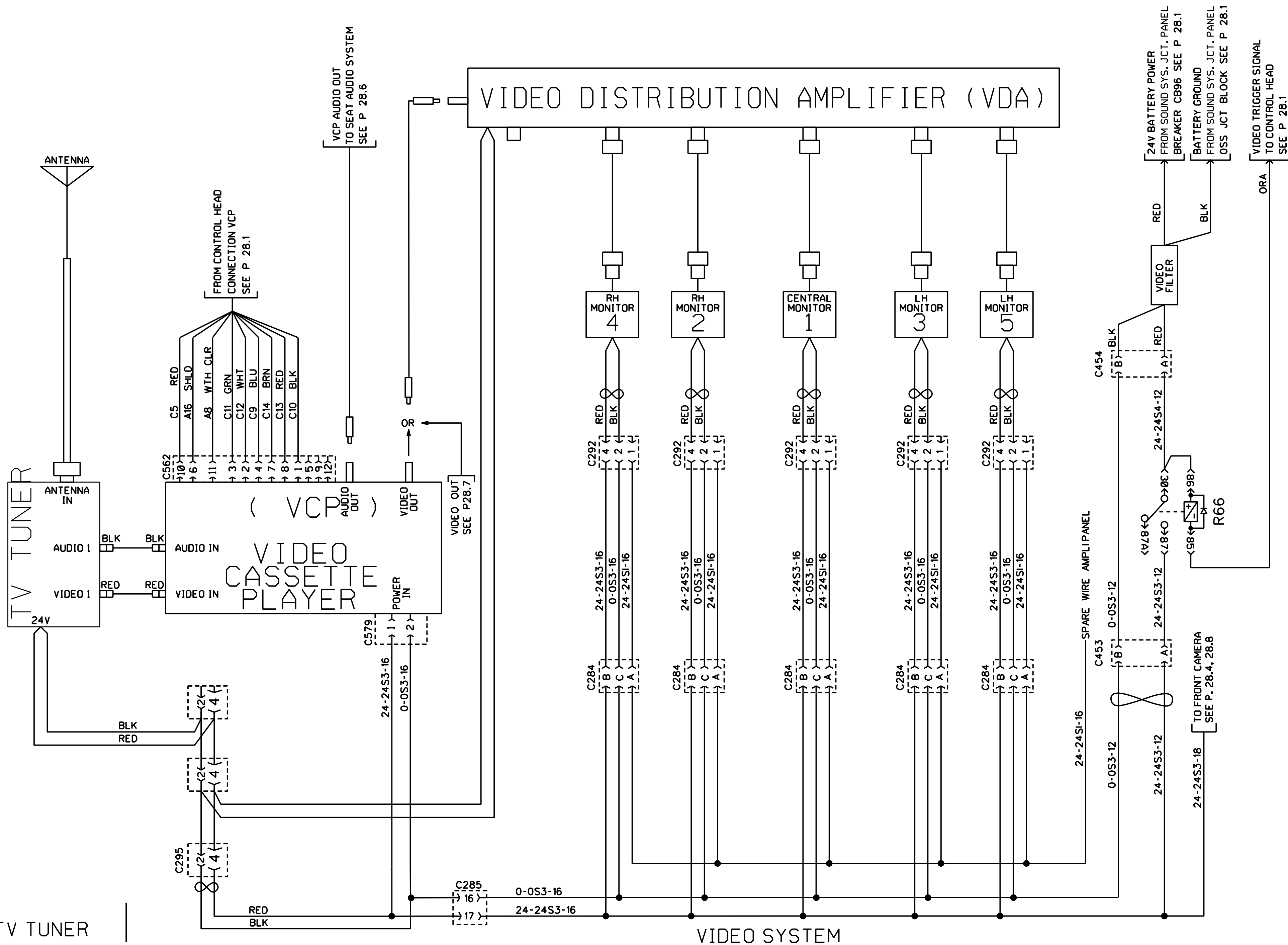
VIDEO DISTRIBUTION AMPLIFIER (VDA)

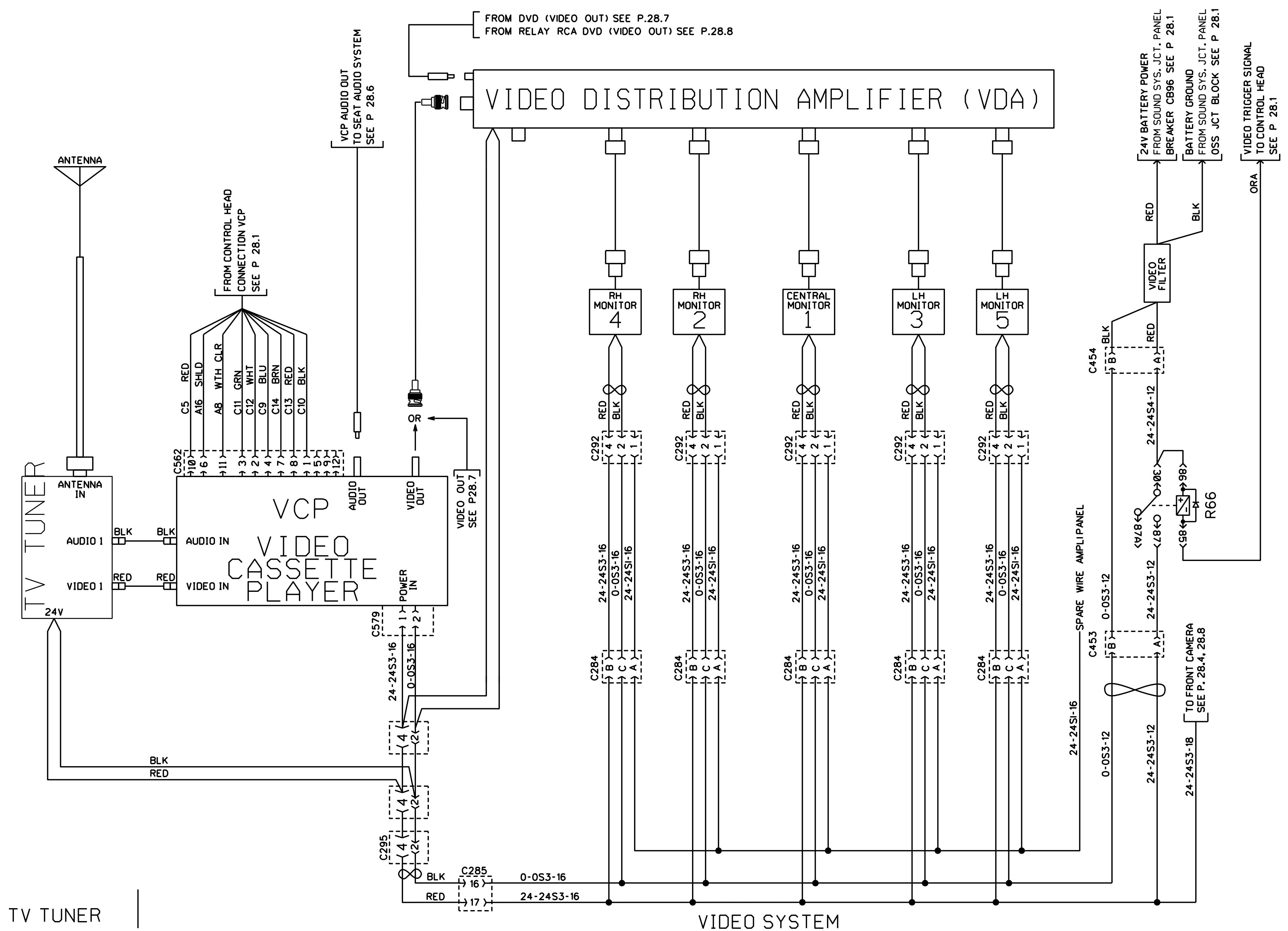


TV TUNER

VIDEO SYSTEM

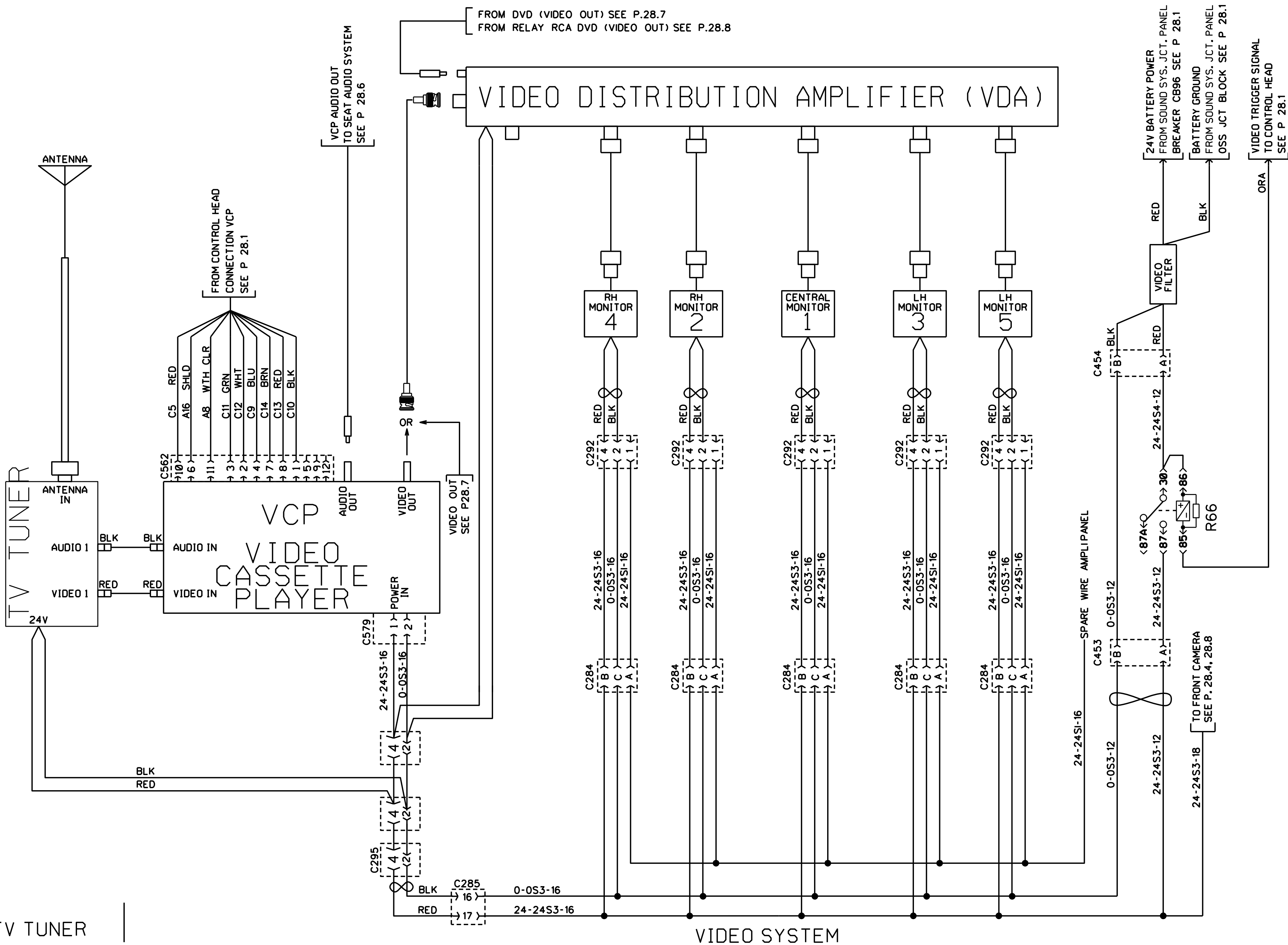
TV TUNER

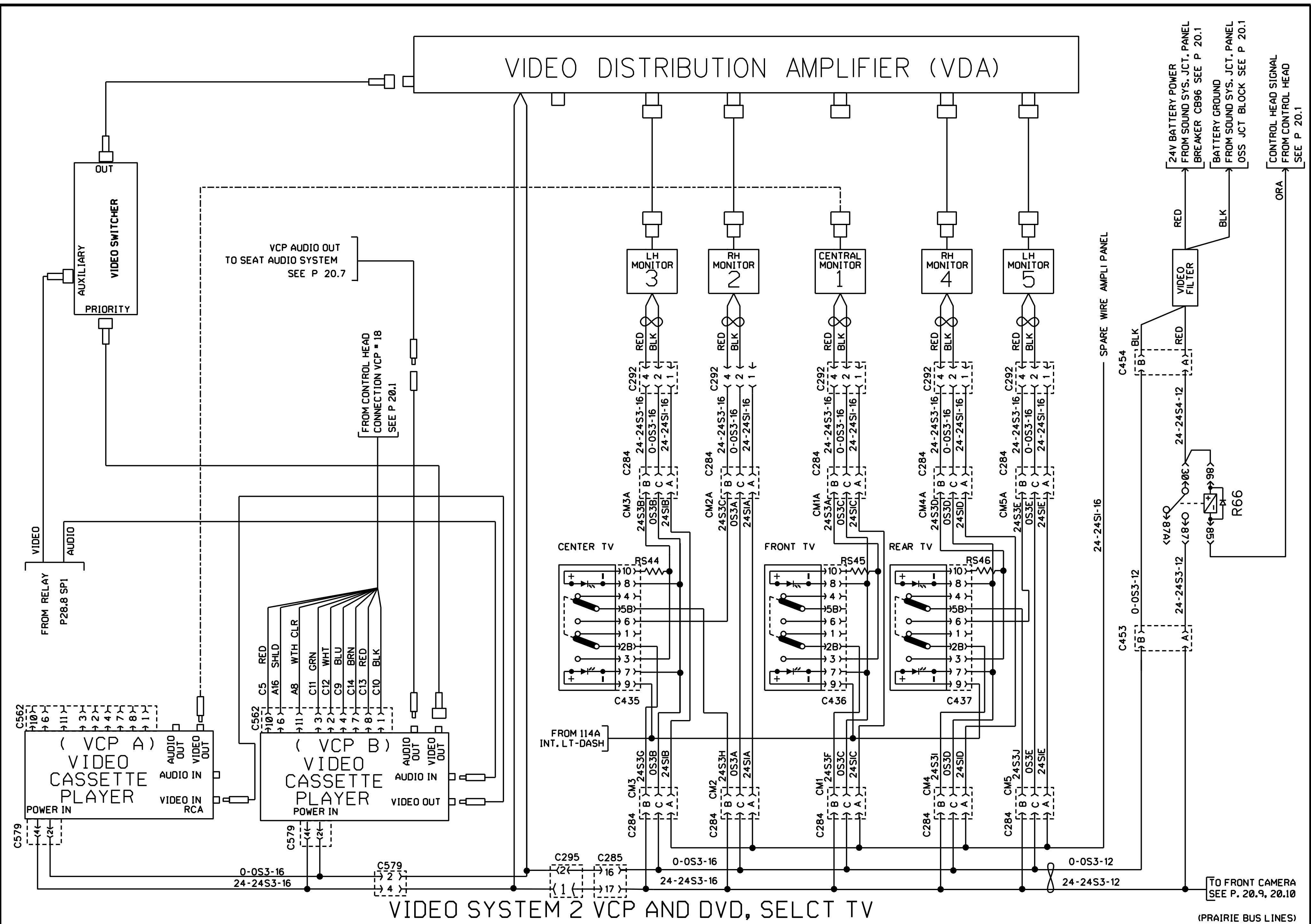




TV TUNER

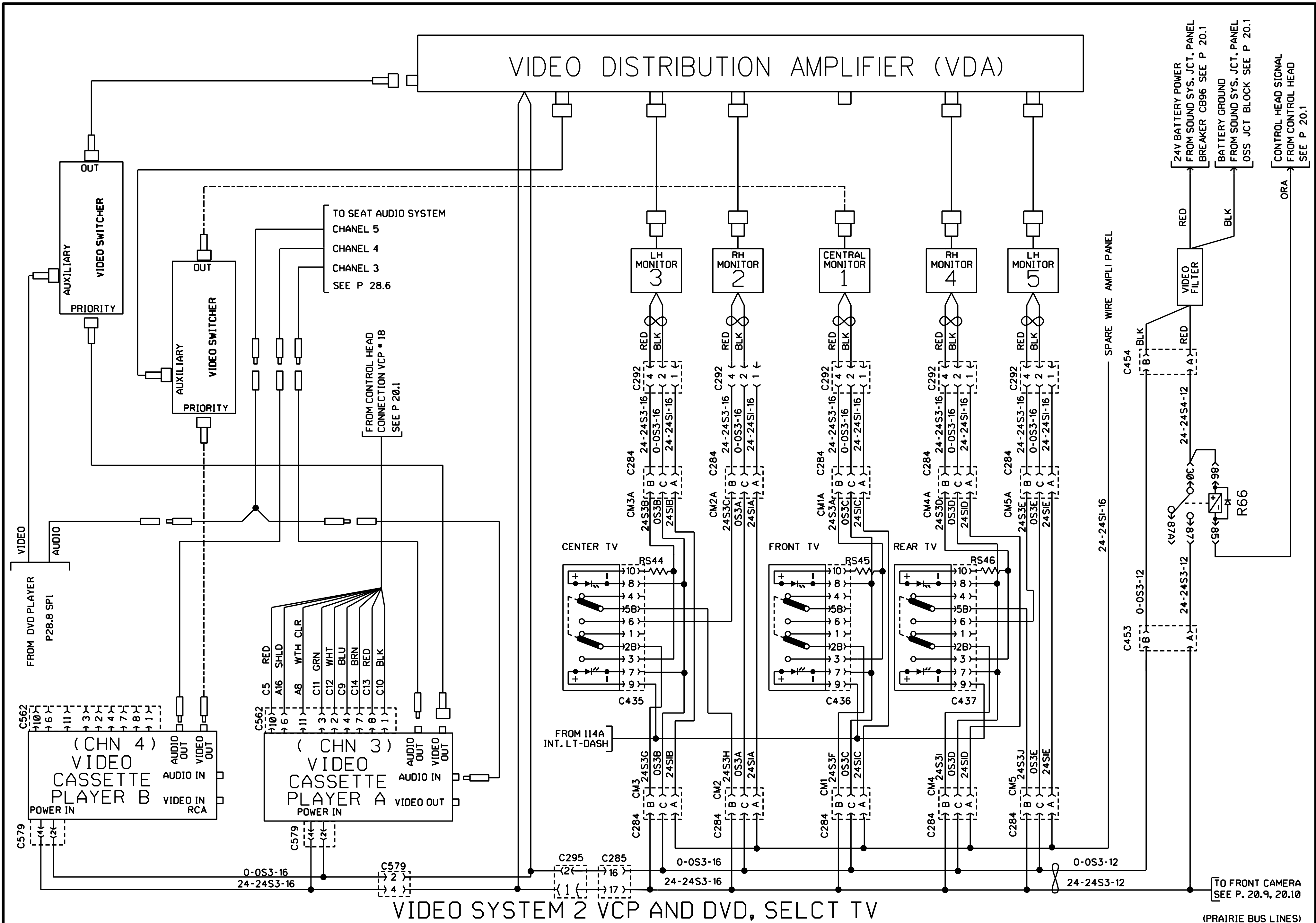
VIDEO SYSTEM





VIDEO SYSTEM 2 VCP AND DVD, SELECT TV

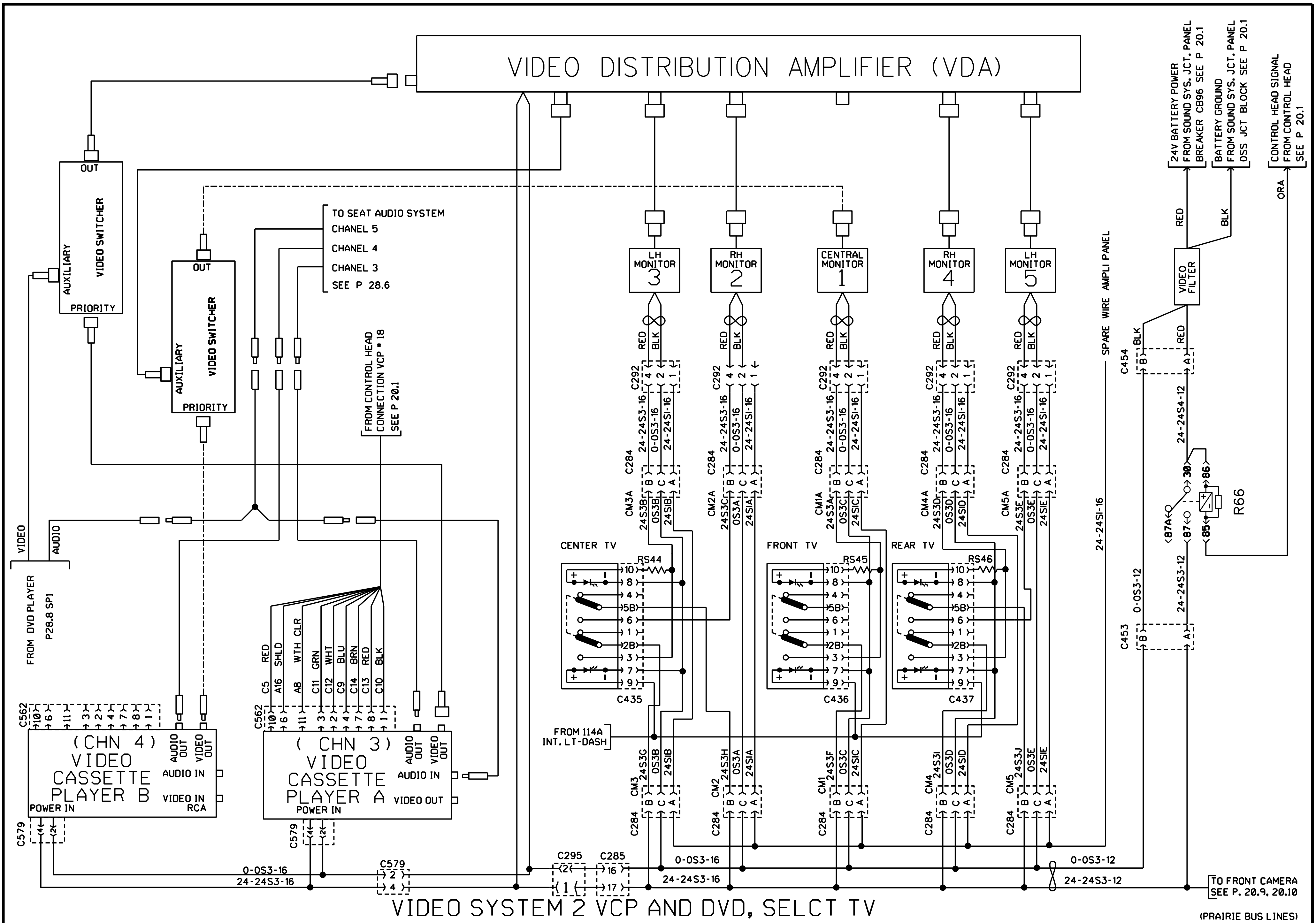
(PRAIRIE BUS LINES)



VIDEO SYSTEM 2 VCP AND DVD, SELCT TV

TO FRONT CAMERA
SEE P. 20.9, 20.10

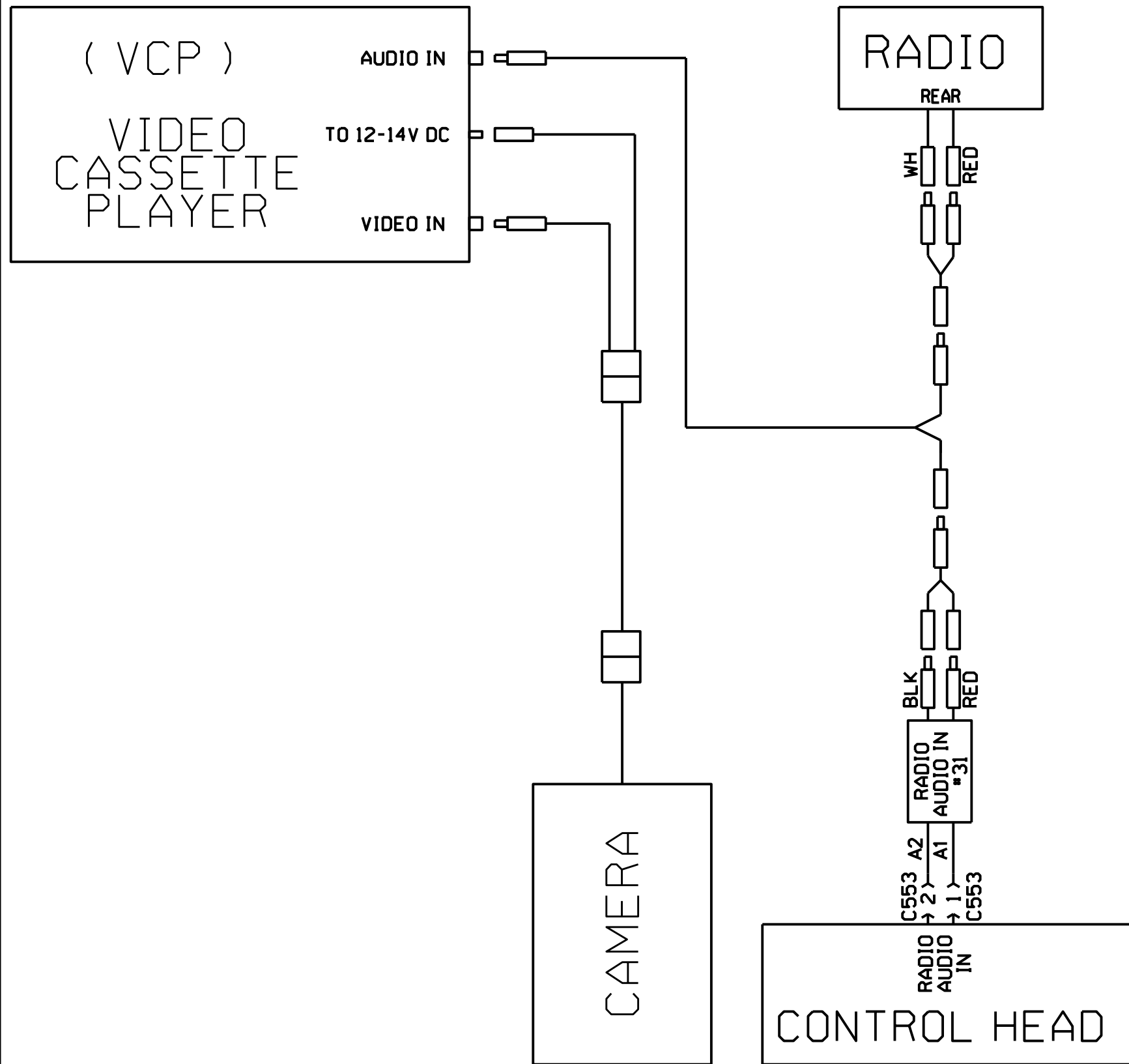
(PRAIRIE BUS LINES)



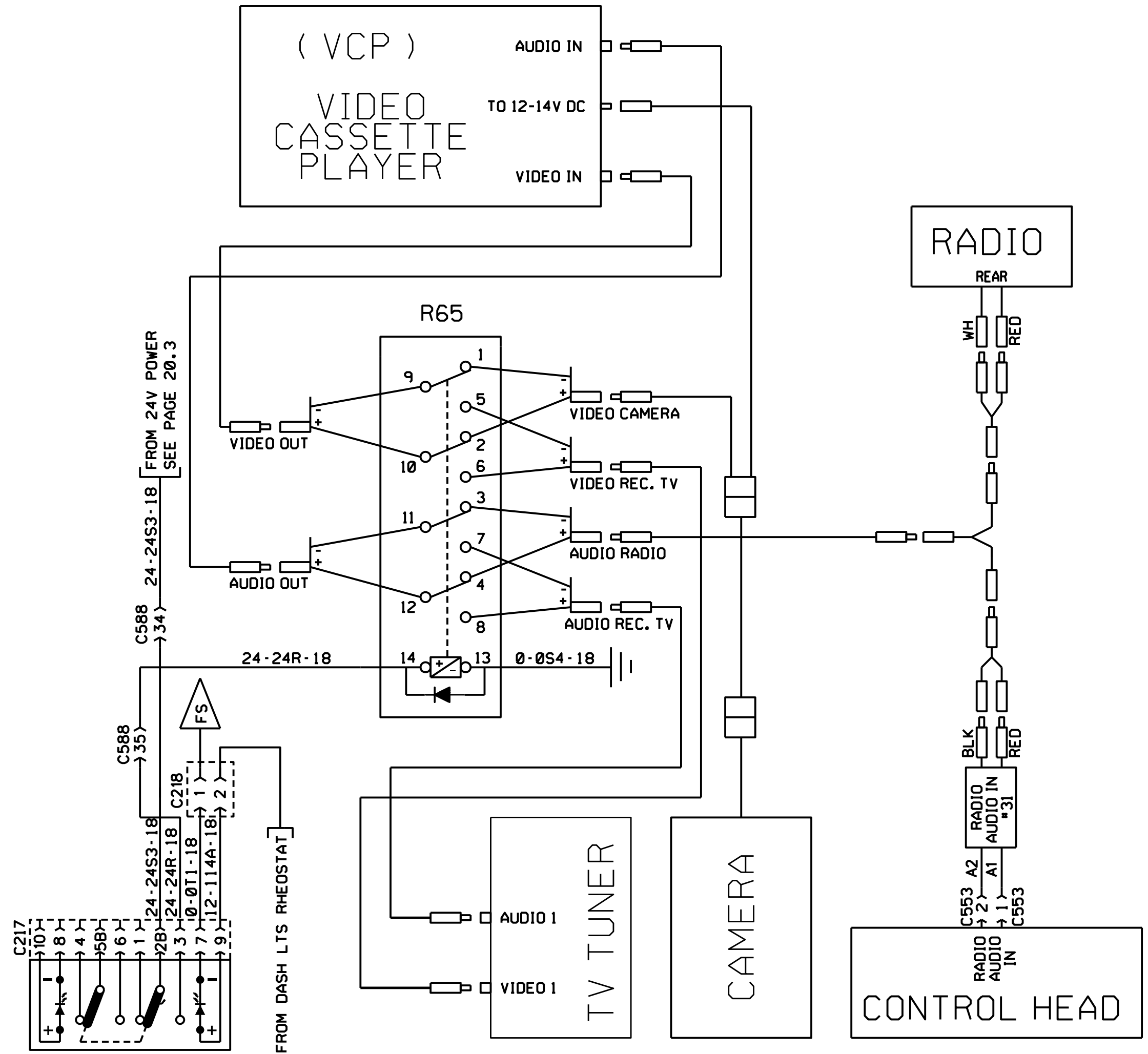
VIDEO SYSTEM 2 VCP AND DVD, SELCT TV

TO FRONT CAMERA
SEE P. 20.9, 20.10

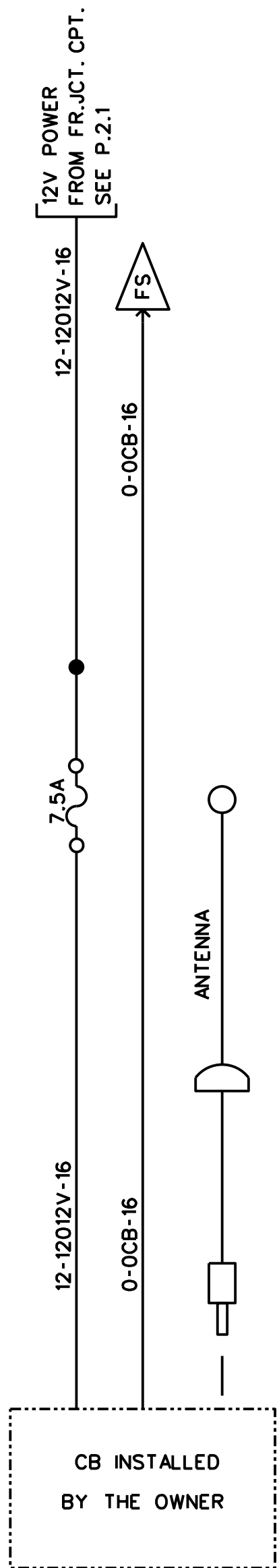
(PRAIRIE BUS LINES)



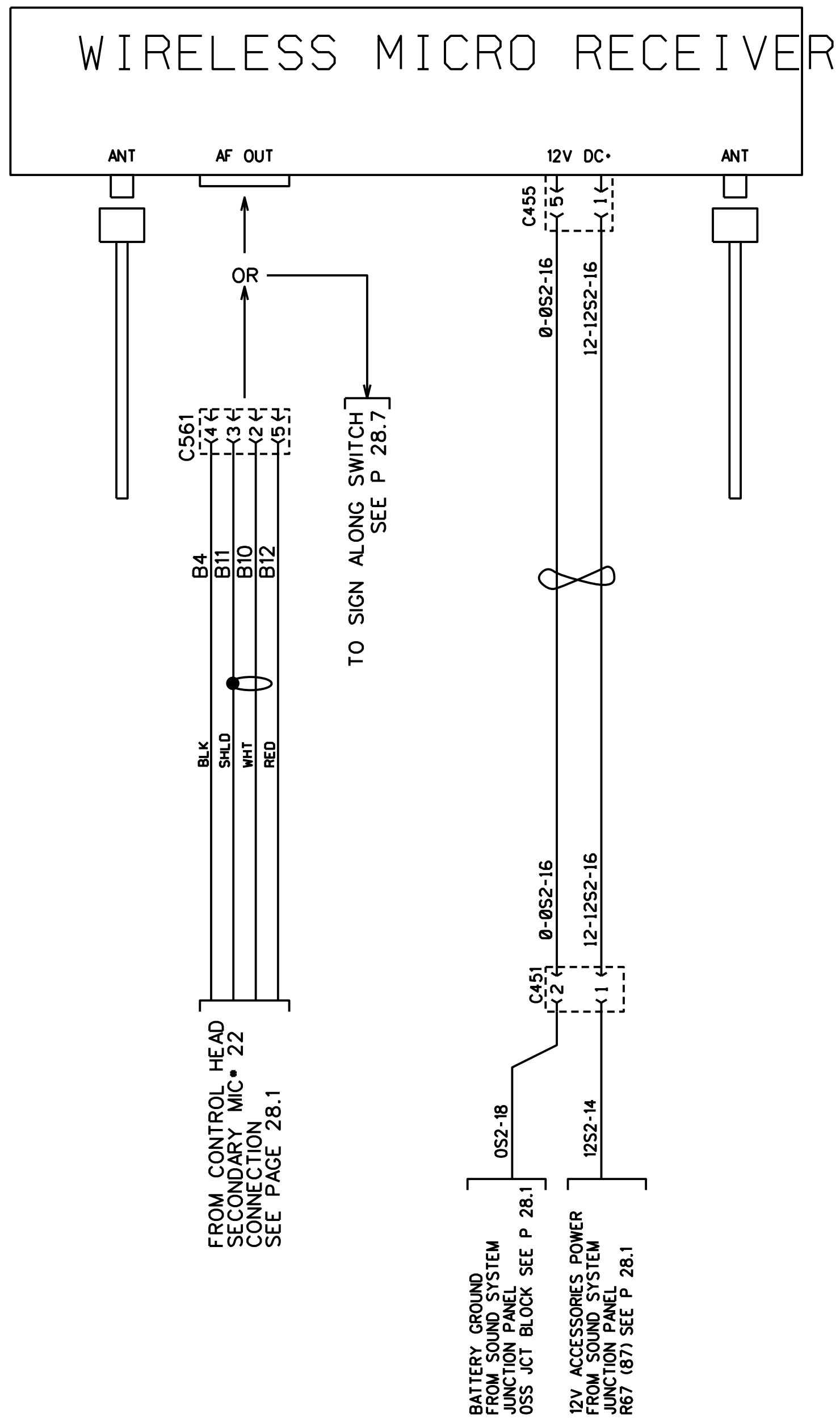
FRONT CAMERA WITHOUT TV RECEIVER



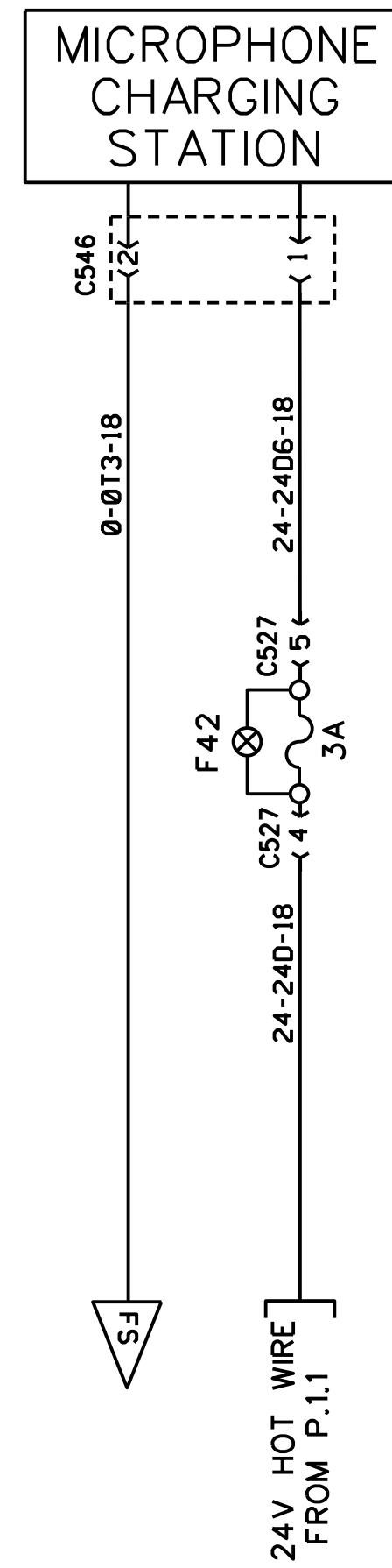
FRONT CAMERA WITH TV RECEIVER

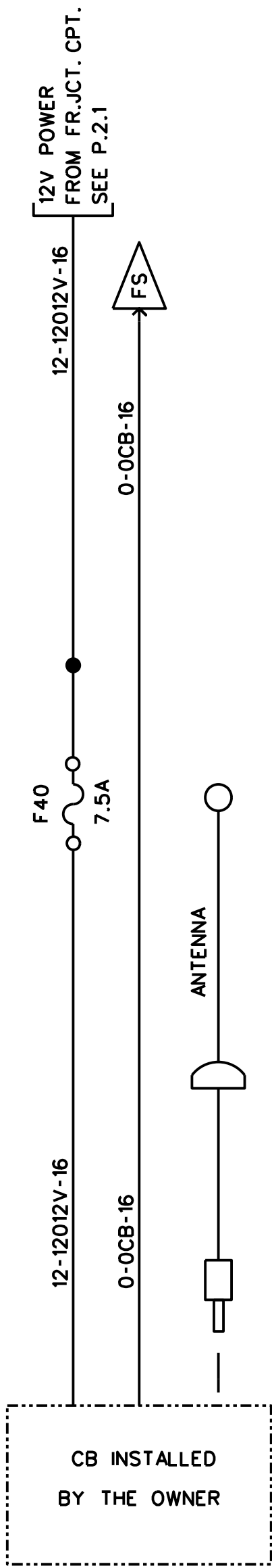


CB OPTION

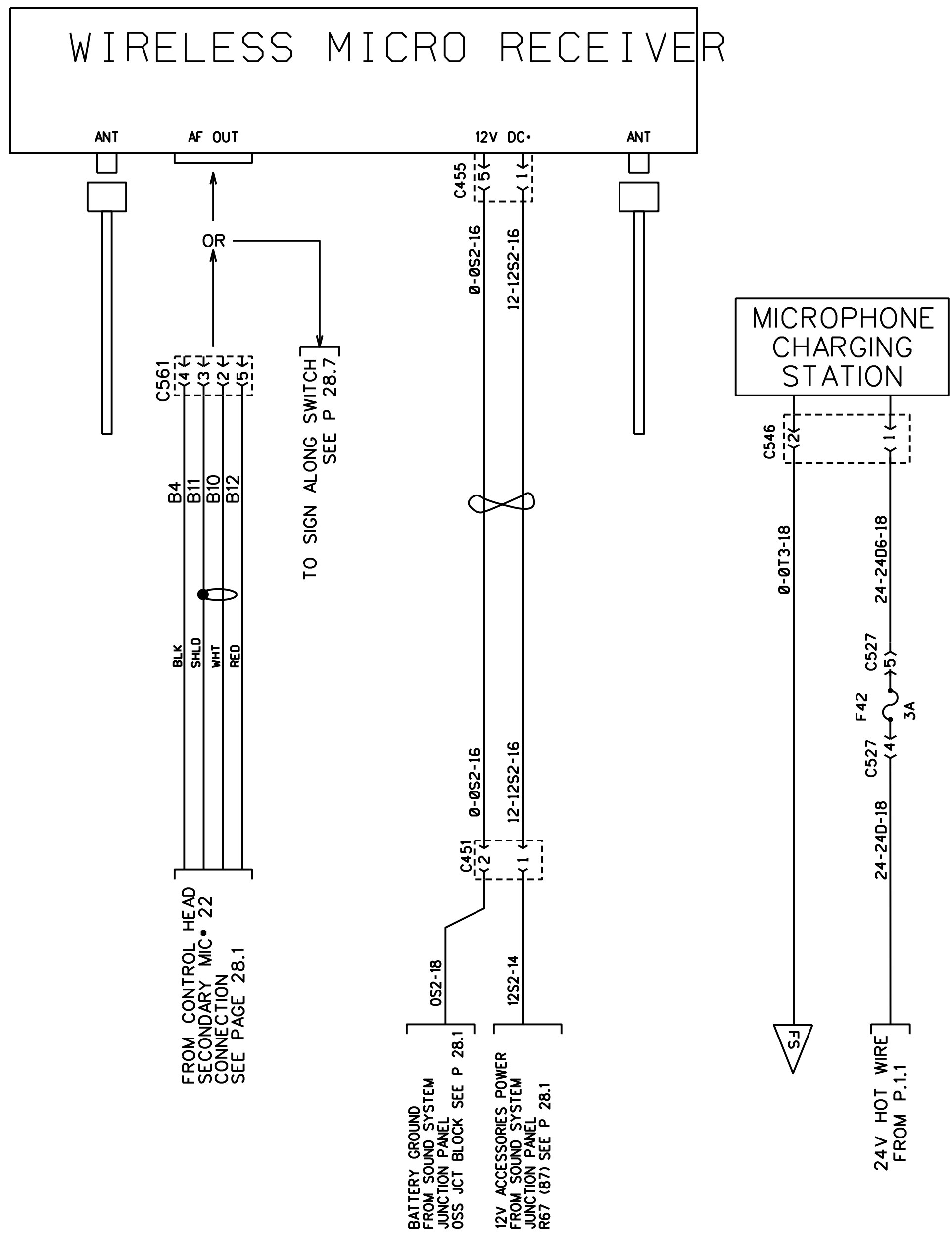


WIRELESS MICROPHONE

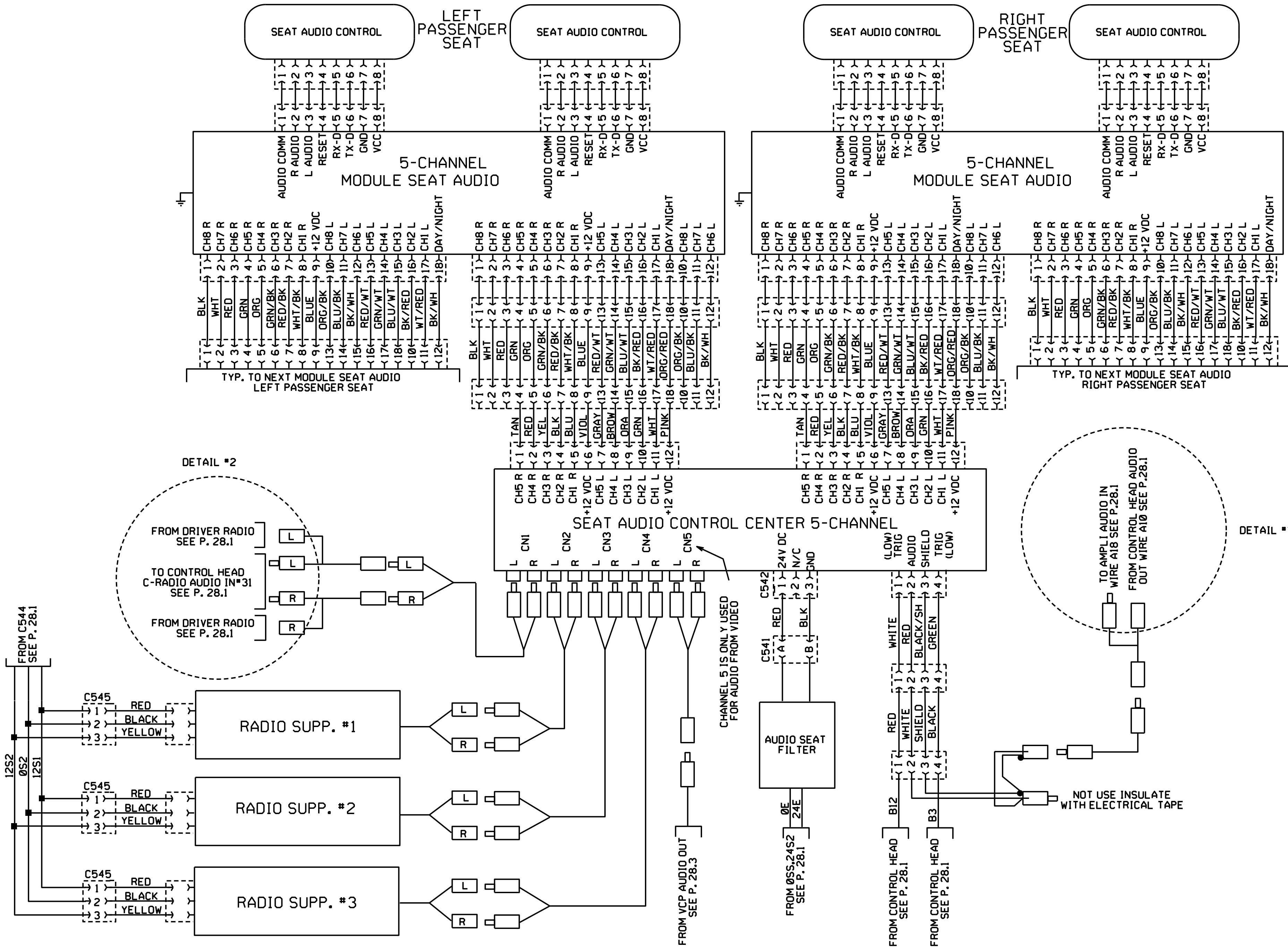


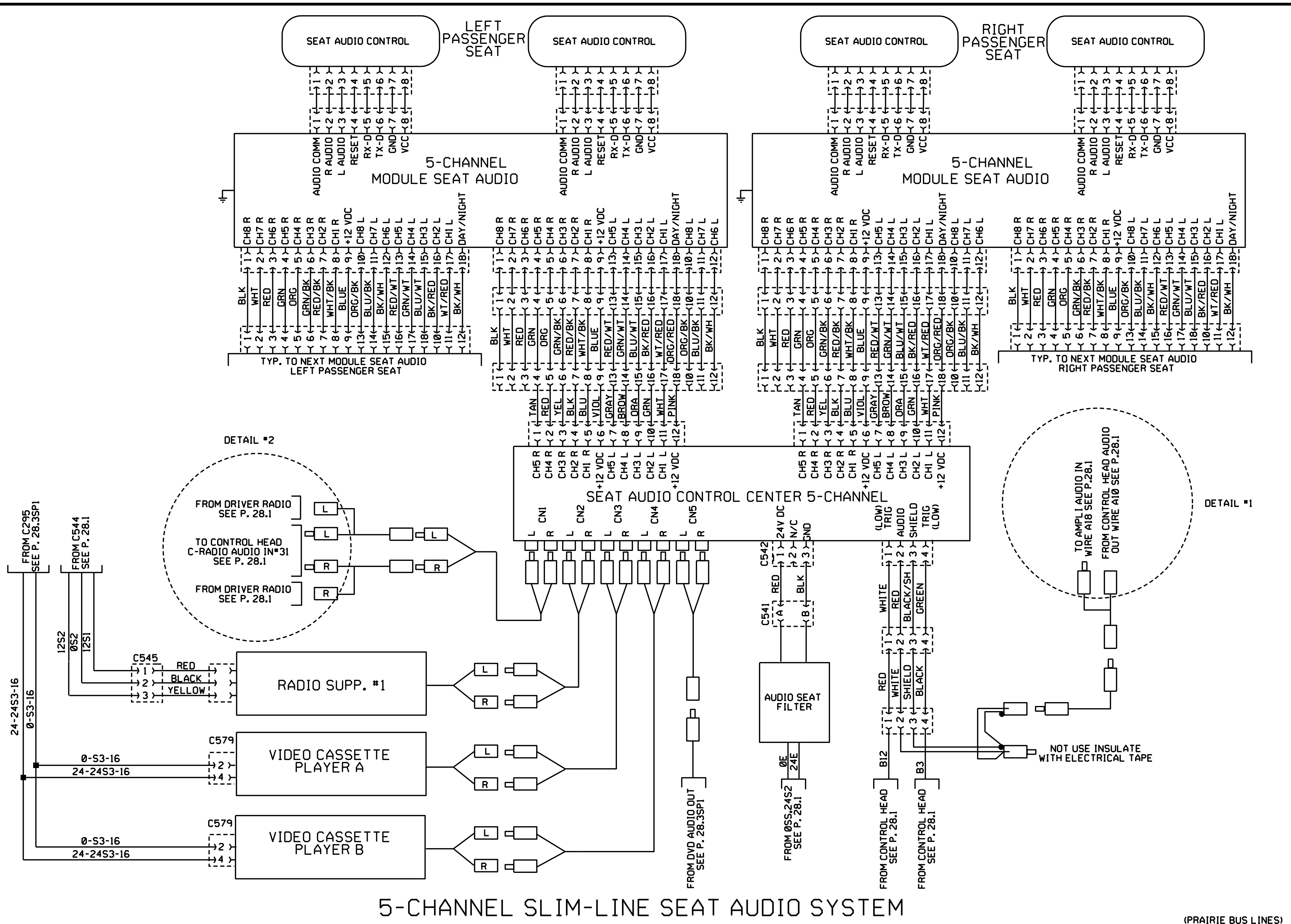


CB OPTION



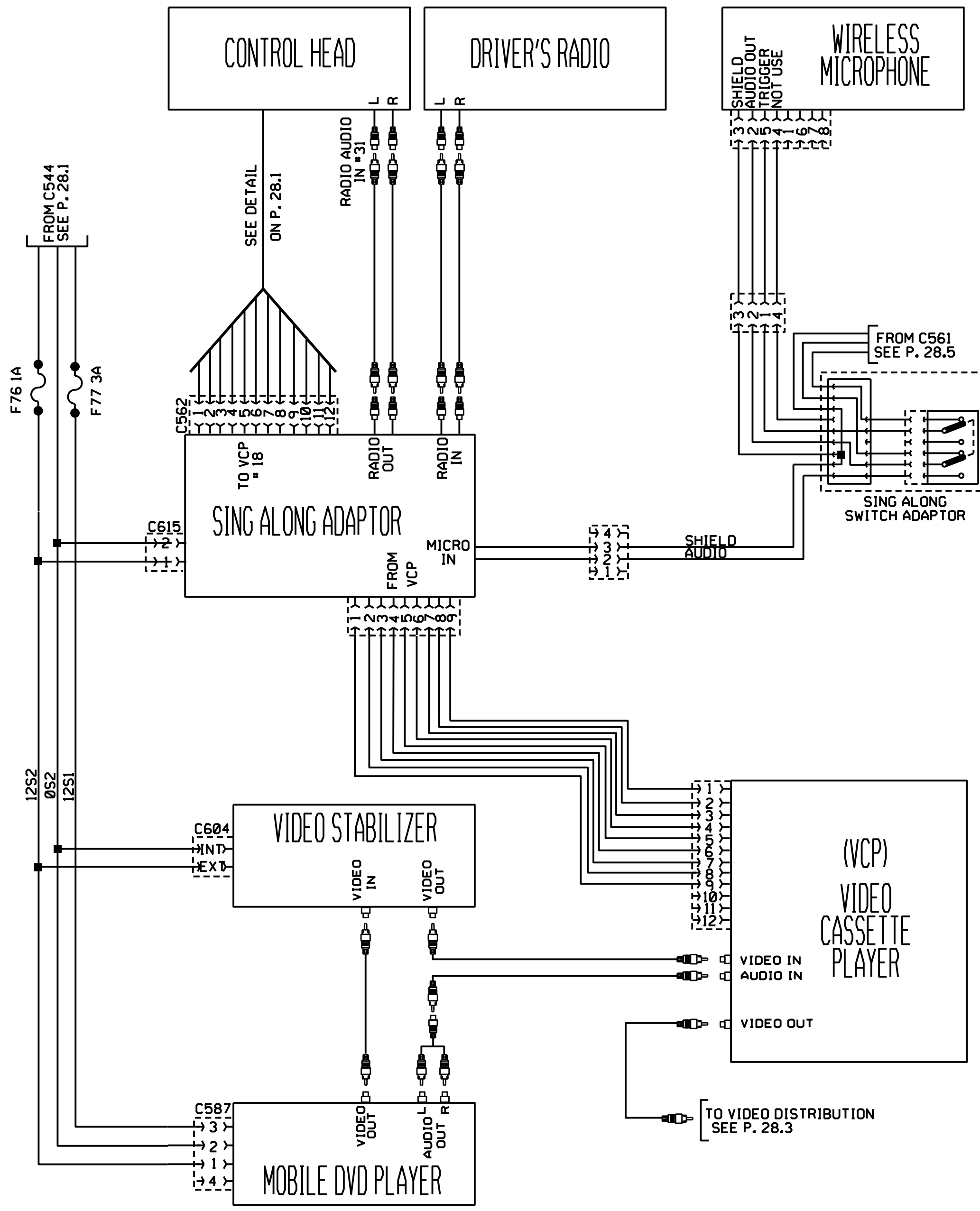
WIRELESS MICROPHONE



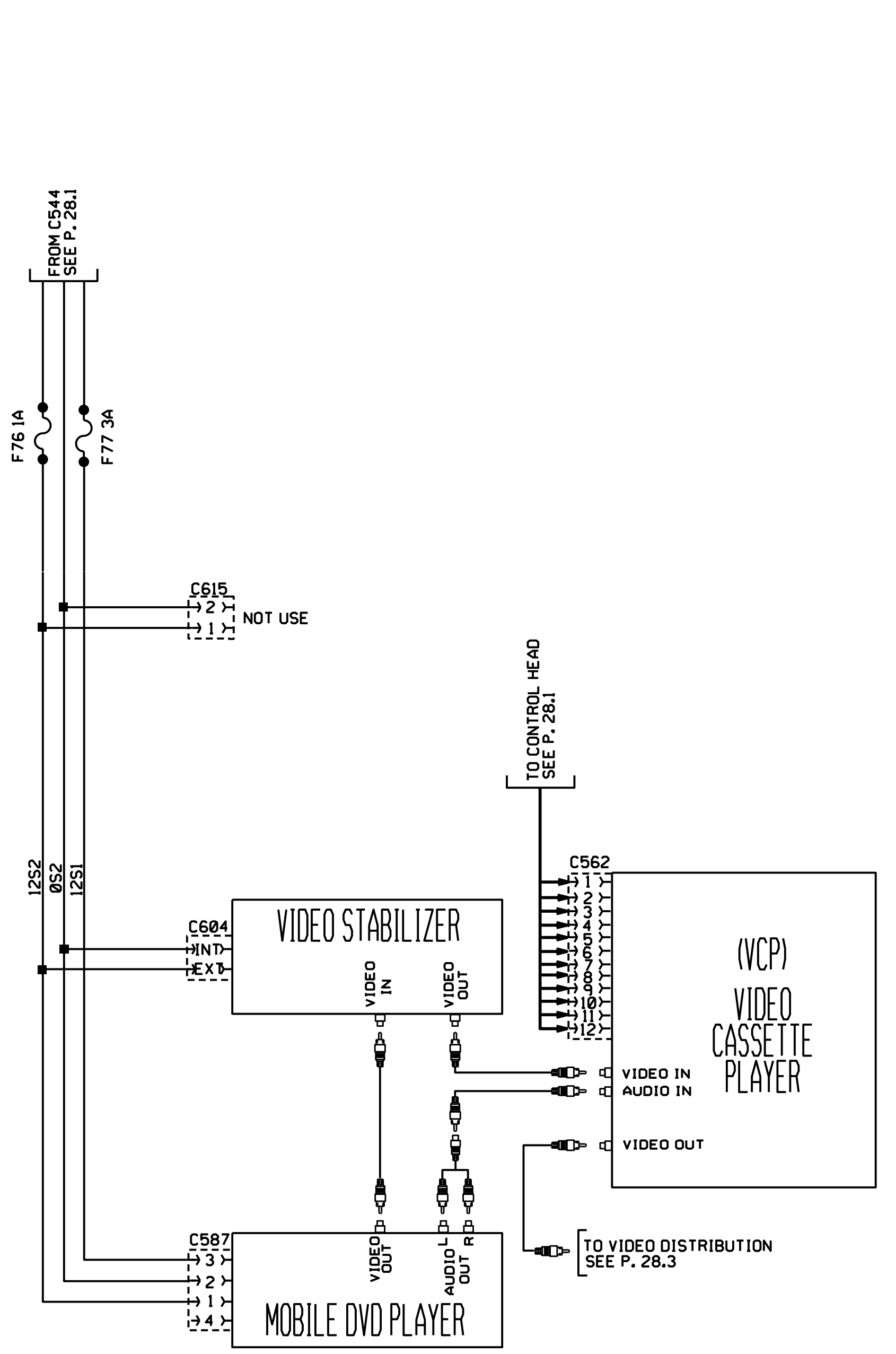


5-CHANNEL SLIM-LINE SEAT AUDIO SYSTEM

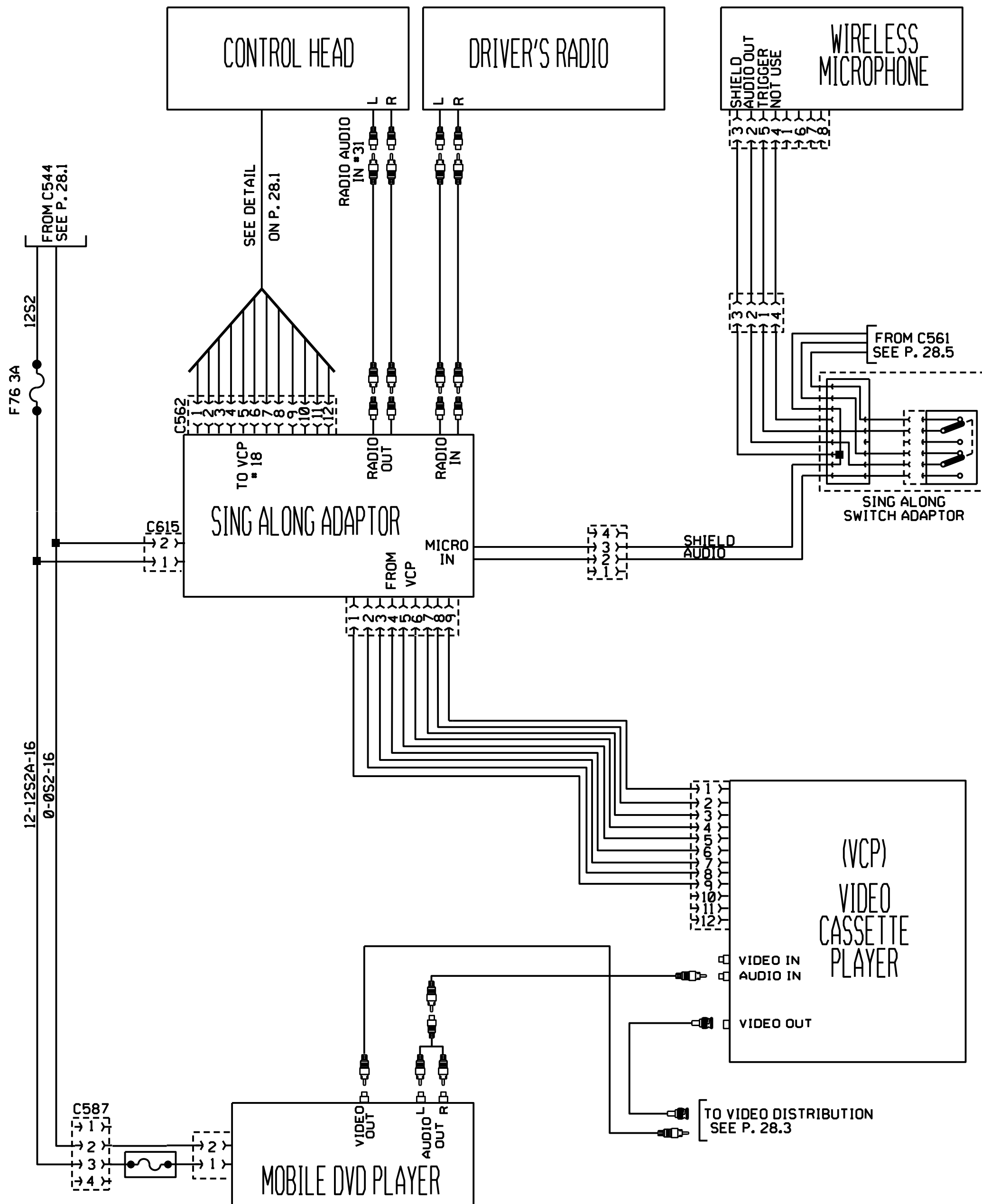
(PRAIRIE BUS LINES)



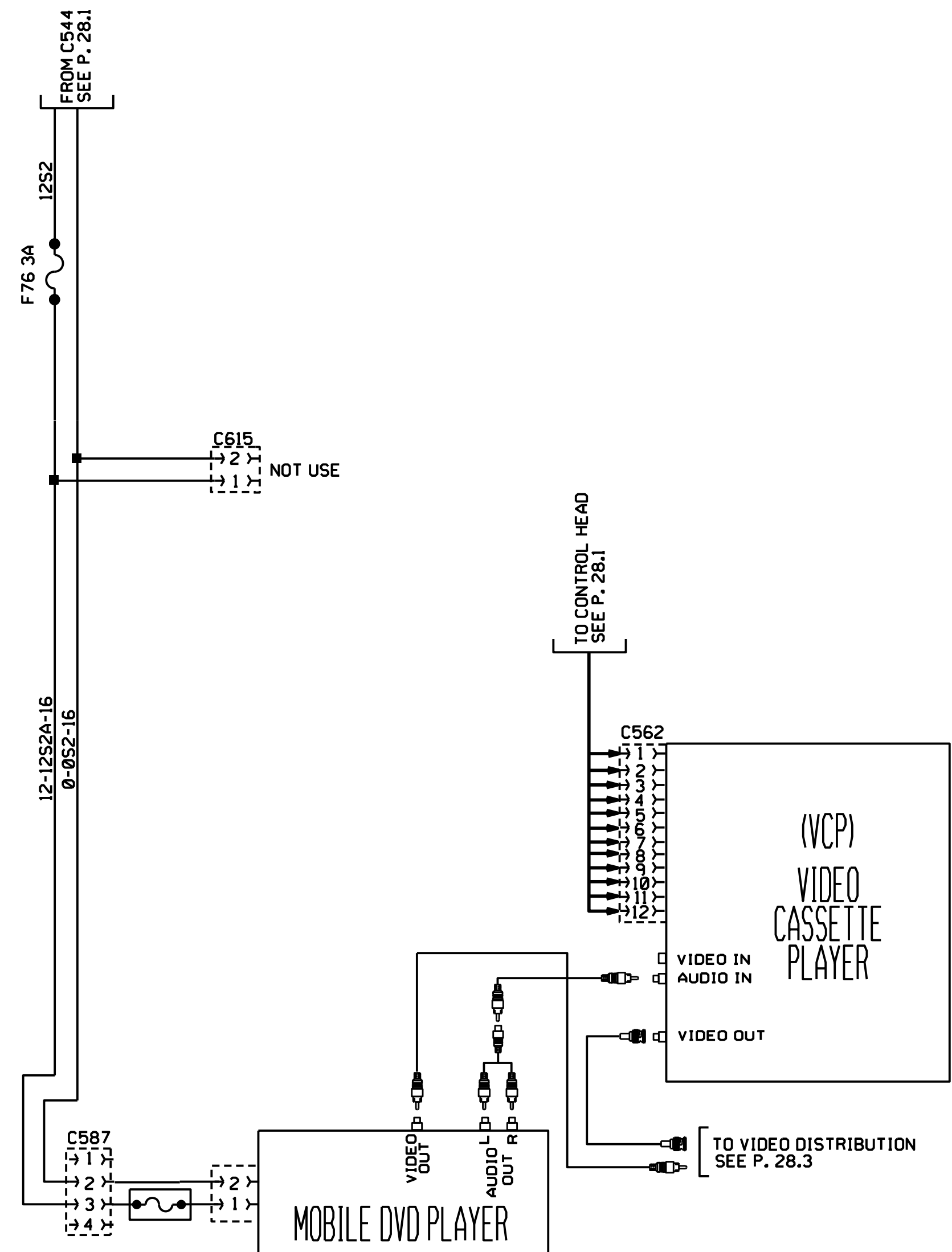
VCP AND DVD WITH KARAOKE



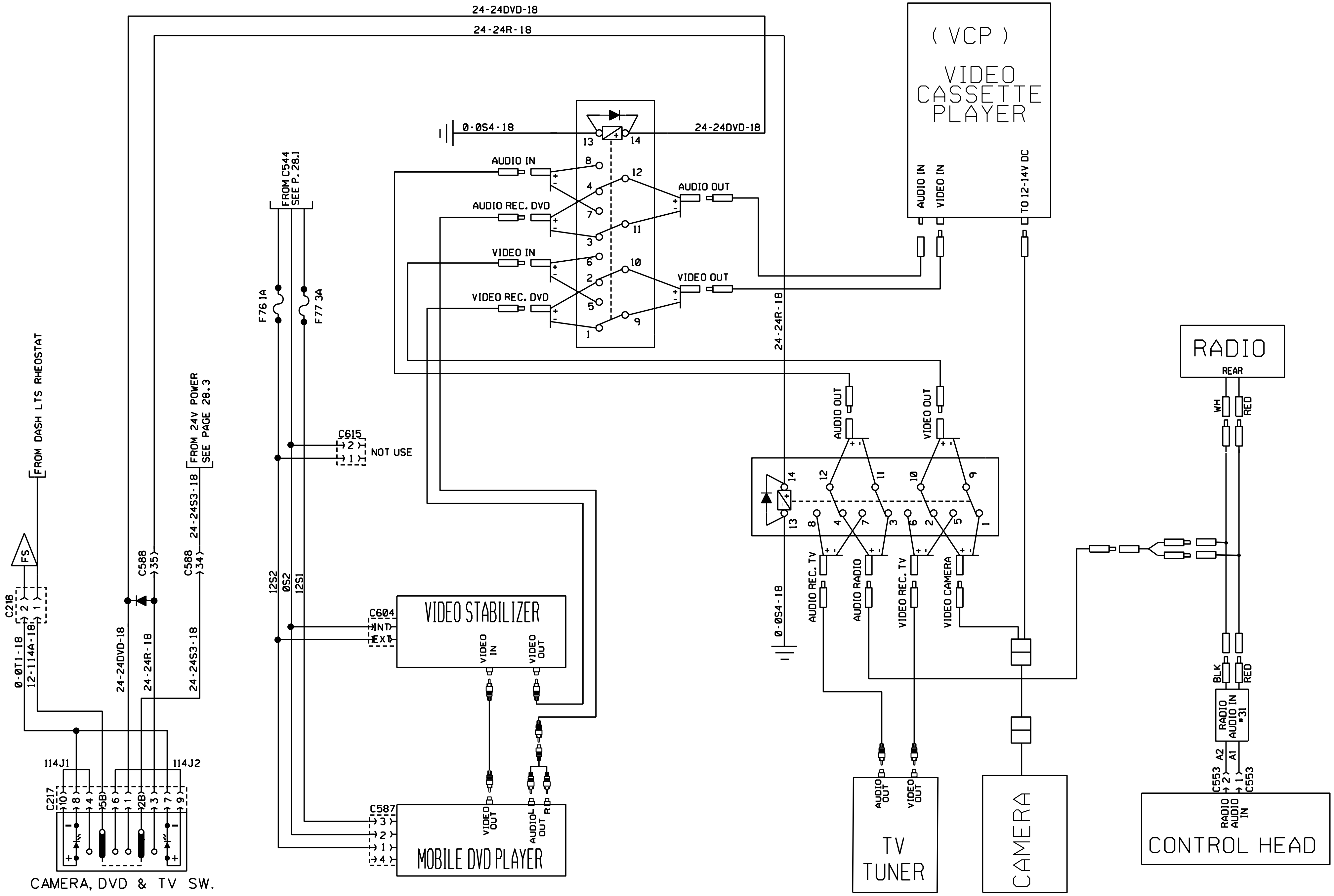
VCP AND DVD



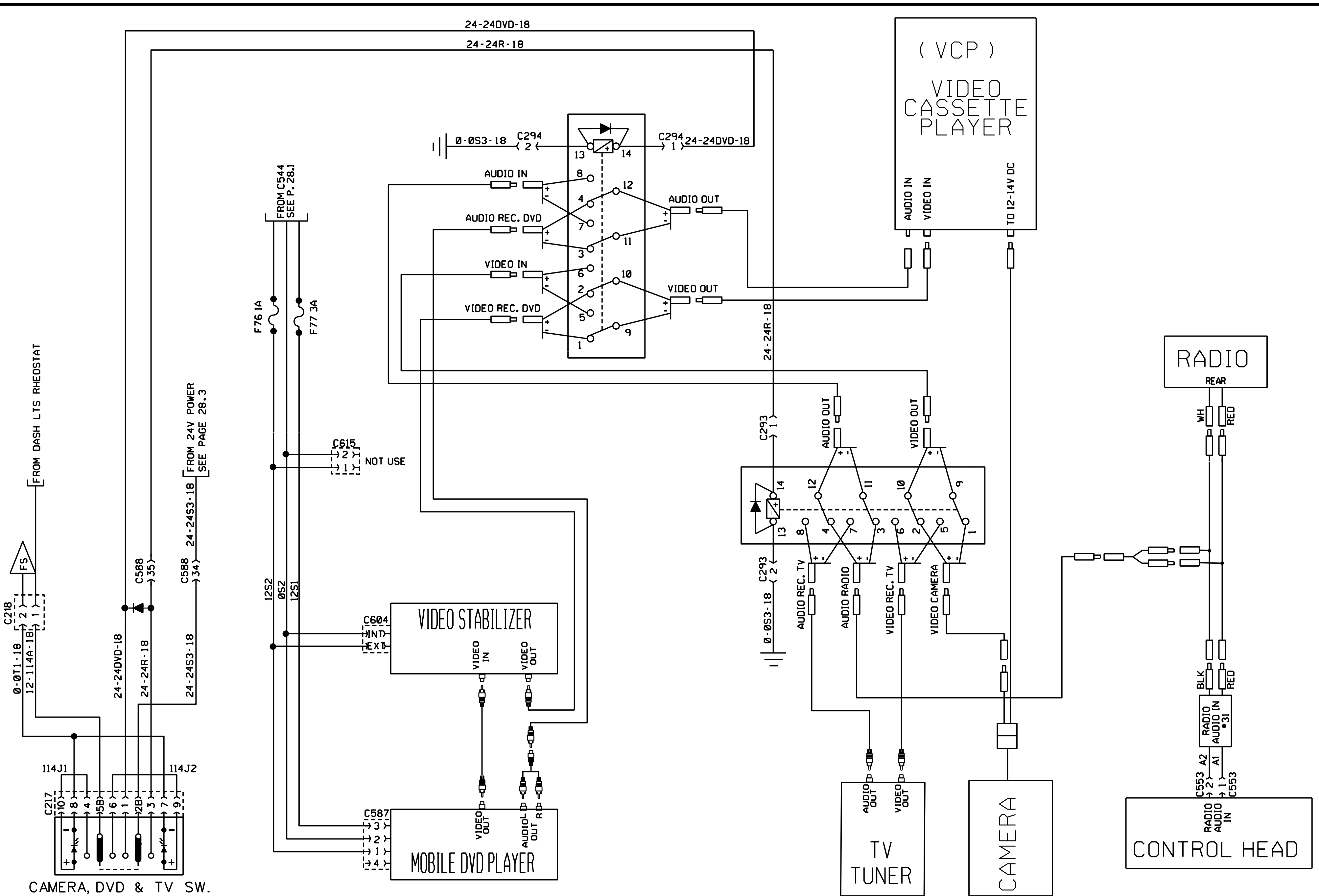
VCP AND DVD WITH KARAOKE



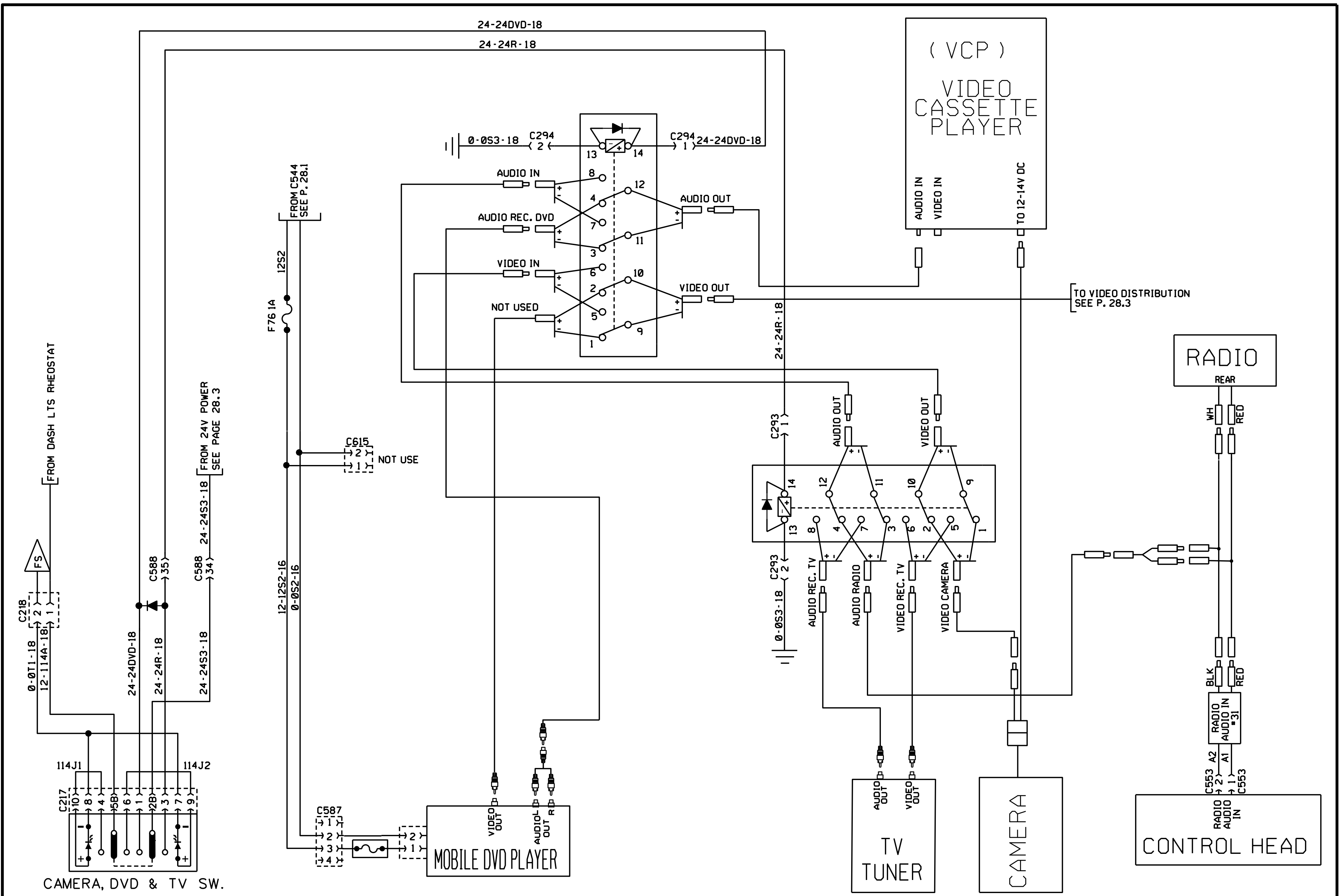
VCP AND DVD



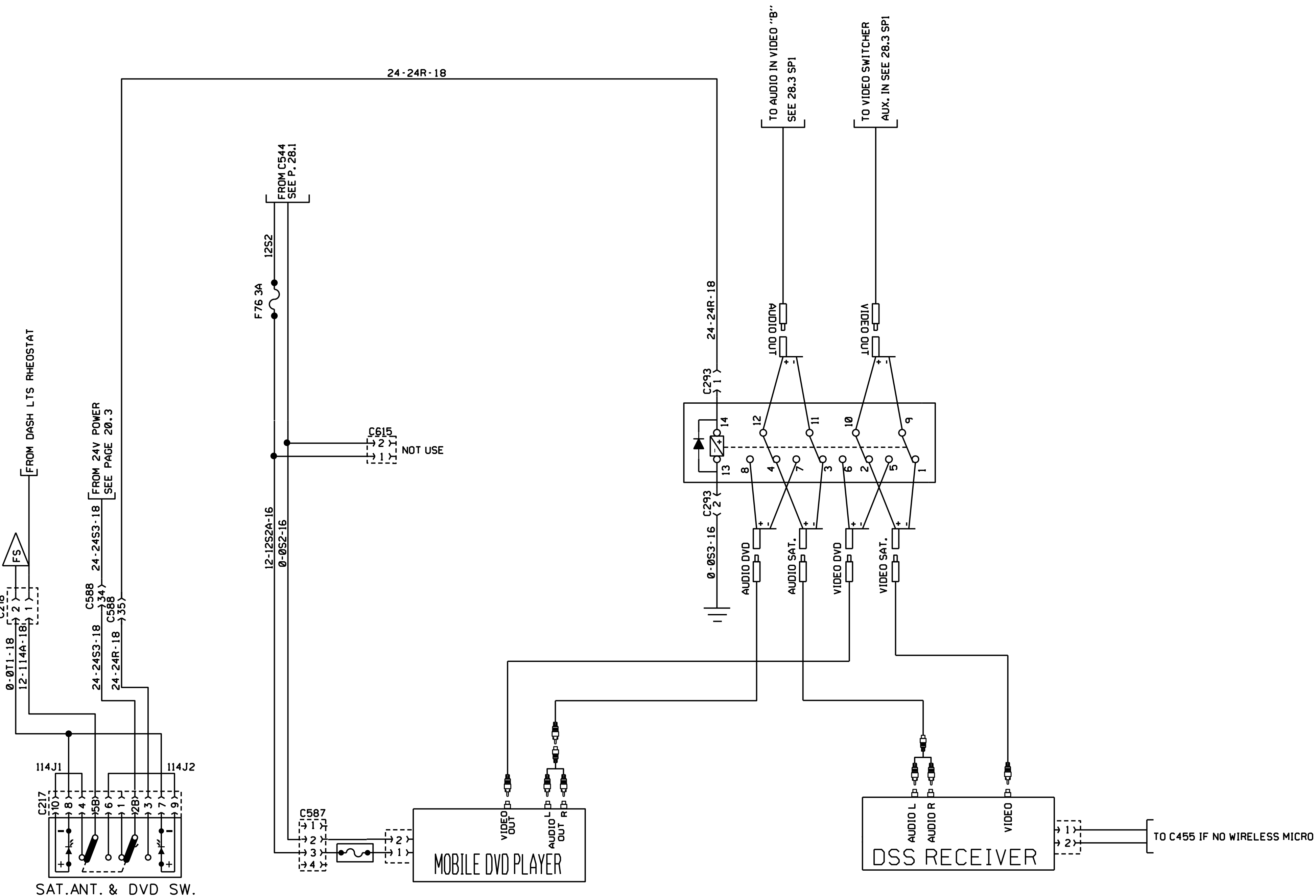
VCP, DVD, FRONT CAMERA AND TV RECEIVER



VCP, DVD, FRONT CAMERA AND TV RECEIVER



VCP, DVD, FRONT CAMERA AND TV RECEIVER



24-24R-18

FROM C544
SEE P. 28.1

F76 3A

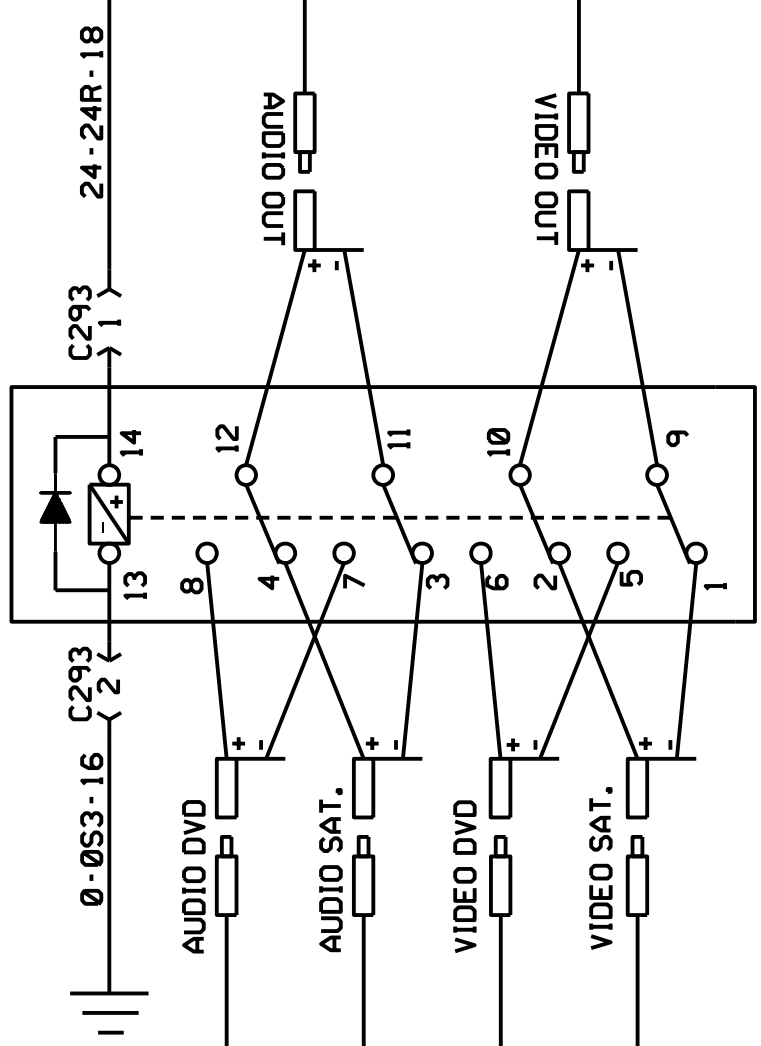
12S2

12-12S2A-16
Ø-ØS2-16

C615
NOT USE

C587

VIDEO OUT
AUDIO L OUT
AUDIO R OUT
MOBILE DVD PLAYER



TO AUDIO IN VIDEO "B"
SEE 28.3 SP1

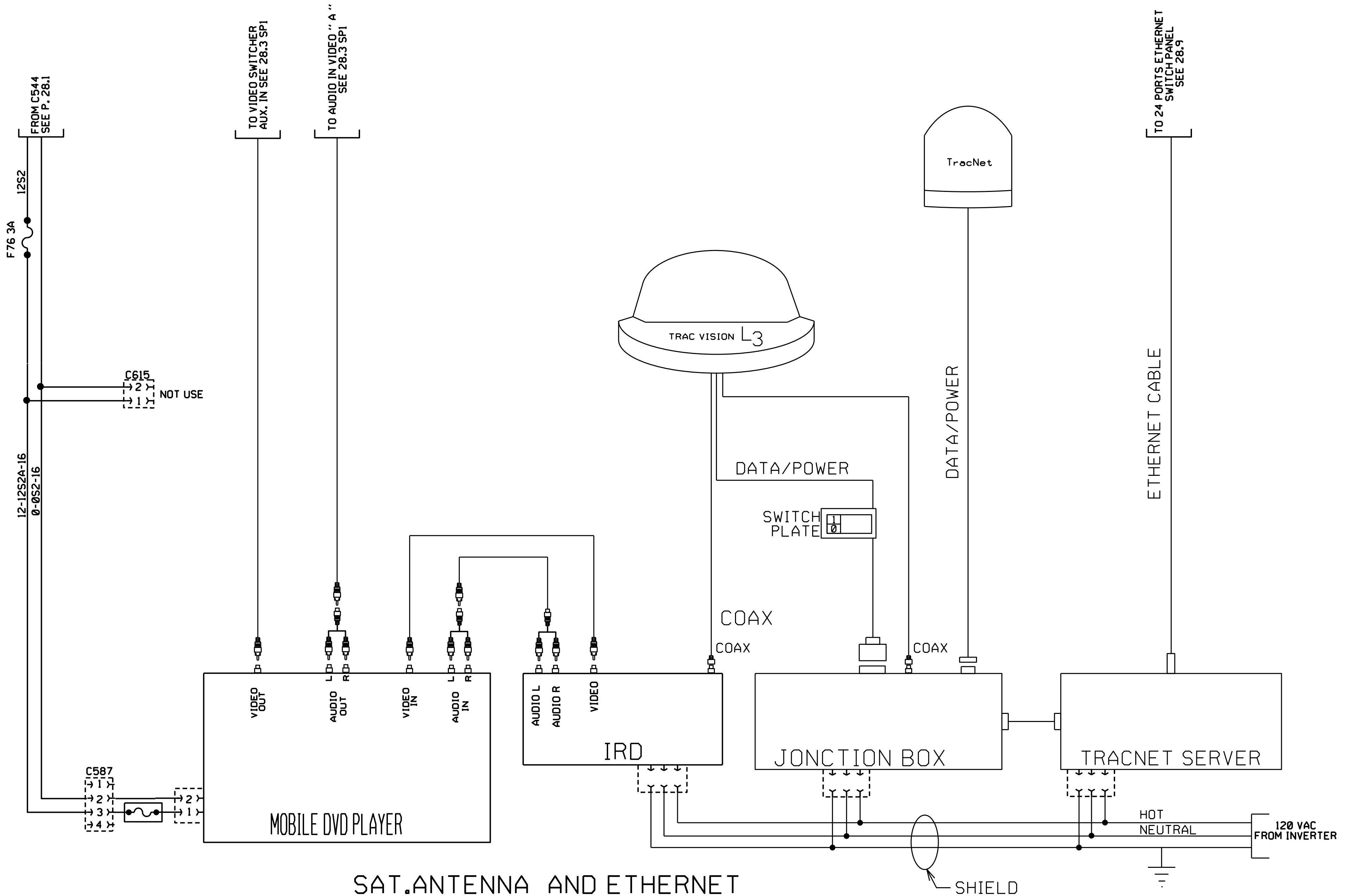
TO VIDEO SWITCHER
AUX. IN SEE 28.3 SP1

AUDIO L
AUDIO R
VIDEO
DSS RECEIVER

TO C455 IF NO WIRELESS MICRO

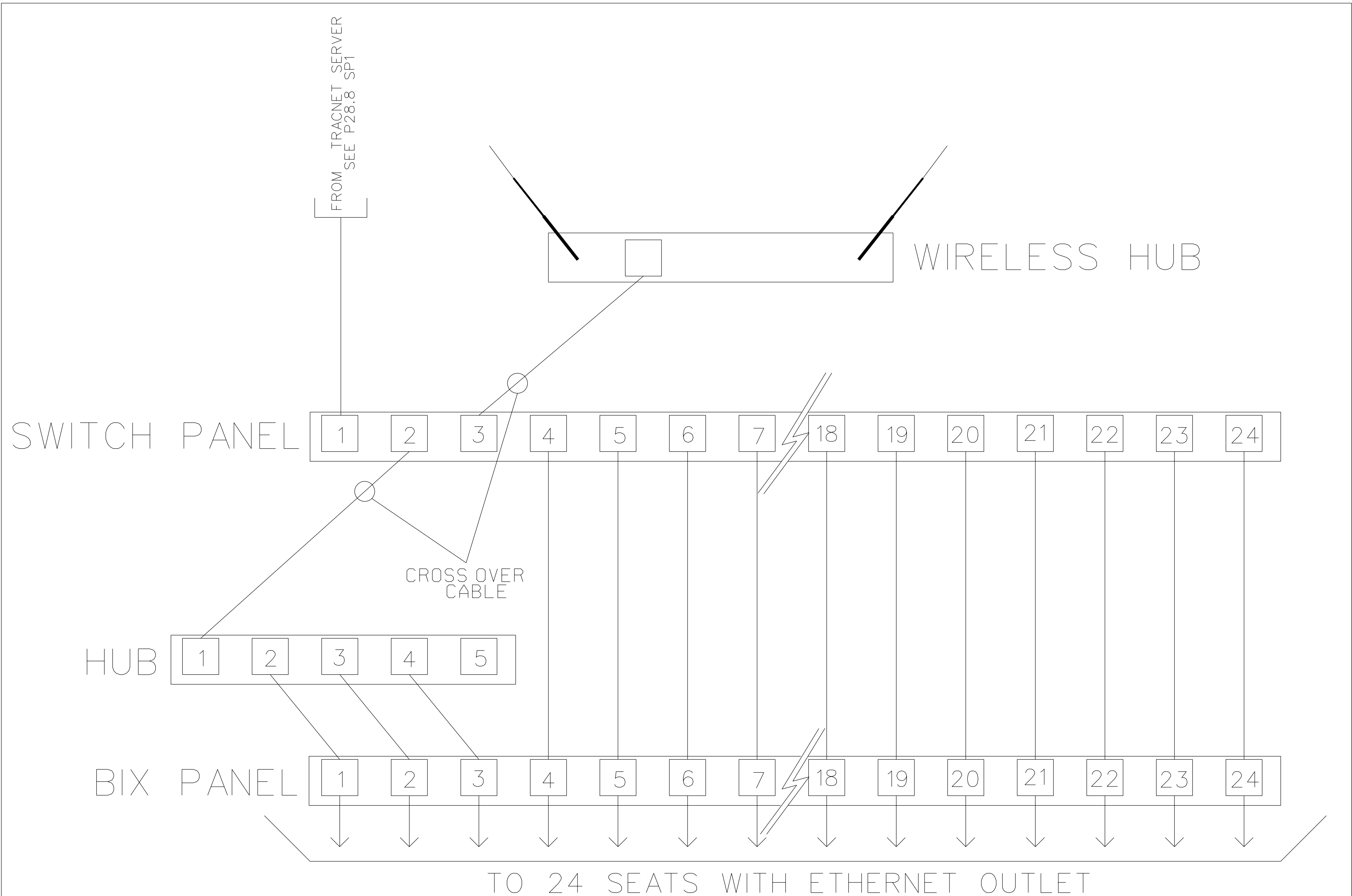
VCP, SAT.ANTENNA AND DVD

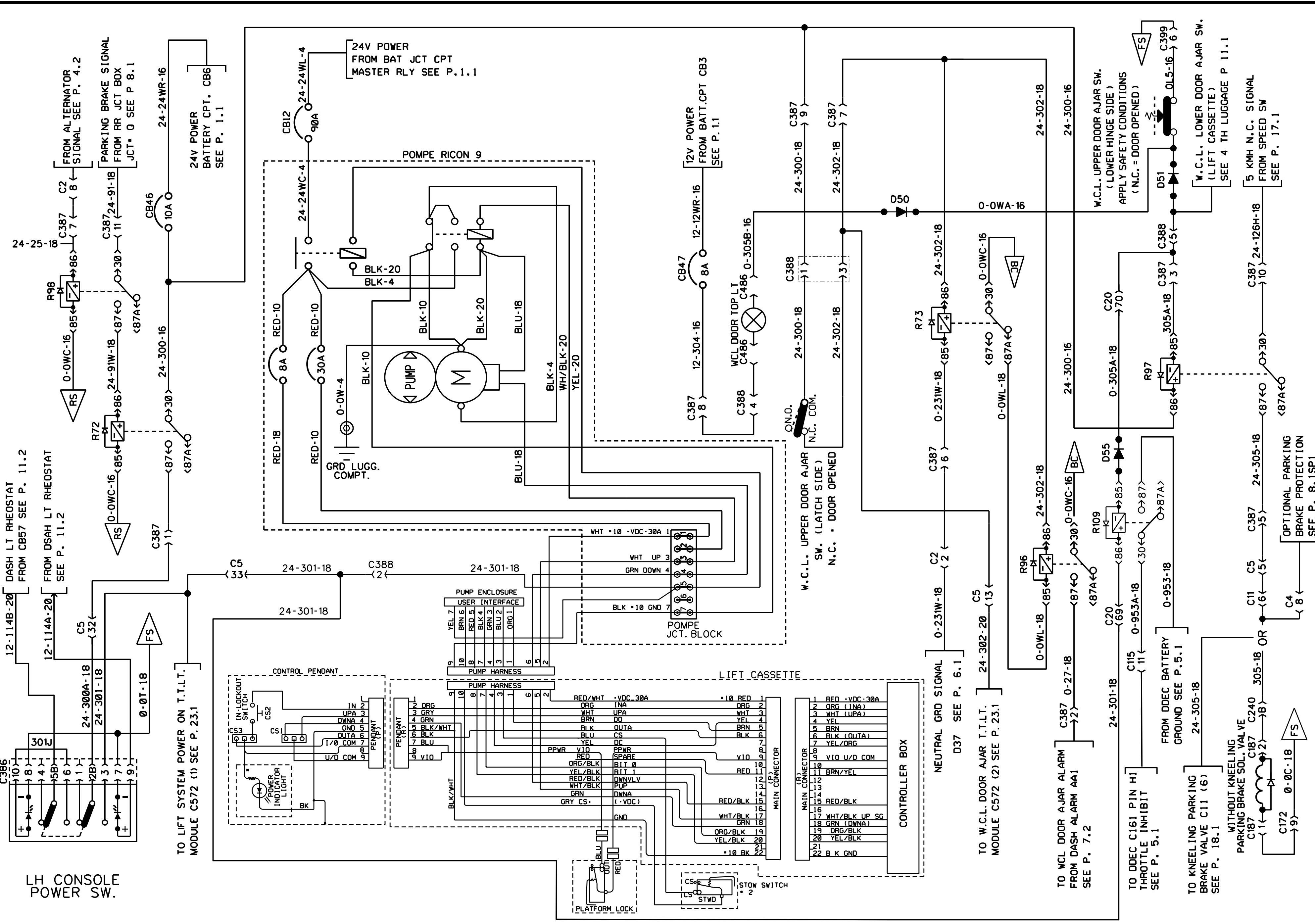
(PRAIRIE BUS LINES)



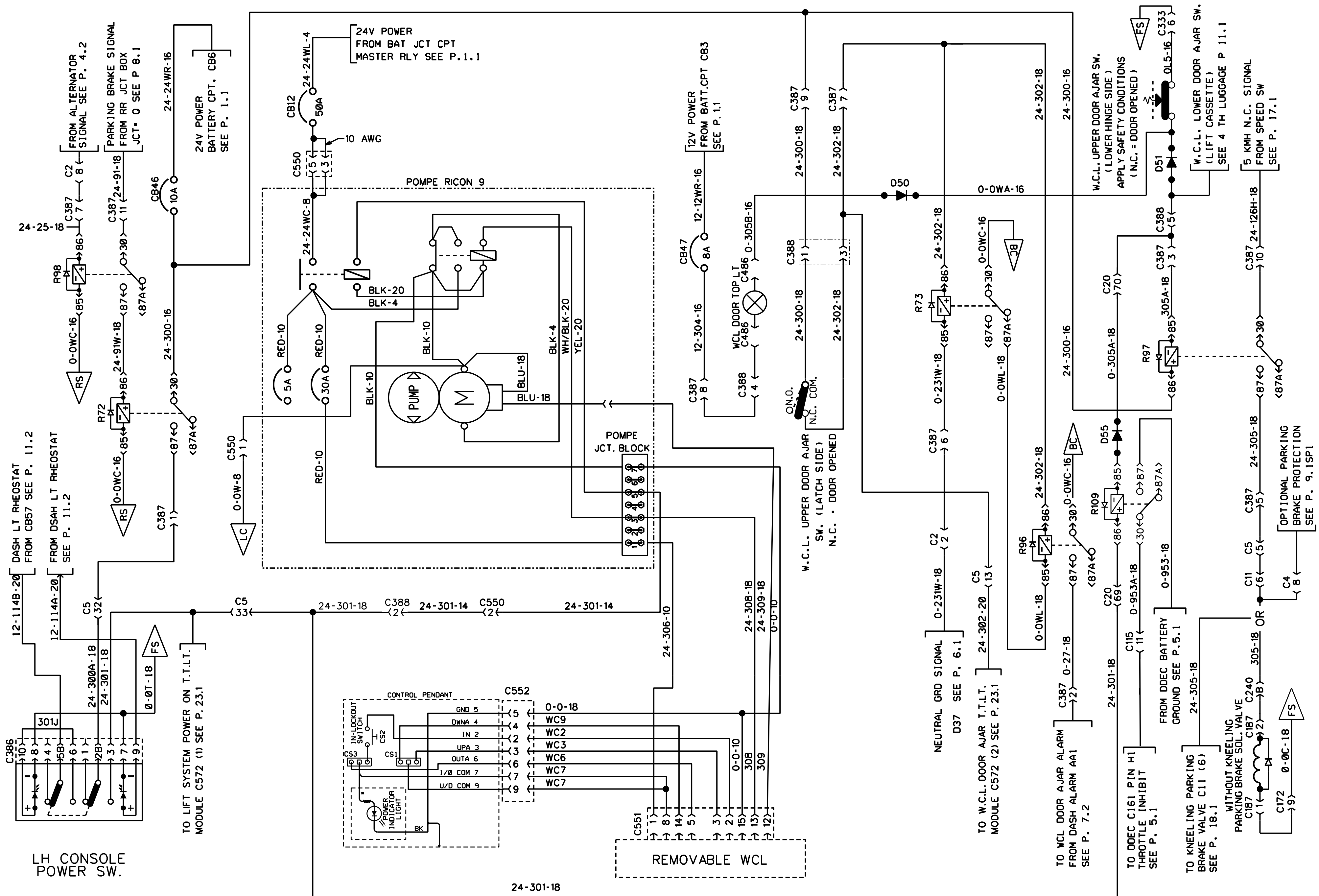
SAT. ANTENNA AND ETHERNET

(PRAIRIE BUS LINES)

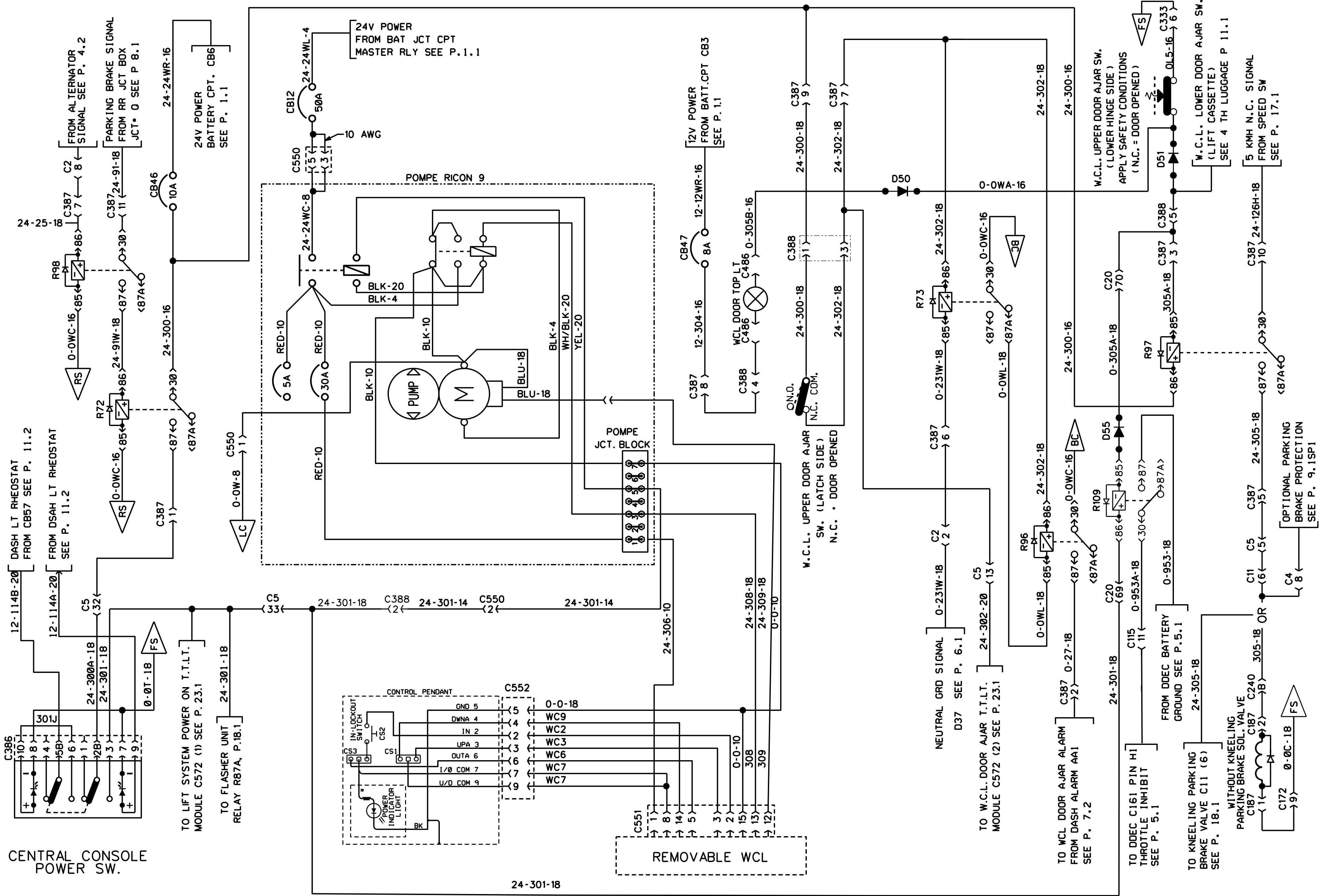




W.C.L. SYSTEM RICON 9



W.C.L. SYSTEM RICON F9T



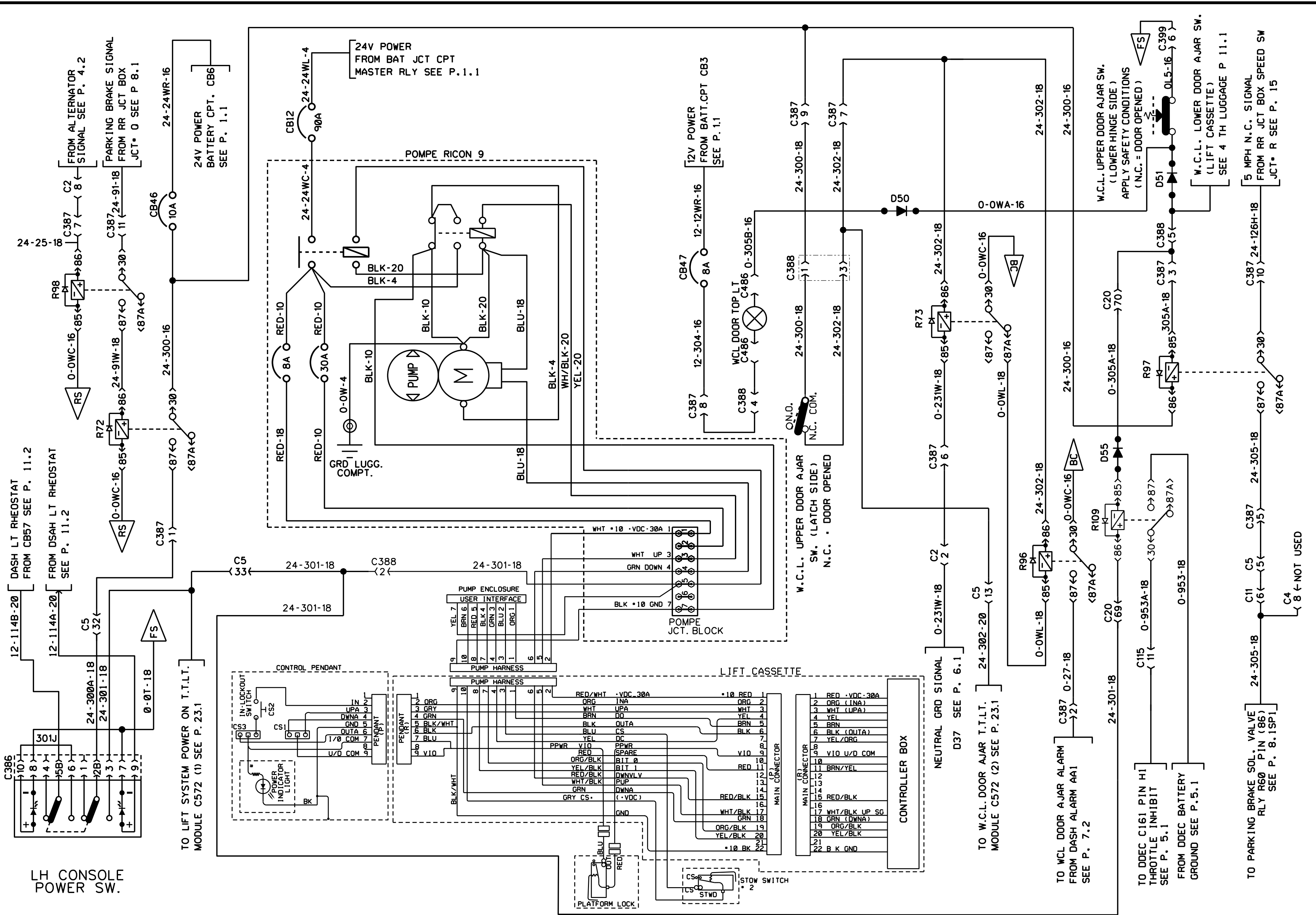
W.C.L. SYSTEM RICON F9T

WIRING DIAGRAM

NO: D060993

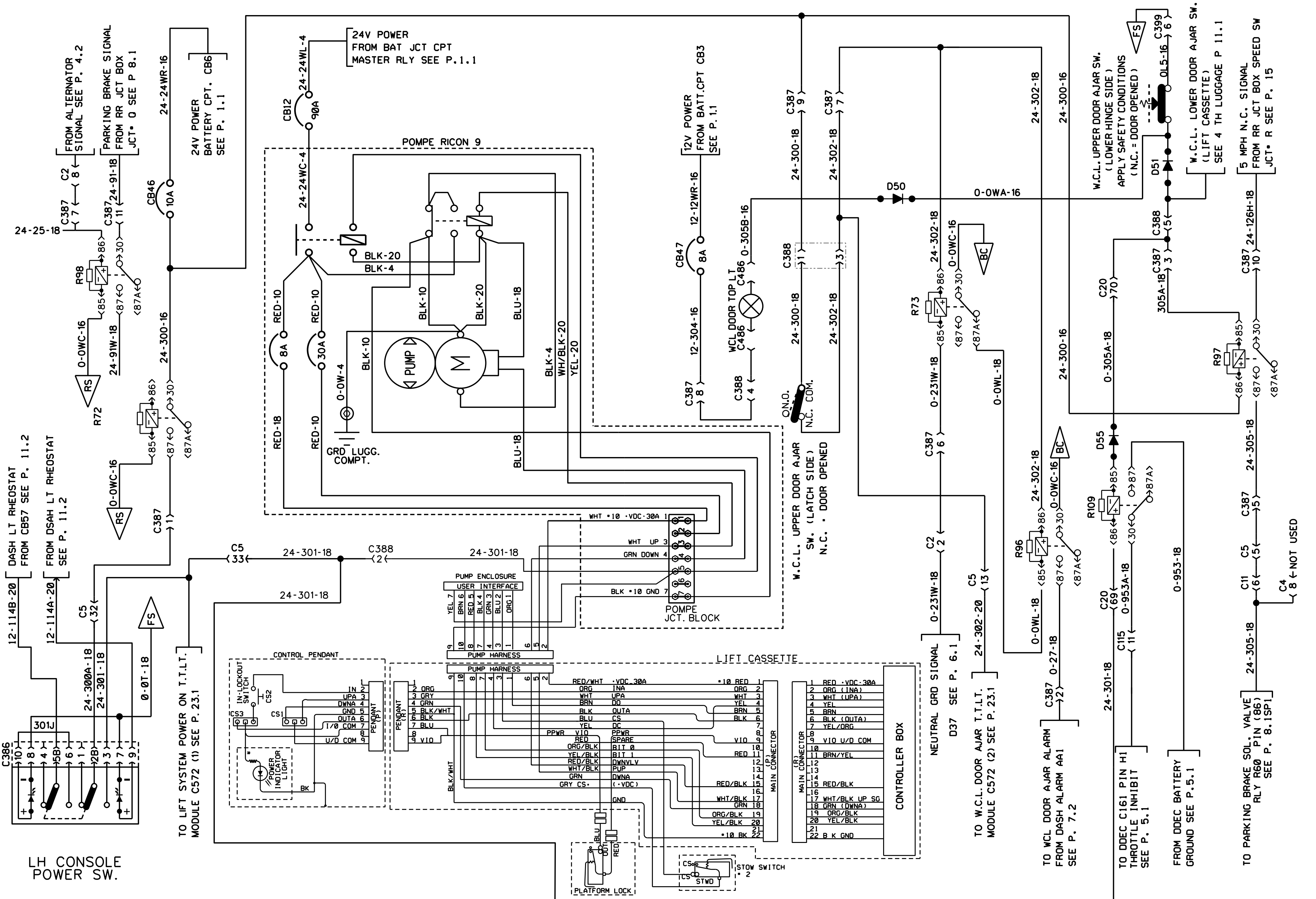
PAGE: 29.1

REVISION 08



W.C.L. SYSTEM RICON 9

WITH SAFETY SW. ADDED

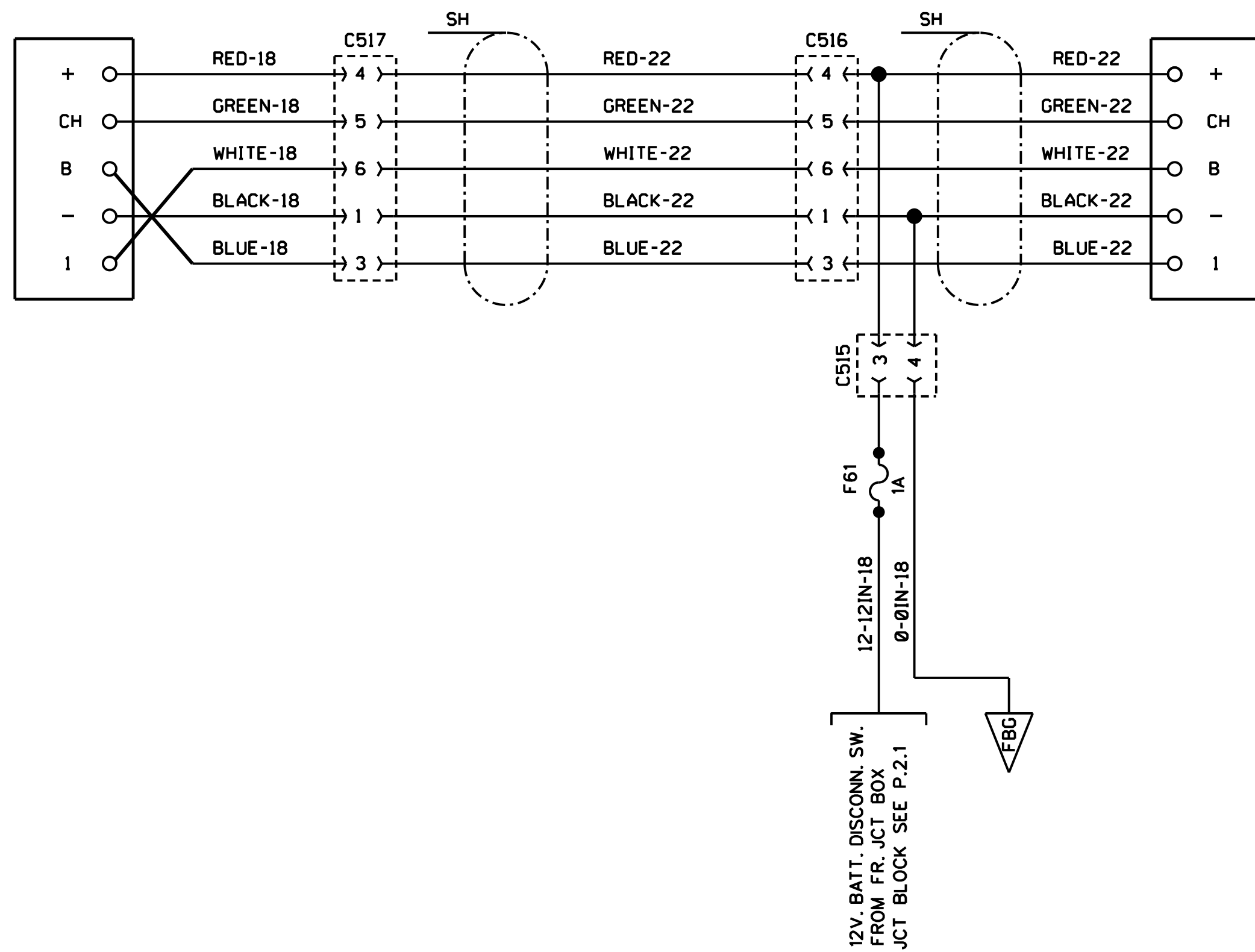


W.C.L. SYSTEM RICON 9

WITH SAFETY SW. ADDED

SECONDARY INTERCOM

MASTER INTERCOM



INTERCOM