

E

D

C

B

A

Engineering Release
Notice (ERN)

Location

Change Description

A = Added
D = Deleted

W = Was

Document Release Status

See DCN

Date

RELEASED

Modification Count

WIRING DIAGRAM INDEX

NAME	DESCRIPTION	PAGE	NAME	DESCRIPTION	PAGE
AA	IGNITION AND STARTING SYSTEM	4	FB	AIR SUSPENSION ECS	27
AB	POWER SUPPLY	5	GA	LCM	28
AB2	NVPDUF & NVPDUR	6	GB	LCM	29
AB3	STARTER BATTERY	7	GE	LCM	30
AB4	CONSUMER BATTERY	8	GM	WIPER, WASHER	31
AB5	PRE HEATER	9	IS	HORN, SWM	32
AC	I-START SYSTEM	10	IU	AUDIO	33
AF	STARTER MOTOR AND ALTERNATORS	11	NA	BUS INSTRUMENT CLUSTER BIC2	34
BA	VECU	12	NA2	OBD, ON BOARD DIAGNOSTICS	35
BB	BBM	13	NB	TACHOGRAPH	36
BC	BBM	14	NC	TGW	37
CL	BIO	15	NC2	TGW II	38
CS	ENGINE INTERFACE D13	16	ND	ALCOLOCK	39
CU	DNOX2 FOR EURO 5	17	NE	FMS GATEWAY	40
CX	ACM 2.0	18	XC	CAN SAE 1939	41
DN	I-SHIFT	19	XD	CAN SAE1587	42
DN2	I-SHIFT	20	XE	DBUS	43
DN3	I-SHIFT	21	XF	CAN 1939 7	44
DN4	I-SHIFT	22	XG	CAN J2284	45
DN5	ALLISON	23	XH	CAN ENGINE SUBNET	46
EO	EBS	24	XJ	CAN1939 - 2/3	47
EP	EBS	25	ZC	GROUND	48
FA	AIR SUSPENSION ECS	26			

The copying, distribution and utilization of this document as well as the communication of its contents to others without expressed authorization is prohibited. Offenders will be held liable for payment of damages. All rights reserved in the event of the grant of a patent, utility model or ornamental design registration.

Document title

WIRING DIAGRAM – B13R

The legal owner of this document is as stated under "Design Location" in KOLA and in the associated "Part Version Report"

Document type

PRODUCT SCHEMATICS

Document No

22610880

Issue

01

Volume

1 (2)

Sheet No

1 (48)**VOLVO**

Volvo Bus Corporation

ABBREVIATION LIST, 24V

SHELL CAVITY HARNESSSES	
AC	AIR CONDITION
Acp	ACCELERATOR PEDAL
AI	ANALOG INPUT
Amb	AMBIENT
An.IN	ANALOGUE INPUT
AO	ANALOG OUTPUT
ARC	AIR REGENERATION CONTROL
ARMS	AUTOMATIC RESET MAIN SWITCH
B+	VOLTAGE BATTERY WITH SWITCH IN ON POSITION
BB	BODY BUILDER
BHSA	BRAKE HILL START AID
Brk	BRAKE
Buf	BUFFERED
C	CLOSING
CampL	CAMPIGN LIGHTS
Cent	CENTERING
Ctrl	CONTROL
Cyl	CYLINDER
Dash	DASHBOARD
Deliv	DELIVERY
DI	DIGITAL INPUT
Diag	DIAGNOSTIC
Diq.OUT	DIGITAL OUTPUT
Dir	DIRECTION
Dis	DISABLE
DO	DIGITAL OUTPUT
DRL RMC	DAYTIME RUNNING LIGTH/REDUCED MODE CONTROL
EACC	ELECTRIC AIR COMPRESSOR CONTROL
ECB	VBC ENGINE COMPRESSOR BRAKE
ECU	ELECTRONIC CONTROL UNIT
ECU GND	EXTERNAL GROUND
EGR	EXHAUST REDIRECTION VALVE
EMT	EXHAUST MANIFOLD TEMPERATURE
Eng	ENGINE
EPG	EXHAUST PRESSURE GOVERNOR
ES	ENGINE SYNCRONIZATION
ETCC	EXHAUST TEMPERATURE CATALYTIC CONVERTER
Ext	EXTERNAL
GND	SIGNAL GROUND
H	HIGH
Haz	HAZARD
HDI	HIGH DIGITAL INPUT
HDO	HIGH DIGITAL OUTPUT
HLa	HEADLAMPS
HS	HIGH SIDE
HSD	HIGH SIDE DRIVER
Hyd	HYDRAULIC
IJ	INLET JET
Ind	INDICATOR
Inj	INJECTION
JK	JACK KNIFE
KL	KEY LINE
L	LOW
LCP	LIGHT CONTROL PANEL
LDI	LOW DIGITAL INPUT
LDO	LOW DIGITAL OUTPUT
LS	LOW SIDE
Nd	NEEDLE
O	OUTPUT
OLS	OIL LEVEL SENSOR
OP	OPENING
OV	OVERFLOW
PCS	PRESSURE CONTROL SOLENOID
PCV	PRESSURE CONTROL VALVE
Plo	PLOUGH
Pos	POSITION
PR	PRESSURE REGULATOR
Pres	PRESSURE
PS	PRESSURE
PWM	PULSE WIDTH MODULATION
Rad	RADIATOR
RAI	RESISTANCE ANALOGUE INPUT
Red	REDUCTOR
Rel	RELAY
Req	REQUEST
RES	INPUT FOR SENSORS WITH VARIABLE RESISTANCE
Ret	RETARDER

VOLVO

Volvo Bus Corporation

Document title

WIRING DIAGRAM – B13R

Document type

PRODUCT SCHEMATICS

Document No

22610880

Issue

01

Volume

1 (2)

Sheet No

2 (48)

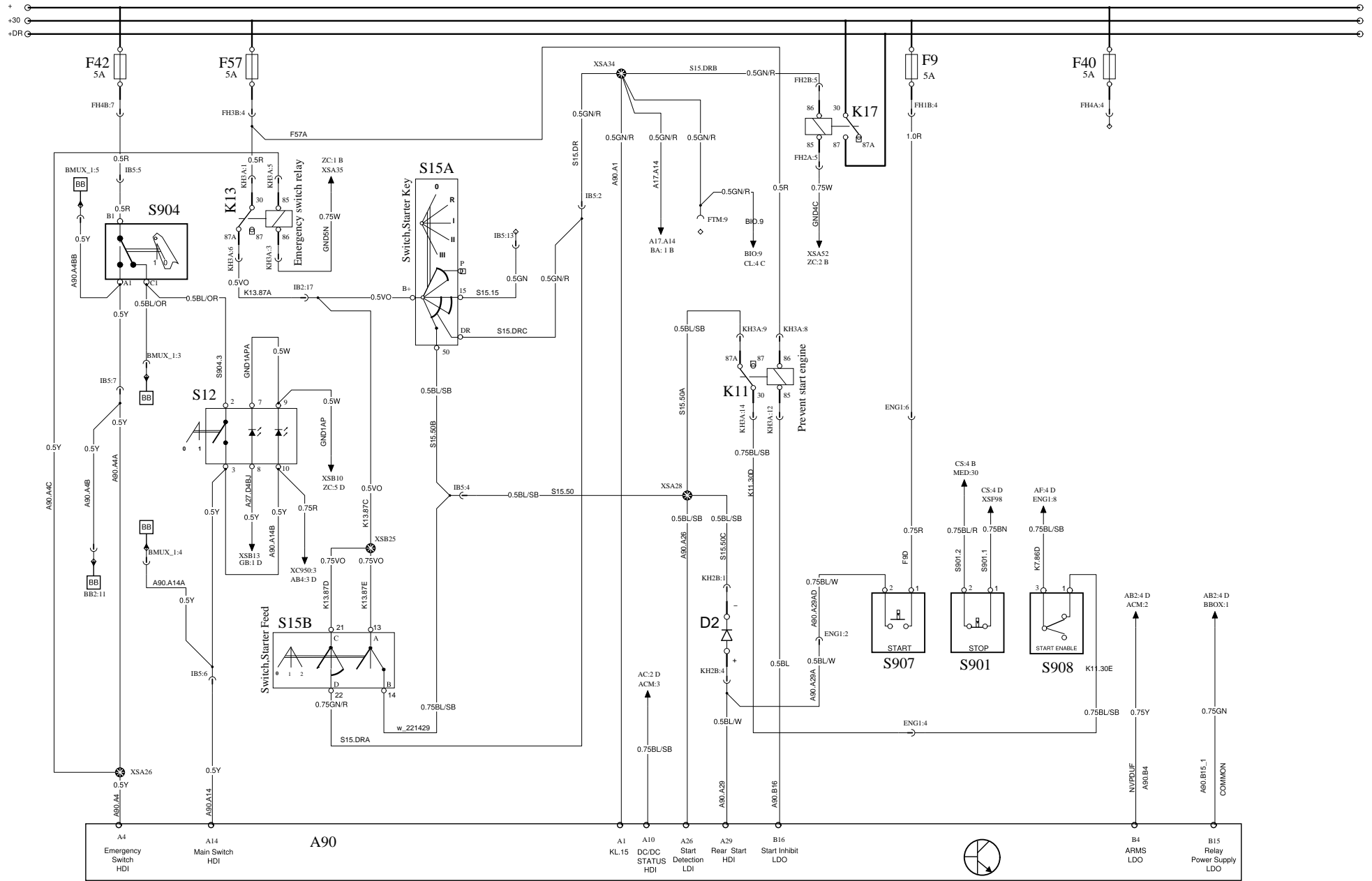
SHELL_CAVITY_HARNESSES	
RX	SIGNAL_RECEIVER
Sen	SENSOR
Sign	SIGNAL
Sno	SNOW
Sp	SPEED
SS	SENSOR_SUPPLY
St	START
Stp	STOP
SV	SUPPLY_VOLTAGE
Sw	SWITCH
TCC	TORQUE_CONVERTER_CLUTCH
Temp	TEMPERATURE
Tor	TORQUE
TX	SIGNAL_TRANSMITTER
UBat	FEED_DIRECTLY_FROM_BATTERY
VEB	VOLVO_ENGINE_BRAKE
Veh	VEHICLE



Document title			
WIRING DIAGRAM – B13R			
Document type			
PRODUCT SCHEMATICS			
Document No	Issue	Volume	Sheet No
22610880	01	1 (2)	3 (48)

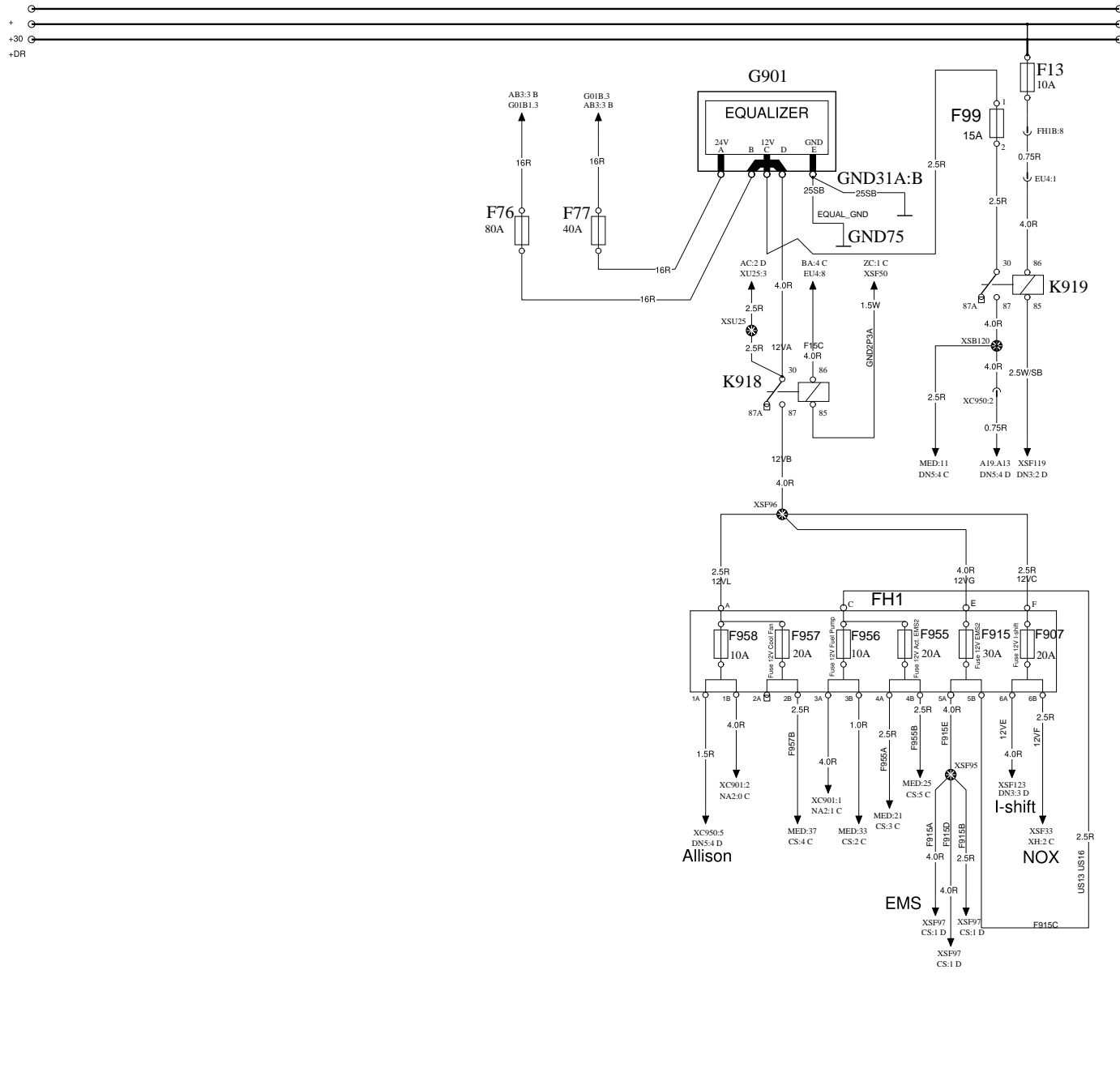
IGNITION AND STARTING SYSTEM

WIRING DIAGRAM AA



POWER SUPPLY

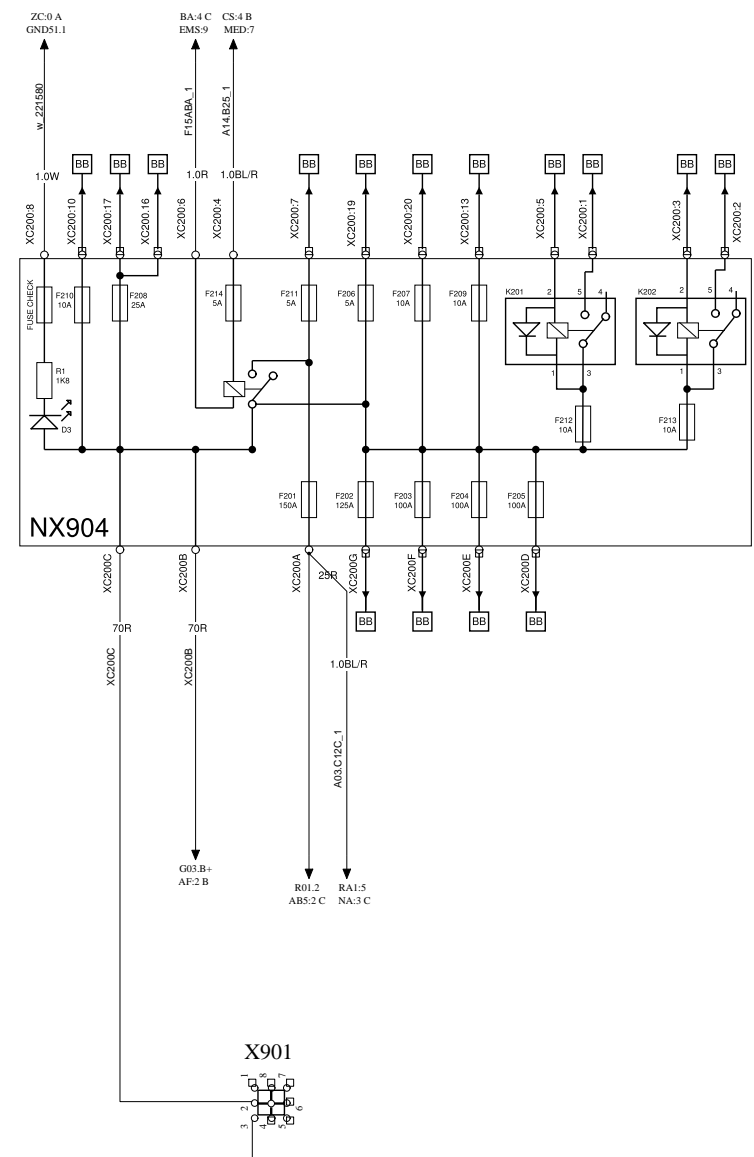
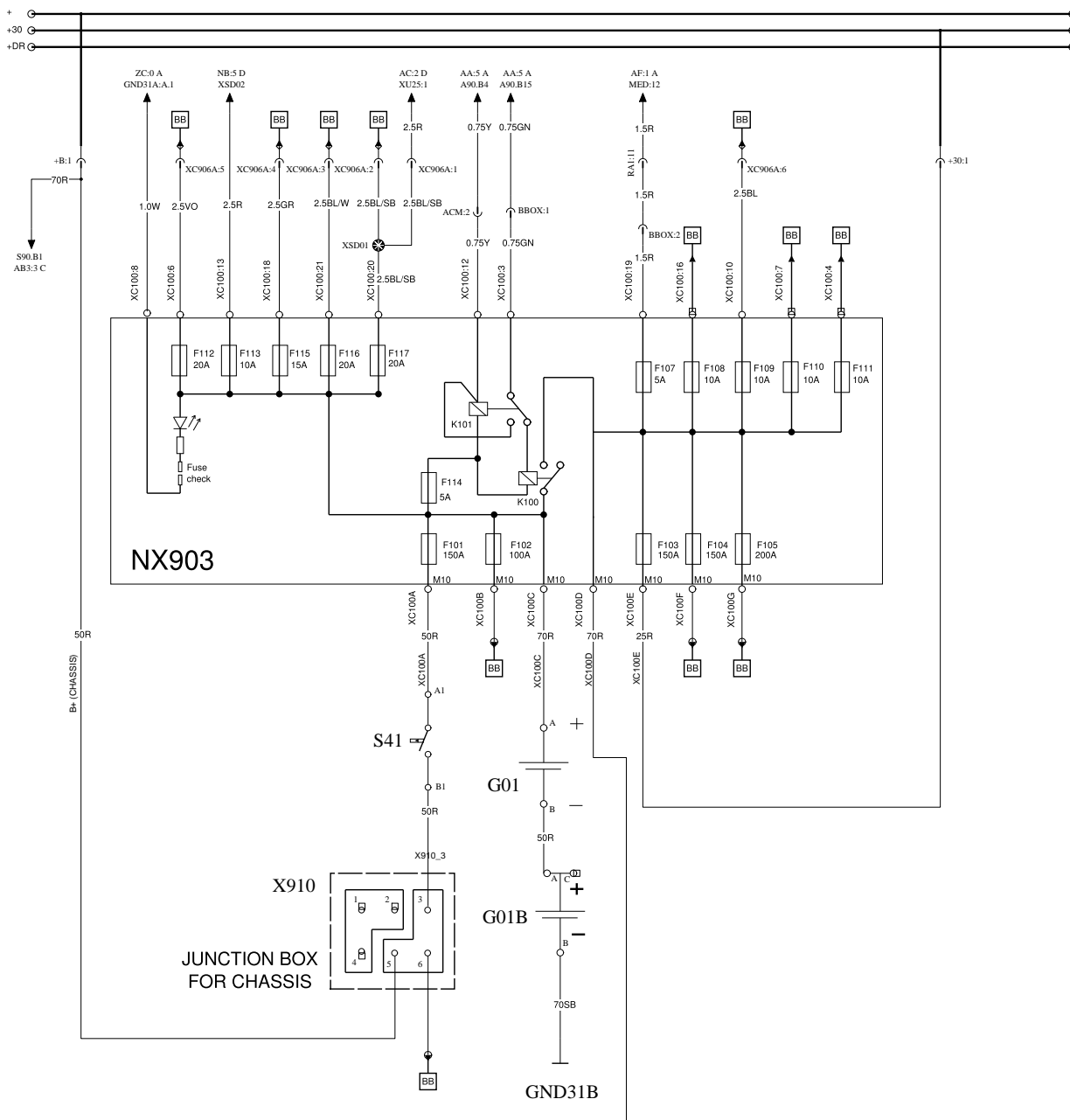
WIRING DIAGRAM AB



NVPDUF & NVPDUR

FOR EURO 5 (MEXICO)

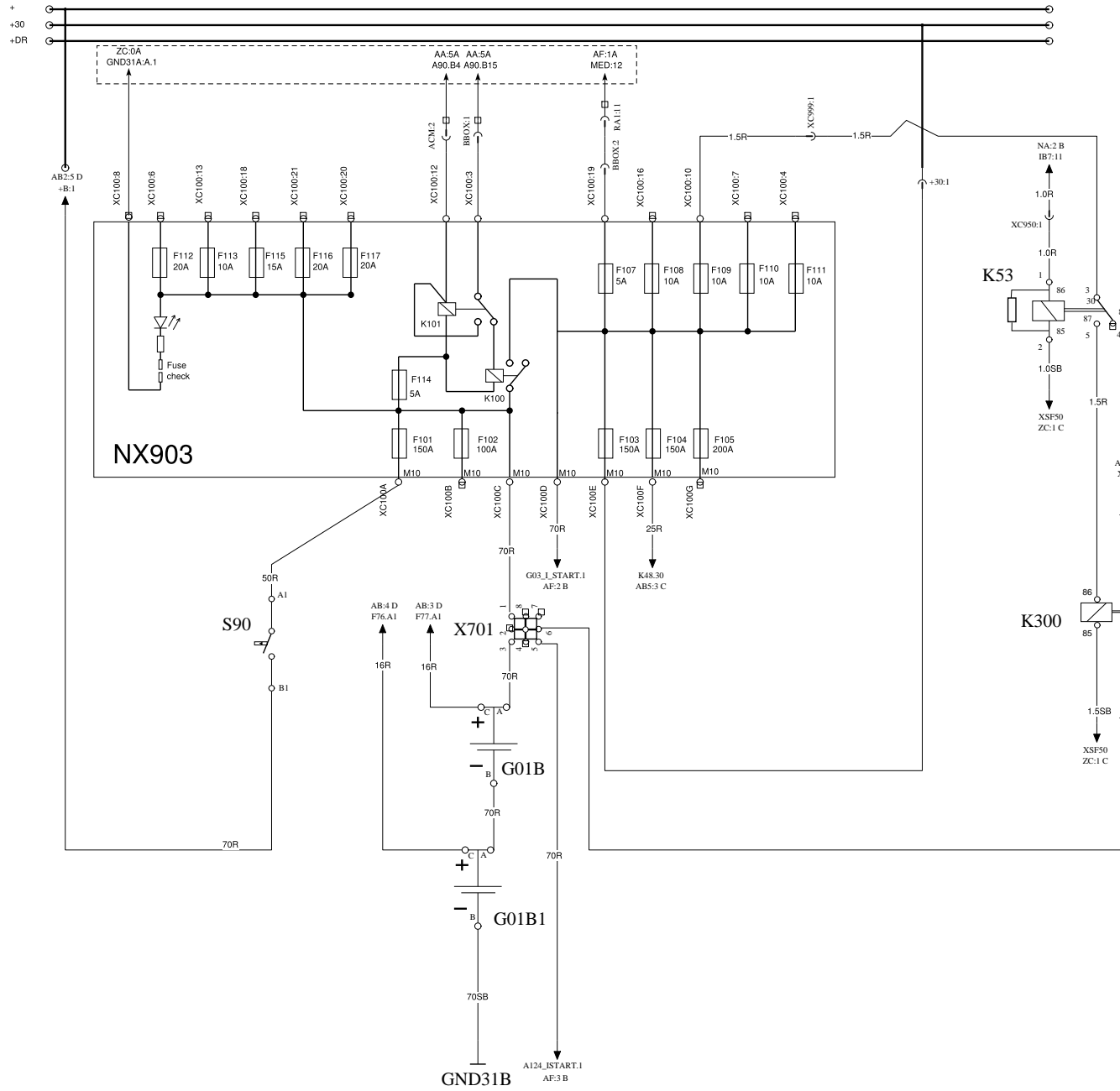
WIRING DIAGRAM AB2

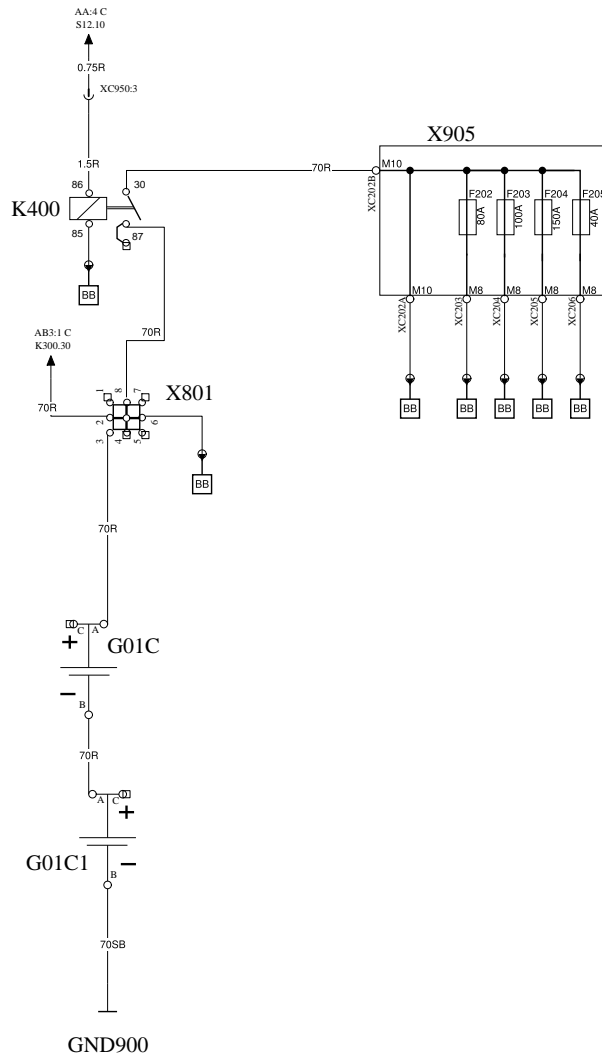


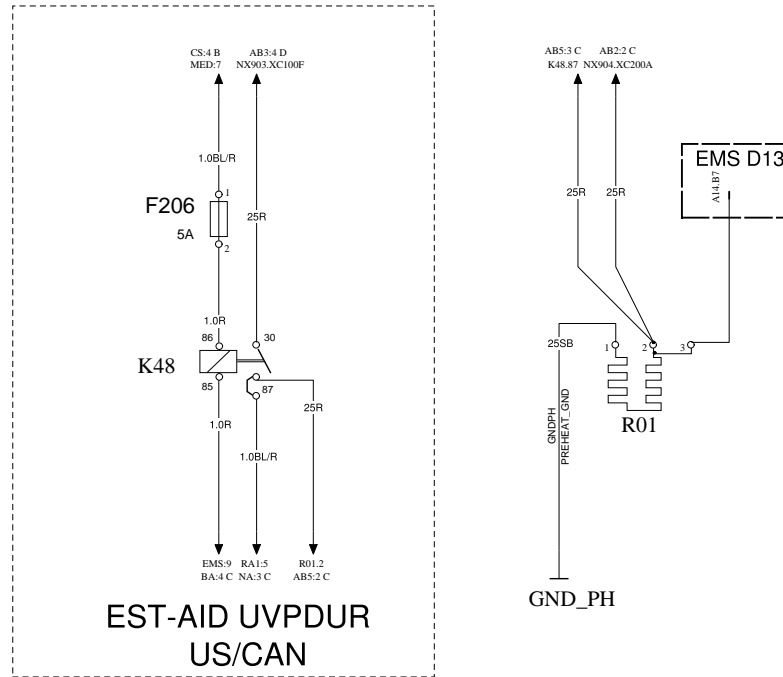
STARTER BATTERY

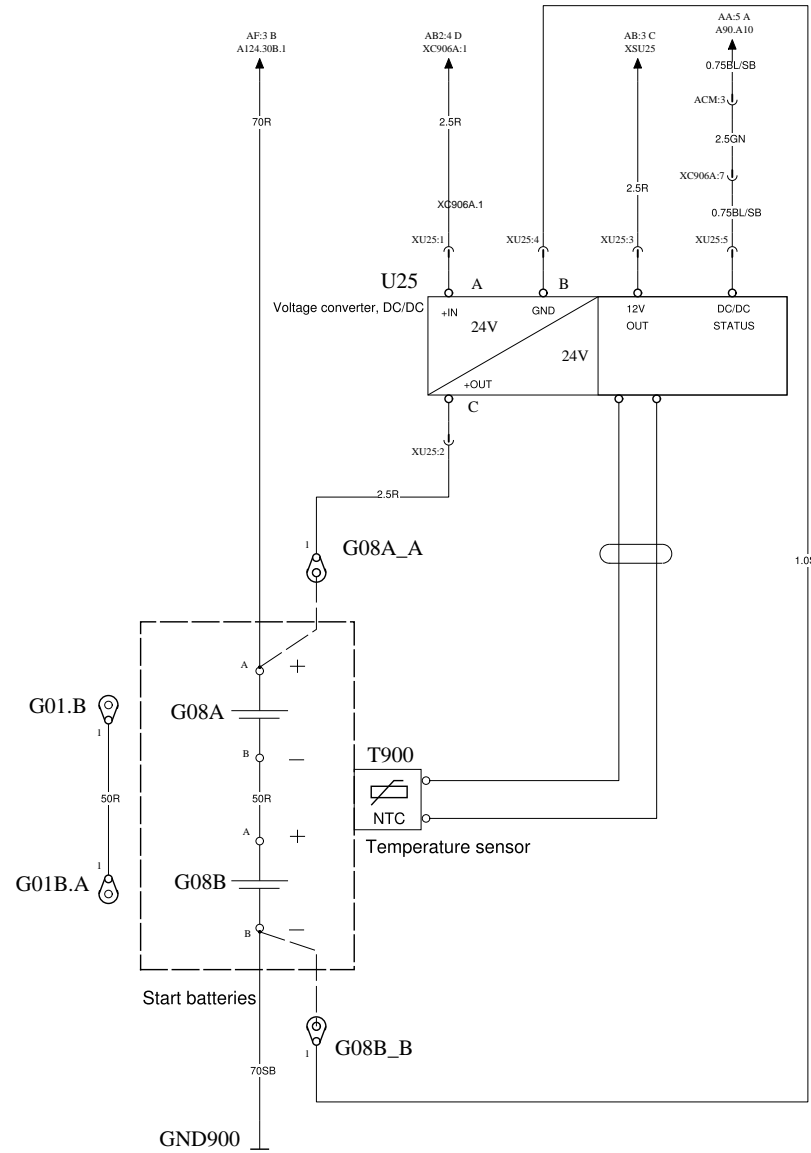
US/CAN

WIRING DIAGRAM AB3



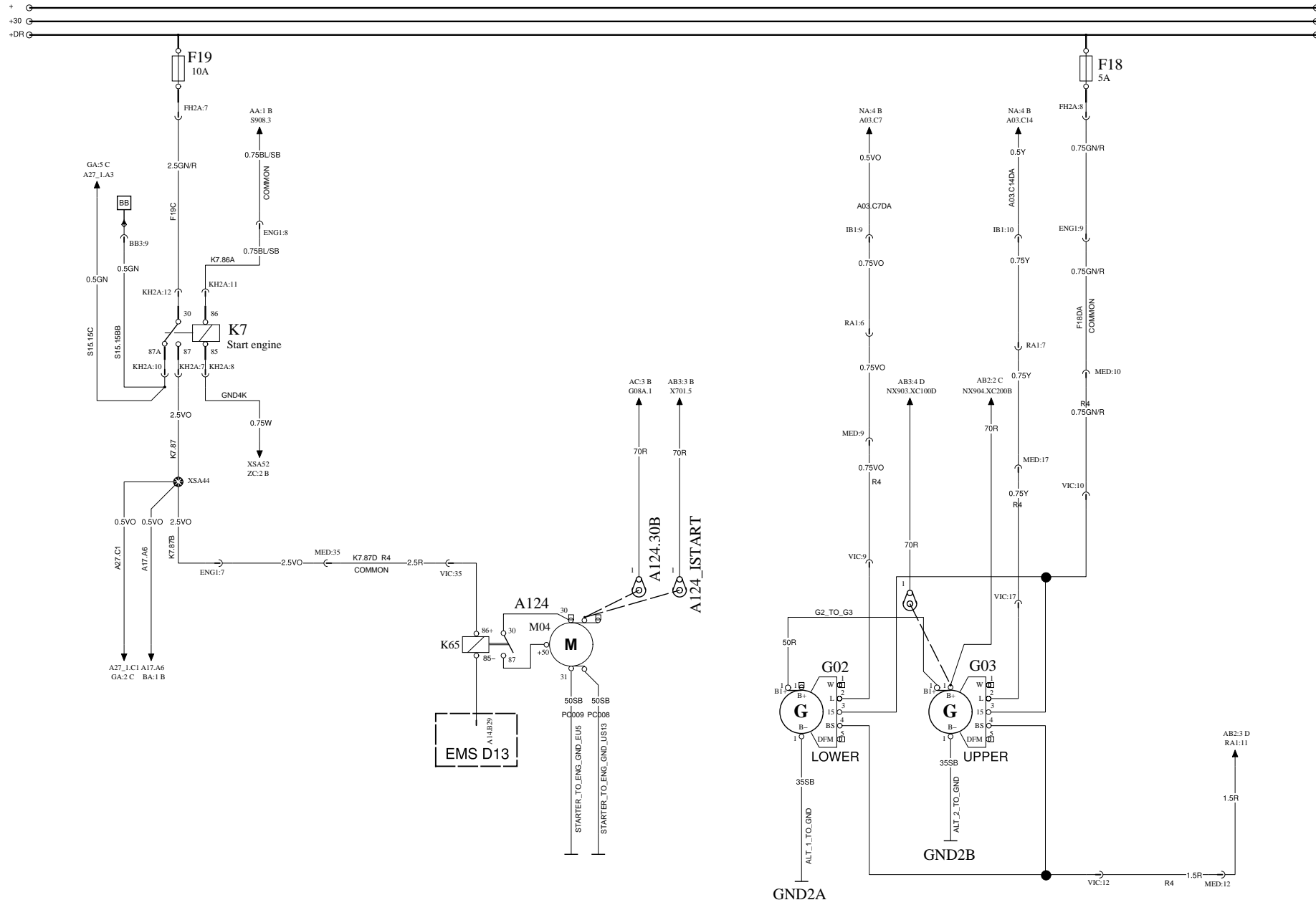






STARTER MOTOR AND ALTERNATORS

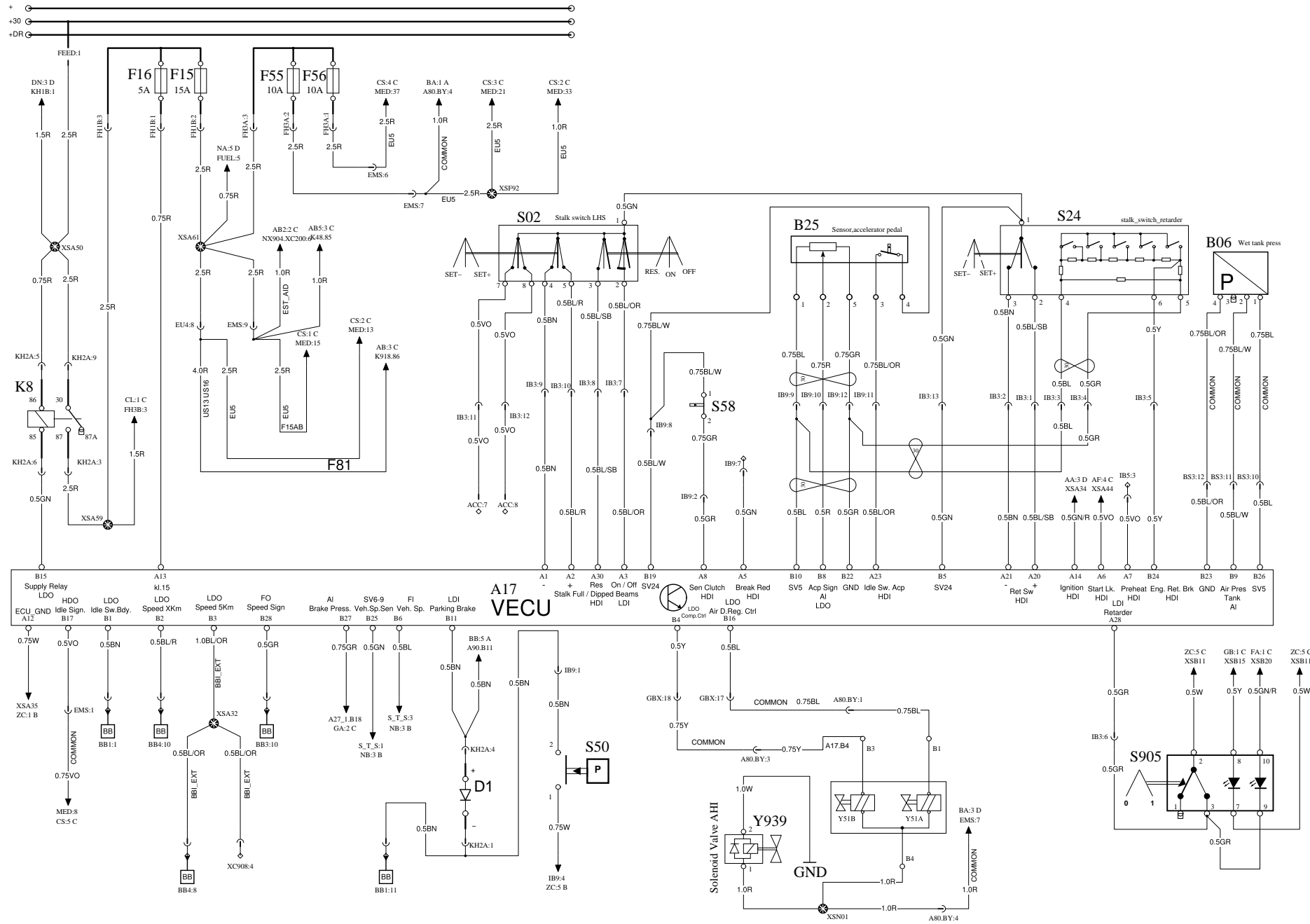
WIRING DIAGRAM AF

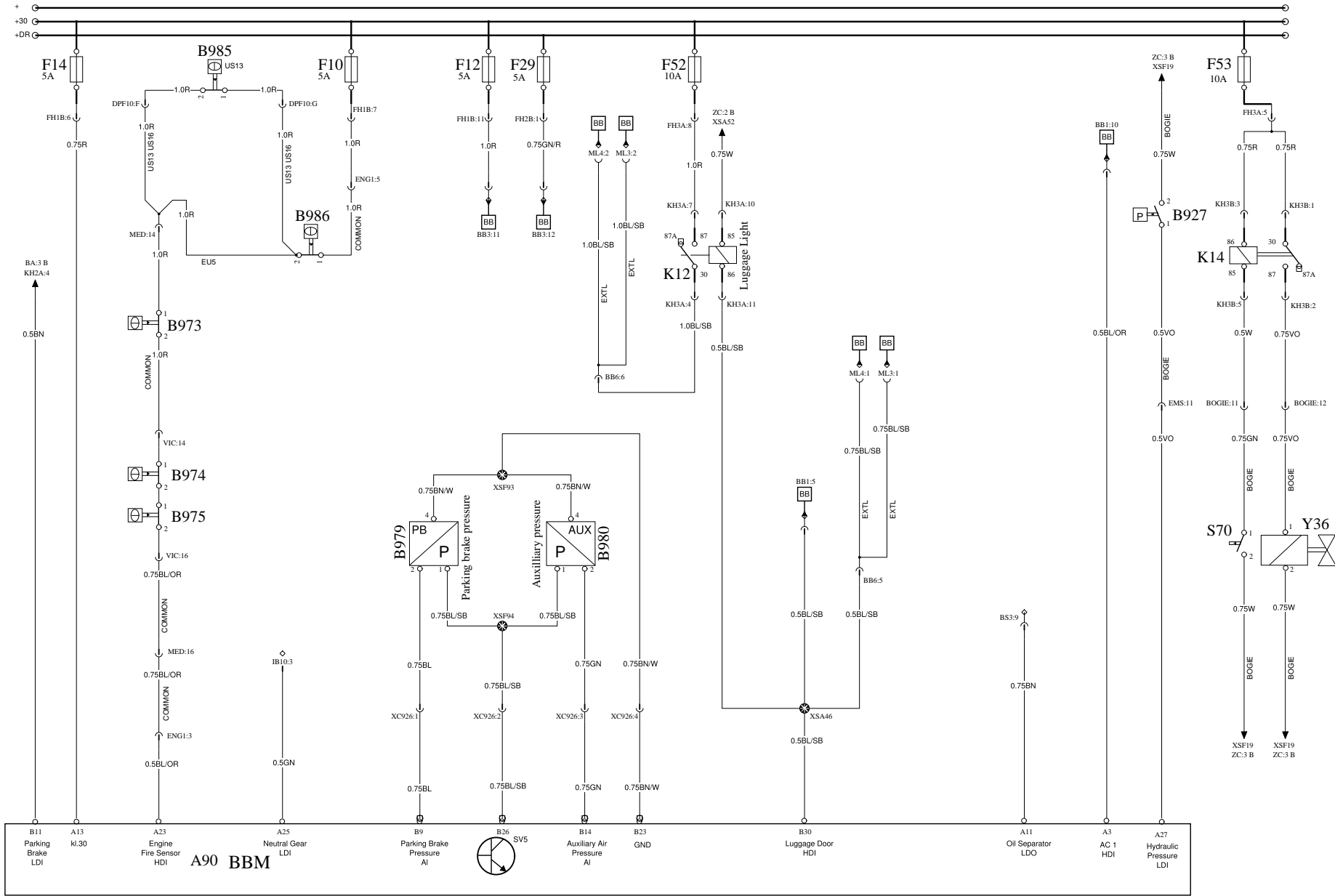


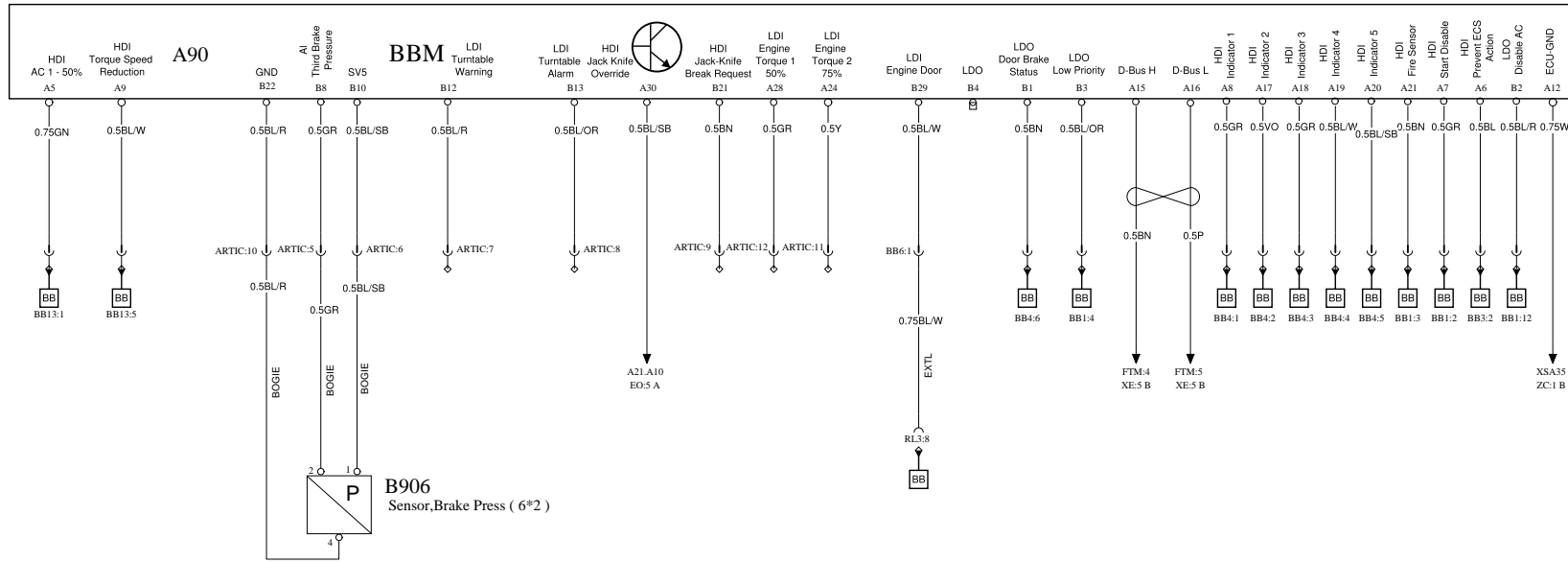
VECU

VEHICLE ECU

WIRING DIAGRAM BA

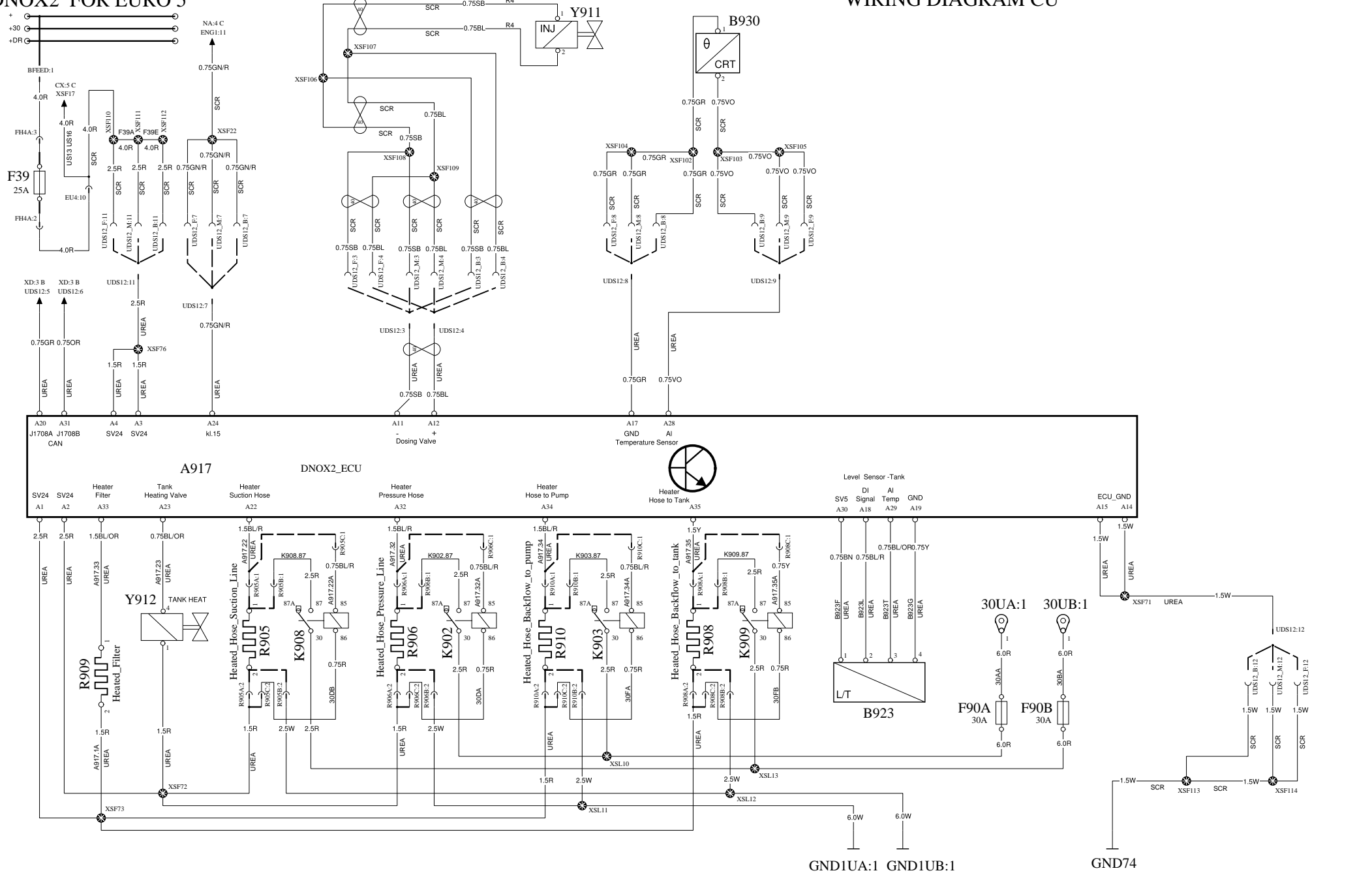


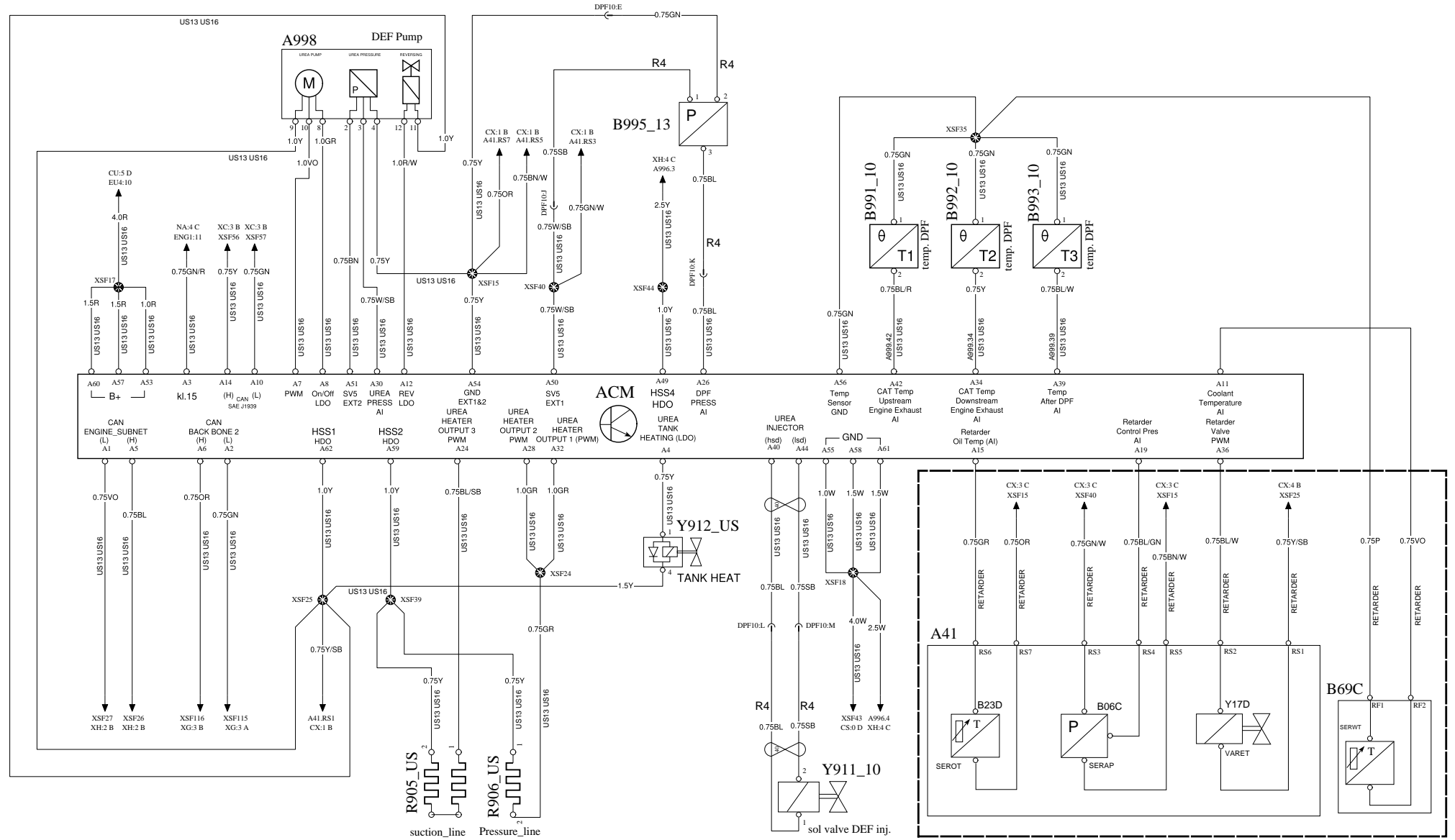




DNOX2 FOR EURO 5

WIRING DIAGRAM CU

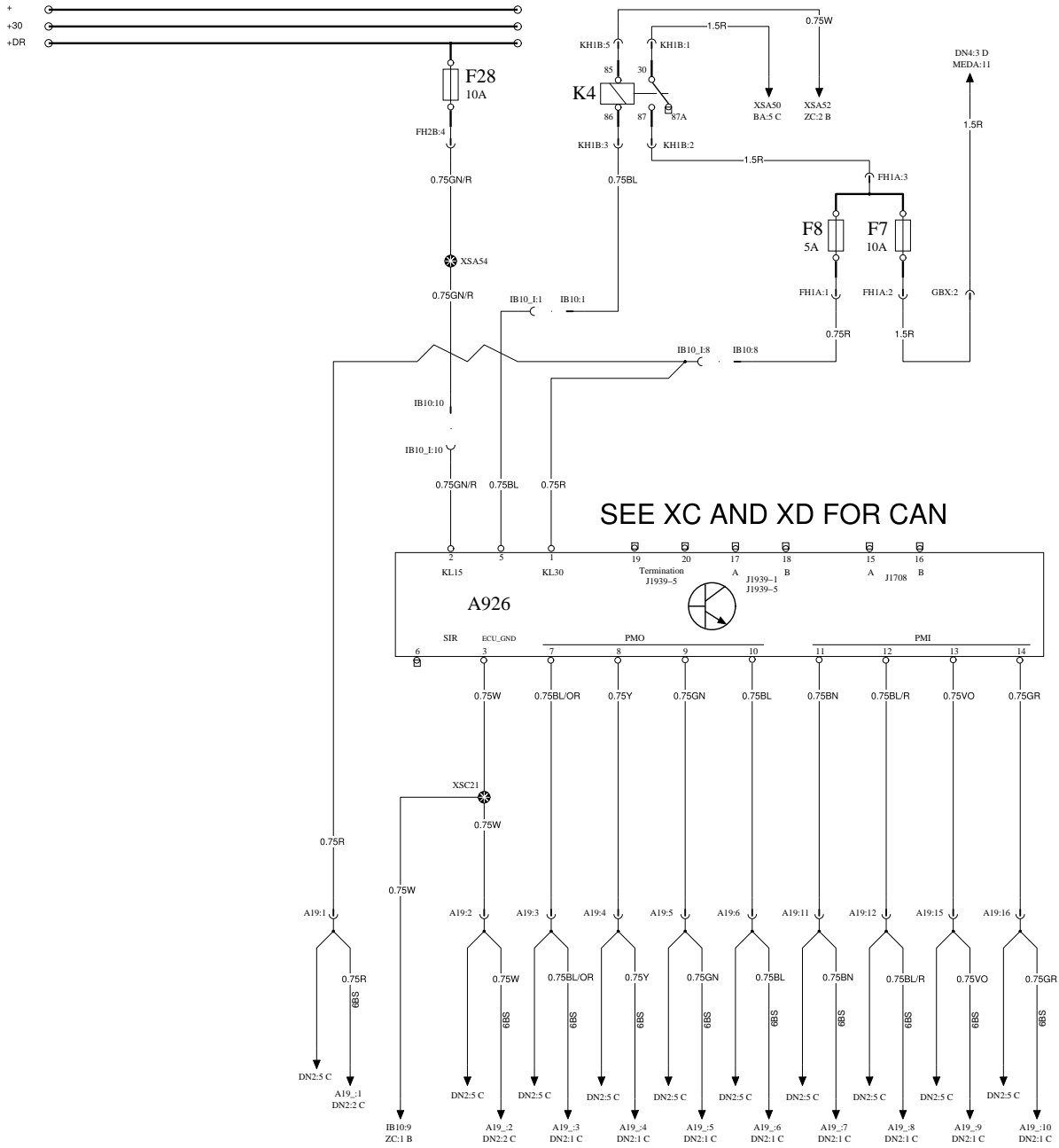




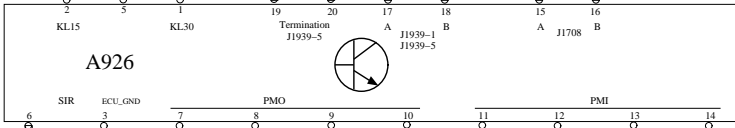
I-SHIFT

GECU

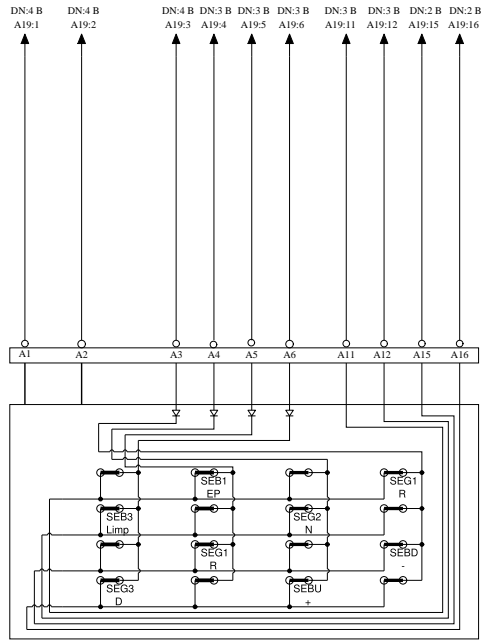
WIRING DIAGRAM DN



SEE XC AND XD FOR CAN



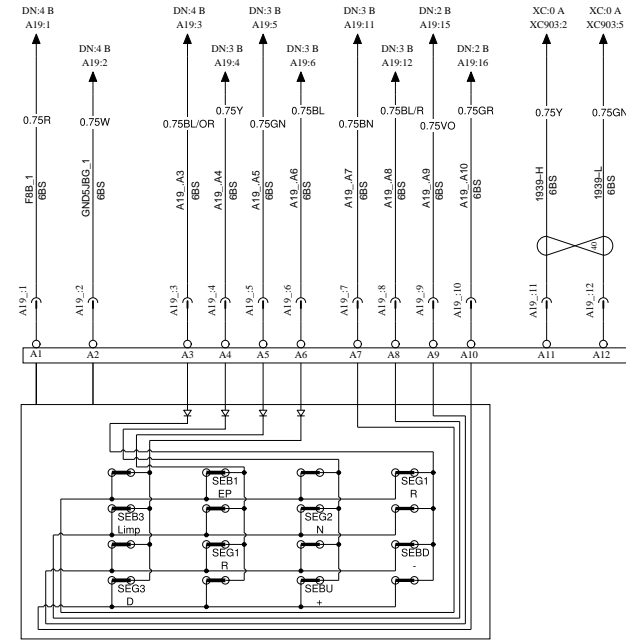
GEAR LEVER GSS-STD, GSS-PRO AND GSS-4BS



CONNECTIONS

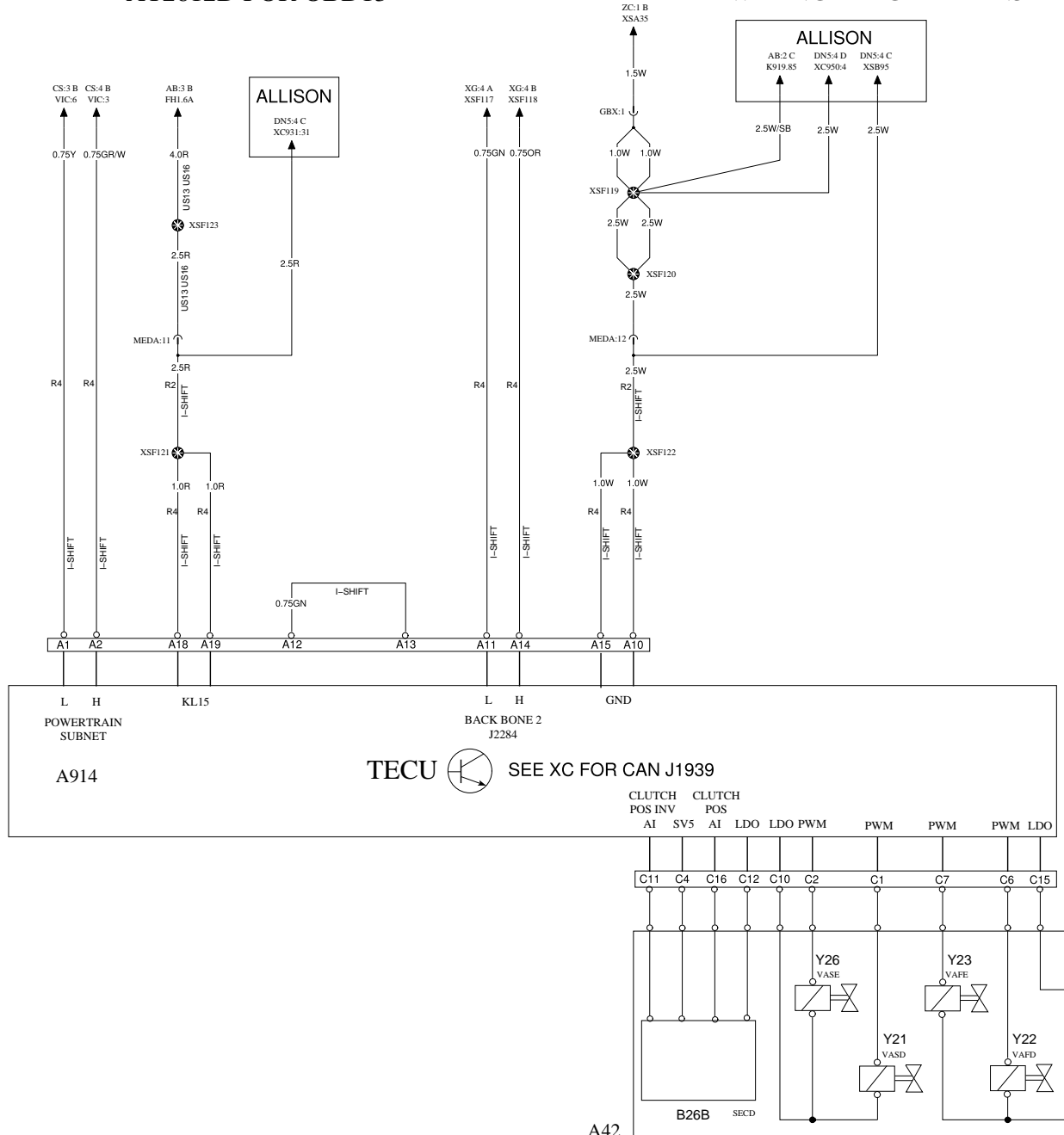
PIN	SIGNAL NAME	ASSIGNMENT
1	UBATT	MAIN SUPPLY
2	GND	MAIN GROUND
3	INP1	MATRIX INPUT 1
4	INP2	MATRIX INPUT 2
5	INP3	MATRIX INPUT 3
6	INP4	MATRIX INPUT 4
11	OUP1	MATRIX OUTPUT 1
12	OUP2	MATRIX OUTPUT 2
15	OUP3	MATRIX OUTPUT 3
16	OUP4	MATRIX OUTPUT 4

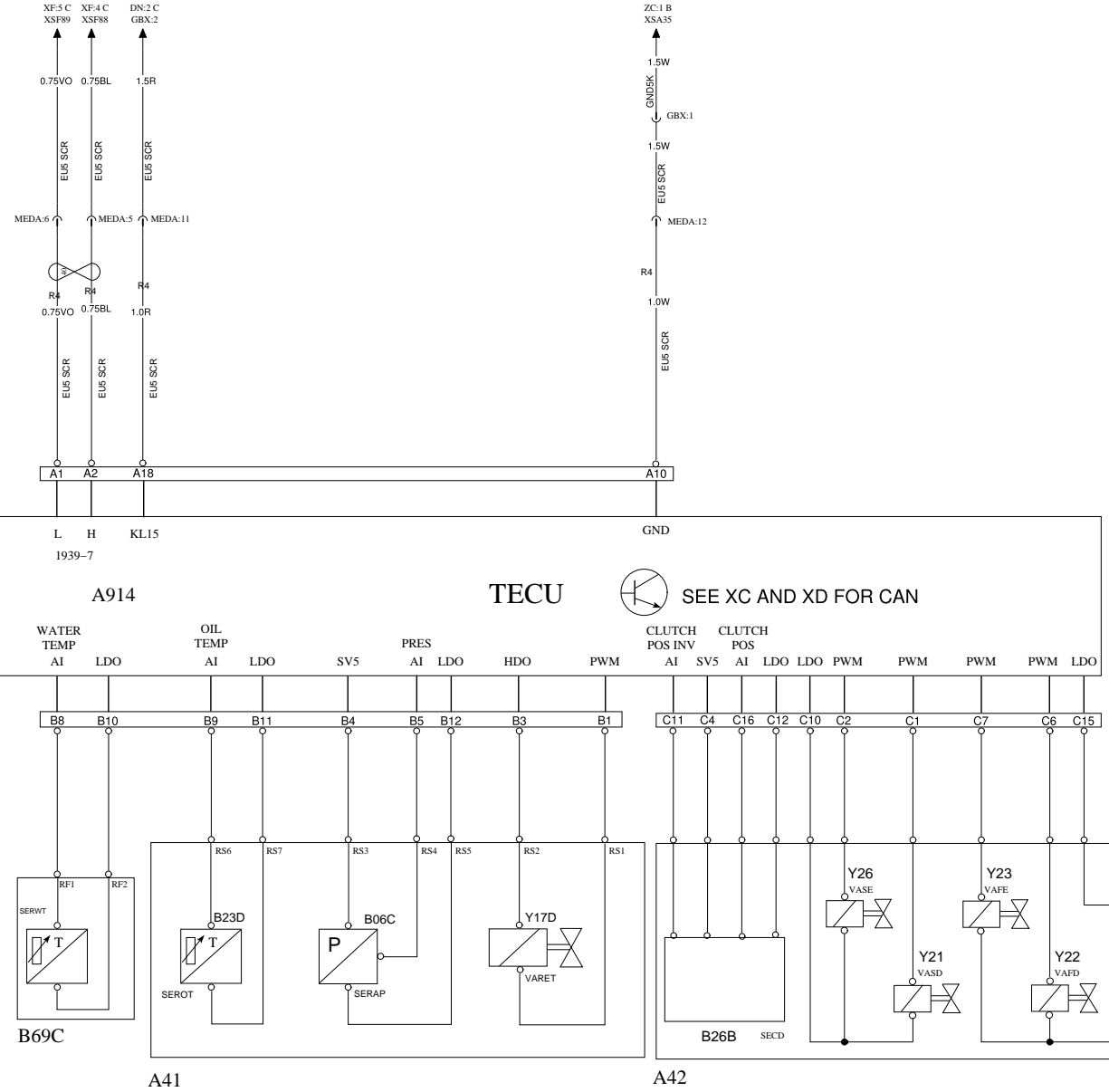
GEAR LEVER GSS-6BS

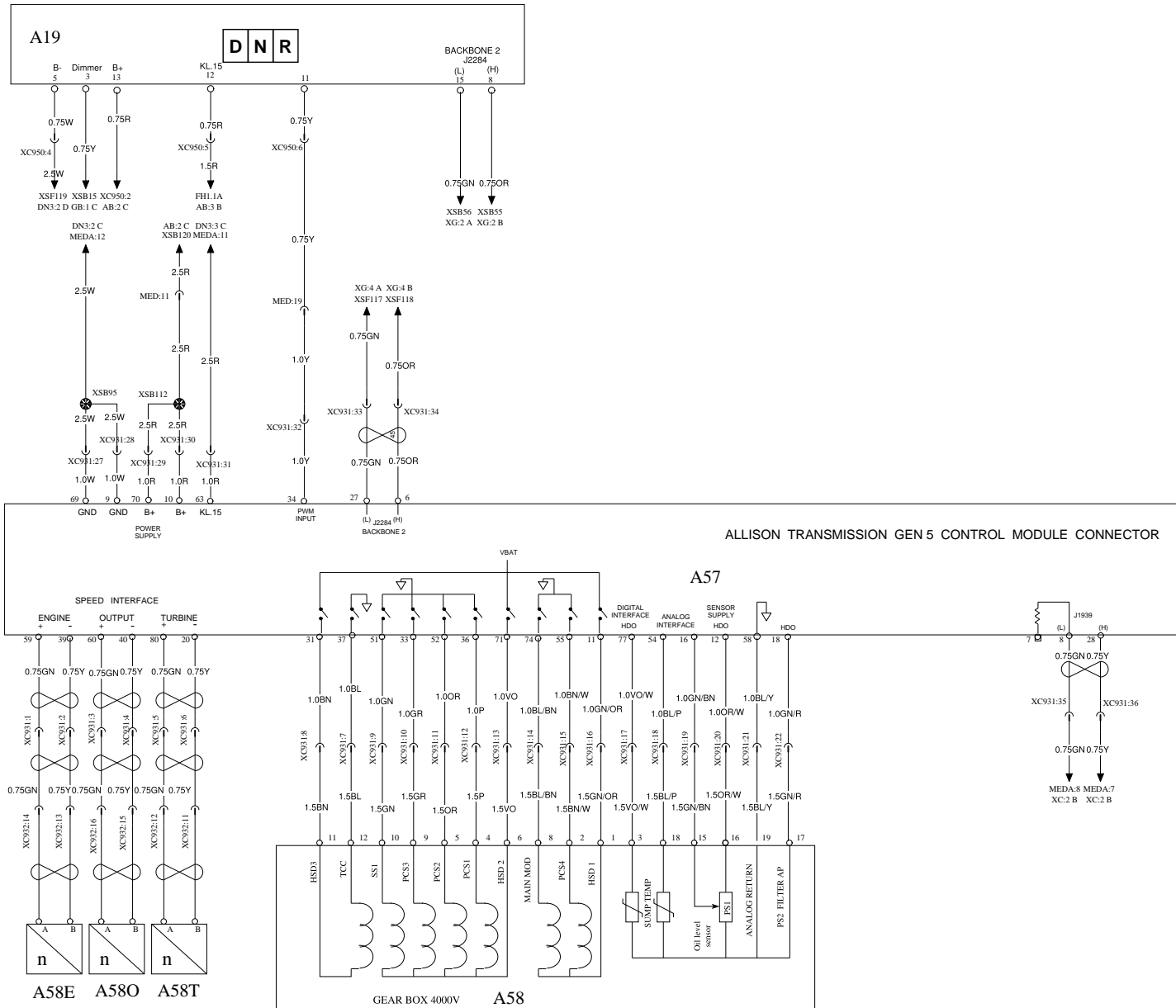


CONNECTIONS

PIN	SIGNAL NAME	ASSIGNMENT	PIN	SIGNAL NAME
1	UBATT	MAIN SUPPLY	11	J1939-H
2	GND	MAIN GROUND	12	J1939-L
3	INP1	MATRIX INPUT 1		
4	INP2	MATRIX INPUT 2		
5	INP3	MATRIX INPUT 3		
6	INP4	MATRIX INPUT 4		
7	OUP1	MATRIX OUTPUT 1		
8	OUP2	MATRIX OUTPUT 2		
9	OUP3	MATRIX OUTPUT 3		
10	OUP4	MATRIX OUTPUT 4		

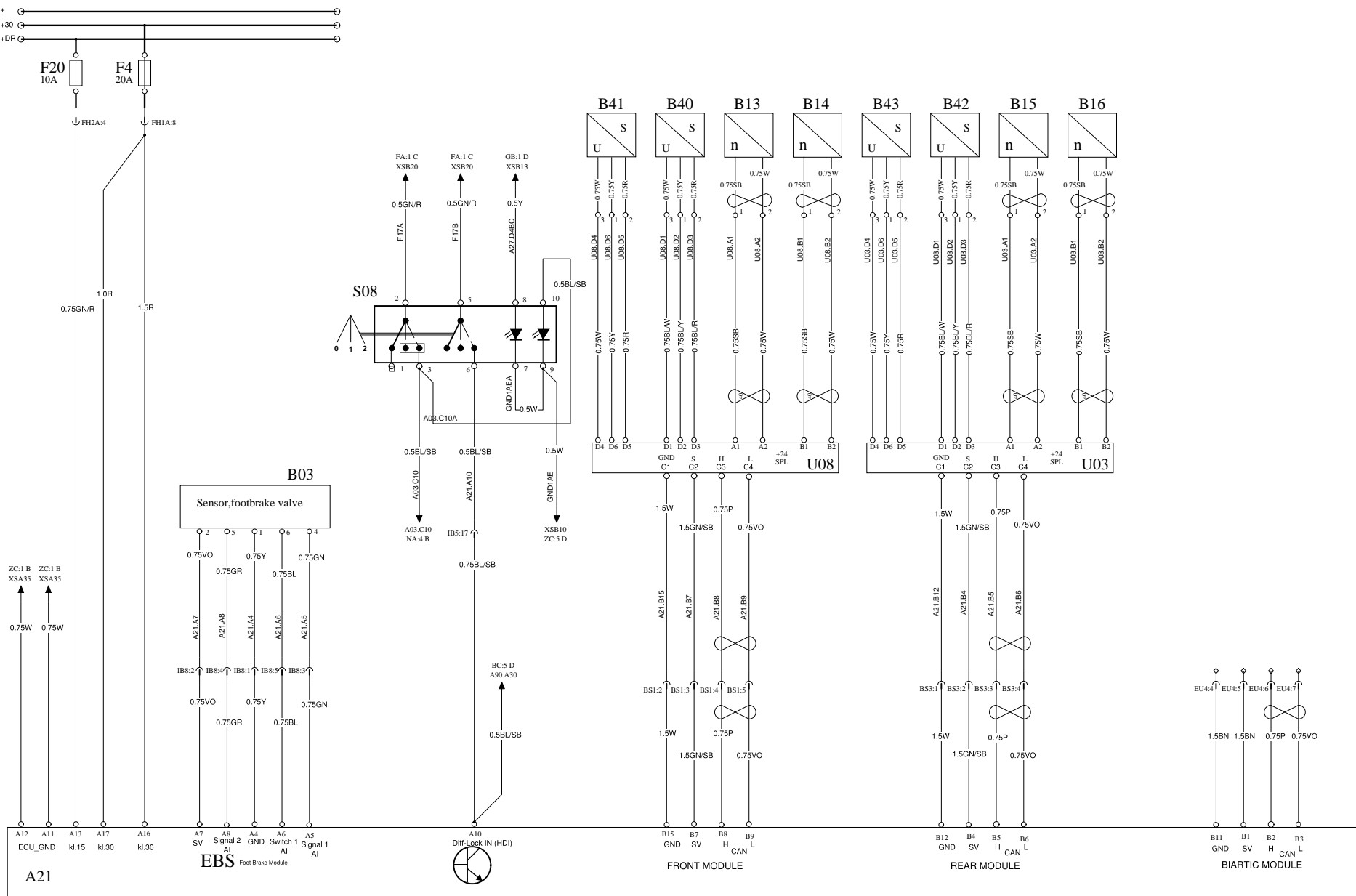


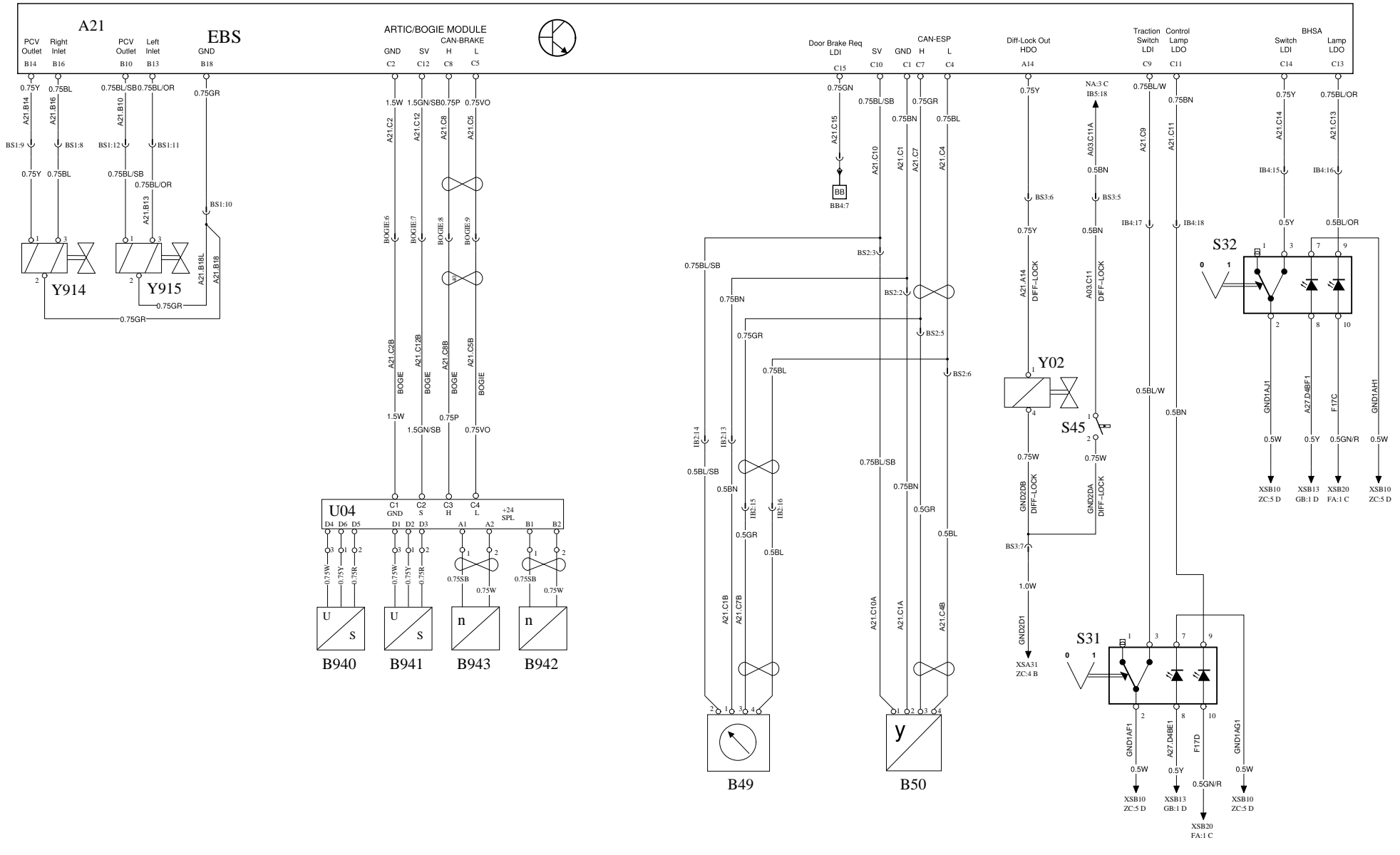




EBS

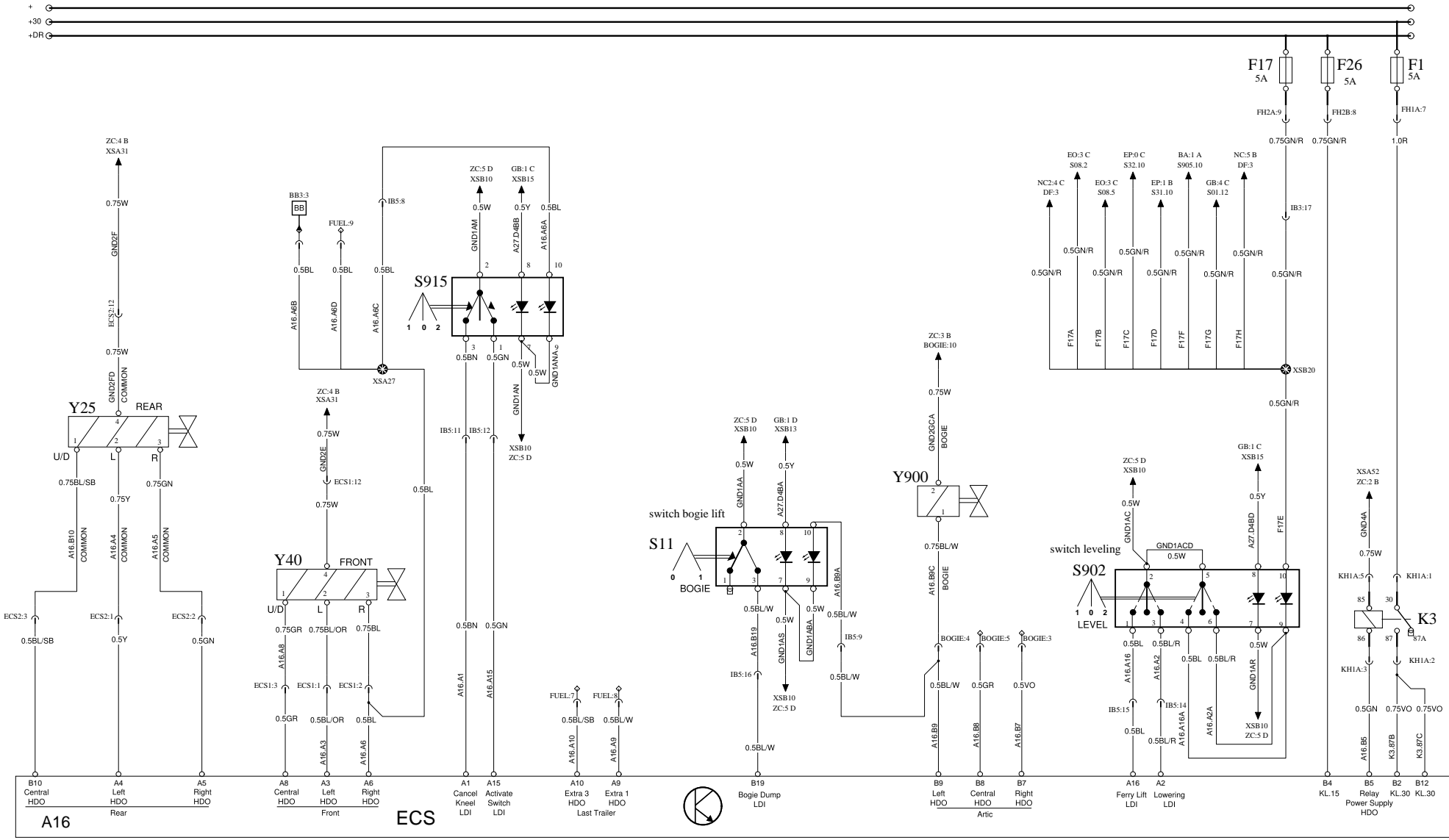
WIRING DIAGRAM EO





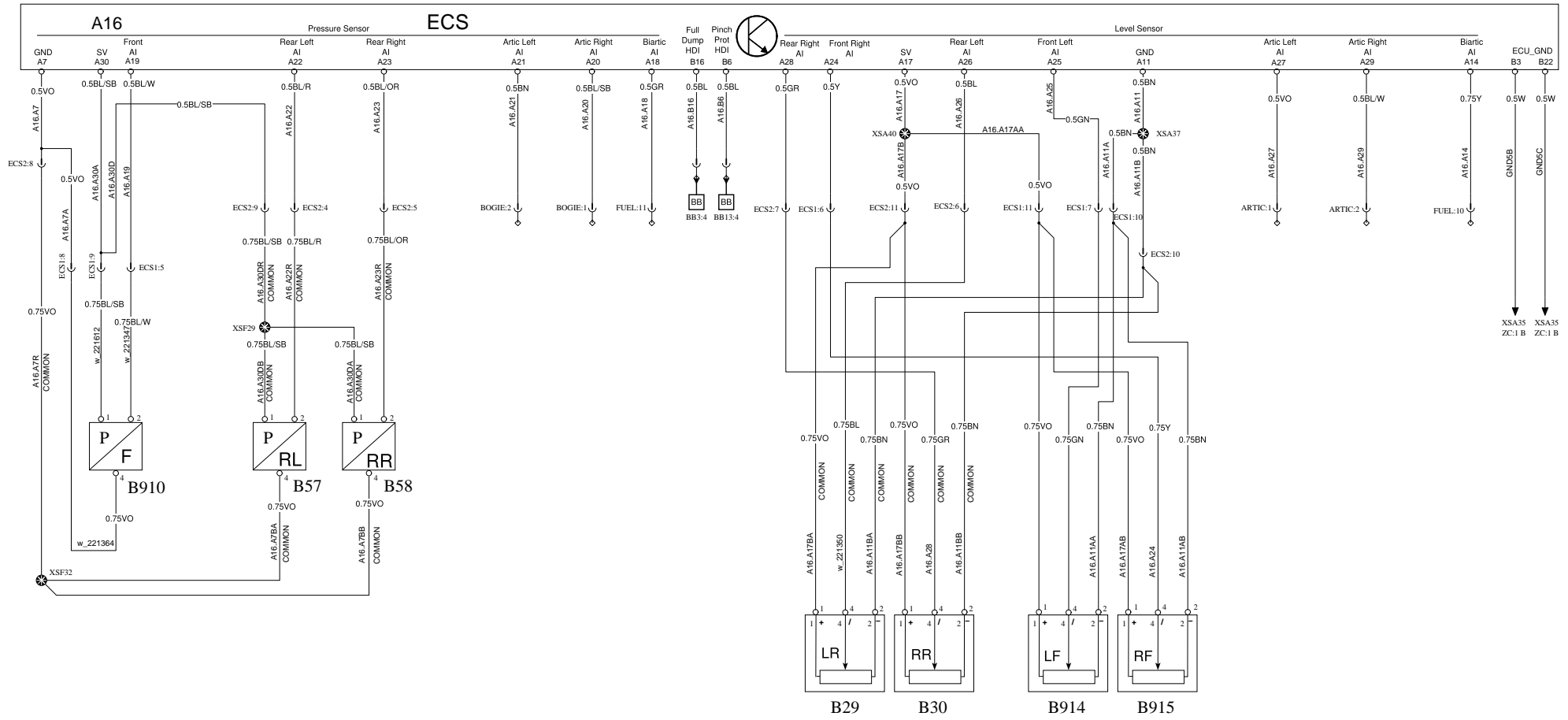
AIR SUSPENSION ECS

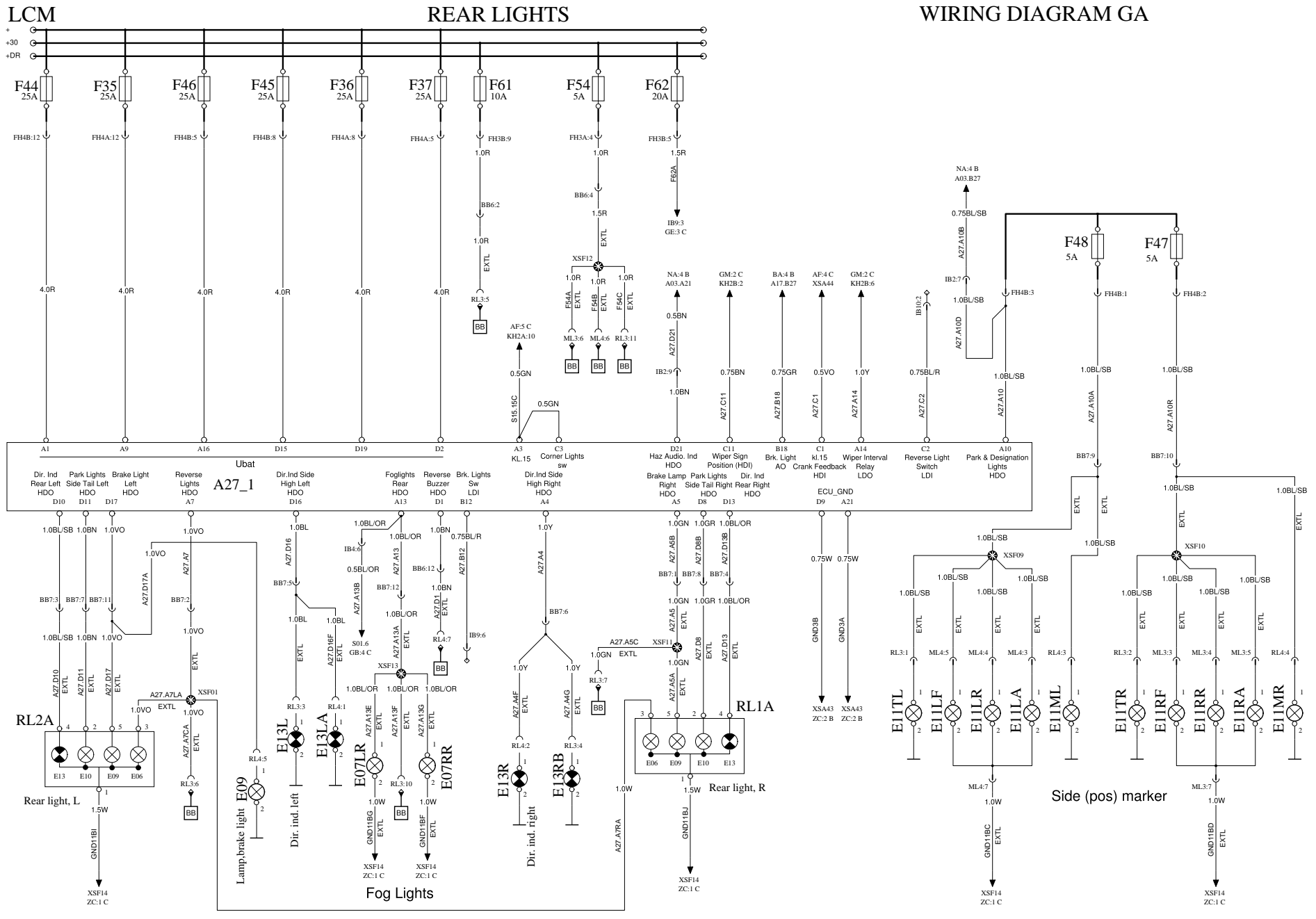
WIRING DIAGRAM FA



AIR SUSPENSION ECS

WIRING DIAGRAM FB

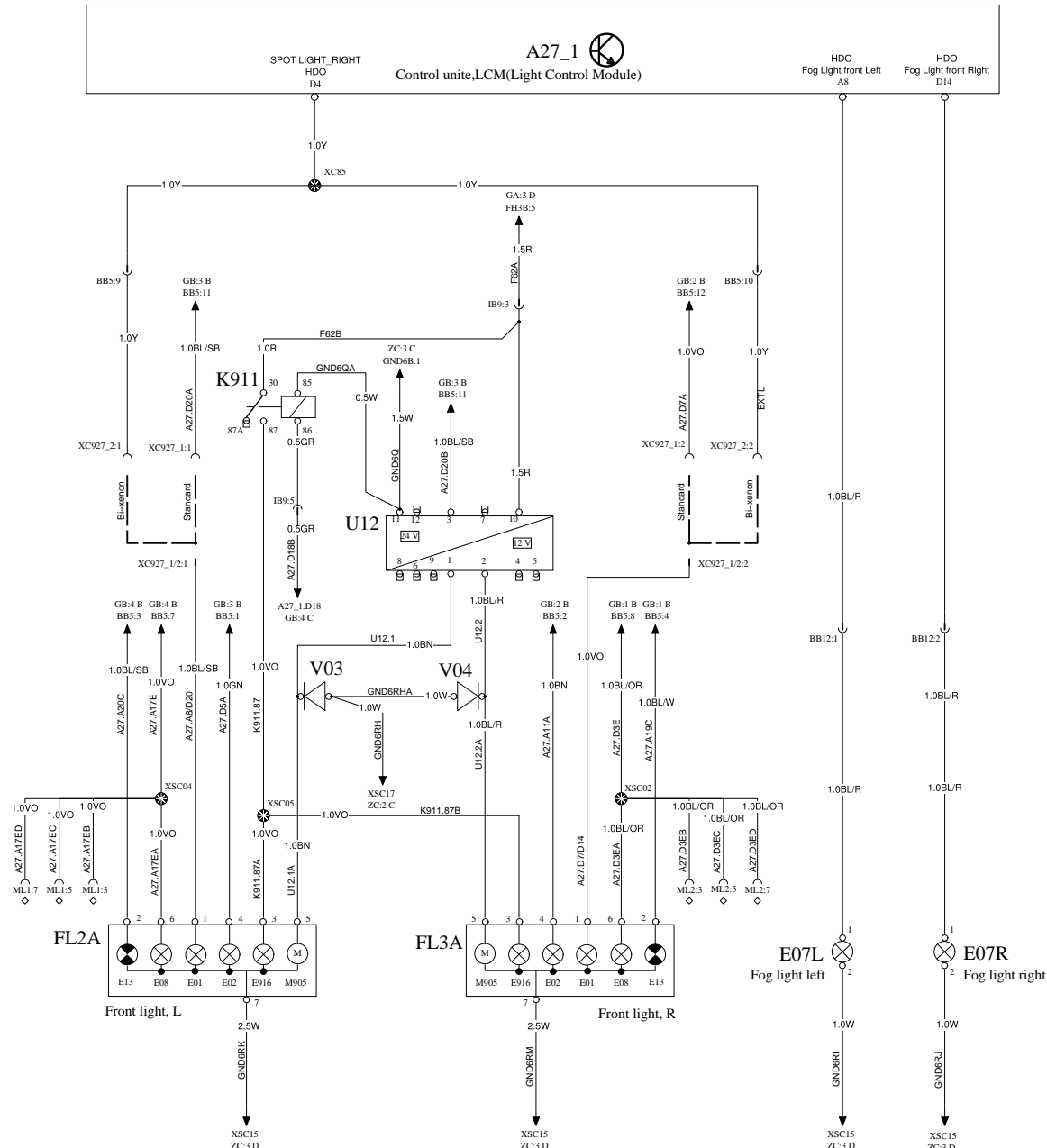




LCM
FRONT LIGHT

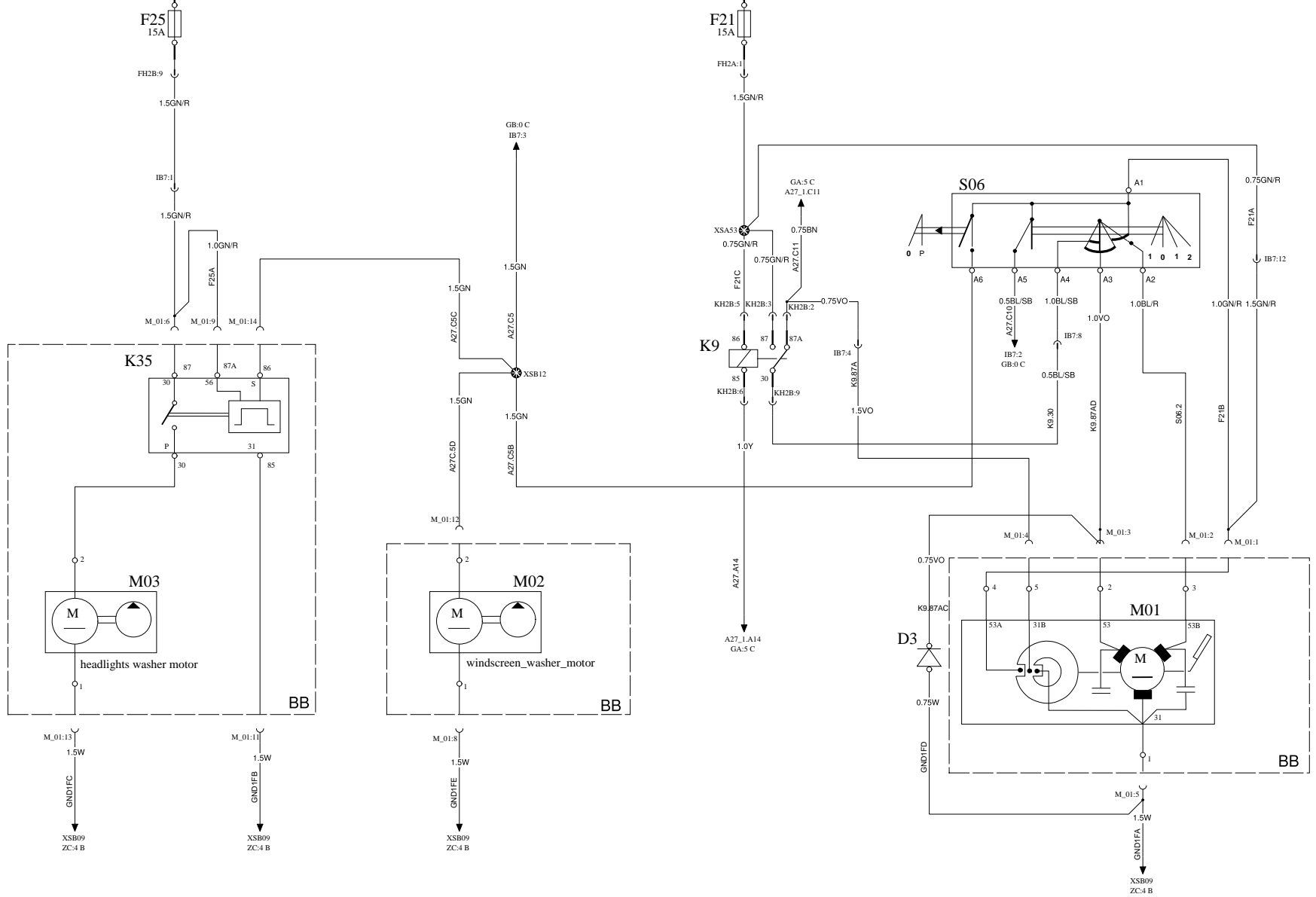
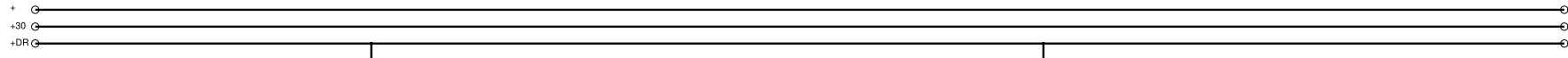
BI-XENON LIGHT

WIRING DIAGRAM GE



WIPER, WASHER

WIRING DIAGRAM GM



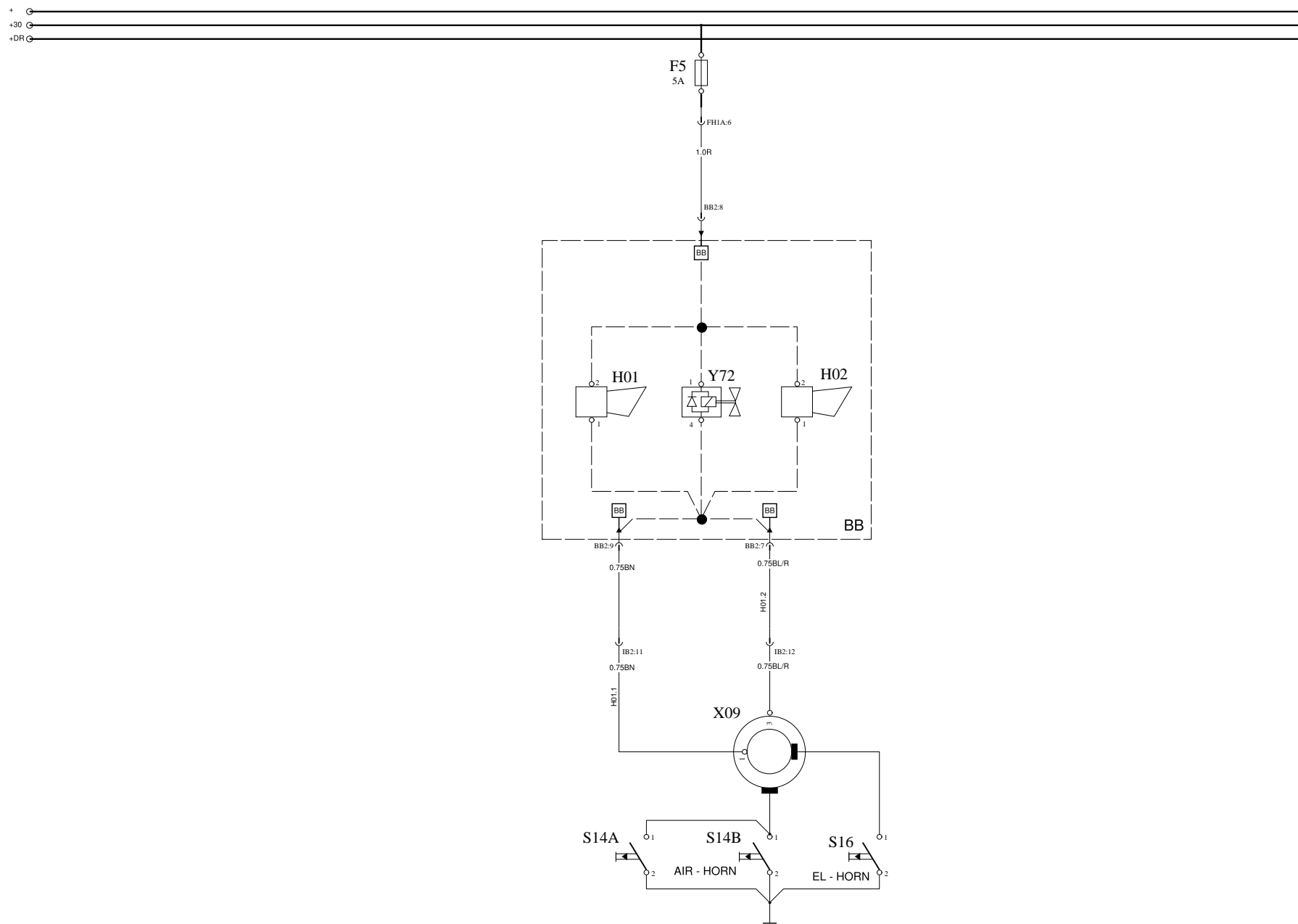
VOLVO
Volvo Bus Corporation

Document title
WIRING DIAGRAM - B13R
Document type
PRODUCT SCHEMATIC

Document No	Issue	Volume	Page
22610880	01	1 (2)	31 (48)

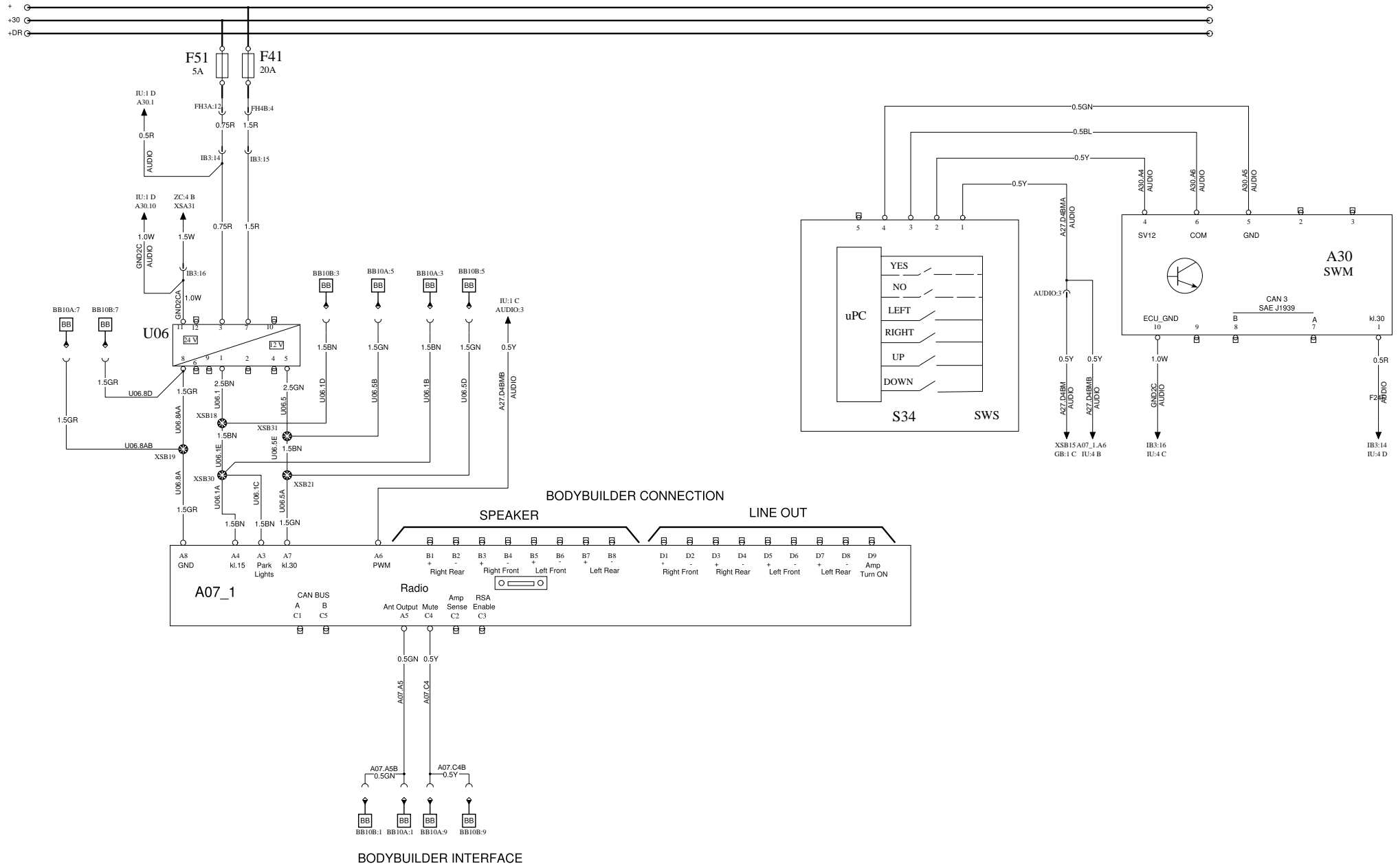
HORN, SWM

WIRING DIAGRAM IS



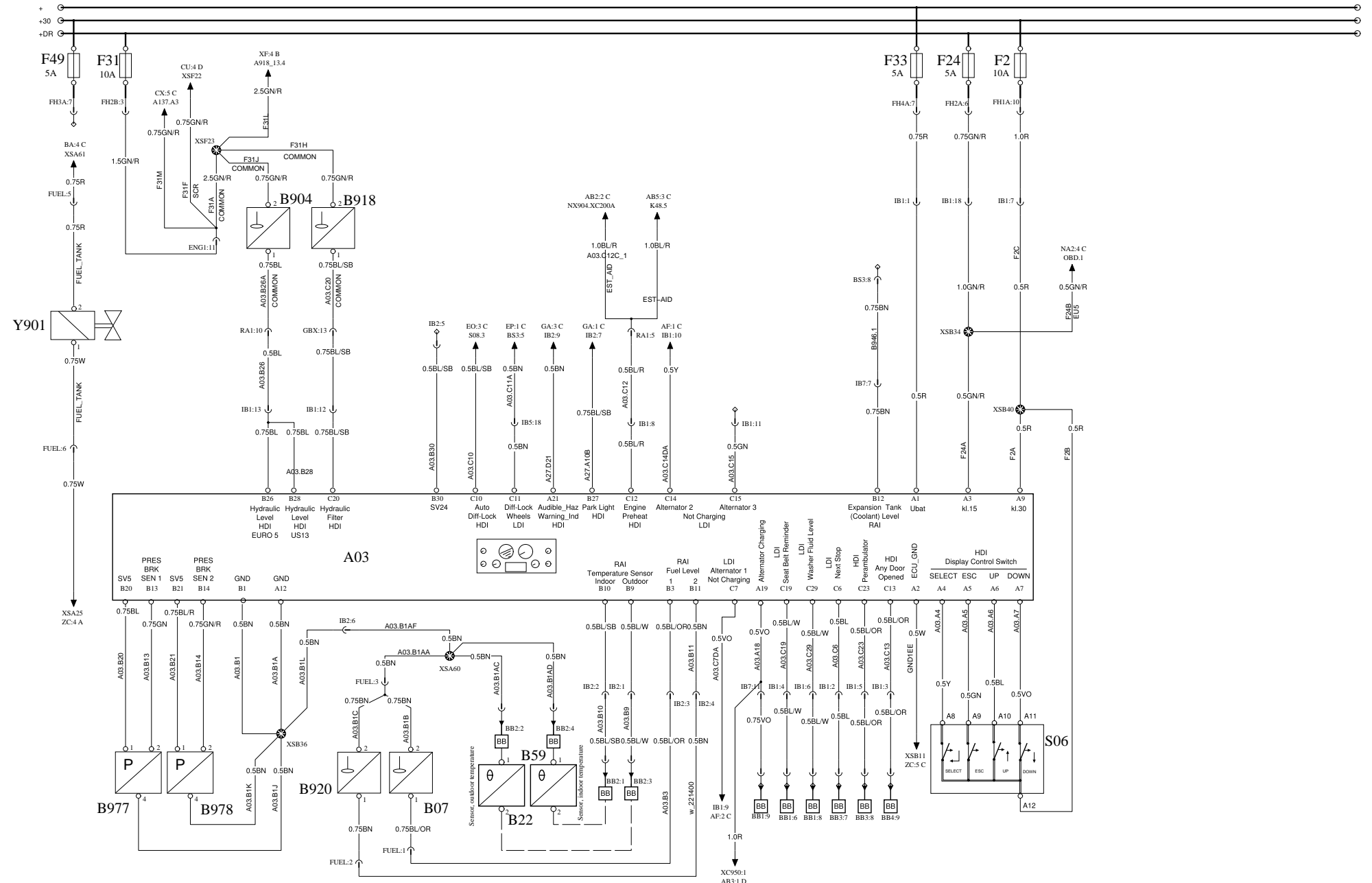
AUDIO

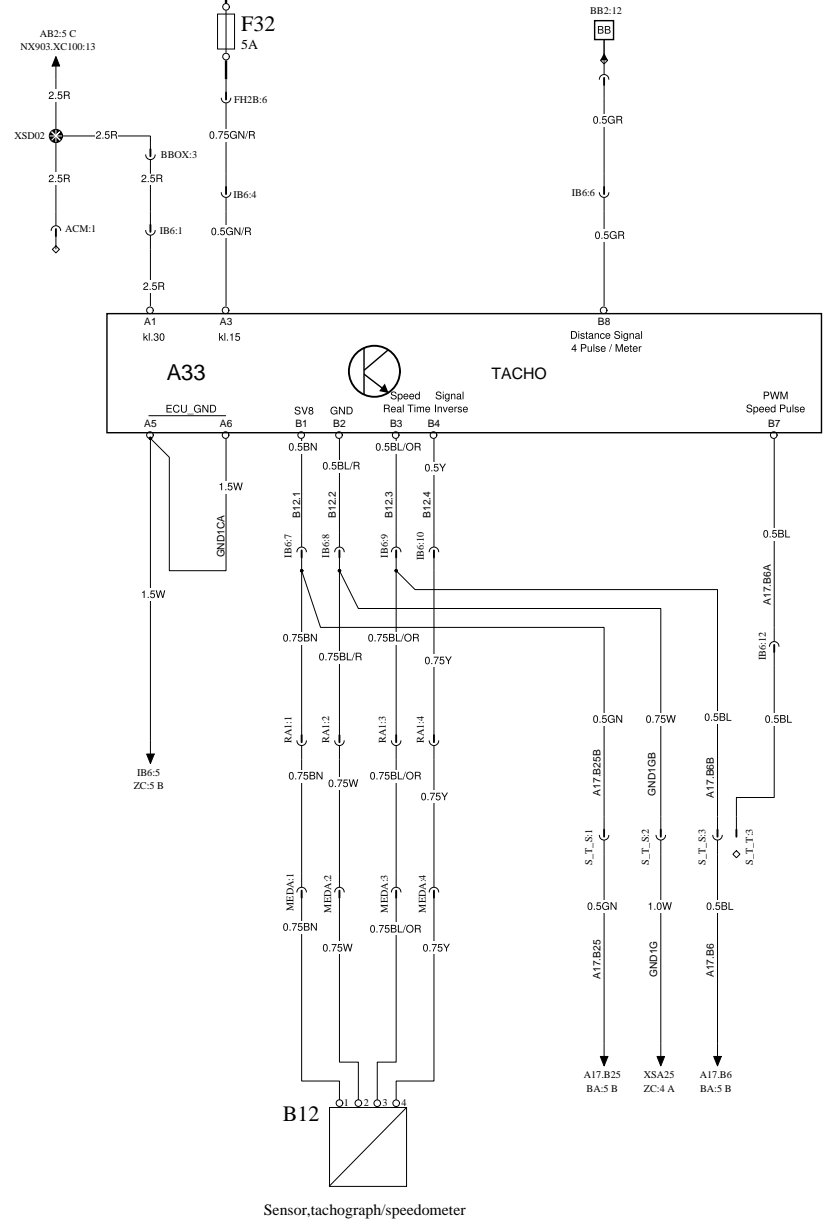
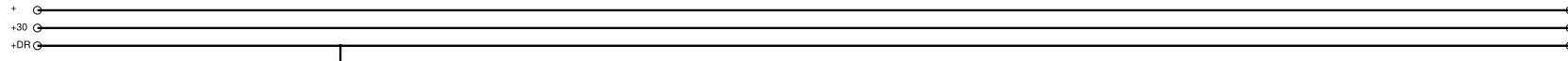
WIRING DIAGRAM IU

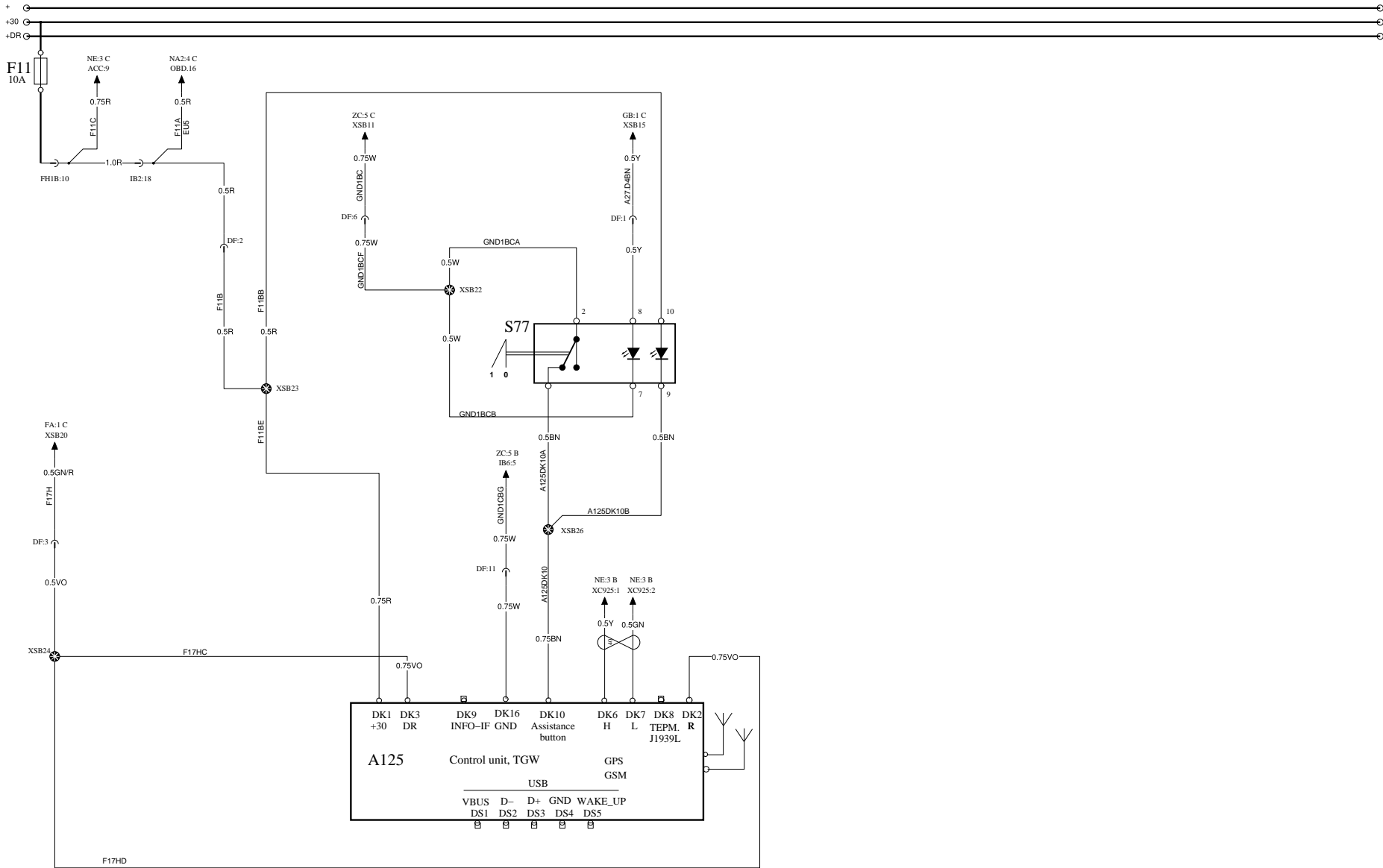


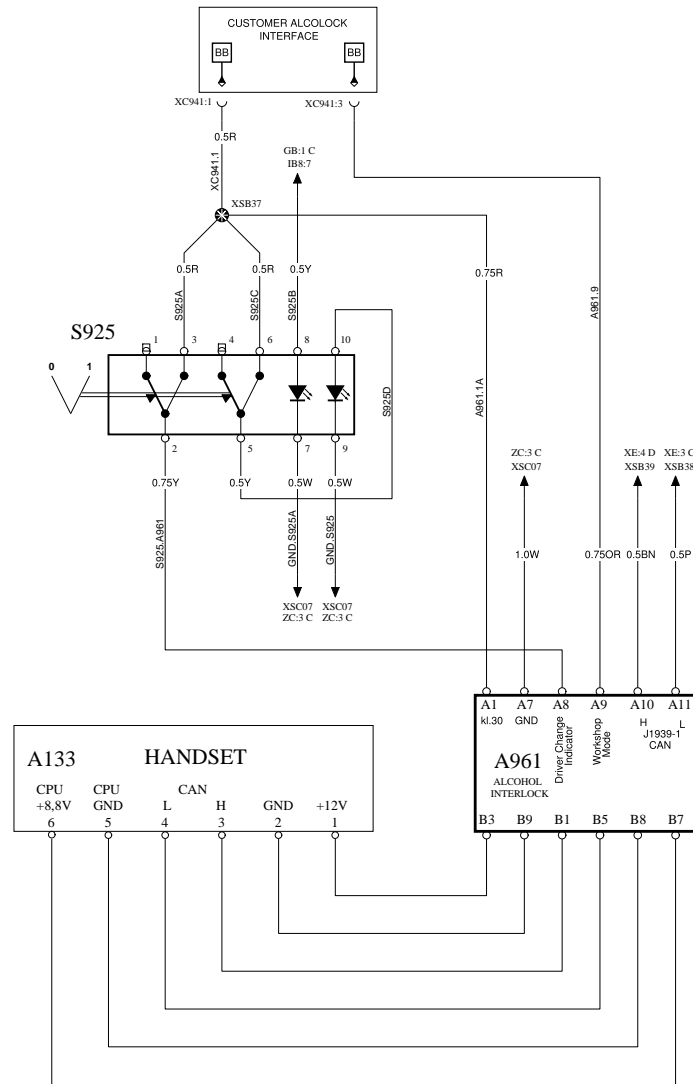
BUS INSTRUMENT CLUSTER BIC2

WIRING DIAGRAM NA



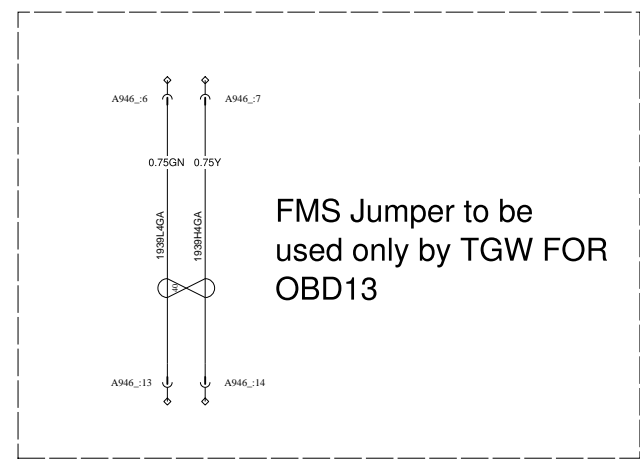
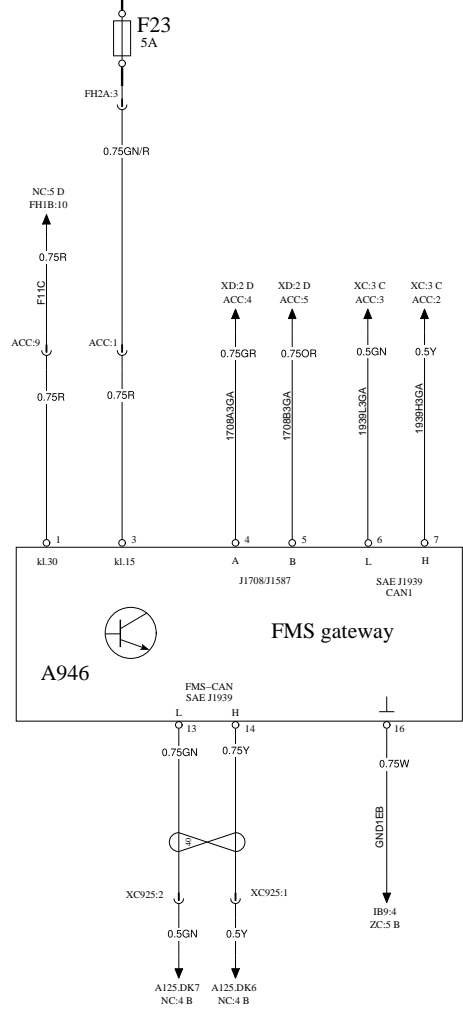
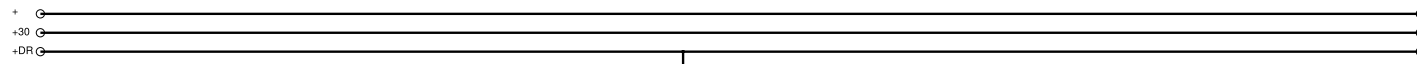






FMS GATEWAY

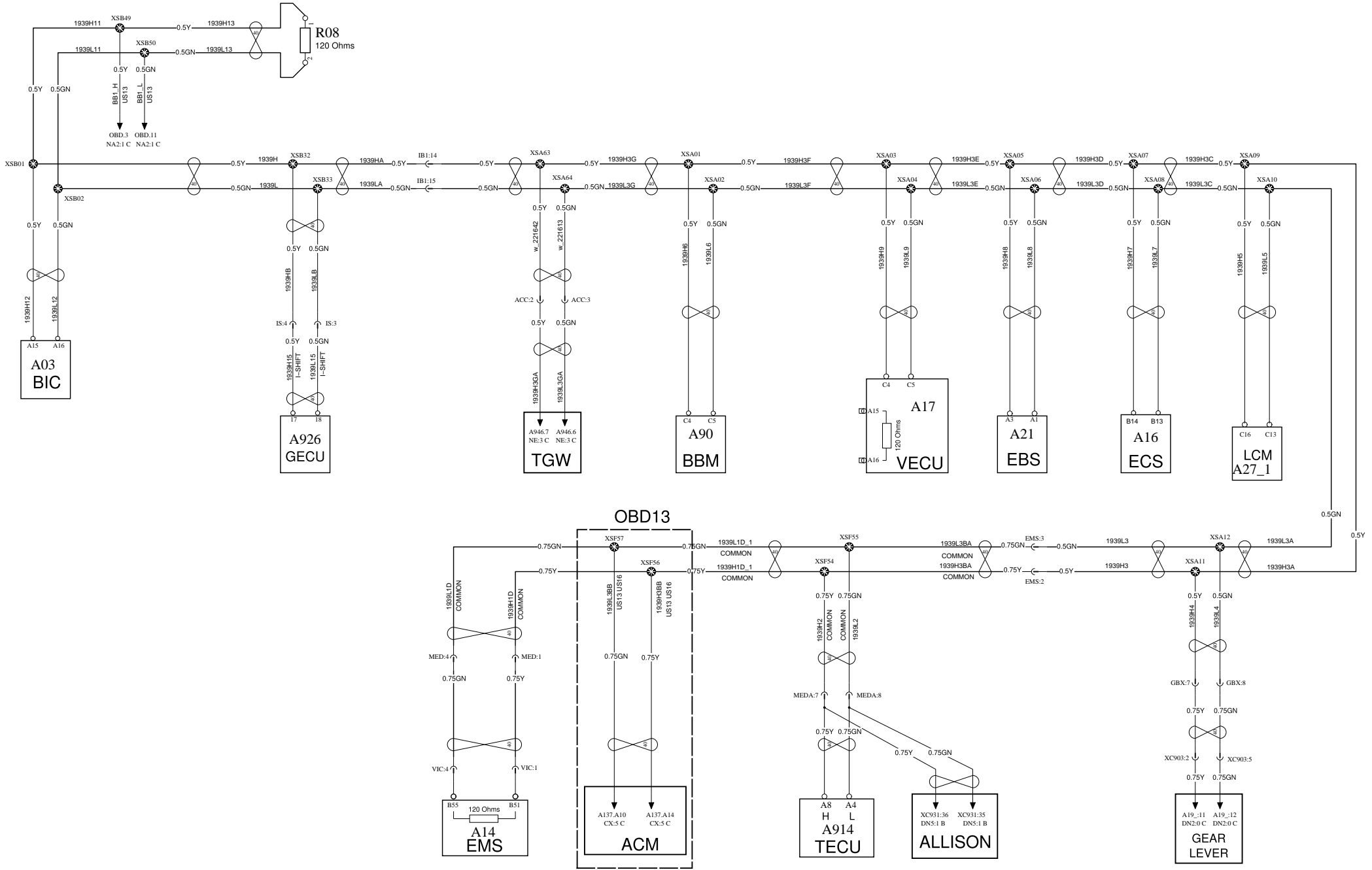
WIRING DIAGRAM NE

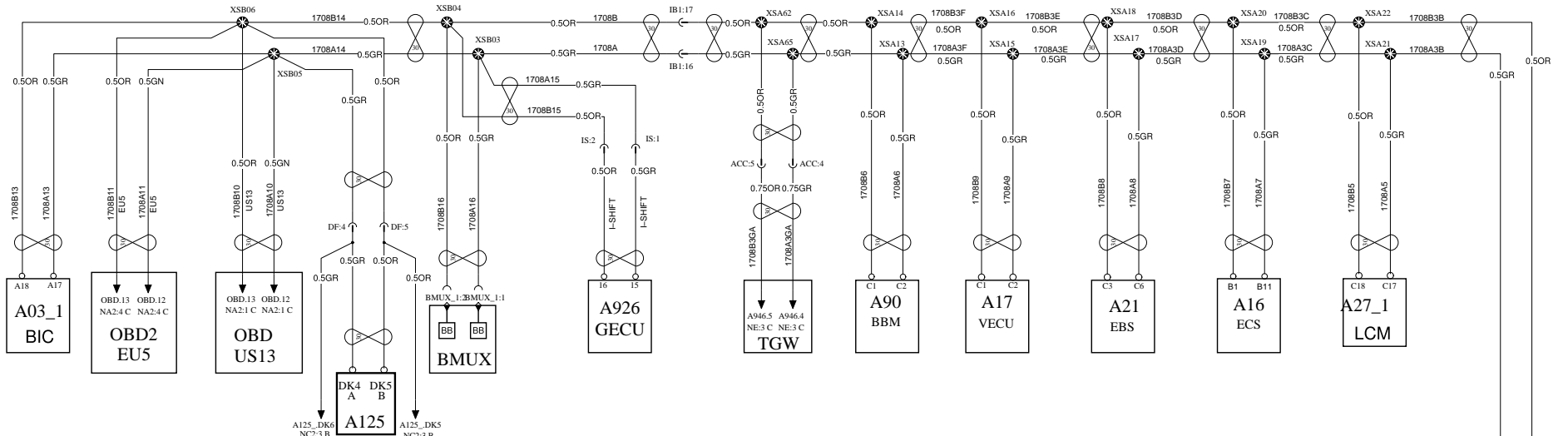


CAN SAE 1939

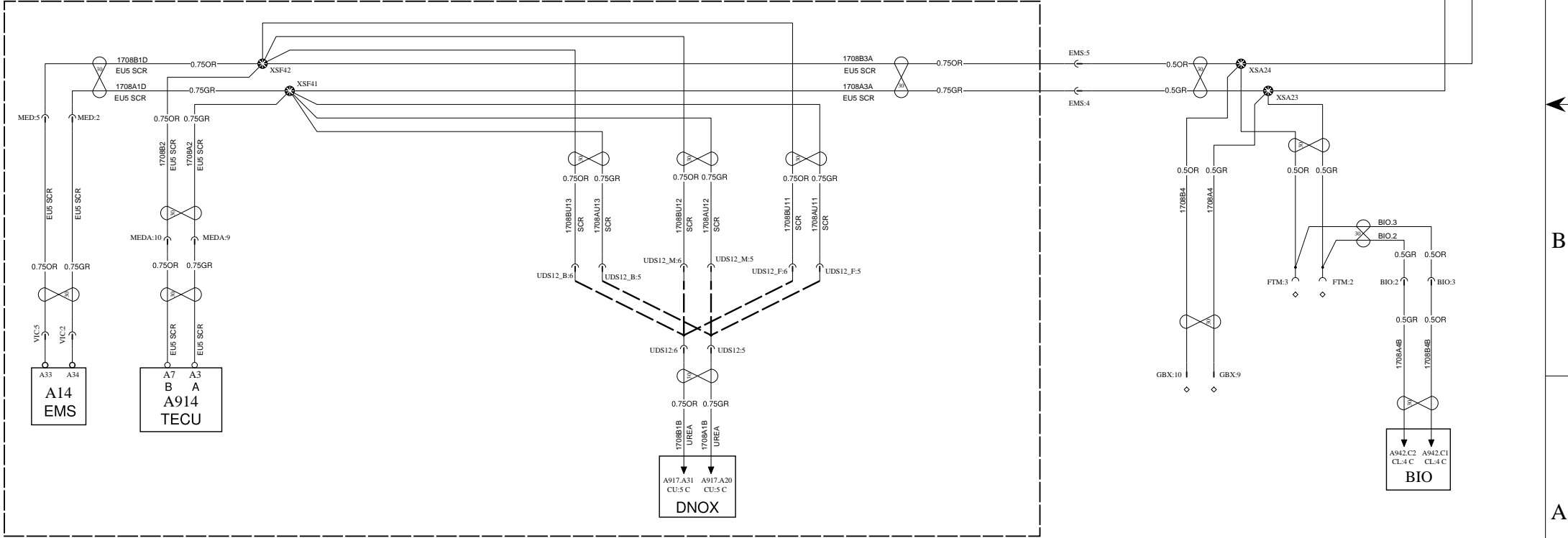
BACKBONE 1

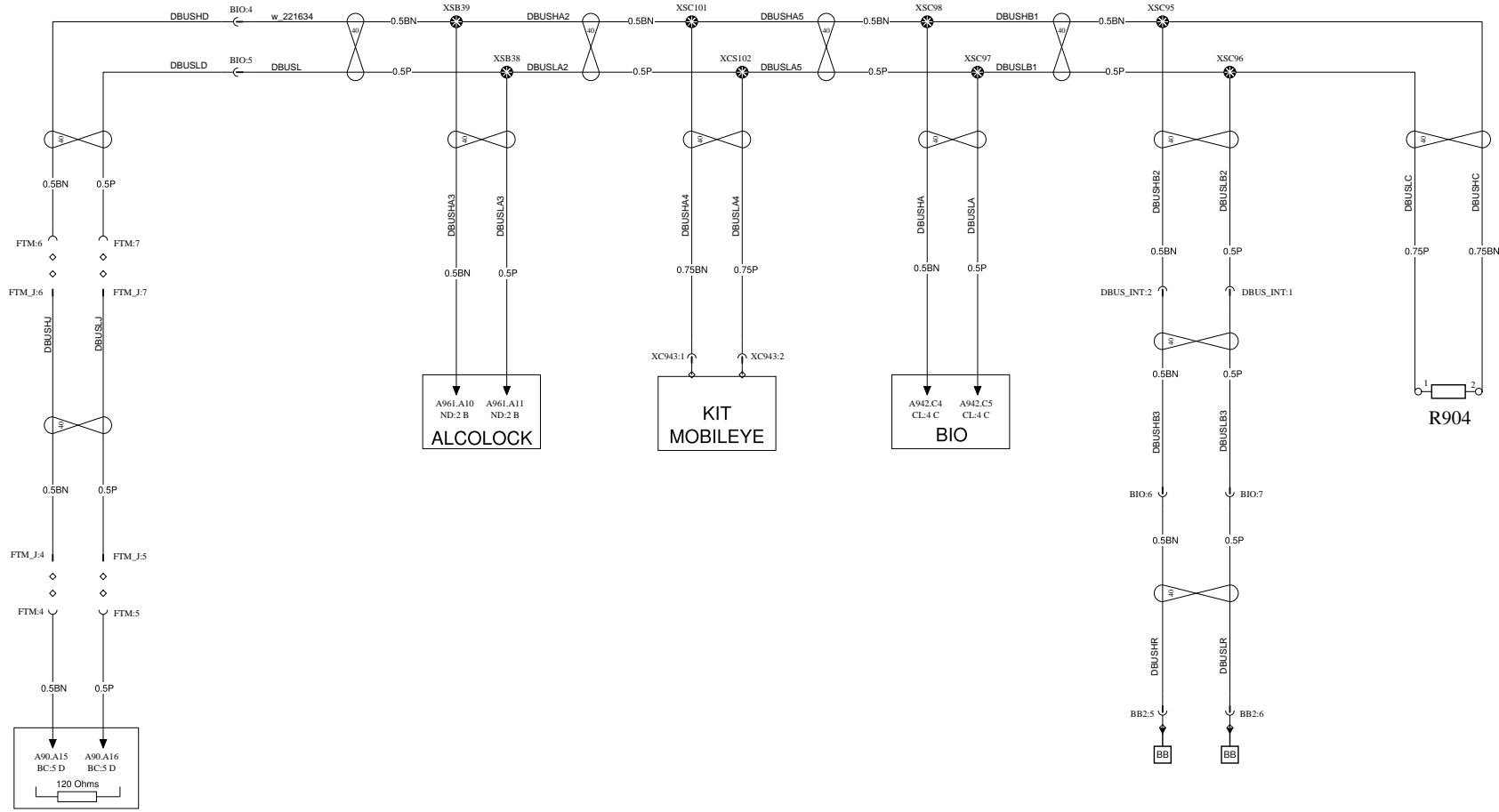
WIRING DIAGRAM XC

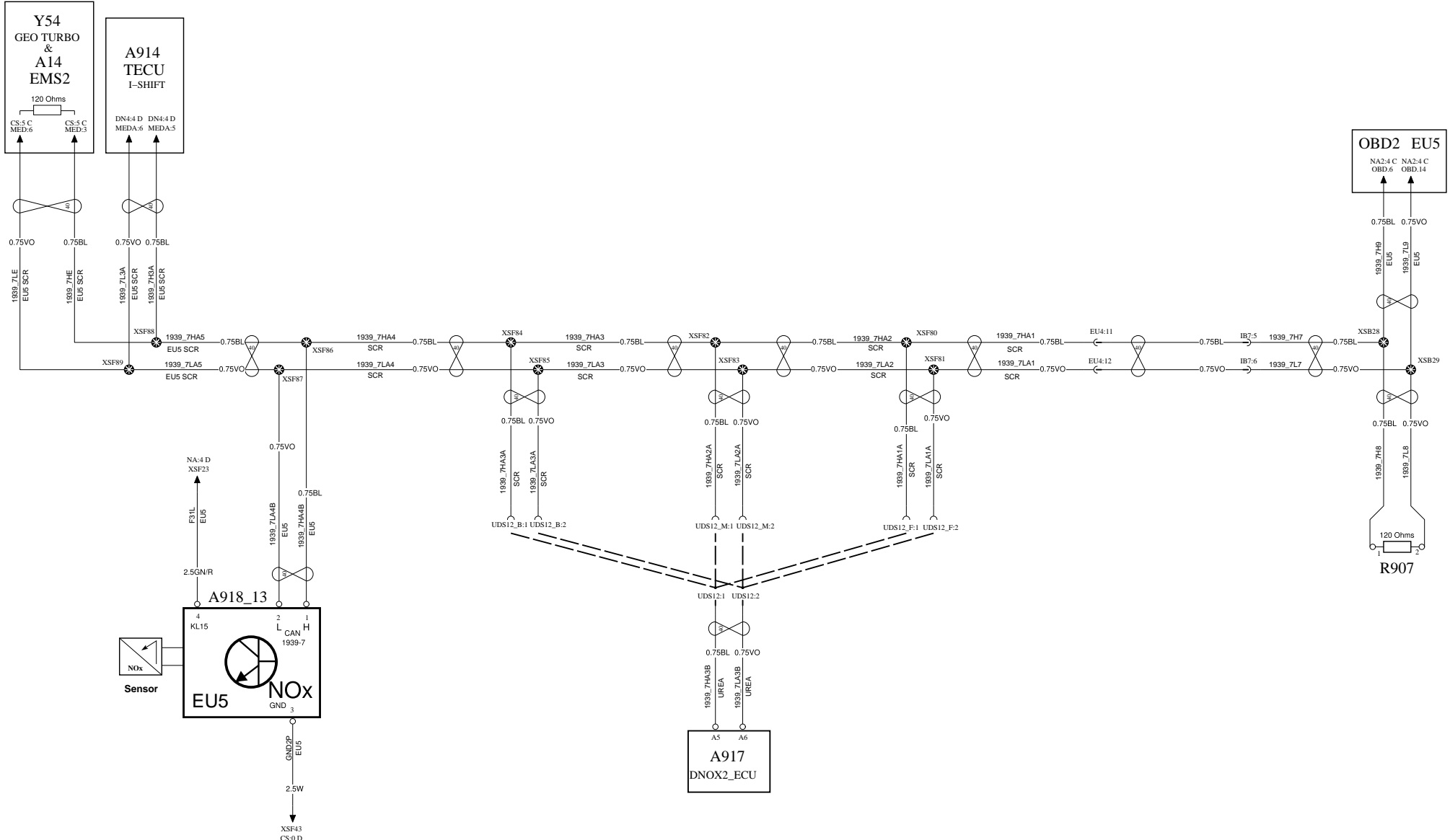


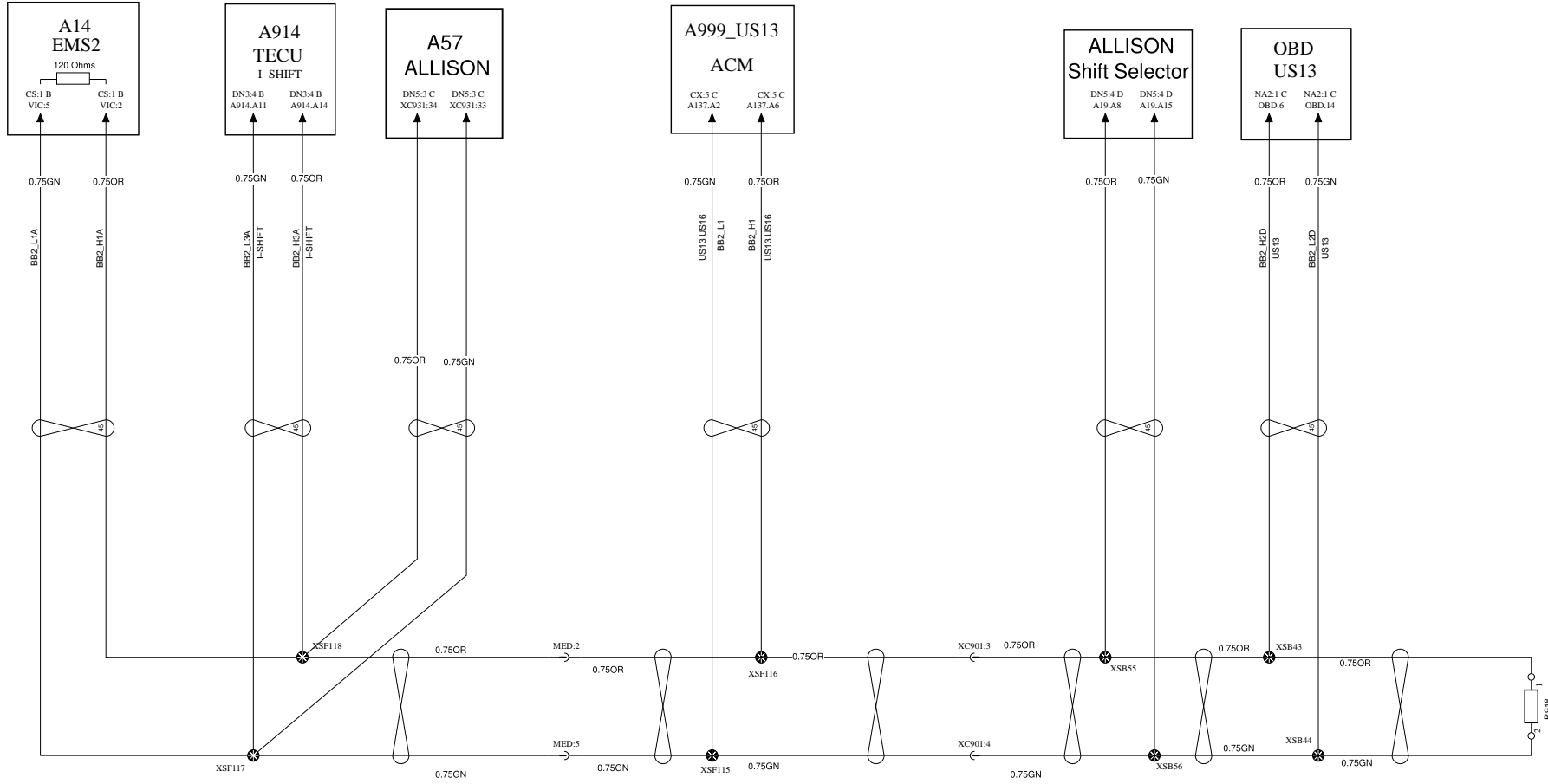


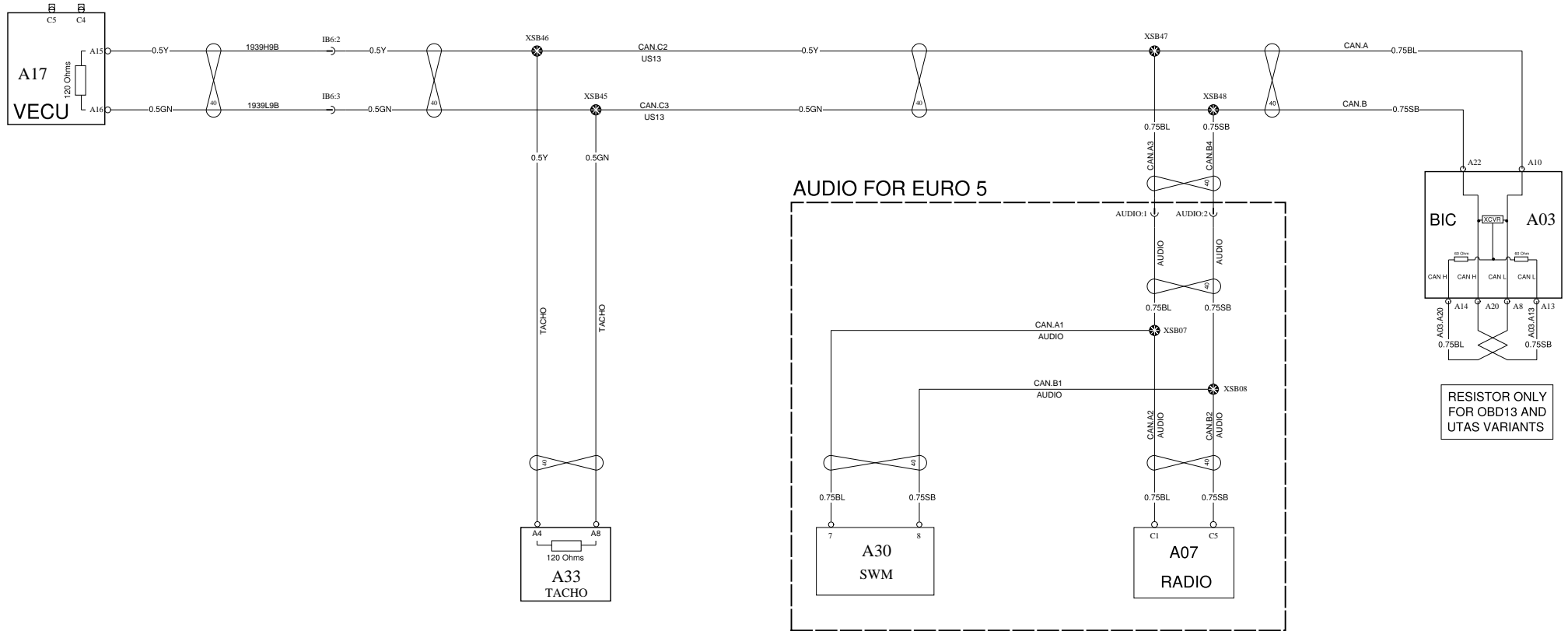
EURO 5











BILL OF MATERIALS INDEX (VOL 2)

NAME	PAGE
GROUNDS	2
FUSES AND CIRCUIT BREAKERS	3
COMPONENTS	4
INLINES	9
SPLICES	12
REFERENCES	13



Document title			
WIRING DIAGRAM – B13R			
Document type			
PRODUCT SCHEMATICS			
Document No	Issue	Volume	Sheet No
22610880	01	2 (2)	1 (35)

GROUNDS

NAME	PAGE	NAME	PAGE
GND	BA 2 A	GND31B	AB2 4 A
GND1A	ZC 2 B	GND31B	AB3 3 A
GND1B	ZC 4 A	GND31F	ZC 3 A
GND1C	ZC 2 A	GND31R	ZC 3 A
GND1D	ZC 1 A	GND40	AF 3 A
GND1E	CS 0 C	GND41	AF 3 A
GND1UA:1	CU 2 A	GND51	ZC 0 A
GND1UB:1	CU 1 A	GND74	CU 1 A
GND2A	AF 2 A	GND75	AB 2 D
GND2B	AF 2 A	GND900	AB4 3 A
GND6	GB 5 B	GND900	AC 3 A
GND6B	ZC 3 C	GND_PH	AB5 2 B
GND11	ZC 1 C	GNDX	ZC 0 B
GND11A	ZC 1 C		
GND31A	ZC 1 A		
GND31A:A	ZC 0 A		
GND31A:B	AB 2 D		

VOLVO
Volvo Bus Corporation

Document title

WIRING DIAGRAM – B13R

Document type

PRODUCT SCHEMATICS

Document No

22610880

Issue

01

Volume

2 (2)

Sheet No

2 (35)

FUSES AND CIRCUIT BREAKERS

FUSE	DESCRIPTION	PAGE
F1 (5A)	ECS, 5A	FA 0 D
F2 (10A)	BIC2,10A	NA 1 D
F4 (20A)	EBS,20A	EO 5 D
F5 (5A)	Horn,5A	IS 3 D
F7 (10A)	Gearbox ECU I-shift, 10A	DN 3 D
F8 (5A)	Gear selector ,I-Shift,5A	DN 3 D
F9 (5A)	Switchbox start/stop rear, 5A	AA 2 D
F10 (5A)	Fire Alarm,5A	BB 4 D
F11 (10A)	Dyna fleet, FMS, 10A	NC 5 D
F11 (10A)	Dyna fleet, FMS, 10A	NC2 4 D
F12 (5A)	Body +30,5A	BB 3 D
F13 (10A)	Spare	AB 2 D
F14 (5A)	BBM,5A	BB 5 D
F15 (15A)	EECU,15A	BA 4 D
F16 (5A)	VECU,5A	BA 4 D
F17 (5A)	Switch feed, 5A	FA 1 D
F18 (5A)	Alternator, 5A	AF 1 D
F19 (10A)	Hwyer, 10A	AF 4 D
F20 (10A)	EBS,10A	EO 5 D
F21 (15A)	Wiper,Washer,15A	GM 2 D
F23 (5A)	ACC, FMS,5A	NE 3 D
F24 (5A)	BIC 2,5A	NA 1 D
F25 (15A)	Washer motor, 15A	GM 4 D
F26 (5A)	ECS,5A	FA 0 D
F28 (10A)	Retarder, 10A	DN 4 D
F29 (5A)	Body +DR, 5A	BB 3 D
F31 (10A)	Hydraulic oil, DNOx2, 10A	NA 5 D
F32 (5A)	Tachograph,5A	NB 4 D
F33 (5A)	BIC 2,5A	NA 2 D
F35 (25A)	LCM ,25A	GA 5 D
F36 (25A)	LCM,25A	GA 4 D
F37 (25A)	LCM,25A	GA 3 D
F39 (25A)	DNOx2, 25A	CU 5 D
F40 (5A)	Voltage guard, 5A	AA 1 D
F41 (20A)	Radio,20A	IU 4 D
F42 (5A)	Maine Switch,5A	AA 5 D
F44 (25A)	LCM,25A	GA 5 D
F45 (25A)	LCM,25A	GA 4 D
F46 (25A)	LCM,25A	GA 4 D
F47 (5A)	Side marker L, 5A	GA 1 D
F48 (5A)	Side marker R, 5A	GA 1 D
F49 (5A)	Fuel cut off valve, 5A	NA 5 D
F51 (5A)	Radio,5A	IU 4 D
F52 (10A)	Luggage Light,10A	BB 2 D
F53 (10A)	Bogie Valve, Heater waterseperator, 5A	BB 0 D
F54 (5A)	Engine/Luggage hatch,5A	GA 3 D
F55 (10A)	Engine brake valve, Preheat relay, Fan sp	BA 4 D
F56 (10A)	Engine brake, 10A	BA 4 D
F57 (5A)	Key switch,5A	AA 4 D
F58 (5A)	FTM, 5A	CL 3 D
F61 (10A)	Light, luggageroom,10A	GA 3 D
F62 (20A)	Light sleeping compartment, 20A	GA 3 D
F63 (5A)		CL 1 C
F64 (10A)	Load Indicator	CL 2 C
F76 (80A)	FUSE, 12V Equalizer	AB 4 D
F77 (40A)	FUSE, 24V Equalizer	AB 3 D
F90A (30A)	FUSE - DNOX2RA	CU 1 B
F90B (30A)	FUSE - DNOX2RB	CU 1 B
F99 (15A)	Fuse, Allison +30 power supply	AB 2 D
F206 (5A)	External Pre-Heater, 5A	AB5 3 C
F907 (20A)	Fuse 12V I-shift	AB 2 B
F915 (30A)	Fuse 12V EMS2	AB 2 B
F955 (20A)	Fuse 12V Act. EMS2	AB 2 B
F956 (10A)	Fuse 12V Fuel Pump	AB 2 B
F957 (20A)	Fuse 12V Cool Fan	AB 3 B
F958 (10A)	FUSE 12V Allison, GBX and OBD connector	AB 3 B

VOLVO

Volvo Bus Corporation

Document title

WIRING DIAGRAM – B13R

Document type

PRODUCT SCHEMATICS

Document No

22610880

Issue

01

Volume

2 (2)

Sheet No

3 (35)

COMPONENTS

COMPONENT	DESCRIPTION	PAGE
30UA:1	Terminal - Power for heated hose	CU 1 B
30UB:1	Terminal - Power for heated hose	CU 1 B
A03	Instrument cluster	NA 4 B
A03	Instrument cluster	XC 5 C
A03	Instrument cluster	XJ 0 C
A03_1	Instrument cluster	XD 5 C
A07	Radio	XJ 2 B
A07_1	Radio	IU 4 B
A14	Control unit EMS	XC 3 A
A14	Control unit EMS	XD 5 B
A16	ECS	FA 5 B
A16	ECS	FB 5 D
A16	ECS	XC 1 C
A16	ECS	XD 1 C
A17	VECU	BA 5 B
A17	VECU	XC 2 C
A17	VECU	XD 2 C
A17	VECU	XJ 5 D
A19	Control unit,GECU(gear selector ECU)	DN5 4 D
A19_1	Control unit,GECU(gear selector ECU)	DN2 5 C
A19_2	Control unit,GECU(gear selector ECU)	DN2 2 C
A21	EBS	EO 5 A
A21	EBS	EP 5 D
A21	EBS	XC 1 C
A21	EBS	XD 1 C
A27_1	Control unite,LCM(Light Control Module)	GA 5 C
A27_1	Control unite,LCM(Light Control Module)	GB 4 C
A27_1	Control unite,LCM(Light Control Module)	GE 2 D
A27_1	Control unite,LCM(Light Control Module)	XC 0 C
A27_1	Control unite,LCM(Light Control Module)	XD 1 D
A30	Control unite,SWM(Steering Wheel Module)	IU 1 D
A30	Control unite,SWM(Steering Wheel Module)	XJ 2 B
A33	TACHO	NB 4 C
A33	TACHO	XJ 3 B
A41	Body I/O Module 41	CX 1 B
A41	Body I/O Module 41	DN4 3 B
A42	Component group transmission.Contains B26	DN3 2 B
A42	Component group transmission.Contains B26	DN4 2 B
A57	Control unit, Body	DN5 4 C
A58	Control unit, Body	DN5 3 B
A58E	Engine speed sensor	DN5 4 A
A58O	Output speed sensor	DN5 4 A
A58T	Turbine speed sensor	DN5 4 A
A80	Air Dryer	BA 2 A
A90	BBM	AA 5 A
A90	BBM	BB 5 A
A90	BBM	BC 5 D
A90	BBM	XC 2 C
A90	BBM	XD 2 C
A124	Starter motor with relay	AF 3 B
A124.30B	Ring Terminal Starter Motor	AF 3 B
A124 ISTART	Ring terminal Starter Motor	AF 3 B
A125	Control unit, TGW	NC 4 B
A125	Control unit, TGW	XD 3 C
A125_	TGW II Control Unit	NC2 3 B
A133	Handset	ND 3 B
A137	DEF CONTROL MODULE	CX 5 C
A914	I-shift unit(TECU)	DN3 4 B
A914	I-shift unit(TECU)	DN4 4 C
A914	I-shift unit(TECU)	XC 2 A
A914	I-shift unit(TECU)	XD 5 B
A917	DNOX2_ECU	CU 5 C
A917	DNOX2_ECU	XF 2 A
A918_13	NOx-sensor	XF 4 B
A926	GearShift_ECU	DN 4 C
A926	GearShift_ECU	XC 4 C
A926	GearShift_ECU	XD 3 C
A942	BIO - Bus I/O	CL 4 C
A946	FMS GATEWAY	NE 3 C
A961	Control unit, Alcolock Interlock	ND 2 B
A996	UQS	XH 4 C
A998	DEF Pump	CX 4 D
B03	Sensor,footbrake valve	EO 4 B
B06	Wet tank press	BA 0 C
B07	Sensor,fuel level front axle	NA 4 A
B12	Sensor,tachograph/speedometer	NB 4 A
B13	Sensor,wheel speed, lhs. 1:st front axle	EO 2 D

VOLVO

Volvo Bus Corporation

Document title

WIRING DIAGRAM – B13R

Document type

PRODUCT SCHEMATICS

Document No

22610880

Issue

01

Volume

2 (2)

Sheet No

4 (35)

COMPONENT	DESCRIPTION	PAGE
B14	Sensor,wheel speed, rhs. 1:st front axle	EO 2 D
B15	Sensor,Wheel speed, lhs. 1:st driven rear	EO 1 D
B16	Sensor,Wheel speed, rhs. 1:st driven rear	EO 1 D
B22	Sensor, outdoor temperature	NA 3 A
B25	Sensor,accelerator pedal	BA 2 C
B29	sensor chassis level rear axle LHS	FB 2 B
B30	sensor chassis level rear axle RHS	FB 2 B
B32_10	Sensor Eng. cooling fan Speed	CS 3 D
B32_13	Sensor Eng. cooling fan speed	CS 2 D
B39	Sensor,air filter press/Temp.	CS 3 B
B40	Sensor,brake lining wear indicator,lhs. 1	EO 3 D
B41	Sensor,brake lining wear indicator,rhs. 1	EO 3 D
B42	Sensor,brake lining wear indicator,lhs. 1	EO 2 D
B43	Sensor,brake lining wear indicator,rhs.1:	EO 2 D
B49	Sensor,steering angle	EP 2 B
B50	Sensor,yaw-rate	EP 2 B
B57	Sensor,air pressure, suspension bellows,1	FB 4 C
B58	Sensor,air perssure,suspension bellow,rhs	FB 4 C
B59	Sensor, indoor temperature	NA 3 A
B69C	Sensor,coolant temperature, retarder	CX 0 B
B69C	Sensor,coolant temperature, retarder	DN4 4 B
B96A	Pre-Sensor, NOx	XH 3 C
B96B	Pos Sensor, NOx	XH 0 C
B904	hydr oil level sens	NA 4 C
B906	Sensor,Brake Press (6*2)	BC 4 C
B910	sensor air press. ECS port 21	FB 5 C
B914	sensor chassis level front axle LHS	FB 2 B
B915	sensor chassis level front axle RHS	FB 1 B
B918	Hydraulic oil level sensor_2	NA 4 C
B920	Sensor,fuel level 2 front axle	NA 4 A
B923	Sensor_temp/level adblue tank SCRT DNOX2	CU 2 B
B927	Sensor Hydr.oil press	BB 1 C
B930	Sensor_temp upstream scrt DNOX2	CU 2 D
B940	Sensor brake lining wear indicator,A/B R	EP 4 B
B941	Sensor brake lining wear indicator,A/B L	EP 4 B
B942	sensor wheel speed A/B R	EP 3 B
B943	sensor wheel speed A/B L	EP 3 B
B973	Fire Sensor, 150°C	BB 4 C
B974	Fire sensor	BB 4 C
B975	Fire sensor	BB 4 B
B977	Sensor, brake pressure	NA 5 A
B978	Sensor, brake pressure	NA 4 A
B979	Parking brake pressure	BB 3 B
B980	Auxilliary pressure	BB 3 B
B985	Fire sensor 4, D13	BB 4 D
B986	Fire sensor 5, D13	BB 4 C
B991_10	temp. DPF	CX 2 C
B992_10	temp. DPF	CX 1 C
B993_10	temp. DPF	CX 1 C
B995_13	SENSOR, DPF PRESSURE	CX 2 D
BB1	BodyBuilder Interface Connector	AA 5 B
BB1	BodyBuilder Interface Connector	AB2 3 B
BB1	BodyBuilder Interface Connector	AB4 2 C
BB1	BodyBuilder Interface Connector	AF 5 D
BB1	BodyBuilder Interface Connector	BA 5 B
BB1	BodyBuilder Interface Connector	BB 2 B
BB1	BodyBuilder Interface Connector	BC 1 C
BB1	BodyBuilder Interface Connector	CL 4 C
BB1	BodyBuilder Interface Connector	EP 2 D
BB1	BodyBuilder Interface Connector	FA 4 D
BB1	BodyBuilder Interface Connector	FB 3 D
BB1	BodyBuilder Interface Connector	GA 3 C
BB1	BodyBuilder Interface Connector	GB 1 C
BB1	BodyBuilder Interface Connector	IS 2 B
BB1	BodyBuilder Interface Connector	IU 4 A
BB1	BodyBuilder Interface Connector	NA 3 A
BB1	BodyBuilder Interface Connector	NB 3 D
BB1	BodyBuilder Interface Connector	ND 3 D
BB1	BodyBuilder Interface Connector	XD 3 C
BB1	BodyBuilder Interface Connector	XE 1 A
D1	Diode	BA 3 A
D2	Diode	AA 2 B
D3	Diode - Wiper motor	GM 1 B
E07L	Fog light left	GE 2 B
E07LR	Fog light left rear	GA 4 B
E07R	Fog light right	GE 1 B
E07RR	Fog light right rear	GA 4 B

VOLVO

Volvo Bus Corporation

Document title

WIRING DIAGRAM – B13R

Document type

PRODUCT SCHEMATICS

Document No

22610880

Issue

01

Volume

2 (2)

Sheet No

5 (35)

COMPONENT	DESCRIPTION	PAGE
E09	Lamp,brake light	GA 4 B
E11LA	Side marker light left	GA 1 B
E11LF	Side marker light left front	GA 2 B
E11LR	Side marker light left rear	GA 1 B
E11ML	Side marker light middle left	GA 1 B
E11MR	Side marker light middle right	GA 0 B
E11RA	Side marker light right	GA 0 B
E11RF	Side marker light right front	GA 1 B
E11RR	Side marker light right rear	GA 1 B
E11TL	Position Light,Left(Trailer)	GA 2 B
E11TR	Position Light,Right(Trailer)	GA 1 B
E13L	Dir. ind. left	GA 4 B
E13LA	Dir.indicator left	GA 4 B
E13R	Dir. ind. right	GA 3 B
E13RB	Dir.indicator right	GA 3 B
FH1	FuseHolder 12V	AB 3 B
FL2A	Front light, L	GE 4 B
FL3A	Front light, R	GE 2 B
G01	Battery	AB2 4 B
G01.B	Battery	AC 3 B
G01B	Battery	AB2 4 B
G01B	Battery	AB3 3 B
G01B.A	Battery	AC 3 B
G01B1	I-Start Starter Battery	AB3 3 B
G01C	I-Start Consumer Battery	AB4 3 B
G01C1	I-Start Consumer Battery	AB4 3 B
G02	Alternator 1	AF 2 B
G03	Alternator 2	AF 2 B
G03_I_START	Ring Terminal Alternator 2	AF 2 B
G08A	Battery	AC 3 B
G08A_A	Ring Terminal starter battery/DC-Convert	AC 3 C
G08B	Battery	AC 3 B
G08B_B	Battery B-	AC 3 A
G901	Battery Equalizer	AB 3 D
GND	GDN - Adapter AHI	BA 2 A
GND1A	GND - Electrical Center	ZC 2 B
GND1B	GND - Electrical Center	ZC 4 A
GND1C	GND4/GND5 - Electrical Center	ZC 2 A
GND1D	GND - Batt_Box_NVPDUF	ZC 1 A
GND1E	GND - US13	CS 0 C
GND1UA:1	GND - DNOX2RA	CU 2 A
GND1UB:1	GND - DNOX2RB	CU 1 A
GND2A	GND - ALT_1	AF 2 A
GND2B	GND - ALT_2	AF 2 A
GND6	GND - Driver Location	GB 5 B
GND6B	GND6Q/GND6R - Driver Location	ZC 3 C
GND11	GND - Rear Axle	ZC 1 C
GND11A	Ground	ZC 1 C
GND31A	GND - Batt_Box_NVPDUF	ZC 1 A
GND31A:A	GND - Batt_Boxx_NVPDUF	ZC 0 A
GND31A:B	Ground	AB 2 D
GND31B	GND - Battery	AB2 4 A
GND31B	GND - Battery	AB3 3 A
GND31F	GND - Frame	ZC 3 A
GND31R	GND - Raills	ZC 3 A
GND40	GND - STARTER_ENG	AF 3 A
GND41	GND - STARTER_ENG_US	AF 3 A
GND51	Ground	ZC 0 A
GND74	GND - SCR	CU 1 A
GND75	GND - Equalizer	AB 2 D
GND900	GND - Starter Batteries	AB4 3 A
GND900	GND - Starter Batteries	AC 3 A
GND_PH	GND - Pre heater	AB5 2 B
GNDX	GND - Xenon Lights	ZC 0 B
H01	Air,Operated	IS 3 C
H02	Diaphragm horn	IS 2 C
K2	Over Load Indicator	CL 2 C
K02	Relay - Day Light	GB 5 C
K3	ECS	FA 0 B
K4	I-Shift/Voith	DN 3 D
K7	Start engine	AF 4 C
K8	VECU/EMS	BA 5 C
K9	Wiper/Washer	GM 2 C
K11	Prevent start engine	AA 2 C
K12	Luggage Light	BB 2 C
K13	Emergency switch relay	AA 4 D
K14	Bogie	BB 0 C

VOLVO
Volvo Bus Corporation

Document title

WIRING DIAGRAM – B13R

Document type

PRODUCT SCHEMATICS

Document No

22610880

Issue

01

Volume

2 (2)

Sheet No

6 (35)

COMPONENT	DESCRIPTION	PAGE
K17	Ignition +15	AA 2 D
K35	relay disconn headlight wash	GM 4 C
K48	Relay Engine Preheating	AB5 3 C
K53	Relay	AB3 1 C
K300	I-Start Main Relay	AB3 1 C
K400	I-Start +30 Relay (Body)	AB4 3 D
K902	Relay heated hose pressure line	CU 3 B
K903	Relay heated hose backflow to pump line	CU 3 B
K908	Relay heated hose suction line	CU 4 B
K909	Relay heated hose backflow to tank line	CU 2 B
K911	Relay, DRL Light	GE 3 C
K918	Relay 12V EMS2	AB 3 C
K919	Relay 12V IVS	AB 2 C
M01	Motor, windscreen wiper	GM 1 B
M02	windscreen washer motor	GM 3 B
M03	headlights washer motor	GM 4 B
NX903	I-Start Front Fuse Box	AB2 5 C
NX903	I-Start Front Fuse Box	AB3 4 D
NX904	I-Start Rear Fuse BOX	AB2 2 C
OB	ON BOARD DIAGNOSTIC CONNECTOR	NA2 4 C
R01	Heater, engine preheat	AB5 2 C
R02	Heater, rear view mirror	GB 5 B
R08	Termination resistor,CAN-bus	XC 4 D
R904	Resistor DBUS	XE 1 B
R905	Heated_Hose_Suction_Line	CU 4 B
R905_US	suction_line	CX 3 A
R906	Heated_Hose_Pressure_Line	CU 3 B
R906_US	Pressure_line	CX 3 A
R907	1939-7 resistor	XF 0 B
R908	Heated_Hose_Backflow_to_tank	CU 2 B
R909	Heated Filter	CU 5 B
R910	Heated_Hose_Backflow_to_pump	CU 3 B
R918	Termination resistor 120ohm	XG 0 A
RL1A	Rear light, R	GA 2 B
RL2A	Rear light, L	GA 5 B
S01	Switch,main lighting,selector type	GB 4 C
S02	Stalk switch LHS	BA 3 D
S02	Stalk switch LHS	GB 2 D
S06	Stalk switch , windscreen wiper, selector	GM 1 D
S06	Stalk switch , windscreen wiper, selector	NA 2 B
S08	Switch,differential gear lock,rear wheels	EO 3 C
S11	switch bogie lift	FA 3 B
S12	Main switch	AA 4 C
S14A	Switch, push button, Air horn	IS 3 A
S14B	Switch, push button, Air horn	IS 2 A
S15A	Switch,Starter Key	AA 3 D
S15B	Switch,Starter Feed	AA 4 B
S16	Switch, push button, El. horn	IS 2 A
S20	Dynafleet Switch	NC2 3 C
S24	stalk switch retarder	BA 1 D
S31	Switch, TCS (Traction Control System)	EP 1 B
S32	Brake hold	EP 0 C
S34	Switch unit, steering wheel push buttons	IU 2 D
S41	Switch, battery main switch control	AB2 4 B
S45	Position switch,differential gear lock in	EP 1 C
S50	Switch, pressure parking brake indicator,	BA 3 B
S58	clutch switch	BA 2 C
S68	Sensor coolant level	CS 4 D
S68_13	Sensor Coolant level	CS 4 D
S70	Switch Hydr.oil ,Flow sensor	BB 0 B
S77	Assistance call	NC 3 C
S90	Battery Switch	AB3 3 C
S901	eng stop rear	AA 1 B
S902	switch leveling	FA 1 B
S904	Switch,emergency cut-out	AA 4 D
S905	Switch,Retarder	BA 1 A
S907	eng start rear	AA 2 B
S908	eng start enable rear	AA 1 B
S915	Switch,kneeling	FA 3 C
S925	Switch, Alcolock	ND 3 C
T900	DC converter temperature sensor	AC 3 B
U03	Modulator,EBS,rear axle(drive axle)	EO 2 C
U04	Modulator EBS, bogie	EP 4 B
U06	Voltage converter	IU 4 C
U08	Modulator,EBS,front	EO 3 C
U12	Voltage converter, Bi-xenon	GE 3 C
U25	Voltage converter, DC/DC	AC 2 C

VOLVO

Volvo Bus Corporation

Document title

WIRING DIAGRAM – B13R

Document type

PRODUCT SCHEMATICS

Document No

22610880

Issue

01

Volume

2 (2)

Sheet No

7 (35)

COMPONENT	DESCRIPTION	PAGE
V03	Diod, Light	GE 3 B
V04	Diod, Light	GE 3 B
VBC635	Sensor, PM	XH 2 C
X701	I-Start Media Bracket (Chassis)	AB3 3 B
X801	I-Start Media Bracket (Body)	AB4 3 C
X901	Connector Battery +	AB2 1 A
X905	VPDU Rear without preheat relay	AB4 2 D
X910	Junction Box for Chassis	AB2 4 B
Y02	Solenoid valve,Differential lock,rear whe	EP 1 C
Y25	Solenoid valve unit, ECS, Rear axle	FA 5 C
Y36	Solenoid valve,Steerable axle,Bogie	BB 0 B
Y37	Solenoid valve AVU, engine brake / EPG (E	CS 1 D
Y40	Solenoid valve unit, ECS, Front axle	FA 4 B
Y72	Valve, Horn	IS 3 C
Y900	solenoid valve unit, ECS, Bogie axle	FA 2 C
Y901	Fuel cut off valve front axle	NA 5 C
Y911	sol valve inj SCRT DNOX2	CU 3 D
Y911_10	sol valve DEF inj.	CX 2 A
Y912	sol valve adblue tank heating SCRT DNOX2	CU 4 B
Y912_US	Sol Valve Heating Urea Tank	CX 3 B
Y914	Pressure control valve(PCU/R)	EP 5 C
Y915	Pressure controll valve (PCU/R)	EP 5 C
Y939	Solenoid Valve AHI	BA 2 A

VOLVO
Volvo Bus Corporation

Document title

WIRING DIAGRAM – B13R

Document type

PRODUCT SCHEMATICS

Document No

22610880

Issue

01

Volume

2 (2)

Sheet No

8 (35)

INLINES

INLINE	PAGE	INLINE	PAGE	INLINE	PAGE	INLINE	PAGE	INLINE	PAGE
+30:1	AB2 2 D	BB2:10	GB 2 C	BB13:6	CL 3 A	DPF10:E	CX 3 D	FH1B:10	NC 5 D
+30:1	AB3 1 D	BB2:11	AA 5 B	BB13:7	CL 2 A	DPF10:F	BB 4 D	FH1B:10	NC2 4 D
+B:1	AB2 5 D	BB2:12	NB 3 D	BB13:12	GB 0 B	DPF10:G	BB 4 D	FH1B:11	BB 3 D
A19:1	DN 4 B	BB3:1	GB 2 C	BB13:13	GB 0 B	DPF10:J	CX 3 C	FH2A:1	GM 2 D
A19:2	DN 4 B	BB3:2	BC 1 C	BBOX:1	AB2 4 D	DPF10:K	CX 2 C	FH2A:3	NE 3 D
A19:3	DN 4 B	BB3:3	FA 4 C	BBOX:2	AB2 3 D	DPF10:L	CX 2 B	FH2A:4	EO 5 D
A19:4	DN 3 B	BB3:4	FB 3 D	BBOX:3	NB 4 D	DPF10:M	CX 2 B	FH2A:5	AA 2 D
A19:5	DN 3 B	BB3:5	GB 2 C	BFEEED:1	CU 5 D	DPF10:N	XH 2 B	FH2A:6	NA 1 D
A19:6	DN 3 B	BB3:6	GB 4 B	BIO:1	CL 3 C	DPF10:P	XH 2 B	FH2A:7	AF 4 D
A19:11	DN 3 B	BB3:7	NA 2 A	BIO:2	XD 0 B	ECS1:1	FA 4 B	FH2A:8	AF 1 D
A19:12	DN 3 B	BB3:8	NA 2 A	BIO:3	XD 0 B	ECS1:2	FA 4 B	FH2A:9	FA 1 D
A19:15	DN 2 B	BB3:9	AF 5 C	BIO:4	XE 4 D	ECS1:3	FA 4 B	FH2B:1	BB 3 D
A19:16	DN 2 B	BB3:10	BA 4 B	BIO:5	XE 4 C	ECS1:5	FB 5 C	FH2B:3	NA 5 D
A19 :1	DN2 2 C	BB3:11	BB 3 D	BIO:6	XE 1 B	ECS1:6	FB 2 C	FH2B:4	DN 4 D
A19 :2	DN2 2 C	BB3:12	BB 3 D	BIO:7	XE 1 B	ECS1:7	FB 1 C	FH2B:5	AA 2 D
A19 :3	DN2 1 C	BB4:1	BC 1 C	BIO:9	CL 4 C	ECS1:8	FB 5 C	FH2B:6	NB 4 D
A19 :4	DN2 1 C	BB4:2	BC 1 C	BIO:10	ZC 0 B	ECS1:9	FB 5 C	FH2B:8	FA 0 D
A19 :5	DN2 1 C	BB4:3	BC 1 C	BMUX 1:1	XD 3 C	ECS1:10	FB 1 C	FH2B:9	GM 4 D
A19 :6	DN2 1 C	BB4:4	BC 1 C	BMUX 1:2	XD 3 C	ECS1:11	FB 2 C	FH3A:1	BA 4 D
A19 :7	DN2 1 C	BB4:5	BC 1 C	BMUX 1:3	AA 5 C	ECS1:12	FA 4 C	FH3A:2	BA 4 D
A19 :8	DN2 1 C	BB4:6	BC 2 C	BMUX 1:4	AA 5 B	ECS2:1	FA 5 B	FH3A:3	BA 4 D
A19 :9	DN2 1 C	BB4:7	EP 2 D	BMUX 1:5	AA 5 D	ECS2:2	FA 4 B	FH3A:4	GA 3 D
A19 :10	DN2 1 C	BB4:8	BA 4 A	BOGIE:1	FB 3 C	ECS2:3	FA 5 B	FH3A:5	BB 0 D
A19 :11	DN2 0 C	BB4:9	NA 2 A	BOGIE:2	FB 3 C	ECS2:4	FB 4 C	FH3A:7	NA 5 D
A19 :12	DN2 0 C	BB4:10	BA 4 B	BOGIE:3	FA 1 B	ECS2:5	FB 4 C	FH3A:8	BB 2 D
A80.BY:1	BA 2 B	BB4:11	GB 1 C	BOGIE:4	FA 2 B	ECS2:6	FB 2 C	FH3A:12	IU 4 D
A80.BY:3	BA 2 B	BB5:1	GB 3 B	BOGIE:5	FA 2 B	ECS2:7	FB 2 C	FH3B:1	CL 2 C
A80.BY:4	BA 1 A	BB5:2	GB 2 B	BOGIE:6	EP 4 C	ECS2:8	FB 5 D	FH3B:2	CL 1 C
A946 :6	NE 2 C	BB5:3	GB 4 B	BOGIE:7	EP 4 C	ECS2:9	FB 4 C	FH3B:3	CL 1 C
A946 :7	NE 2 C	BB5:4	GB 1 B	BOGIE:8	EP 3 C	ECS2:10	FB 1 C	FH3B:4	AA 4 D
A946 :13	NE 2 B	BB5:5	GB 0 C	BOGIE:9	EP 3 C	ECS2:11	FB 2 C	FH3B:5	GA 3 D
A946 :14	NE 2 B	BB5:6	GB 4 B	BOGIE:10	ZC 3 B	ECS2:12	FA 5 C	FH3B:7	CL 3 D
ACC:1	NE 3 C	BB5:7	GB 1 B	BOGIE:11	BB 0 C	EMS:1	BA 5 B	FH3B:9	GA 3 D
ACC:2	XC 3 C	BB5:8	GB 1 B	BOGIE:12	BB 0 C	EMS:2	XC 1 B	FH4A:2	CU 5 D
ACC:3	XC 3 C	BB5:9	GE 4 D	BS1:2	EO 3 B	EMS:3	XC 1 B	FH4A:3	CU 5 D
ACC:4	XD 2 D	BB5:10	GE 2 D	BS1:3	EO 3 B	EMS:4	XD 1 C	FH4A:4	AA 1 D
ACC:5	XD 2 D	BB5:11	GB 3 B	BS1:4	EO 3 B	EMS:5	XD 1 C	FH4A:5	GA 3 D
ACC:6	ZC 1 B	BB5:12	GB 2 B	BS1:5	EO 2 B	EMS:6	BA 4 D	FH4A:7	NA 2 D
ACC:7	BA 3 B	BB6:1	BC 2 C	BS1:8	EP 5 D	EMS:7	BA 3 D	FH4A:8	GA 4 D
ACC:8	BA 3 B	BB6:2	GA 3 D	BS1:9	EP 5 D	EMS:9	BA 4 C	FH4A:12	GA 5 D
ACC:9	NE 3 C	BB6:3	CL 2 B	BS1:10	EP 4 C	EMS:10	ZC 4 B	FH4B:1	GA 1 C
ACM:1	NB 5 D	BB6:4	GA 3 D	BS1:11	EP 5 D	EMS:11	BB 1 C	FH4B:2	GA 1 C
ACM:2	AB2 4 D	BB6:5	BB 2 B	BS1:12	EP 5 D	ENG1:2	AA 2 B	FH4B:3	GA 1 C
ACM:3	AC 2 D	BB6:6	BB 3 C	BS2:2	EP 2 C	ENG1:3	BB 4 B	FH4B:4	IU 4 D
ARTIC:1	FB 1 C	BB6:7	GA 3 B	BS2:3	EP 2 C	ENG1:4	AA 2 B	FH4B:5	GA 4 D
ARTIC:2	FB 1 C	BB7:1	GA 3 B	BS2:5	EP 2 C	ENG1:5	BB 4 D	FH4B:7	AA 5 D
ARTIC:5	BC 4 C	BB7:2	GA 4 B	BS2:6	EP 2 C	ENG1:6	AA 2 C	FH4B:8	GA 4 D
ARTIC:6	BC 4 C	BB7:3	GA 5 B	BS3:1	EO 2 B	ENG1:7	AF 4 B	FH4B:12	GA 5 D
ARTIC:7	BC 4 C	BB7:4	GA 2 B	BS3:2	EO 2 B	ENG1:8	AF 4 D	FL2:11	GB 5 C
ARTIC:8	BC 3 C	BB7:5	GA 4 B	BS3:3	EO 2 B	ENG1:9	AF 1 C	FL3:11	GB 5 C
ARTIC:9	BC 3 C	BB7:6	GA 3 B	BS3:4	EO 2 B	ENG1:10	NA2 4 A	FTM:1	CL 3 C
ARTIC:10	BC 4 C	BB7:7	GA 5 B	BS3:5	EP 1 C	ENG1:11	NA 4 C	FTM:2	XD 0 B
ARTIC:11	BC 3 C	BB7:8	GA 2 B	BS3:6	EP 1 C	ENG1:12	ZC 3 B	FTM:3	XD 0 B
ARTIC:12	BC 3 C	BB7:9	GA 1 C	BS3:7	EP 1 C	EU4:1	AB 2 D	FTM:4	XE 5 B
AUDIO:1	XJ 1 C	BB7:10	GA 1 C	BS3:8	NA 2 B	EU4:4	EO 1 B	FTM:5	XE 5 B
AUDIO:2	XJ 1 C	BB7:11	GA 5 B	BS3:9	BB 1 B	EU4:5	EO 1 B	FTM:6	XE 5 C
AUDIO:3	IU 1 C	BB7:12	GA 4 B	BS3:10	BA 0 C	EU4:6	EO 1 B	FTM:7	XE 5 C
BB1:1	BA 5 B	BB8:1	GB 4 A	BS3:11	BA 0 C	EU4:7	EO 0 B	FTM:9	AA 2 D
BB1:2	BC 1 C	BB8:2	GB 1 A	BS3:12	BA 0 C	EU4:8	BA 4 C	FTM:10	ZC 1 B
BB1:3	BC 1 C	BB8:3	GB 0 C	DBUS_INT:1	XE 1 C	EU4:10	CU 5 D	FTM J:4	XE 5 B
BB1:4	BC 2 C	BB10A:1	IU 4 A	DBUS_INT:2	XE 1 C	EU4:11	XF 1 C	FTM J:5	XE 5 B
BB1:5	BB 2 B	BB10A:3	IU 3 C	DF:1	NC 3 D	EU4:12	XF 1 C	FTM J:6	XE 5 C
BB1:6	NA 2 A	BB10A:5	IU 4 C	DF:1	NC2 3 D	FEED:1	BA 5 D	FTM J:7	XE 5 C
BB1:8	NA 2 A	BB10A:7	IU 5 C	DF:2	NC 4 C	FH1A:1	DN 3 C	FUEL:1	NA 4 A
BB1:9	NA 2 A	BB10A:9	IU 3 A	DF:2	NC2 4 C	FH1A:2	DN 3 C	FUEL:2	NA 4 A
BB1:10	BB 1 D	BB10B:1	IU 4 A	DF:3	NC 5 B	FH1A:3	DN 3 D	FUEL:3	NA 4 B
BB1:11	BA 4 A	BB10B:3	IU 4 C	DF:3	NC2 4 C	FH1A:6	IS 3 D	FUEL:5	NA 5 D
BB1:12	BC 1 C	BB10B:5	IU 3 C	DF:4	XD 4 D	FH1A:7	FA 0 D	FUEL:6	NA 5 C
BB2:1	NA 3 A	BB10B:7	IU 5 C	DF:5	XD 3 D	FH1A:8	EO 5 D	FUEL:7	FA 3 B
BB2:2	NA 3 B	BB10B:9	IU 3 A	DF:5	XD 3 D	FH1A:10	NA 1 D	FUEL:8	FA 3 B
BB2:3	NA 3 A	BB11:1	GB 4 B	DF:6	NC 4 D	FH1B:1	BA 4 D	FUEL:9	FA 4 C
BB2:4	NA 3 B	BB12:1	GE 2 B	DF:6	NC2 3 D	FH1B:2	BA 4 D	FUEL:10	FB 0 C
BB2:5	XE 1 B	BB12:2	GE 1 B	DF:11	NC 3 B	FH1B:3	BA 5 D	FUEL:11	FB 3 C
BB2:6	XE 1 B	BB13:1	BC 5 C	DF:11	NC2 3 A	FH1B:4	AA 2 D	GBX:1	DN3 2 D
BB2:7	IS 2 B	BB13:2	CL 4 C	DPF10:A	XH 2 C	FH1B:6	BB 5 D	GBX:2	DN2 2 C
BB2:8	IS 3 D	BB13:3	CL 4 C	DPF10:B	XH 2 D	FH1B:7	BB 4 D	GBX:7	XC 0 B
BB2:9	IS 3 B	BB13:4	FB 3 D	DPF10:C	XH 1 B	FH1B:8	AB 2 D		
		BB13:5	BC 5 C	DPF10:D	XH 1 B				

INLINE	PAGE	INLINE	PAGE	INLINE	PAGE	INLINE	PAGE	INLINE	PAGE
GBX:8	XC 0 B	IB4:18	EP 1 C	KH1A:2	FA 0 B	MED:19	DN5 3 C	R908B:2	CU 2 B
GBX:9	XD 1 B	IB5:2	AA 3 D	KH1A:3	FA 0 B	MED:20	CS 2 C	R908C:1	CU 2 B
GBX:10	XD 1 B	IB5:3	BA 1 B	KH1A:4	CL 2 C	MED:21	CS 3 C	R908C:2	CU 2 B
GBX:13	NA 4 C	IB5:4	AA 3 B	KH1A:5	FA 0 B	MED:22	CS 1 A	R910A:1	CU 3 B
GBX:17	BA 2 B	IB5:5	AA 5 D	KH1A:7	CL 2 B	MED:23	CS 1 C	R910A:2	CU 3 B
GBX:18	BA 2 B	IB5:6	AA 4 B	KH1A:10	CL 2 B	MED:24	CS 2 B	R910B:1	CU 3 B
IB1:1	NA 2 D	IB5:7	AA 5 C	KH1A:11	CL 2 C	MED:25	CS 5 C	R910B:2	CU 3 B
IB1:2	NA 2 B	IB5:8	FA 4 D	KH1B:1	DN 3 D	MED:26	CS 3 C	R910C:1	CU 3 B
IB1:3	NA 2 B	IB5:9	FA 2 B	KH1B:2	DN 3 D	MED:27	CS 0 C	R910C:2	CU 3 B
IB1:4	NA 2 B	IB5:10	NA2 4 B	KH1B:3	DN 3 D	MED:28	CS 4 C	RA1:1	NB 4 B
IB1:5	NA 2 B	IB5:11	FA 3 C	KH1B:5	DN 3 D	MED:29	CS 2 B	RA1:2	NB 4 B
IB1:6	NA 2 B	IB5:12	FA 3 C	KH2A:1	BA 3 A	MED:30	CS 4 B	RA1:3	NB 4 B
IB1:7	NA 1 D	IB5:13	AA 3 C	KH2A:3	BA 5 C	MED:31	CS 0 C	RA1:4	NB 4 B
IB1:8	NA 3 C	IB5:14	FA 1 B	KH2A:4	BA 3 B	MED:32	CS 2 C	RA1:5	NA 3 C
IB1:9	AF 2 C	IB5:15	FA 1 B	KH2A:5	BA 5 C	MED:33	CS 2 C	RA1:6	AF 2 C
IB1:10	AF 1 C	IB5:16	FA 2 B	KH2A:6	BA 5 C	MED:34	CS 3 C	RA1:7	AF 1 C
IB1:11	NA 2 C	IB5:17	EO 3 B	KH2A:7	AF 4 C	MED:35	AF 4 B	RA1:10	NA 4 C
IB1:12	NA 4 C	IB5:18	NA 3 C	KH2A:8	AF 4 C	MED:36	CS 3 C	RA1:11	AB2 3 D
IB1:13	NA 4 C	IB6:1	NB 4 D	KH2A:9	BA 5 C	MED:37	CS 4 C	RL3:1	GA 2 B
IB1:14	XC 3 D	IB6:2	XJ 4 D	KH2A:10	AF 5 C	MED:39	CS 0 C	RL3:2	GA 1 B
IB1:15	XC 3 D	IB6:3	XJ 4 C	KH2A:11	AF 4 C	MEDA:1	NB 4 B	RL3:3	GA 4 B
IB1:16	XD 2 D	IB6:4	NB 4 D	KH2A:12	AF 4 C	MEDA:2	NB 4 B	RL3:4	GA 3 B
IB1:17	XD 2 D	IB6:5	ZC 5 B	KH2B:1	AA 2 B	MEDA:3	NB 4 B	RL3:5	GA 3 C
IB1:18	NA 1 D	IB6:6	NB 3 D	KH2B:2	GM 2 C	MEDA:4	NB 4 B	RL3:6	GA 4 B
IB2:1	NA 3 B	IB6:7	NB 4 C	KH2B:3	GM 2 C	MEDA:5	DN4 4 D	RL3:7	GA 3 B
IB2:2	NA 3 B	IB6:8	NB 4 C	KH2B:4	AA 2 B	MEDA:6	DN4 4 D	RL3:8	BC 2 C
IB2:3	NA 3 B	IB6:9	NB 4 C	KH2B:5	GM 2 C	MEDA:7	XC 2 B	RL3:10	GA 4 B
IB2:4	NA 2 B	IB6:10	NB 4 C	KH2B:6	GM 2 C	MEDA:8	XC 2 B	RL3:11	GA 3 C
IB2:5	NA 3 C	IB6:12	NB 3 B	KH2B:9	GM 2 C	MEDA:9	XD 4 B	RL3:12	ZC 2 D
IB2:6	NA 4 B	IB7:1	GM 4 D	KH3A:1	AA 4 D	MEDA:10	XD 5 B	RL4:1	GA 4 B
IB2:7	GA 1 C	IB7:2	GB 0 C	KH3A:3	AA 4 C	MEDA:11	DN3 3 C	RL4:2	GA 3 B
IB2:8	ZC 5 B	IB7:3	GB 0 C	KH3A:4	BB 2 C	MEDA:11	DN4 3 D	RL4:3	GA 1 B
IB2:9	GA 3 C	IB7:4	GM 2 C	KH3A:5	AA 4 D	MEDA:12	DN3 2 C	RL4:4	GA 0 B
IB2:11	IS 3 B	IB7:5	XF 0 C	KH3A:6	AA 4 C	MEDA:12	DN4 2 D	RL4:5	GA 4 B
IB2:12	IS 2 B	IB7:6	XF 0 C	KH3A:7	BB 2 D	ML1:1	GB 4 A	RL4:7	GA 3 B
IB2:13	EP 2 C	IB7:7	NA 2 C	KH3A:8	AA 2 C	ML1:2	ZC 2 D	RL:1	GB 5 C
IB2:14	EP 2 C	IB7:8	GM 1 C	KH3A:9	AA 2 C	ML1:3	GE 4 B	RL:3	GB 4 B
IB2:15	EP 2 B	IB7:10	ZC 4 B	KH3A:10	BB 2 D	ML1:4	ZC 2 D	RL_DA:1	GB 5 B
IB2:16	EP 2 B	IB7:11	NA 2 B	KH3A:11	BB 2 C	ML1:5	GE 4 B	RL_DB:1	GB 5 C
IB2:17	AA 4 C	IB7:12	GM 0 C	KH3A:12	AA 2 C	ML1:6	ZC 2 D	S_T_S:1	NB 3 B
IB2:18	NC 5 D	IB8:1	EO 4 B	KH3A:14	AA 2 C	ML1:7	GE 4 B	S_T_S:2	NB 3 B
IB2:18	NC2 4 C	IB8:2	EO 4 B	KH3B:1	BB 0 D	ML2:1	GB 1 A	S_T_S:3	NB 3 B
IB3:1	BA 1 C	IB8:3	EO 4 B	KH3B:2	BB 0 C	ML2:2	ZC 2 D	S_T_T:3	NB 3 B
IB3:2	BA 1 C	IB8:4	EO 4 B	KH3B:3	BB 0 D	ML2:3	GE 2 B	UDS12:1	XF 2 B
IB3:3	BA 1 C	IB8:5	EO 4 B	KH3B:5	BB 0 C	ML2:4	ZC 2 D	UDS12:2	XF 2 B
IB3:4	BA 1 C	IB8:7	GB 1 C	M_01:1	GM 0 B	ML2:5	GE 2 B	UDS12:3	CU 3 C
IB3:5	BA 1 C	IB8:8	CL 2 B	M_01:2	GM 0 B	ML2:6	ZC 2 D	UDS12:4	CU 3 C
IB3:6	BA 1 B	IB8:9	CL 3 B	M_01:3	GM 1 B	ML2:7	GE 2 B	UDS12:5	XD 3 B
IB3:7	BA 3 C	IB8:10	CL 2 B	M_01:4	GM 1 B	ML3:1	BB 2 C	UDS12:6	XD 3 B
IB3:8	BA 3 C	IB8:11	CL 4 C	M_01:5	GM 1 A	ML3:2	BB 3 D	UDS12:7	CU 4 C
IB3:9	BA 3 C	IB8:12	CL 4 C	M_01:6	GM 4 C	ML3:3	GA 1 B	UDS12:8	CU 3 C
IB3:10	BA 3 C	IB9:1	BA 3 B	M_01:8	GM 3 B	ML3:4	GA 1 B	UDS12:9	CU 2 C
IB3:11	BA 3 C	IB9:2	BA 2 B	M_01:9	GM 4 C	ML3:5	GA 0 B	UDS12:11	CU 5 C
IB3:12	BA 3 C	IB9:3	GE 3 C	M_01:11	GM 4 B	ML3:6	GA 3 C	UDS12:12	CU 0 B
IB3:13	BA 1 C	IB9:4	ZC 5 B	M_01:12	GM 3 B	ML3:7	GA 1 B	UDS12_B:1	XF 3 B
IB3:14	IU 4 D	IB9:5	GE 3 C	M_01:13	GM 4 B	ML4:1	BB 2 C	UDS12_B:2	XF 3 B
IB3:15	IU 4 D	IB9:6	GA 3 B	M_01:14	GM 4 C	ML4:2	BB 3 D	UDS12_B:3	CU 3 C
IB3:16	IU 4 C	IB9:7	BA 2 C	MED:1	XC 3 B	ML4:3	GA 1 B	UDS12_B:4	CU 3 C
IB3:17	FA 1 D	IB9:8	BA 3 C	MED:2	XD 5 B	ML4:4	GA 1 B	UDS12_B:5	XD 3 B
IB3:18	ZC 4 B	IB9:9	BA 2 C	MED:2	XG 3 B	ML4:5	GA 2 B	UDS12_B:6	XD 3 B
IB4:1	GB 2 C	IB9:10	BA 2 C	MED:3	CS 5 C	ML4:6	GA 3 C	UDS12_B:7	CU 4 D
IB4:2	GB 3 C	IB9:11	BA 2 C	MED:4	XC 3 B	ML4:7	GA 1 B	UDS12_B:8	CU 2 D
IB4:3	GB 4 C	IB9:12	BA 2 C	MED:5	XD 5 B	R905A:1	CU 4 B	UDS12_B:9	CU 2 D
IB4:4	GB 3 C	IB10:1	DN 4 C	MED:5	XG 3 A	R905A:2	CU 4 B	UDS12_B:11	CU 4 D
IB4:5	GB 3 C	IB10:2	GA 2 C	MED:6	CS 5 C	R905B:1	CU 4 B	UDS12_B:12	CU 0 B
IB4:6	GA 4 B	IB10:3	BB 4 B	MED:7	CS 4 B	R905B:2	CU 4 B	UDS12_F:1	XF 2 B
IB4:7	GB 3 C	IB10:8	DN 3 C	MED:8	CS 5 C	R905C:1	CU 4 B	UDS12_F:2	XF 2 B
IB4:8	GB 4 C	IB10:9	ZC 1 B	MED:9	AF 2 C	R905C:2	CU 4 B	UDS12_F:3	CU 4 C
IB4:9	GB 4 C	IB10:10	DN 4 C	MED:10	AF 1 C	R906A:1	CU 3 B	UDS12_F:4	CU 4 C
IB4:10	GB 2 C	IB10_I:1	DN 4 C	MED:11	DN5 4 C	R906A:2	CU 3 B	UDS12_F:5	XD 2 B
IB4:11	GB 2 C	IB10_I:8	DN 3 C	MED:12	AF 1 A	R906B:1	CU 3 B	UDS12_F:6	XD 2 B
IB4:12	GB 1 C	IB10_I:10	DN 4 C	MED:13	CS 2 C	R906B:2	CU 3 B	UDS12_F:7	CU 4 D
IB4:13	GB 1 C	IS:1	XD 3 D	MED:14	BB 4 C	R906C:1	CU 3 B	UDS12_F:8	CU 3 D
IB4:14	GB 1 C	IS:2	XD 3 D	MED:15	CS 1 C	R906C:2	CU 3 B	UDS12_F:9	CU 2 D
IB4:15	EP 0 D	IS:3	XC 4 C	MED:16	BB 4 B	R908A:1	CU 2 B	UDS12_F:11	CU 5 D
IB4:16	EP 0 D	IS:4	XC 4 C	MED:17	AF 1 C	R908A:2	CU 2 B	UDS12_F:12	CU 0 B
IB4:17	EP 1 C	KH1A:1	FA 0 B	MED:18	CS 4 C	R908B:1	CU 2 B	UDS12_M:1	XF 2 B

VOLVO
Volvo Bus Corporation

Document title

WIRING DIAGRAM – B13R

Document type

PRODUCT SCHEMATICS

Document No

22610880

Issue

01

Volume

2 (2)

Sheet No

10 (35)

INLINE	PAGE	INLINE	PAGE	INLINE	PAGE	INLINE	PAGE
UDS12 M:2	XF 2 B	VIC:32	CS 2 C	XC925:1	NE 3 B	XC931:35	DN5 1 B
UDS12 M:3	CU 3 C	VIC:33	CS 2 C	XC925:2	NC2 3 A	XC931:36	DN5 1 B
UDS12 M:4	CU 3 C	VIC:34	CS 3 C	XC925:2	NE 3 B	XC932:11	DN5 4 B
UDS12 M:5	XD 3 B	VIC:35	AF 3 B	XC926:1	BB 3 B	XC932:12	DN5 4 B
UDS12 M:6	XD 3 B	VIC:36	CS 3 C	XC926:2	BB 3 B	XC932:13	DN5 4 B
UDS12 M:7	CU 4 D	VIC:37	CS 4 C	XC926:3	BB 3 B	XC932:14	DN5 4 B
UDS12 M:8	CU 3 D	VIC:39	CS 0 C	XC926:4	BB 3 B	XC932:15	DN5 4 B
UDS12 M:9	CU 2 D	XC901:1	NA2 1 C	XC927 1/2:1	GE 4 C	XC932:16	DN5 4 B
UDS12 M:11	CU 5 D	XC901:2	NA2 0 C	XC927 1/2:2	GE 2 C	XC941:1	ND 3 D
UDS12 M:12	CU 0 B	XC901:3	XG 2 B	XC927 1:1	GE 4 C	XC941:3	ND 3 D
VIC:1	XC 3 A	XC901:4	XG 2 A	XC927 1:2	GE 2 C	XC943:1	XE 3 C
VIC:2	CS 1 B	XC901 (2):1	NC2 1 B	XC927 2:1	GE 4 C	XC943:2	XE 3 C
VIC:2	XD 5 B	XC901 (2):2	NC2 1 B	XC927 2:2	GE 2 C	XC950:1	AB3 1 D
VIC:3	CS 5 C	XC901 (2):3	NC2 2 C	XC931:1	DN5 4 B	XC950:2	AB 2 C
VIC:3	CS 4 B	XC901 (2):4	NC2 2 C	XC931:2	DN5 4 B	XC950:3	AB4 3 D
VIC:4	XC 3 A	XC901 (2):5	NC2 1 B	XC931:3	DN5 4 B	XC950:4	DN5 4 D
VIC:5	CS 1 B	XC901 (2):6	NC2 1 B	XC931:4	DN5 4 B	XC950:5	DN5 4 D
VIC:5	XD 5 B	XC901 :1	NC2 1 C	XC931:5	DN5 4 B	XC950:6	DN5 3 D
VIC:6	CS 5 C	XC901 :2	NC2 1 C	XC931:6	DN5 4 B	XC999:1	AB3 2 D
VIC:6	CS 3 B	XC901 :3	NC2 2 C	XC931:7	DN5 3 B	XU25:1	AC 2 D
VIC:7	CS 4 B	XC901 :4	NC2 2 C	XC931:8	DN5 3 B	XU25:2	AC 2 C
VIC:8	CS 5 C	XC901 :5	NC2 1 C	XC931:9	DN5 3 B	XU25:3	AC 2 D
VIC:9	AF 2 B	XC901 :6	NC2 1 C	XC931:10	DN5 3 B	XU25:4	AC 2 D
VIC:10	AF 1 C	XC903:2	XC 0 A	XC931:11	DN5 3 B	XU25:5	AC 2 D
VIC:12	AF 1 A	XC903:5	XC 0 A	XC931:12	DN5 3 B		
VIC:13	CS 2 C	XC906A:1	AB2 4 D	XC931:13	DN5 3 B		
VIC:14	BB 4 C	XC906A:2	AB2 4 D	XC931:14	DN5 3 B		
VIC:15	CS 1 C	XC906A:3	AB2 4 D	XC931:15	DN5 2 B		
VIC:16	BB 4 B	XC906A:4	AB2 4 D	XC931:16	DN5 2 B		
VIC:17	AF 1 B	XC906A:5	AB2 5 D	XC931:17	DN5 2 B		
VIC:18	CS 4 C	XC906A:6	AB2 3 D	XC931:18	DN5 2 B		
VIC:19	CS 1 C	XC906A:7	AC 2 D	XC931:19	DN5 2 B		
VIC:20	CS 2 C	XC908:4	BA 4 A	XC931:20	DN5 2 B		
VIC:21	CS 3 C	XC917:1	CL 3 B	XC931:21	DN5 2 B		
VIC:22	CS 1 B	XC917:2	CL 4 B	XC931:22	DN5 2 B		
VIC:24	CS 2 B	XC917:3	CL 4 B	XC931:27	DN5 4 C		
VIC:25	CS 5 C	XC917:4	CL 3 B	XC931:28	DN5 4 C		
VIC:26	CS 3 C	XC921:1	CL 3 B	XC931:29	DN5 4 C		
VIC:27	CS 0 C	XC921:2	CL 3 B	XC931:30	DN5 4 C		
VIC:28	CS 4 C	XC921:3	CL 3 B	XC931:31	DN5 4 C		
VIC:29	CS 2 B	XC922:1	GB 1 C	XC931:32	DN5 3 C		
VIC:30	CS 4 B	XC922:3	GB 1 C	XC931:33	DN5 3 C		
VIC:31	CS 0 C	XC925:1	NC2 3 A	XC931:34	DN5 3 C		

VOLVO
Volvo Bus Corporation

Document title

WIRING DIAGRAM – B13R

Document type

PRODUCT SCHEMATICS

Document No

22610880

Issue

01

Volume

2 (2)

Sheet No

11 (35)

SPLICES

SPLICE	PAGE	SPLICE	PAGE	SPLICE	PAGE	SPLICE	PAGE
XC85 ()	GE 3 D	XSB06 ()	XD 4 D	XSC21 ()	DN 4 B	XSF85 ()	XF 3 C
XCS102 ()	XE 3 C	XSB07 ()	XJ 1 C	XSC95 ()	XE 1 D	XSF86 ()	XF 4 C
XSA01 ()	XC 2 D	XSB08 ()	XJ 1 B	XSC96 ()	XE 1 C	XSF87 ()	XF 4 C
XSA02 ()	XC 2 D	XSB09 ()	ZC 4 B	XSC97 ()	XE 2 C	XSF88 ()	XF 4 C
XSA03 ()	XC 2 D	XSB10 ()	ZC 5 D	XSC98 ()	XE 2 D	XSF89 ()	XF 5 C
XSA04 ()	XC 2 D	XSB11 ()	ZC 5 C	XSC99 ()	CL 3 C	XSF92 ()	BA 3 D
XSA05 ()	XC 1 D	XSB12 ()	GM 3 C	XSC101 ()	XE 3 D	XSF93 ()	BB 3 C
XSA06 ()	XC 1 D	XSB13 ()	GB 1 D	XSD01 ()	AB2 4 D	XSF94 ()	BB 3 B
XSA07 ()	XC 1 D	XSB15 ()	GB 1 C	XSD02 ()	NB 5 D	XSF95 ()	AB 2 B
XSA08 ()	XC 1 D	XSB18 ()	IU 4 C	XSF01 ()	GA 4 B	XSF96 ()	AB 3 C
XSA09 ()	XC 0 D	XSB19 ()	IU 4 C	XSF09 ()	GA 1 B	XSF97 ()	CS 1 D
XSA10 ()	XC 0 D	XSB20 ()	FA 1 C	XSF10 ()	GA 1 B	XSF98 ()	CS 4 D
XSA11 ()	XC 0 B	XSB21 ()	IU 4 C	XSF11 ()	GA 3 B	XSF102 ()	CU 2 D
XSA12 ()	XC 0 B	XSB22 ()	NC 3 C	XSF12 ()	GA 3 C	XSF103 ()	CU 2 D
XSA13 ()	XD 2 D	XSB22 ()	NC2 3 C	XSF13 ()	GA 4 B	XSF104 ()	CU 3 D
XSA14 ()	XD 2 D	XSB23 ()	NC 4 C	XSF14 ()	ZC 1 C	XSF105 ()	CU 2 D
XSA15 ()	XD 1 D	XSB24 ()	NC 5 B	XSF15 ()	CX 3 C	XSF106 ()	CU 4 D
XSA16 ()	XD 2 D	XSB24 ()	NC2 4 B	XSF17 ()	CX 5 C	XSF107 ()	CU 4 D
XSA17 ()	XD 1 D	XSB25 ()	AA 4 B	XSF18 ()	CX 2 B	XSF108 ()	CU 3 D
XSA18 ()	XD 1 D	XSB26 ()	NC 3 B	XSF19 ()	ZC 3 B	XSF109 ()	CU 3 D
XSA19 ()	XD 1 D	XSB26 ()	NC2 3 B	XSF21 ()	XH 3 B	XSF110 ()	CU 5 D
XSA20 ()	XD 1 D	XSB28 ()	XF 0 C	XSF22 ()	CU 4 D	XSF111 ()	CU 5 D
XSA21 ()	XD 0 D	XSB29 ()	XF 0 C	XSF23 ()	NA 4 D	XSF112 ()	CU 4 D
XSA22 ()	XD 0 D	XSB30 ()	IU 4 C	XSF24 ()	CX 3 B	XSF113 ()	CU 0 A
XSA23 ()	XD 1 C	XSB31 ()	IU 4 C	XSF25 ()	CX 4 B	XSF114 ()	CU 0 A
XSA24 ()	XD 1 C	XSB32 ()	XC 4 D	XSF26 ()	XH 2 B	XSF115 ()	XG 3 A
XSA25 ()	ZC 4 A	XSB33 ()	XC 4 D	XSF27 ()	XH 2 B	XSF116 ()	XG 3 B
XSA26 ()	AA 5 A	XSB34 ()	NA 1 C	XSF28 ()	XH 3 B	XSF117 ()	XG 4 A
XSA27 ()	FA 4 C	XSB36 ()	NA 4 B	XSF29 ()	FB 4 C	XSF118 ()	XG 4 B
XSA28 ()	AA 2 B	XSB37 ()	ND 3 C	XSF30 ()	XH 4 B	XSF119 ()	DN3 2 D
XSA31 ()	ZC 4 B	XSB38 ()	XE 3 C	XSF31 ()	XH 4 B	XSF120 ()	DN3 2 D
XSA32 ()	BA 4 B	XSB39 ()	XE 4 D	XSF32 ()	FB 5 B	XSF121 ()	DN3 3 C
XSA34 ()	AA 3 D	XSB40 ()	NA 1 C	XSF33 ()	XH 2 C	XSF122 ()	DN3 2 C
XSA35 ()	ZC 1 B	XSB43 ()	XG 1 B	XSF35 ()	CX 1 D	XSF123 ()	DN3 3 D
XSA37 ()	FB 1 D	XSB44 ()	XG 1 A	XSF39 ()	CX 4 B	XSF150 ()	XH 2 C
XSA40 ()	FB 2 D	XSB45 ()	XJ 3 C	XSF40 ()	CX 3 C	XSF151 ()	XH 2 D
XSA43 ()	ZC 2 B	XSB46 ()	XJ 3 D	XSF41 ()	XD 4 C	XSF152 ()	XH 2 B
XSA44 ()	AF 4 C	XSB47 ()	XJ 1 D	XSF42 ()	XD 4 C	XSF153 ()	XH 2 B
XSA46 ()	BB 2 B	XSB48 ()	XJ 1 C	XSF43 ()	CS 0 D	XSF155 ()	XH 3 D
XSA50 ()	BA 5 C	XSB49 ()	XC 5 D	XSF44 ()	CX 3 C	XSL10 ()	CU 3 A
XSA52 ()	ZC 2 B	XSB50 ()	XC 5 D	XSF46 ()	CS 0 D	XSL11 ()	CU 3 A
XSA53 ()	GM 2 C	XSB51 ()	NC2 2 B	XSF50 ()	ZC 1 C	XSL12 ()	CU 2 A
XSA54 ()	DN 4 D	XSB52 ()	NC2 2 B	XSF54 ()	XC 2 B	XSL13 ()	CU 2 A
XSA59 ()	BA 5 B	XSB55 ()	XG 2 B	XSF55 ()	XC 2 B	XSM02 ()	ZC 0 C
XSA60 ()	NA 3 B	XSB56 ()	XG 2 A	XSF56 ()	XC 3 B	XSN01 ()	BA 2 A
XSA61 ()	BA 4 C	XSB95 ()	DN5 4 C	XSF57 ()	XC 3 B	XSU25 ()	AB 3 C
XSA62 ()	XD 2 D	XSB112 ()	DN5 4 C	XSF71 ()	CU 1 B		
XSA63 ()	XC 3 D	XSB120 ()	AB 2 C	XSF72 ()	CU 4 A		
XSA64 ()	XC 3 D	XSC02 ()	GE 2 B	XSF73 ()	CU 5 A		
XSA65 ()	XD 2 D	XSC04 ()	GE 4 B	XSF76 ()	CU 5 C		
XSB01 ()	XC 5 D	XSC05 ()	GE 3 B	XSF80 ()	XF 2 C		
XSB02 ()	XC 5 D	XSC07 ()	ZC 3 C	XSF81 ()	XF 2 C		
XSB03 ()	XD 3 D	XSC15 ()	ZC 3 D	XSF82 ()	XF 2 C		
XSB04 ()	XD 3 D	XSC16 ()	GB 5 C	XSF83 ()	XF 2 C		
XSB05 ()	XD 4 D	XSC17 ()	ZC 2 C	XSF84 ()	XF 3 C		

REFERENCES

REF	DESCRIPTION	PAGE
+30:1		AB2 2 D
+30:1		AB3 1 D
+B:1		AB2 5 D
30UA:1	Terminal - Power for heated hose	CU 1 B
30UB:1	Terminal - Power for heated hose	CU 1 B
A03	Instrument cluster	NA 4 B
A03	Instrument cluster	XC 5 C
A03	Instrument cluster	XJ 0 C
A03_1	Instrument cluster	XD 5 C
A07	Radio	XJ 2 B
A07_1	Radio	IU 4 B
A14	Control unit EMS	XC 3 A
A14	Control unit EMS	XD 5 B
A14.B7	EMS D13	AB5 2 C
A14.B29	EMS D13	AF 3 B
A16	ECS	FA 5 B
A16	ECS	FB 5 D
A16	ECS	XC 1 C
A16	ECS	XD 1 C
A17	VECU	BA 5 B
A17	VECU	XC 2 C
A17	VECU	XD 2 C
A17	VECU	XJ 5 D
A19	Control unit,GECU(gear selector ECU)	DN5 4 D
A19:1		DN 4 B
A19:2		DN 4 B
A19:3		DN 4 B
A19:4		DN 3 B
A19:5		DN 3 B
A19:6		DN 3 B
A19:11		DN 3 B
A19:12		DN 3 B
A19:15		DN 2 B
A19:16		DN 2 B
A19_1	Control unit,GECU(gear selector ECU)	DN2 5 C
A19_2	Control unit,GECU(gear selector ECU)	DN2 2 C
A19_:1		DN2 2 C
A19_:2		DN2 2 C
A19_:3		DN2 1 C
A19_:4		DN2 1 C
A19_:5		DN2 1 C
A19_:6		DN2 1 C
A19_:7		DN2 1 C
A19_:8		DN2 1 C
A19_:9		DN2 1 C
A19_:10		DN2 1 C
A19_:11		DN2 0 C
A19_:12		DN2 0 C
A21	EBS	EO 5 A
A21	EBS	EP 5 D
A21	EBS	XC 1 C
A21	EBS	XD 1 C
A27_1	Control unite,LCM(Light Control Module)	GA 5 C
A27_1	Control unite,LCM(Light Control Module)	GB 4 C
A27_1	Control unite,LCM(Light Control Module)	GE 2 D
A27_1	Control unite,LCM(Light Control Module)	XC 0 C
A27_1	Control unite,LCM(Light Control Module)	XD 1 D
A30	Control unite,SWM(Steering Wheel Module)	IU 1 D
A30	Control unite,SWM(Steering Wheel Module)	XJ 2 B
A33	TACHO	NB 4 C
A33	TACHO	XJ 3 B
A41	Body I/O Module 41	CX 1 B
A41	Body I/O Module 41	DN4 3 B
A42	Component group transmission.Contains B26	DN3 2 B
A42	Component group transmission.Contains B26	DN4 2 B
A57	Control unit, Body	DN5 4 C
A58	Control unit, Body	DN5 3 B
A58E	Engine speed sensor	DN5 4 A
A58O	Output speed sensor	DN5 4 A
A58T	Turbine speed sensor	DN5 4 A
A80	Air Dryer	BA 2 A
A80.BY:1		BA 2 B
A80.BY:3		BA 2 B
A80.BY:4		BA 1 A
A90	BBM	AA 5 A
A90	BBM	BB 5 A
A90	BBM	BC 5 D

VOLVO
Volvo Bus Corporation

Document title

WIRING DIAGRAM – B13R

Document type

PRODUCT SCHEMATICS

Document No

22610880

Issue

01

Volume

2 (2)

Sheet No

13 (35)

REF	DESCRIPTION	PAGE
A90	BBM	XC 2 C
A90	BBM	XD 2 C
A124	Starter motor with relay	AF 3 B
A124.30B	Ring Terminal Starter Motor	AF 3 B
A124_ISTART	Ring terminal Starter Motor	AF 3 B
A125	Control unit, TGW	NC 4 B
A125	Control unit, TGW	XD 3 C
A125	TGW II Control Unit	NC2 3 B
A133	Handset	ND 3 B
A137	DEF CONTROL MODULE	CX 5 C
A914	I-shift unit(TECU)	DN3 4 B
A914	I-shift unit(TECU)	DN4 4 C
A914	I-shift unit(TECU)	XC 2 A
A914	I-shift unit(TECU)	XD 5 B
A917	DNOX2 ECU	CU 5 C
A917	DNOX2 ECU	XF 2 A
A918_13	NOx-sensor	XF 4 B
A926	GearShift ECU	DN 4 C
A926	GearShift ECU	XC 4 C
A926	GearShift ECU	XD 3 C
A942	BIO - Bus I/O	CL 4 C
A946	FMS GATEWAY	NE 3 C
A946 :6		NE 2 C
A946 :7		NE 2 C
A946 :13		NE 2 B
A946 :14		NE 2 B
A961	Control unit, Alcolock Interlock	ND 2 B
A996	UQS	XH 4 C
A998	DEF Pump	CX 4 D
ACC:1		NE 3 C
ACC:2		XC 3 C
ACC:3		XC 3 C
ACC:4		XD 2 D
ACC:5		XD 2 D
ACC:6		ZC 1 B
ACC:7		BA 3 B
ACC:8		BA 3 B
ACC:9		NE 3 C
ACM:1		NB 5 D
ACM:2		AB2 4 D
ACM:2	Connector ACM BBOX	AB3 3 D
ACM:3		AC 2 D
ARTIC:1		FB 1 C
ARTIC:2		FB 1 C
ARTIC:5		BC 4 C
ARTIC:6		BC 4 C
ARTIC:7		BC 4 C
ARTIC:8		BC 3 C
ARTIC:9		BC 3 C
ARTIC:10		BC 4 C
ARTIC:11		BC 3 C
ARTIC:12		BC 3 C
AUDIO:1		XJ 1 C
AUDIO:2		XJ 1 C
AUDIO:3		IU 1 C
B03	Sensor,footbrake valve	EO 4 B
B06	Wet tank press	BA 0 C
B07	Sensor,fuel level front axle	NA 4 A
B12	Sensor,tachograph/speedometer	NB 4 A
B13	Sensor,wheel speed, lhs. 1:st front axle	EO 2 D
B14	Sensor,wheel speed, rhs. 1:st front axle	EO 2 D
B15	Sensor,Wheel speed, lhs. 1:st driven rear	EO 1 D
B16	Sensor,Wheel speed, rhs. 1:st driven rear	EO 1 D
B22	Sensor, outdoor temperature	NA 3 A
B25	Sensor,accelerator pedal	BA 2 C
B29	sensor chassis level rear axle LHS	FB 2 B
B30	sensor chassis level rear axle RHS	FB 2 B
B32_10	Sensor Eng. cooling fan Speed	CS 3 D
B32_13	Sensor Eng. cooling fan speed	CS 2 D
B39	Sensor,air filter press/Temp.	CS 3 B
B40	Sensor,brake lining wear indicator,lhs. 1	EO 3 D
B41	Sensor,brake lining wear indicator,rhs. 1	EO 3 D
B42	Sensor,brake lining wear indicator,lhs. 1	EO 2 D
B43	Sensor,brake lining wear indicator,rhs.1:	EO 2 D
B49	Sensor,steering angle	EP 2 B
B50	Sensor,yaw-rate	EP 2 B
B57	Sensor,air pressure, suspension bellows,1	FB 4 C

VOLVO

Volvo Bus Corporation

Document title

WIRING DIAGRAM – B13R

Document type

PRODUCT SCHEMATICS

Document No

22610880

Issue

01

Volume

2 (2)

Sheet No

14 (35)

REF	DESCRIPTION	PAGE
B58	Sensor,air perssure,suspension bellow,rhs	FB 4 C
B59	Sensor, indoor temperature	NA 3 A
B69C	Sensor,coolant temperature, retarder	CX 0 B
B69C	Sensor,coolant temperature, retarder	DN4 4 B
B96A	Pre-Sensor, NOx	XH 3 C
B96B	Pos Sensor, NOx	XH 0 C
B904	hydr_oil_level_sens	NA 4 C
B906	Sensor,Brake Press (6*2)	BC 4 C
B910	sensor air press. ECS port 21	FB 5 C
B914	sensor chassis level front axle LHS	FB 2 B
B915	sensor chassis level front axle RHS	FB 1 B
B918	Hydraulic oil level sensor 2	NA 4 C
B920	Sensor,fuel level 2 front axle	NA 4 A
B923	Sensor temp/level adblue tank SCRT DNOX2	CU 2 B
B927	Sensor Hydr.oil press	BB 1 C
B930	Sensor temp upstream scrt DNOX2	CU 2 D
B940	Sensor brake lining wear indicator,A/B R	EP 4 B
B941	Sensor brake lining wear indicator,A/B L	EP 4 B
B942	sensor wheel speed A/B R	EP 3 B
B943	sensor wheel speed A/B L	EP 3 B
B973	Fire Sensor, 150°C	BB 4 C
B974	Fire sensor	BB 4 C
B975	Fire sensor	BB 4 B
B977	Sensor, brake pressure	NA 5 A
B978	Sensor, brake pressure	NA 4 A
B979	Parking brake pressure	BB 3 B
B980	Auxilliary pressure	BB 3 B
B985	Fire sensor 4, D13	BB 4 D
B986	Fire sensor 5, D13	BB 4 C
B991_10	temp. DPF	CX 2 C
B992_10	temp. DPF	CX 1 C
B993_10	temp. DPF	CX 1 C
B995_13	SENSOR, DPF PRESSURE	CX 2 D
BB1:1	Idle switch	BA 5 B
BB1:2	Start disable	BC 1 C
BB1:3	Fire alarm,body	BC 1 C
BB1:4	Low priority loads, relay	BC 2 C
BB1:5	Luggage hatch ,open	BB 2 B
BB1:6	Safety belt indicator	NA 2 A
BB1:8	Washer fluid low level	NA 2 A
BB1:9	Altenator charging	NA 2 A
BB1:10	AC 1	BB 1 D
BB1:11	Parking brake applied	BA 4 A
BB1:12	AC Disable	BC 1 C
BB2:1	Indoor temperator +	NA 3 A
BB2:2	Indoor temperature -	NA 3 B
BB2:3	Out door temperator +	NA 3 A
BB2:4	Out door temperatur-	NA 3 B
BB2:5	D-CAN H	XE 1 B
BB2:6	D-CAN L	XE 1 B
BB2:7	Horn(contacts steering wheelside)	IS 2 B
BB2:8	Horn supply	IS 3 D
BB2:9	Horn (contacts steer.wheel centre)	IS 3 B
BB2:10	Alarm	GB 2 C
BB2:11	Emergency switch	AA 5 B
BB2:12	Signal 4 pulses/meter C6	NB 3 D
BB3:1	Head lamps off	GB 2 C
BB3:2	Prevent ECS action	BC 1 C
BB3:3	Kneeling position	FA 4 C
BB3:4		FB 3 D
BB3:5	Hazard warning lamps	GB 2 C
BB3:6	N/A	GB 4 B
BB3:7	Next stop indicator	NA 2 A
BB3:8	pram indicator	NA 2 A
BB3:9	N/A	AF 5 C
BB3:10	Speed signal C3	BA 4 B
BB3:11	+30 main switch (fuse F12)	BB 3 D
BB3:12	+15 ignition(fuse F29)	BB 3 D
BB4:1	Glass heating	BC 1 C
BB4:2	Host call	BC 1 C
BB4:3	Toilet fluid level	BC 1 C
BB4:4	Toilet occupied	BC 1 C
BB4:5	Door failure	BC 1 C
BB4:6	Door brake, status	BC 2 C
BB4:7	Door brake,request	EP 2 D
BB4:8	Speed signal 5 km/h	BA 4 A
BB4:9	Any door open	NA 2 A

VOLVO

Volvo Bus Corporation

Document title

WIRING DIAGRAM – B13R

Document type

PRODUCT SCHEMATICS

Document No

22610880

Issue

01

Volume

2 (2)

Sheet No

15 (35)

REF	DESCRIPTION	PAGE
BB4:10	Speed signal X km/h	BA 4 B
BB4:11	Dimmer,dashboard illumination	GB 1 C
BB5:1	dipped beam.Left	GB 3 B
BB5:2	Dipped beam.Right	GB 2 B
BB5:3	Direction indicator,front and side.Left	GB 4 B
BB5:4	Direction indicator,Front and side. Right	GB 1 B
BB5:6	Additional main beam	GB 0 C
BB5:7	End-outline maker,side marker,position la	GB 4 B
BB5:8	End-outline marker,side marker, position	GB 1 B
BB5:9		GE 4 D
BB5:10		GE 2 D
BB5:11	Main beam 1.Left	GB 3 B
BB5:12	Main beam 1.Right	GB 2 B
BB6:1	Starter inhibitor, engine hatch	BC 2 C
BB6:2	N/A	GA 3 D
BB6:3	AC compressor 3	CL 2 B
BB6:4	+30 main swith(fuse F54)	GA 3 D
BB6:5	Luggage hatch, open	BB 2 B
BB6:6	Luggage compartment light	BB 3 C
BB6:12	Reverse warning signal	GA 3 B
BB7:1	Stop lamp.Right	GA 3 B
BB7:2	Reversing lamps	GA 4 B
BB7:3	Direction indicator.Rear left	GA 5 B
BB7:4	Direction indicator.Rear right	GA 2 B
BB7:5	Extra direction indicator.Left	GA 4 B
BB7:6	Extra direction indicator.Right	GA 3 B
BB7:7	Rear position lamps.Left	GA 5 B
BB7:8	Rear position lamp.Right	GA 2 B
BB7:9	End-outline marker,sidemarker lamps.Rear	GA 1 C
BB7:10	End-outline marker,side marker lamps.Rear	GA 1 C
BB7:11	Stop lamp,left and Category S3 stop lamps	GA 5 B
BB7:12	Fog lamps,Rear	GA 4 B
BB8:1	End-outline marker lamp.Front left	GB 4 A
BB8:2	End-outline marker lamp.Front right	GB 1 A
BB8:3	Extra main beam	GB 0 C
BB10A:1	remote control of extra power amplifier(1	IU 4 A
BB10A:3	+15 (12V)	IU 3 C
BB10A:5	+30 (12V)	IU 4 C
BB10A:7	Ground	IU 5 C
BB10A:9	N/A	IU 3 A
BB10B:1	remote control of extra power amplifier (IU 4 A
BB10B:3	+15 (12V)	IU 4 C
BB10B:5	+30 (12V)	IU 3 C
BB10B:7	Ground	IU 5 C
BB10B:9	N/A	IU 3 A
BB11:1		GB 4 B
BB12:1		GE 2 B
BB12:2		GE 1 B
BB13:1	AC 1 - 50%	BC 5 C
BB13:2	AC compressor 2	CL 4 C
BB13:3	AC compressor 3	CL 4 C
BB13:4		FB 3 D
BB13:5	TORQUE REDUCTION	BC 5 C
BB13:6	AC compressor 2	CL 3 A
BB13:7	AC compressor 3	CL 2 A
BB13:12		GB 0 B
BB13:13		GB 0 B
BB1	BodyBuilder Interface Connector	AA 5 B
BB1	BodyBuilder Interface Connector	AB2 3 B
BB1	BodyBuilder Interface Connector	AB4 2 C
BB1	BodyBuilder Interface Connector	AF 5 D
BB1	BodyBuilder Interface Connector	BA 5 B
BB1	BodyBuilder Interface Connector	BB 2 B
BB1	BodyBuilder Interface Connector	BC 1 C
BB1	BodyBuilder Interface Connector	CL 4 C
BB1	BodyBuilder Interface Connector	EP 2 D
BB1	BodyBuilder Interface Connector	FA 4 D
BB1	BodyBuilder Interface Connector	FB 3 D
BB1	BodyBuilder Interface Connector	GA 3 C
BB1	BodyBuilder Interface Connector	GB 1 C
BB1	BodyBuilder Interface Connector	IS 2 B
BB1	BodyBuilder Interface Connector	IU 4 A
BB1	BodyBuilder Interface Connector	NA 3 A
BB1	BodyBuilder Interface Connector	NB 3 D
BB1	BodyBuilder Interface Connector	ND 3 D
BB1	BodyBuilder Interface Connector	XD 3 C
BB1	BodyBuilder Interface Connector	XE 1 A

VOLVO

Volvo Bus Corporation

Document title

WIRING DIAGRAM – B13R

Document type

PRODUCT SCHEMATICS

Document No

22610880

Issue

01

Volume

2 (2)

Sheet No

16 (35)

REF	DESCRIPTION	PAGE
BBOX:1		AB2 4 D
BBOX:1	Connector BBOX, BBOX harness	AB3 3 D
BBOX:2		AB2 3 D
BBOX:2	Connector BBOX, BBOX harness	AB3 2 D
BBOX:3		NB 4 D
BFEED:1		CU 5 D
BIO:1		CL 3 C
BIO:2		XD 0 B
BIO:3		XD 0 B
BIO:4		XE 4 D
BIO:5		XE 4 C
BIO:6		XE 1 B
BIO:7		XE 1 B
BIO:9		CL 4 C
BIO:10		ZC 0 B
BMUX 1:1		XD 3 C
BMUX 1:2		XD 3 C
BMUX 1:3	Externa main switch	AA 5 C
BMUX 1:4	Externa main switch	AA 5 B
BMUX 1:5		AA 5 D
BOGIE:1		FB 3 C
BOGIE:2		FB 3 C
BOGIE:3		FA 1 B
BOGIE:4		FA 2 B
BOGIE:5		FA 2 B
BOGIE:6		EP 4 C
BOGIE:7		EP 4 C
BOGIE:8		EP 3 C
BOGIE:9		EP 3 C
BOGIE:10		ZC 3 B
BOGIE:11		BB 0 C
BOGIE:12		BB 0 C
BS1:2		EO 3 B
BS1:3		EO 3 B
BS1:4		EO 3 B
BS1:5		EO 2 B
BS1:8		EP 5 D
BS1:9		EP 5 D
BS1:10		EP 4 C
BS1:11		EP 5 D
BS1:12		EP 5 D
BS2:2		EP 2 C
BS2:3		EP 2 C
BS2:5		EP 2 C
BS2:6		EP 2 C
BS3:1		EO 2 B
BS3:2		EO 2 B
BS3:3		EO 2 B
BS3:4		EO 1 B
BS3:5		EP 1 C
BS3:6		EP 1 C
BS3:7		EP 1 B
BS3:8		NA 2 C
BS3:9		BB 1 B
BS3:10		BA 0 C
BS3:11		BA 0 C
BS3:12		BA 0 C
D1	Diode	BA 3 A
D2	Diode	AA 2 B
D3	Diode - Wiper motor	GM 1 B
DBUS_INT:1		XE 1 C
DBUS_INT:2		XE 1 C
DF:1		NC 3 D
DF:1		NC2 3 D
DF:2		NC 4 C
DF:2		NC2 4 C
DF:3		NC 5 B
DF:3		NC2 4 C
DF:4		XD 4 D
DF:5		XD 3 D
DF:6		NC 4 D
DF:6		NC2 3 D
DF:11		NC 3 B
DF:11		NC2 3 A
DPF10:A		XH 2 C
DPF10:B		XH 2 D
DPF10:C		XH 1 B

REF	DESCRIPTION	PAGE
DPF10:D		XH 1 B
DPF10:E		CX 3 D
DPF10:F		BB 4 D
DPF10:G		BB 4 D
DPF10:J		CX 3 C
DPF10:K		CX 2 C
DPF10:L		CX 2 B
DPF10:M		CX 2 B
DPF10:N		XH 2 B
DPF10:P		XH 2 B
E07L	Fog light left	GE 2 B
E07LR	Fog light left rear	GA 4 B
E07R	Fog light right	GE 1 B
E07RR	Fog light right rear	GA 4 B
E09	Lamp,brake light	GA 4 B
E11LA	Side marker light left	GA 1 B
E11LF	Side marker light left front	GA 2 B
E11LR	Side marker light left rear	GA 1 B
E11ML	Side marker light middle left	GA 1 B
E11MR	Side marker light middle right	GA 0 B
E11RA	Side marker light right	GA 0 B
E11RF	Side marker light right front	GA 1 B
E11RR	Side marker light right rear	GA 1 B
E11TL	Position Light,Left(Trailer)	GA 2 B
E11TR	Position Light,Right(Trailer)	GA 1 B
E13L	Dir. ind. left	GA 4 B
E13LA	Dir.indicator left	GA 4 B
E13R	Dir. ind. right	GA 3 B
E13RB	Dir.indicator right	GA 3 B
earth5_553		GA 4 A
earth6_553		GA 3 A
earth8_553		GA 3 A
earth9_553		GA 2 B
earth10_553		GA 1 B
earth11_553		GA 1 B
earth12_553		GA 0 B
earth18_82	Ground conn., steering column	IS 2 A
earth23_94		GA 4 B
earth38_72		GA 4 B
ECS1:1		FA 4 B
ECS1:2		FA 4 B
ECS1:3		FA 4 B
ECS1:5		FB 5 C
ECS1:6		FB 2 C
ECS1:7		FB 1 C
ECS1:8		FB 5 C
ECS1:9		FB 5 C
ECS1:10		FB 1 C
ECS1:11		FB 2 C
ECS1:12		FA 4 C
ECS2:1		FA 5 B
ECS2:2		FA 4 B
ECS2:3		FA 5 B
ECS2:4		FB 4 C
ECS2:5		FB 4 C
ECS2:6		FB 2 C
ECS2:7		FB 2 C
ECS2:8		FB 5 D
ECS2:9		FB 4 C
ECS2:10		FB 1 C
ECS2:11		FB 2 C
ECS2:12		FA 5 C
EMS:1		BA 5 B
EMS:2		XC 1 B
EMS:3		XC 1 B
EMS:4		XD 1 C
EMS:5		XD 1 C
EMS:6		BA 4 D
EMS:7		BA 3 D
EMS:9		BA 4 C
EMS:10		ZC 4 B
EMS:11		BB 1 C
ENG1:2		AA 2 B
ENG1:3		BB 4 B
ENG1:4		AA 2 B
ENG1:5		BB 4 D
ENG1:6		AA 2 C

VOLVO

Volvo Bus Corporation

Document title

WIRING DIAGRAM – B13R

Document type

PRODUCT SCHEMATICS

Document No

22610880

Issue

01

Volume

2 (2)

Sheet No

18 (35)

REF	DESCRIPTION	PAGE
ENG1:7		AF 4 B
ENG1:8		AF 4 D
ENG1:9		AF 1 C
ENG1:10		NA2 4 A
ENG1:11		NA 4 C
ENG1:12		ZC 3 B
EU4:1		AB 2 D
EU4:4		EO 1 B
EU4:5		EO 1 B
EU4:6		EO 1 B
EU4:7		EO 0 B
EU4:8		BA 4 C
EU4:10		CU 5 D
EU4:11		XF 1 C
EU4:12		XF 1 C
F1	ECS, 5A	FA 0 D
F2	BIC2,10A	NA 1 D
F4	EBS,20A	EO 5 D
F5	Horn,5A	IS 3 D
F7	Gearbox ECU I-shift, 10A	DN 3 D
F8	Gear selector ,I-Shift,5A	DN 3 D
F9	Switchbox start/stop rear, 5A	AA 2 D
F10	Fire Alarm,5A	BB 4 D
F11	Dyna fleet, FMS, 10A	NC 5 D
F11	Dyna fleet, FMS, 10A	NC2 4 D
F12	Body +30,5A	BB 3 D
F13	Spare	AB 2 D
F14	BBM,5A	BB 5 D
F15	EECU,15A	BA 4 D
F16	VECU,5A	BA 4 D
F17	Switch feed, 5A	FA 1 D
F18	Alternator, 5A	AF 1 D
F19	Hyer, 10A	AF 4 D
F20	EBS,10A	EO 5 D
F21	Wiper,Washer,15A	GM 2 D
F23	ACC, FMS,5A	NE 3 D
F24	BIC 2,5A	NA 1 D
F25	Washer motor, 15A	GM 4 D
F26	ECS,5A	FA 0 D
F28	Retarder, 10A	DN 4 D
F29	Body +DR, 5A	BB 3 D
F31	Hydraulic oil, DNOx2, 10A	NA 5 D
F32	Tachograph,5A	NB 4 D
F33	BIC 2,5A	NA 2 D
F35	LCM ,25A	GA 5 D
F36	LCM,25A	GA 4 D
F37	LCM,25A	GA 3 D
F39	DNOx2, 25A	CU 5 D
F40	Voltage guard, 5A	AA 1 D
F41	Radio,20A	IU 4 D
F42	Maine Switch,5A	AA 5 D
F44	LCM,25A	GA 5 D
F45	LCM,25A	GA 4 D
F46	LCM,25A	GA 4 D
F47	Side marker L, 5A	GA 1 D
F48	Side marker R, 5A	GA 1 D
F49	Fuel cut off valve, 5A	NA 5 D
F51	Radio,5A	IU 4 D
F52	Luggage Light,10A	BB 2 D
F53	Bogie Valve, Heater waterseperator, 5A	BB 0 D
F54	Engine/Luggage hatch,5A	GA 3 D
F55	Engine brake valve, Preheat relay, Fan sp	BA 4 D
F56	Engine brake, 10A	BA 4 D
F57	Key switch,5A	AA 4 D
F58	FTM, 5A	CL 3 D
F61	Light, luggageroom,10A	GA 3 D
F62	Light sleeping compartment, 20A	GA 3 D
F63		CL 1 C
F64	Load Indicator	CL 2 C
F76	FUSE, 12V Equalizer	AB 4 D
F77	FUSE, 24V Equalizer	AB 3 D
F90A	FUSE - DNOX2RA	CU 1 B
F90B	FUSE - DNOX2RB	CU 1 B
F99	Fuse, Allison +30 power supply	AB 2 D
F206	External Pre-Heater, 5A	AB5 3 C
F907	Fuse 12V I-shift	AB 2 B
F915	Fuse 12V EMS2	AB 2 B

VOLVO

Volvo Bus Corporation

Document title

WIRING DIAGRAM – B13R

Document type

PRODUCT SCHEMATICS

Document No

22610880

Issue

01

Volume

2 (2)

Sheet No

19 (35)

REF	DESCRIPTION	PAGE
F955	Fuse 12V Act. EMS2	AB 2 B
F956	Fuse 12V Fuel Pump	AB 2 B
F957	Fuse 12V Cool Fan	AB 3 B
F958	FUSE 12V Allison, GBX and OBD connector	AB 3 B
FEED:1		BA 5 D
FH1	FuseHolder 12V	AB 3 B
FH1A:1		DN 3 C
FH1A:2		DN 3 C
FH1A:3		DN 3 D
FH1A:6		IS 3 D
FH1A:7		FA 0 D
FH1A:8		EO 5 D
FH1A:10		NA 1 D
FH1B:1		BA 4 D
FH1B:2		BA 4 D
FH1B:3		BA 5 D
FH1B:4		AA 2 D
FH1B:6		BB 5 D
FH1B:7		BB 4 D
FH1B:8		AB 2 D
FH1B:10		NC 5 D
FH1B:10		NC2 4 D
FH1B:11		BB 3 D
FH2A:1		GM 2 D
FH2A:3		NE 3 D
FH2A:4		EO 5 D
FH2A:5		AA 2 D
FH2A:6		NA 1 D
FH2A:7		AF 4 D
FH2A:8		AF 1 D
FH2A:9		FA 1 D
FH2B:1		BB 3 D
FH2B:3		NA 5 D
FH2B:4		DN 4 D
FH2B:5		AA 2 D
FH2B:6		NB 4 D
FH2B:8		FA 0 D
FH2B:9		GM 4 D
FH3A:1		BA 4 D
FH3A:2		BA 4 D
FH3A:3		BA 4 D
FH3A:4		GA 3 D
FH3A:5		BB 0 D
FH3A:7		NA 5 D
FH3A:8		BB 2 D
FH3A:12		IU 4 D
FH3B:1		CL 2 C
FH3B:2		CL 1 C
FH3B:3		CL 1 C
FH3B:4		AA 4 D
FH3B:5		GA 3 D
FH3B:7		CL 3 D
FH3B:9		GA 3 D
FH4A:2		CU 5 D
FH4A:3		CU 5 D
FH4A:4		AA 1 D
FH4A:5		GA 3 D
FH4A:7		NA 2 D
FH4A:8		GA 4 D
FH4A:12		GA 5 D
FH4B:1		GA 1 C
FH4B:2		GA 1 C
FH4B:3		GA 1 C
FH4B:4		IU 4 D
FH4B:5		GA 4 D
FH4B:7		AA 5 D
FH4B:8		GA 4 D
FH4B:12		GA 5 D
FL2:11		GB 5 C
FL2A	Front light, L	GE 4 B
FL3:11		GB 5 C
FL3A	Front light, R	GE 2 B
FTM:1		CL 3 C
FTM:2		XD 0 B
FTM:3		XD 0 B
FTM:4		XE 5 B
FTM:5		XE 5 B

VOLVO
Volvo Bus Corporation

Document title

WIRING DIAGRAM – B13R

Document type

PRODUCT SCHEMATICS

Document No

22610880

Issue

01

Volume

2 (2)

Sheet No

20 (35)

REF	DESCRIPTION	PAGE
FTM:6		XE 5 C
FTM:7		XE 5 C
FTM:9		AA 2 D
FTM:10		ZC 1 B
FTM_J:4		XE 5 B
FTM_J:5		XE 5 B
FTM_J:6		XE 5 C
FTM_J:7		XE 5 C
FUEL:1		NA 4 A
FUEL:2		NA 4 A
FUEL:3		NA 4 B
FUEL:5		NA 5 D
FUEL:6		NA 5 C
FUEL:7		FA 3 B
FUEL:8		FA 3 B
FUEL:9		FA 4 C
FUEL:10		FB 0 C
FUEL:11		FB 3 C
G01	Battery	AB2 4 B
G01.B	Battery	AC 3 B
G01B	Battery	AB2 4 B
G01B	Battery	AB3 3 B
G01B.A	Battery	AC 3 B
G01B1	I-Start Starter Battery	AB3 3 B
G01C	I-Start Consumer Battery	AB4 3 B
G01C1	I-Start Consumer Battery	AB4 3 B
G02	Alternator 1	AF 2 B
G03	Alternator 2	AF 2 B
G03_I_START	Ring Terminal Alternator 2	AF 2 B
G08A	Battery	AC 3 B
G08A A	Ring Terminal starter battery/DC-Convert	AC 3 C
G08B	Battery	AC 3 B
G08B B	Battery B-	AC 3 A
G901	Battery Equalizer	AB 3 D
GBX:1		DN3 2 D
GBX:1		DN4 2 D
GBX:2		DN 2 C
GBX:7		XC 0 B
GBX:8		XC 0 B
GBX:9		XD 1 B
GBX:10		XD 1 B
GBX:13		NA 4 C
GBX:17		BA 2 B
GBX:18		BA 2 B
GND	GDN - Adapter_AHI	BA 2 A
GND1A	GND - Electrical Center	ZC 2 B
GND1B	GND - Electrical Center	ZC 4 A
GND1C	GND4/GND5 - Electrical Center	ZC 2 A
GND1D	GND - Batt_Box_NVPDUF	ZC 1 A
GND1E	GND - US13	CS 0 C
GND1UA:1	GND - DNOX2RA	CU 2 A
GND1UB:1	GND - DNOX2RB	CU 1 A
GND2A	GND - ALT_1	AF 2 A
GND2B	GND - ALT_2	AF 2 A
GND6	GND - Driver Location	GB 5 B
GND6B	GND6Q/GND6R - Driver Location	ZC 3 C
GND11	GND - Rear Axle	ZC 1 C
GND11A	Ground	ZC 1 C
GND31A	GND - Batt_Box_NVPDUF	ZC 1 A
GND31A:A	GND - Batt_Boxx_NVPDUF	ZC 0 A
GND31A:B	Ground	AB 2 D
GND31B	GND - Battery	AB2 4 A
GND31B	GND - Battery	AB3 3 A
GND31F	GND - Frame	ZC 3 A
GND31R	GND - Rails	ZC 3 A
GND40	GND - STARTER_ENG	AF 3 A
GND41	GND - STARTER_ENG_US	AF 3 A
GND51	Ground	ZC 0 A
GND74	GND - SCR	CU 1 A
GND75	GND - Equalizer	AB 2 D
GND900	GND - Starter Batteries	AB4 3 A
GND900	GND - Starter Batteries	AC 3 A
GND_PH	GND - Pre heater	AB5 2 B
GNDX	GND - Xenon Lights	ZC 0 B
H01	Air,Operated	IS 3 C
H02	Diaphragm horn	IS 2 C
IB1:1		NA 2 D

VOLVO

Volvo Bus Corporation

Document title

WIRING DIAGRAM – B13R

Document type

PRODUCT SCHEMATICS

Document No

22610880

Issue

01

Volume

2 (2)

Sheet No

21 (35)

REF	DESCRIPTION	PAGE
IB1:2		NA 2 B
IB1:3		NA 2 B
IB1:4		NA 2 B
IB1:5		NA 2 B
IB1:6		NA 2 B
IB1:7		NA 1 D
IB1:8		NA 3 C
IB1:9		AF 2 C
IB1:10		AF 1 C
IB1:11		NA 2 C
IB1:12		NA 4 C
IB1:13		NA 4 C
IB1:14		XC 3 D
IB1:15		XC 3 D
IB1:16		XD 2 D
IB1:17		XD 2 D
IB1:18		NA 1 D
IB2:1		NA 3 B
IB2:2		NA 3 B
IB2:3		NA 3 B
IB2:4		NA 2 B
IB2:5		NA 3 C
IB2:6		NA 4 B
IB2:7		GA 1 C
IB2:8		ZC 5 B
IB2:9		GA 3 C
IB2:11		IS 3 B
IB2:12		IS 2 B
IB2:13		EP 2 C
IB2:14		EP 2 C
IB2:15		EP 2 B
IB2:16		EP 2 B
IB2:17		AA 4 C
IB2:18		NC 5 D
IB2:18		NC2 4 C
IB3:1		BA 1 C
IB3:2		BA 1 C
IB3:3		BA 1 C
IB3:4		BA 1 C
IB3:5		BA 1 C
IB3:6		BA 1 B
IB3:7		BA 3 C
IB3:8		BA 3 C
IB3:9		BA 3 C
IB3:10		BA 3 C
IB3:11		BA 3 C
IB3:12		BA 3 C
IB3:13		BA 1 C
IB3:14		IU 4 D
IB3:15		IU 4 D
IB3:16		IU 4 C
IB3:17		FA 1 D
IB3:18		ZC 4 B
IB4:1		GB 2 C
IB4:2		GB 3 C
IB4:3		GB 4 C
IB4:4		GB 3 C
IB4:5		GB 3 C
IB4:6		GA 4 B
IB4:7		GB 3 C
IB4:8		GB 4 C
IB4:9		GB 4 C
IB4:10		GB 2 C
IB4:11		GB 2 C
IB4:12		GB 1 C
IB4:13		GB 1 C
IB4:14		GB 1 C
IB4:15		EP 0 D
IB4:16		EP 0 D
IB4:17		EP 1 C
IB4:18		EP 1 C
IB5:2		AA 3 D
IB5:3		BA 1 B
IB5:4		AA 3 B
IB5:5		AA 5 D
IB5:6		AA 4 B
IB5:7		AA 5 C

VOLVO
Volvo Bus Corporation

Document title

WIRING DIAGRAM – B13R

Document type

PRODUCT SCHEMATICS

Document No

22610880

Issue

01

Volume

2 (2)

Sheet No

22 (35)

REF	DESCRIPTION	PAGE
IB5:8		FA 4 D
IB5:9		FA 2 B
IB5:10		NA2 4 B
IB5:11		FA 3 C
IB5:12		FA 3 C
IB5:13		AA 3 C
IB5:14		FA 1 B
IB5:15		FA 1 B
IB5:16		FA 2 B
IB5:17		EO 3 B
IB5:18		NA 3 C
IB6:1		NB 4 D
IB6:2		XJ 4 D
IB6:3		XJ 4 C
IB6:4		NB 4 D
IB6:5		ZC 5 B
IB6:6		NB 3 D
IB6:7		NB 4 C
IB6:8		NB 4 C
IB6:9		NB 4 C
IB6:10		NB 4 C
IB6:12		NB 3 B
IB7:1		GM 4 D
IB7:2		GB 0 C
IB7:3		GB 0 C
IB7:4		GM 2 C
IB7:5		XF 0 C
IB7:6		XF 0 C
IB7:7		NA 2 C
IB7:8		GM 1 C
IB7:10		ZC 4 B
IB7:11		NA 2 B
IB7:12		GM 0 C
IB8:1		EO 4 B
IB8:2		EO 4 B
IB8:3		EO 4 B
IB8:4		EO 4 B
IB8:5		EO 4 B
IB8:7		GB 1 C
IB8:8		CL 2 B
IB8:9		CL 3 B
IB8:10		CL 2 B
IB8:11		CL 4 C
IB8:12		CL 4 C
IB9:1		BA 3 B
IB9:2		BA 2 B
IB9:3		GE 3 C
IB9:4		ZC 5 B
IB9:5		GE 3 C
IB9:6		GA 3 B
IB9:7		BA 2 C
IB9:8		BA 3 C
IB9:9		BA 2 C
IB9:10		BA 2 C
IB9:11		BA 2 C
IB9:12		BA 2 C
IB10:1		DN 4 C
IB10:2		GA 2 C
IB10:3		BB 4 B
IB10:8		DN 3 C
IB10:9		ZC 1 B
IB10:10		DN 4 C
IB10_I:1		DN 4 C
IB10_I:8		DN 3 C
IB10_I:10		DN 4 C
IS:1		XD 3 D
IS:2		XD 3 D
IS:3		XC 4 C
IS:4		XC 4 C
K2	Over Load Indicator	CL 2 C
K02	Relay - Day Light	GB 5 C
K3	ECS	FA 0 B
K4	I-Shift/Voith	DN 3 D
K7	Start engine	AF 4 C
K8	VECU/EMS	BA 5 C
K9	Wiper/Washer	GM 2 C
K11	Prevent start engine	AA 2 C

VOLVO

Volvo Bus Corporation

Document title

WIRING DIAGRAM – B13R

Document type

PRODUCT SCHEMATICS

Document No

22610880

Issue

01

Volume

2 (2)

Sheet No

23 (35)

REF	DESCRIPTION	PAGE
K12	Luggage Light	BB 2 C
K13	Emergency switch relay	AA 4 D
K14	Bogie	BB 0 C
K17	Ignition +15	AA 2 D
K35	relay disconn headlight wash	GM 4 C
K48	Relay Engine Preheating	AB5 3 C
K53	Relay	AB3 1 C
K300	I-Start Main Relay	AB3 1 C
K400	I-Start +30 Relay (Body)	AB4 3 D
K902	Relay heated hose pressure line	CU 3 B
K903	Relay heated hose backflow to pump line	CU 3 B
K908	Relay heated hose suction line	CU 4 B
K909	Relay heated hose backflow to tank line	CU 2 B
K911	Relay, DRL Light	GE 3 C
K918	Relay 12V EMS2	AB 3 C
K919	Relay 12V IVS	AB 2 C
KH1A:1		FA 0 B
KH1A:2		FA 0 B
KH1A:3		FA 0 B
KH1A:4		CL 2 C
KH1A:5		FA 0 B
KH1A:7		CL 2 B
KH1A:10		CL 2 B
KH1A:11		CL 2 C
KH1B:1		DN 3 D
KH1B:2		DN 3 D
KH1B:3		DN 3 D
KH1B:5		DN 3 D
KH2A:1		BA 3 A
KH2A:3		BA 5 C
KH2A:4		BA 3 B
KH2A:5		BA 5 C
KH2A:6		BA 5 C
KH2A:7		AF 4 C
KH2A:8		AF 4 C
KH2A:9		BA 5 C
KH2A:10		AF 5 C
KH2A:11		AF 4 C
KH2A:12		AF 4 C
KH2B:1		AA 2 B
KH2B:2		GM 2 C
KH2B:3		GM 2 C
KH2B:4		AA 2 B
KH2B:5		GM 2 C
KH2B:6		GM 2 C
KH2B:9		GM 2 C
KH3A:1		AA 4 D
KH3A:3		AA 4 C
KH3A:4		BB 2 C
KH3A:5		AA 4 D
KH3A:6		AA 4 C
KH3A:7		BB 2 D
KH3A:8		AA 2 C
KH3A:9		AA 2 C
KH3A:10		BB 2 D
KH3A:11		BB 2 C
KH3A:12		AA 2 C
KH3A:14		AA 2 C
KH3B:1		BB 0 D
KH3B:2		BB 0 C
KH3B:3		BB 0 D
KH3B:5		BB 0 C
M01	Motor, windscreen wiper	GM 1 B
M02	windscreen washer motor	GM 3 B
M03	headlights washer motor	GM 4 B
M_01:1		GM 0 B
M_01:2		GM 0 B
M_01:3		GM 1 B
M_01:4		GM 1 B
M_01:5		GM 1 A
M_01:6		GM 4 C
M_01:8		GM 3 B
M_01:9		GM 4 C
M_01:11		GM 4 B
M_01:12		GM 3 B
M_01:13		GM 4 B
M_01:14		GM 4 C

VOLVO

Volvo Bus Corporation

Document title

WIRING DIAGRAM – B13R

Document type

PRODUCT SCHEMATICS

Document No

22610880

Issue

01

Volume

2 (2)

Sheet No

24 (35)

REF	DESCRIPTION	PAGE
MC-2 17		AC 2 C
MED:1		XC 3 B
MED:2		XD 5 B
MED:2		XG 3 B
MED:3		CS 5 C
MED:4		XC 3 B
MED:5		XD 5 B
MED:5		XG 3 A
MED:6		CS 5 C
MED:7		CS 4 B
MED:8		CS 5 C
MED:9		AF 2 C
MED:10		AF 1 C
MED:11		DN5 4 C
MED:12		AF 1 A
MED:13		CS 2 C
MED:14		BB 4 C
MED:15		CS 1 C
MED:16		BB 4 B
MED:17		AF 1 C
MED:18		CS 4 C
MED:19		DN5 3 C
MED:20		CS 2 C
MED:21		CS 3 C
MED:22		CS 1 A
MED:23		CS 1 C
MED:24		CS 2 B
MED:25		CS 5 C
MED:26		CS 3 C
MED:27		CS 0 C
MED:28		CS 4 C
MED:29		CS 2 B
MED:30		CS 4 B
MED:31		CS 0 C
MED:32		CS 2 C
MED:33		CS 2 C
MED:34		CS 3 C
MED:35		AF 4 B
MED:36		CS 3 C
MED:37		CS 4 C
MED:39		CS 0 C
MEDA:1		NB 4 B
MEDA:2		NB 4 B
MEDA:3		NB 4 B
MEDA:4		NB 4 B
MEDA:5		DN4 4 D
MEDA:6		DN4 4 D
MEDA:7		XC 2 B
MEDA:8		XC 2 B
MEDA:9		XD 4 B
MEDA:10		XD 5 B
MEDA:11		DN3 3 C
MEDA:11		DN4 3 D
MEDA:12		DN3 2 C
MEDA:12		DN4 2 D
ML1:1		GB 4 A
ML1:2		ZC 2 D
ML1:3		GE 4 B
ML1:4		ZC 2 D
ML1:5		GE 4 B
ML1:6		ZC 2 D
ML1:7		GE 4 B
ML2:1		GB 1 A
ML2:2		ZC 2 D
ML2:3		GE 2 B
ML2:4		ZC 2 D
ML2:5		GE 2 B
ML2:6		ZC 2 D
ML2:7		GE 2 B
ML3:1		BB 2 C
ML3:2		BB 3 D
ML3:3		GA 1 B
ML3:4		GA 1 B
ML3:5		GA 0 B
ML3:6		GA 3 C
ML3:7		GA 1 B
ML4:1		BB 2 C

VOLVO

Volvo Bus Corporation

Document title

WIRING DIAGRAM – B13R

Document type

PRODUCT SCHEMATICS

Document No

22610880

Issue

01

Volume

2 (2)

Sheet No

25 (35)

REF	DESCRIPTION	PAGE
ML4:2		BB 3 D
ML4:3		GA 1 B
ML4:4		GA 1 B
ML4:5		GA 2 B
ML4:6		GA 3 C
ML4:7		GA 1 B
NX903	I-Start Front Fuse Box	AB2 5 C
NX903	I-Start Front Fuse Box	AB3 4 D
NX904	I-Start Rear Fuse BOX	AB2 2 C
OBD	ON BOARD DIAGNOSTIC CONNECTOR	NA2 4 C
R01	Heater, engine preheat	AB5 2 C
R02	Heater, rear view mirror	GB 5 B
R08	Termination resistor,CAN-bus	XC 4 D
R904	Resistor_DBUS	XE 1 B
R905	Heated Hose Suction Line	CU 4 B
R905_US	suction_line	CX 3 A
R905A:1		CU 4 B
R905A:2		CU 4 B
R905B:1		CU 4 B
R905B:2		CU 4 B
R905C:1		CU 4 B
R905C:2		CU 4 B
R906	Heated Hose Pressure Line	CU 3 B
R906_US	Pressure_line	CX 3 A
R906A:1		CU 3 B
R906A:2		CU 3 B
R906B:1		CU 3 B
R906B:2		CU 3 B
R906C:1		CU 3 B
R906C:2		CU 3 B
R907	1939-7 resistor	XF 0 B
R908	Heated_Hose_Backflow_to_tank	CU 2 B
R908A:1		CU 2 B
R908A:2		CU 2 B
R908B:1		CU 2 B
R908B:2		CU 2 B
R908C:1		CU 2 B
R908C:2		CU 2 B
R909	Heated_Filter	CU 5 B
R910	Heated_Hose_Backflow_to_pump	CU 3 B
R910A:1		CU 3 B
R910A:2		CU 3 B
R910B:1		CU 3 B
R910B:2		CU 3 B
R910C:1		CU 3 B
R910C:2		CU 3 B
R918	Termination resistor 120ohm	XG 0 A
RA1:1		NB 4 B
RA1:2		NB 4 B
RA1:3		NB 4 B
RA1:4		NB 4 B
RA1:5		NA 3 C
RA1:6		AF 2 C
RA1:7		AF 1 C
RA1:10		NA 4 C
RA1:11		AB2 3 D
RA1:11	Connector Electrical Center	AB3 2 D
RL1A	Rear light, R	GA 2 B
RL2A	Rear light, L	GA 5 B
RL3:1		GA 2 B
RL3:2		GA 1 B
RL3:3		GA 4 B
RL3:4		GA 3 B
RL3:5		GA 3 C
RL3:6		GA 4 B
RL3:7		GA 3 B
RL3:8		BC 2 C
RL3:10		GA 4 B
RL3:11		GA 3 C
RL3:12		ZC 2 D
RL4:1		GA 4 B
RL4:2		GA 3 B
RL4:3		GA 1 B
RL4:4		GA 0 B
RL4:5		GA 4 B
RL4:7		GA 3 B
RL:1		GB 5 C

VOLVO

Volvo Bus Corporation

Document title

WIRING DIAGRAM – B13R

Document type

PRODUCT SCHEMATICS

Document No

22610880

Issue

01

Volume

2 (2)

Sheet No

26 (35)

REF	DESCRIPTION	PAGE
RL:3		GB 4 B
RL_DA:1		GB 5 B
RL_DB:1		GB 5 C
S01	Switch,main lighting,selector type	GB 4 C
S02	Stalk switch LHS	BA 3 D
S02	Stalk switch LHS	GB 2 D
S06	Stalk switch , windscreen wiper, selector	GM 1 D
S06	Stalk switch , windscreen wiper, selector	NA 2 B
S08	Switch,differential gear lock,rear wheels	EO 3 C
S11	switch bogie lift	FA 3 B
S12	Main switch	AA 4 C
S14A	Switch, push button, Air horn	IS 3 A
S14B	Switch, push button, Air horn	IS 2 A
S15A	Switch,Starter Key	AA 3 D
S15B	Switch,Starter Feed	AA 4 B
S16	Switch, push button, El. horn	IS 2 A
S20	Dynafleet Switch	NC2 3 C
S24	stalk switch retarder	BA 1 D
S31	Switch, TCS (Traction Control System)	EP 1 B
S32	Brake hold	EP 0 C
S34	Switch unit, steering wheel push buttons	IU 2 D
S41	Switch, battery main switch control	AB2 4 B
S45	Position switch,differential gear lock in	EP 1 C
S50	Switch, pressure parking brake indicator,	BA 3 B
S58	clutch switch	BA 2 C
S68	Sensor coolant level	CS 4 D
S68_13	Sensor Coolant level	CS 4 D
S70	Switch Hydr.oil ,Flow sensor	BB 0 B
S77	Assistance call	NC 3 C
S90	Battery Switch	AB3 3 C
S901	eng_stop_rear	AA 1 B
S902	switch leveling	FA 1 B
S904	Switch,emergency cut-out	AA 4 D
S905	Switch,Retarder	BA 1 A
S907	eng_start_rear	AA 2 B
S908	eng_start_enable_rear	AA 1 B
S915	Switch,kneeling	FA 3 C
S925	Switch, Alcolock	ND 3 C
S_T_S:1		NB 3 B
S_T_S:2		NB 3 B
S_T_S:3		NB 3 B
S_T_T:3		NB 3 B
T30_1_3944	twisted pair	XD 0 B
T900	DC converter temperature sensor	AC 3 B
TC30-1_613	twisted pair	XD 5 B
TC30-1_893	twisted pair	BA 2 C
TC30-2_613	twisted pair	XD 3 B
TC30-2_893	twisted pair	BA 2 C
TC30-3_613	twisted pair	XD 3 B
TC30-3_893	twisted pair	BA 2 C
TC30-4_553	twisted pair	XD 5 B
TC30-4_613	twisted pair	XD 2 B
TC30-4_893	twisted pair	BA 1 C
TC30-5_613	twisted pair	XD 3 D
TC30-6_613	twisted pair	XD 3 B
TC30-11_553	twisted pair	XD 5 C
TC30-12_553	twisted pair	XD 4 D
TC30_1_163	twisted pair	XD 4 D
TC30_1_5825	twisted pair	NC2 3 A
TC30_2_58	twisted pair	XD 0 D
TC30_2_163	twisted pair	XD 4 D
TC30_3_163	twisted pair	XD 4 D
TC30_3_1494	twisted pair	XD 5 B
TC30_4	twisted pair	XD 0 A
TC30_4_163	twisted pair	XD 4 C
TC30_5_163	twisted pair	XD 3 D
TC30_6_62	twisted pair	XD 2 D
TC30_6_163	twisted pair	XD 3 D
TC30_7	twisted pair	XD 2 C
TC30_7_163	twisted pair	XD 3 D
TC30_8_163	twisted pair	XD 3 D
TC30_10_163	twisted pair	XD 2 D
TC30_11_163	twisted pair	XD 2 D
TC30_12_163	twisted pair	XD 2 D
TC30_13_163	twisted pair	XD 2 D
TC30_14_163	twisted pair	XD 2 D
TC30_15_163	twisted pair	XD 2 D

VOLVO

Volvo Bus Corporation

Document title

WIRING DIAGRAM – B13R

Document type

PRODUCT SCHEMATICS

Document No

22610880

Issue

01

Volume

2 (2)

Sheet No

27 (35)

REF	DESCRIPTION	PAGE
TC30_16_163	twisted pair	XD 1 D
TC30_17_163	twisted pair	XD 1 D
TC30_18_163	twisted pair	XD 1 D
TC30_19_163	twisted pair	XD 1 D
TC30_20_163	twisted pair	XD 0 D
TC30_21_163	twisted pair	XD 0 D
TC30_23_163	twisted pair	XD 0 B
TC30_24_163	twisted pair	XD 1 B
TC30_28_163	twisted pair	XD 1 C
TC40-1_14	twisted pair	XC 3 A
TC40-1_90	twisted pair	NC 3 B
TC40-1_1396	twisted pair	XH 2 B
TC40-1_2692	twisted pair	CS 2 C
TC40-1_4746	twisted pair	XF 0 C
TC40-1_5825	twisted pair	NC2 3 A
TC40-2_14	twisted pair	XC 3 B
TC40-2_90	twisted pair	NE 2 B
TC40-2_1396	twisted pair	XH 2 B
TC40-2_2692	twisted pair	CS 3 D
TC40-2_4746	twisted pair	XF 0 C
TC40-2_5498	twisted pair	DN2 0 C
TC40-2_5825	twisted pair	XC 0 A
TC40-3_1396	twisted pair	XH 2 B
TC40-3_2581	twisted pair	XH 3 B
TC40-4_14	twisted pair	XJ 2 C
TC40-4_2581	twisted pair	XH 2 B
TC40-4_2692	twisted pair	CS 2 D
TC40-5_14	twisted pair	CS 4 A
TC40-5_1494	twisted pair	XF 1 C
TC40-5_2581	twisted pair	XH 1 B
TC40-5_2692	twisted pair	CX 2 A
TC40-6_14	twisted pair	XJ 4 C
TC40-6_613	twisted pair	XF 4 B
TC40-6_2581	twisted pair	XH 1 B
TC40-6_2692	twisted pair	CX 2 B
TC40-7_14	twisted pair	XJ 4 C
TC40-7_1494	twisted pair	XH 3 B
TC40-8_14	twisted pair	XJ 3 B
TC40-9_613	twisted pair	XF 3 C
TC40-9_2692	twisted pair	CU 4 D
TC40-10_613	twisted pair	XF 3 C
TC40-11_613	twisted pair	XF 0 C
TC40-11_1494	twisted pair	XF 5 C
TC40-12_2692	twisted pair	CS 5 C
TC40-13_553	twisted pair	XF 2 B
TC40-13_2692	twisted pair	CU 3 D
TC40-14_2692	twisted pair	CU 3 D
TC40-15_2692	twisted pair	CU 4 D
TC40-16_553	twisted pair	XF 2 C
TC40-16_613	twisted pair	XF 4 C
TC40-16_2692	twisted pair	CS 2 B
TC40-17_553	twisted pair	XF 1 C
TC40-17_613	twisted pair	XC 2 B
TC40-18_2692	twisted pair	CU 3 C
TC40-19_553	twisted pair	XF 2 C
TC40-19_613	twisted pair	XC 0 C
TC40-19_2692	twisted pair	CU 4 D
TC40-20_553	twisted pair	XF 2 C
TC40-21_553	twisted pair	XF 3 C
TC40-24_14	twisted pair	XH 5 B
TC40-27_14	twisted pair	XH 0 B
TC40-28_14	twisted pair	XH 4 B
TC40_1	twisted pair	XC 5 C
TC40_1_17	twisted pair	EO 2 C
TC40_1_1396	twisted pair	DN5 4 B
TC40_2_17	twisted pair	EO 2 C
TC40_2_62	twisted pair	XC 3 C
TC40_2_1396	twisted pair	DN5 4 B
TC40_2_6941	twisted pair	DN5 4 A
TC40_3	twisted pair	XC 1 B
TC40_3_17	twisted pair	EO 1 C
TC40_3_62	twisted pair	EP 3 C
TC40_3_245	twisted pair	XC 3 A
TC40_3_1396	twisted pair	DN5 4 B
TC40_4_17	twisted pair	EO 1 C
TC40_4_621	twisted pair	XC 0 B
TC40_5	twisted pair	XC 4 D

VOLVO

Volvo Bus Corporation

Document title

WIRING DIAGRAM – B13R

Document type

PRODUCT SCHEMATICS

Document No

22610880

Issue

01

Volume

2 (2)

Sheet No

28 (35)

REF	DESCRIPTION	PAGE
TC40_5_22	twisted pair	XF 4 C
TC40_6	twisted pair	XC 4 C
TC40_7	twisted pair	XC 4 C
TC40_7_6941	twisted pair	DN5 4 A
TC40_8_6941	twisted pair	DN5 4 A
TC40_9	twisted pair	XC 4 D
TC40_9_6941	twisted pair	DN5 4 B
TC40_10	twisted pair	XC 3 D
TC40_10_6941	twisted pair	DN5 4 B
TC40_11	twisted pair	XC 3 C
TC40_11_6941	twisted pair	DN5 4 B
TC40_12	twisted pair	XC 3 D
TC40_13	twisted pair	XC 2 C
TC40_14	twisted pair	XC 2 D
TC40_15	twisted pair	XC 2 C
TC40_17_62	twisted pair	NE 3 B
TC40_18	twisted pair	XC 1 D
TC40_19	twisted pair	XC 1 C
TC40_20	twisted pair	XC 1 D
TC40_21	twisted pair	XC 1 C
TC40_22	twisted pair	XC 0 D
TC40_29	twisted pair	XC 0 B
TC40_31	twisted pair	XC 1 B
TC40_57	twisted pair	EO 2 B
TC40_58	twisted pair	EO 2 B
TC40_59	twisted pair	EO 2 B
TC40_60	twisted pair	EO 2 B
TC40_61	twisted pair	EP 3 C
TC40_62	twisted pair	EO 1 B
TC40_65		BC 2 C
TC40_66		XE 5 B
TC40_68		XE 5 C
TC40_69		XE 4 D
TC40_70		XE 4 C
TC40_71		XE 3 D
TC40_72		XE 3 C
TC40_73		XE 2 D
TC40_74		XE 2 C
TC40_75		XE 2 D
TC40_76		XE 1 C
TC40_77		XE 1 C
TC40_78		XE 1 C
TC40_79		XE 1 B
TC40_105	twisted pair	EP 2 B
TC40_106	twisted pair	EP 2 B
TC40_107	twisted pair	EP 2 C
TC40_154	twisted pair	EP 2 B
TC40_301	twisted pair	XC 4 D
TC45-1_14	Twisted pair with 45 TPM	XG 3 B
TC45-1_512	Twisted pair with 45 TPM	XG 2 B
TC45-1_800	Twisted pair with 45 TPM	DN5 3 C
TC45-1_1396	Twisted pair with 45 TPM	XG 2 B
TC45-1_5825	Twisted pair with 45 TPM	NC2 2 B
TC45-2_14	Twisted pair with 45 TPM	XG 4 B
TC45-2_5825	Twisted pair with 45 TPM	NC2 2 C
TC45-3_14	Twisted pair with 45 TPM	XG 5 B
TC45-3_141	twisted pair	CS 3 C
TC45-3_5825	Twisted pair with 45 TPM	NC2 2 C
TC45-4_14	Twisted pair with 45 TPM	XG 1 B
TC45-4_613	twisted pair	DN4 4 C
TC45-4_5825	Twisted pair with 45 TPM	XG 4 B
TC45-5_14	Twisted pair with 45 TPM	XG 4 B
TC45-5_5825	Twisted pair with 45 TPM	XG 2 B
TC45-6_14	Twisted pair with 45 TPM	XG 3 B
TC45-8_14	Twisted pair with 45 TPM	XG 1 B
TC45-9_14	Twisted pair with 45 TPM	XG 1 B
TC45-18_613	twisted pair	XC 2 B
TC45_1_800	twisted pair	DN5 1 B
TC45_2_6941	twisted pair	XC 1 A
TC45_37	twisted pair	XC 2 A
TC_1_3944		NA2 1 B
TC_2_14	twisted pair	XJ 1 D
TC_3_14	twisted pair	XJ 1 C
TC_4_14	twisted pair	XJ 1 C
TC_5_14	twisted pair	XJ 1 B
TC_6_14	twisted pair	XJ 2 B
U03	Modulator, EBS, rear axle(drive axle)	EO 2 C

VOLVO

Volvo Bus Corporation

Document title

WIRING DIAGRAM – B13R

Document type

PRODUCT SCHEMATICS

Document No

22610880

Issue

01

Volume

2 (2)

Sheet No

29 (35)

REF	DESCRIPTION	PAGE
U04	Modulator EBS, bogie	EP 4 B
U06	Voltage converter	IU 4 C
U08	Modulator, EBS, front	EO 3 C
U12	Voltage converter, Bi-xenon	GE 3 C
U25	Voltage converter, DC/DC	AC 2 C
UDS12:1		XF 2 B
UDS12:2		XF 2 B
UDS12:3		CU 3 C
UDS12:4		CU 3 C
UDS12:5		XD 3 B
UDS12:6		XD 3 B
UDS12:7		CU 4 C
UDS12:8		CU 3 C
UDS12:9		CU 2 C
UDS12:11		CU 5 C
UDS12:12		CU 0 B
UDS12_B:1		XF 3 B
UDS12_B:2		XF 3 B
UDS12_B:3		CU 3 C
UDS12_B:4		CU 3 C
UDS12_B:5		XD 3 B
UDS12_B:6		XD 3 B
UDS12_B:7		CU 4 D
UDS12_B:8		CU 2 D
UDS12_B:9		CU 2 D
UDS12_B:11		CU 4 D
UDS12_B:12		CU 0 B
UDS12_F:1		XF 2 B
UDS12_F:2		XF 2 B
UDS12_F:3		CU 4 C
UDS12_F:4		CU 4 C
UDS12_F:5		XD 2 B
UDS12_F:6		XD 2 B
UDS12_F:7		CU 4 D
UDS12_F:8		CU 3 D
UDS12_F:9		CU 2 D
UDS12_F:11		CU 5 D
UDS12_F:12		CU 0 B
UDS12_M:1		XF 2 B
UDS12_M:2		XF 2 B
UDS12_M:3		CU 3 C
UDS12_M:4		CU 3 C
UDS12_M:5		XD 3 B
UDS12_M:6		XD 3 B
UDS12_M:7		CU 4 D
UDS12_M:8		CU 3 D
UDS12_M:9		CU 2 D
UDS12_M:11		CU 5 D
UDS12_M:12		CU 0 B
V03	Diode, Light	GE 3 B
V04	Diode, Light	GE 3 B
VBC635	Sensor, PM	XH 2 C
VIC:1		XC 3 A
VIC:2		CS 1 B
VIC:2		XD 5 B
VIC:3		CS 5 C
VIC:3		CS 4 B
VIC:4		XC 3 A
VIC:5		CS 1 B
VIC:5		XD 5 B
VIC:6		CS 5 C
VIC:6		CS 3 B
VIC:7		CS 4 B
VIC:8		CS 5 C
VIC:9		AF 2 B
VIC:10		AF 1 C
VIC:12		AF 1 A
VIC:13		CS 2 C
VIC:14		BB 4 C
VIC:15		CS 1 C
VIC:16		BB 4 B
VIC:17		AF 1 B
VIC:18		CS 4 C
VIC:19		CS 1 C
VIC:20		CS 2 C
VIC:21		CS 3 C
VIC:22		CS 1 B

VOLVO
Volvo Bus Corporation

Document title

WIRING DIAGRAM – B13R

Document type

PRODUCT SCHEMATICS

Document No

22610880

Issue

01

Volume

2 (2)

Sheet No

30 (35)

REF	DESCRIPTION	PAGE
VIC:24		CS 2 B
VIC:25		CS 5 C
VIC:26		CS 3 C
VIC:27		CS 0 C
VIC:28		CS 4 C
VIC:29		CS 2 B
VIC:30		CS 4 B
VIC:31		CS 0 C
VIC:32		CS 2 C
VIC:33		CS 2 C
VIC:34		CS 3 C
VIC:35		AF 3 B
VIC:36		CS 3 C
VIC:37		CS 4 C
VIC:39		CS 0 C
X09	Slip contact/Horne	IS 2 B
X701	I-Start Media Bracket (Chassis)	AB3 3 B
X801	I-Start Media Bracket (Body)	AB4 3 C
X901	Connector Battery +	AB2 1 A
X905	VPDU Rear without preheat relay	AB4 2 D
X910	Junction Box for Chassis	AB2 4 B
XC85		GE 3 D
XC901:1		NA2 1 C
XC901:2		NA2 0 C
XC901:3		XG 2 B
XC901:4		XG 2 A
XC901_(2):1		NC2 1 B
XC901_(2):2		NC2 1 B
XC901_(2):3		NC2 2 C
XC901_(2):4		NC2 2 C
XC901_(2):5		NC2 1 B
XC901_(2):6		NC2 1 B
XC901_:1		NC2 1 C
XC901_:2		NC2 1 C
XC901_:3		NC2 2 C
XC901_:4		NC2 2 C
XC901_:5		NC2 1 C
XC901_:6		NC2 1 C
XC903:2		XC 0 A
XC903:5		XC 0 A
XC906A:1		AB2 4 D
XC906A:2		AB2 4 D
XC906A:3		AB2 4 D
XC906A:4		AB2 4 D
XC906A:5		AB2 5 D
XC906A:6		AB2 3 D
XC906A:7		AC 2 D
XC908:4		BA 4 A
XC917:1		CL 3 B
XC917:2		CL 4 B
XC917:3		CL 4 B
XC917:4		CL 3 B
XC921:1		CL 3 B
XC921:2		CL 3 B
XC921:3		CL 3 B
XC922:1		GB 1 C
XC922:3		GB 1 C
XC925:1		NC2 3 A
XC925:1		NE 3 B
XC925:2		NC2 3 A
XC925:2		NE 3 B
XC926:1		BB 3 B
XC926:2		BB 3 B
XC926:3		BB 3 B
XC926:4		BB 3 B
XC927_1/2:1		GE 4 C
XC927_1/2:2		GE 2 C
XC927_1:1		GE 4 C
XC927_1:2		GE 2 C
XC927_2:1		GE 4 C
XC927_2:2		GE 2 C
XC931:1		DN5 4 B
XC931:2		DN5 4 B
XC931:3		DN5 4 B
XC931:4		DN5 4 B
XC931:5		DN5 4 B
XC931:6		DN5 4 B

VOLVO

Volvo Bus Corporation

Document title

WIRING DIAGRAM – B13R

Document type

PRODUCT SCHEMATICS

Document No

22610880

Issue

01

Volume

2 (2)

Sheet No

31 (35)

REF	DESCRIPTION	PAGE
XC931:7		DN5 3 B
XC931:8		DN5 3 B
XC931:9		DN5 3 B
XC931:10		DN5 3 B
XC931:11		DN5 3 B
XC931:12		DN5 3 B
XC931:13		DN5 3 B
XC931:14		DN5 3 B
XC931:15		DN5 2 B
XC931:16		DN5 2 B
XC931:17		DN5 2 B
XC931:18		DN5 2 B
XC931:19		DN5 2 B
XC931:20		DN5 2 B
XC931:21		DN5 2 B
XC931:22		DN5 2 B
XC931:27		DN5 4 C
XC931:28		DN5 4 C
XC931:29		DN5 4 C
XC931:30		DN5 4 C
XC931:31		DN5 4 C
XC931:32		DN5 3 C
XC931:33		DN5 3 C
XC931:34		DN5 3 C
XC931:35		DN5 1 B
XC931:36		DN5 1 B
XC932:11		DN5 4 B
XC932:12		DN5 4 B
XC932:13		DN5 4 B
XC932:14		DN5 4 B
XC932:15		DN5 4 B
XC932:16		DN5 4 B
XC941:1		ND 3 D
XC941:3		ND 3 D
XC943:1		XE 3 C
XC943:2		XE 3 C
XC950:1		AB3 1 D
XC950:2		AB 2 C
XC950:3		AB4 3 D
XC950:4		DN5 4 D
XC950:5		DN5 4 D
XC950:6		DN5 3 D
XC999:1		AB3 2 D
XCS102		XE 3 C
XSA01		XC 2 D
XSA02		XC 2 D
XSA03		XC 2 D
XSA04		XC 2 D
XSA05		XC 1 D
XSA06		XC 1 D
XSA07		XC 1 D
XSA08		XC 1 D
XSA09		XC 0 D
XSA10		XC 0 D
XSA11		XC 0 B
XSA12		XC 0 B
XSA13		XD 2 D
XSA14		XD 2 D
XSA15		XD 1 D
XSA16		XD 2 D
XSA17		XD 1 D
XSA18		XD 1 D
XSA19		XD 1 D
XSA20		XD 1 D
XSA21		XD 0 D
XSA22		XD 0 D
XSA23		XD 1 C
XSA24		XD 1 C
XSA25		ZC 4 A
XSA26		AA 5 A
XSA27		FA 4 C
XSA28		AA 2 B
XSA31		ZC 4 B
XSA32		BA 4 B
XSA34		AA 3 D
XSA35		ZC 1 B
XSA37		FB 1 D

VOLVO
Volvo Bus Corporation

Document title

WIRING DIAGRAM – B13R

Document type

PRODUCT SCHEMATICS

Document No

22610880

Issue

01

Volume

2 (2)

Sheet No

32 (35)

REF	DESCRIPTION	PAGE
XSA40		FB 2 D
XSA43		ZC 2 B
XSA44		AF 4 C
XSA46		BB 2 B
XSA50		BA 5 C
XSA52		ZC 2 B
XSA53		GM 2 C
XSA54		DN 4 D
XSA59		BA 5 B
XSA60		NA 3 B
XSA61		BA 4 C
XSA62		XD 2 D
XSA63		XC 3 D
XSA64		XC 3 D
XSA65		XD 2 D
XSB01		XC 5 D
XSB02		XC 5 D
XSB03		XD 3 D
XSB04		XD 3 D
XSB05		XD 4 D
XSB06		XD 4 D
XSB07		XJ 1 C
XSB08		XJ 1 B
XSB09		ZC 4 B
XSB10		ZC 5 D
XSB11		ZC 5 C
XSB12		GM 3 C
XSB13		GB 1 D
XSB15		GB 1 C
XSB18		IU 4 C
XSB19		IU 4 C
XSB20		FA 1 C
XSB21		IU 4 C
XSB22		NC 3 C
XSB22		NC2 3 C
XSB23		NC 4 C
XSB24		NC 5 B
XSB24		NC2 4 B
XSB25		AA 4 B
XSB26		NC 3 B
XSB26		NC2 3 B
XSB28		XF 0 C
XSB29		XF 0 C
XSB30		IU 4 C
XSB31		IU 4 C
XSB32		XC 4 D
XSB33		XC 4 D
XSB34		NA 1 C
XSB36		NA 4 B
XSB37		ND 3 C
XSB38		XE 3 C
XSB39		XE 4 D
XSB40		NA 1 C
XSB43		XG 1 B
XSB44		XG 1 A
XSB45		XJ 3 C
XSB46		XJ 3 D
XSB47		XJ 1 D
XSB48		XJ 1 C
XSB49		XC 5 D
XSB50		XC 5 D
XSB51		NC2 2 B
XSB52		NC2 2 B
XSB55		XG 2 B
XSB56		XG 2 A
XSB95		DN5 4 C
XSB112		DN5 4 C
XSB120		AB 2 C
XSC02		GE 2 B
XSC04		GE 4 B
XSC05		GE 3 B
XSC07		ZC 3 C
XSC15		ZC 3 D
XSC16		GB 5 C
XSC17		ZC 2 C
XSC21		DN 4 B
XSC95		XE 1 D

VOLVO

Volvo Bus Corporation

Document title

WIRING DIAGRAM – B13R

Document type

PRODUCT SCHEMATICS

Document No

22610880

Issue

01

Volume

2 (2)

Sheet No

33 (35)

REF	DESCRIPTION	PAGE
XSC96		XE 1 C
XSC97		XE 2 C
XSC98		XE 2 D
XSC99		CL 3 C
XSC101		XE 3 D
XSD01		AB2 4 D
XSD02		NB 5 D
XSF01		GA 4 B
XSF09		GA 1 B
XSF10		GA 1 B
XSF11		GA 3 B
XSF12		GA 3 C
XSF13		GA 4 B
XSF14		ZC 1 C
XSF15		CX 3 C
XSF17		CX 5 C
XSF18		CX 2 B
XSF19		ZC 3 B
XSF21		XH 3 B
XSF22		CU 4 D
XSF23		NA 4 D
XSF24		CX 3 B
XSF25		CX 4 B
XSF26		XH 2 B
XSF27		XH 2 B
XSF28		XH 3 B
XSF29		FB 4 C
XSF30		XH 4 B
XSF31		XH 4 B
XSF32		FB 5 B
XSF33		XH 2 C
XSF35		CX 1 D
XSF39		CX 4 B
XSF40		CX 3 C
XSF41		XD 4 C
XSF42		XD 4 C
XSF43		CS 0 D
XSF44		CX 3 C
XSF46		CS 0 D
XSF50		ZC 1 C
XSF54		XC 2 B
XSF55		XC 2 B
XSF56		XC 3 B
XSF57		XC 3 B
XSF71		CU 1 B
XSF72		CU 4 A
XSF73		CU 5 A
XSF76		CU 5 C
XSF80		XF 2 C
XSF81		XF 2 C
XSF82		XF 2 C
XSF83		XF 2 C
XSF84		XF 3 C
XSF85		XF 3 C
XSF86		XF 4 C
XSF87		XF 4 C
XSF88		XF 4 C
XSF89		XF 5 C
XSF92		BA 3 D
XSF93		BB 3 C
XSF94		BB 3 B
XSF95		AB 2 B
XSF96		AB 3 C
XSF97		CS 1 D
XSF98		CS 4 D
XSF102		CU 2 D
XSF103		CU 2 D
XSF104		CU 3 D
XSF105		CU 2 D
XSF106		CU 4 D
XSF107		CU 4 D
XSF108		CU 3 D
XSF109		CU 3 D
XSF110		CU 5 D
XSF111		CU 5 D
XSF112		CU 4 D
XSF113		CU 0 A

VOLVO
Volvo Bus Corporation

Document title

WIRING DIAGRAM – B13R

Document type

PRODUCT SCHEMATICS

Document No

22610880

Issue

01

Volume

2 (2)

Sheet No

34 (35)

REF	DESCRIPTION	PAGE
XSF114		CU 0 A
XSF115		XG 3 A
XSF116		XG 3 B
XSF117		XG 4 A
XSF118		XG 4 B
XSF119		DN3 2 D
XSF120		DN3 2 D
XSF121		DN3 3 C
XSF122		DN3 2 C
XSF123		DN3 3 D
XSF150		XH 2 C
XSF151		XH 2 D
XSF152		XH 2 B
XSF153		XH 2 B
XSF155		XH 3 D
XSL10		CU 3 A
XSL11		CU 3 A
XSL12		CU 2 A
XSL13		CU 2 A
XSM02		ZC 0 C
XSN01		BA 2 A
XSU25		AB 3 C
XU25:1		AC 2 D
XU25:2		AC 2 C
XU25:3		AC 2 D
XU25:4		AC 2 D
XU25:5		AC 2 D
Y02	Solenoid valve,Differential lock,rear whe	EP 1 C
Y25	Solenoid valve unit, ECS, Rear axle	FA 5 C
Y36	Solenid valve,Steerable axle,Bogie	BB 0 B
Y37	Solenoid valve AVU, engine brake / EPG (E	CS 1 D
Y40	Solenoid valve unit, ECS, Front axle	FA 4 B
Y72	Valve, Horn	IS 3 C
Y900	solenoid valve unit, ECS, Bogie axle	FA 2 C
Y901	Fuel cut off valve front axle	NA 5 C
Y911	sol_valve_inj_SCRT_DNOX2	CU 3 D
Y911_10	sol valve DEF inj.	CX 2 A
Y912	sol_valve_adblue_tank_heating_SCRT_DNOX2	CU 4 B
Y912_US	Sol_Valve_Heating_Urea_Tank	CX 3 B
Y914	Pressure control valve(PCU/R)	EP 5 C
Y915	Pressure controll valve (PCU/R)	EP 5 C
Y939	Solenoid Valve AHI	BA 2 A

VOLVO
Volvo Bus Corporation

Document title

WIRING DIAGRAM – B13R

Document type

PRODUCT SCHEMATICS

Document No

22610880

Issue

01

Volume

2 (2)

Sheet No

35 (35)