

Engineering Release Notice (ERN)	Location	Change Description	A = Added U = Deleted	W = Was	Document Release Status RELEASED
D-16318-19		SEE DCN BODY			Date Modification Count

WIRING DIAGRAM INDEX, BUS BEA BODY 9700 24V, MEXICO

NAME	DESCRIPTION	PAGE		NAME	DESCRIPTION	PAGE
AA	BODY BUILDERS	02		IC	TD7 TACHOGRAPH	39
AB	ELECTRIC CENTER	03		ID	AUTOMATIC FIRE SUPPRESSION	40
AC	VPDU	04		IE	NOTEBOOK AC SUPPLY CONNECTION	41
AD	VPDU ISTART USCAN	05		IF	TIRE PRESSURE MONITORING SYSTEM	42
AE	I-SHIFT INTERFACE US/CAN	06		IG	WIFI	43
BA	CONTROL MODULES	07		IH	A/C NO MULTIPLEX CONTROL	44
BB	CONTROL MODULES	08		II	FOGMAKER	45
BC	CONTROL MODULES	09		IJ	ELECTRIC NETWORK US10	46
BD	BODY ARMS	10		JA	FANS, BLINDERS & MIRRORS	47
BE	CONTROL MODULES	11		JB	ELECTRIC WINDOW & ROOF HATCHES	48
BF	CONTROL MODULES	12		JC	EMERGENCY WINDOW	49
BG	CONTROL MODULES	13		KA	CO-DRIVER, VIGIA & MOBITEC CONTROL	50
BH	CONTROL MODULES WCL	14		KB	PARK PILOT US10 & EU5	51
BI	CONTROL MODULES	15		LA	AUDIO & VIDEO SUPPLY, 12 & 24 OUTPUTS	52
CA	LIGHTS UNDER SEATS	16		LB	AUDIO	53
CB	DRIVER LIGHTS	17		LC	MULTIMEDIA & AUDIO	54
CC	READING LIGHTS PASSENGER AND WCL	18		LD	AUDIO & VIDEO ON DEMAND 12V	55
CD	INTERIOR LIGHT AND NIGHT LIGHT PASSENGERS	19		LE	VIDEO FIVE SCREENS	56
CE	LUGGAGE LIGHTS	20		LF	FOUR FIXED SCREEN	57
CF	SENSOR DOOR LOCK & LUGGAGE LIGHTS US10	21		LG	AUDIO & VIDEO (ANTENNAS)	58
DA	POSITION LIGHTS	22		LH	AUDIO & VIDEO IND ON DEMAND 24V	59
DB	UPGRADE NEW POSITION LIGHT	23		LI	AUDIO LUGGAGE RACK CUSTOMER ADAPTATION	60
EA	TOILET	24		MA	WIPER & WASHER	61
EB	LEFT TOILET	25		NA	AIR CONDITIONING, SYSTEM 0	62
EC	MIDDLE TOILET	26		NB	AIR CONDITIONING, SYSTEM 1	63
ED	TOILET US/CAN	27		NC	RE-HEATING SYSTEM	64
FA	KITCHEN	28		ND	AUXILIARY HEATER	65
FB	KITCHEN (COFFEE MACHINE)	29		NE	AC WITHOUT MULTIPLEX	66
GA	DRC	30		OA	REAR LIGHTS	67
GB	WHEEL CHAIR LIFT	31		OB	BOTTOM POSITION LIGHTS	68
GC	TEMPERATURE SENSOR US10	32		OC	FRONT LIGHTS	69
HA	DOOR CONTROL	33		OD	DAY RUNNING LIGHT	70
HB	FOLDING STEP & TELLTALES	34		PA	GROUPS	71
HC	FEED CENTRAL DOOR & TOILET	35		PB	GROUPS	72
HD	MIDDLE CONTROL DOOR	36		QA	AUXILIARY LINES	73
IA	ACCESORIES	37		RA	FUSES & RELAYS	74
IB	ACCESORIES	38				

VOLUME NO	CONTENT	PAGES
01	WIRING DIAGRAM	1-74
02	BILL OF MATERIAL/COMPONENT LIST	1-18

The copying, distribution and utilization of this document as well as the communication of its contents to others without expressed authorization is prohibited. Offenders will be held liable for payment of damages. All rights reserved in the event of the grant of a patent, utility model or ornamental design registration.

Document Title
**WIRING DIAGRAM
BEA-BODY 9700**



Document Type
PRODUCT SCHEMATIC

Owner Domain: Document Prefix

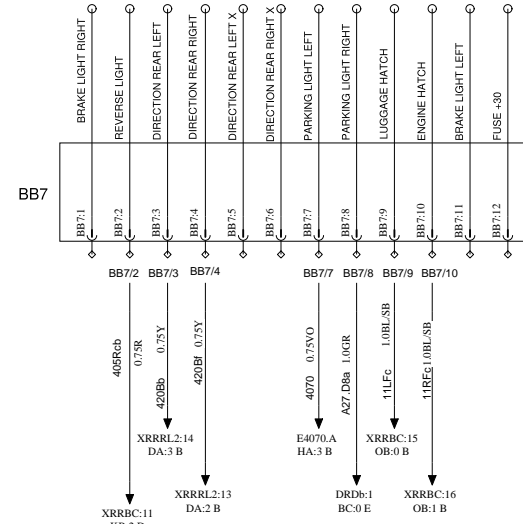
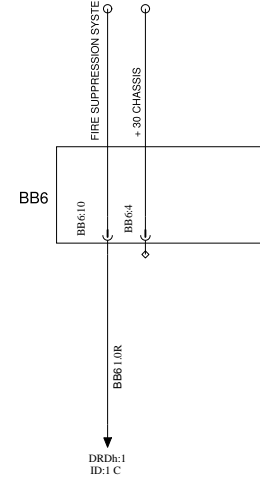
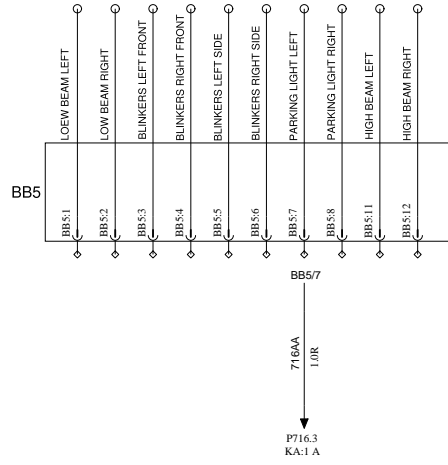
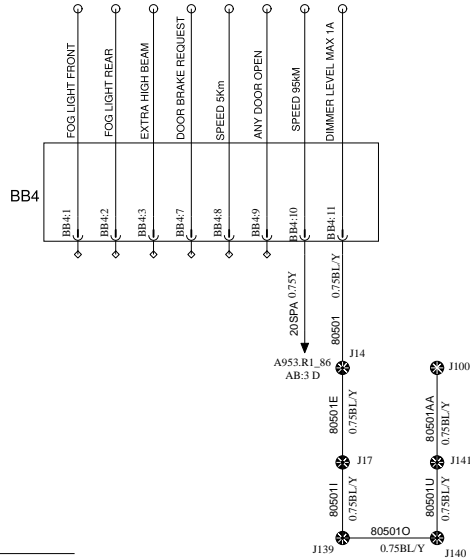
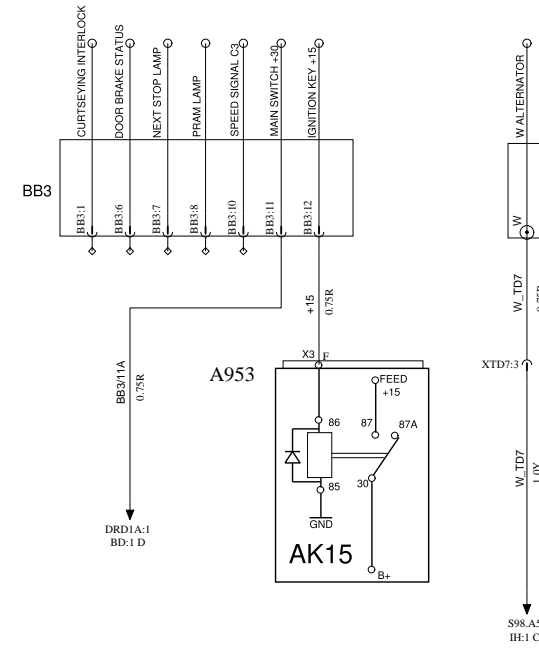
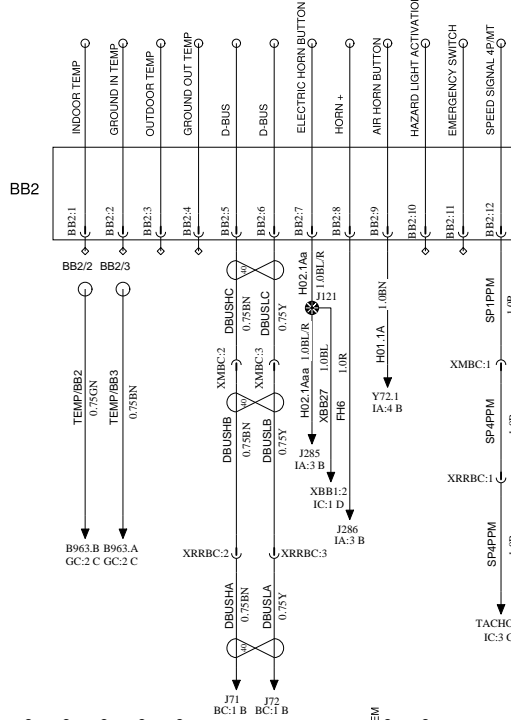
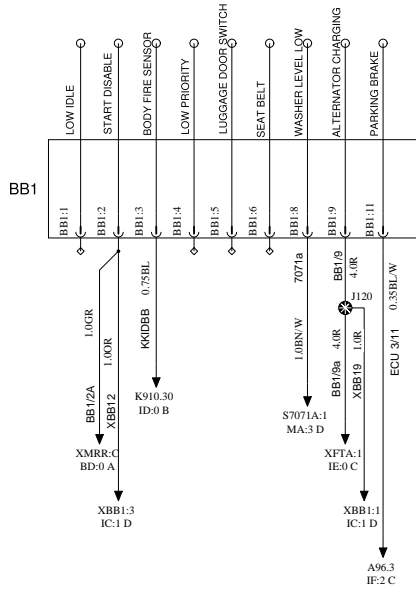
Document No 22600119	Issue Index 04	Volume No 01(02)	Page No 1(74)
--------------------------------	--------------------------	----------------------------	-------------------------

EDM-W 2000-04-01

BODY BUILDERS

AA

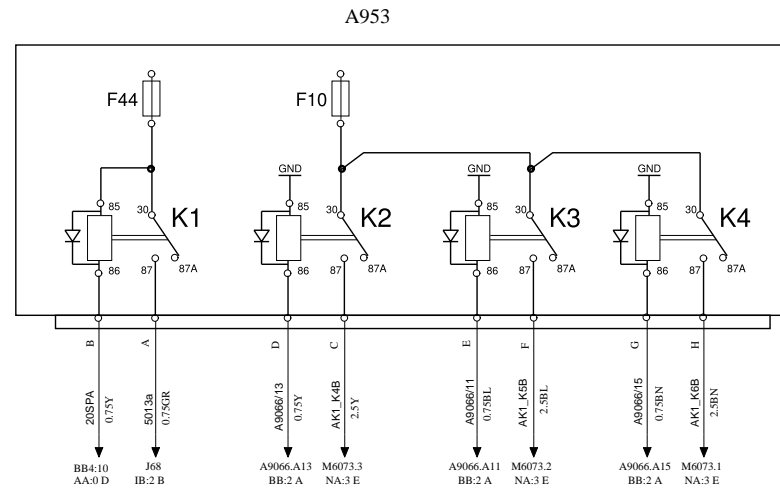
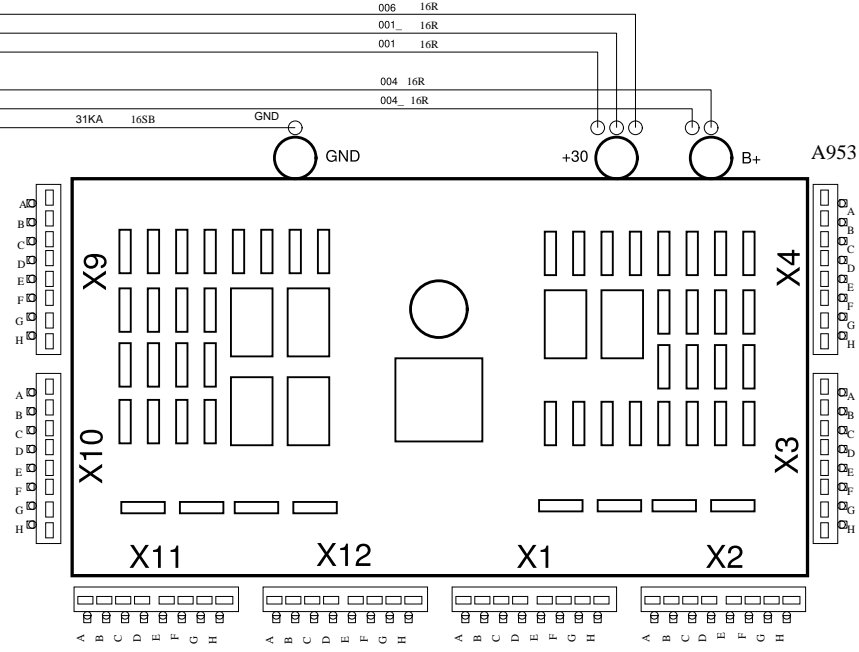
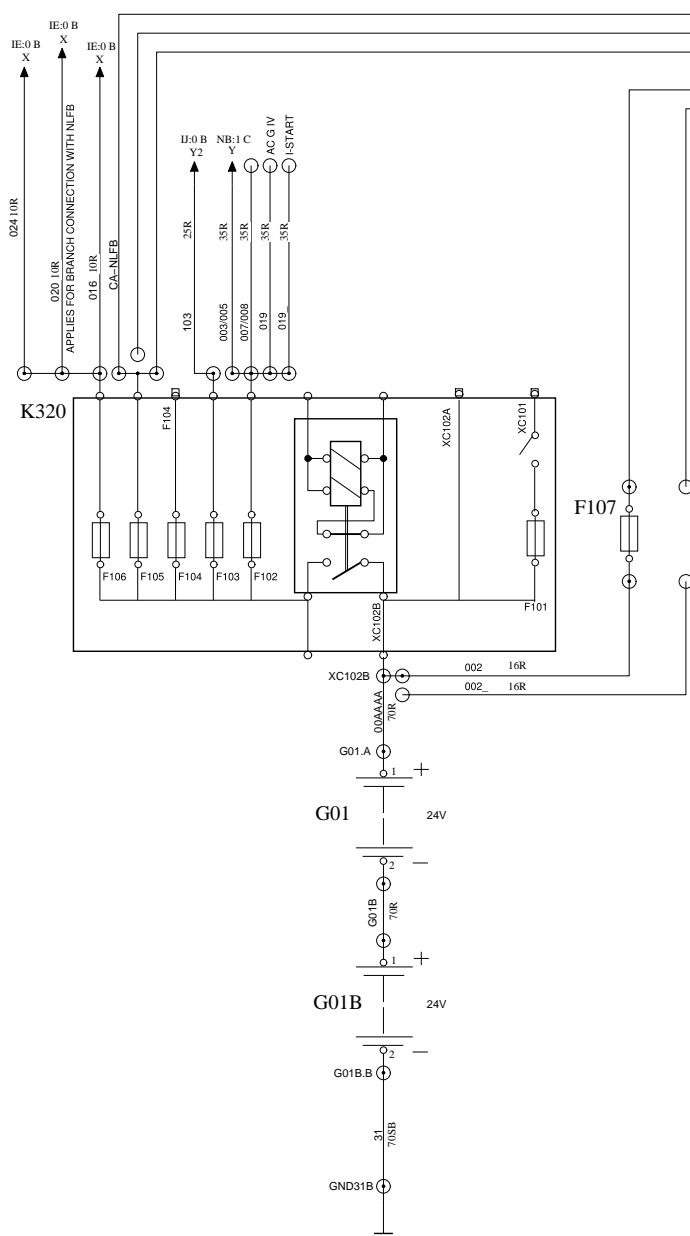
WIRING DIAGRAM



ELECTRIC CENTER

AB

WIRING DIAGRAM



Volvo Bus Corporation

Document title
WIRING DIAGRAM

Document type
PRODUCT SCHEMATIC

Document No

22600119

Issue

04

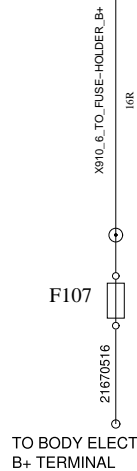
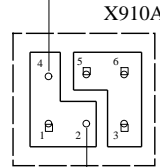
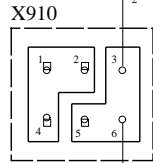
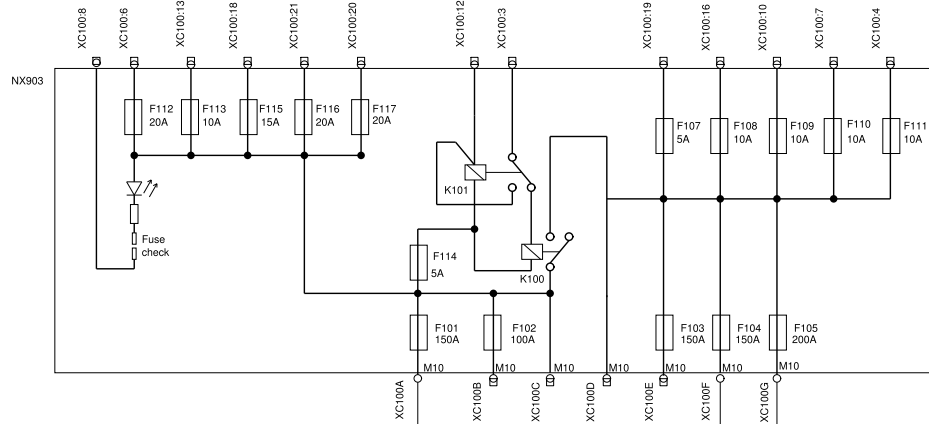
Volume

01

Page

3/74

AC FRONT NVPDU



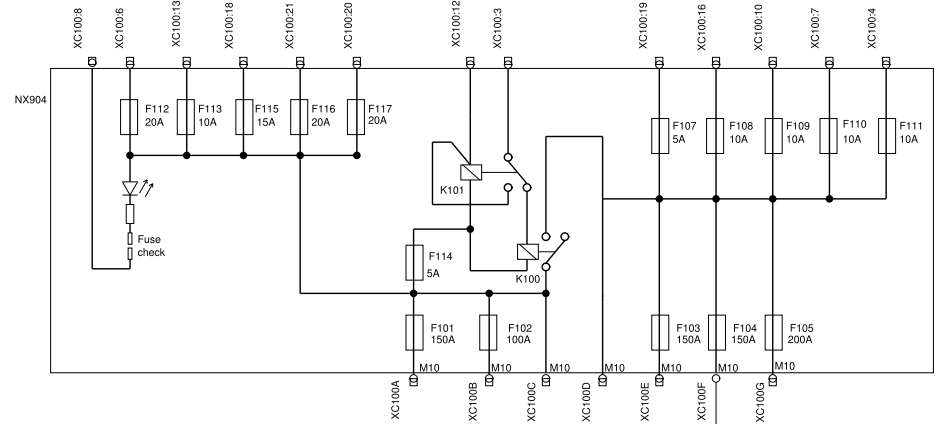
TO BODY ELECTRIC CENTER B+ TERMINAL

TO AC PCB

TO BODY ELECTRIC CENTER 30+ TERMINAL

WIRING DIAGRAM

REAR NVPDU

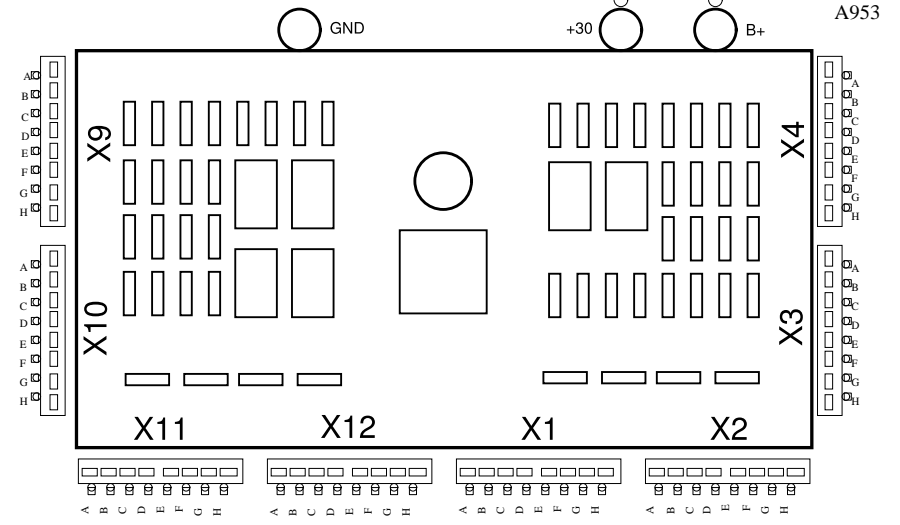
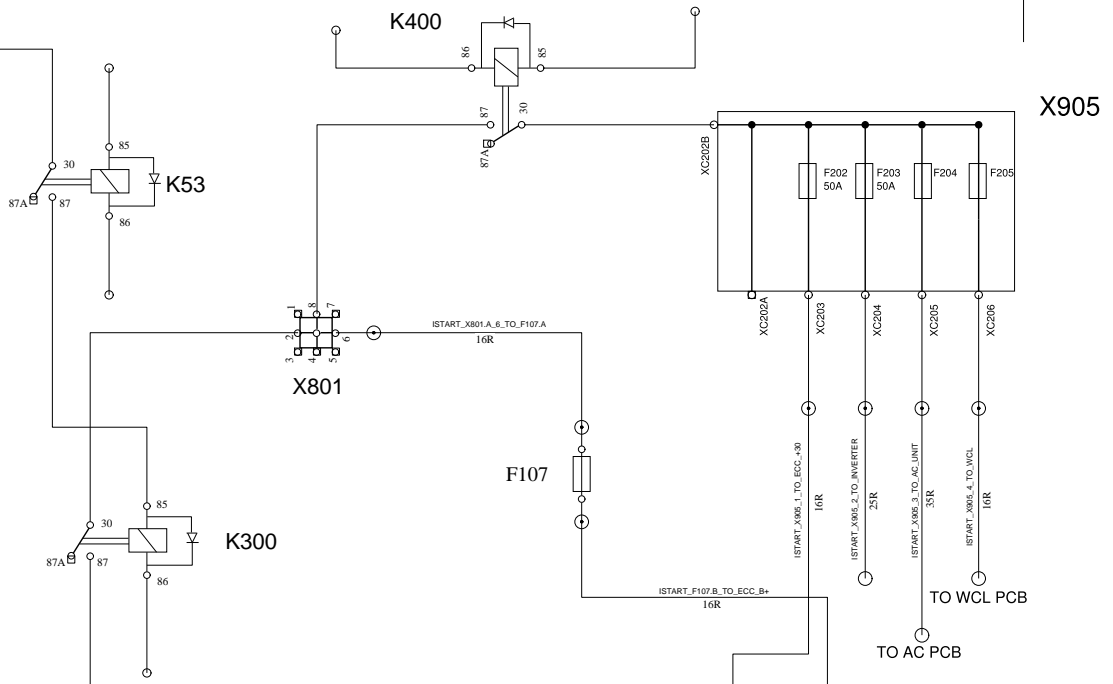
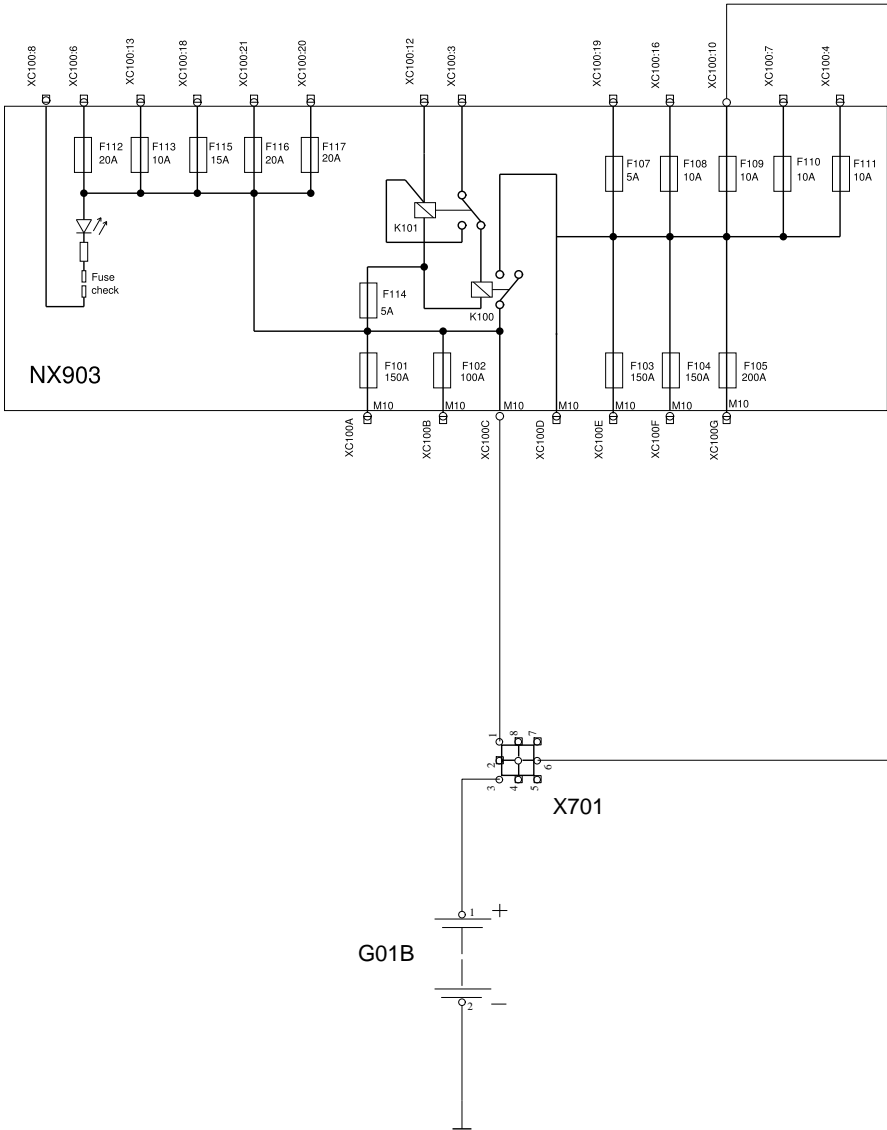


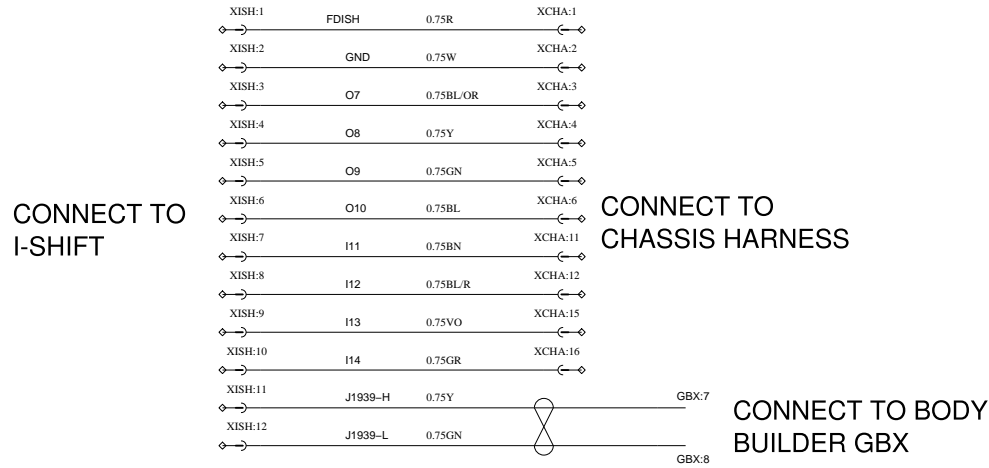
TO MIDDLE KITCHEN

VPDU ISTART USCAN

AD

WIRING DIAGRAM

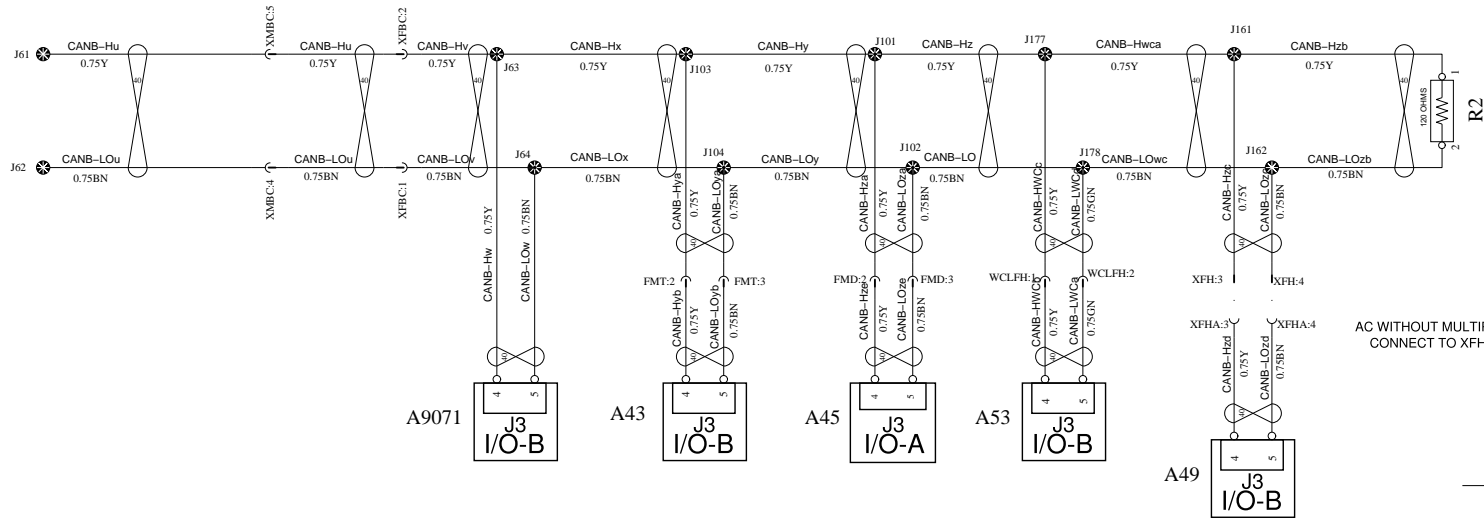
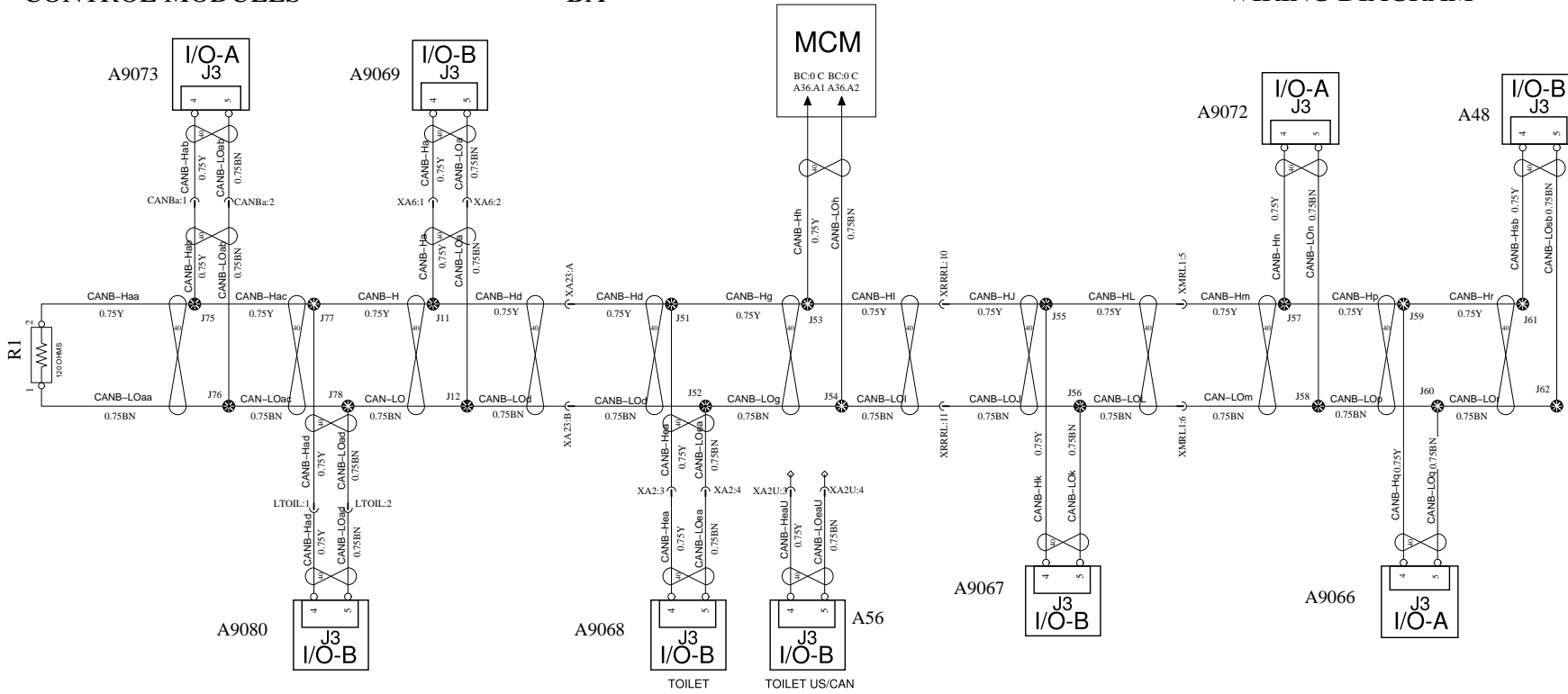




CONTROL MODULES

BA

WIRING DIAGRAM



Volvo Bus Corporation

Document title
WIRING DIAGRAM
 Document type
PRODUCT SCHEMATIC

Document No
22600119

Issue
04

Volume
01

Page
7/74

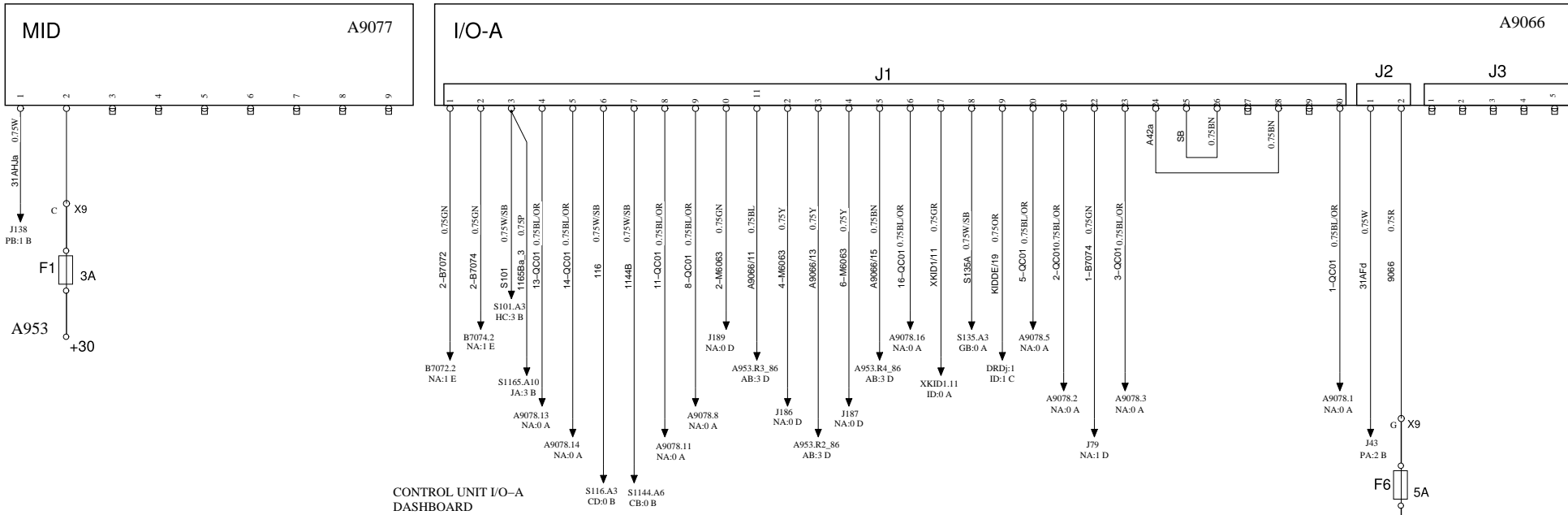
CONTROL MODULES

BB

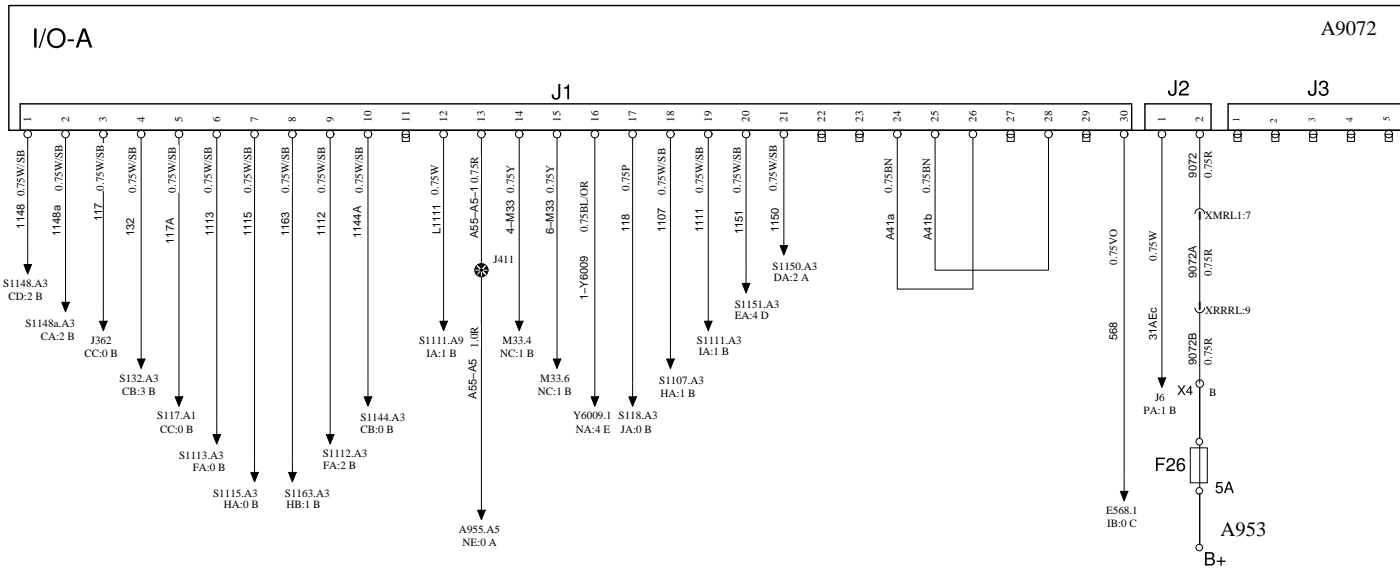
WIRING DIAGRAM

CONTROL UNIT MASTER ID

CONTROL UNIT I/O-A
CLIMATE CONTROL



CONTROL UNIT I/O-A
DASHBOARD



Volvo Bus Corporation

Document title
WIRING DIAGRAM

Document type
PRODUCT SCHEMATIC

Document No

22600119

Issue

04

Volume

01

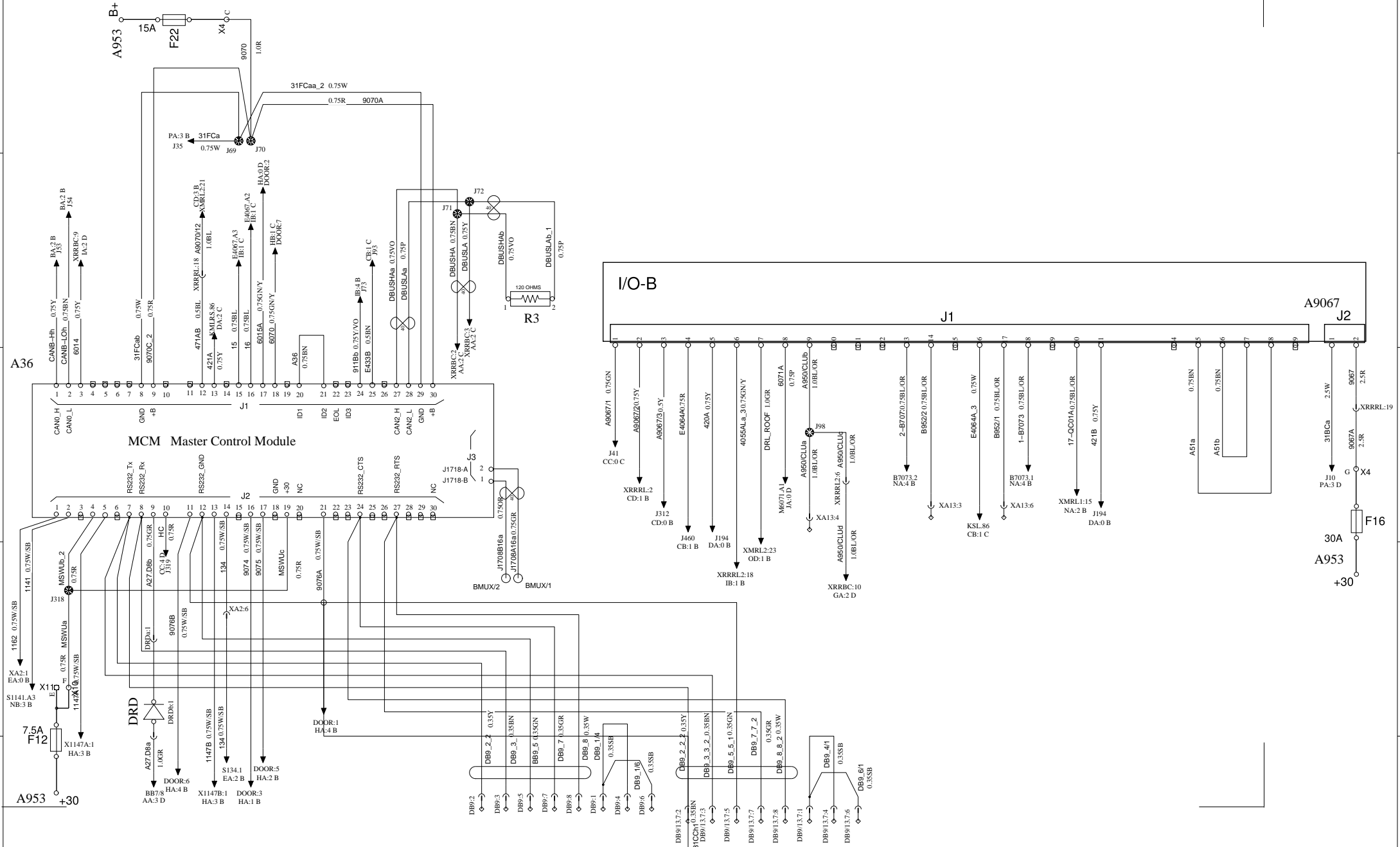
Page

8/74

CONTROL MODULES

BC

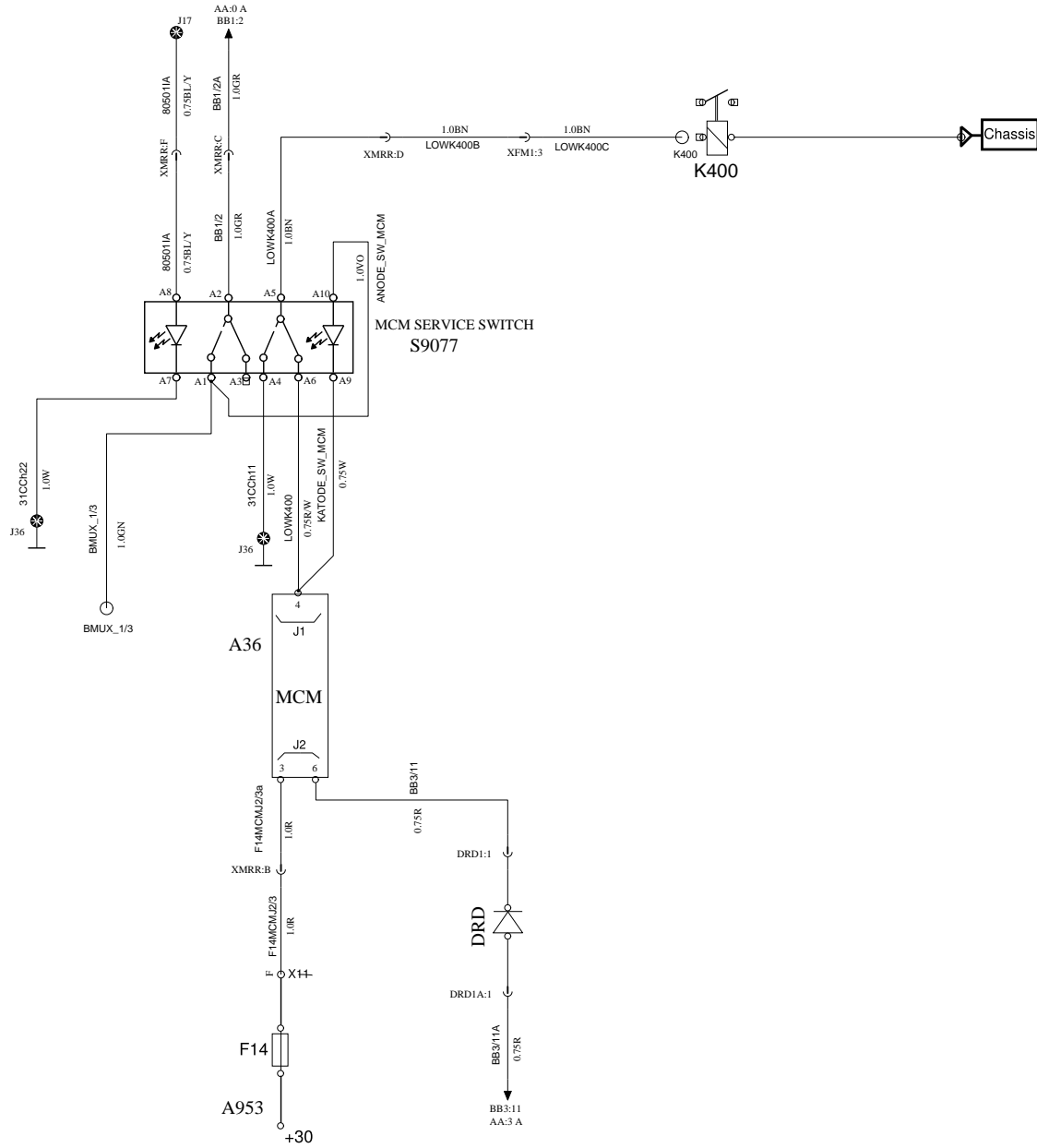
WIRING DIAGRAM



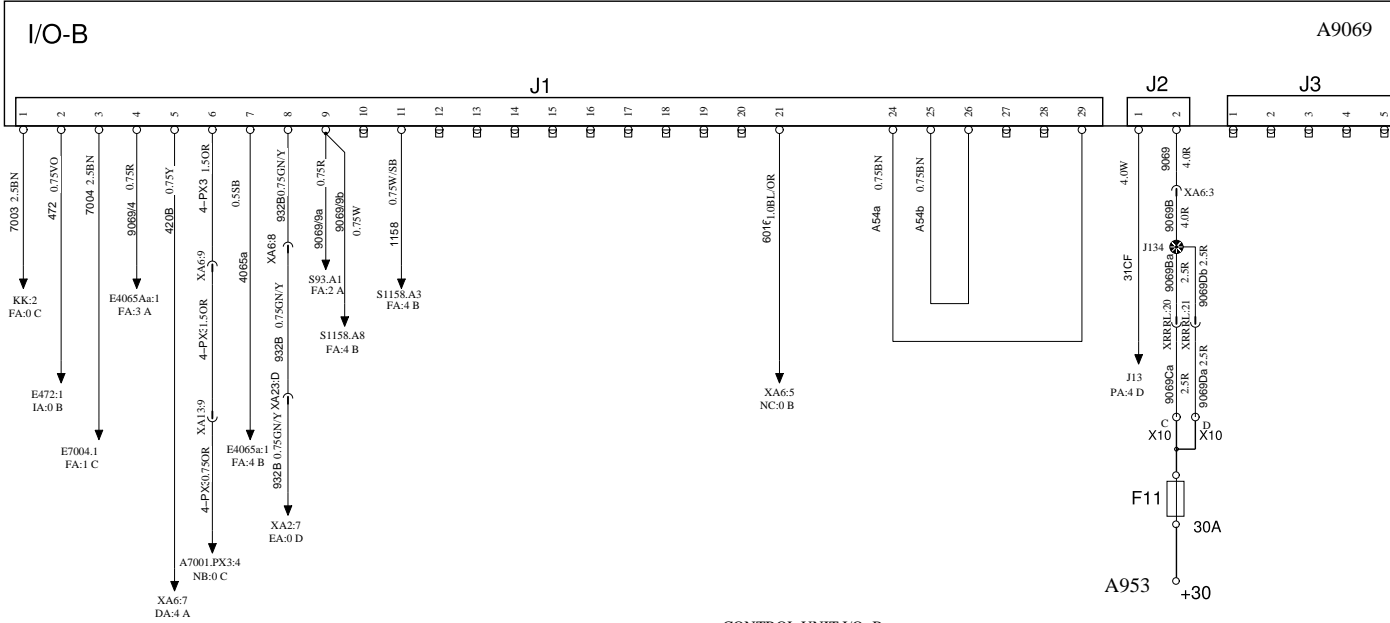
Volvo Bus Corporation

Document title WIRING DIAGRAM
Document type PRODUCT SCHEMATIC

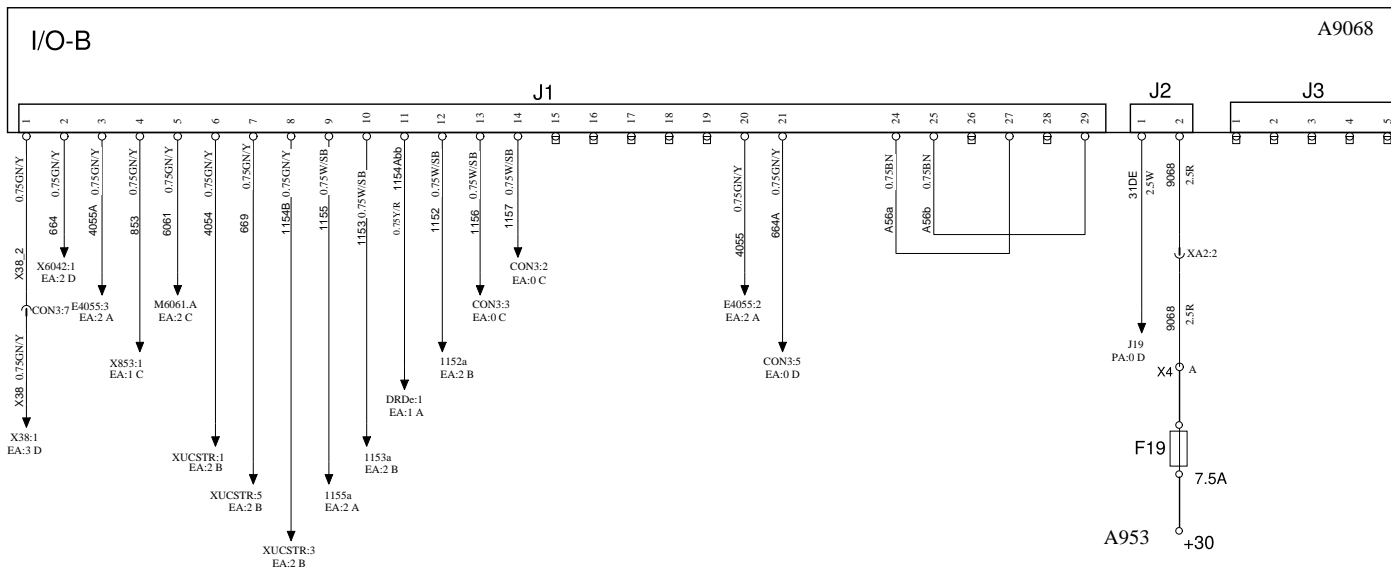
Document No 22600119	Issue 04	Volume 01	Page 9/74
-------------------------	-------------	--------------	--------------



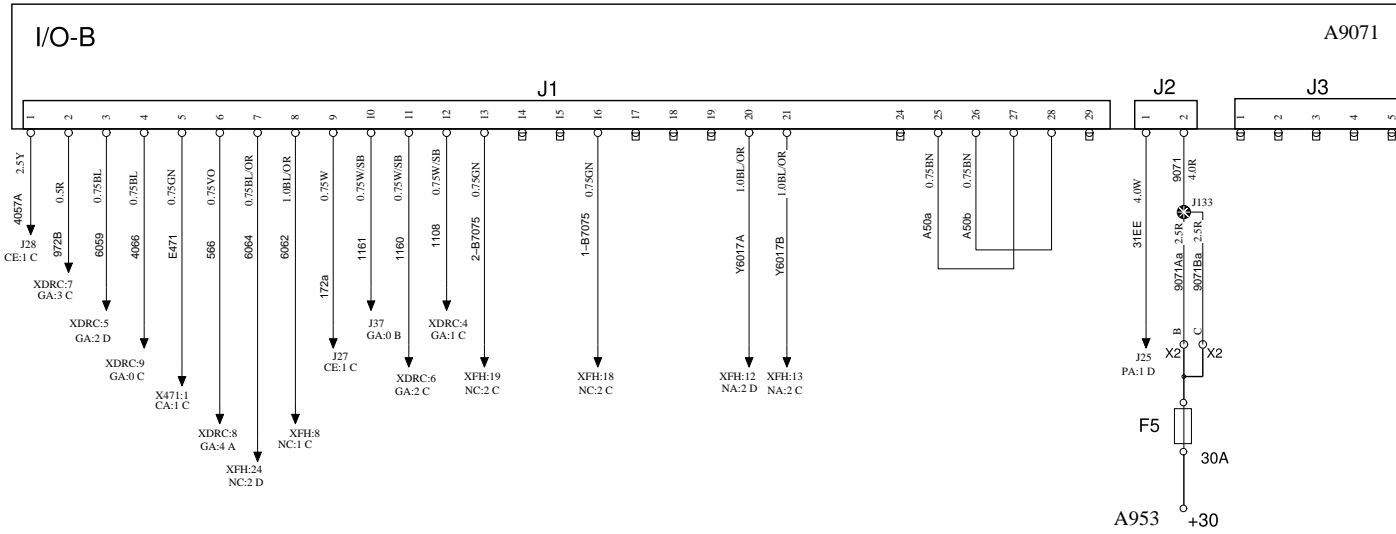
CONTROL UNIT I/O-B
KITCHEN



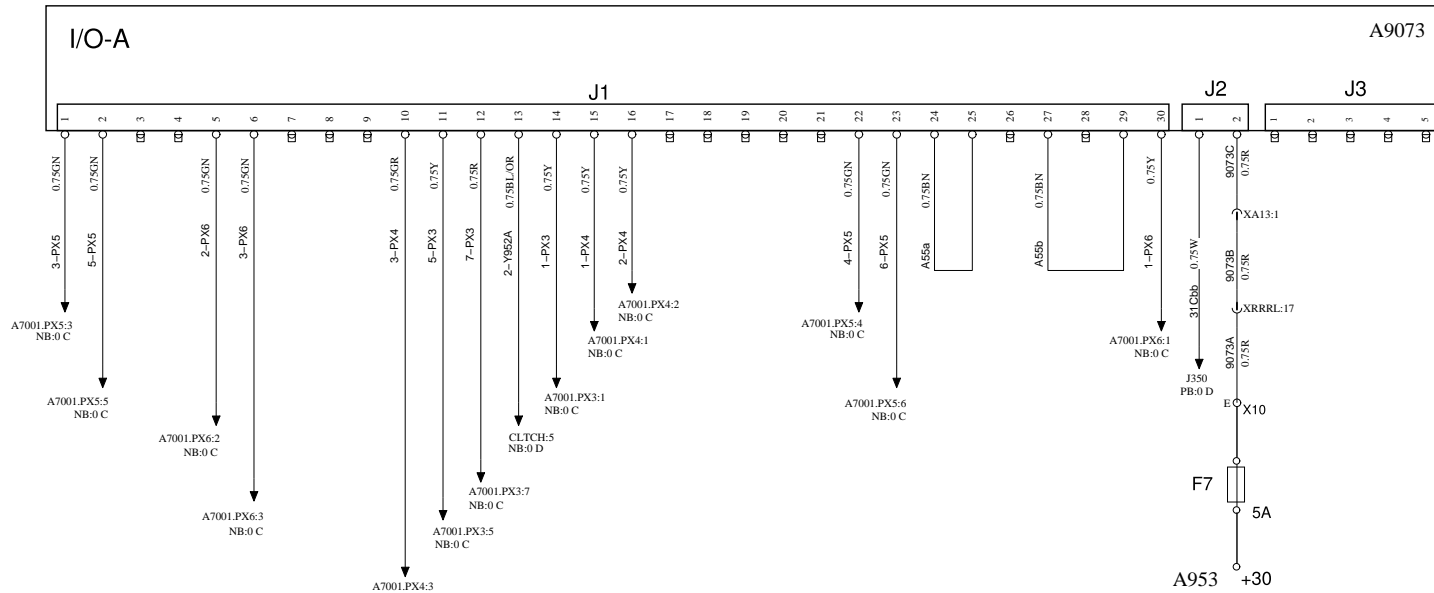
CONTROL UNIT I/O-B
TOILET



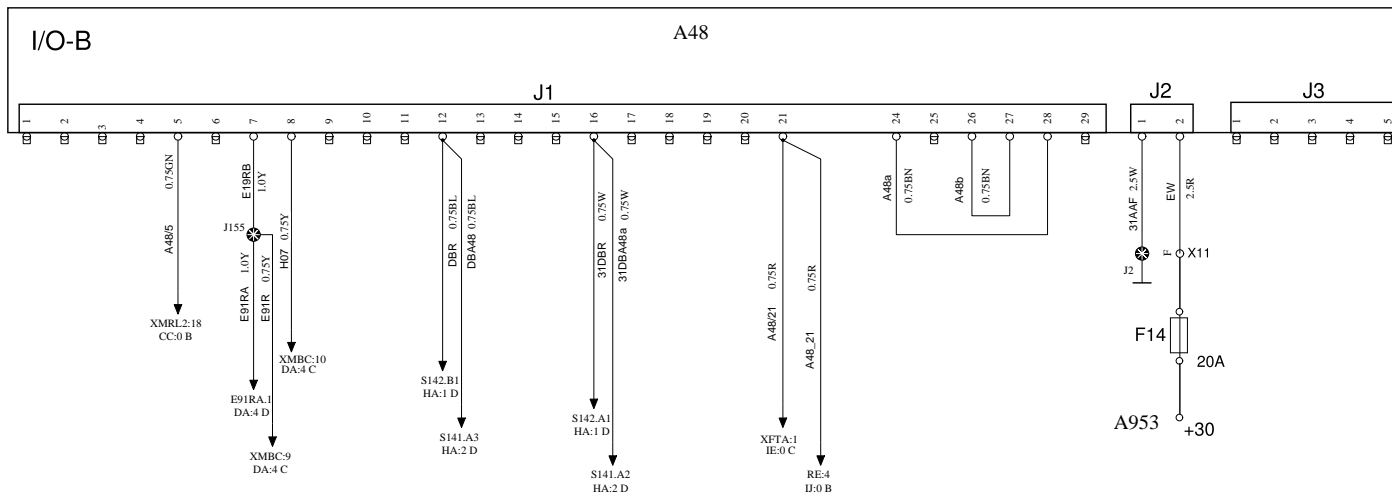
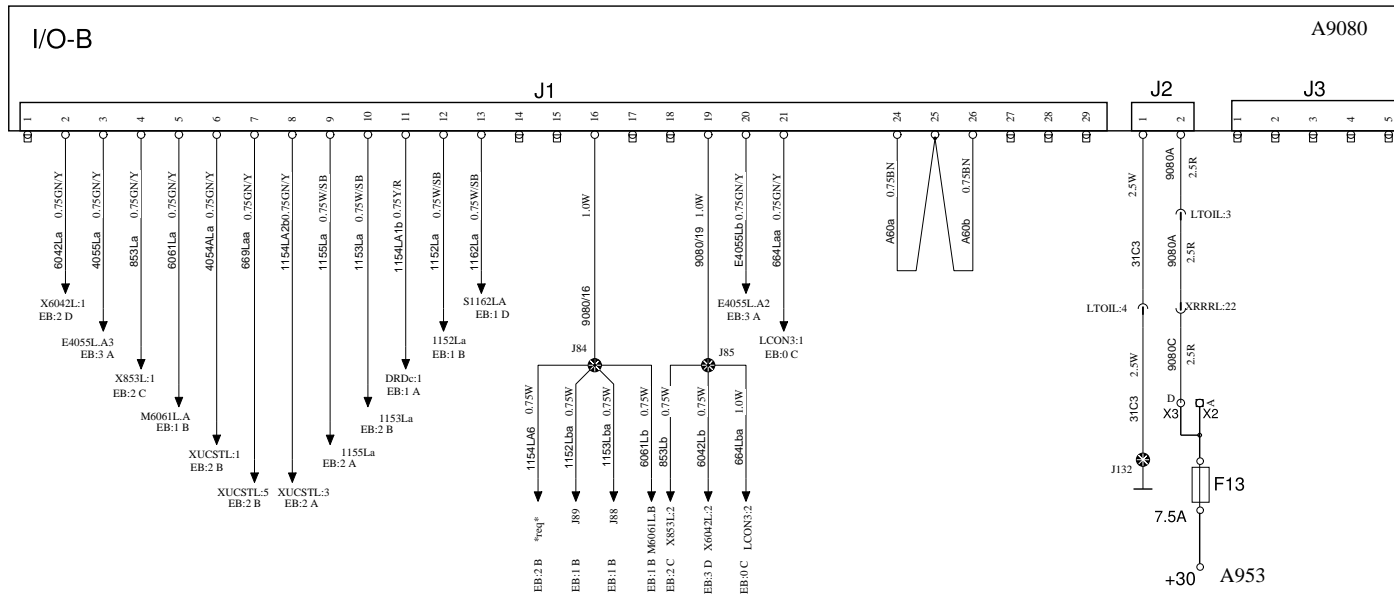
CONTROL UNIT I/O-B
FLOOR

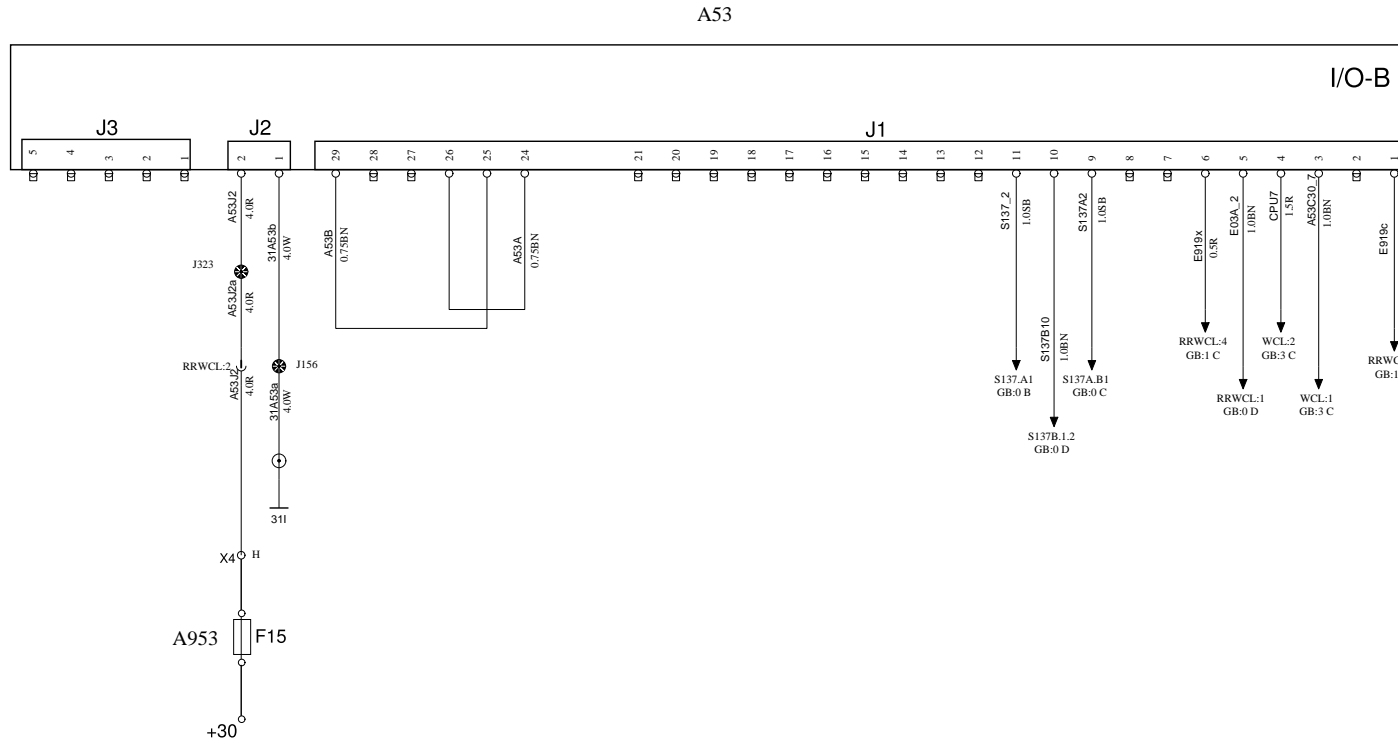


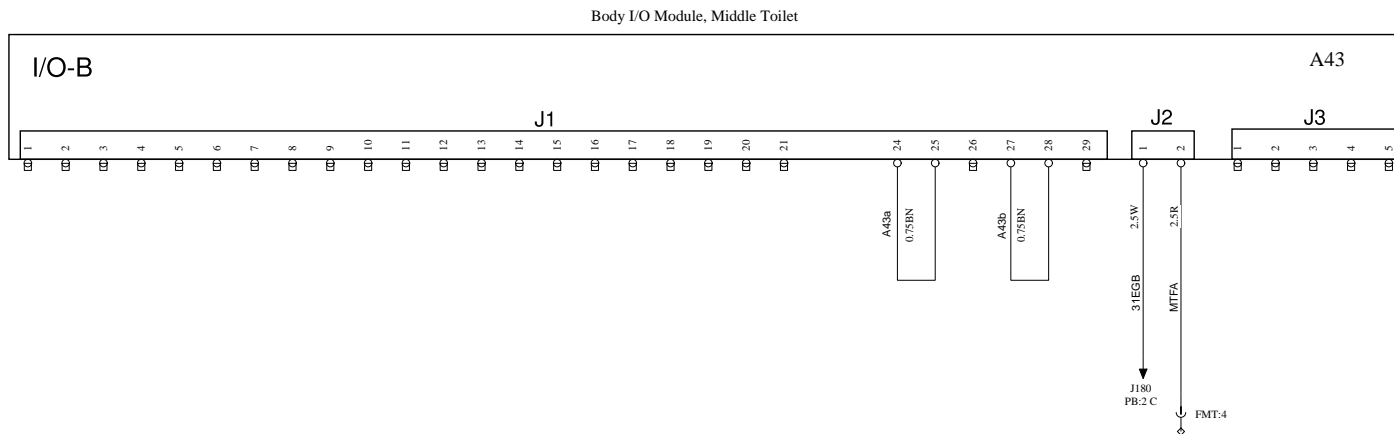
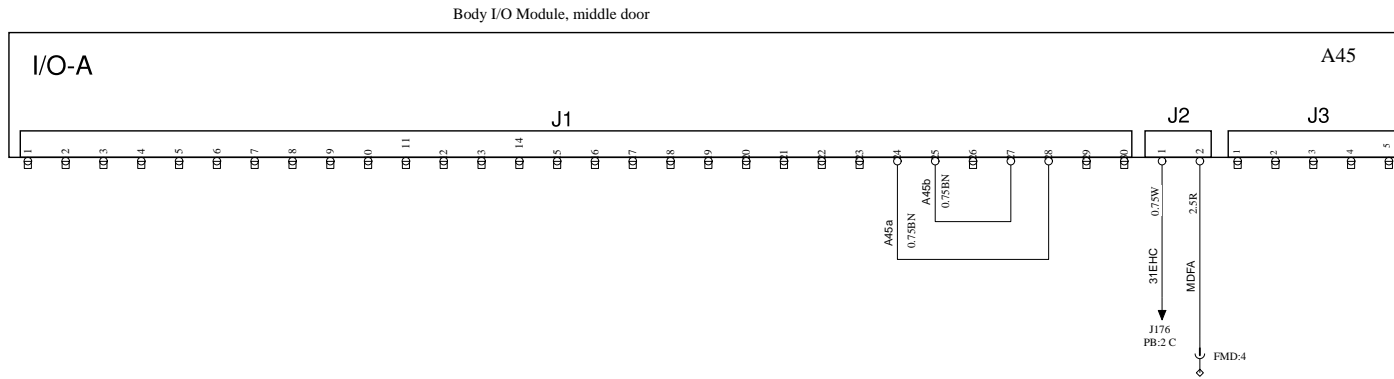
CONTROL UNIT I/O-A
CLIMATE CONTROL

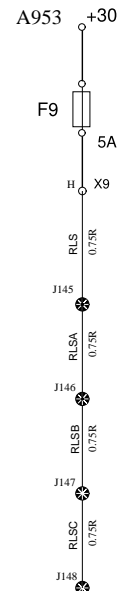
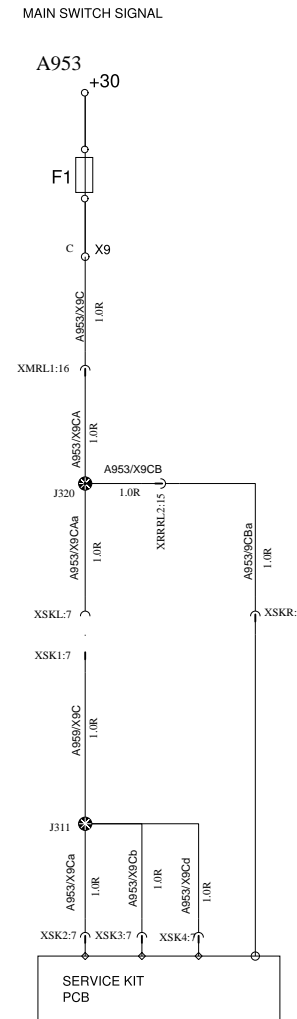
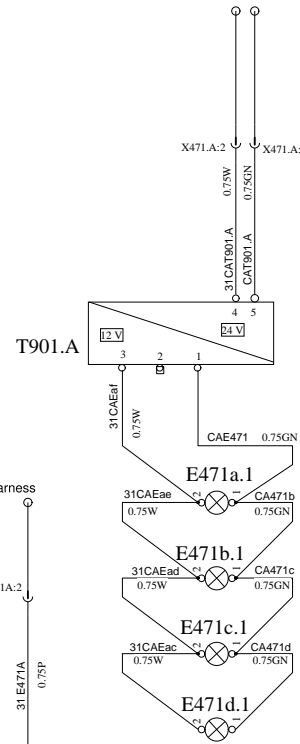
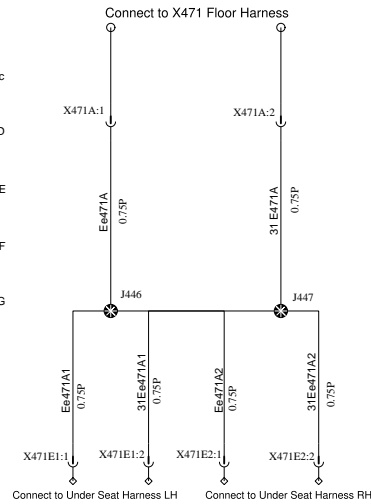
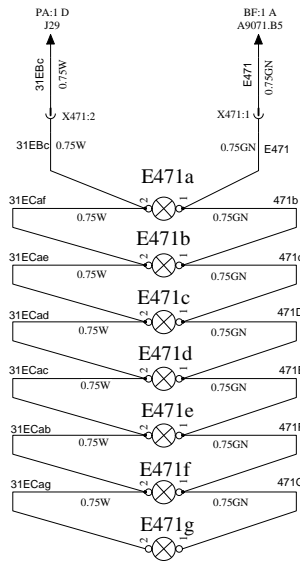
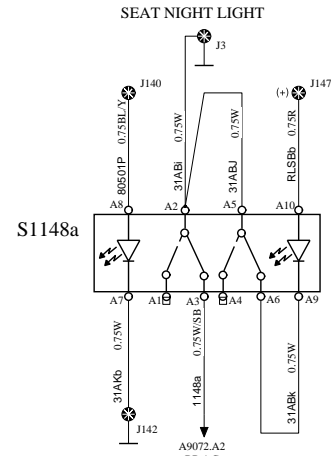
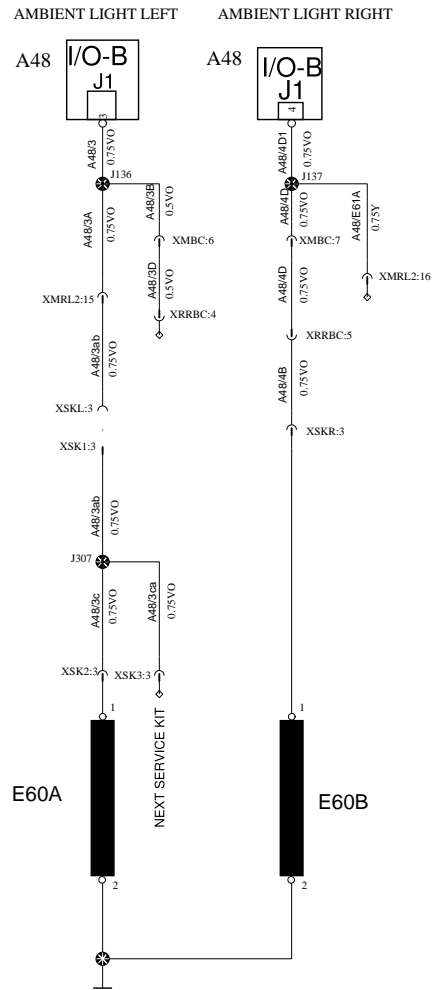


CONTROL UNIT I/O-B
LEFT TOILET





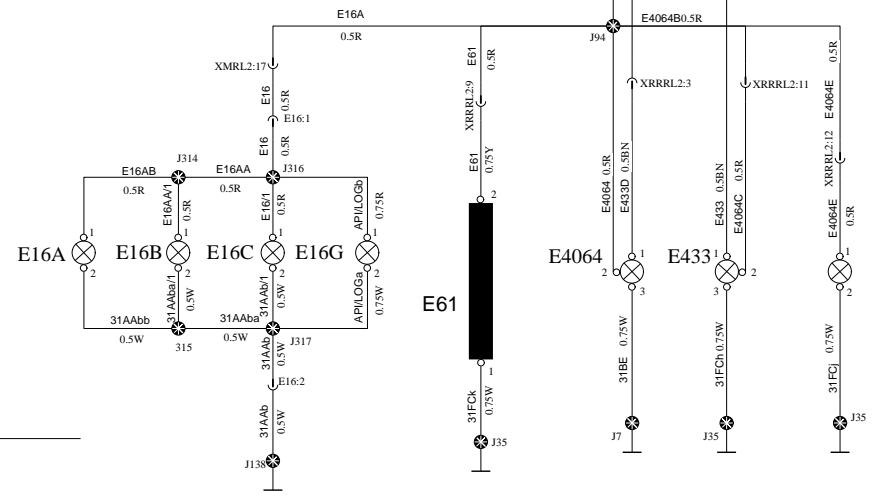
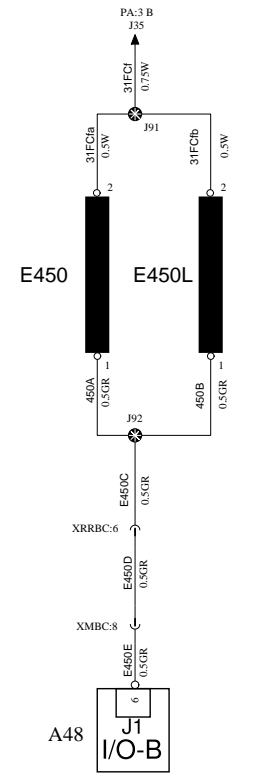
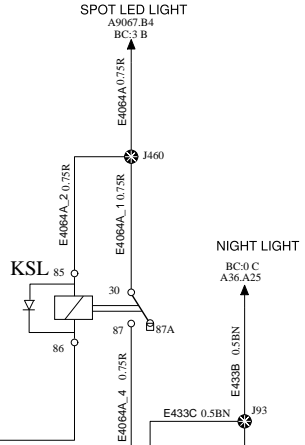
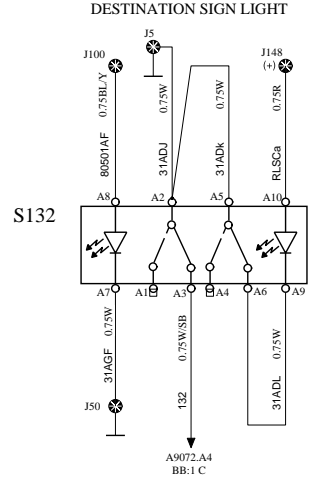
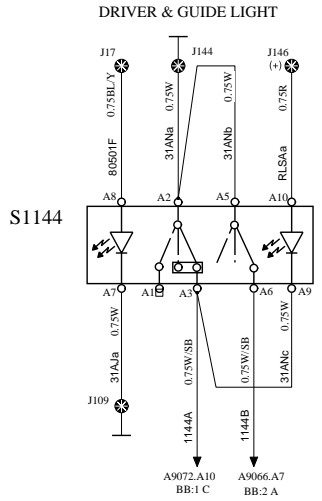




DRIVER LIGHTS

CB

WIRING DIAGRAM



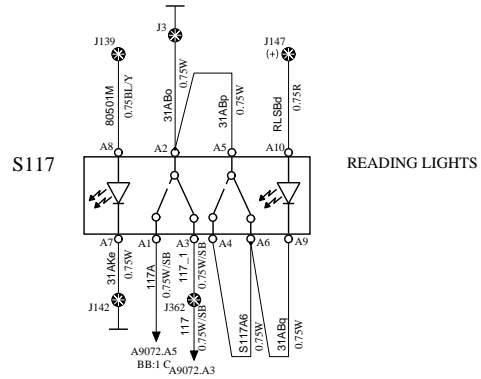
Volvo Bus Corporation

Document title WIRING DIAGRAM	Document No 22600119	Issue 04	Volume 01	Page 17/74
Document type PRODUCT SCHEMATIC				

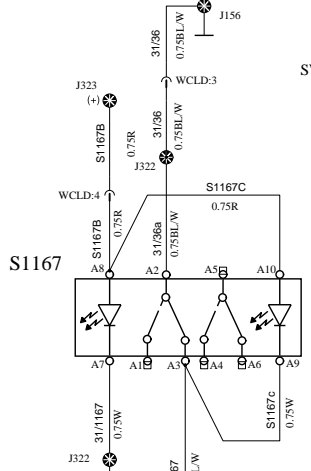
READING LIGHTS PASSENGER AND WCL

CC

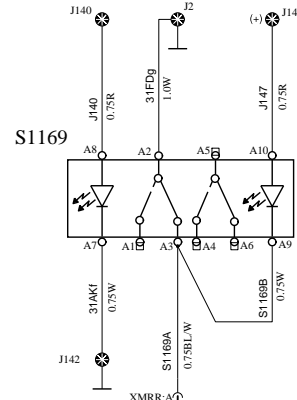
WIRING DIAGRAM



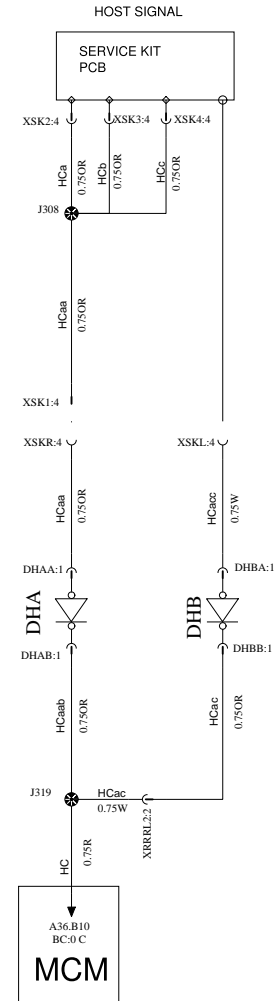
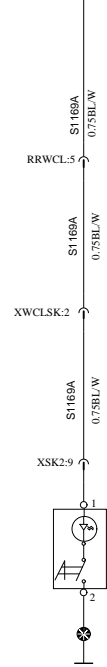
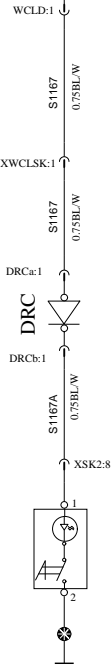
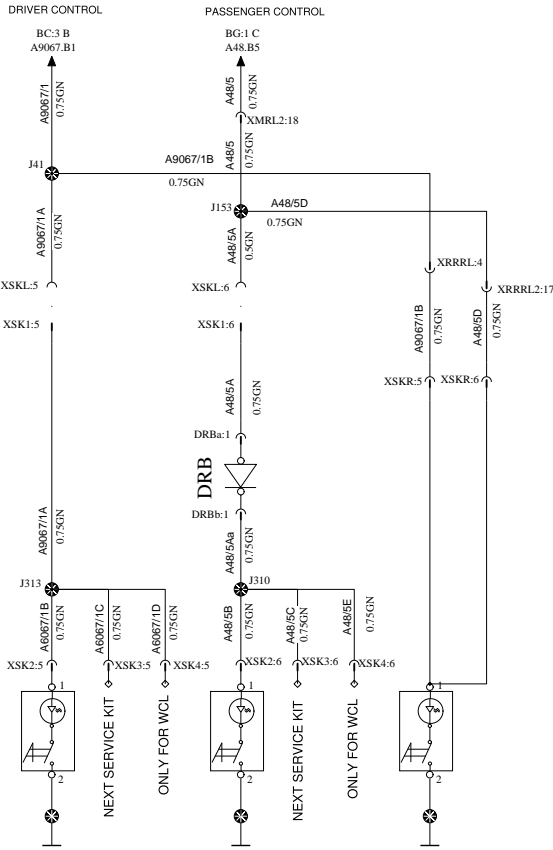
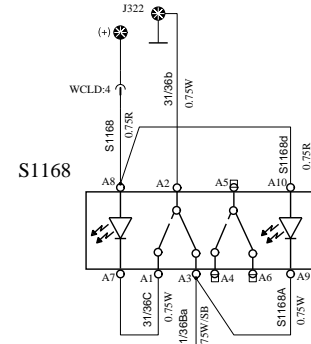
SWITCH, READING LIGHT WCL DOOR



SWITCH, WCL READING LAMPS DASHBOARD

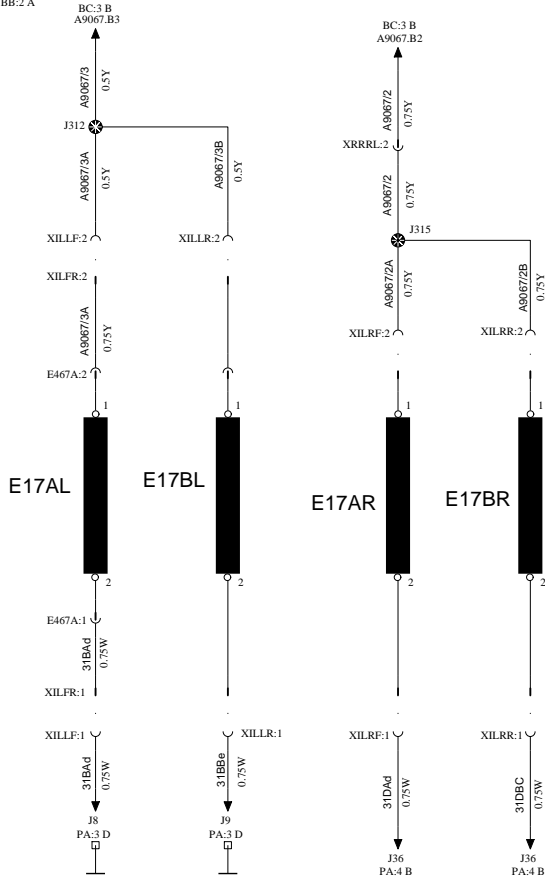
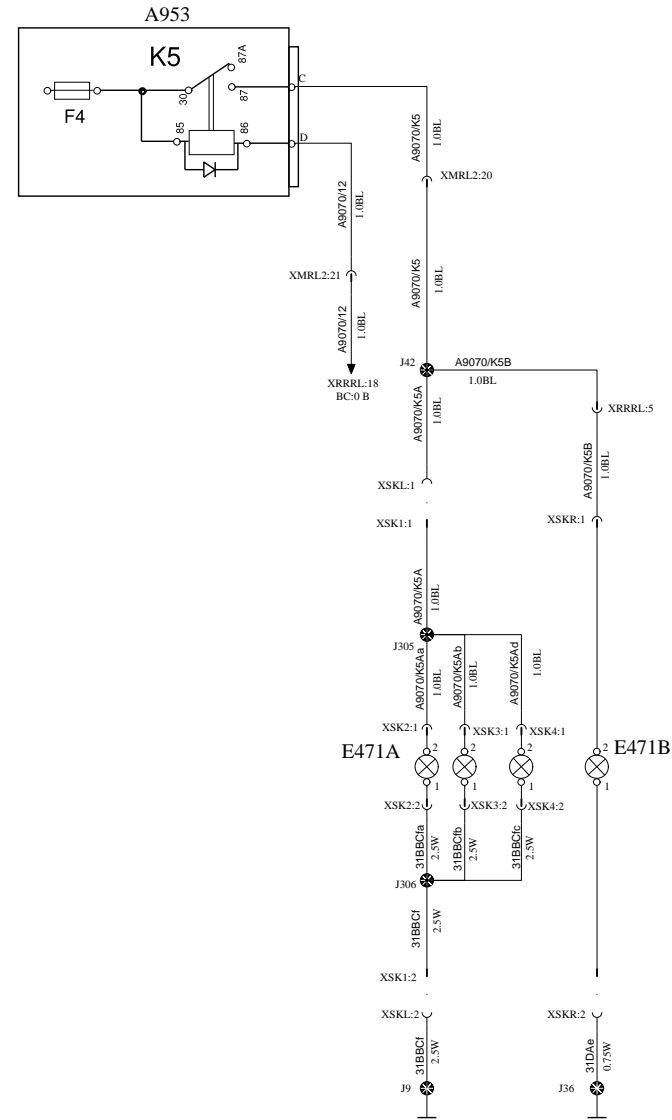
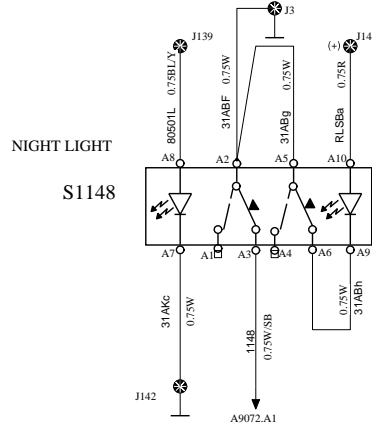
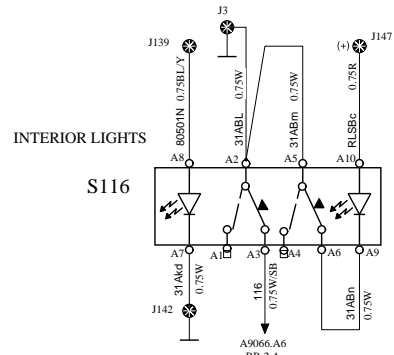


SWITCH, WCL HOST CALL



INTERIOR LIGHT AND NIGHT LIGHT PASSENGERS CD

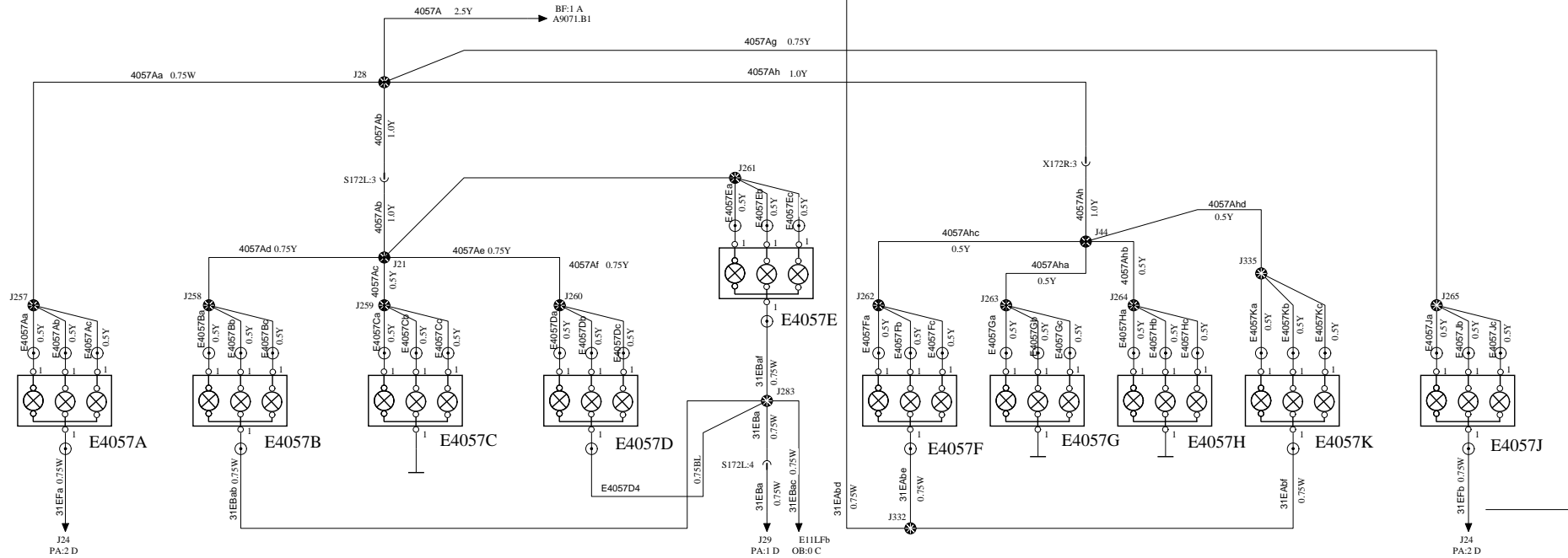
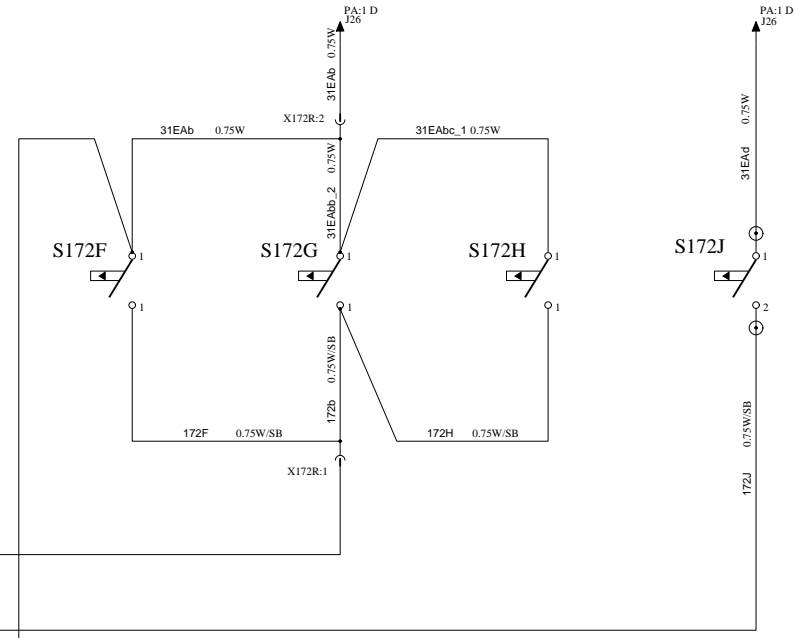
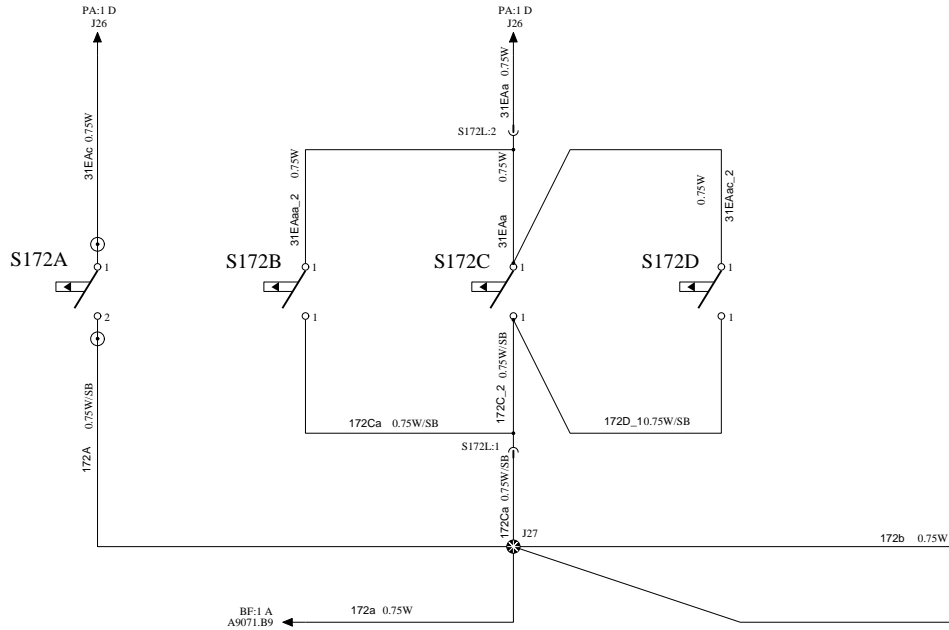
WIRING DIAGRAM



LUGGAGE LIGHTS

CE

WIRING DIAGRAM

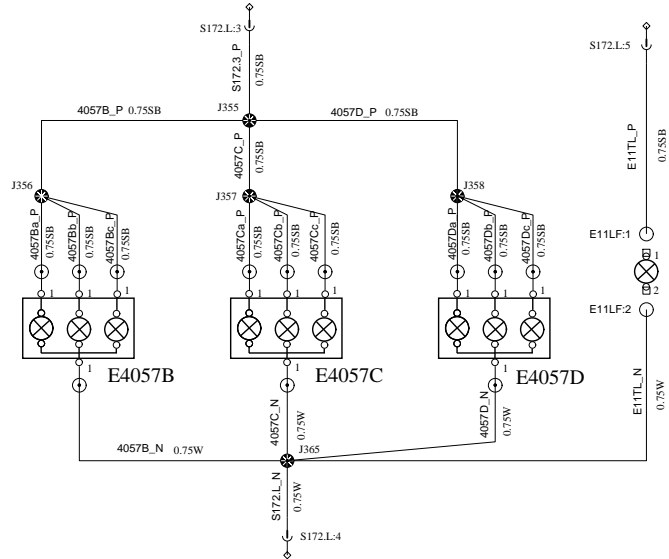


Volvo Bus Corporation

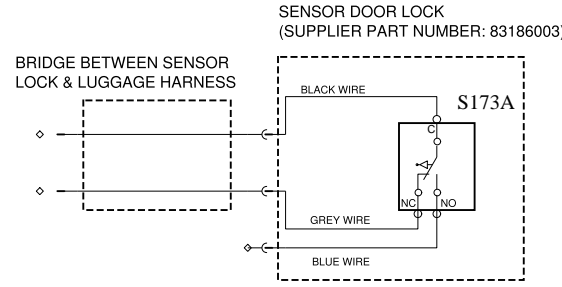
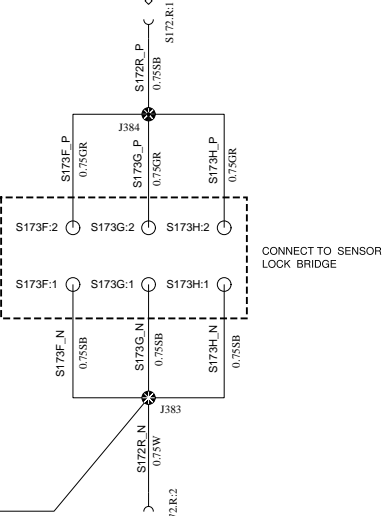
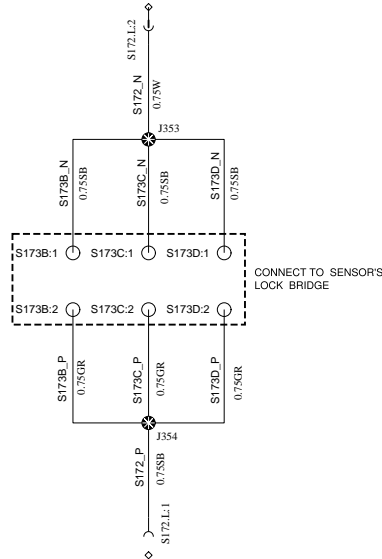
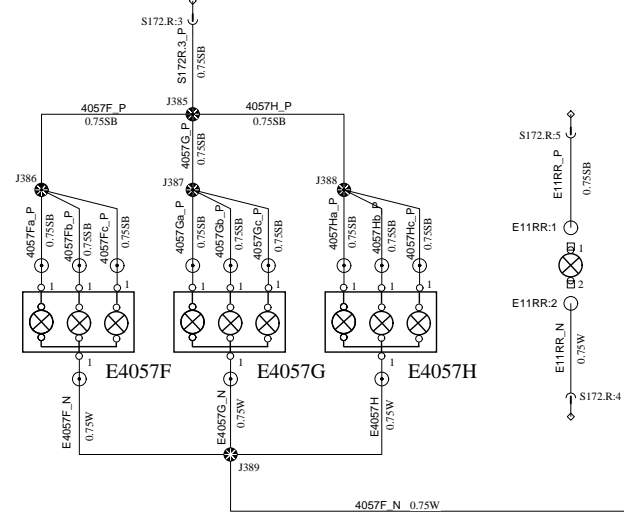
Document title
WIRING DIAGRAM
Document type
PRODUCT SCHEMATIC

Document No	Issue	Volume	Page
22600119	04	01	20/74

LUGGAGE'S HARNESS LEFT SIDE US10



LUGGAGE'S HARNESS RIGHT SIDE US10

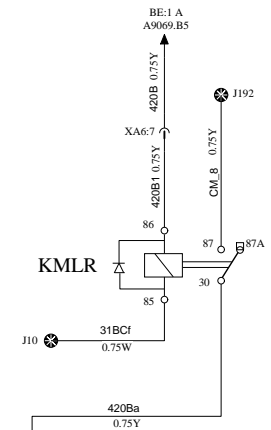
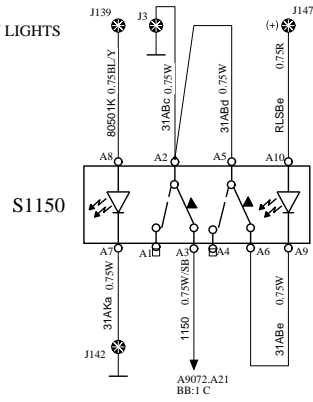
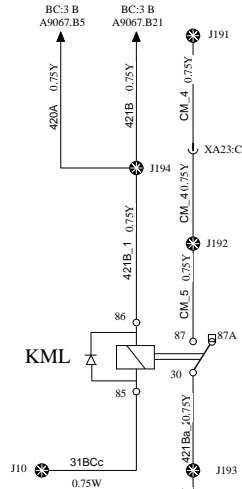


POSITION LIGHTS

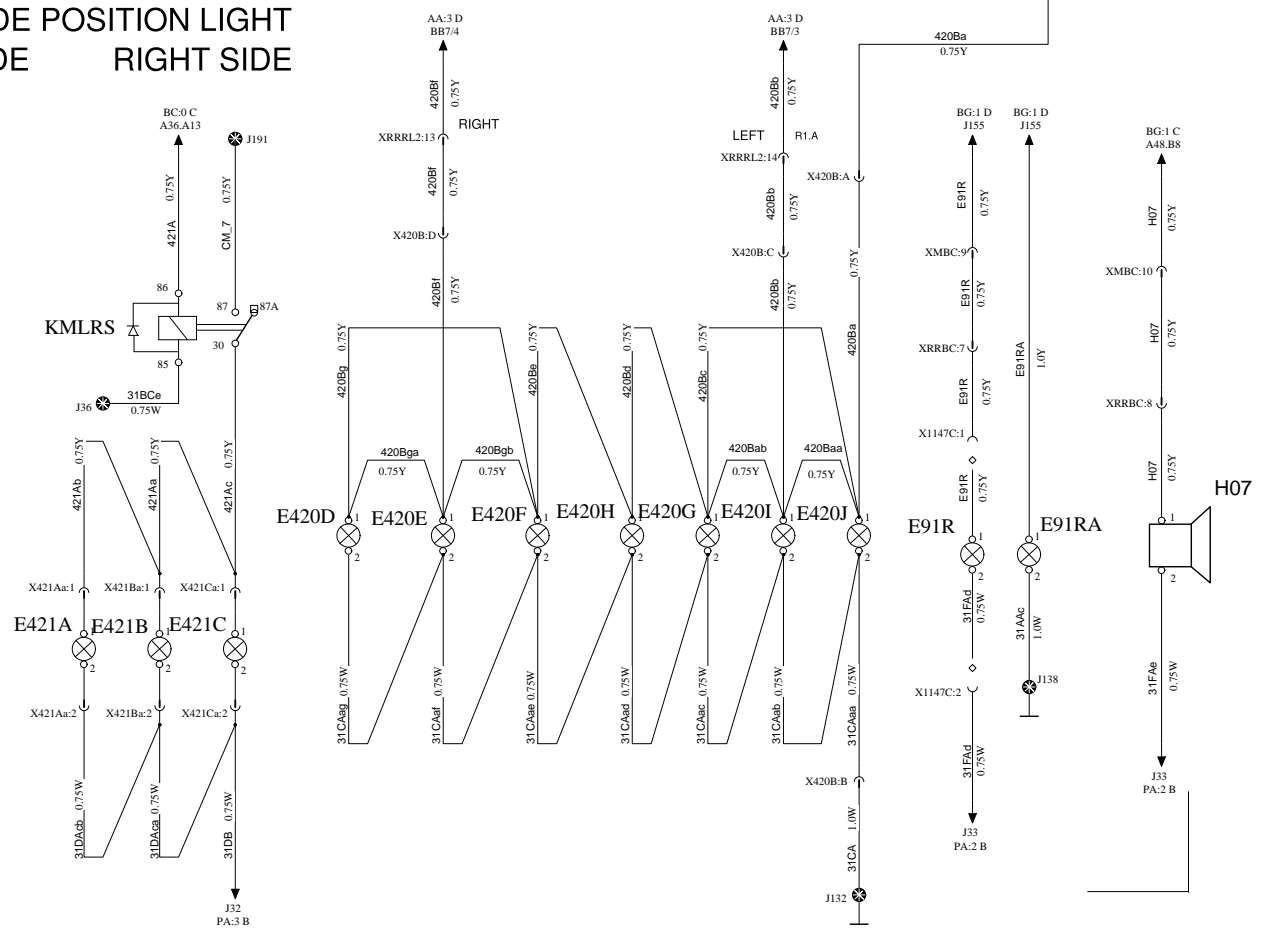
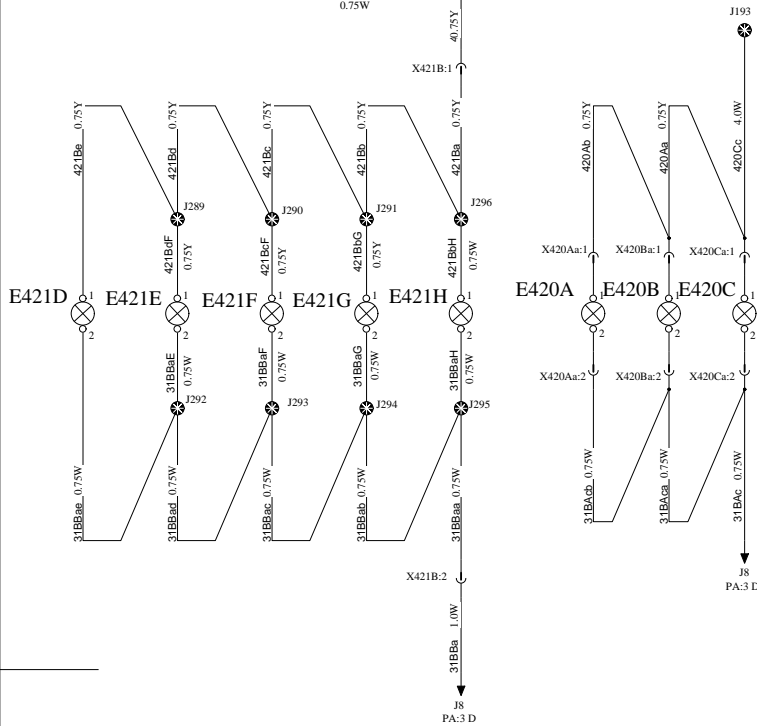
DA

POSITION LIGHTS

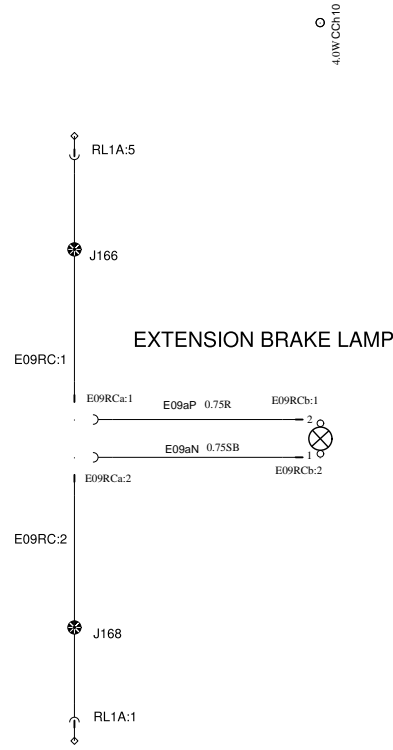
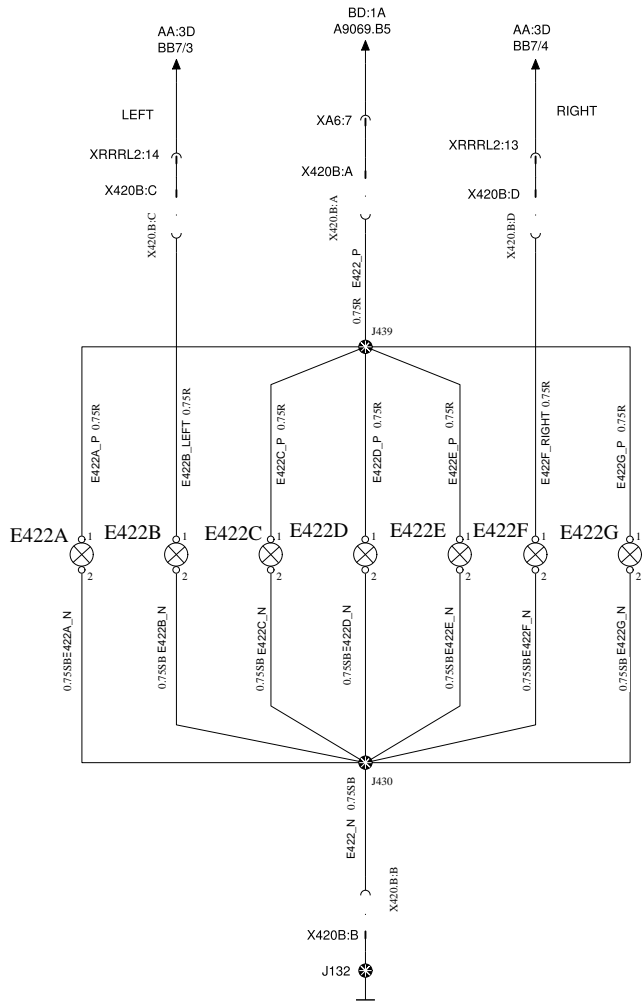
WIRING DIAGRAM



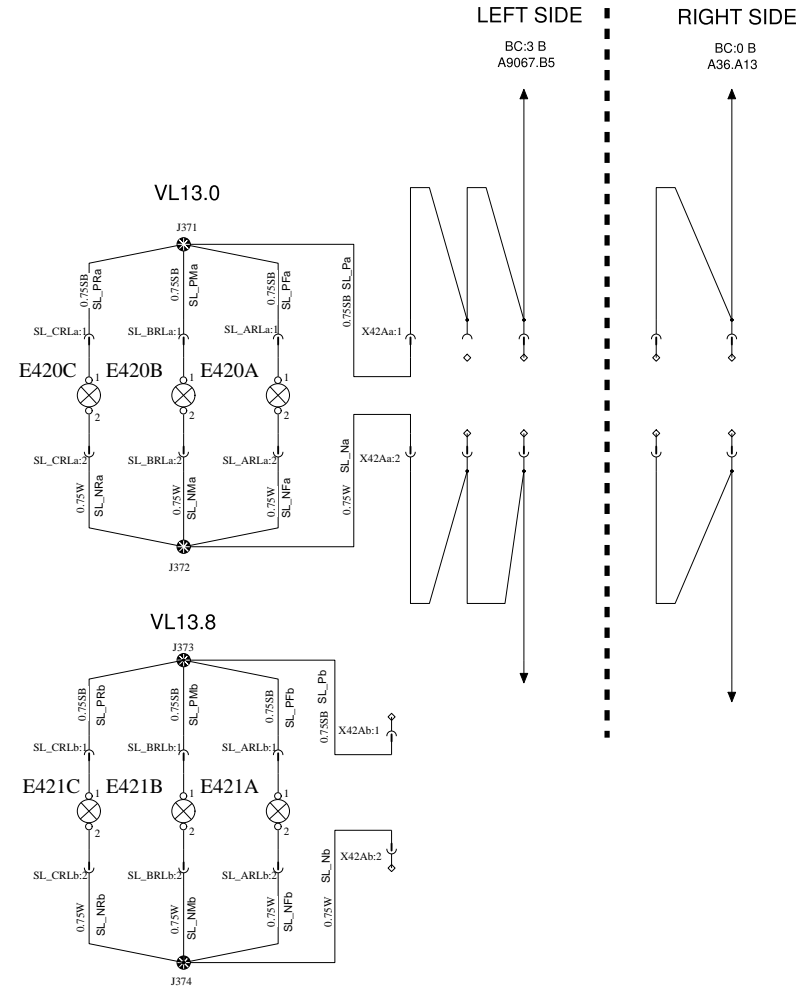
US10 SIDE POSITION LIGHT LEFT SIDE RIGHT SIDE



REAR POSITION LIGHTS

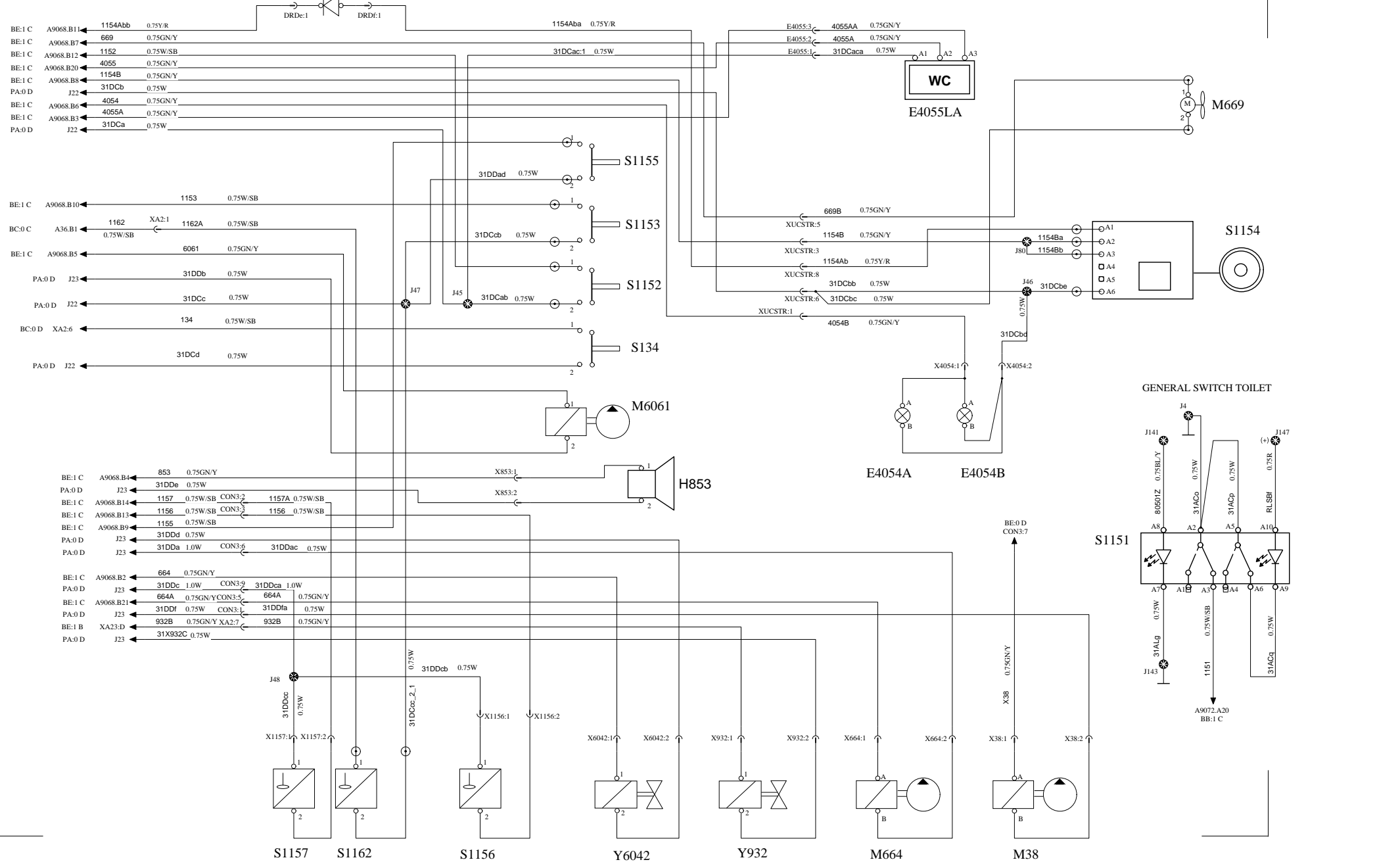


SIDE POSITION LIGHTS

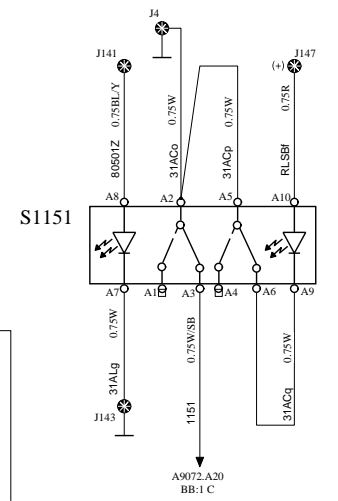


TOILET

WIRING DIAGRAM



GENERAL SWITCH TOILET



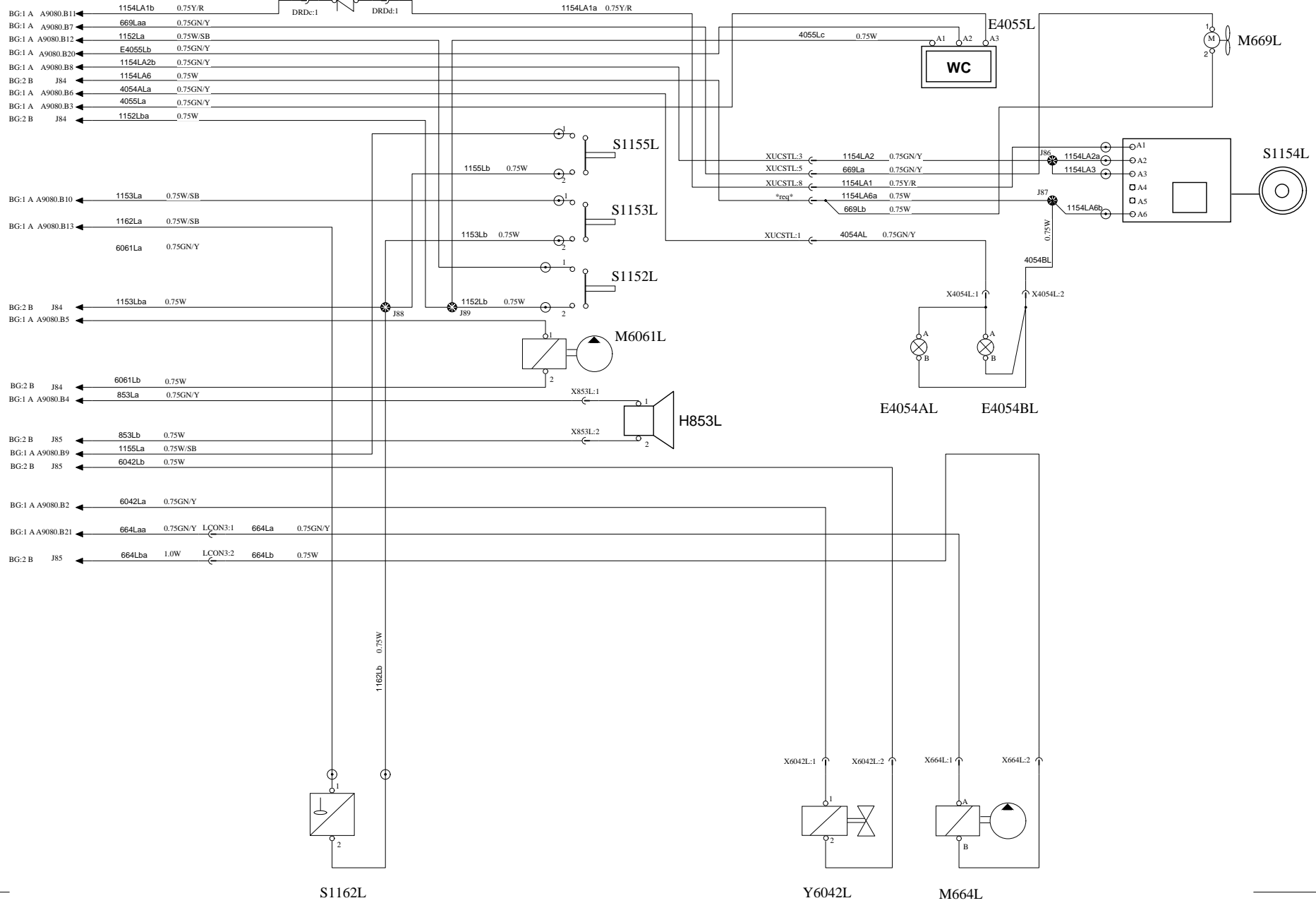
Volvo Bus Corporation

Document title
WIRING DIAGRAM
Document type
PRODUCT SCHEMATIC

Document No	Issue	Volume	Page
22600119	04	01	24/74

LEFT TOILET

WIRING DIAGRAM



Volvo Bus Corporation

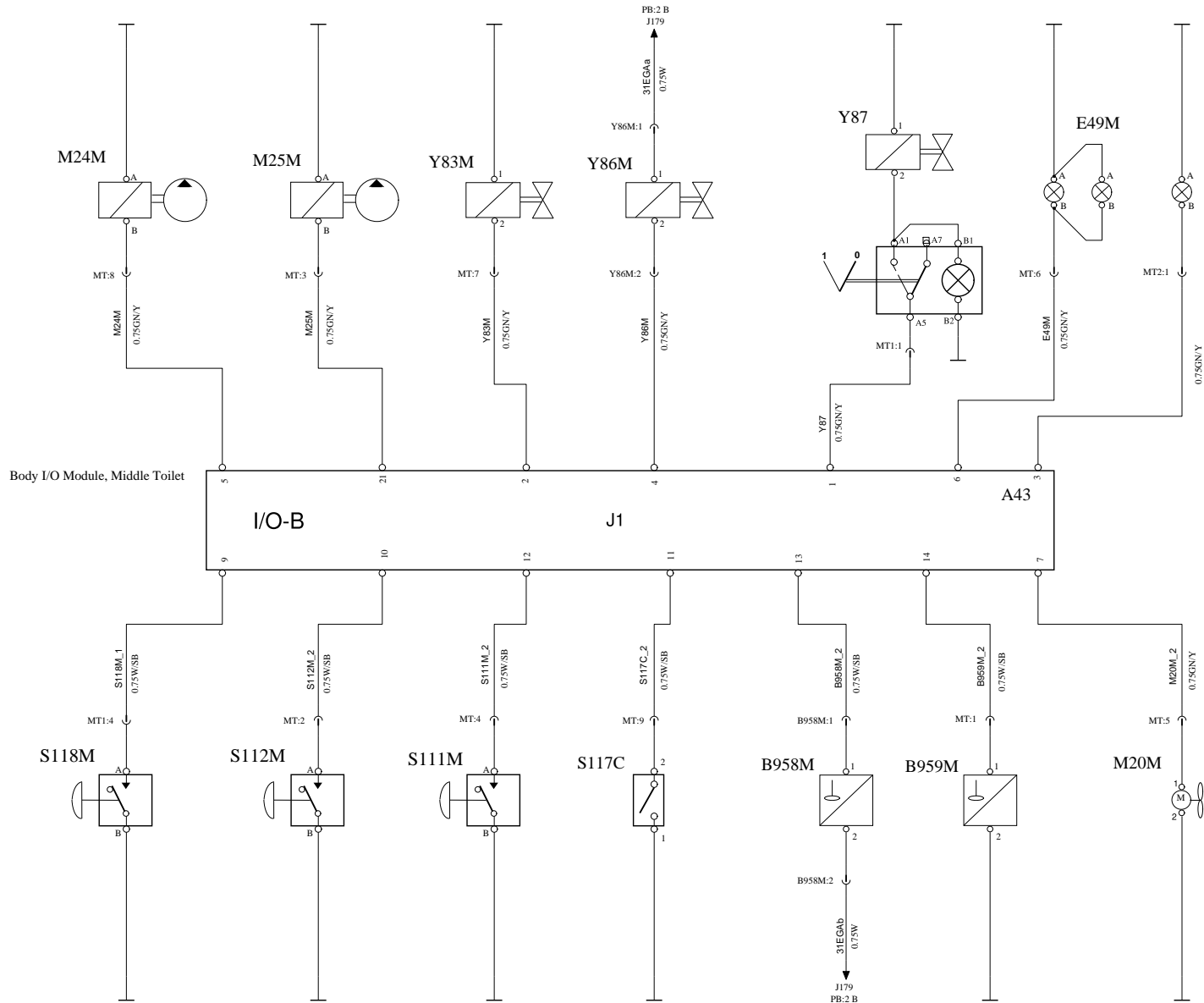
Document title WIRING DIAGRAM
Document type PRODUCT SCHEMATIC

Document No	Issue	Volume	Page
22600119	04	01	25/74

MIDDLE TOILET

EC

WIRING DIAGRAM



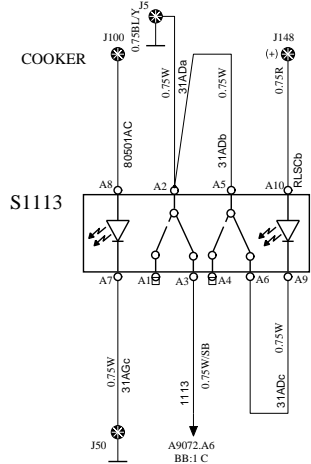
Volvo Bus Corporation

Document title
WIRING DIAGRAM
Document type
PRODUCT SCHEMATIC

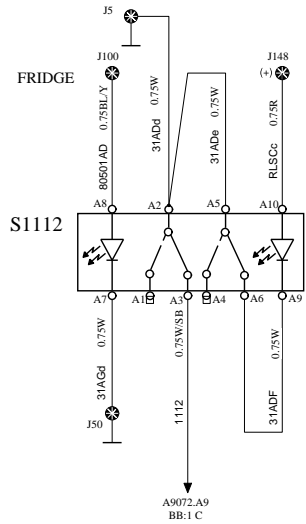
Document No
22600119

Issue	Volume	Page
04	01	26/74

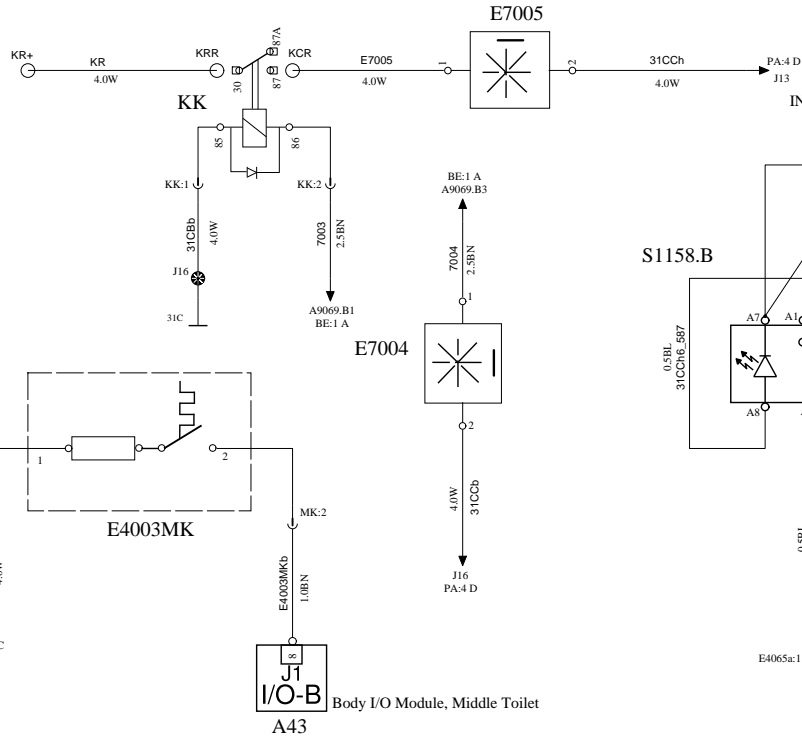
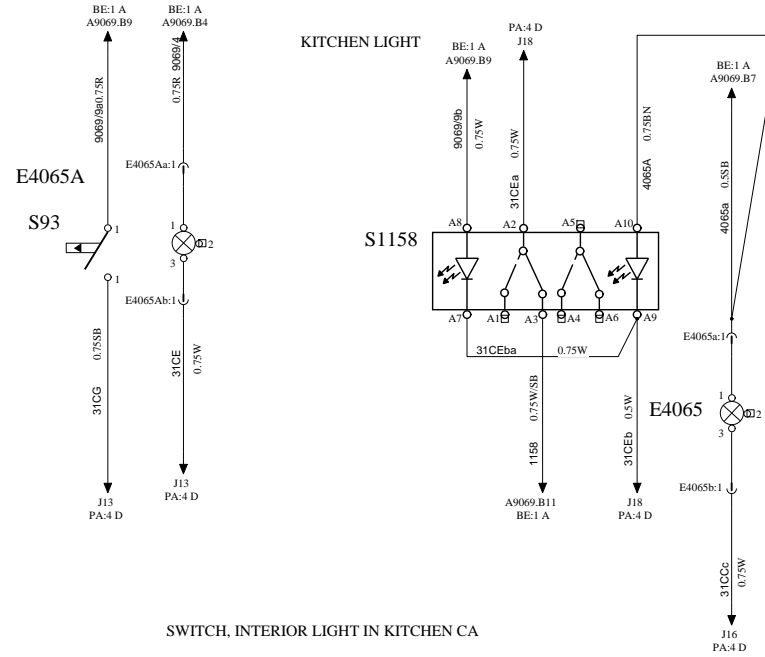
KITCHEN



FA

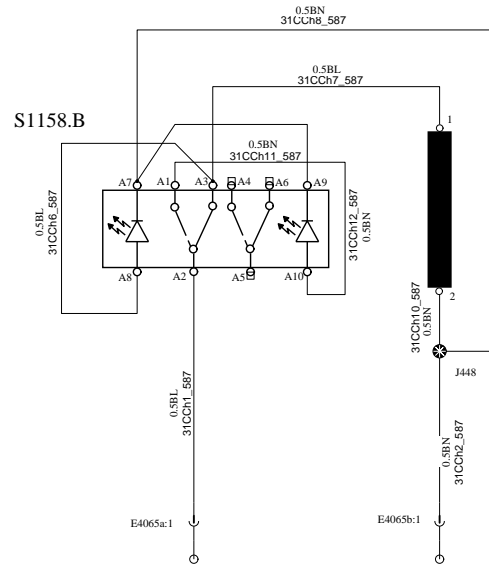


WIRING DIAGRAM



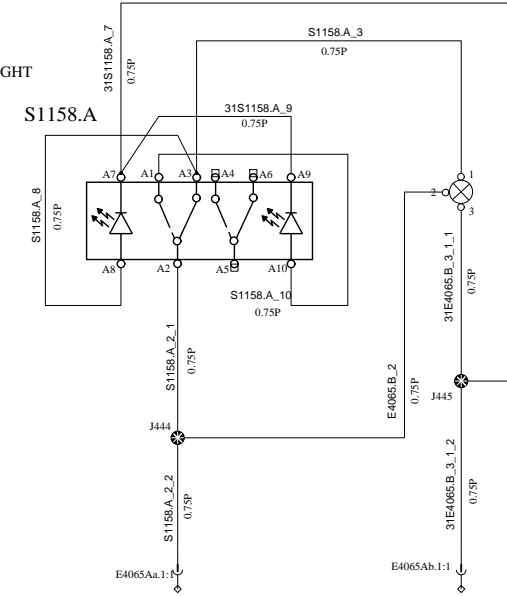
INDIRECT LIGHT FOR KITCHEN CA

SWITCH, INTERIOR LIGHT IN KITCHEN CA

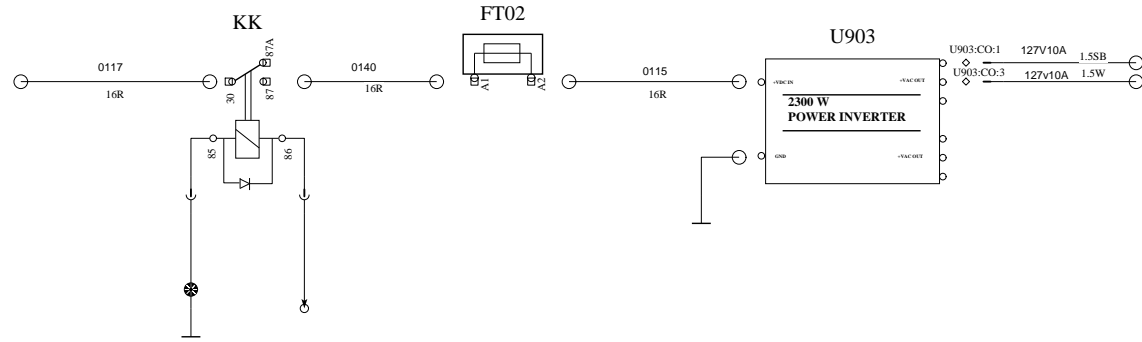


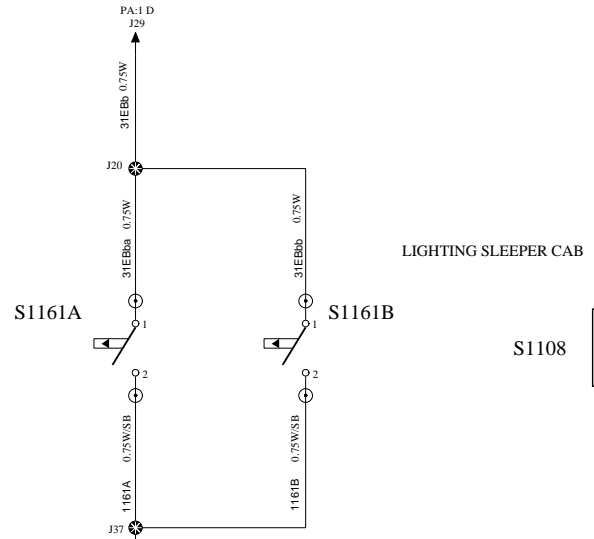
LAMP INDIRECT LIGHT

E4065.C

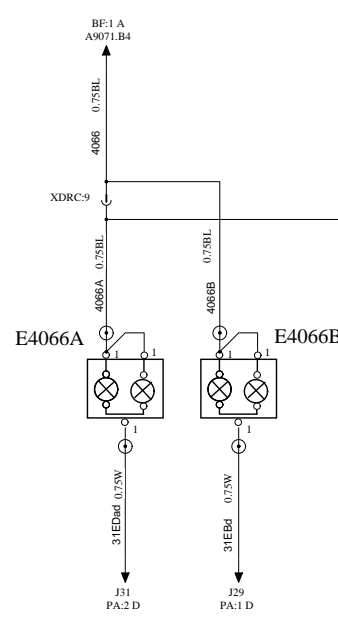


E4065.B

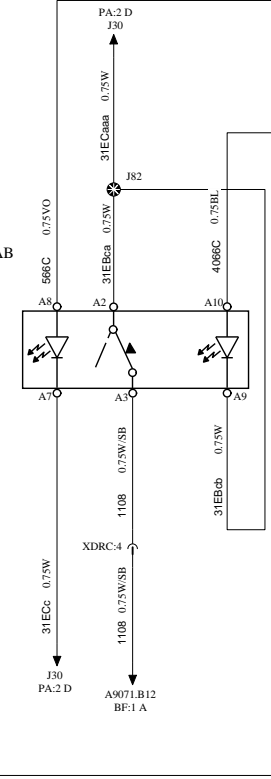




LIGHTING SLEEPER CAB

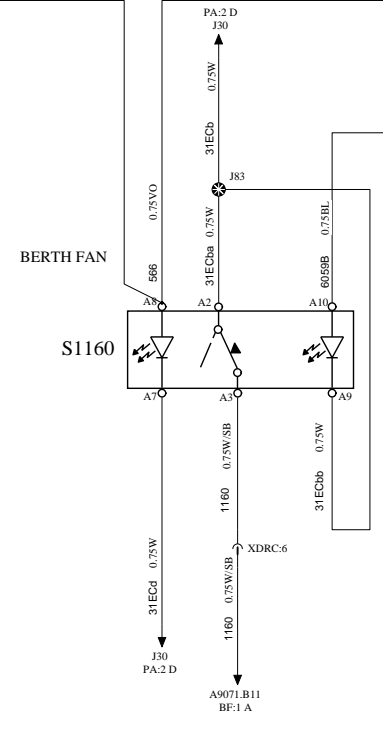


S1108

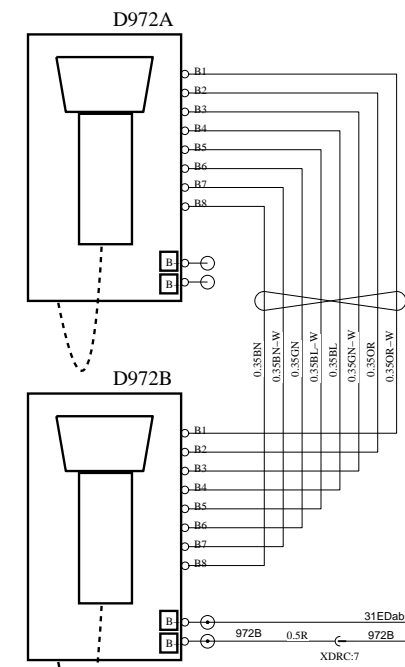
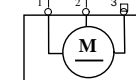


BERTH FAN

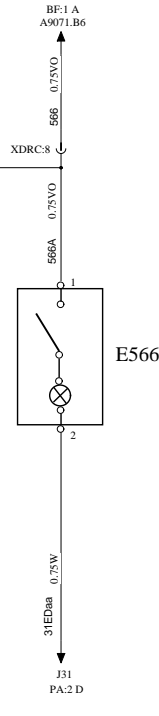
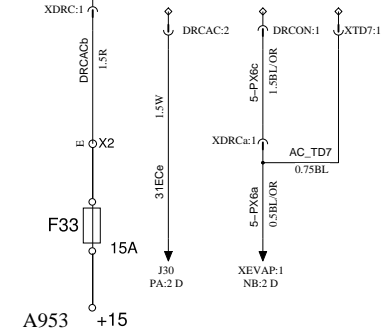
S1160



M6059



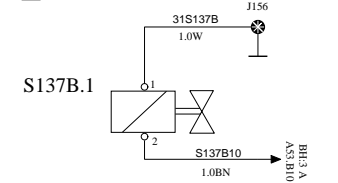
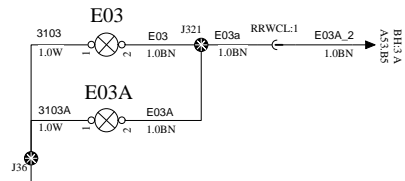
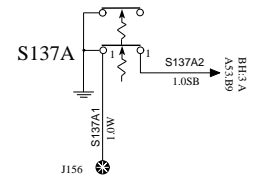
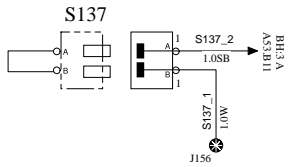
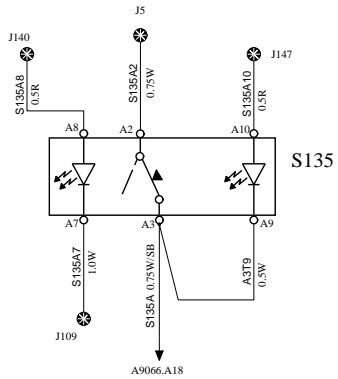
DRC AIR CONDITION



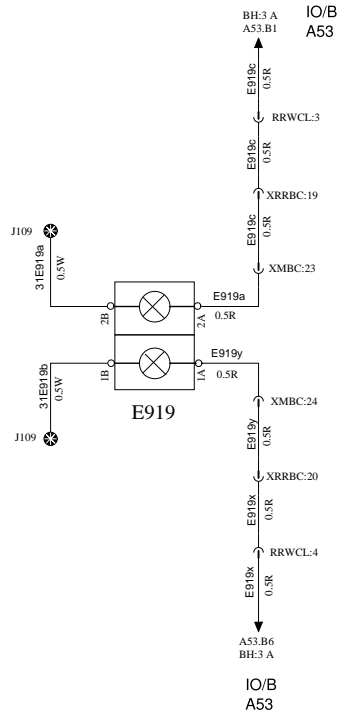
WHEEL CHAIR LIFT

GB

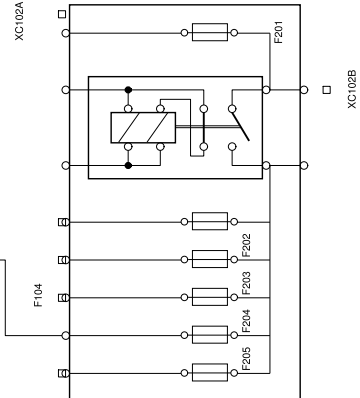
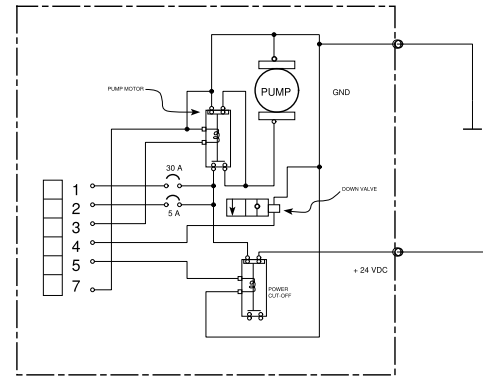
WIRING DIAGRAM



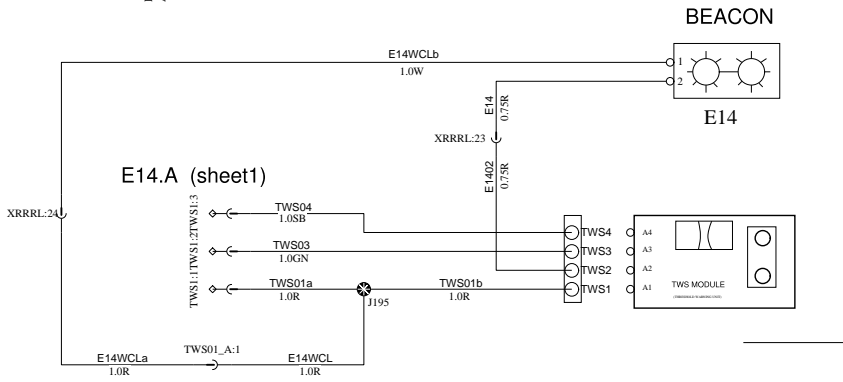
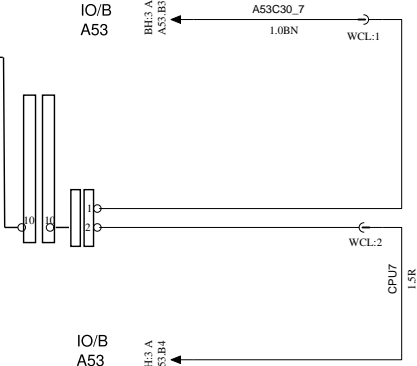
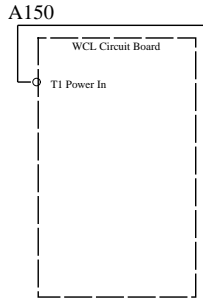
ELECTRICAL HATCH LOCK WHEEL CHAIR LIFT




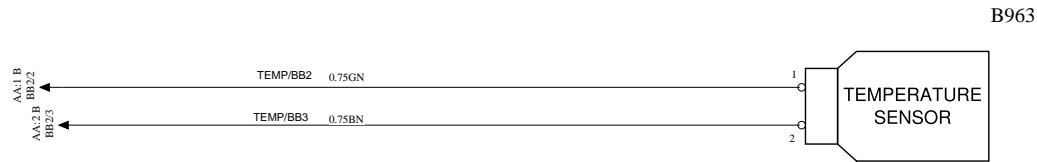
PUMP ENCLOSURE



ENGINE FUSE BOX



	Volvo Bus Corporation	Document title	Document No	Issue	Volume	Page
		WIRING DIAGRAM PRODUCT SCHEMATIC	22600119	04	01	31/74

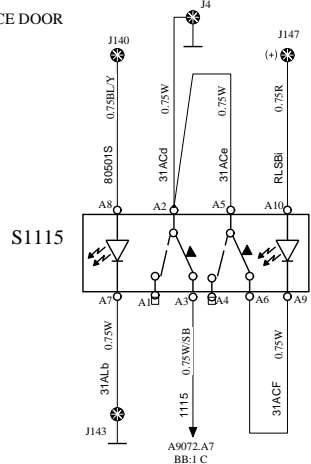


DOOR CONTROL

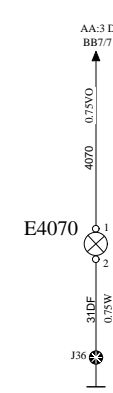
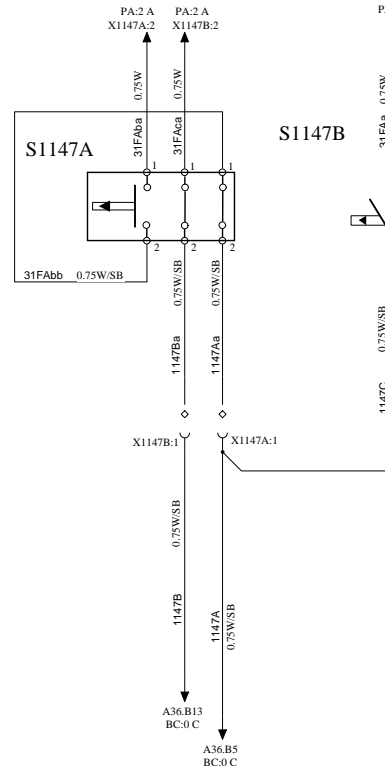
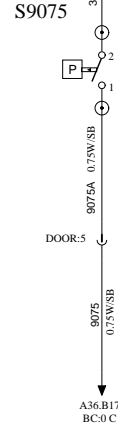
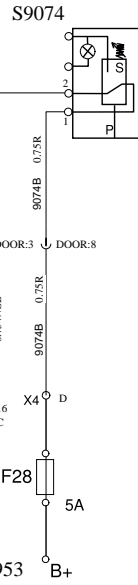
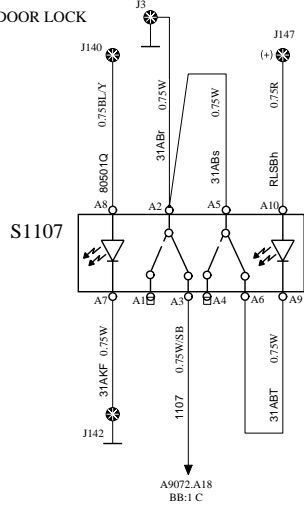
HA

WIRING DIAGRAM

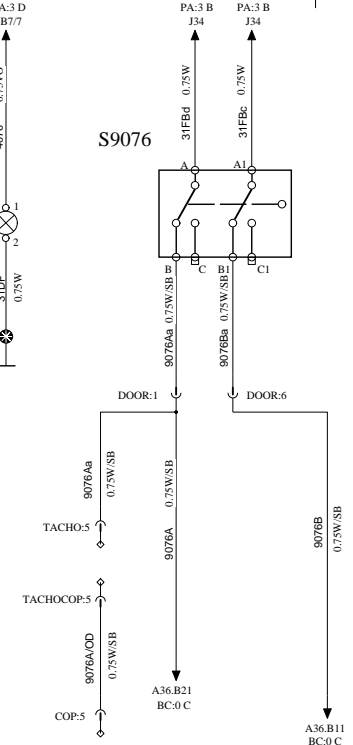
SERVICE DOOR



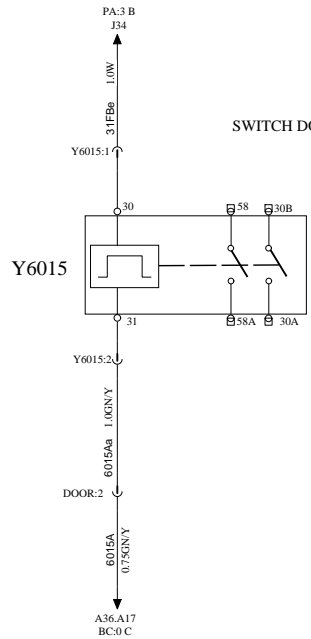
DOOR LOCK



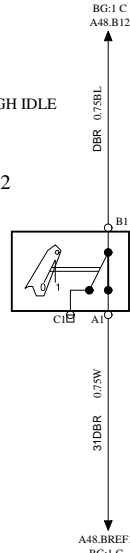
S9076



SWITCH DOOR BRAKE HIGH IDLE

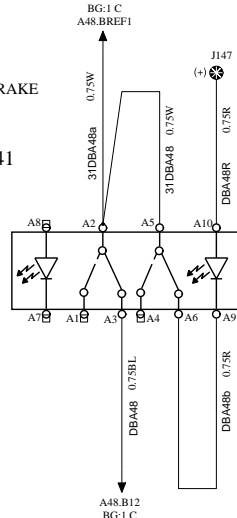


S142

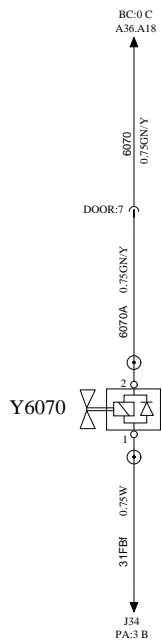
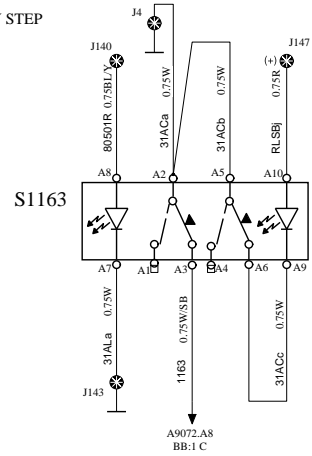


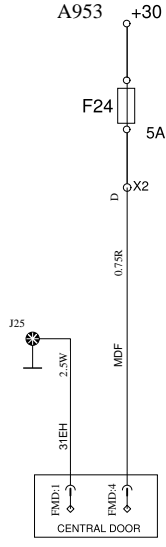
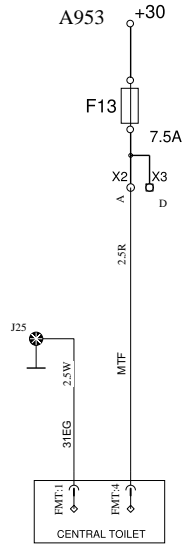
DOOR BRAKE

S141

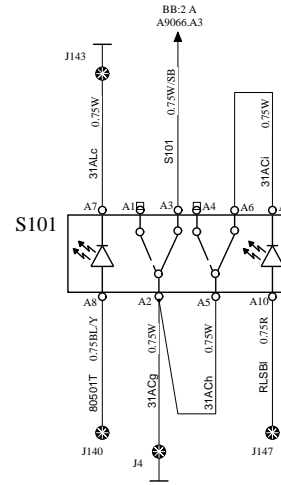


AUXILIARY STEP





Switch, Middle Door



A

A

B

B

C

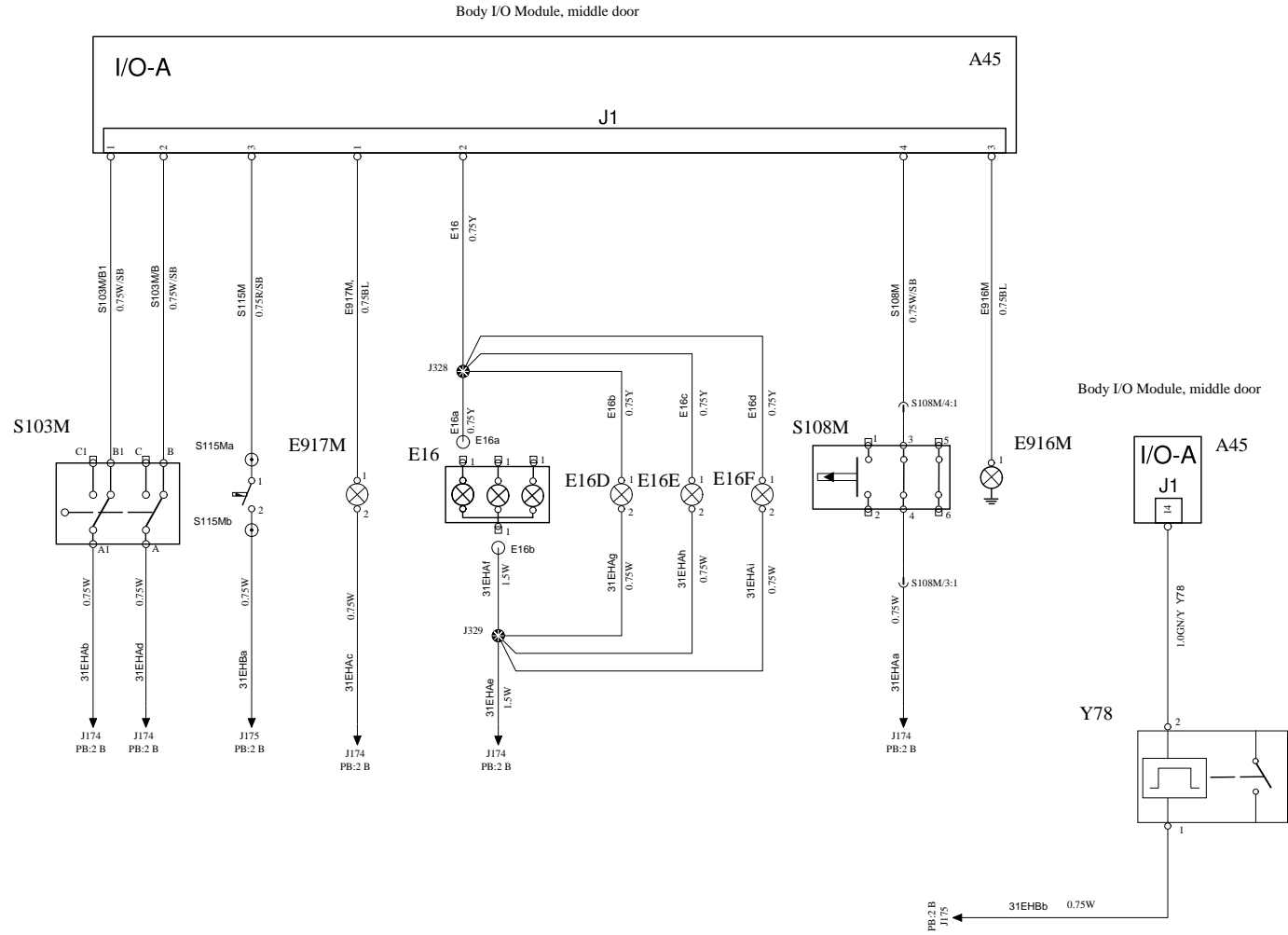
C

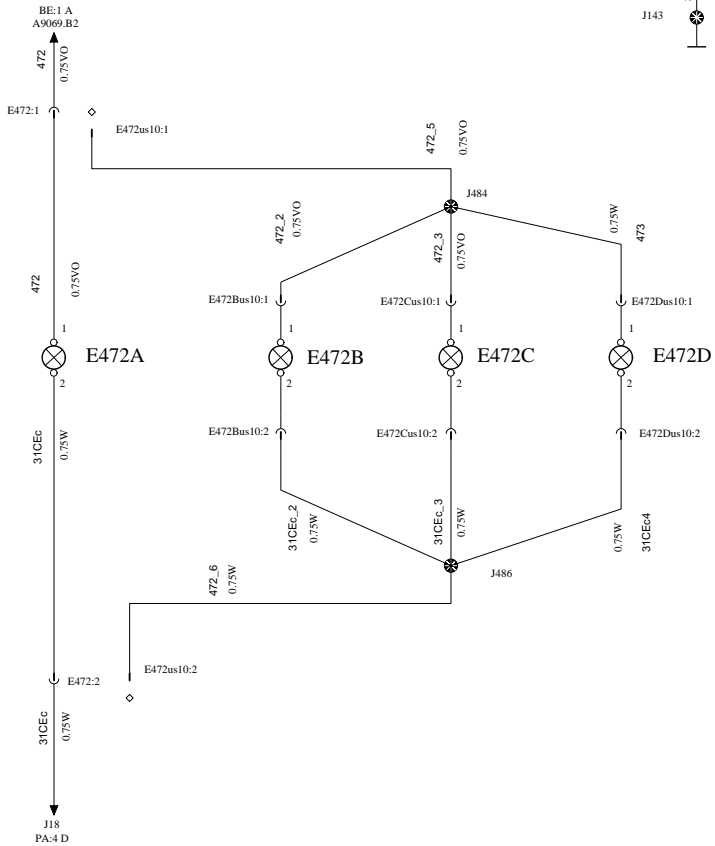
D

D

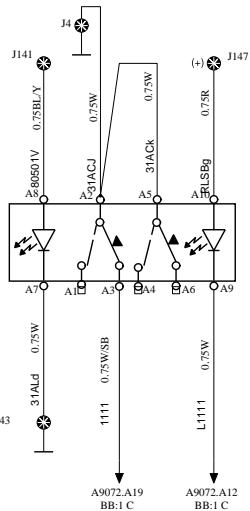
E

E



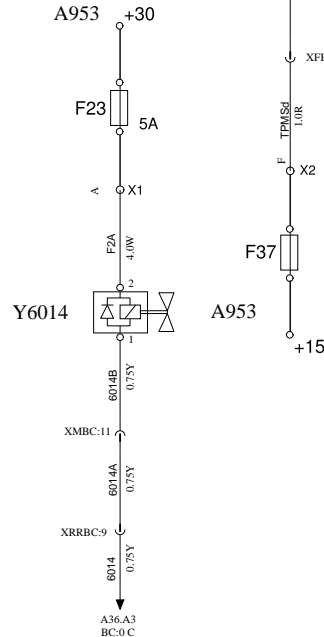


S1111



CENTRAL LOCK

T902



A953 +15

F31

X3 G

J360

AFH_1

J361

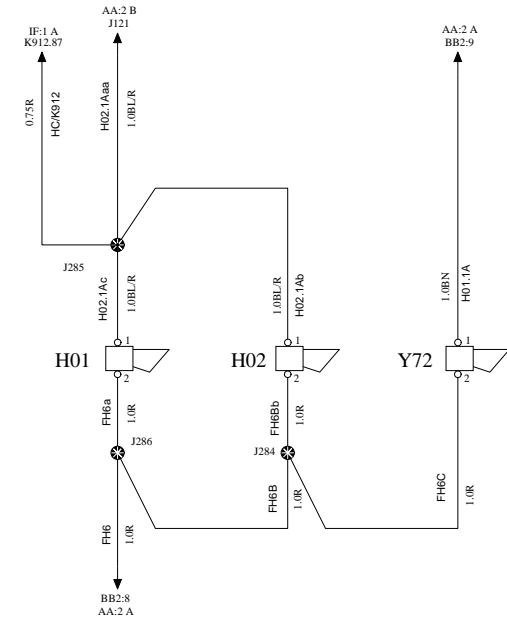
AFH

AFH_1

AFHA

AFH:1

AFHA:1



IF:1 A

HC/K912

J285

H02.1Ac

FH6a

J286

FH6

BB2:8

AA:2 A

AFH

AFHA

AFH:1

AFHA:1

AFH:2

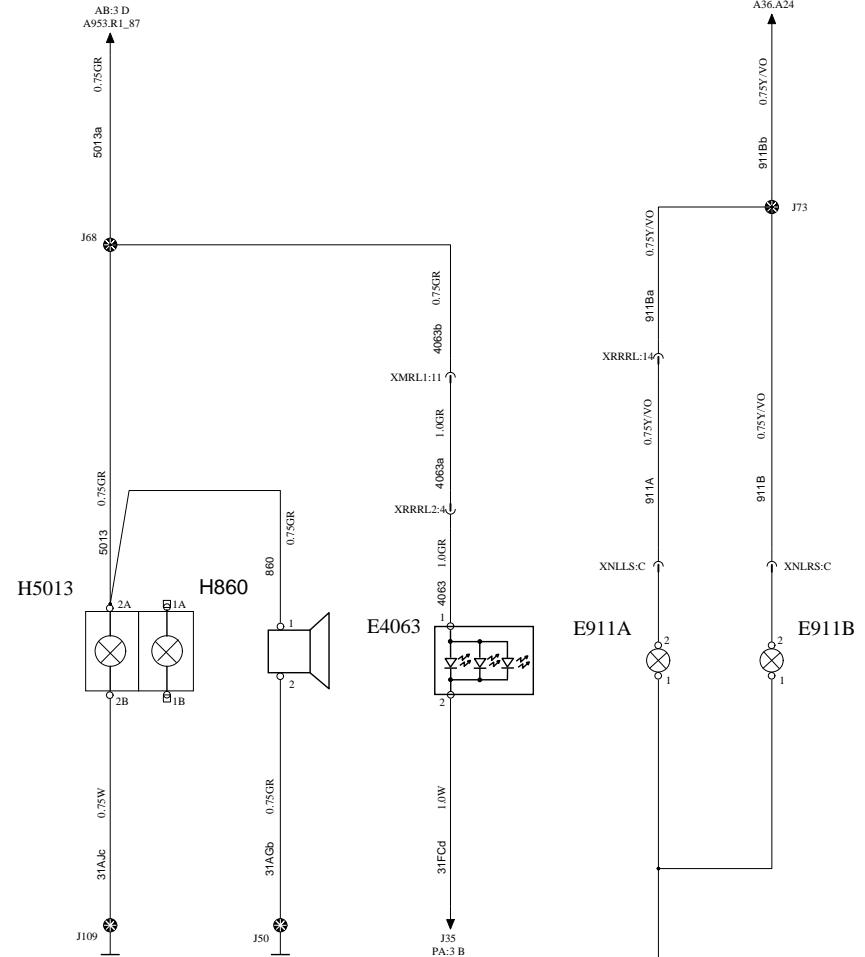
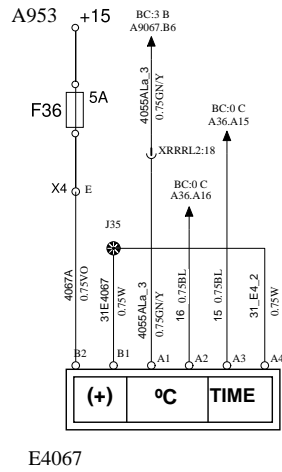
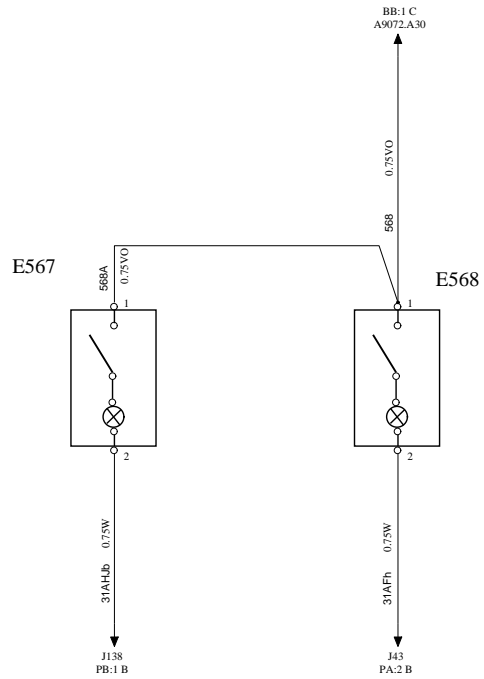
AFHA:2

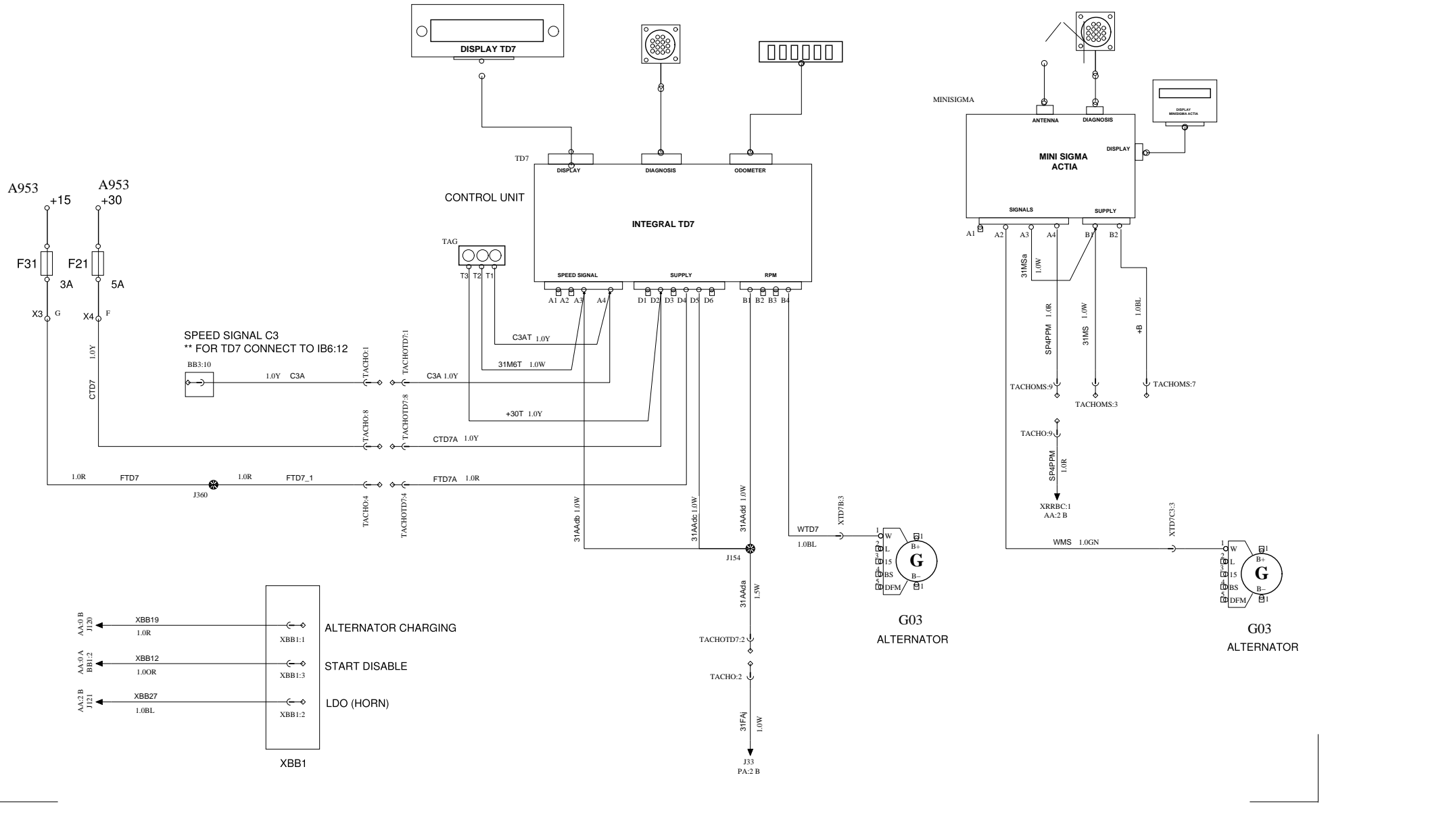
AFH:1

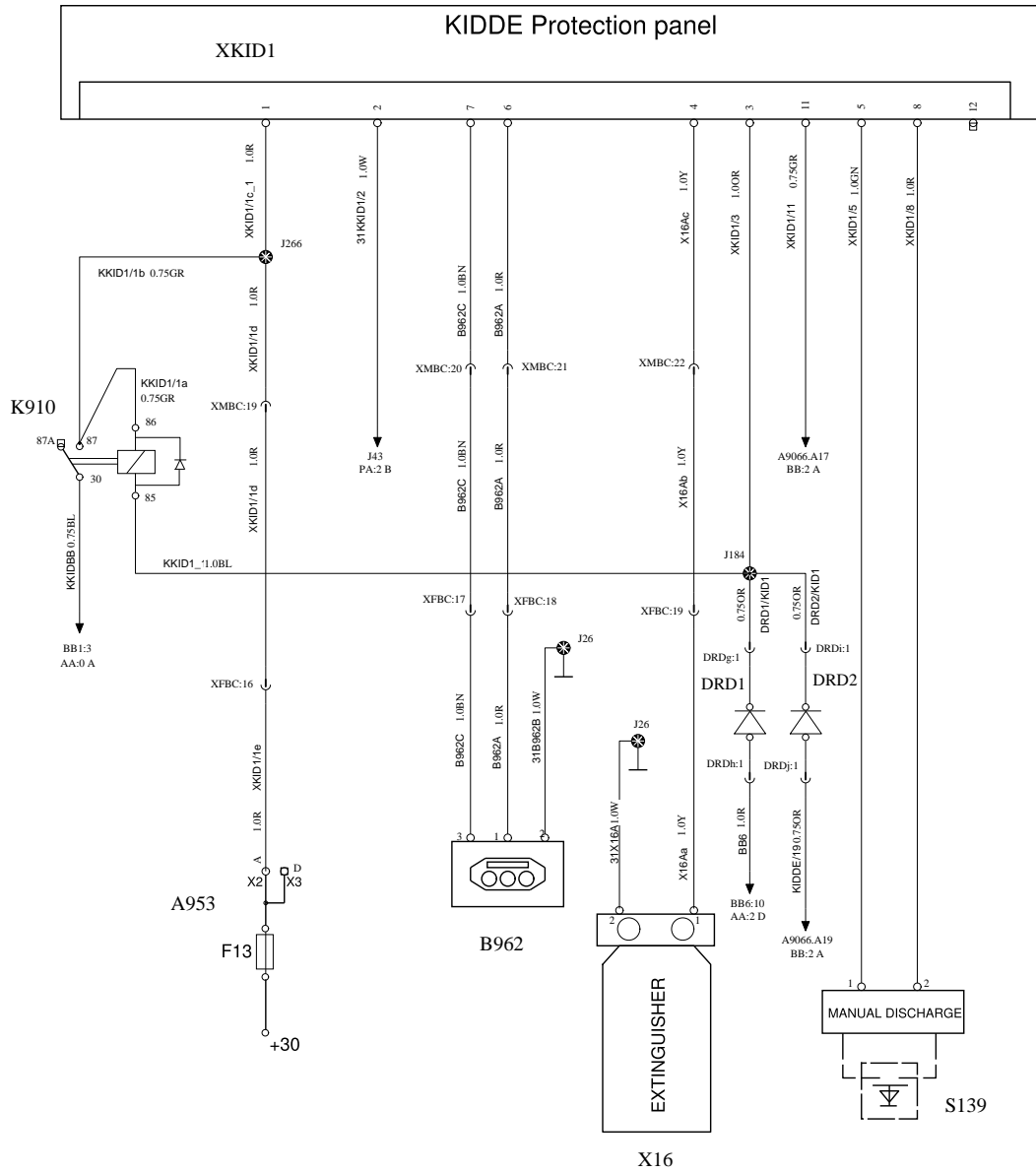
AFHA:1

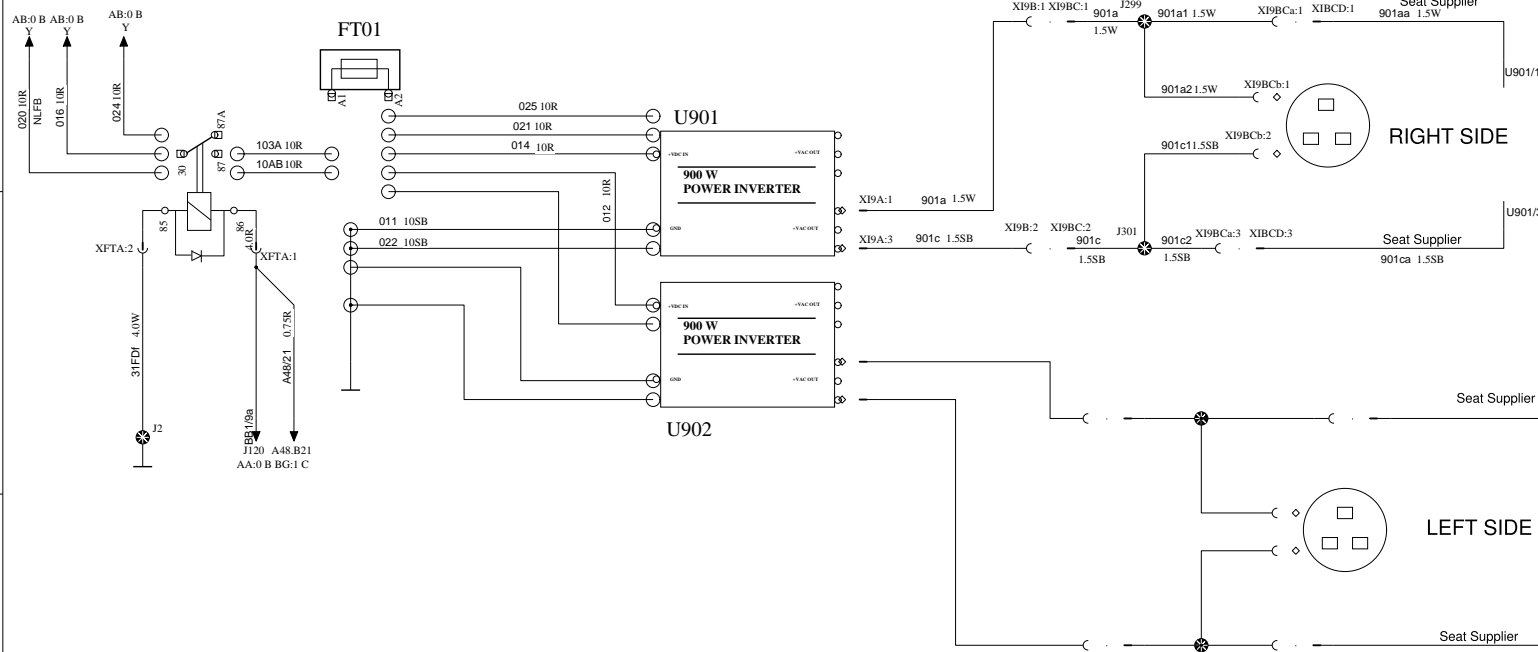
SNAKE LAMP, ELECTRIC CENTRE

SNAKE LAMP, MAP LIGHT





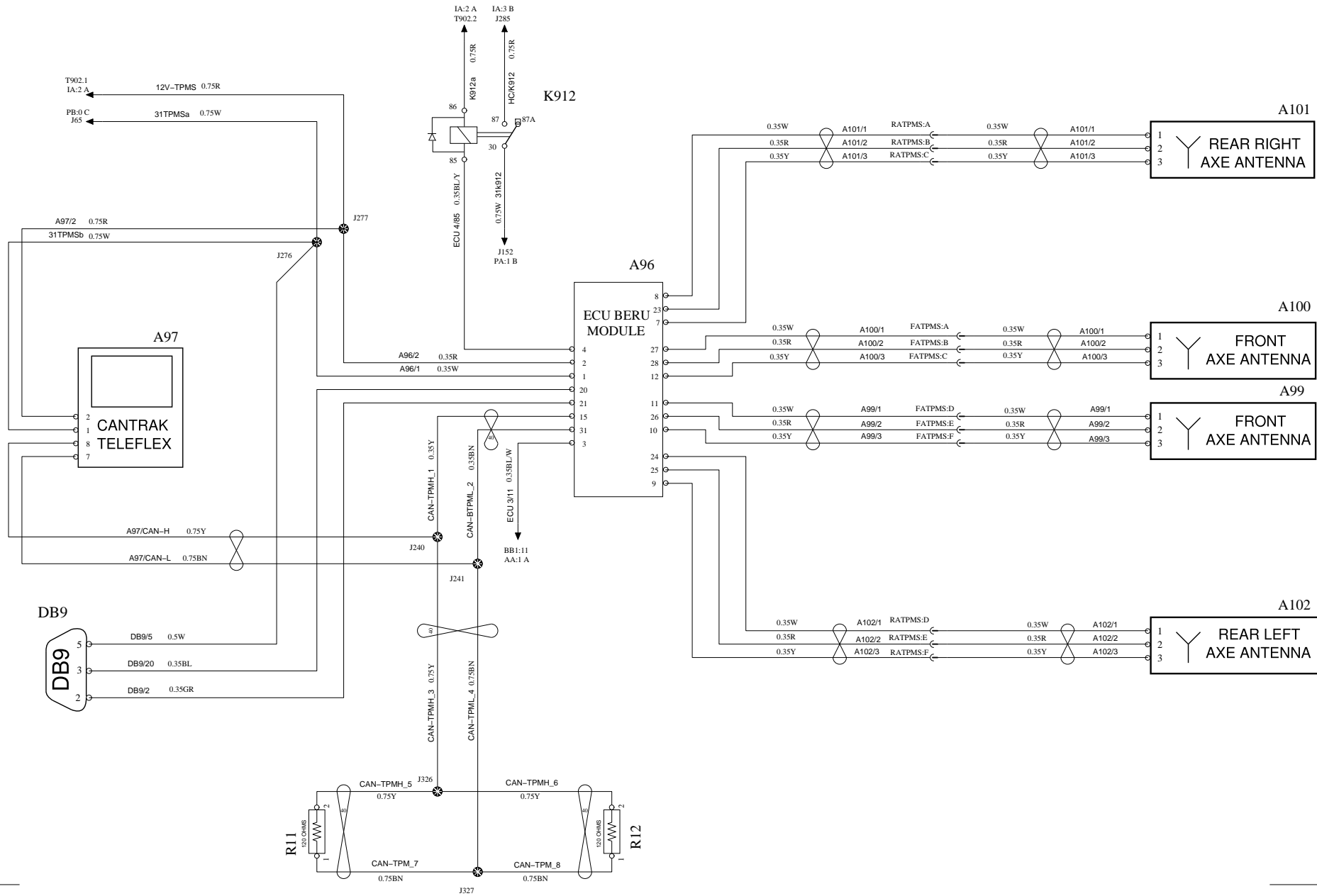




TIRE PRESSURE MONITORING SYSTEM

IF

WIRING DIAGRAM



Volvo Bus Corporation

Document title
WIRING DIAGRAM

Document type
PRODUCT SCHEMATIC

Document No

22600119

Issue

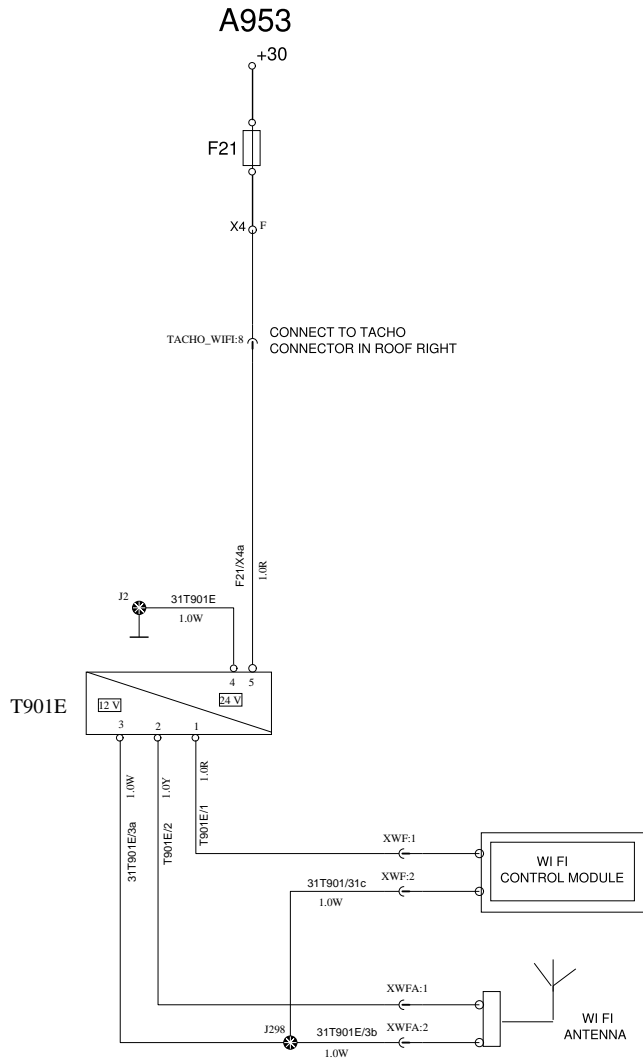
04

Volume

01

Page

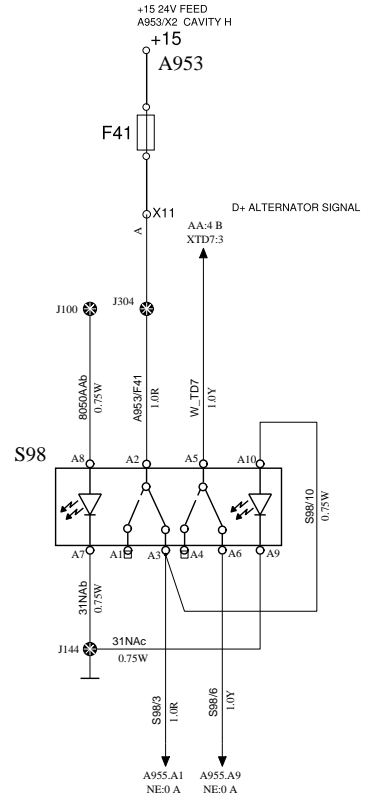
42/74



A/C NO MULTIPLEX CONTROL

IH

WIRING DIAGRAM



Volvo Bus Corporation

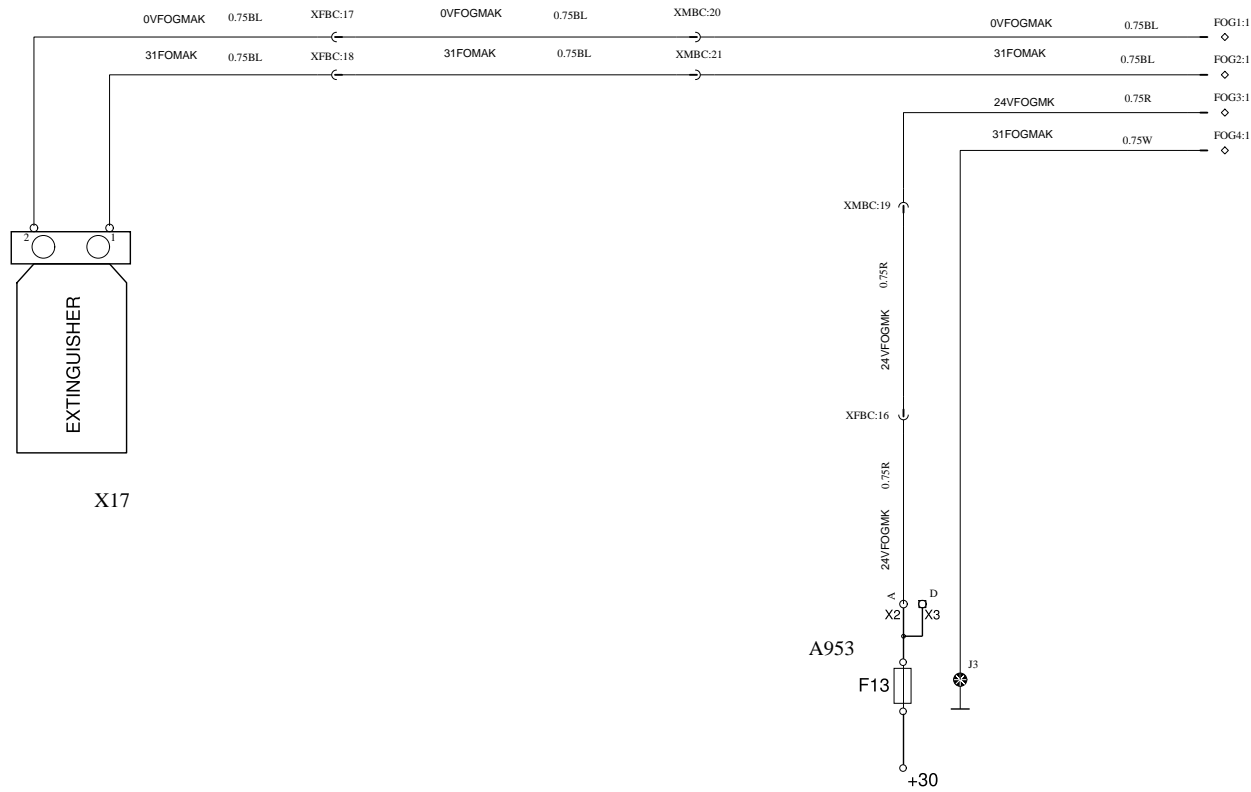
Document title WIRING DIAGRAM IH
Document type PRODUCT SCHEMATIC

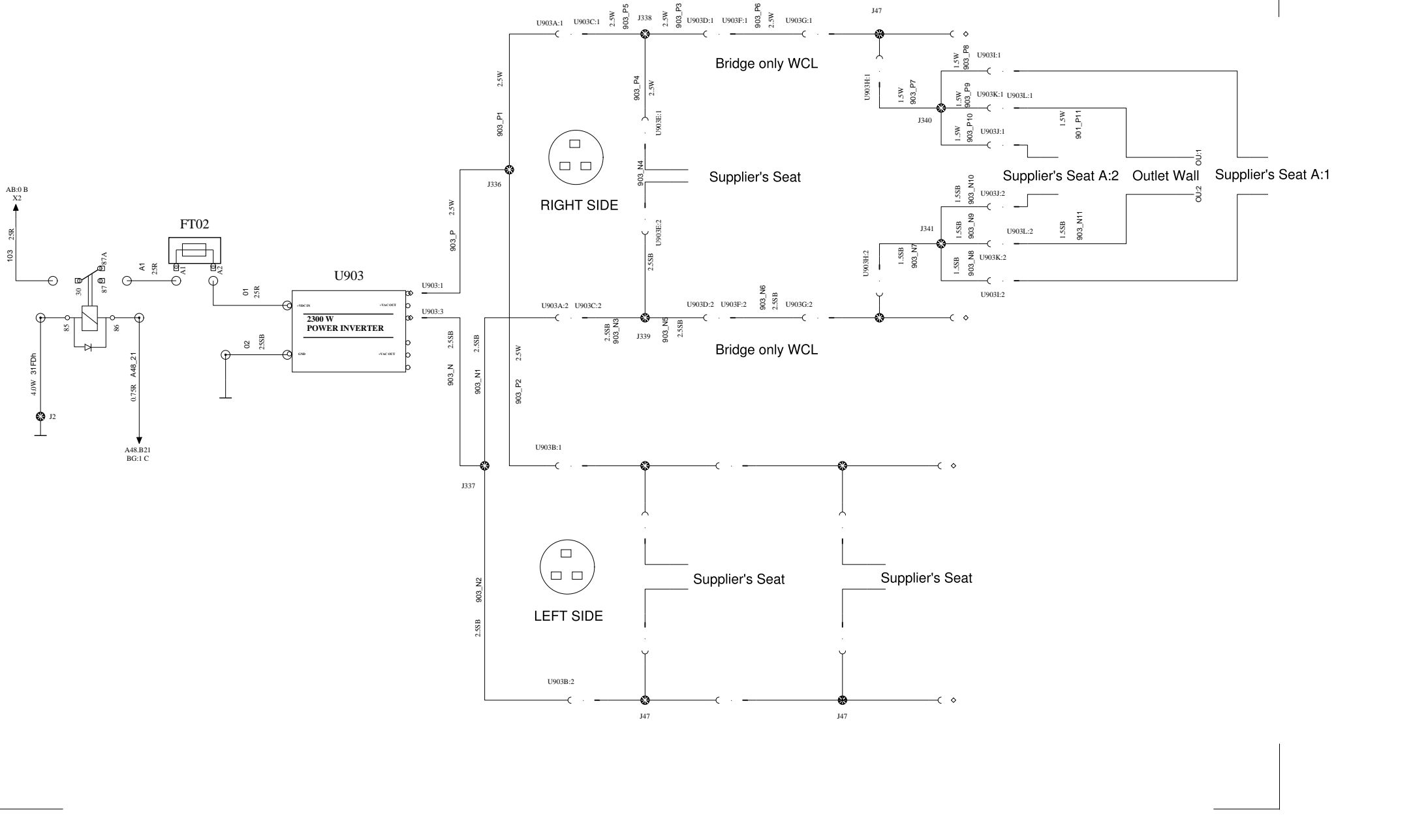
Document No 22600119

Issue 04

Volume 01

Page 44/74



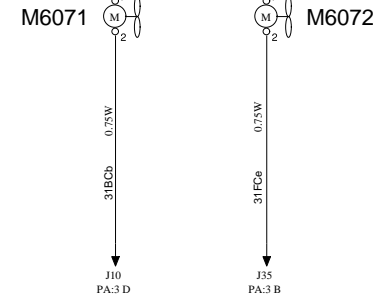
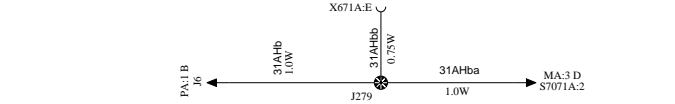
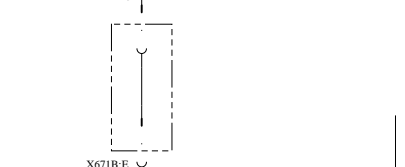
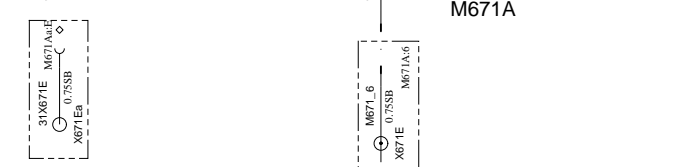
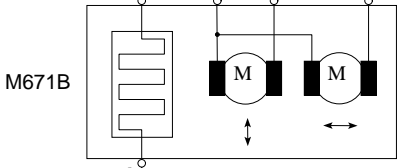
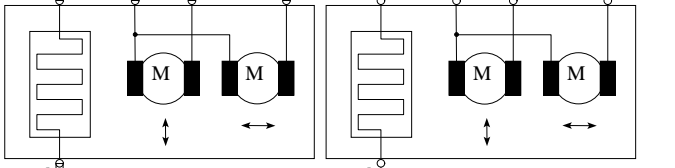
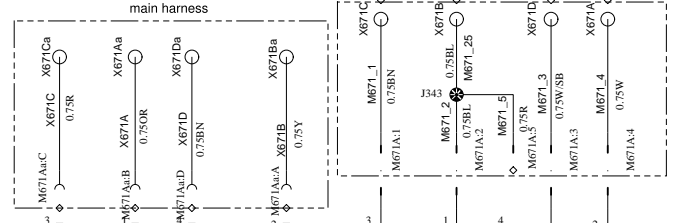
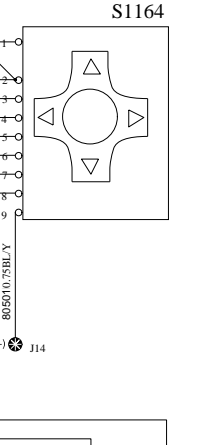
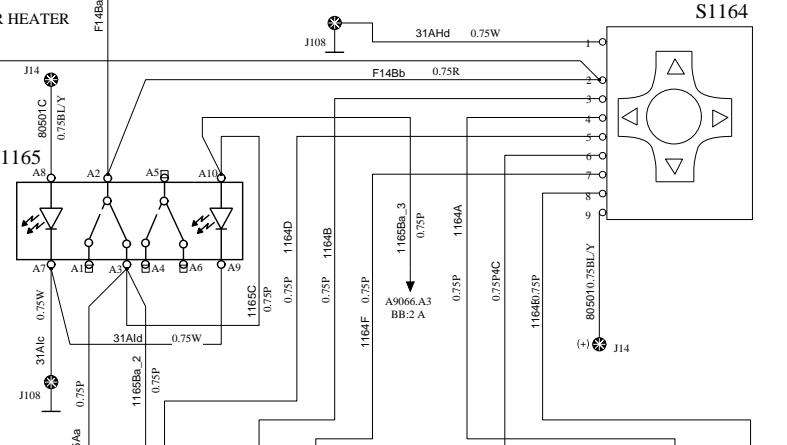
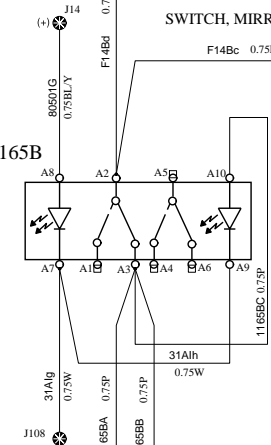
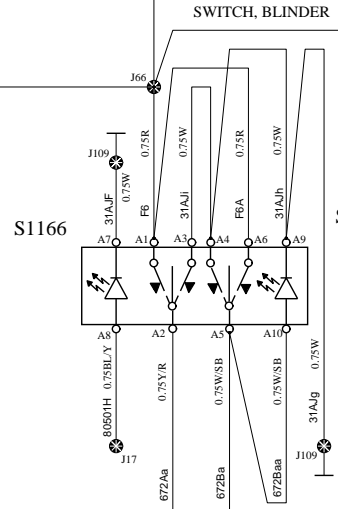
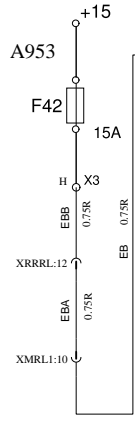
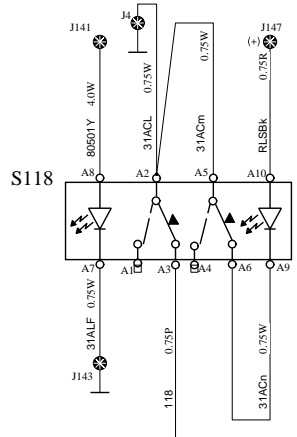


FANS, BLINDERS & MIRRORS

JA

WIRING DIAGRAM

SWITCH, DRIVER AND GUIDE FAN



Volvo Bus Corporation

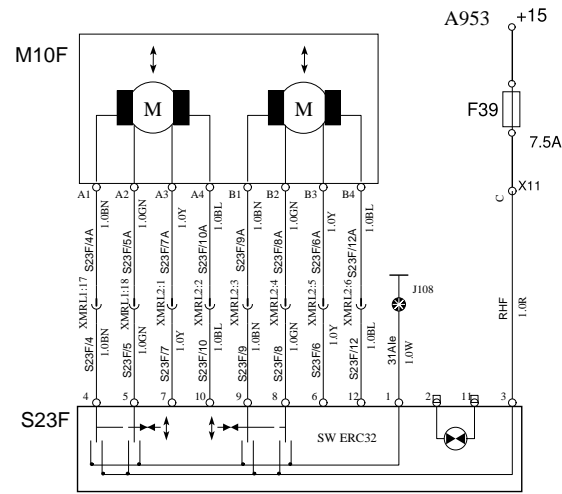
Document title WIRING DIAGRAM
Document type PRODUCT SCHEMATIC

Document No 22600119	Issue 04	Volume 01	Page 47/74
-------------------------	-------------	--------------	---------------

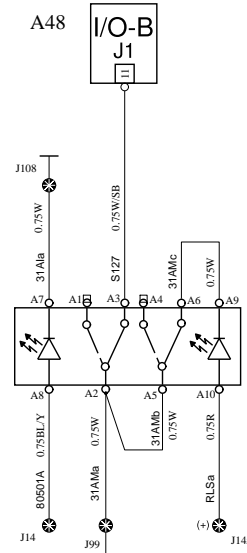
ELECTRIC WINDOW & ROOF HATCHES

JB

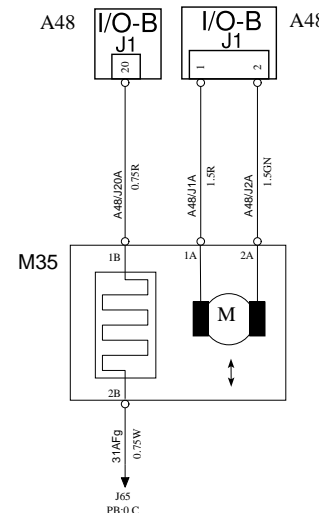
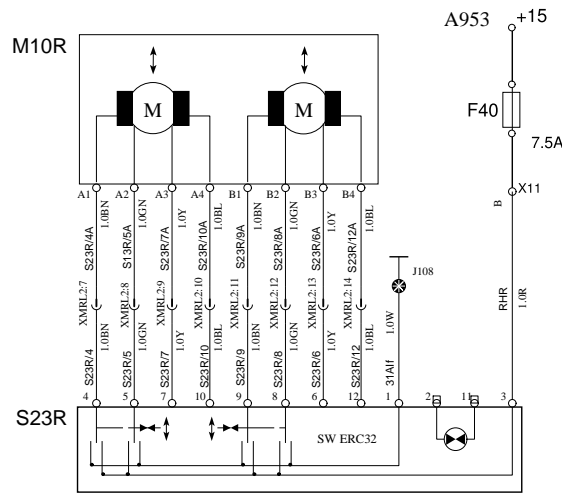
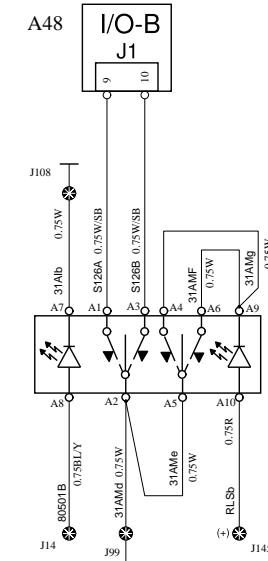
WIRING DIAGRAM



S127 SWITCH, WINDOW HEATER



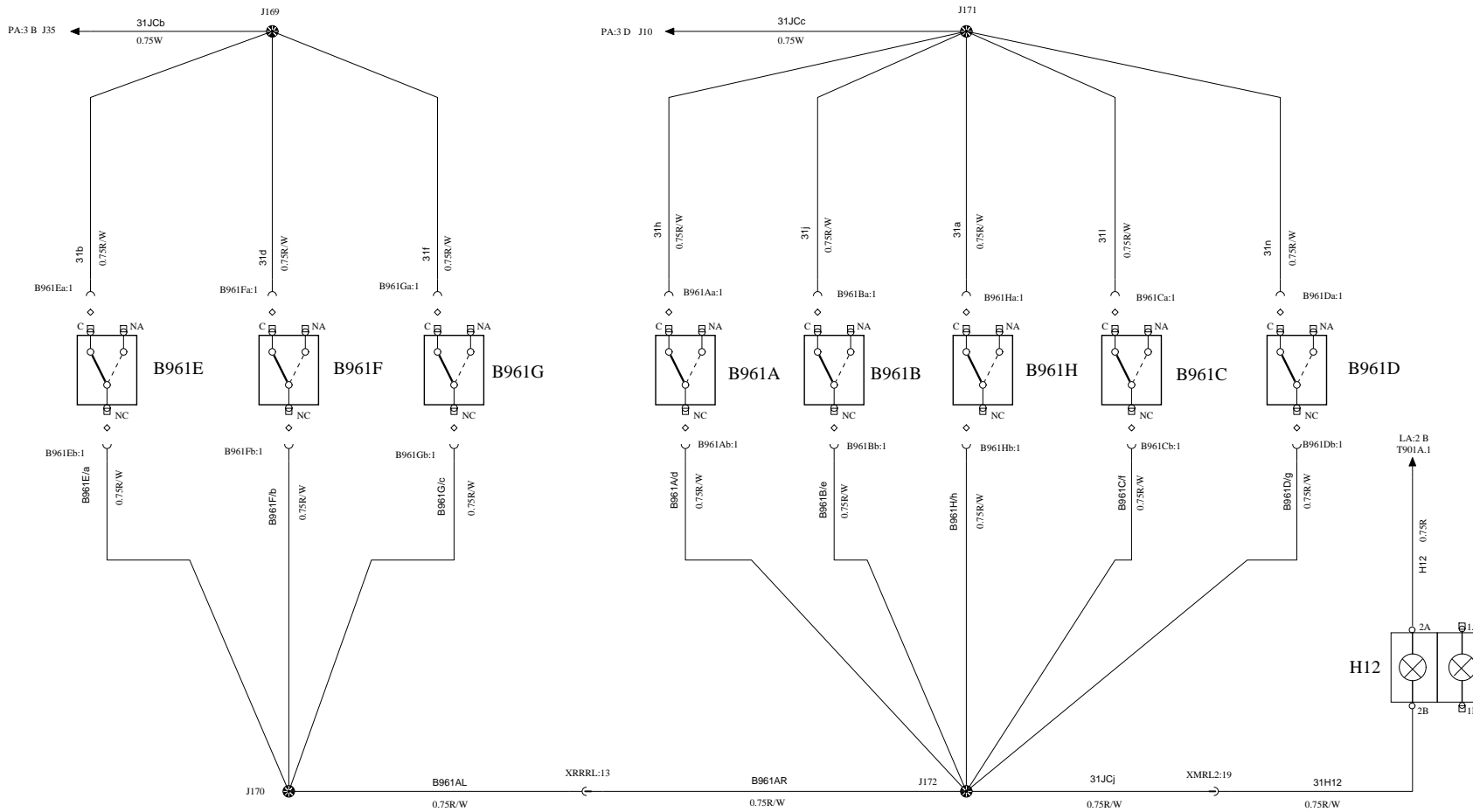
S126 SWITCH, DRIVER WINDOW



EMERGENCY WINDOW

JC

WIRING DIAGRAM



Volvo Bus Corporation

Document title
WIRING DIAGRAM

Document type
PRODUCT SCHEMATIC

Document No

22600119

Issue

04

Volume

01

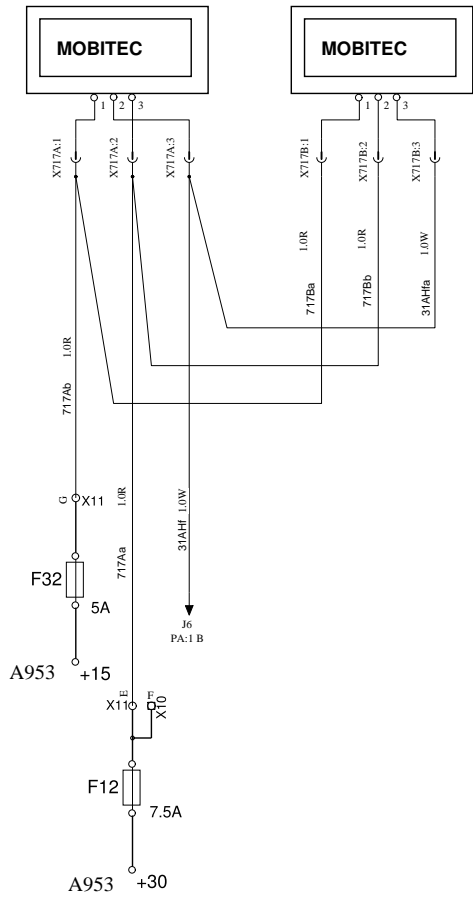
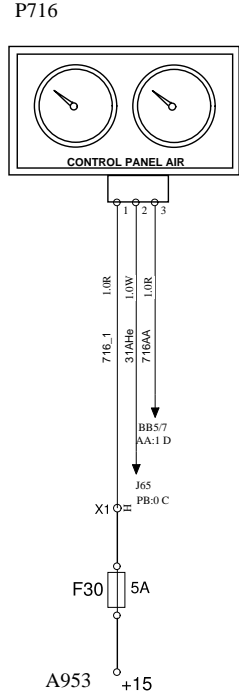
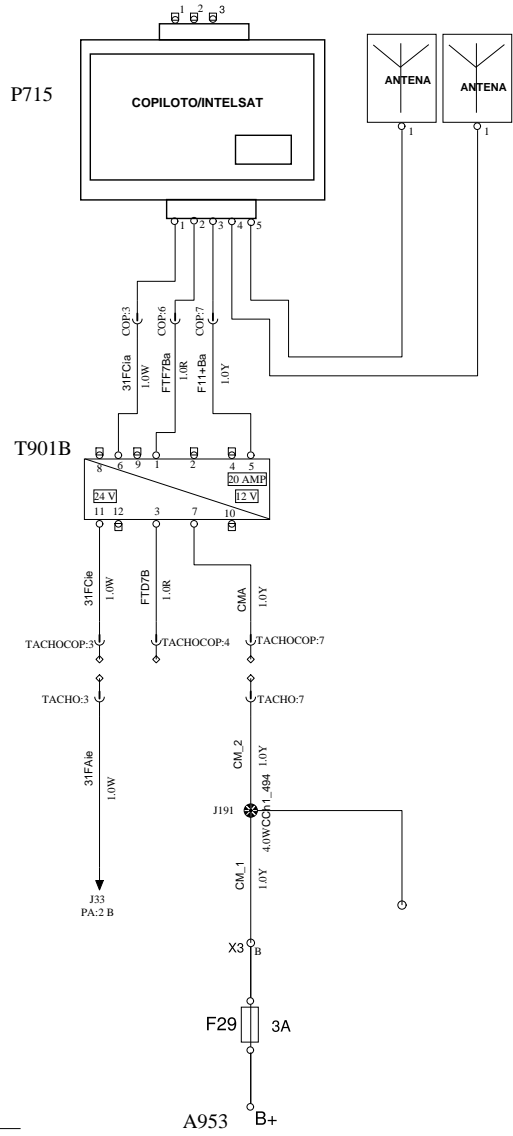
Page

49/74

CO-DRIVER, VIGIA & MOBITEC CONTROL

KA

WIRING DIAGRAM



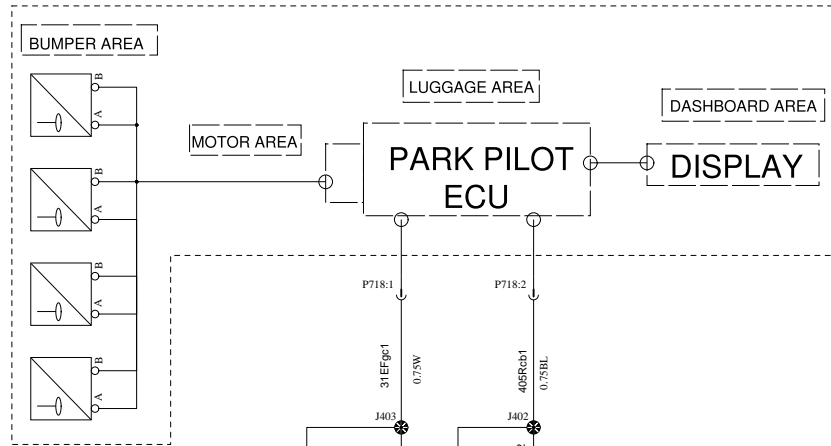
Volvo Bus Corporation

Document title
WIRING DIAGRAM

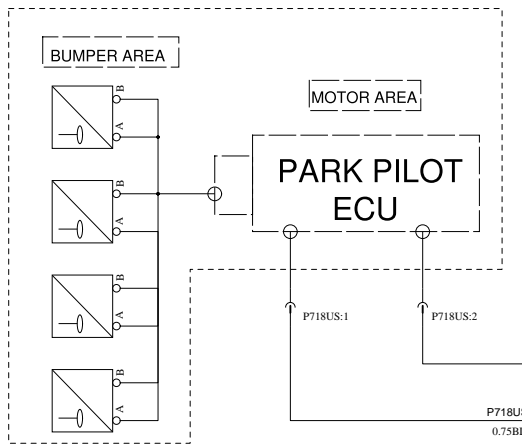
Document type
PRODUCT SCHEMATIC

Document No	Issue	Volume	Page
22600119	04	01	50/74

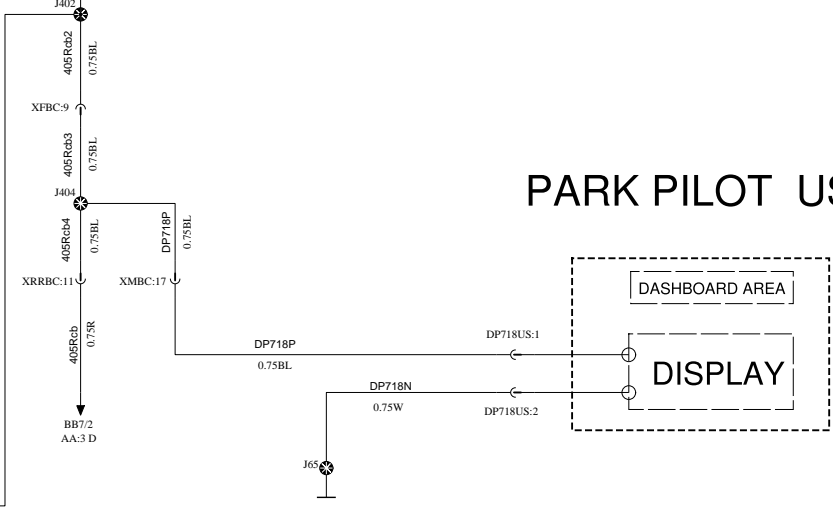
PARK PILOT EU5

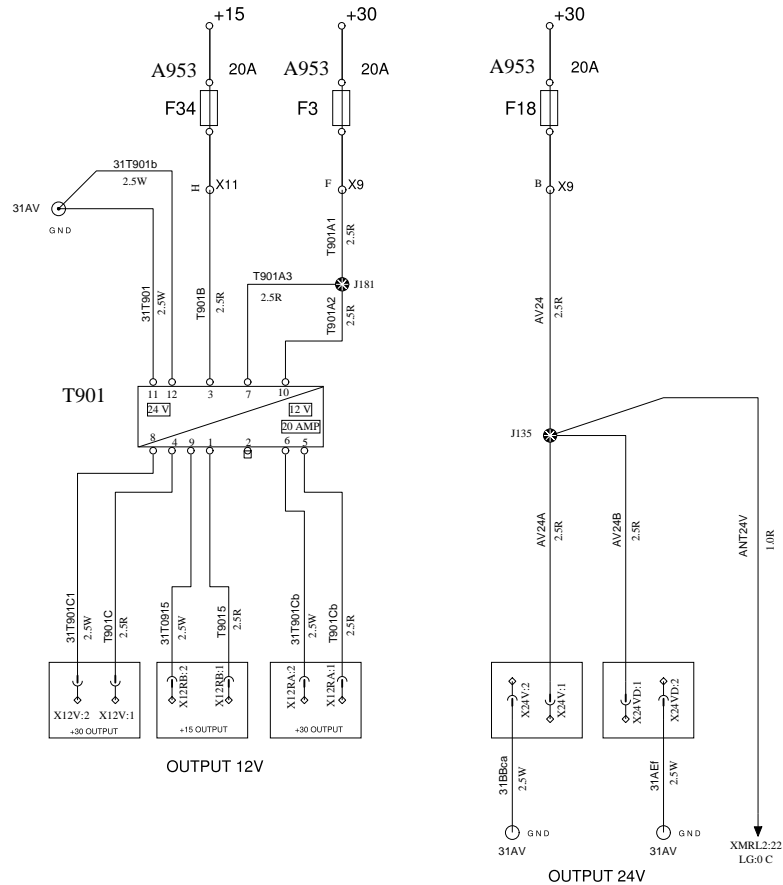


PARK PILOT US10

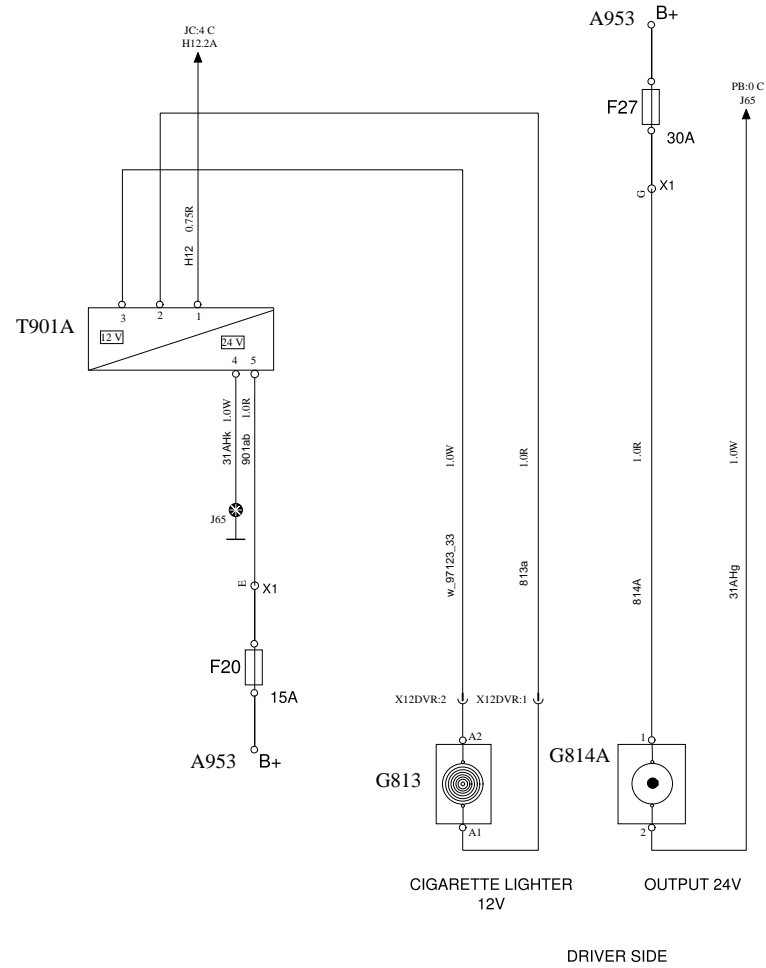


PARK PILOT US10





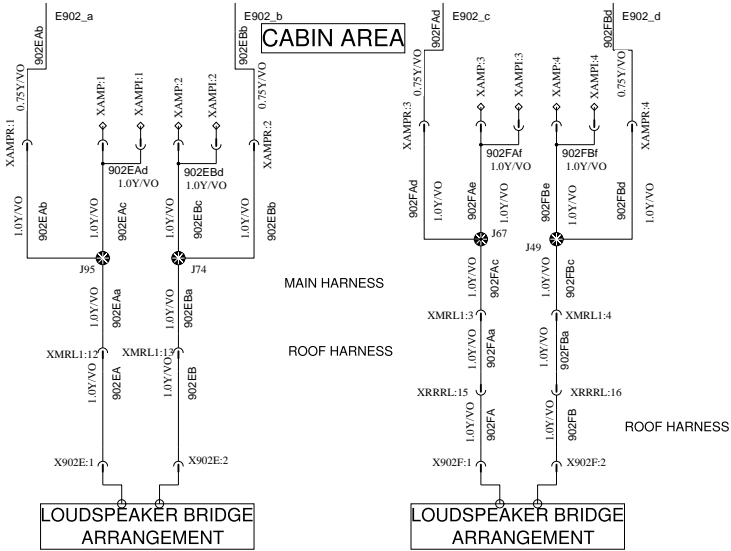
AUDIO AND VIDEO SUPPLY



AUDIO

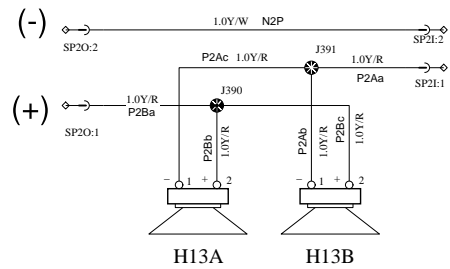
LB

WIRING DIAGRAM

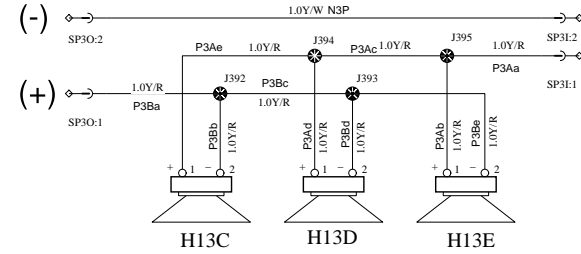


LOUDSPEAKER'S BRIDGES BY ENVIRONMENTAL SOUND

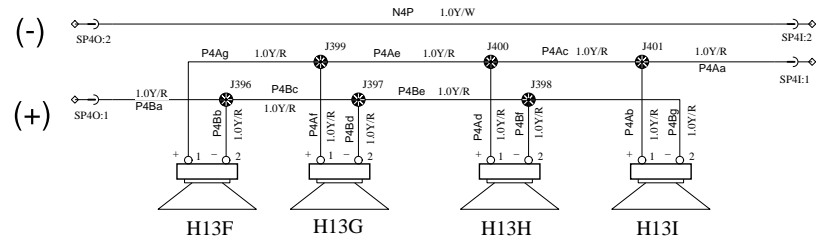
ARRANGEMENT TYPE 1



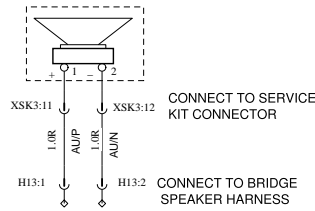
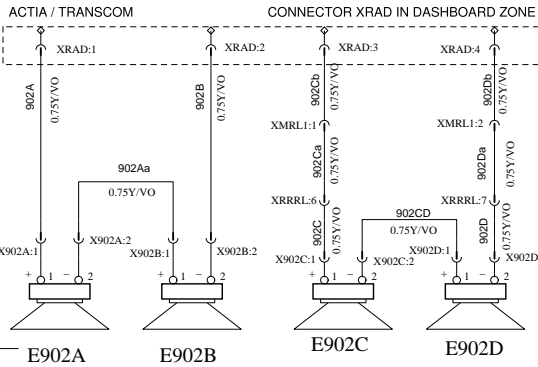
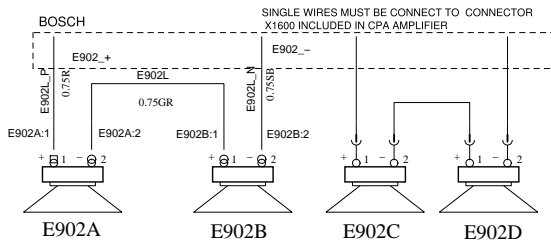
ARRANGEMENT TYPE 2



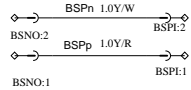
ARRANGEMENT TYPE 3



DRIVER'S SPEAKERS



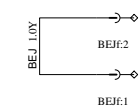
BRIDGE A

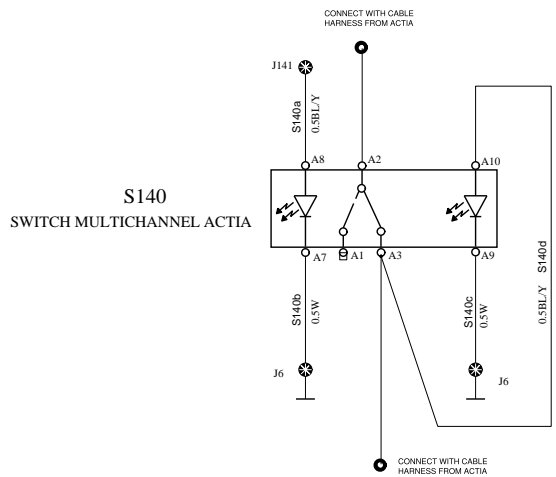
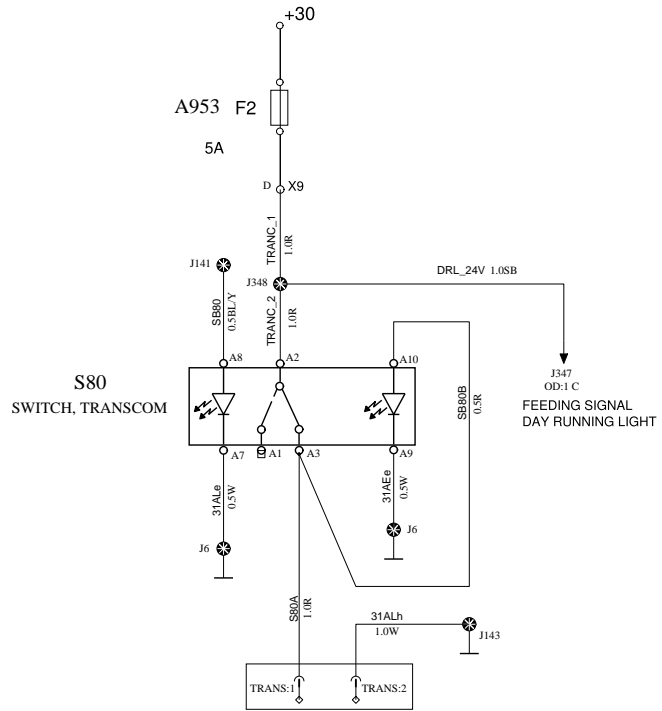


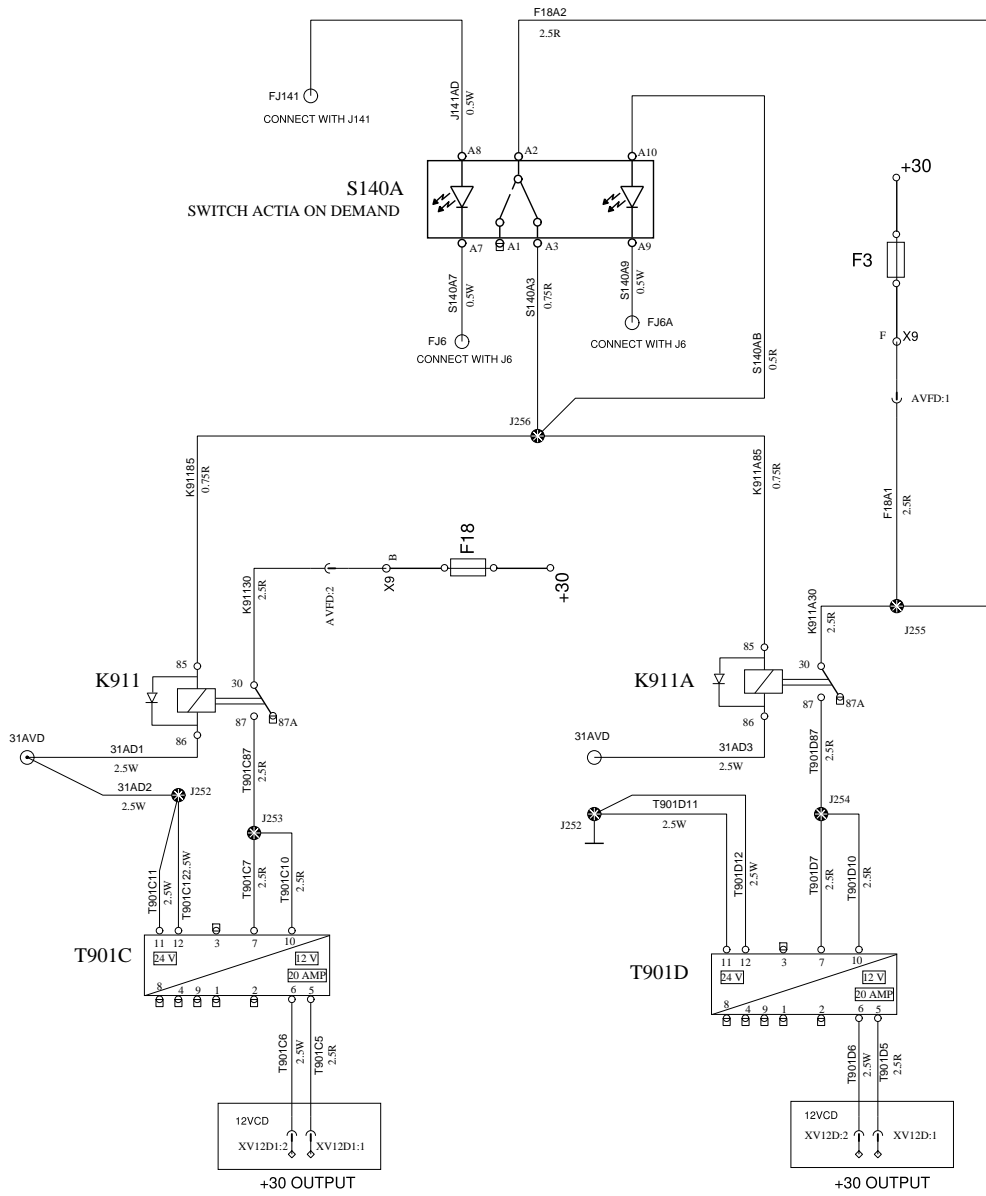
BRIDGE B (WCL & DL-110)

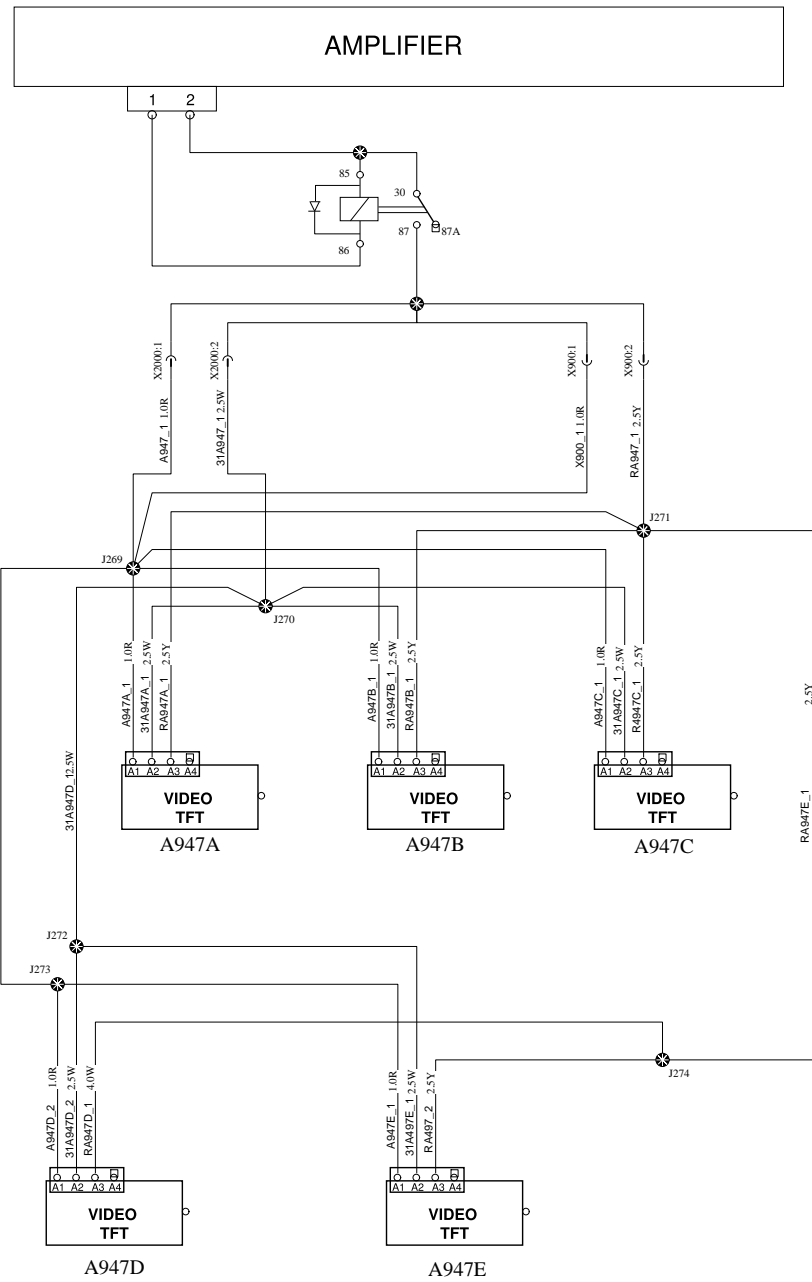


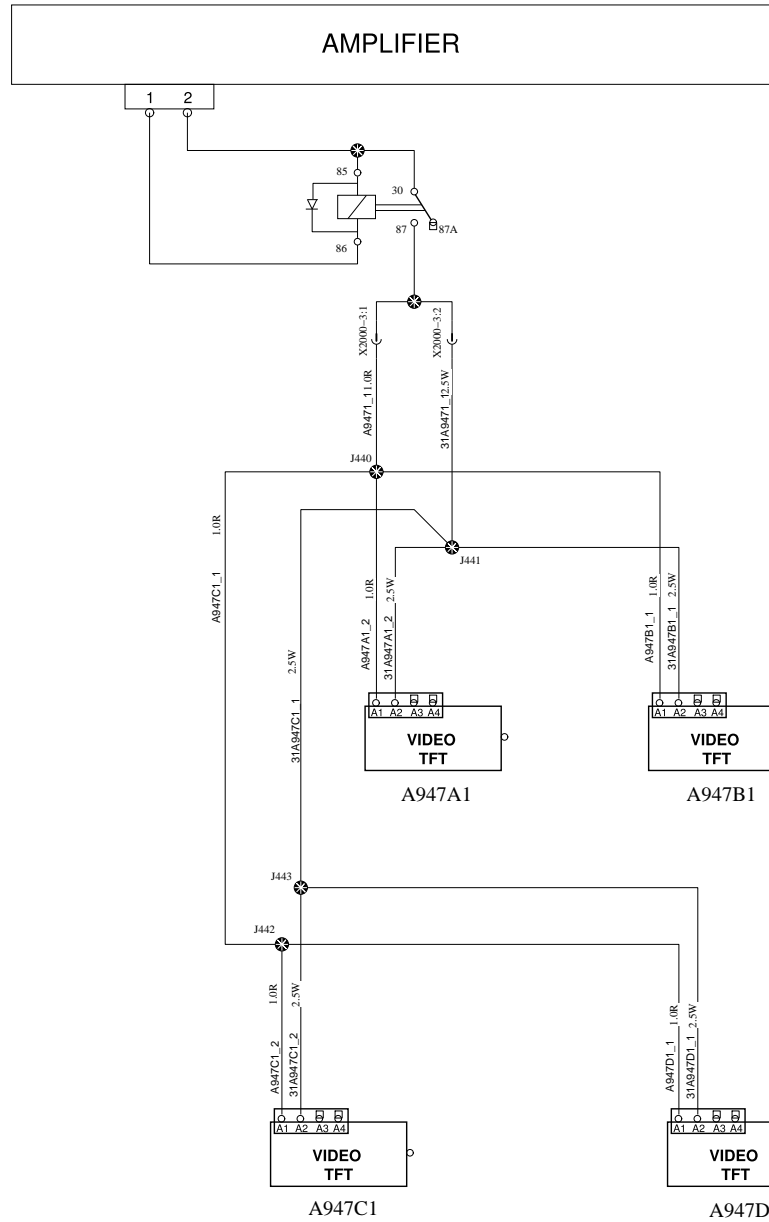
BRIDGE END JOINT



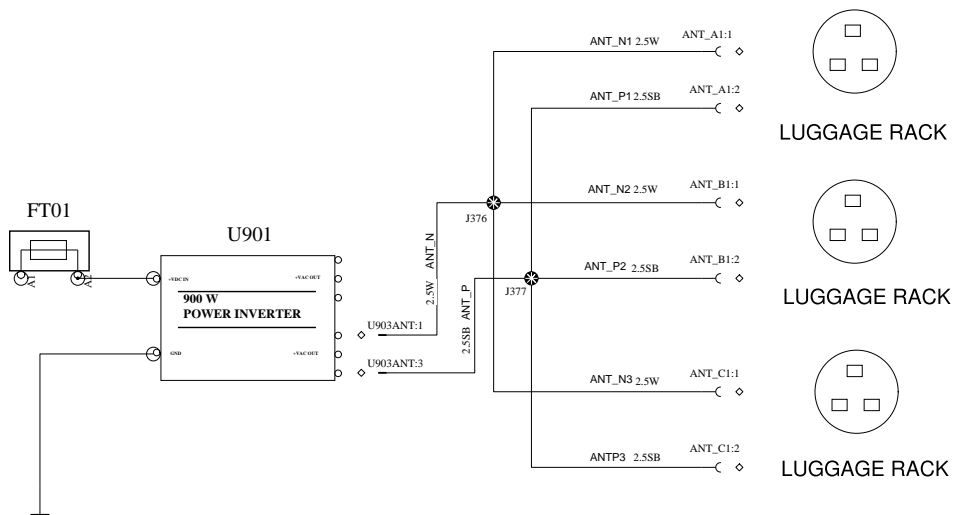
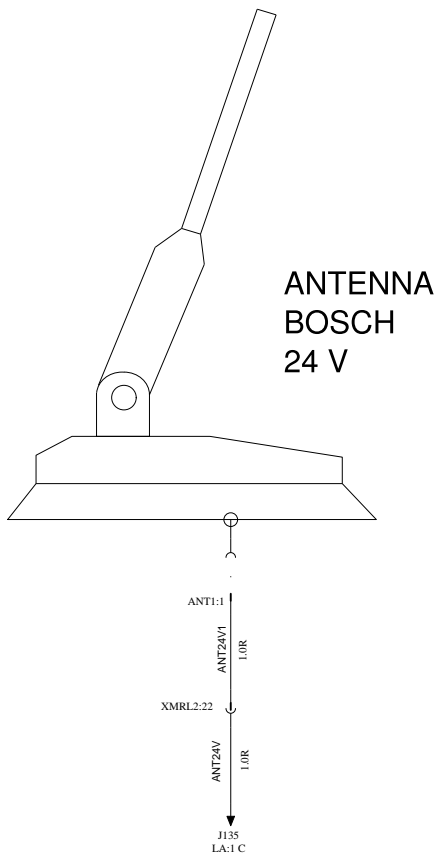








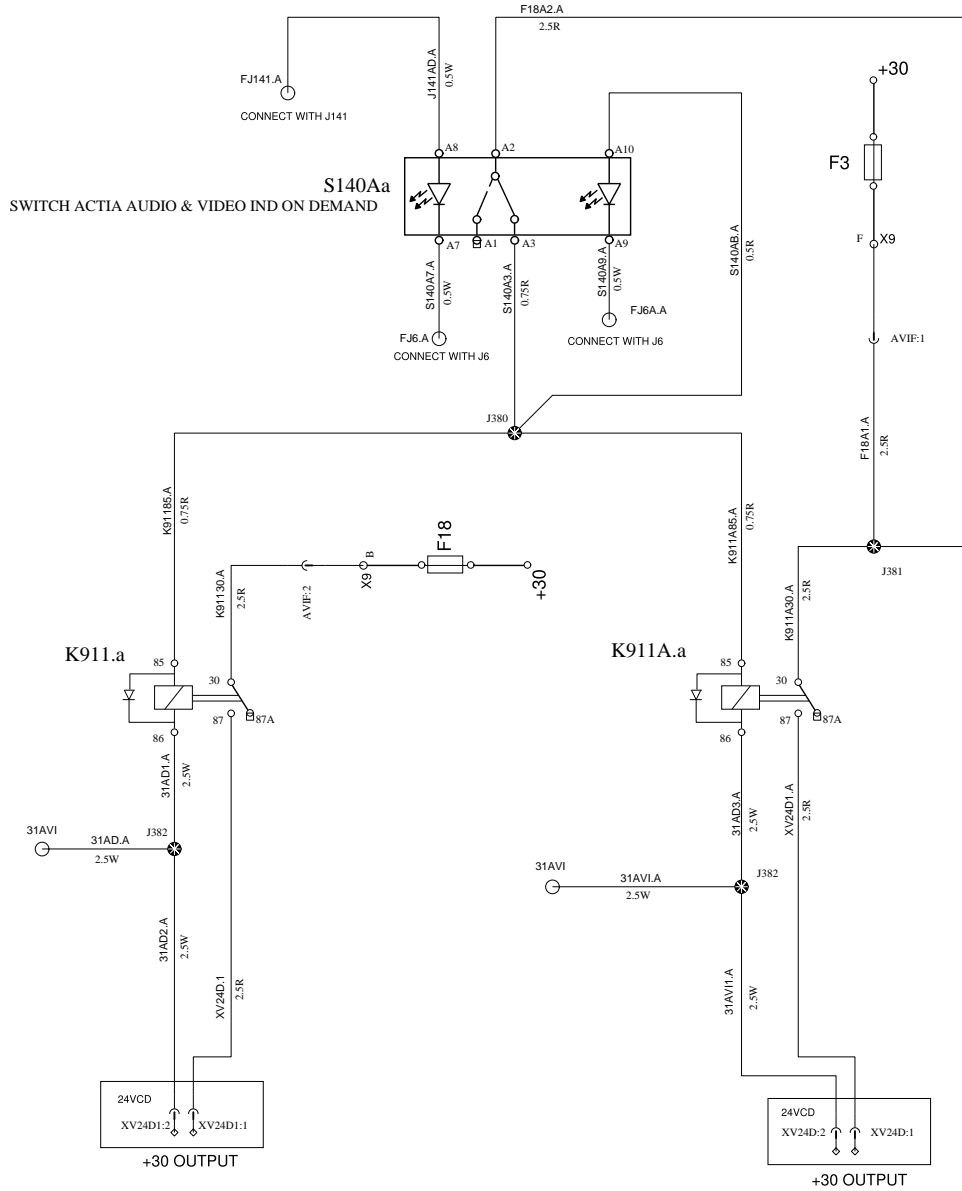
ANTENNA'S SATELLITE MODULES FEEDING 127 v



AUDIO & VIDEO IND ON DEMAND 24V

LH

WIRING DIAGRAM



Volvo Bus Corporation

Document title
WIRING DIAGRAM
Document type
PRODUCT SCHEMATIC

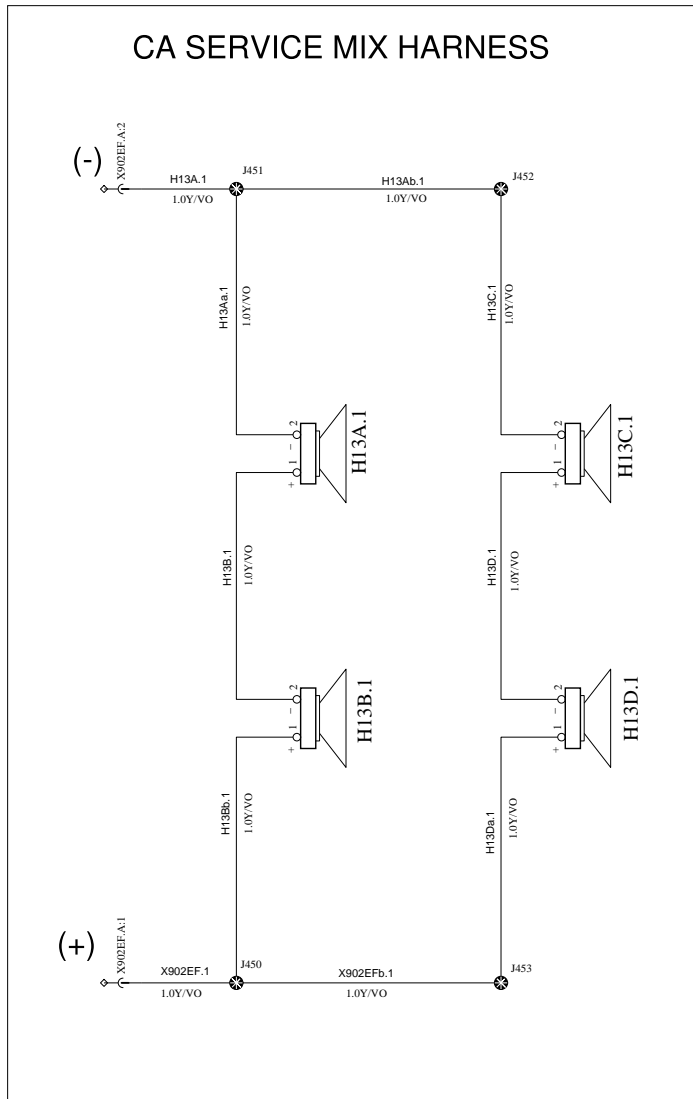
Document No
22600119

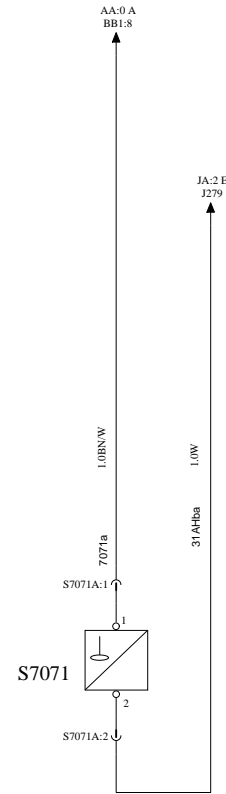
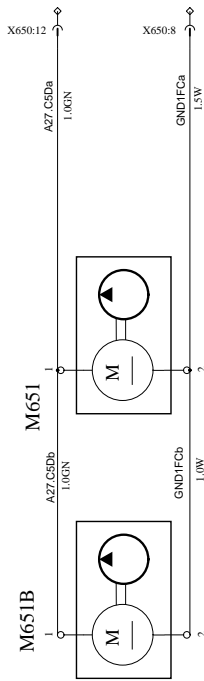
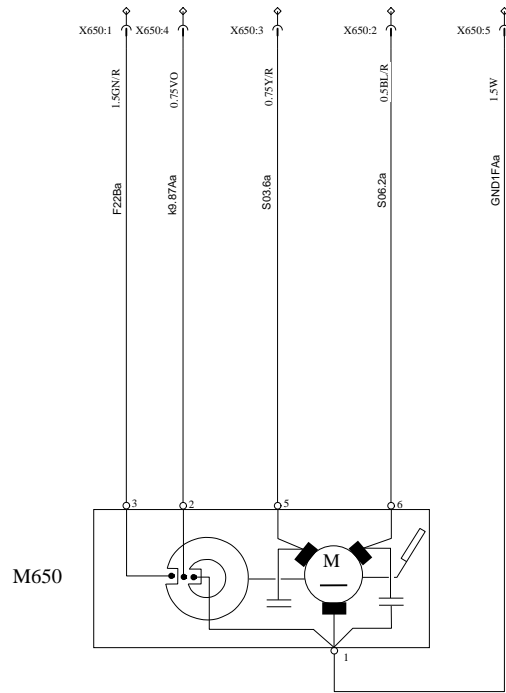
Issue
04

Volume
01

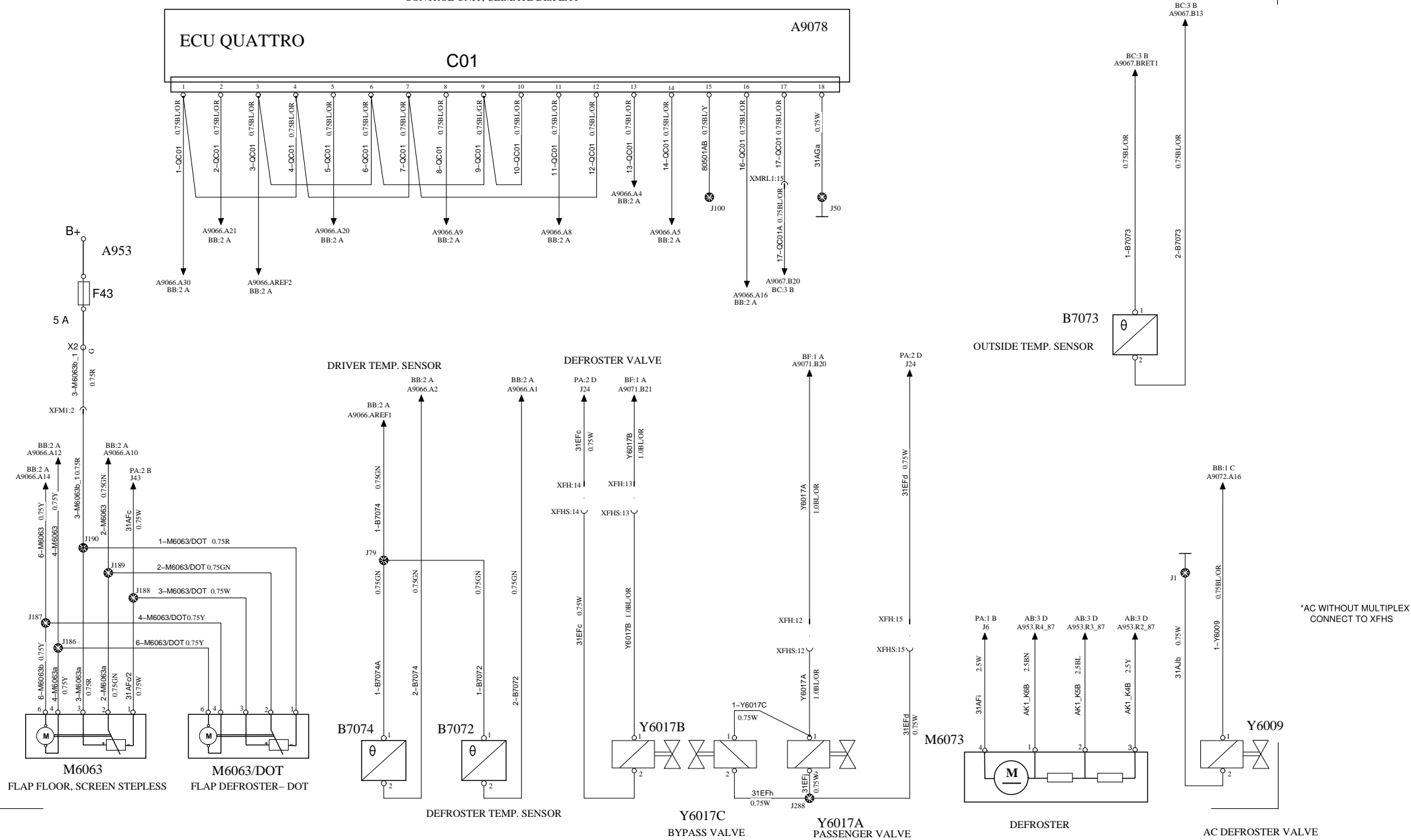
Page
59/74

CA SERVICE MIX HARNESS





CONTROL UNIT, CLIMATE DISPLAY

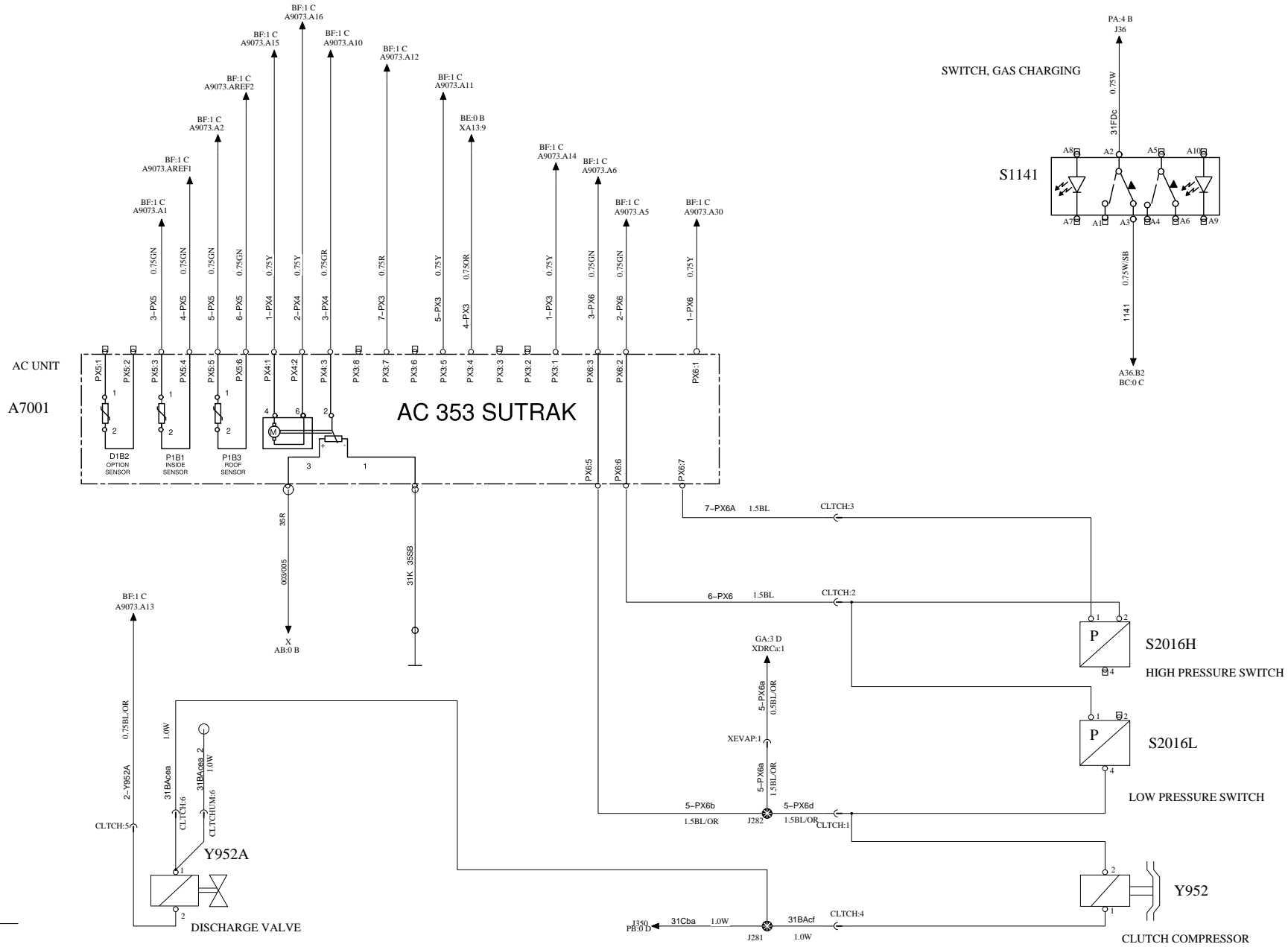


*AC WITHOUT MULTIPLEX CONNECT TO XFHS

AIR CONDITIONING, SYSTEM 1

NB

WIRING DIAGRAM



Volvo Bus Corporation

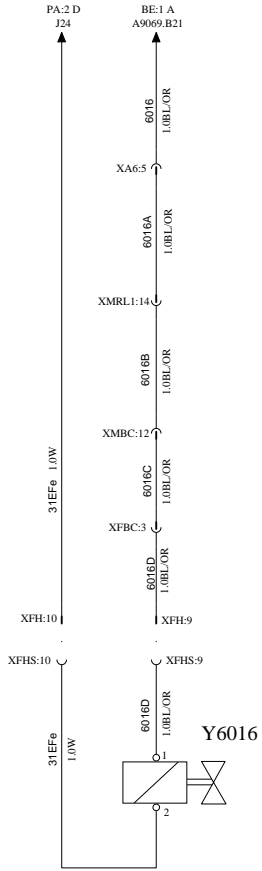
Document title WIRING DIAGRAM
Document type PRODUCT SCHEMATIC

Document No 22600119	Issue 04	Volume 01	Page 63/74
-------------------------	-------------	--------------	---------------

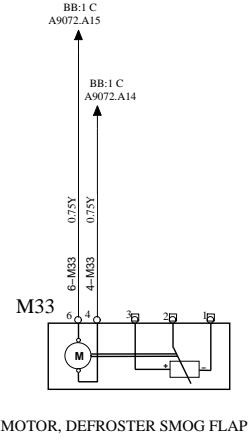
RE-HEATING SYSTEM

NC

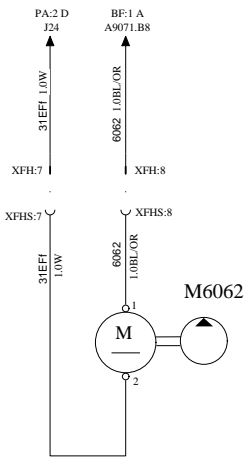
WIRING DIAGRAM



ROOF VALVE, REHEATING SYSTEM

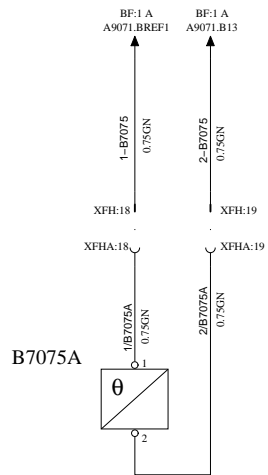


MOTOR, DEFROSTER SMOG FLAP

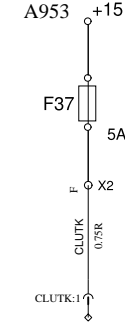


CIRCULATION PUMP, REHEATING SYS

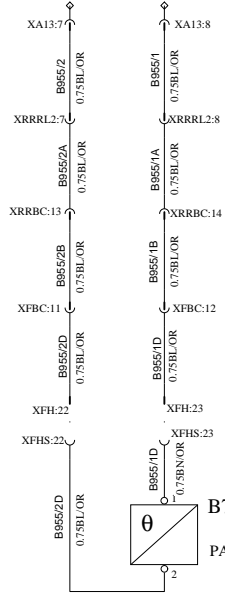
This is included in Webasto



PASSENGER SENSOR, CLIMATE DOT



FAN, REHEATING SYSTEM



B7075B PASSENGER SENSOR

This is for Thermo King variant

A

A

B

B

C

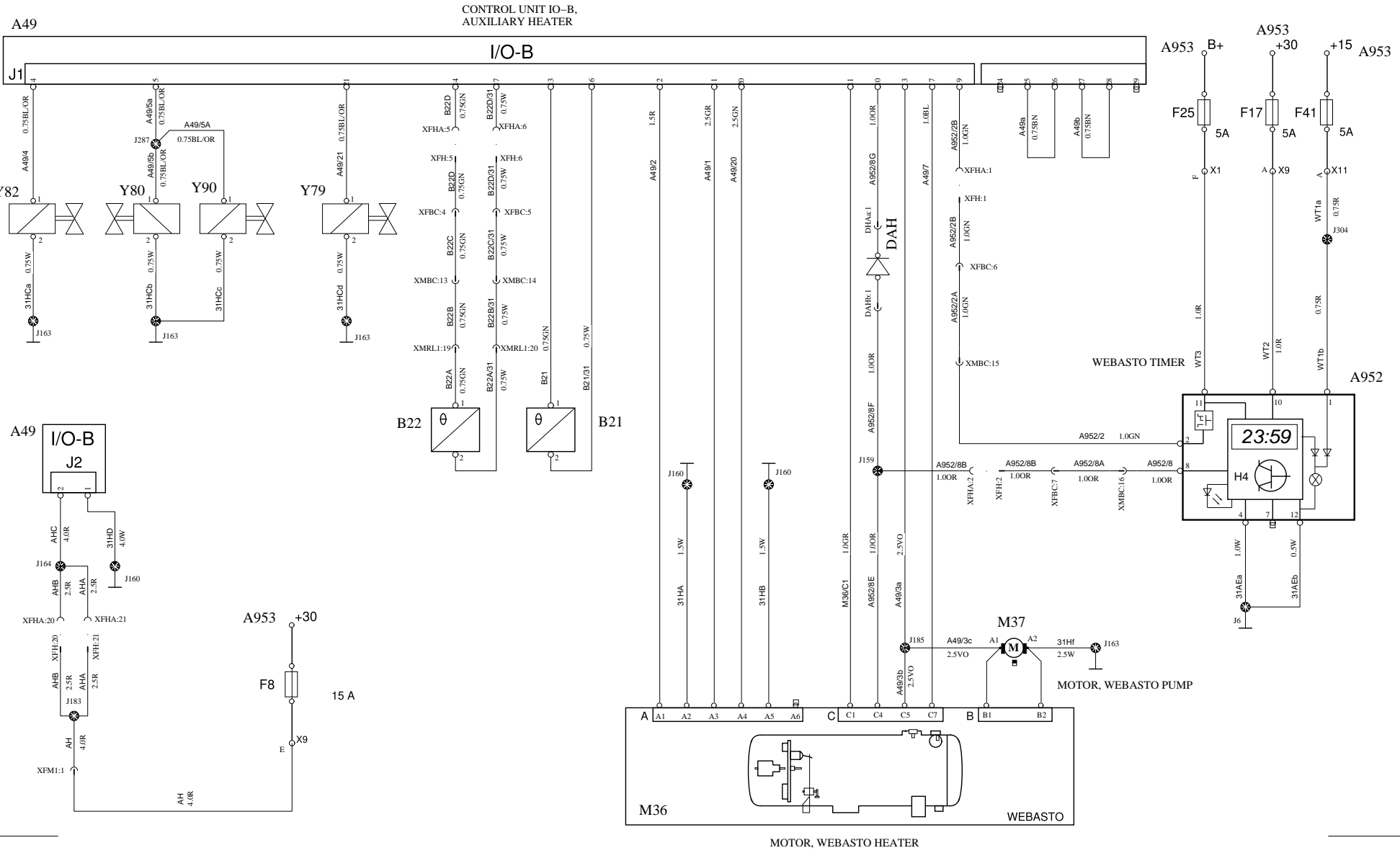
C

D

D

E

E

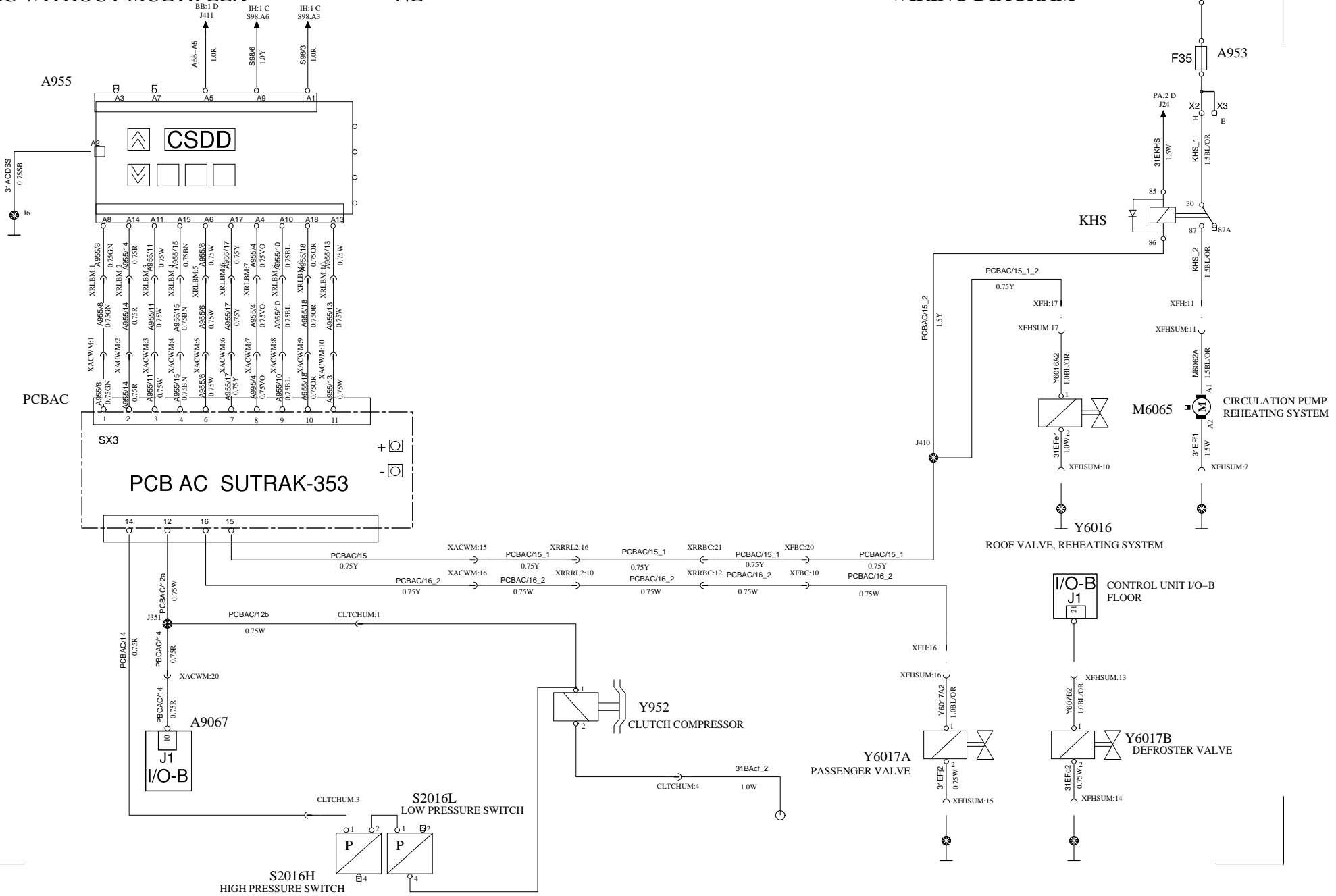


*AC WITHOUT MULTIPLEX CONNECT TO XFHA

AC WITHOUT MULTIPLEX

NE

WIRING DIAGRAM



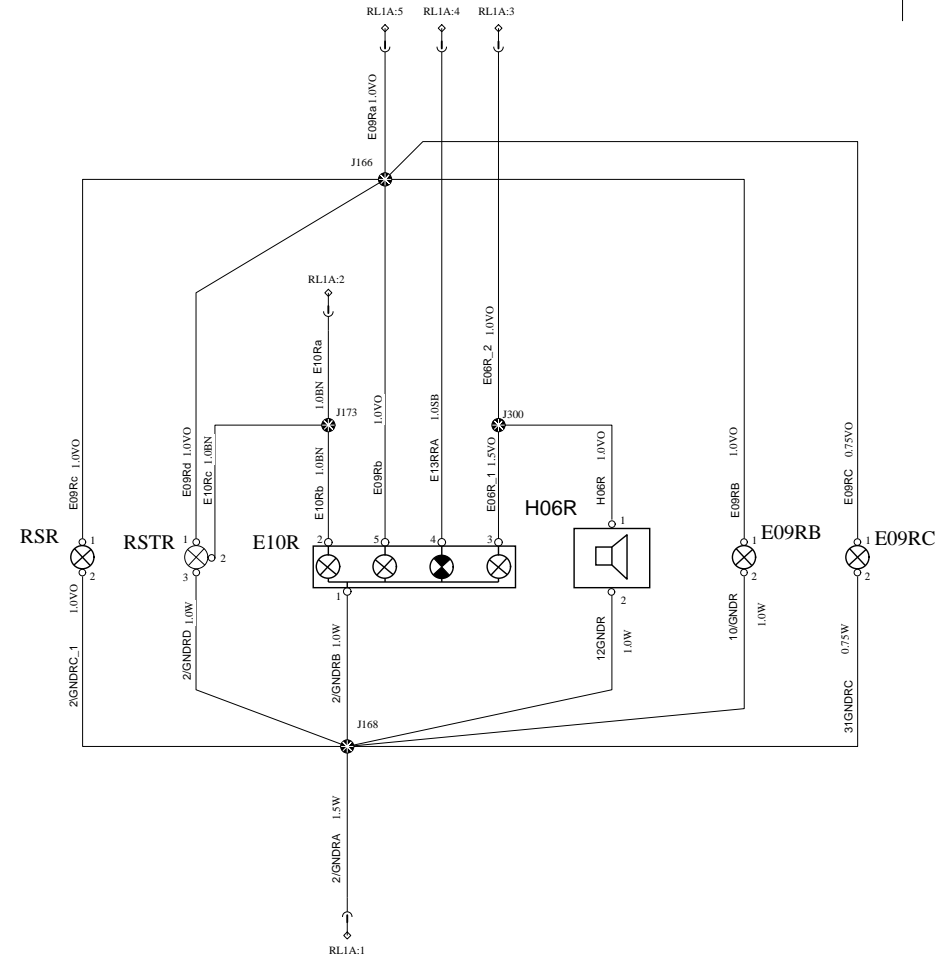
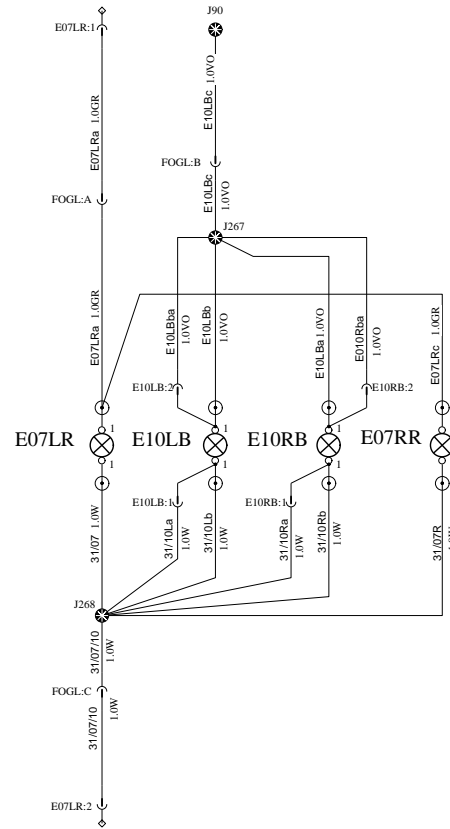
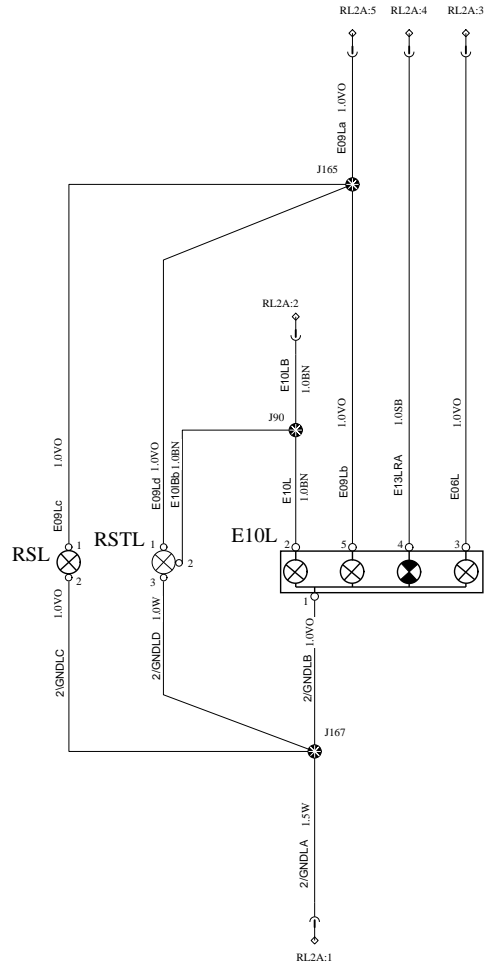
Volvo Bus Corporation

Document title WIRING DIAGRAM	Document No 22600119	Issue 04	Volume 01	Page 66/74
Document type PRODUCT SCHEMATIC				

REAR LIGHTS

OA

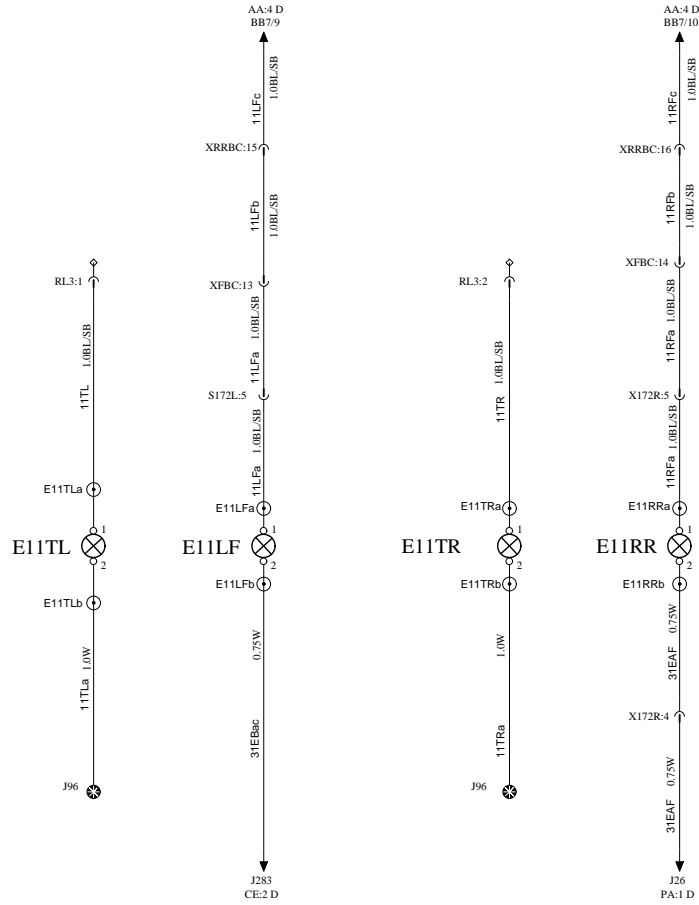
WIRING DIAGRAM



BOTTOM POSITION LIGHTS

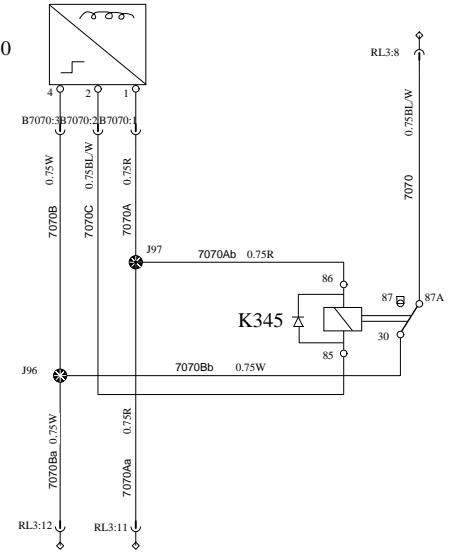
OB

WIRING DIAGRAM



INDUCTIVE SENSOR,
ENGINE HATCH OPEN

B7070



Volvo Bus Corporation

Document title
WIRING DIAGRAM

Document type
PRODUCT SCHEMATIC

Document No

22600119

Issue

04

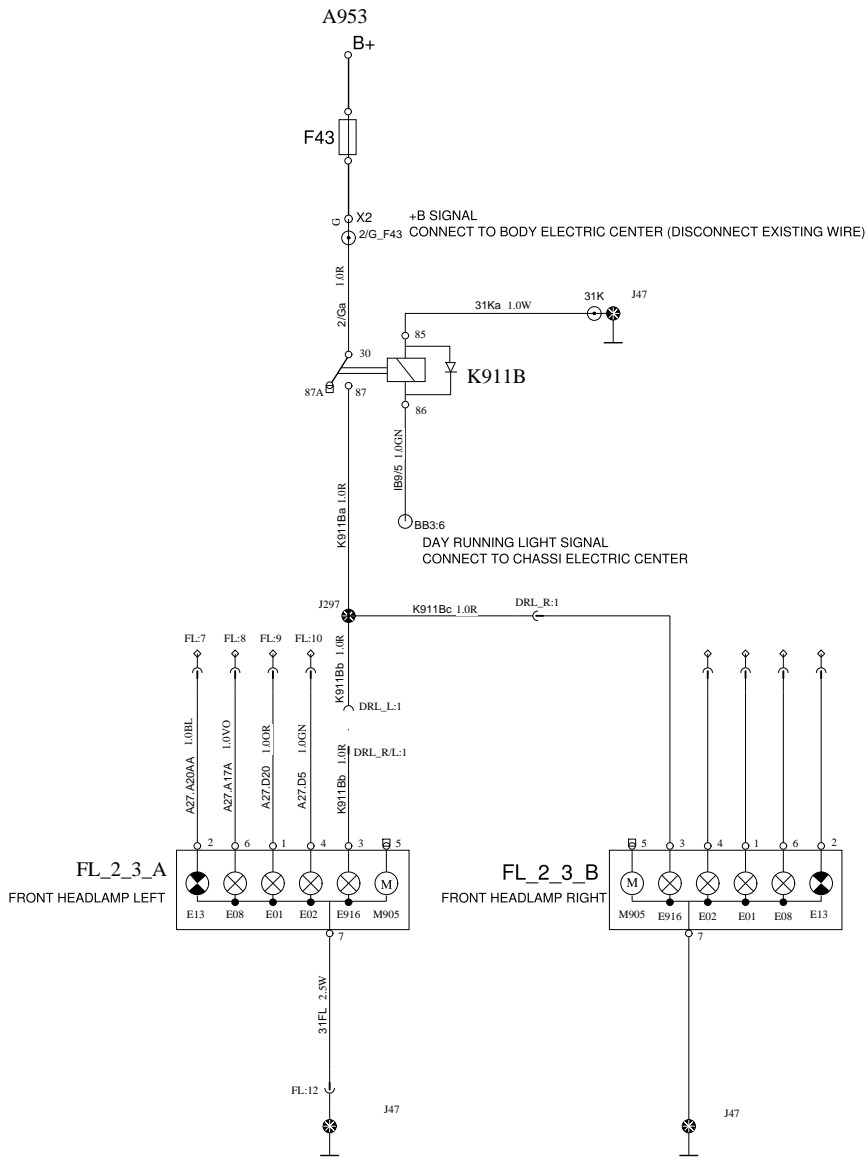
Volume

01

Page

68/74

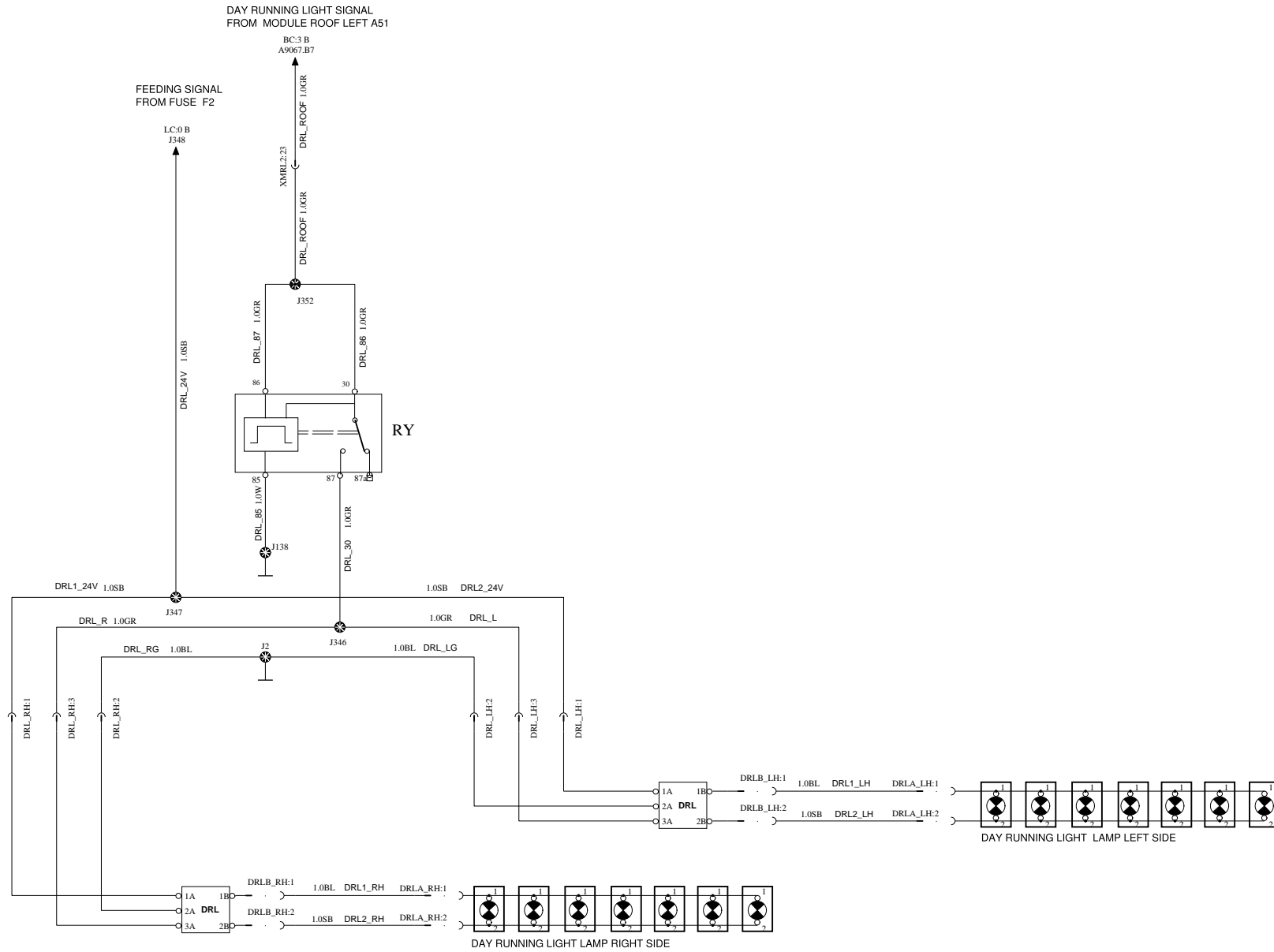
EXTENSION FOR SELECT VERSION



DAY RUNNING LIGHT

OD

WIRING DIAGRAM



Volvo Bus Corporation

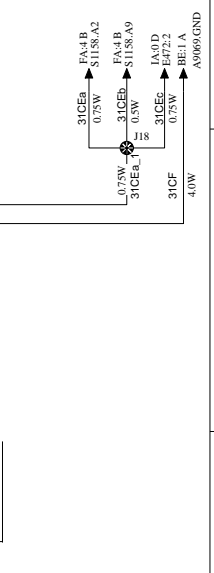
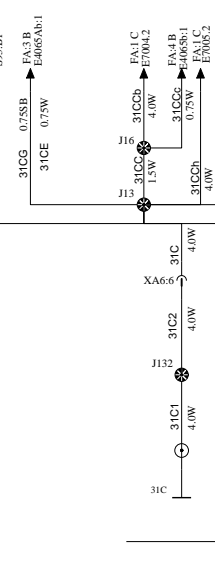
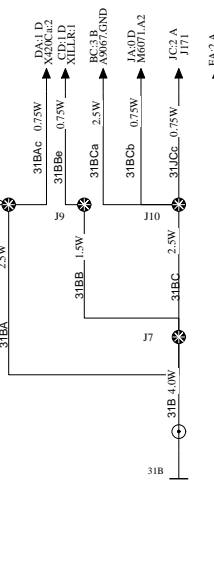
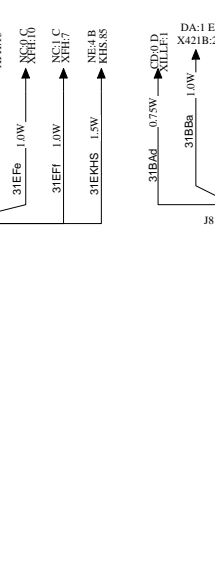
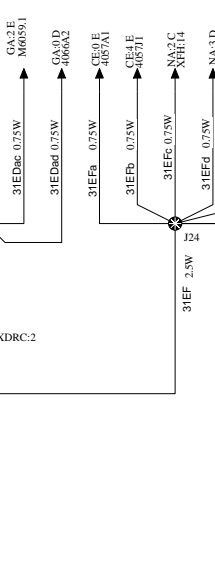
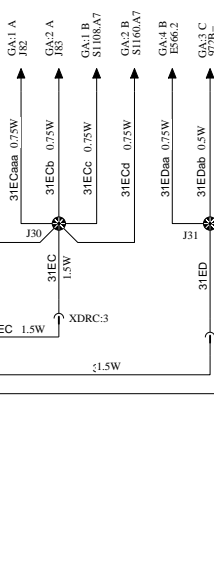
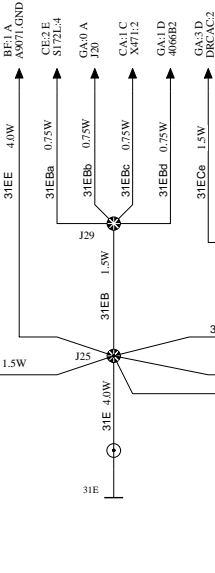
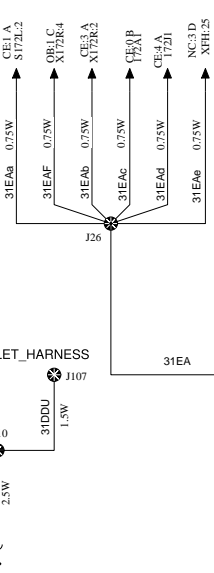
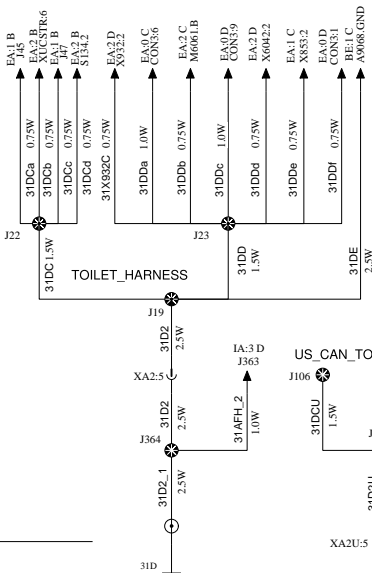
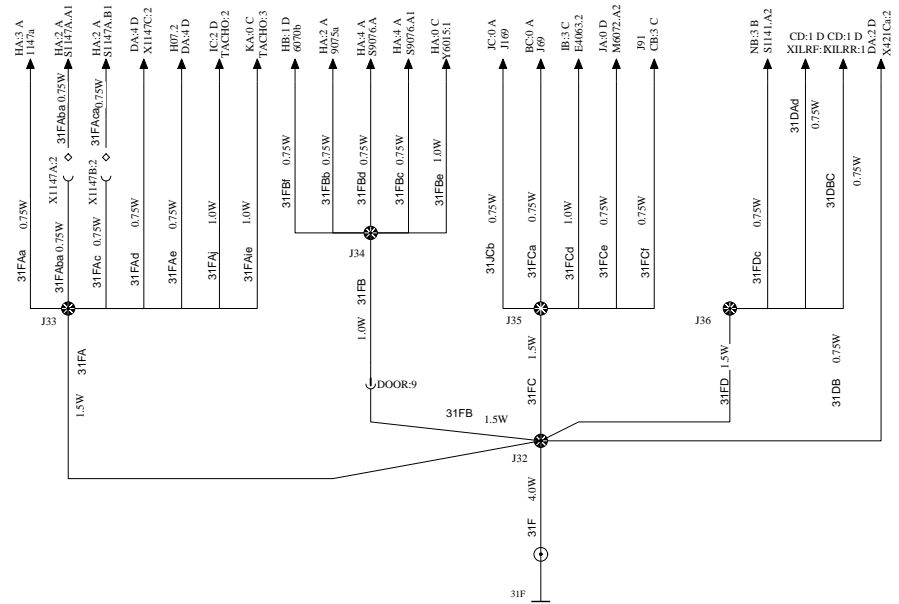
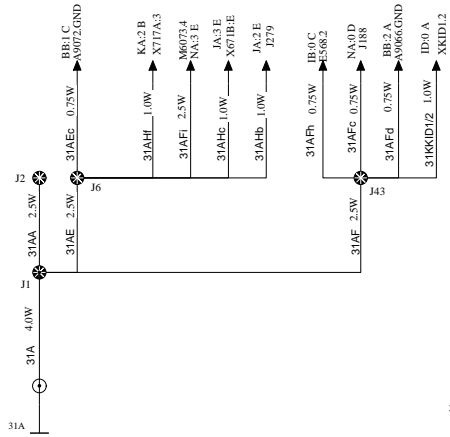
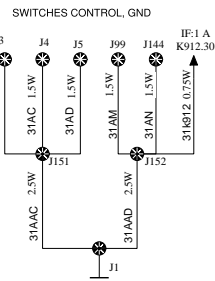
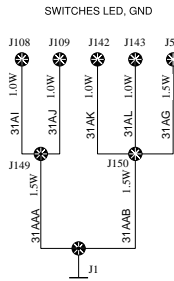
Document title WIRING DIAGRAM
Document type PRODUCT SCHEMATIC

Document No 22600119	Issue 04	Volume 01	Page 70/74
-------------------------	-------------	--------------	---------------

GROUNDS

PA

WIRING DIAGRAM



Volvo Bus Corporation

Document title
WIRING DIAGRAM
Document type
PRODUCT SCHEMATIC

Document No
22600119

Issue
04
Volume
01
Page
71/74

0

1

2

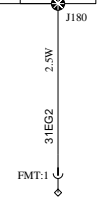
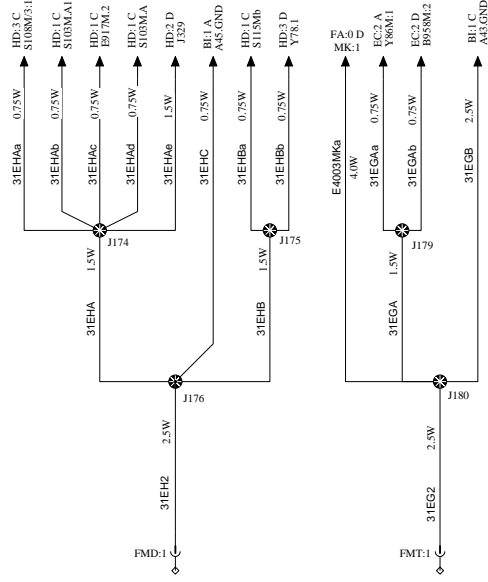
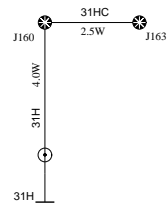
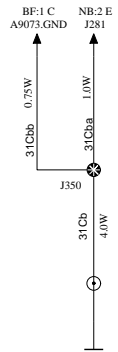
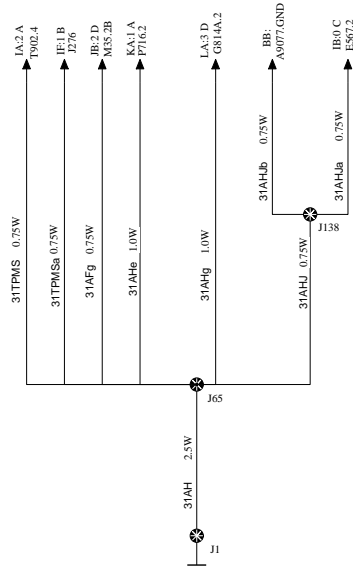
3

4

GROUND

PB

WIRING DIAGRAM



Volvo Bus Corporation

Document title WIRING DIAGRAM
Document type PRODUCT SCHEMATIC

Document No	Issue	Volume	Page
22600119	04	01	72/74

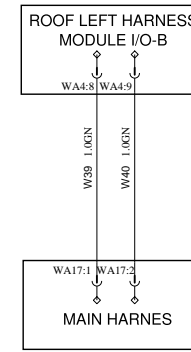
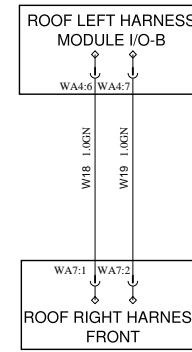
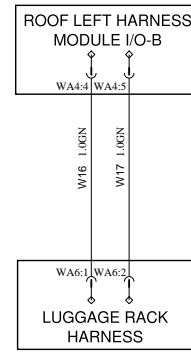
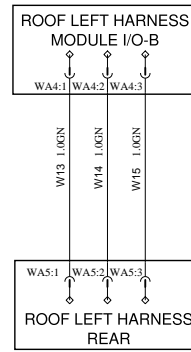
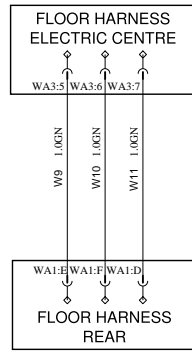
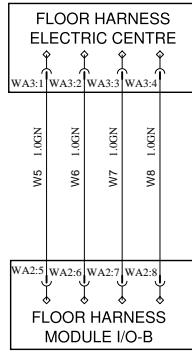
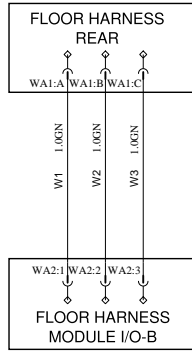
AUXILIARY LINES

QA

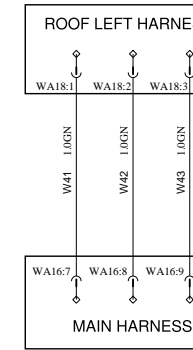
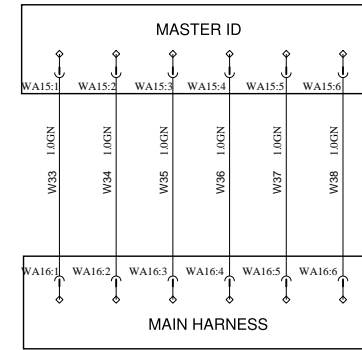
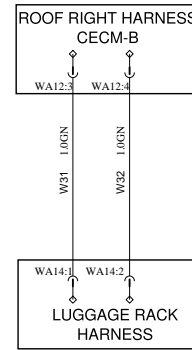
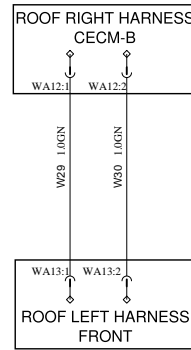
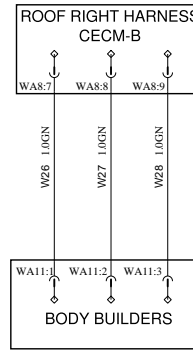
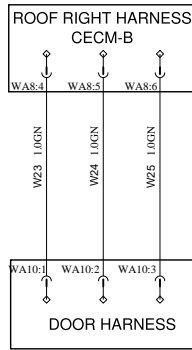
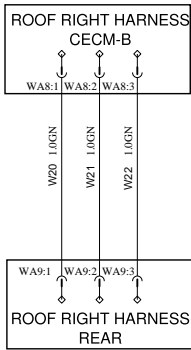
WIRING DIAGRAM

FLOOR HARNESS

ROOF LEFT HARNESS



ROOF RIGHT HARNESS



FUSES

FUSE	DESCRIPTION	AMPERS	FUSE	DESCRIPTION	AMPERS
F1	FEED +30 SERVICE KIT	20A	F23	LIGHT UNDER SEATS	5A
F2	TRANSCOM - DRL	5A	F24	MIDDLE DOOR I/O A MODULE	5A
F3	AUDIO & VIDEO 12V	20A	F25	WEBASTO TIMER 3	5A
F4	FEED RELAY K5	30A	F26	DASHBOARD I/O A MODULE	5A
F5	FLOOR I/O B MODULE	30A	F27	24 VCD OUTPUT IN DRIVER SIDE	30A
F6	CLIMATE I/O A MODULE	5A	F28	PRESOSTATO	5A
F7	CLIMATE UNIT I/O A	5A	F29	COPILOTO/ V-LINK	3A
F8	AUXILIAR HEATER/ FRONT LIGHTS SEL	30A	F30	CONTROL PANEL AIR	5A
F9	RED LED SWITCHES	5A	F31	FEED +15 TD7	3A
F10	DEFROSTER	20A	F32	MOBITEC (+15)	5A
F11	ROOF LEFT 2. I/O B MODULE	30A	F33	DRC AIR CONDITIONING	15A
F12	MOBITEC CONTROL & MCM FEED	7.5A	F34	AUDIO & VIDEO (+15)	20A
F13	LEFT & MIDLE TOILET I/O B MODULE/FSS	7.5A/15A	F35	PARK PILOT	10A
F14	ELECTRIC WINDOW	20A	F36	TIME & TEMPERATURE DISPLAY	5A
F15	WHEEL CHAIR LIFT	30A	F37	TPMS	15A
F16	ROOF LEFT I/O B MODULE	30A	F38	V-LINK	3A
F17	WEBASTO TIMER 2	5A	F39	ROOF HATCH FRONT	7.5A
F18	AUDIO & VIDEO 24V	20A	F40	ROOF HATCH REAR	7.5A
F19	TOILET I/O B MODULE	7.5A	F41	WEBASTO TIMER 1	5A
F20	DASHBOARD CONVERTER, CIGARRETTE OUTPUT	15A	F42	ELECTRICAL BLINDER	15A
F21	COPILOTO, TD7/WI FI	5A	F43	DEFROSTER FLAP	5A
F22	+B FEED MCM	15A	F44	FEED OVER SPEED RELAY	15A

RELAYS

RELAY	DESCRIPTION
AK(15)	LOADS +15
K1	OVER SPEED 95KM CONTROL
K2	DEFROSTER SPEED 1
K3	DEFROSTER SPEED 2
K4	DEFROSTER SPEED 3
K5	NIGHT LIGHT

0

1

2

3

4

A

A

F1

F2

F3

F4

F5

F6

F7

F8

F9

F10

F11

F12

F13

F14

F15

F16



B

B

F17

F18

F19

F20

F21

F22

F23

F24

F25

F26

F27

F28

F29

F30

F31

F32



C

C

F33

F34

F35

F36

F37

F38

F39

F40

F41

F42

F43

F44



D

D

K1

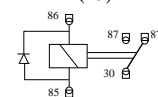
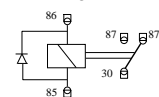
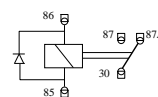
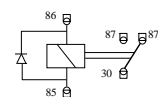
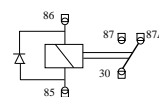
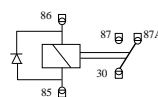
K2

K3

K4

K5

AK(15)



0

1

2

3

4

E

E

Engineering Release Notice (ERN)	Location	Change Description	A = Added U = Deleted	W = Was	Document Release Status
D-16318-19		SEE DCN BODY			Date Modification Count

**REFERENCE NAME INDEX, BUS BEA BODY 9700 24V
MEXICO**

NAME	DESCRIPTION	LOCATION
2/G_F43	FUSE F43 TERMINAL	OC 0 B
31A	GROUND DASHBOARD	PA 1 B
31AA	GROUND MAIN	PA 2 B
31Aa	FREE TERMINAL	PA 1 B
31AV	GND AUDIO AND VIDEO MAIN H	LA 1 D
31AVD	GROUND AUDIO VIDEO ON DEMAND	LD 0 C
31AVI	GROUND AUDIO & VIDEO INDIVIDUAL	LH 1 D
31B	GROUND, ROOF LEFT FRONT	PA 3 E
31Bb	FREE TERMINAL	PA 3 E
31C	GROUND, ROOF LEFT REAR	PA 4 E
31Cb	GROUND, AIR CONDITION HARNESS	PB 0 E
31Cc	FREE TERMINAL	PA 4 E
31D	GROUND, ROOF RIGHT REAR	PA 0 E
31Dd	FREE TERMINAL	PA 0 E
31DVwm	GROUND, DISCHARGE VALVE	NB 0 D
31E	GROUND, FLOOR	PA 1 E
31Ee	FREE TERMINAL	PA 1 E
31F	GROUND, EXTRA	PA 3 C
31Ff	FREE TERMINAL	PA 3 C
31H	GROUND, AUXILIARY HEATER	PB 1 C
31I	LOW CURRENT GROUND FLOOR HARNESS	BH 1 B
31K	GROUND, DRL EXTENSION	OC 1 B
172A1	FREE TERMINAL	CE 0 B
172A2	FREE TERMINAL	CE 0 B
172J1	FREE TERMINAL	CE 4 A
172J2	FREE TERMINAL	CE 4 B
669A	TOILET FAN	EA 4 A
669B	TOILET FAN	EA 4 A
972B+	FREE TERMINAL	GA 3 C
972B-	FREE TERMINAL	GA 3 C

The copying, distribution and utilization of this document as well as the communication of its contents to others without expressed authorization is prohibited. Offenders will be held liable for payment of damages. All rights reserved in the event of the grant of a patent, utility model or ornamental design registration.

Document Title
**WIRING DIAGRAM
BEA – BODY 9700**

VOLVO


Volvo Bus Corporation

Document Type
PRODUCT SCHEMATIC

Owner Domain: Document Prefix

Document No 22600119	Issue Index 04	Volume No 02	Page No 1(18)
--------------------------------	--------------------------	------------------------	-------------------------

1147a	FREE TERMINAL	HA 3 A
1147b	FREE TERMINAL	HA 3 B
1152a	HANDWASH PUSH BUTTON	EA 2 B
1152b	HANDWASH PUSH BUTTON	EA 2 B
1152La	FREE TERMINAL	EB 1 B
1152Lb	FREE TERMINAL	EB 1 B
1153a	WC FLUSHING BUTTON	EA 2 B
1153a2	WC FLUSHING BUTTON US/CAN	ED 1 C
1153b	WC FLUSHING BUTTON	EA 2 B
1153b2	WC FLUSHING BUTTON US/CAN	ED 0 C
1153La	FREE TERMINAL	EB 2 B
1153Lb	FREE TERMINAL	EB 2 B
1155a	EMERGENCY BUTTON	EA 2 A
1155a2	EMERGENCY BUTTON US/CAN	ED 1 C
1155b	EMERGENCY BUTTON	EA 2 B
1155b2	EMERGENCY BUTTON US/CAN	ED 0 C
1155La	FREE TERMINAL	EB 2 A
1155Lb	FREE TERMINAL	EB 2 B
1161A1	FREE TERMINAL	GA 0 B
1161A2	FREE TERMINAL	GA 0 B
1161B1	FREE TERMINAL	GA 0 B
1161B2	FREE TERMINAL	GA 0 B
4057A	Free Terminal	CE 0 D
4057A1	FREE TERMINAL	CE 0 E
4057B.A	CABLE TERMINAL, POSITIVE SIGNAL 24V CAVITY 1	CF 0 B
4057B.B	CABLE TERMINAL, POSITIVE SIGNAL 24V CAVITY 2	CF 0 B
4057B.C	CABLE TERMINAL, POSITIVE SIGNAL 24V CAVITY 3	CF 0 B
4057B.N	CABLE TERMINAL, NEGATIVE SIGNAL	CF 0 B
4057C.A	CABLE TERMINAL , 24V CAVITY 1	CF 0 B
4057C.B	CABLE TERMINAL, 24V CAVITY2	CF 0 B
4057C.C	CABLE TERMINAL.24V CAVITY3	CF 1 B
4057C.N	CABLE TERMINAL, GROUND SIGNAL.	CF 0 B
4057D.A	CABLE TERMINAL, 24V CAVITY1	CF 1 B
4057D.B	CABLE TERMINAL, 24V CAVITY 2	CF 1 B
4057D.C	CABLE TERMINAL,24V CAVITY3	CF 1 B
4057D.N	CABLE TERMINAL ,GROUN SIGNAL	CF 1 B
4057F.A	CABLE TERMINAL, 24V CAVITY 1	CF 0 D
4057F.B	CABLE TERMINAL, 24V CAVITY2	CF 0 D
4057F.C	CABLE TERMINAL,24V CAVITY3	CF 0 D
4057F.N	CABLE TERMINAL GND	CF 0 D

 Volvo Bus Corporation	Document Title WIRING DIAGRAM			
	Document Type PRODUCT SCHEMATIC			
	Document No 22600119	Issue Index 04	Volume No 02	Page No 2(18)

4057G.A	CABLE TERMINAL,24V CAVITY1	CF 0 D
4057G.B	CABLE TERMINAL, 24V CAVITY2	CF 0 D
4057G.C	CABLE TERMINAL,24V CAVITY3	CF 0 D
4057G.N	CABLE TERMINAL, GROUND SIGNAL	CF 0 D
4057H.A	CABLE TERMINAL, 24V CAVITY1	CF 1 D
4057H.B	CABLE TERMINAL, 24V CAVITY2	CF 1 D
4057H.C	CABLE TERMINAL,24V CAVITY3	CF 1 D
4057H.N	CABLE TERMINAL, GROUND SIGNAL	CF 1 D
4057J	FREE TERMINAL	CE 4 D
4057J1	FREE TERMINAL	CE 4 E
4066A1	FREE TERMINAL	GA 0 D
4066A2	FREE TERMINAL	GA 0 D
4066B1	FREE TERMINAL	GA 1 D
4066B2	FREE TERMINAL	GA 1 D
6070a	FREE TERMINAL	HB 1 D
6070b	FREE TERMINAL	HB 1 D
9075a	FREE TERMINAL	HA 2 A
9075b	FREE TERMINAL	HA 2 B
A1	PIR SENSOR A1	EA 3 B
A1L	PIR SENSOR A1, LEFT TOILET	EB 3 A
A2	PIR SENSOR A2	EA 3 B
A2L	PIR SENSOR A2, LEFT TOILET	EB 3 A
A3	PIR SENSOR A3	EA 3 B
A3L	PIR SENSOR A3, LEFT TOILET	EB 3 B
A6	PIR SENSOR A6	EA 3 B
A6L	PIR SENSOR A6, LEFT TOILET	EB 3 B
A36	MCM, MASTER CONTROL MODULE	BC 0 C
A43	Body I/O Module, Middle Toilet	FA 2 E
A45	Body I/O Module, middle door	BA 0 E
A48	Body I/O Module 48	CA 1 A
A49	CONTROL UNIT IO-B, AUXILIARY HEATER	ND 3 A
A53	Body I/O Module 53	BA 1 E
A56	Body I/O Module, Right Toilet	BA 0 C
A96	ECU BERU	IF 2 C
A97	CANTRAK TELEFLEX	IF 0 B
A99	FRONT ANTENNA	IF 3 C
A100	ANTENNA FRONT	IF 3 B
A101	ANTENNA RR	IF 3 A
A102	ANTENNA RL	IF 3 D
A150	WCL Circuit Board Ricon	GB 2 C

VOLVO

Volvo Bus Corporation

Document Title

WIRING DIAGRAM

Document Type

PRODUCT SCHEMATIC

Document No

22600119

Issue Index

04


Volume No

02

Page No

3(18)

A947A	SCREEN TFT	LE 1 C
A947A1	FIXED SCREEN	LF 2 C
A947B	SCREEN TFT	LE 2 C
A947B1	FIXED SCREEN	LF 2 C
A947C	SCREEN TFT	LE 2 C
A947C1	FIXED SCREEN	LF 1 D
A947D	SCREEN TFT	LE 1 E
A947D1	FIXED SCREEN	LF 3 D
A947E	SCREEN TFT	LE 2 E
A952	WEBASTO TIMER	ND 4 C
A953	Cooper Electric Center.	BE 3 B
A955	CSDD DISPLAY	NE 0 A
A7001	AC UNIT	NB 0 C
A9066	CONTROL UNIT I/O-A CLIMATE CONTROL	BB 2 A
A9067	CONTROL UNIT I/O-B ROOF LEFT	BC 3 B
A9068	CONTROL UNIT I/O-B TOILET	BE 1 C
A9069	CONTROL UNIT I/O-B KITCHEN	BE 1 A
A9071	CONTROL UNIT I/O-B FLOOR	BF 1 A
A9072	CONTROL UNIT I/O-A DASHBOARD	BB 1 C
A9073	CONTROL UNIT I/O-A CLIMATE CONTROL	BF 1 C
A9077	CONTROL UNIT MASTER ID	Wrong world, out of range.
A9078	CONTROL UNIT, CLIMATE DISPLAY	NA 0 A
A9080	CONTROL UNIT I/O-B LEFT TOILET	BG 1 A
AC+	AC HEAT	AD 4 C
B21	Sensor,coolant temperature	ND 1 C
B22	SENSOR, OUTDOOR TEMPERATURE	ND 1 C
B958M	Sensor, Principal Tank Middle Toilet	EC 2 D
B959M	Sensor, Soil Tank Middle Toilet	EC 3 D
B961A	SENSOR EMERGENCY WINDOWS	JC 1 B
B961B	SENSOR EMERGENCY WINDOWS	JC 2 B
B961C	SENSOR EMERGENCY WINDOWS	JC 3 B
B961D	SENSOR EMERGENCY WINDOWS	JC 3 B
B961E	SENSOR EMERGENCY WINDOWS	JC 0 B
B961F	SENSOR EMERGENCY WINDOWS	JC 0 B
B961G	SENSOR EMERGENCY WINDOWS	JC 1 B
B962	SENSOR, OPTICAL FIRE DETECTOR	ID 0 D
B963	SENSOR, OUTDOOR TEMPERATURE	GC 2 C
B7070	INDUCTIVE SENSOR, ENGINE HATCH OPEN	OB 3 B
B7072	DEFROSTER TEMP. SENSOR	NA 1 E

 Volvo Bus Corporation	Document Title WIRING DIAGRAM			
	Document Type PRODUCT SCHEMATIC			
	Document No 22600119	Issue Index 04	Volume No 02	Page No 4(18)

B7073	OUTSIDE TEMP. SENSOR	NA 4 B
B7074	DRIVER TEMP. SENSOR	NA 1 E
B7075A	PASSENGER SENSOR, CLIMATE DOT	NC 2 D
B7075B	PASSENGER SENSOR	NC 2 B
BB2/2	SIGNAL (-) TEMPERATURE SENSOR	AA 1 B
BB2/3	SIGNAL (+) TEMPERATURE SENSOR	AA 2 B
BB3:6	BBI, DRL SIGNAL	OC 0 C
BB7/2	REVERSE LIGHT	AA 3 D
BB7/3	DIRECTION REAR LEFT	AA 3 D
BB7/4	DIRECTION REAR RIGHT	AA 3 D
BB7/7	PARKING LIGHT LEFT	AA 3 D
BB7/8	PARKING LIGHT RIGHT	AA 3 D
BB7/9	LUGGAGE HATCH	AA 4 D
BB7/10	ENGINE HATCH	AA 4 D
BMUX/1	J1708 CAN BUS CONNECTION	BC 1 D
BMUX/2	J1708 CAN BUS CONNECTION	BC 1 D
D972A	DRIVER INTERPHONE	GA 2 B
D972B	CABIN INTERPHONE	GA 2 C
DAH	DIODE, AUXILIARY HEATER	ND 2 B
DB9	CONNECTOR DB9 SERIAL	IF 0 D
DHA	DIODE, HOST CALL	CC 4 C
DHB	DIODE, HOST CALL	CC 4 C
DRB	DIODE, READING LIGHTS	CC 0 D
DRC	DIODE, READING LIGHTS	CC 1 D
DRD	DIODE	BC 0 D
DRDa	DIODE	EB 1 A
DRDb	DIODE	EA 1 A
E10LBa	LICENSE PLATE LEFT	OA 1 C
E10LBb	LICENSE PLATE LEFT	OA 1 C
E10RBa	LICENSE PLATE RIGHT	OA 2 C
E10RBb	LICENSE PLATE RIGHT	OA 2 C
E03	Lamp,spot light	GB 0 D
E03A	LAMP, WCL	GB 0 D
E07LR	FOG LIGHT LEFT REAR	OA 1 C
E07RR	FOG LIGHT RIGHT REAR	OA 2 C
E07RRa	FREE TERMINAL	OA 2 C
E07RRb	FREE TERMINAL	OA 2 C
E09RB	BREAK LIGHT MIDDLE	OA 4 C
E09RC	LAMP, CENTER STOP LAMP CA	OA 4 C
E10L	TAIL AND BREAK LIGHT LEFT	OA 0 C

VOLVO

Volvo Bus Corporation

Document Title

WIRING DIAGRAM

Document Type

PRODUCT SCHEMATIC

Document No

22600119

Issue Index

04


Volume No

02


Page No

5(18)


E10LB	LICENSE PLATE LEFT	OA 1 C
E10R	TAIL AND BREAK LIGHT RIGHT	OA 3 C
E10RB	LICENSE PLATE RIGHT	OA 2 C
E11LF	SIDE-MARKER LAMP MIDDLE LEFT	OB 0 C
E11LFa	SIDE MARKER TERMINAL- HARNESS TO EXTENSION	OB 0 C
E11LFb	SIDE MARKER TERMINAL-HARNESS TO EXTENSION	OB 0 C
E11RR	SIDE-MARKER FRONT RIGHT	OB 1 C
E11RR:1	CABLE TERMINAL, LUGGAGE HATCH'S SIDE MARKER , SUPPLY VOLTAGE SIGNAL	CF 1 D
E11RR:2	CABLE TERMINAL, LUGGAGE HATCH'S SIDEMARKER , GROUND	CF 1 D
E11RRa	SIDE MARKERS TERMINAL-HARNESS TO EXTENSION	OB 1 C
E11RRb	SIDE MARKER TERMINAL-HARNESS TO EXTENSION	OB 1 C
E11TL	SIDE-MARKER LAMP REAR LEFT	OB 0 C
E11TLa	SIDE MARKER TERMINAL-HARNESS TO EXTENSION	OB 0 C
E11TLb	SIDE MARKER TERMINAL- HARNESS TO EXTENSION	OB 0 C
E11TR	SIDE-MARKER LAMP REAR RIGHT	OB 1 C
E11TRa	SIDE MARKER TERMINAL- HARNESS TO EXTENSION	OB 1 C
E11TRb	SIDE MARKERS TERMINAL-HARNESS TO EXTENSION	OB 1 C
E13	Direction Indicator	OB 2 C
E13a	DIRECTION INDICATOR	OB 2 C
E13b	DIRECTION INDICATOR	OB 2 C
E13c	DIRECTION INDICATOR	OB 2 B
E13d	DIRECTION INDICATOR	OB 2 C
E14	Lamp,beacon warning lamp	GB 4 D
E16	LAMP, INSTEP LIGHT	HD 2 C
E16A	Lamp, Step	CB 0 D
E16a	LAMP, STEP MIDDLE DOOR	HD 2 C
E16B	Lamp, Step	CB 0 D
E16b	LAMP, STEP MIDDLE DOOR	HD 2 C
E16C	Lamp, Step	CB 0 D
E16D	LAMP, STEP MIDDLE DOOR	HD 2 C
E16E	LAMP, STEP MIDDLE DOOR	HD 2 C
E16F	LAMP, STEP MIDDLE DOOR	HD 2 C
E16G	LAMP API LOGO	CB 0 D
E17AL	INTERIOR LIGHT	CD 0 C
E17AR	INTERIOR LIGHT	CD 1 C
E17BL	INTERIOR LIGHT	CD 0 C
E17BR	INTERIOR LIGHT	CD 1 C
E49M	Lamp, Cabin Toilet	EC 3 A

 Volvo Bus Corporation	Document Title			
	WIRING DIAGRAM			
	Document Type			
	PRODUCT SCHEMATIC			
Document No	Issue Index	Volume No	Page No	
22600119	04	02	6(18)	


E60A	AMBIENT LIGHT LEFT	Wrong world, out of range.
E60B	AMBIENT LIGHT RIGHT	CA 0 D
E61	LAMP, LED LIGHT HEADLINER DISPLAY	CB 0 E
E91R	LAMP, KNEELING WARNING	DA 4 D
E91RA	LAMP, KNEELING EXTERIOR	DA 4 D
E92	WALL LIGHT	ED 3 D
E420A	POSITION LIGHTS, UPPER FRONT LEFT SIDE	DA 1 D
E420B	POSITION LIGHTS, UPPER CENTRE LEFT SIDE	DA 1 D
E420C	POSITION LIGHTS, UPPER REAR LEFT SIDE	DA 1 D
E420D	POSITION LIGHTS, UPPER REAR	DA 2 D
E420E	POSITION LIGHTS UPPER REAR	DA 2 D
E420F	POSITION LIGHTS, UPPER REAR	DA 3 D
E420G	POSITION LIGHTS UPPER REAR	DA 3 D
E420H	POSITION LIGHTS, UPPER REAR	DA 3 D
E420I	POSITION LIGHTS, UPPER REAR	DA 3 D
E420J	POSITION LIGHTS, UPPER REAR	DA 3 D
E421A	POSITION LIGHTS, UPPER FRONT RIGHT SIDE	DA 1 D
E421B	POSITION LIGHTS, UPPER CENTRE RIGHT SIDE	DA 2 D
E421C	POSITION LIGHTS, UPPER REAR RIGHT SIDE	DA 2 D
E421D	POSITION LIGHTS, UPPER FRONT	DA 0 D
E421E	POSITION LIGHTS, UPPER FRONT	DA 0 D
E421F	POSITION LIGHTS, UPPER FRONT	DA 0 D
E421G	POSITION LIGHTS, UPPER FRONT	DA 0 D
E421H	POSITION LIGHTS, UPPER FRONT	DA 1 D
E422A	POSITION LIGHTS,REAR UPPER MARKER RIGHT	DB 0 C
E422B	POSITION LIGHTS, REAR UPPER RIGHT BLINKER	DB 0 C
E422C	POSITION LIGHT, MIDDLE NAVIGATOR LAMP RIGHT	DB 0 C
E422D	POSITION LIGHT, MIDDLE NAVIGATOR LAMP	DB 0 C
E422E	POSITION LIGHT,MIDDLE NAVIGATOR LAMP LEFT	DB 1 C
E422F	POSITION LIGHT, REAR UPPER LEFT BLINKER	DB 1 C
E422G	POSITION LIGHT,REAR UPPER MARKER LEFT	DB 1 C
E433	GUIDE LAMP	CB 1 D
E433B	LAMP, GUIDE OUTSIDE	CB 1 D
E450	DESTINATION SIGN LAMP	CB 2 D
E450L	DESTINATION SIGN LAMP	CB 3 D
E471A	NIGHT LIGHT LEFT SIDE	CD 3 D
E471a	SEAT NIGHT LIGHT	CA 1 C
E471a.1	SEAT BLUE NIGHT LIGHT	CA 2 C
E471B	NIGHT LIGHT RIGHT SIDE	CD 4 D

 Volvo Bus Corporation	Document Title WIRING DIAGRAM			
	Document Type PRODUCT SCHEMATIC			
	Document No 22600119	Issue Index 04	Volume No 02	Page No 7(18)

E471b	SEAT NIGHT LIGHT	CA 1 C
E471b.1	SEAT BLUE NIGHT LIGHT	CA 2 D
E471c	SEAT NIGHT LIGHT	CA 1 D
E471c.1	SEAT BLUE NIGHT LIGHT	CA 2 D
E471d	SEAT NIGHT LIGHT	CA 1 D
E471d.1	SEAT BLUE NIGHT LIGHT	CA 2 D
E471e	SEAT NIGHT LIGHT	CA 1 D
E471f	SEAT NIGHT LIGHT	CA 1 D
E471g	SEAT NIGHT LIGHT	CA 1 D
E472A	LAMP, ENGINE COMPARTMENT	IA 0 C
E472B	LAMP, ENGINE COMPARTMENT	IA 0 C
E472C	ENGINE HARNESS	IA 1 C
E472D	ENGINE HARNESS	IA 1 C
E566	REST COMPARTMENT SNAKE LAMP	GA 4 B
E567	SNAKE LAMP, ELECTRIC CENTRE	IB 0 C
E568	SNAKE LAMP, MAP LIGHT	IB 0 C
E902A	DRIVER LOUDSPEAKER	LB 0 E
E902B	DRIVER LOUDSPEAKER	LB 0 E
E902C	GUIDE LOUDSPEAKER	LB 0 E
E902D	GUIDE LOUDSPEAKER	LB 1 E
E911A	PASSENGER SPEAKERS, LEFT SIDE	IB 4 C
E911B	PASSENGER SPEAKER, RIGHT SIDE	IB 4 C
E916M	Lamp, Middle Door Emergency	HD 3 C
E917M	Lamp Guide, Middle Door	HD 1 C
E919	Open Door WCL	GB 1 B
E4003MK	MIDDLE KITCHEN	FA 1 D
E4054A	LIGHT INTO THE TOILET	EA 3 C
E4054AL	LIGHT INTO THE LEFT TOILET	EB 3 B
E4054B	LIGHT INTO THE TOILET	EA 3 C
E4054BL	LIGHT INTO THE LEFT TOILET	EB 3 B
E4055L	OCCUPIED & VACCANT DISPLAY, LEFT SIDE	EB 3 A
E4055LA	OCCUPIED & VACANT LAMP WC	EA 3 A
E4057A2	LAMP , REAR HATCH	CE 0 D
E4057A3	LAMP, REAR HATCH	CE 0 D
E4057B	LUGGAGE LAMPS LEFT SIDE	CE 0 D
E4057B2	LAMP,LUGGAGE	CE 0 D
E4057B3	LAMP, LUGGAGE	CE 0 D
E4057Ba	LAMP, LUGGAGE	CE 0 D
E4057Bb	LAMP, LUGGAGE	CE 0 E
E4057C	LUGGAGE LAMPS LEFT SIDE	CE 1 D

 Volvo Bus Corporation	Document Title			
	WIRING DIAGRAM			
	Document Type			
	PRODUCT SCHEMATIC			
Document No	Issue Index	Volume No	Page No	
22600119	04	02	8(18)	

E4057C2	LAMP, LUGGAGE	CE 1 D
E4057C3	LAMP, LUGGAGE	CE 1 D
E4057Ca	LAMP, LUGGAGE	CE 1 D
E4057D	LUGGAGE LAMPS LEFT SIDE	CE 1 D
E4057D2	LAMP, LUGGAGE	CE 1 D
E4057D3	LAMP, LUGGAGE	CE 1 D
E4057D4	LAMP, LUGGAGE	CE 1 E
E4057Da	LAMP, LUGGAGE	CE 1 D
E4057E	EXTRACOMPARTMENT LAMPS LEFT SIDE	CE 2 D
E4057E2	LAMP,LUGGAGE	CE 2 D
E4057E3	LAMP, LUGGAGE	CE 2 D
E4057Ea	LAMP, EXTRACOMPATMENT	CE 2 D
E4057Eb	LAMP, EXTRACOMPARTMENT	CE 2 D
E4057F	LUGGAGE LAMPS RIGHT SIDE	CE 2 D
E4057F2	LAMP, LUGGAGE	CE 2 D
E4057F3	LAMP, LUGGAGE	CE 2 D
E4057Fa	LAMP, LUGGAGE	CE 2 D
E4057Fb	LAMP, LUGGAGE	CE 2 E
E4057G	LUGGAGE LAMPS RIGHT SIDE	CE 2 D
E4057G2	LAMP, LUGGAGE	CE 3 D
E4057G3	LAMP, LUGGAGE	CE 3 D
E4057Ga	LAMP, LUGGAGE	CE 2 D
E4057H	LUGGAGE LAMPS LEFT SIDE	CE 3 D
E4057H2	LAMP,LUGGAGE	CE 3 D
E4057H3	LAMP, LUGGAGE	CE 3 D
E4057Ha	LAMP, LUGGAGE	CE 3 D
E4057J2	LAMP, REAR HATCH	CE 4 D
E4057J3	LAMP, REAR HATCH	CE 4 D
E4057K	LAMP,REAR HATCH, CA-LUGD2	CE 3 D
E4057K1	LAMP,LUGGAGE HATCH CALUGD2,TERMINAL1	CE 3 D
E4057K2	LAMP,LUGGAGE HATCH REAR CALUGD2,TERMINAL2	CE 3 D
E4057K3	LAMP,LUGGAGE HATCH REAR CALUGD2,TERMINAL3	CE 3 D
E4057Ke	LAMP, LUGGAGE HATCH REAR, CALUGD2 TERMINAL GROUND	CE 3 E
E4063	OVER SPEED LAMP	IB 3 C
E4064	DRIVER LAMP	CB 1 D
E4065	KITCHEN LIGHT	FA 4 D
E4065.B	LAMP, INTERIOR LAMP IN KITCHEN	FA 3 D
E4065A	LAMP, KITCHEN LIGHT STANDARD	FA 3 A
E4066A	REST COMPARTMENT LEFT LIGHT	GA 0 D
E4066B	REST COMPARTMENT RIGHT LIGHT	GA 1 D

 Volvo Bus Corporation	Document Title			
	WIRING DIAGRAM			
	Document Type			
	PRODUCT SCHEMATIC			
Document No	Issue Index	Volume No	Page No	
22600119	04	02	9(18)	

E4067	TIME & TEMPERATURE DISPLAY	IB 1 C
E4070	EMERGENCY LAMP	HA 3 B
E7004	FRIDGE	FA 1 C
E7005	WATER DISPENSER ELBER	FA 1 C
earth20_176	GROUND, EXTRA	PB 1 C
earth24_30	GROUND, AIR CONDITION HARNESS	PB 0 E
earth24_308	GROUND, EXTRA	BH 1 C
earth25_80	Roof Lett Harness	CD 0 E
earth26	GROUND, ROOF LEFT REAR	FB 0 C
earth26_80	Roof Lett Harness	CD 1 E
earth27_116	GROUND DASHBOARD	PA 2 C
ECC +30	BODY ELECTRIC CENTRAL	AD 3 C
ECC B+	BODY ELECTRIC CENTRAL	AD 4 C
F1	FEED +30 SERVICE KIT	Fuses_Relays 0 A
F2	TRANSCOM - DRL	Fuses_Relays 0 A
F3	AUDIO & VIDEO 12V	Fuses_Relays 0 A
F4	FEED RELAY K5	Fuses_Relays 1 A
F5	FLOOR I/O B MODULE	Fuses_Relays 1 A
F6	CLIMATE I/O A MODULE	Fuses_Relays 1 A
F7	CLIMATE UNIT I/O A	Fuses_Relays 2 A
F8	AUXILIAR HEATER/ FRONT LIGHTS SEL	Fuses_Relays 2 A
F9	RED LED SWITCHES	Fuses_Relays 2 A
F10	DEFROSTER	Fuses_Relays 2 A
F11	ROOF LEFT 2. I/O B MODULE	Fuses_Relays 3 A
F12	MOBITEC CONTROL & MCM FEED	Fuses_Relays 3 A
F13	LEFT & MIDLE TOILET I/O B MODULE/FSS	Fuses_Relays 3 A
F14	ELECTRIC WINDOW	Fuses_Relays 3 A
F15	WHEEL CHAIR LIFT	Fuses_Relays 4 A
F16	ROOF LEFT I/O B MODULE	Fuses_Relays 4 A
F17	WEBASTO TIMER 2	Fuses_Relays 0 B
F18	AUDIO & VIDEO 24V	Fuses_Relays 0 B
F19	TOILET I/O B MODULE	Fuses_Relays 0 B
F20	DASHBOARD CONVERTER, CIGARRETTE OUTPUT	Fuses_Relays 1 B
F21	COPILOTO, TD7/WI FI	Fuses_Relays 1 B
F23	LIGHT UNDER SEATS	Fuses_Relays 2 B
F24	MIDDLE DOOR I/O A MODULE	Fuses_Relays 2 B
F25	WEBASTO TIMER 3	Fuses_Relays 2 B
F26	DASHBOARD I/O A MODULE	Fuses_Relays 2 B
F27	24 VCD OUTPUT IN DRIVER SIDE	Fuses_Relays 3 B
F28	PRESOSTATO	Fuses_Relays 3 B

VOLVO

Volvo Bus Corporation

Document Title

WIRING DIAGRAM

Document Type

PRODUCT SCHEMATIC

Document No

22600119

Issue Index

04

Volume No

02

Page No

10(18)

F29	COPILOTO/ V-LINK	Fuses_Relays 3 B
F30	CONTROL PANEL AIR	Fuses_Relays 3 B
F31	FEED +15 TD7	Fuses_Relays 4 B
F32	MOBITEC (+15)	Fuses_Relays 4 B
F33	DRC AIR CONDITIONING	Fuses_Relays 0 C
F34	AUDIO & VIDEO (+15)	Fuses_Relays 0 C
F35	PARK PILOT	Fuses_Relays 0 C
F36	TIME & TEMPERATURE DISPLAY	Fuses_Relays 1 C
F37	TPMS	Fuses_Relays 1 C
F38	V-LINK	Fuses_Relays 1 C
F39	ROOF HATCH FRONT	Fuses_Relays 2 C
F40	ROOF HATCH REAR	Fuses_Relays 2 C
F41	WEBASTO TIMER 1	Fuses_Relays 2 C
F42	ELECTRICAL BLINDER	Fuses_Relays 2 C
F43	DEFROSTER FLAP	Fuses_Relays 3 C
F44	FEED OVER SPEED RELAY	Fuses_Relays 3 C
F107	FUSE 30 AMP, +B	AB 1 B
F107.A	FUSE B+	AD 3 B
F107.B	FUSE B+	AD 3 B
FJ6	FREE TERMINAL A&V ON DEMAND	LD 1 B
FJ6.A	FREE TERMINAL A&V INDIVIDUAL	LH 1 B
FJ6A	FREE TERMINAL A&V ON DEMNAD	LD 1 B
FJ6A.A	FREE TERMINAL A&V INDIVIDUAL	LH 1 B
FJ141	FREE TERMINAL A&V ON DEMAND	LD 0 A
FJ141.A	FREE TERMINAL A&V INDIVIDUAL	LH 0 A
FL_2_3_A	LAMP, FRONT HEADLAMPS	OC 0 D
FT01	TERMIC FUSE	IE 0 B
FT02	TERMIC FUSE, KLIXON 80 A ,SDLS-80-1	IJ 0 B
G01	BATTERY 12 VCD	AB 0 C
G01.A	BATTERY TERMINAL	AB 0 C
G01B	BATTERY	AB 0 D
G01B.B	BATTERY TERMINAL	AB 0 D
G813	OUTPUT 12V	LA 3 D
G814A	OUTPUT 24V	LA 3 D
GND	GROUND	AB 2 A
GND31B	GROUND TERMINAL	AB 0 E
H01	ELECTRIC HORN A	IA 3 B
H02	ELECTRIC HORN B	IA 3 B
H06R	BUZZER REVERSE	OA 3 C
H07	HORN, KNEELING ALARM	DA 4 D

VOLVO

Volvo Bus Corporation

Document Title

WIRING DIAGRAM

Document Type

PRODUCT SCHEMATIC

Document No

22600119

Issue Index

04


Volume No

02


Page No

11(18)


H12	INDICATOR LAMP, EMERGENCY WINDOWS	JC 4 C
H13A	SPEAKER SERVICE KIT	LB 2 B
H13A.1	SPEAKER SERVICE KIT MIX	LJ 1 C
H13B	SPEAKER, SERVICE KIT	LB 2 B
H13B.1	SPEAKER SERVICE KIT MIX	LJ 1 C
H13C	SPEAKER, SERVICE KIT	LB 3 B
H13C.1	SPEAKER SERVICE KIT MIX	LJ 1 C
H13D	SPEAKER SERVICE KIT	LB 3 B
H13D.1	SPEAKER SERVICE KIT MIX	LJ 1 C
H13E	SPEAKER, SERVICE KIT	LB 4 B
H13F	SPEAKER, SERVICE KIT	LB 2 C
H13G	SPEAKER, SERVICE KIT	LB 3 C
H13H	SPEAKER, SERVICE KIT	LB 3 C
H13I	SPEAKER, SERVICE KIT	LB 3 C
H853	BUZZER	EA 2 C
H853L	BUZZER, LEFT TOILET	EB 2 C
H860	OVER SPEED BUZZER	IB 3 C
H5013	OVER SPEED TELLTALE	IB 3 C
J46	Splice four	EA 3 B
J48	Splice WSA	EA 1 D
J87	Splice four	EB 3 B
K1	OVER SPEED 95KM CONTROL	Fuses_Relays 1 D
K2	DEFROSTER SPEED 1	Fuses_Relays 1 D
K3	DEFROSTER SPEED 2	Fuses_Relays 2 D
K4	DEFROSTER SPEED 3	Fuses_Relays 2 D
K5	NIGHT LIGHT	Fuses_Relays 3 D
K320	Power Box	AB 0 C
K345	RELAY, START INHIBITOR	OB 3 C
K400	RELAY BODY ARMS	BD 1 A
K400	RELAY BODY ARMS	BD 1 A
K911	RELAY AUDIO & VIDEO ON DEMAND	LD 0 C
K911.a	RELAY AUDIO & VIDEO IND ON DEMAND	LH 0 C
K911A	RELAY AUDIO & VIDEO ON DEMAND	LD 1 C
K911A.a	RELAY AUDIO & VIDEO IND ON DEMAND	LH 1 C
K911B	RELAY, DAY RUNNING LIGHT	OC 0 B
K912	RELAY TPMS	IF 1 A
KCR	KITCHEN CONNECTOR RELAY	FA 0 C
KHS	RELAY HEATING PUMP	NE 4 B
KK	KITCHEN RELAY	FA 0 C
KML	RELAY MARKING LIGHTS	DA 0 B

 Volvo Bus Corporation	Document Title WIRING DIAGRAM			
	Document Type PRODUCT SCHEMATIC			
	Document No 22600119	Issue Index 04	Volume No 02	Page No 12(18)


KMLR	RELAY MARKING LIGHTS REAR	DA 4 B
KMLRS	RELAY MARKING LIGHTS RIGHT SIDE	DA 2 C
KRR	KITCHEN REAR RELAY	FA 0 C
KSL	RELAY SPOT LAMP	CB 1 C
M10F	MOTOR, FRONT ROOF HATCH	JB 0 B
M10R	MOTOR, REAR ROOF HATCH	JB 0 D
M20	Motor, Fan WC	ED 4 B
M20M	Motor, Fan Wc Middle Toilet	EC 3 D
M24M	Handwash Pump Wc, Middle Toilet	EC 0 A
M25M	Motor Flushing Pump Wc	EC 1 A
M33	MOTOR, DEFROSTER SMOG FLAP	NC 1 B
M35	MOTOR, DRIVER WINDOW	JB 2 D
M36	MOTOR, WEBASTO HEATER	ND 2 D
M37	MOTOR, WEBASTO PUMP	ND 3 D
M38	MOTOR, URINAL PUMP	EA 3 E
M650	WINDSCREEN WIPER MOTOR	MA 0 D
M651	WINDSCREEN WASHER MOTOR	MA 2 C
M651B	MOTOR, WINDSHIELD WHIPER TANK	MA 2 D
M664	WC FLUSHING WATER PUMP	EA 3 E
M664L	WATER PUMP, WC FLUSH, LEFT TOILET	EB 3 D
M669	FAN	EA 4 A
M669L	FAN, TOILET	EB 4 A
M671A	MIRROR MOTOR	JA 2 D
M671B	MIRROR MOTOR	JA 3 D
M672	BLINDER MOTOR	JA 1 D
M6059	REST COMPARTMENT FAN	GA 2 E
M6061	HANDWASH WATER PUMP	EA 2 C
M6061L	WATER PUMP, HW, LEFT TOILET	EB 1 B
M6062	CIRCULATION PUMP, REHEATING SYS	NC 1 D
M6063	FLAP FLOOR, SCREEN STEPLESS	NA 0 D
M6063/DOT	FLAP DEFROSTER- DOT	NA 0 D
M6064	FAN, REHEATING SYSTEM	NC 2 D
M6065	CIRCULATION PUMP REHEATING SYSTEM	NE 4 C
M6071	DRIVER FAN	JA 0 D
M6072	GUIDE FAN	JA 0 D
M6073	DEFROSTER	NA 3 E
MINISIGMA	TACHOGRAPH, SUPPLIER ACTIA	IC 3 B
P715	CODRIVER/INTELSAT	KA 0 A
P716	CONTROL PANEL AIR/VIGIA	KA 1 A

 <p>Volvo Bus Corporation</p>	Document Title			
	WIRING DIAGRAM			
	Document Type			
	PRODUCT SCHEMATIC			
Document No	Issue Index	Volume No	Page No	
22600119	04	02	13(18)	


PCBAC	PCB AC SUTRAK-353	Wrong world, out of range.
R1	RESISTOR 120ohms, START CANB	BA 0 B
R2	RESISTOR 120ohms, START CANB	BA 4 D
R3	RESISTOR 120 ohms, end CAND	BC 1 B
R11	INITIATION RESISTOR CAN-BTPM	IF 1 E
R12	TERMINATION RESISTOR CAN-BTPM	IF 2 E
R_MOBC-C	RELAY_MOBC-C	AD 4 C
RE:1	CABLE TERMINAL, TYPE M5 ,RELAY COLE HERSEE, GROUND WIRE	IJ 0 B
RE:4	CABLE TERMINAL, TYPE M5, FROM RELAY COLE HERSEE. WIRE FROM MODULE A48 CAVITY 21.	IJ 0 B
RSL	REAR STOP LIGHT LEFT	OA 0 C
RSR	REAR STOP LIGHT RIGHT	OA 2 C
RSTL	LAMP, STOP TAIL DOT	OA 0 C
RSTR	LAMP, STOP TAIL DOT	OA 2 C
RY	HOUSING,RECEPTACLE TO DRL'S RELAY FUNCTION	OD 1 B
S23F	SWITCH, FRONT ROOF HATCH	JB 0 B
S23R	SWITCH, REAR ROOF HATCH	JB 0 E
S41	MAIN SWITCH BATTERY BOX I START	AC 1 B
S80	SWITCH, TRANSCOM	LC 1 B
S93	SWITCH KITCHEN LIGHT	FA 2 A
S98	SWITCH, CSDD A/C	IH 1 C
S101	Switch, Middle Door	HC 3 B
S103M	Micro Switch, Middle Door	HD 1 C
S108M	Switch, Lock Middle Door	HD 3 C
S111M	Push Button, Handwash wc, Middle Toilet	EC 1 D
S112M	Push Button, Flushing Wc, Middle Toilet	EC 1 D
S115Ma	Switch, Middle Door Low Pressure	HD 1 C
S115Mb	Switch, Middle Door Low Pressure	HD 1 C
S116	INTERIOR LIGHTS	CD 0 B
S117	READING LIGHTS	CC 0 B
S117C	Switch, Door Wc Carrus Toilet	EC 2 D
S118	SWITCH, DRIVER AND GUIDE FAN	JA 0 B
S118M	Push Button, Emergency Wc	EC 0 D
S126	SWITCH, DRIVER WINDOW	JB 3 B
S127	SWITCH, WINDOW HEATER	JB 2 B
S132	DESTINATION SIGN LIGHT	CB 3 B
S134	PUSH BUTTON,URINAL PUMP	EA 2 B
S135	WHEEL CHAIR LIFT	GB 0 A

 Volvo Bus Corporation	Document Title			
	WIRING DIAGRAM			
	Document Type			
	PRODUCT SCHEMATIC			
Document No	Issue Index	Volume No	Page No	
22600119	04	02	14(18)	

S137	SWITCH DOOR WHEEL CHAIR	GB 0 B
S137A	SWITCH DOOR WHEEL CHAIR	GB 0 C
S137B.1	ELECTRICAL HATCH LOCK WHEEL CHAIR LIFT	GB 0 D
S139	SWITCH, MANUAL DISCHARGE	ID 1 D
S140	SWITCH MULTICHANNEL ACTIA	LC 1 D
S140A	SWITCH ACTIA ON DEMAND	LD 1 B
S140Aa	SWITCH ACTIA AUDIO & VIDEO IND ON DEMAND	LH 1 B
S141	DOOR BRAKE	HA 2 D
S142	SWITCH DOOR BRAKE HIGH IDLE	HA 1 D
S172B	LUGGAGE LIGHTS LEFT SIDE MSW	CE 0 B
S172C	LUGGAGE LIGHTS LEFT SIDE MSW	CE 1 B
S172D	LUGGAGE LIGHTS LEFT SIDE MSW	CE 1 B
S172F	LUGGAGE LIGHTS RIGHT SIDE MSW	CE 2 B
S172G	LUGGAGE LIGHTS RIGHT SIDE MSW	CE 3 B
S172H	LUGGAGE LIGHTS RIGHT SIDE MSW	CE 3 B
S173A	SENSOR, DOOR LOCK'S SENSOR (SWITCH NORMALY CLOSE)	CF 3 C
S173F:1	CABLE TERMINAL , SENSOR LOCK'S COMMON WIRE	CF 2 D
S173F:2	CABLE TERMINAL, SENSOR LOCK'S NORMALLY CLOSED SIGNAL	CF 2 D
S173G:1	CABLE TERMINAL, SENSOR LOCK'S COMMON WIRE	CF 2 D
S173G:2	CABLE TERMINAL, SENSOR LOCK'S NORMALLY CLOSED SIGNAL	CF 2 D
S173H:1	CABLE TERMINAL, SENSOR LOCK'S COMMON WIRE	CF 2 D
S173H:2	CABLE TERMINAL, SENSOR LOCK'S NORMALLY CLOSED SIGNAL	CF 2 D
S1107	DOOR LOCK	HA 1 B
S1108	LIGHTING SLEEPER CAB	GA 1 B
S1111	CENTRAL LOCK	IA 1 B
S1112	FRIDGE	FA 2 B
S1113	COOKER	FA 0 B
S1115	SERVICE DOOR	HA 0 B
S1141	SWITCH, GAS CHARGING	NB 3 B
S1144	DRIVER & GUIDE LIGHT	CB 0 B
S1147A	SWITCH, INSIDE FRONT DOOR	HA 2 A
S1147B	SWITCH, OUTSIDE FRONT DOOR	HA 3 B
S1148	NIGHT LIGHT	CD 2 B
S1148a	SEAT NIGHT LIGHT	CA 2 B
S1150	POSITION LIGHTS	DA 2 A
S1151	GENERAL SWITCH TOILET	EA 4 D
S1152	HANDWASH BUTTON	EA 2 B
S1152L	HANDWASH BUTTON, LEFT TOILET	EB 2 B
S1153	WC FLUSHING BUTTON	EA 2 B
S1153L	WC FLUSHING BUTTON, LEFT TOILET	EB 2 B

 Volvo Bus Corporation	Document Title WIRING DIAGRAM			
	Document Type PRODUCT SCHEMATIC			
	Document No 22600119	Issue Index 04	Volume No 02	Page No 15(18)

S1154	MOVEMENT SENSOR	EA 3 B
S1154L	MOVEMENT SENSOR, LEFT TOILET	EB 3 A
S1155	EMERGENCY BUTTON	EA 2 A
S1155L	EMERGENCY BUTTON, LEFT TOILET	EB 2 A
S1156	PRINCIPAL TANK SENSOR	EA 1 E
S1157	SOIL TANK SENSOR	EA 1 E
S1158	KITCHEN LIGHT	FA 4 B
S1158.A	SWITCH, INTERIOR LIGHT IN KITCHEN CA	FA 3 D
S1160	BERTH FAN	GA 2 B
S1161A	SLEEPER CAB LEFT	GA 0 B
S1161B	SLEEPER CAB RIGHT	GA 0 B
S1162	HANDWASH TANK SENSOR	EA 1 E
S1162a	HANDWASH TANK SENSOR	EA 1 D
S1162b	HANDWASH TANK SENSOR	EA 1 D
S1162L	HANDWASH TANK SENSOR, LEFT TOILET	EB 1 D
S1163	AUXILIARY STEP	HB 1 B
S1164	SWITCH, MIRRORS	JA 4 A
S1165	SWITCH, MIRROR HEATER	JA 3 B
S1165B	SWITCH, MIRROR HEATER	JA 2 B
S1166	SWITCH, BLINDER	JA 1 B
S1167	SWITCH, READING LIGHT WCL DOOR	CC 1 B
S1168	SWITCH, WCL HOST CALL	CC 3 B
S1169	SWITCH, WCL READING LAMPS DASHBOARD	CC 2 B
S2016H	HIGH PRESSURE SWITCH	NB 3 D
S2016L	LOW PRESSURE SWITCH	NB 3 D
S7071	Windshield Wiper Tank Level Sensor	MA 3 D
S9074	PRESOSTATO	HA 2 A
S9075	PRESSURE SENSOR	HA 2 A
S9076	MICRO-SWITCHES BERTH	HA 4 A
S9077	MCM SERVICE SWITCH	BD 0 B
T901	VOLTAGE CONVERTER	LA 0 B
T901.A	CA VOLTAGE CONVERTER	CA 2 C
T901A	VOLTAGE CONVERTER	LA 2 B
T901B	VOLTAGE CONVERTER COPILOTO	KA 0 C
T901C	VOLTAGE CONVERTER A&V ON DEMAND	LD 0 D
T901D	VOLTAGE CONVERTER A&V ON DEMAND	LD 1 D
T901E	VOLTAGE CONVERTER 24/12	IG 0 C
T902	VOLTAGE CONVERTER TPMS	IA 2 A
TWS1	WCL TWS MODULE	GB 3 E
TWS2	WCL TWS MODULE	GB 3 E

 Volvo Bus Corporation	Document Title WIRING DIAGRAM			
	Document Type PRODUCT SCHEMATIC			
	Document No 22600119	Issue Index 04	Volume No 02	Page No 16(18)

TWS3	WCL TWS MODULE	GB 3 E
TWS4	WCL TWS MODULE	GB 3 E
U901	VOLTAGE CONVERTER DC/AC	IE 1 B
U902	VOLTAGE CONVERTER DC/AC	IE 1 C
U903	INVERTER, 24 DC TO 110 AC 2300 W	IJ 0 B
W	W ALTERNATOR SIGNAL	AA 4 A
WCL	Wheel Chair Lift	AD 4 C
X	FUSE TERMINAL	AB 1 B
X2	TERMINAL, POWER CABLE	AB 0 B
X16	FIRE, EXTINGUISHER	ID 1 D
X17	FIRE, EXTINGUISHER (FOGMAKER)	II 0 C
X671A	LEFT/RIGHT SIGNAL POSITION	JA 3 C
X671Aa	COMMON MOTOR MIRROR SIGNAL	JA 2 C
X671B	COMMON SIGNAL POSITION CONTROL	JA 3 C
X671Ba	LEFT-RIGHT MIRROR SIGNAL	JA 2 C
X671C	HEATER MIRROR SIGNAL	JA 2 C
X671Ca	HEATER MIRROR SIGNAL	JA 2 C
X671D	UP/DOWN SIGNAL POSITION	JA 3 C
X671Da	UPDOWN MIRROR SIGNAL	JA 2 C
X671E	GROUND SIGNAL	JA 2 E
X671Ea	GROUND MIRROR	JA 2 E
X801.A	MEDIA BRACKET ISTART	AD 3 B
X905_1	BODY FUSE BOX	AD 4 B
X905_2	BODY FUSE BOX	AD 4 B
X905_3	BODY FUSE BOX	AD 4 B
X905_4	BODY FUSE BOX	AD 4 B
X910	JUNCTION BOX BATTERY BOX I-START	AC 1 C
X910A	JUNCTION BOX ELECTRIC CENTER	AC 2 D
X1147A:1	CONNECT TO ROOF RIGHT HARNESS	HA 3 B
X1147A:2	CONNECT TO ROOF RIGHT HARNESS	PA 2 A
X1147B:1	CONNECT TO ROOF RIGHT HARNESS	HA 3 B
X1147B:2	CONNECT TO ROOF RIGHT HARNESS	PA 2 A
X1147C:1	CONNECT TO ROOF RIGHT HARNESS	DA 4 D
X1147C:2	CONNECT TO ROOF RIGHT HARNESS	DA 4 D
X_	FUSE TERMINAL I-START	AB 0 C
XA	TERMINAL, POWER CABLE	AC 1 C
XC102B	POWER BOX TERMINAL	AB 0 C
Y	DEVICE TERMINAL	AB 3 A
Y2	TERMINAL, POWER CABLE	IJ 1 C
Y72	AIR HORN	IA 4 B

VOLVO

Volvo Bus Corporation

Document Title

WIRING DIAGRAM

Document Type

PRODUCT SCHEMATIC

Document No

22600119

Issue Index

04

Volume No

02

Page No

17(18)

Y78	Solenoid Valve, Middle Door	HD 3 D
Y79	Valve, Roof Heating System	ND 1 B
Y80	Valve, Passenger Heating System	ND 0 B
Y82	Valve, Defroster Heating System	ND 0 B
Y83M	Pneumatic Valve Isonic Wc, Middle Toilet	EC 1 A
Y86M	Central Lock Wc , Middle Toilet	EC 2 A
Y87	Gate Valve, Middle Toilet	EC 3 A
Y90	Valve, Bypass	ND 0 B
Y952	CLUTCH COMPRESSOR	NB 3 E
Y952A	DISCHARGE VALVE	NB 0 E
Y6009	AC DEFROSTER VALVE	NA 4 E
Y6014	SOLENOID VALVE	IA 2 C
Y6015	SOLENOID VALVE DOOR	HA 0 C
Y6016	ROOF VALVE, REHEATING SYSTEM	NC 0 D
Y6017A	PASSENGER VALVE	NA 2 E
Y6017B	DEFROSTER VALVE	NA 2 E
Y6017C	BYPASS VALVE	NA 2 E
Y6042	ISONIC PNEUMATIC VALVE	EA 2 E
Y6042L	PNEUMATIC VALVE, LEFT TOILET	EB 2 D
Y6070	SOLENOID VALVE AUXILIARY STEP	HB 1 D
Y_	FUSE TERMINAL I-START	AB 1 C
YA	TERMINAL, POWER CABLE	AC 1 D

VOLVO

Volvo Bus Corporation

Document Title

WIRING DIAGRAM

Document Type

PRODUCT SCHEMATIC

Document No

22600119

Issue Index

04

Volume No

02

Page No

18(18)