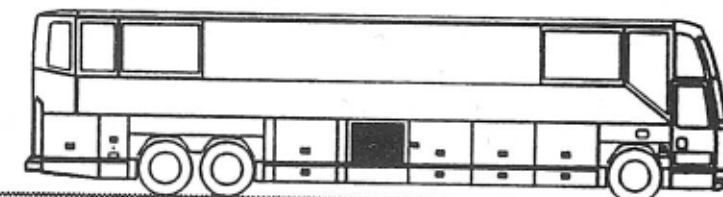


WIRING DIAGRAM

PREVOST

H3-45 VIP



REFERENCE:

MODEL 97.5

NO:

D060883

EFF. W/ OC# **96080**

PRIOR TO / OC#

EFF. W/ VEH.# **V1795**

PRIOR TO / VEH.#

DR. MARTIN LAFLAMME

DATE: 97-01-15

CK. ROCH CHAMPAGNE

APPR. ROLAND LAPOINTE

REV.	DATE	DESCRIPTION	PAGE	BY	CK.	APPR.
01	97-01-20	UPDATE LUGGAGE DOOR UNLOCK T.T. LT.				
02	97-03-18	UPDATE (ENTRANCE DOOR/DAMPER BUS) EFF.W/V1885 OC*97013	1, 1.1, 8, 12	MH		
03	97-04-04	RELAY MAGNETIC & RESISTOR A/C EFF.W/V1718,V1779... OC*97033 ESPAR TIMER EFF.W/V1961 OC*97022 UPDATE PAGES :	C, 15.1 I, 15.2 G3, 14.1	MH MH MH		
04	97-04-15	FRESH AIR THERMOSTAT EFF.W/V1847 OC*97015	G1, G2, 4, 9.1,11.2,21	MH		
05	97-10-14	FRESH AIR THERMOSTAT ON COMPRESSEUR CLUTCH EFF. W/ W2204 OC*97135	C, 15.1	MH		
06	97-10-23	NEW VOLTAGE REGULATOR EFF. W/ W2226 OC*97104	C,G1,G2,G3,I,15.1	JR		
07	98-02-02	NEW TEMP. SENSOR ON WTEC III EFF. W/ W2338 OC*98009	4 C	S.G. MH		

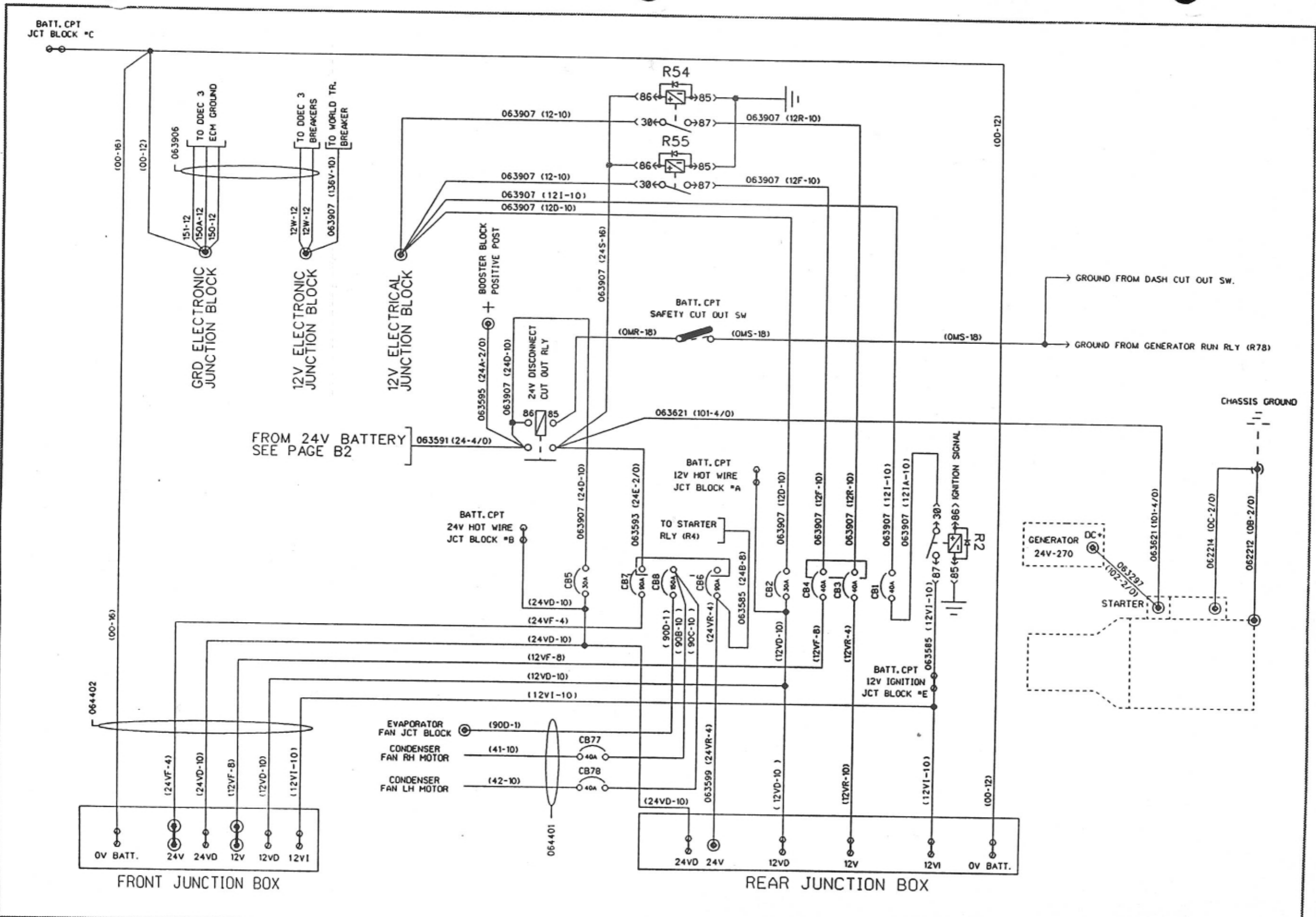
PROPRIÉTÉ DE PRÉVOST CAR INC.

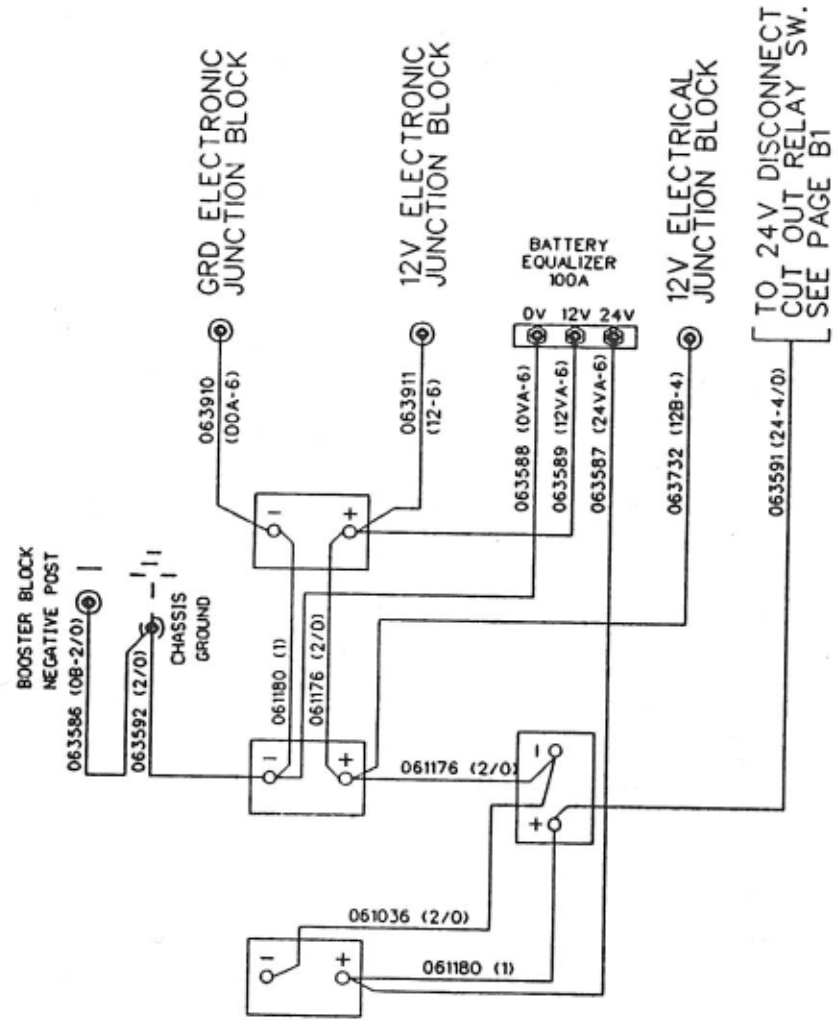
COPIE CONTRÔLÉE: _____

COPIE PÉRIMÉE

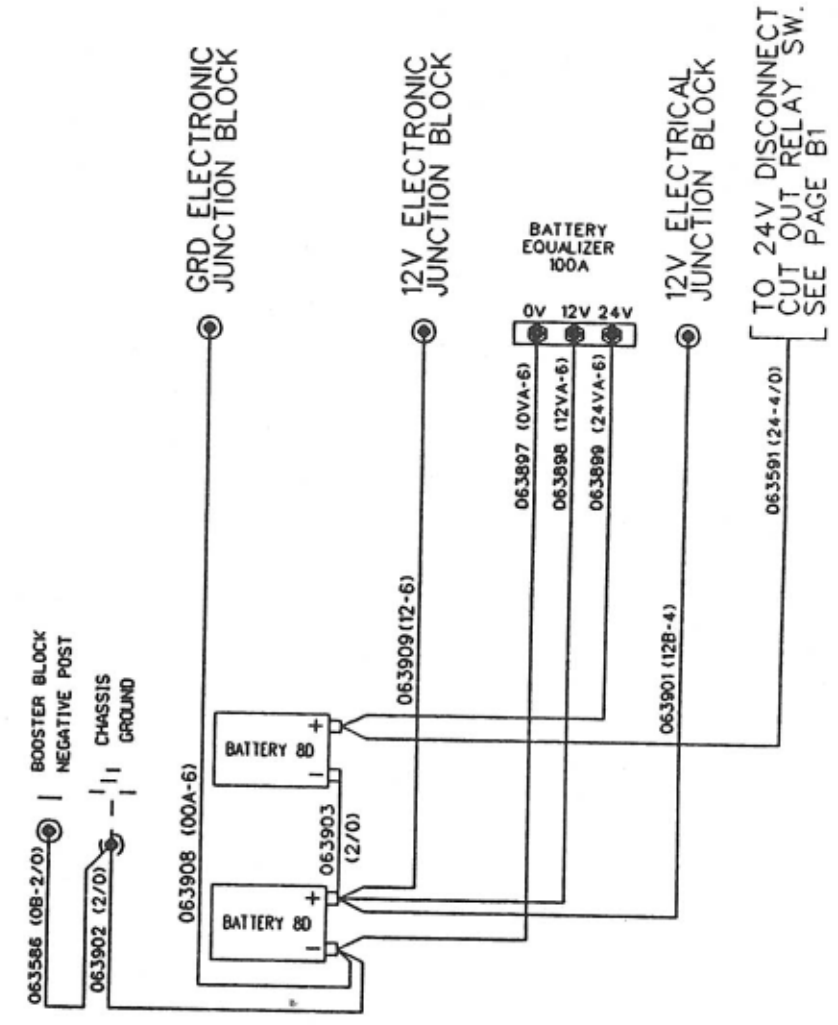
WIRING DIAGRAM INDEX

A A/C & HEAT SYSTEM AIR DRYER ALARM & SIGNAL ABS ARRANGEMENT - CABLE ARRANGEMENT - HARNESS ARRANGEMENT - SPARE WIRE	Page: 15 Page: 8 Page: 7 Page: 22 Page: B Page: C Page: D	DRIVER'S & CO-PILOT SEAT-HEATER E ENGINE BLOCK HEATER ENGINE BRAKE SYSTEM ENGINE CONTROL ETHER COLD START EXTERIOR LIGHTING	Page: 13 Page: 14.2 Page: 21 Page: 4 Page: 8 Page: 9	R RETARDER - WORLD TRANSM. S SPEEDOMETER (VDO) SUN VISOR T TACHOMETER (VDO) TELL TALE LIGHT MODULES THERMOMETER-DIGITAL TRANSMISSION - WORLD	Page: 21 Page: 17 Page: 19 Page: 17 Page: 23 Page: 23 Page: 6
B BACK-UP ALARM BACK-UP MONITOR	Page: 9.3 Page: 20	F FAN-CLUTCH RADIATOR FAST IDLE - DDEC FIRE DETECTOR FUEL WATER FILTER FUEL PRIME PUMP	Page: 8 Page: 5 Page: 7 Page: 8 Page: 14.2	W WATER HEATER PRE-HEAT WINDSHIELD (UP) HEATED WIPER & WASHER	Page: 14 Page: 13 Page: 10
C CHARGING SYSTEM CIGAR LIGHTER CODE - CIRCUIT NUMBER CODE - CIRCUIT BREAKER CODE - CONNECTOR CODE - DIODE CODE - RELAY CODE - RESISTOR CODE - WIRING KEY CODE - FUSE CODE - MODULE CRUISE CONTROL - DDEC	Page: 4 Page: 19 Page: E Page: F Page: G Page: H Page: I Page: J Page: K Page: L Page: M Page: 5	G GROUND SYSTEM I INTERIOR LIGHTING K KEYLESS ENTRY SYSTEM L LEVEL LOW SYSTEM LUGGAGE DOOR LOCK	Page: 3 Page: 11 Page: 12 Page: 18 Page: 12		
D DDEC III DISTRIBUTION 12V DISTRIBUTION 24V DRIVER'S WINDOW LIFTER DRIVER'S SEAT-ELECT. ADJUST	Page: 5 Page: 2 Page: 1 Page: 19 Page: 13	M MIRROR-REAR VIEW P PARKING BRAKE ALARM PARKING BRAKE SWITCH PRODRIVER	Page: 16 Page: 8 Page: 8 Page: 8		

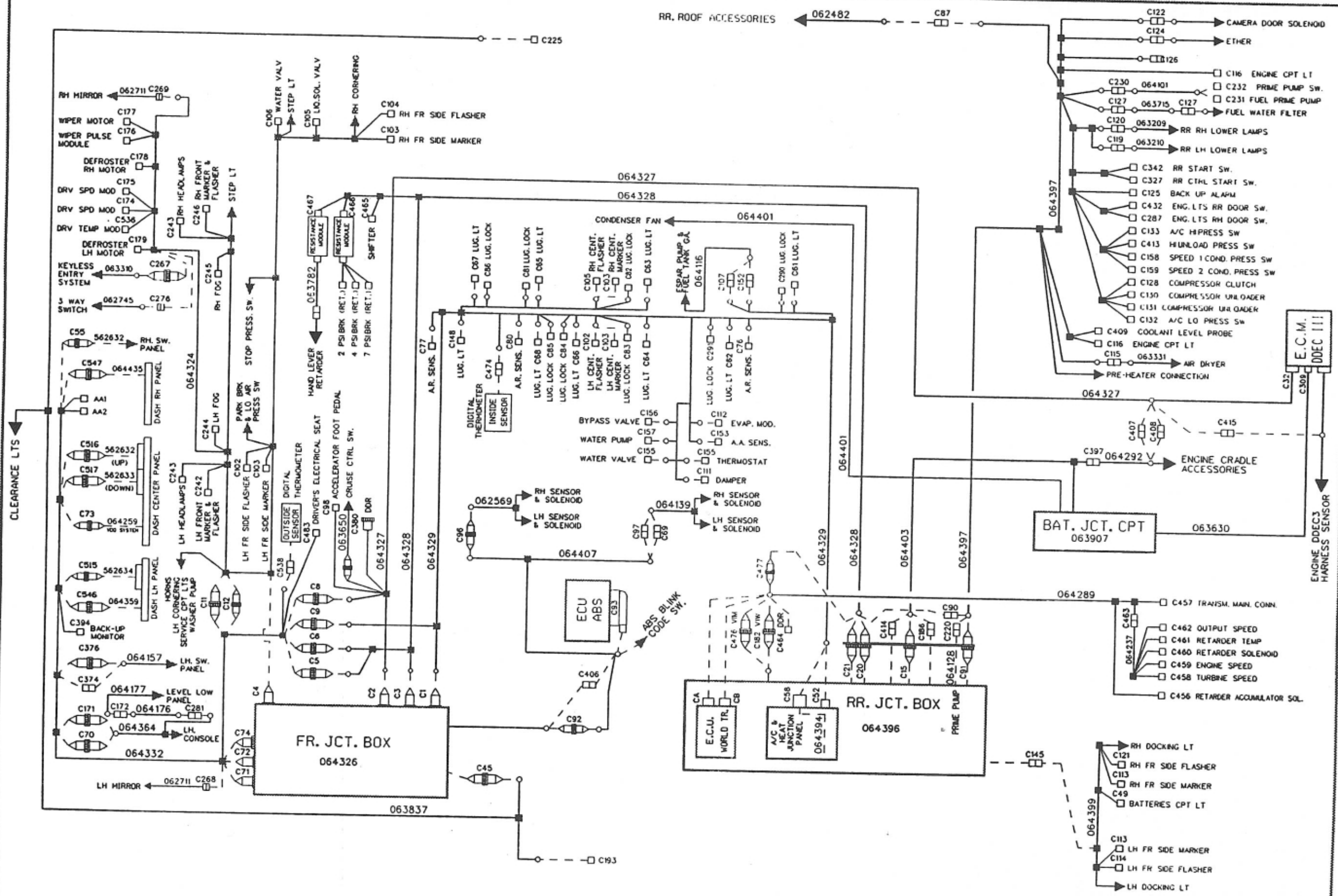


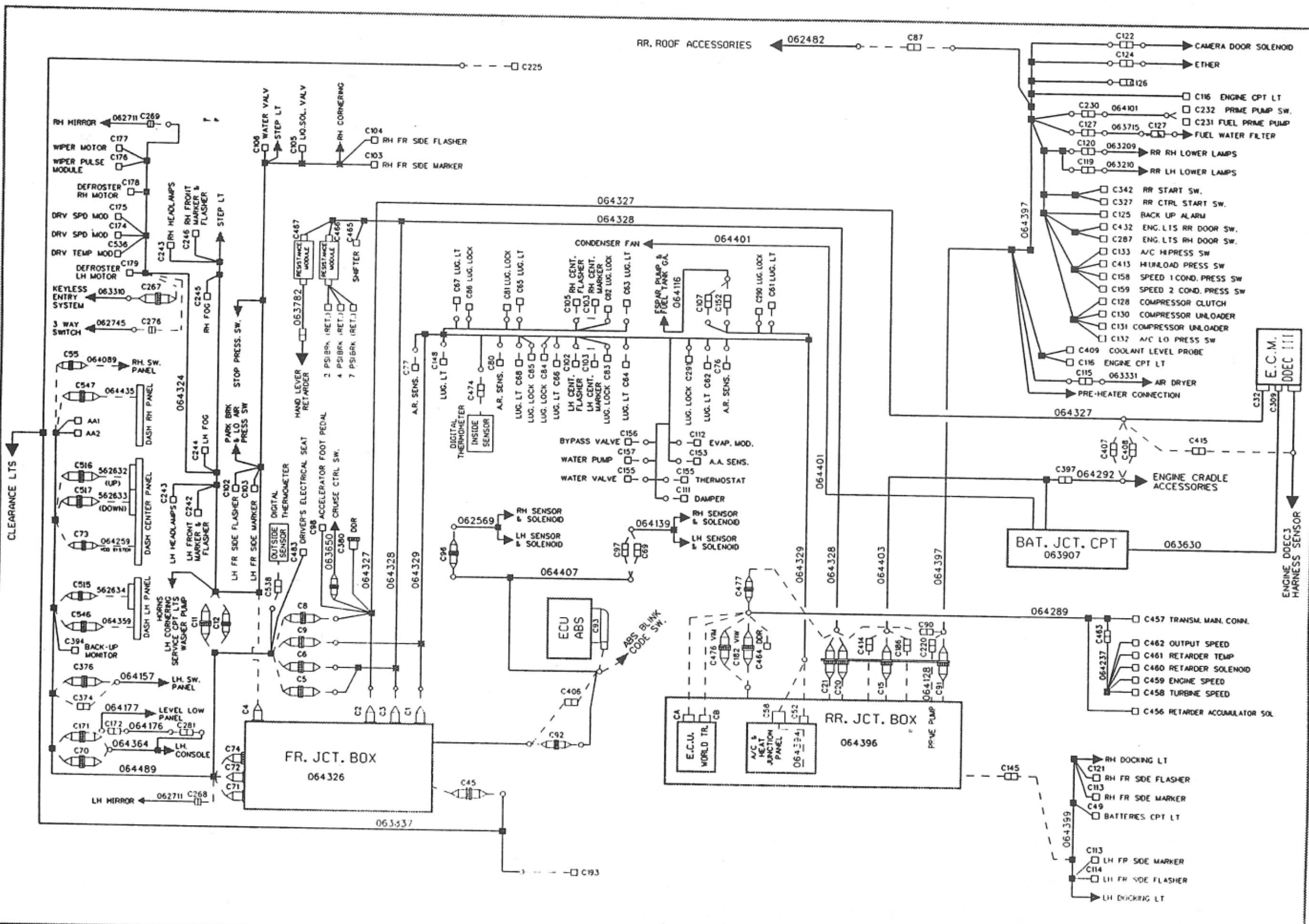


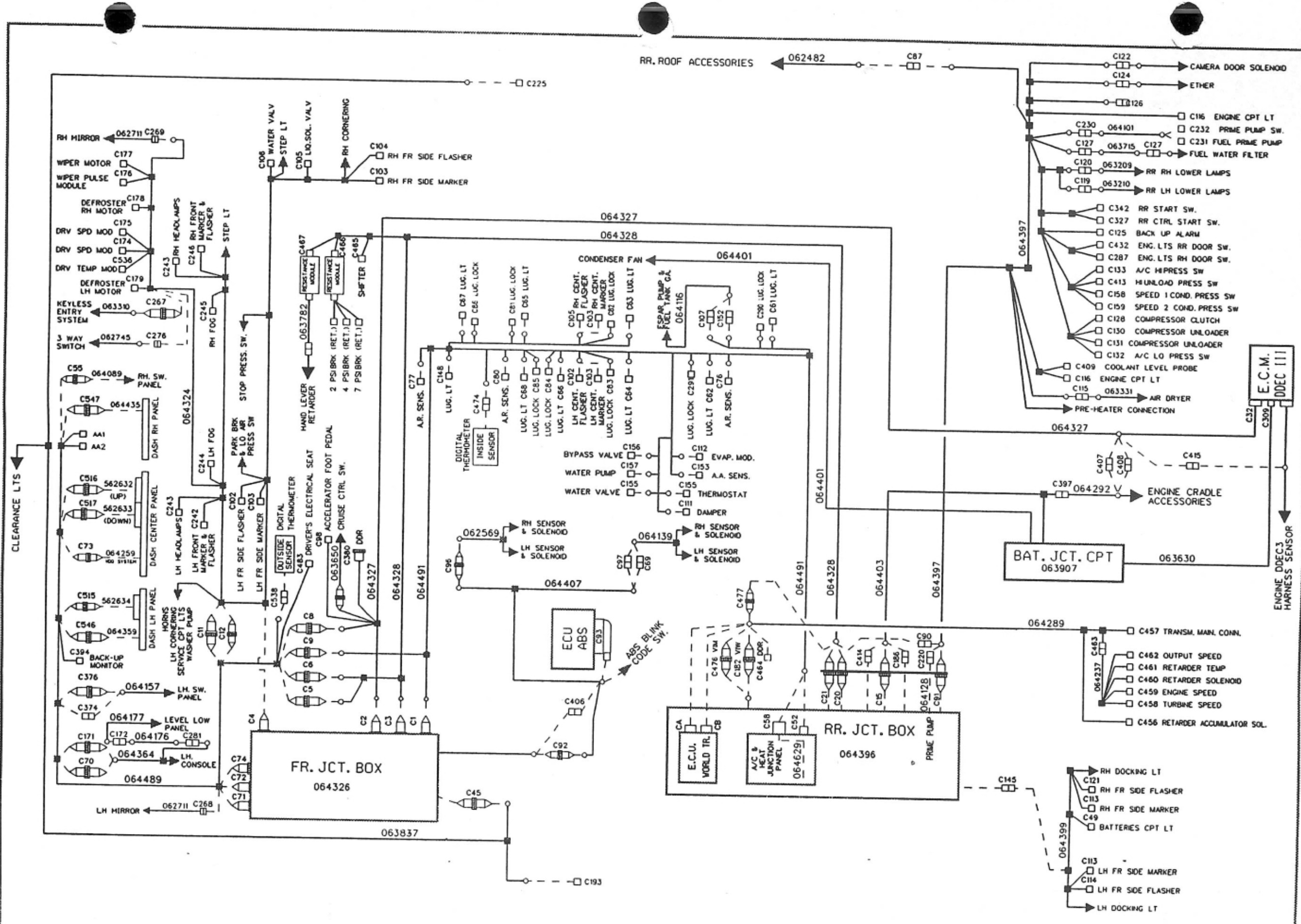
STANDARD BATTERIES

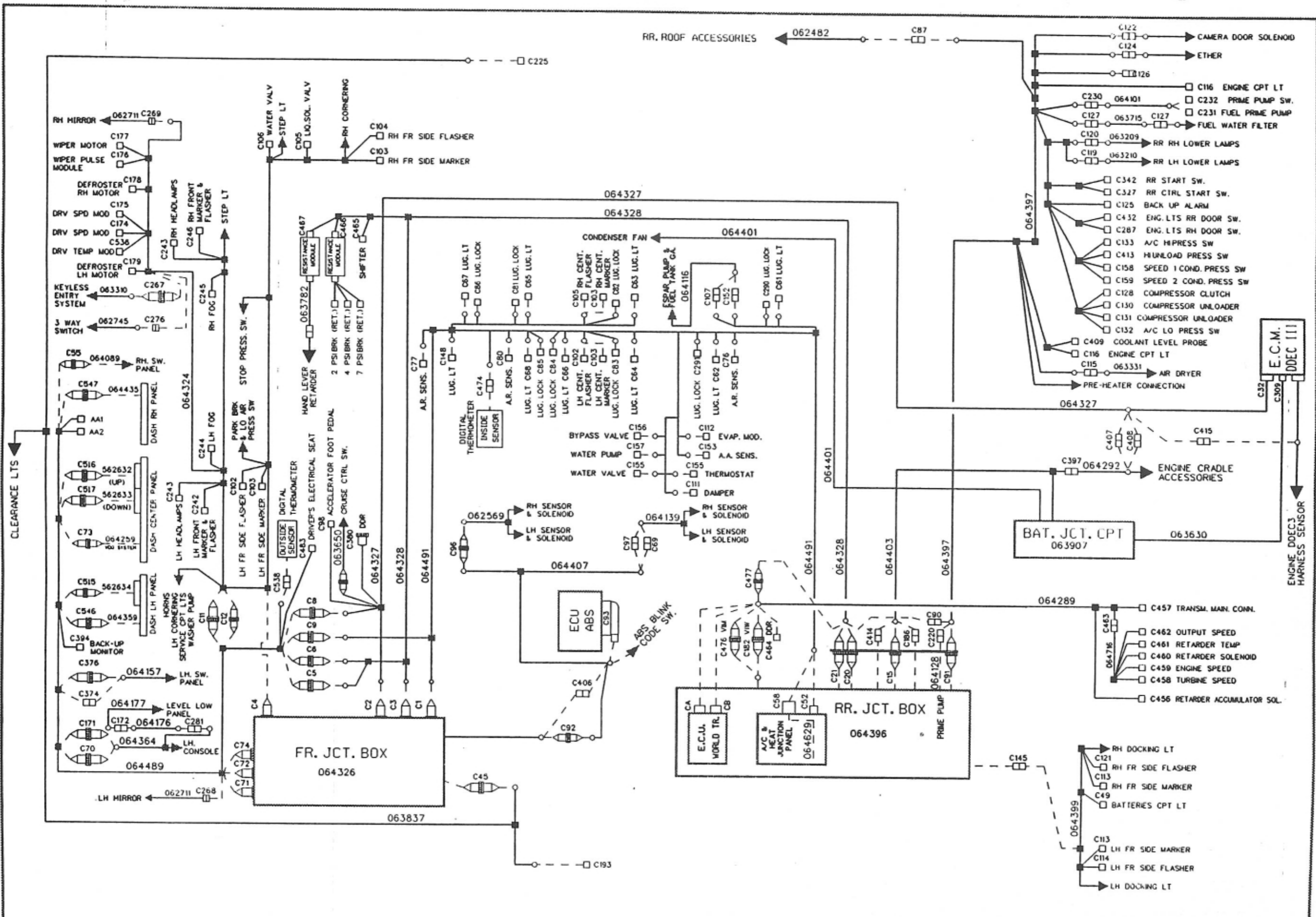


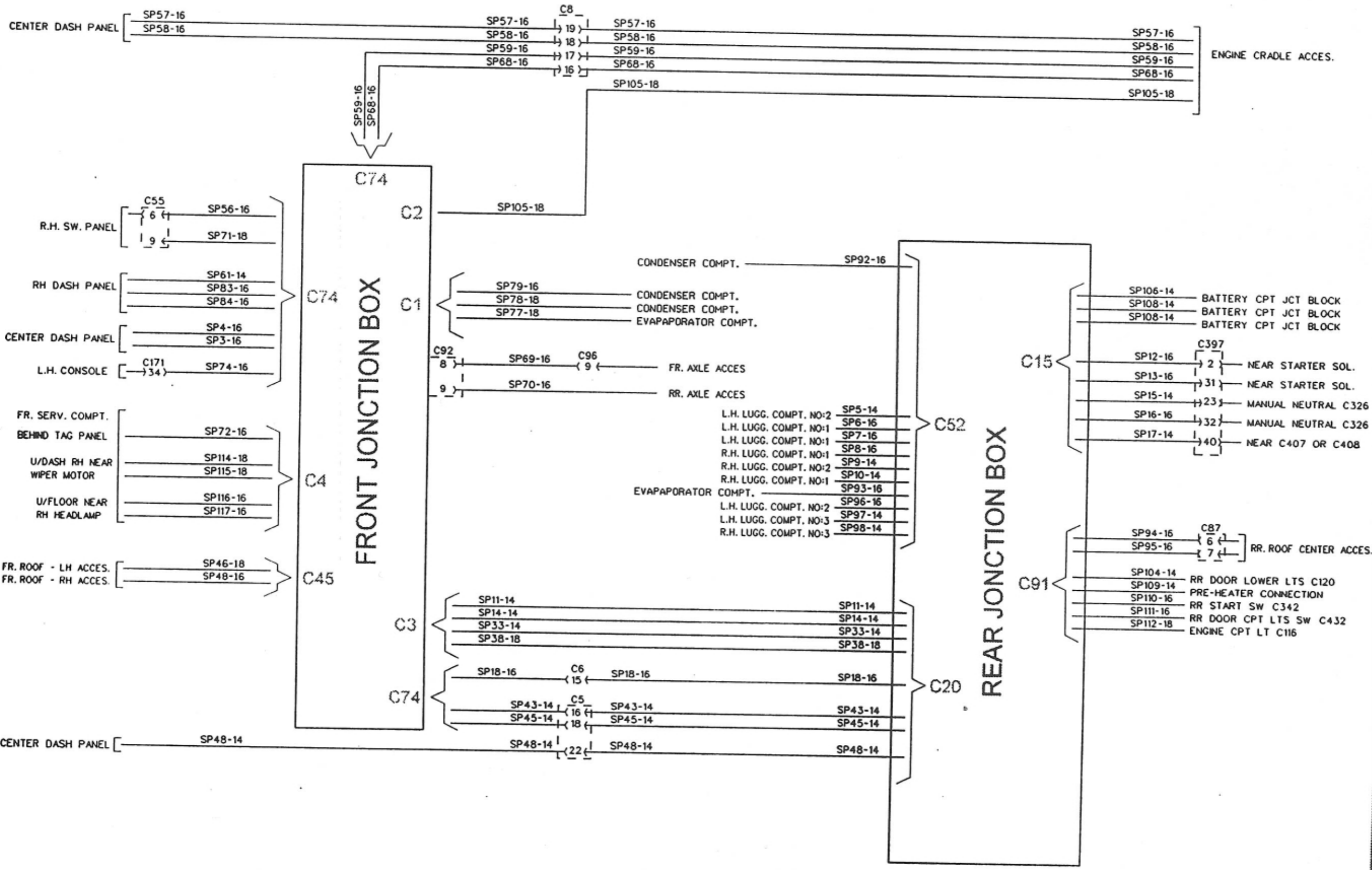
8D BATTERIES











CIRCUIT NUMBER CODE

No.	DESCRIPTION	No.	DESCRIPTION	No.	DESCRIPTION	No.	DESCRIPTION
L 8	ENG. BLK HEATER	S P 87	SPARE-RJB TO LH HAT RACK	0 K	RS - RJB A/C JCT PANEL GRD	5 NO	SPEED SIGNAL HIGHER 5MPH
L 9	ENG. BLK HEATER	S P 88	SPARE-RJB TO RH HAT RACK	0 L	FS - FR SERVICE CPT LTS GRD	9	INTERIOR LTS-ENGINE CPT
SH 1	SHIELD CHASSIS GRD	S P 92	SPARE-RJB TO CONDENSER CPT	0 L1	FS - FR SERVICE CPT LTS GRD	9 A	INTERIOR LTS-ENGINE CPT
SH 2	SHIELD CHASSIS GRD	S P 93	SPARE-RJB TO EVAPORATOR CPT	0 L2	FS - FR SERVICE CPT LTS GRD	9 B	INTERIOR LTS-ENGINE CPT
SH 3	SHIELD CHASSIS GRD	S P 94	SPARE-RJB TO RR ROOF	0 L3	FS - FJB GRD	9 E	INTERIOR LTS-LUGGAGE CPT
SH 4	SHIELD CHASSIS GRD	S P 95	SPARE-RJB TO RR ROOF	0 L4	FS - FJB GRD	9 F	INTERIOR LTS-FR SERVICE CPT
SP 2	SPARE-FJB TO FR SERV CPT	S P 96	SPARE-RJB TO LUGG CPT #2	0 L5	FS - CIGAR LIGHTER	10	INTERIOR LTS-LUGGAGE CPT
SP 3	SPARE-FJB TO CENTER DASH	S P 97	SPARE-RJB TO LUGG CPT #3	0 L	RS - ENGINE CPT ACCES. GRD	10 A	INTERIOR LTS-LUGGAGE CPT
SP 4	SPARE-FJB TO CENTER DASH	S P 98	SPARE-RJB TO LUGG CPT #3	0 L	ENTRANCE DOOR GRD	10 B	INTERIOR LTS-LUGGAGE CPT
SP 5	SPARE-RJB TO LUGG CPT #2	S P 104	SPARE-RJB TO ENGINE CPT	0 LH	RS - RR END LAMPS LH GRD	10 D	INTERIOR LTS-LUGGAGE CPT
SP 6	SPARE-RJB TO LUGG CPT #1	S P 105	SPARE-FJB TO ENGINE	0 M	FS - ELECTRICAL MOTOR GRD	10 F	INTERIOR LTS-LUGGAGE CPT
SP 7	SPARE-RJB TO LUGG CPT #1	S P 106	SPARE-RJB TO BATT. CPT.	0 M3	FS - ELECTRICAL MOTOR GRD	10 H	INTERIOR LTS-LUGGAGE CPT
SP 8	SPARE-RJB TO LUGG CPT #1	S P 107	SPARE-RJB TO BATT. CPT.	0 M4	FS - ELECTRICAL MOTOR GRD	10 R	INTERIOR LTS-LUGGAGE DOOR AJAR
SP 9	SPARE-RJB TO LUGG CPT #2	S P 108	SPARE-RJB TO BATT. CPT.	0 M5	FS - ELECTRICAL MOTOR GRD	12	12V BAT ELECTRONIC JCT BLOCK
SP 10	SPARE-RJB TO LUGG CPT #1	S P 109	SPARE-RJB TO ENGINE CPT.	0 M6	FS - FJB GRD	12	BAT CPT 12V BATTERY
SP 11	SPARE-FJB TO RJB	S P 110	SPARE-RJB TO ENGINE CPT.	0 M7	FS - ELECTRICAL MOTOR GRD	12 A	FR JCT BOX 12V DISC SW
SP 12	SPARE-RJB TO ENGINE	S P 111	SPARE-RJB TO ENGINE CPT.	0 M	RS - ENGINE CPT ACCES. GRD	12 A	RR JCT BOX 12V DISC SW
SP 13	SPARE-RJB TO ENGINE	S P 112	SPARE-RJB TO ENGINE CPT.	0 MR	24V DISC. SW. RLY GRD SIGNAL	12 B	12V BAT ELECTRICAL JCT BLOCK
SP 14	SPARE-FJB TO RJB	S P 114	SPARE-FJB TO U/DASH WIPER	0 MS	24V DISC. SW. RLY GRD SIGNAL	12 B	RR JCT BOX 12V DISC SW
SP 15	SPARE-RJB TO ENGINE	S P 115	SPARE-FJB TO U/DASH WIPER	0 N	RS - ENGINE CPT ACCES. GRD	12 B	FR JCT BOX 12V DISC SW
SP 16	SPARE-RJB TO ENGINE	S P 116	SPARE-FJB TO U/DASH FLOOR	0 P	RS - ENGINE CPT ACCES. GRD	12 BE	BAT. EQUALIZER MONITOR
SP 17	SPARE-RJB TO ENGINE	S P 117	SPARE-FJB TO U/DASH FLOOR	0 R	RS - RJB GRD	12 C	FR JCT BOX 12V DISC SW
SP 18	SPARE-FJB TO RJB	W C	A/C & HEAT SYST-EVAP CTR SIGN	0 R	RS - ENGINE CPT ACCES. GRD	12 C	RR JCT BOX 12V DISC SW
SP 24	SPARE-RJB TO LAVATORY ROOF	0	BC - BAT. CPT CHASSIS GRD	0 RH	RS - RR END LAMPS RH GRD	12 D	BAT CPT 12V BATTERY
SP 25	SPARE-RJB TO LAVATORY ROOF	0	CONDENSER CPT GRD	0 T	FS - DASH ACCES. GRD	12 E	FR JCT BOX 12V DISC SW
SP 26	SPARE-RJB TO LAVATORY ROOF	0	RS - RR JCT BOX RLY GRD	0 T1	FS - DASH ACCES. GRD	12 E	RR JCT BOX 12V DISC SW
SP 27	SPARE-RJB TO LH HAT RACK	0 A	BC - SHIELD GRD	0 T2	FS - DASH ACCES. GRD	12 F	BAT CPT 12V FJB & IC
SP 28	SPARE-RJB TO LH HAT RACK	0 A	RS - RR JCT BOX RLY GRD	0 T3	FS - DASH ACCES. GRD	12 F	FR JCT BOX 12V DISC SW
SP 31	SPARE-RJB TO RH HAT RACK	0 A	FRS - FR ROOF ACCES. GRD	0 T4	FS - DASH ACCES. GRD	12 F	RR JCT BOX 12V DISC SW
SP 32	SPARE-RJB TO RH HAT RACK	0 A	RS - LUG. CPT ACCES. GRD	0 V	RR JCT BOX CPT GRD STUD	12 G	FR JCT BOX 12V DISC SW
SP 33	SPARE-FJB TO RJB	0 AA	RS - VOLTAGE REGULATOR GRD	0 VA	BATTERY TO EQUALISER 0V	12 J	FR JCT BOX 12V DISC SW
SP 38	SPARE-FJB TO RJB	0 B	EC - ENGINE GRD	0 W	FS - HEATED WINDSHIELD	12 I	12V IGNITION DISTRIBUTION
SP 43	SPARE-FJB TO RJB	0 B	FRS - FR ROOF HEAT WIND GRD	0 W	RS - RR JCT BOX (WCL) GRD	12 I	RR JCT BOX 12V IGNITION
SP 45	SPARE-FJB TO RJB	0 B	RS - LUG. CPT ACCES. GRD	0 WC	RS - RR JCT BOX GRD (WCL)	12 IA	12V IGNITION DISTRIBUTION
SP 46	SPARE-RJB TO LH FR ROOF	0 BE	RJB - BAT. EQUAL. BAT GRD	0 X	RS - RR JCT BOX GRD	12 IA	FR JCT BOX 12V IGNITION
SP 48	SPARE-RJB TO DASH CENTER PANEL	0 C	EC - STARTER MOTOR GRD	0 Y	ABS FR JCT BOX CPT GRD STUD	12 IB	FR JCT BOX 12V IGNITION
SP 56	SPARE-ENGINE TO RH SW PANEL	0 C	FS - SERV. CPT ACCES. GRD	0 Y	RR JCT BOX GRD	12 IF	FR JCT BOX 12V IGNITION
SP 57	SPARE-DASH CENTER PANEL TO ENG.	0 C	BC - FAN CONDENSER GRD	0 Y1	ABS FR JCT BOX CPT GRD STUD	12 P	LH CONSOLE POWER OUTLET
SP 58	SPARE-DASH CENTER PANEL TO ENG.	0 CR	24V DISC. SW. RLY GRD SIGNAL	0 Z	RR JCT BOX CPT GRD STUD	12 R	BAT CPT 12V DISC RLY TO RJB
SP 59	SPARE-FJB TO ENGINE	0 CS	24V DISC. SW. RLY GRD SIGNAL	00	FJB & RJB BATT. GRD	12 VA	BATTERY TO EQUALIZER 12V
SP 61	SPARE-FJB TO DASH RH PANEL	0 C1	FS - SERV. CPT ACCES. GRD	00 A	FBG - T.T.LT. MODULES BATT. GRD	12 VD	12V HOT WIRE DISTRIBUTION
SP 68	SPARE-FJB TO ENGINE	0 C2	FS - SERV. CPT ACCES. GRD	00 Y	FS - ABS MODULLE BATT. GRD	12 VF	BAT CPT 12V FJB & IC
SP 69	SPARE-FJB TO FR AXLE	0 C3	FS - SERV. CPT ACCES. GRD	00 SS	SOUND SYSTEM BATT. GRD	12 VI	12V IGNITION DISTRIBUTION
SP 70	SPARE-FJB TO FR AXLE	0 D	BC - FAN CONDENSER GRD	1	TACHO SYSTEM - RPM SIGNAL +	12 VR	BAT CPT 12V DISC RLY TO RJB
SP 71	SPARE-FJB TO RH SW PANEL	0 D	RS - HAT RACK ACCES. LH GRD	2 A	A/C & HEAT SYSTEM-COOL 1 SIGN	12 W	12V BATTERY DDEC III
SP 72	SPARE-FJB TO FR SERV CPT	0 DF	RS - RR SIDE FLASH & MARK GRD	2 B	A/C & HEAT SYSTEM-COOL SIGN	12 X	FR JCT BOX 12V DISC SW
SP 74	SPARE-FJB TO LH CONSOLE	0 DR	RS - RJB DOCKING LT RESISTORS	2 H	A/C & HEAT SYSTEM-HI PRESS SW	12 X2	FR JCT BOX 12V DISC SW
SP 77	SPARE-FJB TO EVAPORATOR CPT	0 J	FS - LH CONSOLE SW GRD	2 HL	A/C & HEAT SYSTEM-LO & HI PRESS SW	12 Y	FR JCT BOX 12V DISC SW
SP 78	SPARE-FJB TO CONDENSER CPT	0 J	RS - RR ROOF ACCES. GRD	2 L	A/C & HEAT SYSTEM-LO PRESS SW	13 A	ALARM & SIGNAL-LO AIR PRIM.
SP 79	SPARE-FJB TO CONDENSER CPT	0 K	RS - RR ROOF ACCES. GRD	5 NC	SPEED SIGNAL LOWER 5MPH	13 B	ALARM & SIGNAL-LO AIR SEC.

CIRCUIT NUMBER CODE

No.	DESCRIPTION	No.	DESCRIPTION	No.	DESCRIPTION	No.	DESCRIPTION
15	EXTERIOR LTS-MULTI FUNC LEVEL	24 I	FR JCT BOX 24V IGNITION	39	INTERIOR LTS-24V LH CONSOLE SW	63 C	EXTERIOR LTS-MARKER SIGNAL
15 A	WIPER & WASHER UPPER WINDSHIELD	24 I	RR JCT BOX 24V IGNITION	39 A	INTERIOR LTS-DRIVER'S LTS	63 D	EXTERIOR LTS-MARKER & TAIL
16	SPEED - SIGNAL +	24 I A	FR JCT BOX 24V IGNITION	41	A/C & HEAT SYSTEM-COND FAN MOT	63 E	EXTERIOR LTS-CLEARANCE
16 A	SPEED - SIGNAL +	24 I A	RR JCT BOX 24V IGNITION	41 A	A/C & HEAT SYSTEM-COND FAN MOT	63 F	EXTERIOR LTS-MARKER BLINKER
16 T	SPEED - SIGNAL +	24 I B	FR JCT BOX 24V IGNITION	41 B	A/C & HEAT SYSTEM-COND FAN MOT	63 H	EXTERIOR LTS-TAIL
17	EXTERIOR LTS-FLASHER UNIT	24 I B	RR JCT BOX 24V IGNITION	42	A/C & HEAT SYSTEM-COND FAN MOT	67	A/C & HEAT SYSTEM
17 A	EXTERIOR LTS-FLASHER UNIT	24 I C	FR JCT BOX 24V IGNITION	42 A	A/C & HEAT SYSTEM-COND FAN MOT	67 A	A/C & HEAT SYSTEM
19	DIFFERENTIAL OIL TEMP	24 P	FR JCT BOX 24V DISC SW	44	EXTERIOR LTS-FOG	67 B	A/C & HEAT SYSTEM
20	SPEED - SIGNAL -	24 S	24V DISC SW RLY SIGNAL	44 A	EXTERIOR LTS-FOG	67 C	A/C & HEAT SYSTEM & HEAT WINDS.
20 T	SPEED - SIGNAL -	24 T	RR JCT BOX 24V DISC SW	44 B	EXTERIOR LTS-FOG	67 K	A/C & HEAT SYSTEM-COND FAN CTR
20 W	SPEED - SIGNAL -	24 V2	RR JCT BOX 24V DISC SW	44 C	EXTERIOR LTS-FOG & HAZARD	67 L	A/C & HEAT SYSTEM-COND FAN CTR
21	EXTERIOR LTS-DIRECTIONNAL LH	24 V3	RR JCT BOX 24V DISC SW	45 B	A/C & HEAT SYSTEM-HEAT SIGN	67 V	A/C & HEAT SYSTEM-WATER VALVE
21 A	EXTERIOR LTS-DIRECTIONNAL LH	24 V4	RR JCT BOX 24V DISC SW	45 D	A/C & HEAT SYSTEM-WATER VALVE	70	INTERIOR LTS-HAT RACK & RR RUN.
21 B	EXTERIOR LTS-HAZARD	24 V5	RR JCT BOX 24V DISC SW	45 E	A/C & HEAT SYSTEM-HEAT 1 SIGN	72	SUN VISOR-FEEDING
21 C	EXTERIOR LTS-CORNERING LH	24 V D	24V HOT WIRE DISTRIBUTION	45 G	A/C & HEAT SYSTEM-DRIVER'S HTR	72 A	SUN VISOR-RH
21 H	EXTERIOR LTS-DIRECTIONNAL LH	24 V F	BAT CPT 24V SW TO FJB & IC	45 H	A/C & HEAT SYSTEM-DRIVER'S HTR	72 B	SUN VISOR-RH
21 K	EXTERIOR LTS-CORNERING	24 V A	BATTERY TO EQUALIZER 24V	45 W	A/C & HEAT SYSTEM-COND. DOOR AJAR	72 C	SUN VISOR-LH
21 N	EXTERIOR LTS-CORNERING LH	24 V I	RR JCT BOX 24V IGNITION	46	EXTERIOR LTS-MARKER	72 D	SUN VISOR-LH
21 P	EXTERIOR LTS-CORNERING LH	24 V R	BAT CPT 24V DISC SW TO RJB	46 A	EXTERIOR LTS-MARKER	76	FUEL TANK GAUGE
23	EXTERIOR LTS-DIRECTIONNAL RH	25	12VAC GEN RLY ON SIGNAL	46 B	EXTERIOR LTS-MARKER	76 B	LOW FUEL LT & ETHER COLD START
23	EXTERIOR LTS-DIRECTIONNAL RH	25	12VAC GEN RLY ON SIGNAL	46 B	EXTERIOR LTS-MARKER	76 C	LOW FUEL LT
23 A	EXTERIOR LTS-DIRECTIONNAL RH	25 A	NOT GENERATOR-WARNING LT	46 C	EXTERIOR LTS-MARKER	76 P	FUEL PRIME PUMP
23 B	EXTERIOR LTS-DIRECTIONNAL RH	25 B	EXTERIOR LTS-DAYTIME RUN LTS	47	A/C & HEAT SYSTEM-DRIVER'S HTR	76 M	FUEL PRIME PUMP
23 C	EXTERIOR LTS-CORNERING RH	26	CIGAR LIGHTER	50	AIR DRYER	77	A/C & HEAT SYSTEM-HI PRESSURE
23 N	EXTERIOR LTS-CORNERING RH	26	DRIVER'S WINDOW LIFTER	52	ALARM & SIGNAL-ELEC. HORN	77 A	A/C & HEAT SYSTEM-DRIVER'S HTR
23 P	EXTERIOR LTS-CORNERING RH	26 B	DRIVER'S WINDOW LIFTER	52 A	ALARM & SIGNAL-ELEC. HORN	77 B	A/C & HEAT SYSTEM-COMPRESSOR
24	BAT CPT 24V BATTERY	26 C	DRIVER'S WINDOW LIFTER	53	ALARM & SIGNAL-ELEC. HORN	77 C	A/C & HEAT SYSTEM-COMPRESSOR
24	FR JCT BOX 24V DISC SW	27	PARKING BRAKE SONALERT	53 A	WIPER & WASHER SYSTEM	77 H	A/C & HEAT SYSTEM-COMPRESSOR
24 A	BOOSTER BLOCK 24V DISC SW	27 A	PARKING BRAKE SONALERT	53 B	WIPER & WASHER SYSTEM	81	EXTERIOR LTS-STOP SW
24 A	FR JCT BOX 24V DISC SW	28 A	A/C & HEAT SYSTEM-HI PRESSURE	53 C	WIPER & WASHER SYSTEM	82	EXTERIOR LTS-STOP SIGNAL
24 A	RR JCT BOX 24V DISC SW	29	A/C & HEAT SYSTEM-DRIVER'S HTR	53 E	WIPER & WASHER SYSTEM	82 A	EXTERIOR LTS-STOP SIGNAL
24 B	24V STARTER RLY FEEDING	29 A	A/C & HEAT SYSTEM-DRIVER'S HTR	53 J	WIPER & WASHER SYSTEM	82 B	EXTERIOR LTS-STOP LTS
24 B	FR JCT BOX 24V DISC SW	29 B	A/C & HEAT SYSTEM-DRIVER'S HTR	55	EXTERIOR LTS-HI BEAM	82 K	EXTERIOR LTS-STOP PARK BRK
24 B	RR JCT BOX 24V DISC SW	31 A	A/C & HEAT SYSTEM-UNLOADER	57	EXTERIOR LTS-HI BEAM	82 L	EXTERIOR LTS-LH STOP
24 B E	RJB CPT-BAT EQ MONITOR HOT WIRE	31 B	A/C & HEAT SYSTEM-UNLOADER	57 A	A/C & HEAT SYSTEM-WATER PUMP	82 R	EXTERIOR LTS-LH STOP
24 C	FR JCT BOX 24V DISC SW	31 B	WIPER & WASHER SYSTEM	57 A	EXTERIOR LTS-HI BEAM	83	ENGINE CTR-KEY SW ACCES SIGN
24 C	RR JCT BOX 24V DISC SW	31 C	WIPER & WASHER SYSTEM	57 B	A/C & HEAT SYSTEM-WATER PUMP	84	ENGINE CTR-KEY SW ACCES SIGN
24 D	BAT CPT 24V HOT WIRE	31 D	WIPER & WASHER SYSTEM	57 C	PRE-HEAT WATER HEATER	85	ENGINE CTR-KEY SWIGNITION SIGN
24 D	FR JCT BOX 24V HOT WIRE	31 E	WIPER & WASHER SYSTEM	57 C A	A/C & HEAT SYSTEM-HEAT SIGN	85	24V IGNITION SIGNAL
24 D	RR JCT BOX 24V HOT WIRE	31 J	WIPER & WASHER SYSTEM	57 C C	A/C & HEAT SYSTEM-HEAT SIGN	85 A	24V IGN DASH INSTRUMENTATION
24 D A	A/C JCT BOX 24V HOT WIRE	31 X	WIPER & WASHER SYSTEM	58	EXTERIOR LTS-LO BEAM	85 B	ENGINE CTR-24V IGNITION
24 E	BAT CPT 24V DISC SW	32	EXTERIOR LTS-BACK-UP	58 A	EXTERIOR LTS-LO BEAM	85 C	PARKING BRAKE SWITCH
24 E	FR JCT BOX 24V DISC SW	32 B	EXTERIOR LTS-BACK-UP	58 B	EXTERIOR LTS-LO BEAM	85 F	ENGINE CTR-ENGINE CTR SW IGN
24 E	RR JCT BOX 24V DISC SW	32 C	BACK-UP PWR & SIGNAL	58 E	EXTERIOR LTS-LO BEAM	85 F	LO AIR SONALERT
24 F	FR JCT BOX 24V DISC SW	32 D	BACK-UP ALARM	59 A	JACOB BRAKE SYSTEM	85 W	24V IGN ABS
24 F	RR JCT BOX 24V DISC SW	32 F	BACK-UP MONITOR	61	EXTERIOR LTS-24V FEED SW	85 X	24V IGN ABS
24 G	FR JCT BOX 24V DISC SW	35	ENTRANCE DOOR	61 A	EXTERIOR LTS-HEAD SIGNAL	85 Y	ABS-WARNING LT
24 G	RR JCT BOX 24V DISC SW	35 B	ENTRANCE DOOR	63	EXTERIOR LTS-CLEARANCE	86	ENGINE CTR-STARTER SOL SIGN
24 H	FR JCT BOX 24V DISC SW	36	JACOB BRAKE SYSREM	63 A	EXTERIOR LTS-CLEARANCE	86 A	ENGINE CTR-STARTER SOL SIGN
24 H	RR JCT BOX 24V DISC SW	36 A	JACOB BRAKE SYSREM	63 B	EXTERIOR LTS-CLEARANCE	88	ENGINE CTR-RR START SIGNAL

CIRCUIT NUMBER CODE

No.	DESCRIPTION	No.	DESCRIPTION	No.	DESCRIPTION	No.	DESCRIPTION
89	ENGINE CTR-RR START SIGNAL	118	WORLD TRANSM-SPARE INPUT (+)	135 C	A/C & HEAT SYSTEM-AIR SENSOR	151	ABS SYSTEM
90 B	A/C & HEAT SYSTEM-COND FAN MOT	119	WORLD TRANSM-ENG BRK INPUT (+)	135 D	WORLD TRANSM-RETARDER RES MOD	151	DDEC III-ECM BATTERY GRD
90 B	ENGINE CTR-MAST KEY SW FEED	120	WORLD TRANSM-SOL. C1	135 C	WORLD TRANSM-RETARDER TEMP	151	WORLD TRANSM-SERIAL COM. B
90 C	A/C & HEAT SYSTEM-COND FAN MOT	121	WORLD TRANSM-SOL. GRD 2	136	WORLD TRANSM-ECU POWER	151 A	ABS SYSTEM
90 F	CHARG SYST-VOLTAGE REGUL. "B"	122	A/C & HEAT SYSTEM-DRIVER'S HTR	136 V	WORLD TRANSM-12V BATTERY	152	ABS SYSTEM
90 H	A/C & HEAT SYSTEM-EVAP FAN MOT	122	A/C & HEAT SYSTEM-FRESH AIR	136 W	WORLD TRANSM-12V BATTERY	152 A	ABS SYSTEM
90 J	A/C & HEAT SYSTEM-COND FAN MOT	122	WORLD TRANSM-SOL. GRD 4	136 X	WORLD TRANSM-12V BATTERY	153	ABS SYSTEM
91	PARKING BRAKE SW SIGNAL	122 A	A/C & HEAT SYSTEM-FRESH AIR	137	WORLD TRANSM-RETARDER	153	WORLD TRANSM-SPARE INPUT (-)
91 A	DDEC-FAST IDLE SIGNAL	123	WORLD TRANSM-NEUTRAL START	137 A	MIRROR (SPARTAN & RAMCO)	154	ABS SYSTEM
91 W	PARK, BRAKE SW SIGN (WCL)	123 A	ALARM & SIGNAL-FIRE DETECTOR	137 B	RR VIEW MIRROR (SPARTAN)	154	WORLD TRANSM-ABS RET. INPUT
92	BATTERY EQUALIZER-CHECK BALANCE	123 B	ALARM & SIGNAL-FIRE DETECTOR	137 C	RR VIEW MIRROR (SPARTAN)	155	ABS SYSTEM
93	BATTERY EQUALIZER-CHECK LO/HI	124	WORLD TRANSM-THROTTLE (HI)	137 D	RR VIEW MIRROR (SPARTAN)	155	WORLD TRANSM-SPARE INPUT (-)
95 A	ENGINE BRAKE & RETARDER SYSTEM	125	WORLD TRANSM-RET. INDICATOR	137 E	RR VIEW MIRROR (SPARTAN)	156	ABS SYSTEM
97	TACHOMETER (-)	125 W	WORLD TRANSM-RET. INDICATOR	137 G	RR VIEW MIRROR (SPARTAN)	156	WORLD TRANSM-THROTTLE POS.
101	24V STARTER SOL FEEDING	126	LEVEL LOW SYSTEM	138	ABS SYSTEM	156 A	ABS SYSTEM
101	WORLD TRANSM-LO SIGN SOL. LO	126	WORLD TRANSM-LUBE PRESS SW.	138	WORLD TRANSM-RETARDER TEMP	157	ABS SYSTEM
102	24V STARTER TO GENERATOR	127	WORLD TRANSM-LUBE PRESS SW.	138 A	ABS SYSTEM	157	WORLD TRANSM-SPEEDO SIGNAL
102	WORLD TRANSM-SOL. GRD 1	127	PRE-HEAT WATER HEATER	139	ABS SYSTEM	157 A	ABS SYSTEM
102	WORLD TRANSM-SOL. C3	127 A	PRE-HEAT WATER HEATER	139	WORLD TRANSM-OUTPUT SPEED HI	157 B	ABS SYSTEM
104	WORLD TRANSM-SOL. FORWARD	127 B	PRE-HEAT WATER HEATER	140	ABS SYSTEM	158	WORLD TRANSM-DIMMER
104	LEVEL LOW SYSTEM	127	WORLD TRANSM-RETARDER FEED SOL.	140	WORLD TRANSM-OUTPUT SPEED LO	160	ALARM & SIGNAL-TAG PRESS SW
105	WORLD TRANSM-RETARDER & SUMP	127 S	PRE-HEAT WATER HEATER	141	ABS SYSTEM	160	WORLD TRANSM-SER. INTERFACE (-)
105 W	WORLD TRANSM-RETARDER & SUMP	127 W	PRE-HEAT WATER HEATER	141	WORLD TRANSM-ENGINE SPEED HI	161	WORLD TRANSM-SIGNAL GRD
106	WORLD TRANSM-OIL LEVEL HI	128	PRE-HEAT WATER HEATER	142	ABS SYSTEM	161 B	WORLD TRANSM-SIGNAL GRD
107	CHARG SYST-VOLTAGE REGUL. "F"	128 A	PRE-HEAT WATER HEATER	142	WORLD TRANSM-SERIAL COM. A	162	WORLD TRANSM-PRESS. SW C3
107	WORLD TRANSM-LOCKUP SOL. HI	128 B	PRE-HEAT WATER HEATER	143	ABS SYSTEM	163	WORLD TRANSM-RETARDER ENABLE
108	WORLD TRANSM-REM. PWR WAKE UP	128 W	PRE-HEAT WATER HEATER	143	WORLD TRANSM-ECU BATTERY GRD	164	WORLD TRANSM-RET. ACTUATOR SIGN
109	WORLD TRANSM-RET. SOL. LO	128	WORLD TRANSM-SOL. C2	143 A	ABS SYSTEM	165	A/C & HEAT SYSTEM-TRANSMITER
110	ALARM & SIGNAL-WATER TEMP	129	PRE-HEAT WATER HEATER	143 W	WORLD TRANSM-BATTERY GRD	165	WORLD TRANSM-OIL LEVEL SIGNAL
110	WORLD TRANSM-LOCKUP SOL. LO	129	WORLD TRANSM-SOL. C5	143 X	WORLD TRANSM-BATTERY GRD	165 A	A/C & HEAT SYSTEM-TRANSMITER
111	WORLD TRANSM-SOL. C6	130	WORLD TRANSM-SOL. GRD 3	144	ABS SYSTEM	165 B	A/C & HEAT SYSTEM-TRANSMITER
112	WORLD TRANSM-SPARE OUTPUT (+)	131	WORLD TRANSM-SOL. C4	144	WORLD TRANSM-ECU CHASSIS GRD	165 C	A/C & HEAT SYSTEM-TRANSMITER
113	ALARM & SIGNAL-OIL PRESS	132	WORLD TRANSM-ENG BRK OUTPUT (-)	144 A	ABS SYSTEM	165 D	A/C & HEAT SYSTEM-TRANSMITER
113	WORLD TRANSM-REVERSE WARNING	132 A	LEVEL LOW SYSTEM	145	ABS SYSTEM	166 B	A/C & HEAT SYSTEM-EVAP. MOD.
114	INTERIOR LTS-DASH LT REGUL.	132 B	LEVEL LOW SYSTEM	146	ABS SYSTEM	167	A/C & HEAT SYSTEM-TEMP. CTR
114	WORLD TRANSM-SPARE OUTPUT (-)	132 C	LEVEL LOW SYSTEM	146	WORLD TRANSM-IGNITION SENSE	167 A	A/C & HEAT SYSTEM-TEMP. CTR
114 A	INTERIOR LTS-DASH LT	132 D	LEVEL LOW SYSTEM	146 W	WORLD TRANSM-12V IGNITION	168	A/C & HEAT SYSTEM-HUMIDISTAT
114 B	INTERIOR LTS-DASH LT REGUL.	132 E	LEVEL LOW SYSTEM	146 X	WORLD TRANSM-12V IGNITION	168	WORLD TRANSM-SER. INTERFACE (+)
114 D	INTERIOR LTS-DASH LT REGUL.	132 F	LEVEL LOW SYSTEM	147	ABS SYSTEM	168 A	A/C & HEAT SYSTEM-HUMIDISTAT
114 E	INTERIOR LTS-DASH LT REGUL.	132 G	LEVEL LOW SYSTEM	147	ETHER COLD START	170 C	LUGGAGE DOOR LOCK
115	ALARM & SIGNAL-TAG PRESS	132 H	LEVEL LOW SYSTEM	147	WORLD TRANSM-OIL TEMP	170 D	LUGGAGE DOOR LOCK
115	DDEC III-COOLANT LEVEL	132 J	LEVEL LOW SYSTEM	147 C	ETHER COLD START	170 E	LUGGAGE DOOR LOCK
115	WORLD TRANSM-DO NOT SHIFT SIGN	132 K	LEVEL LOW SYSTEM	148	ABS SYSTEM	170 F	LUGGAGE DOOR LOCK
115 C	DDEC III-COOLANT LEVEL	132 W	WORLD TRANSM-ENG BRK OUTPUT (-)	148	WORLD TRANSM-OUTPUT SPEED LO	170 G	LUGGAGE DOOR LOCK
115 W	WORLD TRANSM-DO NOT SHIFT SIGN	133	WORLD TRANSM-RET. ACTUATOR HI	149	ABS SYSTEM	170 H	LUGGAGE DOOR LOCK
116	WORLD TRANSM-LO SIGNAL SOL. HI	134	WORLD TRANSM-RET. APPLY SOL. HI	149	WORLD TRANSM-TURBINE SPEED HI	170 K	LUGGAGE DOOR LOCK
116 B	A/C & HEAT SYSTEM-DRIVER'S HTR	135	A/C & HEAT SYSTEM-AIR SENSOR	149 A	ABS SYSTEM	170 L	LUGGAGE DOOR LOCK
117	WORLD TRANSM-SPARE INPUT (-)	135	WORLD TRANSM-ANALOG GRD	150	DDEC III-ECM BATTERY GRD	170 M	LUGGAGE DOOR LOCK
117 A	ALARM & SIGNAL-TRANSM OIL TEMP	135 A	A/C & HEAT SYSTEM-AIR SENSOR	150	WORLD TRANSM-ENGINE SPEED LO	170 N	LUGGAGE DOOR LOCK
117 A	ALARM & SIGNAL-TRANSM OIL TEMP	135 D	A/C & HEAT SYSTEM-AIR SENSOR	150 A	DDEC III-ECM BATTERY GRD	170 P	LUGGAGE DOOR LOCK

CIRCUIT NUMBER CODE

No.	DESCRIPTION	No.	DESCRIPTION	No.	DESCRIPTION	No.	DESCRIPTION
170 R	LUGGAGE DOOR LOCK	275	KEYLESS ENTRY SYSTEM				
170 S	LUGGAGE DOOR LOCK	276	KEYLESS ENTRY SYSTEM				
170 V	LUGGAGE DOOR LOCK	277	KEYLESS ENTRY SYSTEM				
170 W	LUGGAGE DOOR LOCK	278	KEYLESS ENTRY SYSTEM				
170 X	LUGGAGE DOOR LOCK	279	KEYLESS ENTRY SYSTEM				
170 Y	LUGGAGE DOOR LOCK	280	KEYLESS ENTRY SYSTEM				
170 Z	LUGGAGE DOOR LOCK	283	KEYLESS ENTRY SYSTEM				
173	BACK-UP MONITOR	284 A	KEYLESS ENTRY SYSTEM				
174	BACK-UP MONITOR	285	KEYLESS ENTRY SYSTEM				
175	BACK-UP MONITOR	286	KEYLESS ENTRY SYSTEM				
175 A	BACK-UP MONITOR	286 A	KEYLESS ENTRY SYSTEM				
175 B	BACK-UP MONITOR	290	FAN CLUTCH RADIATOR				
175 C	BACK-UP MONITOR	290	FAN CLUTCH RADIATOR				
180	DRIVER'S SEAT HEATER	291	FAN CLUTCH RADIATOR SPD 1				
180 A	DRIVER'S SEAT HEATER	291	KEYLESS ENTRY SYSTEM				
180 B	CO-PILOT SEAT HEATER	292	FAN CLUTCH RADIATOR SPD 2				
180 C	CO-PILOT SEAT HEATER	293	KEYLESS ENTRY SYSTEM				
181 A	THERMOMETER INSIDE SENSOR	417	DDEC III-LIMIT SPEED GOVERNOR				
181 B	THERMOMETER INSIDE SENSOR	419	DDEC III-CHECK ENGINE LIGHT				
181 C	THERMOMETER OUTSIDE SENSOR	439	DDEC III-12V IGNITION				
181 D	THERMOMETER OUTSIDE SENSOR	440	DDEC III-12V IGNITION				
197	FUEL WATER FILTER	440 A	DDEC III-12V IGNITION				
197 A	FUEL WATER FILTER	451	DDEC III-A/C FAN CLUTCH				
197 B	FUEL WATER FILTER	505	DDEC III-TACHOMETER DRIVE				
201	WORLD TRANSM-SPARE	509	DDEC III-STOP ENGINE LIGHT				
202	WORLD TRANSM-SPARE	510	DDEC III-FAST IDLE SIGNAL				
203	WORLD TRANSM-SPARE	524	DDEC III-ENGINE BRAKE DISABLE				
204	WORLD TRANSM-SPARE	525	DDEC III-FAST IDLE SIGNAL				
205	WORLD TRANSM-SPARE	528	DDEC III-STOP ENG. OVERRIDE				
206	WORLD TRANSM-SPARE	531	DDEC III-CRUISE CLUTCH RELEASE				
214	WORLD TRANSM-BACK UP SIGNAL	541	DDEC III-CRUISE SET SW				
231	NEUTRAL SIGNAL GRD	543	DDEC III-CRUISE STOP SW CUT IN				
231 A	NEUTRAL COIL RELAY FEED SIGNAL	544	DDEC III-CRUISE ON/OFF SW				
231 W	NEUTRAL SIGNAL GRD (WCL)	545	DDEC III-CRUISE RESUME SW				
240	DDEC III-ECM 12V FEEDING	555	DDEC III-FAN CLUTCH SPEED# 1				
241	DDEC III-ECM 12V FEEDING	556	DDEC III-VEHICLE SPEED (+)				
251	DDEC III - PRODRIVER 12V H.W.	557	DDEC III-VEHICLE SPEED (-)				
257	WINDSHIELD HEATED	563	DDEC III-FAN CLUTCH SPEED# 2				
257 A	WINDSHIELD HEATED	564	DDEC III-DIGITAL OUTPUT				
257 B	WINDSHIELD HEATED	565	DDEC III-ENGINE BRAKE ACTIVE				
257 C	WINDSHIELD HEATED	583	DDEC III-ENGINE BRAKE 4 CYL.				
257 D	WINDSHIELD HEATED SPARE	900	DDEC III-DATA LINK (+)				
257 E	WINDSHIELD HEATED SPARE	901	DDEC III-DATA LINK (-)				
258	WINDSHIELD HEATED	908	DDEC III-HYDRAULIC PWM#1 OUTPUT				
258 A	WINDSHIELD HEATED	916	DDEC III-SENSOR SUPPLY (5VDC)				
259	WINDSHIELD HEATED	952	DDEC III-SENSOR RETURN				
259 A	WINDSHIELD HEATED	953	DDEC III-BATTERY GRD				
270	KEYLESS ENTRY SYSTEM	979	DDEC III-ENGINE BRAKE 2 CYL.				
272	KEYLESS ENTRY SYSTEM						
274	KEYLESS ENTRY SYSTEM						

CIRCUIT BREAKERS CODE

No.	PAGE	AMP.	#PREV.	LOCATION	FUNCTION
CB 1	2	40A	560703	BAT. CPT.	12V IGNITION
CB 2	1.1	30A	870690	BAT. CPT.	12V HOT WIRE
CB 3	1.1	40A	560703	BAT. CPT.	12V FEED RR. JCT. BOX
CB 4	1.1	40A	560703	BAT. CPT.	12V FEED FR. JCT. BOX
CB 5	1.1	30A	870690	BAT. CPT.	24V HOT WIRE
CB 6	1.1	90A	560298	BAT. CPT.	24V FEED RR. JCT. BOX
CB 7	1.1	90A	560298	BAT. CPT.	24V FEED FR. JCT. BOX
CB 8	1.1	150A	560299	BAT. CPT.	24V EVAPORATOR FAN MOTOR
CB 10	4	8A	561791	FR. JCT. BOX	MASTER KEY SWITCH
CB 16	4	8A	561791	RR. JCT. BOX	ENGINE-RR. CTRL & START SW.
CB 18	4	6A	561790	RR. JCT. BOX	ENGINE-FR. CTRL SW.
CB 19	5	15A	561793	BAT. CPT.	E.C.M. DDEC III 12V POWER
CB 20	5	15A	561793	BAT. CPT.	E.C.M. DDEC III 12V POWER
CB 21	5	6A	561790	BAT. CPT.	E.C.M. DDEC III 12V IGNITION
CB 24	6	20A	561794	BAT. CPT.	WORLD TRANSMISSION 12V POWER
CB 26	9.3	10A	561792	RR. JCT. BOX	BACK-UP LTS
CB 27	7	8A	561791	FR. JCT. BOX	24V IGNITION DASH ACCESSORIES
CB 28	7	6A	561790	FR. JCT. BOX	12V IGNITION DASH ACCESSORIES
CB 34	9.3	6A	561790	RR. JCT. BOX	BACK-UP ALARM
CB 35	9.3	6A	561790	FR. JCT. BOX	FOG & HAZARD DASH SW.
CB 37	9.1	6A	561790	FR. JCT. BOX	HEAD & MULTI-FUNCTION LEVEL SW.
CB 38	9.1	10A	561792	FR. JCT. BOX	FR. MARKER LTS
CB 39	9.1	20A	561794	FR. JCT. BOX	CLEARANCE & IDENTIFICATION LTS
CB 40	9.1	8A	561791	FR. JCT. BOX	FR. CLEARANCE & IDENTIFICATION LTS
CB 41	9.1	8A	561791	RR. JCT. BOX	RR. CLEARANCE & IDENTIFICATION LTS
CB 42	9.1	8A	561791	RR. JCT. BOX	RR. TAIL & LICENCE LTS
CB 43	9.1	20A	561794	FR. JCT. BOX	HEADLAMP (HI)
CB 44	9.1	15A	561793	FR. JCT. BOX	HEADLAMP (LO)
CB 45	9.2	10A	561792	FR. JCT. BOX	WIPER CTRL MULTI-FUNCTION LEVEL SW.
CB 46	9.2	20A	561794	FR. JCT. BOX	FLASHER & HAZARD UNIT
CB 48	9.3	6A	561790	FR. JCT. BOX	STOP LTS PRESSURE SW.
CB 49	9.3	15A	561793	RR. JCT. BOX	STOP & CYCLOP LTS
CB 51	10	10A	561792	FR. JCT. BOX	UPPER WIPER CTRL SW.
CB 52	11.1	15A	561793	RR. JCT. BOX	LUGGAGE & DOOR AJAR LTS
CB 57	11.2	8A	561791	FR. JCT. BOX	DASH LTS RHEOSTAT
CB 70	15.1	6A	561790	FR. JCT. BOX	A/C & HEAT SW.
CB 71	15.1	10A	561792	RR. JCT. BOX	A/C & HEAT LOGIC PANEL
CB 72	15.1	10A	561792	RR. JCT. BOX	A/C COMPRESSOR CLUTCH
CB 73	15.1	15A	561793	RR. JCT. BOX	WATER PUMP
CB 77	15.2	40A	560703	BAT. CPT.	CONDENSER FAN MOTOR RH
CB 78	15.2	40A	560703	BAT. CPT.	CONDENSER FAN MOTOR LH
CB 79	15.2	15A	561793	FR. JCT. BOX	DRIVER'S HTR FAN SPEED CTRL MODULE
CB 85	11.2	6A	561790	FR. JCT. BOX	ENTRANCE DOOR & STEP LTS
CB 105	22	6A	561790	FR. JCT. BOX	E.C.U. ABS
CB 106	22	10A	561792	FR. JCT. BOX	E.C.U. ABS
CB 107	22	10A	561792	FR. JCT. BOX	E.C.U. ABS
CB 115	12	8A	561791	FR. JCT. BOX	KEYLESS ENTRY SYSTEM - MODULE
CB 118	12	20A	561794	RR. JCT. BOX	KEYLESS ENTRY SYS. - LUGGAGE DOOR LOCK
CB 120	12	20A	561794	RR. JCT. BOX	KEYLESS ENTRY SYS. - LUGGAGE DOOR LOCK
CB 123	13	25A	561795	FR. JCT. BOX	DRIVER'S SEAT ELECTRICAL ADJUSTMENT
CB 124	8	6A	561790	RR. JCT. BOX	RADIATOR FAN CLUTCH

CONNECTORS CODE

NO	LOCATION	TYPE	CAVITY	#PIN HOUSING	#SOCKET HOUSING	NO	LOCATION	TYPE	CAVITY	#PIN HOUSING	#SOCKET HOUSING
C A	RR JCT BOX-ECU WORLD TR.	T & BET	34	-----	562419	C 102	FR SERV & SIDE CPT-FLASH. LH	GROTE	2	-----	562155
C B	RR JCT BOX-ECU WORLD TR.	T & BET	34	-----	562420	C 103	FR SERV & SIDE CPT-MARKERS	GROTE	2	-----	562155
C 1	FR JCT BOX COMPARTMENT	AMP CPC	14	561585	561584	C 104	FR SERV & SIDE CPT-FLASH. RH	GROTE	2	-----	562155
C 2	FR JCT BOX COMPARTMENT	AMP CPC	16	561639	561640	C 105	FR SERVICE COMPT-LIQ.S.VALVE	PED WP	2	561566	561690
C 3	FR JCT BOX COMPARTMENT	AMP CPC	24	561641	561643	C 106	FR SERVICE COMPT-WATER VALVE	PED WP	2	561566	561690
C 4	FR JCT BOX COMPARTMENT	AMP CPC	37	561644	561646	C 107	EVAPORATOR COMPT-DAMPER	PED WP	2	561566	561690
C 5	FR SERVICE COMPT.-UNDERNEATH	AMP CPC	37	561644	561646	C 111	EVAPORATOR COMPT-DAMPER	DEUTSCH	2	562486	562485
C 6	FR SERVICE COMPT.-UNDERNEATH	AMP CPC	16	561639	561640	C 112	EVAPORATOR COMPT-SPEED MOT CTRL	DEUTSCH	5	-----	562566
C 8	FR SERVICE COMPT.-UNDERNEATH	AMP CPC	24	561641	561643	C 113	BATT. & RR J.B.CPT.MARKER LT	GROTE	2	-----	562155
C 9	FR SERVICE COMPT.-UNDERNEATH	AMP CPC	24	561641	561643	C 114	RR J. BOX CPT DOOR DIR LT LH	GROTE	2	-----	562155
C 11	FR SERVICE COMPARTMENT	AMP CPC	37	561644	561646	C 115	ENGINE COMPT-AIR DRYER	PED WP	2	561566	561690
C 12	FR SERVICE COMPARTMENT	AMP CPC	16	561639	561640	C 116	ENGINE COMPT. LTS	PED WP	1	561605	561577
C 12	LH CONSOLE-HEATER MIR.	AMP MNL	2	561248	561247	C 119	ENGINE CPT RR DOOR RH LO LAMP	PED WP	6	561606	561607
C 13	LH CONSOLE-CTR MIRROR	AMP MNL	6	561552	561515	C 120	ENGINE CPT RR DOOR LH LO LAMP	PED WP	6	561606	561607
C 14	UNDER DASH-LH MIRROR	AMP MNL	9	561661	561662	C 121	BATTERIE CPT. DOOR DIR LT RH	GROTE	2	-----	562155
C 15	RR JCT BOX	AMP CPC	24	561641	561643	C 122	ENGINE CPT-CAMERA DOOR VALVE	PED WP	2	561566	561690
C 15	UNDER DASH-RH MIRROR	AMP MNL	9	561661	561662	C 124	ENGINE CPT-ETHER SW	PED WP	2	561566	561690
C 16	LH CONSOLE SW-CRUISE ON OFF	SWF	8	-----	561107	C 125	ENGINE CPT-B/U ALARM	PED WP	2	561566	561690
C 17	LH CONSOLE SW-CRUISE RESUME	SWF	8	-----	561107	C 127	ENGINE CPT-FUEL FILTER	PED WP	2	561566	561690
C 18	LH CONSOLE SW-CRUISE SET	SWF	8	-----	561107	C 128	ENGINE CPT-A/C COMPR.CLUTCH	ITT SS	2	561813	561812
C 20	RR JCT BOX	AMP CPC	37	561644	561646	C 129	ENGINE CPT-PRE-HEAT WATER	AMP FF	6	561672	561186
C 21	RR JCT BOX	AMP CPC	24	561641	561643	C 130	ENGINE CPT-UNLOADER	ITT SS	2	561813	561812
C 32	DDEC ENGINE-ECM	PED	30	-----	561600	C 131	ENGINE CPT-UNLOADER	ITT SS	2	561813	561812
C 35	RR JCT BOX	AMP CPC	24	561642	561643	C 132	ENGINE CPT-A/C LO PRESS SW	PED WP	2	561566	561690
C 45	FR. JCT BOX COMPARTMENT	AMP CPC	24	561642	561643	C 133	ENGINE CPT-A/C HI PRESS SW	PED WP	2	561566	561690
C 47	FR SERVICE COMPARTMENT	AMP CPC	16	561694	561695	C 134	FR JCT BOX-LUGGAGE DIODE CON.	AMP MNL	15	561987	561986
C 49	BATTERIE COMPT.-LT	AMP MNL	2	561248	561247	C 135	FR JCT BOX-LUGGAGE DIODE CON.	AMP MNL	15	561987	561986
C 52	RR JCT BOX	AMP CPC	22	561709	561710	C 137	RR JCT BOX-TRANSMITTER	AMP MNL	2	560900	560898
C 55	RH SWITCH PANEL	AMP CPC	9	561636	561637	C 138	RR JCT BOX-CONTROL MODULE	AMP HDP	15	-----	562012
C 60	RR JCT BOX COMPT.-LT	AMP MNL	2	561248	561247	C 139	RR JCT BOX-LOGIC MODULE	AMP HDP	15	562011	-----
C 61	LUGGAGE COMPARTMENT LTS	AMP MNL	2	561248	561247	C 145	RR JCT BOX CPT-RR SIDE LTS	AMP MNL	9	561670	561669
C 62	LUGGAGE COMPARTMENT LTS	AMP MNL	2	561248	561247	C 146	ENGINE CPT-MODULATOR VALVE	AMPHENOL	2	-----	560412
C 63	LUGGAGE COMPARTMENT LTS	AMP MNL	2	561248	561247	C 147	BATT & RR J.B.CPT-DOCK.LTS	PED WP	2	561566	561690
C 64	LUGGAGE COMPARTMENT LTS	AMP MNL	2	561248	561247	C 149	CONDENSER CPT-FAN MOTOR	ORDNANCE	3	562555	562001
C 65	LUGGAGE COMPARTMENT LTS	AMP MNL	2	561248	561247	C 151	EVAPORATOR CPT-THERMOSTAT	DEUTSCH	2	562486	562485
C 66	LUGGAGE COMPARTMENT LTS	AMP MNL	2	561248	561247	C 152	CONDENSER CPT-FUEL GAUGE	PED WP	4	561610	561611
C 67	LUGGAGE COMPARTMENT LTS	AMP MNL	2	561248	561247	C 153	EVAPORATOR CPT-AIR AMB. SENS	AMP MNL	2	561248	561247
C 68	LUGGAGE COMPARTMENT LTS	AMP MNL	2	561248	561247	C 154	EVAPORATOR CPT-FRESH AIR SENS	ITT SS	2	561813	561812
C 69	RR AXLE ACC-INSIDE PVC END	PED WP	6	561568	561578	C 155	EVAPORATOR CPT-WATER VALVE	PED WP	4	561610	561611
C 70	LH CONSOLE	AMP CPC	24	561642	561643	C 156	EVAPOR. CPT-BYPASS WATER VAL.	PED WP	2	561566	561690
C 71	FR JCT BOX COMPARTMENT	AMP CPC	37	561645	561646	C 157	EVAPORATOR CPT-WATER PUMP	PED WP	2	561566	561690
C 72	FR JCT BOX COMPARTMENT	AMP CPC	24	561642	561643	C 158	CONDENSER CPT-A/C LO TEMP.	PED WP	2	561566	561690
C 73	DASH CENTER PANEL	AMP CPC	16	561639	561640	C 159	CONDENSER CPT-A/C HI TEMP.	PED WP	2	561566	561690
C 74	FR JCT BOX COMPARTMENT	AMP CPC	37	561645	561646	C 160	FR AXLE-ABS RH SENSOR	WABCO	2	641132	-----
C 76	LUGGAGE COMPT.-AIR RET.SENS.	AMP MNL	2	561248	561247	C 161	FR AXLE-ABS RH VALVE	WABCO	3	-----	641098
C 77	LUGGAGE COMPT.-AIR RET.SENS.	AMP MNL	2	561248	561247	C 162	FR AXLE-ABS LH VALVE	WABCO	3	-----	641098
C 80	LUGGAGE COMPT.-AIR RET.SENS.	AMP MNL	2	561248	561247	C 163	FR AXLE-ABS LH SENSOR	WABCO	2	641132	-----
C 81	LUGGAGE COMPT.-DOOR LOCK	AMP MNL	2	561248	561247	C 164	RR AXLE-ABS LH SENSOR	DEUTSCH	2	562486	562485
C 82	LUGGAGE COMPT.-DOOR LOCK	AMP MNL	2	561248	561247	C 165	RR AXLE-ABS LH VALVE	WABCO	3	-----	641098
C 83	LUGGAGE COMPT.-DOOR LOCK	AMP MNL	2	561248	561247	C 166	RR AXLE-ABS RH VALVE	WABCO	3	-----	641098
C 84	LUGGAGE COMPT.-DOOR LOCK	AMP MNL	2	561248	561247	C 167	RR AXLE-ABS RH SENSOR	DEUTSCH	2	562486	562485
C 85	LUGGAGE COMPT.-DOOR LOCK	AMP MNL	2	561248	561247	C 168	RR AXLE-ABS OPT ATC	PED WP	4	561610	561611
C 86	LUGGAGE COMPT.-DOOR LOCK	AMP MNL	2	561248	561247	C 169	RR JCT BOX-SPEED SW	AMP HDP	15	-----	562012
C 87	RR END ROOF	AMP CPC	9	561636	561637	C 170	FR JCT BOX-FLASHER UNIT	TC	2	-----	561940
C 88	RR END ROOF-CLEARANCE LTS	AMP MNL	2	560900	560898	C 171	LH CONSOLE	AMP CPC	37	561645	561646
C 89	RR END ROOF-B/U MONITOR	AMP CPC	4	561582	561581	C 172	ENGINE COMPT-WATER TANK HEAT.	PED WP	2	561566	561690
C 90	RR JCT BOX	AMP CPC	15	561987	561986	C 173	LAV.POTABLE-WATER TANK HEAT.	AMP MNL	2	560900	560898
C 91	RR JCT BOX	AMP CPC	37	561714	561713	C 174	UNDER DASH RH-HTR MODULE	AMP MNL	9	561670	561669
C 92	FR LH UPPER WHELL CPT-ABS	AMP CPC	9	561635	561637	C 175	UNDER DASH RH-HTR MODULE	AMP MNL	9	561670	561669
C 93	FR LH UPPER WHELL CPT-ABS	WABCO	35	-----	641094	C 176	UNDER DASH RH-WIPER PULSE	AMP FF	6	-----	561186
C 96	FR AXLE ACCESSORIES	AMP CPC	14	561585	561585	C 177	UNDER DASH RH-WIPER MOTOR	AMP FF	6	-----	561186
C 97	RR AXLE ACC-INSIDE PVC END	PED WP	6	561568	561578	C 178	UNDER DASH RH-LH FAN	TC	2	561030	560997
C 98	FR SERVICE COMPT-EL.FT.PEDAL	PED WP	3	561782	561781	C 179	UNDER DASH RH-RH FAN	TC	2	561030	560997
C 99	FR SERVICE COMPT LTS	AMP MNL	2	561248	561247	C 181	RR JCT BOX-DIODE CONNECTOR	AMP MNL	15	561987	561986
C 101	FR SERVICE COMPT-ELEC. HORNS	PED WP	2	561566	561690	C 182	RR JCT BOX COMPT.-WT VIW	AMP CPC	16	561639	561640

CONNECTORS CODE

NO	LOCATION	TYPE	CAVITY	#PIN HOUSING	#SOCKET HOUSING	NO	LOCATION	TYPE	CAVITY	#PIN HOUSING	#SOCKET HOUSING
C 185	RR JCT BOX COMPT.-WT VIM	PED	30	-----	561600	C 301	INSTRUMENT PANEL CENT-TACHO	AMP FF	8	-----	562363
C 186	RR JCT BOX CPT.-SPEED SIGN.TR	PED WP	2	561566	561690	C 307	LH CONSOLE -DRIVER'S SEAT HEATER	AMP CPC	4	561686	561687
C 186M	RR JCT BOX CPT.-SPD SIGN. M.TR	PED WP	2	561566	561690	C 308	LH CONSOLE SW-RHEOSTAT	TC	2	561030	560997
C 186W	RR JCT BOX CPT.-SPD SIGN. WT	PED WP	2	561566	561690	C 309	DDEC ENGINE-ECM POWER CON.	PED MP	5	-----	562345
C 187	FR JCT BOX-RPM RESISTOR CON.	AMP MNL	6	561552	561515	C 310	LH CONSOLE SW-LUG. DOOR LOCK	SWF	8	-----	561107
C 189	ENGINE CPT RR DOOR B/U LT	PED WP	2	561566	561690	C 315	LH CONSOLE SW-LH STORE	SWF	8	-----	561107
C 190	ENGINE CPT RR DOOR TAIL LT	PED WP	2	561566	561690	C 317	LH CONSOLE SW-RH STORE	SWF	8	-----	561107
C 191	ENGINE CPT RR DOOR RH STOP LT	PED WP	2	561566	561690	C 318	LH CONSOLE SW-DRV WINDOW LIFT	SWF	8	-----	561107
C 192	ENGINE CPT RR DOOR RH DIR. LT	PED WP	2	561566	561690	C 319	LH CONSOLE -DRIVER'S SEAT HEATER SW.	SWF	8	-----	561107
C 193	FR SECT. LH HAT RACK-FLUOR.	AMP MNL	2	561248	561247	C 320	LH CONSOLE SW-DRIVER'S LTS	SWF	8	-----	561107
C 194	ENGINE CPT RR DOOR LH DIR. LT	PED WP	2	561566	561690	C 321	LH CONSOLE -CO-PILOT SEAT HEATER SW.	SWF	8	-----	561107
C 195	ENGINE CPT RR DOOR LH STOP LT	PED WP	2	561566	561690	C 322	LH CONSOLE DRV WIND LIFT MOT	PED PO	2	-----	561848
C 196	ENGINE CPT RR DOOR CYCLOP LT	PED WP	2	561566	561690	C 323	LH CONSOLE CRUISE CTR SW PAN. AMP	CPC	9	561636	561637
C 199	ENGINE CPT RR DOOR LICENCE LT	DOM AUTO	2	930210	-----	C 325	LH CONSOLE SW-KNEELING	SWF	8	-----	561107
C 211	FR ROOF-STORE LH	AMP MNL	2	560900	560898	C 326	LH CONSOLE SW-SPARE	SWF	8	-----	561107
C 212	FR ROOF-STORE RH	AMP MNL	2	560900	560898	C 327	ENGINE CONTROL	DEUTSCH	6	562583	562581
C 213	FR ROOF-CLEARANCE LT	AMP MNL	2	560900	560898	C 329	ENGINE TACHO SIGNAL	PED WP	3	561781	561789
C 220	RR.JCT.BOX-FUEL PRIME PUMP	TC	1	561070	561073	C 337	INSTR PANEL LH-UP WIPER SW	SWF	8	-----	561107
C 230	ENG.CPT.-FUEL PRIME PUMP FEED	DEUTSCH	2	562486	562485	C 338	INSTR PANEL LH-UP DEFROST SW	SWF	8	-----	561107
C 231	ENG.CPT.-FUEL PRIME PUMP SW.	PED WP	2	561566	561690	C 339	INSTR PANEL LH-UP WASHER SW	SWF	8	-----	561107
C 232	ENG.CPT.-FUEL PRIME PUMP	PED WP	2	561566	561690	C 340	FR JCT. BOX FIRE PIEZO ALARM	AMP MNL	2	560900	560898
C 238	RR JCT BOX-DIODE CONNECTOR	AMP MNL	9	561670	561669	C 341	INSTR PANEL LH-HEAT MIRROR SW	SWF	8	-----	561107
C 240	LUGG. CPT.-CO-PILOT SEAT HEATER	AMP MNL	2	560900	560898	C 342	ENGINE RR START SW	DEUTSCH	2	562586	562585
C 241	FR SERVICE CPT-FOG RESISTOR	AMP CPC	3	561847	561862	C 343	INSTR PANEL LH-HEADLAMP SW	SWF	8	-----	561107
C 242	FR SERVICE CPT-MARK & DIR LT	ITT SS	3	561111	561080	C 344	INSTR PANEL LH-HAZARD LT SW	SWF	8	-----	561107
C 243	FR SERVICE CPT-HEADLAMPS	TC	3	-----	561071	C 345	INSTR PANEL LH-FOG LT SW	SWF	8	-----	561107
C 244	FR SERVICE CPT-LH FOG LAMP	ITT SS	2	561813	561812	C 346	INSTR PANEL LH-SWITCH LTS	SWF	2	-----	561837
C 245	FR SERVICE CPT-RH FOG LAMP	ITT SS	2	561813	561812	C 347	INSTR PANEL LH-DASH LT SW	AMP MNL	2	560900	560898
C 246	FR SERVICE CPT-MARK & DIR LT	ITT SS	3	561111	561080	C 348	INSTR PANEL CENT-RACOR MODULE	MOLEX	6	562070	562067
C 248	FR JCT BOX-WIPER PULSE GEN	AMP FF	6	-----	561108	C 350	RH CONSOLE-THERMOMETER	AMP MNL	3	561667	561550
C 251	LH SW PANEL-FAST IDLE	SWF	8	-----	561107	C 352	RH CONSOLE-DRV TEMP SENSOR	BURNDY	4	-----	561104
C 252	LH SW PANEL-SWITCH LT	SWF	2	-----	561837	C 353	INSTR PANEL RH-DRV FAN RHEOST	AMP MNL	6	561552	561515
C 253	LH SW PANEL-ETHER	SWF	8	-----	561107	C 354	INSTR PANEL RH-DRV TEMP CTR	AMP MNL	6	561552	561515
C 254	INST. PANEL RH-ENTR.DOOR SW.	TORRIX	5	-----	562110	C 355	INSTR PANEL RH-FR TEMP CTR	AMP MNL	3	561667	561550
C 255	LH SW PANEL-JACOB	SWF	8	-----	561107	C 357	INSTR PANEL RH-WATER TEMP GA	AMP MNL	3	561667	561550
C 257	INSTRUMENT PANEL CENT-TACHO	AMP FF	8	-----	562363	C 358	INSTR PANEL RH-FUEL LEVEL GA	AMP MNL	3	561667	561550
C 258	LH SW PANEL-MULTI FUNC. SW	AMP FF	8	561188	-----	C 360	INSTR PANEL RH-B/U MONITOR	AMP MNL	2	561248	561247
C 259	LH SW PANEL-MULTI FUNC. SW	AMP FF	6	-----	561108	C 361	FR ROOF-WIPER MOTOR	AMP FF	6	-----	561186
C 262	UNDER DASH RH-KEYLESS MODULE	PL. ENG	14	-----	562066	C 366	RH DASH PANEL-GRN & RED LEDS	AMP MNL	3	560908	562006
C 263	UNDER DASH RH-KEYLESS MODULE	HOF PL.	14	-----	562067	C 372	FR ROOF-DEST. SIGN SPEED SW	MOLEX	4	561477	561476
C 264	UNDER DASH RH-KEYPAD	AMP CPC	9	561536	561637	C 373	FR ROOF-NO SMOKING LT	AMP MNL	2	561248	561247
C 265	RH SW PANEL -DRIVER'S DOOR SW.	SWF	8	-----	561107	C 374	LH SWITCH PANEL	AMP MNL	6	561552	561515
C 266	RH SW PANEL -DRIVER'S LT SW.	SWF	2	-----	561837	C 376	LH SWITCH PANEL	AMP CPC	37	561714	562005
C 267	UNDER DASH RH	AMP CPC	24	561642	561643	C 377	LH SW PANEL-STOP ENG.OVERRIDE	SWF	8	-----	561107
C 268	UNDER DASH LH-MIRROR	AMP MNL	6	561552	561515	C 380	LH CONSOLE-DDR CONNECTOR	DEUTSCH	6	562360	-----
C 269	UNDER DASH RH-MIRROR	AMP MNL	6	561552	561515	C 397	ENGINE COMPT. CRADLE ACC.	DEUTSCH	40	562281	562284
C 270	LH MIRROR POST	MOLEX	6	562070	562069	C 400	ENGINE COMPT. BLOCK HEATER	PED MP	3	561781	561782
C 271	RH MIRROR POST	MOLEX	6	562070	562069	C 402	RR DRIVE AXLE-AIR DRYER	PED MP	2	-----	562251
C 272	LH MIRROR	SPARTAN	6	-----	990158	C 406	FR JCT BOX COMPT.-ABS	AMP MNL	2	560900	560898
C 273	RH MIRROR	SPARTAN	6	-----	990158	C 407	ENGINE COMPT. -SIGNAL	PED WP	6	561606	561607
C 276	UNDER DASH RH -3 WAY LTS	AMP MNL	6	561552	561515	C 408	ENGINE COMPT. -SIGNAL	PED WP	6	561606	561607
C 277	LH CONSOLE -DOCK. & CORN. SW.	SWF	8	-----	561107	C 409	ENGINE CPT -LOW COOL. LEVEL	PED MP	2	-----	562350
C 278	LH CONSOLE -BACK-UP CANCEL SW.	SWF	8	-----	561107	C 410	FR JCT BOX-DIODE CONNECTOR	AMP MNL	15	561987	561986
C 280	UNDER DASH RH -3 WAY LTS	SWF	8	-----	561107	C 411	FR JCT BOX-DIODE CONNECTOR	AMP MNL	15	561987	561986
C 281	LH CONSOLE -LEVEL LOW	SWF	8	560851	560825	C 412	LH SW PANEL-MASTER SWITCH	SWF	8	-----	561107
C 282	LH CONSOLE -MONITOR OPER. SW.	SWF	8	-----	561107	C 413	ENG CPT-A/C HI-LOAD PRS SW	PED WP	2	561566	561690
C 283	LH CONSOLE -LOW DOCKING SW.	SWF	8	-----	561107	C 414	RR JCT BOX	AMP MNL	9	561670	561669
C 285	ENTRANCE DOR -SOL. DOOR	PED PO	2	-----	562076	C 415	ENGINE CRADLE-FAN SIGNAL	PED WP	3	561781	561782
C 286	RH SW PANEL-A/C & HEAT	SWF	8	-----	561107	C 416	ENGINE CRADLE-FAN SIGNAL	PED P-C	3	562237	-----
C 287	ENGINE COMPT-LTS SW	PED WP	2	561566	561690	C 417	FRONT JCT BOX-DIODES	AMP MNL	15	561987	561986
C 288	RH SW PANEL-FRESH AIR	SWF	8	-----	561107	C 418	INSTR. PANEL LH-HTR WINDSH.SW	SWF	8	-----	561107
C 289	RH SW PANEL-SWITCH LT	SWF	2	-----	561837	C 419	FR JCT BOX-RETARDER OR JACOB	AMP MNL	3	561667	561550
C 290	LUGGAGE COMPT -DOOR LOCK	AMP MNL	4	561551	561668	C 420	ENGINE COMPT. WEBASTO WATER HTR	TC	2	561597	-----
C 291	LUGGAGE COMPT -DOOR LOCK	AMP MNL	4	561551	561668	C 421	ENGINE COMPT. WEBASTO WATER HTR	TC	1	561073	-----
C 297	INSTRUMENT PANEL RH -LTS	AMP MNL	2	560900	560898	C 422	ENGINE COMPT. WEBASTO WATER HTR	TC	2	561597	-----

CONNECTORS CODE

NO	LOCATION	TYPE	CAVITY	#PIN HOUSING	#SOCKET HOUSING	NO	LOCATION	TYPE	CAVITY	#PIN HOUSING	#SOCKET HOUSING
C 424	UNDER INSTRUMENT PANEL CENTER	AMP MNL	3	561667	561550	C 538	FR SERVICE CPT.-OUTSIDE TEMP. SENSOR	AMP MNL	2	561248	561247
C 425	FR JCT BOX-DIODES	AMP MNL	15	561987	561986	C 539	RH DASH PANEL-THERMOMETER SOUND	AMP MNL	2	561248	561247
C 426	ENGINE COMPT. CLUTCH CTR FAN	PED WP	3	561781	561782	C 540	RH DASH PANEL-THERMOMETER SOUND	AMP MNL	2	561248	561247
C 429	FR JCT BOX COMPT.	AMP MNL	6	561552	561515	C 543	RR JCT BOX-PARK. BRAKE STOP LTS RESIS.	PED WP	2	561566	561690
C 430	LH CONSOLE-TIMER	AMP FF	8	561188	562363	C 546	LH DASH PANEL-ACCESSORIES	AMP CPC	37	561645	561646
C 431	LH CONSOLE-PRE HEAT.	TAB AMP	1	561540	561539	C 547	RH DASH PANEL-ACCESSORIES	AMP CPC	37	561645	561646
C 432	ENGINE CPT.-PROX. SW. DOOR AJAR	DEUTSCH	4	562479	562477	C 548	LH DASH PANEL-T.T. LT. TEST SW.	SWF	8	-----	561107
C 433	FR SERVICE CPT. KNEEL. PRESS. SW	PED WP	2	561566	561690						
C 434	FRONT JCT. BOX-DIODES	AMP MNL	15	561987	561986						
C 435	FR SERVICE CPT.(RH) KNEEL. PIEZO	AMP MNL	2	560900	560898						
C 436	RH HAT RACK-WCL CENTER ROOF ACC	AMP CPC	16	561639	561640						
C 456	WORLD TRANSM.-RETARDER ACCUM.	PED MP	2	-----	562427						
C 457	WORLD TRANSM.-MAIN CONNECTOR	DEUTSCH	31	562572	562536						
C 458	WORLD TRANSM.-TURBINE SP.SENS	PED MP	2	-----	562426						
C 459	WORLD TRANSM.-ENGINE SP.SENS.	PED MP	2	-----	562426						
C 460	WORLD TRANSM.-SPEED SENSOR	ITT	2	-----	562541						
C 461	WORLD TRANSM.-RETARDER TEMP.	PED MP	2	561566	561590						
C 462	WORLD TRANSM.-RETARD SOL."K"	PED MP	2	-----	562426						
C 463	WORLD TRANSM.-SENSOR CONN.	DEUTSCH	16	562570	562571						
C 464	RR JCT BOX-DDL CONN W.T.	PED MP	12	-----	562574						
C 465	LH CONSOLE-SHIFTER SELECTOR	T & BET	10	-----	562429						
C 466	FR SERVICE CPT.-RESIS. MOD.	PED WP	3	-----	562428						
C 467	FR SERVICE CPT.-RESIS. MOD.	PED WP	3	-----	562428						
C 468	RR JCT BOX-VIM MOD. W.T.	PED MP	18	-----	562573						
C 470	FR LH UPPER WHELL CPT-SILENT 1000	AMP MNL	2	561248	561247						
C 471	FR LH UPPER WHELL CPT-SILENT 1000	AMP MNL	2	561248	561247						
C 472	FR LH UPPER WHELL CPT-SILENT 1000	PED WP	2	561566	561690						
C 473	FR LH UPPER WHELL CPT-SILENT 1000	AMP MNL	3	561667	561550						
C 474	LUGGAGE CPT.-TEMP. SENSOR	AMP MNL	2	561247	561248						
C 475	RR JCT BOX-SPEED SIGN CONNECTOR	AMP MNL	2	561248	561247						
C 475M	RR JCT BOX-SPEED SIGN MANUAL TR.	MOLEX	6	562070	562069						
C 475W	RR JCT BOX-SPEED SIGN WORLD TR.	MOLEX	6	562070	562069						
C 476	RR JCT BOX-VIM WORLD TRANSM.	AMP CPC	16	561639	561640						
C 477	RR JCT BOX-WORLD TR. SHIFT.&RET.	AMP CPC	9	561636	561637						
C 483	FR SERVICE CPT. -SEAT ELECTRICAL SEAT	PED PC	2	-----	562237						
C 500	FR LH UPPER WHELL CPT -PRODRIVER	MOLEX	6	562070	562069						
C 501	FR LH UPPER WHELL CPT -PRODRIVER MOD	PED MP	7	562433	-----						
C 502	LH CONSOLE-PRE HEATER SW.	SWF	8	-----	561107						
C 503	LH CONSOLE-PRE HEATER SW.	SWF	2	-----	561837						
C 504	LH CONSOLE WEBASTO TIMER	AMP	8	561188	562363						
C 505	LH CONSOLE ESPAR TIMER	AMP	3	-----	562034						
C 506	LH CONSOLE-LEVEL LOW SW.	SWF	8	-----	561107						
C 508	RR JCT BOX-FAN CLUTCH RETARDER	AMP MNL	6	561552	561515						
C 509	FR LH UPPER WHELL CPT -DATA LOGGER	PED MP	16	-----	562530						
C 510	FR LH UPPER WHELL CPT -DATA LOGGER	DEUTSCH	9	562531	-----						
C 511	FR LH UPPER WHELL CPT -DATA LOGGER	PED MP	4	562532	-----						
C 512	FR LH UPPER WHELL CPT -DATA LOGGER	PED MP	10	562533	-----						
C 513	FR LH UPPER WHELL CPT -DATA LOGGER	AMP MNL	3	561667	561550						
C 514	FR LH UPPER WHELL CPT -DATA LOGGER	PED MP	6	562433	562417						
C 515	RH DASH PANEL-T.T.LT.	AMP CPC	14	561585	561583						
C 516	CENTER DASH PANEL -UPPER T.T.LT.	AMP CPC	24	561642	561643						
C 517	CENTER DASH PANEL -LOWER T.T.LT.	AMP CPC	24	561642	561643						
C 522	FR JCT BOX-DAYTIME LTS MODULE	BOSCH	5	-----	561183						
C 523	FR JCT BOX-FUSE BLOCK	PED	8	562647	562646						
C 524	FR JCT BOX-FUSE BLOCK	PED	8	562647	562646						
C 525	FR JCT BOX-FUSE BLOCK	PED	8	562647	562646						
C 526	FR JCT BOX-FUSE BLOCK	PED	8	562647	562646						
C 527	FR JCT BOX-FUSE BLOCK	PED	8	562647	562646						
C 529	FR JCT BOX-12V OUTLET	AMP MNL	2	561247	561248						
C 530	RR JCT BOX-FUSE BLOCK	PED	8	562647	562646						
C 531	RR JCT BOX-FUSE BLOCK	PED	8	562647	562646						
C 532	RR JCT BOX-FUSE BLOCK	PED	8	562647	562646						
C 535	RR JCT BOX-FIRE MODULE DETECT.	AMP MNL	3	561667	561550						
C 536	UNDER DASH RH-DRIVER'S HTR TEMP. CTR	AMP MNL	6	561552	561515						
C 537	BATT. CPT.-A/C PRESS. SIGN. RLY	AMP MNL	2	561248	561247						

CONNECTORS CODE

NO	LOCATION	TYPE	CAVITY	#PIN HOUSING	#SOCKET HOUSING	NO	LOCATION	TYPE	CAVITY	#PIN HOUSING	#SOCKET HOUSING
C A	RR JCT BOX-ECU WORLD TR.	T & BET	34	-----	562419	C 102	FR SERV & SIDE CPT-FLASH. LH	GROTE	2	-----	562155
C B	RR JCT BOX-ECU WORLD TR.	T & BET	34	-----	562420	C 103	FR SERV & SIDE CPT-MARKERS	GROTE	2	-----	562155
C 1	FR JCT BOX COMPARTMENT	AMP CPC	14	561585	561584	C 104	FR SERV & SIDE CPT-FLASH. RH	GROTE	2	-----	562155
C 2	FR JCT BOX COMPARTMENT	AMP CPC	16	561639	561640	C 105	FR SERVICE COMPT-LIQ.S.VALVE	PED WP	2	561566	561690
C 3	FR JCT BOX COMPARTMENT	AMP CPC	24	561641	561643	C 106	FR SERVICE COMPT-WATER VALVE	PED WP	2	561566	561690
C 4	FR JCT BOX COMPARTMENT	AMP CPC	37	561644	561646	C 107	EVAPORATOR COMPT-DAMPER	PED WP	2	561566	561690
C 5	FR SERVICE COMPT.-UNDERNEATH	AMP CPC	37	561644	561646	C 111	EVAPORATOR COMPT-DAMPER	DEUTSCH	2	562486	562485
C 6	FR SERVICE COMPT.-UNDERNEATH	AMP CPC	16	561639	561640	C 112	EVAPORATOR COMPT-SPEED MOT CTRL	DEUTSCH	5	-----	562566
C 8	FR SERVICE COMPT.-UNDERNEATH	AMP CPC	24	561641	561643	C 113	BATT. & RR J.B.CPT.MARKER LT	GROTE	2	-----	562155
C 9	FR SERVICE COMPT.-UNDERNEATH	AMP CPC	24	561641	561643	C 114	RR J. BOX CPT DOOR DIR LT LH	GROTE	2	-----	562155
C 11	FR SERVICE COMPARTMENT	AMP CPC	37	561644	561646	C 115	ENGINE COMPT-AIR DRYER	PED WP	2	561566	561690
C 12	FR SERVICE COMPARTMENT	AMP CPC	16	561639	561640	C 116	ENGINE COMPT. LTS	PED WP	1	561605	561577
C 12	LH CONSOLE-HEATER MIR.	AMP MNL	2	561248	561247	C 119	ENGINE CPT RR DOOR RH LO LAMP	PED WP	6	561606	561607
C 13	LH CONSOLE-CTR MIRROR	AMP MNL	6	561552	561515	C 120	ENGINE CPT RR DOOR LH LO LAMP	PED WP	6	561606	561607
C 14	UNDER DASH-LH MIRROR	AMP MNL	9	561661	561662	C 121	BATTERIE CPT. DOOR DIR LT RH	GROTE	2	-----	562155
C 15	RR JCT BOX	AMP CPC	24	561641	561643	C 122	ENGINE CPT-CAMERA DOOR VALVE	PED WP	2	561566	561690
C 15	UNDER DASH-RH MIRROR	AMP MNL	9	561661	561662	C 124	ENGINE CPT-ETHER SW	PED WP	2	561566	561690
C 16	LH CONSOLE SW-CRUISE ON OFF	SWF	8	-----	561107	C 125	ENGINE CPT-B/U ALARM	PED WP	2	561566	561690
C 17	LH CONSOLE SW-CRUISE RESUME	SWF	8	-----	561107	C 127	ENGINE CPT-FUEL FILTER	PED WP	2	561566	561690
C 18	LH CONSOLE SW-CRUISE SET	SWF	8	-----	561107	C 128	ENGINE CPT-A/C COMPR.CLUTCH	ITT SS	2	561813	561812
C 20	RR JCT BOX	AMP CPC	37	561644	561646	C 129	ENGINE CPT-PRE-HEAT WATER	AMP FF	6	561672	561186
C 21	RR JCT BOX	AMP CPC	24	561641	561643	C 130	ENGINE CPT-UNLOADER	ITT SS	2	561813	561812
C 32	DDEC ENGINE-ECM	PED	30	-----	561600	C 131	ENGINE CPT-UNLOADER	ITT SS	2	561813	561812
C 35	RR JCT BOX	AMP CPC	24	561642	561643	C 132	ENGINE CPT-A/C LO PRESS SW	PED WP	2	561566	561690
C 45	FR. JCT BOX COMPARTMENT	AMP CPC	24	561642	561643	C 133	ENGINE CPT-A/C HI PRESS SW	PED WP	2	561566	561690
C 47	FR SERVICE COMPARTMENT	AMP CPC	16	561694	561695	C 134	FR JCT BOX-LUGGAGE DIODE CON.	AMP MNL	15	561987	561986
C 49	BATTERIE COMPT.-LT	AMP MNL	2	561248	561247	C 135	FR JCT BOX-LUGGAGE DIODE CON.	AMP MNL	15	561987	561986
C 52	RR JCT BOX	AMP CPC	22	561709	561710	C 137	RR JCT BOX-TRANSMITTER	AMP MNL	2	560900	560898
C 55	RH SWITCH PANEL	AMP CPC	9	561636	561637	C 138	RR JCT BOX-CONTROL MODULE	AMP HDP	15	-----	562012
C 60	RR JCT BOX COMPT.-LT	AMP MNL	2	561248	561247	C 139	RR JCT BOX-LOGIC MODULE	AMP HDP	15	562011	-----
C 61	LUGGAGE COMPARTMENT LTS	AMP MNL	2	561248	561247	C 145	RR JCT BOX CPT-RR SIDE LTS	AMP MNL	9	561670	561669
C 62	LUGGAGE COMPARTMENT LTS	AMP MNL	2	561248	561247	C 146	ENGINE CPT-MODULATOR VALVE	AMPHENOL	2	-----	560412
C 63	LUGGAGE COMPARTMENT LTS	AMP MNL	2	561248	561247	C 147	BATT & RR J.B.CPT-DOCK.LTS	PED WP	2	561566	561690
C 64	LUGGAGE COMPARTMENT LTS	AMP MNL	2	561248	561247	C 149	CONDENSER CPT-FAN MOTOR	ORDNANCE	3	562555	562001
C 65	LUGGAGE COMPARTMENT LTS	AMP MNL	2	561248	561247	C 151	EVAPORATOR CPT-THERMOSTAT	ITT	2	561813	562
C 66	LUGGAGE COMPARTMENT LTS	AMP MNL	2	561248	561247	C 152	CONDENSER CPT-FUEL GAUGE	PED WP	4	561610	561611
C 67	LUGGAGE COMPARTMENT LTS	AMP MNL	2	561248	561247	C 153	EVAPORATOR CPT-AIR AMB. SENS	AMP MNL	2	561248	561247
C 68	LUGGAGE COMPARTMENT LTS	AMP MNL	2	561248	561247	C 154	EVAPORATOR CPT-FRESH AIR SENS	ITT SS	2	561813	561812
C 69	RR AXLE ACC-INSIDE PVC END	PED WP	6	561568	561578	C 155	EVAPORATOR CPT-WATER VALVE	PED WP	4	561610	561611
C 70	LH CONSOLE	AMP CPC	24	561642	561643	C 156	EVAPOR. CPT-BYPASS WATER VAL.	PED WP	2	561566	561690
C 71	FR JCT BOX COMPARTMENT	AMP CPC	37	561645	561646	C 157	EVAPORATOR CPT-WATER PUMP	PED WP	2	561566	561690
C 72	FR JCT BOX COMPARTMENT	AMP CPC	24	561642	561643	C 158	CONDENSER CPT-A/C LO TEMP.	PED WP	2	561566	561690
C 73	DASH CENTER PANEL	AMP CPC	16	561639	561640	C 159	CONDENSER CPT-A/C HI TEMP.	PED WP	2	561566	561690
C 74	FR JCT BOX COMPARTMENT	AMP CPC	37	561645	561646	C 160	FR AXLE-ABS RH SENSOR	WABCO	2	641132	-----
C 76	LUGGAGE COMPT.-AIR RET.SENS.	AMP MNL	2	561248	561247	C 161	FR AXLE-ABS RH VALVE	WABCO	3	-----	641098
C 77	LUGGAGE COMPT.-AIR RET.SENS.	AMP MNL	2	561248	561247	C 162	FR AXLE-ABS LH VALVE	WABCO	3	-----	641098
C 80	LUGGAGE COMPT.-AIR RET.SENS.	AMP MNL	2	561248	561247	C 163	FR AXLE-ABS LH SENSOR	WABCO	2	641132	-----
C 81	LUGGAGE COMPT.-DOOR LOCK	AMP MNL	2	561248	561247	C 164	RR AXLE-ABS LH SENSOR	DEUTSCH	2	562486	562485
C 82	LUGGAGE COMPT.-DOOR LOCK	AMP MNL	2	561248	561247	C 165	RR AXLE-ABS LH VALVE	WABCO	3	-----	641098
C 83	LUGGAGE COMPT.-DOOR LOCK	AMP MNL	2	561248	561247	C 166	RR AXLE-ABS RH VALVE	WABCO	3	-----	641098
C 84	LUGGAGE COMPT.-DOOR LOCK	AMP MNL	2	561248	561247	C 167	RR AXLE-ABS RH SENSOR	DEUTSCH	2	562486	562485
C 85	LUGGAGE COMPT.-DOOR LOCK	AMP MNL	2	561248	561247	C 168	RR AXLE-ABS OPT ATC	PED WP	4	561610	561611
C 86	LUGGAGE COMPT.-DOOR LOCK	AMP MNL	2	561248	561247	C 169	RR JCT BOX-SPEED SW	AMP HDP	15	-----	562012
C 87	RR END ROOF	AMP CPC	9	561636	561637	C 170	FR JCT BOX-FLASHER UNIT	TC	2	-----	561940
C 88	RR END ROOF-CLEARANCE LTS	AMP MNL	2	560900	560898	C 171	LH CONSOLE	AMP CPC	37	561645	561646
C 89	RR END ROOF-B/U MONITOR	AMP CPC	4	561582	561581	C 172	ENGINE COMPT-WATER TANK HEAT.	PED WP	2	561566	561690
C 90	RR JCT BOX	AMP CPC	15	561987	561986	C 173	LAV.POTABLE-WATER TANK HEAT.	AMP MNL	2	560900	560898
C 91	RR JCT BOX	AMP CPC	37	561714	561713	C 174	UNDER DASH RH-HTR MODULE	AMP MNL	9	561670	561669
C 92	FR LH UPPER WHELL CPT-ABS	AMP CPC	9	561635	561637	C 175	UNDER DASH RH-HTR MODULE	AMP MNL	9	561670	561669
C 93	FR LH UPPER WHELL CPT-ABS	WABCO	35	-----	641094	C 176	UNDER DASH RH-WIPER PULSE	AMP FF	6	-----	561186
C 96	FR AXLE ACCESSORIES	AMP CPC	14	561585	561585	C 177	UNDER DASH RH-WIPER MOTOR	AMP FF	6	-----	561186
C 97	RR AXLE ACC-INSIDE PVC END	PED WP	6	561568	561578	C 178	UNDER DASH RH-LH FAN	TC	2	561030	560997
C 98	FR SERVICE COMPT-EL.FT.PEDAL	PED WP	3	561782	561781	C 179	UNDER DASH RH-RH FAN	TC	2	561030	560997
C 99	FR SERVICE COMPT LTS	AMP MNL	2	561248	561247	C 181	RR JCT BOX-DIODE CONNECTOR	AMP MNL	15	561987	561986
C 101	FR SERVICE COMPT-ELEC. HORNS	PED WP	2	561566	561690	C 182	RR JCT BOX COMPT.-WT VIW	AMP CPC	16	561639	561640

CONNECTORS CODE

NO	LOCATION	TYPE	CAVITY	#PIN HOUSING	#SOCKET HOUSING	NO	LOCATION	TYPE	CAVITY	#PIN HOUSING	#SOCKET HOUSING
C 185	RR JCT BOX COMPT.-WT VIM	PED	30	-----	561600	C 307	LH CONSOLE -DRIVER'S SEAT HEATER	AMP CPC	4	561686	561687
C 186	RR JCT BOX CPT.-SPEED SIGN.TR	PED WP	2	561566	561690	C 308	LH CONSOLE SW-RHEOSTAT	TC	2	561030	560997
C 186M	RR JCT BOX CPT.-SPD SIGN. M.TR	PED WP	2	561566	561690	C 309	DDEC ENGINE-ECM POWER CON.	PED MP	5	-----	562345
C 186W	RR JCT BOX CPT.-SPD SIGN. WT	PED WP	2	561566	561690	C 310	LH CONSOLE SW-LUG. DOOR LOCK	SWF	8	-----	561107
C 187	FR JCT BOX-RPM RESISTOR CON.	AMP MNL	6	561552	561515	C 315	LH CONSOLE SW-LH STORE	SWF	8	-----	561107
C 189	ENGINE CPT RR DOOR B/U LT	PED WP	2	561566	561690	C 317	LH CONSOLE SW-RH STORE	SWF	8	-----	561107
C 190	ENGINE CPT RR DOOR TAIL LT	PED WP	2	561566	561690	C 318	LH CONSOLE SW-DRV WINDOW LIFT	SWF	8	-----	561107
C 191	ENGINE CPT RR DOOR RH STOP LT	PED WP	2	561566	561690	C 319	LH CONSOLE -DRIVER'S SEAT HEATER SW.	SWF	8	-----	561107
C 192	ENGINE CPT RR DOOR RH DIR. LT	PED WP	2	561566	561690	C 320	LH CONSOLE SW-DRIVER'S LTS	SWF	8	-----	561107
C 193	FR SECT. LH HAT RACK-FLUOR.	AMP MNL	2	561248	561247	C 321	LH CONSOLE -CO-PILOT SEAT HEATER SW.	SWF	8	-----	561107
C 194	ENGINE CPT RR DOOR LH DIR. LT	PED WP	2	561566	561690	C 322	LH CONSOLE DRV WIND LIFT MOT	PED PO	2	-----	561848
C 195	ENGINE CPT RR DOOR LH STOP LT	PED WP	2	561566	561690	C 323	LH CONSOLE CRUISE CTR SW PAN. AMP	CPC	9	561636	561637
C 196	ENGINE CPT RR DOOR CYCLOP LT	PED WP	2	561566	561690	C 325	LH CONSOLE SW-KNEELING	SWF	8	-----	561107
C 199	ENGINE CPT RR DOOR LICENCE LT	DOM AUTO	2	930210	-----	C 326	LH CONSOLE SW-SPARE	SWF	8	-----	561107
C 211	FR ROOF-STORE LH	AMP MNL	2	560900	560898	C 327	ENGINE CONTROL	DEUTSCH	6	562583	562581
C 212	FR ROOF-STORE RH	AMP MNL	2	560900	560898	C 329	ENGINE TACHO SIGNAL	PED WP	3	561781	561789
C 213	FR ROOF-CLEARANCE LT	AMP MNL	2	560900	560898	C 337	INSTR PANEL LH-UP WIPER SW	SWF	8	-----	561107
C 220	RR.JCT.BOX-FUEL PRIME PUMP	TC	1	561070	561073	C 338	INSTR PANEL LH-UP DEFROST SW	SWF	8	-----	561107
C 230	ENG.CPT.-FUEL PRIME PUMP FEED	DEUTSCH	2	562486	562485	C 339	INSTR PANEL LH-UP WASHER SW	SWF	8	-----	561107
C 231	ENG.CPT.-FUEL PRIME PUMP SW.	PED WP	2	561566	561690	C 340	FR JCT. BOX FIRE PIEZO ALARM	AMP MNL	2	560900	560898
C 232	ENG.CPT.-FUEL PRIME PUMP	PED WP	2	561566	561690	C 341	INSTR PANEL LH-HEAT MIRROR SW	SWF	8	-----	561107
C 238	RR JCT BOX-DIODE CONNECTOR	AMP MNL	9	561670	561669	C 342	ENGINE RR START SW	DEUTSCH	2	562586	562585
C 240	LUGG. CPT.-CO-PILOT SEAT HEATER	AMP MNL	2	560900	560898	C 343	INSTR PANEL LH-HEADLAMP SW	SWF	8	-----	561107
C 242	FR SERVICE CPT-MARK & DIR LT	ITT SS	3	561111	561080	C 344	INSTR PANEL LH-HAZARD LT SW	SWF	8	-----	561107
C 243	FR SERVICE CPT-HEADLAMPS	TC	3	-----	561071	C 345	INSTR PANEL LH-FOG LT SW	SWF	8	-----	561107
C 244	FR SERVICE CPT-LH FOG LAMP	ITT SS	2	561813	561812	C 346	INSTR PANEL LH-SWITCH LTS	SWF	2	-----	561837
C 245	FR SERVICE CPT-RH FOG LAMP	ITT SS	2	561813	561812	C 347	INSTR PANEL LH-DASH LT SW	AMP MNL	2	560900	560898
C 246	FR SERVICE CPT-MARK & DIR LT	ITT SS	3	561111	561080	C 348	INSTR PANEL CENT-RACOR MODULE	MOLEX	6	562070	562067
C 248	FR JCT BOX-WIPER PULSE GEN	AMP FF	6	-----	561108	C 350	RH CONSOLE-THERMOMETER	AMP MNL	3	561667	561550
C 251	LH SW PANEL-FAST IDLE	SWF	8	-----	561107	C 352	RH CONSOLE-DRV TEMP SENSOR	BURNDY	4	-----	561104
C 252	LH SW PANEL-SWITCH LT	SWF	2	-----	561837	C 353	INSTR PANEL RH-DRV FAN RHEOST	AMP MNL	6	561552	561515
C 253	LH SW PANEL-ETHER	SWF	8	-----	561107	C 354	INSTR PANEL RH-DRV TEMP CTR	AMP MNL	6	561552	561515
C 254	INST. PANEL RH-ENTR.DOOR SW.	TORRIX	5	-----	562110	C 355	INSTR PANEL RH-FR TEMP CTR	AMP MNL	3	561667	561550
C 255	LH SW PANEL-JACOB	SWF	8	-----	561107	C 357	INSTR PANEL RH-WATER TEMP GA	AMP MNL	3	561667	561550
C 257	INSTRUMENT PANEL CENT-TACHO	AMP FF	8	-----	562363	C 358	INSTR PANEL RH-FUEL LEVEL GA	AMP MNL	3	561667	561550
C 258	LH SW PANEL-MULTI FUNC. SW	AMP FF	8	561188	-----	C 360	INSTR PANEL RH-B/U MONITOR	AMP MNL	2	561248	561247
C 259	LH SW PANEL-MULTI FUNC. SW	AMP FF	6	-----	561108	C 361	FR ROOF-WIPER MOTOR	AMP FF	6	-----	561186
C 262	UNDER DASH RH-KEYLESS MODULE	PL. ENG	14	-----	562066	C 366	RH DASH PANEL-GRN & RED LEDS	AMP MNL	3	560908	562006
C 263	UNDER DASH RH- KEYLESS MODULE	HOF PL.	14	-----	562067	C 372	FR ROOF-DEST. SIGN SPEED SW	MOLEX	4	561477	561476
C 264	UNDER DASH RH-KEYPAD	AMP CPC	9	561536	561637	C 373	FR ROOF-NO SMOKING LT	AMP MNL	2	561248	561247
C 265	RH SW PANEL -DRIVER'S DOOR SW.	SWF	8	-----	561107	C 374	LH SWITCH PANEL	AMP MNL	6	561552	561515
C 266	RH SW PANEL -DRIVER'S LT SW.	SWF	2	-----	561837	C 376	LH SWITCH PANEL	AMP CPC	37	561714	562005
C 267	UNDER DASH RH	AMP CPC	24	561642	561643	C 377	LH SW PANEL-STOP ENG.OVERRIDE	SWF	8	-----	561107
C 268	UNDER DASH LH-MIRROR	AMP MNL	6	561552	561515	C 380	LH CONSOLE-DDR CONNECTOR	DEUTSCH	6	562360	-----
C 269	UNDER DASH RH-MIRROR	AMP MNL	6	561552	561515	C 397	ENGINE COMPT. CRADLE ACC.	DEUTSCH	40	562281	562284
C 270	LH MIRROR POST	MOLEX	6	562070	562069	C 400	ENGINE COMPT. BLOCK HEATER	PED MP	3	561781	561782
C 271	RH MIRROR POST	MOLEX	6	562070	562069	C 402	RR DRIVE AXLE-AIR DRYER	PED MP	2	-----	562251
C 272	LH MIRROR	SPARTAN	6	-----	990158	C 406	FR JCT BOX COMPT.-ABS	AMP MNL	2	560900	560898
C 273	RH MIRROR	SPARTAN	6	-----	990158	C 407	ENGINE COMPT. -SIGNAL	PED WP	6	561606	561607
C 276	UNDER DASH RH -3 WAY LTS	AMP MNL	6	561552	561515	C 408	ENGINE COMPT. -SIGNAL	PED WP	6	561606	561607
C 277	LH CONSOLE -DOCK. & CORN. SW.	SWF	8	-----	561107	C 409	ENGINE CPT -LOW COOL. LEVEL	PED MP	2	-----	562350
C 278	LH CONSOLE -BACK-UP CANCEL SW.	SWF	8	-----	561107	C 410	FR JCT BOX-DIODE CONNECTOR	AMP MNL	15	561987	561986
C 280	UNDER DASH RH -3 WAY LTS	SWF	8	-----	561107	C 411	FR JCT BOX-DIODE CONNECTOR	AMP MNL	15	561987	561986
C 281	LH CONSOLE -LEVEL LOW	SWF	8	560851	560825	C 412	LH SW PANEL-MASTER SWITCH	SWF	8	-----	561107
C 282	LH CONSOLE -MONITOR OPER. SW.	SWF	8	-----	561107	C 413	ENG CPT-A/C HI UNLOAD PRS SW	PED WP	2	561566	561690
C 283	LH CONSOLE -LOW DOCKING SW.	SWF	8	-----	561107	C 414	RR JCT BOX	AMP MNL	9	561670	561669
C 285	ENTRANCE DOR -SOL. DOOR	PED PO	2	-----	562076	C 415	ENGINE CRADLE-FAN SIGNAL	PED WP	3	561781	561782
C 286	RH SW PANEL-A/C & HEAT	SWF	8	-----	561107	C 416	ENGINE CRADLE-FAN SIGNAL	PED P-C	3	562237	-----
C 287	ENGINE COMPT-LTS SW	PED WP	2	561566	561690	C 417	FRONT JCT BOX-DIODES	AMP MNL	15	561987	561986
C 288	RH SW PANEL-FRESH AIR	SWF	8	-----	561107	C 418	INSTR. PANEL LH-HTR WINDSH.SW	SWF	8	-----	561107
C 289	RH SW PANEL-SWITCH LT	SWF	2	-----	561837	C 419	FR JCT BOX-RETARDER OR JACOB	AMP MNL	3	561667	561550
C 290	LUGGAGE COMPT -DOOR LOCK	AMP MNL	4	561551	561668	C 420	ENGINE COMPT. WEBASTO WATER HTR	TC	2	561597	-----
C 291	LUGGAGE COMPT -DOOR LOCK	AMP MNL	4	561551	561668	C 421	ENGINE COMPT. WEBASTO WATER HTR	TC	1	561073	-----
C 297	INSTRUMENT PANEL RH -LTS	AMP MNL	2	560900	560898	C 422	ENGINE COMPT. WEBASTO WATER HTR	TC	2	561597	-----
C 301	INSTRUMENT PANEL CENT-TACHO	AMP FF	8	-----	562363	C 424	UNDER INSTRUMENT PANEL CENTER	AMP MNL	3	561667	561550

CONNECTORS CODE

NO	LOCATION	TYPE	CAVITY	#PIN HOUSING	#SOCKET HOUSING	NO	LOCATION	TYPE	CAVITY	#PIN HOUSING	#SOCKET HOUSING
C 425	FR JCT BOX-DIODES	AMP MNL	15	561987	561986	C 539	RH DASH PANEL-THERMOMETER SOUND	AMP MNL	2	561248	561247
C 426	ENGINE COMPT. CLUTCH CTR FAN	PED WP	3	561781	561782	C 540	RH DASH PANEL-THERMOMETER SOUND	AMP MNL	2	561248	561247
C 429	FR JCT BOX COMPT.	AMP MNL	6	561552	561515	C 543	RR JCT BOX-PARK. BRAKE STOP LTS RESIS.	PED WP	2	561566	561690
C 430	LH CONSOLE-TIMER	AMP FF	8	561188	562363	C 546	LH DASH PANEL-ACCESSORIES	AMP CPC	37	561645	561646
C 431	LH CONSOLE-PRE HEAT.	TAB AMP	1	561540	561539	C 547	RH DASH PANEL-ACCESSORIES	AMP CPC	37	561645	561646
C 432	ENGINE CPT.-PROX. SW. DOOR AJAR	DEUTSCH	4	562479	562477	C 548	LH DASH PANEL-T.T. LT. TEST SW.	SWF	8	-----	561107
C 433	FR SERVICE CPT. KNEEL. PRESS. SW	PED WP	2	561566	561690						
C 434	FRONT JCT. BOX-DIODES	AMP MNL	15	561987	561986						
C 435	FR SERVICE CPT.(RH) KNEEL. PIEZO	AMP MNL	2	560900	560898						
C 436	RH HAT RACK-WCL CENTER ROOF ACC	AMP CPC	16	561639	561640						
C 456	WORLD TRANSM.-RETARDER ACCUM.	PED MP	2	-----	562427						
C 457	WORLD TRANSM.-MAIN CONNECTOR	DEUTSCH	31	562572	562536						
C 458	WORLD TRANSM.-TURBINE SP.SENS	PED MP	2	-----	562426						
C 459	WORLD TRANSM.-ENGINE SP.SENS.	PED MP	2	-----	562426						
C 460	WORLD TRANSM.-SPEED SENSOR	ITT	2	-----	562541						
C 461	WORLD TRANSM.-RETARDER TEMP.	PED MP	2	561566	561590						
C 462	WORLD TRANSM.-RETARD SOL."K"	PED MP	2	-----	562426						
C 463	WORLD TRANSM.-SENSOR CONN.	DEUTSCH	16	562570	562571						
C 464	RR JCT BOX-DDL CONN W.T.	PED MP	12	-----	562574						
C 465	LH CONSOLE-SHIFTER SELECTOR	T & BET	10	-----	562429						
C 466	FR SERVICE CPT.-RESIS. MOD.	PED WP	3	-----	562428						
C 467	FR SERVICE CPT.-RESIS. MOD.	PED WP	3	-----	562428						
C 468	RR JCT BOX-VIM MOD. W.T.	PED MP	18	-----	562573						
C 470	FR LH UPPER WHELL CPT-SILENT 1000	AMP MNL	2	561248	561247						
C 471	FR LH UPPER WHELL CPT-SILENT 1000	AMP MNL	2	561248	561247						
C 472	FR LH UPPER WHELL CPT-SILENT 1000	PED WP	2	561566	561690						
C 473	FR LH UPPER WHELL CPT-SILENT 1000	AMP MNL	3	561667	561550						
C 474	LUGGAGE CPT.-TEMP. SENSOR	AMP MNL	2	561247	561248						
C 475	RR JCT BOX-SPEED SIGN CONNECTOR	AMP MNL	2	561248	561247						
C 475M	RR JCT BOX-SPEED SIGN MANUAL TR.	MOLEX	6	562070	562069						
C 475W	RR JCT BOX-SPEED SIGN WORLD TR.	MOLEX	6	562070	562069						
C 476	RR JCT BOX-VIM WORLD TRANSM.	AMP CPC	16	561639	561640						
C 477	RR JCT BOX-WORLD TR. SHIFT.&RET.	AMP CPC	9	561636	561637						
C 483	FR SERVICE CPT. -SEAT ELECTRICAL SEAT	PED PC	2	-----	562237						
C 500	FR LH UPPER WHELL CPT -PRODRIVER	MOLEX	6	562070	562069						
C 501	FR LH UPPER WHELL CPT -PRODRIVER MOD	PED MP	7	562433	-----						
C 502	LH CONSOLE-PRE HEATER SW.	SWF	8	-----	561107						
C 503	LH CONSOLE-PRE HEATER SW.	SWF	2	-----	561837						
C 504	LH CONSOLE WEBASTO TIMER	AMP	8	561188	562363						
C 505	LH CONSOLE ESPAR TIMER	AMP	12	-----	562681						
C 506	LH CONSOLE-LEVEL LOW SW.	SWF	8	-----	561107						
C 508	RR JCT BOX-FAN CLUTCH RETARDER	AMP MNL	6	561552	561515						
C 509	FR LH UPPER WHELL CPT -DATA LOGGER	PED MP	16	-----	562530						
C 510	FR LH UPPER WHELL CPT -DATA LOGGER	DEUTSCH	9	562531	-----						
C 511	FR LH UPPER WHELL CPT -DATA LOGGER	PED MP	4	562532	-----						
C 512	FR LH UPPER WHELL CPT -DATA LOGGER	PED MP	10	562533	-----						
C 513	FR LH UPPER WHELL CPT -DATA LOGGER	AMP MNL	3	561667	561550						
C 514	FR LH UPPER WHELL CPT -DATA LOGGER	PED MP	6	562433	562417						
C 515	RH DASH PANEL-T.T.LT.	AMP CPC	14	561585	561583						
C 516	CENTER DASH PANEL -UPPER T.T.LT.	AMP CPC	24	561642	561643						
C 517	CENTER DASH PANEL -LOWER T.T.LT.	AMP CPC	24	561642	561643						
C 522	FR JCT BOX-DAYTIME LTS MODULE	BOSCH	5	-----	561183						
C 523	FR JCT BOX-FUSE BLOCK	PED	8	562647	562646						
C 524	FR JCT BOX-FUSE BLOCK	PED	8	562647	562646						
C 525	FR JCT BOX-FUSE BLOCK	PED	8	562647	562646						
C 526	FR JCT BOX-FUSE BLOCK	PED	8	562647	562646						
C 527	FR JCT BOX-FUSE BLOCK	PED	8	562647	562646						
C 529	FR JCT BOX-12V OUTLET	AMP MNL	2	561247	561248						
C 530	RR JCT BOX-FUSE BLOCK	PED	8	562647	562646						
C 531	RR JCT BOX-FUSE BLOCK	PED	8	562647	562646						
C 532	RR JCT BOX-FUSE BLOCK	PED	8	562647	562646						
C 535	RR JCT BOX-FIRE MODULE DETECT.	AMP MNL	3	561667	561550						
C 536	UNDER DASH RH-DRIVER'S HTR TEMP. CTR	AMP MNL	6	561552	561515						
C 537	BATT. CPT.-A/C PRESS. SIGN. RLY	AMP MNL	2	561248	561247						
C 538	FR SERVICE CPT.-OUTSIDE TEMP. SENSOR	AMP MNL	2	561248	561247						

CONNECTORS CODE

NO	LOCATION	TYPE	CAVITY	#PIN HOUSING	#SOCKET HOUSING	NO	LOCATION	TYPE	CAVITY	#PIN HOUSING	#SOCKET HOUSING
C A	RR JCT BOX-ECU WORLD TR.	T & BET	34	-----	562419	C 99	FR SERVICE COMPT LTS	AMP MNL	2	561248	561247
C B	RR JCT BOX-ECU WORLD TR.	T & BET	34	-----	562420	C 101	FR SERVICE COMPT-ELEC. HORNS	PED WP	2	561566	561690
C 1	FR JCT BOX COMPARTMENT	AMP CPC	14	561585	561584	C 102	FR SERV & SIDE CPT-FLASH. LH	GROTE	2	-----	562155
C 2	FR JCT BOX COMPARTMENT	AMP CPC	16	561639	561640	C 103	FR SERV & SIDE CPT-MARKERS	GROTE	2	-----	562155
C 3	FR JCT BOX COMPARTMENT	AMP CPC	24	561641	561643	C 104	FR SERV & SIDE CPT-FLASH. RH	GROTE	2	-----	562155
C 4	FR JCT BOX COMPARTMENT	AMP CPC	37	561644	561646	C 105	FR SERVICE COMPT-LIQ.S.VALVE	PED WP	2	561566	561690
C 5	FR SERVICE COMPT.-UNDERNEATH	AMP CPC	37	561644	561646	C 106	FR SERVICE COMPT-WATER VALVE	PED WP	2	561566	561690
C 6	FR SERVICE COMPT.-UNDERNEATH	AMP CPC	16	561639	561640	C 107	EVAPORATOR COMPT-DAMPER	PED WP	2	561566	561690
C 8	FR SERVICE COMPT.-UNDERNEATH	AMP CPC	24	561641	561643	C 111	EVAPORATOR COMPT-DAMPER	DEUTSCH	2	562486	562485
C 9	FR SERVICE COMPT.-UNDERNEATH	AMP CPC	24	561641	561643	C 112	EVAPORATOR COMPT-SPEED MOT CTRL	DEUTSCH	5	-----	562566
C 11	FR SERVICE COMPARTMENT	AMP CPC	37	561644	561646	C 113	BATT. & RR J.B.CPT.MARKER LT	GROTE	2	-----	562155
C 12	FR SERVICE COMPARTMENT	AMP CPC	16	561639	561640	C 114	RR J. BOX CPT DOOR DIR LT LH	GROTE	2	-----	562155
C 12	LH CONSOLE-HEATER MIR.	AMP MNL	2	561248	561247	C 115	ENGINE COMPT-AIR DRYER	PED WP	2	561566	561690
C 13	LH CONSOLE-CTR MIRROR	AMP MNL	6	561552	561515	C 116	ENGINE COMPT. LTS	PED WP	1	561605	561577
C 14	UNDER DASH-LH MIRROR	AMP MNL	9	561661	561662	C 119	ENGINE CPT RR DOOR RH LO LAMP	PED WP	6	561606	561607
C 15	RR JCT BOX	AMP CPC	24	561641	561643	C 120	ENGINE CPT RR DOOR LH LO LAMP	PED WP	6	561606	561607
C 15	UNDER DASH-RH MIRROR	AMP MNL	9	561661	561662	C 121	BATTERIE CPT. DOOR DIR LT RH	GROTE	2	-----	562155
C 16	LH CONSOLE SW-CRUISE ON OFF	SWF	8	-----	561107	C 122	ENGINE CPT-CAMERA DOOR VALVE	PED WP	2	561566	561690
C 17	LH CONSOLE SW-CRUISE RESUME	SWF	8	-----	561107	C 124	ENGINE CPT-ETHER SW	PED WP	2	561566	561690
C 18	LH CONSOLE SW-CRUISE SET	SWF	8	-----	561107	C 125	ENGINE CPT-B/U ALARM	PED WP	2	561566	561690
C 20	RR JCT BOX	AMP CPC	37	561644	561646	C 127	ENGINE CPT-FUEL FILTER	PED WP	2	561566	561690
C 21	RR JCT BOX	AMP CPC	24	561641	561643	C 128	ENGINE CPT-A/C COMPR.CLUTCH	ITT SS	2	561813	561812
C 32	DDEC ENGINE-ECM	PED	30	-----	561600	C 129	ENGINE CPT-PRE-HEAT WATER	AMP FF	6	561672	561186
C 35	RR JCT BOX	AMP CPC	24	561642	561643	C 130	ENGINE CPT-UNLOADER	ITT SS	2	561813	561812
C 45	FR. JCT BOX COMPARTMENT	AMP CPC	24	561642	561643	C 131	ENGINE CPT-UNLOADER	ITT SS	2	561813	561812
C 47	FR SERVICE COMPARTMENT	AMP CPC	16	561694	561695	C 132	ENGINE CPT-A/C LO PRESS SW	PED WP	2	561566	561690
C 49	BATTERIE COMPT.-LT	AMP MNL	2	561248	561247	C 133	ENGINE CPT-A/C HI PRESS SW	PED WP	2	561566	561690
C 52	RR JCT BOX	AMP CPC	22	561709	561710	C 134	FR JCT BOX-LUGGAGE DIODE CON.	AMP MNL	15	561987	561986
C 55	RH SWITCH PANEL	AMP CPC	9	561636	561637	C 135	FR JCT BOX-LUGGAGE DIODE CON.	AMP MNL	15	561987	561986
C 58	RR JCT BOX - A/C PANEL	DEUTSCH	24	562280	562283	C 137	RR JCT BOX-TRANSMITTER	AMP MNL	2	560900	560898
C 59	RR JCT BOX - A/C PANEL	AMP CPC	14	561585	561583	C 138	RR JCT BOX-CONTROL MODULE	AMP HDP	15	-----	562012
C 60	RR JCT BOX COMPT.-LT	AMP MNL	2	561248	561247	C 139	RR JCT BOX-LOGIC MODULE	AMP HDP	15	562011	-----
C 61	LUGGAGE COMPARTMENT LTS	AMP MNL	2	561248	561247	C 145	RR JCT BOX CPT-RR SIDE LTS	AMP MNL	9	561670	561669
C 62	LUGGAGE COMPARTMENT LTS	AMP MNL	2	561248	561247	C 146	ENGINE CPT-MODULATOR VALVE	AMPHENOL	2	-----	560412
C 63	LUGGAGE COMPARTMENT LTS	AMP MNL	2	561248	561247	C 147	BATT & RR J.B.CPT-DOCK.LTS	PED WP	2	561566	561690
C 64	LUGGAGE COMPARTMENT LTS	AMP MNL	2	561248	561247	C 149	CONDENSER CPT-FAN MOTOR	ORDNANCE	3	562555	562001
C 65	LUGGAGE COMPARTMENT LTS	AMP MNL	2	561248	561247	C 151	EVAPORATOR CPT-THERMOSTAT	ITT	2	561813	562
C 66	LUGGAGE COMPARTMENT LTS	AMP MNL	2	561248	561247	C 152	CONDENSER CPT-FUEL GAUGE	PED WP	4	561610	561611
C 67	LUGGAGE COMPARTMENT LTS	AMP MNL	2	561248	561247	C 153	EVAPORATOR CPT-AIR AMB. SENS	AMP MNL	2	561248	561247
C 68	LUGGAGE COMPARTMENT LTS	AMP MNL	2	561248	561247	C 154	EVAPORATOR CPT-FRESH AIR SENS	ITT SS	2	561813	561812
C 69	RR AXLE ACC-INSIDE PVC END	PED WP	6	561568	561578	C 155	EVAPORATOR CPT-WATER VALVE	PED WP	4	561610	561611
C 70	LH CONSOLE	AMP CPC	24	561642	561643	C 156	EVAPOR. CPT-BYPASS WATER VAL.	PED WP	2	561566	561690
C 71	FR JCT BOX COMPARTMENT	AMP CPC	37	561645	561646	C 157	EVAPORATOR CPT-WATER PUMP	PED WP	2	561566	561690
C 72	FR JCT BOX COMPARTMENT	AMP CPC	24	561642	561643	C 158	CONDENSER CPT-A/C LO TEMP.	PED WP	2	561566	561690
C 73	DASH CENTER PANEL	AMP CPC	16	561639	561640	C 159	CONDENSER CPT-A/C HI TEMP.	PED WP	2	561566	561690
C 74	FR JCT BOX COMPARTMENT	AMP CPC	37	561645	561646	C 160	FR AXLE-ABS RH SENSOR	WABCO	2	641132	-----
C 76	LUGGAGE COMPT.-AIR RET.SENS.	AMP MNL	2	561248	561247	C 161	FR AXLE-ABS RH VALVE	WABCO	3	-----	641098
C 77	LUGGAGE COMPT.-AIR RET.SENS.	AMP MNL	2	561248	561247	C 162	FR AXLE-ABS LH VALVE	WABCO	3	-----	641098
C 80	LUGGAGE COMPT.-AIR RET.SENS.	AMP MNL	2	561248	561247	C 163	FR AXLE-ABS LH SENSOR	WABCO	2	641132	-----
C 81	LUGGAGE COMPT.-DOOR LOCK	AMP MNL	2	561248	561247	C 164	RR AXLE-ABS LH SENSOR	DEUTSCH	2	562486	562485
C 82	LUGGAGE COMPT.-DOOR LOCK	AMP MNL	2	561248	561247	C 165	RR AXLE-ABS LH VALVE	WABCO	3	-----	641098
C 83	LUGGAGE COMPT.-DOOR LOCK	AMP MNL	2	561248	561247	C 166	RR AXLE-ABS RH VALVE	WABCO	3	-----	641098
C 84	LUGGAGE COMPT.-DOOR LOCK	AMP MNL	2	561248	561247	C 167	RR AXLE-ABS RH SENSOR	DEUTSCH	2	562486	562485
C 85	LUGGAGE COMPT.-DOOR LOCK	AMP MNL	2	561248	561247	C 168	RR AXLE-ABS OPT ATC	PED WP	4	561610	561611
C 86	LUGGAGE COMPT.-DOOR LOCK	AMP MNL	2	561248	561247	C 169	RR JCT BOX-SPEED SW	AMP HDP	15	-----	562012
C 87	RR END ROOF	AMP CPC	9	561636	561637	C 170	FR JCT BOX-FLASHER UNIT	TC	2	-----	561940
C 88	RR END ROOF-CLEARANCE LTS	AMP MNL	2	560900	560898	C 171	LH CONSOLE	AMP CPC	37	561645	561646
C 89	RR END ROOF-B/U MONITOR	AMP CPC	4	561582	561581	C 172	FR SERV. COMPT.- LEVEL LOW	AMP CPC	9	561635	561637
C 90	RR JCT BOX	AMP CPC	15	561987	561986	C 173	LAV.POTABLE-WATER TANK HEAT.	AMP MNL	2	560900	560898
C 91	RR JCT BOX	AMP CPC	37	561714	561713	C 174	UNDER DASH RH-HTR MODULE	AMP MNL	9	561670	561669
C 92	FR LH UPPER WHELL CPT-ABS	AMP CPC	9	561635	561637	C 175	UNDER DASH RH-HTR MODULE	AMP MNL	9	561670	561669
C 93	FR LH UPPER WHELL CPT-ABS	WABCO	35	-----	641094	C 176	UNDER DASH RH-WIPER PULSE	AMP FF	6	-----	561186
C 96	FR AXLE ACCESSORIES	AMP CPC	14	561585	561585	C 177	UNDER DASH RH-WIPER MOTOR	AMP FF	6	-----	561186
C 97	RR AXLE ACC-INSIDE PVC END	PED WP	6	561568	561578	C 178	UNDER DASH RH-LH FAN	TC	2	561030	560997
C 98	FR SERVICE COMPT-EL.FT.PEDAL	PED WP	3	561782	561781	C 179	UNDER DASH RH-RH FAN	TC	2	561030	560997

CONNECTORS CODE

NO	LOCATION	TYPE	CAVITY	#PIN	#SOCKET	NO	LOCATION	TYPE	CAVITY	#PIN	#SOCKET
				HOUSING	HOUSING					HOUSING	HOUSING
C 181	RR JCT BOX-DIODE CONNECTOR	AMP MNL	15	561987	561986	C 297	INSTRUMENT PANEL RH -LTS	AMP MNL	2	560900	560898
C 182	RR JCT BOX COMPT.-WT VIV	AMP CPC	16	561639	561640	C 301	INSTRUMENT PANEL CENT-TACHO	AMP FF	8	-----	562363
C 185	RR JCT BOX COMPT.-WT VIM	PED	30	-----	561600	C 307	LH CONSOLE -DRIVER'S SEAT HEATER	AMP CPC	4	561686	561687
C 186	RR JCT BOX CPT.-SPEED SIGN.TR	PED WP	2	561566	561690	C 308	LH CONSOLE SW-RHEOSTAT	TC	2	561030	560997
C 186M	RR JCT BOX CPT.-SPD SIGN. M.TR	PED WP	2	561566	561690	C 309	DDEC ENGINE-ECM POWER CON.	PED MP	5	-----	562345
C 186W	RR JCT BOX CPT.-SPD SIGN. WT	PED WP	2	561566	561690	C 310	LH CONSOLE SW-LUG. DOOR LOCK	SWF	8	-----	561107
C 187	FR JCT BOX-RPM RESISTOR CON.	AMP MNL	6	561552	561515	C 315	LH CONSOLE SW-LH STORE	SWF	8	-----	561107
C 189	ENGINE CPT RR DOOR B/U LT	PED WP	2	561566	561690	C 317	LH CONSOLE SW-RH STORE	SWF	8	-----	561107
C 190	ENGINE CPT RR DOOR TAIL LT	PED WP	2	561566	561690	C 318	LH CONSOLE SW-DRV WINDOW LIFT	SWF	8	-----	561107
C 191	ENGINE CPT RR DOOR RH STOP LT	PED WP	2	561566	561690	C 319	LH CONSOLE -DRIVER'S SEAT HEATER SW.	SWF	8	-----	561107
C 192	ENGINE CPT RR DOOR RH DIR. LT	PED WP	2	561566	561690	C 320	LH CONSOLE SW-DRIVER'S LTS	SWF	8	-----	561107
C 193	FR SECT. LH HAT RACK-FLUOR.	AMP MNL	2	561248	561247	C 321	LH CONSOLE -CO-PILOT SEAT HEATER SW.	SWF	8	-----	561107
C 194	ENGINE CPT RR DOOR LH DIR. LT	PED WP	2	561566	561690	C 322	LH CONSOLE DRV WIND LIFT MOT	PED PO	2	-----	561848
C 195	ENGINE CPT RR DOOR LH STOP LT	PED WP	2	561566	561690	C 323	LH CONSOLE CRUISE CTR SW PAN. AMP	CPC	9	561636	561637
C 196	ENGINE CPT RR DOOR CYCLOP LT	PED WP	2	561566	561690	C 325	LH CONSOLE SW-KNEELING	SWF	8	-----	561107
C 199	ENGINE CPT RR DOOR LICENCE LT	DOM AUTO	2	930210	-----	C 326	LH CONSOLE SW-SPARE	SWF	8	-----	561107
C 211	FR ROOF-STORE LH	AMP MNL	2	560900	560898	C 327	ENGINE CONTROL	DEUTSCH	6	562583	562581
C 212	FR ROOF-STORE RH	AMP MNL	2	560900	560898	C 329	ENGINE TACHO SIGNAL	PED WP	3	561781	561789
C 213	FR ROOF-CLEARANCE LT	AMP MNL	2	560900	560898	C 337	INSTR PANEL LH-UP WIPER SW	SWF	8	-----	561107
C 220	RR.JCT.BOX-FUEL PRIME PUMP	TC	1	561070	561073	C 338	INSTR PANEL LH-UP DEFROST SW	SWF	8	-----	561107
C 230	ENG.CPT.-FUEL PRIME PUMP FEED	DEUTSCH	2	562486	562485	C 339	INSTR PANEL LH-UP WASHER SW	SWF	8	-----	561107
C 231	ENG.CPT.-FUEL PRIME PUMP SW.	PED WP	2	561566	561690	C 340	FR JCT. BOX FIRE PIEZO ALARM	AMP MNL	2	560900	560898
C 232	ENG.CPT.-FUEL PRIME PUMP	PED WP	2	561566	561690	C 341	INSTR PANEL LH-HEAT MIRROR SW	SWF	8	-----	561107
C 238	RR JCT BOX-DIODE CONNECTOR	AMP MNL	9	561670	561669	C 342	ENGINE RR START SW	DEUTSCH	2	562586	562585
C 240	LUGG. CPT.-CO-PILOT SEAT HEATER	AMP MNL	2	560900	560898	C 343	INSTR PANEL LH-HEADLAMP SW	SWF	8	-----	561107
C 242	FR SERVICE CPT-MARK & DIR LT	ITT SS	3	561111	561080	C 344	INSTR PANEL LH-HAZARD LT SW	SWF	8	-----	561107
C 243	FR SERVICE CPT-HEADLAMPS	TC	3	-----	561071	C 345	INSTR PANEL LH-FOG LT SW	SWF	8	-----	561107
C 244	FR SERVICE CPT-LH FOG LAMP	ITT SS	2	561813	561812	C 346	INSTR PANEL LH-SWITCH LTS	SWF	2	-----	561837
C 245	FR SERVICE CPT-RH FOG LAMP	ITT SS	2	561813	561812	C 347	INSTR PANEL LH-DASH LT SW	AMP MNL	2	560900	560898
C 246	FR SERVICE CPT-MARK & DIR LT	ITT SS	3	561111	561080	C 348	INSTR PANEL CENT-RACOR MODULE	MOLEX	6	562070	562067
C 248	FR JCT BOX-WIPER PULSE GEN	AMP FF	6	-----	561108	C 350	RH CONSOLE-THERMOMETER	AMP MNL	3	561667	561550
C 251	LH SW PANEL-FAST IDLE	SWF	8	-----	561107	C 352	RH CONSOLE-DRV TEMP SENSOR	BURNDY	4	-----	561104
C 252	LH SW PANEL-SWITCH LT	SWF	2	-----	561837	C 353	INSTR PANEL RH-DRV FAN RHEOST	AMP MNL	6	561552	561515
C 253	LH SW PANEL-ETHER	SWF	8	-----	561107	C 354	INSTR PANEL RH-DRV TEMP CTR	AMP MNL	6	561552	561515
C 254	INST. PANEL RH-ENTR.DOOR SW.	TORRIX	5	-----	562110	C 355	INSTR PANEL RH-FR TEMP CTR	AMP MNL	3	561667	561550
C 255	LH SW PANEL-JACOB	SWF	8	-----	561107	C 357	INSTR PANEL RH-WATER TEMP GA	AMP MNL	3	561667	561550
C 257	INSTRUMENT PANEL CENT-TACHO	AMP FF	8	-----	562363	C 358	INSTR PANEL RH-FUEL LEVEL GA	AMP MNL	3	561667	561550
C 258	LH SW PANEL-MULTI FUNC. SW	AMP FF	8	561188	-----	C 360	INSTR PANEL RH-B/U MONITOR	AMP MNL	2	561248	561247
C 259	LH SW PANEL-MULTI FUNC. SW	AMP FF	6	-----	561108	C 361	FR ROOF-WIPER MOTOR	AMP FF	6	-----	561186
C 262	UNDER DASH RH-KEYLESS MODULE	PL. ENG	14	-----	562066	C 366	RH DASH PANEL-GRN & RED LEDS	AMP MNL	3	560908	562006
C 263	UNDER DASH RH- KEYLESS MODULE	HOF PL.	14	-----	562067	C 372	FR ROOF-DEST. SIGN SPEED SW	MOLEX	4	561477	561476
C 264	UNDER DASH RH-KEYPAD	AMP CPC	9	561536	561637	C 373	FR ROOF-NO SMOKING LT	AMP MNL	2	561248	561247
C 265	RH SW PANEL -DRIVER'S DOOR SW.	SWF	8	-----	561107	C 374	LH SWITCH PANEL	AMP MNL	6	561552	561515
C 266	RH SW PANEL -DRIVER'S LT SW.	SWF	2	-----	561837	C 376	LH SWITCH PANEL	AMP CPC	37	561714	562005
C 267	UNDER DASH RH	AMP CPC	24	561642	561643	C 377	LH SW PANEL-STOP ENG.OVERRIDE	SWF	8	-----	561107
C 268	UNDER DASH LH-MIRROR	AMP MNL	6	561552	561515	C 380	LH CONSOLE-DDR CONNECTOR	DEUTSCH	6	562360	-----
C 269	UNDER DASH RH-MIRROR	AMP MNL	6	561552	561515	C 397	ENGINE COMPT. CRADLE ACC.	DEUTSCH	40	562281	562284
C 270	LH MIRROR POST	MOLEX	6	562070	562069	C 400	ENGINE COMPT. BLOCK HEATER	PED MP	3	561781	561782
C 271	RH MIRROR POST	MOLEX	6	562070	562069	C 402	RR DRIVE AXLE-AIR DRYER	PED MP	2	-----	562251
C 272	LH MIRROR	SPARTAN	6	-----	990158	C 406	FR JCT BOX COMPT.-ABS	AMP MNL	2	560900	560898
C 273	RH MIRROR	SPARTAN	6	-----	990158	C 407	ENGINE COMPT. -SIGNAL	PED WP	6	561606	561607
C 276	UNDER DASH RH -3 WAY LTS	AMP MNL	6	561552	561515	C 408	ENGINE COMPT. -SIGNAL	PED WP	6	561606	561607
C 277	LH CONSOLE -DOCK. & CORN. SW.	SWF	8	-----	561107	C 409	ENGINE CPT -LOW COOL. LEVEL	PED MP	2	-----	562350
C 278	LH CONSOLE -BACK-UP CANCEL SW.	SWF	8	-----	561107	C 410	FR JCT BOX-DIODE CONNECTOR	AMP MNL	15	561987	561986
C 280	UNDER DASH RH -3 WAY LTS	SWF	8	-----	561107	C 411	FR JCT BOX-DIODE CONNECTOR	AMP MNL	15	561987	561986
C 281	LH CONSOLE -LEVEL LOW	SWF	8	560851	560825	C 412	LH SW PANEL-MASTER SWITCH	SWF	8	-----	561107
C 282	LH CONSOLE -MONITOR OPER. SW.	SWF	8	-----	561107	C 413	ENG CPT-A/C HI UNLOAD PRS SW	PED WP	2	561566	561690
C 283	LH CONSOLE -LOW DOCKING SW.	SWF	8	-----	561107	C 414	RR JCT BOX	AMP MNL	9	561670	561669
C 285	ENTRANCE DOR -SOL. DOOR	PED PO	2	-----	562076	C 415	ENGINE CRADLE-FAN SIGNAL	PED WP	3	561781	561782
C 286	RH SW PANEL-A/C & HEAT	SWF	8	-----	561107	C 416	ENGINE CRADLE-FAN SIGNAL	PED P-C	3	562237	-----
C 287	ENGINE COMPT-LTS SW	PED WP	2	561566	561690	C 417	FRONT JCT BOX-DIODES	AMP MNL	15	561987	561986
C 288	RH SW PANEL-FRESH AIR	SWF	8	-----	561107	C 418	INSTR. PANEL LH-HTR WINDSH.SW	SWF	8	-----	561107
C 289	RH SW PANEL-SWITCH LT	SWF	2	-----	561837	C 419	FR JCT BOX-RETARDER OR JACOB	AMP MNL	3	561667	561550
C 290	LUGGAGE COMPT -DOOR LOCK	AMP MNL	4	561551	561668	C 420	ENGINE COMPT. WEBASTO WATER HTR	TC	2	561597	-----
C 291	LUGGAGE COMPT -DOOR LOCK	AMP MNL	4	561551	561668	C 421	ENGINE COMPT. WEBASTO WATER HTR	TC	1	561073	-----

CONNECTORS CODE

NO	LOCATION	TYPE	CAVITY	#PIN	#SOCKET	NO	LOCATION	TYPE	CAVITY	#PIN	#SOCKET
				HOUSING	HOUSING					HOUSING	HOUSING
C 422	ENGINE COMPT. WEBASTO WATER HTR	TC	2	561597	-----	C 537	BATT. CPT.-A/C PRESS. SIGN. RLY	AMP MNL	2	561248	561247
C 424	UNDER INSTRUMENT PANEL CENTER	AMP MNL	3	561667	561550	C 538	FR SERVICE CPT.-OUTSIDE TEMP. SENSOR	AMP MNL	2	561248	561247
C 425	FR JCT BOX-DIODES	AMP MNL	15	561987	561986	C 539	RH DASH PANEL-THERMOMETER SOUND	AMP MNL	2	561248	561247
C 426	ENGINE COMPT. CLUTCH CTR FAN	PED WP	3	561781	561782	C 540	RH DASH PANEL-THERMOMETER SOUND	AMP MNL	2	561248	561247
C 429	FR JCT BOX COMPT.	AMP MNL	6	561552	561515	C 543	RR JCT BOX-PARK. BRAKE STOP LTS RESIS.	PED WP	2	561566	561690
C 430	LH CONSOLE-TIMER	AMP FF	8	561188	562363	C 546	LH DASH PANEL-ACCESSORIES	AMP CPC	37	561645	561646
C 431	LH CONSOLE-PRE HEAT.	TAB AMP	1	561540	561539	C 547	RH DASH PANEL-ACCESSORIES	AMP CPC	37	561645	561646
C 432	ENGINE CPT.-PROX. SW. DOOR AJAR	DEUTSCH	4	562479	562477	C 548	LH DASH PANEL-T.T. LT. TEST SW.	SWF	8	-----	561107
C 433	FR SERVICE CPT. KNEEL. PRESS. SW	PED WP	2	561566	561690	C 550	EVAPORATOR COMPARTIMENT	ITT	2	561813	562159
C 434	FRONT JCT. BOX-DIODES	AMP MNL	15	561987	561986	C 551	RR JCT BOX - A/C PANEL	PED	2	561566	561690
C 435	FR SERVICE CPT.(RH) KNEEL. PIEZO	AMP MNL	2	560900	560898						
C 436	RH HAT RACK-WCL CENTER ROOF ACC	AMP CPC	16	561639	561640						
C 456	WORLD TRANSM.-RETARDER ACCUM.	PED MP	2	-----	562427						
C 457	WORLD TRANSM.-MAIN CONNECTOR	DEUTSCH	31	562572	562536						
C 458	WORLD TRANSM.-TURBINE SP.SENS	PED MP	2	-----	562426						
C 459	WORLD TRANSM.-ENGINE SP.SENS.	PED MP	2	-----	562426						
C 460	WORLD TRANSM.-SPEED SENSOR	ITT	2	-----	562541						
C 461	WORLD TRANSM.-RETARDER TEMP.	PED MP	2	561566	561590						
C 462	WORLD TRANSM.-RETARD SOL."K"	PED MP	2	-----	562426						
C 463	WORLD TRANSM.-SENSOR CONN.	DEUTSCH	16	562570	562571						
C 464	RR JCT BOX-DDL CONN W.T.	PED MP	12	-----	562574						
C 465	LH CONSOLE-SHIFTER SELECTOR	T & BET	10	-----	562429						
C 466	FR SERVICE CPT.-RESIS. MOD.	PED WP	3	-----	562428						
C 467	FR SERVICE CPT.-RESIS. MOD.	PED WP	3	-----	562428						
C 468	RR JCT BOX-VIM MOD. W.T.	PED MP	18	-----	562573						
C 470	FR LH UPPER WHELL CPT-SILENT 1000	AMP MNL	2	561248	561247						
C 471	FR LH UPPER WHELL CPT-SILENT 1000	AMP MNL	2	561248	561247						
C 472	FR LH UPPER WHELL CPT-SILENT 1000	PED WP	2	561566	561690						
C 473	FR LH UPPER WHELL CPT-SILENT 1000	AMP MNL	3	561667	561550						
C 474	LUGGAGE CPT.-TEMP. SENSOR	AMP MNL	2	561247	561248						
C 475	RR JCT BOX-SPEED SIGN CONNECTOR	AMP MNL	2	561248	561247						
C 475M	RR JCT BOX-SPEED SIGN MANUAL TR.	MOLEX	6	562070	562069						
C 475W	RR JCT BOX-SPEED SIGN WORLD TR.	MOLEX	6	562070	562069						
C 476	RR JCT BOX-VIM WORLD TRANSM.	AMP CPC	16	561639	561640						
C 477	RR JCT BOX-WORLD TR. SHIFT.&RET.	AMP CPC	9	561636	561637						
C 483	FR SERVICE CPT. -SEAT ELECTRICAL SEAT	PED PC	2	-----	562237						
C 500	FR LH UPPER WHELL CPT -PRODRIVER	MOLEX	6	562070	562069						
C 501	FR LH UPPER WHELL CPT -PRODRIVER MOD	PED MP	7	562433	-----						
C 502	LH CONSOLE-PRE HEATER SW.	SWF	8	-----	561107						
C 503	LH CONSOLE-PRE HEATER SW.	SWF	2	-----	561837						
C 504	LH CONSOLE WEBASTO TIMER	AMP	8	561188	562363						
C 505	LH CONSOLE ESPAR TIMER	AMP	12	-----	562681						
C 506	LH CONSOLE-LEVEL LOW SW.	SWF	8	-----	561107						
C 508	RR JCT BOX-FAN CLUTCH RETARDER	AMP MNL	6	561552	561515						
C 509	FR LH UPPER WHELL CPT -DATA LOGGER	PED MP	16	-----	562530						
C 510	FR LH UPPER WHELL CPT -DATA LOGGER	DEUTSCH	9	562531	-----						
C 511	FR LH UPPER WHELL CPT -DATA LOGGER	PED MP	4	562532	-----						
C 512	FR LH UPPER WHELL CPT -DATA LOGGER	PED MP	10	562533	-----						
C 513	FR LH UPPER WHELL CPT -DATA LOGGER	AMP MNL	3	561667	561550						
C 514	FR LH UPPER WHELL CPT -DATA LOGGER	PED MP	6	562433	562417						
C 515	RH DASH PANEL-T.T.LT.	AMP CPC	14	561585	561583						
C 516	CENTER DASH PANEL -UPPER T.T.LT.	AMP CPC	24	561642	561643						
C 517	CENTER DASH PANEL -LOWER T.T.LT.	AMP CPC	24	561642	561643						
C 522	FR JCT BOX-DAYTIME LTS MODULE	BOSCH	5	-----	561183						
C 523	FR JCT BOX-FUSE BLOCK	PED	8	562647	562646						
C 524	FR JCT BOX-FUSE BLOCK	PED	8	562647	562646						
C 525	FR JCT BOX-FUSE BLOCK	PED	8	562647	562646						
C 526	FR JCT BOX-FUSE BLOCK	PED	8	562647	562646						
C 527	FR JCT BOX-FUSE BLOCK	PED	8	562647	562646						
C 529	FR JCT BOX-12V OUTLET	AMP MNL	2	561247	561248						
C 530	RR JCT BOX-FUSE BLOCK	PED	8	562647	562646						
C 531	RR JCT BOX-FUSE BLOCK	PED	8	562647	562646						
C 532	RR JCT BOX-FUSE BLOCK	PED	8	562647	562646						
C 535	RR JCT BOX-FIRE MODULE DETECT.	AMP MNL	3	561667	561550						
C 536	UNDER DASH RH-DRIVER'S HTR TEMP. CTR	AMP MNL	6	561552	561515						

DIODES NUMBER CODE

No.	PAGE	AMP	#PREV.	LOCATION	FUNCTION
D1	7	3A	561740	FR JCT BOX	LO-AIR SONALERT-PRIMARY
D2	7	3A	561740	FR JCT BOX	LO-AIR SONALERT-SECONDARY
D4	9.2	3A	561740	FR JCT BOX	WARNING HAZARD-RH
D5	9.2	3A	561740	FR JCT BOX	WARNING HAZARD-LH
D17	9.2	3A	561740	FR JCT BOX	WARNING HAZARD-LH
D18	9.2	3A	561740	FR JCT BOX	WARNING HAZARD-RH
D19	9.1	3A	561740	FR JCT BOX	DAYTIME RUN LTS-PARK BRK CALL SW.
D20	9.1	3A	561740	FR JCT BOX	DAYTIME RUN LTS-HEAD LT SW
D22	18	3A	561740	FR SERVICE CPT	LEVEL LOW
D23	18	3A	561740	FR SERVICE CPT	LEVEL LOW
D25	11.1	3A	561740	FR JCT BOX	LUGGAGE DOOR AJAR T.T.LT.
D26	11.1	3A	561740	FR JCT BOX	LUGGAGE DOOR AJAR T.T.LT.
D27	11.1	3A	561740	FR JCT BOX	LUGGAGE DOOR AJAR T.T.LT.
D28	11.1	3A	561740	FR JCT BOX	LUGGAGE DOOR AJAR T.T.LT.
D29	11.1	3A	561740	FR JCT BOX	LUGGAGE DOOR AJAR T.T.LT.
D30	11.1	3A	561740	FR JCT BOX	LUGGAGE DOOR AJAR T.T.LT.
D32	11.2	3A	561740	DRIVER'S LTS	LUGGAGE DOOR AJAR T.T.LT.
D33	11.2	3A	561740	DRIVER'S LTS	DRIVER'S LTS CONSOLE & 3 WAY SWITCH
D39	9.2	3A	561740	FR JCT BOX	DRIVER'S LTS ENTRANCE DOOR SWITCH
D40	9.2	3A	561740	FR JCT BOX	CORNERING LT -LH
D41	9.2	3A	561740	FR JCT BOX	FR DOCKING LT LH -HI
D42	9.2	3A	561740	FR JCT BOX	FR DOCKING LT RH -HI
D43	10	3A	561740	FR JCT BOX	CORNERING LT -RH
D44	10	3A	561740	WIPER MOTOR	LOWER WIPER MOTOR SUPPRESSOR
D45	10	3A	561740	WIPER MOTOR	LOWER WIPER MOTOR SUPPRESSOR
D51	11.2	3A	561740	WIPER MOTOR	UPPER WIPER MOTOR SUPPRESSOR
D53	9.3	3A	561740	FR JCT BOX	ENTRANCE DOOR -STEP LTS
D54	20	3A	561740	FR JCT BOX	CORNERING LT -GROUND
D56	9.2	12A	560863	FR JCT BOX	BACK-UP MONITOR
D57	9.2	12A	560863	FR JCT BOX	FR DOCKING LT LH -LOW
D59	15.1	3A	561740	FR JCT BOX	FR DOCKING LT RH -LOW
D60	15.1	3A	561740	RJB A/C JCT PANEL	A/C & HEAT WATER VALVE
D62	15.1	3A	561740	RJB A/C JCT PANEL	A/C COMPR.CLUTCH SUPPRESSOR
D63	8	3A	561740	RJB A/C JCT PANEL	WATER PUMP FEED
D64	18	3A	561740	FR JCT BOX	PARKING BRAKE SONALERT
D65	15.1	3A	561740	FR JCT BOX	LEVEL LOW SONALERT
D66	15.1	3A	561740	RJB A/C JCT PANEL	WATER PUMP - PRE-HEAT FEED
D67	9.2	3A	561740	RJB A/C JCT PANEL	WATER VALVE - HEAT SW. FEED
D68	9.2	3A	561740	UNDER DASH	AUDIBLE FLASHER RLY - RH
D74	1	3A	561740	UNDER DASH	AUDIBLE FLASHER RLY - LH
D75	4	3A	561740	FR JCT BOX	DASH MASTER CUT OUT SW.
D78	4	3A	381351	BAT CPT	STARTER-SUPPRESSOR COIL RLY
D79	14	3A	561740	LH CONSOLE	PRE-HEAT WATER HEATER SW.
D83	8	3A	561740	LH CONSOLE	PRE-HEAT WATER HEATER SW.
D84	15.1	3A	561740	RR JCT BOX	FAN CLUTCH W/RETARDER
D85	15.1	3A	561740	RR JCT BOX	WATER VALVE
				RJB A/C JCT PANEL	WATER PUMP

RELAYS NUMBER CODE

No.	PAGE	COIL V	#PREV.	LOCATION	FUNCTION	No.	PAGE	COIL V	#PREV.	LOCATION	FUNCTION
RF1	8	24V	561707	RR JCT BOX	FAN CLUTCH W/RET. SPEED 1	R 92	13	24V	561707	FR JCT BOX	HEATING WINDSHIELD
RF2	8	24V	561707	RR JCT BOX	FAN CLUTCH W/RET. SPEED 2	R 93	14	24V	561707	RR JCT BOX	PRE-HEAT WATER HEATER (WEBASTO)
RF3	8	24V	560772	RR JCT BOX	TIME DELAY	R 99	8	24V	561707	RR JCT BOX	RADIATOR FAN CLUTCH
R1	1.1	24V	561991	FR JCT BOX	ENGINE RUN (24) FR	R 100	4	12V	561538	RR JCT BOX	GENERATOR SIGNAL
R2	2	24V	561991	BATT. CPT.	ENGINE RUN (12) FR & RR	V IMN	6	12V	562092	RR JCT BOX	VIM WORLD TR.-NEUTRAL SIGNAL
R3	4	24V	561707	BATT. CPT.	FIELD RELAY	V IMR	6	12V	562092	RR JCT BOX	VIM WORLD TR.-B/U SIGNAL
R4	4	24V	561005	BATT. CPT.	STARTING MOTOR	V IM1	6	12V	562092	RR JCT BOX	VIM WORLD TR.-OUTPUT 1
R5	5	24V	561707	FR JCT BOX	CRUISE CTR. STOP SIGN.	V IM2	6	12V	562092	RR JCT BOX	VIM WORLD TR.-OUTPUT 2 ENG. BRK DISABLE
R6	9.3	24V	561707	RR JCT BOX	STOP LTS-PARKING BRAKE	V IM3	6	12V	562092	RR JCT BOX	VIM WORLD TR.-OUTPUT 3 SPD SW. 5MPH NO NO
R7	5	24V	561707	FR JCT BOX	FAST IDLE	V IM4	6	12V	562092	RR JCT BOX	VIM WORLD TR.-OUTPUT 4 RETARD. ON SIGNAL
R8	6	24V	561707	RR JCT BOX	12V IGNITION WT						
R9	9.3	24V	561707	RR JCT BOX	BACK-UP LTS						
R11	5	24V	561707	RR JCT BOX	12V IGNITION DDEC3						
R12	7	12V	562092	FR JCT BOX	ELECTRICAL HORNS						
R13	9.3	24V	561707	FR JCT BOX	FOG LTS						
R14	9.1	24V	561707	FR JCT BOX	BLINKER						
R15	9.1	24V	561707	FR JCT BOX	FR MARKER LTS						
R16	9.1	24V	561707	FR JCT BOX	IDENT. & CLEARANCE LTS						
R17	9.1	24V	561707	RR JCT BOX	TAIL,LICENCE,MARKER-RR LTS						
R18	9.1	24V	561707	FR JCT BOX	D R L-PARK BRK CUT-IN						
R19	9.1	24V	561707	FR JCT BOX	HEADLAMPS (HI)						
R20	9.1	24V	561707	FR JCT BOX	HEADLAMPS (LO)						
R21	9.2	24V	561707	FR JCT BOX	L.H. DIRECTIONNAL LT						
R22	8	24V	561707	FR JCT BOX	PARKING BRAKE -ALARM						
R23	9.2	24V	561707	FR JCT BOX	R.H. DIRECTIONNAL LT						
R24	9.2	24V	561707	FR JCT BOX	R.H. CORNERING LT						
R25	9.2	24V	561707	FR JCT BOX	L.H. CORNERING LT						
R26	9.3	24V	561707	RR JCT BOX	STOP LTS						
R28	11.2	24V	561707	FR JCT BOX	DASH LTS RHEOSTAT						
R33	15.1	12V	562092	FR JCT BOX	BLOWER CUT-IN RLY						
R34	15.1	24V	561707	RJB A/C JCT PANEL	A/C LOGIC PANEL						
R35	15.1	24V	561707	RJB A/C JCT PANEL	WATER PUMP						
R36	15.1	24V	561707	RJB A/C JCT PANEL	A/C COMPRESSOR CLUTCH						
R39	15.2	24V	560407	BATT. CPT.	CONDENSER FAN MOTOR						
R40	15.2	24V	561014	BATT. CPT.	CONDENSER SPEED CTR HI						
R41	15.2	24V	560407	BATT. CPT.	CONDENSER SPEED CTR HI						
R46	20	24V	561707	FR JCT BOX	CAMERA DOOR						
R49	22	24V	561707	FR JCT BOX	ABS - SERVICE BRK RLY						
R50	22	24V	561707	FR JCT BOX	ABS - VR2 RLY						
R51	22	24V	561707	FR JCT BOX	ABS - WARNING RLY						
R52	22	24V	561707	FR JCT BOX	ABS - VR1 RLY						
R53	1.1	24V	561991	RR JCT BOX	ENGINE RUN (24) RR						
R54	1.1	24V	561991	BATT. CPT.	12V CUT OUT RLY RR						
R55	1.1	24V	561991	BATT. CPT.	12V CUT OUT RLY FR						
R57	9.1	24V	561707	FR JCT BOX	DAY'S BLINKER						
R59	9.3	12V	562092	RR JCT BOX	DOCKING LTS						
R61	9.3	24V	561707	RR JCT BOX	STOP LTS-JACOB & RET. SIGNAL						
R64	11.2	12V	562092	FR JCT BOX	ENTRANCE DOOR SW. & LTS						
R65	9.2	24V	561707	FR JCT BOX	CORNERING LTS CONTROL						
R66	9.2	24V	561707	FR JCT BOX	LOW DOCKING LTS -FR CORNERING						
R67	9.3	24V	561707	RR JCT BOX	LOW DOCKING LTS						
R69	12	12V	562092	RR JCT BOX	LUGGAGE DOOR LOCK						
R70	12	12V	562092	RR JCT BOX	LUGGAGE DOOR UNLOCK						
R71	12	24V	561707	RR JCT BOX	LUGGAGE DOOR UNLOCK T.T. LT.						
R74	12	12V	562092	RR JCT BOX	LUGGAGE DOOR LOCK						
R75	12	12V	562092	RR JCT BOX	LUGGAGE DOOR UNLOCK						
R78	1.1	12V	562092	FR JCT BOX	MASTER SWITCH						
R80	11.1	24V	561707	RR JCT BOX	ENGINE COMPARTMENT LTS						
R82	21	24V	561707	FR JCT BOX	RETARDER WT						
R84	8	24V	561707	RR JCT BOX	FAN CLUTCH-FIRST SPEED						
R85	8	24V	561707	RR JCT BOX	FAN CLUTCH-SECOND SPEED						
R87	21	24V	561707	RR JCT BOX	ENGINE BRAKE REQUEST WT						
R89	13	24V	561707	FR JCT BOX	HEATING WINDSHIELD						
R90	13	24V	561707	FR JCT BOX	HEATING WINDSHIELD						
R91	13	24V	561707	FR JCT BOX	HEATING WINDSHIELD						

RELAYS NUMBER CODE

No.	PAGE	COIL V	#PREV.	LOCATION	FUNCTION	No.	PAGE	COIL V	#PREV.	LOCATION	FUNCTION
RF1	8	24V	561707	RR JCT BOX	FAN CLUTCH W/RET. SPEED 1	R 92	13	24V	561707	FR JCT BOX	HEATING WINDSHIELD
RF2	8	24V	561707	RR JCT BOX	FAN CLUTCH W/RET. SPEED 2	R 93	14	24V	561707	RR JCT BOX	PRE-HEAT WATER HEATER (WEBASTO)
RF3	8	24V	560772	RR JCT BOX	TIME DELAY	R 99	8	24V	561707	RR JCT BOX	RADIATOR FAN CLUTCH
R 1	1.1	24V	561991	FR JCT BOX	ENGINE RUN (24) FR	R 100	4	12V	561538	RR JCT BOX	GENERATOR SIGNAL
R 2	2	24V	561991	BATT. CPT.	ENGINE RUN (12) FR & RR	R 2010	14.2	24V	561230	WEBASTO PRE-HEAT	WEBASTO
R 3	4	24V	561707	BATT. CPT.	FIELD RELAY	V IMN	6	12V	562092	RR JCT BOX	VIM WORLD TR.-NEUTRAL SIGNAL
R 4	4	24V	561005	BATT. CPT.	STARTING MOTOR	V IMR	6	12V	562092	RR JCT BOX	VIM WORLD TR.-B/U SIGNAL
R 5	5	24V	561707	FR JCT BOX	CRUISE CTR. STOP SIGN.	V IM1	6	12V	562092	RR JCT BOX	VIM WORLD TR.-OUTPUT 1
R 6	9.3	24V	561707	RR JCT BOX	STOP LTS-PARKING BRAKE	V IM2	6	12V	562092	RR JCT BOX	VIM WORLD TR.-OUTPUT 2 ENG. BRK DISABLE
R 7	5	24V	561707	FR JCT BOX	FAST IDLE	V IM3	6	12V	562092	RR JCT BOX	VIM WORLD TR.-OUTPUT 3 SPD SW. 5MPH NO NC
R 8	6	24V	561707	RR JCT BOX	12V IGNITION WT	V IM4	6	12V	562092	RR JCT BOX	VIM WORLD TR.-OUTPUT 4 RETARD. ON SIGNAL
R 9	9.3	24V	561707	RR JCT BOX	BACK-UP LTS						
R 11	5	24V	561707	RR JCT BOX	12V IGNITION DDEC3						
R 12	7	12V	562092	FR JCT BOX	ELECTRICAL HORNS						
R 13	9.3	24V	561707	FR JCT BOX	FOG LTS						
R 14	9.1	24V	561707	FR JCT BOX	BLINKER						
R 15	9.1	24V	561707	FR JCT BOX	FR MARKER LTS						
R 16	9.1	24V	561707	FR JCT BOX	IDENT. & CLEARANCE LTS						
R 17	9.1	24V	561707	RR JCT BOX	TAIL,LICENCE,MARKER-RR LTS						
R 18	9.1	24V	561707	FR JCT BOX	D R L-PARK BRK CUT-IN						
R 19	9.1	24V	561707	FR JCT BOX	HEADLAMPS (HI)						
R 20	9.1	24V	561707	FR JCT BOX	HEADLAMPS (LO)						
R 21	9.2	24V	561707	FR JCT BOX	L.H. DIRECTIONNAL LT						
R 22	8	24V	561707	FR JCT BOX	PARKING BRAKE -ALARM						
R 23	9.2	24V	561707	FR JCT BOX	R.H. DIRECTIONNAL LT						
R 24	9.2	24V	561707	FR JCT BOX	R.H. CORNERING LT						
R 25	9.2	24V	561707	FR JCT BOX	L.H. CORNERING LT						
R 26	9.3	24V	561707	RR JCT BOX	STOP LTS						
R 28	11.2	24V	561707	FR JCT BOX	DASH LTS RHEOSTAT						
R 33	15.1	12V	562092	FR JCT BOX	BLOWER CUT-IN RLY						
R 34	15.1	24V	561707	RJB A/C JCT PANEL	A/C LOGIC PANEL						
R 35	15.1	24V	561707	RJB A/C JCT PANEL	WATER PUMP						
R 36	15.1	24V	561707	RJB A/C JCT PANEL	A/C COMPRESSOR CLUTCH						
R 39	15.2	24V	561005	BATT. CPT.	CONDENSER FAN MOTOR						
R 40	15.2	24V	561014	BATT. CPT.	CONDENSER SPEED CTR HI						
R 41	15.2	24V	561005	BATT. CPT.	CONDENSER SPEED CTR HI						
R 46	20	24V	561707	FR JCT BOX	CAMERA DOOR						
R 49	22	24V	561707	FR JCT BOX	ABS - SERVICE BRK RLY						
R 50	22	24V	561707	FR JCT BOX	ABS - VR2 RLY						
R 51	22	24V	561707	FR JCT BOX	ABS - WARNING RLY						
R 52	22	24V	561707	FR JCT BOX	ABS - VR1 RLY						
R 53	1.1	24V	561991	RR JCT BOX	ENGINE RUN (24) RR						
R 54	1.1	24V	561991	BATT. CPT.	12V CUT OUT RLY RR						
R 55	1.1	24V	561991	BATT. CPT.	12V CUT OUT RLY FR						
R 57	9.1	24V	561707	FR JCT BOX	DAY'S BLINKER						
R 59	9.3	12V	562092	RR JCT BOX	DOCKING LTS						
R 61	9.3	24V	561707	RR JCT BOX	STOP LTS-JACOB & RET. SIGNAL						
R 64	11.2	12V	562092	FR JCT BOX	ENTRANCE DOOR SW. & LTS						
R 65	9.2	24V	561707	FR JCT BOX	CORNERING LTS CONTROL						
R 66	9.2	24V	561707	FR JCT BOX	LOW DOCKING LTS -FR CORNERING						
R 67	9.3	24V	561707	RR JCT BOX	LOW DOCKING LTS						
R 69	12	12V	562092	RR JCT BOX	LUGGAGE DOOR LOCK						
R 70	12	12V	562092	RR JCT BOX	LUGGAGE DOOR UNLOCK						
R 71	12	24V	561707	RR JCT BOX	LUGGAGE DOOR UNLOCK T.T. LT.						
R 74	12	12V	562092	RR JCT BOX	LUGGAGE DOOR LOCK						
R 75	12	12V	562092	RR JCT BOX	LUGGAGE DOOR UNLOCK						
R 78	1.1	12V	562092	FR JCT BOX	MASTER SWITCH						
R 80	11.1	24V	561707	RR JCT BOX	ENGINE COMPARTMENT LTS						
R 82	21	24V	561707	FR JCT BOX	RETARDER WT						
R 84	8	24V	561707	RR JCT BOX	FAN CLUTCH-FIRST SPEED						
R 85	8	24V	561707	RR JCT BOX	FAN CLUTCH-SECOND SPEED						
R 87	21	24V	561707	RR JCT BOX	ENGINE BRAKE REQUEST WT						
R 89	13	24V	561707	FR JCT BOX	HEATING WINDSHIELD						
R 90	13	24V	561707	FR JCT BOX	HEATING WINDSHIELD						
R 91	13	24V	561707	FR JCT BOX	HEATING WINDSHIELD						

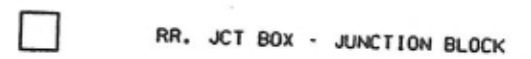
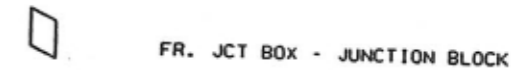
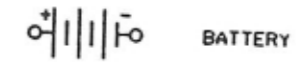
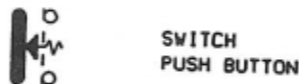
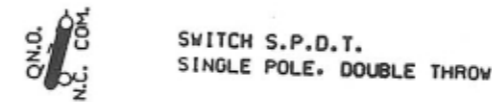
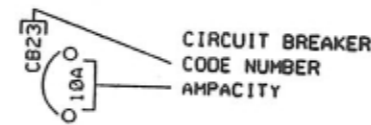
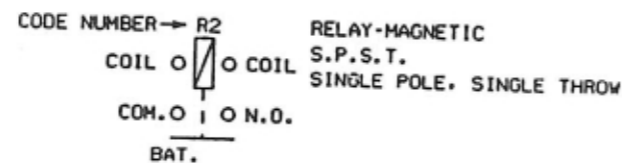
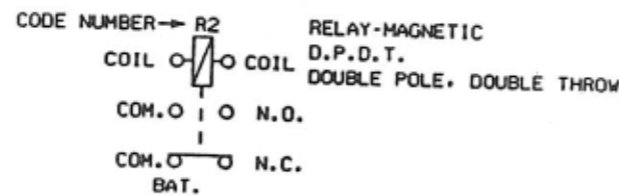
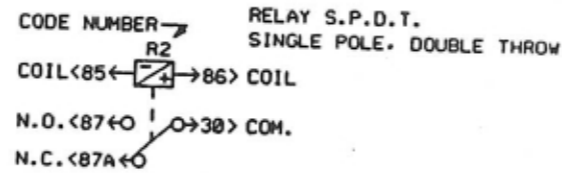
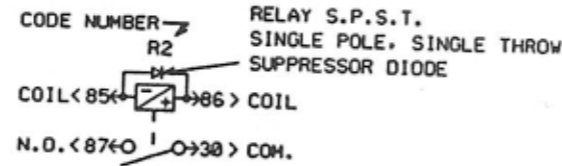
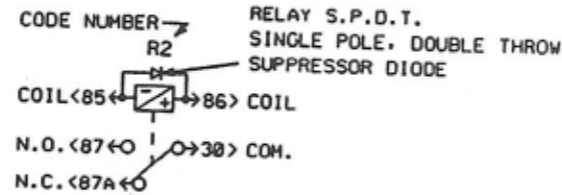
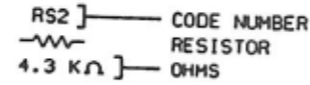
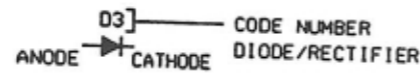
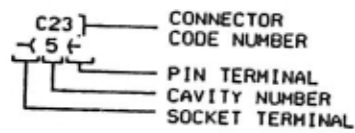
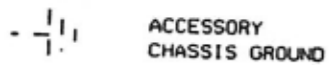
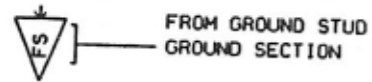
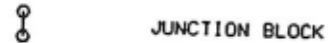
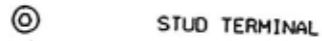
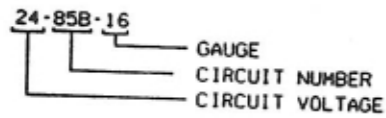
RELAYS NUMBER CODE

No.	PAGE	COIL V	#PREV.	LOCATION	FUNCTION	No.	PAGE	COIL V	#PREV.	LOCATION	FUNCTION
RF1	8	24V	561707	RR JCT BOX	FAN CLUTCH W/RET. SPEED 1	R92	13	24V	561707	FR JCT BOX	HEATING WINDSHIELD
RF2	8	24V	561707	RR JCT BOX	FAN CLUTCH W/RET. SPEED 2	R93	14	24V	561707	RR JCT BOX	PRE-HEAT WATER HEATER (WEBASTO)
RF3	8	24V	560772	RR JCT BOX	TIME DELAY	R99	8	24V	561707	RR JCT BOX	RADIATOR FAN CLUTCH
R1	1.1	24V	561991	FR JCT BOX	ENGINE RUN (24) FR	R100	4	12V	561538	RR JCT BOX	GENERATOR SIGNAL
R2	2	24V	561991	FR JCT BOX	ENGINE RUN (12) FR & RR	R101	13.1	24V	561707	FR JCT BOX	DAMPER GAZ CYLINDER
R3	4	24V	561707	BATT. CPT.	FIELD RELAY	R102	13.1	24V	561707	FR JCT BOX	COMPRESSEUR CLUTCH CUT-OUT BELOW 40 F
R4	4	24V	561005	BATT. CPT.	STARTING MOTOR	R2010	14.2	24V	561230	WEBASTO PRE-HEAT	WEBASTO
R5	5	24V	561707	FR JCT BOX	CRUISE CTR. STOP SIGN.	V IMN	6	12V	562092	RR JCT BOX	VIM WORLD TR.-NEUTRAL SIGNAL
R6	9.3	24V	561707	RR JCT BOX	STOP LTS-PARKING BRAKE	V IMR	6	12V	562092	RR JCT BOX	VIM WORLD TR.-B/U SIGNAL
R7	5	24V	561707	FR JCT BOX	FAST IDLE	V IM1	6	12V	562092	RR JCT BOX	VIM WORLD TR.-OUTPUT 1
R8	6	24V	561707	RR JCT BOX	12V IGNITION WT	V IM2	6	12V	562092	RR JCT BOX	VIM WORLD TR.-OUTPUT 2 ENG. BRK DISABLE
R9	9.3	24V	561707	RR JCT BOX	BACK-UP LTS	V IM3	6	12V	562092	RR JCT BOX	VIM WORLD TR.-OUTPUT 3 SPD SW. 5MPH NO NO
R11	5	24V	561707	RR JCT BOX	12V IGNITION DDEC3	V IM4	6	12V	562092	RR JCT BOX	VIM WORLD TR.-OUTPUT 4 RETARD. ON SIGNAL
R12	7	12V	562092	FR JCT BOX	ELECTRICAL HORNS						
R13	9.3	24V	561707	FR JCT BOX	FOG LTS						
R14	9.1	24V	561707	FR JCT BOX	BLINKER						
R15	9.1	24V	561707	FR JCT BOX	FR MARKER LTS						
R16	9.1	24V	561707	FR JCT BOX	IDENT. & CLEARANCE LTS						
R17	9.1	24V	561707	RR JCT BOX	TAIL,LICENCE,MARKER-RR LTS						
R18	9.1	24V	561707	FR JCT BOX	D R L-PARK BRK CUT-IN						
R19	9.1	24V	561707	FR JCT BOX	HEADLAMPS (HI)						
R20	9.1	24V	561707	FR JCT BOX	HEADLAMPS (LO)						
R21	9.2	24V	561707	FR JCT BOX	L.H. DIRECTIONNAL LT						
R22	8	24V	561707	FR JCT BOX	PARKING BRAKE -ALARM						
R23	9.2	24V	561707	FR JCT BOX	R.H. DIRECTIONNAL LT						
R24	9.2	24V	561707	FR JCT BOX	R.H. CORNERING LT						
R25	9.2	24V	561707	FR JCT BOX	L.H. CORNERING LT						
R26	9.3	24V	561707	FR JCT BOX	STOP LTS						
R28	11.2	24V	561707	FR JCT BOX	DASH LTS RHEOSTAT						
R33	15.1	12V	562092	FR JCT BOX	BLOWER CUT-IN RLY						
R34	15.1	24V	561707	RJB A/C JCT PANEL	A/C LOGIC PANEL						
R35	15.1	24V	561707	RJB A/C JCT PANEL	WATER PUMP						
R36	15.1	24V	561707	RJB A/C JCT PANEL	A/C COMPRESSOR CLUTCH						
R39	15.2	24V	561005	BATT. CPT.	CONDENSER FAN MOTOR						
R40	15.2	24V	561014	BATT. CPT.	CONDENSER SPEED CTR HI						
R41	15.2	24V	561005	BATT. CPT.	CONDENSER SPEED CTR HI						
R46	20	24V	561707	FR JCT BOX	CAMERA DOOR						
R49	22	24V	561707	FR JCT BOX	ABS - SERVICE BRK RLY						
R50	22	24V	561707	FR JCT BOX	ABS - VR2 RLY						
R51	22	24V	561707	FR JCT BOX	ABS - WARNING RLY						
R52	22	24V	561707	FR JCT BOX	ABS - VR1 RLY						
R53	1.1	24V	561991	RR JCT BOX	ENGINE RUN (24) RR						
R54	1.1	24V	561991	BATT. CPT.	12V CUT OUT RLY RR						
R55	1.1	24V	561991	BATT. CPT.	12V CUT OUT RLY FR						
R57	9.1	24V	561707	FR JCT BOX	DAY'S BLINKER						
R59	9.3	12V	562092	RR JCT BOX	DOCKING LTS						
R61	9.3	24V	561707	RR JCT BOX	STOP LTS-JACOB & RET. SIGNAL						
R64	11.2	12V	562092	FR JCT BOX	ENTRANCE DOOR SW. & LTS						
R65	9.2	24V	561707	FR JCT BOX	CORNERING LTS CONTROL						
R66	9.2	24V	561707	FR JCT BOX	LOW DOCKING LTS -FR CORNERING						
R67	9.3	24V	561707	RR JCT BOX	LOW DOCKING LTS						
R69	12	12V	562092	RR JCT BOX	LUGGAGE DOOR LOCK						
R70	12	12V	562092	RR JCT BOX	LUGGAGE DOOR UNLOCK						
R71	12	24V	561707	RR JCT BOX	LUGGAGE DOOR UNLOCK T.T. LT.						
R74	12	12V	562092	RR JCT BOX	LUGGAGE DOOR LOCK						
R75	12	12V	562092	RR JCT BOX	LUGGAGE DOOR UNLOCK						
R78	1.1	12V	562092	FR JCT BOX	MASTER SWITCH						
R80	11.1	24V	561707	RR JCT BOX	ENGINE COMPARTMENT LTS						
R82	21	24V	561707	FR JCT BOX	RETARDER WT						
R84	8	24V	561707	RR JCT BOX	FAN CLUTCH-FIRST SPEED						
R85	8	24V	561707	RR JCT BOX	FAN CLUTCH-SECOND SPEED						
R87	21	24V	561707	RR JCT BOX	ENGINE BRAKE REQUEST WT						
R89	13	24V	561707	FR JCT BOX	HEATING WINDSHIELD						
R90	13	24V	561707	FR JCT BOX	HEATING WINDSHIELD						
R91	13	24V	561707	FR JCT BOX	HEATING WINDSHIELD						

RESISTORS NUMBER CODE

No.	PAGE	OHM(S)	#PREV.	LOCATION	FUNCTION
RS 1	5	11 K	561898	FR JCT BOX	FAST IDLE DDEC CONTROL
RS 2	5	3.6 K	561897	FR JCT BOX	FAST IDLE DDEC CONTROL
RS 3	9.3	1 (2)	561537	FR JCT BOX	FOG LT - RH
RS 4	9.3	1 (2)	561537	FR JCT BOX	FOG LT - LH
RS 5	9.2	1 (2)	061976	FR JCT BOX	CORNERING LT - LH
RS 7	9.3	.82 (2)	060806	RR JCT BOX	PARKING BRAKE STOP LTS
RS 8	9.2	1 (2)	061976	FR JCT BOX	CORNERING LT - RH
RS 9	9.3	1 (2)	061976	RR JCT BOX	DOCKING LT - RH
RS 10	9.3	1 (2)	061976	RR JCT BOX	DOCKING LT - LH
RS 15	9.2	1 (3)	062925	FR JCT BOX	LO DOCKING LT - FRONT
RS 16	9.3	1 (3)	062925	RR JCT BOX	LO DOCKING LT - REAR
RS 17	7	220	562498	FR JCT BOX	FIRE ALARM
RS 18	8	75 K	064208	RR JCT BOX	FAN CLUTCH W/RETARDER
RS 20	17	1 K	562470	RR JCT BOX	WORLD TR. SPEED TO DDEC III

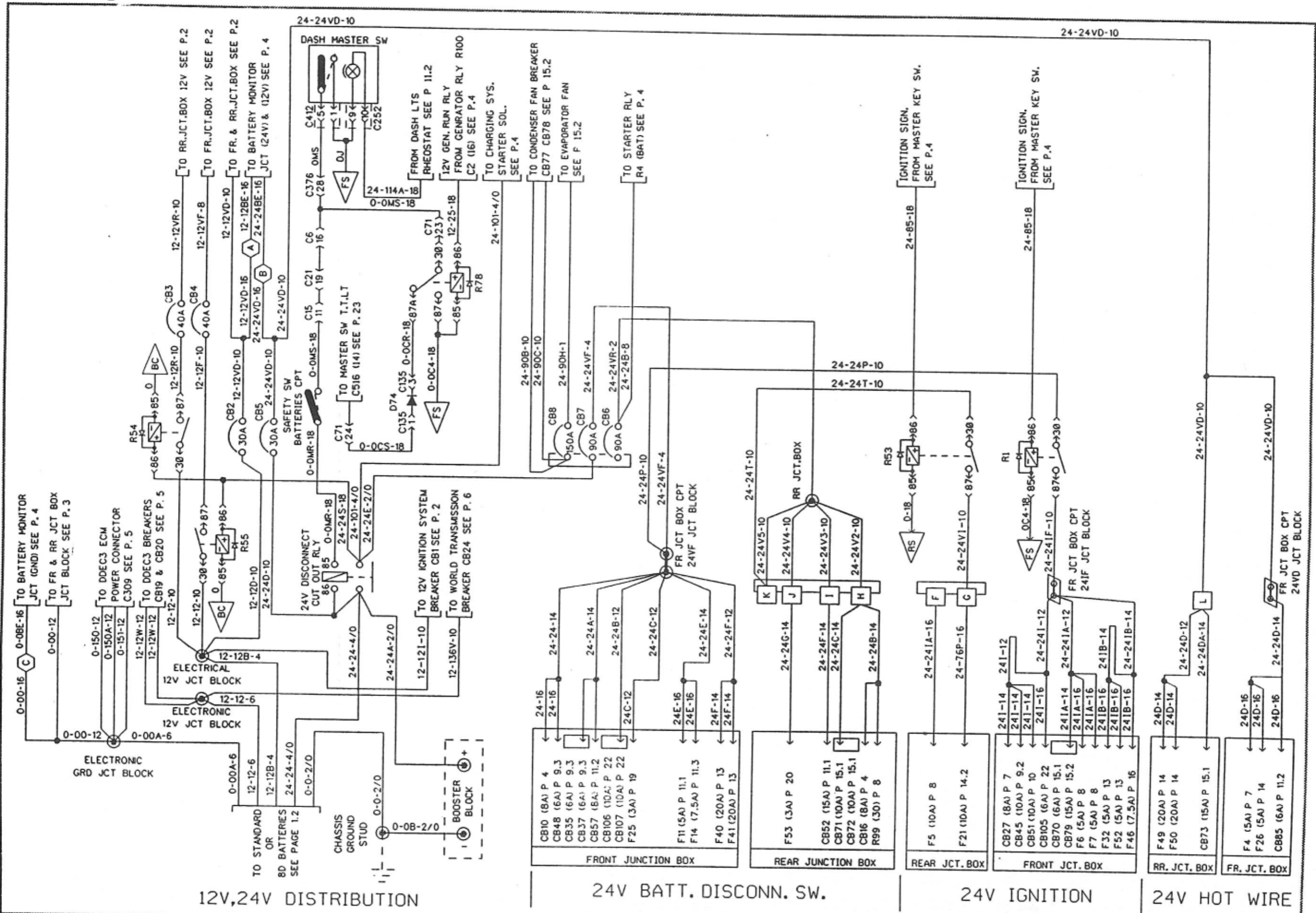
WIRING DIAGRAM KEYS

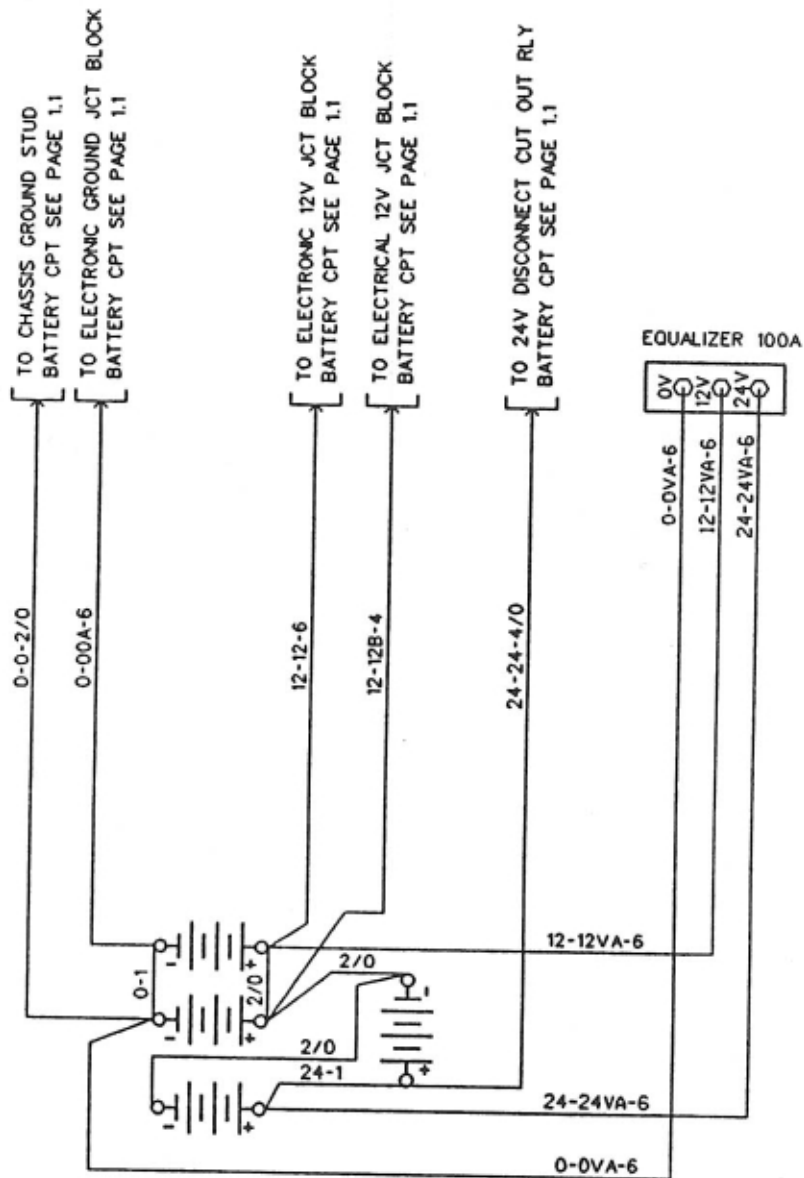


- | | |
|-----|--------|
| BLK | BLACK |
| YEL | YELLOW |
| RED | RED |
| WH | WHITE |
| GRY | GREY |
| ORA | ORANGE |
| BLU | BLUE |
| GRN | GREEN |
| BRN | BROWN |
| PUR | PURPLE |
| PK | PINK |

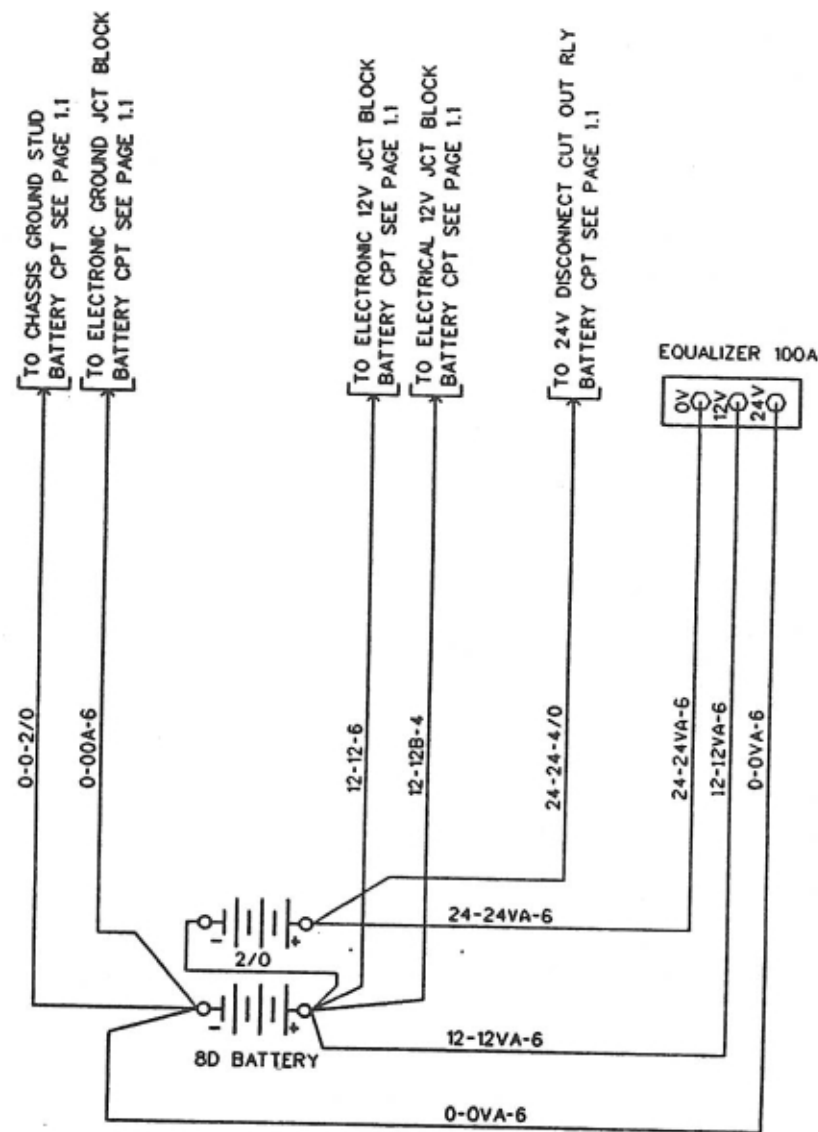
FUSES CODE

No.	PAGE	AMP.	#PREV.	LOCATION	FUNCTION
F 1	6	10A	562407	RR. JCT. BOX	WORLD TRANSMISSION 12V BATTERY
F 2	6	10A	562407	RR. JCT. BOX	WORLD TRANSMISSION 12V IGNITION
F 3	7	20A	562605	FR. JCT. BOX	ELECTRICAL HORNS
F 4	7	5A	562259	FR. JCT. BOX	FIRE ALARM
F 5	8	10A	562407	RR. JCT. BOX	AIR DRYER
F 6	8	5A	562602	FR. JCT. BOX	ETHER COLD START & CRUISE DECEL SW.
F 7	8	5A	562602	FR. JCT. BOX	PARKING BRAKE PRESSURE SW.
F 8	9.2	10A	562407	FR. JCT. BOX	CORNERING LTS
F 9	9.3	15A	562604	RR. JCT. BOX	DOCKING LTS
F 10	9.3	15A	562604	FR. JCT. BOX	FOG LTS
F 11	11.1	5A	562259	FR. JCT. BOX	FRONT SERVICE CPT LTS
F 14	11.2	7.5A	562602	FR. JCT. BOX	DRIVER'S LTS
F 21	14.2	10A	560061	RR. JCT. BOX	FUEL PRIME PUMP
F 23	19	15A	562604	FR. JCT. BOX	DRIVER'S WINDOW LIFTER
F 24	19	10A	562407	FR. JCT. BOX	CIGAR LIGHTER
F 25	19	3A	562599	FR. JCT. BOX	SUN VISOR
F 26	14	5A	562259	FR. JCT. BOX	WATER HTR TIMER
F 32	13	5A	562259	FR. JCT. BOX	DRIVER'S SEAT HEATER
F 40	13	20A	562605	FR. JCT. BOX	HEATED WINDSHIELD LH
F 41	13	20A	562605	FR. JCT. BOX	HEATED WINDSHIELD RH
F 46	16.1	7.5A	562602	FR. JCT. BOX	MIRROR ADJUST & HEATED 24V SPARTAN
F 47	16.2 16.3	7.5A	562602	FR. JCT. BOX	MIRROR ADJUST & HEATED 12V RAMCO
F 49	14	20A	562605	RR. JCT. BOX	PRE-HEAT WATER HEATER
F 50	14	20A	562605	RR. JCT. BOX	PRE-HEAT WATER HEATER WEBASTO
F 52	13	5A	562259	FR. JCT. BOX	CO-PILOT SEAT HEATER
F 53	20	3A	560893	RR. JCT. BOX	BACK-UP MONITOR DOOR SOLENOID
F 55	20	7.5A	562602	RR. JCT. BOX	BACK-UP MONITOR CAMERA HEATER
F 56	20	7.5A	562602	RR. JCT. BOX	BACK-UP MONITOR CAMERA
F 57	4	1A	560893	RR. JCT. BOX	GENERATOR RUN RELAY

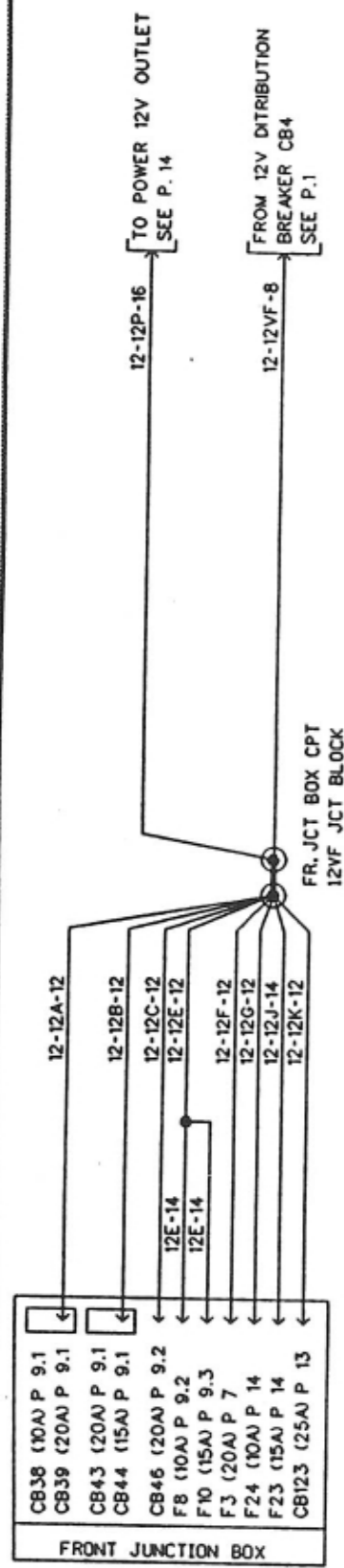




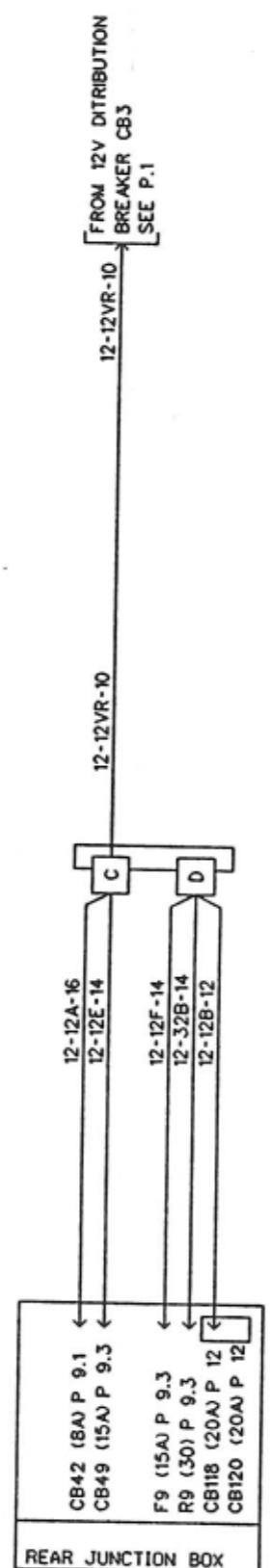
STANDARD BATTERIES



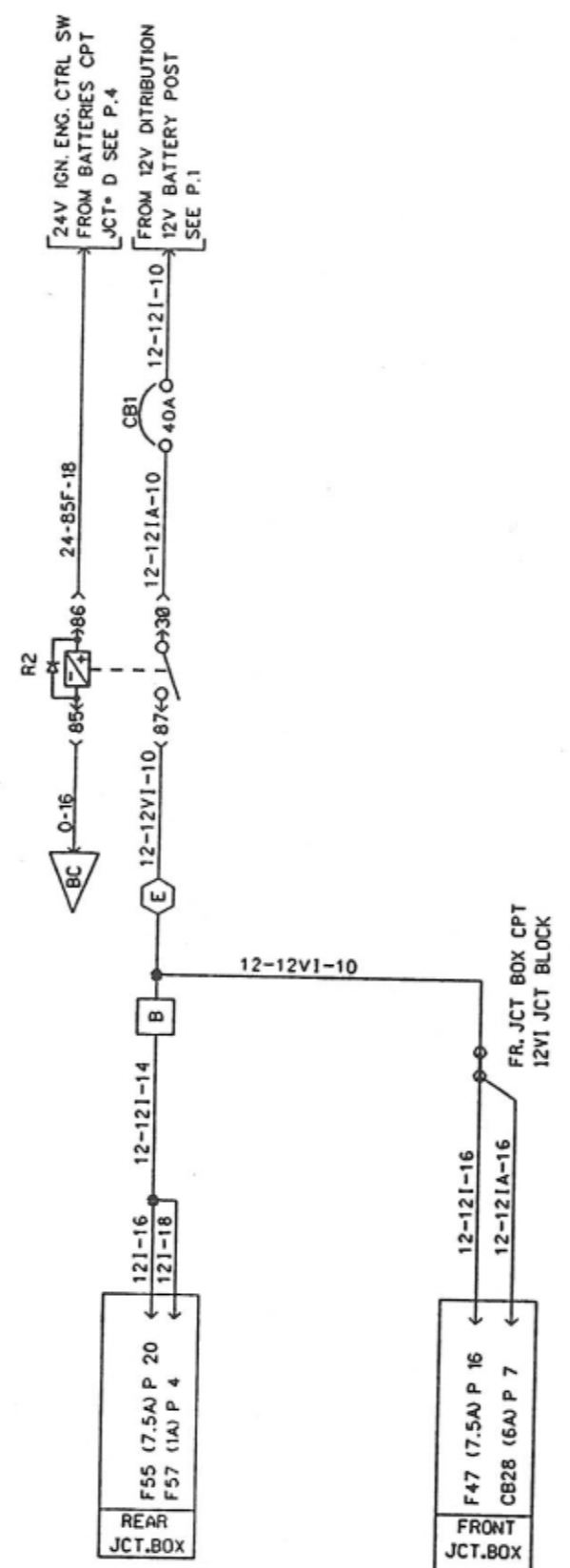
8D BATTERIES



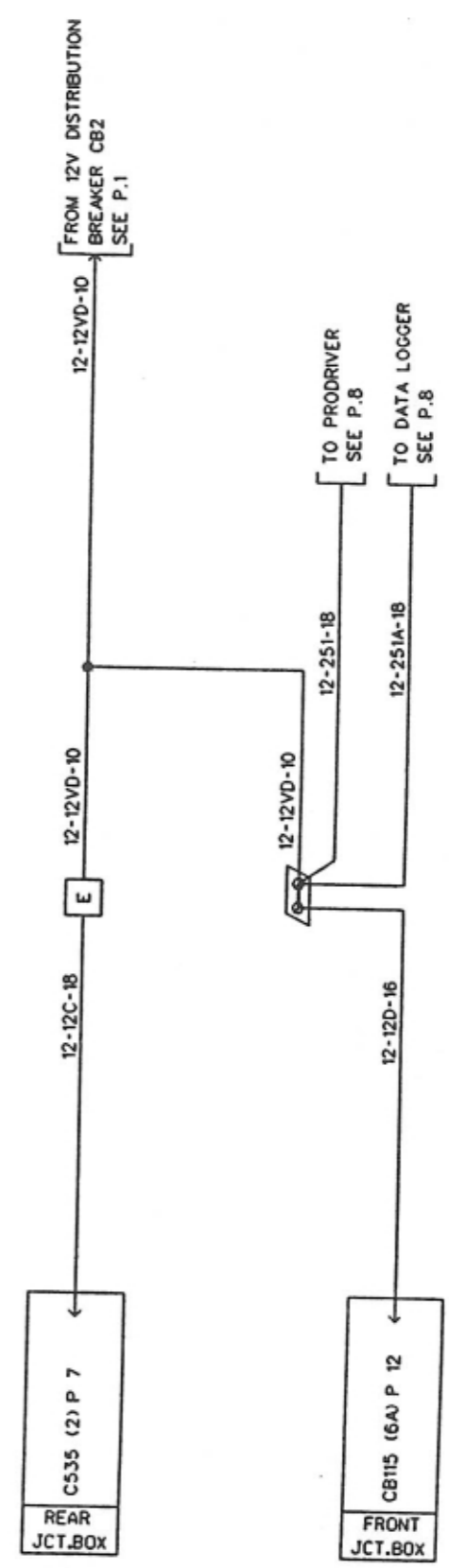
12V BATT. DISCONN. SW.

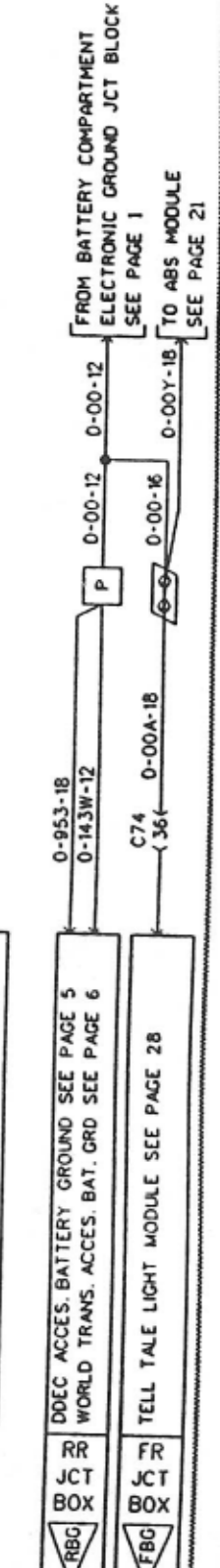
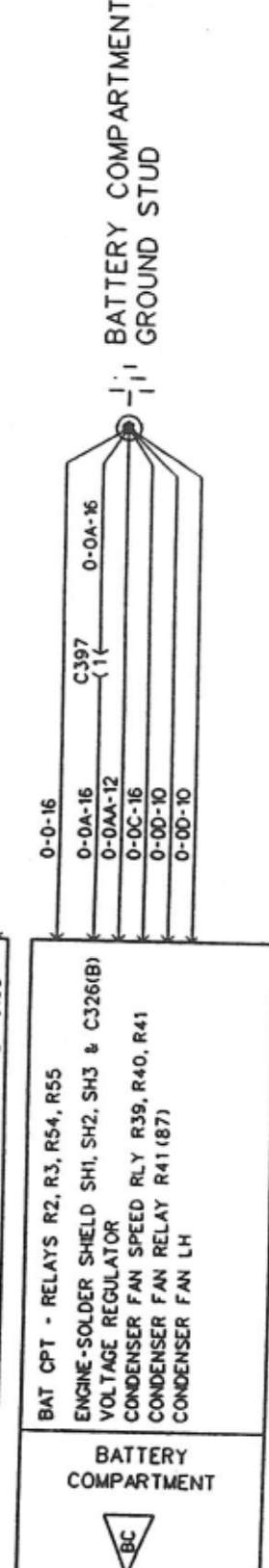
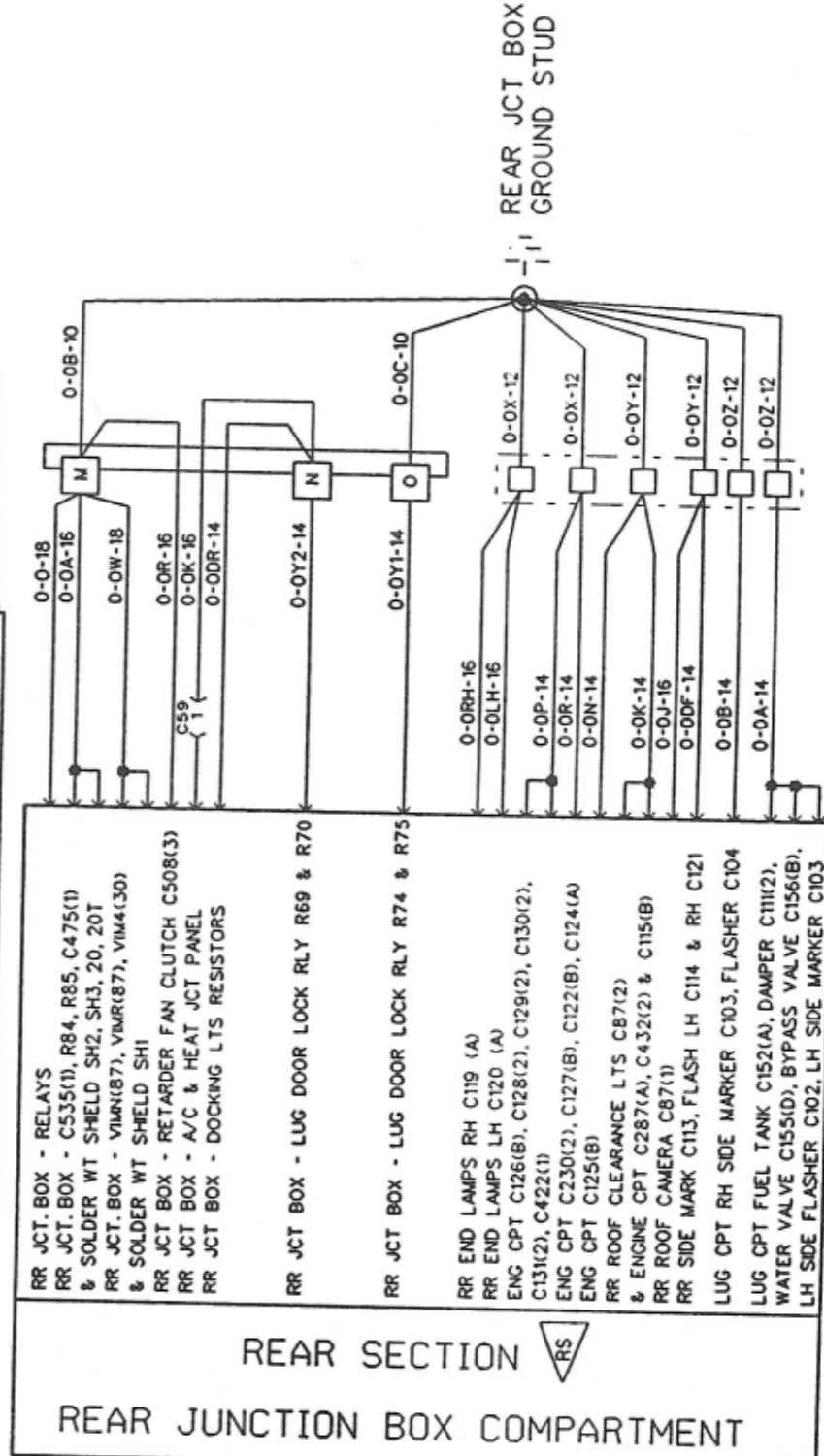
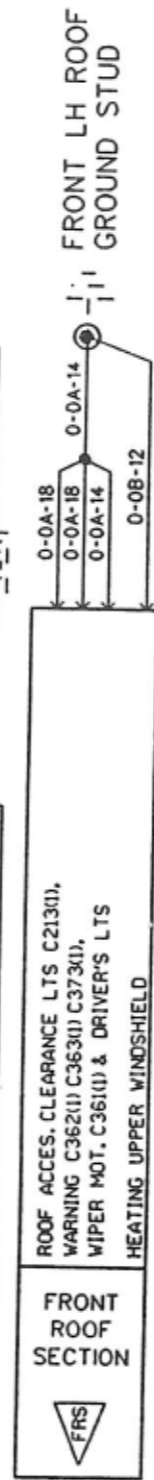
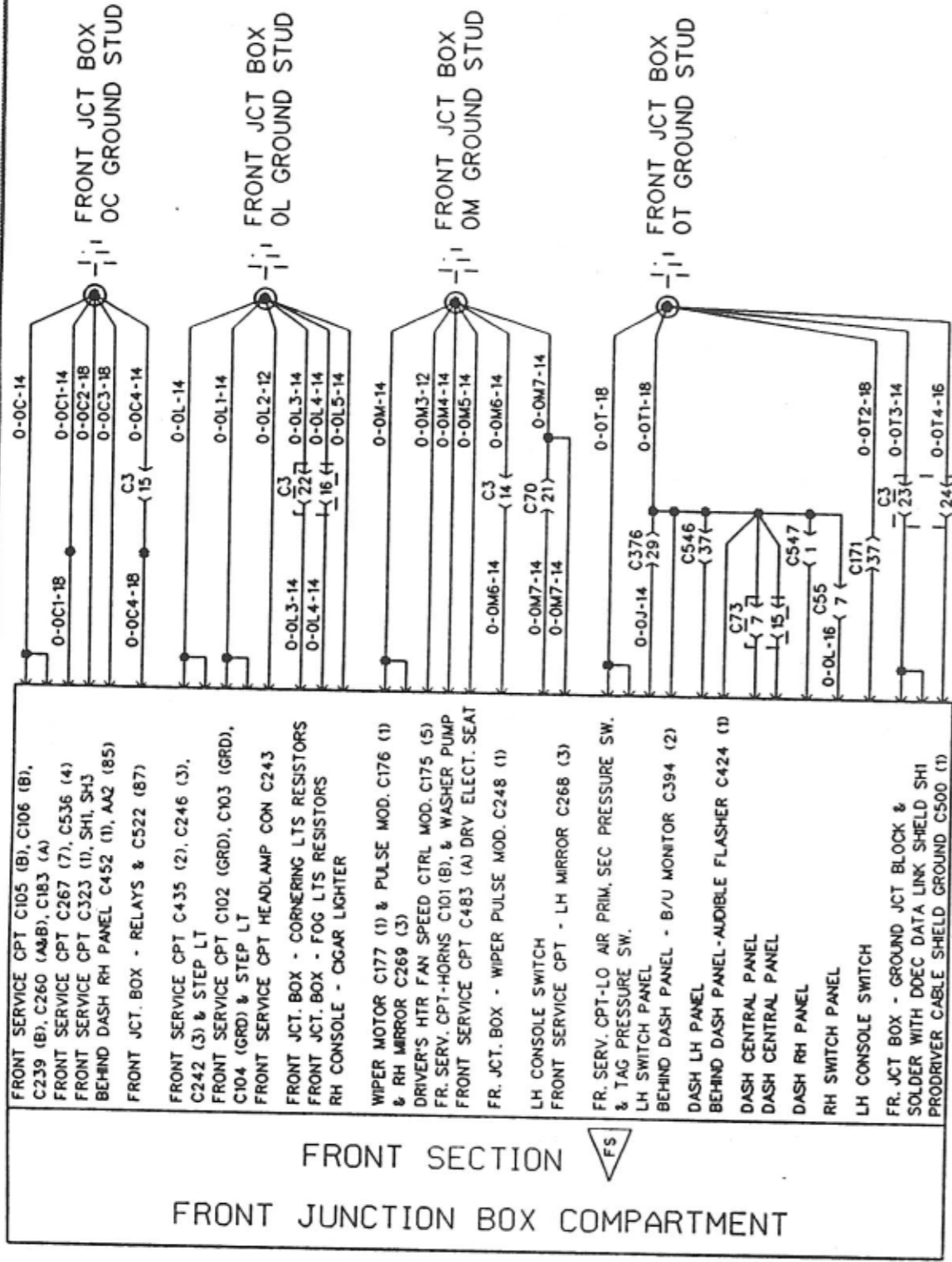


12V IGNITION



12V HOT WIRE

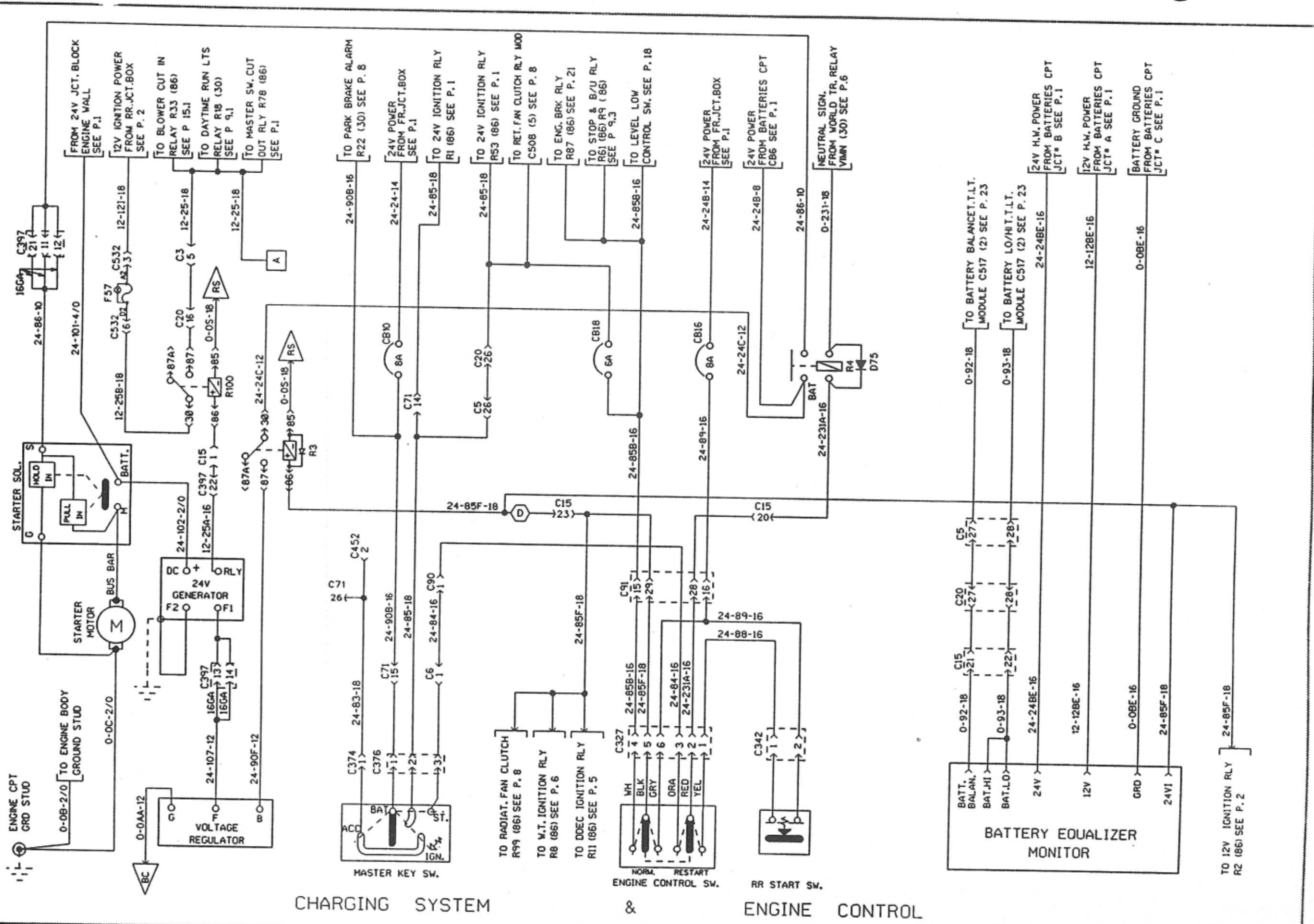


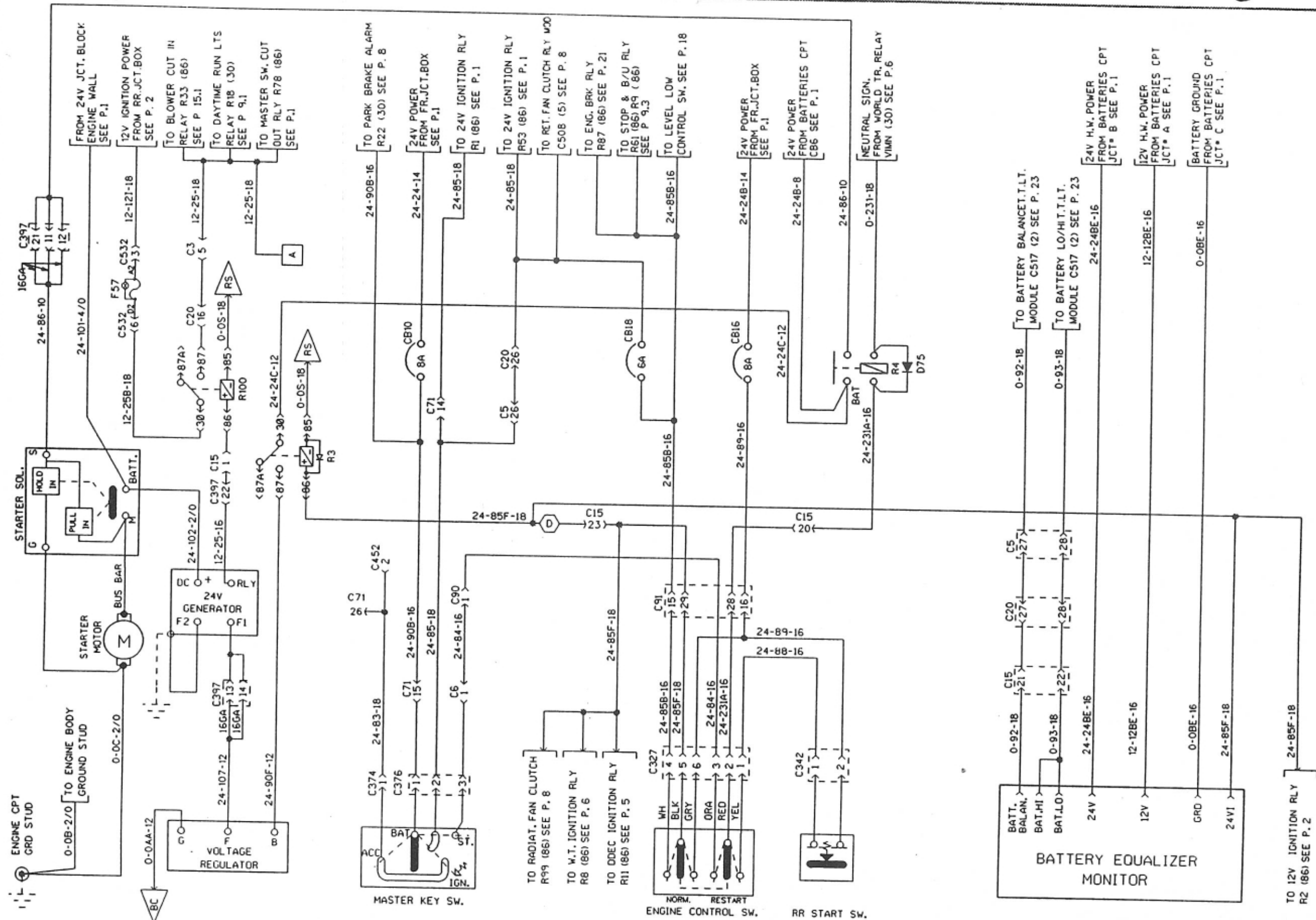


FROM BATTERY COMPARTMENT
ELECTRONIC GROUND JCT BLOCK
SEE PAGE 1
TO ABS MODULE
SEE PAGE 21

CHASSIS GROUND

BATTERY GROUND





CHARGING SYSTEM

& ENGINE CONTROL

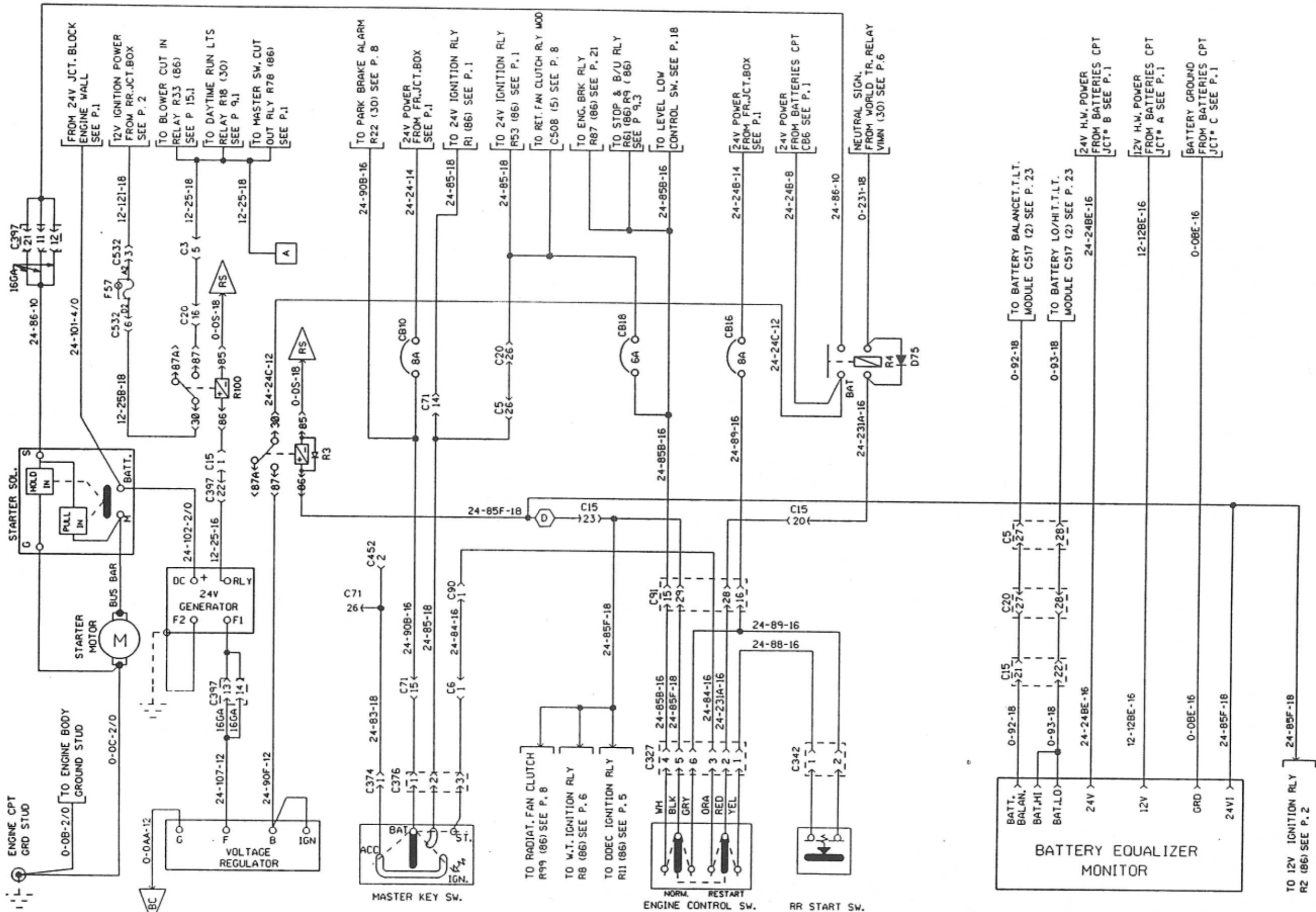
PREVOST

WIRING DIAGRAM

NO: D060883

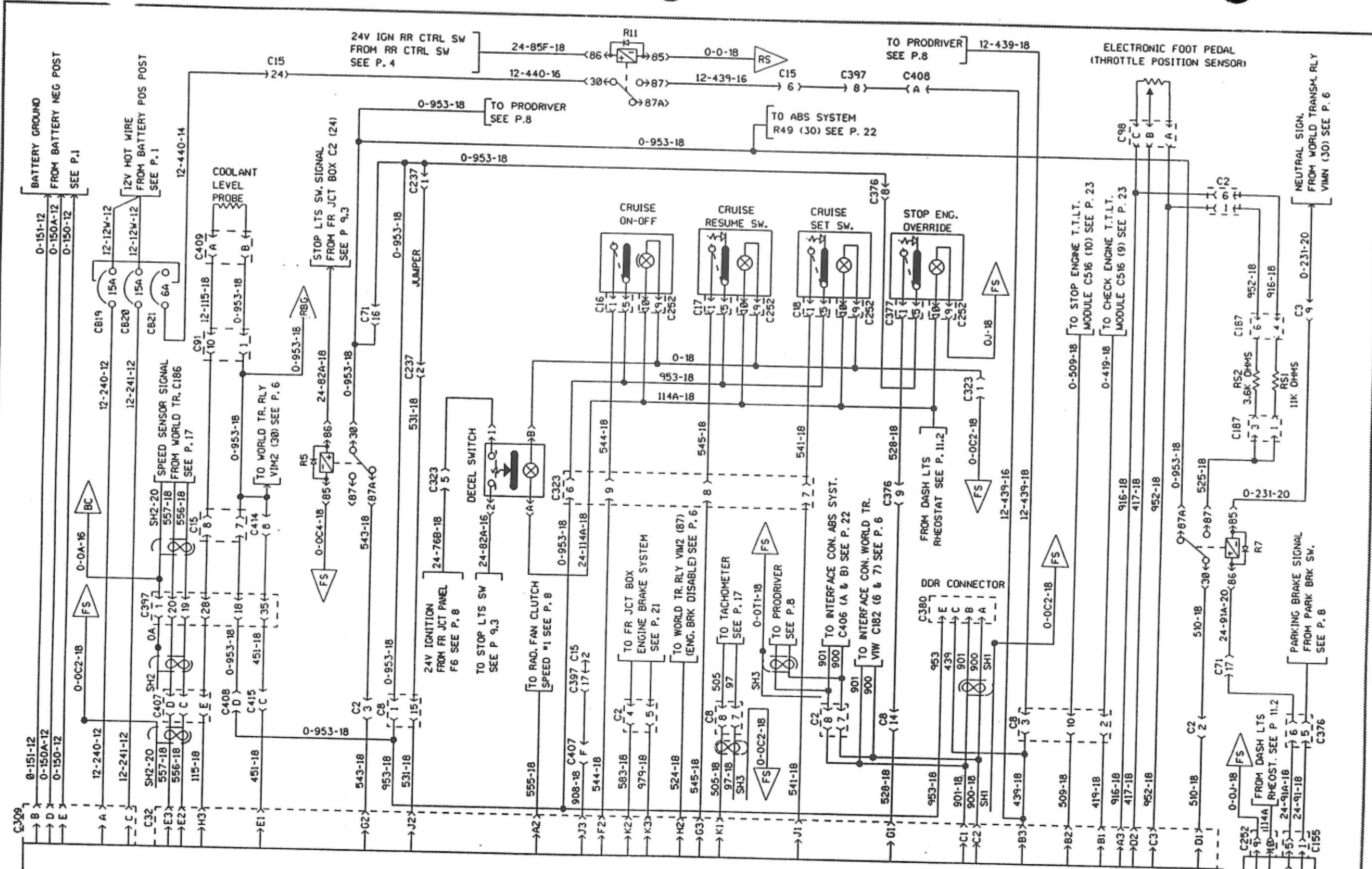
PAGE: 4

REVISION 03



CHARGING SYSTEM

& ENGINE CONTROL



E.C.M. D.D.E.C. III

D.D.E.C. III

PREVOST

WIRING DIAGRAM

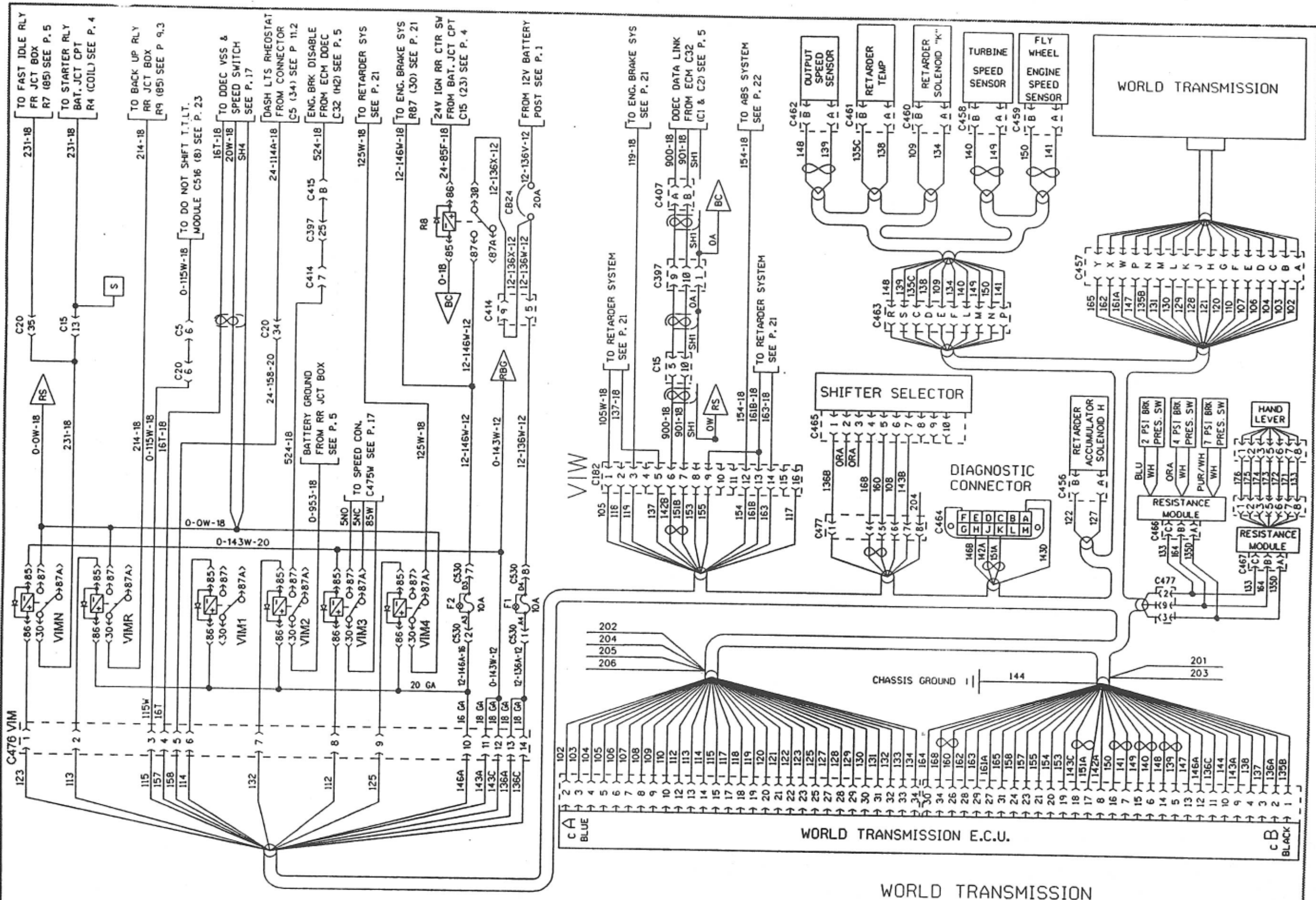
NO:

D060883

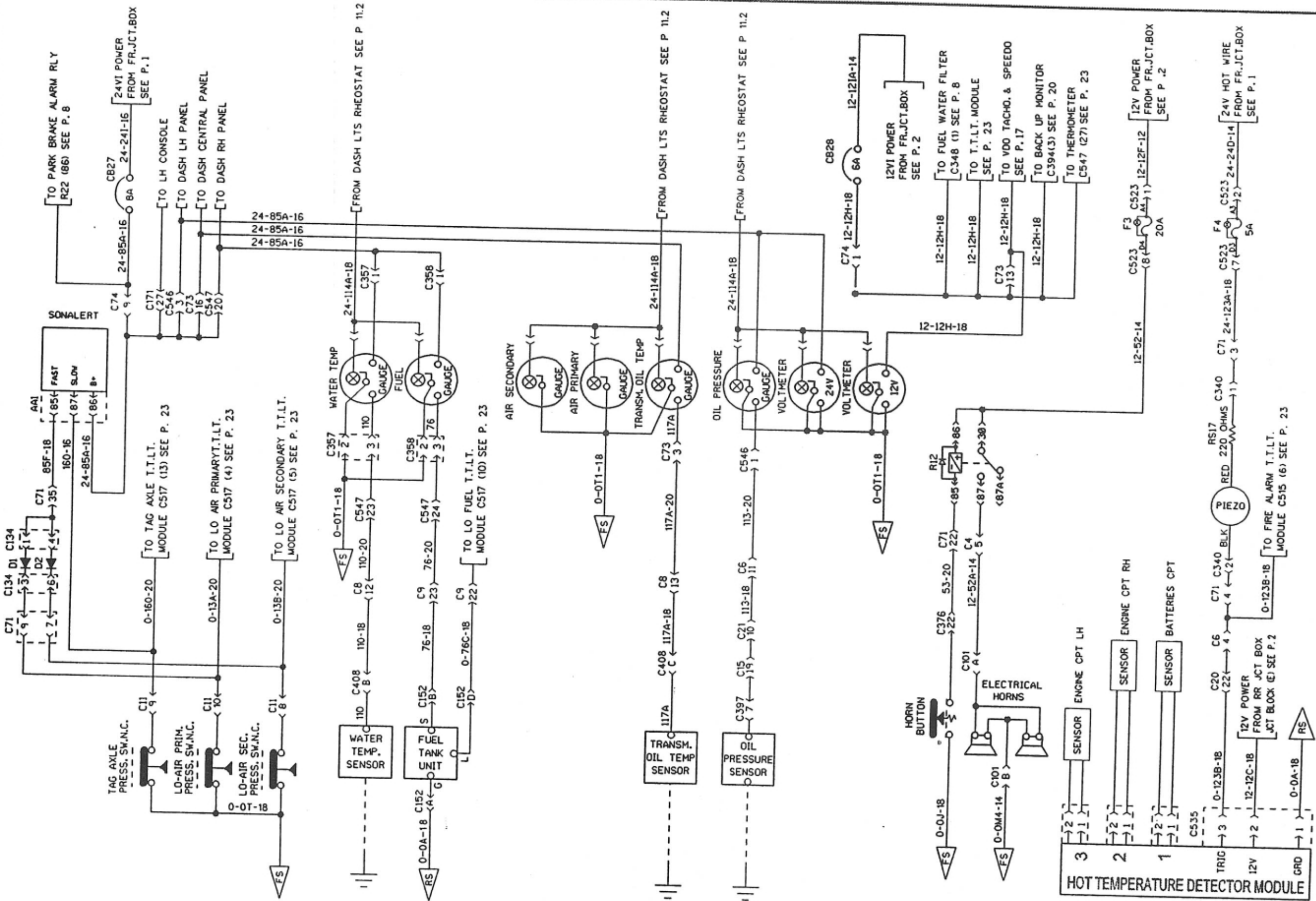
PAGE:

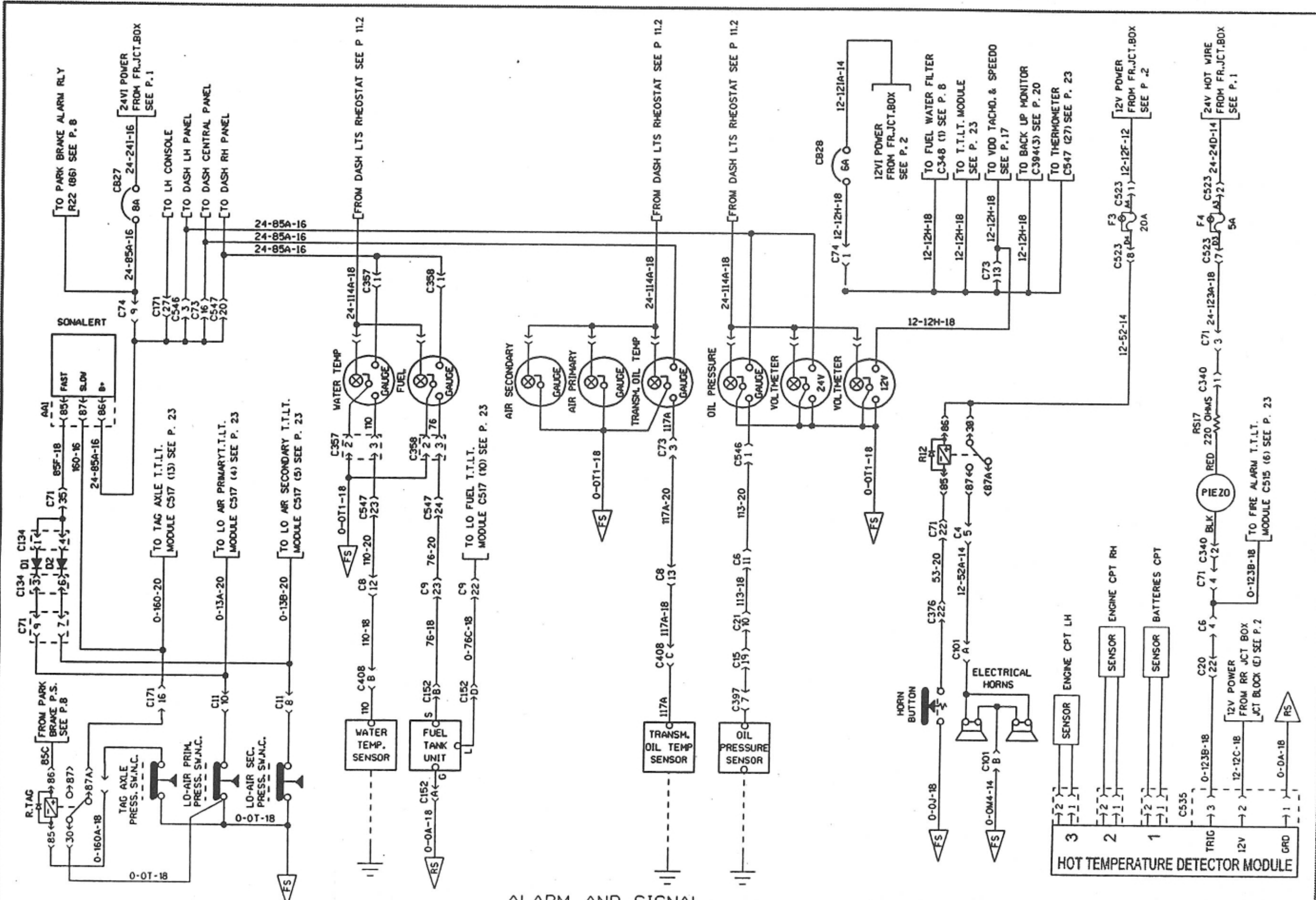
5

REVISION
00

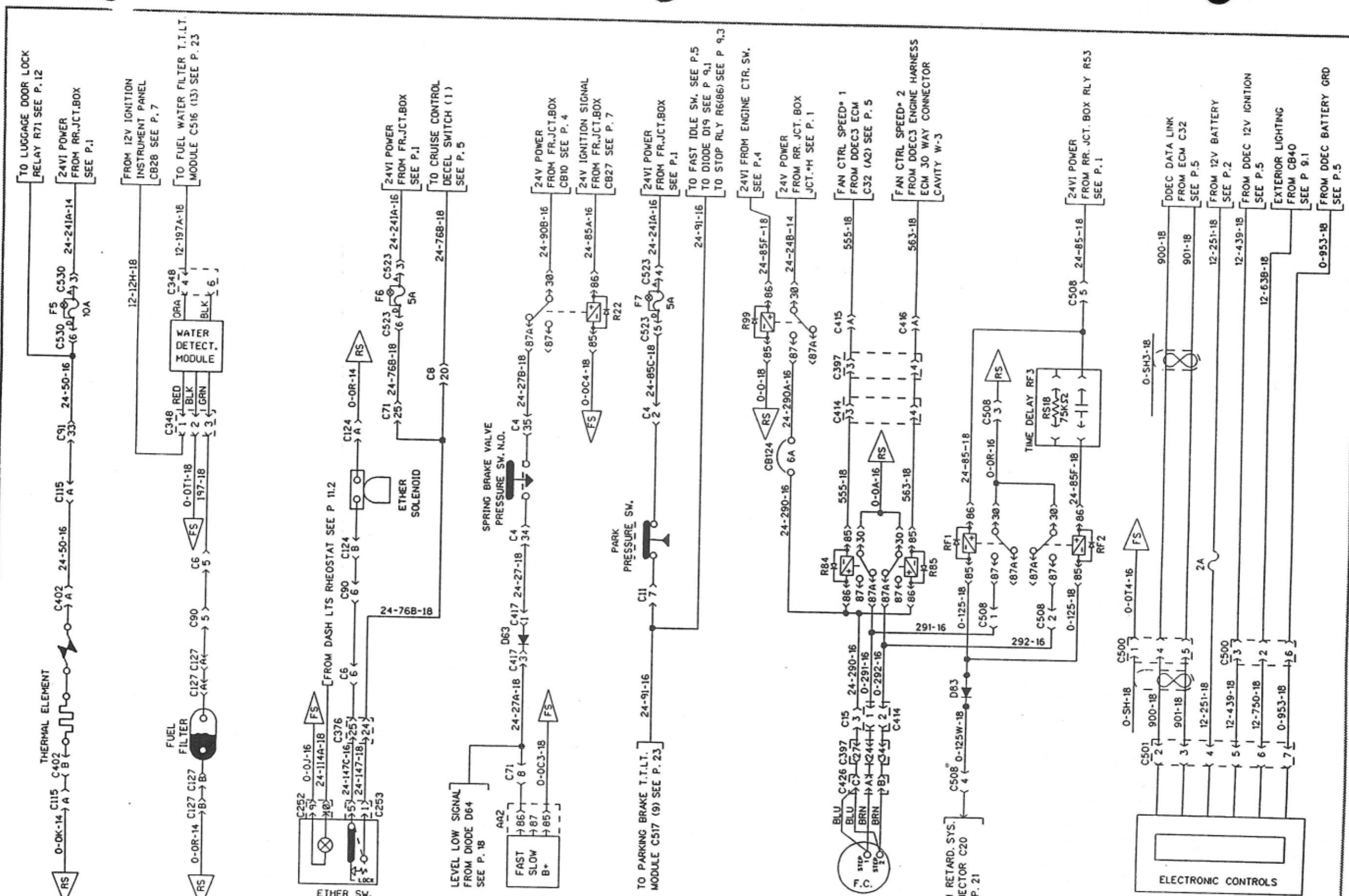


ALARM AND SIGNAL





ALARM AND SIGNAL



AIR DRYER

FUEL WATER FILTER

ETHER COLD START

PARKING BRAKE ALARM & SWITCH

RADIATOR FAN CLUTCH

PRODRIVER

PREVOST

WIRING DIAGRAM

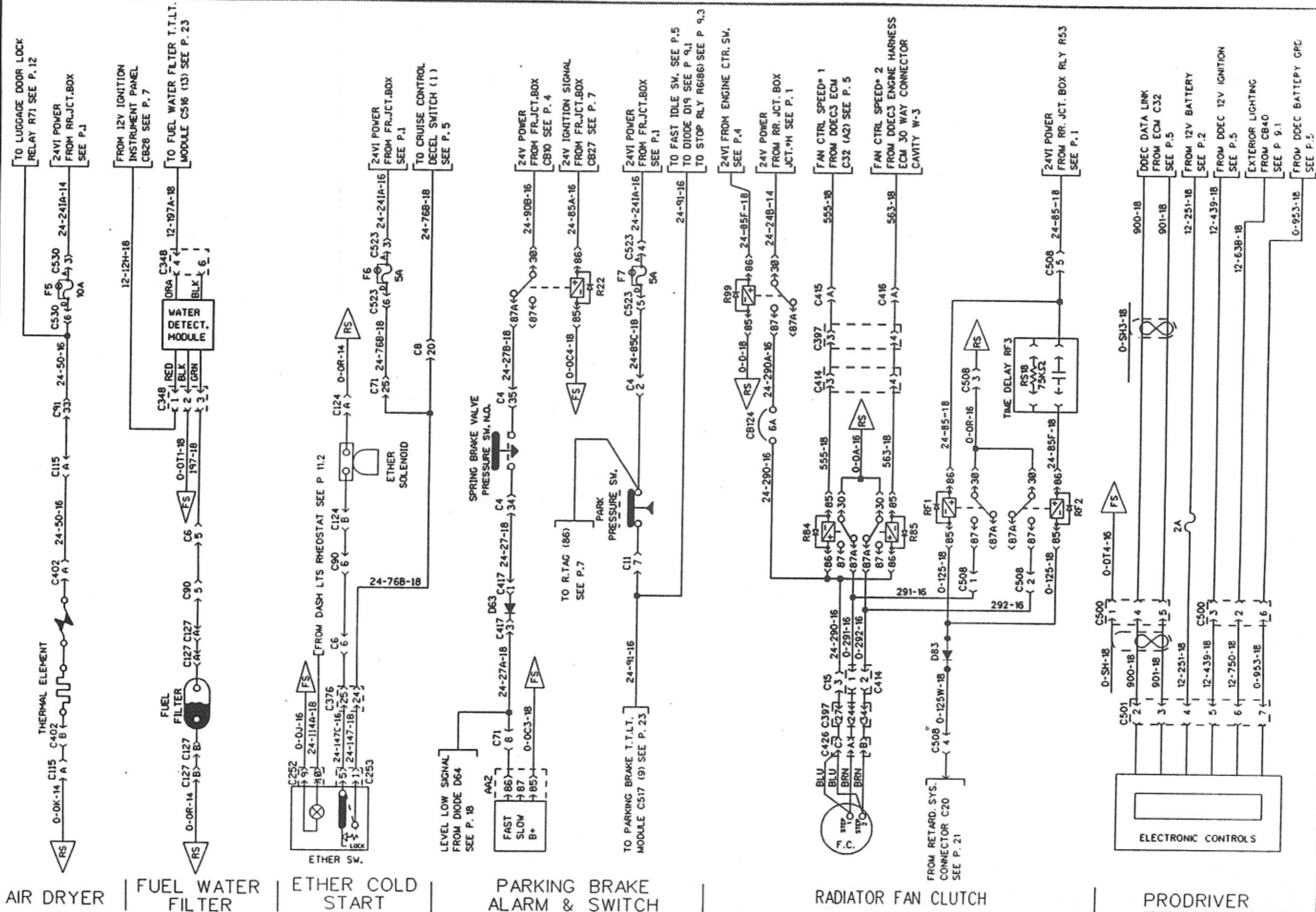
NO:

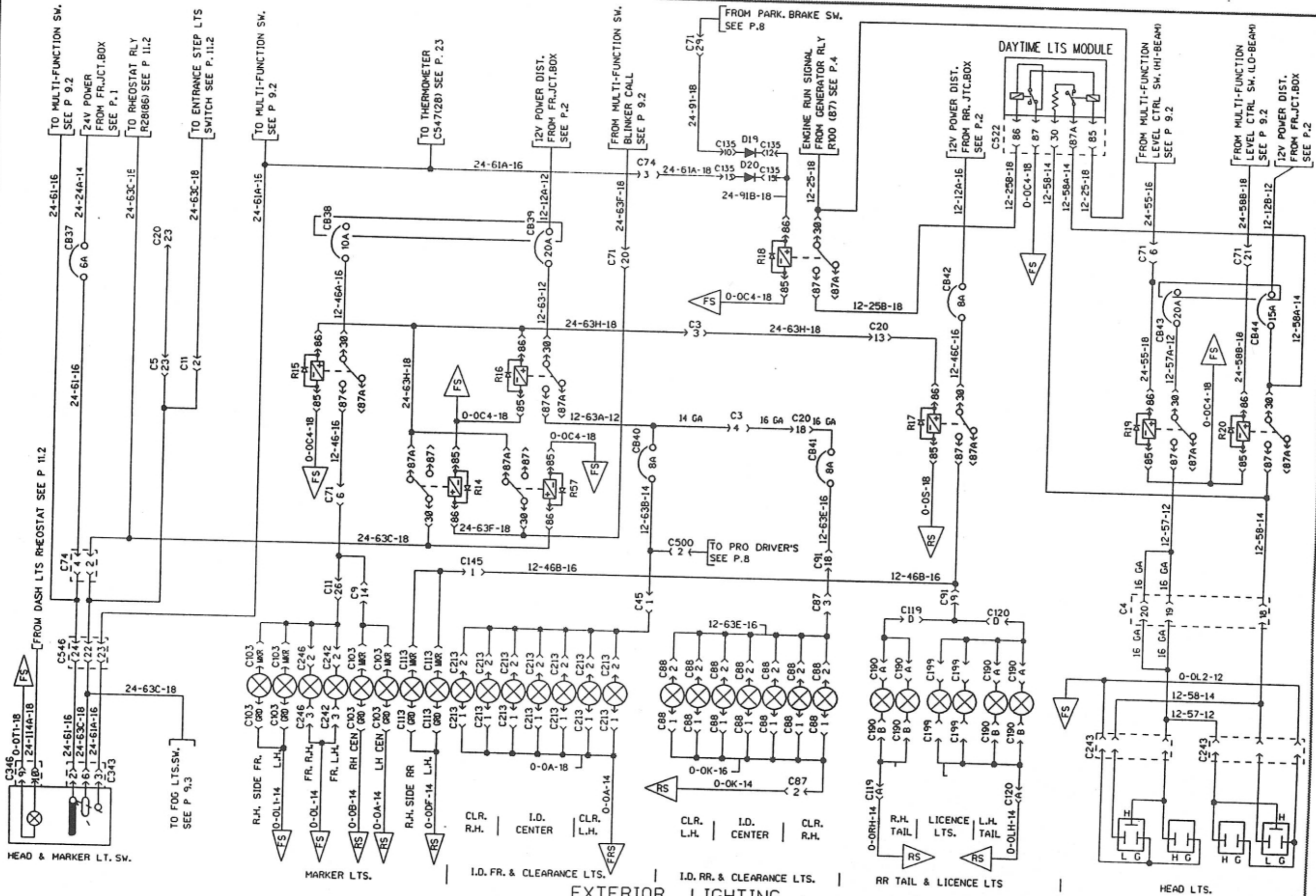
D060883

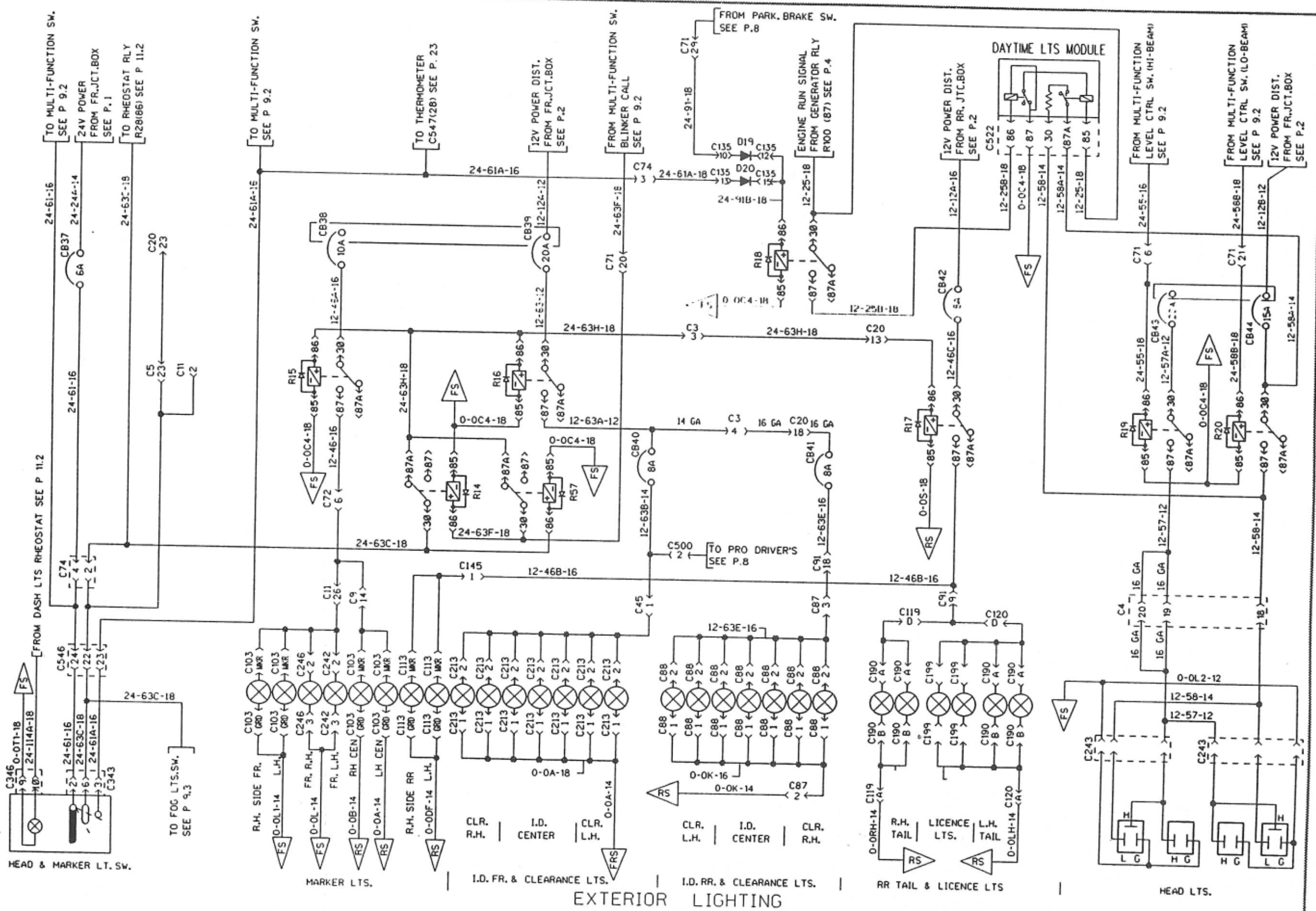
PAGE:

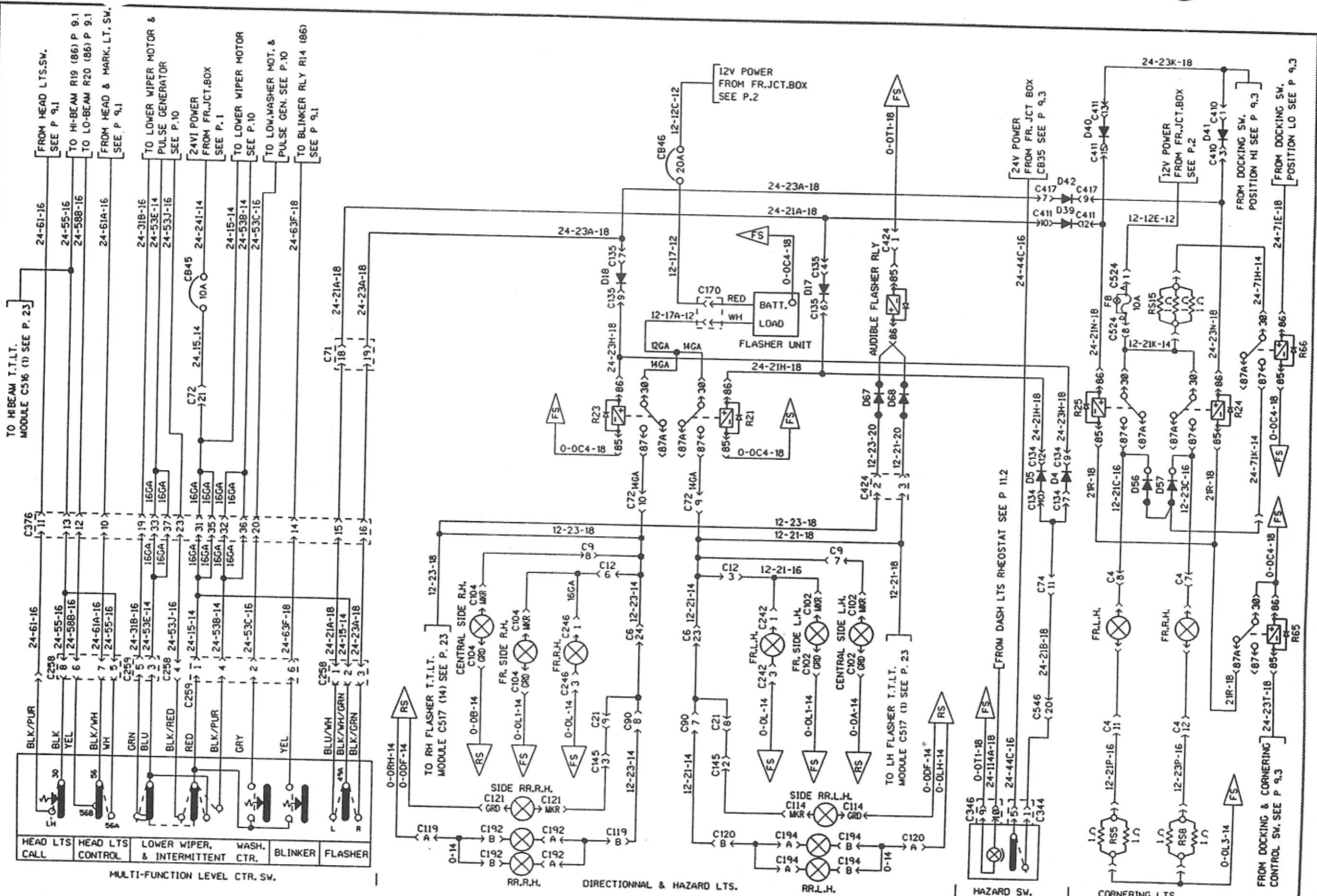
8

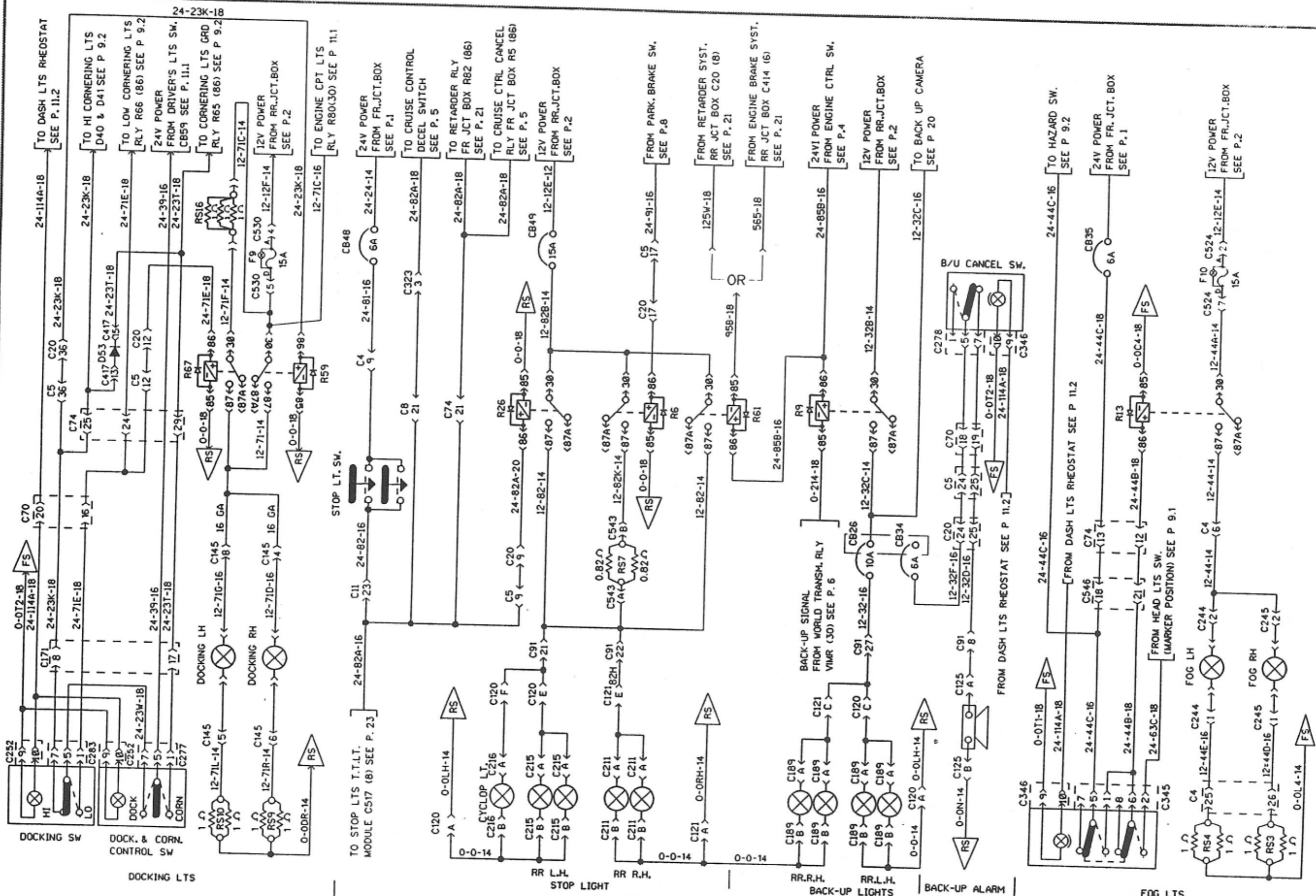
REVISION 01



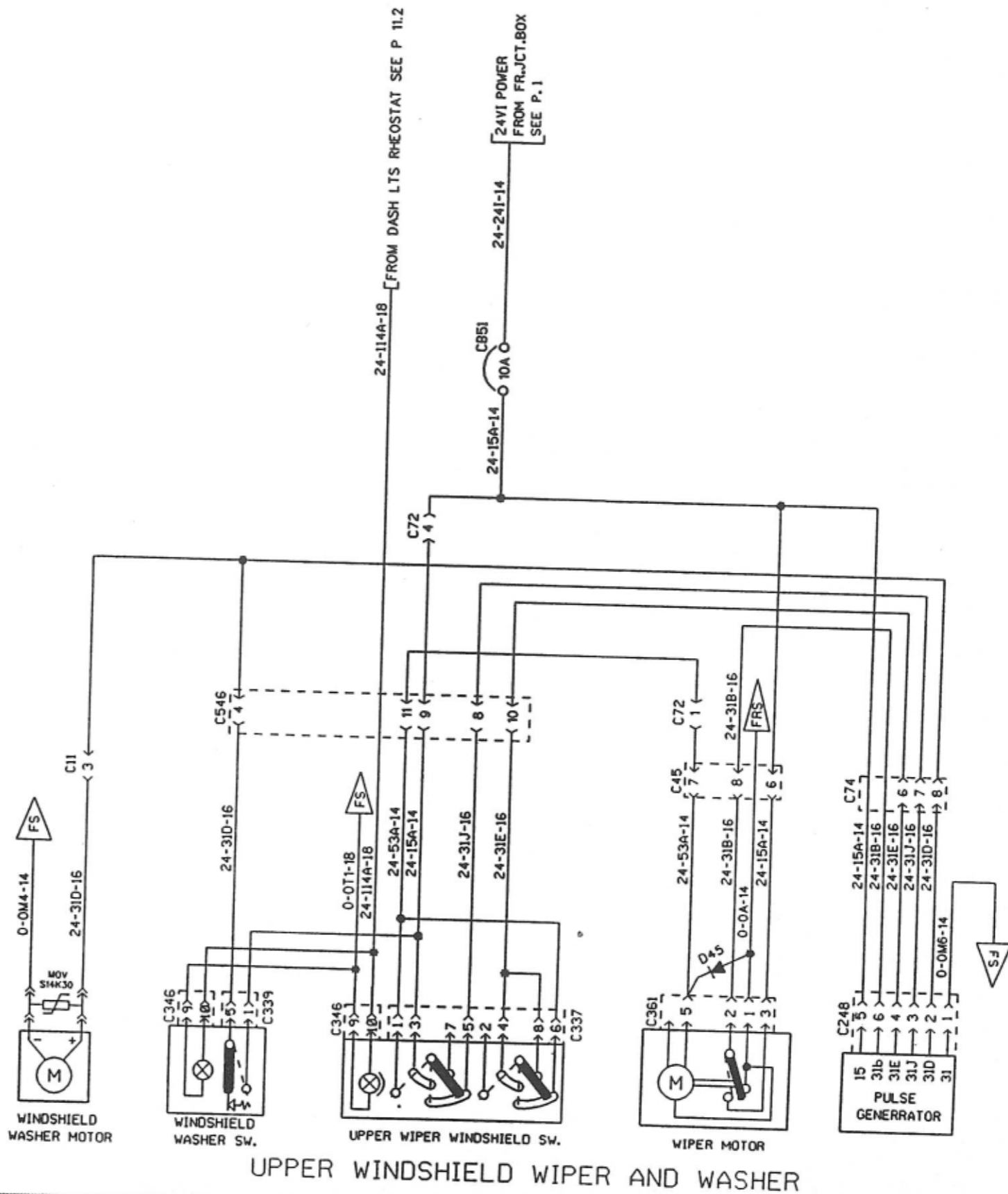
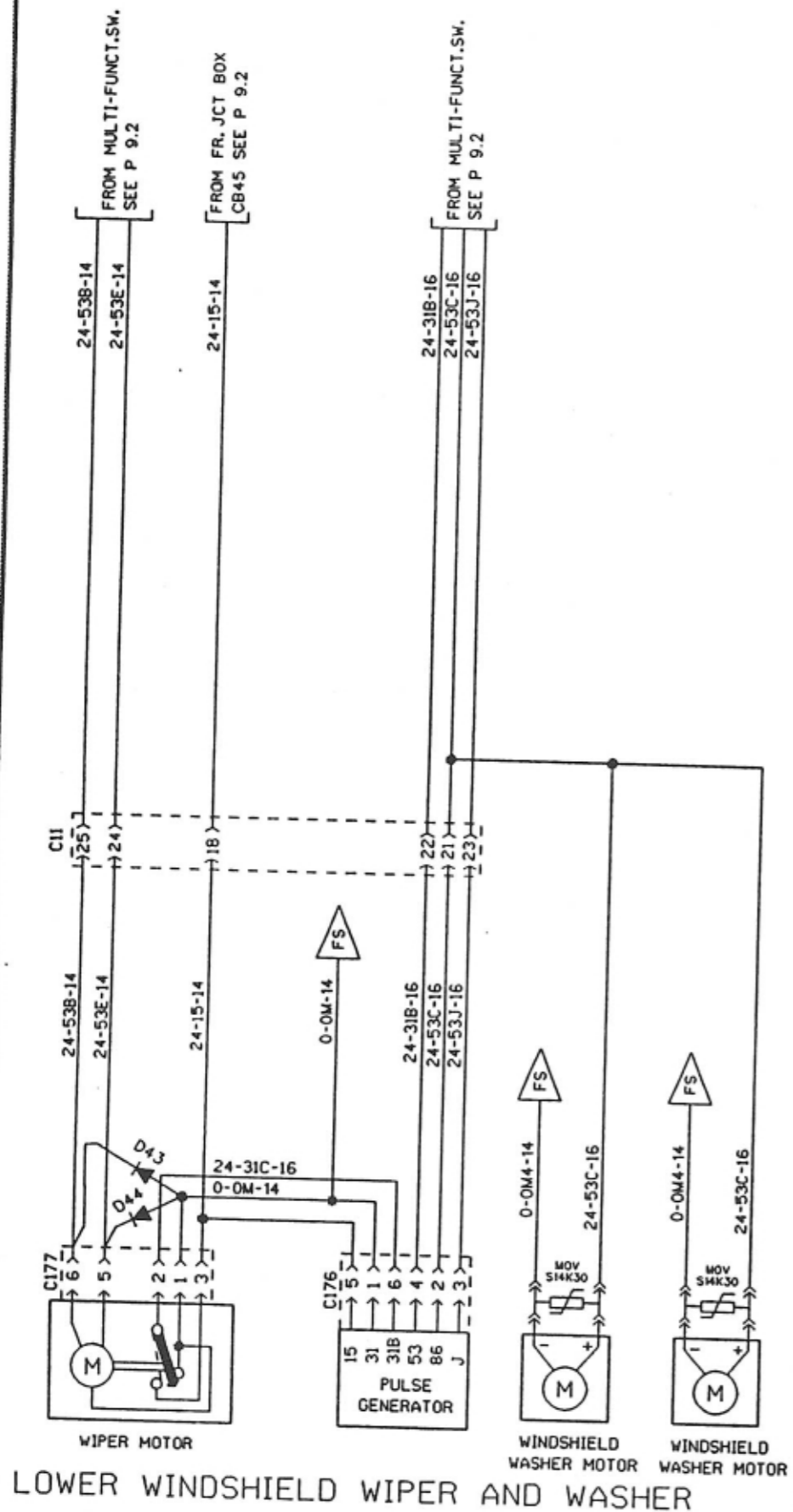








EXTERIOR LIGHTING



PREVOST

WIRING DIAGRAM

NO:

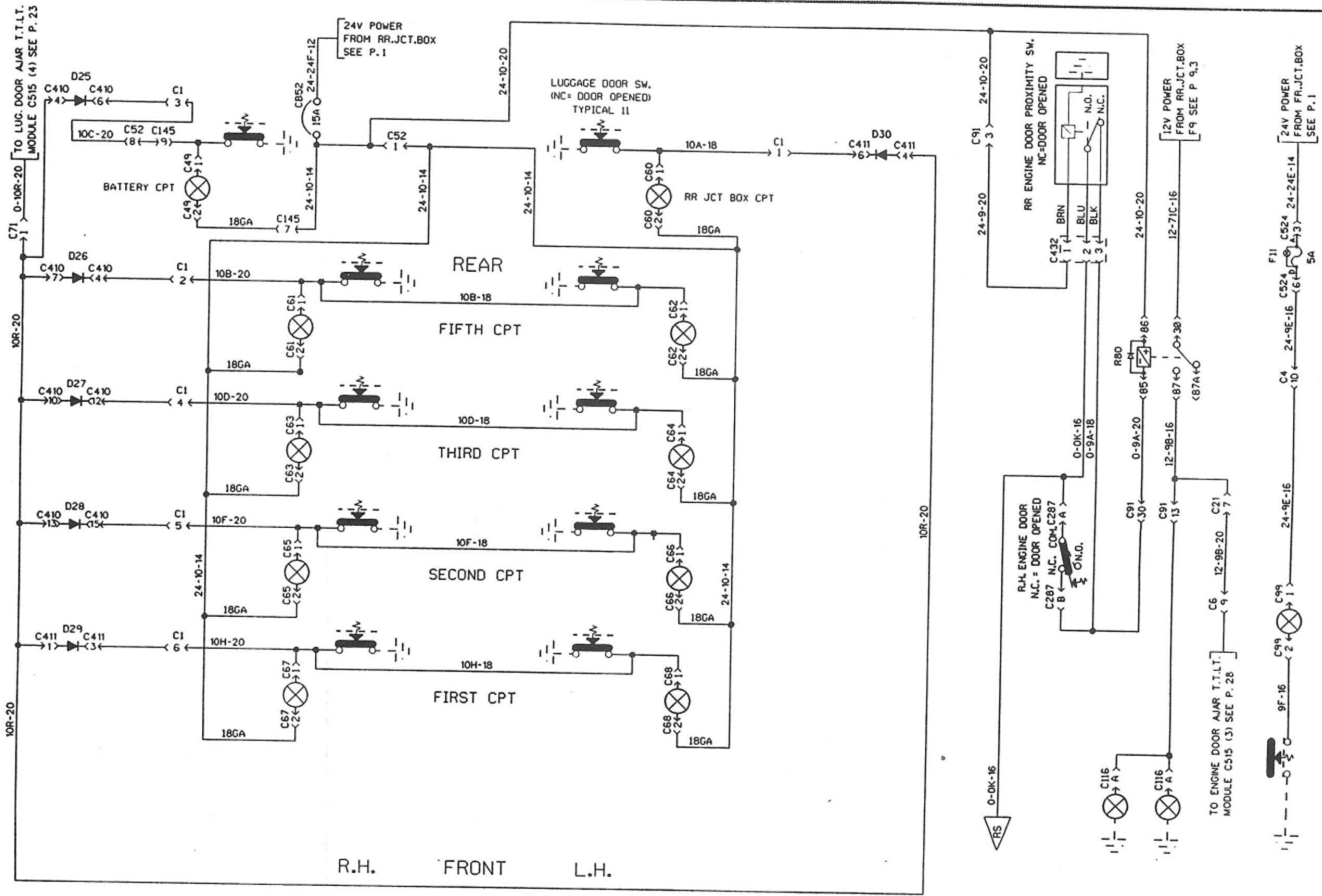
D060883

PAGE:

10

REVISION

00



INTERIOR LIGHTING

PREVOST

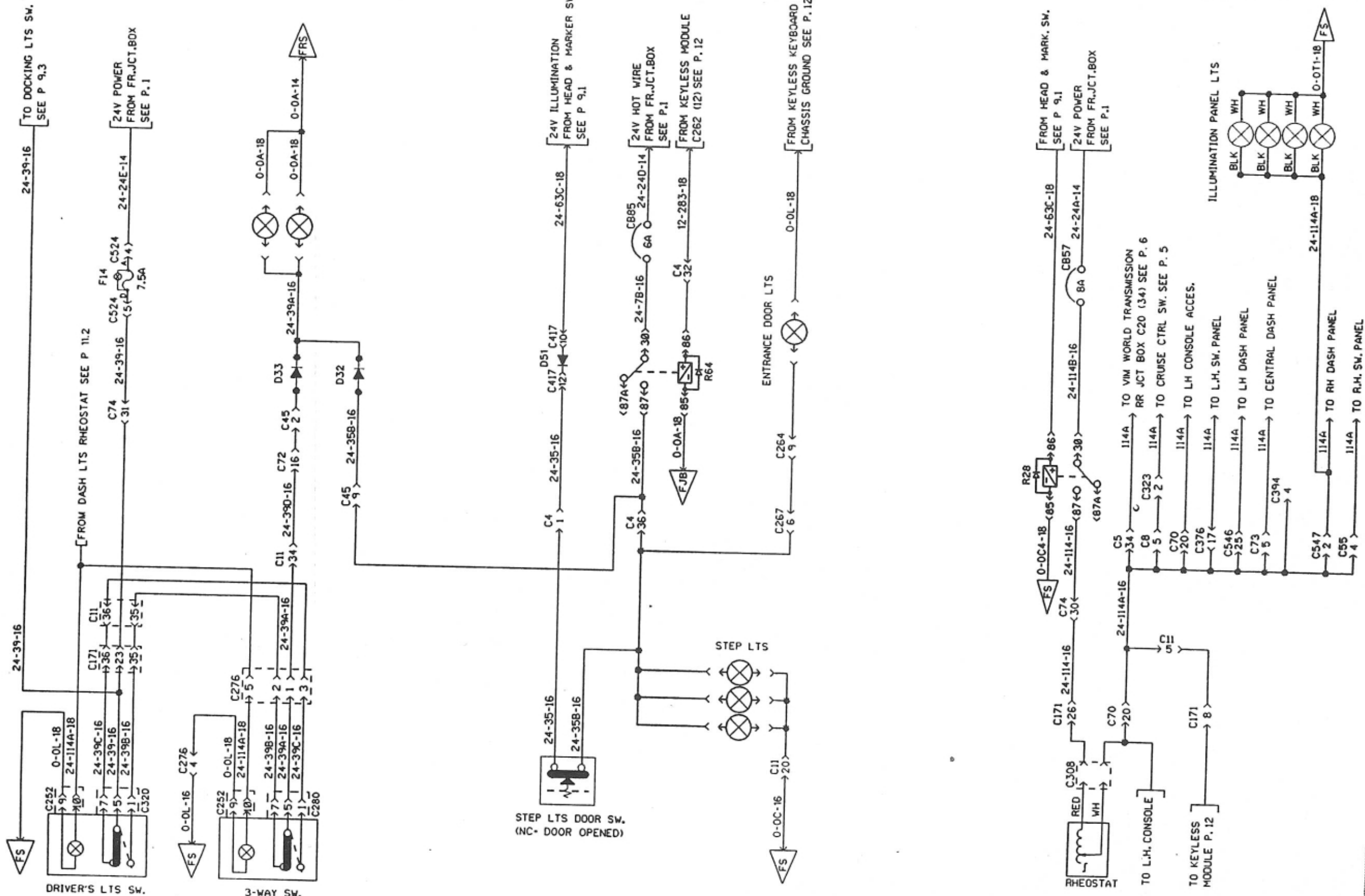
WIRING DIAGRAM

NO:

D060883

PAGE: 11.1

REVISION 00



DRIVER'S LTS SW.

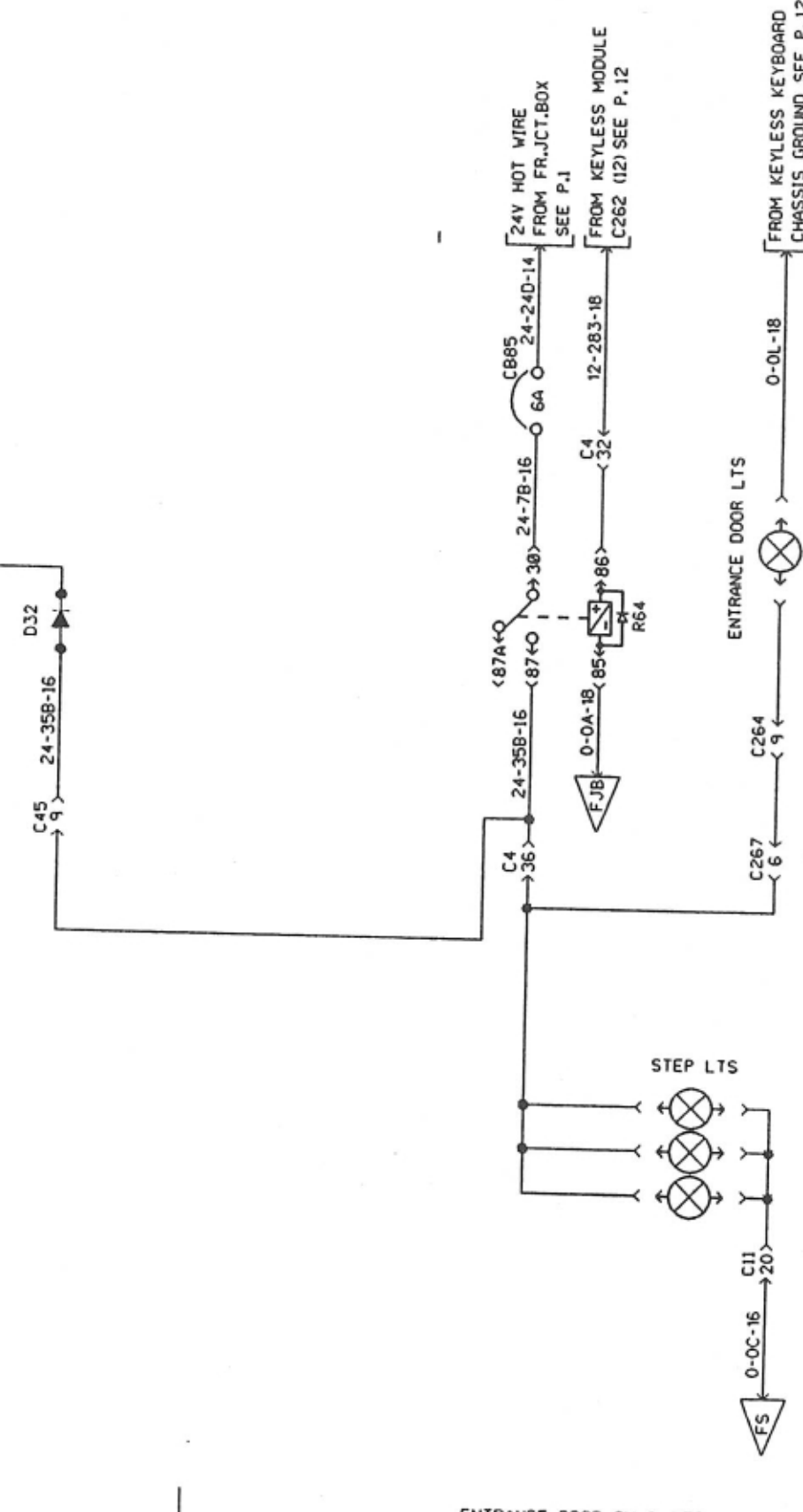
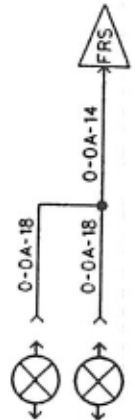
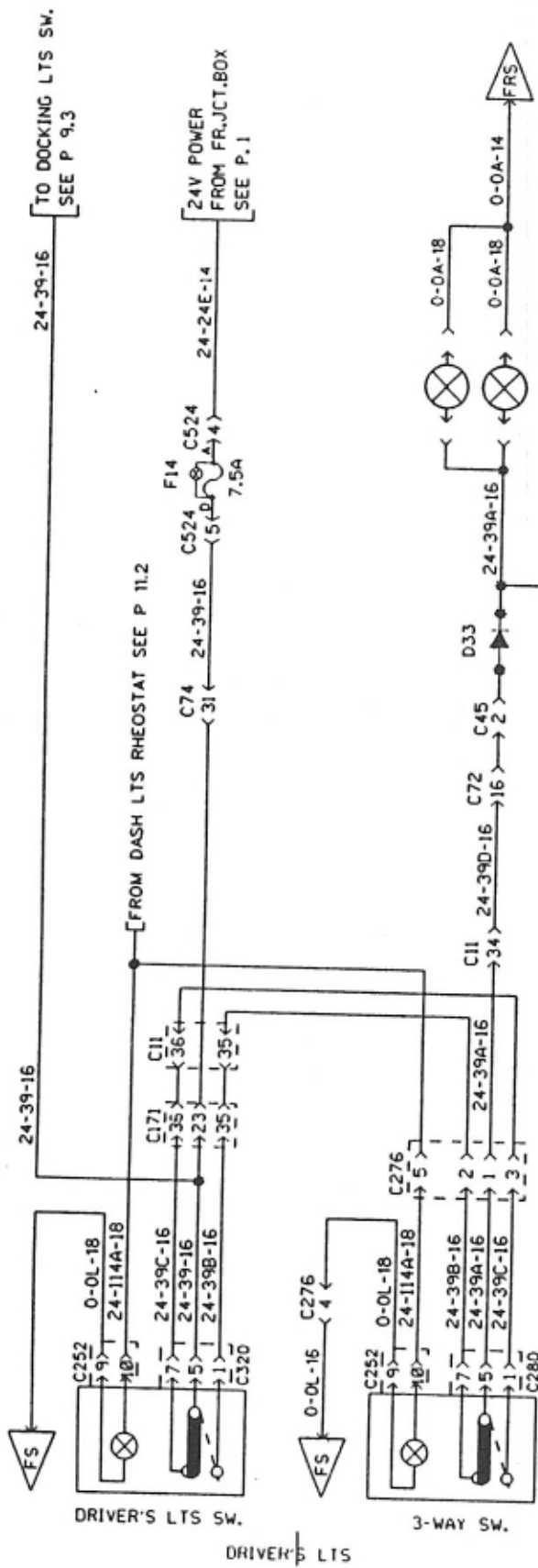
DRIVER'S LTS

3-WAY SW.

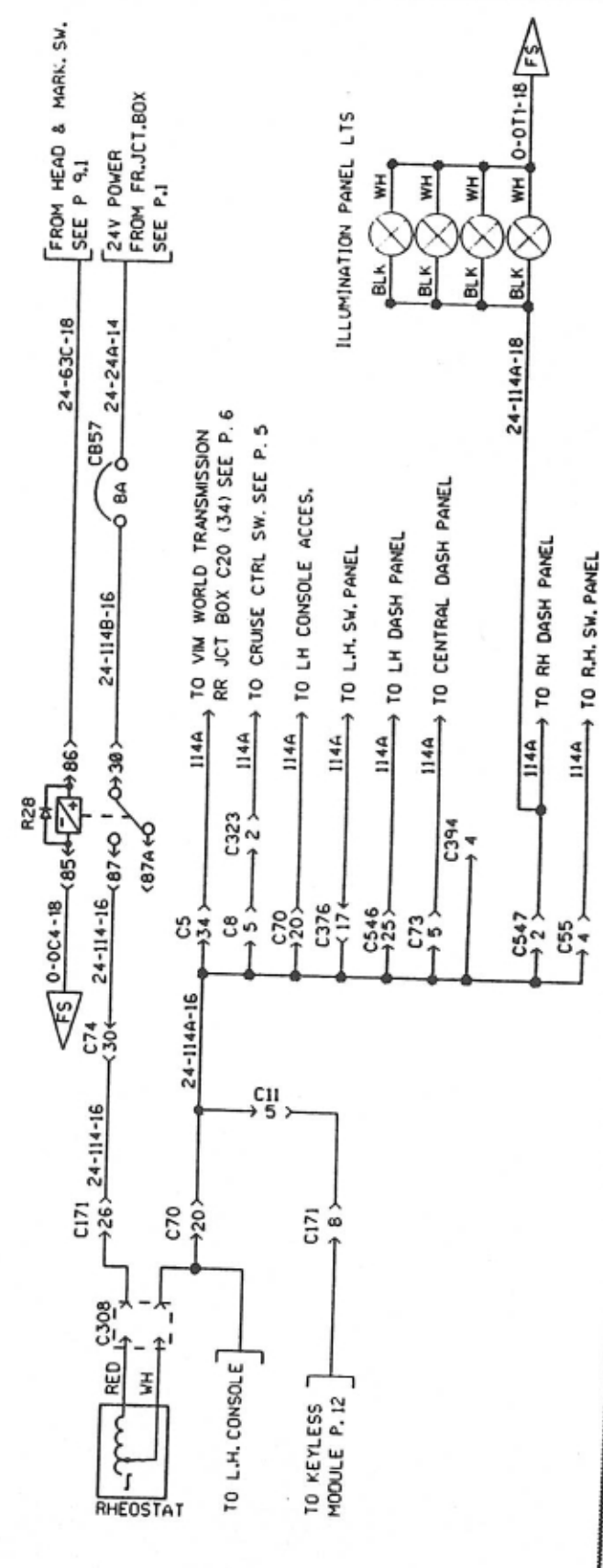
STEP LTS DOOR SW.
(NC - DOOR OPENED)

ENTRANCE DOOR SW. & LTS
INTERIOR LIGHTING

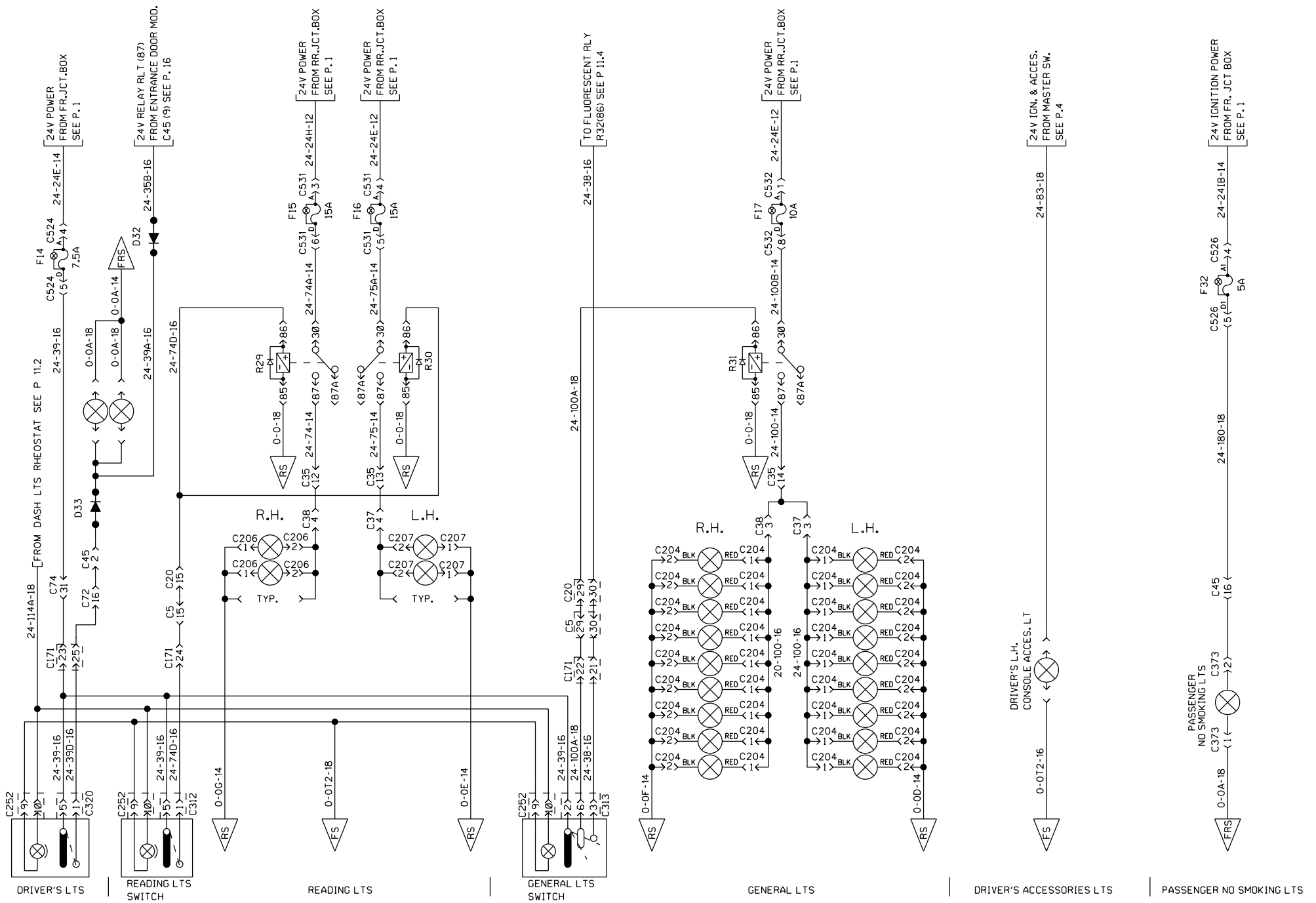
DASH LTS. RHEOSTAT



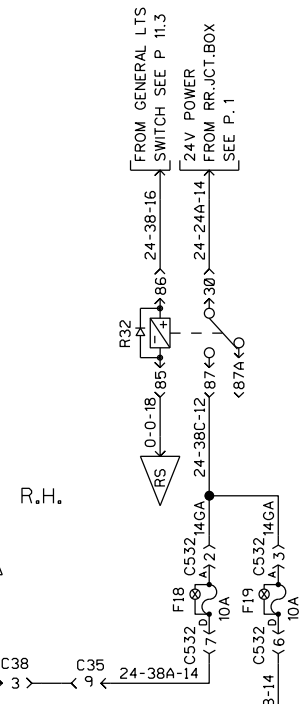
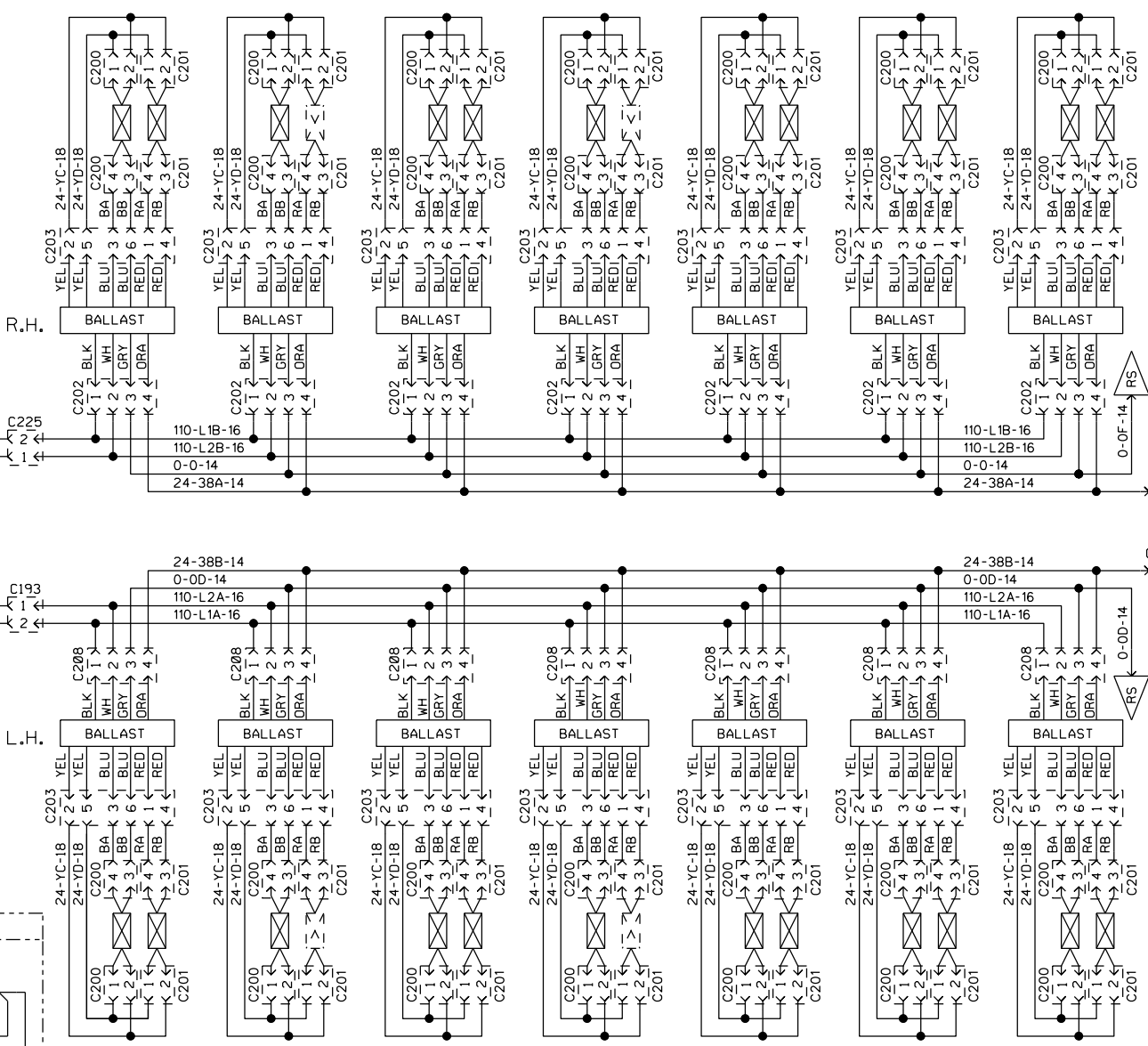
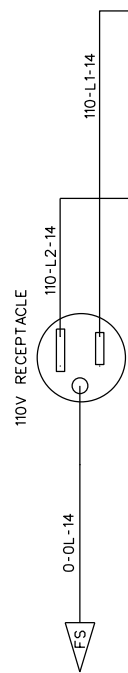
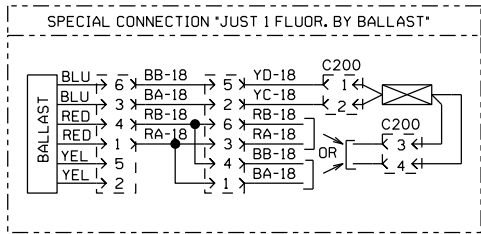
ENTRANCE DOOR SW. & LTS
INTERIOR LIGHTING

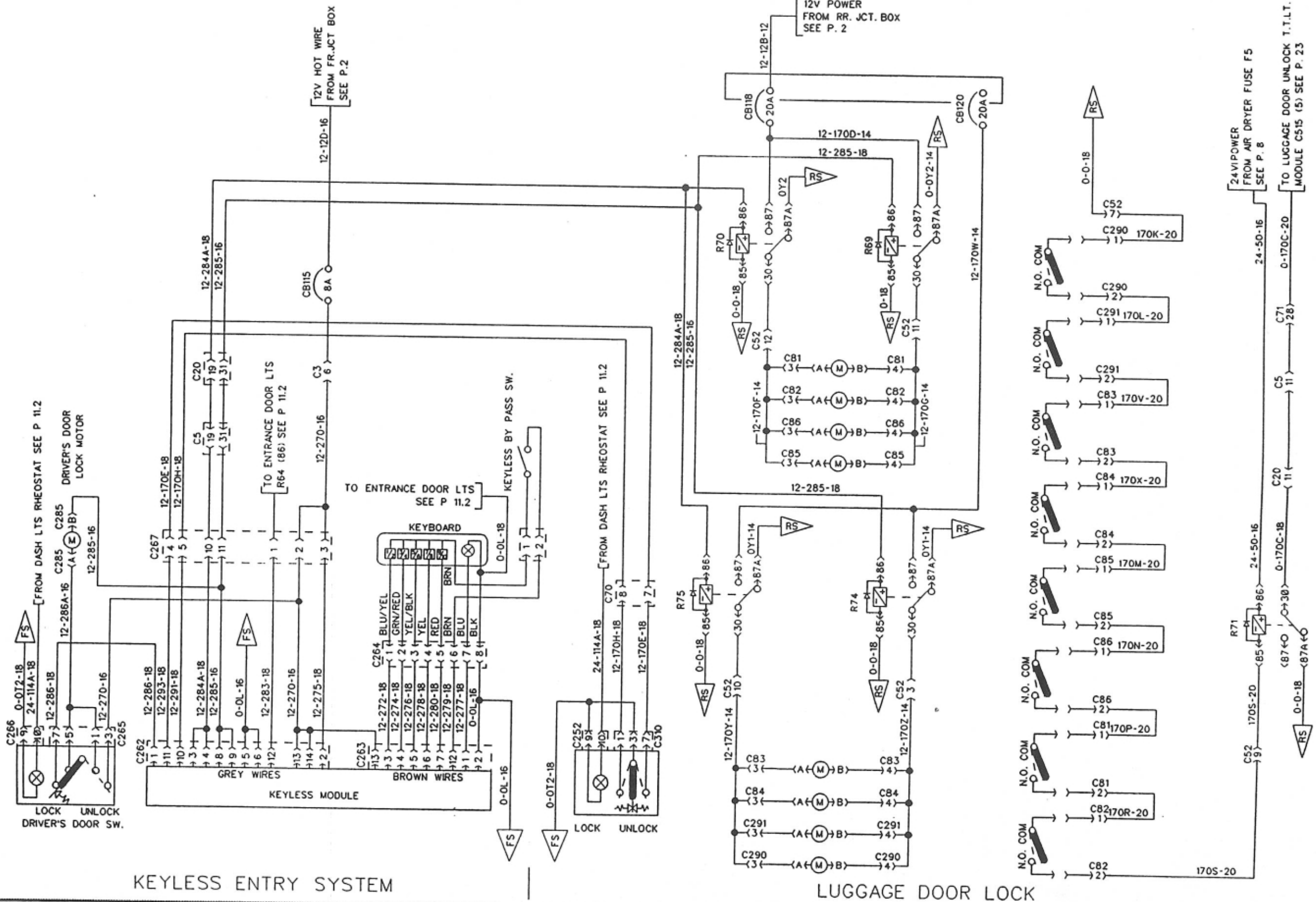


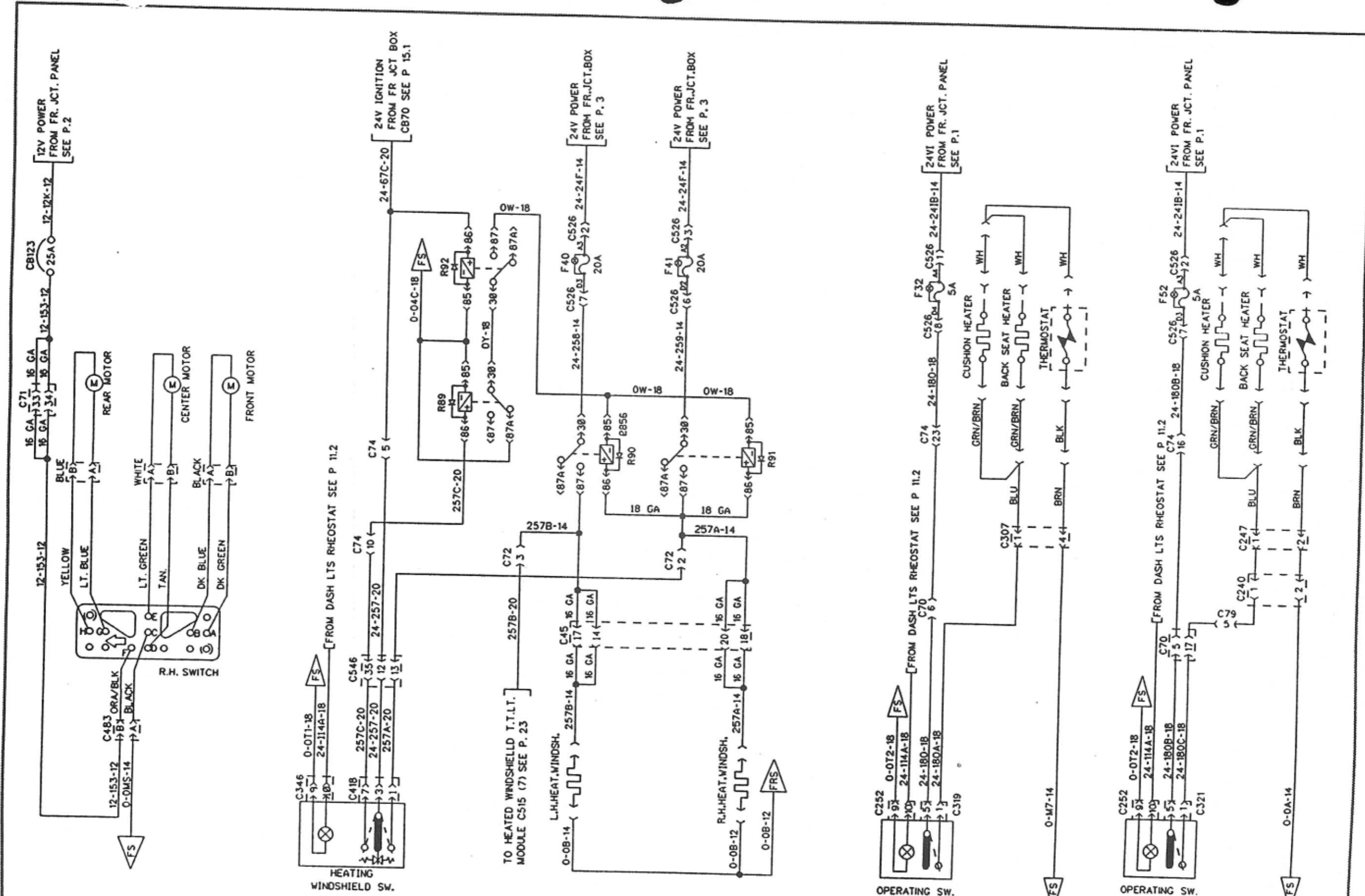
DASH LTS. RHEOSTAT



INTERIOR LIGHTING







DRIVER'S SEAT ELECT. ADJ. |

HEATED WINDSHIELD

| DRIVER'S SEAT HEATER | CO-PILOT SEAT HEATER

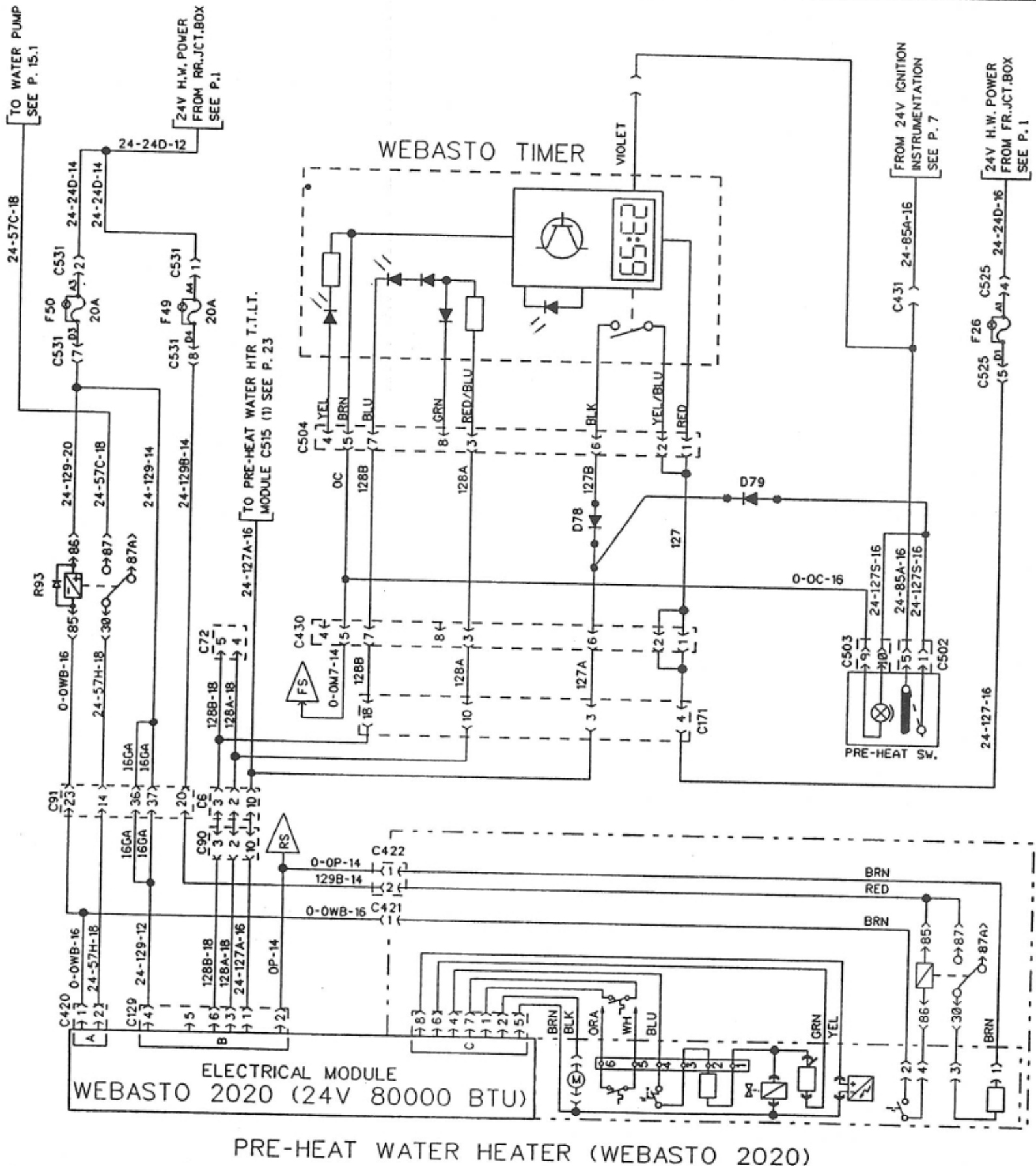
PREVOST

WIRING DIAGRAM

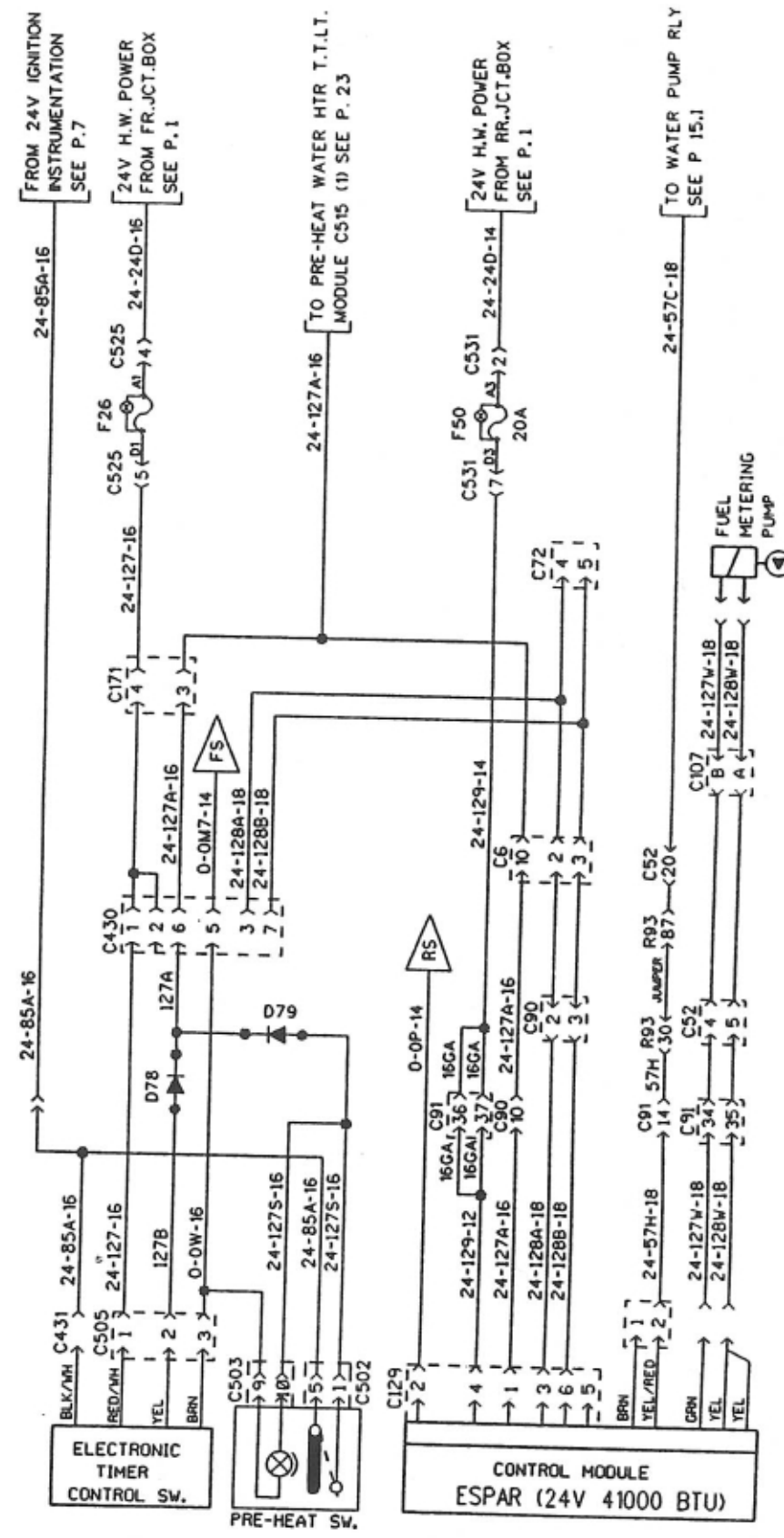
NO: **D060883**

PAGE: **13**

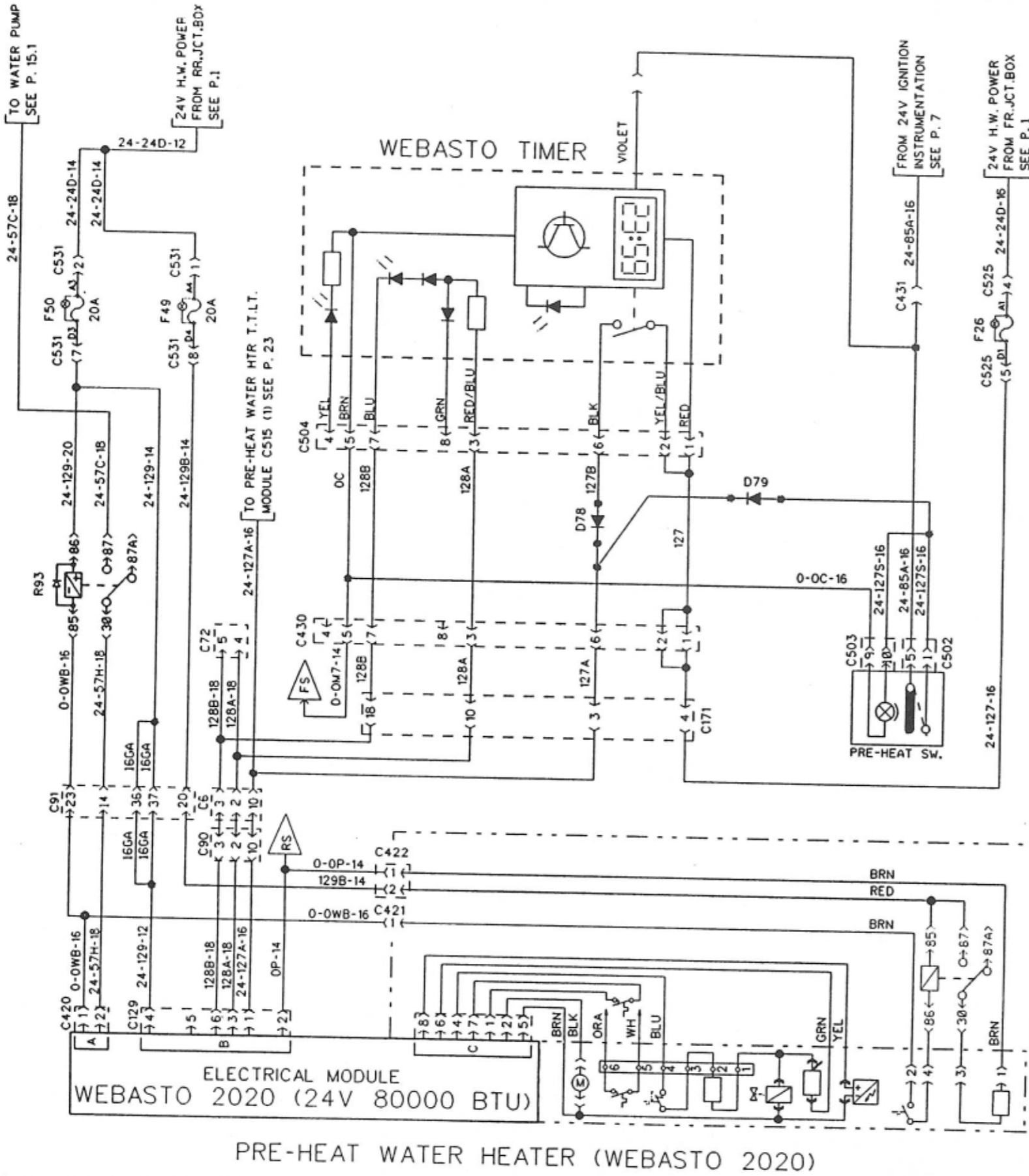
REVISION
00



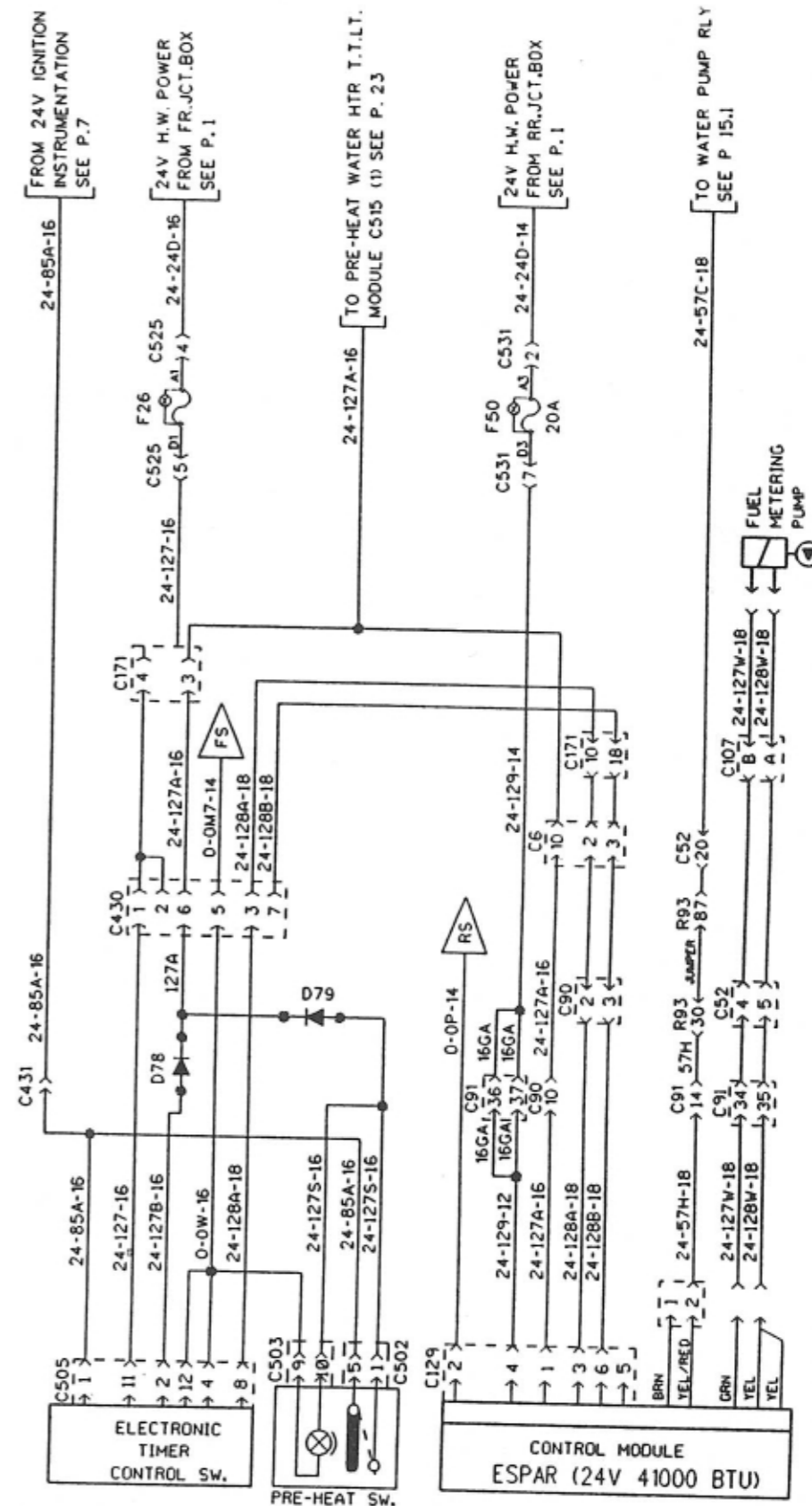
PRE-HEAT WATER HEATER (WEBASTO 2020)



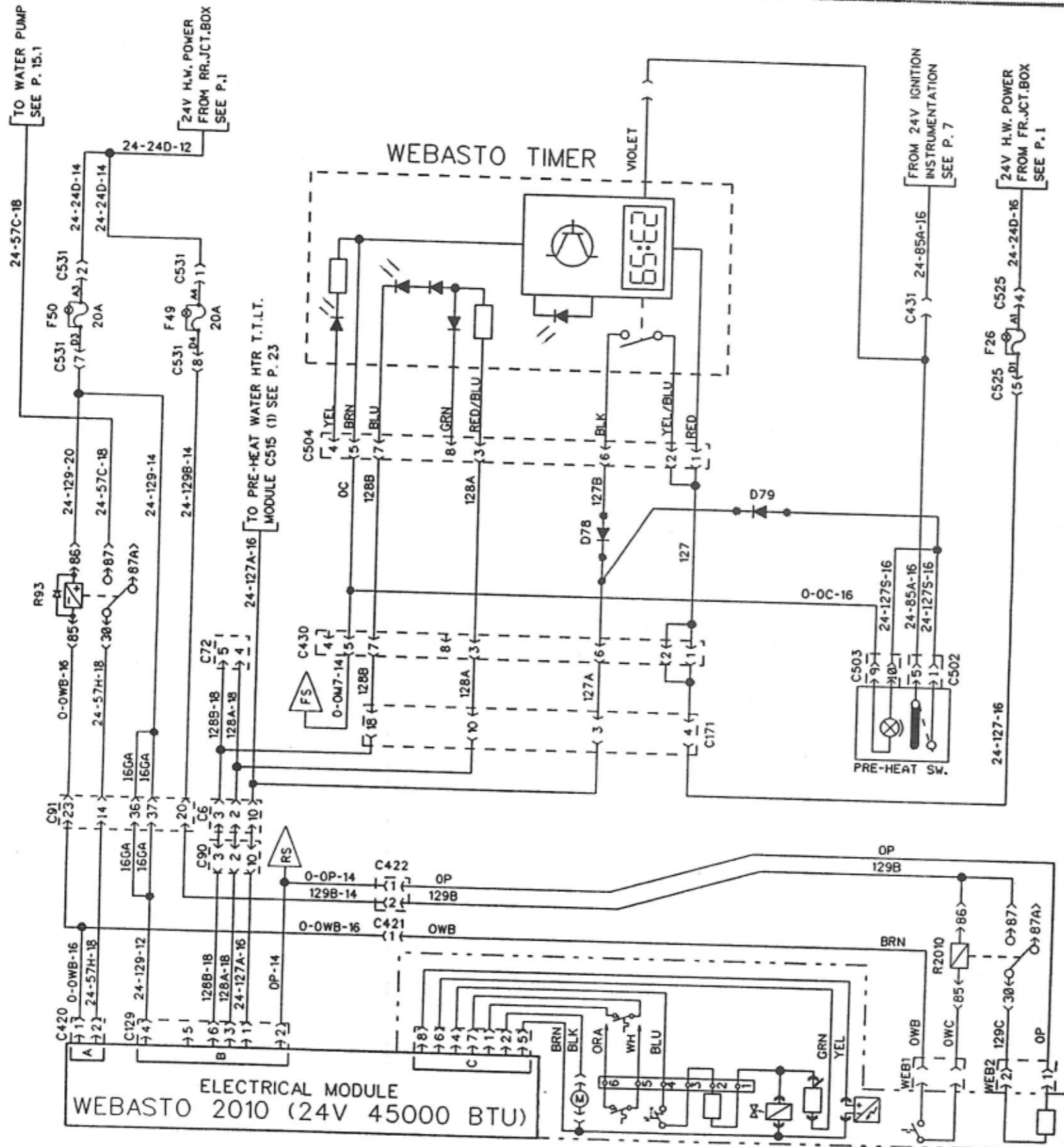
PRE-HEAT WATER HEATER (ESPAR)



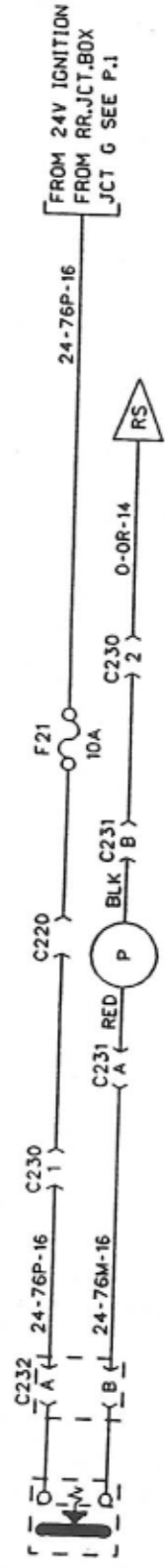
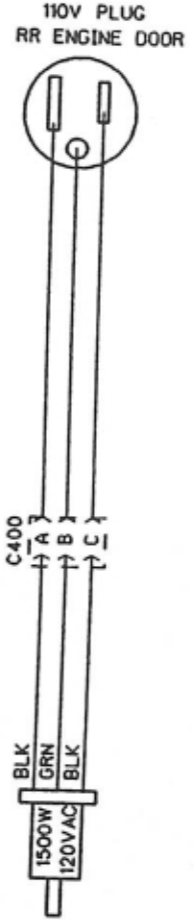
PRE-HEAT WATER HEATER (WEBASTO 2020)



PRE-HEAT WATER HEATER (ESPAR)

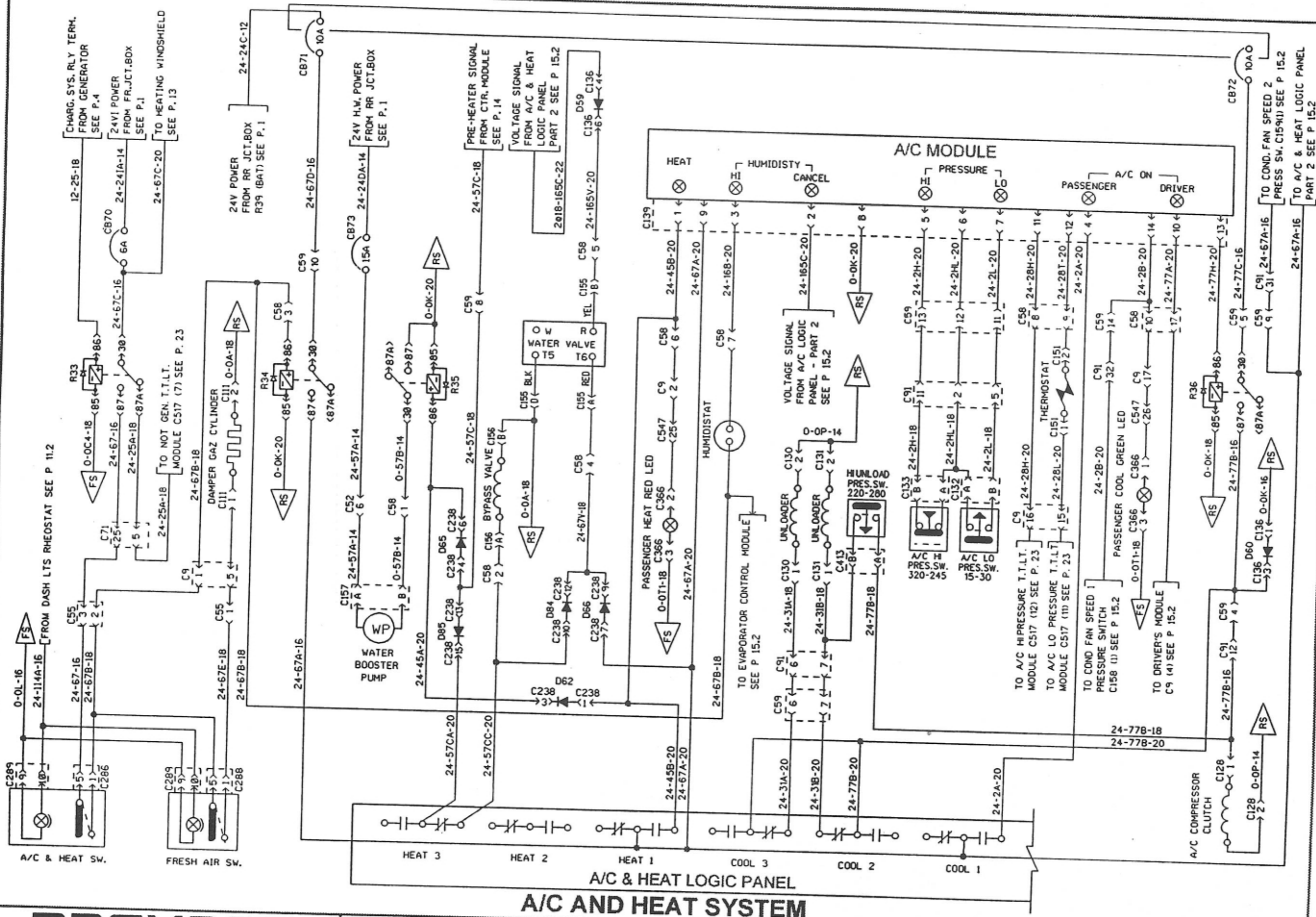


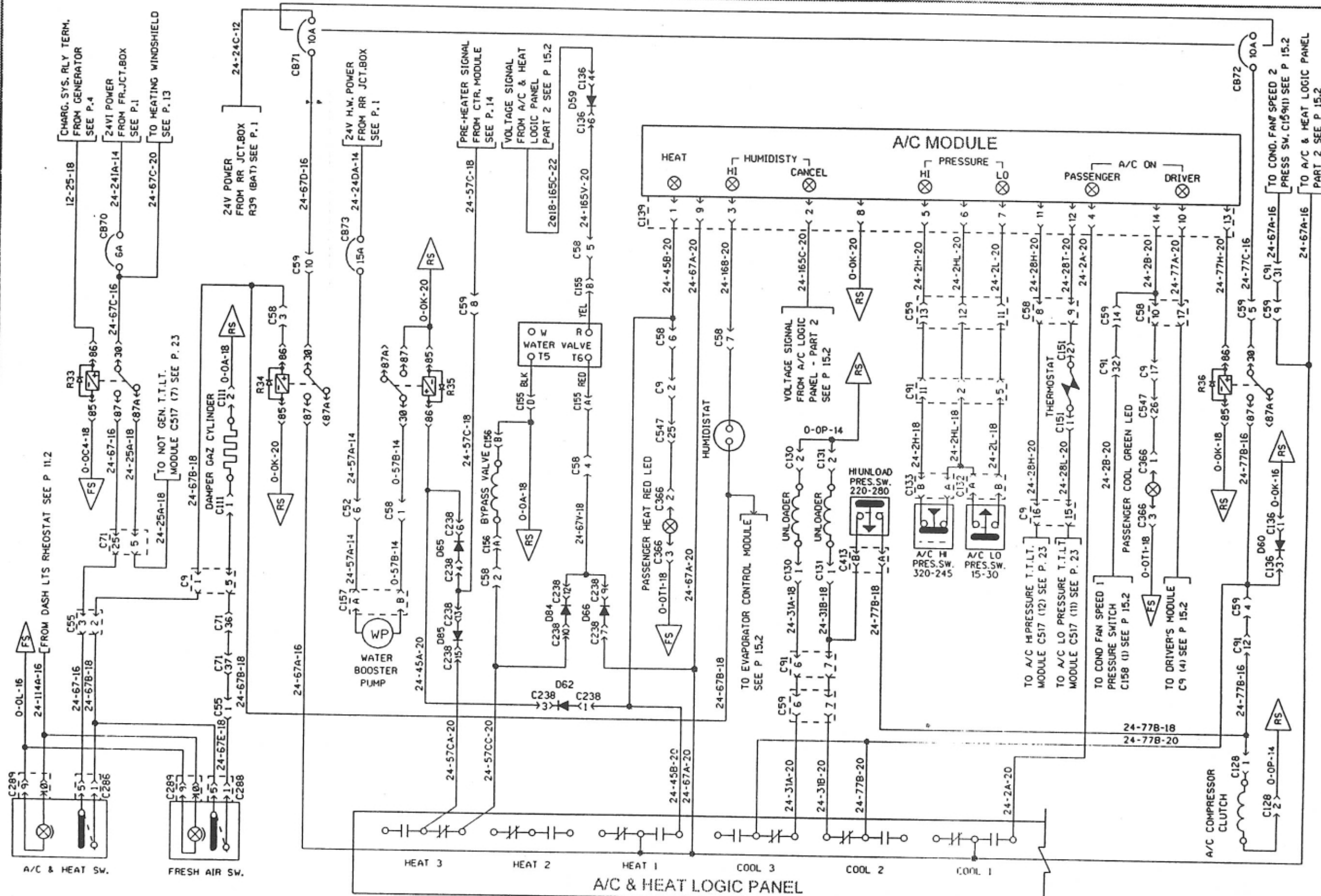
PRE-HEAT WATER HEATER (WEBASTO 2010)



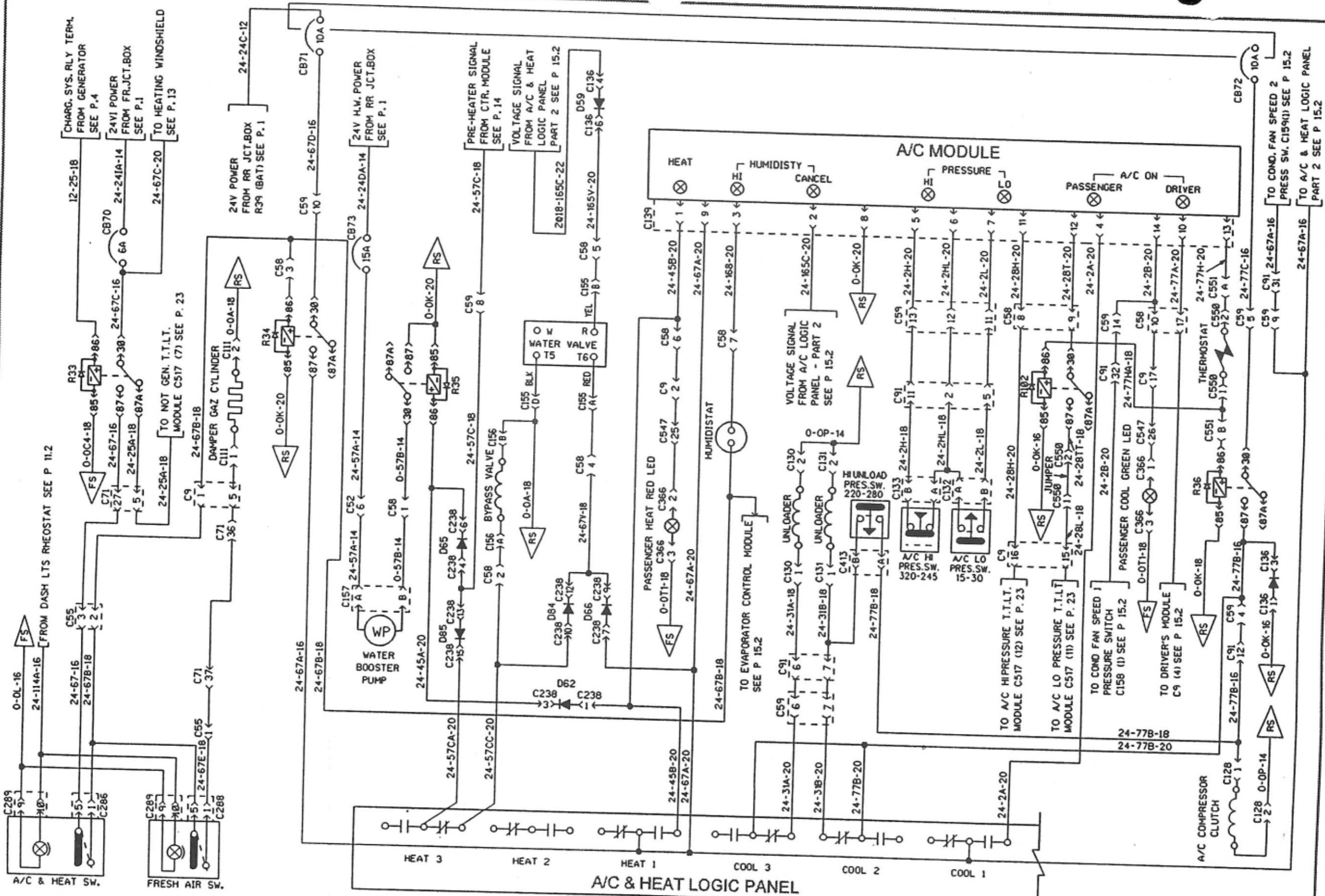
ENGINE BLOCK HEATER

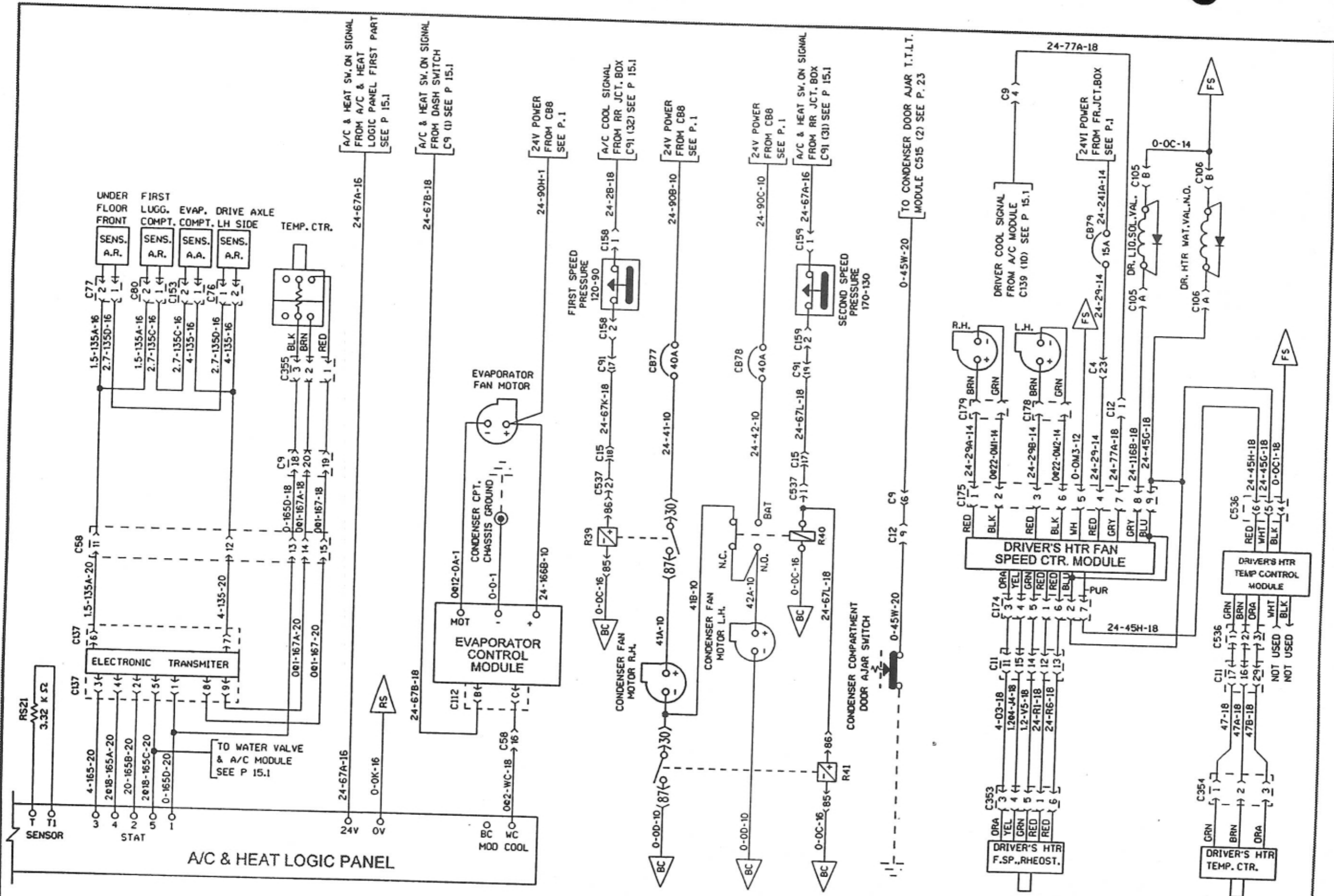
FUEL PRIME PUMP



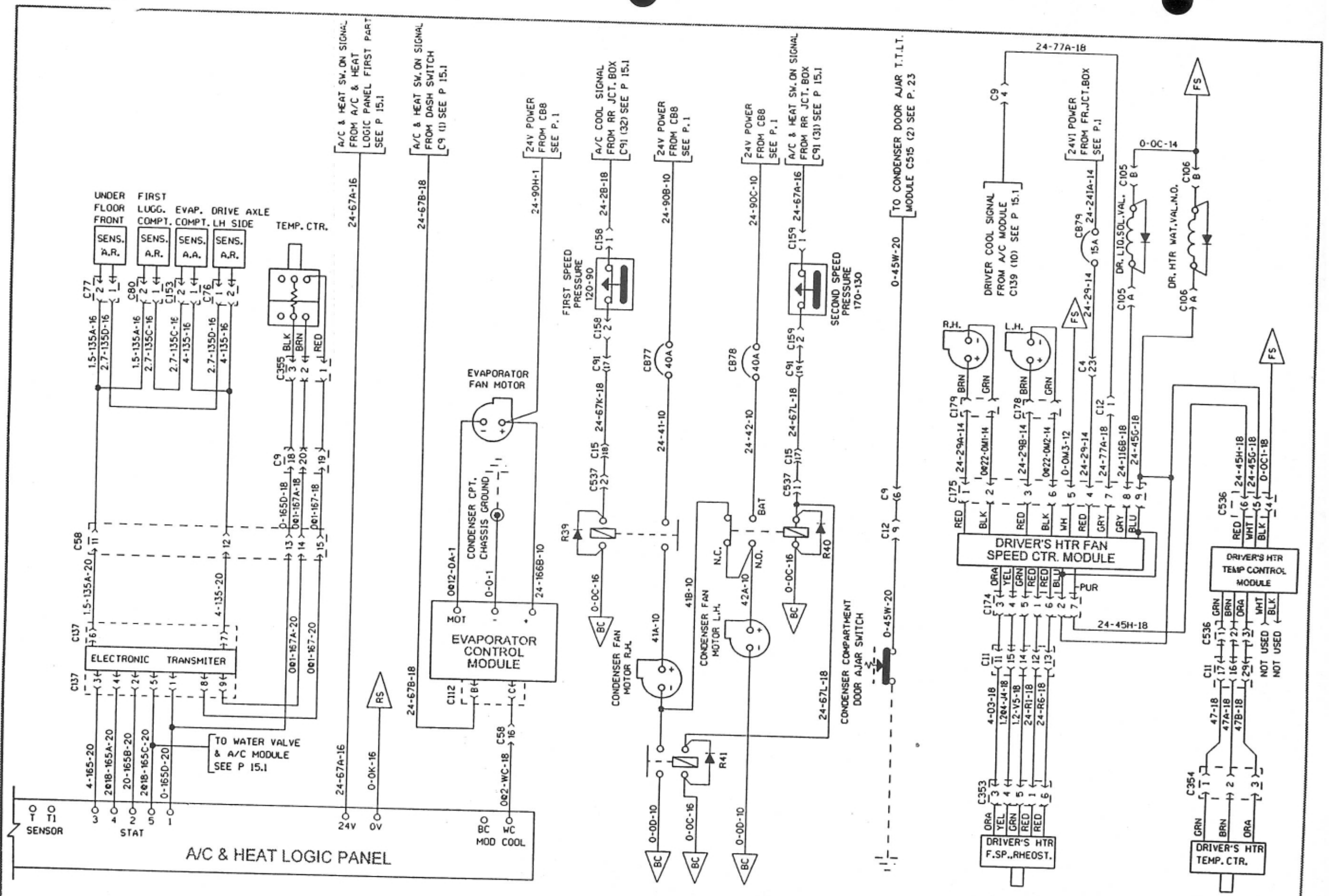


A/C AND HEAT SYSTEM

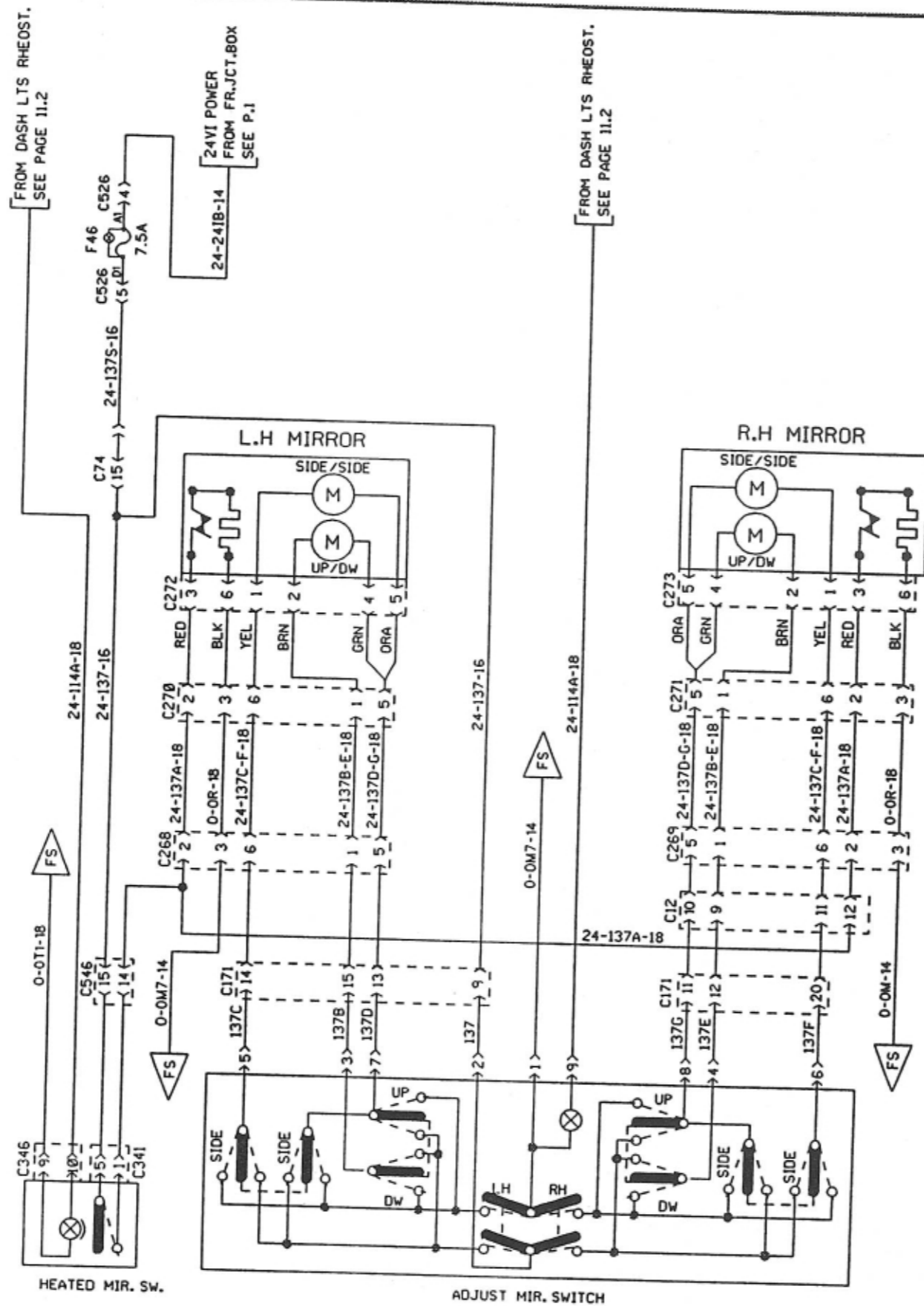




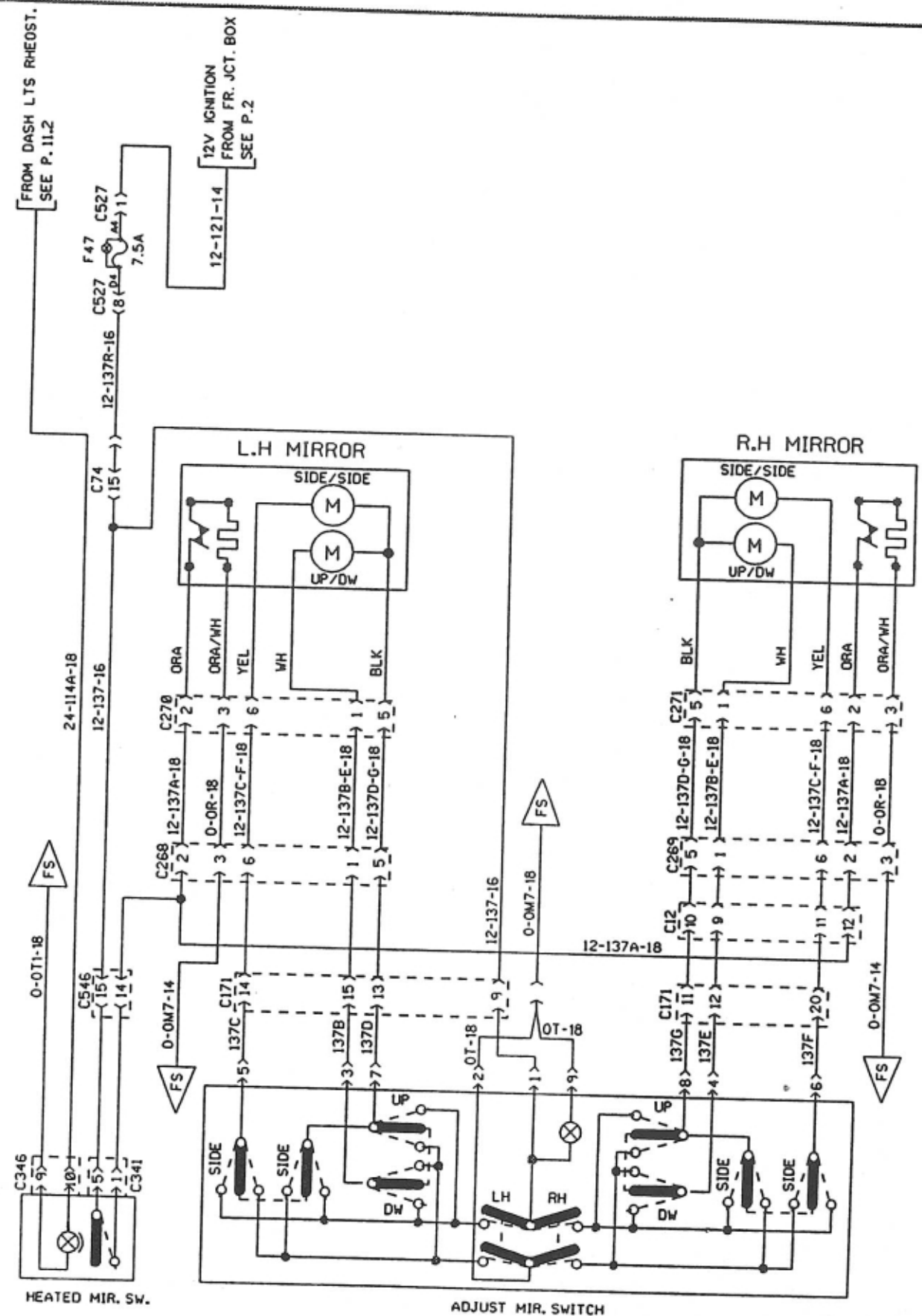
A/C AND HEAT SYSTEM



A/C AND HEAT SYSTEM



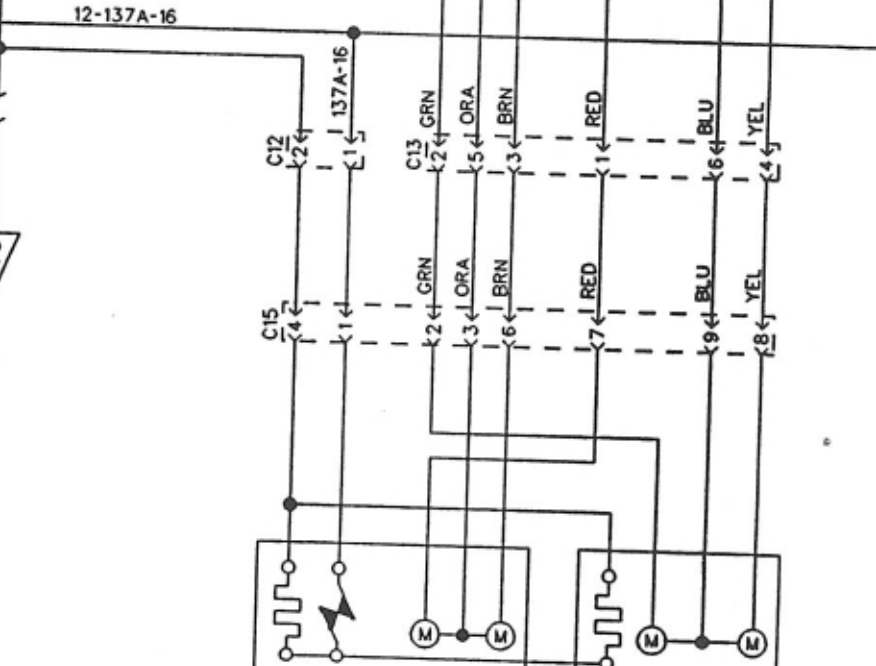
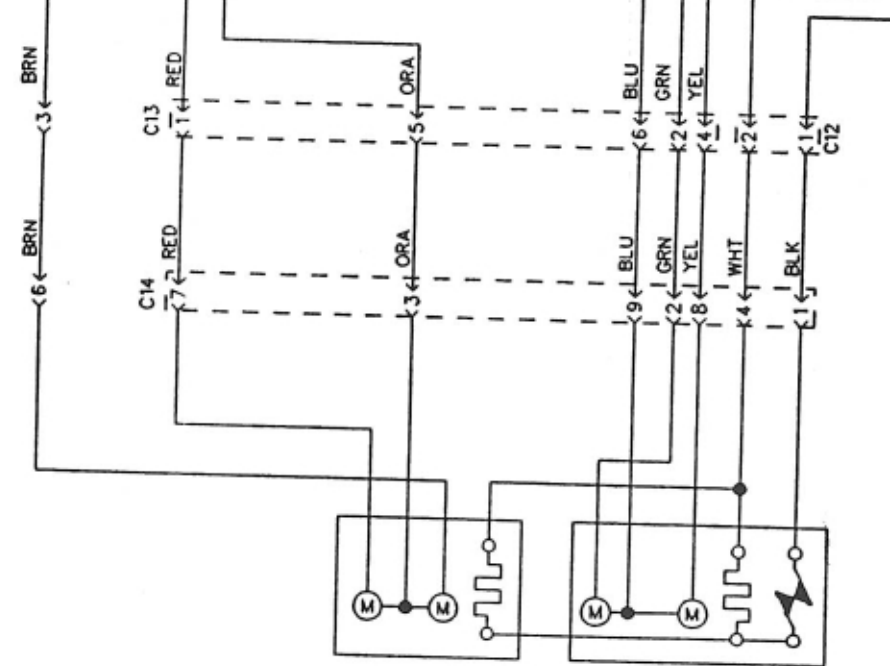
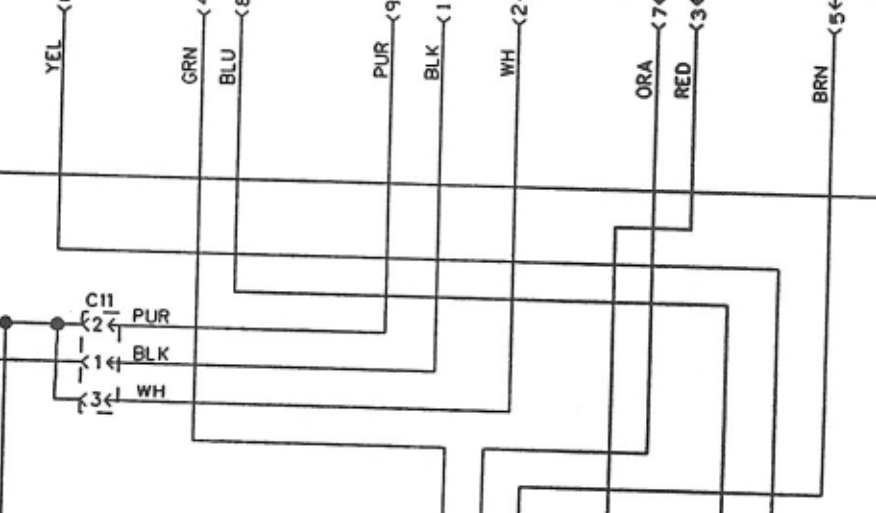
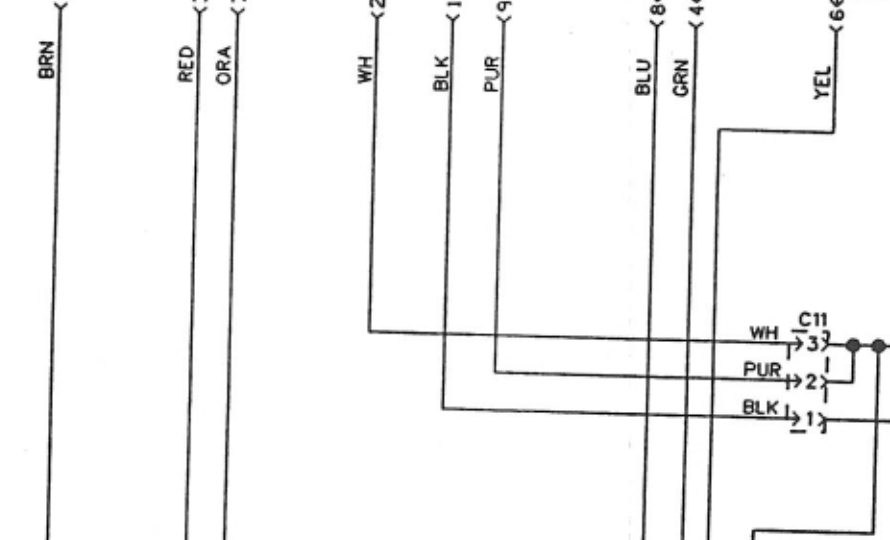
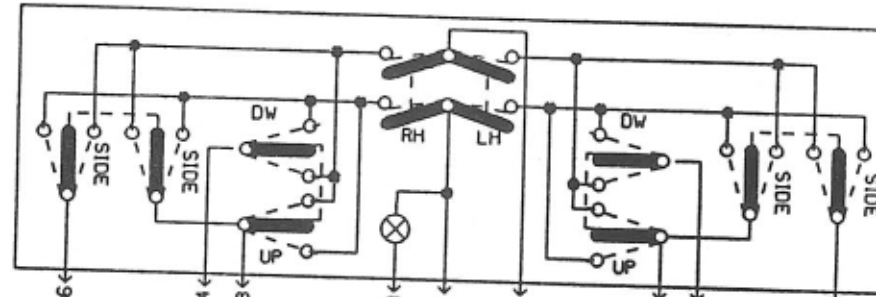
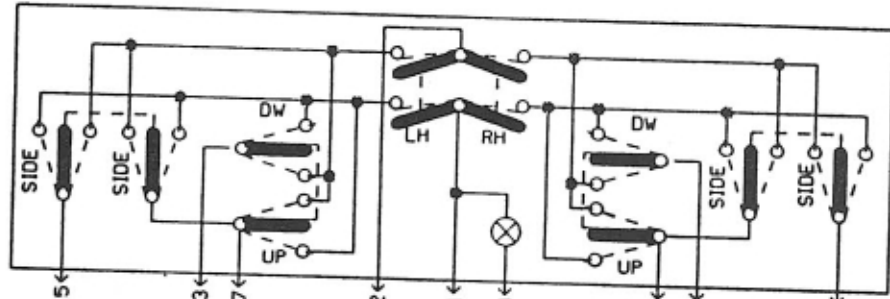
REAR VIEW MIRROR SPARTAN - 1 ADJUSTMENT SW. & 1 HEATED SW.



REAR VIEW MIRROR RAMCO FLAT - 1 ADJUSTMENT SW. & 1 HEATED SW.

ADJUST FLAT & CONVEX LH MIRROR SWITCH

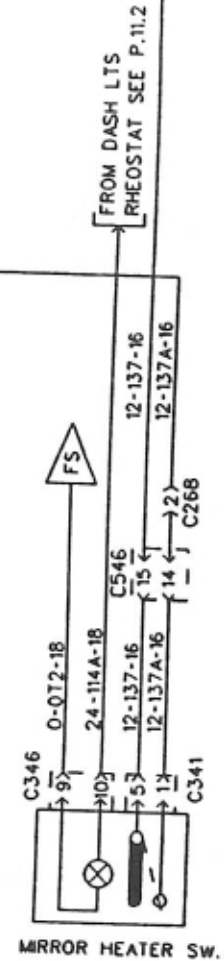
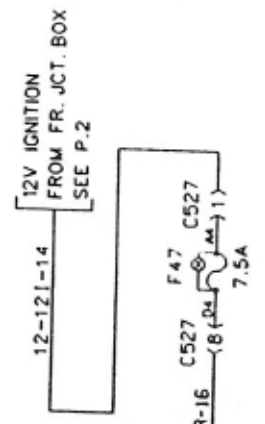
ADJUST FLAT & CONVEX RH MIRROR SWITCH



CONVEX MIRROR - L.H. - FLAT & HEATED MIRROR

FLAT MIRROR - R.H. - CONVEX MIRROR

REAR VIEW MIRROR RAMCO FLAT & CONVEX - 2 ADJUSTMENT SW. & 1 HEATED SW.



PREVOST

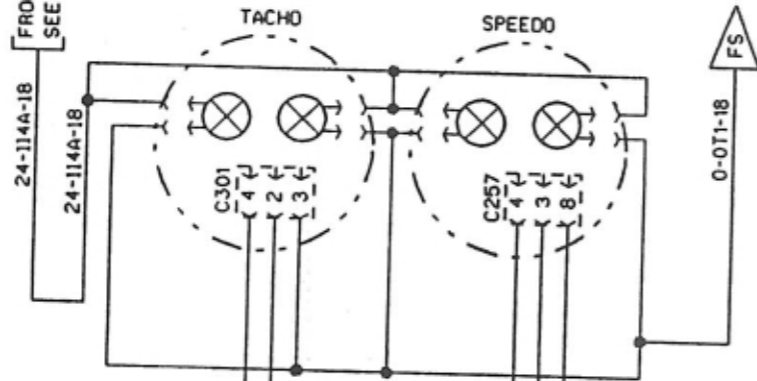
WIRING DIAGRAM

NO: D060883

PAGE: 16.3

REVISION 00

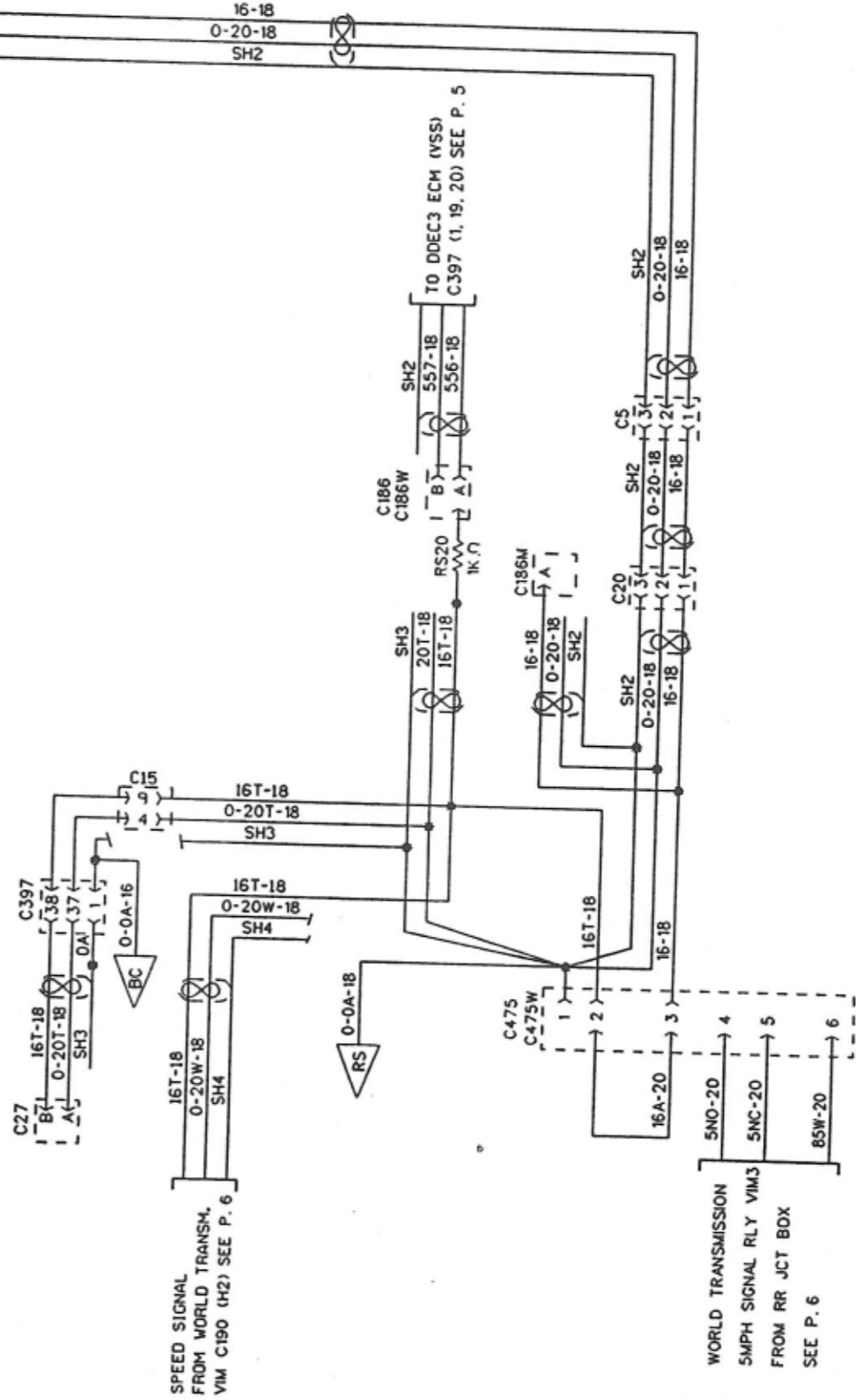
FROM DASH LTS RHEOST.
SEE P 11.2



RPM SIGNAL
FROM DDEC3 E.C.M.
SEE P. 5

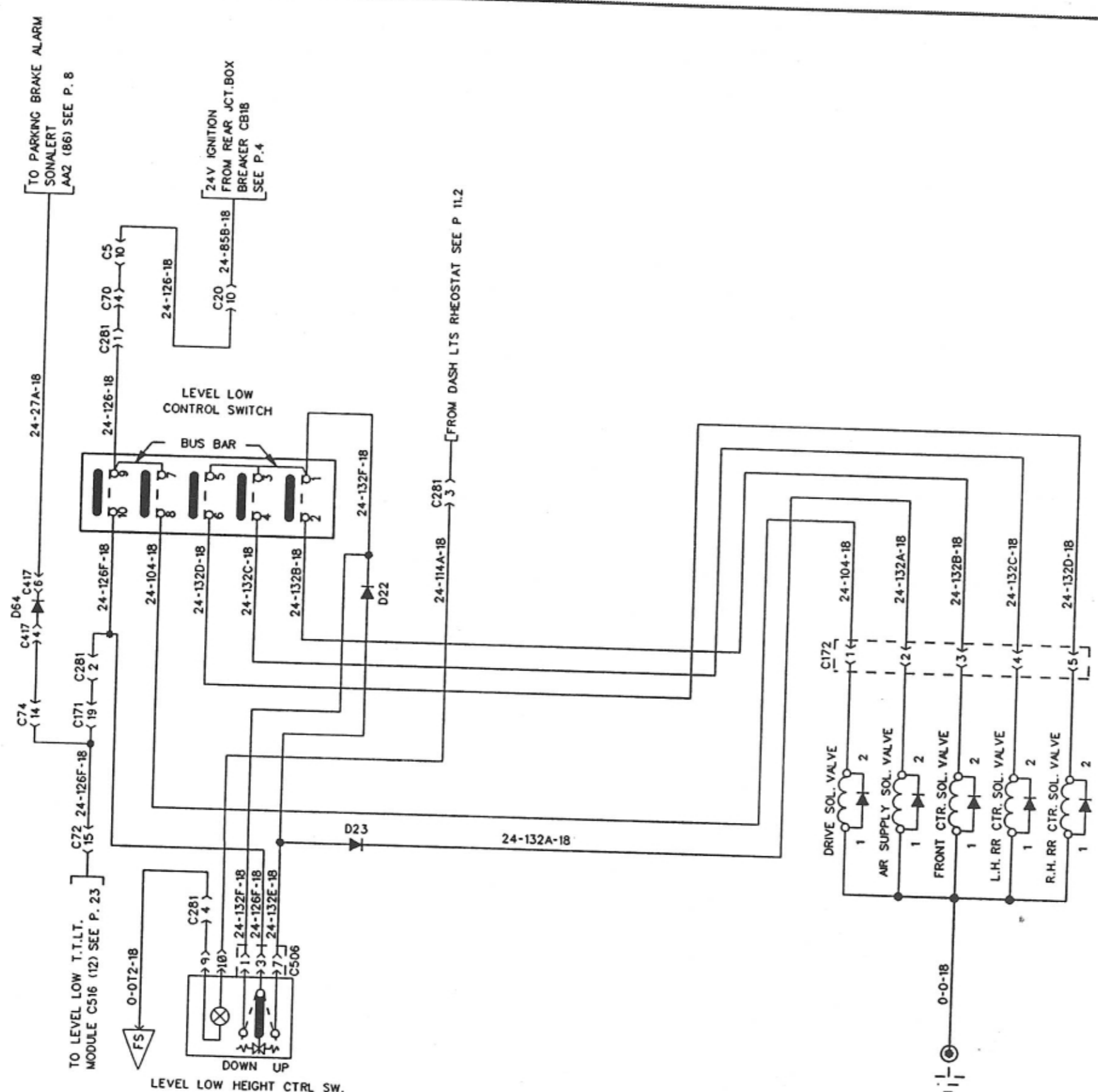
FROM CB28 (12V)
SEE P. 7

TACHO. & SPEEDO. -VDO



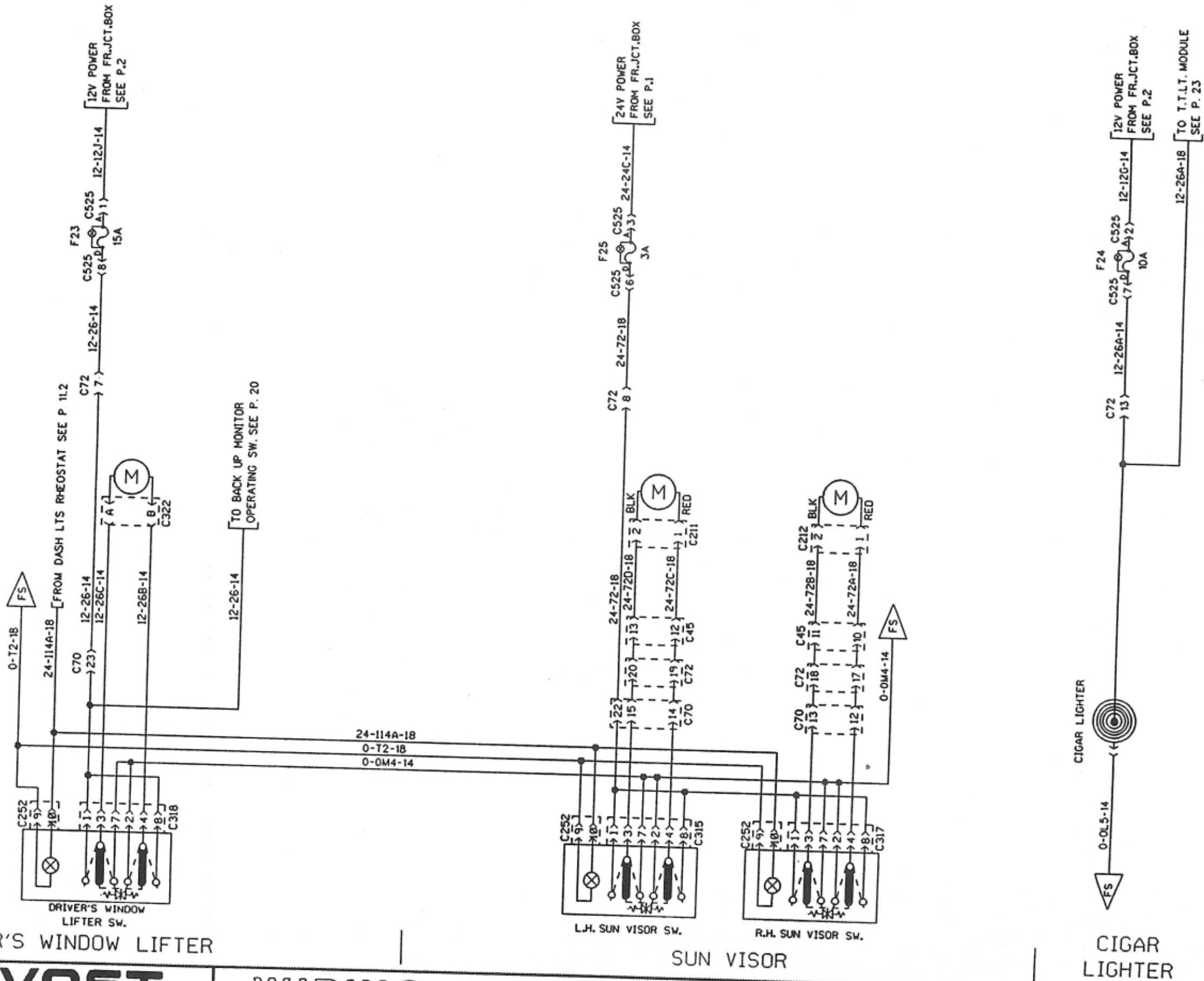
SPEED SIGNAL
FROM WORLD TRANSM.
VIM C190 (H2) SEE P. 6

WORLD TRANSMISSION
SMPL SIGNAL RLY VIM3
FROM RR JCT BOX
SEE P. 6



LEVEL - LOW CONTROL SWITCH			
DRIVE POSITION	FRONT	LEFT REAR	RIGHT REAR

LEVEL - LOW SYSTEM



PREVOST

WIRING DIAGRAM

NO:

D060883

PAGE:

19

REVISION
00

