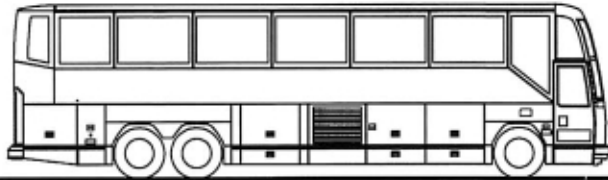


# WIRING DIAGRAM

## PREVOST

### H3-41 & H3-45 BUS



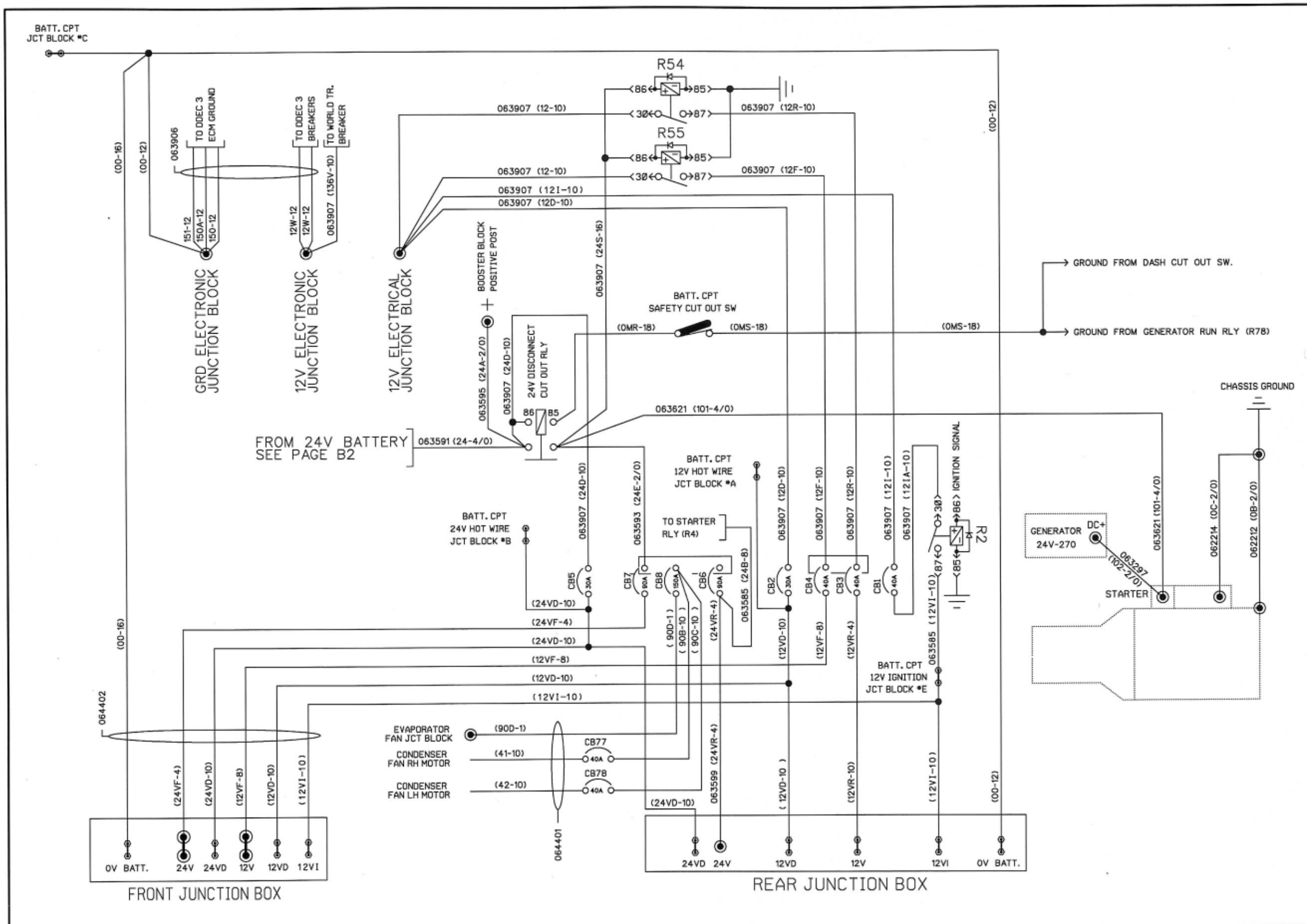
REFERENCE: <b>MODEL 97.5</b>	NO: <b>D060882</b>
------------------------------	--------------------

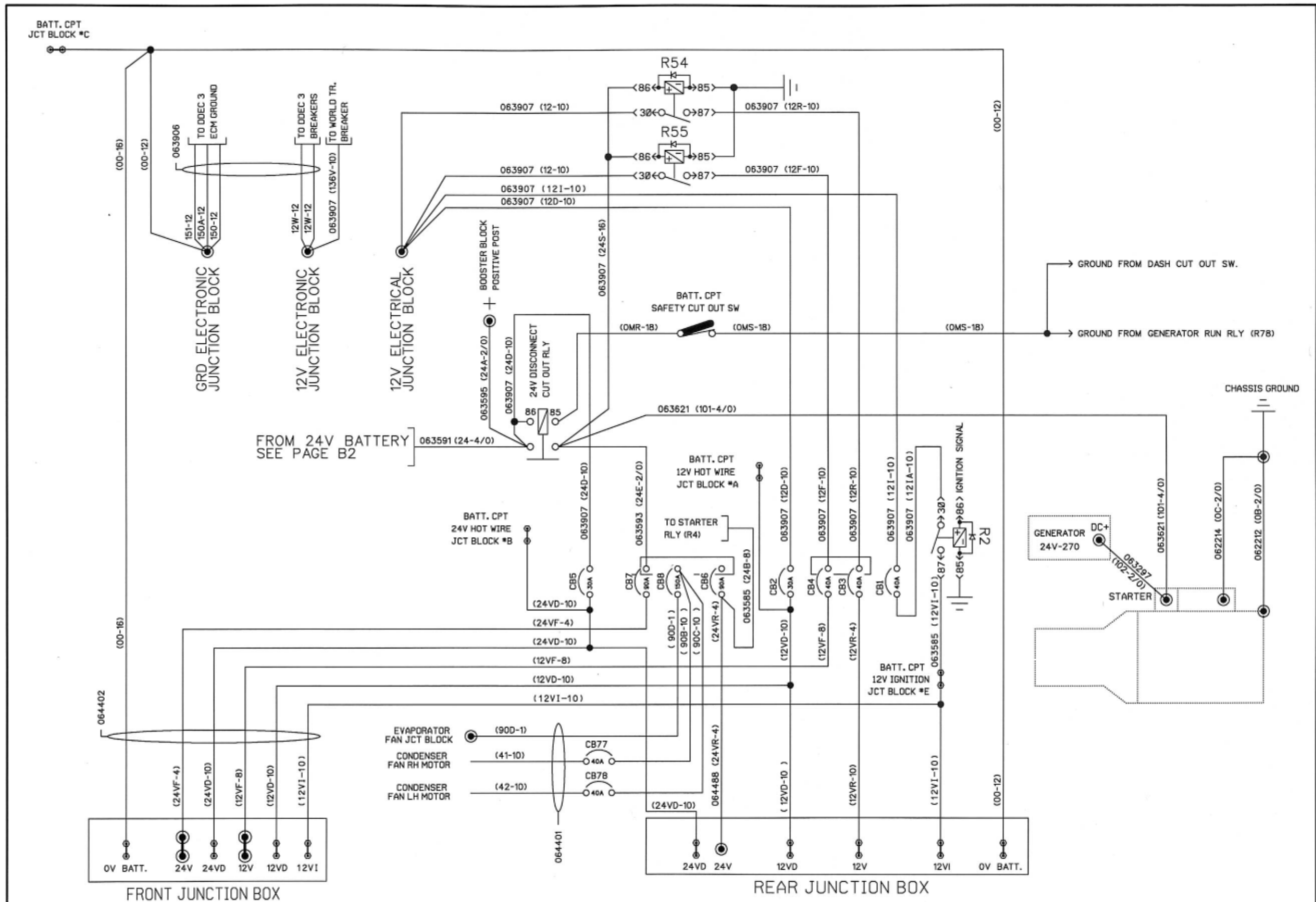
EFF. W/ OC# <b>96080</b>	PRIOR TO / OC#	DR. MARTIN LAFLAMME	DATE: 96-10-04
EFF. W/ VEH.# V1718, V1779 ...	PRIOR TO / VEH.#	CK. ROCH CHAMPAGNE	APPR. ROLAND LAPOINTE

REV.	DATE	DESCRIPTION	PAGE	BY	CK.	APPR.
01	97-01-08	UPDATE PAGES : H, L, 2, 7, 8, 11.1, 11.4, 26.1, 26.2, 28 & NEW PAGE 11.5	← SEE	MH		
02	97-02-05	ENTRANCE DOOR/DAMPER EFF. W/V1821 OC#97013	C, F, I, 13.1, 16	MH		
03	97-03-27	RELAY MAGNETIC & RESISTOR A/C EFF. W/V1718, V1779... OC#97033 ESPAR TIMER EFF. W/V1961 OC#97022 UPDATE PAGES : B1, C, G1, G2, G4, H, 4, 9.1, 9.3, 10, 13.1, 18, 19, 20.1, 26.2, 27	I, 13.2 26.1, G3	MH		
04	97-04-15	FRESH AIR THERMOSTAT EFF. W/V1847 OC#97015	← SEE	MH		
05	97-10-14	FRESH AIR THERMOSTAT ON COMPRESSEUR CLUTCH EFF. W/ W2204 OC#97135	C, 13.1	MH		
06	97-10-23	NEW VOLTAGE REGULATOR EFF. W/ W2218 OC#97104	C,G1,G2,G3,G4,I,13.1	R		
07	98-02	CUT OUT COMPRESSEUR WITH THERMOSTAT WB-98-07 EFF. V1779 A W2204	4	S.G.		
08	98-02	CUT OUT COMPRESSEUR WITH THERMOSTAT WB-98-07 EFF. W2205 A W2285	P 13.1			
09	98-03	KIT TO ADD NIGHT LIGHT IN LAVATORY OC 98034 AVAILABLE FOR V1779 AT W2284	P.17			
10	98-05	KIT TO ADD A LAVATORY FAN OC 98063 WB 98-21 EFF. V1779 TO W2284	P.23			
11	98-09	LIQ. SOL. VALVE ADDED ON PASSENGER A/C SYSTEM WB 98-33 EFF. V1779 TO W2204 UPDATE ENTRANCE DOOR	P13.1 P.16			
12	98-09	LIQ. SOL. VALVE ADDED ON PASSENGER A/C SYSTEM WB 98-33 EFF. W2205 TO W2284	P13.1			
13	00-04	KIT TO MODIFY PASSENGER FRESH AIR DAMPER OC #00061 EFF. W1779 TO W2204	P13.1			
14	00-04	KIT TO MODIFY PASSENGER FRESH AIR DAMPER OC #00061 EFF. W2205 TO W2284	P13.1			

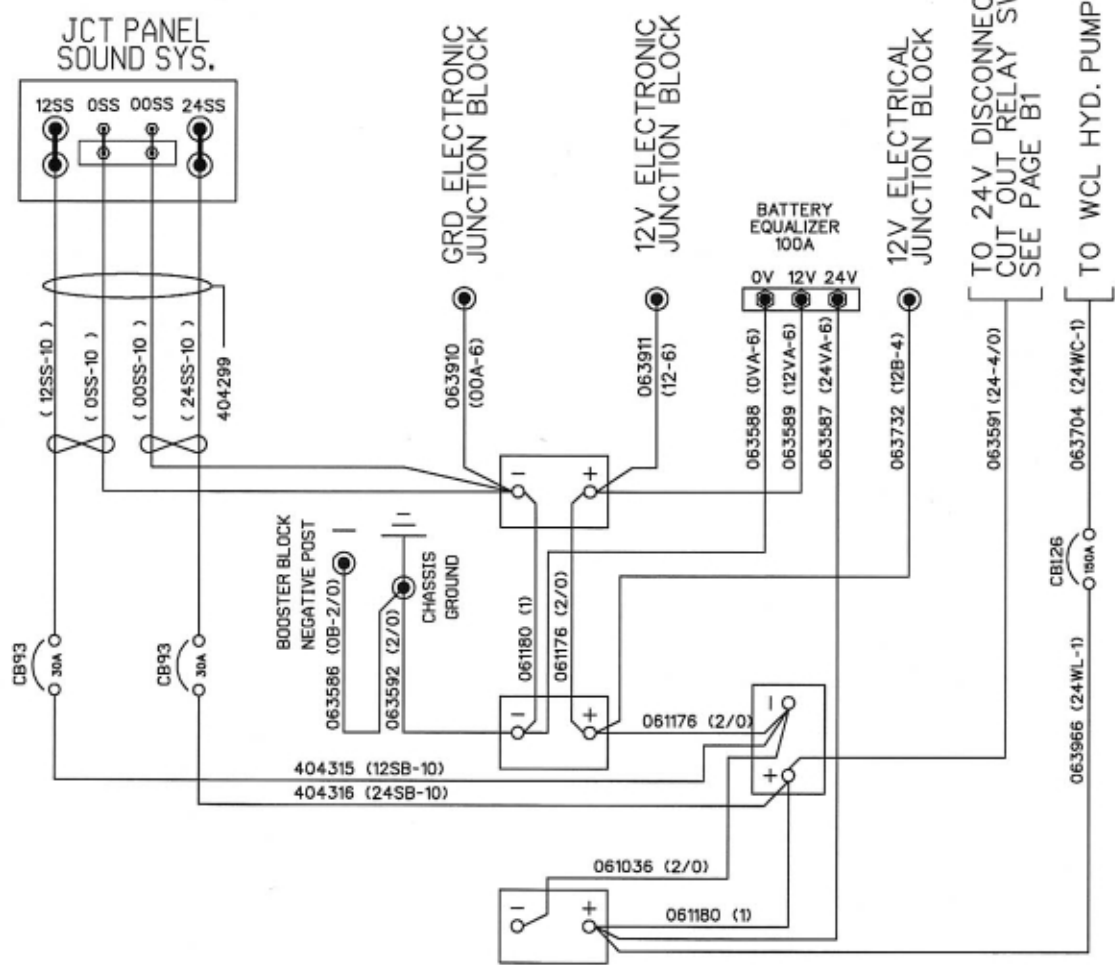




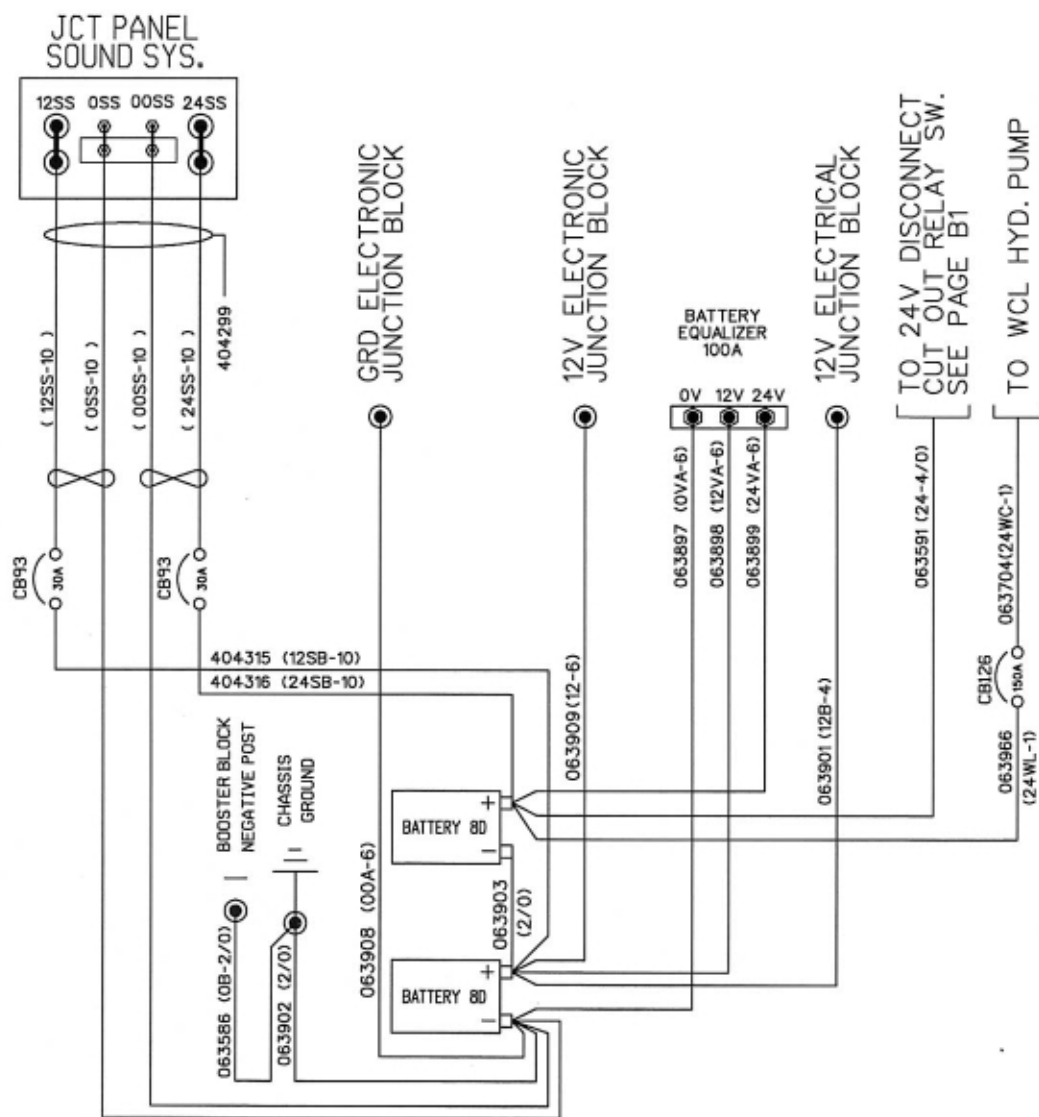




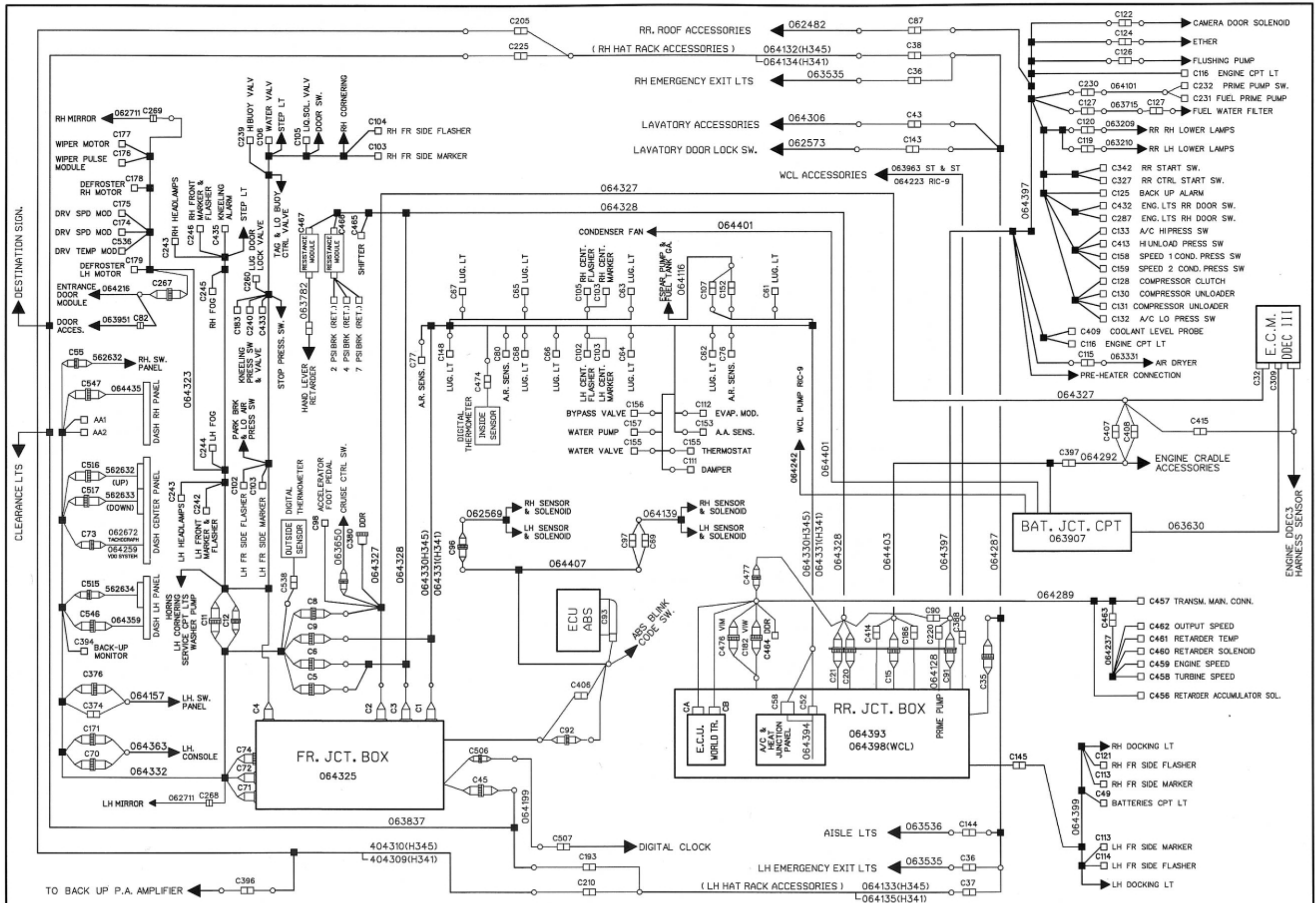




STANDARD BATTERIES



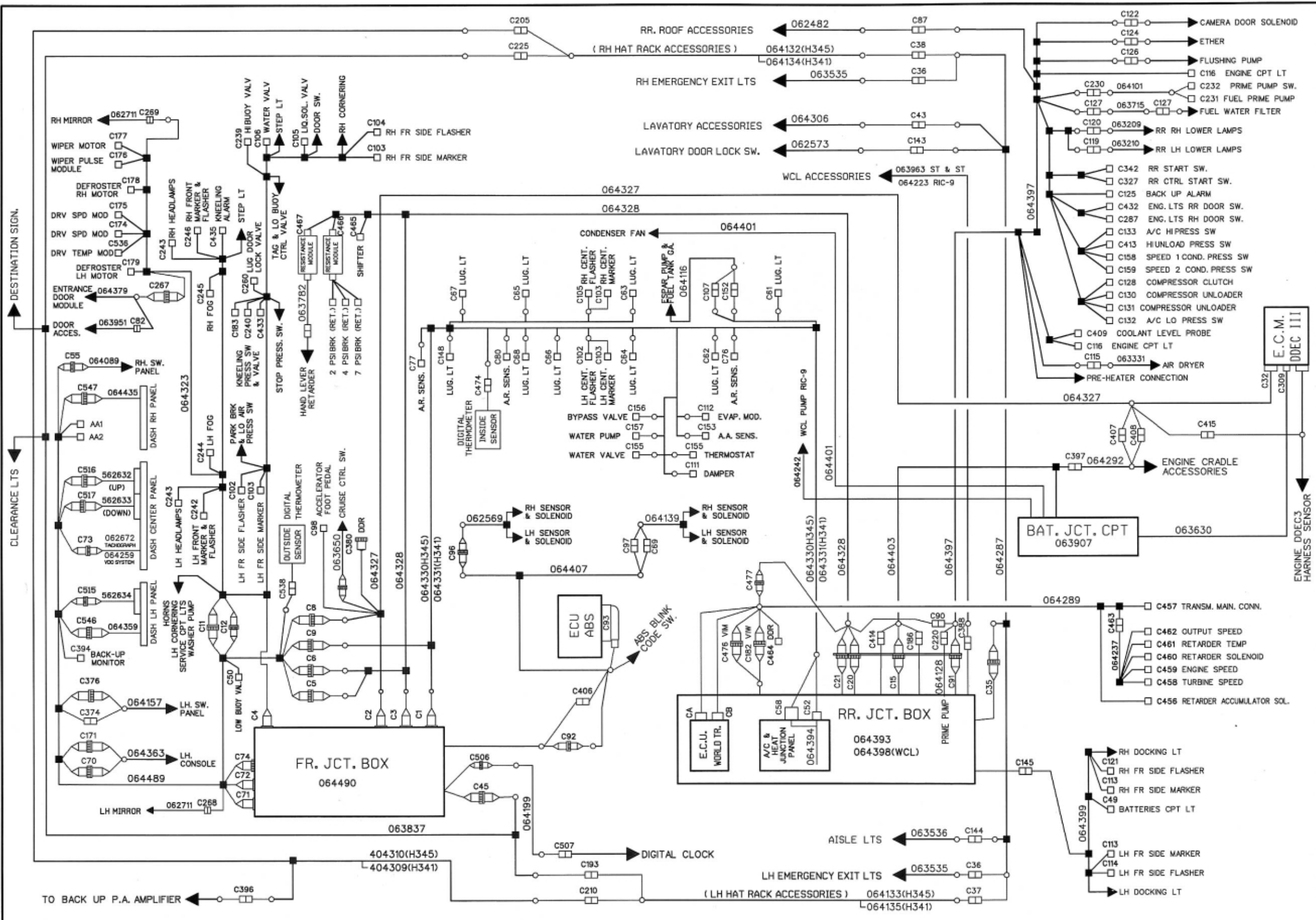
8D BATTERIES



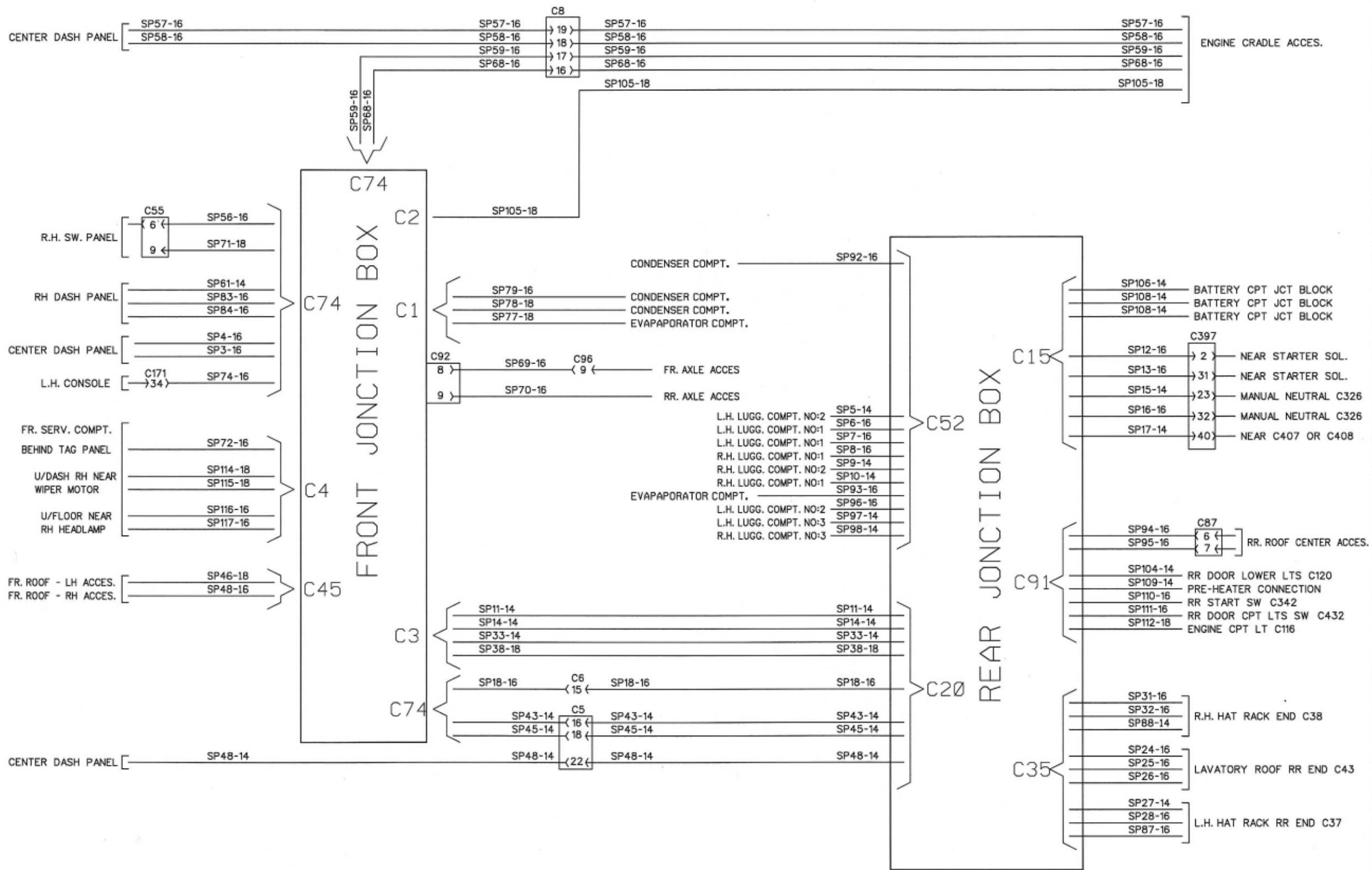












# CIRCUIT NUMBER CODE

No.	DESCRIPTION	No.	DESCRIPTION	No.	DESCRIPTION	No.	DESCRIPTION
B A	INTERIOR LTS-110V FLUORESCENT	S P 15	SPARE-RJB TO ENGINE	S P 115	SPARE-FJB TO U/DASH WIPER	0 M 4	FS - ELECTRICAL MOTOR GRD
B B	INTERIOR LTS-110V FLUORESCENT	S P 16	SPARE-RJB TO ENGINE	S P 116	SPARE-FJB TO U/DASH FLOOR	0 M 5	FS - ELECTRICAL MOTOR GRD
D 1	SOUND SYSTEM-FR RH SPEAKER	S P 17	SPARE-RJB TO ENGINE	S P 117	SPARE-FJB TO U/DASH FLOOR	0 M 6	FS - FJB GRD
D 2	SOUND SYSTEM-FR RH SPEAKER	S P 18	SPARE-FJB TO RJB	W C	A/C & HEAT SYST-EVAP CTR SIGN	0 M 7	FS - ELECTRICAL MOTOR GRD
D 3	SOUND SYSTEM-RR RH SPEAKER	S P 24	SPARE-RJB TO LAVATORY ROOF	Y C	INTERIOR LTS-110V FLUORESCENT	0 M	RS - ENGINE CPT ACCES. GRD
D 4	SOUND SYSTEM-RR RH SPEAKER	S P 25	SPARE-RJB TO LAVATORY ROOF	Y D	INTERIOR LTS-110V FLUORESCENT	0 M R	24V DISC. SW. RLY GRD SIGNAL
D 5	SOUND SYSTEM-RR RH SPEAKER	S P 26	SPARE-RJB TO LAVATORY ROOF	0	BC - BAT. CPT CHASSIS GRD	0 M S	24V DISC. SW. RLY GRD SIGNAL
D 6	SOUND SYSTEM-RR RH SPEAKER	S P 27	SPARE-RJB TO LH HAT RACK	0	CONDENSER CPT GRD	0 N	RS - ENGINE CPT ACCES. GRD
D 7	SOUND SYSTEM-RR RH SPEAKER	S P 28	SPARE-RJB TO LH HAT RACK	0	RS - RR JCT BOX RLY GRD	0 P	RS - ENGINE CPT ACCES. GRD
D 8	SOUND SYSTEM-RR RH SPEAKER	S P 31	SPARE-RJB TO RH HAT RACK	0	GALLEY GRD	0 R	FS - SOUND SYS. JCT PANEL GRD
D 3 4	SOUND SYSTEM-RR RH SPEAKER	S P 32	SPARE-RJB TO RH HAT RACK	0 A	BC - SHIELD GRD	0 R	RS - RJB GRD
D 6 7	SOUND SYSTEM-RR RH SPEAKER	S P 33	SPARE-FJB TO RJB	0 A	RS - RR JCT BOX RLY GRD	0 R	RS - ENGINE CPT ACCES. GRD
G 1	SOUND SYSTEM-RR RH SPEAKER	S P 38	SPARE-FJB TO RJB	0 A	FRS - FR ROOF ACCES. GRD	0 R E	RADIO & CTRL HEAD CHASSIS GRD
G 2	SOUND SYSTEM-FR LH SPEAKER	S P 43	SPARE-FJB TO RJB	0 A	RS - LUG. CPT ACCES. GRD	0 R H	RS - RR END LAMPS RH GRD
G 3	SOUND SYSTEM-FR LH SPEAKER	S P 45	SPARE-FJB TO RJB	0 A A	RS - VOLTAGE REGULATOR GRD	0 S 2	SOUND SYSTEM RADIO GRD
G 4	SOUND SYSTEM-RR LH SPEAKER	S P 46	SPARE-RJB TO LH FR ROOF	0 B	EC - ENGINE GRD	0 S 3	SOUND SYSTEM VIDEO GRD
G 5	SOUND SYSTEM-RR LH SPEAKER	S P 48	SPARE-RJB TO DASH CENTER PANEL	0 B	FRS - FR ROOF HEAT WIND GRD	0 S S	SOUNDS SYSTEM BATT. GRD
G 6	SOUND SYSTEM-RR LH SPEAKER	S P 56	SPARE-ENGINE TO RH SW PANEL	0 B	RS - LUG. CPT ACCES. GRD	0 T	FS - DASH ACCES. GRD
G 7	SOUND SYSTEM-RR LH SPEAKER	S P 57	SPARE-DASH CENTER PANEL TO ENG.	0 B E	RJB - BAT. EQUAL. BAT GRD	0 T 1	FS - DASH ACCES. GRD
G 8	SOUND SYSTEM-RR LH SPEAKER	S P 58	SPARE-DASH CENTER PANEL TO ENG.	0 C	EC - STARTER MOTOR GRD	0 T 2	FS - DASH ACCES. GRD
G 3 4	SOUND SYSTEM-RR LH SPEAKER	S P 59	SPARE-FJB TO ENGINE	0 C	FS - SERV. CPT ACCES. GRD	0 T 3	FS - DASH ACCES. GRD
G 6 7	SOUND SYSTEM-RR LH SPEAKER	S P 61	SPARE-FJB TO DASH RH PANEL	0 C	BC - FAN CONDENSER GRD	0 T 4	FS - DASH ACCES. GRD
L 1 A	INTERIOR LTS-110V FLUORESCENT	S P 68	SPARE-FJB TO ENGINE	0 C R	24V DISC. SW. RLY GRD SIGNAL	0 V	RR JCT BOX CPT GRD STUD
L 1 B	INTERIOR LTS-110V FLUORESCENT	S P 69	SPARE-FJB TO FR AXLE	0 C S	24V DISC. SW. RLY GRD SIGNAL	0 V A	BATTERY TO EQUALISER 0V
L 2 A	INTERIOR LTS-110V FLUORESCENT	S P 70	SPARE-FJB TO FR AXLE	0 C 1	FS - SERV. CPT ACCES. GRD	0 W	FS - HEATED WINDSHIELD
L 2 B	INTERIOR LTS-110V FLUORESCENT	S P 71	SPARE-FJB TO RH SW PANEL	0 C 2	FS - SERV. CPT ACCES. GRD	0 W	RS - RR JCT BOX (WCL) GRD
L 8	ENG. BLK & WATER TANK-HEATER	S P 72	SPARE-FJB TO FR SERV CPT	0 C 3	FS - SERV. CPT ACCES. GRD	0 W C	RS - RR JCT BOX GRD (WCL)
L 9	ENG. BLK & WATER TANK-HEATER	S P 7 4	SPARE-FJB TO LH CONSOLE	0 D	BC - FAN CONDENSER GRD	0 X	RS - RR JCT BOX GRD
L 0	110V RECEPTACLE- 110V FLUOR.	S P 77	SPARE-FJB TO EVAPORATOR CPT	0 D	RS - HAT RACK ACCES. LH GRD	0 Y	ABS FR JCT BOX CPT GRD STUD
L 1	110V RECEPTACLE- 110V FLUOR.	S P 7 8	SPARE-FJB TO CONDENSER CPT	0 D F	RS - RR SIDE FLASH & MARK GRD	0 Y	RR JCT BOX GRD
L 2	110V RECEPTACLE- 110V FLUOR.	S P 7 9	SPARE-FJB TO CONDENSER CPT	0 D R	RS - RJB DOCKING LT RESISTORS	0 Y 1	ABS FR JCT BOX CPT GRD STUD
R A	INTERIOR LTS-110V FLUORESCENT	S P 8 7	SPARE-RJB TO LH HAT RACK	0 E	RS - HAT RACK ACCES. LH GRD	0 Z	RR JCT BOX CPT GRD STUD
R B	INTERIOR LTS-110V FLUORESCENT	S P 8 8	SPARE-RJB TO RH HAT RACK	0 F	RS - HAT RACK ACCES. RH GRD	0 0	FJB & RJB BATT. GRD
S H 1	SHIELD CHASSIS GRD	S P 9 2	SPARE-RJB TO CONDENSER CPT	0 G	RS - HAT RACK ACCES. RH GRD	0 0 A	FBG - T.T.LT. MODULES BATT. GRD
S H 2	SHIELD CHASSIS GRD	S P 9 3	SPARE-RJB TO EVAPORATOR CPT	0 H	RS - LAVATORY ACCES. GRD	0 0 Y	FS - ABS MODULLE BATT. GRD
S H 3	SHIELD CHASSIS GRD	S P 9 4	SPARE-RJB TO RR ROOF	0 J	FS - LH CONSOLE SW GRD	0 0 S S	SOUND SYSTEM BATT. GRD
S H 4	SHIELD CHASSIS GRD	S P 9 5	SPARE-RJB TO FR AXLE	0 J	RS - RR ROOF ACCES. GRD	1	TACHO SYSTEM - RPM SIGNAL +
S P 2	SPARE-FJB TO FR SERV CPT	S P 9 6	SPARE-RJB TO LUGG CPT #2	0 K	RS - RR ROOF ACCES. GRD	2 A	A/C & HEAT SYSTEM-COOL 1 SIGN
S P 3	SPARE-FJB TO CENTER DASH	S P 9 7	SPARE-RJB TO LUGG CPT #3	0 K	RS - RJB A/C JCT PANEL GRD	2 B	A/C & HEAT SYSTEM-COOL SIGN
S P 4	SPARE-FJB TO CENTER DASH	S P 9 8	SPARE-RJB TO LUGG CPT #3	0 L	FS - FR SERVICE CPT LTS GRD	2 H	A/C & HEAT SYSTEM-HI PRESS SW
S P 5	SPARE-RJB TO LUGG CPT #2	S P 1 0 4	SPARE-RJB TO ENGINE CPT	0 L 1	FS - FR SERVICE CPT LTS GRD	2 H L	A/C & HEAT SYSTEM-LO & HI PRESS SW
S P 6	SPARE-RJB TO LUGG CPT #1	S P 1 0 5	SPARE-FJB TO ENGINE	0 L 2	FS - FR SERVICE CPT LTS GRD	2 L	A/C & HEAT SYSTEM-LO PRESS SW
S P 7	SPARE-RJB TO LUGG CPT #1	S P 1 0 6	SPARE-RJB TO BATT. CPT.	0 L 3	FS - FJB GRD	4	HOSTESS & PASSENGER CHIME
S P 8	SPARE-RJB TO LUGG CPT #1	S P 1 0 7	SPARE-RJB TO BATT. CPT.	0 L 4	FS - FJB GRD	4 A	HOSTESS & PASSENGER CHIME
S P 9	SPARE-RJB TO LUGG CPT #2	S P 1 0 8	SPARE-RJB TO BATT. CPT.	0 L 5	FS - CIGAR LIGHTER	4 B	PASSENGER CHIME
S P 1 0	SPARE-RJB TO LUGG CPT #1	S P 1 0 9	SPARE-RJB TO ENGINE CPT.	0 L	RS - ENGINE CPT ACCES. GRD	4 C	HOSTESS CHIME
S P 1 1	SPARE-FJB TO RJB	S P 1 1 0	SPARE-RJB TO ENGINE CPT.	0 L	ENTRANCE DOOR (SEDAN) GRD	5	INTERIOR LTS-AISLE & EMERG. EXIT
S P 1 2	SPARE-RJB TO ENGINE	S P 1 1 1	SPARE-RJB TO ENGINE CPT.	0 L H	RS - RR END LAMPS LH GRD	5	UPPER WINDSHIELD DEFROSTER
S P 1 3	SPARE-RJB TO ENGINE	S P 1 1 2	SPARE-RJB TO ENGINE CPT.	0 M	FS - ELECTRICAL MOTOR GRD	5 D	UPPER WINDSHIELD DEFROSTER
S P 1 4	SPARE-FJB TO RJB	S P 1 1 4	SPARE-FJB TO U/DASH WIPER	0 M 3	FS - ELECTRICAL MOTOR GRD	5 E	UPPER WINDSHIELD DEFROSTER

# CIRCUIT NUMBER CODE

No.	DESCRIPTION	No.	DESCRIPTION	No.	DESCRIPTION	No.	DESCRIPTION
5 N	INTERIOR LTS-EMERGENCY EXIT	12 F	FR JCT BOX 12V IGNITION	2 4	BAT CPT 24V BATTERY	2 4 W C	BATT.CPT TO HYD. PUMP (WCL)
5 NC	SPEED SIGNAL LOWER 5MPH	12 P	LH CONSOLE POWER OUTLET	2 4	FR JCT BOX 24V DISC SW	2 4 W L	24V BATTERY-HYD. PUMP (WCL)
5 NO	SPEED SIGNAL HIGHER 5MPH	12 R	BAT CPT 12V DISC RLY TO RJB	2 4 A	BOOSTER BLOCK 24V DISC SW	2 5	12VAC GEN RLY ON SIGNAL
6	INTERIOR LTS-AISLE	12 R	MEMORY BATTERY RADIO	2 4 A	FR JCT BOX 24V DISC SW	2 5	12VAC GEN RLY ON SIGNAL
7 B	ENTRANCE DOOR (SEDAN)	12 S	SOUND SYSTEM 12V RADIO	2 4 A	RR JCT BOX 24V DISC SW	2 5 A	NOT GENERATOR-WARNING LT
7 D	ENTRANCE DOOR (SEDAN)	12 S 1	SOUND SYSTEM 12V RADIO	2 4 B	24V STARTER RLY FEEDING	2 5 B	EXTERIOR LTS-DAYTIME RUN LTS
7 DA	ENTRANCE DOOR (SEDAN)	12 S 2	SOUND SYSTEM 12V RADIO	2 4 B	FR JCT BOX 24V DISC SW	2 6	CIGAR LIGHTER
9	INTERIOR LTS-ENGINE CPT	12 S B	SOUND SYSTEM 12V FEEDING	2 4 B	RR JCT BOX 24V DISC SW	2 6	DRIVER'S WINDOW LIFTER
9 A	INTERIOR LTS-ENGINE CPT	12 S S	SOUND SYSTEM 12V FEEDING	2 4 B E	RJB CPT-BAT EQ MONITOR HOT WIRE	2 6 B	DRIVER'S WINDOW LIFTER
9 B	INTERIOR LTS-ENGINE CPT	12 VA	BATTERY TO EQUALIZER 12V	2 4 C	FR JCT BOX 24V DISC SW	2 6 C	DRIVER'S WINDOW LIFTER
9 E	INTERIOR LTS-FR SERVICE CPT	12 VD	12V HOT WIRE DISTRIBUTION	2 4 C	RR JCT BOX 24V DISC SW	2 7	LAVATORY-EMERGENCY SONALERT
9 F	INTERIOR LTS-FR SERVICE CPT	12 VF	BAT CPT 12V FJB & IC	2 4 D	BAT CPT 24V HOT WIRE	2 8 A	A/C & HEAT SYSTEM-HI PRESSURE
10	INTERIOR LTS-LUGGAGE CPT	12 VI	12V IGNITION DISTRIBUTION	2 4 D	FR JCT BOX 24V HOT WIRE	2 9	A/C & HEAT SYSTEM-DRIVER'S HTR
10 A	INTERIOR LTS-LUGGAGE CPT	12 VR	BAT CPT 12V DISC RLY TO RJB	2 4 D	RR JCT BOX 24V HOT WIRE	2 9 A	A/C & HEAT SYSTEM-DRIVER'S HTR
10 B	INTERIOR LTS-LUGGAGE CPT	12 W	12V BATTERY DDEC III	2 4 D A	A/C JCT BOX 24V HOT WIRE	2 9 B	A/C & HEAT SYSTEM-DRIVER'S HTR
10 D	INTERIOR LTS-LUGGAGE CPT	12 W	ENTRANCE DOOR (SEDAN)	2 4 E	BAT CPT 24V DISC SW	3 0 A	GALLEY
10 F	INTERIOR LTS-LUGGAGE CPT	12 W A	ENTRANCE DOOR (SEDAN)	2 4 E	FR JCT BOX 24V DISC SW	3 1 A	A/C & HEAT SYSTEM-UNLOADER
10 H	INTERIOR LTS-LUGGAGE CPT	12 X	FR JCT BOX 12V DISC SW	2 4 E	RR JCT BOX 24V DISC SW	3 1 B	A/C & HEAT SYSTEM-UNLOADER
10 K	INTERIOR LTS-LUGGAGE CPT	12 X 2	FR JCT BOX 12V DISC SW	2 4 F	FR JCT BOX 24V DISC SW	3 1 B	WIPER & WASHER SYSTEM
10 R	INTERIOR LTS-LUGGAGE DOOR AJAR	12 Y	FR JCT BOX 12V DISC SW	2 4 F	RR JCT BOX 24V DISC SW	3 1 C	WIPER & WASHER SYSTEM
11	FR DESTINATION SIGN	13 A	ALARM & SIGNAL-LO AIR PRIM.	2 4 G	FR JCT BOX 24V DISC SW	3 1 D	WIPER & WASHER SYSTEM
11 A	FR DESTINATION SIGN	13 B	ALARM & SIGNAL-LO AIR SEC.	2 4 G	RR JCT BOX 24V DISC SW	3 1 E	WIPER & WASHER SYSTEM
11 B	FR DESTINATION SIGN	14	LAVATORY-FLUSHING PUMP	2 4 H	FR JCT BOX 24V DISC SW	3 1 J	WIPER & WASHER SYSTEM
11 C	FR DESTINATION SIGN	14 A	LAVATORY-FLUSHING PUMP	2 4 H	RR JCT BOX 24V DISC SW	3 1 X	WIPER & WASHER SYSTEM
11 D	FR DESTINATION SIGN	15	EXTERIOR LTS-MULTI FUNC LEVEL	2 4 I	FR JCT BOX 24V IGNITION	3 2	EXTERIOR LTS-BACK-UP
11 E	FR DESTINATION SIGN	15 A	WIPER & WASHER UPPER WINDSHIELD	2 4 I	RR JCT BOX 24V IGNITION	3 2 B	EXTERIOR LTS-BACK-UP
11 K	FR DESTINATION SIGN	16	SPEED - SIGNAL +	2 4 I A	FR JCT BOX 24V IGNITION	3 2 C	BACK-UP PWR & SIGNAL
12	12V BAT ELECTRONIC JCT BLOCK	16 A	SPEED - SIGNAL +	2 4 I A	RR JCT BOX 24V IGNITION	3 2 D	BACK-UP ALARM
12	BAT CPT 12V BATTERY	16 T	SPEED - SIGNAL +	2 4 I B	FR JCT BOX 24V IGNITION	3 2 F	BACK-UP MONITOR
12 A	FR JCT BOX 12V DISC SW	17	EXTERIOR LTS-FLASHER UNIT	2 4 I B	RR JCT BOX 24V IGNITION	3 5	ENTRANCE DOOR (SEDAN)
12 A	RR JCT BOX 12V DISC SW	17 A	EXTERIOR LTS-FLASHER UNIT	2 4 I C	FR JCT BOX 24V IGNITION	3 5 B	ENTRANCE DOOR (SEDAN)
12 B	12V BAT ELECTRICAL JCT BLOCK	19	DIFFERENTIAL OIL TEMP	2 4 P	FR JCT BOX 24V DISC SW	3 5 B B	ENTRANCE DOOR (SEDAN)
12 B	RR JCT BOX 12V DISC SW	20	SPEED - SIGNAL -	2 4 S	24V DISC SW RLY SIGNAL	3 5 D	ENTRANCE DOOR (SEDAN)
12 B	FR JCT BOX 12V DISC SW	20 T	SPEED - SIGNAL -	2 4 S 1	SOUND SYSTEM 24V AMPLIFIER	3 6	JACOB BRAKE SYSREM
12 B E	BAT. EQUALIZER MONITOR	20 W	SPEED - SIGNAL -	2 4 S 2	SOUND SYSTEM 24V AMPLIFIER	3 6 A	JACOB BRAKE SYSREM
12 C	FR JCT BOX 12V DISC SW	21	EXTERIOR LTS-DIRECTIONNAL LH	2 4 S 3	SOUND SYSTEM 24V VIDEO	3 8	INTERIOR LTS-24V FLUORESCENT
12 C	RR JCT BOX 12V DISC SW	21 A	EXTERIOR LTS-DIRECTIONNAL LH	2 4 S 4	SOUND SYSTEM 24V VIDEO	3 8 A	INTERIOR LTS-24V FLUORESCENT
12 D	BAT CPT 12V BATTERY	21 B	EXTERIOR LTS-HAZARD	2 4 S B	SOUND SYSTEM 24V FEEDING	3 8 C	INTERIOR LTS-24V FLUORESCENT
12 E	FR JCT BOX 12V DISC SW	21 C	EXTERIOR LTS-CORNERING LH	2 4 S S	SOUND SYSTEM 24V FEEDING	3 8 D	INTERIOR LTS-24V FLUORESCENT
12 E	RR JCT BOX 12V DISC SW	21 H	EXTERIOR LTS-DIRECTIONNAL LH	2 4 T	RR JCT BOX 24V DISC SW	3 9	INTERIOR LTS-24V LH CONSOLE SW
12 F	BAT CPT 12V FJB & IC	21 K	EXTERIOR LTS-CORNERING	2 4 V 2	RR JCT BOX 24V DISC SW	3 9 A	INTERIOR LTS-DRIVER'S LTS
12 F	FR JCT BOX 12V DISC SW	21 N	EXTERIOR LTS-CORNERING LH	2 4 V 3	RR JCT BOX 24V DISC SW	4 1	A/C & HEAT SYSTEM-COND FAN MOT
12 F	RR JCT BOX 12V DISC SW	21 P	EXTERIOR LTS-CORNERING LH	2 4 V 4	RR JCT BOX 24V DISC SW	4 1 A	A/C & HEAT SYSTEM-COND FAN MOT
12 G	FR JCT BOX 12V DISC SW	23	EXTERIOR LTS-DIRECTIONNAL RH	2 4 V 5	RR JCT BOX 24V DISC SW	4 1 B	A/C & HEAT SYSTEM-COND FAN MOT
12 J	FR JCT BOX 12V DISC SW	23	EXTERIOR LTS-DIRECTIONNAL RH	2 4 V D	24V HOT WIRE DISTRIBUTION	4 2	A/C & HEAT SYSTEM-COND FAN MOT
12 I	12V IGNITION DISTRIBUTION	23 A	EXTERIOR LTS-DIRECTIONNAL RH	2 4 V F	BAT CPT 24V SW TO FJB & IC	4 2 A	A/C & HEAT SYSTEM-COND FAN MOT
12 I	RR JCT BOX 12V IGNITION	23 B	EXTERIOR LTS-DIRECTIONNAL RH	2 4 VA	BATTERY TO EQUALIZER 24V	4 4	EXTERIOR LTS-FOG
12 I A	12V IGNITION DISTRIBUTION	23 C	EXTERIOR LTS-CORNERING RH	2 4 V I	RR JCT BOX 24V IGNITION	4 4 A	EXTERIOR LTS-FOG
12 I A	FR JCT BOX 12V IGNITION	23 N	EXTERIOR LTS-CORNERING RH	2 4 V R	BAT CPT 24V DISC SW TO RJB	4 4 B	EXTERIOR LTS-FOG
12 I B	FR JCT BOX 12V IGNITION	23 P	EXTERIOR LTS-CORNERING RH	2 4 W	RR JCT BOX 24V DISC SW (WCL)	4 4 C	EXTERIOR LTS-FOG & HAZARD



# CIRCUIT NUMBER CODE

No.	DESCRIPTION	No.	DESCRIPTION	No.	DESCRIPTION	No.	DESCRIPTION
45 B	A/C & HEAT SYSTEM-HEAT SIGN	63 F	EXTERIOR LTS-MARKER BLINKER	86	ENGINE CTR-STARTER SOL SIGN	115 W	WORLD TRANSM-DO NOT SHIFT SIGN
45 D	A/C & HEAT SYSTEM-WATER VALVE	63 H	EXTERIOR LTS-TAIL	86 A	ENGINE CTR-STARTER SOL SIGN	116	WORLD TRANSM-LO SIGNAL SOL. HI
45 E	A/C & HEAT SYSTEM-HEAT 1 SIGN	67	A/C & HEAT SYSTEM	88	ENGINE CTR-RR START SIGNAL	116 B	A/C & HEAT SYSTEM-DRIVER'S HTR
45 G	A/C & HEAT SYSTEM-DRIVER'S HTR	67 A	A/C & HEAT SYSTEM	89	ENGINE CTR-RR START SIGNAL	117	WORLD TRANSM-SPARE INPUT (-)
45 H	A/C & HEAT SYSTEM-DRIVER'S HTR	67 B	A/C & HEAT SYSTEM	90 B	A/C & HEAT SYSTEM-COND FAN MOT	117 A	ALARM & SIGNAL-TRANSM OIL TEMP
45 W	A/C & HEAT SYSTEM-COND. DOOR AJAR	67 C	A/C & HEAT SYSTEM & HEAT WINDS.	90 B	ENGINE CTR-MAST KEY SW FEED	117 A	ALARM & SIGNAL-TRANSM OIL TEMP
46	EXTERIOR LTS-MARKER	67 K	A/C & HEAT SYSTEM-COND FAN CTR	90 C	A/C & HEAT SYSTEM-COND FAN MOT	118	WORLD TRANSM-SPARE INPUT (+)
46 A	EXTERIOR LTS-MARKER	67 L	A/C & HEAT SYSTEM-COND FAN CTR	90 F	CHARG SYST-VOLTAGE REGUL. "B"	119	WORLD TRANSM-ENG BRK INPUT (+)
46 B	EXTERIOR LTS-MARKER	67 V	A/C & HEAT SYSTEM-WATER VALVE	90 H	A/C & HEAT SYSTEM-EVAP FAN MOT	120	WORLD TRANSM-SOL. C1
46 B	EXTERIOR LTS-MARKER	70	INTERIOR LTS-HAT RACK & RR RUN.	90 J	A/C & HEAT SYSTEM-COND FAN MOT	121	WORLD TRANSM-SOL. GRD 2
46 C	EXTERIOR LTS-MARKER	72	SUN VISOR-FEEDING	91	PARKING BRAKE SW SIGNAL	122	A/C & HEAT SYSTEM-DRIVER'S HTR
47	A/C & HEAT SYSTEM-DRIVER'S HTR	72 A	SUN VISOR-RH	91 A	DDEC-FAST IDLE SIGNAL	122	A/C & HEAT SYSTEM-FRESH AIR
48	ENTRANCE DOOR (SEDAN)	72 B	SUN VISOR-RH (SEDAN)	91 W	PARK, BRAKE SW SIGN (WCL)	122	WORLD TRANSM-SOL. GRD 4
48 A	ENTRANCE DOOR (SEDAN)	72 C	SUN VISOR-LH	92	BATTERY EQUALIZER-CHECK BALANCE	122 A	A/C & HEAT SYSTEM-FRESH AIR
49	ENTRANCE DOOR (SEDAN)	72 D	SUN VISOR-LH	93	BATTERY EQUALIZER-CHECK LO/HI	123	WORLD TRANSM-NEUTRAL START
49 A	ENTRANCE DOOR (SEDAN)	73	LAVATORY-FEEDING	95 A	ENGINE BRAKE & RETARDER SYSTEM	123 A	ALARM & SIGNAL-FIRE DETECTOR
50	AIR DRYER	74	INTERIOR LTS-READING RH	97	TACHOMETER (-)	123 B	ALARM & SIGNAL-FIRE DETECTOR
52	ALARM & SIGNAL-ELEC. HORN	74 A	INTERIOR LTS-READING RH	100	INTERIOR LTS-GENERAL	124	WORLD TRANSM-THROTTLE (HI)
52 A	ALARM & SIGNAL-ELEC. HORN	74 D	INTERIOR LTS-READING SIGNAL	100 A	INTERIOR LTS-GENERAL	125	WORLD TRANSM-RET. INDICATOR
53	ALARM & SIGNAL-ELEC. HORN	75	INTERIOR LTS-READING LH	100 B	INTERIOR LTS-GENERAL	125	GALLEY LAMP
53 A	WIPER & WASHER SYSTEM	75 A	INTERIOR LTS-READING LH	101	24V STARTER SOL FEEDING	125 T	GALLEY LAMP
53 B	WIPER & WASHER SYSTEM	76	FUEL TANK GAUGE	101	WORLD TRANSM-LO SIGN SOL. LO	125 W	WORLD TRANSM-RET. INDICATOR
53 C	WIPER & WASHER SYSTEM	76 B	LOW FUEL LT & ETHER COLD START	102	24V STARTER TO GENERATOR	126	KNEELING SYSTEM
53 E	WIPER & WASHER SYSTEM	76 C	LOW FUEL LT	102	WORLD TRANSM-SOL. GRD 1	126 A	KNEELING SYSTEM
53 J	WIPER & WASHER SYSTEM	76 P	FUEL PRIME PUMP	102	WORLD TRANSM-SOL. C3	126 B	KNEELING SYSTEM
55	EXTERIOR LTS-HI BEAM	76 M	FUEL PRIME PUMP	103	LOW BUOY	126 C	KNEELING SYSTEM
57	EXTERIOR LTS-HI BEAM	77	A/C & HEAT SYSTEM-HI PRESSURE	104	WORLD TRANSM-SOL. FORWARD	126 D	KNEELING SYSTEM
57 A	A/C & HEAT SYSTEM-WATER PUMP	77 A	A/C & HEAT SYSTEM-DRIVER'S HTR	105	WORLD TRANSM-RETARDER & SUMP	126 E	KNEELING SYSTEM
57 A	EXTERIOR LTS-HI BEAM	77 B	A/C & HEAT SYSTEM-COMPRESSOR	105 W	WORLD TRANSM-RETARDER & SUMP	126 F	KNEELING SYSTEM
57 B	A/C & HEAT SYSTEM-WATER PUMP	77 C	A/C & HEAT SYSTEM-COMPRESSOR	106	WORLD TRANSM-OIL LEVEL HI	126 G	KNEELING SYSTEM
57 C	PRE-HEAT WATER HEATER	77 H	A/C & HEAT SYSTEM-COMPRESSOR	107	CHARG SYST-VOLTAGE REGUL. "F"	126 H	KNEELING SYSTEM
57 CA	A/C & HEAT SYSTEM-HEAT SIGN	81	EXTERIOR LTS-STOP SW	107	WORLD TRANSM-LOCKUP SOL. HI	126 K	KNEELING SYSTEM
57 CC	A/C & HEAT SYSTEM-HEAT SIGN	82	EXTERIOR LTS-STOP SIGNAL	108	WORLD TRANSM-REM. PWR WAKE UP	126 P	KNEELING SYSTEM
58	EXTERIOR LTS-LO BEAM	82 A	EXTERIOR LTS-STOP SIGNAL	109	WORLD TRANSM-RET. SOL. LO	126 R	KNEELING SYSTEM
58 A	EXTERIOR LTS-LO BEAM	82 B	EXTERIOR LTS-STOP LTS	110	ALARM & SIGNAL-WATER TEMP	126 W	5 MPH N.C. SIGNAL (WCL)
58 B	EXTERIOR LTS-LO BEAM	82 K	EXTERIOR LTS-STOP PARK BRK	110	WORLD TRANSM-LOCKUP SOL. LO	126 S	KNEELING SYSTEM
58 E	EXTERIOR LTS-LO BEAM	82 L	EXTERIOR LTS-LH STOP	111	WORLD TRANSM-SOL. C6	126 T	KNEELING SYSTEM
59 A	JACOB BRAKE SYSTEM	82 R	EXTERIOR LTS-LH STOP	112	WORLD TRANSM-SPARE OUTPUT (+)	127	WORLD TRANSM-LUBE PRESS SW.
61	EXTERIOR LTS-24V FEED SW	83	ENGINE CTR-KEY SW ACCES SIGN	113	ALARM & SIGNAL-OIL PRESS	127	PRE-HEAT WATER HEATER
61 A	EXTERIOR LTS-HEAD SIGNAL	84	ENGINE CTR-KEY SW ACCES SIGN	113	WORLD TRANSM-REVERSE WARNING	127 A	PRE-HEAT WATER HEATER
62	LAVATORY-OCCUPIED LT	85	ENGINE CTR-KEY SWIGNITION SIGN	114	INTERIOR LTS-DASH LT REGUL.	127 B	PRE-HEAT WATER HEATER
62 A	LAVATORY-FLUOR LT	85	24V IGNITION SIGNAL	114	WORLD TRANSM-SPARE OUTPUT (-)	127	WORLD TRANSM-RETARDER FEED SOL.
62 B	LAVATORY-FLUOR LT	85 A	24V IGN DASH INSTRUMENTATION	114 A	INTERIOR LTS-DASH LT	127 S	PRE-HEAT WATER HEATER
62 E	LAVATORY-OCCUP & FLUOR LT	85 B	ENGINE CTR-24V IGNITION	114 B	INTERIOR LTS-DASH LT REGUL.	127 W	PRE-HEAT WATER HEATER
63	EXTERIOR LTS-CLEARANCE	85 C	PARKING BRAKE SWITCH	114 D	INTERIOR LTS-DASH LT REGUL.	128	PRE-HEAT WATER HEATER
63 A	EXTERIOR LTS-CLEARANCE	85 F	ENGINE CTR-ENGINE CTR SW IGN	114 E	INTERIOR LTS-DASH LT REGUL.	128 A	PRE-HEAT WATER HEATER
63 B	EXTERIOR LTS-CLEARANCE	85 F	LO AIR SONALERT	115	ALARM & SIGNAL-TAG PRESS	128 B	PRE-HEAT WATER HEATER
63 C	EXTERIOR LTS-MARKER SIGNAL	85 W	24V IGN ANTI SKID	115	DDEC III-COOLANT LEVEL	128 W	PRE-HEAT WATER HEATER
63 D	EXTERIOR LTS-MARKER & TAIL	85 X	24V IGN ANTI SKID	115	WORLD TRANSM-DO NOT SHIFT SIGN	128	WORLD TRANSM-SOL. C2
63 E	EXTERIOR LTS-CLEARANCE	85 Y	ANTI SKID-WARNING LT	115 C	DDEC III-COOLANT LEVEL	129	PRE-HEAT WATER HEATER



# CIRCUIT NUMBER CODE

No.	DESCRIPTION	No.	DESCRIPTION	No.	DESCRIPTION	No.	DESCRIPTION
129	WORLD TRANSM-SOL. C5	144 A	ABS SYSTEM	165 D	A/C & HEAT SYSTEM-TRANSMITER	300	DOOR AJAR MAGN.SW. (WCL)
130	WORLD TRANSM-SOL. GRD 3	145	ABS SYSTEM	166 B	A/C & HEAT SYSTEM-EVAP. MOD.	300 A	POWER SYSTEM SW. (WCL)
131	WORLD TRANSM-SOL. C4	146	ABS SYSTEM	167	A/C & HEAT SYSTEM-TEMP. CTR	300 B	DOOR AJAR ALARM (WCL)
132	WORLD TRANSM-ENG BRK OUTPUT (-)	146	WORLD TRANSM-IGNITION SENSE	167 A	A/C & HEAT SYSTEM-TEMP. CTR	301	POWER SYSTEM SW. (WCL)
132 W	WORLD TRANSM-ENG BRK OUTPUT (-)	146 W	WORLD TRANSM-12V IGNITION	168	A/C & HEAT SYSTEM-HUMIDISTAT	302	DOOR AJAR T.T.LT. (WCL)
133	GALLEY-HEAT CONTAINERS	146 X	WORLD TRANSM-12V IGNITION	168	WORLD TRANSM-SER. INTERFACE (+)	302 A	DOOR AJAR ALARM SIGN.(WCL)
133 A	GALLEY-HEAT CONTAINERS	147	ABS SYSTEM	168 A	A/C & HEAT SYSTEM-HUMIDISTAT	302 B	DOOR AJAR MAGN.SW. (WCL)
133 B	GALLEY-HEAT CONTAINERS	147	ETHER COLD START	170	LUGGAGE DOOR LOCK	303	REMOTE WALL SW. DWN (WCL)
133 C	GALLEY-HEAT CONTAINERS	147	WORLD TRANSM-OIL TEMP	170 C	LUGGAGE DOOR LOCK	304	REMOTE WALL SW. UP (WCL)
133	WORLD TRANSM-RET. ACTUATOR HI	147 C	ETHER COLD START	170 E	LUGGAGE DOOR LOCK	305	PARK. BRAKE SOL. VALVE (WCL)
134	GALLEY-HEAT CONTAINERS	148	ABS SYSTEM	170 H	LUGGAGE DOOR LOCK	305 A	PARK. BRAKE SAFETY SW. (WCL)
134 A	GALLEY-HEAT CONTAINERS	148	WORLD TRANSM-OUTPUT SPEED LO	181 A	THERMOMETER INSIDE SENSOR	306	CONTROL SYSTEM (WCL RICON)
134	WORLD TRANSM-RET. APPLY SOL. HI	149	ABS SYSTEM	181 B	THERMOMETER INSIDE SENSOR	307	CONTROL SYSTEM (WCL RICON)
135	A/C & HEAT SYSTEM-AIR SENSOR	149	WORLD TRANSM-TURBINE SPEED HI	181 C	THERMOMETER OUTSIDE SENSOR	308	CONTROL SYSTEM (WCL RICON)
135 A	A/C & HEAT SYSTEM-AIR SENSOR	149 A	ABS SYSTEM	181 D	THERMOMETER OUTSIDE SENSOR	309	CONTROL SYSTEM (WCL RICON)
135 D	A/C & HEAT SYSTEM-AIR SENSOR	150	DDEC III-ECM BATTERY GRD	197	FUEL WATER FILTER	417	DDEC III-LIMIT SPEED GOVERNOR
135 C	A/C & HEAT SYSTEM-AIR SENSOR	150	WORLD TRANSM-ENGINE SPEED LO	197 A	FUEL WATER FILTER	419	DDEC III-CHECK ENGINE LIGHT
135	WORLD TRANSM-ANALOG GRD	150 A	DDEC III-ECM BATTERY GRD	197 B	FUEL WATER FILTER	439	DDEC III-12V IGNITION
135 D	WORLD TRANSM-RETARDER RES MOD	151	ABS SYSTEM	201	WORLD TRANSM-SPARE	440	DDEC III-12V IGNITION
135 C	WORLD TRANSM-RETARDER TEMP	151	DDEC III-ECM BATTERY GRD	202	WORLD TRANSM-SPARE	440 A	DDEC III-12V IGNITION
136	GALLEY-ACCESSORIES	151	WORLD TRANSM-SERIAL COM. B	203	WORLD TRANSM-SPARE	451	DDEC III-A/C FAN CLUTCH
136	WORLD TRANSM-ECU POWER	151 A	ABS SYSTEM	204	WORLD TRANSM-SPARE	505	DDEC III-TACHOMETER DRIVE
136 V	WORLD TRANSM-12V BATTERY	152	ABS SYSTEM	205	WORLD TRANSM-SPARE	509	DDEC III-STOP ENGINE LIGHT
136 W	WORLD TRANSM-12V BATTERY	152 A	ABS SYSTEM	206	WORLD TRANSM-SPARE	510	DDEC III-FAST IDLE SIGNAL
136 X	WORLD TRANSM-12V BATTERY	153	ABS SYSTEM	214	WORLD TRANSM-BACK UP SIGNAL	524	DDEC III-ENGINE BRAKE DISABLE
137	WORLD TRANSM-RETARDER	153	WORLD TRANSM-SPARE INPUT (-)	231	NEUTRAL SIGNAL GRD	525	DDEC III-FAST IDLE SIGNAL
137 A	MIRROR (SPARTAN & RAMCO)	154	ABS SYSTEM	231 A	NEUTRAL COIL RELAY FEED SIGNAL	528	DDEC III-STOP ENG. OVERRIDE
137 B	RR VIEW MIRROR (SPARTAN)	154	WORLD TRANSM-ABS RET. INPUT	231 W	NEUTRAL SIGNAL GRD (WCL)	531	DDEC III-CRUISE CLUTCH RELEASE
137 C	RR VIEW MIRROR (SPARTAN)	155	ABS SYSTEM	240	DDEC III-ECM 12V FEEDING	541	DDEC III-CRUISE SET SW
137 D	RR VIEW MIRROR (SPARTAN)	155	WORLD TRANSM-SPARE INPUT (-)	241	DDEC III-ECM 12V FEEDING	543	DDEC III-CRUISE STOP SW CUT IN
137 E	RR VIEW MIRROR (SPARTAN)	156	ABS SYSTEM	251	DDEC III - PRODRIVER 12V H.W.	544	DDEC III-CRUISE ON/OFF SW
137 G	RR VIEW MIRROR (SPARTAN)	156	WORLD TRANSM-THROTTLE POS.	253	GALLEY-MICROWAVE	545	DDEC III-CRUISE RESUME SW
138	ABS SYSTEM	156 A	ABS SYSTEM	254	GALLEY-12V FRIGO NORCOLD	555	DDEC III-FAN CLUTCH SPEED# 1
138	WORLD TRANSM-RETARDER TEMP	157	ABS SYSTEM	254 A	GALLEY-FRIGO	556	DDEC III-VEHICLE SPEED (+)
138 A	ABS SYSTEM	157	WORLD TRANSM-SPEEDO SIGNAL	255	GALLEY-COFEEMAKER	557	DDEC III-VEHICLE SPEED (-)
139	ABS SYSTEM	157 A	ABS SYSTEM	255 A	GALLEY-COFEEMAKER	563	DDEC III-FAN CLUTCH SPEED# 2
139	WORLD TRANSM-OUTPUT SPEED HI	157 B	ABS SYSTEM	257	WINDSHIELD HEATED	564	DDEC III-DIGITAL OUTPUT
140	ABS SYSTEM	158	WORLD TRANSM-DIMMER	257 A	WINDSHIELD HEATED	565	DDEC III-ENGINE BRAKE ACTIVE
140	WORLD TRANSM-OUTPUT SPEED LO	160	ALARM & SIGNAL-TAG PRESS SW	257 B	WINDSHIELD HEATED	583	DDEC III-ENGINE BRAKE 4 CYL.
141	ABS SYSTEM	160	WORLD TRANSM-SER. INTERFACE (-)	257 C	WINDSHIELD HEATED	900	DDEC III-DATA LINK (+)
141	WORLD TRANSM-ENGINE SPEED HI	161	WORLD TRANSM-SIGNAL GRD	257 D	WINDSHIELD HEATED SPARE	901	DDEC III-DATA LINK (-)
142	ABS SYSTEM	161 B	WORLD TRANSM-SIGNAL GRD	257 E	WINDSHIELD HEATED SPARE	908	DDEC III-HYDRAULIC PWM#1 OUTPUT
142	WORLD TRANSM-SERIAL COM. A	162	WORLD TRANSM-PRESS. SW C3	258	WINDSHIELD HEATED	916	DDEC III-SENSOR SUPPLY (5VDC)
143	ABS SYSTEM	163	WORLD TRANSM-RETARDER ENABLE	258 A	WINDSHIELD HEATED	952	DDEC III-SENSOR RETURN
143	WORLD TRANSM-ECU BATTERY GRD	164	WORLD TRANSM-RET. ACTUATOR SIGN	259	WINDSHIELD HEATED	953	DDEC III-BATTERY GRD
143 A	ABS SYSTEM	165	A/C & HEAT SYSTEM-TRANSMITER	259 A	WINDSHIELD HEATED	979	DDEC III-ENGINE BRAKE 2 CYL.
143 W	WORLD TRANSM-BATTERY GRD	165	WORLD TRANSM-OIL LEVEL SIGNAL	290	FAN CLUTCH RADIATOR		
143 X	WORLD TRANSM-BATTERY GRD	165 A	A/C & HEAT SYSTEM-TRANSMITER	290	FAN CLUTCH RADIATOR		
144	ABS SYSTEM	165 B	A/C & HEAT SYSTEM-TRANSMITER	291	FAN CLUTCH RADIATOR SPD 1		
144	WORLD TRANSM-ECU CHASSIS GRD	165 C	A/C & HEAT SYSTEM-TRANSMITER	292	FAN CLUTCH RADIATOR SPD 2		

# CIRCUIT NUMBER CODE

No.	DESCRIPTION	No.	DESCRIPTION	No.	DESCRIPTION	No.	DESCRIPTION
557	DDEC III-VEHICLE SPEED (1)						
563	DDEC III-FAN CLUTCH SPEED# 2						
564	DDEC III-DIGITAL OUTPUT						
565	DDEC III-ENGINE BRAKE ACTIVE						
583	DDEC III-ENGINE BRAKE 4 CYL						
900	DDEC III-DATA LINK (1)						
901	DDEC III-DATA LINK (1)						
908	DDEC III-HYDRAULIC PWM#1 OUTPUT						
916	DDEC III-SENSOR SUPPLY (SVDC)						
952	DDEC III-SENSOR RETURN						
953	DDEC III-BATTERY GRD						
979	DDEC III-ENGINE BRAKE 2 CYL						

# CIRCUIT BREAKERS CODE

No.	PAGE	AMP.	#PREV.	LOCATION	FUNCTION
CB 1	2	40A	560703	BAT. CPT.	12V IGNITION
CB 2	1,1	30A	870690	BAT. CPT.	12V HOT WIRE
CB 3	1,1	40A	560703	BAT. CPT.	12V FEED RR. JCT. BOX
CB 4	1,1	40A	560703	BAT. CPT.	12V FEED FR. JCT. BOX
CB 5	1,1	30A	870690	BAT. CPT.	24V HOT WIRE
CB 6	1,1	30A	560298	BAT. CPT.	24V FEED RR. JCT. BOX
CB 7	1,1	30A	560298	BAT. CPT.	24V FEED FR. JCT. BOX
CB 8	1,1	30A	560298	BAT. CPT.	24V FEED RR. JCT. BOX
CB 9	1,1	30A	560298	BAT. CPT.	24V FEED FR. JCT. BOX
CB 10	4	8A	561791	FR. JCT. BOX	MASTER KEY SWITCH
CB 16	4	8A	561791	FR. JCT. BOX	ENGINE-RR. CTRL & START SW.
CB 18	4	6A	561790	FR. JCT. BOX	ENGINE-FR. CTRL SW.
CB 19	5	15A	561793	BAT. CPT.	E.C.M. DDEC III 12V POWER
CB 20	5	15A	561793	BAT. CPT.	E.C.M. DDEC III 12V POWER
CB 21	5	15A	561793	BAT. CPT.	E.C.M. DDEC III 12V IGNITION
CB 24	5	6A	561790	BAT. CPT.	WORLD TRANSMISSION 12V POWER
CB 26	6	20A	561794	BAT. CPT.	BACK-UP LTS
CB 27	9,3	10A	561792	FR. JCT. BOX	24V IGNITION DASH ACCESSORIES
CB 28	7	8A	561791	FR. JCT. BOX	12V IGNITION DASH ACCESSORIES
CB 34	9,3	10A	561792	FR. JCT. BOX	BACK-UP ALARM
CB 35	9,3	6A	561790	FR. JCT. BOX	FOG & HAZARD DASH SW.
CB 37	9,1	6A	561790	FR. JCT. BOX	HEAD & MULTI-FUNCTION LEVEL SW.
CB 38	9,1	6A	561790	FR. JCT. BOX	FR. MARKER LTS
CB 39	9,1	10A	561792	FR. JCT. BOX	CLEARANCE & IDENTIFICATION LTS
CB 40	9,1	20A	561794	FR. JCT. BOX	FR. CLEARANCE & IDENTIFICATION LTS
CB 41	9,1	8A	561791	FR. JCT. BOX	RR. CLEARANCE & IDENTIFICATION LTS
CB 42	9,1	8A	561791	FR. JCT. BOX	RR. TAIL & LICENCE LTS
CB 43	9,1	20A	561794	FR. JCT. BOX	HEADLAMP (H)
CB 44	9,1	15A	561793	FR. JCT. BOX	HEADLAMP (L)
CB 45	9,2	10A	561792	FR. JCT. BOX	WIPEER CTRL. MULTI-FUNCTION LEVEL SW.
CB 46	9,2	20A	561794	FR. JCT. BOX	FLASHER & HAZARD UNIT
CB 48	9,3	6A	561790	FR. JCT. BOX	STOP LTS PRESSURE SW.
CB 49	9,3	15A	561793	RR. JCT. BOX	STOP & CYCLOP LTS
CB 51	10	10A	561792	FR. JCT. BOX	UPPER WIPEER CTRL. SW.
CB 52	11,1	15A	561793	RR. JCT. BOX	LUGGAGE & DOOR ALARM LTS
CB 57	11,2	8A	561791	FR. JCT. BOX	DASH LTS RHEOSTAT
CB 63	11,4	8A	561791	FR. SERVICE CPT	DASH LTS RHEOSTAT
CB 64	11,4	8A	561791	FR. SERVICE CPT	110V FLUORESCENT LH
CB 70	13,1	6A	561790	FR. JCT. BOX	110V FLUORESCENT RH
CB 71	13,1	10A	561792	RR. JCT. BOX	A/C & HEAT SW.
CB 72	13,1	10A	561792	RR. JCT. BOX	A/C & HEAT LOGIC PANEL
CB 73	13,1	15A	561793	RR. JCT. BOX	A/C COMPRESSOR CLUTCH
CB 77	13,2	40A	560703	BAT. CPT.	WATER PUMP
CB 78	13,2	40A	560703	BAT. CPT.	CONDENSER FAN MOTOR RH
CB 79	13,2	15A	561793	FR. JCT. BOX	CONDENSER FAN MOTOR LH
CB 85	16	6A	561790	FR. JCT. BOX	DRIVERS. HTR FAN SPEED CTRL. MODULE
CB 86	16	6A	561790	FR. JCT. BOX	ENTRANCE DOOR (SEDAN) & STEP LTS
CB 93	1,2	30A	870690	BAT. CPT.	SOUND SYSTEM 12V FEEDING
CB 94	1,2	30A	870690	BAT. CPT.	SOUND SYSTEM 12V FEEDING
CB 95	20,1	10A	561792	S.S. JCT. PANEL	SOUND SYSTEM AMPLI
CB 96	20,1	10A	561792	S.S. JCT. PANEL	VIDEO SYSTEM
CB 97	20,1	10A	561792	S.S. JCT. PANEL	SOUND SYSTEM BU/P.A. AMPLI
CB 98	20,1	15A	561793	S.S. JCT. PANEL	SOUND SYSTEM RADIO & CD
CB 99	20,7	15A	561793	S.S. JCT. PANEL	SEAT AUDIO SYSTEM
CB 105	21	6A	561790	FR. JCT. BOX	E.C.U. ABS
CB 106	21	10A	561792	FR. JCT. BOX	E.C.U. ABS
CB 124	8	6A	561792	FR. JCT. BOX	E.C.U. ABS
CB 128	25,1	150A	560299	RR. JCT. BOX	RADIATOR FAN CLUTCH
CB 126	25,2	90A	560298	BAT. CPT.	WHELL CHAIR LIFT MOTOR PUMP STE
					WHELL CHAIR LIFT MOTOR PUMP RICON

**PREVOST**

**WIRING DIAGRAM**

NO:

**D060882**

PAGE:

**F**

REVISION  
**00**

# CIRCUIT BREAKERS CODE

No.	PAGE	AMP.	#PREV.	LOCATION	FUNCTION
CB 1	2	40A	560703	BAT. CPT.	12V IGNITION
CB 2	1.1	30A	870690	BAT. CPT.	12V HOT WIRE
CB 3	1.1	40A	560703	BAT. CPT.	12V FEED RR. JCT. BOX
CB 4	1.1	40A	560703	BAT. CPT.	12V FEED FR. JCT. BOX
CB 5	1.1	30A	870690	BAT. CPT.	24V HOT WIRE
CB 6	1.1	90A	560298	BAT. CPT.	24V FEED RR. JCT. BOX
CB 7	1.1	90A	560298	BAT. CPT.	24V FEED FR. JCT. BOX
CB 8	1.1	150A	560299	BAT. CPT.	24V EVAPORATOR FAN MOTOR
CB 10	4	8A	561791	FR. JCT. BOX	MASTER KEY SWITCH
CB 16	4	8A	561791	RR. JCT. BOX	ENGINE-RR. CTRL & START SW.
CB 18	4	6A	561790	RR. JCT. BOX	ENGINE-FR. CTRL SW.
CB 19	5	15A	561793	BAT. CPT.	E.C.M. DDEC III 12V POWER
CB 20	5	15A	561793	BAT. CPT.	E.C.M. DDEC III 12V POWER
CB 21	5	6A	561790	BAT. CPT.	E.C.M. DDEC III 12V IGNITION
CB 24	6	20A	561794	BAT. CPT.	WORLD TRANSMISSION 12V POWER
CB 26	9.3	10A	561792	RR. JCT. BOX	BACK-UP LTS
CB 27	7	8A	561791	FR. JCT. BOX	24V IGNITION DASH ACCESSORIES
CB 28	7	6A	561790	FR. JCT. BOX	12V IGNITION DASH ACCESSORIES
CB 34	9.3	6A	561792	RR. JCT. BOX	BACK-UP ALARM
CB 35	9.3	6A	561790	FR. JCT. BOX	FOG & HAZARD DASH SW.
CB 37	9.1	6A	561790	FR. JCT. BOX	HEAD & MULTI-FUNCTION LEVEL SW.
CB 38	9.1	10A	561792	FR. JCT. BOX	FR. MARKER LTS
CB 39	9.1	20A	561794	FR. JCT. BOX	CLEARANCE & IDENTIFICATION LTS
CB 40	9.1	8A	561791	FR. JCT. BOX	FR. CLEARANCE & IDENTIFICATION LTS
CB 41	9.1	8A	561791	RR. JCT. BOX	RR. CLEARANCE & IDENTIFICATION LTS
CB 42	9.1	8A	561791	RR. JCT. BOX	RR. TAIL & LICENCE LTS
CB 43	9.1	20A	561794	FR. JCT. BOX	HEADLAMP (HI)
CB 44	9.1	15A	561793	FR. JCT. BOX	HEADLAMP (LO)
CB 45	9.2	10A	561792	FR. JCT. BOX	WIPER CTRL MULTI-FUNCTION LEVEL SW.
CB 46	9.2	20A	561794	FR. JCT. BOX	FLASHER & HAZARD UNIT
CB 48	9.3	6A	561790	FR. JCT. BOX	STOP LTS PRESSURE SW.
CB 49	9.3	15A	561793	RR. JCT. BOX	STOP & CYCLOP LTS
CB 51	10	10A	561792	FR. JCT. BOX	UPPER WIPER CTRL SW.
CB 52	11.1	15A	561793	RR. JCT. BOX	LUGGAGE & DOOR AJAR LTS
CB 57	11.2	8A	561791	FR. JCT. BOX	DASH LTS RHEOSTAT
CB 63	11.4	8A	561791	FR. SERVICE.CPT	110V FLUORESCENT LH
CB 64	11.4	8A	561791	FR. SERVICE.CPT	110V FLUORESCENT RH
CB 70	13.1	6A	561790	FR. JCT. BOX	A/C & HEAT SW.
CB 71	13.1	10A	561792	RR. JCT. BOX	A/C & HEAT LOGIC PANEL
CB 72	13.1	10A	561792	RR. JCT. BOX	A/C COMPRESSOR CLUTCH
CB 73	13.1	15A	561793	RR. JCT. BOX	WATER PUMP
CB 77	13.2	40A	560703	BAT. CPT.	CONDENSER FAN MOTOR RH
CB 78	13.2	40A	560703	BAT. CPT.	CONDENSER FAN MOTOR LH
CB 79	13.2	15A	561793	FR. JCT. BOX	DRIVER'S HTR FAN SPEED CTRL MODULE
CB 85	16	10A	561790	FR. JCT. BOX	ENTRANCE DOOR (SEDAN) & STEP LTS
CB 93	1.2	30A	870690	BAT. CPT.	SOUND SYSTEM 12V FEEDING
CB 94	1.2	30A	870690	BAT. CPT.	SOUND SYSTEM 12V FEEDING
CB 95	20.1	10A	561792	S.S. JCT. PANEL	SOUND SYSTEM AMPLI
CB 96	20.1	10A	561792	S.S. JCT. PANEL	VIDEO SYSTEM
CB 97	20.1	10A	561792	S.S. JCT. PANEL	SOUND SYSTEM B/U P.A. AMPLI
CB 98	20.1	15A	561793	S.S. JCT. PANEL	SOUND SYSTEM RADIO & CD
CB 99	20.7	15A	561793	S.S. JCT. PANEL	SEAT AUDIO SYSTEM
CB 105	21	6A	561790	FR. JCT. BOX	E.C.U. ABS
CB 106	21	10A	561792	FR. JCT. BOX	E.C.U. ABS
CB 107	21	10A	561792	FR. JCT. BOX	E.C.U. ABS
CB 124	8	6A	561790	RR. JCT. BOX	RADIATOR FAN CLUTCH
CB 126	25.1	150A	560299	BAT. CPT.	WHELL CHAIR LIFT MOTOR PUMP STE.
CB 126	25.2	90A	560298	BAT. CPT.	WHELL CHAIR LIFT MOTOR PUMP RICON

# CIRCUIT BREAKERS CODE

No.	PAGE	AMP.	#PREV.	LOCATION	FUNCTION
-----	------	------	--------	----------	----------

# CONNECTORS CODE

NO	LOCATION	TYPE	CAVITY	#PIN HOUSING	#SOCKET HOUSING	NO	LOCATION	TYPE	CAVITY	#PIN HOUSING	#SOCKET HOUSING
C90	RR JCT BOX	AMP CPC	34	562419	562419	C91	RR JCT BOX	AMP CPC	37	561714	561713
C89	RR END ROOF-CL.EARANCE LTS	AMP CPC	2	561635	561635	C92	FR LH UPPER WHEEL OPT-ABS	AMP CPC	9	561635	561637
C88	RR END ROOF	AMP CPC	2	561635	561635	C93	FR LH UPPER WHEEL OPT-ABS	WABCO	35	561635	561637
C87	RR END ROOF	AMP CPC	2	561635	561635	C94	FR AXLE ACCESSORIES	WABCO	14	561565	641094
C86	RR END ROOF-CL.EARANCE LTS	AMP CPC	2	561635	561635	C95	FR AXLE AOC-INSIDE PVC END	AMP CPC	3	561565	561585
C85	RR END ROOF	AMP CPC	2	561635	561635	C96	FR AXLE AOC-INSIDE PVC END	AMP CPC	3	561565	561578
C84	RR END ROOF	AMP CPC	2	561635	561635	C97	FR SERVICE COMP-EL.FL.PEDAL	AMP CPC	6	561782	561781
C83	RR END ROOF	AMP CPC	2	561635	561635	C98	FR SERVICE COMP-EL.FL.PEDAL	AMP MNL	2	561566	561248
C82	RR END ROOF	AMP CPC	2	561635	561635	C99	FR SERVICE COMP-ELEC. HORNS	AMP MNL	2	561566	561566
C81	RR END ROOF	AMP CPC	2	561635	561635	C100	FR SERV & SIDE OPT-FLASH LH	ITT SS	2	561813	561812
C80	RR END ROOF	AMP CPC	2	561635	561635	C101	FR SERV & SIDE OPT-FLASH LH	ITT SS	2	561813	561812
C79	RR END ROOF	AMP CPC	2	561635	561635	C102	FR SERV & SIDE OPT-FLASH RH	ITT SS	2	561813	561812
C78	RR END ROOF	AMP CPC	2	561635	561635	C103	FR SERV & SIDE OPT-FLASH RH	ITT SS	2	561813	561812
C77	RR END ROOF	AMP CPC	2	561635	561635	C104	FR SERV & SIDE OPT-FLASH RH	ITT SS	2	561813	561812
C76	RR END ROOF	AMP CPC	2	561635	561635	C105	FR SERV & SIDE OPT-FLASH RH	ITT SS	2	561813	561812
C75	RR END ROOF	AMP CPC	2	561635	561635	C106	FR SERVICE COMP-LIQ.S.VALVE	ITT SS	2	561566	561690
C74	RR END ROOF	AMP CPC	2	561635	561635	C107	FR SERVICE COMP-WATER VALVE	ITT SS	2	561566	561690
C73	RR END ROOF	AMP CPC	2	561635	561635	C108	EVAPORATOR COMP-TAMPER	ITT SS	2	561566	561690
C72	RR END ROOF	AMP CPC	2	561635	561635	C109	FR SERVICE COMP-KNEEL SYS	ITT SS	2	561566	561690
C71	RR END ROOF	AMP CPC	2	561635	561635	C110	FR SERVICE COMP-KNEEL SYS	ITT SS	2	561566	561690
C70	RR END ROOF	AMP CPC	2	561635	561635	C111	FR SERVICE COMP-KNEEL SYS	ITT SS	2	561566	561690
C69	RR END ROOF	AMP CPC	2	561635	561635	C112	EVAPORATOR COMP-TAMPER	ITT SS	2	561566	561690
C68	RR END ROOF	AMP CPC	2	561635	561635	C113	EVAPORATOR COMP-SPEED MOT CTRL	ITT SS	2	561566	561690
C67	RR END ROOF	AMP CPC	2	561635	561635	C114	RR J. BOX CPT DOOR DIR LT LH	ITT SS	2	561566	561690
C66	RR END ROOF	AMP CPC	2	561635	561635	C115	RR J. BOX CPT DOOR DIR LT LH	ITT SS	2	561566	561690
C65	RR END ROOF	AMP CPC	2	561635	561635	C116	ENGINE COMP. LTS	ITT SS	2	561566	561690
C64	RR END ROOF	AMP CPC	2	561635	561635	C117	ENGINE COMP. LTS	ITT SS	2	561566	561690
C63	RR END ROOF	AMP CPC	2	561635	561635	C118	ENGINE COMP. LTS	ITT SS	2	561566	561690
C62	RR END ROOF	AMP CPC	2	561635	561635	C119	ENGINE COMP. LTS	ITT SS	2	561566	561690
C61	RR END ROOF	AMP CPC	2	561635	561635	C120	ENGINE COMP. LTS	ITT SS	2	561566	561690
C60	RR END ROOF	AMP CPC	2	561635	561635	C121	ENGINE COMP. LTS	ITT SS	2	561566	561690
C59	RR END ROOF	AMP CPC	2	561635	561635	C122	ENGINE COMP. LTS	ITT SS	2	561566	561690
C58	RR END ROOF	AMP CPC	2	561635	561635	C123	ENGINE COMP. LTS	ITT SS	2	561566	561690
C57	RR END ROOF	AMP CPC	2	561635	561635	C124	ENGINE COMP. LTS	ITT SS	2	561566	561690
C56	RR END ROOF	AMP CPC	2	561635	561635	C125	ENGINE COMP. LTS	ITT SS	2	561566	561690
C55	RR END ROOF	AMP CPC	2	561635	561635	C126	ENGINE COMP. LTS	ITT SS	2	561566	561690
C54	RR END ROOF	AMP CPC	2	561635	561635	C127	ENGINE COMP. LTS	ITT SS	2	561566	561690
C53	RR END ROOF	AMP CPC	2	561635	561635	C128	ENGINE COMP. LTS	ITT SS	2	561566	561690
C52	RR END ROOF	AMP CPC	2	561635	561635	C129	ENGINE COMP. LTS	ITT SS	2	561566	561690
C51	RR END ROOF	AMP CPC	2	561635	561635	C130	ENGINE COMP. LTS	ITT SS	2	561566	561690
C50	RR END ROOF	AMP CPC	2	561635	561635	C131	ENGINE COMP. LTS	ITT SS	2	561566	561690
C49	RR END ROOF	AMP CPC	2	561635	561635	C132	ENGINE COMP. LTS	ITT SS	2	561566	561690
C48	RR END ROOF	AMP CPC	2	561635	561635	C133	ENGINE COMP. LTS	ITT SS	2	561566	561690
C47	RR END ROOF	AMP CPC	2	561635	561635	C134	ENGINE COMP. LTS	ITT SS	2	561566	561690
C46	RR END ROOF	AMP CPC	2	561635	561635	C135	ENGINE COMP. LTS	ITT SS	2	561566	561690
C45	RR END ROOF	AMP CPC	2	561635	561635	C136	ENGINE COMP. LTS	ITT SS	2	561566	561690
C44	RR END ROOF	AMP CPC	2	561635	561635	C137	ENGINE COMP. LTS	ITT SS	2	561566	561690
C43	RR END ROOF	AMP CPC	2	561635	561635	C138	ENGINE COMP. LTS	ITT SS	2	561566	561690
C42	RR END ROOF	AMP CPC	2	561635	561635	C139	ENGINE COMP. LTS	ITT SS	2	561566	561690
C41	RR END ROOF	AMP CPC	2	561635	561635	C140	ENGINE COMP. LTS	ITT SS	2	561566	561690
C40	RR END ROOF	AMP CPC	2	561635	561635	C141	ENGINE COMP. LTS	ITT SS	2	561566	561690
C39	RR END ROOF	AMP CPC	2	561635	561635	C142	ENGINE COMP. LTS	ITT SS	2	561566	561690
C38	RR END ROOF	AMP CPC	2	561635	561635	C143	ENGINE COMP. LTS	ITT SS	2	561566	561690
C37	RR END ROOF	AMP CPC	2	561635	561635	C144	ENGINE COMP. LTS	ITT SS	2	561566	561690
C36	RR END ROOF	AMP CPC	2	561635	561635	C145	ENGINE COMP. LTS	ITT SS	2	561566	561690
C35	RR END ROOF	AMP CPC	2	561635	561635	C146	ENGINE COMP. LTS	ITT SS	2	561566	561690
C34	RR END ROOF	AMP CPC	2	561635	561635	C147	ENGINE COMP. LTS	ITT SS	2	561566	561690
C33	RR END ROOF	AMP CPC	2	561635	561635	C148	ENGINE COMP. LTS	ITT SS	2	561566	561690
C32	RR END ROOF	AMP CPC	2	561635	561635	C149	ENGINE COMP. LTS	ITT SS	2	561566	561690
C31	RR END ROOF	AMP CPC	2	561635	561635	C150	ENGINE COMP. LTS	ITT SS	2	561566	561690
C30	RR END ROOF	AMP CPC	2	561635	561635	C151	ENGINE COMP. LTS	ITT SS	2	561566	561690
C29	RR END ROOF	AMP CPC	2	561635	561635	C152	ENGINE COMP. LTS	ITT SS	2	561566	561690
C28	RR END ROOF	AMP CPC	2	561635	561635	C153	ENGINE COMP. LTS	ITT SS	2	561566	561690
C27	RR END ROOF	AMP CPC	2	561635	561635	C154	ENGINE COMP. LTS	ITT SS	2	561566	561690
C26	RR END ROOF	AMP CPC	2	561635	561635	C155	ENGINE COMP. LTS	ITT SS	2	561566	561690
C25	RR END ROOF	AMP CPC	2	561635	561635	C156	ENGINE COMP. LTS	ITT SS	2	561566	561690
C24	RR END ROOF	AMP CPC	2	561635	561635	C157	ENGINE COMP. LTS	ITT SS	2	561566	561690
C23	RR END ROOF	AMP CPC	2	561635	561635	C158	ENGINE COMP. LTS	ITT SS	2	561566	561690
C22	RR END ROOF	AMP CPC	2	561635	561635	C159	ENGINE COMP. LTS	ITT SS	2	561566	561690
C21	RR END ROOF	AMP CPC	2	561635	561635	C160	ENGINE COMP. LTS	ITT SS	2	561566	561690
C20	RR END ROOF	AMP CPC	2	561635	561635	C161	ENGINE COMP. LTS	ITT SS	2	561566	561690
C19	RR END ROOF	AMP CPC	2	561635	561635	C162	ENGINE COMP. LTS	ITT SS	2	561566	561690
C18	RR END ROOF	AMP CPC	2	561635	561635	C163	ENGINE COMP. LTS	ITT SS	2	561566	561690
C17	RR END ROOF	AMP CPC	2	561635	561635	C164	ENGINE COMP. LTS	ITT SS	2	561566	561690
C16	RR END ROOF	AMP CPC	2	561635	561635						
C15	RR END ROOF	AMP CPC	2	561635	561635						
C14	RR END ROOF	AMP CPC	2	561635	561635						
C13	RR END ROOF	AMP CPC	2	561635	561635						
C12	RR END ROOF	AMP CPC	2	561635	561635						
C11	RR END ROOF	AMP CPC	2	561635	561635						
C10	RR END ROOF	AMP CPC	2	561635	561635						
C9	RR END ROOF	AMP CPC	2	561635	561635						
C8	RR END ROOF	AMP CPC	2	561635	561635						
C7	RR END ROOF	AMP CPC	2	561635	561635						
C6	RR END ROOF	AMP CPC	2	561635	561635						
C5	RR END ROOF	AMP CPC	2	561635	561635						
C4	RR END ROOF	AMP CPC	2	561635	561635						
C3	RR END ROOF	AMP CPC	2	561635	561635						
C2	RR END ROOF	AMP CPC	2	561635	561635						
C1	RR END ROOF	AMP CPC	2	561635	561635						

PREVOST

WIRING

DIAGRAM

D060882

PAGE: G1 REVISION 00



# CONNECTORS CODE

NO	LOCATION	TYPE	CAVITY	#PIN	#SOCKET	NO	LOCATION	TYPE	CAVITY	#PIN	#SOCKET
C165	RR AXLE:AABS LH VALVE	WABCO	3	.....	641098	C248	FR JCT BOX-WIPPER PULSE GEN	AMP FF	6	.....	561108
C166	RR AXLE:AABS RH VALVE	WABCO	3	.....	641098	C251	LH SW PANEL-FAST IDLE	SWF	8	.....	561107
C167	RR AXLE:AABS RH SENSOR	DEUTSCH	2	562466	662485	C252	LH SW PANEL-SWITCH LT	SWF	2	.....	561837
C169	RR JCT BOX-SPD ATC	AMP WDP	4	561610	561611	C253	LH SW PANEL-ETHER	SWF	8	.....	561107
C170	RR JCT BOX-FLASHER UNIT	AMP HDP	15	.....	562012	C254	INST. PANEL-RH-ENTR,DOOR SW.	TORRILX	5	.....	562110
C171	LH CONSOLE	TC	2	.....	561840	C255	LH SW PANEL-JACOB	SWF	8	.....	561107
C172	ENGINE COMPT-WATER TANK HEAT.	AMP CPC	37	561645	561646	C256	INST. PANEL-CENT-TACHO	AMP FF	8	561188	562383
C173	LAV POTABL.E WATER TANK HEAT.	PED WP	2	561566	561690	C257	LH SW PANEL-MULTI FLUNC. SW	AMP FF	6	.....	561108
C174	UNDER DASH RH-HTR MODULE	AMP MNL	2	560900	560998	C258	LH SW PANEL-MULTI FLUNC. SW	PED WP	6	561606	561667
C175	UNDER DASH RH-HTR MODULE	AMP MNL	9	561670	561668	C259	FR SERVICE CPT-LUG DOOR LCK	AMP MNL	9	561670	561669
C176	UNDER DASH RH-WIPER PULSE	AMP MNL	6	561670	561669	C260	UNDER DASH RH-DOOR MODULE	AMP MNL	4	561551	561668
C177	UNDER DASH RH-WIPER MOTOR	AMP FF	6	.....	561188	C262	UNDER DASH RH-DOOR MODULE	AMP MNL	3	561667	561550
C178	UNDER DASH RH-H FAN	AMP FF	5	.....	561188	C263	UNDER DASH RH-DOOR MODULE	AMP MNL	3	561667	561550
C179	UNDER DASH RH-H FAN	TC	2	561030	560997	C264	UNDER DASH RH-DOOR MODULE	AMP MNL	3	561667	561550
C181	RR JCT BOX-DIGIDE CONNECTOR	AMP MNL	2	561030	560997	C265	UNDER DASH RH-DOOR MODULE	AMP MNL	15	562011	562012
C182	RR JCT BOX-COMPT..VIT VIM	AMP CPC	16	561987	561986	C267	UNDER DASH RH	AMP CPC	24	561642	561552
C183	FR SERVICE CPT-KNEELING PANL.	PED WP	15	561639	561640	C268	UNDER DASH RH-MIRROR	AMP MNL	6	561552	561515
C184	FR SERVICE CPT-KNEELING SW.	PED WP	4	561610	561611	C269	UNDER DASH RH-MIRROR	AMP MNL	6	561552	561515
C185	RR JCT BOX-COMPT..VIT VIM	ITT SS	3	561111	561080	C270	LH MIRROR POST	AMP MNL	6	562070	562069
C186	RR JCT BOX-CPT.-SPEED SIGN. TR	PED	30	.....	561690	C271	RH MIRROR	MOLEX	6	562070	562069
C186M	RR JCT BOX-CPT.-SPD SIGN. M/TR	PED WP	2	561566	561690	C272	RH MIRROR	SPARTAN	6	562069	990158
C187	RR JCT BOX-CPT.-SPD SIGN. M/TR	PED WP	2	561566	561690	C273	UNDER DASH RH-DOOR MODULE	SPARTAN	6	562069	990158
C189	ENGINE CPT RR DOOR BUJ LT	AMP MNL	6	561552	561690	C275	UNDER DASH RH-LOCK SOL VALVE	AMP MNL	6	561670	561669
C190	ENGINE CPT RR DOOR TAIL LT	PED WP	2	561566	561515	C276	UNDER DASH CYLINDER READ SW.	AMP MNL	2	561248	561247
C191	ENGINE CPT RR DOOR TAIL LT	PED WP	2	561566	561690	C280	LH CONSOLE-UNLOAD TAG SW.	AMP MNL	2	561248	561247
C192	ENGINE CPT RR DOOR RH DIR. LT	PED WP	2	561566	561690	C286	RH SW PANEL-A/C & HEAT	SWF	8	561107	561107
C193	FR SECT. LH HAT RACK-FLUOR.	PED WP	2	561566	561247	C287	ENGINE COMPT-LTS SW	SWF	2	561566	561690
C194	ENGINE CPT RR DOOR LH DIR. LT	PED WP	2	561566	561690	C288	RH SW PANEL-FRESH AIR	PED WP	2	561566	561690
C195	ENGINE CPT RR DOOR LH STOP LT	PED WP	2	561566	561690	C289	RH SW PANEL-SWITCH LT	SWF	2	561566	561690
C196	ENGINE CPT RR DOOR CYCLOP LT	PED WP	2	561566	561690	C297	INST. PANEL-RH-LTS	SWF	2	561566	561690
C199	ENGINE CPT RR DOOR LUCENCE LT	PED WP	2	561566	561690	C298	LH CONSOLE SW-GALLEY	AMP MNL	2	560900	560988
C200	RH HAT RACK-FLUORESCENT	DOM AUTO	2	.....	930210	C299	INST. PANEL-CENT-TACHO	SWF	8	560988	561107
C201	RH HAT RACK-FLUORESCENT	AMP MNL	4	561551	56166A	C308	LH CONSOLE SW-RHEOSTAT	AMP MNL	4	560451	560452
C202	RH HAT RACK-BALLAST	AMP MNL	4	561551	56166A	C309	DDEC ENGINE-ECM POWER CON.	TC	4	560451	560997
C203	RH HAT RACK-BALLAST	AMP MNL	4	560951	560952	C310	LH CONSOLE SW-LLUG. DOOR LCK	PED MP	5	562345	562345
C204	RH HAT RACK-GENERAL LT	AMP MNL	6	561552	561515	C311	LH CONSOLE SW-HOS & PAS CHIME	SWF	2	561107	561107
C205	FR SECT. -RH HAT RACK SPEAKER	AMP MNL	3	561667	561662	C312	LH CONSOLE SW-READING LTS	SWF	8	561107	561107
C206	RH HAT RACK-READING LT	AMP MNL	2	560900	560988	C313	LH CONSOLE SW-GEN & FLUOR LTS	SWF	8	561107	561107
C207	LH HAT RACK-READING LT	AMP MNL	2	560900	560988	C314	LH CONSOLE SW-TR DEST. SIGN	SWF	8	561107	561107
C208	LH HAT RACK-BALLAST	AMP MNL	4	560951	560952	C315	LH CONSOLE SW-ALH STORE	SWF	8	561107	561107
C210	FR SECT. -LH HAT RACK SPEAKER	AMP MNL	4	561661	561662	C316	LH CONSOLE SPARE SWITCH	SWF	8	561107	561107
C211	FR ROOF-STORE LH	AMP MNL	2	560988	560989	C317	LH CONSOLE SW-RH STORE	SWF	8	561107	561107
C212	FR ROOF-STORE RH	AMP MNL	2	560988	560989	C318	LH CONSOLE SW-DRV WINDOW LIFT	SWF	8	561107	561107
C213	FR ROOF-CLEARANCE LT	AMP MNL	2	560900	560988	C322	LH CONSOLE SW-DRIVERS LTS.	SWF	8	561107	561107
C220	RR JCT BOX-FUEL PRIME PUMP	AMP MNL	1	561073	561073	C323	LH CONSOLE CRUISE CTR SW PANL. AMP	PED PO	2	561636	561636
C225	ENG.CPT. -FUEL PRIME PUMP FEED	AMP MNL	2	561248	561247	C325	LH CONSOLE SW-KNEELING	CPC	2	561636	561636
C230	ENG.CPT. -FUEL PRIME PUMP SW.	DEUTSCH	2	562466	562485	C326	LH CONSOLE SW-SPARE	SWF	8	561107	561107
C232	ENG.CPT.-FUEL PRIME PUMP	PED WP	2	561566	561690	C327	ENGINE CONTROL	SWF	8	561107	561107
C233	INST. PANEL-CENT	PED WP	2	561566	561690	C328	GALLEY-LAMP	DEUTSCH	6	562383	562381
C234	INST. PANEL-CENT	V.D.O.	8	.....	562043	C329	ENGINE TACHO SIGNAL	AMP MNL	2	561248	561247
C235	INST. PANEL-CENT	V.D.O.	4	.....	562043	C330	GALLEY MICROVAIVE SW	PED WP	3	561791	561789
C236	INST. PANEL-CENT	V.D.O.	8	.....	562044	C331	GALLEY MICROVAIVE SW	SWF	2	561837	561837
C237	RR JCT BOX-DIGIDE CONNECTOR	AMP MNL	4	560851	560852	C332	GALLEY RH CONTAINER SW LT	SWF	2	561107	561107
C238	RR JCT BOX-DIGIDE CONNECTOR	ITT SS	3	561111	560851	C333	GALLEY RH CONTAINER SW RT	SWF	2	561107	561107
C239	FR SERVICE CPT-HI BUDY VALVE	AMP MNL	3	561670	561669	C334	GALLEY LH CONTAINER SW	SWF	8	561107	561107
C240	FR SERVICE CPT-HI BUDY VALVE	PED WP	2	561566	561690	C335	GALLEY LH CONTAINER SW LT	SWF	8	561107	561107
C241	FR SERVICE CPT-FOG RESISTOR	AMP CPC	3	561847	561862	C337	INST. PANEL LH-UP WIPER SW	SWF	2	561107	561107
C242	FR SERVICE CPT-MARK & DIR LT	ITT SS	3	561111	561080	C338	INST. PANEL LH-UP WIPER SW	SWF	2	561107	561107
C243	FR SERVICE CPT-HEADLAMPS	ITT SS	3	561111	561080	C339	INST. PANEL LH-UP DEFROST SW	SWF	8	561107	561107
C244	FR SERVICE CPT-LH FOG LAMP	ITT SS	2	561813	561812	C340	FR JCT. BOX FIBRE PIEZO ALARM	SWF	8	560900	560898
C245	FR SERVICE CPT RH FOG LAMP	ITT SS	2	561813	561812	C341	INST. PANEL LH-HEAT MIRROR SW	AMP MNL	2	560900	560898
C246	FR SERVICE CPT-MARK & DIR LT	ITT SS	3	561111	561080	C342	ENGINE RR START SW	SWF	2	562586	562585
		ITT SS	2	561111	561080	C343	INST. PANEL LH-HEADLAMP SW	SWF	8	561107	561107

PREVOST

WIRING

DIAGRAM

D060882

PAGE: G2

REVISION 00

# CONNECTORS CODE

NO	LOCATION	TYPE	CAVITY	#PIN	#SOCKET	NO	LOCATION	TYPE	CAVITY	#PIN	#SOCKET
C344	INSTR PANEL LH HAZARD LT SW	SWF	8	561107	561107	C426	ENGINE COMPT. CLUTCH CTR FAN	PED WP	3	561781	561782
C345	INSTR PANEL LH FOG LT SW	SWF	8	561107	561107	C428	ALARM JCT BOX COMPT.	AMP MNL	6	561592	561515
C346	INSTR PANEL LH SWITCH LTS	SWF	2	561837	561837	C430	LH CONSOLE-TIMER	AMP MNL	8	561188	561263
C347	INSTR PANEL LH-DASH LT SW	SWF	2	560990	560998	C431	LH CONSOLE-PRE HEAT.	AMP FC	1	561140	562363
C348	INSTR PANEL CENT-RACOR MODULE	MOLEX	6	562070	562066	C432	ENGINE CPT.-PHOX. SW. DOOR ALAR	TAB AMP	8	561540	561539
C350	RH CONSOLE-THERMOMETER	AMP MNL	6	561667	561550	C433	FR SERVICE CPT. KNEEL. PRESS. SW	DEUTSCH	4	562479	562477
C351	LH HAT RACK-FLOOR 110V	MOLEX	4	561476	561476	C434	FRONT JCT. BOX-DIODES	PED WP	4	561566	561590
C352	RH CONSOLE-DRV TEMP SENSOR	BURINDY	4	561104	561104	C435	FR SERVICE CPT.(RH) KNEEL. PIEZO	AMP MNL	15	561987	561986
C353	INSTR PANEL RH-DRV FAN RH-OST	AMP MNL	6	561532	561515	C436	RH HAT RACK-WCL CENTER ROOF ACC	AMP MNL	2	560900	560898
C354	INSTR PANEL RH-DRV TEMP CTR	AMP MNL	6	561552	561515	C437	RH HAT RACK-WCL FR & RR SECT.	AMP CPC	16	561639	561640
C355	INSTR PANEL RH-FR TEMP CTR	AMP MNL	6	561667	561550	C450	SOUND SYS. JCT. PANEL	AMP CPC	24	561642	561643
C357	INSTR PANEL RH-WATER TEMP GA	AMP MNL	3	561667	561550	C451	WIRELESS MICRO-FIRST CPT BAG	MOLEX	4	562507	562503
C358	INSTR PANEL RH-FUEL LEVEL GA	AMP MNL	3	561667	561550	C452	WIRELESS MICRO-LH HAT RACK	MOLEX	2	562549	562548
C361	FR ROOF-WIPER MOTOR	AMP FC	6	561667	561550	C453	SOUND SYS. JCT. PANEL-FILT VCP	MOLEX	2	562550	562549
C362	FR ROOF-LAVATORY OCCUPIED LT	AMP FC	6	561248	561107	C454	SOUND SYS. JCT. PANEL-FILT VCP	MOLEX	2	562549	562548
C363	FR ROOF-WATCH YOUR STEP LT	AMP MNL	2	561247	561247	C455	WIRELESS MICRO-LH HAT RACK	MOLEX	2	561566	561590
C364	FR ROOF-DESTINATION SIGN	AMP MNL	2	561667	561550	C456	WORLD TRANSM.-RETRADER ACCUM.	CHIRCH	2	561566	561590
C365	FR ROOF-UP WINDSHIELD DEFROST	AMP MNL	2	561667	561550	C457	WORLD TRANSM.-MAIN CONNECTOR	DEUTSCH	2	562554	562551
C366	RH DASH PANEL-IGN & RED LEDS	AMP MNL	3	561567	561550	C458	WORLD TRANSM.-TURBINE SP SENS	DEUTSCH	31	562572	562571
C367	ENGINE COMPT-DIF OIL T SENSOR	AMP MNL	3	560906	562006	C459	WORLD TRANSM.-ENGINE SP SENS.	AMP MNL	2	562396	562396
C368	FR ROOF-DEST. SIGN BALLAST	AMP MNL	2	561667	561550	C460	WORLD TRANSM.-SPEED SENSOR	AMP MNL	2	562426	562426
C369	FR ROOF-DEST. SIGN OPER. SW	TORRIX	5	561667	561550	C461	WORLD TRANSM.-RETRADER TEMP.	ITT	2	562341	562341
C370	FR ROOF-DEST. SIGN FLOOR.	AMP MNL	2	560900	560998	C462	WORLD TRANSM.-RETRADER TEMP.	AMP MNL	2	561586	561590
C371	FR ROOF-DEST. SIGN FLOOR.	AMP MNL	2	560900	560998	C463	WORLD TRANSM.-SENSOR CONN.	AMP MNL	2	562426	562426
C372	FR ROOF-DEST. SIGN SPEED SW	MOLEX	4	561477	561476	C464	WORLD TRANSM.-SENSOR CONN.	DEUTSCH	12	562570	562571
C373	FR ROOF-NO SMOKING LT	AMP MNL	2	561248	561247	C465	FR SERVICE CPT.-REIS. MOD.	AMP MNL	10	562574	562574
C374	LH SWITCH PANEL	AMP MNL	6	561515	561515	C466	FR SERVICE CPT.-REIS. MOD.	T & BET	2	562426	562426
C375	LH SWITCH PANEL	AMP CPC	37	561714	562005	C467	FR SERVICE CPT.-REIS. MOD.	AMP MNL	3	562426	562426
C376	LH SW PANEL-STOP ENG.OVERIDE	SWF	8	562360	561107	C468	RR JCT BOX-VIM MOD. W.T.	AMP MNL	18	562573	562573
C377	LH SW PANEL-STOP ENG.OVERIDE	DEUTSCH	6	562360	561107	C470	FR LH UPPER WHELL CPT-SILENT 1000	AMP MNL	2	561248	561247
C380	LH CONSOLE-DTR CONNECTOR	SWF	8	561831	561662	C471	FR LH UPPER WHELL CPT-SILENT 1000	AMP MNL	2	561248	561247
C386	RR JCT BOX (WCL)	AMP MNL	9	561831	561735	C472	FR LH UPPER WHELL CPT-SILENT 1000	AMP MNL	2	561566	561690
C388	RR JCT BOX (WCL)	AMP MNL	12	561477	561476	C473	FR LH UPPER WHELL CPT-SILENT 1000	AMP MNL	3	561667	561590
C391	WCL REAR DOOR	MOLEX	4	561477	561476	C474	LUGGAGE CPT.-TEMP. SENSOR	AMP MNL	3	561667	561590
C392	LAVATORY WALL-WCL REMOTE CTR	SWF	8	561107	561107	C475	RR JCT BOX-SPEED SIGN CONNECTOR	AMP MNL	2	561247	561248
C393	LAVATORY WALL-WCL LAMP	SWF	8	561107	561107	C475M	RR JCT BOX-SPEED SIGN MANUAL TR.	AMP MNL	2	561247	561248
C394	LAVATORY WALL-WCL SW. LT.	SWF	8	561107	561107	C476	RR JCT BOX-SPEED SIGN WORLD TR.	MOLEX	6	562070	562069
C395	LAVATORY WALL-WCL REMOTE SYS.	AMP CPC	4	561686	561687	C476	RR JCT BOX-VIM WORLD TRANSM.	MOLEX	5	562070	562069
C396	DRIVER'S COMPT. - BU MONITOR	AMP MNL	4	560851	560852	C478	RR JCT BOX-WORLD TR. SHIFT.&RET.	AMP CPC	16	561639	561640
C397	FR SECT. LH HAT RACK-SPEAKER	MOLEX	5	562507	562503	C483	ELECTRONIC DESTINATION SIGN	AMP CPC	9	561639	561637
C400	ENGINE COMPT. CRADLE ACC.	DEUTSCH	40	562281	562284	C500	FR SERVICE CPT. (NOT USED)	AMP CPC	6	561637	561637
C402	ENGINE COMPT. CRADLE HEATER	AMP MNL	2	561781	561782	C501	FR LH UPPER WHELL CPT.-PROPDRIVER	AMP CPC	2	561636	561637
C403	RR DRIVE AXLE-FAIR DRYER	AMP MNL	2	561248	561247	C502	FR LH UPPER WHELL CPT.-PROPDRIVER MOD	MOLEX	6	562070	562069
C404	GALLEY VAMP	AMP MNL	2	561248	561247	C503	LH CONSOLE-PRE HEATER SW.	SWF	7	562070	562069
C406	FR JCT BOX COMPT.-ABS	AMP MNL	2	561248	561247	C504	LH CONSOLE-PRE HEATER SW.	SWF	8	562433	561107
C407	ENGINE COMPT. -SIGNAL	AMP MNL	2	561248	561247	C505	LH CONSOLE-ESP/AR TIMER	AMP	2	561188	561837
C408	ENGINE COMPT. -SIGNAL	AMP MNL	2	561248	561247	C506	FR JCT BOX CPT. DIGITAL CLOCK	AMP	3	561188	561837
C409	ENGINE CPT. -LOW COOL. LEVEL	AMP MNL	2	561606	561607	C507	FR JCT BOX CPT. DIGITAL CLOCK	AMP	8	561685	561686
C410	FR JCT BOX-DIODE CONNECTOR	AMP MNL	15	561987	561986	C508	FR SECT. LH HAT-RACK DIA. CLOCK	MOLEX	4	561477	561476
C411	FR JCT BOX-DIODE CONNECTOR	AMP MNL	15	561987	561986	C509	RR JCT BOX-FAN CLUTCH RETARDER	AMP MNL	6	561552	561515
C412	LH SW PANEL-MASTER SWITCH	SWF	8	561670	561107	C510	FR LH UPPER WHELL CPT. -DATA LOGGER	AMP MNL	16	562531	562530
C413	ENG CPT.-A/C HI UNLOAD PRS SW	AMP MNL	5	561670	561690	C511	FR LH UPPER WHELL CPT. -DATA LOGGER	DEUTSCH	9	562531	561550
C414	RR JCT BOX	AMP MNL	2	561566	561690	C512	FR LH UPPER WHELL CPT. -DATA LOGGER	AMP MNL	10	562532	562533
C415	ENGINE CRADLE-FAN SIGNAL	AMP MNL	2	561566	561690	C513	FR LH UPPER WHELL CPT. -DATA LOGGER	AMP MNL	3	561667	561667
C416	FRONT JCT BOX-DIODES	AMP MNL	3	561667	561107	C514	FR LH UPPER WHELL CPT. -DATA LOGGER	AMP MNL	6	561667	561667
C418	INSTR. PANEL LH-HTR WINDSH.SW	AMP MNL	8	561667	561107	C515	FR DASH PANEL-TILT.	AMP CPC	14	561585	562417
C419	FR JCT BOX-RETARDER OR JACOB	AMP MNL	3	561597	561550	C516	CENTER DASH PANEL-UPPER T.I.T.T.	AMP CPC	4	561477	561476
C420	ENGINE COMPT. WEBASTO WATTEI HTR	TC	2	561073	561073	C517	FR JCT BOX CPT.-INTERCOM	AMP CPC	24	561642	561643
C421	ENGINE COMPT. WEBASTO WATTEI HTR	TC	2	561073	561073	C518	CENTER DASH PANEL.-LOWER T.I.T.T.	AMP CPC	6	562070	561643
C422	ENGINE COMPT. WEBASTO WATTEI HTR	TC	1	561667	561550	C519	LAVATORY WALL-INTERCOM	MOLEX	24	562070	562069
C424	UNDER INSTRUMENT PANEL-CENTER	AMP MNL	3	561987	561596	C520	UNDER DASH RH-SEDAN DOOR	HUMPHREY	2	562380	562380
C425	FR JCT BOX-DIODES	AMP MNL	15	561987	561986	C521	UNDER DASH RH-SEDAN DOOR	HUMPHREY	2	641385	641385

# CONNECTORS CODE

NO	LOCATION	TYPE	CAVITY	#PIN HOUSING	#SOCKET HOUSING	NO	LOCATION	TYPE	CAVITY	#PIN HOUSING	#SOCKET HOUSING
C 522	FR JCT BOX-DAYTIME LTR MODULE	BOSCH	5	.....	561183						
C 523	FR JCT BOX-FUSE BLOCK	PED	8	562647	562646						
C 524	FR JCT BOX-FUSE BLOCK	PED	8	562647	562646						
C 525	FR JCT BOX-FUSE BLOCK	PED	8	562647	562646						
C 526	FR JCT BOX-FUSE BLOCK	PED	8	562647	562646						
C 527	FR JCT BOX-FUSE BLOCK	PED	8	562647	562646						
C 528	FR JCT BOX-FUSE BLOCK	PED	8	562647	562646						
C 529	FR JCT BOX-12V OUTLET	AMP MNL	2	562647	562646						
C 530	RR JCT BOX-FUSE BLOCK	PED	8	562647	562646						
C 531	RR JCT BOX-FUSE BLOCK	PED	8	562647	562646						
C 532	RR JCT BOX-FUSE BLOCK	PED	8	562647	562646						
C 533	RR JCT BOX-FUSE BLOCK	PED	8	562647	562646						
C 534	RR JCT BOX-FUSE BLOCK	PED	8	562647	562646						
C 535	RR JCT BOX-FIRE MODULE DETECT.	AMP MNL	3	562647	562646						
C 536	UNDER DASH RH-DRIVER'S HTR TEMP. CTR	AMP MNL	6	561667	561550						
C 537	BATT. CPT.-A/C PRESS. SIGN. RLY	AMP MNL	2	561248	561247						
C 538	FR SERVICE CPT.-OUTSIDE TEMP. SENSOR	AMP MNL	2	561248	561247						
C 539	RH DASH PANEL-THERMOMETER SOUND	AMP MNL	2	561248	561247						
C 540	RH DASH PANEL-THERMOMETER SOUND	AMP MNL	2	561248	561247						
C 541	RR JCT BOX-PARK BRAKE STOP LTR RESIS.	AMP MNL	2	561566	561690						
C 542	SOUND SYS. JCT PANEL-AUDIO SEAT SYS.	AMP MNL	3	561781	562428						
C 543	RH HAT HOOK-AUDIO SEAT SYS.	AMP MNL	3	561667	561550						
C 544	RH HAT HOOK-AUDIO SEAT SYS.	AMP MNL	3	561645	561646						
C 545	RH HAT HOOK-AUDIO SEAT SYS.	AMP CPC	37	561645	561646						
C 546	RH DASH PANEL-ACCESSORIES	AMP CPC	37	561645	561646						
C 547	RH DASH PANEL-ACCESSORIES	AMP CPC	37	561645	561646						
C 548	LH DASH PANEL-T.I. LT. TEST SW.	SWF	8	.....	561107						

PREVOST

WIRING DIAGRAM

D060882

PAGE: G4

REVISION 00

# CONNECTORS CODE

NO	LOCATION	TYPE	CAVITY	#PIN HOUSING	#SOCKET HOUSING	NO	LOCATION	TYPE	CAVITY	#PIN HOUSING	#SOCKET HOUSING
C8A	RR JCT BOX-ECU WORLD TR.	T & BET	34	.....	562419	C31	RR JCT BOX	AMP CPC	37	561714	561713
C8B	RR JCT BOX-ECU WORLD TR.	AMP CPC	34	.....	562420	C32	RR LH UPPER WHELL OPT-ABS	AMP CPC	9	561635	561637
C8C	RR JCT BOX COMPARTMENT	AMP CPC	14	561585	561584	C33	FR LH UPPER WHELL OPT-ABS	WABCO	35	.....	561637
C8D	RR JCT BOX COMPARTMENT	AMP CPC	16	561639	561638	C36	FR AXLE ACCESSORIES	AMP CPC	14	561585	641094
C8E	RR JCT BOX COMPARTMENT	AMP CPC	24	561641	561640	C37	FR AXLE ACC-INSIDE PVC END	AMP CPC	5	561586	561578
C8F	RR JCT BOX COMPARTMENT	AMP CPC	37	561644	561643	C38	FR SERVICE COMPT-ELFT PEDAL	AMP CPC	3	561782	561781
C8G	FR SERVICE COMPT-UNDERNEATH	AMP CPC	37	561644	561643	C39	FR SERVICE COMPT-LTS	AMP MNL	2	561248	561247
C8H	FR SERVICE COMPT-UNDERNEATH	AMP CPC	16	561639	561638	C101	FR SERVICE COMPT-ELEC HORNS	AMP MNL	2	561585	561584
C8I	FR SERVICE COMPT-UNDERNEATH	AMP CPC	24	561641	561640	C102	FR SERV & SIDE OPT-FLASH LH	GROTE	2	.....	562155
C8J	FR SERVICE COMPT-UNDERNEATH	AMP CPC	24	561641	561640	C103	FR SERV & SIDE OPT-FLASH RH	GROTE	2	.....	562155
C8K	FR SERVICE COMPT-UNDERNEATH	AMP CPC	37	561644	561643	C104	FR SERV & SIDE OPT-FLASH RH	GROTE	2	.....	562155
C8L	FR SERVICE COMPT-UNDERNEATH	AMP CPC	24	561641	561640	C105	FR SERVICE COMPT-ILDS VALVE	AMP CPC	2	561586	561690
C8M	FR SERVICE COMPT-UNDERNEATH	AMP CPC	16	561639	561638	C106	FR SERVICE COMPT-WATER VALVE	AMP CPC	2	561586	561690
C8N	FR SERVICE COMPT-UNDERNEATH	AMP CPC	6	561552	561551	C107	EVAPORATOR COMPT-DAMPBR	AMP CPC	2	561586	561690
C8O	FR SERVICE COMPT-UNDERNEATH	AMP CPC	9	561661	561660	C108	FR SERVICE COMPT-KNEEL SYS	AMP CPC	2	561586	561690
C8P	FR SERVICE COMPT-UNDERNEATH	AMP CPC	24	561641	561640	C109	FR SERVICE COMPT-KNEEL SYS	AMP CPC	2	561586	561690
C8Q	FR SERVICE COMPT-UNDERNEATH	AMP CPC	9	561661	561660	C110	FR SERVICE COMPT-KNEEL SYS	AMP CPC	2	561586	561690
C8R	FR SERVICE COMPT-UNDERNEATH	AMP CPC	8	561661	561660	C111	EVAPORATOR COMPT-SPEED MOT CTRL	DEUTSCH	2	562486	561690
C8S	FR SERVICE COMPT-UNDERNEATH	AMP CPC	8	561661	561660	C112	BATT. & RR JB OPT-MARKER LT	DEUTSCH	3	.....	562486
C8T	FR SERVICE COMPT-UNDERNEATH	AMP CPC	8	561661	561660	C113	RR J BOX OPT-DOOR DIR LT LH	GROTE	2	.....	562155
C8U	FR SERVICE COMPT-UNDERNEATH	AMP CPC	8	561661	561660	C114	ENGINE COMPT-AIR DRYER	GROTE	2	.....	562155
C8V	FR SERVICE COMPT-UNDERNEATH	AMP CPC	8	561661	561660	C115	ENGINE COMPT-LTS	AMP CPC	2	561605	561606
C8W	FR SERVICE COMPT-UNDERNEATH	AMP CPC	8	561661	561660	C116	ENGINE COMPT-LAVATORY FAN	AMP CPC	2	561605	561606
C8X	FR SERVICE COMPT-UNDERNEATH	AMP CPC	8	561661	561660	C117	ENGINE CPT RR DOOR RH LO LAMP	AMP CPC	2	561605	561606
C8Y	FR SERVICE COMPT-UNDERNEATH	AMP CPC	8	561661	561660	C118	ENGINE CPT RR DOOR LH LO LAMP	AMP CPC	2	561605	561606
C8Z	FR SERVICE COMPT-UNDERNEATH	AMP CPC	8	561661	561660	C119	BATTERY CPT DOOR DIR LT RH	AMP CPC	2	561605	561606
C90	FR SERVICE COMPT-UNDERNEATH	AMP CPC	8	561661	561660	C120	ENGINE CPT-UNLOAD TAG RH VALVE	AMP CPC	2	561605	561606
C91	FR SERVICE COMPT-UNDERNEATH	AMP CPC	8	561661	561660	C121	ENGINE CPT-ETHER SW	AMP CPC	2	561605	561606
C92	FR SERVICE COMPT-UNDERNEATH	AMP CPC	8	561661	561660	C122	ENGINE CPT-FLUSHING PUMP	AMP CPC	2	561605	561606
C93	FR SERVICE COMPT-UNDERNEATH	AMP CPC	8	561661	561660	C123	ENGINE CPT-FUEL FILTER	AMP CPC	2	561605	561606
C94	FR SERVICE COMPT-UNDERNEATH	AMP CPC	8	561661	561660	C124	ENGINE CPT-AC COMP-CLUTCH	AMP CPC	2	561605	561606
C95	FR SERVICE COMPT-UNDERNEATH	AMP CPC	8	561661	561660	C125	ENGINE CPT-PRE-HEAT WATER	AMP CPC	2	561605	561606
C96	FR SERVICE COMPT-UNDERNEATH	AMP CPC	8	561661	561660	C126	ENGINE CPT-UNL OADDER	AMP CPC	2	561605	561606
C97	FR SERVICE COMPT-UNDERNEATH	AMP CPC	8	561661	561660	C127	ENGINE CPT-UNL OADDER	AMP CPC	2	561605	561606
C98	FR SERVICE COMPT-UNDERNEATH	AMP CPC	8	561661	561660	C128	ENGINE CPT-AC HI PRESS SW	AMP CPC	2	561605	561606
C99	FR SERVICE COMPT-UNDERNEATH	AMP CPC	8	561661	561660	C129	ENGINE CPT-AC HI PRESS SW	AMP CPC	2	561605	561606
C100	FR SERVICE COMPT-UNDERNEATH	AMP CPC	8	561661	561660	C130	RR JCT BOX-TRANSMITTER	AMP CPC	2	561605	561606
C101	FR SERVICE COMPT-UNDERNEATH	AMP CPC	8	561661	561660	C131	RR JCT BOX-CONTROL MODULE	AMP CPC	2	561605	561606
C102	FR SERVICE COMPT-UNDERNEATH	AMP CPC	8	561661	561660	C132	RR JCT BOX-LOGIC MODULE	AMP CPC	2	561605	561606
C103	FR SERVICE COMPT-UNDERNEATH	AMP CPC	8	561661	561660	C133	LAVATORY DOOR WALL	AMP CPC	2	561605	561606
C104	FR SERVICE COMPT-UNDERNEATH	AMP CPC	8	561661	561660	C134	LAVATORY DOOR WALL	AMP CPC	2	561605	561606
C105	FR SERVICE COMPT-UNDERNEATH	AMP CPC	8	561661	561660	C135	LAVATORY DOOR WALL	AMP CPC	2	561605	561606
C106	FR SERVICE COMPT-UNDERNEATH	AMP CPC	8	561661	561660	C136	LAVATORY DOOR WALL	AMP CPC	2	561605	561606
C107	FR SERVICE COMPT-UNDERNEATH	AMP CPC	8	561661	561660	C137	LAVATORY DOOR WALL	AMP CPC	2	561605	561606
C108	FR SERVICE COMPT-UNDERNEATH	AMP CPC	8	561661	561660	C138	LAVATORY DOOR WALL	AMP CPC	2	561605	561606
C109	FR SERVICE COMPT-UNDERNEATH	AMP CPC	8	561661	561660	C139	LAVATORY DOOR WALL	AMP CPC	2	561605	561606
C110	FR SERVICE COMPT-UNDERNEATH	AMP CPC	8	561661	561660	C140	LAVATORY DOOR WALL	AMP CPC	2	561605	561606
C111	FR SERVICE COMPT-UNDERNEATH	AMP CPC	8	561661	561660	C141	LAVATORY DOOR WALL	AMP CPC	2	561605	561606
C112	FR SERVICE COMPT-UNDERNEATH	AMP CPC	8	561661	561660	C142	LAVATORY DOOR WALL	AMP CPC	2	561605	561606
C113	FR SERVICE COMPT-UNDERNEATH	AMP CPC	8	561661	561660	C143	LAVATORY DOOR WALL	AMP CPC	2	561605	561606
C114	FR SERVICE COMPT-UNDERNEATH	AMP CPC	8	561661	561660	C144	LAVATORY DOOR WALL	AMP CPC	2	561605	561606
C115	FR SERVICE COMPT-UNDERNEATH	AMP CPC	8	561661	561660	C145	LAVATORY DOOR WALL	AMP CPC	2	561605	561606
C116	FR SERVICE COMPT-UNDERNEATH	AMP CPC	8	561661	561660	C146	LAVATORY DOOR WALL	AMP CPC	2	561605	561606
C117	FR SERVICE COMPT-UNDERNEATH	AMP CPC	8	561661	561660	C147	LAVATORY DOOR WALL	AMP CPC	2	561605	561606
C118	FR SERVICE COMPT-UNDERNEATH	AMP CPC	8	561661	561660	C148	LAVATORY DOOR WALL	AMP CPC	2	561605	561606
C119	FR SERVICE COMPT-UNDERNEATH	AMP CPC	8	561661	561660	C149	LAVATORY DOOR WALL	AMP CPC	2	561605	561606
C120	FR SERVICE COMPT-UNDERNEATH	AMP CPC	8	561661	561660	C150	LAVATORY DOOR WALL	AMP CPC	2	561605	561606
C121	FR SERVICE COMPT-UNDERNEATH	AMP CPC	8	561661	561660	C151	LAVATORY DOOR WALL	AMP CPC	2	561605	561606
C122	FR SERVICE COMPT-UNDERNEATH	AMP CPC	8	561661	561660	C152	LAVATORY DOOR WALL	AMP CPC	2	561605	561606
C123	FR SERVICE COMPT-UNDERNEATH	AMP CPC	8	561661	561660	C153	LAVATORY DOOR WALL	AMP CPC	2	561605	561606
C124	FR SERVICE COMPT-UNDERNEATH	AMP CPC	8	561661	561660	C154	LAVATORY DOOR WALL	AMP CPC	2	561605	561606
C125	FR SERVICE COMPT-UNDERNEATH	AMP CPC	8	561661	561660	C155	LAVATORY DOOR WALL	AMP CPC	2	561605	561606
C126	FR SERVICE COMPT-UNDERNEATH	AMP CPC	8	561661	561660	C156	LAVATORY DOOR WALL	AMP CPC	2	561605	561606
C127	FR SERVICE COMPT-UNDERNEATH	AMP CPC	8	561661	561660	C157	LAVATORY DOOR WALL	AMP CPC	2	561605	561606
C128	FR SERVICE COMPT-UNDERNEATH	AMP CPC	8	561661	561660	C158	LAVATORY DOOR WALL	AMP CPC	2	561605	561606
C129	FR SERVICE COMPT-UNDERNEATH	AMP CPC	8	561661	561660	C159	LAVATORY DOOR WALL	AMP CPC	2	561605	561606
C130	FR SERVICE COMPT-UNDERNEATH	AMP CPC	8	561661	561660	C160	LAVATORY DOOR WALL	AMP CPC	2	561605	561606
C131	FR SERVICE COMPT-UNDERNEATH	AMP CPC	8	561661	561660	C161	LAVATORY DOOR WALL	AMP CPC	2	561605	561606
C132	FR SERVICE COMPT-UNDERNEATH	AMP CPC	8	561661	561660	C162	LAVATORY DOOR WALL	AMP CPC	2	561605	561606
C133	FR SERVICE COMPT-UNDERNEATH	AMP CPC	8	561661	561660	C163	LAVATORY DOOR WALL	AMP CPC	2	561605	561606
C134	FR SERVICE COMPT-UNDERNEATH	AMP CPC	8	561661	561660	C164	LAVATORY DOOR WALL	AMP CPC	2	561605	561606
C135	FR SERVICE COMPT-UNDERNEATH	AMP CPC	8	561661	561660						

**PREVOST**

**WIRING**

**DIAGRAM**

**D060882**

PAGE: **G1**

REVISION **03**

# CONNECTORS CODE

NO	LOCATION	TYPE	CAVITY	#PIN HOUSING	#SOCKET HOUSING
C165	RR AXLE ABS LH VALVE	WABCO	3	.....	.....
C166	RR AXLE ABS RH VALVE	WABCO	3	.....	.....
C167	RR AXLE ABS RH SENSOR	DEUTSCH	2	562486	561837
C168	RR AXLE ABS OPT ATC	PED WP	4	561611	561107
C169	RR JCT BOX SPEED SW	AMP HDP	15	.....	.....
C170	FR JCT BOX FLASHER UNIT	TC	2	.....	.....
C171	LH CONSOLE	AMP CPC	37	561645	561108
C172	ENGINE COMP. WATER TANK HEAT	PED WP	2	561566	561607
C173	LAV POTABLE WATER TANK HEAT	AMP MNL	2	560990	561659
C174	UNDER DASH RH-HTR MODULE	AMP MNL	2	561670	561659
C175	UNDER DASH RH-HTR MODULE	AMP MNL	9	561670	561659
C176	UNDER DASH RH-WIPER PULSE	AMP FF	6	561186	561530
C177	UNDER DASH RH-WIPER MOTOR	AMP FF	6	.....	.....
C178	UNDER DASH RH-LH FAN	TC	2	561030	561530
C179	UNDER DASH RH-RH FAN	TC	2	561030	561530
C181	RR JCT BOX DIODE CONNECTOR	AMP MNL	15	560997	561030
C182	RR JCT BOX COMP. INT VWV	AMP CPC	16	561987	561986
C183	FR SERVICE CPT-KNEELING PAN	AMP WP	4	561639	561611
C184	FR SERVICE CPT-KNEELING SW	PED WP	3	561610	561080
C185	RR JCT BOX COMP. INT VWV	PLI	30	561111	.....
C186	RR JCT BOX CPT-SPEED SIGN TR	PED WP	2	561566	561690
C186M	RR JCT BOX CPT-SPD SIGN M TR	PED WP	2	561566	561690
C187	RR JCT BOX RRM RESISTOR CON.	AMP MNL	2	561552	561515
C189	ENGINE CPT RR DOOR 9JU LT	AMP MNL	6	561552	561515
C190	ENGINE CPT RR DOOR TAIL LT	AMP MNL	2	561566	561690
C191	ENGINE CPT RR DOOR RH STOP LT	AMP WP	2	561566	561690
C192	ENGINE CPT RR DOOR RH DIR. LT	AMP WP	2	561566	561690
C193	ENGINE CPT RR DOOR RH DIR. LT	AMP MNL	2	561566	561690
C194	ENGINE CPT RR DOOR LH DIR. LT	AMP MNL	2	561566	561690
C195	ENGINE CPT RR DOOR LH STOP LT	AMP WP	2	561566	561690
C196	ENGINE CPT RR DOOR CYCLO LT	AMP WP	2	561566	561690
C199	ENGINE CPT RR DOOR LICENSE LT	AMP WP	2	561566	561690
C200	RR HAT RACK FLUORESCENT	DOM AUTO	2	930210	.....
C201	RR HAT RACK FLUORESCENT	AMP MNL	4	561551	561668
C202	RR HAT RACK BALLAST	AMP MNL	4	561551	561668
C203	RR HAT RACK BALLAST	AMP MNL	4	560852	560852
C204	RR HAT RACK Q.E.M. I.L. LT	AMP MNL	6	561552	561515
C205	FR SECT. RH HAT RACK:FLUOR H	AMP MNL	3	561667	561590
C206	FR HAT RACK:READING LT	AMP MNL	9	561661	561590
C207	LH HAT RACK:READING LT	AMP MNL	2	560900	560998
C208	LH HAT RACK:BALLAST	AMP MNL	2	560900	560998
C210	FR SECT. LH HAT RACK SPEAKER	AMP MNL	4	560851	560998
C211	FR ROOF-STORE LH	AMP MNL	9	561661	561662
C212	FR ROOF-STORE RH	AMP MNL	2	560900	560998
C213	FR ROOF-CLEARANCE LT	AMP MNL	2	560900	560998
C220	RR JCT BOX-FUEL PRIME PUMP	TC	1	561070	561073
C225	FR SECT. RH HAT RACK-FLUOR	AMP MNL	2	561248	562485
C230	ENG. CPT. FUEL PRIME PUMP FEED	DEUTSCH	2	562486	561566
C231	ENG. CPT. FUEL PRIME PUMP SW	AMP MNL	2	561566	561566
C232	ENG. CPT. FUEL PRIME PUMP	AMP MNL	2	561566	561566
C233	INSTRUMENT PANEL CENTER	V.D.O.	8	.....	.....
C234	INSTRUMENT PANEL CENTER	V.D.O.	4	.....	.....
C235	INSTRUMENT PANEL CENTER	V.D.O.	4	.....	.....
C236	INSTRUMENT PANEL CENTER	V.D.O.	4	.....	.....
C237	INSTRUMENT PANEL CENTER	V.D.O.	4	.....	.....
C238	UNDER DASH LH-JACOB CLUTCH SW	AMP MNL	3	560851	561111
C239	RR JCT BOX-DIODE CONNECTOR	AMP MNL	4	561111	561111
C240	FR SERVICE CPT-HI BUOY VALVE	AMP MNL	9	561670	561690
C242	FR SERVICE CPT-KNEEL PROX SW	AMP MNL	2	561566	561690
C243	FR SERVICE CPT-MARK & DIR LT	AMP MNL	2	561566	561690
C244	FR SERVICE CPT-HEADLAMPS	AMP MNL	2	561566	561690
C245	FR SERVICE CPT-LH FOG LAMP	AMP MNL	2	561566	561690
C246	FR SERVICE CPT-RH FOG LAMP	AMP MNL	2	561566	561690
C248	FR JCT BOX-WIPER PULSE GEN	AMP FF	6	561108	561108

PREVOST

WIRING

DIAGRAM

D060882

PAGE:

G2

REVISION 03

# CONNECTORS CODE

NO	LOCATION	TYPE	CAVITY	#PIN	#SOCKET	NO	LOCATION	TYPE	CAVITY	#PIN	#SOCKET
				HOUSING	HOUSING					HOUSING	HOUSING
C 343	INSTR PANEL LH-HEADLAMP SW	SWF	8	-----	561107	C 425	FR JCT BOX-DIODES	AMP MNL	15	561987	561986
C 344	INSTR PANEL LH-HAZARD LT SW	SWF	8	-----	561107	C 426	ENGINE COMPT. CLUTCH CTR FAN	PED WP	3	561781	561782
C 345	INSTR PANEL LH-FOG LT SW	SWF	8	-----	561107	C 429	FR JCT BOX COMPT.	AMP MNL	6	561552	561515
C 346	INSTR PANEL LH-SWITCH LTS	SWF	2	-----	561837	C 430	LH CONSOLE-TIMER	AMP FF	8	561188	562363
C 347	INSTR PANEL LH-DASH LT SW	AMP MNL	2	560900	560898	C 431	LH CONSOLE-PRER HEAT.	TAB AMP	1	561540	561539
C 348	INSTR PANEL CENT-RACOR MODULE	MOLEX	6	562070	562067	C 432	ENGINE CPT.-PROX. SW. DOOR AJAR	DEUTSCH	4	562479	562477
C 350	RH CONSOLE-THERMOMETER	AMP MNL	3	561667	561550	C 433	FR SERVICE CPT. KNEEL. PRESS. SW	PED WP	2	561566	561690
C 351	LH HAT RACK-FLUOR 110V	MOLEX	4	561477	561476	C 434	FRONT JCT. BOX-DIODES	AMP MNL	15	561987	561986
C 352	RH CONSOLE-DRV TEMP SENSOR	BURNDY	4	-----	561104	C 435	FR SERVICE CPT.(RH) KNEEL. PIEZO	AMP MNL	2	560900	560898
C 353	INSTR PANEL RH-DRV FAN RHEOST	AMP MNL	6	561552	561515	C 436	RH HAT RACK-WCL CENTER ROOF ACC	AMP CPC	16	561639	561640
C 354	INSTR PANEL RH-DRV TEMP CTR	AMP MNL	6	561552	561515	C 437	RH HAT RACK-WCL FR & RR SECT.	AMP CPC	24	561642	561643
C 355	INSTR PANEL RH-FR TEMP CTR	AMP MNL	3	561667	561550	C 450	SOUND SYS. JCT. PANEL	MOLEX	4	562507	562503
C 357	INSTR PANEL RH-WATER TEMP GA	AMP MNL	3	561667	561550	C 451	WIRELESS MICRO-FIRST CPT BAG	MOLEX	2	562550	562549
C 358	INSTR PANEL RH-FUEL LEVEL GA	AMP MNL	3	561667	561550	C 452	UNDER DASH INSTR. PANEL	MOLEX	2	562550	562549
C 361	FR ROOF-WIPER MOTOR	AMP FF	6	-----	561186	C 453	SOUND SYS. JCT.PANEL-VCP	PED WP	2	561566	561680
C 362	FR ROOF-LAVATORY OCCUPIED LT	AMP MNL	2	561248	561247	C 454	SOUND SYS.JCT.PAN.-FILT. VCP	PED WP	2	561566	561680
C 363	FR ROOF-WATCH YOUR STEP LT	AMP MNL	2	561248	561247	C 455	WIRELESS MICRO-LH HAT-RACK	CINCH	2	562554	562551
C 364	FR ROOF-DESTINATION SIGN	AMP MNL	3	561667	561550	C 456	WORLD TRANSM.-RETARDER ACCUM.	PED MP	2	-----	562427
C 365	FR ROOF-UP WINDSHIELD DEFROST	AMP MNL	3	561667	561550	C 457	WORLD TRANSM.-MAIN CONNECTOR	DEUTSCH	31	562572	562536
C 366	RH DASH PANEL-GRN & RED LEDS	AMP MNL	3	560908	562006	C 458	WORLD TRANSM.-TURBINE SP.SENS	PED MP	2	-----	562426
C 367	ENGINE COMPT-DIF OIL T SENSOR	PED WP	2	561566	561690	C 459	WORLD TRANSM.-ENGINE SP.SENS.	PED MP	2	-----	562426
C 368	FR ROOF-DEST. SIGN BALLAST	AMP MNL	3	561667	561550	C 460	WORLD TRANSM.-SPEED SENSOR	ITT	2	-----	562541
C 369	FR ROOF-DEST. SIGN OPER. SW	TORRIX	5	-----	562110	C 461	WORLD TRANSM.-RETARDER TEMP.	PED MP	2	561566	561680
C 370	FR ROOF-DEST. SIGN FLUOR.	AMP MNL	2	560900	560898	C 462	WORLD TRANSM.-RETARD SOL."K"	PED MP	2	-----	562426
C 371	FR ROOF-DEST. SIGN FLUOR.	AMP MNL	2	560900	560898	C 463	WORLD TRANSM.-SENSOR CONN.	DEUTSCH	16	562570	562571
C 372	FR ROOF-DEST. SIGN SPEED SW	MOLEX	4	561477	561476	C 464	RR JCT BOX-DDL CONN W. T.	PED MP	12	-----	562574
C 373	FR ROOF-NO SMOKING LT	AMP MNL	2	561248	561247	C 465	LH CONSOLE-SHIFTER SELECTOR	T & BET	10	-----	562429
C 374	LH SWITCH PANEL	AMP MNL	6	561552	561515	C 466	FR SERVICE CPT.-RESIS. MOD.	PED WP	3	-----	562428
C 376	LH SWITCH PANEL	AMP CPC	37	561714	562005	C 467	FR SERVICE CPT.-RESIS. MOD.	PED WP	3	-----	562428
C 377	LH SW PANEL-STOP ENG.OVERRIDE	SWF	8	-----	561107	C 468	RR JCT BOX-VIM MOD. W.T.	PED MP	18	-----	562573
C 380	LH CONSOLE-DDR CONNECTOR	DEUTSCH	6	562360	-----	C 470	FR LH UPPER WHELL CPT-SILENT 1000	AMP MNL	2	561248	561247
C 386	LH CONSOLE-WCL POWER SYSTEM	SWF	8	-----	561107	C 471	FR LH UPPER WHELL CPT-SILENT 1000	AMP MNL	2	561248	561247
C 387	RR JCT BOX (WCL)	AMP MNL	9	561661	561662	C 472	FR LH UPPER WHELL CPT-SILENT 1000	PED WP	2	561566	561690
C 388	RR JCT BOX (WCL)	AMP MNL	12	561735	561734	C 473	FR LH UPPER WHELL CPT-SILENT 1000	AMP MNL	3	561667	561550
C 389	WCL REAR DOOR	MOLEX	4	561477	561476	C 474	LUGGAGE CPT.-TEMP. SENSOR	AMP MNL	2	561247	561248
C 390	LAVATORY WALL-WCL REMOTE CTR	SWF	8	-----	561107	C 475	RR JCT BOX-SPEED SIGN CONNECTOR	AMP MNL	2	561248	561247
C 391	LAVATORY WALL-WCL LAMP	SWF	8	-----	561107	C 475M	RR JCT BOX-SPEED SIGN MANUAL TR.	MOLEX	6	562070	562069
C 392	LAVATORY WALL-WCL SW. LT.	SWF	2	-----	561835	C 475WV	RR JCT BOX-SPEED SIGN WORLD TR.	MOLEX	6	562070	562069
C 393	LAVATORY WALL-WCL REMOTE SYS.	AMP CPC	4	561686	561687	C 476	RR JCT BOX-VIM WORLD TRANSM.	AMP CPC	16	561639	561640
C 394	UNDER INSTR. PANEL- B/U MONITOR	AMP MNL	4	560851	560852	C 477	RR JCT BOX-WORLD TR. SHIFT &RET.	AMP CPC	9	561636	561637
C 395	DRIVER'S COMPT. - B/U MONITOR	AMP	5	-----	-----	C 478	ELECTRONIC DESTINATION SIGN	AMP CPC	9	561636	561637
C 396	FR SECT. LH HAT RACK-SPEAKER	MOLEX	4	562507	562503	C 483	FR SERVICE CPT. (NOT USED)	PED PC	2	-----	562237
C 397	ENGINE COMPT. CRADLE ACC.	DEUTSCH	40	562281	562284	C 500	FR LH UPPER WHELL CPT -PRODRIVER	MOLEX	6	562070	562069
C 400	ENGINE COMPT. BLOCK HEATER	PED MP	3	561781	561782	C 501	FR LH UPPER WHELL CPT -PRODRIVER MOD	PED MP	7	562433	-----
C 402	RR DRIVE AXLE-AIR DRYER	PED MP	2	-----	562251	C 502	LH CONSOLE-PRE HEATER SW.	SWF	8	-----	561107
C 403	GALLEY FRIGO NORCOLD	AMP MNL	2	561248	561247	C 503	LH CONSOLE-PRE HEATER SW.	SWF	2	-----	561837
C 404	GALLEY LAMP	AMP MNL	2	561248	561247	C 504	LH CONSOLE WEBASTO TIMER	AMP	8	561188	562363
C 406	FR JCT BOX COMPT.-ABS	AMP MNL	2	560900	560898	C 505	LH CONSOLE ESPAR TIMER	AMP	12	-----	562681
C 407	ENGINE COMPT. -SIGNAL	PED WP	6	561606	561607	C 506	FR JCT BOX CPT. DIGITAL CLOCK	AMP	4	561685	561687
C 408	ENGINE COMPT. -SIGNAL	PED WP	6	561606	561607	C 507	FR SECT. LH HAT-RACK DIG. CLOCK	MOLEX	4	561477	561476
C 409	ENGINE CPT -LOW COOL. LEVEL	PED MP	2	-----	562350	C 508	RR JCT BOX-FAN CLUTCH RETARDER	AMP MNL	6	561552	561515
C 410	FR JCT BOX-DIODE CONNECTOR	AMP MNL	15	561987	561986	C 509	FR LH UPPER WHELL CPT -DATA LOGGER	PED MP	16	-----	562530
C 411	FR JCT BOX-DIODE CONNECTOR	AMP MNL	15	561987	561986	C 510	FR LH UPPER WHELL CPT -DATA LOGGER	DEUTSCH	9	562531	-----
C 412	LH SW PANEL-MASTER SWITCH	SWF	8	-----	561107	C 511	FR LH UPPER WHELL CPT -DATA LOGGER	PED MP	4	562532	-----
C 413	ENG CPT-AVC HI UNLOAD PRS SW	PED WP	2	561566	561690	C 512	FR LH UPPER WHELL CPT -DATA LOGGER	PED MP	10	562533	-----
C 414	RR JCT BOX	AMP MNL	9	561670	561669	C 513	FR LH UPPER WHELL CPT -DATA LOGGER	AMP MNL	3	561667	561550
C 415	ENGINE CRADLE-FAN SIGNAL	PED WP	3	561781	561782	C 514	FR LH UPPER WHELL CPT -DATA LOGGER	PED MP	6	562433	562417
C 416	ENGINE CRADLE-FAN SIGNAL	PED P-C	3	562237	-----	C 515	RH DASH PANEL-T.T.LT.	AMP CPC	14	561585	561583
C 417	FRONT JCT BOX-DIODES	AMP MNL	15	561987	561986	C 515	FR JCT BOX CPT.-INTERCOM	MOLEX	4	561477	561476
C 418	INSTR. PANEL LH-HTR WINDSH.SW	SWF	8	-----	561107	C 516	CENTER DASH PANEL -UPPER T.T.LT.	AMP CPC	24	561642	561643
C 419	FR JCT BOX-RETARDER OR JACOB	AMP MNL	3	561667	561550	C 516	FR JCT BOX CPT.-INTERCOM	MOLEX	6	562070	562069
C 420	ENGINE COMPT. WEBASTO WATER HTR	TC	2	561597	-----	C 517	CENTER DASH PANEL -LOWER T.T.LT.	AMP CPC	24	561642	561643
C 421	ENGINE COMPT. WEBASTO WATER HTR	TC	1	561073	-----	C 517	LAVATORY WALL-INTERCOM	MOLEX	6	562070	562069
C 422	ENGINE COMPT. WEBASTO WATER HTR	TC	2	561597	-----	C 519	UNDER DASH RH-SEDAN DOOR	HUMPHREY	2	-----	562580
C 424	UNDER INSTRUMENT PANEL CENTER	AMP MNL	3	561667	561550	C 520	UNDER DASH RH-SEDAN DOOR	HUMPHREY	2	-----	641385



# CONNECTORS CODE

NO	LOCATION	TYPE	CAVITY	#PIN	#SOCKET	NO	LOCATION	TYPE	CAVITY	#PIN	#SOCKET
				HOUSING	HOUSING					HOUSING	HOUSING
C 521	UNDER DASH RH-SEDAN DOOR	HUMPHREY	2	-----	641385						
C 522	FR JCT BOX-DAYTIME LTS MODULE	BOSCH	5	-----	561183						
C 523	FR JCT BOX-FUSE BLOCK	PED	8	562647	562646						
C 524	FR JCT BOX-FUSE BLOCK	PED	8	562647	562646						
C 525	FR JCT BOX-FUSE BLOCK	PED	8	562647	562646						
C 526	FR JCT BOX-FUSE BLOCK	PED	8	562647	562646						
C 527	FR JCT BOX-FUSE BLOCK	PED	8	562647	562646						
C 528	FR JCT BOX-FUSE BLOCK	PED	8	562647	562646						
C 529	FR JCT BOX-12V OUTLET	AMP MNL	2	561247	561248						
C 530	RR JCT BOX-FUSE BLOCK	PED	8	562647	562646						
C 531	RR JCT BOX-FUSE BLOCK	PED	8	562647	562646						
C 532	RR JCT BOX-FUSE BLOCK	PED	8	562647	562646						
C 533	RR JCT BOX-FUSE BLOCK	PED	8	562647	562646						
C 534	RR JCT BOX-FUSE BLOCK	PED	8	562647	562646						
C 535	RR JCT BOX-FIRE MODULE DETECT.	AMP MNL	3	561667	561550						
C 536	UNDER DASH RH-DRIVER'S HTR TEMP. CTR	AMP MNL	6	561552	561515						
C 537	BATT. CPT.-A/C PRESS. SIGN. RLY	AMP MNL	2	561248	561247						
C 538	FR SERVICE CPT.-OUTSIDE TEMP. SENSOR	AMP MNL	2	561248	561247						
C 539	RH DASH PANEL-THERMOMETER SOUND	AMP MNL	2	561248	561247						
C 540	RH DASH PANEL-THERMOMETER SOUND	AMP MNL	2	561248	561247						
C 541	SOUND SYS. JCT PANEL-AUDIO SEAT SYS.	PED WP	2	561566	561690						
C 542	LH HAT RACK-AUDIO SEAT SYSTEM	AMP MNL	3	561667	561550						
C 543	RR JCT BOX-PARK. BRAKE STOP LTS RESIS.	PED WP	2	561566	561690						
C 544	SOUND SYS JCT PANEL-AUDIO SEAT SYS.	PED WP	3	561781	562428						
C 545	LH HAT RACK-AUDIO SEAT SYSTEM	AMP MNL	3	561667	561550						
C 546	LH DASH PANEL-ACCESSORIES	AMP CPC	37	561645	561646						
C 547	RH DASH PANEL-ACCESSORIES	AMP CPC	37	561645	561646						
C 548	LH DASH PANEL-T.T. LT. TEST SW.	SWF	8	-----	561107						
C 549	LH CONSOLE-FAN CLUTCH OVERRIDE SW.	SWF	8	-----	561107						
C 550	EVAPORATOR COMPARTMENT	ITT	2	561813	562159						
C 551	RR JCT BOX - A/C PANEL	PED	2	561566	561690						

# CONNECTORS CODE

NO	LOCATION	TYPE	CAVITY	#PIN HOUSING	#SOCKET HOUSING	NO	LOCATION	TYPE	CAVITY	#PIN HOUSING	#SOCKET HOUSING
C A	RR JCT BOX-ECU WORLD TR.	T & BET	34	-----	562419	C 89	RR END ROOF-B/U NONITOR	AMP CPC	4	561582	561581
C B	RR JCT BOX-ECU WORLD TR.	T & BET	34	-----	562420	C 90	RR JCT BOX	AMP CPC	15	561987	561986
C 1	FR JCT BOX COMPARTMENT	AMP CPC	14	561585	561584	C 91	RR JCT BOX	AMP CPC	37	561714	561713
C 2	FR JCT BOX COMPARTMENT	AMP CPC	16	561639	561640	C 92	FR LH UPPER WHELL CPT-ABS	AMP CPC	9	561635	561637
C 3	FR JCT BOX COMPARTMENT	AMP CPC	24	561641	561643	C 93	FR LH UPPER WHELL CPT-ABS	WABCO	35	-----	641094
C 4	FR JCT BOX COMPARTMENT	AMP CPC	37	561644	561646	C 96	FR AXLE ACCESSORIES	AMP CPC	14	561585	561585
C 5	FR SERVICE COMPT.-UNDERNEATH	AMP CPC	37	561644	561646	C 97	RR AXLE ACC-INSIDE PVC END	PED WP	6	561568	561578
C 6	FR SERVICE COMPT.-UNDERNEATH	AMP CPC	16	561639	561640	C 98	FR SERVICE COMPT-EL.FT.PEDAL	PED WP	3	561782	561781
C 8	FR SERVICE COMPT.-UNDERNEATH	AMP CPC	24	561641	561643	C 99	FR SERVICE COMPT LTS	AMP MNL	2	561248	561247
C 9	FR SERVICE COMPT.-UNDERNEATH	AMP CPC	24	561641	561643	C 101	FR SERVICE COMPT-ELEC. HORNS	PED WP	2	561566	561690
C 11	FR SERVICE COMPARTMENT	AMP CPC	37	561644	561646	C 102	FR SERV & SIDE CPT-FLASH. LH	GROTE	2	-----	562155
C 12	FR SERVICE COMPARTMENT	AMP CPC	16	561639	561640	C 103	FR SERV & SIDE CPT-MARKERS	GROTE	2	-----	562155
C 12	LH CONSOLE-HEATER MIR.	AMP MNL	2	561248	561247	C 104	FR SERV & SIDE CPT-FLASH. RH	GROTE	2	-----	562155
C 13	LH CONSOLE-CTR MIRROR	AMP MNL	6	561552	561515	C 105	FR SERVICE COMPT-LIQ.S.VALVE	PED WP	2	561566	561690
C 14	UNDER DASH-LH MIRROR	AMP MNL	9	561661	561662	C 106	FR SERVICE COMPT-WATER VALVE	PED WP	2	561566	561690
C 15	RR JCT BOX	AMP CPC	24	561641	561643	C 107	EVAPORATOR COMPT-DAMPER	PED WP	2	561566	561690
C 15	UNDER DASH-RH MIRROR	AMP MNL	9	561661	561662	C 108	FR SERVICE COMPT-KNEEL.SYS	PED WP	2	561566	561690
C 16	LH CONSOLE SW-CRUISE ON OFF	SWF	8	-----	561107	C 109	FR SERVICE COMPT-KNEEL.SYS	PED WP	2	561566	561690
C 17	LH CONSOLE SW-CRUISE RESUME	SWF	8	-----	561107	C 110	FR SERVICE COMPT-KNEEL.SYS	PED WP	2	561566	561690
C 18	LH CONSOLE SW-CRUISE SET	SWF	8	-----	561107	C 111	EVAPORATOR COMPT-DAMPER	DEUTSCH	2	562486	562485
C 20	RR JCT BOX	AMP CPC	37	561644	561646	C 112	EVAPORATOR COMPT-SPEED MOT CTRL	DEUTSCH	5	-----	562566
C 21	RR JCT BOX	AMP CPC	24	561641	561643	C 113	BATT. & RR J.B.CPT.MARKER LT	GROTE	2	-----	562155
C 26	HYD & MAN TRANSM.-NEUT.& B/U	PED WP	4	561610	561611	C 114	RR J. BOX CPT DOOR DIR LT LH	GROTE	2	-----	562155
C 27	HYD & MAN TRANSM.-SPEED SENS.	PED WP	2	561566	561690	C 115	ENGINE COMPT-AIR DRYER	PED WP	2	561566	561690
C 32	DDEC ENGINE-ECM	PED	30	-----	561600	C 116	ENGINE COMPT. LTS	PED WP	1	561605	561577
C 35	RR JCT BOX	AMP CPC	24	561642	561643	C 118	ENGINE COMPT-LAVATORY FAN	TC	2	561030	560997
C 36	EMERGENCY EXIT LTS	AMP MNL	2	560900	560898	C 119	ENGINE CPT RR DOOR RH LO LAMP	PED WP	6	561606	561607
C 37	RR SECTION-LH HAT RACK	AMP MNL	9	561661	561662	C 120	ENGINE CPT RR DOOR LH LO LAMP	PED WP	6	561606	561607
C 38	RR SECTION-RH HAT RACK	AMP MNL	9	561661	561662	C 121	BATTERIE CPT. DOOR DIR LT RH	GROTE	2	-----	562155
C 41	LAVATORY ROOF FLUORESCENT	AMP MNL	2	560900	560898	C 122	ENGINE CPT-UNLOAD TAG SYSTEM	PED WP	2	561566	561690
C 42	LAVATORY BACK WALL-WTR TANK	AMP MNL	2	560900	560898	C 123	TAG AXLE-UNLOAD TAG RH VALVE	PED WP	2	561566	561690
C 43	LAVATORY BACK WALL-ACCES.	AMP MNL	9	561661	561662	C 124	ENGINE CPT-ETHER SW	PED WP	2	561566	561690
C 45	FR JCT BOX COMPARTMENT	AMP CPC	24	561642	561643	C 125	ENGINE CPT-B/U ALARM	PED WP	2	561566	561690
C 47	FR SERVICE COMPARTMENT	AMP CPC	16	561694	561695	C 126	ENGINE CPT-FLUSHING PUMP	PED WP	2	561566	561690
C 49	BATTERIE COMPT.-LT	AMP MNL	2	561248	561247	C 127	ENGINE CPT-FUEL FILTER	PED WP	2	561566	561690
C 50	FR SERVICE COMPT.-LOW BUOY	PED WP	1	561605	561577	C 128	ENGINE CPT-A/C COMPR.CLUTCH	ITT SS	2	561813	561812
C 52	RR JCT BOX	AMP CPC	22	561709	561710	C 129	ENGINE CPT-PRE-HEAT WATER	AMP FF	6	561672	561186
C 55	RH SWITCH PANEL	AMP CPC	9	561636	561637	C 130	ENGINE CPT-UNLOADER	ITT SS	2	561813	561812
C 58	RR JCT BOX - A/C PANEL	DEUTSCH	24	562280	562283	C 131	ENGINE CPT-UNLOADER	ITT SS	2	561813	561812
C 59	RR JCT BOX - A/C PANEL	AMP CPC	14	561585	561583	C 132	ENGINE CPT-A/C LO PRESS SW	PED WP	2	561566	561690
C 60	RR JCT BOX COMPT.-LT	AMP MNL	2	561248	561247	C 133	ENGINE CPT-A/C HI PRESS SW	PED WP	2	561566	561690
C 61	LUGGAGE COMPARTMENT LTS	AMP MNL	2	561248	561247	C 134	FR JCT BOX-LUGGAGE DIODE CON.	AMP MNL	15	561987	561986
C 62	LUGGAGE COMPARTMENT LTS	AMP MNL	2	561248	561247	C 135	FR JCT BOX-LUGGAGE DIODE CON.	AMP MNL	15	561987	561986
C 63	LUGGAGE COMPARTMENT LTS	AMP MNL	2	561248	561247	C 137	RR JCT BOX-TRANSMITTER	AMP MNL	2	560900	560898
C 64	LUGGAGE COMPARTMENT LTS	AMP MNL	2	561248	561247	C 138	RR JCT BOX-CONTROL MODULE	AMP HDP	15	-----	562012
C 65	LUGGAGE COMPARTMENT LTS	AMP MNL	2	561248	561247	C 139	RR JCT BOX-LOGIC MODULE	AMP HDP	15	562011	-----
C 66	LUGGAGE COMPARTMENT LTS	AMP MNL	2	561248	561247	C 142	LAVATORY DOOR WALL	AMP MNL	2	561248	561247
C 67	LUGGAGE COMPARTMENT LTS	AMP MNL	2	561248	561247	C 143	LAVATORY DOOR WALL	AMP MNL	3	560908	562006
C 68	LUGGAGE COMPARTMENT LTS	AMP MNL	2	561248	561247	C 144	UNDER LH SEAT-AISLE LTS	AMP MNL	4	560851	560852
C 69	RR AXLE ACC-INSIDE PVC END	PED WP	6	561568	561578	C 145	RR JCT BOX CPT-RR SIDE LTS	AMP MNL	9	561670	561669
C 70	LH CONSOLE	AMP CPC	24	561642	561643	C 146	ENGINE CPT-MODULATOR VALVE	AMPHENOL	2	-----	560412
C 71	FR JCT BOX COMPARTMENT	AMP CPC	37	561645	561646	C 147	BATT & RR J.B.CPT-DOCK.LTS	PED WP	2	561566	561690
C 72	FR JCT BOX COMPARTMENT	AMP CPC	24	561642	561643	C 149	CONDENSER CPT-FAN MOTOR	ORDNANCE	3	562555	562001
C 73	DASH CENTER PANEL	AMP CPC	16	561639	561640	C 151	EVAPORATOR CPT-THERMOSTAT	ITT SS	2	561813	562159
C 74	FR JCT BOX COMPARTMENT	AMP CPC	37	561645	561646	C 152	CONDENSER CPT-FUEL GAUGE	PED WP	4	561610	561611
C 76	LUGGAGE COMPT.-AIR RET.SENS.	AMP MNL	2	561248	561247	C 153	EVAPORATOR CPT-AIR AMB. SENS	AMP MNL	2	561248	561247
C 77	LUGGAGE COMPT.-AIR RET.SENS.	AMP MNL	2	561248	561247	C 154	EVAPORATOR CPT-FRESH AIR SENS	ITT SS	2	561813	561812
C 80	LUGGAGE COMPT.-AIR RET.SENS.	AMP MNL	2	561248	561247	C 155	EVAPORATOR CPT-WATER VALVE	PED WP	4	561610	561611
C 81	PASSENGER COMPT.-AISLE LTS	AMP MNL	2	560900	560898	C 156	EVAPOR. CPT-BYPASS WATER VAL.	PED WP	2	561566	561690
C 82	ENTRANCE DOOR	MOLEX	6	562070	562069	C 157	EVAPORATOR CPT-WATER PUMP	PED WP	2	561566	561690
C 83	ENTRANCE DOOR-PROIMITY SW	MOLEX	4	561477	561476	C 158	CONDENSER CPT-A/C LO TEMP.	PED WP	2	561566	561690
C 84	ENTRANCE DOOR-PRESSURE SW	PED WP	2	561566	561690	C 159	CONDENSER CPT-A/C HI TEMP.	PED WP	2	561566	561690
C 85	UNDER INSTRUMENT PANEL LH	AMP MTA-100 8	-----	562248	-----	C 160	FR AXLE-ABS RH SENSOR	WABCO	2	641132	-----
C 87	RR END ROOF	AMP CPC	9	561636	561637	C 161	FR AXLE-ABS RH VALVE	WABCO	3	-----	641098
C 88	RR END ROOF-CLEARANCE LTS	AMP MNL	2	560900	560898	C 162	FR AXLE-ABS LH VALVE	WABCO	3	-----	641098

# CONNECTORS CODE

NO	LOCATION	TYPE	CAVITY	#PIN HOUSING	#SOCKET HOUSING	NO	LOCATION	TYPE	CAVITY	#PIN HOUSING	#SOCKET HOUSING
C 163	FR AXLE-ABS LH SENSOR	WABCO	2	641132	-----	C 246	FR SERVICE CPT-MARK & DIR LT	ITT SS	3	561111	561080
C 164	RR AXLE-ABS LH SENSOR	DEUTSCH	2	562486	562485	C 248	FR JCT BOX-WIPER PULSE GEN	AMP FF	6	-----	561108
C 165	RR AXLE-ABS LH VALVE	WABCO	3	-----	641098	C 251	LH SW PANEL-FAST IDLE	SWF	8	-----	561107
C 166	RR AXLE-ABS RH VALVE	WABCO	3	-----	641098	C 252	LH SW PANEL-SWITCH LT	SWF	2	-----	561837
C 167	RR AXLE-ABS RH SENSOR	DEUTSCH	2	562486	562485	C 253	LH SW PANEL-ETHER	SWF	8	-----	561107
C 168	RR AXLE-ABS OPT ATC	PED WP	4	561610	561611	C 254	INST. PANEL RH-ENTR.DOOR SW.	TORRIX	5	-----	562110
C 169	RR JCT BOX-SPEED SW	AMP HDP	15	-----	562012	C 255	LH SW PANEL-JACOB	SWF	8	-----	561107
C 170	FR JCT BOX-FLASHER UNIT	TC	2	-----	561940	C 257	INSTRUMENT PANEL CENT-TACHO	AMP FF	8	-----	562363
C 171	LH CONSOLE	AMP CPC	37	561645	561646	C 258	LH SW PANEL-MULTI FUNC. SW	AMP FF	8	561188	-----
C 172	ENGINE COMPT-WATER TANK HEAT.	PED WP	2	561566	561690	C 259	LH SW PANEL-MULTI FUNC. SW	AMP FF	6	-----	561108
C 173	LAV.POTABLE-WATER TANK HEAT.	AMP MNL	2	560900	560898	C 260	FR SERVICE CPT-LUG DOOR LCK	PED WP	6	561606	561607
C 174	UNDER DASH RH-HTR MODULE	AMP MNL	9	561670	561669	C 261	UNDER DASH RH-DOOR MODULE	AMP MNL	9	561670	561669
C 175	UNDER DASH RH-HTR MODULE	AMP MNL	9	561670	561669	C 262	UNDER DASH RH-DOOR MODULE	AMP MNL	4	561551	561668
C 176	UNDER DASH RH-WIPER PULSE	AMP FF	6	-----	561186	C 263	UNDER DASH RH-DOOR MODULE	AMP MNL	3	561667	561550
C 177	UNDER DASH RH-WIPER MOTOR	AMP FF	6	-----	561186	C 264	UNDER DASH RH-DOOR MODULE	AMP MNL	3	561667	561550
C 178	UNDER DASH RH-LH FAN	TC	2	561030	560997	C 265	UNDER DASH RH-DOOR MODULE	AMP HDP-20	15	562011	562012
C 179	UNDER DASH RH-RH FAN	TC	2	561030	560997	C 267	UNDER DASH RH	AMP CPC	24	561642	561643
C 181	RR JCT BOX-DIODE CONNECTOR	AMP MNL	15	561987	561986	C 268	UNDER DASH LH-MIRROR	AMP MNL	6	561552	561515
C 182	RR JCT BOX COMPT.-WT VIW	AMP CPC	16	561639	561640	C 269	UNDER DASH RH-MIRROR	AMP MNL	6	561552	561515
C 183	FR SERVICE CPT-KNEELING PAN.	PED WP	4	561610	561611	C 270	LH MIRROR POST	MOLEX	6	562070	562069
C 184	FR SERVICE CPT-KNEELING SW	ITT SS	3	561111	561080	C 271	RH MIRROR POST	MOLEX	6	562070	562069
C 185	RR JCT BOX COMPT.-WT VIM	PED	30	-----	561600	C 272	LH MIRROR	SPARTAN	6	-----	990158
C 186	RR JCT BOX CPT.-SPEED SIGN.TR	PED WP	2	561566	561690	C 273	RH MIRROR	SPARTAN	6	-----	990158
C 186M	RR JCT BOX CPT.-SPD SIGN. M.TR	PED WP	2	561566	561690	C 275	UNDER DASH RH-DOOR MODULE	AMP MNL	9	561670	561669
C 186W	RR JCT BOX CPT.-SPD SIGN. WT	PED WP	2	561566	561690	C 276	UNDER DASH RH-LOCK SOL.VALVE	AMP MNL	2	561248	561247
C 187	FR JCT BOX-RPM RESISTOR CON.	AMP MNL	6	561552	561515	C 279	UNDER DASH CYLINDER READ SW.	AMP MNL	2	561248	561247
C 189	ENGINE CPT RR DOOR B/U LT	PED WP	2	561566	561690	C 280	LH CONSOLE-UNLOAD TAG SW.	SWF	8	-----	561107
C 190	ENGINE CPT RR DOOR TAIL LT	PED WP	2	561566	561690	C 286	RH SW PANEL-A/C & HEAT	SWF	8	-----	561107
C 191	ENGINE CPT RR DOOR RH STOP LT	PED WP	2	561566	561690	C 287	ENGINE COMPT-LTS SW	PED WP	2	561566	561690
C 192	ENGINE CPT RR DOOR RH DIR. LT	PED WP	2	561566	561690	C 288	RH SW PANEL-FRESH AIR	SWF	8	-----	561107
C 193	FR SECT. LH HAT RACK-FLUOR.	AMP MNL	2	561248	561247	C 289	RH SW PANEL-SWITCH LT	SWF	2	-----	561837
C 194	ENGINE CPT RR DOOR LH DIR. LT	PED WP	2	561566	561690	C 297	INSTRUMENT PANEL RH -LTS	AMP MNL	2	560900	560898
C 195	ENGINE CPT RR DOOR LH STOP LT	PED WP	2	561566	561690	C 299	LH CONSOLE SW-GALLEY	SWF	8	-----	561107
C 196	ENGINE CPT RR DOOR CYCLOP LT	PED WP	2	561566	561690	C 301	INSTRUMENT PANEL CENT-TACHO	AMP FF	8	-----	562363
C 199	ENGINE CPT RR DOOR LICENCE LT	DOM AUTO	2	930210	-----	C 308	LH CONSOLE SW-RHEOSTAT	TC	2	561030	560997
C 200	RH HAT RACK-FLUORESCENT	AMP MNL	4	561551	561668	C 309	DDEC ENGINE-ECM POWER CON.	PED MP	5	-----	562345
C 201	RH HAT RACK-FLUORESCENT	AMP MNL	4	561551	561668	C 310	LH CONSOLE SW-LUG. DOOR LCK	SWF	8	-----	561107
C 202	RH HAT RACK-BALLAST	AMP MNL	4	560851	560852	C 311	LH CONSOLE SW-HOS & PAS CHIME	SWF	8	-----	561107
C 203	RH HAT RACK-BALLAST	AMP MNL	6	561552	561515	C 312	LH CONSOLE SW-READING LTS	SWF	8	-----	561107
C 204	RH HAT RACK-GENERAL LT	AMP MNL	3	561667	561550	C 313	LH CONSOLE SW-GEN & FLUOR LTS	SWF	8	-----	561107
C 205	FR SECT.-RH HAT RACK SPEAKER	AMP MNL	9	561661	561662	C 314	LH CONSOLE SW-FR DEST. SIGN	SWF	8	-----	561107
C 206	RH HAT RACK-READING LT	AMP MNL	2	560900	560898	C 315	LH CONSOLE SW-LH STORE	SWF	8	-----	561107
C 207	LH HAT RACK-READING LT	AMP MNL	2	560900	560898	C 316	LH CONSOLE SPARE SWITCH	SWF	8	-----	561107
C 208	LH HAT RACK-BALLAST	AMP MNL	4	560851	560852	C 317	LH CONSOLE SW-RH STORE	SWF	8	-----	561107
C 210	FR SECT.-LH HAT RACK SPEAKER	AMP MNL	9	561661	561662	C 318	LH CONSOLE SW-DRV WINDOW LIFT	SWF	8	-----	561107
C 211	FR ROOF-STORE LH	AMP MNL	2	560900	560898	C 320	LH CONSOLE SW-DRIVER'S LTS	SWF	8	-----	561107
C 212	FR ROOF-STORE RH	AMP MNL	2	560900	560898	C 322	LH CONSOLE DRV WIND LIFT MOT	PED PO	2	-----	561848
C 213	FR ROOF-CLEARANCE LT	AMP MNL	2	560900	560898	C 323	LH CONSOLE CRUISE CTR SW PAN. AMP	CPC	9	561636	561637
C 220	RR JCT.BOX-FUEL PRIME PUMP	TC	1	561070	561073	C 325	LH CONSOLE SW-KNEELING	SWF	8	-----	561107
C 225	FR SECT. RH HAT RACK-FLUOR.	AMP MNL	2	561248	561247	C 326	LH CONSOLE SW-SPARE	SWF	8	-----	561107
C 230	ENG.CPT.-FUEL PRIME PUMP FEED	DEUTSCH	2	562486	562485	C 327	ENGINE CONTROL	DEUTSCH	6	562583	562581
C 231	ENG.CPT.-FUEL PRIME PUMP SW.	PED WP	2	561566	561690	C 328	GALLEY-LAMP	AMP MNL	2	561248	561247
C 232	ENG.CPT.-FUEL PRIME PUMP	PED WP	2	561566	561690	C 329	ENGINE TACHO SIGNAL	PED WP	3	561781	561789
C 233	INSTRUMENT PANEL CENTER	V.D.O.	8	-----	562043	C 330	GALLEY MICROWAVE SW LT	SWF	2	-----	561837
C 234	INSTRUMENT PANEL CENTER	V.D.O.	4	-----	562044	C 331	GALLEY MICROWAVE SW	SWF	8	-----	561107
C 235	INSTRUMENT PANEL CENTER	V.D.O.	8	-----	562041	C 332	GALLEY RH CONTAINER SW LT	SWF	2	-----	561837
C 236	INSTRUMENT PANEL CENTER	AMP MNL	4	560851	560852	C 333	GALLEY RH CONTAINER SW	SWF	8	-----	561107
C 237	UNDER DASH LH-JACOB CLUTCH SW	ITT SS	3	561111	561080	C 334	GALLEY LH CONTAINER SW	SWF	8	-----	561107
C 238	RR JCT BOX-DIODE CONNECTOR	AMP MNL	9	561670	561669	C 335	GALLEY LH CONTAINER SW LT	SWF	2	-----	561837
C 239	FR SERVICE CPT-HI BUOY VALVE	PED WP	2	561566	561690	C 337	INSTR PANEL LH-UP WIPER SW	SWF	8	-----	561107
C 240	FR SERVICE CPT-KNEEL PROX SW	PED WP	2	561566	561690	C 338	INSTR PANEL LH-UP DEFROST SW	SWF	8	-----	561107
C 242	FR SERVICE CPT-MARK & DIR LT	ITT SS	3	561111	561080	C 339	INSTR PANEL LH-UP WASHER SW	SWF	8	-----	561107
C 243	FR SERVICE CPT-HEADLAMPS	TC	3	-----	561071	C 340	FR JCT. BOX FIRE PIEZO ALARM	AMP MNL	2	560900	560898
C 244	FR SERVICE CPT-LH FOG LAMP	ITT SS	2	561813	561812	C 341	INSTR PANEL LH-HEAT MIRROR SW	SWF	8	-----	561107
C 245	FR SERVICE CPT-RH FOG LAMP	ITT SS	2	561813	561812	C 342	ENGINE RR START SW	DEUTSCH	2	562586	562585

# CONNECTORS CODE

NO	LOCATION	TYPE	CAVITY	#PIN HOUSING	#SOCKET HOUSING	NO	LOCATION	TYPE	CAVITY	#PIN HOUSING	#SOCKET HOUSING
C 343	INSTR PANEL LH-HEADLAMP SW	SWF	8	-----	561107	C 425	FR JCT BOX-DIODES	AMP MNL	15	561987	561986
C 344	INSTR PANEL LH-HAZARD LT SW	SWF	8	-----	561107	C 426	ENGINE COMPT. CLUTCH CTR FAN	PED WP	3	561781	561782
C 345	INSTR PANEL LH-FOG LT SW	SWF	8	-----	561107	C 429	FR JCT BOX COMPT.	AMP MNL	6	561552	561515
C 346	INSTR PANEL LH-SWITCH LTS	SWF	2	-----	561837	C 430	LH CONSOLE-TIMER	AMP FF	8	561188	562363
C 347	INSTR PANEL LH-DASH LT SW	AMP MNL	2	560900	560898	C 431	LH CONSOLE-PRER HEAT.	TAB AMP	1	561540	561539
C 348	INSTR PANEL CENT-RACOR MODULE	MOLEX	6	562070	562067	C 432	ENGINE CPT.-PROX. SW. DOOR AJAR	DEUTSCH	4	562479	562477
C 350	RH CONSOLE-THERMOMETER	AMP MNL	3	561667	561550	C 433	FR SERVICE CPT. KNEEL. PRESS. SW	PED WP	2	561566	561690
C 351	LH HAT RACK-FLUOR 110V	MOLEX	4	561477	561476	C 434	FRONT JCT. BOX-DIODES	AMP MNL	15	561987	561986
C 352	RH CONSOLE-DRV TEMP SENSOR	BURNDY	4	-----	561104	C 435	FR SERVICE CPT.(RH) KNEEL. PIEZO	AMP MNL	2	560900	560898
C 353	INSTR PANEL RH-DRV FAN RHEOST	AMP MNL	6	561552	561515	C 436	RH HAT RACK-WCL CENTER ROOF ACC	AMP CPC	16	561639	561640
C 354	INSTR PANEL RH-DRV TEMP CTR	AMP MNL	6	561552	561515	C 437	RH HAT RACK-WCL FR & RR SECT.	AMP CPC	24	561642	561643
C 355	INSTR PANEL RH-FR TEMP CTR	AMP MNL	3	561667	561550	C 450	SOUND SYS. JCT. PANEL	MOLEX	4	562507	562503
C 357	INSTR PANEL RH-WATER TEMP GA	AMP MNL	3	561667	561550	C 451	WIRELESS MICRO-FIRST CPT BAG	MOLEX	2	562550	562549
C 358	INSTR PANEL RH-FUEL LEVEL GA	AMP MNL	3	561667	561550	C 452	UNDER DASH INSTR. PANEL	MOLEX	2	562550	562549
C 361	FR ROOF-WIPER MOTOR	AMP FF	6	-----	561186	C 453	SOUND SYS. JCT.PANEL-VCP	PED WP	2	561566	561680
C 362	FR ROOF-LAVATORY OCCUPIED LT	AMP MNL	2	561248	561247	C 454	SOUND SYS.JCT.PAN.-FILT. VCP	PED WP	2	561566	561680
C 363	FR ROOF-WATCH YOUR STEP LT	AMP MNL	2	561248	561247	C 455	WIRELESS MICRO-LH HAT-RACK	CINCH	2	562554	562551
C 364	FR ROOF-DESTINATION SIGN	AMP MNL	3	561667	561550	C 456	WORLD TRANSM.-RETARDER ACCUM.	PED MP	2	-----	562427
C 365	FR ROOF-UP WINDSHIELD DEFROST	AMP MNL	3	561667	561550	C 457	WORLD TRANSM.-MAIN CONNECTOR	DEUTSCH	31	562572	562536
C 366	RH DASH PANEL-GRN & RED LEDS	AMP MNL	3	560908	562006	C 458	WORLD TRANSM.-TURBINE SP.SENS	PED MP	2	-----	562426
C 367	ENGINE COMPT-DIF OIL T SENSOR	PED WP	2	561566	561690	C 459	WORLD TRANSM.-ENGINE SP.SENS.	PED MP	2	-----	562426
C 368	FR ROOF-DEST. SIGN BALLAST	AMP MNL	3	561667	561550	C 460	WORLD TRANSM.-SPEED SENSOR	ITT	2	-----	562541
C 369	FR ROOF-DEST. SIGN OPER. SW	TORRIX	5	-----	562110	C 461	WORLD TRANSM.-RETARDER TEMP.	PED MP	2	561566	561680
C 370	FR ROOF-DEST. SIGN FLUOR.	AMP MNL	2	560900	560898	C 462	WORLD TRANSM.-RETARD SOL."K"	PED MP	2	-----	562426
C 371	FR ROOF-DEST. SIGN FLUOR.	AMP MNL	2	560900	560898	C 463	WORLD TRANSM.-SENSOR CONN.	DEUTSCH	16	562570	562571
C 372	FR ROOF-DEST. SIGN SPEED SW	MOLEX	4	561477	561476	C 464	RR JCT BOX-DDL CONN W. T.	PED MP	12	-----	562574
C 373	FR ROOF-NO SMOKING LT	AMP MNL	2	561248	561247	C 465	LH CONSOLE-SHIFTER SELECTOR	T & BET	10	-----	562429
C 374	LH SWITCH PANEL	AMP MNL	6	561552	561515	C 466	FR SERVICE CPT.-RESIS. MOD.	PED WP	3	-----	562428
C 376	LH SWITCH PANEL	AMP CPC	37	561714	562005	C 467	FR SERVICE CPT.-RESIS. MOD.	PED WP	3	-----	562428
C 377	LH SW PANEL-STOP ENG.OVERRIDE	SWF	8	-----	561107	C 468	RR JCT BOX-VIM MOD. W.T.	PED MP	18	-----	562573
C 380	LH CONSOLE-DDR CONNECTOR	DEUTSCH	6	562360	-----	C 470	FR LH UPPER WHELL CPT-SILENT 1000	AMP MNL	2	561248	561247
C 386	LH CONSOLE-WCL POWER SYSTEM	SWF	8	-----	561107	C 471	FR LH UPPER WHELL CPT-SILENT 1000	AMP MNL	2	561248	561247
C 387	RR JCT BOX (WCL)	AMP MNL	9	561661	561662	C 472	FR LH UPPER WHELL CPT-SILENT 1000	PED WP	2	561566	561690
C 388	RR JCT BOX (WCL)	AMP MNL	12	561735	561734	C 473	FR LH UPPER WHELL CPT-SILENT 1000	AMP MNL	3	561667	561550
C 389	WCL REAR DOOR	MOLEX	4	561477	561476	C 474	LUGGAGE CPT.-TEMP. SENSOR	AMP MNL	2	561247	561248
C 390	LAVATORY WALL-WCL REMOTE CTR	SWF	8	-----	561107	C 475	RR JCT BOX-SPEED SIGN CONNECTOR	AMP MNL	2	561248	561247
C 391	LAVATORY WALL-WCL LAMP	SWF	8	-----	561107	C 475M	RR JCT BOX-SPEED SIGN MANUAL TR.	MOLEX	6	562070	562069
C 392	LAVATORY WALL-WCL SW. LT.	SWF	2	-----	561835	C 475WV	RR JCT BOX-SPEED SIGN WORLD TR.	MOLEX	6	562070	562069
C 393	LAVATORY WALL-WCL REMOTE SYS.	AMP CPC	4	561686	561687	C 476	RR JCT BOX-VIM WORLD TRANSM.	AMP CPC	16	561639	561640
C 394	UNDER INSTR. PANEL- B/U MONITOR	AMP MNL	4	560851	560852	C 477	RR JCT BOX-WORLD TR. SHIFT &RET.	AMP CPC	9	561636	561637
C 395	DRIVER'S COMPT. - B/U MONITOR	AMP	5	-----	-----	C 478	ELECTRONIC DESTINATION SIGN	AMP CPC	9	561636	561637
C 396	FR SECT. LH HAT RACK-SPEAKER	MOLEX	4	562507	562503	C 483	FR SERVICE CPT. (NOT USED)	PED PC	2	-----	562237
C 397	ENGINE COMPT. CRADLE ACC.	DEUTSCH	40	562281	562284	C 500	FR LH UPPER WHELL CPT -PRODRIVER	MOLEX	6	562070	562069
C 400	ENGINE COMPT. BLOCK HEATER	PED MP	3	561781	561782	C 501	FR LH UPPER WHELL CPT -PRODRIVER MOD	PED MP	7	562433	-----
C 402	RR DRIVE AXLE-AIR DRYER	PED MP	2	-----	562251	C 502	LH CONSOLE-PRE HEATER SW.	SWF	8	-----	561107
C 403	GALLEY FRIGO NORCOLD	AMP MNL	2	561248	561247	C 503	LH CONSOLE-PRE HEATER SW.	SWF	2	-----	561837
C 404	GALLEY LAMP	AMP MNL	2	561248	561247	C 504	LH CONSOLE WEBASTO TIMER	AMP	8	561188	562363
C 406	FR JCT BOX COMPT.-ABS	AMP MNL	2	560900	560898	C 505	LH CONSOLE ESPAR TIMER	AMP	12	-----	562681
C 407	ENGINE COMPT. -SIGNAL	PED WP	6	561606	561607	C 506	FR JCT BOX CPT. DIGITAL CLOCK	AMP	4	561685	561687
C 408	ENGINE COMPT. -SIGNAL	PED WP	6	561606	561607	C 507	FR SECT. LH HAT-RACK DIG. CLOCK	MOLEX	4	561477	561476
C 409	ENGINE CPT -LOW COOL. LEVEL	PED MP	2	-----	562350	C 508	RR JCT BOX-FAN CLUTCH RETARDER	AMP MNL	6	561552	561515
C 410	FR JCT BOX-DIODE CONNECTOR	AMP MNL	15	561987	561986	C 509	FR LH UPPER WHELL CPT -DATA LOGGER	PED MP	16	-----	562530
C 411	FR JCT BOX-DIODE CONNECTOR	AMP MNL	15	561987	561986	C 510	FR LH UPPER WHELL CPT -DATA LOGGER	DEUTSCH	9	562531	-----
C 412	LH SW PANEL-MASTER SWITCH	SWF	8	-----	561107	C 511	FR LH UPPER WHELL CPT -DATA LOGGER	PED MP	4	562532	-----
C 413	ENG CPT-AVC HI UNLOAD PRS SW	PED WP	2	561566	561690	C 512	FR LH UPPER WHELL CPT -DATA LOGGER	PED MP	10	562533	-----
C 414	RR JCT BOX	AMP MNL	9	561670	561669	C 513	FR LH UPPER WHELL CPT -DATA LOGGER	AMP MNL	3	561667	561550
C 415	ENGINE CRADLE-FAN SIGNAL	PED WP	3	561781	561782	C 514	FR LH UPPER WHELL CPT -DATA LOGGER	PED MP	6	562433	562417
C 416	ENGINE CRADLE-FAN SIGNAL	PED P-C	3	562237	-----	C 515	RH DASH PANEL-T.T.LT.	AMP CPC	14	561585	561583
C 417	FRONT JCT BOX-DIODES	AMP MNL	15	561987	561986	C 515	FR JCT BOX CPT.-INTERCOM	MOLEX	4	561477	561476
C 418	INSTR. PANEL LH-HTR WINDSH.SW	SWF	8	-----	561107	C 516	CENTER DASH PANEL -UPPER T.T.LT.	AMP CPC	24	561642	561643
C 419	FR JCT BOX-RETARDER OR JACOB	AMP MNL	3	561667	561550	C 516	FR JCT BOX CPT.-INTERCOM	MOLEX	6	562070	562069
C 420	ENGINE COMPT. WEBASTO WATER HTR	TC	2	561597	-----	C 517	CENTER DASH PANEL -LOWER T.T.LT.	AMP CPC	24	561642	561643
C 421	ENGINE COMPT. WEBASTO WATER HTR	TC	1	561073	-----	C 517	LAVATORY WALL-INTERCOM	MOLEX	6	562070	562069
C 422	ENGINE COMPT. WEBASTO WATER HTR	TC	2	561597	-----	C 519	UNDER DASH RH-SEDAN DOOR	HUMPHREY	2	-----	562580
C 424	UNDER INSTRUMENT PANEL CENTER	AMP MNL	3	561667	561550	C 520	UNDER DASH RH-SEDAN DOOR	HUMPHREY	2	-----	641385

# CONNECTORS CODE

NO	LOCATION	TYPE	CAVITY	#PIN	#SOCKET	NO	LOCATION	TYPE	CAVITY	#PIN	#SOCKET
				HOUSING	HOUSING					HOUSING	HOUSING
C 521	UNDER DASH RH-SEDAN DOOR	HUMPHREY	2	-----	641385						
C 522	FR JCT BOX-DAYTIME LTS MODULE	BOSCH	5	-----	561183						
C 523	FR JCT BOX-FUSE BLOCK	PED	8	562647	562646						
C 524	FR JCT BOX-FUSE BLOCK	PED	8	562647	562646						
C 525	FR JCT BOX-FUSE BLOCK	PED	8	562647	562646						
C 526	FR JCT BOX-FUSE BLOCK	PED	8	562647	562646						
C 527	FR JCT BOX-FUSE BLOCK	PED	8	562647	562646						
C 528	FR JCT BOX-FUSE BLOCK	PED	8	562647	562646						
C 529	FR JCT BOX-12V OUTLET	AMP MNL	2	561247	561248						
C 530	RR JCT BOX-FUSE BLOCK	PED	8	562647	562646						
C 531	RR JCT BOX-FUSE BLOCK	PED	8	562647	562646						
C 532	RR JCT BOX-FUSE BLOCK	PED	8	562647	562646						
C 533	RR JCT BOX-FUSE BLOCK	PED	8	562647	562646						
C 534	RR JCT BOX-FUSE BLOCK	PED	8	562647	562646						
C 535	RR JCT BOX-FIRE MODULE DETECT.	AMP MNL	3	561667	561550						
C 536	UNDER DASH RH-DRIVER'S HTR TEMP. CTR	AMP MNL	6	561552	561515						
C 537	BATT. CPT.-A/C PRESS. SIGN. RLY	AMP MNL	2	561248	561247						
C 538	FR SERVICE CPT.-OUTSIDE TEMP. SENSOR	AMP MNL	2	561248	561247						
C 539	RH DASH PANEL-THERMOMETER SOUND	AMP MNL	2	561248	561247						
C 540	RH DASH PANEL-THERMOMETER SOUND	AMP MNL	2	561248	561247						
C 541	SOUND SYS. JCT PANEL-AUDIO SEAT SYS.	PED WP	2	561566	561690						
C 542	LH HAT RACK-AUDIO SEAT SYSTEM	AMP MNL	3	561667	561550						
C 543	RR JCT BOX-PARK. BRAKE STOP LTS RESIS.	PED WP	2	561566	561690						
C 544	SOUND SYS JCT PANEL-AUDIO SEAT SYS.	PED WP	3	561781	562428						
C 545	LH HAT RACK-AUDIO SEAT SYSTEM	AMP MNL	3	561667	561550						
C 546	LH DASH PANEL-ACCESSORIES	AMP CPC	37	561645	561646						
C 547	RH DASH PANEL-ACCESSORIES	AMP CPC	37	561645	561646						
C 548	LH DASH PANEL-T.T. LT. TEST SW.	SWF	8	-----	561107						
C 549	LH CONSOLE-FAN CLUTCH OVERRIDE SW.	SWF	8	-----	561107						
C 550	EVAPORATOR COMPARTMENT	ITT	2	561813	562159						
C 551	RR JCT BOX - A/C PANEL	PED	2	561566	561690						

# DIODES NUMBER CODE

No.	PAGE	AMP	#PREV.	LOCATION	FUNCTION
D1	7	3A	561740	FR JCT BOX	LO-AIR SONALERT-PRIMARY
D2	7	3A	561740	FR JCT BOX	LO-AIR SONALERT-SECONDARY
D4	9.2	3A	561740	FR JCT BOX	WARNING HAZARD-RH
D5	9.2	3A	561740	FR JCT BOX	WARNING HAZARD-LH
D6	5	3A	561740	FR JCT BOX	WCL NEUT. SIGN INTERFACE TO PARK BRK TTLT
D9	12	3A	561740	FR L.H. HAT-TRACK	HOSTESS & PASSENGER CHIME
D11	17	3A	561740	RR JCT BOX	LAVATORY OCCUPIED SIGN
D12	17	3A	561740	RR JCT BOX	LAVATORY OCCUPIED SIGN
D13	17	3A	561740	FR DEST. SIGN	FR DESTINATION SIGN
D14	17	3A	561740	FR DEST. SIGN	FR DESTINATION SIGN
D15	18	3A	561740	FR JCT BOX	KNEELING SYSTEM CTR-UP
D16	18	3A	561740	FR JCT BOX	KNEELING SYSTEM CTR-DOWN
D17	9.2	3A	561740	FR JCT BOX	WARNING HAZARD-LH
D18	9.2	3A	561740	FR JCT BOX	WARNING HAZARD-RH
D19	9	3A	561740	FR JCT BOX	DAYTIME RUN LITS-PARK BRK CALL SW.
D20	9	3A	561740	FR JCT BOX	DAYTIME RUN LITS-HEAD LT SW
D21	18	3A	561740	FR JCT BOX	KNEELING SYSTEM FEED BACK
D22	11.1	3A	561740	FR JCT BOX	LUGGAGE DOOR ALARM T.T.L.T.
D26	11.1	3A	561740	FR JCT BOX	LUGGAGE DOOR ALARM T.T.L.T.
D27	11.1	3A	561740	FR JCT BOX	LUGGAGE DOOR ALARM T.T.L.T.
D28	11.1	3A	561740	FR JCT BOX	LUGGAGE DOOR ALARM T.T.L.T.
D29	11.1	3A	561740	FR JCT BOX	LUGGAGE DOOR ALARM T.T.L.T.
D30	11.1	3A	561740	FR JCT BOX	LUGGAGE DOOR ALARM T.T.L.T.
D32	11.3	3A	561740	FRONT ROOF CABL.	DRIVERS LITS FEED BY STEP LITS
D33	11.3	3A	561740	FRONT ROOF CABL.	DRIVERS LITS FEED BY STEP LITS
D35	25	3A	561740	FR JCT BOX	WCL DOOR ALARM T.T.L.T.
D58	17	3A	561740	FR JCT BOX	RR HIGH BUOY - KNEELING
D59	13.1	3A	561740	RUB A/C JCT PANEL	A/C & HEAT BYPASS SWITCH
D60	13.1	3A	561740	RUB A/C JCT PANEL	A/C COMP.R. CLUTCH SUPPRESSOR
D61	9.2	3A	561740	FR JCT BOX	KNEELING SIDE RR RH DIRECTIONNAL LT
D62	13.1	3A	561740	RUB A/C JCT PANEL	WATER PUMP FEED
D63	17	3A	561740	FR JCT BOX	LAVATORY SONALERT
D64	17	3A	561740	FR JCT BOX	WCL DOOR ALARM
D65	13.1	3A	561740	RUB A/C JCT PANEL	WATER PUMP - PRE-HEAT FEED
D66	13.1	3A	561740	RUB A/C JCT PANEL	WATER VALVE - HEAT SW. FEED
D67	9.2	3A	561740	UNDER DASH	AUDIBLE FLASHER RLY - RH
D68	9.2	3A	561740	UNDER DASH	FR HIGH BUOY - KNEELING
D70	18	3A	561740	FR JCT BOX	FR HIGH BUOY - KNEELING
D71	18	3A	561740	FR JCT BOX	FR HIGH BUOY - KNEELING
D72	18	3A	561740	FR JCT BOX	FR HIGH BUOY - KNEELING
D73	18	3A	561740	FR JCT BOX	FR HIGH BUOY - KNEELING
D74	1	3A	561740	FR JCT BOX	DASH MASTER CUT OUT SW.
D75	4	3A	381351	BAT OPT	STARTER-SUPPRESSOR COIL RLY
D77	18	3A	561740	FR JCT BOX	PARKING BRAKE - KNEELING
D78	26	3A	561740	LH CONSOLE	PRE-HEAT WATER HEATER SW.
D79	26	3A	561740	LH CONSOLE	PRE-HEAT WATER HEATER SW.
D81	18	3A	561740	FR JCT BOX	PIEZO-KNEELING
D82	18	3A	561740	FR JCT BOX	PIEZO-KNEELING
D83	8	3A	561740	RR JCT BOX	FAN CLUTCH W/RETARDER
D84	13.1	3A	561740	RUB A/C JCT PANEL	WATER VALVE
D85	13.1	3A	561740	RUB A/C JCT PANEL	WATER PUMP
D86	16	3A	561740	UNDER DASH RH	ENTRANCE DOOR SEDAN
D87	16	3A	561740	UNDER DASH RH	ENTRANCE DOOR SEDAN
D88	16	3A	561740	UNDER DASH RH	ENTRANCE DOOR SEDAN
D89	16	3A	561740	UNDER DASH RH	ENTRANCE DOOR SEDAN
D90	16	3A	561740	UNDER DASH RH	ENTRANCE DOOR SEDAN
D91	16	3A	561740	UNDER DASH RH	ENTRANCE DOOR SEDAN

**PREVOST**

**WIRING DIAGRAM**

NO: **D060882**

PAGE: **H**

REVISION **01**



# DIODES NUMBER CODE

No.	PAGE	AMP	#PREV.	LOCATION	FUNCTION	No.	PAGE	AMP	#PREV.	LOCATION	FUNCTION
D 1	7	3A	561740	FR JCT BOX	LO-AIR SONALERT-PRIMARY	D 88	16	3A	561740	UNDER DASH RH	ENTRANCE DOOR SEDAN
D 2	7	3A	561740	FR JCT BOX	LO-AIR SONALERT-SECONDARY	D 89	16	3A	561740	UNDER DASH RH	ENTRANCE DOOR SEDAN
D 4	9.2	3A	561740	FR JCT BOX	WARNING HAZARD-RH	D 90	16	3A	561740	UNDER DASH RH	ENTRANCE DOOR SEDAN
D 5	9.2	3A	561740	FR JCT BOX	WARNING HAZARD-LH	D 91	16	3A	561740	UNDER DASH RH	ENTRANCE DOOR SEDAN
D 6	5	3A	561740	FR JCT BOX	WCL NEUT. SIGN INTERFACE TO PARK BRK TTLT						
D 9	12	3A	561740	FR L.H. HAT-RACK	HOSTESS & PASSENGER CHIME						
D 11	17	3A	561740	RR JCT BOX	LAVATORY OCCUPIED SIGN						
D 12	17	3A	561740	RR JCT BOX	LAVATORY OCCUPIED SIGN						
D 13	17	3A	561740	FR DEST. SIGN	FR DESTINATION SIGN						
D 14	17	3A	561740	FR DEST. SIGN	FR DESTINATION SIGN						
D 15	18	3A	561740	FR JCT BOX	KNEELING SYSTEM CTR-UP						
D 16	18	3A	561740	FR JCT BOX	KNEELING SYSTEM CTR-DOWN						
D 17	9.2	3A	561740	FR JCT BOX	WARNING HAZARD-LH						
D 18	9.2	3A	561740	FR JCT BOX	WARNING HAZARD-RH						
D 19	9	3A	561740	FR JCT BOX	DAYTIME RUN LTS-PARK BRK CALL SW.						
D 20	9	3A	561740	FR JCT BOX	DAYTIME RUN LTS-HEAD LT SW						
D 21	18	3A	561740	FR JCT BOX	KNEELING SYSTEM FEED BACK						
D 25	11.1	3A	561740	FR JCT BOX	LUGGAGE DOOR AJAR T.T.LT.						
D 26	11.1	3A	561740	FR JCT BOX	LUGGAGE DOOR AJAR T.T.LT.						
D 27	11.1	3A	561740	FR JCT BOX	LUGGAGE DOOR AJAR T.T.LT.						
D 28	11.1	3A	561740	FR JCT BOX	LUGGAGE DOOR AJAR T.T.LT.						
D 29	11.1	3A	561740	FR JCT BOX	LUGGAGE DOOR AJAR T.T.LT.						
D 30	11.1	3A	561740	FR JCT BOX	LUGGAGE DOOR AJAR T.T.LT.						
D 32	11.3	3A	561740	FRONT ROOF CABL.	DRIVER'S LTS FEED BY STEP LTS						
D 33	11.3	3A	561740	FRONT ROOF CABL.	DRIVER'S LTS FEED BY STEP LTS						
D 35	25	3A	561740	RR JCT BOX	WCL DOOR AJAR ALARM T.T.LT.						
D 43	10	3A	561740	LOWER WIPER MOT.	WIPER MOTOR SUPPRESSOR						
D 44	10	3A	561740	LOWER WIPER MOT.	WIPER MOTOR SUPPRESSOR						
D 45	10	3A	561740	LOWER WIPER MOT.	WIPER MOTOR SUPPRESSOR						
D 58	17	3A	561740	FR JCT BOX	RR HIGH BUOY - KNEELING						
D 59	13.1	3A	561740	RJB A/C JCT PANEL	A/C & HEAT BYPASS SWITCH						
D 60	13.1	3A	561740	RJB A/C JCT PANEL	A/C COMPR.CLUTCH SUPPRESSOR						
D 61	9.2	3A	561740	FR JCT BOX	KNEELING SIDE FR RH DIRECTIONNAL LT						
D 62	13.1	3A	561740	RJB A/C JCT PANEL	WATER PUMP FEED						
D 63	17	3A	561740	FR JCT BOX	LAVATORY SONALERT						
D 64	17	3A	561740	FR JCT BOX	WCL DOOR ALARM						
D 65	13.1	3A	561740	RJB A/C JCT PANEL	WATER PUMP - PRE-HEAT FEED						
D 66	13.1	3A	561740	RJB A/C JCT PANEL	WATER VALVE - HEAT SW. FEED						
D 67	9.2	3A	561740	UNDER DASH	AUDIBLE FLASHER RLY - RH						
D 68	9.2	3A	561740	UNDER DASH	AUDIBLE FLASHER RLY - LH						
D 70	18	3A	561740	FR JCT BOX	FR HIGH BUOY - KNEELING						
D 71	18	3A	561740	FR JCT BOX	FR HIGH BUOY - KNEELING						
D 72	18	3A	561740	FR JCT BOX	FR HIGH BUOY - KNEELING						
D 73	18	3A	561740	FR JCT BOX	FR HIGH BUOY - KNEELING						
D 74	1	3A	561740	FR JCT BOX	DASH MASTER CUT OUT SW.						
D 75	4	3A	381351	BAT CPT	STARTER-SUPPRESSOR COIL RLY						
D 77	18	3A	561740	FR JCT BOX	PARKING BRAKE - KNEELING						
D 78	26	3A	561740	LH CONSOLE	PRE-HEAT WATER HEATER SW.						
D 79	26	3A	561740	LH CONSOLE	PRE-HEAT WATER HEATER SW.						
D 81	18	3A	561740	FR JCT BOX	PIEZO-KNEELING						
D 82	18	3A	561740	FR JCT BOX	PIEZO-KNEELING						
D 83	8	3A	561740	RR JCT BOX	FAN CLUTCH W/RETARDER						
D 84	13.1	3A	561740	RJB A/C JCT PANEL	WATER VALVE						
D 85	13.1	3A	561740	RJB A/C JCT PANEL	WATER PUMP						
D 86	16	3A	561740	UNDER DASH RH	ENTRANCE DOOR SEDAN						
D 87	16	3A	561740	UNDER DASH RH	ENTRANCE DOOR SEDAN						

# RELAYS NUMBER CODE

No.	PAGE	COIL V	#PREV.	LOCATION	FUNCTION	No.	PAGE	COIL V	#PREV.	LOCATION	FUNCTION
RF1	8	24V	561707	RR JCT BOX	FAN CLUTCH W/RET. SPEED 1	R 80	11.1	24V	561707	RR JCT BOX	ENGINE COMPARTMENT LTS
RF2	8	24V	561707	RR JCT BOX	FAN CLUTCH W/RET. SPEED 2	R 82	19	24V	561707	FR JCT BOX	RETARDER WT
RF3	8	24V	560772	RR JCT BOX	TIME DELAY	R 84	8	24V	561707	RR JCT BOX	FAN CLUTCH-FIRST SPEED
RLA	16	24V	561707	UNDER DASH RH.	ENTRANCE DOOR SEDAN (LATCH)	R 85	8	24V	561707	RR JCT BOX	FAN CLUTCH-SECOND SPEED
RLO	16	24V	561707	UNDER DASH RH.	ENTRANCE DOOR SEDAN (PRESS. SW.)	R 87	19	24V	561707	RR JCT BOX	ENGINE BRAKE REQUEST WT
RLT	16	24V	561707	UNDER DASH RH.	ENTRANCE DOOR SEDAN (LIGHT)	R 89	22	24V	561707	FR JCT BOX	HEATING WINDSHIELD
RLV	16	24V	561707	UNDER DASH RH.	ENTRANCE DOOR SEDAN (VALVE)	R 90	22	24V	561707	FR JCT BOX	HEATING WINDSHIELD
R 1	1.1	24V	561991	FR JCT BOX	ENGINE RUN (24) FR	R 91	22	24V	561707	FR JCT BOX	HEATING WINDSHIELD
R 2	2	24V	561991	BATT. CPT.	ENGINE RUN (12) FR & RR	R 92	22	24V	561707	FR JCT BOX	HEATING WINDSHIELD
R 3	4	24V	561707	BATT. CPT.	FIELD RELAY	R 93	26	24V	561707	RR JCT BOX	PRE-HEAT WATER HEATER (WEBASTO)
R 4	4	24V	561005	BATT. CPT.	STARTING MOTOR	R 94	25	24V	561707	RR JCT BOX	WCL - SYSTEM
R 5	5	24V	561707	FR JCT BOX	CRUISE CTR. STOP SIGN.	R 95	25	24V	561707	RR JCT BOX	WCL - MAGNETIC SW. SIGN.
R 6	9.3	24V	561707	RR JCT BOX	STOP LTS-PARKING BRAKE	R 96	25	24V	561707	RR JCT BOX	WCL - DOOR AJAR ALARM
R 7	5	24V	561707	FR JCT BOX	FAST IDLE	R 97	25	24V	561707	RR JCT BOX	WCL - DOOR AJAR PARK. BRAKE
R 8	6	24V	561707	RR JCT BOX	12V IGNITION WT	R 98	25	12V	561538	RR JCT BOX	WCL -
R 9	9.3	24V	561707	RR JCT BOX	BACK-UP LTS	R 99	8	24V	561707	RR JCT BOX	RADIATOR FAN CLUTCH
R 11	5	24V	561707	RR JCT BOX	12V IGNITION DDEC3	R 100	4	12V	561538	RR JCT BOX	GENERATOR SIGNAL
R 12	7	12V	562092	FR JCT BOX	ELECTRICAL HORNS	R 101	13.1	24V	561707	FR JCT BOX	DAMPER GAZ CYLINDER
R 13	9.3	24V	561707	FR JCT BOX	FOG LTS	R 102	13.1	24V	561707	RR JCT BOX	COMPRESSEUR CLUTCH CUT-OUT BELOW 40 F
R 14	9.1	24V	561707	FR JCT BOX	BLINKER	R 2010	26.2	24V	561230	WEBASTO PRE-HEAT	WEBASTO
R 15	9.1	24V	561707	FR JCT BOX	FR MARKER LTS	V IMN	6	12V	562092	RR JCT BOX	VIM WORLD TR.-NEUTRAL SIGNAL
R 16	9.1	24V	561707	FR JCT BOX	IDENT. & CLEARANCE LTS	V IMR	6	12V	562092	RR JCT BOX	VIM WORLD TR.-BU SIGNAL
R 17	9.1	24V	561707	RR JCT BOX	TAIL,LICENCE,MARKER-RR LTS	V IM1	6	12V	562092	RR JCT BOX	VIM WORLD TR.-OUTPUT 1
R 18	9.1	24V	561707	FR JCT BOX	D R L-PARK BRK CUT-IN	V IM2	6	12V	562092	RR JCT BOX	VIM WORLD TR.-OUTPUT 2 ENG. BRK DISABLE
R 19	9.1	24V	561707	FR JCT BOX	HEADLAMPS (H)	V IM3	6	12V	562092	RR JCT BOX	VIM WORLD TR.-OUTPUT 3 SPD SW. 5MPH NO NO
R 20	9.1	24V	561707	FR JCT BOX	HEADLAMPS (LO)	V IM4	6	12V	562092	RR JCT BOX	VIM WORLD TR.-OUTPUT 4 RETARD. ON SIGNAL
R 21	9.2	24V	561707	FR JCT BOX	L.H. DIRECTIONNAL LT						
R 23	9.2	24V	561707	FR JCT BOX	R.H. DIRECTIONNAL LT						
R 24	9.2	24V	561707	FR JCT BOX	R.H. CORNERING LT						
R 25	9.2	24V	561707	FR JCT BOX	L.H. CORNERING LT						
R 26	9.3	24V	561707	RR JCT BOX	STOP LTS						
R 27	11.2	24V	561707	RR JCT BOX	aisle & EMERG.EXIT - LTS						
R 28	11.2	24V	561707	FR JCT BOX	DASH LTS RHEOSTAT						
R 29	11.3	24V	561707	RR JCT BOX	READING LTS R.H.						
R 30	11.3	24V	561707	RR JCT BOX	READING LTS L.H.						
R 31	11.3	24V	561707	RR JCT BOX	GENERAL LTS						
R 32	11.4	24V	561707	RR JCT BOX	24V FLUORESCENT						
R 33	13.1	12V	562092	FR JCT BOX	BLOWER CUT-IN RLY						
R 34	13.1	24V	561707	RJB A/C JCT PANEL	A/C LOGIC PANEL						
R 35	13.1	24V	561707	RJB A/C JCT PANEL	WATER PUMP						
R 36	13.1	24V	561707	RJB A/C JCT PANEL	A/C COMPRESSOR CLUTCH						
R 37	10	24V	561707	FR JCT BOX	KNEELING LT						
R 39	13.2	24V	561005	BATT. CPT.	CONDENSER FAN MOTOR						
R 40	13.2	24V	561014	BATT. CPT.	CONDENSER SPEED CTR HI						
R 41	13.2	24V	561005	BATT. CPT.	CONDENSER SPEED CTR HI						
R 43	18	24V	561707	FR JCT BOX	KNEELING SYSTEM						
R 44	18	24V	561707	FR JCT BOX	KNEELING SYSTEM						
R 47	23	24V	561707	GALLEY COMPT	GALLEY-LIQUID CONTAINERS						
R 48	23	24V	561707	GALLEY COMPT	COFFEE MAKER						
R 49	21	24V	561707	FR JCT BOX	ABS - SERVICE BRK RLY						
R 50	21	24V	561707	FR JCT BOX	ABS - VR2 RLY						
R 51	21	24V	561707	FR JCT BOX	ABS - WARNING RLY						
R 52	21	24V	561707	FR JCT BOX	ABS - VR1 RLY						
R 53	1.1	24V	561991	RR JCT BOX	ENGINE RUN (24) RR						
R 54	1.1	24V	561991	BATT. CPT.	12V CUT OUT RLY RR						
R 55	1.1	24V	561991	BATT. CPT.	12V CUT OUT RLY FR						
R 57	9.1	24V	561707	FR JCT BOX	DAYS BLINKER						
R 59	9.3	12V	562092	RR JCT BOX	DOCKING LTS						
R 61	9.3	24V	561707	RR JCT BOX	STOP LTS-JACOB & RET. SIGNAL						
R 66	20.3	24V	561707	SS JCT PANEL	SOUND SYSTEM VIDEO						
R 67	20.1	24V	561707	SS JCT PANEL	SOUND SYSTEM RADIO						
R 68	20.1	24V	561991	SS JCT PANEL	SOUND SYSTEM AMPLIFIER						
R 78	1.1	12V	562092	FR JCT BOX	MASTER SWITCH						
R 79	23	24V	561707	GALLEY CPT.	GALLEY-REFRIGERATOR						



# RELAYS NUMBER CODE

NO.	PAGE COIL V	#PREV.	LOCATION	FUNCTION	NO.	PAGE COIL V	#PREV.	LOCATION	FUNCTION
R1	8	561707	RR JCT BOX	FAN CLUTCH WIRET SPEED 1	R82	19	561707	FR JCT BOX	RETARDER WT
R2	8	561707	RR JCT BOX	FAN CLUTCH WIRET. SPEED 2	R84	8	561707	FR JCT BOX	FAN CLUTCH-FIRST SPEED
R3	8	560772	RR JCT BOX	TIME DELAY	R85	8	561707	FR JCT BOX	FAN CLUTCH-SECOND SPEED
R4	16	561707	UNDER DASH RH	ENTRANCE DOOR SEDAN (LATCH)	R87	19	561707	RR JCT BOX	ENGINE BRAKE-REJECT V/T
R5	16	561707	UNDER DASH RH	ENTRANCE DOOR SEDAN (PRESS. SW.)	R89	22	561707	FR JCT BOX	HEATING WINDSHIELD
R6	16	561707	UNDER DASH RH	ENTRANCE DOOR SEDAN (LIGHT)	R90	22	561707	FR JCT BOX	HEATING WINDSHIELD
R7	16	561707	UNDER DASH RH	ENTRANCE DOOR SEDAN (VALVE)	R91	22	561707	FR JCT BOX	HEATING WINDSHIELD
R8	1,1	561991	FR JCT BOX	ENGINE RUN (24) FR	R92	22	561707	FR JCT BOX	HEATING WINDSHIELD
R9	2	561991	BATT. CPT.	ENGINE RUN (12) FR & RR	R93	22	561707	FR JCT BOX	HEATING WINDSHIELD
R10	2	561991	BATT. CPT.	FIELD RELAY	R94	25	561707	FR JCT BOX	PRE-HEAT WATER HEATER (WEBASTO)
R11	4	561005	BATT. CPT.	STARTING MOTOR	R95	25	561707	FR JCT BOX	WCL - SYSTEM
R12	4	561707	FR JCT BOX	CRUISE CTR. STOP SIGN.	R96	25	561707	FR JCT BOX	WCL - MAGNETIC SW. SIGN
R13	5	561707	FR JCT BOX	STOP LTS. PARKING BRAKE	R97	25	561707	FR JCT BOX	WCL - DOOR ALARM
R14	5	561707	FR JCT BOX	FAST IDLE	R98	25	561538	RR JCT BOX	WCL - DOOR ALARM BRAKE
R15	5	561707	FR JCT BOX	12V IGNITION WT	R99	25	561707	RR JCT BOX	WCL -
R16	6	561707	RR JCT BOX	BACK-UP LTS	R100	8	561707	RR JCT BOX	RADIATOR FAN CLUTCH
R17	6	561707	RR JCT BOX	12V IGNITION DDEC3	R101	4	561538	RR JCT BOX	GENERATOR SIGNAL
R18	9,3	562092	FR JCT BOX	ELECTRICAL HORNS	R102	26,2	561230	FR JCT BOX	WEBASTO
R19	9,3	561707	FR JCT BOX	FOG LTS	R103	6	562092	RR JCT BOX	VIM WORLD TR. PRELUDE SIGNAL
R20	9,1	561707	FR JCT BOX	BLINKER	R104	6	562092	RR JCT BOX	VIM WORLD TR. BU SIGNAL
R21	9,1	561707	FR JCT BOX	FR MARKER LTS	R105	6	562092	RR JCT BOX	VIM WORLD TR. OUTPUT 1
R22	9,1	561707	FR JCT BOX	IDENT. & CLEARANCE LTS	R106	6	562092	RR JCT BOX	VIM WORLD TR. OUTPUT 2 ENG. BRK DISABLE
R23	9,1	561707	FR JCT BOX	TAIL LICENSE MARKER LTS	R107	6	562092	RR JCT BOX	VIM WORLD TR. OUTPUT 3 SPD SW. SMPT NO NC
R24	9,1	561707	FR JCT BOX	D R L PARK BRK CUT-IN	R108	6	562092	RR JCT BOX	VIM WORLD TR. OUTPUT 4 RETARD. ON SIGNAL
R25	9,1	561707	FR JCT BOX	HEAD LAMP (H)					
R26	9,3	561707	RR JCT BOX	HEAD LAMP (L)					
R27	11,2	561707	RR JCT BOX	AISLE & EMERG. EXIT - LTS					
R28	11,2	561707	FR JCT BOX	DASH LTS RHEOSTAT					
R29	11,3	561707	RR JCT BOX	READING LTS R.H.					
R30	11,3	561707	RR JCT BOX	READING LTS L.H.					
R31	11,3	561707	RR JCT BOX	GENERAL LTS					
R32	11,4	561707	RR JCT BOX	24V FLUORESCENT					
R33	13,1	562092	FR JCT BOX	BLOWER CUT-IN RLY					
R34	13,1	561707	RUB A/C JCT PANEL	A/C LOGIC PANEL					
R35	13,1	561707	RUB A/C JCT PANEL	WATER PUMP					
R36	13,1	561707	RUB A/C JCT PANEL	A/C COMPRESSOR CLUTCH					
R37	10	561707	FR JCT BOX	KNEELING LT					
R38	13,2	561005	BATT. CPT.	CONDENSER FAN MOTOR					
R39	13,2	561014	BATT. CPT.	CONDENSER SPEED CTR HI					
R40	13,2	561005	BATT. CPT.	CONDENSER SPEED CTR HI					
R41	18	561005	FR JCT BOX	KNEELING SYSTEM					
R42	18	561707	FR JCT BOX	KNEELING SYSTEM					
R43	18	561707	FR JCT BOX	KNEELING SYSTEM					
R44	23	561707	GALLEY COMP	GALLEY LIQUID CONTAINERS					
R45	23	561707	GALLEY COMP	COFFEE MAKER					
R46	23	561707	FR JCT BOX	ABS - SERVICE BRK RLY					
R47	23	561707	FR JCT BOX	ABS - VTR RLY					
R48	23	561707	FR JCT BOX	ABS - VTR RLY					
R49	21	561707	FR JCT BOX	ENGINE RUN (24) RR					
R50	21	561707	FR JCT BOX	12V CUT OUT RLY RR					
R51	21	561707	FR JCT BOX	12V CUT OUT RLY FR					
R52	21	561707	FR JCT BOX	DAYS BLINKER					
R53	21	561707	FR JCT BOX	DOCKING LTS					
R54	1,1	561991	BATT. CPT.	STOP LTS. JACOB & RET. SIGNAL					
R55	1,1	561991	BATT. CPT.	SOUND SYSTEM VIDEO					
R56	9,3	562092	RR JCT BOX	SOUND SYSTEM RADIO					
R57	9,3	561707	RR JCT BOX	SOUND SYSTEM AMPLIFIER					
R58	20,1	561991	SS JCT PANEL	MASTER SWITCH					
R59	20,1	562092	FR JCT BOX	12V EV. REFRIGERATOR					
R60	23	561707	FR JCT BOX	ENGINE COMPARTMENT LTS					

PREVOST

WIRING DIAGRAM

NO:

D060882

PAGE: 1

REVISION 03

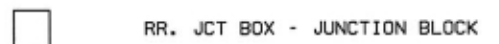
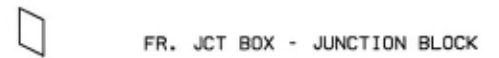
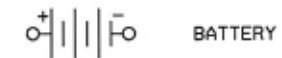
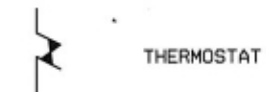
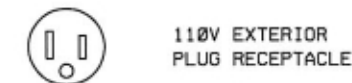
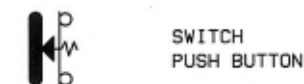
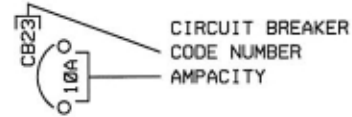
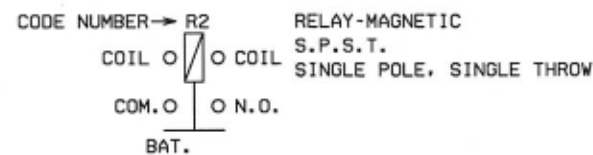
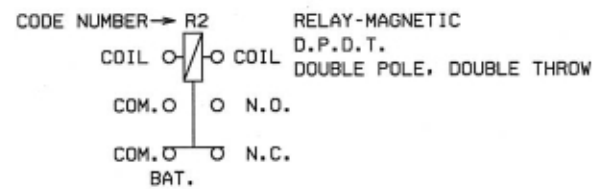
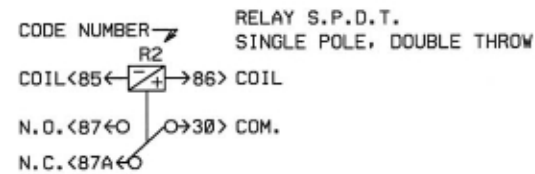
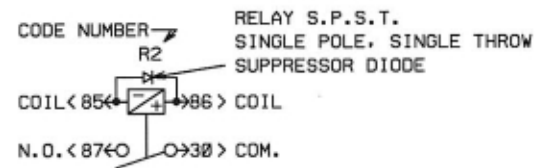
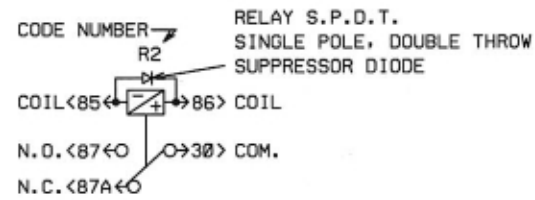
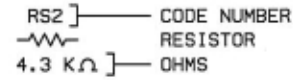
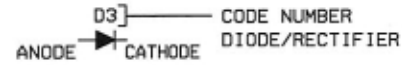
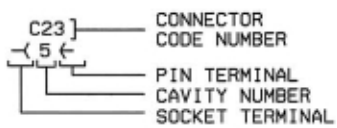
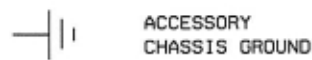
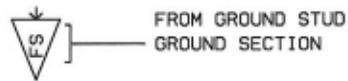
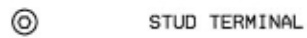
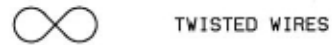
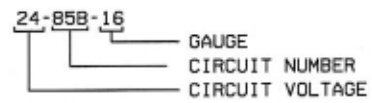
# RELAYS NUMBER CODE

No.	PAGE	COIL V	#PREV.	LOCATION	FUNCTION	No.	PAGE	COIL V	#PREV.	LOCATION	FUNCTION
RF1	8	24V	561707	RR JCT BOX	FAN CLUTCH W/RET. SPEED 1	R 82	19	24V	561707	FR JCT BOX	RETARDER WT
RF2	8	24V	561707	RR JCT BOX	FAN CLUTCH W/RET. SPEED 2	R 84	8	24V	561707	RR JCT BOX	FAN CLUTCH-FIRST SPEED
RF3	8	24V	560772	RR JCT BOX	TIME DELAY	R 85	8	24V	561707	RR JCT BOX	FAN CLUTCH-SECOND SPEED
RLA	16	24V	561707	UNDER DASH RH.	ENTRANCE DOOR SEDAN (LATCH)	R 87	19	24V	561707	RR JCT BOX	ENGINE BRAKE REQUEST WT
RLO	16	24V	561707	UNDER DASH RH.	ENTRANCE DOOR SEDAN (PRESS. SW.)	R 89	22	24V	561707	FR JCT BOX	HEATING WINDSHIELD
RLT	16	24V	561707	UNDER DASH RH.	ENTRANCE DOOR SEDAN (LIGHT)	R 90	22	24V	561707	FR JCT BOX	HEATING WINDSHIELD
RLV	16	24V	561707	UNDER DASH RH.	ENTRANCE DOOR SEDAN (VALVE)	R 91	22	24V	561707	FR JCT BOX	HEATING WINDSHIELD
R1	1.1	24V	561991	FR JCT BOX	ENGINE RUN (24) FR	R 92	22	24V	561707	FR JCT BOX	HEATING WINDSHIELD
R2	2	24V	561991	BATT. CPT.	ENGINE RUN (12) FR & RR	R 93	26	24V	561707	RR JCT BOX	PRE-HEAT WATER HEATER (WEBASTO)
R3	4	24V	561707	BATT. CPT.	FIELD RELAY	R 94	25	24V	561707	RR JCT BOX	WCL - SYSTEM
R4	4	24V	561005	BATT. CPT.	STARTING MOTOR	R 95	25	24V	561707	RR JCT BOX	WCL - MAGNETIC SW. SIGN.
R5	5	24V	561707	FR JCT BOX	CRUISE CTR. STOP SIGN.	R 96	25	24V	561707	RR JCT BOX	WCL - DOOR AJAR ALARM
R6	9.3	24V	561707	RR JCT BOX	STOP LTS-PARKING BRAKE	R 97	25	24V	561707	RR JCT BOX	WCL - DOOR AJAR PARK. BRAKE
R7	5	24V	561707	FR JCT BOX	FAST IDLE	R 98	25	12V	561538	RR JCT BOX	WCL -
R8	6	24V	561707	RR JCT BOX	12V IGNITION WT	R 99	8	24V	561707	RR JCT BOX	RADIATOR FAN CLUTCH
R9	9.3	24V	561707	RR JCT BOX	BACK-UP LTS	R 100	4	12V	561538	RR JCT BOX	GENERATOR SIGNAL
R11	5	24V	561707	RR JCT BOX	12V IGNITION DDEC3	R 101	13.1	24V	561707	FR JCT BOX	DAMPER GAZ CYLINDER
R12	7	12V	562092	FR JCT BOX	ELECTRICAL HORNS	R 102	13.1	24V	561707	RR JCT BOX	COMPRESSEUR CLUTCH CUT-OUT BELOW 40 F
R13	9.3	24V	561707	FR JCT BOX	FOG LTS	R 2010	26.2	24V	561230	WEBASTO PRE-HEAT	WEBASTO
R14	9.1	24V	561707	FR JCT BOX	BLINKER	V IMN	6	12V	562092	RR JCT BOX	VIM WORLD TR.-NEUTRAL SIGNAL
R15	9.1	24V	561707	FR JCT BOX	FR MARKER LTS	V IMR	6	12V	562092	RR JCT BOX	VIM WORLD TR.-B/U SIGNAL
R16	9.1	24V	561707	FR JCT BOX	IDENT. & CLEARANCE LTS	V IM1	6	12V	562092	RR JCT BOX	VIM WORLD TR.-OUTPUT 1
R17	9.1	24V	561707	RR JCT BOX	TAIL.LICENCE,MARKER-RR LTS	V IM2	6	12V	562092	RR JCT BOX	VIM WORLD TR.-OUTPUT 2 ENG. BRK DISABLE
R18	9.1	24V	561707	FR JCT BOX	D R L-PARK BRK CUT-IN	V IM3	6	12V	562092	RR JCT BOX	VIM WORLD TR.-OUTPUT 3 SPD SW. 5MPH NO NC
R19	9.1	24V	561707	FR JCT BOX	HEADLAMPS (HI)	V IM4	6	12V	562092	RR JCT BOX	VIM WORLD TR.-OUTPUT 4 RETARD. ON SIGNAL
R20	9.1	24V	561707	FR JCT BOX	HEADLAMPS (LO)						
R21	9.2	24V	561707	FR JCT BOX	L.H. DIRECTIONNAL LT						
R23	9.2	24V	561707	FR JCT BOX	R.H. DIRECTIONNAL LT						
R24	9.2	24V	561707	FR JCT BOX	R.H. CORNERING LT						
R25	9.2	24V	561707	FR JCT BOX	L.H. CORNERING LT						
R26	9.3	24V	561707	RR JCT BOX	STOP LTS						
R27	11.2	24V	561707	RR JCT BOX	aisle & EMERG.EXIT - LTS						
R28	11.2	24V	561707	FR JCT BOX	DASH LTS RHEOSTAT						
R29	11.3	24V	561707	RR JCT BOX	READING LTS R.H.						
R30	11.3	24V	561707	RR JCT BOX	READING LTS L.H.						
R31	11.3	24V	561707	RR JCT BOX	GENERAL LTS						
R32	11.4	24V	561707	RR JCT BOX	24V FLUORESCENT						
R33	13.1	12V	562092	FR JCT BOX	BLOWER CUT-IN RLY						
R34	13.1	24V	561707	RJB A/C JCT PANEL	A/C LOGIC PANEL						
R35	13.1	24V	561707	RJB A/C JCT PANEL	WATER PUMP						
R36	13.1	24V	561707	RJB A/C JCT PANEL	A/C COMPRESSOR CLUTCH						
R37	10	24V	561707	FR JCT BOX	KNEELING LT						
R39	13.2	24V	561005	BATT. CPT.	CONDENSER FAN MOTOR						
R40	13.2	24V	561014	BATT. CPT.	CONDENSER SPEED CTR HI						
R41	13.2	24V	561005	BATT. CPT.	CONDENSER SPEED CTR HI						
R43	18	24V	561707	FR JCT BOX	KNEELING SYSTEM						
R44	18	24V	561707	FR JCT BOX	KNEELING SYSTEM						
R47	23	24V	561707	GALLEY COMPT	GALLEY-LIQUID CONTAINERS						
R48	23	24V	561707	GALLEY COMPT	COFFEE MAKER						
R49	21	24V	561707	FR JCT BOX	ABS - SERVICE BRK RLY						
R50	21	24V	561707	FR JCT BOX	ABS - VR2 RLY						
R51	21	24V	561707	FR JCT BOX	ABS - WARNING RLY						
R52	21	24V	561707	FR JCT BOX	ABS - VR1 RLY						
R53	1.1	24V	561991	RR JCT BOX	ENGINE RUN (24) RR						
R54	1.1	24V	561991	BATT. CPT.	12V CUT OUT RLY RR						
R55	1.1	24V	561991	BATT. CPT.	12V CUT OUT RLY FR						
R57	9.1	24V	561707	FR JCT BOX	DAY'S BLINKER						
R59	9.3	12V	562092	RR JCT BOX	DOCKING LTS						
R61	9.3	24V	561707	RR JCT BOX	STOP LTS-JACOB & RET. SIGNAL						
R66	20.3	24V	561707	SS JCT PANEL	SOUND SYSTEM VIDEO						
R67	20.1	24V	561707	SS JCT PANEL	SOUND SYSTEM RADIO						
R68	20.1	24V	561991	SS JCT PANEL	SOUND SYSTEM AMPLIFIER						
R78	1.1	12V	562092	FR JCT BOX	MASTER SWITCH						
R79	23	24V	561707	GALLEY CPT.	GALLEY-REFRIGERATOR						
R80	11.1	24V	561707	RR JCT BOX	ENGINE COMPARTMENT LTS						

## RESISTORS NUMBER CODE

No.	PAGE	OHM(S)	#PREV.	LOCATION	FUNCTION
RS 1	5	11 K	561898	FR JCT BOX	FAST IDLE DDEC CONTROL
RS 2	5	3.6 K	561897	FR JCT BOX	FAST IDLE DDEC CONTROL
RS 3	9.3	1 (2)	561537	FR JCT BOX	FOG LT - RH
RS 4	9.3	1 (2)	561537	FR JCT BOX	FOG LT - LH
RS 5	9.2	1 (2)	061976	FR JCT BOX	CORNERING LT - LH
RS 7	9.3	.82 (2)	060806	RR JCT BOX	PARKING BRAKE STOP LTS
RS 8	9.2	1 (2)	061976	FR JCT BOX	CORNERING LT - RH
RS 11	22	12	561191	FR TOP	DEFROSTER SPEED
RS 12	22	12	561191	FR TOP	DEFROSTER SPEED
RS 13	17	80 (2)	562108	FR TOP	FR DESTINATION SIGN
RS 9	9.3	1 (2)	061976	RR JCT BOX	DOCKING LT - RH
RS 10	9.3	1 (2)	061976	RR JCT BOX	DOCKING LT - LH
RS 17	7	220	562498	FR JCT BOX	FIRE ALARM
RS 18	8	75 K	064208	RR JCT BOX	FAN CLUTCH W/RETARDER
RS 20	15	1 K	562470	RR JCT BOX	WORLD TR. SPEED TO DDEC III

# WIRING DIAGRAM KEYS



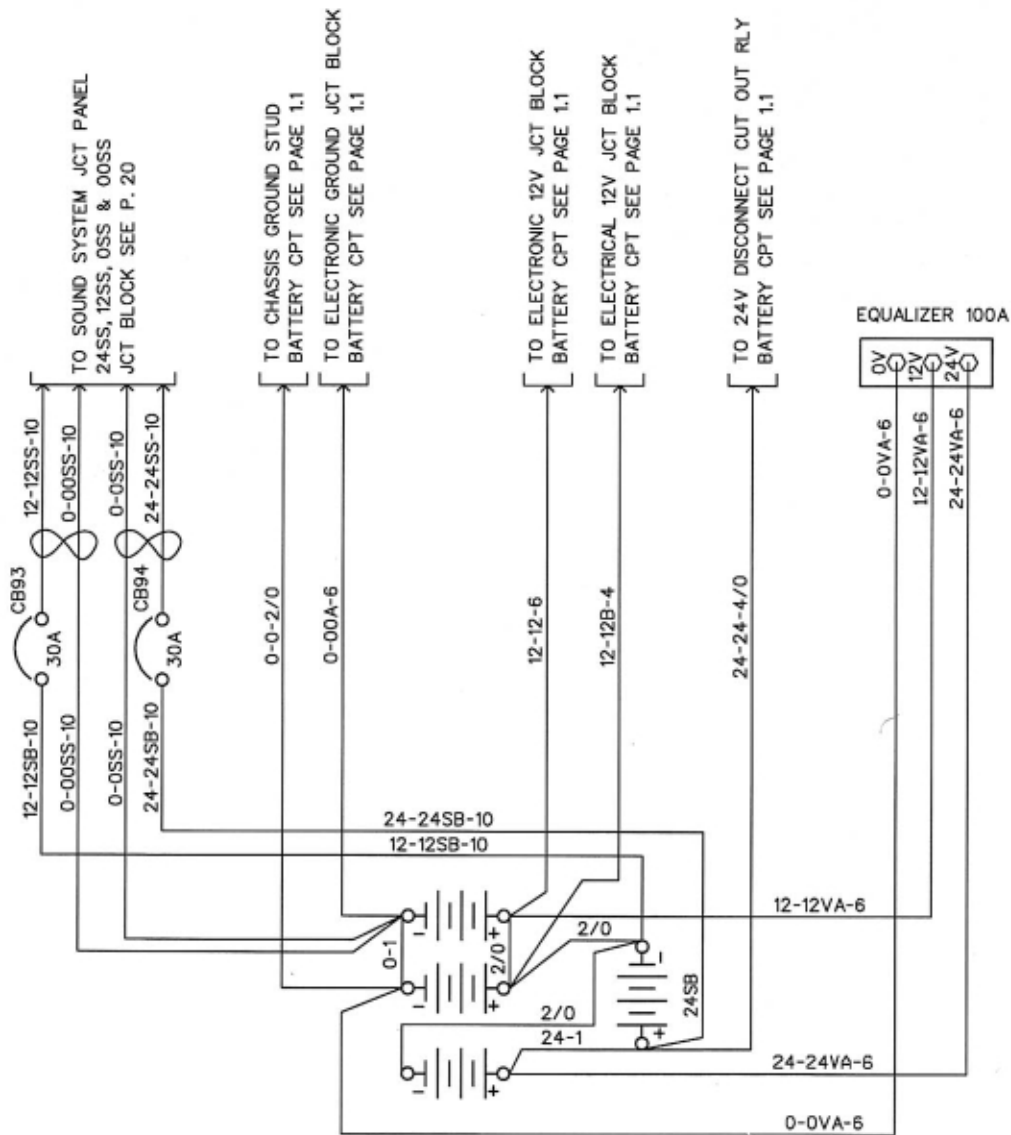
- BLK BLACK
- YEL YELLOW
- RED RED
- WH WHITE
- GRY GREY
- ORA ORANGE
- BLU BLUE
- GRN GREEN
- BRN BROWN
- PUR PURPLE
- PK PINK

# FUSES CODE

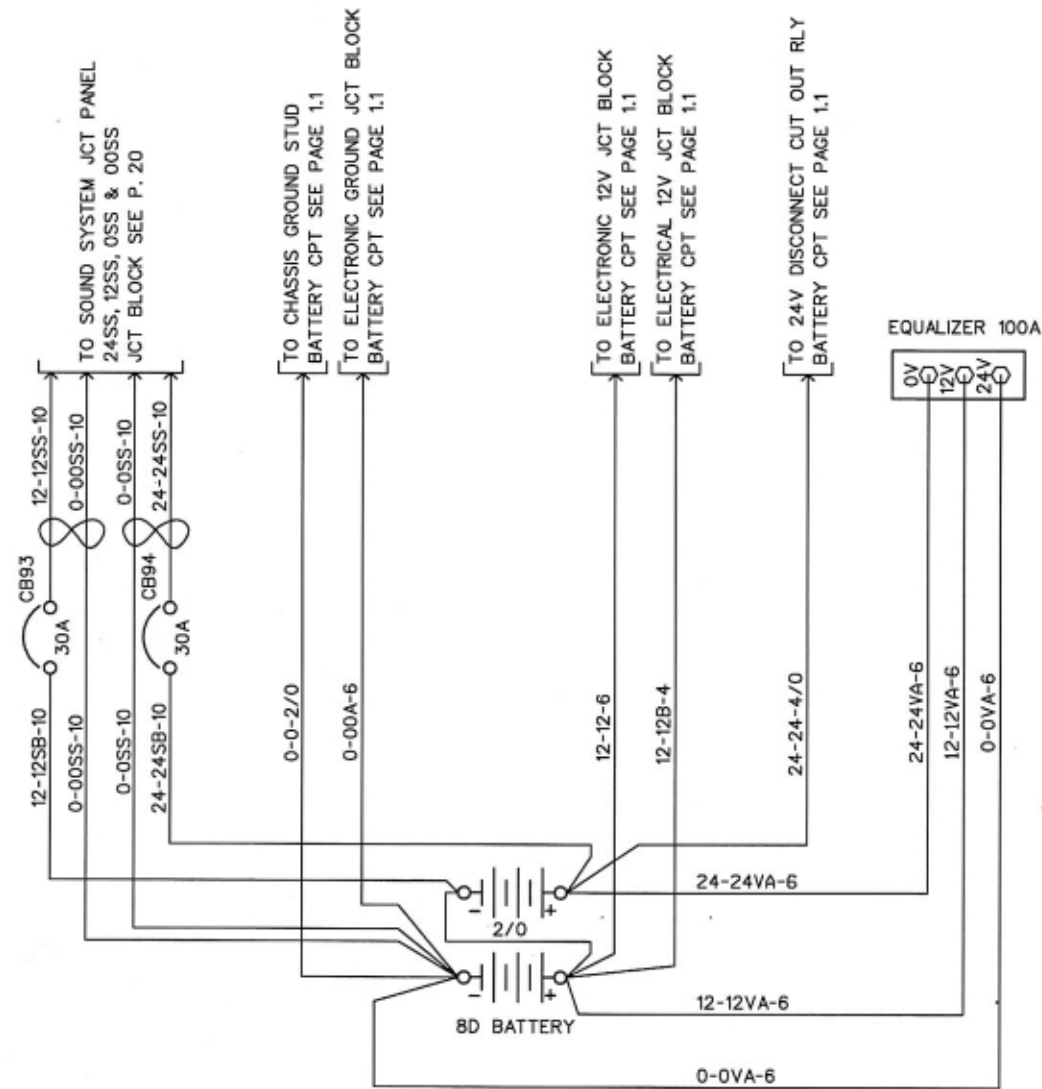
No.	PAGE	AMP.	#PREV.	LOCATION	FUNCTION
F 1	6	10A	562407	RR. JCT. BOX	WORLD TRANSMISSION 12V BATTERY
F 2	6	10A	562407	RR. JCT. BOX	WORLD TRANSMISSION 12V IGNITION
F 3	7	20A	562605	FR. JCT. BOX	ELECTRICAL HORNS
F 4	7	5A	562259	FR. JCT. BOX	FIRE ALARM
F 5	8	10A	562407	RR. JCT. BOX	AIR DRYER
F 6	8	5A	562602	FR. JCT. BOX	ETHER COLD START & CRUISE DECEL SW.
F 7	8	5A	562602	FR. JCT. BOX	PARKING BRAKE PRESSURE SW.
F 8	9.2	10A	562407	FR. JCT. BOX	CORNERING LTS
F 9	9.3	15A	562604	RR. JCT. BOX	DOCKING LTS
F 10	9.3	15A	562604	FR. JCT. BOX	FOG LTS
F 11	11.1	5A	562259	FR. JCT. BOX	FRONT SERVICE CPT LTS
F 12	11.2	10A	562407	RR. JCT. BOX	AISLE LTS
F 13	11.2	7.5A	562602	RR. JCT. BOX	EMERGENCY EXIT LTS
F 14	11.3	7.5A	562602	FR. JCT. BOX	DRIVER'S LTS
F 15	11.3	15A	562604	RR. JCT. BOX	READING LTS RH
F 16	11.3	15A	562604	RR. JCT. BOX	READING LTS LH
F 17	11.3	10A	562407	RR. JCT. BOX	GENERAL LTS
F 18	11.4	10A	562407	RR. JCT. BOX	24V FLUORESCENT RH
F 19	11.4	10A	562407	RR. JCT. BOX	24V FLUORESCENT LH
F 20	12	5A	562259	FR. JCT. BOX	HOSTESS & PASSENGER CHIME
F 21	12	10A	560061	RR. JCT. BOX	PRIME PUMP
F 22	14	10A	562407	FR. JCT. BOX	POWER 12V OUTLET
F 23	14	15A	562604	FR. JCT. BOX	DRIVER'S WINDOW LIFTER
F 24	14	10A	562407	FR. JCT. BOX	CIGAR LIGHTER
F 25	14	3A	562599	FR. JCT. BOX	SUN VISOR
F 26	15	5A	562259	FR. JCT. BOX	TACHOGRAPH HEAD & WATER HTR TIMER
F 27	23	5A	562259	RR. JCT. BOX	GALLEY LAMP
F 28	17	10A	562407	RR. JCT. BOX	LAVATORY PUMP
F 29	17	7.5A	562602	RR. JCT. BOX	LAVATORY LTS
F 31	17	5A	562602	FR. JCT. BOX	FRONT DESTINATION SIGN
F 32	11.3	5A	562259	FR. JCT. BOX	PASSENGER NO SMOKING LTS
F 33	18	5A	562259	FR. JCT. BOX	KNEELING SYSTEM
F 34	19	3A	562599	FR. JCT. BOX	LUGGAGE DOOR LOCK
F 39	22	10A	562407	FR. JCT. BOX	UPPER WINDSHIELD FAN DEFROST
F 40	22	20A	562605	FR. JCT. BOX	HEATED WINDSHIELD LH
F 41	22	20A	562605	FR. JCT. BOX	HEATED WINDSHIELD RH
F 46	24	7.5A	562602	FR. JCT. BOX	MIRROR ADJUST & HEATED 24V SPARTAN
F 47	24	7.5A	562407	FR. JCT. BOX	MIRROR ADJUST & HEATED 12V RAMCO
F 48	25	10A	562407	RR. JCT. BOX	WHEEL CHAIR LIFT POWER CONTROL
F 49	26	20A	562605	RR. JCT. BOX	PRE-HEAT WATER HEATER WEBASTO
F 50	26	20A	562605	RR. JCT. BOX	PRE-HEAT WATER HEATER
F 51	11.2	7.5A	562602	RR. JCT. BOX	HAR RACK CPT LTS
F 57	17	5A	562259	RR. JCT. BOX	LAVATORY FLUORESCENT
F 60	27	3A	560893	CABL. MONITOR	BACK-UP MONITOR (CLARION)
F 61	27	1A	560893	FR. JCT. BOX	INTERCOM
F 70	23	7.5A	562602	GALLEY PANEL	GALLEY RH CONTAINER
F 71	23	7.5A	562602	GALLEY PANEL	GALLEY LH CONTAINER
F 72	23	10A	562407	GALLEY PANEL	GALLEY REFRIGERATOR COMPRESSOR
F 73	23	35A	562608	GALLEY PANEL	GALLEY COFFEMAKER
F 74	23	7.5	560598	BAT. CPT.	GALLEY REFRIGERATOR



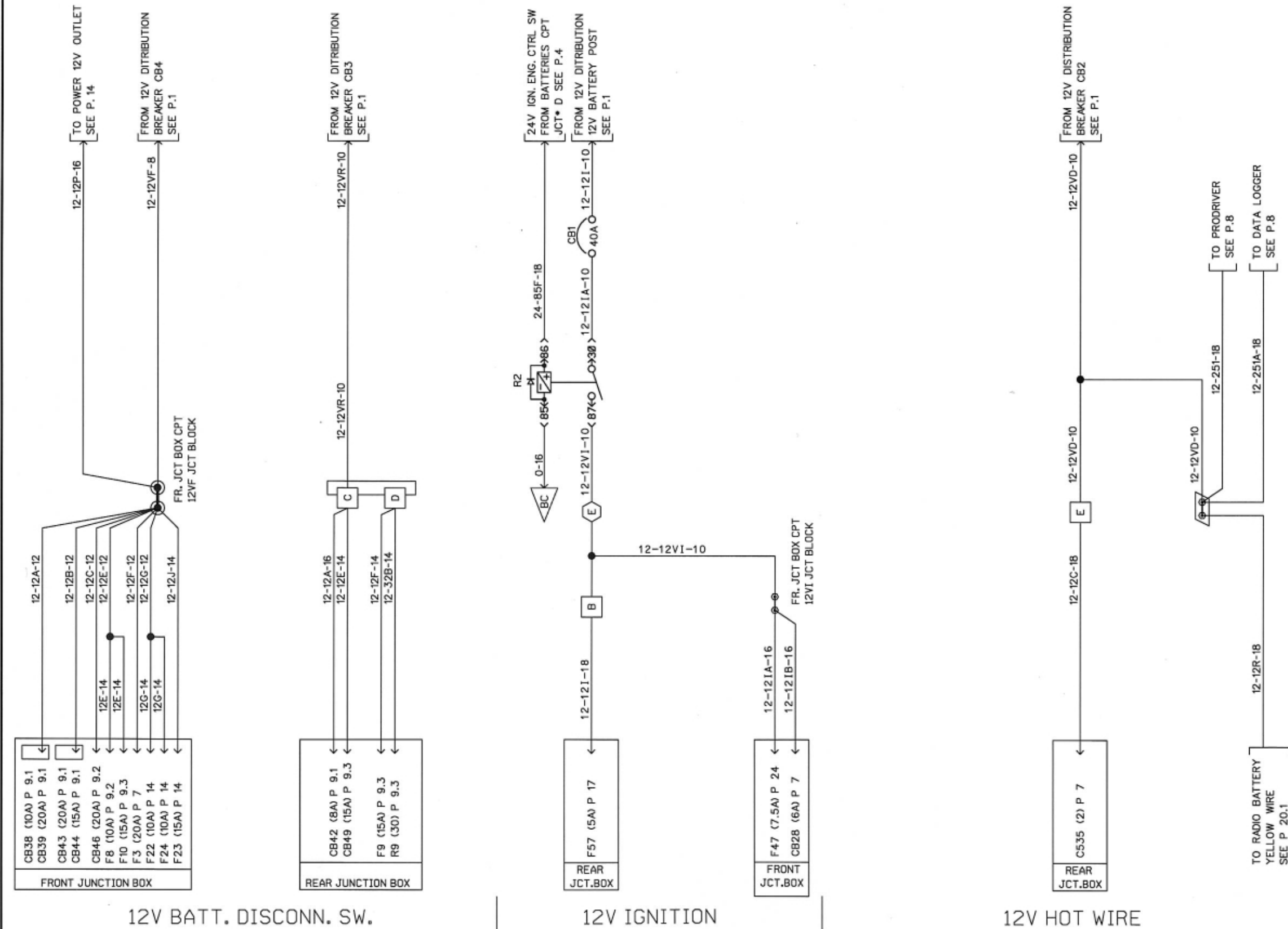


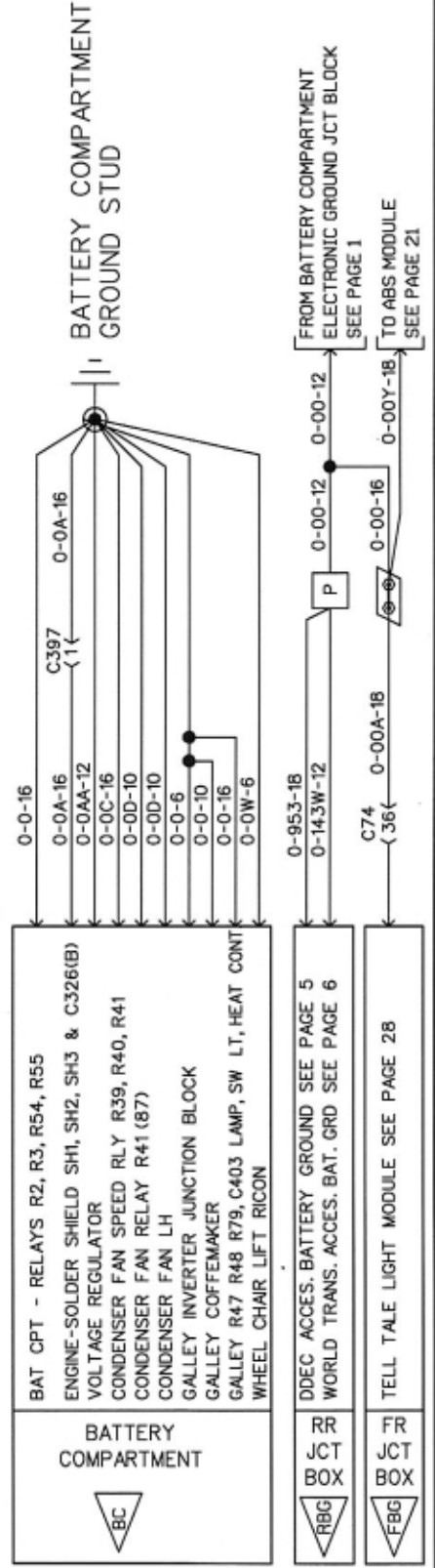
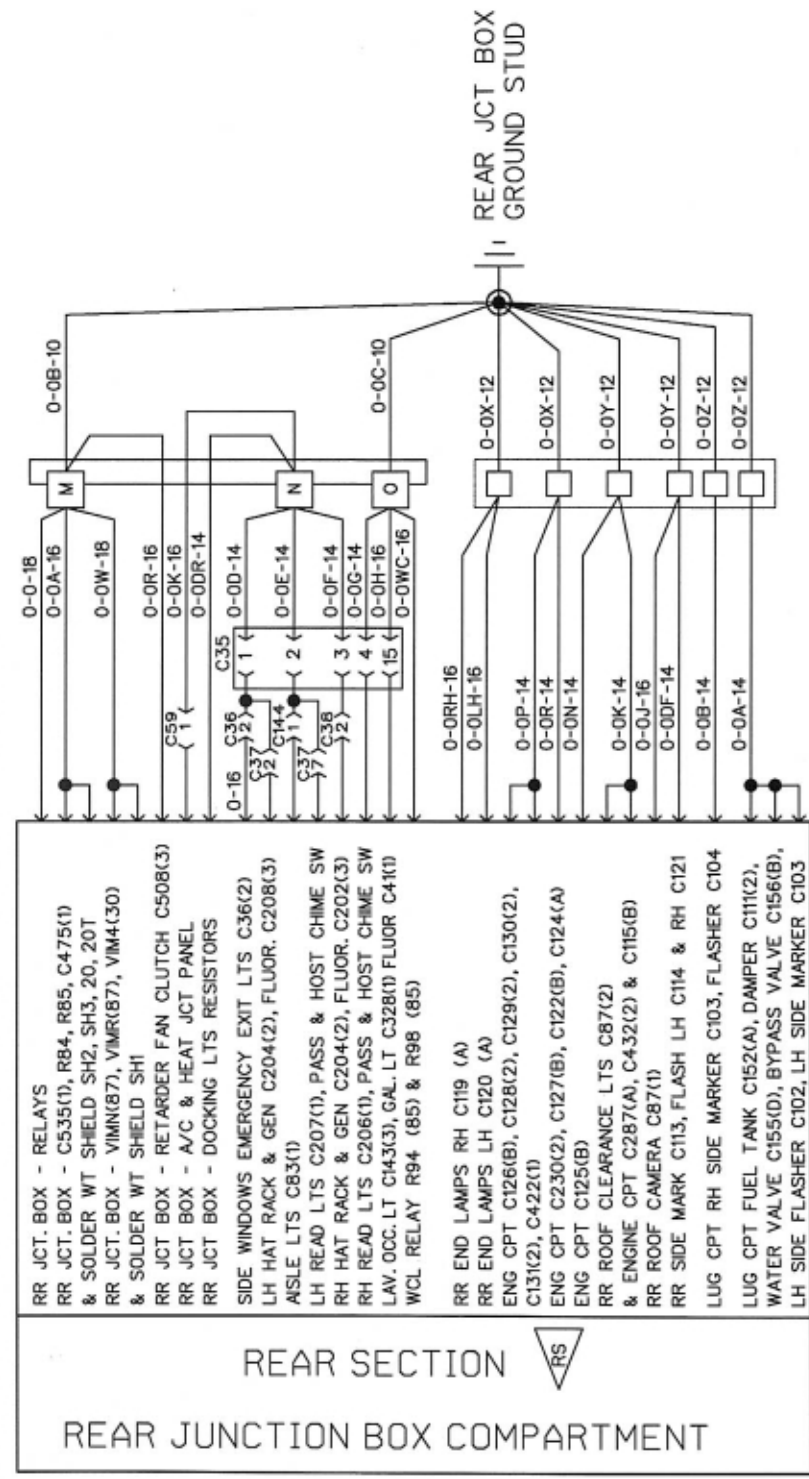
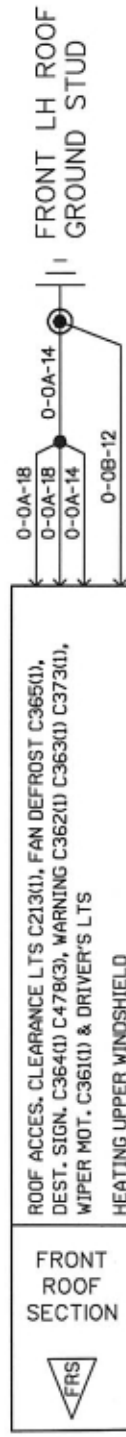
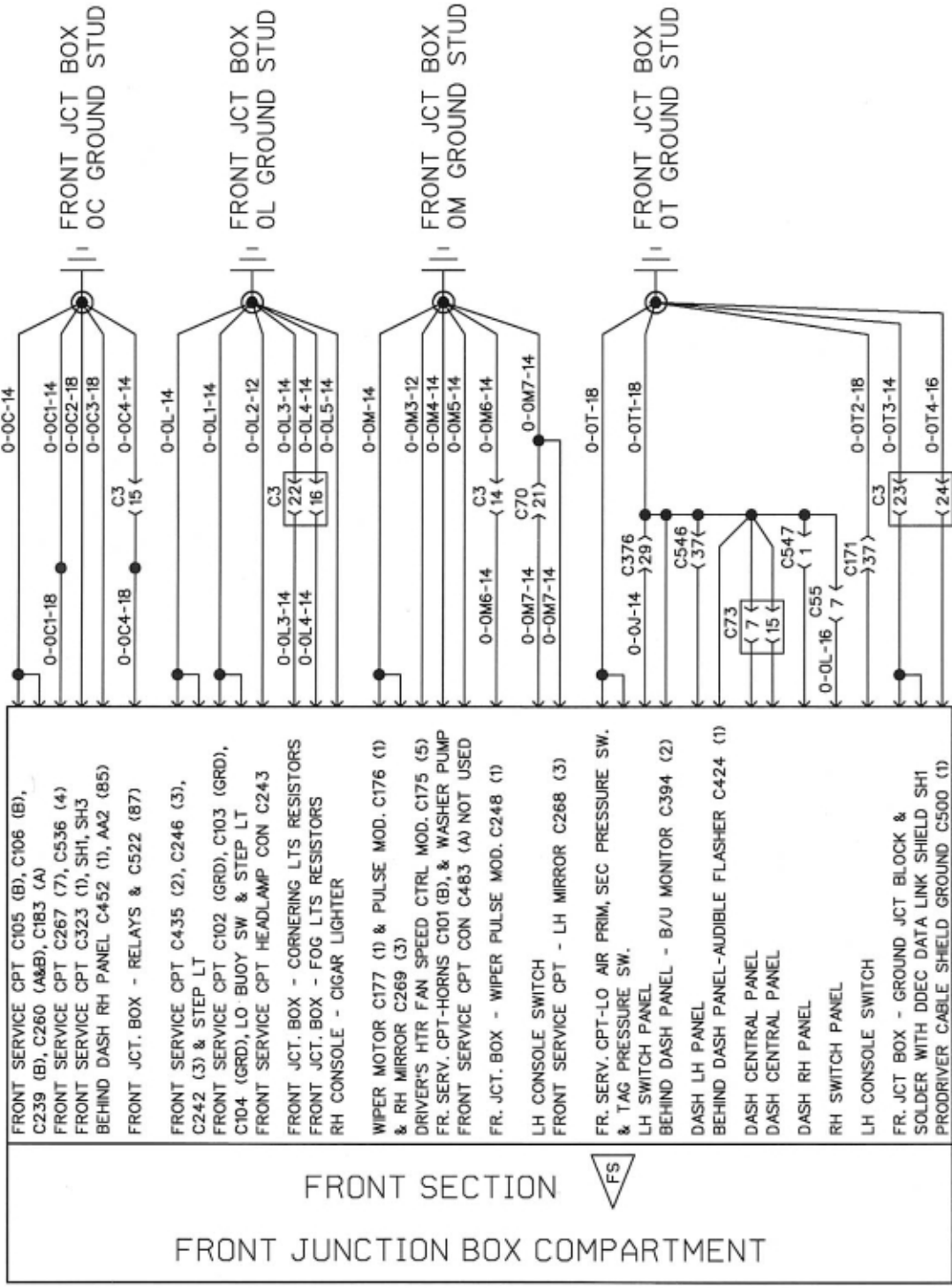


STANDARD BATTERIES



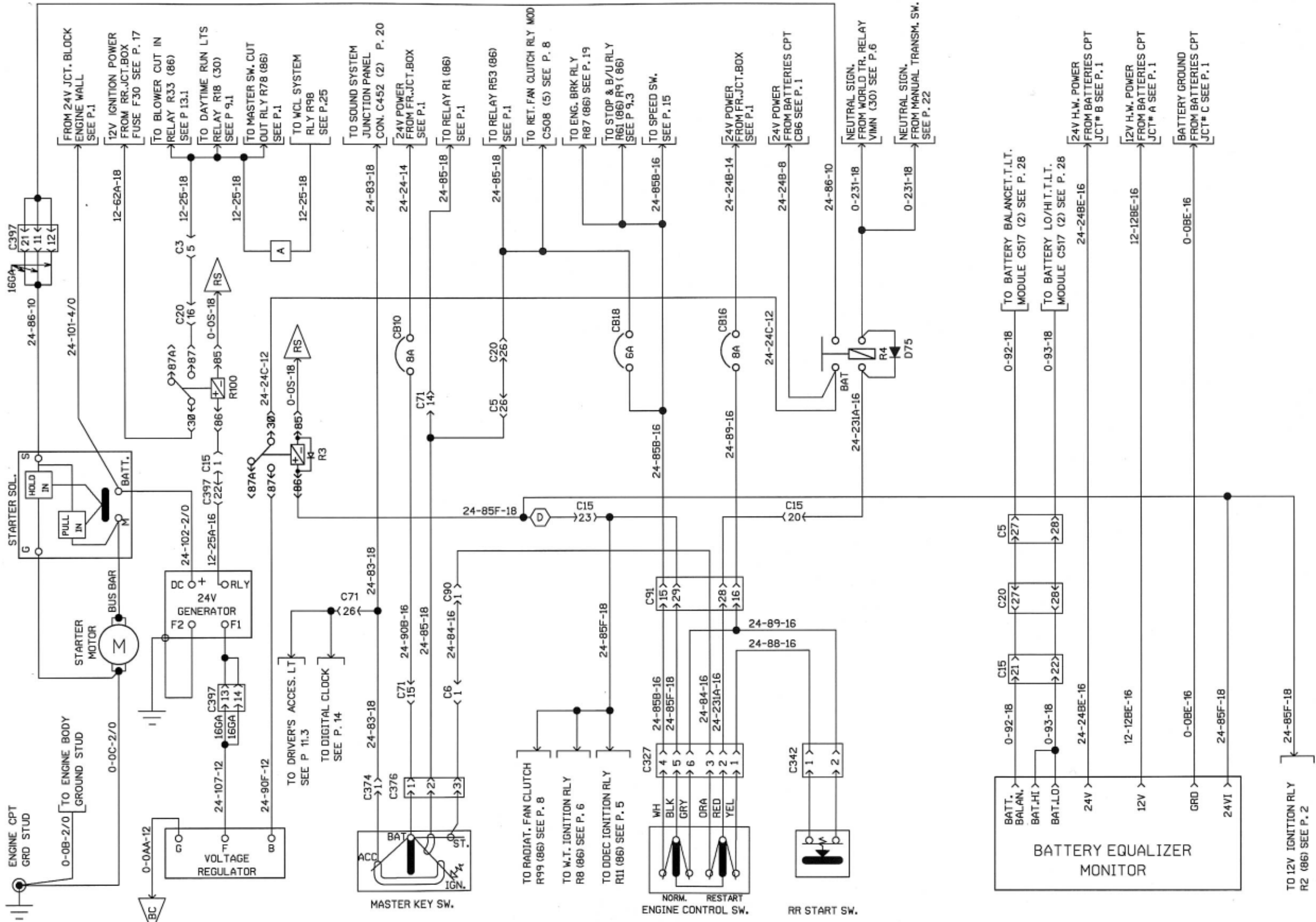
8D BATTERIES





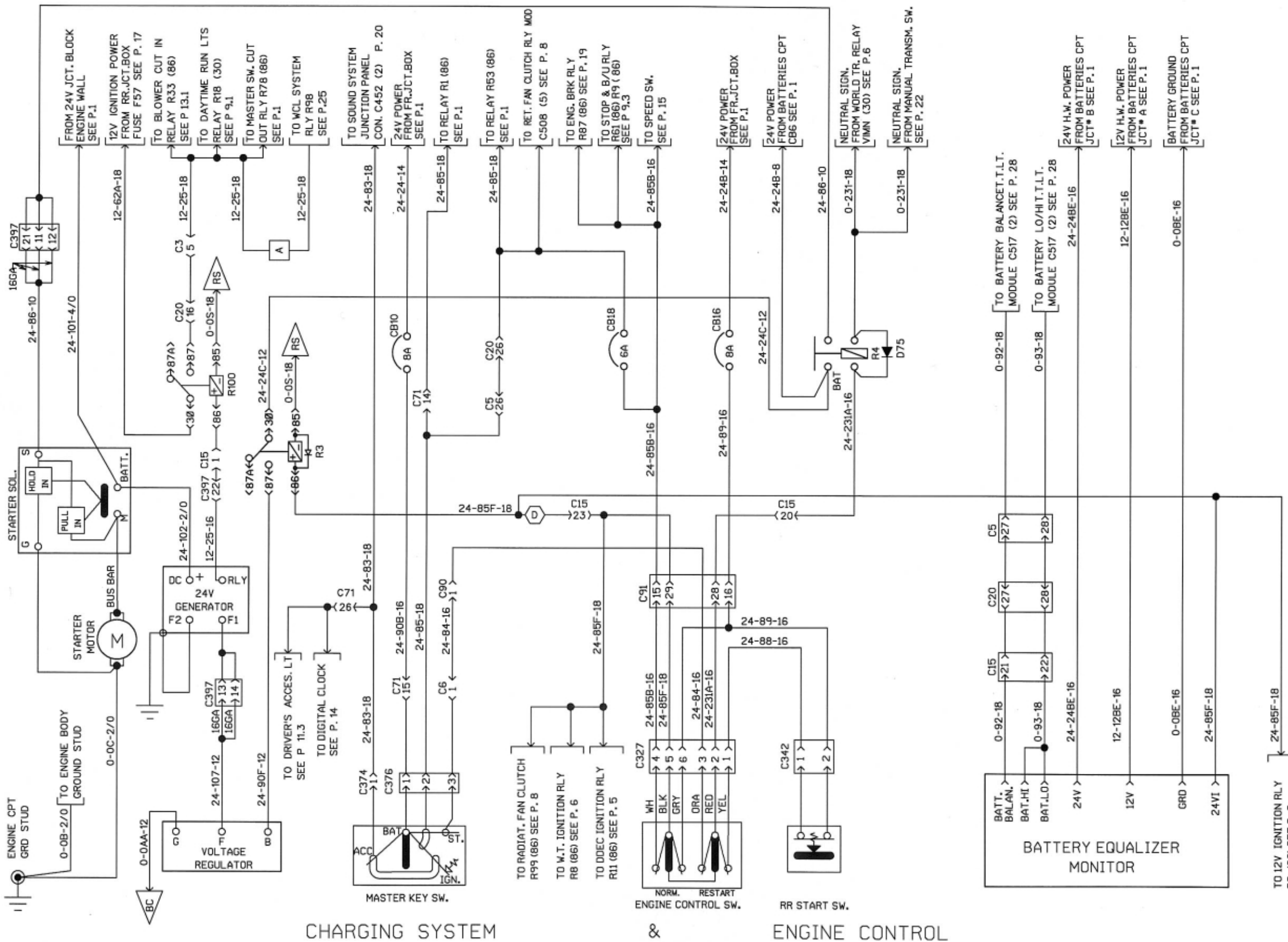
CHASSIS GROUND

BATTERY GROUND



CHARGING SYSTEM

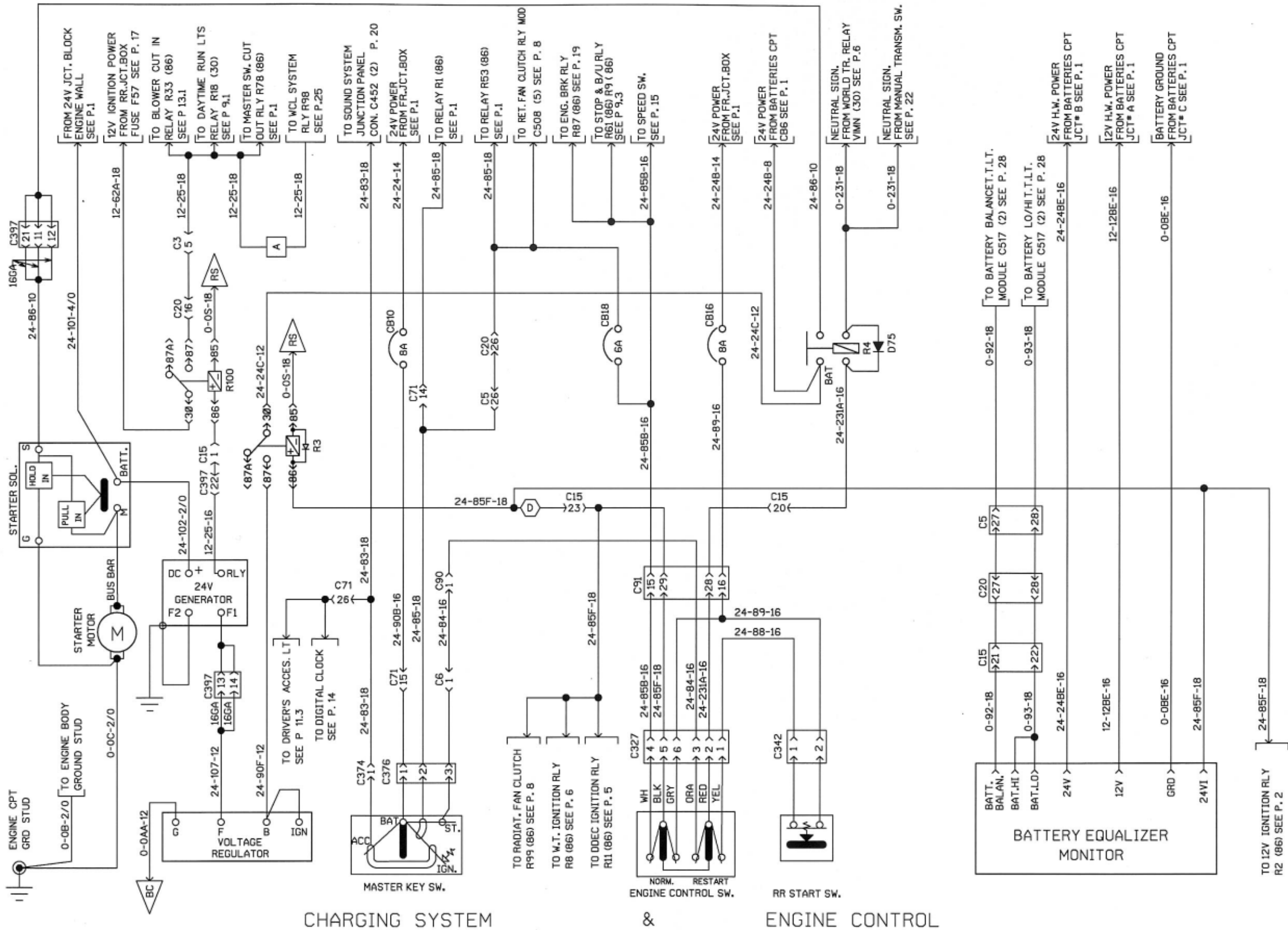
& ENGINE CONTROL



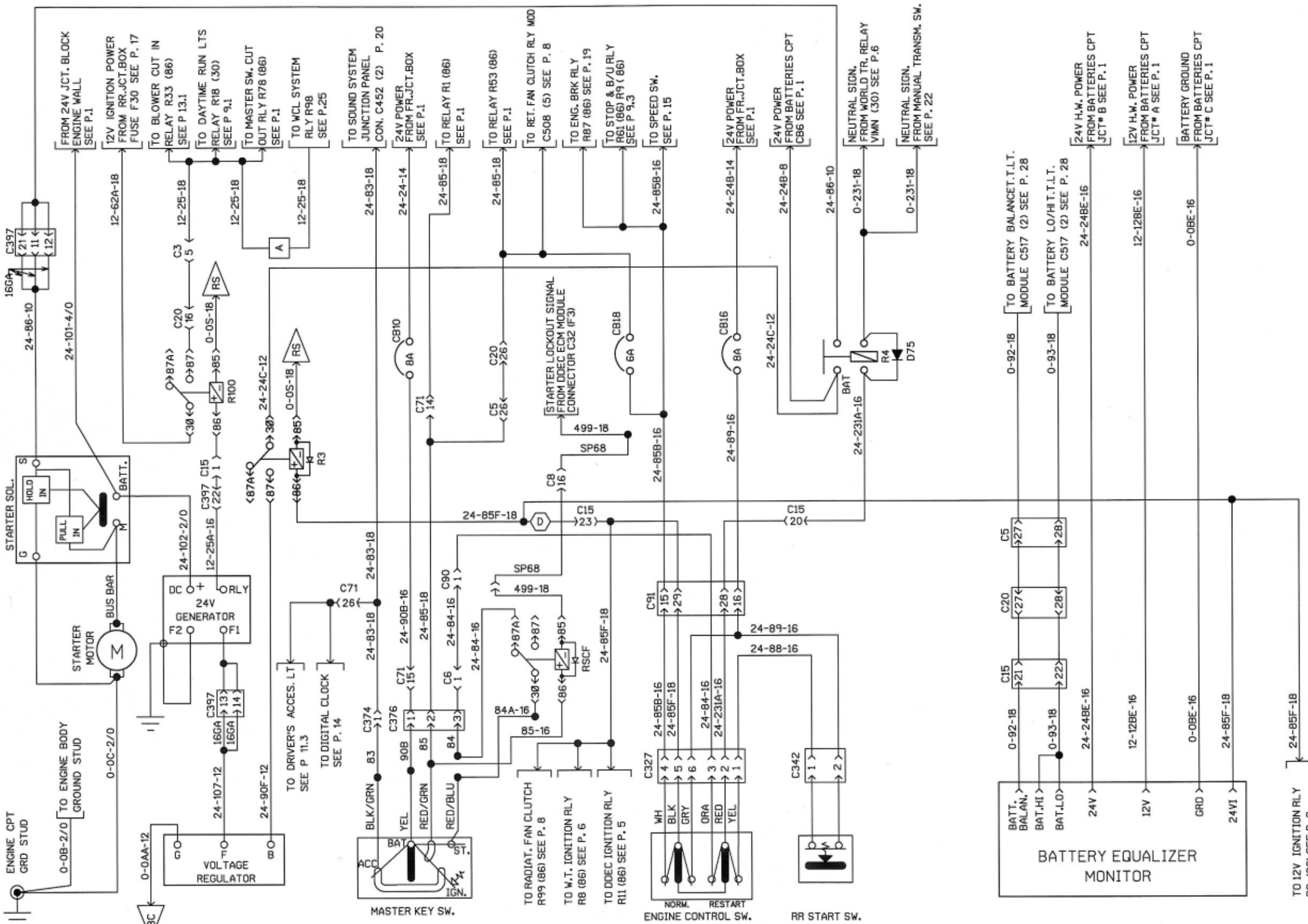
CHARGING SYSTEM

& ENGINE CONTROL

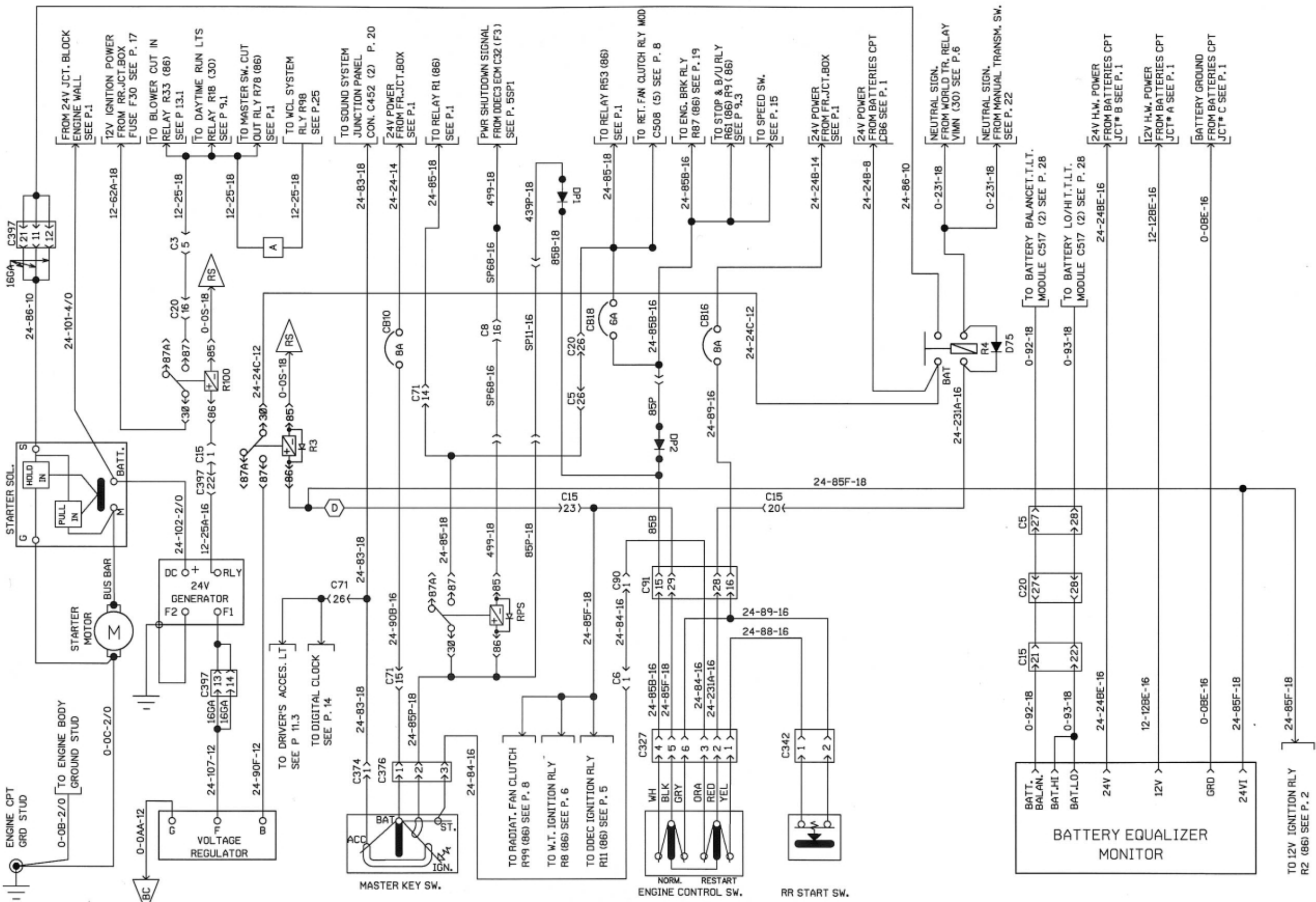




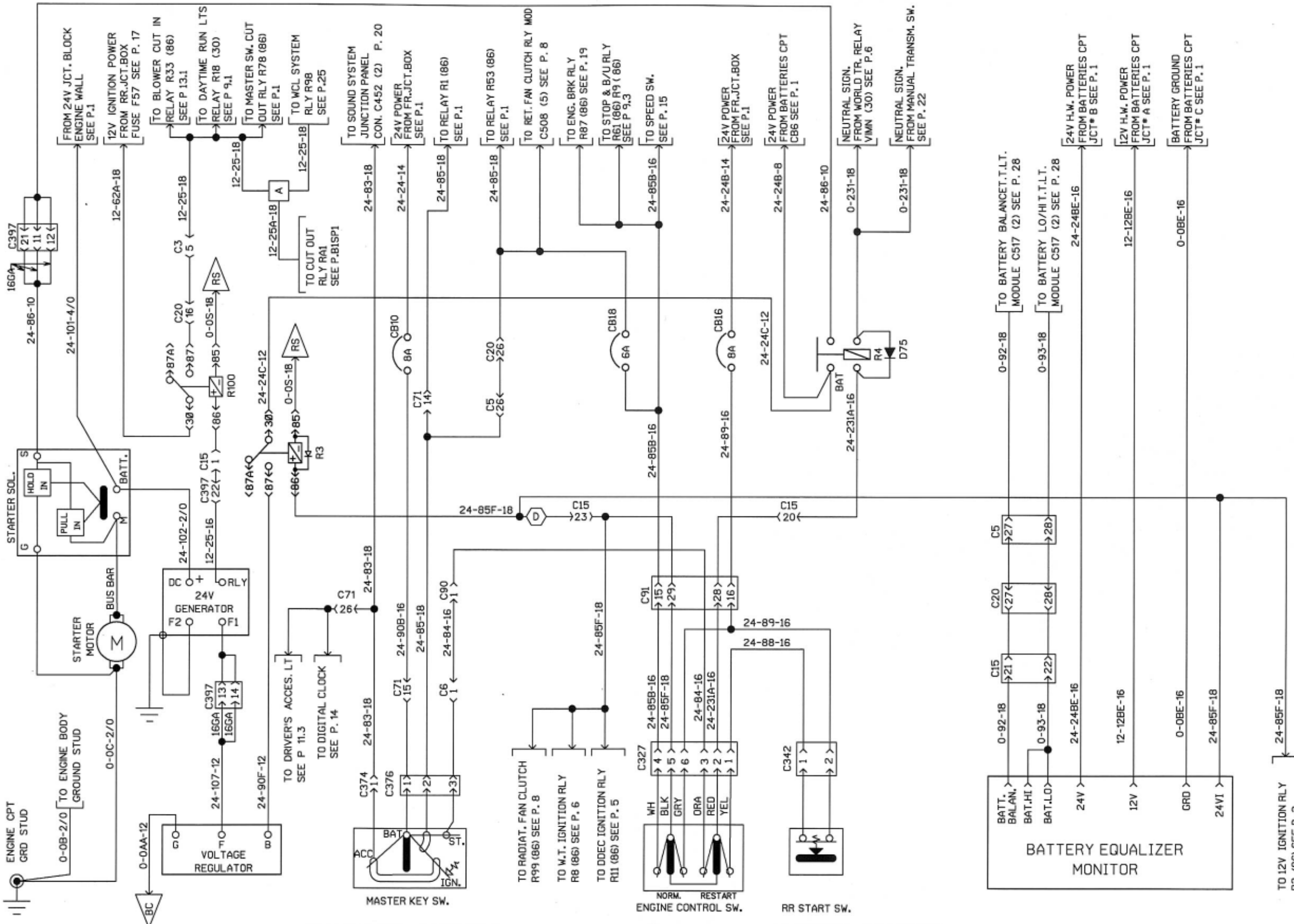




SPECIAL CHARGING SYSTEM & ENGINE CONTROL WITH FORD KEY



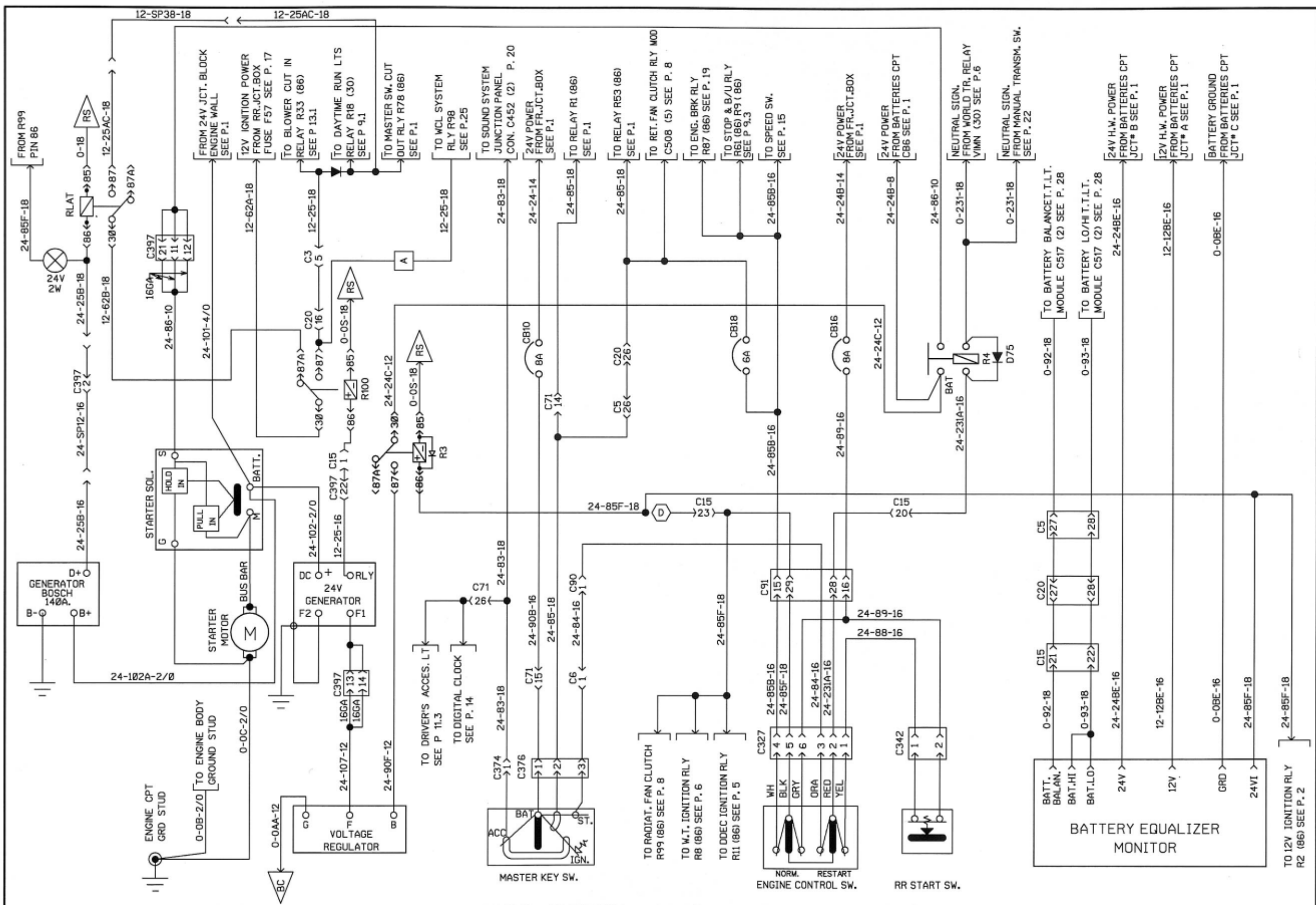
SPECIAL CHARGING SYSTEM & ENGINE CONTROL WITH POWER SHUTDOWN & IDLER TIMER



CHARGING SYSTEM

& ENGINE CONTROL

ADIRONDACK



GENERATOR ADDITIONAL

CHARGING SYSTEM & ENGINE CONTROL

V2071,V2078

**PREVOST**

**WIRING DIAGRAM**

NO: **D060882**

PAGE: **4sp4**

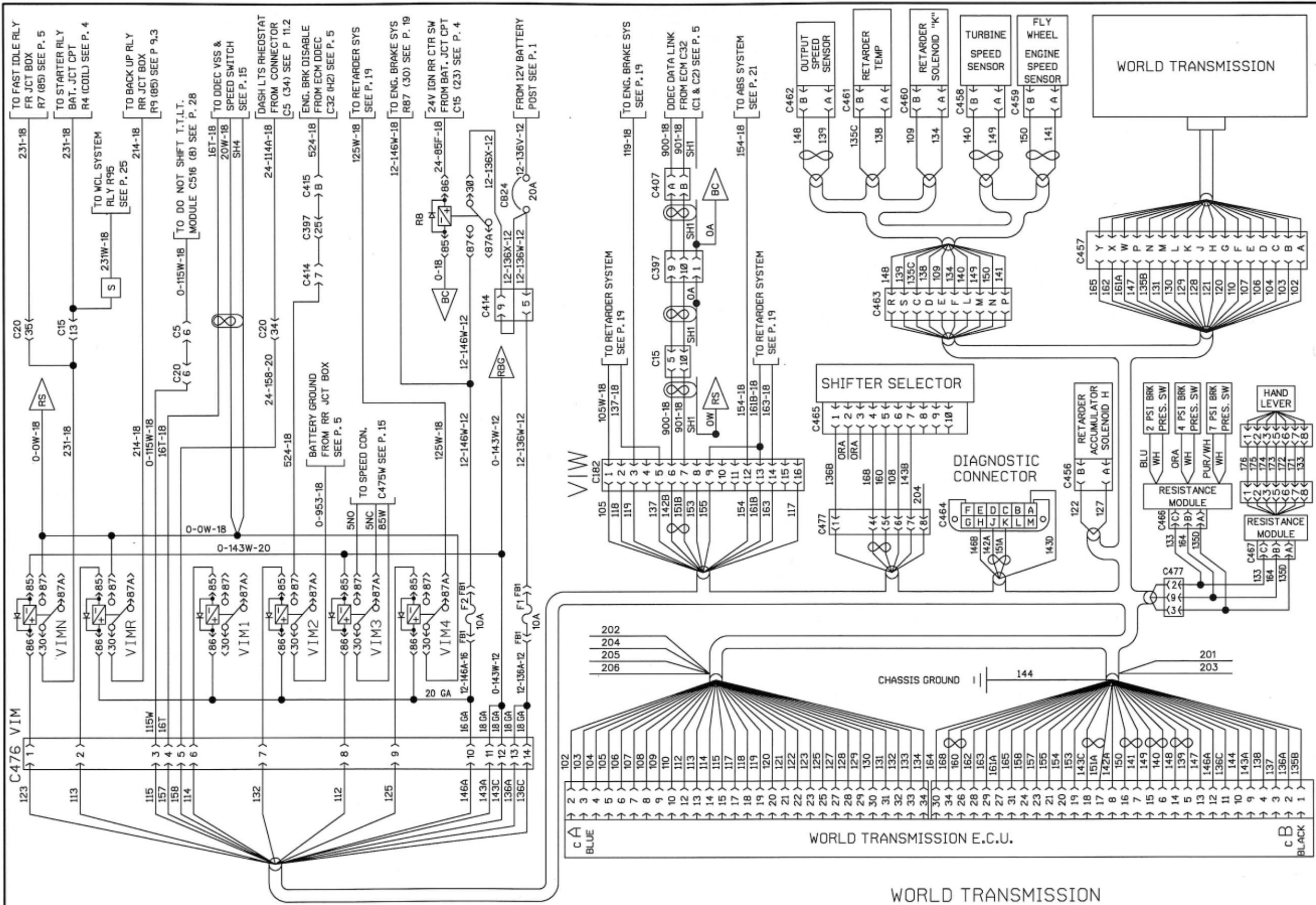
REVISION  
00

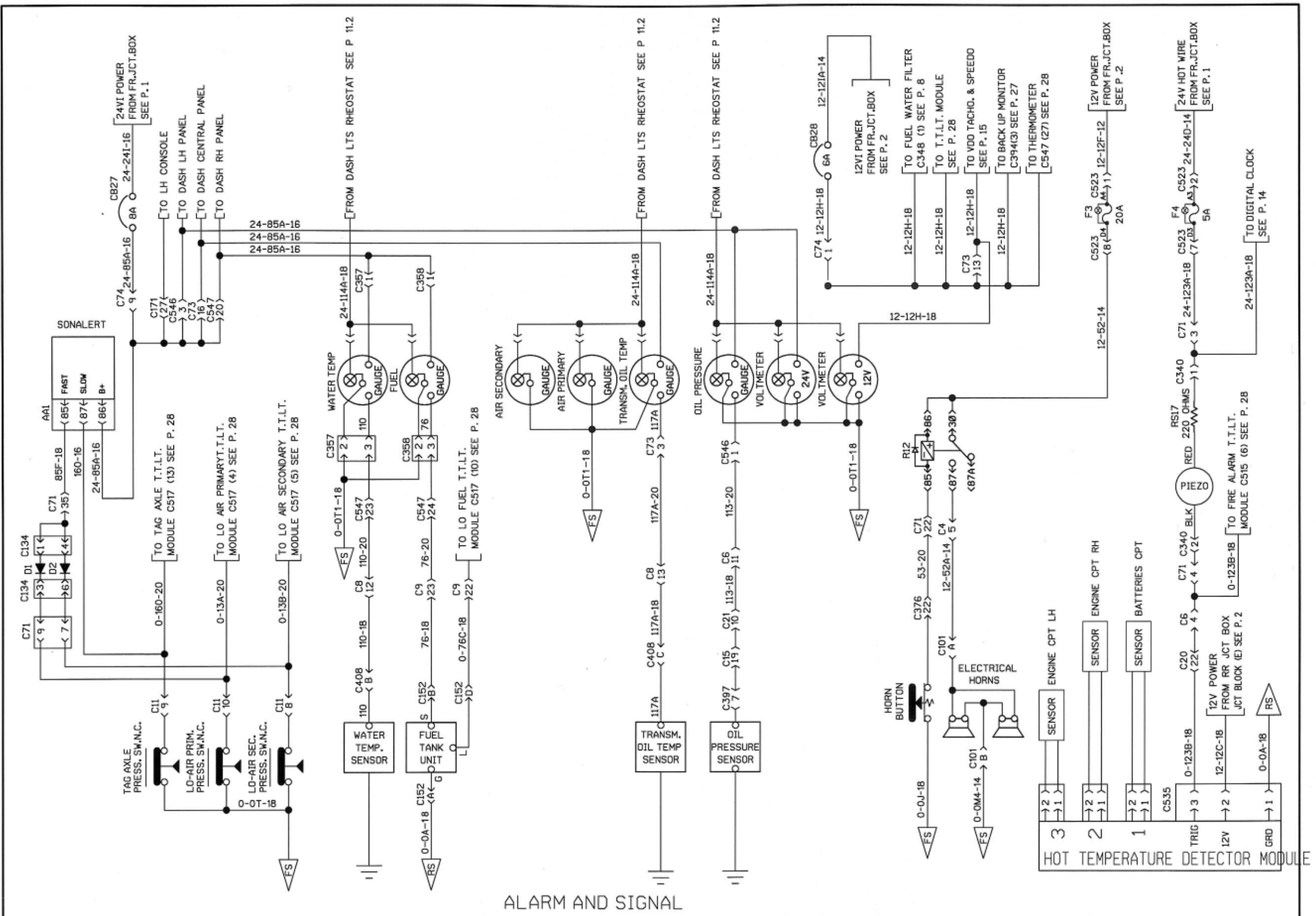




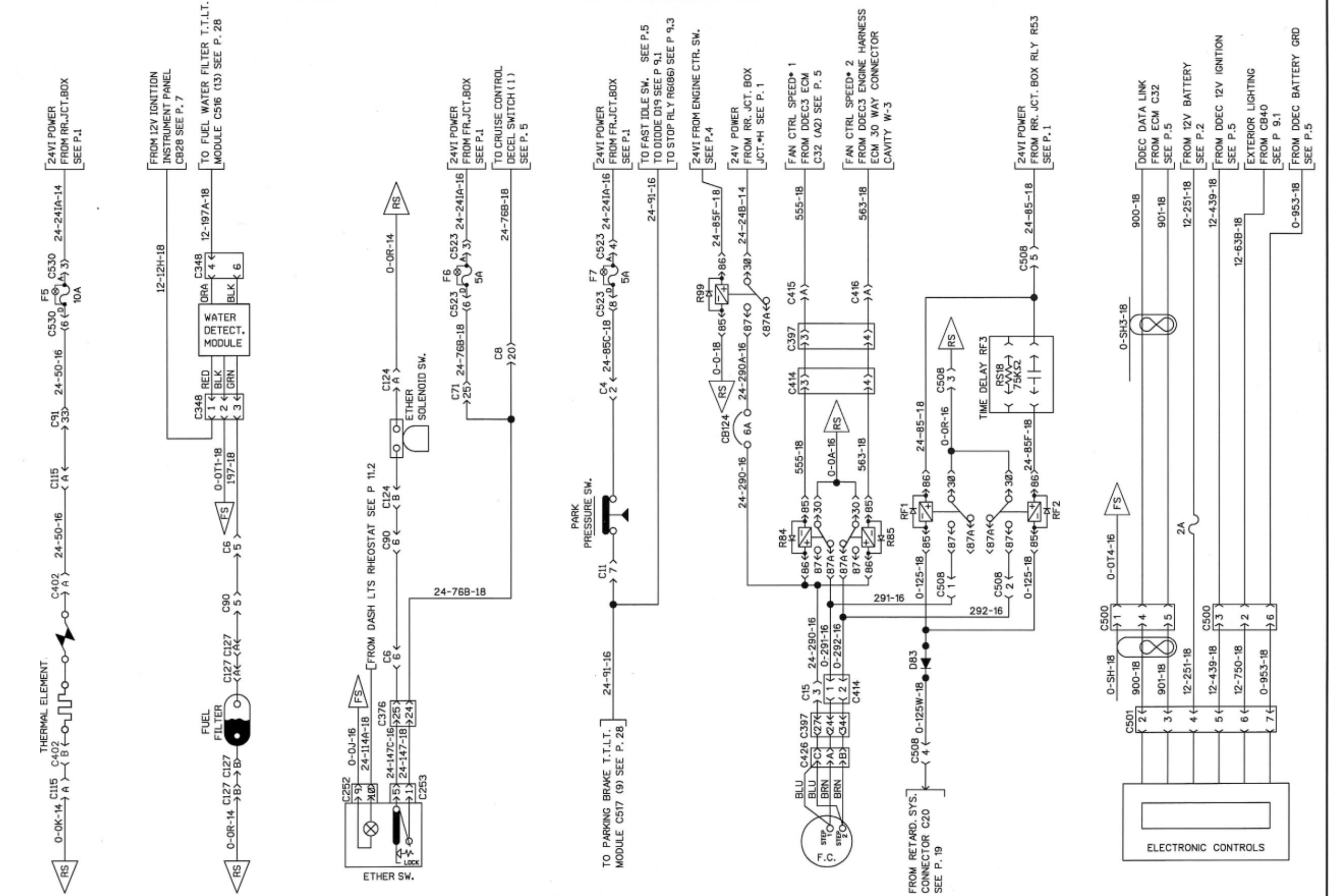




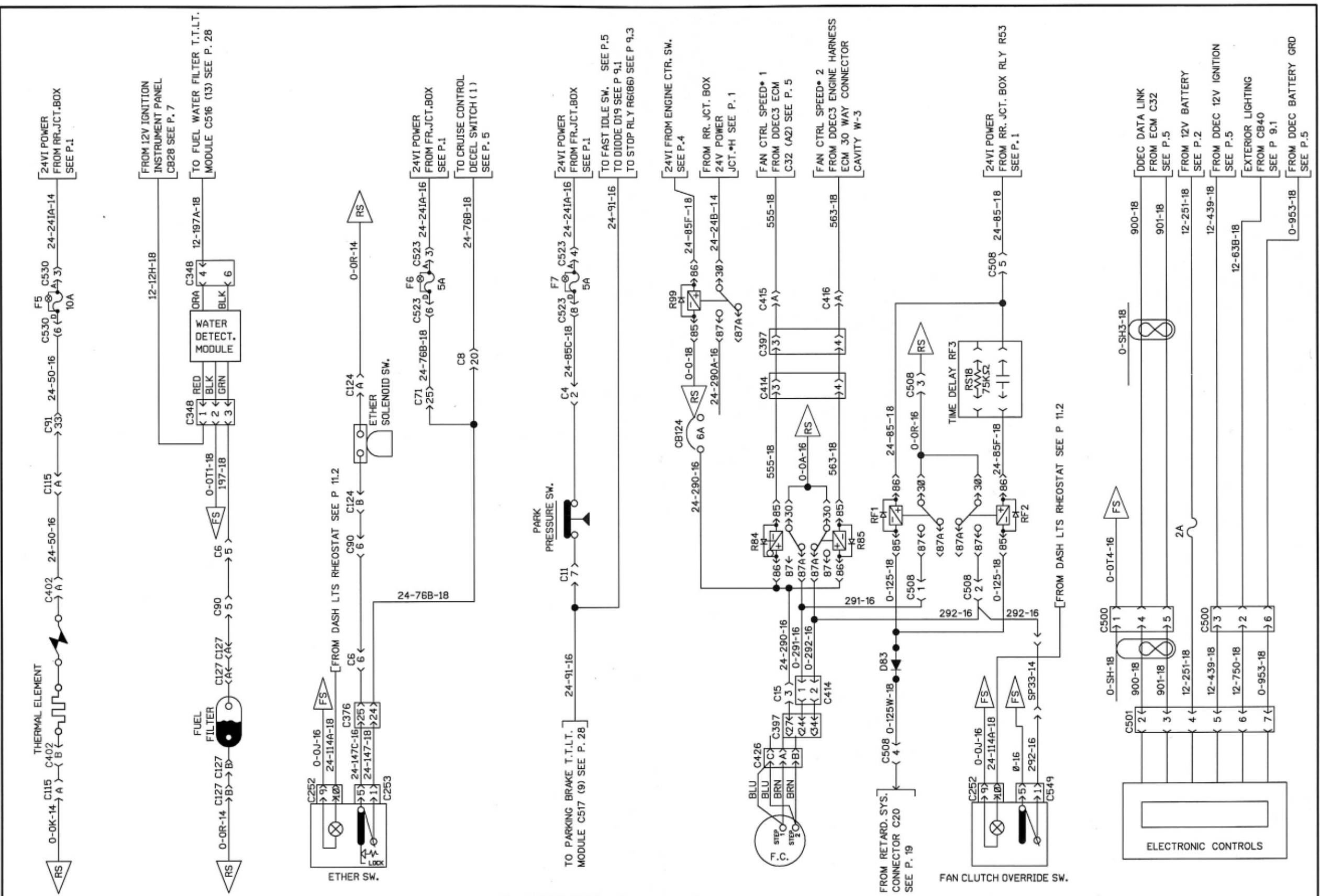




ALARM AND SIGNAL



AIR DRYER | FUEL WATER FILTER | ETHER COLD START | PARKING BRAKE SWITCH | RADIATOR FAN CLUTCH | PRODRIVER



AIR DRYER

FUEL FILTER

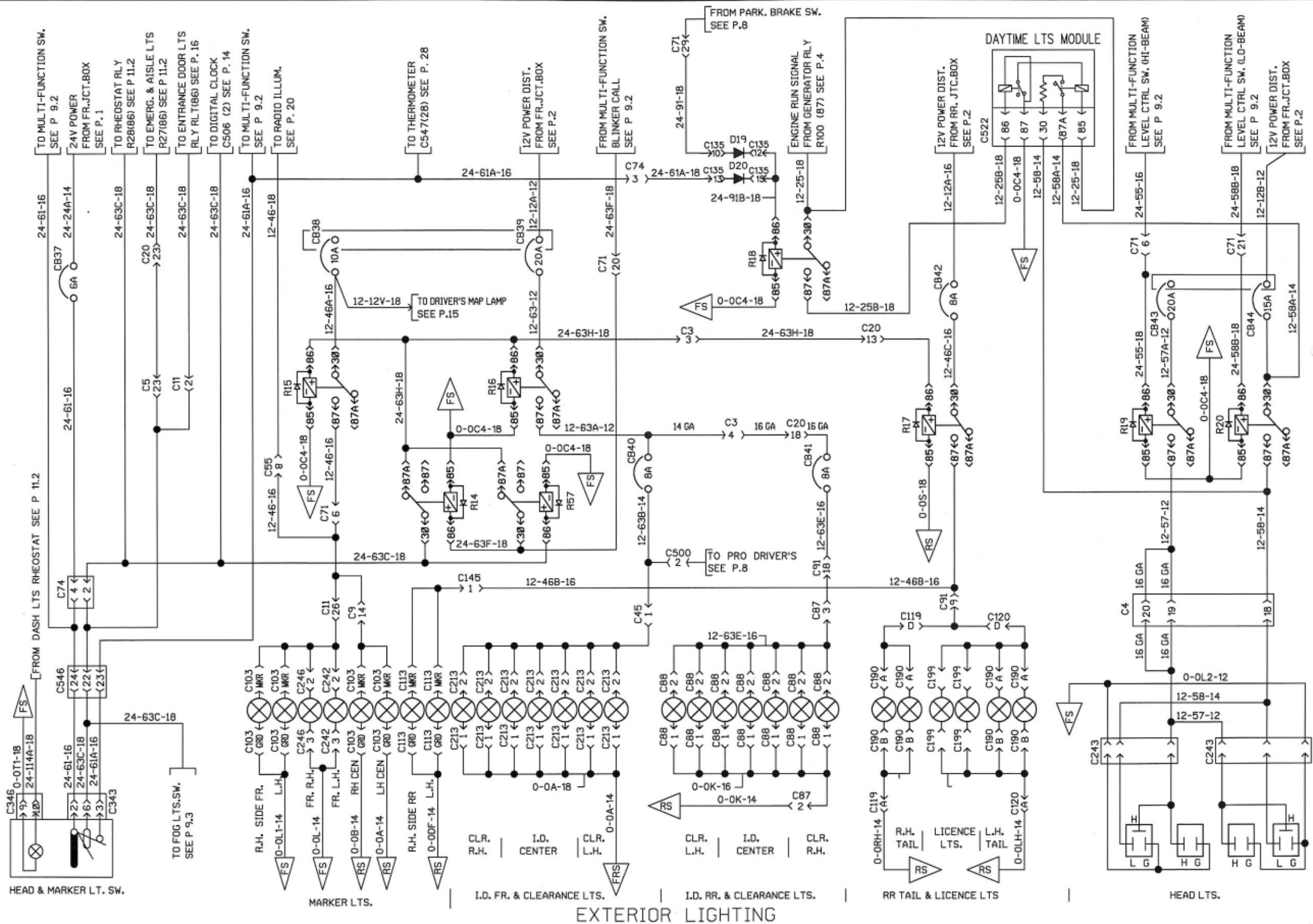
ETHER COLD START

PARKING BRAKE SWITCH

RADIATOR FAN CLUTCH

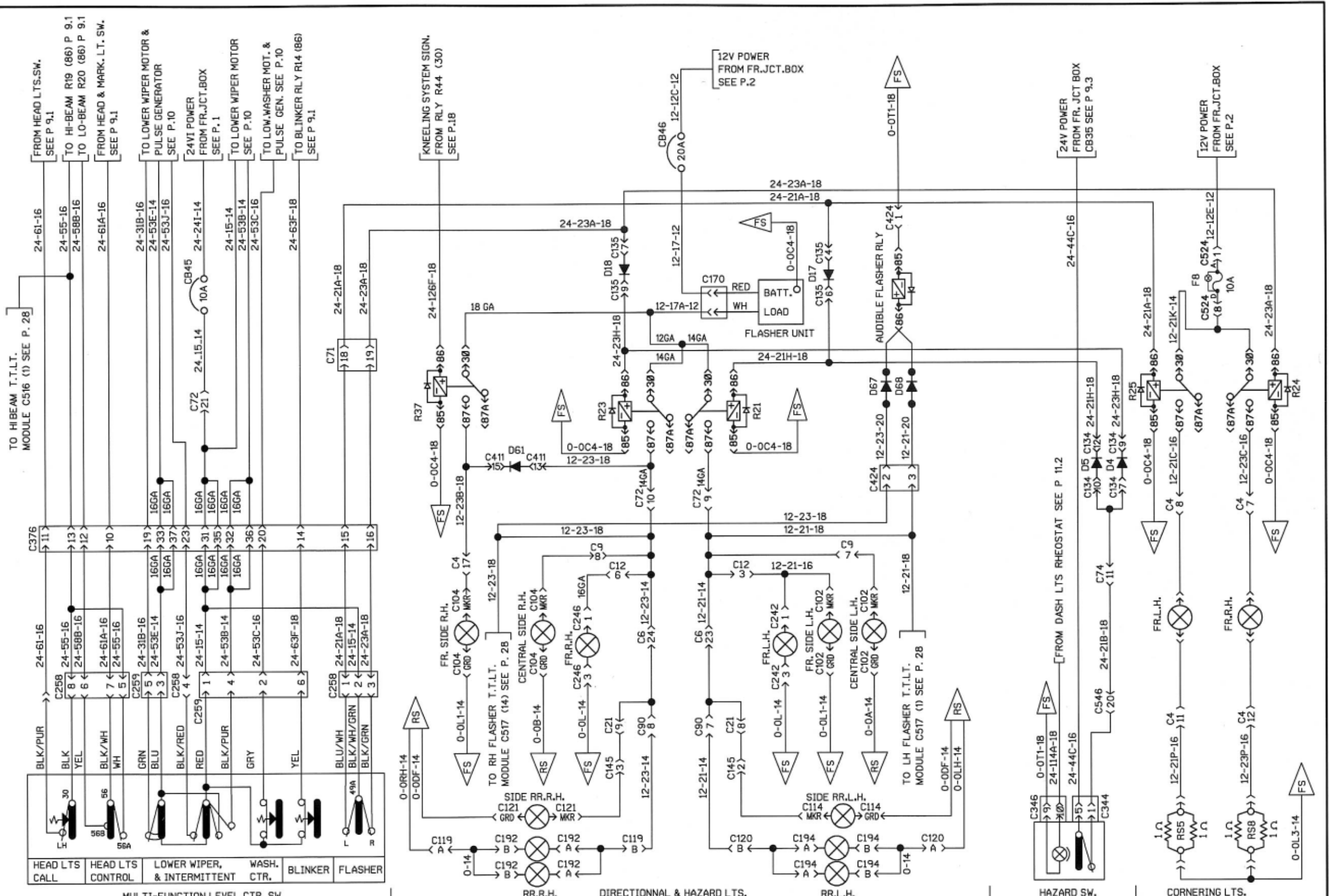
PRODRIVER

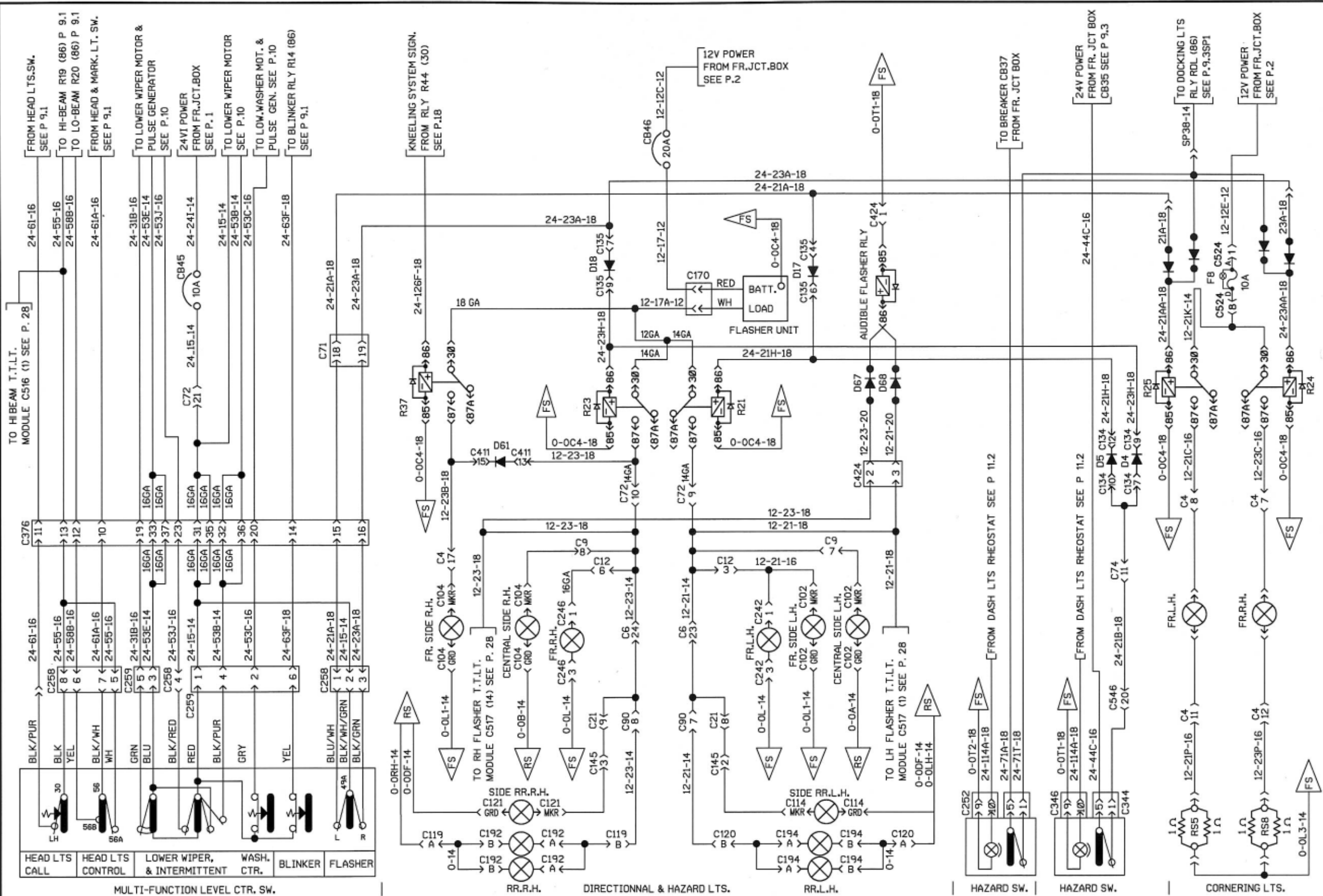






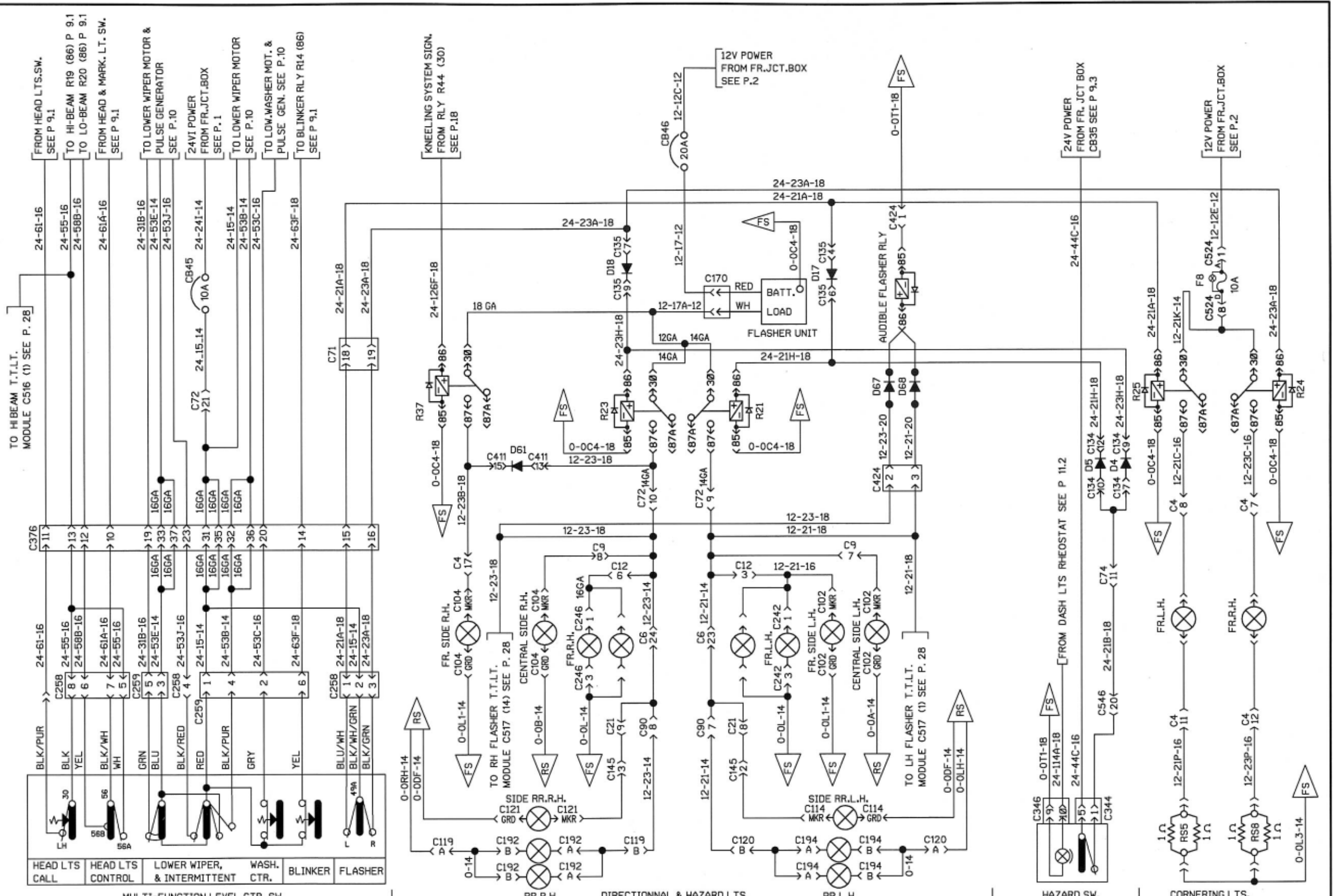


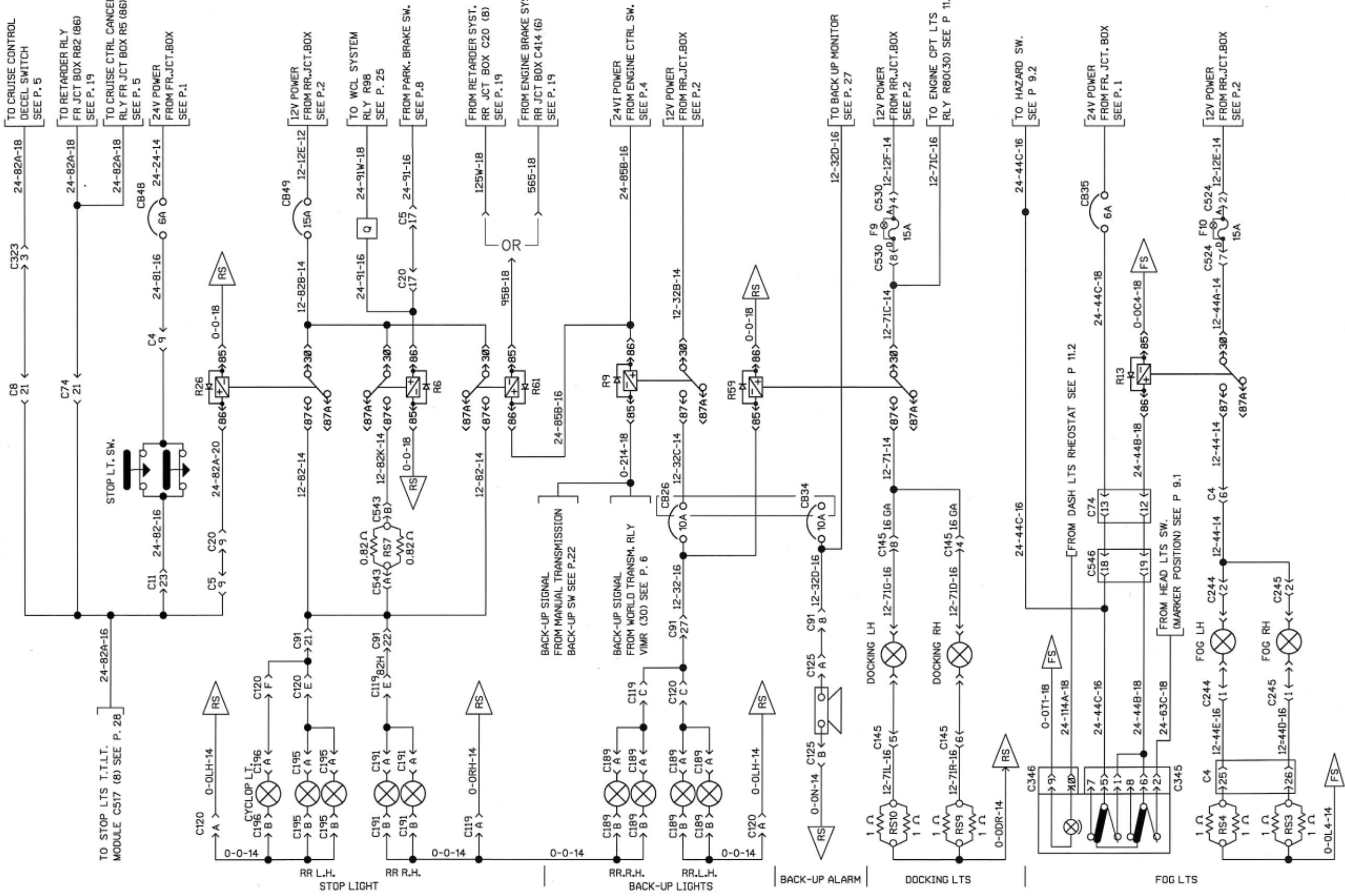




EXTERIOR LIGHTING

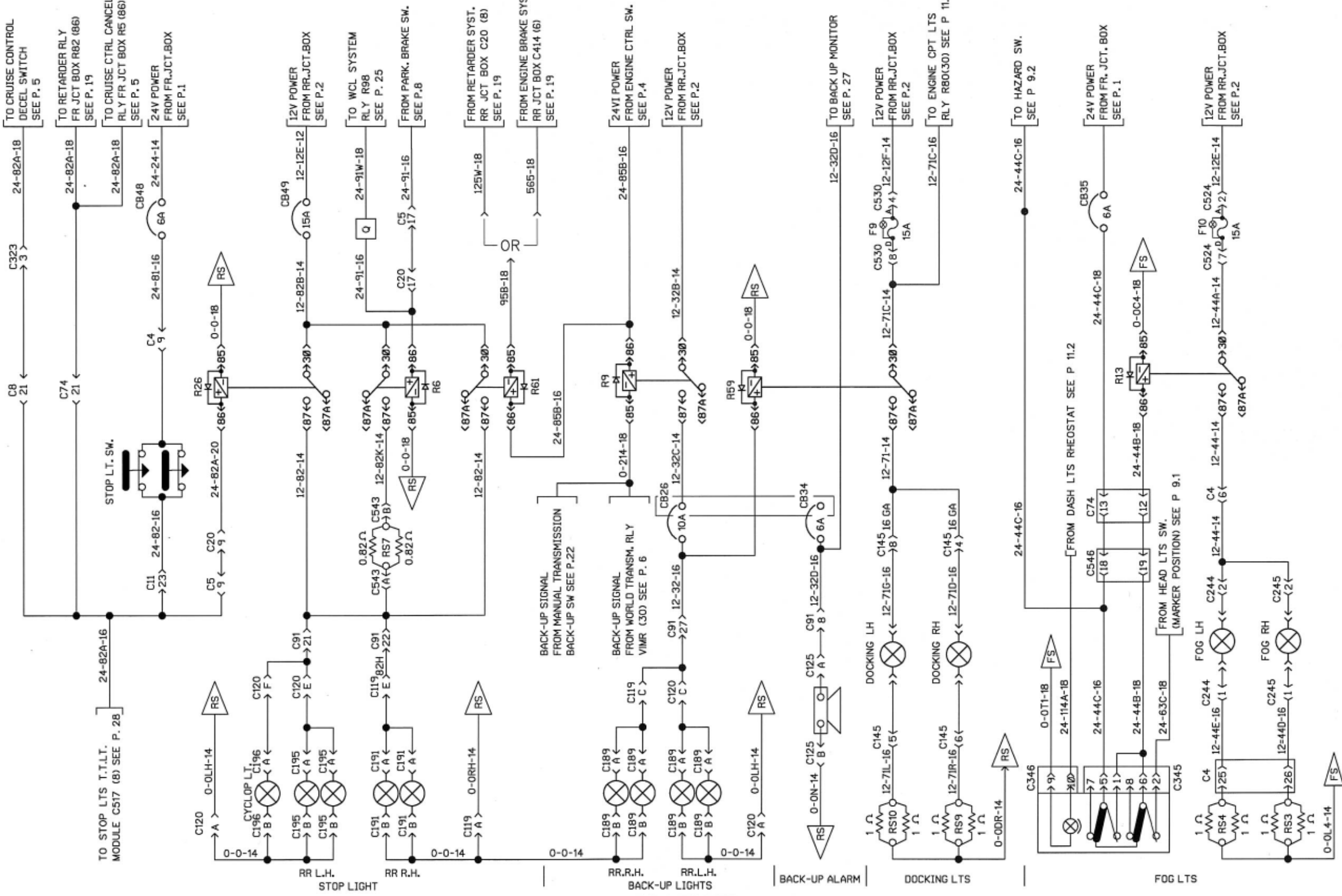
V1844, V1846





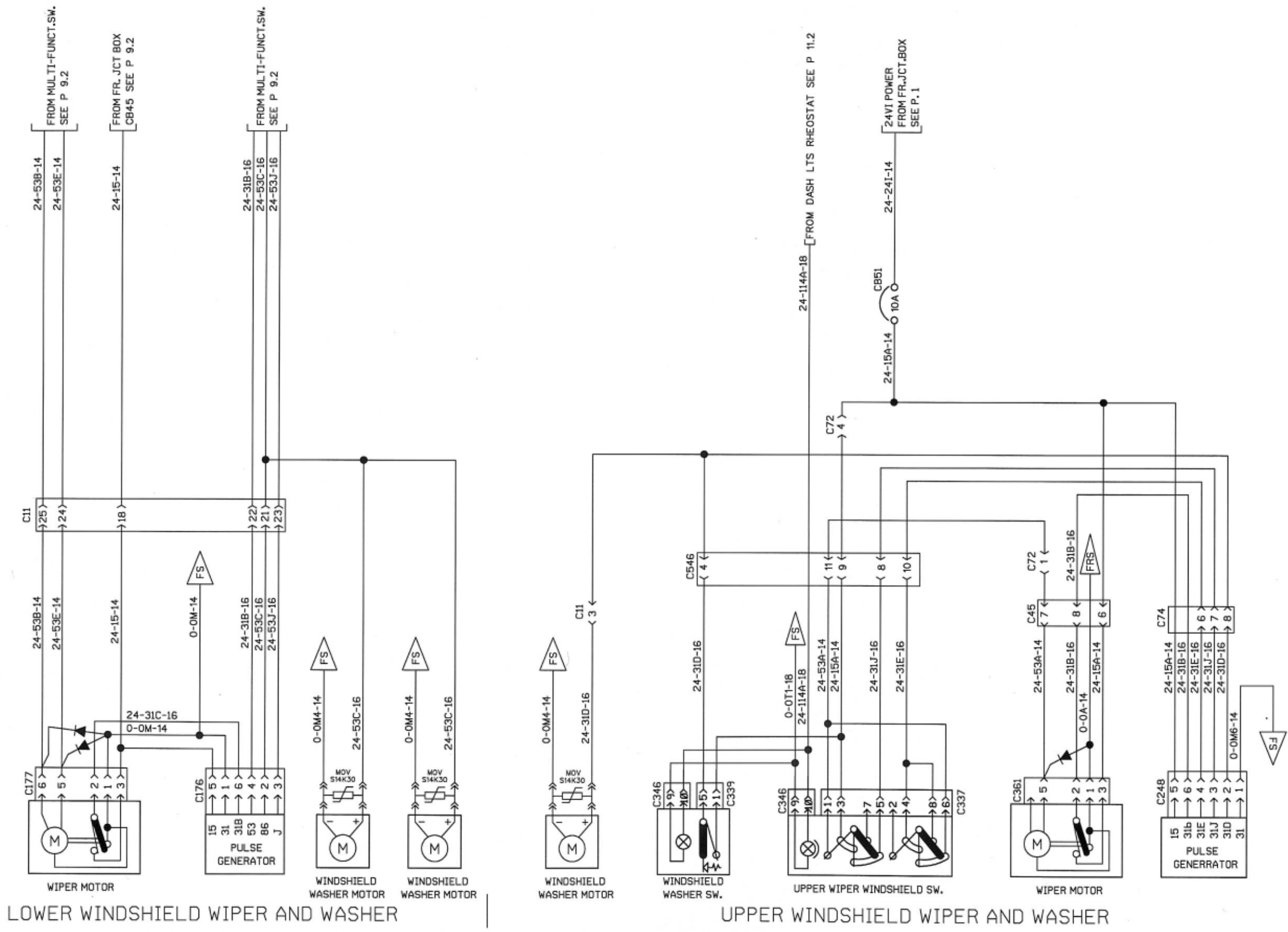
EXTERIOR LIGHTING



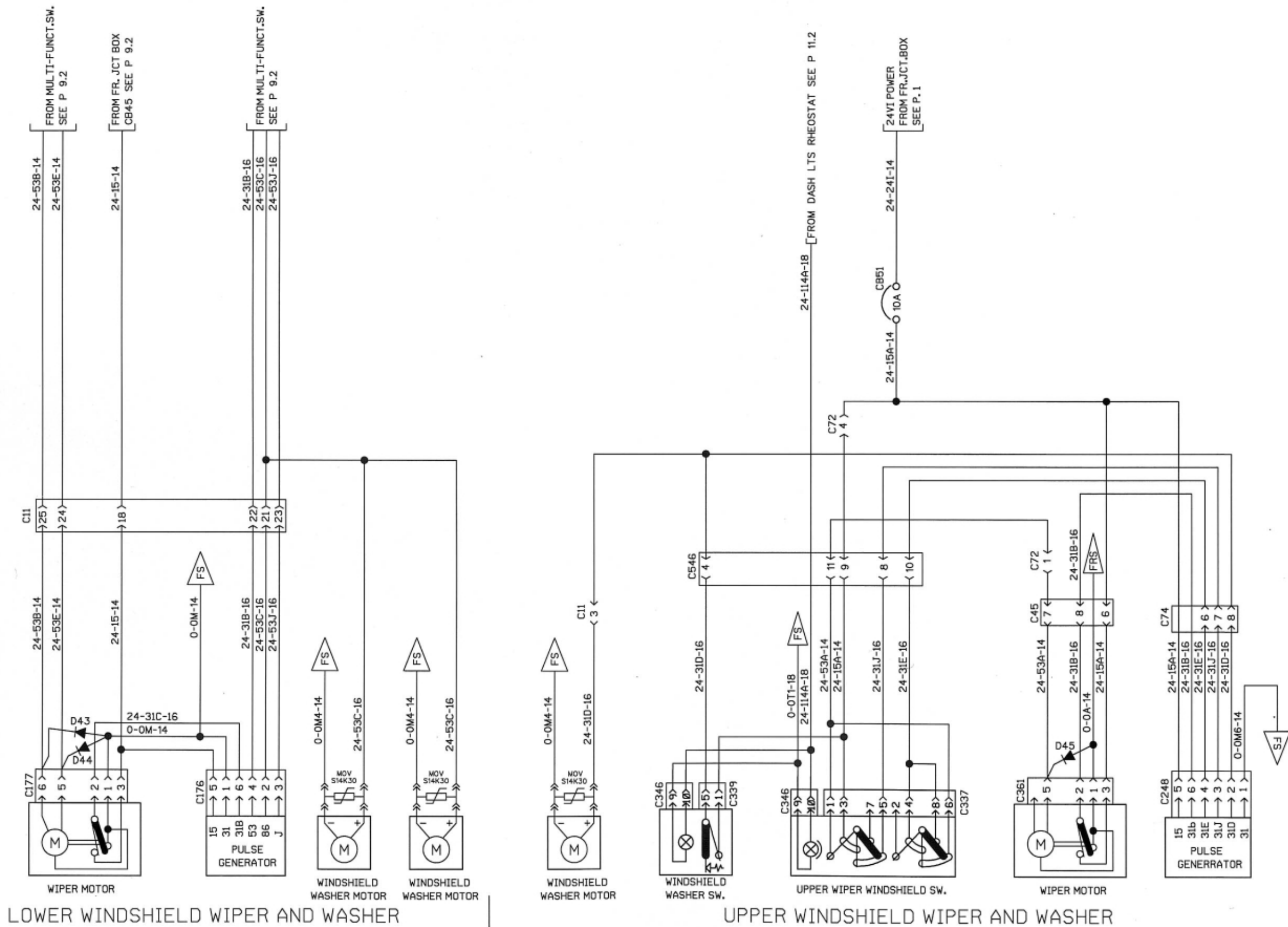


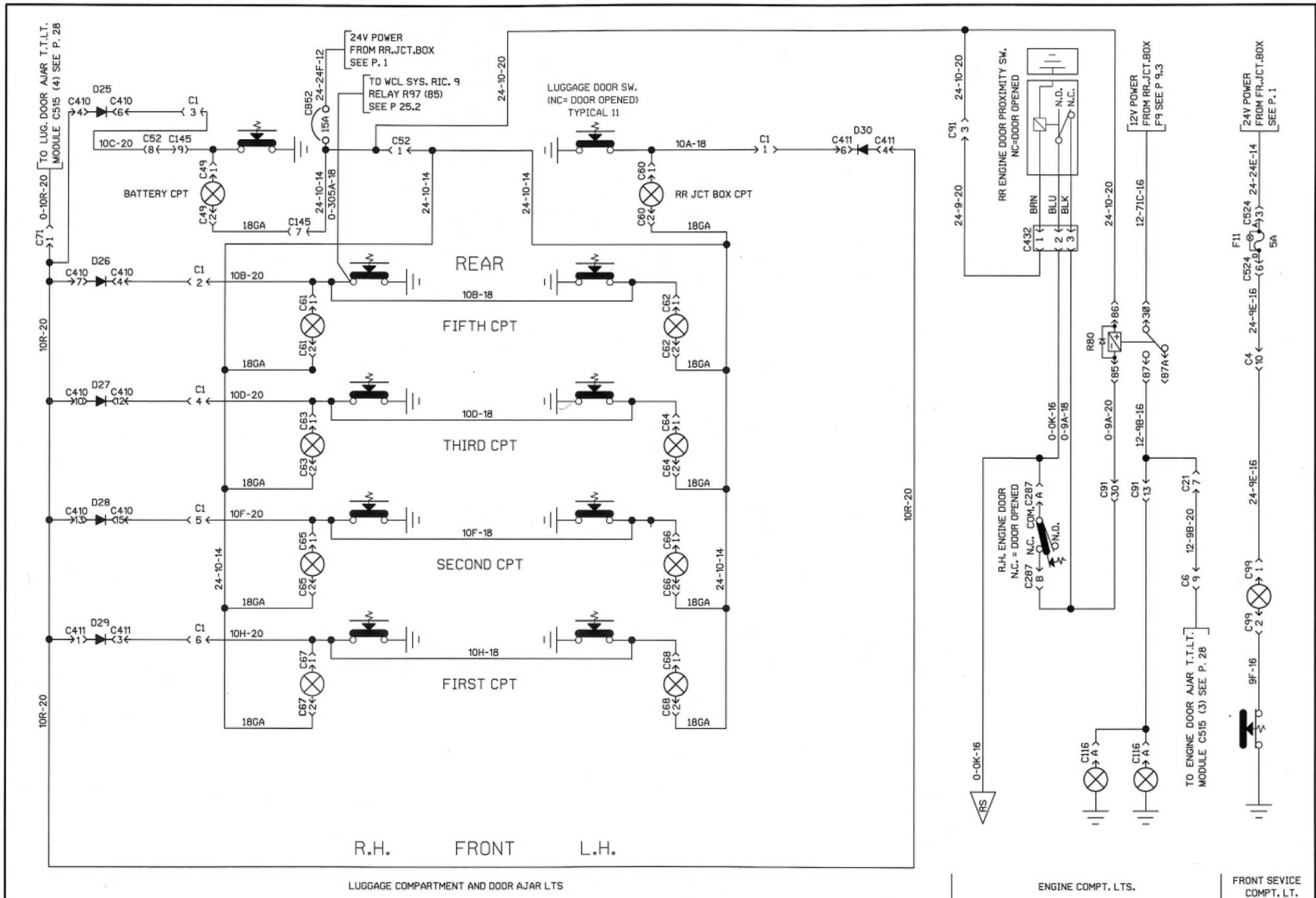
EXTERIOR LIGHTING

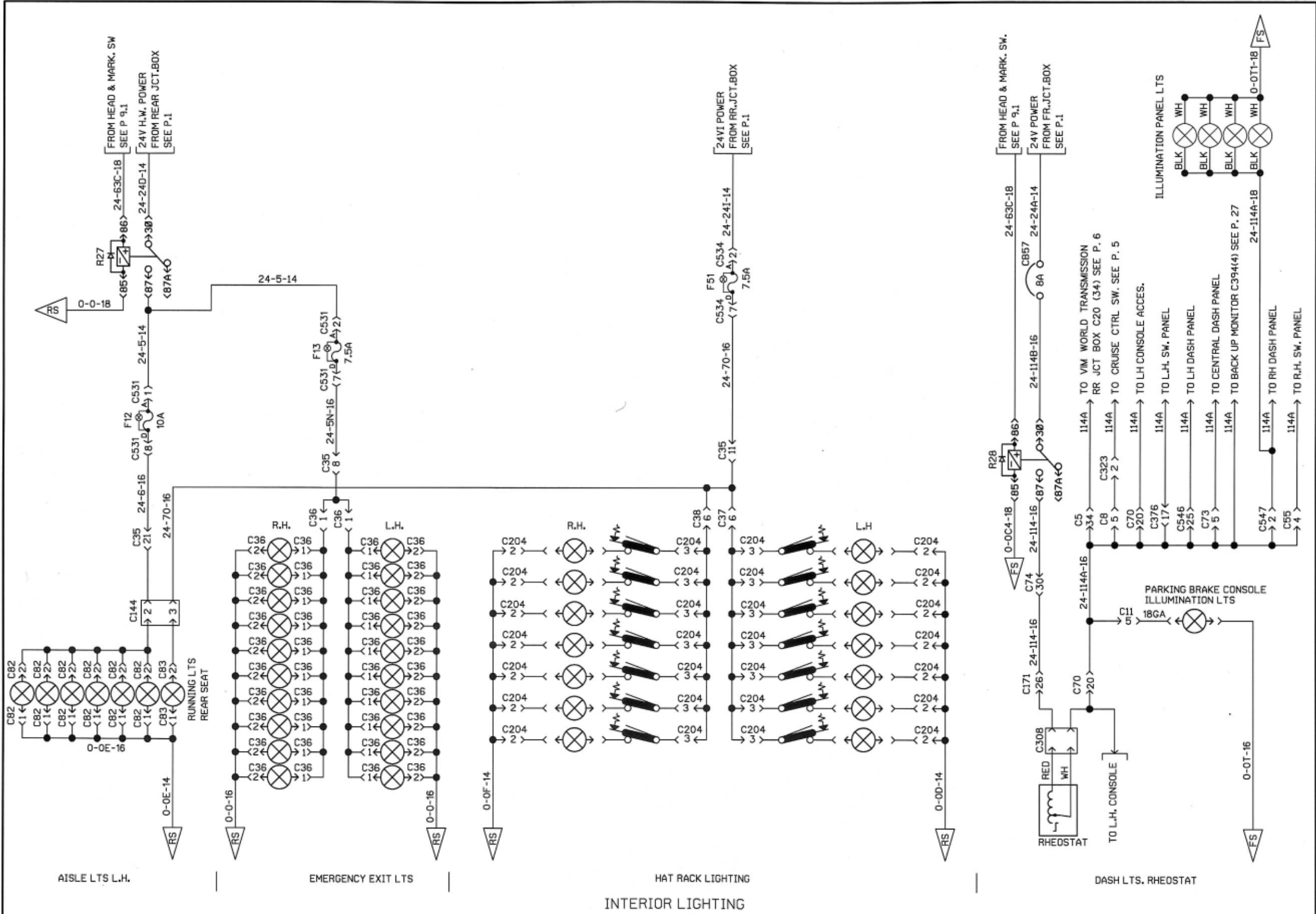


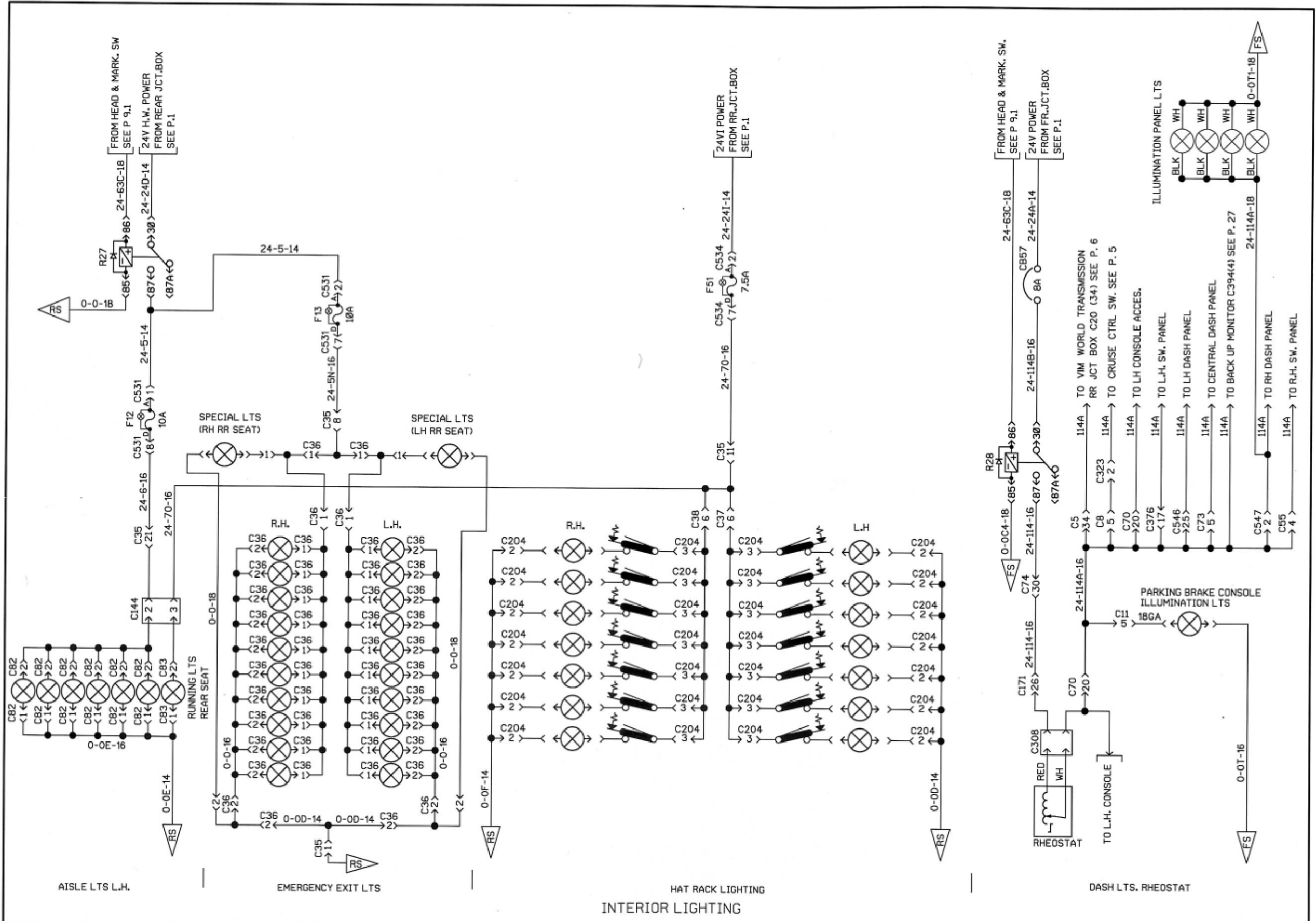


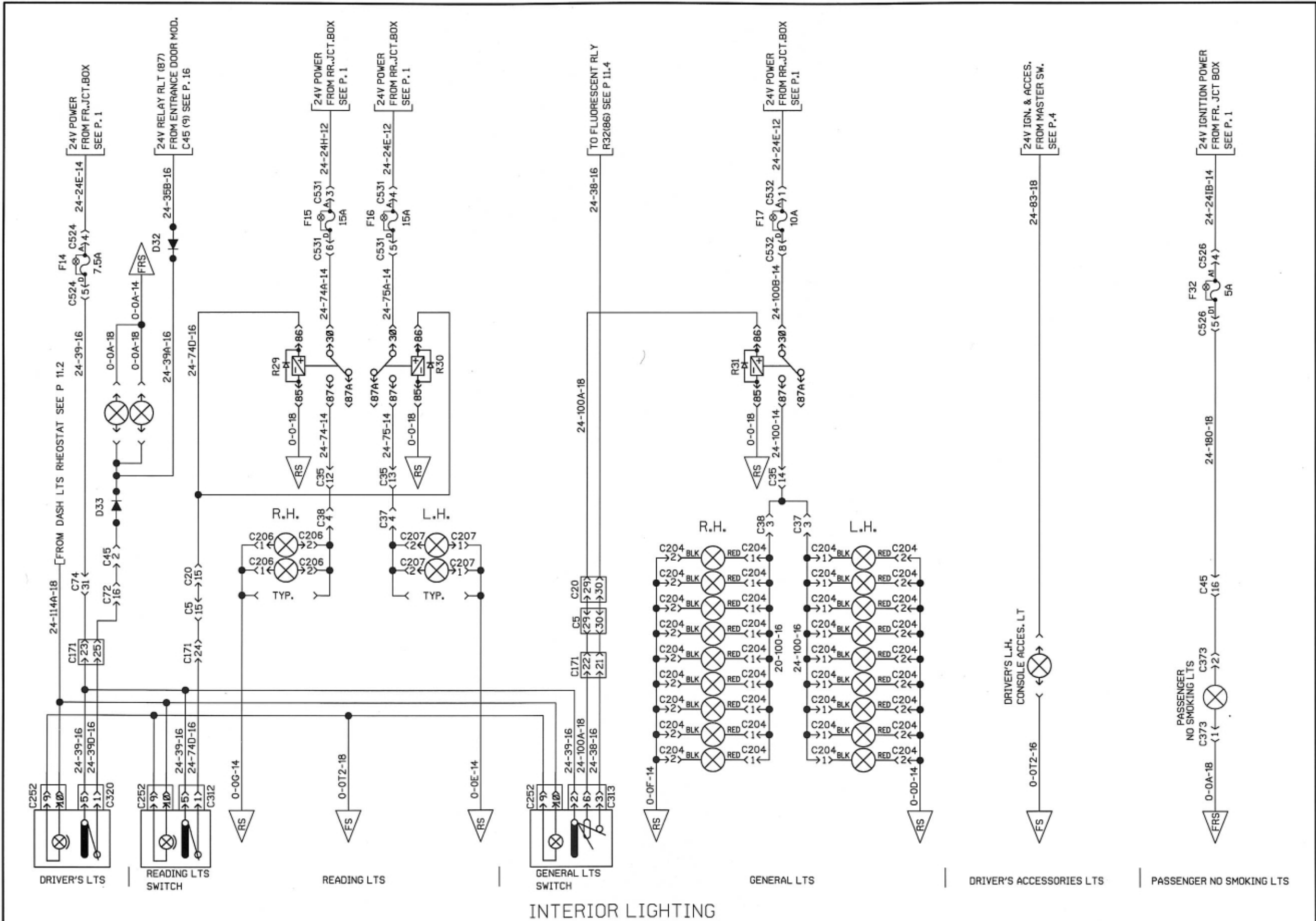






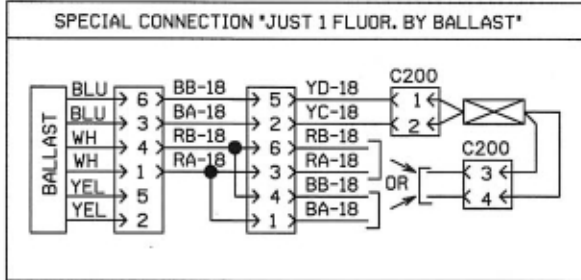
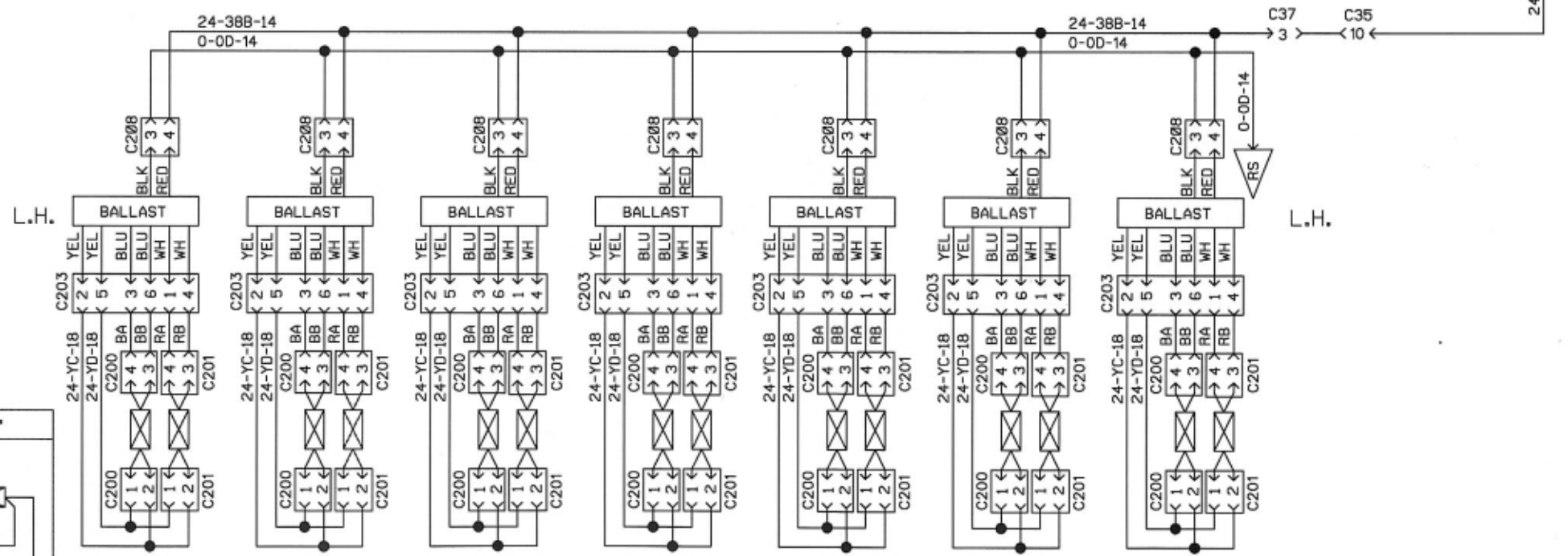
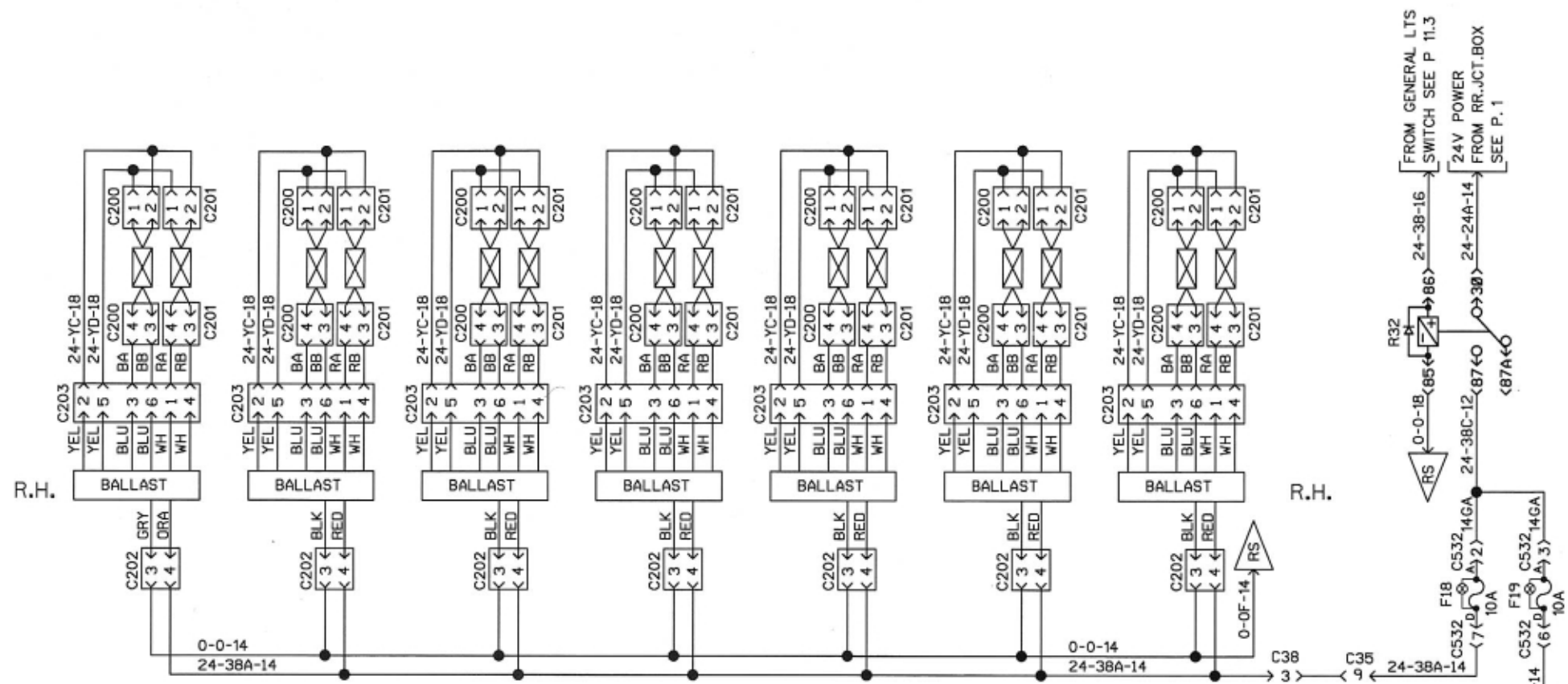




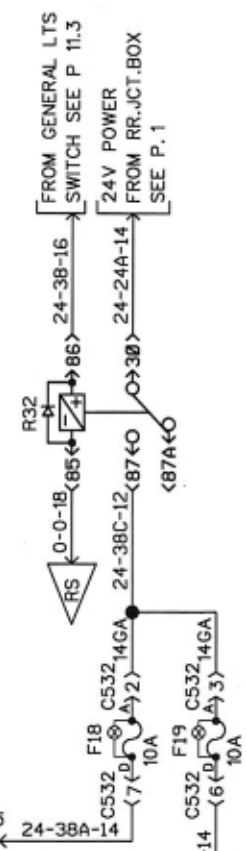


INTERIOR LIGHTING



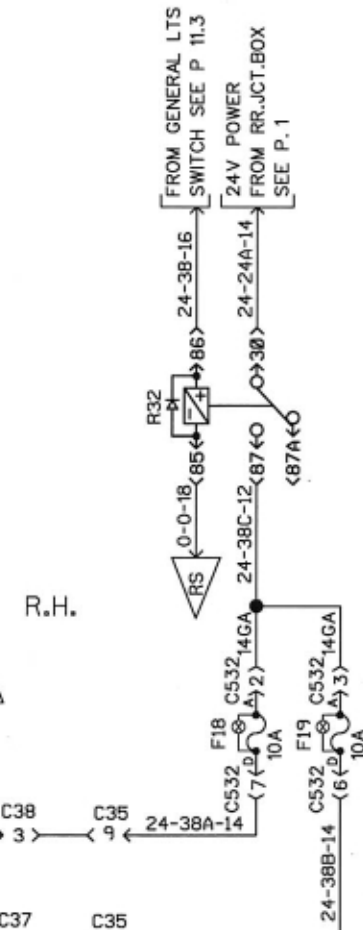
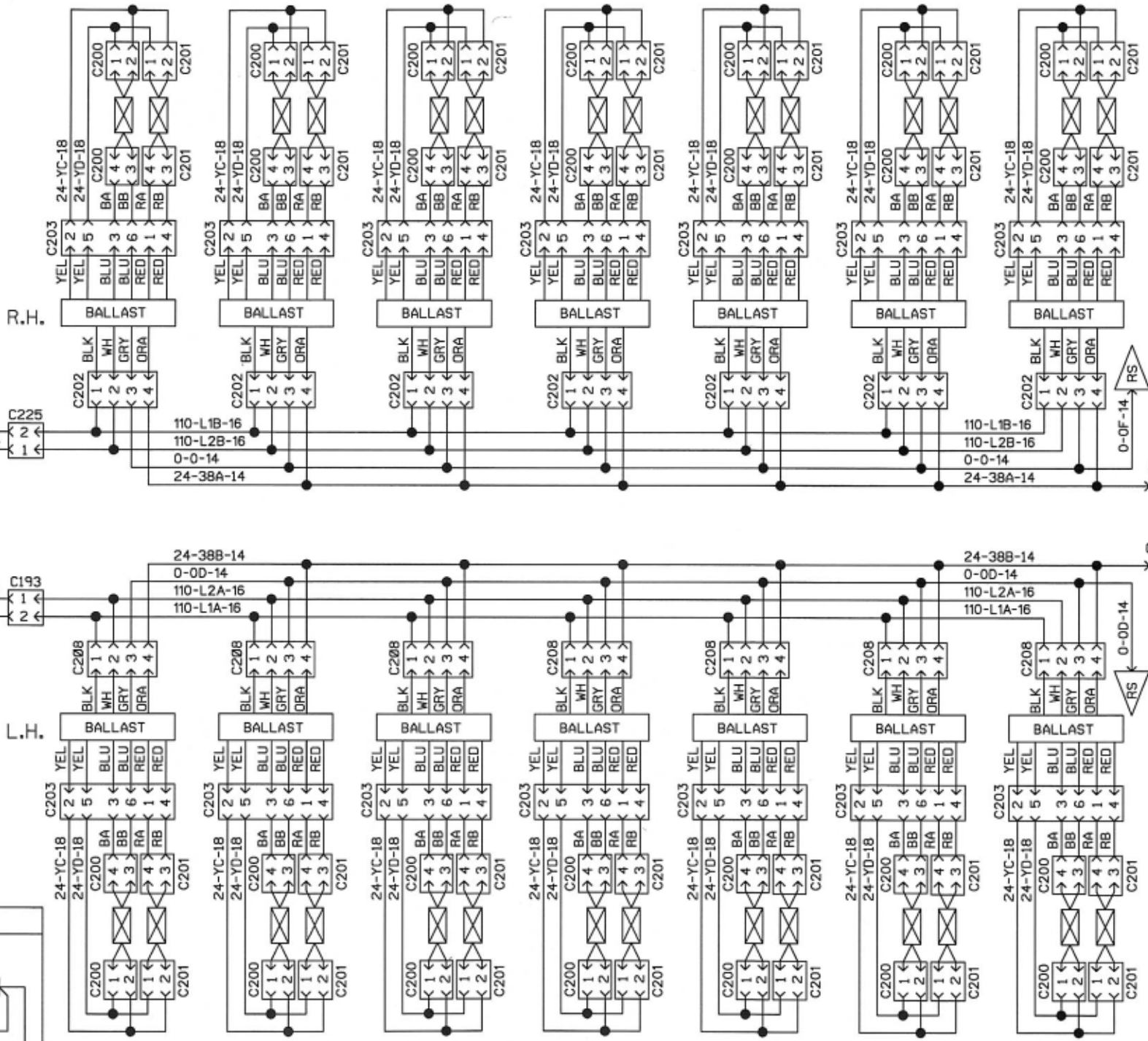
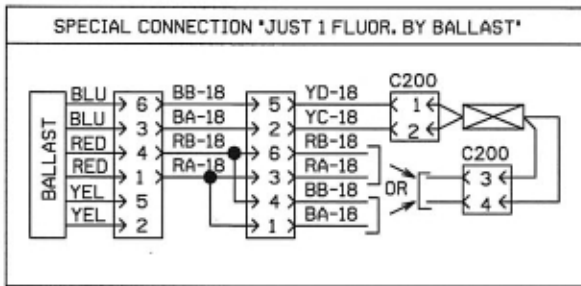
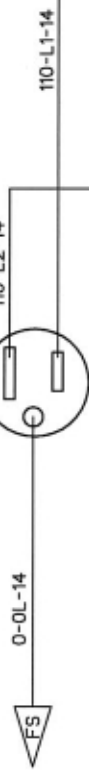


24V FLUORESCENT  
INTERIOR LIGHTING

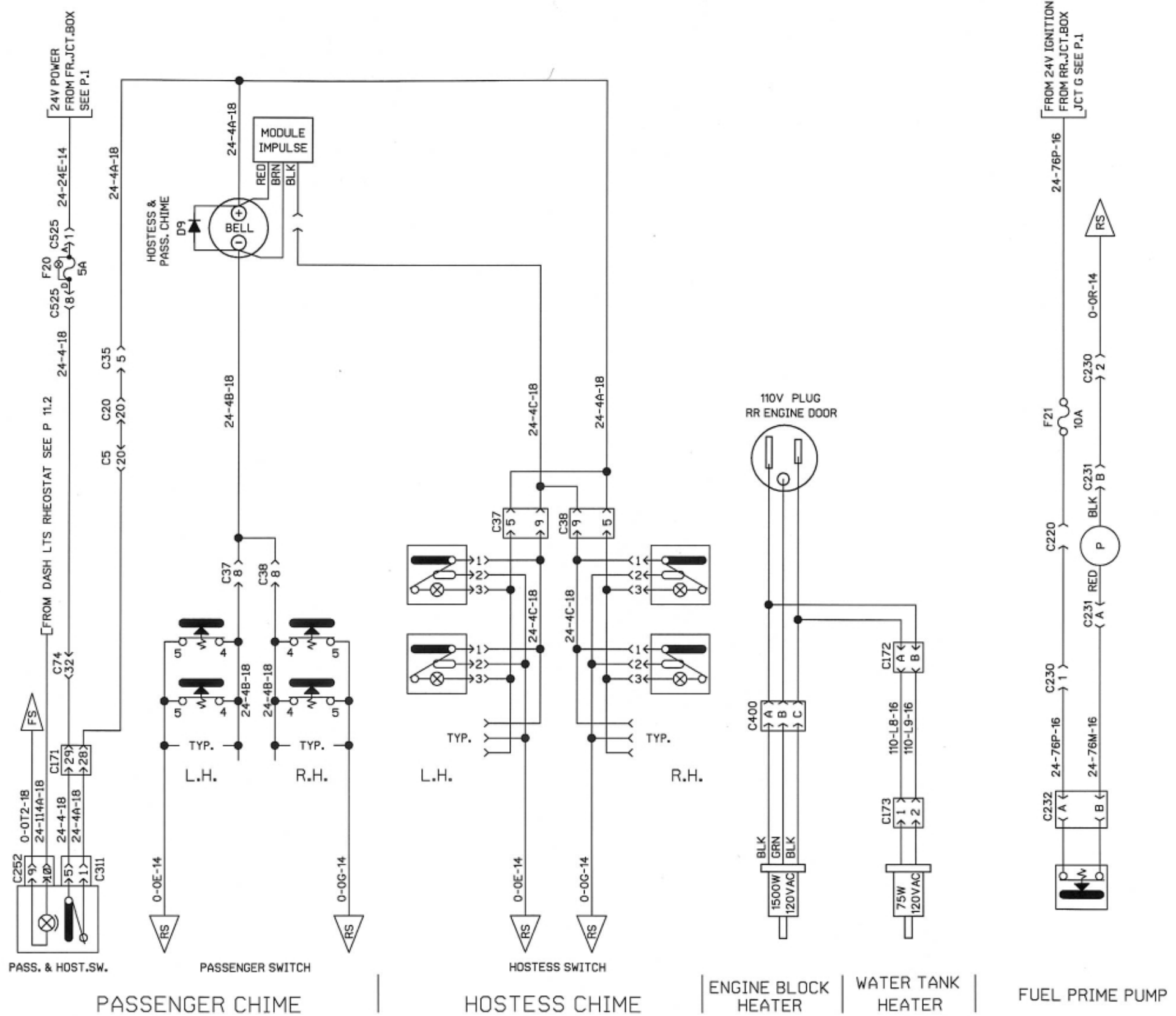


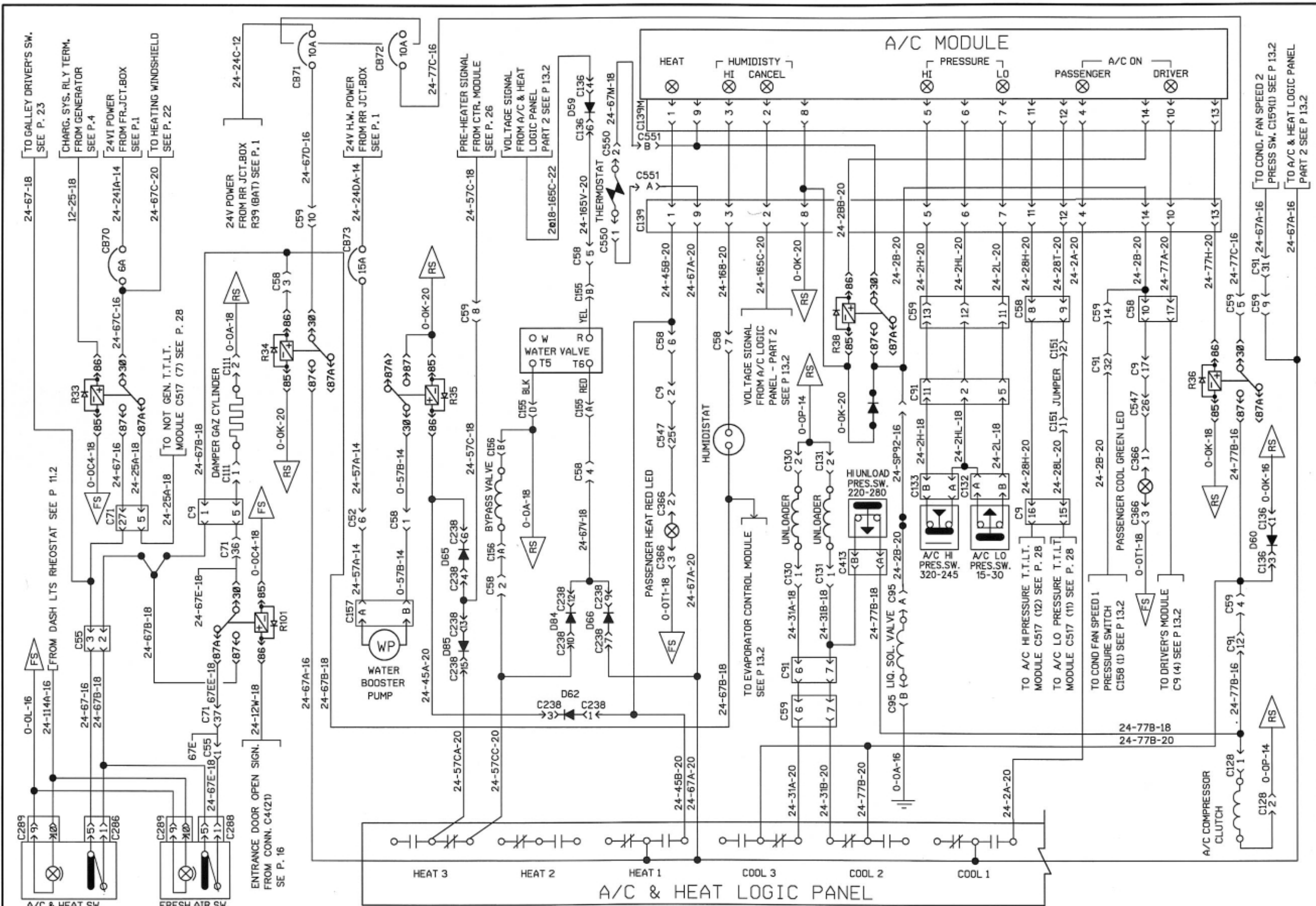


110V RECEPTACLE

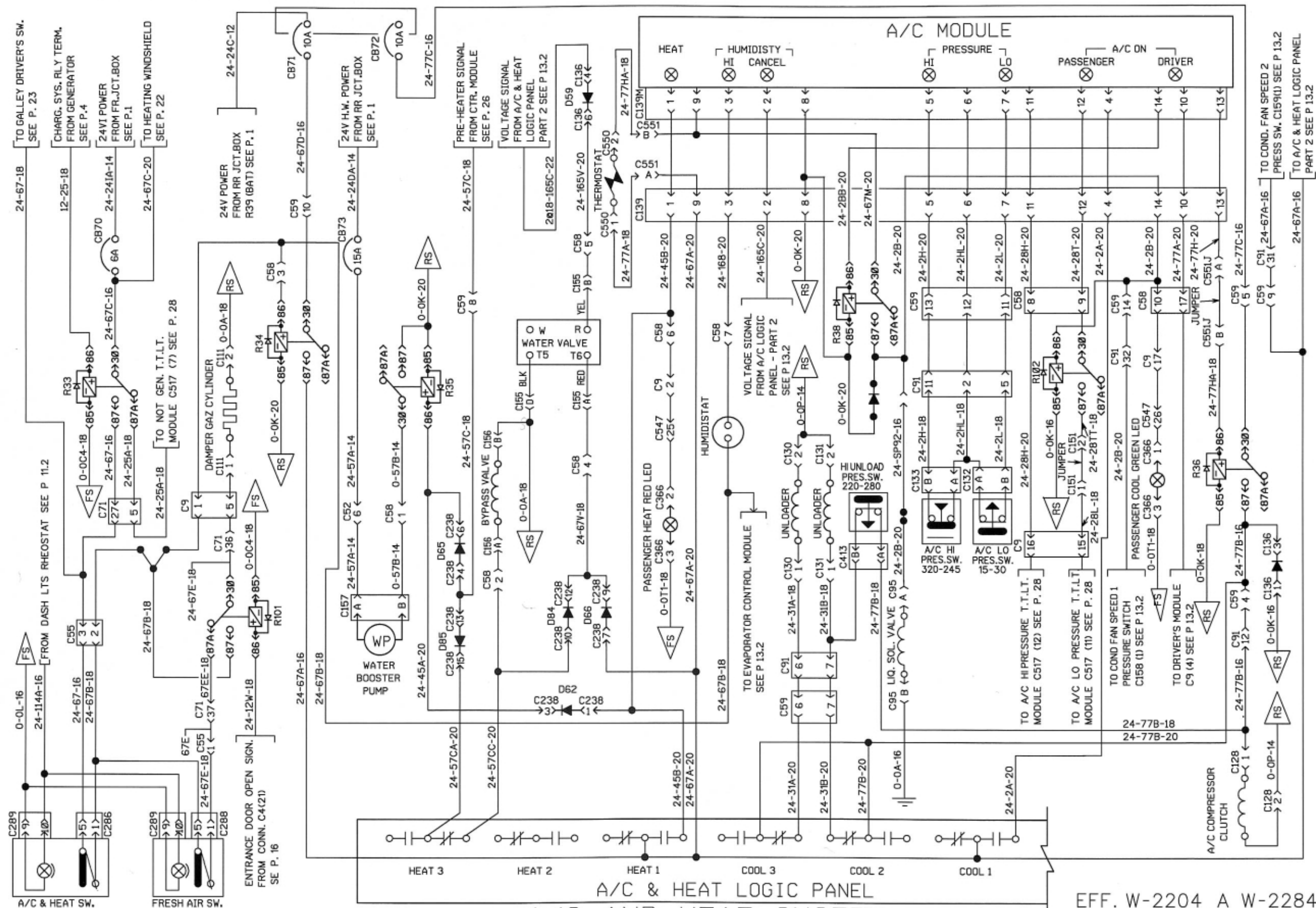


110V FLUORESCENT AND 24V FLUORESCENT INTERIOR LIGHTING



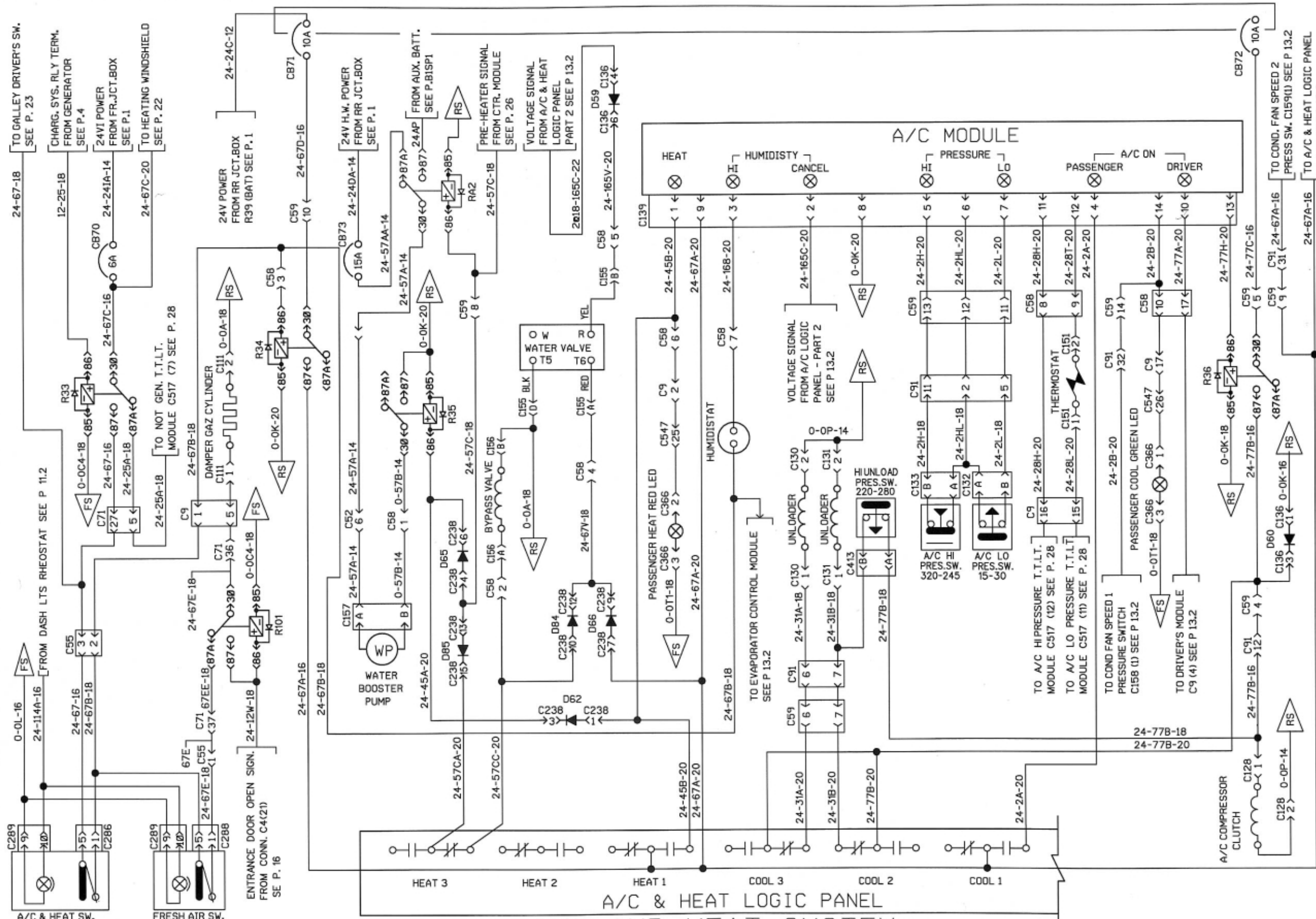


EFF. V1779 A W2204



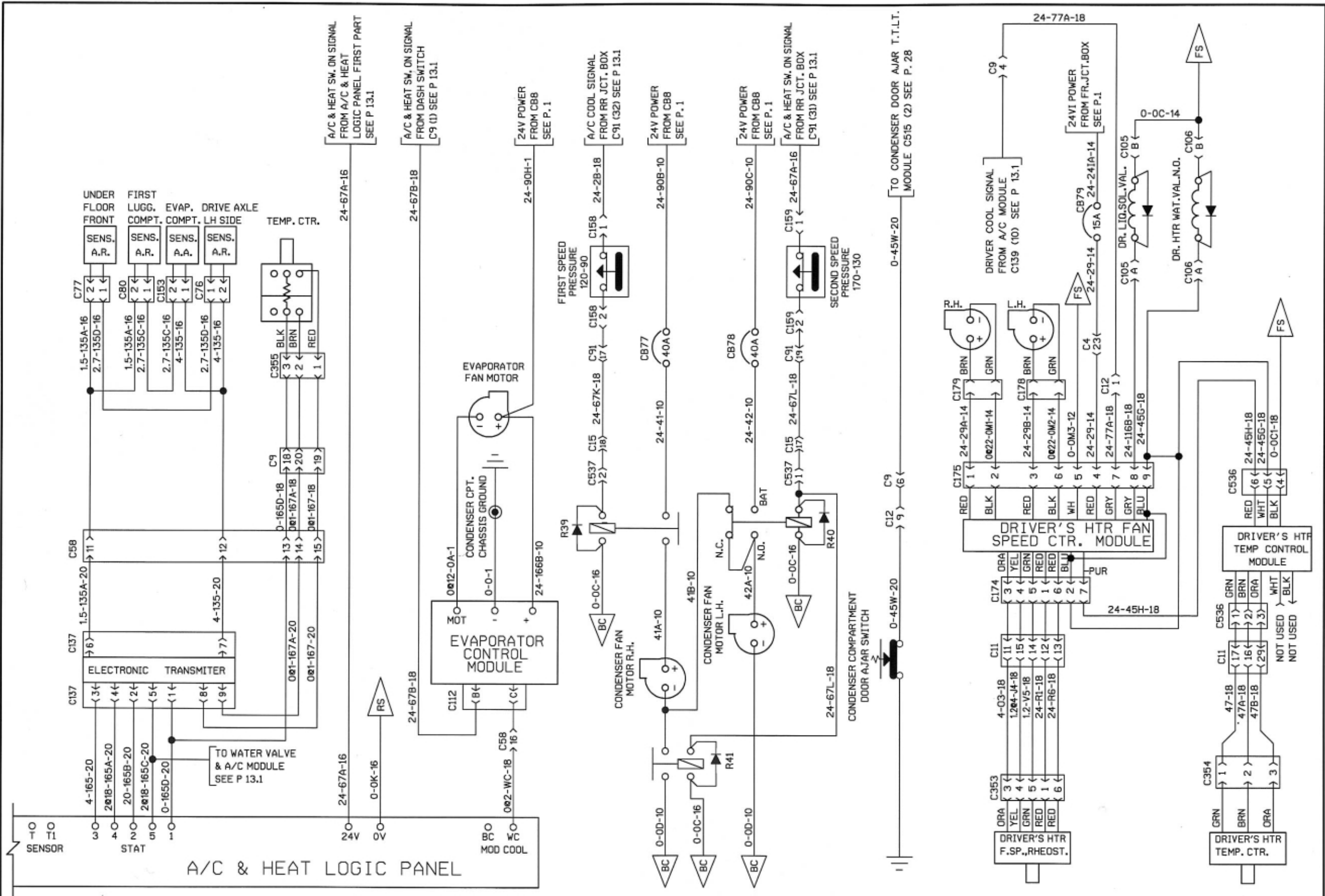
EFF. W-2204 A W-2284  
EXCEPT. W-2234





A/C & HEAT LOGIC PANEL  
A/C AND HEAT SYSTEM

ADIRONDACK



A/C AND HEAT SYSTEM



12V POWER FROM FR.JCT.CPT. SEE P.2

12-12G-16  
C525 C525 (7) (A) 2) 10A  
F22

POWER 12V OUTLET  
C529 (1) 1

0-0T4-16 C529 (2) 2  
FS

12V POWER FROM FR.JCT.BOX SEE P.2

12-12J-14  
C525 C525 (6) (A) 3) 15A  
F23

0-T2-18 FS  
24-114A-18 [FROM DASH LTS RHEOSTAT SEE P 11.2  
C70 (23) 23  
C72 (7) 7

12-26A-14  
12-26B-14

12-26C-14  
12-26B-14

C252 (9) 9  
C318 (1) 1 (3) 3 (7) 7 (2) 2 (4) 4 (8) 8

DRIVER'S WINDOW LIFTER SW.

12V POWER FROM FR.JCT.BOX SEE P.2

12-12G-14  
C525 C525 (5) (A) 4) 10A  
F24

0-0L5-14 FS  
C72 (13) 13  
12-26A-14

0-0L5-14 FS  
CIGAR LIGHTER

TO T.T.LT. MODULE SEE P. 28  
12-26A-18

24V POWER FROM FR.JCT.BOX SEE P.1

24-24C-14  
C526 C526 (8) (A) 1) 3A  
F25

24-72-18  
C72 (8) 8

24-72-18  
24-72D-18 (2) 2  
24-72C-18 (1) 1  
C211

C252 (9) 9  
C315 (1) 1 (3) 3 (7) 7 (2) 2 (4) 4 (8) 8

L.H. SUN VISOR SW.

24-72-18  
C45 (11) 11  
24-72B-18 (2) 2  
24-72A-18 (1) 1  
C212

24-72-18  
C70 (13) 13  
C72 (18) 18  
24-72C-18 (1) 1  
C211

0-OM4-14 FS  
C252 (9) 9  
C317 (1) 1 (3) 3 (7) 7 (2) 2 (4) 4 (8) 8

R.H. SUN VISOR SW.

24V ILLUMINATION FROM HEAD LT SW. SEE P. 9.1

24-63C-18  
C506 (4) 4

0-0C4-18 FS

0-0I-22  
24-63C-22 (2) 2  
24-83-22 (1) 1  
24-123A-22 (3) 3

C507 (4) 4  
BLK (4) 4  
WH (2) 2  
GRN (1) 1  
RED (3) 3

DIGITAL CLOCK

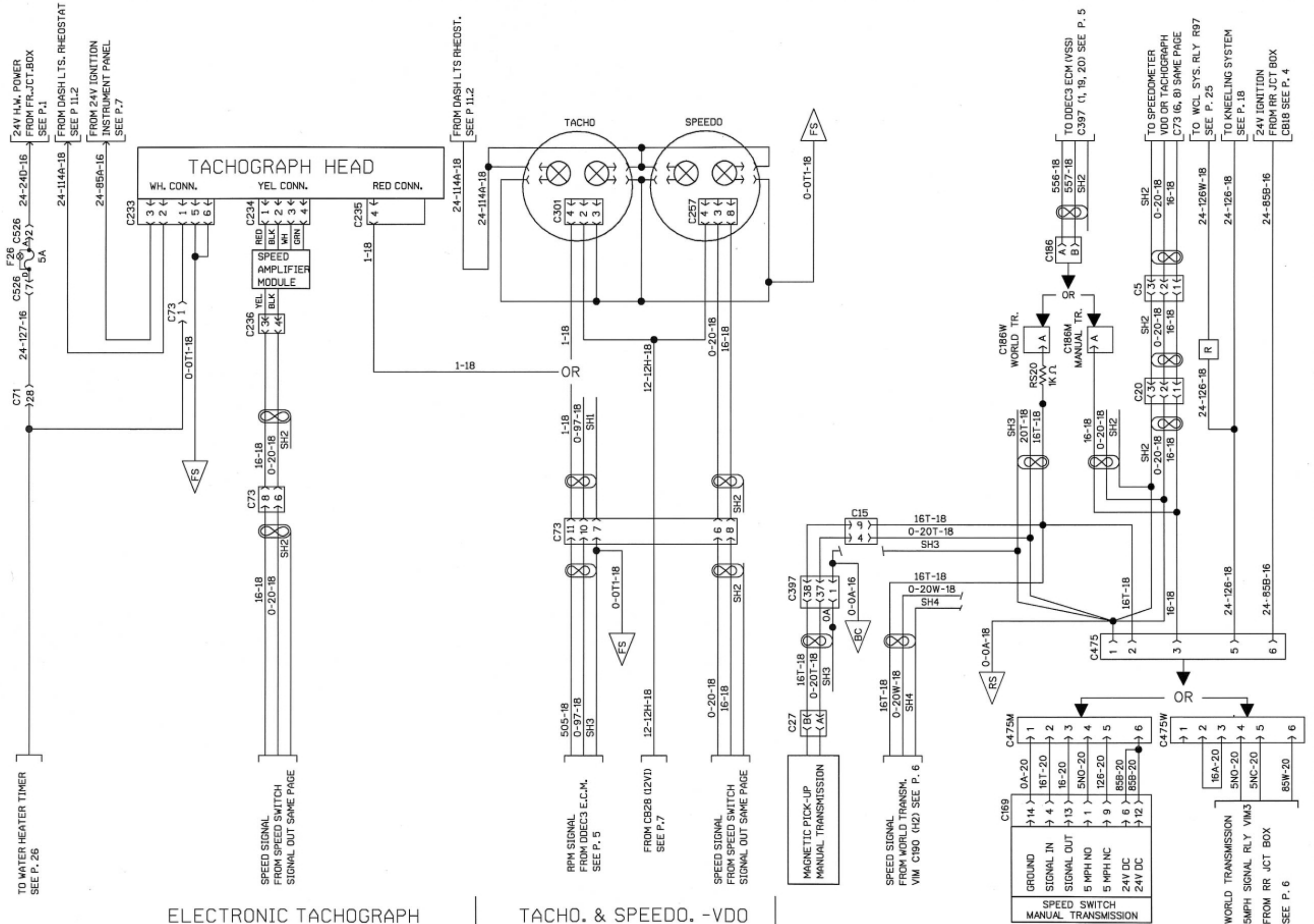
POWER 12V OUTLET

DRIVER'S WINDOW LIFTER

CIGAR LIGHTER

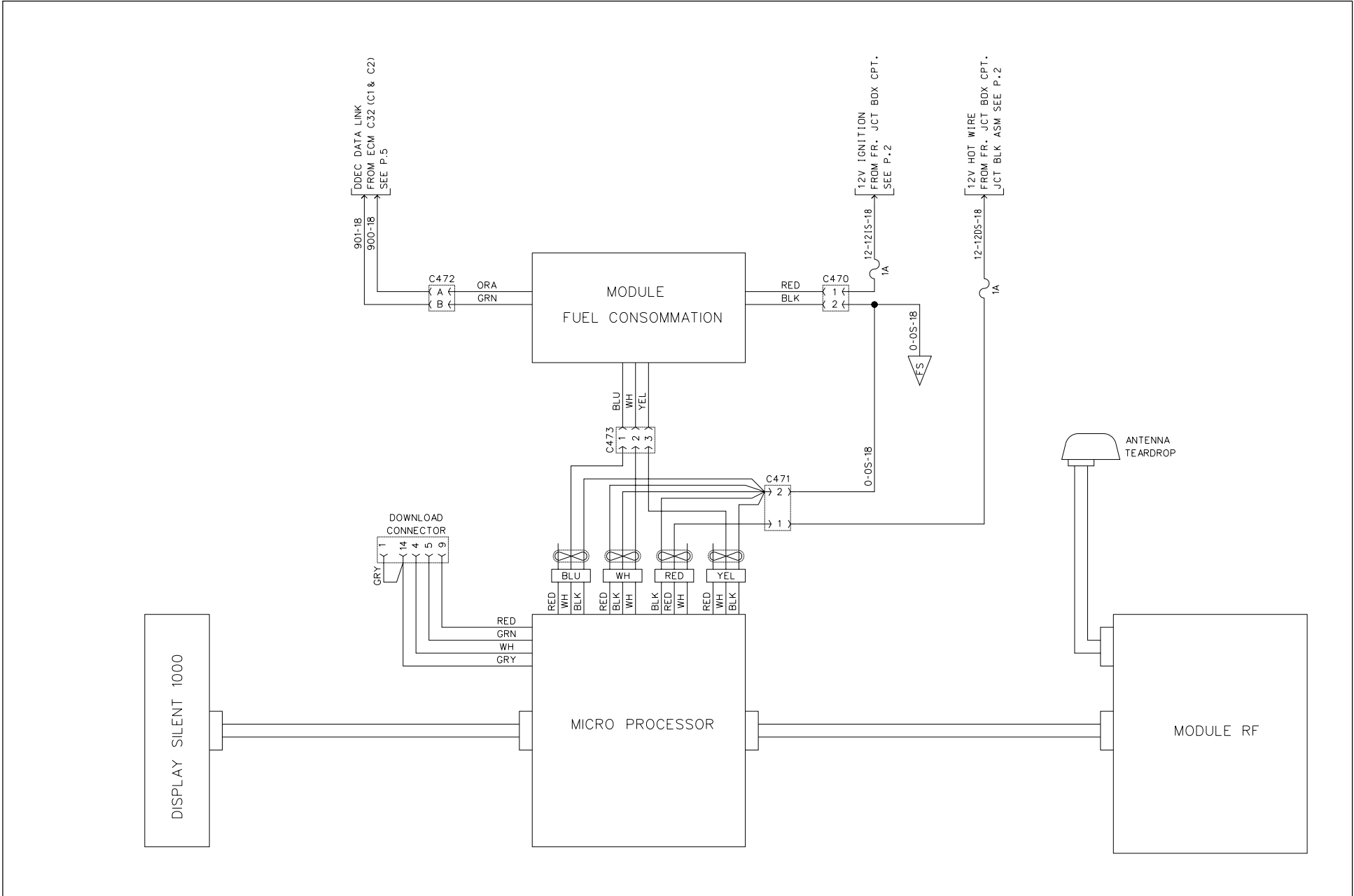
SUN VISOR

DIGITAL CLOCK

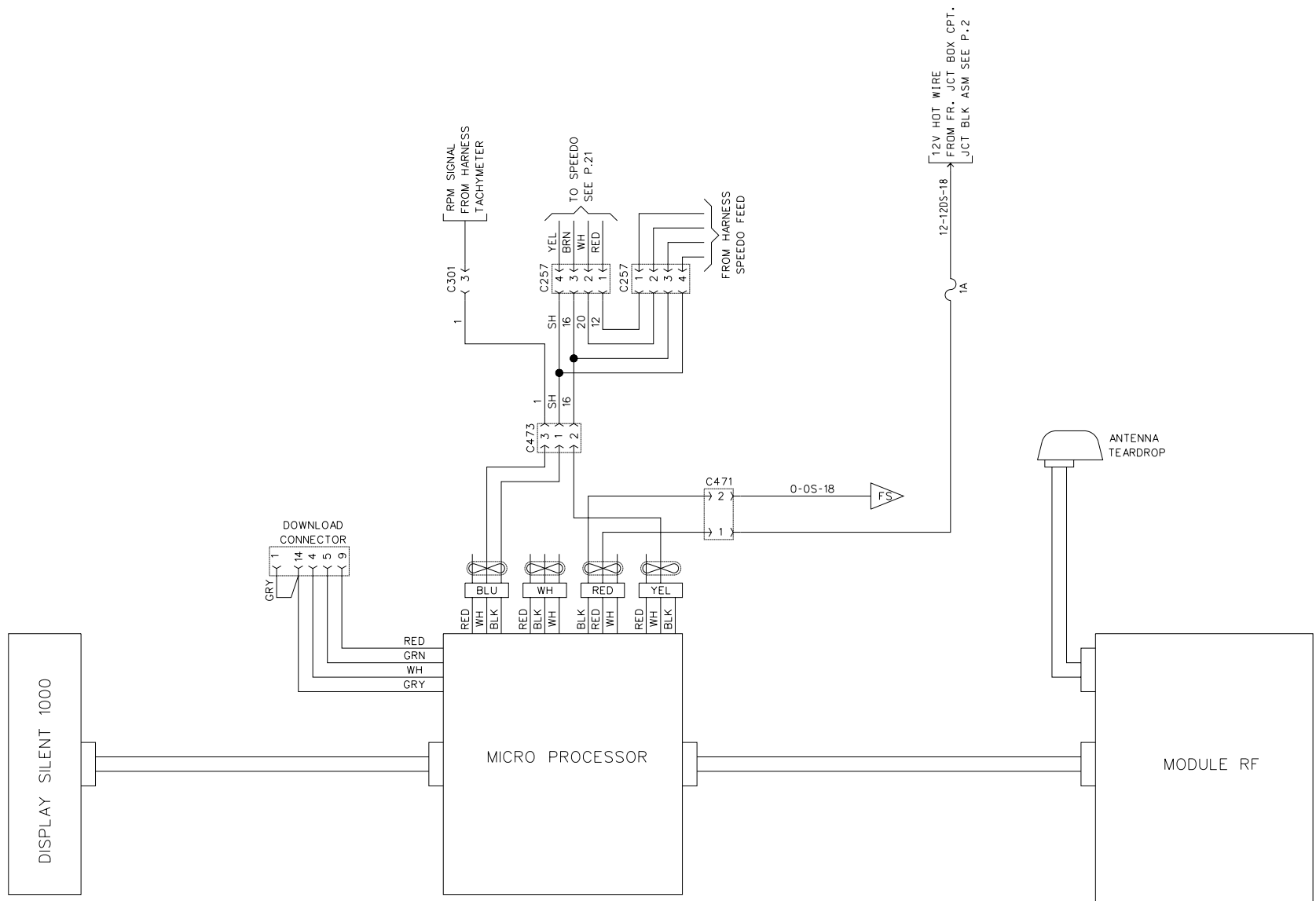


ELECTRONIC TACHOGRAPH

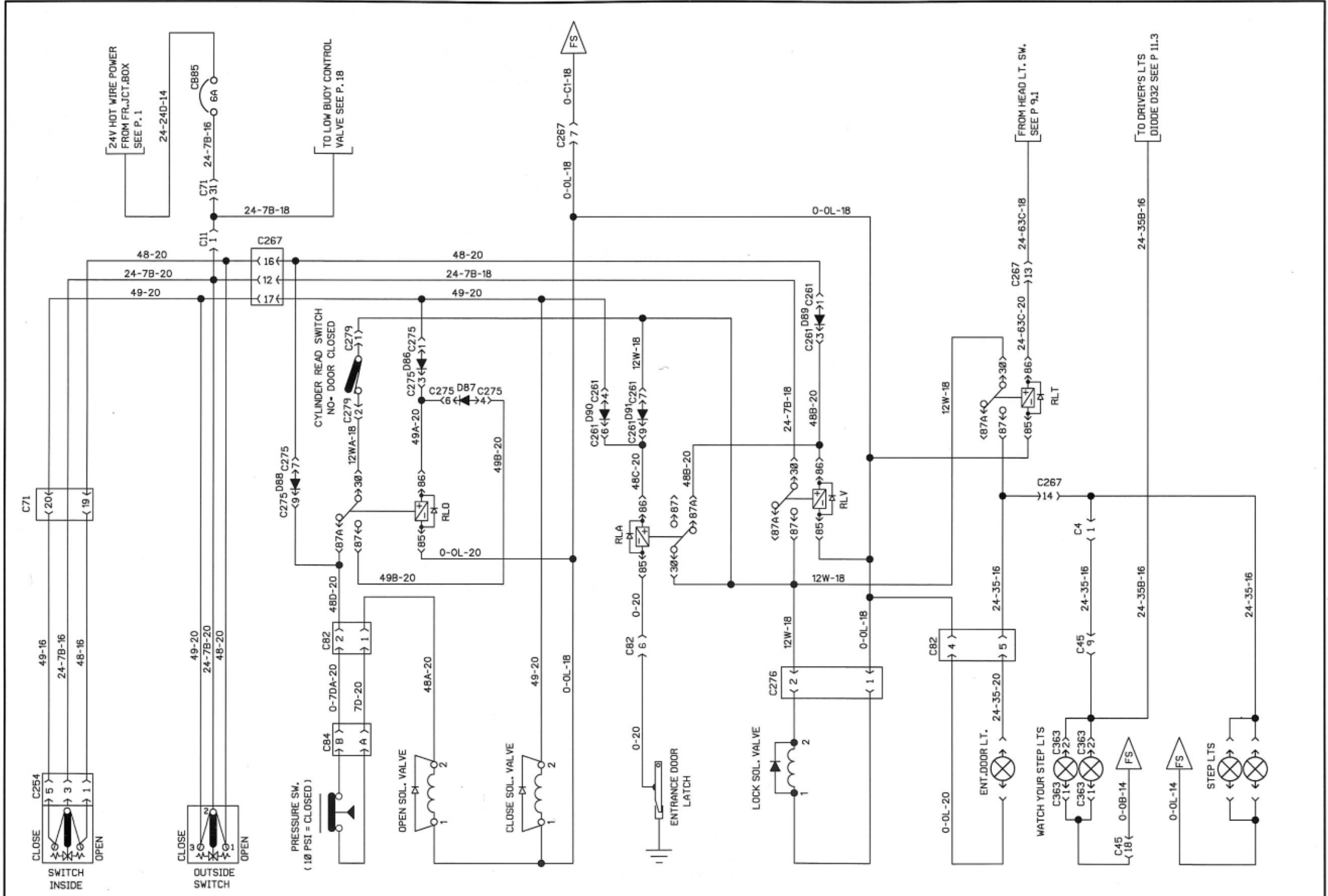
TACHO. & SPEEDO. -VDO



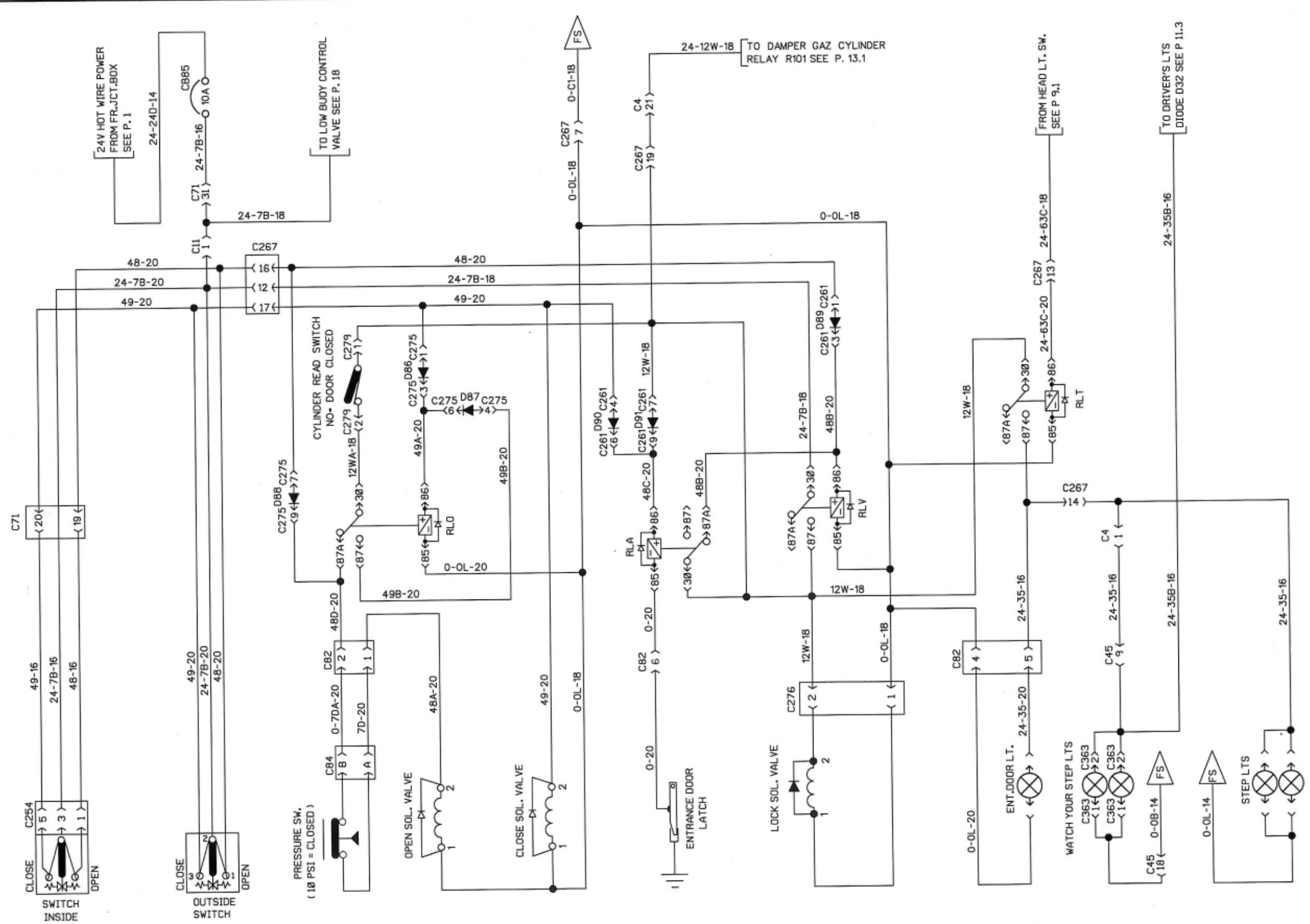
SILENT 1000



SILENT 1000 W/O FUEL CONSOMATION



ENTRANCE DOOR (SEDAN)





# PREVOST

# WIRING DIAGRAM

ENTRANCE DOOR (SEDAN)

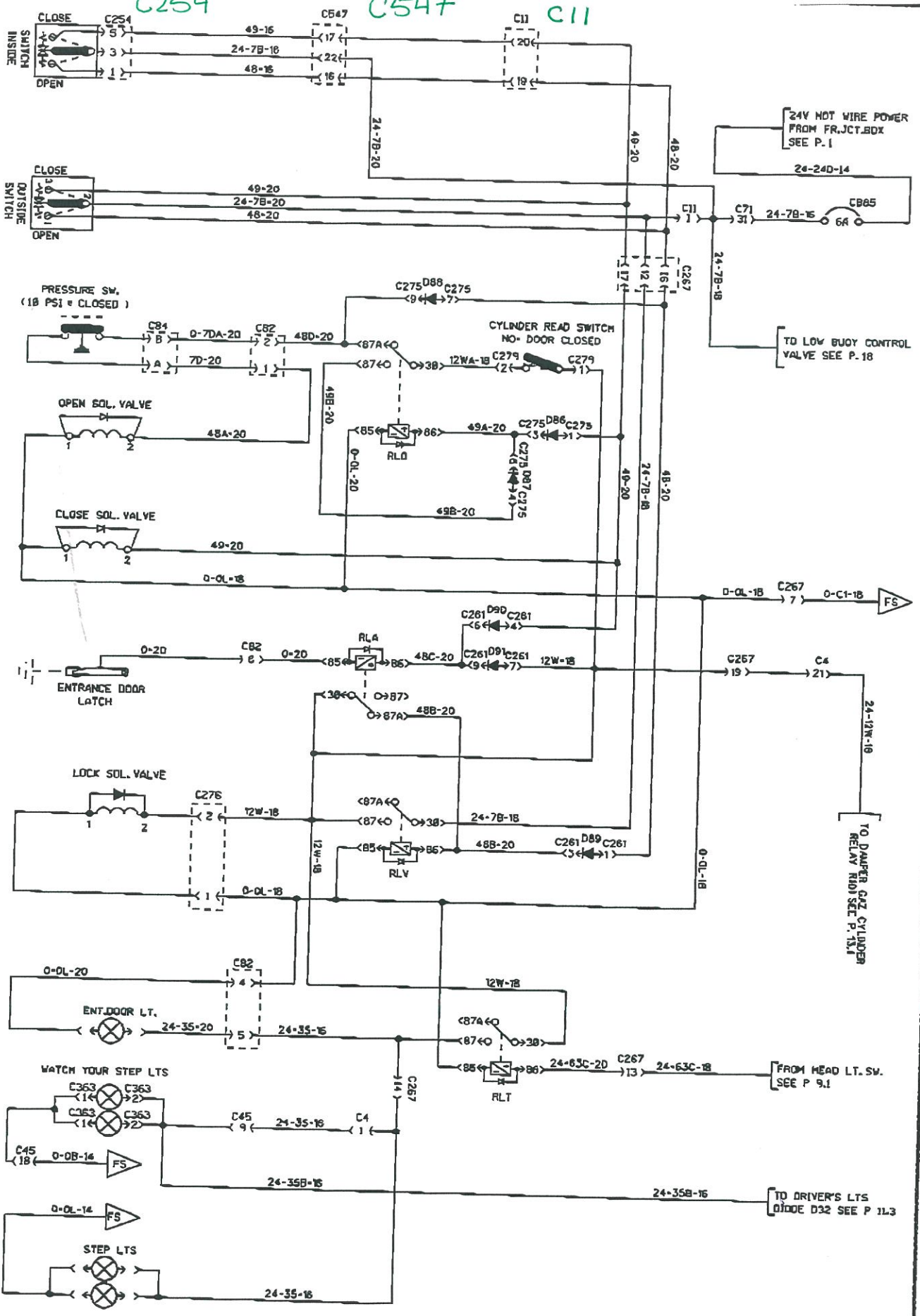
NO:

0060882

PAGE:

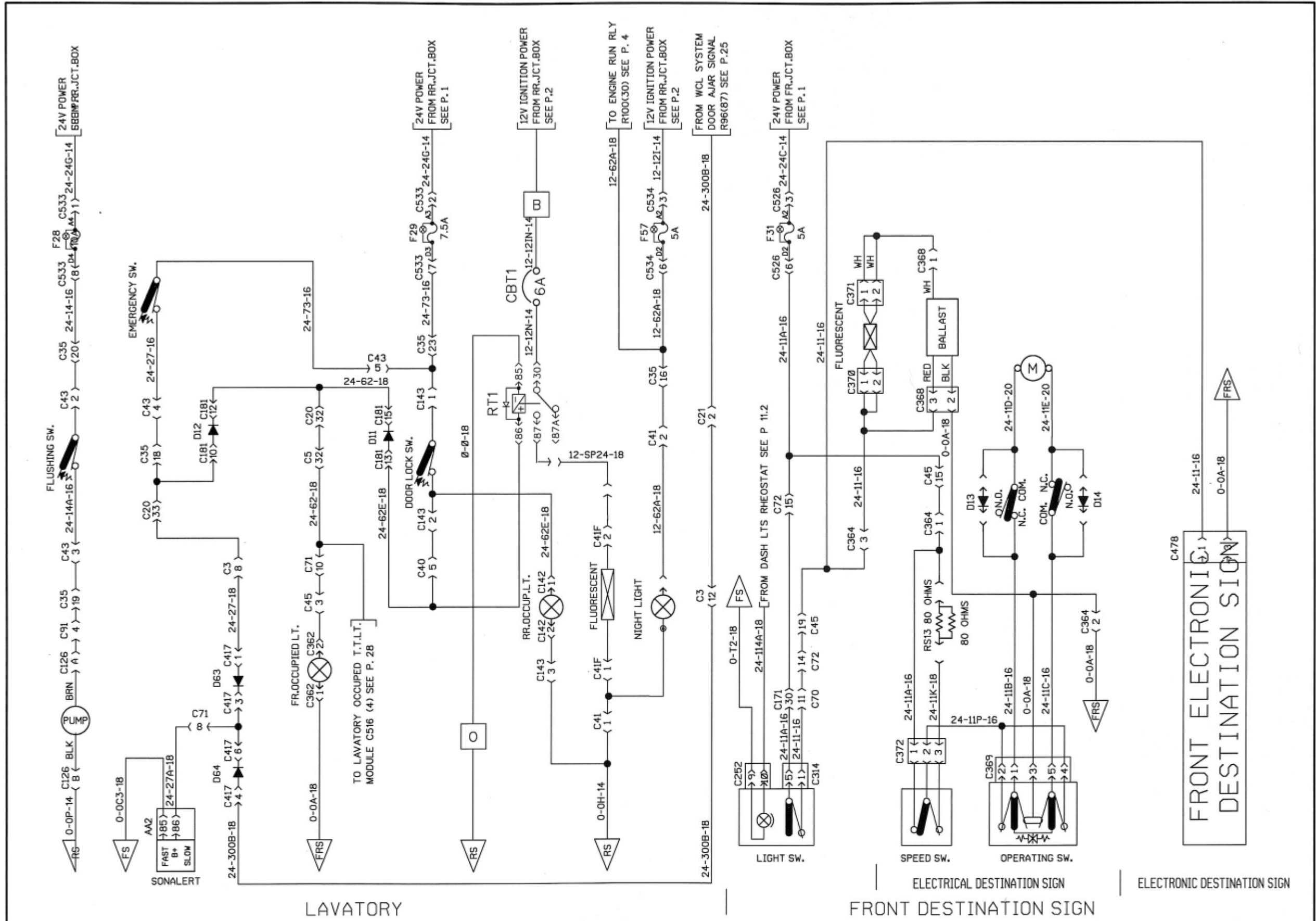
16

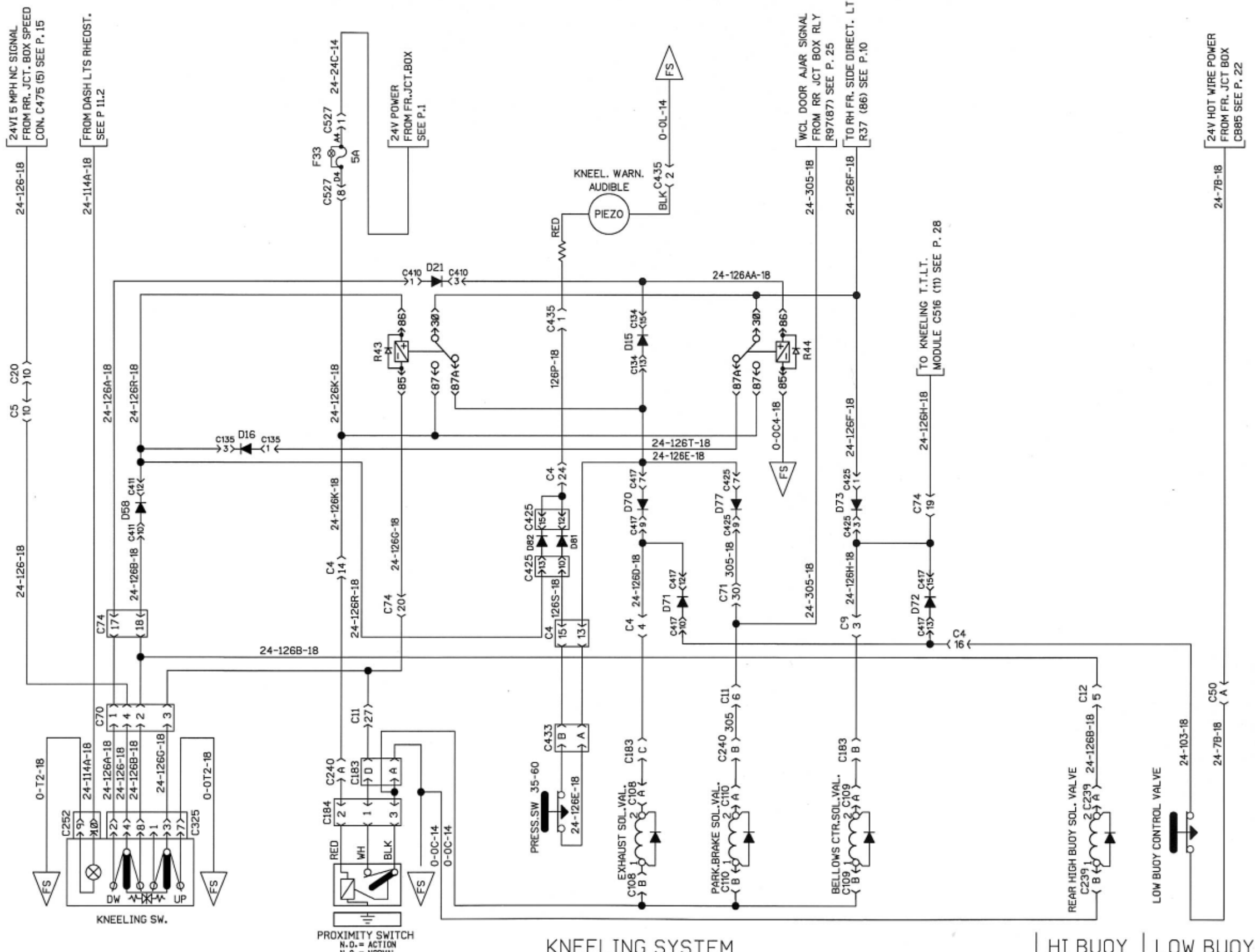
REVISION  
11

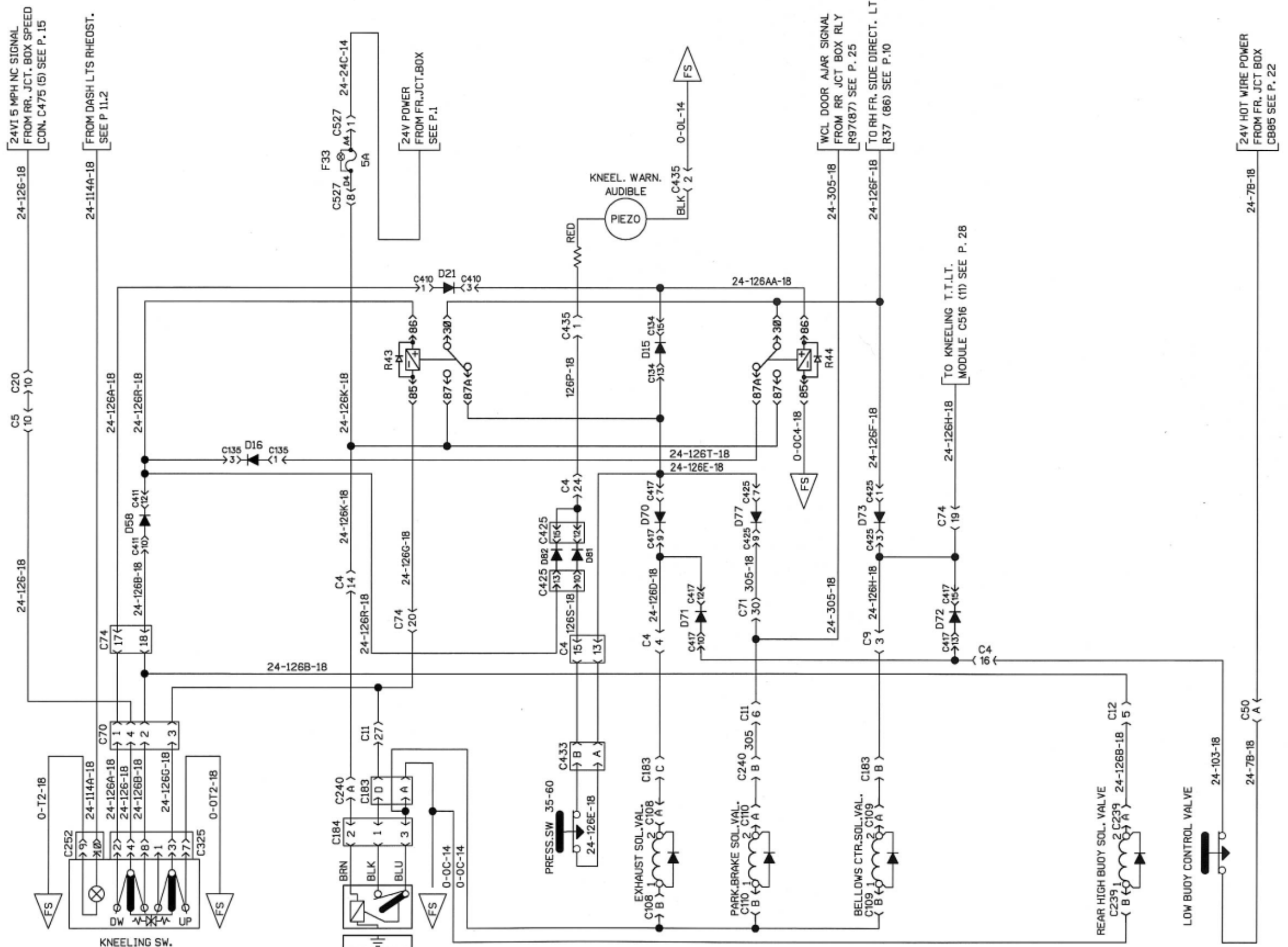


TO JOSIAN

TO Gram.

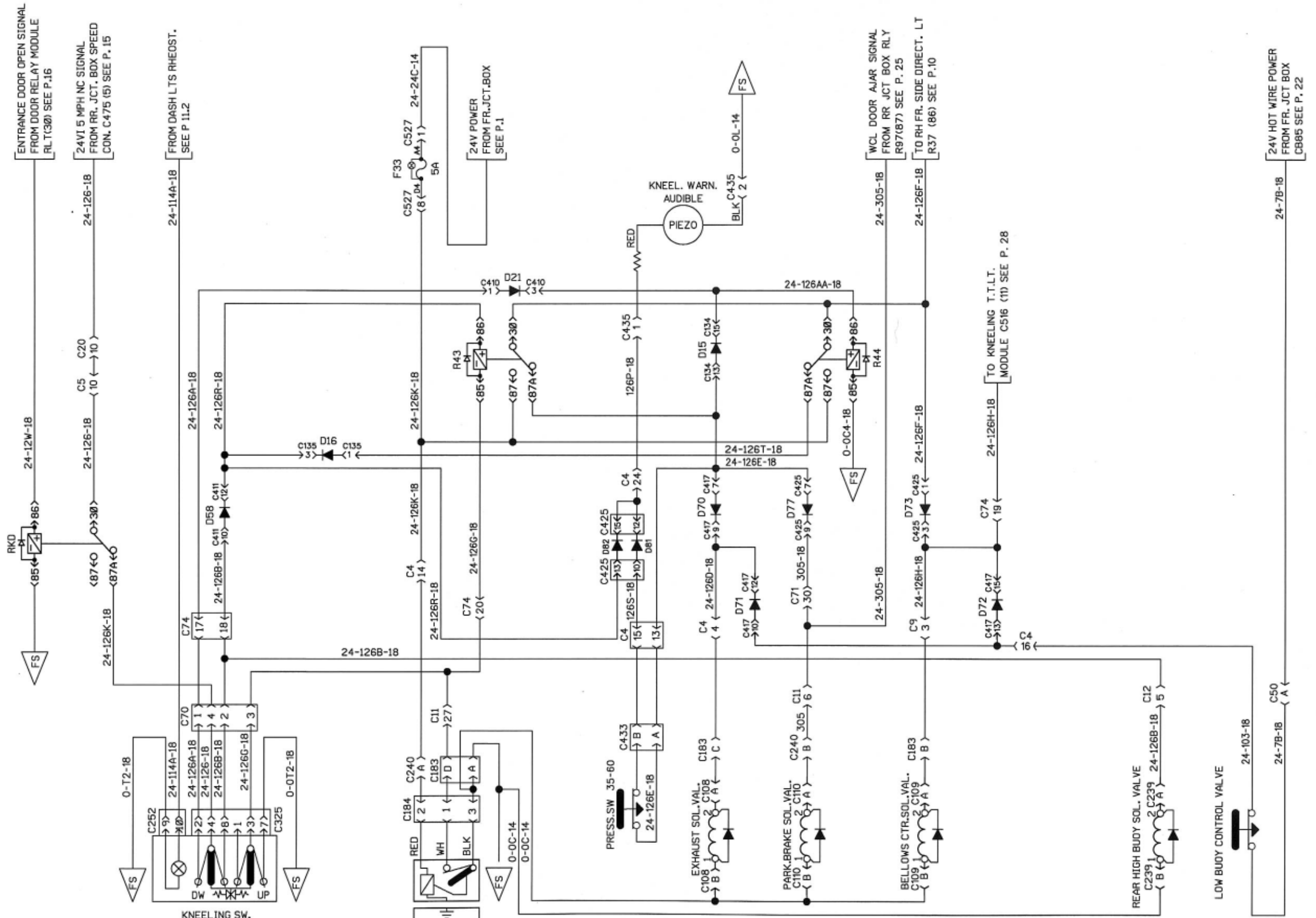






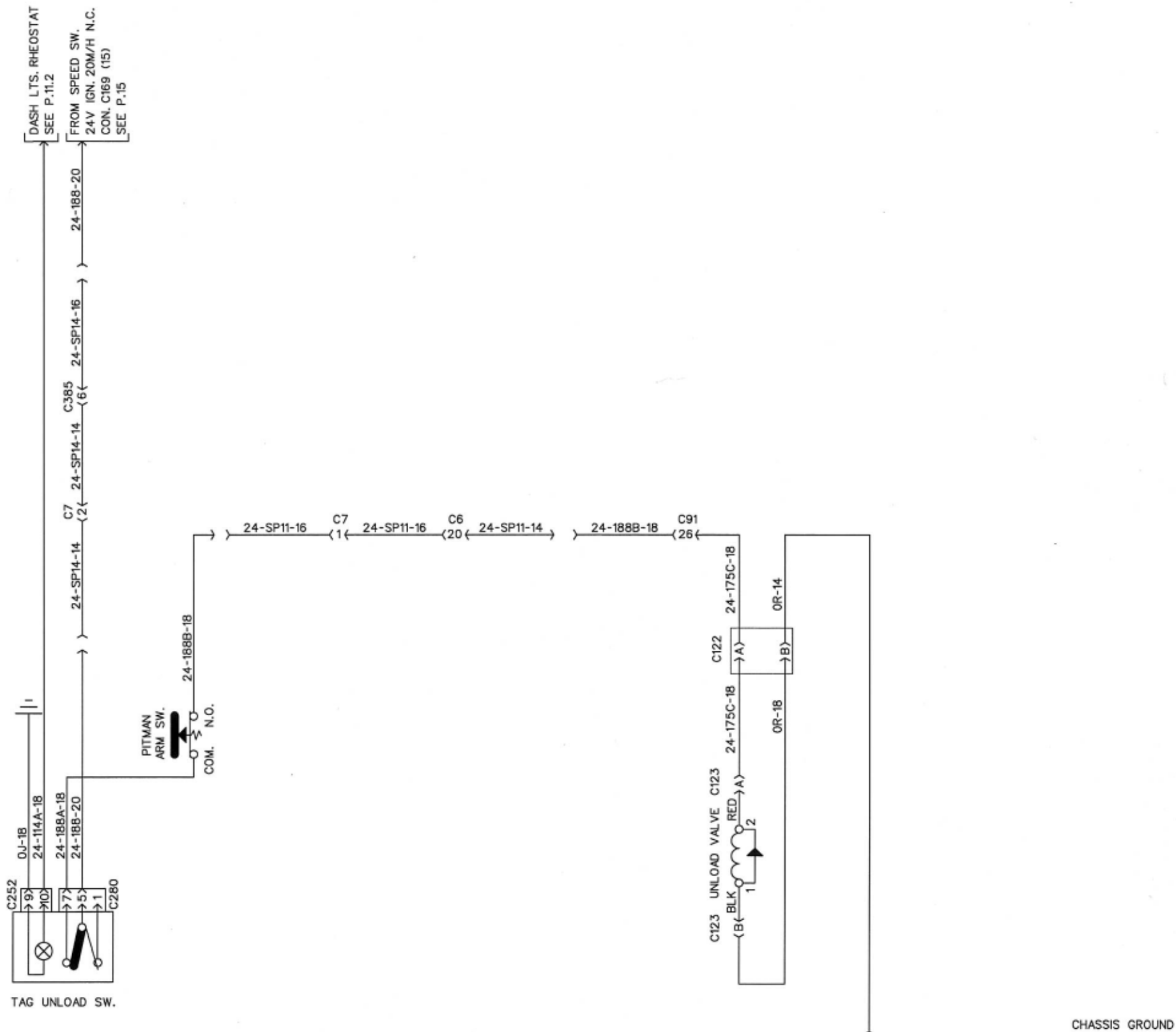
KNEELING SYSTEM

HI BUOY | LOW BUOY



KNEELING OPERATE WHEN THE ENTRANCE DOOR IS CLOSE | HI BUOY | LOW BUOY





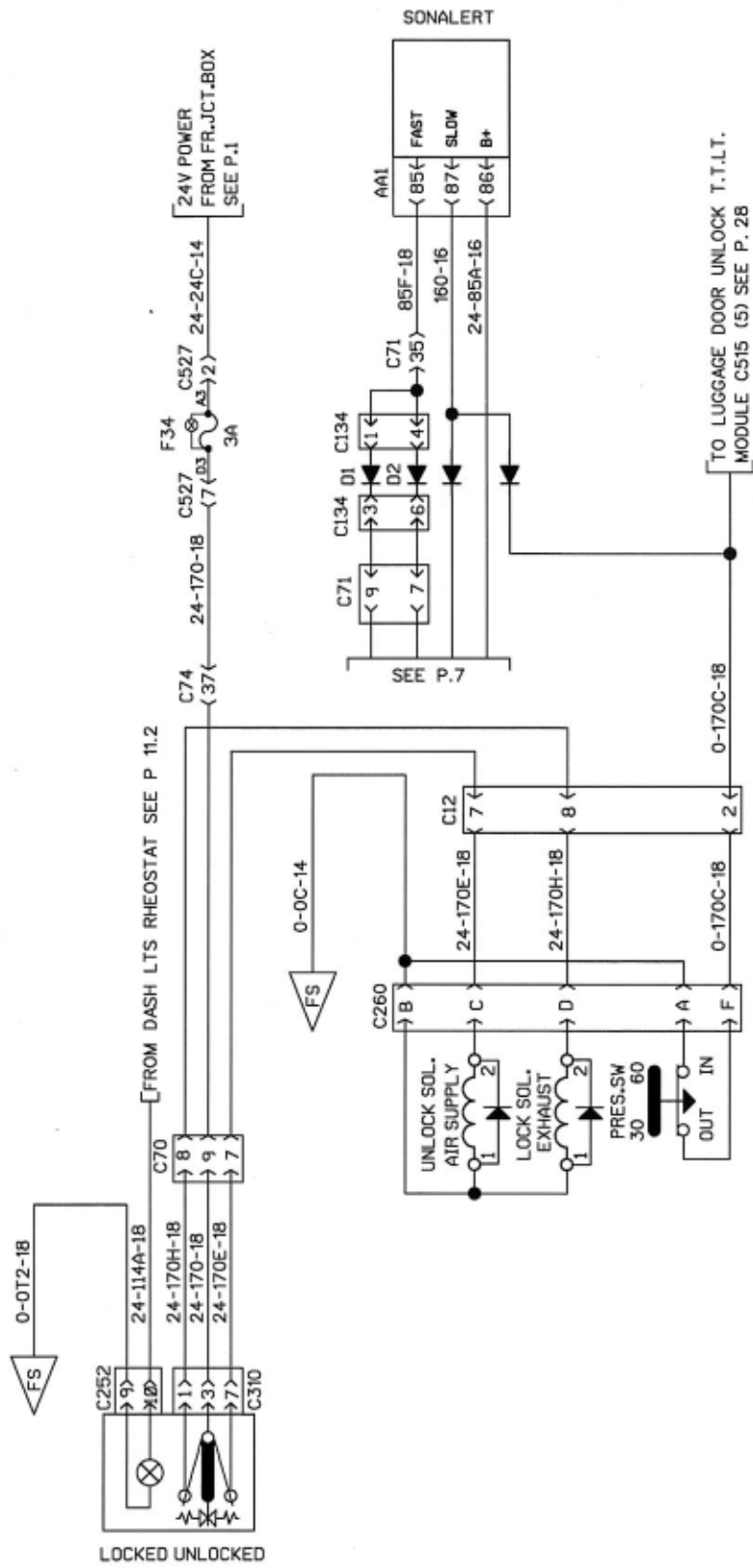
UNLOAD TAG SYSTEM



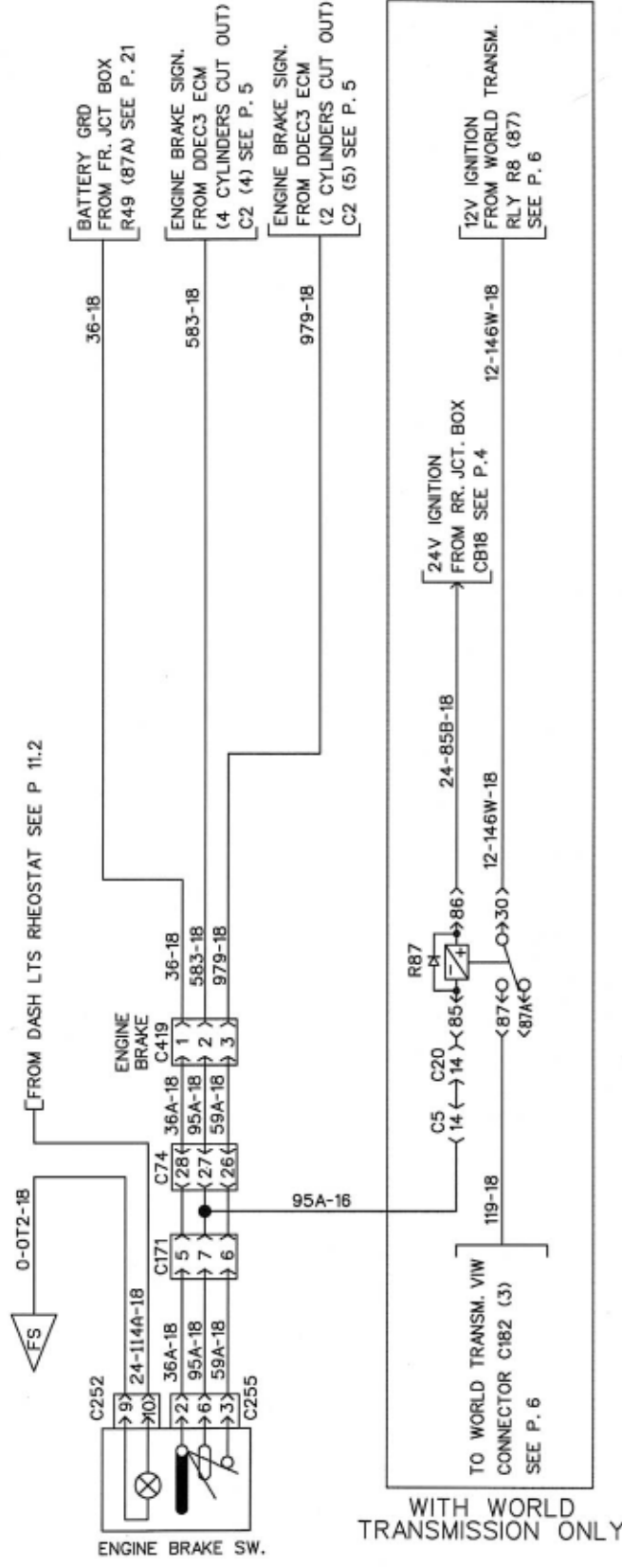




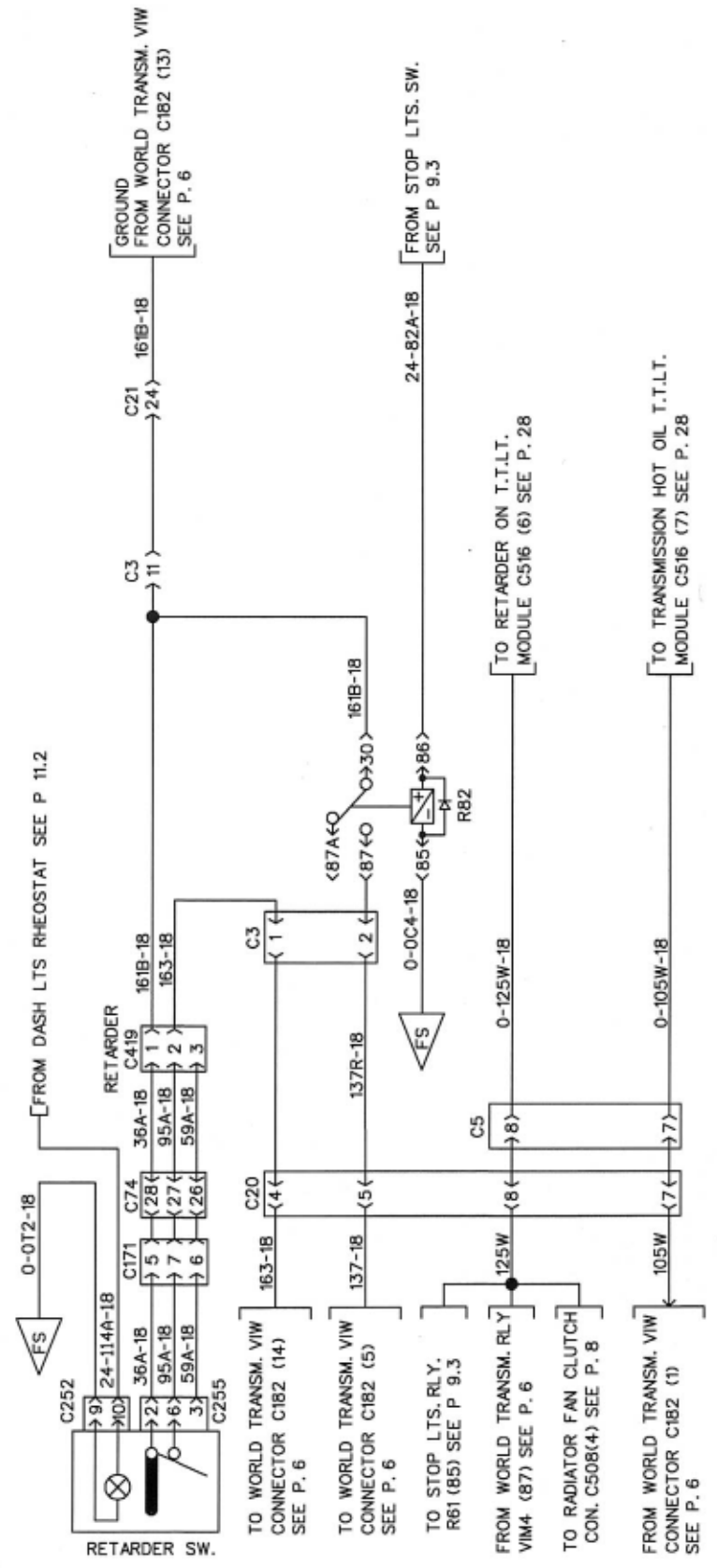




LUGGAGE DOOR LOCK

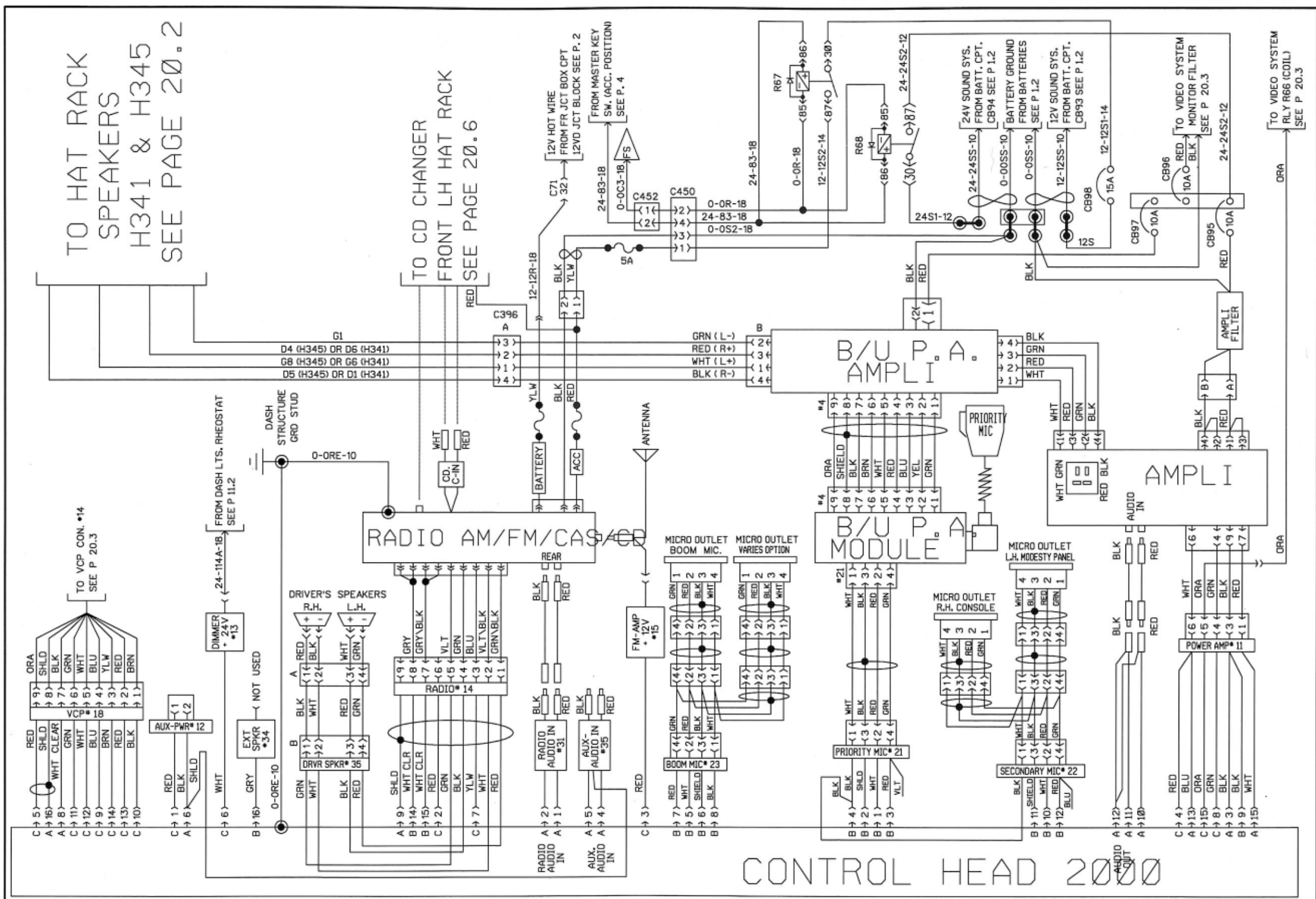


ENGINE BRAKE SYSTEM



RETARDER SYSTEM (WORLD TRANSMISSION)

GREYHOUND



TO HAT RACK  
SPEAKERS  
H341 & H345  
SEE PAGE 20.2

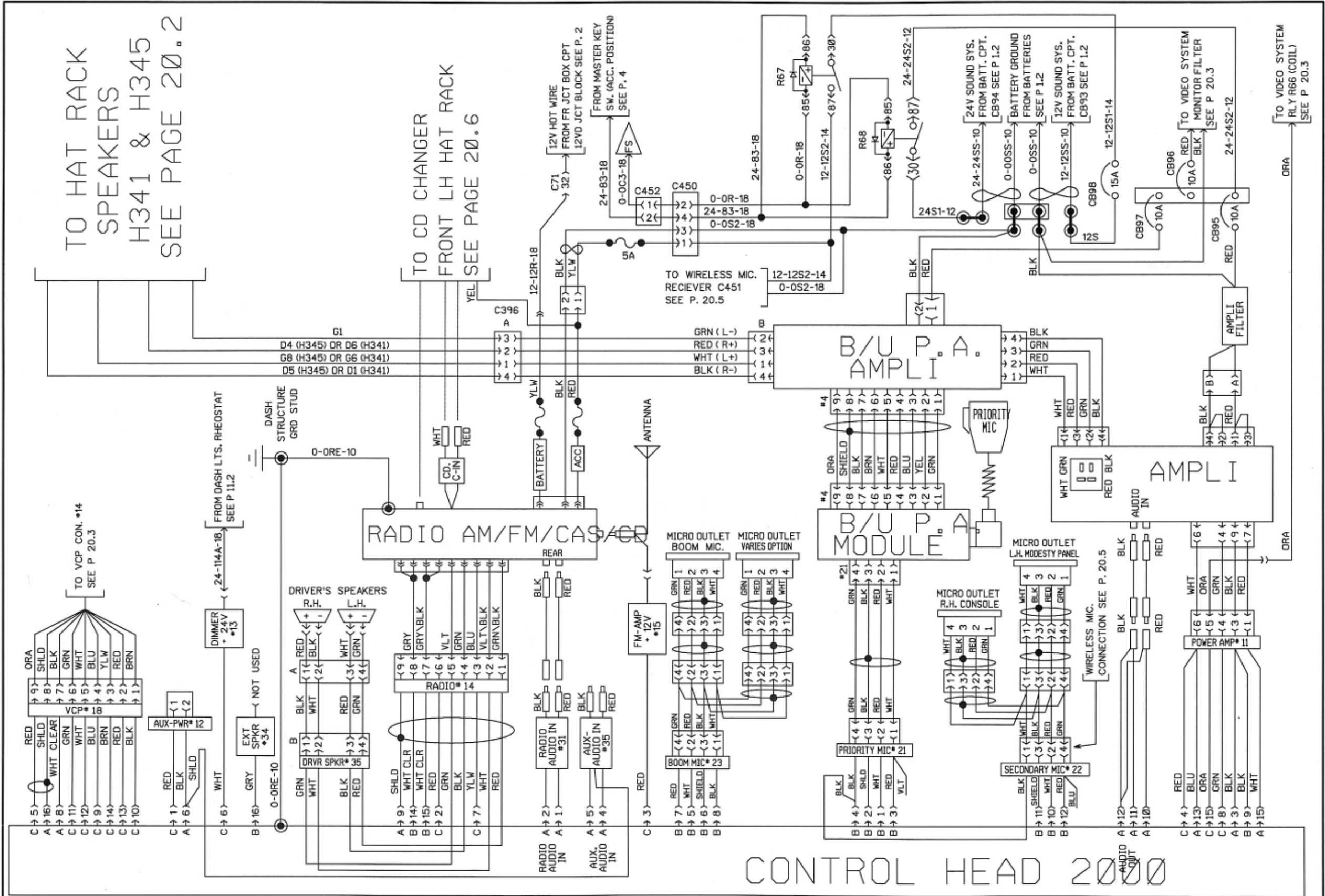
TO CD CHANGER  
FRONT LH HAT RACK  
SEE PAGE 20.6

TO VIDEO SYSTEM  
RLY R66 (COIL)  
SEE P 20.3

CONTROL HEAD 2000

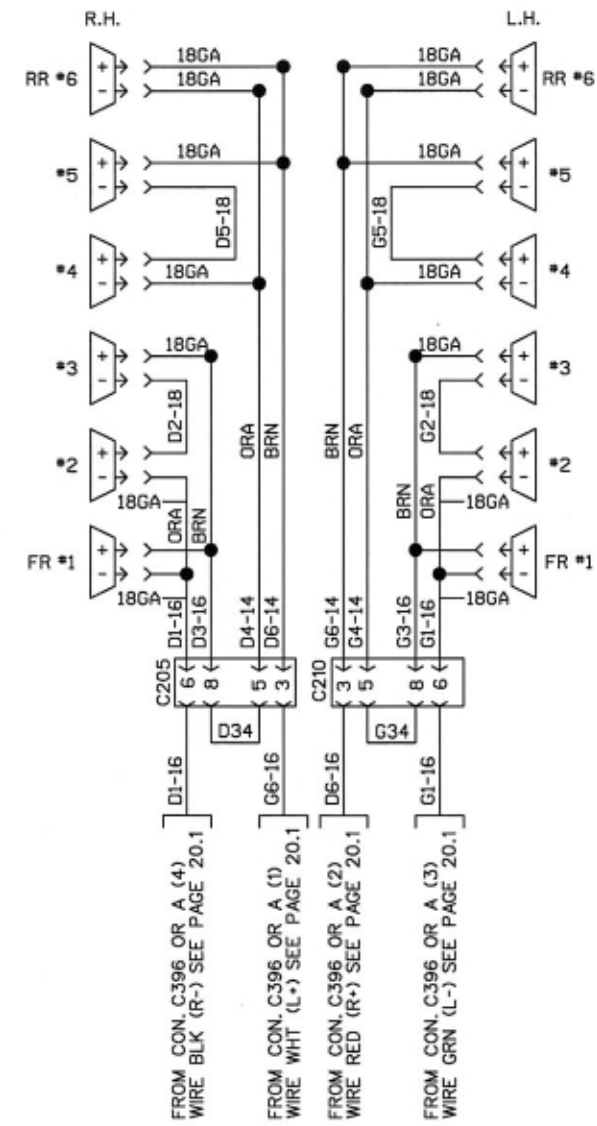
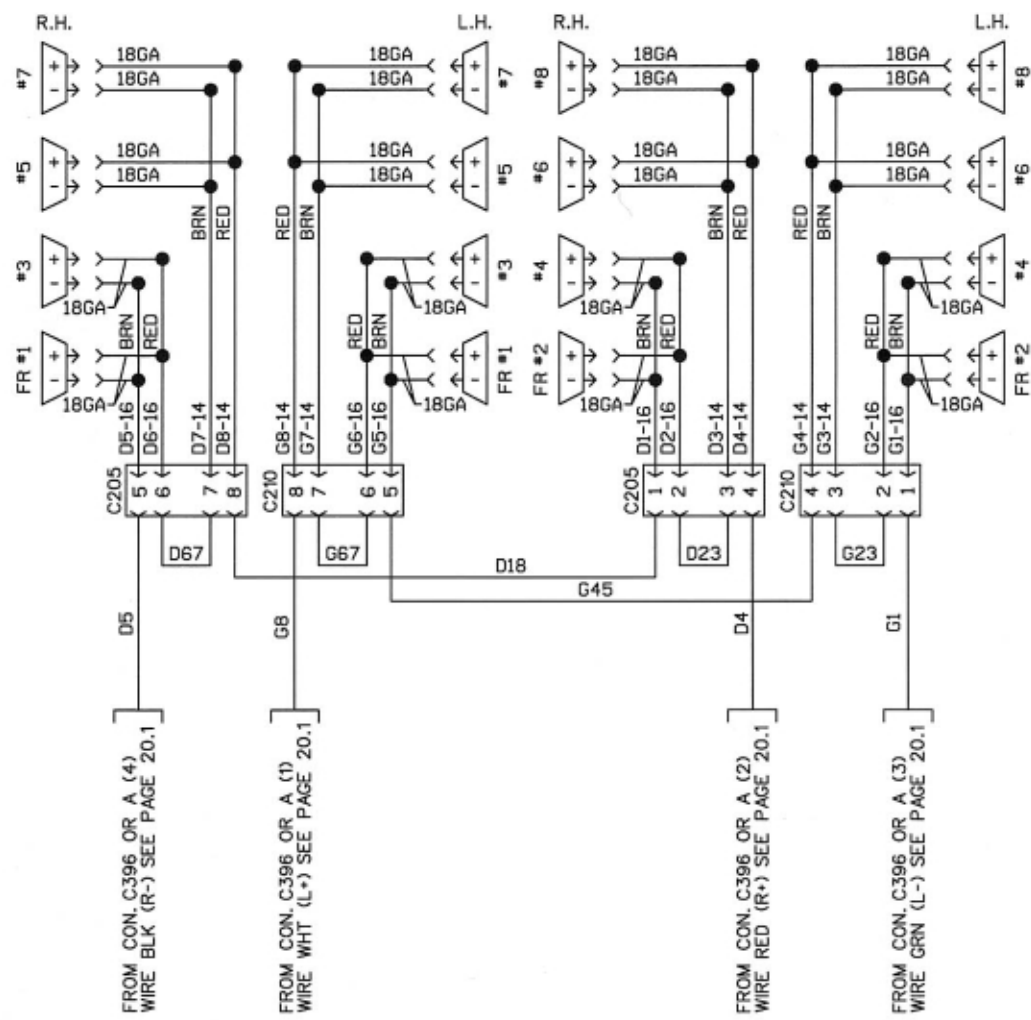
SOUND SYSTEM H3-45





SOUND SYSTEM H3-45



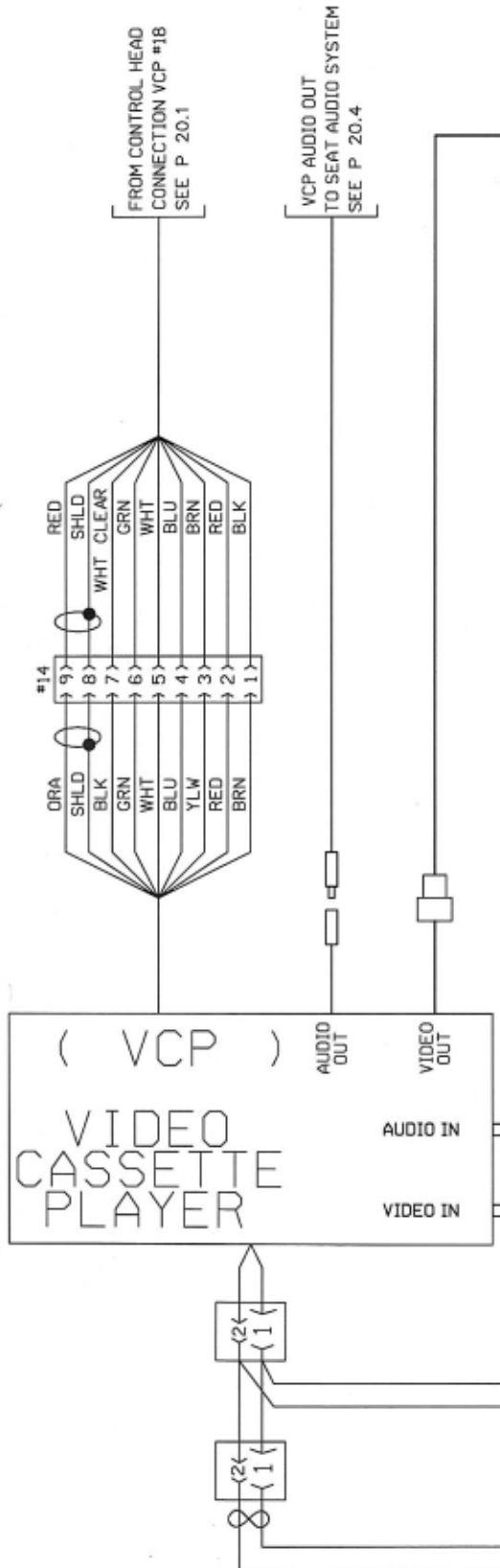


HAT RACK SPEAKERS

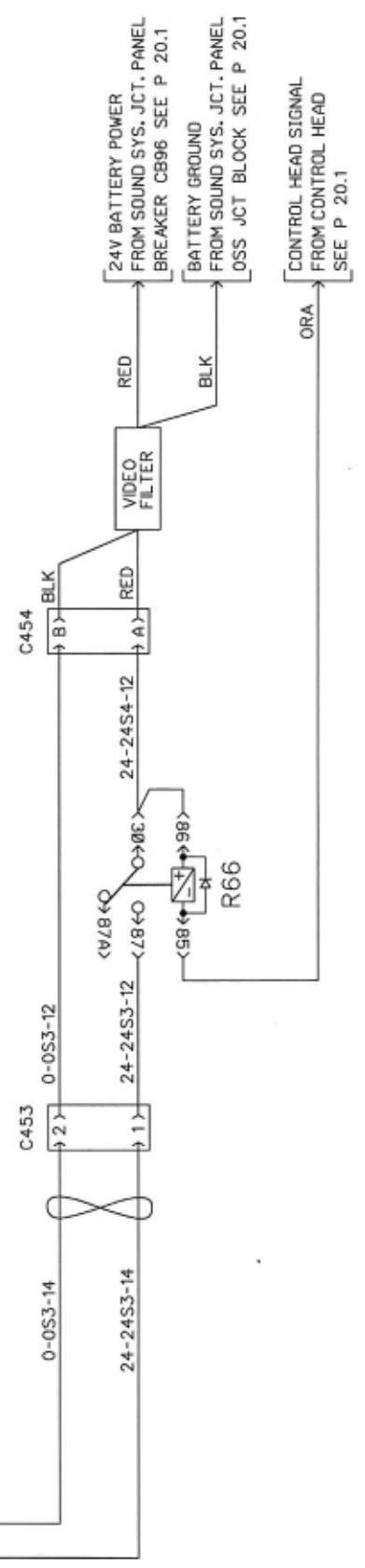
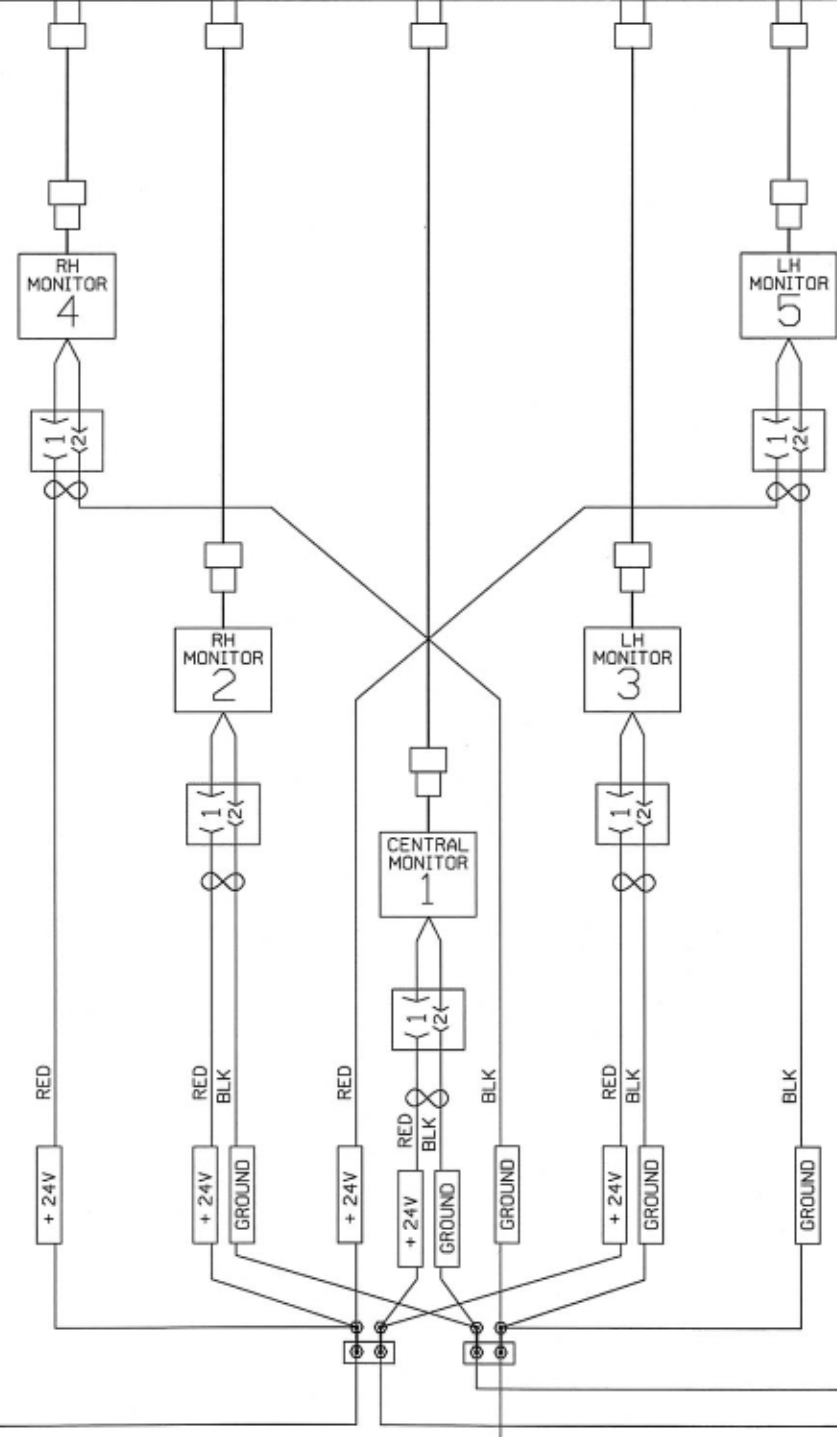
H3-45

HAT RACK SPEAKERS

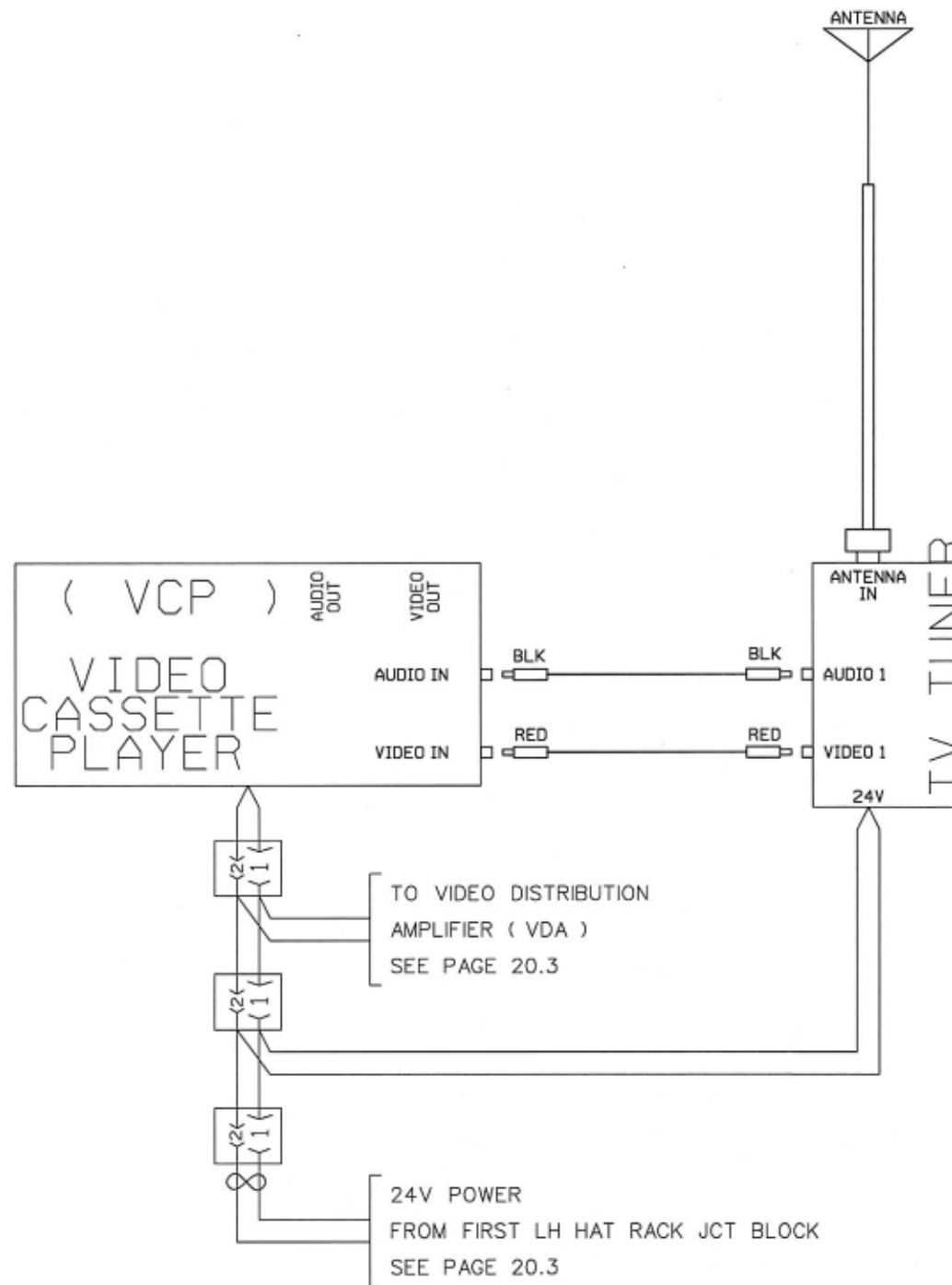
H3-41



# VIDEO DISTRIBUTION AMPLIFIER (VDA)

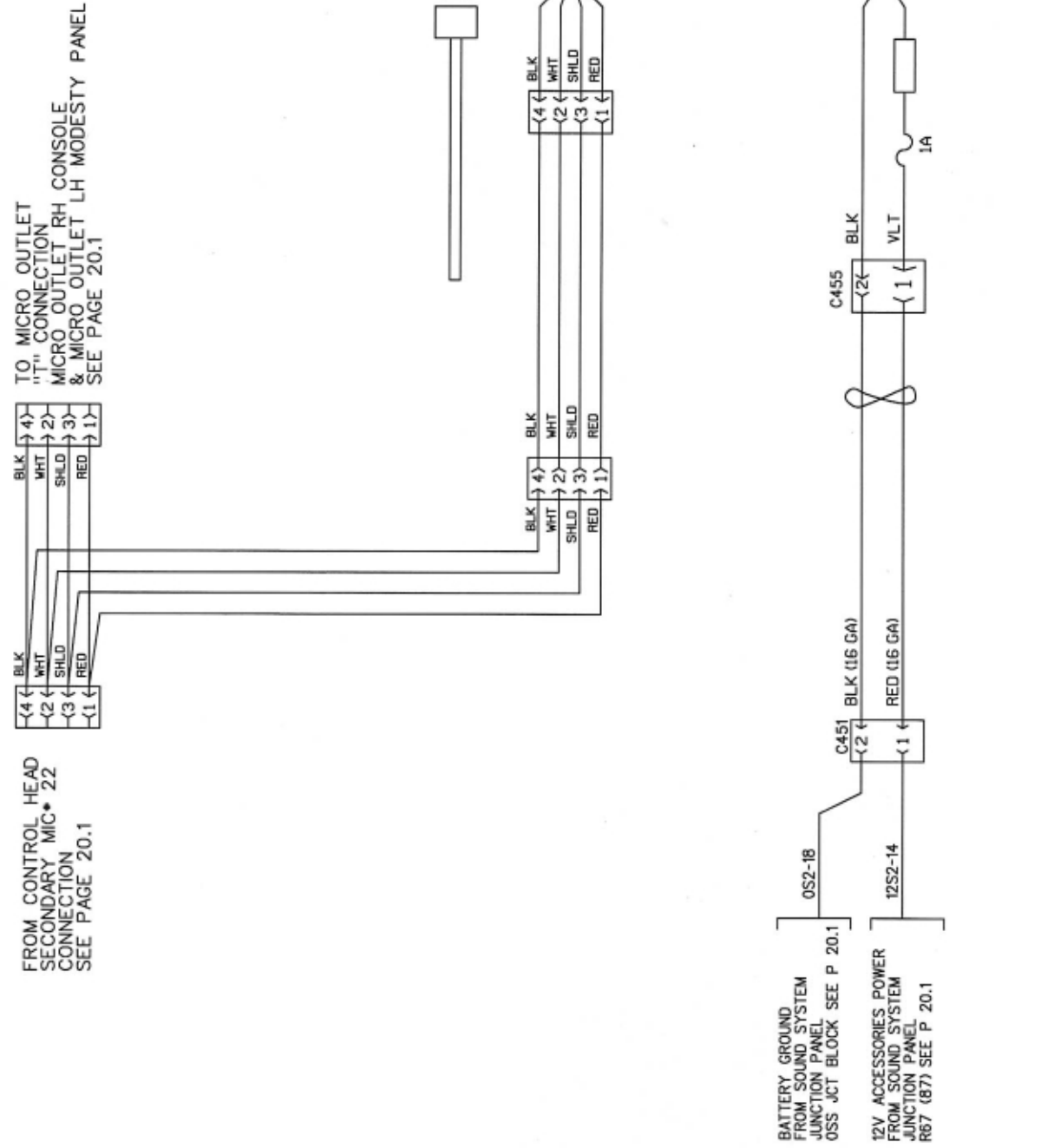


VIDEO SYSTEM

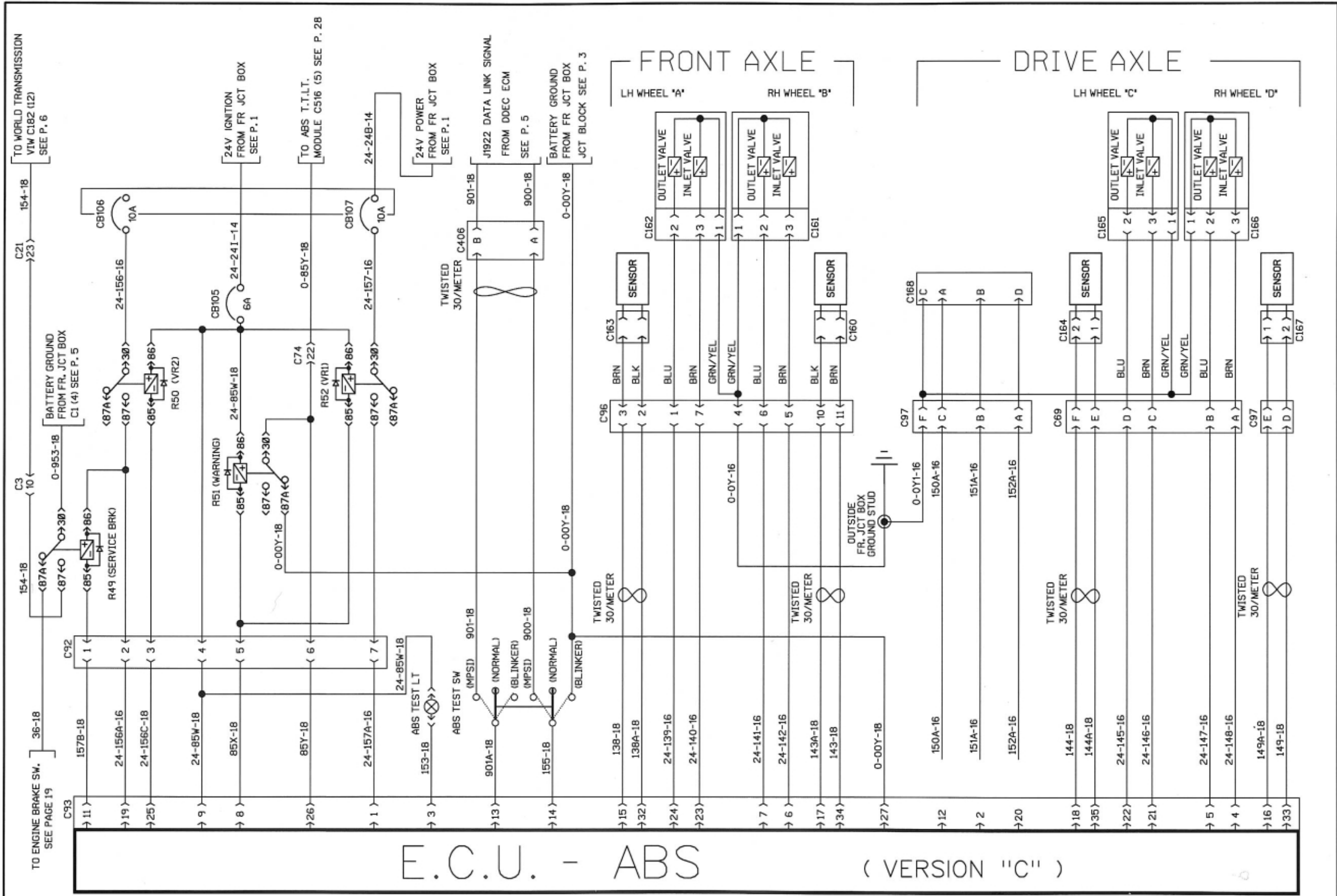


TV RECEIVER

# WIRELESS MICRO RECEIVER

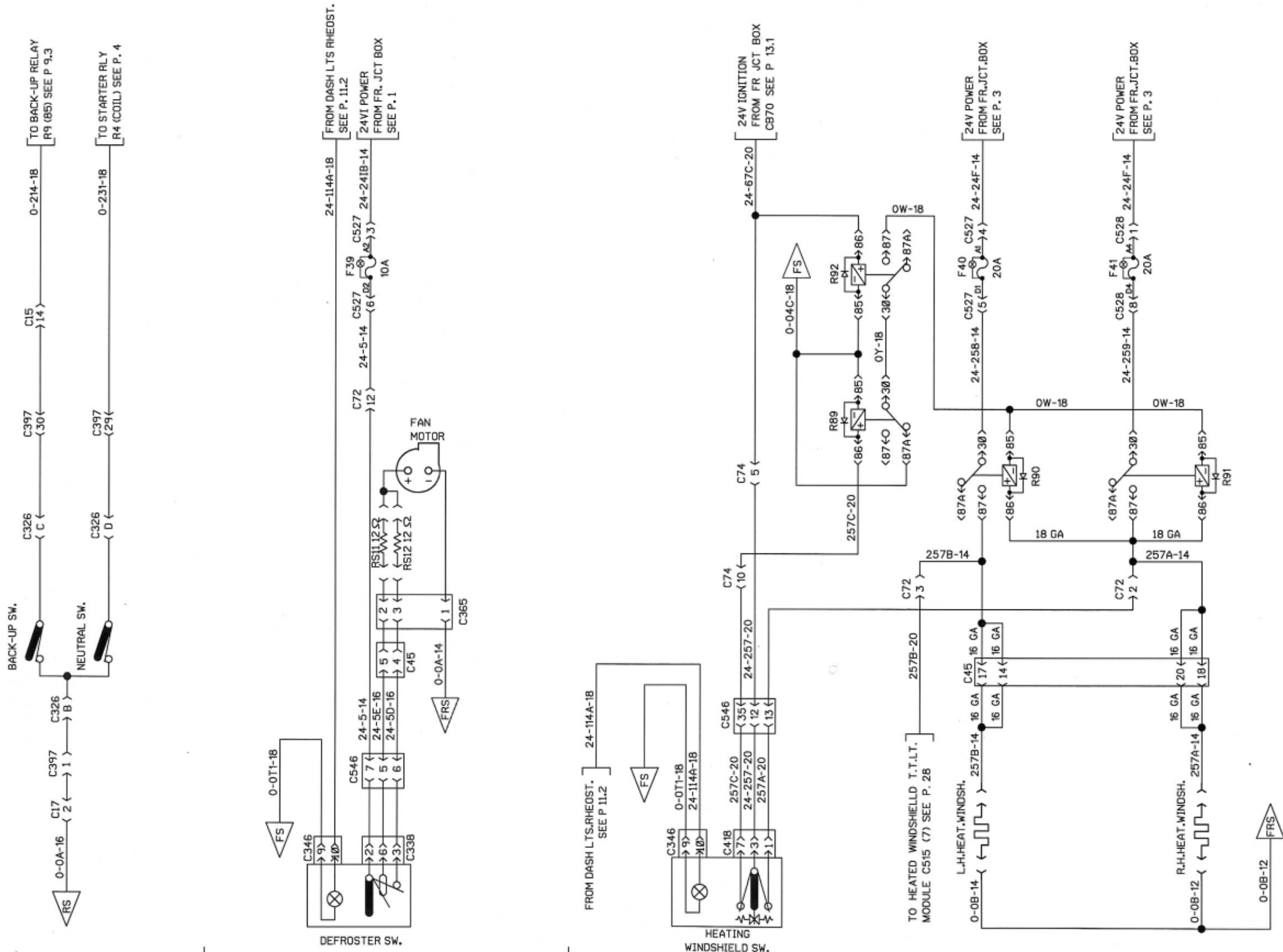


WIRELESS MICROPHONE



E.C.U. - ABS

( VERSION "C" )



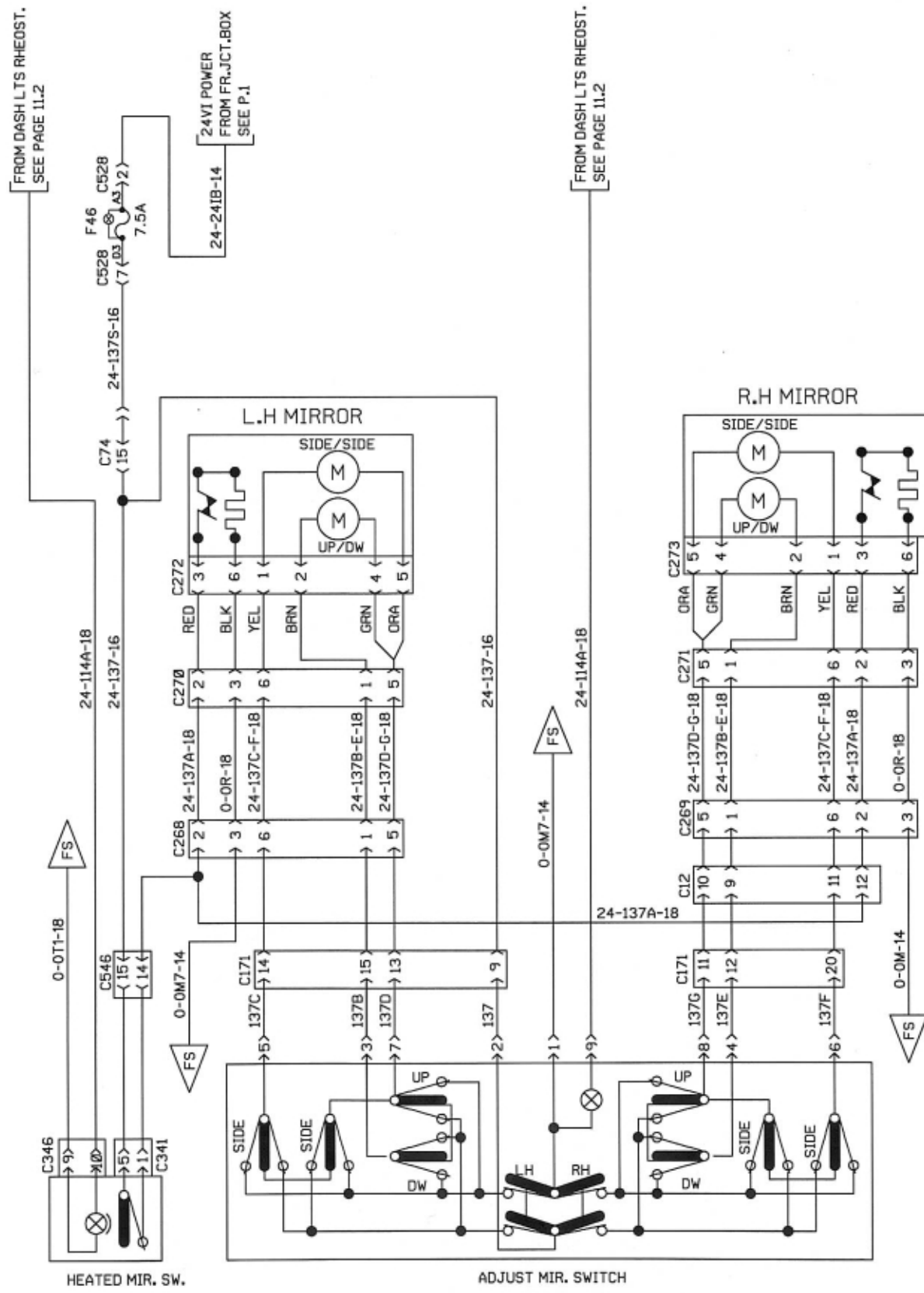
MANUAL TRANSMISSION

UPPER WINDSHIELD DEFROST

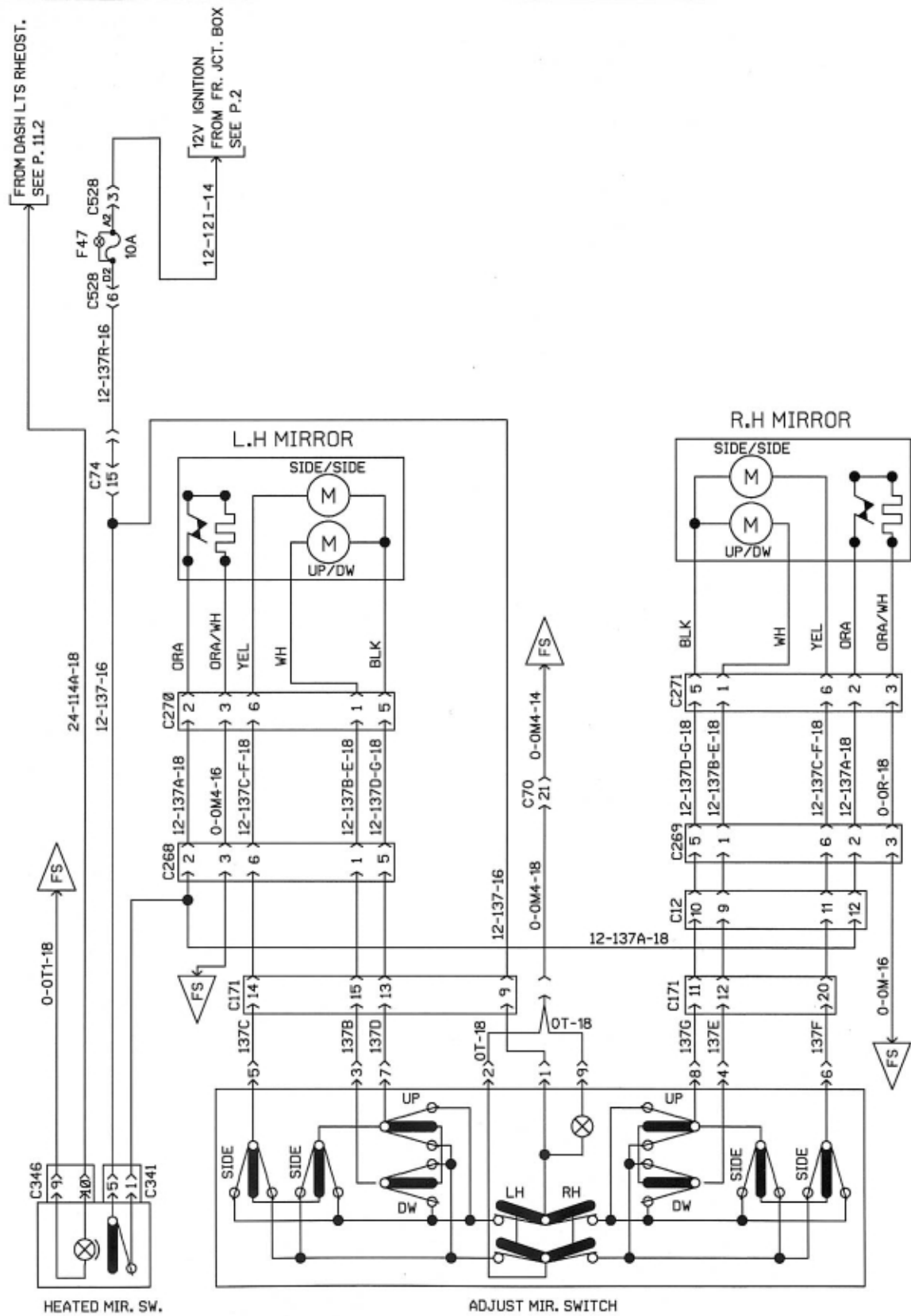
HEATED WINDSHIELD



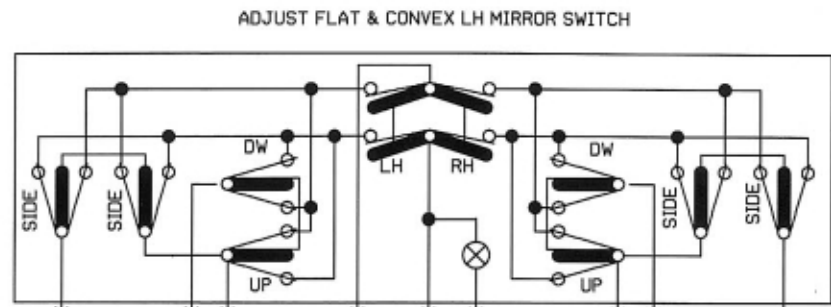




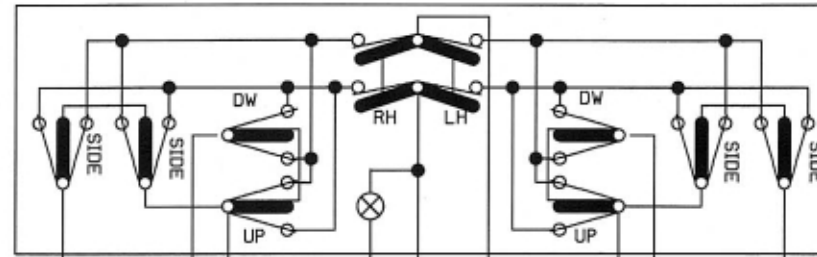
REAR VIEW MIRROR SPARTAN - 1 ADJUSTMENT SW. & 1 HEATED SW.



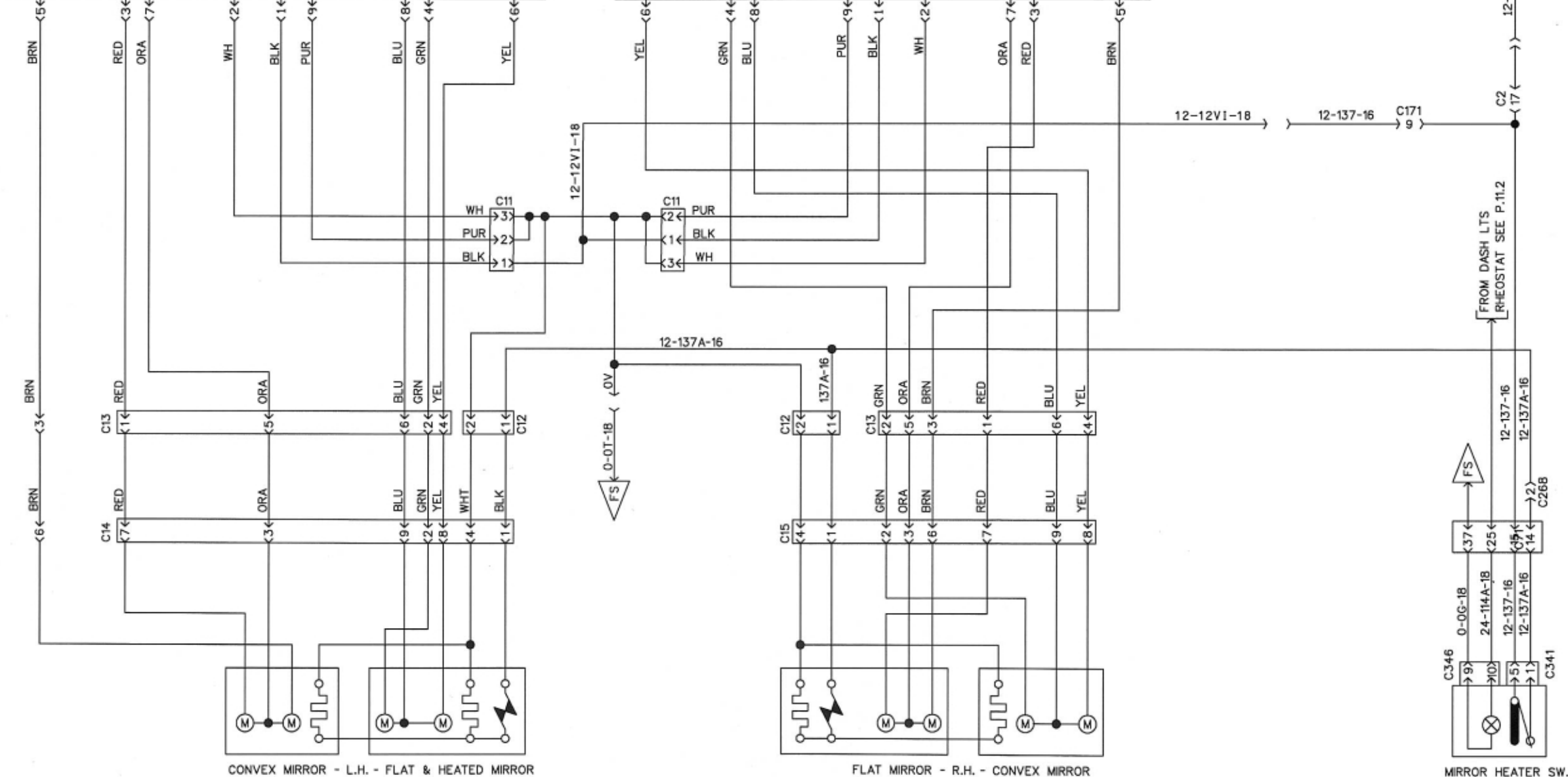
REAR VIEW MIRROR RAMCO FLAT - 1 ADJUSTMENT SW. & 1 HEATED SW.



ADJUST FLAT & CONVEX LH MIRROR SWITCH



ADJUST FLAT & CONVEX RH MIRROR SWITCH

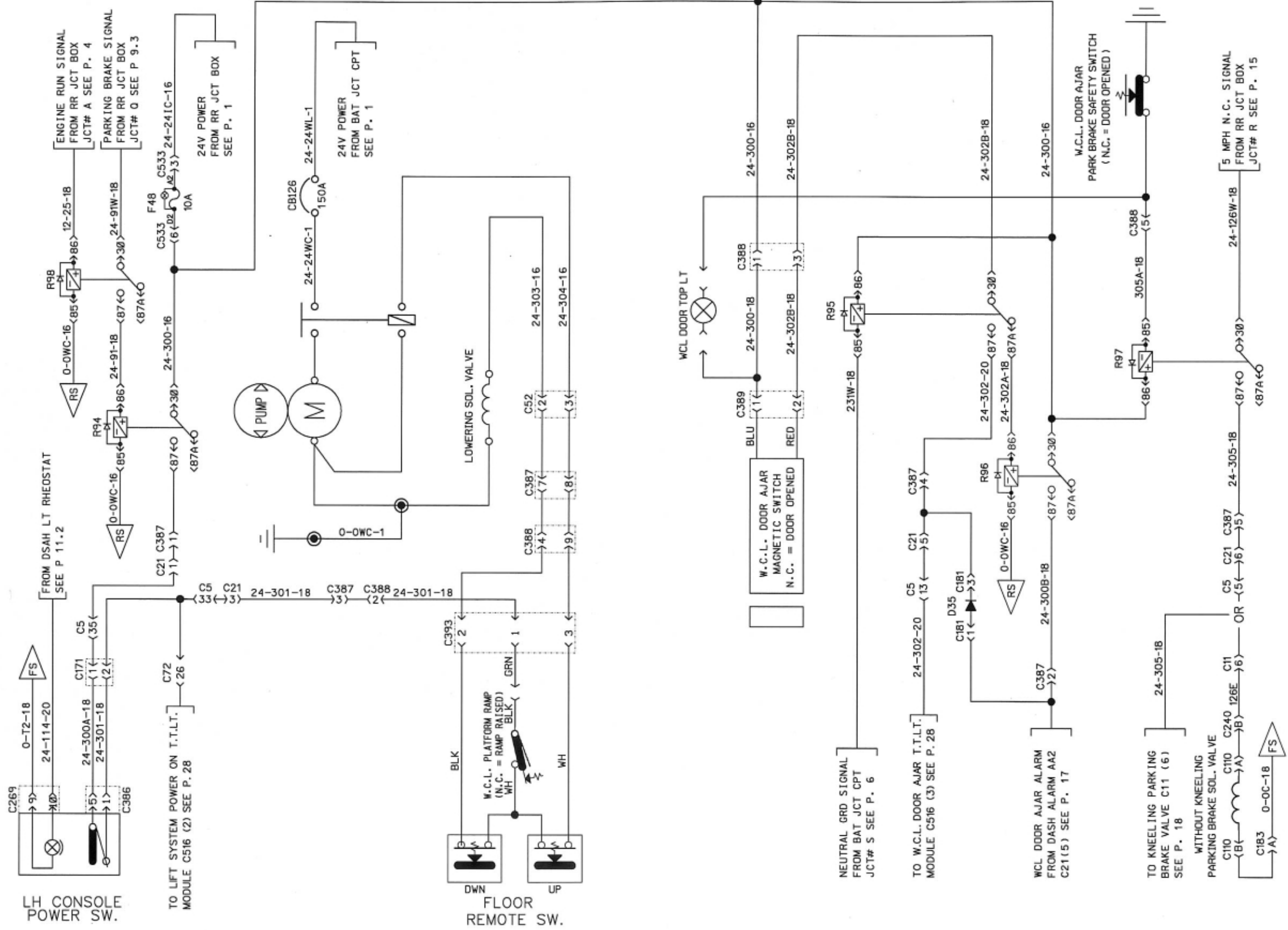


CONVEX MIRROR - L.H. - FLAT & HEATED MIRROR

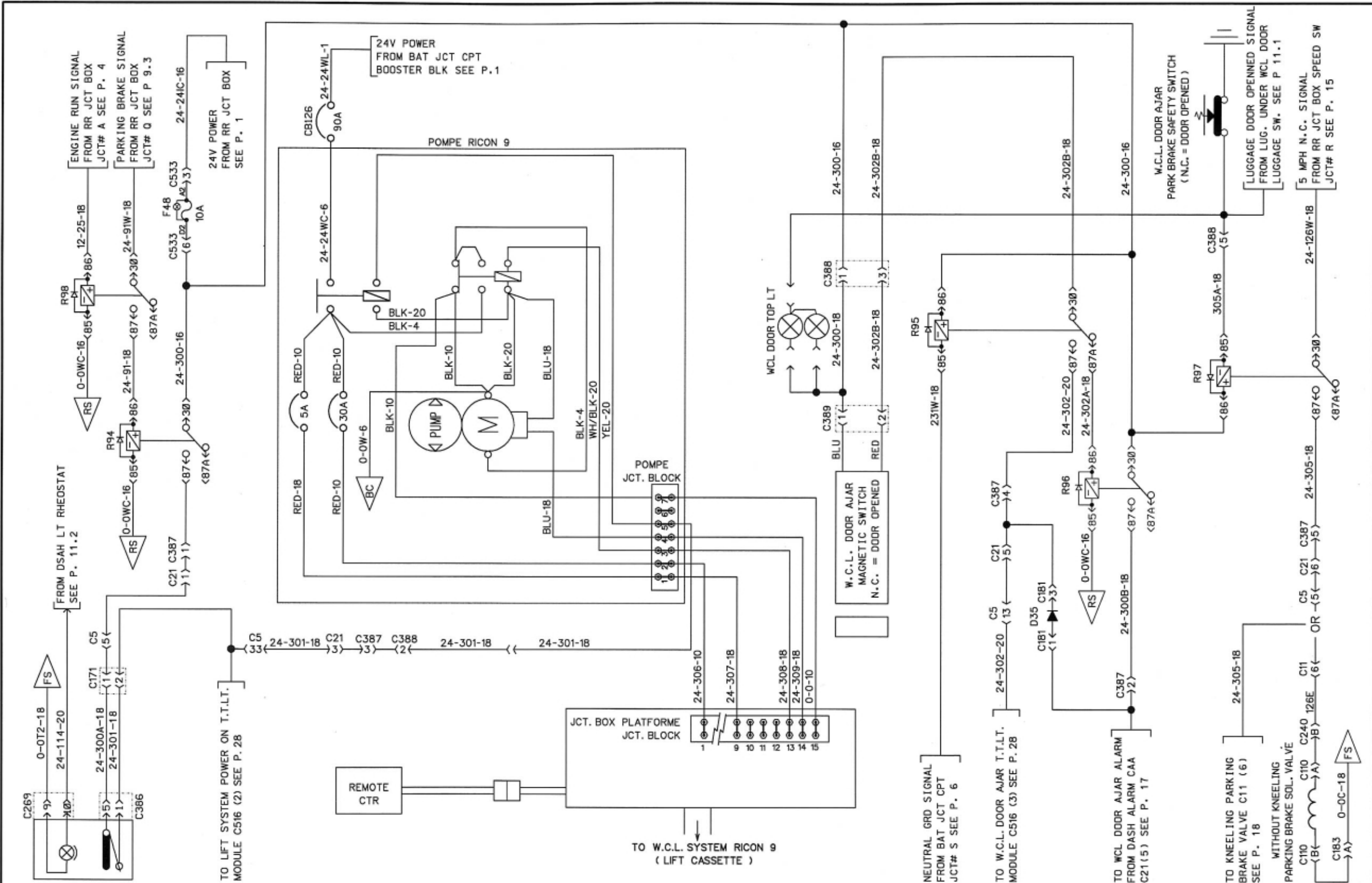
FLAT MIRROR - R.H. - CONVEX MIRROR

MIRROR HEATER SW.

REAR VIEW MIRROR RAMCO FLAT & CONVEX - 2 ADJUSTMENT SW. & 1 HEATED SW.

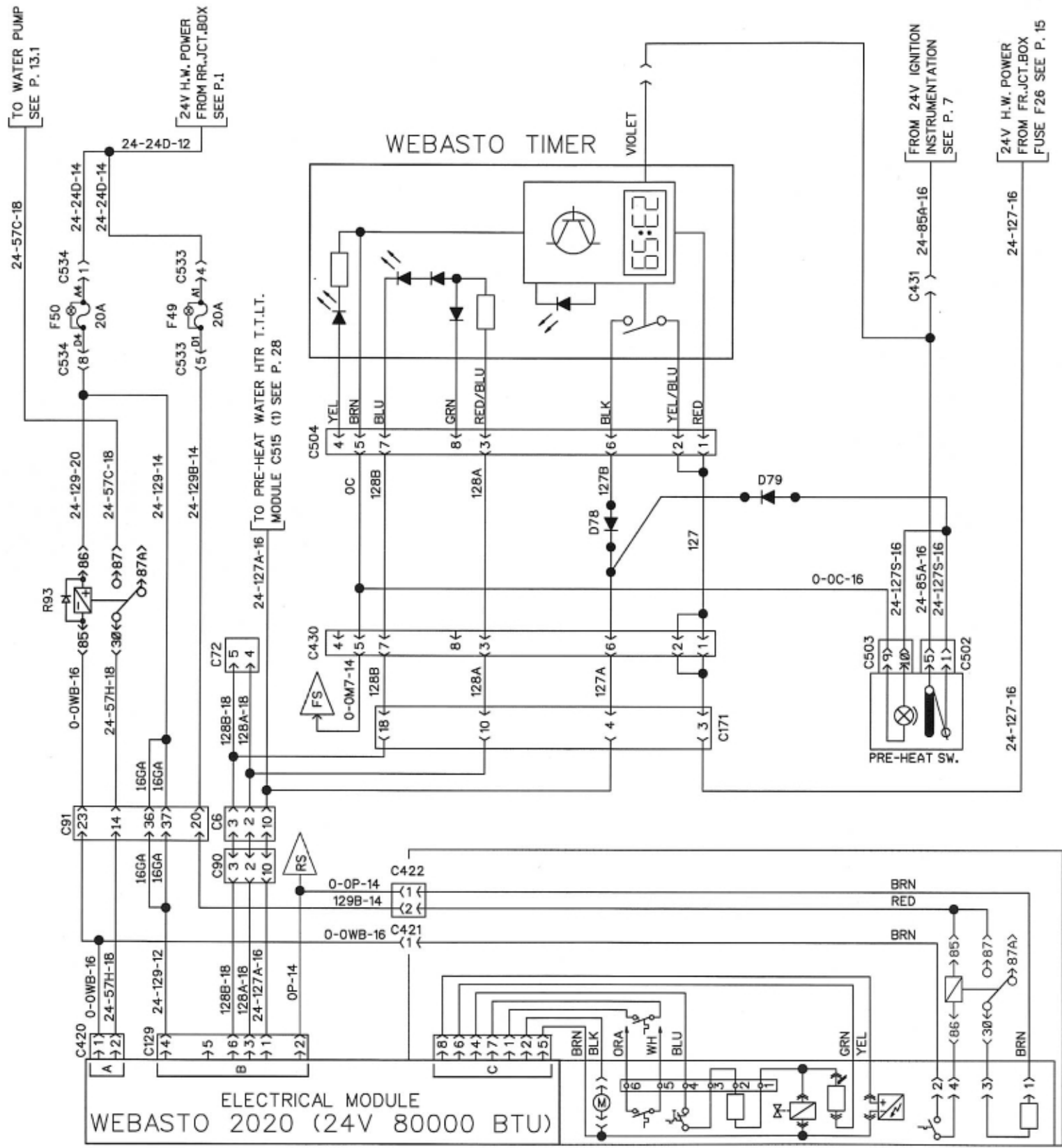


W.C.L. SYSTEM STEWART & STEVENSON

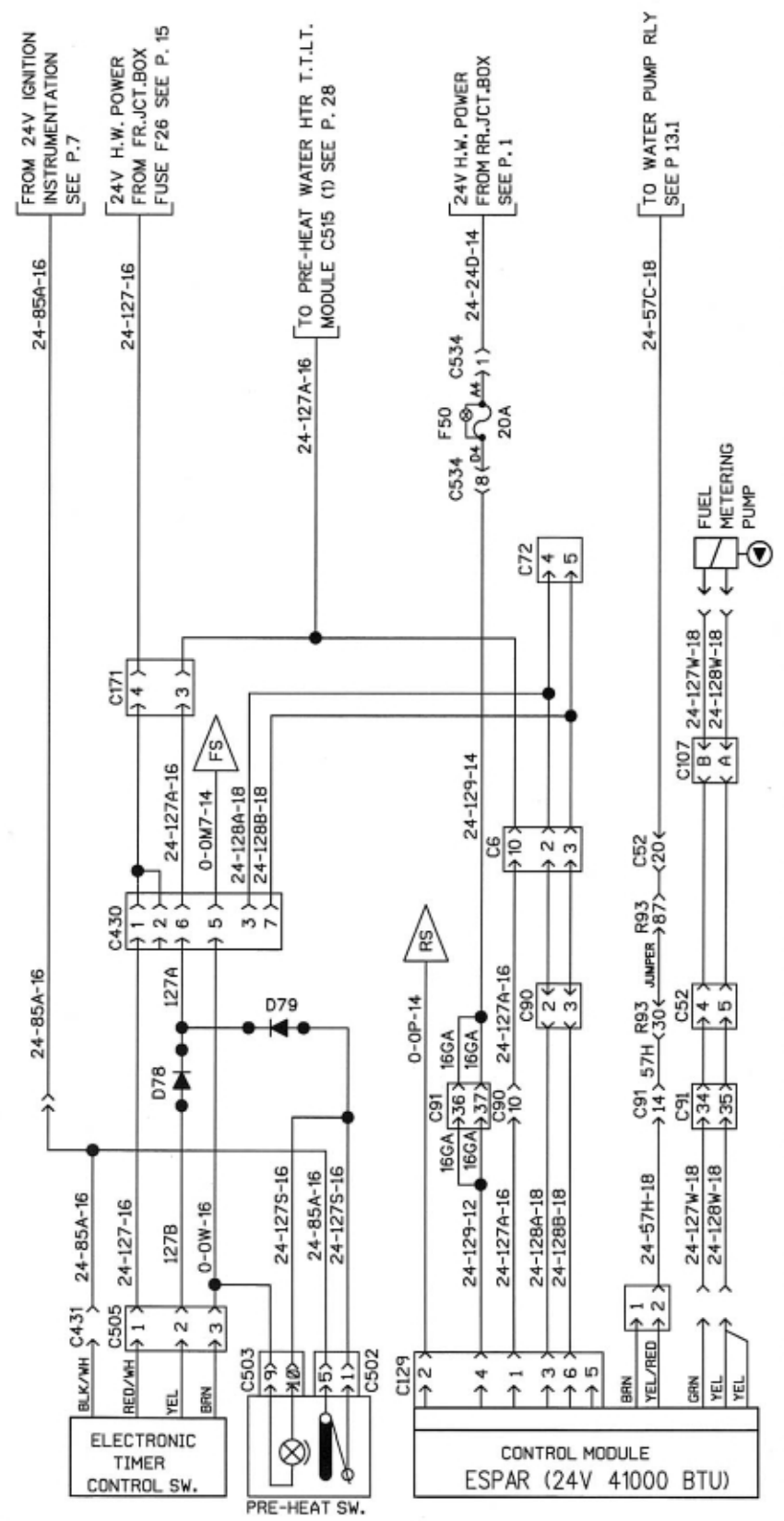


W.C.L. SYSTEM RICON 9



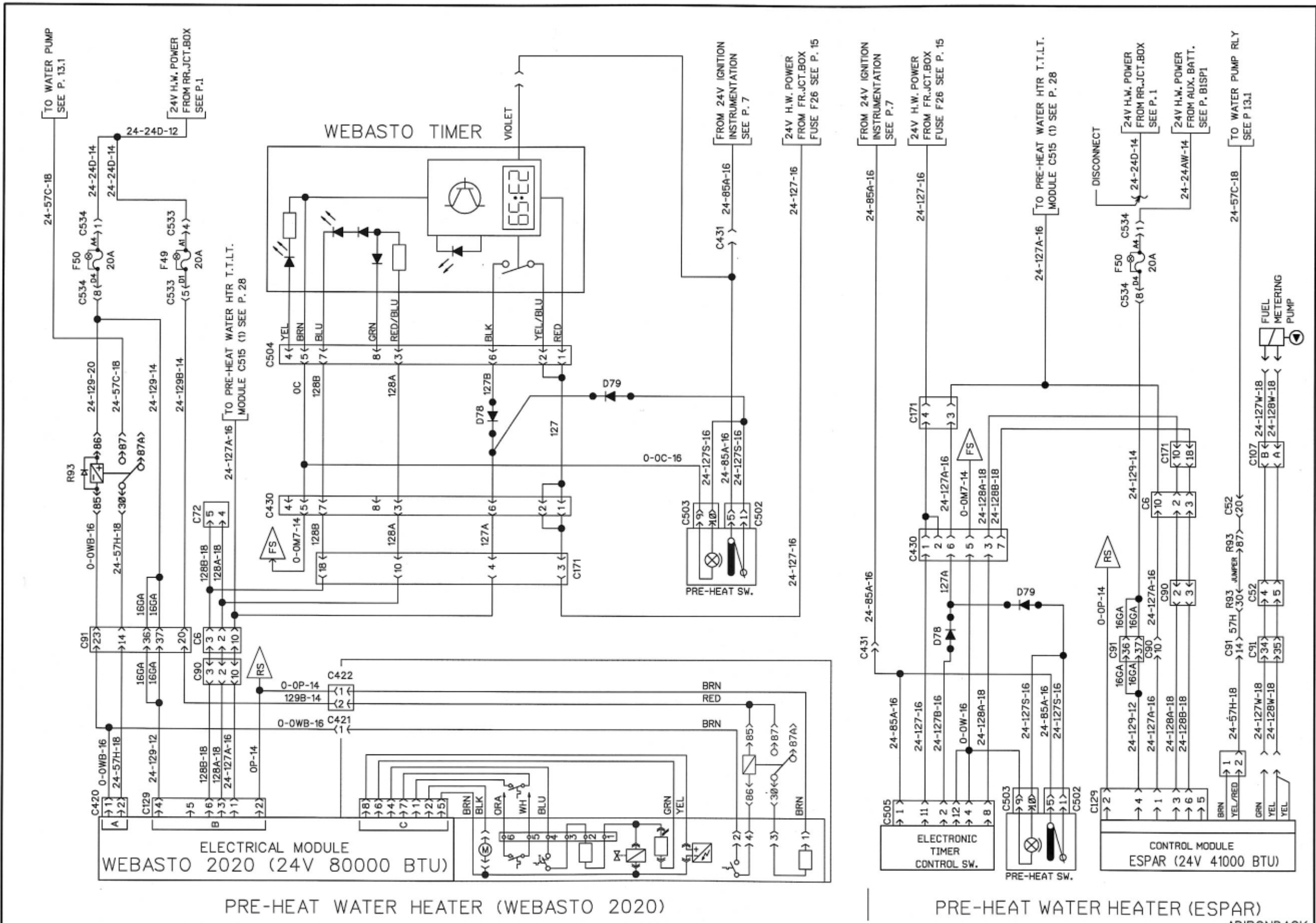


PRE-HEAT WATER HEATER (WEBASTO 2020)



PRE-HEAT WATER HEATER (ESPAR)





ELECTRICAL MODULE  
WEBASTO 2020 (24V 80000 BTU)

PRE-HEAT WATER HEATER (WEBASTO 2020)

ELECTRONIC  
TIMER  
CONTROL SW.

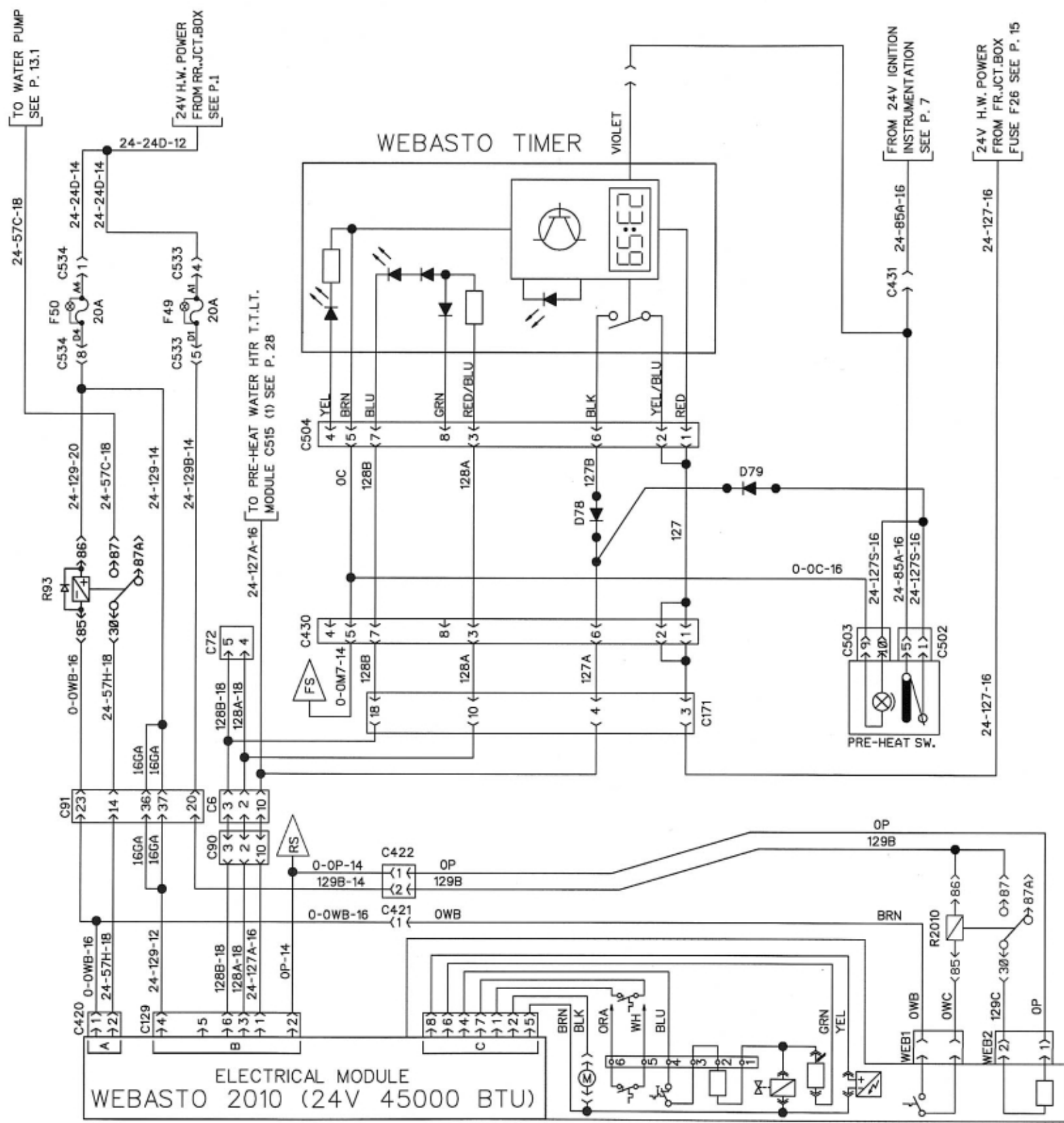
PRE-HEAT SW.

CONTROL MODULE  
ESPAR (24V 41000 BTU)

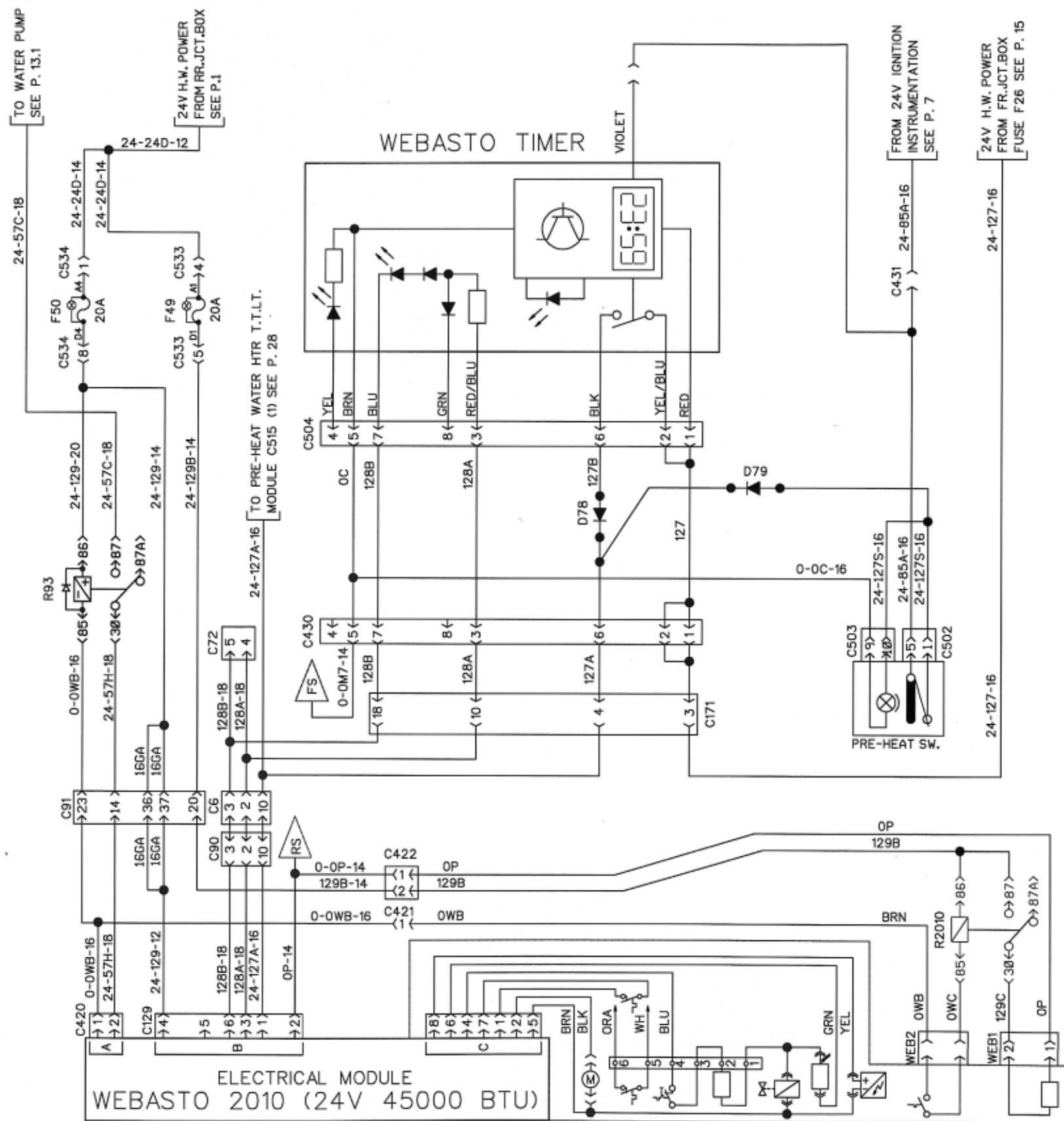
PRE-HEAT WATER HEATER (ESPAR)

ADIRONDACK



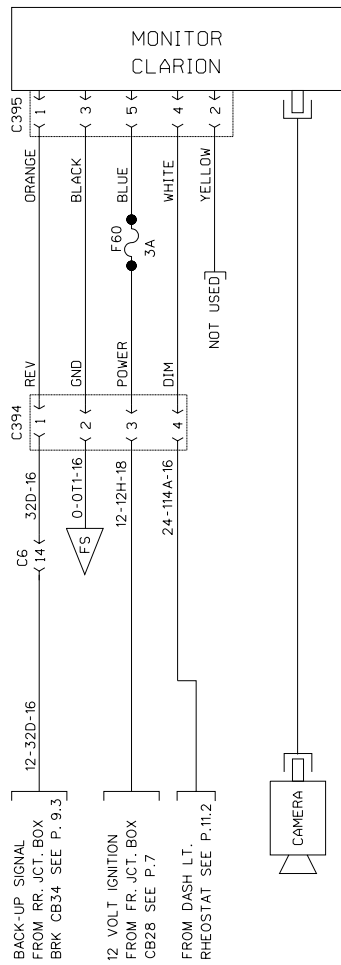


PRE-HEAT WATER HEATER (WEBASTO 2010)



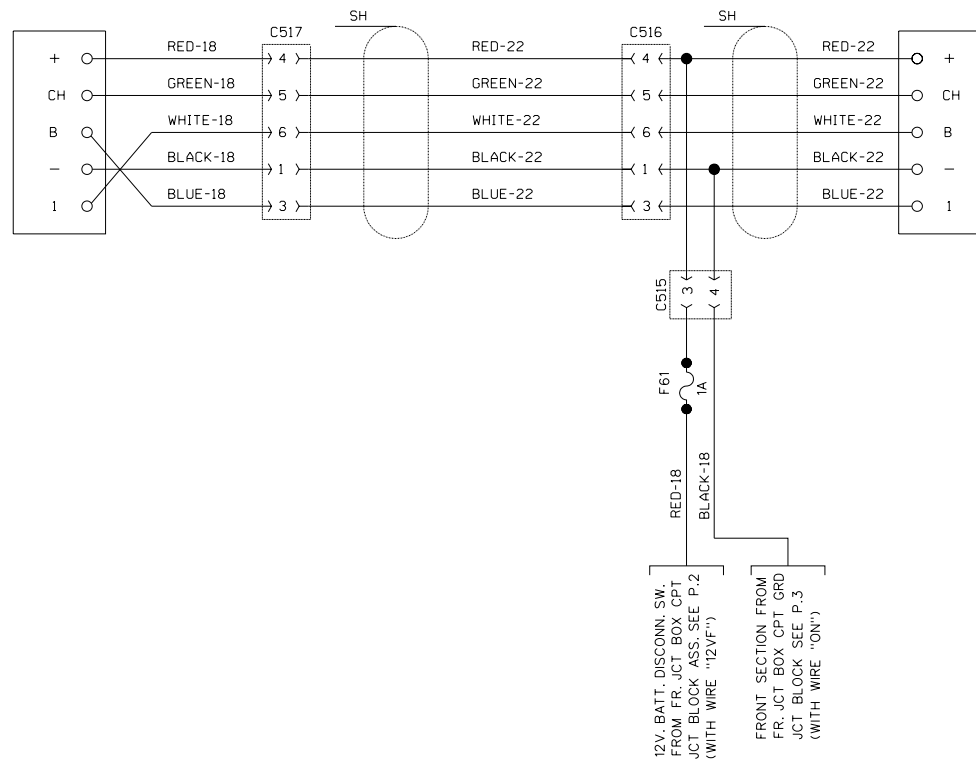
PRE-HEAT WATER HEATER (WEBASTO 2010)



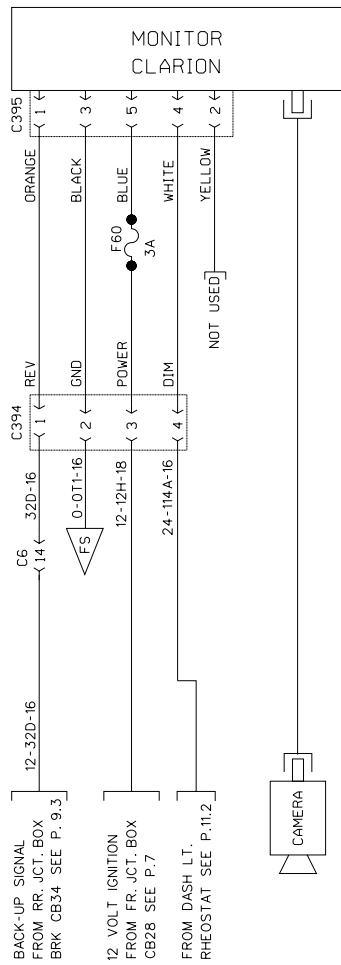


BACK-UP MONITOR (CLARION)

SECONDARY INTERCOM

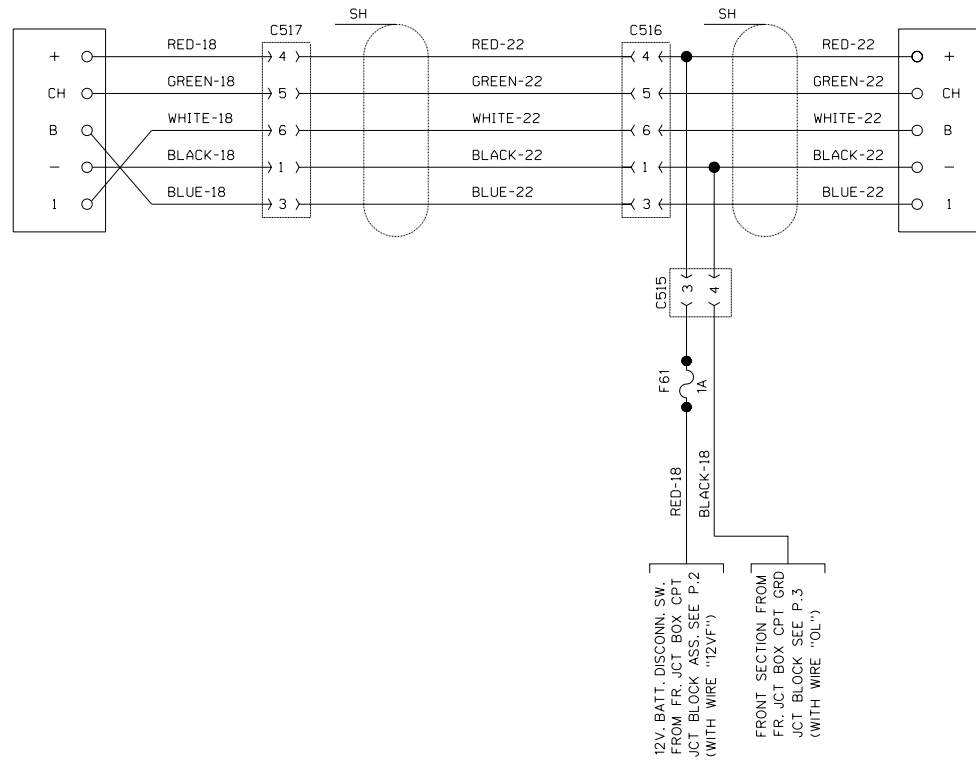


INTERCOM

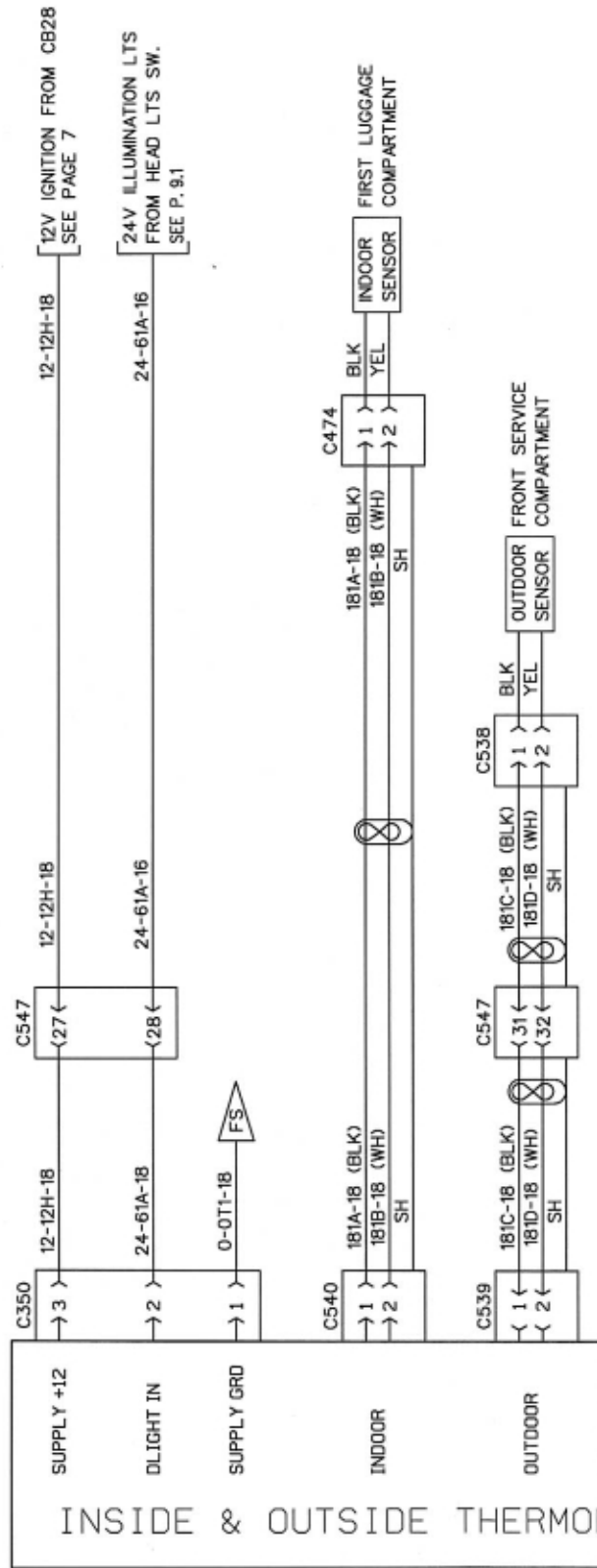


BACK-UP MONITOR (CLARION)

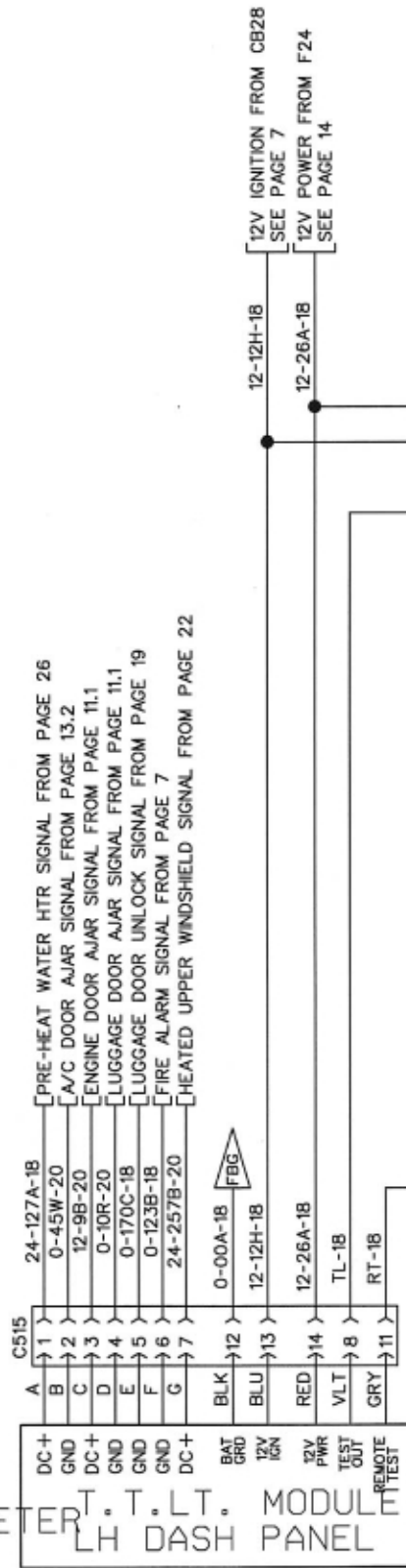
SECONDARY INTERCOM



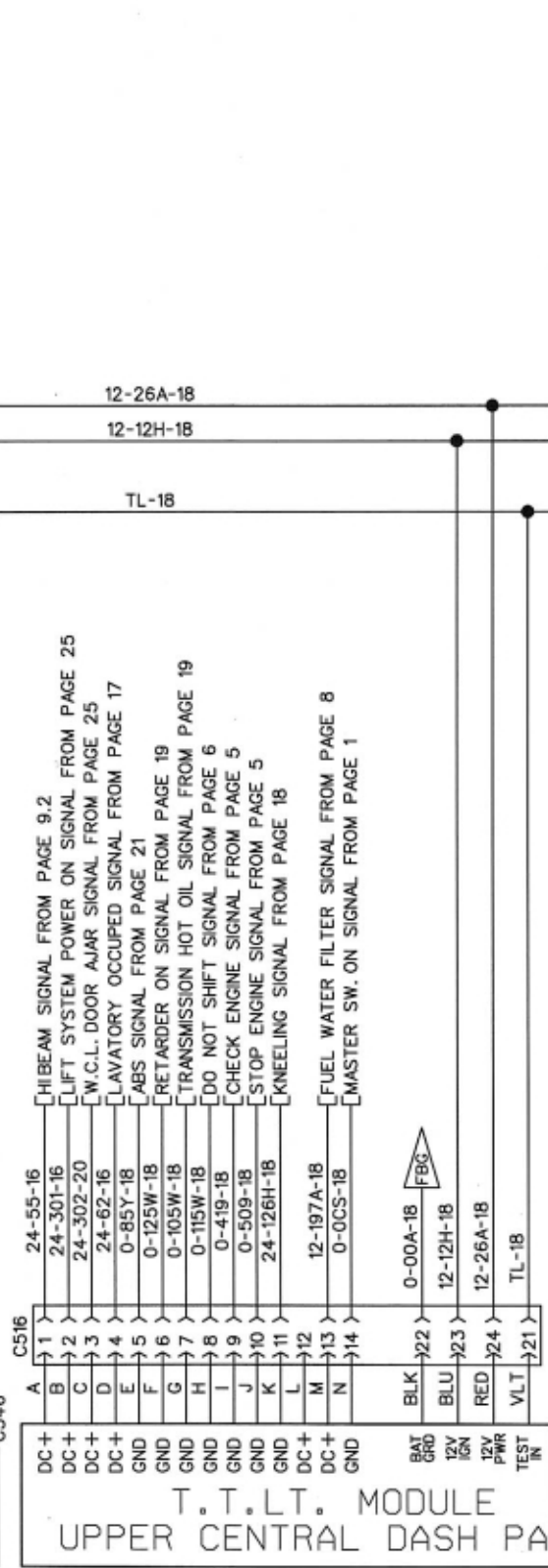
INTERCOM



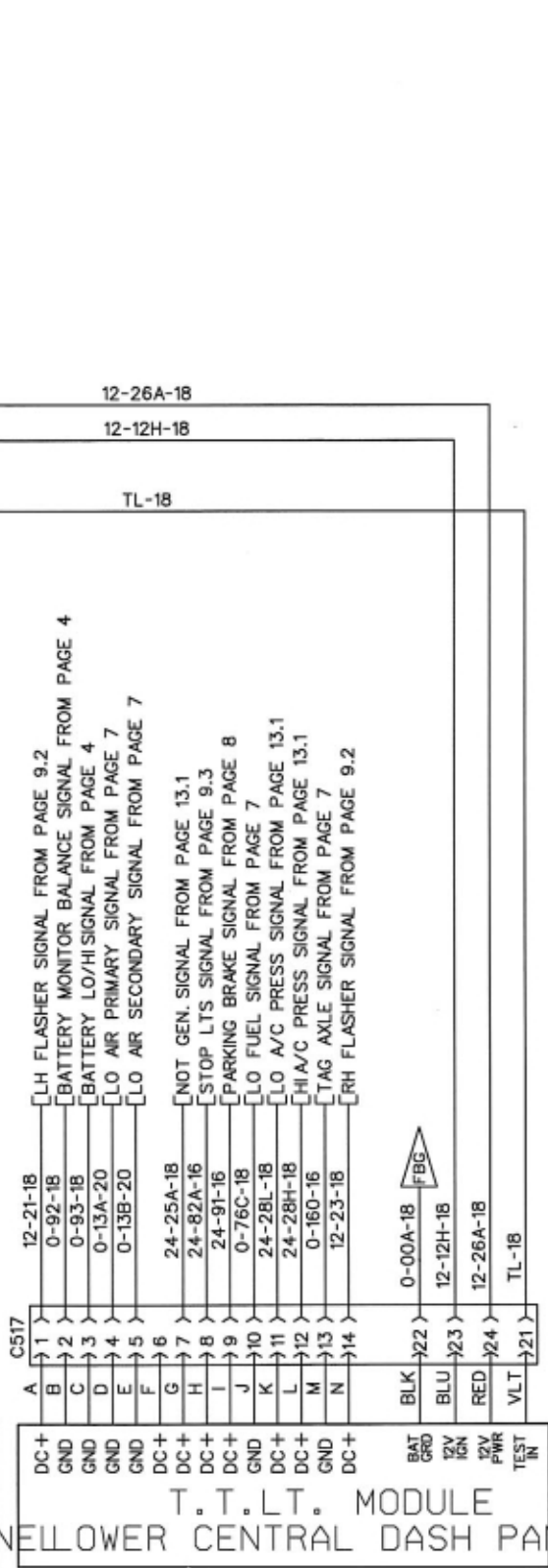
DIGITAL THERMOMETER



REMOTE TEST SW.



TELL TALE LIGHT MODULES



TELL TALE LIGHT MODULES