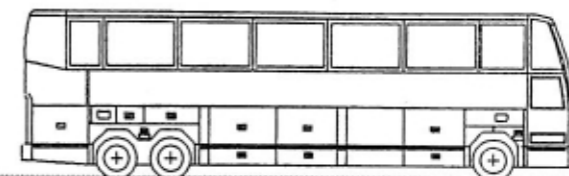


# WIRING DIAGRAM

PREVOST CAR INC.

H3-40 BUS



REFERENCE:

STANDARD

NO:

0060783

EFF. W/ OC# 92022

PRIOR TO / OC# 92043

DR. MARTIN LAFLAMME

DATE: 92-10-30

EFF. W/ VEH.# P300

PRIOR TO / VEH.# P316

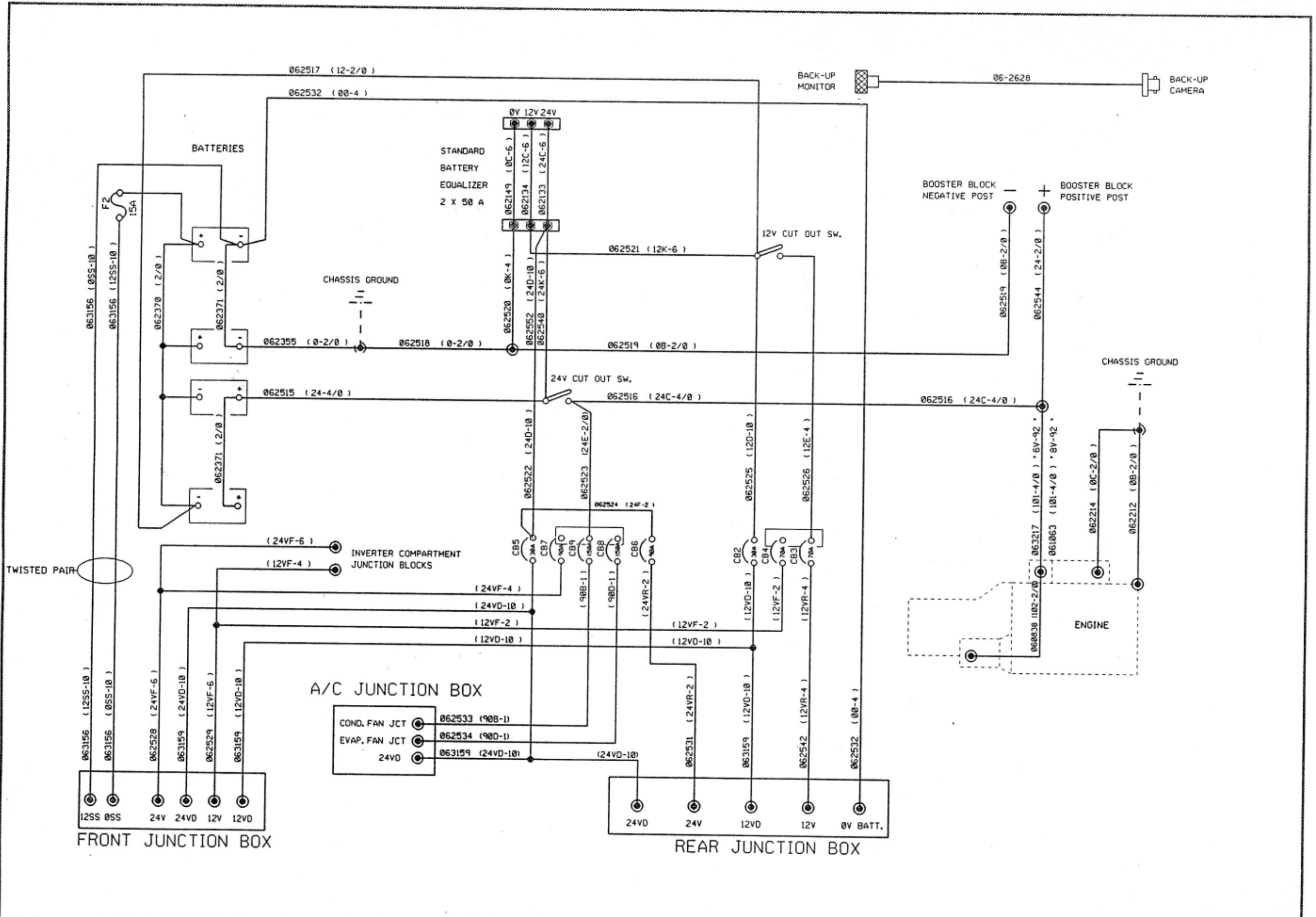
CK. ROCH CHAMPAGNE

APPR. ROLAND LAPOINTE

REVISION DATE	DESCRIPTION	PAGE	BY	CK.	APPR.
93-01-14	RADIO PHOENIX PRIOR TO/VEH. *P313	26	MLAF		
93-01-14	RADIO DAYTONA EFF. W/VEH. *P313	26A	MLAF		
94-04-05	UPDATE PAGES: B,C,14,19,28,30	← SEE	S.G.		
94-04-05	WATER HEATER OPERABLE EFF.W/P300 PRIOR TO P316 OC*94050	18A	S.G.		
94-02-22	ENTRANCE DOOR (RLY MODULE) RETROFIT ON REQUEST VEH. P300 TO P316 OC*94068	22A	R.C.		

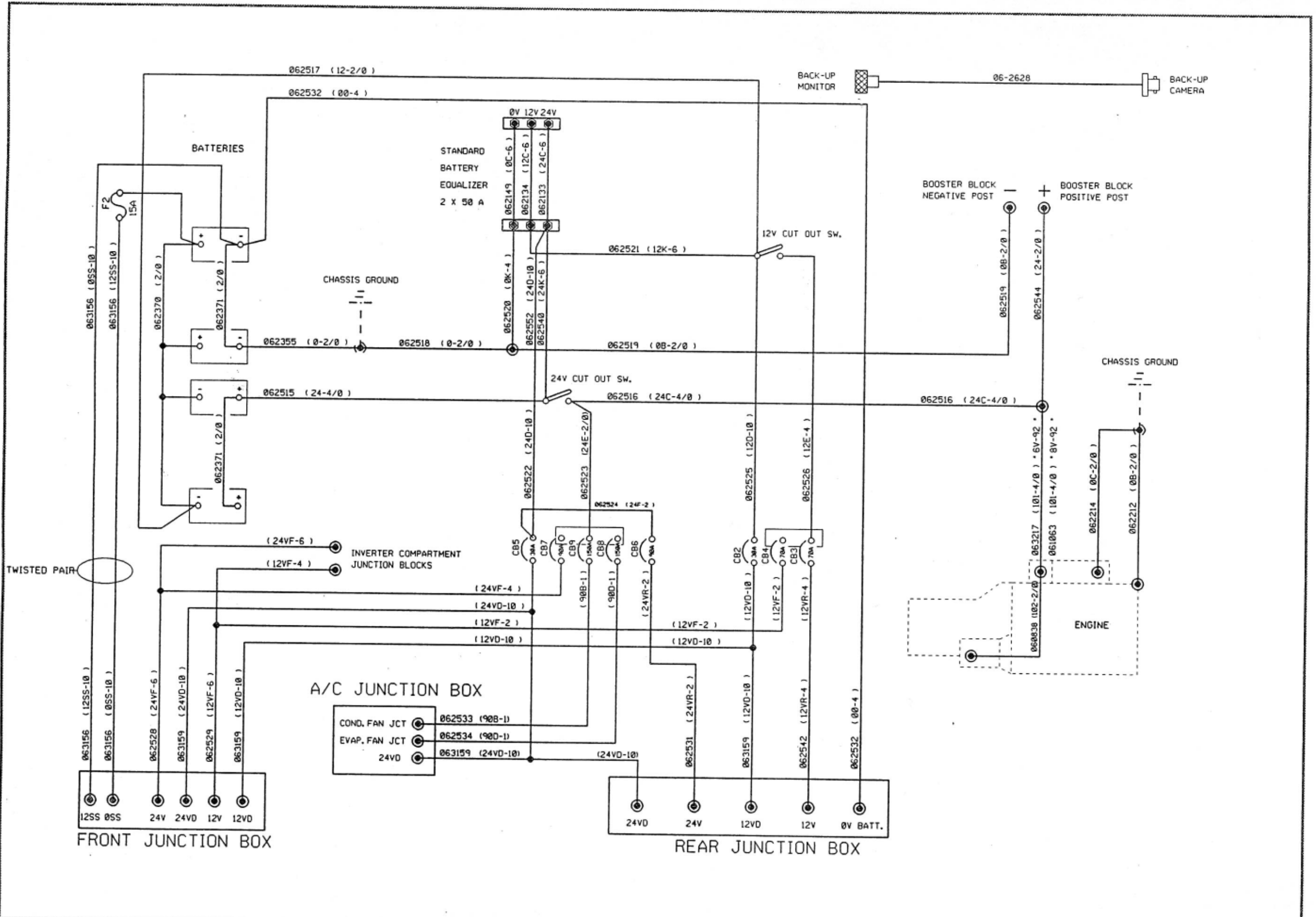
# INDEX

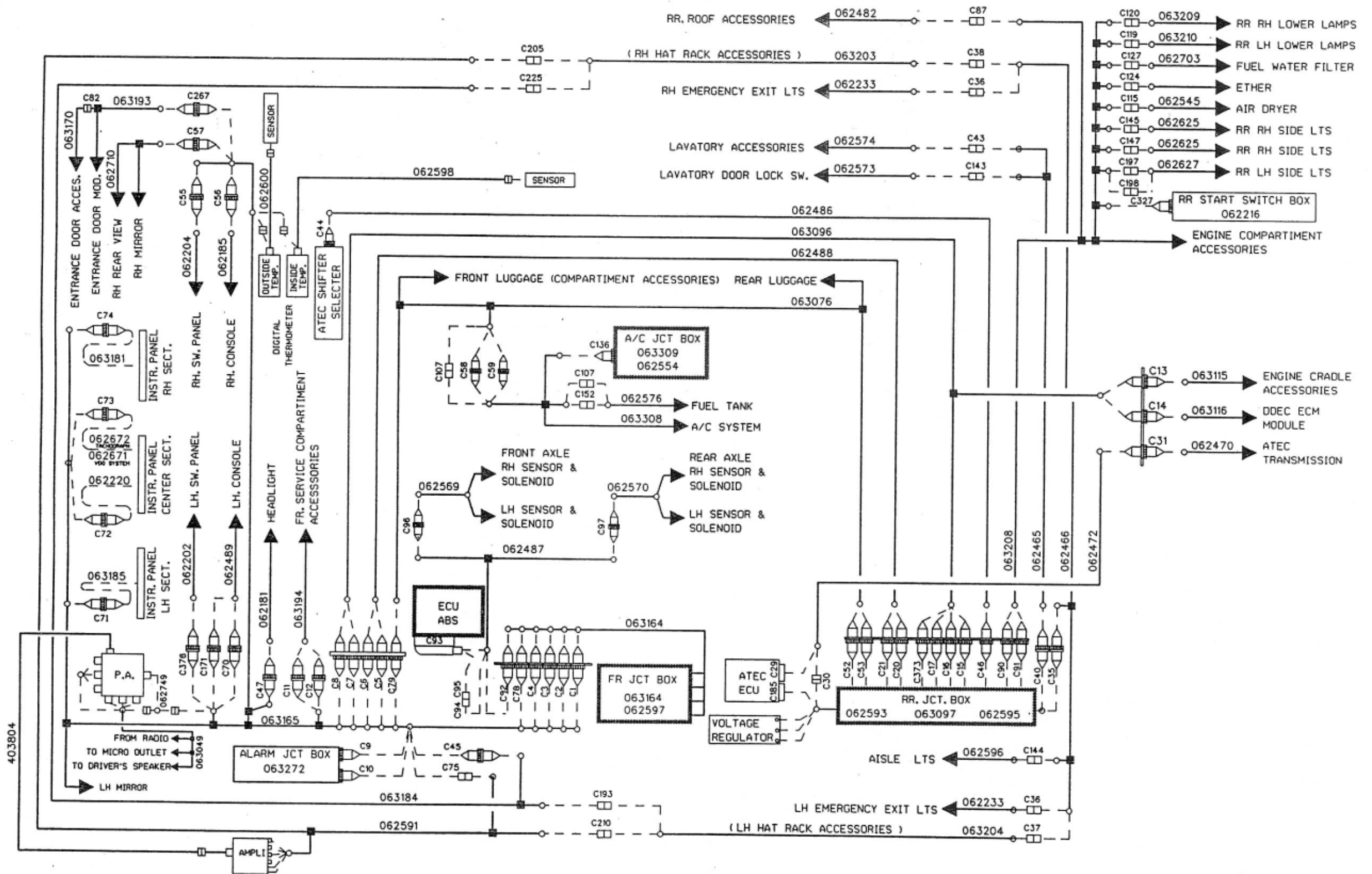
A	A/C AND HEAT SYSTEM	P. 18	DRIVER'S WINDOW LIFTER	P. 20	P	PARKING BRAKE SWITCH	P. 8	
	AIR DRYER	P. 8	E	ENGINE BLOCK HEATER	P. 17	PASSENGER CHIME	P. 17	
	ALARM AND SIGNAL	P. 7		ENGINE CONTROL	P. 4	PRE-HEAT WATER HEATER	P. 17	
	ABS	P. 27		ENTRANCE DOOR (SEDAN)	P. 22	PYROMETER	P. 28	
	ARRANGEMENT - CABLE	P. B		ETHER COLD START	P. 8	R	RETARDER-A.T.E.C.	P. 6
	ARRANGEMENT - HARNESS	P. C		EXTERIOR LIGHTING	P. 8	S	SOUND SYSTEM	P. 26, 26A
	ARRANGEMENT - SPARE WIRE	P. D	F	FAST IDLE	P. 5		SPEEDOMETER (VDO)	P. 21
	A.T.E.C.	P. 6		FRONT DESTINATION SIGN	P. 23		SUN VISOR	P. 20
B	BACK-UP ALARM	P. 8		FUEL (LO) WARNING LT.	P. 8	T	TACHOGRAPH-ELECTRONIC	P. 21
	BACK-UP MONITOR	P. 24		FUEL WATER FILTER	P. 8		TACHOMETER (VDO)	P. 21
	BACK-UP SIGNAL	P. 11	G	GALLEY ACCESSORIES	P. 30		THERMOMETER-DIGITAL	P. 21
C	CHARGING SYSTEM	P. 4		GROUND SYSTEM	P. 3	V	VIDEO SYSTEM & TV RECEIVER	P. 29
	CIGAR LIGHTER	P. 20	H	HIGH BUOY	P. 24	W	WATER TANK HEATER LAVATORY	P. 17
	CODE - CIRCUIT NUMBER	P. E		HOSTESS CHIME	P. 17		WINDSHIELD-WIPER & WASHER	P. 12
	CODE - CIRCUIT BREAKER	P. F		HYDR. TRANSM. MODULATOR			WINDSHIELD(UP)-DEFROSTER	P. 20
	CODE - CONNECTOR	P. G		SOL. VALVE	P. 28		WINDSHIELD(UP)-HEATED	P. 28
	CODE - DIODE	P. H	I	INTERIOR LIGHTING	P. 13			
	CODE - RELAY	P. I	J	JACOB BRAKE SYSTEM	P. 25			
	CODE - RESISTOR	P. J	K	KNEELING SYSTEM	P. 24			
	CODE - WIRING KEY	P. K	L	LAVATORY	P. 23			
	CRUISE CONTROL - D.D.E.C.	P. 5		LOW BUOY	P. 28			
D	D.D.E.C. II	P. 5		LUGGAGE DOOR LOCK	P. 25			
	DIFFERENTIAL OIL TEMP.	P. 8	M	MIRROR-RR VIEW ADJUST.				
	DISTRIBUTION 12V	P. 2		& HEATED	P. 20			
	DISTRIBUTION 24V	P. 1	N	NEUTRAL SWITCH - HYDRAULIC				
	DRIVER'S SEAT HEATER	P. 23		& MANUAL TRANSM.	P. 28			

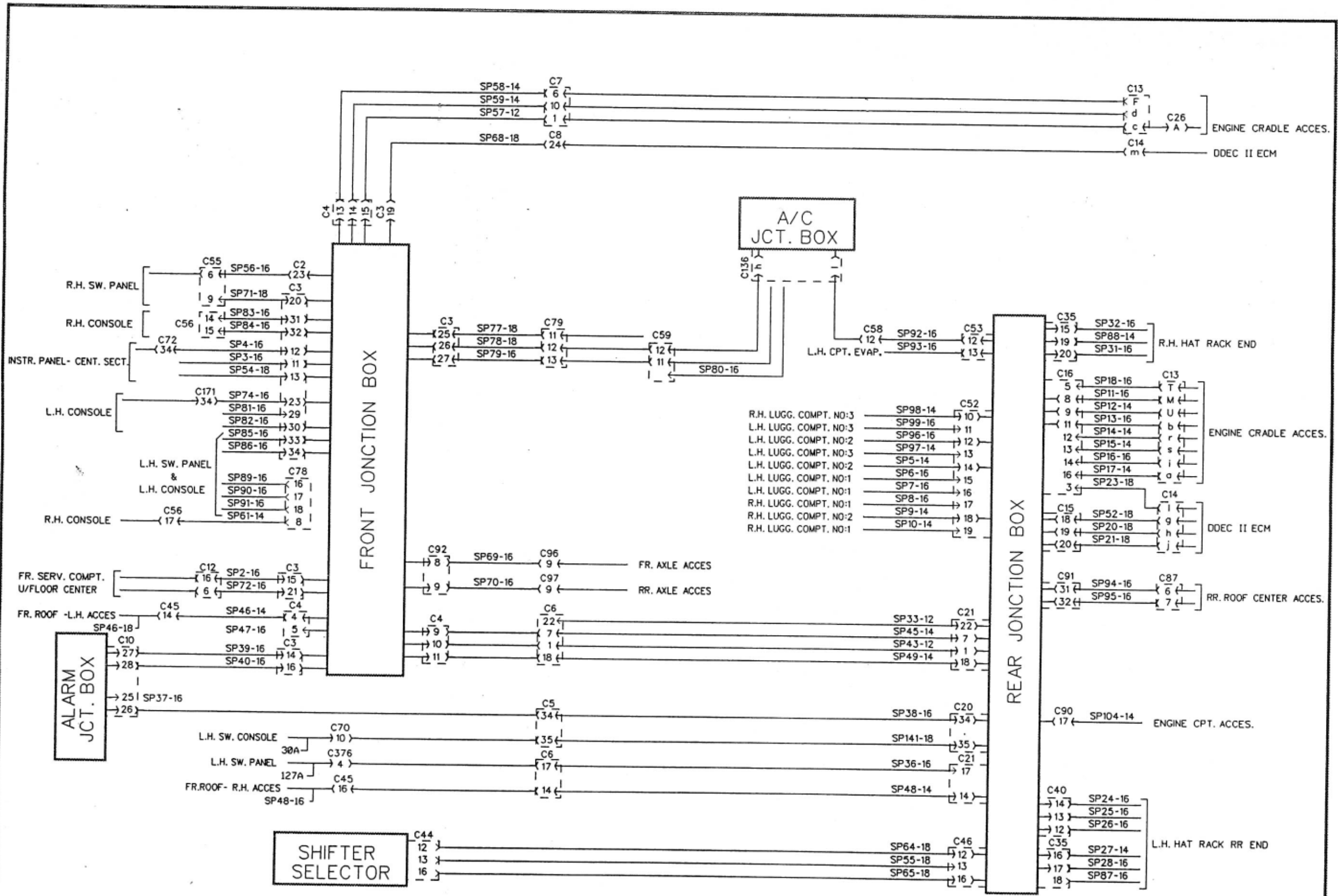


# INDEX

A	A/C AND HEAT SYSTEM	P. 18	DRIVER'S WINDOW LIFTER	P. 20	P	PARKING BRAKE SWITCH	P. 8	
	AIR DRYER	P. 8	E	ENGINE BLOCK HEATER	P. 17	PASSENGER CHIME	P. 17	
	ALARM AND SIGNAL	P. 7		ENGINE CONTROL	P. 4	PRE-HEAT WATER HEATER	P. 17	
	ABS	P. 27		ENTRANCE DOOR (SEDAN)	P. 22	PYROMETER	P. 28	
	ARRANGEMENT - CABLE	P. B		ETHER COLD START	P. 8	R	RETARDER-A.T.E.C.	P. 6
	ARRANGEMENT - HARNESS	P. C		EXTERIOR LIGHTING	P. 8	S	SOUND SYSTEM	P. 26, 26A
	ARRANGEMENT - SPARE WIRE	P. D	F	FAST IDLE	P. 5		SPEEDOMETER (VDO)	P. 21
	A.T.E.C.	P. 6		FRONT DESTINATION SIGN	P. 23		SUN VISOR	P. 20
B	BACK-UP ALARM	P. 8		FUEL (LO) WARNING LT.	P. 8	T	TACHOGRAPH-ELECTRONIC	P. 21
	BACK-UP MONITOR	P. 24		FUEL WATER FILTER	P. 8		TACHOMETER (VDO)	P. 21
	BACK-UP SIGNAL	P. 11	G	GALLEY ACCESSORIES	P. 30		THERMOMETER-DIGITAL	P. 21
C	CHARGING SYSTEM	P. 4		GROUND SYSTEM	P. 3	V	VIDEO SYSTEM & TV RECEIVER	P. 29
	CIGAR LIGHTER	P. 20	H	HIGH BUOY	P. 24	W	WATER TANK HEATER LAVATORY	P. 17
	CODE - CIRCUIT NUMBER	P. E		HOSTESS CHIME	P. 17		WINDSHIELD-WIPER & WASHER	P. 12
	CODE - CIRCUIT BREAKER	P. F		HYDR. TRANSM. MODULATOR			WINDSHIELD(UP)-DEFROSTER	P. 20
	CODE - CONNECTOR	P. G		SOL. VALVE	P. 28		WINDSHIELD(UP)-HEATED	P. 28
	CODE - DIODE	P. H	I	INTERIOR LIGHTING	P. 13			
	CODE - RELAY	P. I	J	JACOB BRAKE SYSTEM	P. 25			
	CODE - RESISTOR	P. J	K	KNEELING SYSTEM	P. 24			
	CODE - WIRING KEY	P. K	L	LAVATORY	P. 23			
	CRUISE CONTROL - D.D.E.C.	P. 5		LOW BUOY	P. 28			
D	D.D.E.C. II	P. 5		LUGGAGE DOOR LOCK	P. 25			
	DIFFERENTIAL OIL TEMP.	P. 8	M	MIRROR-RR VIEW ADJUST.				
	DISTRIBUTION 12V	P. 2		& HEATED	P. 20			
	DISTRIBUTION 24V	P. 1	N	NEUTRAL SWITCH - HYDRAULIC				
	DRIVER'S SEAT HEATER	P. 23		& MANUAL TRANSM.	P. 28			







No.	SYSTEM	No.	SYSTEM
O	IC - INVERTER CPT GRD	OT	RS - RR JCT BOX GRD
O	GALLEY GRD	OU	RR JCT BOX CPT GRD STUD
O	PB - POWER BOX GRD	OV	RR JCT BOX CPT GRD STUD
O	CONDENSER CPT GRD	OV1	RR JCT BOX CPT GRD STUD
O	RS - LUG. CPT ACCES. GRD	OW	FS - UNDER DASH CENT GRD
O	A/C - A/C JCT BOX GRD	OW	DDEC-COOL LEVEL PROBE GRD
O	GALLEY GRD	OX	FR JCT BOX CPT GRD STUD
O	FJB - FR JCT BOX GRD	OX	RJB - COOL. LVL BATT. GRD
O	GALLEY GRD	OY	RS - RR JCT BOX GRD
O	VIDEO GRD	OY	RS - DRIVE AXLE ACCES. GRD
OA	A/C - A/C JCT BOX GRD	OZ	FR JCT BOX CPT GRD STUD
OA	FRS - FR ROOF ACCES. GRD	OZ	RR JCT BOX CPT GRD STUD
OA	RS - LUG. CPT ACCES. GRD	OZ1	RR JCT BOX CPT GRD STUD
OA	AJB - ALARM JCT BOX GRD	OO	RR JCT BOX CPT BATT. GRD
OA	FJB - FR JCT BOX GRD	OO	RJB - CRUISE CTR BATT. GRD
OAA	RS - VOLTAGE REGULATOR GRD	1	TACHO SYSTEM
OAB	RS - RR JCT BOX GRD	2B	A/C & HEAT SYSTEM-COOL 1 SIGN
OB	EC - ENGINE GRD	2C	A/C & HEAT SYSTEM-LO PRESS SW
OB	FRS - FR ROOF HEAT WIND GRD	2D	A/C & HEAT SYSTEM-LO PRESS TT LT
OB	FS - FR ROOF ACCES. GRD	4	HOSTESS & PASSENGER CHIME
OB	RS - LUG. CPT ACCES. GRD	4A	HOSTESS & PASSENGER CHIME
OB	A/C - A/C JCT BOX GRD	4B	PASSENGER CHIME
OB	FJB - FR JCT BOX GRD	4C	HOSTESS CHIME
OB	RJB - BAT. EQUAL. BAT GRD	5	INTERIOR LTS-AISLE & EMERG. EXIT
OC	EC - STARTER MOTOR GRD	5	UPPER WINDSHIELD DEFROSTER
OC	BAT. EQUALIZER GRD	5D	UPPER WINDSHIELD DEFROSTER
OC	FS - SERV. CPT ACCES. GRD	5E	UPPER WINDSHIELD DEFROSTER
OC	RS - ENGINE ACCES. GRD	5N	INTERIOR LTS-EMERGENCY EXIT
OC	RJB - SPEED SW. BATT. GRD	6	INTERIOR LTS-AISLE
OD	FS - SERV. CPT ACCES. GRD	7A	SPEED SW 5 MPH N/O
OD	RS - HAT RACK ACCES. LH GRD	7B	ENTRANCE DOOR (SEDAN)
OE	FS - FR LAMPS GRD	7C	ENTRANCE DOOR (SEDAN)
OE	RS - HAT RACK ACCES. LH GRD	7D	ENTRANCE DOOR (SEDAN)
OF	RS - HAT RACK ACCES. RH GRD	7DA	ENTRANCE DOOR (SEDAN)
OG	RS - HAT RACK ACCES. RH GRD	7DB	ENTRANCE DOOR (SEDAN)
OG	FS - INSTR. PANEL LH GRD	8	TACHOMETER GRD SHIELD
OH	FS - INSTR. PANEL CENT GRD	9	INTERIOR LTS-ENGINE CPT
OH	RS - LAVATORY ACCES. GRD	9A	INTERIOR LTS-ENGINE CPT
OI	FS - INSTR. PANEL RH GRD	9E	INTERIOR LTS-FR SERVICE CPT
OJ	FS - SW CONSOLE LH GRD	9F	INTERIOR LTS-FR SERVICE CPT
OJ	RS - RR ROOF ACCES. GRD	10	INTERIOR LTS-LUGGAGE CPT
OK	BAT. EQUALIZER GRD GRD	10A	INTERIOR LTS-LUGGAGE CPT
OK	RS - RR ROOF ACCES. GRD	10B	INTERIOR LTS-LUGGAGE CPT
OL	RS - ENGINE CPT ACCES. GRD	10D	INTERIOR LTS-LUGGAGE CPT
OL	FS - UNDER DASH RH GRD	10F	INTERIOR LTS-LUGGAGE CPT
OLA	ENTRANCE DOOR (SEDAN) GRD	10H	INTERIOR LTS-LUGGAGE CPT
OM	RS - ENGINE CPT ACCES. GRD	10K	INTERIOR LTS-LUGGAGE CPT
OM	FS - UNDER DASH RH GRD	10R	INTERIOR LTS-LUGGAGE DOOR AJAR
ON	FS - UNDER DASH RH GRD	11	FR DESTINATION SIGN
ON	RS - ENGINE CPT ACCES. GRD	11A	FR DESTINATION SIGN
OP	FS - ALARM JCT BOX GRD	11B	FR DESTINATION SIGN
OP	RS - ENGINE CPT ACCES. GRD	11C	FR DESTINATION SIGN
OR	FS - UNDER DASH LH GRD	11D	FR DESTINATION SIGN
OR	RS - ENGINE CPT ACCES. GRD	11E	FR DESTINATION SIGN
OS	RS - RR JCT BOX GRD	11K	FR DESTINATION SIGN
OSS	SOUNDS SYSTEM BATT. GRD	12	BAT DRAWER 12V BATTERY
OST	RS - START. SUPPRESSOR GRD	12	FR JCT BOX 12V DISC SW
OSA	SOUND SYSTEM BATT. GRD	12A	FR JCT BOX 12V DISC SW
OT	FS - LUG. CPT ACCES. GRD	12A	RR JCT BOX 12V DISC SW

No.	SYSTEM	No.	SYSTEM
12B	FR JCT BOX 12V DISC SW	23B	EXTERIOR LTS-DIRECTIONAL RH
12BE	BAT. EQUALIZER MONITOR	23C	EXTERIOR LTS-CORNERING RH
12C	12V BAT. EQUALIZER	23N	EXTERIOR LTS-CORNERING RH
12C	FR JCT BOX 12V DISC SW	23P	EXTERIOR LTS-CORNERING RH
12C	RR JCT BOX 12V DISC SW	24	BAT DRAWER 24V BATTERY
12D	RR JCT BOX 12V DISC SW	24	BOOSTER BLOCK 24V DISC SW
12D	FR JCT BOX 12V HOT WIRE	24	ENGINE WALL 24V DISC SW
12D	PWR DRAWER 12V BATTERY	24	FR JCT BOX 24V DISC SW
12E	PWR DRAWER 12V DISC SW	24A	RR JCT BOX 24V DISC SW
12E	FR JCT BOX 12V DISC SW	24A	FR JCT BOX 24V DISC SW
12E	RR JCT BOX 12V DISC SW	24B	RR JCT BOX 24V DISC SW
12F	FR JCT BOX 12V DISC SW	24B	FR JCT BOX 24V DISC SW
12F	RR JCT BOX 12V DISC SW	24BE	RJB CPT-BAT EQ MONITOR HOT WIRE
12G	RR JCT BOX 12V DISC SW	24C	RR JCT BOX 24V DISC SW
12I	RR JCT BOX 12V IGNITION	24C	FR JCT BOX 24V DISC SW
12I	FR JCT BOX 12V IGNITION	24C	24V BAT. EQUALIZER
12IA	FR JCT BOX 12V IGNITION	24D	BAT DRAWER 24V HOT WIRE
12K	12V BAT. EQUALIZER	24D	FR JCT BOX 24V HOT WIRE
12P	FR JCT BOX 12V IGNITION	24D	RR JCT BOX 24V DISC SW
12PV	INVERTER CPT 12V DISC SW	24DP	A/C JCT BOX 24V HOT WIRE
12SS	FJB TO BAT 12V HOT WIRE	24E	BAT DRAWER 24V DISC SW
12T	RR JCT BOX 12V DISC SW	24E	FR JCT BOX 24V DISC SW
12V	RR JCT BOX 12V DISC SW	24E	RR JCT BOX 24V DISC SW
12V2	RR JCT BOX 12V DISC SW	24F	BAT DRAWER 24V DISC SW
12V3	RR JCT BOX 12V DISC SW	24F	FR JCT BOX 24V DISC SW
12VD	FJB TO BAT 12V HOT WIRE	24G	FR JCT BOX 24V DISC SW
12VF	PWR DRAWER 12V FJB & IC	24G	RR JCT BOX 24V DISC SW
12VIR	RR JCT BOX 12V IGNITION	24H	FR JCT BOX 24V DISC SW
12VR	PWR DRAWER 12V TO RJB	24H	RR JCT BOX 24V DISC SW
12W	ENTRANCE DOOR (SEDAN)	24H	STARTER SOL. 24V DISC SW
12WA	ENTRANCE DOOR (SEDAN)	24I	FR JCT BOX 24V IGNITION
12X	FR JCT BOX 12V DISC SW	24I	RR JCT BOX 24V IGNITION
12X1	FR JCT BOX 12V DISC SW	24IA	FR JCT BOX 24V IGNITION
12Y	FR JCT BOX 12V DISC SW	24IA	RR JCT BOX 24V IGNITION
13A	ALARM & SIGNAL-LO AIR PRIM.	24IB	FR JCT BOX 24V IGNITION
13B	ALARM & SIGNAL-LO AIR SEC.	24IB	RR JCT BOX 24V IGNITION
14	LAVATORY-FLUSHING PUMP	24IC	FR JCT BOX 24V IGNITION
14A	LAVATORY-FLUSHING PUMP	24ID	FR JCT BOX 24V IGNITION
15	EXTERIOR LTS-MULTI FUNC LEVEL	24IF	FR JCT BOX 24V IGNITION
15A	WIPER & WASHER UPPER WINDSHIELD	24J	FR JCT BOX 24V DISC SW
16	SPEEDO - SIGN	24K	FR JCT BOX 24V DISC SW
16S	SPEEDO - TRANSMITTER	24K	24V BAT. EQUALIZER
16T	SPEEDO - TRANSMITTER	24P	FR JCT BOX 24V DISC SW
17	EXTERIOR LTS-FLASHER UNIT	24PS	GALLEY FRIGO 24V HOT WIRE
17A	EXTERIOR LTS-FLASHER UNIT	24PV	INVERTER CPT 24V DISC SW
19	DIFFERENTIAL OIL TEMP	24T	RR JCT BOX 24V DISC SW
20	SPEEDO - NEGATIVE SIGN	24V	RR JCT BOX 24V DISC SW
20T	SPEEDO - NEGATIVE SIGN	24V1	RR JCT BOX 24V DISC SW
21	EXTERIOR LTS-DIRECTIONAL LH	24V2	RR JCT BOX 24V DISC SW
21A	EXTERIOR LTS-DIRECTIONAL LH	24V3	RR JCT BOX 24V DISC SW
21B	EXTERIOR LTS-HAZARD	24V4	RR JCT BOX 24V DISC SW
21C	EXTERIOR LTS-CORNERING LH	24VF	BAT DRAWER 24V SW TO FJB & IC
21H	EXTERIOR LTS-DIRECTIONAL LH	24VF	INVERTER CPT 24V DISC SW
21K	EXTERIOR LTS-CORNERING	24VR	BAT DRAWER 24V DISC SW TO RJB
21N	EXTERIOR LTS-CORNERING LH	25	12VAC GEN RLY ON SIGNAL
21P	EXTERIOR LTS-CORNERING LH	25A	NOT GENERATOR-WARNING LT
23	EXTERIOR LTS-DIRECTIONAL RH	25B	EXTERIOR LTS-DAYTIME RUN LTS
23	EXTERIOR LTS-DIRECTIONAL RH	26	DRIVER'S WINDOW LIFTER
23A	EXTERIOR LTS-DIRECTIONAL RH	26	CIGAR LIGHTER



No.	SYSTEM	No.	SYSTEM
26B	DRIVER'S WINDOW LIFTER	52	ALARM & SIGNAL-ELEC. HORN
26C	DRIVER'S WINDOW LIFTER	52A	ALARM & SIGNAL-ELEC. HORN
27	LAVATORY-EMERGENCY SONALERT	53	ALARM & SIGNAL-ELEC. HORN
28A	A/C & HEAT SYSTEM-HI PRESSURE	53A	WIPER & WASHER SYSTEM
29	A/C & HEAT SYSTEM-DRIVER'S HTR	53B	WIPER & WASHER SYSTEM
29A	A/C & HEAT SYSTEM-DRIVER'S HTR	53C	WIPER & WASHER SYSTEM
29B	A/C & HEAT SYSTEM-DRIVER'S HTR	53E	WIPER & WASHER SYSTEM
30A	GALLEY	53J	WIPER & WASHER SYSTEM
31A	A/C & HEAT SYSTEM-UNLOADER	55	EXTERIOR LTS-HI BEAM
31B	A/C & HEAT SYSTEM-UNLOADER	57	EXTERIOR LTS-HI BEAM
31B	WIPER & WASHER SYSTEM	57A	EXTERIOR LTS-HI BEAM
31C	WIPER & WASHER SYSTEM	57A	A/C & HEAT SYSTEM-WATER PUMP
31D	WIPER & WASHER SYSTEM	57B	A/C & HEAT SYSTEM-WATER PUMP
31E	WIPER & WASHER SYSTEM	57C	PRE-HEAT WATER HEATER
31J	WIPER & WASHER SYSTEM	58	EXTERIOR LTS-LO BEAM
31X	WIPER & WASHER SYSTEM	58A	EXTERIOR LTS-LO BEAM
32	EXTERIOR LTS-BACK-UP	58B	EXTERIOR LTS-LO BEAM
32B	EXTERIOR LTS-BACK-UP	58E	EXTERIOR LTS-LO BEAM
32C	BACK-UP PWR & SIGNAL	59A	JACOB BRAKE SYSTEM
32D	BACK-UP ALARM	61	EXTERIOR LTS-24V FEED SW
32E	BACK-UP ALARM	61A	EXTERIOR LTS-HEAD SIGNAL
32F	BACK-UP MONITOR	62	LAVATORY-OCCUPIED LT
35	ENTRANCE DOOR (SEDAN)	62A	LAVATORY-FLUOR LT
35B	ENTRANCE DOOR (SEDAN)	62B	LAVATORY-FLUOR LT
35BB	ENTRANCE DOOR (SEDAN)	62E	LAVATORY-OCCUP & FLUOR LT
35D	ENTRANCE DOOR (SEDAN)	63	EXTERIOR LTS-CLEARANCE
36	JACOB BRAKE SYSREM	63A	EXTERIOR LTS-CLEARANCE
36A	JACOB BRAKE SYSREM	63B	EXTERIOR LTS-CLEARANCE
38	INTERIOR LTS-24V FLUORESCENT	63C	EXTERIOR LTS-MARKER SIGNAL
38A	INTERIOR LTS-24V FLUORESCENT	63D	EXTERIOR LTS-MARKER & TAIL
38C	INTERIOR LTS-24V FLUORESCENT	63E	EXTERIOR LTS-CLEARANCE
38D	INTERIOR LTS-24V FLUORESCENT	63F	EXTERIOR LTS-MARKER BLINKER
39	INTERIOR LTS-24V LH CONSOLE SW	63H	EXTERIOR LTS-TAIL
39A	INTERIOR LTS-DRIVER'S LTS	67	A/C & HEAT SYSTEM
41	A/C & HEAT SYSTEM-COND FAN MOT	67A	A/C & HEAT SYSTEM
41A	A/C & HEAT SYSTEM-COND FAN MOT	67B	A/C & HEAT SYSTEM
41B	A/C & HEAT SYSTEM-COND FAN MOT	67C	A/C & HEAT SYSTEM & HEAT WINDS.
42	A/C & HEAT SYSTEM-COND FAN MOT	67K	A/C & HEAT SYSTEM-COND FAN CTR
42A	A/C & HEAT SYSTEM-COND FAN MOT	67L	A/C & HEAT SYSTEM-COND FAN CTR
44	EXTERIOR LTS-FOG	67V	A/C & HEAT SYSTEM-WATER VALVE
44A	EXTERIOR LTS-FOG	68	DDEC-COOLANT LEVEL PROBE
44B	EXTERIOR LTS-FOG	70	INTERIOR LTS-HAT RACK & RR RUN.
44C	EXTERIOR LTS-FOG & HAZARD	72	SUN VISOR-FEEDING
45B	A/C & HEAT SYSTEM-HEAT 3 SIGN	72A	SUN VISOR-RH
45D	A/C & HEAT SYSTEM-WATER VALVE	72B	SUN VISOR-RH
45E	A/C & HEAT SYSTEM-HEAT 1 SIGN	72C	SUN VISOR-LH
45G	A/C & HEAT SYSTEM-DRIVER'S HTR	72D	SUN VISOR-LH
45H	A/C & HEAT SYSTEM-DRIVER'S HTR	73	LAVATORY-FEEDING
45W	A/C & HEAT SYSTEM-DRIVER'S HTR	74	INTERIOR LTS-READING RH
46	EXTERIOR LTS-MARKER	74A	INTERIOR LTS-READING RH
46A	EXTERIOR LTS-MARKER	74D	INTERIOR LTS-READING SIGNAL
46B	EXTERIOR LTS-MARKER	75	INTERIOR LTS-READING LH
46B	EXTERIOR LTS-MARKER	75A	INTERIOR LTS-READING LH
46C	EXTERIOR LTS-MARKER	76	FUEL TANK GAUGE
47	A/C & HEAT SYSTEM-DRIVER'S HTR	76B	LOW FUEL LT & ETHER COLD START
48	ENTRANCE DOOR (SEDAN)	76C	LOW FUEL LT
49	ENTRANCE DOOR (SEDAN)	77	A/C & HEAT SYSTEM-HI PRESSURE
50	AIR DRYER	77A	A/C & HEAT SYSTEM-DRIVER'S HTR
		77B	A/C & HEAT SYSTEM-COMPRESSOR

No.	SYSTEM	No.	SYSTEM
77C	A/C & HEAT SYSTEM-COMPRESSOR	112	ATEC TRANSM-SPEED SENSOR
77H	A/C & HEAT SYSTEM-COMPRESSOR	113	ATEC TRANSM-SPEED SENSOR
81	EXTERIOR LTS-STOP SW	113	ALARM & SIGNAL-OIL PRESS
81A	EXTERIOR LTS-STOP & ABS	114	ATEC TRANSM-TO ECU
82	EXTERIOR LTS-STOP SIGNAL	114	INTERIOR LTS-DASH LT REGUL.
82A	EXTERIOR LTS-STOP SIGNAL	114A	INTERIOR LTS-DASH LT
82B	EXTERIOR LTS-STOP LTS	114B	INTERIOR LTS-DASH LT REGUL.
82C	EXTERIOR LTS-STOP & ABS	114D	INTERIOR LTS-DASH LT REGUL.
82D	EXTERIOR LTS-STOP SW	114E	INTERIOR LTS-DASH LT REGUL.
82E	EXTERIOR LTS-STOP & ABS	115	ATEC TRANSM-TO ECU
82H	EXTERIOR LTS-STOP LTS	115	DDEC-COOLANT LEVEL MODULE
82J	EXTERIOR LTS-STOP LTS	116	ATEC TRANSM-TO ECU
82K	EXTERIOR LTS-STOP PARK BRK	116B	A/C & HEAT SYSTEM-DRIVER'S HTR
82W	EXTERIOR LTS-STOP & ABS	117	ATEC TRANSM-TO ECU
83	ENGINE CTR-KEY SW ACCES SIGN	117A	ALARM & SIGNAL-TRANSM OIL TEMP
84	ENGINE CTR-KEY SW START SIGN	118	ATEC TRANSM-TO ECU
85	ENGINE CTR-KEY SW IGNITION SIGN	119	ATEC TRANSM-TO ECU
85	24V IGNITION SIGNAL	120	ATEC TRANSM-TO ECU
85A	24V IGN DASH INSTRUMENTATION	121	ATEC TRANSM-TO ECU
85B	ENGINE CTR-24V IGNITION	122	ATEC TRANSM-TO ECU
85C	PARKING BRAKE SWITCH	122	A/C & HEAT SYSTEM-DRIVER'S HTR
85F	LO AIR SONALERT	122	A/C & HEAT SYSTEM-FRESH AIR
85W	24V IGN ANTI SKID	122A	A/C & HEAT SYSTEM-FRESH AIR
85X	24V IGN ANTI SKID	123	ATEC TRANSM-TO ECU
85Y	ANTI SKID-WARNING LT	123A	ALARM & SIGNAL-FIRE DETECTOR
86	ENGINE CTR-STARTER SOL SIGN	123B	ALARM & SIGNAL-FIRE DETECTOR
86A	ENGINE CTR-STARTER SOL SIGN	124	ATEC DDEC INTERFACE
88	ENGINE CTR-RR START SIGNAL	125	LAVATORY-FAN
89	ENGINE CTR-RR START SIGNAL	125	GALLEY-LAMP
90A	A/C & HEAT SYSTEM-COND FAN MOT	126	KNEELING SYSTEM
90B	A/C & HEAT SYSTEM-COND FAN MOT	126A	KNEELING SYSTEM
90B	ENGINE CTR-MAST KEY SW FEED	126B	KNEELING SYSTEM
90C	A/C & HEAT SYSTEM-COND FAN MOT	126C	KNEELING SYSTEM
90D	A/C & HEAT SYSTEM-EVAP FAN MOT	126D	KNEELING SYSTEM
90F	CHARG SYST-VOLTAGE REGUL. "B"	126F	KNEELING SYSTEM
90G	A/C & HEAT SYSTEM-COND FAN MOT	126G	KNEELING SYSTEM
90H	A/C & HEAT SYSTEM-EVAP FAN MOT	126K	KNEELING SYSTEM
90J	A/C & HEAT SYSTEM-COND FAN MOT	126R	KNEELING SYSTEM
91	PARKING BRAKE SW SIGNAL	126T	KNEELING SYSTEM
91A	DDEC-FAST IDLE SIGNAL	127	PRE-HEAT WATER HEATER
92	BATTERY EQUALIZER-CHECK BALANCE	127A	PRE-HEAT WATER HEATER
93	BATTERY EQUALIZER-CHECK LO/HI	127W	PRE-HEAT WATER HEATER
95A	JACOB BRAKE SYSTEM	128	PRE-HEAT WATER HEATER
97	TACHOMETER-NOT USE	128A	PRE-HEAT WATER HEATER
100	INTERIOR LTS-GENERAL	128B	PRE-HEAT WATER HEATER
100A	INTERIOR LTS-GENERAL	128W	PRE-HEAT WATER HEATER
100B	INTERIOR LTS-GENERAL	129	PRE-HEAT WATER HEATER
101	ATEC TRANSM-TO ECU	133	GALLEY-HEAT CONTAINERS
103	LOW BUOY	133A	GALLEY-HEAT CONTAINERS
104	ATEC DDEC INTERFACE	133B	GALLEY-HEAT CONTAINERS
105	ATEC TRANSM-TO ECU	133C	GALLEY-HEAT CONTAINERS
106A	ATEC DDEC INTERFACE	134	GALLEY-HEAT CONTAINERS
107	ATEC TRANSM-TO ECU	134A	GALLEY-HEAT CONTAINERS
107	CHARG SYST-VOLTAGE REGUL. "F"	135	A/C & HEAT SYSTEM-AIR SENSOR
108	ATEC TRANSM-TO ECU	135A	A/C & HEAT SYSTEM-AIR SENSOR
109	ATEC TRANSM-TO ECU	135C	A/C & HEAT SYSTEM-AIR SENSOR
110	ATEC TRANSM-TO ECU	135D	A/C & HEAT SYSTEM-AIR SENSOR
110	ALARM & SIGNAL-WATER TEMP	136	GALLEY-ACCESSORIES
111	ATEC TRANSM-TO ECU	137	RR VIEW MIRROR (SPARTAN)

No.	SYSTEM	No.	SYSTEM
137A	RR VIEW MIRROR (SPARTAN)	175B	BACK-UP MONITOR
137B	RR VIEW MIRROR (SPARTAN)	175C	BACK-UP MONITOR
137C	RR VIEW MIRROR (SPARTAN)	180	DRIVER'S SEAT HEATER
137D	RR VIEW MIRROR (SPARTAN)	180	DIGITAL THERMOMETER
137E	RR VIEW MIRROR (SPARTAN)	180A	DRIVER'S SEAT HEATER
137F	RR VIEW MIRROR (SPARTAN)	181	DIGITAL THERMOMETER
137G	RR VIEW MIRROR (SPARTAN)	182	TWIN PYROMETER
138	ABS SYSTEM	182A	TWIN PYROMETER
138A	ABS SYSTEM	183	TWIN PYROMETER
139	ABS SYSTEM	183A	TWIN PYROMETER
140	ABS SYSTEM	197	FUEL WATER FILTER
141	ABS SYSTEM	197A	FUEL WATER FILTER
142	ABS SYSTEM	197B	FUEL WATER FILTER
143	ABS SYSTEM	201	ATEC TRANSM-CHASSIS GRD
143A	ABS SYSTEM	202	12V HOT WIRE
144	ABS SYSTEM	203	ATEC TRANSM-MEMORY
144A	ABS SYSTEM	204	ATEC TRANSM-TO SHIFTER
145	ABS SYSTEM	205	ATEC TRANSM-SPEED SIGNAL
146	ABS SYSTEM	206	ATEC TRANSM-TO SHIFTER
147	ABS SYSTEM	207	ATEC TRANSM-TO DDL DATA
147	ETHER COLD START	208	ATEC TRANSM-BATT GRD
147C	ETHER COLD START	209	ATEC TRANSM-BATT GRD
148	ABS SYSTEM	210	ATEC TRANSM-TO DDL GRD
149	ABS SYSTEM	211	ATEC TRANSM-RETARDER
149A	ABS SYSTEM	211A	ATEC TRANSM-RETARDER
150	DDEC ECM BATTERY GRD	211B	ATEC RET. & DDEC CRUISE-24V IGN
150A	DDEC ECM BATTERY GRD	211C	ATEC RET. & DDEC CRUISE-24V IGN
151	ABS SYSTEM	212	ATEC TRANSM-TO SHIFTER
151A	ABS SYSTEM	213	ATEC RETARDER SIGNAL GRD
152	ABS SYSTEM	214	ATEC OR SW-BACK UP SIGNAL GRD
152A	ABS SYSTEM	215	ATEC WARNING SIGNAL GRD
153	ABS SYSTEM	215A	ATEC CHECK TRANSM T.T.LT.
154	ABS SYSTEM	216	ATEC TRANSM-TO DDL TEST
156	ABS SYSTEM	218	ATEC TRANSM-TO SHIFTER
156A	ABS SYSTEM	219	ATEC TRANSM-TO SHIFTER
157	ABS SYSTEM	220	ATEC TRANSM-TO SHIFTER
157A	ABS SYSTEM	221	ATEC TRANSM-TO SHIFTER
157B	ABS SYSTEM	222	ATEC DDEC-THROTTLE INTERFACE
160	ALARM & SIGNAL-TAG PRESS SW	231	ATEC OR SW-NEUTRAL SIGNAL GRD
161	ATEC TRANSM-RETARDER	235	ATEC TRANSM-24V IGNITION
161A	ATEC TRANSM-RETARDER	240	DDEC-ECM 12V FEEDING
161B	ATEC TRANSM-RETARDER	241	DDEC-ECM 12V FEEDING
165	A/C & HEAT SYSTEM-TRANSMITER	250	VIDEO SYSTEM & TV RECEIVER
165A	A/C & HEAT SYSTEM-TRANSMITER	251	VIDEO SYSTEM & TV RECEIVER
165B	A/C & HEAT SYSTEM-TRANSMITER	252	VIDEO SYSTEM & TV RECEIVER
165C	A/C & HEAT SYSTEM-TRANSMITER	253	GALLEY-MICROWAVE
165D	A/C & HEAT SYSTEM-TRANSMITER	254	GALLEY-12V FRIGO NORCOLD
166B	A/C & HEAT SYSTEM-EVAP. MOD.	254A	GALLEY-FRIGO
167	A/C & HEAT SYSTEM-TEMP. CTR	255	GALLEY-COFEEMAKER
167A	A/C & HEAT SYSTEM-TEMP. CTR	255A	GALLEY-COFEEMAKER
168	A/C & HEAT SYSTEM-HUMIDISTAT	257	WINDSHIELD HEATED
168A	A/C & HEAT SYSTEM-HUMIDISTAT	257A	WINDSHIELD HEATED
170	LUGGAGE DOOR LOCK	257B	WINDSHIELD HEATED
170C	LUGGAGE DOOR LOCK	258	WINDSHIELD HEATED
170E	LUGGAGE DOOR LOCK	258A	WINDSHIELD HEATED
170H	LUGGAGE DOOR LOCK	259	WINDSHIELD HEATED
173	BACK-UP MONITOR	259A	WINDSHIELD HEATED
175	BACK-UP MONITOR	417	DDEC-PEDAL LIMIT. SPEED
175A	BACK-UP MONITOR	419	DDEC-CHECK ENG T.T.LT.

No.	SYSTEM	No.	SYSTEM
439	DDEC-12V IGNITION	L2	INTERIOR LTS-110V FLUORESCENT
451	DDEC-DDL	L2A	INTERIOR LTS-110V FLUORESCENT
505	DDEC-TACHO DRIVE SIGNAL	L2B	INTERIOR LTS-110V FLUORESCENT
508	DDEC-JACOB SIGNAL GRD	L3A	GALLEY-110V FRIGO
508A	DDEC-JACOB SIGNAL GRD CLUTCH	L4	GALLEY-110V FRIGO
509	DDEC-STOP ENG T.T.LT.	LL0	110V RECEPTACLE
510	DDEC-FAST IDLE SIGNAL	LL1	110V RECEPTACLE
523	DDEC-SPEED GOVERNOR SIGN POS	LL2	110V RECEPTACLE
524	DDEC-ACCEL.ENABL SIGN GRD	LL3	GALLEY-110V FRIGO
525	DDEC-FAST IDLE SIGNAL	L7	GALLEY-110V MICROWAVE OVEN
528	DDEC-STOP ENG OVERRIDE	L8	ENG. BLK & WATER TANK-HEATER
531	DDEC-CRUISE CUT OUT	L9	ENG. BLK & WATER TANK-HEATER
538	DDEC-CRUISE MAINE	N1	VIDEO SYSTEM-110V INVERTER
538A	DDEC-CRUISE CANCEL SIGN	N7	GALLEY-110V MICROWAVE OVEN
538B	DDEC-CRUISE CANCEL SIGN	M1	SOUND SYSTEM-RADIO
541	DDEC-CRUISE SET SW	M2	SOUND SYSTEM-RADIO
542	DDEC-CRUISE SET SW	M3	SOUND SYSTEM-RADIO
543	DDEC-CRUISE CUT IN	M4	SOUND SYSTEM-SPEAKER CTR SW
544	DDEC-CRUISE RESUME SW	M5	SOUND SYSTEM-SPEAKER CTR SW
545	DDEC-CRUISE RESUME SW	M6	SOUND SYSTEM-RADIO
555	DDEC-CRUISE ANABLE T.T.LT.	M7	SOUND SYSTEM-RADIO
556	DDEC-SPEED SIGNAL POS	M8	SOUND SYSTEM-RADIO
557	DDEC-SPEED SIGNAL NEG	M9	SOUND SYSTEM-RADIO
900	DDEC-DDL SERIAL DATA LINK POS	M10	SOUND SYSTEM-MICRO OUTLET
901	DDEC-DDL SERIAL DATA LINK NEG	M11	SOUND SYSTEM-MICRO OUTLET
902	DDEC-DDL CRANK POSITION SIGNAL	M12	SOUND SYSTEM-MICRO OUTLET
903	DDEC-CRUISE SPEED SIGNAL	M13	SOUND SYSTEM-P.A. VOLUME
908	ATEC DDEC-THROTTLE INTERFACE	M14	SOUND SYSTEM-P.A. VOLUME
908A	DDEC-HYD. MODULATOR SOL. VALVE	M15	SOUND SYSTEM-P.A. VOLUME
908W	DDEC-HYD. MODULATOR SOL. VALVE	M20	SOUND SYSTEM-RADIO
916	DDEC-PEDAL SENSOR SUPPLY 5V	M21	SOUND SYSTEM-RADIO
952	DDEC-PEDAL SENSOR RETURN	M23	SOUND SYSTEM-RADIO
953	DDEC-SPEED GOVERNOR BATT GRD	M24	SOUND SYSTEM-RADIO
972	DDEC-TACHOMETER #2	M25	SOUND SYSTEM-RADIO
B00	RR JCT BOX CPT BATT GRD	RA	INTERIOR LTS-110V FLUORESCENT
B000	RR JCT BOX CPT BATT GRD	RB	INTERIOR LTS-110V FLUORESCENT
BA	INTERIOR LTS-110V FLUORESCENT	YC	INTERIOR LTS-110V FLUORESCENT
BB	INTERIOR LTS-110V FLUORESCENT	YD	INTERIOR LTS-110V FLUORESCENT
D1	SOUND SYSTEM-FR RH SPEAKER	WC	A/C & HEAT SYSTEM-EVAP CTR SIGN
D2	SOUND SYSTEM-FR RH SPEAKER	SH	VIDEO & TV RECEIVER-SHIELD GRD
D3	SOUND SYSTEM-FR RH SPEAKER	SH	SOUND SYSTEM-SHIELD GRD
D4	SOUND SYSTEM-RR RH SPEAKER	SH2	SPEEDOMETER-SHIELD GRD
D5	SOUND SYSTEM-RR RH SPEAKER	SH4	SPEEDOMETER-SHIELD GRD
D6	SOUND SYSTEM-RR RH SPEAKER	SP2	SPARE-FJB TO FR SERV CPT
D9	SOUND SYSTEM-DRIVER SPEAKER	SP3	SPARE-FJB TO CENTER DASH
D10	SOUND SYSTEM-DRIVER SPEAKER	SP4	SPARE-FJB TO CENTER DASH
G1	SOUND SYSTEM-FR LH SPEAKER	SP5	SPARE-RJB TO LUGG CPT #2
G2	SOUND SYSTEM-FR LH SPEAKER	SP6	SPARE-RJB TO LUGG CPT #1
G3	SOUND SYSTEM-FR LH SPEAKER	SP7	SPARE-RJB TO LUGG CPT #1
G4	SOUND SYSTEM-RR LH SPEAKER	SP8	SPARE-RJB TO LUGG CPT #1
G5	SOUND SYSTEM-RR LH SPEAKER	SP9	SPARE-RJB TO LUGG CPT #2
G6	SOUND SYSTEM-RR LH SPEAKER	SP10	SPARE-RJB TO LUGG CPT #1
G9	SOUND SYSTEM-DRIVER SPEAKER	SP11	SPARE-RJB TO ENGINE
G10	SOUND SYSTEM-DRIVER SPEAKER	SP12	SPARE-RJB TO ENGINE
L0	RS - ENGINE ACCES GRD.	SP13	SPARE-RJB TO ENGINE
LOA	RS - LAVATORY ACCES GRD.	SP14	SPARE-RJB TO ENGINE
L1	VIDEO SYSTEM-110V INVERTER	SP15	SPARE-RJB TO ENGINE
L1A	INTERIOR LTS-110V FLUORESCENT	SP16	SPARE-RJB TO ENGINE
L1B	INTERIOR LTS-110V FLUORESCENT	SP17	SPARE-RJB TO ENGINE

No.	SYSTEM	No.	SYSTEM	No.	SYSTEM	No.	SYSTEM
SP18	SPARE-RJB TO ENGINE	SP97	SPARE-RJB TO LUGG CPT #3				
SP20	SPARE-RJB TO ENGINE ECM	SP98	SPARE-RJB TO LUGG CPT #3				
SP21	SPARE-RJB TO ENGINE ECM	SP99	SPARE-RJB TO LUGG CPT #3				
SP23	SPARE-RJB TO ENGINE ECM	SP104	SPARE-RJB TO ENGINE CPT				
SP24	SPARE-RJB TO LH HAT RACK	SP141	SPARE-RJB TO LH CONSOLE				
SP25	SPARE-RJB TO LH HAT RACK						
SP26	SPARE-RJB TO LH HAT RACK						
SP27	SPARE-RJB TO LH HAT RACK						
SP28	SPARE-RJB TO LH HAT RACK						
SP31	SPARE-RJB TO RH HAT RACK						
SP32	SPARE-RJB TO RH HAT RACK						
SP33	SPARE-FJB TO RJB						
SP36	SPARE-RJB TO LH SW PANEL						
SP37	SPARE-ALARM JCT BOX						
SP38	SPARE-ALARM JCT BOX TO RJB						
SP39	SPARE-ALARM JCT BOX TO FJB						
SP40	SPARE-ALARM JCT BOX TO FJB						
SP43	SPARE-FJB TO RJB						
SP45	SPARE-FJB TO RJB						
SP46	SPARE-RJB TO LH FR ROOF						
SP47	SPARE-FR JCT BOX						
SP48	SPARE-RJB TO RH FR ROOF						
SP49	SPARE-FJB TO RJB						
SP52	SPARE-RJB TO ENGINE ECM						
SP54	SPARE-FJB TO CENTER DASH						
SP55	SPARE-RJB TO ATEC SHIFTER						
SP56	SPARE-FJB TO RH SW PANEL						
SP57	SPARE-FJB TO ENGINE						
SP58	SPARE-FJB TO ENGINE						
SP59	SPARE-FJB TO ENGINE						
SP61	SPARE-FJB TO RH CONSOLE						
SP64	SPARE-RJB TO ATEC SHIFTER						
SP65	SPARE-RJB TO ATEC SHIFTER						
SP68	SPARE-FJB TO ENGINE ECM						
SP69	SPARE-FJB TO FR AXLE						
SP70	SPARE-FJB TO FR AXLE						
SP71	SPARE-FJB TO RH SW PANEL						
SP72	SPARE-FJB TO FR SERV CPT						
SP74	SPARE-FJB TO LH CONSOLE						
SP77	SPARE-FJB TO A/C JB CPT						
SP78	SPARE-FJB TO A/C JCT BOX						
SP79	SPARE-FJB TO A/C JCT BOX						
SP80	SPARE-TO A/C JCT BOX CPT						
SP81	SPARE-FJB TO LH CONSOLE						
SP82	SPARE-FJB TO LH CONSOLE						
SP83	SPARE-FJB TO RH CONSOLE						
SP84	SPARE-FJB TO RH CONSOLE						
SP85	SPARE-FJB TO LH CONS & SW PAN						
SP86	SPARE-FJB TO LH CONS & SW PAN						
SP87	SPARE-RJB TO LH HAT RACK						
SP88	SPARE-RJB TO RH HAT RACK						
SP89	SPARE-FJB TO LH CONS & SW PAN						
SP90	SPARE-FJB TO LH CONS & SW PAN						
SP91	SPARE-FJB TO LH CONS & SW PAN						
SP92	SPARE-RJB TO A/C JCT BOX						
SP93	SPARE-RJB TO EVAPORATOR CPT						
SP94	SPARE-RJB TO RR ROOF						
SP95	SPARE-RJB TO RR ROOF						
SP96	SPARE-RJB TO LUGG CPT #2						

No.	LOCATION	TYPE	(NB) CAVITY	#PIN HOUSING	#SOCKET HOUSING
C1	FR JCT BOX COMPARTMENT	AMP CPC	37	561644	561646
C2	FR JCT BOX COMPARTMENT	AMP CPC	24	561641	561643
C3	FR JCT BOX COMPARTMENT	AMP CPC	37	561714	561713
C4	FR JCT BOX COMPARTMENT	AMP CPC	16	561693	561695
C5	FR SERVICE COMPT.-UNDERNEATH	AMP CPC	37	561644	561646
C6	FR SERVICE COMPT.-UNDERNEATH	AMP CPC	22	561709	561710
C7	FR SERVICE COMPT.-UNDERNEATH	AMP CPC	16	561693	561695
C8	FR SERVICE COMPT.-UNDERNEATH	AMP CPC	24	561641	561643
C9	ALARM JCT BOX	AMP CPC	16	561693	561695
C10	ALARM JCT BOX	AMP CPC	37	561644	561646
C11	FR SERVICE COMPARTMENT	AMP CPC	24	561642	561643
C12	FR SERVICE COMPARTMENT	AMP CPC	16	561639	561640
C13	ENGINE COMPARTMENT	VEAM	47	561741	561742
C14	ENGINE COMPARTMENT	VEAM	35	561743	561744
C15	RR JCT BOX	AMP CPC	22	561709	561710
C16	RR JCT BOX	AMP CPC	16	561693	561695
C17	RR JCT BOX	AMP CPC	3	561924	561847
C18	ATEC TRANSMISSION-SPD SENSOR	PED WP	2	561566	561690
C19	ATEC TRANSMISSION	DEUTSCH	23	-----	561609
C20	RR JCT BOX	AMP CPC	37	561644	561646
C21	RR JCT BOX	AMP CPC	22	561709	561710
C22	DDEC ENGINE-ECM POWER CON.	PED WP	6	-----	561962
C23	ENGINE-RH JACOB BANKS BRAKE	PED WP	1	561605	561577
C24	ENGINE-LH JACOB BANKS BRAKE	PED WP	1	561605	561577
C25	ENGINE-BLOCK HEATER	TEMRO	3	-----	561975
C26	HYD & MAN TRANSM.-NEUT.& B/U	PED WP	4	561610	561611
C27	HYD & MAN TRANSM.-SPD SENSOR	PED WP	2	561566	561690
C29	RR JCT BOX COMPT.-ECU ATEC	PED	30	-----	561603
C30	RR JCT BOX COMPARTMENT	PED WP	3	561782	561781
C31	ENGINE COMPARTMENT	VEAM	26	561745	561746
C32	DDEC ENGINE-ECM	PED	30	-----	561600
C33	DDEC ENGINE-2 SPD GOVERNOR	PED WP	2	561566	561690
C34	DDEC ENGINE-SPD SIGNAL	PED WP	2	561566	561690
C35	RR JCT BOX	AMP CPC	24	561641	561643
C36	EMERGENCY EXIT LTS	AMP MNL	2	560900	560898
C37	RR SECTION-LH HAT RACK	AMP MNL	9	561661	561662
C38	RR SECTION-RH HAT RACK	AMP MNL	9	561661	561662
C40	RR JCT BOX	AMP CPC	16	561638	561640
C41	LAVATORY ROOF FLUORESCENT	AMP MNL	2	560900	560898
C42	LAVATORY BACK WALL-WTR TANK	AMP MNL	2	560900	560898
C43	LAVATORY BACK WALL-ACCES.	AMP MNL	9	561661	561662
C44	LH CONSOLE-ATEC SHIFTER SEL.	AMP CPC	16	-----	561640
C45	ALARM JCT BOX COMPARTMENT	AMP CPC	24	561642	561643
C46	RR JCT BOX	AMP CPC	16	561638	561640
C47	FR SERVICE COMPARTMENT	AMP CPC	7	562004	561773
C48	LH CONSOLE-ATEC SHIFTER LTS	AMP MNL	2	560900	560898
C52	RR JCT BOX	AMP CPC	22	561709	561710
C53	RR JCT BOX	AMP CPC	14	561585	561584
C54	UNDER DASH-PA UNIT	AMP MNL	3	561667	561550
C55	UNDER DASH-RH SW PANEL	AMP CPC	9	561636	561637
C56	UNDER DASH-RH CONSOLE	AMP CPC	24	561642	561643
C57	UNDER DASH-RH ACCESSORIES	AMP CPC	22	561989	561710
C58	EVAPORATOR COMPARTMENT	AMP CPC	14	561585	561583
C59	EVAPORATOR COMPARTMENT	AMP CPC	16	561639	561640
C60	LUGGAGE COMPARTMENT LTS	AMP MNL	2	561248	561247
C61	LUGGAGE COMPARTMENT LTS	AMP MNL	2	561248	561247
C62	LUGGAGE COMPARTMENT LTS	AMP MNL	2	561248	561247
C63	LUGGAGE COMPARTMENT LTS	AMP MNL	2	561248	561247

No.	LOCATION	TYPE	(NB) CAVITY	#PIN HOUSING	#SOCKET HOUSING
C64	LUGGAGE COMPARTMENT LTS	AMP MNL	2	561248	561247
C65	LUGGAGE COMPARTMENT LTS	AMP MNL	2	561248	561247
C66	LUGGAGE COMPARTMENT LTS	AMP MNL	2	561248	561247
C67	LUGGAGE COMPARTMENT LTS	AMP MNL	2	561248	561247
C68	LUGGAGE COMPARTMENT LTS	AMP MNL	2	561248	561247
C70	ALARM JCT BOX COMPARTMENT	AMP CPC	24	561642	561643
C71	UNDER INSTRUMENT PANEL-LH	AMP CPC	37	561645	561646
C72	UNDER INSTRUMENT PANEL-CENT.	AMP CPC	37	561645	561646
C73	UNDER INSTRUMENT PANEL-CENT.	AMP CPC	16	561639	561640
C74	UNDER INSTRUMENT PANEL-RH	AMP CPC	24	561642	561643
C75	ALARM JCT BOX COMPARTMENT	PED WP	2	561566	561690
C76	LUGGAGE COMPT.-AIR RET.SENS.	AMP MNL	2	561248	561247
C77	LUGGAGE COMPT.-AIR RET.SENS.	AMP MNL	2	561248	561247
C78	FR JCT BOX COMPARTMENT	AMP CPC	22	561709	561710
C79	FR SERVICE COMPT.-UNDERNEATH	AMP CPC	37	561644	561646
C80	LUGGAGE COMPT.-AIR RET.SENS.	AMP MNL	2	561248	561247
C81	UNDER INSTRUMENT PANEL CENT.	AMP MNL	2	561248	561247
C82	ENTRANCE DOOR	MOLEX	6	562070	562069
C83	ENTRANCE DOOR-PROIMITY SW	MOLEX	4	561477	561476
C84	ENTRANCE DOOR-PRESSURE SW	PED WP	2	561566	561690
C85	UNDER INSTRUMENT PANEL LH	AMP MTA-100	8	-----	562248
C86	UNDER DASH	AMP CPC	2	561636	561637
C87	RR END ROOF	AMP CPC	9	561636	561637
C88	RR END ROOF-CLEARANCE LTS	AMP MNL	2	560900	560898
C89	RR END ROOF-B/U NONITOR	AMP CPC	4	561582	561581
C90	RR JCT BOX	AMP CPC	24	561641	561643
C91	RR JCT BOX	AMP CPC	37	561714	561713
C92	FR JCT BOX COMPT-ANTI SKID	AMP CPC	9	561635	561637
C93	FR JCT BOX COMPT-ANTI SKID	WABCO	35	-----	641094
C94	FR JCT BOX COMPT-ANTI SKID	AMP MNL	3	-----	561550
C96	FR AXLE ACCESSORIES	AMP CPC	14	561585	561585
C97	RR AXLE ACCESSORIES	AMP CPC	14	561585	561585
C98	FR SERVICE COMPT-EL.FT.PEDAL	PED WP	3	561782	561781
C99	FR SERVICE COMPT LTS	AMP MNL	2	561248	561247
C100	FR SERVICE COMPT-CORNERING LT	PED WP	2	561566	561690
C101	FR SERVICE COMPT-ELEC. HORNS	PED WP	2	561566	561690
C102	FR SERVICE COMPT-FLASHER LH	ITT SS	2	561813	561812
C103	FR SERVICE COMPT-FLASHER RH	ITT SS	2	561813	561812
C104	FR SERVICE COMPT-SIDE MARKER	ITT SS	2	561813	561812
C105	FR SERVICE COMPT-LIQ.S.VALVE	PED WP	2	561566	561690
C106	FR SERVICE COMPT-WATER VALVE	PED WP	2	561566	561690
C107	EVAPORATOR COMPT-DAMPER	PED WP	2	561566	561690
C108	LH CONSOLE-TIMER SW P-HEATER	AMP FF	3	-----	562034
C109	FR SERVICE COMPT-PARK PAN:LT	AMP MNL	2	560900	560898
C111	EVAPORATOR COMPT-DAMPER	ITT SS	2	561813	561812
C112	FR SERVICE COMPT	AMP MNL	2	560900	560898
C113	ENGINE CPT RR DOOR MARKER LT	ITT SS	2	561813	561812
C114	ENGINE CPT RR DOOR DIR LT LH	ITT SS	2	561813	561812
C115	ENGINE COMPT-AIR DRYER	PED WP	1	561605	561577
C116	ENGINE COMPT. LTS	PED WP	2	561566	561690
C117	ENGINE COMPT. LTS	PED WP	2	930210	-----
C118	ENGINE COMPT-LAVATORY FAN	TC	2	561030	560997
C119	ENGINE CPT RR DOOR RH LO LAMP	PED WP	6	561606	561607
C120	ENGINE CPT RR DOOR LH LO LAMP	PED WP	6	561606	561607
C121	ENGINE CPT RR DOOR DIR LT RH	ITT SS	2	561813	561812
C122	ENGINE CPT-CAMERA DOOR VALVE	PED WP	2	561566	561690
C123	ENGINE CPT-RETARDER VALVE	AMPHENOL	2	-----	560412
C124	ENGINE CPT-ETHER SW	PED WP	2	561566	561690

No.	LOCATION	TYPE	(NB) CAVITY	#PIN HOUSING	#SOCKET HOUSING
C125	ENGINE CPT-B/U ALARM	PED WP	2	561566	561690
C126	ENGINE CPT-FLUSHING PUMP	PED WP	2	561566	561690
C127	ENGINE CPT-FUEL FILTER	PED WP	2	561566	561690
C128	ENGINE CPT-A/C COMPR. CLUTCH	ITT SS	2	561813	561812
C129	ENGINE CPT-PRE-HEAT WATER	AMP FF	6	561672	561186
C130	ENGINE CPT-UNLOADER	ITT SS	2	561813	561812
C131	ENGINE CPT-UNLOADER	ITT SS	2	561813	561812
C132	ENGINE CPT-A/C LO PRESS SW	PED WP	2	561566	561690
C133	ENGINE CPT-A/C HI PRESS SW	PED WP	2	561566	561690
C134	FR JCT BOX-LUGGAGE DIODE CON.	AMP MNL	15	561987	561986
C135	FR JCT BOX-LUGGAGE DIODE CON.	AMP MNL	15	561987	561986
C136	A/C JCT BOX	VEAM	37	561743	561744
C137	A/C JCT BOX-TRANSMITTER	AMP MNL	2	560900	560898
C138	A/C JCT BOX-CONTROL MODULE	AMP HDP	15	-----	562012
C139	A/C JCT BOX-LOGIC MODULE	AMP HDP	15	562011	-----
C140	FR ROOF-AMPLIFIER	BLAUPUNKT	2	561988	-----
C141	FR ROOF-AMPLIFIER	BLAUPUNKT	2	561988	-----
C142	LAVATORY DOOR WALL	AMP MNL	2	561248	561247
C143	LAVATORY DOOR WALL	AMP MNL	3	560908	562006
C144	UNDER LH SEAT-AISLE LTS	AMP MNL	4	560851	560852
C145	ENGINE CPT-RH SIDE LTS	ITT SS	4	561998	561999
C146	ENGINE CPT-MODULATOR VALVE	AMPHENOL	2	-----	560412
C147	ENGINE CPT-LH SIDE LTS	ITT SS	4	561998	561999
C148	LUGGAGE COMPT. LTS	AMP MNL	2	561248	561247
C149	CONDENSER CPT-FAN MOTOR	ORDNANCE	3	562555	562001
C152	CONDENSER CPT-FUEL GAUGE	PED WP	4	561610	561611
C153	EVAPORATOR CPT-AIR AMB. SENS	AMP MNL	2	561248	561247
C154	EVAPORATOR CPT-FRESH AIR SENS	ITT SS	2	561813	561812
C157	EVAPORATOR CPT-WATER PUMP	PED WP	2	561566	561690
C158	CONDENSER CPT-A/C LO TEMP.	PED WP	2	561566	561690
C159	CONDENSER CPT-A/C HI TEMP.	PED WP	2	561566	561690
C160	FR AXLE-ABS RH SENSOR	WABCO	2	641132	-----
C161	FR AXLE-ABS RH VALVE	WABCO	3	-----	641098
C162	FR AXLE-ABS LH VALVE	WABCO	3	-----	641098
C163	FR AXLE-ABS LH SENSOR	WABCO	2	641132	-----
C164	RR AXLE-ABS LH SENSOR	WABCO	2	641132	-----
C165	RR AXLE-ABS LH VALVE	WABCO	3	-----	641098
C166	RR AXLE-ABS RH VALVE	WABCO	3	-----	641098
C167	RR AXLE-ABS RH SENSOR	WABCO	2	641132	-----
C168	RR AXLE-ABS OPT ATC	PED WP	4	561610	561611
C169	RR JCT BOX-SPEED SW	AMP HDP	15	-----	562012
C170	FR JCT BOX-FLASHER UNIT	TC	2	-----	561940
C171	ALARM JCT BOX CPT-LH CONSOLE	AMP CPC	37	561645	561646
C174	UNDER DASH RH-HTR MODULE	AMP MNL	9	561670	561669
C175	UNDER DASH RH-HTR MODULE	AMP MNL	9	561670	561669
C176	UNDER DASH RH-WIPER PULSE	AMP FF	6	-----	561186
C177	UNDER DASH RH-WIPER MOTOR	AMP FF	6	-----	561186
C178	UNDER DASH RH-LH FAN	TC	2	561030	560997
C179	UNDER DASH RH-RH FAN	TC	2	561030	560997
C180	RR JCT BOX-CTR THROTTLE MOD.	PED WP	1	561605	561577
C181	RR JCT BOX-CTR THROTTLE MOD.	PED WP	2	561566	561690
C182	RR JCT BOX-CTR THROTTLE MOD.	PED WP	6	-----	561946
C183	FR SERVICE CPT-KNEELING PAN.	PED WP	4	561610	561611
C184	FR SERVICE CPT-KNEELING SW	ITT SS	3	561111	561080
C185	RR JCT BOX CPT-ECU ATEC	PED	30	-----	561602
C186	RR JCT BOX-LO COOLANT MOD.	PED WP	6	-----	561946
C187	RR JCT BOX-RPM RESISTOR CON.	AMP MNL	6	561552	561515
C188	RR JCT BOX	AMP CPC	37	561645	561646

No.	LOCATION	TYPE	(NB) CAVITY	#PIN HOUSING	#SOCKET HOUSING
C189	ENGINE CPT RR DOOR B/U LT	PED WP	2	561566	561690
C190	ENGINE CPT RR DOOR TAIL LT	PED WP	2	561566	561690
C191	ENGINE CPT RR DOOR RH STOP LT	PED WP	2	561566	561690
C192	ENGINE CPT RR DOOR RH DIR. LT	PED WP	2	561566	561690
C193	FR SECT. LH HAT RACK-FLUOR.	AMP MNL	2	561248	561247
C194	ENGINE CPT RR DOOR LH DIR. LT	PED WP	2	561566	561690
C195	ENGINE CPT RR DOOR LH STOP LT	PED WP	2	561566	561690
C196	ENGINE CPT RR DOOR CYCLOP LT	PED WP	2	561566	561690
C197	ENGINE CPT-A/C COMPRESSOR	PED WP	4	561889	561890
C198	ENGINE CPT-A/C COMPRESSOR	PED WP	4	561889	561890
C199	ENGINE CPT RR DOOR LICENCE LT	DOM AUTO	2	930210	-----
C200	RH HAT RACK-FLUORESCENT	AMP MNL	4	561551	561668
C201	RH HAT RACK-FLUORESCENT	AMP MNL	4	561551	561668
C202	RH HAT RACK-BALLAST	AMP MNL	4	560851	560852
C203	RH HAT RACK-BALLAST	AMP MNL	6	561552	561515
C204	RH HAT RACK-GENERAL LT	AMP MNL	3	561667	561550
C205	FR SECT.-RH HAT RACK SPEAKER	AMP MNL	4	561659	561660
C206	RH HAT RACK-READING LT	AMP MNL	2	560900	560898
C207	LH HAT RACK-READING LT	AMP MNL	2	560900	560898
C208	LH HAT RACK-BALLAST	AMP MNL	4	560851	560852
C210	FR SECT.-LH HAT RACK SPEAKER	AMP MNL	4	561659	561660
C211	FR ROOF-STORE LH	AMP MNL	2	560900	560898
C212	FR ROOF-STORE RH	AMP MNL	2	560900	560898
C213	FR ROOF-CLEARANCE LT	AMP MNL	2	560900	560898
C214	FR ROOF-AMPLIFIER	BLAUPUNKT	2	561988	-----
C215	FR ROOF-AMPLIFIER	BLAUPUNKT	2	561988	-----
C216	UNDER DASH LH-P.A.	AMP MNL	9	561670	561669
C217	UNDER DASH LH-P.A.	AMP MNL	3	-----	561550
C218	UNDER DASH LH-P.A.	AMP MNL	3	-----	561550
C219	UNDER DASH LH-P.A.	AMP MNL	4	-----	561668
C220	UNDER DASH LH-P.A.	BLAUPUNKT	7	900626	-----
C221	UNDER DASH LH-P.A.	BLAUPUNKT	7	-----	900625
C222	ALARM JCT BOX CPT-MICRO	MOLEX	4	561477	561476
C223	ALARM JCT BOX CPT	AMP MNL	4	561551	561668
C225	FR SECT. RH HAT RACK-FLUOR.	AMP MNL	2	561248	561247
C226	FR ROOF-AMPLIFIER	BLAUPUNKT	8	900624	-----
C227	RH SW PANEL-SPEAKER	SWF	8	-----	561107
C228	RH SW PANEL-MICRO OUTLET	MOLEX	4	561477	561476
C229	RH SW PANEL-PA VOLUME	MOLEX	4	561477	561476
C233	INSTRUMENT PANEL CENTER	V.D.O.	8	-----	562043
C234	INSTRUMENT PANEL CENTER	V.D.O.	4	-----	562044
C235	INSTRUMENT PANEL CENTER	V.D.O.	8	-----	562041
C236	INSTRUMENT PANEL CENTER	AMP MNL	4	560851	560852
C237	UNDER DASH LH-JACOB CLUTCH SW	ITT SS	3	561111	561080
C238	A/C JCT BOX-DIODE CONNECTOR	AMP MNL	9	561670	561669
C239	FR SERVICE CPT-HI BUOY VALVE	PED WP	2	561566	561690
C240	FR SERVICE CPT-KNEEL PROX SW	PED WP	1	561605	561577
C241	FR SERVICE CPT-FOG RESISTOR	AMP CPC	3	561847	561862
C242	FR SERVICE CPT-MARK & DIR LT	ITT SS	3	561111	561080
C243	FR SERVICE CPT-HEADLAMPS	TC	3	-----	561071
C244	FR SERVICE CPT-LH FOG LAMP	ITT SS	2	561813	561812
C245	FR SERVICE CPT-RH FOG LAMP	ITT SS	2	561813	561812
C246	FR SERVICE CPT-MARK & DIR LT	ITT SS	3	561111	561080
C248	ALARM JCT BOX-WIPER PULSE GEN	AMP FF	6	-----	561108
C249	ALARM JCT BOX-CONV. 12V TO 5V	AMP MNL	3	561667	561550
C250	ALARM JCT BOX-DASH LTS REGUL.	AMP MNL	6	561552	561515
C251	LH SW PANEL-FAST IDLE	SWF	8	-----	561107
C252	LH SW PANEL-SWITCH LT	SWF	2	-----	561837

No.	LOCATION	TYPE	(NB) CAVITY	#PIN HOUSING	#SOCKET HOUSING
C253	LH SW PANEL-ETHER	SWF	8	-----	561107
C255	LH SW PANEL-JACOB	SWF	8	-----	561107
C256	LH SW PANEL-RETARDER	SWF	8	-----	561107
C257	INSTRUMENT PANEL CENT-SPEEDO	AMP MNL	4	560851	560852
C258	LH SW PANEL-MULTI FUNC. SW	AMP FF	8	561188	-----
C259	LH SW PANEL-MULTI FUNC. SW	AMP FF	6	-----	561108
C260	FR SERVICE CPT-LUG DOOR LCK	PED WP	6	561606	561607
C262	UNDER DASH RH-DOOR MODULE	AMP MNL	4	561551	561668
C263	UNDER DASH RH-DOOR MODULE	AMP MNL	3	561667	561550
C264	UNDER DASH RH-DOOR MODULE	AMP MNL	3	561667	561550
C265	UNDER DASH RH-DOOR MODULE	AMP HDP-20	15	562011	562012
C267	UNDER DASH RH	AMP CPC	16	561642	561643
C268	UNDER DASH LH-MIRROR	AMP MNL	6	561552	561515
C269	UNDER DASH RH-MIRROR	AMP MNL	6	561552	561515
C270	LH MIRROR POST	MOLEX	6	562070	562069
C271	RH MIRROR POST	MOLEX	6	562070	562069
C272	LH MIRROR	SPARTAN	6	-----	990158
C273	RH MIRROR	SPARTAN	6	-----	990158
C274	RADIO	AMP MNL	9	561670	561669
C275	UNDER DASH LH-CLUTCH SW	PED WP	2	561566	561690
C276	UNDER DASH RH-LOCK SOL. VALVE	AMP MNL	2	561248	561247
C286	RH SW PANEL-A/C & HEAT	SWF	8	-----	561107
C287	ENGINE COMPT-LTS SW	PED WP	2	561566	561690
C288	RH SW PANEL-FRESH AIR	SWF	8	-----	561107
C289	RH SW PANEL-SWITCH LT	SWF	2	-----	561837
C290	ALARM JCT BOX-DIODES	AMP MNL	9	561670	561669
C292	LH CONSOLE COMPT-VIDEO SYST.	AMP MNL	4	561671	561668
C293	LH CONSOLE SW-VIDEO SYST.	SWF	8	-----	561107
C298	LH CONSOLE COMPT-VIDEO SYST.	AMP MNL	9	561670	561669
C299	LH CONSOLE SW-GALLEY	SWF	8	-----	561107
C300	INVERTER COMPT.	AMP CPC	16	561639	561640
C301	INSTRUMENT PANEL CENT-TACHO	AMP MNL	4	560851	560852
C302	INVERTER COMPT-FRIGO PW SUP.	AMP MNL	9	561670	561669
C303	INVERTER COMPT-GALLEY CTR	AMP MNL	9	561661	561662
C304	INVERTER COMPT-VIDEO CTR	AMP MNL	2	560900	560898
C305	GALLEY	AMP CPC	3	561862	561847
C306	GALLEY	AMP MNL	9	561661	561662
C307	LH CONSOLE DRV SEAT HEATER	AMP CPC	4	561686	561687
C308	LH CONSOLE SW-RHEOSTAT	AMP MNL	2	561248	561247
C310	LH CONSOLE SW-LUG. DOOR LCK	SWF	8	-----	561107
C311	LH CONSOLE SW-HOS & PAS CHIME	SWF	8	-----	561107
C312	LH CONSOLE SW-READING LTS	SWF	8	-----	561107
C313	LH CONSOLE SW-GEN & FLUOR LTS	SWF	8	-----	561107
C314	LH CONSOLE SW-FR DEST. SIGN	SWF	8	-----	561107
C315	LH CONSOLE SW-LH STORE	SWF	8	-----	561107
C316	LH CONSOLE SPARE SWITCH	SWF	8	-----	561107
C317	LH CONSOLE SW-RH STORE	SWF	8	-----	561107
C318	LH CONSOLE SW-DRV WINDOW LIFT	SWF	8	-----	561107
C319	LH CONSOLE SW-DRV SEAT HEATER	SWF	8	-----	561107
C320	LH CONSOLE SW-DRIVER'S LTS	SWF	8	-----	561107
C322	LH CONSOLE DRV WIND LIFT MOT	PED PO	2	-----	561848
C323	LH CONSOLE CRUISE CTR SW PAN.	AMP CPC	14	561585	561583
C324	GALLEY-REFRIGERATOR	AMP MNL	2	561247	561248
C325	LH CONSOLE SW-KNEELING	SWF	8	-----	561107
C327	ENGINE COMPT-RR START SW BOX	AMP CPC	9	561635	561637
C328	GALLEY-LAMP	AMP MNL	2	561248	561247
C329	ENGINE TACHO SIGNAL	PED WP	3	561781	561789
C330	GALLEY MICROWAVE SW LT	SWF	2	-----	561837

No.	LOCATION	TYPE	(NB) CAVITY	#PIN HOUSING	#SOCKET HOUSING
C331	GALLEY MICROWAVE SW	SWF	8	-----	561107
C332	GALLEY RH CONTAINER SW LT	SWF	2	-----	561837
C333	GALLEY RH CONTAINER SW	SWF	8	-----	561107
C334	GALLEY LH CONTAINER SW	SWF	8	-----	561107
C335	GALLEY LH CONTAINER SW LT	SWF	2	-----	561837
C336	INSTRUMENT PANEL RH-DIF OIL T	AMP MNL	3	561667	561550
C337	INSTR PANEL LH-UP WIPER SW	SWF	8	-----	561107
C338	INSTR PANEL LH-UP DEFROST SW	SWF	8	-----	561107
C339	INSTR PANEL LH-UP WASHER SW	SWF	8	-----	561107
C341	INSTR PANEL LH-HEAT MIRROR SW	SWF	8	-----	561107
C343	INSTR PANEL LH-HEADLAMP SW	SWF	8	-----	561107
C344	INSTR PANEL LH-HAZARD LT SW	SWF	8	-----	561107
C345	INSTR PANEL LH-FOG LT SW	SWF	8	-----	561107
C346	INSTR PANEL LH-SWITCH LTS	SWF	2	-----	561837
C347	INSTR PANEL LH-DASH LT SW	AMP MNL	2	560900	560898
C348	INSTR PANEL CENT-RACOR MODULE	AMP MNL	3	561667	561550
C349	RH CONSOLE-RED LED HTR	AMP MNL	2	561248	561247
C350	RH CONSOLE-THERMOMETER	AMP MNL	3	561667	561550
C351	LH HAT RACK-FLUOR 110V	MOLEX	4	561477	561476
C352	RH CONSOLE-DRV TEMP SENSOR	BURNDY	4	-----	561104
C353	INSTR PANEL RH-DRV FAN RHEOST	AMP MNL	6	561552	561515
C354	INSTR PANEL RH-DRV TEMP CTR	AMP MNL	6	561552	561515
C355	INSTR PANEL RH-FR TEMP CTR	AMP MNL	3	561667	561550
C356	FR JCT BOX-HEAT WINDSH MODULE	AMP MNL	9	-----	561669
C357	INSTR PANEL RH-WATER TEMP GA	AMP MNL	3	561667	561550
C358	INSTR PANEL RH-FUEL LEVEL GA	AMP MNL	3	561667	561550
C359	INSTR PANEL CENT-TAC & SPD LT	AMP MNL	2	560900	560898
C360	INSTR PANEL RH-B/U MONITOR	AMP MNL	2	561248	561247
C361	FR ROOF-WIPER MOTOR	AMP FF	6	-----	561186
C362	FR ROOF-LAVATORY OCCUPIED LT	AMP MNL	2	561248	561247
C363	FR ROOF-WATCH YOUR STEP LT	AMP MNL	2	561248	561247
C364	FR ROOF-DESTINATION SIGN	AMP MNL	3	561667	561550
C365	FR ROOF-UP WINDSHIELD DEFROST	AMP MNL	3	561667	561550
C366	RH CONSOLE-GRN LED	AMP MNL	2	561248	561247
C367	ENGINE COMPT-DIF OIL T SENSOR	PED WP	2	561566	561690
C368	FR ROOF-DEST. SIGN BALLAST	AMP MNL	3	561667	561550
C369	FR ROOF-DEST. SIGN OPER. SW	TORRIX	5	-----	562110
C370	FR ROOF-DEST. SIGN FLUOR.	AMP MNL	2	560900	560898
C371	FR ROOF-DEST. SIGN FLUOR.	AMP MNL	2	560900	560898
C372	FR ROOF-DEST. SIGN SPEED SW	MOLEX	4	561477	561476
C373	RR JCT BOX	AMP CPC	16	561639	561640
C374	ALARM JCT BOX COMPT-MASTER SW	AMP MNL	6	561552	561515
C376	ALARM JCT BOX COMPT-LH CONS.	AMP CPC	37	561714	562005
C380	ALARM JCT BOX-DDL CONNECTOR	PED MP	12	-----	561817
C418	INSTR. PANEL LH-HTR WINDSH. SW	SWF	8	-----	561107
C424	UNDER INSTRUMENT PANEL CENTER	AMP MNL	3	561667	561550
C425	ALARM JCT BOX-DIODES	AMP MNL	15	561987	561986

NO.	PAGE	AMP	#PREVOST	LOCATION	FUNCTION
D1	7	3A	561740	ALARM JCT BOX	LO-AIR SONALERT-PRIMARY
D2	7	3A	561740	ALARM JCT BOX	LO-AIR SONALERT-SECONDARY
D4	10	3A	561740	FR JCT BOX	WARNING HAZARD-RH
D5	10	3A	561740	FR JCT BOX	WARNING HAZARD-LH
D7	11	3A	561740	RR JCT BOX	STOP LTS-PARKING BRAKE
D9	17	3A	561740	ALARM JCT BOX	HOSTESS & PASSENGER CHIME
D10	18	3A	561740	A/C JCT BOX	PRE-HEAT WATER PUMP SIGNAL
D11	23	3A	561740	RR JCT BOX	LAVATORY OCCUPIED SIGN
D12	23	3A	561740	RR JCT BOX	LAVATORY OCCUPIED SIGN
D13	23	3A	561740	FR DEST. SIGN	FR DESTINATION SIGN
D14	23	3A	561740	FR DEST. SIGN	FR DESTINATION SIGN
D15	24	3A	561740	FR JCT BOX	KNEELING SYSTEM CTR-UP
D16	24	3A	561740	FR JCT BOX	KNEELING SYSTEM CTR-DOWN
D17	10	3A	561740	FR JCT BOX	WARNING HAZARD-LH
D18	10	3A	561740	FR JCT BOX	WARNING HAZARD-RH
D19	9	3A	561740	FR JCT BOX	DAYTIME RUN LTS-PARK BRK
D20	9	3A	561740	FR JCT BOX	DAYTIME RUN LTS-HEAD LT SW
D23	11	3A	561740	FR JCT BOX	RETARDER STOP SIGNAL
D24	5	3A	561740	RR JCT BOX	DECEL SW. -DDEC CRUISE CTR
D25	5	3A	561740	RR JCT BOX	STOP SW. -DDEC CRUISE CTR
D26	13	3A	561740	FR JCT BOX	LUGGAGE DOOR AJAR T.T.LT.
D27	13	3A	561740	FR JCT BOX	LUGGAGE DOOR AJAR T.T.LT.
D28	13	3A	561740	FR JCT BOX	LUGGAGE DOOR AJAR T.T.LT.
D29	13	3A	561740	FR JCT BOX	LUGGAGE DOOR AJAR T.T.LT.
D30	13	3A	561740	FR JCT BOX	LUGGAGE DOOR AJAR T.T.LT.
D35	13	3A	561740	FR JCT BOX	LUGGAGE DOOR AJAR T.T.LT.
D38	28	3A	561740	RR JCT BOX	HYD.TR.SOL.VALVE SUPPRESSOR
D43	7	3A	561740	ALARM JCT BOX	TAG AXLE SONALERT
D44	5	3A	561740	FR JCT BOX	RETARDER & DECEL IGN.FEED
D46	6	3A	561740	RR JCT BOX	STOP LTS RLY-RETARDER SIGN
D47	11	3A	561740	RR JCT BOX	STOP LTS RLY-STOP SW SIGN
D58	24	3A	561740	FR JCT BOX	RR HIGH BUOY
D60	18	3A	561740	RR JCT BOX	A/C COMPR.CLUTCH SUPPRESSOR
D63	23	3A	561740	ALARM JCT BOX	LAVATORY SONALERT
D64	24	3A	561740	ALARM JCT BOX	KNEELING SONALERT
D65	18	3A	561740	A/C JCT BOX	WATER VALVE - HEAT SW FEED
D66	18	3A	561740	A/C JCT BOX	WATER VALVE - PRE-HEAT FEED
D67	10	3A	561740	UNDER DASH	AUDIBLE FLASHER RLY - RH
D68	10	3A	561740	UNDER DASH	AUDIBLE FLASHER RLY - LH

NO.	PAGE	AMP	#PREVOST	LOCATION	FUNCTION
-----	------	-----	----------	----------	----------

## RELAYS CODE (R)

Page 1 : 1

NO.	PAGE	COIL V	#PREVOST	LOCATION	FUNCTION
R1	1	24V	561991	FR JCT BOX	ENGINE RUN (24) FR
R2	2	24V	561991	FR JCT BOX	ENGINE RUN (12) FR
R3	4	24V	561707	RR JCT BOX	FIELD RELAY
R4	4	24V	561005	RR JCT BOX	STARTING MOTOR
R6	11	24V	561707	RR JCT BOX	STOP LTS-PARKING BRAKE
R7	5	24V	561707	RR JCT BOX	FAST IDLE
R8	6	24V	561707	RR JCT BOX	RETARDER
R9	11	24V	561707	RR JCT BOX	BACK-UP LTS
R10	6	24V	561707	RR JCT BOX	CHECK TRANSM ATEC
R11	6	24V	561707	RR JCT BOX	12V IGNITION ATEC & DDEC
R12	7	12V	562092	FR JCT BOX	ELECTRICAL HORNS
R13	8	24V	561707	FR JCT BOX	FOG LTS
R14	9	24V	561707	FR JCT BOX	BLINKER
R15	9	24V	561707	FR JCT BOX	FR MARKER LTS
R16	9	24V	561707	FR JCT BOX	IDENT. & CLEARANCE LTS
R17	9	24V	561707	RR JCT BOX	TAIL,LICENCE,MARKER-RR LTS
R18	9	24V	561707	FR JCT BOX	D R L-PARK BRK CUT-IN
R19	9	24V	561707	FR JCT BOX	HEADLAMPS (HI)
R20	9	24V	561707	FR JCT BOX	HEADLAMPS (LO)
R21	10	24V	561707	FR JCT BOX	L.H. DIRECTIONNAL LT
R23	10	24V	561707	FR JCT BOX	R.H. DIRECTIONNAL LT
R24	10	24V	561707	FR JCT BOX	R.H. CORNERING LT
R25	10	24V	561707	FR JCT BOX	L.H. CORNERING LT
R26	11	24V	561707	RR JCT BOX	STOP LTS
R27	14	24V	561707	RR JCT BOX	aisle & EMERG.EXIT - LTS
R28	14	24V	561707	FR JCT BOX	DASH LTS RHEOSTAT
R29	15	24V	561707	RR JCT BOX	READING LTS R.H.
R30	15	24V	561707	RR JCT BOX	READING LTS L.H.
R31	15	24V	561707	RR JCT BOX	GENERAL LTS
R32	16	24V	561707	RR JCT BOX	24V FLUORESCENT
R33	18	12V	562092	FR JCT BOX	BLOWER & GALLEY CUT-IN
R34	18	24V	561707	A/C JCT BOX	A/C LOGIC PANEL
R35	18	24V	561707	A/C JCT BOX	WATER PUMP
R36	18	24V	561707	A/C JCT BOX	A/C COMPRESSOR CLUTCH
R37	10	24V	561707	FR JCT BOX	KNEELING LT
R38	19	24V	560407	A/C JCT BOX	EVAPORATOR FAN MOTOR
R39	19	24V	560407	A/C JCT BOX	CONDENSER FAN MOTOR
R40	19	24V	561014	A/C JCT BOX	CONDENSER SPEED CTR HI
R41	19	24V	560407	A/C JCT BOX	CONDENSER SPEED CTR HI
R42	23	24V	561707	RR JCT BOX	LAVATORY FLUORESCENT
R43	24	24V	561707	FR JCT BOX	KNEELING SYSTEM
R44	24	24V	561707	FR JCT BOX	KNEELING SYSTEM
R45	29	24V	561707	INVERTER COMPT	V.C.R. INVERTER CUT-IN
R46	24	12V	562092	RR JCT BOX	CAMERA DOOR
R47	30	24V	561707	INVERTER COMPT	GALLEY-LIQUID CONTAINERS
R48	30	24V	561707	INVERTER COMPT	COFFEE MAKER
R49	27	24V	561707	FR JCT BOX	ABS - SEC. BREAK RLY
R50	27	24V	561707	FR JCT BOX	ABS - VR2 RLY
R51	27	24V	561707	FR JCT BOX	ABS - WARNING RLY
R52	27	24V	561707	FR JCT BOX	ABS - VR1 RLY
R53	1	24V	561991	RR JCT BOX	ENGINE RUN (24) RR
R54	2	24V	561991	RR JCT BOX	ENGINE RUN (12) RR
R56	25	12V	562092	FR JCT BOX	JACOB BRAKE SYSTEM
R57	9	24V	561707	FR JCT BOX	DAY'S BLINKER
R58	28	12V	562092	RR JCT BOX	HYD. TRANSM. MODULATOR CTR
R60	9	12V	562092	FR JCT BOX	DAYTIME RUN LTS
R61	25	12V	562092	RR JCT BOX	STOP LTS-JACOB SIGNAL
R68	26	24V	561707	FR JCT BOX	SOUND SYSTEM CUT IN

## RELAYS CODE (R)

Page 1 : 1

NO.	PAGE	COIL V	#PREVOST	LOCATION	FUNCTION
R72	18	24V	561707	A/C JCT BOX	DAMPER CONTROL-A/C
R77	18	24V	561707	A/C JCT BOX	WATER VALVE-A/C



## RESISTOR CODE (RS)

Page J : 1

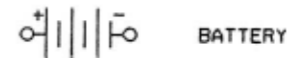
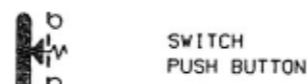
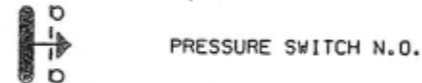
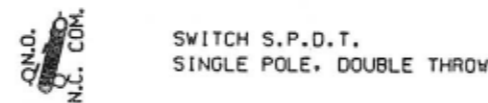
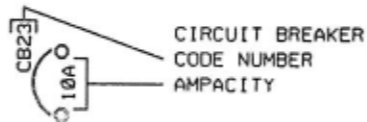
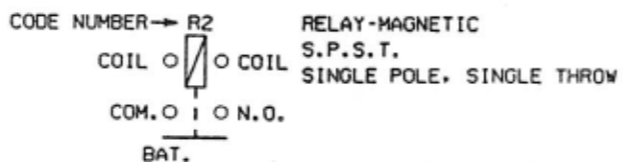
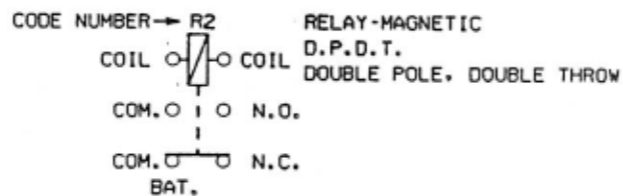
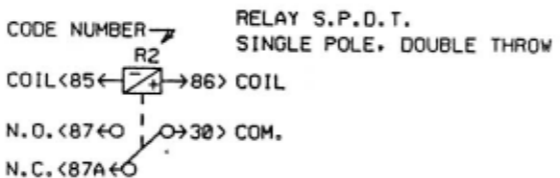
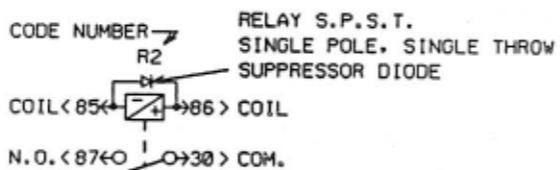
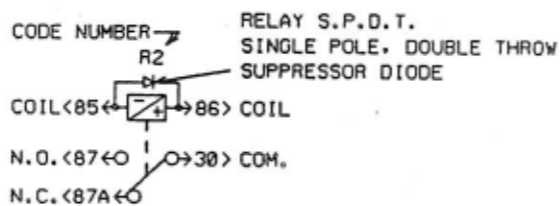
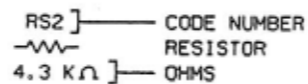
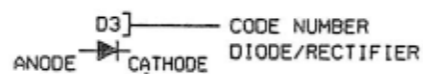
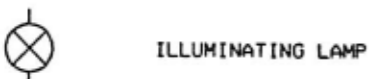
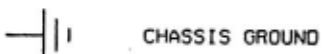
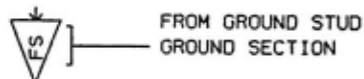
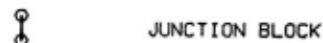
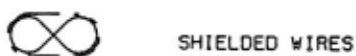
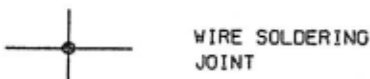
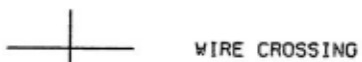
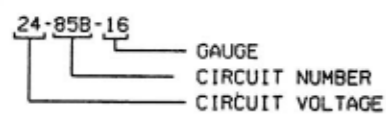
NO.	PAGE	OHM(S)	#PREVOST	LOCATION	FUNCTION
RS1	5	11 K	561898	RR JCT BOX	FAST IDLE DDEC CONTROL
RS2	5	3.6 K	561897	RR JCT BOX	FAST IDLE DDEC CONTROL
RS3	8	1 (2)	561537	FR SERV. COMPT.	FOG LT - RH
RS4	8	1 (2)	561537	FR SERV. COMPT.	FOG LT - LH
RS5	10	1 (2)	561537	FR JCT BOX	CORNERING LT - LH
RS7	11	.82 (2)	560822	RR JCT BOX	PARKING BRAKE STOP LTS
RS8	10	1 (2)	561537	FR JCT BOX	CORNERING LT - RH
RS11	20	12	561191	FR TOP	DEFROSTER SPEED
RS12	20	12	561191	FR TOP	DEFROSTER SPEED
RS13	23	80	562108	FR TOP	FR DESTINATION SIGN
RS14	9	.82 (2)	560822	FR JCT BOX	DAYTIME RUN LTS
RS15	23	2	561884	ENGINE COMPT.	LAVATORY FAN

## RESISTOR CODE (RS)

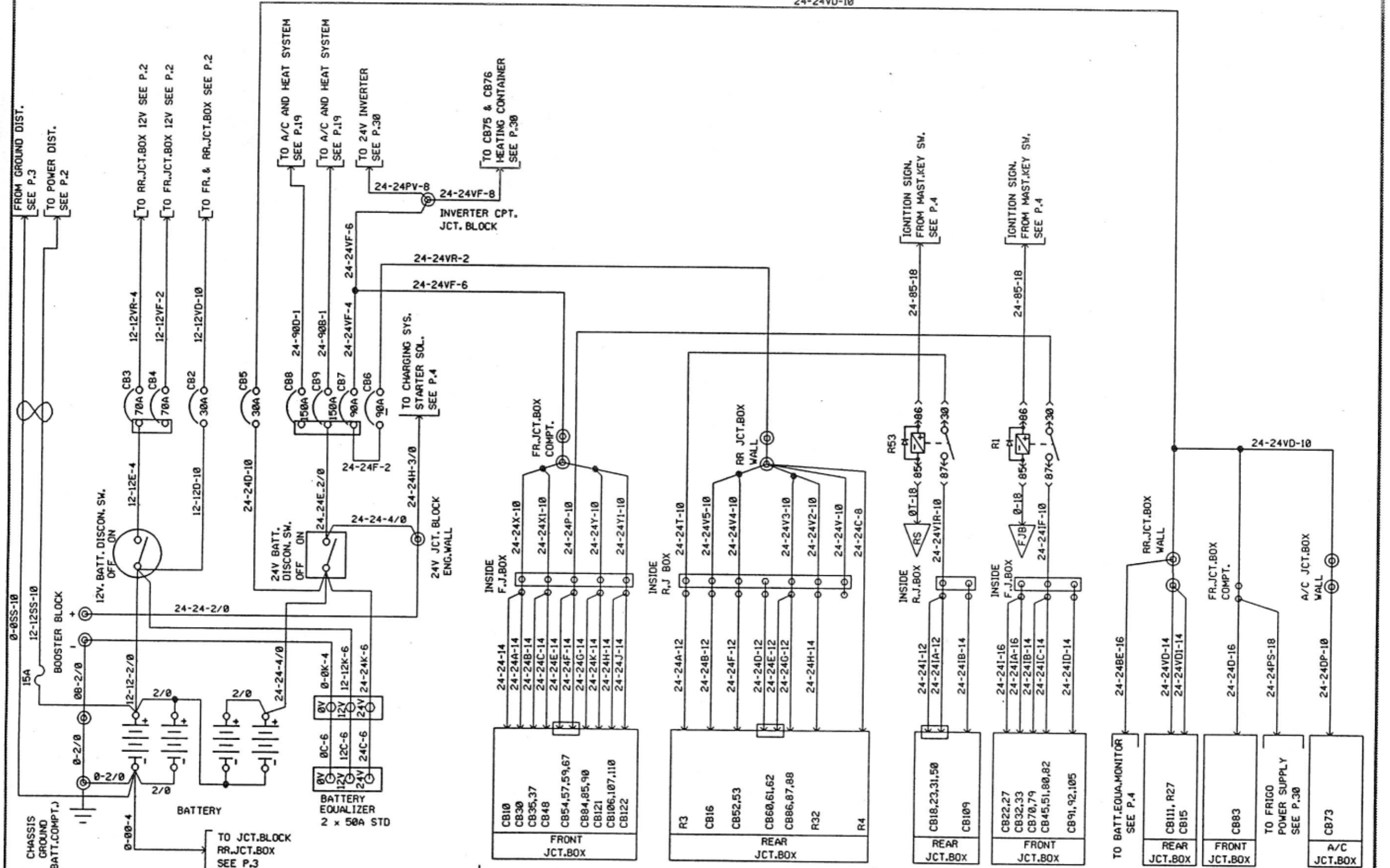
Page J : 1

NO.	PAGE	OHM(S)	#PREVOST	LOCATION	FUNCTION
-----	------	--------	----------	----------	----------

# WIRING DIAGRAM KEYS



- BLK BLACK
- YEL YELLOW
- RED RED
- WH WHITE
- GRY GREY
- ORA ORANGE
- BLU BLUE
- GRN GREEN
- BRN BROWN
- PUR PURPLE
- PK PINK

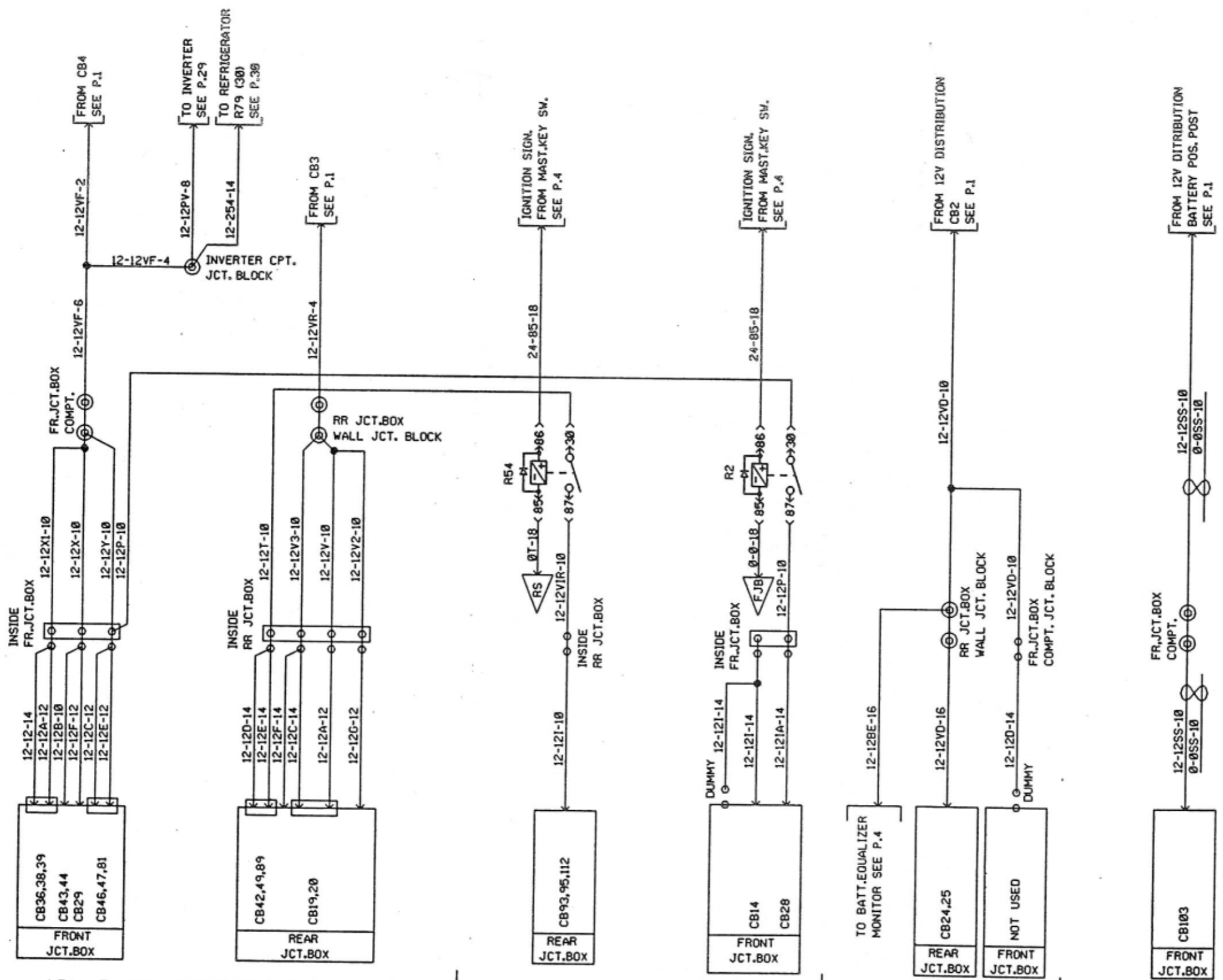


12V, 24V DISTRIBUTION

24V BATT. DISCONN. SW.

24V IGNITION

24V HOT WIRE

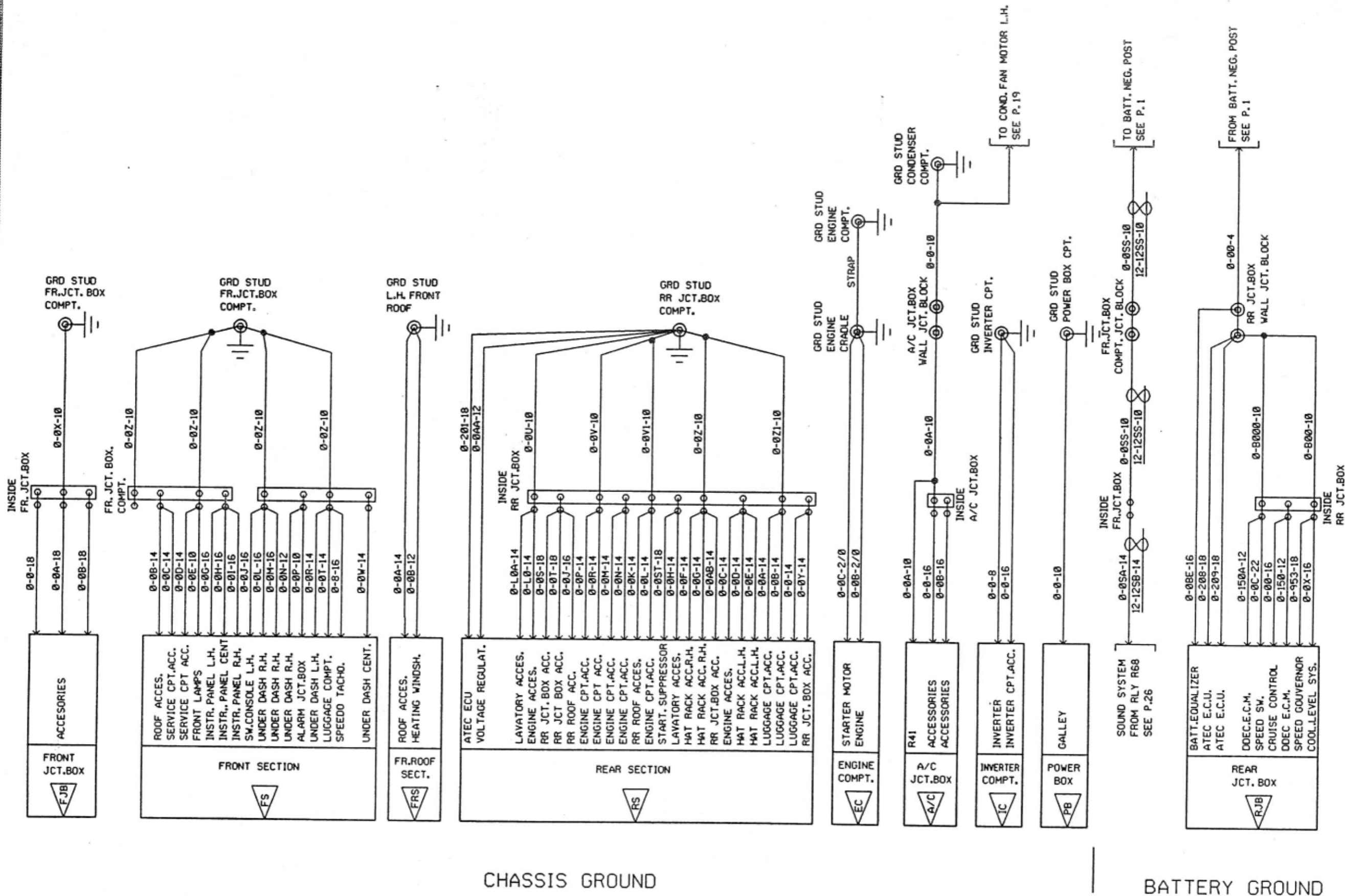


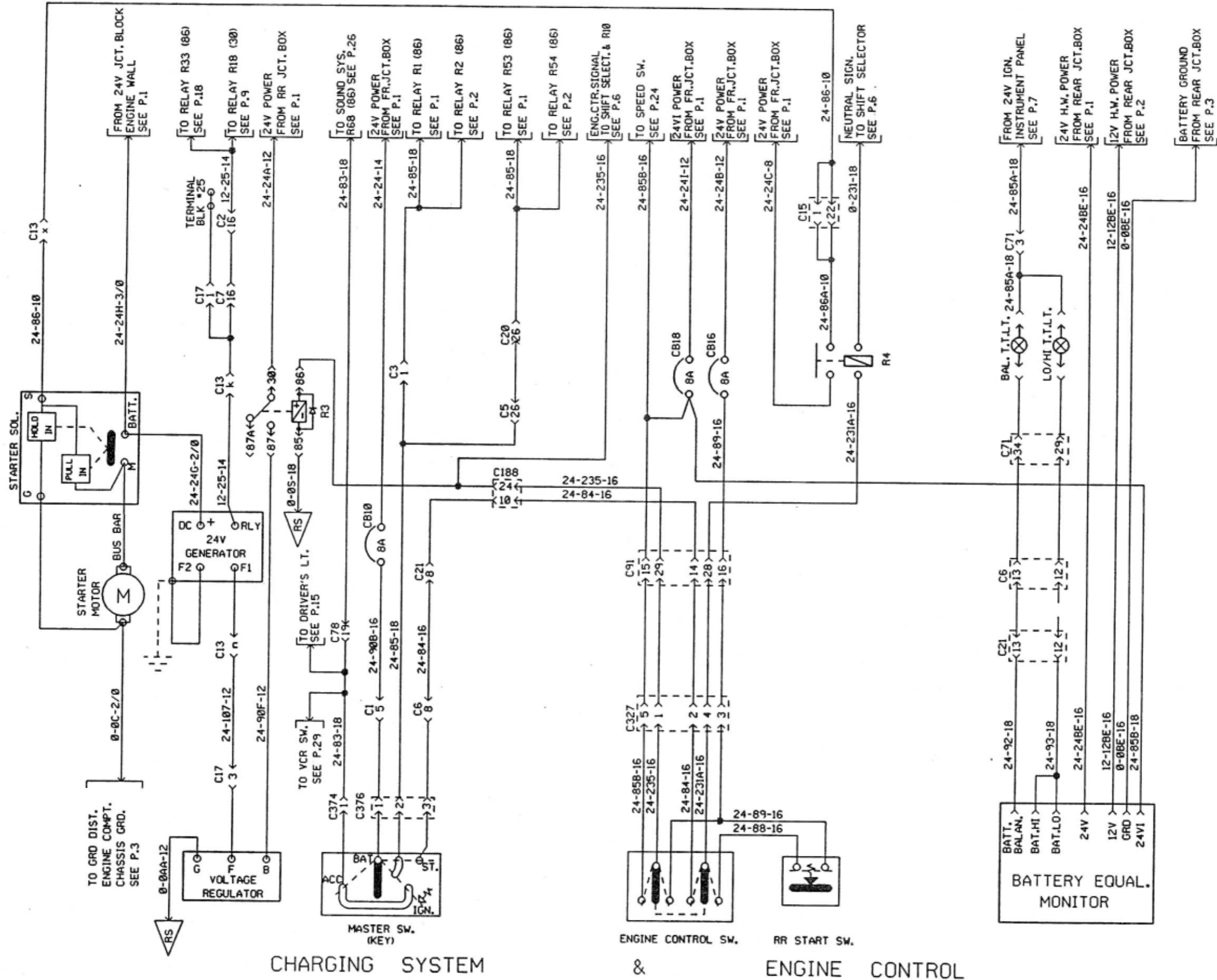
12V BATT. DISCONN. SW.

12V IGNITION

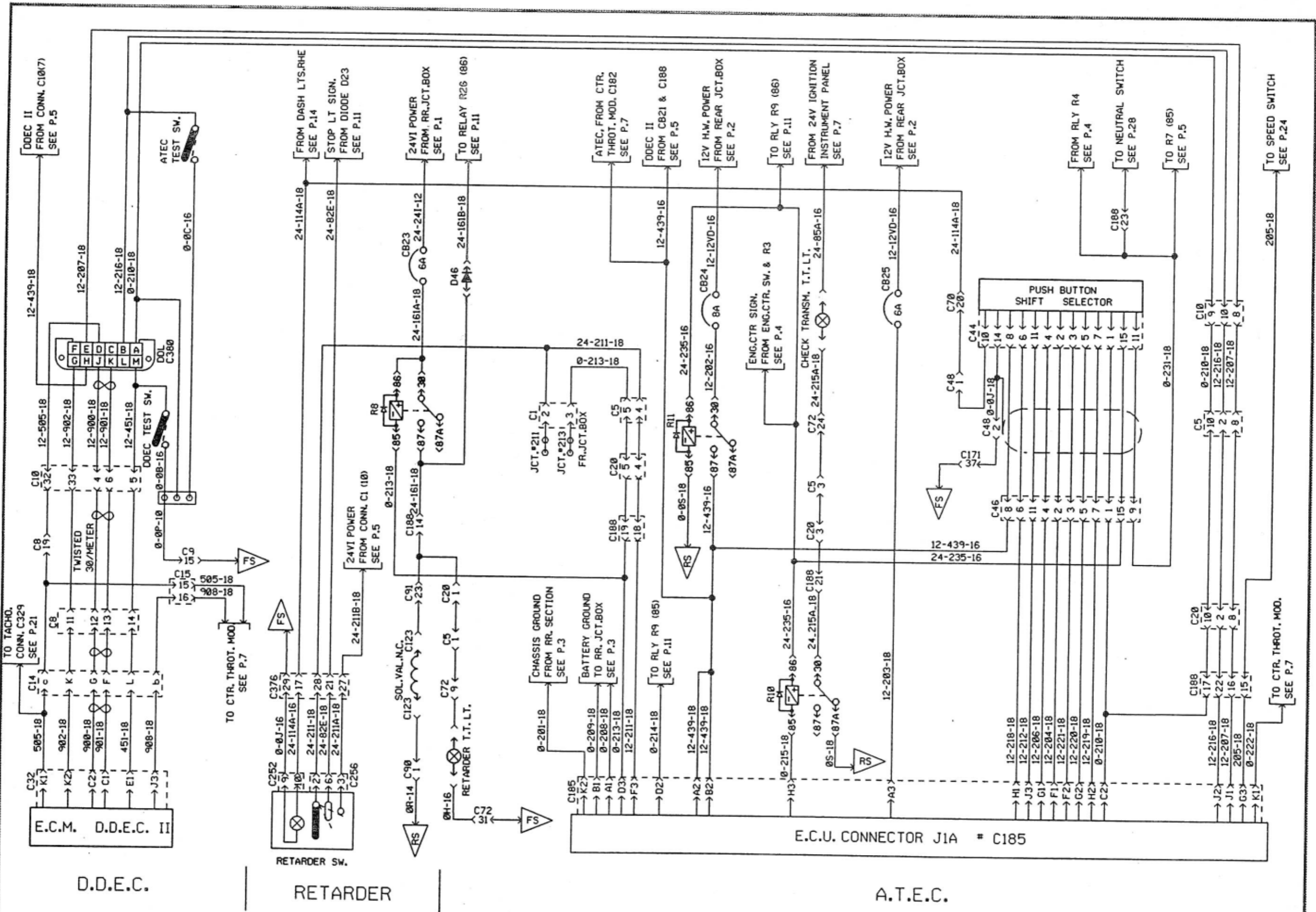
12V HOT WIRE

12V SOUND SYSTEM

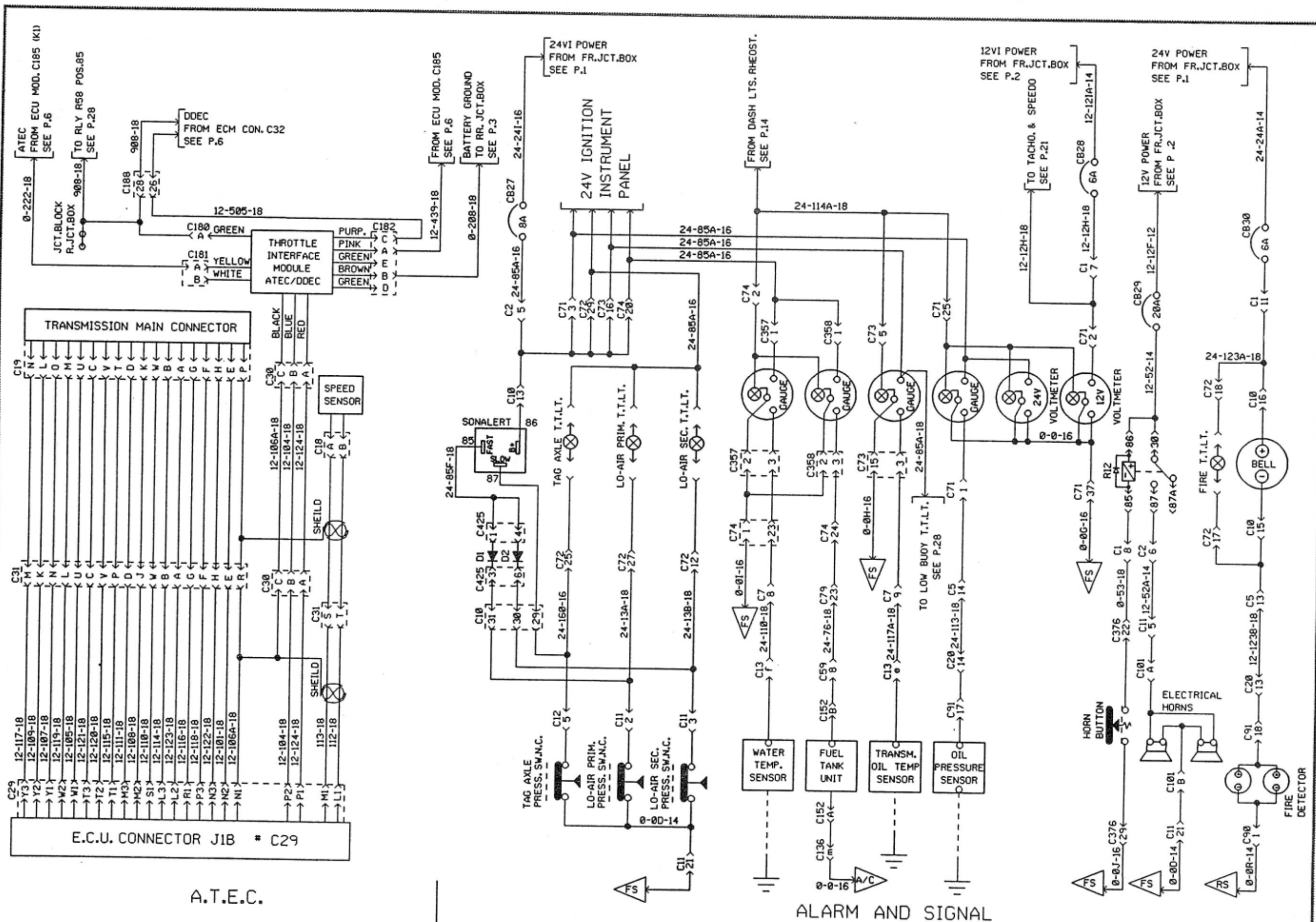








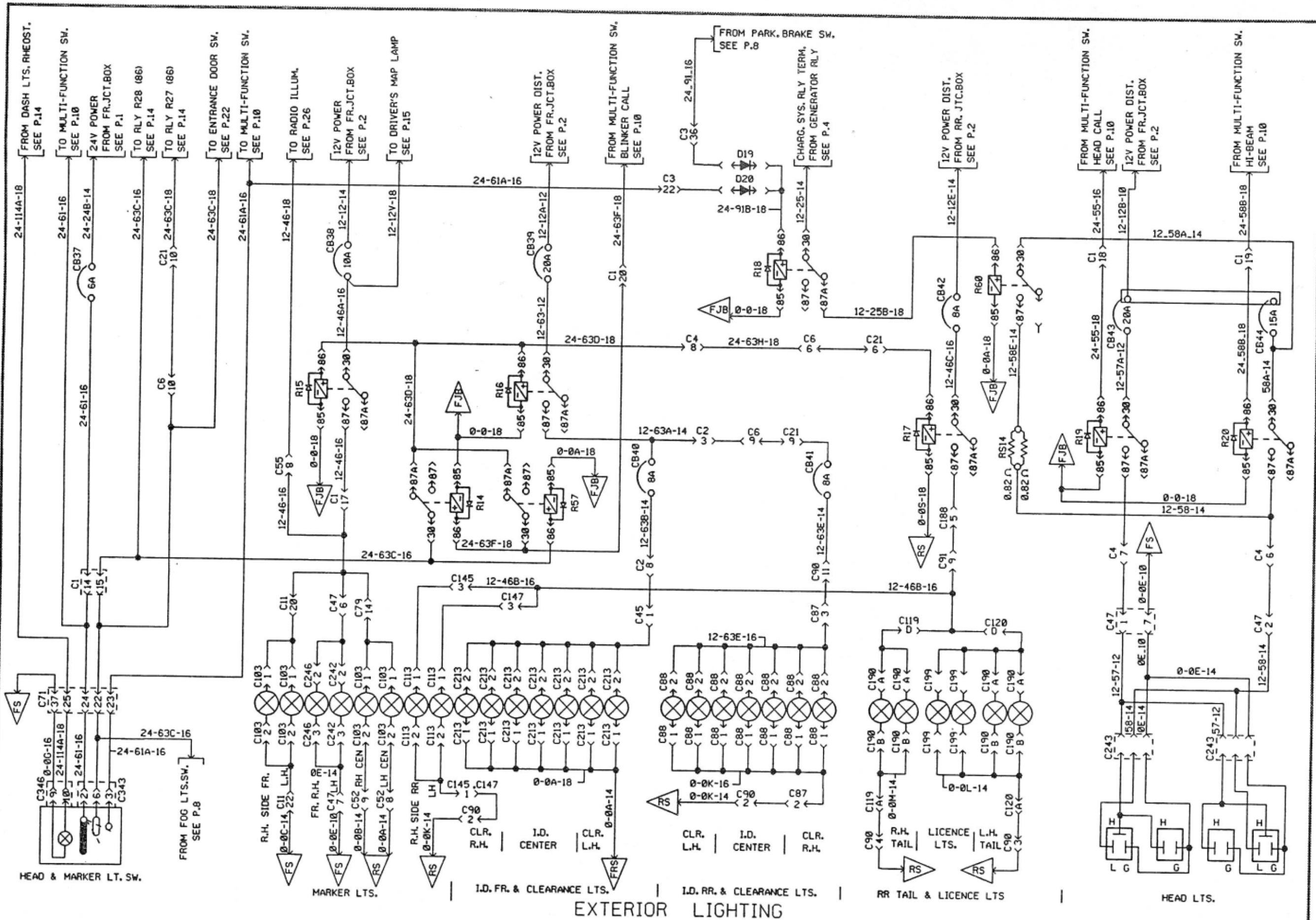


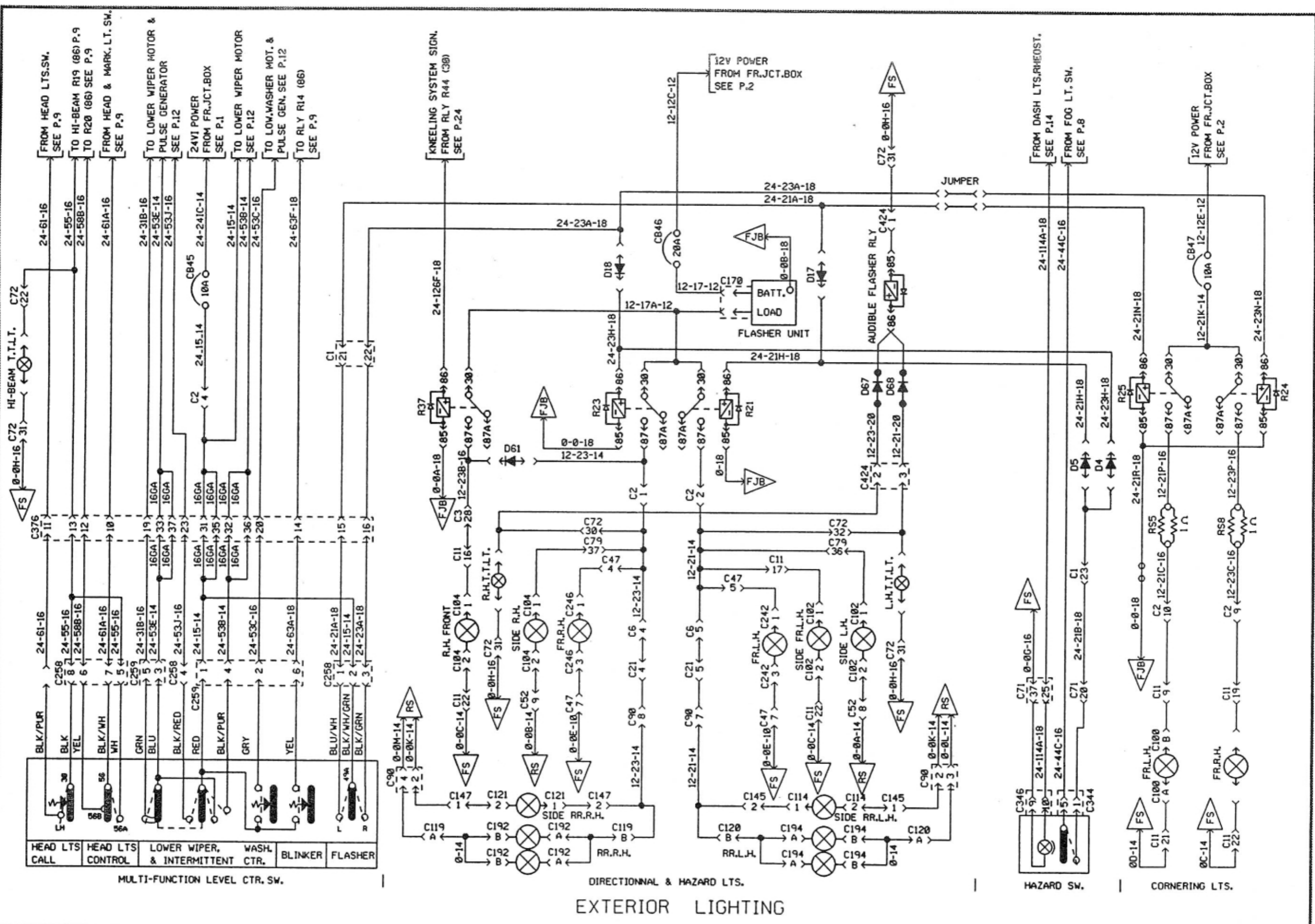


A.T.E.C.

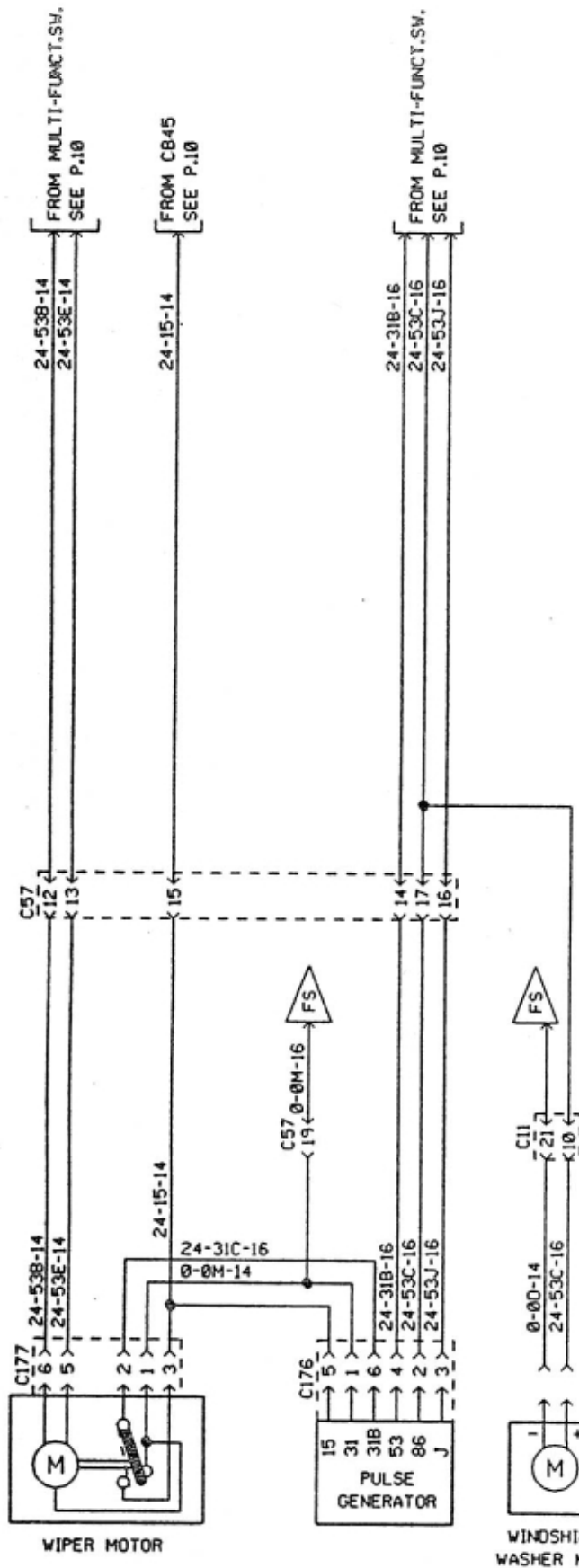
ALARM AND SIGNAL



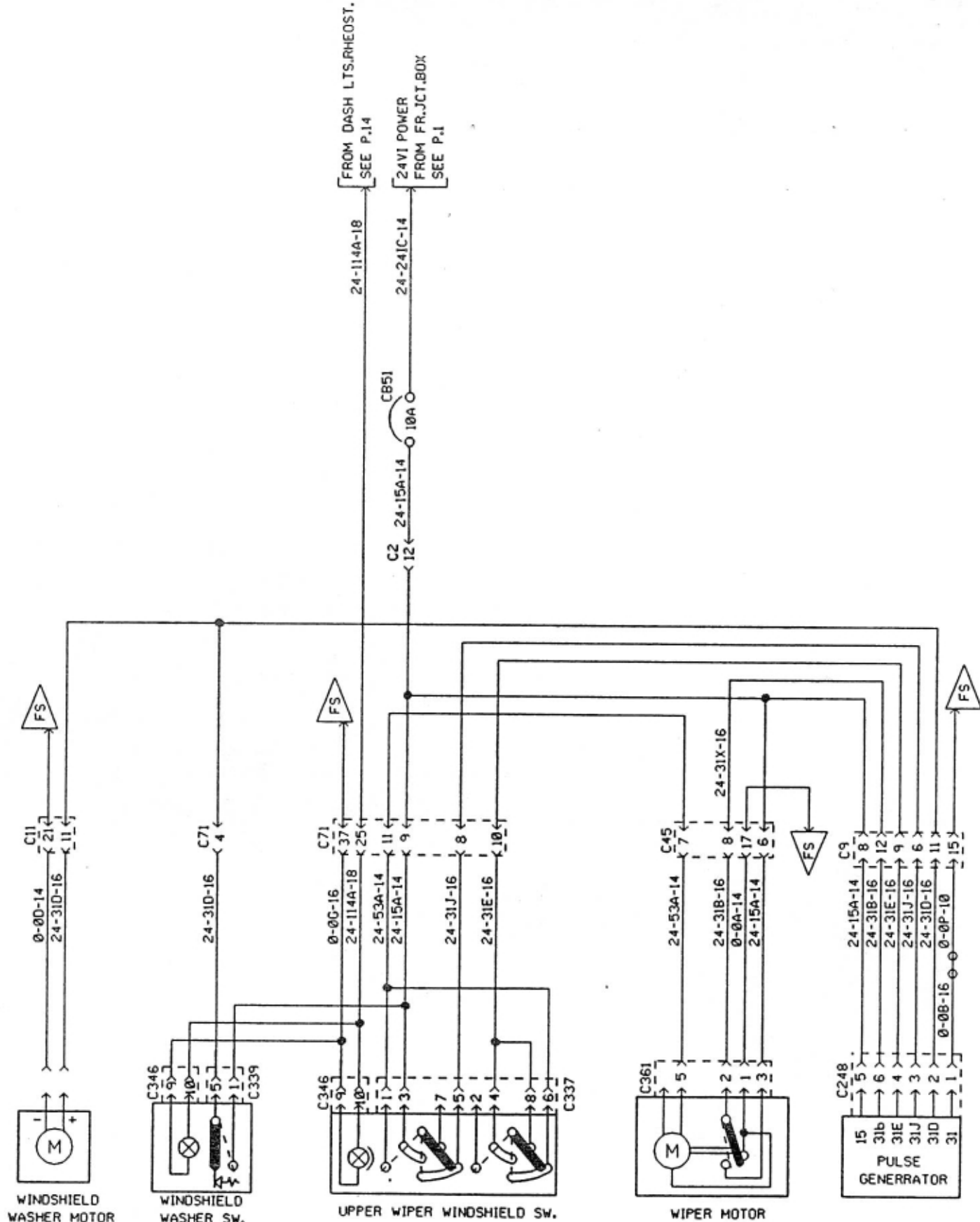




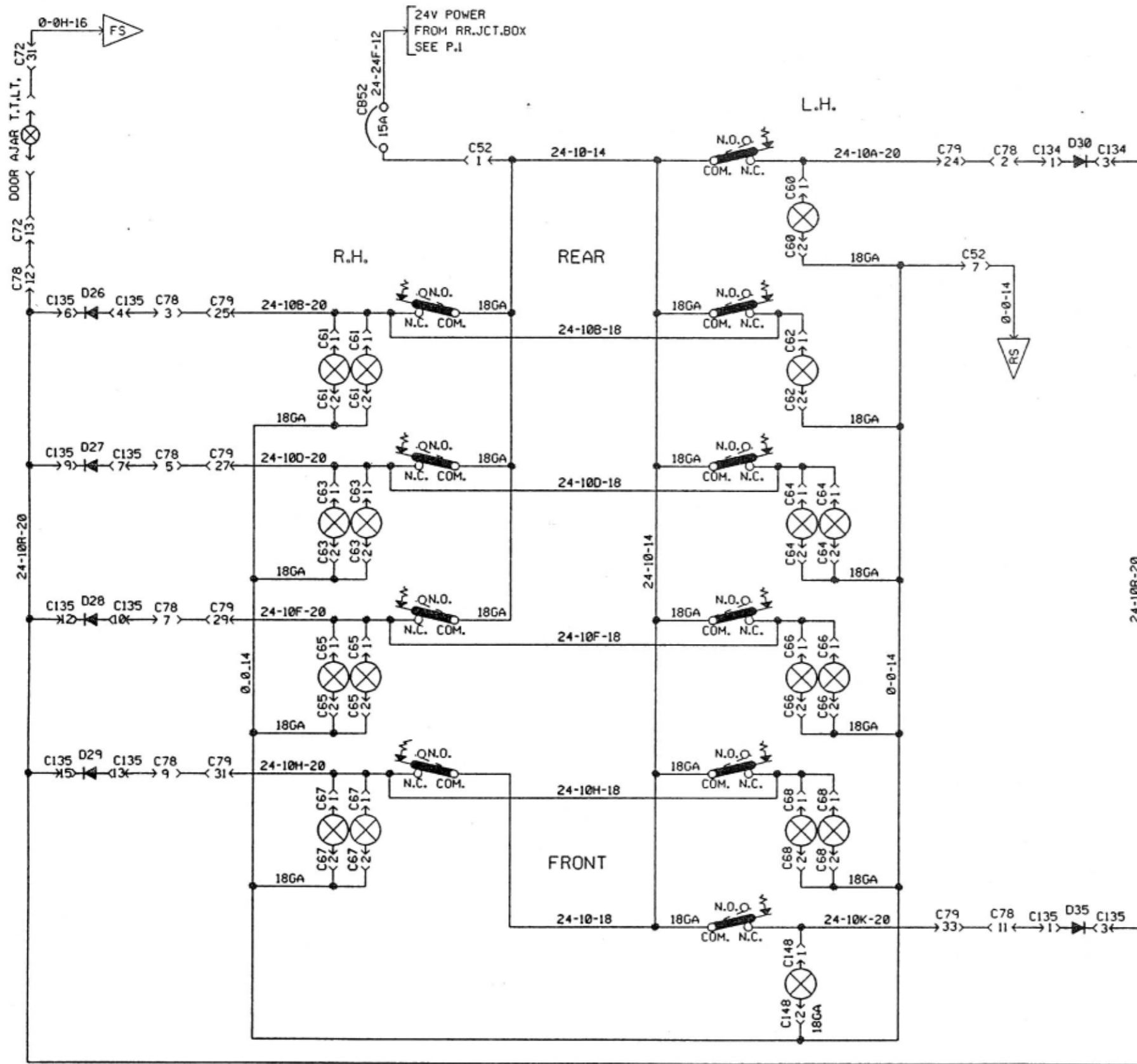




LOWER WINDSHIELD WIPER AND WASHER

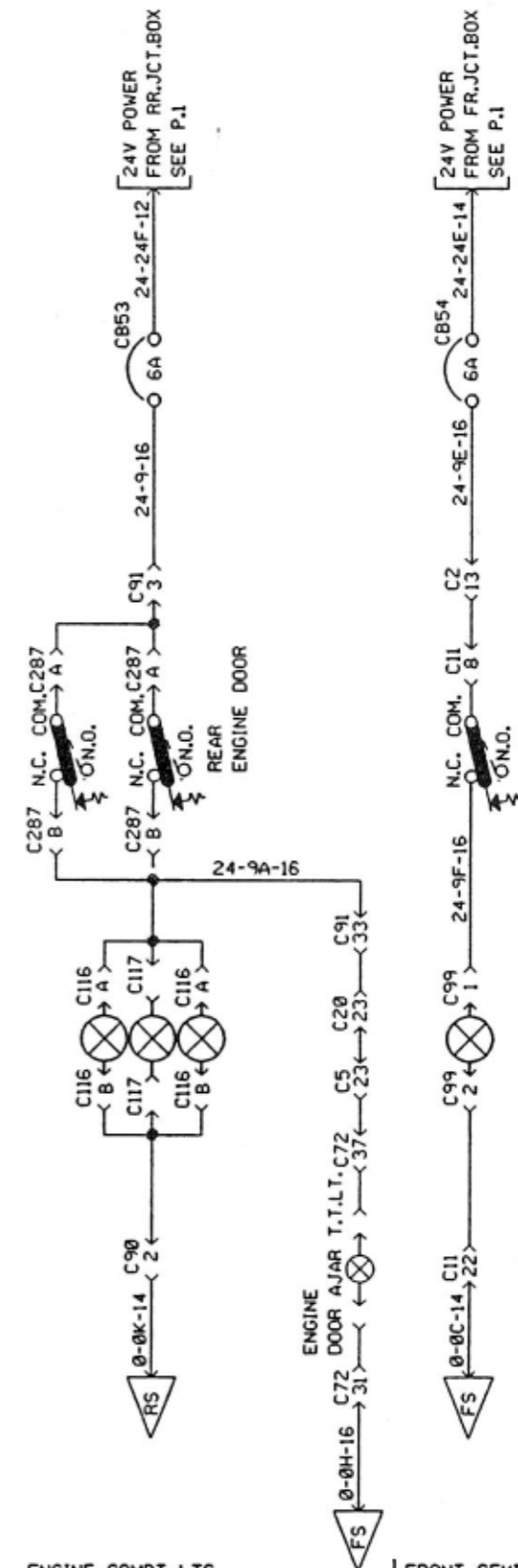


UPPER WINDSHIELD WIPER AND WASHER



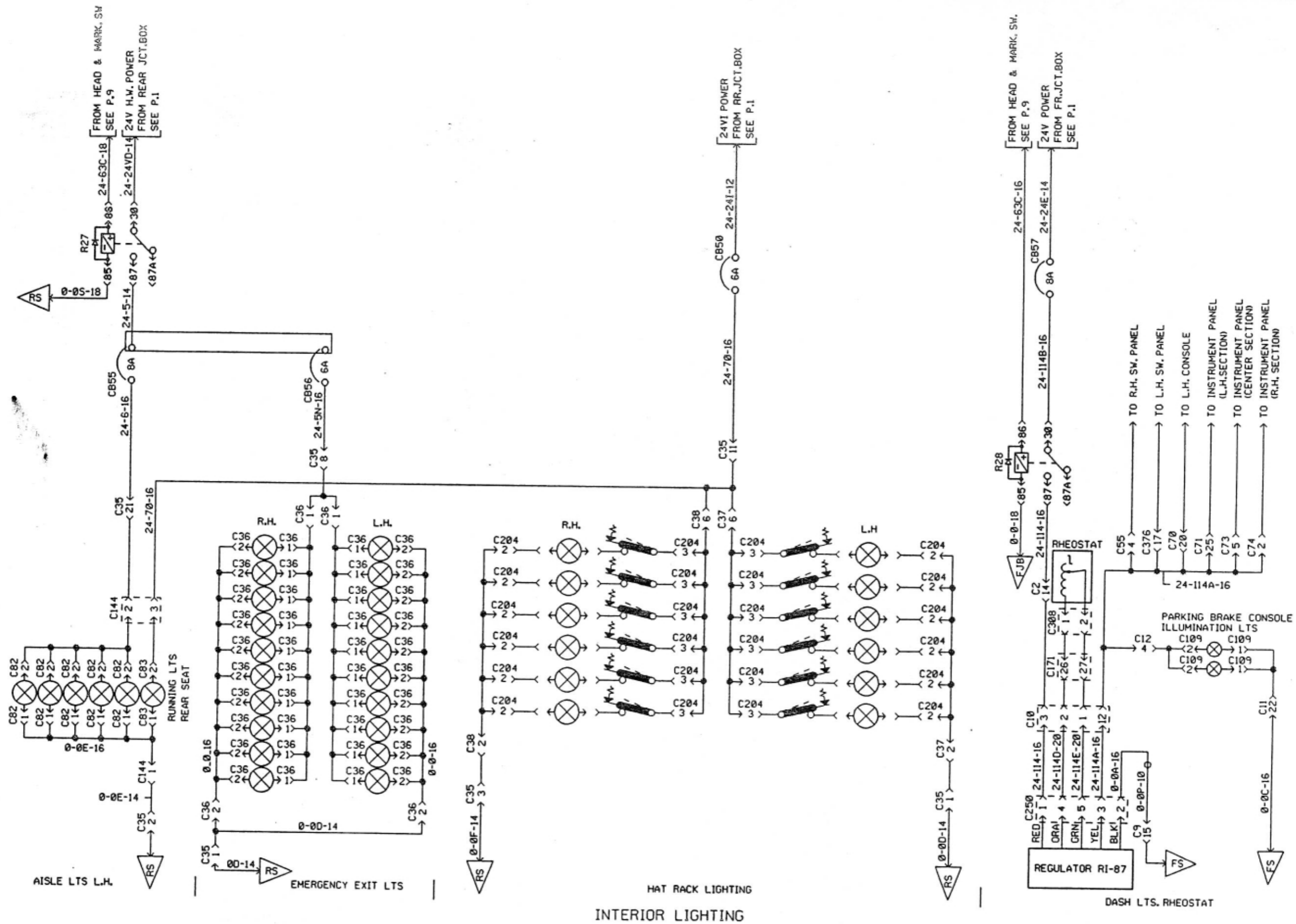
LUGGAGE COMPARTMENT AND DOOR AJAR LTS

INTERIOR LIGHTING



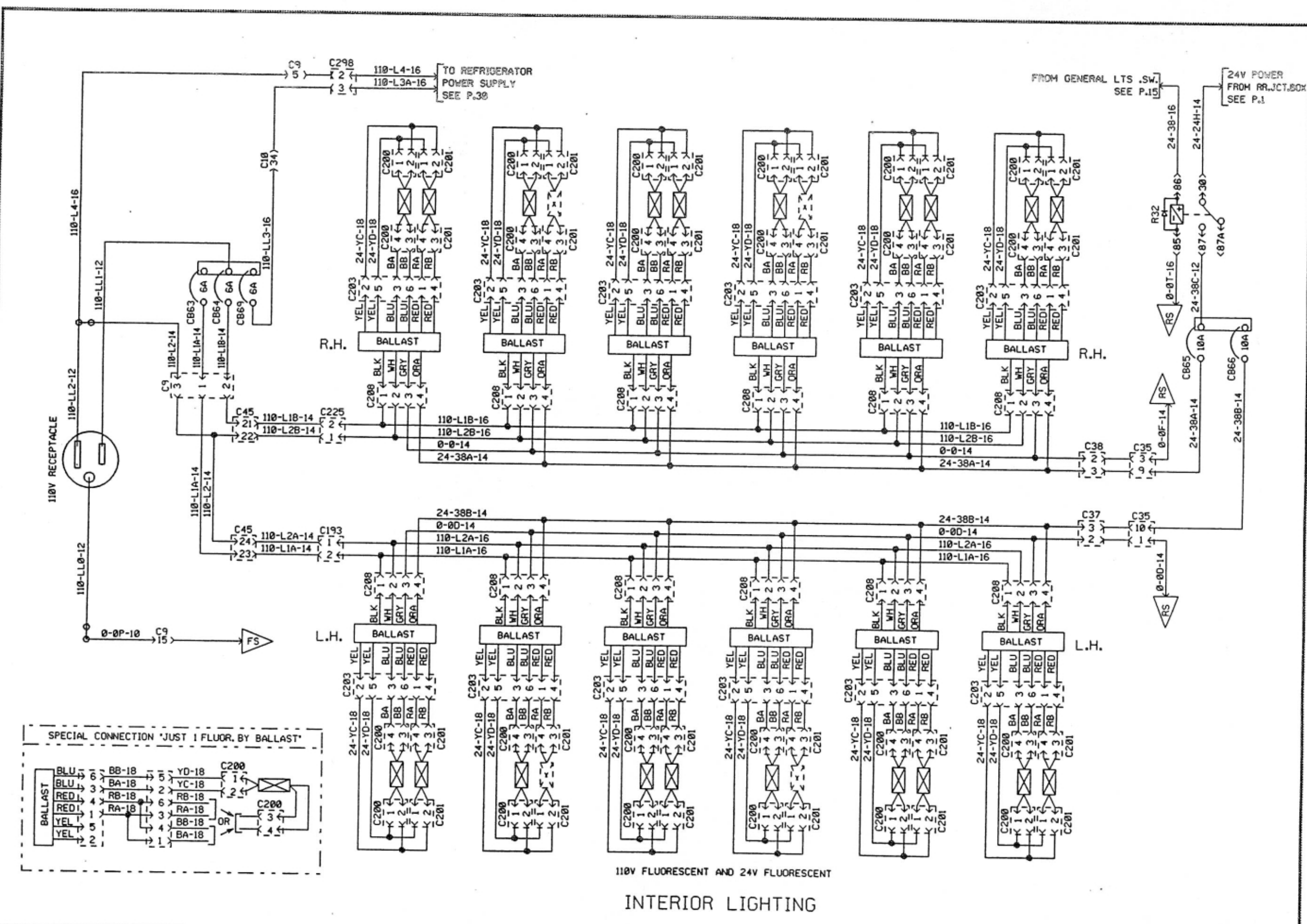
ENGINE COMPT. LTS.

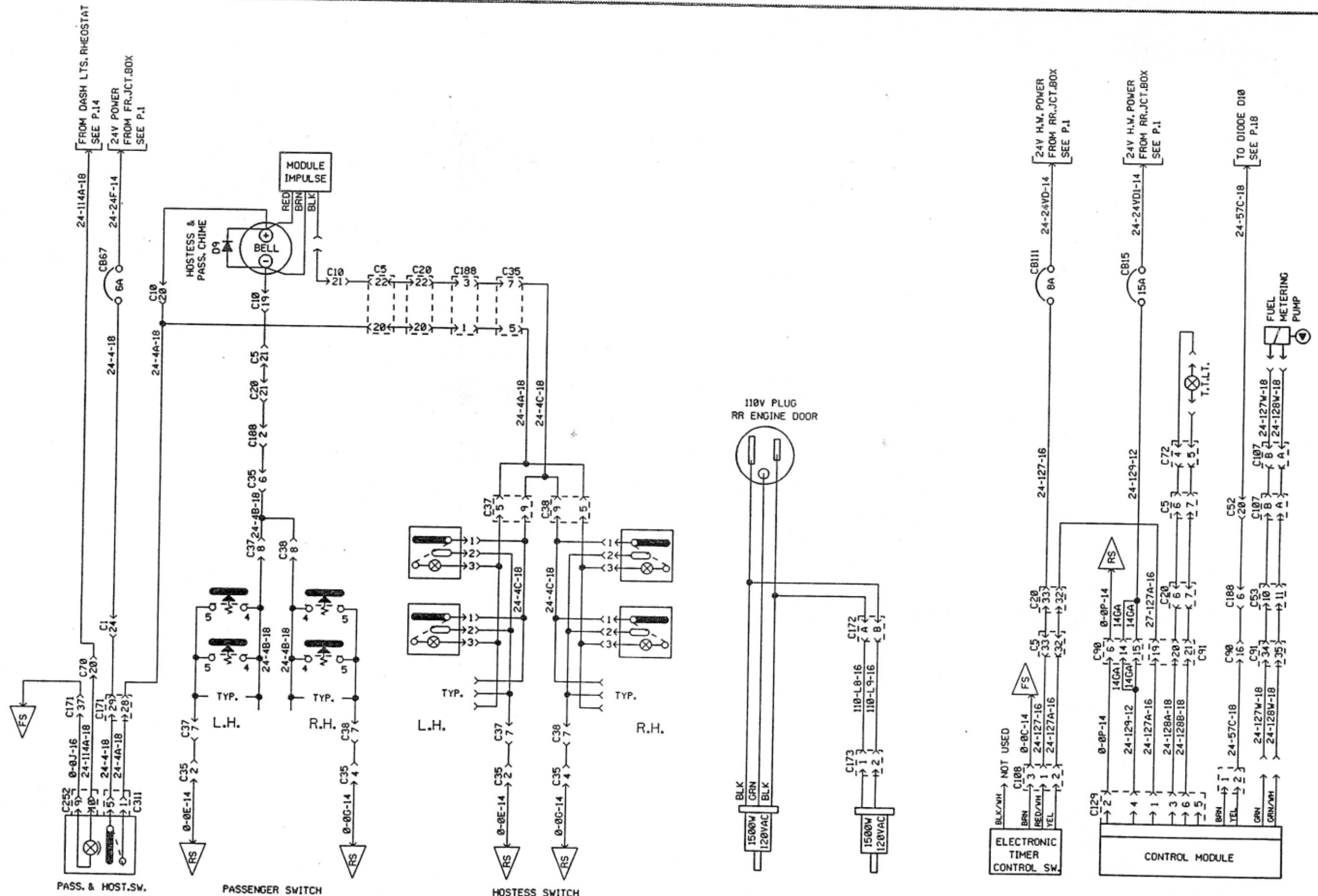
FRONT SERVICE COMPT. LT.









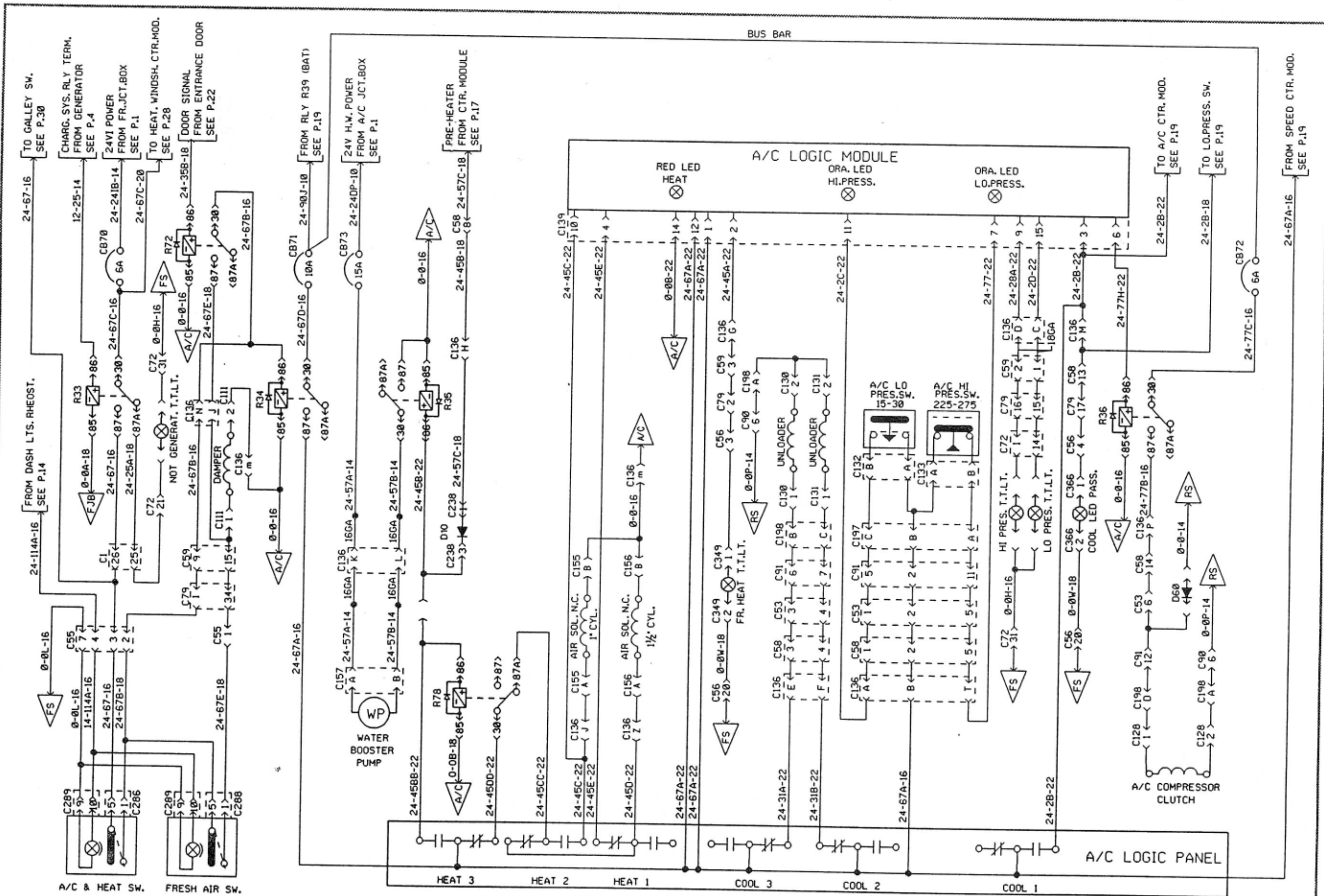


PASSENGER CHIME

HOSTESS CHIME

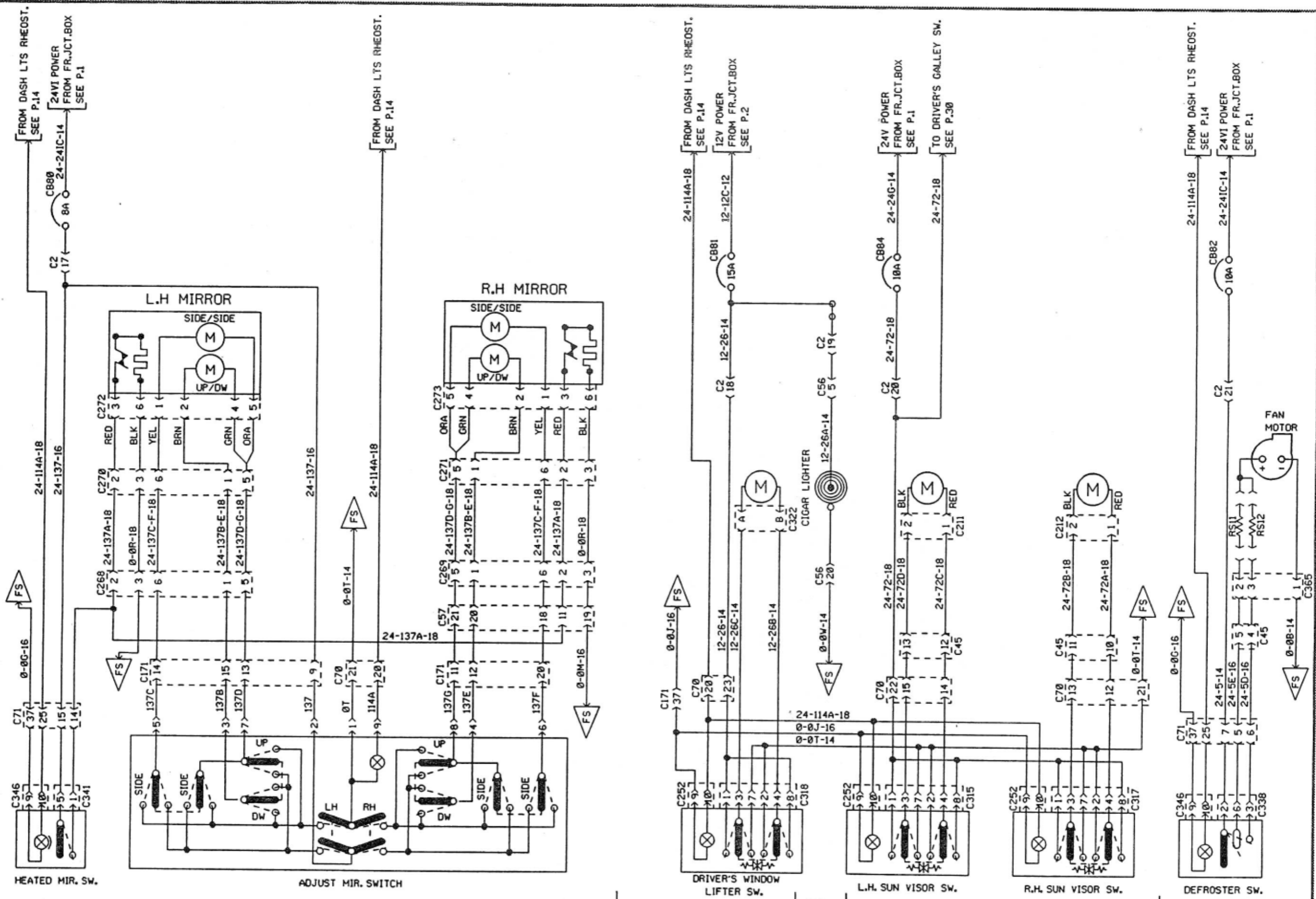
ENGINE BLOCK HEATER | WATER TANK HEATER

PRE-HEAT WATER HEATER

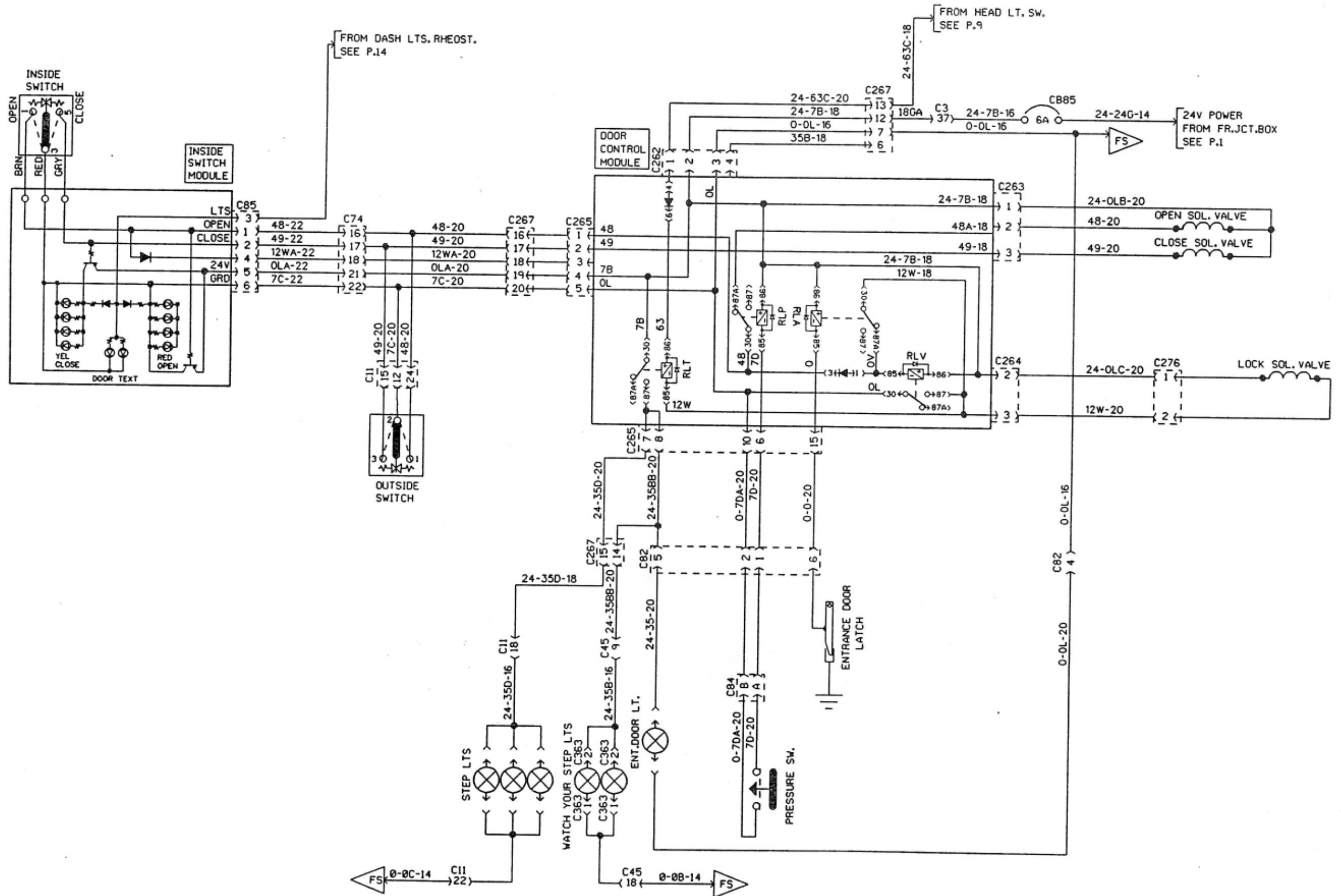


A/C AND HEAT SYSTEM





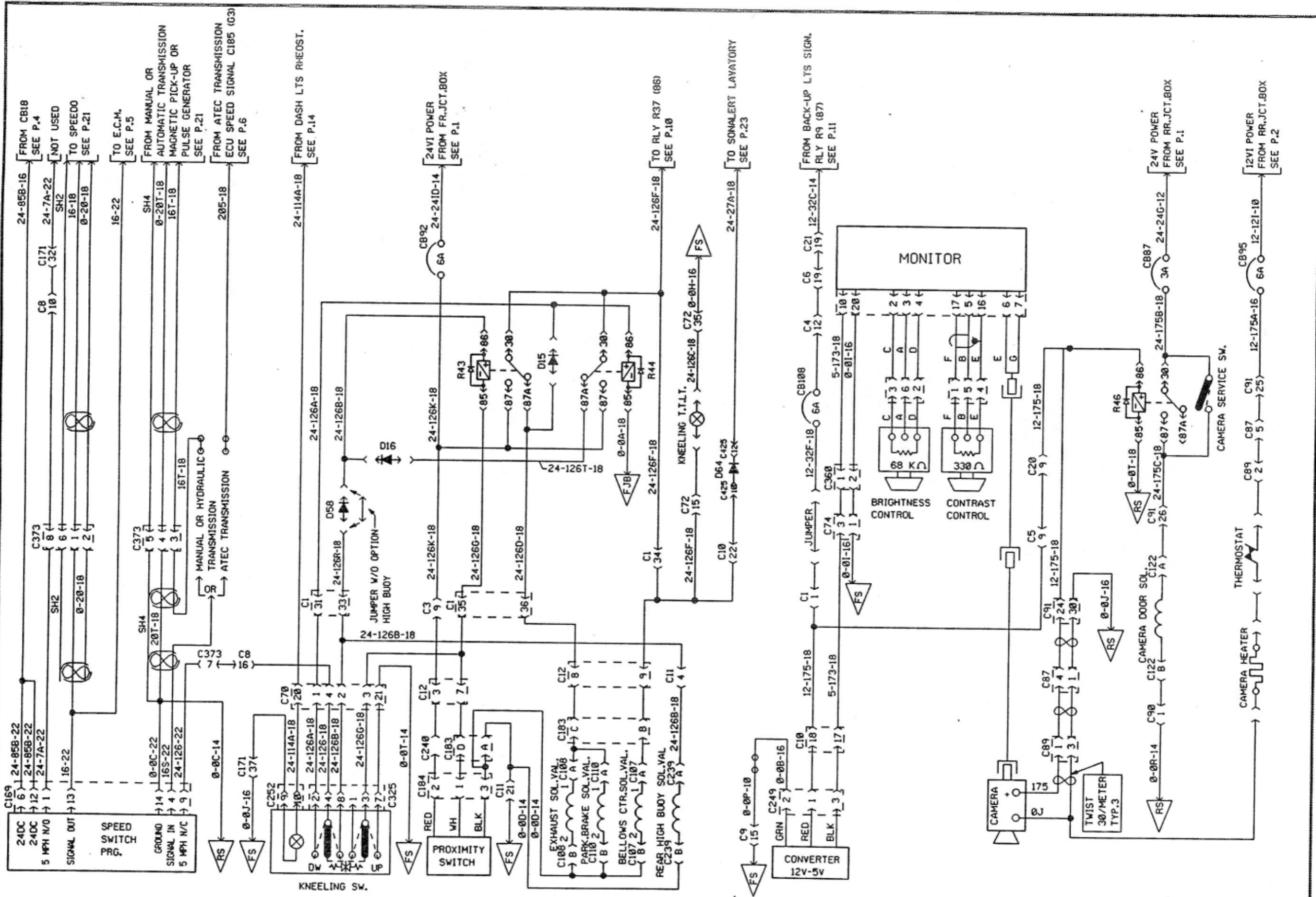




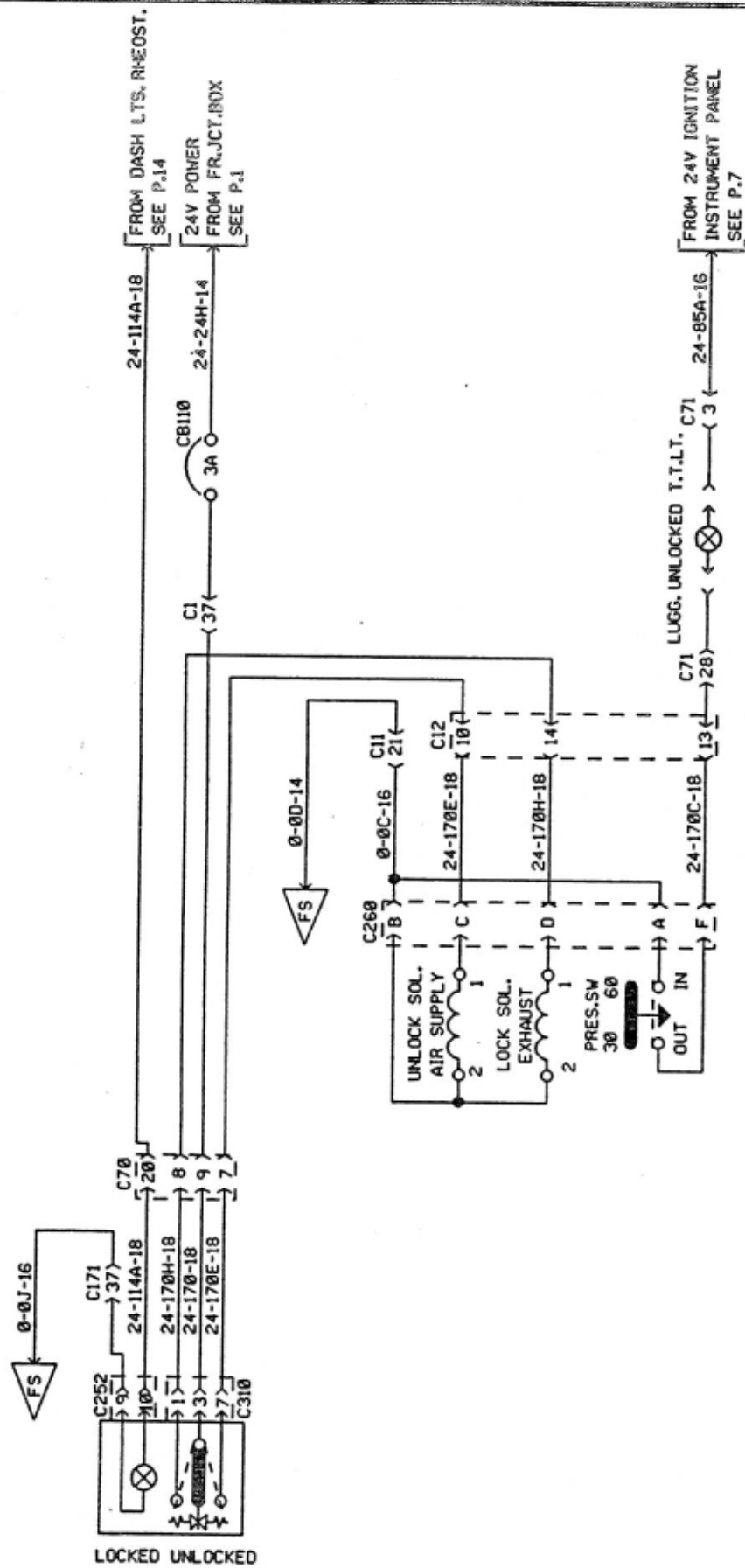
ENTRANCE DOOR (SEDAN) - RELAYS MODULE - RETROFIT H340



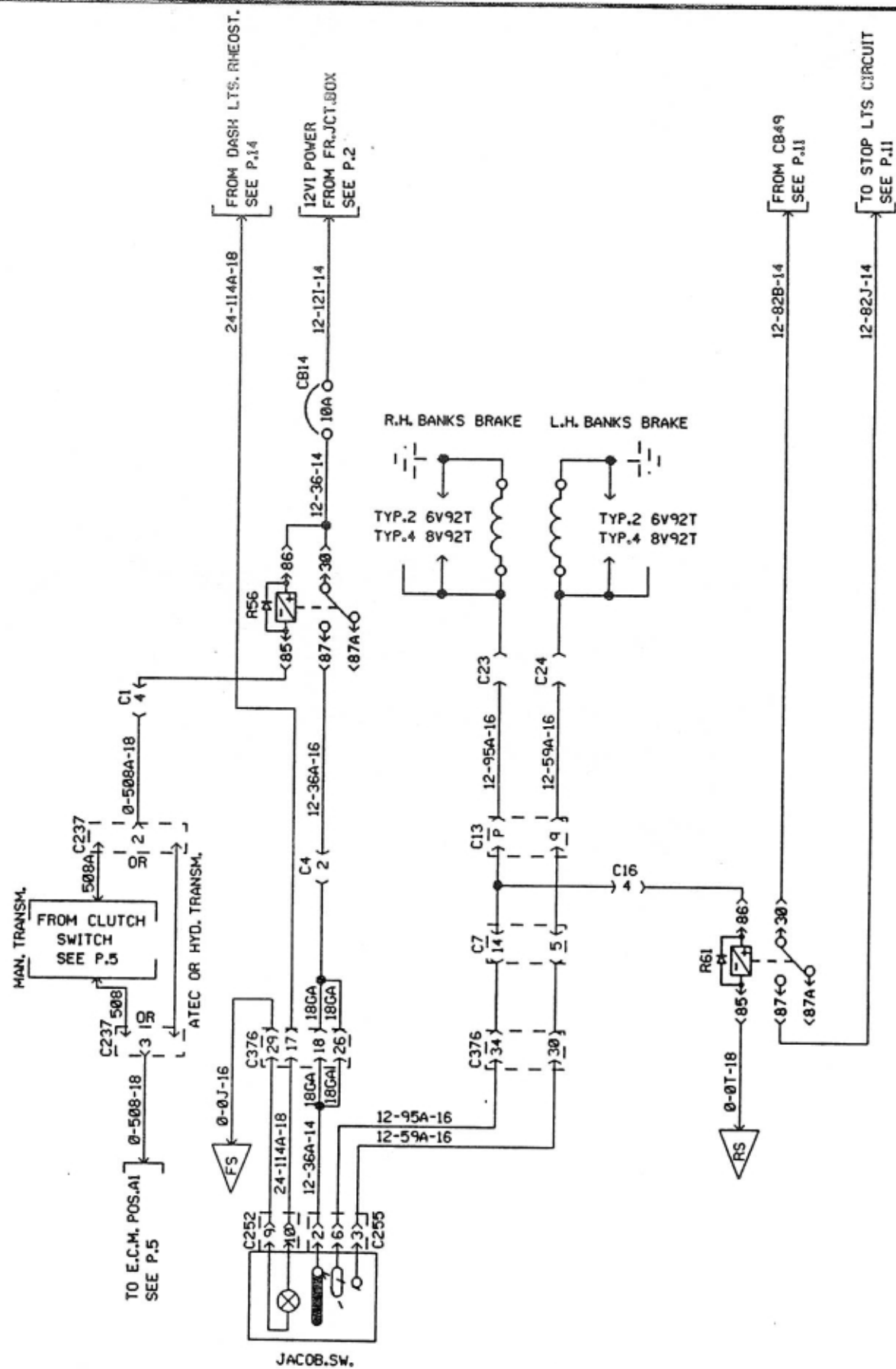




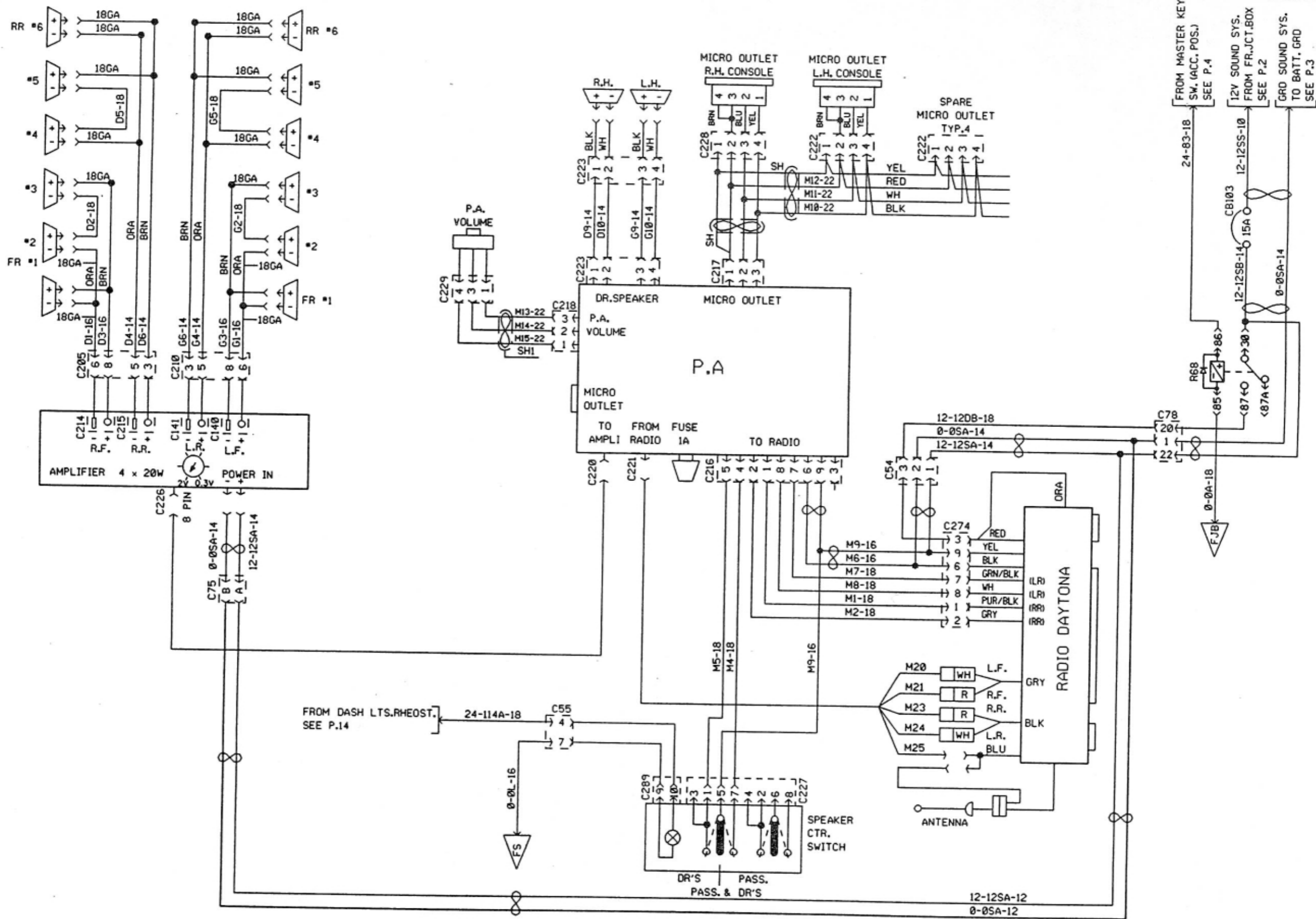




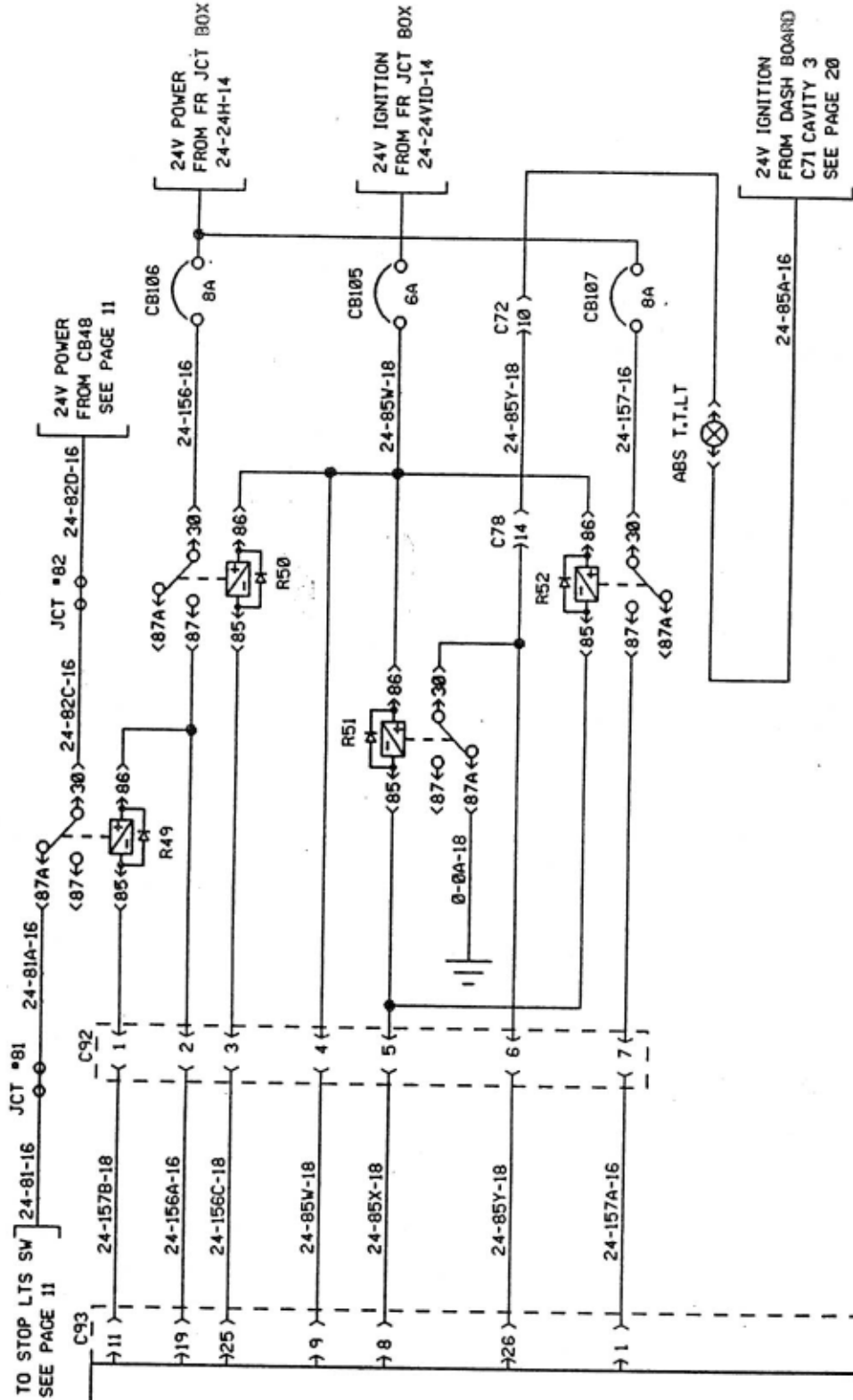
LUGGAGE DOOR LOCK



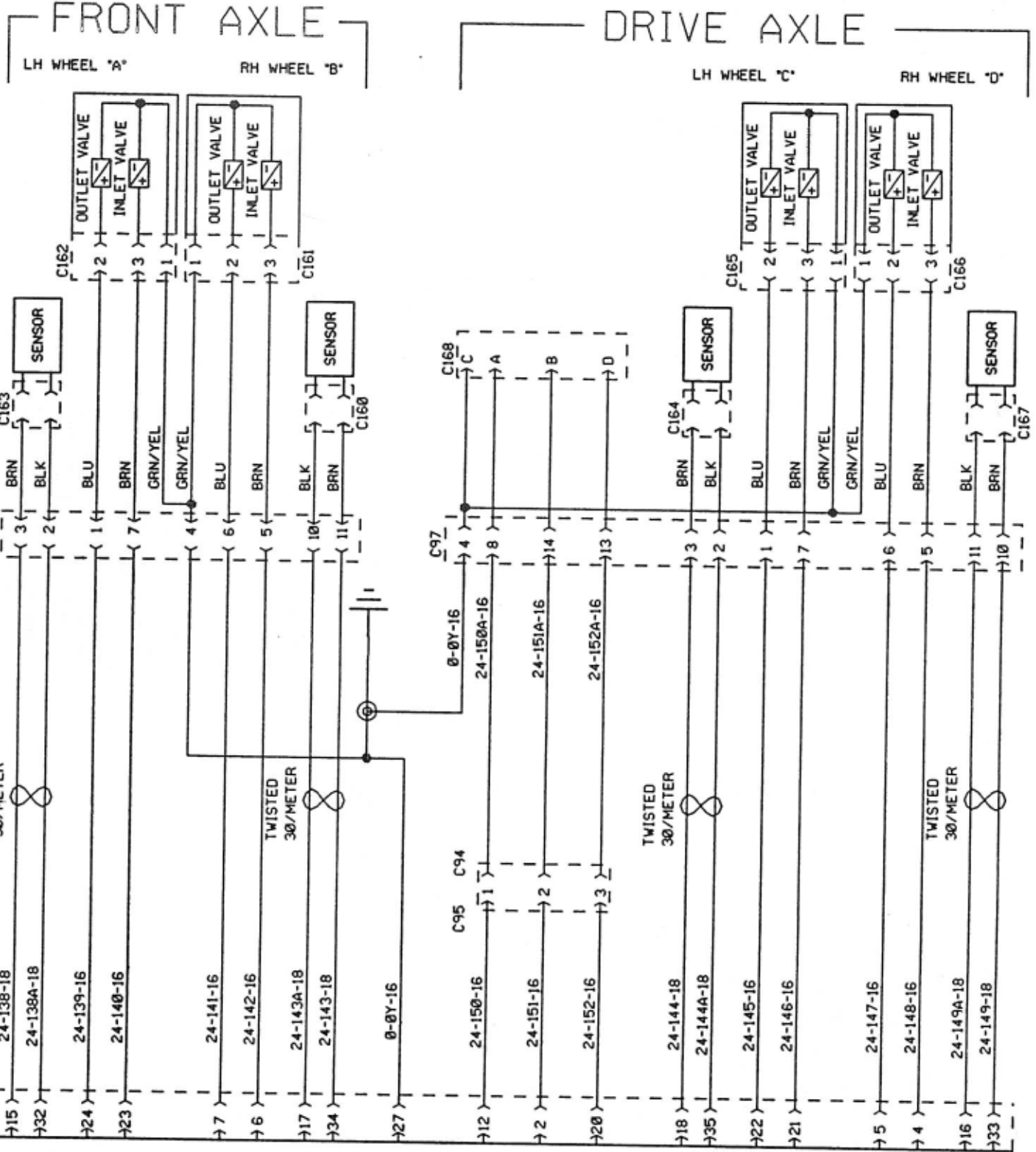
JACOB BRAKE SYSTEM



SOUND SYSTEM

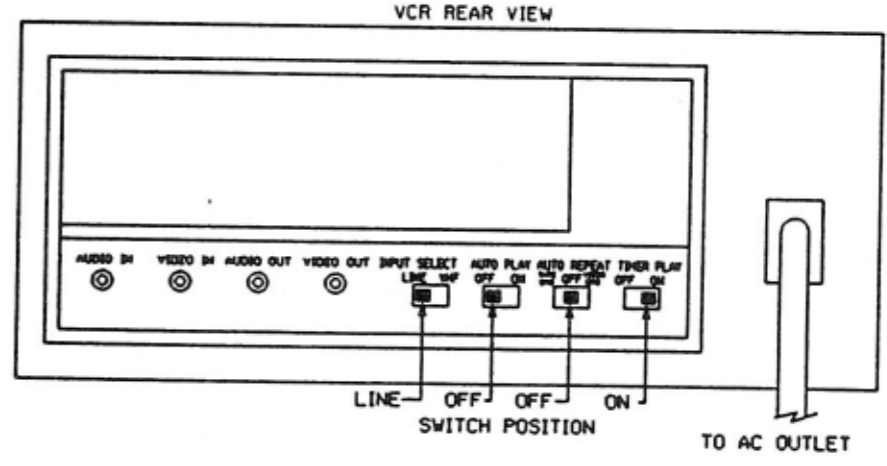
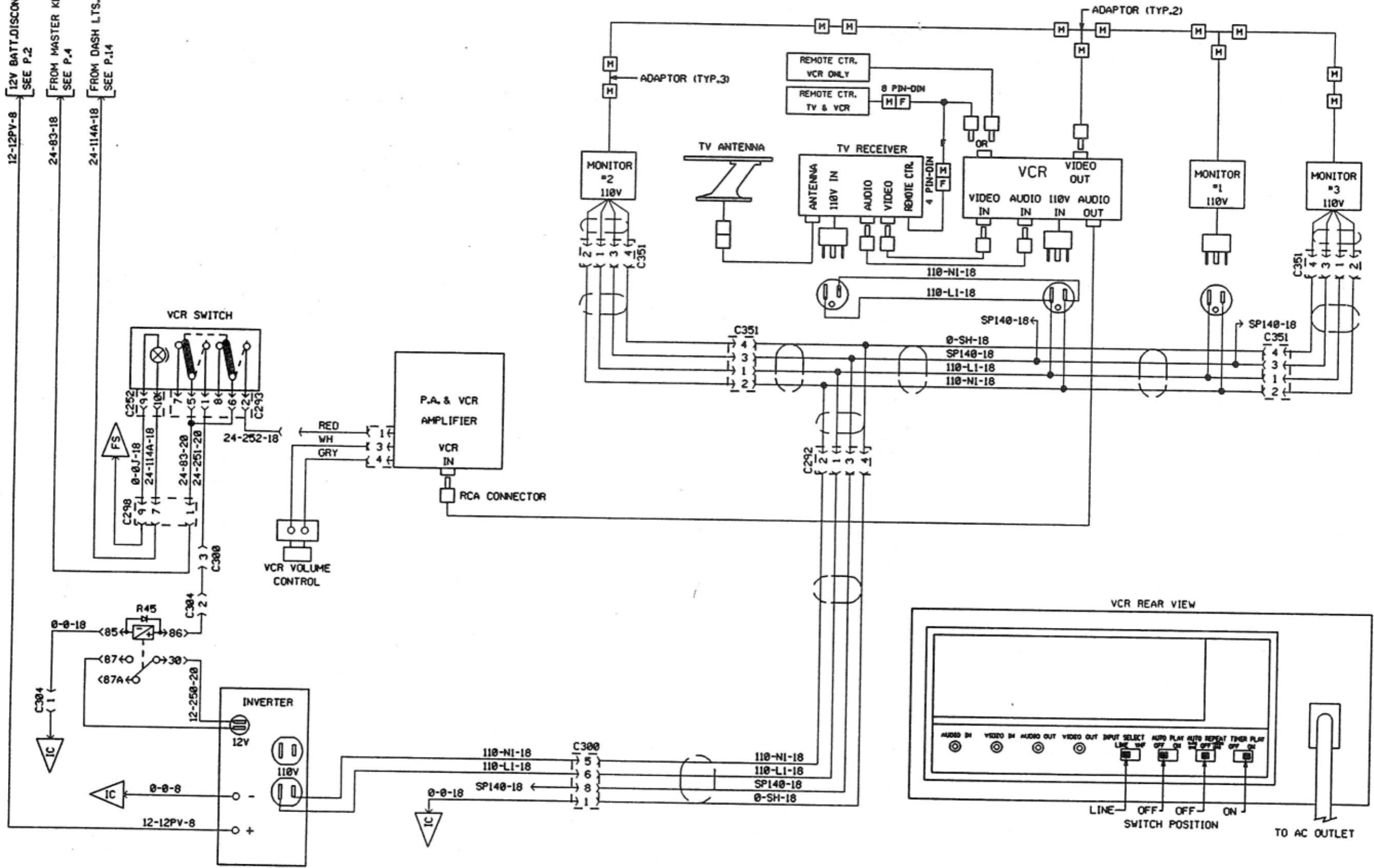


E.C.U. - ABS





12-12PV-8 [12V BATT. DISCONN. SW. SEE P.2]  
 24-83-18 [FROM MASTER KEY SW.(ACC.) SEE P.4]  
 24-114A-18 [FROM DASH L.TS. RHEOST. SEE P.14]



VIDEO SYSTEM & TV RECEIVER



