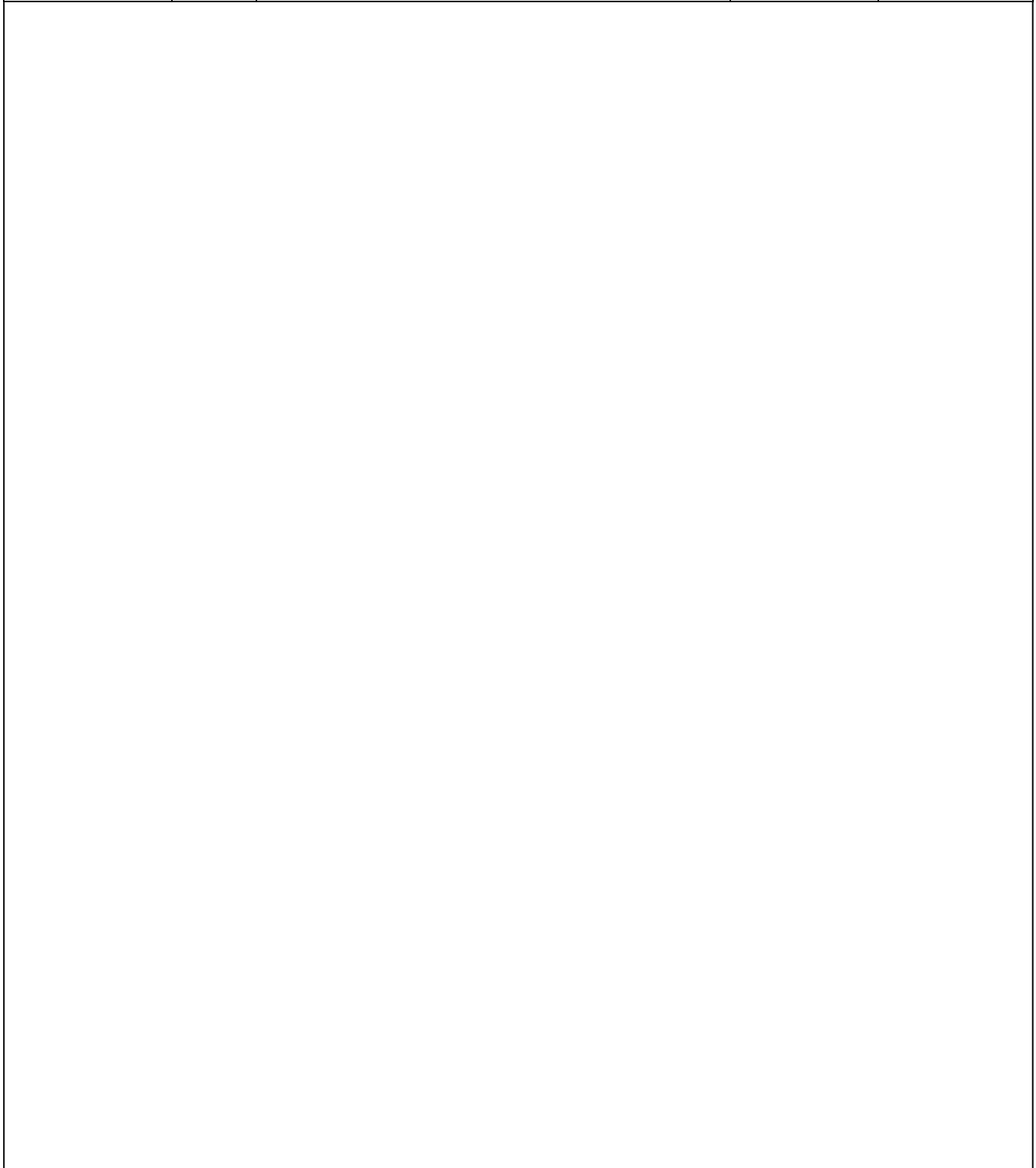

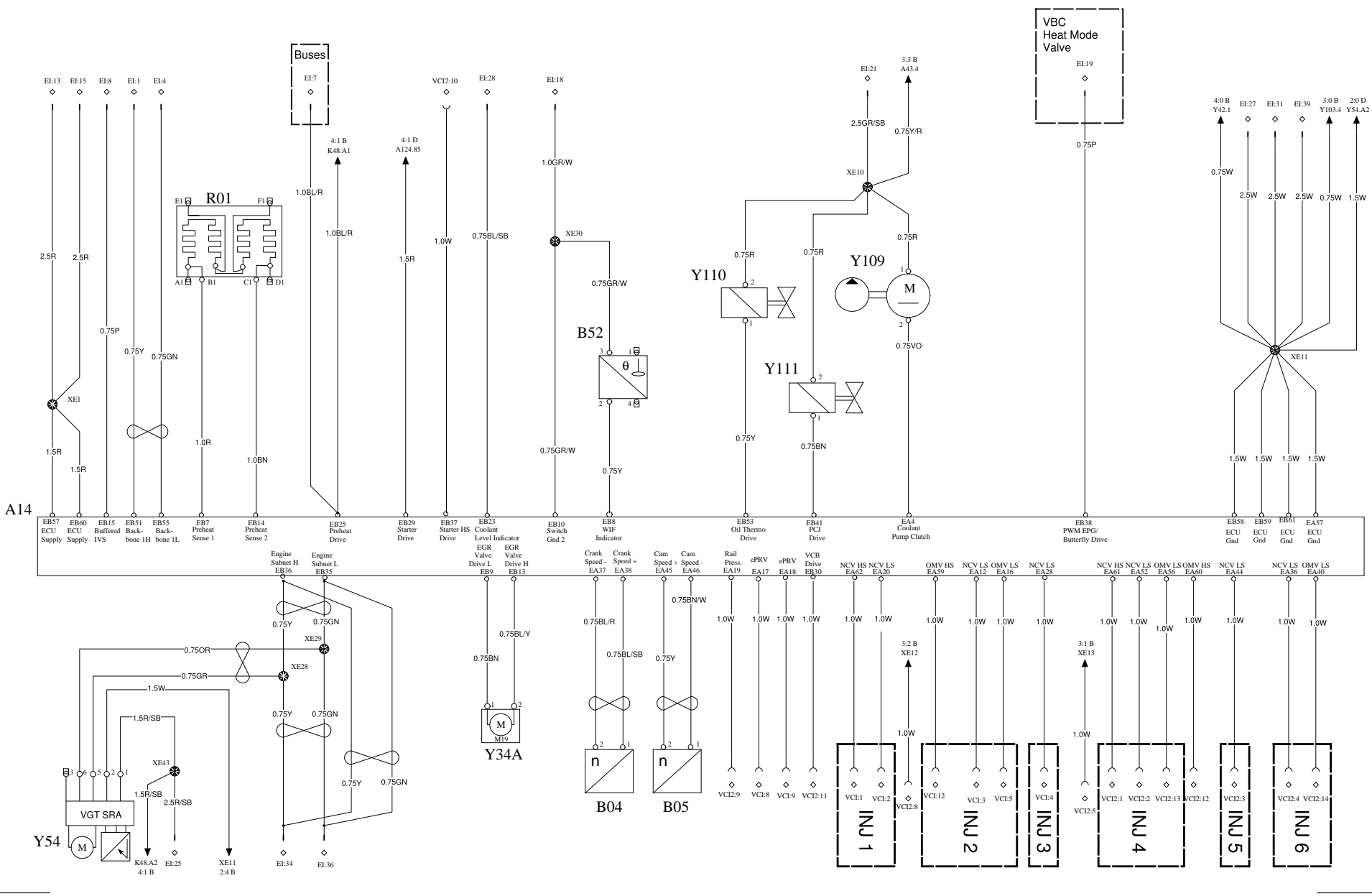


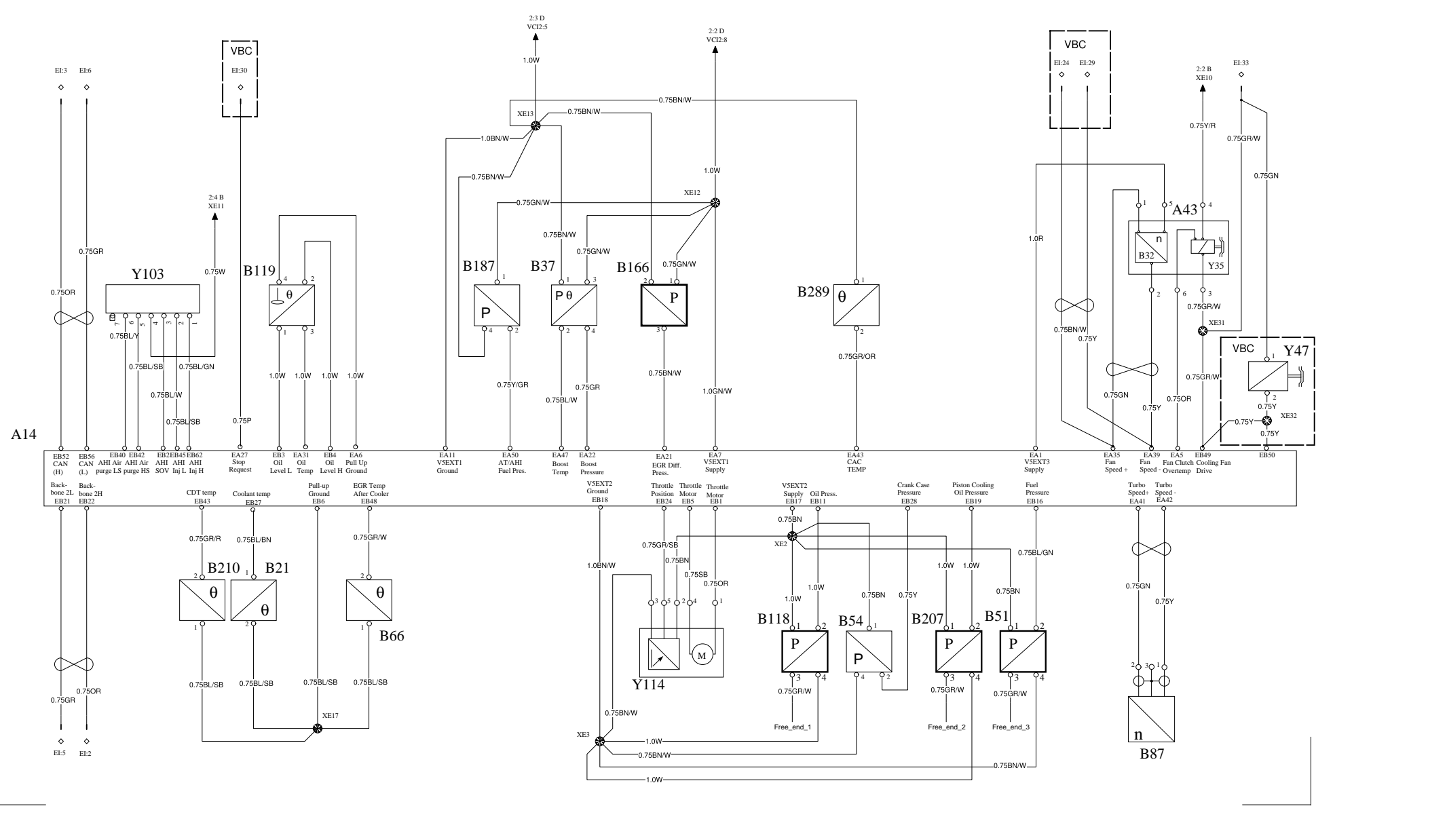
|                                  |          |                    |                          |         |  |
|----------------------------------|----------|--------------------|--------------------------|---------|--|
| Engineering Release Notice (ERN) | Location | Change Description | A = Added<br>D = Deleted | W = Was | Document Release Status<br><b>RELEASED</b> |
| D-17882-69                       |          |                    |                          |         | Date<br>Modification Count                 |



|   |  |             |           |             |
|---|--|-------------|-----------|-------------|
| <p>The copying, distribution and utilization of this document as well as the communication of its contents to others without expressed authorization is prohibited. Offenders will be held liable for payment of damages. All rights reserved in the event of the grant of a patent, utility model or ornamental design registration.</p> | Document Title<br><b>WIRING DIAGRAM</b><br><b>P3253</b><br><b>ENGINE</b>   |             |           |             |
|   | Document Type<br><b>PRODUCT SCHEMATIC</b><br>Owner Domain: Document Prefix |             |           |             |
|    | Document No  | Issue Index | Volume No | Page No     |
|   | <b>23434356</b>  | <b>02</b>   | <b>01</b> | <b>1(6)</b> |

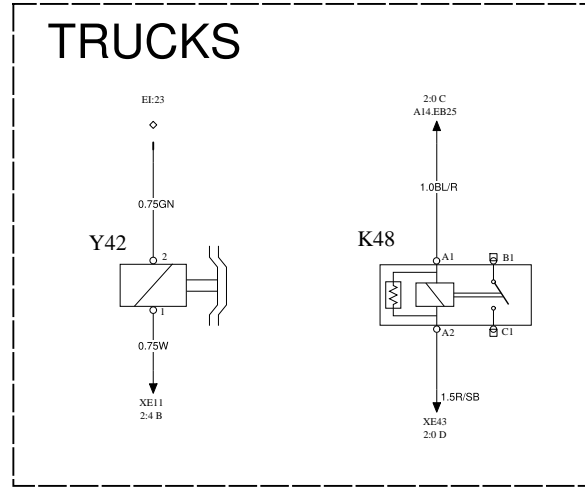
EDM-W 2000-04-01



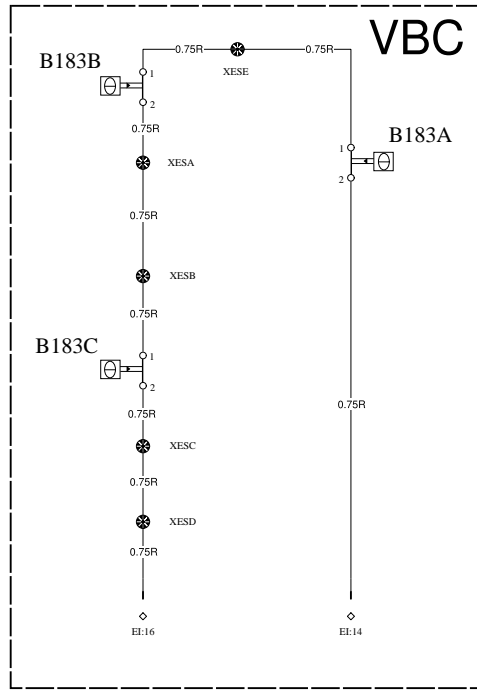


|   |                                |                    |                     |                     |
|---|--------------------------------|--------------------|---------------------|---------------------|
| Document title<br><b>WIRING DIAGRAM</b>   | Document No<br><b>23434356</b> | Issue<br><b>02</b> | Volume<br><b>01</b> | Page<br><b>3(6)</b> |
| Document type<br><b>PRODUCT SCHEMATIC</b> |                                |                    |                     |                     |

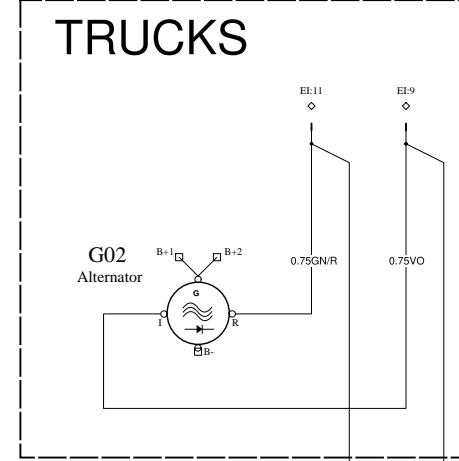
TRUCKS



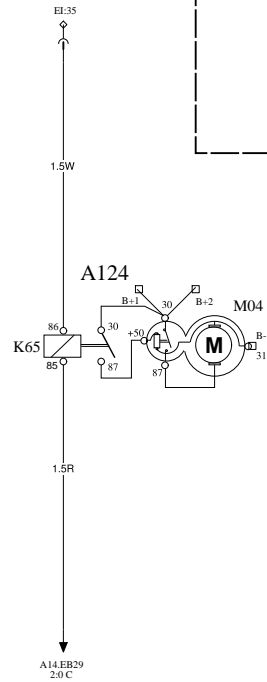
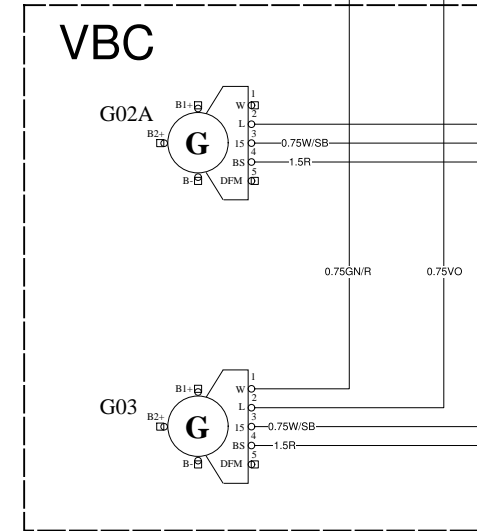
TRUCKS



VBC



VBC



| Symbol | Description  |
|--------|--|
| A14    | Control unit, EMS (Engine Management System)         |
| A43    | Electronic fan control (includes B32 & Y35)          |
| A124   | Component group starter motor (includes M04 & K65)   |
| B04    | Sensor, engine speed, crankshaft                     |
| B05    | Sensor, engine speed, camshaft                       |
| B21    | Sensor, coolant temperature, engine                  |
| B289   | Sensor, CAC temperature                              |
| B32    | Sensor, engine cooling fan speed (included in A43)   |
| B37    | Sensor, boost temperature & pressure                 |
| B52    | Sensor, water level in fuel pre filter               |
| B54    | Sensor, pressure, crank case                         |
| B118   | Sensor, oil pressure                                 |
| B119   | Sensor, oil level/temp                               |
| B183   | Fire Sensors A,B and C (VBC)                         |
| B187   | Sensor, AHI fuel pressure                            |
| B166   | Sensor, EGR differential pressure                    |
| B200   | Sensor, Air seal pressure (TC only)                  |
| B207   | Sensor, oil cooling jet pressure                     |
| B210   | Sensor, CDT temperature (VGT only)                   |
| B213   | Butterfly valve back pressure (TC only)              |
| B66    | Sensor, EGR Temp. after cooler                       |
| B87    | Turbo speed (VGT only)                               |
| B51    | Sensor, Low pressure fuel                            |
| G02    | Alternator (TRUCKS)                                  |
| G02A   | Alternator (VBC only)                                |
| G03    | Alternator (VBC only)                                |
| K48    | Relay, pre heater                                    |
| K65    | Starter motor relay (included in A124)               |
| M04    | Starter motor (included in A124)                     |
| R01    | Heater, engine preheat                               |
| VCI-1  | Injector pass through connector #1                   |
| VCI-2  | Injector pass through connector #2                   |
| Y34    | Actuator, EGR system (TC)                            |
| Y34A   | Actuator, EGR system (VGT)                           |
| Y35    | Solenoid valve, engine cooling fan (included in A43) |
| Y37    | AVU EPG/Wastegate Drive (TC only)                    |
| Y37B   | AVU2 (TC only)                                       |
| Y42    | Clutch, magnetic, air conditioning compressor        |
| Y47    | Fan drive solenoid, (VBC)                            |
| Y54    | VGT SRA  |
| Y103   | Safety valve, fuel system, AHI                       |
| Y109   | Coolant pump clutch                                  |
| Y110   | Solenoid valve, oil thermostat drive                 |
| Y111   | Piston cooling jet drive                             |
| Y114   | Throttle drive/position                              |

**VOLVO**  
Group Trucks Technology

Document Title

**WIRING DIAGRAM**

Document Type

**PRODUCT SCHEMATIC**

Document No

**23434356**

Issue Index

**02**

Volume No

**01**

Page No

**5(6)**

| EI CONNECTOR |                                   |
|--------------|-----------------------------------|
| 1            | Backbone 1 HS                     |
| 2            | Backbone 2 HS                     |
| 3            | Powertrain Can HS                 |
| 4            | Backbone 1 LS                     |
| 5            | Backbone 2 LS                     |
| 6            | Powertrain Can LS                 |
| 7            | Preheat relay drive (VBC Prevost) |
| 8            | Buffered IVS                      |
| 9            | Alternator (TRUCKS)               |
| 10           | Alternator (VBC)                  |
| 11           | Alternator (TRUCKS)               |
| 12           | Alternator (VBC)                  |
| 13           | ECU supply                        |
| 14           | Fire sensor loop (VBC)            |
| 15           | ECU supply                        |
| 16           | Fire sensor loop (VBC)            |
| 17           | Alternator (VBC)                  |
| 18           | Coolant level ground              |
| 19           |                                   |
| 20           |                                   |
| 21           | Component Supply                  |
| 22           |                                   |
| 23           | AC comp (TRUCKS)                  |
| 24           | Fan speed HS (VBC)                |
| 25           | Component Supply                  |
| 26           |                                   |
| 27           | ECU ground                        |
| 28           | Coolant level                     |
| 29           | Fan Speed LS (VBC)                |
| 30           | Stop request (VBC)                |
| 31           | ECU ground                        |
| 32           |                                   |
| 33           | Cooling fan drive (NOT VBC)       |
| 34           | Engine Sub Can HS                 |
| 35           | Starter relay drive               |
| 36           | Engine Sub Can LS                 |
| 37           |                                   |
| 38           |                                   |
| 39           | ECU ground                        |

**VOLVO**  
Group Trucks Technology

Document Title

**WIRING DIAGRAM**

Document Type

**PRODUCT SCHEMATIC**

Document No

**23434356**

Issue Index

**02**

Volume No

**01**

Page No

**6(6)**