

H3-45

| REV. | DATE | O.C. | EFF. | DESCRIPTION | PAGE(S) | BY | CHECKED | APPROVED |
|------|------------|---------|--------|--|---|------------|------------|------------|
| 0 | 2022/10/09 | 2018032 | R-1453 | P9660 | All | S.B. | G.P | G.P |
| 1 | 2022/10/27 | NA | NA | UPDATE | A , 0 , 30.3, 31.2 | S.C. | E.O | E.O |
| 2 | 2022/12/01 | 2021102 | R-1498 | SPEAKERS VISATON | 0,35.6 | S.C. | G.P. | G.P. |
| 3 | 2023/01/24 | NA | NA | UPDATE | 0,26.5, | S.B. | E.O | E.O |
| | | | | UPDATE | 1.2, 2.1, 2.2, 3.2, 6.1,6.2, 6.3, 7.1, 9.1, 10.1, 17.1,26.1, 29.1, 38.1 | P.G | E.O | E.O |
| 3-5 | 2023-03-20 | 2018032 | | Resistor added to Front Flasher and Low Beam and Update | 0, 26.1, 34.1 | P.G. | EO | EO |
| 4 | 2023-03-28 | 2022123 | | New Fan Condenser SPAL an update | 0, 3.1, 4.2, 5.1, 8.1, 18.2, 19.1, 23.1, 26.1, 37.1, 39.1 | P.G. | EO | EO |
| 5 | 2023-09-01 | NA | | Modification to heated Mirror | 0, 4.2, 31.1 | P.G. | EO | EO |
| 6 | 2023-12-15 | 2022123 | | New Fan Condenser SPAL and update | 0,5.1,3.1,23.1,26.6,14.1,18.2, A,C1,L,F,10.1 | S.B. | EO | EO |
| 7 | 2023-04-04 | 2023053 | | New Pre-heater L3 hydronics update | 0,5.1,17.1,L,G,C1,3.1,3.2 A | A.S A.S | E.O E.O | E.O E.O |
| 8 | 2024-10-02 | 2022123 | | New Fan Condenser SPAL update | 0,5.1,18.3 | A.S | E.O | E.O |
| | | | | update | 4.1,38.1 | A.S | E.O | E.O |
| | | | | update | 40.1 | S.C. | E.O | E.O |

PREVOST.

WIRING DIAGRAM

DWG NO.: D062140 p0.1

REV.: 9

H3-45

| REV. | DATE | O.C. | EFF. | DESCRIPTION | PAGE(S) | BY | CHECKED | APPROVED |
|------|------------|---------|--------|------------------|---|------|---------|----------|
| 09 | 2024-12-11 | 2024096 | S-2413 | MCM2 Prelim:2352 | 0.2, 3.2, 4.2, 6.1, 6.2, 7.1, 9.1 15.1, 26.1, 29.1, 38.1 | P.G. | A.B. | A.B. |

PREVOST.

WIRING DIAGRAM

DWG NO.: D062140P0.2

REV.: 9

Wiring diagram pages list

| Wiring diagram | pages | | | | | | |
|---------------------------|-----------|----------------------------|-----------|------------------------------|-------------|------------------------|-------------|
| Multiplex outputs list | B1 | Destination sign | 28.2 | I | | S | |
| Multiplex inputs list | B2 | Digital clock | 28.1 | Indirect lighting | 23.1 | Sound system | 35.6 - 35.8 |
| Multiplex error messages | B3 | Driver's light & backlight | 19.1 | Ignition | 3.2 | Sound sys.-Speakers | 35.2 |
| Layout vehicule - harness | C1 | Driver Seat | 30.3 | ISM Parcel Rack | 5.2 | Sound sys.-Video dist. | 35.3 |
| Sound system | C2 | Driver window | 30.1 | | | Sound sys.-Seat audio | 35.7 |
| Pins configuration | D | E | | K | | Spares wires | 8.1 |
| Circuits list | E | ELD Gateway | 42.4 | Kneeling system | 32.1 | Stop lights | 26.2 |
| Circuit breakers list | F | Emergency Lights | 45 | | | Steering control ZF | 37.2 |
| Connectors list | G | EMirror | 31.2 | L | | Step lights | 29.1 |
| Diodes list | H | Engine ECU | 14.1 | Lavatory | 11.1 | Strip Lighting | 21.1 |
| Resistors list | J | Engine heater | 14.1 | Line Departure Warning | 16.2 | Sun visor | 41.1 |
| Relays list | K | Engine start | 3.2 | Low buoy | 32.1 | | |
| Fuses list | L | Engine & RJB cmpt. Light | 25.1 | Luggage door lock/unlock | 33.1 | T | |
| Wire identification chart | M | Entrance door & lights | 29.1 | | | Tag | 32.1 |
| | | ESP | 16.1 | M | | Tail & licence lights | 26.2 |
| A | | | | Main dist. ignition & batt. | 3.1 | Tire pressure monitor | 39.1 |
| ACB | 39.1 | F | | Markers lights | 26.1 - 26.2 | Trailer package | 26.4 |
| Air dryer | 37.1 | Fast idle | 14.1 | Mirrors | 31.1 | Trailer park brake | 12.2 |
| Alternators | 1.1 | Fans radiator | 13.1 | Multiplex power distribution | 7.1 | Transmission ECU | 15.1-15.2 |
| Alternators Remy | 1.2 | Fire alarm | 38.1 | Multiplex network | 6.1 - 6.2 | | |
| Aisle Lights | 20.1 | Fire suppression system | 38.1 | | | U | |
| | | Flashers | 26.1-26.2 | P | | Urea system | 14.2 |
| B | | Fog lights | 26.5 | Parcel rack A/C system | 18.3 | | |
| Back-up camera | 28.1 | Forward Collision Warning | 16.2 | Park brake sensor | 12.1 | V | |
| Back-up warnings | 26.3 | Fuel gauge | 10.1 | Park brake trailer sensor | 12.2 | Volvo link TGW | 37.1 |
| Batteries & Equalizer | 1.1 | | | Power distribution FJB 12V | 4.1 | | |
| Brake pedal sensor | 12.1 | G | | Power distribution FJB 24V | 4.2 | W | |
| | | Grounds electronic | 2.1 | Pwr dist. RJB 12V & 24V | 5.1 | Wall Led Strips | 24.1 |
| C | | Grounds chassis | 2.2 | Power outlets 12V | 30.2 | Water pre-heater | 17.1 |
| Camera | 44 | | | Power outlets 120VAC | 40.1 | Wheel chair lift Ricon | 36.1 |
| Clearance lights | 26.1-26.2 | H | | | | WIFI | 35.9 |
| Cluster | 10.1 | Hazard | 26.1 | R | | Windows ajar | 27.1 |
| Cornering lights | 26.5 | Head lights | 26.1 | Reading lamps | 22.2 | Wipers & washer | 34.1 |
| Cruise Control | 16.2 | Horn | 9.1 | Retarder | 12.1 - 15.1 | | |
| | | Hostess chime | 22.1 | Roof Hatches With Fan | 18.5 | | |
| D | | Hvac defroster | 18.1 | | | | |
| Dash lights | 19.1 | Hvac passenger | 18.2 | | | | |

Wiring diagram pages list

| Wiring diagram | pages | | | | | | |
|---------------------------|-----------|----------------------------|-----------|------------------------------|-------------|------------------------|-------------|
| Multiplex outputs list | B1 | Destination sign | 28.2 | I | | S | |
| Multiplex inputs list | B2 | Digital clock | 28.1 | Indirect lighting | 23.1 | Sound system | 35.6 - 35.8 |
| Multiplex error messages | B3 | Driver's light & backlight | 19.1 | Ignition | 3.2 | Sound sys.-Speakers | 35.2 |
| Layout vehicule - harness | C1 | Driver Seat | 30.3 | ISM Parcel Rack | 5.2 | Sound sys.-Video dist. | 35.3 |
| Sound system | C2 | Driver window | 30.1 | | | Sound sys.-Seat audio | 35.7 |
| Pins configuration | D | E | | K | | Spares wires | 8.1 |
| Circuits list | E | ELD Gateway | 42.4 | Kneeling system | 32.1 | Stop lights | 26.2 |
| Circuit breakers list | F | Emergency Lights | 45 | | | Steering control ZF | 37.2 |
| Connectors list | G | Emirror | 31.2 | L | | Step lights | 29.1 |
| Diodes list | H | Engine ECU | 14.1 | Lavatory | 11.1 | Strip Lighting | 21.1 |
| Resistors list | J | Engine heater | 14.1 | Line Departure Warning | 16.2 | Sun visor | 41.1 |
| Relays list | K | Engine start | 3.2 | Low buoy | 32.1 | | |
| Fuses list | L | Engine & RJB cmpt. Light | 25.1 | Luggage door lock/unlock | 33.1 | T | |
| Wire identification chart | M | Entrance door & lights | 29.1 | | | Tag | 32.1 |
| | | Entrance Step lights | 29.2 | M | | Tail & licence lights | 26.2 |
| A | | ESP | 16.1 | Main dist. ignition & batt. | 3.1 | Tire pressure monitor | 39.1 |
| ACB | 39.1 | F | | Markers lights | 26.1 - 26.2 | Trailer package | 26.4 |
| Air dryer | 37.1 | Fast idle | 14.1 | Mirrors | 31.1 | Trailer park brake | 12.2 |
| Alternators | 1.1 | Fans radiator | 13.1 | Multiplex power distribution | 7.1 | Transmission ECU | 15.1-15.2 |
| Alternators Remy | 1.2 | Fire alarm | 38.1 | Multiplex network | 6.1 - 6.2 | | |
| Aisle Lights | 20.1 | Fire suppression system | 38.1 | | | U | |
| | | Flashers | 26.1-26.2 | P | | Urea system | 14.2 |
| B | | Fog lights | 26.5 | Parcel rack A/C system | 18.3 | | |
| Back-up camera | 28.1 | Forward Collision Warning | 16.2 | Park brake sensor | 12.1 | V | |
| Back-up warnings | 26.3 | Fuel gauge | 10.1 | Park brake trailer sensor | 12.2 | Volvo link TGW | 37.1 |
| Batteries & Equalizer | 1.1 | | | Power distribution FJB 12V | 4.1 | | |
| Brake pedal sensor | 12.1 | G | | Power distribution FJB 24V | 4.2 | W | |
| | | Grounds electronic | 2.1 | Pwr dist. RJB 12V & 24V | 5.1 | Wall Led Strips | 24.1 |
| C | | Grounds chassis | 2.2 | Power outlets 12V | 30.2 | Water pre-heater | 17.1 |
| Camera | 44 | | | Power outlets 120VAC | 40.1 | Wheel chair lift Ricon | 36.1 |
| Clearance lights | 26.1-26.2 | H | | | | WIFI | 35.9 |
| Cluster | 10.1 | Hazard | 26.1 | R | | Windows ajar | 27.1 |
| Cornering lights | 26.5 | Head lights | 26.1 | Reading lamps | 22.1 | Wipers & washer | 34.1 |
| Cruise Control | 16.2 | Horn | 9.1 | Retarder | 12.1 - 15.1 | | |
| | | Hostess chime | 22.2 | Roof Hatches With Fan | 18.5 | | |
| D | | Hvac defroster | 18.1 | | | | |
| Dash lights | 19.1 | Hvac passenger | 18.2 | | | | |

Wiring diagram pages list

| Wiring diagram | pages | | | | | | |
|---------------------------|-----------|----------------------------|-----------|------------------------------|-------------|------------------------|-------------|
| Multiplex outputs list | B1 | Destination sign | 28.2 | I | | S | |
| Multiplex inputs list | B2 | Digital clock | 28.1 | Indirect lighting | 23.1 | Sound system | 35.6 - 35.7 |
| Multiplex error messages | B3 | Driver's light & backlight | 19.1 | Ignition | 3.2 | Sound sys.-Speakers | 35.2 |
| Layout vehicule - harness | C1 | Driver Seat | 30.3 | ISM Parcel Rack | 5.2 | Sound sys.-Video dist. | 35.3 |
| Sound system | C2 | Driver window | 30.1 | | | Sound sys.-Seat audio | 35.7 |
| Pins configuration | D | E | | K | | Spares wires | 8.1 |
| Circuits list | E | ELD Gateway | 42.4 | Kneeling system | 32.1 | Stop lights | 26.2 |
| Circuit breakers list | F | Emergency Lights | 45 | | | Steering control ZF | 37.2 |
| Connectors list | G | Emirror | 31.2 | L | | Step lights | 29.1 |
| Diodes list | H | Engine ECU | 14.1 | Lavatory | 11.1 | Strip Lighting | 21.1 |
| Resistors list | J | Engine heater | 14.1 | Line Departure Warning | 16.2 | Sun visor | 41.1 |
| Relays list | K | Engine start | 3.2 | Low buoy | 32.1 | | |
| Fuses list | L | Engine & RJB cmpt. Light | 25.1 | Luggage door lock/unlock | 33.1 | T | |
| Wire identification chart | M | Entrance door & lights | 29.1 | | | Tag | 32.1 |
| | | Entrance Step lights | 29.2 | M | | Tail & licence lights | 26.2 |
| A | | ESP | 16.1 | Main dist. ignition & batt. | 3.1 | Tire pressure monitor | 39.1 |
| ACB | 39.1 | F | | Markers lights | 26.1 - 26.2 | Trailer package | 26.4 |
| Air dryer | 37.1 | Fast idle | 14.1 | Mirrors | 31.1 | Trailer park brake | 12.2 |
| Alternators | 1.1 | Fans radiator | 13.1 | Multiplex power distribution | 7.1 | Transmission ECU | 15.1-15.2 |
| Alternators Remy | 1.2 | Fire alarm | 38.1 | Multiplex network | 6.1 - 6.2 | | |
| Aisle Lights | 20.1 | Fire suppression system | 38.1 | | | U | |
| | | Flashers | 26.1-26.2 | P | | Urea system | 14.2 |
| B | | Fog lights | 26.5 | Parcel rack A/C system | 18.3 | | |
| Back-up camera | 28.1 | Forward Collision Warning | 16.2 | Park brake sensor | 12.1 | V | |
| Back-up warnings | 26.3 | Fuel gauge | 10.1 | Park brake trailer sensor | 12.2 | Volvo link TGW | 37.1 |
| Batteries & Equalizer | 1.1 | | | Power distribution FJB 12V | 4.1 | | |
| Brake pedal sensor | 12.1 | G | | Power distribution FJB 24V | 4.2 | W | |
| | | Grounds electronic | 2.1 | Pwr dist. RJB 12V & 24V | 5.1 | Wall Led Strips | 24.1 |
| C | | Grounds chassis | 2.2 | Power outlets 12V | 30.2 | Water pre-heater | 17.1 |
| Camera | 44 | | | Power outlets 120VAC | 40.1 | Wheel chair lift Ricon | 36.1 |
| Clearance lights | 26.1-26.2 | H | | | | WIFI | 35.9 |
| Cluster | 10.1 | Hazard | 26.1 | R | | Windows ajar | 27.1 |
| Cornering lights | 26.5 | Head lights | 26.1 | Reading lamps | 22.1 | Wipers & washer | 34.1 |
| Cruise Control | 16.2 | Horn | 9.1 | Retarder | 12.1 - 15.1 | | |
| | | Hostess chime | 22.2 | Roof Hatches With Fan | 18.5 | | |
| D | | Hvac defroster | 18.1 | | | | |
| Dash lights | 19.1 | Hvac passenger | 18.2 | | | | |

MULTIPLEX OUTPUT LIST

O_xx... = Physical Output Pin ; I_xx... = Physical Input Pin ; D_xx... = CAN Network Signal from the HVAC control Head ; B_xx... = Multiplex system global Network Variable

| Module.Pin# | Signal name | Description | Page | Connected devices | Input involved | | |
|-------------|------------------|-------------------------------|------|-------------------------|------------------|-----------|------|
| A36.JA:13 | O_EngineRun | Engine Run Signal | 3.2 | A15:6 | B_EngineRun | . | |
| | | | | | D_OnOffDrvSw | . | |
| | | | | | I_AccKeySw | A36.JB:6 | 3.2 |
| | | | | | I_BatMonMod53 | A53.J1:24 | 6.1 |
| | | | | | I_BatMonMod54 | A54.J1:24 | 6.1 |
| | | | | | I_IgnKeySw | A36.JB:2 | 3.2 |
| A36.JA:14 | O_MasterRlyLatch | | 3.2 | | B_EngineRun | . | |
| | | | | | I_IgnKeySw | A36.JB:2 | 3.2 |
| | | | | | I_RrCutOutSw | A36.JB:21 | 3.2 |
| A36.JA:15 | O_WakeUp | WakeUp Relay | 3.3 | | I_AccKeySw | A36.JB:6 | 3.2 |
| | | | | | I_EntDrUnlockSw | A41.J1:8 | 29.1 |
| | | | | | I_HazardSw | A36.JB:4 | 26.1 |
| | | | | | I_IgnKeySw | A36.JB:2 | 3.2 |
| | | | | | I_RrCutOutSw | A36.JB:21 | 3.2 |
| | | | | | I_WakeUp | A36.JB:5 | 9.1 |
| | | | | | I_WakeUp | A36.JB:5 | 9.1 |
| A36.JA:24 | O_CutOutRel | Emergency CutOut Relay | 3.2 | R21:85 | I_FireExt2ndAlm | A44.J1:10 | |
| | | | | | I_IgnKeySw | A36.JB:2 | 3.2 |
| A36.JA:6 | O_DrUnlockRly | Luggages doors unlocks relays | 33.1 | | I_KeylessLuggUnl | A41.J1:18 | 29.1 |
| | | | | | I_LugDorULkSw | A41.J1:20 | 33.1 |
| A36.JA:7 | O_DrLockRly | Luggages doors locks relays | 33.1 | | I_AccKeySw | A36.JB:6 | 3.2 |
| | | | | | I_EntDrUnlockSw | A41.J1:8 | 29.1 |
| | | | | | I_HazardSw | A36.JB:4 | 26.1 |
| | | | | | I_IgnKeySw | A36.JB:2 | 3.2 |
| | | | | | I_KeylessLockAll | A41.J1:19 | 29.1 |
| | | | | | I_LugDorLkSw | A41.J1:17 | 33.1 |
| | | | | | I_RrCutOutSw | A36.JB:21 | 3.2 |
| | | | | | I_WakeUp | A36.JB:5 | 9.1 |
| | | | | | I_WakeUp | A36.JB:5 | 9.1 |
| | | | | | I_WakeUp | A36.JB:5 | 9.1 |
| A41.J1:11 | O_ConvWakeUp | Converter wake up signal | 36.1 | CC2:1, FREE:FREE, CC2:1 | I_AccKeySw | A36.JB:6 | 3.2 |
| | | | | | I_EntDrUnlockSw | A41.J1:8 | 29.1 |
| | | | | | I_HazardSw | A36.JB:4 | 26.1 |
| | | | | | I_IgnKeySw | A36.JB:2 | 3.2 |
| | | | | | I_RrCutOutSw | A36.JB:21 | 3.2 |
| | | | | | I_WakeUp | A36.JB:5 | 9.1 |
| A41.J1:15 | O_ConvParkBrk | Converter park brake signal | 36.1 | CC2:4, FREE:FREE, CC2:4 | I_ParkBrSe | A36.JB:9 | 12.1 |
| A41.J1:16 | O_WakeUpA41 | | 9.1 | A36.JB:5 | I_AccKeySw | A36.JB:6 | 3.2 |
| | | | | | I_DrvLtSw | A41.J1:2 | 19.1 |
| | | | | | I_EntDorLockSw | A41.J1:9 | 29.1 |
| | | | | | I_EntDorOpSe | A41.J1:5 | 29.1 |
| | | | | | I_EntDrUnlockSw | A41.J1:8 | 29.1 |
| | | | | | I_FireSensorA36 | A41.J1:10 | 9.1 |
| | | | | | I_HazardSw | A36.JB:4 | 26.1 |
| | | | | | I_HornSw | A41.J1:3 | 9.1 |
| | | | | | I_IgnKeySw | A36.JB:2 | 3.2 |

MULTIPLEX OUTPUT LIST

O_xx... = Physical Output Pin ; I_xx... = Physical Input Pin ; D_xx... = CAN Network Signal from the HVAC control Head ; B_xx... = Multiplex system global Network Variable

| Module.Pin# | Signal name | Description | Page | Connected devices | Input involved | | |
|-------------|-----------------|-----------------------------|------|---------------------------|------------------|-----------|------|
| A41.J1:16 | O_WakeUpA41 | | 9.1 | A36.JB:5 | I_KeylessDrUnl | A41.J1:4 | 29.1 |
| | | | | | I_KeylessEntReq | A41.J1:21 | 29.1 |
| | | | | | I_KeylessIntru | A41.J1:7 | 29.1 |
| | | | | | I_KeylessLockAll | A41.J1:19 | 29.1 |
| | | | | | I_KeylessLuggUnl | A41.J1:18 | 29.1 |
| | | | | | I_LugDorLkSw | A41.J1:17 | 33.1 |
| | | | | | I_LugDorULkSw | A41.J1:20 | 33.1 |
| | | | | | I_RrCutOutSw | A36.JB:21 | 3.2 |
| | | | | | I_WakeUp | A36.JB:5 | 9.1 |
| A42.J1:11 | O_ConvIgnition | Converter ignition signal | 36.1 | CC2:5, FREE:FREE, CC2:5 | I_IgnKeySw | A36.JB:2 | 3.2 |
| A42.J1:12 | O_ConvEngRun | Converter engine run signal | 36.1 | CC2:6, FREE:FREE, CC2:6 | B_EngineRun | . | |
| A42.J1:13 | O_SldO2MotIn | Rear Slide Out retracting | 36.1 | CC2:9, CC2:9, FREE:FREE | I_BatMonMod57 | A57.J1:24 | 6.1 |
| | | | | | I_SldO1VacPrSe | A56.J1:13 | 20.1 |
| | | | | | I_SldO2CloseSw | A57.J1:10 | 20.1 |
| | | | | | I_SldO2LimiOutSw | A57.J1:14 | 20.1 |
| | | | | | I_SldO2LimitInSe | A57.J1:11 | 20.1 |
| | | | | | I_SldO2OpenSw | A57.J1:9 | 20.1 |
| | | | | | I_SldO2PBrakeSw | A57.J1:12 | 20.1 |
| A42.J1:14 | O_SldO1MotIn | Front Slide Out retracting | 36.1 | CC2:7, CC2:7, FREE:FREE | I_BatMonMod56 | A56.J1:24 | 6.1 |
| | | | | | I_SldO1CloseSw | A56.J1:10 | 20.1 |
| | | | | | I_SldO1LimiOutSw | A56.J1:14 | 20.1 |
| | | | | | I_SldO1LimitInSe | A56.J1:11 | 20.1 |
| | | | | | I_SldO1OpenSw | A56.J1:9 | 20.1 |
| | | | | | I_SldO1PBrakeSw | A56.J1:12 | 20.1 |
| | | | | | I_SldO1VacPrSe | A56.J1:13 | 20.1 |
| A42.J1:15 | O_TransShftDown | Transmission Shift Down | 38.1 | CC1:6 | I_VIPSteerWh1 | A55.J1:3 | 38.1 |
| | | | | | I_VIPSteerWh2 | A55.J1:4 | 38.1 |
| | | | | | I_VIPSteerWh5V | A55.J1:2 | 38.1 |
| A42.J1:16 | O_SldO1MotOut | Front Slide Out extending | 36.1 | CC2:8, CC2:8, FREE:FREE | I_BatMonMod56 | A56.J1:24 | 6.1 |
| | | | | | I_SldO1CloseSw | A56.J1:10 | 20.1 |
| | | | | | I_SldO1LimiOutSw | A56.J1:14 | 20.1 |
| | | | | | I_SldO1LimitInSe | A56.J1:11 | 20.1 |
| | | | | | I_SldO1OpenSw | A56.J1:9 | 20.1 |
| | | | | | I_SldO1PBrakeSw | A56.J1:12 | 20.1 |
| | | | | | I_SldO1VacPrSe | A56.J1:13 | 20.1 |
| A42.J1:30 | O_TransShftUp | Transmission Shift Up | 38.1 | CC1:7 | I_VIPSteerWh1 | A55.J1:3 | 38.1 |
| | | | | | I_VIPSteerWh2 | A55.J1:4 | 38.1 |
| | | | | | I_VIPSteerWh5V | A55.J1:2 | 38.1 |
| A43.J1:11 | O_SldO2MotOut | Rear Slide Out extending | 36.1 | CC2:10, CC2:10, FREE:FREE | I_BatMonMod57 | A57.J1:24 | 6.1 |
| | | | | | I_SldO1VacPrSe | A56.J1:13 | 20.1 |
| | | | | | I_SldO2CloseSw | A57.J1:10 | 20.1 |
| | | | | | I_SldO2LimiOutSw | A57.J1:14 | 20.1 |
| | | | | | I_SldO2LimitInSe | A57.J1:11 | 20.1 |

MULTIPLEX OUTPUT LIST

O_xx... = Physical Output Pin ; I_xx... = Physical Input Pin ; D_xx... = CAN Network Signal from the HVAC control Head ; B_xx... = Multiplex system global Network Variable

| Module.Pin# | Signal name | Description | Page | Connected devices | Input involved | | |
|-------------|----------------|-----------------------------|------|---------------------------|------------------|-----------|------|
| A43.J1:11 | O_SldO2MotOut | Rear Slide Out extending | 36.1 | CC2:10, CC2:10, FREE:FREE | I_SldO2OpenSw | A57.J1:9 | 20.1 |
| | | | | | I_SldO2PBrakeSw | A57.J1:12 | 20.1 |
| A43.J1:16 | O_BrkRedCompat | Brake Redundant Compatible | 38.1 | A72.J2:7 | I_BrkLtSeFrSig | A36.JB:13 | 12.1 |
| | | | | | I_BrkLtSeRrSig | A51.J1:10 | 12.1 |
| | | | | | I_IgnKeySw | A36.JB:2 | 3.2 |
| | | | | | I_VIPSteerWh1 | A55.J1:3 | 38.1 |
| | | | | | I_VIPSteerWh2 | A55.J1:4 | 38.1 |
| | | | | | I_VIPSteerWh5V | A55.J1:2 | 38.1 |
| A44.J1:1 | O_DashTrapPMo | Dash Trap Motor | 18.1 | Mo3:1 | D_AirFlapBit0 | . | |
| | | | | | D_AirFlapBit1 | . | |
| | | | | | D_AirFlapBit2 | . | |
| | | | | | I_IgnKeySw | A36.JB:2 | 3.2 |
| A44.J1:2 | O_DashTrapNMo | Dash Trap Motor Return | 18.1 | Mo3:3 | D_AirFlapBit0 | . | |
| | | | | | D_AirFlapBit1 | . | |
| | | | | | D_AirFlapBit2 | . | |
| | | | | | I_IgnKeySw | A36.JB:2 | 3.2 |
| A44.J1:20 | O_DashBackLit | Dash BackLighting | 19.1 | | I_HdLtPos1Sw | A43.J1:4 | 26.1 |
| A44.J1:7 | O_BackUpMon | Backup Monitor Signal | 28.1 | MONITOR:1 | I_BackUpCamSw | A55.J1:17 | 28.1 |
| A44.J1:8 | O_FrClearLb | Front Clearance Lights Bulb | 26.1 | | B_BatterySaver | . | |
| | | | | | B_TstModExtLight | . | |
| | | | | | I_BlinkSw | A43.J1:20 | 26.1 |
| | | | | | I_HdLtPos1Sw | A43.J1:4 | 26.1 |
| | | | | | I_HdLtPos2SwLH | A45.J1:12 | 26.1 |
| A45.J1:1 | O_FootTrpPSol | Foot Trap Solenoid | 18.1 | Mo4:A | D_AirFlapBit0 | . | |
| | | | | | D_AirFlapBit1 | . | |
| | | | | | D_AirFlapBit2 | . | |
| | | | | | I_IgnKeySw | A36.JB:2 | 3.2 |
| A45.J1:2 | O_FootTrpNSol | Foot Trap Solenoid | 18.1 | Mo4:B | D_AirFlapBit0 | . | |
| | | | | | D_AirFlapBit1 | . | |
| | | | | | D_AirFlapBit2 | . | |
| | | | | | I_IgnKeySw | A36.JB:2 | 3.2 |
| A45.J1:20 | O_HornElectric | Horn Electric | 9.1 | | I_AccKeySw | A36.JB:6 | 3.2 |
| | | | | | I_EntDrUnlockSw | A41.J1:8 | 29.1 |
| | | | | | I_FireExt1stAl | A36.JB:23 | |
| | | | | | I_FireExt2ndAlm | A44.J1:10 | |
| | | | | | I_FireSensorA36 | A41.J1:10 | 9.1 |
| | | | | | I_HazardSw | A36.JB:4 | 26.1 |
| | | | | | I_HornSelectSw | A43.J1:7 | 9.1 |
| | | | | | I_HornSw | A41.J1:3 | 9.1 |
| | | | | | I_IgnKeySw | A36.JB:2 | 3.2 |
| | | | | | I_KeylessDrUnl | A41.J1:4 | 29.1 |
| | | | | | I_KeylessIntru | A41.J1:7 | 29.1 |
| | | | | | I_KeylessLockAll | A41.J1:19 | 29.1 |

MULTIPLEX OUTPUT LIST

O_xx... = Physical Output Pin ; I_xx... = Physical Input Pin ; D_xx... = CAN Network Signal from the HVAC control Head ; B_xx... = Multiplex system global Network Variable

| Module.Pin# | Signal name | Description | Page | Connected devices | Input involved | | |
|-------------|----------------|------------------------------------|------|-------------------|-------------------|-----------|------|
| A45.J1:20 | O_HornElectric | Horn Electric | 9.1 | | I_KeylessLuggUnl | A41.J1:18 | 29.1 |
| | | | | | I_KeylessPanic | A41.J1:6 | 29.1 |
| | | | | | I_LugDorLkSw | A41.J1:17 | 33.1 |
| | | | | | I_RrCutOutSw | A36.JB:21 | 3.2 |
| | | | | | I_WakeUp | A36.JB:5 | 9.1 |
| A45.J1:21 | O_LHFrMkrLb | Left Hand Front Markers Light Bulb | 26.1 | | B_BatterySaver | . | |
| | | | | | B_TstModExtLight | . | |
| | | | | | I_BlinkSw | A43.J1:20 | 26.1 |
| | | | | | I_HdLtPos1Sw | A43.J1:4 | 26.1 |
| | | | | | I_HdLtPos2SwLH | A45.J1:12 | 26.1 |
| | | | | | I_IgnKeySw | A36.JB:2 | 3.2 |
| | | | | | I_KeylessIntru | A41.J1:7 | 29.1 |
| | | | | | I_KeylessPanic | A41.J1:6 | 29.1 |
| A45.J1:3 | O_LHFrFlshLb | Left Hand Front Flasher Light Bulb | 26.1 | | B_BatterySaver | . | |
| | | | | | B_TstModExtLight | . | |
| | | | | | I_LHFrFlshSw | A45.J1:9 | 26.1 |
| | | | | | I_LHFrFlshSwRrSig | A51.J1:9 | 26.2 |
| A45.J1:4 | O_LHFogLb | Left Hand Fog Light Bulb | 26.3 | L95:A | I_RHFrFlshSwRrSig | A51.J1:12 | 26.2 |
| | | | | | B_BatterySaver | . | |
| | | | | | B_TstModExtLight | . | |
| | | | | | I_FogLightSw | A55.J1:6 | 26.3 |
| A45.J1:5 | O_LHCornerLb | Left Hand Cornering Light Bulb | 26.3 | L97.A:1 | B_BatterySaver | . | |
| | | | | | B_TstModExtLight | . | |
| | | | | | I_CorneringLtSw | A55.J1:7 | 26.3 |
| | | | | | I_LHFrFlshSw | A45.J1:9 | 26.1 |
| A45.J1:6 | O_LHHiBmLb | Left Hand Hi Beam Light Bulb | 26.1 | L60.B:1 | B_BatterySaver | . | |
| | | | | | B_EngineRun | . | |
| | | | | | B_OneAltCharging | . | |
| | | | | | B_TstModExtLight | . | |
| | | | | | I_HdLHiLowBmSw | A43.J1:8 | 26.1 |
| | | | | | I_HdLtPos2SwLH | A45.J1:12 | 26.1 |
| | | | | | I_HiBeamCallSw | A43.J1:3 | 26.1 |
| A45.J1:7 | O_LHLwBmLb | Left Hand Low Beam Light Bulb | 26.1 | L60.A:1 | B_BatterySaver | . | |
| | | | | | B_TstModExtLight | . | |
| | | | | | I_HdLtPos2SwLH | A45.J1:12 | 26.1 |
| | | | | | I_HazardSw | A36.JB:4 | 26.1 |
| A45.J1:8 | O_FlshAudiRel | Flasher Audible Relay | 26.1 | R16:86 | I_IgnKeySw | A36.JB:2 | 3.2 |
| | | | | | I_LHFrFlshSw | A45.J1:9 | 26.1 |
| | | | | | I_LHFrFlshSwRrSig | A51.J1:9 | 26.2 |
| | | | | | I_RHFrFlshSw | A48.J1:12 | 26.1 |
| | | | | | I_RHFrFlshSwRrSig | A51.J1:12 | 26.2 |
| A46.J1:1 | O_AuxFanSpeed | Auxiliary fan speed control | 18.3 | A32.A:D | B_BatterySaver | . | |
| | | | | | B_EngineRun | . | |

MULTIPLEX OUTPUT LIST

O_xx... = Physical Output Pin ; I_xx... = Physical Input Pin ; D_xx... = CAN Network Signal from the HVAC control Head ; B_xx.. = Multiplex system global Network Variable

| Module.Pin# | Signal name | Description | Page | Connected devices | Input involved | | | | | | | | | | | | | | | | | | | | | | | | | | | | | | | | | | | | | | | | | | | | | | | | | | | | | | | | | | | | | | | | | | | | | |
|------------------|---------------|-----------------------------|------|-------------------|---|------------------|-----------|------|-----------------|----------|------|-----------------|---|--|------------------|---|--|----------------|---|--|---------------|-----------|-----|---------------|-----------|------|---------------|-----------|------|----------------|-----------|------|-----------------|-----------|------|-----------------|---|--|-----------------|---|--|-----------------|---|--|----------------|---|--|----------------|---|--|----------------|---|--|----------------|---|--|---------------|---|--|--------------|---|--|---------------|-----------|-----|---------------|-----------|-----|-----------------|-----------|------|----------------|-----------|------|
| A46.J1:1 | O_AuxFanSpeed | Auxiliary fan speed control | 18.3 | A32.A:D | <table border="1"> <tr><td>B_OneAltCharging</td><td>.</td><td></td></tr> <tr><td>D_AuxFanSpdBit0</td><td>.</td><td></td></tr> <tr><td>D_AuxFanSpdBit1</td><td>.</td><td></td></tr> <tr><td>D_AuxFanSpdBit2</td><td>.</td><td></td></tr> <tr><td>D_AuxFnOnOffSw</td><td>.</td><td></td></tr> <tr><td>I_BatMonMod46</td><td>A46.J1:24</td><td>6.1</td></tr> <tr><td>I_IgnKeySw</td><td>A36.JB:2</td><td>3.2</td></tr> </table> | B_OneAltCharging | . | | D_AuxFanSpdBit0 | . | | D_AuxFanSpdBit1 | . | | D_AuxFanSpdBit2 | . | | D_AuxFnOnOffSw | . | | I_BatMonMod46 | A46.J1:24 | 6.1 | I_IgnKeySw | A36.JB:2 | 3.2 | | | | | | | | | | | | | | | | | | | | | | | | | | | | | | | | | | | | | | | | | | | | | | | | |
| B_OneAltCharging | . | | | | | | | | | | | | | | | | | | | | | | | | | | | | | | | | | | | | | | | | | | | | | | | | | | | | | | | | | | | | | | | | | | | | | | | | | |
| D_AuxFanSpdBit0 | . | | | | | | | | | | | | | | | | | | | | | | | | | | | | | | | | | | | | | | | | | | | | | | | | | | | | | | | | | | | | | | | | | | | | | | | | | |
| D_AuxFanSpdBit1 | . | | | | | | | | | | | | | | | | | | | | | | | | | | | | | | | | | | | | | | | | | | | | | | | | | | | | | | | | | | | | | | | | | | | | | | | | | |
| D_AuxFanSpdBit2 | . | | | | | | | | | | | | | | | | | | | | | | | | | | | | | | | | | | | | | | | | | | | | | | | | | | | | | | | | | | | | | | | | | | | | | | | | | |
| D_AuxFnOnOffSw | . | | | | | | | | | | | | | | | | | | | | | | | | | | | | | | | | | | | | | | | | | | | | | | | | | | | | | | | | | | | | | | | | | | | | | | | | | |
| I_BatMonMod46 | A46.J1:24 | 6.1 | | | | | | | | | | | | | | | | | | | | | | | | | | | | | | | | | | | | | | | | | | | | | | | | | | | | | | | | | | | | | | | | | | | | | | | | |
| I_IgnKeySw | A36.JB:2 | 3.2 | | | | | | | | | | | | | | | | | | | | | | | | | | | | | | | | | | | | | | | | | | | | | | | | | | | | | | | | | | | | | | | | | | | | | | | | |
| A46.J1:21 | O_HeadLmpWsh | | 34.1 | Mo54:2 | <table border="1"> <tr><td>I_HeadLmpWshSw</td><td>A55.J1:18</td><td>34.1</td></tr> </table> | I_HeadLmpWshSw | A55.J1:18 | 34.1 | | | | | | | | | | | | | | | | | | | | | | | | | | | | | | | | | | | | | | | | | | | | | | | | | | | | | | | | | | | | | | | | | | |
| I_HeadLmpWshSw | A55.J1:18 | 34.1 | | | | | | | | | | | | | | | | | | | | | | | | | | | | | | | | | | | | | | | | | | | | | | | | | | | | | | | | | | | | | | | | | | | | | | | | |
| A46.J1:3 | O_LwWshPmp | Lower Wiper Washer Pump | 34.1 | | <table border="1"> <tr><td>B_BatterySaver</td><td>.</td><td></td></tr> <tr><td>I_LwWshSw</td><td>A46.J1:9</td><td>34.1</td></tr> </table> | B_BatterySaver | . | | I_LwWshSw | A46.J1:9 | 34.1 | | | | | | | | | | | | | | | | | | | | | | | | | | | | | | | | | | | | | | | | | | | | | | | | | | | | | | | | | | | | | | | |
| B_BatterySaver | . | | | | | | | | | | | | | | | | | | | | | | | | | | | | | | | | | | | | | | | | | | | | | | | | | | | | | | | | | | | | | | | | | | | | | | | | | |
| I_LwWshSw | A46.J1:9 | 34.1 | | | | | | | | | | | | | | | | | | | | | | | | | | | | | | | | | | | | | | | | | | | | | | | | | | | | | | | | | | | | | | | | | | | | | | | | |
| A46.J1:5 | O_DrvRfgSol | Driver refrigerent solenoid | 18.1 | D2.A:1 | <table border="1"> <tr><td>B_BatterySaver</td><td>.</td><td></td></tr> <tr><td>B_EngineRun</td><td>.</td><td></td></tr> <tr><td>B_LowVoltage</td><td>.</td><td></td></tr> <tr><td>B_TestMode</td><td>.</td><td></td></tr> <tr><td>B_TstModHvac</td><td>.</td><td></td></tr> <tr><td>B_TstModSAC</td><td>.</td><td></td></tr> <tr><td>I_AcPresHiSse</td><td>A52.J1:13</td><td>18.2</td></tr> <tr><td>I_AcPresLoSse</td><td>A52.J1:14</td><td>18.2</td></tr> <tr><td>I_FrontOutTemp</td><td>A47.J1:14</td><td>18.3</td></tr> <tr><td>I_OutDoorTempSe</td><td>A54.J1:14</td><td>18.1</td></tr> </table> | B_BatterySaver | . | | B_EngineRun | . | | B_LowVoltage | . | | B_TestMode | . | | B_TstModHvac | . | | B_TstModSAC | . | | I_AcPresHiSse | A52.J1:13 | 18.2 | I_AcPresLoSse | A52.J1:14 | 18.2 | I_FrontOutTemp | A47.J1:14 | 18.3 | I_OutDoorTempSe | A54.J1:14 | 18.1 | | | | | | | | | | | | | | | | | | | | | | | | | | | | | | | | | | | | | | | |
| B_BatterySaver | . | | | | | | | | | | | | | | | | | | | | | | | | | | | | | | | | | | | | | | | | | | | | | | | | | | | | | | | | | | | | | | | | | | | | | | | | | |
| B_EngineRun | . | | | | | | | | | | | | | | | | | | | | | | | | | | | | | | | | | | | | | | | | | | | | | | | | | | | | | | | | | | | | | | | | | | | | | | | | | |
| B_LowVoltage | . | | | | | | | | | | | | | | | | | | | | | | | | | | | | | | | | | | | | | | | | | | | | | | | | | | | | | | | | | | | | | | | | | | | | | | | | | |
| B_TestMode | . | | | | | | | | | | | | | | | | | | | | | | | | | | | | | | | | | | | | | | | | | | | | | | | | | | | | | | | | | | | | | | | | | | | | | | | | | |
| B_TstModHvac | . | | | | | | | | | | | | | | | | | | | | | | | | | | | | | | | | | | | | | | | | | | | | | | | | | | | | | | | | | | | | | | | | | | | | | | | | | |
| B_TstModSAC | . | | | | | | | | | | | | | | | | | | | | | | | | | | | | | | | | | | | | | | | | | | | | | | | | | | | | | | | | | | | | | | | | | | | | | | | | | |
| I_AcPresHiSse | A52.J1:13 | 18.2 | | | | | | | | | | | | | | | | | | | | | | | | | | | | | | | | | | | | | | | | | | | | | | | | | | | | | | | | | | | | | | | | | | | | | | | | |
| I_AcPresLoSse | A52.J1:14 | 18.2 | | | | | | | | | | | | | | | | | | | | | | | | | | | | | | | | | | | | | | | | | | | | | | | | | | | | | | | | | | | | | | | | | | | | | | | | |
| I_FrontOutTemp | A47.J1:14 | 18.3 | | | | | | | | | | | | | | | | | | | | | | | | | | | | | | | | | | | | | | | | | | | | | | | | | | | | | | | | | | | | | | | | | | | | | | | | |
| I_OutDoorTempSe | A54.J1:14 | 18.1 | | | | | | | | | | | | | | | | | | | | | | | | | | | | | | | | | | | | | | | | | | | | | | | | | | | | | | | | | | | | | | | | | | | | | | | | |
| A46.J1:6 | O_DrvHeatSol | Driver Heat Solenoid | 18.1 | So8:1 | <table border="1"> <tr><td>B_BatterySaver</td><td>.</td><td></td></tr> <tr><td>B_EngineRun</td><td>.</td><td></td></tr> <tr><td>B_LowVoltage</td><td>.</td><td></td></tr> <tr><td>B_OneAltCharging</td><td>.</td><td></td></tr> <tr><td>B_TestMode</td><td>.</td><td></td></tr> <tr><td>B_TstModHvac</td><td>.</td><td></td></tr> <tr><td>B_TstModSAC</td><td>.</td><td></td></tr> <tr><td>D_AirFlapBit0</td><td>.</td><td></td></tr> <tr><td>D_AirFlapBit1</td><td>.</td><td></td></tr> <tr><td>D_AirFlapBit2</td><td>.</td><td></td></tr> <tr><td>D_AuxFanSpdBit0</td><td>.</td><td></td></tr> <tr><td>D_AuxFanSpdBit1</td><td>.</td><td></td></tr> <tr><td>D_AuxFanSpdBit2</td><td>.</td><td></td></tr> <tr><td>D_DriverSetPts</td><td>.</td><td></td></tr> <tr><td>D_DrvFnSpdBit0</td><td>.</td><td></td></tr> <tr><td>D_DrvFnSpdBit1</td><td>.</td><td></td></tr> <tr><td>D_DrvFnSpdBit2</td><td>.</td><td></td></tr> <tr><td>D_OnOffPassSw</td><td>.</td><td></td></tr> <tr><td>D_PassSetPts</td><td>.</td><td></td></tr> <tr><td>I_BatMonMod46</td><td>A46.J1:24</td><td>6.1</td></tr> <tr><td>I_BatMonMod54</td><td>A54.J1:24</td><td>6.1</td></tr> <tr><td>I_DefrostHighSw</td><td>A47.J1:10</td><td>18.1</td></tr> <tr><td>I_DefrostLowSw</td><td>A47.J1:12</td><td>18.1</td></tr> </table> | B_BatterySaver | . | | B_EngineRun | . | | B_LowVoltage | . | | B_OneAltCharging | . | | B_TestMode | . | | B_TstModHvac | . | | B_TstModSAC | . | | D_AirFlapBit0 | . | | D_AirFlapBit1 | . | | D_AirFlapBit2 | . | | D_AuxFanSpdBit0 | . | | D_AuxFanSpdBit1 | . | | D_AuxFanSpdBit2 | . | | D_DriverSetPts | . | | D_DrvFnSpdBit0 | . | | D_DrvFnSpdBit1 | . | | D_DrvFnSpdBit2 | . | | D_OnOffPassSw | . | | D_PassSetPts | . | | I_BatMonMod46 | A46.J1:24 | 6.1 | I_BatMonMod54 | A54.J1:24 | 6.1 | I_DefrostHighSw | A47.J1:10 | 18.1 | I_DefrostLowSw | A47.J1:12 | 18.1 |
| B_BatterySaver | . | | | | | | | | | | | | | | | | | | | | | | | | | | | | | | | | | | | | | | | | | | | | | | | | | | | | | | | | | | | | | | | | | | | | | | | | | |
| B_EngineRun | . | | | | | | | | | | | | | | | | | | | | | | | | | | | | | | | | | | | | | | | | | | | | | | | | | | | | | | | | | | | | | | | | | | | | | | | | | |
| B_LowVoltage | . | | | | | | | | | | | | | | | | | | | | | | | | | | | | | | | | | | | | | | | | | | | | | | | | | | | | | | | | | | | | | | | | | | | | | | | | | |
| B_OneAltCharging | . | | | | | | | | | | | | | | | | | | | | | | | | | | | | | | | | | | | | | | | | | | | | | | | | | | | | | | | | | | | | | | | | | | | | | | | | | |
| B_TestMode | . | | | | | | | | | | | | | | | | | | | | | | | | | | | | | | | | | | | | | | | | | | | | | | | | | | | | | | | | | | | | | | | | | | | | | | | | | |
| B_TstModHvac | . | | | | | | | | | | | | | | | | | | | | | | | | | | | | | | | | | | | | | | | | | | | | | | | | | | | | | | | | | | | | | | | | | | | | | | | | | |
| B_TstModSAC | . | | | | | | | | | | | | | | | | | | | | | | | | | | | | | | | | | | | | | | | | | | | | | | | | | | | | | | | | | | | | | | | | | | | | | | | | | |
| D_AirFlapBit0 | . | | | | | | | | | | | | | | | | | | | | | | | | | | | | | | | | | | | | | | | | | | | | | | | | | | | | | | | | | | | | | | | | | | | | | | | | | |
| D_AirFlapBit1 | . | | | | | | | | | | | | | | | | | | | | | | | | | | | | | | | | | | | | | | | | | | | | | | | | | | | | | | | | | | | | | | | | | | | | | | | | | |
| D_AirFlapBit2 | . | | | | | | | | | | | | | | | | | | | | | | | | | | | | | | | | | | | | | | | | | | | | | | | | | | | | | | | | | | | | | | | | | | | | | | | | | |
| D_AuxFanSpdBit0 | . | | | | | | | | | | | | | | | | | | | | | | | | | | | | | | | | | | | | | | | | | | | | | | | | | | | | | | | | | | | | | | | | | | | | | | | | | |
| D_AuxFanSpdBit1 | . | | | | | | | | | | | | | | | | | | | | | | | | | | | | | | | | | | | | | | | | | | | | | | | | | | | | | | | | | | | | | | | | | | | | | | | | | |
| D_AuxFanSpdBit2 | . | | | | | | | | | | | | | | | | | | | | | | | | | | | | | | | | | | | | | | | | | | | | | | | | | | | | | | | | | | | | | | | | | | | | | | | | | |
| D_DriverSetPts | . | | | | | | | | | | | | | | | | | | | | | | | | | | | | | | | | | | | | | | | | | | | | | | | | | | | | | | | | | | | | | | | | | | | | | | | | | |
| D_DrvFnSpdBit0 | . | | | | | | | | | | | | | | | | | | | | | | | | | | | | | | | | | | | | | | | | | | | | | | | | | | | | | | | | | | | | | | | | | | | | | | | | | |
| D_DrvFnSpdBit1 | . | | | | | | | | | | | | | | | | | | | | | | | | | | | | | | | | | | | | | | | | | | | | | | | | | | | | | | | | | | | | | | | | | | | | | | | | | |
| D_DrvFnSpdBit2 | . | | | | | | | | | | | | | | | | | | | | | | | | | | | | | | | | | | | | | | | | | | | | | | | | | | | | | | | | | | | | | | | | | | | | | | | | | |
| D_OnOffPassSw | . | | | | | | | | | | | | | | | | | | | | | | | | | | | | | | | | | | | | | | | | | | | | | | | | | | | | | | | | | | | | | | | | | | | | | | | | | |
| D_PassSetPts | . | | | | | | | | | | | | | | | | | | | | | | | | | | | | | | | | | | | | | | | | | | | | | | | | | | | | | | | | | | | | | | | | | | | | | | | | | |
| I_BatMonMod46 | A46.J1:24 | 6.1 | | | | | | | | | | | | | | | | | | | | | | | | | | | | | | | | | | | | | | | | | | | | | | | | | | | | | | | | | | | | | | | | | | | | | | | | |
| I_BatMonMod54 | A54.J1:24 | 6.1 | | | | | | | | | | | | | | | | | | | | | | | | | | | | | | | | | | | | | | | | | | | | | | | | | | | | | | | | | | | | | | | | | | | | | | | | |
| I_DefrostHighSw | A47.J1:10 | 18.1 | | | | | | | | | | | | | | | | | | | | | | | | | | | | | | | | | | | | | | | | | | | | | | | | | | | | | | | | | | | | | | | | | | | | | | | | |
| I_DefrostLowSw | A47.J1:12 | 18.1 | | | | | | | | | | | | | | | | | | | | | | | | | | | | | | | | | | | | | | | | | | | | | | | | | | | | | | | | | | | | | | | | | | | | | | | | |

MULTIPLEX OUTPUT LIST

O_xx... = Physical Output Pin ; I_xx... = Physical Input Pin ; D_xx... = CAN Network Signal from the HVAC control Head ; B_xx... = Multiplex system global Network Variable

| Module.Pin# | Signal name | Description | Page | Connected devices | Input involved | | |
|----------------|----------------|--------------------------------------|------|-------------------|------------------|--------------|---------------------|
| A46.J1:6 | O_DrvHeatSol | Driver Heat Solenoid | 18.1 | So8:1 | I_DrvTempSe | A55.J1:1 | 18.1 |
| | | | | | I_FireExt1stAl | A36.JB:23 | |
| | | | | | I_FireExt2ndAlm | A44.J1:10 | |
| | | | | | I_FireSensorA36 | A41.J1:10 | 9.1 |
| | | | | | I_FrontOutTemp | A47.J1:14 | 18.3 |
| | | | | | I_OutDoorTempSe | A54.J1:14 | 18.1 |
| A46.J1:8 | O_AuxSolValve | Auxiliary refrigerant solenoid valve | 18.3 | So38:A | B_BatterySaver | . | |
| | | | | | B_EngineRun | . | |
| | | | | | B_TestMode | . | |
| | | | | | B_TstModSAC | . | |
| | | | | | D_AuxFnOnOffSw | . | |
| | | | | | I_AcPresHiSse | A52.J1:13 | 18.2 |
| A47.J1:1 | O_DrvDefFanMo | Driver Defroster Fan Motor | 18.1 | A24.B:B | B_BatterySaver | . | |
| | | | | | B_EngineRun | . | |
| | | | | | B_LowVoltage | . | |
| | | | | | D_DrvFnSpdBit0 | . | |
| | | | | | D_DrvFnSpdBit1 | . | |
| | | | | | D_DrvFnSpdBit2 | . | |
| | | | | | D_OnOffDrvSw | . | |
| | | | | | I_BatMonMod47 | A47.J1:24 | 6.1 |
| | | | | | I_IgnKeySw | A36.JB:2 | 3.2 |
| | | | | | A47.J1:2 | O_DrvRecTrap | Driver Recycle Trap |
| B_EngineRun | . | | | | | | |
| B_TestMode | . | | | | | | |
| B_TstModHvac | . | | | | | | |
| B_TstModSAC | . | | | | | | |
| D_RecSw | . | | | | | | |
| A47.J1:20 | O_AuxWaterPump | Auxiliary water pump | 18.3 | | B_BatterySaver | . | |
| | | | | | B_EngineRun | . | |
| | | | | | B_OneAltCharging | . | |
| | | | | | B_TestMode | . | |
| | | | | | B_TstModSAC | . | |
| | | | | | D_AuxFanSpdBit0 | . | |
| | | | | | D_AuxFanSpdBit1 | . | |
| | | | | | D_AuxFanSpdBit2 | . | |
| | | | | | D_DriverSetPts | . | |
| | | | | | D_DrvFnSpdBit0 | . | |
| | | | | | D_DrvFnSpdBit1 | . | |
| | | | | | D_DrvFnSpdBit2 | . | |
| | | | | | I_DefrostHighSw | A47.J1:10 | 18.1 |
| | | | | | I_DefrostLowSw | A47.J1:12 | 18.1 |
| I_FrontOutTemp | A47.J1:14 | 18.3 | | | | | |

MULTIPLEX OUTPUT LIST

O_xx... = Physical Output Pin ; I_xx... = Physical Input Pin ; D_xx... = CAN Network Signal from the HVAC control Head ; B_xx... = Multiplex system global Network Variable

| Module.Pin# | Signal name | Description | Page | Connected devices | Input involved | | |
|-------------|----------------|-------------------------------------|------|-------------------|------------------|-----------|------|
| A47.J1:20 | O_AuxWaterPump | Auxiliary water pump | 18.3 | | I_OutDoorTempSe | A54.J1:14 | 18.1 |
| A47.J1:3 | O_LwWipSpd1 | Lower Wiper Speed 1 | 34.1 | R23:86 | B_BatterySaver | . | |
| | | | | | I_LwWipIntSw | A42.J1:8 | 34.1 |
| | | | | | I_LwWshSw | A46.J1:9 | 34.1 |
| A47.J1:5 | O_EntDorStpLb | Entrance Door Step Light Bulb | 29.1 | | I_AccKeySw | A36.JB:6 | 3.2 |
| | | | | | I_EntDorOpSe | A41.J1:5 | 29.1 |
| | | | | | I_EntDrUnlockSw | A41.J1:8 | 29.1 |
| | | | | | I_HazardSw | A36.JB:4 | 26.1 |
| | | | | | I_IgnKeySw | A36.JB:2 | 3.2 |
| | | | | | I_KeylessDrUnl | A41.J1:4 | 29.1 |
| | | | | | I_KeylessLuggUnl | A41.J1:18 | 29.1 |
| | | | | | I_LugDorLkSw | A41.J1:17 | 33.1 |
| | | | | | I_RrCutOutSw | A36.JB:21 | 3.2 |
| | | | | | I_WakeUp | A36.JB:5 | 9.1 |
| A47.J1:6 | O_DriverLtLb | Driver Light Bulb | 19.1 | | B_BatterySaver | . | |
| | | | | | I_DrvLtSw | A41.J1:2 | 19.1 |
| A47.J1:7 | O_RHDefrostFan | Passenger defrost fan speed control | 18.1 | A30.A:D | B_BatterySaver | . | |
| | | | | | B_EngineRun | . | |
| | | | | | B_LowVoltage | . | |
| | | | | | D_DrvFnSpdBit0 | . | |
| | | | | | D_DrvFnSpdBit1 | . | |
| | | | | | D_DrvFnSpdBit2 | . | |
| | | | | | D_OnOffDrvSw | . | |
| | | | | | I_BatMonMod47 | A47.J1:24 | 6.1 |
| | | | | | I_DefrostHighSw | A47.J1:10 | 18.1 |
| | | | | | I_DefrostLowSw | A47.J1:12 | 18.1 |
| | | | | | I_IgnKeySw | A36.JB:2 | 3.2 |
| A48.J1:1 | O_DoorUnlockMo | Entrance door unlock motor | 29.1 | | I_AccKeySw | A36.JB:6 | 3.2 |
| | | | | | I_EntDorOpSe | A41.J1:5 | 29.1 |
| | | | | | I_EntDrUnlockSw | A41.J1:8 | 29.1 |
| | | | | | I_EntDrUnSw | A48.J1:9 | 29.1 |
| | | | | | I_HazardSw | A36.JB:4 | 26.1 |
| | | | | | I_IgnKeySw | A36.JB:2 | 3.2 |
| | | | | | I_KeylessDrUnl | A41.J1:4 | 29.1 |
| | | | | | I_RrCutOutSw | A36.JB:21 | 3.2 |
| | | | | | I_WakeUp | A36.JB:5 | 9.1 |
| A48.J1:2 | O_DoorLockMo | Entrance door lock motor | 29.1 | | I_AccKeySw | A36.JB:6 | 3.2 |
| | | | | | I_EntDorLockSw | A41.J1:9 | 29.1 |
| | | | | | I_EntDorOpSe | A41.J1:5 | 29.1 |
| | | | | | I_EntDrUnlockSw | A41.J1:8 | 29.1 |
| | | | | | I_HazardSw | A36.JB:4 | 26.1 |
| | | | | | I_IgnKeySw | A36.JB:2 | 3.2 |
| | | | | | I_KeylessLockAll | A41.J1:19 | 29.1 |

MULTIPLEX OUTPUT LIST

O_xx... = Physical Output Pin ; I_xx... = Physical Input Pin ; D_xx... = CAN Network Signal from the HVAC control Head ; B_xx... = Multiplex system global Network Variable

| Module.Pin# | Signal name | Description | Page | Connected devices | Input involved | | |
|-------------|-----------------|-------------------------------------|------|-------------------|------------------|-----------|------|
| A48.J1:2 | O_DoorLockMo | Entrance door lock motor | 29.1 | | I_RrCutOutSw | A36.JB:21 | 3.2 |
| | | | | | I_WakeUp | A36.JB:5 | 9.1 |
| A48.J1:20 | O_RHFrSidFlshLb | RH Front Side Flasher L-Bulb | 26.1 | L64:1 | B_BatterySaver | . | |
| | | | | | B_TstModExtLight | . | |
| | | | | | I_LHFishSwRrSig | A51.J1:9 | 26.2 |
| | | | | | I_RHFishSw | A48.J1:12 | 26.1 |
| | | | | | I_RHFishSwRrSig | A51.J1:12 | 26.2 |
| A48.J1:3 | O_RHHiBeamLb | Right Hand Hi Beam Light Bulb | 26.1 | L59.B:1 | B_BatterySaver | . | |
| | | | | | B_EngineRun | . | |
| | | | | | B_OneAltCharging | . | |
| | | | | | B_TstModExtLight | . | |
| | | | | | I_HdLtHiLowBmSw | A43.J1:8 | 26.1 |
| | | | | | I_HdLtPos2SwLH | A45.J1:12 | 26.1 |
| | | | | | I_HiBeamCallSw | A43.J1:3 | 26.1 |
| A48.J1:4 | O_RHLwBeamLb | Right Hand Low Beam Light Bulb | 26.1 | L59.A:1 | B_BatterySaver | . | |
| | | | | | B_TstModExtLight | . | |
| | | | | | I_HdLtPos2SwRH | A48.J1:10 | 26.1 |
| A48.J1:5 | O_RHCornerLb | Right Hand Cornering Light Bulb | 26.3 | L98.A:1 | B_BatterySaver | . | |
| | | | | | B_TstModExtLight | . | |
| | | | | | I_CorneringLtSw | A55.J1:7 | 26.3 |
| | | | | | I_RHFishSw | A48.J1:12 | 26.1 |
| A48.J1:6 | O_RHFrFlshLb | Right Hand Front Flasher Light Bulb | 26.1 | L61:3 | B_BatterySaver | . | |
| | | | | | B_TstModExtLight | . | |
| | | | | | I_LHFishSwRrSig | A51.J1:9 | 26.2 |
| | | | | | I_RHFishSw | A48.J1:12 | 26.1 |
| | | | | | I_RHFishSwRrSig | A51.J1:12 | 26.2 |
| A48.J1:7 | O_RHFrMrkLb | Right Hand Front Markers Light Bulb | 26.1 | | B_BatterySaver | . | |
| | | | | | B_TstModExtLight | . | |
| | | | | | I_BlinkSw | A43.J1:20 | 26.1 |
| | | | | | I_HdLtPos1Sw | A43.J1:4 | 26.1 |
| | | | | | I_HdLtPos2SwLH | A45.J1:12 | 26.1 |
| | | | | | I_KeylessIntru | A41.J1:7 | 29.1 |
| | | | | | I_KeylessPanic | A41.J1:6 | 29.1 |
| A50.J1:2 | O_TransInhibit | Transmission Inhibit | 15.1 | | I_BrkLtSeFrSig | A36.JB:13 | 12.1 |
| | | | | | I_BrkLtSeRrSig | A51.J1:10 | 12.1 |
| | | | | | I_SldO1LimitInSe | A56.J1:11 | 20.1 |
| | | | | | I_SldO2LimitInSe | A57.J1:11 | 20.1 |
| | | | | | I_SldO3LimitInSe | A58.J1:11 | 20.2 |
| A50.J1:20 | O_RevLbBuz | Reverse Alarm and Light Bulb | 26.3 | | B_BatterySaver | . | |
| | | | | | B_EngineRun | . | |
| | | | | | B_TestMode | . | |
| | | | | | B_TestSwBuz2 | . | |
| | | | | | B_TestSwBuzzer | . | |

MULTIPLEX OUTPUT LIST

O_xx... = Physical Output Pin ; I_xx... = Physical Input Pin ; D_xx... = CAN Network Signal from the HVAC control Head ; B_xx... = Multiplex system global Network Variable

| Module.Pin# | Signal name | Description | Page | Connected devices | Input involved | | |
|-------------|---------------|------------------------------------|------|-------------------|------------------|-----------|------|
| A50.J1:20 | O_RevLbBuz | Reverse Alarm and Light Bulb | 26.3 | | B_TstModExtLight | . | |
| | | | | | B_TstModHvac | . | |
| | | | | | B_TstModHvacNext | . | |
| | | | | | B_TstModSAC | . | |
| | | | | | B_TstModSACNext | . | |
| | | | | | B_TstSwBuz3 | . | |
| A50.J1:3 | O_RevAlarm | Back up alarm | 26.3 | L187.A:A | B_BatterySaver | . | |
| | | | | | B_EngineRun | . | |
| | | | | | B_TestMode | . | |
| | | | | | B_TestSwBuz2 | . | |
| | | | | | B_TestSwBuzzer | . | |
| | | | | | B_TstModExtLight | . | |
| | | | | | B_TstModHvac | . | |
| | | | | | B_TstModHvacNext | . | |
| | | | | | B_TstModSAC | . | |
| | | | | | B_TstModSACNext | . | |
| | | | | | B_TstSwBuz3 | . | |
| | | | | | D_NextWheel | . | |
| | | | | | I_RevAlrmSw | A43.J1:6 | 26.3 |
| A50.J1:4 | O_ReClearLb | Rear Clearance Light Bulb | 26.2 | | B_BatterySaver | . | |
| | | | | | B_TstModExtLight | . | |
| | | | | | I_BlinkSw | A43.J1:20 | 26.1 |
| | | | | | I_HdLtPos1Sw | A43.J1:4 | 26.1 |
| | | | | | I_HdLtPos2SwLH | A45.J1:12 | 26.1 |
| A50.J1:5 | O_LHCtrFlshLb | Water Filter Indicator Warning | 26.2 | L70:1 | B_BatterySaver | . | |
| | | | | | B_TstModExtLight | . | |
| | | | | | I_LHFishSwRrSig | A51.J1:9 | 26.2 |
| | | | | | I_RHFishSwRrSig | A51.J1:12 | 26.2 |
| A50.J1:6 | O_BrLtLowerLb | | 26.2 | | B_BatterySaver | . | |
| | | | | | B_EngineRun | . | |
| | | | | | B_TstModExtLight | . | |
| | | | | | I_BrkLtSeFrSig | A36.JB:13 | 12.1 |
| | | | | | I_BrkLtSeRrSig | A51.J1:10 | 12.1 |
| | | | | | I_EngBrOnSe | A42.J1:18 | |
| | | | | | I_IgnKeySw | A36.JB:2 | 3.2 |
| | | | | | I_RetdrSig | A50.J1:12 | 15.1 |
| A50.J1:7 | O_RHCtrFlshLb | Wheel Chair Lift Warning Indicator | 26.2 | L68:1 | B_BatterySaver | . | |
| | | | | | B_TstModExtLight | . | |
| | | | | | I_LHFishSwRrSig | A51.J1:9 | 26.2 |
| | | | | | I_RHFishSwRrSig | A51.J1:12 | 26.2 |
| A50.J1:8 | O_CtrSdMrkLb | Tag Axle Warning Indicator | 26.2 | | B_BatterySaver | . | |
| | | | | | B_TstModExtLight | . | |
| | | | | | I_BlinkSw | A43.J1:20 | 26.1 |

MULTIPLEX OUTPUT LIST

O_xx... = Physical Output Pin ; I_xx... = Physical Input Pin ; D_xx... = CAN Network Signal from the HVAC control Head ; B_xx... = Multiplex system global Network Variable

| Module.Pin# | Signal name | Description | Page | Connected devices | Input involved | | |
|-------------|---------------|------------------------------------|------|-------------------|------------------|-----------|------|
| A50.J1:8 | O_CtrSdMrkLb | Tag Axle Warning Indicator | 26.2 | | I_HdLtPos1Sw | A43.J1:4 | 26.1 |
| | | | | | I_HdLtPos2SwLH | A45.J1:12 | 26.1 |
| A51.J1:1 | O_SerBrkTrans | Servise Brake Signal For | 15.1 | A1Gen4.A:62 | I_BrkLtSeFrSig | A36.JB:13 | 12.1 |
| A51.J1:21 | O_LHReFlshLb | Left Hand Rear Flasher Light Bulb | 26.2 | | B_BatterySaver | . | |
| | | | | | B_TstModExtLight | . | |
| | | | | | I_LHFlshSwRrSig | A51.J1:9 | 26.2 |
| | | | | | I_RHFlshSwRrSig | A51.J1:12 | 26.2 |
| A51.J1:3 | O_RHReFlshLb | Right Hand Rear Flasher Light Bulb | 26.2 | | B_BatterySaver | . | |
| | | | | | B_TstModExtLight | . | |
| | | | | | I_LHFlshSwRrSig | A51.J1:9 | 26.2 |
| | | | | | I_RHFlshSwRrSig | A51.J1:12 | 26.2 |
| A51.J1:4 | O_LHDockLb | Left Hand Docking Light Bulb | 26.3 | L93.A:1 | B_BatterySaver | . | |
| | | | | | B_TstModExtLight | . | |
| | | | | | I_DockingLtSw | A55.J1:8 | 26.3 |
| | | | | | I_LowDockLtsSw | A55.J1:9 | 26.3 |
| A51.J1:5 | O_RHDockLb | Right Hand Docking Light Bulb | 26.3 | L94.A:1 | B_BatterySaver | . | |
| | | | | | B_TstModExtLight | . | |
| | | | | | I_DockingLtSw | A55.J1:8 | 26.3 |
| | | | | | I_LowDockLtsSw | A55.J1:9 | 26.3 |
| A51.J1:6 | O_BrLtUpperLb | | 26.2 | | B_BatterySaver | . | |
| | | | | | B_EngineRun | . | |
| | | | | | B_TstModExtLight | . | |
| | | | | | I_BrkLtSeFrSig | A36.JB:13 | 12.1 |
| | | | | | I_BrkLtSeRrSig | A51.J1:10 | 12.1 |
| | | | | | I_EngBrOnSe | A42.J1:18 | |
| | | | | | I_RetdrSig | A50.J1:12 | 15.1 |
| A51.J1:7 | O_CyclopeLt | Cyclope Brake Light | 26.2 | L81.A:1 | B_BatterySaver | . | |
| | | | | | B_TstModExtLight | . | |
| | | | | | I_BrkLtSeFrSig | A36.JB:13 | 12.1 |
| | | | | | I_BrkLtSeRrSig | A51.J1:10 | 12.1 |
| A51.J1:8 | O_ReTailMkLb | Rear Tail Markers Light Bulb | 26.2 | | B_BatterySaver | . | |
| | | | | | B_TstModExtLight | . | |
| | | | | | I_AccKeySw | A36.JB:6 | 3.2 |
| | | | | | I_BlinkSw | A43.J1:20 | 26.1 |
| | | | | | I_EntDrUnlockSw | A41.J1:8 | 29.1 |
| | | | | | I_HazardSw | A36.JB:4 | 26.1 |
| | | | | | I_HdLtPos1Sw | A43.J1:4 | 26.1 |
| | | | | | I_HdLtPos2SwLH | A45.J1:12 | 26.1 |
| | | | | | I_IgnKeySw | A36.JB:2 | 3.2 |
| | | | | | I_KeylessDrUnl | A41.J1:4 | 29.1 |
| | | | | | I_KeylessIntru | A41.J1:7 | 29.1 |
| | | | | | I_KeylessPanic | A41.J1:6 | 29.1 |
| | | | | | I_RrCutOutSw | A36.JB:21 | 3.2 |

MULTIPLEX OUTPUT LIST

O_xx... = Physical Output Pin ; I_xx... = Physical Input Pin ; D_xx... = CAN Network Signal from the HVAC control Head ; B_xx... = Multiplex system global Network Variable

| Module.Pin# | Signal name | Description | Page | Connected devices | Input involved | | |
|-------------|---------------|-----------------------------------|------|-------------------|-----------------|-----------|------|
| A51.J1:8 | O_ReTailMkLb | Rear Tail Markers Light Bulb | 26.2 | | I_WakeUp | A36.JB:5 | 9.1 |
| A52.J1:1 | O_EngFanSpd1 | Engine Fan Radiator Speed 1 | 13.1 | | B_BatterySaver | . | |
| | | | | | B_EngineRun | . | |
| | | | | | B_TestMode | . | |
| | | | | | B_TstModHvac | . | |
| | | | | | B_TstModSAC | . | |
| | | | | | I_AcPresHiSse | A52.J1:13 | 18.2 |
| | | | | | I_EngFanSpd1 | A52.J1:9 | 13.1 |
| | | | | | I_EngFanSw | A36.JB:14 | |
| | | | | | I_FireExt1stAl | A36.JB:23 | |
| | | | | | I_FireExt2ndAlm | A44.J1:10 | |
| | | | | | I_FireSensorA36 | A41.J1:10 | 9.1 |
| A52.J1:2 | O_EngFanSpd2 | Engine Fan Radiator Speed 2 | 13.1 | | B_BatterySaver | . | |
| | | | | | B_EngineRun | . | |
| | | | | | B_TestMode | . | |
| | | | | | B_TstModHvac | . | |
| | | | | | B_TstModSAC | . | |
| | | | | | I_AcPresHiSse | A52.J1:13 | 18.2 |
| | | | | | I_EngFanSpd1 | A52.J1:9 | 13.1 |
| | | | | | I_EngFanSpd2 | A52.J1:10 | 13.1 |
| | | | | | I_EngFanSw | A36.JB:14 | |
| | | | | | I_FireExt1stAl | A36.JB:23 | |
| | | | | | I_FireExt2ndAlm | A44.J1:10 | |
| | | | | | I_FireSensorA36 | A41.J1:10 | 9.1 |
| A52.J1:20 | O_AcCluSol | Hvac AC Clutch Solenoid | 18.2 | | B_BatterySaver | . | |
| | | | | | B_EngineRun | . | |
| | | | | | B_TestMode | . | |
| | | | | | B_TstModHvac | . | |
| | | | | | B_TstModSAC | . | |
| | | | | | I_AcPresHiSse | A52.J1:13 | 18.2 |
| | | | | | I_AcPresLoSse | A52.J1:14 | 18.2 |
| A52.J1:21 | O_AcUnldRH | Hvac Right Hand Cylinder Unloader | 18.2 | | B_BatterySaver | . | |
| | | | | | B_EngineRun | . | |
| | | | | | B_TestMode | . | |
| | | | | | B_TstModHvac | . | |
| | | | | | D_PassSetPts | . | |
| | | | | | I_AcPresHiSse | A52.J1:13 | 18.2 |
| | | | | | I_AcPresLoSse | A52.J1:14 | 18.2 |
| A52.J1:5 | O_EngCmptLbZF | Engine Compartment Light Switch | 25.1 | | I_EngCmptLtSw | A52.J1:11 | 25.1 |
| | | | | | I_EngDoorSe | A52.J1:12 | 25.1 |
| A52.J1:8 | O_AcUnldLH | Hvac Left Hand Cylinder Unloader | 18.2 | | B_BatterySaver | . | |
| | | | | | B_EngineRun | . | |
| | | | | | B_TestMode | . | |

MULTIPLEX OUTPUT LIST

O_xx... = Physical Output Pin ; I_xx... = Physical Input Pin ; D_xx... = CAN Network Signal from the HVAC control Head ; B_xx... = Multiplex system global Network Variable

| Module.Pin# | Signal name | Description | Page | Connected devices | Input involved | | |
|-----------------|-----------------|----------------------------------|------|-------------------|-----------------|-----------|------|
| A52.J1:8 | O_AcUnldLH | Hvac Left Hand Cylinder Unloader | 18.2 | | B_TstModHvac | . | |
| | | | | | D_PassSetPts | . | |
| | | | | | I_AcPresHiSse | A52.J1:13 | 18.2 |
| | | | | | I_AcPresLoSse | A52.J1:14 | 18.2 |
| A53.J1:1 | O_StarterRlyRtn | Starter Relay Return | 3.2 | Term49 | I_IgnKeySw | A36.JB:2 | 3.2 |
| A53.J1:5 | O_RJBDoFanMo | Rear junction box door fan | 11.1 | Mo53:1 | B_BatterySaver | . | |
| | | | | | B_EngineRun | . | |
| | | | | | B_TestMode | . | |
| | | | | | B_TstModHvac | . | |
| | | | | | B_TstModSAC | . | |
| | | | | | I_BatMonMod53 | A53.J1:24 | 6.1 |
| | | | | | I_FrontOutTemp | A47.J1:14 | 18.3 |
| I_OutDoorTempSe | A54.J1:14 | 18.1 | | | | | |
| A53.J1:6 | O_StarterRel | Starter Relay | 3.2 | | B_BatterySaver | . | |
| | | | | | B_EngineRun | . | |
| | | | | | B_TestMode | . | |
| | | | | | B_TstModHvac | . | |
| | | | | | B_TstModSAC | . | |
| | | | | | I_AccKeySw | A36.JB:6 | 3.2 |
| | | | | | I_EngStaRrSw | A53.J1:11 | 3.2 |
| | | | | | I_EntDrUnlockSw | A41.J1:8 | 29.1 |
| | | | | | I_FrEngStaSw | A36.JB:22 | 3.2 |
| | | | | | I_FrStrtEnSw | A53.J1:9 | 3.2 |
| | | | | | I_HazardSw | A36.JB:4 | 26.1 |
| | | | | | I_IgnKeySw | A36.JB:2 | 3.2 |
| | | | | | I_KeylessDrUnl | A41.J1:4 | 29.1 |
| | | | | | I_KeylessIntru | A41.J1:7 | 29.1 |
| | | | | | I_NeutralSe | A50.J1:11 | 15.1 |
| | | | | | I_RrCutOutSw | A36.JB:21 | 3.2 |
| | | | | | I_RrStrtEnSw | A53.J1:10 | 3.2 |
| I_StartLockOut | A53.J1:12 | | | | | | |
| I_WakeUp | A36.JB:5 | 9.1 | | | | | |
| A54.J1:1 | O_CndSpd2Rel | Condensor Fan Speed 2 Relay | 18.2 | R9:2 | B_BatterySaver | . | |
| | | | | | B_EngineRun | . | |
| | | | | | B_LowVoltage | . | |
| | | | | | B_TestMode | . | |
| | | | | | B_TstModHvac | . | |
| | | | | | D_DriverSetPts | . | |
| | | | | | D_OnOffPassSw | . | |
| | | | | | D_PassSetPts | . | |
| | | | | | I_AcPresHiSse | A52.J1:13 | 18.2 |
| | | | | | I_AcPresLoSse | A52.J1:14 | 18.2 |
| | | | | | I_BatMonMod54 | A54.J1:24 | 6.1 |

MULTIPLEX OUTPUT LIST

O_xx... = Physical Output Pin ; I_xx... = Physical Input Pin ; D_xx... = CAN Network Signal from the HVAC control Head ; B_xx... = Multiplex system global Network Variable

| Module.Pin# | Signal name | Description | Page | Connected devices | Input involved |
|--------------------------------|--------------|--------------------------------|------|-------------------|--------------------------------|
| A54.J1:1 | O_CndSpd2Rel | Condensor Fan Speed 2 Relay | 18.2 | R9:2 | I_CoilTherSe A47.J1:11 18.3 |
| | | | | | I_DrvTempSe A55.J1:1 18.1 |
| | | | | | I_FireExt1stAl A36.JB:23 |
| | | | | | I_FireExt2ndAlm A44.J1:10 |
| | | | | | I_FireSensorA36 A41.J1:10 9.1 |
| | | | | | I_FrontOutTemp A47.J1:14 18.3 |
| | | | | | I_OutDoorTempSe A54.J1:14 18.1 |
| A54.J1:2 | O_EvaSpd2Rel | Evaporator Fan Speed 2 | 18.2 | TermMo9 | B_BatterySaver . |
| | | | | | B_EngineRun . |
| | | | | | B_LowVoltage . |
| | | | | | B_TestMode . |
| | | | | | B_TstModHvac . |
| | | | | | D_OnOffPassSw . |
| | | | | | D_PassSetPts . |
| | | | | | I_Alt2Voltage A49.J1:9 3.2 |
| | | | | | I_BatMonMod53 A53.J1:24 6.1 |
| | | | | | I_BatMonMod54 A54.J1:24 6.1 |
| | | | | | I_FireExt1stAl A36.JB:23 |
| | | | | | I_FireExt2ndAlm A44.J1:10 |
| I_FireSensorA36 A41.J1:10 9.1 | | | | | |
| A54.J1:20 | O_ACRecPass | A/C Pass. Gaz Cylinder Recycle | 18.2 | L205:1 | B_BatterySaver . |
| | | | | | B_EngineRun . |
| | | | | | B_TestMode . |
| | | | | | B_TstModHvac . |
| | | | | | B_TstModSAC . |
| | | | | | D_RecSw . |
| | | | | | D_PassSetPts . |
| A54.J1:3 | O_PasRfgSol | Passenger Refrigerent Solenoid | 18.2 | D11.A:1 | B_BatterySaver . |
| | | | | | B_EngineRun . |
| | | | | | B_LowVoltage . |
| | | | | | B_TestMode . |
| | | | | | B_TstModHvac . |
| | | | | | D_DriverSetPts . |
| | | | | | D_OnOffPassSw . |
| | | | | | D_PassSetPts . |
| | | | | | I_BatMonMod54 A54.J1:24 6.1 |
| | | | | | I_CoilTherSe A47.J1:11 18.3 |
| | | | | | I_DrvTempSe A55.J1:1 18.1 |
| | | | | | I_FireExt1stAl A36.JB:23 |
| | | | | | I_FireExt2ndAlm A44.J1:10 |
| | | | | | I_FireSensorA36 A41.J1:10 9.1 |
| I_FrontOutTemp A47.J1:14 18.3 | | | | | |
| I_OutDoorTempSe A54.J1:14 18.1 | | | | | |
| A54.J1:4 | O_ACWaterPm | Hvac Water Pump | 18.2 | | B_BatterySaver . |

MULTIPLEX OUTPUT LIST

O_xx... = Physical Output Pin ; I_xx... = Physical Input Pin ; D_xx... = CAN Network Signal from the HVAC control Head ; B_xx... = Multiplex system global Network Variable

| Module.Pin# | Signal name | Description | Page | Connected devices | Input involved | | |
|-----------------|--------------|------------------------------|------|-------------------|------------------|-----------|------|
| A54.J1:4 | O_ACWaterPmp | Hvac Water Pump | 18.2 | | B_EngineRun | . | |
| | | | | | B_OneAltCharging | . | |
| | | | | | B_TestMode | . | |
| | | | | | B_TstModHvac | . | |
| | | | | | D_DrvFnSpdBit0 | . | |
| | | | | | D_DrvFnSpdBit1 | . | |
| | | | | | D_DrvFnSpdBit2 | . | |
| | | | | | D_OnOffPassSw | . | |
| | | | | | D_PassSetPts | . | |
| | | | | | I_BatMonMod54 | A54.J1:24 | 6.1 |
| | | | | | I_FireExt1stAl | A36.JB:23 | |
| | | | | | I_FireExt2ndAlm | A44.J1:10 | |
| | | | | | I_FireSensorA36 | A41.J1:10 | 9.1 |
| I_FrontOutTemp | A47.J1:14 | 18.3 | | | | | |
| I_OutDoorTempSe | A54.J1:14 | 18.1 | | | | | |
| A54.J1:5 | O_CndSpd1Rel | Condensor Fan Speed 1 Relay | 18.2 | R10:2 | B_BatterySaver | . | |
| | | | | | B_EngineRun | . | |
| | | | | | B_LowVoltage | . | |
| | | | | | B_TestMode | . | |
| | | | | | B_TstModHvac | . | |
| | | | | | D_DriverSetPts | . | |
| | | | | | D_OnOffPassSw | . | |
| | | | | | D_PassSetPts | . | |
| | | | | | I_AcPresHiSSe | A52.J1:13 | 18.2 |
| | | | | | I_AcPresLoSSe | A52.J1:14 | 18.2 |
| | | | | | I_BatMonMod54 | A54.J1:24 | 6.1 |
| | | | | | I_CoilTherSe | A47.J1:11 | 18.3 |
| | | | | | I_DrvTempSe | A55.J1:1 | 18.1 |
| | | | | | I_FireExt1stAl | A36.JB:23 | |
| | | | | | I_FireExt2ndAlm | A44.J1:10 | |
| | | | | | I_FireSensorA36 | A41.J1:10 | 9.1 |
| | | | | | I_FrontOutTemp | A47.J1:14 | 18.3 |
| I_OutDoorTempSe | A54.J1:14 | 18.1 | | | | | |
| A54.J1:7 | O_EvaSpd1Rel | Evaporator Fan Speed 1 Relay | 18.2 | R12:2 | B_BatterySaver | . | |
| | | | | | B_EngineRun | . | |
| | | | | | B_LowVoltage | . | |
| | | | | | B_TestMode | . | |
| | | | | | B_TstModHvac | . | |
| | | | | | D_OnOffPassSw | . | |
| | | | | | I_BatMonMod54 | A54.J1:24 | 6.1 |
| | | | | | I_FireExt1stAl | A36.JB:23 | |
| | | | | | I_FireExt2ndAlm | A44.J1:10 | |
| | | | | | I_FireSensorA36 | A41.J1:10 | 9.1 |

MULTIPLEX OUTPUT LIST

O_xx... = Physical Output Pin ; I_xx... = Physical Input Pin ; D_xx... = CAN Network Signal from the HVAC control Head ; B_xx... = Multiplex system global Network Variable

| Module.Pin# | Signal name | Description | Page | Connected devices | Input involved | | |
|-----------------|------------------|-----------------------------------|------|-------------------|------------------|-----------|------|
| A54.J1:8 | O_PasHeatSol | Passenger Heat Solenoid Valve | 18.2 | So13:1 | B_BatterySaver | . | |
| | | | | | B_EngineRun | . | |
| | | | | | B_OneAltCharging | . | |
| | | | | | B_TestMode | . | |
| | | | | | B_TstModHvac | . | |
| | | | | | B_TstModSAC | . | |
| | | | | | D_AuxFanSpdBit0 | . | |
| | | | | | D_AuxFanSpdBit1 | . | |
| | | | | | D_AuxFanSpdBit2 | . | |
| | | | | | D_DriverSetPts | . | |
| | | | | | D_DrvFnSpdBit0 | . | |
| | | | | | D_DrvFnSpdBit1 | . | |
| | | | | | D_DrvFnSpdBit2 | . | |
| | | | | | D_OnOffPassSw | . | |
| | | | | | D_PassSetPts | . | |
| | | | | | I_BatMonMod54 | A54.J1:24 | 6.1 |
| | | | | | I_DefrostHighSw | A47.J1:10 | 18.1 |
| I_DefrostLowSw | A47.J1:12 | 18.1 | | | | | |
| I_FireExt1stAl | A36.JB:23 | | | | | | |
| I_FireExt2ndAlm | A44.J1:10 | | | | | | |
| I_FireSensorA36 | A41.J1:10 | 9.1 | | | | | |
| I_FrontOutTemp | A47.J1:14 | 18.3 | | | | | |
| I_OutDoorTempSe | A54.J1:14 | 18.1 | | | | | |
| A55.J1:12 | O_JacobBrk1 | Jacob Brake 1 | 38.1 | | I_RetarderSel | A55.J1:10 | 12.1 |
| A55.J1:13 | O_SunVisorDown | | 38.1 | | I_VIPSteerWh1 | A55.J1:3 | 38.1 |
| | | | | | I_VIPSteerWh2 | A55.J1:4 | 38.1 |
| | | | | | I_VIPSteerWh5V | A55.J1:2 | 38.1 |
| A55.J1:14 | O_JacobBrk2 | Jacob Brake 2 | 38.1 | | I_RetarderSel | A55.J1:10 | 12.1 |
| A55.J1:30 | O_SunVisrDrvPass | | 38.1 | R45:86 | I_VIPSteerWh1 | A55.J1:3 | 38.1 |
| | | | | | I_VIPSteerWh2 | A55.J1:4 | 38.1 |
| | | | | | I_VIPSteerWh5V | A55.J1:2 | 38.1 |
| A56.J1:1 | O_SldO1MoSpeedA | Slide-Out 1 Motor Speed Control A | 20.1 | | I_BatMonMod56 | A56.J1:24 | 6.1 |
| | | | | | I_SldO1CloseSw | A56.J1:10 | 20.1 |
| | | | | | I_SldO1LimiOutSw | A56.J1:14 | 20.1 |
| | | | | | I_SldO1LimitInSe | A56.J1:11 | 20.1 |
| | | | | | I_SldO1OpenSw | A56.J1:9 | 20.1 |
| | | | | | I_SldO1PBrakeSw | A56.J1:12 | 20.1 |
| | | | | | I_SldO1VacPrSe | A56.J1:13 | 20.1 |
| A56.J1:2 | O_SldO1MoSpeedB | Slide-Out 1 Motor Speed Control B | 20.1 | | I_BatMonMod56 | A56.J1:24 | 6.1 |
| | | | | | I_SldO1CloseSw | A56.J1:10 | 20.1 |
| | | | | | I_SldO1LimiOutSw | A56.J1:14 | 20.1 |
| | | | | | I_SldO1LimitInSe | A56.J1:11 | 20.1 |
| | | | | | I_SldO1OpenSw | A56.J1:9 | 20.1 |

MULTIPLEX OUTPUT LIST

O_xx... = Physical Output Pin ; I_xx... = Physical Input Pin ; D_xx... = CAN Network Signal from the HVAC control Head ; B_xx... = Multiplex system global Network Variable

| Module.Pin# | Signal name | Description | Page | Connected devices | Input involved | | |
|-------------|------------------|-----------------------------------|------|-------------------|------------------|-----------|------|
| A56.J1:2 | O_SldO1MoSpeedB | Slide-Out 1 Motor Speed Control B | 20.1 | | I_SldO1PBrakeSw | A56.J1:12 | 20.1 |
| | | | | | I_SldO1VacPrSe | A56.J1:13 | 20.1 |
| A56.J1:20 | O_SldO1Motpos | Slide_Out 1 Motor + | 20.1 | RSo1.B:1 | I_BatMonMod56 | A56.J1:24 | 6.1 |
| | | | | | I_SldO1CloseSw | A56.J1:10 | 20.1 |
| | | | | | I_SldO1LimiOutSw | A56.J1:14 | 20.1 |
| | | | | | I_SldO1LimitInSe | A56.J1:11 | 20.1 |
| | | | | | I_SldO1OpenSw | A56.J1:9 | 20.1 |
| | | | | | I_SldO1PBrakeSw | A56.J1:12 | 20.1 |
| | | | | | I_SldO1VacPrSe | A56.J1:13 | 20.1 |
| A56.J1:21 | O_SldO1SecuPinSo | Slide-Out 1 Security Pins | 20.1 | SOSO4:1 | I_SldO1LimitInSe | A56.J1:11 | 20.1 |
| | | | | | I_SldO1PBrakeSw | A56.J1:12 | 20.1 |
| | | | | | I_SldO2LimitInSe | A57.J1:11 | 20.1 |
| | | | | | I_SldO2PBrakeSw | A57.J1:12 | 20.1 |
| | | | | | I_SldO3LimitInSe | A58.J1:11 | 20.2 |
| | | | | | I_SldO3PBrakeSw | A58.J1:12 | 20.2 |
| A56.J1:3 | O_SldO1RemoteLed | Slide_Out 1 Remote Led | 20.1 | SwSo1.A:2 | I_BatMonMod56 | A56.J1:24 | 6.1 |
| | | | | | I_SldO1CloseSw | A56.J1:10 | 20.1 |
| | | | | | I_SldO1LimiOutSw | A56.J1:14 | 20.1 |
| | | | | | I_SldO1LimitInSe | A56.J1:11 | 20.1 |
| | | | | | I_SldO1OpenSw | A56.J1:9 | 20.1 |
| | | | | | I_SldO1PBrakeSw | A56.J1:12 | 20.1 |
| | | | | | I_SldO1Supply5v | A56.J1:15 | 20.1 |
| | | | | | I_SldO1VacPrSe | A56.J1:13 | 20.1 |
| A56.J1:4 | O_SldO1SealInfSo | Slide_Out 1 Seal Inflating Valve | 20.1 | SoSo5:1 | I_SldO1CloseSw | A56.J1:10 | 20.1 |
| | | | | | I_SldO1LimiOutSw | A56.J1:14 | 20.1 |
| | | | | | I_SldO1LimitInSe | A56.J1:11 | 20.1 |
| | | | | | I_SldO1OpenSw | A56.J1:9 | 20.1 |
| A56.J1:5 | O_SldO1SealDefSo | Slide_Out 1 Seal Deflating Valve | 20.1 | SoSo1:1 | I_BatMonMod56 | A56.J1:24 | 6.1 |
| | | | | | I_SldO1CloseSw | A56.J1:10 | 20.1 |
| | | | | | I_SldO1LimiOutSw | A56.J1:14 | 20.1 |
| | | | | | I_SldO1LimitInSe | A56.J1:11 | 20.1 |
| | | | | | I_SldO1OpenSw | A56.J1:9 | 20.1 |
| | | | | | I_SldO1PBrakeSw | A56.J1:12 | 20.1 |
| A56.J1:6 | O_SldO1VaccGenSo | Slide_Out 1 Seal Vaccum Generator | 20.1 | SoSo2:1 | I_BatMonMod56 | A56.J1:24 | 6.1 |
| | | | | | I_BatMonMod57 | A57.J1:24 | 6.1 |
| | | | | | I_BatMonMod58 | A58.J1:24 | 6.1 |
| | | | | | I_SldO1CloseSw | A56.J1:10 | 20.1 |
| | | | | | I_SldO1LimiOutSw | A56.J1:14 | 20.1 |
| | | | | | I_SldO1LimitInSe | A56.J1:11 | 20.1 |
| | | | | | I_SldO1OpenSw | A56.J1:9 | 20.1 |
| | | | | | I_SldO1PBrakeSw | A56.J1:12 | 20.1 |
| | | | | | I_SldO2CloseSw | A57.J1:10 | 20.1 |
| | | | | | I_SldO2LimiOutSw | A57.J1:14 | 20.1 |

MULTIPLEX OUTPUT LIST

O_xx... = Physical Output Pin ; I_xx... = Physical Input Pin ; D_xx... = CAN Network Signal from the HVAC control Head ; B_xx... = Multiplex system global Network Variable

| Module.Pin# | Signal name | Description | Page | Connected devices | Input involved | | |
|-------------|------------------|-----------------------------------|------|-------------------|------------------|-----------|------|
| A56.J1:6 | O_SldO1VaccGenSo | Slide_Out 1 Seal Vaccum Generator | 20.1 | SoSo2:1 | I_SldO2LimitInSe | A57.J1:11 | 20.1 |
| | | | | | I_SldO2OpenSw | A57.J1:9 | 20.1 |
| | | | | | I_SldO2PBrakeSw | A57.J1:12 | 20.1 |
| | | | | | I_SldO3CloseSw | A58.J1:10 | 20.2 |
| | | | | | I_SldO3LimiOutSw | A58.J1:14 | 20.2 |
| | | | | | I_SldO3LimitInSe | A58.J1:11 | 20.2 |
| | | | | | I_SldO3OpenSw | A58.J1:9 | 20.2 |
| | | | | | I_SldO3PBrakeSw | A58.J1:12 | 20.2 |
| A56.J1:7 | O_SldO1Motneg | Slide_Out 1 Motor - | 20.1 | RSo2.B:1 | I_BatMonMod56 | A56.J1:24 | 6.1 |
| | | | | | I_SldO1CloseSw | A56.J1:10 | 20.1 |
| | | | | | I_SldO1LimiOutSw | A56.J1:14 | 20.1 |
| | | | | | I_SldO1LimitInSe | A56.J1:11 | 20.1 |
| | | | | | I_SldO1OpenSw | A56.J1:9 | 20.1 |
| | | | | | I_SldO1PBrakeSw | A56.J1:12 | 20.1 |
| | | | | | I_SldO1VacPrSe | A56.J1:13 | 20.1 |
| | | | | | I_BatMonMod57 | A57.J1:24 | 6.1 |
| A57.J1:1 | O_SldO2MoSpeedA | Slide-Out 2 Motor Speed Control A | 20.1 | | I_SldO1VacPrSe | A56.J1:13 | 20.1 |
| | | | | | I_SldO2CloseSw | A57.J1:10 | 20.1 |
| | | | | | I_SldO2LimiOutSw | A57.J1:14 | 20.1 |
| | | | | | I_SldO2LimitInSe | A57.J1:11 | 20.1 |
| | | | | | I_SldO2OpenSw | A57.J1:9 | 20.1 |
| | | | | | I_SldO2PBrakeSw | A57.J1:12 | 20.1 |
| | | | | | I_BatMonMod57 | A57.J1:24 | 6.1 |
| | | | | | I_SldO1VacPrSe | A56.J1:13 | 20.1 |
| A57.J1:2 | O_SldO2MoSpeedB | Slide-Out 2 Motor Speed Control B | 20.1 | | I_SldO2CloseSw | A57.J1:10 | 20.1 |
| | | | | | I_SldO2LimiOutSw | A57.J1:14 | 20.1 |
| | | | | | I_SldO2LimitInSe | A57.J1:11 | 20.1 |
| | | | | | I_SldO2OpenSw | A57.J1:9 | 20.1 |
| | | | | | I_SldO2PBrakeSw | A57.J1:12 | 20.1 |
| | | | | | I_BatMonMod57 | A57.J1:24 | 6.1 |
| | | | | | I_SldO1VacPrSe | A56.J1:13 | 20.1 |
| | | | | | I_SldO2CloseSw | A57.J1:10 | 20.1 |
| A57.J1:20 | O_SldO2Motpos | Slide_Out 2 Motor + | 20.1 | RSo3.B:1 | I_SldO2CloseSw | A57.J1:10 | 20.1 |
| | | | | | I_SldO2LimiOutSw | A57.J1:14 | 20.1 |
| | | | | | I_SldO2LimitInSe | A57.J1:11 | 20.1 |
| | | | | | I_SldO2OpenSw | A57.J1:9 | 20.1 |
| | | | | | I_SldO2PBrakeSw | A57.J1:12 | 20.1 |
| | | | | | I_BatMonMod57 | A57.J1:24 | 6.1 |
| | | | | | I_SldO1VacPrSe | A56.J1:13 | 20.1 |
| | | | | | I_SldO2CloseSw | A57.J1:10 | 20.1 |
| A57.J1:3 | O_SldO2RemoteLed | Slide_Out 2 Remote Led | 20.1 | SwSo2:2 | I_SldO2CloseSw | A57.J1:10 | 20.1 |
| | | | | | I_SldO2LimiOutSw | A57.J1:14 | 20.1 |
| | | | | | I_SldO2LimitInSe | A57.J1:11 | 20.1 |
| | | | | | I_SldO2OpenSw | A57.J1:9 | 20.1 |
| | | | | | I_SldO2PBrakeSw | A57.J1:12 | 20.1 |
| | | | | | I_BatMonMod57 | A57.J1:24 | 6.1 |
| | | | | | I_SldO1VacPrSe | A56.J1:13 | 20.1 |
| | | | | | I_SldO2CloseSw | A57.J1:10 | 20.1 |

MULTIPLEX OUTPUT LIST

O_xx... = Physical Output Pin ; I_xx... = Physical Input Pin ; D_xx... = CAN Network Signal from the HVAC control Head ; B_xx... = Multiplex system global Network Variable

| Module.Pin# | Signal name | Description | Page | Connected devices | Input involved | | |
|-------------|------------------|----------------------------------|------|-------------------|------------------|-----------|------|
| A57.J1:3 | O_SldO2RemoteLed | Slide_Out 2 Remote Led | 20.1 | SwSo2:2 | I_SldO2Supply5v | A57.J1:15 | 20.1 |
| A57.J1:4 | O_SldO2SealInfSo | Slide_Out 2 Seal Inflating Valve | 20.1 | | I_SldO2CloseSw | A57.J1:10 | 20.1 |
| | | | | | I_SldO2LimiOutSw | A57.J1:14 | 20.1 |
| | | | | | I_SldO2LimitInSe | A57.J1:11 | 20.1 |
| | | | | | I_SldO2OpenSw | A57.J1:9 | 20.1 |
| A57.J1:5 | O_SldO2SealDefSo | Slide_Out 2 Seal Deflating Valve | 20.1 | SoSo3:1 | I_BatMonMod57 | A57.J1:24 | 6.1 |
| | | | | | I_SldO2CloseSw | A57.J1:10 | 20.1 |
| | | | | | I_SldO2LimiOutSw | A57.J1:14 | 20.1 |
| | | | | | I_SldO2LimitInSe | A57.J1:11 | 20.1 |
| | | | | | I_SldO2OpenSw | A57.J1:9 | 20.1 |
| | | | | | I_SldO2PBrakeSw | A57.J1:12 | 20.1 |
| A57.J1:7 | O_SldO2Motneg | Slide_Out 2 Motor - | 20.1 | RSo4.B:1 | I_BatMonMod57 | A57.J1:24 | 6.1 |
| | | | | | I_SldO1VacPrSe | A56.J1:13 | 20.1 |
| | | | | | I_SldO2CloseSw | A57.J1:10 | 20.1 |
| | | | | | I_SldO2LimiOutSw | A57.J1:14 | 20.1 |
| | | | | | I_SldO2LimitInSe | A57.J1:11 | 20.1 |
| | | | | | I_SldO2OpenSw | A57.J1:9 | 20.1 |
| | | | | | I_SldO2PBrakeSw | A57.J1:12 | 20.1 |
| A58.J1:1 | O_SldO3MoSpeedA | | 20.2 | | I_BatMonMod58 | A58.J1:24 | 6.1 |
| | | | | | I_SldO1VacPrSe | A56.J1:13 | 20.1 |
| | | | | | I_SldO3CloseSw | A58.J1:10 | 20.2 |
| | | | | | I_SldO3LimiOutSw | A58.J1:14 | 20.2 |
| | | | | | I_SldO3LimitInSe | A58.J1:11 | 20.2 |
| | | | | | I_SldO3OpenSw | A58.J1:9 | 20.2 |
| | | | | | I_SldO3PBrakeSw | A58.J1:12 | 20.2 |
| A58.J1:2 | O_SldO3MoSpeedB | | 20.2 | | I_BatMonMod58 | A58.J1:24 | 6.1 |
| | | | | | I_SldO1VacPrSe | A56.J1:13 | 20.1 |
| | | | | | I_SldO3CloseSw | A58.J1:10 | 20.2 |
| | | | | | I_SldO3LimiOutSw | A58.J1:14 | 20.2 |
| | | | | | I_SldO3LimitInSe | A58.J1:11 | 20.2 |
| | | | | | I_SldO3OpenSw | A58.J1:9 | 20.2 |
| | | | | | I_SldO3PBrakeSw | A58.J1:12 | 20.2 |
| A58.J1:20 | O_SldO3Motpos | | 20.2 | RSo5.B:1 | I_BatMonMod58 | A58.J1:24 | 6.1 |
| | | | | | I_SldO1VacPrSe | A56.J1:13 | 20.1 |
| | | | | | I_SldO3CloseSw | A58.J1:10 | 20.2 |
| | | | | | I_SldO3LimiOutSw | A58.J1:14 | 20.2 |
| | | | | | I_SldO3LimitInSe | A58.J1:11 | 20.2 |
| | | | | | I_SldO3OpenSw | A58.J1:9 | 20.2 |
| | | | | | I_SldO3PBrakeSw | A58.J1:12 | 20.2 |
| A58.J1:3 | O_SldO3RemoteLed | | 20.2 | SwSo3:2 | I_BatMonMod58 | A58.J1:24 | 6.1 |
| | | | | | I_SldO1VacPrSe | A56.J1:13 | 20.1 |
| | | | | | I_SldO3CloseSw | A58.J1:10 | 20.2 |
| | | | | | I_SldO3LimiOutSw | A58.J1:14 | 20.2 |

MULTIPLEX INPUT LIST

O_xx... = Physical Output Pin ; I_xx... = Physical Input Pin ; D_xx... = CAN Network Signal from the HVAC control Head ; B_xx... = Multiplex system global Network Variable

| Module.Pin# | Signal name | Description | Page | Connected devices |
|-------------|------------------|---|------|-------------------|
| . | I_LwWipSpd2Sw | | | |
| A36.JB:11 | I_InputTest | | 9.1 | Sw13:3 |
| A36.JB:13 | I_BrkLtSeFrSig | Brake Lights Sensor | 12.1 | |
| A36.JB:14 | I_EngFanSw | Radiator Fan Switch | | |
| A36.JB:2 | I_IgnKeySw | Ignition Key switch | 3.2 | |
| A36.JB:21 | I_RrCutOutSw | Rear Junction Box CutOut Switch | 3.2 | |
| A36.JB:22 | I_FrEngStaSw | Front Engine Start Switch | 3.2 | |
| A36.JB:23 | I_FireExt1stAl | | | |
| A36.JB:4 | I_HazardSw | Hazard Switch | 26.1 | Sw4:3 |
| A36.JB:5 | I_WakeUp | Wake up signal (Fire alarm, horn, keyless module) | 9.1 | A41.J1:16 |
| A36.JB:6 | I_AccKeySw | Accessories Key switch | 3.2 | |
| A36.JB:9 | I_ParkBrSe | Parking Brake Sensor | 12.1 | |
| A41.J1:10 | I_FireSensorA36 | Fire Sensor On A36 | 9.1 | |
| A41.J1:17 | I_LugDorLkSw | Luggage Door Lock Switch | 33.1 | |
| A41.J1:18 | I_KeylessLuggUnl | Keyless luggages doors unlock signal | 29.1 | A31.B:11 |
| A41.J1:19 | I_KeylessLockAll | Keyless lock all doors signal | 29.1 | A31.B:22 |
| A41.J1:2 | I_DrvLtSw | Driver Light Switch | 19.1 | Sw24:3 |
| A41.J1:20 | I_LugDorULkSw | Luggage Door Unlock Switch | 33.1 | |
| A41.J1:21 | I_KeylessEntReq | | 29.1 | A31.B:10 |
| A41.J1:3 | I_HornSw | Horn Switch | 9.1 | |
| A41.J1:4 | I_KeylessDrUnl | Keyless door unlock signal | 29.1 | A31.A:1 |
| A41.J1:5 | I_EntDorOpSe | Entrance Door Open Sensor | 29.1 | D73:A |
| A41.J1:6 | I_KeylessPanic | Keyless panic button signal | 29.1 | A31.B:8 |
| A41.J1:7 | I_KeylessIntru | Keyless intrusion signal | 29.1 | A31.B:9 |
| A41.J1:8 | I_EntDrUnlockSw | Entrance door unlock switch | 29.1 | |
| A41.J1:9 | I_EntDorLockSw | VIP Entrance Door Lock Switch | 29.1 | Sw104:6 |
| A42.J1:18 | I_EngBrOnSe | Engine Brake ACTIVE Sensor | | |
| A42.J1:5 | I_EtherSw | Ether Switch | 13.1 | Sw23:3 |
| A42.J1:7 | I_LevelLowSw | Level low switch | 32.1 | |
| A42.J1:8 | I_LwWipIntSw | Lower Wiper Intermitant Switch | 34.1 | Sw1.C258:7 |
| A42.J1:9 | I_StopEngSe | Stop Engine Sensor | | |
| A43.J1:20 | I_BlinkSw | Courtesy Blink Switch | 26.1 | Sw1.C258:5 |
| A43.J1:3 | I_HiBeamCallSw | Hi/Low Beam Switch | 26.1 | Sw1.C259:4 |
| A43.J1:4 | I_HdLtPos1Sw | Head Light Switch Position Markers | 26.1 | |
| A43.J1:6 | I_RevAlrmSw | Reverse alarm switch | 26.3 | |
| A43.J1:7 | I_HornSelectSw | Horn Select switch | 9.1 | Sw63A:3 |
| A43.J1:8 | I_HdLtHiLowBmSw | Head Lights High and Low Beam Switch | 26.1 | Sw1.C258:8 |
| A44.J1:10 | I_FireExt2ndAlm | | | |
| A45.J1:12 | I_HdLtPos2SwLH | Head Light Switch Beam Position 2 LH | 26.1 | |
| A45.J1:9 | I_LHFishSw | Left Hand Flasher Switch | 26.1 | |
| A46.J1:24 | I_BatMonMod46 | | 6.1 | A46.J1:26 |
| A46.J1:9 | I_LwWshSw | Lower Wiper Washer Switch | 34.1 | Sw1.C258:6 |
| A47.J1:10 | I_DefrostHighSw | Passenger defrost speed increase switch | 18.1 | Sw122:3 |

MULTIPLEX INPUT LIST

O_xx... = Physical Output Pin ; I_xx... = Physical Input Pin ; D_xx... = CAN Network Signal from the HVAC control Head ; B_xx... = Multiplex system global Network Variable

| Module.Pin# | Signal name | Description | Page | Connected devices |
|-------------|-----------------|---|------|-------------------|
| A47.J1:11 | I_CoilTherSe | Coil sensing thermostat | 18.3 | Se52.A:1 |
| A47.J1:12 | I_DefrostLowSw | Passenger defrost speed decrease switch | 18.1 | Sw122:4 |
| A47.J1:14 | I_FrontOutTemp | Front outside temperature sensor | 18.3 | Se50:B |
| A47.J1:24 | I_BatMonMod47 | | 6.1 | A47.J1:27 |
| A48.J1:10 | I_HdLtPos2SwRH | Head Light Switch Beam Position 2 RH | 26.1 | |
| A48.J1:12 | I_RHFishSw | Right Hand Flasher Switch | 26.1 | |
| A48.J1:9 | I_EntDrUnSw | Entrance door unlock switch | 29.1 | D56:A, D56:B |
| A49.J1:3 | I_AcDorOpSe | Condensor Door Open Switch | 25.1 | |
| A49.J1:5 | I_LuggDrUnSe | Luggages doors unlock sensor | 24.1 | Sw118:2 |
| A49.J1:9 | I_Alt2Voltage | | 3.2 | |
| A50.J1:11 | I_NeutralSe | Neutral Signal Sensor | 15.1 | A1Gen4.A:41 |
| A50.J1:12 | I_RetdrSig | Retarder Signal | 15.1 | A1Gen4.A:24 |
| A51.J1:10 | I_BrkLtSeRrSig | Brake Lights Sensor | 12.1 | |
| A51.J1:12 | I_RHFishSwRrSig | RH FlasherSwitch Rear Signal | 26.2 | |
| A51.J1:9 | I_LHFishSwRrSig | LH FlasherSwitch Rear Signal | 26.2 | |
| A52.J1:10 | I_EngFanSpd2 | Engine Fan Signal Speed 2 | 13.1 | A73.J2:9 |
| A52.J1:11 | I_EngCmptLtSw | Engine Compartment Light Switch | 25.1 | Sw84.B:1 |
| A52.J1:12 | I_EngDoorSe | Engine Door Sensor | 25.1 | |
| A52.J1:13 | I_AcPresHiSse | Ac Pressure High Side Sensor | 18.2 | Se23:C |
| A52.J1:14 | I_AcPresLoSse | Ac Pressure Low Side Sensor | 18.2 | Se24:C |
| A52.J1:9 | I_EngFanSpd1 | Engine Fan Signal Speed 1 | 13.1 | A73.J2:10 |
| A53.J1:10 | I_RrStrtEnSw | Rear Start Enable Switch | 3.2 | |
| A53.J1:11 | I_EngStaRrSw | Engine Start Rear Switch | 3.2 | Sw59:2 |
| A53.J1:12 | I_StartLockOut | | | |
| A53.J1:24 | I_BatMonMod53 | | 6.1 | A53.J1:26 |
| A53.J1:9 | I_FrStrtEnSw | Front Start Enable Switch | 3.2 | Sw58:3 |
| A54.J1:14 | I_OutDoorTempSe | Outside Temperature Sensor | 18.1 | Se20:B |
| A54.J1:24 | I_BatMonMod54 | | 6.1 | A54.J1:29 |
| A55.J1:1 | I_DrvTempSe | Driver Temperature sensor | 18.1 | Se21:2 |
| A55.J1:10 | I_RetarderSel | Retarder Selected | 12.1 | Sw16:3 |
| A55.J1:17 | I_BackUpCamSw | Back up camera switch | 28.1 | Sw119:3 |
| A55.J1:18 | I_HeadLmpWshSw | | 34.1 | Sw6:4 |
| A55.J1:19 | I_UpWshSw | Upper Washer Wiper Switch | 34.1 | Sw6:3 |
| A55.J1:2 | I_VIPSteerWh5V | | 38.1 | |
| A55.J1:20 | I_UpWiplntSw | Upper Wiper Intermitant Switch | 34.1 | |
| A55.J1:21 | I_UpWipSw | Upper Wiper Switch | 34.1 | Sw5:6 |
| A55.J1:3 | I_VIPSteerWh1 | | 38.1 | A20.A:1 |
| A55.J1:4 | I_VIPSteerWh2 | | 38.1 | A20.A:2 |
| A55.J1:6 | I_FogLightSw | Fog Lights Switch | 26.3 | Sw3:3 |
| A55.J1:7 | I_CorneringLtSw | Cornering Light Switch | 26.3 | Sw99:3 |
| A55.J1:8 | I_DockingLtSw | Docking Lights Switch | 26.3 | Sw99:1 |
| A55.J1:9 | I_LowDockLtsSw | Low docking lights switch | 26.3 | Sw102:3 |
| A56.J1:10 | I_SldO1CloseSw | Slide-Out 1 Close Sw | 20.1 | SwSo1.A:4 |

MULTIPLEX ERROR MESSAGES LIST

FMI 3 = Shorted High ; FMI 4 = Shorted Low ; FMI 5 = Open Circuit ; FMI 6 = Current above Normal

| Cluster message | SID/PSID | FMI | Module.Pin# | Page | Cluster message | SID/PSID | FMI | Module.Pin# | Page |
|---------------------|-----------|------------|-------------|------|---------------------|-----------|------------|-------------|------|
| A/C Clutch SO9 | PSID #4 | 3, 4, 5, 6 | A52.J1:20 | 18.2 | Flash RH SW1 | PSID #133 | 3, 4 | A48.J1:12 | 26.1 |
| A/C Pres HiSd SE23 | PSID #28 | 3, 4 | A52.J1:13 | 18.2 | Flasher LH Sw1 | PSID #130 | 3, 4 | A45.J1:9 | 26.1 |
| A/C Pres LoSd SE24 | PSID #29 | 3, 4 | A52.J1:14 | 18.2 | Flsh Audibl Rly R16 | PSID #37 | 3, 4, 5, 6 | A45.J1:8 | 26.1 |
| Aux AC fan Mo51 | SID #39 | 3, 4, 6 | A46.J1:1 | 18.3 | Fog's Lights LH L95 | PSID #134 | 3, 4, 6 | A45.J1:4 | 26.3 |
| Aux Refr sol So38 | SID #46 | 3, 4, 6 | A46.J1:8 | 18.3 | Fog's lights RH L96 | PSID #136 | 3, 4, 6 | A48.J1:8 | 26.3 |
| Backup Light & Alm | PSID #167 | 3, 4, 6 | A50.J1:20 | 26.3 | Foot trap Mo4 | PSID #14 | 3, 4, 6 | A45.J1:2 | 18.1 |
| Blinker SW1 | PSID #139 | 3, 4 | A43.J1:20 | 26.1 | FR Clearance lights | PSID #137 | 3, 4, 6 | A44.J1:8 | 26.1 |
| Brk Lts Sens SE19 | PSID #119 | 3, 4 | A36.JB:13 | 12.1 | Fr Flsh-Mkr LH L62 | PSID #128 | 3, 4, 6 | A45.J1:3 | 26.1 |
| Center Flash LH L70 | PSID #124 | 3, 4, 6 | A50.J1:5 | 26.2 | Fr Side Flsh RH L64 | PSID #10 | 3, 4, 6 | A48.J1:20 | 26.1 |
| Center Flash RH L68 | PSID #125 | 3, 4, 6 | A50.J1:7 | 26.2 | Fr Start SW83 | PSID #58 | 3, 4 | A36.JB:22 | 3.2 |
| Center Mkr L67-L70 | PSID #27 | 3, 4, 6 | A50.J1:8 | 26.2 | Front Flash RH L61 | PSID #126 | 3, 4, 6 | A48.J1:6 | 26.1 |
| Cond Rly spd1 R10 | PSID #41 | 3, 4, 5, 6 | A54.J1:5 | 18.2 | FrontMkr Lts LH L62 | PSID #148 | 3, 4, 6 | A45.J1:21 | 26.1 |
| Cond Rly spd2 R9 | PSID #42 | 3, 4, 5, 6 | A54.J1:1 | 18.2 | FrontMkr Lts RH L61 | PSID #149 | 3, 4, 6 | A48.J1:7 | 26.1 |
| Condensor Door Sw7 | PSID #7 | 3, 4 | A49.J1:3 | 25.1 | FrStart Enable SW58 | PSID #56 | 3, 4 | A53.J1:9 | 3.2 |
| Cornering Dash Sw30 | PSID #200 | 3, 4 | A55.J1:7 | 26.3 | Hazard Switch Sw4 | PSID #138 | 3, 4 | A36.JB:4 | 26.1 |
| Cyclope Lt L81 | PSID #116 | 3, 4, 6 | A51.J1:7 | 26.2 | Hd Light Call SW1 | PSID #140 | 3, 4 | A43.J1:3 | 26.1 |
| Defr water Pmp Mo50 | SID #41 | 3, 4 | A47.J1:20 | 18.3 | HdLamp Wsh Pmp Mo54 | SID #48 | 3, 4, 6 | A46.J1:21 | 34.1 |
| Diff Lock sol So35 | SID #36 | 3, 4, 6 | A52.J1:4 | 37.1 | Head Lights Pos1SW2 | PSID #143 | 3, 4 | A43.J1:4 | 26.1 |
| Docking Dash Sw31 | PSID #3 | 3, 4 | A55.J1:8 | 26.3 | Head Lt Sw Pos2 Sw2 | PSID #11 | 3, 4 | A45.J1:12 | 26.1 |
| Driver Def Fan L198 | PSID #180 | 3, 4, 5, 6 | A47.J1:1 | 18.1 | Hi Low Beam Sw1 | PSID #6 | 3, 4 | A43.J1:8 | 26.1 |
| Driver heat Sol SO8 | PSID #16 | 3, 4, 5, 6 | A46.J1:6 | 18.1 | High Beam LH L60 | PSID #141 | 3, 4, 5, 6 | A45.J1:6 | 26.1 |
| Driver Light L16 | PSID #104 | 3, 4, 5, 6 | A47.J1:6 | 19.1 | High Beam RH L59 | PSID #145 | 3, 4, 5, 6 | A48.J1:3 | 26.1 |
| Driver Light SW24 | PSID #105 | 3, 4 | A41.J1:2 | 19.1 | LH Corner Lts L97 | PSID #120 | 3, 4, 5, 6 | A45.J1:5 | 26.3 |
| Driver Rfg Sol SO7 | PSID #13 | 3, 4, 5, 6 | A46.J1:5 | 18.1 | LH Docking LightL93 | PSID #122 | 3, 4, 5, 6 | A51.J1:4 | 26.3 |
| Driver Sensor SE21 | PSID #12 | 3, 4, 5 | A55.J1:1 | 18.1 | Low Beam LH L60 | PSID #142 | 3, 4, 6 | A45.J1:7 | 26.1 |
| Drv air Trap MO3 | PSID #5 | 3, 4, 6 | A44.J1:2 | 18.1 | Low Beam RH L59 | PSID #146 | 3, 4, 6 | A48.J1:4 | 26.1 |
| Drv Rec Cylind L203 | PSID #30 | 3, 4, 5, 6 | A47.J1:2 | 18.1 | Low Wip Spd1 Mo22 | PSID #184 | 3, 4, 5, 6 | A47.J1:3 | 34.1 |
| Elec Horn L185 L186 | PSID #83 | 3, 4, 6 | A43.J1:13 | 9.1 | Lower Stop Lamps | PSID #153 | 3, 4, 6 | A50.J1:6 | 26.2 |
| Elec.Horn SW61 SW62 | PSID #82 | | 4 A41.J1:3 | 9.1 | Lower Washer pmp | PSID #181 | 4, 6 | A46.J1:3 | 34.1 |
| Emergency Relay R21 | PSID #44 | 3, 4, 5, 6 | A36.JA:24 | 3.2 | Lower Washer SW1 | PSID #188 | 3, 4 | A46.J1:9 | 34.1 |
| Eng Brk Active Sig | PSID #45 | 3, 4 | A42.J1:18 | | Lower Wip Int SW1 | PSID #183 | 3, 4 | A42.J1:8 | 34.1 |
| Eng Cmpt Bulb L173 | PSID #106 | 3, 4, 5, 6 | A52.J1:5 | 25.1 | Lugg doors lock R30 | SID #44 | 3, 4, 5, 6 | A36.JA:7 | 33.1 |
| Eng Cmpt Sw | PSID #107 | 3, 4 | A52.J1:11 | 25.1 | Lugg doors unl R32 | SID #45 | 3, 4, 5, 6 | A36.JA:6 | 33.1 |
| Eng Ether SW23 | PSID #50 | 3, 4 | A42.J1:5 | 13.1 | OutDoor Sens SE20 | PSID #161 | 3, 4, 5 | A54.J1:14 | 18.1 |
| Eng Fan Dash SW22 | PSID #55 | 3, 4 | A36.JB:14 | | Park brak Sens Se18 | PSID #162 | 3, 4 | A36.JB:9 | 12.1 |
| Eng Fan Spd1 Req | PSID #51 | 3, 4 | A52.J1:9 | 13.1 | Pass def fan Mo25 | SID #38 | 3, 4, 5, 6 | A47.J1:7 | 18.1 |
| Eng Fan Spd2 Req | PSID #52 | 3, 4 | A52.J1:10 | 13.1 | Pass Heat Sol SO13 | PSID #24 | 3, 4, 6 | A54.J1:8 | 18.2 |
| Eng. Ether Sol SO1 | PSID #49 | 3, 4, 6 | A52.J1:6 | 13.1 | Pass Rfg Sol SO11 | PSID #23 | 3, 4, 5, 6 | A54.J1:3 | 18.2 |
| Engine Fan Spd1 MO2 | PSID #53 | 3, 4, 5, 6 | A52.J1:1 | 13.1 | Pass. Wtr pump MO12 | PSID #17 | 4, 6 | A54.J1:4 | 18.2 |
| Engine Fan Spd2 MO2 | PSID #54 | 3, 4, 5, 6 | A52.J1:2 | 13.1 | Rear CutOut Sw82 | PSID #18 | 3, 4 | A36.JB:21 | 3.2 |
| Evap Motor Rly R12 | PSID #77 | 3, 4, 5, 6 | A54.J1:7 | 18.2 | RearFlsh LH L71 L75 | PSID #131 | 3, 4, 6 | A51.J1:21 | 26.2 |
| Evap Spd Ctrl MO9 | PSID #78 | 4, 6 | A54.J1:2 | 18.2 | RearFlsh RH L73 L76 | PSID #132 | 3, 4, 6 | A51.J1:3 | 26.2 |
| Fire Sensor | PSID #79 | 3, 4 | A41.J1:10 | 9.1 | Retarder signal | PSID #164 | 3, 4 | A50.J1:12 | 15.1 |

VEHICLE HARNESS ROADMAP

| DESCRIPTION | P9660 |
|---|---------------------|
| CHANGE ORDER | 2018032 |
| EFFECTIVE VEHICLE | R-1453 |
| wiring revision | 0 |
| ACB_Gen2 | 0610245 |
| Adaptor Phantom Feed - Radio Antenna | 22480495 |
| Adaptor Fakra to Motorola - Radio Antenna | 901727 |
| Antenna cable - AM/FM/DBA | 901728 |
| ailse_light_extension | idemX3_069424 |
| AFSS Eberspasher Harness | 0600144 |
| AFSS ProHeat Harness | 0600089 |
| AirHorn_harness | idemX3_0610004 |
| Aisle_lights_harness | 0600110 |
| Alt_battery_LH | 060682 |
| Alt_battery_LH_REMY | 0610053 |
| Alt_battery | 060684 |
| Alt_battery_REMY | 0610052 |
| Alt_chassis_GND | idemX3_060264 |
| Alt_chassis_GND_REMY | 0610034 |
| Alt_Jumper_Power | idemX3_060265 |
| Alt_LH_chassis_GND | idemX3_069504 |
| Alt_LH_chassis_GND_REMY | 0610035 |
| Alternator_Ctrl_RH_harness_BOSCH | 0600111 |
| Alternator_Ctrl_RH_harness_REMY | 0600113 |
| Alternator_Ctrl_LH_harness_BOSCH | 0600112 |
| Alternator_Ctrl_LH_harness_REMY | 0600114 |
| Batt_charger_120V_inlet | 0600155 |
| Batt_charger_120V_Xantrex | 0600133 |
| battery_12Vd_harness | 060686 |
| battery_24Vd_harness | 060691 |
| Battery_Cable | 062371 |
| Battery_GND_Electro_harness | 060693 |
| Battery_Gnd_Harness | 063592_microstation |
| Beru_antenna | idemX3_0610143 |
| Beru_Fjb | idemX3_0610142 |
| Brigade to infotainment harness | 0610604 |
| Bumper_Harness_Acb | 0600026 |
| Bumper_Harness_Acb_Fog | 0600025 |
| Cable adapteur 120v Pour conducteur | 0600090 |
| Comp_Bitzer | idemMth_061482 |
| Comp_Bock | IDEM VIP0610550 |
| Destination_Sign_Emergency_Sw124 | IdemX3_069944 |
| Destination_Sign_Front_To_Side | IdemX3_069941 |
| Destination_Sign_Interconn_Side_Rear | IdemX3_069942 |
| Destination_Sign_Interconnection | IdemX3_069940 |
| Destination_Sign_Rear | IdemX3_069943 |

VEHICLE HARNESS ROADMAP

| DESCRIPTION | P9660 |
|--|------------------------|
| CHANGE ORDER | 2018032 |
| EFFECTIVE VEHICLE | R-1453 |
| wiring revision | 0 |
| booster_positive_Harness | 060692 |
| Cablage__ASM | 061180_JPEG |
| Dash | 0600007 |
| Docking Cornering Sw. | 0610012 / 066613 (SAV) |
| Entrance_Door_Harness | 0600013 |
| SCR Cmpt Clearance lights Harness | 0600031 |
| DPF_Door_light | 0600046 |
| DPF_Volvo | 060746 |
| Driver_120VAC_Outlet | Idem X3_0610152 |
| electric_horn | 0600018 |
| Electronic Mirrors Harness | 0610486 |
| Eng_Cradle_Allisson | 0600115 |
| Eng_Cradle_Ishift | 0600121 |
| Engine_Acc | 0600120 |
| Engine_chassis_GND | IdemX3_060306 |
| ENGINE_DOOR | 060748 |
| Engine_Block_Heater_Harness | Idem X3_0610126 |
| equilizer_harness_Vanner | 060855 |
| Evap_HARNESS_Ctrl | 060804 |
| Evap_Power_GND_harness | idemX3_060527 |
| Evap_power_harness_ | IdemX3_060529 |
| FanDrive_harness | IdemX3_068820 |
| FanDrive_pwr24 | idemX3_069245 |
| FanDrive_pwrGnd | idemX3_069246 |
| FJB | 0600000 |
| AFSS Pro-Heat interface | 0600089 |
| FJB_TransAlisson | 0600003 |
| FJB_TransIShift | 0600021 |
| Flame_Detector_Ext_Harness | 061046 |
| Front_Clearance_Harness | 0600011 |
| Front_flip_screen | IdemX3_060099 |
| Front_Harness | 0600001 |
| Front_Harness_Interface | 0600123 |
| Fuel_gauge_harness | idemX3_060087 |
| Indiv_Headset_Radios_PWR | 401420 |
| Inter_Batt_cable | 061036 |
| Interior_Light_access | 0600009 |
| INVerter_120Vac_LH (Option 1 inverter) | 0600150 |
| INVerter_120Vac_LH (Option 2 inverter) | 0600147 |
| INVerter_120Vac_RH | 0600096 |
| 24V_Inverter_harness | 0600137 |
| InverterJonctionNegatif | 060819 |

VEHICLE HARNESS ROADMAP

| DESCRIPTION | P9660 |
|--|---------------|
| CHANGE ORDER | 2018032 |
| EFFECTIVE VEHICLE | R-1453 |
| wiring revision | 0 |
| InverterJonctionNegatif2 | 061149 |
| InverterJonctionPositif | 060019 |
| ISM_RELAY_Prack | 0610200 |
| JUMPER_120VAC_WCL | 068937 |
| Jumper_Y_120Vac | 068221 |
| Lavatory | 060833 |
| Led Pied conducteur | 0600078 |
| LH_CONSOLE | Cancel |
| LH_Console Alisson | 0600003 |
| LH_Console I_Shift | 0600021 |
| ENGINE_LINEAR_THERMAL_Harness | 0610154 |
| Linear_thermal_WO_afss | idemH3_069175 |
| Lugg_Harness_H341 | 0610010 |
| Lugg_Harness_H345 | 0600051 |
| Outlet_120vac_P Rack X3_Seul | 0600131 |
| ParcelRackJB | 0600029 |
| Plug_for_2_sliding_seats | 067984 |
| Plug_for_3_sliding_seats | 068321 |
| Pneumatic_Plate_harness | 0600020 |
| Power_harness_45pi | 0600014 |
| Power_harness_41pi | 0600017 |
| Power_RH_Splitter_harness | 060654 |
| Power_Steering_Ctrl | 0600015 |
| PowerVecr | 060870 |
| PreHeate_relay | 060872 |
| PreHeater_GND | idemX3_060308 |
| Preheater_Thermal_harness | idemX3_067676 |
| Preheater_ON_W_Batt_Charger | idemX3_060092 |
| Preheater_ON_W_HVAC | idemX3_060093 |
| ProHeat_Interface | idemX3_060228 |
| ProHeat_Timer_Harness | 060016 |
| Proheat_To_RJB_harness | 0610115 |
| RadiatorChassisGnd | idemX3_069279 |
| Radiator door harness | 061153 |
| Reading_Light_RH_Standard | 0600041 |
| Reading_Light_LH_Standard | 0600040 |
| Rear_wheel_sub_harness | 0610473 |
| Relay_Melco_batt | idemX3_069542 |
| Resistor for speakers impedance matching | 0600088 |
| RHC_PowerHarness | 0600006 |
| RJB_ALISSON | 0600023 |
| RJB_Ctrl | 0600085 |

VEHICLE HARNESS ROADMAP

| DESCRIPTION | P9660 |
|--|----------------|
| CHANGE ORDER | 2018032 |
| EFFECTIVE VEHICLE | R-1453 |
| wiring revision | 0 |
| RJB_ISHIFT | 0600024 |
| Rear_clearance_harness | 0600030 |
| RH modesty panel AV | 0610605 |
| Roof_Hatches_W_Fan | 0600108 |
| Service_Door_Harness | 0600012 |
| Sound_System_AuxHarness | 062817 |
| Sound_System_Harness | 062799 |
| Sound_System_Prack_Harness | 063106 |
| Sound_system_pwr_harness | 0600083 |
| SpherosTimerHarness | 0600089 |
| Starter_chassis_GND | idemX3_060307 |
| starter_relay_Melco_VOLVO | 060711 |
| StarterBattery | 060712 |
| SubWofferExtHarness | idemH3_066743 |
| TPMS_antennas | 0600008 |
| Trailer_Inputs_VEC_harness | 060722 |
| Trailer_Outputs_VEC_harness | 060723 |
| Trans_Fr_to_Rr_H345 | 0600010 |
| TransSensorWithoutRetarder_harness | IDEMX3_0610588 |
| TransSensorWithRetarder_harness | IDEMX3_0610586 |
| Stairs_UpperSection_Harness | 0600032 |
| Stairs_LowerSection_Harness | 0600033 |
| Urea_Harness | 0610590 |
| USB_5V_Harness | IdemX3_060660 |
| USB_Ipod_harness | idemX3_901349 |
| Wall_LedStrip_Ext_WCL | 0600044 |
| WCL_IOE_Control | 0600117 |
| wcl_power_harness | 060728 |
| Wcl Ricon Access | IdemCOM069744 |
| Wcl ricon lighting | 061248 |
| WCL_RICON_Lighting_Jumper | 069065 |
| WCL_Ricon_Window_Sw_Lh | 0600048 |
| WCL_Ricon_Window_Sw_RH | 0600050 |
| wcl_upperDoorControl | 0600080 |
| WclRiconSlidingDoor | 069992 |
| wifi_system_gnd | idemX3_069925 |
| Win_Ajar_FJB | idemX3_060574 |
| Win_ajar_window_side_LH | see 0600083 |
| Win_ajar_window_side_RH | see 0600084 |
| Win_ajar_window_Ricon_RH | 060757 |
| Windshield_Washer_Harness | 0600019 |
| Wind Ajar, Curb Lights and câblage système de son LH | 0600083 |
| Wind Ajar, Curb Lights RH | 0600084 |

VEHICLE HARNESS ROADMAP

| DESCRIPTION | P9660 | P9660 |
|---|---------------------|---------|
| CHANGE ORDER | 2018032 | 2022123 |
| EFFECTIVE VEHICLE | R-1453 | |
| wiring revision | 0 | 6 |
| ACB_Gen2 | 0610245 | |
| Adaptor Phantom Feed - Radio Antenna | 22480495 | |
| Adaptor Fakra to Motorola - Radio Antenna | 901727 | |
| Antenna cable - AM/FM/DBA | 901728 | |
| ailse_light_extension | idemX3_069424 | |
| AFSS Eberspasher Harness | 0600144 | |
| AFSS ProHeat Harness | 0600089 | |
| AirHorn_harness | idemX3_0610004 | |
| Aisle_lights_harness | 0600110 | |
| Alt_battery_LH | 060682 | |
| Alt_battery_LH_REMY | 0610053 | |
| Alt_battery | 060684 | |
| Alt_battery_REMY | 0610052 | |
| Alt_chassis_GND | idemX3_060264 | |
| Alt_chassis_GND_REMY | 0610034 | |
| Alt_Jumper_Power | idemX3_060265 | |
| Alt_LH_chassis_GND | idemX3_069504 | |
| Alt_LH_chassis_GND_REMY | 0610035 | |
| Alternator_Ctrl_RH_harness_BOSCH | 0600111 | |
| Alternator_Ctrl_RH_harness_REMY | 0600113 | |
| Alternator_Ctrl_LH_harness_BOSCH | 0600112 | |
| Alternator_Ctrl_LH_harness_REMY | 0600114 | |
| Batt_charger_120V_inlet | 0600155 | |
| Batt_charger_120V_Xantrex | 0600133 | |
| battery_12Vd_harness | 060686 | |
| battery_24Vd_harness | 060691 | |
| Battery_Cable | 062371 | |
| Battery_GND_Electro_harness | 060693 | |
| Battery_Gnd_Harness | 063592_microstation | |
| Beru_antenna | idemX3_0610143 | |
| Beru_Fjb | idemX3_0610142 | |
| Brigade to infotainment harness | 0610604 | |
| Bumper_Harness_Acb | 0600026 | |
| Bumper_Harness_Acb_Fog | 0600025 | |
| Cable adapteur 120v Pour conducteur | 0600090 | |
| Comp_Bitzer | idemMth_061482 | |
| Comp_Bock | IDEM VIP0610550 | |
| Destination_Sign_Emergency_Sw124 | IdemX3_069944 | |
| Destination_Sign_Front_To_Side | IdemX3_069941 | |
| Destination_Sign_Interconn_Side_Rear | IdemX3_069942 | |
| Destination_Sign_Interconnection | IdemX3_069940 | |
| Destination_Sign_Rear | IdemX3_069943 | |

VEHICLE HARNESS ROADMAP

| DESCRIPTION | P9660 | P9660 |
|--|------------------------|---------|
| CHANGE ORDER | 2018032 | 2022123 |
| EFFECTIVE VEHICLE | R-1453 | |
| wiring revision | 0 | 6 |
| booster_positive_Harness | 060692 | |
| Cablage__ASM | 061180_JPEG | |
| Dash | 0600007 | |
| Docking Cornering Sw. | 0610012 / 066613 (SAV) | |
| Entrance_Door_Harness | 0600013 | |
| SCR Cmpt Clearance lights Harness | 0600031 | |
| DPF_Door_light | 0600046 | |
| DPF_Volvo | 060746 | |
| Driver_120VAC_Outlet | Idem X3_0610152 | |
| electric_horn | 0600018 | |
| Electronic Mirrors Harness | 0610486 | |
| Eng_Cradle_Allisson | 0600115 | |
| Eng_Cradle_Ishift | 0600121 | |
| Engine_Acc | 0600120 | |
| Engine_chassis_GND | IdemX3_060306 | |
| ENGINE_DOOR | 060748 | |
| Engine_Block_Heater_Harness | Idem X3_0610126 | |
| equilizer_harness_Vanner | 060855 | |
| Evap_HARNESS_Ctrl | 060804 | |
| Evap_Power_GND_harness | idemX3_060527 | |
| Evap_power_harness__ | IdemX3_060529 | |
| FanDrive_harness | IdemX3_068820 | |
| FanDrive_pwr24 | idemX3_069245 | |
| FanDrive_pwrGnd | idemX3_069246 | |
| FJB | 0600000 | |
| AFSS Pro-Heat interface | 0600089 | |
| FJB_TransAlisson | 0600003 | |
| FJB_TransIShift | 0600021 | |
| Flame_Detector_Ext_Harness | 061046 | |
| Front_Clearance_Harness | 0600011 | |
| Front_flip_screen | IdemX3_060099 | |
| Front_Harness | 0600001 | |
| Front_Harness_Interface | 0600123 | |
| Fuel_gauge_harness | idemX3_060087 | |
| Indiv_Headset_Radios_PWR | 401420 | |
| Inter_Batt_cable | 061036 | |
| Interior_Light_access | 0600009 | |
| INVerter_120Vac_LH (Option 1 inverter) | 0600150 | |
| INVerter_120Vac_LH (Option 2 inverter) | 0600147 | |
| INVerter_120Vac_RH | 0600096 | |
| 24V_Inverter_harness | 0600137 | |
| InverterJonctionNegatif | 060819 | |

VEHICLE HARNESS ROADMAP

| DESCRIPTION | P9660 | P9660 |
|--|---------------|---------|
| CHANGE ORDER | 2018032 | 2022123 |
| EFFECTIVE VEHICLE | R-1453 | |
| wiring revision | 0 | 6 |
| InverterJonctionNegatif2 | 061149 | |
| InverterJonctionPositif | 060019 | |
| ISM_RELAY_Prack | 0610200 | |
| JUMPER_120VAC_WCL | 068937 | |
| Jumper_Y_120Vac | 068221 | |
| Lavatory | 060833 | |
| Led Pied conducteur | 0600078 | |
| LH_CONSOLE | Cancel | |
| LH_Console Alisson | 0600003 | |
| LH_Console I_Shift | 0600021 | |
| ENGINE_LINEAR_THERMAL_Harness | 0610154 | |
| Linear_thermal_WO_afss | idemH3_069175 | |
| Lugg_Harness_H341 | 0610010 | |
| Lugg_Harness_H345 | 0600051 | |
| Outlet_120vac_P Rack X3_Seul | 0600131 | |
| ParcelRackJB | 0600029 | |
| Plug_for_2_sliding_seats | 067984 | |
| Plug_for_3_sliding_seats | 068321 | |
| Pneumatic_Plate_harness | 0600020 | |
| Power_harness_45pi | 0600014 | |
| Power_harness_41pi | 0600017 | |
| Power_RH_Splitter_harness | 060654 | |
| Power_Steering_Ctrl | 0600015 | |
| PowerVecr | 060870 | |
| PreHeate_relay | 060872 | |
| PreHeater_GND | idemX3_060308 | |
| Preheater_Thermal_harness | idemX3_067676 | |
| Preheater_ON_W_Batt_Charger | idemX3_060092 | |
| Preheater_ON_W_HVAC | idemX3_060093 | |
| ProHeat_Interface | idemX3_060228 | |
| ProHeat_Timer_Harness | 060016 | |
| Proheat_To_RJB_harness | 0610115 | |
| RadiatorChassisGnd | idemX3_069279 | |
| Radiator door harness | 061153 | |
| Reading_Light_RH_Standard | 0600041 | |
| Reading_Light_LH_Standard | 0600040 | |
| Rear_wheel_sub_harness | 0610473 | |
| Relay_Melco_batt | idemX3_069542 | |
| Resistor for speakers impedance matching | 0600088 | |
| RHC_PowerHarness | 0600006 | |
| RJB_ALISSON | 0600023 | 0600334 |
| RJB_Ctrl | 0600085 | |

VEHICLE HARNESS ROADMAP

| DESCRIPTION | P9660 | P9660 |
|--|----------------|---------|
| CHANGE ORDER | 2018032 | 2022123 |
| EFFECTIVE VEHICLE | R-1453 | |
| wiring revision | 0 | 6 |
| RJB_ISHIFT | 0600024 | |
| Rear_clearance_harness | 0600030 | |
| RH modesty panel AV | 0610605 | |
| Roof_Haches_W_Fan | 0600108 | |
| Service_Door_Harness | 0600012 | |
| Sound_System_AuxHarness | 062817 | |
| Sound_System_Harness | 0600180 | |
| Sound_System_Prack_Harness | 063106 | |
| Sound_system_pwr_harness | 0600083 | |
| SpherosTimerHarness | 0600089 | |
| Starter_chassis_GND | idemX3_060307 | |
| starter_relay_Melco_VOLVO | 060711 | |
| StarterBattery | 060712 | |
| SubWofferExtHarness | idemH3_066743 | |
| TPMS_antennas | 0600008 | |
| Trailer_Inputs_VEC_harness | 060722 | |
| Trailer_Outputs_VEC_harness | 060723 | |
| 0600187 | 0600010 | 0600187 |
| TransSensorWithoutRetarder_harness | IDEMX3_0610588 | |
| TransSensorWithRetarder_harness | IDEMX3_0610586 | |
| Stairs_UpperSection_Harness | 0600032 | |
| Stairs_LowerSection_Harness | 0600033 | |
| Urea_Harness | 0610590 | |
| USB_5V_Harness | IdemX3_060660 | |
| USB_Ipod_harness | idemX3_901349 | |
| Wall_LedStrip_Ext_WCL | 0600044 | |
| WCL_IOE_Control | 0600117 | |
| wcl_power_harness | 060728 | |
| Wcl Ricon Access | IdemCOM069744 | |
| Wcl ricon lighting | 061248 | |
| WCL_RICON_Lighting_Jumper | 069065 | |
| WCL_Ricon_Window_Sw_Lh | 0600048 | |
| WCL_Ricon_Window_Sw_RH | 0600050 | |
| wcl_upperDoorControl | 0600080 | |
| WclRiconSlidingDoor | 069992 | |
| wifi_system_gnd | idemX3_069925 | |
| Win_Ajar_FJB | idemX3_060574 | |
| Win_ajar_window_side_LH | see 0600083 | |
| Win_ajar_window_side_RH | see 0600084 | |
| Win_ajar_window_Ricon_RH | 060757 | |
| Windshield_Washer_Harness | 0600019 | |
| Wind Ajar, Curb Lights and câblage système de son LH | 0600083 | |
| Wind Ajar, Curb Lights RH | 0600084 | |

VEHICLE HARNESS ROADMAP

| DESCRIPTION | FAN COND | Heater L3 |
|---|---------------------|-----------|
| CHANGE ORDER | 2022123 | 2023053 |
| EFFECTIVE VEHICLE | | |
| wiring revision | 6 | 7 |
| ACB_Gen2 | 0610245 | |
| Adaptor Phantom Feed - Radio Antenna | 22480495 | |
| Adaptor Fakra to Motorola - Radio Antenna | 901727 | |
| Antenna cable - AM/FM/DBA | 901728 | |
| ailse_light_extension | idemX3_069424 | |
| AFSS Eberspasher Harness | 0600144 | |
| AFSS ProHeat Harness | 0600089 | |
| AirHorn_harness | idemX3_0610004 | |
| Aisle_lights_harness | 0600110 | |
| Alt_battery_LH | 060682 | |
| Alt_battery_LH_REMY | 0610053 | |
| Alt_battery | 060684 | |
| Alt_battery_REMY | 0610052 | |
| Alt_chassis_GND | idemX3_060264 | |
| Alt_chassis_GND_REMY | 0610034 | |
| Alt_Jumper_Power | idemX3_060265 | |
| Alt_LH_chassis_GND | idemX3_069504 | |
| Alt_LH_chassis_GND_REMY | 0610035 | |
| Alternator_Ctrl_RH_harness_BOSCH | 0600111 | |
| Alternator_Ctrl_RH_harness_REMY | 0600113 | |
| Alternator_Ctrl_LH_harness_BOSCH | 0600112 | |
| Alternator_Ctrl_LH_harness_REMY | 0600114 | |
| Batt_charger_120V_inlet | 0600155 | |
| Batt_charger_120V_Xantrex | 0600133 | |
| battery_12Vd_harness | 060686 | |
| battery_24Vd_harness | 060691 | |
| Battery_Cable | 062371 | |
| Battery_GND_Electro_harness | 060693 | |
| Battery_Gnd_Harness | 063592_microstation | |
| Beru_antenna | idemX3_0610143 | |
| Beru_Fjb | idemX3_0610142 | |
| Brigade to infotainment harness | 0610604 | |
| Bumper_Harness_Acb | 0600026 | |
| Bumper_Harness_Acb_Fog | 0600025 | |
| Cable adapteur 120v Pour conducteur | 0600090 | |
| Comp_Bitzer | idemMth_061482 | |
| Comp_Bock | IDEM VIP0610550 | |
| Destination_Sign_Emergency_Sw124 | IdemX3_069944 | |
| Destination_Sign_Front_To_Side | IdemX3_069941 | |
| Destination_Sign_Interconn_Side_Rear | IdemX3_069942 | |
| Destination_Sign_Interconnection | IdemX3_069940 | |
| Destination_Sign_Rear | IdemX3_069943 | |

VEHICLE HARNESS ROADMAP

| DESCRIPTION | FAN COND | Heater L3 |
|--|------------------------|-----------|
| CHANGE ORDER | 2022123 | 2023053 |
| EFFECTIVE VEHICLE | | |
| wiring revision | 6 | 7 |
| booster_positive_Harness | 060692 | |
| Cablage__ASM | 061180_JPEG | |
| Dash | 0600007 | |
| Docking Cornering Sw. | 0610012 / 066613 (SAV) | |
| Entrance_Door_Harness | 0600013 | |
| SCR Cmpt Clearance lights Harness | 0600031 | |
| DPF_Door_light | 0600046 | |
| DPF_Volvo | 060746 | |
| Driver_120VAC_Outlet | Idem X3_0610152 | |
| electric_horn | 0600018 | |
| Electronic Mirrors Harness | 0610486 | |
| Eng_Cradle_Allisson | 0600115 | |
| Eng_Cradle_Ishift | 0600121 | |
| Engine_Acc | 0600120 | |
| Engine_chassis_GND | IdemX3_060306 | |
| ENGINE_DOOR | 060748 | |
| Engine_Block_Heater_Harness | Idem X3_0610126 | |
| equilizer_harness_Vanner | 060855 | |
| Evap_HARNESS_Ctrl | 060804 | |
| Evap_Power_GND_harness | idemX3_060527 | |
| Evap_power_harness__ | IdemX3_060529 | |
| FanDrive_harness | IdemX3_068820 | |
| FanDrive_pwr24 | idemX3_069245 | |
| FanDrive_pwrGnd | idemX3_069246 | |
| FJB | 0600000 | |
| AFSS Pro-Heat interface | 0600089 | |
| FJB_TransAlisson | 0600003 | |
| FJB_TransIShift | 0600021 | |
| Flame_Detector_Ext_Harness | 061046 | |
| Front_Clearance_Harness | 0600011 | |
| Front_flip_screen | IdemX3_060099 | |
| Front_Harness | 0600001 | |
| Front_Harness_Interface | 0600123 | |
| Fuel_gauge_harness | idemX3_060087 | |
| Indiv_Headset_Radios_PWR | 401420 | |
| Inter_Batt_cable | 061036 | |
| Interior_Light_access | 0600009 | |
| INVerter_120Vac_LH (Option 1 inverter) | 0600150 | |
| INVerter_120Vac_LH (Option 2 inverter) | 0600147 | |
| INVerter_120Vac_RH | 0600096 | |
| 24V_Inverter_harness | 0600137 | |
| InverterJonctionNegatif | 060819 | |

VEHICLE HARNESS ROADMAP

| DESCRIPTION | FAN COND | Heater L3 |
|--|---------------|-----------|
| CHANGE ORDER | 2022123 | 2023053 |
| EFFECTIVE VEHICLE | | |
| wiring revision | 6 | 7 |
| InverterJonctionNegatif2 | 061149 | |
| InverterJonctionPositif | 060019 | |
| ISM_RELAY_Prack | 0610200 | |
| JUMPER_120VAC_WCL | 068937 | |
| Jumper_Y_120Vac | 068221 | |
| Lavatory | 060833 | |
| Led Pied conducteur | 0600078 | |
| LH_CONSOLE | Cancel | |
| LH_Console Alisson | 0600003 | |
| LH_Console I_Shift | 0600021 | |
| ENGINE_LINEAR_THERMAL_Harness | 0610154 | |
| Linear_thermal_WO_afss | idemH3_069175 | |
| Lugg_Harness_H341 | 0610010 | |
| Lugg_Harness_H345 | 0600051 | |
| Outlet_120vac_P Rack X3_Seul | 0600131 | |
| ParcelRackJB | 0600029 | |
| Plug_for_2_sliding_seats | 067984 | |
| Plug_for_3_sliding_seats | 068321 | |
| Pneumatic_Plate_harness | 0600020 | |
| Power_harness_45pi | 0600014 | |
| Power_harness_41pi | 0600017 | |
| Power_RH_Splitter_harness | 060654 | |
| Power_Steering_Ctrl | 0600015 | |
| PowerVecr | 060870 | |
| PreHeate_relay | 060872 | |
| PreHeater_GND | idemX3_060308 | |
| Preheater_Thermal_harness | idemX3_067676 | |
| Preheater_ON_W_Batt_Charger | idemX3_060092 | |
| Preheater_ON_W_HVAC | idemX3_060093 | |
| ProHeat_Interface | idemX3_060228 | |
| ProHeat_Timer_Harness | 060016 | |
| Proheat_To_RJB_harness | 0610115 | 0600221 |
| RadiatorChassisGnd | idemX3_069279 | |
| Radiator door harness | 061153 | |
| Reading_Light_RH_Standard | 0600041 | |
| Reading_Light_LH_Standard | 0600040 | |
| Rear_wheel_sub_harness | 0610473 | |
| Relay_Melco_batt | idemX3_069542 | |
| Resistor for speakers impedance matching | 0600088 | |
| RHC_PowerHarness | 0600006 | |
| RJB_ALISSON | 0600334 | 0600219 |
| RJB_Ctrl | 0600085 | |

VEHICLE HARNESS ROADMAP

| DESCRIPTION | FAN COND | Heater L3 |
|---|----------------|-----------|
| CHANGE ORDER | 2022123 | 2023053 |
| EFFECTIVE VEHICLE | | |
| wiring revision | 6 | 7 |
| RJB_ISHIFT | 0600024 | 0600220 |
| Rear_clearance_harness | 0600030 | |
| RH modesty panel AV | 0610605 | |
| Roof_Hatches_W_Fan | 0600108 | |
| Service_Door_Harness | 0600012 | |
| Sound_System_AuxHarness | 062817 | |
| Sound_System_Harness | 0600180 | |
| Sound_System_Prack_Harness | 063106 | |
| Sound_system_pwr_harness | 0600083 | |
| SpherosTimerHarness | 0600089 | |
| Starter_chassis_GND | idemX3_060307 | |
| starter_relay_Melco_VOLVO | 060711 | |
| StarterBattery | 060712 | |
| SubWofferExtHarness | idemH3_066743 | |
| TPMS_antennas | 0600008 | |
| Trailer_Inputs_VEC_harness | 060722 | |
| Trailer_Outputs_VEC_harness | 060723 | |
| Trans_Fr_To_Rr_H345 | 0600187 | 0600218 |
| TransSensorWithoutRetarder_harness | IDEMX3_0610588 | |
| TransSensorWithRetarder_harness | IDEMX3_0610586 | |
| Stairs_UpperSection_Harness | 0600032 | |
| Stairs_LowerSection_Harness | 0600033 | |
| Urea_Harness | 0610590 | |
| USB_5V_Harness | IdemX3_060660 | |
| USB_Ipod_harness | idemX3_901349 | |
| Wall_LedStrip_Ext_WCL | 0600044 | |
| WCL_IOE_Control | 0600117 | |
| wcl_power_harness | 060728 | |
| Wcl Ricon Access | IdemCOM069744 | |
| Wcl ricon lighting | 061248 | |
| WCL_RICON_Lighting_Jumper | 069065 | |
| WCL_Ricon_Window_Sw_Lh | 0600048 | |
| WCL_Ricon_Window_Sw_RH | 0600050 | |
| wcl_upperDoorControl | 0600080 | |
| WclRiconSlidingDoor | 069992 | |
| wifi_system_gnd | idemX3_069925 | |
| Win_Ajar_FJB | idemX3_060574 | |
| Win_ajar_window_side_LH | see 0600083 | |
| Win_ajar_window_side_RH | see 0600084 | |
| Win_ajar_window_Ricon_RH | 060757 | |
| Windshield_Washer_Harness | 0600019 | |
| Wind Ajar, Curb Lights and câblage système de son L | 0600083 | |
| Wind Ajar, Curb Lights RH | 0600084 | |

CONNECTORS LIST

| No | Location | Part # | Gender | No | Location | Part # | Gender |
|-----------|----------------|--------|--------|----------|----------------|--------|--------|
| 24SS_OP | Parcel_Rack_LH | 563071 | male | A36.JC | Front | 562957 | male |
| 24SS_OP | Parcel_Rack_LH | 563040 | female | A36A.JA | Front | 564325 | male |
| 24SS_OP_2 | Parcel_Rack_LH | 563071 | male | A36A.JB | Front | 562767 | male |
| 24SS_OP_2 | Parcel_Rack_LH | 563040 | female | A39.P101 | Parcel_Rack_LH | 563201 | male |
| A1 | RJB | 563975 | male | A39.P901 | Parcel_Rack_LH | 563953 | male |
| A2 | FJB | 563984 | male | A50 | P_Rack | 563996 | female |
| A5 | Service_Cmpt | 562428 | female | A60.A | P_Rack | 563071 | male |
| A6 | Engine_Cmpt | 562427 | male | A60.B | P_Rack | 562706 | female |
| A7 | Rear_Axle_Cmpt | 563979 | male | A60.C | P_Rack | 901110 | male |
| A8.A | Dash | 564698 | male | A60.D | P_Rack | 901110 | male |
| A9.Cx1 | FJB | 564041 | female | A60.E | P_Rack | 560799 | female |
| A9.Cx2 | FJB | 563678 | male | A60.F | P_Rack | bidon | male |
| A9.Cx3 | FJB | 564037 | female | A61.A | Parcel_Rack_LH | 562464 | male |
| A9.Cx4 | FJB | 564038 | female | A61.B | Parcel_Rack_LH | 562465 | male |
| A10.X1 | Engine_Cmpt | 563135 | male | A63 | Roof | 562090 | male |
| A10.X3 | Engine_Cmpt | 563134 | female | A65.A | Parcel_Rack_LH | 563025 | male |
| A11 | Dash | 563142 | male | A65.B4 | Parcel_Rack_LH | bidon | male |
| A12.A | DriverArea | 564699 | male | A65.B5 | Parcel_Rack_LH | bidon | male |
| A14.A | Dash | 562765 | male | A65.B6 | Parcel_Rack_LH | bidon | male |
| A14.B | Dash | 562764 | male | A65.D | Parcel_Rack_LH | bidon | male |
| A14.C | Dash | 562767 | male | A65.E | Parcel_Rack_LH | 563071 | male |
| A14.D | Dash | 562766 | male | A65.G1 | Parcel_Rack_LH | 563071 | male |
| A15 | Dash | 562464 | male | A65.G2 | Parcel_Rack_LH | 563071 | male |
| A19 | LH_Console | 562878 | female | A65.G3 | Parcel_Rack_LH | 563071 | male |
| A20 | FrontRoof | 562465 | male | A65.H1 | Parcel_Rack_LH | 561716 | female |
| A21.A | Dash | 564038 | female | A65.H2 | Parcel_Rack_LH | 561716 | female |
| A21.B | Dash | 564700 | male | A65.H3 | Parcel_Rack_LH | 561716 | female |
| A22 | Dash | 564004 | male | A65.J | Parcel_Rack_LH | 562465 | male |
| A23 | P_Rack | 564004 | male | A69L.A | Parcel_Rack_LH | 563025 | male |
| A24 | P_Rack | 564004 | male | A69L.B1 | Parcel_Rack_LH | bidon | male |
| A25 | Parcel_Rack_LH | 563025 | male | A69L.B2 | Parcel_Rack_LH | bidon | male |
| A26.P1 | Enginecmpt. | 562350 | male | A69L.B3 | Parcel_Rack_LH | bidon | male |
| A26.P2 | Enginecmpt. | 563322 | female | A69L.B4 | Parcel_Rack_LH | bidon | male |
| A26.P4 | Enginecmpt. | 568088 | male | A69L.C | Parcel_Rack_LH | bidon | male |
| A27 | Service_Cmpt | 562929 | male | A69R.A | Parcel_Rack_RH | 563025 | male |
| A28 | Service_Cmpt | 562928 | male | A69R.B1 | Parcel_Rack_RH | bidon | male |
| A29 | FJB | 564004 | male | A69R.B2 | Parcel_Rack_RH | bidon | male |
| A31 | P_Rack | 564004 | male | A69R.B3 | Parcel_Rack_RH | bidon | male |
| A34.J | Enginecmpt. | 568118 | male | A69R.B4 | Parcel_Rack_RH | bidon | male |
| A34.K | Enginecmpt. | 564270 | male | A69R.C | Parcel_Rack_RH | bidon | male |
| A34.L | Enginecmpt. | 564269 | male | A70a.A | Parcel_Rack | 561540 | female |
| A36.JA | Front | 562767 | male | A71 | Dash | 563884 | male |
| A36.JB | Front | 562765 | male | A77 | Parcelrack | 564547 | male |

CONNECTORS LIST

| No | Location | Part # | Gender | No | Location | Part # | Gender |
|---------------|--------------|--------|--------|----------|----------------|----------|--------|
| A78 | Parcelrack | 562583 | female | A121.Vsb | Dashboard | 563678 | male |
| A79 | Parcelrack | 562583 | female | A121.Vsc | Dashboard | 564037 | male |
| A80 | Parcelrack | 562479 | female | A121.Vsd | Dashboard | 564118 | male |
| A81.CN1 | FJB | 562767 | male | A122.A | Parcel_Rack_LH | 563960 | male |
| A81.CN3A | FJB | 564741 | male | A122.B | Parcel_Rack_LH | 563962 | male |
| A81.CN3B | FJB | 564742 | male | A122.C1 | Parcel_Rack_LH | 563956 | male |
| A83.A | FJB | 565970 | male | A122.C2 | Parcel_Rack_LH | 563957 | male |
| A95.A | P_Rack | 564489 | female | A122.C3 | Parcel_Rack_LH | 563958 | male |
| A95.B | P_Rack | 562706 | female | A123.A | Parcel_Rack_LH | 563960 | male |
| A95.C | P_Rack | 562706 | female | A123.B | Parcel_Rack_LH | 563962 | male |
| A96.A | Front | 563678 | male | A123.C1 | Parcel_Rack_LH | 563956 | male |
| A96.B | Front | 562795 | male | A123.C2 | Parcel_Rack_LH | 563957 | male |
| A97A | Front | 563226 | male | A123.C3 | Parcel_Rack_LH | 563958 | male |
| A97A | Front | 563613 | female | A124.A | Parcel_Rack_LH | 563960 | male |
| A97B | Front | 563226 | male | A124.B | Parcel_rack | 563962 | male |
| A97B | Front | 563613 | female | A124.C1 | Parcel_rack | 563956 | male |
| A97S.A1 | Front | 564401 | male | A124.C2 | Parcel_rack | 563957 | male |
| A97S.A2 | Front | 564402 | male | A124.C3 | Parcel_rack | 563958 | male |
| A97S.A3 | Front | 564403 | male | A127 | Dashboard | 562957 | male |
| A99 | Dash | 564205 | male | A128 | Dash | 563878 | male |
| A100 | FrontAxelAnt | 563515 | male | A129 | Parcel_Rack_LH | 563878 | male |
| A101 | FrontAxelAnt | 563515 | male | A130 | Driver_Area | 563226 | male |
| A102 | FrontAxelAnt | 563515 | male | A131.A | Engine_Cmpt | 561782 | male |
| A107 | EngineCmpt. | 560336 | male | A131.B | Engine_Cmpt | 561781 | female |
| A108 | RJB | 562766 | male | A137A | Condensercmpt. | 20429843 | male |
| A109A | FJB | 564141 | male | A138 | Cond_Cmpt | 563787 | male |
| A111 | Lavatory | 562550 | female | A150 | Modesty_LH | 562957 | male |
| A114A | Bumper | 564252 | male | A150LH | Modesty_LH | 562957 | male |
| A116 | Dash | 563872 | female | A150RH | Modesty_RH | 562957 | male |
| A120.A | Dash | 563960 | male | A152.A | Parcelrack | 561550 | male |
| A120.B | Dash | 563962 | male | A152.B | Parcelrack | 563071 | male |
| A120.C1 | Dash | 563956 | male | A152.C | Parcelrack | 563071 | male |
| A120.C2 | Dash | 563957 | male | A152.D | Parcelrack | 563071 | male |
| A120.C3 | Dash | 563958 | male | A152.E | Parcelrack | 563071 | male |
| A120.USB_COM | Dash | 563878 | male | A152.F | Parcelrack | 563071 | male |
| A120A.J1 | Dashboard | 563525 | male | A152.G | Parcelrack | 563071 | male |
| A120A.J2 | Dashboard | 563526 | female | A152.H | Parcelrack | 563071 | male |
| A120A.J3 | Dashboard | 563527 | female | A152.I | Parcelrack | 563071 | male |
| A120A.USB | Dash | 563878 | male | A152.J | Parcelrack | 563071 | male |
| A120A.USB_COM | Dash | 563878 | male | A152.K | Parcelrack | 562779 | male |
| A121.B | Dash | bidon | male | A152.L | Parcelrack | 562779 | male |
| A121.USB | Dash | 563878 | male | A162.A | Front_Roof | 561690 | male |
| A121.Vsa | Dashboard | 563679 | male | A162.B | Front_Roof | 561782 | male |

CONNECTORS LIST

| No | Location | Part # | Gender | No | Location | Part # | Gender |
|----------|-------------|--------|--------|----------|-----------------|--------|--------|
| A164.A | Front_Roof | 561690 | male | AE49.J3 | RJB | 565957 | male |
| A164.B | Front_Roof | 561782 | male | AE50.J1 | RJB | 563679 | male |
| A166 | Front_Roof | 561637 | male | AE50.J2 | RJB | 564037 | male |
| A614.A | P_RACK | 561550 | male | AE50.J3 | RJB | 565957 | male |
| A614.C1 | P_RACK | 563071 | male | AE51.J1 | RJB | 563679 | male |
| A614.C2 | P_RACK | 563071 | male | AE51.J2 | RJB | 564037 | female |
| A614.C3 | P_RACK | 563071 | male | AE51.J3 | RJB | 565957 | male |
| A614.C4 | P_RACK | 563071 | male | AE52.J1 | RJB | 563679 | male |
| A614.C5 | P_RACK | 563071 | male | AE52.J2 | RJB | 564037 | female |
| A614.C6 | P_RACK | 563071 | male | AE52.J3 | RJB | 565957 | male |
| A614.I/O | Parcel_Rack | bidon | male | AE53.J1 | RJB | 563679 | male |
| A614.P1 | Parcel_Rack | 562783 | male | AE53.J2 | RJB | 564037 | female |
| A614.P2 | Parcel_Rack | 562783 | male | AE53.J3 | RJB | 565957 | male |
| A614.P3 | Parcel_Rack | 562783 | male | AE54.J1 | Evaporatorcmpt. | 563679 | male |
| AE41.J1 | FJB | 563679 | male | AE54.J2 | Evaporatorcmpt. | 564037 | female |
| AE41.J2 | FJB | 564037 | female | AE54.J3 | Evaporatorcmpt. | 565957 | male |
| AE41.J3 | FJB | 564004 | male | AE55.J1 | Dash | 563679 | male |
| AE42.J1 | FJB | 563679 | male | AE55.J2 | Dash | 564037 | female |
| AE42.J2 | FJB | 564037 | female | AE55.J3 | Dash | 564004 | male |
| AE42.J3 | FJB | 564004 | male | AE56.J1 | Dash | 563679 | male |
| AE43.J1 | FJB | 563679 | male | AE56.J2 | Dash | 564037 | male |
| AE43.J2 | FJB | 564037 | male | AE56.J3 | Dash | 564004 | male |
| AE43.J3 | FJB | 565957 | male | AE57.J1 | WCLcmpt. | 563679 | male |
| AE44.J1 | FJB | 563679 | male | AE57.J2 | WCLcmpt. | 564037 | male |
| AE44.J2 | FJB | 564037 | female | AE57.J3 | WCLcmpt. | 564004 | male |
| AE44.J3 | FJB | 565957 | male | AE58.J1 | P_Rack | 563679 | male |
| AE45.J1 | FJB | 563679 | male | AE58.J2 | P_Rack | 564037 | male |
| AE45.J2 | FJB | 564037 | female | AE58.J3 | P_Rack | 565957 | male |
| AE45.J3 | FJB | 565957 | male | Alt_LL.B | Engine_Cmpt | 564410 | female |
| AE46.J1 | FJB | 563679 | male | Alt_UR.B | Engine_Cmpt | 564469 | female |
| AE46.J2 | FJB | 564037 | female | AltLL.A | Enginecmpt. | 563746 | female |
| AE46.J3 | FJB | 565957 | male | AltLL.B | Enginecmpt. | 560815 | female |
| AE47.J1 | RH_console | 563679 | male | AltLL.C | Enginecmpt. | 564469 | female |
| AE47.J2 | RH_console | 564037 | female | AltLR.A | enginecmpt. | 563746 | female |
| AE47.J3 | RH_console | 565957 | male | AltLR.B | Enginecmpt. | 560815 | female |
| AE48.J1 | RH_console | 563679 | male | AltLR.C | Enginecmpt. | 564469 | female |
| AE48.J2 | RH_console | 564037 | female | AltUR.A | Enginecmpt. | 563746 | female |
| AE48.J3 | RH_console | 565957 | male | AltUR.B | Enginecmpt. | 560815 | female |
| AE49.J1 | RJB | 563679 | male | AltUR.C | Enginecmpt. | 564469 | female |
| AE49.J2 | RJB | 564037 | male | B85 | Engine_Cmpt | 563815 | male |

CONNECTORS LIST

| No | Location | Part # | Gender | No | Location | Part # | Gender |
|-----------|-----------------|--------|--------|------------|-----------------|--------|--------|
| B96 | Engine_Cmpt | 563821 | male | C16 | RJB | 561605 | female |
| B96B | Engine_Cmpt | 563823 | male | C17 | RJB | 560195 | male |
| B97 | Engine_Cmpt | 563816 | male | C17 | RJB | 560169 | female |
| B98 | Engine_Cmpt | 563817 | male | C18 | FJB | 561986 | male |
| B99 | Engine_Cmpt | 563815 | male | C18 | FJB | 561987 | female |
| B115A | Enginectmpt. | 564226 | male | C19 | RJB | 561986 | male |
| B142C | Urea_Cmpt | 563515 | male | C19 | RJB | 561987 | female |
| B310 | Enginectmpt. | 565967 | male | C20A | Evap_Cmpt | 562485 | male |
| C1 | FJB | 563589 | male | C20A | Evap_Cmpt | 562486 | female |
| C1 | FJB | 563590 | female | C20B | Evap_Cmpt | 562485 | male |
| C1S | FJB | 563589 | male | C20B | Evap_Cmpt | 562486 | female |
| C1S | FJB | 563590 | female | C22 | FJB | 561986 | male |
| C2 | Service_Cmpt | 563580 | male | C22 | FJB | 561987 | female |
| C2 | Service_Cmpt | 563581 | female | C23 | Evaporatorcmpt. | 564034 | male |
| C2A | FJB | 563580 | male | C23 | Evaporatorcmpt. | 564035 | female |
| C2A | FJB | 563581 | female | C24_plug | Evap_Cmpt | 561690 | male |
| C2B | FJB | 563580 | male | C24_socket | Evap_Cmpt | 561566 | female |
| C2B | FJB | 563581 | female | C25 | P_Rack | 561734 | male |
| C3_plug | RJB | 563589 | male | C25 | P_Rack | 561735 | female |
| C3_socket | RJB | 563590 | female | C25A | P_Rack | 561734 | male |
| C3AP | FJB | 563589 | male | C25A | P_Rack | 561735 | female |
| C3AP | FJB | 563590 | female | C26 | Ureacmpt. | 563226 | male |
| C3AS | FJB | 563589 | male | C26 | Ureacmpt. | 563613 | female |
| C3AS | FJB | 563590 | female | C26A | Ureacmpt. | 568110 | male |
| C3S | RJB | 563593 | male | C26A | Ureacmpt. | 568109 | female |
| C3S | RJB | 563590 | female | C26B | Ureacmpt. | 563227 | male |
| C4 | FJB | 563580 | male | C26B | Ureacmpt. | 563614 | female |
| C4 | FJB | 563581 | female | C27 | Front | 563618 | male |
| C5 | FJB | 563589 | male | C27 | Front | 563616 | female |
| C5 | FJB | 563590 | female | C28 | Dash | 561986 | male |
| C8 | FJB | 568112 | male | C28 | Dash | 561987 | female |
| C8 | FJB | 568111 | female | C29 | 3rd_Lugg_Cmpt | 563652 | female |
| C9 | RJB | 561986 | male | C29 | 4rd_Lugg_Cmpt | 563651 | male |
| C9 | RJB | 561987 | female | C30 | 3rd_Lugg_Cmpt | 561710 | male |
| C10 | Engine_Cmpt | 562581 | male | C30 | 3rd_Lugg_Cmpt | 561709 | female |
| C10 | Engine_Cmpt | 562583 | female | C31W | Lugg_Cmpt | 563227 | male |
| C12 | Engine_Cmpt | 562581 | male | C31W | Lugg_Cmpt | 563614 | female |
| C12 | Engine_Cmpt | 562583 | female | C32 | Lavatory | 561734 | male |
| C14 | FJB | 563580 | male | C32 | Lavtory | 561735 | female |
| C14 | FJB | 563581 | female | C32W | Lugg_Cmpt | 561734 | male |
| C15A | Evaporatorcmpt. | 568109 | female | C32W | Lugg_Cmpt | 561735 | female |
| C15A | Evaporatorcmpt. | 568110 | male | C33 | WCLcmpt. | 564034 | male |
| C16 | RJB | 561577 | male | C33 | WCLcmpt. | 564035 | female |

CONNECTORS LIST

| No | Location | Part # | Gender | No | Location | Part # | Gender |
|------------|----------------------|--------|--------|------------|------------------|--------|--------|
| C34 | Dash | 561986 | male | C59 | RJB | 561642 | female |
| C34 | Dash | 561987 | female | C63 | Entrance_Door | 562581 | male |
| C35 | Dash | 561986 | male | C63 | Entrance_Door | 562583 | female |
| C35 | Dash | 561987 | female | C64 | Enginectmpt. | 568110 | male |
| C36 | FJB | 561986 | male | C64 | Enginectmpt. | 568109 | female |
| C36 | FJB | 561987 | female | C66_plug | Evap_Cmpt | 561577 | male |
| C37 | P_Rack | 561986 | male | C66_socket | Evap_Cmpt | 561605 | female |
| C37 | P_Rack | 561987 | female | C71 | FJB | 561646 | male |
| C38 | P_Rack | 561986 | male | C87 | Engine_Cmpt | 562485 | male |
| C38 | P_Rack | 561987 | female | C87 | Engine_Cmpt | 562486 | female |
| C38A | P_Rack | 561515 | male | C88 | WCL_Cmpt. | 563226 | male |
| C38A | P_Rack | 561552 | female | C88 | WCL_Cmpt. | 563613 | female |
| C39 | Parcelrack | 562503 | male | C90 | RJB | 563582 | male |
| C39 | Parcelrack | 562507 | female | C90 | RJB | 563583 | female |
| C39A | Firesuppressioncmpt. | 561782 | male | C91 | RJB | 562285 | male |
| C39A | Firesuppressioncmpt. | 561781 | female | C91 | RJB | 562282 | female |
| C40W | P_Rack | 561515 | male | C94 | FJB | 563589 | male |
| C40W | P_Rack | 561552 | female | C99 | Enginectmpt. | 562581 | male |
| C41 | RJB | 561782 | male | C99 | Enginectmpt. | 562583 | female |
| C41 | RJB | 561781 | female | C100 | Evaporatorcmpt. | 562477 | male |
| C42 | Front | 562285 | male | C100 | Evaporatorcmpt. | 562479 | female |
| C42 | Front | 562282 | female | C100S | Evaporator_Cmpt. | 562477 | male |
| C43 | Front | 562581 | male | C100S | Evaporator_Cmpt. | 562479 | female |
| C43 | Front | 562583 | female | C107A | Enginectmpt. | 562885 | female |
| C44_plug | FJB | 561577 | male | C107A | Enginectmpt. | 562884 | female |
| C44_socket | FJB | 561605 | female | C107B | Enginectmpt. | 562885 | female |
| C45 | Front | 561646 | male | C107B | Enginectmpt. | 562884 | female |
| C45 | Front | 561645 | female | C107C | Enginectmpt. | 562885 | female |
| C46 | 3rdlugg.cmpt. | 562549 | male | C107C | Enginectmpt. | 562884 | female |
| C46 | 3rdlugg.cmpt. | 562550 | female | C110 | Dash | 568110 | male |
| C47 | FJB | 565207 | male | C110 | Dash | 568109 | female |
| C48 | RJB | 565208 | male | C119A | Rear_engine_door | 568110 | male |
| C49 | FJB | 562005 | male | C119A | Rear_engine_door | 568109 | female |
| C49 | FJB | 561714 | female | C129 | Dashboard | 562464 | male |
| C54 | Engine_Cmpt. | 563226 | male | C129 | Dashboard | 565871 | female |
| C54 | Engine_Cmpt. | 563613 | female | C131A | Engine_Cmpt | 561782 | male |
| C54A | Ureacmpt. | 568110 | male | C131A | Engine_Cmpt | 561781 | female |
| C54A | Ureacmpt. | 568109 | female | C131B | Engine_Cmpt | 561782 | male |
| C54B | Engine_Cmpt. | 562477 | male | C131B | Engine_Cmpt | 561781 | female |
| C54B | Engine_Cmpt. | 562479 | female | C150 | Modesty_LH | 562957 | male |
| C55 | Evap_Cmpt | 561577 | male | C150 | Modesty_LH | 564406 | female |
| C55 | Evap_Cmpt | 561605 | female | C152 | Cond_Cmpt | 561611 | male |
| C59 | RJB | 561643 | male | C152 | Cond_Cmpt | 561610 | female |

CONNECTORS LIST

| No | Location | Part # | Gender | No | Location | Part # | Gender |
|-------------|----------------|--------|--------|----------------|----------------|--------|--------|
| C173 | Modesty_LH | 563040 | female | C769 | Parcel_Rack | 901062 | male |
| C193_plug | RJB | 563589 | male | C769 | Parcel_Rack | 901283 | female |
| C193_socket | RJB | 563590 | female | C777 | Dashboard | 562581 | male |
| C194 | FJB | 563589 | male | C777 | Dashboard | 562583 | female |
| C194 | FJB | 563590 | female | C_A69R | Parcel_Rack | 563025 | male |
| C222 | FJB | 562477 | male | C_Audio_HDMI_L | Parcel_Rack | 901062 | male |
| C222 | FJB | 562479 | female | C_Audio_HDMI_L | Parcel_Rack | 901283 | female |
| C279 | Service_Cmpt | 562479 | female | C_Audio_HDMI_R | Parcel_Rack | 901062 | male |
| C355 | RJB | 563582 | male | C_Audio_HDMI_R | Parcel_Rack | 901283 | female |
| C355 | RJB | 565887 | female | C_AUX | Parcelrack | 563071 | male |
| C380A | Dash | 564222 | male | C_AUX | Parcelrack | 563040 | female |
| C380A | Dash | 564224 | female | C_LineOut | Parcelrack | 563962 | male |
| C381 | Parcel_Rack | 561847 | male | C_LineOut | Parcelrack | 564489 | female |
| C382 | Under_Seat | 561580 | male | C_Mo9 | Evap_Cmpt | 561577 | male |
| C382 | Under_Seat | 561582 | female | C_Mo9 | Evap_Cmpt | 561605 | female |
| C397 | RJB | 562285 | male | CCAN1 | FJB | 562650 | male |
| C397 | RJB | 562282 | female | CCAN1 | FJB | 562649 | female |
| C463 | Rearaxlecmpt. | 568111 | male | CCAN2 | FJB | 562650 | male |
| C463 | Rearaxlecmpt. | 568112 | female | CCAN2 | FJB | 562649 | female |
| C464 | FJB | 564222 | male | CCAN3 | FJB | 562650 | male |
| C464 | FJB | 564224 | female | CCAN3 | FJB | 562649 | female |
| C464A | Dash | 564222 | male | CCAN4 | FJB | 562650 | male |
| C464A | Dash | 564224 | female | CCAN4 | FJB | 562649 | female |
| C464B | FJB | 564222 | male | CCust | RJB | 562477 | male |
| C464B | FJB | 564224 | female | CCust | RJB | 562479 | female |
| C465 | Parcelrack | 562581 | male | CFHPR1 | Parcelrack | 564560 | male |
| C465 | Parcelrack | 562583 | female | CP1 | Passenger_Area | 561782 | male |
| C542 | Parcelrack | 561550 | male | CP1 | Passenger_Area | 561781 | female |
| C542 | Parcelrack | 561667 | female | CP2 | Passenger_Area | 561782 | male |
| C543 | LH_Parcel_Rack | 561607 | male | CP2 | Passenger_Area | 561781 | female |
| C543 | LH_Parcel_Rack | 561606 | female | CP3 | Passengersarea | 561782 | male |
| C564 | Parcelrack | 562503 | male | CP3 | Passengersarea | 561781 | female |
| C564 | Parcelrack | 562507 | female | CP4 | Passenger_Area | 561782 | male |
| C566 | Parcelrack | 562503 | male | CP4 | Passenger_Area | 561781 | female |
| C566 | Parcelrack | 562507 | female | CP5 | Passenger_Area | 561782 | male |
| C567 | Parcelrack | 562503 | male | CP5 | Passenger_Area | 561781 | female |
| C567 | Parcelrack | 562507 | female | CSX1 | Engine_Cmpt | 563135 | male |
| C614 | Passenger_Area | 563071 | male | CSX1 | Engine_Cmpt | 563134 | female |
| C614 | Passenger_Area | 563040 | female | CSX3 | Engine_Cmpt | 563135 | male |
| C615 | Passenger_Area | 563071 | male | CSX3 | Engine_Cmpt | 563134 | female |
| C615 | Passenger_Area | 563040 | female | CT_IN | Rear_Vehicle | 560167 | male |
| C768 | Parcel_Rack | 901062 | male | CT_IN | Rear_Vehicle | 560159 | female |
| C768 | Parcel_Rack | 901283 | female | CT_Out | Rear_Vehicle | 560233 | female |

CONNECTORS LIST

| No | Location | Part # | Gender | No | Location | Part # | Gender |
|-------|-------------------|--------|--------|--------|------------------|--------|--------|
| EI | Enginempt. | 563739 | male | L72 | Rear_Vehicle | 562155 | male |
| L1A | Enginempt. | 560774 | male | L74 | Rear_Vehicle | 562155 | male |
| L16.A | Frontroof | 562615 | female | L75 | Rearenginedoor | 562155 | male |
| L16.B | Frontroof | 562615 | female | L76 | Rear_engine_door | 562155 | male |
| L17.A | Frontroof | 562615 | female | L81.A | Rear_Vehicle | 562835 | female |
| L17.B | Frontroof | 562615 | female | L81.B | Rear_Vehicle | 562834 | male |
| L18 | Entrance_Door | 563590 | female | L82A | Rearvehicule | 562348 | female |
| L21 | Upper_front | 560605 | female | L83A | Rearvehicule | 562348 | female |
| L22 | Upper_front | 560605 | female | L84 | Rear_roof | 560605 | female |
| L23 | Upper_front | 560605 | female | L85 | Rear_roof | 560605 | female |
| L24 | Upper_front | 560605 | female | L86 | Rear_roof | 560605 | female |
| L25 | Upper_front | 560605 | female | L87 | Rear_roof | 560605 | female |
| L26 | Upper_front | 560605 | female | L88 | Rear_roof | 560605 | female |
| L27 | Upper_front | 560605 | female | L89 | Rear_roof | 560605 | female |
| L52 | Parcelrack | 560898 | male | L90 | Rear_roof | 560605 | female |
| L52 | Parcelrack | 560900 | female | L93.B | Engine_Cmpt. | 563069 | female |
| L52A | Parcelrack | 560898 | male | L94.B | Engine_Cmpt. | 563069 | female |
| L53 | Parcelrack | 560898 | male | L95 | Outside_Front_LH | 562485 | male |
| L53 | Parcelrack | 560900 | female | L95A | Outside_Front_LH | 562485 | male |
| L53A | Parcelrack | 560898 | male | L96 | Outside_Front_RH | 562485 | male |
| L54 | Parcelrack | 560898 | male | L96A | Outside_Front_RH | 562485 | male |
| L54 | Parcelrack | 560900 | female | L140 | Lavatory | 561247 | male |
| L54A | Parcelrack | 560898 | male | L142 | Lavatory | 562006 | female |
| L55 | Parcelrack | 560898 | male | L172RH | Modesty_RH | 564719 | male |
| L55 | Parcelrack | 560900 | female | L173 | Parcelrack | 563590 | female |
| L55A | Parcelrack | 560898 | male | L174A | Parcelrack | 563590 | female |
| L56 | Parcelrack | 560898 | male | L175 | Engine_Cmpt. | 563590 | female |
| L56 | Parcelrack | 560900 | female | L176 | 5th_Lugg_Cmpt | 561247 | male |
| L56A | Parcelrack | 560898 | male | L177 | 5th_Lugg_Cmpt | 561247 | male |
| L57 | Parcelrack | 560898 | male | L178 | 3rd_Lugg_Cmpt | 561247 | male |
| L57 | Parcelrack | 560900 | female | L179 | 3rd_Lugg_Cmpt | 561247 | male |
| L57A | Parcelrack | 560898 | male | L180 | 2nd_Lugg_Cmpt | 561247 | male |
| L58 | Parcelrack | 560898 | male | L181 | 2nd_Lugg_Cmpt | 561247 | male |
| L58 | Parcelrack | 560900 | female | L182 | 1st_Lugg_Cmpt | 561247 | male |
| L58A | Parcelrack | 560898 | male | L183 | 1st_Lugg_Cmpt | 561247 | male |
| L63 | Front_Side_LH | 562155 | male | L184 | Servicecmpt. | 561247 | male |
| L64 | Outside_Front_RH | 562155 | male | L185.A | Servicecmpt. | 561539 | male |
| L65 | Outside_Front_LH | 562155 | male | L185.B | Servicecmpt. | 561539 | male |
| L66 | Out_Side_Front_LH | 562155 | male | L186.A | Dash | 561539 | male |
| L67 | 4th_Lugg_Cmpt | 562155 | male | L186.B | Dash | 561539 | male |
| L68 | 4th_Lugg_Cmpt | 562155 | male | L187 | Engine_Cmpt | 561690 | male |
| L69 | 4th_Lugg_Cmpt | 562155 | male | L188 | Service_Cmpt | 562486 | female |
| L70 | 4th_Lugg_Cmpt | 562155 | male | L199 | Enginempt. | 562848 | male |

CONNECTORS LIST

| No | Location | Part # | Gender | No | Location | Part # | Gender |
|----------------|--------------------|--------|--------|----------|-----------------|--------|--------|
| L204 | Parcel_Rack_RH | 562803 | male | R3 | RJB | 563409 | male |
| L205 | Enginecmpt. | 562485 | male | R4 | FJB | 564496 | male |
| L206 | Parcel_Rack_RH | 562803 | male | R12 | Evap_Cmpt | 563409 | male |
| L282 | Engine_Cmpt | 561690 | male | R16 | RJB | 564496 | male |
| L285.A | Rear_Vehicle | 562835 | female | R20 | RJB | 564496 | male |
| L285.B | Rear_Vehicle | 562834 | male | R26 | Evap_Cmpt | 564496 | male |
| L286.A | Rear_Vehicle | 562835 | female | R29 | RJB | 563409 | male |
| L286.B | Rear_Vehicle | 562834 | male | R30 | FJB | 564496 | male |
| L290 | Engine_door | 562565 | female | R31 | FJB | 564496 | male |
| L291 | Engine_door | 562565 | female | R34 | RJB | 564210 | male |
| L298A | Enginecmpt. | 563590 | female | R36 | Dash | 564496 | male |
| L306 | RJBcmpt. | 561247 | male | R37 | Dash | 564496 | male |
| L319 | Under_WCL_platform | 561247 | male | R38 | FJB | 564496 | male |
| L350A.A | Rearaxlecmpt. | 564552 | male | R40 | RJB | 564496 | male |
| L350A.B | Rearaxlecmpt. | 563340 | male | R47 | Parcelrack | 564496 | male |
| Mic_Driver_1.A | Parcel_rack | 560999 | male | R_12VISS | Parcel_rack | 564496 | male |
| Mic_Driver_2.A | Parcel_rack | 560999 | male | Res3.A | RJB | 563590 | female |
| Mic_Guide_1.A | Parcel_rack | 560999 | male | Res4 | FJB | 563590 | female |
| Mic_Guide_3.A | Parcel_rack | 560999 | male | Res6 | FJB | 563590 | female |
| Mo12 | Engine_Cmpt | 561690 | male | Res6A | FJB | 563589 | male |
| Mo13 | Engine_Cmpt | 561690 | female | Res6A | FJB | 563590 | female |
| Mo14 | Engine_Cmpt | 561566 | female | Res6B | FJB | 563589 | male |
| Mo15 | Front_Ceiling | 563517 | female | Res6B | FJB | 563590 | female |
| Mo16 | Front_Ceiling | 563517 | female | Res15 | Engine_Cmpt | 561782 | male |
| Mo17 | RH_Console | 562350 | male | Res7 | Engine_Cmpt | 563590 | female |
| Mo65 | Enginecmpt. | 568089 | male | Res31 | Ureacmpt. | 562350 | male |
| Mo67 | Enginecmpt. | 568089 | male | Res32 | Ureacmpt. | 563764 | female |
| Mo68 | Enginecmpt. | 568089 | male | Se13 | Engine_Cmpt | 562350 | male |
| Mo69 | Enginecmpt. | 568089 | male | Se14.A | Driver_Area | 561782 | male |
| Mo70 | Enginecmpt. | 568089 | male | Se14.B | Driver_Area | 561781 | female |
| Mo71 | Enginecmpt. | 568089 | male | Se18 | Servicecmpt. | 561566 | female |
| Mo72 | Enginecmpt. | 568089 | male | Se19_P | Service_Cmpt | 563677 | male |
| Mo73 | Enginecmpt. | 568089 | male | Se19_S | Service_Cmpt | 563677 | male |
| PC1 | FJB | 562650 | male | Se23 | Engine_Cmpt | 563159 | male |
| PC1 | FJB | 562649 | female | Se24 | Evap_Cmpt | 563758 | female |
| PF | FJB | 561782 | male | Se25 | Passenger_Area | 561248 | female |
| PF | FJB | 561781 | female | Se28 | Pneumatic_plate | 561690 | male |
| PF1 | Passenger_Area | 561782 | male | Se29 | Engine_Cmpt | 561566 | female |
| PF1 | Passenger_Area | 561781 | female | Se30 | Enginedoor | 562877 | female |
| PR | Parcelrack | 561782 | male | Se31 | Enginedoor | 562877 | female |
| PR | Parcelrack | 561781 | female | Se32 | Rear_Axle_Cmpt | 562426 | male |
| PR1 | Passenger_Area | 561782 | male | Se33 | Rear_Axle_Cmpt | 562856 | male |
| PR1 | Passenger_Area | 561781 | female | Se35 | Rear_Axle_Cmpt | 562426 | male |

CONNECTORS LIST

| No | Location | Part # | Gender | No | Location | Part # | Gender |
|---------|-----------------|--------|--------|---------|------------------|--------|--------|
| Se36 | Rear_Axle_Cmpt | 562427 | male | spBar13 | Enginecmpt. | 564135 | male |
| Se37 | Front_Axle_LH | 641132 | female | spBar14 | Enginecmpt. | 564135 | male |
| Se38 | Front_Axle_RH | 641132 | female | spBar15 | Enginecmpt. | 564135 | male |
| Se39 | Rear_Axle_LH | 641132 | female | spBar16 | Enginecmpt. | 564135 | male |
| Se40 | Rear_Axle_LH | 641132 | female | spBar19 | Condensorcmt. | 564135 | male |
| Se41 | Condensorcmt. | 562877 | female | spBar20 | Condensorcmt. | 564135 | male |
| Se46 | Rearaxlecmpt. | 562348 | female | spBar21 | Condensorcmt. | 564135 | male |
| Se63 | Rearaxlecmpt. | 641132 | female | spBar22 | Enginecmpt. | 564135 | male |
| Se64 | Rearaxlecmpt. | 641132 | female | spBar23 | Enginecmpt. | 564135 | male |
| Se65 | Dash | 564042 | female | spBar24 | Enginecmpt. | 564135 | male |
| Se66 | FJB | 564039 | female | SpkDr_L | Parcel_Rack_LH | 563994 | male |
| Se67 | Frontaxlecmpt. | 563159 | female | SpkDr_R | Parcel_Rack_RH | 563994 | male |
| Se69 | Frontaxlecmpt. | 563159 | female | Sub1.A | Passenger_Area | 564004 | female |
| Se74 | Rear_Axle_Cmpt | 563340 | male | Sub2.A | Passenger_Area | 564004 | female |
| Se79 | Front_Axle | 563340 | male | Sw10A | Dash | 563498 | male |
| Se100 | WCLdoor | 562479 | female | Sw12 | Dash | 563498 | female |
| So7 | Service_Cmpt | 561690 | male | Sw14 | Dash | 563498 | male |
| So8 | Servicecmpt. | 641385 | male | Sw16 | Dash | 563498 | male |
| So9 | Enginecmpt. | 560016 | female | Sw17 | Dash | 563498 | male |
| So10 | Cond_Cmpt | 562485 | male | Sw18A | Dash | 563498 | male |
| So11 | Cond_Cmpt | 561566 | female | Sw20 | Dash | 563498 | male |
| So13 | Evap_Cmpt | 563204 | female | Sw23 | Dash | 563498 | female |
| So14 | Servicecmpt. | 641385 | male | Sw24 | Dash | 563498 | male |
| So15 | Servicecmpt. | 641385 | male | Sw25 | Dash | 563498 | male |
| So16 | Servicecmpt. | 641385 | male | Sw26 | Dash | 563498 | female |
| So17 | Servicecmpt. | 562848 | male | Sw27 | Dash | 563498 | male |
| So20 | Servicecmpt. | 641385 | male | Sw29 | Dash | 563498 | male |
| So21 | Front_Axle_Cmpt | 564046 | female | Sw30 | Dash | 563135 | male |
| So22 | Front_Axle_Cmpt | 564046 | female | Sw32 | Dash | 561477 | female |
| So23 | Rear_Axle_Cmpt | 564046 | female | Sw33 | Dash | 561476 | male |
| So24 | Rear_Axle_Cmpt | 564046 | female | Sw34 | Outside_Front_RH | 562477 | male |
| So27 | Rearaxlecmpt. | 564045 | female | Sw37 | Dash | 563498 | male |
| So50 | Rearaxlecmpt. | 564046 | female | Sw38 | Dash | 563498 | male |
| So51 | Rearaxlecmpt. | 641385 | male | Sw39.A | RJB | 562403 | female |
| So52 | Rearaxlecmpt. | 564045 | female | Sw39.B | RJB | 562403 | female |
| So53 | Rearaxlecmpt. | 641385 | male | Sw40 | LH_Console | 561690 | male |
| So54 | Enginecmpt. | 564045 | female | Sw41 | LH_Console | 562749 | male |
| spBar4 | Enginecmpt. | 564135 | male | Sw42 | Lugg_Cmpt | 561636 | female |
| spBar5 | Enginecmpt. | 564135 | male | Sw43 | Lugg_Cmpt | 563498 | female |
| spBar6 | Enginecmpt. | 564135 | male | Sw44.A | Lugg_Cmpt | 562485 | male |
| spBar7 | Enginecmpt. | 564135 | male | Sw44.B | Lugg_Cmpt | 562486 | female |
| spBar11 | Engine_Cmpt. | 564135 | male | Sw45.A | 5th_Lugg_Cmpt | 562485 | male |
| spBar12 | Engine_Cmpt. | 564135 | male | Sw45.B | 5th_Lugg_Cmpt | 562486 | female |

CONNECTORS LIST

| No | Location | Part # | Gender | No | Location | Part # | Gender |
|--------|---------------|--------|--------|--------|---------------|--------|--------|
| Sw46.A | 5th_Lugg_Cmpt | 562485 | male | VECF11 | FJB | 563184 | male |
| Sw46.B | 5th_Lugg_Cmpt | 562486 | female | VECF12 | FJB | 563187 | male |
| Sw47.A | 3rd_Lugg_Cmpt | 562485 | male | VECR1 | RJB | 563186 | male |
| Sw47.B | 3rd_Lugg_Cmpt | 562486 | female | VECR2 | RJB | 563183 | male |
| Sw48.A | 3rd_Lugg_Cmpt | 562485 | male | VECR3 | RJB | 563185 | male |
| Sw48.B | 3rd_Lugg_Cmpt | 562486 | female | VECR4 | RJB | 563182 | male |
| Sw49.A | 2nd_Lugg_Cmpt | 562485 | male | VECR9 | RJB | 563448 | male |
| Sw49.B | 2nd_Lugg_Cmpt | 562486 | female | VECR10 | RJB | 563181 | male |
| Sw50.A | 2nd_Lugg_Cmpt | 562485 | male | VECR11 | RJB | 563184 | male |
| Sw50.B | 2nd_Lugg_Cmpt | 562486 | female | VECR12 | RJB | 563187 | male |
| Sw51.A | 1st_Lugg_Cmpt | 562485 | male | VECT3 | Rear_vehicule | 563718 | male |
| Sw51.B | 1st_Lugg_Cmpt | 562486 | female | VECT4 | Rear_vehicule | 563714 | male |
| Sw52.A | 1st_Lugg_Cmpt | 562485 | male | Y80 | Engine_Cmpt | 563789 | male |
| Sw52.B | 1st_Lugg_Cmpt | 562486 | female | Y81 | Cond_Cmpt | 563793 | male |
| Sw55.A | Lavatory | 560488 | female | | | | |
| Sw55.B | Lavatory | 560488 | female | | | | |
| Sw56.A | Lavatory | 560488 | female | | | | |
| Sw56.B | Lavatory | 560488 | female | | | | |
| Sw58 | Engine_Cmpt. | 563135 | male | | | | |
| Sw59 | Enginecmpt. | 563135 | male | | | | |
| Sw64 | RJB | 563498 | male | | | | |
| Sw82 | RJB | 563135 | male | | | | |
| Sw83 | RJB | 564699 | male | | | | |
| Sw85 | LH_Console | 562749 | male | | | | |
| Sw95.A | WCLdoor | 562615 | female | | | | |
| Sw95.B | WCLdoor | 562615 | female | | | | |
| Sw95.C | WCLdoor | 562615 | female | | | | |
| Sw96.A | WCL_Door | 562615 | female | | | | |
| Sw96.B | WCL_Door | 562615 | female | | | | |
| Sw96.C | WCLdoor | 562615 | female | | | | |
| Sw97.A | WCLsystem | 562615 | female | | | | |
| Sw97.B | WCLsystem | 562615 | female | | | | |
| Sw97.C | WCLsystem | 562615 | female | | | | |
| Sw98.A | WCLsystem | 562615 | female | | | | |
| Sw98.B | WCLsystem | 562615 | female | | | | |
| Sw98.C | WCLsystem | 562615 | female | | | | |
| Sw152 | Driver_Area | 562471 | male | | | | |
| VECF1 | FJB | 563186 | male | | | | |
| VECF2 | FJB | 563183 | male | | | | |
| VECF3 | FJB | 563185 | male | | | | |
| VECF4 | FJB | 563182 | male | | | | |
| VECF9 | FJB | 563448 | male | | | | |
| VECF10 | FJB | 563181 | male | | | | |

CONNECTORS LIST

| No | Location | Part # | Gender | No | Location | Part # | Gender |
|-----------|----------------|--------|--------|----------|----------------|--------|--------|
| 24SS_OP | Parcel_Rack_LH | 563071 | male | A34.L | Enginecmt. | 564269 | male |
| 24SS_OP | Parcel_Rack_LH | 563040 | female | A36.JA | Front | 562767 | male |
| 24SS_OP_2 | Parcel_Rack_LH | 563071 | male | A36.JB | Front | 562765 | male |
| 24SS_OP_2 | Parcel_Rack_LH | 563040 | female | A36.JC | Front | 562957 | male |
| A1 | RJB | 563975 | male | A36A.JA | Front | 564325 | male |
| A2 | FJB | 563984 | male | A36A.JB | Front | 562767 | male |
| A5 | Service_Cmpt | 562428 | female | A39.P101 | Parcel_Rack_LH | 563201 | male |
| A6 | Engine_Cmpt | 562427 | male | A39.P901 | Parcel_Rack_LH | 563953 | male |
| A7 | Rear_Axle_Cmpt | 563979 | male | A50 | P_Rack | 563996 | female |
| A8.A | Dash | 564698 | male | A60.A | P_Rack | 563071 | male |
| A9.Cx1 | FJB | 564041 | female | A60.B | P_Rack | 562706 | female |
| A9.Cx2 | FJB | 563678 | male | A60.C | P_Rack | 901110 | male |
| A9.Cx3 | FJB | 564037 | female | A60.D | P_Rack | 901110 | male |
| A9.Cx4 | FJB | 564038 | female | A60.E | P_Rack | 560799 | female |
| A10.X1 | Engine_Cmpt | 563135 | male | A60.F | P_Rack | bidon | male |
| A10.X3 | Engine_Cmpt | 563134 | female | A61.A | Parcel_Rack_LH | 562464 | male |
| A10.A1 | Cmpt Wabaso | 563207 | male | A61.B | Parcel_Rack_LH | 562465 | male |
| A10.A2 | Cmpt Wabaso | 564161 | male | A63 | Roof | 562090 | male |
| A10.A3 | Cmpt Wabaso | 564798 | male | A65.A | Parcel_Rack_LH | 563025 | male |
| A11 | LH_Console | 563142 | male | A65.B4 | Parcel_Rack_LH | bidon | male |
| A12.A | DriverArea | 564699 | male | A65.B5 | Parcel_Rack_LH | bidon | male |
| A14.A | Dash | 562765 | male | A65.B6 | Parcel_Rack_LH | bidon | male |
| A14.B | Dash | 562764 | male | A65.D | Parcel_Rack_LH | bidon | male |
| A14.C | Dash | 562767 | male | A65.E | Parcel_Rack_LH | 563071 | male |
| A14.D | Dash | 562766 | male | A65.G1 | Parcel_Rack_LH | 563071 | male |
| A15 | Dash | 562464 | male | A65.G2 | Parcel_Rack_LH | 563071 | male |
| A19 | LH_Console | 562878 | female | A65.G3 | Parcel_Rack_LH | 563071 | male |
| A20 | FrontRoof | 562465 | male | A65.H1 | Parcel_Rack_LH | 561716 | female |
| A21.A | Dash | 564038 | female | A65.H2 | Parcel_Rack_LH | 561716 | female |
| A21.B | Dash | 564700 | male | A65.H3 | Parcel_Rack_LH | 561716 | female |
| A22 | Dash | 564004 | male | A65.J | Parcel_Rack_LH | 562465 | male |
| A23 | P_Rack | 564004 | male | A69L.A | Parcel_Rack_LH | 563025 | male |
| A24 | P_Rack | 564004 | male | A69L.B1 | Parcel_Rack_LH | bidon | male |
| A25 | Parcel_Rack_LH | 563025 | male | A69L.B2 | Parcel_Rack_LH | bidon | male |
| A26.P1 | Enginecmt. | 562350 | male | A69L.B3 | Parcel_Rack_LH | bidon | male |
| A26.P2 | Enginecmt. | 563322 | female | A69L.B4 | Parcel_Rack_LH | bidon | male |
| A26.P4 | Enginecmt. | 568088 | male | A69L.C | Parcel_Rack_LH | bidon | male |
| A27 | Service_Cmpt | 562929 | male | A69R.A | Parcel_Rack_RH | 563025 | male |
| A28 | Service_Cmpt | 562928 | male | A69R.B1 | Parcel_Rack_RH | bidon | male |
| A29 | FJB | 564004 | male | A69R.B2 | Parcel_Rack_RH | bidon | male |
| A31 | P_Rack | 564004 | male | A69R.B3 | Parcel_Rack_RH | bidon | male |
| A34.J | Enginecmt. | 568118 | male | A69R.B4 | Parcel_Rack_RH | bidon | male |
| A34.K | Enginecmt. | 564270 | male | A69R.C | Parcel_Rack_RH | bidon | male |

CONNECTORS LIST

| No | Location | Part # | Gender | No | Location | Part # | Gender |
|---------------|--------------|--------|--------|----------|----------------|----------|--------|
| A70a.A | Parcel_Rack | 561540 | female | A121.B | Dash | bidon | male |
| A71 | Dash | 563884 | male | A121.USB | Dash | 563878 | male |
| A77 | Parcelrack | 564547 | male | A121.Vsa | Dashboard | 563679 | male |
| A78 | Parcelrack | 562583 | female | A121.Vsb | Dashboard | 563678 | male |
| A79 | Parcelrack | 562583 | female | A121.Vsc | Dashboard | 564037 | male |
| A80 | Parcelrack | 562479 | female | A121.Vsd | Dashboard | 564118 | male |
| A81.CN1 | FJB | 562767 | male | A122.A | Parcel_Rack_LH | 563960 | male |
| A81.CN3A | FJB | 564741 | male | A122.B | Parcel_Rack_LH | 563962 | male |
| A81.CN3B | FJB | 564742 | male | A122.C1 | Parcel_Rack_LH | 563956 | male |
| A83.A | FJB | 565970 | male | A122.C2 | Parcel_Rack_LH | 563957 | male |
| A95.A | P_Rack | 564489 | female | A122.C3 | Parcel_Rack_LH | 563958 | male |
| A95.B | P_Rack | 562706 | female | A123.A | Parcel_Rack_LH | 563960 | male |
| A95.C | P_Rack | 562706 | female | A123.B | Parcel_Rack_LH | 563962 | male |
| A96.A | Front | 563678 | male | A123.C1 | Parcel_Rack_LH | 563956 | male |
| A96.B | Front | 562795 | male | A123.C2 | Parcel_Rack_LH | 563957 | male |
| A97A | Front | 563226 | male | A123.C3 | Parcel_Rack_LH | 563958 | male |
| A97A | Front | 563613 | female | A124.A | Parcel_Rack_LH | 563960 | male |
| A97B | Front | 563226 | male | A124.B | Parcel_rack | 563962 | male |
| A97B | Front | 563613 | female | A124.C1 | Parcel_rack | 563956 | male |
| A97S.A1 | Front | 564401 | male | A124.C2 | Parcel_rack | 563957 | male |
| A97S.A2 | Front | 564402 | male | A124.C3 | Parcel_rack | 563958 | male |
| A97S.A3 | Front | 564403 | male | A127 | Dashboard | 562957 | male |
| A99 | Dash | 564205 | male | A128 | Dash | 563878 | male |
| A100 | FrontAxelAnt | 563515 | male | A129 | Parcel_Rack_LH | 563878 | male |
| A101 | FrontAxelAnt | 563515 | male | A130 | Driver_Area | 563226 | male |
| A102 | FrontAxelAnt | 563515 | male | A131.A | Engine_Cmpt | 561782 | male |
| A107 | EngineCmpt. | 560336 | male | A131.B | Engine_Cmpt | 561781 | female |
| A108 | RJB | 562766 | male | A137A | Condensercmpt. | 20429843 | male |
| A109A | FJB | 564141 | male | A138 | Cond_Cmpt | 563787 | male |
| A111 | Lavatory | 562550 | female | A150 | Modesty_LH | 562957 | male |
| A114A | Bumper | 564252 | male | A150LH | Modesty_LH | 562957 | male |
| A116 | Dash | 563872 | female | A150RH | Modesty_RH | 562957 | male |
| A120.A | Dash | 563960 | male | A152.A | Parcelrack | 561550 | male |
| A120.B | Dash | 563962 | male | A152.B | Parcelrack | 563071 | male |
| A120.C1 | Dash | 563956 | male | A152.C | Parcelrack | 563071 | male |
| A120.C2 | Dash | 563957 | male | A152.D | Parcelrack | 563071 | male |
| A120.C3 | Dash | 563958 | male | A152.E | Parcelrack | 563071 | male |
| A120.USB_COM | Dash | 563878 | male | A152.F | Parcelrack | 563071 | male |
| A120A.J1 | Dashboard | 563525 | male | A152.G | Parcelrack | 563071 | male |
| A120A.J2 | Dashboard | 563526 | female | A152.H | Parcelrack | 563071 | male |
| A120A.J3 | Dashboard | 563527 | female | A152.I | Parcelrack | 563071 | male |
| A120A.USB | Dash | 563878 | male | A152.J | Parcelrack | 563071 | male |
| A120A.USB_COM | Dash | 563878 | male | A152.K | Parcelrack | 562779 | male |

CONNECTORS LIST

| No | Location | Part # | Gender | No | Location | Part # | Gender |
|---------------|-----------------|--------|--------|-------------|-----------------|--------|--------|
| A152.L | Parcelrack | 562779 | male | AE48.J1 | RH_console | 563679 | male |
| A162.A | Front_Roof | 561690 | male | AE48.J2 | RH_console | 564037 | male |
| A162.B | Front_Roof | 561782 | male | AE48.J3 | RH_console | 565957 | male |
| A164.A | Front_Roof | 561690 | male | AE49.J1 | RJB | 563679 | male |
| A164.B | Front_Roof | 561782 | male | AE49.J2 | RJB | 564037 | male |
| A166 | Front_Roof | 564366 | female | AE49.J3 | RJB | 565957 | male |
| A222M | LH_Mirror | 562485 | male | AE50.J1 | RJB | 563679 | male |
| A223M | RH_Mirror | 562485 | male | AE50.J2 | RJB | 564037 | male |
| A614.A | P_RACK | 561550 | male | AE50.J3 | RJB | 565957 | male |
| A614.C1 | P_RACK | 563071 | male | AE51.J1 | RJB | 563679 | male |
| A614.C2 | P_RACK | 563071 | male | AE51.J2 | RJB | 564037 | male |
| A614.C3 | P_RACK | 563071 | male | AE51.J3 | RJB | 565957 | male |
| A614.C4 | P_RACK | 563071 | male | AE52.J1 | RJB | 563679 | male |
| A614.C5 | P_RACK | 563071 | male | AE52.J2 | RJB | 564037 | male |
| A614.C6 | P_RACK | 563071 | male | AE52.J3 | RJB | 565957 | male |
| A614.I/O | Parcel_Rack | bidon | male | AE53.J1 | RJB | 563679 | male |
| A614.P1 | Parcel_Rack | 562783 | male | AE53.J2 | RJB | 564037 | male |
| A614.P2 | Parcel_Rack | 562783 | male | AE53.J3 | RJB | 565957 | male |
| A614.P3 | Parcel_Rack | 562783 | male | AE54.J1 | Evaporatorcmpt. | 563679 | male |
| AE41.J1 | FJB | 563679 | male | AE54.J2 | Evaporatorcmpt. | 564037 | male |
| AE41.J2 | FJB | 564037 | male | AE54.J3 | Evaporatorcmpt. | 565957 | male |
| AE41.J3 | FJB | 564004 | male | AE55.J1 | Dash | 563679 | male |
| AE42.J1 | FJB | 563679 | male | AE55.J2 | Dash | 564037 | male |
| AE42.J2 | FJB | 564037 | male | AE55.J3 | Dash | 564004 | male |
| AE42.J3 | FJB | 564004 | male | AE56.J1 | Dash | 563679 | male |
| AE43.J1 | FJB | 563679 | male | AE56.J2 | Dash | 564037 | male |
| AE43.J2 | FJB | 564037 | male | AE56.J3 | Dash | 564004 | male |
| AE43.J3 | FJB | 565957 | male | AE57.J1 | WCLcmpt. | 563679 | male |
| AE44.J1 | FJB | 563679 | male | AE57.J2 | WCLcmpt. | 564037 | male |
| AE44.J2 | FJB | 564037 | male | AE57.J3 | WCLcmpt. | 564004 | male |
| AE44.J3 | FJB | 565957 | male | AE58.J1 | P_Rack | 563679 | male |
| AE44_1_694.J1 | Evaporatorcmpt. | 563679 | male | AE58.J2 | P_Rack | 564037 | male |
| AE44_1_694.J2 | Evaporatorcmpt. | 564037 | male | AE58.J3 | P_Rack | 565957 | male |
| AE44_1_694.J3 | Evaporatorcmpt. | 565957 | male | Alt_LL.B | Engine_Cmpt | 564410 | female |
| AE45.J1 | FJB | 563679 | male | Alt_LLMux.B | Engine_Cmpt | 564410 | female |
| AE45.J2 | FJB | 564037 | male | Alt_UR.B | Engine_Cmpt | 564469 | female |
| AE45.J3 | FJB | 565957 | male | Alt_URMux.B | Engine_Cmpt | 564469 | female |
| AE46.J1 | FJB | 563679 | male | AltLL.A | Enginecmpt. | 563746 | female |
| AE46.J2 | FJB | 564037 | male | AltLL.B | Enginecmpt. | 560815 | female |
| AE46.J3 | FJB | 565957 | male | AltLL.C | Enginecmpt. | 564469 | female |
| AE47.J1 | RH_console | 563679 | male | AltLR.A | enginecmpt. | 563746 | female |
| AE47.J2 | RH_console | 564037 | male | AltLR.B | Enginecmpt. | 560815 | female |
| AE47.J3 | RH_console | 565957 | male | AltLR.C | Enginecmpt. | 564469 | female |

CONNECTORS LIST

| No | Location | Part # | Gender | No | Location | Part # | Gender |
|-----------|--------------|--------|--------|------------|-----------------|--------|--------|
| AltUR.A | Enginecmpt. | 563746 | female | C14 | FJB | 563581 | female |
| AltUR.B | Enginecmpt. | 560815 | female | C15A | Evapotatorcmpt. | 568110 | male |
| AltUR.C | Enginecmpt. | 564469 | female | C15A | Evaporatotcmpt. | 568109 | female |
| B85 | Engine_Cmpt | 222222 | male | C16 | RJB | 561577 | male |
| B96 | Engine_Cmpt | 111111 | female | C16 | RJB | 561605 | female |
| B96B | Engine_Cmpt | 563815 | male | C17 | RJB | 560195 | male |
| B97 | Engine_Cmpt | 563821 | male | C17 | RJB | 560169 | female |
| B98 | Engine_Cmpt | 563823 | male | C18 | FJB | 561986 | male |
| B99 | Engine_Cmpt | 563816 | male | C18 | FJB | 561987 | female |
| B115A | Enginecmpt. | 563817 | male | C19 | RJB | 561986 | male |
| B142C | Urea_Cmpt | 563815 | male | C19 | RJB | 561987 | female |
| B310 | Enginecmpt. | 564226 | male | C20A | Evap_Cmpt | 562485 | male |
| C1 | FJB | 563589 | male | C20A | Evap_Cmpt | 562486 | female |
| C1 | FJB | 563590 | female | C20B | Evap_Cmpt | 562485 | male |
| C1S | FJB | 563589 | male | C20B | Evap_Cmpt | 562486 | female |
| C1S | FJB | 563590 | female | C22 | FJB | 561986 | male |
| C2 | Service_Cmpt | 563580 | male | C22 | FJB | 561987 | female |
| C2 | Service_Cmpt | 563581 | female | C23 | Evaporatorcmpt. | 564034 | male |
| C2A | FJB | 563580 | male | C23 | Evaporatorcmpt. | 564035 | female |
| C2A | FJB | 563581 | female | C24_plug | Evap_Cmpt | 561690 | male |
| C2B | FJB | 563580 | male | C24_socket | Evap_Cmpt | 561566 | female |
| C2B | FJB | 563581 | female | C25 | P_Rack | 561734 | male |
| C3_plug | RJB | 563589 | male | C25 | P_Rack | 561735 | female |
| C3_socket | RJB | 563590 | female | C25A | P_Rack | 561734 | male |
| C3AP | FJB | 563589 | male | C25A | P_Rack | 561735 | female |
| C3AP | FJB | 563590 | female | C26 | Ureacmpt. | 563226 | male |
| C3AS | FJB | 563589 | male | C26 | Ureacmpt. | 563613 | female |
| C3AS | FJB | 563590 | female | C26A | Ureacmpt. | 568110 | male |
| C3S | RJB | 563593 | male | C26A | Ureacmpt. | 568109 | female |
| C3S | RJB | 563590 | female | C26B | Ureacmpt. | 563227 | male |
| C4 | FJB | 563580 | male | C26B | Ureacmpt. | 563614 | female |
| C4 | FJB | 563581 | female | C27 | Front | 563618 | male |
| C5 | FJB | 563589 | male | C27 | Front | 563616 | female |
| C5 | FJB | 563590 | female | C28 | Dash | 561986 | male |
| C8 | FJB | 568112 | male | C28 | Dash | 561987 | female |
| C8 | FJB | 568111 | female | C29 | 4rd_Lugg_Cmpt | 563651 | male |
| C9 | RJB | 561986 | male | C29 | 3rd_Lugg_Cmpt | 563652 | female |
| C9 | RJB | 561987 | female | C30 | 3rd_Lugg_Cmpt | 561710 | male |
| C10 | Engine_Cmpt | 562581 | male | C30 | 3rd_Lugg_Cmpt | 561709 | female |
| C10 | Engine_Cmpt | 562583 | female | C31W | Lugg_Cmpt | 563227 | male |
| C12 | Engine_Cmpt | 562581 | male | C31W | Lugg_Cmpt | 563614 | female |
| C12 | Engine_Cmpt | 562583 | female | C32 | Lavatory | 561734 | male |
| C14 | FJB | 563580 | male | C32 | Lavtory | 561735 | female |

CONNECTORS LIST

| No | Location | Part # | Gender | No | Location | Part # | Gender |
|------------|----------------------|--------|--------|------------|--------------|--------|--------|
| C32W | Lugg_Cmpt | 561734 | male | C54A | Ureacmpt. | 568109 | female |
| C32W | Lugg_Cmpt | 561735 | female | C54B | Engine_Cmpt. | 562477 | male |
| C33 | WCLcmpt. | 564034 | male | C54B | Engine_Cmpt. | 562479 | female |
| C33 | WCLcmpt. | 564035 | female | C55 | Evap_Cmpt | 561577 | male |
| C34 | Dash | 561986 | male | C55 | Evap_Cmpt | 561605 | female |
| C34 | Dash | 561987 | female | C56 | Front | 562581 | male |
| C35 | Dash | 561986 | male | C56 | Front | 562583 | female |
| C35 | Dash | 561987 | female | C59 | RJB | 561643 | male |
| C36 | FJB | 561986 | male | C59 | RJB | 561642 | female |
| C36 | FJB | 561987 | female | C61 | Door | 563347 | male |
| C37 | P_Rack | 561986 | male | C61 | Door | 563180 | female |
| C37 | P_Rack | 561987 | female | C63 | Entrace_Door | 562581 | male |
| C38 | P_Rack | 561986 | male | C63 | Entrace_Door | 562583 | female |
| C38 | P_Rack | 561987 | female | C64 | Enginecmpt. | 568110 | male |
| C38A | P_Rack | 561515 | male | C64 | Enginecmpt. | 568109 | female |
| C38A | P_Rack | 561552 | female | C64X | WCL_Door | 560898 | male |
| C39 | Parcelrack | 562503 | male | C64X | WCL_Door | 560900 | female |
| C39 | Parcelrack | 562507 | female | C66_plug | Evap_Cmpt | 561577 | male |
| C39A | Firesuppressioncmpt. | 561782 | male | C66_socket | Evap_Cmpt | 561605 | female |
| C39A | Firesuppressioncmpt. | 561781 | female | C68 | FJB | 561643 | male |
| C40W | P_Rack | 561515 | male | C68 | FJB | 561642 | female |
| C40W | P_Rack | 561552 | female | C71 | FJB | 561646 | male |
| C41 | RJB | 561782 | male | C71 | FJB | 561644 | female |
| C41 | RJB | 561781 | female | C72 | FJB | 561646 | male |
| C42 | Front | 562285 | male | C72 | FJB | 561644 | female |
| C42 | Front | 562282 | female | C74 | FJB | 561713 | male |
| C43 | Front | 562581 | male | C74 | FJB | 561714 | female |
| C43 | Front | 562583 | female | C77 | P_Rack | 561986 | male |
| C44_plug | FJB | 561577 | male | C77 | P_Rack | 561987 | female |
| C44_socket | FJB | 561605 | female | C80 | WCL | 564740 | male |
| C45 | Front | 561646 | male | C81 | WCL | 564740 | male |
| C45 | Front | 561645 | female | C82 | P_Rack | 561247 | male |
| C46 | 3rdlugg.cmpt. | 562549 | male | C82 | P_Rack | 561248 | female |
| C46 | 3rdlugg.cmpt. | 562550 | female | C83 | P_Rack | 561247 | male |
| C47 | FJB | 565207 | male | C83 | P_Rack | 561248 | female |
| C48 | RJB | 565208 | male | C87 | Engine_Cmpt | 562485 | male |
| C49 | FJB | 562005 | male | C87 | Engine_Cmpt | 562486 | female |
| C49 | FJB | 561714 | female | C88 | WCL_Cmpt. | 563226 | male |
| C50 | RJB | 563933 | male | C88 | WCL_Cmpt. | 563613 | female |
| C50 | RJB | 563932 | female | C90 | RJB | 563582 | male |
| C54 | Engine_Cmpt. | 563226 | male | C90 | RJB | 563583 | female |
| C54 | Engine_Cmpt. | 563613 | female | C91 | RJB | 562285 | male |
| C54A | Ureacmpt. | 568110 | male | C91 | RJB | 562282 | female |

CONNECTORS LIST

| No | Location | Part # | Gender | No | Location | Part # | Gender |
|--------|------------------|--------|--------|-------------|-----------------|--------|--------|
| C94 | FJB | 563589 | male | C162 | Front_Clearance | 561690 | male |
| C94 | FJB | 563590 | female | C162 | Front_Clearance | 561566 | female |
| C99 | Enginectmpt. | 562581 | male | C164A | P_Rack | 561690 | male |
| C99 | Enginectmpt. | 562583 | female | C164A | P_Rack | 561566 | female |
| C100 | Evaporatorcmpt. | 562477 | male | C167 | Parcel_Rack_LH | 561577 | male |
| C100 | Evaporatorcmpt. | 562479 | female | C167 | Parcel_Rack_LH | 561605 | female |
| C100S | Evaporator_Cmpt. | 562477 | male | C173 | Modesty_LH | 563071 | male |
| C100S | Evaporator_Cmpt. | 562479 | female | C173 | Modesty_LH | 563040 | female |
| C107A | Enginectmpt. | 562885 | female | C175 | RJB | 563226 | male |
| C107A | Enginectmpt. | 562884 | female | C175 | RJB | 563613 | female |
| C107B | Enginectmpt. | 562885 | female | C193_plug | RJB | 563589 | male |
| C107B | Enginectmpt. | 562884 | female | C193_socket | RJB | 563590 | female |
| C107C | Enginectmpt. | 562885 | female | C194 | FJB | 563589 | male |
| C107C | Enginectmpt. | 562884 | female | C194 | FJB | 563590 | female |
| C110 | Dash | 568110 | male | C195 | Dash | 563347 | male |
| C110 | Dash | 568109 | female | C195 | Dash | 560489 | female |
| C111 | Pneumatic_Plate | 564547 | male | C222 | FJB | 562477 | male |
| C111 | Pneumatic_Plate | 564562 | female | C222 | FJB | 562479 | female |
| C119A | Rear_engine_door | 568110 | male | C226 | Front | 562650 | male |
| C119A | Rear_engine_door | 568109 | female | C226 | Front | 562649 | female |
| C124 | Front_Roof | 562503 | male | C228 | Engine_Cmpt | 562477 | male |
| C124 | Front_Roof | 562507 | female | C228 | Engine_Cmpt | 562479 | female |
| C129 | Dashboard | 562464 | male | C279 | Service_Cmpt | 562477 | male |
| C129 | Dashboard | 565871 | female | C279 | Service_Cmpt | 562479 | female |
| C130 | Dash | 562581 | male | C284 | Parcel_Rack | 561247 | male |
| C130 | Dash | 562583 | female | C284 | Parcel_Rack | 561248 | female |
| C131A | Engine_Cmpt | 561782 | male | C298 | Parcel_Rack | 561611 | male |
| C131A | Engine_Cmpt | 561781 | female | C298 | Parcel_Rack | 561610 | female |
| C131B | Engine_Cmpt | 561782 | male | C355 | RJB | 563582 | male |
| C131B | Engine_Cmpt | 561781 | female | C355 | RJB | 565887 | female |
| C144 | FJB | 562006 | male | C355A | RJB | 563582 | male |
| C144 | FJB | 560908 | female | C355A | RJB | 565887 | female |
| C150 | Modesty_LH | 562957 | male | C356 | P_Rack | 561646 | male |
| C150 | Modesty_LH | 564406 | female | C356 | P_Rack | 561644 | female |
| C152 | Cond_Cmpt | 561611 | male | C356A | P_Rack | 561773 | male |
| C152 | Cond_Cmpt | 561610 | female | C356A | P_Rack | 561772 | female |
| C157_p | Parcel_Rack | 561637 | male | C357 | P_Rack | 561695 | male |
| C157_s | Parcel_Rack | 561636 | female | C357 | P_Rack | 561694 | female |
| C159 | Parcel_Rack | 561577 | male | C380A | Dash | 564222 | female |
| C159 | Parcel_Rack | 561605 | female | C380A | Dash | 564224 | male |
| C159_L | Parcel_Rack | 561247 | male | C381 | Parcel_Rack | 561847 | male |
| C159_L | Parcel_Rack | 561248 | female | C381 | P_Rack | 561924 | female |

CONNECTORS LIST

| No | Location | Part # | Gender | No | Location | Part # | Gender |
|--------------|----------------|--------|--------|---------|----------------|--------|--------|
| C382 | Under_Seat | 561580 | male | C_Audio | Parcel_Rack | 901283 | female |
| C382 | Under_Seat | 561582 | female | C_Audio | Parcel_Rack | 901062 | male |
| C397 | RJB | 562285 | male | C_Audio | Parcel_Rack | 901283 | female |
| C397 | RJB | 562282 | female | C_AUX | Parcelrack | 563071 | male |
| C400 | P_Rack | 561646 | male | C_AUX | Parcelrack | 563040 | female |
| C400 | P_Rack | 561644 | female | C_LineC | Parcelrack | 563962 | male |
| C463 | Rearaxlecmpt. | 568111 | female | C_LineC | Parcelrack | 564489 | female |
| C463 | Rearaxlecmpt. | 568112 | male | C_Mo9 | Evap_Cmpt | 561577 | male |
| C464 | FJB | 564222 | female | C_Mo9 | Evap_Cmpt | 561605 | female |
| C464 | FJB | 564224 | male | CCAN1 | FJB | 562650 | male |
| C464A | Dash | 564222 | female | CCAN1 | FJB | 562649 | female |
| C464A | Dash | 564224 | male | CCAN2 | FJB | 562650 | male |
| C464B | FJB | 564222 | female | CCAN2 | FJB | 562649 | female |
| C464B | FJB | 564224 | male | CCAN3 | FJB | 562650 | male |
| C465 | Parcelrack | 562581 | male | CCAN3 | FJB | 562649 | female |
| C465 | Parcelrack | 562583 | female | CCAN4 | FJB | 562650 | male |
| C542 | Parcelrack | 561550 | male | CCAN4 | FJB | 562649 | female |
| C542 | Parcelrack | 561667 | female | CCust | RJB | 562477 | male |
| C543 | LH_Parcel_Rack | 561607 | male | CCust | RJB | 562479 | female |
| C543 | LH_Parcel_Rack | 561606 | female | CFHPR1 | Parcelrack | 564560 | male |
| C564 | Parcelrack | 562503 | male | CP1 | Passenger_Area | 561782 | male |
| C564 | Parcelrack | 562507 | female | CP1 | Passenger_Area | 561781 | female |
| C566 | Parcelrack | 562503 | male | CP2 | Passenger_Area | 561782 | male |
| C566 | Parcelrack | 562507 | female | CP2 | Passenger_Area | 561781 | female |
| C567 | Parcelrack | 562503 | male | CP3 | Passengersarea | 561782 | male |
| C567 | Parcelrack | 562507 | female | CP3 | Passengersarea | 561781 | female |
| C614 | Passenger_Area | 563071 | male | CP4 | Passenger_Area | 561782 | male |
| C614 | Passenger_Area | 563040 | female | CP4 | Passenger_Area | 561781 | female |
| C615 | Passenger_Area | 563071 | male | CP5 | Passenger_Area | 561782 | male |
| C615 | Passenger_Area | 563040 | female | CP5 | Passenger_Area | 561781 | female |
| C768 | Parcel_Rack | 901062 | male | CSX1 | Engine_Cmpt | 563135 | male |
| C768 | Parcel_Rack | 901283 | female | CSX1 | Engine_Cmpt | 563134 | female |
| C769 | Parcel_Rack | 901062 | male | CSX3 | Engine_Cmpt | 563135 | male |
| C769 | Parcel_Rack | 901283 | female | CSX3 | Engine_Cmpt | 563134 | female |
| C777 | Dashboard | 562581 | male | CT_IN | Rear_Vehicle | 560167 | male |
| C777 | Dashboard | 562583 | female | CT_IN | Rear_Vehicle | 560159 | female |
| C_A69R | Parcel_Rack | 563025 | male | CT_Out | Rear_Vehicle | 560233 | female |
| C_ALT1 | Engine_Cmpt | 563226 | male | EI | Enginecmpt. | 563739 | male |
| C_ALT1 | Engine_Cmpt | 563613 | female | L1A | Enginecmpt. | 560774 | male |
| C_ALT2 | Engine_Cmpt | 563618 | male | L16.A | Frontroof | 562615 | female |
| C_ALT2 | Engine_Cmpt | 563616 | female | L16.B | Frontroof | 562615 | female |
| C_Audio_HDMI | Parcel_Rack | 901062 | male | L17.A | Frontroof | 562615 | female |

CONNECTORS LIST

| No | Location | Part # | Gender | No | Location | Part # | Gender |
|-------|-------------------|--------|--------|--------|------------------|--------|--------|
| L17.B | Frontroof | 562615 | female | L81.B | Rear_Vehicle | 562834 | male |
| L18 | Entrance_Door | 563590 | female | L82A | Rearvehicule | 562348 | female |
| L21 | Upper_front | 560605 | female | L83A | Rearvehicule | 562348 | female |
| L22 | Upper_front | 560605 | female | L84 | Rear_roof | 560605 | female |
| L23 | Upper_front | 560605 | female | L85 | Rear_roof | 560605 | female |
| L24 | Upper_front | 560605 | female | L86 | Rear_roof | 560605 | female |
| L25 | Upper_front | 560605 | female | L87 | Rear_roof | 560605 | female |
| L26 | Upper_front | 560605 | female | L88 | Rear_roof | 560605 | female |
| L27 | Upper_front | 560605 | female | L89 | Rear_roof | 560605 | female |
| L52 | Parcelrack | 560898 | male | L90 | Rear_roof | 560605 | female |
| L52 | Parcelrack | 560900 | female | L93.B | Engine_Cmpt. | 563069 | female |
| L52A | Parcelrack | 560898 | male | L94.B | Engine_Cmpt. | 563069 | female |
| L53 | Parcelrack | 560898 | male | L95 | Outside_Front_LH | 562485 | male |
| L53 | Parcelrack | 560900 | female | L96 | Outside_Front_RH | 562485 | male |
| L53A | Parcelrack | 560898 | male | L140 | Lavatory | 561247 | male |
| L54 | Parcelrack | 560898 | male | L142 | Lavatory | 562006 | male |
| L54 | Parcelrack | 560900 | female | L172RH | Modesty_RH | 564719 | male |
| L54A | Parcelrack | 560898 | male | L173 | Parcelrack | 563590 | female |
| L55 | Parcelrack | 560898 | male | L174A | Parcelrack | 563590 | female |
| L55 | Parcelrack | 560900 | female | L175 | Engine_Cmpt. | 563590 | female |
| L55A | Parcelrack | 560898 | male | L176 | 5th_Lugg_Cmpt | 561247 | male |
| L56 | Parcelrack | 560898 | male | L177 | 5th_Lugg_Cmpt | 561247 | male |
| L56 | Parcelrack | 560900 | female | L178 | 3rd_Lugg_Cmpt | 561247 | male |
| L56A | Parcelrack | 560898 | male | L179 | 3rd_Lugg_Cmpt | 561247 | male |
| L57 | Parcelrack | 560898 | male | L180 | 2nd_Lugg_Cmpt | 561247 | male |
| L57 | Parcelrack | 560900 | female | L181 | 2nd_Lugg_Cmpt | 561247 | male |
| L57A | Parcelrack | 560898 | male | L182 | 1st_Lugg_Cmpt | 561247 | male |
| L58 | Parcelrack | 560898 | male | L183 | 1st_Lugg_Cmpt | 561247 | male |
| L58 | Parcelrack | 560900 | female | L184 | Servicecmpt. | 561247 | male |
| L58A | Parcelrack | 560898 | male | L185.A | Servicecmpt. | 561539 | male |
| L63 | Front_Side_LH | 562155 | male | L185.B | Servicecmpt. | 561539 | male |
| L64 | Outside_Front_RH | 562155 | male | L186.A | Dash | 561539 | male |
| L65 | Outside_Front_LH | 562155 | male | L186.B | Dash | 561539 | male |
| L66 | Out_Side_Front_LH | 562155 | male | L187 | Engine_Cmpt | 561690 | male |
| L67 | 4th_Lugg_Cmpt | 562155 | male | L188 | Service_Cmpt | 562486 | female |
| L68 | 4th_Lugg_Cmpt | 562155 | male | L199 | Enginecmpt. | 562848 | male |
| L69 | 4th_Lugg_Cmpt | 562155 | male | L204 | Parcel_Rack_RH | 562803 | male |
| L70 | 4th_Lugg_Cmpt | 562155 | male | L205 | Enginecmpt. | 562485 | male |
| L72 | Rear_Vehicle | 562155 | male | L206 | Parcel_Rack_RH | 562803 | male |
| L74 | Rear_Vehicle | 562155 | male | L208 | Outside_Front_LH | 564733 | female |
| L75 | Rearenginedoor | 562155 | male | L209 | Outside_Front_RH | 564733 | female |
| L76 | Rear_engine_door | 562155 | male | L282 | Engine_Cmpt | 561690 | male |
| L81.A | Rear_Vehicle | 562835 | female | L285.A | Rear_Vehicle | 562835 | female |

CONNECTORS LIST

| No | Location | Part # | Gender | No | Location | Part # | Gender |
|----------|--------------------|--------|--------|----------|-----------------|--------|--------|
| L285.B | Rear_Vehicle | 562834 | male | R21 | FJB | 560525 | male |
| L286.A | Rear_Vehicle | 562835 | female | R26 | Evap_Cmpt | 564496 | male |
| L286.B | Rear_Vehicle | 562834 | male | R29 | RJB | 563409 | male |
| L290 | Engine_door | 562565 | female | R30 | FJB | 564496 | male |
| L291 | Engine_door | 562565 | female | R31 | FJB | 564496 | male |
| L298A | Engincmpt. | 563590 | female | R34 | RJB | 564210 | male |
| L306 | RJBcmpt. | 561247 | male | R36 | Dash | 564496 | male |
| L319 | Under_WCL_platform | 561247 | male | R37 | Dash | 564496 | male |
| L350A.A | Rearaxlecmpt. | 564552 | male | R38 | FJB | 564496 | male |
| L350A.B | Rearaxlecmpt. | 563340 | male | R40 | RJB | 564496 | male |
| Mic_Driv | Parcel_rack | 560999 | male | R45.B | RJB | 562291 | female |
| Mic_Driv | Parcel_rack | 560999 | male | R45.D | RJB | 562651 | female |
| Mic_Gui | Parcel_rack | 560999 | male | R47 | Parcelrack | 564496 | male |
| Mic_Gui | Parcel_rack | 560999 | male | R_12VISS | Parcel_rack | 564496 | male |
| Mo12 | Engine_Cmpt | 561690 | male | Res1 | Front | 563590 | female |
| Mo13 | Engine_Cmpt | 561690 | male | Res3.A | RJB | 563590 | female |
| Mo14 | Engine_Cmpt | 561566 | female | Res4 | FJB | 563590 | female |
| Mo15 | Front_Ceiling | 563517 | female | Res6 | FJB | 563590 | female |
| Mo16 | Front_Ceiling | 563517 | female | Res6A | FJB | 563589 | male |
| Mo17 | RH_Console | 562350 | male | Res6A | FJB | 563590 | female |
| Mo65 | Engincmpt. | 568089 | male | Res6B | FJB | 563589 | male |
| Mo67 | Engincmpt. | 568089 | male | Res6B | FJB | 563590 | female |
| Mo68 | Engincmpt. | 568089 | male | Res15 | Engine_Cmpt | 561782 | male |
| Mo69 | Engincmpt. | 568089 | male | Res31 | Ureacmpt. | 562350 | male |
| Mo70 | Engincmpt. | 568089 | male | Res32 | Ureacmpt. | 563764 | female |
| Mo71 | Engincmpt. | 568089 | male | Res44 | FJB | 563590 | female |
| Mo72 | Engincmpt. | 568089 | male | Se14.A | Driver_Area | 561782 | male |
| Mo73 | Engincmpt. | 568089 | male | Se14.B | Driver_Area | 561781 | female |
| PC1 | FJB | 562650 | male | Se19_P | Service_Cmpt | 563677 | male |
| PC1 | FJB | 562649 | female | Se19_S | Service_Cmpt | 563677 | male |
| PF | FJB | 561782 | male | Se23 | Engine_Cmpt | 563159 | female |
| PF | FJB | 561781 | female | Se24 | Evap_Cmpt | 563758 | female |
| PF1 | Passenger_Area | 561782 | male | Se25 | Passenger_Area | 561248 | female |
| PF1 | Passenger_Area | 561781 | female | Se28 | Pneumatic_plate | 561690 | male |
| PR | Parcelrack | 561782 | male | Se29 | Engine_Cmpt | 561566 | female |
| PR | Parcelrack | 561781 | female | Se30 | Enginedoor | 562877 | female |
| PR1 | Passenger_Area | 561782 | male | Se31 | Enginedoor | 562877 | female |
| PR1 | Passenger_Area | 561781 | female | Se32 | Rear_Axle_Cmpt | 562426 | male |
| R3 | RJB | 563409 | male | Se33 | Rear_Axle_Cmpt | 562856 | male |
| R4 | FJB | 564496 | male | Se35 | Rear_Axle_Cmpt | 562426 | male |
| R12 | Evap_Cmpt | 563409 | male | Se36 | Rear_Axle_Cmpt | 562427 | male |
| R16 | RJB | 564496 | male | Se37 | Front_Axle_LH | 641132 | female |
| R20 | RJB | 564496 | male | Se38 | Front_Axle_RH | 641132 | female |

CONNECTORS LIST

| No | Location | Part # | Gender | No | Location | Part # | Gender |
|---------|-----------------|--------|--------|--------|------------------|--------|--------|
| Se39 | Rear_Axle_LH | 641132 | female | spBar2 | Condensorcmt. | 564135 | male |
| Se40 | Rear_Axle_LH | 641132 | female | spBar2 | Condensorcmt. | 564135 | male |
| Se41 | Condensor_cmt. | 562877 | female | spBar2 | Enginccmt. | 564135 | male |
| Se46 | Rearaxlecmpt. | 562348 | female | spBar2 | Enginccmt. | 564135 | male |
| Se63 | Rearaxlecmpt. | 641132 | female | spBar2 | Enginccmt. | 564135 | male |
| Se64 | Rearaxlecmpt. | 641132 | female | Sub1.A | Passenger_Area | 564004 | female |
| Se65 | Dash | 564042 | female | Sub2.A | Passenger_Area | 564004 | female |
| Se66 | FJB | 564039 | female | Sw30 | RJB | 563135 | male |
| Se67 | Frontaxlecmpt. | 563159 | female | Sw32 | Dash | 561477 | female |
| Se69 | Frontaxlecmpt. | 563159 | female | Sw33 | Dash | 561476 | male |
| Se74 | Rear_Axle_Cmpt | 563340 | male | Sw34 | Outside_Front_RH | 562477 | male |
| Se79 | Front_Axle | 563340 | male | Sw39.A | RJB | 562403 | female |
| Se100 | WCLdoor | 562479 | female | Sw39.B | RJB | 562403 | female |
| So7 | Service_Cmpt | 561690 | male | Sw40 | LH_Console | 561690 | male |
| So8 | Servicecmpt. | 641385 | male | Sw41 | LH_Console | 562749 | male |
| So9 | Enginccmt. | 560016 | female | Sw42 | Lugg_Cmpt | 561636 | female |
| So10 | Cond_Cmpt | 562485 | male | Sw45.A | 5th_Lugg_Cmpt | 562485 | male |
| So11 | Cond_Cmpt | 561566 | female | Sw45.B | 5th_Lugg_Cmpt | 562486 | female |
| So13 | Evap_Cmpt | 563204 | female | Sw46.A | 5th_Lugg_Cmpt | 562485 | male |
| So14 | Servicecmpt. | 641385 | male | Sw46.B | 5th_Lugg_Cmpt | 562486 | female |
| So15 | Servicecmpt. | 641385 | male | Sw47.A | 3rd_Lugg_Cmpt | 562485 | male |
| So16 | Servicecmpt. | 641385 | male | Sw47.B | 3rd_Lugg_Cmpt | 562486 | female |
| So17 | Servicecmpt. | 562848 | male | Sw48.A | 3rd_Lugg_Cmpt | 562485 | male |
| So20 | Servicecmpt. | 641385 | male | Sw48.B | 3rd_Lugg_Cmpt | 562486 | female |
| So21 | Front_Axle_Cmpt | 564046 | female | Sw49.A | 2nd_Lugg_Cmpt | 562485 | male |
| So22 | Front_Axle_Cmpt | 564046 | female | Sw49.B | 2nd_Lugg_Cmpt | 562486 | female |
| So23 | Rear_Axle_Cmpt | 564046 | female | Sw50.A | 2nd_Lugg_Cmpt | 562485 | male |
| So24 | Rear_Axle_Cmpt | 564046 | female | Sw50.B | 2nd_Lugg_Cmpt | 562486 | female |
| So27 | Rearaxlecmpt. | 564045 | female | Sw51.A | 1st_Lugg_Cmpt | 562485 | male |
| So50 | Rearaxlecmpt. | 564046 | female | Sw51.B | 1st_Lugg_Cmpt | 562486 | female |
| So52 | Rearaxlecmpt. | 564045 | female | Sw52.A | 1st_Lugg_Cmpt | 562485 | male |
| So54 | Enginccmt. | 564045 | female | Sw52.B | 1st_Lugg_Cmpt | 562486 | female |
| spBar4 | Enginccmt. | 564135 | male | Sw55.A | Lavatory | 560488 | female |
| spBar5 | Enginccmt. | 564135 | male | Sw55.B | Lavatory | 560488 | female |
| spBar6 | Enginccmt. | 564135 | male | Sw56.A | Lavatory | 560488 | female |
| spBar7 | Enginccmt. | 564135 | male | Sw56.B | Lavatory | 560488 | female |
| spBar11 | Engine_Cmpt. | 564135 | male | Sw58 | Engine_Cmpt. | 563135 | male |
| spBar12 | Engine_Cmpt. | 564135 | male | Sw59 | Enginccmt. | 563135 | male |
| spBar13 | Enginccmt. | 564135 | male | Sw82 | RJB | 563135 | male |
| spBar14 | Enginccmt. | 564135 | male | Sw83 | | 564699 | male |
| spBar15 | Enginccmt. | 564135 | male | Sw85 | LH_Console | 562749 | male |
| spBar16 | Enginccmt. | 564135 | male | Sw95.A | WCLdoor | 562615 | female |
| spBar19 | Condensorcmt. | 564135 | male | Sw95.B | WCLdoor | 562615 | female |

CONNECTORS LIST

| No | Location | Part # | Gender | No | Location | Part # | Gender |
|-----------|-------------------------|--------|--------|-----------|-------------------------|--------|--------|
| Sw95.C | WCLdoor | 562615 | female | Term3 | RJBChassisGndStud | 560105 | N/A |
| Sw96.A | WCL_Door | 562615 | female | Term4 | RJB(RelayR3) | 563538 | N/A |
| Sw96.B | WCL_Door | 562615 | female | Term5 | RJBBreakersPanel | 563538 | N/A |
| Sw96.C | WCLdoor | 562615 | female | Term7 | RJB | 563538 | N/A |
| Sw97.A | WCLsystem | 562615 | female | Term12VD4 | RJBMasterRelay | 561964 | N/A |
| Sw97.B | WCLsystem | 562615 | female | Term20 | RJB(RelayR3) | 563538 | N/A |
| Sw97.C | WCLsystem | 562615 | female | Term28 | Evap_Cmpt | 560587 | N/A |
| Sw98.A | WCLsystem | 562615 | female | Term36 | FJBGndStud | 560895 | N/A |
| Sw98.B | WCLsystem | 562615 | female | Term37 | FJBGndStud | 560894 | N/A |
| Sw98.C | WCLsystem | 562615 | female | Term43 | FJBGndStud | 563662 | N/A |
| Sw152 | Driver_Area | 562471 | male | Term46 | Evap_Cmpt | 560108 | N/A |
| TBat1 | RJB | 563538 | N/A | Term47 | RJB | 561560 | N/A |
| TBat3 | RJB | 563538 | N/A | Term50 | RJB | 561626 | N/A |
| TBat5 | RJB | 563538 | N/A | Term54 | RJB | 562880 | N/A |
| TBat13 | RJB | 560111 | N/A | Term59 | EvapCmpt.ChassisGndStud | 560105 | N/A |
| TBat15 | RJB | 563329 | N/A | Term64 | Evap_Cmpt | 560108 | N/A |
| TBat24 | RJB | 560895 | N/A | Term75 | Engine_Cmpt | 564115 | N/A |
| TBat25 | RJBMasterRelay | 562880 | N/A | term76 | Engine_Cmpt | 565165 | N/A |
| TBat35 | RJB | 560083 | N/A | Term103-A | Engine_Cmpt | 568125 | N/A |
| TBat36 | RJB | 560083 | N/A | Term103-B | Engine_Cmpt | 564026 | N/A |
| TBat39 | RJB | 562880 | N/A | Term106 | RJB | 565166 | N/A |
| TBat40 | RJB | 560895 | N/A | Term107 | EvapCmpt.ChassisGndStud | 564203 | N/A |
| Term0A | FJBGndStud | 560083 | N/A | Term116 | Engine_Cmpt | 563538 | N/A |
| Term00A | FJB | 560093 | N/A | Term117 | Engine_Cmpt | 563538 | N/A |
| Term0EV1 | EvapCmpt.ChassisGndStud | 561560 | N/A | Term126 | RJB(RelayR3) | 563538 | N/A |
| Term0EV2 | EvapCmpt.ChassisGndStud | 560083 | N/A | Term127 | RJB(RelayR3) | 561789 | N/A |
| Term0F | FJBGndStud | 561246 | N/A | Term130 | RJB | 560894 | N/A |
| Term00F | RJB | 560086 | N/A | Term131 | FJBGndStud | 561696 | N/A |
| Term00F1 | FJB | 560086 | N/A | Term132 | FJBGndStud | 560895 | N/A |
| Term0F2 | FJBGndStud | 560083 | N/A | Term135 | Engine_Cmpt | 564280 | N/A |
| Term00F2 | FJB | 563354 | N/A | Term141 | Engine_Cmpt | 565166 | N/A |
| Term00F3 | FJB | 560086 | N/A | Term145 | Fr_LH_P_Rack | 563623 | N/A |
| Term00F4 | RJB | 560086 | N/A | Term149 | UreaCmpt. | 561964 | N/A |
| Term0FH | FJBGndStud | 560083 | N/A | Term149A | UreaCmpt. | 561964 | N/A |
| Term00FH3 | FJB | 561246 | N/A | Term151 | RJBBreakersPanel | 563537 | N/A |
| Term00FH4 | FJB | 561246 | N/A | Term153A | RJBBreakersPanel | 563537 | N/A |
| Term0R1 | RJBChassisGndStud | 560083 | N/A | Term154A | EvapCmpt.ChassisGndStud | 560105 | N/A |
| Term00R1 | RJB | 560086 | N/A | Term154H | Parcel_Rack_LH | 560587 | N/A |
| Term00R2 | RJB | 560103 | N/A | Term155H | Parcel_Rack_LH | 560587 | N/A |
| Term00R3 | RJB | 560086 | N/A | Term159 | Fr_L_P_Rack | 565199 | N/A |
| Term00R4 | RJB | 563354 | N/A | Term160 | Fr_L_P_Rack | 565201 | N/A |
| Term00R5 | RJB | 563354 | N/A | Term161 | Fr_L_P_Rack | 565199 | N/A |
| Term2 | FJBGndStud | 560083 | N/A | Term163A | Fr_L_P_Rack | 560094 | N/A |

CONNECTORS LIST

| No | Location | Part # | Gender | No | Location | Part # | Gender |
|-------------|-------------------|--------|--------|------------|------------------|--------|--------|
| Term163B | Fr_L_P_Rack | 560094 | N/A | Term_CB6 | RJB | 564024 | N/A |
| Term163C | Fr_L_P_Rack | 560094 | N/A | Term_CB6A | RJBBreakersPanel | 561560 | N/A |
| Term164A | Fr_L_P_Rack | 560094 | N/A | Term_CB8 | RJBBreakersPanel | 564027 | N/A |
| Term164B | Fr_L_P_Rack | 560094 | N/A | Term_CB9A | RJB | 561246 | N/A |
| Term164C | Fr_L_P_Rack | 560094 | N/A | Term_CB10 | RJBBreakersPanel | 564026 | N/A |
| Term165A | Fr_L_P_Rack | 560094 | N/A | Term_CB11 | RJBBreakersPanel | 561560 | N/A |
| Term165B | Fr_L_P_Rack | 560094 | N/A | Term_CB12 | RJBBreakersPanel | 560105 | N/A |
| Term165C | Fr_L_P_Rack | 560094 | N/A | Term_CB13 | RJBBreakersPanel | 560105 | N/A |
| Term169A | Fr_L_P_Rack | 560094 | N/A | Term_Evap | Evap_Cmpt | 560108 | N/A |
| Term169B | Fr_L_P_Rack | 560094 | N/A | Term_Evap | Evap_Cmpt | 561788 | N/A |
| Term169C | Fr_L_P_Rack | 560094 | N/A | Term_FJB | FJB | 561966 | N/A |
| Term170A | Fr_L_P_Rack | 560094 | N/A | Term_Inv_2 | RJBBreakersPanel | 563537 | N/A |
| Term170B | Fr_L_P_Rack | 560094 | N/A | Term_Inv_C | RJBBreakersPanel | 563537 | N/A |
| Term170C | Fr_L_P_Rack | 560094 | N/A | Term_R_M | RJBBreakersPanel | 560104 | N/A |
| Term180 | Engine_Cmpt | 560894 | N/A | Term_R_M | Engine_Cmpt | 560103 | N/A |
| Term200 | Engine_Cmpt | 560027 | N/A | Term_RJB | RJBMasterRelay | 563536 | N/A |
| Term201 | FJBGndStud | 564116 | N/A | Term_RJB | RJB | 561966 | N/A |
| Term210 | Engine_Cmpt | 560840 | N/A | Term_VECF | FJB | 564028 | N/A |
| Term211 | Engine_Cmpt | 560826 | N/A | Term_VECF | FJB | 564023 | N/A |
| Term212 | Engine_Cmpt | 565165 | N/A | Term_VECF | FJB | 564027 | N/A |
| Term213 | Engine_Cmpt | 561458 | N/A | Term_VECR | RJB | 564025 | N/A |
| Term230 | RJB | 560895 | N/A | Term_VECR | RJB | 564024 | N/A |
| Term610 | RJBChassisGndStud | 561964 | N/A | Term_VECR | RJB | 564025 | N/A |
| Term611 | RJBChassisGndStud | 561818 | N/A | TermA26P2 | RJBBreakersPanel | 562405 | N/A |
| Term640 | Fr_L_P_Rack | 560094 | N/A | TermAFSS | Luggage_Cmpt | 560083 | N/A |
| Term641 | Fr_L_P_Rack | 560094 | N/A | TermF26 | FJB | 562101 | N/A |
| Term642 | Fr_L_P_Rack | 560094 | N/A | TermGnd | Evap_Cmpt | 561964 | N/A |
| Term643 | Fr_L_P_Rack | 560094 | N/A | TermGnd1 | Rr_Seat | 561626 | N/A |
| Term644 | Fr_L_P_Rack | 560094 | N/A | TermL74 | Fr_LH_P_Rack | 563623 | N/A |
| Term645 | Fr_L_P_Rack | 560094 | N/A | TermNeg | Engine_Cmpt | 560086 | N/A |
| Term_12V_E | RJB | 560926 | N/A | TermPos | Engine_Cmpt | 560086 | N/A |
| Term_AE48J | Fr_LH_P_Rack | 562806 | N/A | TermR5 | Fr_LH_P_Rack | 563623 | N/A |
| Term_AE48J | Fr_LH_P_Rack | 562806 | N/A | TermR12 | Evap_Cmpt | 560096 | N/A |
| Term_AE48J | Fr_LH_P_Rack | 562806 | N/A | TermR12-3 | Evap_Cmpt | 561788 | N/A |
| Term_AE55J | Fr_LH_P_Rack | 562806 | N/A | TermR12-5 | Evap_Cmpt | 561788 | N/A |
| Term_AE55J | Fr_LH_P_Rack | 562806 | N/A | TermR21-A | FJB | 560076 | N/A |
| Term_c600.2 | Fr_LH_P_Rack | 562286 | N/A | TermR21-B | FJB | 560076 | N/A |
| Term_c600.3 | Fr_LH_P_Rack | 562286 | N/A | TermR210.A | Parcelrack | 560076 | N/A |
| Term_CB1 | RJBBreakersPanel | 564025 | N/A | TermR210.B | Parcelrack | 560076 | N/A |
| Term_CB2 | RJB | 564024 | N/A | TermRad1 | FJBGndStud | 561955 | N/A |
| Term_CB2A | RJBBreakersPanel | 561560 | N/A | TermRad2 | FJBGndStud | 561955 | N/A |
| Term_CB3 | RJBBreakersPanel | 564025 | N/A | TermRHC1 | FJB | 561560 | N/A |
| Term_CB5 | RJBBreakersPanel | 564025 | N/A | TermRHC2 | FJB | 563354 | N/A |

FUSES LIST

| No | Location | Part # | Function | Rating | Page |
|-----|------------|--------|--------------------|---------|--------|
| F4 | FuseBoxFJB | 563280 | TransiShift | 5amp | 4.2 |
| F10 | FuseBoxFJB | 563280 | Networks | Cluster | lights |
| F11 | FuseBoxFJB | 563282 | Horn | 20amp | 4.1 |
| F12 | FuseBoxFJB | 563284 | Spare | 15amp | 4.1 |
| F13 | FuseBoxFJB | 563284 | 12VDCustomer | 15amp | 4.1 |
| F14 | FuseBoxFJB | 563135 | Spare | 30amp | 4.1 |
| F15 | FuseBoxFJB | 563280 | VLink_Gateway | 5amp | 4.1 |
| F16 | FuseBoxFJB | 563284 | 12VEng.run | 15amp | 4.1 |
| F17 | FuseBoxFJB | 563165 | Multiplexpower | 30amp | 4.1 |
| F18 | FuseBoxFJB | 563165 | Multiplexpower | 30amp | 4.1 |
| F19 | FuseBoxFJB | 563165 | Multiplexpower | 30amp | 4.1 |
| F20 | FuseBoxFJB | 563280 | Multiplexpower | 5amp | 4.1 |
| F21 | FuseBoxFJB | 563165 | Multiplexpower | 30amp | 4.1 |
| F22 | FuseBoxFJB | 563280 | ELD | 5amp | 4.1 |
| F23 | FuseBoxFJB | 563165 | ESP | 30amp | 4.1 |
| F24 | FuseBoxFJB | 563284 | 12VIgn | 15amp | 4.1 |
| F25 | FuseBoxFJB | 563284 | 12Voutlets | 15amp | 4.1 |
| F26 | FuseBoxFJB | 563284 | Spare | 15amp | 4.1 |
| F27 | FuseBoxFJB | 563165 | Spare | 30amp | 4.1 |
| F29 | FuseBoxFJB | 563283 | Networks | 10amp | 4.1 |
| F30 | FuseBoxFJB | 563280 | Networks | 5amp | 4.1 |
| F33 | FuseBoxFJB | 563280 | Multiplexpower | 5amp | 4.2 |
| F34 | FuseBoxFJB | 563280 | Multiplexpower | 5amp | 4.2 |
| F35 | FuseBoxFJB | 563280 | Multiplexpower | 5amp | 4.2 |
| F36 | FuseBoxFJB | 563280 | Startswitch | 5amp | 4.2 |
| F37 | FuseBoxFJB | 563280 | Haz/ExtDoorSw | 5amp | 4.2 |
| F39 | FuseBoxFJB | 563284 | 24VD | 15amp | 4.2 |
| F40 | FuseBoxFJB | 563284 | Firesuppression | 15amp | 4.2 |
| F41 | FuseBoxFJB | 563280 | Spare | 5amp | 4.2 |
| F42 | FuseBoxFJB | 563283 | TransmissionIShift | 10amp | 4.1 |
| F43 | FuseBoxFJB | 563282 | TransmissionIShift | 20amp | 4.1 |
| F44 | FuseBoxFJB | 563165 | Multiplexpower | 30amp | 4.2 |
| F45 | FuseBoxFJB | 563165 | Multiplexpower | 30amp | 4.2 |
| F46 | FuseBoxFJB | 563280 | Multiplexpower | 5amp | 4.2 |
| F47 | FuseBoxFJB | 563280 | Multiplexpower | 5amp | 4.2 |
| F50 | FuseBoxFJB | 563165 | HVACdefroster | 30amp | 4.2 |
| F51 | FuseBoxFJB | 563280 | Destinationsigns | 5amp | 4.2 |
| F52 | FuseBoxFJB | 563280 | FMSGW | 5amp | 4.2 |
| F53 | FuseBoxFJB | 563283 | Clock&VSS | 10amp | 4.2 |
| F54 | FuseBoxFJB | 563283 | ElectronicMirror | 10amp | 4.2 |
| F55 | FuseBoxFJB | 563283 | B-UpCam | 10amp | 4.2 |
| F56 | FuseBoxFJB | 563284 | Spare | 15amp | 4.2 |
| F57 | FuseBoxFJB | 563283 | Spare | 10amp | 4.2 |

FUSES LIST

| No | Location | Part # | Function | Rating | Page |
|------|------------|--------|-----------------------|--------|------|
| F58 | FuseBoxFJB | 563284 | Spare | 15amp | 4.2 |
| F73 | FuseBoxRJB | 563283 | EngineECUVolvo | 20amp | 5.1 |
| F90 | FuseBoxRJB | 563282 | Ureasystem | 20amp | 5.1 |
| F91 | FuseBoxRJB | 563282 | EngineECUVolvo | 20amp | 5.1 |
| F95 | FuseBoxFJB | 563280 | FMSGWIGN | 5amp | 4.2 |
| F96 | FuseBoxRJB | 563280 | *opt* | 5amp | 5.1 |
| F99 | FuseBoxRJB | 563165 | EngineECUVolvo | 30amp | 5.1 |
| F100 | FuseBoxRJB | 563283 | EngineECUVolvo | 10amp | 5.1 |
| F101 | FuseBoxRJB | 564520 | PowerforMasterrelay | 300Amp | 3.1 |
| F105 | FuseBoxRJB | 563282 | Spare | 20amp | 5.1 |
| F106 | FuseBoxRJB | 563153 | Multiplexpower | 30amp | 5.1 |
| F107 | FuseBoxRJB | 563153 | Multiplexpower | 30amp | 5.1 |
| F108 | FuseBoxRJB | 563280 | Networks | 5amp | 5.1 |
| F109 | FuseBoxRJB | 563280 | Engine&RJBcmpt.lights | 5amp | 5.1 |
| F110 | FuseBoxRJB | 563283 | TransmissionAlisson | 10amp | 5.1 |
| F112 | FuseBoxRJB | 563165 | Trailer | 30amp | 5.1 |
| F113 | FuseBoxRJB | 563283 | Spare | 10amp | 5.1 |
| F114 | FuseBoxRJB | 563284 | Spare | 15amp | 5.1 |
| F115 | FuseBoxRJB | 563283 | Spare | 10amp | 5.1 |
| F116 | FuseBoxRJB | 563284 | Spare | 15amp | 5.1 |
| F117 | FuseBoxRJB | 563283 | Spare | 10amp | 5.1 |
| F118 | FuseBoxRJB | 563284 | Spare | 15amp | 5.1 |
| F119 | FuseBoxRJB | 563283 | Spare | 10amp | 5.1 |
| F120 | FuseBoxRJB | 563284 | Spare | 15amp | 5.1 |
| F121 | FuseBoxRJB | 563284 | Powerforcustomer | 15amp | 5.1 |
| F122 | FuseBoxRJB | 563283 | Equalizer | 10amp | 5.1 |
| F123 | FuseBoxRJB | 563153 | Pre-heat | 25amp | 5.1 |
| F124 | FuseBoxRJB | 563153 | Pre-heat | 25amp | 5.1 |
| F126 | FuseBoxRJB | 563280 | EngineECU&HVAC | 5amp | 5.1 |
| F127 | FuseBoxRJB | 563284 | Pre-heat | 15amp | 5.1 |
| F129 | FuseBoxRJB | 563284 | Spare | 15amp | 5.1 |
| F130 | FuseBoxRJB | 563284 | Spare | 15amp | 5.1 |
| F131 | FuseBoxRJB | 563280 | Powerforcustomer | 5amp | 5.1 |
| F132 | FuseBoxRJB | 563280 | A57Pwr | 5amp | 5.1 |
| F133 | FuseBoxRJB | 563165 | A49Pwr | 30amp | 5.1 |
| F134 | FuseBoxRJB | 563165 | A52Pwr | 30amp | 5.1 |
| F135 | FuseBoxRJB | 563165 | A54Pwr | 30amp | 5.1 |
| F136 | FuseBoxRJB | 563165 | A53Pwr | 30amp | 5.1 |
| F137 | FuseBoxRJB | 563280 | Spare | 5amp | 5.1 |
| F138 | FuseBoxRJB | 563280 | Readinglamps&chime | 5amp | 5.1 |
| F139 | FuseBoxRJB | 563283 | Alternators | 10amp | 5.1 |
| F140 | FuseBoxRJB | 563283 | Spare | 10amp | 5.1 |
| F141 | FuseBoxRJB | 563284 | CondMo7 | 20amp | 5.1 |

FUSES LIST

| No | Location | Part # | Function | Rating | Page |
|------|--------------------------|--------|---------------------------|--------|-------|
| F142 | FuseBoxRJB | 563284 | CondMo8 | 20amp | 5.1 |
| F143 | FuseBoxRJB | 563284 | CondMo27 | 20amp | 5.1 |
| F144 | FuseBoxRJB | 563284 | CondMo28 | 20amp | 5.1 |
| F145 | FuseBoxRJB | 563153 | P.Rack_Fan | 25amp | 5.1 |
| F146 | FuseBoxRJB | 563283 | Spare | 10amp | 5.1 |
| F147 | FuseBoxRJB | 563284 | 24WUPCust | 15amp | 5.1 |
| F148 | FuseBoxRJB | 563165 | 12VSoundSyst | 30amp | 5.1 |
| F149 | FuseBoxRJB | 563282 | UreaSystem | 20amp | 5.1 |
| F150 | FuseBoxRJB | 563283 | SpareVECR | 10amp | 5.1 |
| F151 | FuseBoxRJB | 563284 | Spare | 15amp | 5.1 |
| F152 | FuseBoxRJB | 563283 | Spare | 10amp | 5.1 |
| F156 | RJB | 560893 | UNICAN | 3Amp | 200.7 |
| F157 | Evap_Cmpt | 560553 | Plasma | 5amp | 60.1 |
| F199 | RJB | 564520 | Electricfansdrive | 300A | 13.1 |
| F200 | Parcel_Rack_LH_1st_Cmpt_ | 563284 | VSSHDMI | 15Amp | 35.6 |
| F201 | Parcel_Rack_LH_1st_Cmpt_ | 563284 | VSSHDMI | 15Amp | 35.6 |
| F202 | Parcel_Rack_LH_1st_Cmpt_ | 563284 | VSSHDMI | 15Amp | 35.6 |
| F203 | Parcel_Rack_LH_1st_Cmpt_ | 563282 | VSSHDMI | 20Amp | 35.6 |
| F209 | RJB | 564174 | Enginepre-heaterpower | 150A | 14.1 |
| F243 | RJB | 560893 | 24VwhileEvap.relaypowered | 3Amp | 18.2 |
| F300 | Dashboard | 563280 | RearCameraRly | 5amp | 28.1 |
| F301 | VECT | 563284 | VECTTrailerinterface | 15amp | 26.4 |
| F302 | VECT | 563284 | VECTTrailerinterface | 15amp | 26.4 |
| F303 | VECT | 563284 | VECTTrailerinterface | 15amp | 26.4 |
| F304 | VECT | 563284 | VECTTrailerinterface | 15amp | 26.4 |
| F305 | VECT | 563284 | VECTTrailerinterface | 15amp | 26.4 |
| F306 | VECT | 563284 | VECTTrailerinterface | 15amp | 26.4 |
| F307 | VECT | 563284 | VECTTrailerinterface | 15amp | 26.4 |
| | | | | | |
| | | | | | |
| | | | | | |
| | | | | | |
| | | | | | |
| | | | | | |
| | | | | | |
| | | | | | |
| | | | | | |
| | | | | | |
| | | | | | |
| | | | | | |
| | | | | | |
| | | | | | |
| | | | | | |
| | | | | | |
| | | | | | |
| | | | | | |
| | | | | | |
| | | | | | |
| | | | | | |
| | | | | | |
| | | | | | |
| | | | | | |
| | | | | | |
| | | | | | |
| | | | | | |
| | | | | | |

FUSES LIST

| No | Location | Part # | Function | Rating | Page |
|-----|------------|--------|--------------------|---------|--------|
| F4 | FuseBoxFJB | 563280 | TransiShift | 5amp | 4.2 |
| F10 | FuseBoxFJB | 563280 | Networks | Cluster | lights |
| F11 | FuseBoxFJB | 563282 | Horn | 20amp | 4.1 |
| F12 | FuseBoxFJB | 563284 | Spare | 15amp | 4.1 |
| F13 | FuseBoxFJB | 563284 | 12VDCustomer | 15amp | 4.1 |
| F14 | FuseBoxFJB | 563135 | Spare | 30amp | 4.1 |
| F15 | FuseBoxFJB | 563280 | VLink_Gateway | 5amp | 4.1 |
| F16 | FuseBoxFJB | 563284 | 12VEng.run | 15amp | 4.1 |
| F17 | FuseBoxFJB | 563165 | Multiplexpower | 30amp | 4.1 |
| F18 | FuseBoxFJB | 563165 | Multiplexpower | 30amp | 4.1 |
| F19 | FuseBoxFJB | 563165 | Multiplexpower | 30amp | 4.1 |
| F20 | FuseBoxFJB | 563280 | Multiplexpower | 5amp | 4.1 |
| F21 | FuseBoxFJB | 563165 | Multiplexpower | 30amp | 4.1 |
| F22 | FuseBoxFJB | 563280 | ELD | 5amp | 4.1 |
| F23 | FuseBoxFJB | 563165 | ESP | 30amp | 4.1 |
| F24 | FuseBoxFJB | 563284 | 12VIgn | 15amp | 4.1 |
| F25 | FuseBoxFJB | 563284 | 12Voutlets | 15amp | 4.1 |
| F26 | FuseBoxFJB | 563284 | Spare | 15amp | 4.1 |
| F27 | FuseBoxFJB | 563165 | Spare | 30amp | 4.1 |
| F29 | FuseBoxFJB | 563283 | Networks | 10amp | 4.1 |
| F30 | FuseBoxFJB | 563280 | Networks | 5amp | 4.1 |
| F33 | FuseBoxFJB | 563280 | Multiplexpower | 5amp | 4.2 |
| F34 | FuseBoxFJB | 563280 | Multiplexpower | 5amp | 4.2 |
| F35 | FuseBoxFJB | 563280 | Multiplexpower | 5amp | 4.2 |
| F36 | FuseBoxFJB | 563280 | Startswitch | 5amp | 4.2 |
| F37 | FuseBoxFJB | 563280 | Haz/ExtDoorSw | 5amp | 4.2 |
| F39 | FuseBoxFJB | 563284 | 24VD | 15amp | 4.2 |
| F40 | FuseBoxFJB | 563284 | Firesuppression | 15amp | 4.2 |
| F41 | FuseBoxFJB | 563280 | Spare | 5amp | 4.2 |
| F42 | FuseBoxFJB | 563283 | TransmissionIShift | 10amp | 4.1 |
| F43 | FuseBoxFJB | 563282 | TransmissionIShift | 20amp | 4.1 |
| F44 | FuseBoxFJB | 563165 | Multiplexpower | 30amp | 4.2 |
| F45 | FuseBoxFJB | 563165 | Multiplexpower | 30amp | 4.2 |
| F46 | FuseBoxFJB | 563280 | Multiplexpower | 5amp | 4.2 |
| F47 | FuseBoxFJB | 563280 | Multiplexpower | 5amp | 4.2 |
| F50 | FuseBoxFJB | 563165 | HVACdefroster | 30amp | 4.2 |
| F51 | FuseBoxFJB | 563280 | Destinationsigns | 5amp | 4.2 |
| F52 | FuseBoxFJB | 563280 | FMSGW | 5amp | 4.2 |
| F53 | FuseBoxFJB | 563283 | Clock&VSS | 10amp | 4.2 |
| F54 | FuseBoxFJB | 563283 | ElectronicMirror | 10amp | 4.2 |
| F55 | FuseBoxFJB | 563283 | B-UpCam | 10amp | 4.2 |
| F56 | FuseBoxFJB | 563284 | Spare | 15amp | 4.2 |
| F57 | FuseBoxFJB | 563283 | Spare | 10amp | 4.2 |

FUSES LIST

| No | Location | Part # | Function | Rating | Page |
|------|------------|--------|-----------------------|--------|------|
| F58 | FuseBoxFJB | 563284 | Spare | 15amp | 4.2 |
| F73 | FuseBoxRJB | 563283 | EngineECUVolvo | 20amp | 5.1 |
| F90 | FuseBoxRJB | 563282 | Ureasystem | 20amp | 5.1 |
| F91 | FuseBoxRJB | 563282 | EngineECUVolvo | 20amp | 5.1 |
| F95 | FuseBoxFJB | 563280 | FMSGWIGN | 5amp | 4.2 |
| F96 | FuseBoxRJB | 563280 | *opt* | 5amp | 5.1 |
| F99 | FuseBoxRJB | 563165 | EngineECUVolvo | 30amp | 5.1 |
| F100 | FuseBoxRJB | 563283 | EngineECUVolvo | 10amp | 5.1 |
| F101 | FuseBoxRJB | 564520 | PowerforMasterrelay | 300Amp | 3.1 |
| F105 | FuseBoxRJB | 563282 | Spare | 20amp | 5.1 |
| F106 | FuseBoxRJB | 563153 | Multiplexpower | 30amp | 5.1 |
| F107 | FuseBoxRJB | 563153 | Multiplexpower | 30amp | 5.1 |
| F108 | FuseBoxRJB | 563280 | Networks | 5amp | 5.1 |
| F109 | FuseBoxRJB | 563280 | Engine&RJBcmpt.lights | 5amp | 5.1 |
| F110 | FuseBoxRJB | 563283 | TransmissionAlisson | 10amp | 5.1 |
| F112 | FuseBoxRJB | 563165 | Trailer | 30amp | 5.1 |
| F113 | FuseBoxRJB | 563283 | Spare | 10amp | 5.1 |
| F114 | FuseBoxRJB | 563284 | Spare | 15amp | 5.1 |
| F115 | FuseBoxRJB | 563283 | Spare | 10amp | 5.1 |
| F116 | FuseBoxRJB | 563284 | Spare | 15amp | 5.1 |
| F117 | FuseBoxRJB | 563283 | Spare | 10amp | 5.1 |
| F118 | FuseBoxRJB | 563284 | Spare | 15amp | 5.1 |
| F119 | FuseBoxRJB | 563283 | Spare | 10amp | 5.1 |
| F120 | FuseBoxRJB | 563284 | Spare | 15amp | 5.1 |
| F121 | FuseBoxRJB | 563284 | Powerforcustomer | 15amp | 5.1 |
| F122 | FuseBoxRJB | 563283 | Equalizer | 10amp | 5.1 |
| F123 | FuseBoxRJB | 563153 | Pre-heat | 25amp | 5.1 |
| F124 | FuseBoxRJB | 563153 | Pre-heat | 25amp | 5.1 |
| F126 | FuseBoxRJB | 563280 | EngineECU&HVAC | 5amp | 5.1 |
| F127 | FuseBoxRJB | 563284 | Pre-heat | 15amp | 5.1 |
| F129 | FuseBoxRJB | 563284 | Spare | 15amp | 5.1 |
| F130 | FuseBoxRJB | 563153 | P.Rack Fan | 25amp | 5.1 |
| F131 | FuseBoxRJB | 563280 | Powerforcustomer | 5amp | 5.1 |
| F132 | FuseBoxRJB | 563280 | A57Pwr | 5amp | 5.1 |
| F133 | FuseBoxRJB | 563165 | A49Pwr | 30amp | 5.1 |
| F134 | FuseBoxRJB | 563165 | A52Pwr | 30amp | 5.1 |
| F135 | FuseBoxRJB | 563165 | A54Pwr | 30amp | 5.1 |
| F136 | FuseBoxRJB | 563165 | A53Pwr | 30amp | 5.1 |
| F137 | FuseBoxRJB | 563280 | Spare | 5amp | 5.1 |
| F138 | FuseBoxRJB | 563280 | Readinglamps&chime | 5amp | 5.1 |
| F139 | FuseBoxRJB | 563283 | Alternators | 10amp | 5.1 |
| F140 | FuseBoxRJB | 563283 | Spare | 10amp | 5.1 |
| F141 | FuseBoxRJB | 563153 | CondMo7 | 25amp | 5.1 |

FUSES LIST

| No | Location | Part # | Function | Rating | Page |
|-----|------------|--------|--------------------|---------|--------|
| F4 | FuseBoxFJB | 563280 | TransiShift | 5amp | 4.2 |
| F10 | FuseBoxFJB | 563280 | Networks | Cluster | lights |
| F11 | FuseBoxFJB | 563282 | Horn | 20amp | 4.1 |
| F12 | FuseBoxFJB | 563284 | Spare | 15amp | 4.1 |
| F13 | FuseBoxFJB | 563284 | 12VDCustomer | 15amp | 4.1 |
| F14 | FuseBoxFJB | 563135 | Spare | 30amp | 4.1 |
| F15 | FuseBoxFJB | 563280 | VLink_Gateway | 5amp | 4.1 |
| F16 | FuseBoxFJB | 563284 | 12VEng.run | 15amp | 4.1 |
| F17 | FuseBoxFJB | 563165 | Multiplexpower | 30amp | 4.1 |
| F18 | FuseBoxFJB | 563165 | Multiplexpower | 30amp | 4.1 |
| F19 | FuseBoxFJB | 563165 | Multiplexpower | 30amp | 4.1 |
| F20 | FuseBoxFJB | 563280 | Multiplexpower | 5amp | 4.1 |
| F21 | FuseBoxFJB | 563165 | Multiplexpower | 30amp | 4.1 |
| F22 | FuseBoxFJB | 563280 | ELD | 5amp | 4.1 |
| F23 | FuseBoxFJB | 563165 | ESP | 30amp | 4.1 |
| F24 | FuseBoxFJB | 563284 | 12Vlgn | 15amp | 4.1 |
| F25 | FuseBoxFJB | 563284 | 12Voutlets | 15amp | 4.1 |
| F26 | FuseBoxFJB | 563284 | Spare | 15amp | 4.1 |
| F27 | FuseBoxFJB | 563165 | Spare | 30amp | 4.1 |
| F29 | FuseBoxFJB | 563283 | Networks | 10amp | 4.1 |
| F30 | FuseBoxFJB | 563280 | Networks | 5amp | 4.1 |
| F33 | FuseBoxFJB | 563280 | Multiplexpower | 5amp | 4.2 |
| F34 | FuseBoxFJB | 563280 | Multiplexpower | 5amp | 4.2 |
| F35 | FuseBoxFJB | 563280 | Multiplexpower | 5amp | 4.2 |
| F36 | FuseBoxFJB | 563280 | Startswitch | 5amp | 4.2 |
| F37 | FuseBoxFJB | 563280 | Haz/ExtDoorSw | 5amp | 4.2 |
| F39 | FuseBoxFJB | 563284 | 24VD | 15amp | 4.2 |
| F40 | FuseBoxFJB | 563284 | Firesuppression | 15amp | 4.2 |
| F41 | FuseBoxFJB | 563280 | Spare | 5amp | 4.2 |
| F42 | FuseBoxFJB | 563283 | TransmissionIShift | 10amp | 4.1 |
| F43 | FuseBoxFJB | 563282 | TransmissionIShift | 20amp | 4.1 |
| F44 | FuseBoxFJB | 563165 | Multiplexpower | 30amp | 4.2 |
| F45 | FuseBoxFJB | 563165 | Multiplexpower | 30amp | 4.2 |
| F46 | FuseBoxFJB | 563280 | Multiplexpower | 5amp | 4.2 |
| F47 | FuseBoxFJB | 563280 | Multiplexpower | 5amp | 4.2 |
| F50 | FuseBoxFJB | 563165 | HVACdefroster | 30amp | 4.2 |
| F51 | FuseBoxFJB | 563280 | Destinationsigns | 5amp | 4.2 |
| F52 | FuseBoxFJB | 563280 | FMSGW | 5amp | 4.2 |
| F53 | FuseBoxFJB | 563283 | Clock&VSS | 10amp | 4.2 |
| F54 | FuseBoxFJB | 563283 | ElectronicMirror | 10amp | 4.2 |
| F55 | FuseBoxFJB | 563283 | B-UpCam | 10amp | 4.2 |
| F56 | FuseBoxFJB | 563284 | Spare | 15amp | 4.2 |
| F57 | FuseBoxFJB | 563283 | Spare | 10amp | 4.2 |

FUSES LIST

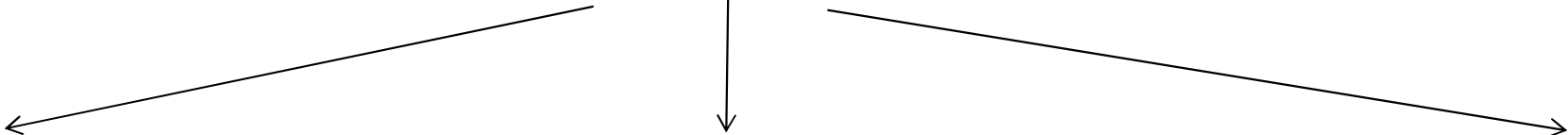
| No | Location | Part # | Function | Rating | Page |
|------|------------|--------|-----------------------|--------|------|
| F58 | FuseBoxFJB | 563284 | Spare | 15amp | 4.2 |
| F73 | FuseBoxRJB | 563283 | EngineECUVolvo | 20amp | 5.1 |
| F90 | FuseBoxRJB | 563282 | Ureasystem | 20amp | 5.1 |
| F91 | FuseBoxRJB | 563282 | EngineECUVolvo | 20amp | 5.1 |
| F95 | FuseBoxFJB | 563280 | FMSGWIGN | 5amp | 4.2 |
| F96 | FuseBoxRJB | 563280 | *opt* | 5amp | 5.1 |
| F99 | FuseBoxRJB | 563165 | EngineECUVolvo | 30amp | 5.1 |
| F100 | FuseBoxRJB | 563283 | EngineECUVolvo | 10amp | 5.1 |
| F101 | FuseBoxRJB | 564520 | PowerforMasterrelay | 300Amp | 3.1 |
| F105 | FuseBoxRJB | 563282 | Spare | 20amp | 5.1 |
| F106 | FuseBoxRJB | 563153 | Multiplexpower | 30amp | 5.1 |
| F107 | FuseBoxRJB | 563153 | Multiplexpower | 30amp | 5.1 |
| F108 | FuseBoxRJB | 563280 | Networks | 5amp | 5.1 |
| F109 | FuseBoxRJB | 563280 | Engine&RJBcmpt.lights | 5amp | 5.1 |
| F110 | FuseBoxRJB | 563283 | TransmissionAlisson | 10amp | 5.1 |
| F112 | FuseBoxRJB | 563165 | Trailer | 30amp | 5.1 |
| F113 | FuseBoxRJB | 563283 | Spare | 10amp | 5.1 |
| F114 | FuseBoxRJB | 563284 | Spare | 15amp | 5.1 |
| F115 | FuseBoxRJB | 563283 | Spare | 10amp | 5.1 |
| F116 | FuseBoxRJB | 563284 | Spare | 15amp | 5.1 |
| F117 | FuseBoxRJB | 563283 | Spare | 10amp | 5.1 |
| F118 | FuseBoxRJB | 563284 | Spare | 15amp | 5.1 |
| F119 | FuseBoxRJB | 563283 | Spare | 10amp | 5.1 |
| F120 | FuseBoxRJB | 563284 | Spare | 15amp | 5.1 |
| F121 | FuseBoxRJB | 563284 | Powerforcustomer | 15amp | 5.1 |
| F122 | FuseBoxRJB | 563283 | Equalizer | 10amp | 5.1 |
| F123 | FuseBoxRJB | 563153 | Spare | 25amp | 5.1 |
| F124 | FuseBoxRJB | 563153 | Spare | 25amp | 5.1 |
| F126 | FuseBoxRJB | 563280 | EngineECU&HVAC | 5amp | 5.1 |
| F127 | FuseBoxRJB | 563284 | Spare | 15amp | 5.1 |
| F129 | FuseBoxRJB | 563284 | Spare | 15amp | 5.1 |
| F130 | FuseBoxRJB | 563153 | P.Rack Fan | 25amp | 5.1 |
| F131 | FuseBoxRJB | 563280 | Powerforcustomer | 5amp | 5.1 |
| F132 | FuseBoxRJB | 563280 | A57Pwr | 5amp | 5.1 |
| F133 | FuseBoxRJB | 563165 | A49Pwr | 30amp | 5.1 |
| F134 | FuseBoxRJB | 563165 | A52Pwr | 30amp | 5.1 |
| F135 | FuseBoxRJB | 563165 | A54Pwr | 30amp | 5.1 |
| F136 | FuseBoxRJB | 563165 | A53Pwr | 30amp | 5.1 |
| F137 | FuseBoxRJB | 563280 | Spare | 5amp | 5.1 |
| F138 | FuseBoxRJB | 563280 | Readinglamps&chime | 5amp | 5.1 |
| F139 | FuseBoxRJB | 563283 | Alternators | 10amp | 5.1 |
| F140 | FuseBoxRJB | 563283 | Spare | 10amp | 5.1 |
| F141 | FuseBoxRJB | 563153 | CondMo7 | 25amp | 5.1 |

FUSES LIST

| No | Location | Part # | Function | Rating | Page |
|------|--------------------------|--------|---------------------------|--------|-------|
| F142 | FuseBoxRJB | 563153 | CondMo8 | 25amp | 5.1 |
| F143 | FuseBoxRJB | 563153 | CondMo27 | 25amp | 5.1 |
| F144 | FuseBoxRJB | 563153 | CondMo28 | 25amp | 5.1 |
| F145 | FuseBoxRJB | 563153 | Spare | 25amp | 5.1 |
| F146 | FuseBoxRJB | 563283 | Spare | 10amp | 5.1 |
| F147 | FuseBoxRJB | 563284 | 24WUPCust | 15amp | 5.1 |
| F148 | FuseBoxRJB | 563165 | 12VSoundSyst | 30amp | 5.1 |
| F149 | FuseBoxRJB | 563282 | UreaSystem | 20amp | 5.1 |
| F150 | FuseBoxRJB | 563283 | Pre-heat | 25amp | 5.1 |
| F151 | FuseBoxRJB | 563284 | Pre-heat | 25amp | 5.1 |
| F152 | FuseBoxRJB | 563283 | Pre-heat | 15amp | 5.1 |
| F156 | RJB | 560893 | UNICAN | 3Amp | 200.7 |
| F157 | Evap_Cmpt | 560553 | Plasma | 5amp | 60.1 |
| F199 | RJB | 564520 | Electricfansdrive | 300A | 13.1 |
| F200 | Parcel_Rack_LH_1st_Cmpt_ | 563284 | VSSHDMI | 15Amp | 35.6 |
| F201 | Parcel_Rack_LH_1st_Cmpt_ | 563284 | VSSHDMI | 15Amp | 35.6 |
| F202 | Parcel_Rack_LH_1st_Cmpt_ | 563284 | VSSHDMI | 15Amp | 35.6 |
| F203 | Parcel_Rack_LH_1st_Cmpt_ | 563282 | VSSHDMI | 20Amp | 35.6 |
| F209 | RJB | 564174 | Enginepre-heaterpower | 150A | 14.1 |
| F243 | RJB | 560893 | 24VwhileEvap.relaypowered | 3Amp | 18.2 |
| F300 | Dashboard | 563280 | RearCameraRly | 5amp | 28.1 |
| F301 | VECT | 563284 | VECTTrailerinterface | 15amp | 26.4 |
| F302 | VECT | 563284 | VECTTrailerinterface | 15amp | 26.4 |
| F303 | VECT | 563284 | VECTTrailerinterface | 15amp | 26.4 |
| F304 | VECT | 563284 | VECTTrailerinterface | 15amp | 26.4 |
| F305 | VECT | 563284 | VECTTrailerinterface | 15amp | 26.4 |
| F306 | VECT | 563284 | VECTTrailerinterface | 15amp | 26.4 |
| F307 | VECT | 563284 | VECTTrailerinterface | 15amp | 26.4 |
| | | | | | |
| | | | | | |
| | | | | | |
| | | | | | |
| | | | | | |
| | | | | | |
| | | | | | |
| | | | | | |
| | | | | | |
| | | | | | |
| | | | | | |
| | | | | | |
| | | | | | |
| | | | | | |
| | | | | | |
| | | | | | |
| | | | | | |
| | | | | | |
| | | | | | |
| | | | | | |

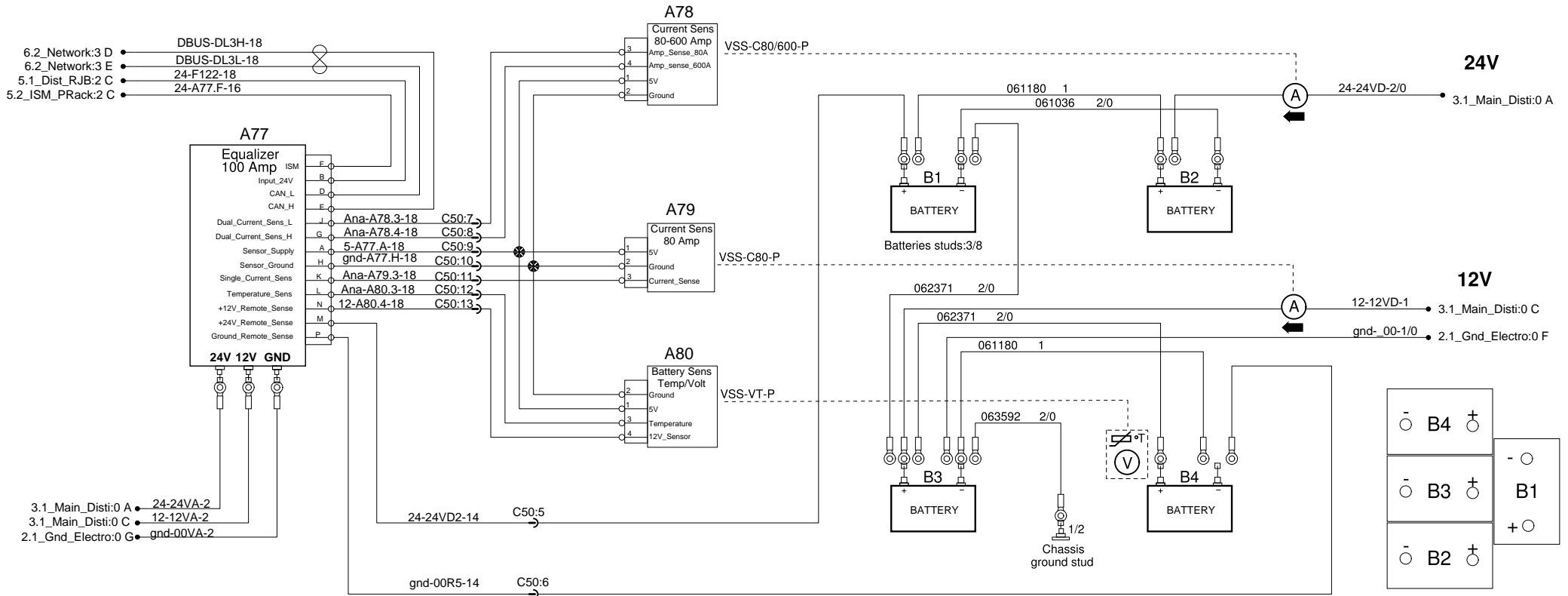
Wire identification chart

*Note that the identification comes from the uphill component.
Wire identification exemple: 12 - A47J1.8 - 16

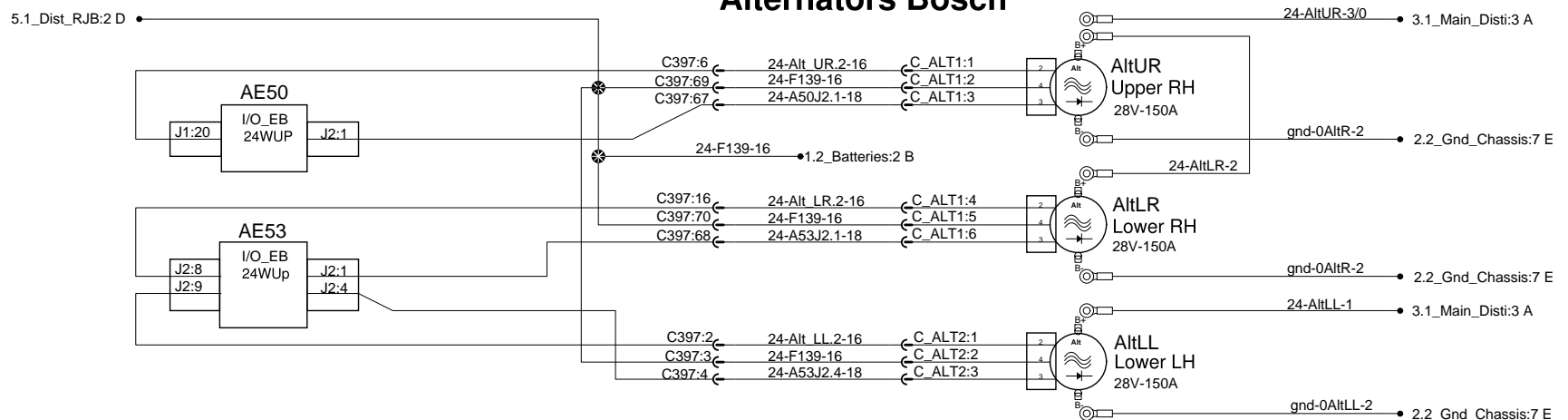


| Voltage | Circuit number | Wire size |
|----------|--|-----------|
| 0 | | 0000 |
| 5 | Ground circuits: | 000 |
| 0/12 | Electronic = Use I/O module number followed by an "R" and pin number. (ex: A47RJ1.8, A54RJ2.14) | 00 |
| 0/24 | Electronic ground studs = Use number "00" followed with the stud location and sequential number. (ex:00R1,00F4) | 0 |
| 12 | Chassis = Use number "0" followed by the ground stud location and sequential number. (ex: 0EV1, 0FH2) | 1 |
| 24 | | 2 |
| 120 | Power and voltage carrying circuits: | 3 |
| ANA | Power distribution = Use uphill component identification as circuit name. (ex: F96, CB22) | 4 |
| BBUS | Multiplex outputs = Use output module number and pin number as circuit name. (ex: A55J1.4, A49J2.9) | 6 |
| DATA | Relays, diodes, resistors and any other component outputs = | 8 |
| DBUS | Use component name and pin number as circuit name. (ex: Sw55.A, R30.87, D12.B) | 10 |
| J1587 | Networks: | 12 |
| J1939 | DL0 = Bbus mux DL7 = Engine subnet | 14 |
| J2284 | DL1 = J1939 DL9 = Power train subnet | 16 |
| LIN | DL2 = J2284 900 / 901 = J1587 | 18 |
| PWM | DL3 = Dbus mux | 20 |
| GND | | 22 |
| ...OTHER | | 24 |

Batteries and alternators

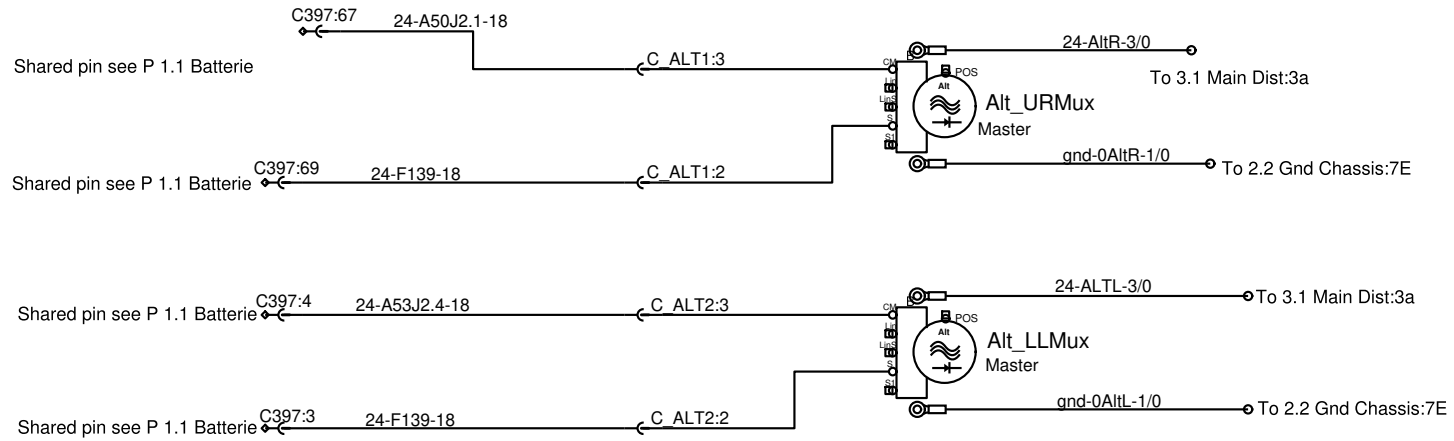


Alternators Bosch

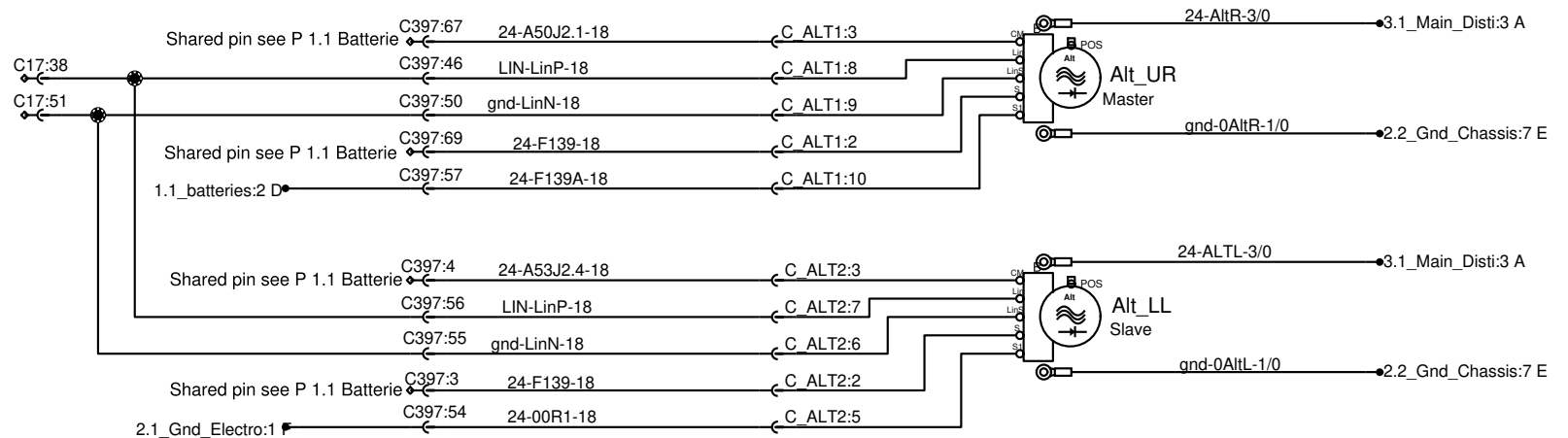


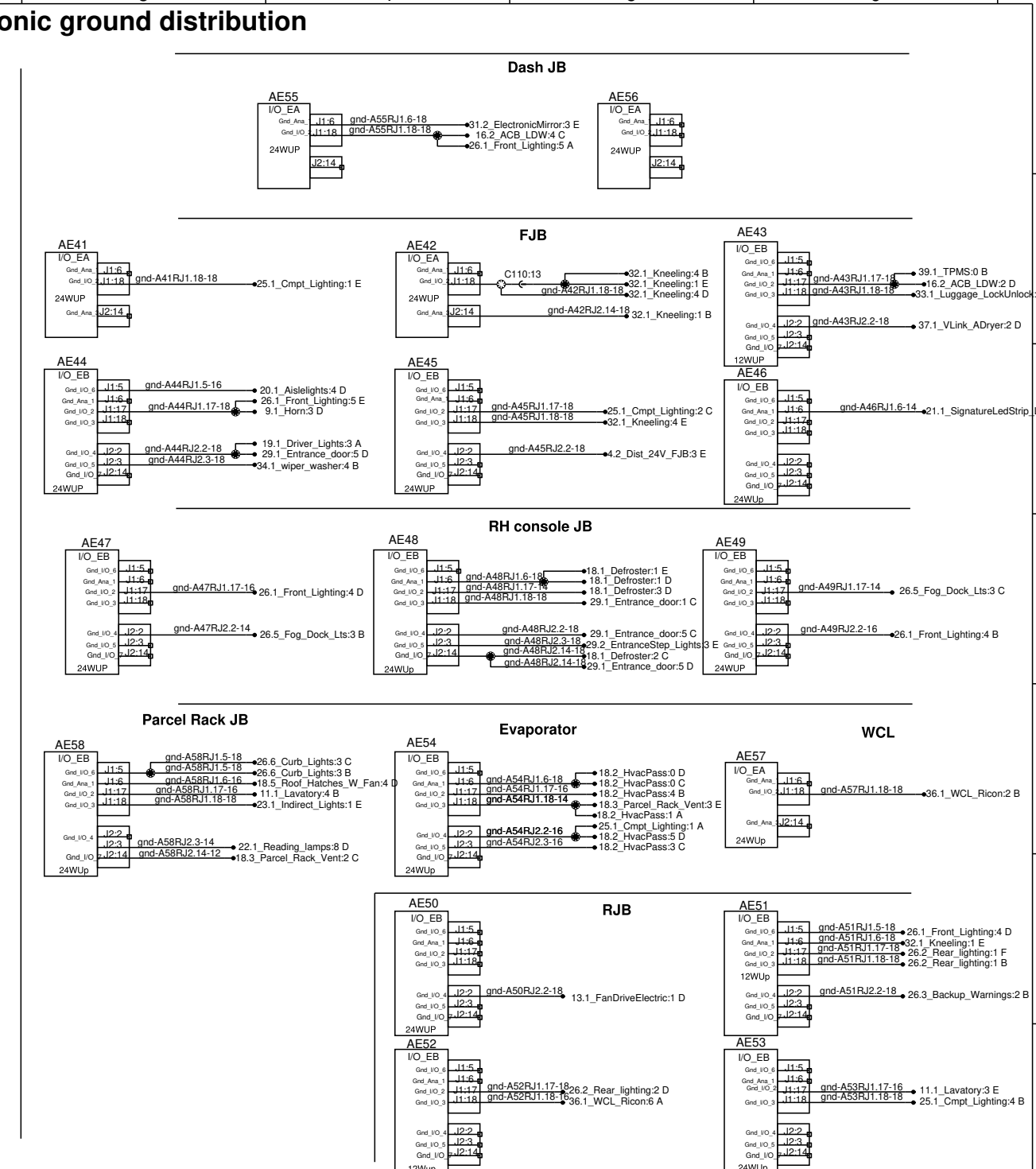
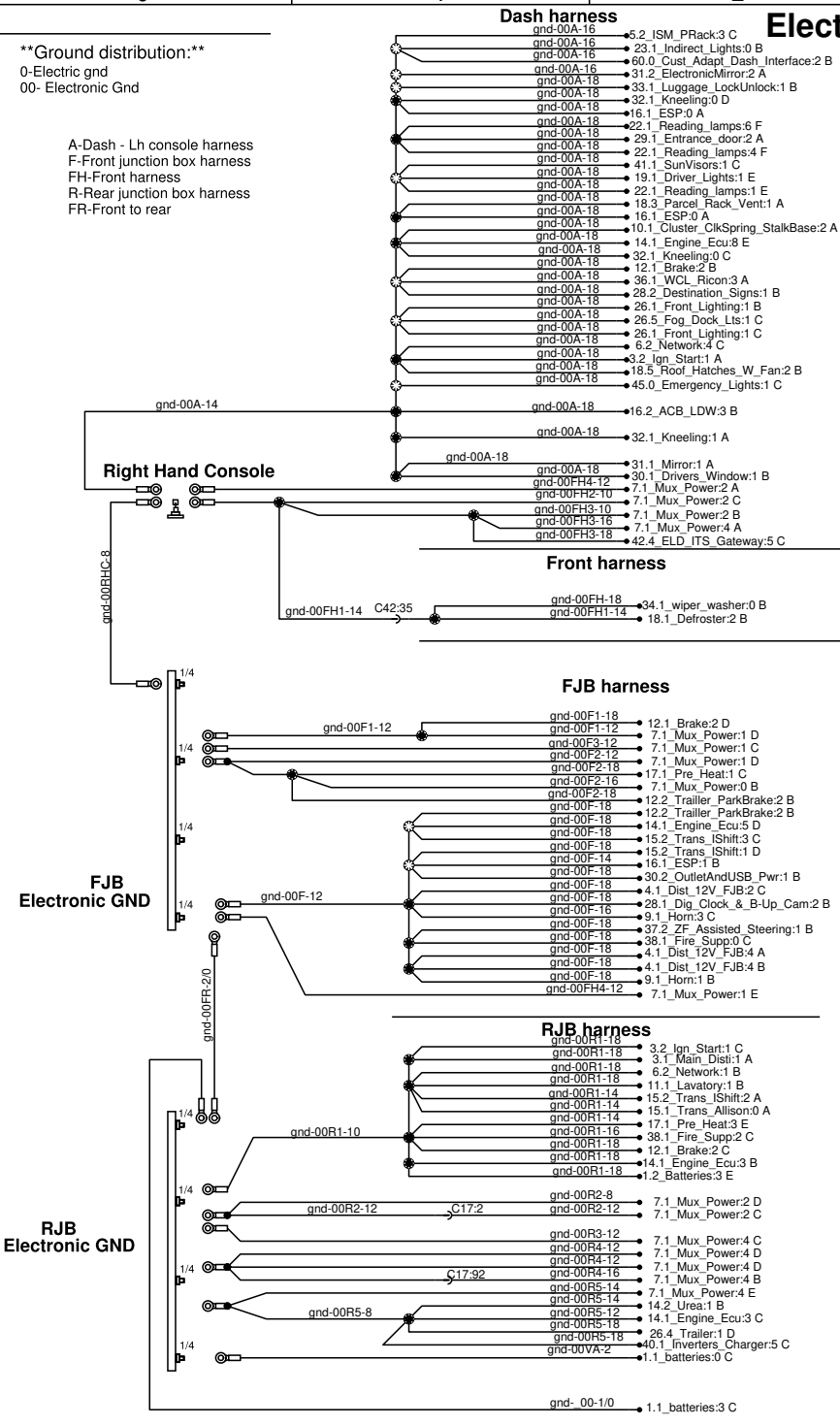
Alternators Remy

Mux Controlled



Lin Controlled

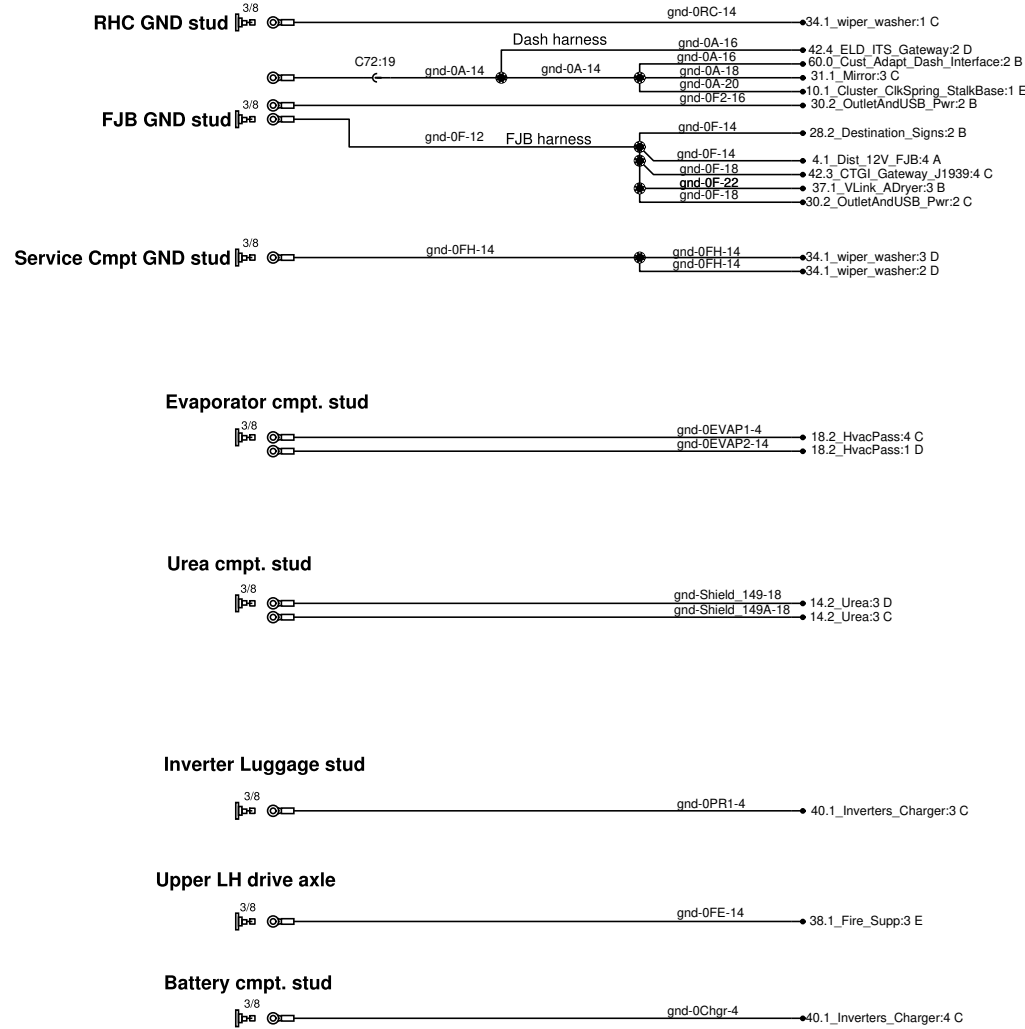




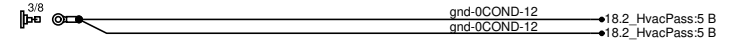
****Ground distribution:****

- 0- Electric gnd
- 00- Electronic Gnd
- A-Dash - Lh console harness
- F-Front junction box harness
- FH-Front harness
- FCH-Front clearance harness
- R-Rear junction box harness
- FR-Front to rear

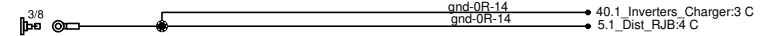
Chassis ground distribution



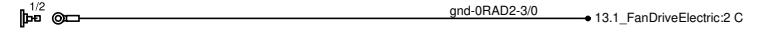
Condensor cmpt. stud



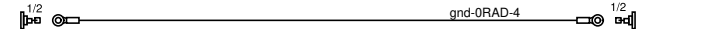
RJB stud



Front radiator stud

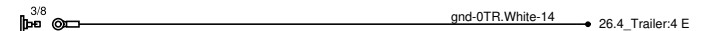


Rear radiator stud



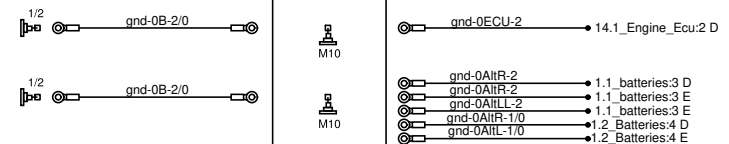
Rad door stud

Trailer stud

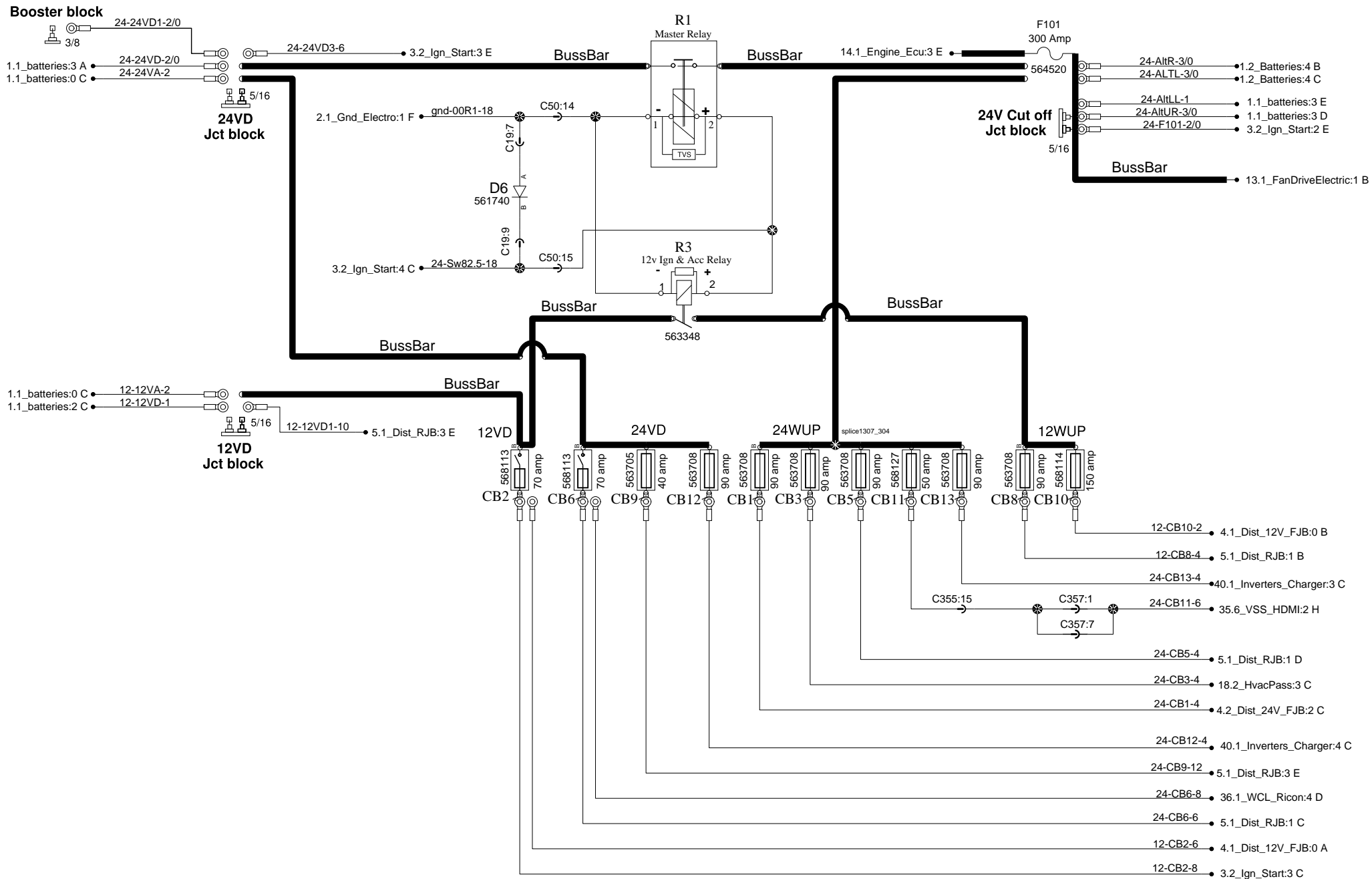


Engine studs

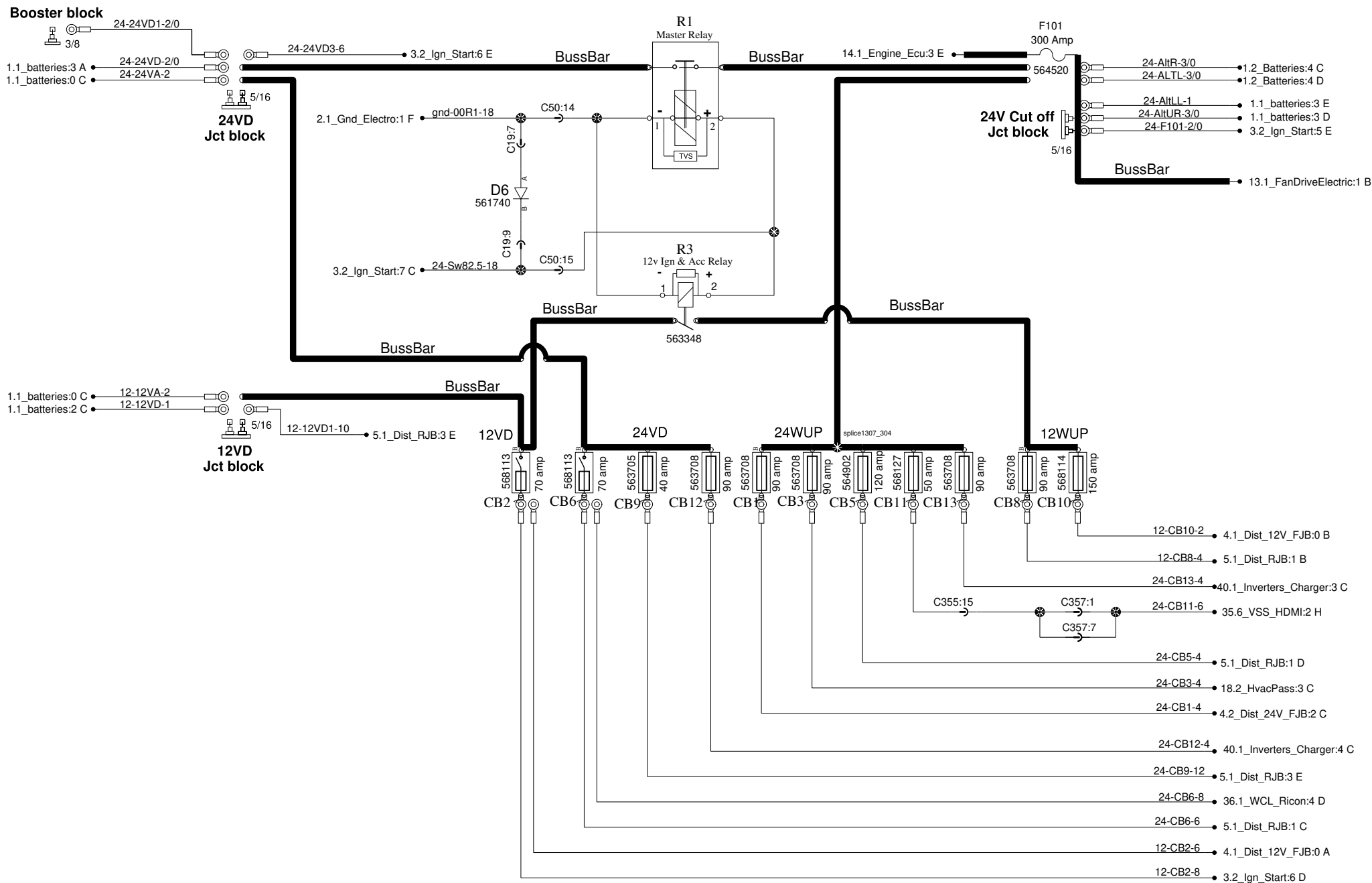
Engine cmpt. studs



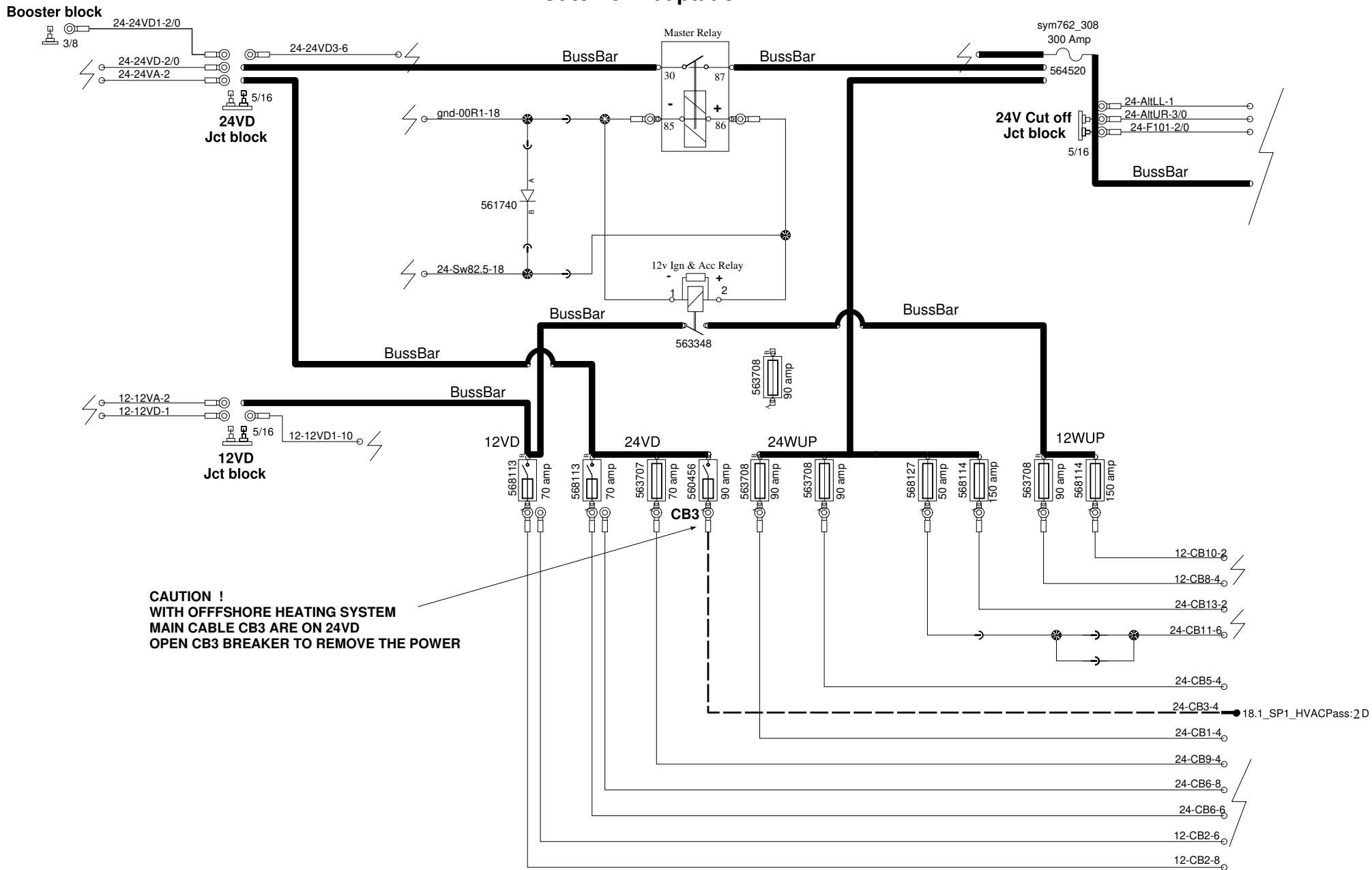
Main distribution batteries & ignition



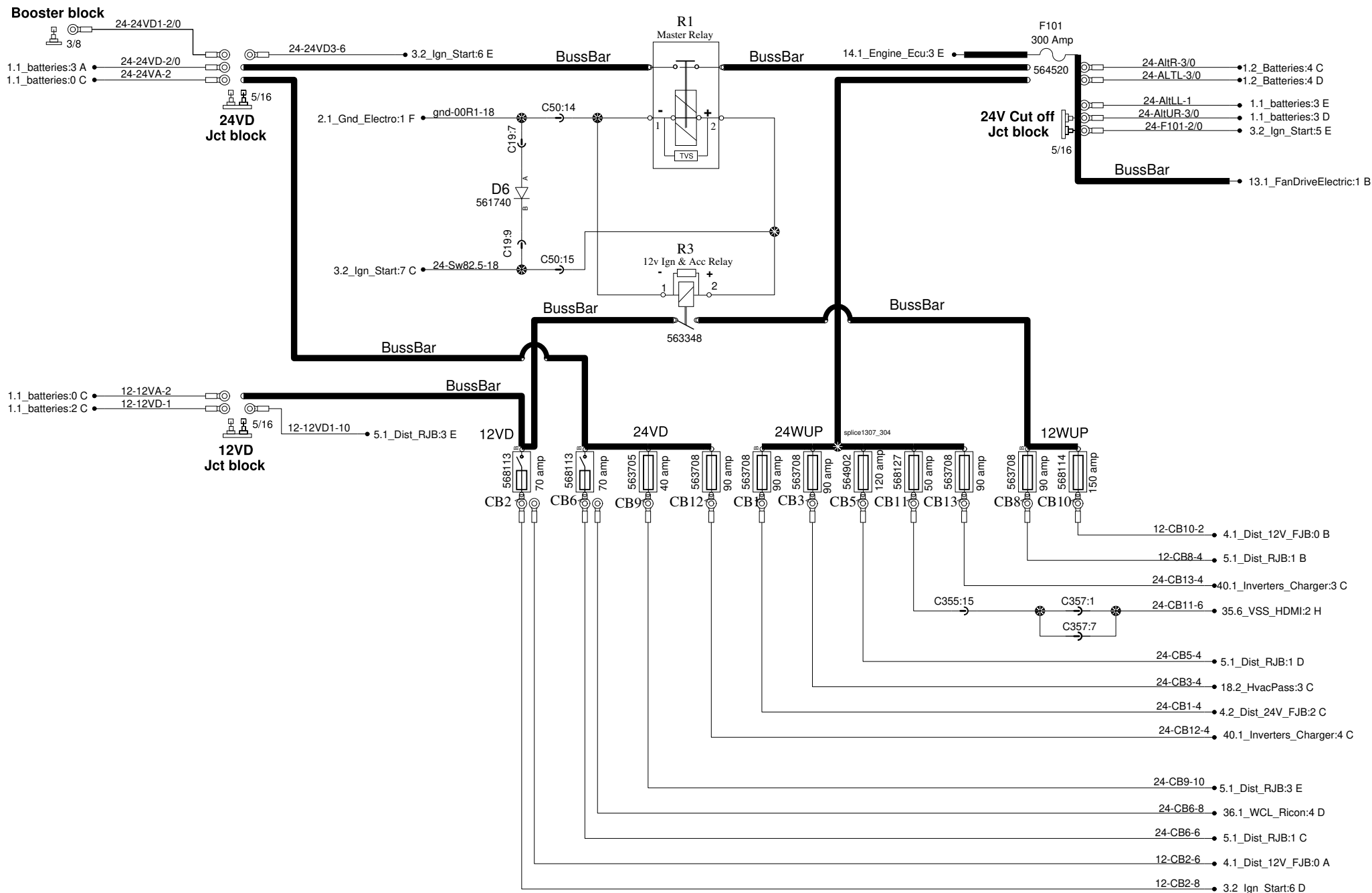
Main distribution batteries & ignition



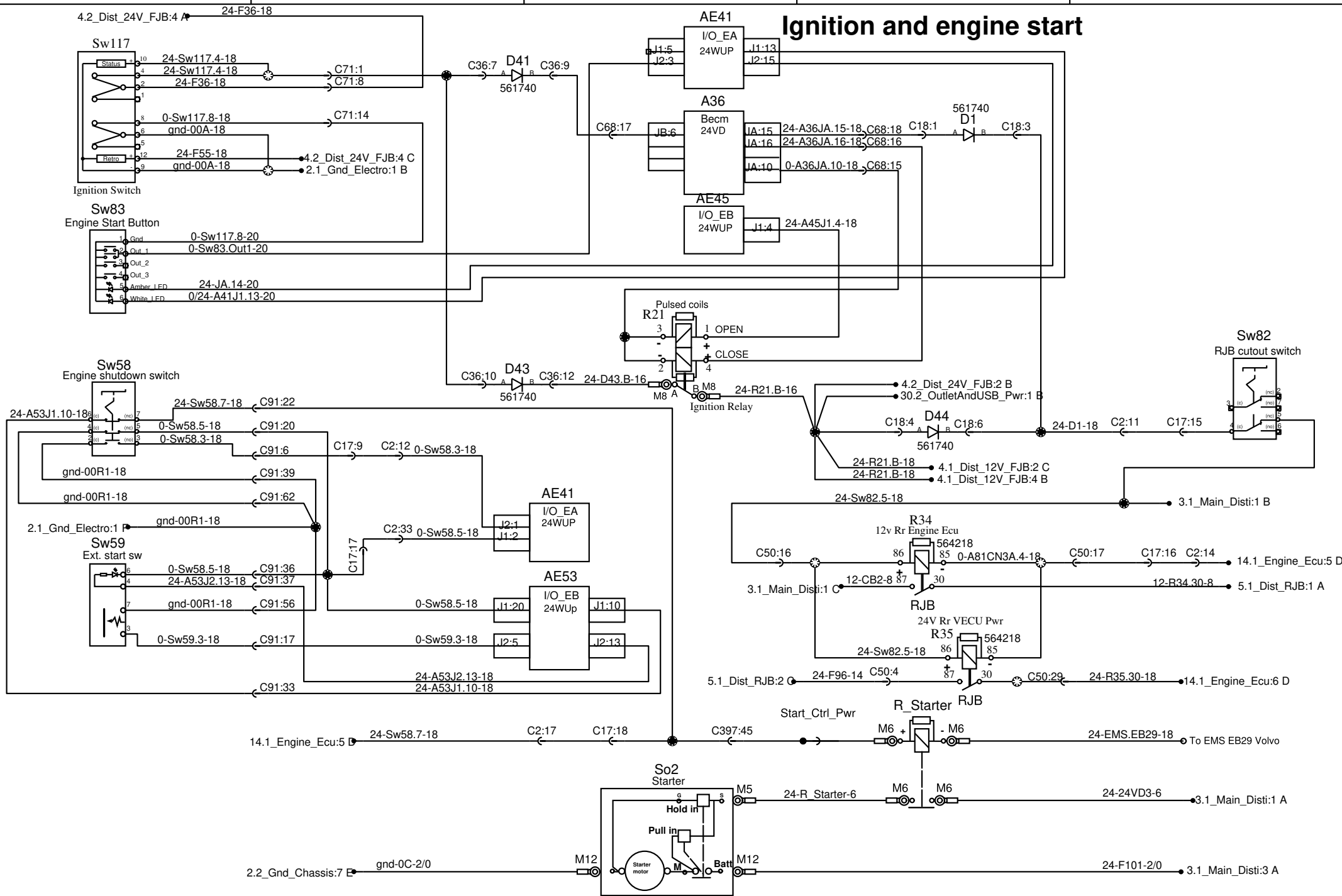
Main distribution batteries & ignition Cutomer Adaptation



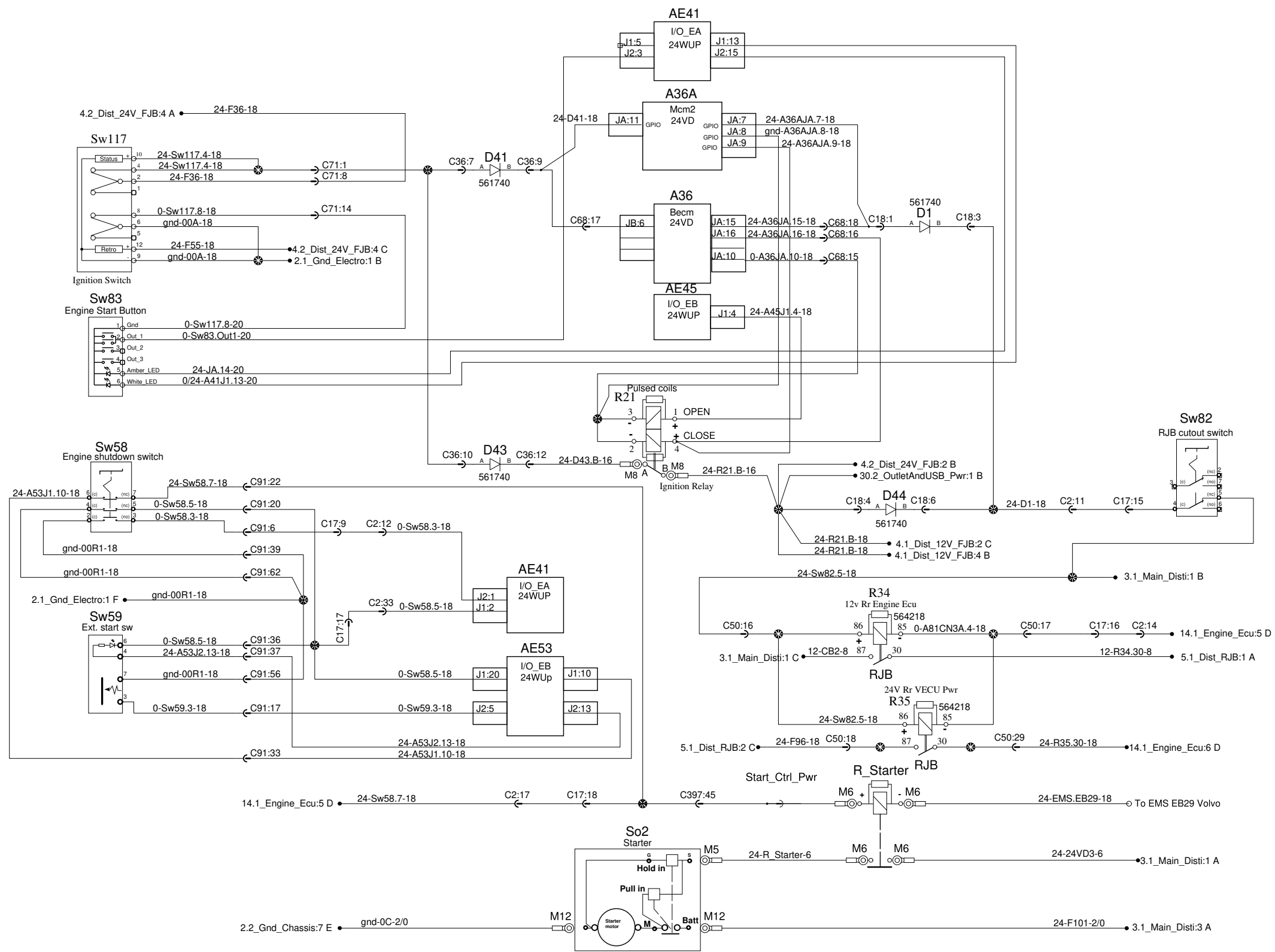
Main distribution batteries & ignition



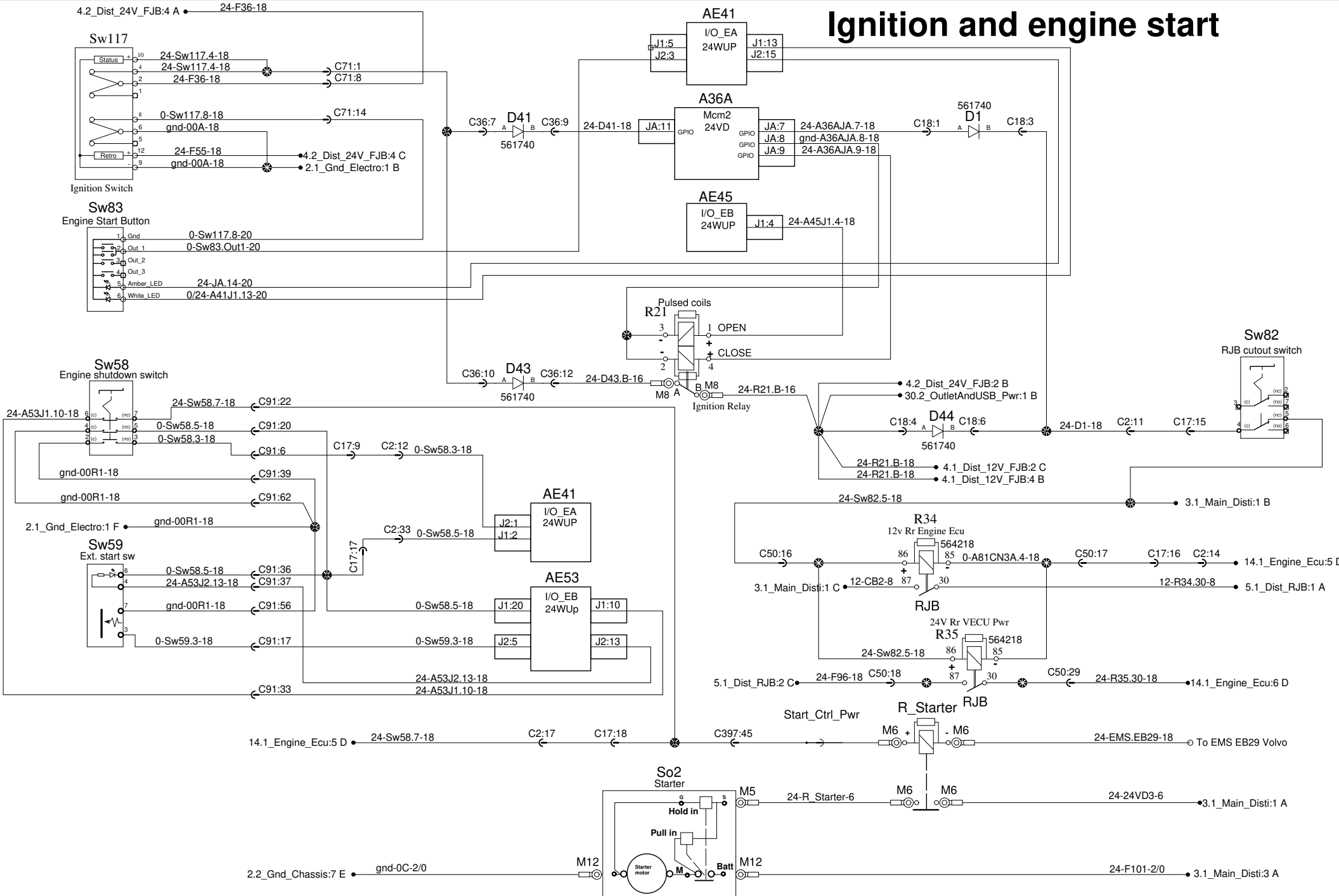
Ignition and engine start



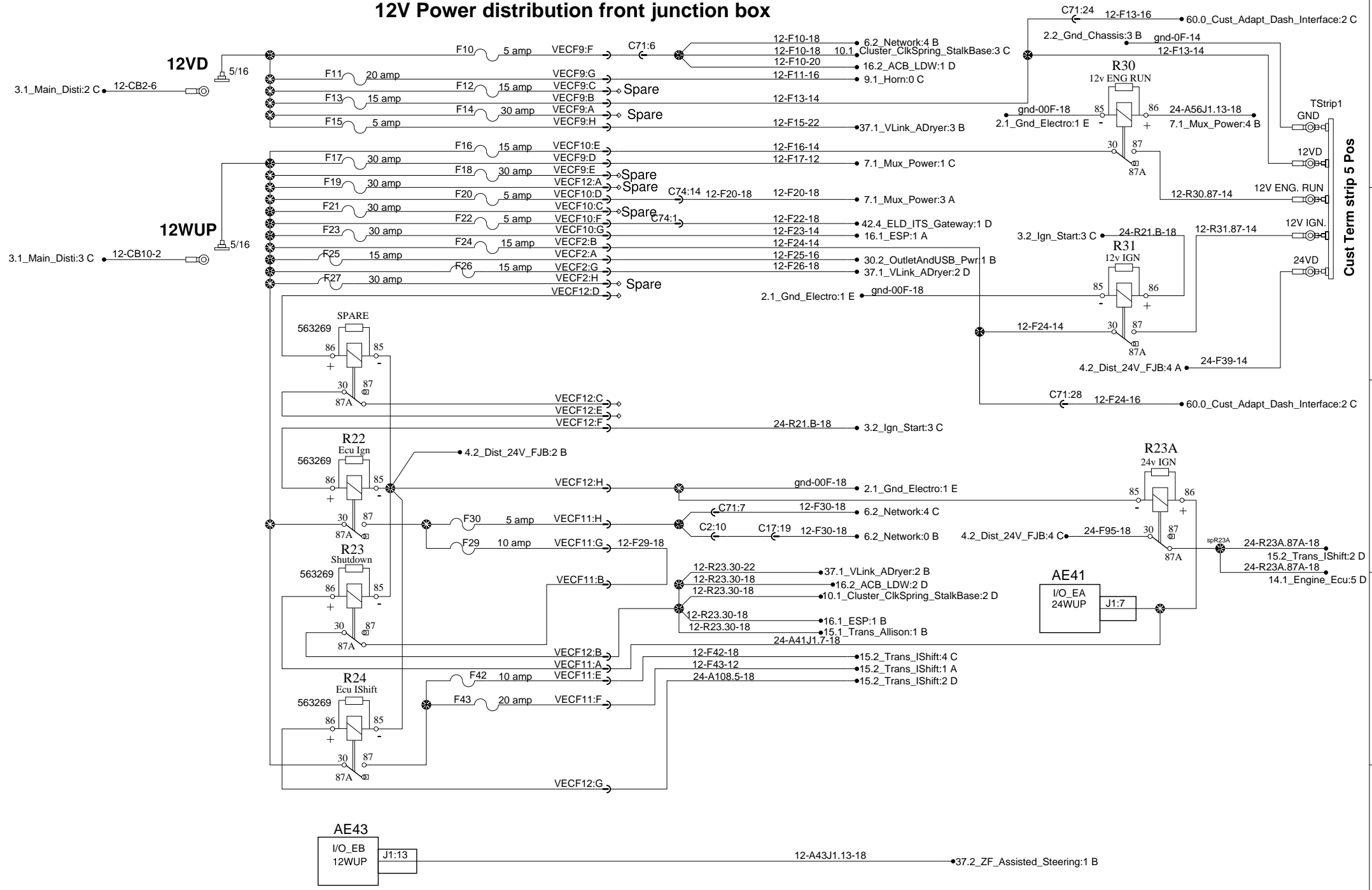
Ignition and engine start



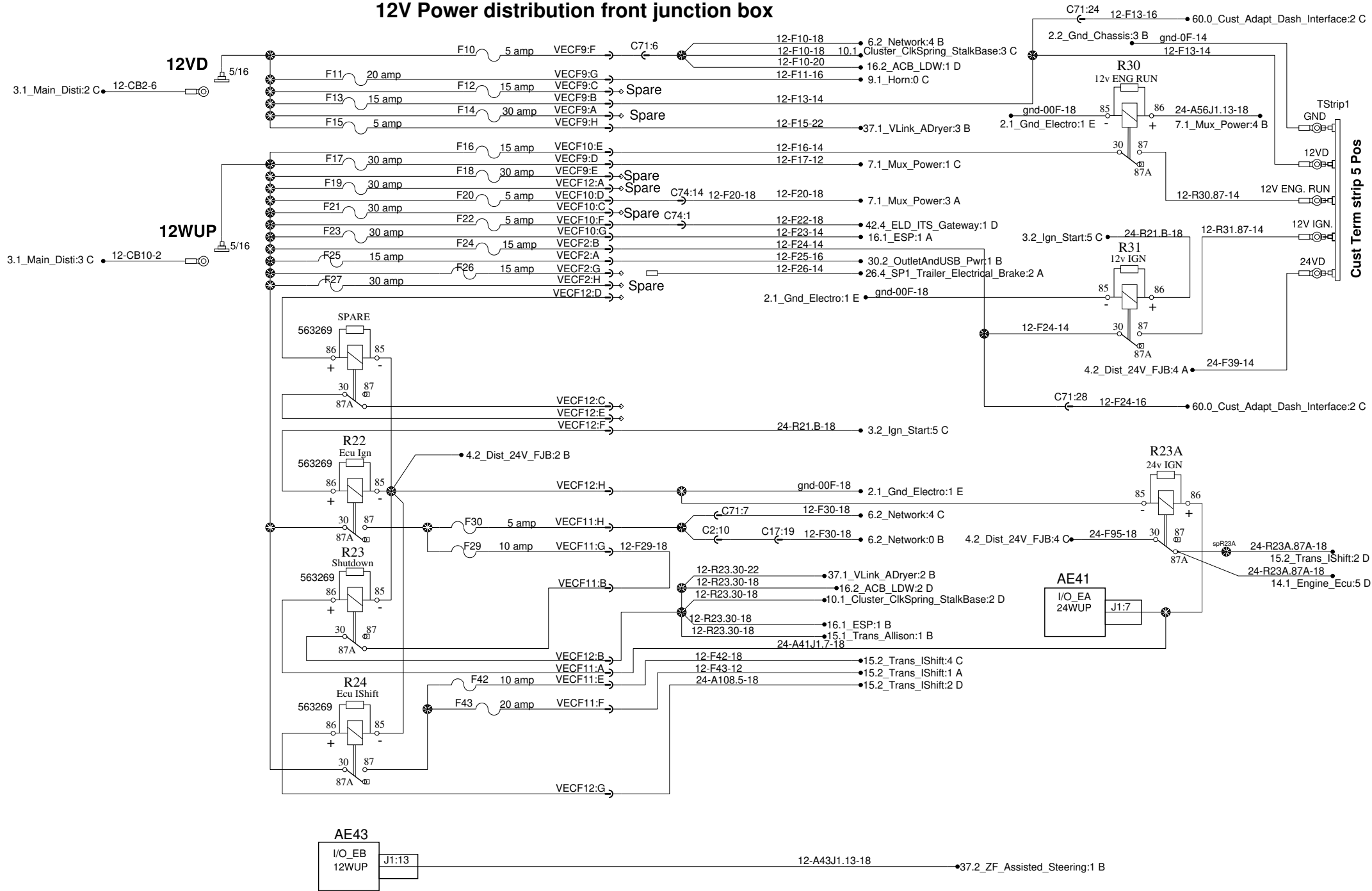
Ignition and engine start



12V Power distribution front junction box

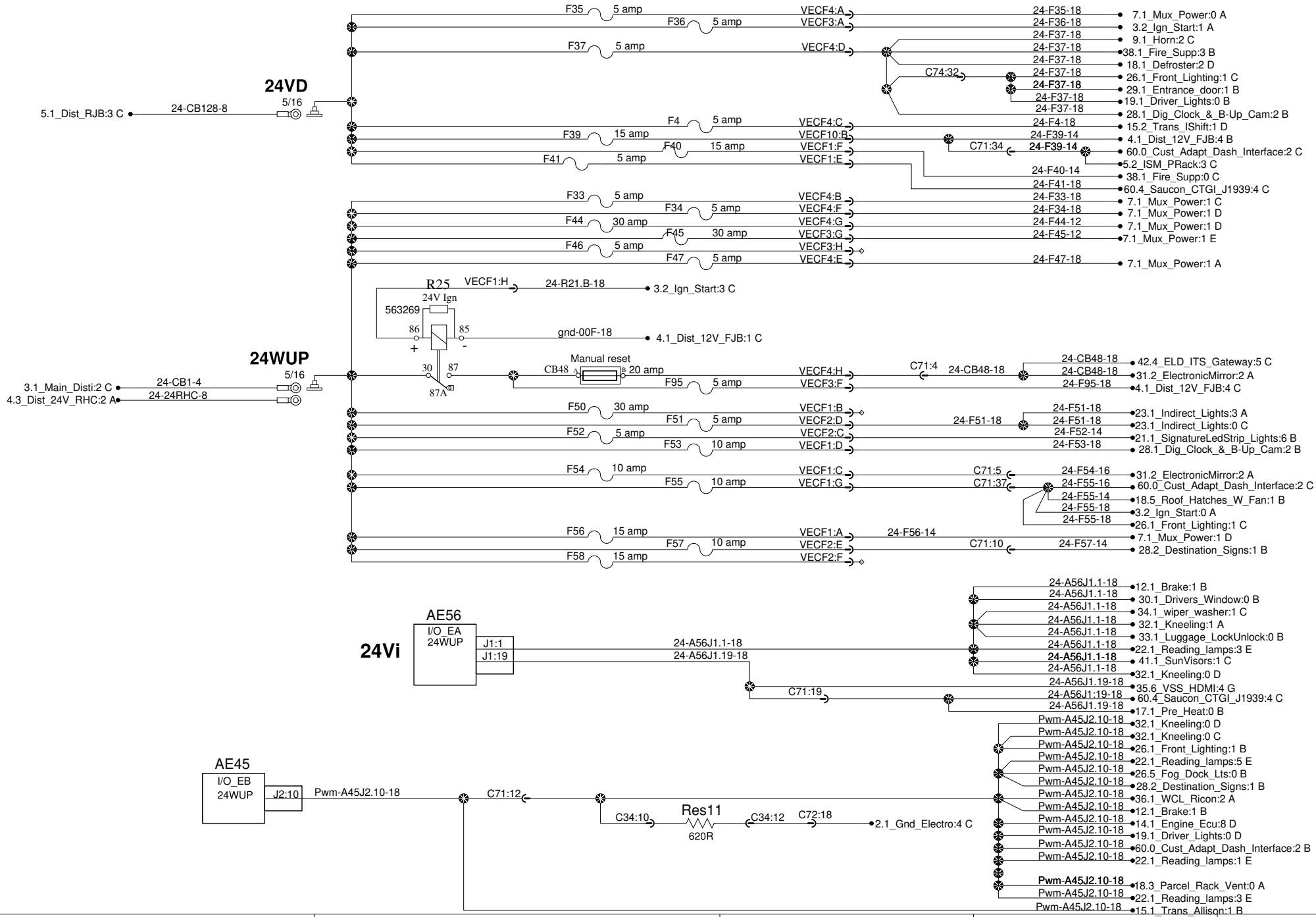


12V Power distribution front junction box

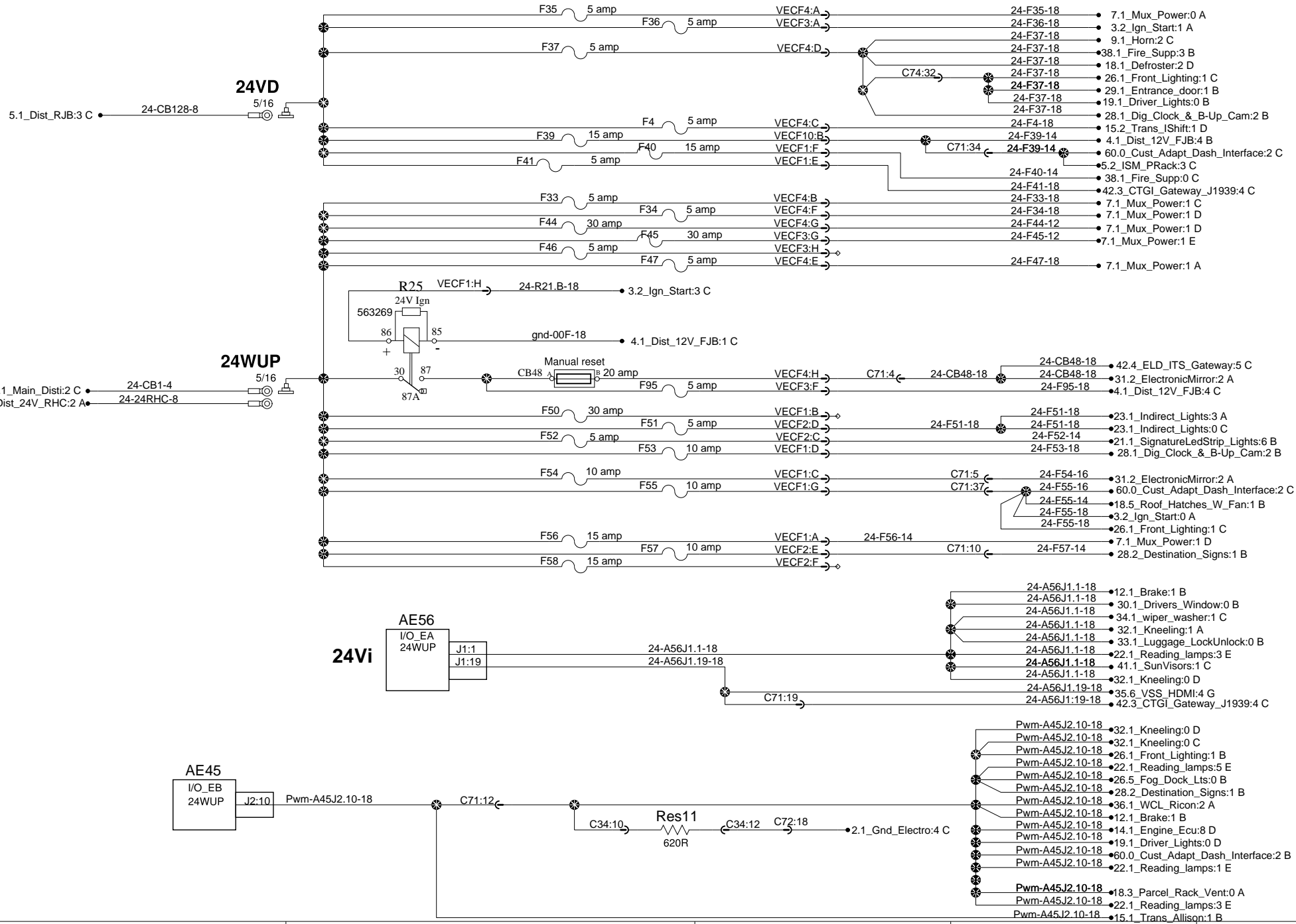


Cust Term strip 5 Pos

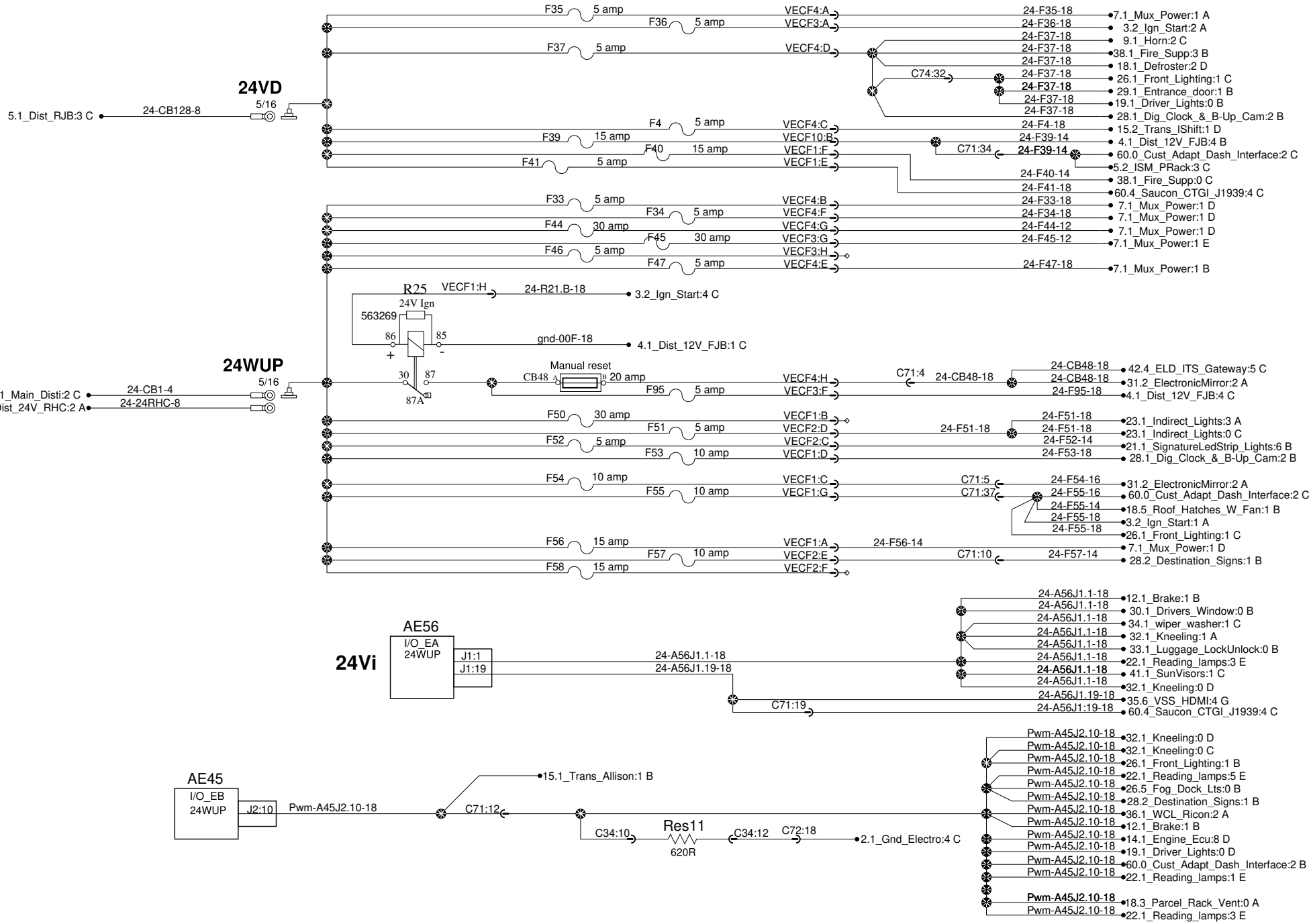
24V Power distribution front junction box



24V Power distribution front junction box

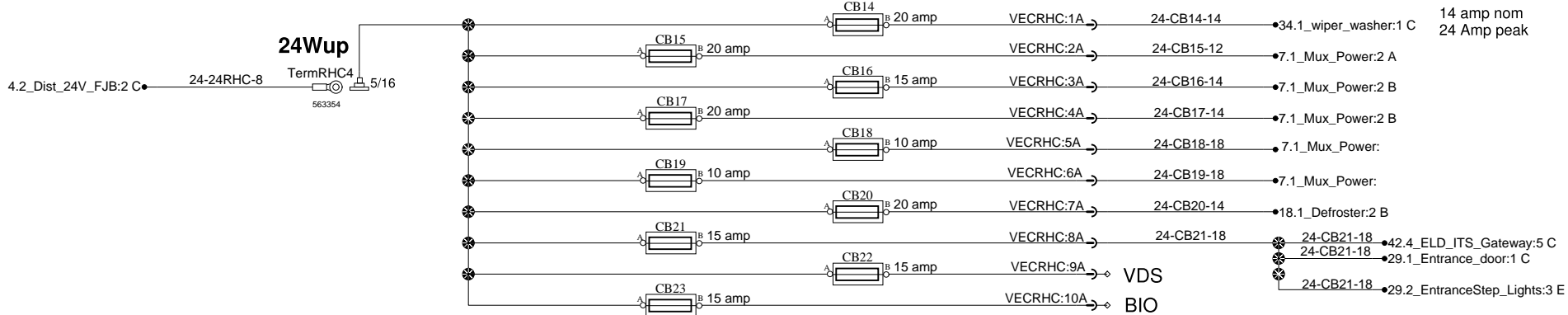


24V Power distribution front junction box



A

A



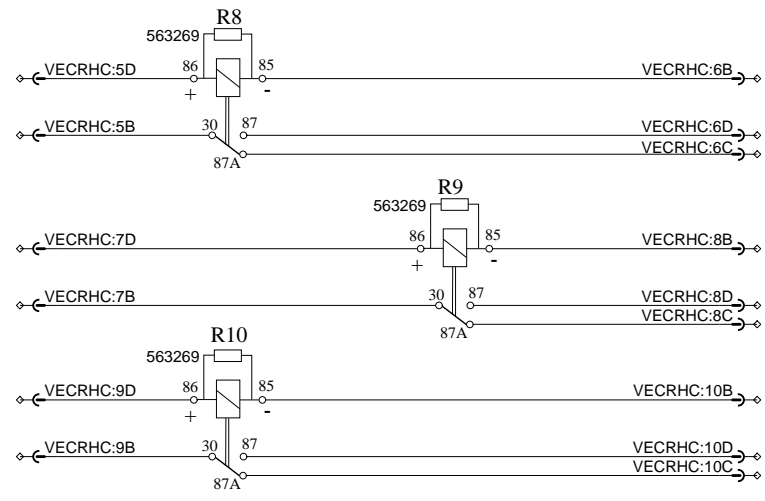
B

B

VDS
BIO

C

C



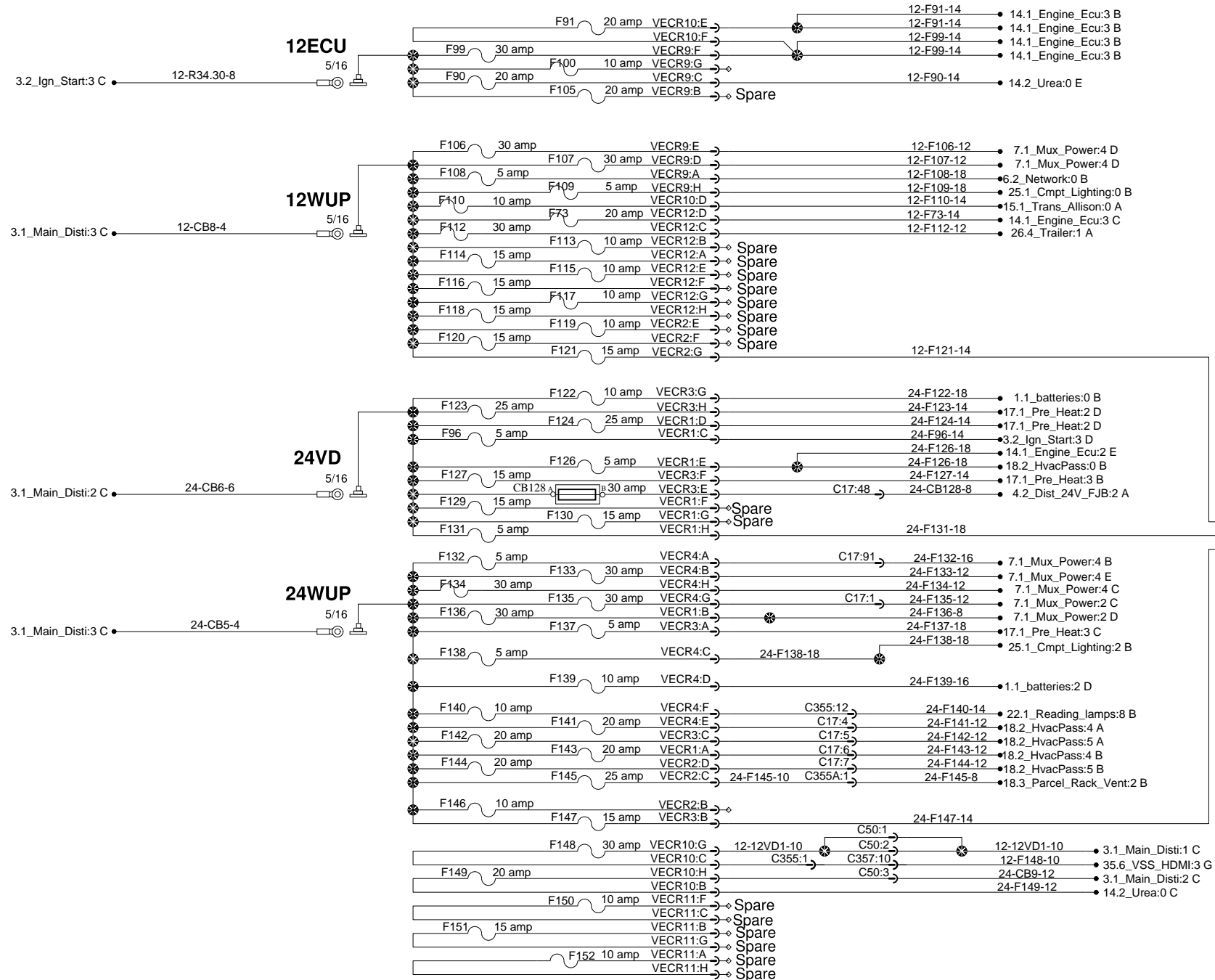
D

D

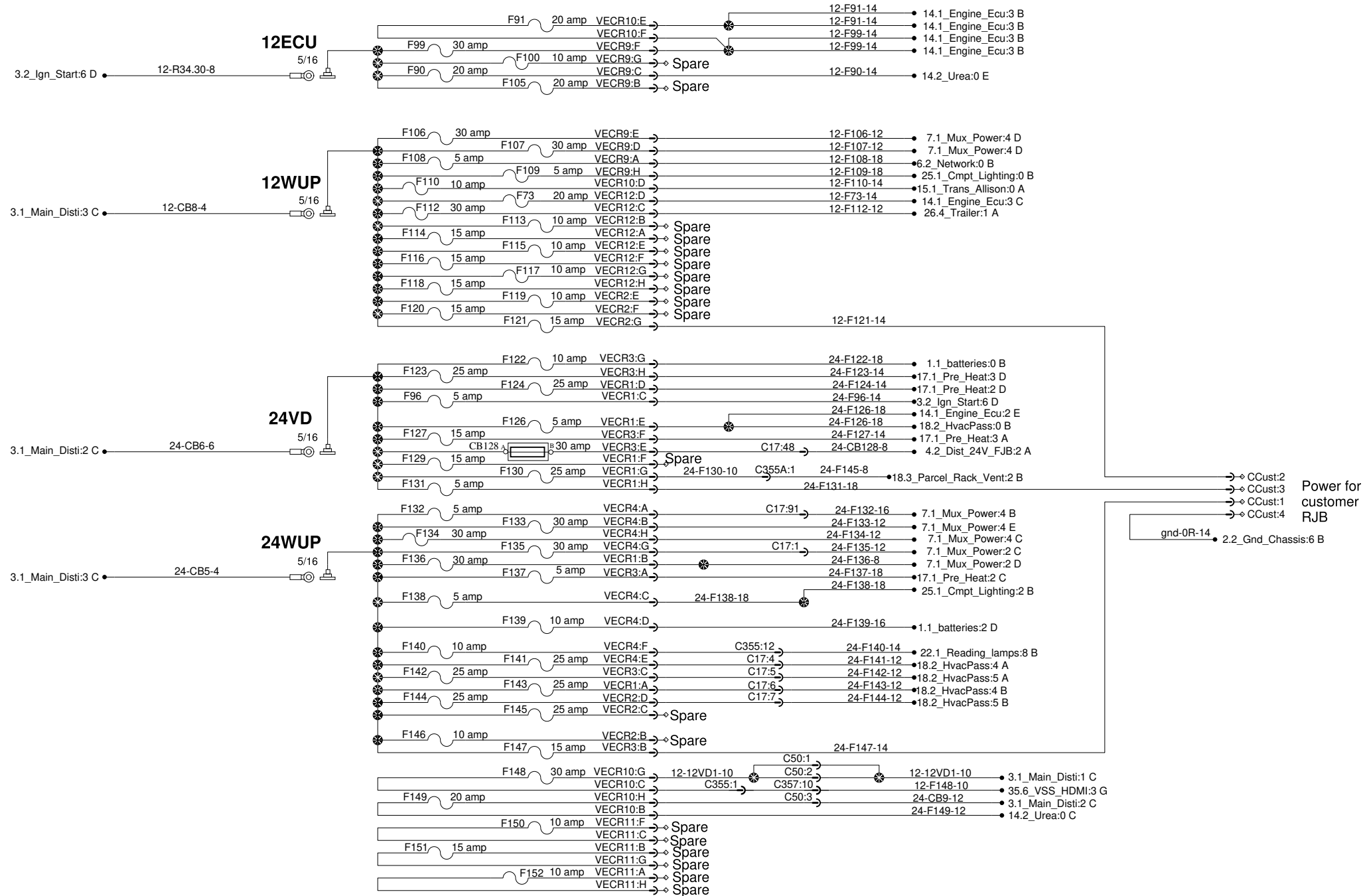
E

E

Power distribution rear junction box

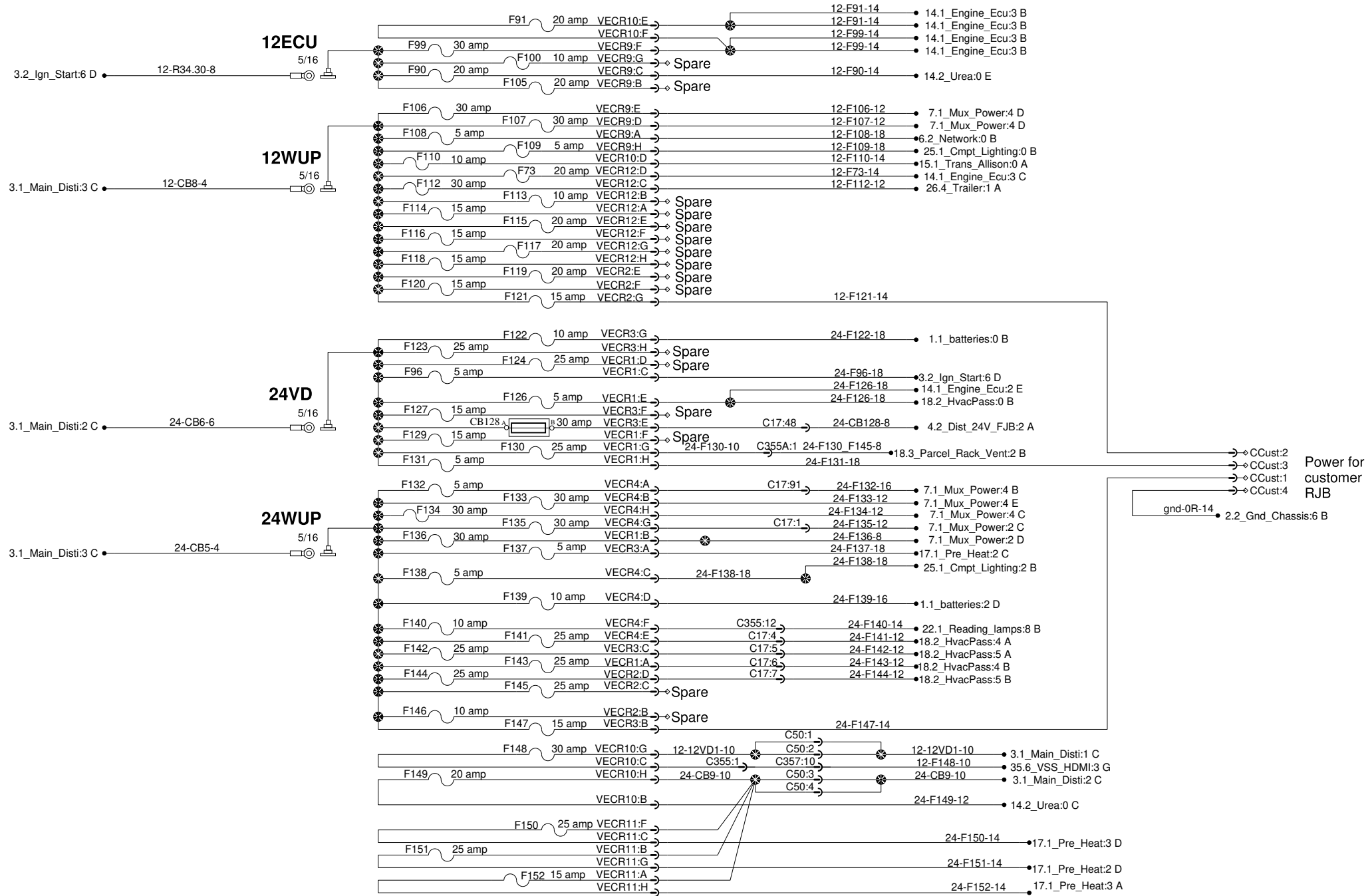


Power distribution rear junction box

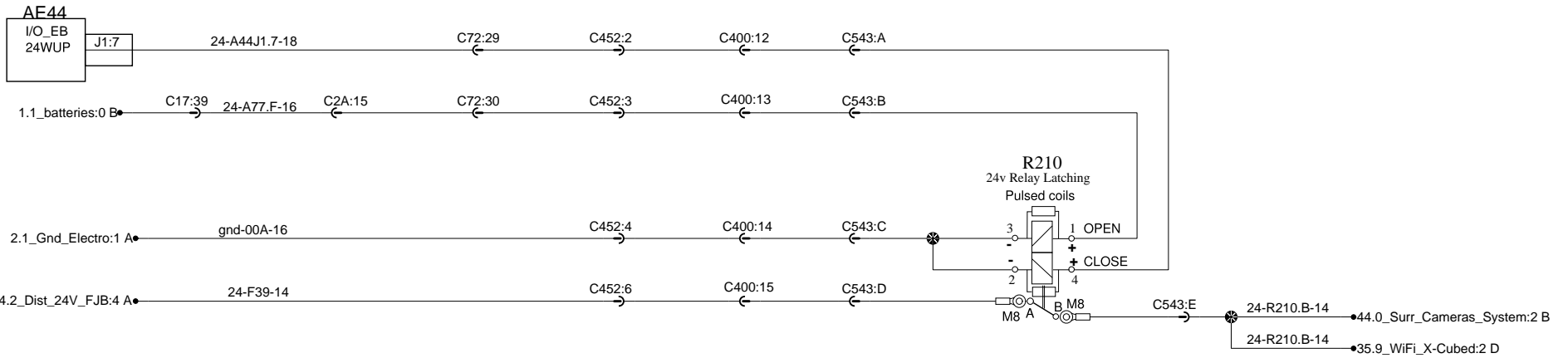


Power for customer RJB

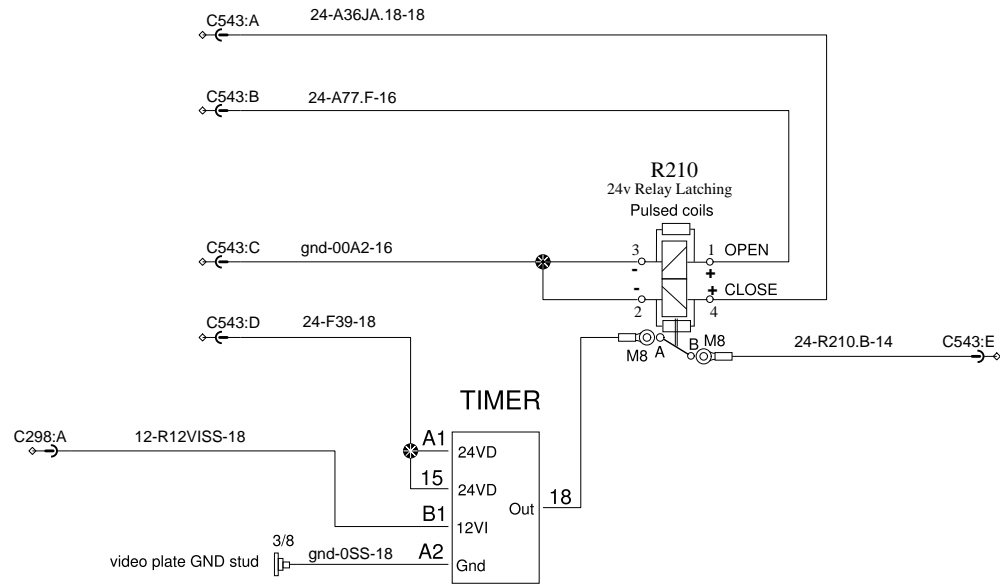
Power distribution rear junction box



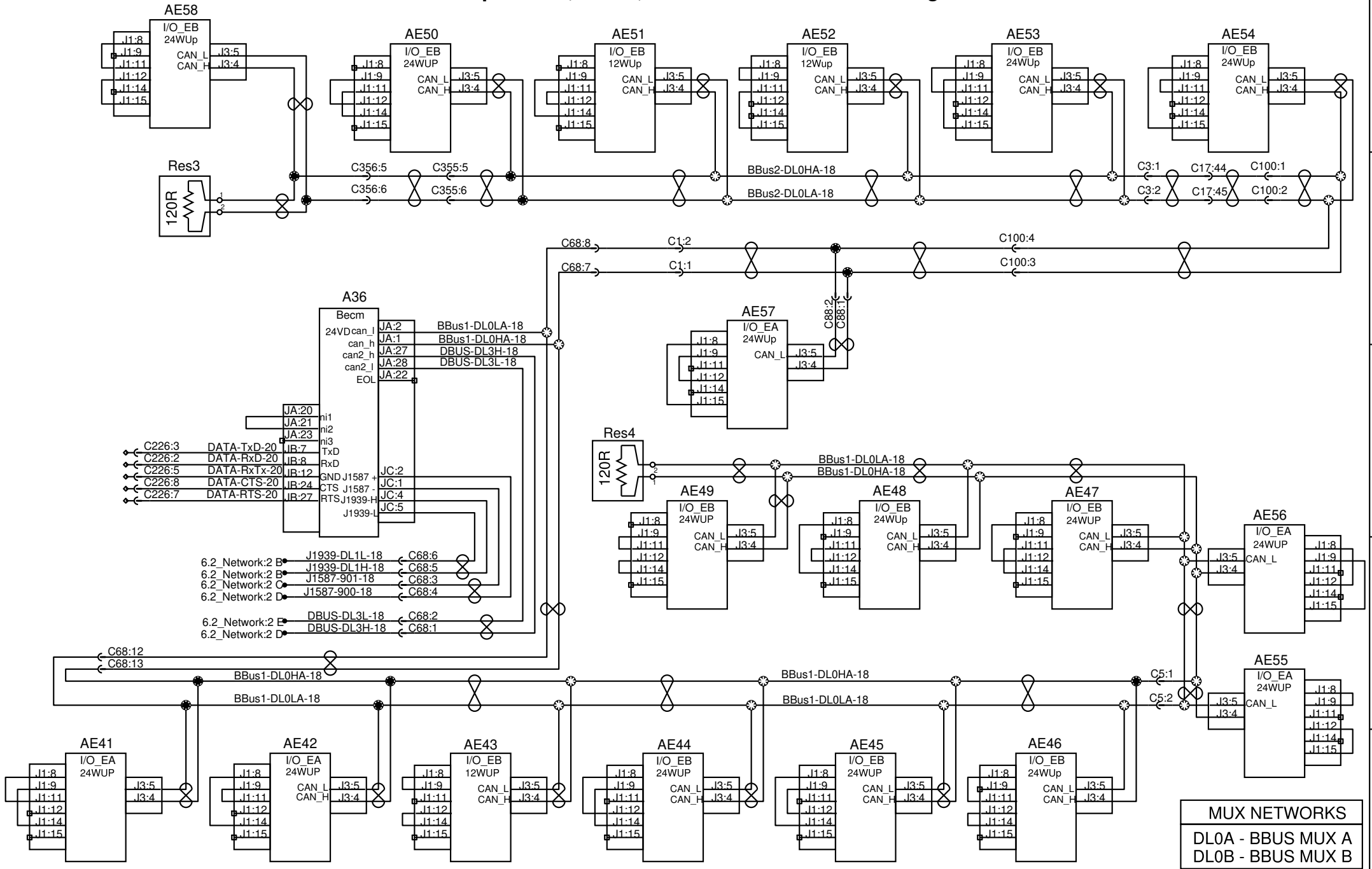
ISM Parcel Rack



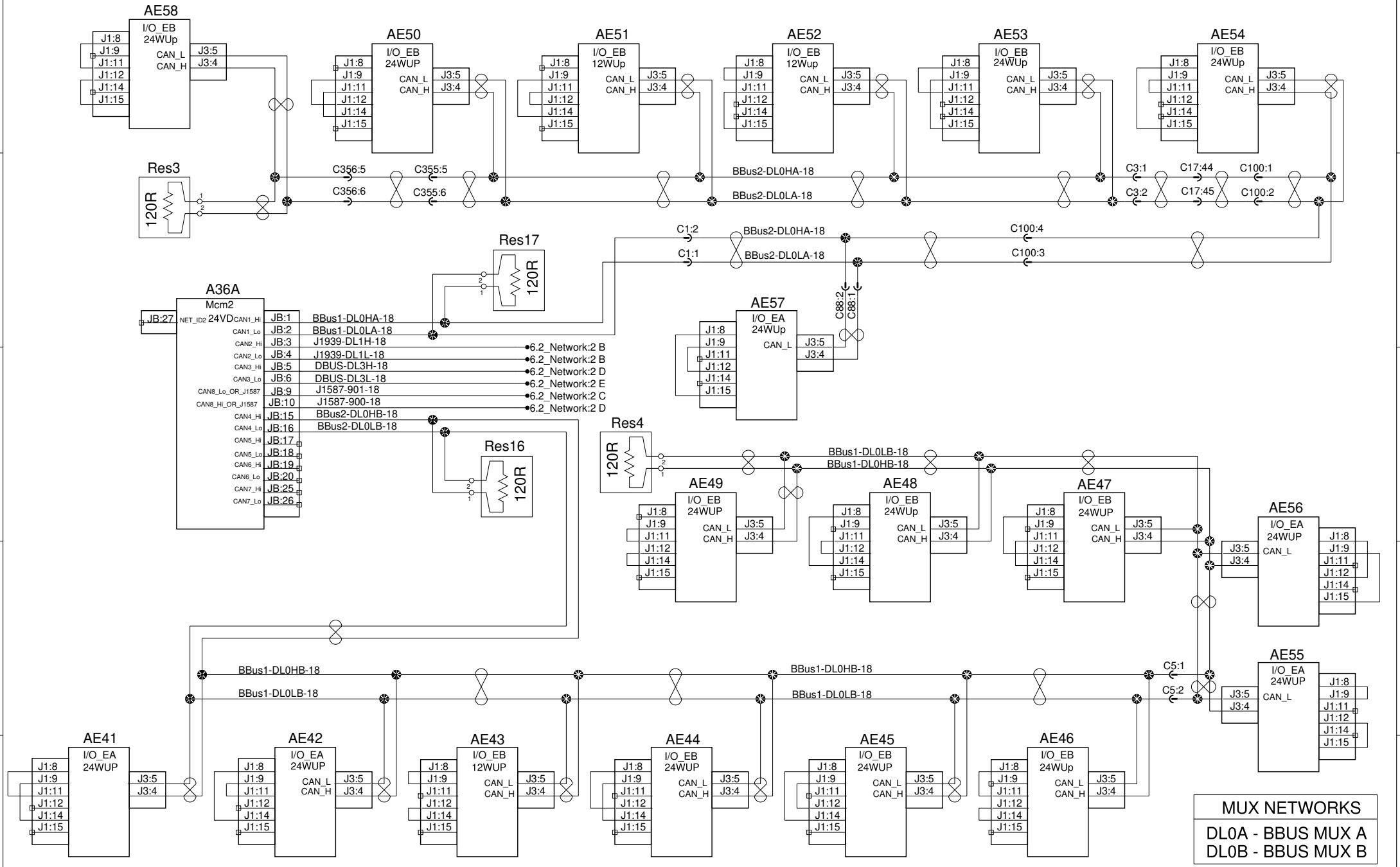
ISM PARCEL RACK WITH TIMER



Multiplex Can, J1587, 1939 network and addressing



Multiplex Can, J1587, 1939 network and addressing

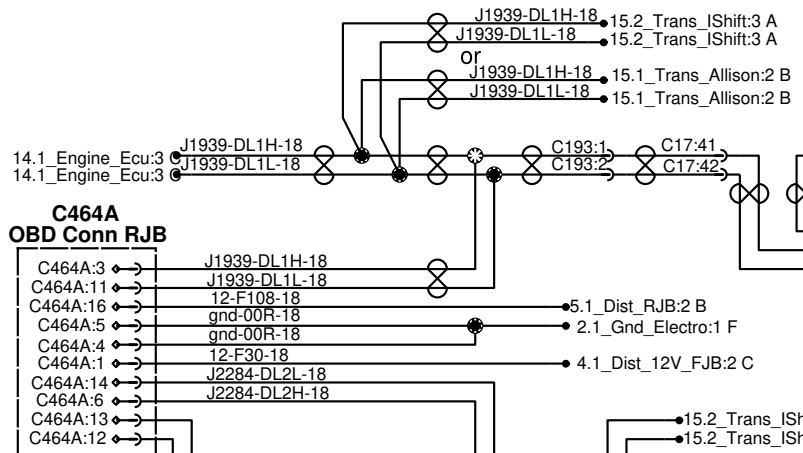


MUX NETWORKS
DL0A - BBUS MUX A
DL0B - BBUS MUX B

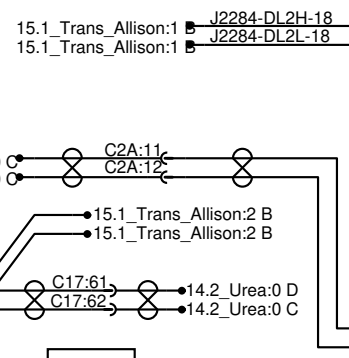
J1939, Can Iso J2284, J1587 and DBUS

Open C194 and connect C194spA and C194spB to connect Vansco gateway.

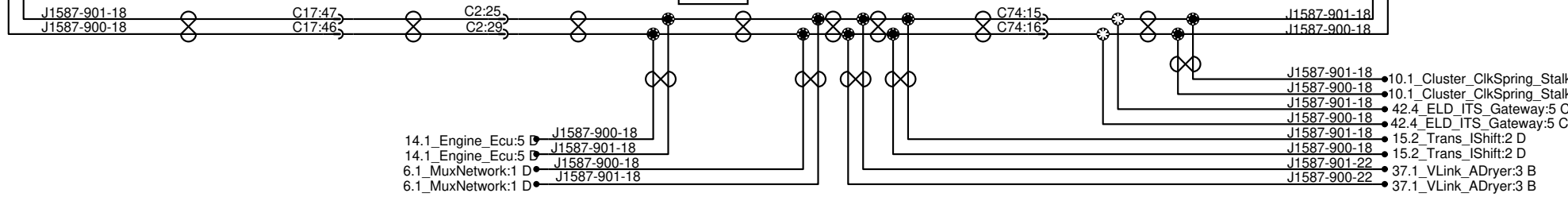
J1939



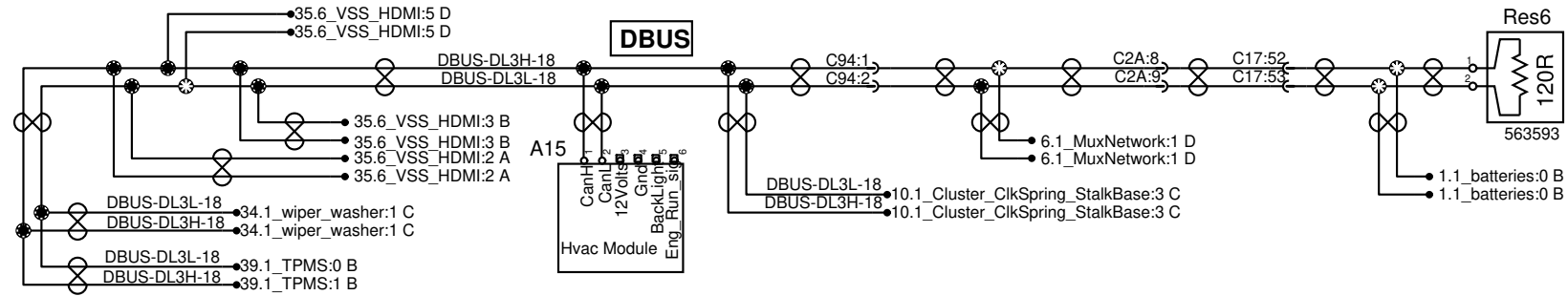
Can Iso J2284



J1587



DBUS



| NETWORKS | |
|----------|----------------------|
| DL0A | - BBUS MUX A |
| DL0B | - BBUS MUX B |
| DL1 | - J1939 |
| DL2 | - J2284 |
| DL3 | - DBUS MUX |
| DL7 | - ENGINE SUBNET |
| DL9 | - POWER TRAIN SUBNET |

J1939, Can Iso J2284, J1587 and DBUS

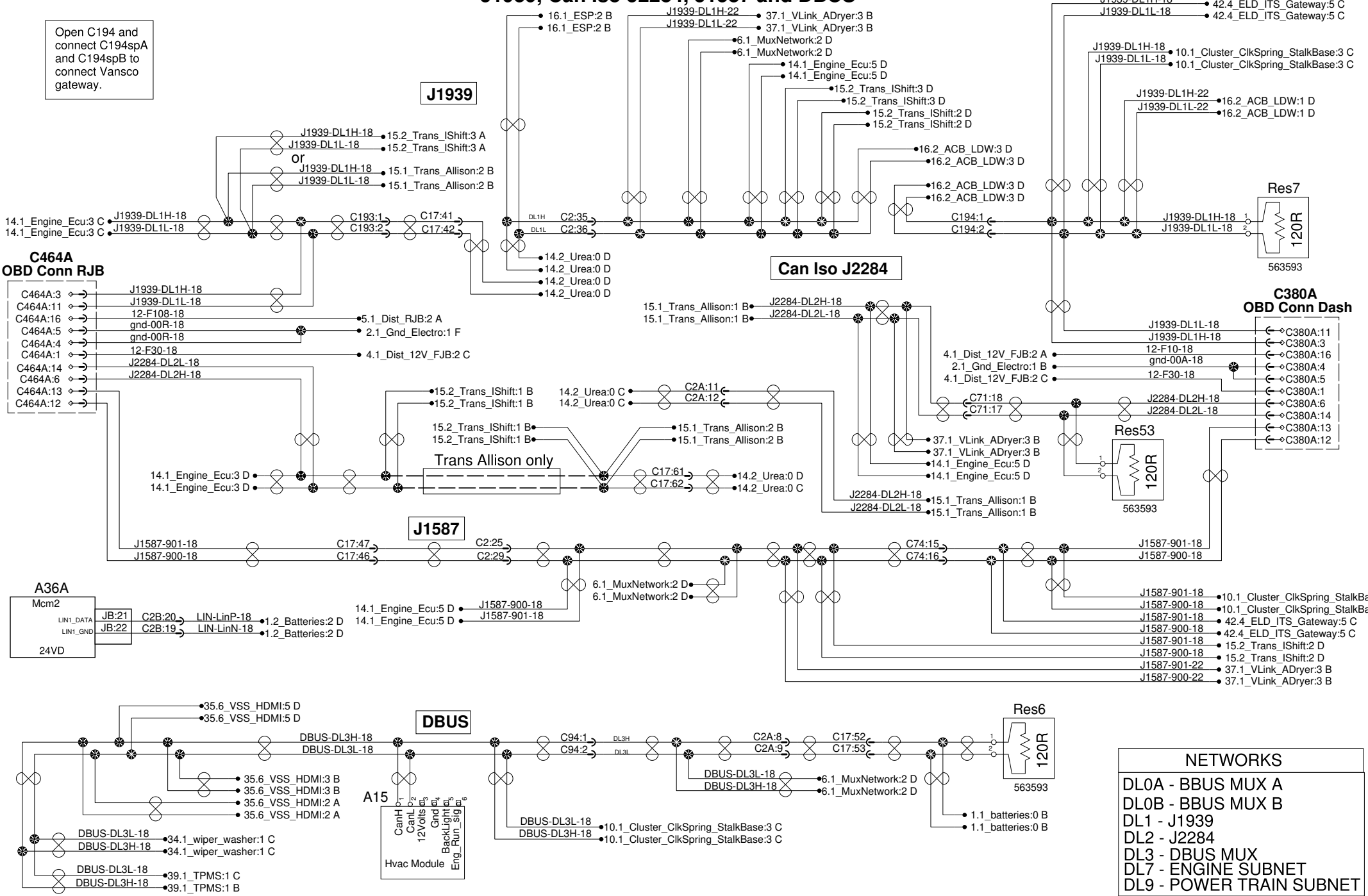
Open C194 and connect C194spA and C194spB to connect Vansco gateway.

J1939

Can Iso J2284

J1587

DBUS



| NETWORKS | |
|----------|----------------------|
| DL0A | - BBUS MUX A |
| DL0B | - BBUS MUX B |
| DL1 | - J1939 |
| DL2 | - J2284 |
| DL3 | - DBUS MUX |
| DL7 | - ENGINE SUBNET |
| DL9 | - POWER TRAIN SUBNET |

1

2

3

4

5

A

A

B

B

C

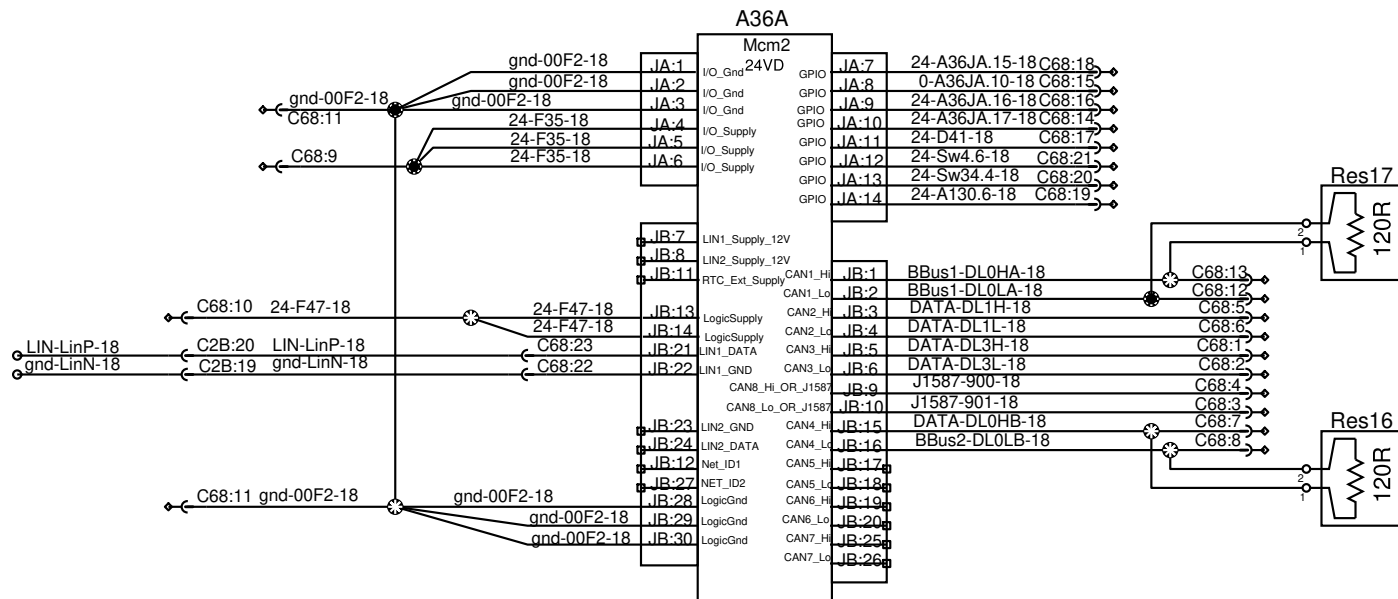
C

D

D

E

E



1

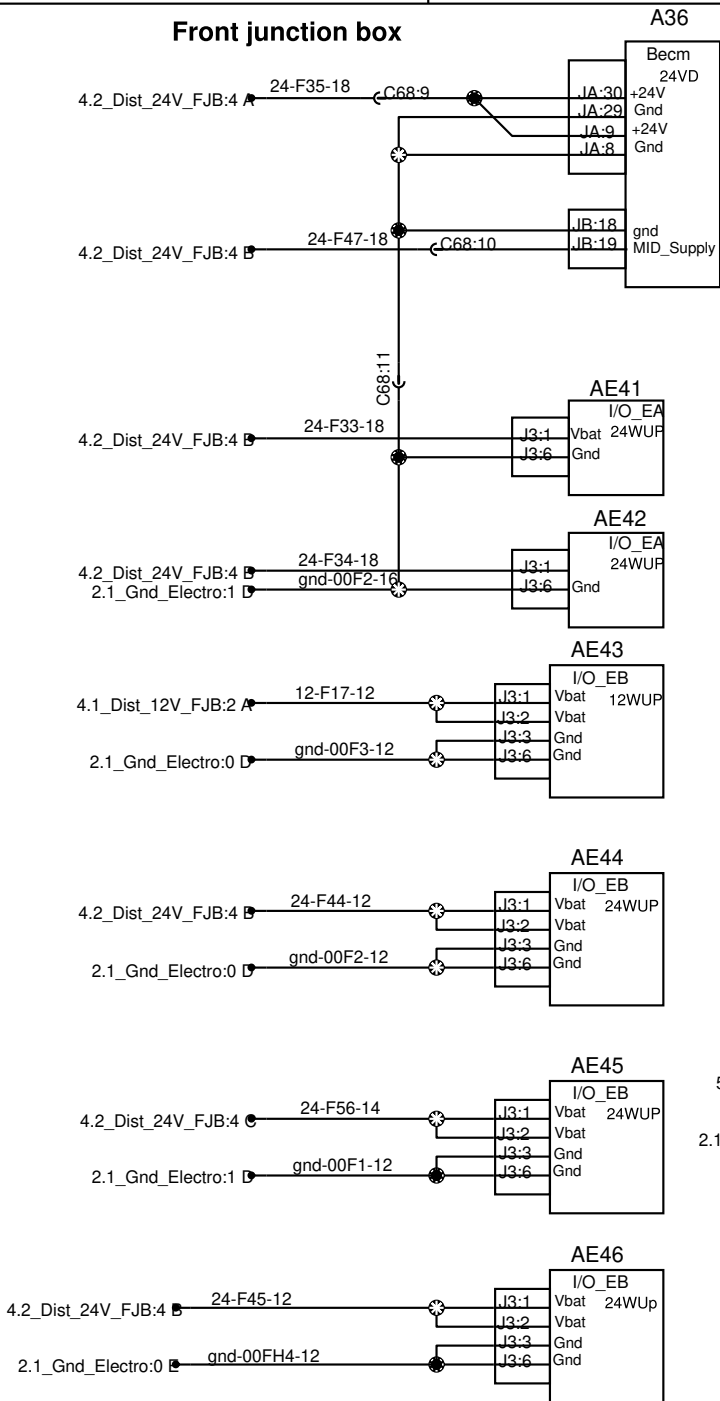
2

3

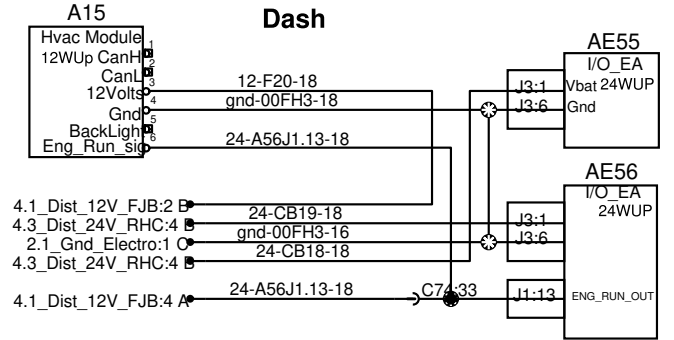
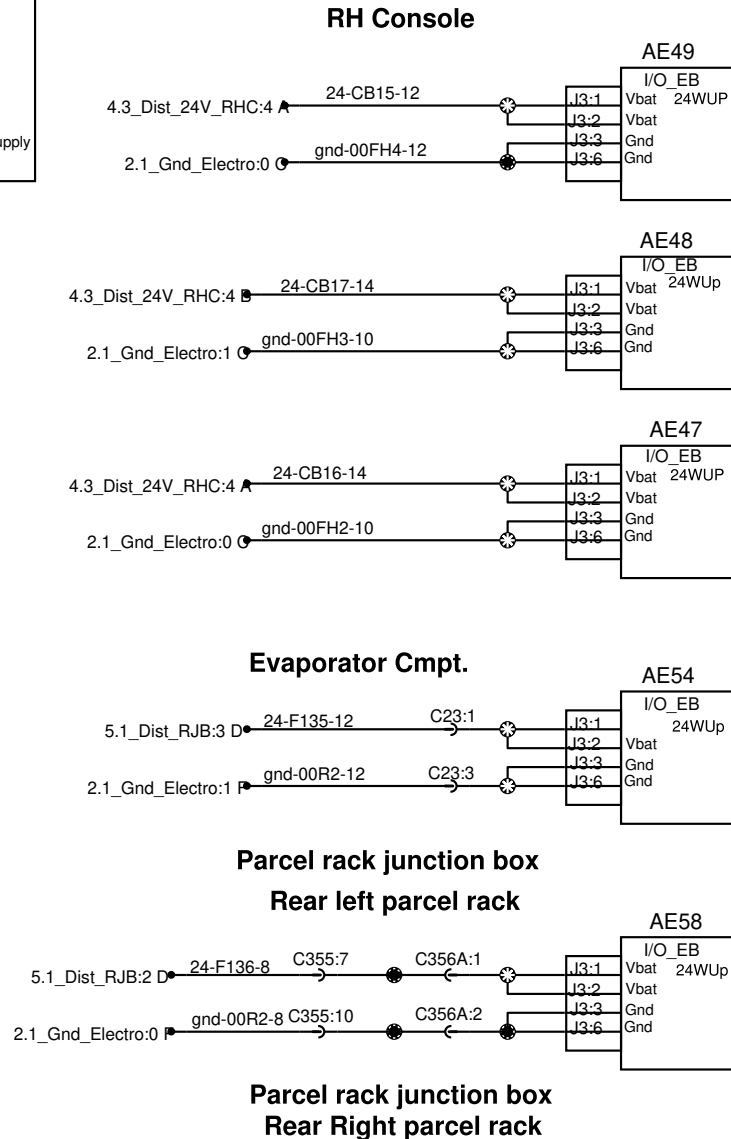
4

5

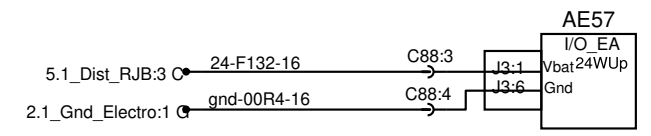
Front junction box



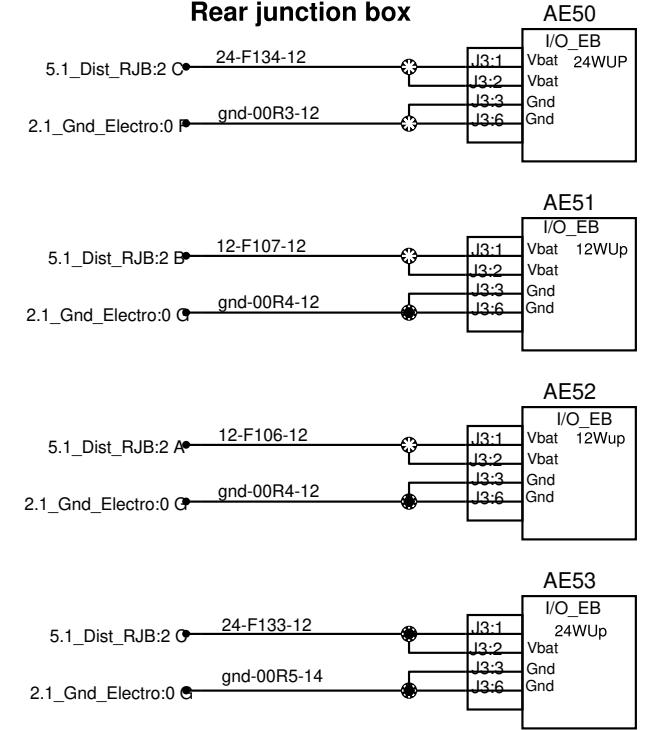
Multiplex power supply distribution



WCL Cmppt.



Rear junction box



Front junction box

Multiplex power supply distribution

RH Console

A15

Dash

WCL Cmpt.

Rear junction box

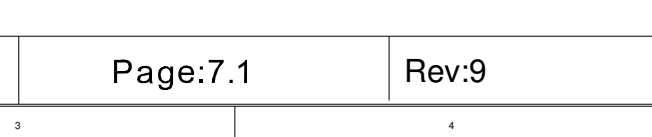
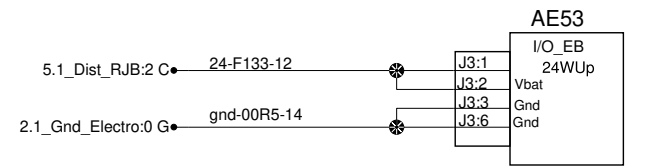
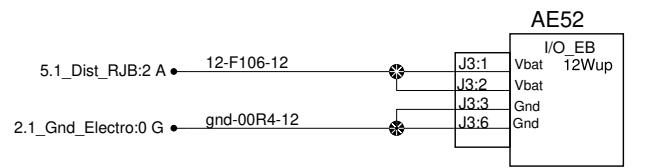
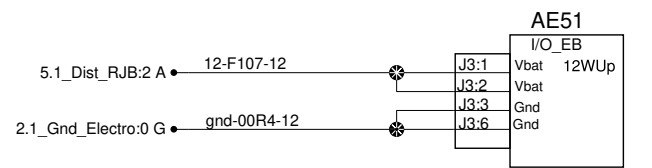
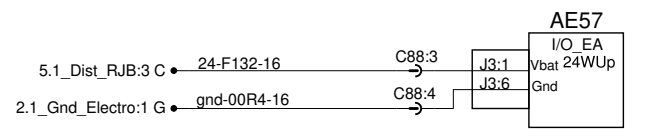
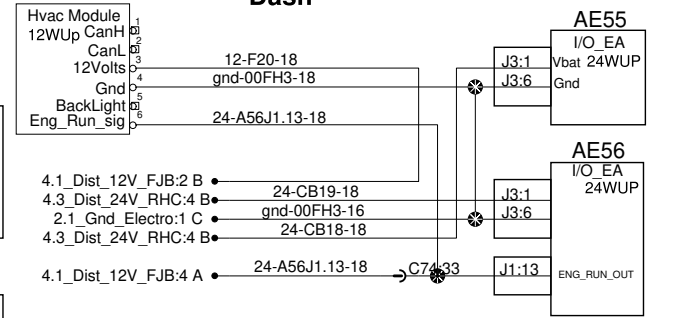
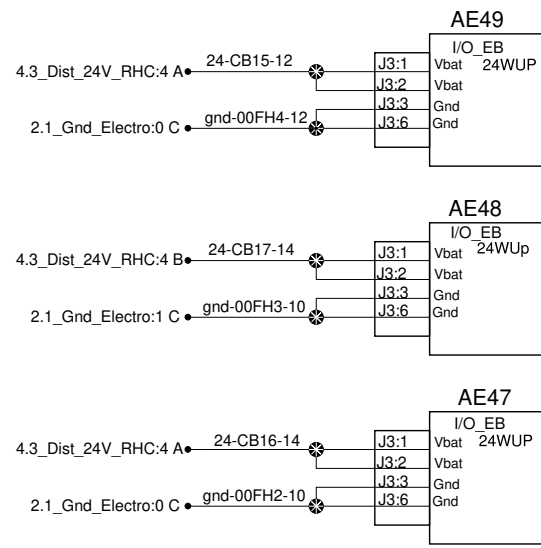
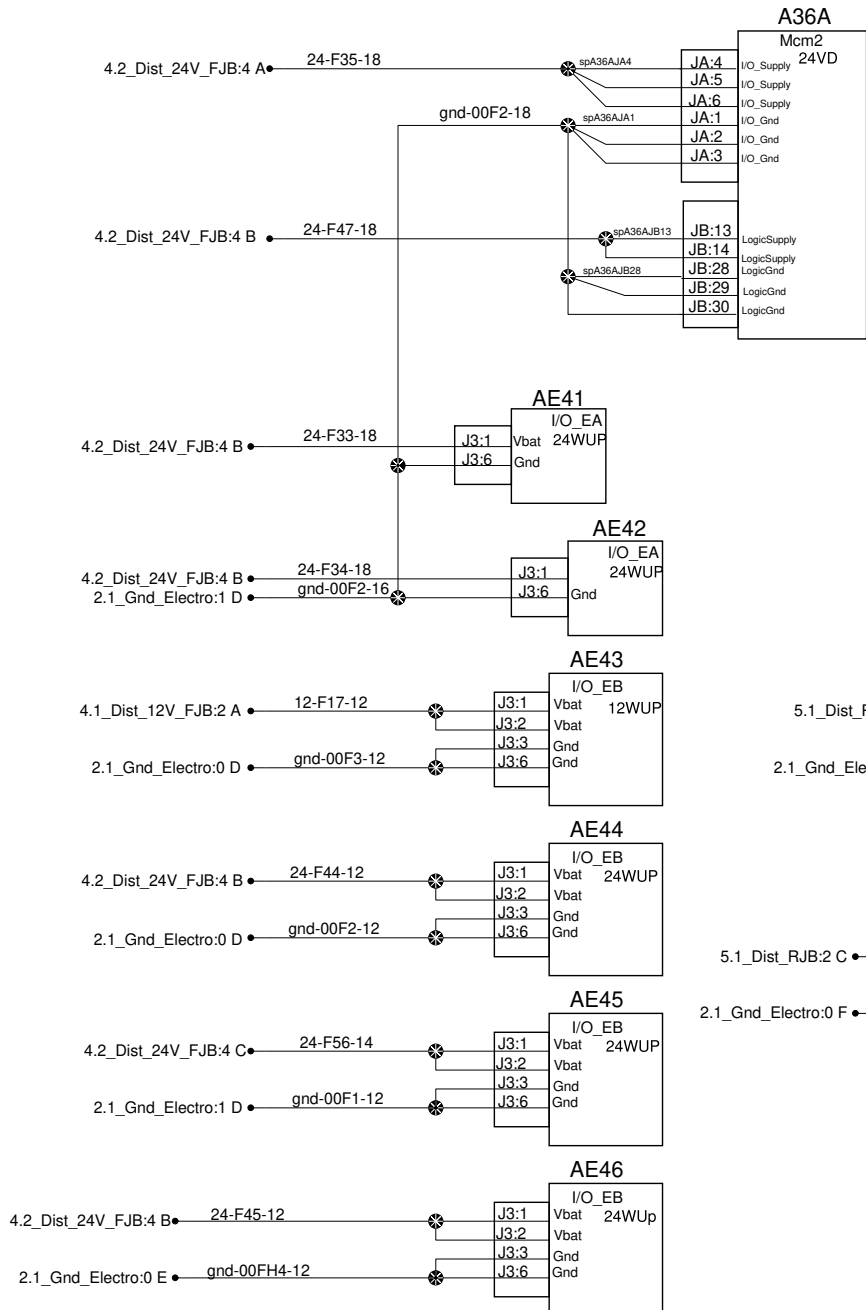
Evaporator Cmpt.

Parcel rack junction box

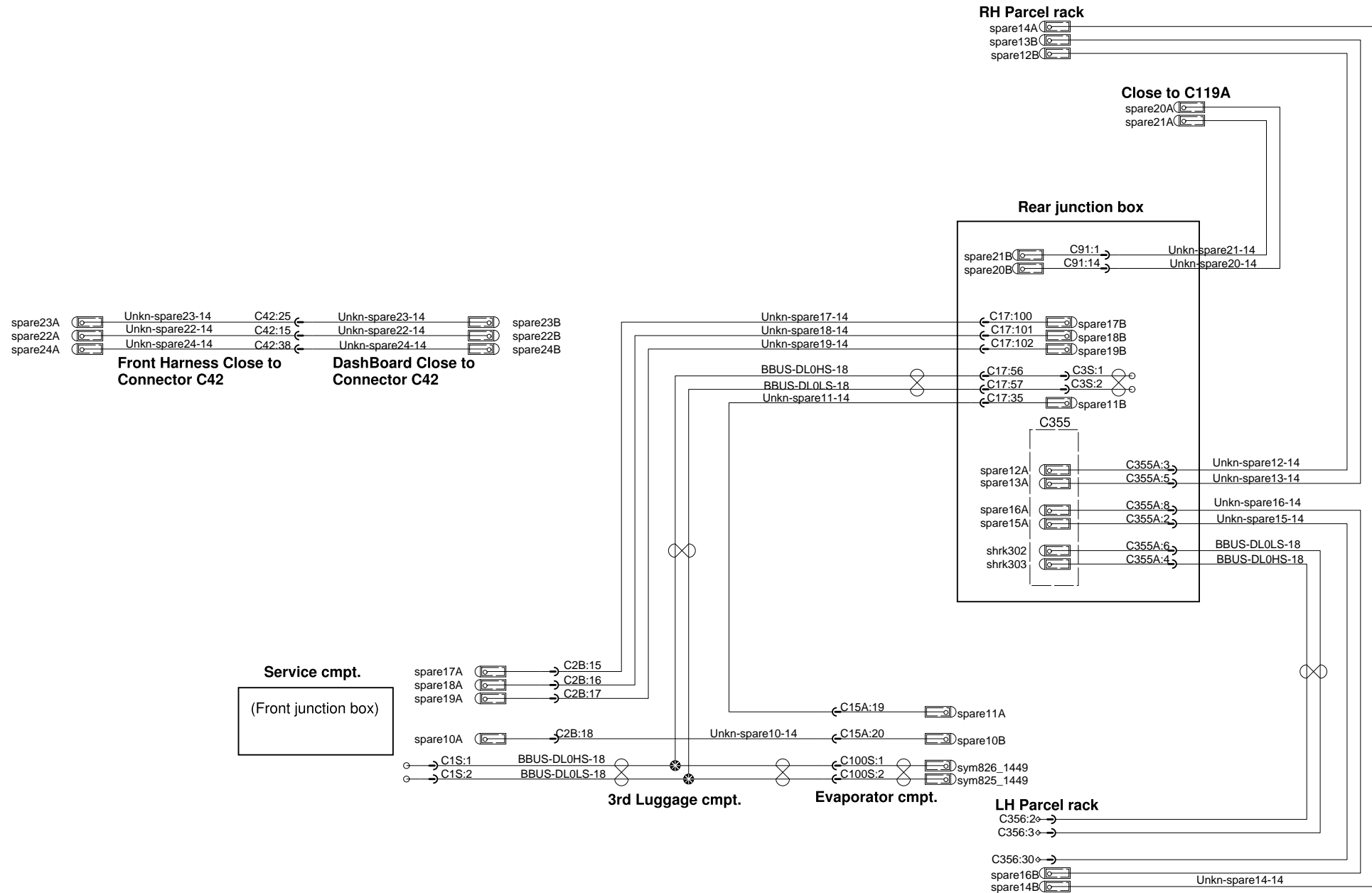
Rear left parcel rack

Parcel rack junction box

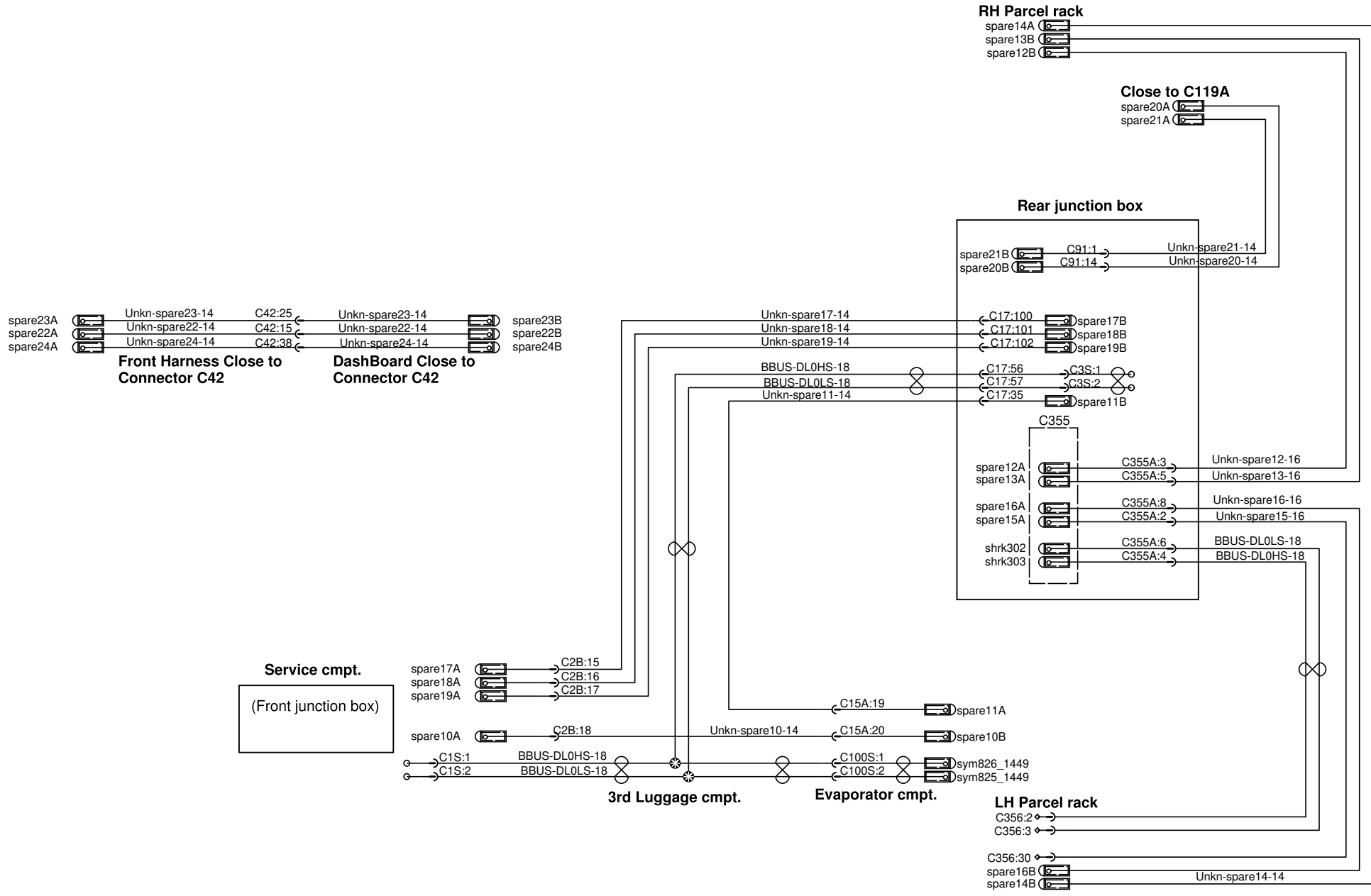
Rear Right parcel rack



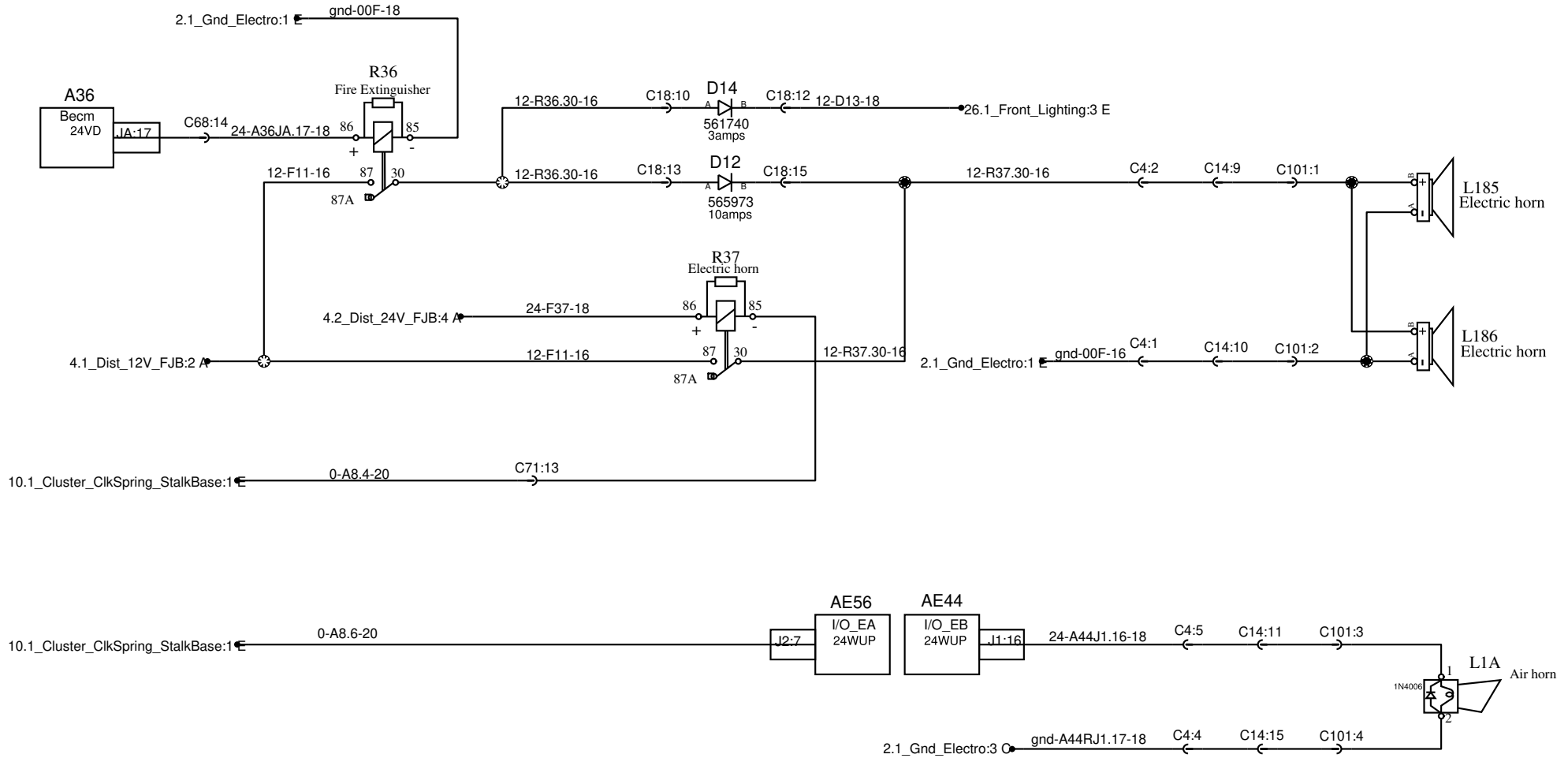
Spares wires



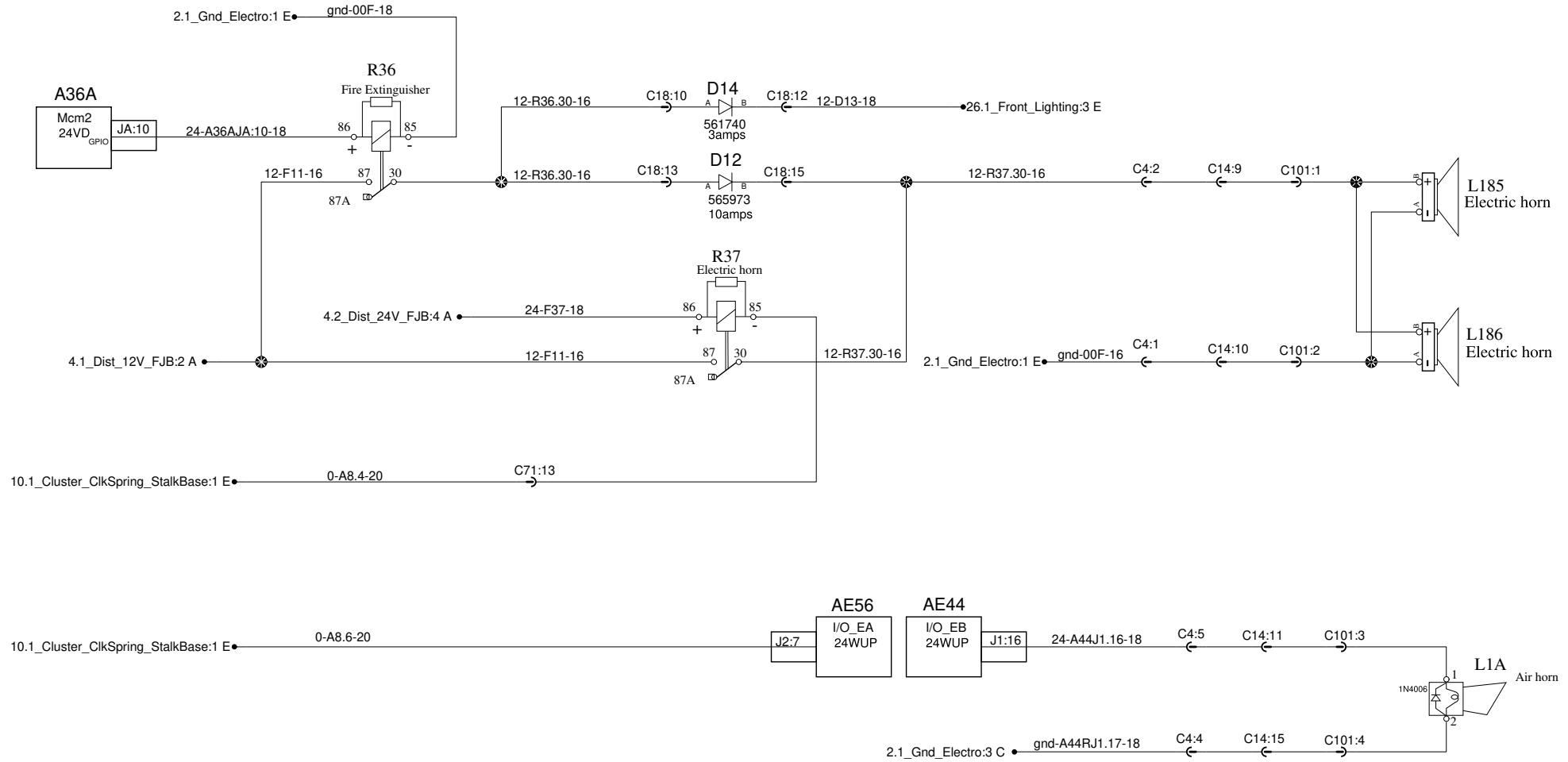
Spares wires



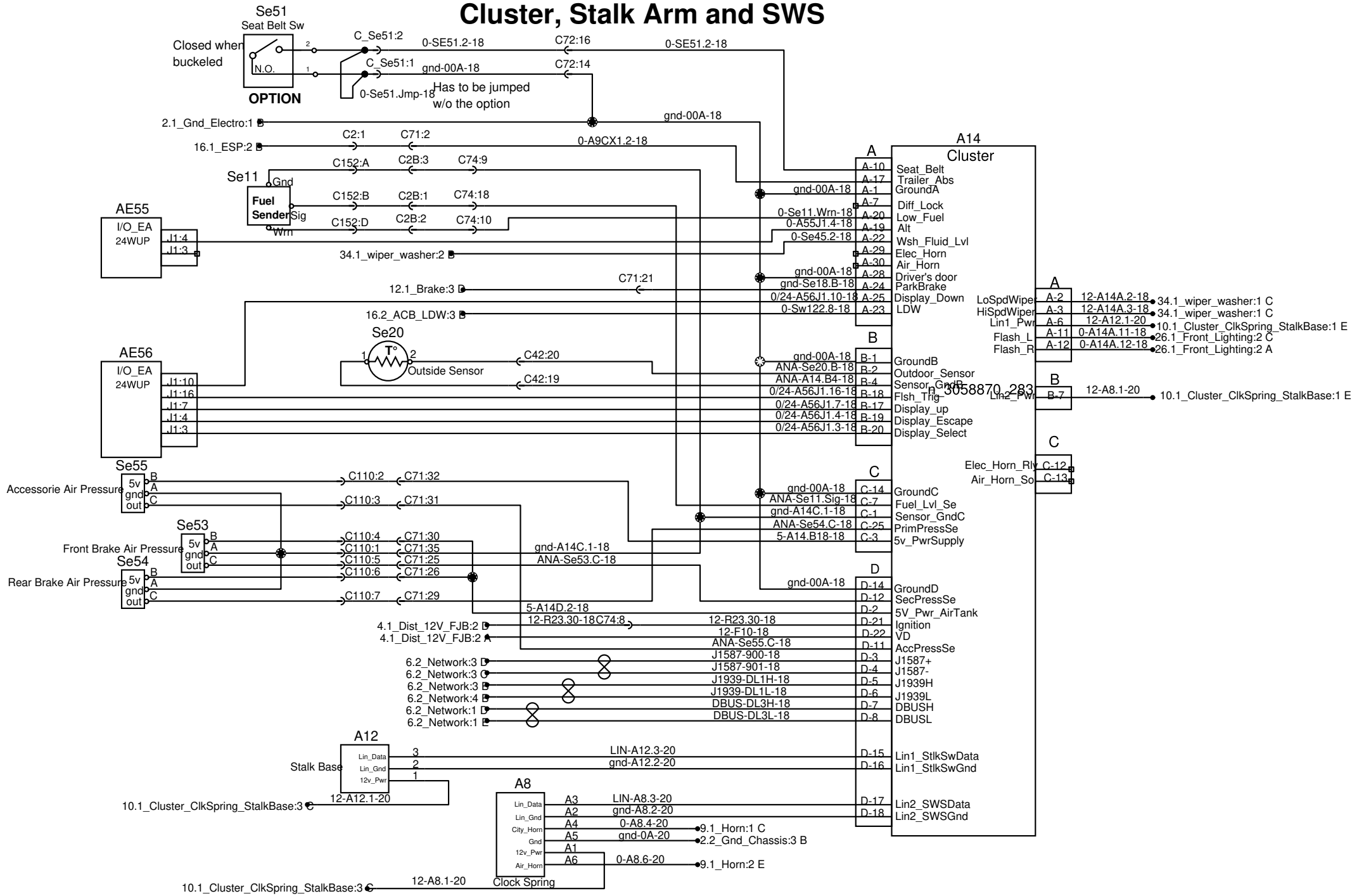
Horn



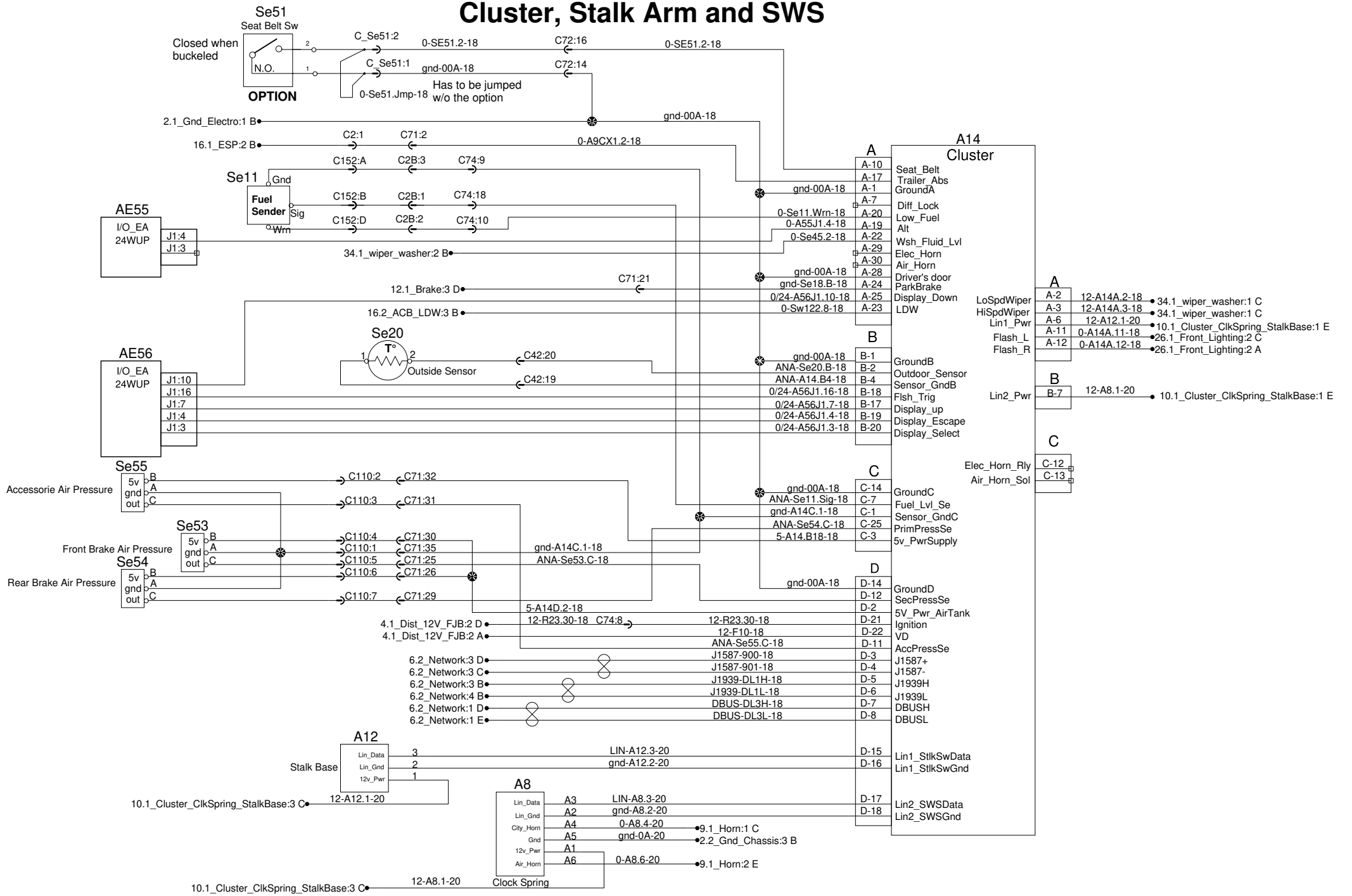
Horn



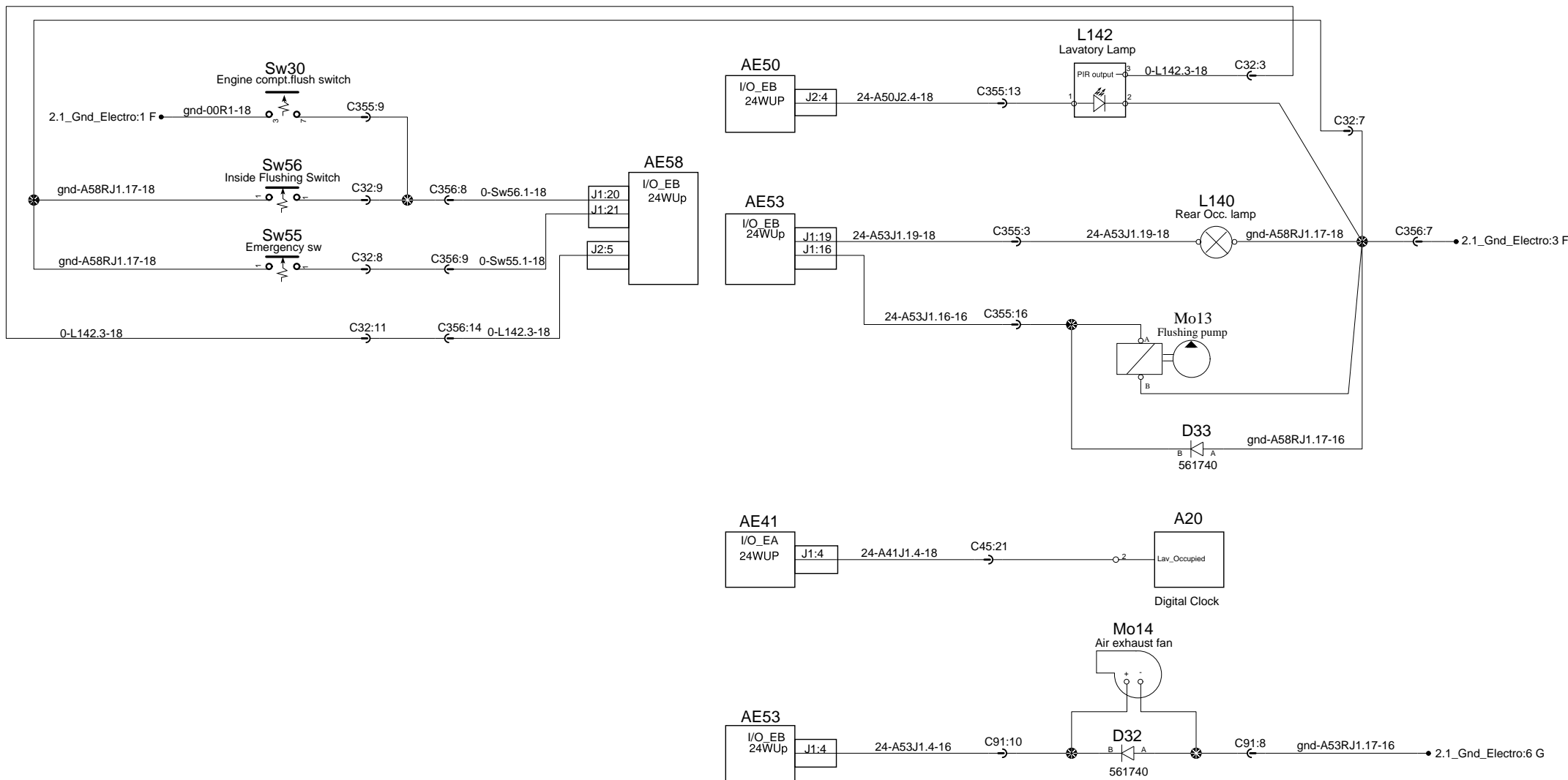
Cluster, Stalk Arm and SWS



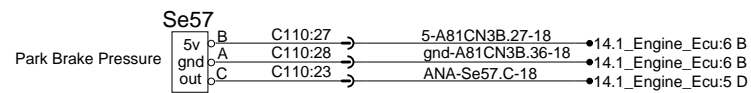
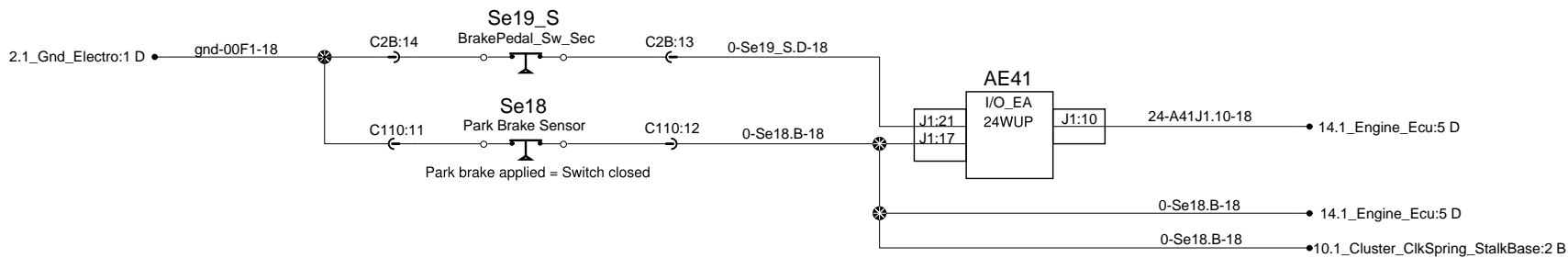
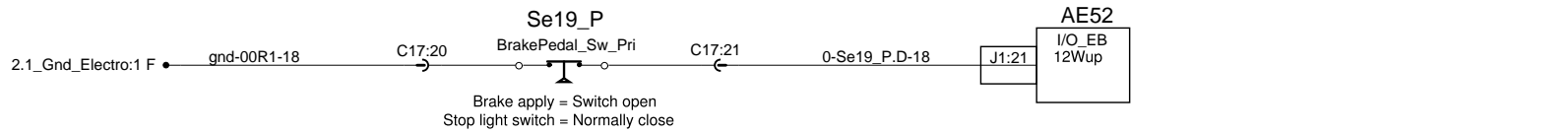
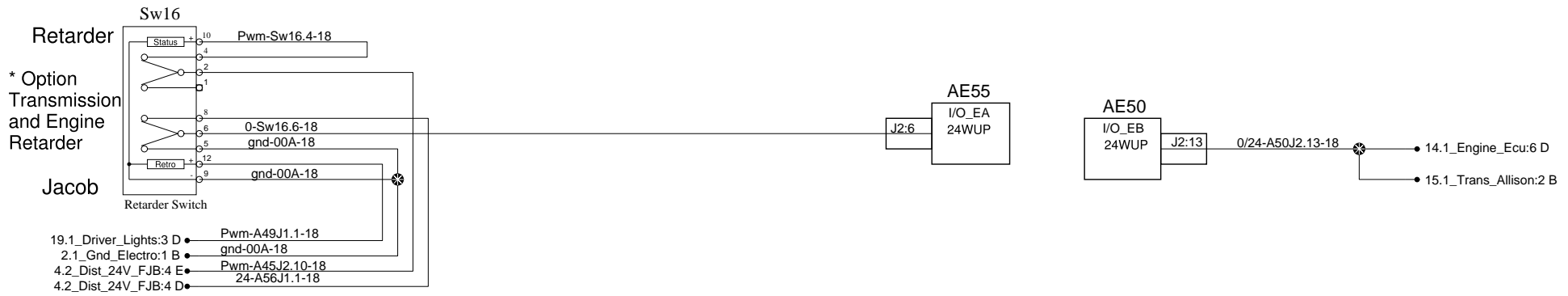
Cluster, Stalk Arm and SWS



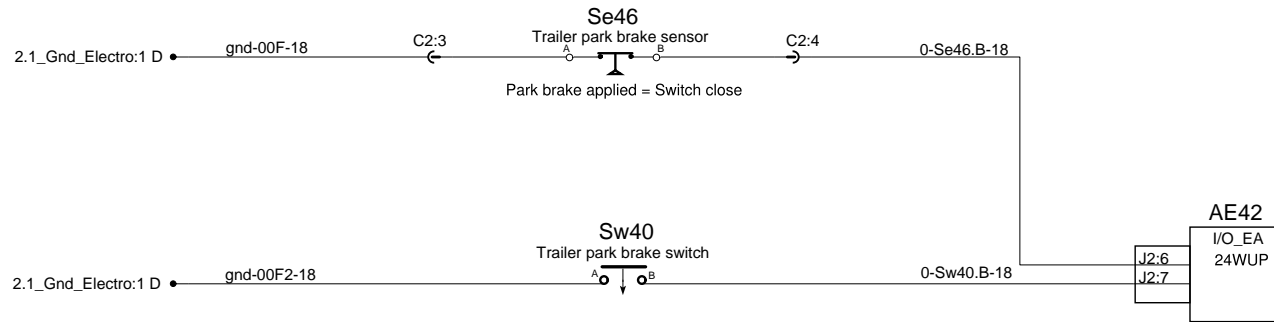
Lavatory and No Smoking sign



Brake, Engine brake and Retarder



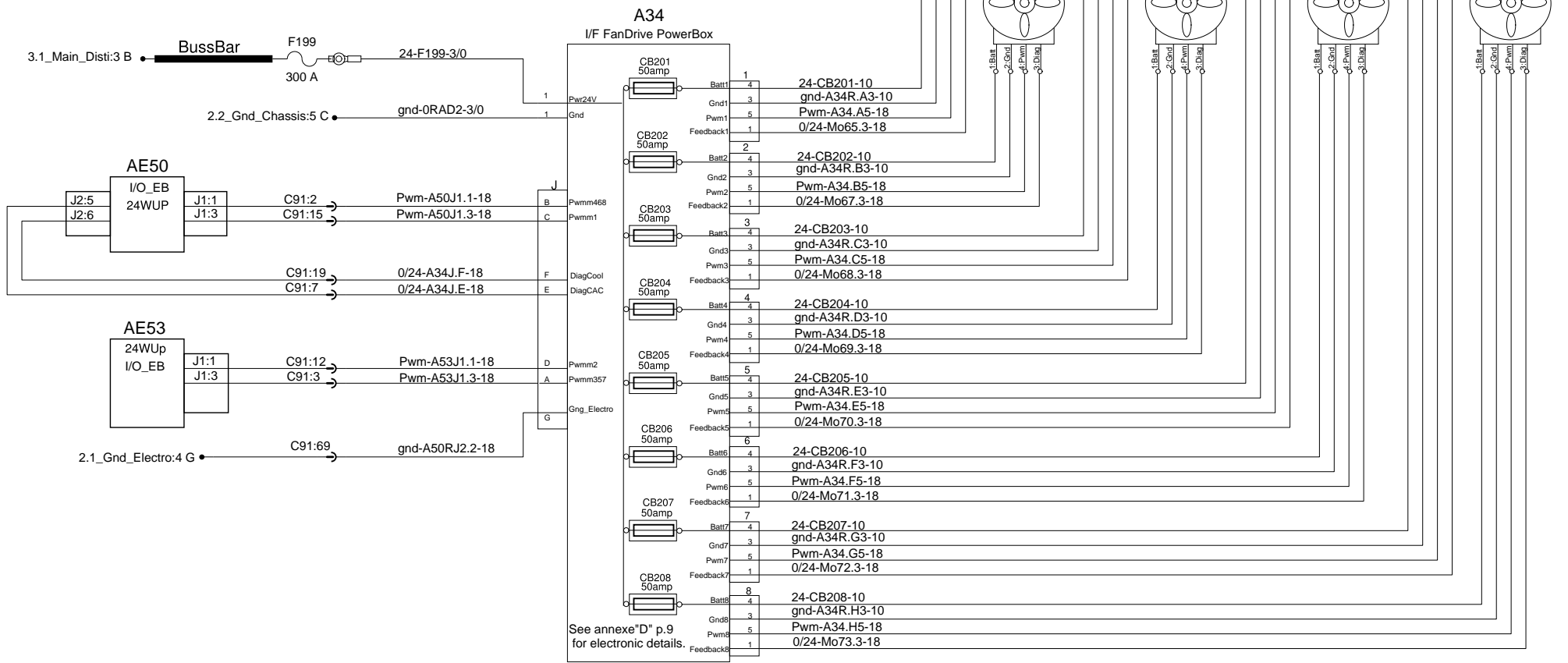
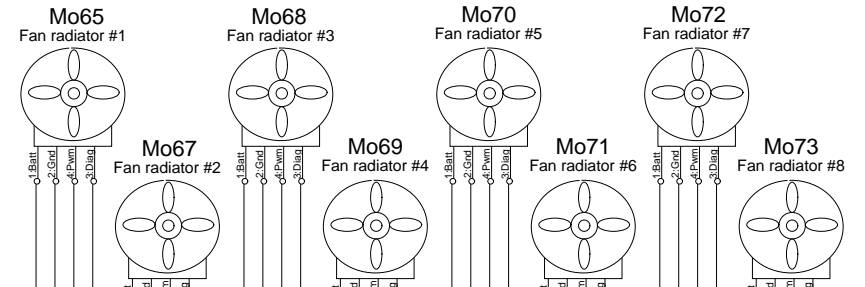
Trailer park brake



Electric fans drive

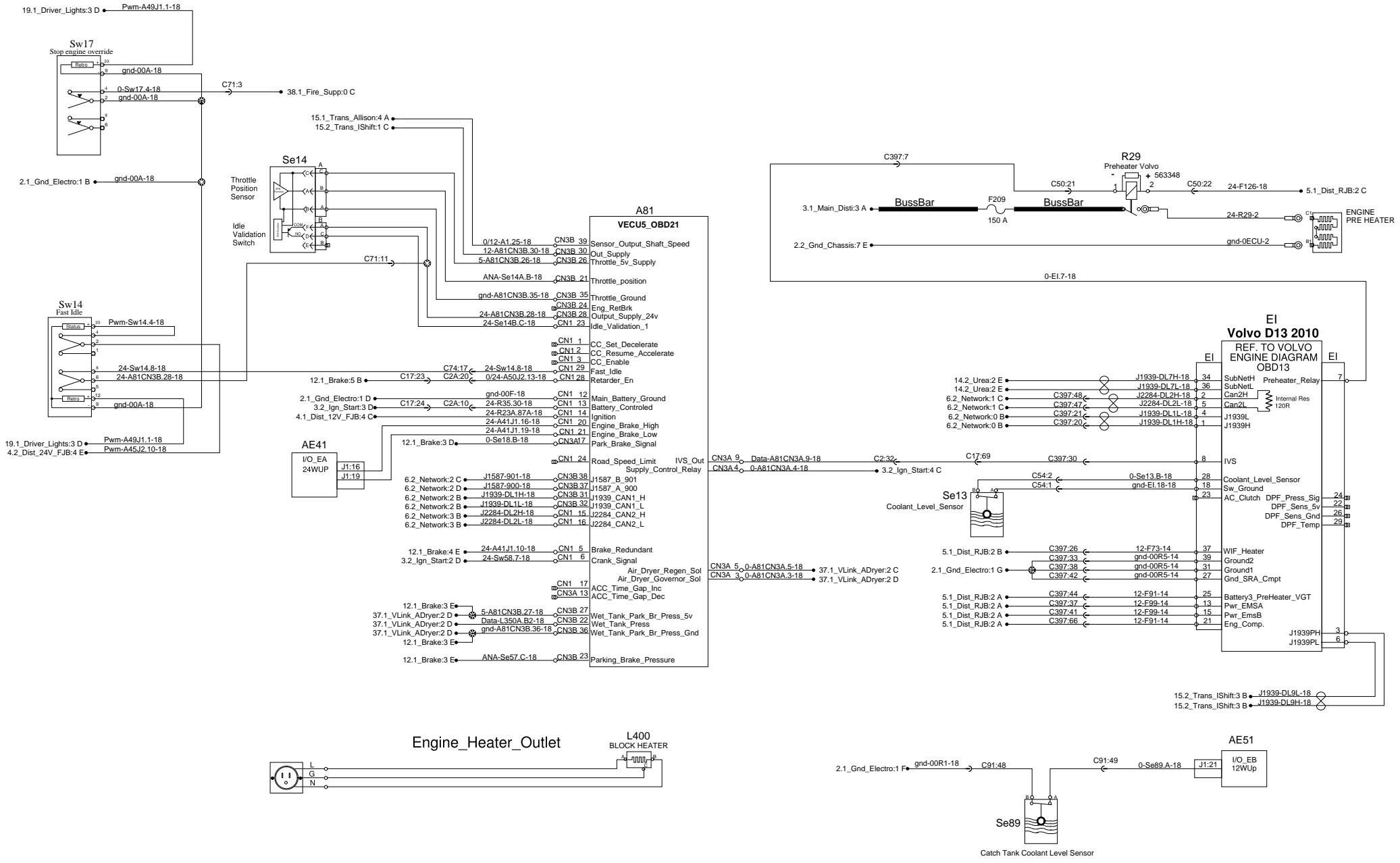
CAC

Engine

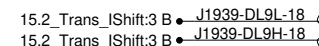
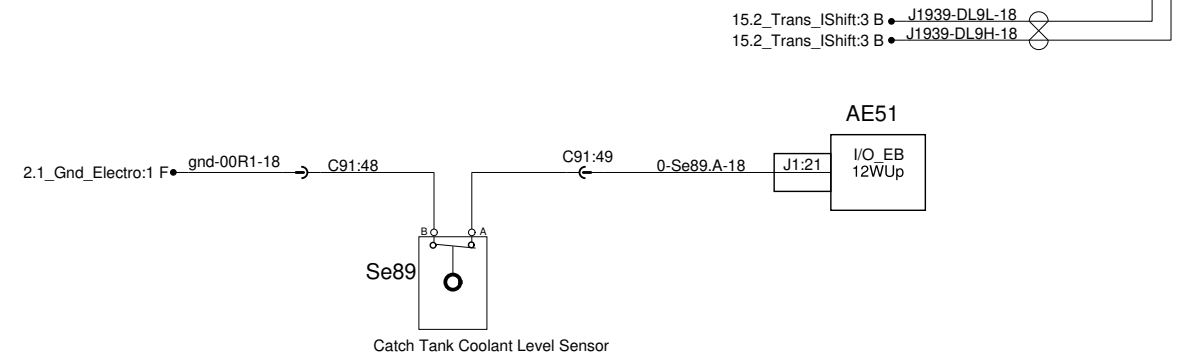
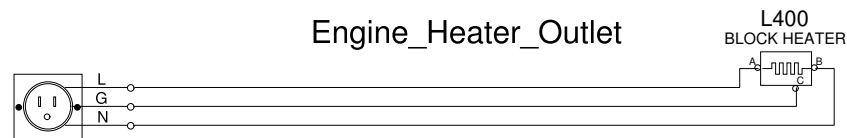
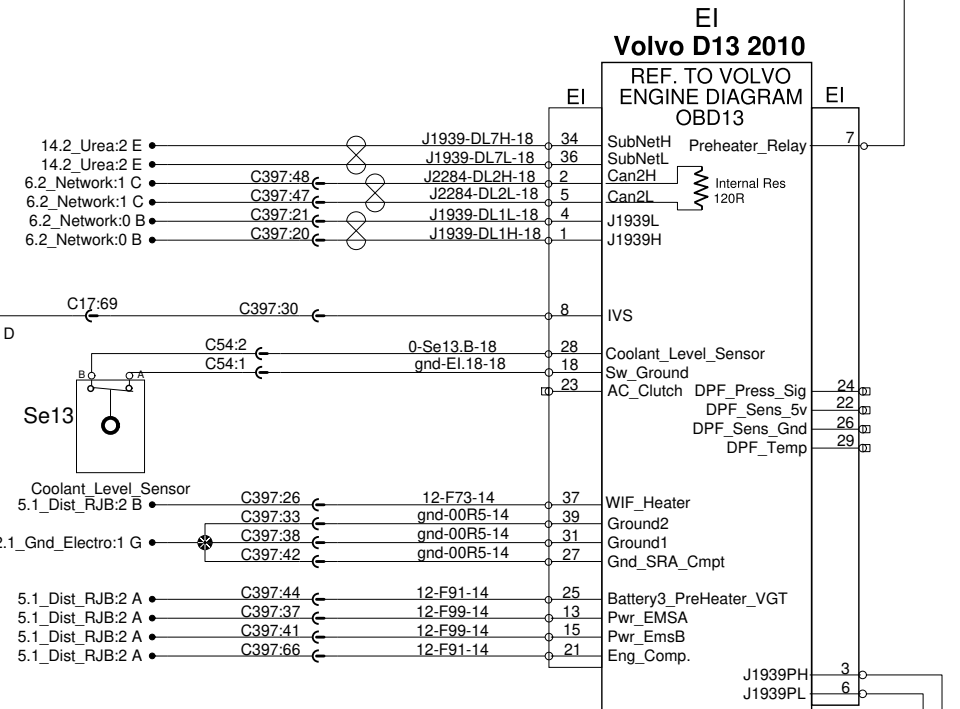
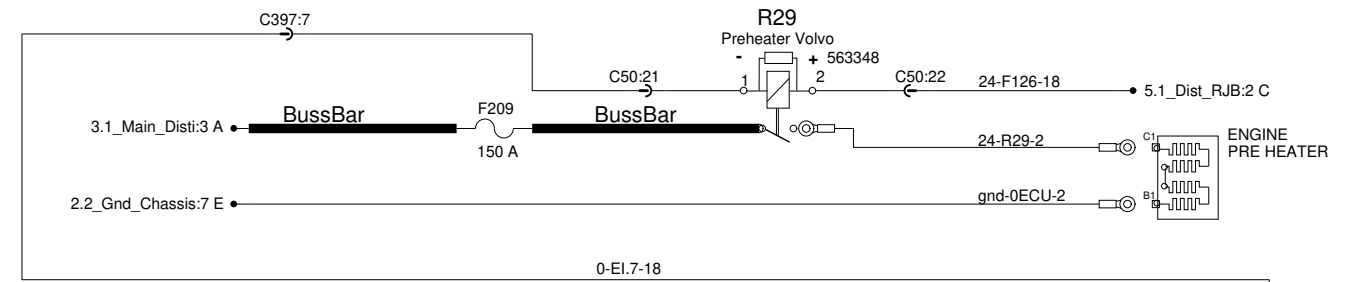
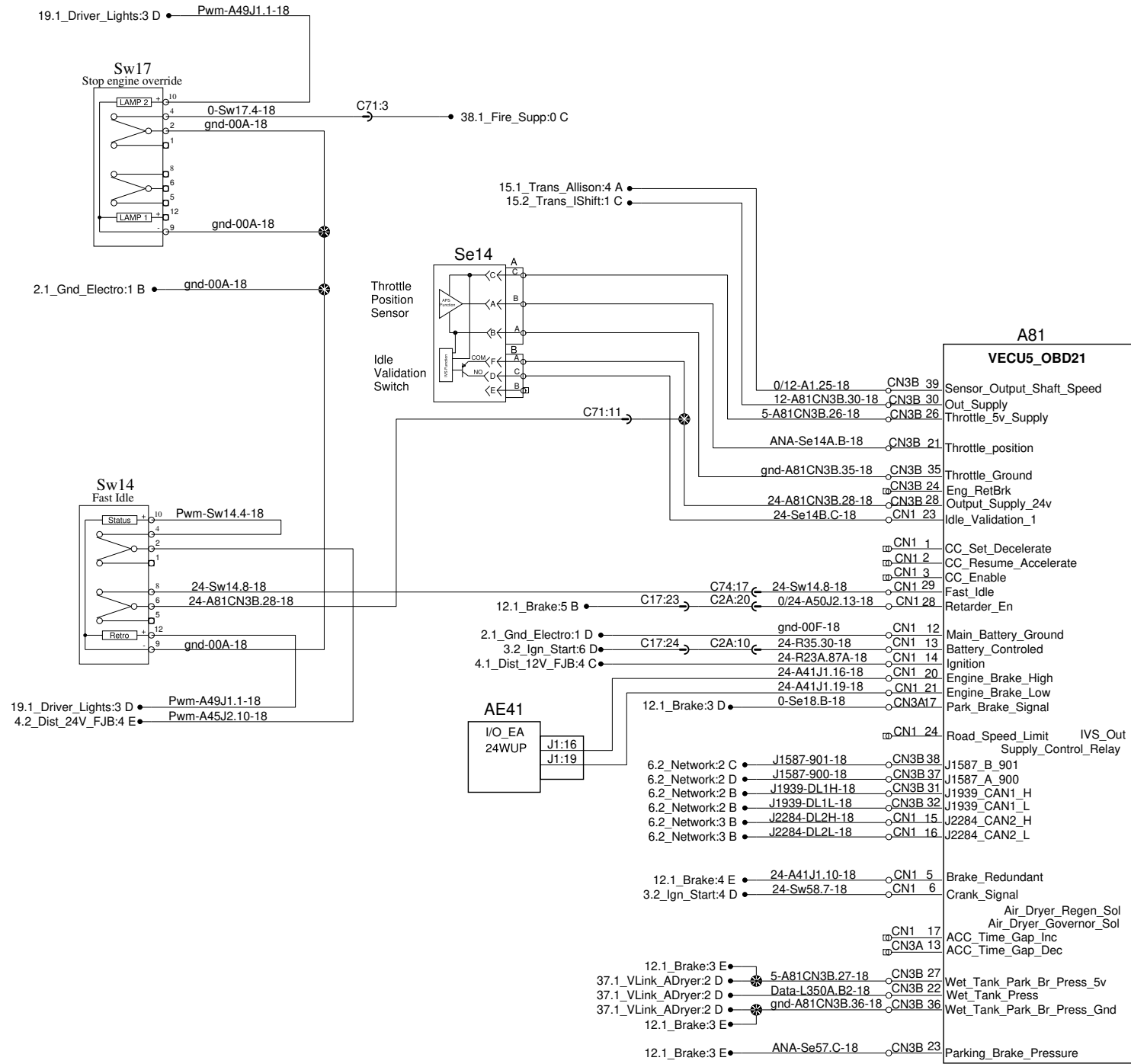


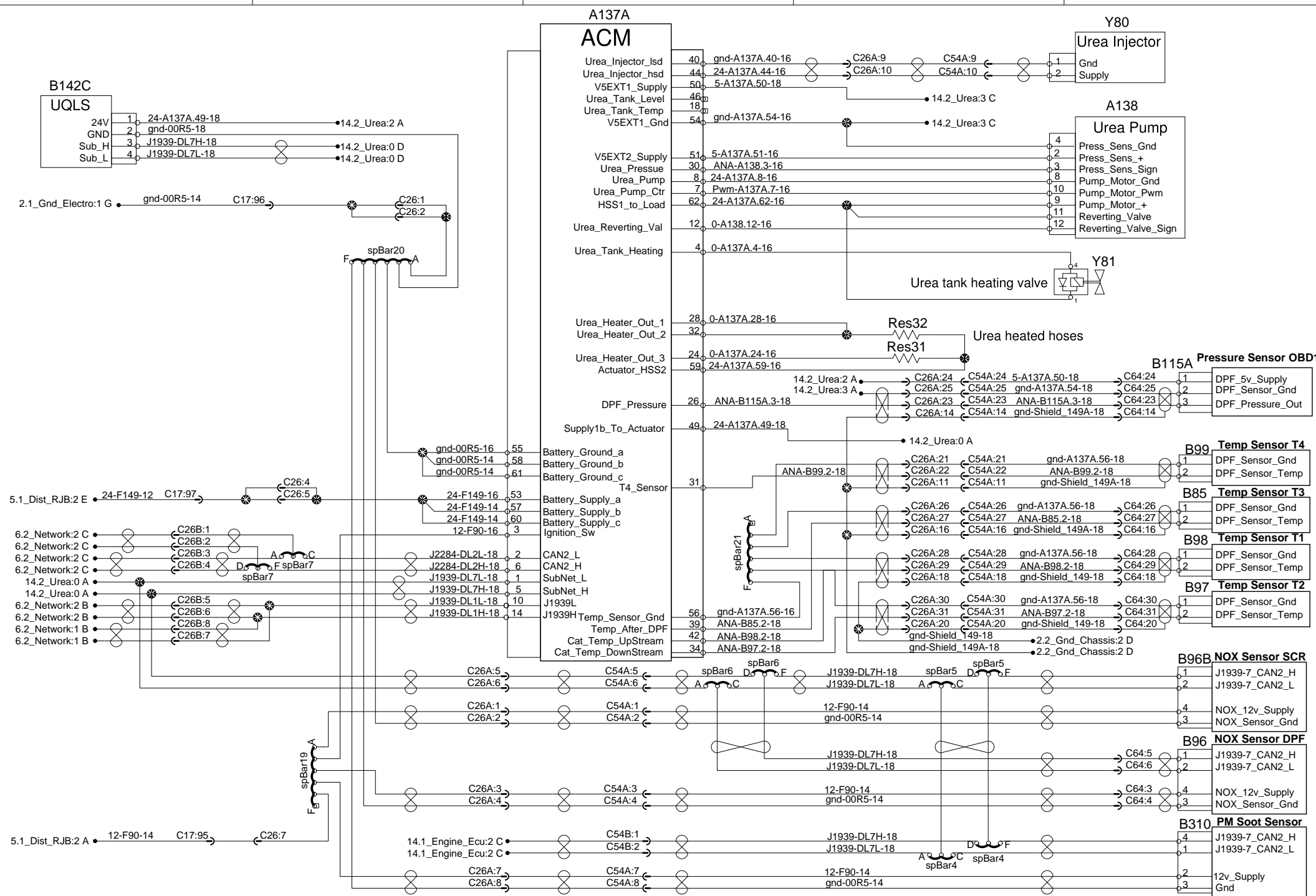
See annexe "D" p.9 for electronic details.

Engine ECU Volvo

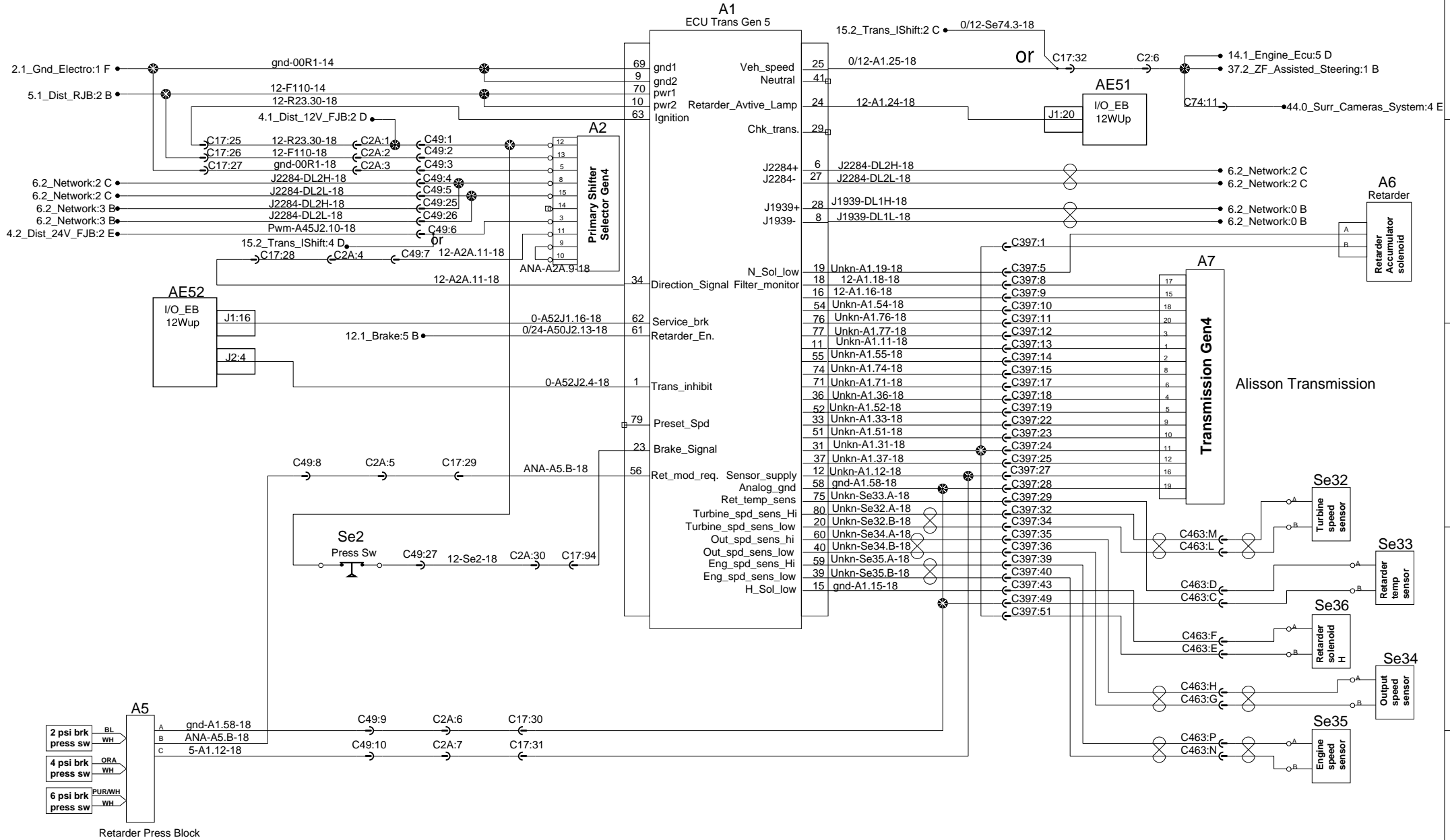


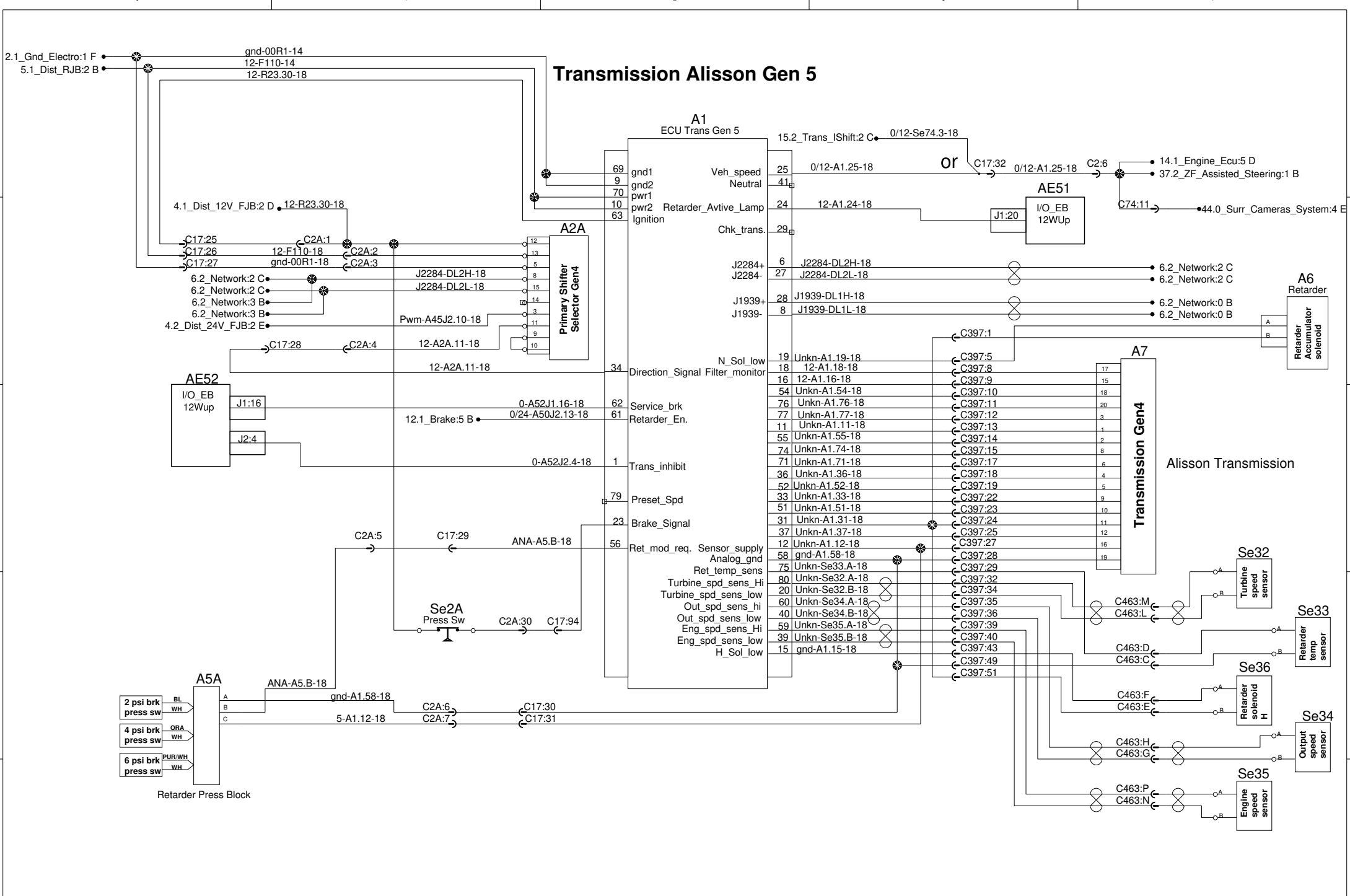
Engine ECU Volvo



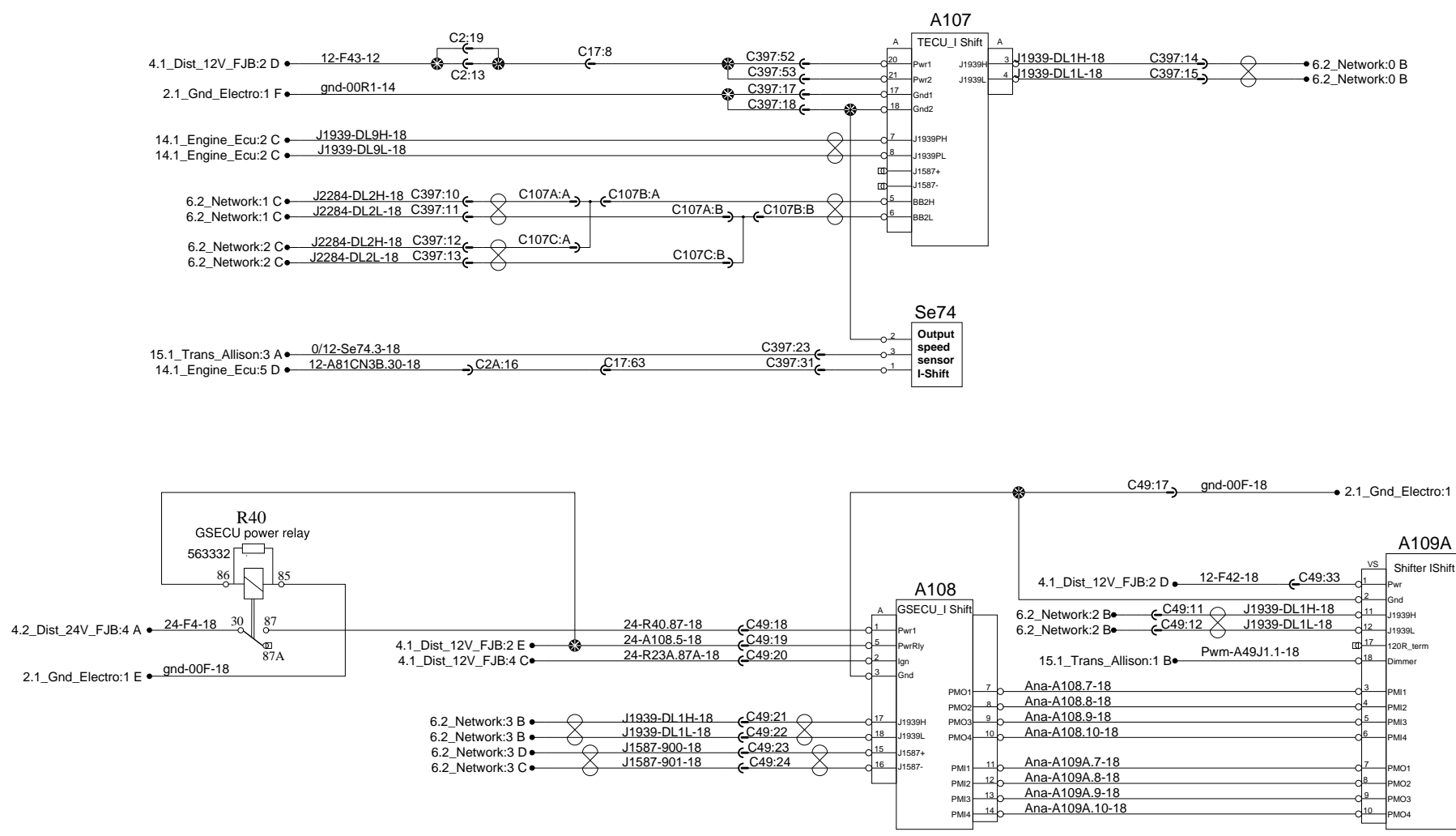


Transmission Alisson Gen 5

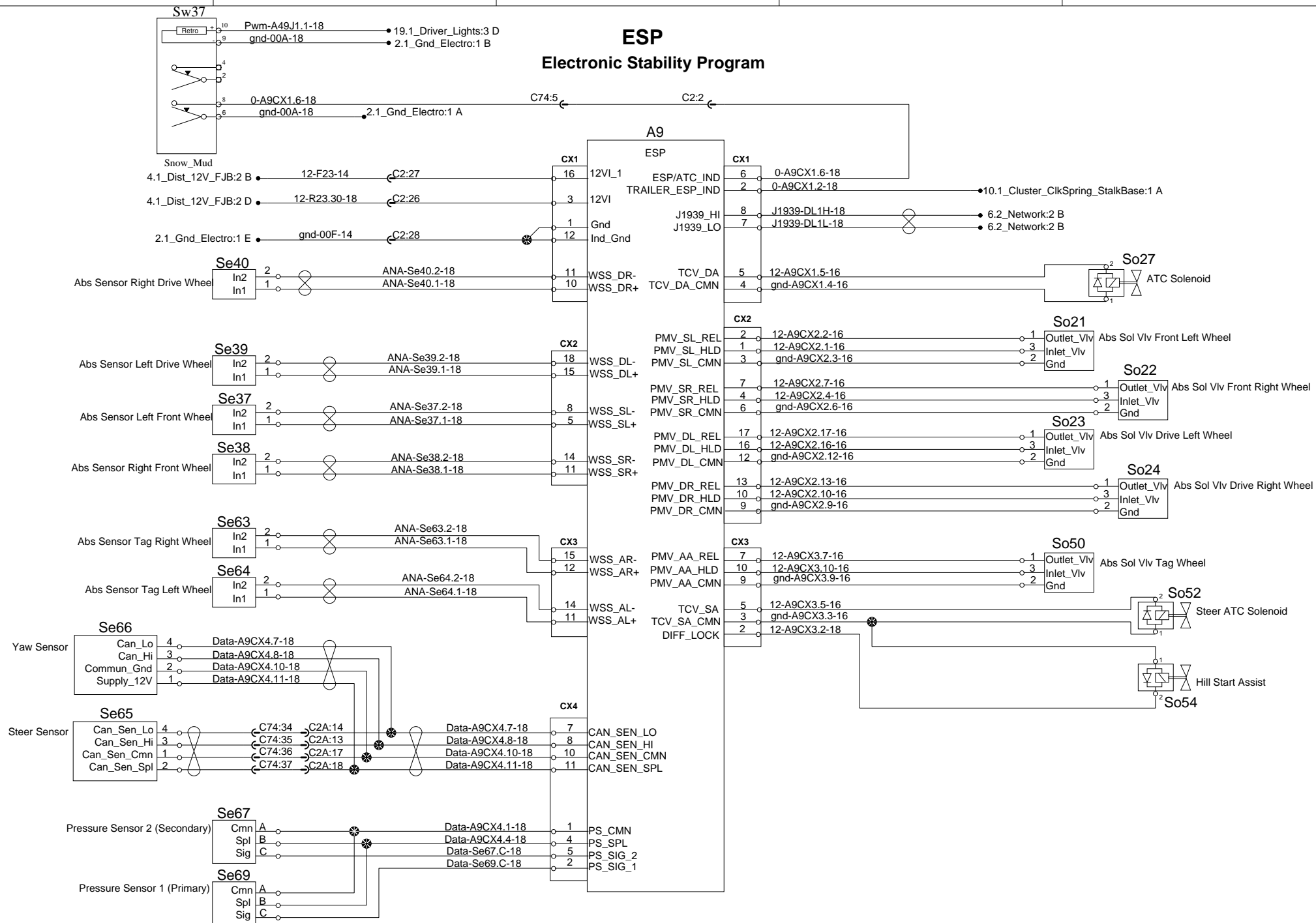




Transmission I_Shift

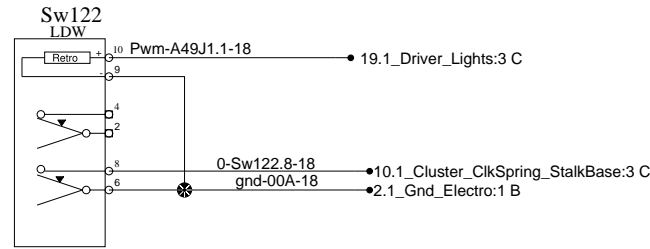


ESP Electronic Stability Program

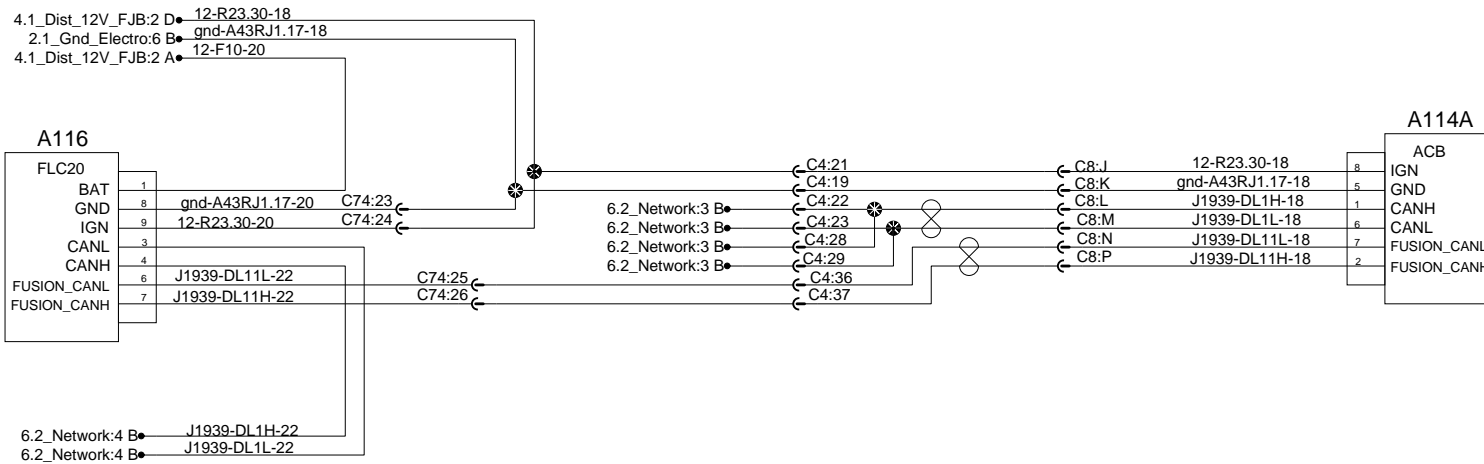
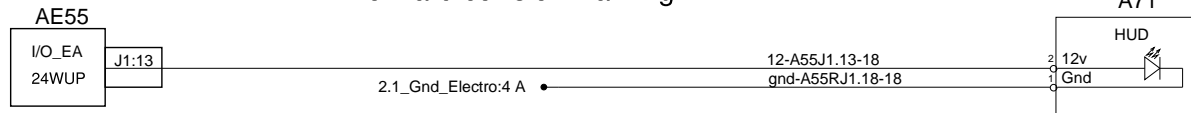


ACC & LDW

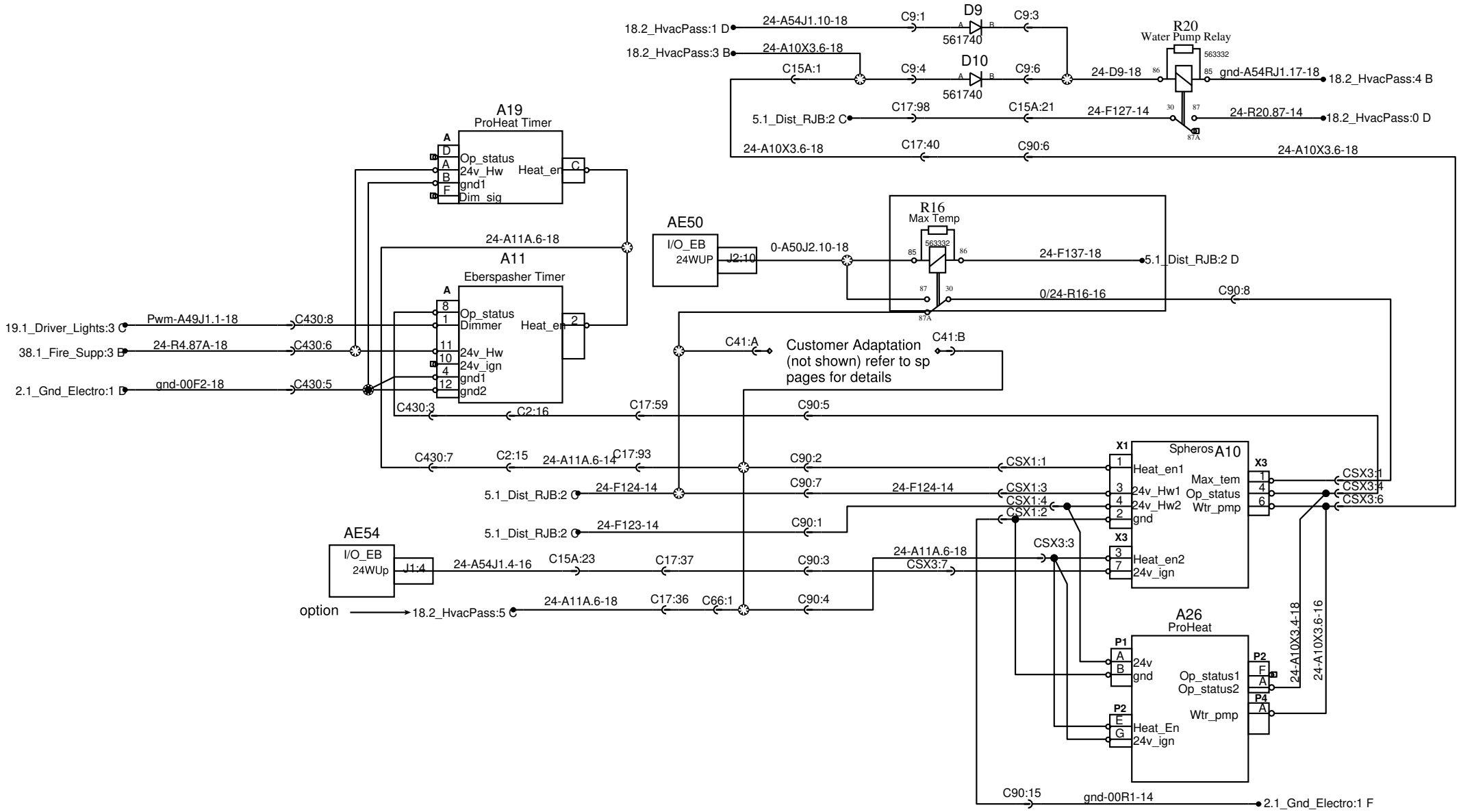
Adaptative cruise control breaking and Line departure warning



Forward collision warning

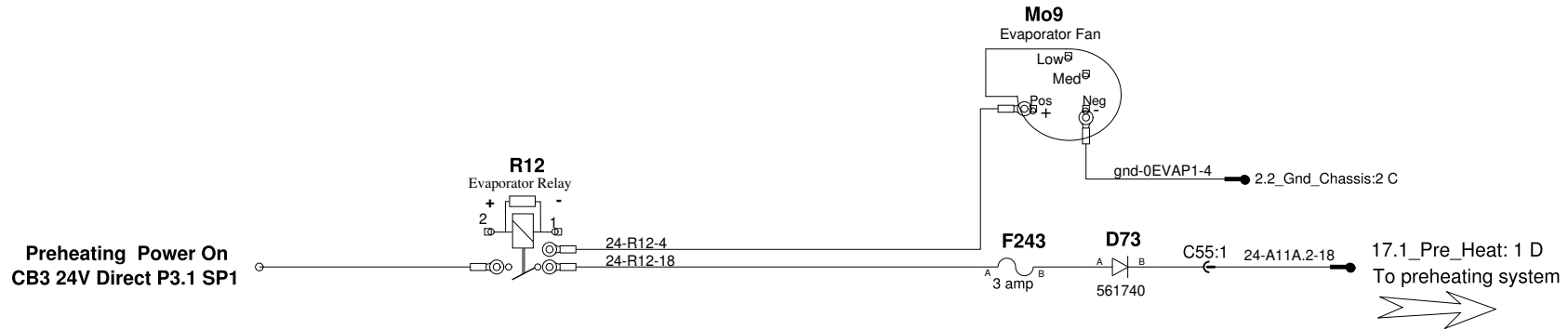


Water PreHeater (Spheros or Pro-Heat)

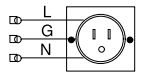


Water PreHeater System Forced Customer Adaptation Offshore Heating Function

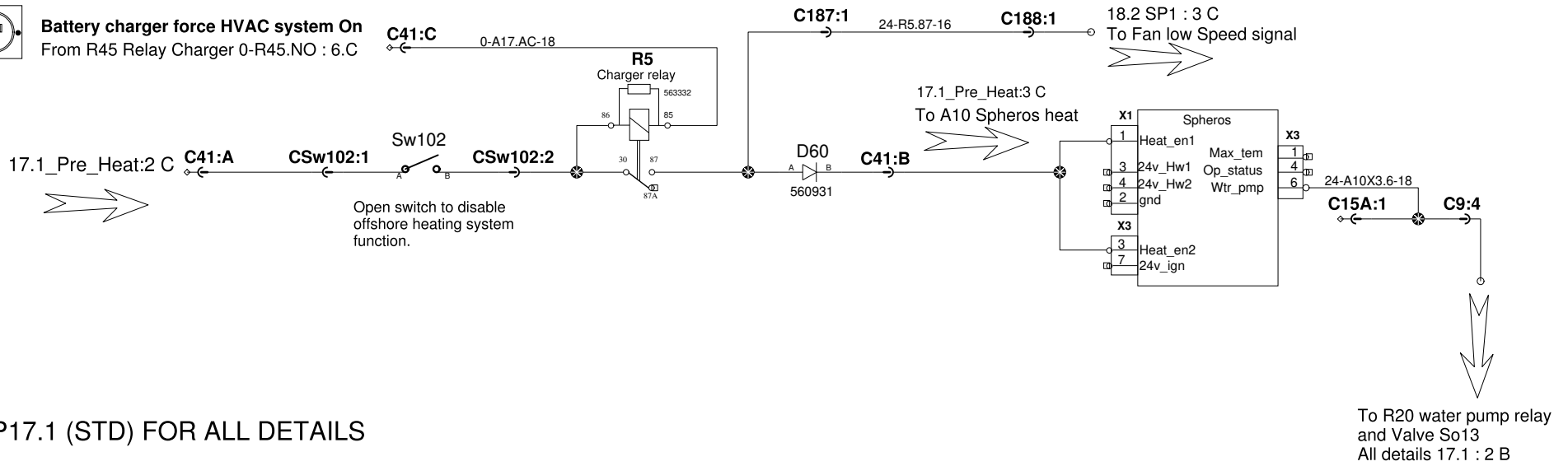
REFER TO P18.2 (STD) FOR ALL DETAILS



Outlet Comp Door

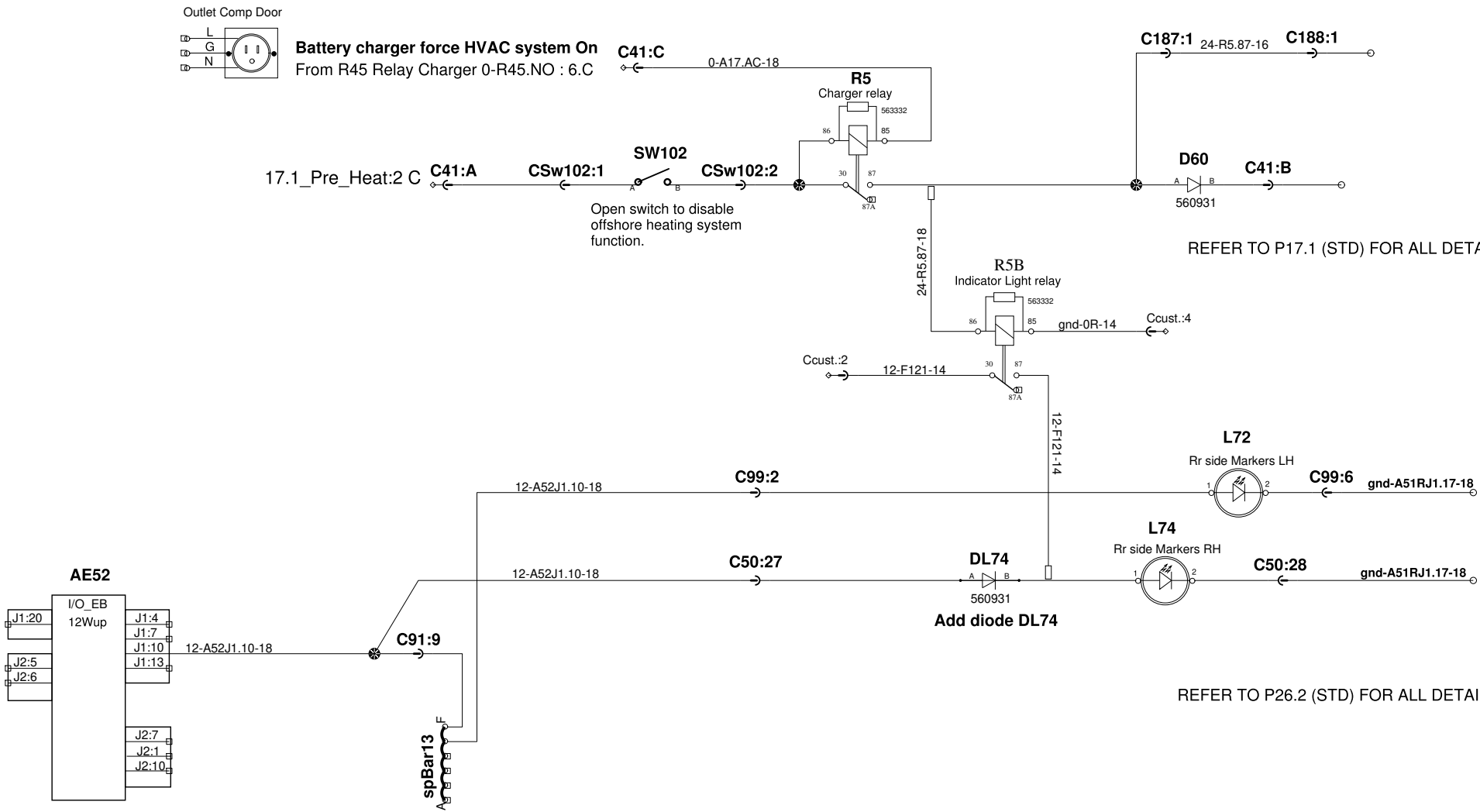


Battery charger force HVAC system On
From R45 Relay Charger 0-R45.NO : 6.C

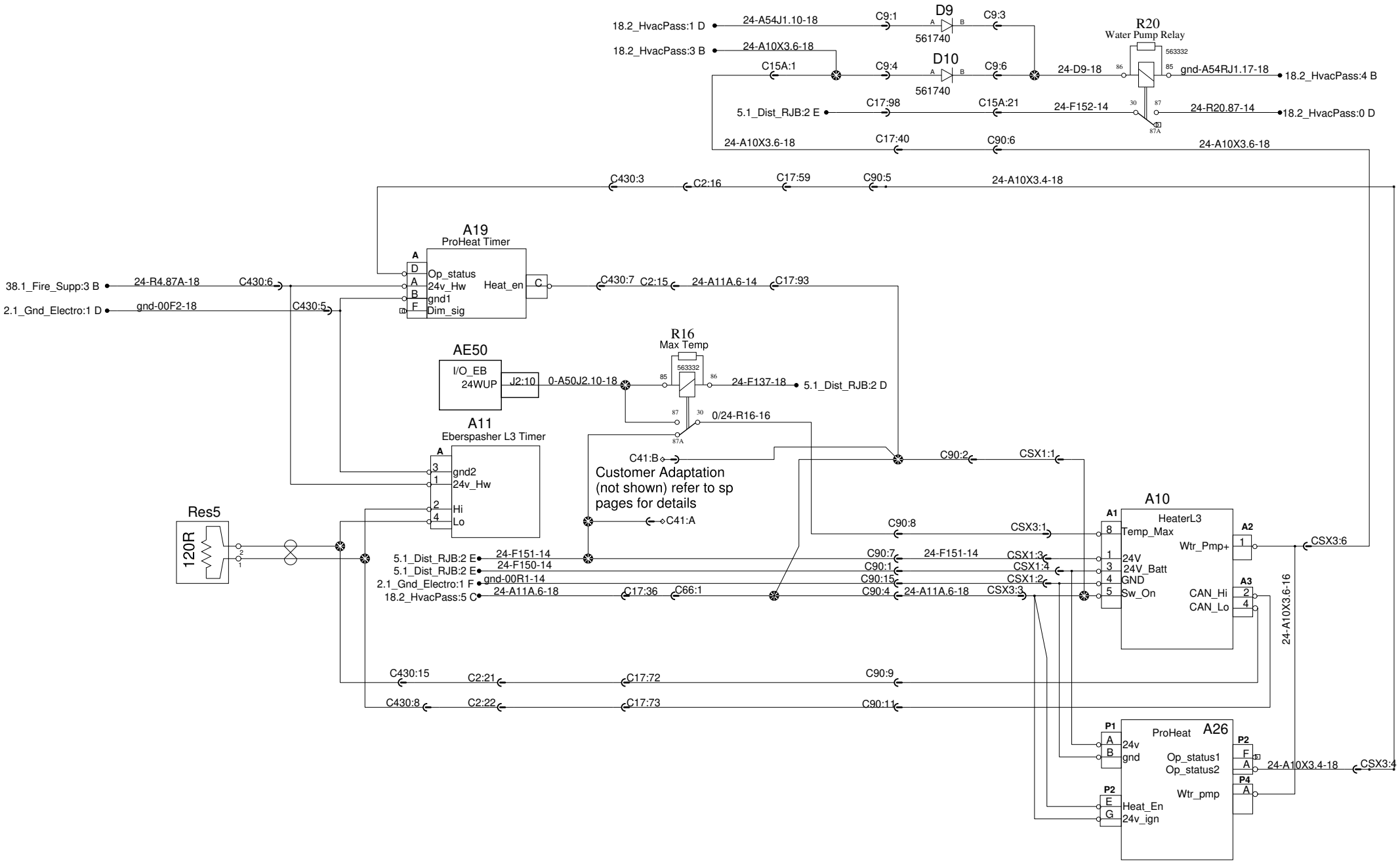


REFER TO P17.1 (STD) FOR ALL DETAILS

Indicator Light Pre Heating Keolis Option

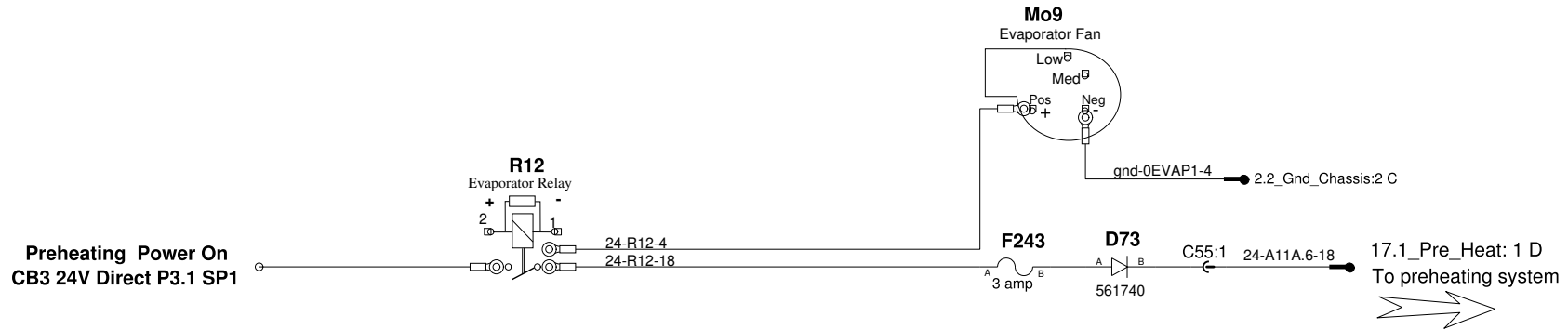


Water PreHeater (Spheros or Pro-Heat)

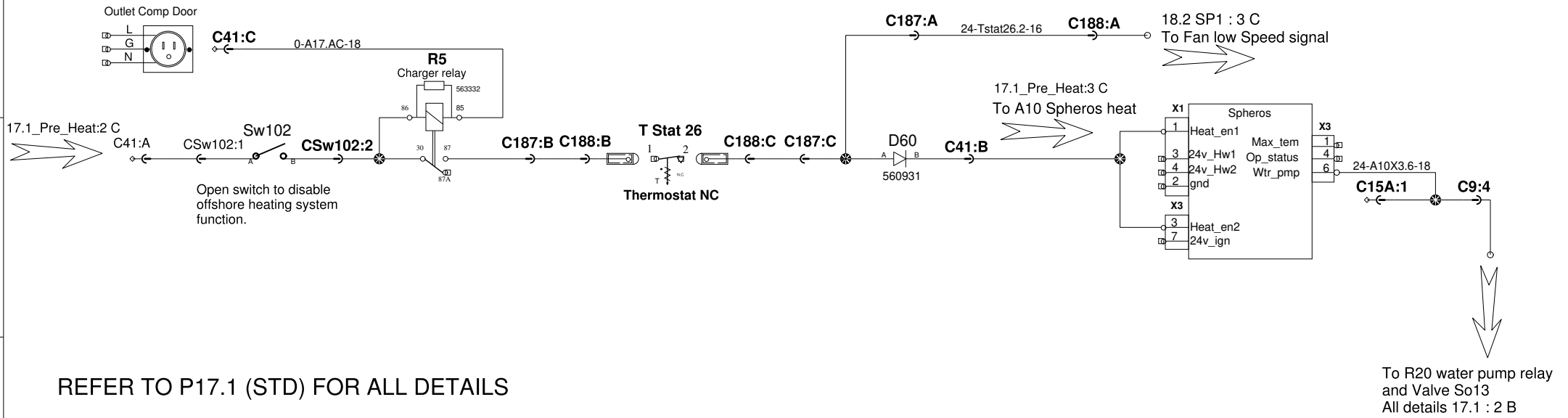


Water PreHeater System Forced Customer Adaptation Offshore Heating Function

REFER TO P18.2 (STD) FOR ALL DETAILS



Battery charger force HVAC system On
From R45 Relay Charger 0-R45.NO : 6.C

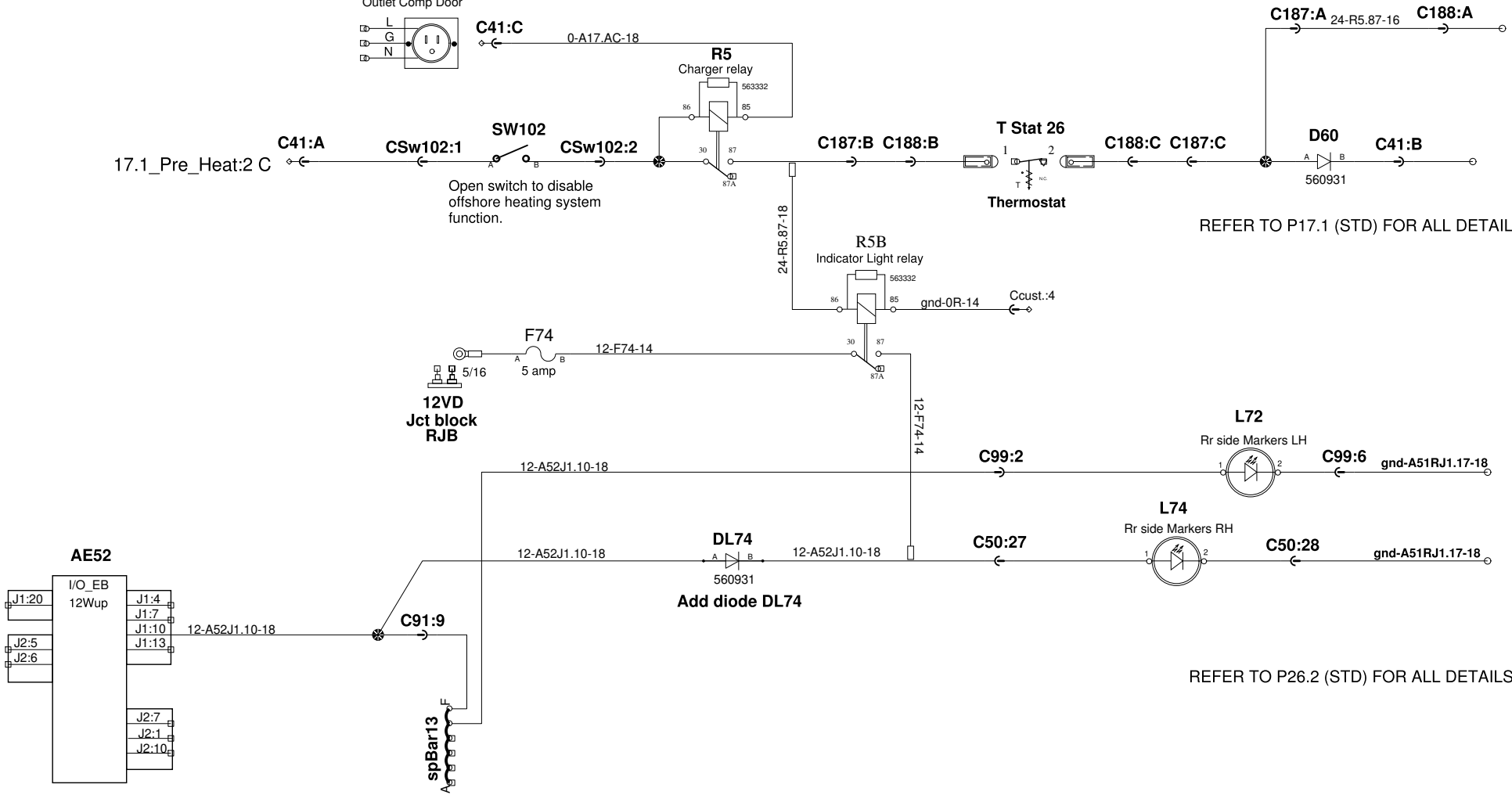


REFER TO P17.1 (STD) FOR ALL DETAILS

Indicator Light Pre Heating Keolis Option

Battery charger force HVAC system On
From R45 Relay Charger 0-R45.NO : 6.C

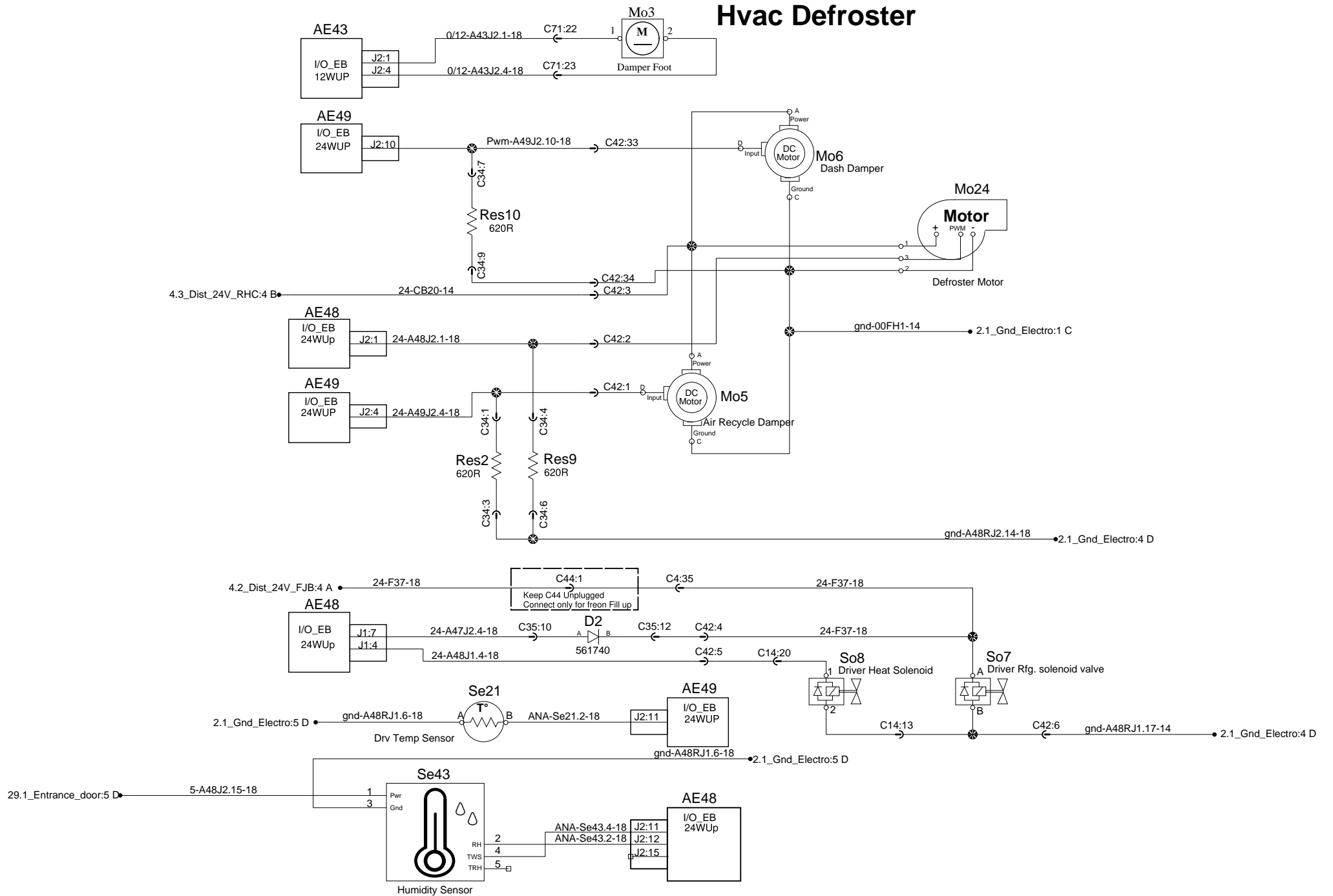
Outlet Comp Door



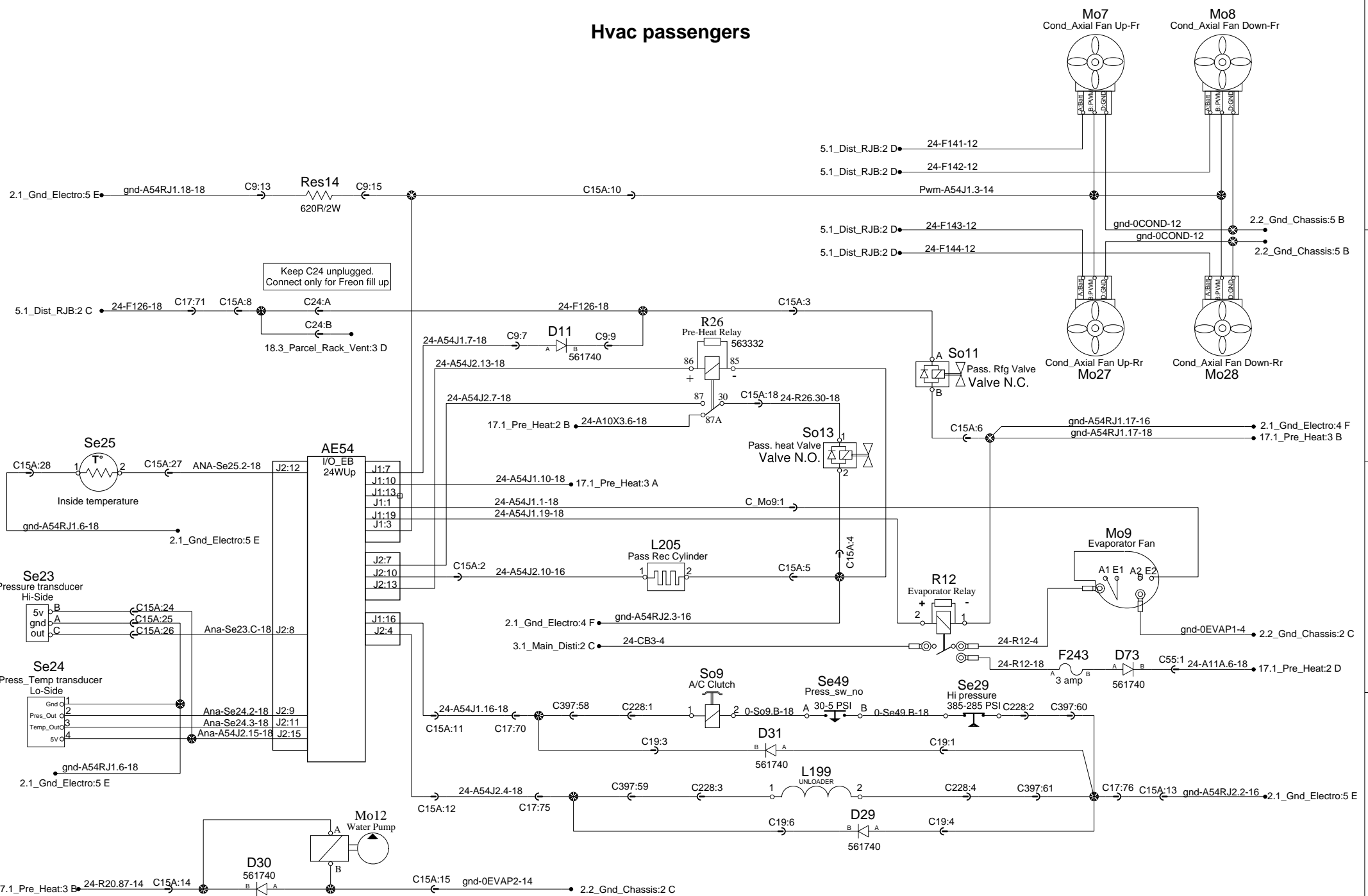
REFER TO P17.1 (STD) FOR ALL DETAILS

REFER TO P26.2 (STD) FOR ALL DETAILS

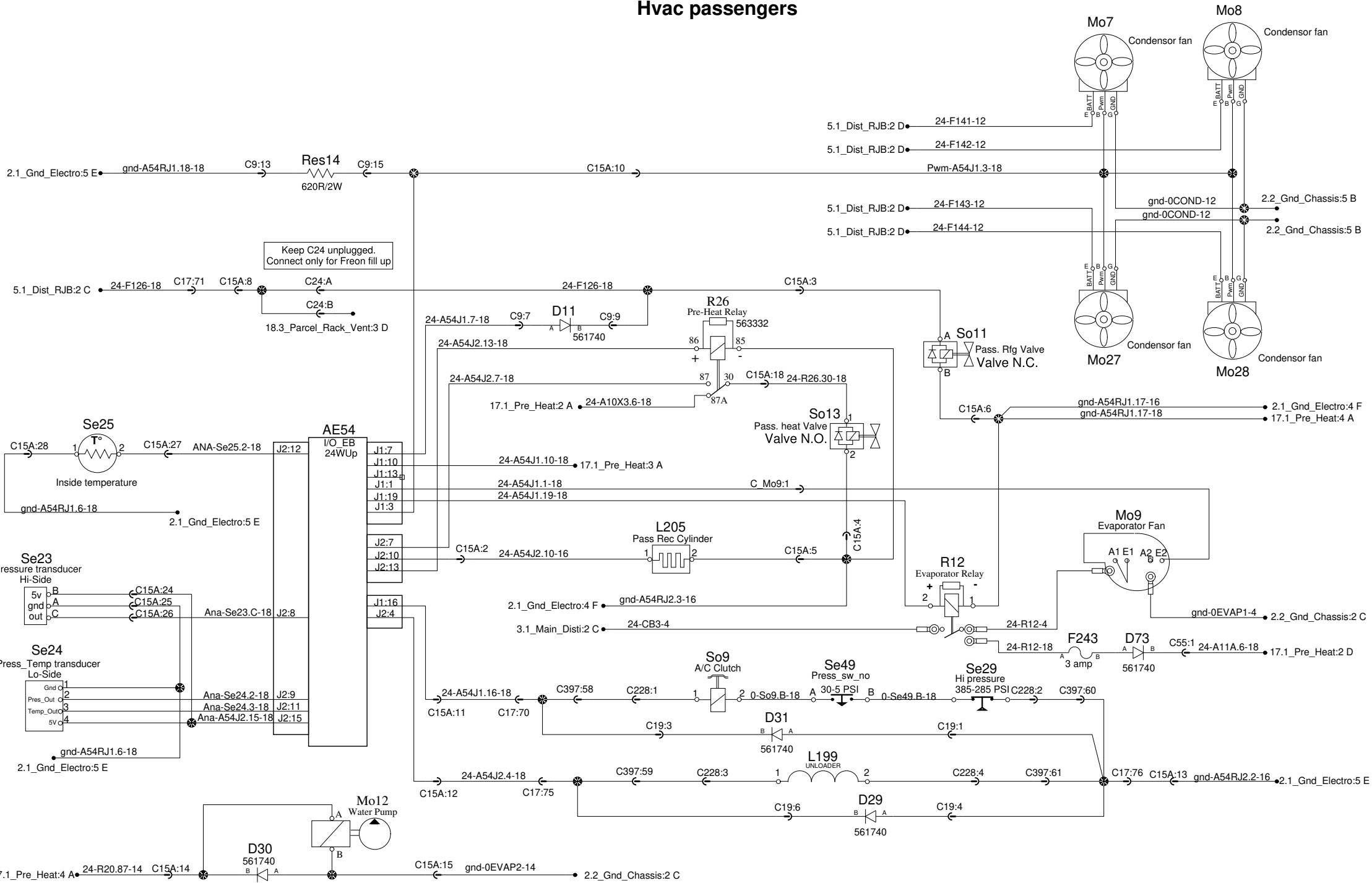
Hvac Defroster



Hvac passengers

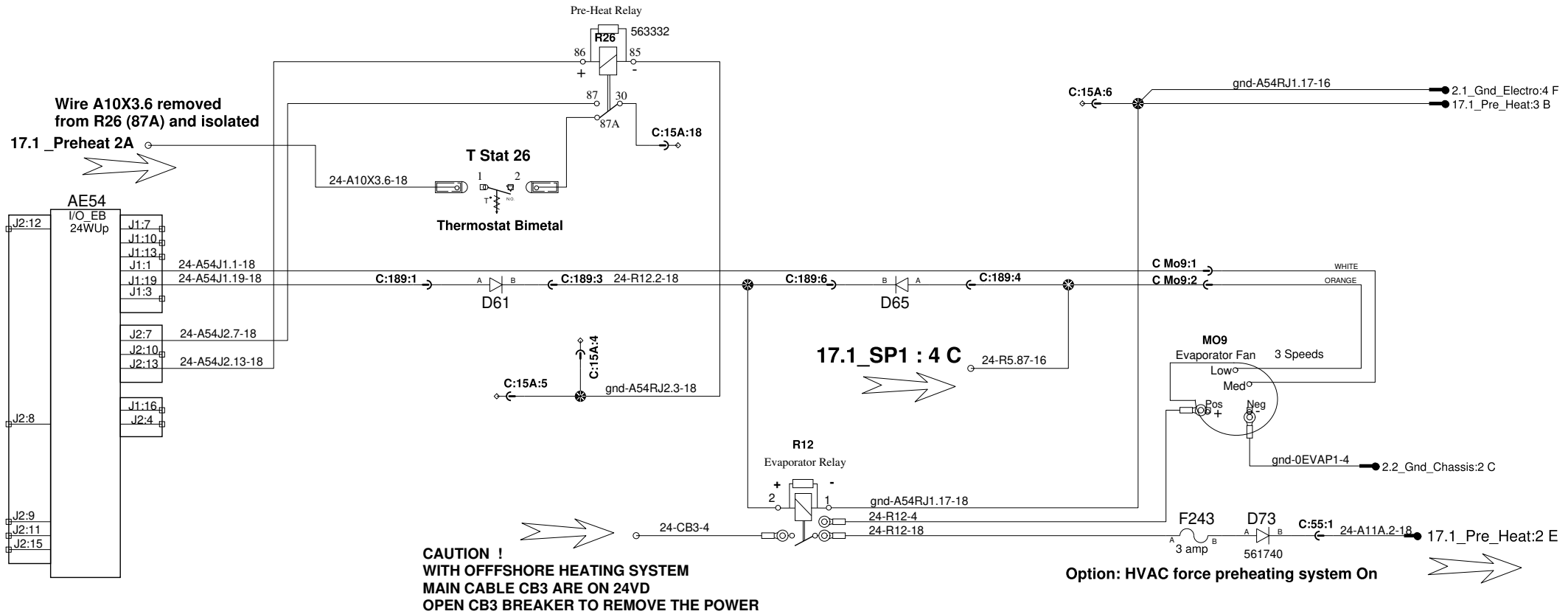


Hvac passengers



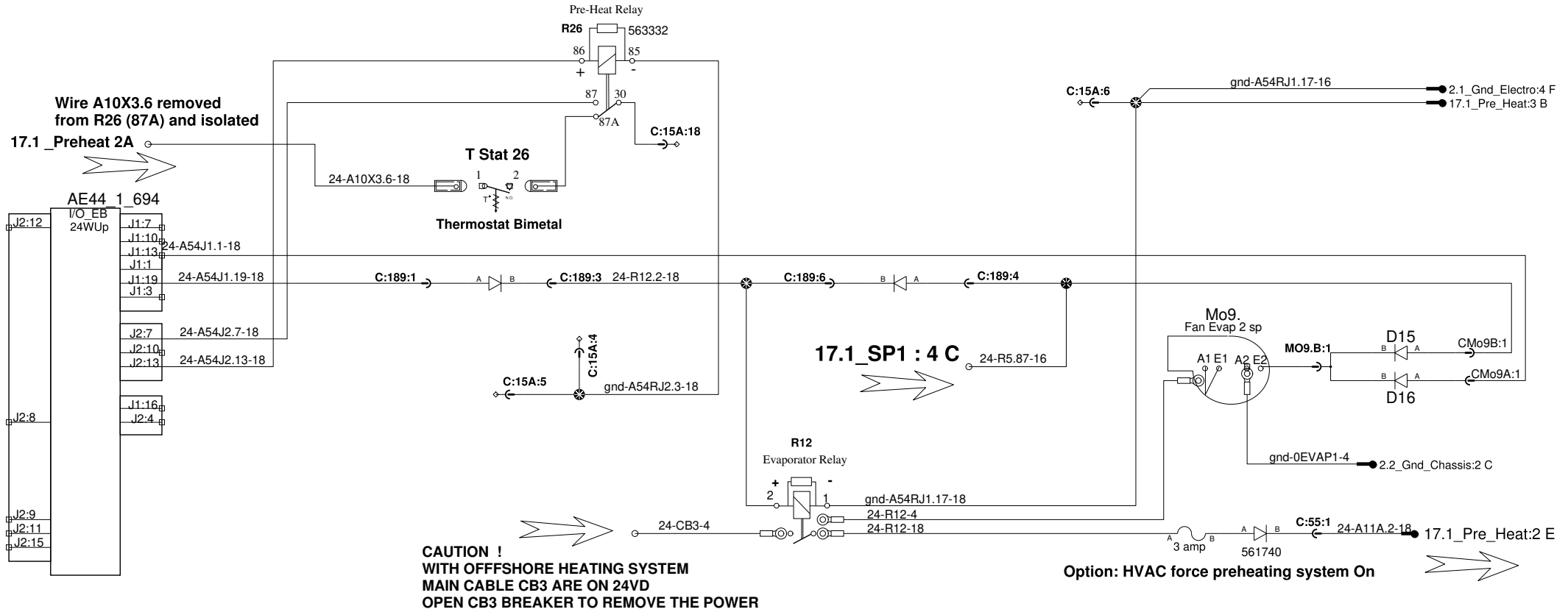
Hvac passengers Customer Adaptation Offshore Heating Sys. 3 Speed Motor

REFER TO P18.2(STD) FOR ALL DETAILS



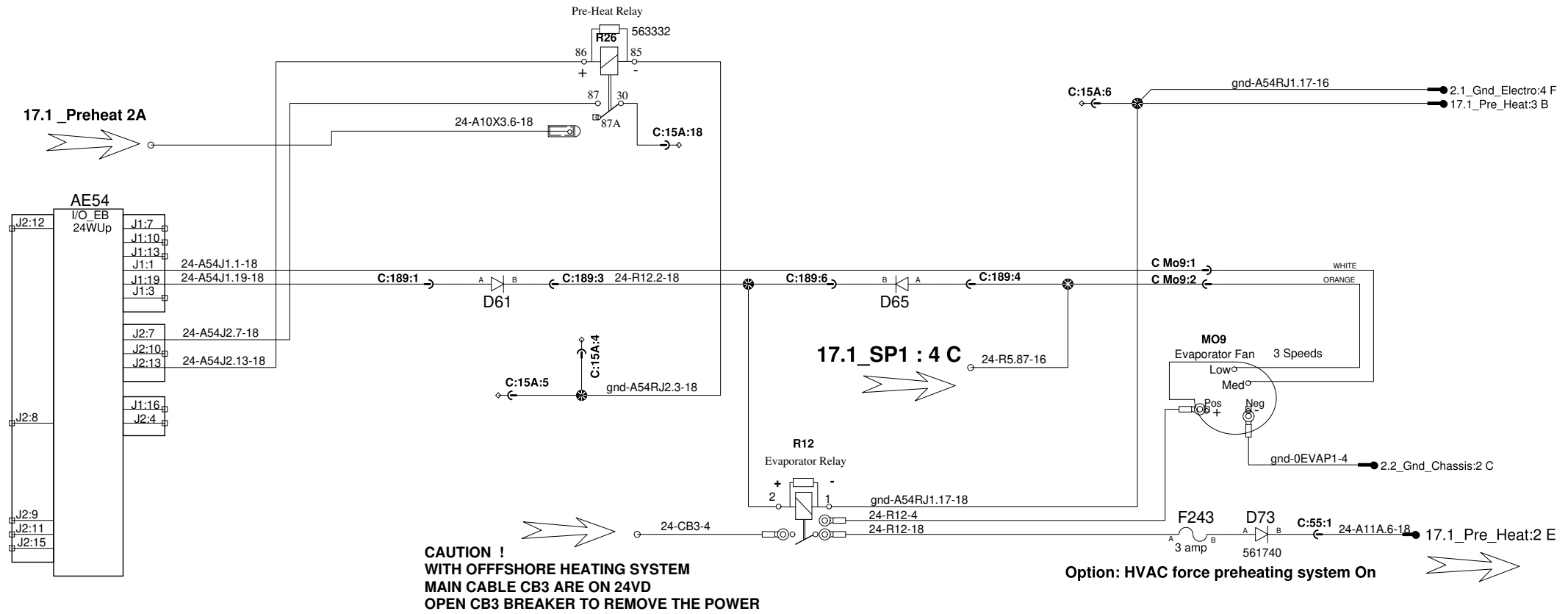
Hvac passengers Customer Adaptation Offshore Heating Sys. 2 Speed Motor

REFER TO P18.2(STD) FOR ALL DETAILS



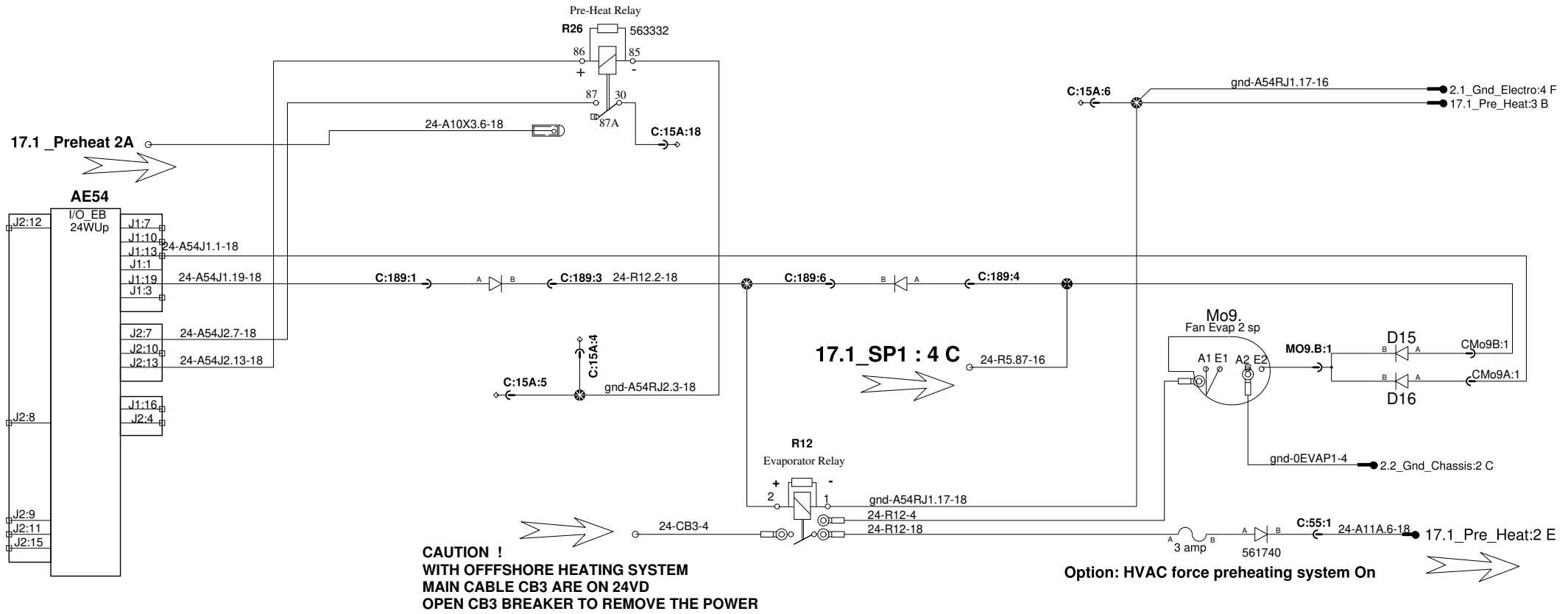
Hvac passengers Customer Adaptation Offshore Heating Sys. 3 Speed Motor

REFER TO P18.2(STD) FOR ALL DETAILS

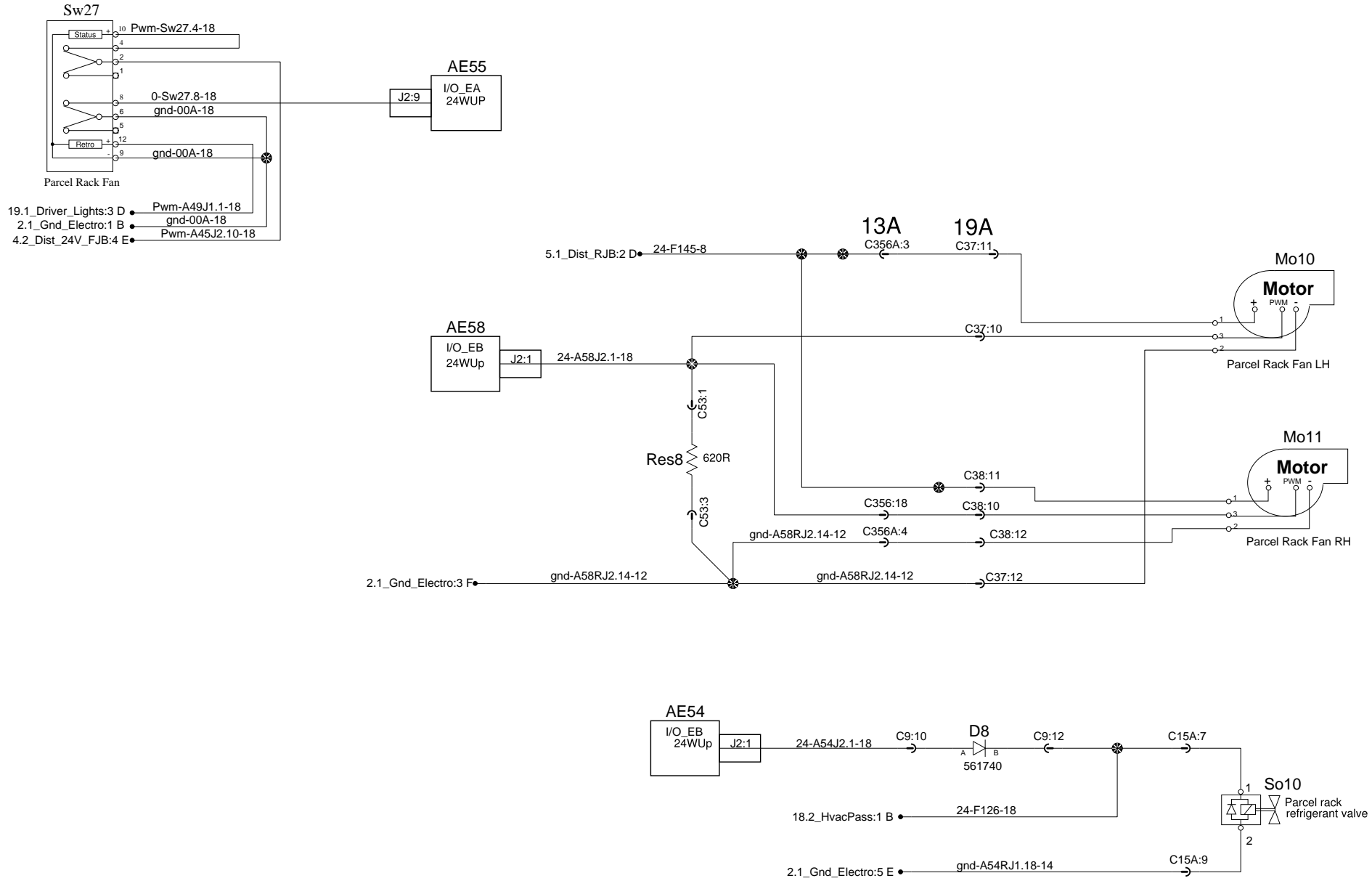


Hvac passengers Customer Adaptation Offshore Heating Sys. 2 Speed Motor

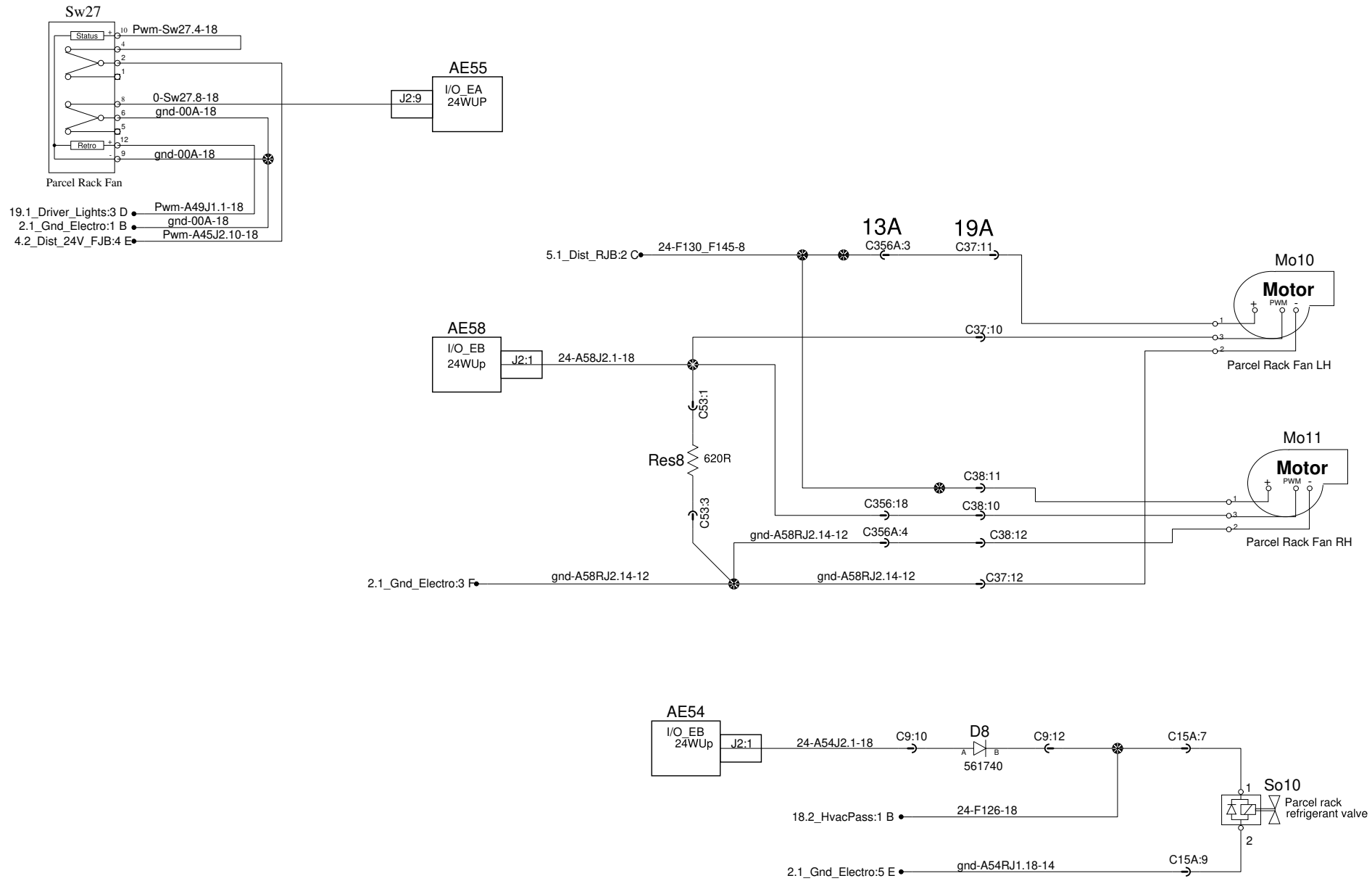
REFER TO P18.2(STD) FOR ALL DETAILS



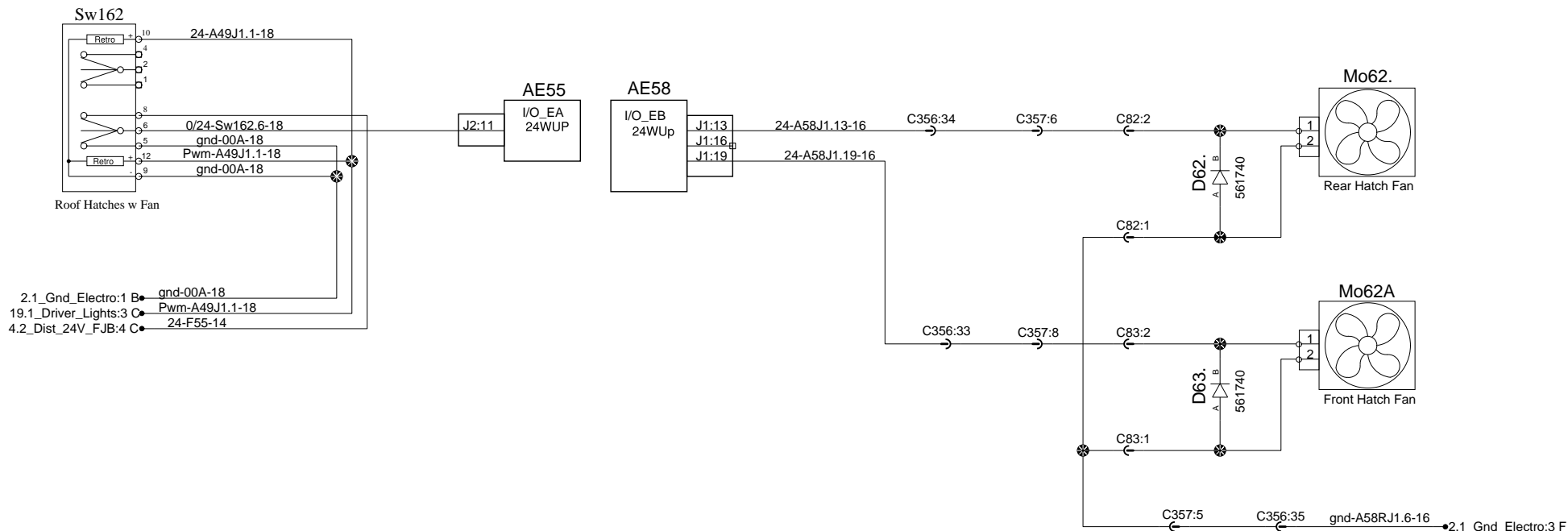
Parcel rack A/C system



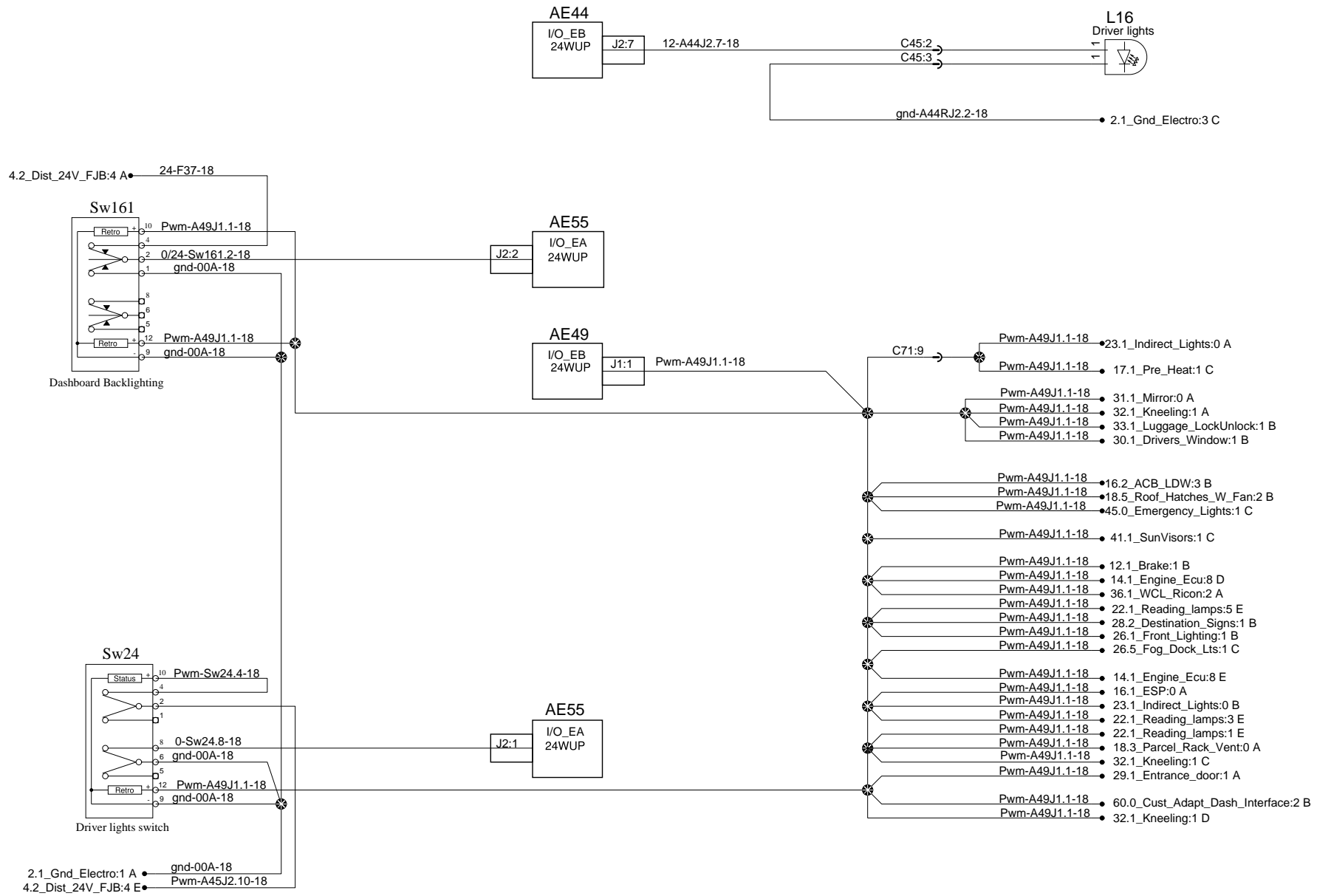
Parcel rack A/C system



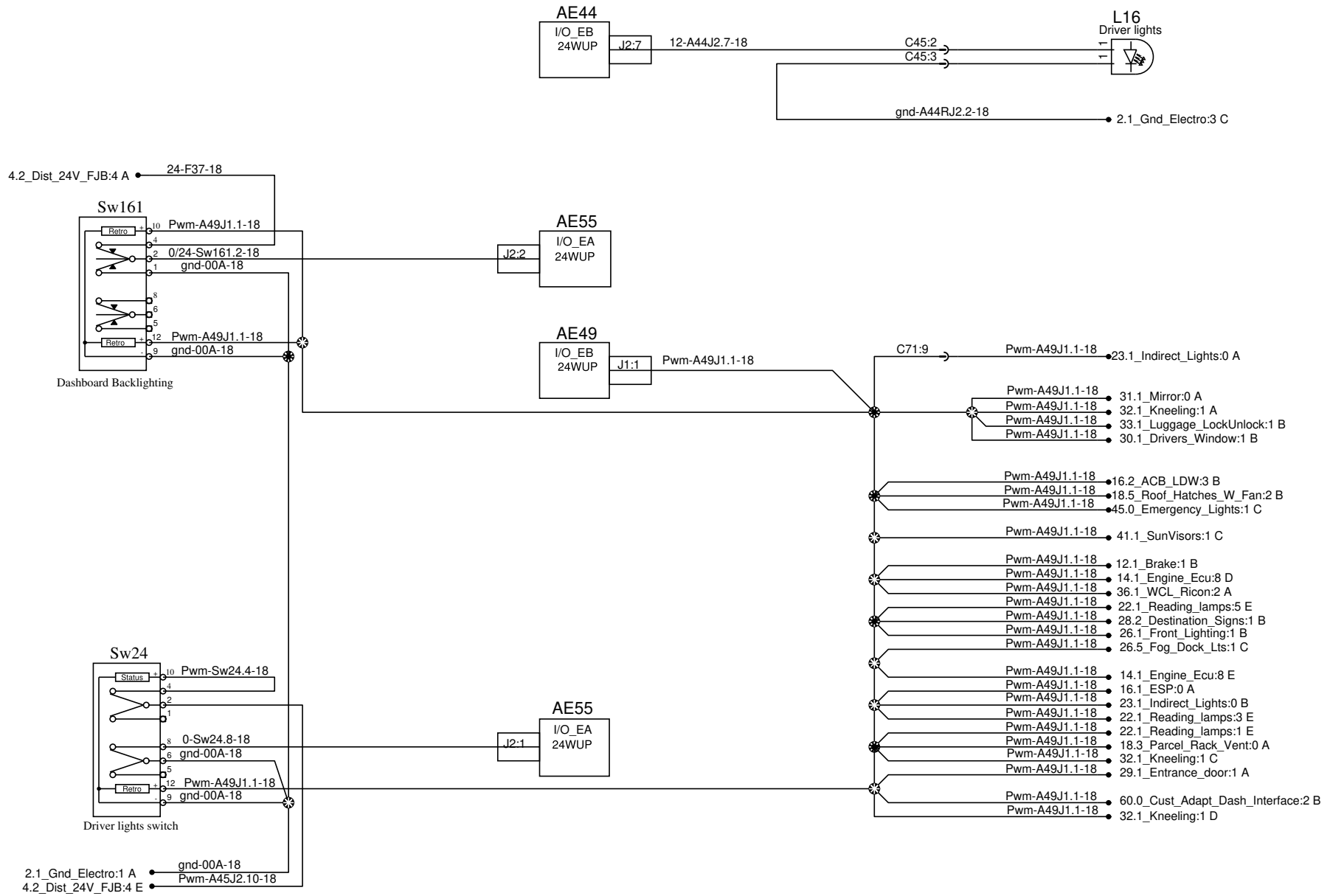
Roof Hatches with fan



Driver lights



Driver lights



Aisle lights

A

A

B

B

C

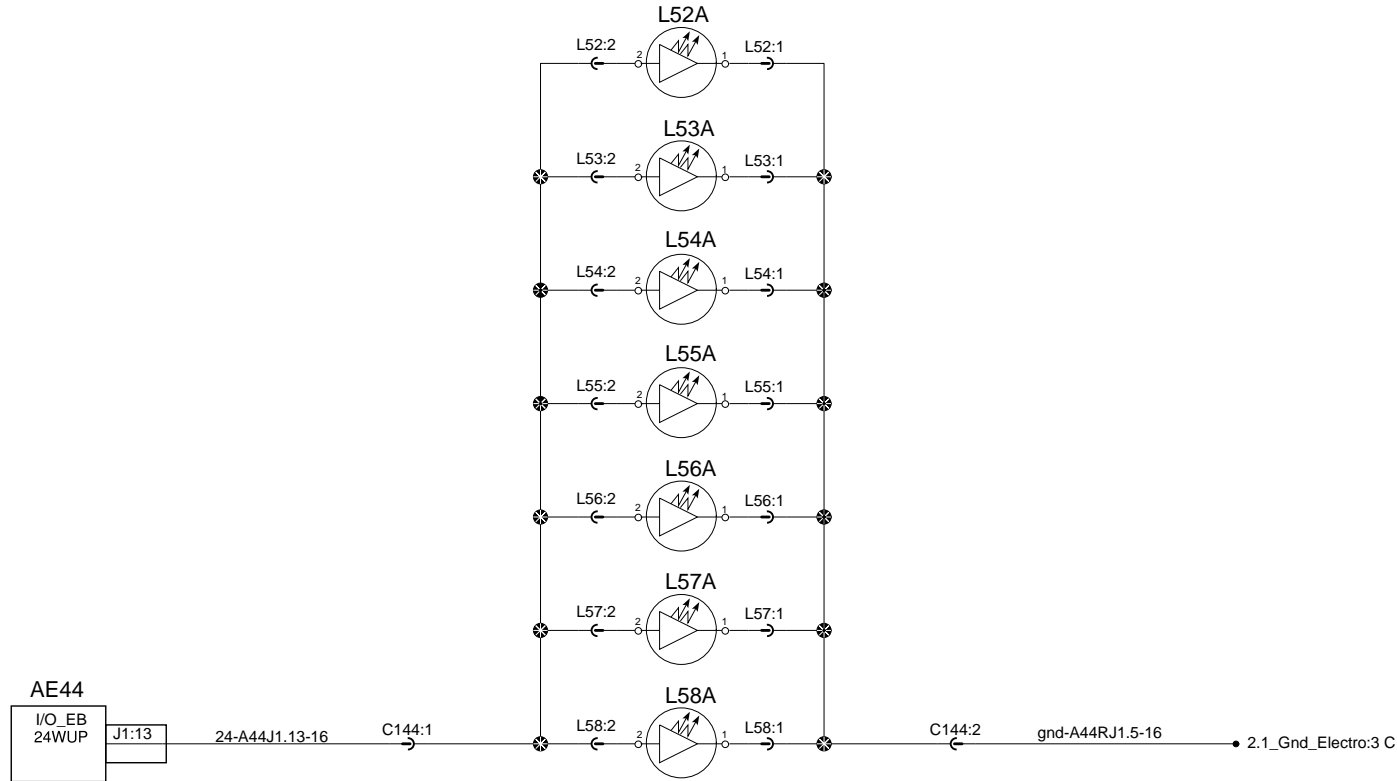
C

D

D

E

E



A

Aisle lights Faic seats

B

LH

RH

Rear

Capped

On LH side only, use 0610070 to power the lamp that has no wire.

C

Exemple W 11 rows
6 X Harn. 0610070

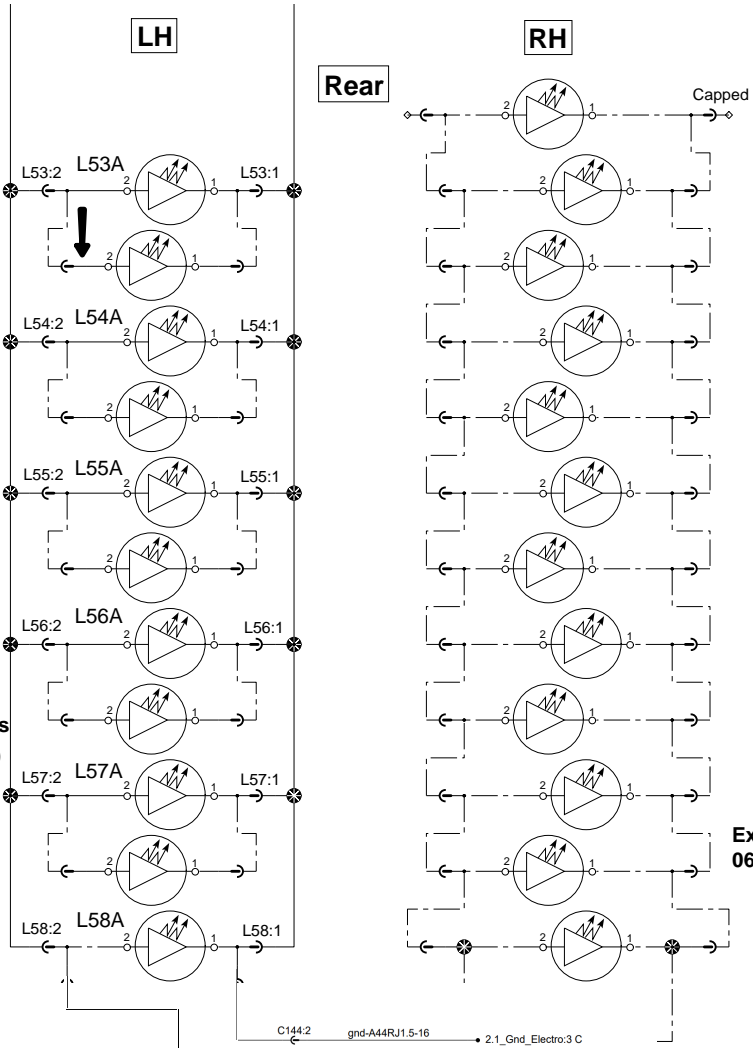
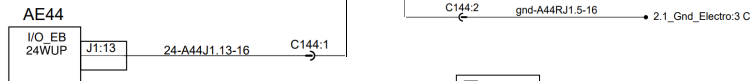
Exemple with 12 X Harn.
0610070

D

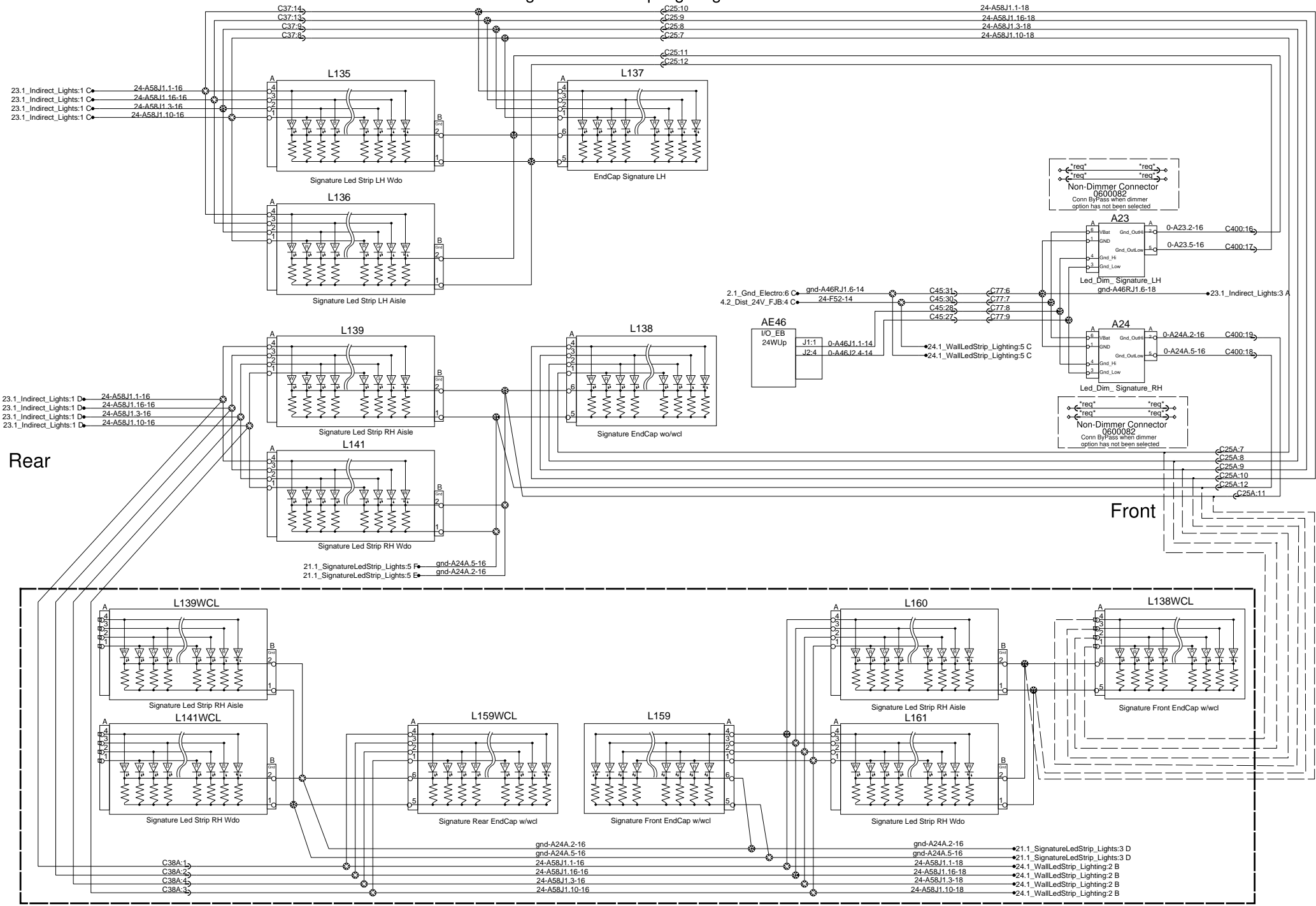
E

Front

Aisle lights

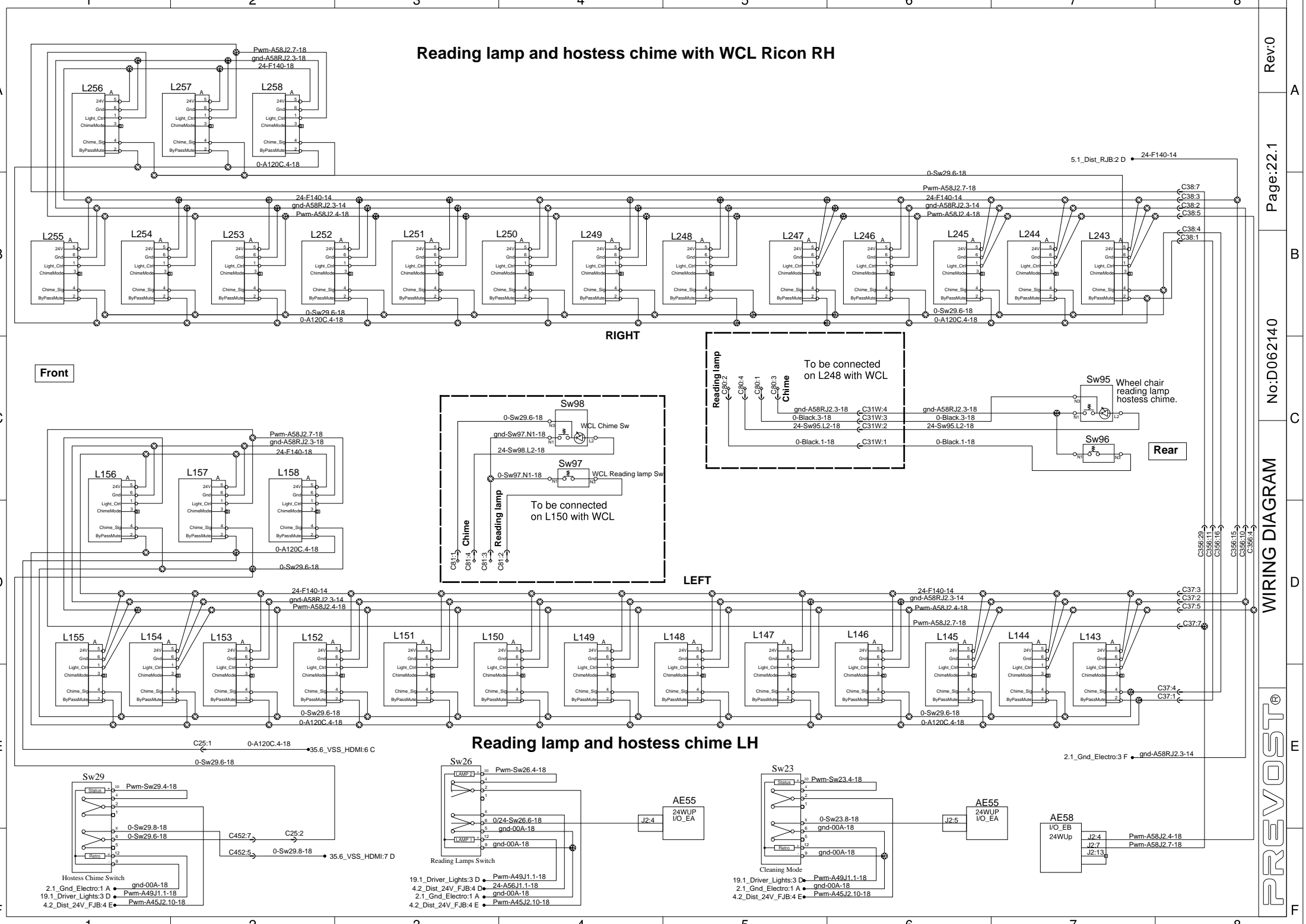


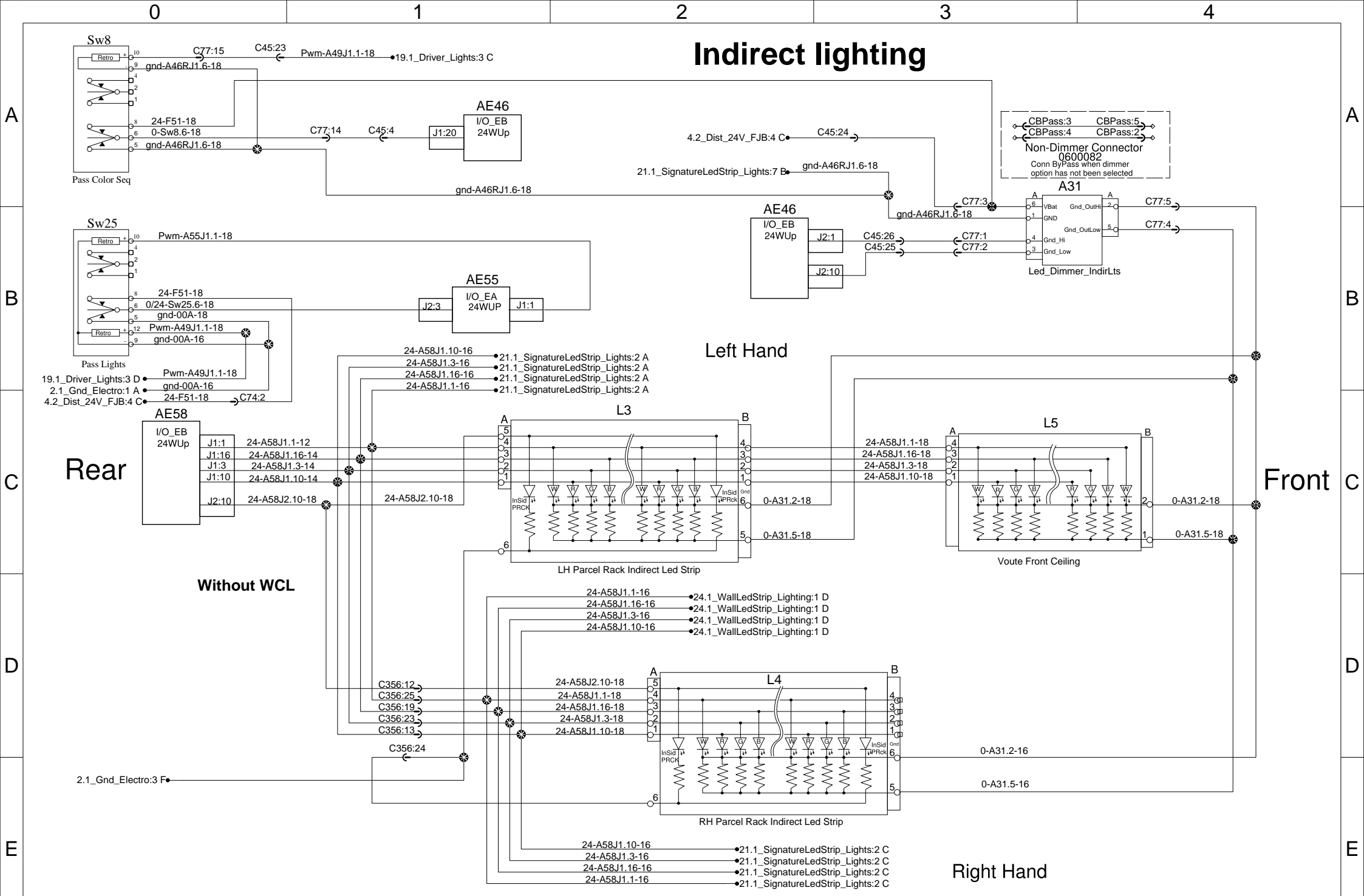
Signature Led Strip Lighting



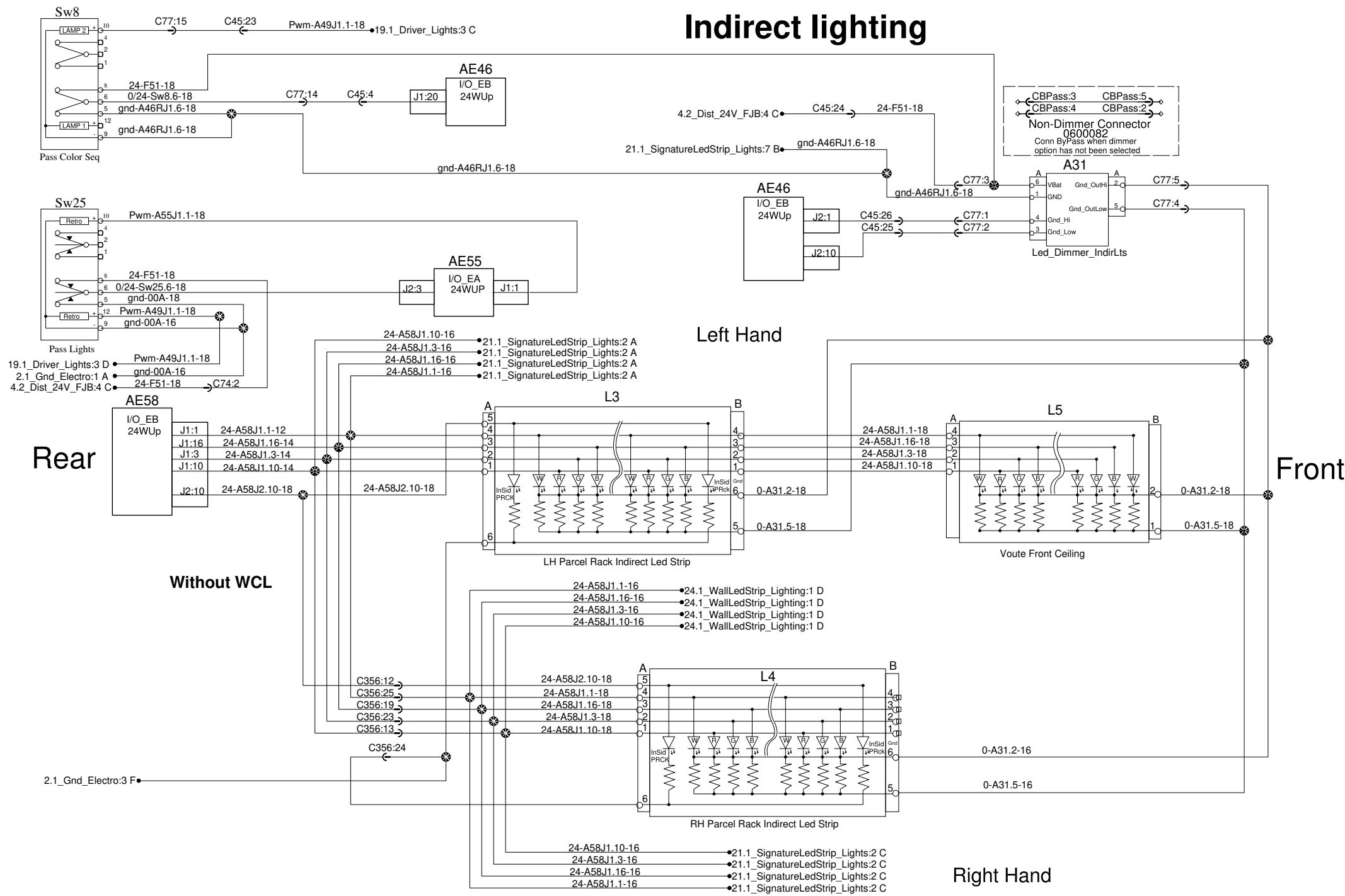
Signature with WCL

Reading lamp and hostess chime with WCL Ricon RH

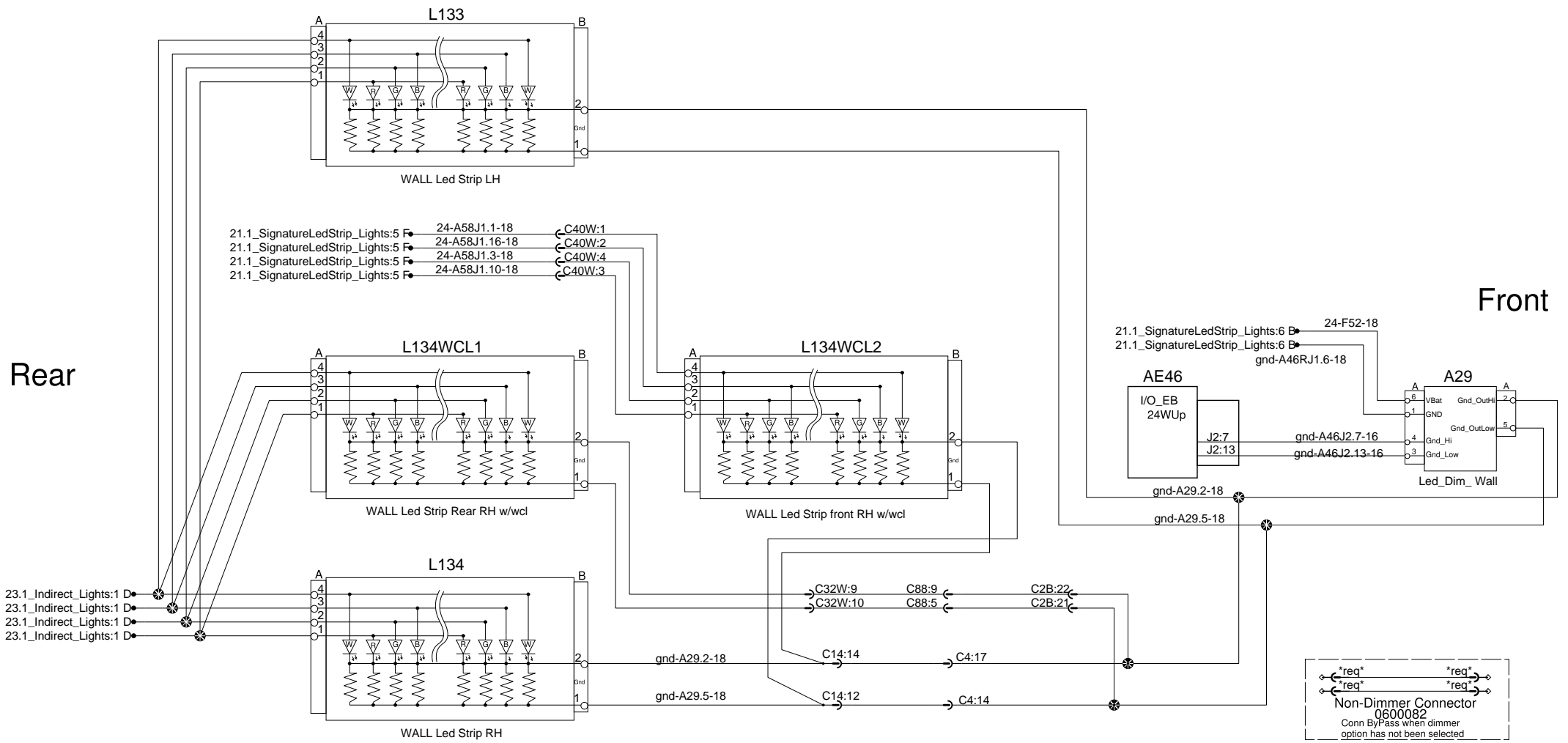




Indirect lighting



Wall Led Strips



Cornering, Front flashers, Markers, Clearance and Head lights

A

B

C

D

E

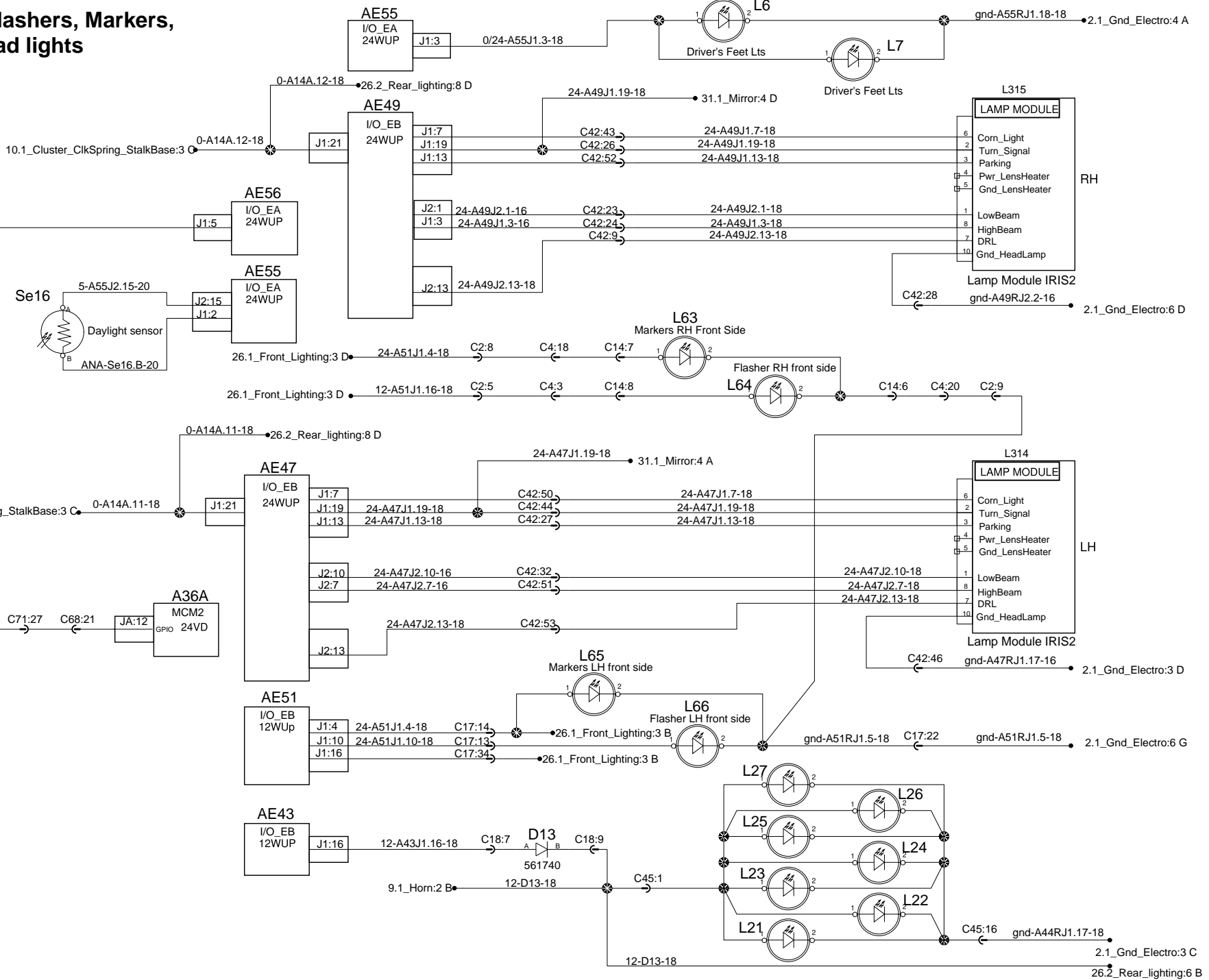
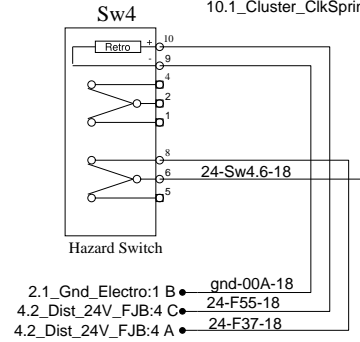
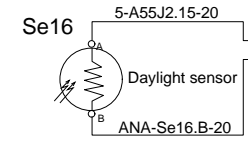
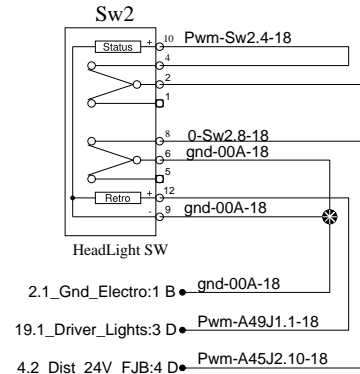
A

B

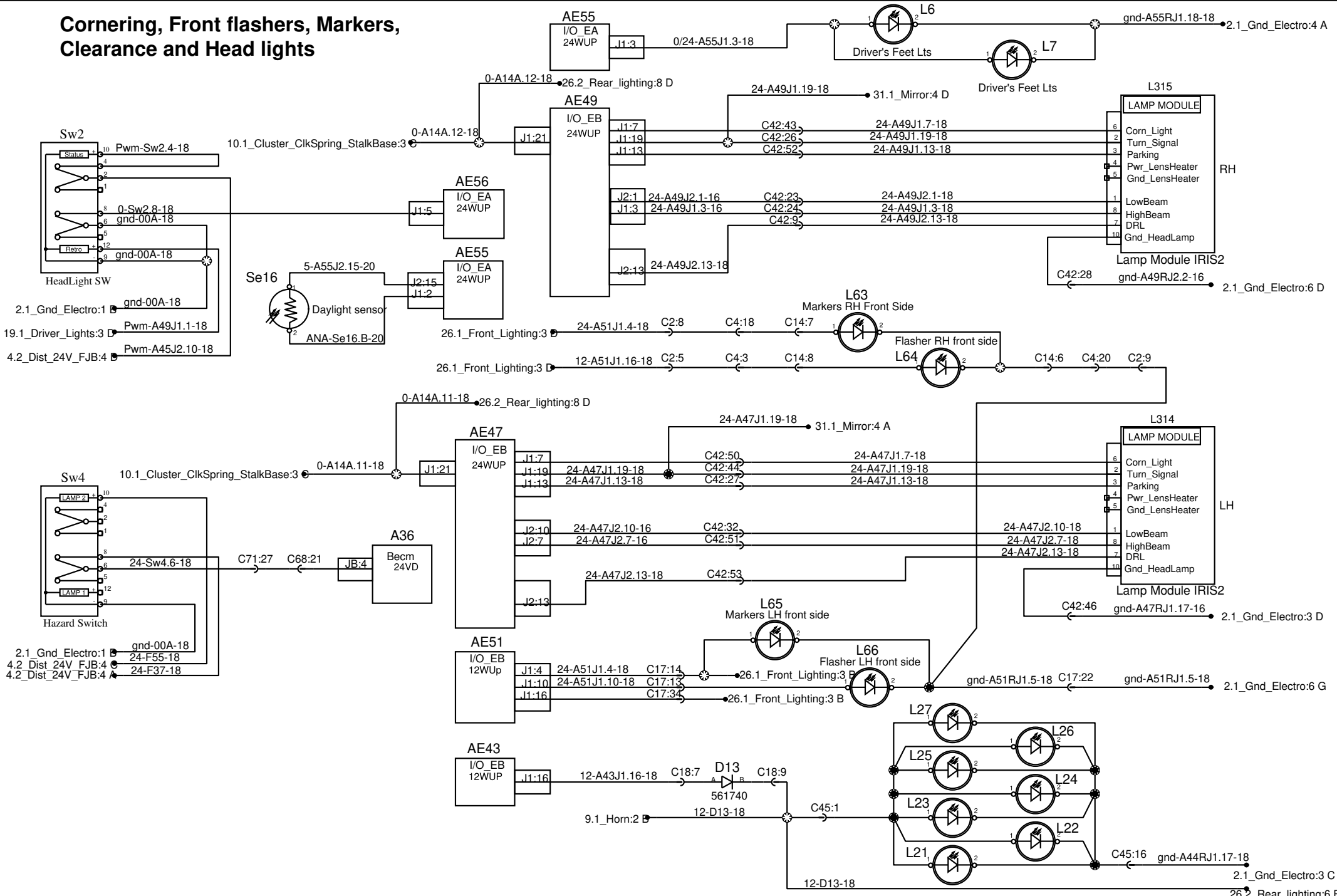
C

D

E



Cornering, Front flashers, Markers, Clearance and Head lights



Cornering, Front flashers, Markers, Clearance and Head lights

A

B

C

D

E

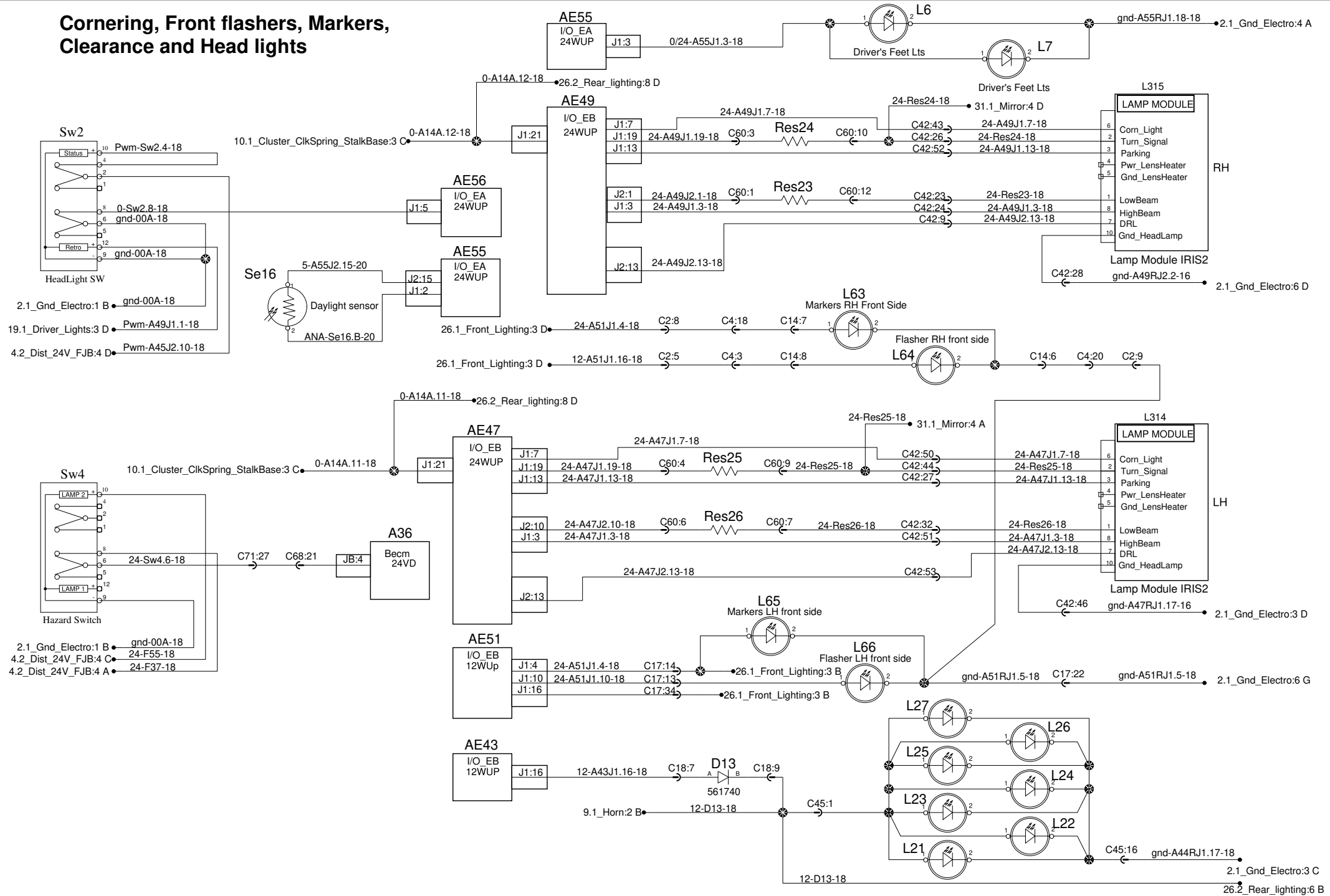
A

B

C

D

E



Cornering, Front flashers, Markers, Clearance and Head lights

A

B

C

D

E

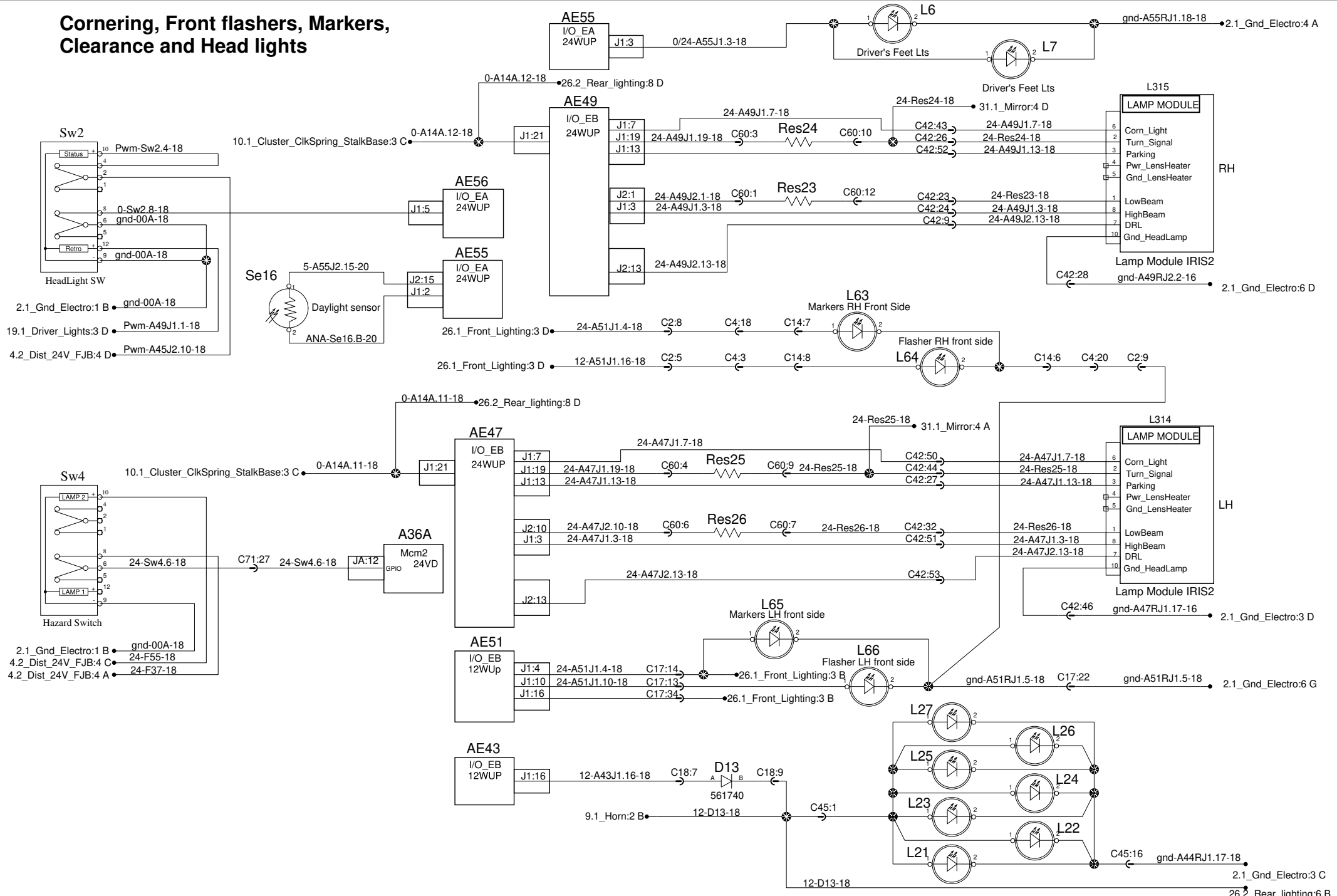
A

B

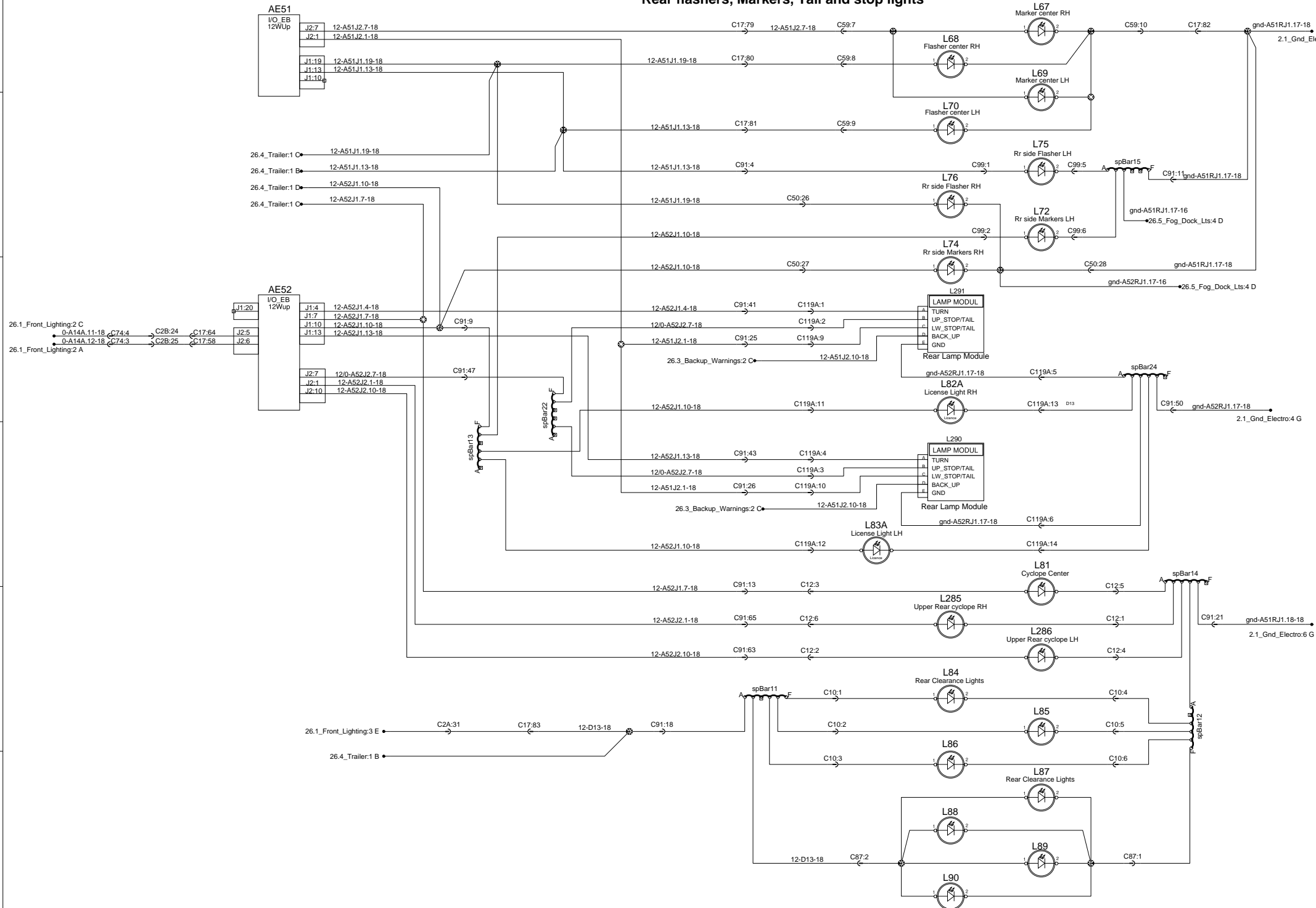
C

D

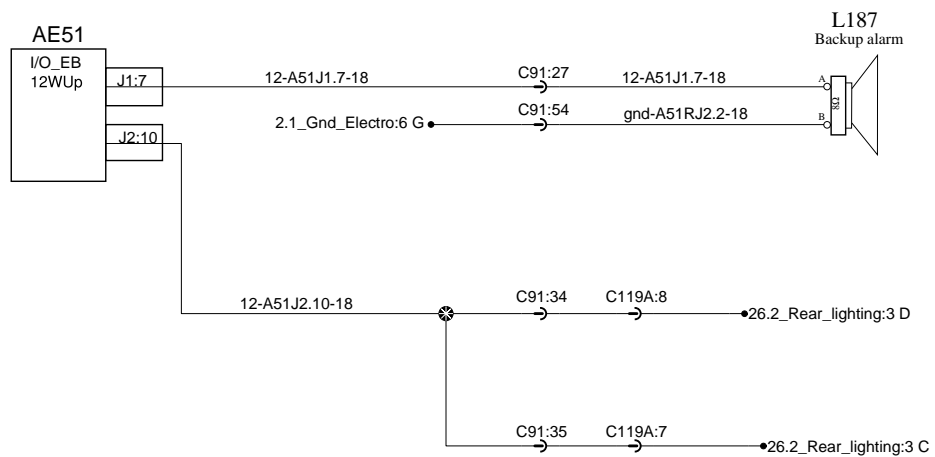
E



Rear flashers, Markers, Tail and stop lights

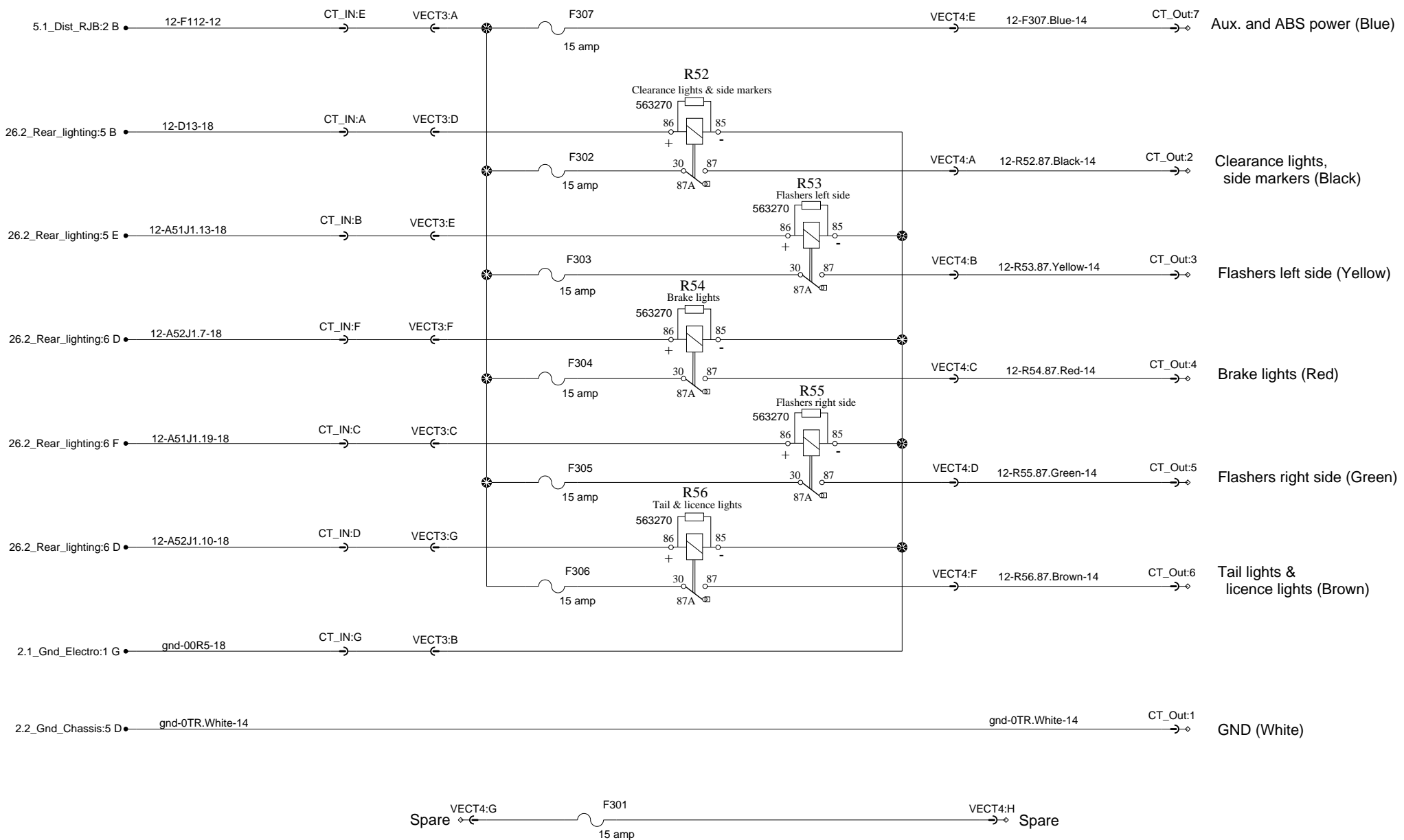


Backup warnings



Trailer interface

SAE J560 Standard
Trailer socket



1

2

3

4

5

Trailer With Electrical Brake Interface

7-way RV style
Trailer connections

A

A

B

B

C

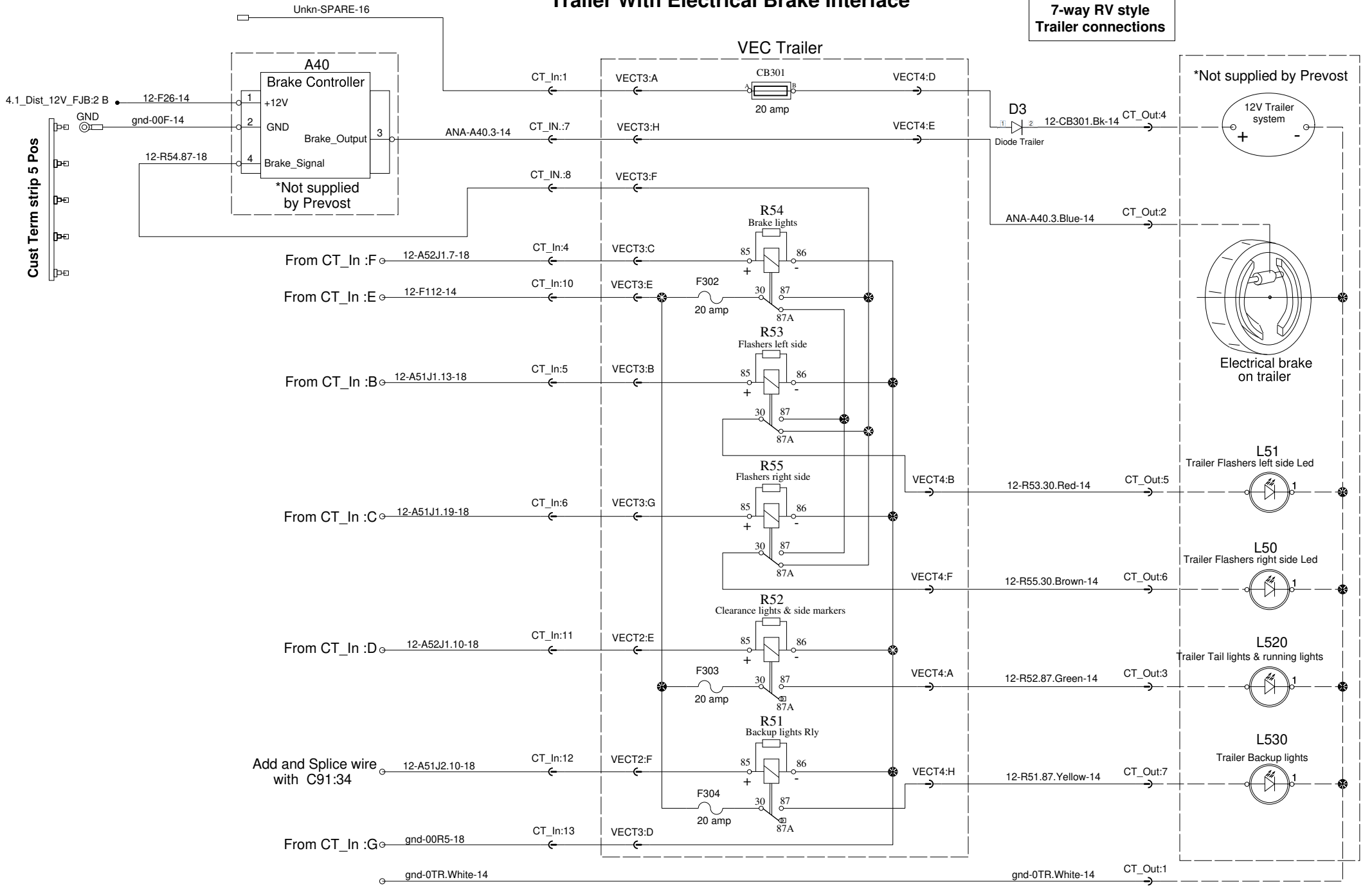
C

D

D

E

E



1

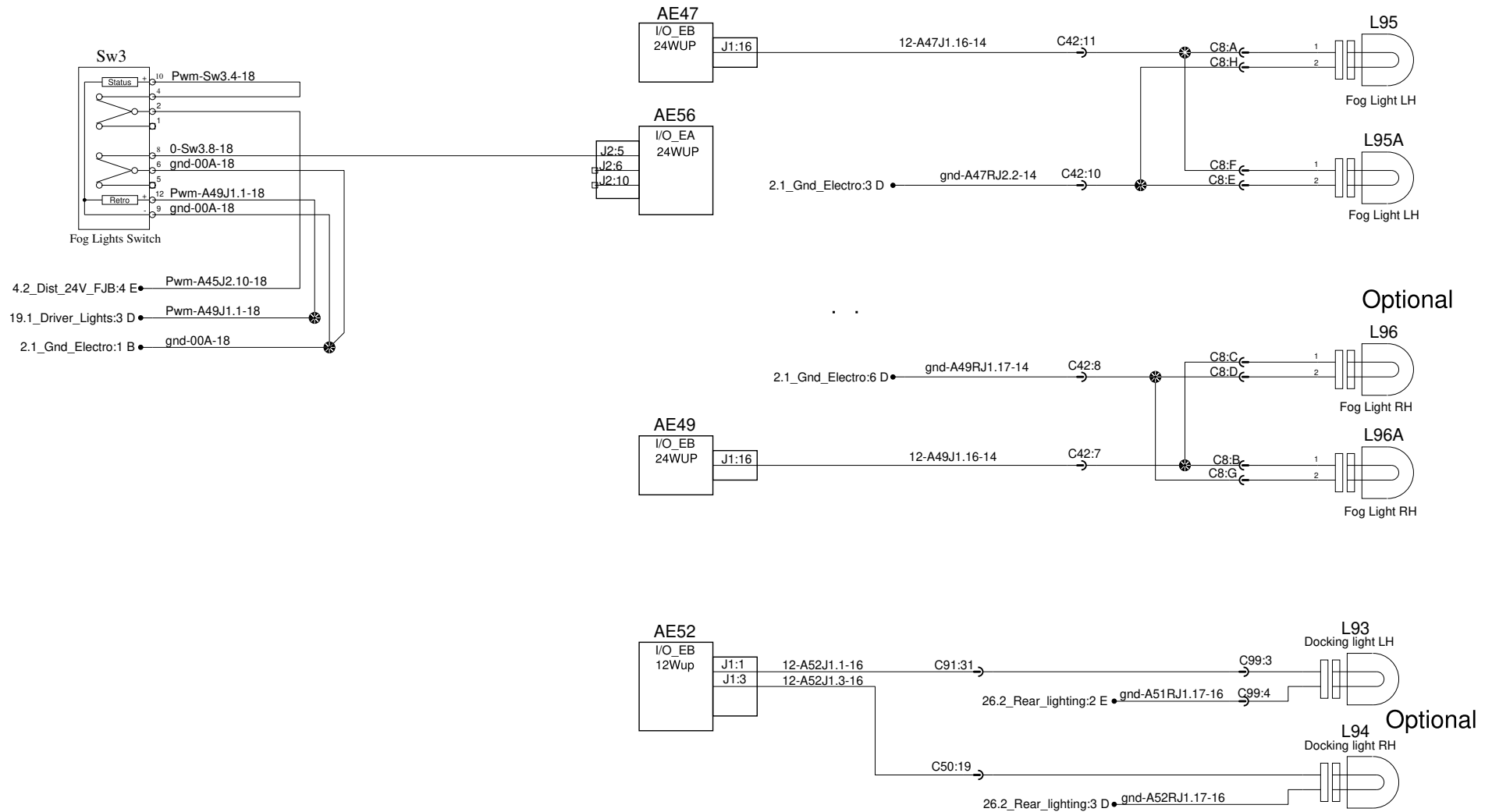
2

3

4

5

Docking and Fog lights (Option)



0

1

2

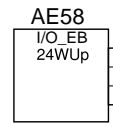
3

4

Curb lights on both side of the coach

A

A



24-A58J1.7-18

24-A58J1.7-18

C356:31

C357:2



LH



C357:3

C356:32

gnd-A58RJ1.5-18 → 2.1_Gnd_Electro:3 E

B

B

C

C

24-A58J1.4-18

C356:17

C575:2



RH



C575:3

C356:21

gnd-A58RJ1.5-18 → 2.1_Gnd_Electro:3 E

D

D

E

E

0

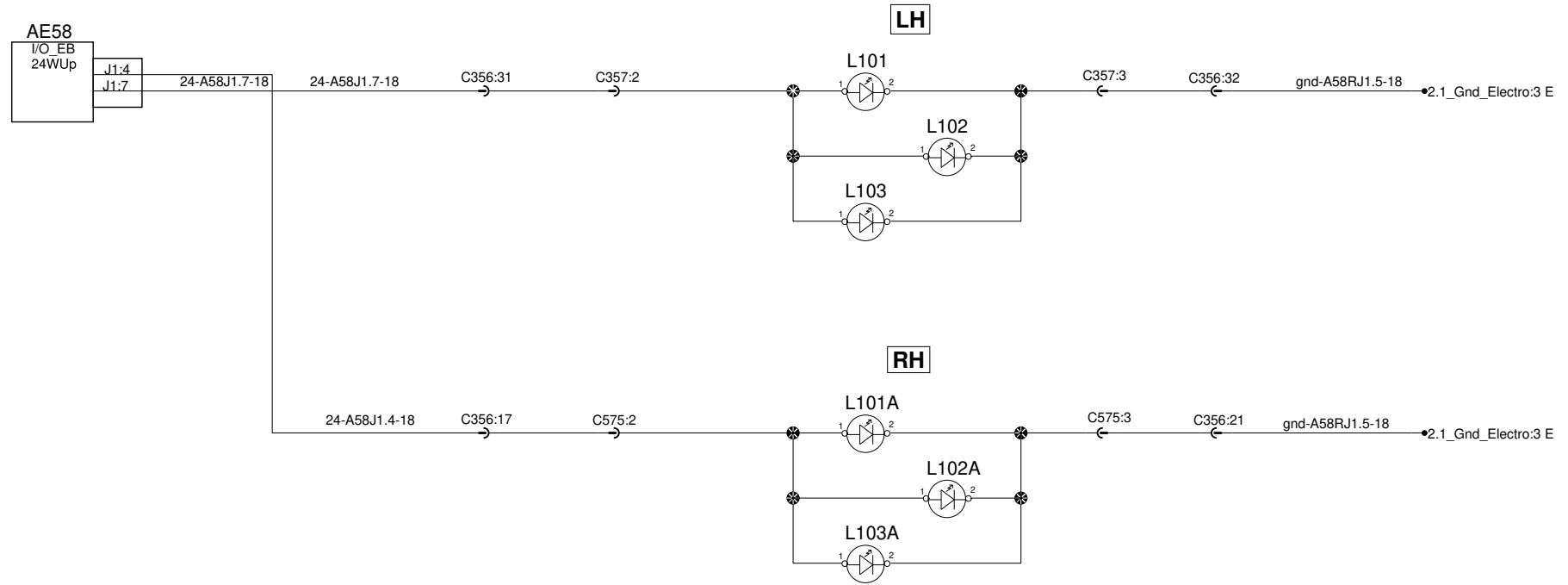
1

2

3

4

Perimeter lights on both side of the coach

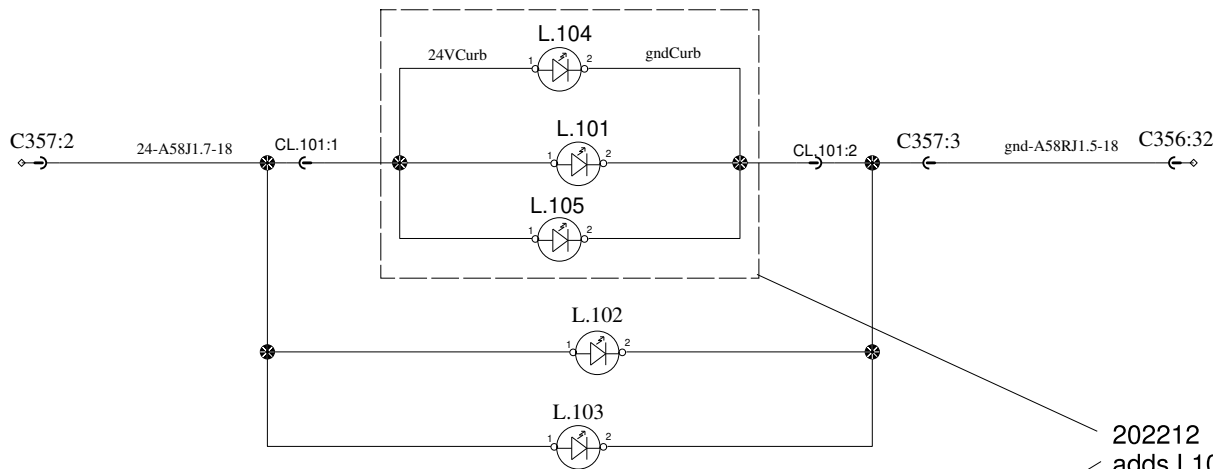


Additional perimeter lights on both side of the coach

A

A

LH



Refer to P26.6 (STD) for all details

202212
adds L104, L105, L104A, L105A

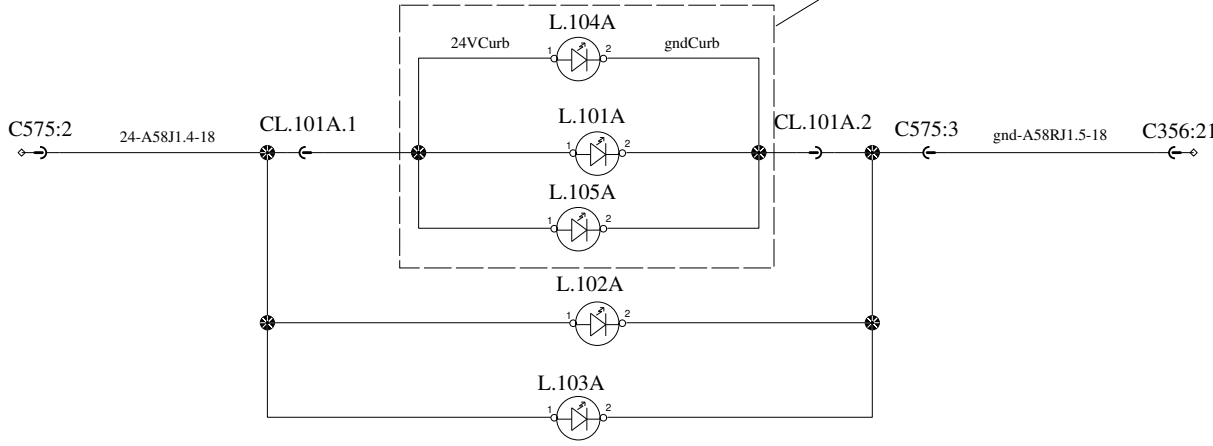
B

B

C

C

RH



D

D

E

E

0

1

2

3

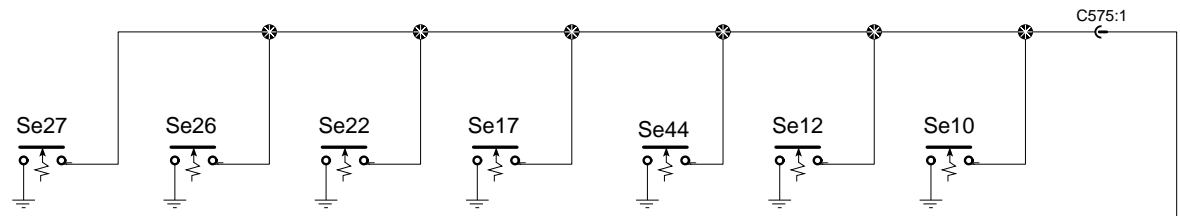
4

Windows ajar

A

A

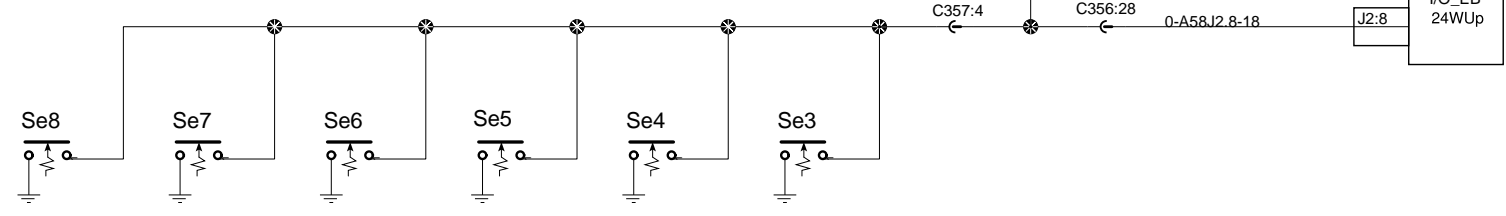
Magnetic sensors window ajar RH



B

B

Magnetic sensors window ajar LH



C

C

D

D

E

E

0

1

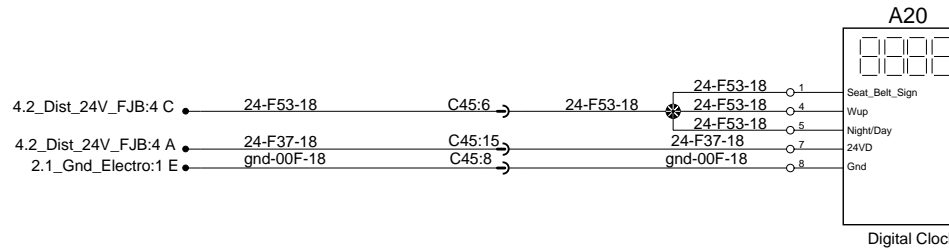
2

3

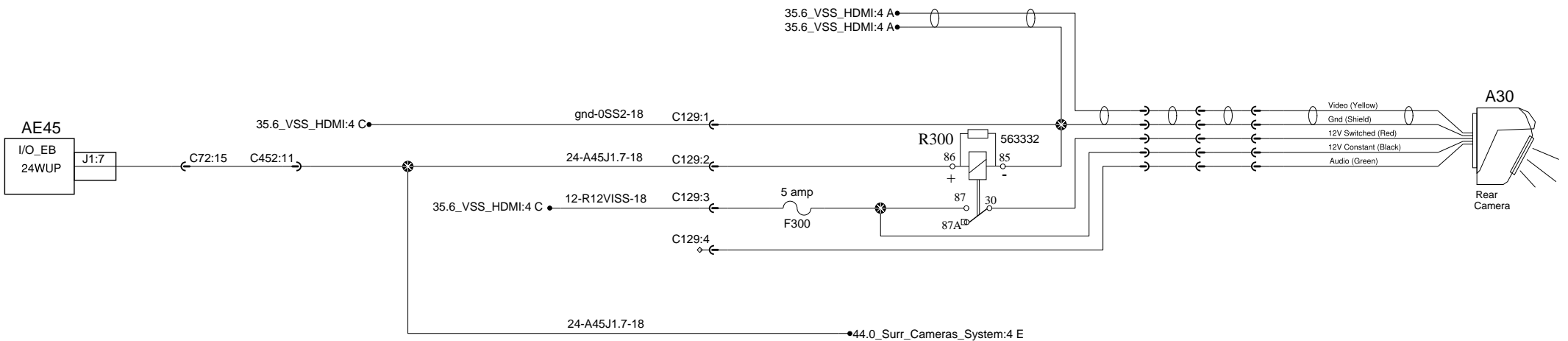
4

Digital clock & Back-up Camera

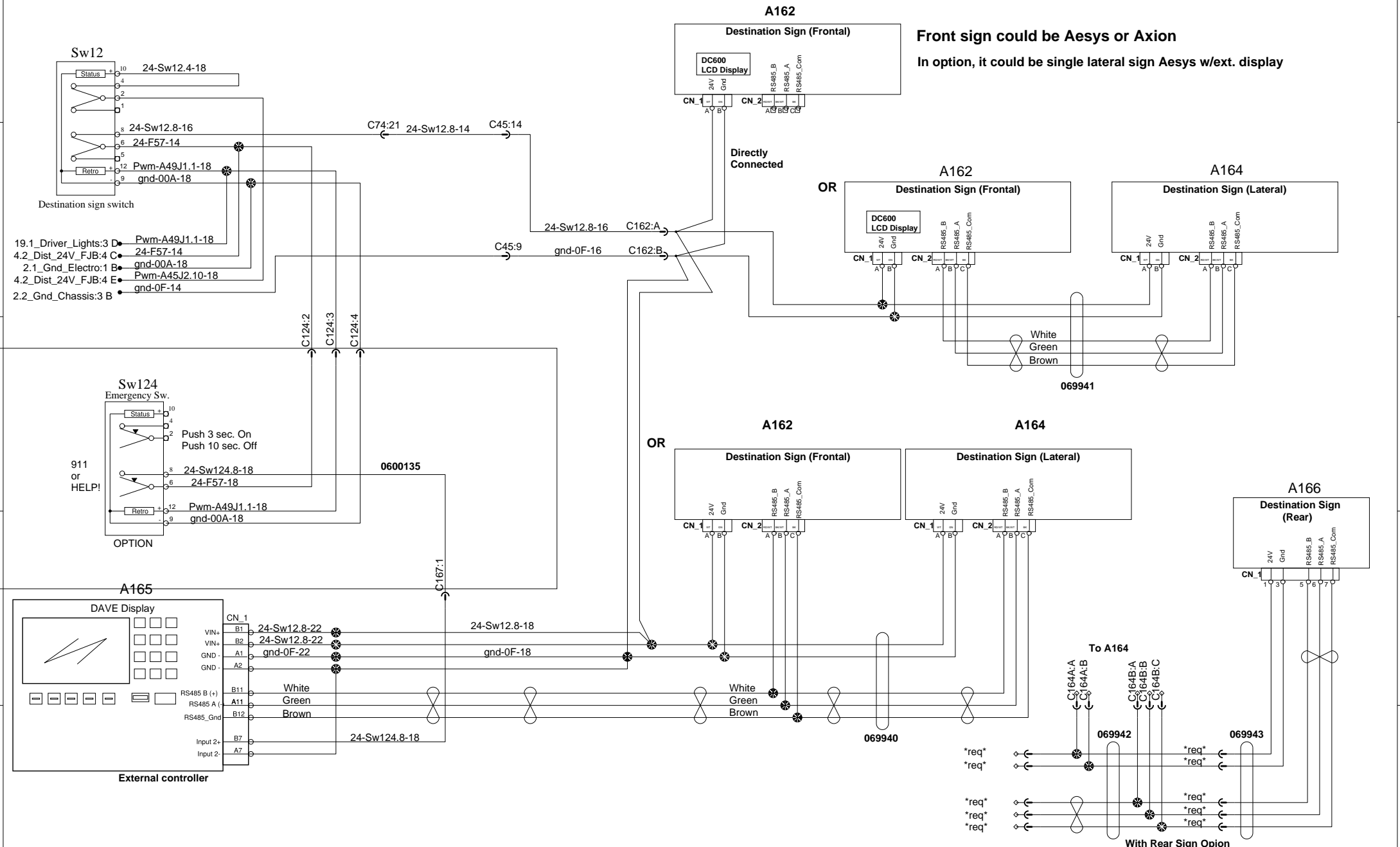
12 or 24 hours digital clock



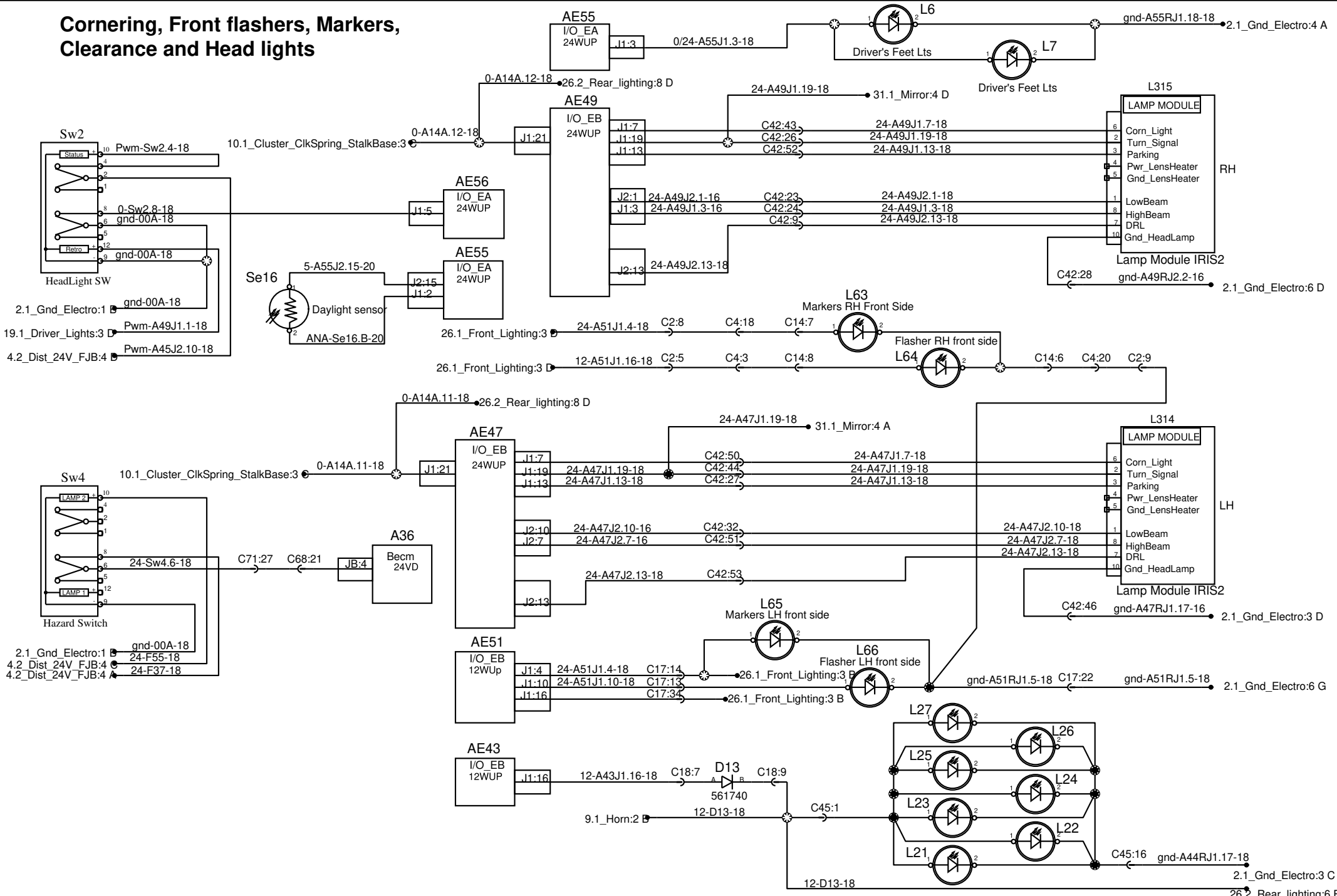
Back-up camera



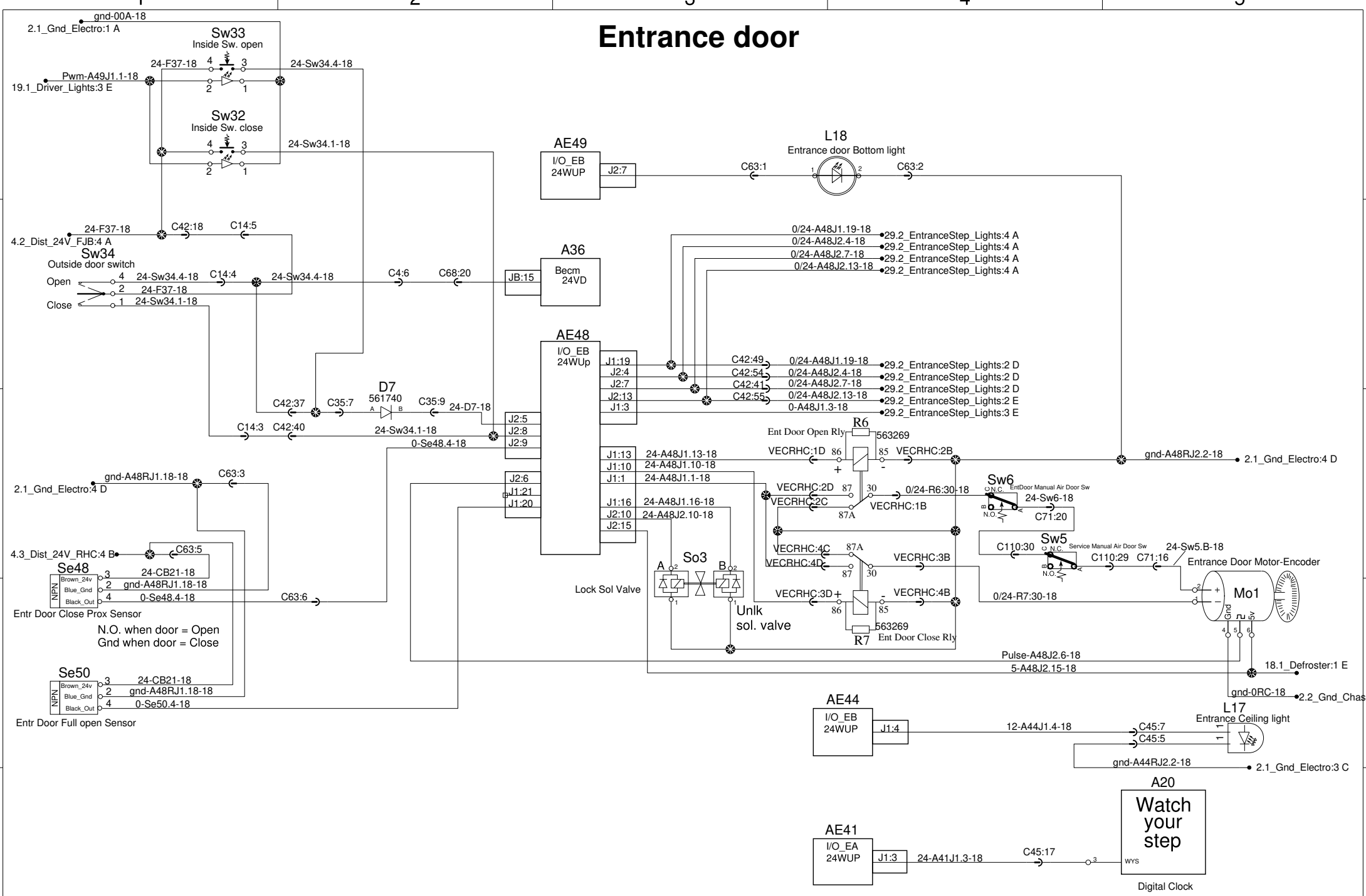
Electronic destination signs



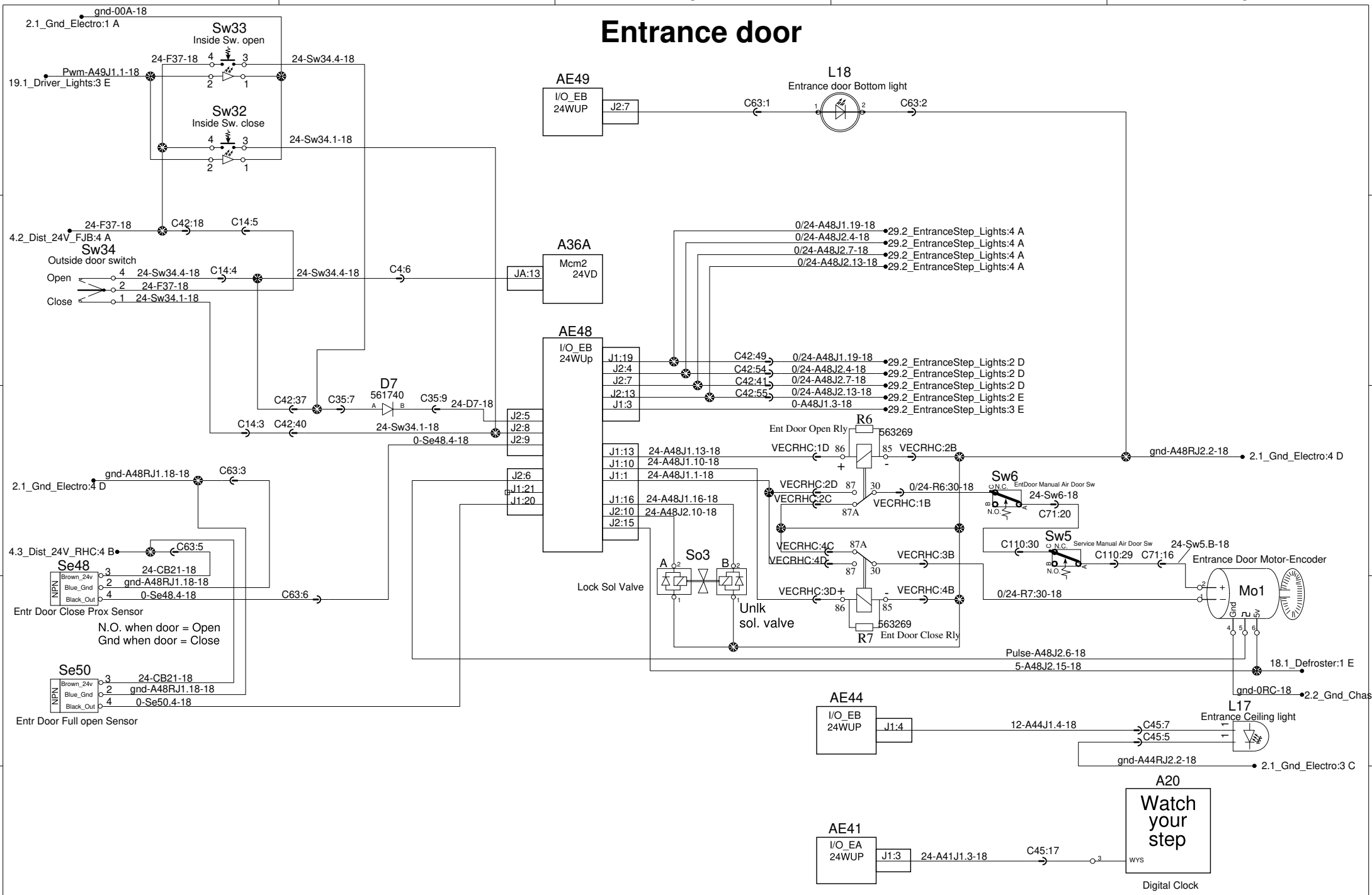
Cornering, Front flashers, Markers, Clearance and Head lights



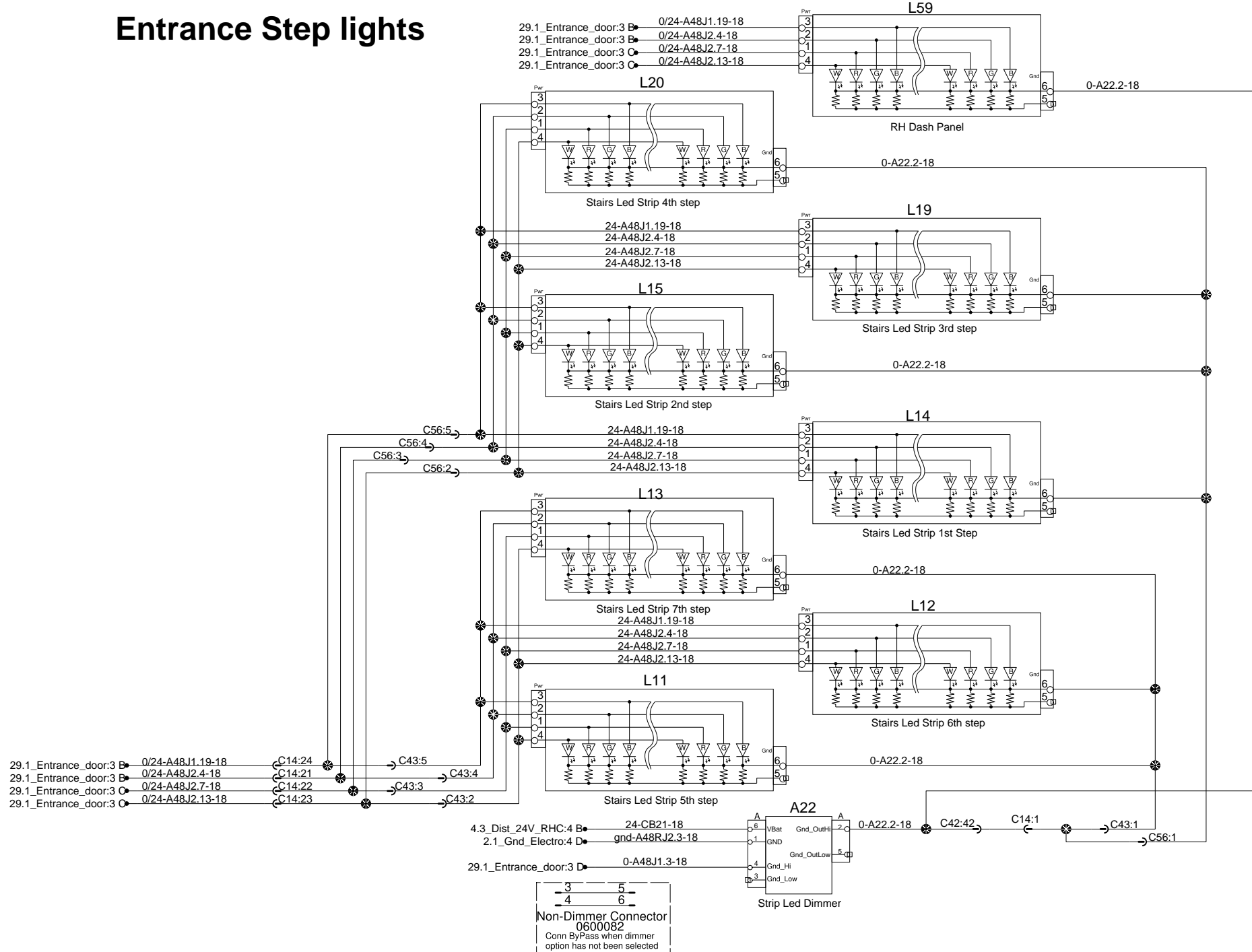
Entrance door



Entrance door

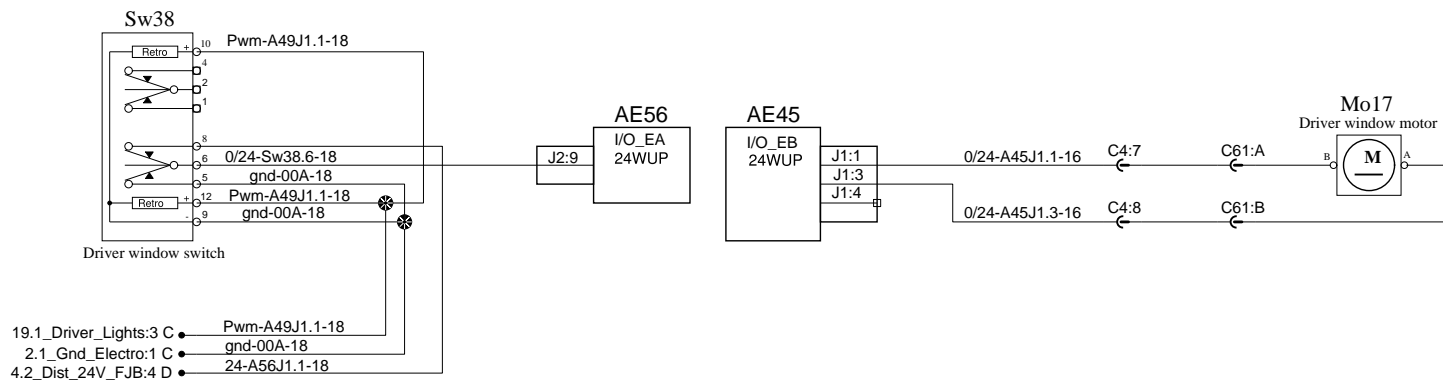


Entrance Step lights

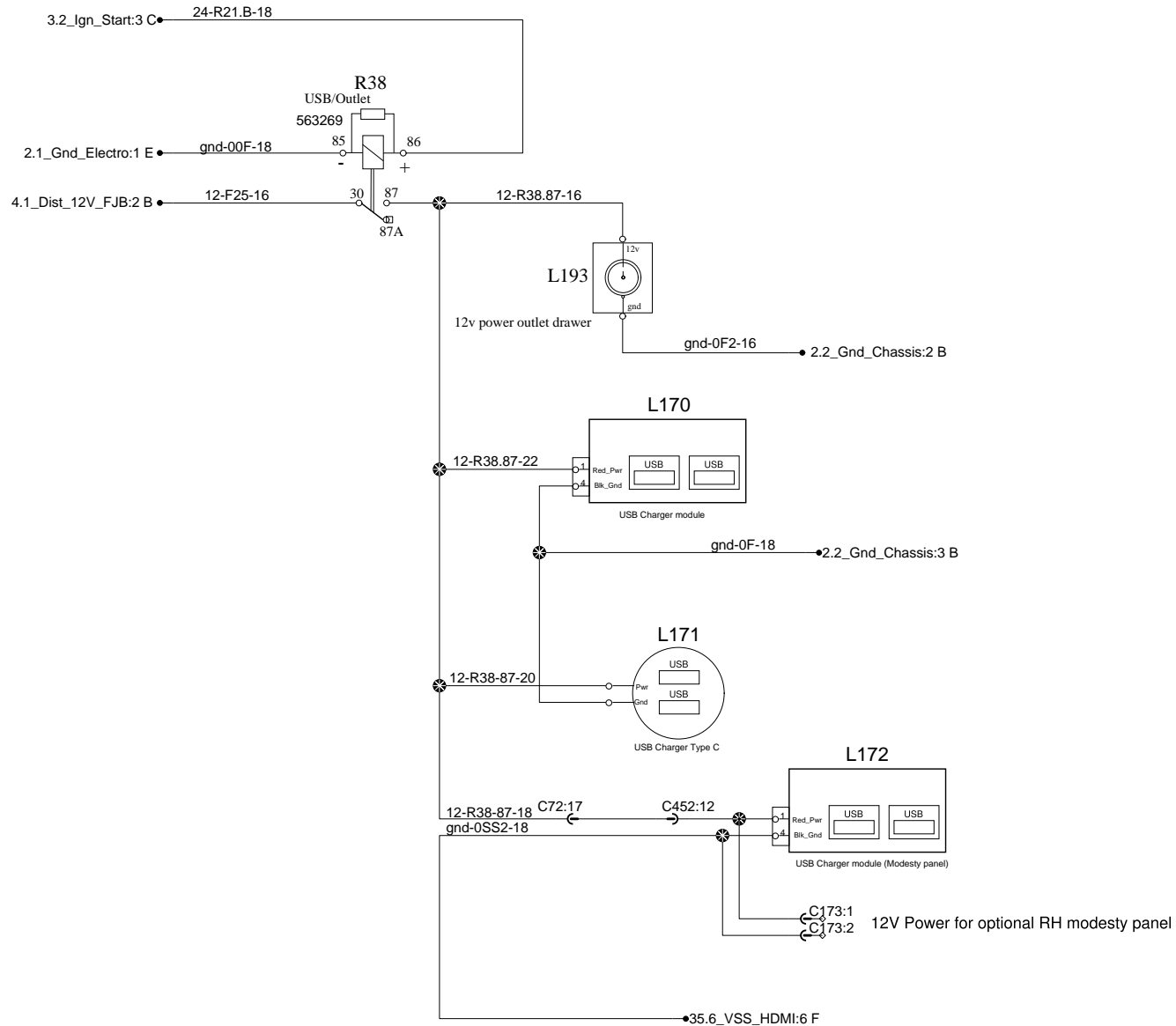


Non-Dimmer Connector
0600082
Conn ByPass when dimmer option has not been selected

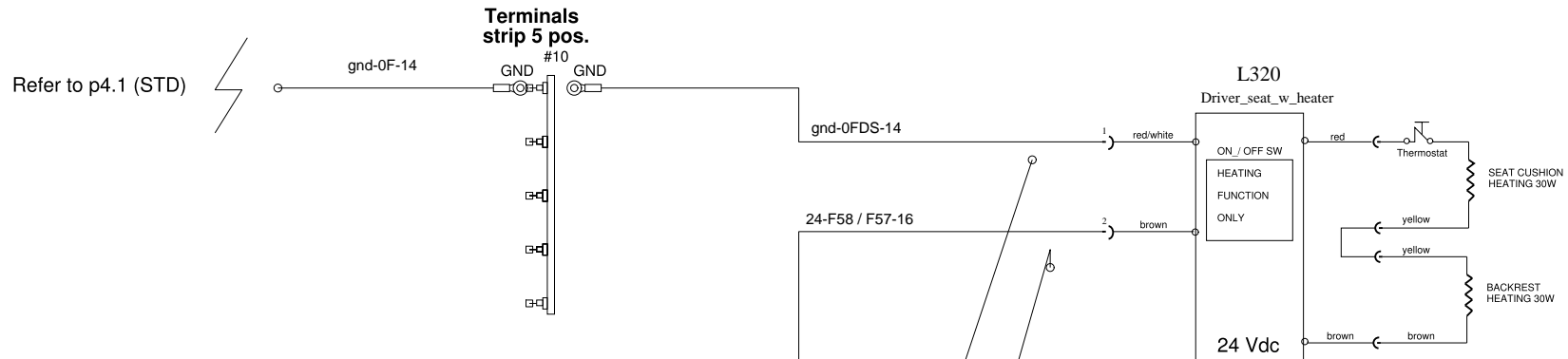
Driver Window



12V Outlets and USB Charger



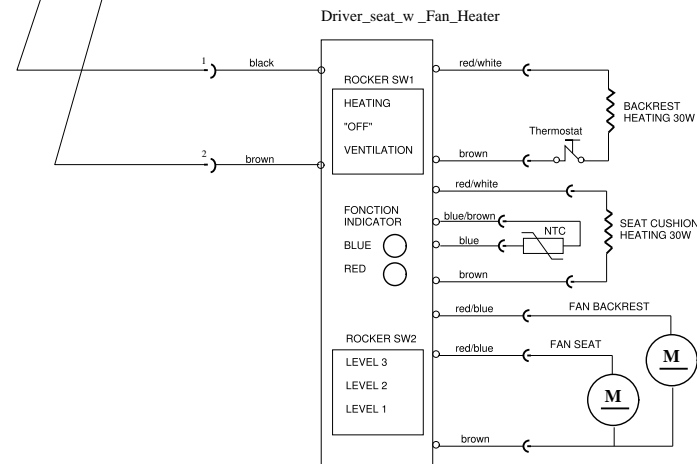
Driver seat with heating function



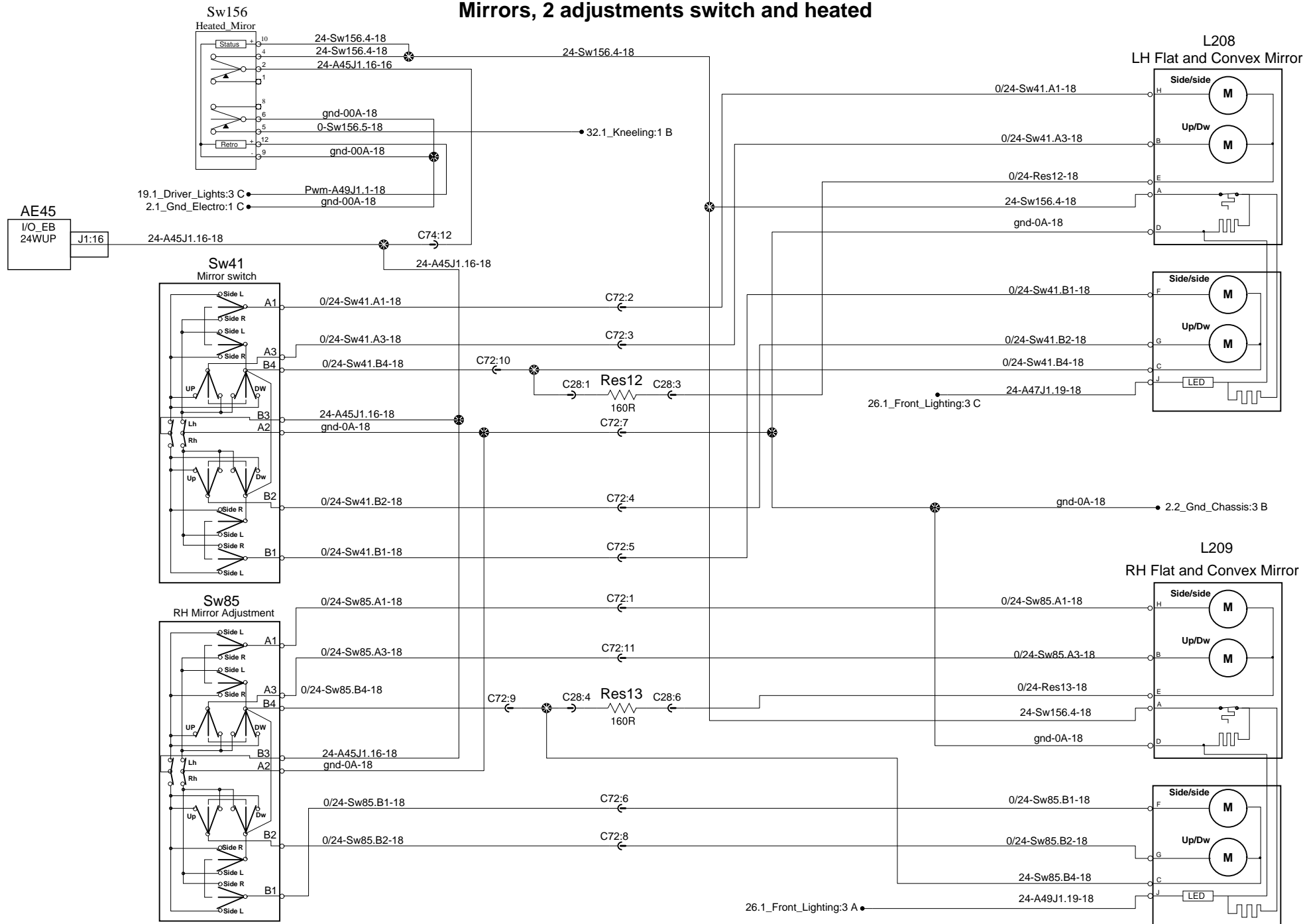
Refer to p4.2 (STD)

TO :
VECF2:F
RED Connector

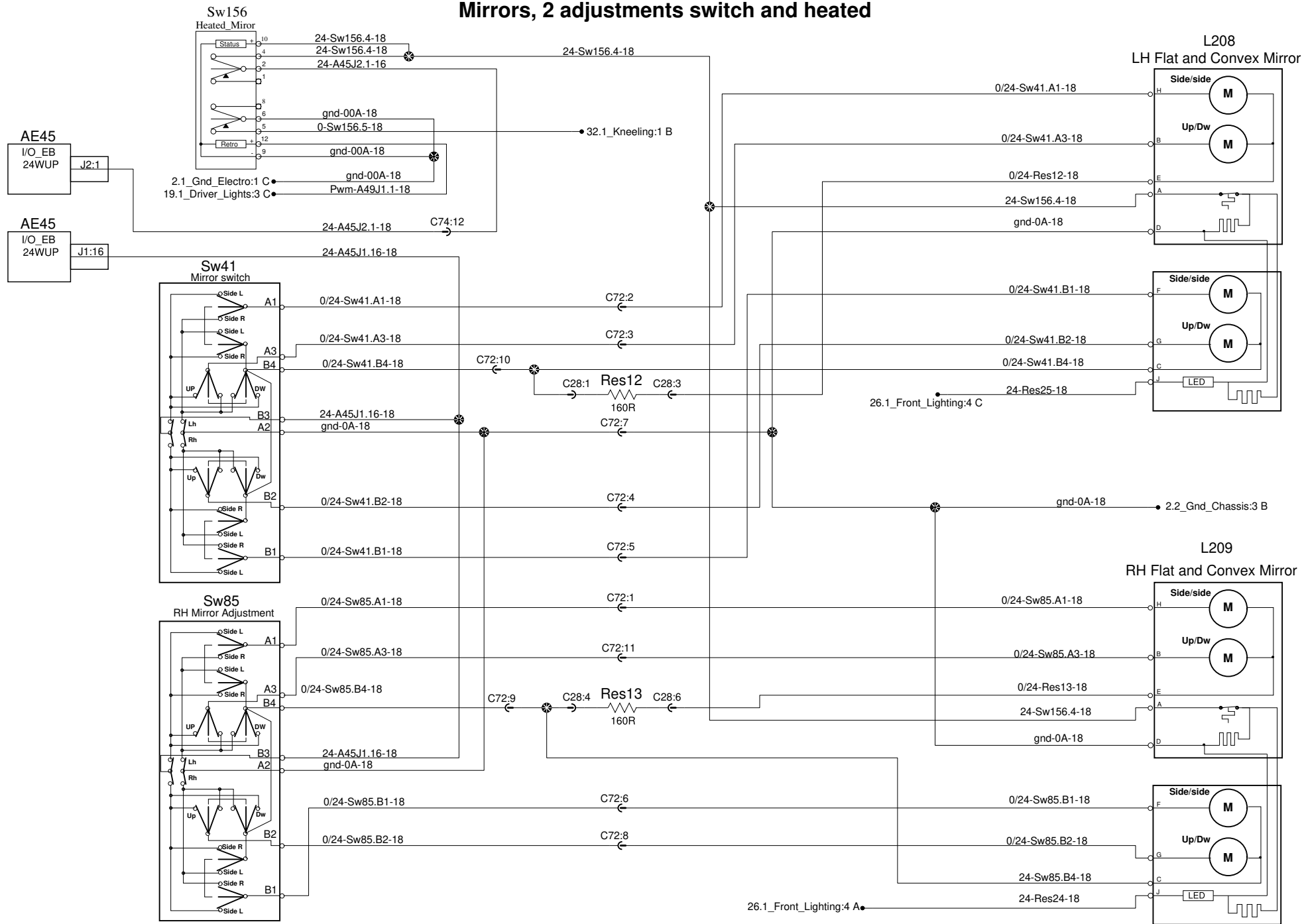
OR



Mirrors, 2 adjustments switch and heated

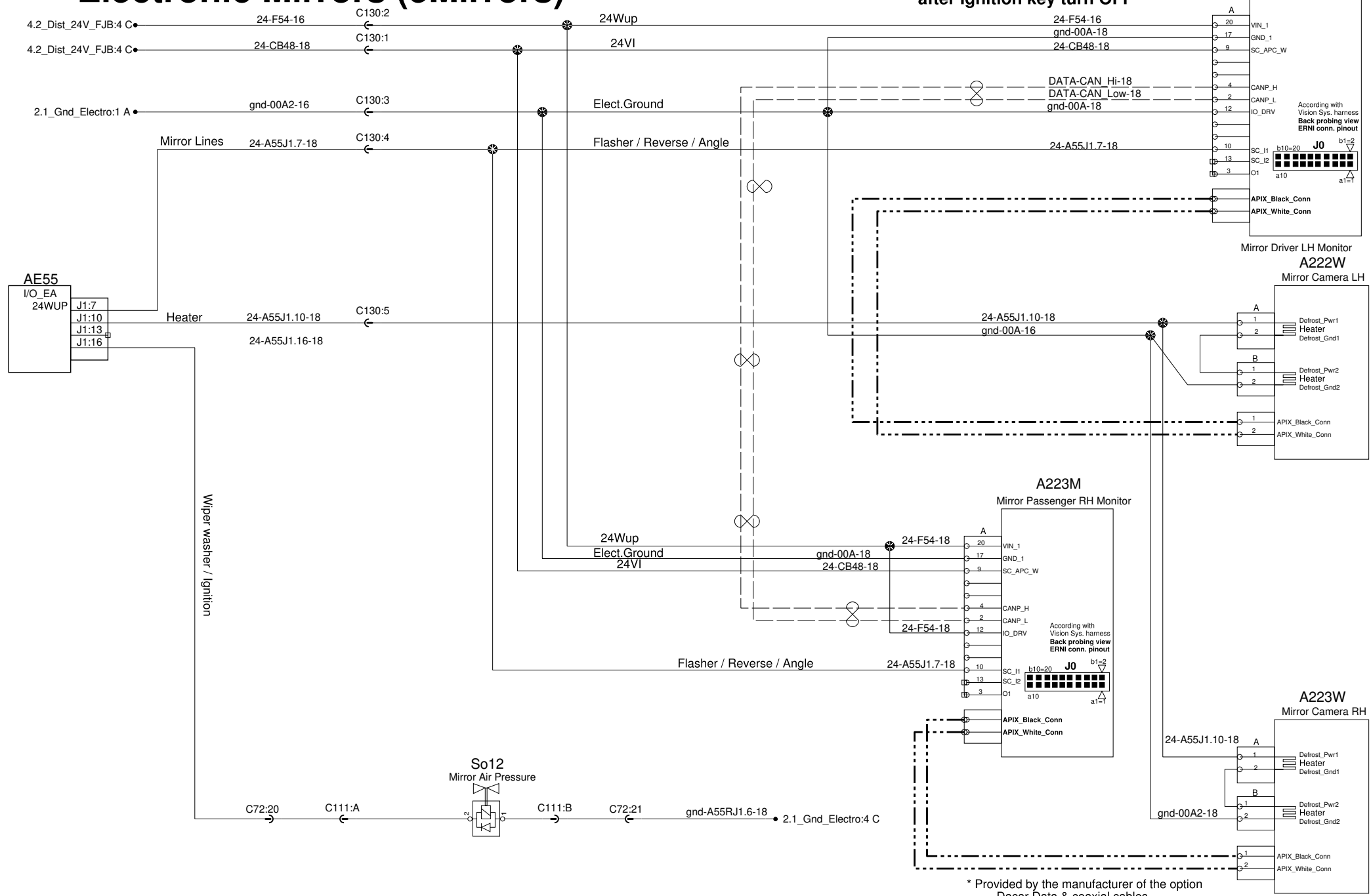


Mirrors, 2 adjustments switch and heated

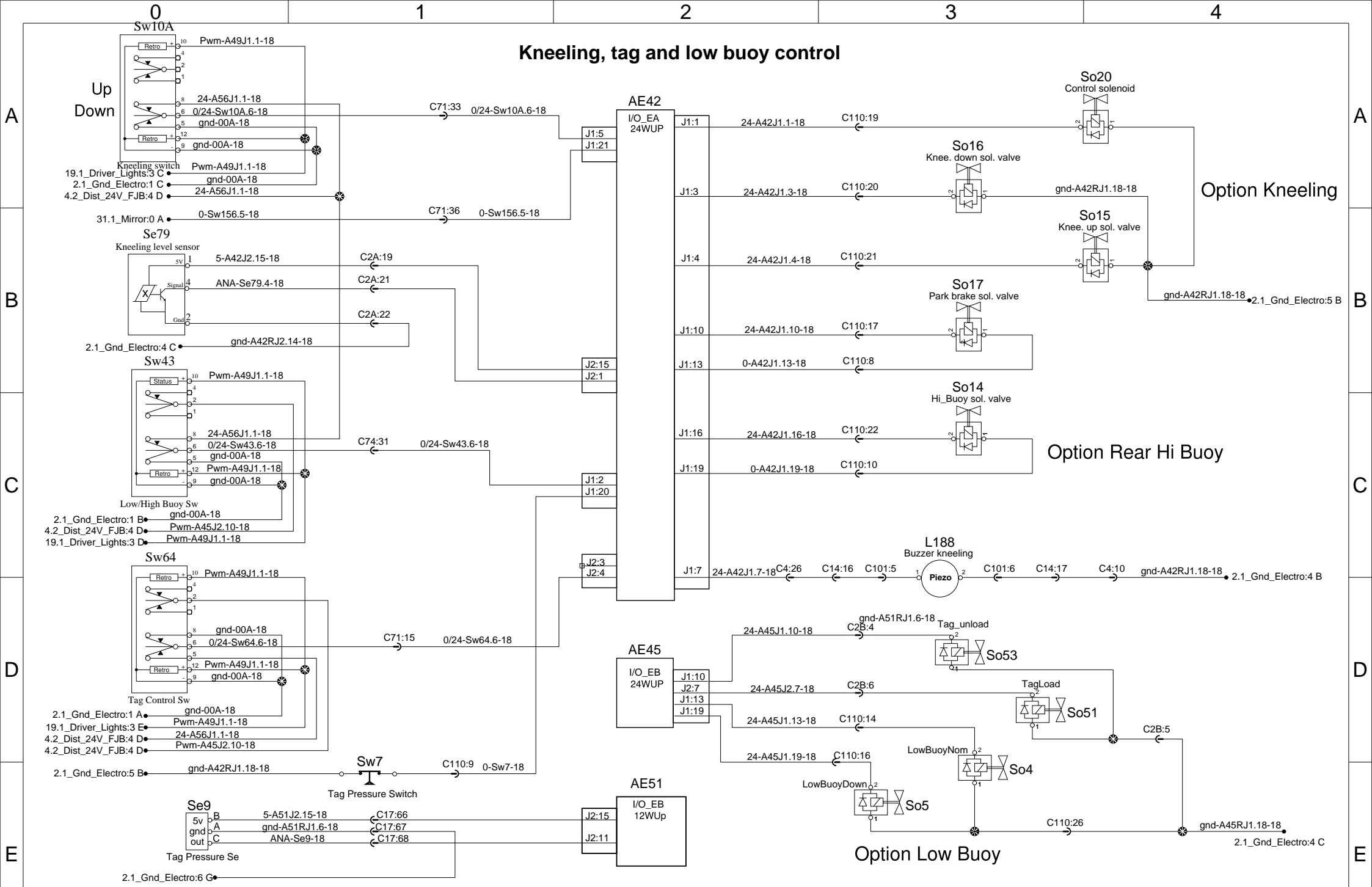


Electronic Mirrors (eMirrors)

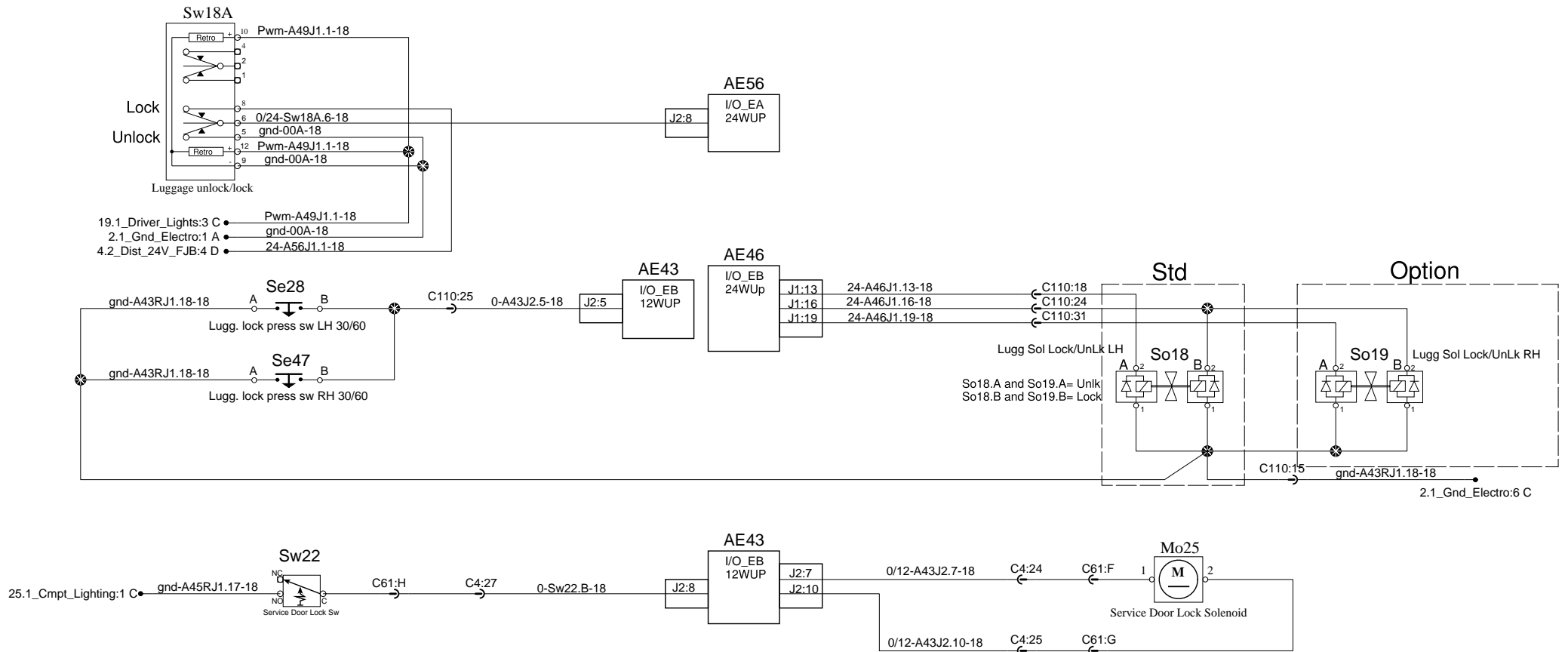
Info: Mirrors remains ON about 2 minutes after Ignition key turn OFF



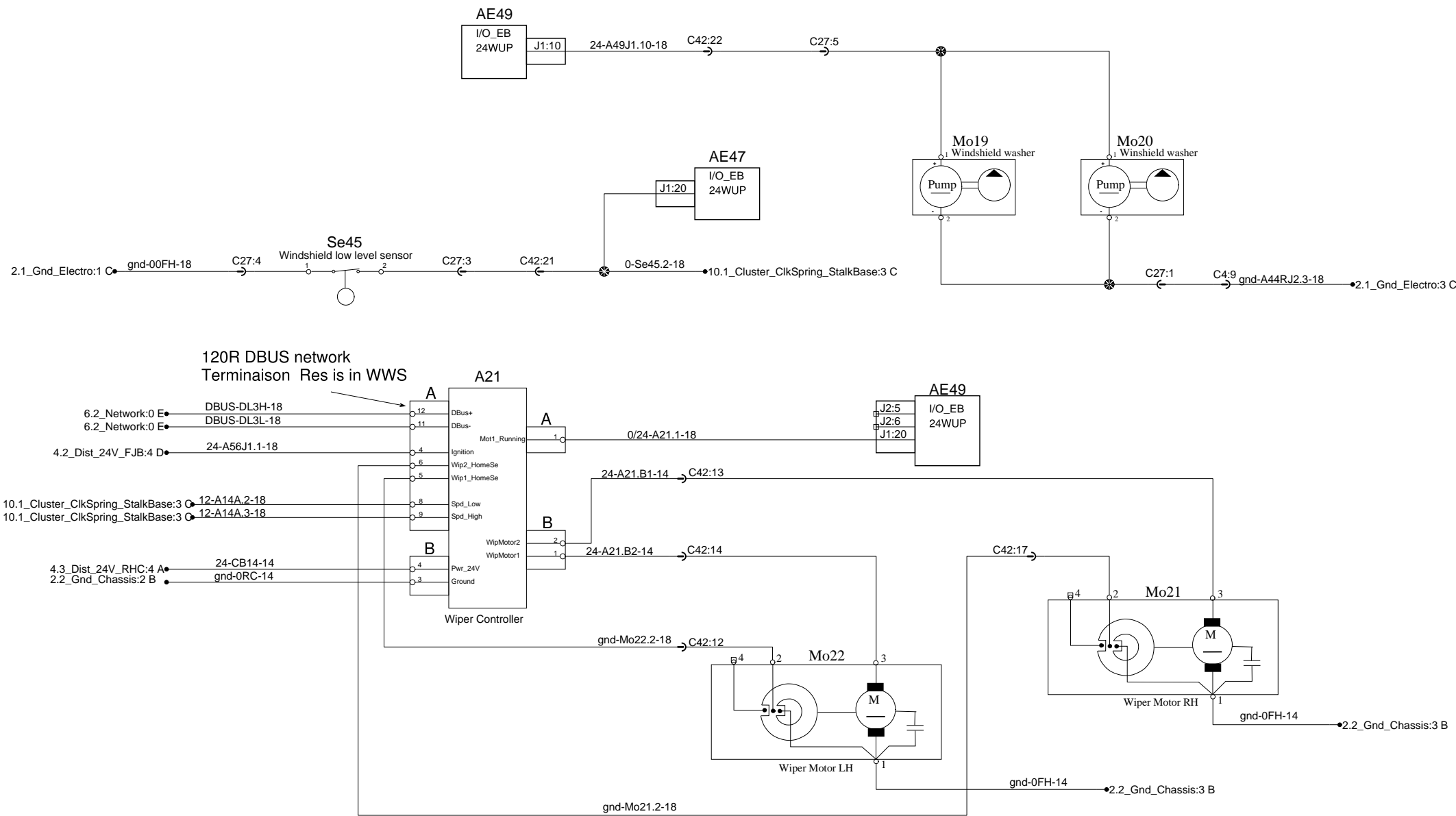
* Provided by the manufacturer of the option Dacar Data & coaxial cables



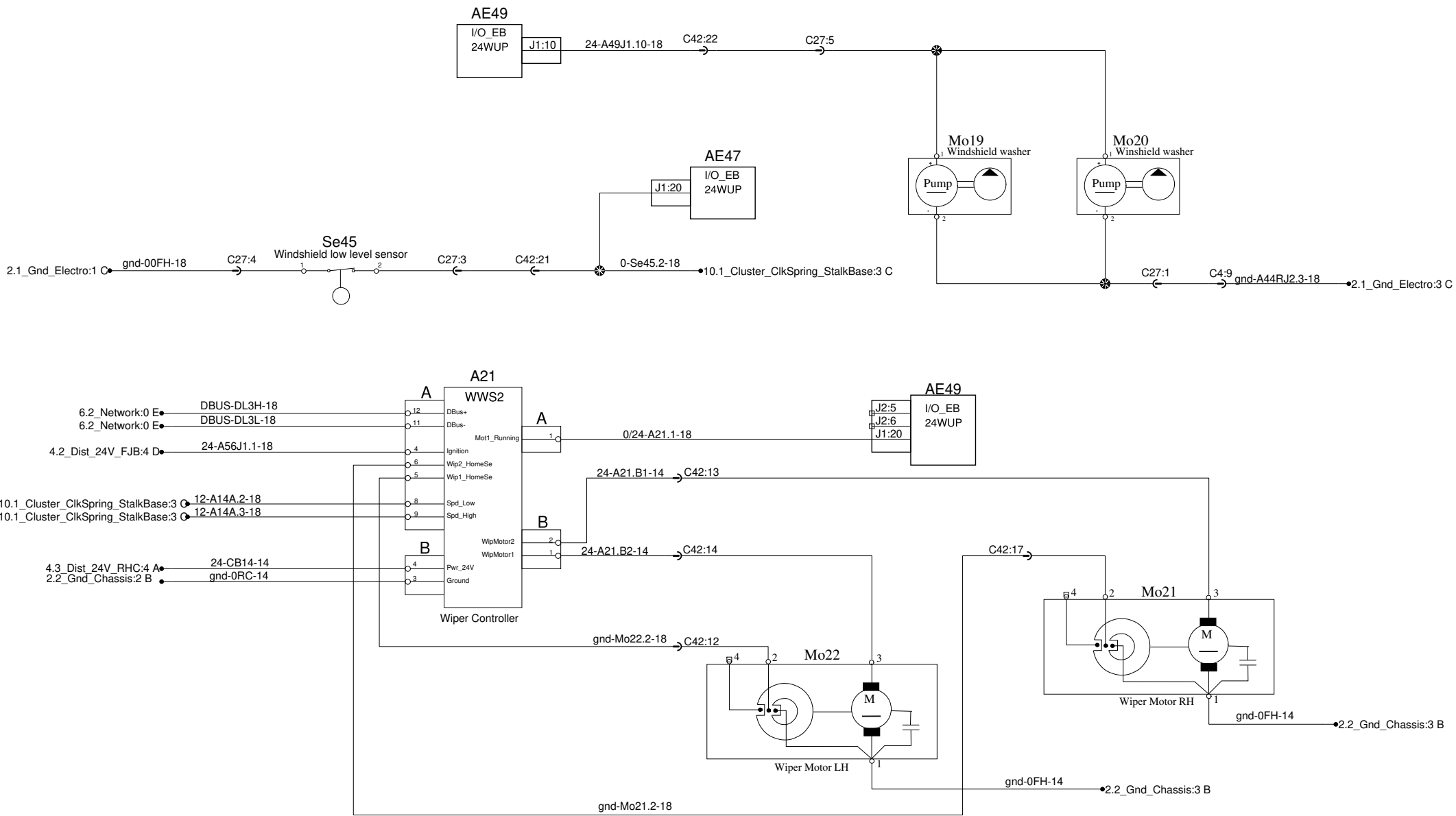
Luggage door Lock/Unlock



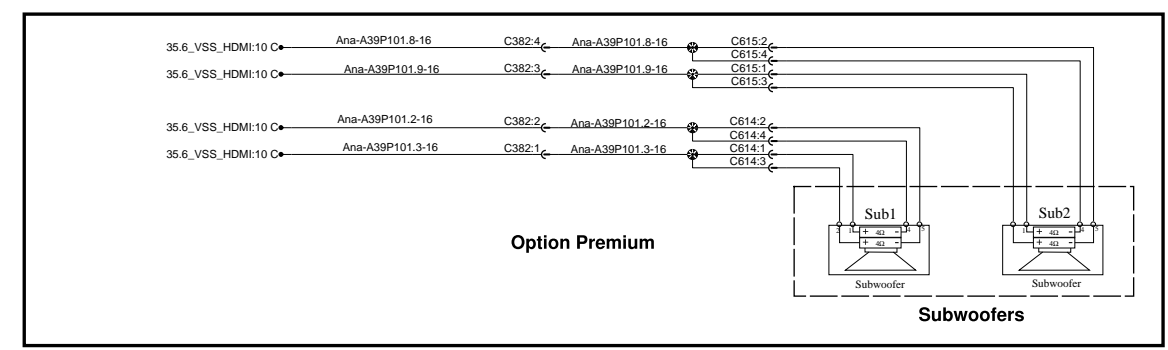
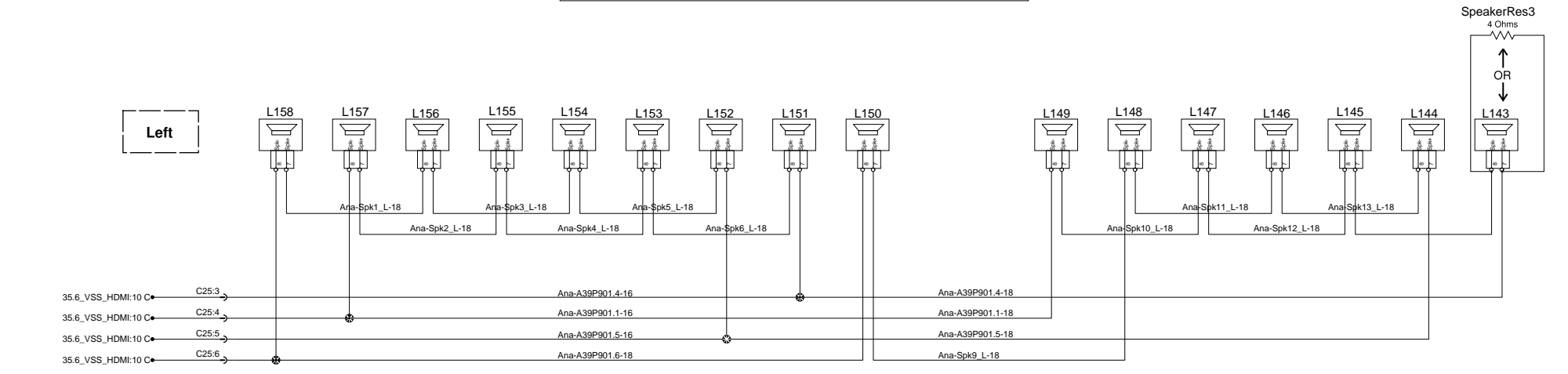
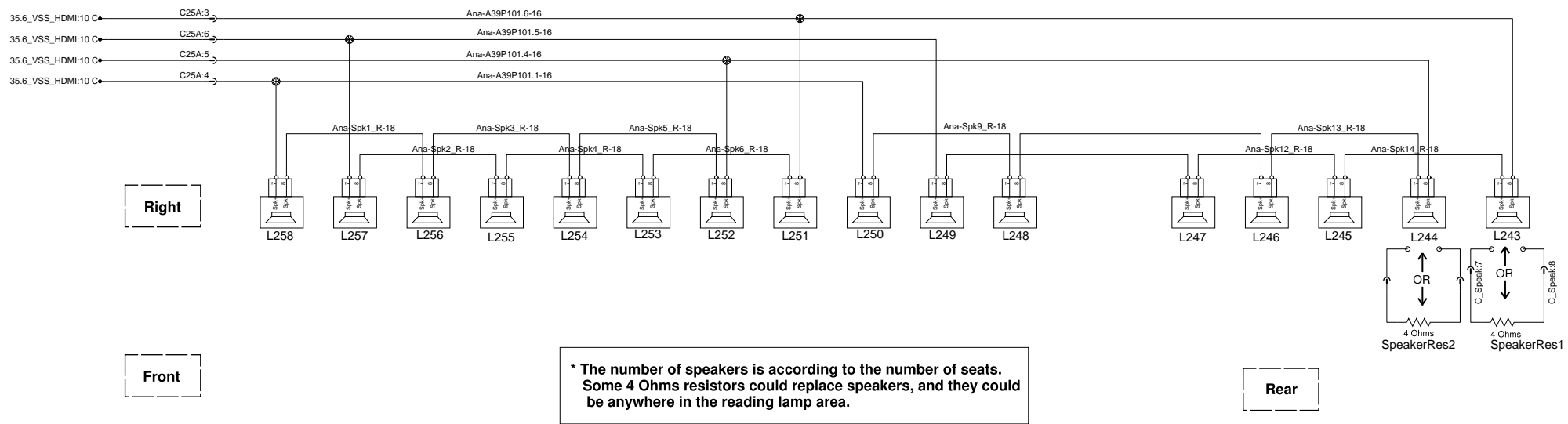
Wipers and washer



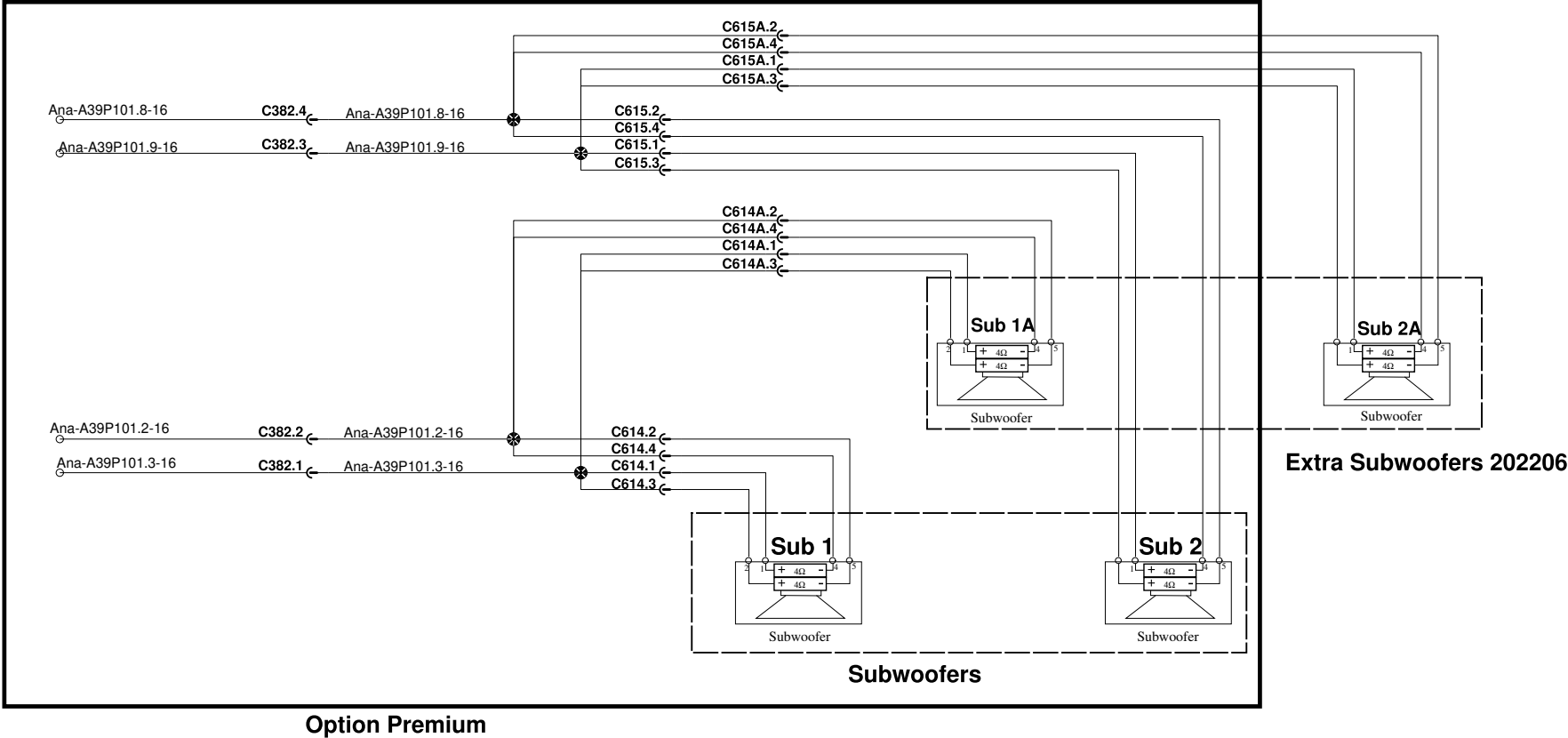
Wipers and washer



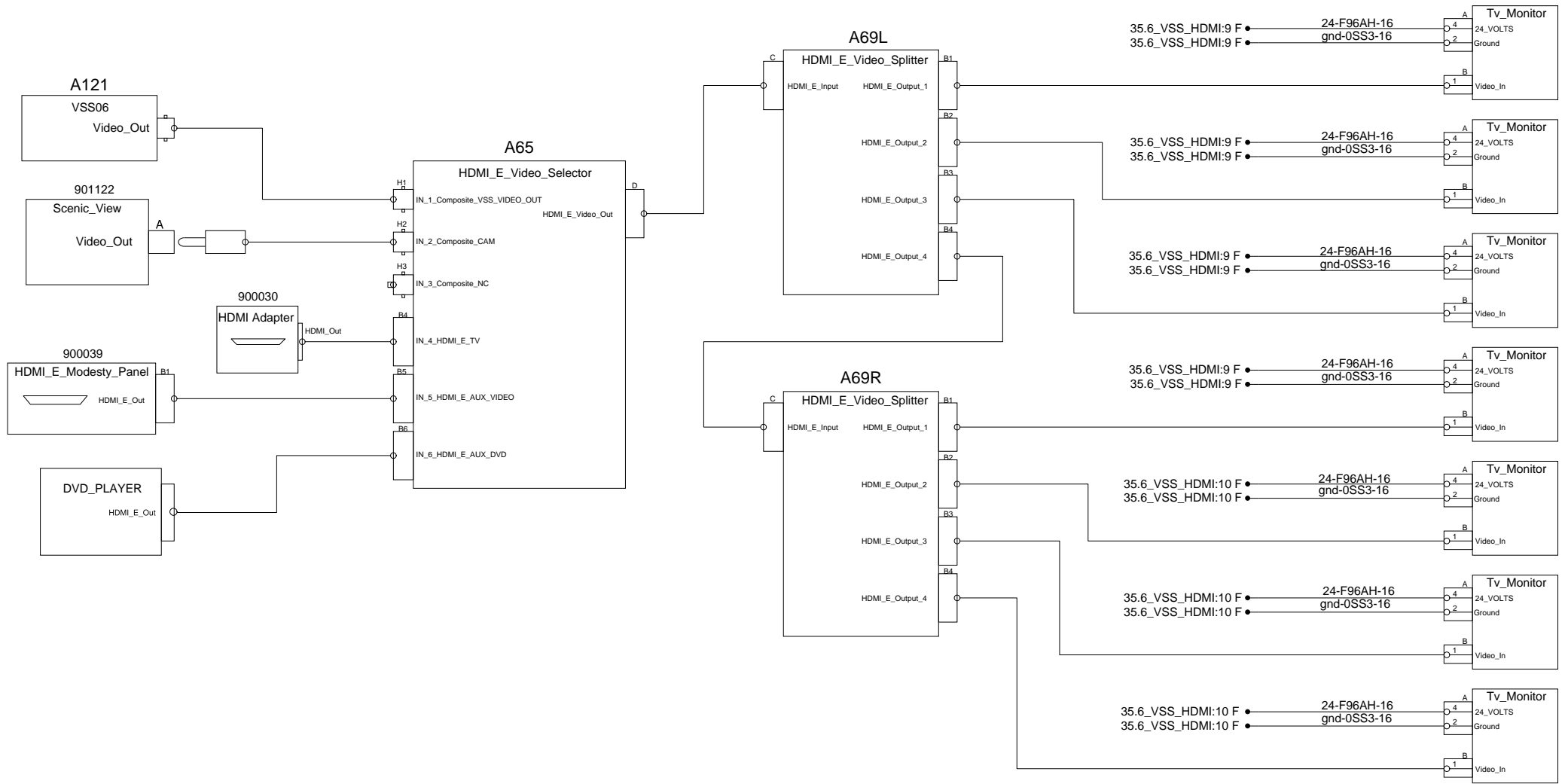
Speakers arrangement (Delta configuration)



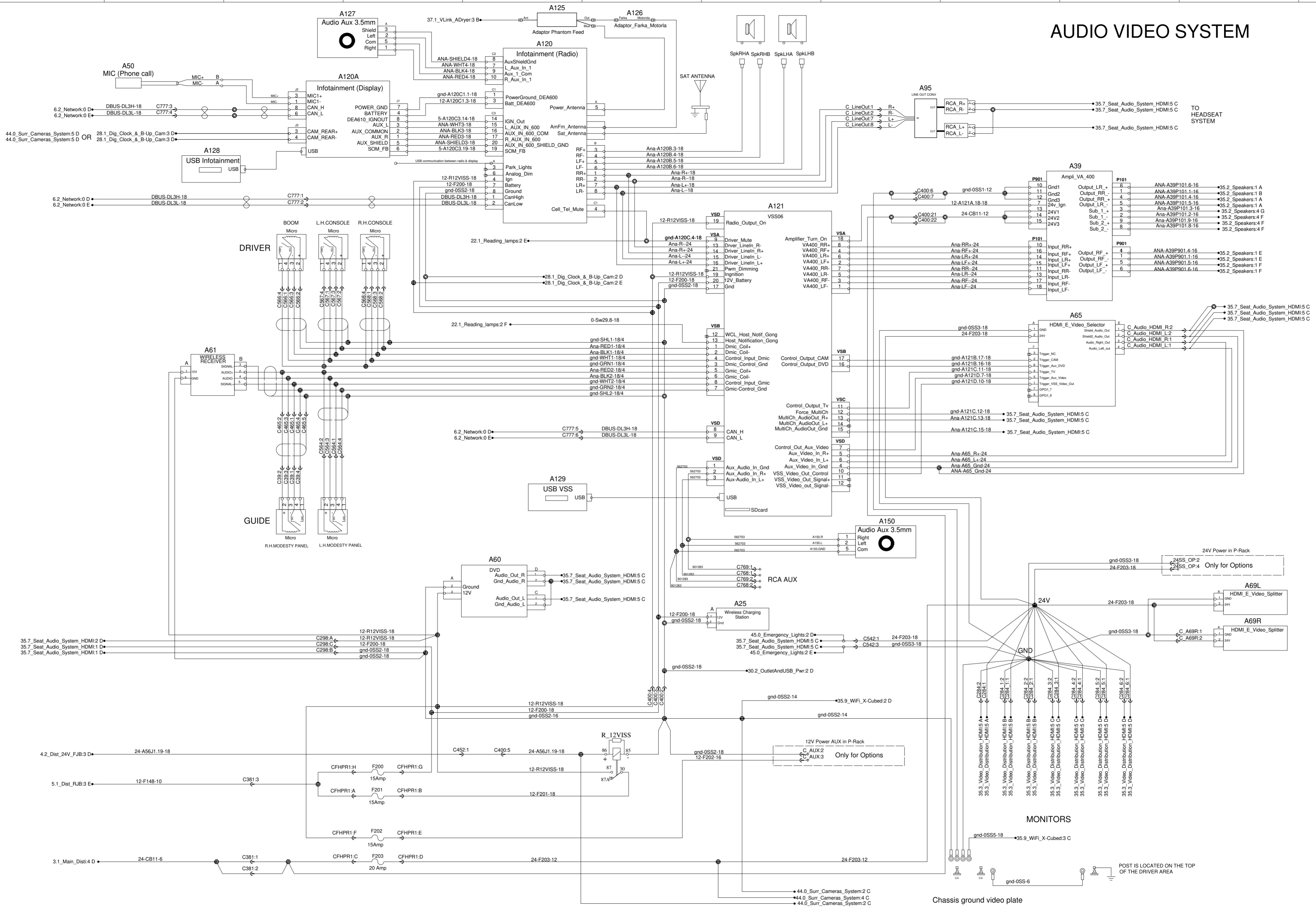
Customer Adaptation Additional subwoofers



Video distribution HDMI



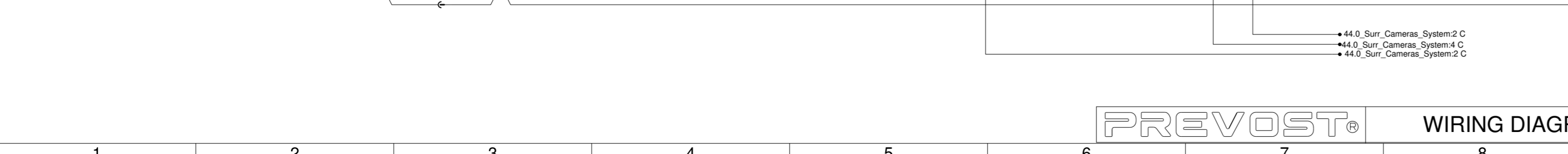
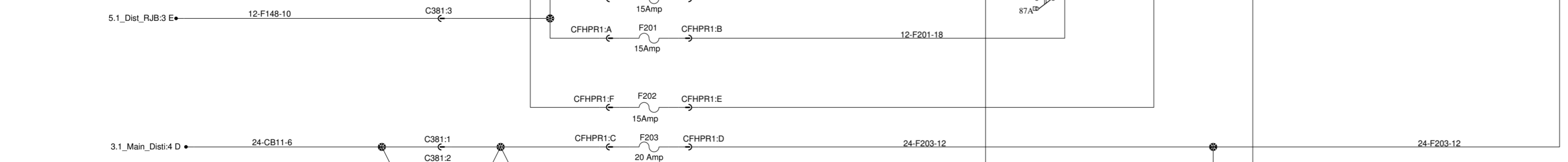
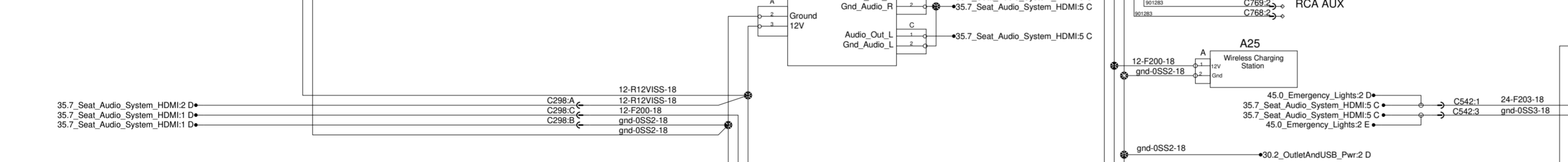
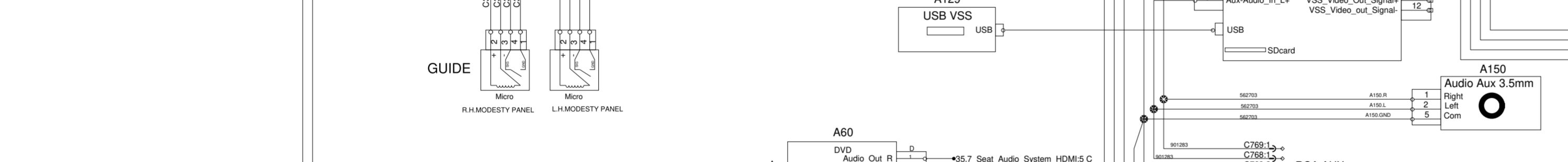
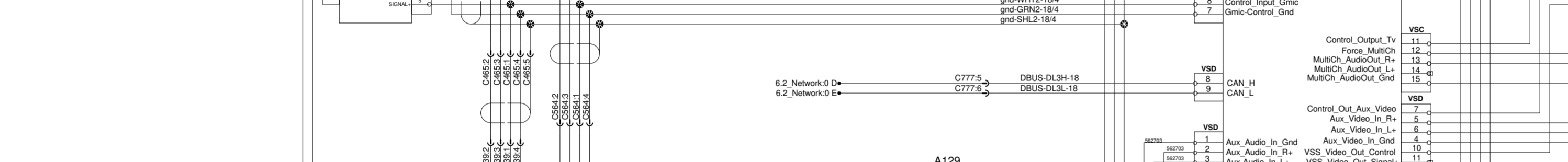
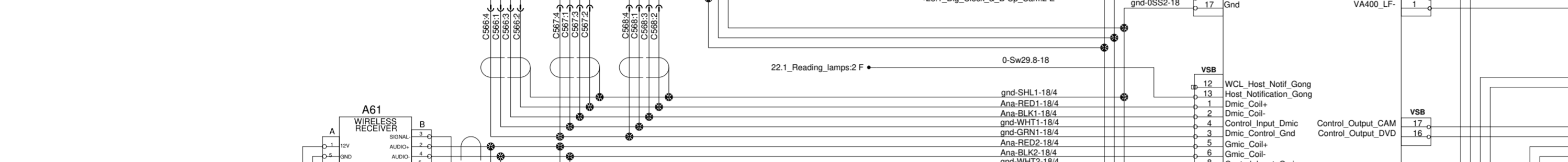
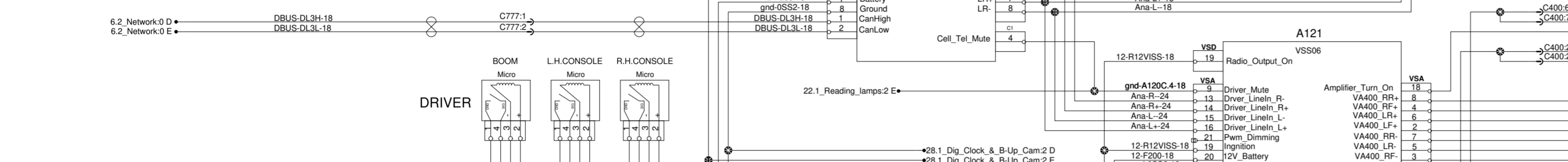
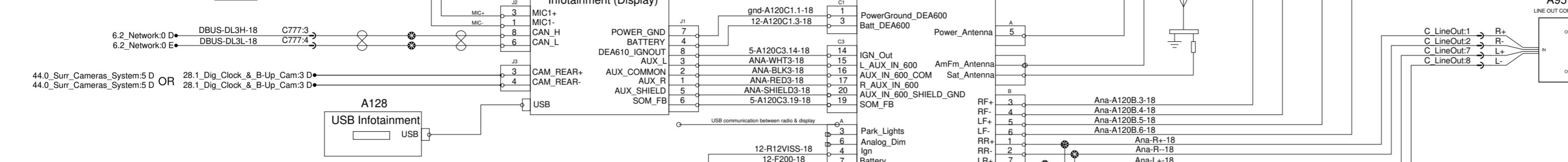
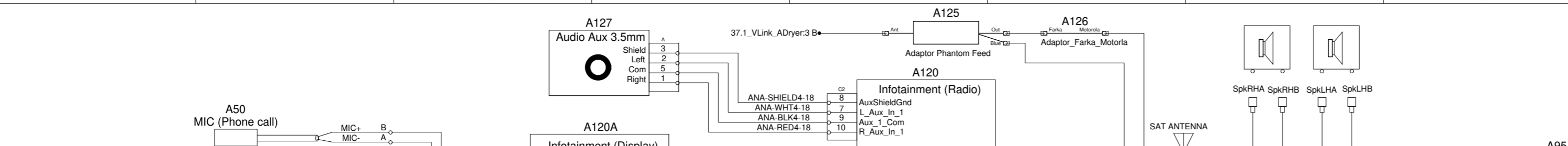
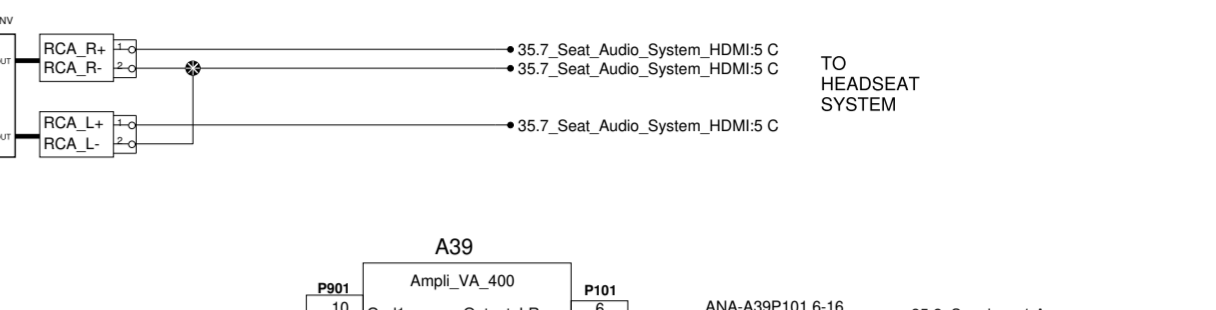
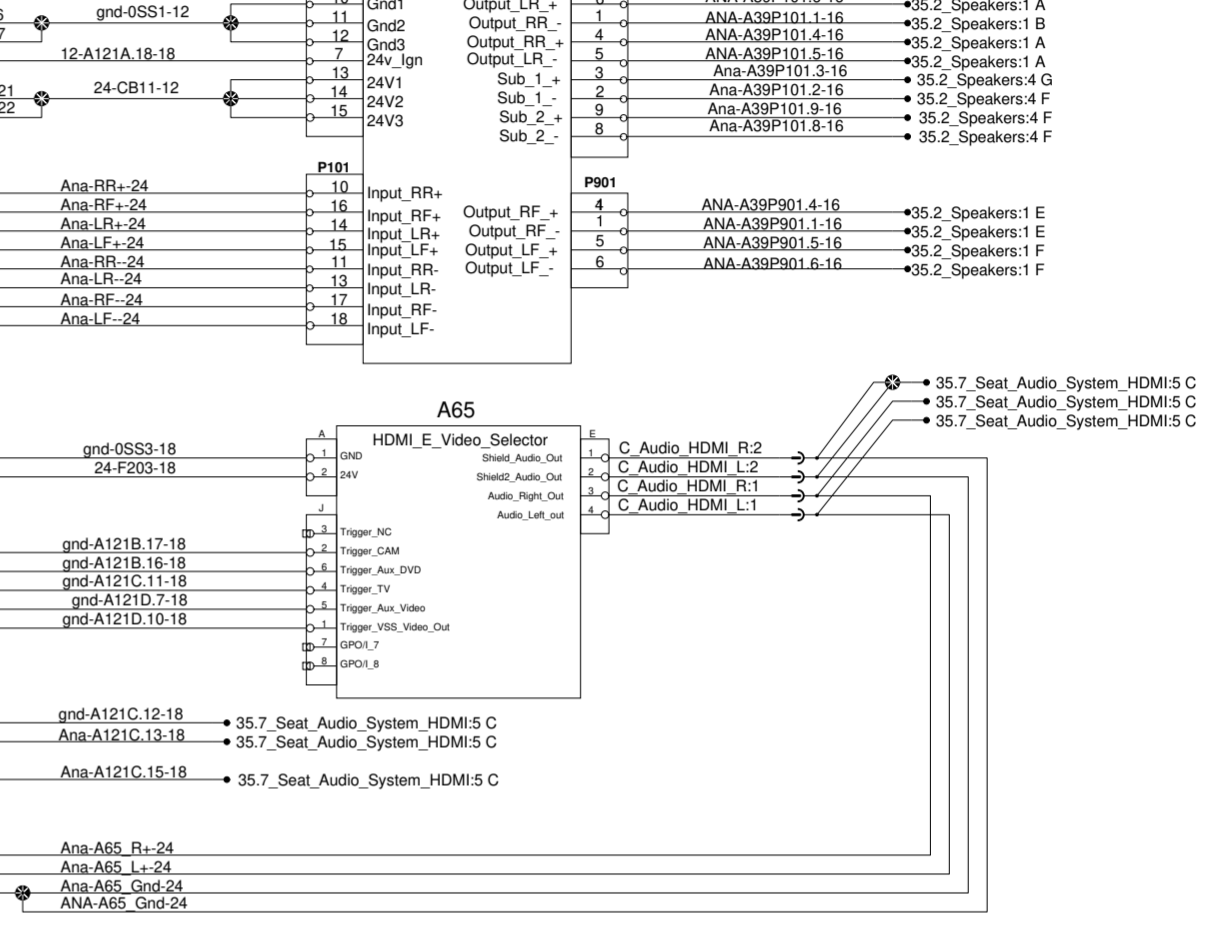
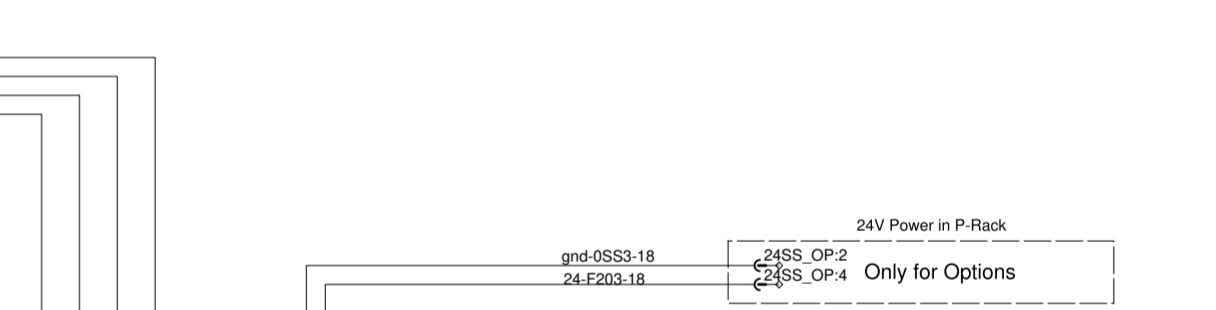
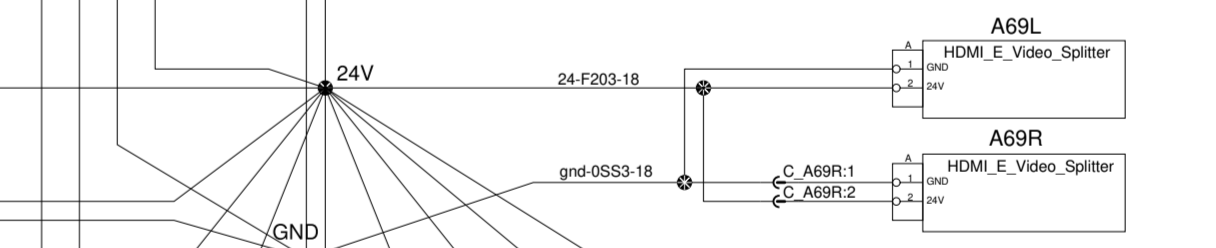
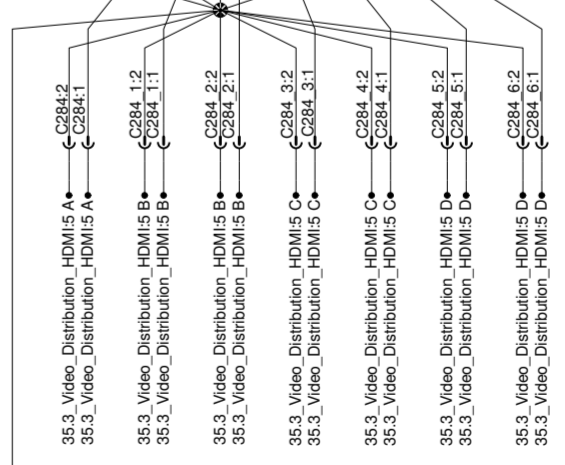
AUDIO VIDEO SYSTEM



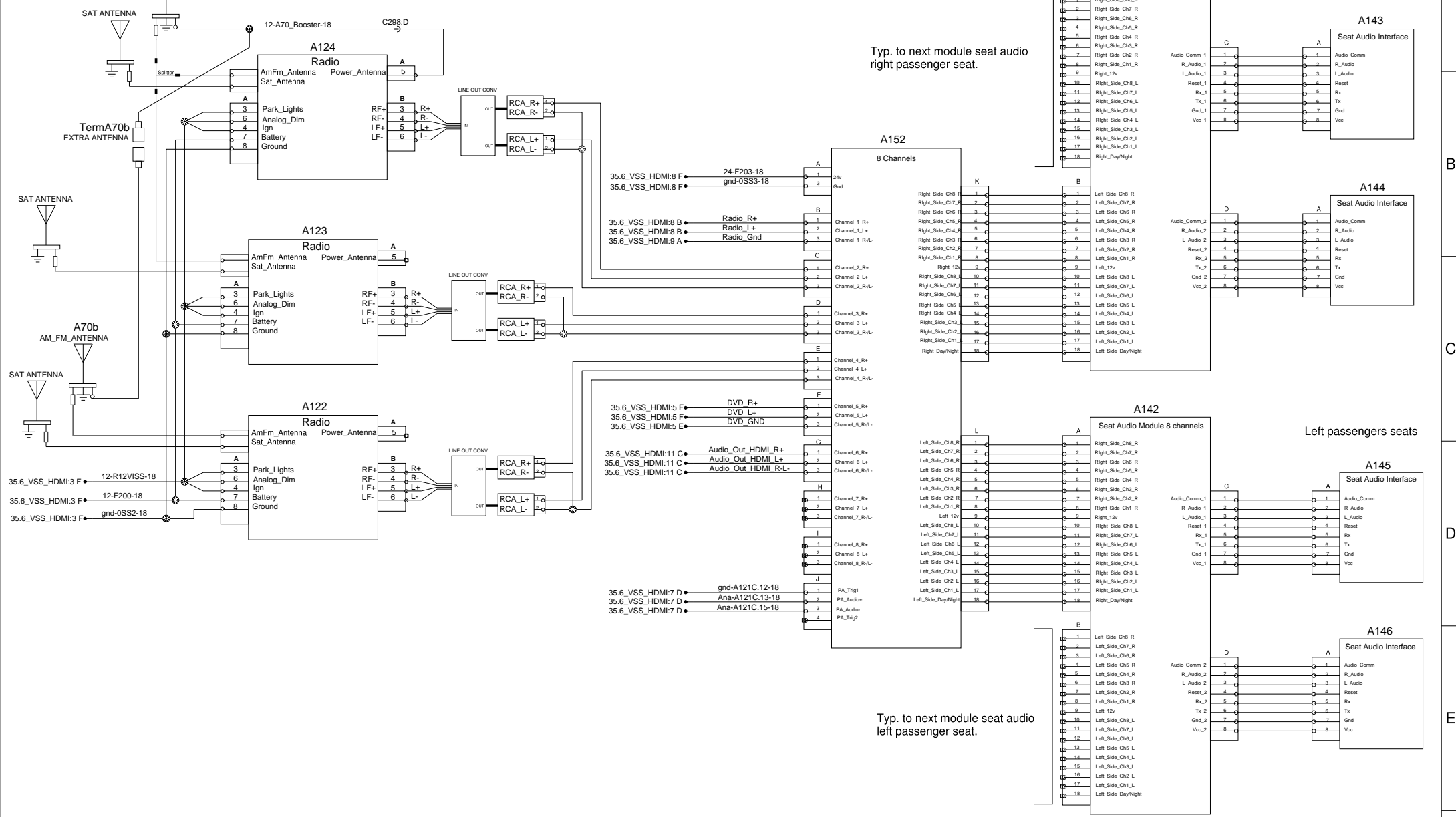
POST IS LOCATED ON THE TOP OF THE DRIVER AREA

Chassis ground video plate

MONITORS



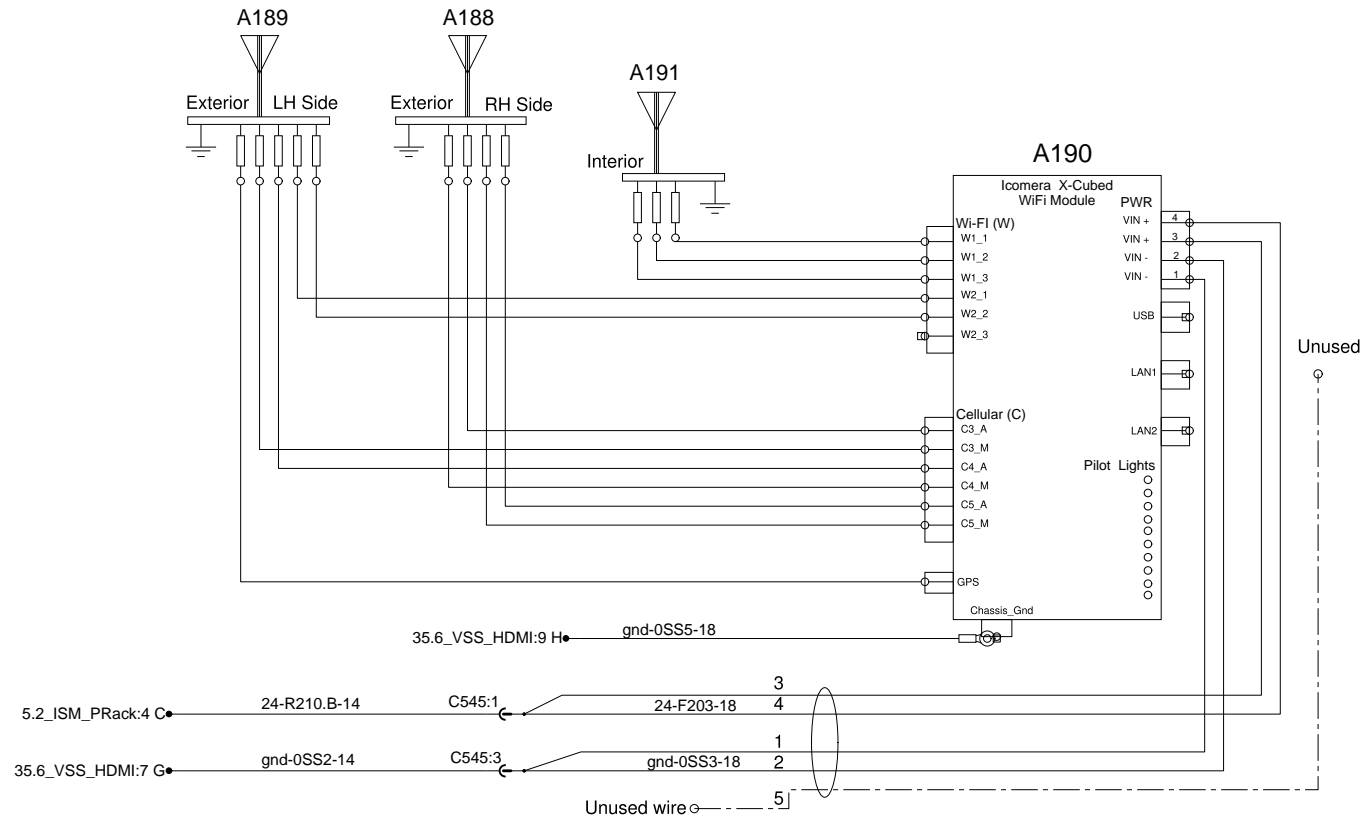
8 channels seat audio system HDMI



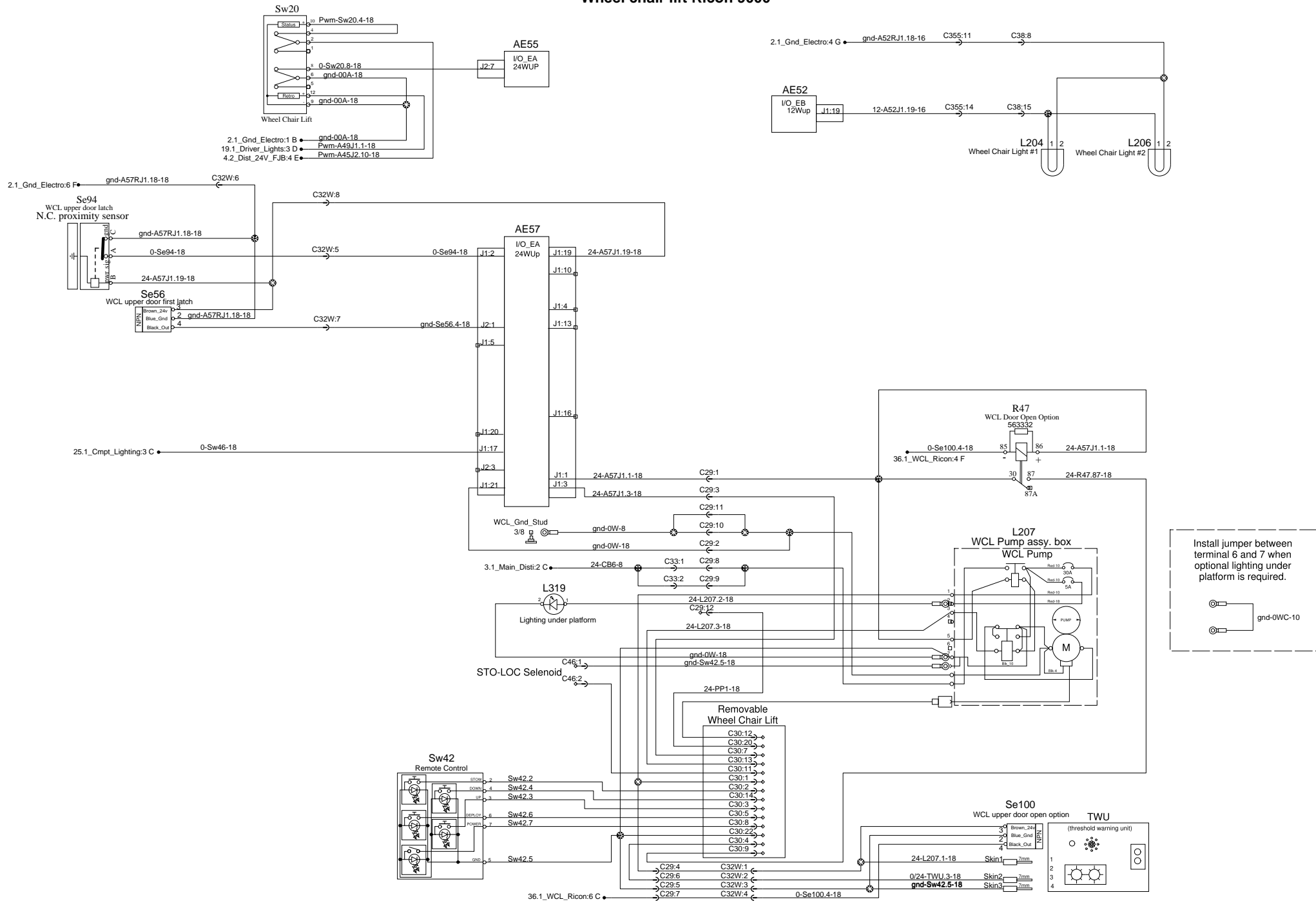
Typ. to next module seat audio right passenger seat.

Typ. to next module seat audio left passenger seat.

WiFi - Wireless System Option

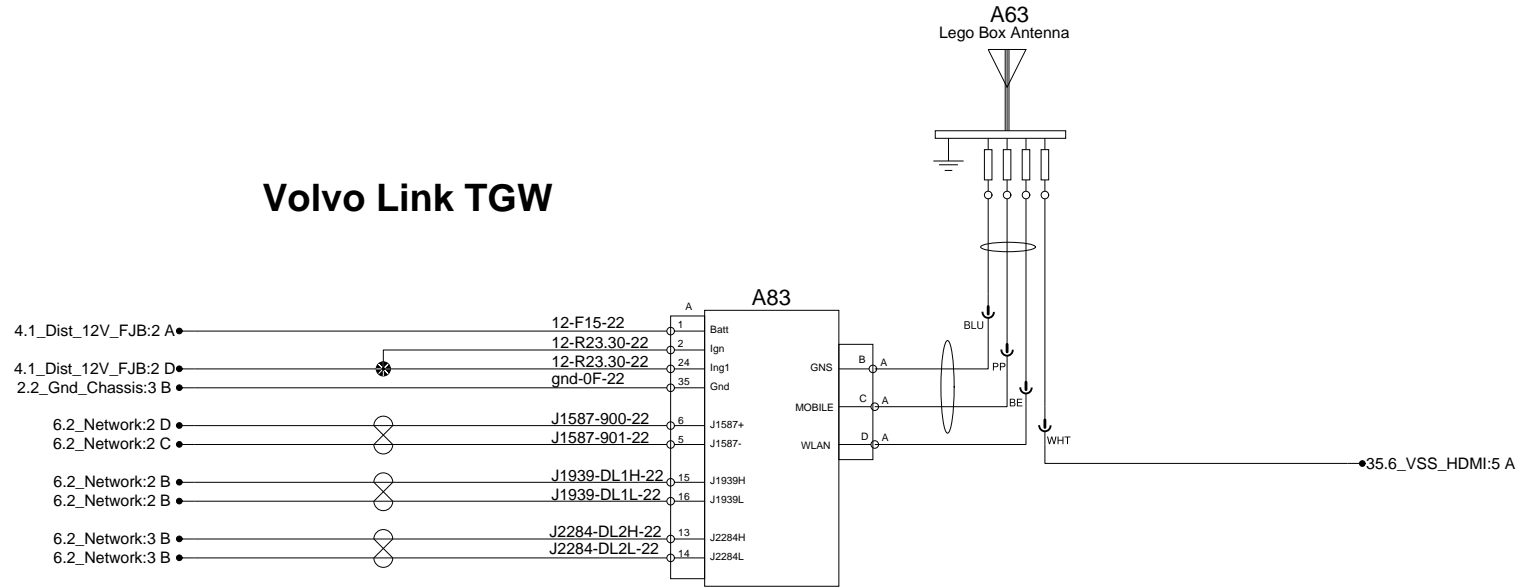


Wheel chair lift Ricon 9000

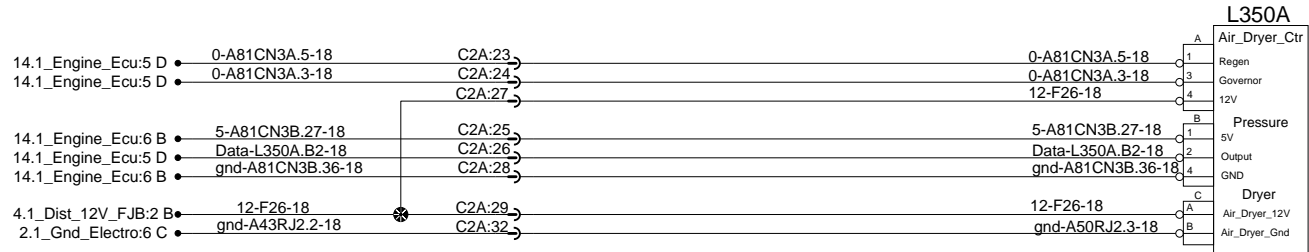


Install jumper between terminal 6 and 7 when optional lighting under platform is required.

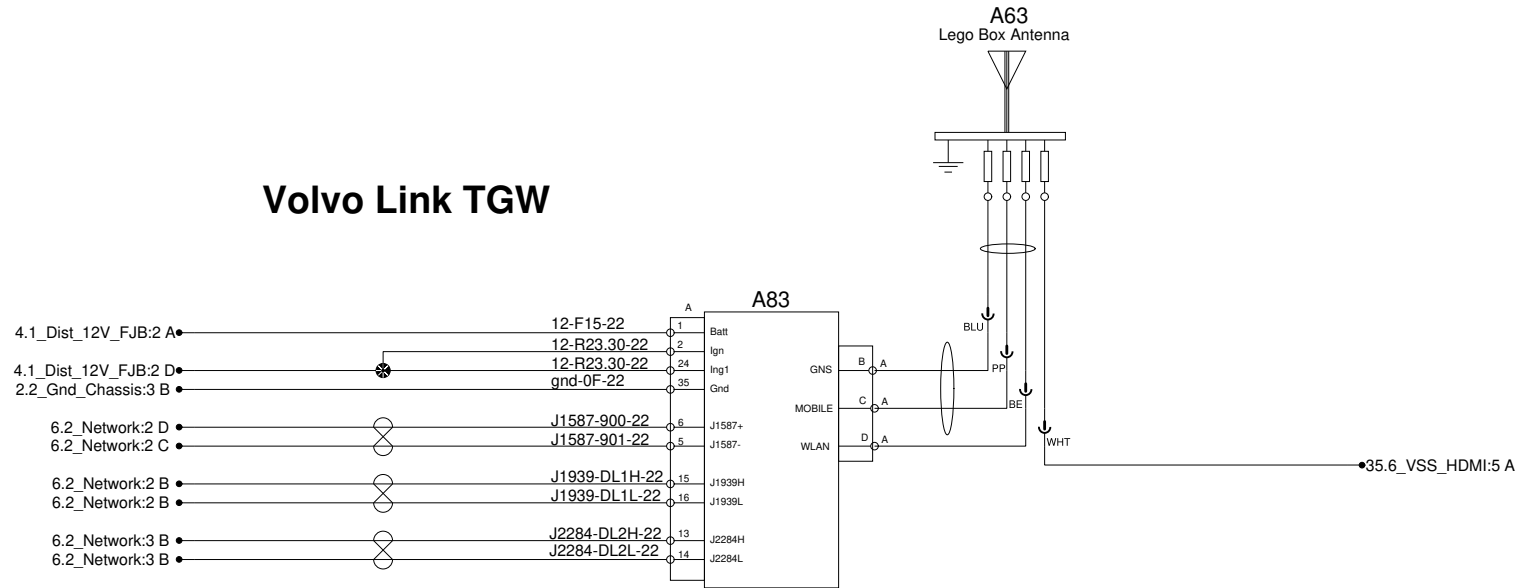
Volvo Link TGW



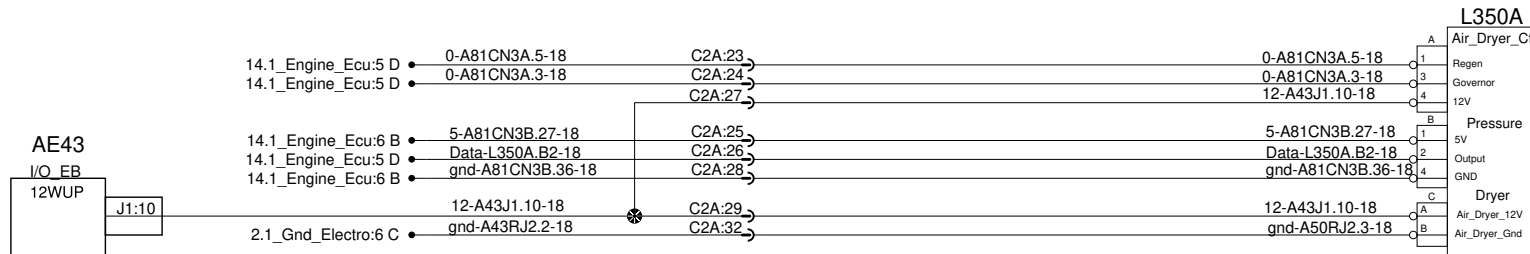
Air Dryer Electric Control and Heater



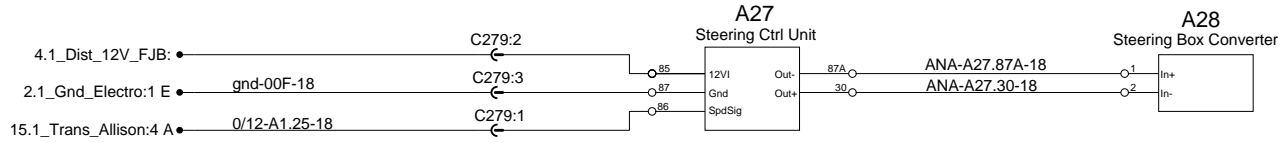
Volvo Link TGW



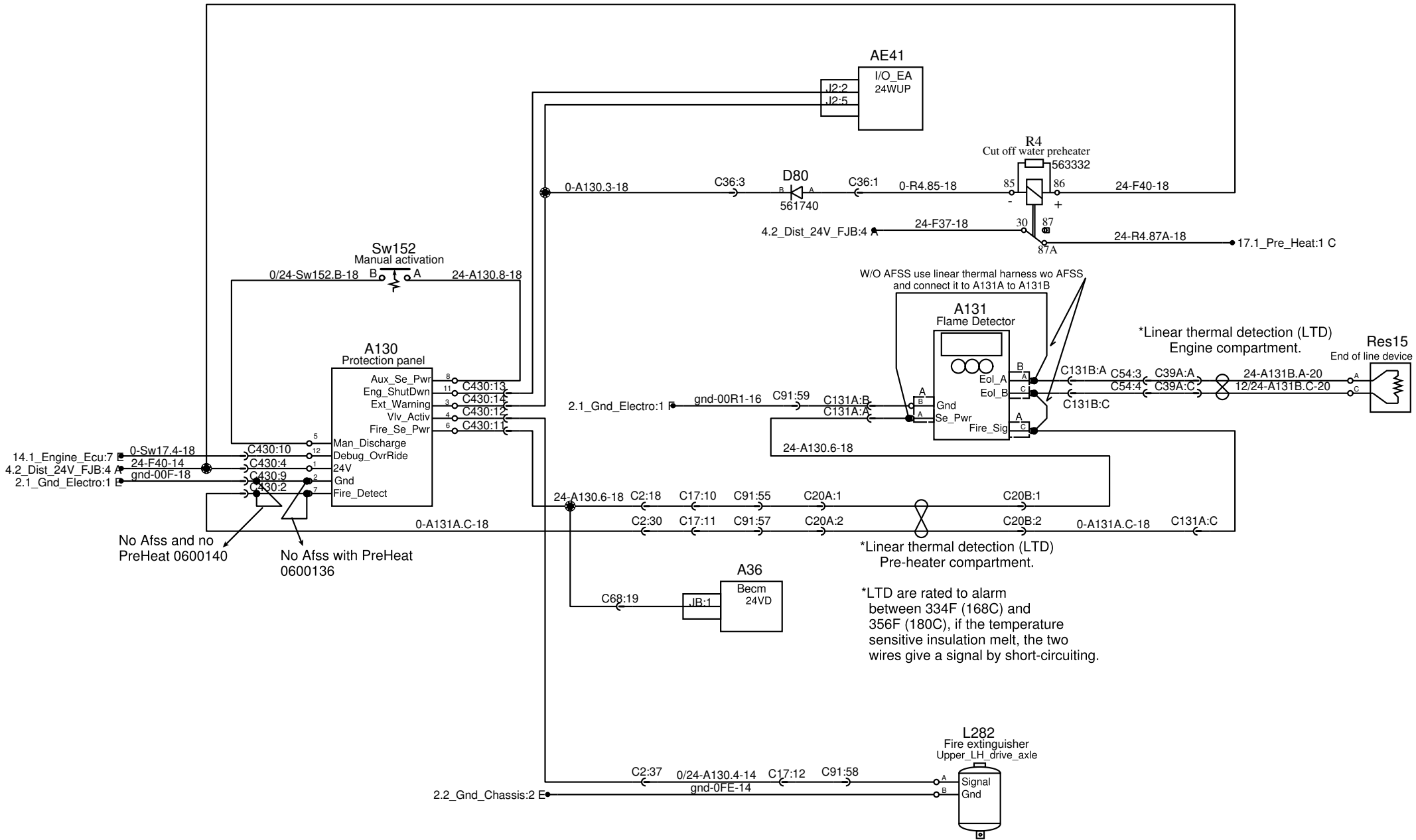
Air Dryer Electric Control and Heater



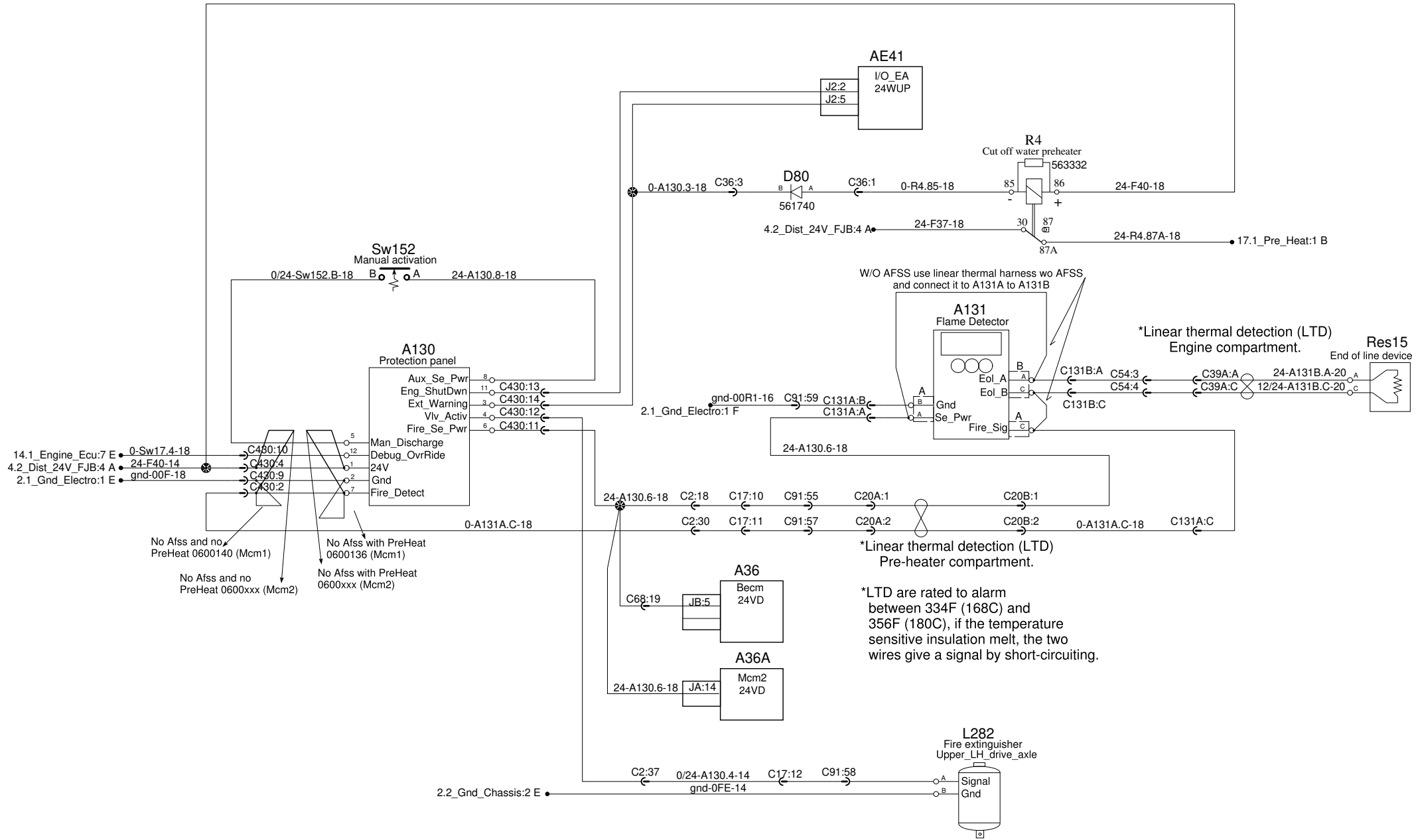
ZF Steering control



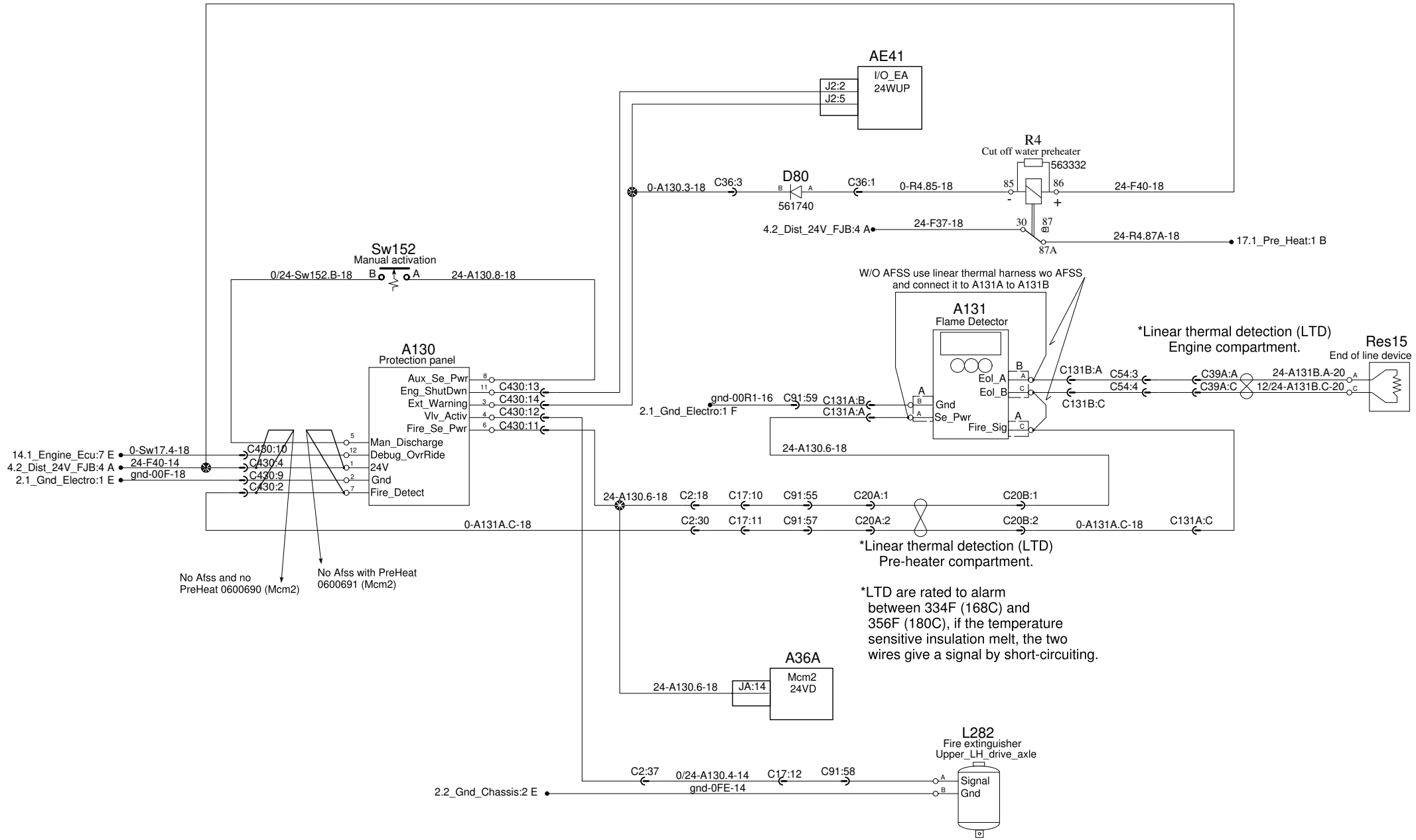
Automatic fire suppression system



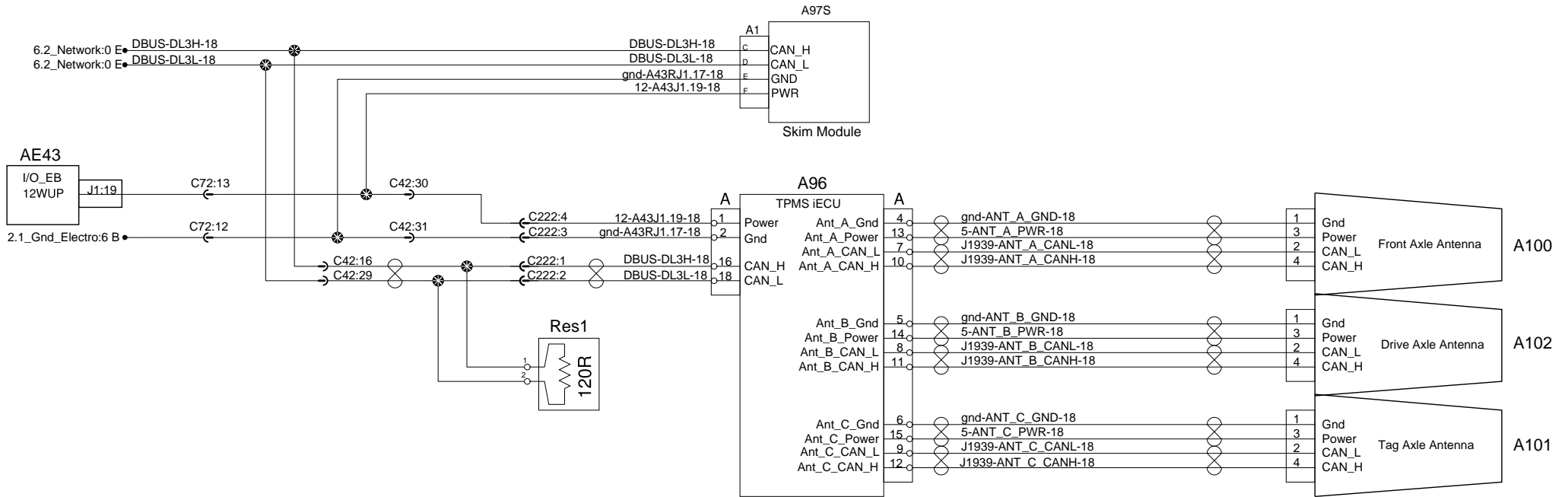
Automatic fire suppression system



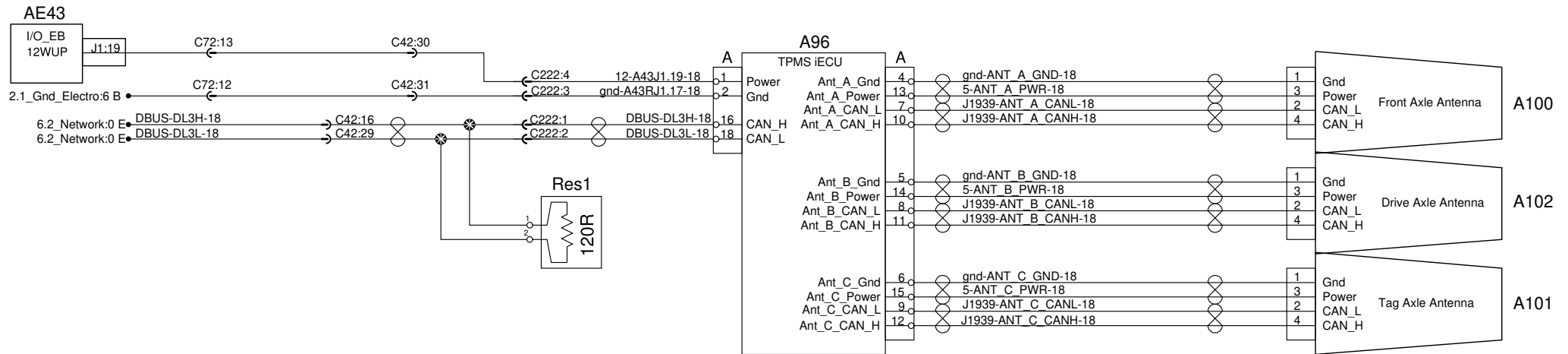
Automatic fire suppression system



Tire pressure monitoring system



Tire pressure monitoring system



1

2

3

4

5

Inverters & 120V AC Outlets

Customer Adaptation for additional outlets

A

A

B

B

C

C

D

D

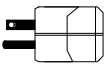
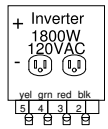
E

E

4th Bay

1st Bay

L310



0611000

120-BLACK-14
gnd-GREEN-14
0-WHITE-14



Additional outlet located in the lugg.



Additional outlet located in the lugg.

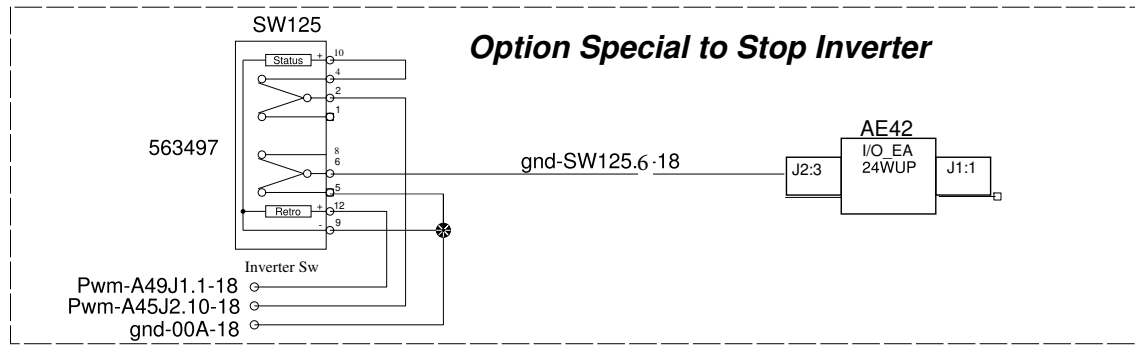
1

2

3

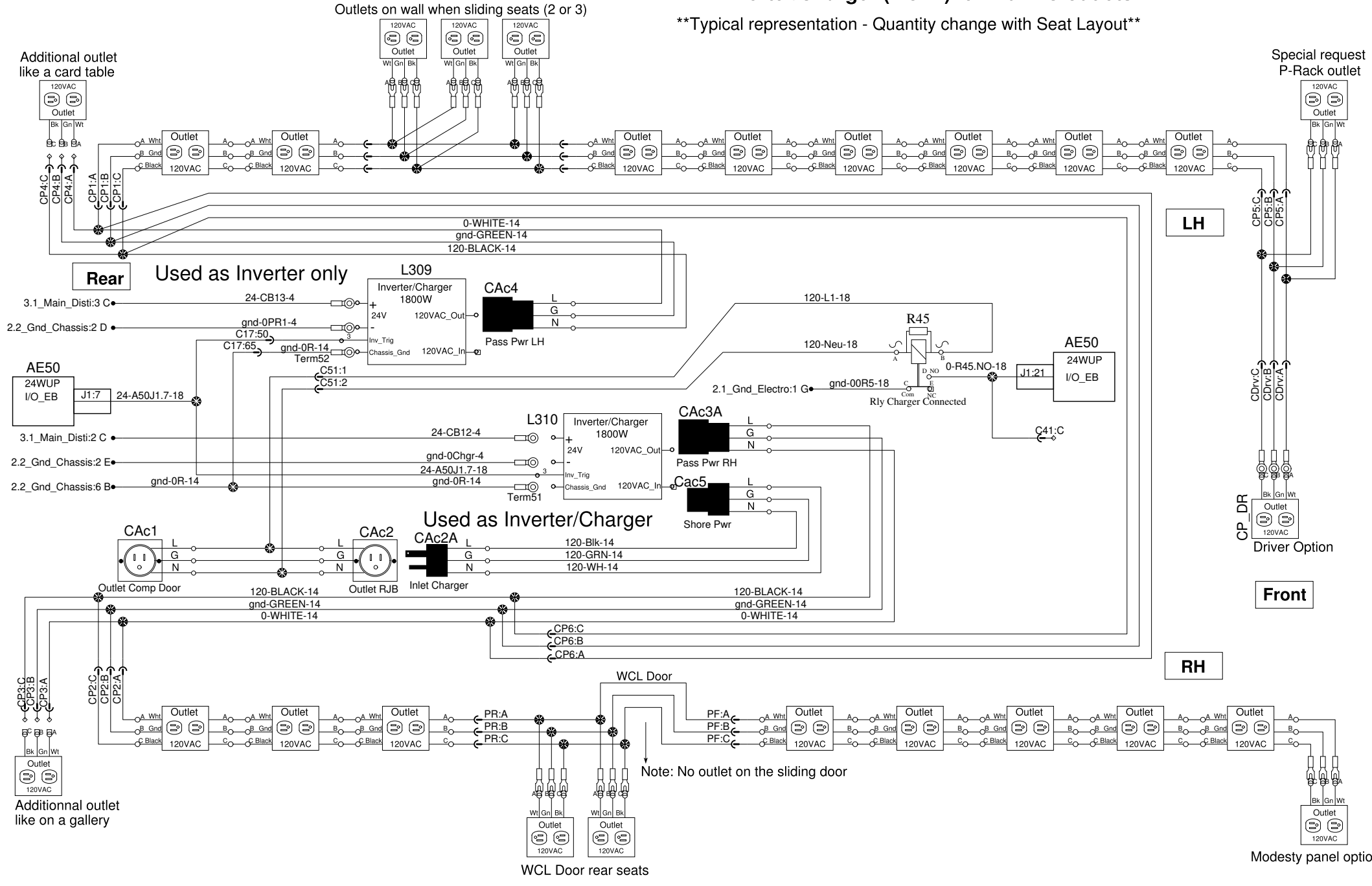
4

5



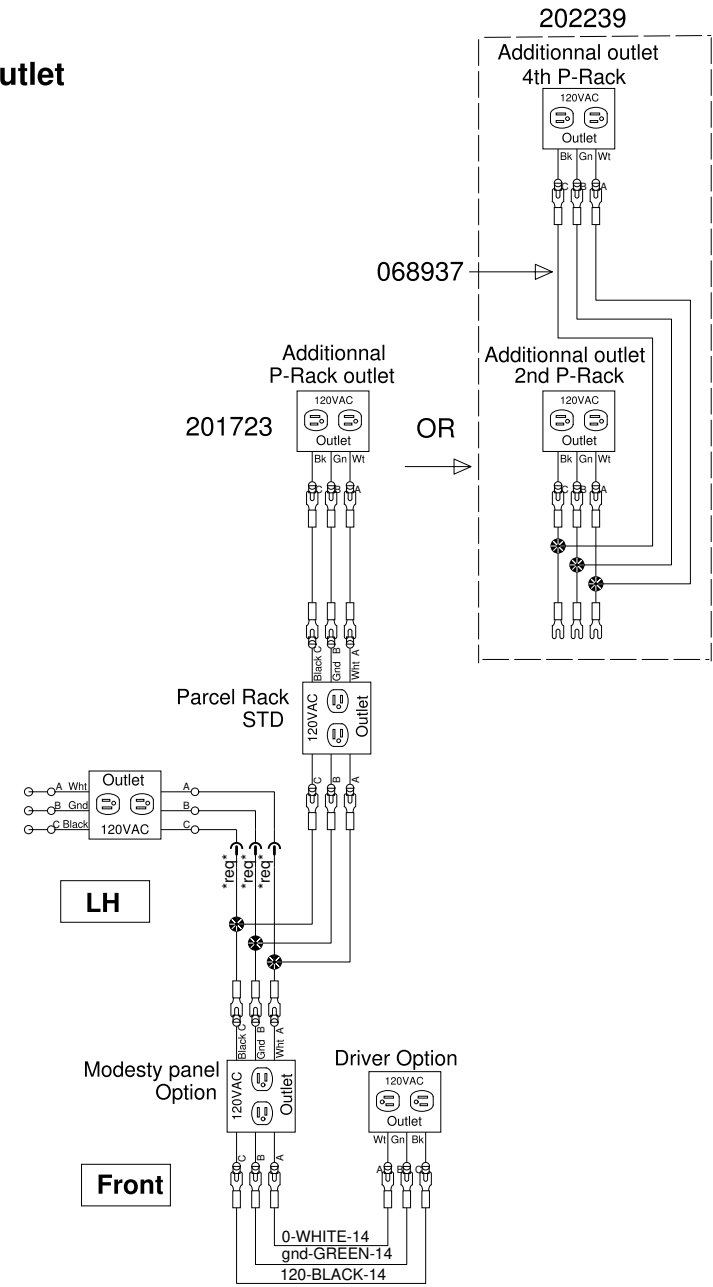
Inverter/Charger (1 or 2) & 120VAC outlets

****Typical representation - Quantity change with Seat Layout****

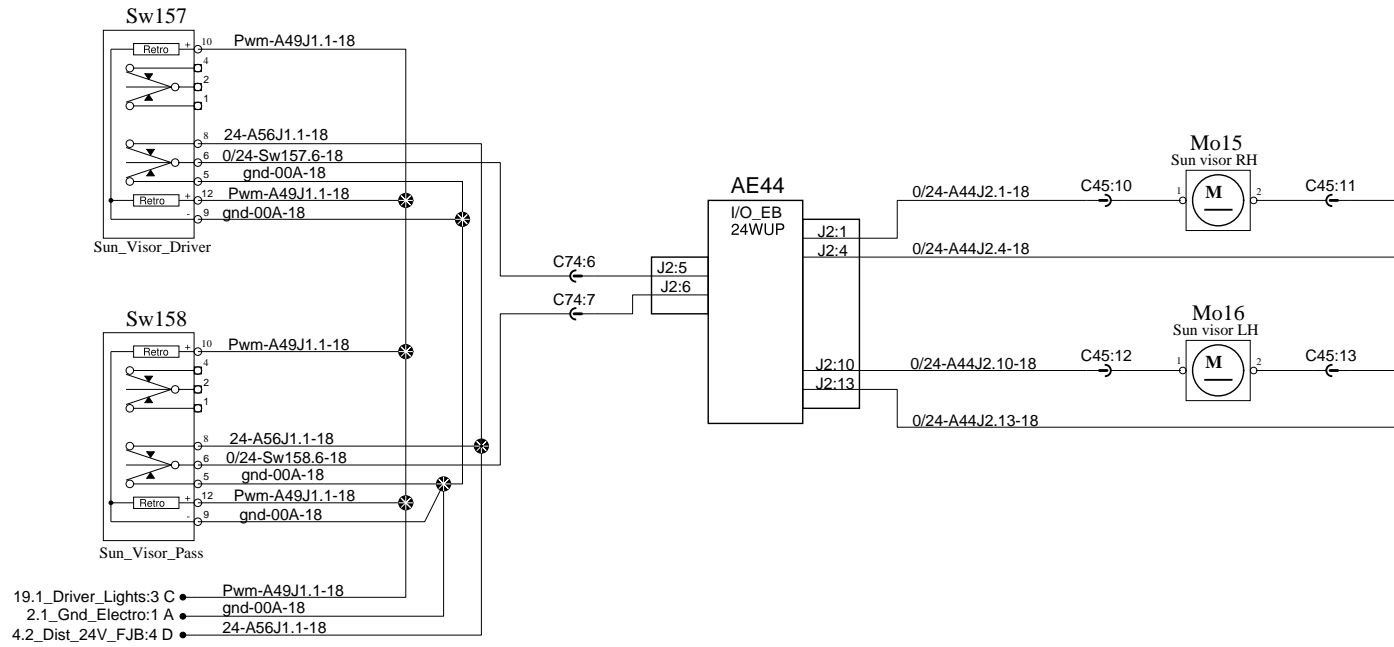


**Inverter (1 or 2) & 120VAC outlets
Customer Adaptation additional parcel rack outlet**

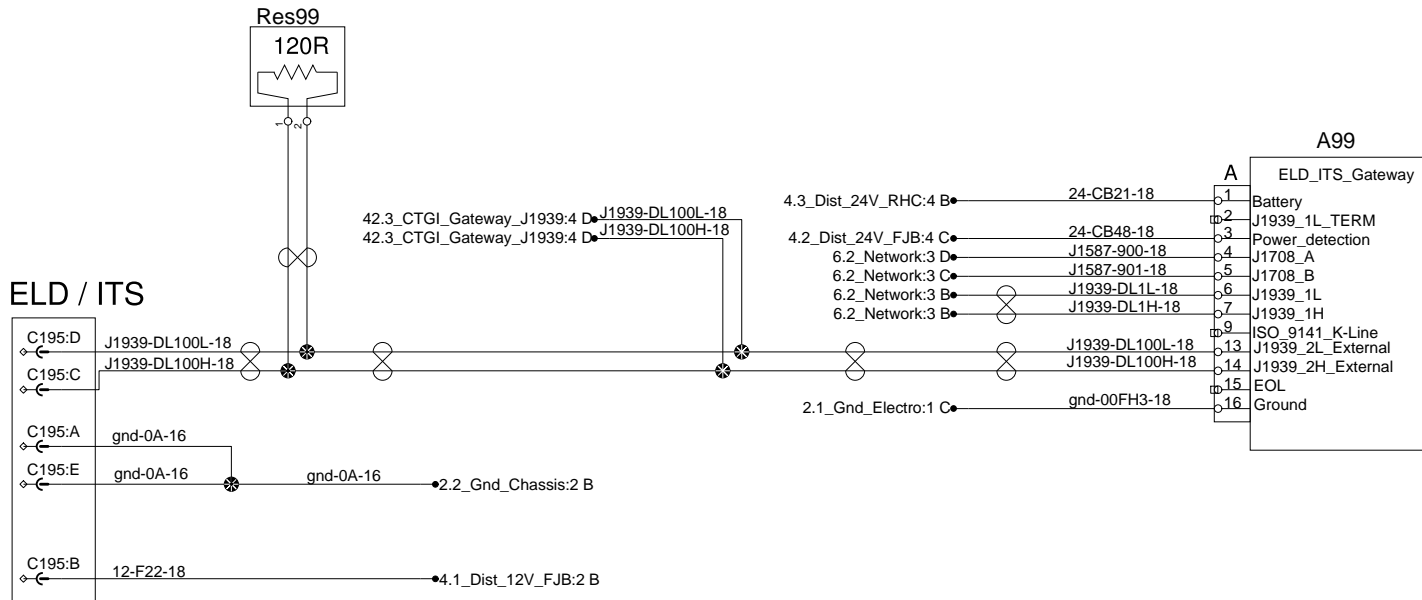
Refer to P40.1 (STD) for all details



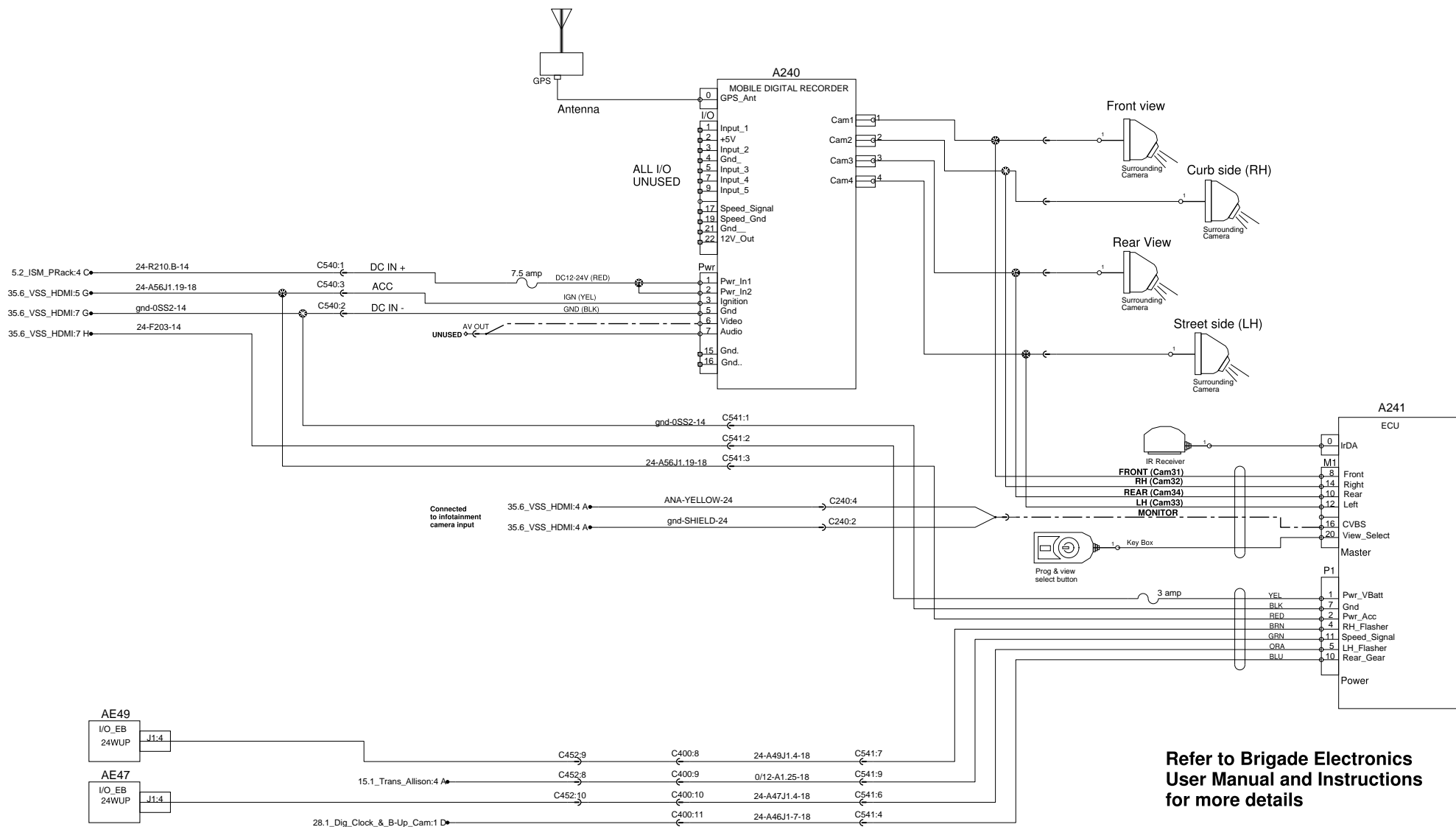
Sun Visors



ELD / ITS J1939 Gateway

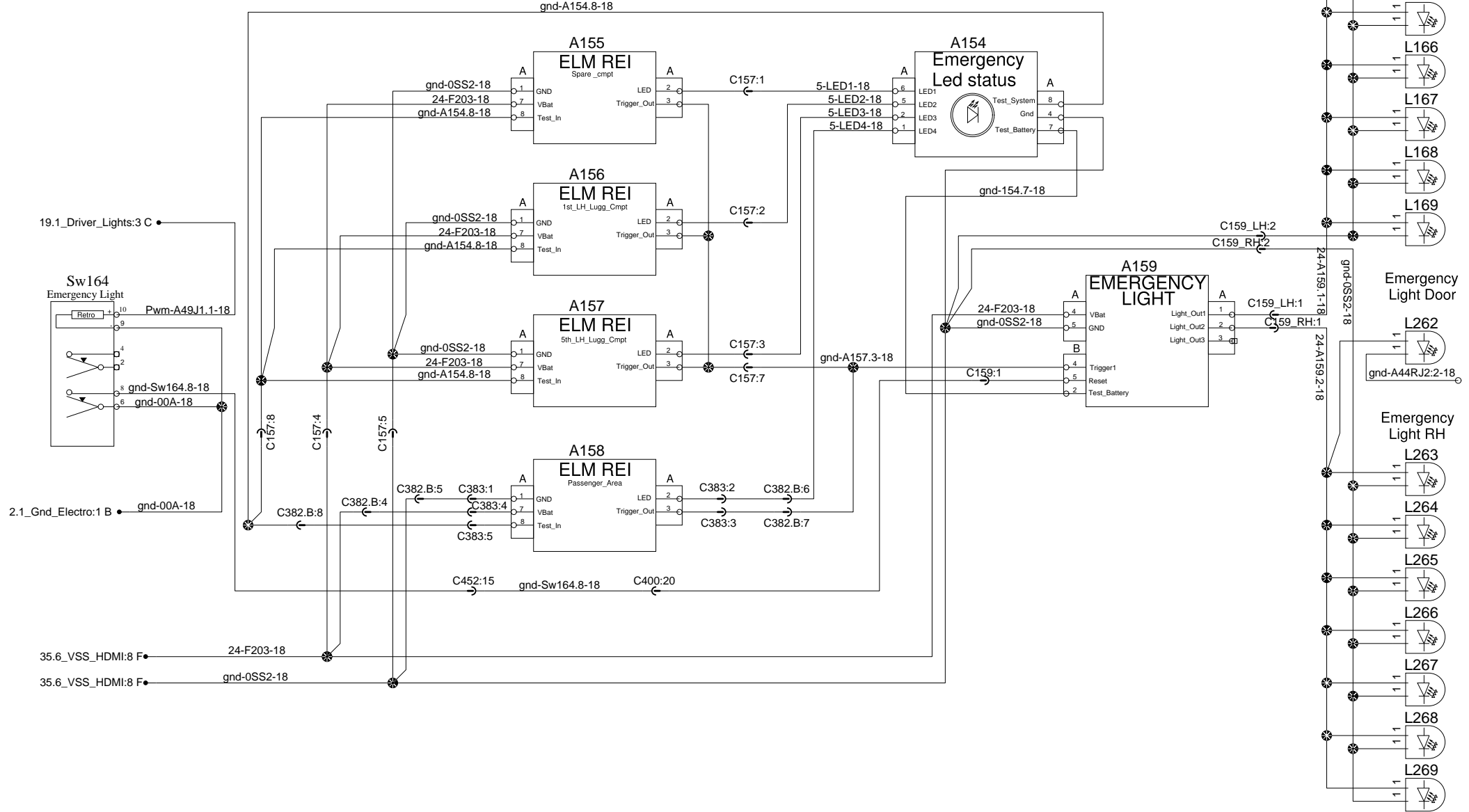


Surrounding Cameras System



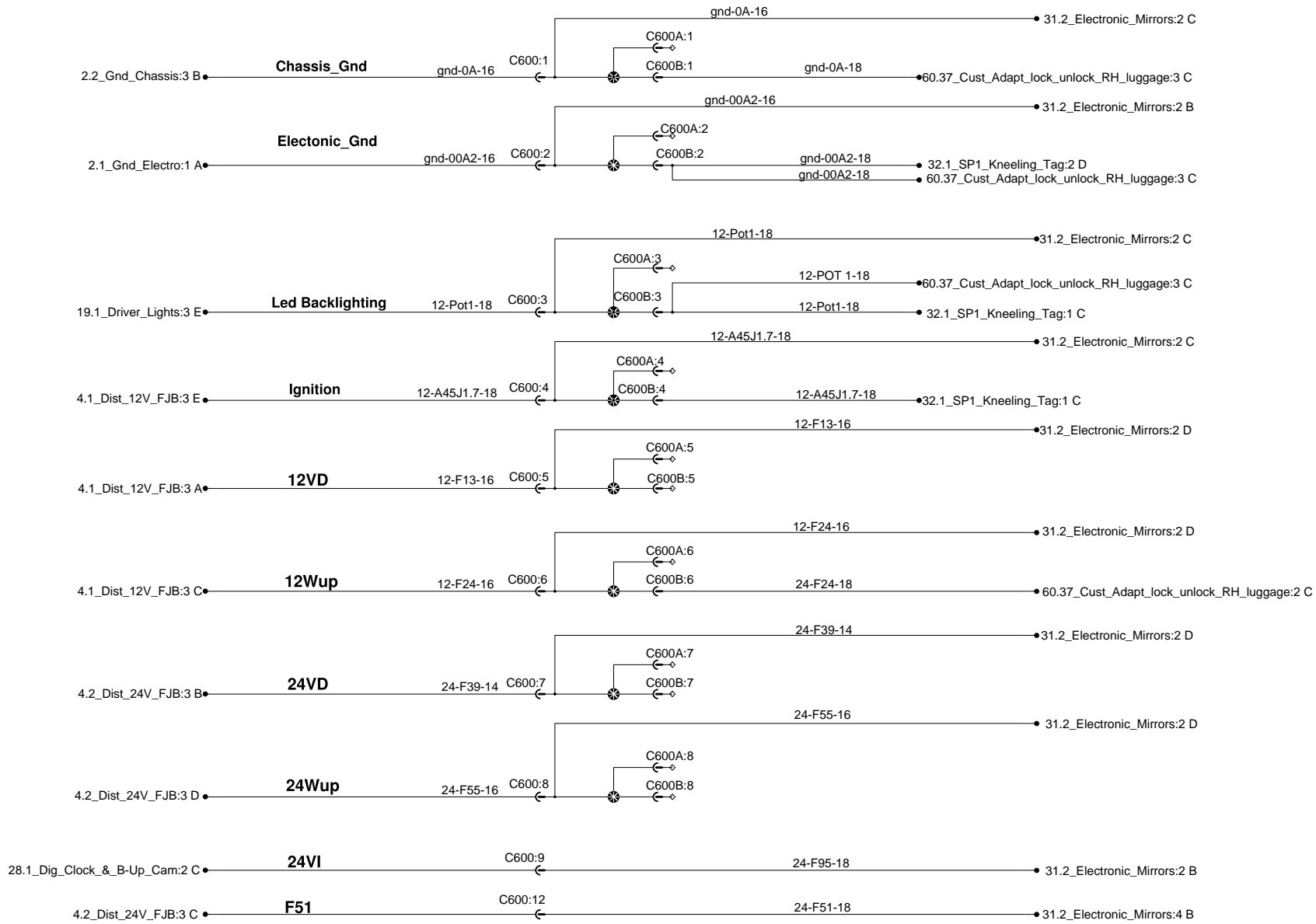
**Refer to Brigade Electronics
User Manual and Instructions
for more details**

Emergency Lights



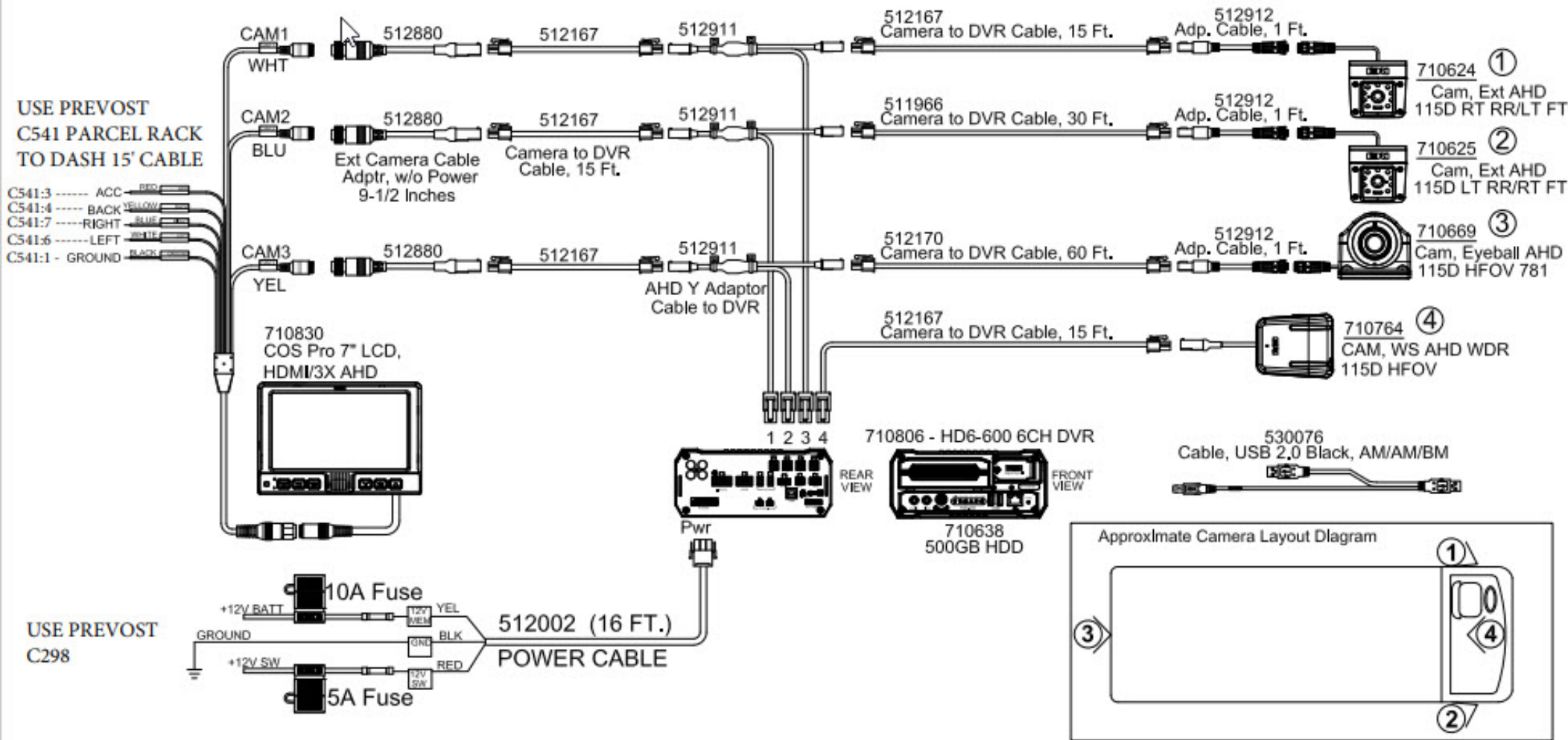
Customer Adaptation Dash Interface (Central Dashboard Connector)

069920 Interconnect 'Y' are used
if there's more than one option C600A and C600B

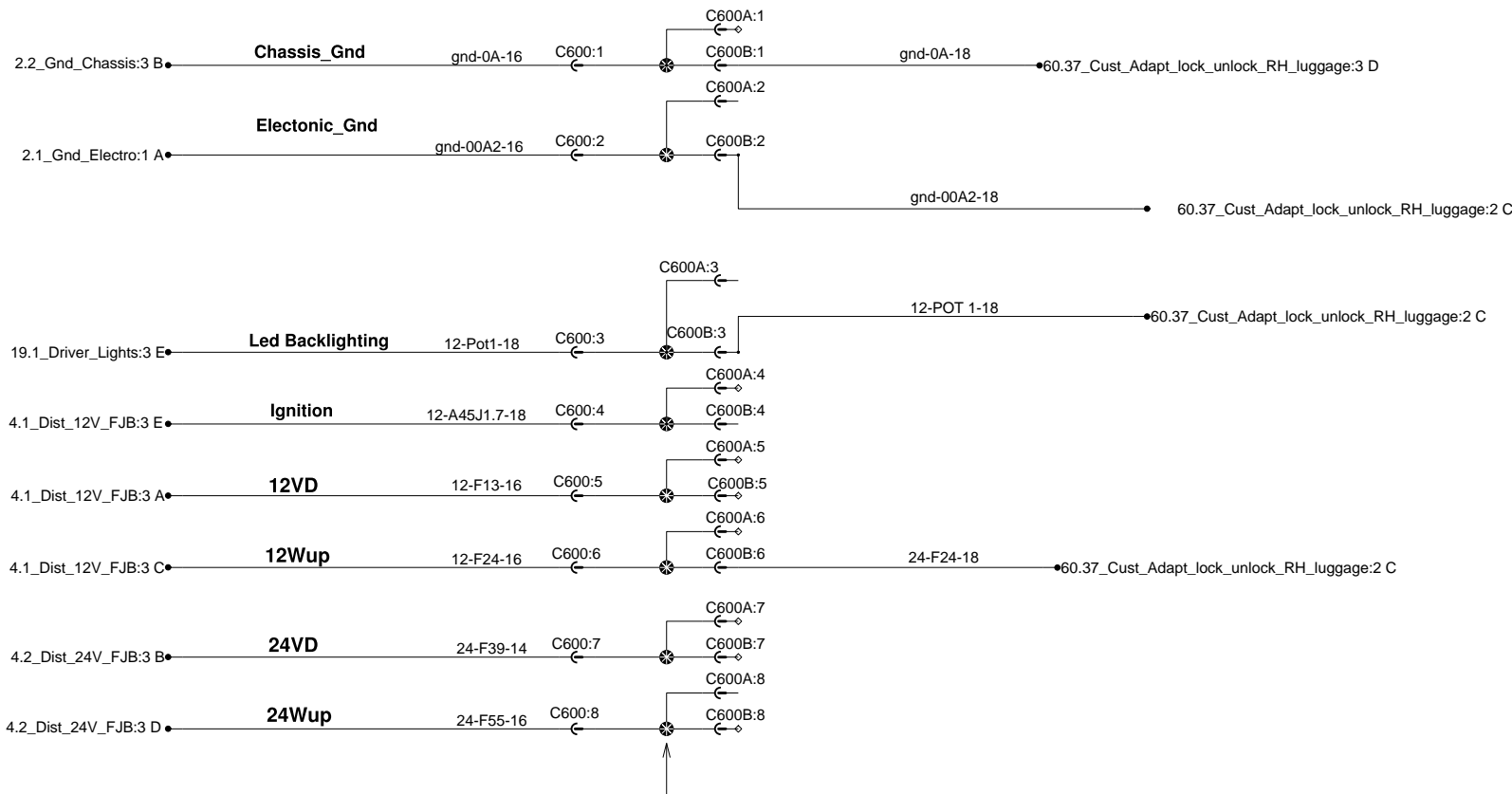


CAMERA REI WITH MONITOR

HD6-600 4 Cameras with Monitor



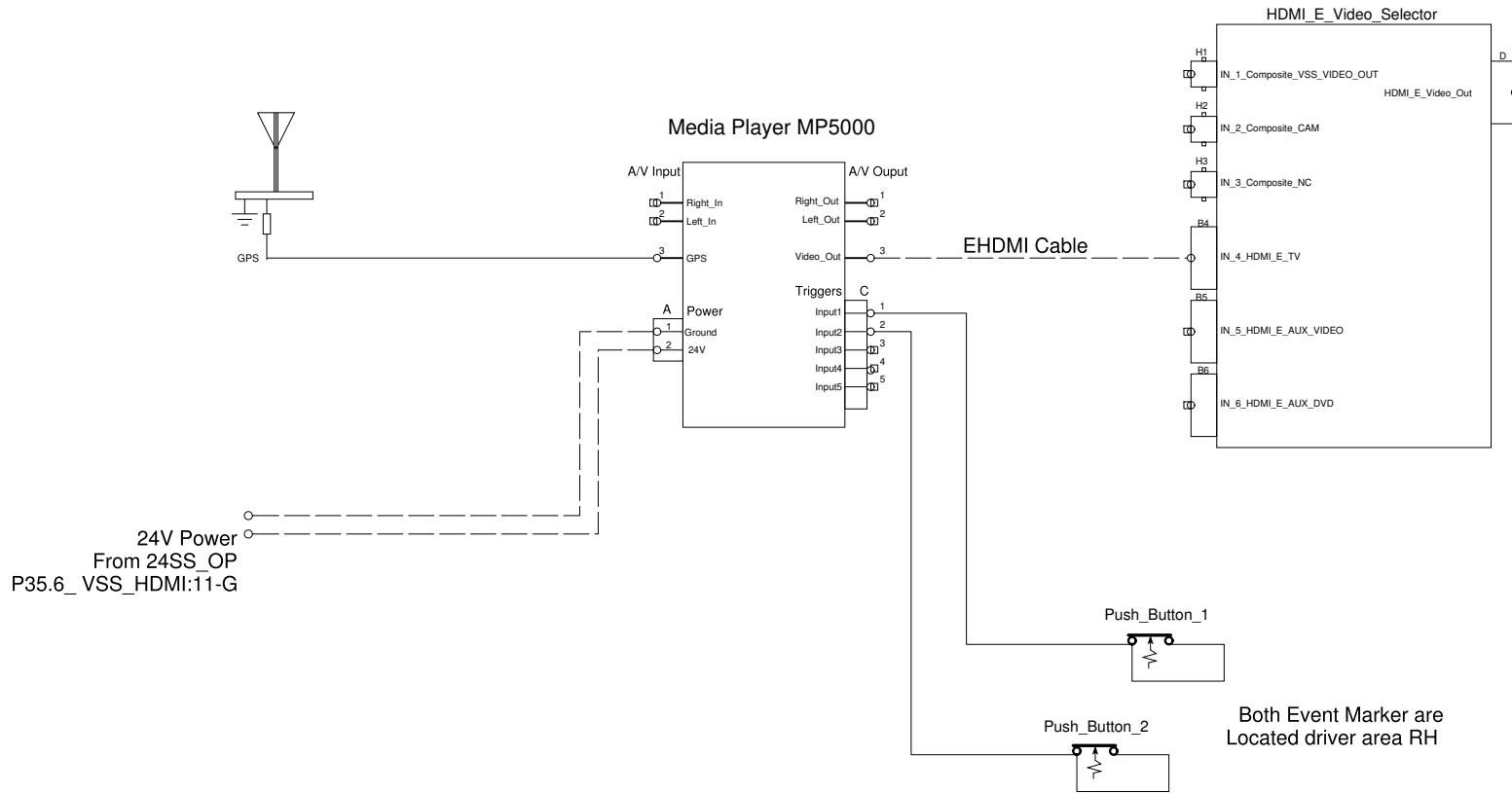
Customer Adaptation Dash Interface (Central Dashboard Connector)



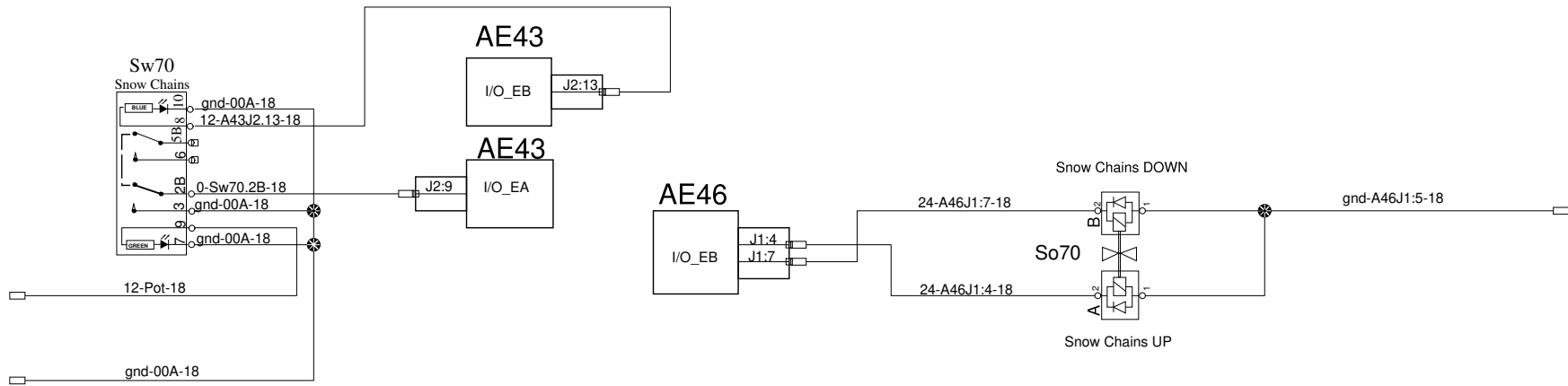
069920 Interconnect 'Y' are used
if there's more than one option

Media Player MP-5000 With GPS

TV must be selected on VSS

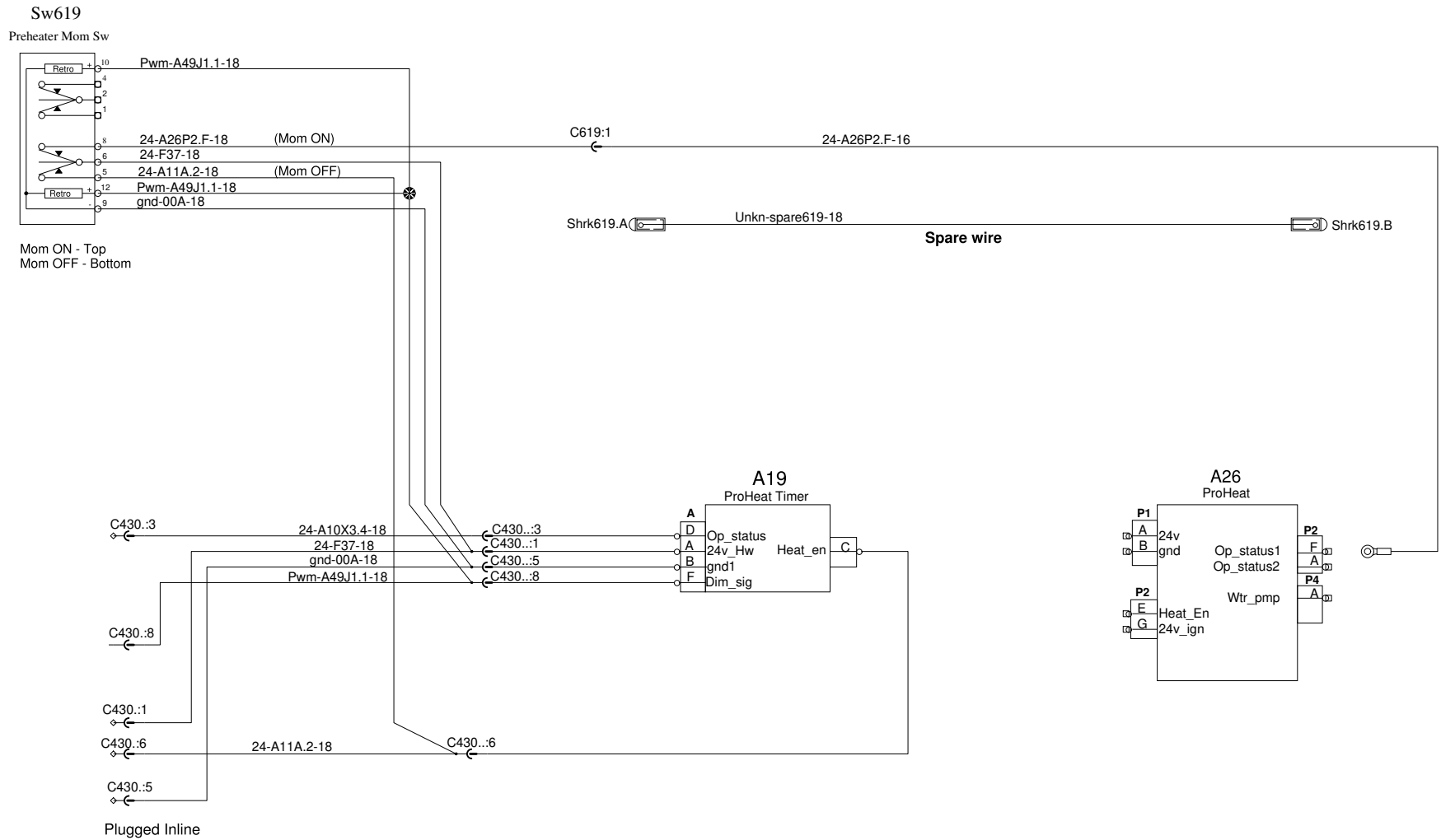


Snow Chains Customer Adaptation



Water PreHeater System

Customer Adaptation Add Momentary Sw to ctrl Proheat unit



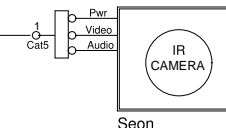
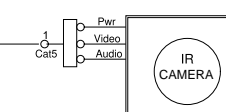
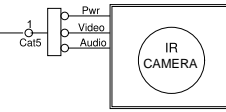
Mobile Digital Video Recorders (DVR)
Customer Adaptation

Plug with C298
Refer to P35.6
(Loc. 3-F)

C298:A ← 12-12SS2-18
C298:C ← 12-12MEM-18
C298:B ← gnd-0SS2-18



Located in Front LH P-Rack



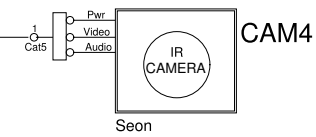
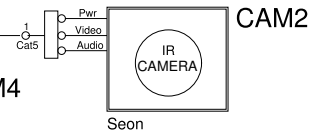
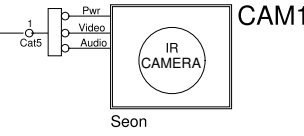
Mobile Digital Video Recorders (DVR) Customer Adaptation

Plug with C298
Refer to P35.6
(Loc. 3-F)

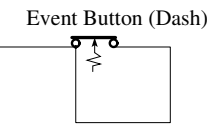
C298:A ← 12-12SS2-18
C298:C ← 12-12MEM-18
C298:B ← gnd-0SS2-18



Located in Front LH P-Rack

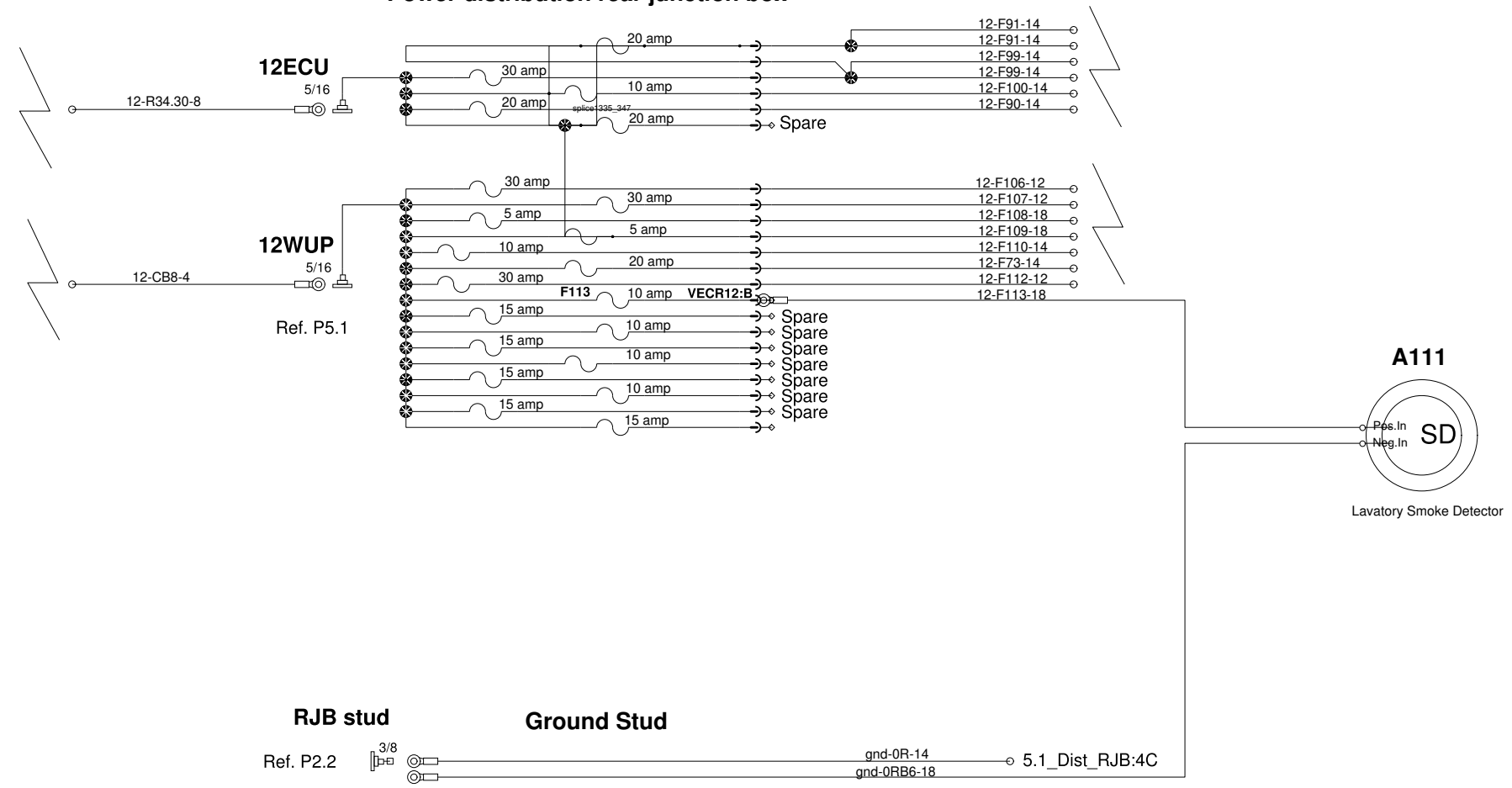


****Note**** : (For Orléans Express customer)
Connect CAM4 in DVR's CAM3 port as shown

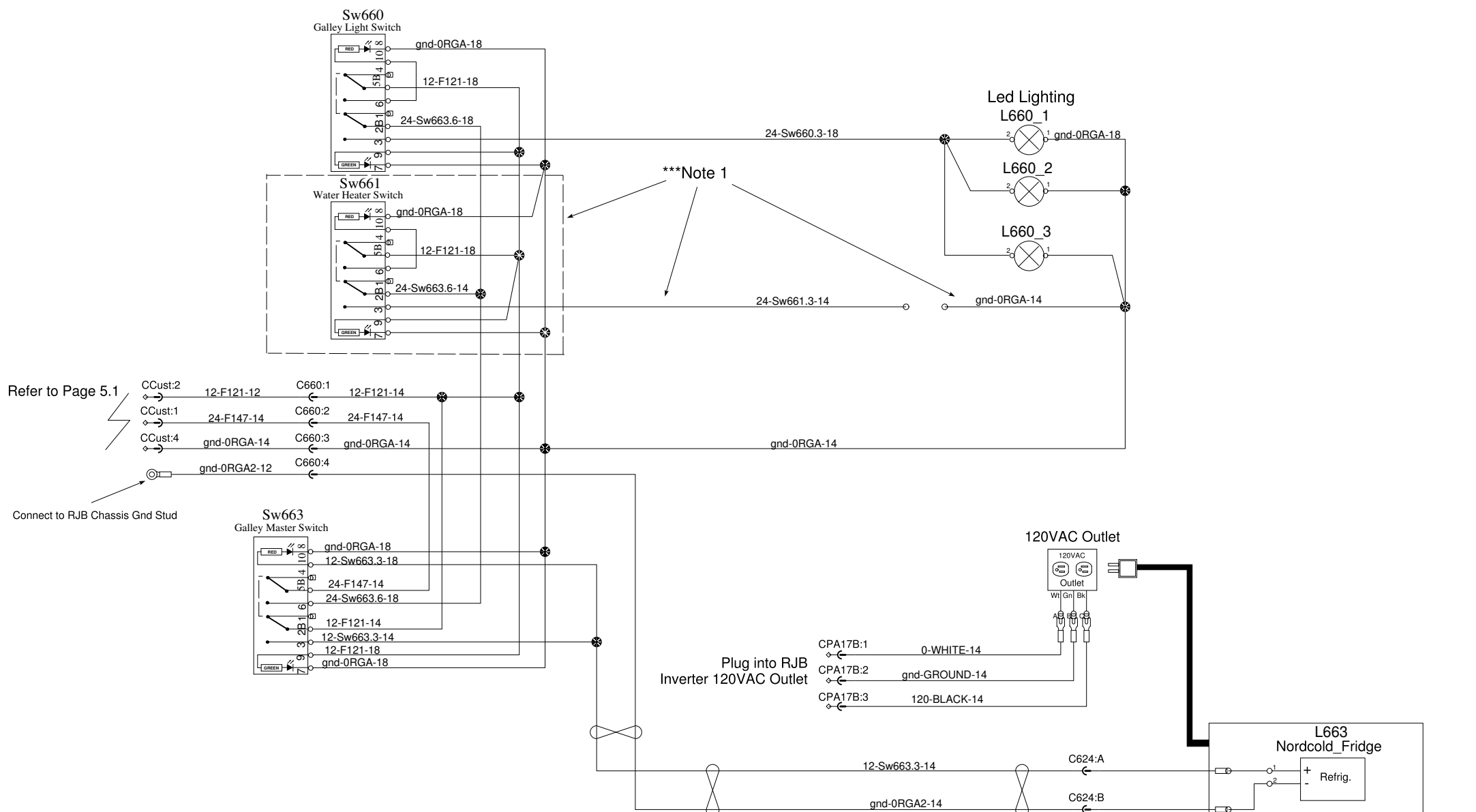


Lavatory Smoke Detector Customer Adaptation

Power distribution rear junction box

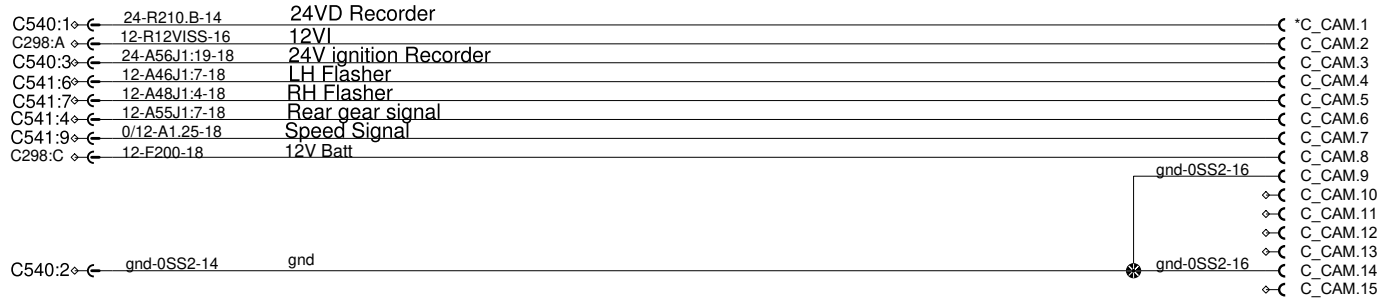


Customer Adaption - Rear Galley



***Note 1 : Remove Sw661 and put a cap on Galley to fill the hole,
Remove/shrink wires previously used for 120W, 28V water heater

Customer adaptation Signals and power for camera system

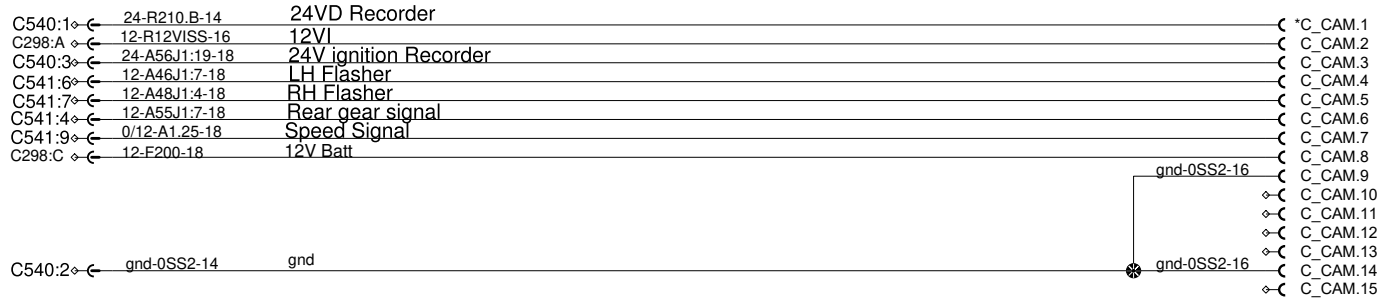


To supplier camera system

To connect the following connector, refer to pages below:

- Connector C540 - page 44.0 2 C
- Connector C541 - page 44.0 5 E
- Connector C298 - page 35.6 4 F

Customer adaptation Signals and power for camera system



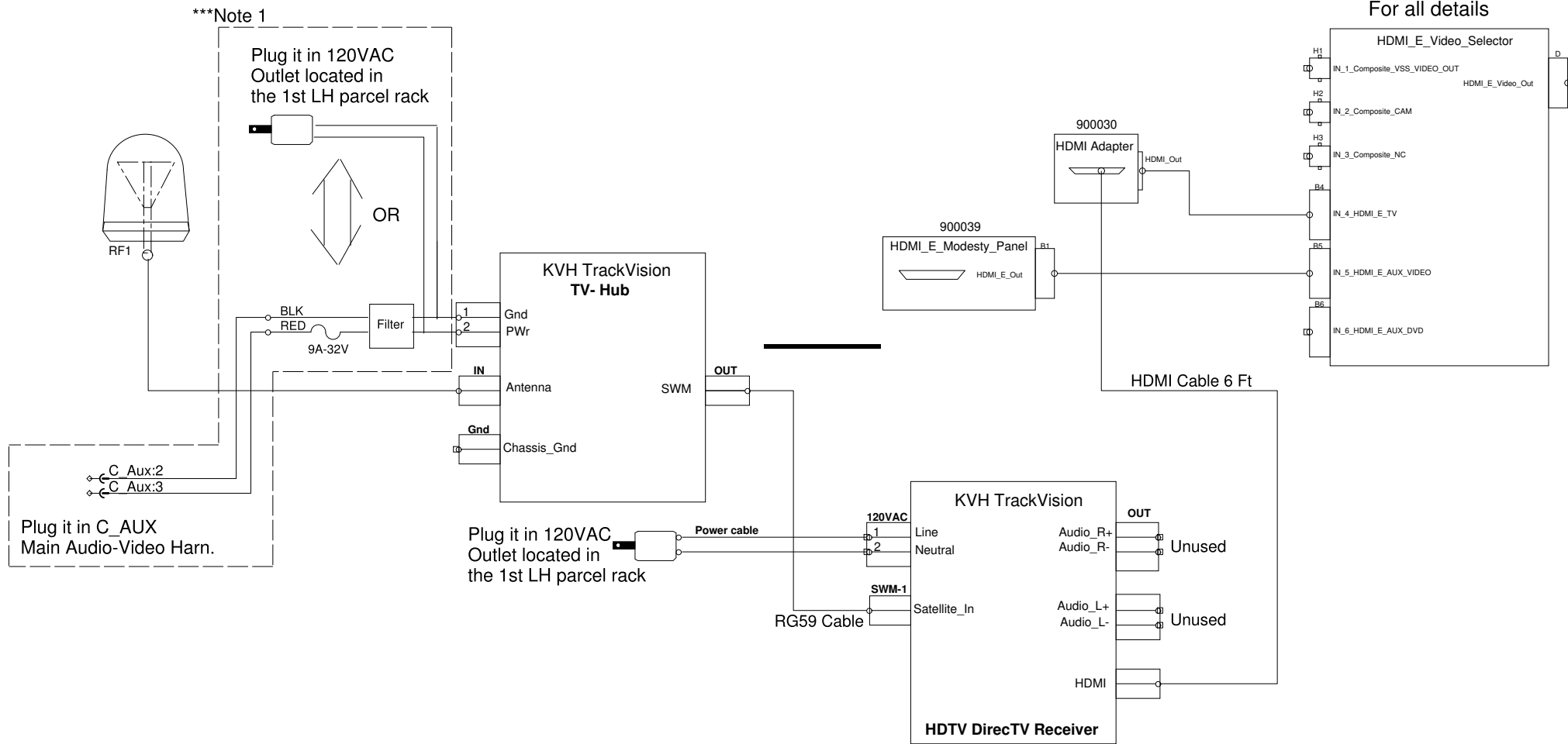
To supplier camera system

To connect the following connector, refer to pages below:

- Connector C540 - page 44.0 2 C
- Connector C541 - page 44.0 5 E
- Connector C298 - page 35.6 4 F

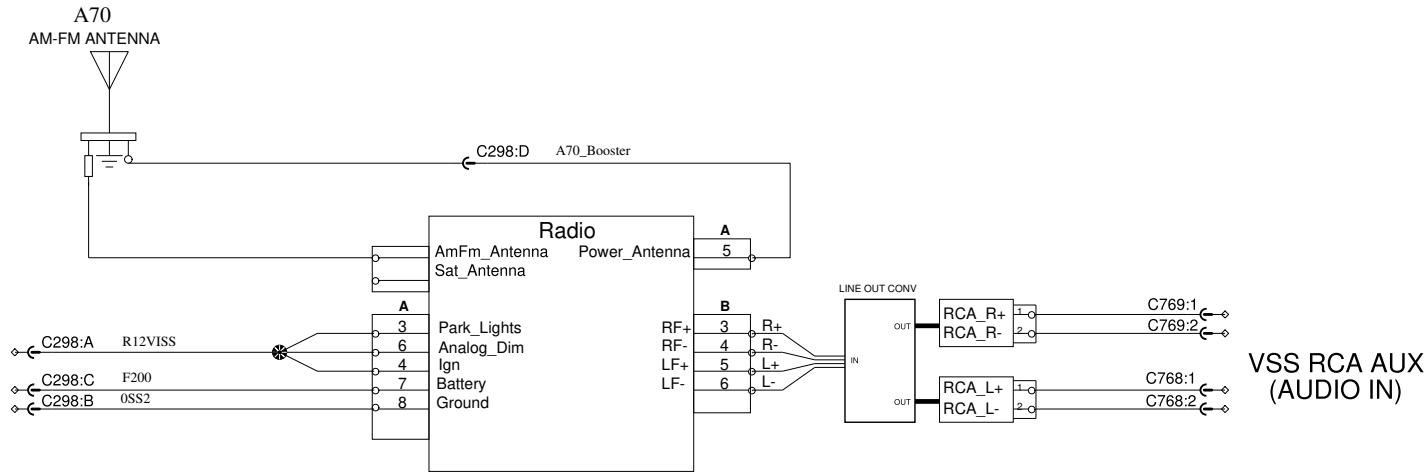
Customer Adaptation TV Satellite Option

Video Distribution HDMI
Refer to P35.3 (STD)
For all details

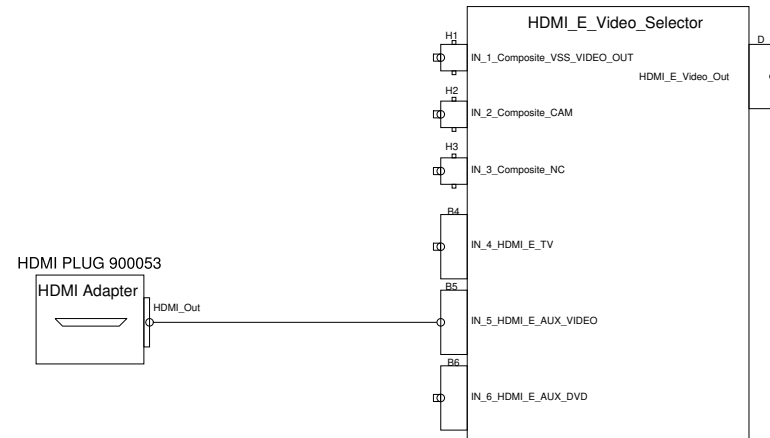


***Note 1 : Use either 120VAC adapter or fuse + filter, whichever is provided

Customer adaptation additional radio & HDMI input in 2nd P-Rack

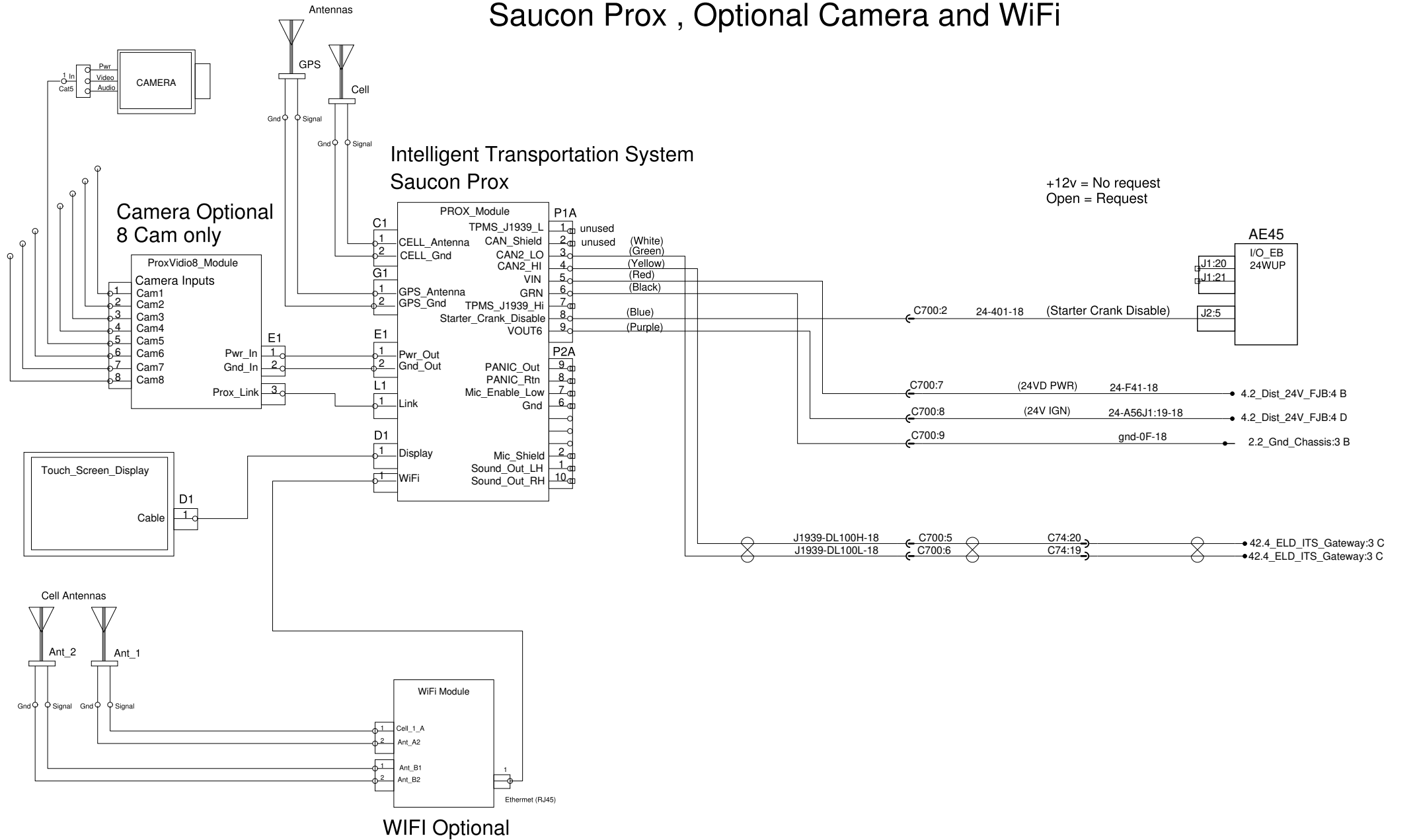


REFER TO PAGE 35.3 STD FOR ALL DETAILS



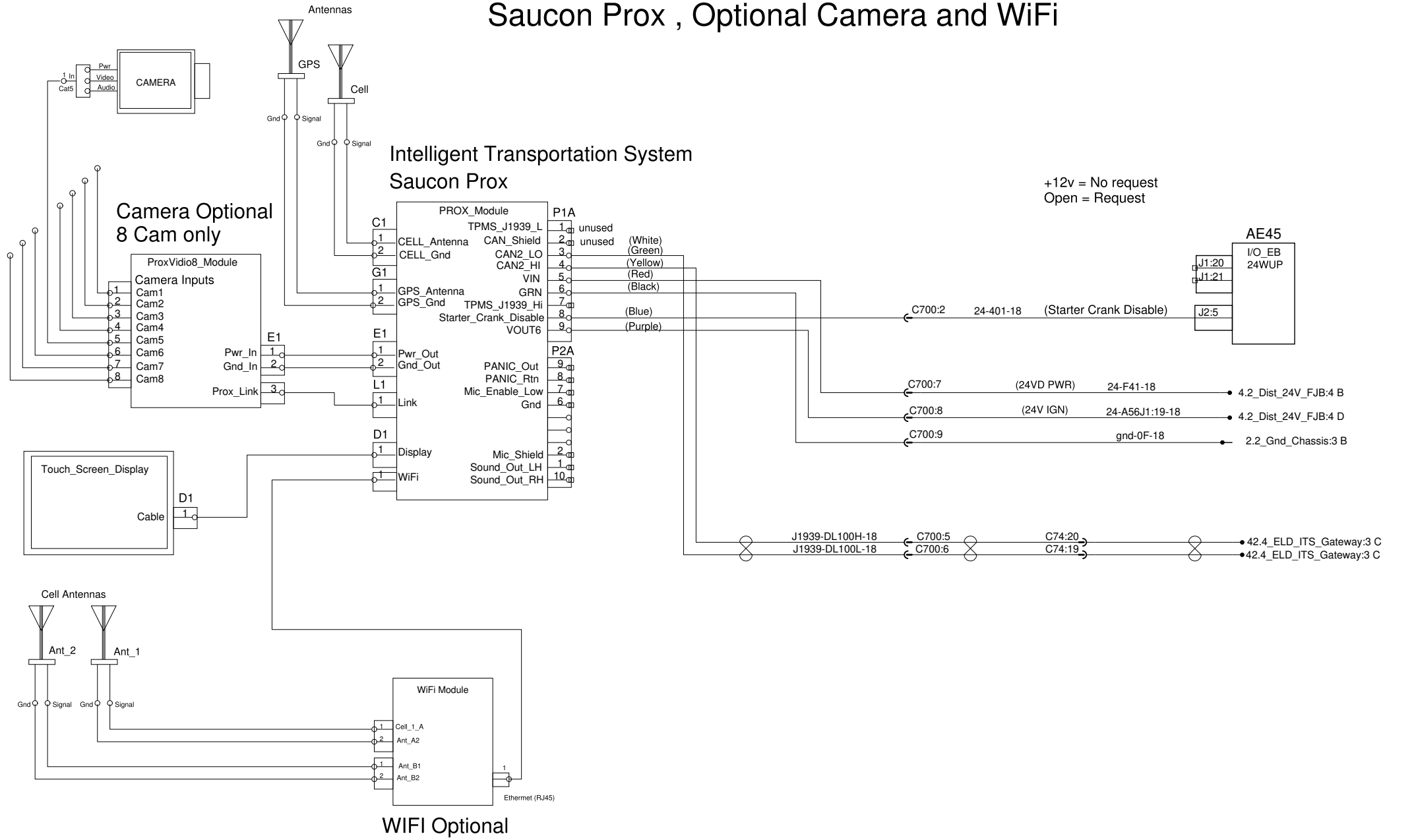
CTGI - Customer Telematic Gateway Interface

Saucon Prox , Optional Camera and WiFi



CTGI - Customer Telematic Gateway Interface

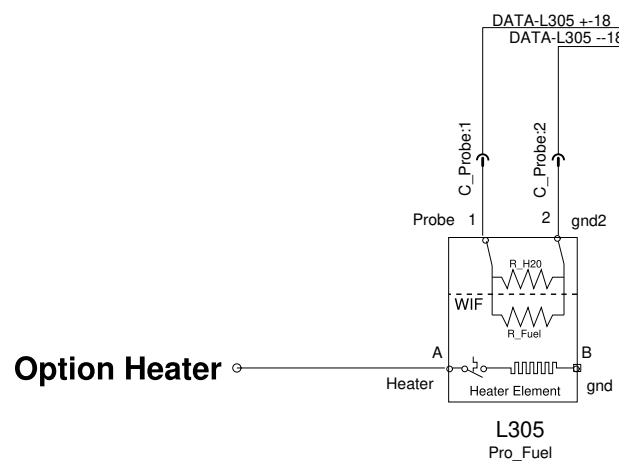
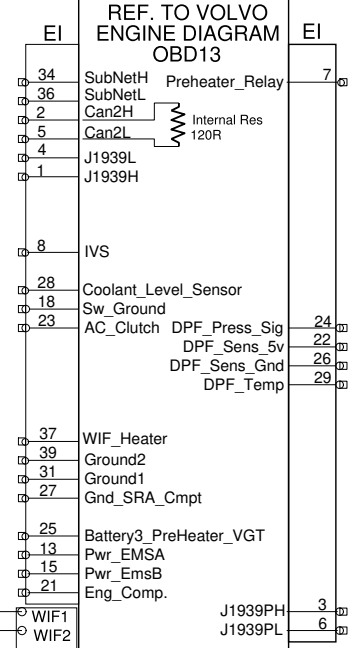
Saucon Prox , Optional Camera and WiFi



WATER IN FUEL DETECTION

**EIA
Volvo D13 2010**

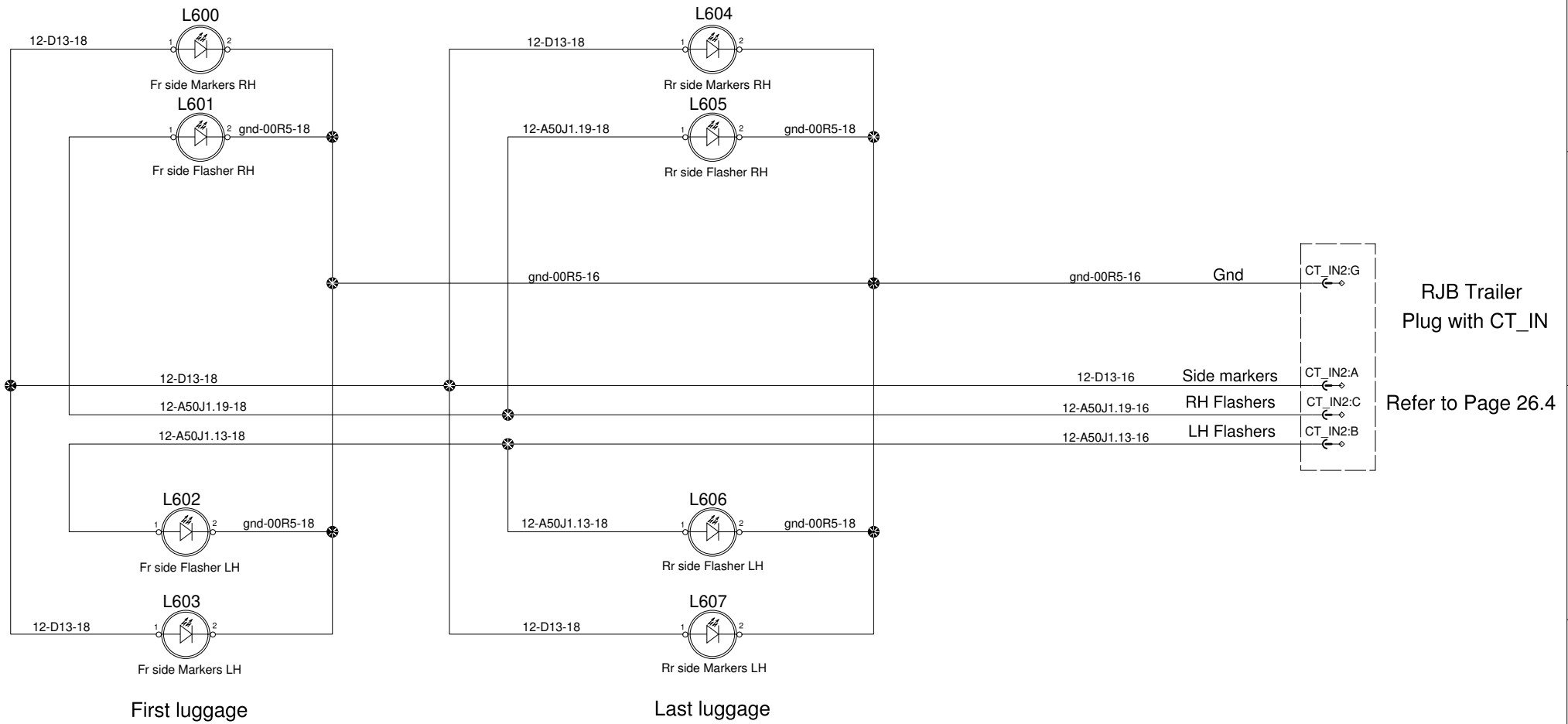
REF. TO VOLVO
ENGINE DIAGRAM
OBD13



**Fuel filter
Pro Fuel 386**

**L305
Pro_Fuel**

Marker and Flasher Lights Additional Customer Adaptation



Marker and Flasher Lights Additional Customer Adaptation

