

Design Change Notice (DCN)	Location	Change Description A = Added W = Was D = Deleted	Document Release Status
		See DCN	RELEASED <small>Classification Count</small>

WIRING DIAGRAM INDEX

VOLUME 1

NAME	DESCRIPTION	PAGE
AA		1
AA2		2
AD		3
AH2		4
AH2 - 2		5
AI1 - 1		6
AI1 - 2		7
AI1 - 3		8
AI1 - 4		9
AI1 - 5		10
BD		11
BE		12
BG2		13
GC3 - 1		14
GC3 - 2		15
GC3 - 3		16
GC4		17
GC5		18
GC6		19
GC7		20
HA		21
HA2		22
HA3		23
HA4C		24
HA4C - 1		25
HA5C		26
HB1D		27
HC1		28
HE1		29
IA1A		30
IB1		31
IC1A		32
ID1		33
ID3		34
ID3A		35
IE1		36

The copying, distribution and utilization of this document as well as the communication of its contents to others without expressed authorization is prohibited. Offenders will be held liable for payment of damages. All rights reserved in the event of the grant of a patent, utility model or ornamental design registration.

Document title
**WIRING DIAGRAM
 BODY 9700
 USCAN**

Document type
PRODUCT SCHEMATIC

Owner domain: Document prefix

VOLVO

Volvo Bus Corporation

Document No
23458767

Issue
03

Volume No
01(03)

Page No
1(3)

WIRING DIAGRAM INDEX

VOLUME 1

NAME	DESCRIPTION	PAGE
IE3		37
IF1		38
JA1A		39
JB1		40
JB2		41
JB3		42
JC		43
JD		44
OA1		45
OA1 - 3		46
OA2 - 1		47
OA2 - 2		48
OA3		49
OD1		50
OJ2		51
OO1		52
OO2		53
OO3		54
OP1 - 1		55
OV1		56
PA		57
PA1		58
PA2		59
PB2A		60
PC1A		61
SA		62
SA3		63
SB2		64
SB2A		65
SB2B		66
SB2C		67
SB2D		68
SC2		69
UB1A		70
UC3		71
VA		72
VA1		73
VB		74
VB1		75
VC1		76
VD		77
VD4		78
VE		79
VF		80
VG1A		81
VG2		82
VG4		83
VG5		84

VOLVO

Volvo Bus Corporation

Document title

WIRING DIAGRAM

Document type

PRODUCT SCHEMATIC

Document No

23458767

Issue

03

Volume No

01(03)

Page No

2(3)

WIRING DIAGRAM INDEX

VOLUME 1

NAME	DESCRIPTION	PAGE
WP1		85
XJ1		86
XJ2		87
ZA1		88
ZA2		89
ZA3		90

VOLVO

Volvo Bus Corporation

Document title

WIRING DIAGRAM

Document type

PRODUCT SCHEMATIC

Document No

23458767

Issue

03

Volume No

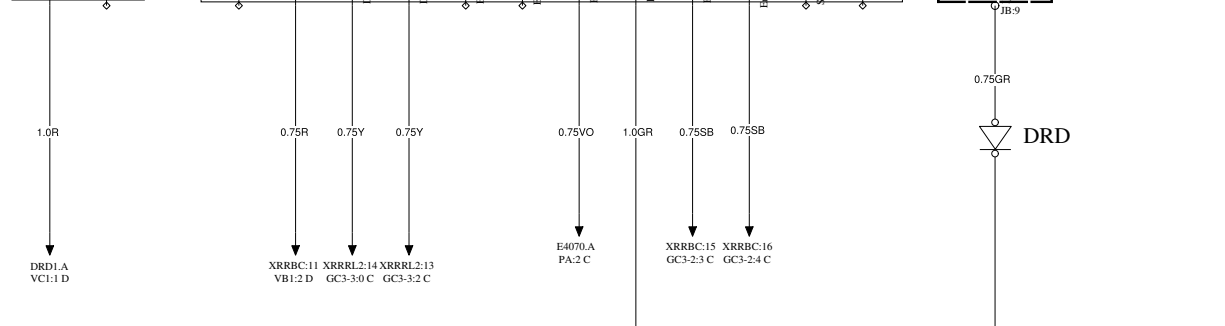
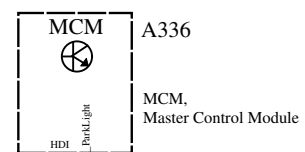
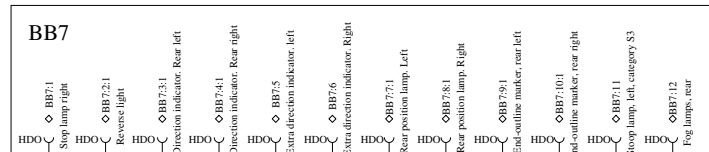
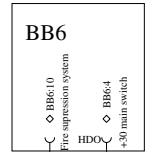
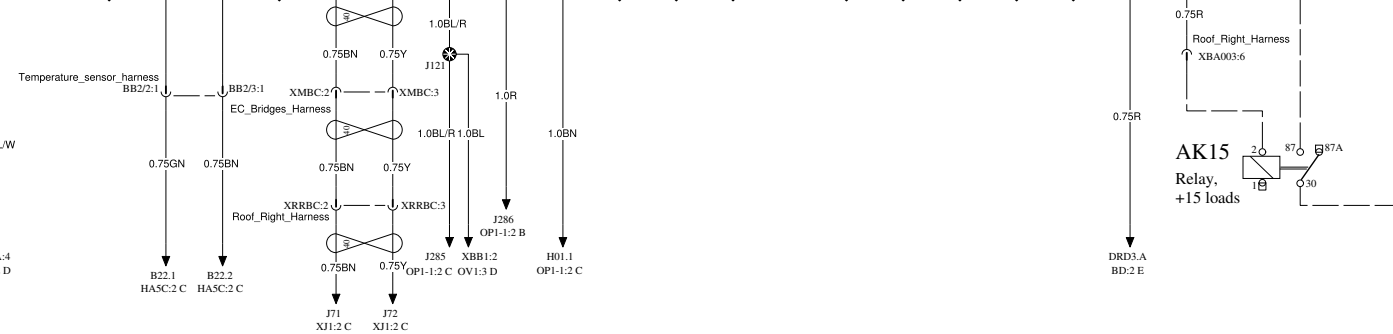
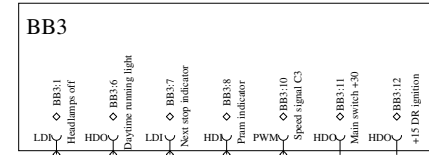
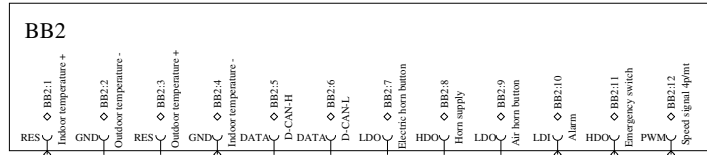
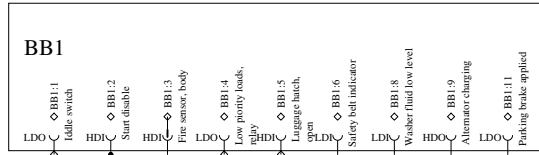
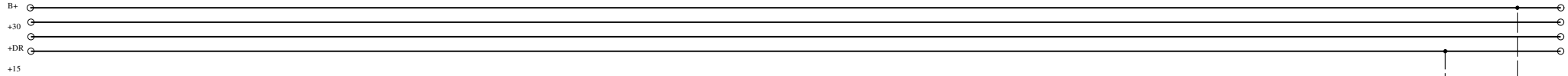
01(03)

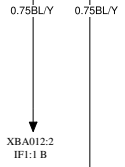
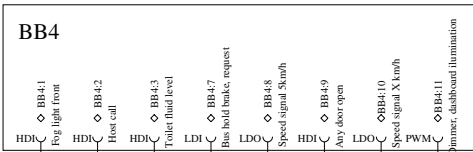
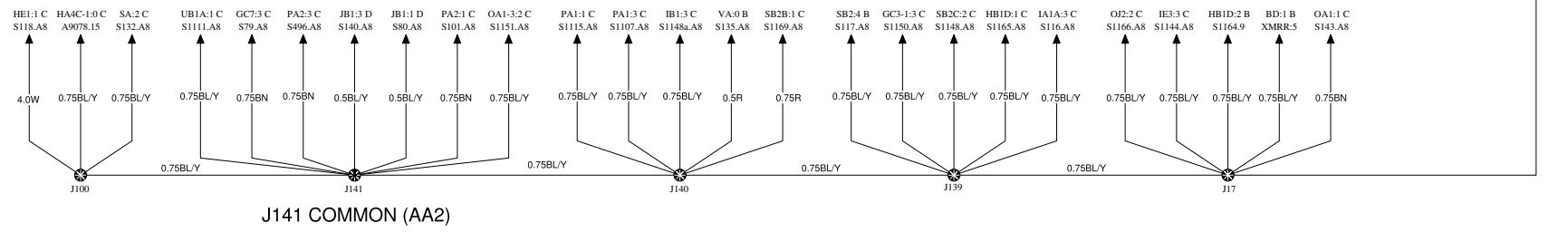
Page No

3(3)

BBI INTERFACE

WIRING DIAGRAM AA



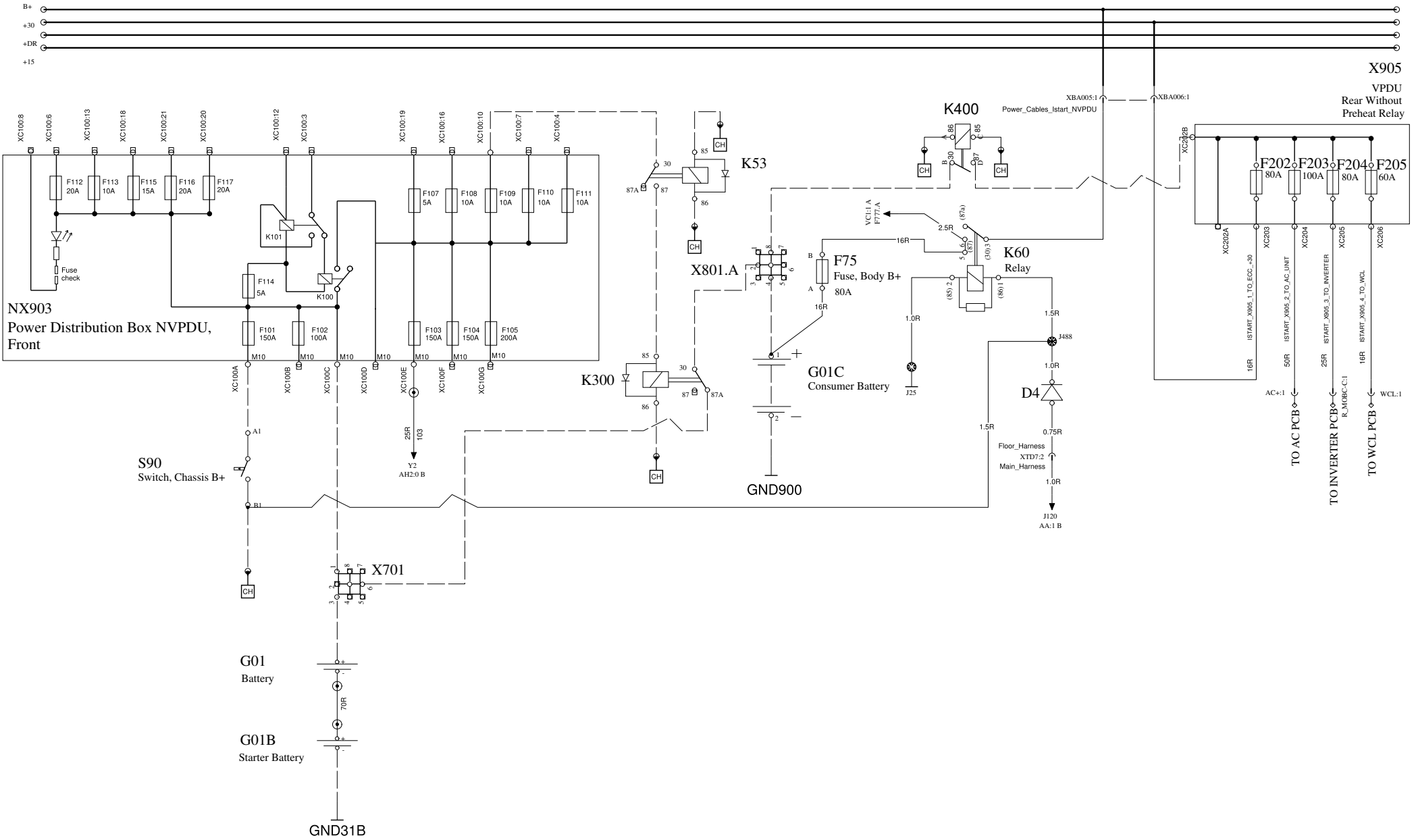


J141 COMMON (AA2)

 Volvo Bus Corporation	Document title WIRING DIAGRAM	Document No 23458767	Issue 03	Volume 02(03)	Page 2(90)
	Document type PRODUCT SCHEMATIC				

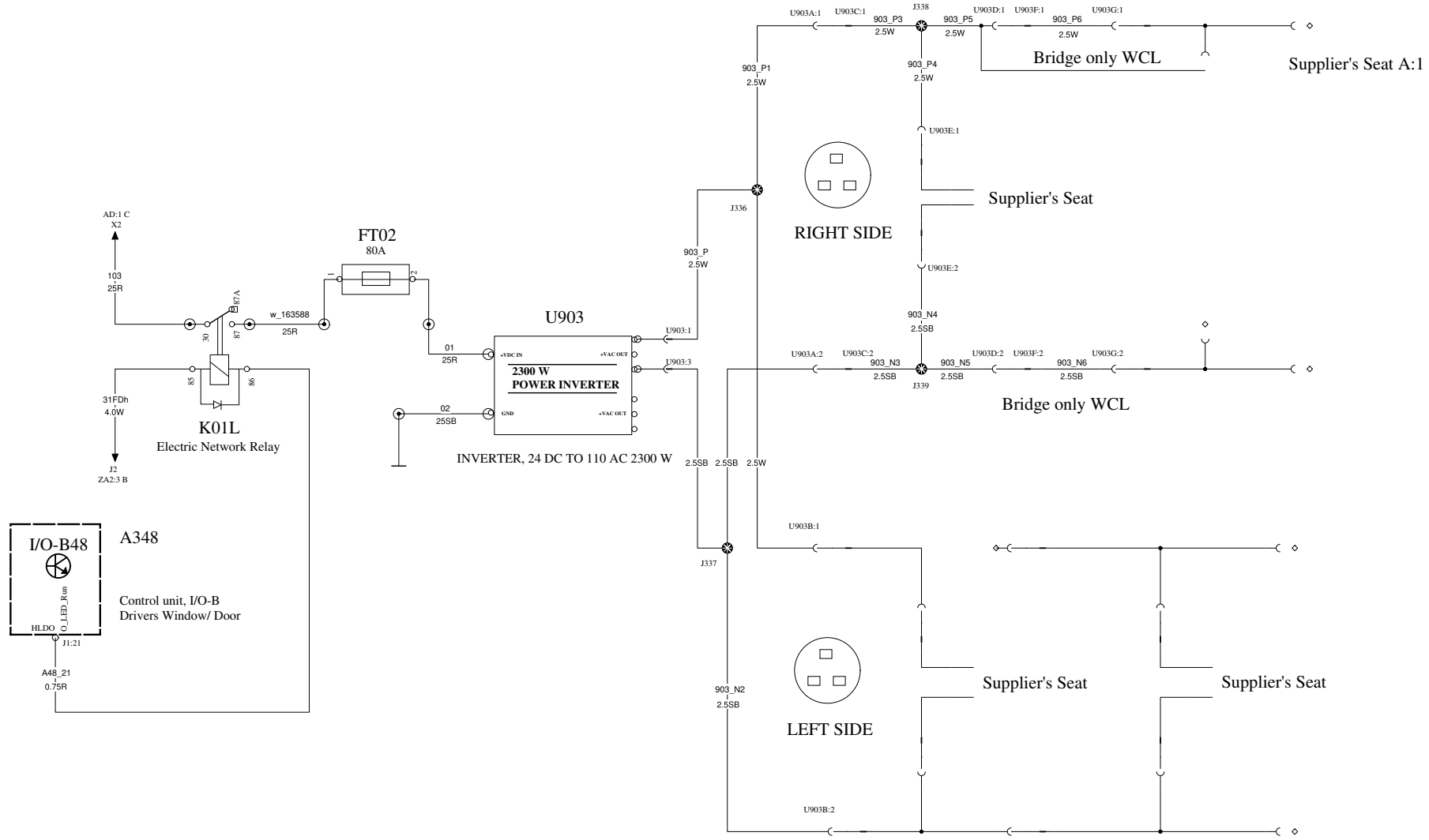
VPDU ISTART USCAN

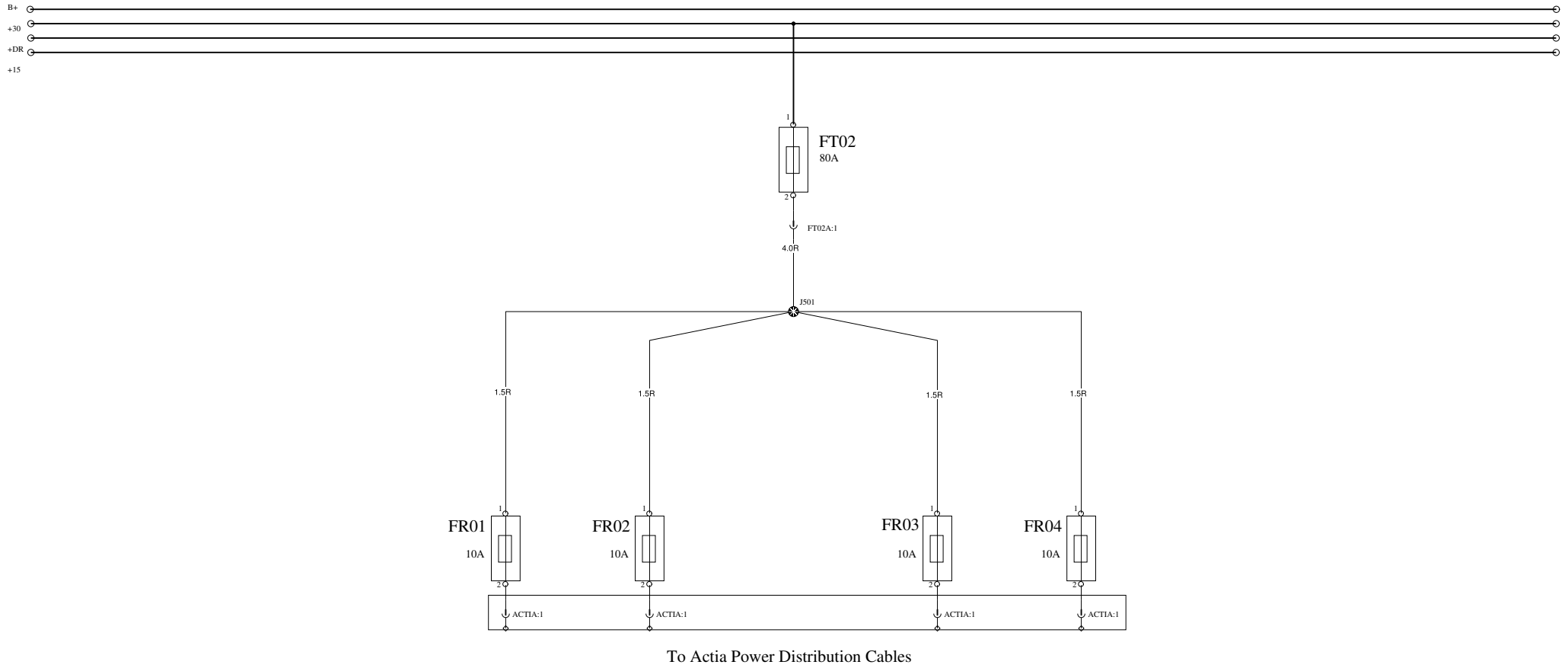
WIRING DIAGRAM AD

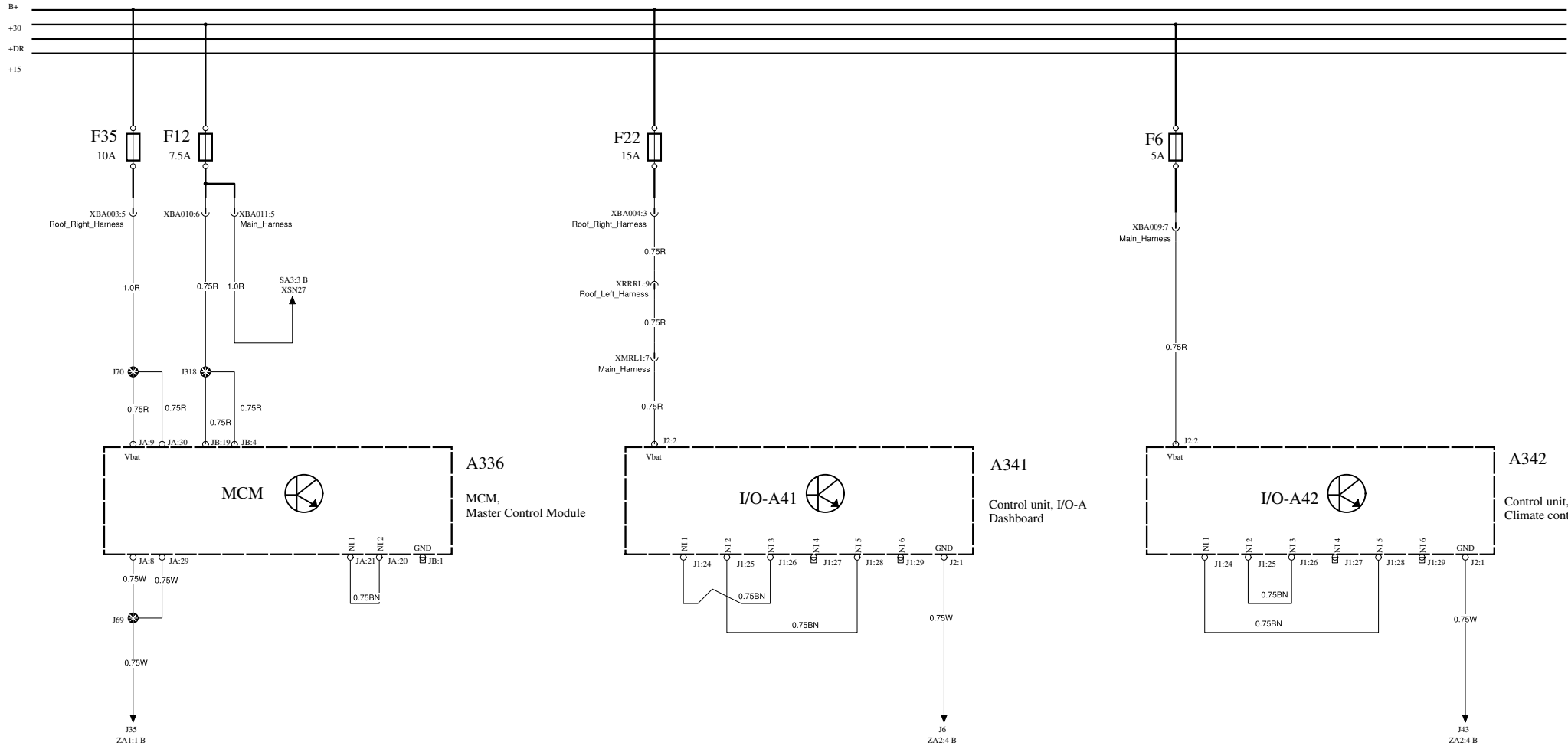


ELECTRICAL OUTLET SYSTEM 110V

WIRING DIAGRAM AH2

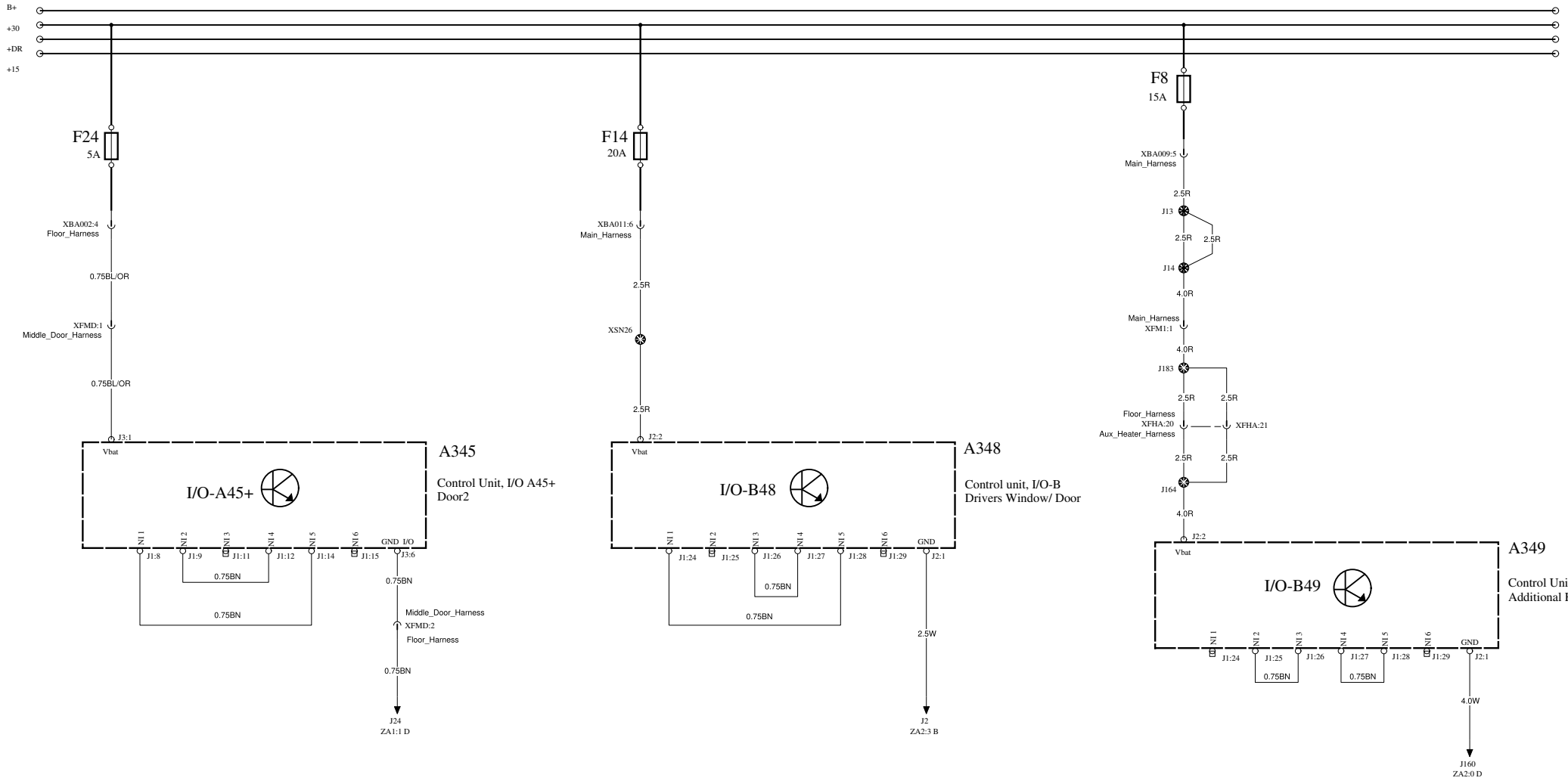






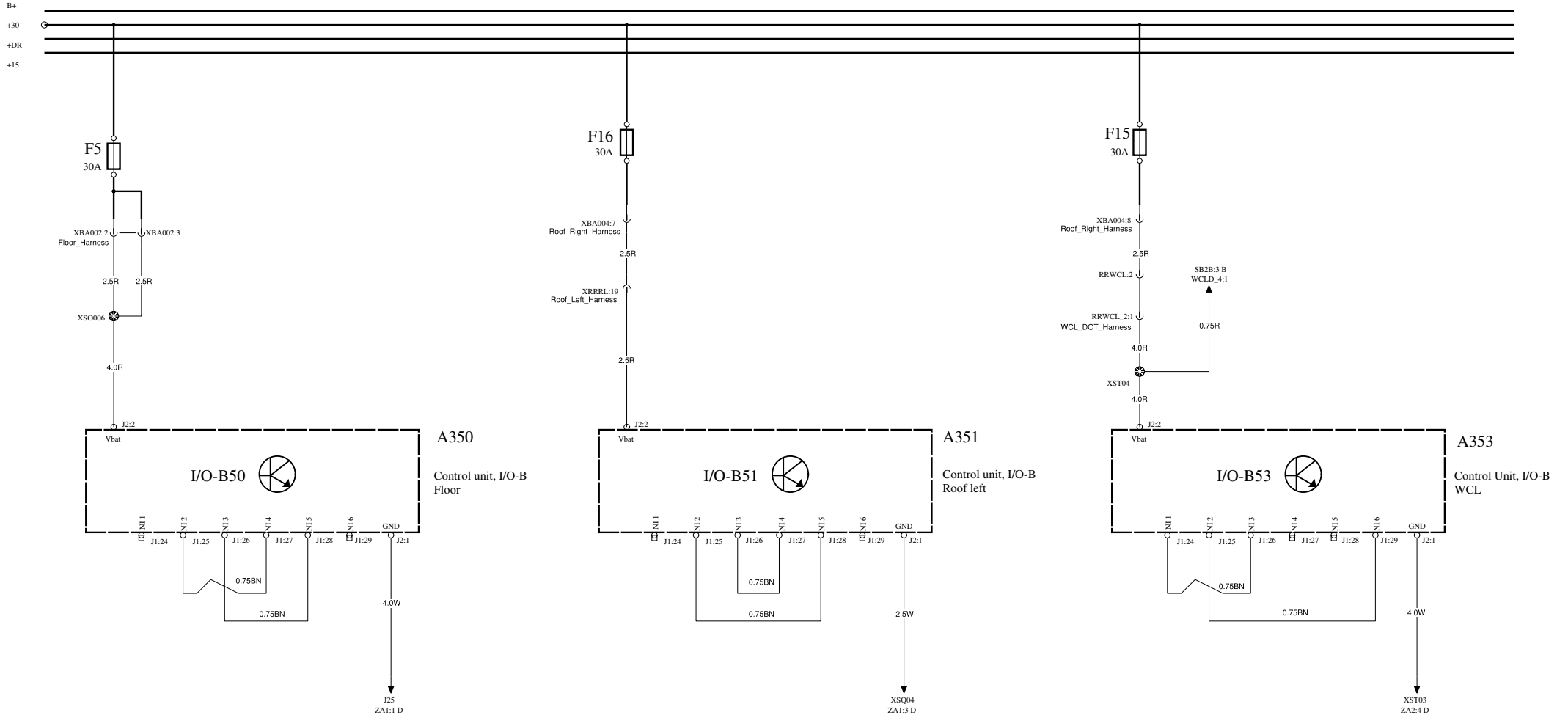
I/O MODULES A45, A48 & A49

WIRING DIAGRAM AI1-2



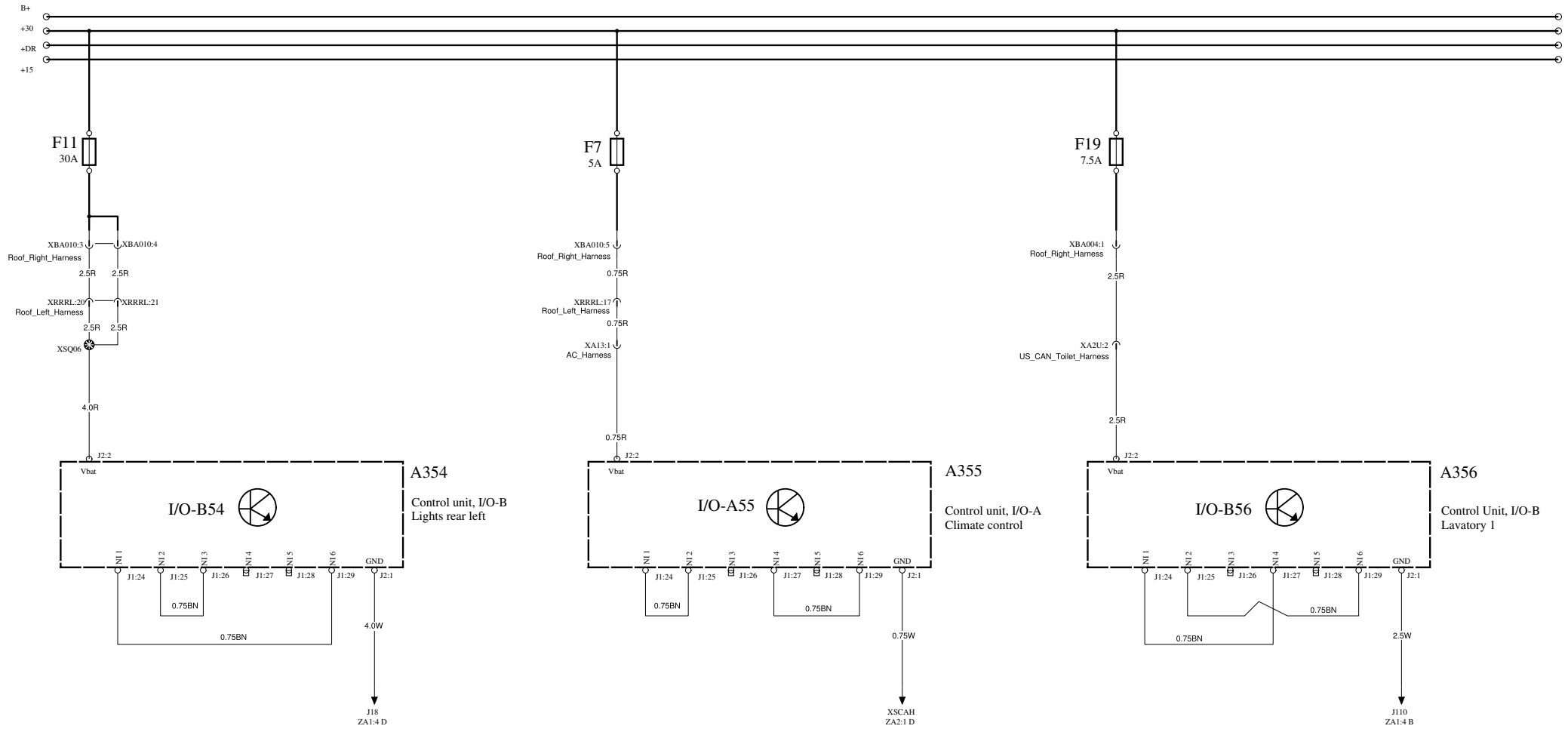
I/O MODULES B50, B51 & B53

WIRING DIAGRAM AI1-3



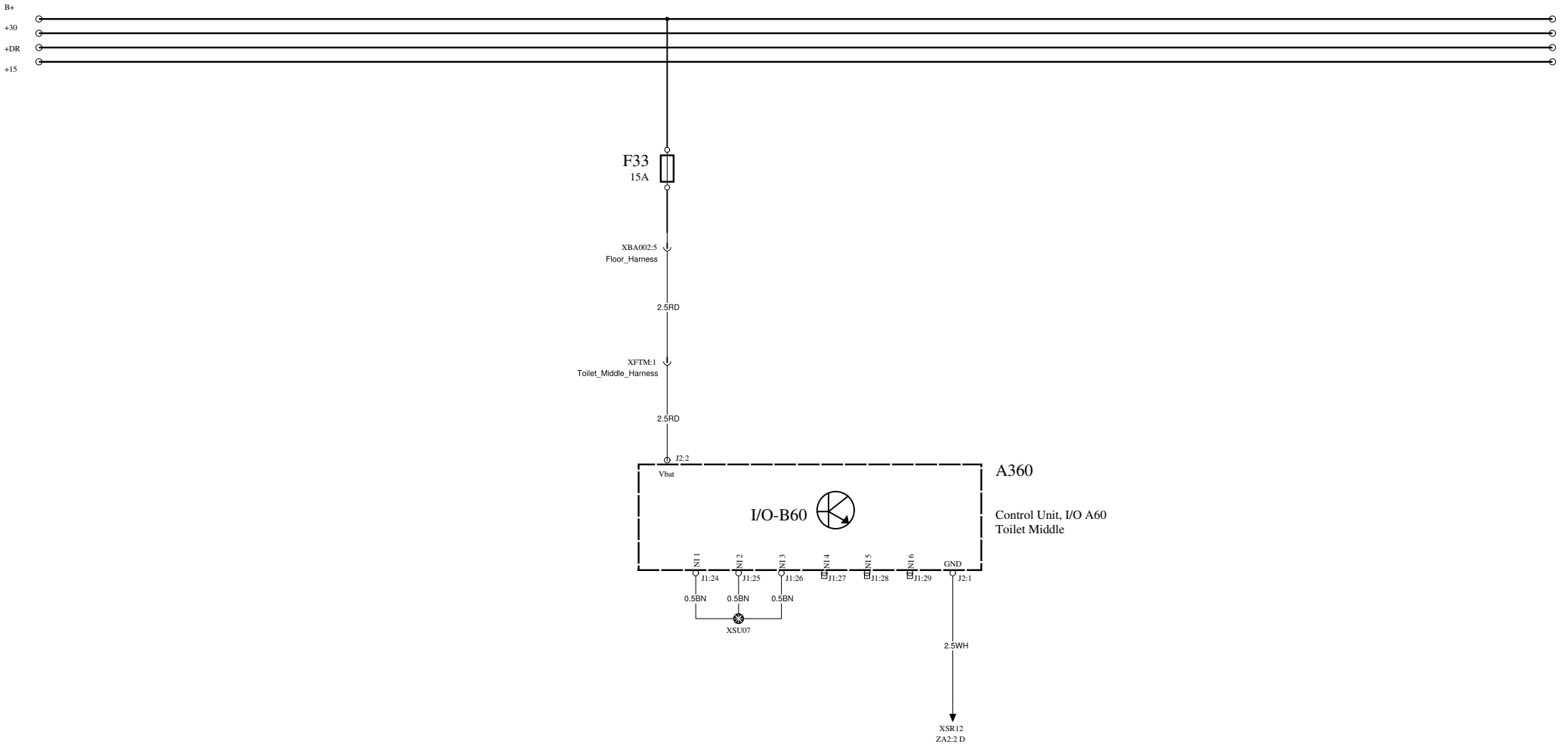
I/O MODULES B54,A55 & B56

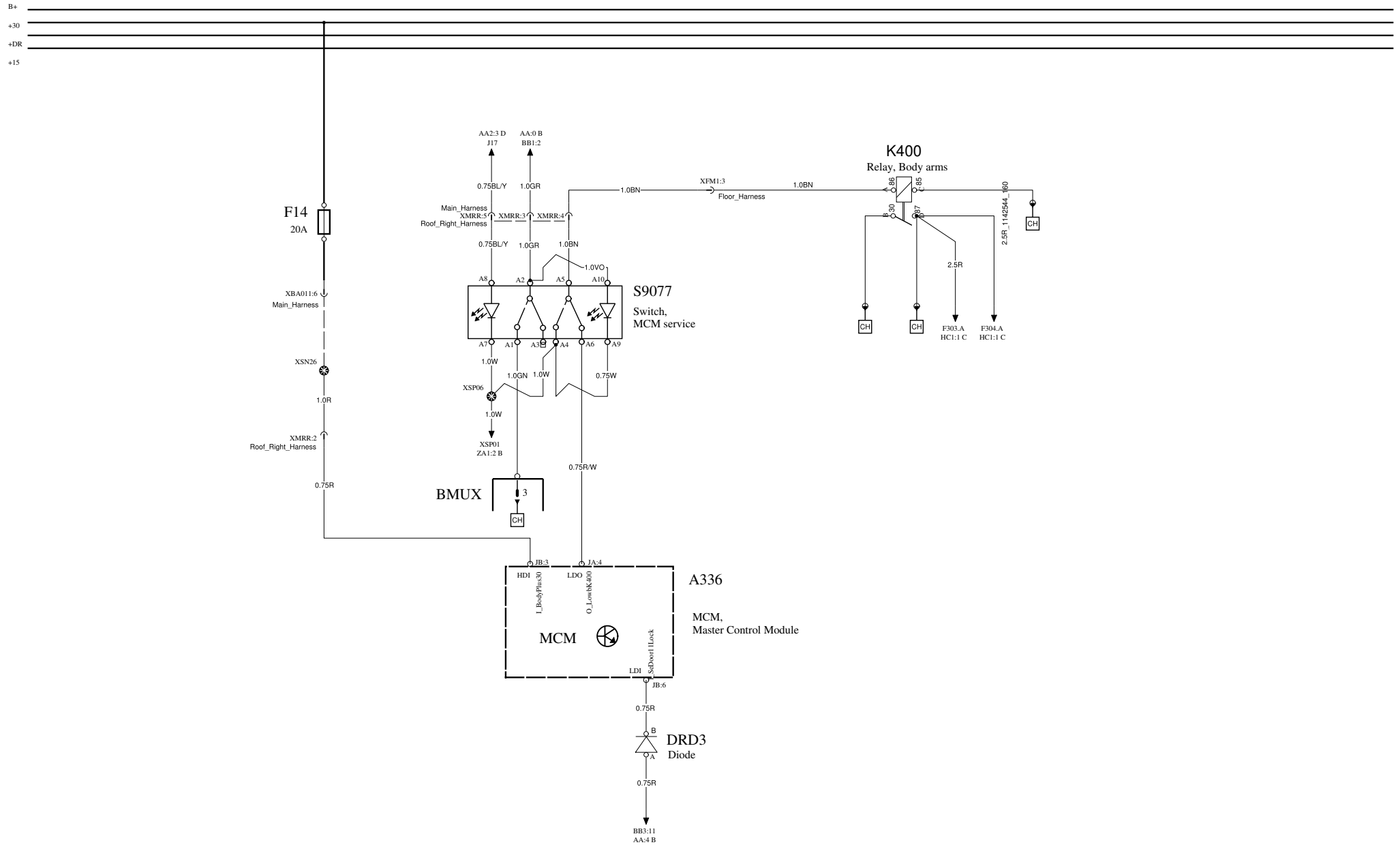
WIRING DIAGRAM AI1-4



I/O MODULE B60

WIRING DIAGRAM AI1-5



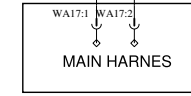
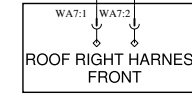
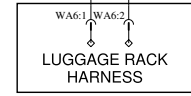
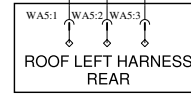
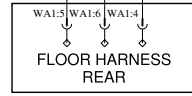
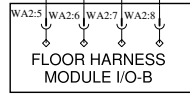
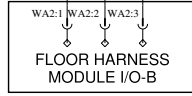
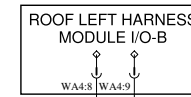
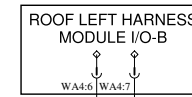
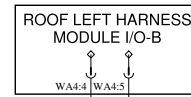
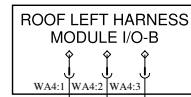
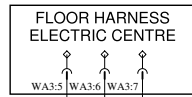
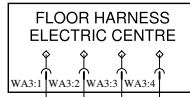


AUXILIARY LINES

WIRING DIAGRAM BE

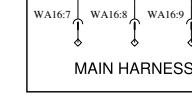
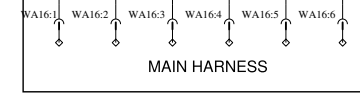
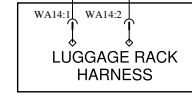
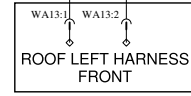
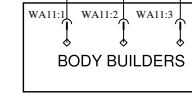
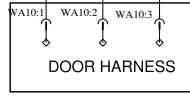
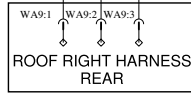
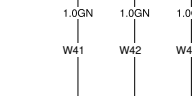
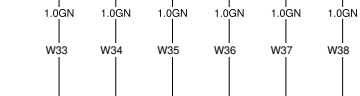
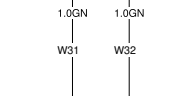
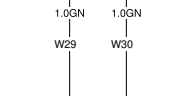
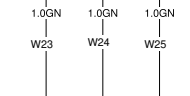
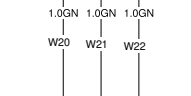
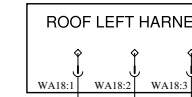
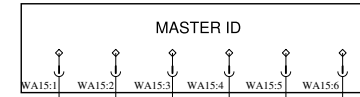
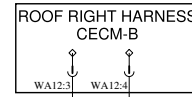
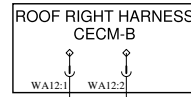
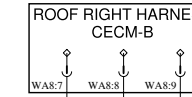
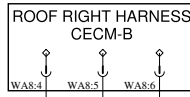
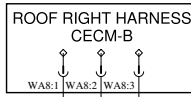
FLOOR HARNESS

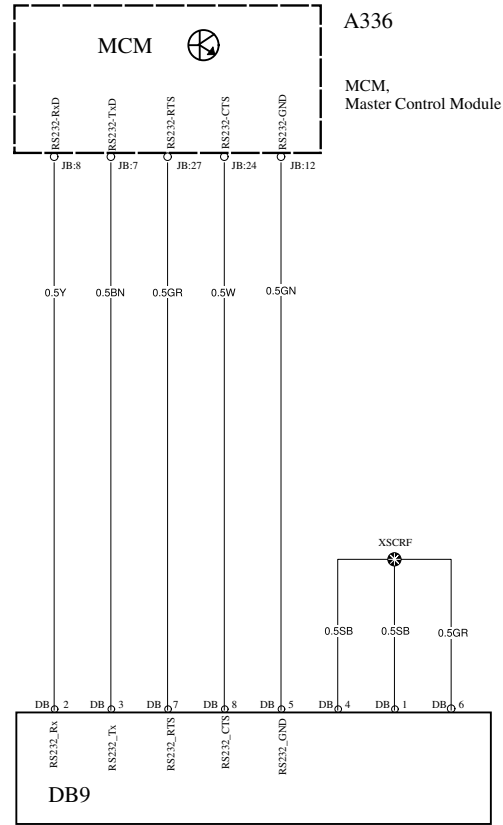
ROOF LEFT HARNESS



ROOF RIGHT HARNESS

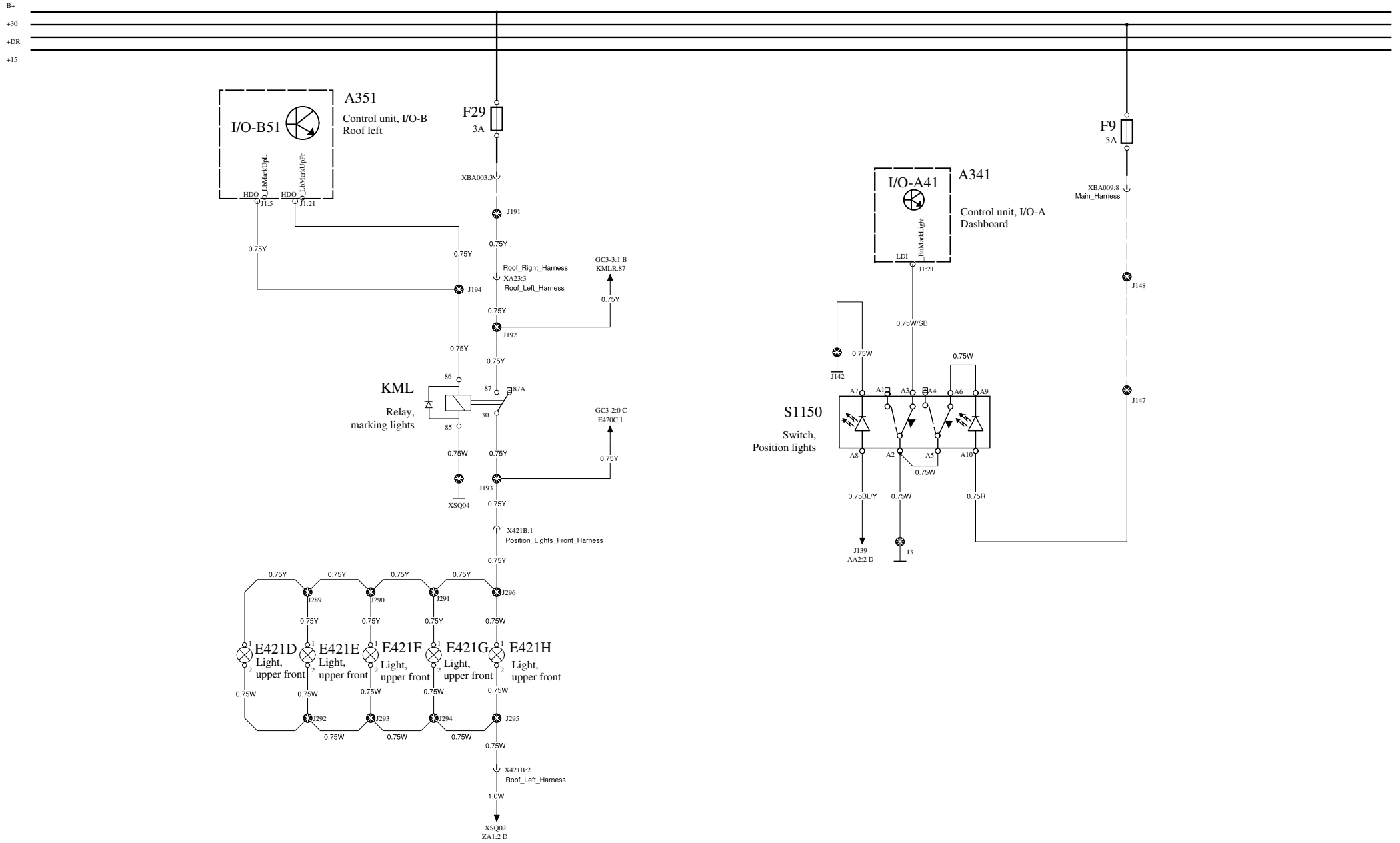
MAIN HARNESS





FRONT MARKING LIGHTS

WIRING DIAGRAM GC3-1



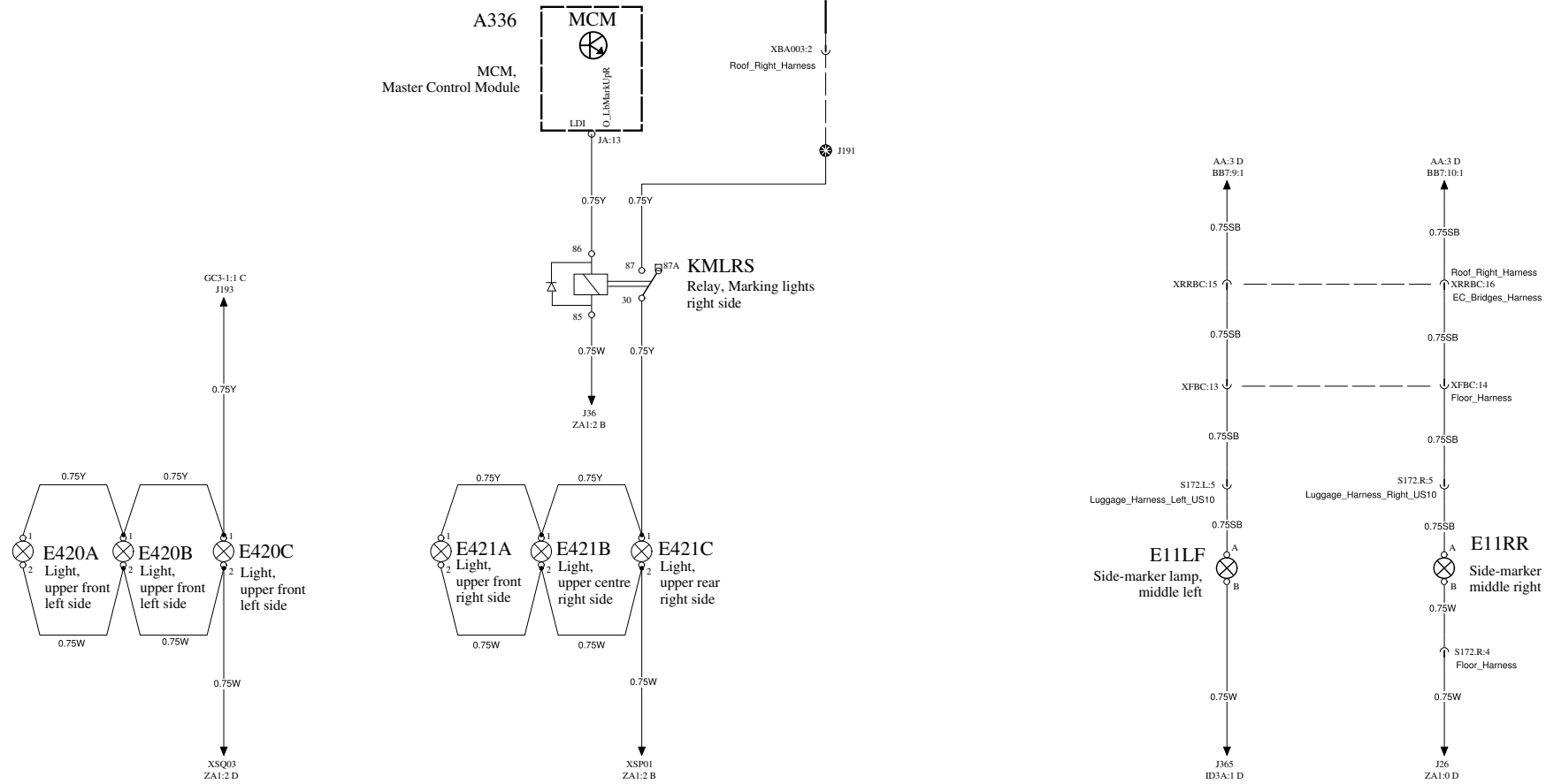
MIDDLE MARKING LIGHTS

WIRING DIAGRAM GC3-2



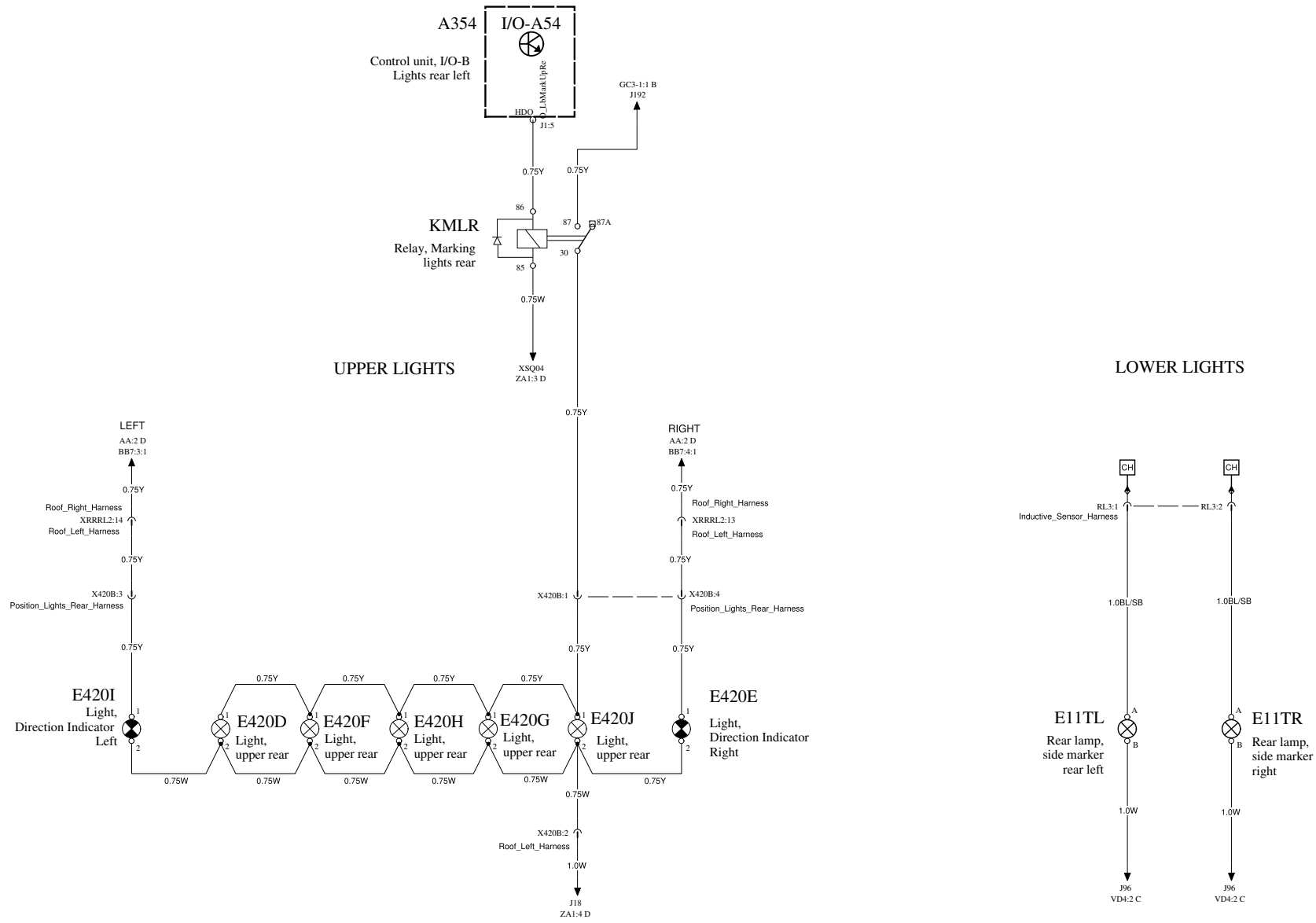
UPPER LIGHTS

LOWER LIGHTS



REAR MARKING LIGHTS

WIRING DIAGRAM GC3-3

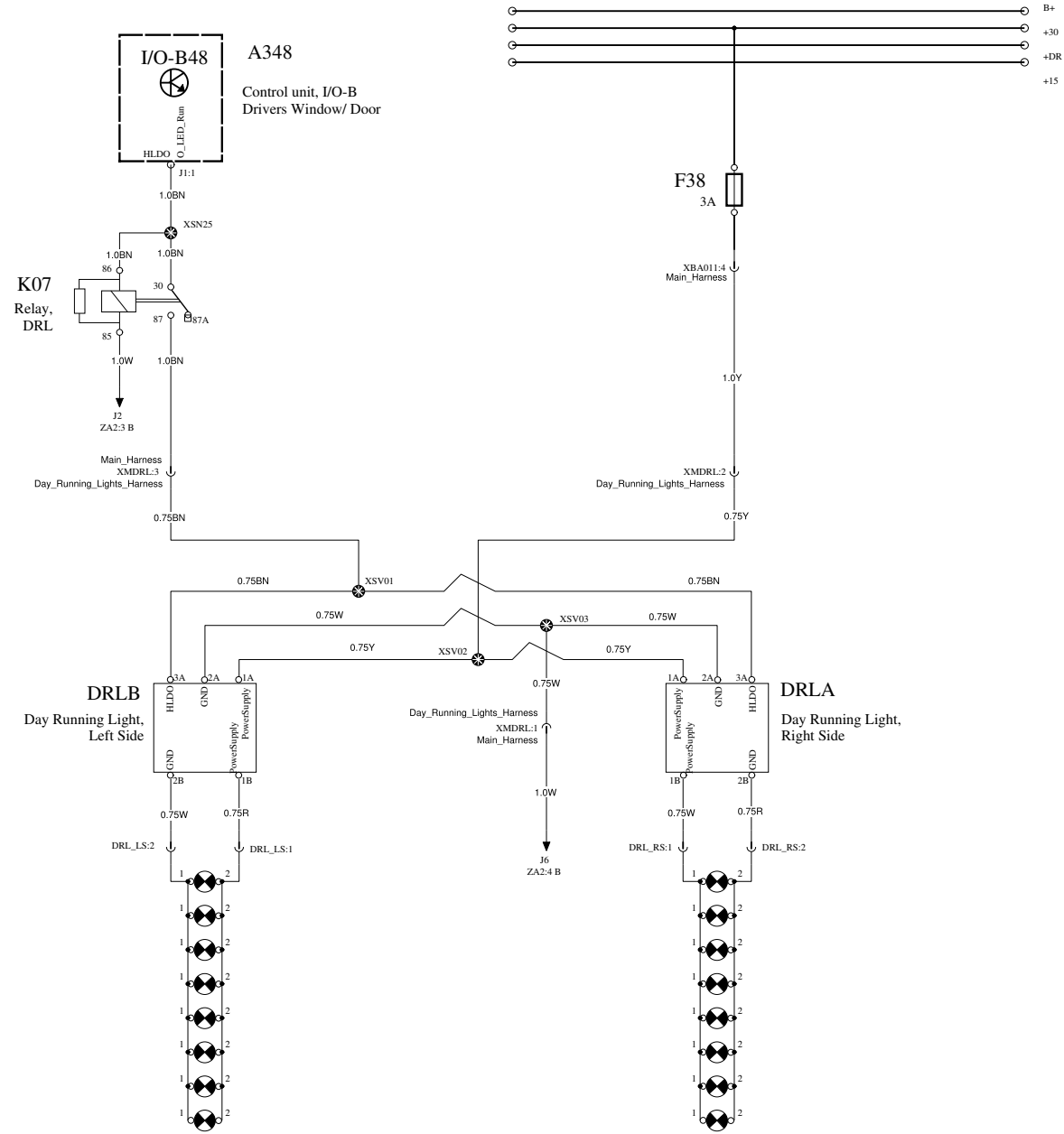


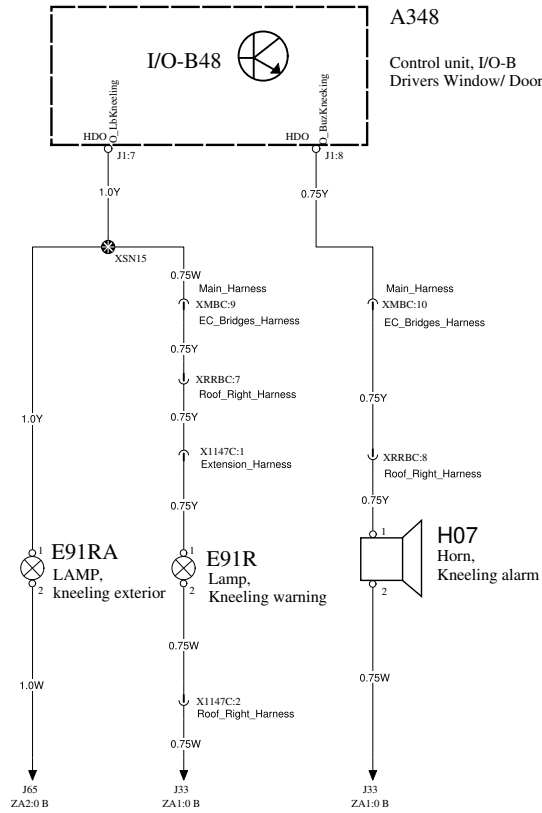
VOLVO
Volvo Bus Corporation

Document title
WIRING DIAGRAM
Document type
PRODUCT SCHEMATIC

Document No
23458767

Issue	Volume	Page
03	02(03)	16(90)



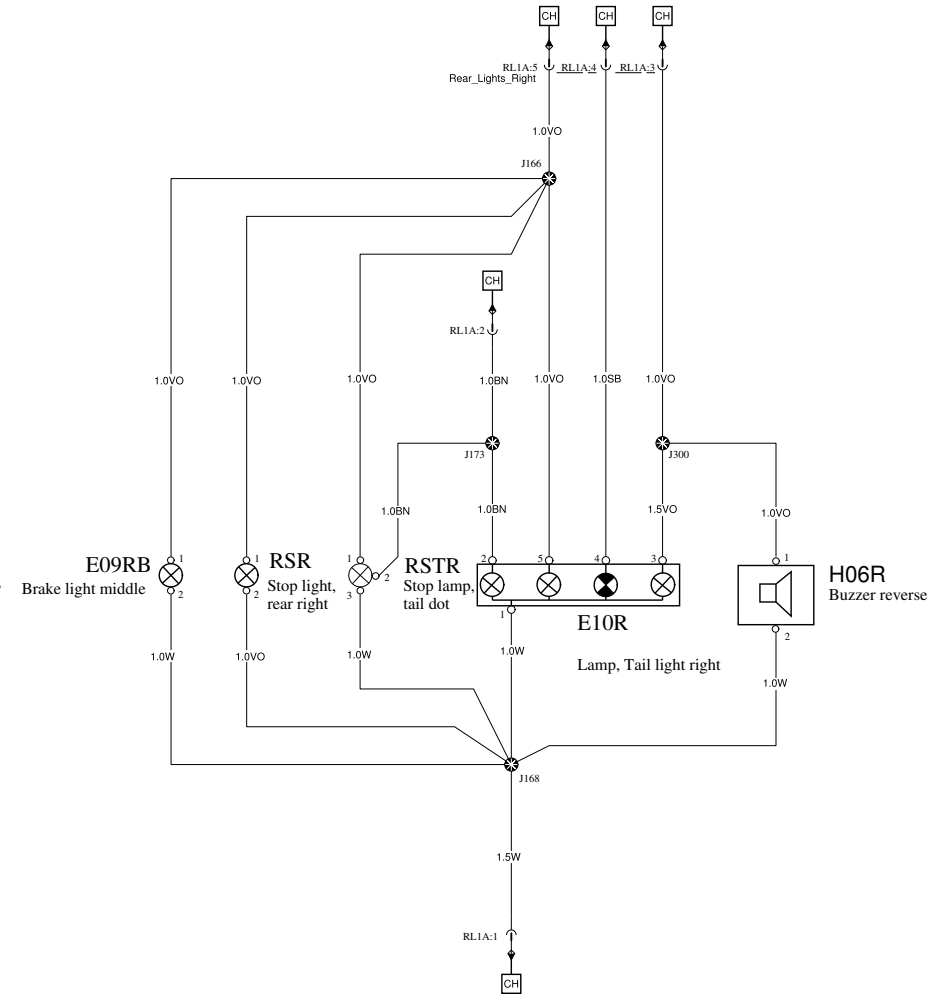
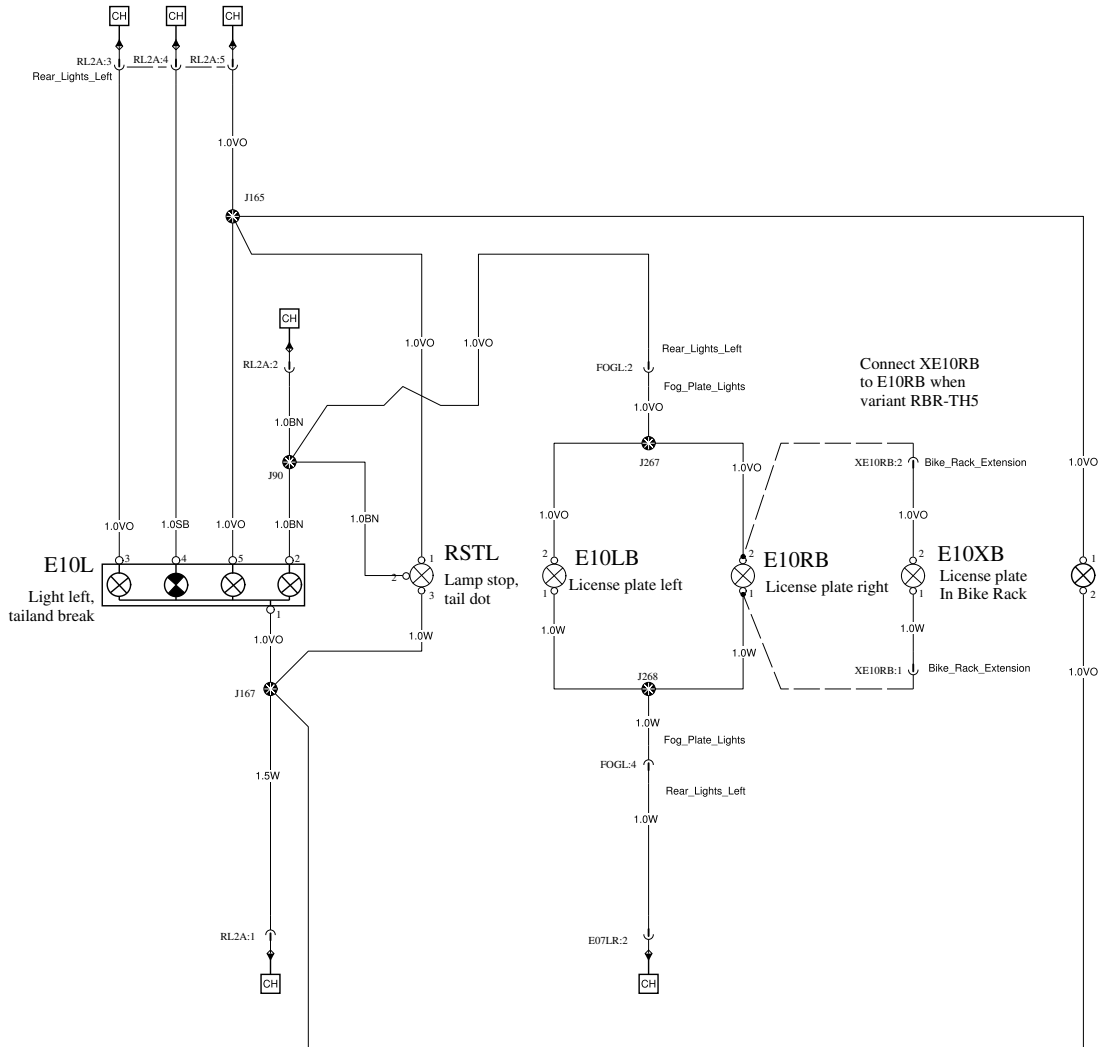


REAR LIGHTS

WIRING DIAGRAM GC6

LEFT SIDE

RIGHT SIDE



VOLVO

Volvo Bus Corporation

Document title
WIRING DIAGRAM

Document type
PRODUCT SCHEMATIC

Document No

23458767

Issue

03

Volume

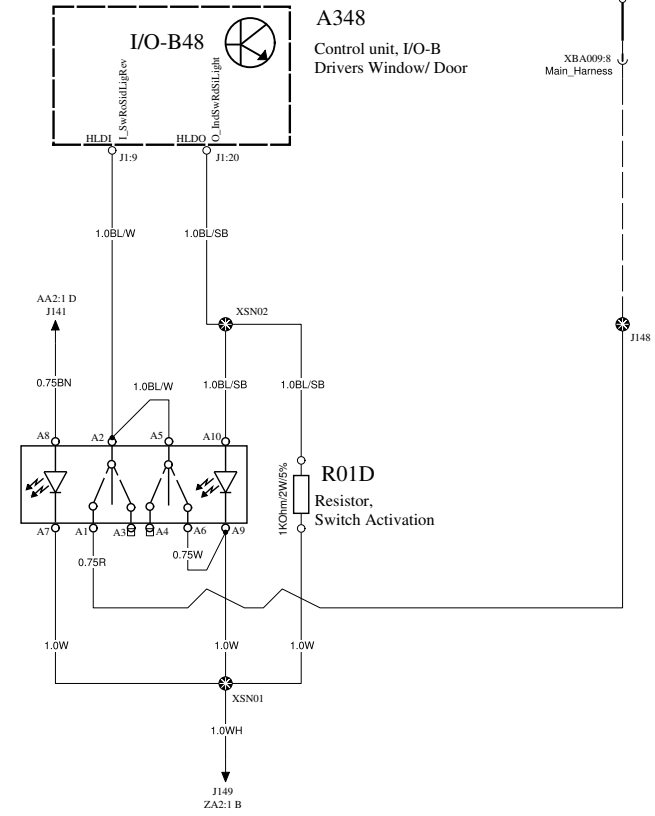
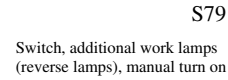
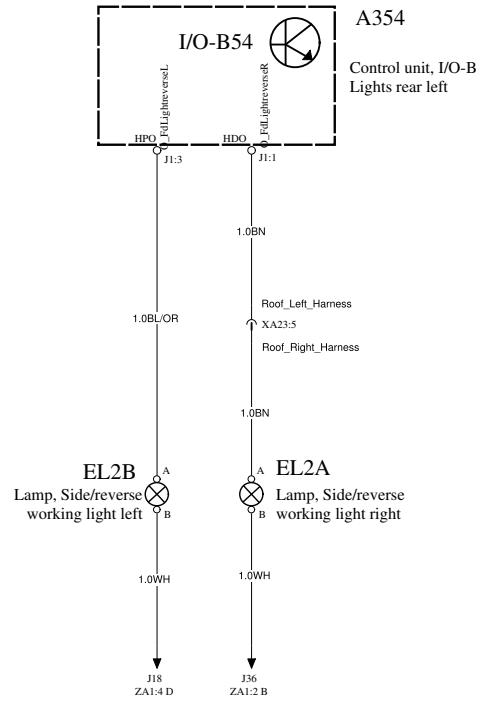
02(03)

Page

19(90)

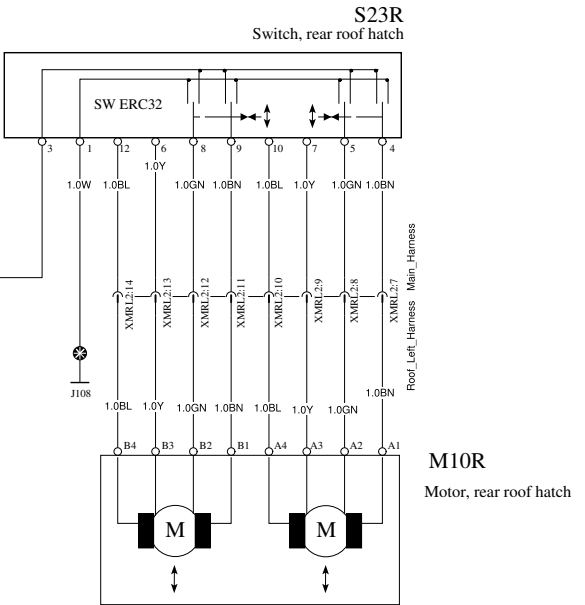
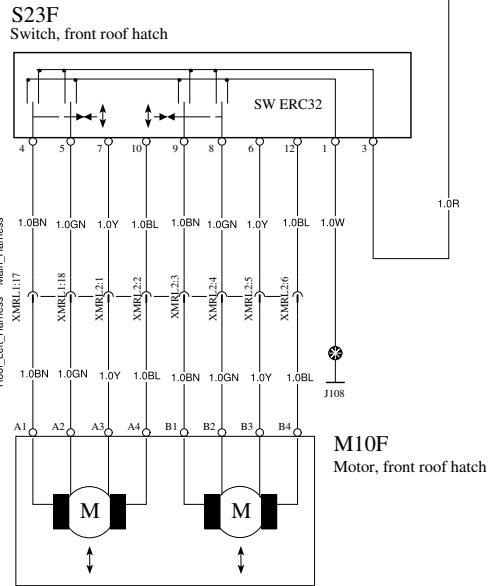
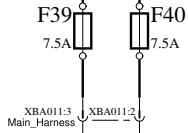
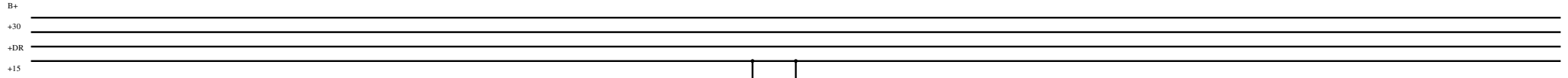
ROAD SIDE LIGHT EXLIGHT

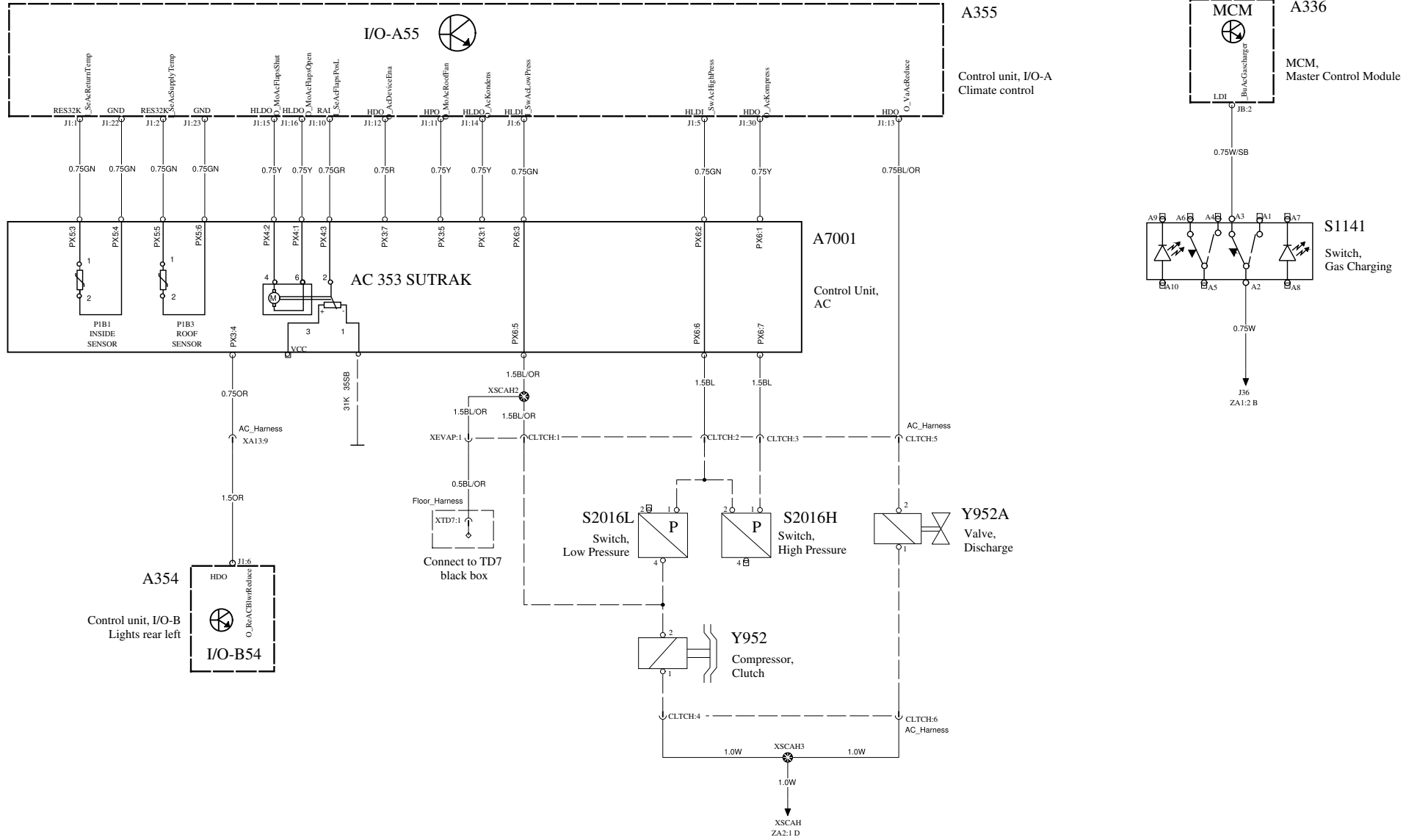
WIRING DIAGRAM GC7



ROOF HATCHES

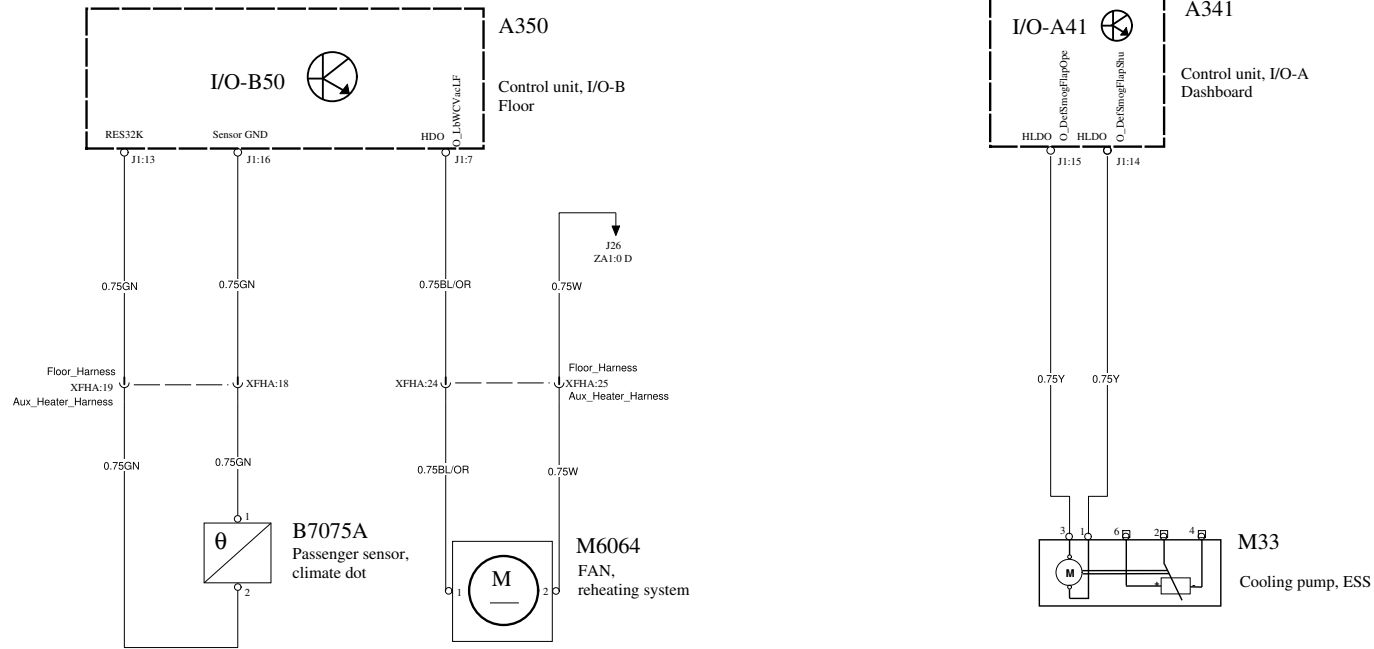
WIRING DIAGRAM HA





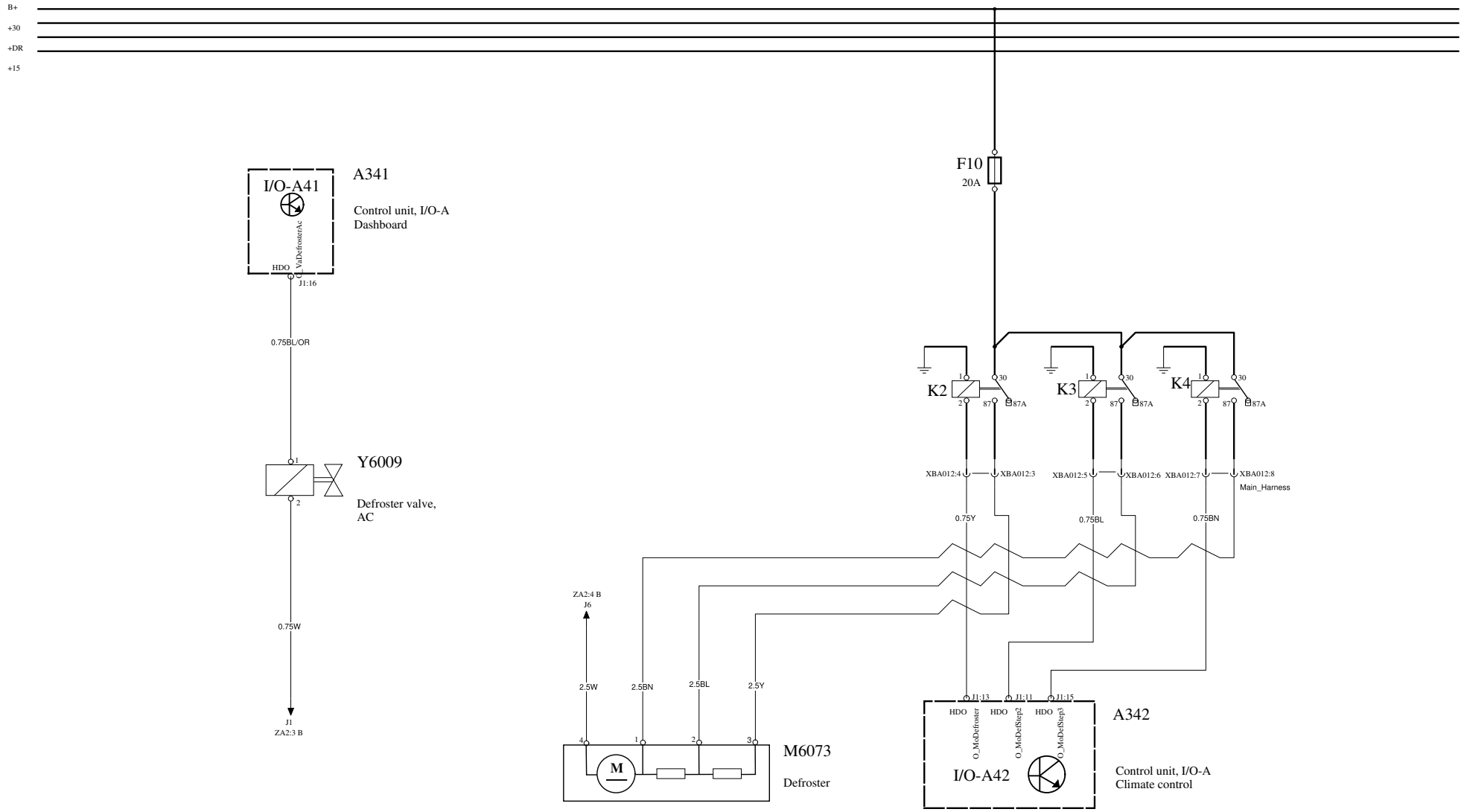
RE-HEATING SYSTEM

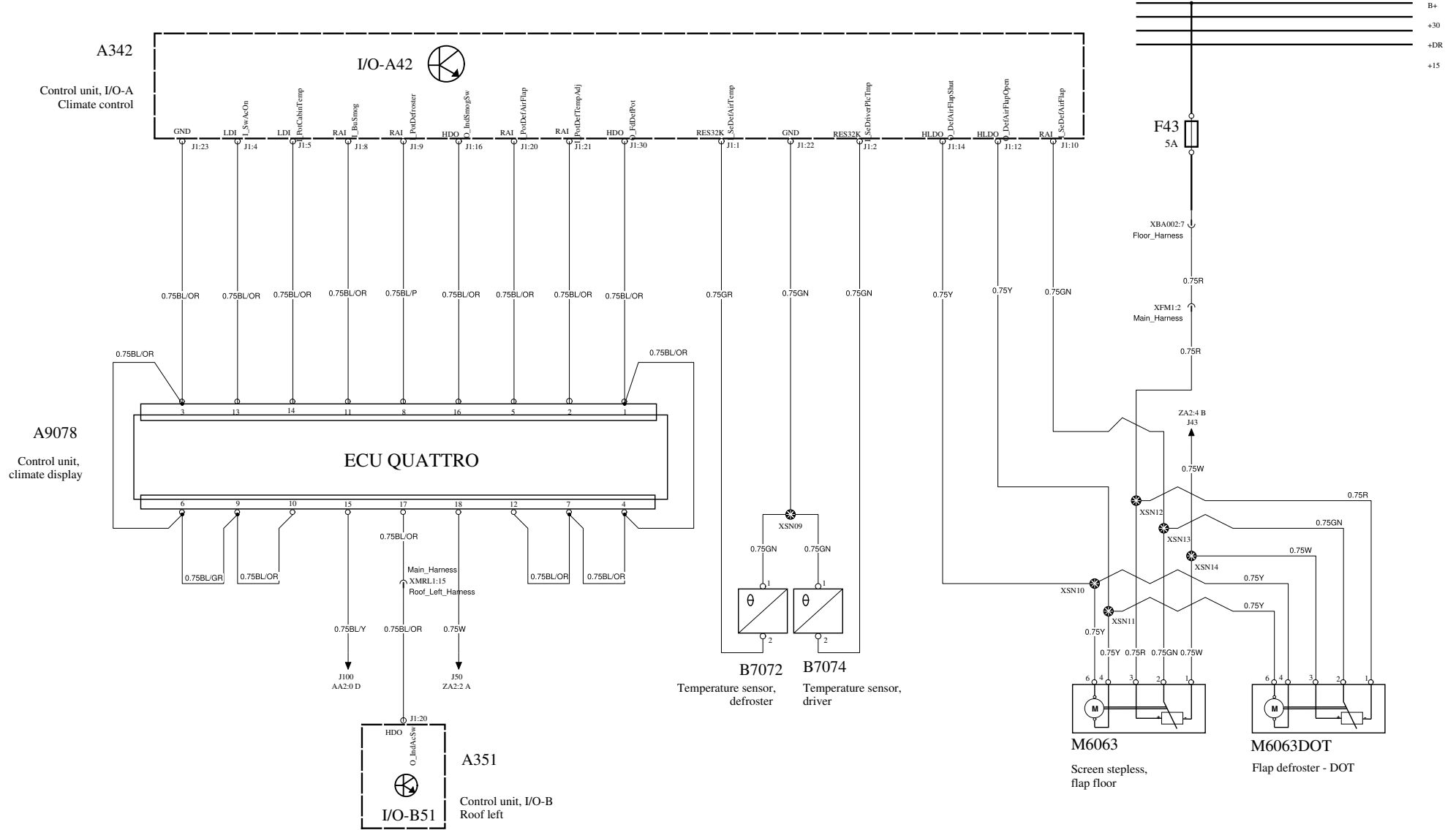
WIRING DIAGRAM HA3



AIR CONDITIONING- DEFROSTER

WIRING DIAGRAM HA4C





VOLVO

Volvo Bus Corporation

Document title
WIRING DIAGRAM

Document type
PRODUCT SCHEMATIC

Document No

23458767

Issue

03

Volume

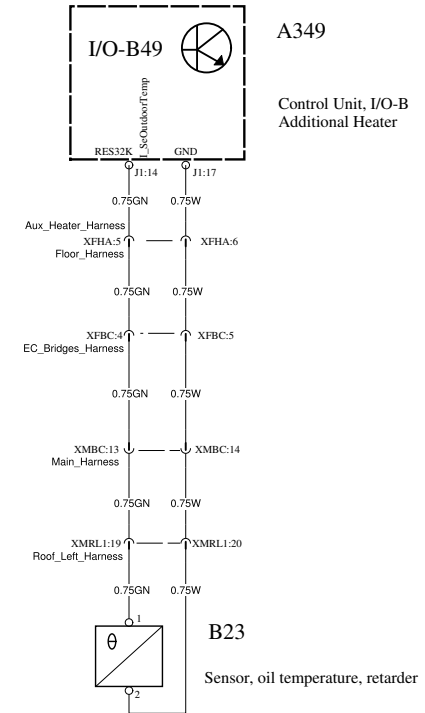
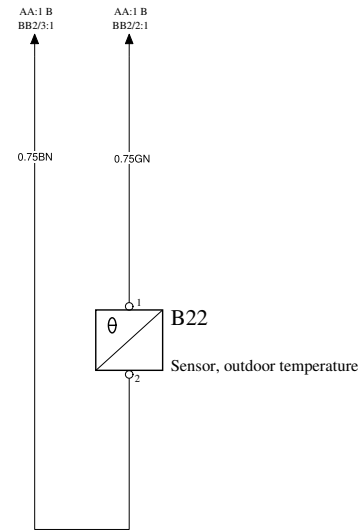
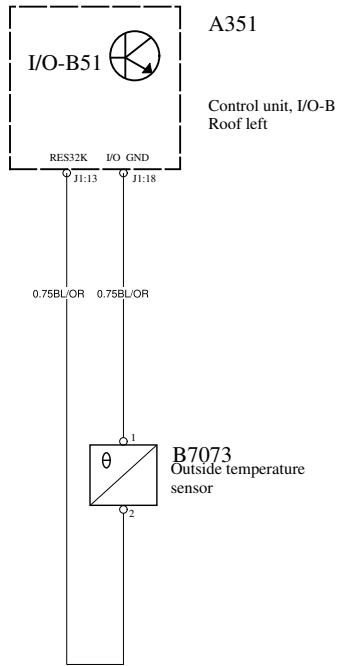
02(03)

Page

25(90)

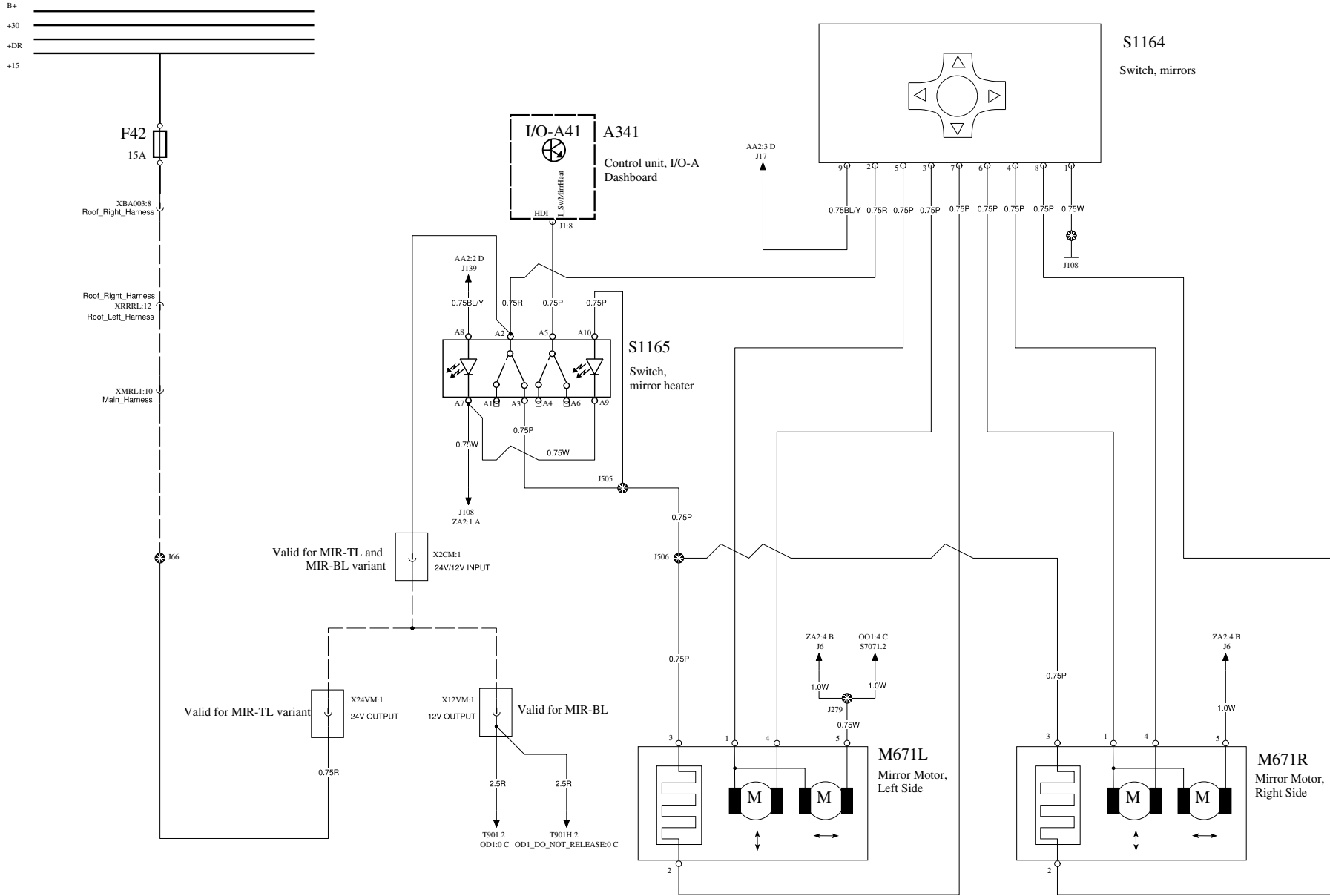
OUTDOOR TEMPERATURE SENSORS

WIRING DIAGRAM HA5C



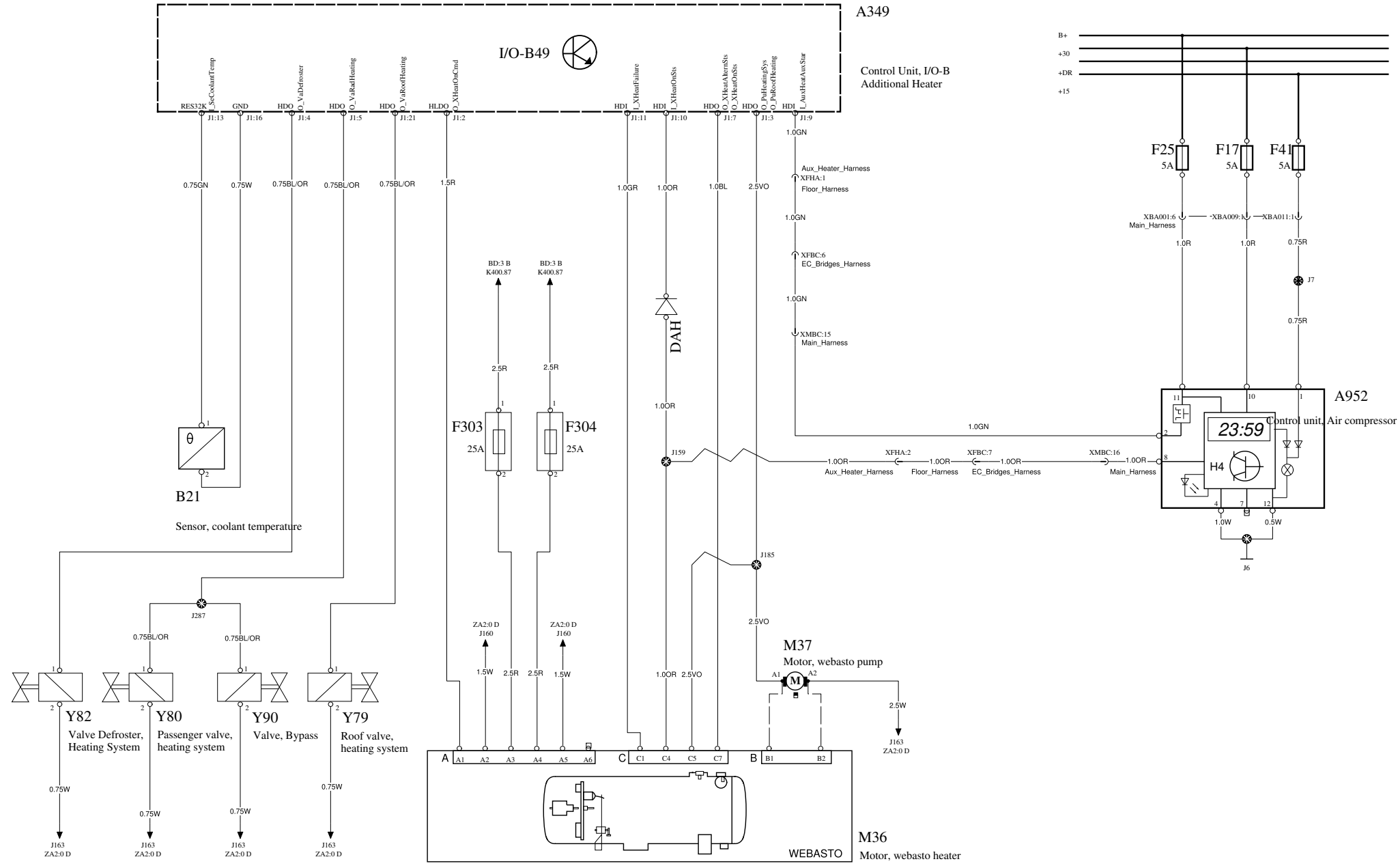
MIRROR HEATING

WIRING DIAGRAM HB1D



AUXILIARY HEATER

WIRING DIAGRAM HC1



VOLVO

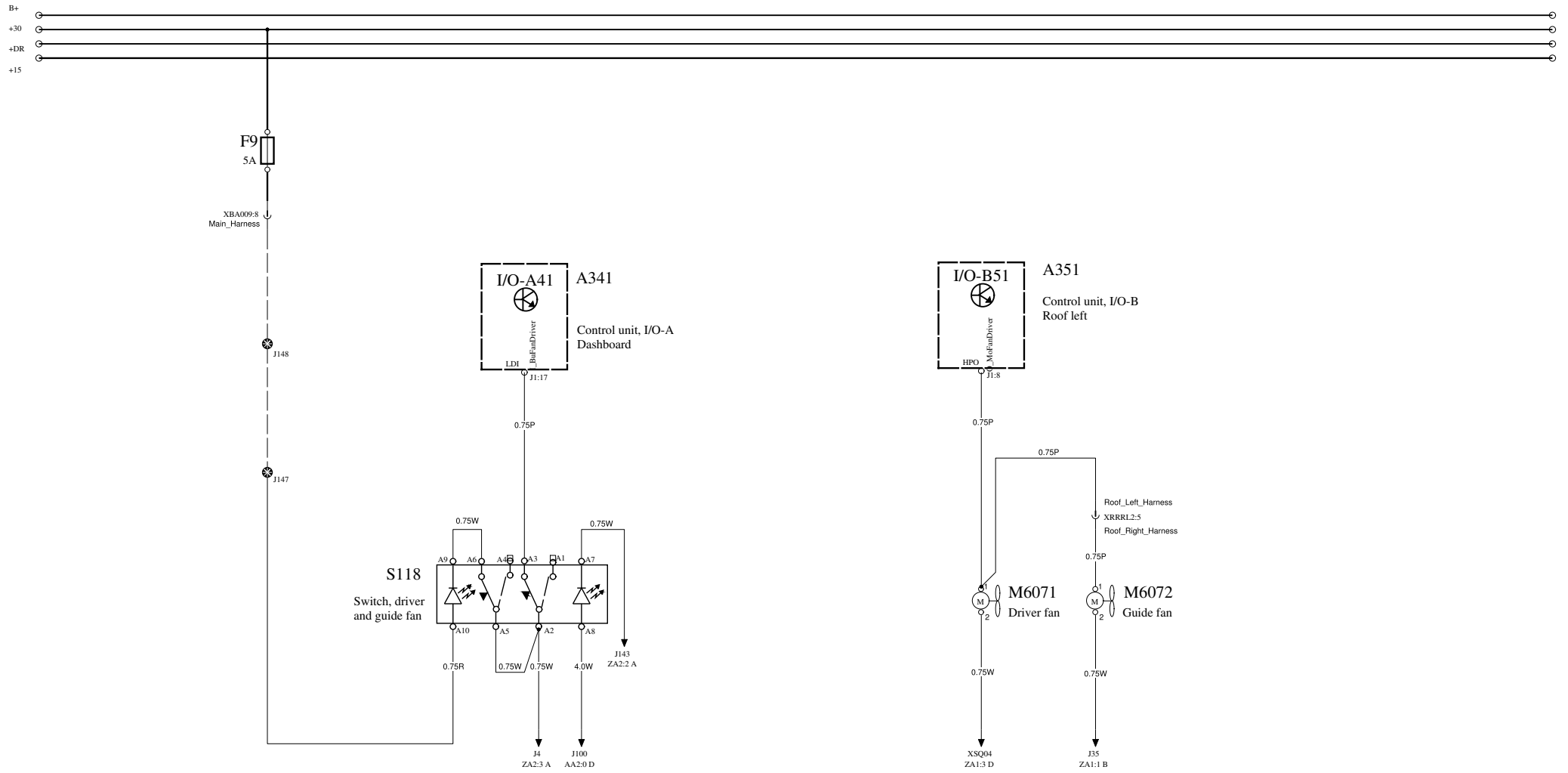
Volvo Bus Corporation

Document title WIRING DIAGRAM
Document type PRODUCT SCHEMATIC

Document No	Issue	Volume	Page
23458767	03	02(03)	28(90)

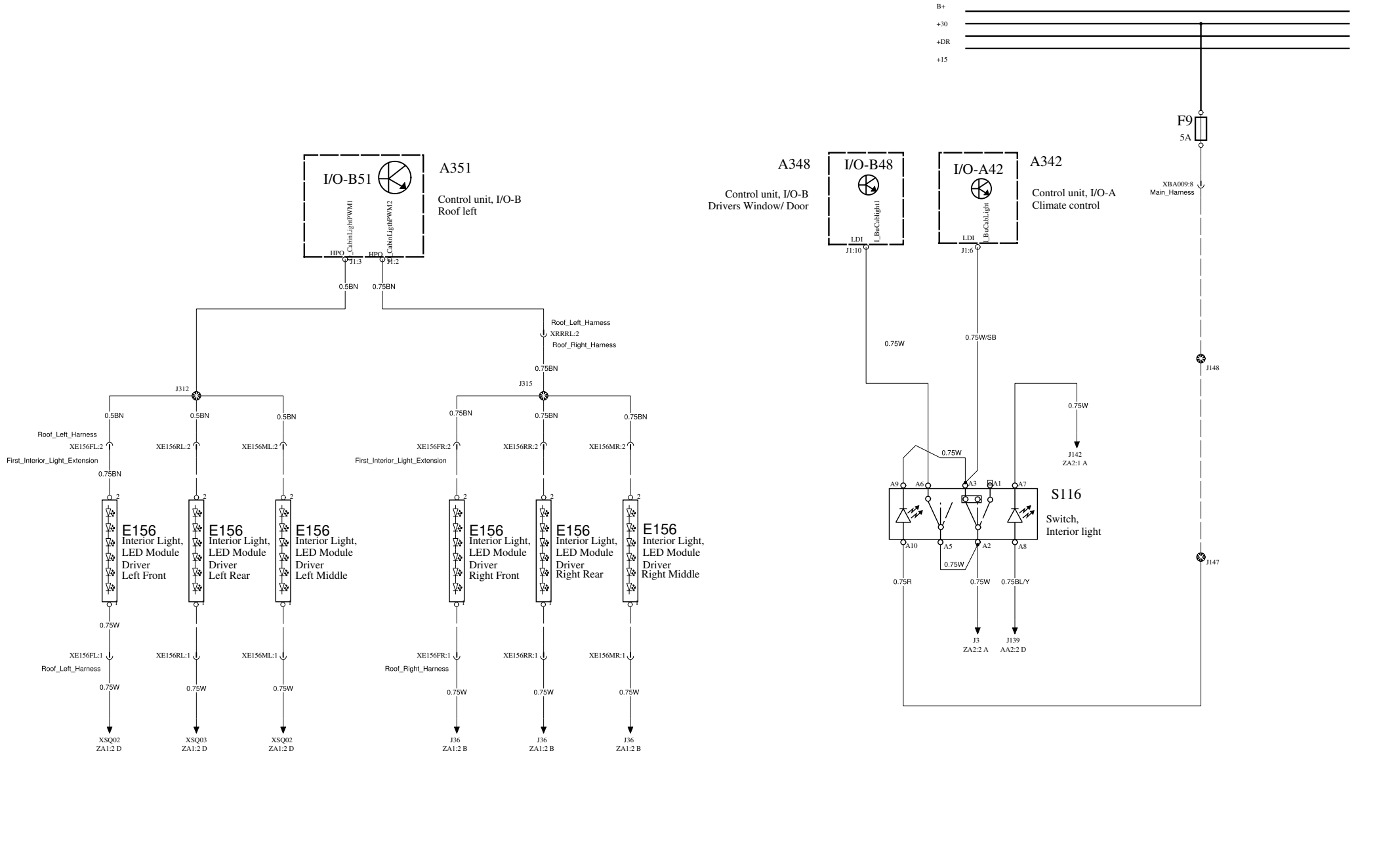
DRIVER AND GUIDE FAN

WIRING DIAGRAM HE1



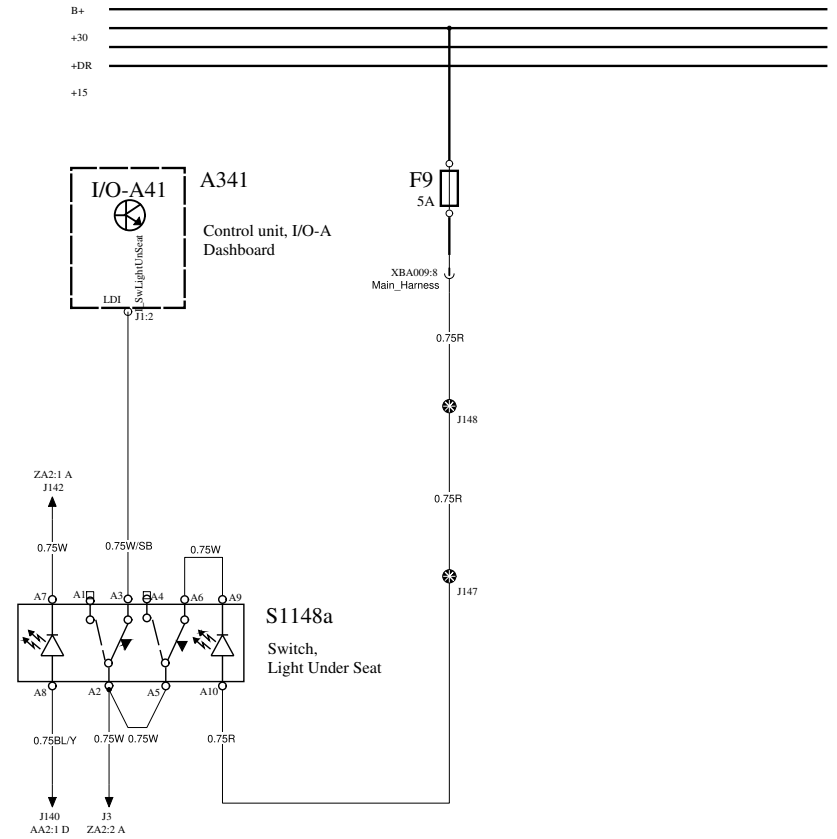
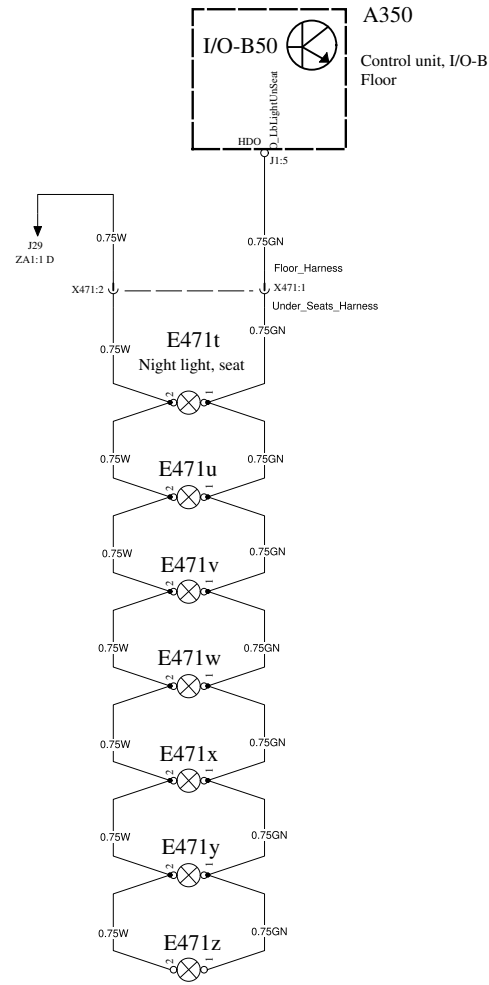
CABIN LIGHT

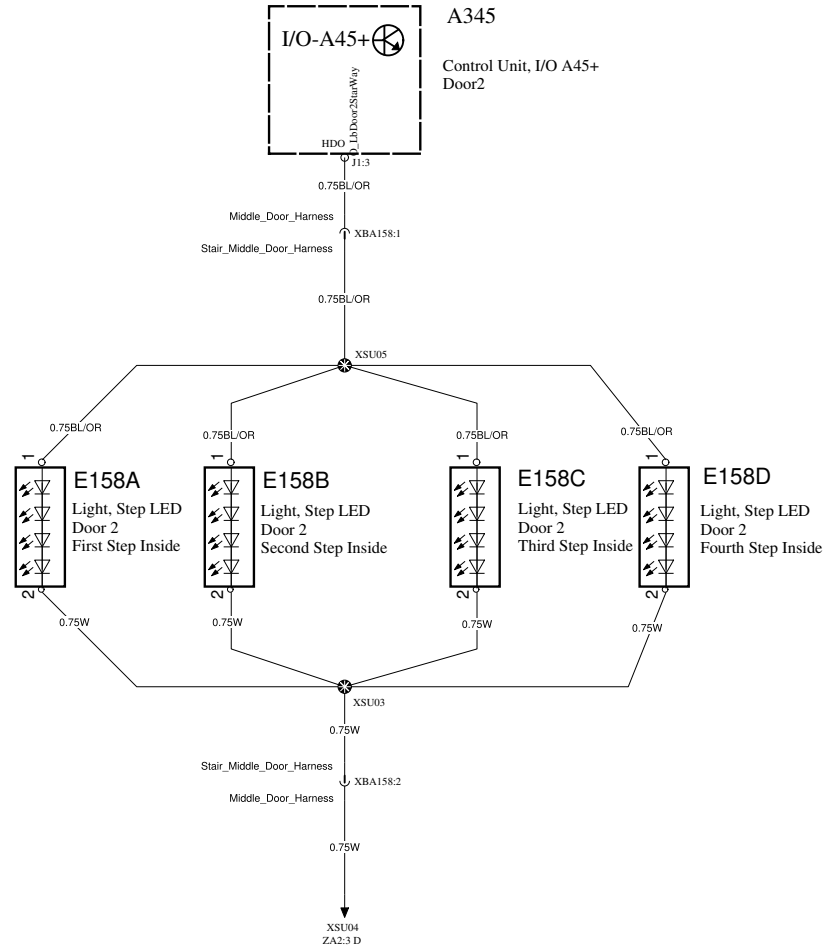
WIRING DIAGRAM IA1A

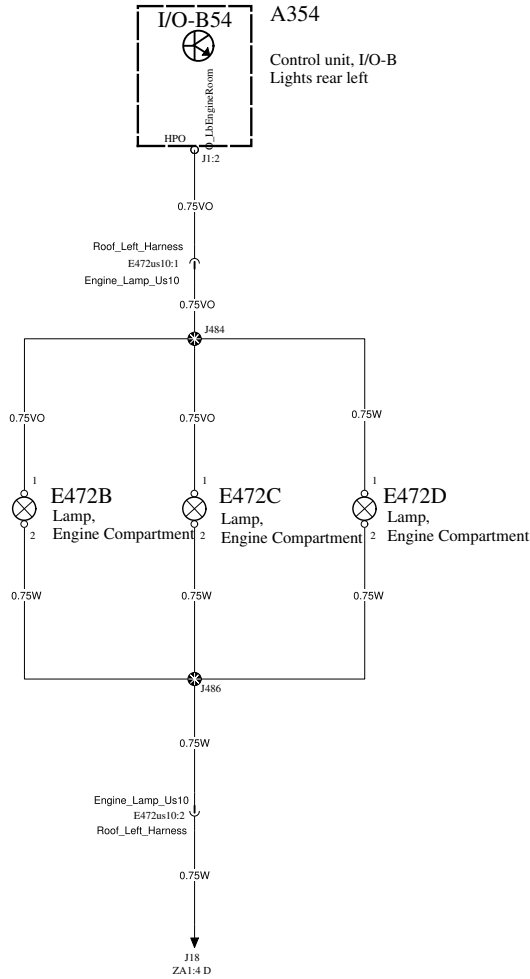


LIGHTS UNDER SEATS

WIRING DIAGRAM IB1

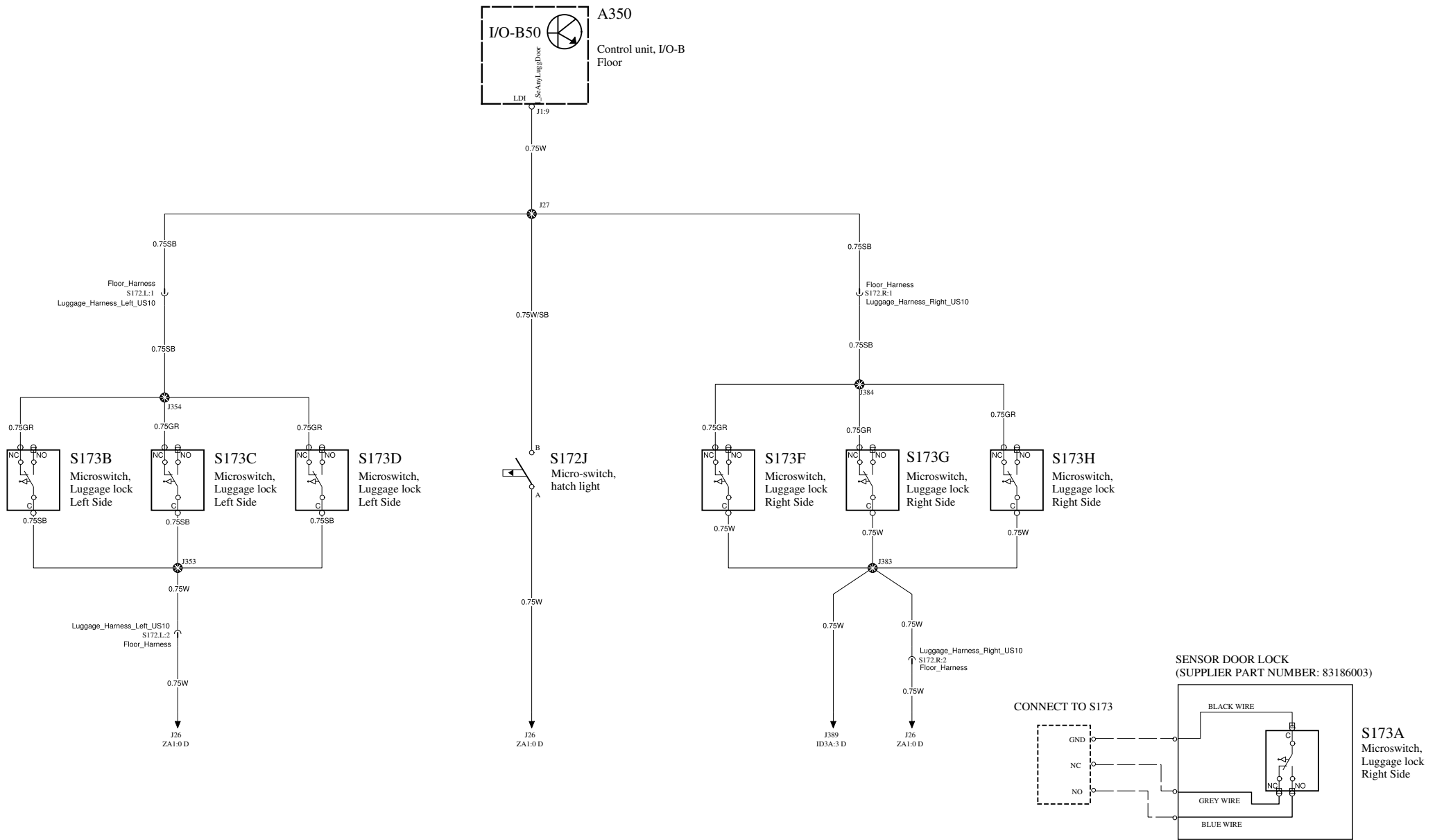


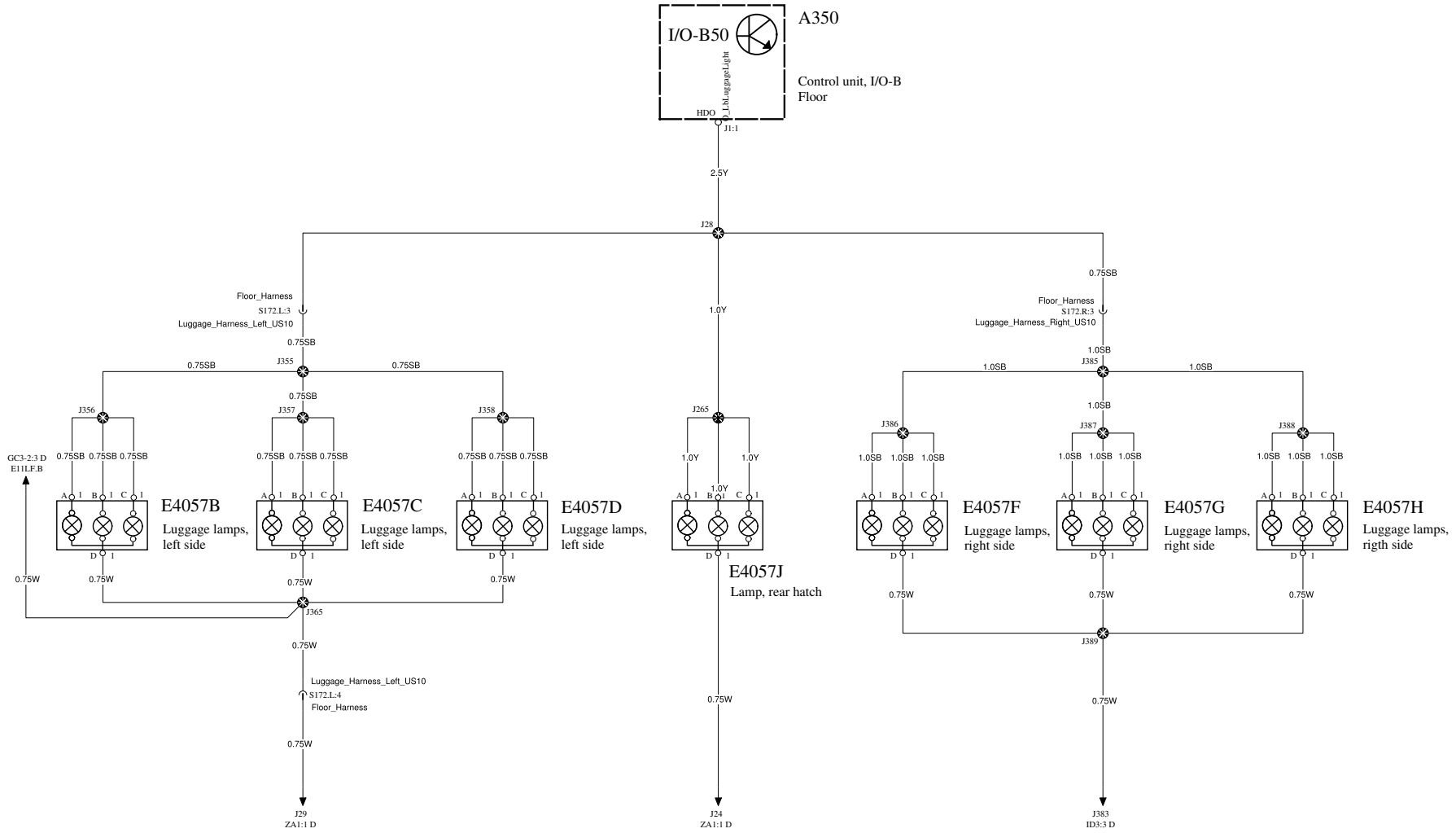


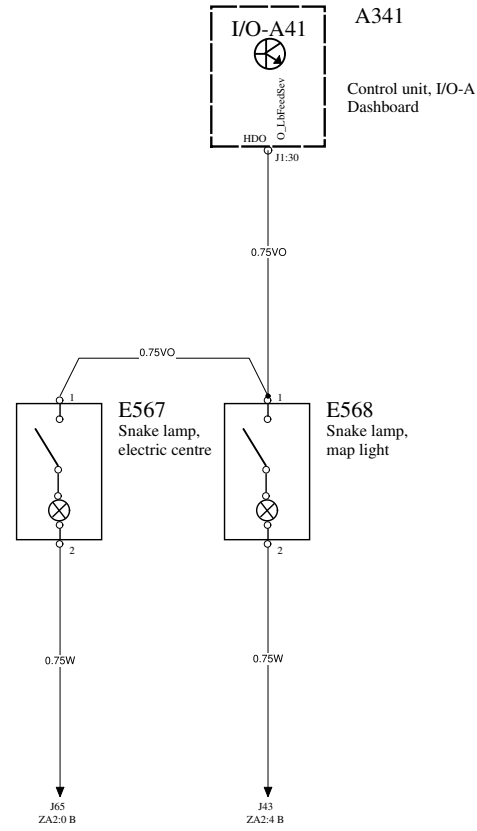


LUGGAGE LOCK SENSORS

WIRING DIAGRAM ID3

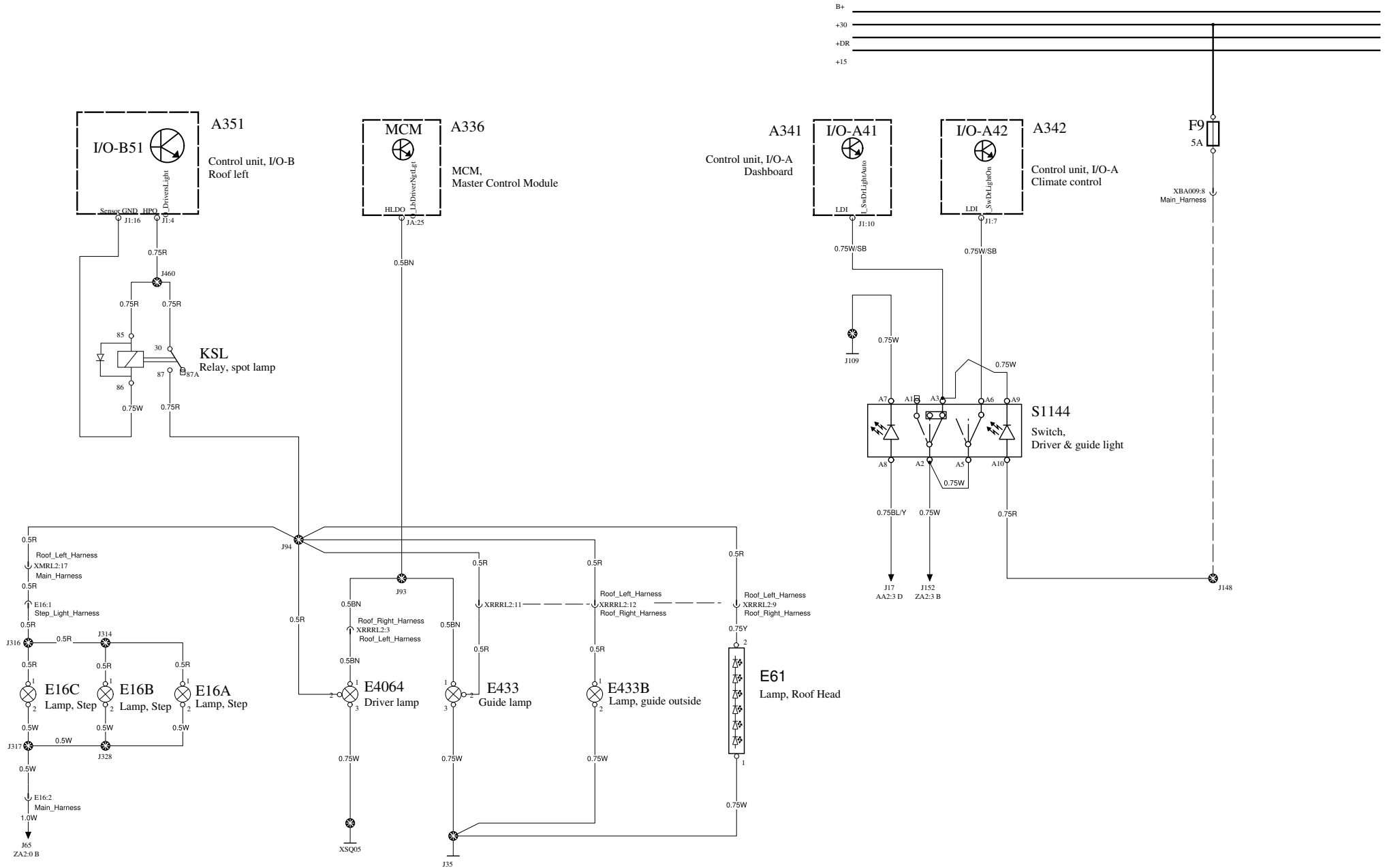


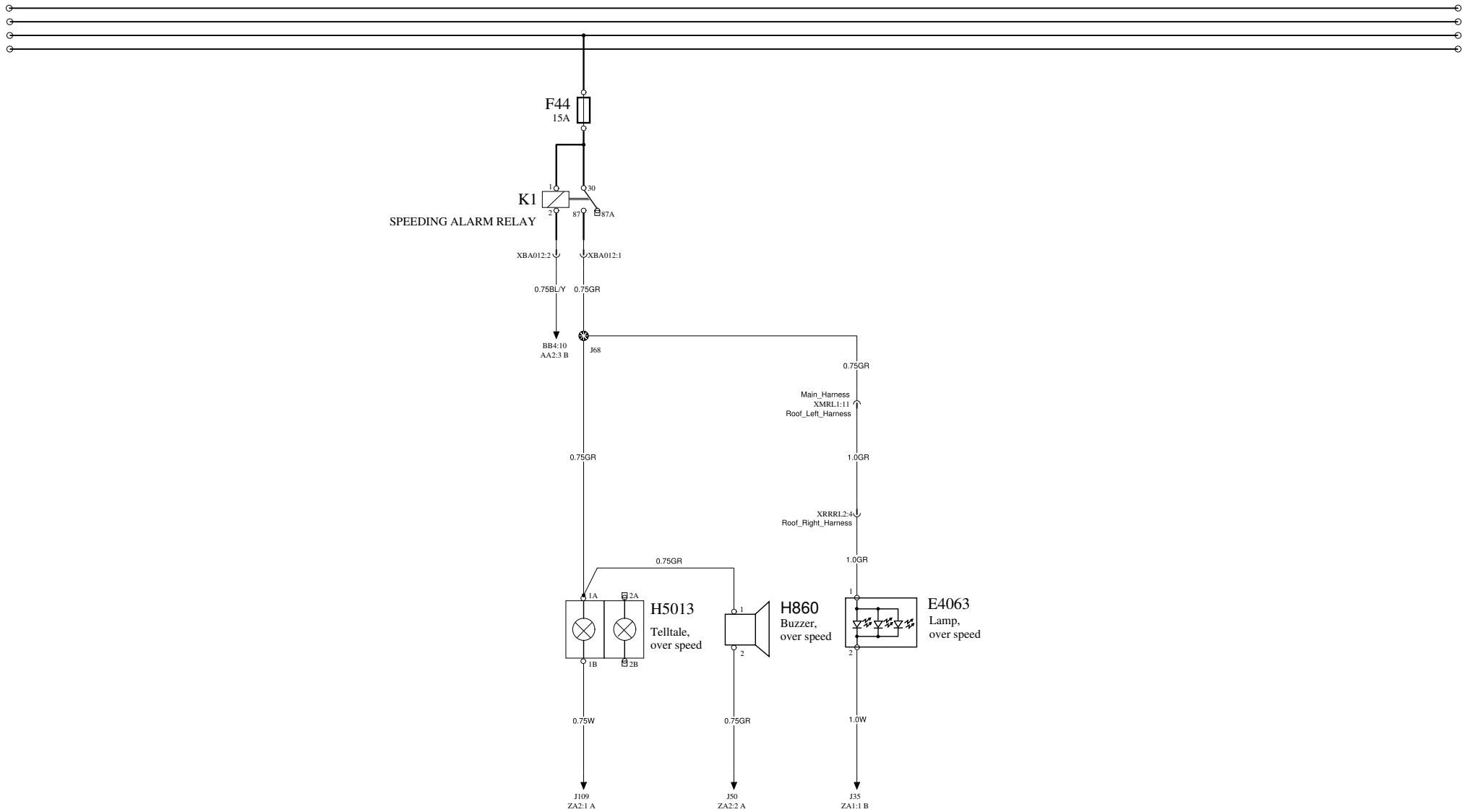




DRIVER LIGHTS

WIRING DIAGRAM IE3

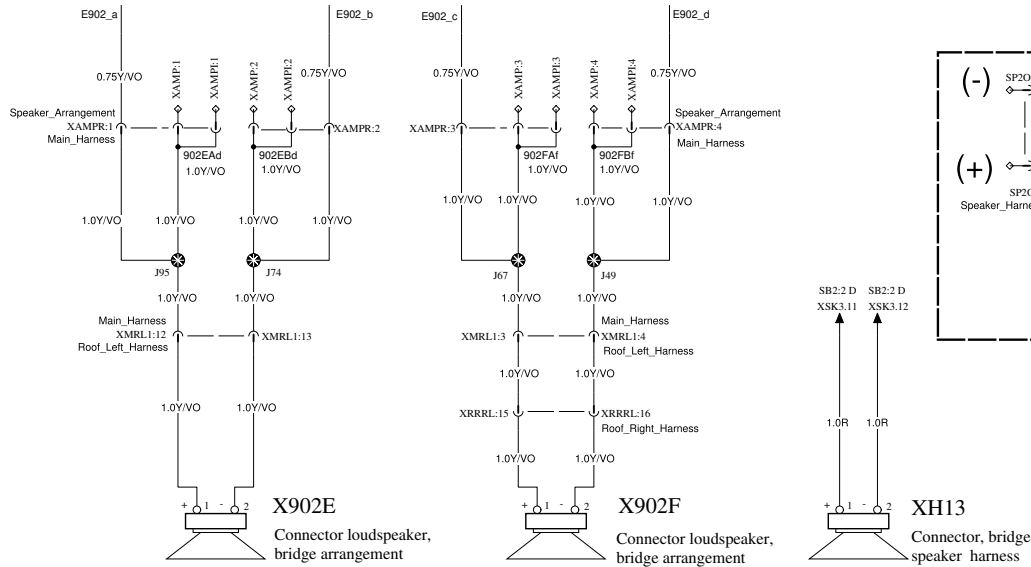




LOUDSPEAKERS

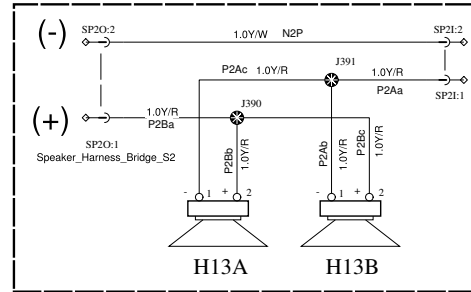
WIRING DIAGRAM JA1A

CABIN AREA

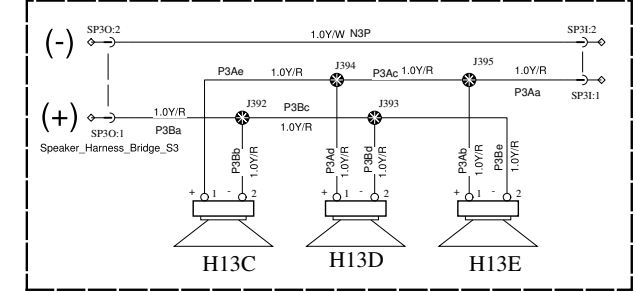


LOUDSPEAKER'S BRIDGES BY ENVIRONMENTAL SOUND

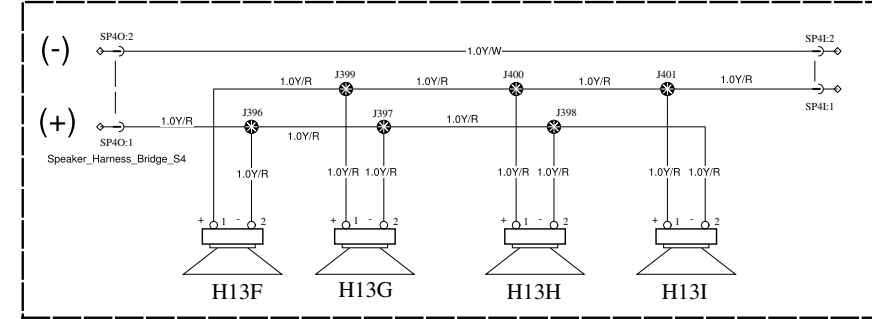
ARRANGEMENT TYPE 1



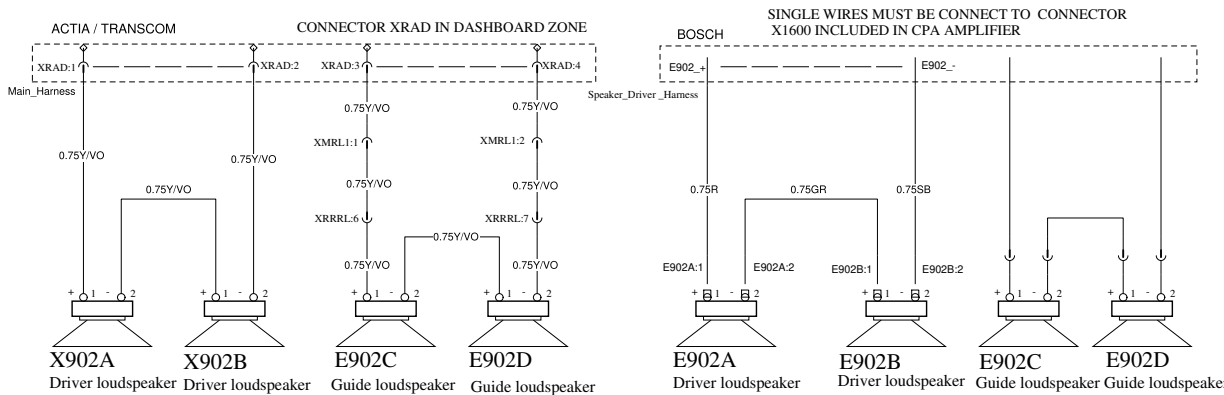
ARRANGEMENT TYPE 2



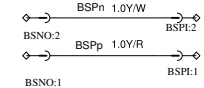
ARRANGEMENT TYPE 3



DRIVER AREA



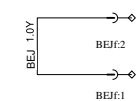
BRIDGE A



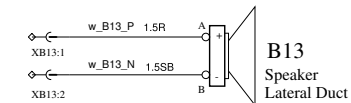
BRIDGE B (WCL & DL-110)

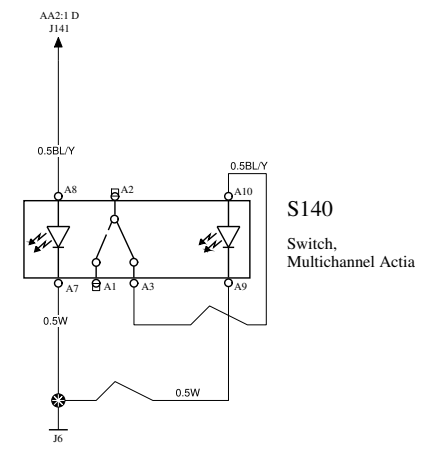
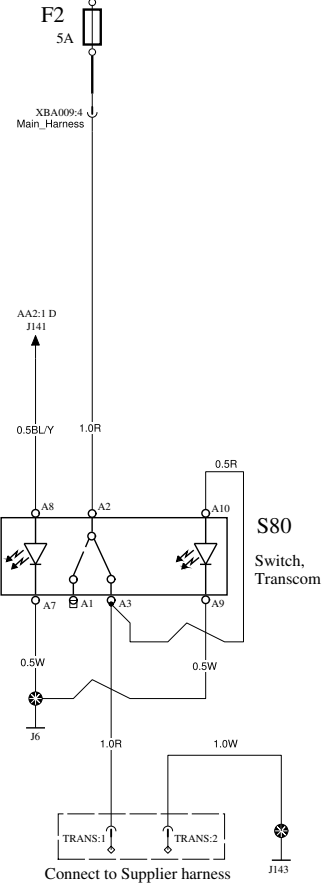
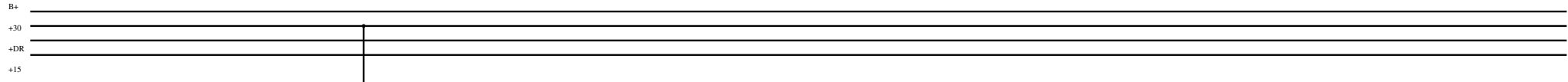


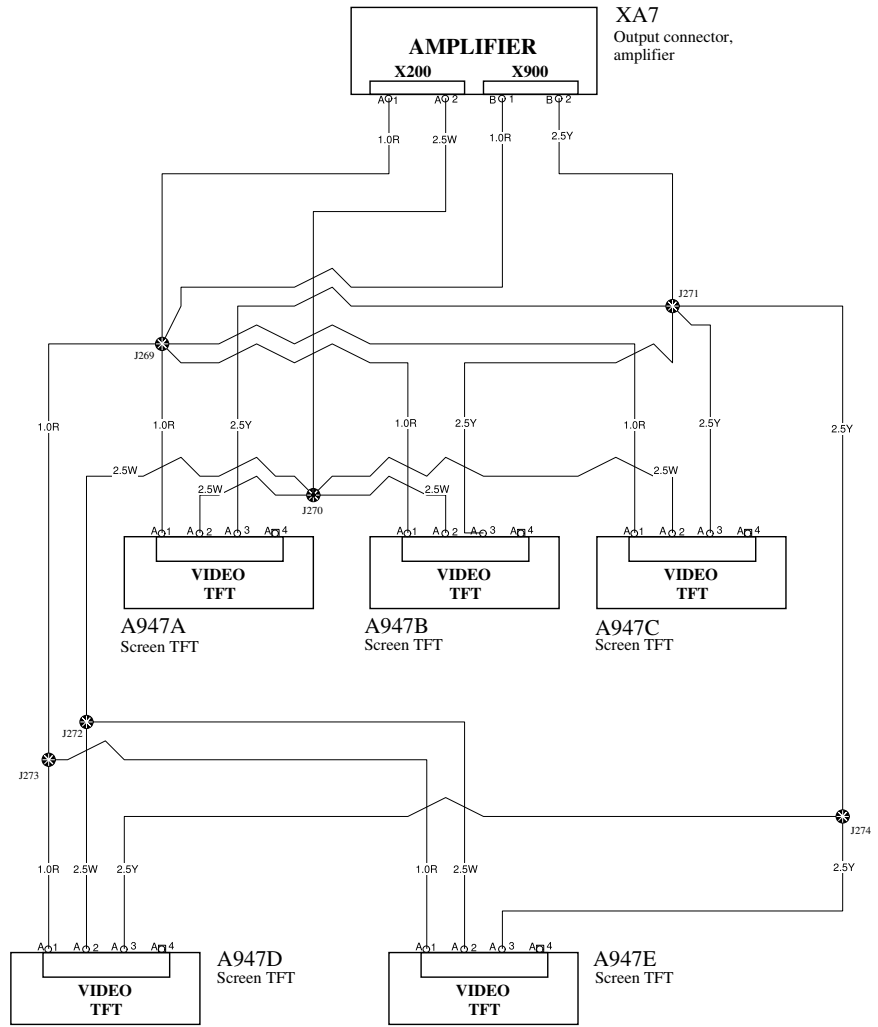
BRIDGE END JOINT

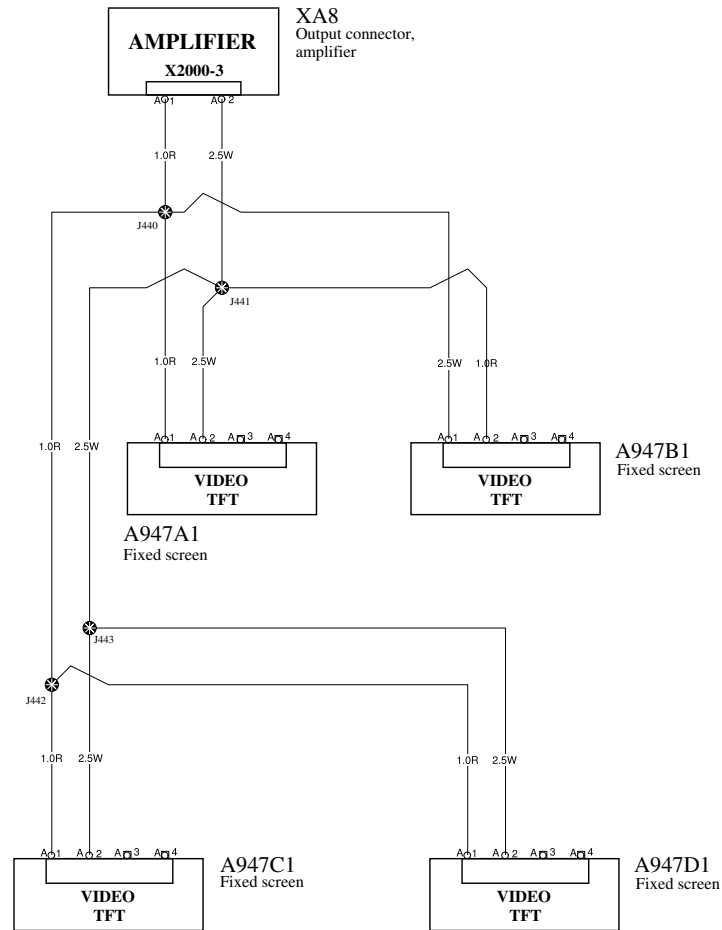


SERVICE KIT PCB TO SPEAKER

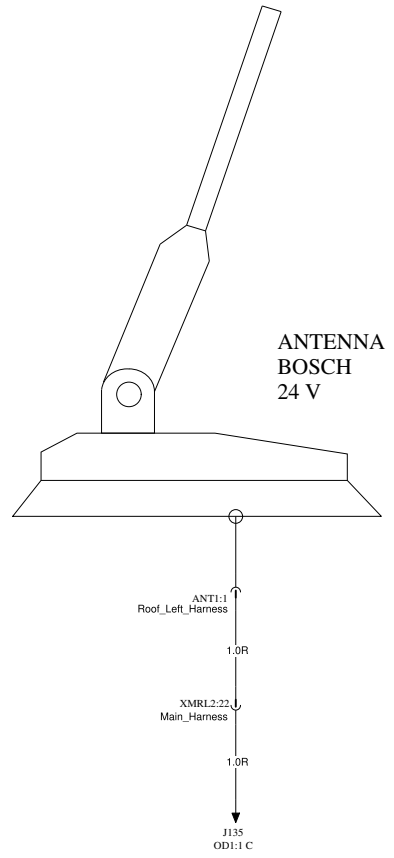








ANTENNA'S SATELLITE MODULES FEEDING 127 v



A

A

B

B

C

C

D

D

E

E

A

A

B

B

C

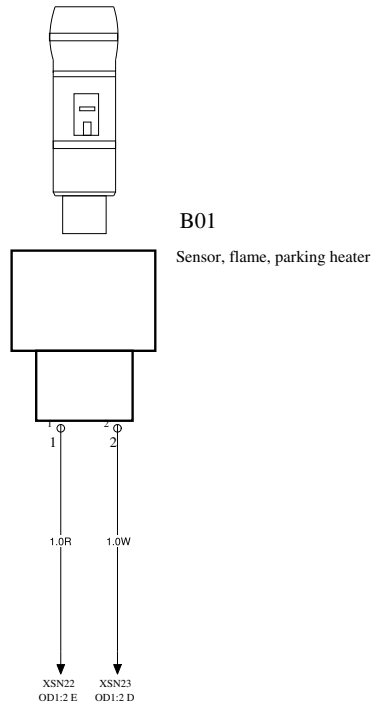
C

D

D

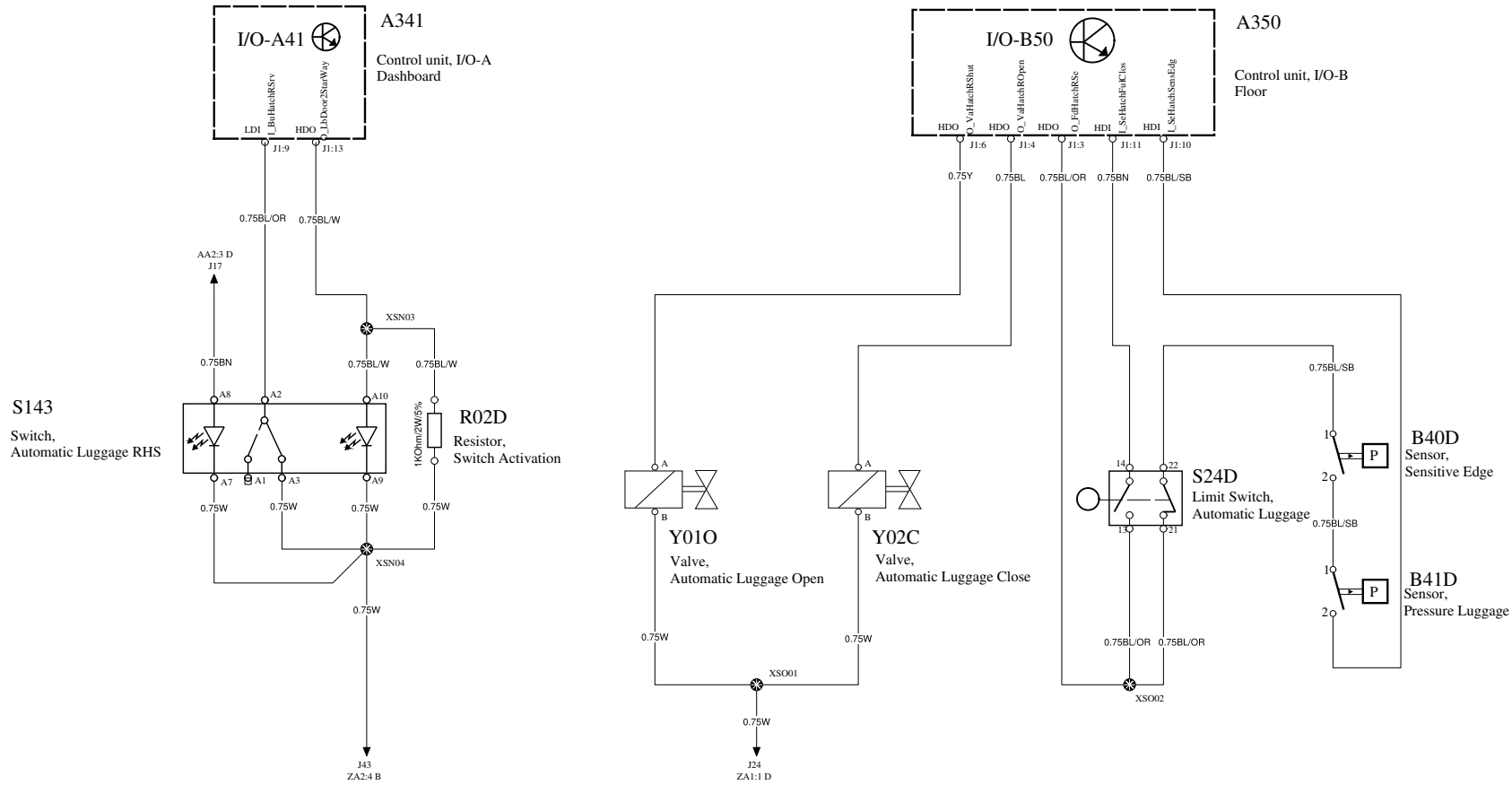
E

E



LUGGAGE DOOR CONTROL

WIRING DIAGRAM OA1



VOLVO

Volvo Bus Corporation

Document title
WIRING DIAGRAM

Document type
PRODUCT SCHEMATIC

Document No

23458767

Issue

03

Volume

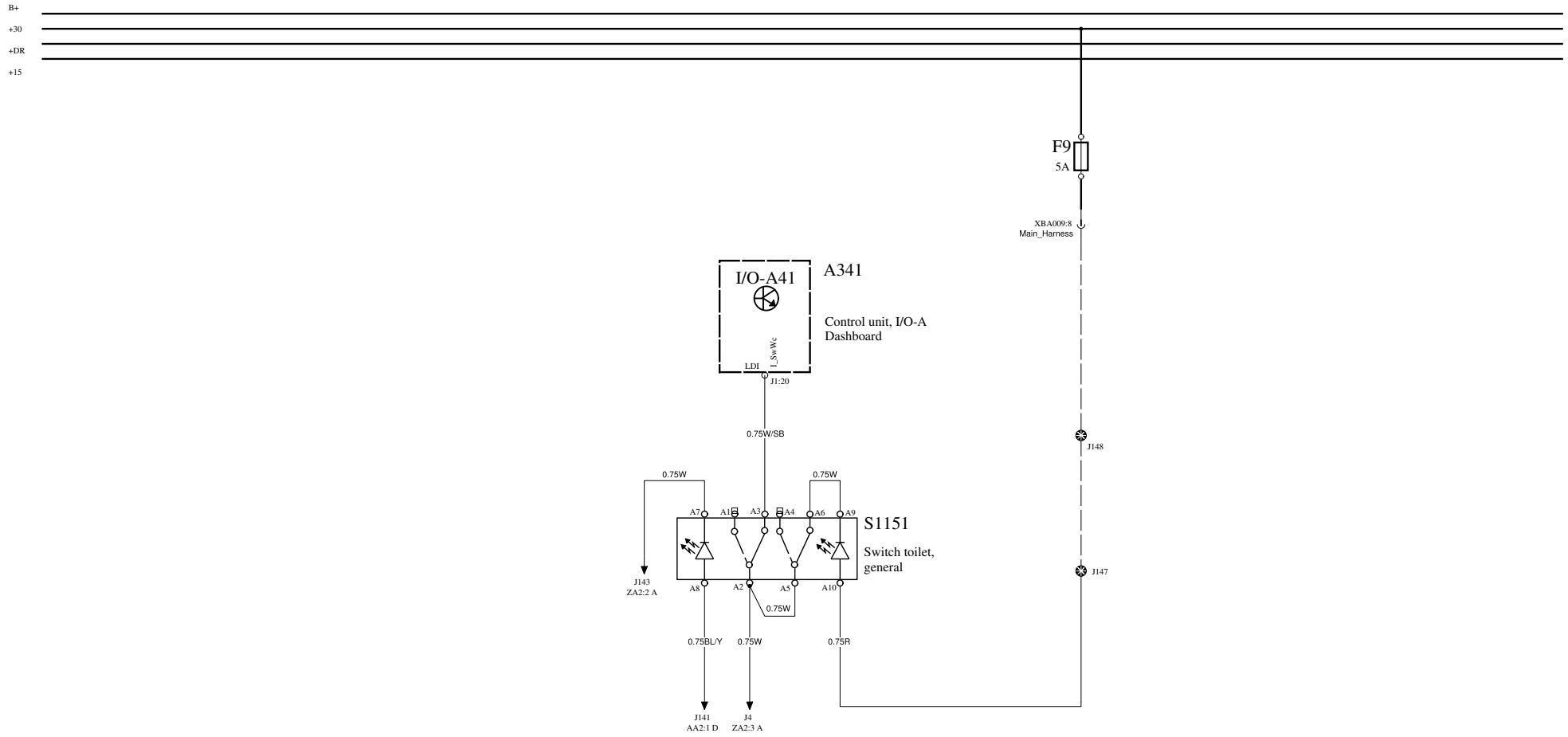
02(03)

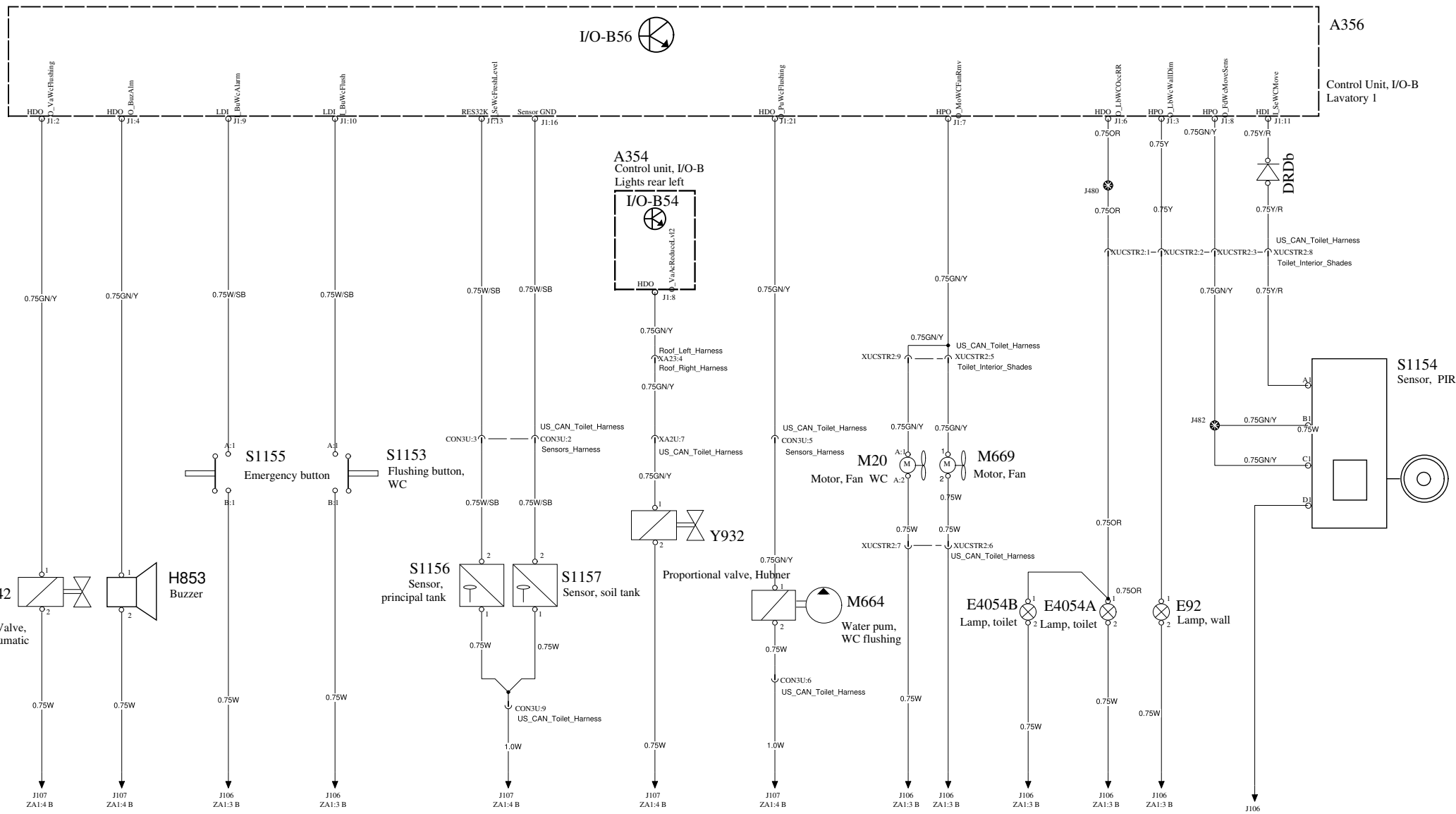
Page

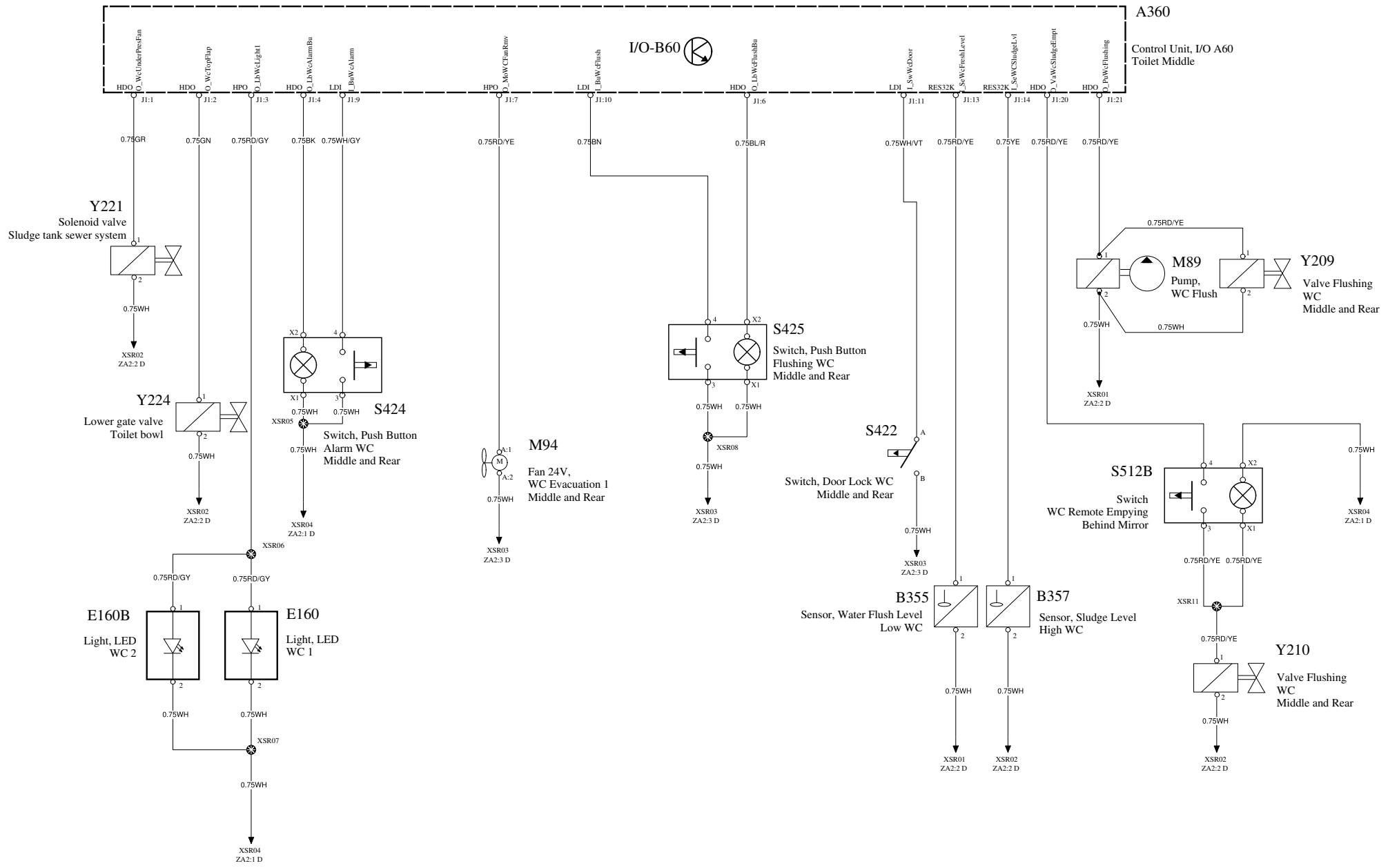
45(90)

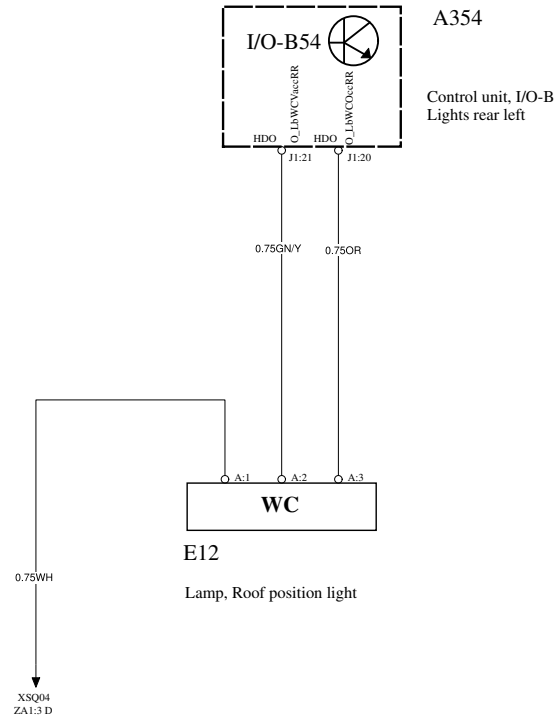
TOILET ACTIVATION SWITCH

WIRING DIAGRAM OA1-3



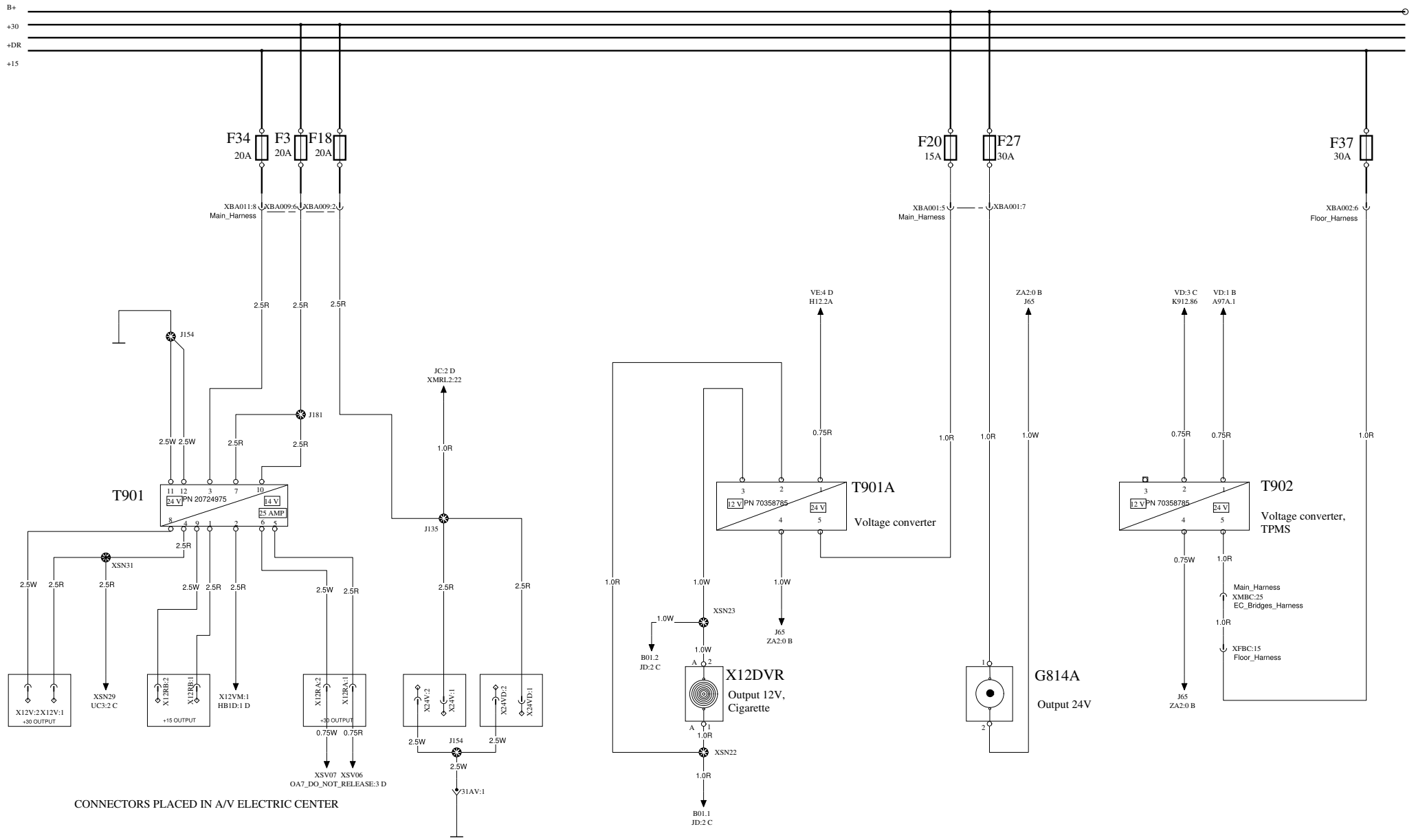


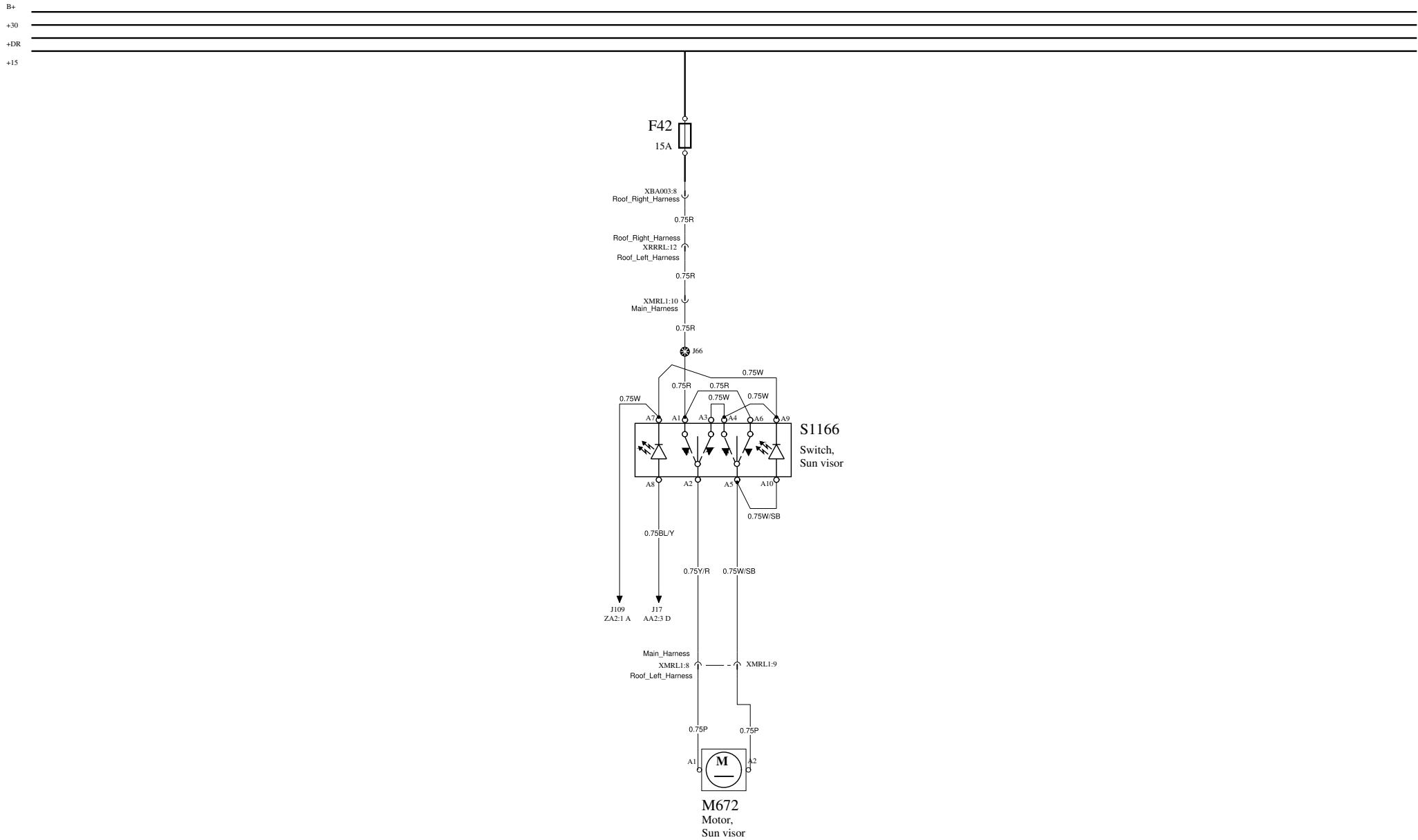




ELECTRICAL DASHBOARD OUTLET 12V & 24V

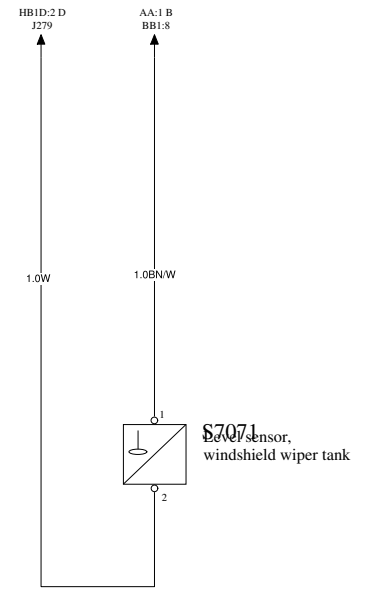
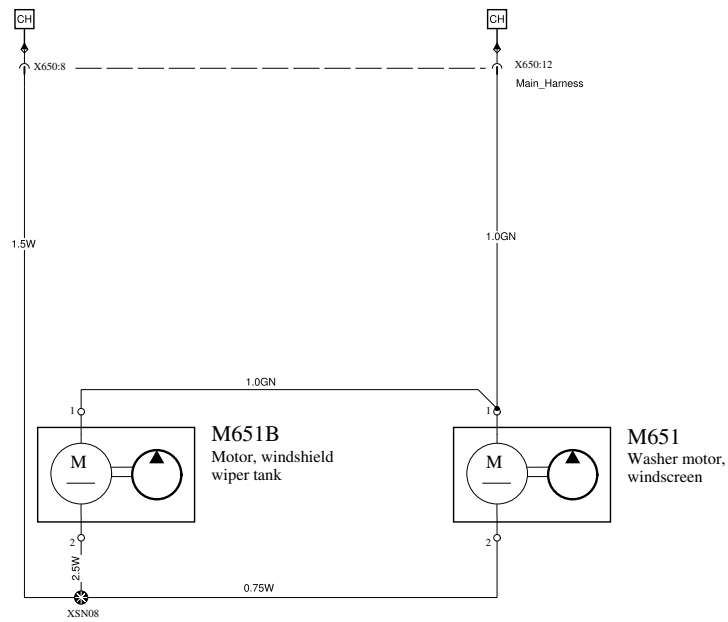
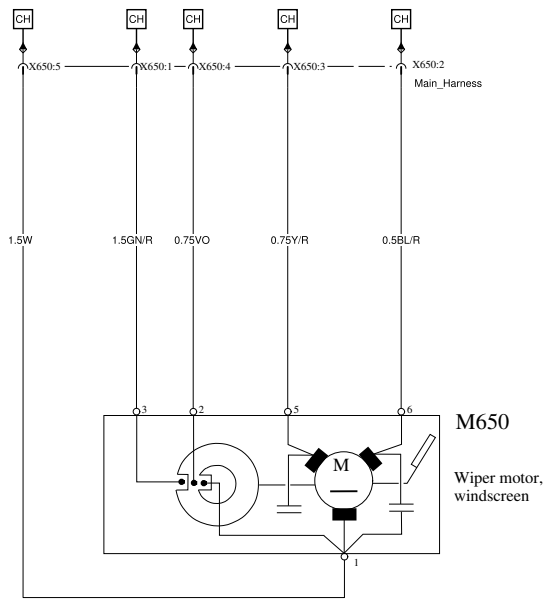
WIRING DIAGRAM OD1





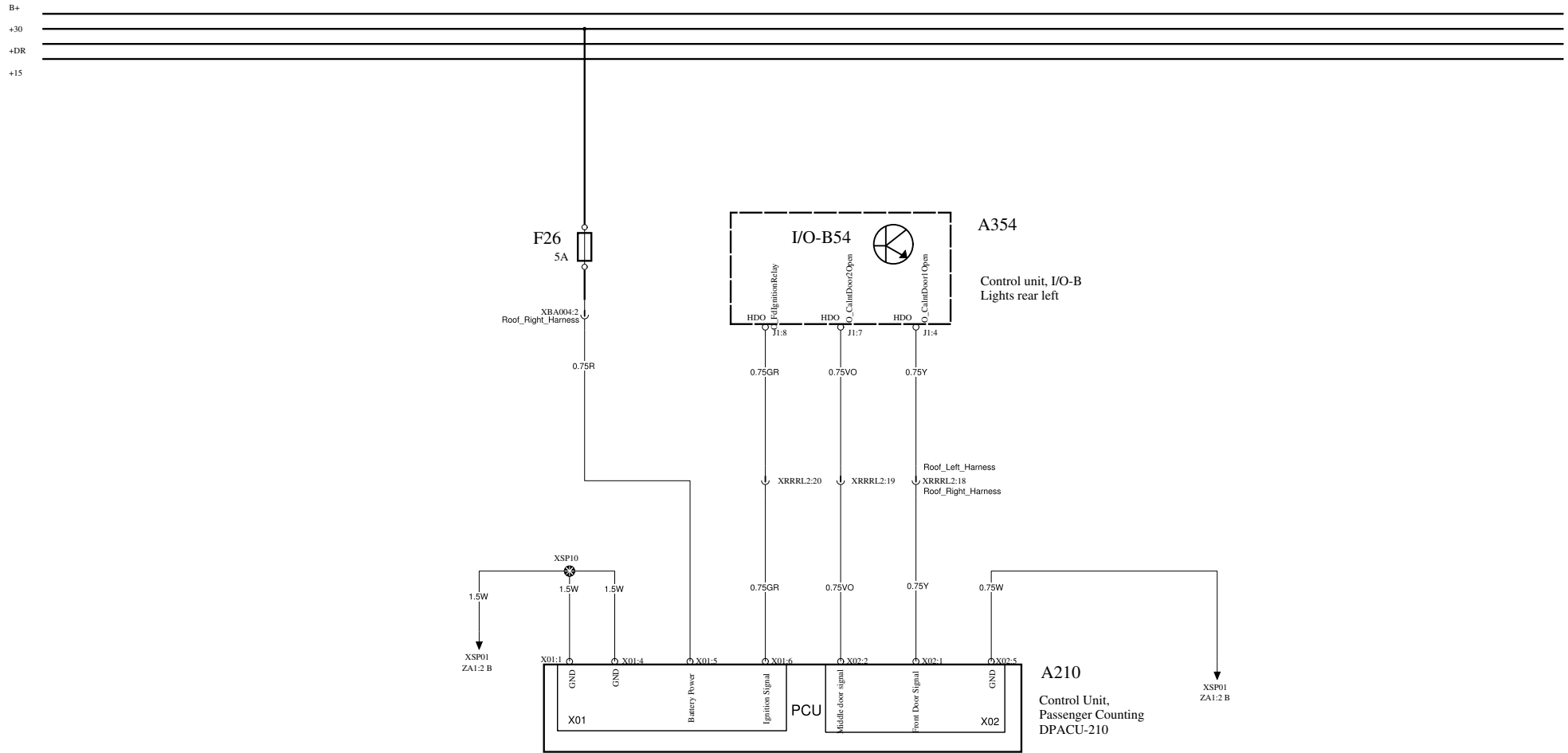
WIPER AND WASHER

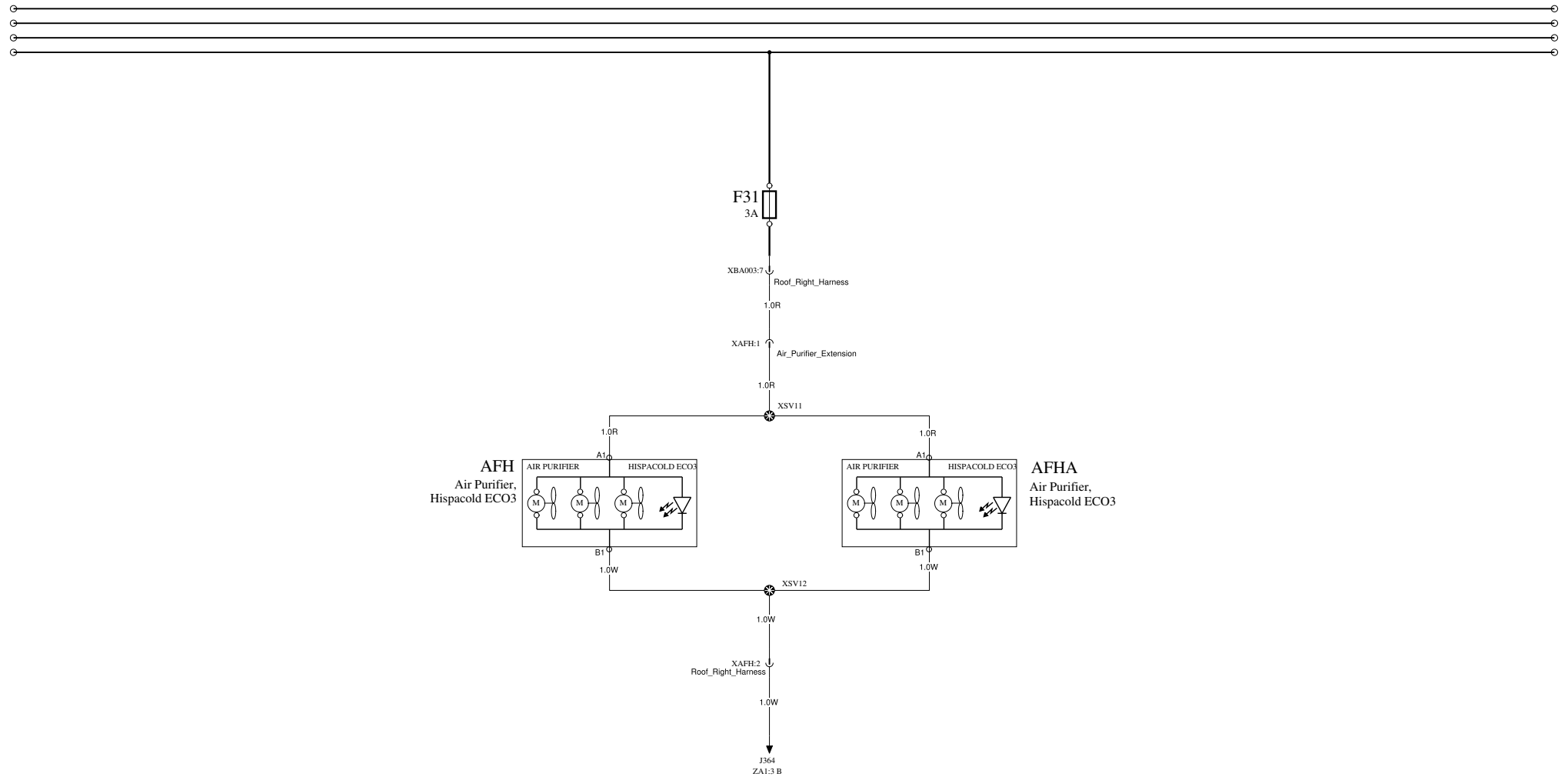
WIRING DIAGRAM OO1

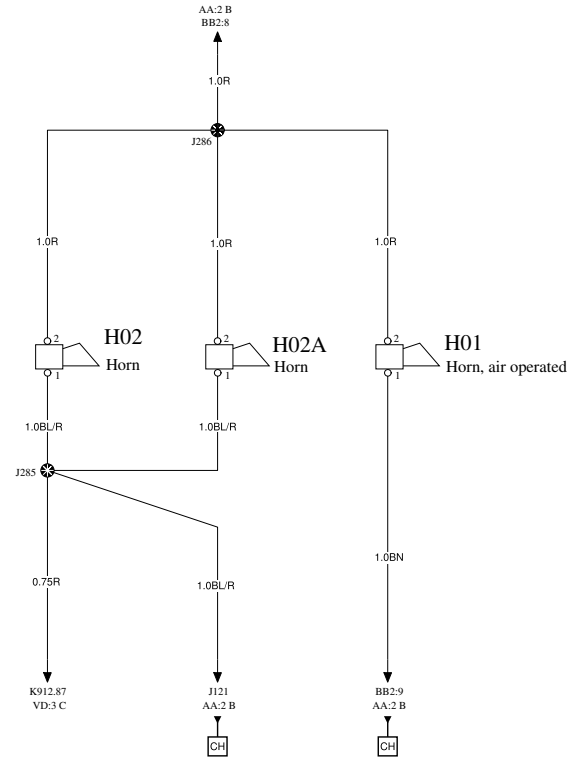


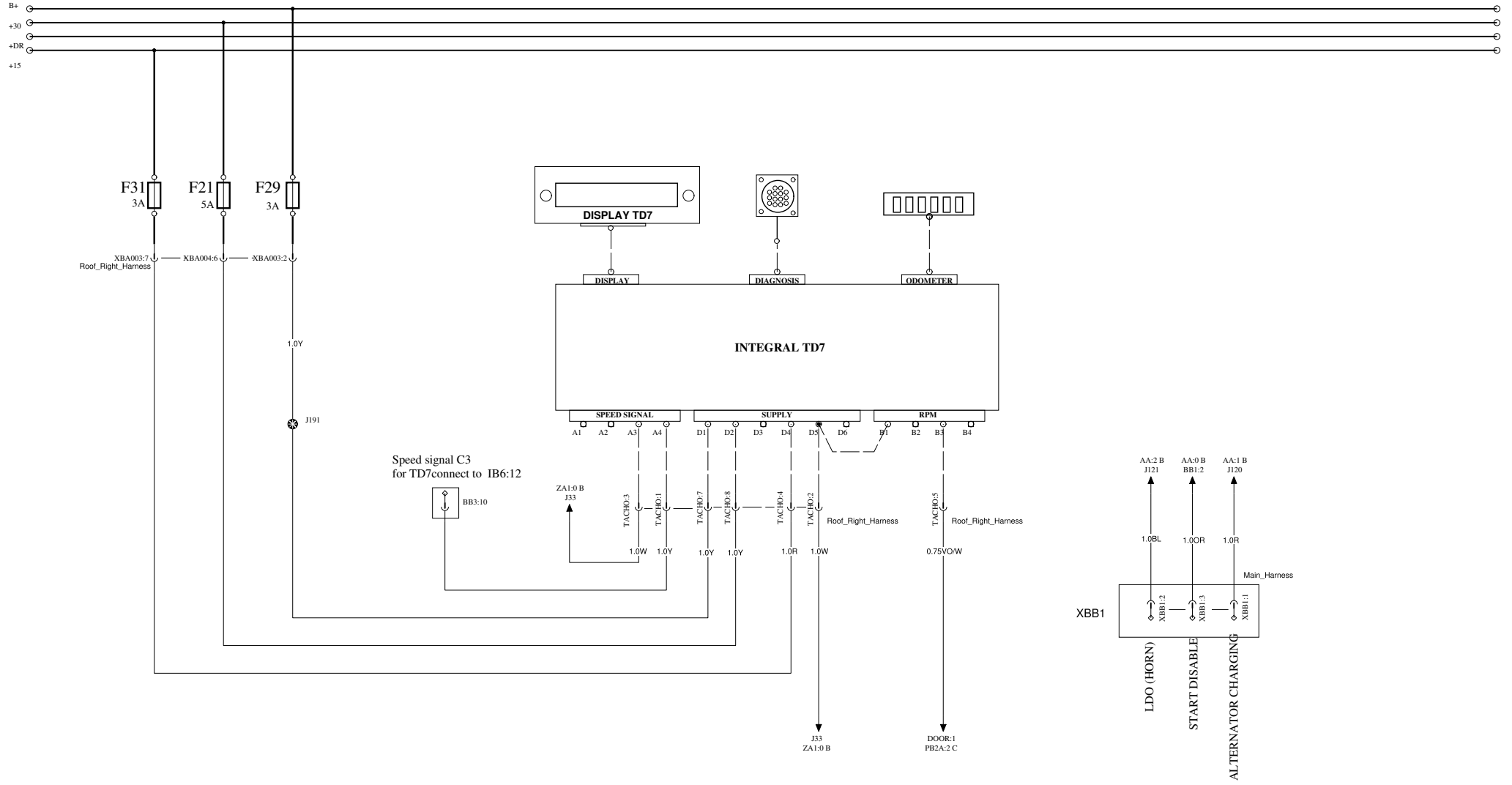
PASSENGER COUNTING

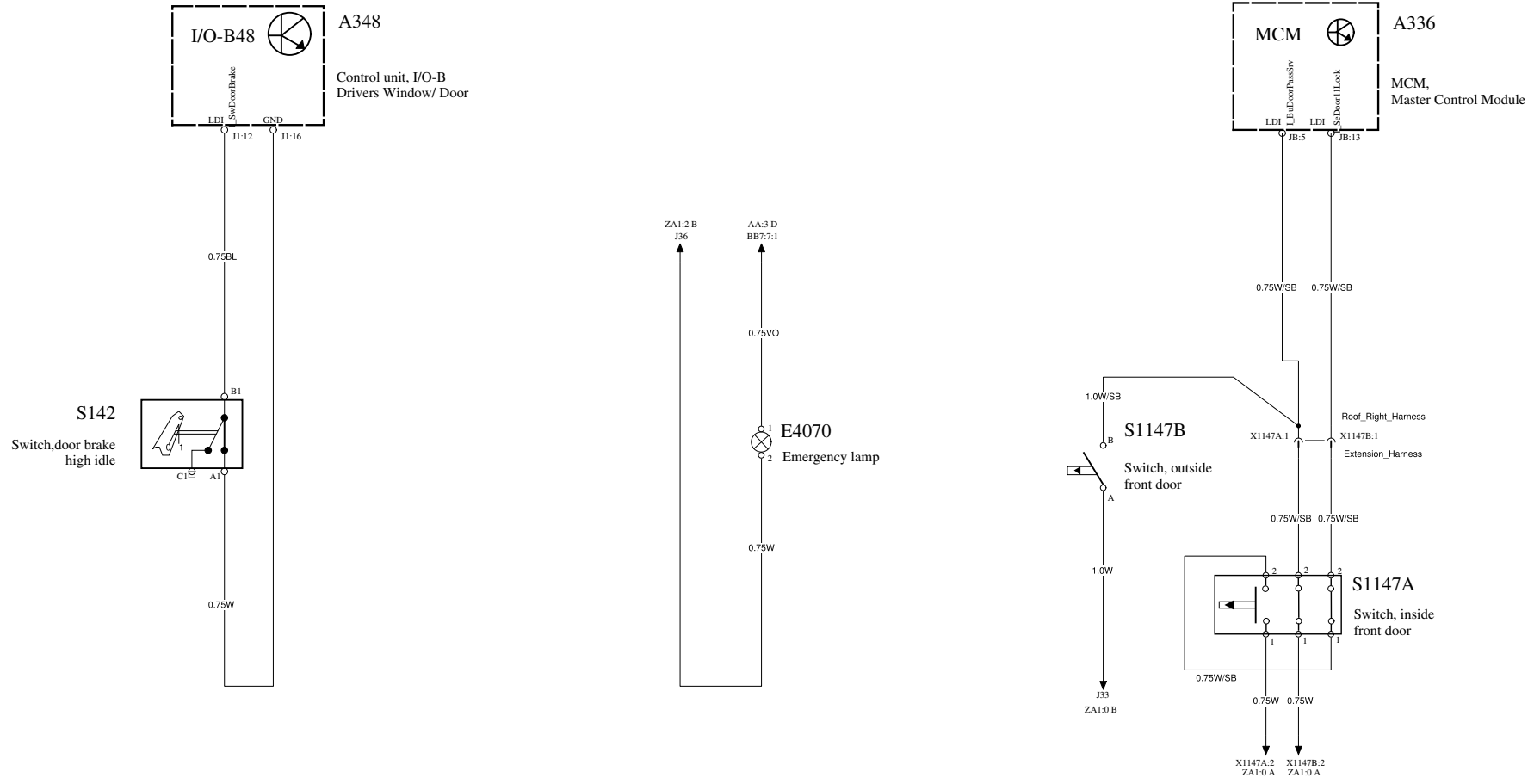
WIRING DIAGRAM OO2





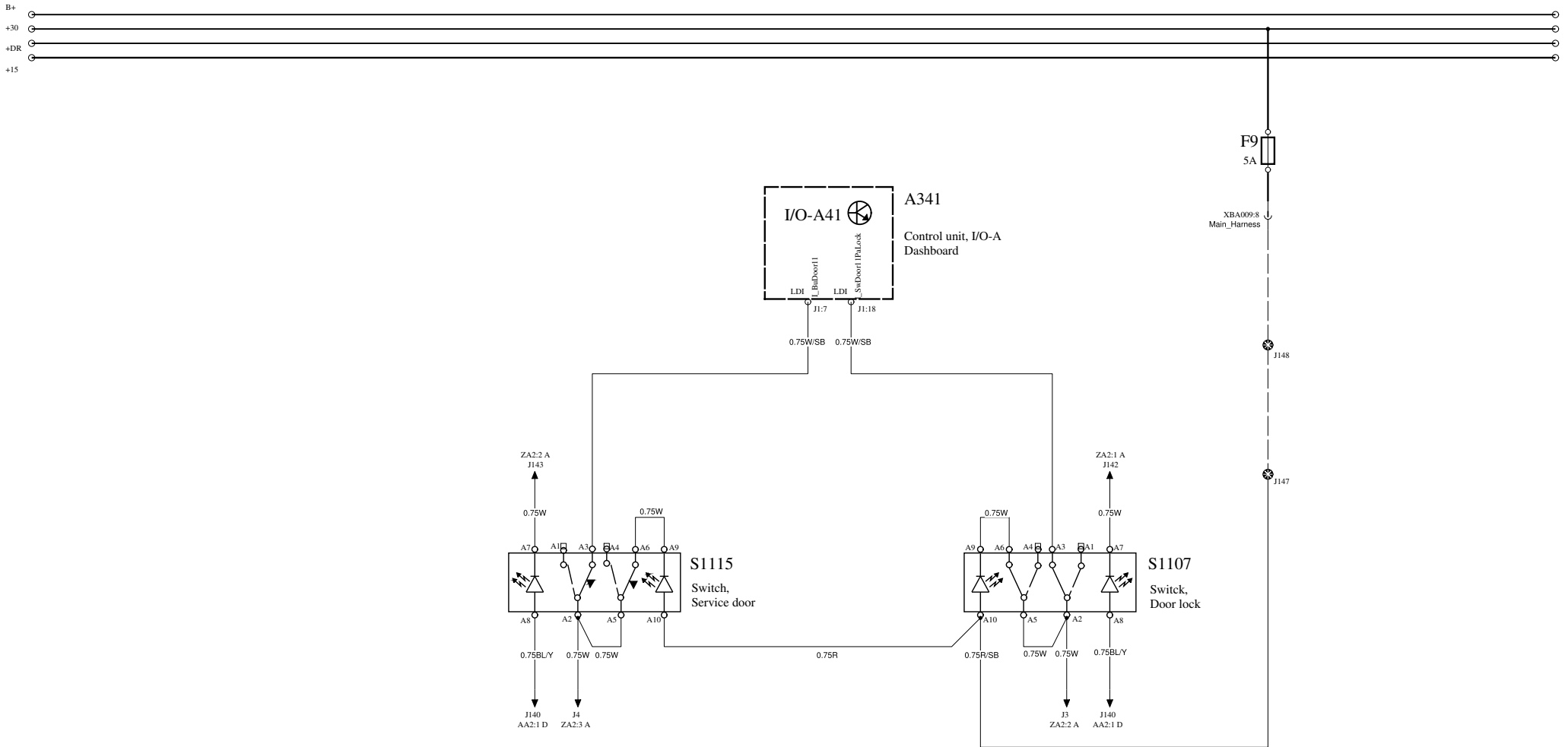






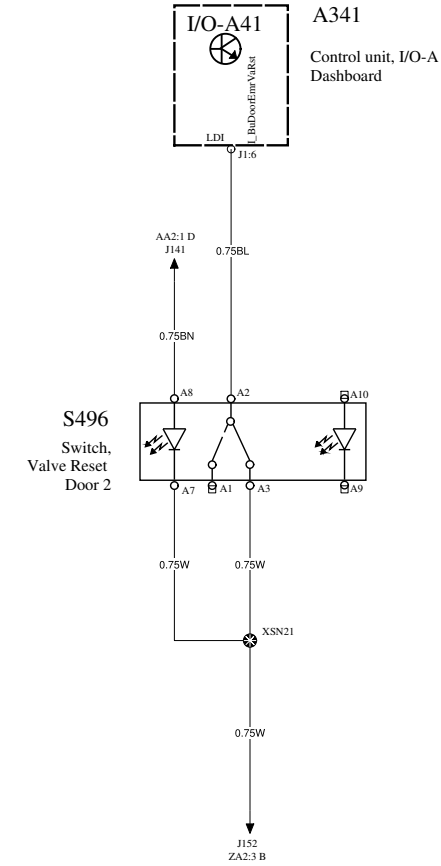
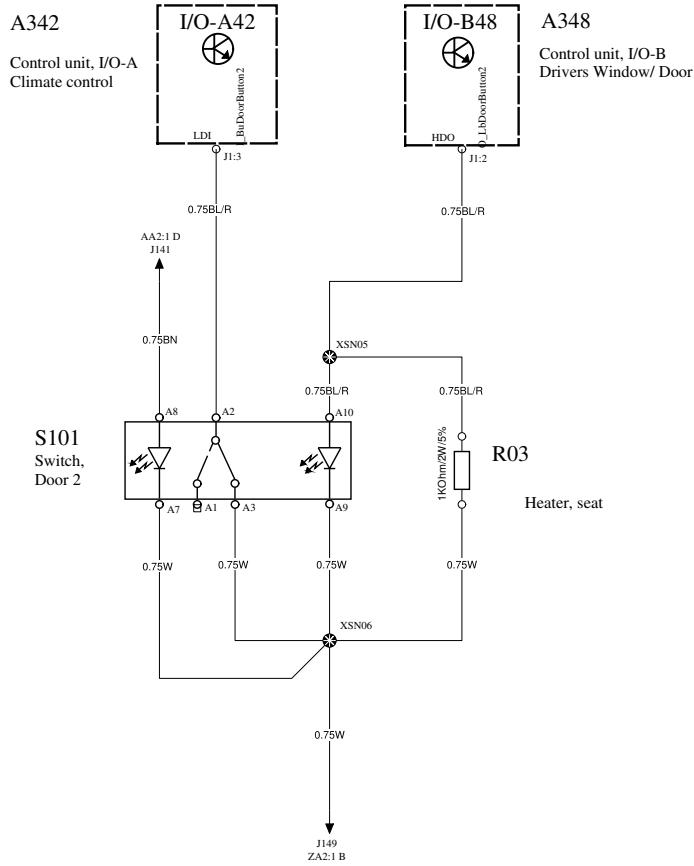
DOOR 1 OPERATING BUTTONS

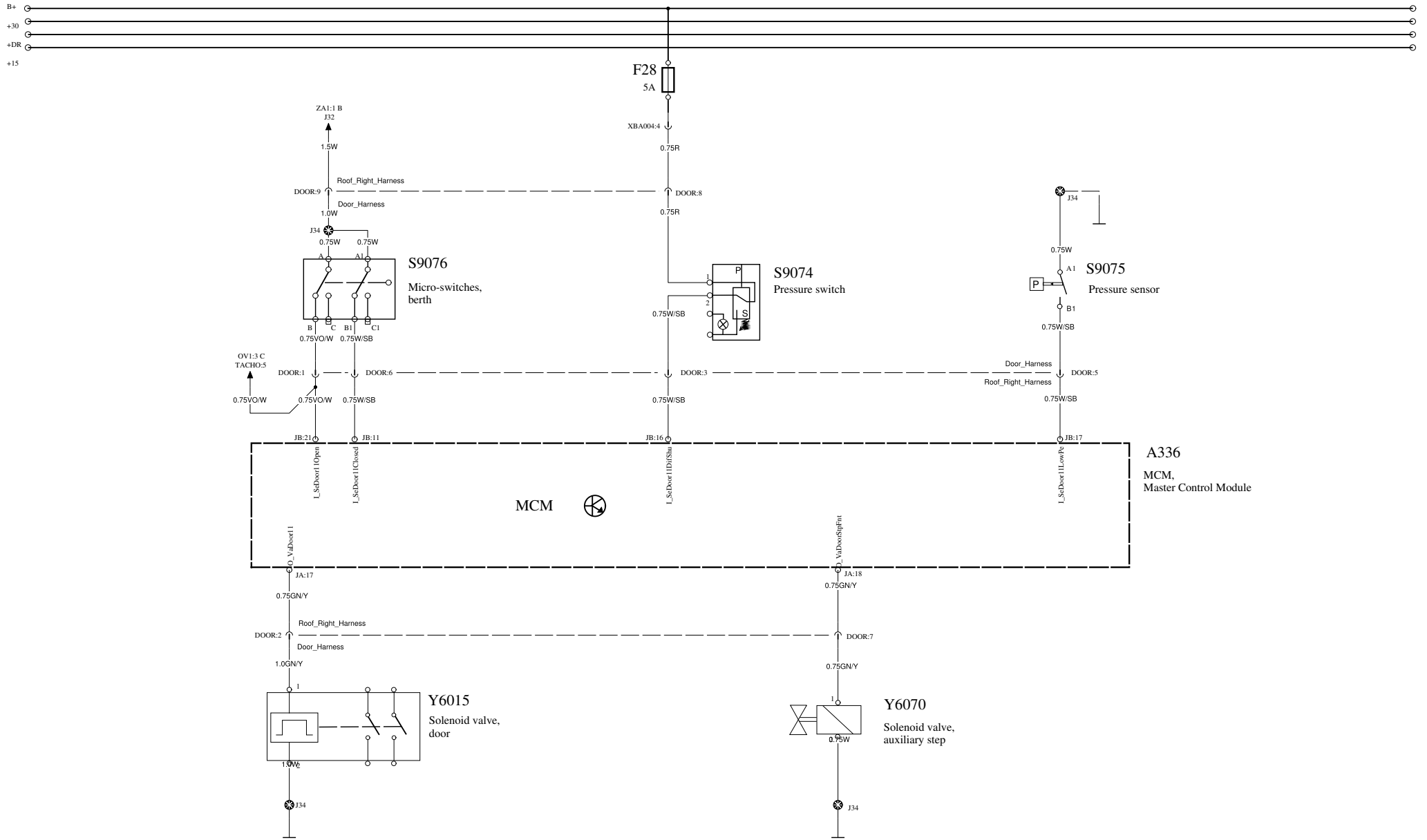
WIRING DIAGRAM PA1

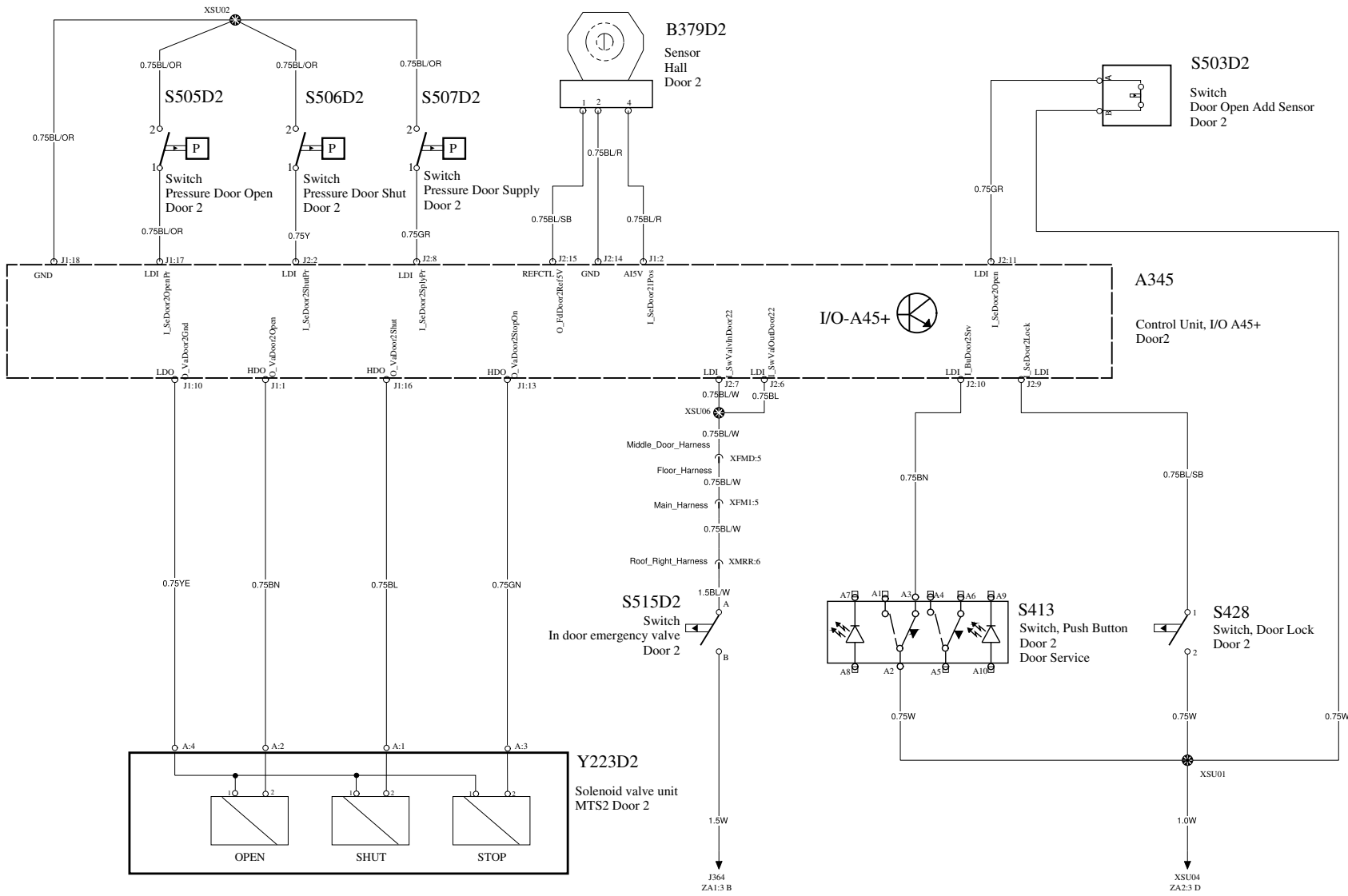


DOOR 2 OPERATING BUTTONS

WIRING DIAGRAM PA2

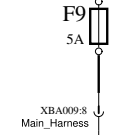
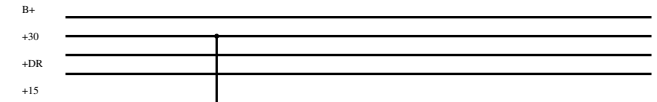
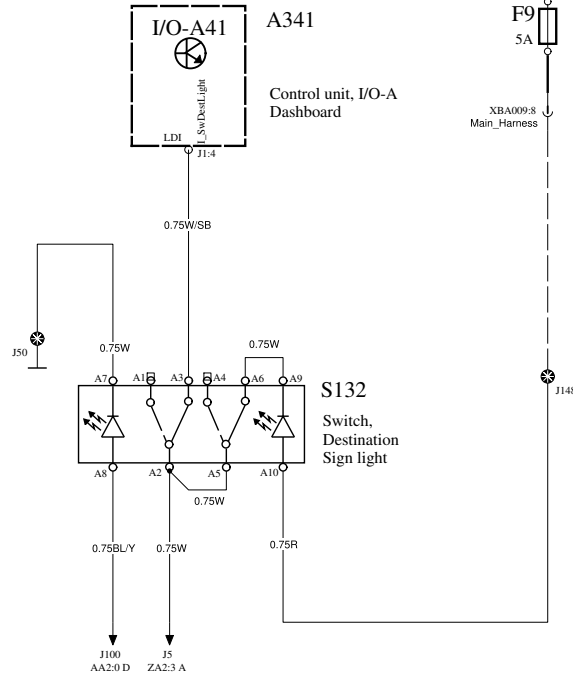
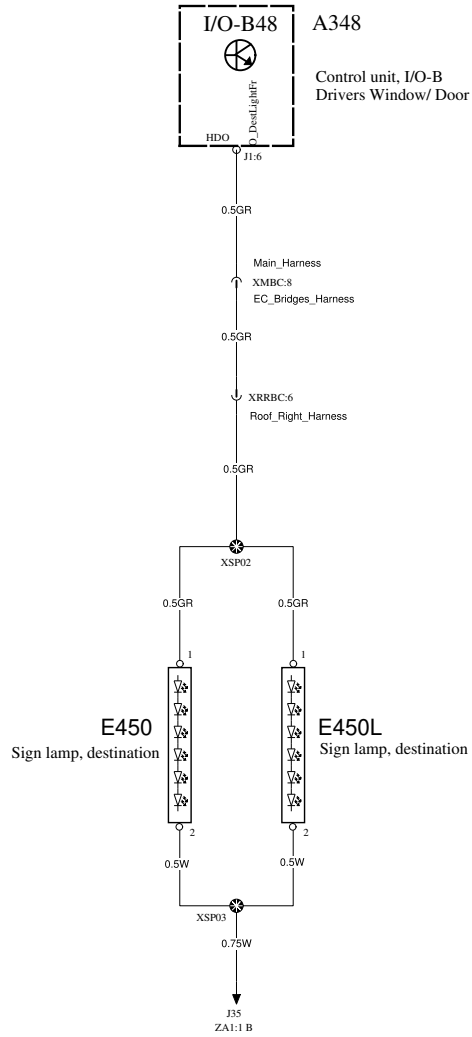


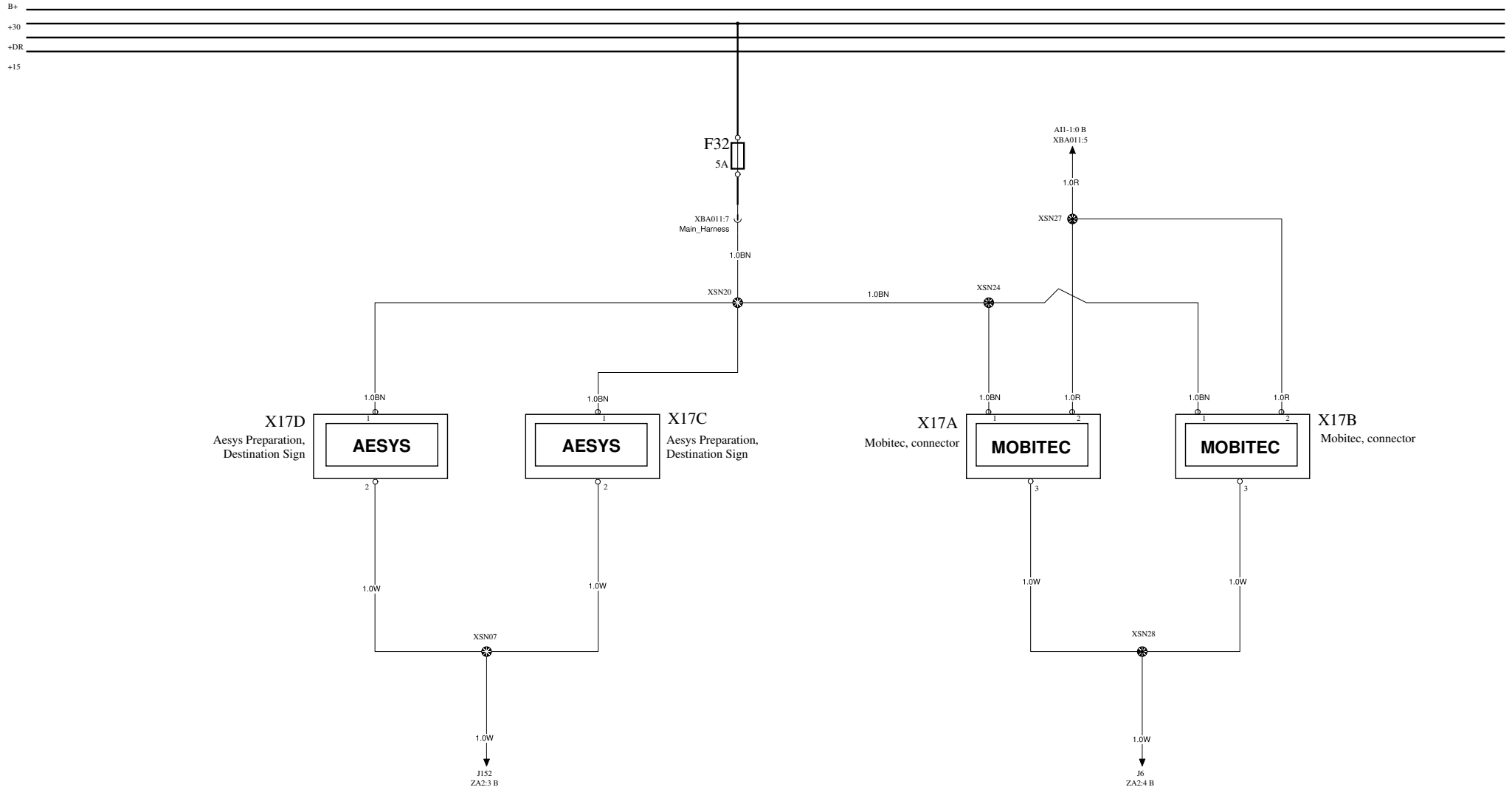




DESTINATION SIGN

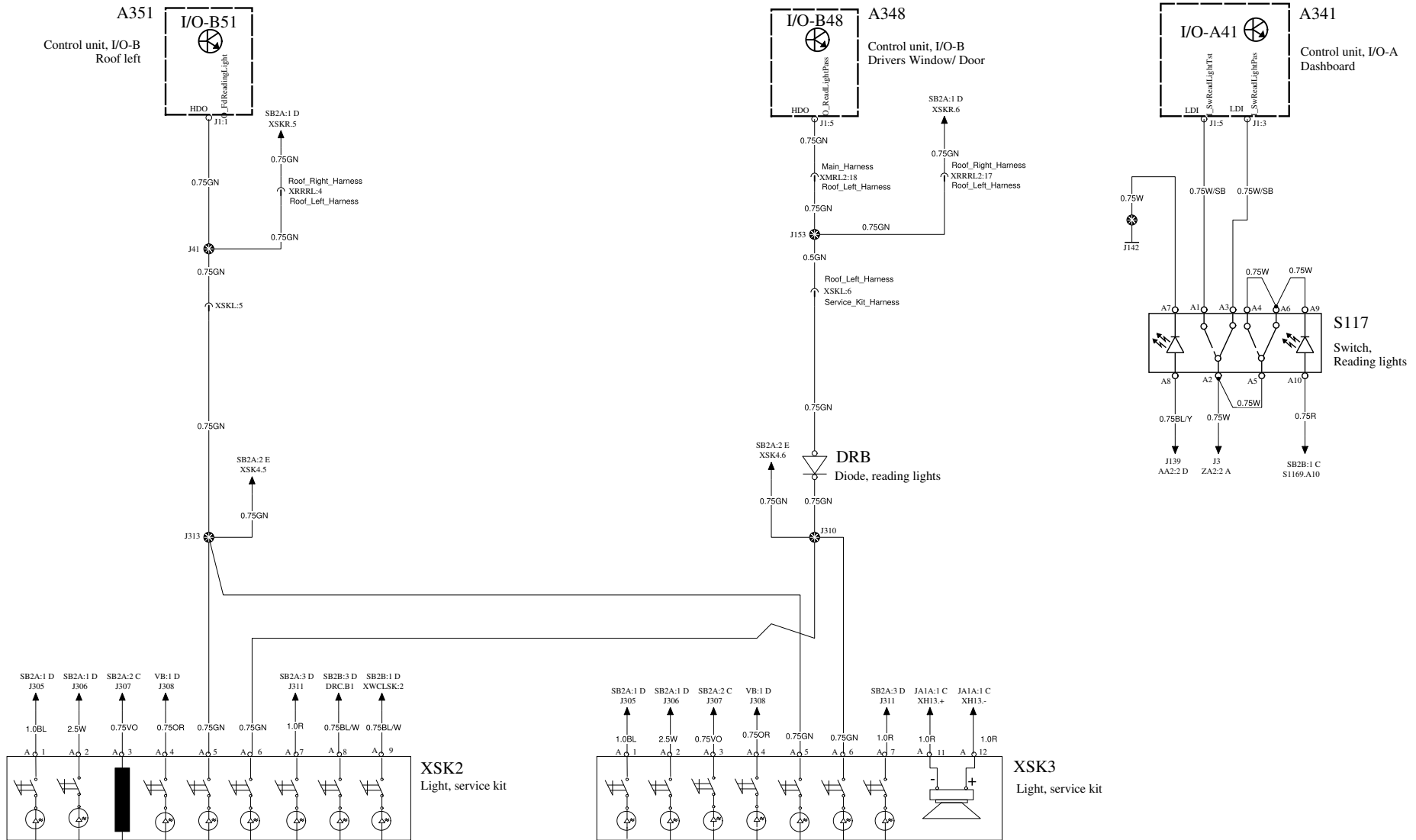
WIRING DIAGRAM SA





READING LIGHTS

WIRING DIAGRAM SB2



VOLVO

Volvo Bus Corporation

Document title
WIRING DIAGRAM

Document type
PRODUCT SCHEMATIC

Document No

23458767

Issue

03

Volume

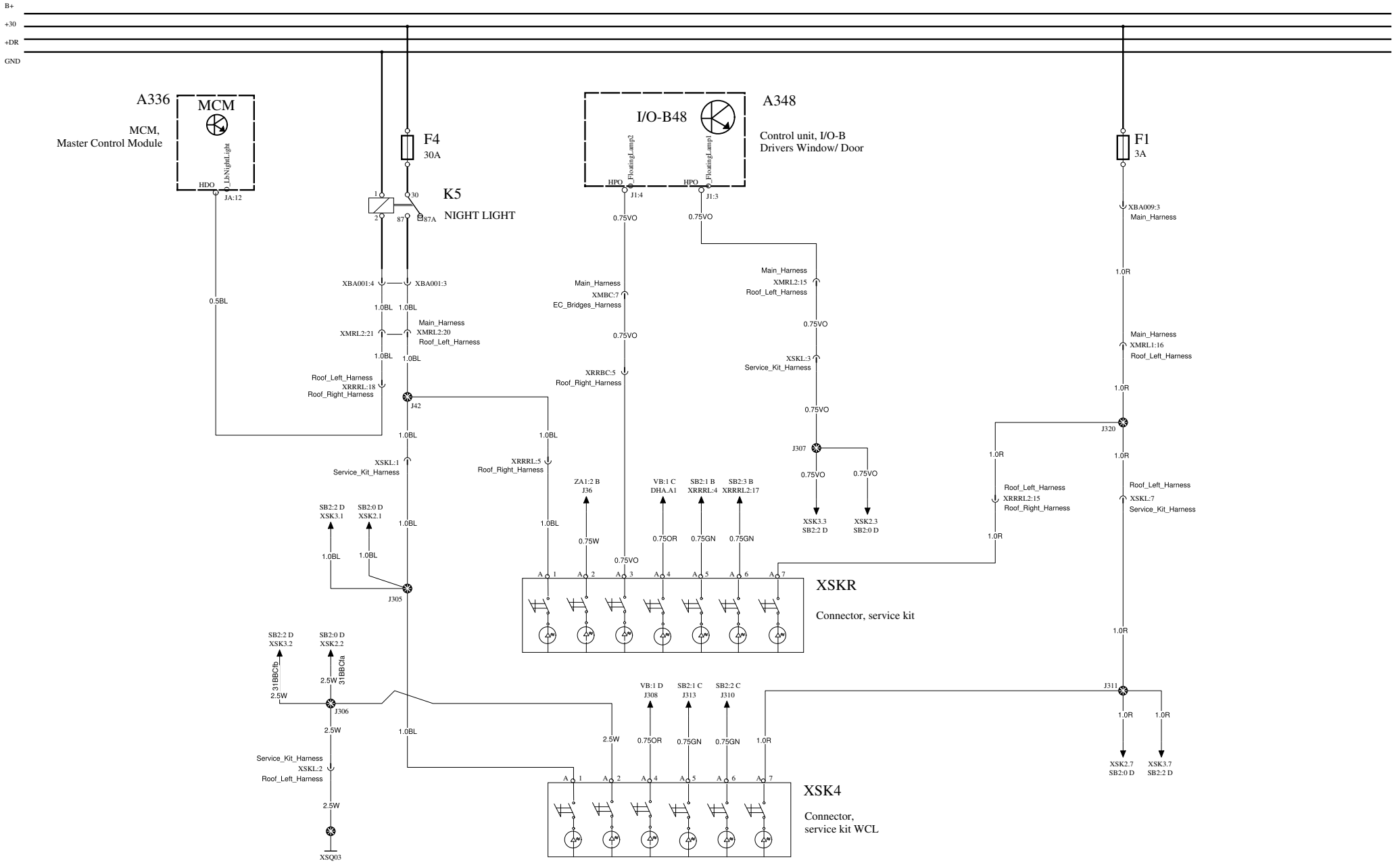
02(03)

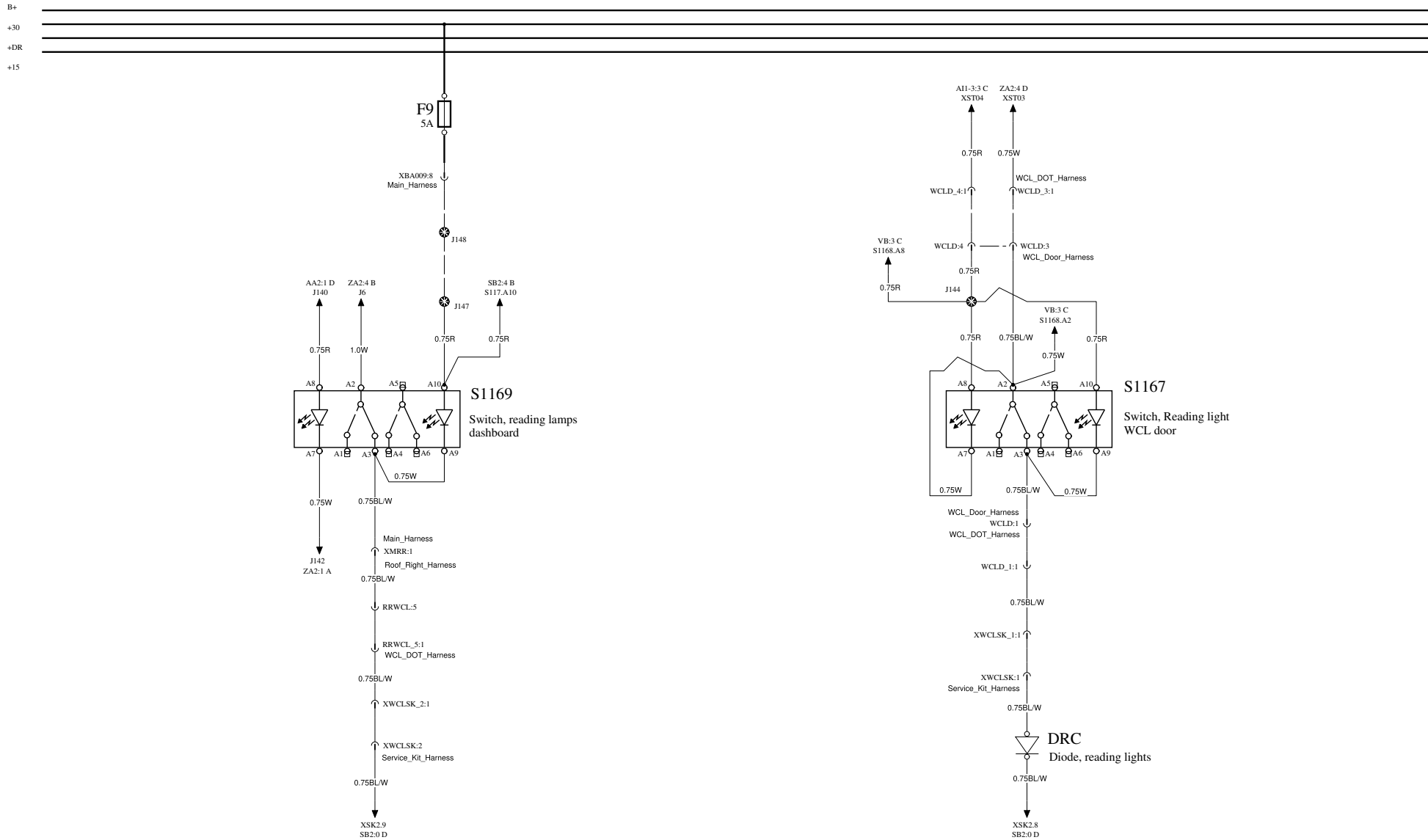
Page

64(90)

PASSANGER SERVICE KIT

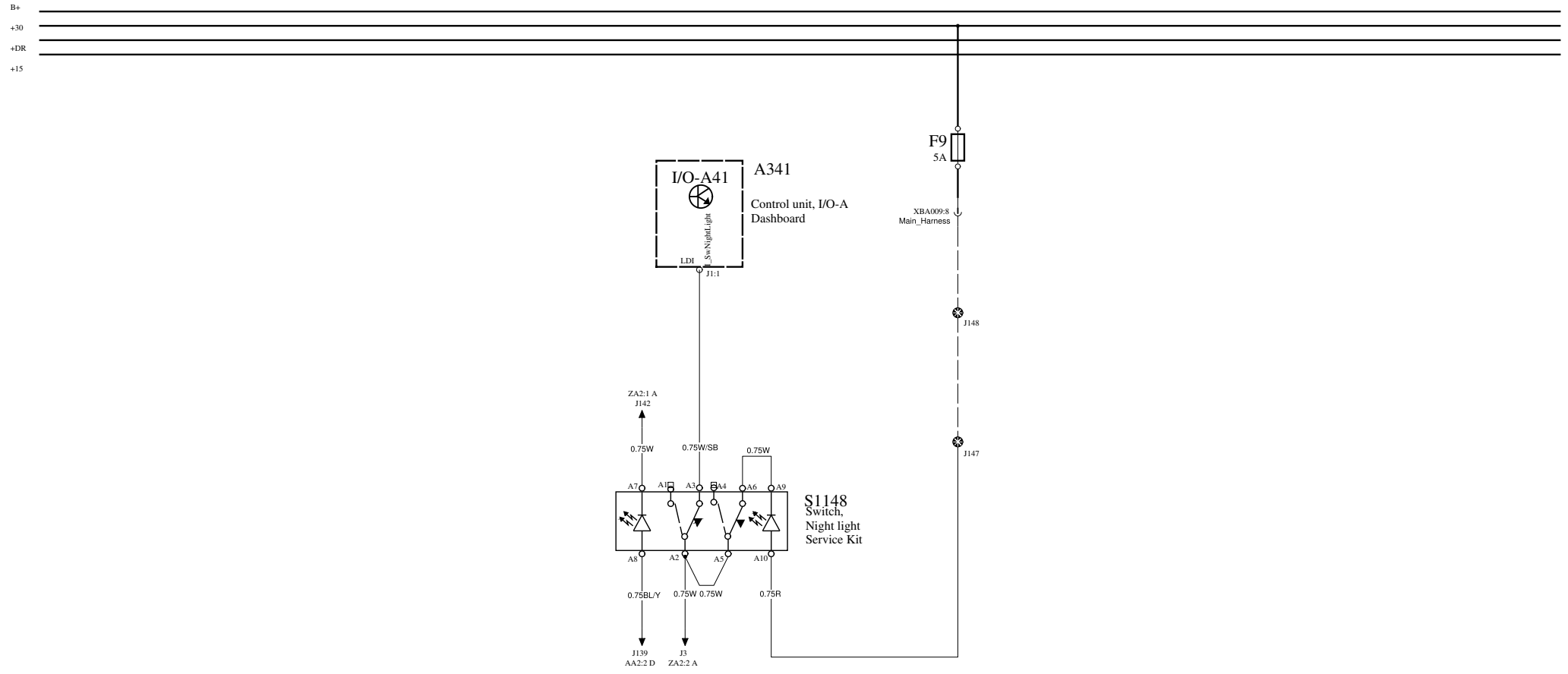
WIRING DIAGRAM SB2A

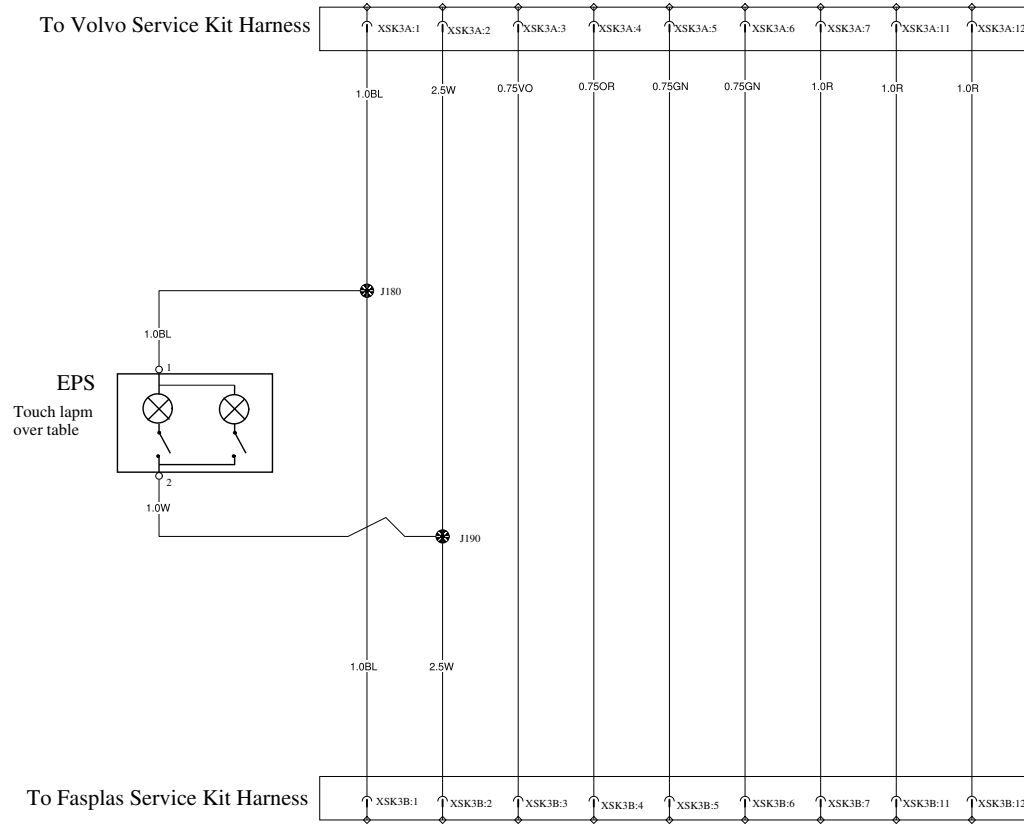




NIGHT LIGHT SWITCH ACTIVATION

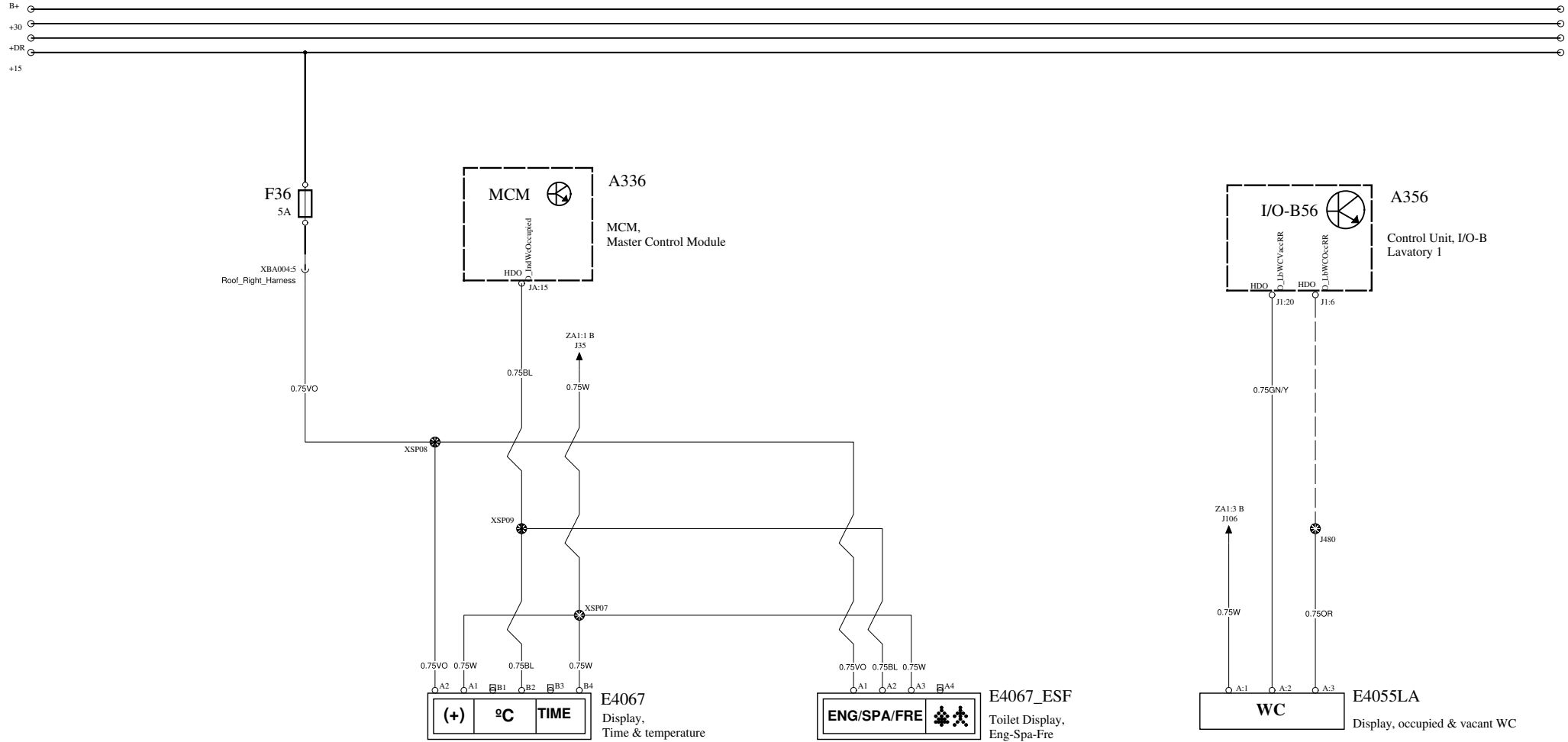
WIRING DIAGRAM SB2C





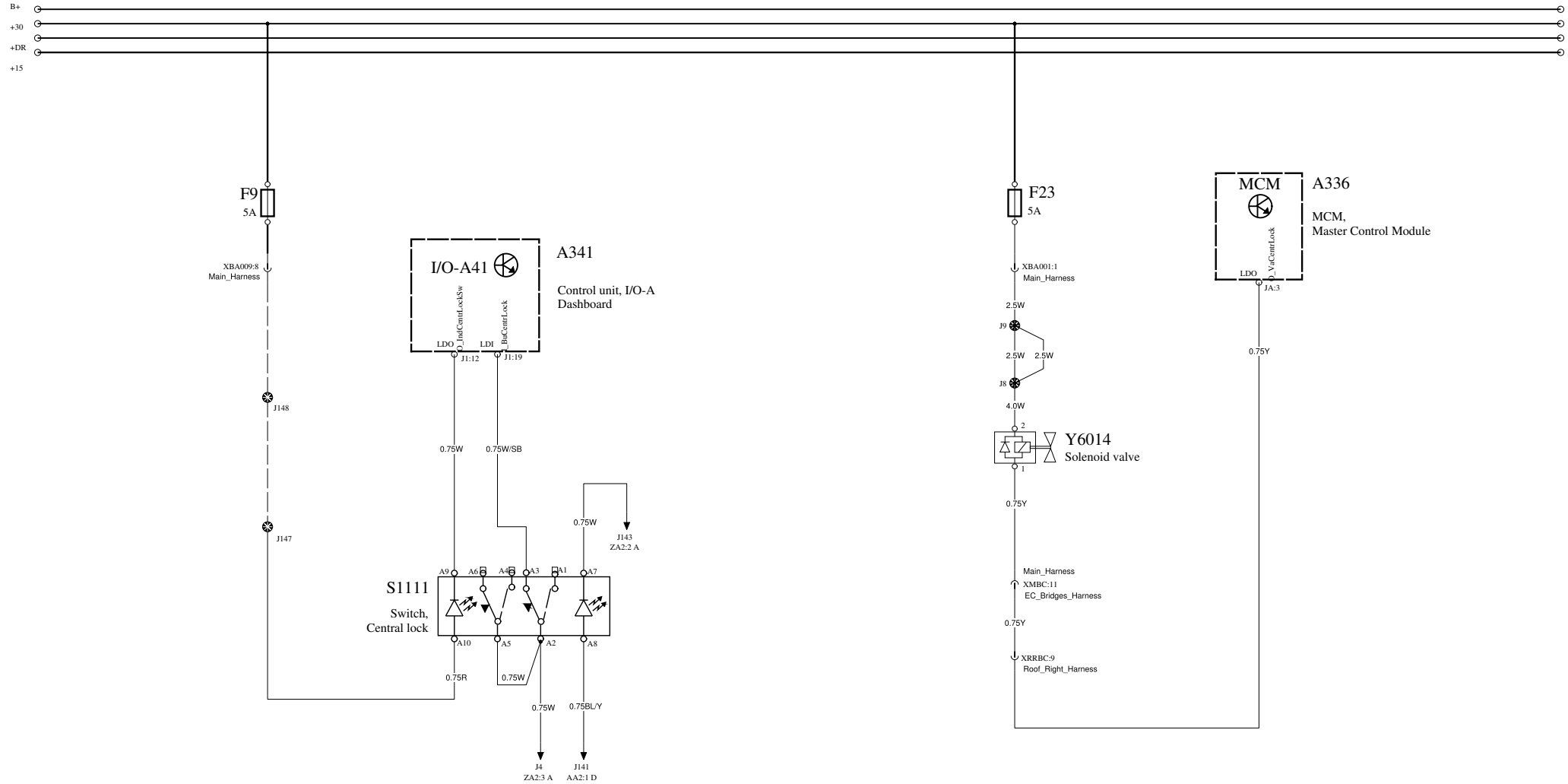
TIME, TEMPERATURE & WC DISPLAY

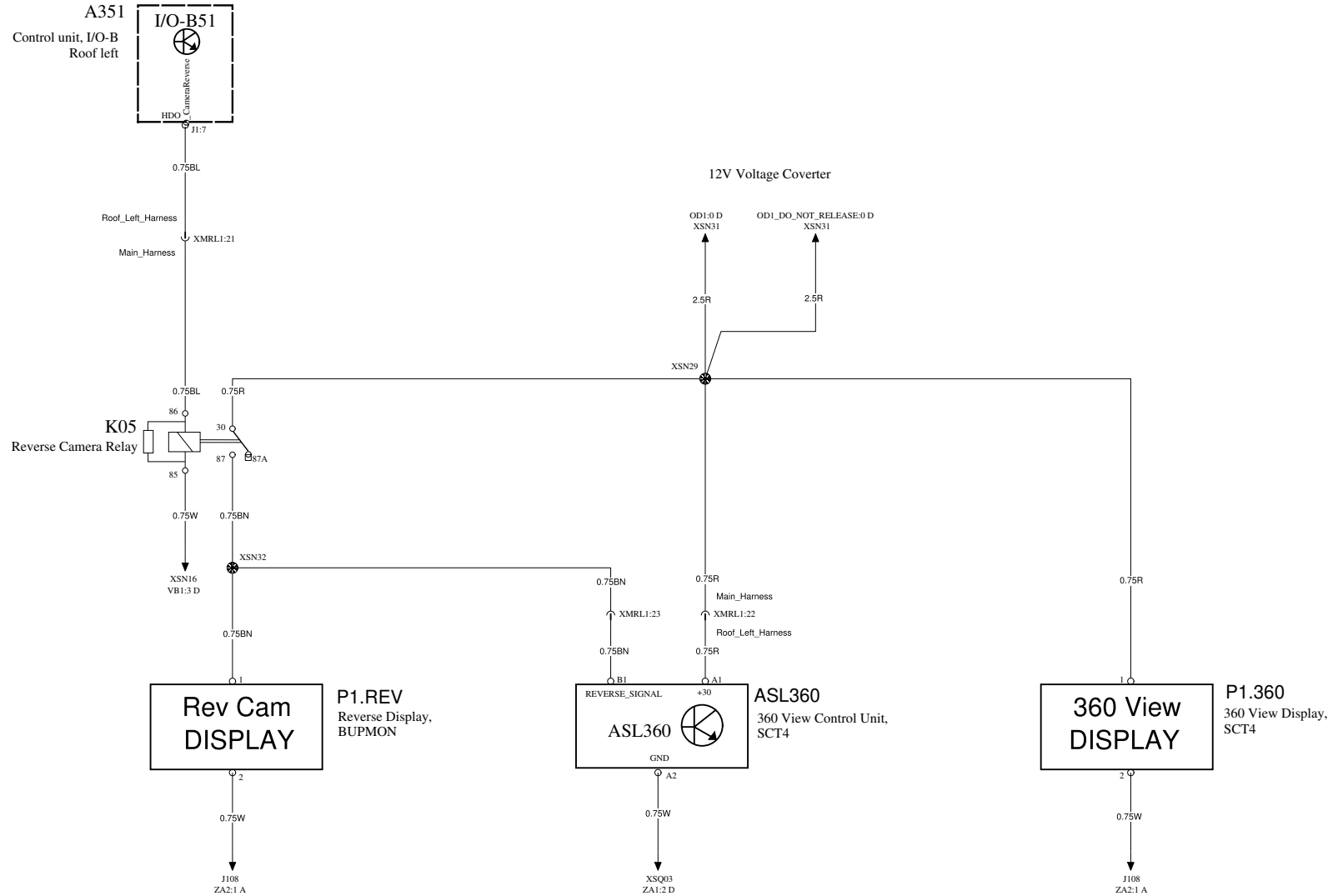
WIRING DIAGRAM SC2



CENTRAL LOCK LUGGAGE HATCHES

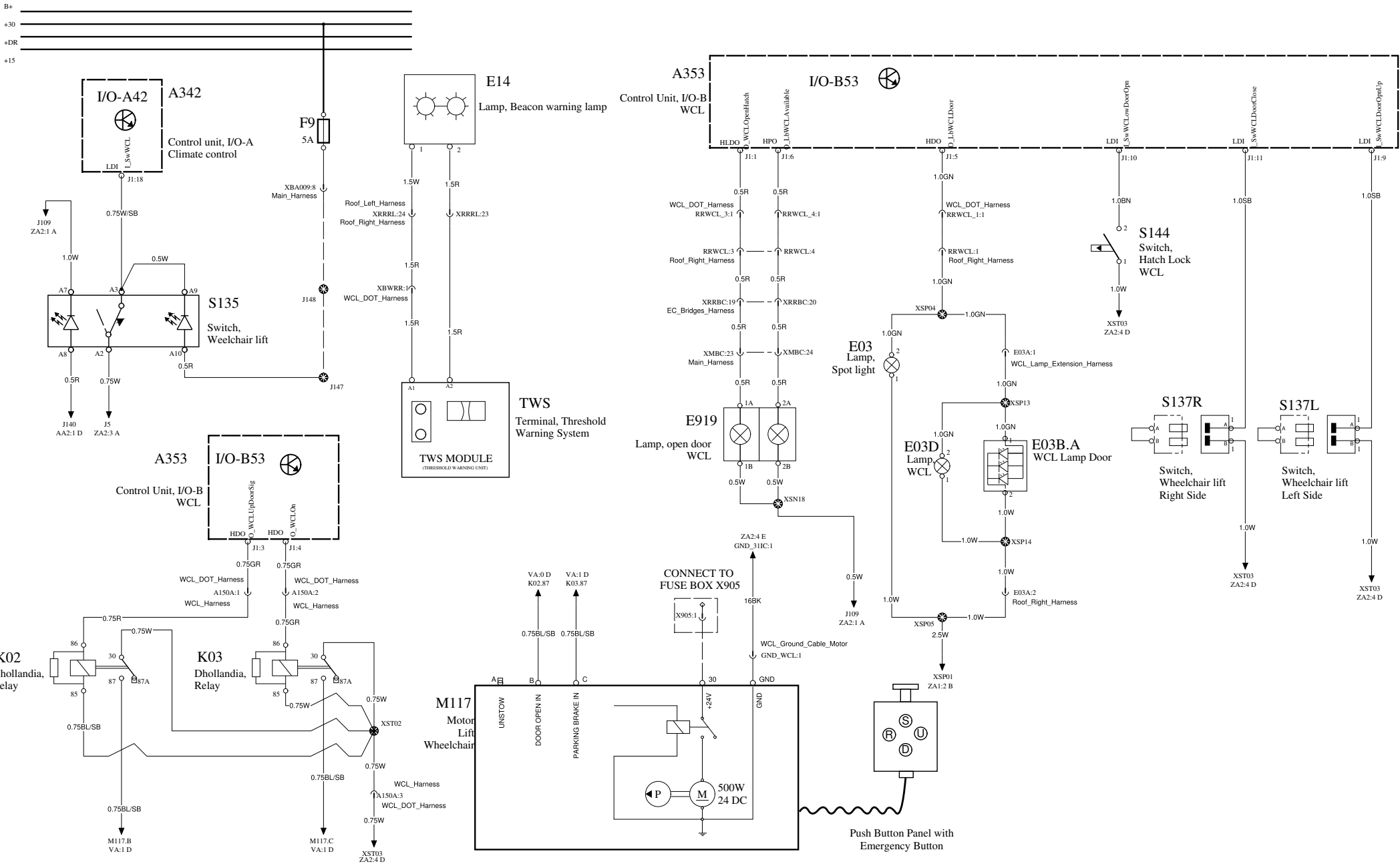
WIRING DIAGRAM UB1A

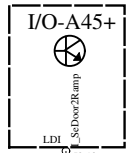




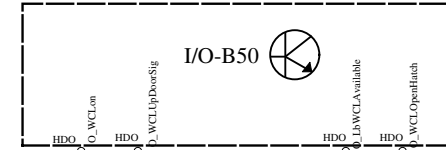
WHEELCHAIR LIFT WCL

WIRING DIAGRAM VA

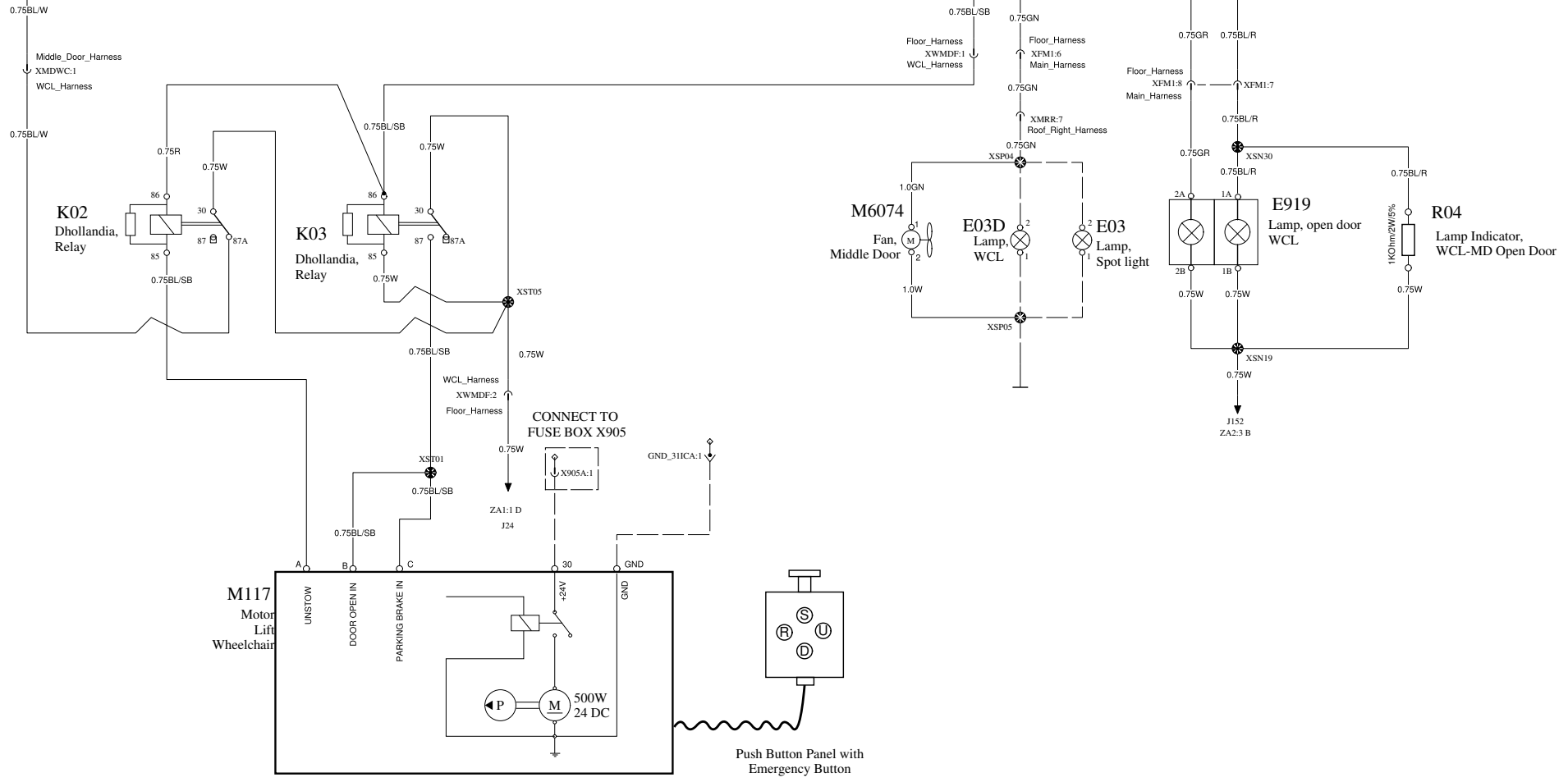


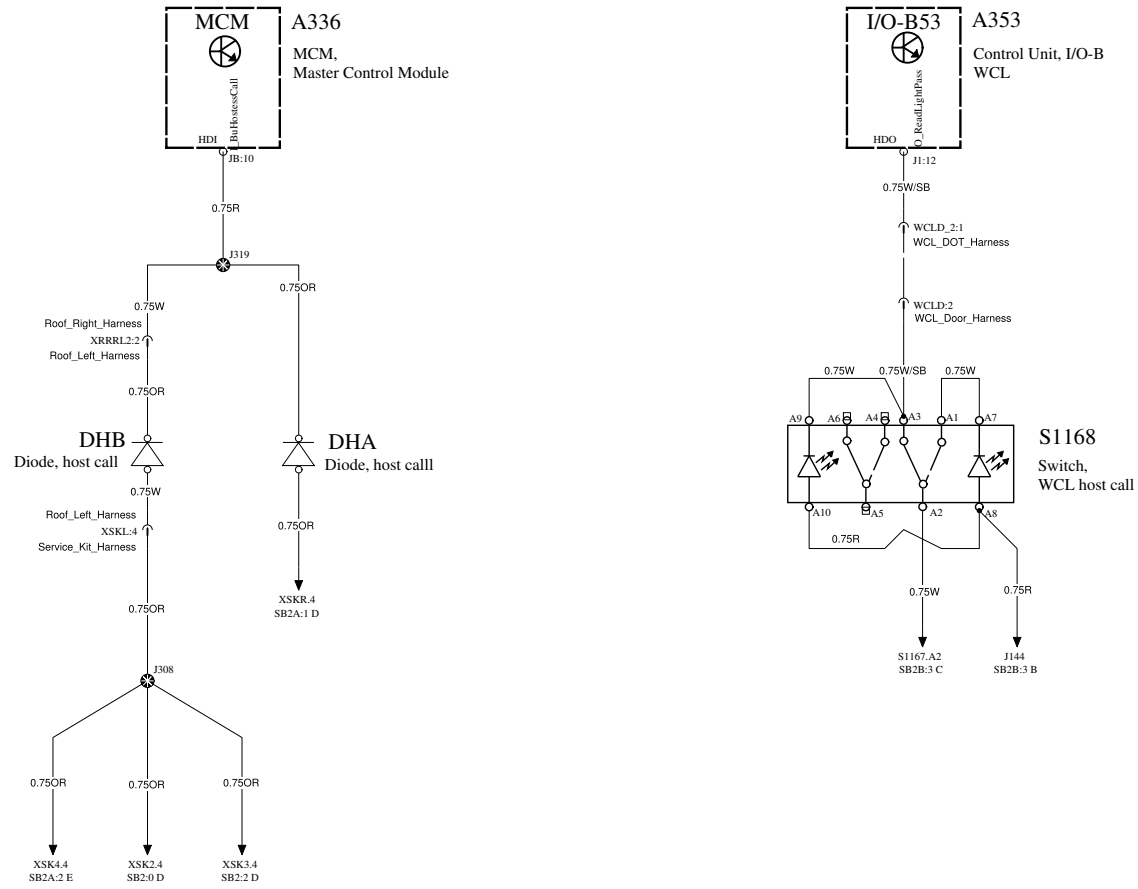


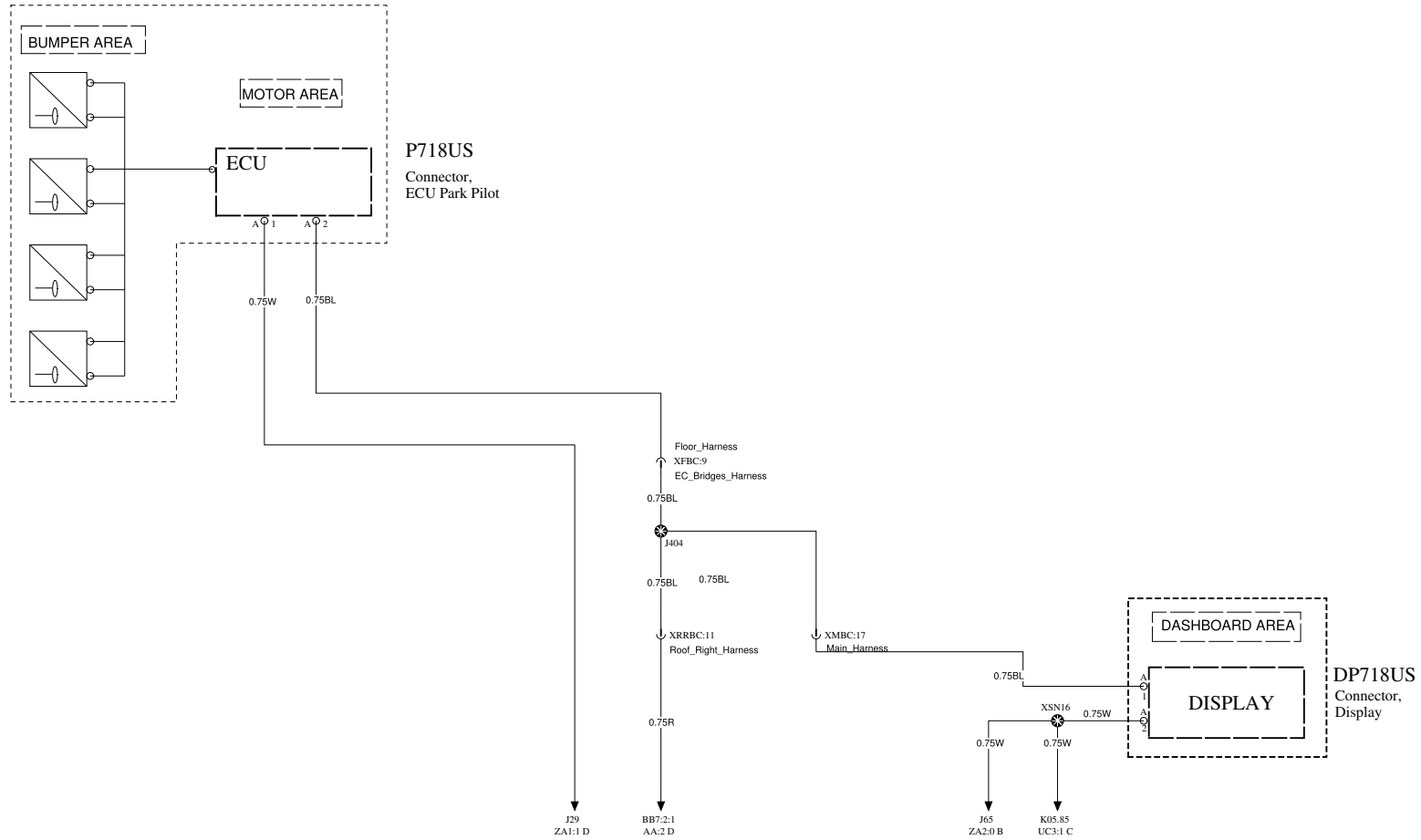
A345
Control Unit, I/O A45+ Door2

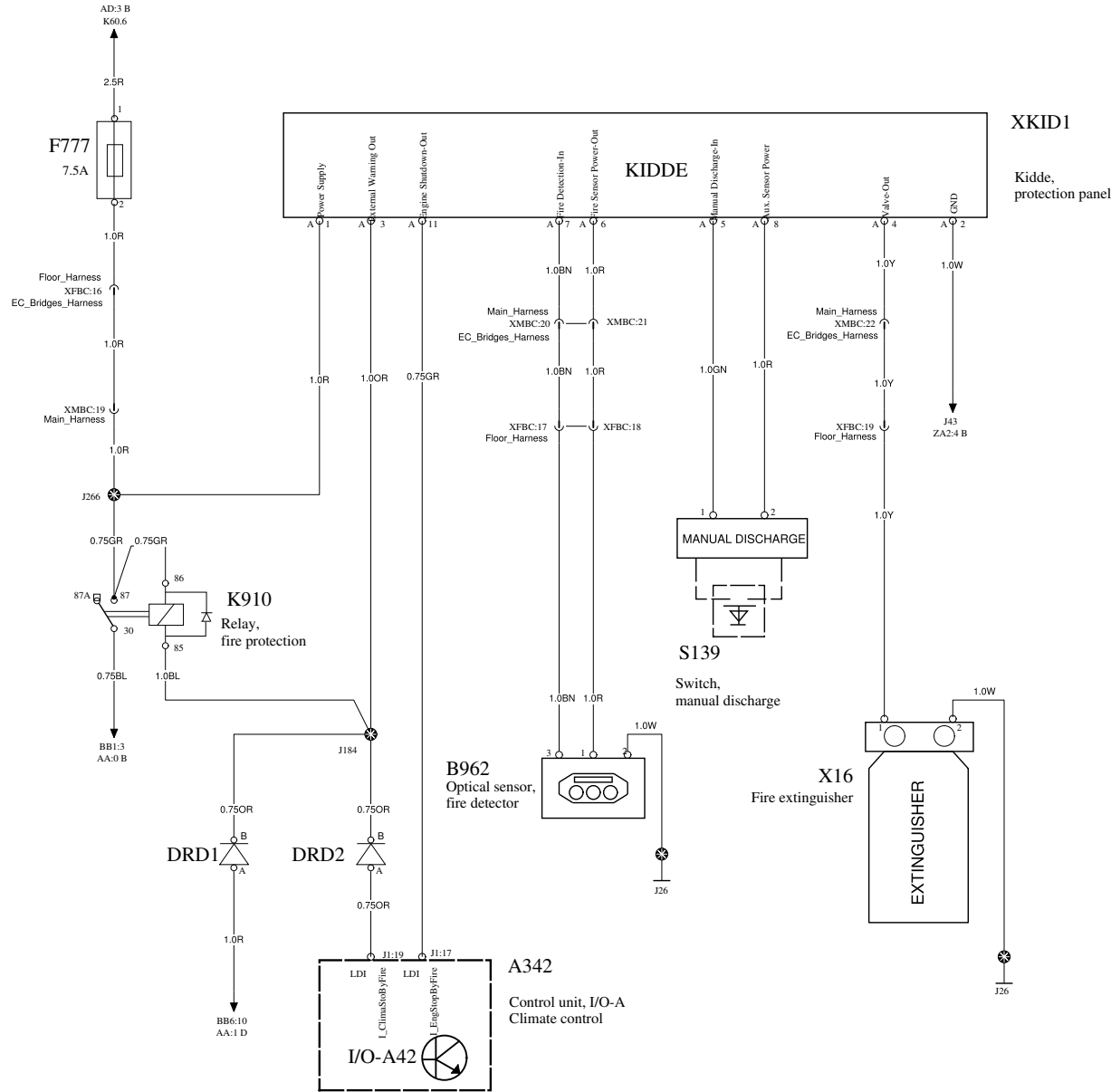


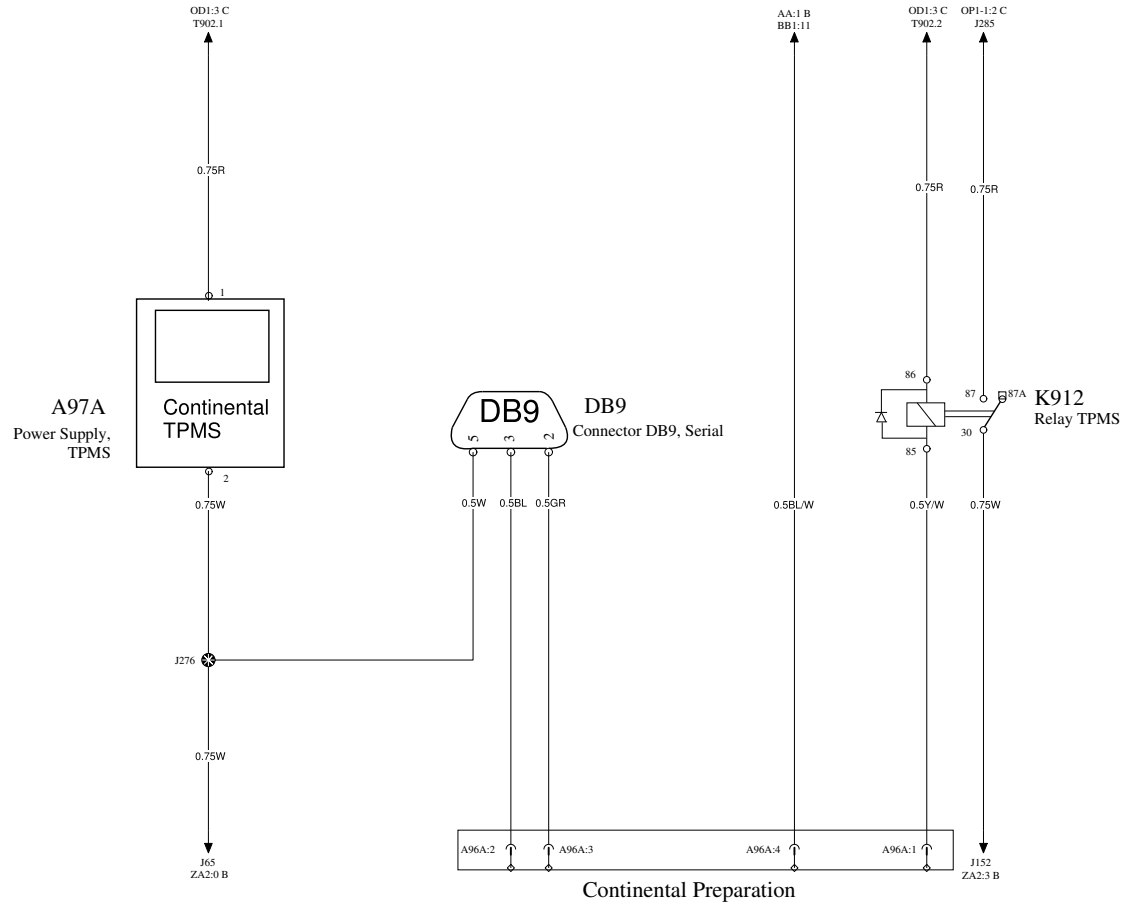
A350
Control unit, I/O-B Floor

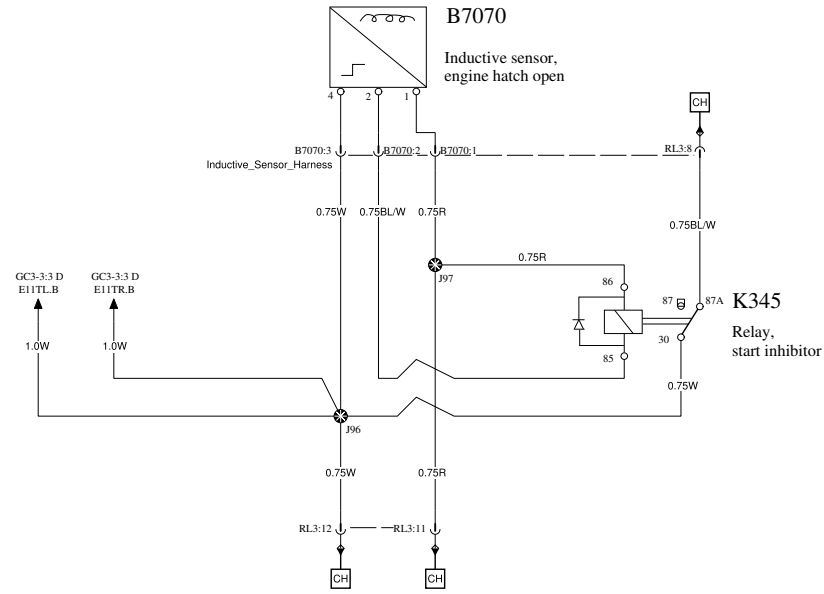






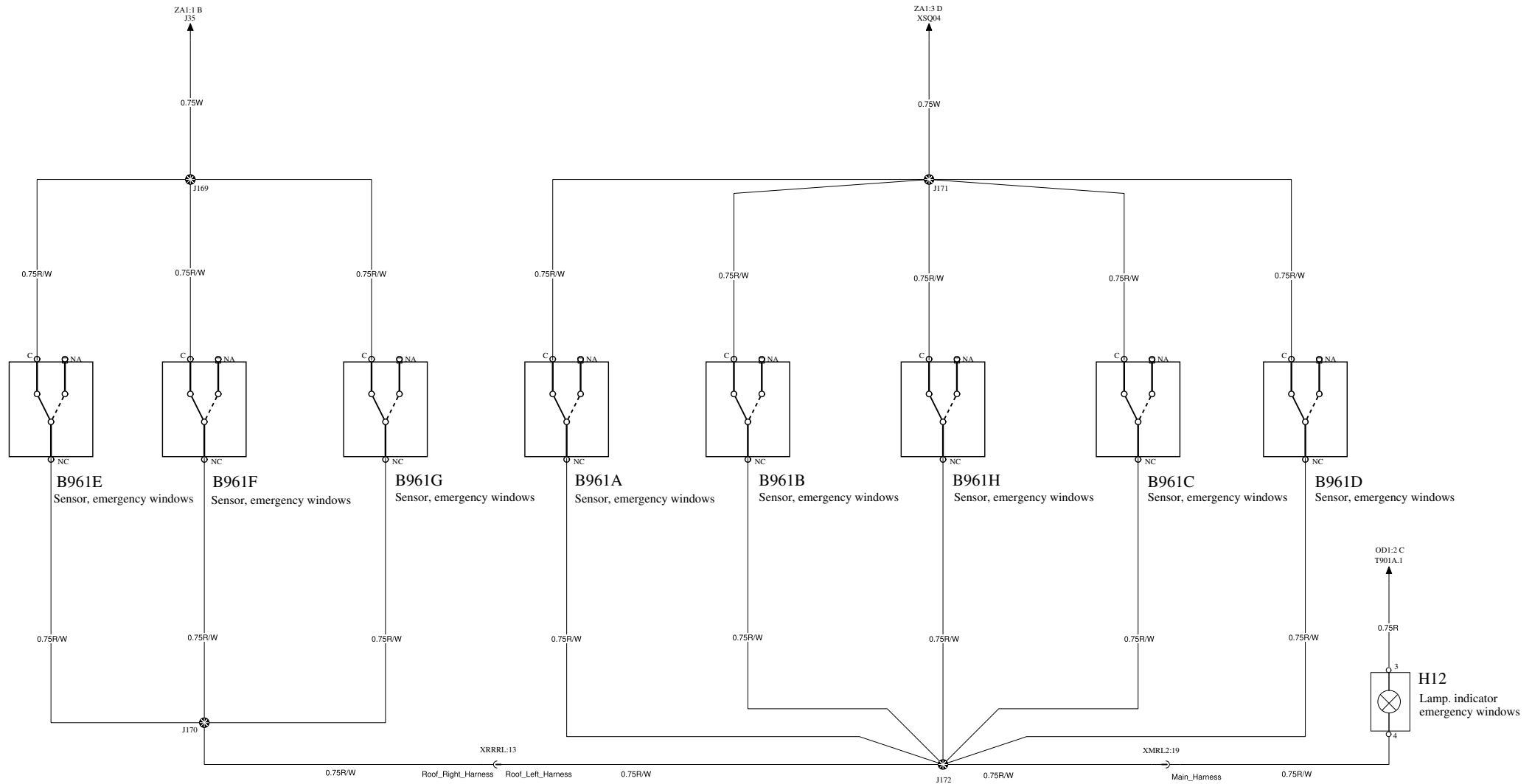






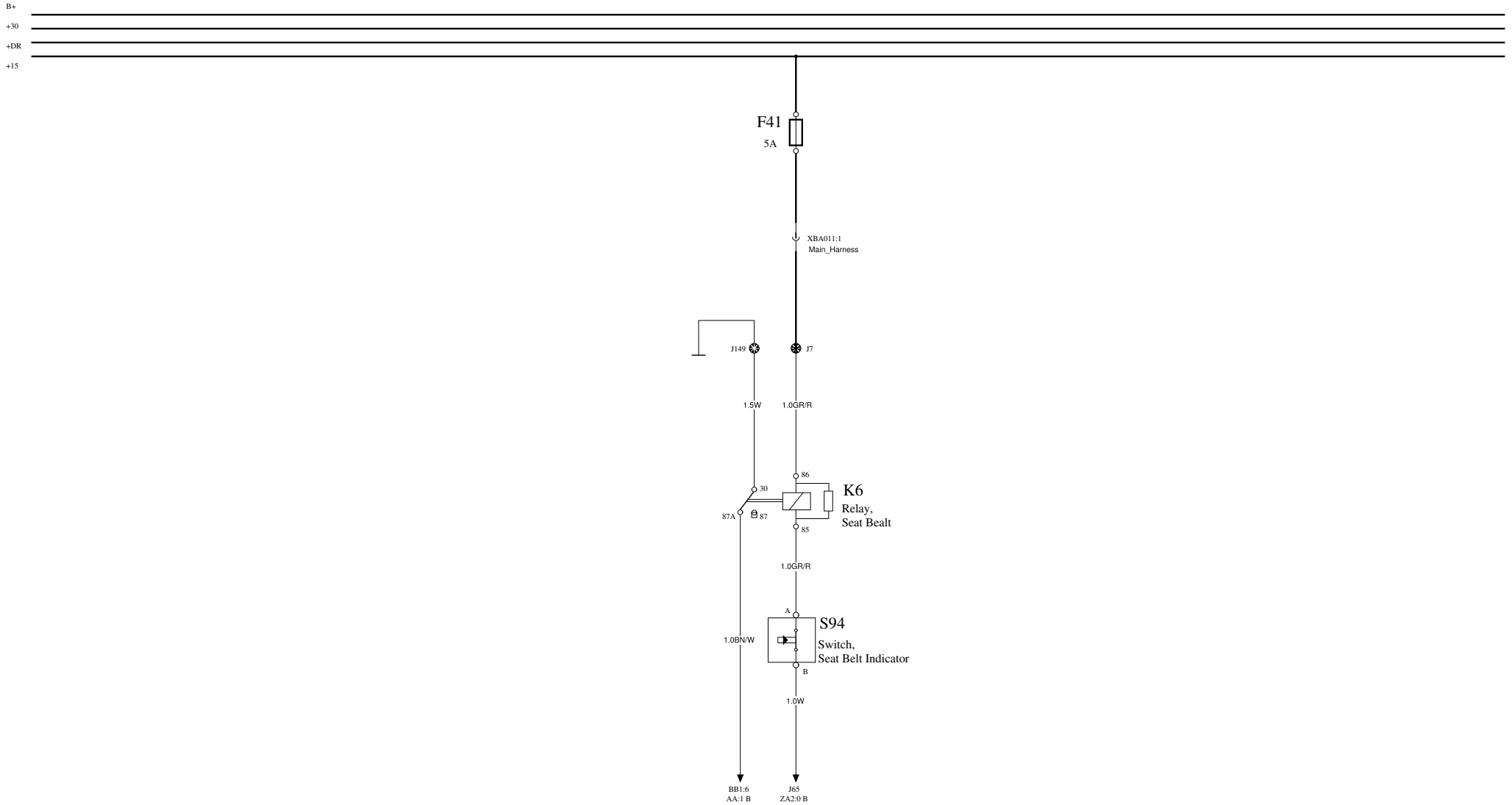
EMERGENCY WINDOW

WIRING DIAGRAM VE



SEAT BELT INDICATOR

WIRING DIAGRAM VF



VOLVO
Volvo Bus Corporation

Document title
WIRING DIAGRAM

Document type
PRODUCT SCHEMATIC

Document No
23458767

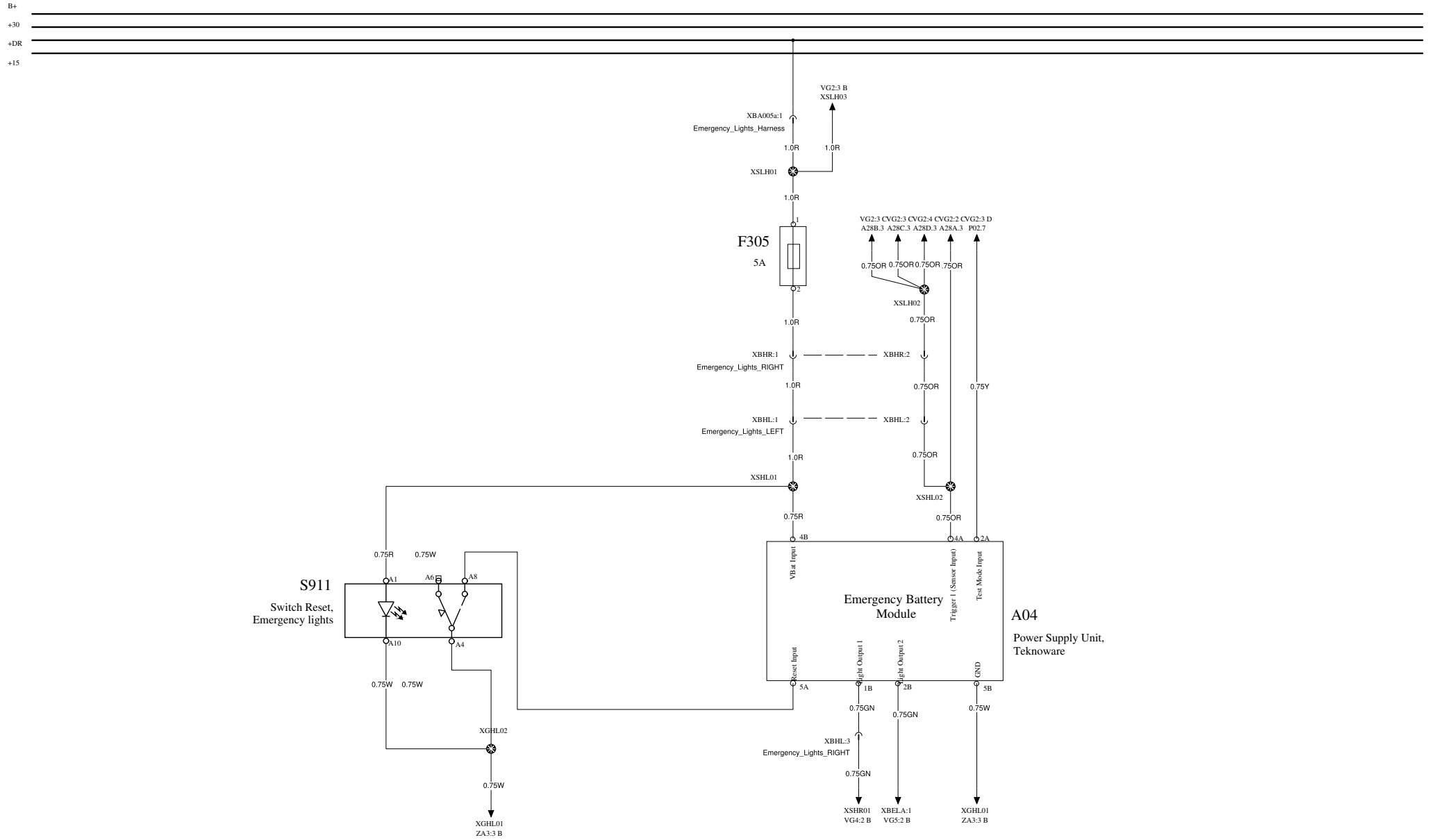
Issue
03

Volume
02(03)

Page
80(90)

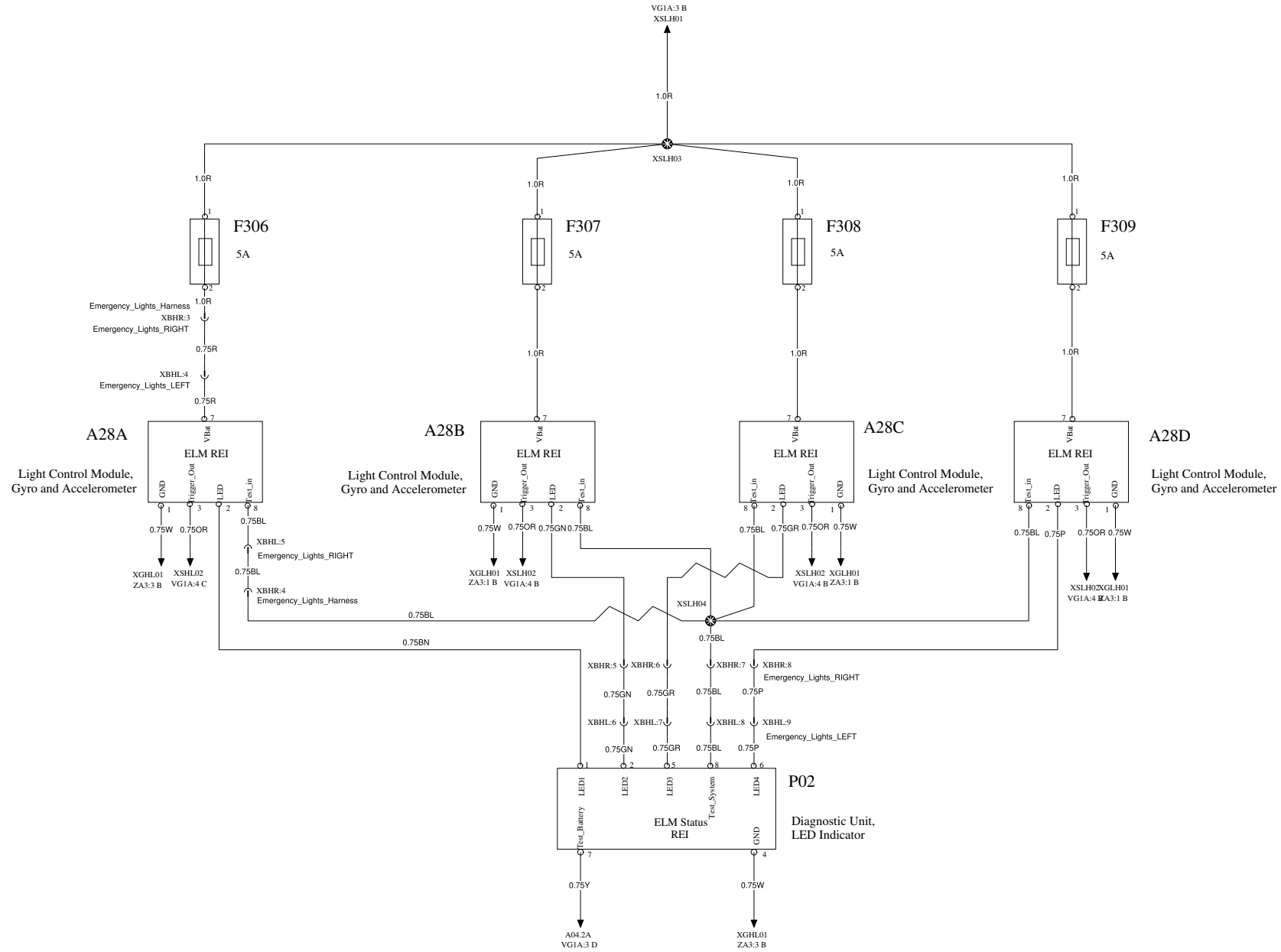
EMERGENCY LIGHTS POWER SUPPLY & RESET

WIRING DIAGRAM VG1A



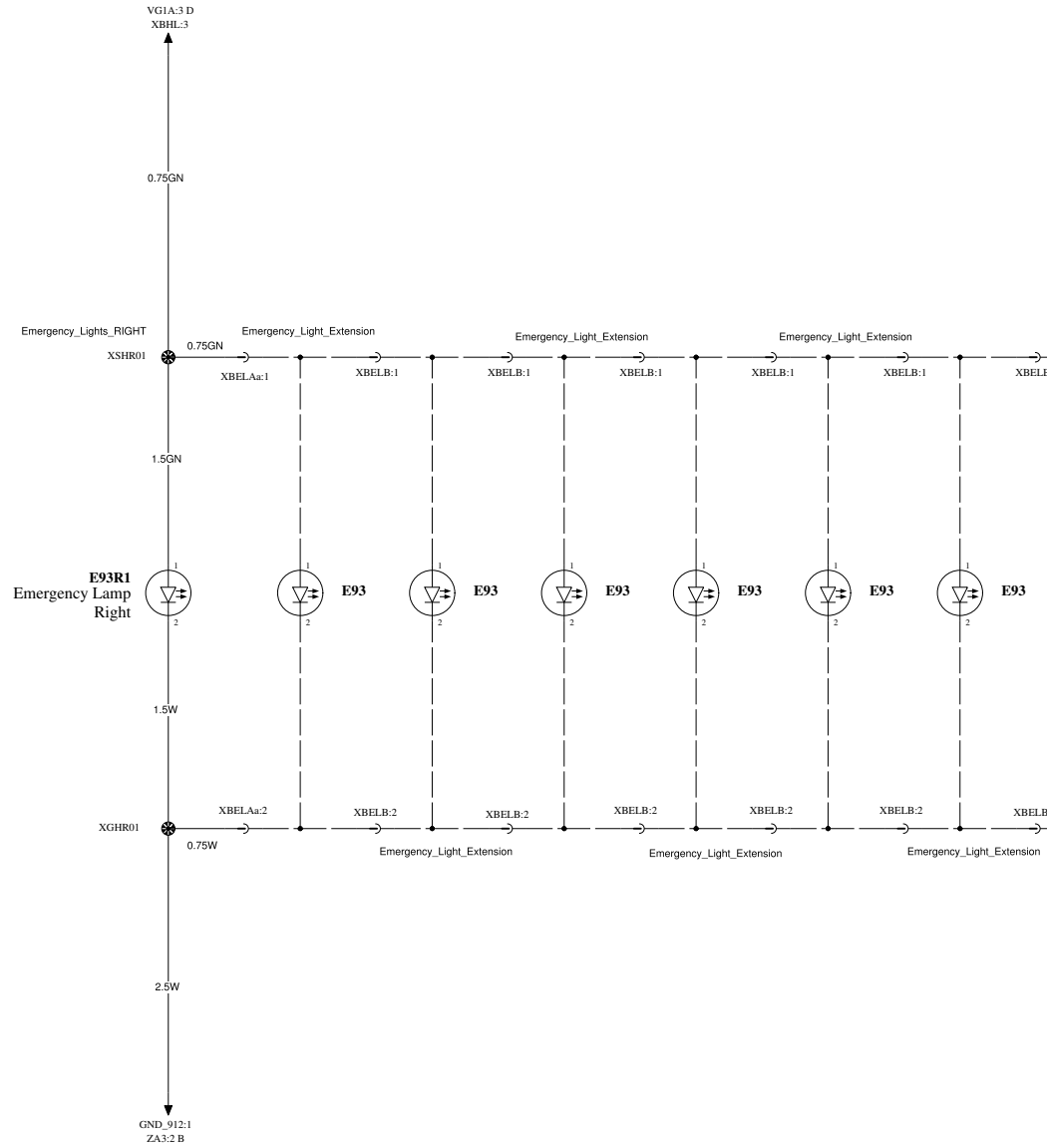
EMERGENCY LIGHTS CONTROL & DIAGNOSTIC

WIRING DIAGRAM VG2



EMERGENCY LIGHTS RIGHT SIDE

WIRING DIAGRAM VG4



VOLVO
Volvo Bus Corporation

Document title
WIRING DIAGRAM

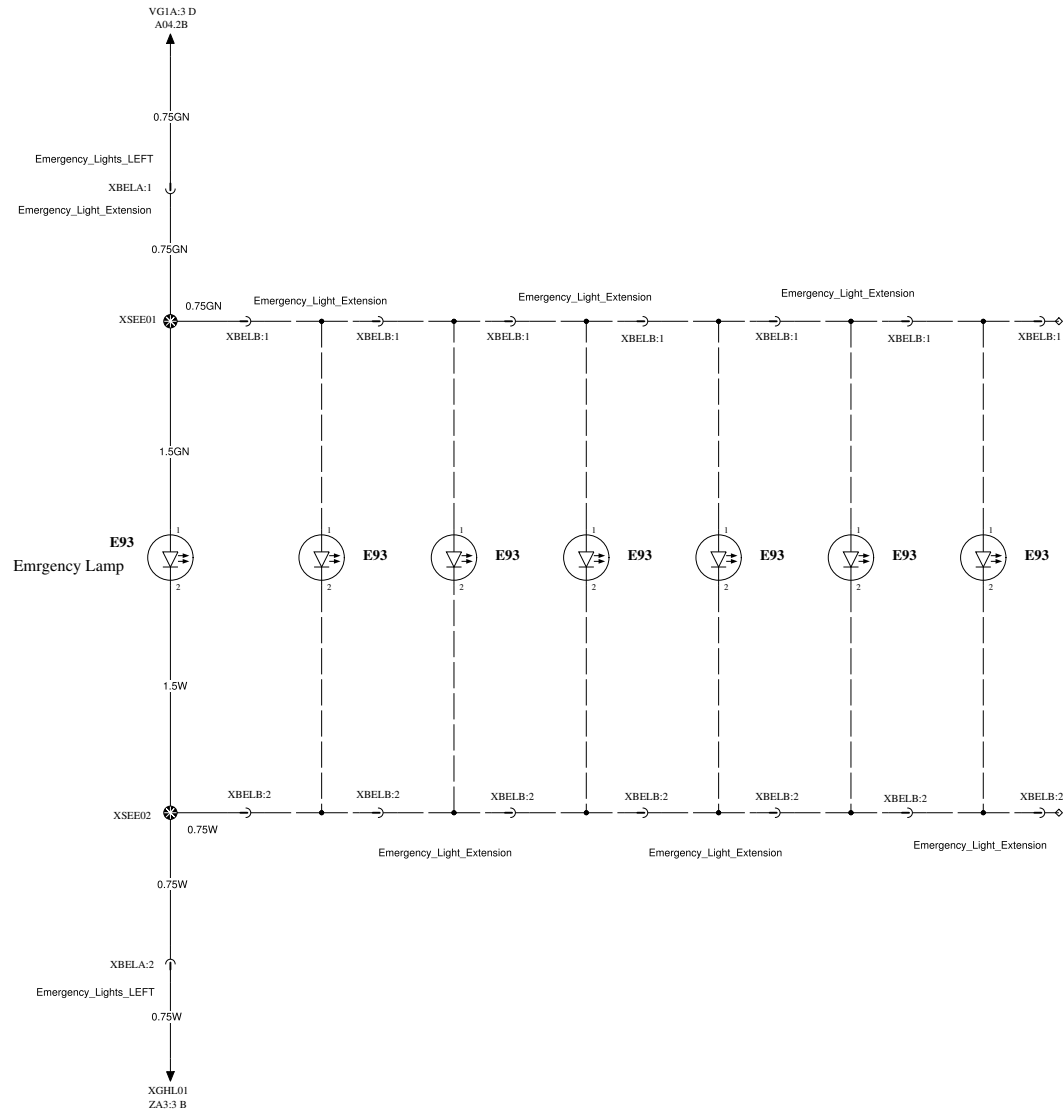
Document type
PRODUCT SCHEMATIC

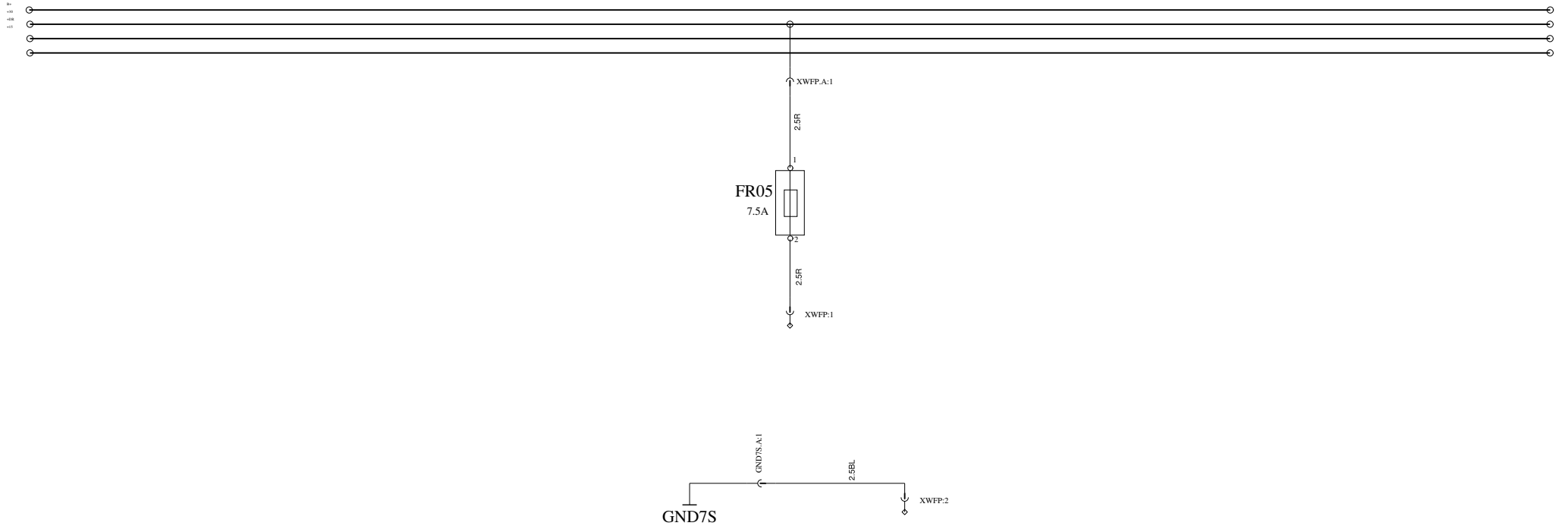
Document No
23458767

Issue	Volume	Page
03	02(03)	83(90)

EMERGENCY LIGHTS LEFT SIDE

WIRING DIAGRAM VG5





VOLVO

Volvo Truck Corporation

Document title
WIRING DIAGRAM

Document type
PRODUCT SCHEMATIC

Document No

23458767

Issue

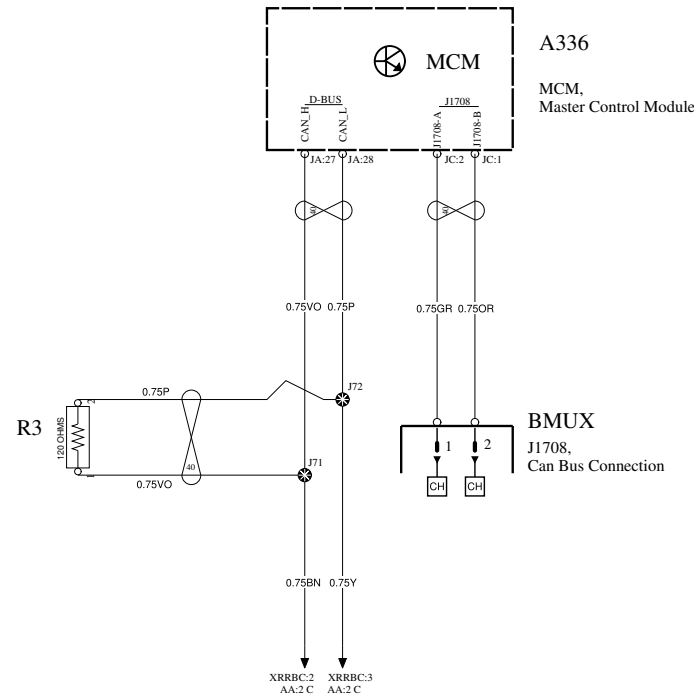
03

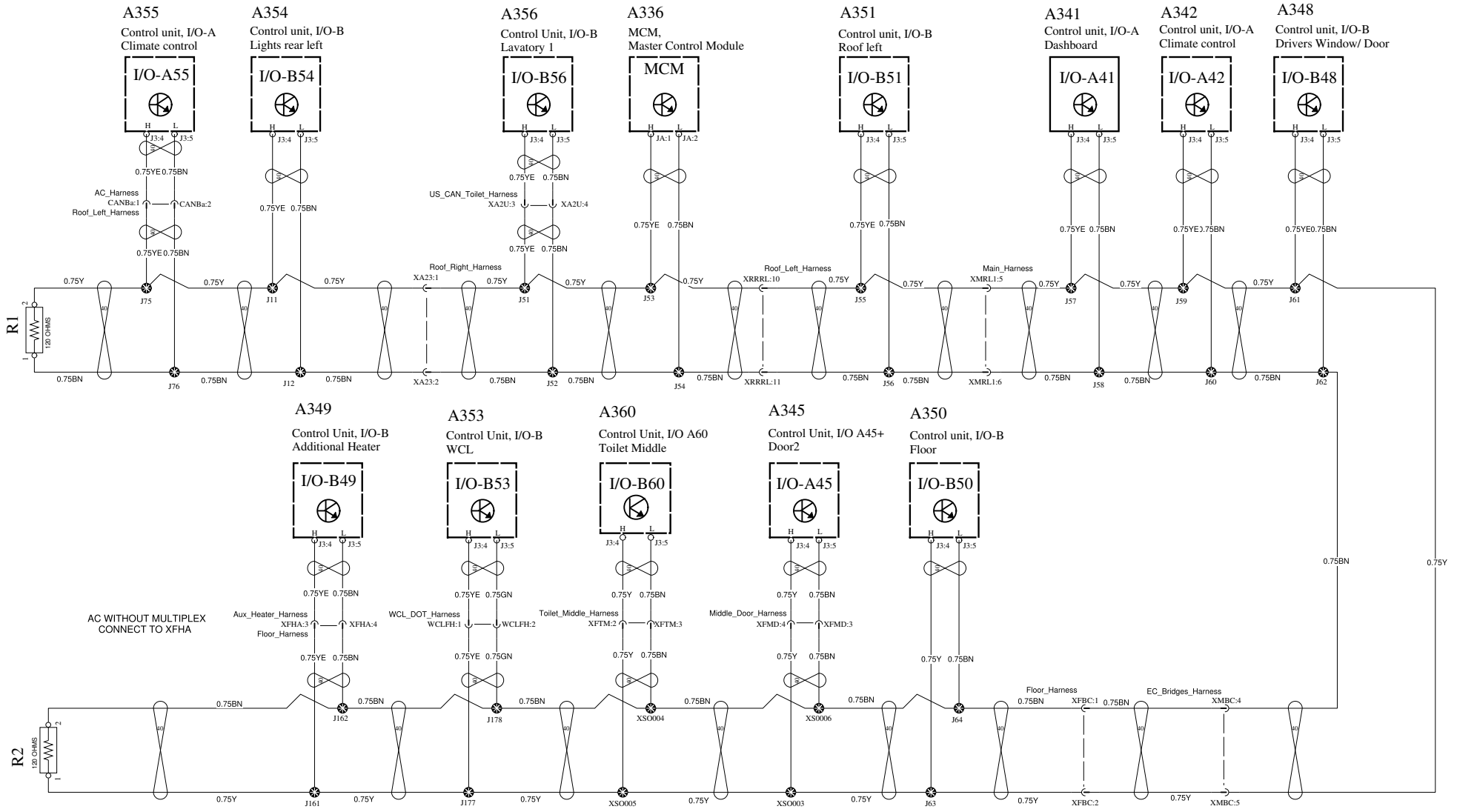
Volume

02(03)

Page

85(90)

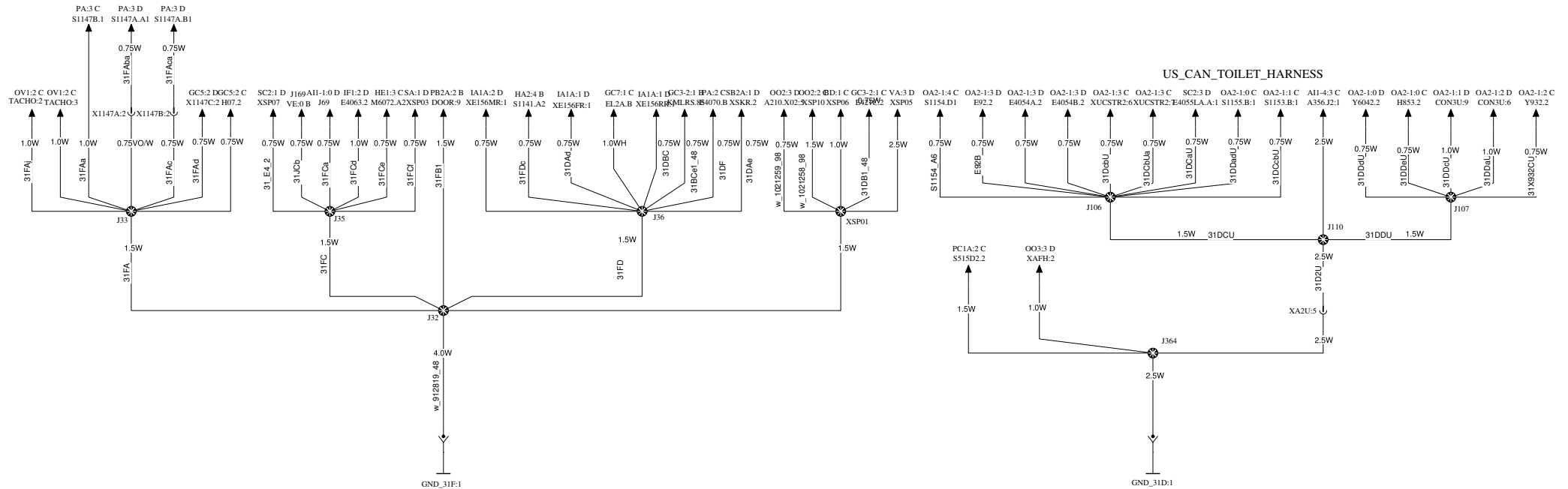




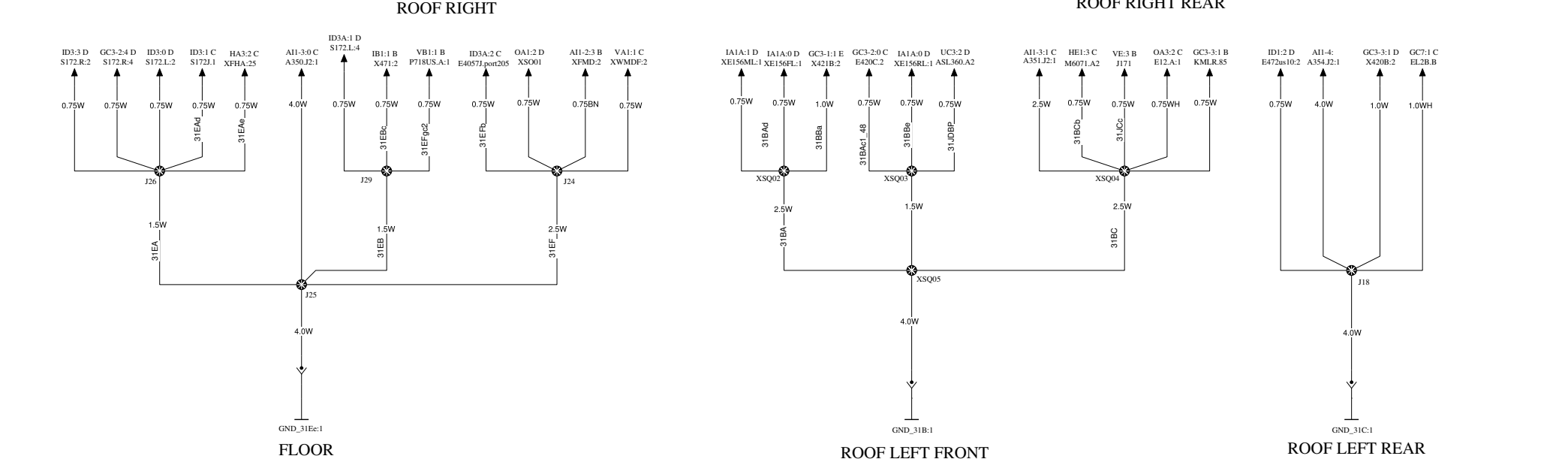
 Volvo Bus Corporation	Document title WIRING DIAGRAM	Document No 23458767	Issue	Volume	Page
	Document type PRODUCT SCHEMATIC		03	02(03)	87(90)

GROUND BODY 1

WIRING DIAGRAM ZA1



US_CAN_TOILET_HARNESS



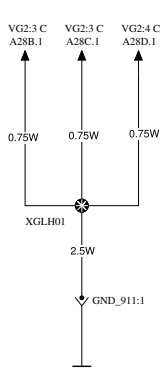
Volvo Bus Corporation

Document title WIRING DIAGRAM
Document type PRODUCT SCHEMATIC

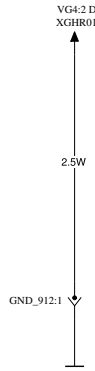
Document No 23458767	Issue 03	Volume 02(03)	Page 88(90)
-------------------------	-------------	------------------	----------------

GROUND BODY 3

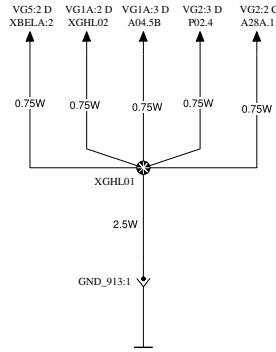
WIRING DIAGRAM ZA3



EMERGENCY LIGHTS LOW



EMERGENCY LIGHTS HIGH RIGHT



EMERGENCY LIGHTS HIGH LEFT

REFERENCE INDEX

NAME	PAGE
GROUNDS	2
FUSES AND CIRCUIT BREAKERS	3
COMPONENTS	5
INLINES	14
SPLICES	27

VOLVO

Volvo Bus Corporation

Document title

WIRING DIAGRAM

Document type

PRODUCT SCHEMATIC

Document No

23458767

Issue

03

Volume No

03(03)

Page No

1(33)

GROUNDS

NAME	PAGE
GND7S	WP1 2 C
GND7S.A:1	WP1 2 C
GND10:1	ZA2 2 E
GND11:1	ZA2 3 E
GND_31A:1	ZA2 3 C
GND_31B:1	ZA1 2 E
GND_31C:1	ZA1 4 E
GND_31Cb:1	ZA2 1 E
GND_31D:1	ZA1 3 C
GND_31Ee:1	ZA1 1 E
GND_31F:1	ZA1 1 C
GND_31H:1	ZA2 0 E
GND_31I:1	ZA2 4 E
GND_31IC:1	ZA2 4 E
GND_31ICA:1	VA1 2 D
GND_911:1	ZA3 1 B
GND_912:1	ZA3 2 B
GND_913:1	ZA3 3 B
GND_WCL:1	VA 2 D

VOLVO

Volvo Bus Corporation

Document title
WIRING DIAGRAM

Document type
PRODUCT SCHEMATIC

Document No
23458767

Issue
03

Volume No
03(03)

Page No
2(33)

FUSES AND CIRCUIT BREAKERS

FUSE	DESCRIPTION	PAGE
F1 (3A)	SERVICE KIT (3A)	SB2A 3 A
F2 (5A)	Transcom	JB1 1 B
F3 (20A)	AUDIO & VIDEO 12V (20A)	OD1 1 B
F4 (30A)	NIGHT LIGHT RELAY (30A)	SB2A 1 A
F5 (30A)	I/O B FLOOR (A50) (30A)	AI1-3 0 A
F6 (5A)	I/O A A/C (A42) (5V)	AI1-1 3 A
F7 (5A)	I/O A CLIMATE (A55) (5A)	AI1-4 1 A
F8 (15A)	I/O B A/C HEAT (A49) (15A)	AI1-2 1 E
F9 (5A)	SWITCHES ACTIVATION SIGNAL (5A)	GC3-1 3 A
F9 (5A)	SWITCHES ACTIVATION SIGNAL (5A)	GC7 4 A
F9 (5A)	SWITCHES ACTIVATION SIGNAL (5A)	HE1 0 A
F9 (5A)	SWITCHES ACTIVATION SIGNAL (5A)	IA1A 4 A
F9 (5A)	SWITCHES ACTIVATION SIGNAL (5A)	IB1 3 A
F9 (5A)	SWITCHES ACTIVATION SIGNAL (5A)	IE3 4 A
F9 (5A)	SWITCHES ACTIVATION SIGNAL (5A)	OA1-3 3 A
F9 (5A)	SWITCHES ACTIVATION SIGNAL (5A)	PA1 3 A
F9 (5A)	SWITCHES ACTIVATION SIGNAL (5A)	SA 3 A
F9 (5A)	SWITCHES ACTIVATION SIGNAL (5A)	SB2B 1 A
F9 (5A)	SWITCHES ACTIVATION SIGNAL (5A)	SB2C 2 A
F9 (5A)	SWITCHES ACTIVATION SIGNAL (5A)	UB1A 0 B
F9 (5A)	SWITCHES ACTIVATION SIGNAL (5A)	VA 1 A
F10 (20A)	DEFROSTER (20A)	HA4C 3 B
F11 (30A)	I/O B ROOF LEFT (A54) (30A)	AI1-4 0 A
F12 (7.5A)	I/O B MCM (A36)	AI1-1 0 A
F14 (20A)	I/O B DRIVER DOOR/ SIDE PANEL (A48) (20A)	AI1-2 2 E
F14 (20A)	I/O B DRIVER DOOR/ SIDE PANEL (A48) (20A)	BD 1 B
F15 (30A)	I/O B WCL (A53) (30A)	AI1-3 3 A
F16 (30A)	I/O ROOF LEFT (A51) (30A)	AI1-3 2 A
F17 (5A)	WEBASTO TIMER 2 (5A)	HC1 4 A
F18 (20A)	AUDIO & VIDEO 24V (20A)	OD1 1 B
F19 (7.5A)	I/O B TOILET REAR (A56) (7.5A)	AI1-4 3 A
F20 (15A)	DASHBOARD CONVERTER CIGARRATE OUTPUT (15A)	OD1 3 B
F21 (5A)	TD7 (5A)	OV1 0 B
F22 (15A)	I/O A DASHBOARD (A41) (15A)	AI1-1 2 A
F23 (5A)	LIGHT UNDER SEATS	UB1A 3 B
F24 (5A)	I/O A DOOR2 (A45) (5A)	AI1-2 4 E
F25 (5A)	WEBASTO TIMER 3 (5A)	HC1 4 A
F26 (5A)	Passenger Counting	OO2 2 B
F27 (30A)	DRIVER SIDE 24V OUTPUT (30A)	OD1 3 B
F28 (5A)	Front Door, Pressure Switch	PB2A 3 A
F29 (3A)	MARKING L./ TD7 (3A)	GC3-1 1 A
F29 (3A)	MARKING L./ TD7 (3A)	GC3-2 2 A
F29 (3A)	MARKING L./ TD7 (3A)	OV1 1 B
F31 (3A)	TD7 (3A)	OO3 3 B
F31 (3A)	TD7 (3A)	OV1 0 B
F32 (5A)	MOBITEC (+15)	SA3 2 B
F33 (15A)	I/O B TOILET MIDDLE (A60) (15A)	AI1-5 2 A
F34 (20A)	AUDIO & VIDEO (20A)	OD1 0 B
F35 (10A)	Fuse,	AI1-1 0 A
F36 (5A)	TIME & TEMPERATURE DISPLAY	SC2 1 B
F37 (30A)	TPMS (30A)	OD1 4 B
F38 (3A)	DRL	GC4 3 A
F39 (7.5A)	ROOF HATCH FRONT (7.5A)	HA 2 B
F40 (7.5A)	REAR ROOF HATCH (7.5A)	HA 2 B

VOLVO

Volvo Bus Corporation

Document title
WIRING DIAGRAM

Document type
PRODUCT SCHEMATIC

Document No
23458767

Issue
03

Volume No
03(03)

Page No
3(33)

FUSE	DESCRIPTION	PAGE
F41 (5A)	Fuse, Radio 20A	HC1 4 A
F41 (5A)	Fuse, Radio 20A	VF 2 A
F42 (15A)	SUN VISOR/MIRROR HEATING/REVERSE CAMERA	HB1D 0 A
F42 (15A)	SUN VISOR/MIRROR HEATING/REVERSE CAMERA	OJ2 2 A
F43 (5A)	DEFROSTER FLAPS (5A)	HA4C-1 3 A
F44 (15A)	OVER SPEED RELAY (15A)	IF1 2 A
F75 (80A)	Fuse, Body B+	AD 2 B
F202 (80A)	Fuse in X905	AD 4 B
F203 (100A)	FUSE,CLIMATE UNIT, 150A(24V)	AD 4 B
F204 (80A)	Fuse in X905	AD 4 B
F205 (60A)	Fuse in X905	AD 4 B
F303 (25A)	Fuse Holder, Auxiliary Heater, 1st Supply	HC1 1 C
F304 (25A)	Fuse Holder, Additional Heater, 2nd Suppl	HC1 1 C
F305 (5A)	External fuse, REI Sensor	VG1A 3 B
F306 (5A)	External fuse, REI Sensor	VG2 2 B
F307 (5A)	External fuse, REI Sensor	VG2 3 B
F308 (5A)	External fuse, REI Sensor	VG2 3 B
F309 (5A)	External fuse, REI Sensor	VG2 4 B
F777 (7.5A)	AFES Fuse	VC1 1 A

VOLVO

Volvo Bus Corporation

Document title

WIRING DIAGRAM

Document type

PRODUCT SCHEMATIC

Document No

23458767

Issue

03

Volume No

03(03)

Page No

4(33)

COMPONENTS

COMPONENT	DESCRIPTION	PAGE
31A	GROUND DASHBOARD	ZA2 3 C
31B	GROUND, ROOF LEFT FRONT	ZA1 2 E
31C	GROUND, ROOF LEFT REAR	ZA1 4 E
31Cb	GROUND, AIR CONDITION HARNESS	ZA2 1 E
31D	GROUND, ROOF RIGHT REAR	ZA1 3 C
31Ee	Ground Floor	ZA1 1 E
31H	Ground, Auxiliary Heater	ZA2 0 E
A04	Power Supply Unit, Teknoware	VG1A 3 D
A28A	Light Control Module, Gyro and Accelerom	VG2 2 C
A28B	Light Control Module, Gyro and Accelerom	VG2 3 C
A28C	Light Control Module, Gyro and Accelerom	VG2 3 C
A28D	Light Control Module, Gyro and Accelerom	VG2 4 C
A97A	Power Supply, TPMS	VD 1 B
A210	Control Unit, Passenger Counting DPACU-21	OO2 3 D
A336	MCM, Master Control Module	AA 3 C
A336	MCM, Master Control Module	AI1-1 0 C
A336	MCM, Master Control Module	BD 1 D
A336	MCM, Master Control Module	EG2 2 B
A336	MCM, Master Control Module	GC3-2 1 B
A336	MCM, Master Control Module	HA2 3 A
A336	MCM, Master Control Module	IE3 1 B
A336	MCM, Master Control Module	PA 3 B
A336	MCM, Master Control Module	PB2A 3 C
A336	MCM, Master Control Module	SB2A 0 A
A336	MCM, Master Control Module	SC2 1 B
A336	MCM, Master Control Module	UB1A 3 B
A336	MCM, Master Control Module	VB 1 B
A336	MCM, Master Control Module	XJ1 2 B
A336	MCM, Master Control Module	XJ2 2 A
A341	Control unit, I/O-A Dashboard	AI1-1 1 C
A341	Control unit, I/O-A Dashboard	GC3-1 3 B
A341	Control unit, I/O-A Dashboard	HA3 2 B
A341	Control unit, I/O-A Dashboard	HA4C 0 B
A341	Control unit, I/O-A Dashboard	HB1D 1 A
A341	Control unit, I/O-A Dashboard	HE1 1 B
A341	Control unit, I/O-A Dashboard	IB1 3 B
A341	Control unit, I/O-A Dashboard	IE1 2 B
A341	Control unit, I/O-A Dashboard	IE3 2 B
A341	Control unit, I/O-A Dashboard	OA1 0 B
A341	Control unit, I/O-A Dashboard	OA1-3 2 B
A341	Control unit, I/O-A Dashboard	PA1 2 B
A341	Control unit, I/O-A Dashboard	PA2 3 B
A341	Control unit, I/O-A Dashboard	SA 2 B
A341	Control unit, I/O-A Dashboard	SB2 3 A
A341	Control unit, I/O-A Dashboard	SB2C 2 B
A341	Control unit, I/O-A Dashboard	UB1A 1 B
A341	Control unit, I/O-A Dashboard	XJ2 3 A
A342	Control unit, I/O-A Climate control	AI1-1 3 C
A342	Control unit, I/O-A Climate control	HA4C 3 D
A342	Control unit, I/O-A Climate control	HA4C-1 1 A
A342	Control unit, I/O-A Climate control	IA1A 3 B
A342	Control unit, I/O-A Climate control	IE3 3 B
A342	Control unit, I/O-A Climate control	PA2 1 B
A342	Control unit, I/O-A Climate control	VA 0 A

VOLVO

Volvo Bus Corporation

Document title

WIRING DIAGRAM

Document type

PRODUCT SCHEMATIC

Document No

23458767

Issue

03

Volume No

03(03)

Page No

5(33)

COMPONENT	DESCRIPTION	PAGE
A342	Control unit, I/O-A Climate control	VC1 2 E
A342	Control unit, I/O-A Climate control	XJ2 3 A
A345	Control Unit, I/O A45+ Door2	IC1A 2 B
A345	Control Unit, I/O A45+ Door2	PC1A 2 B
A345	Control Unit, I/O A45+ Door2	VA1 0 A
A345	Control Unit, I/O A45+ Door2	XJ2 2 C
A348	Control unit, I/O-B Drivers Window/ Door	AH2 0 C
A348	Control unit, I/O-B Drivers Window/ Door	AI1-2 3 C
A348	Control unit, I/O-B Drivers Window/ Door	GC4 1 A
A348	Control unit, I/O-B Drivers Window/ Door	GC5 1 B
A348	Control unit, I/O-B Drivers Window/ Door	GC7 2 B
A348	Control unit, I/O-B Drivers Window/ Door	IA1A 2 B
A348	Control unit, I/O-B Drivers Window/ Door	PA 0 A
A348	Control unit, I/O-B Drivers Window/ Door	PA2 1 B
A348	Control unit, I/O-B Drivers Window/ Door	SA 1 B
A348	Control unit, I/O-B Drivers Window/ Door	SB2 2 A
A348	Control unit, I/O-B Drivers Window/ Door	SB2A 2 A
A348	Control unit, I/O-B Drivers Window/ Door	XJ2 4 A
A349	Control Unit, I/O-B Additional Heater	AI1-2 1 B
A349	Control Unit, I/O-B Additional Heater	HA5C 3 B
A349	Control Unit, I/O-B Additional Heater	HC1 1 A
A349	Control Unit, I/O-B Additional Heater	XJ2 1 C
A350	Control unit, I/O-B Floor	AI1-3 0 C
A350	Control unit, I/O-B Floor	HA3 0 B
A350	Control unit, I/O-B Floor	IB1 1 A
A350	Control unit, I/O-B Floor	ID3 1 A
A350	Control unit, I/O-B Floor	ID3A 1 A
A350	Control unit, I/O-B Floor	OA1 2 B
A350	Control unit, I/O-B Floor	VA1 2 A
A350	Control unit, I/O-B Floor	XJ2 2 C
A351	Control unit, I/O-B Roof left	AI1-3 1 C
A351	Control unit, I/O-B Roof left	HA4C-1 1 D
A351	Control unit, I/O-B Roof left	HA5C 0 B
A351	Control unit, I/O-B Roof left	HE1 2 B
A351	Control unit, I/O-B Roof left	IA1A 1 B
A351	Control unit, I/O-B Roof left	IE3 0 B
A351	Control unit, I/O-B Roof left	SB2 0 A
A351	Control unit, I/O-B Roof left	UC3 1 A
A351	Control unit, I/O-B Roof left	XJ2 2 B
A353	Control Unit, I/O-B WCL	AI1-3 3 C
A353	Control Unit, I/O-B WCL	VA 2 A
A353	Control Unit, I/O-B WCL	VB 3 B
A353	Control Unit, I/O-B WCL	XJ2 1 C
A354	Control unit, I/O-B Lights rear left	GC3-3 1 A
A354	Control unit, I/O-B Lights rear left	GC7 1 B
A354	Control unit, I/O-B Lights rear left	HA2 0 D
A354	Control unit, I/O-B Lights rear left	ID1 2 A
A354	Control unit, I/O-B Lights rear left	OA2-1 2 B
A354	Control unit, I/O-B Lights rear left	OA3 2 B
A354	Control unit, I/O-B Lights rear left	OO2 3 B
A354	Control unit, I/O-B Lights rear left	XJ2 0 A
A355	Control unit, I/O-A Climate control	AI1-4 1 C
A355	Control unit, I/O-A Climate control	HA2 1 A
A355	Control unit, I/O-A Climate control	XJ2 0 B

VOLVO

Volvo Bus Corporation

Document title

WIRING DIAGRAM

Document type

PRODUCT SCHEMATIC

Document No

23458767

Issue

03

Volume No

03(03)

Page No

6(33)

COMPONENT	DESCRIPTION	PAGE
A356	Control Unit, I/O-B Lavatory 1	AI1-4 3 C
A356	Control Unit, I/O-B Lavatory 1	OA2-1 0 A
A356	Control Unit, I/O-B Lavatory 1	SC2 3 B
A356	Control Unit, I/O-B Lavatory 1	XJ2 1 B
A360	Control Unit, I/O A60 Toilet Middle	AI1-5 2 C
A360	Control Unit, I/O A60 Toilet Middle	OA2-2 1 A
A360	Control Unit, I/O A60 Toilet Middle	XJ2 1 C
A947A	Screen TFT	JB2 1 C
A947A1	Fixed screen	JB3 2 B
A947B	Screen TFT	JB2 2 C
A947B1	Fixed screen	JB3 3 B
A947C	Screen TFT	JB2 2 C
A947C1	Fixed screen	JB3 2 D
A947D	Screen TFT	JB2 1 D
A947D1	Fixed screen	JB3 3 D
A947E	Screen TFT	JB2 2 D
A952	Control unit, Air compressor	HC1 4 C
A7001	Control Unit, AC	HA2 0 C
A9078	Control unit, climate display	HA4C-1 0 C
AFH	Air Purifier, Hispacold ECO3	OO3 2 C
AFHA	Air Purifier, Hispacold ECO3	OO3 3 C
AK15	Relay, +15 loads	AA 4 C
ASL360	360 View Control Unit, SCT4	UC3 2 D
B01	Sensor, flame, parking heater	JD 2 C
B13	Speaker Lateral Duct	JA1A 4 E
B21	Sensor, coolant temperature	HC1 0 C
B22	Sensor, outdoor temperature	HA5C 2 C
B23	Sensor, oil temperature, retarder	HA5C 3 D
B40D	Sensor, Sensitive Edge	OA1 3 C
B41D	Sensor, Pressure Luggage	OA1 3 D
B355	Sensor, Water Flush Level Low WC	OA2-2 3 D
B357	Sensor, Sludge Level High WC	OA2-2 3 D
B379D2	Sensor Hall Door 2	PC1A 2 A
B961A	Sensor, emergency windows	VE 2 B
B961B	Sensor, emergency windows	VE 2 B
B961C	Sensor, emergency windows	VE 3 B
B961D	Sensor, emergency windows	VE 4 B
B961E	Sensor, emergency windows	VE 0 B
B961F	Sensor, emergency windows	VE 0 B
B961G	Sensor, emergency windows	VE 1 B
B961H	Sensor, emergency windows	VE 3 B
B962	Optical sensor, fire detector	VC1 1 D
B7070	Inductive sensor, engine hatch open	VD4 2 B
B7072	Temperature sensor, defroster	HA4C-1 2 D
B7073	Outside temperature sensor	HA5C 1 C
B7074	Temperature sensor, driver	HA4C-1 2 D
B7075A	Passenger sensor, climate dot	HA3 1 C
BMUX	J1708, Can Bus Connection	BD 1 C
BMUX	J1708, Can Bus Connection	XJ1 2 C
CH	Chassis	AD 2 B
CH	Chassis	BD 3 B
CH	Chassis	GC3-3 3 C
CH	Chassis	GC6 0 A
CH	Chassis	OO1 0 B

VOLVO

Volvo Bus Corporation

Document title

WIRING DIAGRAM

Document type

PRODUCT SCHEMATIC

Document No

23458767

Issue

03

Volume No

03(03)

Page No

7(33)

COMPONENT	DESCRIPTION	PAGE
CH	Chassis	OP1-1 2 D
CH	Chassis	VD4 2 D
CH	Chassis	XJ1 2 C
D4	Diod	AD 3 C
DAH	DIODE, AUXILIARY HEATER	HC1 2 B
DB9	Connector DB9, Serial	VD 2 C
DB92	Connector DB9, Serial female	BG2 2 D
DHA	Diode, host call1	VB 1 C
DHB	Diode, host call	VB 1 C
DP718US	Connector, Display	VB1 3 D
DRB	Diode, reading lights	SB2 2 C
DRC	Diode, reading lights	SB2B 3 D
DRD	DIODE	AA 4 D
DRD3	Diode	BD 2 E
DRDb	DIODE	OA2-1 4 B
DRL	Day Running, Lamp	GC4 1 D
DRLA	Day Running Light, Right Side	GC4 3 C
DRLB	Day Running Light, Left Side	GC4 1 C
E03	Lamp, Spot light	VA 3 C
E03	Lamp, Spot light	VA1 3 C
E03B.A	WCL Lamp Door	VA 3 C
E03D	Lamp, WCL	VA 3 C
E03D	Lamp, WCL	VA1 3 C
E09RB	Brake light middle	GC6 3 C
E10L	Light left, tailand break	GC6 0 C
E10LB	License plate left	GC6 1 C
E10R	Lamp, Tail light right	GC6 3 C
E10RB	License plate right	GC6 1 C
E10XB	License plate In Bike Rack	GC6 2 C
E11LF	Side-marker lamp, middle left	GC3-2 3 D
E11RR	Side-marker middle right	GC3-2 4 D
E11TL	Rear lamp, side marker rear left	GC3-3 3 D
E11TR	Rear lamp, side marker right	GC3-3 3 D
E12	Lamp, Roof position light	OA3 2 C
E14	Lamp, Beacon warning lamp	VA 1 A
E16A	Lamp, Step	IE3 0 D
E16B	Lamp, Step	IE3 0 D
E16C	Lamp, Step	IE3 0 D
E61	Lamp, Roof Head	IE3 2 D
E91R	Lamp, Kneeling warning	GC5 2 C
E91RA	LAMP, kneeling exterior	GC5 2 C
E92	Lamp, wall	OA2-1 3 D
E93	Emrgency Lamp	VG4 3 C
E93	Emrgency Lamp	VG5 3 C
E93R1	Emergency Lamp Right	VG4 2 C
E156	Interior Light, LED Module Driver	IA1A 0 C
E158A	Light, Step LED Door 2 First Step Inside	IC1A 1 C
E158B	Light, Step LED Door 2 Second Step Inside	IC1A 2 C
E158C	Light, Step LED Door 2 Third Step Inside	IC1A 2 C
E158D	Light, Step LED Door 2 Fourth Step Inside	IC1A 3 C
E160	Light, LED WC 1	OA2-2 0 D
E160B	Light, LED WC 2	OA2-2 0 D
E420A	Light, upper front left side	GC3-2 0 C
E420B	Light, upper front left side	GC3-2 0 C

VOLVO

Volvo Bus Corporation

Document title

WIRING DIAGRAM

Document type

PRODUCT SCHEMATIC

Document No

23458767

Issue

03

Volume No

03(03)

Page No

8(33)

COMPONENT	DESCRIPTION	PAGE
E420C	Light, upper front left side	GC3-2 0 C
E420D	Light, upper rear	GC3-3 0 D
E420E	Light, Direction Indicator Right	GC3-3 2 D
E420F	Light, upper rear	GC3-3 1 D
E420G	Light, upper rear	GC3-3 1 D
E420H	Light, upper rear	GC3-3 1 D
E420I	Light, Direction Indicator Left	GC3-3 0 D
E420J	Light, upper rear	GC3-3 1 D
E421A	Light, upper front right side	GC3-2 1 C
E421B	Light, upper centre right side	GC3-2 1 C
E421C	Light, upper rear right side	GC3-2 1 C
E421D	Light, upper front	GC3-1 0 D
E421E	Light, upper front	GC3-1 1 D
E421F	Light, upper front	GC3-1 1 D
E421G	Light, upper front	GC3-1 1 D
E421H	Light, upper front	GC3-1 1 D
E433	Guide lamp	IE3 1 D
E433B	Lamp, guide outside	IE3 2 D
E450	Sign lamp, destination	SA 1 D
E450L	Sign lamp, destination	SA 1 D
E471t	Night light, seat	IB1 1 C
E471u	Night light, seat	IB1 1 C
E471v	Night light, seat	IB1 1 C
E471w	Night light, seat	IB1 1 D
E471x	Night light, seat	IB1 1 D
E471y	Night light, seat	IB1 1 D
E471z	Night light, seat	IB1 1 E
E472B	Lamp, Engine Compartment	ID1 2 C
E472C	Lamp, Engine Compartment	ID1 2 C
E472D	Lamp, Engine Compartment	ID1 2 C
E567	Snake lamp, electric centre	IE1 2 C
E568	Snake lamp, map light	IE1 2 C
E902A	Driver loudspeaker	JA1A 1 D
E902B	Driver loudspeaker	JA1A 2 D
E902C	Guide loudspeaker	JA1A 0 D
E902D	Guide loudspeaker	JA1A 1 D
E919	Lamp, open door WCL	VA 2 C
E919	Lamp, open door WCL	VA1 3 B
E4054A	Lamp, toilet	OA2-1 3 D
E4054B	Lamp, toilet	OA2-1 3 D
E4055LA	Display, occupied & vacant WC	SC2 3 D
E4057B	Luggage lamps, left side	ID3A 0 C
E4057C	Luggage lamps, left side	ID3A 1 C
E4057D	Luggage lamps, left side	ID3A 1 C
E4057F	Luggage lamps, right side	ID3A 2 C
E4057G	Luggage lamps, right side	ID3A 3 C
E4057H	Luggage lamps, right side	ID3A 4 C
E4057J	Lamp, rear hatch	ID3A 2 C
E4063	Lamp, over speed	IF1 2 D
E4064	Driver lamp	IE3 1 D
E4067	Display, Time & temperature	SC2 1 D
E4067_ESF	Toilet Display, Eng-Spa-Fre	SC2 2 D
E4070	Emergency lamp	PA 2 C
EL2A	Lamp, Side/reverse working light right	GC7 1 C

VOLVO

Volvo Bus Corporation

Document title

WIRING DIAGRAM

Document type

PRODUCT SCHEMATIC

Document No

23458767

Issue

03

Volume No

03(03)

Page No

9(33)

COMPONENT	DESCRIPTION	PAGE
EL2B	Lamp, Side/reverse working light left	GC7 1 C
EPS	Touch lapm over table	SB2D 2 C
G01	Battery	AD 1 D
G01B	Starter Battery	AD 1 D
G01C	Consumer Battery	AD 2 C
G814A	Output 24V	OD1 3 D
GND7S	GND 7S, ELECTRICAL CENTRAL	WP1 2 C
H01	Horn, air operated	OP1-1 2 C
H02	Horn	OP1-1 2 C
H02A	Horn	OP1-1 2 C
H06R	Buzzer reverse	GC6 4 C
H07	Horn, Kneeling alarm	GC5 2 C
H12	Lamp. indicator emergency windows	VE 4 D
H13A	SPEAKER SERVICE KIT	JA1A 2 B
H13B	SPEAKER, SERVICE KIT	JA1A 2 B
H13C	SPEAKER, SERVICE KIT	JA1A 3 B
H13D	SPEAKER SERVICE KIT	JA1A 4 B
H13E	SPEAKER, SERVICE KIT	JA1A 4 B
H13F	SPEAKER, SERVICE KIT	JA1A 3 C
H13G	SPEAKER, SERVICE KIT	JA1A 3 C
H13H	SPEAKER, SERVICE KIT	JA1A 4 C
H13I	SPEAKER, SERVICE KIT	JA1A 4 C
H853	Buzzer	OA2-1 0 C
H860	Buzzer, over speed	IF1 2 D
H5013	Telltale, over speed	IF1 2 D
K1	SPEEDING ALARM RELAY	IF1 1 B
K01L	Electric Network Relay	AH2 0 C
K2	Relay, Defroster speed 1	HA4C 3 C
K02	Dhollandia, Relay	VA 0 D
K02	Dhollandia, Relay	VA1 0 C
K3	Relay, Defroster speed 2	HA4C 3 C
K03	Dhollandia, Relay	VA 1 D
K03	Dhollandia, Relay	VA1 1 C
K4	Relay, Defroster speed 3	HA4C 3 C
K5	NIGHT LIGHT	SB2A 1 B
K05	Reverse Camera Relay	UC3 1 C
K6	Relay, Seat Bealt	VF 2 C
K07	Relay, DRL	GC4 1 B
K53	Relay	AD 2 B
K60	Relay	AD 3 B
K300	Relay	AD 2 C
K345	Relay, start inhibitor	VD4 3 C
K400	Relay, Body arms	AD 3 B
K400	Relay, Body arms	BD 3 B
K910	Relay, fire protection	VC1 1 C
K912	Relay TPMS	VD 3 C
KML	Relay, marking lights	GC3-1 1 C
KMLR	Relay, Marking lights rear	GC3-3 1 B
KMLRS	Relay, Marking lights right side	GC3-2 1 B
KSL	Relay, spot lamp	IE3 0 C
M10F	Motor, front roof hatch	HA 1 D
M10R	Motor, rear roof hatch	HA 3 D
M20	Motor, Fan WC	OA2-1 3 C
M33	Cooling pump, ESS	HA3 3 C

VOLVO

Volvo Bus Corporation

Document title
WIRING DIAGRAM

Document type
PRODUCT SCHEMATIC

Document No
23458767

Issue
03

Volume No
03(03)

Page No
10(33)

COMPONENT	DESCRIPTION	PAGE
M36	Motor, webasto heater	HC1 1 E
M37	Motor, webasto pump	HC1 2 D
M89	Pump, WC Flush	OA2-2 3 B
M94	Fan 24V, WC Evacuation 1 Middle and Rear	OA2-2 1 C
M117	Motor Lift Wheelchair	VA 1 D
M117	Motor Lift Wheelchair	VA1 1 D
M650	Wiper motor, windscreen	OO1 0 C
M651	Washer motor, windscreen	OO1 3 C
M651B	Motor, windshield wiper tank	OO1 2 C
M664	Water pum, WC flushing	OA2-1 2 D
M669	Motor, Fan	OA2-1 3 C
M671L	Mirror Motor, Left Side	HB1D 2 D
M671R	Mirror Motor, Right Side	HB1D 3 D
M672	Motor, Sun visor	OJ2 2 D
M6063	Screen stepless, flap floor	HA4C-1 3 D
M6063DOT	Flap defroster - DOT	HA4C-1 4 D
M6064	FAN, reheating system	HA3 1 D
M6071	Driver fan	HE1 3 C
M6072	Guide fan	HE1 3 C
M6073	Defroster	HA4C 1 D
M6074	Fan, Middle Door	VA1 2 C
P1.360	360 View Display, SCT4	UC3 3 D
P1.REV	Reverse Display, BUPMON	UC3 1 D
P02	Diagnostic Unit, LED Indicator	VG2 3 D
P718US	Connector, ECU Park Pilot	VB1 1 B
R1	RESISTOR 120ohms, START CANB	XJ2 0 C
R01D	Resistor, Switch Activation	GC7 3 C
R2	RESISTOR 120ohms, START CANB	XJ2 0 E
R02D	Resistor, Switch Activation	OA1 1 C
R03	Heater, seat	PA2 1 C
R04	Lamp Indicator, WCL-MD Open Door	VA1 4 C
RSL	Stop light, rear left	GC6 2 C
RSR	Stop light, rear right	GC6 3 C
RSTL	Lamp stop, tail dot	GC6 1 C
RSTR	Stop lamp, tail dot	GC6 3 C
S23F	Switch, front roof hatch	HA 1 C
S23R	Switch, rear roof hatch	HA 3 C
S24D	Limit Switch, Automatic Luggage	OA1 3 C
S79	Switch, additional work lamps (reverse l	GC7 3 C
S80	Switch, Transcom	JB1 1 D
S90	Switch, Chassis B+	AD 0 C
S94	Switch, Seat Belt Indicator	VF 2 D
S101	Switch, Door 2	PA2 1 C
S116	Switch, Interior light	IA1A 3 C
S117	Switch, Reading lights	SB2 4 B
S118	Switch, driver and guide fan	HE1 1 C
S132	Switch, Destination Sign light	SA 2 C
S135	Switch, Wheelchair lift	VA 0 B
S137L	Switch, Wheelchair lift Left Side	VA 4 C
S137R	Switch, Wheelchair lift Right Side	VA 4 C
S139	Switch, manual discharge	VC1 2 C
S140	Switch, Multichannel Actia	JB1 3 D
S142	Switch,door brake high idle	PA 0 C
S143	Switch, Automatic Luggage RHS	OA1 1 C

VOLVO

Volvo Bus Corporation

Document title

WIRING DIAGRAM

Document type

PRODUCT SCHEMATIC

Document No

23458767

Issue

03

Volume No

03(03)

Page No

11(33)

COMPONENT	DESCRIPTION	PAGE
S144	Switch, Hatch Lock WCL	VA 3 B
S172J	Micro-switch, hatch light	ID3 1 C
S173A	Microswitch, Luggage lock Right Side	ID3 4 D
S173B	Microswitch, Luggage lock Left Side	ID3 0 C
S173C	Microswitch, Luggage lock Left Side	ID3 0 C
S173D	Microswitch, Luggage lock Left Side	ID3 1 C
S173F	Microswitch, Luggage lock Right Side	ID3 2 C
S173G	Microswitch, Luggage lock Right Side	ID3 3 C
S173H	Microswitch, Luggage lock Right Side	ID3 3 C
S413	Switch, Push Button Door 2 Door Service	PC1A 3 C
S422	Switch, Door Lock WC Middle and Rear	OA2-2 3 C
S424	Switch, Push Button Alarm WC Middle and R	OA2-2 1 C
S425	Switch, Push Button Flushing WC Middle an	OA2-2 2 C
S428	Switch, Door Lock Door 2	PC1A 3 C
S496	Switch, Valve Reset Door 2	PA2 3 C
S503D2	Switch Door Open Add Sensor Door 2	PC1A 3 A
S505D2	Switch Pressure Door Open Door 2	PC1A 1 B
S506D2	Switch Pressure Door Shut Door 2	PC1A 1 B
S507D2	Switch Pressure Door Supply Door 2	PC1A 1 B
S512B	Switch WC Remote Emptying Behind Mirror	OA2-2 4 C
S515D2	Switch In door emergency valve Door 2	PC1A 2 C
S911	Switch Reset, Emergency lights	VG1A 2 D
S1107	Switch, Door lock	PA1 3 C
S1111	Switch, Central lock	UB1A 1 C
S1115	Switch, Service door	PA1 1 C
S1141	Switch, Gas Charging	HA2 4 B
S1144	Switch, Driver & guide light	IE3 3 C
S1147A	Switch, inside front door	PA 3 D
S1147B	Switch, outside front door	PA 3 C
S1148	Switch, Night light Service Kit	SB2C 2 C
S1148a	Switch, Light Under Seat	IB1 3 C
S1150	Switch, Position lights	GC3-1 3 C
S1151	Switch toilet, general	OA1-3 2 C
S1153	Flushing button, WC	OA2-1 1 C
S1154	Sensor, PIR	OA2-1 4 C
S1155	Emergency button	OA2-1 0 C
S1156	Sensor, principal tank	OA2-1 1 D
S1157	Sensor, soil tank	OA2-1 1 D
S1164	Switch, mirrors	HB1D 2 B
S1165	Switch, mirror heater	HB1D 1 C
S1166	Switch, Sun visor	OJ2 2 C
S1167	Switch, Reading light WCL door	SB2B 3 C
S1168	Switch, WCL host call	VB 3 C
S1169	Switch, reading lamps dashboard	SB2B 1 C
S2016H	Switch, High Pressure	HA2 2 C
S2016L	Switch, Low Pressure	HA2 2 C
S7071	Level sensor, windshield wiper tank	OO1 4 C
S9074	Pressure switch	PB2A 3 C
S9075	Pressure sensor	PB2A 4 B
S9076	Micro-switches, berth	PB2A 2 B
S9077	Switch, MCM service	BD 2 C
T901	Voltage Converter	OD1 0 C
T901A	Voltage converter	OD1 2 C
T902	Voltage converter, TPMS	OD1 3 C

VOLVO

Volvo Bus Corporation

Document title

WIRING DIAGRAM

Document type

PRODUCT SCHEMATIC

Document No

23458767

Issue

03

Volume No

03(03)

Page No

12(33)

COMPONENT	DESCRIPTION	PAGE
TD7DIA	TD7, Diagnosis	OV1 2 B
TD7DIS	TD7, Display	OV1 1 B
TD7ODO	TD7, Odometer	OV1 2 B
TWS	Terminal, Threshold Warning System	VA 1 C
U903	INVERTER, 24 DC TO 110 AC 2300 W	AH2 1 C
X12DVR	Output 12V, Cigarette	OD1 2 D
X16	Fire extinguisher	VC1 3 D
X17A	Mobitec, connector	SA3 3 B
X17B	Mobitec, connector	SA3 3 B
X17C	Aesys Preparation, Destination Sign	SA3 1 B
X17D	Aesys Preparation, Destination Sign	SA3 1 B
X701	Junction box, B+	AD 1 D
X801.A	MEDIA BRACKET ISTART	AD 2 B
X902A	Driver loudspeaker	JA1A 0 D
X902B	Driver loudspeaker	JA1A 0 D
X902E	Connector loudspeaker, bridge arrangement	JA1A 0 C
X902F	Connector loudspeaker, bridge arrangement	JA1A 1 C
X905	VPDU Rear Without Preheat Relay	AD 4 A
XA7	Output connector, amplifier	JB2 2 A
XA8	Output connector, amplifier	JB3 2 A
XH13	Connector, bridge speaker harness	JA1A 1 C
XKID1	Kidde, protection panel	VC1 2 A
XSK2	Light, service kit	SB2 0 D
XSK3	Light, service kit	SB2 2 D
XSK4	Connector, service kit WCL	SB2A 2 E
XSKR	Connector, service kit	SB2A 1 D
Y010	Valve, Automatic Luggage Open	OA1 2 C
Y02C	Valve, Automatic Luggage Close	OA1 2 C
Y79	Roof valve, heating system	HC1 1 D
Y80	Passenger valve, heating system	HC1 0 D
Y82	Valve Defroster, Heating System	HC1 0 D
Y90	Valve, Bypass	HC1 0 D
Y209	Valve Flushing WC Middle and Rear	OA2-2 4 B
Y210	Valve Flushing WC Middle and Rear	OA2-2 4 D
Y221	Solenoid valve Sludge tank sewer system	OA2-2 0 B
Y223D2	Solenoid valve unit MTS2 Door 2	PC1A 1 D
Y224	Lower gate valve Toilet bowl	OA2-2 0 C
Y932	Proportional valve, Hubner	OA2-1 2 C
Y952	Compressor, Clutch	HA2 2 D
Y952A	Valve, Discharge	HA2 3 D
Y6009	Defroster valve, AC	HA4C 1 C
Y6014	Solenoid valve	UB1A 3 C
Y6015	Solenoid valve, door	PB2A 2 D
Y6042	Valve, Isonic pneumatic	OA2-1 0 D
Y6070	Solenoid valve, auxiliary step	PB2A 3 D

VOLVO

Volvo Bus Corporation

Document title

WIRING DIAGRAM

Document type

PRODUCT SCHEMATIC

Document No

23458767

Issue

03

Volume No

03(03)

Page No

13(33)

INLINES

INLINE	PAGE
31AV:1	OD1 1 E
A96A:1	VD 3 D
A96A:2	VD 2 D
A96A:3	VD 2 D
A96A:4	VD 2 D
A150A:1	VA 0 D
A150A:2	VA 1 D
A150A:3	VA 1 E
AC+:1	AD 4 C
ACTIA:1	AH2-2 2 D
ACTIA:1	AH2-2 3 D
ACTIA:1	AH2-2 3 D
ACTIA:1	AH2-2 4 D
ANT1:1	JC 2 D
B7070:1	VD4 2 C
B7070:2	VD4 2 C
B7070:3	VD4 2 C
BB1:1	AA 0 B
BB1:2	AA 0 B
BB1:3	AA 0 B
BB1:4	AA 0 B
BB1:5	AA 0 B
BB1:6	AA 1 B
BB1:8	AA 1 B
BB1:9	AA 1 B
BB1:11	AA 1 B
BB2/2:1	AA 1 B
BB2/3:1	AA 1 B
BB2:1	AA 1 B
BB2:2	AA 1 B
BB2:3	AA 1 B
BB2:4	AA 2 B
BB2:5	AA 2 B
BB2:6	AA 2 B
BB2:7	AA 2 B
BB2:8	AA 2 B
BB2:9	AA 2 B
BB2:10	AA 2 B
BB2:11	AA 3 B
BB2:12	AA 3 B
BB3:1	AA 3 B
BB3:6	AA 3 B
BB3:7	AA 3 B
BB3:8	AA 3 B
BB3:10	AA 3 B
BB3:10	OV1 1 C
BB3:11	AA 4 B
BB3:12	AA 4 B
BB4:1	AA2 3 B
BB4:2	AA2 3 B
BB4:3	AA2 3 B
BB4:7	AA2 3 B
BB4:8	AA2 3 B
BB4:9	AA2 3 B

VOLVO

Volvo Bus Corporation

Document title

WIRING DIAGRAM

Document type

PRODUCT SCHEMATIC

Document No

23458767

Issue

03

Volume No

03(03)

Page No

14(33)

INLINE	PAGE
BB4:10	AA2 3 B
BB4:11	AA2 4 B
BB6:4	AA 2 D
BB6:10	AA 1 D
BB7:1	AA 2 D
BB7:2:1	AA 2 D
BB7:3:1	AA 2 D
BB7:4:1	AA 2 D
BB7:5	AA 2 D
BB7:6	AA 2 D
BB7:7:1	AA 3 D
BB7:8:1	AA 3 D
BB7:9:1	AA 3 D
BB7:10:1	AA 3 D
BB7:11	AA 3 D
BB7:12	AA 3 D
BEJf:1	JA1A 4 D
BEJf:2	JA1A 4 D
BSNbI:1	JA1A 4 D
BSNbI:2	JA1A 4 D
BSNbO:1	JA1A 3 D
BSNbO:2	JA1A 3 D
BSNO:1	JA1A 3 D
BSNO:2	JA1A 3 D
BSPI:1	JA1A 3 D
BSPI:2	JA1A 3 D
CANBa:1	XJ2 0 B
CANBa:2	XJ2 0 B
CLTCH:1	HA2 1 C
CLTCH:2	HA2 2 C
CLTCH:3	HA2 2 C
CLTCH:4	HA2 2 D
CLTCH:5	HA2 3 C
CLTCH:6	HA2 3 D
CON3U:2	OA2-1 1 C
CON3U:3	OA2-1 1 C
CON3U:5	OA2-1 2 C
CON3U:6	OA2-1 2 D
CON3U:9	OA2-1 1 D
DOOR:1	PB2A 2 C
DOOR:2	PB2A 2 D
DOOR:3	PB2A 3 C
DOOR:5	PB2A 4 C
DOOR:6	PB2A 2 C
DOOR:7	PB2A 3 D
DOOR:8	PB2A 3 B
DOOR:9	PB2A 2 B
DRL_LS:1	GC4 1 D
DRL_LS:2	GC4 1 D
DRL_RS:1	GC4 3 D
DRL_RS:2	GC4 3 D
E03A:1	VA 3 C
E03A:2	VA 3 D
E07LR:2	GC6 1 D

VOLVO

Volvo Bus Corporation

Document title

WIRING DIAGRAM

Document type

PRODUCT SCHEMATIC

Document No

23458767

Issue

03

Volume No

03(03)

Page No

15(33)

INLINE	PAGE
E16:1	IE3 0 D
E16:2	IE3 0 E
E472us10:1	ID1 2 B
E472us10:2	ID1 2 D
FOGL:2	GC6 1 C
FOGL:4	GC6 1 D
FT02A:1	AH2-2 3 B
R_MOBC-C:1	AD 4 C
RL1A:1	GC6 3 D
RL1A:2	GC6 3 B
RL1A:3	GC6 4 B
RL1A:4	GC6 4 B
RL1A:5	GC6 4 B
RL2A:1	GC6 0 D
RL2A:2	GC6 0 C
RL2A:3	GC6 0 B
RL2A:4	GC6 0 B
RL2A:5	GC6 0 B
RL3:1	GC3-3 3 C
RL3:2	GC3-3 3 C
RL3:8	VD4 3 C
RL3:11	VD4 2 D
RL3:12	VD4 2 D
RRWCL:1	VA 3 B
RRWCL:2	AI1-3 3 B
RRWCL:3	VA 2 B
RRWCL:4	VA 2 B
RRWCL:5	SB2B 1 D
RRWCL_1:1	VA 3 B
RRWCL_2:1	AI1-3 3 B
RRWCL_3:1	VA 2 B
RRWCL_4:1	VA 2 B
RRWCL_5:1	SB2B 1 D
S172.L:1	ID3 0 B
S172.L:2	ID3 0 D
S172.L:3	ID3A 1 B
S172.L:4	ID3A 1 D
S172.L:5	GC3-2 3 C
S172.R:1	ID3 3 B
S172.R:2	ID3 3 D
S172.R:3	ID3A 3 B
S172.R:4	GC3-2 4 D
S172.R:5	GC3-2 4 C
SP2I:1	JA1A 3 B
SP2I:2	JA1A 3 B
SP2O:1	JA1A 2 B
SP2O:2	JA1A 2 B
SP3I:1	JA1A 4 B
SP3I:2	JA1A 4 B
SP3O:1	JA1A 3 B
SP3O:2	JA1A 3 B
SP4I:1	JA1A 4 C
SP4I:2	JA1A 4 C
SP4O:1	JA1A 3 C

VOLVO

Volvo Bus Corporation

Document title

WIRING DIAGRAM

Document type

PRODUCT SCHEMATIC

Document No

23458767

Issue

03

Volume No

03(03)

Page No

16(33)

INLINE	PAGE
SP40:2	JA1A 3 C
TACHO:1	OV1 2 C
TACHO:2	OV1 2 C
TACHO:3	OV1 2 C
TACHO:4	OV1 2 C
TACHO:5	OV1 3 C
TACHO:7	OV1 2 C
TACHO:8	OV1 2 C
TRANS:1	JB1 1 D
TRANS:2	JB1 1 D
U903:1	AH2 2 C
U903:3	AH2 2 C
U903A:1	AH2 2 A
U903A:2	AH2 2 C
U903B:1	AH2 2 C
U903B:2	AH2 2 E
U903C:1	AH2 2 A
U903C:2	AH2 2 C
U903D:1	AH2 3 A
U903D:2	AH2 3 C
U903E:1	AH2 2 B
U903E:2	AH2 2 B
U903F:1	AH2 3 A
U903F:2	AH2 3 C
U903G:1	AH2 3 A
U903G:2	AH2 3 C
WA1:1	BE 0 A
WA1:2	BE 0 A
WA1:3	BE 0 A
WA1:4	BE 1 B
WA1:5	BE 1 B
WA1:6	BE 1 B
WA2:1	BE 0 B
WA2:2	BE 0 B
WA2:3	BE 0 B
WA2:5	BE 0 B
WA2:6	BE 0 B
WA2:7	BE 1 B
WA2:8	BE 1 B
WA3:1	BE 0 A
WA3:2	BE 0 A
WA3:3	BE 1 A
WA3:4	BE 1 A
WA3:5	BE 1 A
WA3:6	BE 1 A
WA3:7	BE 1 A
WA4:1	BE 2 A
WA4:2	BE 2 A
WA4:3	BE 2 A
WA4:4	BE 2 A
WA4:5	BE 2 A
WA4:6	BE 3 A
WA4:7	BE 3 A
WA4:8	BE 3 A

VOLVO

Volvo Bus Corporation

Document title

WIRING DIAGRAM

Document type

PRODUCT SCHEMATIC

Document No

23458767

Issue

03

Volume No

03(03)

Page No

17(33)

INLINE	PAGE
WA4:9	BE 3 A
WA5:1	BE 2 B
WA5:2	BE 2 B
WA5:3	BE 2 B
WA6:1	BE 2 B
WA6:2	BE 2 B
WA7:1	BE 3 B
WA7:2	BE 3 B
WA8:1	BE 0 C
WA8:2	BE 0 C
WA8:3	BE 0 C
WA8:4	BE 0 C
WA8:5	BE 0 C
WA8:6	BE 1 C
WA8:7	BE 1 C
WA8:8	BE 1 C
WA8:9	BE 1 C
WA9:1	BE 0 D
WA9:2	BE 0 D
WA9:3	BE 0 D
WA10:1	BE 0 D
WA10:2	BE 0 D
WA10:3	BE 1 D
WA11:1	BE 1 D
WA11:2	BE 1 D
WA11:3	BE 1 D
WA12:1	BE 1 C
WA12:2	BE 2 C
WA12:3	BE 2 C
WA12:4	BE 2 C
WA13:1	BE 1 D
WA13:2	BE 2 D
WA14:1	BE 2 D
WA14:2	BE 2 D
WA15:1	BE 3 C
WA15:2	BE 3 C
WA15:3	BE 3 C
WA15:4	BE 3 C
WA15:5	BE 3 C
WA15:6	BE 3 C
WA16:1	BE 3 D
WA16:2	BE 3 D
WA16:3	BE 3 D
WA16:4	BE 3 D
WA16:5	BE 3 D
WA16:6	BE 3 D
WA16:7	BE 4 D
WA16:8	BE 4 D
WA16:9	BE 4 D
WA17:1	BE 3 B
WA17:2	BE 3 B
WA18:1	BE 4 C
WA18:2	BE 4 C
WA18:3	BE 4 C

VOLVO

Volvo Bus Corporation

Document title

WIRING DIAGRAM

Document type

PRODUCT SCHEMATIC

Document No

23458767

Issue

03

Volume No

03(03)

Page No

18(33)

INLINE	PAGE
WCL:1	AD 4 C
WCLD:1	SB2B 3 C
WCLD:2	VB 3 B
WCLD:3	SB2B 3 B
WCLD:4	SB2B 3 B
WCLD_1:1	SB2B 3 C
WCLD_2:1	VB 3 B
WCLD_3:1	SB2B 3 B
WCLD_4:1	SB2B 3 B
WCLFH:1	XJ2 1 D
WCLFH:2	XJ2 1 D
X2CM:1	HB1D 1 C
X12RA:1	OD1 1 D
X12RA:2	OD1 1 D
X12RB:1	OD1 0 D
X12RB:2	OD1 0 D
X12V:1	OD1 0 D
X12V:2	OD1 0 D
X12VM:1	HB1D 1 D
X24V:1	OD1 1 D
X24V:2	OD1 1 D
X24VD:1	OD1 1 D
X24VD:2	OD1 1 D
X24VM:1	HB1D 1 D
X420B:1	GC3-3 1 C
X420B:2	GC3-3 1 D
X420B:3	GC3-3 0 C
X420B:4	GC3-3 2 C
X421B:1	GC3-1 1 C
X421B:2	GC3-1 1 E
X471:1	IB1 2 B
X471:2	IB1 1 B
X650:1	OO1 0 B
X650:2	OO1 1 B
X650:3	OO1 1 B
X650:4	OO1 0 B
X650:5	OO1 0 B
X650:8	OO1 2 B
X650:12	OO1 3 B
X905:1	VA 2 D
X905A:1	VA1 1 D
X1147A:1	PA 3 C
X1147A:2	ZA1 0 A
X1147B:1	PA 3 C
X1147B:2	ZA1 0 A
X1147C:1	GC5 2 C
X1147C:2	GC5 2 D
XA2U:2	AI1-4 3 B
XA2U:3	XJ2 1 B
XA2U:4	XJ2 1 B
XA2U:5	ZA1 4 B
XA2U:7	OA2-1 2 C
XA13:1	AI1-4 1 B
XA13:9	HA2 1 C

VOLVO

Volvo Bus Corporation

Document title

WIRING DIAGRAM

Document type

PRODUCT SCHEMATIC

Document No

23458767

Issue

03

Volume No

03(03)

Page No

19(33)

INLINE	PAGE
XA23:1	XJ2 1 B
XA23:2	XJ2 1 C
XA23:3	GC3-1 1 B
XA23:4	OA2-1 2 C
XA23:5	GC7 1 C
XAFH:1	OO3 3 B
XAFH:2	OO3 3 D
XAMP:1	JA1A 0 B
XAMP:2	JA1A 0 B
XAMP:3	JA1A 1 B
XAMP:4	JA1A 1 B
XAMPI:1	JA1A 0 B
XAMPI:2	JA1A 0 B
XAMPI:3	JA1A 1 B
XAMPI:4	JA1A 1 B
XAMPR:1	JA1A 0 B
XAMPR:2	JA1A 0 B
XAMPR:3	JA1A 1 B
XAMPR:4	JA1A 1 B
XB13:1	JA1A 3 E
XB13:2	JA1A 3 E
XBA001:1	UB1A 3 B
XBA001:3	SB2A 1 B
XBA001:4	SB2A 1 B
XBA001:5	OD1 3 B
XBA001:6	HC1 4 B
XBA001:7	OD1 3 B
XBA002:2	AI1-3 0 B
XBA002:3	AI1-3 0 B
XBA002:4	AI1-2 4 D
XBA002:5	AI1-5 2 B
XBA002:6	OD1 4 B
XBA002:7	HA4C-1 3 B
XBA003:2	OV1 1 B
XBA003:2	GC3-2 2 B
XBA003:3	GC3-1 1 B
XBA003:5	AI1-1 0 B
XBA003:6	AA 4 B
XBA003:7	OV1 0 B
XBA003:7	OO3 3 B
XBA003:8	HB1D 0 B
XBA003:8	OJ2 2 B
XBA004:1	AI1-4 3 B
XBA004:2	OO2 2 B
XBA004:3	AI1-1 2 B
XBA004:4	PB2A 3 A
XBA004:5	SC2 1 B
XBA004:6	OV1 0 B
XBA004:7	AI1-3 2 B
XBA004:8	AI1-3 3 B
XBA005:1	AD 3 A
XBA005a:1	VG1A 3 A
XBA006:1	AD 3 A
XBA009:1	HC1 4 B

VOLVO

Volvo Bus Corporation

Document title

WIRING DIAGRAM

Document type

PRODUCT SCHEMATIC

Document No

23458767

Issue

03

Volume No

03(03)

Page No

20(33)

INLINE	PAGE
XBA009:2	OD1 1 B
XBA009:3	SB2A 3 B
XBA009:4	JB1 1 B
XBA009:5	AI1-2 1 E
XBA009:6	OD1 1 B
XBA009:7	AI1-1 3 B
XBA009:8	IB1 3 B
XBA009:8	IE3 4 B
XBA009:8	GC3-1 3 B
XBA009:8	OA1-3 3 B
XBA009:8	VA 1 B
XBA009:8	IA1A 4 B
XBA009:8	GC7 4 B
XBA009:8	SA 3 B
XBA009:8	PA1 3 B
XBA009:8	UB1A 0 B
XBA009:8	HE1 0 B
XBA009:8	SB2B 1 B
XBA009:8	SB2C 2 B
XBA010:3	AI1-4 0 B
XBA010:4	AI1-4 0 B
XBA010:5	AI1-4 1 B
XBA010:6	AI1-1 0 B
XBA011:1	HC1 4 B
XBA011:1	VF 2 B
XBA011:2	HA 2 B
XBA011:3	HA 2 B
XBA011:4	GC4 3 B
XBA011:5	AI1-1 0 B
XBA011:6	BD 1 B
XBA011:6	AI1-2 2 D
XBA011:7	SA3 2 B
XBA011:8	OD1 0 B
XBA012:1	IF1 2 B
XBA012:2	IF1 1 B
XBA012:3	HA4C 3 C
XBA012:4	HA4C 3 C
XBA012:5	HA4C 3 C
XBA012:6	HA4C 3 C
XBA012:7	HA4C 3 C
XBA012:8	HA4C 3 C
XBA158:1	IC1A 2 B
XBA158:2	IC1A 2 D
XBB1:1	OV1 3 D
XBB1:2	OV1 3 D
XBB1:3	OV1 3 D
XBELA:1	VG5 2 B
XBELA:2	VG5 2 D
XBELAa:1	VG4 2 B
XBELAa:2	VG4 2 D
XBELB:1	VG4 2 B
XBELB:1	VG4 3 B
XBELB:1	VG4 3 B
XBELB:1	VG4 3 B

VOLVO

Volvo Bus Corporation

Document title

WIRING DIAGRAM

Document type

PRODUCT SCHEMATIC

Document No

23458767

Issue

03

Volume No

03(03)

Page No

21(33)

INLINE	PAGE
XBELB:1	VG4 4 B
XBELB:1	VG4 4 B
XBELB:1	VG5 2 B
XBELB:1	VG5 4 B
XBELB:1	VG5 3 B
XBELB:1	VG5 3 B
XBELB:1	VG5 3 B
XBELB:1	VG5 4 B
XBELB:1	VG5 3 B
XBELB:2	VG4 2 D
XBELB:2	VG4 3 D
XBELB:2	VG4 3 D
XBELB:2	VG4 3 D
XBELB:2	VG4 4 D
XBELB:2	VG4 4 D
XBELB:2	VG5 2 D
XBELB:2	VG5 3 D
XBELB:2	VG5 3 D
XBELB:2	VG5 3 D
XBELB:2	VG5 4 D
XBELB:2	VG5 4 D
XBHL:1	VG1A 3 C
XBHL:2	VG1A 4 C
XBHL:3	VG1A 3 D
XBHL:4	VG2 2 C
XBHL:5	VG2 2 C
XBHL:6	VG2 3 D
XBHL:7	VG2 3 D
XBHL:8	VG2 3 D
XBHL:9	VG2 3 D
XBHR:1	VG1A 3 C
XBHR:2	VG1A 4 C
XBHR:3	VG2 2 B
XBHR:4	VG2 2 C
XBHR:5	VG2 3 D
XBHR:6	VG2 3 D
XBHR:7	VG2 3 D
XBHR:8	VG2 3 D
XBWRR:1	VA 1 B
XE10RB:1	GC6 2 D
XE10RB:2	GC6 2 C
XE156FL:1	IA1A 0 D
XE156FL:2	IA1A 0 C
XE156FR:1	IA1A 1 D
XE156FR:2	IA1A 1 C
XE156ML:1	IA1A 1 D
XE156ML:2	IA1A 1 C
XE156MR:1	IA1A 2 D
XE156MR:2	IA1A 2 C
XE156RL:1	IA1A 0 D
XE156RL:2	IA1A 0 C
XE156RR:1	IA1A 1 D
XE156RR:2	IA1A 1 C

VOLVO

Volvo Bus Corporation

Document title

WIRING DIAGRAM

Document type

PRODUCT SCHEMATIC

Document No

23458767

Issue

03

Volume No

03(03)

Page No

22(33)

INLINE	PAGE
XEVPAP:1	HA2 1 C
XFBC:1	XJ2 3 D
XFBC:2	XJ2 3 E
XFBC:4	HA5C 3 C
XFBC:5	HA5C 3 C
XFBC:6	HC1 2 B
XFBC:7	HC1 3 C
XFBC:9	VB1 2 C
XFBC:13	GC3-2 3 C
XFBC:14	GC3-2 4 C
XFBC:15	OD1 4 D
XFBC:16	VC1 1 B
XFBC:17	VC1 2 B
XFBC:18	VC1 2 B
XFBC:19	VC1 3 B
XFHA:1	HC1 2 B
XFHA:2	HC1 3 C
XFHA:3	XJ2 1 D
XFHA:4	XJ2 1 D
XFHA:5	HA5C 3 B
XFHA:6	HA5C 3 B
XFHA:18	HA3 1 C
XFHA:19	HA3 1 C
XFHA:20	AI1-2 1 C
XFHA:21	AI1-2 1 C
XFHA:24	HA3 1 C
XFHA:25	HA3 2 C
XFMD:1	AI1-2 1 D
XFMD:2	HA4C-1 3 B
XFMD:3	BD 2 B
XFMD:5	PC1A 2 C
XFMD:6	VA1 3 B
XFMD:7	VA1 3 B
XFMD:8	VA1 3 B
XFMD:1	AI1-2 4 D
XFMD:2	AI1-2 3 B
XFMD:3	XJ2 2 D
XFMD:4	XJ2 2 D
XFMD:5	PC1A 2 C
XFTM:1	AI1-5 2 B
XFTM:2	XJ2 2 D
XFTM:3	XJ2 2 D
XMBC:2	AA 2 B
XMBC:3	AA 2 B
XMBC:4	XJ2 3 D
XMBC:5	XJ2 3 E
XMBC:7	SB2A 2 B
XMBC:8	SA 1 B
XMBC:9	GC5 2 B
XMBC:10	GC5 2 B
XMBC:11	UB1A 3 C
XMBC:13	HA5C 3 C
XMBC:14	HA5C 3 C
XMBC:15	HC1 2 B

VOLVO

Volvo Bus Corporation

Document title
WIRING DIAGRAM

Document type
PRODUCT SCHEMATIC

Document No
23458767

Issue
03

Volume No
03(03)

Page No
23(33)

INLINE	PAGE
XMBC:16	HC1 3 C
XMBC:17	VB1 2 D
XMBC:19	VC1 1 B
XMBC:20	VC1 2 B
XMBC:21	VC1 2 B
XMBC:22	VC1 3 B
XMBC:23	VA 2 C
XMBC:24	VA 2 C
XMBC:25	OD1 4 D
XMDRL:1	GC4 2 C
XMDRL:2	GC4 3 C
XMDRL:3	GC4 1 C
XMDWC:1	VA1 0 B
XMRL1:1	JA1A 0 D
XMRL1:2	JA1A 1 D
XMRL1:3	JA1A 1 B
XMRL1:4	JA1A 1 B
XMRL1:5	XJ2 3 B
XMRL1:6	XJ2 3 C
XMRL1:7	AI1-1 2 B
XMRL1:8	OJ2 2 D
XMRL1:9	OJ2 2 D
XMRL1:10	HB1D 0 C
XMRL1:10	OJ2 2 B
XMRL1:11	IF1 2 C
XMRL1:12	JA1A 0 B
XMRL1:13	JA1A 0 B
XMRL1:15	HA4C-1 1 D
XMRL1:16	SB2A 3 B
XMRL1:17	HA 1 C
XMRL1:18	HA 1 C
XMRL1:19	HA5C 3 C
XMRL1:20	HA5C 3 C
XMRL1:21	UC3 1 B
XMRL1:22	UC3 2 D
XMRL1:23	UC3 2 D
XMRL2:1	HA 1 C
XMRL2:2	HA 1 C
XMRL2:3	HA 1 C
XMRL2:4	HA 1 C
XMRL2:5	HA 1 C
XMRL2:6	HA 2 C
XMRL2:7	HA 3 C
XMRL2:8	HA 3 C
XMRL2:9	HA 3 C
XMRL2:10	HA 3 C
XMRL2:11	HA 3 C
XMRL2:12	HA 3 C
XMRL2:13	HA 2 C
XMRL2:14	HA 2 C
XMRL2:15	SB2A 2 B
XMRL2:17	IE3 0 D
XMRL2:18	SB2 2 B
XMRL2:19	VE 3 E

VOLVO

Volvo Bus Corporation

Document title

WIRING DIAGRAM

Document type

PRODUCT SCHEMATIC

Document No

23458767

Issue

03

Volume No

03(03)

Page No

24(33)

INLINE	PAGE
XMRL2:20	SB2A 1 B
XMRL2:21	SB2A 1 B
XMRL2:22	JC 2 D
XMRR:1	SB2B 1 C
XMRR:2	BD 1 C
XMRR:3	BD 1 B
XMRR:4	BD 2 B
XMRR:5	BD 1 B
XMRR:6	PC1A 2 C
XMRR:7	VA1 3 B
XRAD:1	JA1A 0 D
XRAD:2	JA1A 0 D
XRAD:3	JA1A 0 D
XRAD:4	JA1A 1 D
XRRBC:2	AA 2 C
XRRBC:3	AA 2 C
XRRBC:5	SB2A 2 C
XRRBC:6	SA 1 C
XRRBC:7	GC5 2 C
XRRBC:8	GC5 2 C
XRRBC:9	UB1A 3 D
XRRBC:11	VB1 2 D
XRRBC:15	GC3-2 3 C
XRRBC:16	GC3-2 4 C
XRRBC:19	VA 2 B
XRRBC:20	VA 2 B
XRRRL2:2	VB 1 C
XRRRL2:3	IE3 1 D
XRRRL2:4	IF1 2 C
XRRRL2:5	HE1 3 C
XRRRL2:9	IE3 2 D
XRRRL2:11	IE3 1 D
XRRRL2:12	IE3 2 D
XRRRL2:13	GC3-3 2 C
XRRRL2:14	GC3-3 0 C
XRRRL2:15	SB2A 3 C
XRRRL2:17	SB2 3 B
XRRRL2:18	OO2 3 C
XRRRL2:19	OO2 3 C
XRRRL2:20	OO2 3 C
XRRRL:2	IA1A 1 C
XRRRL:4	SB2 1 B
XRRRL:5	SB2A 1 C
XRRRL:6	JA1A 0 D
XRRRL:7	JA1A 1 D
XRRRL:9	AI1-1 2 B
XRRRL:10	XJ2 2 B
XRRRL:11	XJ2 2 C
XRRRL:12	HB1D 0 B
XRRRL:12	OJ2 2 B
XRRRL:13	VE 1 E
XRRRL:15	JA1A 1 C
XRRRL:16	JA1A 1 C
XRRRL:17	AI1-4 1 B

VOLVO

Volvo Bus Corporation

Document title

WIRING DIAGRAM

Document type

PRODUCT SCHEMATIC

Document No

23458767

Issue

03

Volume No

03(03)

Page No

25(33)

INLINE	PAGE
XRRRL:18	SB2A 1 C
XRRRL:19	AI1-3 2 B
XRRRL:20	AI1-4 0 B
XRRRL:21	AI1-4 0 B
XRRRL:23	VA 1 B
XRRRL:24	VA 1 B
XSK3A:1	SB2D 3 B
XSK3A:2	SB2D 3 B
XSK3A:3	SB2D 3 B
XSK3A:4	SB2D 3 B
XSK3A:5	SB2D 3 B
XSK3A:6	SB2D 4 B
XSK3A:7	SB2D 4 B
XSK3A:11	SB2D 4 B
XSK3A:12	SB2D 4 B
XSK3B:1	SB2D 3 D
XSK3B:2	SB2D 3 D
XSK3B:3	SB2D 3 D
XSK3B:4	SB2D 3 D
XSK3B:5	SB2D 3 D
XSK3B:6	SB2D 4 D
XSK3B:7	SB2D 4 D
XSK3B:11	SB2D 4 D
XSK3B:12	SB2D 4 D
XSKL:1	SB2A 1 C
XSKL:2	SB2A 1 E
XSKL:3	SB2A 2 C
XSKL:4	VB 1 C
XSKL:5	SB2 1 B
XSKL:6	SB2 2 B
XSKL:7	SB2A 3 C
XTD7:1	HA2 1 C
XTD7:2	AD 3 C
XUCSTR2:1	OA2-1 3 B
XUCSTR2:2	OA2-1 3 B
XUCSTR2:3	OA2-1 4 B
XUCSTR2:5	OA2-1 3 C
XUCSTR2:6	OA2-1 3 C
XUCSTR2:7	OA2-1 3 C
XUCSTR2:8	OA2-1 4 B
XUCSTR2:9	OA2-1 3 C
XWCLSK:1	SB2B 3 D
XWCLSK:2	SB2B 1 D
XWCLSK_1:1	SB2B 3 D
XWCLSK_2:1	SB2B 1 D
XWFP.A:1	WP1 2 A
XWFP:1	WP1 2 B
XWFP:2	WP1 2 C
XWMDF:1	VA1 3 B
XWMDF:2	VA1 1 C

VOLVO

Volvo Bus Corporation

Document title
WIRING DIAGRAM

Document type
PRODUCT SCHEMATIC

Document No
23458767

Issue
03

Volume No
03(03)

Page No
26(33)

SPLICES

SPLICE	PAGE
J1 ()	ZA2 0 C
J2 ()	ZA2 3 B
J3 ()	GC3 -1 3 D
J3 ()	ZA2 2 A
J4 ()	ZA2 3 A
J5 ()	ZA2 3 A
J6 ()	HC1 4 C
J6 ()	JB1 1 D
J6 ()	ZA2 4 B
J7 ()	HC1 4 B
J7 ()	VF 2 B
J8 ()	UB1A 3 B
J9 ()	UB1A 3 B
J11 ()	XJ2 1 B
J12 ()	XJ2 1 C
J13 ()	AI1-2 1 D
J14 ()	AI1-2 1 D
J17 ()	AA2 3 D
J18 ()	ZA1 4 D
J24 ()	ZA1 1 D
J25 ()	AD 3 C
J25 ()	ZA1 1 D
J26 ()	VC1 2 D
J26 ()	ZA1 0 D
J27 ()	ID3 1 B
J28 ()	ID3A 2 B
J29 ()	ZA1 1 D
J32 ()	ZA1 1 B
J33 ()	ZA1 0 B
J34 ()	PB2A 2 B
J35 ()	IE3 1 E
J35 ()	ZA1 1 B
J36 ()	ZA1 2 B
J41 ()	SB2 1 B
J42 ()	SB2A 1 C
J43 ()	ZA2 4 B
J49 ()	JA1A 1 B
J50 ()	SA 2 B
J50 ()	ZA2 2 A
J51 ()	XJ2 1 B
J52 ()	XJ2 1 C
J53 ()	XJ2 2 B
J54 ()	XJ2 2 C
J55 ()	XJ2 2 B
J56 ()	XJ2 2 C
J57 ()	XJ2 3 B
J58 ()	XJ2 3 C
J59 ()	XJ2 3 B
J60 ()	XJ2 3 C
J61 ()	XJ2 4 B
J62 ()	XJ2 4 C
J63 ()	XJ2 3 E
J64 ()	XJ2 3 D
J65 ()	ZA2 0 B

VOLVO

Volvo Bus Corporation

Document title

WIRING DIAGRAM

Document type

PRODUCT SCHEMATIC

Document No

23458767

Issue

03

Volume No

03(03)

Page No

27(33)

SPLICE	PAGE
J66 ()	HB1D 0 C
J66 ()	OJ2 2 B
J67 ()	JA1A 1 B
J68 ()	IF1 2 B
J69 ()	AI1-1 0 D
J70 ()	AI1-1 0 C
J71 ()	XJ1 2 C
J72 ()	XJ1 2 C
J74 ()	JA1A 0 B
J75 ()	XJ2 0 B
J76 ()	XJ2 0 C
J90 ()	GC6 0 C
J93 ()	IE3 1 D
J94 ()	IE3 1 C
J95 ()	JA1A 0 B
J96 ()	VD4 2 C
J97 ()	VD4 2 C
J100 ()	AA2 0 D
J106 ()	ZA1 3 B
J107 ()	ZA1 4 B
J108 ()	HA 2 C
J108 ()	HB1D 3 B
J108 ()	ZA2 1 A
J109 ()	IE3 3 B
J109 ()	ZA2 1 A
J110 ()	ZA1 4 B
J120 ()	AA 1 B
J121 ()	AA 2 B
J135 ()	OD1 1 C
J139 ()	AA2 2 D
J140 ()	AA2 1 D
J141 ()	AA2 1 D
J142 ()	GC3-1 2 C
J142 ()	SB2 3 B
J142 ()	ZA2 1 A
J143 ()	JB1 1 D
J143 ()	ZA2 2 A
J144 ()	SB2B 3 B
J147 ()	GC3-1 3 C
J147 ()	HE1 0 C
J147 ()	IA1A 4 D
J147 ()	IB1 3 C
J147 ()	OA1-3 3 C
J147 ()	PA1 3 C
J147 ()	SB2B 1 B
J147 ()	SB2C 2 C
J147 ()	UB1A 0 C
J147 ()	VA 1 C
J148 ()	GC3-1 3 B
J148 ()	GC7 4 C
J148 ()	HE1 0 B
J148 ()	IA1A 4 C
J148 ()	IB1 3 B
J148 ()	IE3 4 D

VOLVO

Volvo Bus Corporation

Document title

WIRING DIAGRAM

Document type

PRODUCT SCHEMATIC

Document No

23458767

Issue

03

Volume No

03(03)

Page No

28(33)

SPLICE	PAGE
J148 ()	OA1-3 3 C
J148 ()	PA1 3 B
J148 ()	SA 3 C
J148 ()	SB2B 1 B
J148 ()	SB2C 2 B
J148 ()	UB1A 0 C
J148 ()	VA 1 B
J149 ()	VF 2 B
J149 ()	ZA2 1 B
J150 ()	ZA2 2 B
J151 ()	ZA2 3 B
J152 ()	ZA2 3 B
J153 ()	SB2 2 B
J154 ()	OD1 0 C
J159 ()	HC1 2 C
J160 ()	ZA2 0 D
J161 ()	XJ2 1 E
J162 ()	XJ2 1 D
J163 ()	ZA2 0 D
J164 ()	AI1-2 1 C
J165 ()	GC6 0 B
J166 ()	GC6 4 B
J167 ()	GC6 0 D
J168 ()	GC6 3 D
J169 ()	VE 0 B
J170 ()	VE 0 D
J171 ()	VE 3 B
J172 ()	VE 3 E
J173 ()	GC6 3 C
J177 ()	XJ2 1 E
J178 ()	XJ2 1 D
J180 ()	SB2D 3 B
J181 ()	OD1 1 C
J183 ()	AI1-2 1 D
J184 ()	VC1 2 D
J185 ()	HC1 2 D
J190 ()	SB2D 3 C
J191 ()	GC3-1 1 B
J191 ()	GC3-2 2 B
J191 ()	OV1 1 C
J192 ()	GC3-1 1 B
J193 ()	GC3-1 1 C
J194 ()	GC3-1 1 B
J265 ()	ID3A 2 C
J266 ()	VC1 1 C
J267 ()	GC6 1 C
J268 ()	GC6 1 D
J269 ()	JB2 1 B
J270 ()	JB2 2 C
J271 ()	JB2 2 B
J272 ()	JB2 1 D
J273 ()	JB2 1 D
J274 ()	JB2 3 D
J276 ()	VD 1 D

VOLVO

Volvo Bus Corporation

Document title

WIRING DIAGRAM

Document type

PRODUCT SCHEMATIC

Document No

23458767

Issue

03

Volume No

03(03)

Page No

29(33)

SPLICE	PAGE
J279 ()	HB1D 2 D
J285 ()	OP1-1 2 C
J286 ()	OP1-1 2 B
J287 ()	HC1 0 D
J289 ()	GC3-1 1 D
J290 ()	GC3-1 1 D
J291 ()	GC3-1 1 D
J292 ()	GC3-1 1 D
J293 ()	GC3-1 1 D
J294 ()	GC3-1 1 D
J295 ()	GC3-1 1 D
J296 ()	GC3-1 1 D
J300 ()	GC6 4 C
J305 ()	SB2A 1 D
J306 ()	SB2A 1 D
J307 ()	SB2A 2 C
J308 ()	VB 1 D
J310 ()	SB2 2 C
J311 ()	SB2A 3 D
J312 ()	IA1A 0 C
J313 ()	SB2 1 C
J314 ()	IE3 0 D
J315 ()	IA1A 1 C
J316 ()	IE3 0 D
J317 ()	IE3 0 D
J318 ()	AI1-1 0 C
J319 ()	VB 1 B
J320 ()	SB2A 3 C
J328 ()	IE3 0 D
J336 ()	AH2 2 B
J337 ()	AH2 2 C
J338 ()	AH2 2 A
J339 ()	AH2 2 C
J353 ()	ID3 0 D
J354 ()	ID3 0 C
J355 ()	ID3A 1 C
J356 ()	ID3A 0 C
J357 ()	ID3A 1 C
J358 ()	ID3A 1 C
J364 ()	ZA1 3 B
J365 ()	ID3A 1 D
J383 ()	ID3 3 D
J384 ()	ID3 3 C
J385 ()	ID3A 3 C
J386 ()	ID3A 2 C
J387 ()	ID3A 3 C
J388 ()	ID3A 4 C
J389 ()	ID3A 3 D
J390 ()	JA1A 2 B
J391 ()	JA1A 2 B
J392 ()	JA1A 3 B
J393 ()	JA1A 4 B
J394 ()	JA1A 4 B
J395 ()	JA1A 4 B

VOLVO

Volvo Bus Corporation

Document title

WIRING DIAGRAM

Document type

PRODUCT SCHEMATIC

Document No

23458767

Issue

03

Volume No

03(03)

Page No

30(33)

SPLICE	PAGE
J396 ()	JA1A 3 C
J397 ()	JA1A 3 C
J398 ()	JA1A 4 C
J399 ()	JA1A 3 C
J400 ()	JA1A 4 C
J401 ()	JA1A 4 C
J404 ()	VB1 2 C
J440 ()	JB3 2 B
J441 ()	JB3 2 B
J442 ()	JB3 2 C
J443 ()	JB3 2 C
J460 ()	IE3 0 B
J480 ()	OA2-1 3 B
J480 ()	SC2 4 C
J482 ()	OA2-1 4 C
J484 ()	ID1 2 B
J486 ()	ID1 2 D
J488 ()	AD 3 C
J501 ()	AH2-2 3 B
J505 ()	HB1D 2 C
J506 ()	HB1D 2 C
XGHL01 ()	ZA3 3 B
XGHL02 ()	VG1A 2 D
XGHR01 ()	VG4 2 D
XGLH01 ()	ZA3 1 B
XS0006 ()	XJ2 2 D
XSCAH ()	ZA2 1 D
XSCAH2 ()	HA2 1 C
XSCAH3 ()	HA2 2 D
XSCRF ()	BG2 2 C
XSEE01 ()	VG5 2 B
XSEE02 ()	VG5 2 D
XSHL01 ()	VG1A 3 C
XSHL02 ()	VG1A 4 C
XSHR01 ()	VG4 2 B
XSLH01 ()	VG1A 3 B
XSLH02 ()	VG1A 4 B
XSLH03 ()	VG2 3 B
XSLH04 ()	VG2 3 D
XSN01 ()	GC7 3 D
XSN02 ()	GC7 3 C
XSN03 ()	OA1 1 C
XSN04 ()	OA1 1 D
XSN05 ()	PA2 1 C
XSN06 ()	PA2 1 D
XSN07 ()	SA3 1 D
XSN08 ()	OO1 2 D
XSN09 ()	HA4C-1 2 C
XSN10 ()	HA4C-1 3 D
XSN11 ()	HA4C-1 3 D
XSN12 ()	HA4C-1 3 C
XSN13 ()	HA4C-1 3 C
XSN14 ()	HA4C-1 3 C
XSN15 ()	GC5 2 B

VOLVO

Volvo Bus Corporation

Document title

WIRING DIAGRAM

Document type

PRODUCT SCHEMATIC

Document No

23458767

Issue

03

Volume No

03(03)

Page No

31(33)

SPLICE	PAGE
XSN16 ()	VB1 3 D
XSN18 ()	VA 2 C
XSN19 ()	VA1 3 C
XSN20 ()	SA3 2 B
XSN21 ()	PA2 3 D
XSN22 ()	OD1 2 E
XSN23 ()	OD1 2 D
XSN24 ()	SA3 3 B
XSN25 ()	GC4 1 B
XSN26 ()	AI1-2 2 D
XSN26 ()	BD 1 C
XSN27 ()	SA3 3 B
XSN28 ()	SA3 3 D
XSN29 ()	UC3 2 C
XSN30 ()	VA1 3 B
XSN31 ()	OD1 0 D
XSN32 ()	UC3 1 C
XSO01 ()	OA1 2 D
XSO02 ()	OA1 3 D
XSO003 ()	XJ2 2 E
XSO004 ()	XJ2 2 D
XSO005 ()	XJ2 2 E
XSO006 ()	AI1-3 0 B
XSP01 ()	ZA1 2 B
XSP02 ()	SA 1 C
XSP03 ()	SA 1 D
XSP04 ()	VA 3 B
XSP04 ()	VA1 3 B
XSP05 ()	VA 3 D
XSP05 ()	VA1 3 C
XSP06 ()	BD 1 C
XSP07 ()	SC2 1 D
XSP08 ()	SC2 1 C
XSP09 ()	SC2 1 C
XSP10 ()	OO2 2 C
XSP13 ()	VA 3 C
XSP14 ()	VA 3 C
XSQ02 ()	ZA1 2 D
XSQ03 ()	SB2A 1 E
XSQ03 ()	ZA1 2 D
XSQ04 ()	GC3-1 1 C
XSQ04 ()	ZA1 3 D
XSQ05 ()	IE3 1 E
XSQ05 ()	ZA1 2 D
XSQ06 ()	AI1-4 0 B
XSR01 ()	ZA2 2 D
XSR02 ()	ZA2 2 D
XSR03 ()	ZA2 3 D
XSR04 ()	ZA2 1 D
XSR05 ()	OA2-2 1 C
XSR06 ()	OA2-2 0 C
XSR07 ()	OA2-2 0 D
XSR08 ()	OA2-2 2 C
XSR11 ()	OA2-2 4 D

VOLVO

Volvo Bus Corporation

Document title

WIRING DIAGRAM

Document type

PRODUCT SCHEMATIC

Document No

23458767

Issue

03

Volume No

03(03)

Page No

32(33)

SPLICE	PAGE
XSR12 ()	ZA2 2 D
XST01 ()	VA1 1 D
XST02 ()	VA 1 D
XST03 ()	ZA2 4 D
XST04 ()	AI1-3 3 C
XST05 ()	VA1 1 C
XSU01 ()	PC1A 3 D
XSU02 ()	PC1A 1 A
XSU03 ()	IC1A 2 D
XSU04 ()	ZA2 3 D
XSU05 ()	IC1A 2 C
XSU06 ()	PC1A 2 C
XSU07 ()	AI1-5 2 D
XSV01 ()	GC4 2 C
XSV02 ()	GC4 2 C
XSV03 ()	GC4 2 C
XSV11 ()	OO3 3 C
XSV12 ()	OO3 3 C

VOLVO

Volvo Bus Corporation

Document title

WIRING DIAGRAM

Document type

PRODUCT SCHEMATIC

Document No

23458767

Issue

03

Volume No

03(03)

Page No

33(33)