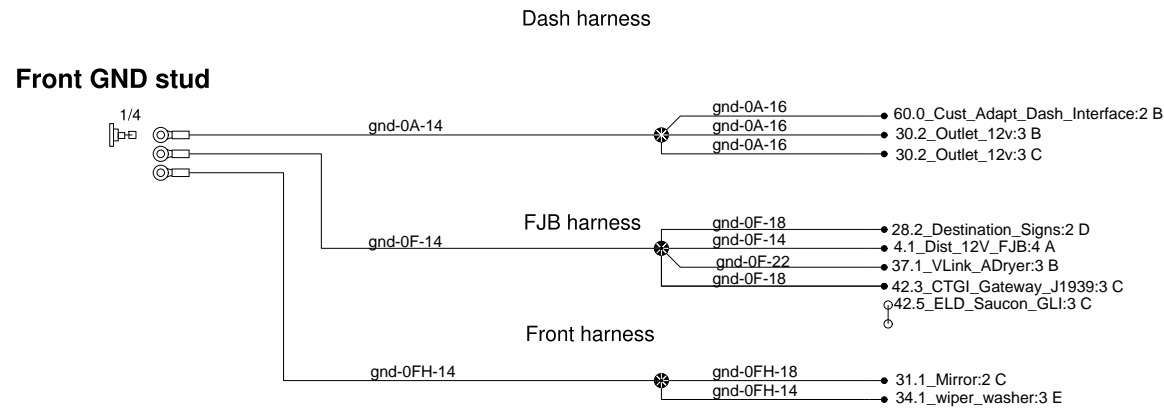


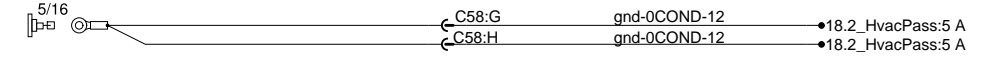
****Ground distribution:****

- 0-Electric gnd
- 00- Electronic Gnd
- A-Dash - Lh console harness
- F-Front junction box harness
- FH-Front harness
- R-Rear junction box harness
- FR-Front to rear

Chassis ground distribution



Condensor cmpt. stud



RJB stud



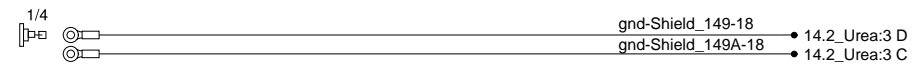
Front radiator stud



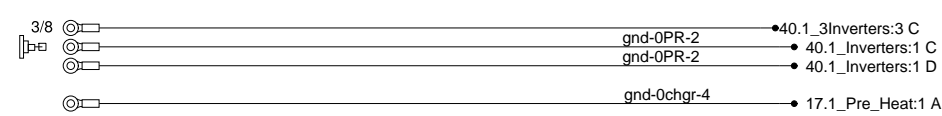
Evaporator cmpt. stud



Urea cmpt. stud



Parcel rack stud #1



Parcel rack stud #2



Located on the top of the luggage compartment



Luggage chassis stud

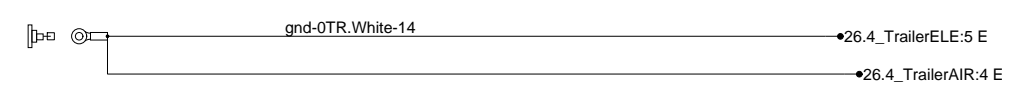


Rear radiator stud



Rad door stud

Trailer stud



Engine studs

Engine cmpt. studs

