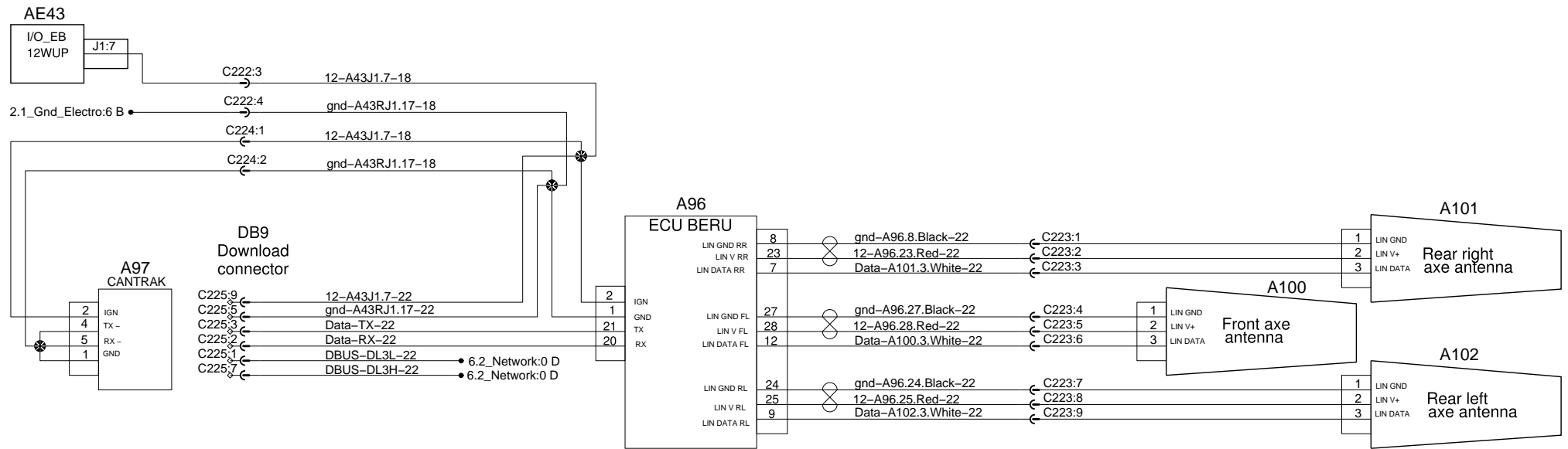


## Tire pressure monitoring system



## Adaptative cruise control breaking

