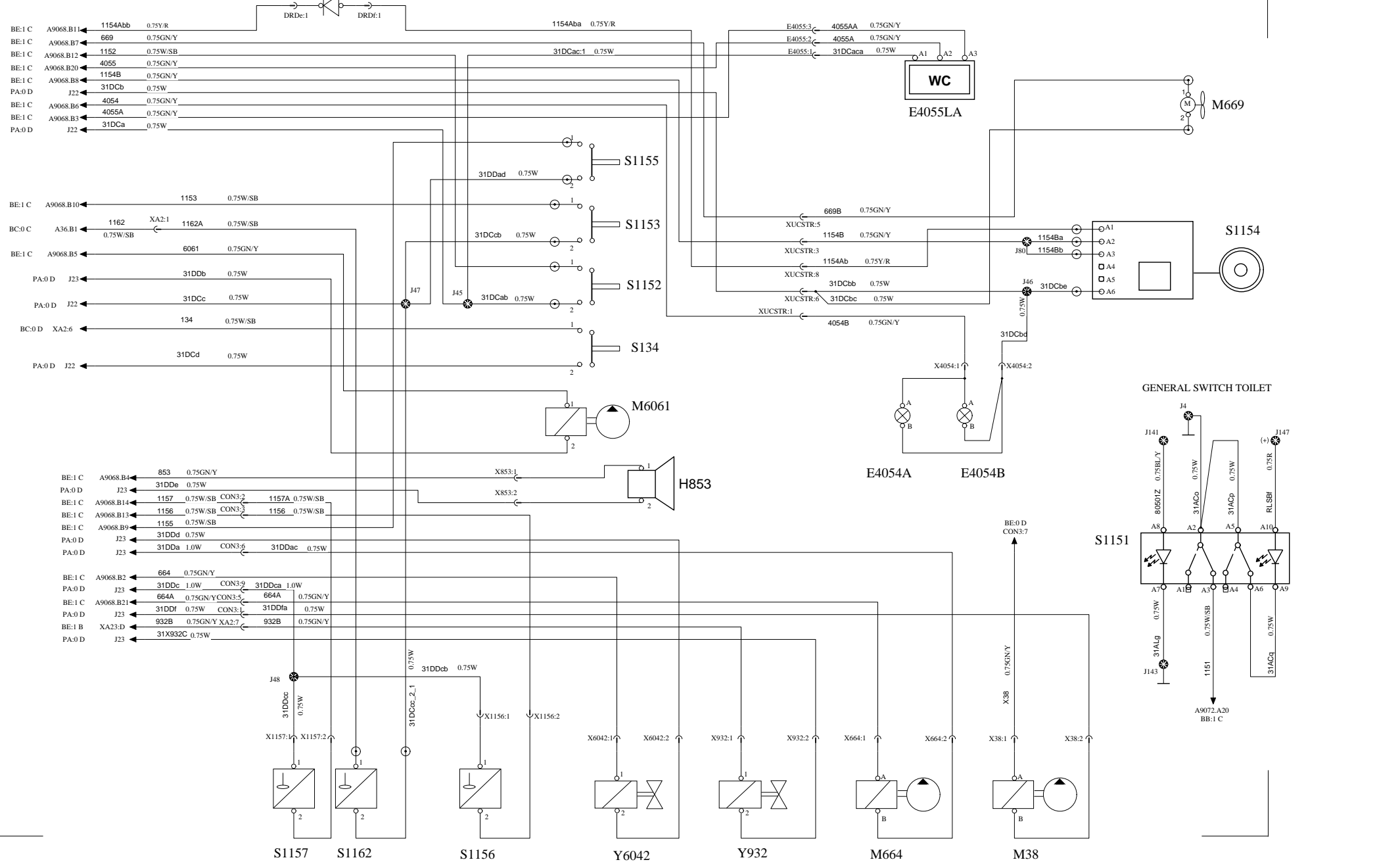


TOILET

WIRING DIAGRAM



Volvo Bus Corporation

Document title WIRING DIAGRAM
Document type PRODUCT SCHEMATIC

Document No 22600119	Issue 04	Volume 01	Page 24/74
-------------------------	-------------	--------------	---------------