

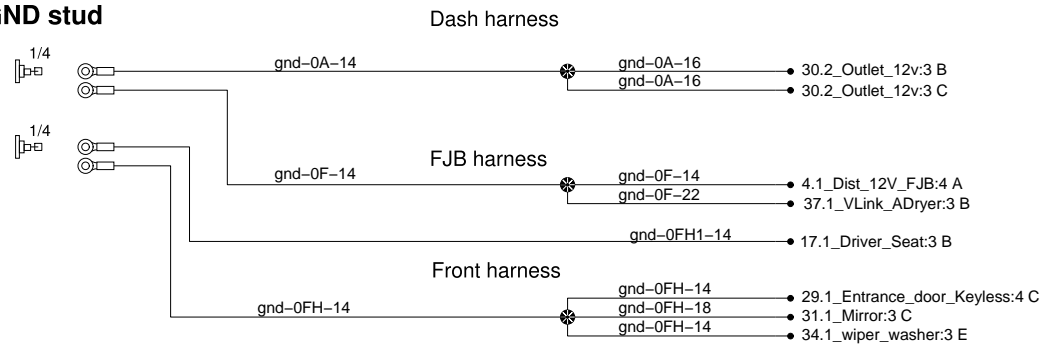
****Ground distribution:****

0-Electric gnd
00- Electronic Gnd

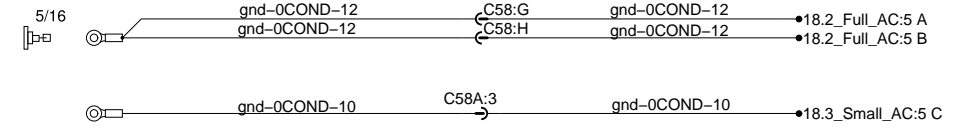
A-Dash - Lh console harness
F-Front junction box harness
FH-Front harness
R-Rear junction box harness
FR-Front to rear

Chassis ground distribution

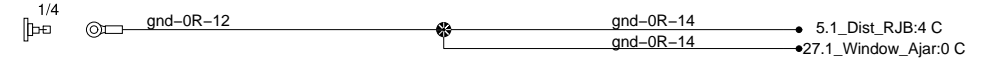
Front GND stud



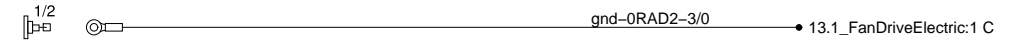
Condensor cmpt. stud



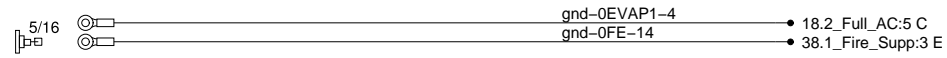
RJB stud



Front radiator stud



Evaporator cmpt. stud

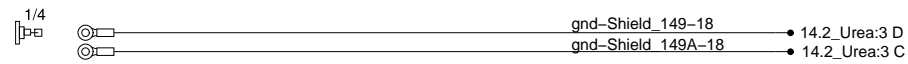


Rear radiator stud



Radiator on door stud

Urea cmpt. stud



Trailer stud



Engine studs

Engine cmpt. studs

