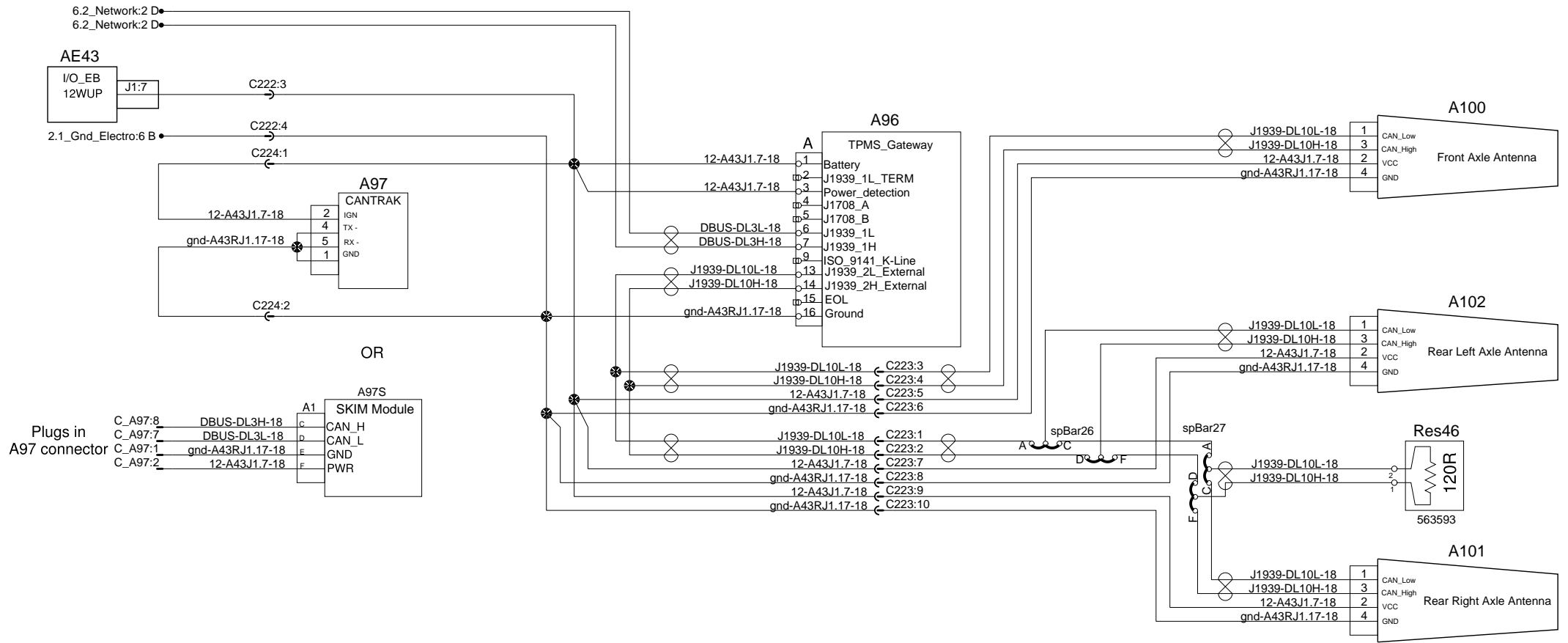


Tire pressure monitoring system



Plugs in A97 connector

C_A97:8	DBUS-DL3H-18	A1	SKIM Module
C_A97:7	DBUS-DL3L-18	C	CAN_H
C_A97:1	gnd-A43RJ1.17-18	D	CAN_L
C_A97:2	12-A43J1.7-18	E	GND
		F	PWR