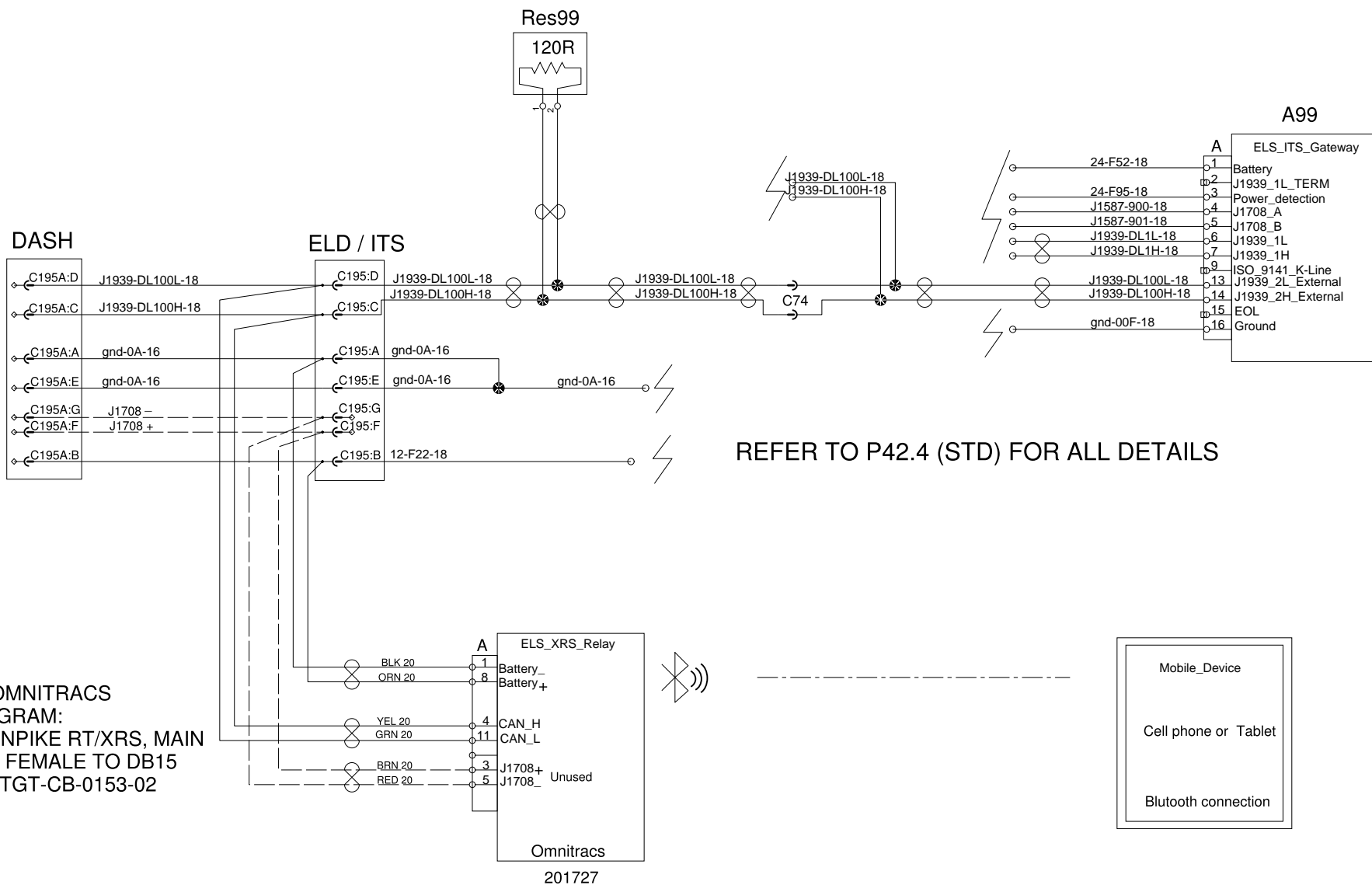


Customer Adaptation - ELD Omnitracs XRS Fleet Management & Logging device



REFER TO P42.4 (STD) FOR ALL DETAILS

REFER TO OMNITRACS
WIRING DIAGRAM:
CABLE, TURNPIKE RT/XRS, MAIN
9-PIN MALE, FEMALE TO DB15
DRAWING DTGT-CB-0153-02

