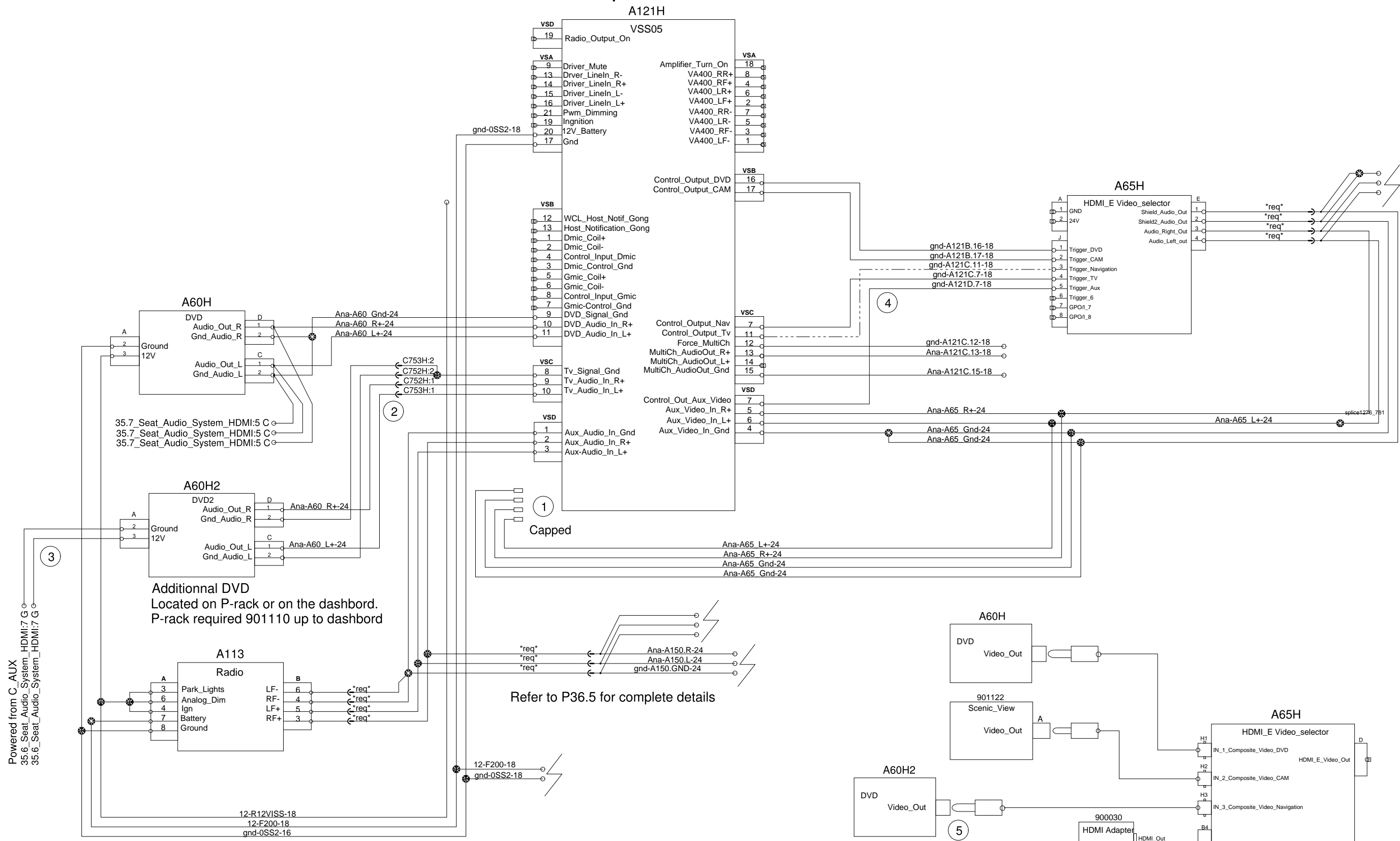


Audio Video System HDMI Customer Adaptation Additional DVD



Additional DVD
Located on P-rack or on the dashboard.
P-rack required 901110 up to dashboard

Refer to P36.5 for complete details

Installation and modification:

- ① Unplug Male RCA A65_L, A65_R, A65_Gnd from C752 & 753 and add 2x 507661 Cap
- ② Plug A60H2 (DVD2) Audio outputs on RCA plugs C752 & C753 (ocated on the dashboard)
- ③ Plug 12V Power from C_Aux
- ④ Invert Pin J3 and J4 on video selector A65H
- ⑤ Plug A60H2 (DVD2) Video output to A65H Input H3

