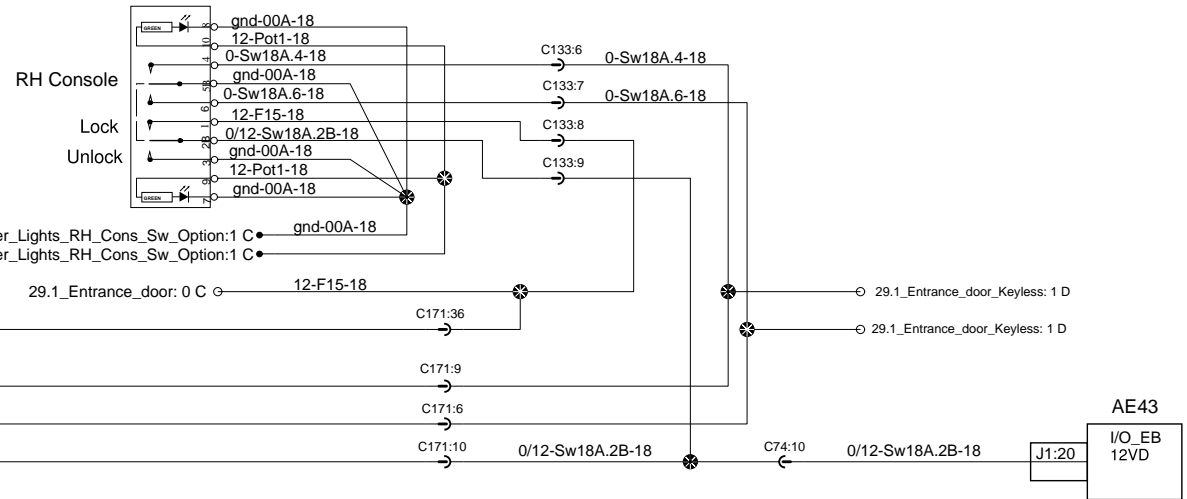


Luggage doors Lock/Unlock

Customer Adaptation RH console Sw.

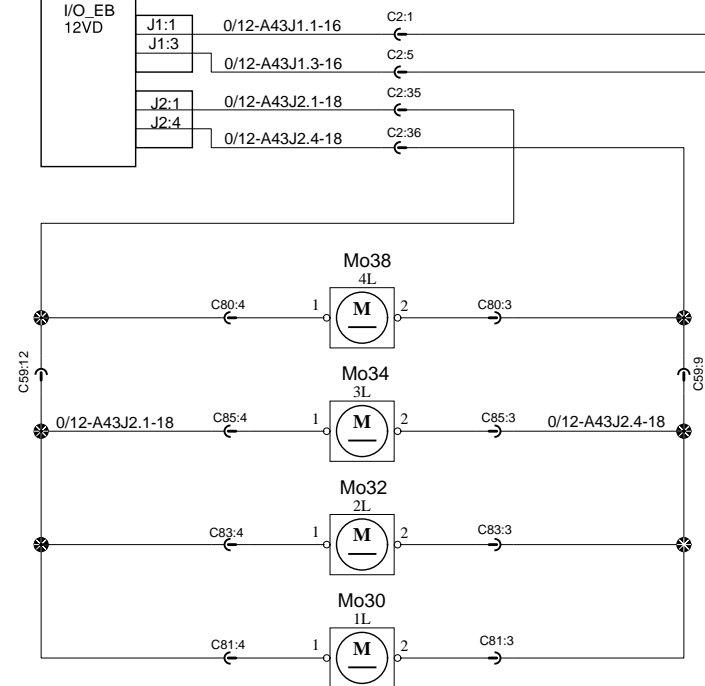
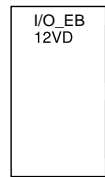
Sw166

Lugg lock/unlock _2nd Sw

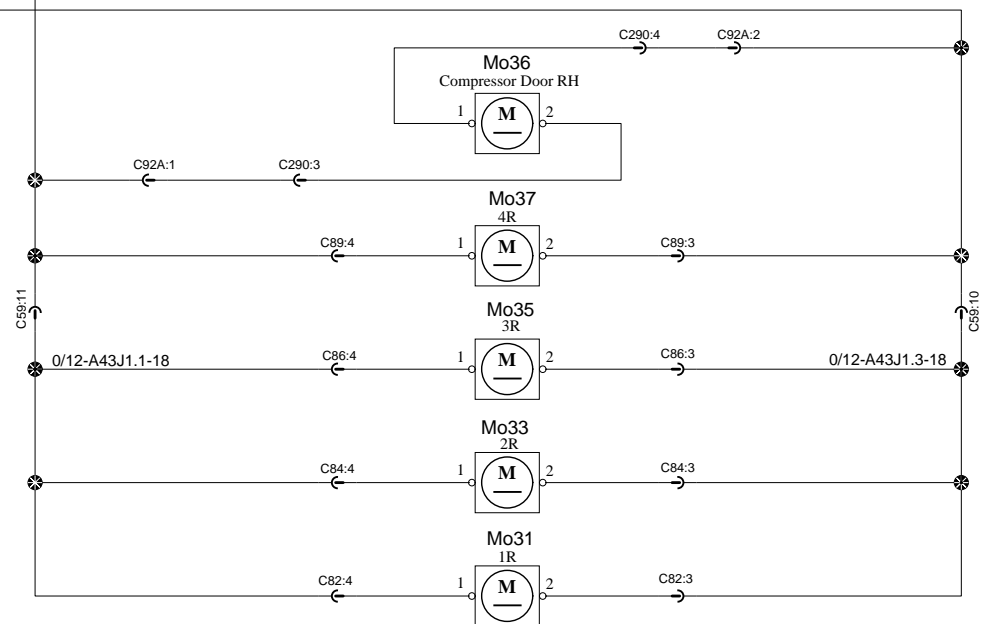


Refer to Page 25.1 for complete details

AE43



LH



RH