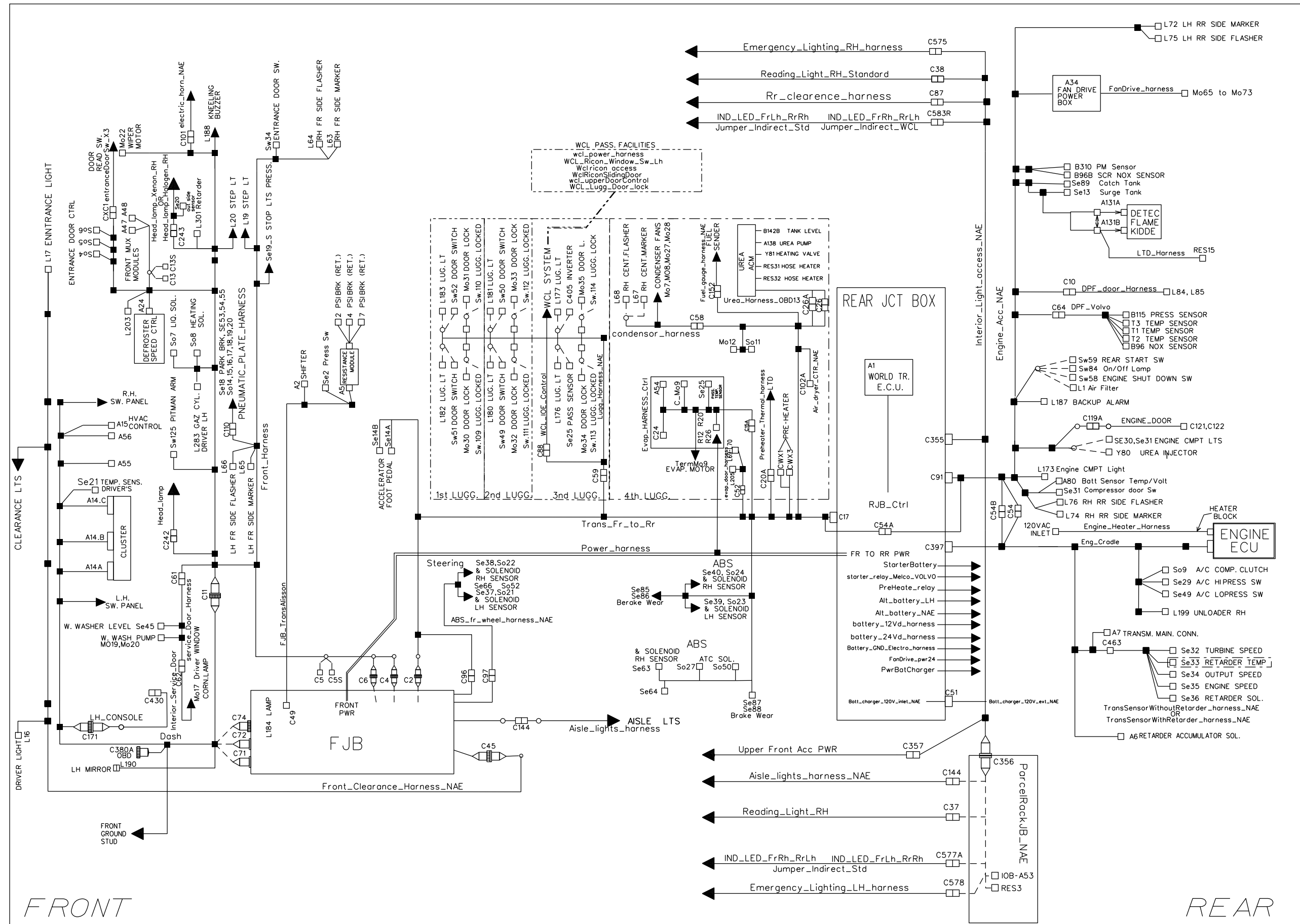


REV.	DATE	O.C.	EFF.	DESCRIPTION	PAGE(S)	BY	CHECKED	APPROVED

# Wiring diagram pages list

Multiplex outputs	<b>B1</b>	<b>D</b>		<b>I</b>		<b>S</b>	
Multiplex input	<b>B2</b>	Dash lights	19.1	Ignition & Engine Start	3.2	Spares wires	8.1
Multiplex Error list	<b>B3</b>	Destination sign	28.1	Indirect lighting	23.1	Speakers	35.2
Layout vehicle - harness	<b>C1</b>	Driver's light & backlight	19.1	Inverters	40.1	Starting Aid	43.1
Pins configuration	<b>D</b>	Driver window	30.1			Step lights	29.1
Circuits list	<b>E</b>			<b>K</b>		Stop lights	26.2
Circuit breakers list	<b>F</b>	<b>E</b>		Kneeling system&Hi Buoy	32.1	Stop Request	22.2
Connectors list	<b>G</b>	Emergency & Aisle lights	20.1				
Diodes list	<b>H</b>	Engine ECU	14.1	<b>L</b>		<b>T</b>	
Resistors list	<b>J</b>	Engine heater	14.1	Luggage compartment Lighting	25.1	Tag	32.1
Relays list	<b>K</b>	Engine start	3.2			Tail & licence lights	26.2
Fuses list	<b>L</b>	Engine & RJB cmpt. Light	25.1	<b>M</b>		Tire pressure monitor	39.1
Wire identification chart	<b>M</b>	Entrance door & lights	29.1	Main dist. ignition & batt.	3.1	Transmission ECU	15.1
		ESP	16.1	Markers lights	26.1 - 26.2	Trapeze	35.6
<b>A</b>				Mirrors	31.1		
Air dryer	37.1	<b>F</b>		Multiplex power distribution	7.1	<b>U</b>	
Air Filter	14.3	Fans radiator	13.1	Multiplex network	6.1 - 6.2		
Alternators	1.1	FareBOX	28.1			Urea system	14.2
Audio Video Système	35.1	Fast idle	14.1	<b>O</b>			
		Fire suppression system	38.1	OIL Separator	37.1	<b>V</b>	
<b>B</b>		Flashers	26.1-26.2			Volvo link TGW	37.1
Back-up warnings	26.3	Fuel gauge	10.1	<b>P</b>			
Batteries & Equalizer	1.1			Parcel rack A/C system	18.3	<b>W</b>	
Battery charger	17.1	<b>G</b>		Park brake sensor	12.1	Water pre-heater	17.1
		Gateway J1939	6.2	Power distribution FJB 12V	4.1	Wet Tank	37.1
Brake pedal sensor & Interlock	12.1	Grounds electronic	2.1	Power distribution FJB 24V	4.2	Wheel chair lift Ricon	36.1
Brake Wear	12.2	Grounds chassis	2.2	Pwr dist. RJB 12V & 24V	5.1	WIFI	35.4
				Pwr dist.P.RACK 12V & 24V	5.2	Wipers & washer	34.1
<b>C</b>		<b>H</b>					
Clearance lights	26.1-26.2	Hazard	26.1	<b>R</b>			
Cluster	10.1	Head lights	26.1	Reading lamps	22.2		
Coolant Level Led	14.3	Horn	9.1	Rear Tachometer	14.3		
Camera Systeme	35.7	Hvac defroster	18.1	Retarder	12.1 - 15.1		
		Hvac passenger	18.2	RJB fan	1.1		



FRONT

REAR

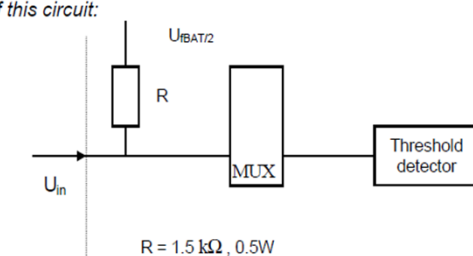
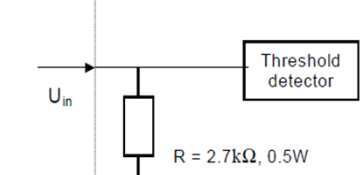
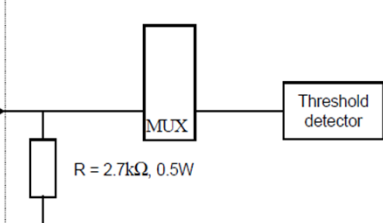
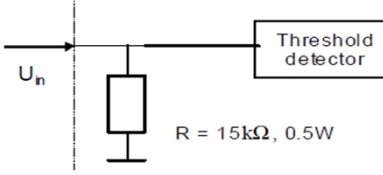
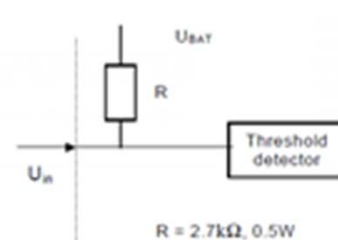
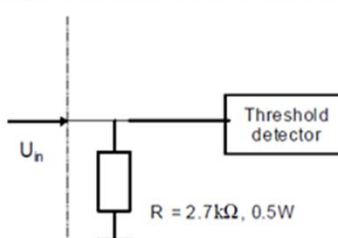
DESCRIPTION	South West
<b>ORDRE DE CHANGEMENT</b>	<b>2018006</b>
VÉH. EFFECTIF	
T.I. RESPONSABLE	<b>Saliha</b>
<b>DISTRIBUTION DE WIRING DIAG CORRIGÉS</b>	
ABS_FR_WHLS_HARNESS	069387
ACB_Gen2	NA
AFSS_AMEREX_HARNESS	060553
AFSS_KIDDE_HARNESS	NA
Air_dryer_CTR_NAE	idemX3_060095
Alt_battery_lh	idemX3_069537
Alt_battery_NAE	idemX3_069517
Alt_chassis_GND_NAE	idemX3_060264
Alt_Ctrl_harness	idemX3_060088
Alt_jumper_power_NAE	idemX3_060265
Alt_Lh_Chassis_Gnd	idemX3_069504
Alternator_HARNESS_LH	idemX3_069511
Batt_Charger_120V_ext_NAE	idemX3_060149
battery_12vd1_harness	069524
battery_12vd_harness	069523
battery_24vd1_harness	069521
battery_24vd_harness	069522
battery_gnd_electro_harness	idemX3_069534
Battery_interconnect	idemX3_060152
BatteryGndHarness	idemX3_069525
Curb_Light_First_Lugg_RH	
Curb_Light_Rear_RH_Fender	
Condensor_Harness	idemX3_060377
Dash	<b>069926</b>
DC/DC_Harness	NA
DPF_Door_Harness	069711
DPF_Door_light	idemX3_060037
DPF_Volvo_NAE	idemX3_060089
electric_horn_NAE	idemX3_060074
ENGINE_ACCESSORIES	<b>069951</b>
Engine_chassis_GND	idemX3_060306
ENGINE_CRADLE	<b>069949</b>
Engine_door	idemX3_060039
Entrance_DoorSW_X3	
Emergency light RH	069726
Emergency light LH	069870
Equalizer_Harness_Vanner	idemX3_069539
Evap_Door_harness	idemX3_060556
Evap_HARNESS_Ctrl	idemX3_060540
Evap_Power_GND_harness	idemX3_060527
Evap_power_harness_	idemX3_060529
Fan_Parcel_Rack	NA
FanDrive_harness	idemX3_068820
FanDrive_pwr24	idemX3_069245
FanDrive_pwrGnd	idemX3_069246
FJB	<b>069927</b>
FootFlasher_Harness	<b>069928</b>
Front_Clearance_Harness	069709
FRONT_HARNESS	<b>062705</b>
Front_Trailer_Harness	NA
Fuel_gauge_Harness	idemX3_060087
head_lamp_LED_LH	NA
head_lamp_led_RH	NA
head_lamp_Halog_LH	IDEM X3_060078
head_lamp_Halog_RH	IDEM X3_060380
IND_LED_FrLh_RrRh	<b>069929</b>
IND_LED_FrRh_RrLh	<b>069930</b>
Interior_light_Access	<b>069931</b>
Inverter1_Harness_24V	069694
Inverter2_Harness_24V	069695

DESCRIPTION	South West
<b>ORDRE DE CHANGEMENT</b>	<b>2018006</b>
VÉH. EFFECTIF	
T.I. RESPONSABLE	<b>Saliha</b>
<b>DISTRIBUTION DE WIRING DIAG CORRIGÉS</b>	
Inverter3_Harness_24V	NA
Inverter_120Vac_LH	068257(GP)
Inverter_120Vac_RH	068198 (GP)
Inverter_Negatif	069700
Inverter_Positif	069701
Jumper_Ground_Plate	0610007
Jumper_Indirect_Std	<b>069932</b>
Jumper_Indirect_WCL	<b>069933</b>
Lavatory_NAE	NA
LH_Console	<b>069934</b>
LTD_harness	NA
Lugg_Harness	062013
Parcel_Rack_JB	<b>069935</b>
Pneumatic_Plate_Harness	069715
Power_harness_NAE	idemX3_060558
Power_Steering_Ctrl	NA
Power_Vecr	idemX3_069540
PreHeate_relay	idemX3_069516
PreHeater_GND	idemX3_060308
Preheater_Thermal_harness	idemX3_067676
Proheat_charger	idemX3_060092
Pwr_Bat_charger	idemX3_069528
Radiator_chassis_gnd	062315
reading_Light_LH	062110
Reading_Lights_RH	062111
Rear_lamps	idemX3_069552
Relay_Melco_batt	idemX3_069542
RJB	<b>069936</b>
RJB_Ctrl	idemX3_060547
RJB_Rr_Seat_Harn_ElectGND	NA
RJB_Rr_Seat_Harness_24v	069697
Rr_Clearance_harness	069710
service_Door_Harness	IDEMX3_069554
Speak easy	NA
Speak easy interface	NA
Starter_battery_Volvo	idemX3_069518
Starter_chassis_GND	idemX3_060307
starter_relay_Melco_VOLVO	idemX3_069515
Starting Aid Ultracap	061151
Trans_Fr_Rr	<b>069937</b>
TransSensorWithRetarder_harness	NA
TransSensorWithoutRetarder_harness	idemX3_069778
Ultracap_power	060422
UPPER_Front_ACC	<b>069938</b>
Upper_Front_Acc_Pwr	061038
Urea_Harness	idemX3_060568
USB_LH	NA
USB_RH	NA
USB_JUMPER_Seat	NA
USB_JUMPER_WCL	NA
USB_JUMPER_wall	NA
USB_JUMPER_Modest	NA
WCL_IOE_Control	069720
WCL_LUGG_DOOR_LOCK	idemX3_069339
wcl_power_harness	idemX3_069337
WCL_Sliding_Door	069659
WCL_Ricon_access	069744
WCL_UPPER_DOOR_CTRL	069719
WCL_Window_Sw_LH	060580

Pin configuration MCM

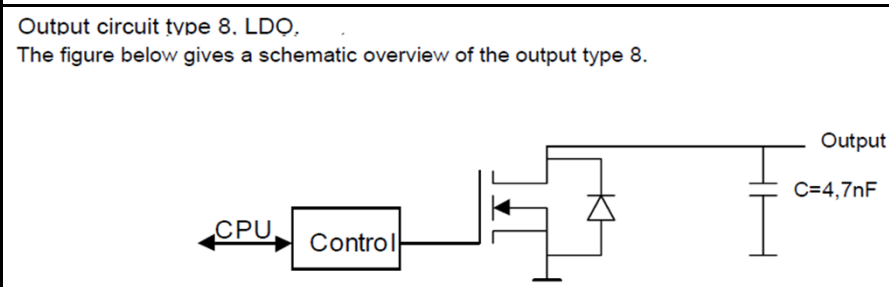
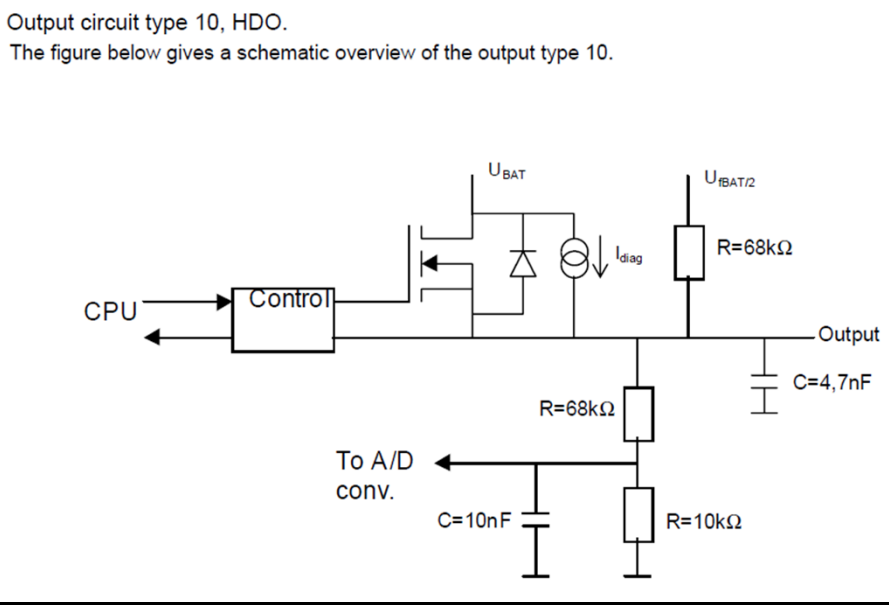
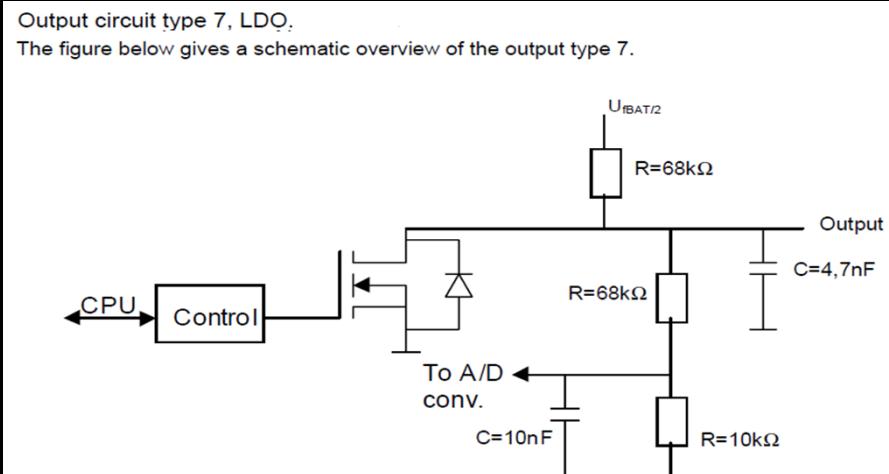
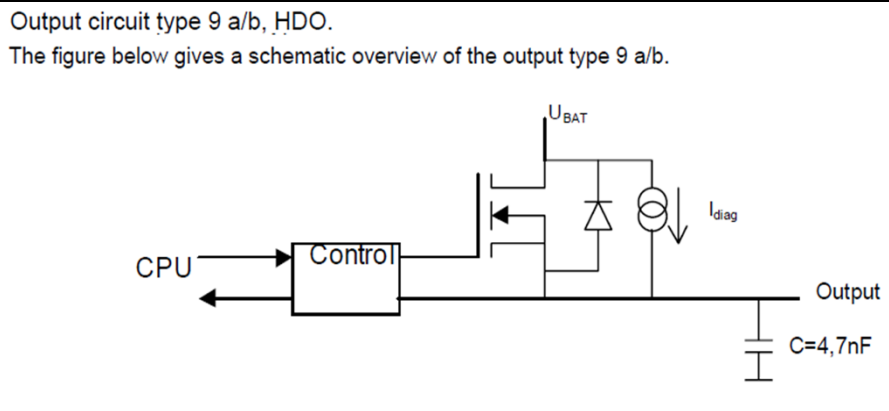
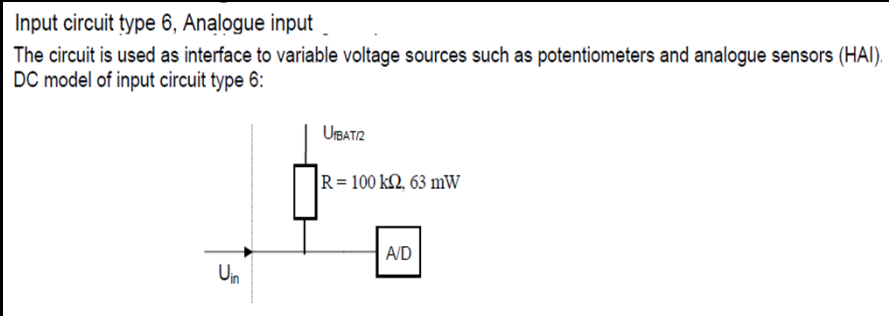
Signal ID	J1 pin	Interface type	Input / Output	Description	Signal ID	J1 pin	Interface type	Input / Output	Description
A1	1	CAN0 High	Bus	Maximum speed 1Mbps/wake	B1	1	Type 1	In	LDI, HDI
A2	2	CAN0 Low	Bus	Maximum speed 1Mbps/wake	B2	2	Type 1	In	LDI, HDI, Failure mode
A3	3	Type 7	Out	LDO, Failure mode	B3	3	Type 2	In	HDI
A4	4	Type 7	Out	LDO	B4	4	Type 4a	In	HDI, Interrupt/Wake
A5	5	Type 7	Out	LDO	B5	5	Type 3	In	LDI, Interrupt/Wake
A6	6	Type 8	Out	LDO	B6	6	Type 4a	In	HDI Failure mode, Interrupt/Wake
A7	7	Type 8	Out	LDO	B7	7	RS232 TxD	Bus	Maximum speed 115.2kbps
A8	8	GND	In		B8	8	RS232 RxD	Bus	Maximum speed 115.2kbps
A9	9	Vbat	In		B9	9	Type 1	In	LDI, HDI
A10	10	Type 8	Out	LDO	B10	10	Type 1	In	LDI, HDI
A11	11	Type 10	Out	HDO	B11	11	Type 1	In	LDI, HDI
A12	12	Type 9B	Out	HDO	B12	12	RS232 GND	In	
A13	13	Type 9B	Out	HDO	B13	13	Type 1	In	LDI, HDI
A14	14	Type 9A	Out	HDO	B14	14	Type 1	In	LDI, HDI
A15	15	Type 9A	Out	HDO	B15	15	Type 4B	In	Interrupt/Wake
A16	16	Type 9A	Out	HDO, Failure mode	B16	16	Type 1	In	LDI, HDI
A17	17	Type 10	Out	HDO, Failure mode	B17	17	Type 1	In	LDI, HDI
A18	18	Type 9A	Out	HDO	B18	18	GND	In	
A19	19	Type 13	Out	C30	B19	19	MasterID Supply	In	
A20	20	Network ID 1	In		B20	20	NC		
A21	21	Network ID 2	In		B21	21	Type 1	In	LDI, HDI
A22	22	EOL enable	In		B22	22	Type 1	In	LDI, HDI
A23	23	Network ID 3	In		B23	23	Type 1	In	LDI, HDI
A24	24	Type 11	Out	HLDO	B24	24	RS232 CTS	In	
A25	25	Type 11	Out	HLDO	B25	25	Type 6	In	HAI
A26	26	Type 5	In	HDI	B26	26	Type 6	In	HAI
A27	27	CAN2 High	Bus	Maximum speed 1Mbps/wake	B27	27	RS232 RTS	Out	
A28	28	CAN2 Low	Bus	Maximum speed 1Mbps/wake	B28	28	Type 12	Out	HDO 5V
A29	29	GND	In		B29	29	Type 9	Out	HDO
A30	30	Vbat	In		B30	30	NC		

Pin configuration MCM

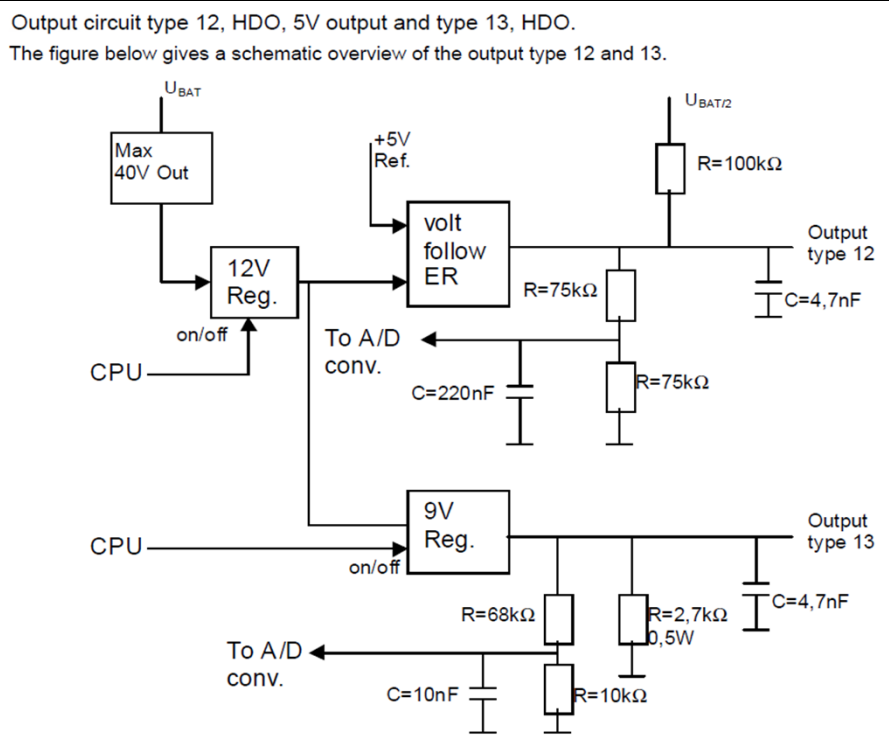
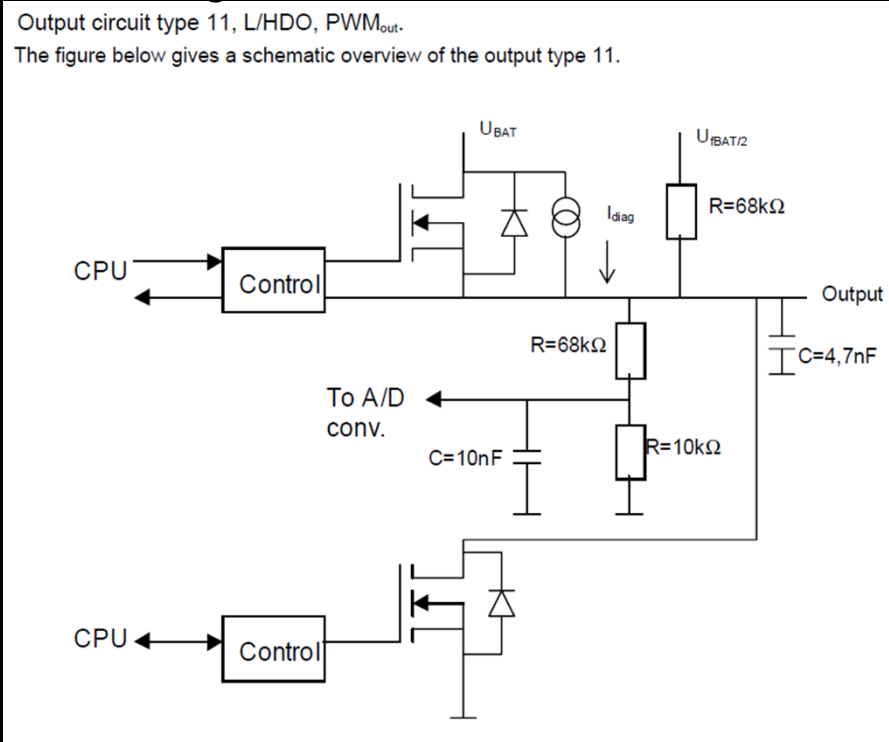
<p><b>Interface Circuit type 1, General purpose digital input</b> The input can be used as a general input circuit interfacing to switches closing to ground and to battery (LDI/HDI). It can also be used to interface with resistive switches and sensors.</p> <p>DC model of this circuit:</p>  <p>R = 1.5 kΩ, 0.5W</p>	<p><b>Input circuit type 4a, High side digital input, interrupt</b> DC model of input circuit type 4. The input is used to interface with switches closing to battery voltage (HDI)</p>  <p>R = 2.7kΩ, 0.5W</p>
<p><b>Input circuit type 2, High side digital input</b> DC model of input circuit type 2. The input is used to interface with switches closing to battery voltage (HDI).</p>  <p>R = 2.7kΩ, 0.5W</p>	<p><b>Input circuit type 4b, High side digital input, interrupt</b> The input is used to wake up the CECM from sleep mode.</p>  <p>R = 15kΩ, 0.5W</p>
<p><b>Input circuit type 3, Low side digital input, interrupt</b> DC model of input circuit type 3. The input is used to interface with switches closing to ground voltage (LDI).</p>  <p>R = 2.7kΩ, 0.5W</p>	<p><b>Input circuit type 5, High side digital input</b> DC model of input circuit type 5. the inputs is used to interface with switches closing to battery voltage</p>  <p>R = 2.7kΩ, 0.5W</p>

# Wiring diagram pages list

## Pin configuration MCM



## Pin configuration MCM





## Wiring diagram pages list

### Pin configuration I/O-A+

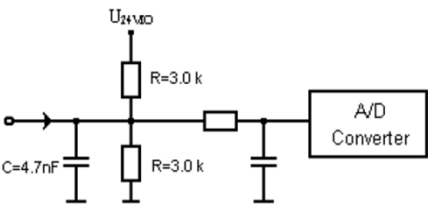
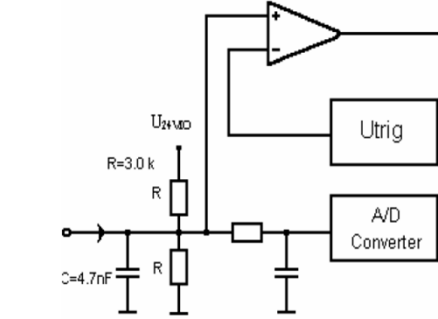
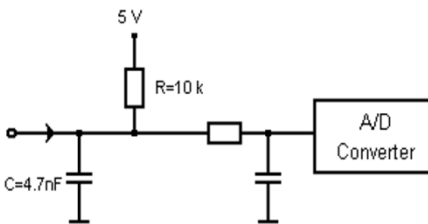
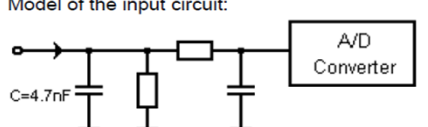
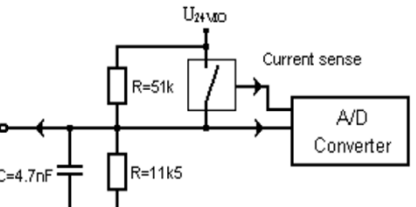
Signal ID	J1 pin	Interface type	Input / Output	Description	Max current average	Max current peak	Signal ID	J1 pin	Interface type	Input / Output	Description	Max current average	Max current peak
J1-1	1	4c	Out	HDO, LDO, HLDO, HPO	1A	1A	J2-6	6	1a	In	HDI, LDI, HLDI, RAI	*	*
J1-2	2	1a, 1b, 1c	In	HDI, LDI, HLDI, RES, RES32K, AI5V, RAI, CNTR1, CNTR2	*	*	J2-7	7	1a	In	HDI, LDI, HLDI, RAI	*	*
J1-3	3	4c	Out	HDO, LDO, HLDO, HPO	1A	1A	J2-8	8	1a	In	HDI, LDI, HLDI, RAI	*	*
J1-4	4	4c	Out	HDO, LDO, HLDO, HPO	1A	1A	J2-9	9	1a	In	HDI, LDI, HLDI, RAI	*	*
J1-5	5	1a, 1b, 1c	In	HDI, LDI, HLDI, RES, RES32K, AI5V, RAI, CNTR1, CNTR2	*	*	J2-10	10	1a	In	HDI, LDI, HLDI, RAI	*	*
J1-6	6	GND	In	Analog GND	*	*	J2-11	11	1a	In	HDI, LDI, HLDI, RAI	*	*
J1-7	7	4c	Out	HDO, LDO, HLDO, HPO	1A	1A	J2-12	12	1a	In	HDI, LDI, HLDI, RAI	*	*
J1-8	8	Network ID	In	NI	*	*	J2-13	13	1a	In	HDI, LDI, HLDI, RAI	*	*
J1-9	9	Network ID	In	NI	*	*	J2-14	14	GND	Out	Analog GND	*	*
J1-10	10	4c	Out	HDO, LDO, HLDO, HPO	1A	1A	J2-15	15	3a, 5	Out	HDO, REFCTL	50mA	50mA
J1-11	11	Network ID	In	NI	*	*							
J1-12	12	Network ID	In	NI	*	*							
J1-13	13	4c	Out	HDO, LDO, HLDO, HPO	*	*							
J1-14	14	Network ID	In	NI	*	*							
J1-15	15	Network ID	In	NI	*	*							
J1-16	16	4b	Out	HDO, LDO, HLDO, HPO, LPO	*	*							
J1-17	17	1a, 1c	In	HDI, LDI, HLDI, RES, RES32K, AI5V, RAI, CNTR1	*	*							
J1-18	18	GND	In	GND	*	*							
J1-19	19	4b	Out	HDO, LDO, HLDO, HPO, LPO	1A	1A							
J1-20	20	1a, 1c	In	HDI, LDI, HLDI, RES, RES32K, AI5V, RAI	*	*							
J1-21	21	1a	In	HDI, LDI, HLDI, RES, RES32K, AI5V, RAI	*	*							

### Pin configuration I/O-B+

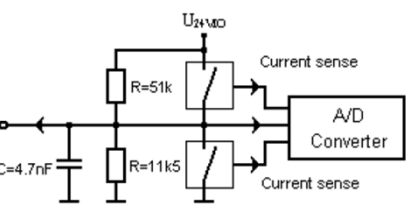
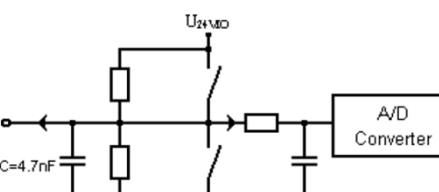
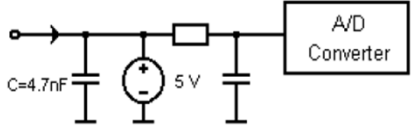
Signal ID	J1 pin	Interface type	Input / Output	Description	Max current average	Max current peak	Signal ID	J1 pin	Interface type	Input / Output	Description	Max current average	Max current peak
J1-1	1	4d	Out	HDO, LDO, HLDO, HPO, LPO	16A	20A	J2-1	1	4d	Out	HDO, LDO, HLDO, HPO, LPO	10A	20A
J1-2	2	*	*	*	*	*	J2-2	2	GND	*	*	*	*
J1-3	3	4d	Out	HDO, LDO, HLDO, HPO, LPO	16A	20A	J2-3	3	GND	*	*	*	*
J1-4	4	3c	Out	HDO	10A	20A	J2-4	4	4d	Out	HDO, LDO, HLDO, HPO, LPO	10A	20A
J1-5	5	GND	*	*	*	*	J2-5	5	1a, 2b, 6	In	HDI, LDI, HLDI, RAI, AI5V, RES, RES32K, CNTR, wake-up	*	*
J1-6	6	GND	Out	Analogue GND	*	*	J2-6	6	1a, 2b, 6	In	HDI, LDI, HLDI, RAI, AI5V, RES, RES32K, CNTR, wake-up	*	*
J1-7	7	3c	Out	HDO	10A	20A	J2-7	7	4c	In	HDO, LDO, HLDO, HPO	10A	20A
J1-8	8	NI	*	*	*	*	J2-8	8	1a,1b,1c	In	HDI, LDI, HLDI, RAI, AI5V, RES, RES32K	*	*
J1-9	9	NI	*	*	*	*	J2-9	9	1a,1b,1c	In	HDI, LDI, HLDI, RAI, AI5V, RES, RES32K	*	*
J1-10	10	3c	Out	HDO	10A	20A	J2-10	10	4c	Out	HDO, LDO, HLDO, HPO	10A	20A
J1-11	11	NI	*	*	*	*	J2-11	11	1b, 1c	In	AI5V, RES, RES32K	*	*
J1-12	12	NI	*	*	*	*	J2-12	12	1b, 1c	In	AI5V, RES, RES32K	*	*
J1-13	13	3c	Out	HDO	10A	20A	J2-13	13	3e	Out	HDO, LDO, HLDO	10A	20A
J1-14	14	NI	*	*	*	*	J2-14	14	GND	Out	Analogue GND	*	*
J1-15	15	NI	*	*	*	*	J2-15	15	5	Out	REFMEA	< 50 mA	*
J1-16	16	3c	Out	HDO	10A	20A							
J1-17	17	GND	*	*	*	*							
J1-18	18	GND	*	*	*	*							
J1-19	19	3c	Out	HDO	10A	20A							
J1-20	20	1a	In	HDI, LDI, HLDI, RAI	*	*							
J1-21	21	1a	In	HDI, LDI, HLDI, RAI	*	*							

# Wiring diagram pages list

## Pin configuration I/O-A+ and I/O-B+

<p><b>Interface circuit 1a</b></p> <p>The input can be used for both digital and analogue signals that have <math>U_{24VIO}</math> as reference. The circuit shall sink 8 mA when connected to <math>U_{24VIO}</math> or source 8 mA when connected to GND. The input shall be converted from analog voltage to digital 10 bit resolution with scaling relative to <math>U_{24VIO}</math>. The input shall be regarded as a power line according to "Volvo Technical Regulation 15 79 908, EMC Requirements".</p> <p>Model of the input circuit:</p> 	<p><b>Interface circuit 2b</b></p> <p>Pulse input circuit. The input can be used for both digital and analogue signals and as pulse counter input with fixed trigger level. The circuit shall sink or source 8 mA at <math>U_{24VIO} = 28 V</math> when connected to <math>U_{24VIO}</math> or GND.</p> <p>Model of input circuit:</p> 
<p><b>Interface circuit 1b</b></p> <p>The input is used for resistive sensors. The circuit shall supply 5 V through a resistor of 10 kΩ. When used to measure temperature, the output current to the sensor shall then be minimised to avoid internal power dissipation in the sensor.</p> <p>Model of the input circuit:</p> 	<p><b>Interface circuit 3a</b></p> <p>Model of high side output stage circuit same as interface circuit 3b in Chapter 2.3.1.5.2, but without PWM capability and no biasing resistors for open circuit detection.</p>
<p><b>Interface circuit 1c</b></p> <p>The input can be used for both digital and analogue signals. The total input resistance <math>R_{tot} = R // R_{AD}</math>, shall be <math>100 k\Omega &lt; R_{tot} &lt; 500 k\Omega</math>.</p> <p>Model of the input circuit:</p> 	<p><b>Interface circuit 3c</b></p> <p>High side output circuit. The switch provides current sense signal to an A/D converter. To detect open circuit when the switch is open the interface shall sink approximately 2 mA when connected to <math>U_{24VIO} = 28V</math> or source approximately 0.5 mA when connected to GND. The voltage shall be converted to digital 10 bit resolution with scaling relative to <math>U_{24VIO}</math>. The interface shall not be regarded as a power line according to "Volvo Technical Regulation 15 79 908, EMC Requirements".</p> <p>Model of the output circuit:</p> 

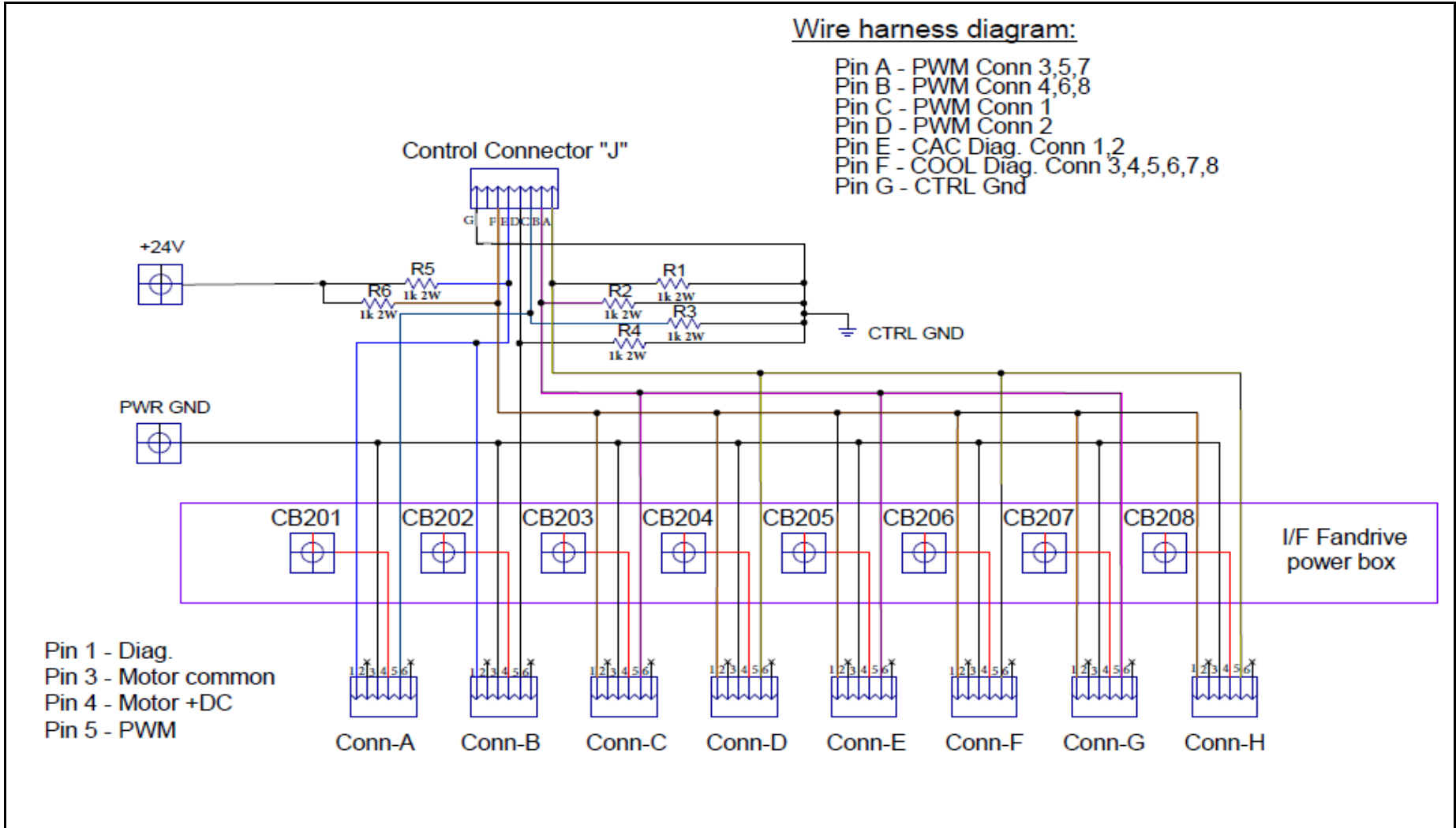
## Pin configuration I/O-A+ and I/O-B+

<p><b>Interface circuit 3e</b></p> <p>Model of high side, low side output stage. This circuit is similar to circuit 4b but without PWM drive capabilities.</p>	<p><b>Interface circuit 4d</b></p> <p>Totem pole output stage may be used as high side, low side or high/low switch. Capable of low frequency PWM driving high side or low side switch but not both synchronously. Both switches provide current sense signal to an A/D converter. To detect open circuit when the switches are open the interface shall sink approximately 2 mA when connected to <math>U_{24VIO} = 28V</math> or source approximately 0.5 mA when connected to GND. The voltage shall be converted to digital 10 bit resolution with scaling relative to <math>U_{24VIO}</math>. The interface shall not be regarded as a power line according to "Volvo Technical Regulation 15 79 908, EMC Requirements".</p> <p>Model of the output circuit:</p> 
<p><b>Interface circuit 4b</b></p> <p>Totem pole output stage may be used as high side, low side or high/low switch. Capable of low frequency PWM driving high side or low side switch but not both synchronously. Open circuit voltage shall be approximately <math>9.2 V / U_{24VIO=28V}</math>. When the switch is open the interface shall sink approximately 2 mA if connected to <math>U_{24VIO=28V}</math> or source 0.5 mA when connected to GND. The voltage shall be converted to digital 10 bit resolution with scaling relative to <math>U_{24VIO}</math>. The interface shall not be regarded as a power line according to "Volvo Technical Regulation 15 79 908, EMC Requirements".</p> <p>Model of the output circuit:</p> 	<p><b>Interface circuit 5</b></p> <p>Model of a 5 V reference voltage supply for potentiometers and pressure sensors. Supply current 20 mA, current limited to &lt; 50 mA.</p> <p>Model of the output circuit:</p> 
<p><b>Interface circuit 4c</b></p> <p>Model of high side, low side output stage. This circuit is similar to circuit 4b but without low side PWM drive capabilities.</p>	<p><b>Interface circuit 6</b></p> <p>The pin is used for interrupt the ECU. Same interface as circuit 1a. The application software can initiate the interrupt function. The pin is used for waking-up the ECU from sleep mode.</p>



# Wiring diagram pages list

## Radiator fans drive junction box



# BREAKERS LIST

No	Location	Part #	Function	Rating	Page	No	Location	Part #	Function	Rating	Page
CB1	RJBbreakers	563708	24WupFJB	90amp	3.1	CB135V	RJB_VECR	564342	A54Pwr	30amp	5.1
CB2	RJBbreakers	568113	12VD	70amp	3.1	CB136V	RJB_VECR	564342	A53Pwr	30amp	5.1
CB3	RJBbreakers	563708	EvapFan	90amp	3.1	CB137V	RJB_VECR	563647	Spare	5A	5.1
CB5	RJBbreakers	563708	24WupRJB	90amp	3.1	CB138V	RJB_VECR	563647	Englights	5A	5.1
CB6	RJBbreakers	568113	24VD/WCL	70amp	3.1	CB139V	RJB_VECR	563649	Altern	10amp	5.1
CB8	RJBbreakers	563708	12WupRJB	90amp	3.1	CB13V	FJB_VECF	564340	12VDCust	15amp	4.1
CB9	RJBbreakers	563707	BattChrg	70amp	3.1	CB140V	RJB_VECR	563649	Spare	10amp	5.1
CB10	RJBbreakers	568114	12WupFJB	150amp	3.1	CB141V	RJB_VECR	564340	Mo7Cond	15amp	5.1
CB11	RJBbreakers	568127	Pwr1PRack	50amp	3.1	CB142V	RJB_VECR	564340	Mo8Cond	15amp	5.1
CB13	RJBbreakers	568114	Inverters	150amp	3.1	CB143V	RJB_VECR	564340	Mo28Cond	15amp	5.1
CB15	RJBbreakers	568127	StartingAid	50amp	3.1	CB144V	RJB_VECR	564340	Mo27Cond	15amp	5.1
CB100V	RJB_VECR	563649	EngECU	10amp	5.1	CB145V	RJB_VECR	564340	Spare	15amp	5.1
CB105V	RJB_VECR	564399	Spare	20amp	5.1	CB146V	RJB_VECR	563649	Spare	10amp	5.1
CB106V	RJB_VECR	564342	A50Pwr	30amp	5.1	CB147V	RJB_VECR	564340	24WupCust	15amp	5.1
CB107V	RJB_VECR	564342	A51Pwr	30amp	5.1	CB148V	RJB_VECR	564342	PRack	30amp	5.1
CB108V	RJB_VECR	563647	OBDConPwr	5A	5.1	CB149V	RJB_VECR	564340	Spare	15amp	5.1
CB109V	RJB_VECR	563647	Spare	5A	5.1	CB14V	FJB_VECF	563647	Spare	5amp	4.1
CB10V	FJB_VECF	563647	OBD&Clust&Haz	5amp	4.1	CB150V	RJB_VECR	563649	Spare	10amp	5.1
CB110V	RJB_VECR	563649	TransPwr	10amp	5.1	CB151V	RJB_VECR	564340	Spare	15amp	5.1
CB112V	RJB_VECR	563647	Spare	30A	5.1	CB152V	RJB_VECR	563649	Spare	10amp	5.1
CB113V	RJB_VECR	563649	L1&L303Pwr	10amp	5.1	CB15V	FJB_VECF	563647	TGW	5amp	4.1
CB114V	RJB_VECR	564340	Spare	15amp	5.1	CB16V	FJB_VECF	564340	12EngRunCu	15amp	4.1
CB115V	RJB_VECR	563649	Mo38	10amp	5.1	CB17V	FJB_VECF	564342	A43Pwr	30amp	4.1
CB116V	RJB_VECR	564340	Spare	15amp	5.1	CB18V	FJB_VECF	564342	A45Pwr	30amp	4.1
CB117V	RJB_VECR	563649	Spare	10amp	5.1	CB19V	FJB_VECF	564342	A46Pwr	30amp	4.1
CB118V	RJB_VECR	564340	Spare	15amp	5.1	CB20V	FJB_VECF	563647	A55/A15Pwr	5amp	4.1
CB119V	RJB_VECR	563649	RrProxSw	10amp	5.1	CB21V	FJB_VECF	564342	A48Pwr	30amp	4.1
CB11V	FJB_VECF	564464	Horn	20amp	4.1	CB22V	FJB_VECF	563647	Spare	5amp	4.1
CB120V	RJB_VECR	564399	ProFuel	20amp	5.1	CB23V	FJB_VECF	564342	ESP	30amp	4.1
CB121V	RJB_VECR	564340	12WUPCust	15amp	5.1	CB24V	FJB_VECF	564340	Se76Pwr	15amp	4.1
CB122V	RJB_VECR	563649	Equalizer	10amp	5.1	CB25V	FJB_VECF	564340	12VICust	15amp	4.1
CB123V	RJB_VECR	564341	Pre-heat	25amp	5.1	CB26V	FJB_VECF	564340	Fare.B/Card.Reader	15amp	4.1
CB124V	RJB_VECR	564341	Pre-heat	25amp	5.1	CB27V	FJB_VECF	564342	INITSubSyst	30amp	4.1
CB126V	RJB_VECR	563647	R29/So11	5A	5.1	CB29V	FJB_VECF	563649	Shutdown	10amp	4.1
CB127V	RJB_VECR	564340	WaterPump	15amp	5.1	CB30V	FJB_VECF	563647	OBDCon	5amp	4.1
CB128V	RJB_VECR	564342	24VDFJB	30amp	5.1	CB33V	FJB_VECF	563647	A41Pwr	5amp	4.2
CB129V	RJB_VECR	564340	Spare	15amp	5.1	CB34V	FJB_VECF	563647	A42Pwr	5amp	4.2
CB12V	FJB_VECF	564340	Rad/VSS	15amp	4.1	CB35V	FJB_VECF	563647	MCMPwr	5amp	4.2
CB130V	RJB_VECR	564340	Tachometer	15amp	5.1	CB36V	FJB_VECF	563647	Ign.Sw	5amp	4.2
CB131V	RJB_VECR	563647	24VDCust	5A	5.1	CB37V	FJB_VECF	563647	Haz/ExtDoorSw	5amp	4.2
CB132V	RJB_VECR	563647	A57Pwr	5A	5.1	CB39V	FJB_VECF	564340	24VDCust	15amp	4.2
CB133V	RJB_VECR	564342	A49Pwr	30amp	5.1	CB40V	FJB_VECF	564340	Spare	15amp	4.2
CB134V	RJB_VECR	564342	A52Pwr	30amp	5.1	CB41V	FJB_VECF	563647	Spare	5A	4.2



# CONNECTORS LIST

No	Location	Part #	Gender	No	Location	Part #	Gender
12V_Trig	Parcel_Rack_LH	564496	male	A69OP.E	Parcel_Rack_LH	561716	female
A1	RJB	563975	male	A70c	Front_Roof	561540	female
A2	FJB	563984	male	A77	RJB	564547	male
A3.A	dash	565910	male	A78	RJB	562583	female
A3.B	Dash	565908	male	A79	RJB	562583	female
A3.C	Dash	565909	male	A80	EngineCmpt.	562479	female
A5	Service_Cmpt	562428	female	A81.JA	FJB	562767	male
A6	Engine_Cmpt	562427	male	A81.JB	FJB	562765	male
A7	Rear_Axle_Cmpt	563979	male	A81.JC	FJB	562957	male
A9.Cx1	FJB	564041	female	A83	FJB	565970	female
A9.Cx2	FJB	563678	male	A95.A	Parcel_Rack_LH	901584	female
A9.Cx3	FJB	564037	male	A95.B	Parcel_Rack_LH	562706	female
A9.Cx4	FJB	564038	female	A95.C	Parcel_Rack_LH	562706	female
A14A.A	Dash	562766	male	A96	FJB	564073	female
A14A.B	Dash	562767	male	A97	Dash	563226	male
A14A.C	Dash	562765	male	A100	FrontAxleCmpt.	563758	female
A15	Dash	562464	male	A101	RearAxleCmpt.	563758	female
A18.J1	FJB	562794	male	A102	RearAxleCmpt.	563758	female
A18.J2	FJB	562650	male	A103	Dash	562070	female
A24.A	RHConsole	561890	male	A104	Dash	561606	female
A24.B	RHConsole	561566	female	A107.A	Parcel_Rack_LH	565940	male
A24.C	RHConsole	561889	female	A120.A	Parcel_Rack_LH	563960	male
A27	Service_Cmpt	562929	male	A120.B	Parcel_Rack_LH	563962	male
A28	Service_Cmpt	562928	male	A120.C1	Parcel_Rack_LH	563956	male
A32.A	FJB	564221	male	A121.A	Parcel_Rack_LH	563071	male
A34.J	Rad_Cmpt	568118	male	A121.B	Parcel_Rack_LH	562465	male
A34.K	Rad_Cmpt	564270	male	A121.C	Parcel_Rack_LH	562842	male
A34.L	Rad_Cmpt	564269	male	A121.D	Parcel_Rack_LH	562464	male
A36.JA	FJB	562767	male	A121.E	Parcel_Rack_LH	563071	male
A36.JB	FJB	562765	male	A121.F	Parcel_Rack_LH	563071	male
A36.JC	FJB	562957	male	A130.G1	3rd_LH_Lugg_Cmpt	560377	male
A39.P101	Parcel_Rack_LH	563201	male	A130.G2	3rd_LH_Lugg_Cmpt	560377	male
A39.P901	Parcel_Rack_LH	563953	male	A130.N	3rd_LH_Lugg_Cmpt	560378	male
A60.A	Parcel_Rack_LH	563071	male	A130.O	3rd_LH_Lugg_Cmpt	563227	male
A60.B	Parcel_Rack_LH	562706	female	A130.R	3rd_LH_Lugg_Cmpt	563409	male
A60.C	Parcel_Rack_LH	901110	male	A130.Z1	3rd_LH_Lugg_Cmpt	560607	male
A60.D	Parcel_Rack_LH	901110	male	A130.Z2	3rd_LH_Lugg_Cmpt	560607	male
A60.E	Parcel_Rack_LH	560799	female	A130.Z3	3rd_LH_Lugg_Cmpt	560611	male
A62.A	Parcel_Rack_LH	563071	male	A132	FR_Axle_Cmpt	563967	male
A62.B	Parcel_Rack_LH	563025	male	A132A.A	FR_Axle_Cmpt	563967	male
A65.B	Parcel_Rack_LH	901110	male	A132A.B	FR_Axle_Cmpt	561551	female
A65.Csv	Parcel_Rack_LH	562465	male	A138	CondensorCmpt.	563787	male
A69OP.A	Parcel_Rack_LH	563071	male	A160.A	3rd_LH_Lugg_Cmpt	562477	male

# CONNECTORS LIST

No	Location	Part #	Gender	No	Location	Part #	Gender
A160.B	3rd_LH_Lugg_Cmpt	562884	female	AE55.J1	Dash	563679	male
AE41.J1	FJB	563679	male	AE55.J2	Dash	564037	female
AE41.J2	FJB	564037	female	AE55.J3	Dash	564004	male
AE41.J3	FJB	564004	male	AE56.J1	Dash	563679	male
AE42.J1	FJB	563679	male	AE56.J2	Dash	564037	male
AE42.J2	FJB	564037	female	AE56.J3	Dash	564004	male
AE42.J3	FJB	564004	male	AE57.J1	WCLCmpt.	563679	male
AE43.J1	FJB	563679	male	AE57.J2	WCLCmpt.	564037	male
AE43.J2	FJB	564037	male	AE57.J3	WCLCmpt.	564004	male
AE43.J3	FJB	565957	male	AltLL.A	EngineCmpt.	563746	female
AE44.J1	FJB	563679	male	AltLL.B	EngineCmpt.	560815	female
AE44.J2	FJB	564037	female	AltLL.C	EngineCmpt.	564469	female
AE44.J3	FJB	565957	male	AltLR.A	EngineCmpt.	563746	female
AE45.J1	FJB	563679	male	AltLR.B	EngineCmpt.	560815	female
AE45.J2	FJB	564037	female	AltLR.C	EngineCmpt.	564469	female
AE45.J3	FJB	565957	male	AltUR.A	EngineCmpt.	563746	female
AE46.J1	FJB	563679	male	AltUR.B	EngineCmpt.	560815	female
AE46.J2	FJB	564037	female	AltUR.C	EngineCmpt.	564469	female
AE46.J3	FJB	565957	male	B85	EngineCmpt	563815	male
AE47.J1	RHConsole	563679	male	B96	EngineCmpt	563821	male
AE47.J2	RHConsole	564037	female	B96B	EngineCmpt	563823	male
AE47.J3	RHConsole	565957	male	B97	EngineCmpt	563816	male
AE48.J1	RHConsole	563679	male	B98	EngineCmpt	563817	male
AE48.J2	RHConsole	564037	female	B115A	EngineCmpt.	564226	male
AE48.J3	RHConsole	565957	male	B142C	EngineCmpt.	563793	male
AE49.J1	RJB	563679	male	B310	EngineCmpt.	565967	male
AE49.J2	RJB	564037	male	C1	FJB	563589	male
AE49.J3	RJB	565957	male	C1	FJB	563590	female
AE50.J1	RJB	563679	male	C1A	FJB	561611	male
AE50.J2	RJB	564037	male	C1A	FJB	561610	female
AE50.J3	RJB	565957	male	C1S	FJB	563589	male
AE51.J1	RJB	563679	male	C1S	FJB	563590	female
AE51.J2	RJB	564037	female	C2	Service_Cmpt	563580	male
AE51.J3	RJB	565957	male	C2	Service_Cmpt	563581	female
AE52.J1	RJB	563679	male	C2A	FJB	563580	male
AE52.J2	RJB	564037	female	C2A	FJB	563581	female
AE52.J3	RJB	565957	male	C2bb	FJB	564034	male
AE53.J1	RJB	563679	male	C2bb	FJB	564035	female
AE53.J2	RJB	564037	female	C3_plug	RJB	563589	male
AE53.J3	RJB	565957	male	C3_socket	RJB	563590	female
AE54.J1	EvaporatorCmpt.	563679	male	C3S	RJB	563593	male
AE54.J2	EvaporatorCmpt.	564037	female	C3S	RJB	563590	female
AE54.J3	CondensorCmpt.	565957	male	C4	FJB	563580	male



# CONNECTORS LIST

No	Location	Part #	Gender	No	Location	Part #	Gender
C4	FJB	563581	female	C26A	UreaCmpt.	568110	male
C5	FJB	563589	male	C26A	UreaCmpt.	568109	female
C5	FJB	563590	female	C26B	UreaCmpt.	563227	male
C5S	FJB	563589	male	C26B	UreaCmpt.	563614	female
C5S	FJB	563590	female	C29	3rd_Lugg_Cmpt	563651	male
C6	FJB	563582	male	C29	3rd_Lugg_Cmpt	563652	female
C6	FJB	563583	female	C30	3rd_Lugg_Cmpt	561710	male
C9	RJB	561986	male	C30	3rd_Lugg_Cmpt	561709	female
C9	RJB	561987	female	C31W	3rdLuggCmpt.	563227	male
C10	Engine_Cmpt	562477	male	C31W	3rdLuggCmpt.	563614	female
C10	Engine_Cmpt	562479	female	C32W	WCLCmpt.	561640	male
C11	Service_Cmpt	563580	male	C32W	WCLCmpt.	561639	female
C11	Service_Cmpt	563581	female	C33	WCLCmpt.	564034	male
C12	Engine_Cmpt	562581	male	C33	WCLCmpt.	564035	female
C12	Engine_Cmpt	562583	female	C33W	WCLCmpt.	562477	male
C13_plug	RH_Console	563589	male	C33W	WCLCmpt.	562479	female
C13_socket	RH_Console	563590	female	C34	RH_Console	561986	male
C13S	RH_Console	563589	male	C34	RH_Console	561987	female
C13S	RH_Console	563590	female	C36	FJB	561986	male
C15A	Evap.Cmpt.	568110	male	C36	FJB	561987	female
C15A	Evap.Cmpt.	568109	female	C37	Parcel_Rack_LH	562557	male
C16	RJB	561577	male	C37	Parcel_Rack_LH	562558	female
C16	RJB	561605	female	C38	ParcelRackLH	562555	male
C17	RJB	560195	male	C38	ParcelRackLH	562556	female
C17	RJB	560169	female	C40	Dash	562485	male
C18	FJB	561986	male	C40	Dash	562486	female
C18	FJB	561987	female	C44_plug	FJB	561577	male
C19	RJB	561986	male	C44_socket	FJB	561605	female
C19	RJB	561987	female	C45	FJB	561643	male
C20A	AFSS	562485	male	C45	FJB	561642	female
C20A	AFSS	562486	female	C46	WCL_System	564228	male
C20B	Evap_Cmpt	562485	male	C46	WCL_System	564229	female
C20B	Evap_Cmpt	562486	female	C50	RJB	563226	male
C23	Evap.Cmpt.	564034	male	C50	RJB	563613	female
C23	Evap.Cmpt.	564035	female	C51	Engine_Cmpt	561932	male
C24_plug	Evap_Cmpt	561690	male	C51	Engine_Cmpt	560933	female
C24_socket	Evap_Cmpt	561566	female	C52	Evap.Cmpt.	563618	male
C25	Parcel_Rack_LH	561550	male	C52	Evap.Cmpt.	563616	female
C25	Parcel_Rack_LH	561667	female	C54	EngineCmpt.	563226	male
C25A	ParcalrackLH	561515	male	C54	EngineCmpt.	563613	female
C25A	ParcelRackLH	561552	female	C54A	EngineCmpt.	568110	male
C26	UreaCmpt.	563226	male	C54A	EngineCmpt.	568109	female
C26	UreaCmpt.	563613	female	C54B	EngineCmpt.	563589	male

# CONNECTORS LIST

No	Location	Part #	Gender	No	Location	Part #	Gender
C54B	EngineCmpt.	563590	female	C97	FJB	561643	male
C58	CondensorCmpt.	564567	male	C97	FJB	561642	female
C58	CondensorCmpt.	564568	female	C100	EvapCmpt.	562477	male
C59	Lugg._Cmpt	561643	male	C100	EvapCmpt.	562479	female
C59	Lugg._Cmpt	561642	female	C100S	EvapCmpt.	562477	male
C61	Fr_Service_Door	561669	male	C100S	EvapCmpt.	562479	female
C61	Fr_Service_Door	561670	female	C101	Service_Cmpt	561690	male
C62	Fr_Service_Door	562566	male	C101	Service_Cmpt	561566	female
C62	Fr_Service_Door	562565	female	C102A	CondensorCmpt.	563226	male
C64	EngineCmpt.	568110	male	C102A	CondensorCmpt.	563613	female
C64	EngineCmpt.	568109	female	C110	PneuPlate	568110	male
C68	Parcel_Rack_LH	561643	male	C110	PneuPlate	568109	female
C68	Parcel_Rack_LH	561642	female	C119	Enginedoor	568110	male
C69	Parcel_Rack_LH	563227	male	C119	Enginedoor	568109	female
C69	Parcel_Rack_LH	563614	female	C121	Enginedoor	562566	male
C70	FJB	561646	male	C121	Enginedoor	562565	female
C70	FJB	561645	female	C122	Enginedoor	562566	male
C70B	FJB	561710	male	C122	Enginedoor	562565	female
C70B	FJB	561989	female	C144	ParcelRackJB	560852	male
C71	FJB	561646	male	C144	ParcelRackJB	560851	female
C71	FJB	561645	female	C152	Cond_Cmpt	561611	male
C72	FJB	561646	male	C152	Cond_Cmpt	561610	female
C72	FJB	561645	female	C158	CondCmpt.	562477	male
C74	FJB	561710	male	C158	CondCmpt.	562479	female
C74	FJB	561989	female	C171	LH_Console	561646	male
C86	3rdLuggCmpt.	563618	male	C171	LH_Console	561645	female
C86	3rdLuggCmpt.	563616	female	C193_plug	RJB	563589	male
C87	Engine_Cmpt	562485	male	C193_socket	RJB	563590	female
C87	Engine_Cmpt	562486	female	C194	FJB	563589	male
C88	WCLCmpt.	563227	male	C194	FJB	563590	female
C88	WCLCmpt.	563614	female	C206	Parcel_Rack_RH	562503	male
C91	RJB	564619	male	C206	Parcel_Rack_RH	562507	female
C91	RJB	562282	female	C207	Parcel_Rack_LH	562503	male
C92A	EngineCmpt.	563226	male	C207	Parcel_Rack_LH	562507	female
C92A	EngineCmpt.	563613	female	C213	Parcel_Rack_LH	561515	male
C92C	EngineCmpt.	562581	male	C213	Parcel_Rack_LH	561552	female
C92C	EngineCmpt.	562583	female	C223	FJB	563227	male
C94_plug	FJB	563589	male	C223	FJB	563614	female
C94_socket	FJB	563590	female	C225	FJB	562650	male
C95	FJB	561646	male	C225	FJB	562649	female
C95	FJB	561645	female	C226	FJB	562650	male
C96	FJB	561643	male	C226	FJB	562649	female
C96	FJB	561642	female	C232	FJB	562581	male

# CONNECTORS LIST

No	Location	Part #	Gender	No	Location	Part #	Gender
C232	FJB	562583	female	C577R	Parcel_Rack_RH	561515	male
C242	Service_Cmpt	562789	male	C577R	Parcel_Rack_RH	561552	female
C242	Service_Cmpt	565131	female	C578	ParcelRackJB	562503	male
C243	ServiceCmpt.	563347	male	C578	ParcelRackJB	562507	female
C243	ServiceCmpt.	563180	female	C752	ParcelRackLH	900052	male
C259	Lugg_Cmpt	561637	male	C753	ParcelRackLH	900052	male
C259	Lugg_Cmpt	561636	female	C_ALT	EngineCmpt.	562581	male
C266	Parcel_Rack_LH	561782	male	C_ALT	EngineCmpt.	562583	female
C266	Parcel_Rack_LH	561781	female	C_ALT3	EngineCmpt.	562477	male
C267	Parcel_Rack_RH	561782	male	C_ALT3	EngineCmpt.	562479	female
C267	Parcel_Rack_RH	561781	female	C_CReader	EngineCmpt.	561782	male
C279	Service_Cmpt	562477	male	C_CReader	EngineCmpt.	561781	female
C279	Service_Cmpt	562479	female	C_Foot	FJB	563347	male
C284	Parcel_Rack_LH	561782	male	C_Foot	FJB	563180	female
C284	Parcel_Rack_LH	561781	female	C_LineOut	Parcel_Rack_LH	563962	male
C284_1	Parcel_Rack_LH	561782	male	C_LineOut	Parcel_Rack_LH	564489	female
C284_1	Parcel_Rack_LH	561781	female	C_Mo9_plug	Evap_Cmpt	561577	male
C284_2	Parcel_Rack_LH	561782	male	C_Mo9_socket	Evap_Cmpt	561605	female
C284_2	Parcel_Rack_LH	561781	female	C_Radio	Driver_Area	562471	male
C355	RJB	563582	male	C_Radio	Driver_Area	562348	female
C355	RJB	563583	female	C_RCA	Parcel_Rack_LH	901073	male
C356	ParcelRackJB	561710	male	C_RCA	Parcel_Rack_LH	901073	male
C356	ParcelRackJB	561709	female	CCust	RJB	562477	male
C357	Parcel_Rack_LH	564258	male	CCust	RJB	562479	female
C357	Parcel_Rack_LH	566037	female	CIND-1.A	Parcel_Rack	562557	male
C380A	Dash	564222	male	CIND-1.B	Parcel_Rack	562557	male
C380A	Dash	564224	female	CIND-2..A	Parcel_Rack	562557	male
C397	RJB	564619	male	CIND-2..B	Parcel_Rack	562557	male
C397	RJB	562282	female	CIND-2.A	Parcel_Rack	562557	male
C430	LH_Console	562363	male	CIND-2.B	Parcel_Rack	562557	male
C430	LH_Console	561188	female	CINDWC-1.A	Parcel_Rack	562557	male
C463	RearAxleCmpt.	568111	male	CINDWC-1.B	Parcel_Rack	562557	male
C463	RearAxleCmpt.	568112	female	CSX1	EngineCmpt.	563135	male
C464A	RJB	564222	male	CSX1	EngineCmpt.	563134	female
C464A	RJB	564224	female	CSX3	EngineCmpt.	563135	male
C575	ParcelRackRH	562503	male	CSX3	EngineCmpt.	563134	female
C575	ParcelRackRH	562507	female	CWEAR1_plug	RearAxleCmpt.	561946	male
C576F	Parcel_Rack_RH	561515	male	CWEAR1_socket	RearAxleCmpt.	563383	female
C576F	Parcel_Rack_RH	561552	female	CWEAR2_plug	RearAxleCmpt.	561607	male
C576R	Parcel_Rack_LH	561515	male	CWEAR2_socket	RearAxleCmpt.	561606	female
C576R	Parcel_Rack_LH	561552	female	CXC1	Service_Cmpt	562477	male
C577F	Parcel_Rack_LH	561515	male	CXC1	Service_Cmpt	562479	female
C577F	Parcel_Rack_LH	561552	female	EIA	EngineCmpt.	563739	male

# CONNECTORS LIST

No	Location	Part #	Gender	No	Location	Part #	Gender
L1	EngineCmpt.	563590	female	L57	Passenger_Area	560900	female
L15	Front_Roof	561247	male	L58	Passenger_Area	560898	male
L16.A	FrontRoof	562615	female	L58	Passenger_Area	560900	female
L16.B	FrontRoof	562615	female	L59A	OutsideFrontRH	562623	male
L17.A	Frontroof	562615	female	L59B	OutsideFrontRH	562623	male
L17.B	FrontRoof	562615	female	L60A	OutsideFrontLH	562623	male
L18.A	FrontRoof	562615	female	L60B	OutsideFrontLH	562623	male
L18.B	FrontRoof	562615	female	L61	OutsideFrontRH	562601	male
L19	Entracedoorstep	562549	male	L62	OutsideFrontLH	562601	male
L20	Entracedoorstep	562549	male	L63	FrontSideLH	562155	male
L20A	Entracedoorstep	562549	male	L64	OutsideFrontRH	562155	male
L21	FrontRoof	562486	female	L65	OutsideFrontLH	562155	male
L22	FrontRoof	562486	female	L66	OutsideFrontLH	562155	male
L23	FrontRoof	562486	female	L67	4thLuggCmpt	562155	male
L24	FrontRoof	562486	female	L68	4thLuggCmpt	562155	male
L25	FrontRoof	562486	female	L69	4thLuggCmpt	562155	male
L26	FrontRoof	562486	female	L70	4thLuggCmpt	562155	male
L27	FrontRoof	562486	female	L71A	RearVehicle	562601	male
L28	Passenger_Area	560898	male	L72	RearVehicle	562155	male
L29	Passenger_Area	560898	male	L73A	RearVehicle	562601	male
L30	Passenger_Area	560898	male	L74	RearVehicle	562155	male
L30A.A	ParcelRack	560898	male	L75	RearVehicle	562155	male
L30B	ParcelRack	560898	male	L76	RearVehicule	562155	male
L31	Passenger_Area	560898	male	L77A	RearVehicle	562601	male
L32	Passenger_Area	560898	male	L78A	RearVehicle	562601	male
L33	Passenger_Area	560898	male	L79A	RearVehicle	562601	male
L34	Passenger_Area	560898	male	L80A	RearVehicle	562601	male
L35	Passenger_Area	560898	male	L81.A	RearVehicle	562835	female
L36	Passenger_Area	560898	male	L81.B	RearVehicle	562834	male
L37	Passenger_Area	560898	male	L82A	RearVehicle	562348	female
L38	Passenger_Area	560898	male	L83A	RearVehicle	562348	female
L39	Passenger_Area	560898	male	L84	RearRoof	562486	female
L52	Passenger_Area	560898	male	L85	RearRoof	562486	female
L52	Passenger_Area	560900	female	L86	RearRoof	562486	female
L53	Passenger_Area	560898	male	L87	RearRoof	562486	female
L53	Passenger_Area	560900	female	L88	RearRoof	562486	female
L54	Passenger_Area	560898	male	L89	RearRoof	562486	female
L54	Passenger_Area	560900	female	L90	RearRoof	562486	female
L55	Passenger_Area	560898	male	L91A	RearVehicle	562601	male
L55	Passenger_Area	560900	female	L92A	RearVehicle	562601	male
L56	Passenger_Area	560898	male	L130	LuggCmpt	561690	male
L56	Passenger_Area	560900	female	L131	LuggCmpt	561690	male
L57	Passenger_Area	560898	male	L145	ParcelRackLH	562756	male

# CONNECTORS LIST

No	Location	Part #	Gender	No	Location	Part #	Gender
L146	ParcelRackLH	562756	male	L207.G	WCL_System	561699	female
L147	ParcelRackLH	562756	male	L207.H	WCL_System	560926	female
L148	ParcelRackLH	562756	male	L207.I	WCL_System	560926	female
L149	ParcelRackLH	562756	male	L243	ParcelRackRH	562756	male
L150	ParcelRackLH	562756	male	L244	ParcelRackRH	562756	male
L151	ParcelRackLH	562756	male	L245	ParcelRackRH	562756	male
L152	ParcelRackLH	562756	male	L246	ParcelRackRH	562756	male
L153	ParcelRackLH	562756	male	L247	ParcelRackRH	562756	male
L154	ParcelRackLH	562756	male	L248	ParcelRackRH	562756	male
L155	ParcelRackLH	562756	male	L249	ParcelRackRH	562756	male
L156	ParcelRackLH	562756	male	L250	ParcelRackRH	562756	male
L157	ParcelRackLH	562756	male	L251	ParcelRackRH	562756	male
L158	ParcelRackLH	562756	male	L252	ParcelRackRh	562756	male
L173	EngineCmpt	563590	female	L253	ParcelRackRH	562756	male
L174A	EngineCmpt	563590	female	L254	ParcelRackRH	562756	male
L176	3rd_Lugg_Cmpt	561247	male	L255	ParcelRackRH	562756	male
L177	3rd_Lugg_Cmpt	561247	male	L256	ParcelRackRH	562756	male
L177A	3rd_Lugg_Cmpt	561690	male	L283	Service_Cmpt	562485	male
L177B	3rd_Lugg_Cmpt	561690	male	L285.A	Rear_Vehicle	562835	female
L180	2nd_Lugg_Cmpt	561247	male	L285.B	Rear_Vehicle	562834	male
L181	2nd_Lugg_Cmpt	561247	male	L286.A	Rear_Vehicle	562835	female
L182	1st_Lugg_Cmpt	561247	male	L286.B	Rear_Vehicle	562834	male
L183	1st_Lugg_Cmpt	561247	male	L298A	EngineCmpt	563590	female
L184	ServiceCmpt	561247	male	L301	Dash	560898	male
L185.A	Service_Cmpt	562651	female	L303	EngineCmpt	563590	female
L185.B	Service_Cmpt	562290	female	L304	Evap_Cmpt	563590	female
L186.A	Dash	562651	female	L305	Eng_Cmpt	563764	female
L186.B	Dash	562290	female	L306	RJBCmpt	561247	male
L187	Engine_Cmpt	561690	male	L350A.A	RearAxleCmpt	564552	male
L188	Service_Cmpt	562486	female	L350A.B	RearAxleCmpt	563340	male
L189	UpperFront	564513	female	L350A.C	RearAxleCmpt	562251	male
L190	Dash	564513	female	L391	Passenger_Area	560898	male
L199	EngineCmpt	562848	male	Mo3	Dash	561667	female
L203	RH_Console	561690	male	Mo4	Dash	562076	male
L204	Parcel_Rack_RH	562803	male	Mo7	Cond_Cmpt	563691	male
L205	EngineCmpt	562485	male	Mo8	Cond_Cmpt	563691	male
L206	Parcel_Rack_RH	562803	male	Mo10	Parcel_Rack_LH	561515	male
L207.A	WCL_System	561699	female	Mo11	Parcel_Rack_RH	561515	male
L207.B	WCL_System	561701	female	Mo12	EvapCmpt	561690	male
L207.C	WCL_System	561701	female	Mo17	Fr_Service_Door	563626	male
L207.D	WCL_System	561699	female	Mo19	Fr_Service_Door	562474	male
L207.E	WCL_System	561701	female	Mo20	Fr_Service_Door	562474	male
L207.F	WCL_System	561699	female	Mo22	RH_Console	561186	male



# CONNECTORS LIST

No	Location	Part #	Gender	No	Location	Part #	Gender
Mo24	RH_Console	562348	female	Res20	Parcel_Rack_LH	563590	female
Mo25	RH_Console	562348	female	Res31	UreaCmpt	562350	male
Mo27	Cond_Cmpt	563691	male	Res32	UreaCmpt	563764	female
Mo28	Cond_Cmpt	563691	male	Res53	Dash	563590	female
Mo29	RJB	563590	female	Se1	EngineCmpt	563324	female
Mo37	FR_Axle_Cmpt	562477	male	Se2	Service_Cmpt	561566	female
Mo38	WCL_Upper_Door	564161	male	Se11.A	Cond_Cmpt	564460	female
Mo65	EngineCmpt	568089	male	Se11.B	Cond_Cmpt	564460	female
Mo67	EngineCmpt	568089	male	Se11.C	Cond_Cmpt	564460	female
Mo68	EngineCmpt	568089	male	Se13	Engine_Cmpt	562350	male
Mo69	EngineCmpt	568089	male	Se14.A	Driver_Area	561782	male
Mo70	EngineCmpt	568089	male	Se14.B	Driver_Area	561781	female
Mo71	EngineCmpt	568089	male	Se18	PneuPlate	561566	female
Mo72	EngineCmpt	568089	male	Se19_P	Service_Cmpt	563677	male
Mo73	EngineCmpt	568089	male	Se19_S	ServiceCmpt	563677	male
Pot1.A	Dash	560488	female	Se20	RH_Head_Lamp	562426	male
Pot1.B	Dash	560488	female	Se21	Dash	561248	female
Pot1.C	Dash	560488	female	Se23	Engine_Cmpt	563159	male
R3	RJB	563409	male	Se24	EvapCmpt	563758	female
R4	RJB	564496	male	Se25	Passenger_Area	561248	female
R12	Evap_Cmpt	563409	male	Se29	Engine_Cmpt	561566	female
R13	WCLCmpt	564496	male	Se30	EngineCmpt	562877	female
R14	WCLCmpt	564496	male	Se31	EngineCmpt	562877	female
R21	FJB	560525	male	Se32	Rear_Axle_Cmpt	563057	male
R26	Evap_Cmpt	564496	male	Se33	Rear_Axle_Cmpt	562856	male
R27	RHConsole	564496	male	Se34	Rear_Axle_Cmpt	563057	male
R28	Rear_Seat	563409	male	Se35	Rear_Axle_Cmpt	563057	male
R29	RJB	563409	male	Se36	Rear_Axle_Cmpt	563629	female
R30	FJB	564496	male	Se37	Front_Axle_LH	641132	female
R31	FJB	564496	male	Se38	Front_Axle_RH	641132	female
R34	RJB	564210	male	Se39	Rear_Axle_LH	641132	female
R36	FJB	564496	male	Se40	Rear_Axle_LH	641132	female
R37	FJB	564496	male	Se45.A	ServiceCmpt	563409	male
R47	WCLCmpt	564496	male	Se49	Engine_Cmpt	561690	male
R55	FJB	564496	male	Se51	Driver_Seat	563589	male
R57	RJB	564210	male	Se53	Service_Cmpt	563159	female
R72	Rear_Seat	563409	male	Se54	Service_Cmpt	563159	female
R210	Parcel_Rack_LH	560525	male	Se55	Service_Cmpt	563159	female
Res3.A	RJB	563590	female	Se56	WCL_Upper_Door	562884	female
Res4	FJB	563590	female	Se62	WCLLuggDoor	561690	male
Res6	RJB	563590	female	Se63	EngineCmpt	641132	female
Res7	Dash	563590	female	Se64	EngineCmpt	641132	female
Res19	FJB	563590	female	Se65	Dash	564042	female

# CONNECTORS LIST

No	Location	Part #	Gender	No	Location	Part #	Gender
Se66	FrontAxle	564039	female	spBar6	EngineCmpt	564135	male
Se67	FJB	563159	female	spBar7	UreaCmpt	564135	male
Se69	FJB	563159	female	spBar11	RearVehicle	564135	male
Se76	EntranceDoor	562479	female	spBar12	RearVehicle	564135	male
Se77	FrontVehicle	563159	female	spBar13	EngineCmpt	564135	male
Se78	PneuPlate	563159	female	spBar14	EngineCmpt	564135	male
Se79	Front_Axle	563340	male	spBar15	EngineCmpt	564135	male
Se83	FrontAxle	642190	female	spBar16	EngineCmpt	564135	male
Se84	FrontAxle	642190	female	spBar19	CondensorCmpt	564135	male
Se85	RearAxle	642190	female	spBar20	CondensorCmpt	564135	male
Se86	RearAxle	642190	female	spBar21	CondensorCmpt	564135	male
Se87	RearAxle	642190	female	spBar22	EngineCmpt	564135	male
Se88	RearAxle	642190	female	spBar23	EngineCmpt	564135	male
Se89	EngineCmpt	562350	male	spBar24	FJB	564135	male
Se94	WCLUpperdoor	562877	female	spBar25	EngineCmpt	564135	male
Se100	WCLUpperdoor	562479	female	Spk1_L	Parcel_Rack_LH	563994	male
shell1	RJB	561932	male	Spk1_R	Parcel_Rack_RH	563994	male
So4	RH_Console	641385	male	Spk2_L	Parcel_Rack_LH	563994	male
So5	RH_Console	641385	male	Spk2_R	Parcel_Rack_RH	563994	male
So6	RH_Console	641385	male	Spk3_L	Parcel_Rack_LH	563994	male
So7	Service_Cmpt	561566	female	Spk3_R	Parcel_Rack_RH	563994	male
So8	ServiceCmpt	641385	male	Spk4_L	Parcel_Rack_LH	563994	male
So9	EngineCmpt	560016	female	Spk4_R	Parcel_Rack_RH	563994	male
So10	CondCmpt	562485	male	Spk5_L	Parcel_Rack_LH	563994	male
So11	Cond_Cmpt	561566	female	Spk5_R	Parcel_Rack_RH	563994	male
So13	Evap_Cmpt	563204	female	Spk6_L	Parcel_Rack_LH	563994	male
So14	PneuPlate	562848	male	Spk6_R	Parcel_Rack_RH	563994	male
So15	PneuPlate	641385	male	Spk7_L	Parcel_Rack_LH	563994	male
So16	PneuPlate	641385	male	Spk7_R	Parcel_Rack_RH	563994	male
So17	PneuPlate	562848	male	Spk8_L	Parcel_Rack_LH	563994	male
So20	PneuPlate	641385	male	Spk8_R	Parcel_Rack_RH	563994	male
So21	Front_Axle_Cmpt	564046	female	Spk9_L	Parcel_Rack_LH	563994	male
So22	Front_Axle_Cmpt	564046	female	Spk9_R	Parcel_Rack_RH	563994	male
So23	Rear_Axle_Cmpt	564046	female	Spk10_L	Parcel_Rack_LH	563994	male
So24	Rear_Axle_Cmpt	564046	female	Spk10_R	Parcel_Rack_RH	563994	male
So27	RearAxleCmpt	564045	female	Spk11_L	Parcel_Rack_LH	563994	male
So29	WCLCmpt	641385	male	Spk11_R	Parcel_Rack_RH	563994	male
So50	RearAxleCmpt	564046	female	Spk12_L	Parcel_Rack_LH	563994	male
So52	FrontAxleCmpt	564045	female	Spk12_R	Parcel_Rack_RH	563994	male
So53	Rear_Axle_Cmpt	641385	male	Spk13_L	Parcel_Rack_LH	563994	male
So55	PneuPlate	562848	male	Spk13_R	Parcel_Rack_RH	563994	male
spBar4	EngineCmpt	564135	male	Spk14_L	Parcel_Rack_LH	563994	male
spBar5	EngineCmpt	564135	male	Spk14_R	Parcel_Rack_RH	563994	male

# CONNECTORS LIST

No	Location	Part #	Gender	No	Location	Part #	Gender
Spk22	Dash	563994	male	Sw96.A	WCL_Door	562615	female
Spk23	Outside_Front_RH	563994	male	Sw96.B	WCL_Door	562615	female
Sw2	Dash	562763	male	Sw96.C	WCLDoor	562615	female
Sw4	Dash	562763	male	Sw97.A	WCLSystem	562615	female
Sw10A	LH_Console	562763	male	Sw97.B	WCLSystem	562615	female
Sw12	Dash	562763	male	Sw97.C	WCLSystem	562615	female
Sw13	Dash	562763	male	Sw98.A	WCLSystem	561626	female
Sw14	Dash	562763	male	Sw98.B	WCLSystem	561626	female
Sw16	Dash	562763	male	Sw103	LH_Console	562763	male
Sw17	Dash	562763	male	Sw116.A	WCL_Upper_Door	560079	female
Sw20	Dash	562763	male	Sw116.B	WCL_Upper_Door	560079	female
Sw24	Dash	562763	male	Sw122	Dash	562763	male
Sw25	Dash	562763	male	Sw125.A	Service_Cmpt	561457	female
Sw26	Dash	562763	male	Sw125.B	Service_Cmpt	561457	female
Sw27.A	Dash	562763	male	Sw137	Dash	562763	male
Sw32	Dash	561477	female	Sw138	FJB	561690	male
Sw33	Dash	561476	male	Sw139	FJB	561690	male
Sw34	Outside_Front_RH	562477	male	Sw140	FJB	561566	female
Sw38	LH_Console	562763	male	Sw141	FJB	561690	male
Sw41	LH_Console	562749	male	Sw142	LHConsole	562763	male
Sw42	WCL_System	561635	female	Sw156	LH_Console	562763	male
Sw44.A	FJB	562403	female	tab69.A	ParcelRack	565180	N/A
Sw45.A	3rd_Lugg_Cmpt	562403	female	tab70.A	ParcelRack	565180	N/A
Sw46.A	3rd_Lugg_Cmpt	562403	female	Tab70a.A	ParcelRack	561626	N/A
Sw46B.A	3rdLuggCmpt.	562403	female	Tab70b.A	ParcelRack	561626	N/A
Sw46B.B	3rdLugg.Cmpt.	562403	female	tab71a	ParcelRack	561626	N/A
Sw49.A	2nd_Lugg_Cmpt	562403	female	VECF1	FJB	563186	male
Sw50.A	2nd_Lugg_Cmpt	562403	female	VECF2	FJB	563183	male
Sw51.A	1st_Lugg_Cmpt	562403	female	VECF3	FJB	563185	male
Sw52.A	1st_Lugg_Cmpt	562403	female	VECF4	FJB	563182	male
Sw58	EngineCmpt.	563135	male	VECF9	FJB	563448	male
Sw59	EngineCmpt.	563135	male	VECF10	FJB	563181	male
Sw64.A	Service_Cmpt	560815	female	VECF11	FJB	563184	male
Sw64.B	Service_Cmpt	560815	female	VECF12	FJB	563187	male
Sw80A	Dash	562763	male	VECPR1	ParcelRack	563715	male
Sw81.A	Dash	562905	male	VECPR2	ParcelRack	563716	male
Sw81.B	Dash	562905	male	VECPR3	ParcelRack	563718	male
Sw82A	RJB	563618	male	VECPR4	ParcelRack	563714	male
Sw83A	Dash	562581	male	VECR1	RJB	563186	male
Sw84	EngineCmpt.	563135	male	VECR2	RJB	563183	male
Sw85	LH_Console	562749	male	VECR3	RJB	563185	male
Sw95.A	WCLDoor	561626	female	VECR4	RJB	563182	male
Sw95.B	WCLDoor	561626	female	VECR9	RJB	563448	male













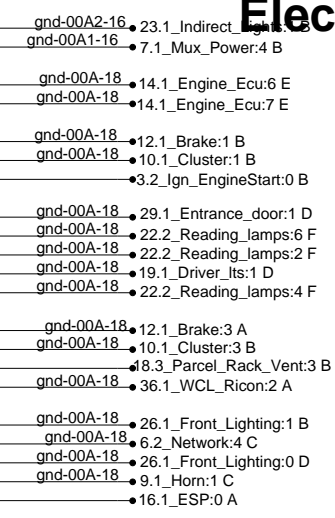




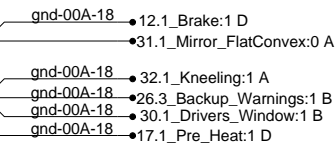


**\*\*Ground distribution:\*\***  
 0-Electric gnd  
 00- Electronic Gnd  
 A-Dash - Lh console harness  
 F-Front junction box harness  
 FH-Front harness  
 R-Rear junction box harness  
 FR-Front to rear  
 P-Parcel Rack  
 RS-RJB to Rear Seat

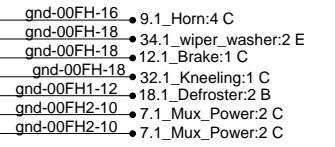
**Dash harness**



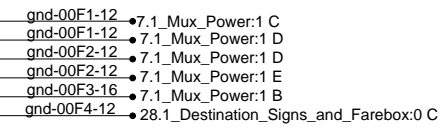
**Lh console harness**



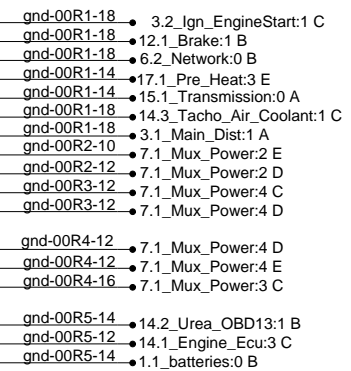
**Front harness**



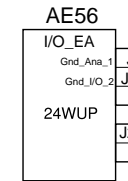
**FJB harness**



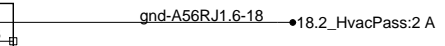
**RJB harness**



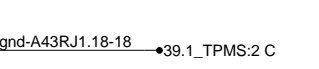
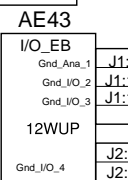
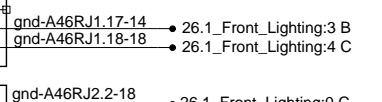
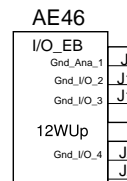
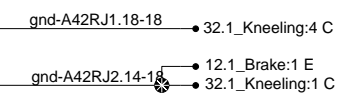
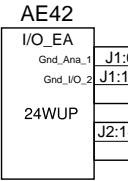
**Electronic ground distribution**



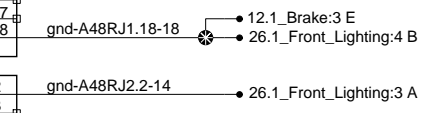
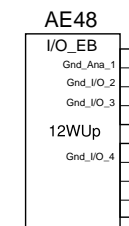
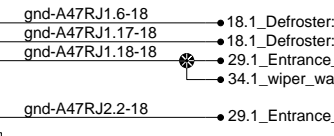
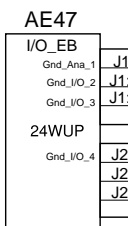
**Dash**



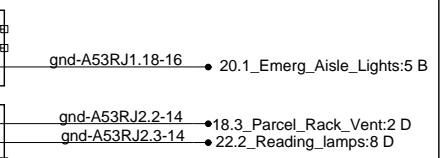
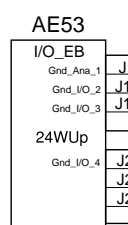
**FJB**



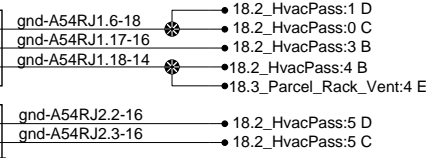
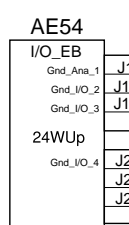
**RH console JB**



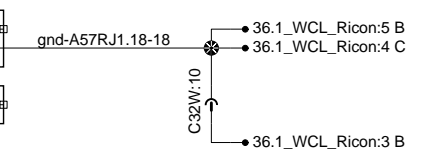
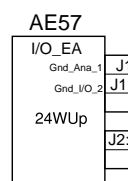
**Parcel Rack JB**



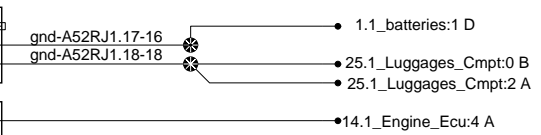
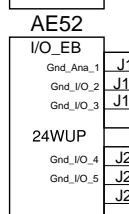
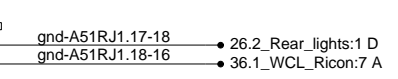
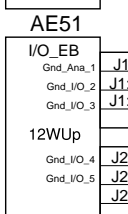
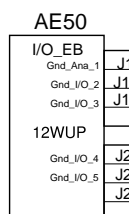
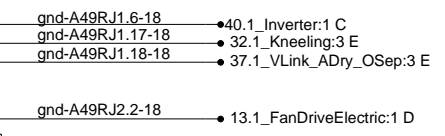
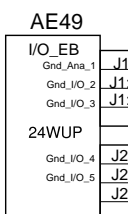
**Evaporator**



**WCL**



**RJB**



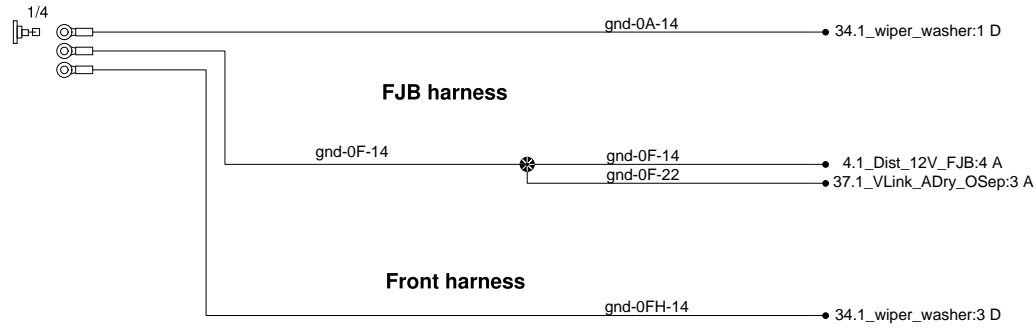
**\*\*Ground distribution:\*\***

0-Electric gnd  
00- Electronic Gnd

A-Dash - Lh console harness  
F-Front junction box harness  
FH-Front harness  
R-Rear junction box harness  
FR-Front to rear

# Chassis ground distribution

## Front GND stud

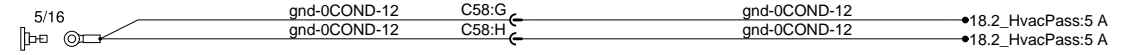


## Dash harness

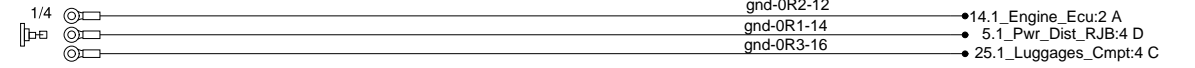
## FJB harness

## Front harness

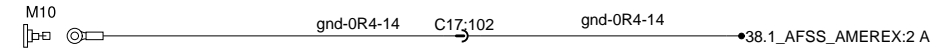
## Condensor cmpt. stud



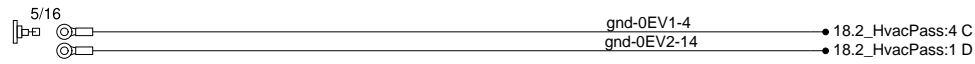
## RJB stud



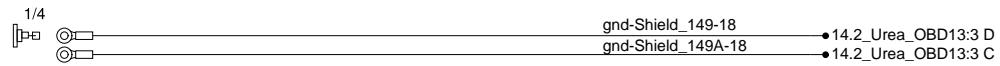
## RJB Stud AFSS GND



## Evaporator cmpt. stud



## Urea cmpt. stud



## Front radiator stud

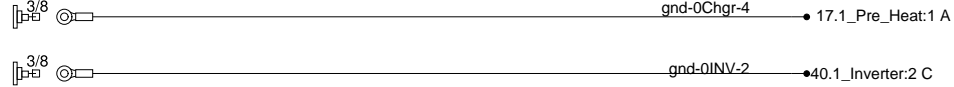


## Radiator door stud

## Rear radiator stud



## Parcel rack stud #1



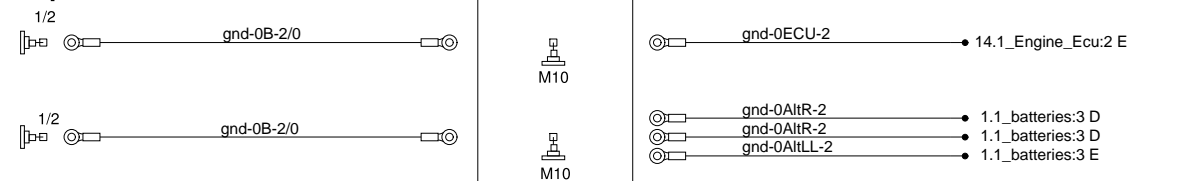
## Luggage chassis stud



## BussBar

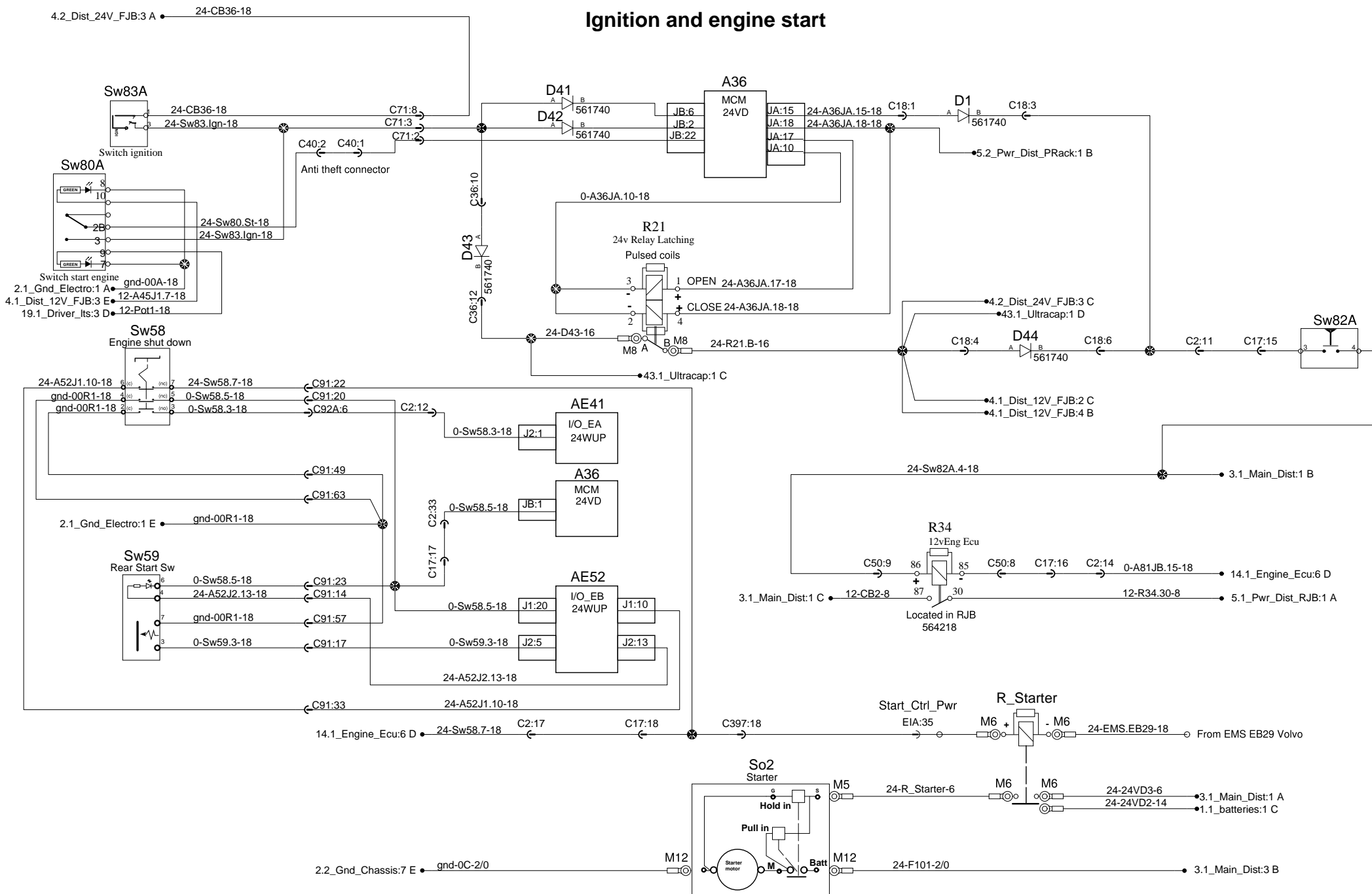
## Engine studs

## Engine cmpt. studs

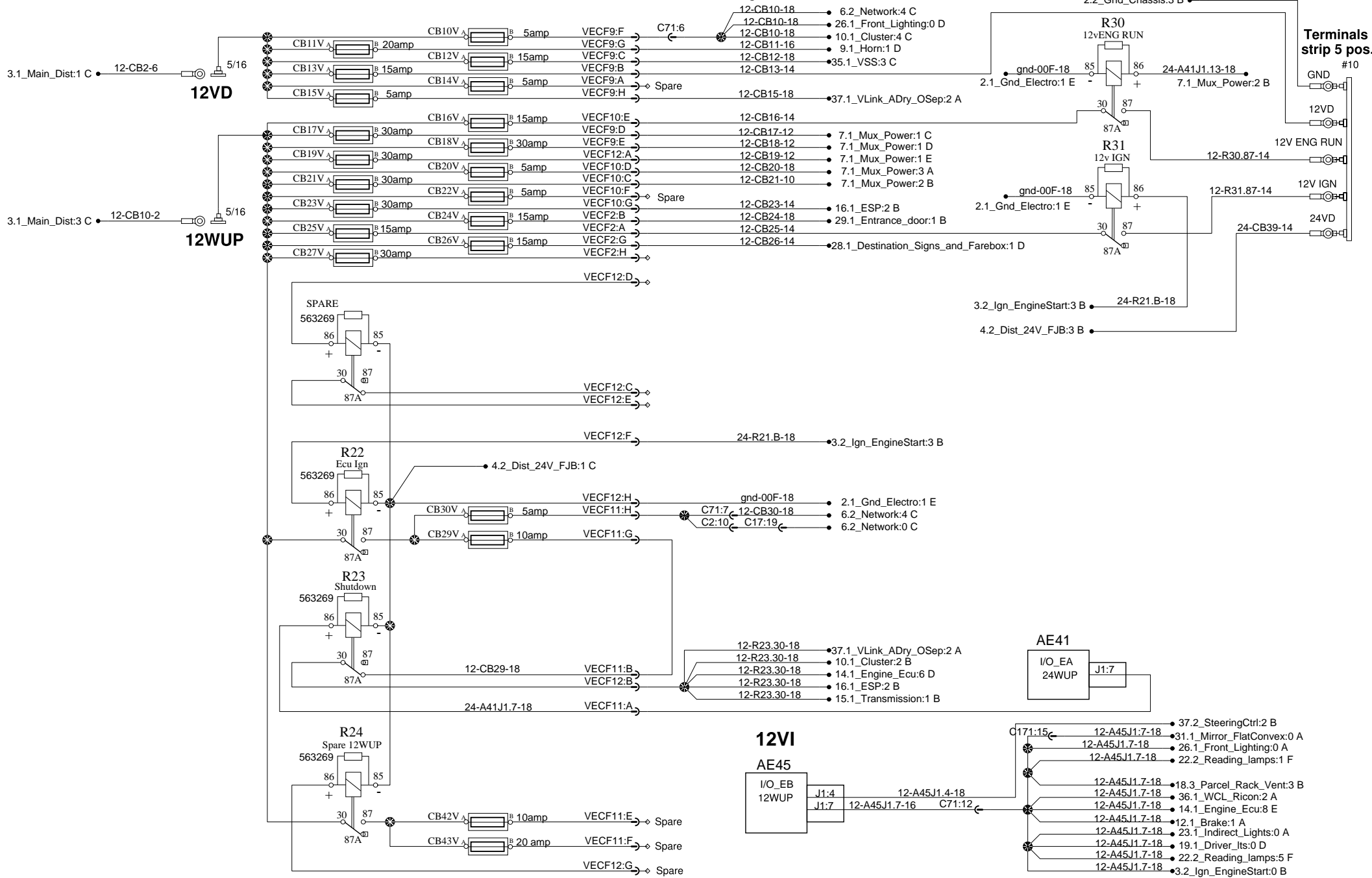




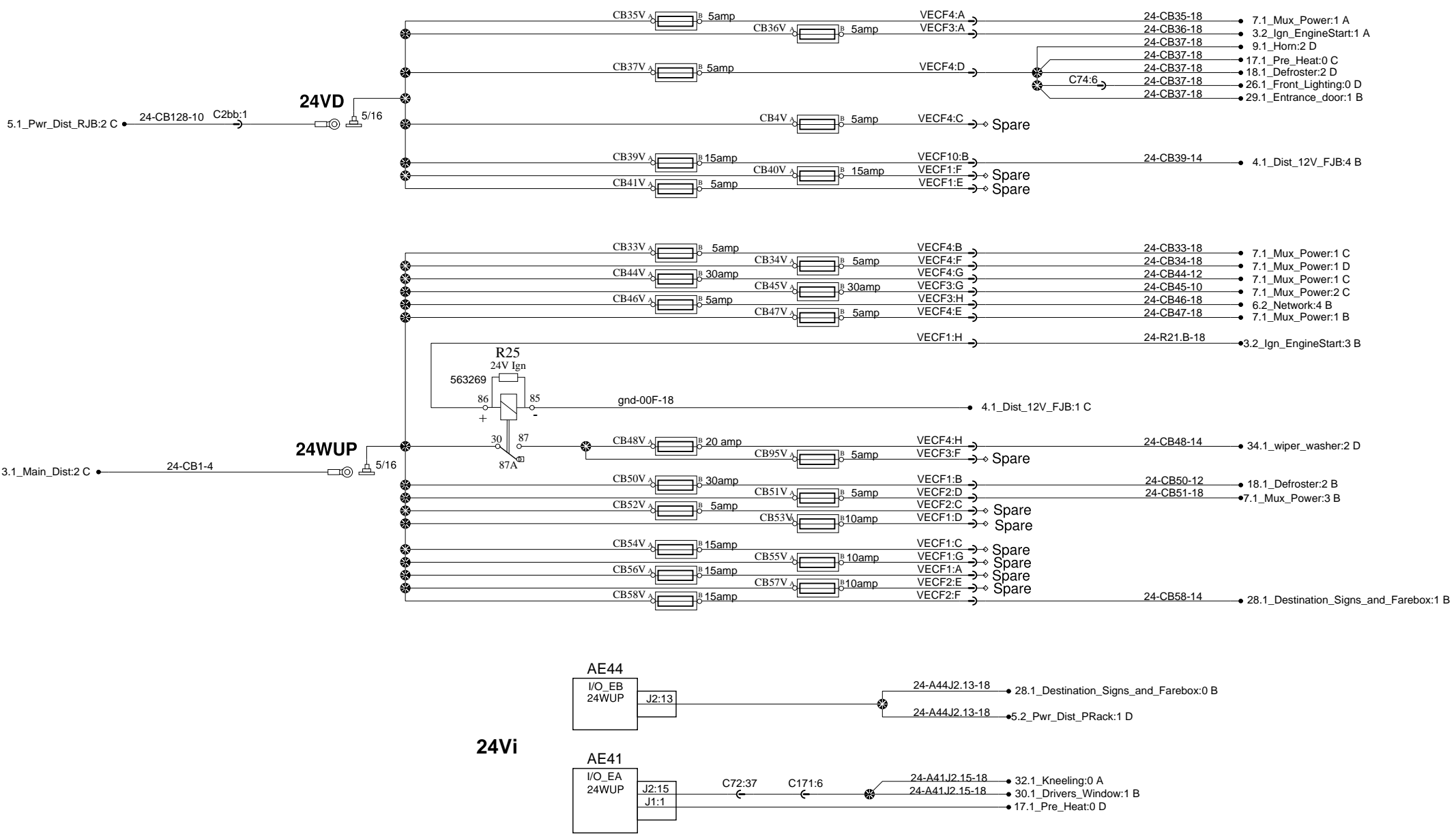
# Ignition and engine start



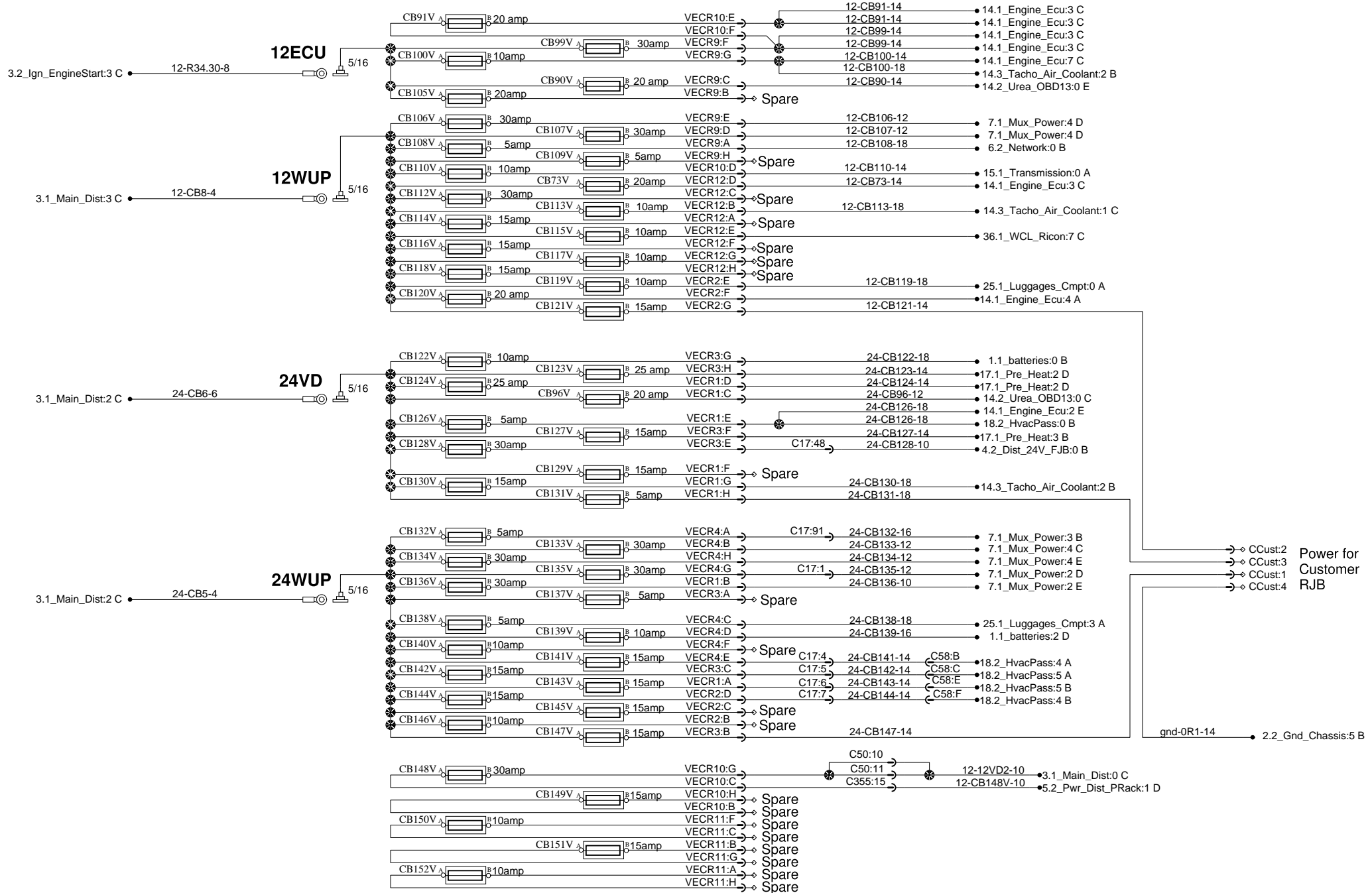
# 12V Power distribution front junction box



# 24V Power distribution front junction box

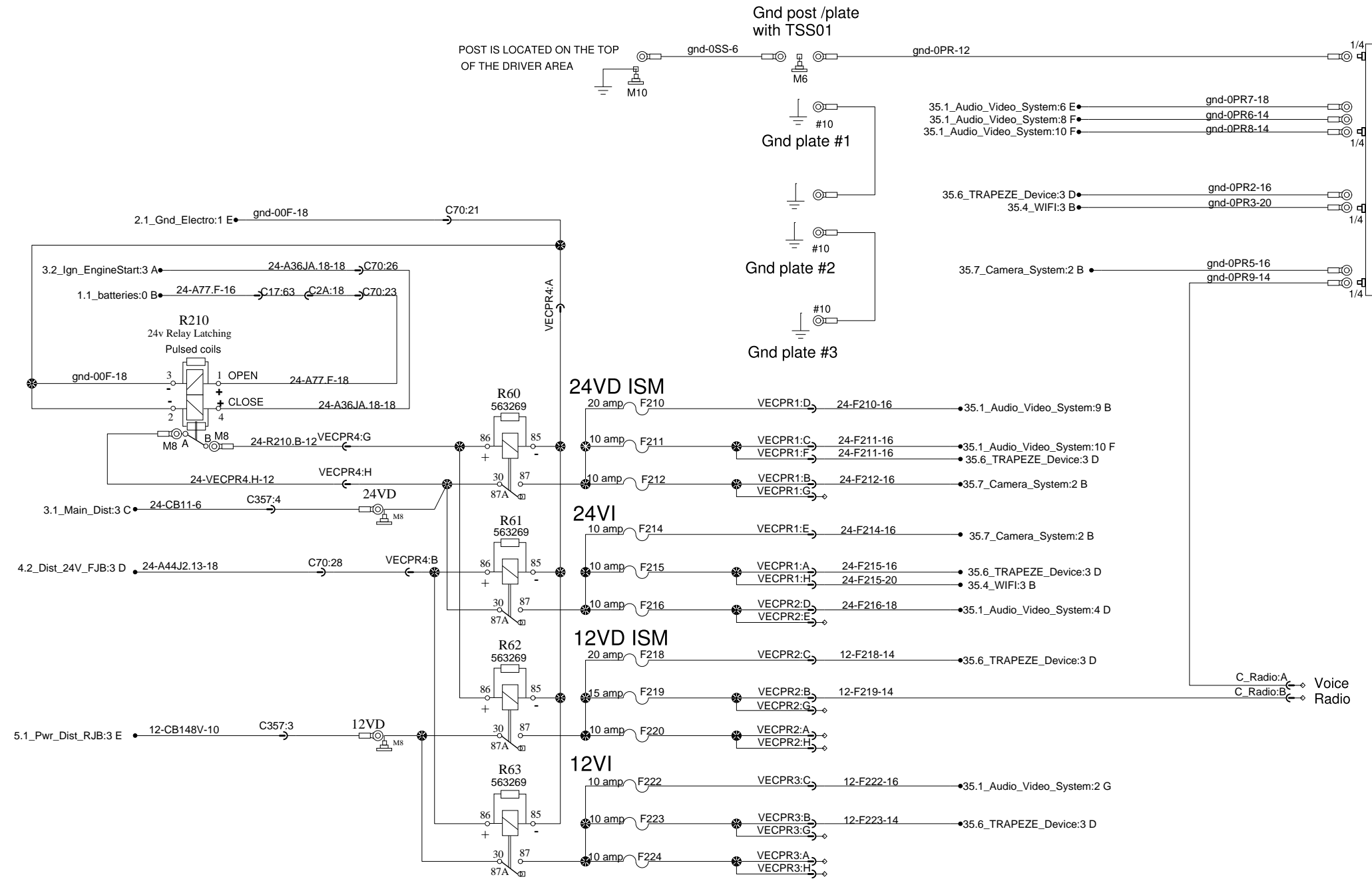


# Power distribution rear junction box

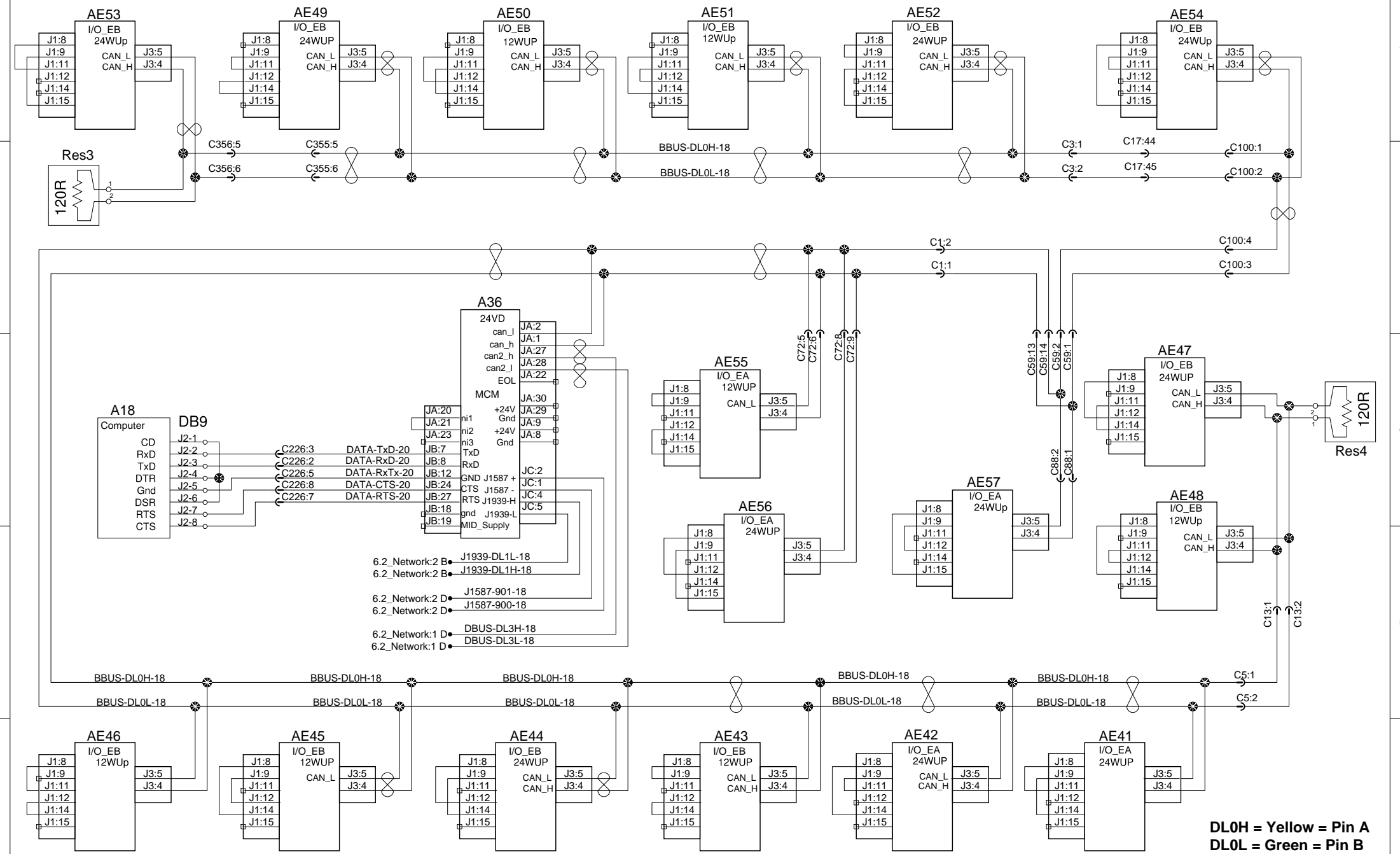




# Parcel Rack Power Distribution

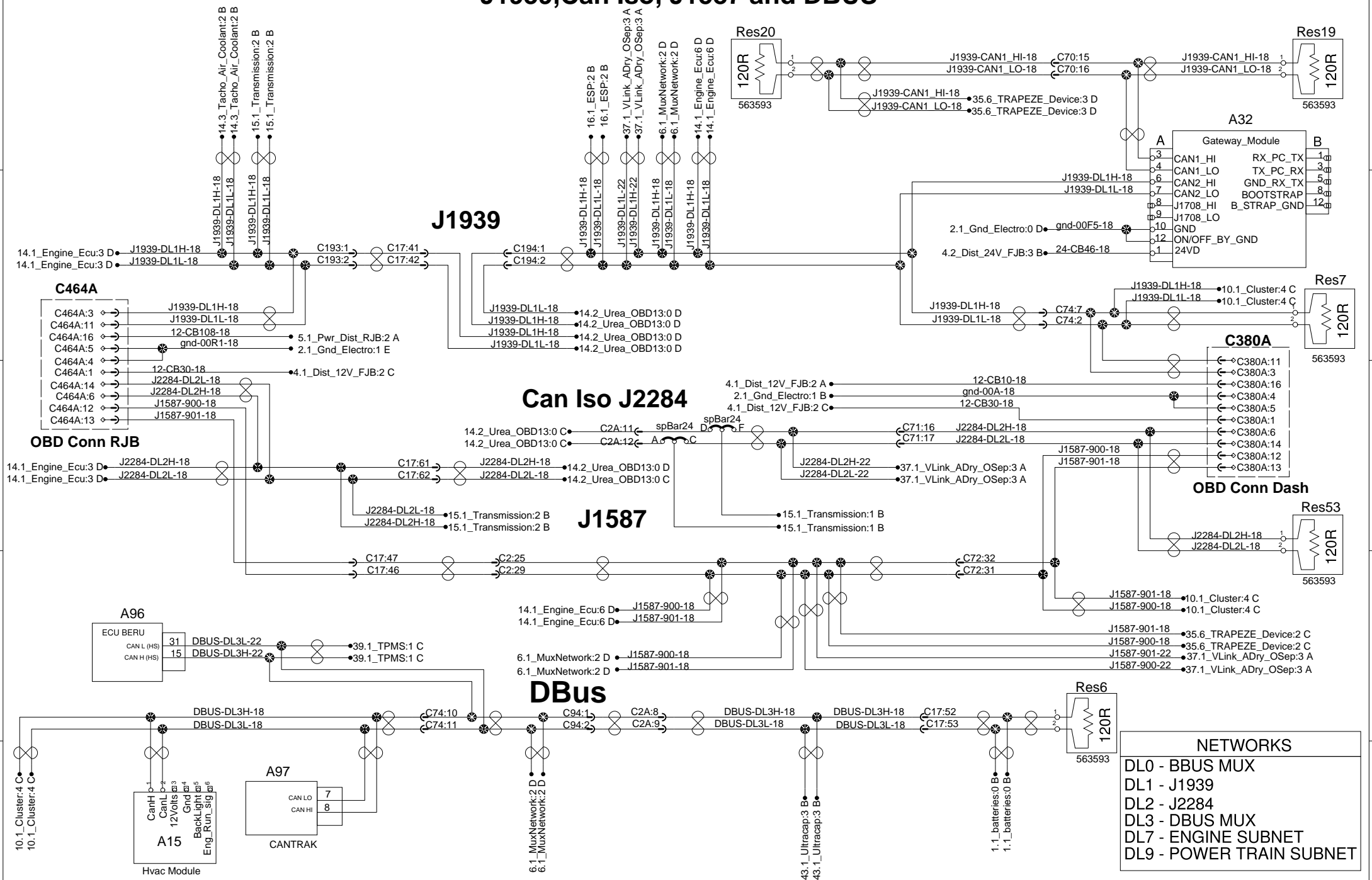


# Multiplex Can, J1587 Network and Addressing



DL0H = Yellow = Pin A  
DL0L = Green = Pin B

# J1939, Can Iso, J1587 and DBUS



### Front junction box

### Multiplex power supply distribution

### A15 Hvac Module

### Dash

### AE55

I/O\_EA  
Vbat 12WUP  
Gnd

### AE56

I/O\_EA  
Vbat 24WUP  
ENG\_RUN\_OUT

### WCL Cmpt.

### AE57

I/O\_EA  
Vbat 24WUp  
Gnd

### Rear junction box

### AE49

I/O\_EB  
Vbat 24WUP  
Gnd

### AE50

I/O\_EB  
Vbat 12WUP  
Gnd

### AE51

I/O\_EB  
Vbat 12WUP  
Gnd

### AE52

I/O\_EB  
Vbat 24WUP  
Gnd

4.2\_Dist\_24V\_FJB:3 A

4.2\_Dist\_24V\_FJB:3 B

4.2\_Dist\_24V\_FJB:3 B

4.2\_Dist\_24V\_FJB:3 B

2.1\_Gnd\_Electro:0 D

4.1\_Dist\_12V\_FJB:2 A

2.1\_Gnd\_Electro:0 D

4.2\_Dist\_24V\_FJB:3 B

2.1\_Gnd\_Electro:0 D

4.1\_Dist\_12V\_FJB:2 A

2.1\_Gnd\_Electro:0 D

4.1\_Dist\_12V\_FJB:2 A

2.1\_Gnd\_Electro:0 D

### A36

MCM  
24VD

JA:9

JA:30

JA:8

JA:29

Gnd

Gnd

JB:19

JB:18

### AE41

I/O\_EA  
24WUP

J3:1

J3:6

### AE42

I/O\_EA  
24WUP

J3:1

J3:6

### AE43

I/O\_EB

J3:1

J3:2

J3:3

J3:6

### AE44

I/O\_EB

J3:1

J3:2

J3:3

J3:6

### AE45

I/O\_EB

J3:1

J3:2

J3:3

J3:6

### AE46

I/O\_EB

J3:1

J3:2

J3:3

J3:6

### RH Console

### AE48

I/O\_EB

J3:1

J3:2

J3:3

J3:6

### AE47

I/O\_EB

J3:1

J3:2

J3:3

J3:6

### Evaporator Cmpt.

### AE54

I/O\_EB

J3:1

J3:2

J3:3

J3:6

### Parcel rack junction box Rear left parcel rack

### AE53

I/O\_EB

J3:1

J3:2

J3:3

J3:6

12WUp CanH  
CanL  
12Volts  
Gnd  
BackLight  
Eng\_Run\_sig

19.1\_Driver\_Its:3 D  
4.1\_Dist\_12V\_FJB:2 B  
4.2\_Dist\_24V\_FJB:3 C  
2.1\_Gnd\_Electro:0 B

4.1\_Dist\_12V\_FJB:4 A

4.1\_Dist\_12V\_FJB:2 B

2.1\_Gnd\_Electro:0 C

4.2\_Dist\_24V\_FJB:3 B

2.1\_Gnd\_Electro:0 C

5.1\_Pwr\_Dist\_RJB:2 D

2.1\_Gnd\_Electro:1 F

5.1\_Pwr\_Dist\_RJB:2 D

2.1\_Gnd\_Electro:0 F

12-CB20-18  
gnd-00A1-18

12-Pot1-18  
12-CB20-18  
C74:14

24-CB51-18  
gnd-00A1-16  
C74:19

C74:4

C59:23  
C59:24

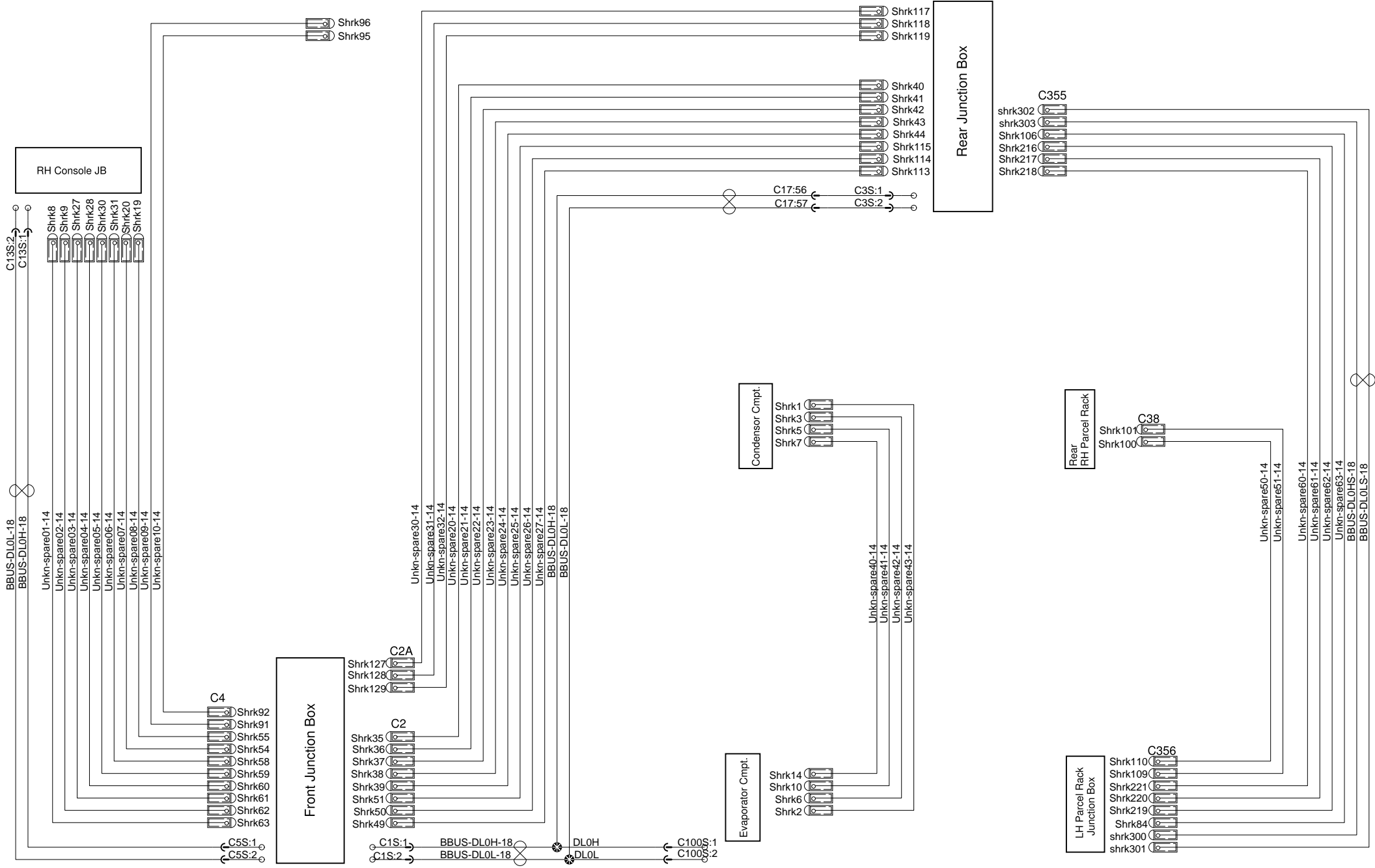
24-CB132-16  
gnd-00R4-16  
C88:3  
C88:4

12-CB106-12  
gnd-00R3-12

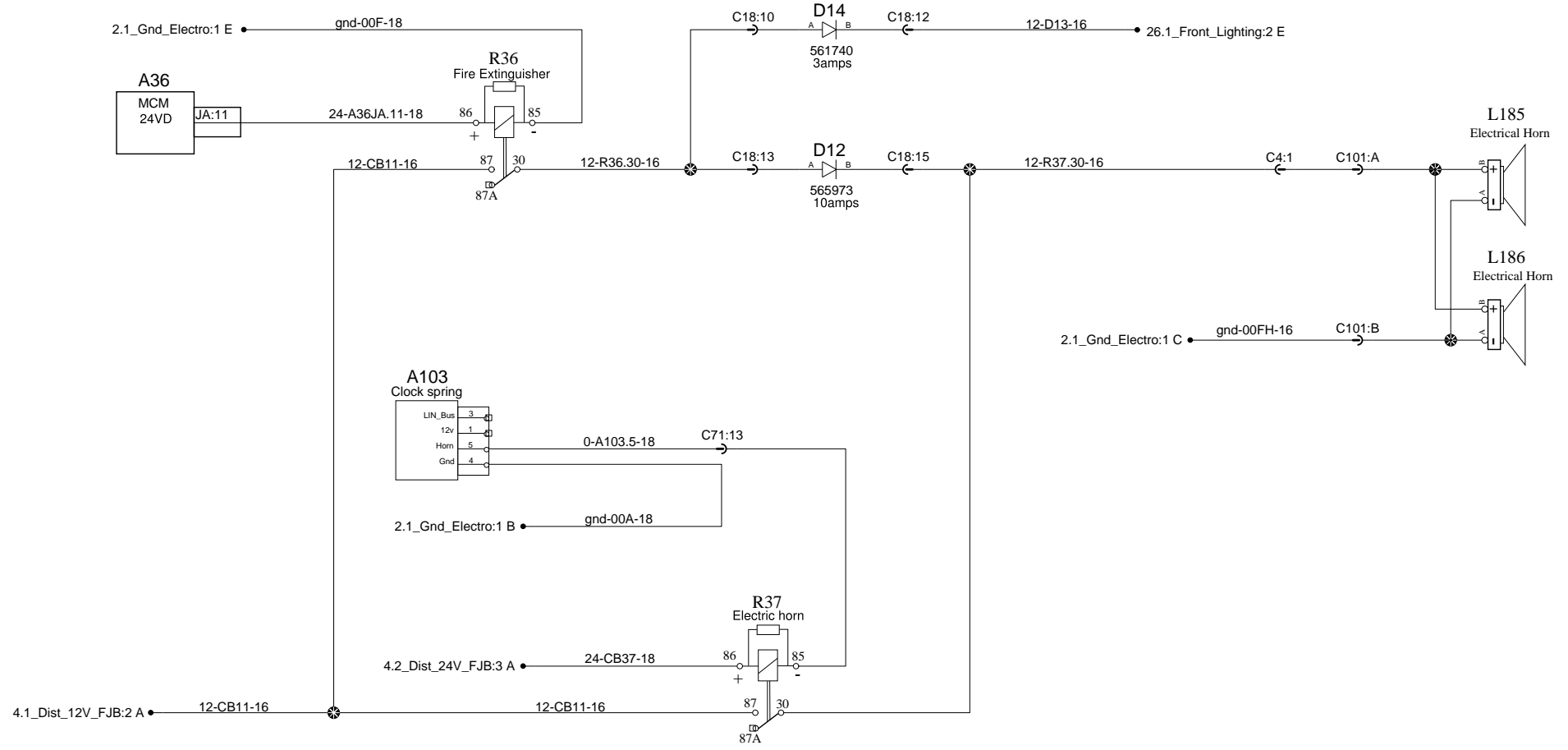
12-CB107-12  
gnd-00R3-12

24-CB134-12  
gnd-00R4-12

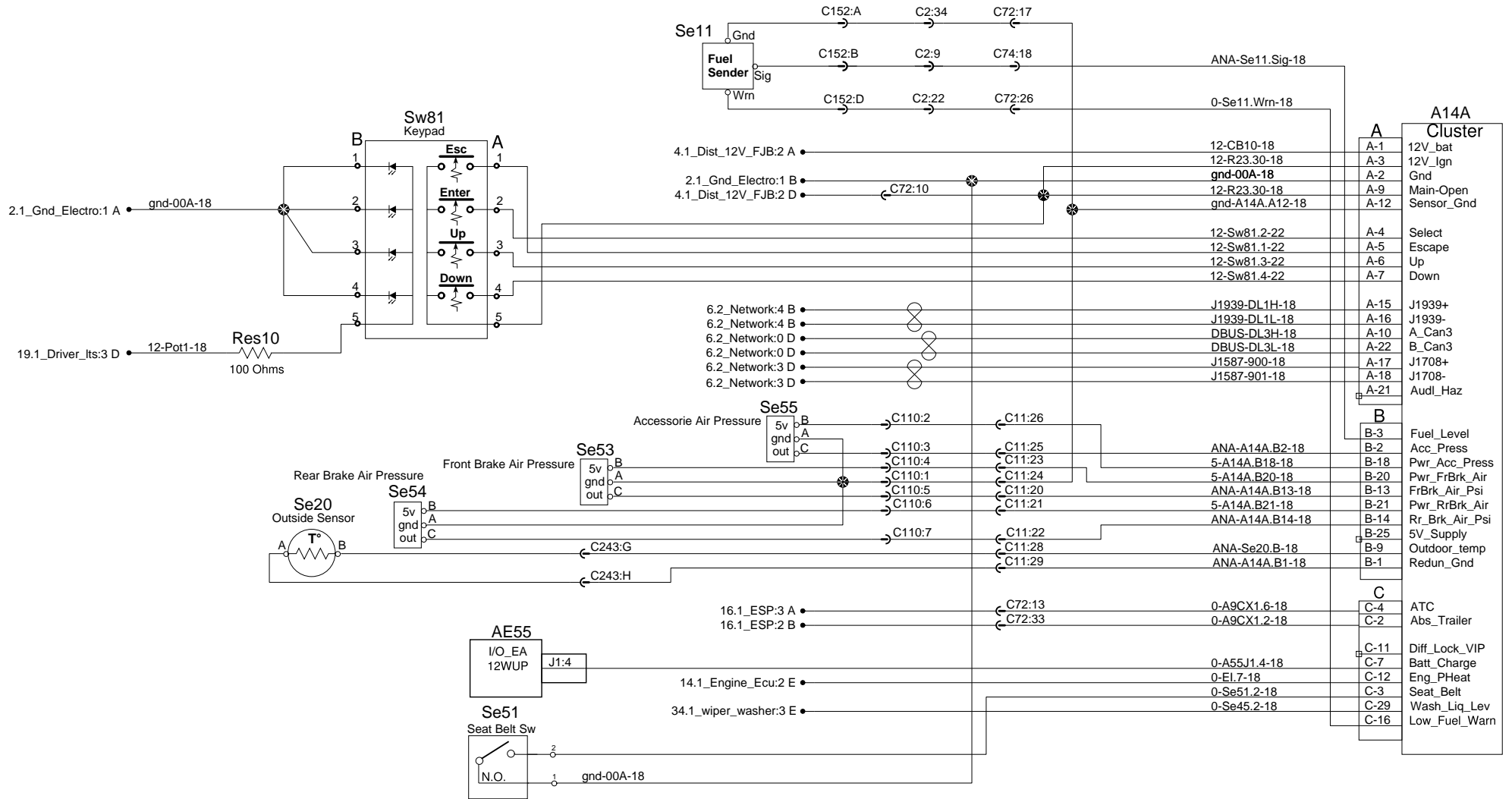
# Spare Wires



# Horn

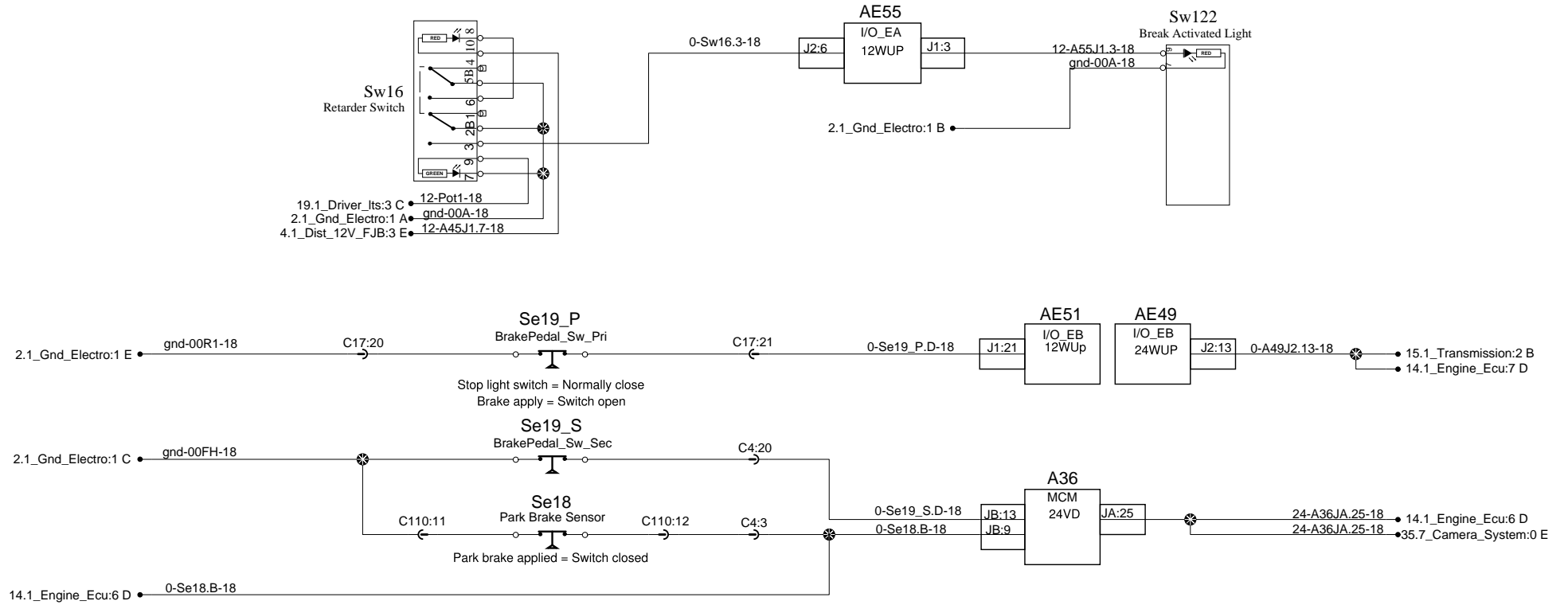


# Cluster

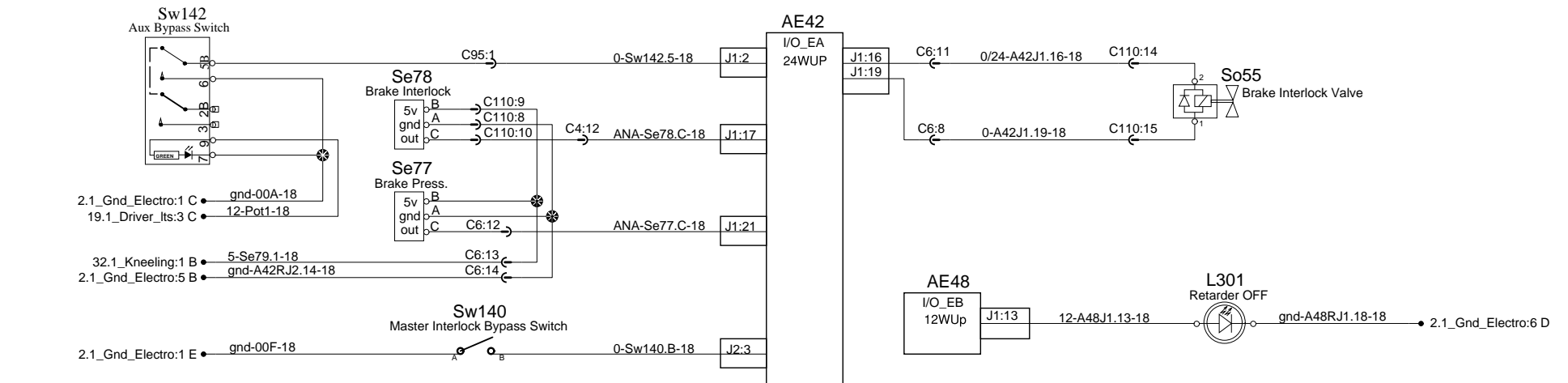




# Brake, Brake interlock and Retarder

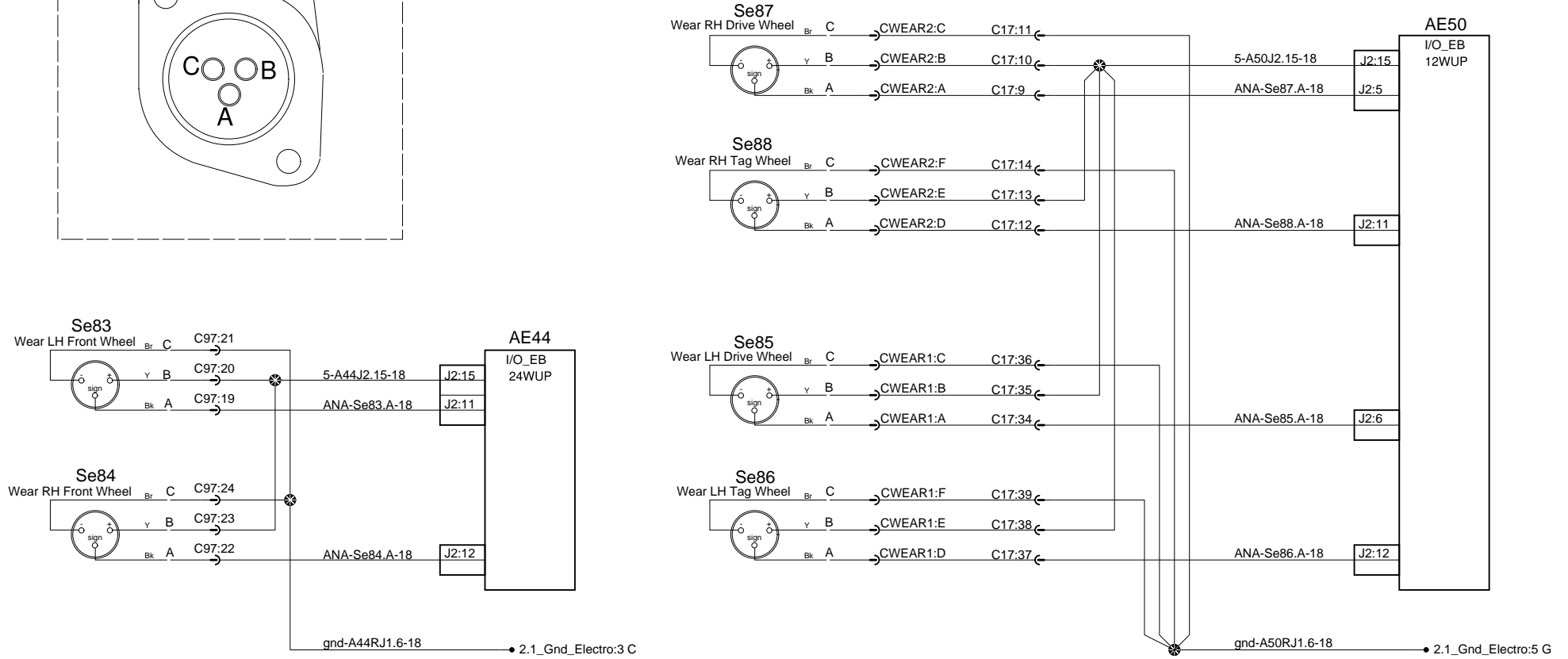
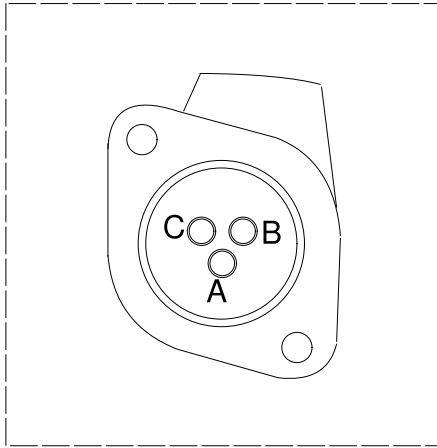


## Brake interlock

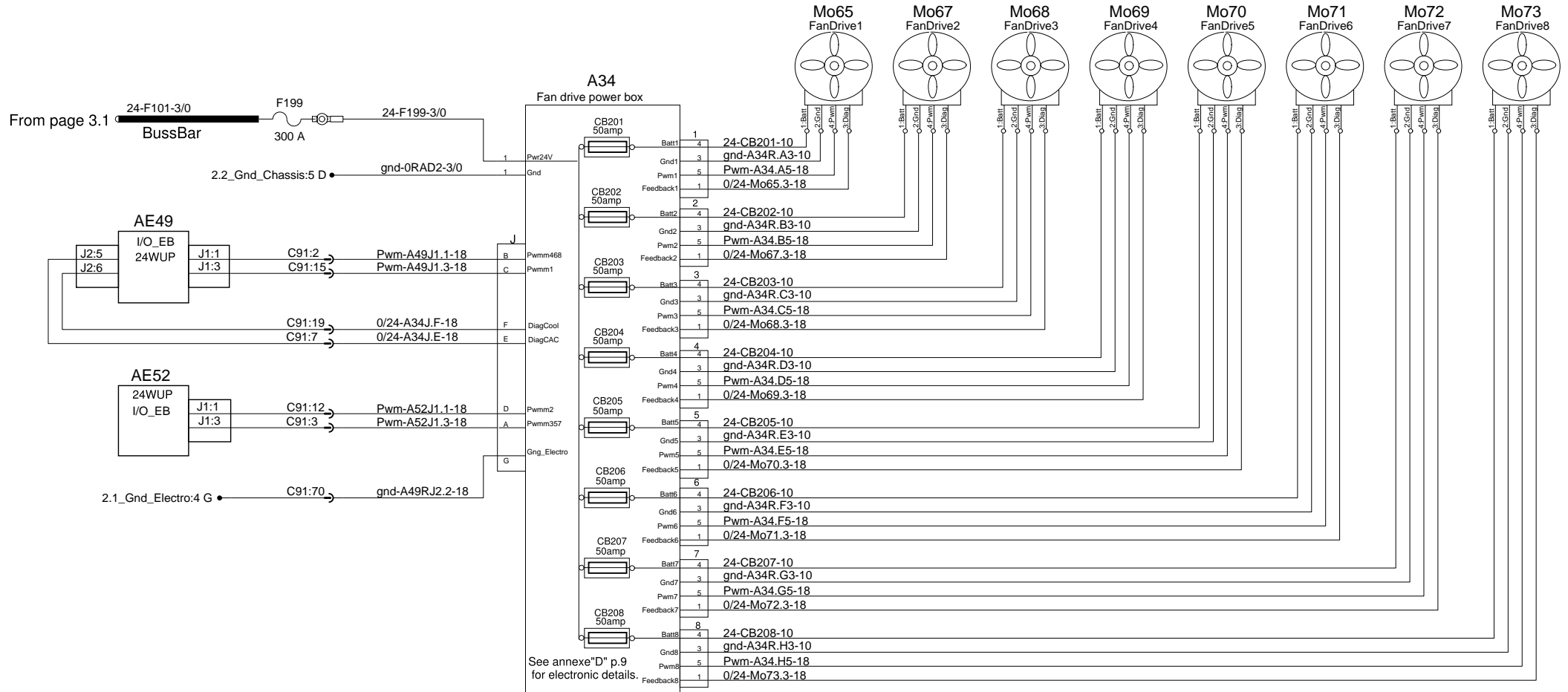


# Brake wear sensors

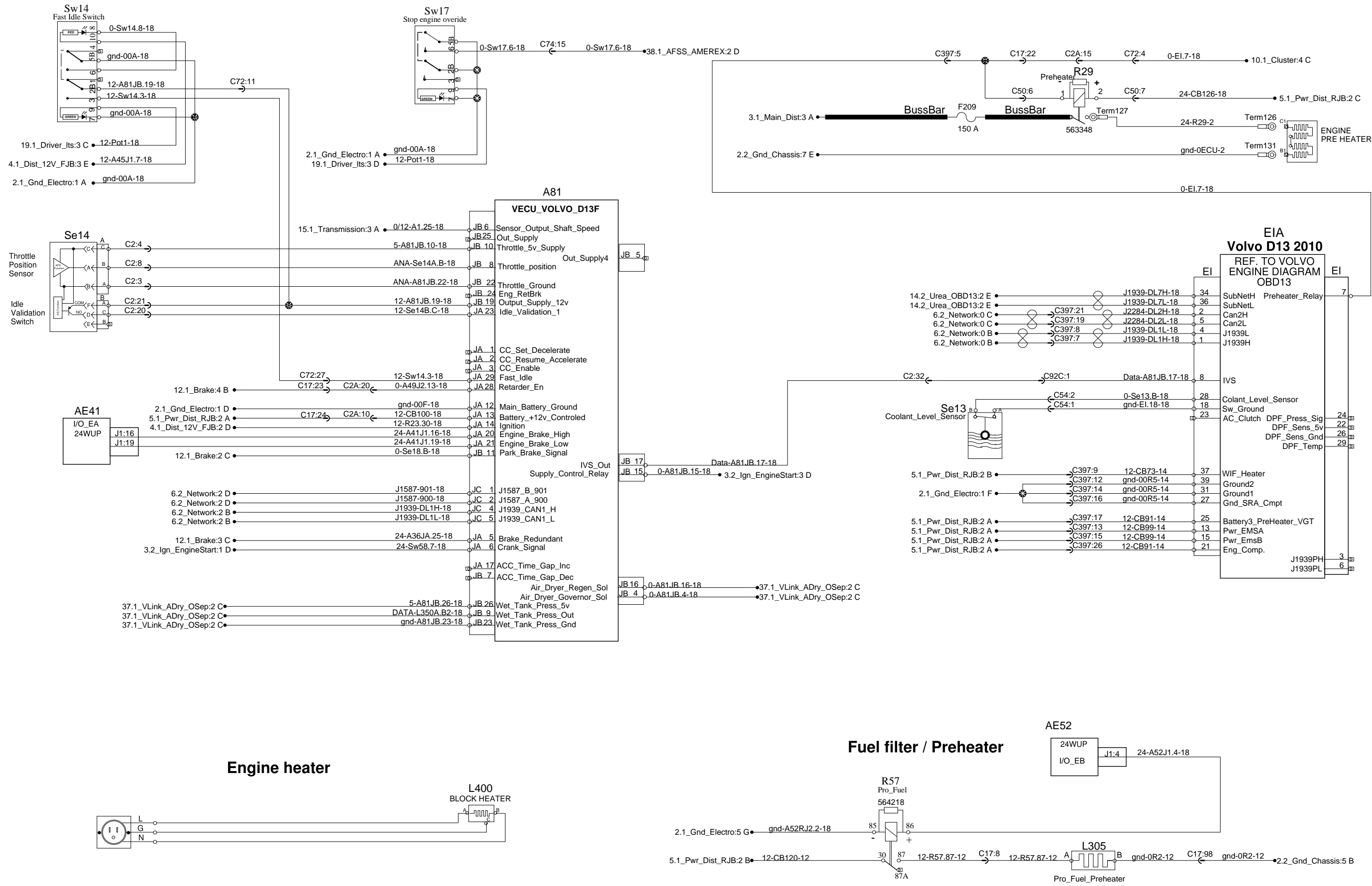
Wear sensor detail



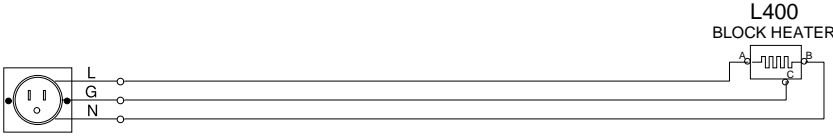
# Electric fans drive



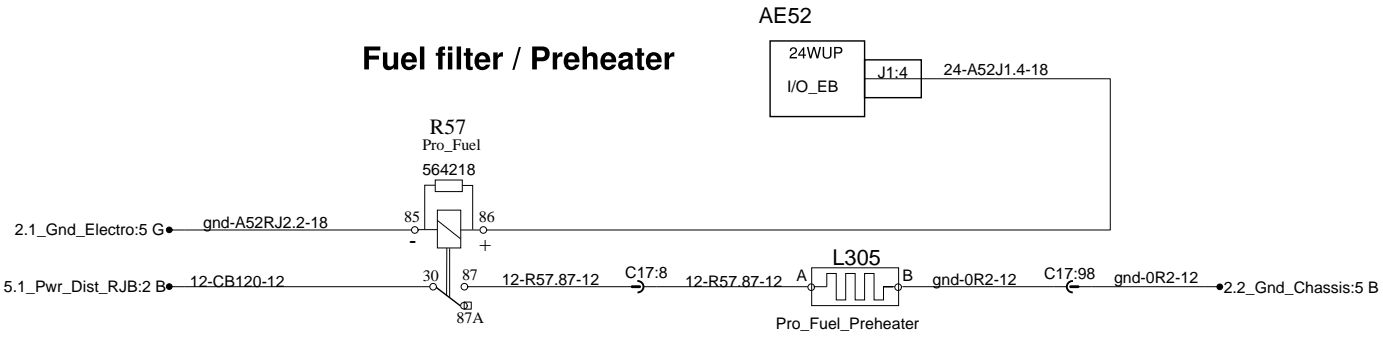
# Engine ECU Volvo

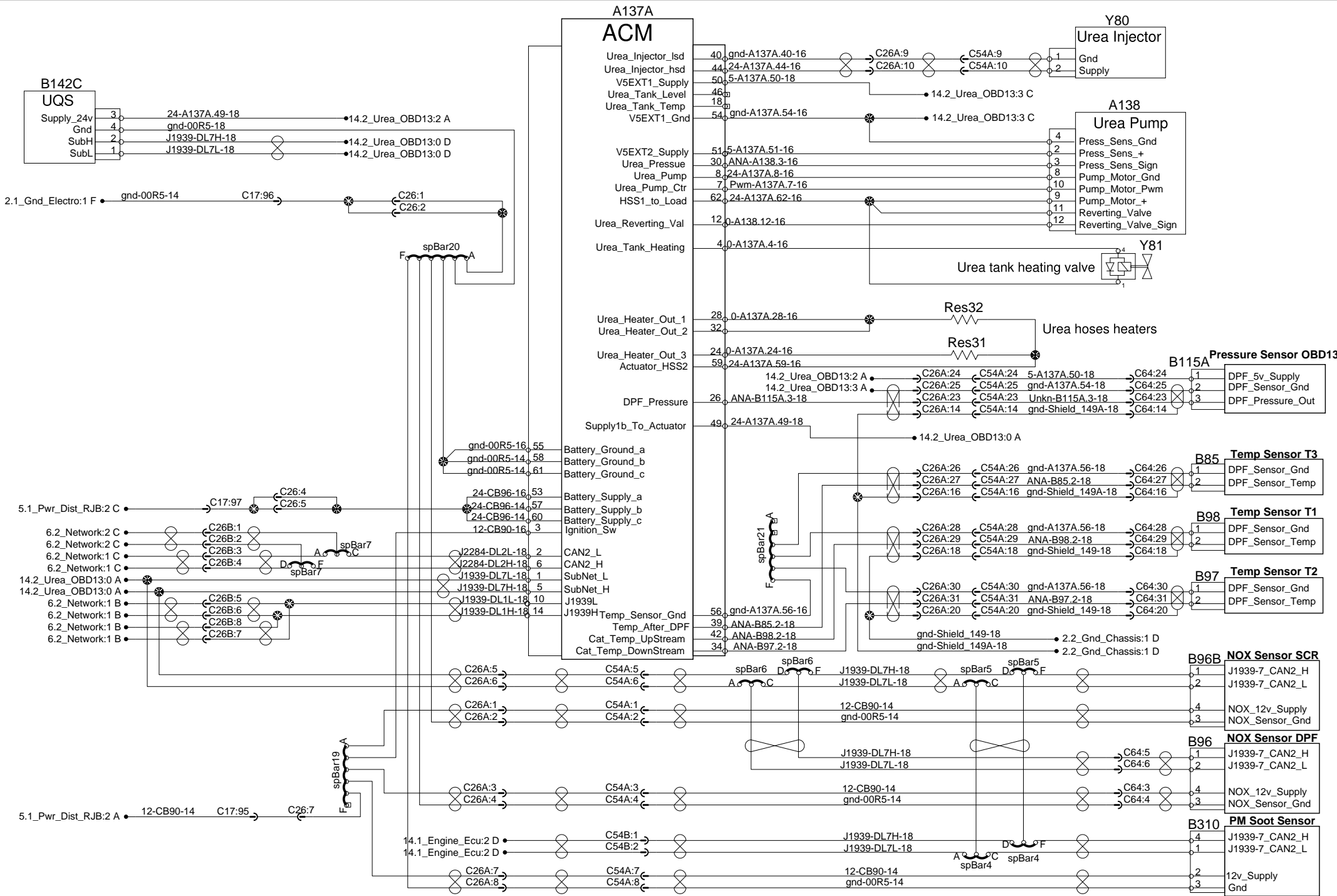


## Engine heater

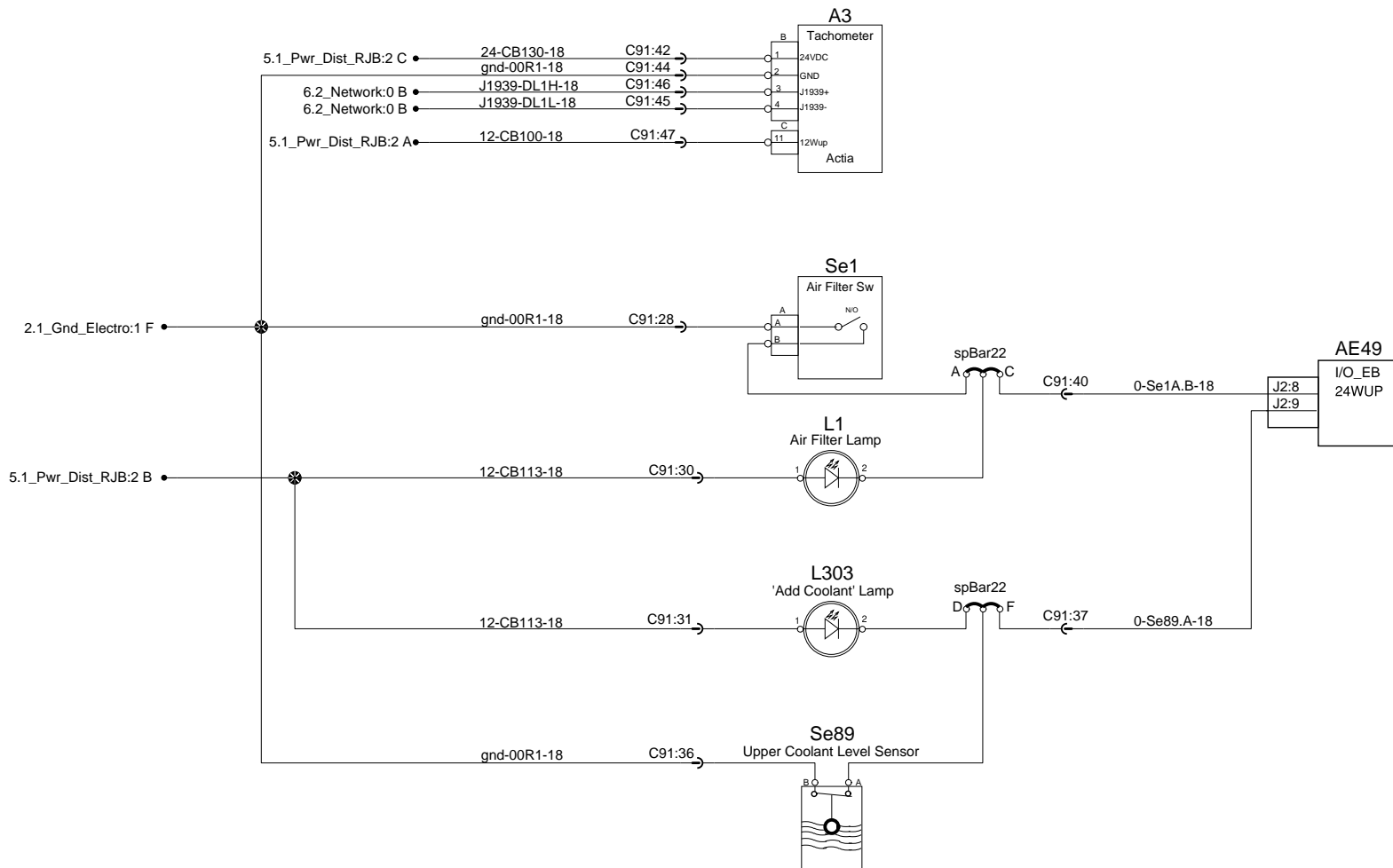


## Fuel filter / Preheater

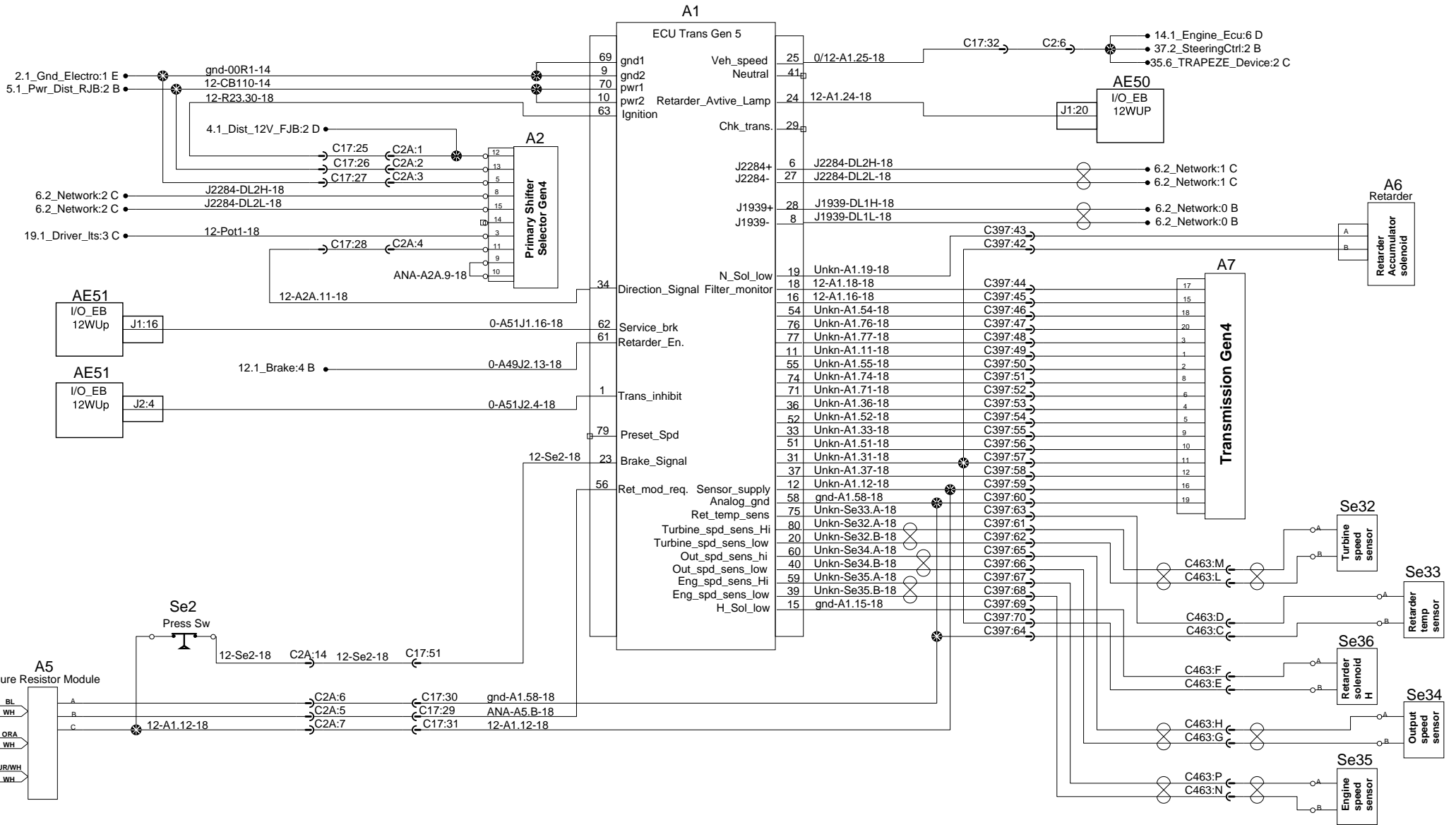




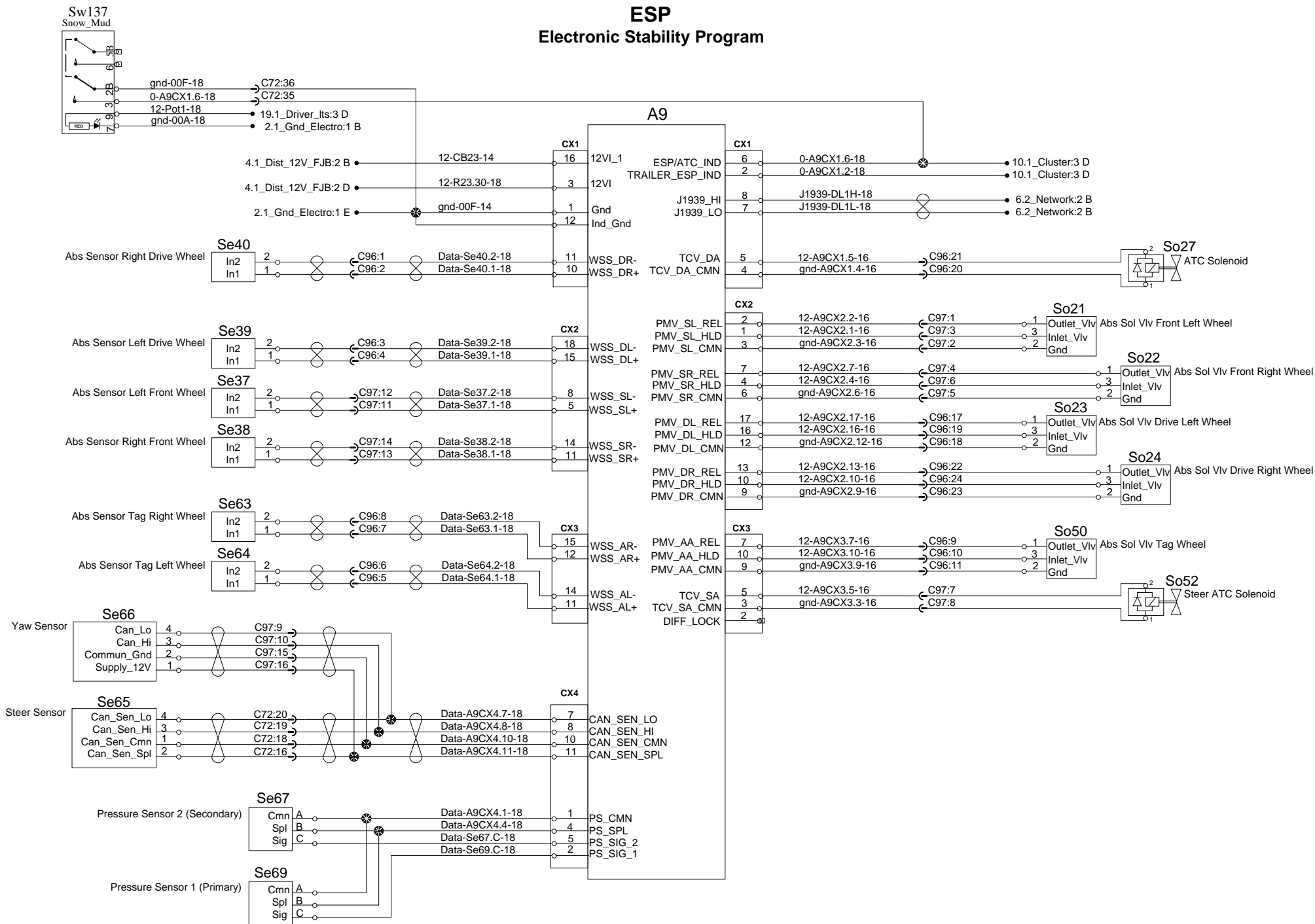
# Rear tachometer - Air filter LED - Coolant level LED - Pro\_Fuel



# Transmission Alisson Gen 5

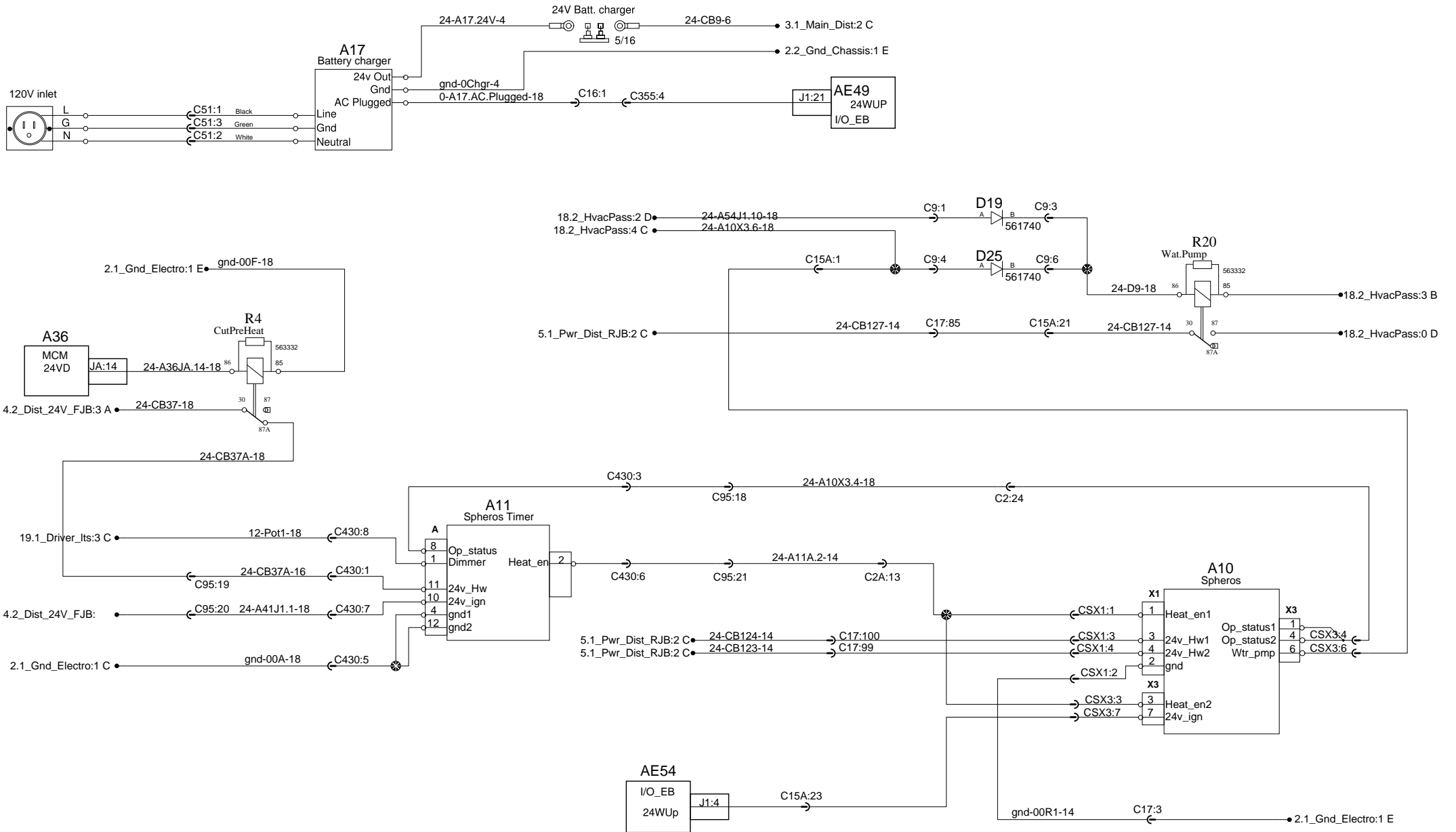


# ESP Electronic Stability Program

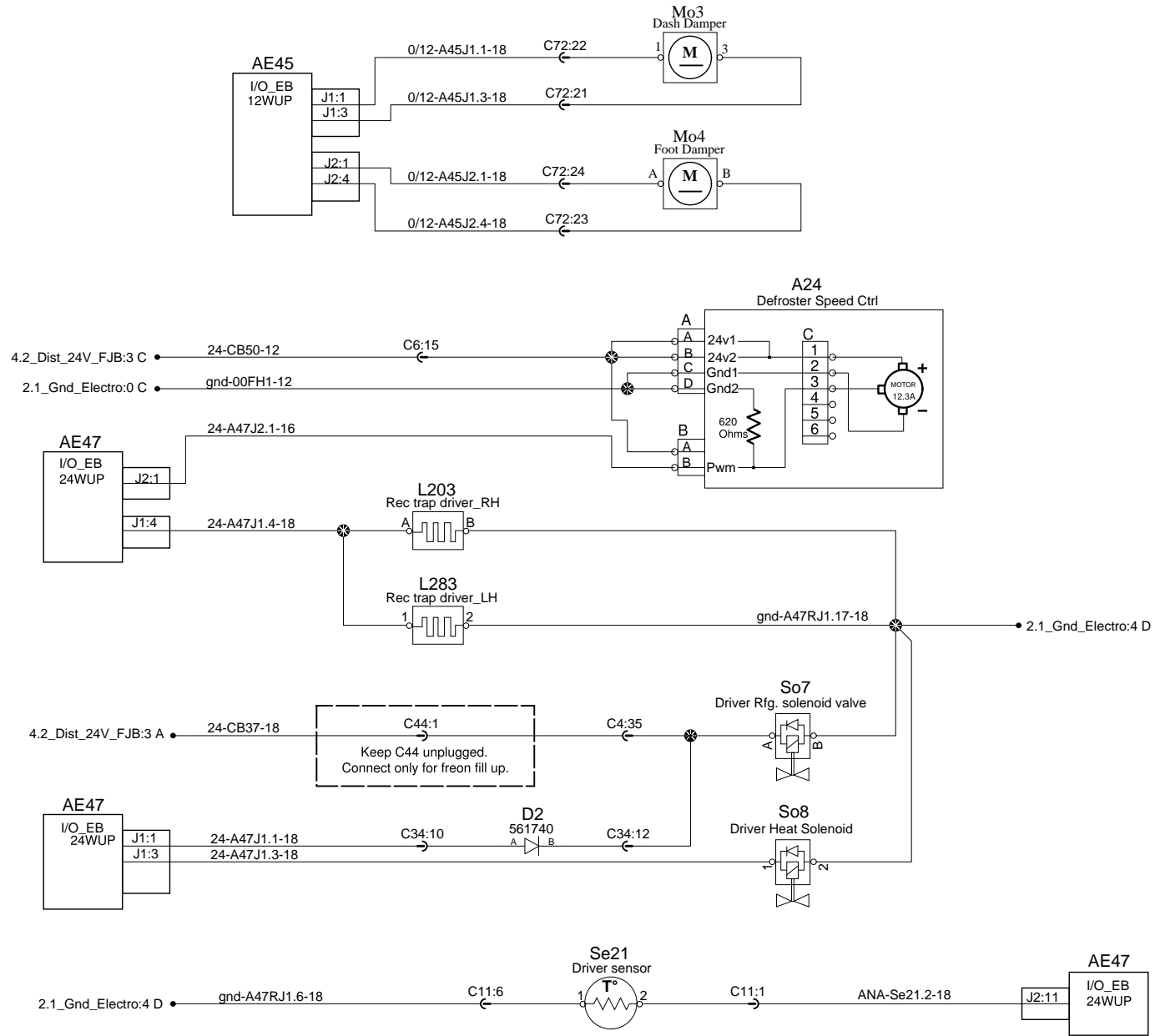




# Battery charger

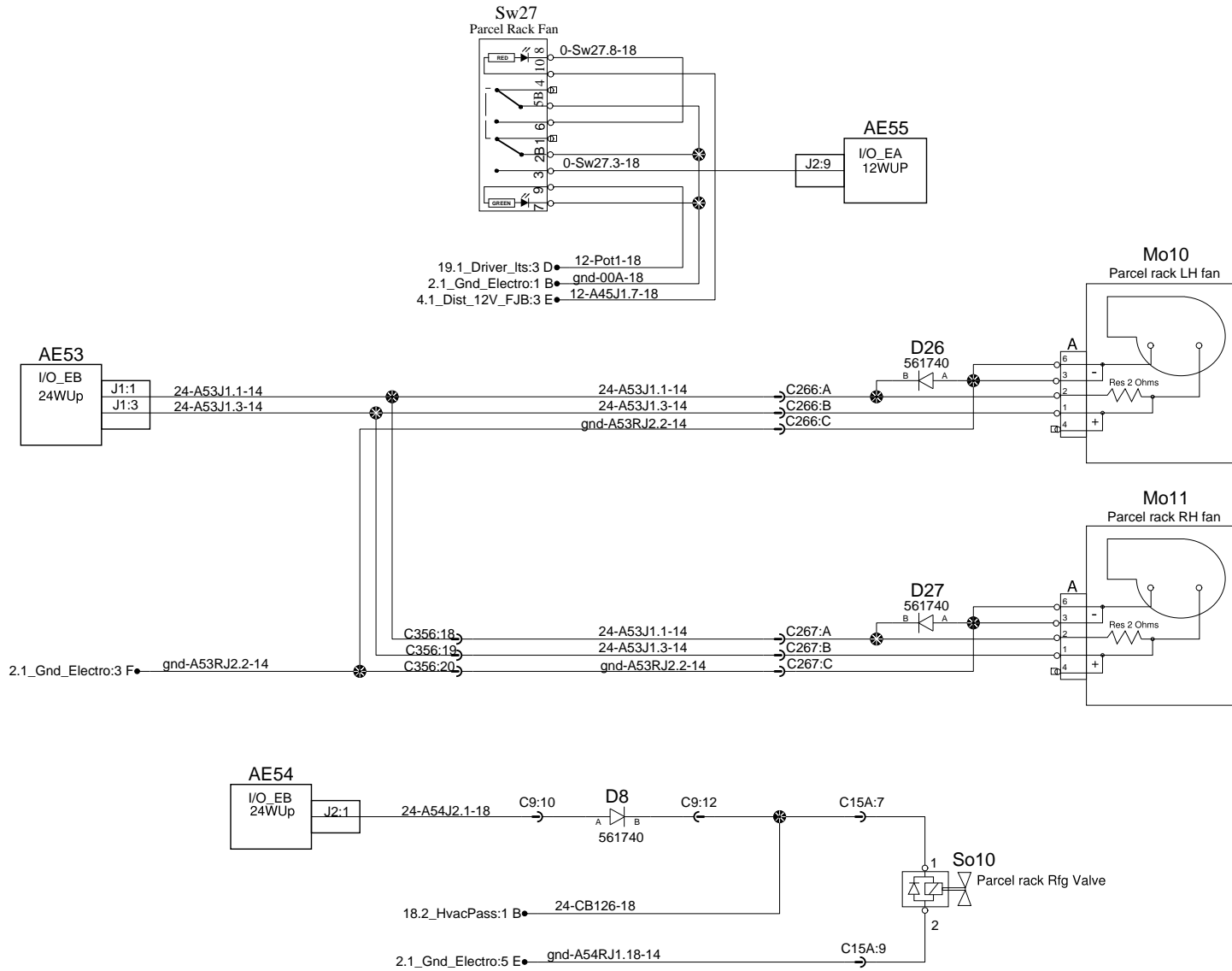


# Hvac defroster

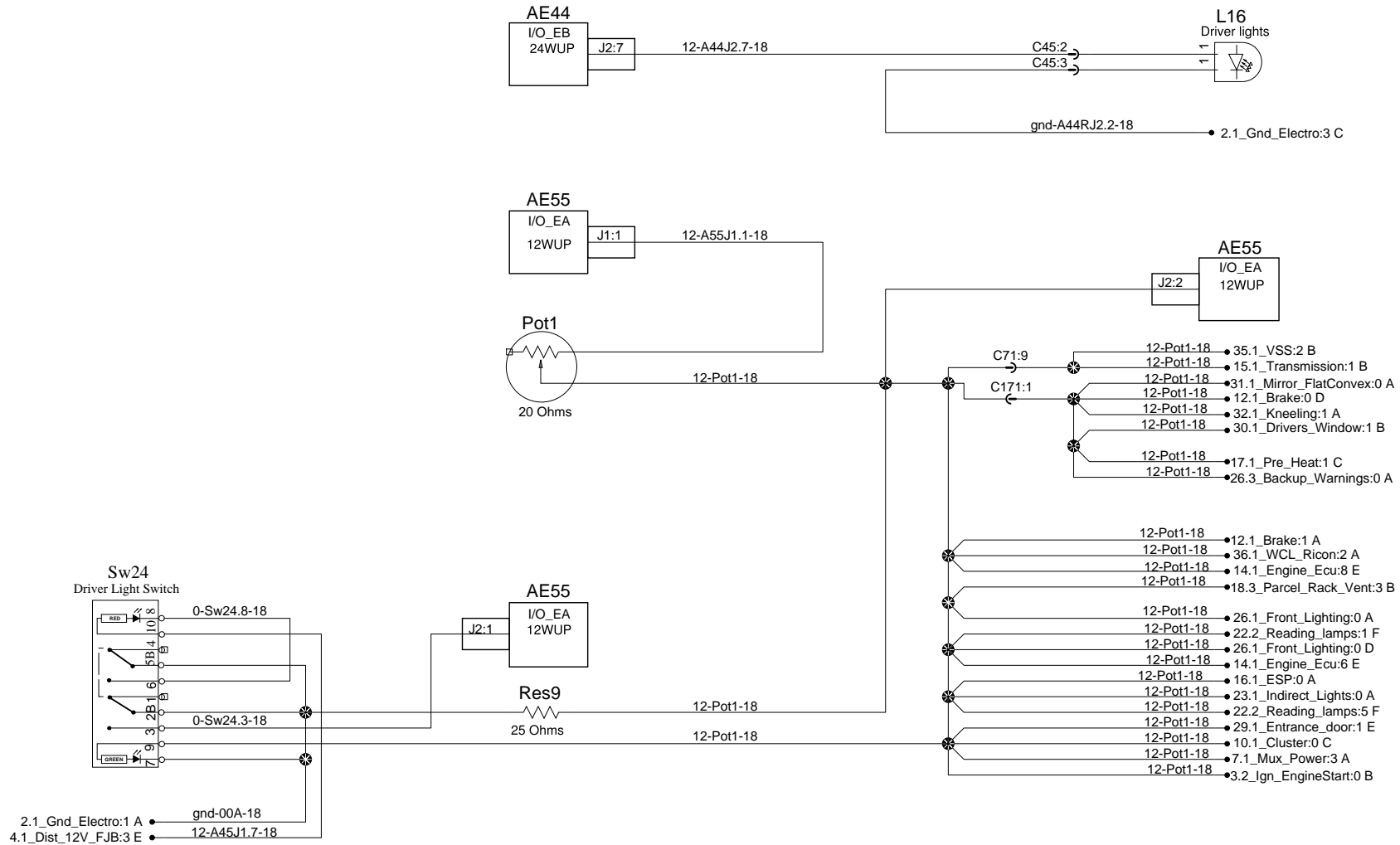




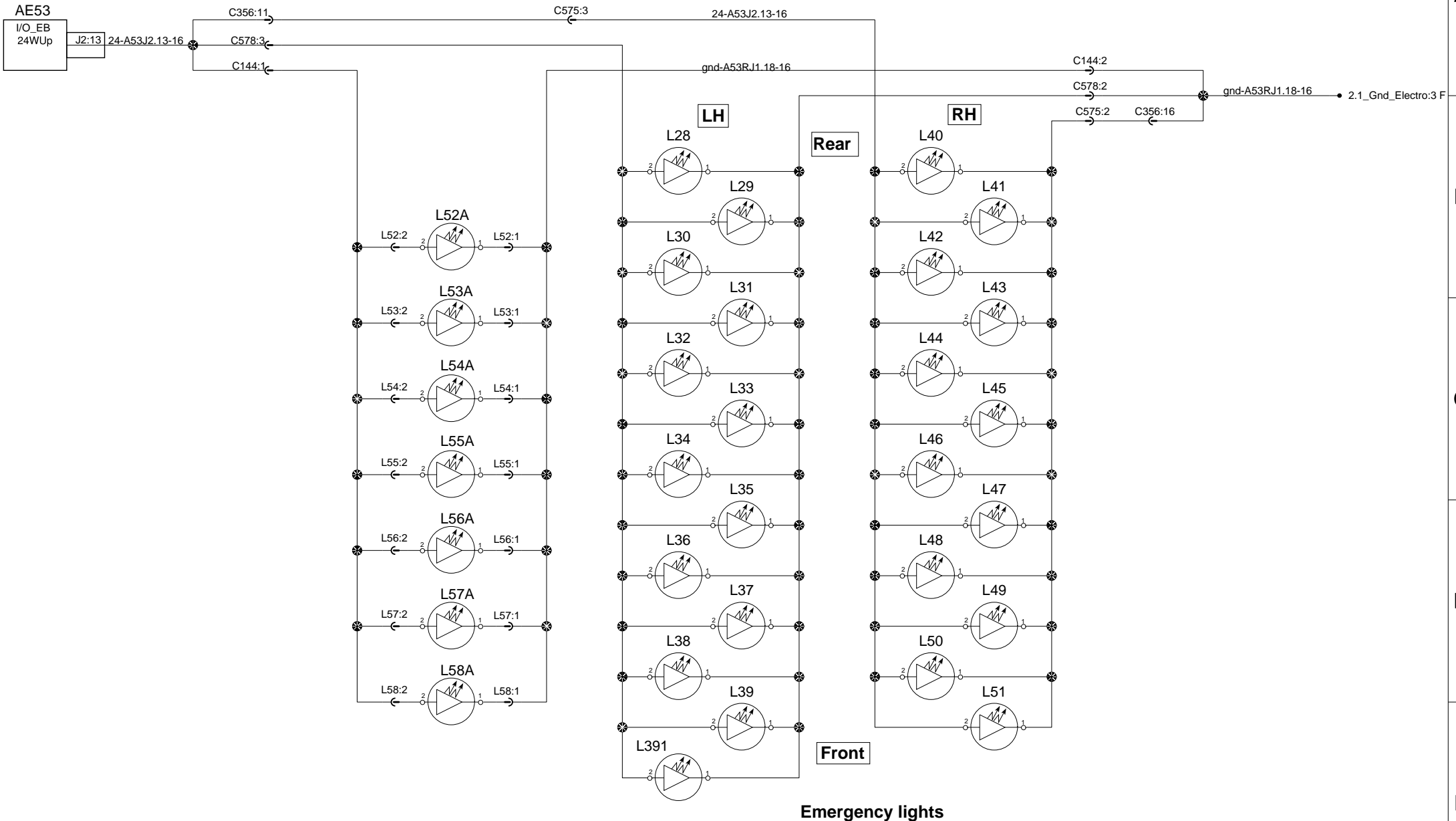
# Parcel rack A/C system



# Driver's lights

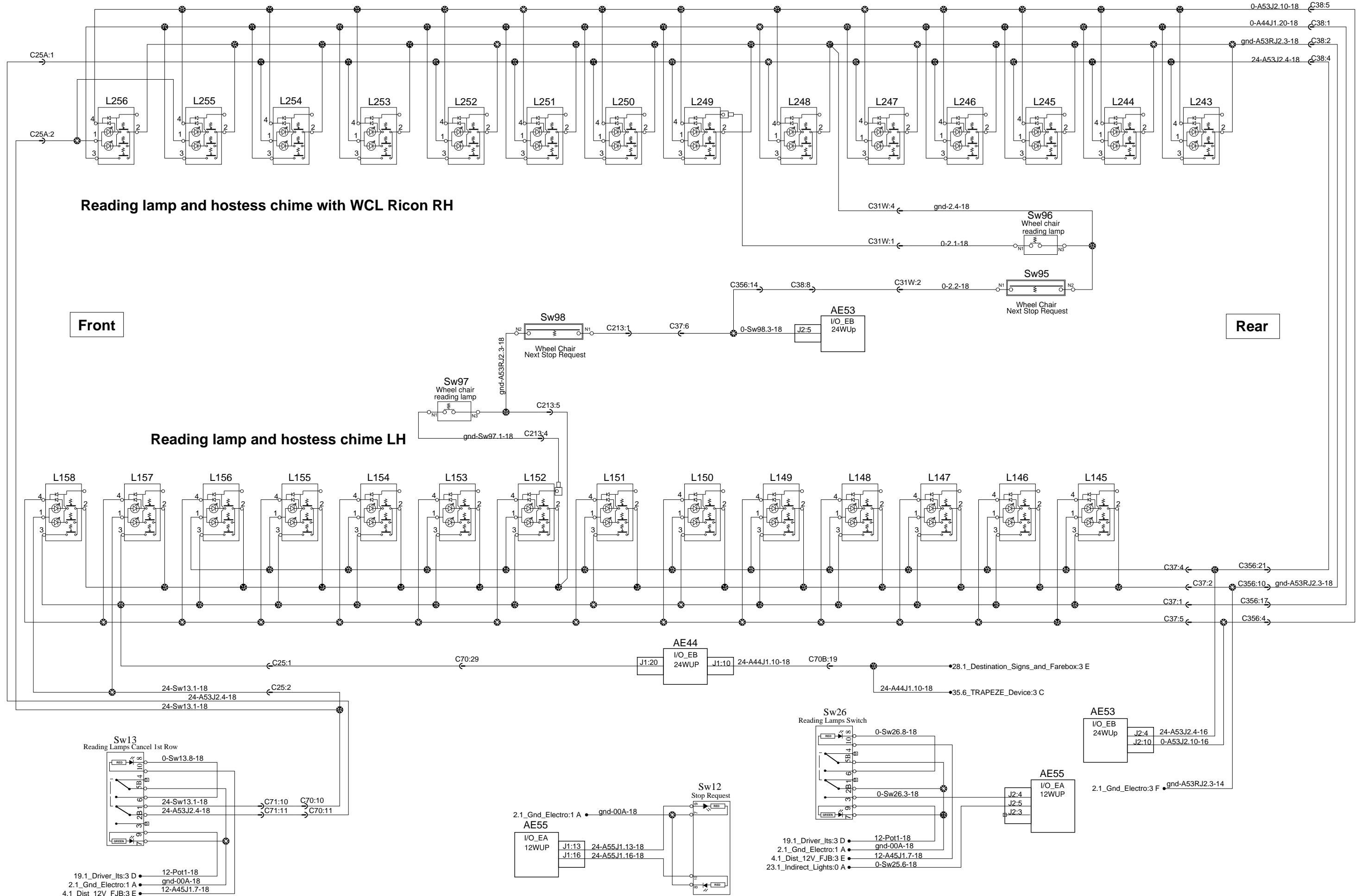


# Emergency & Aisle lights



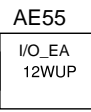
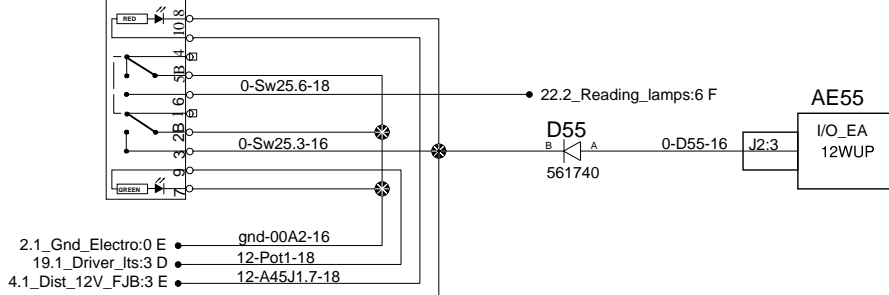
Emergency lights

# Reading Lamp and Next Stop Request

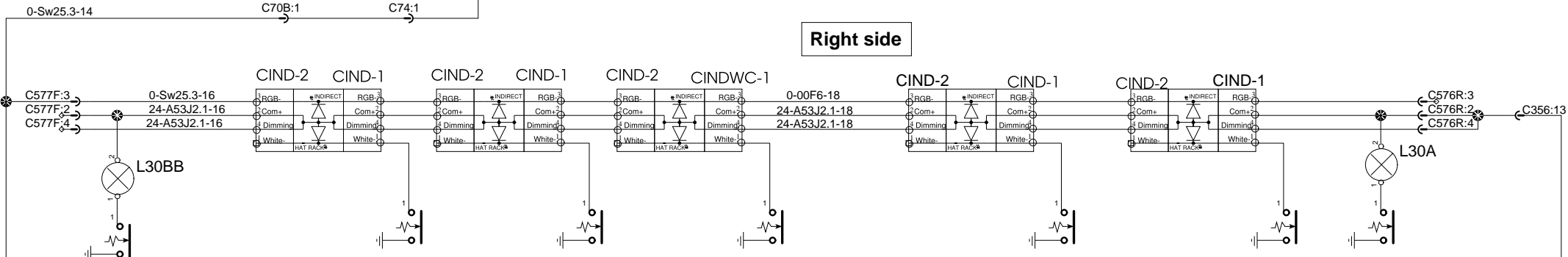


# Indirect lighting

Sw25  
Indirect and Reading Lights Switch

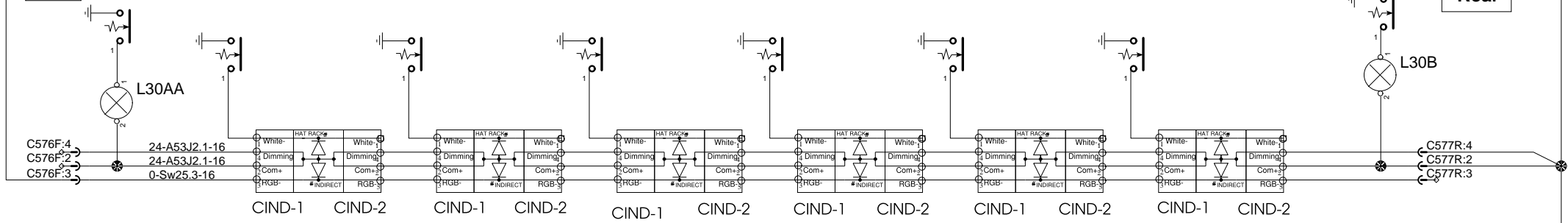


Right side

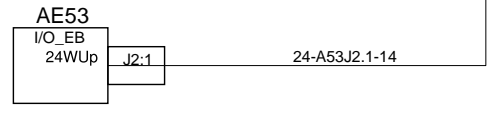


Front

Rear



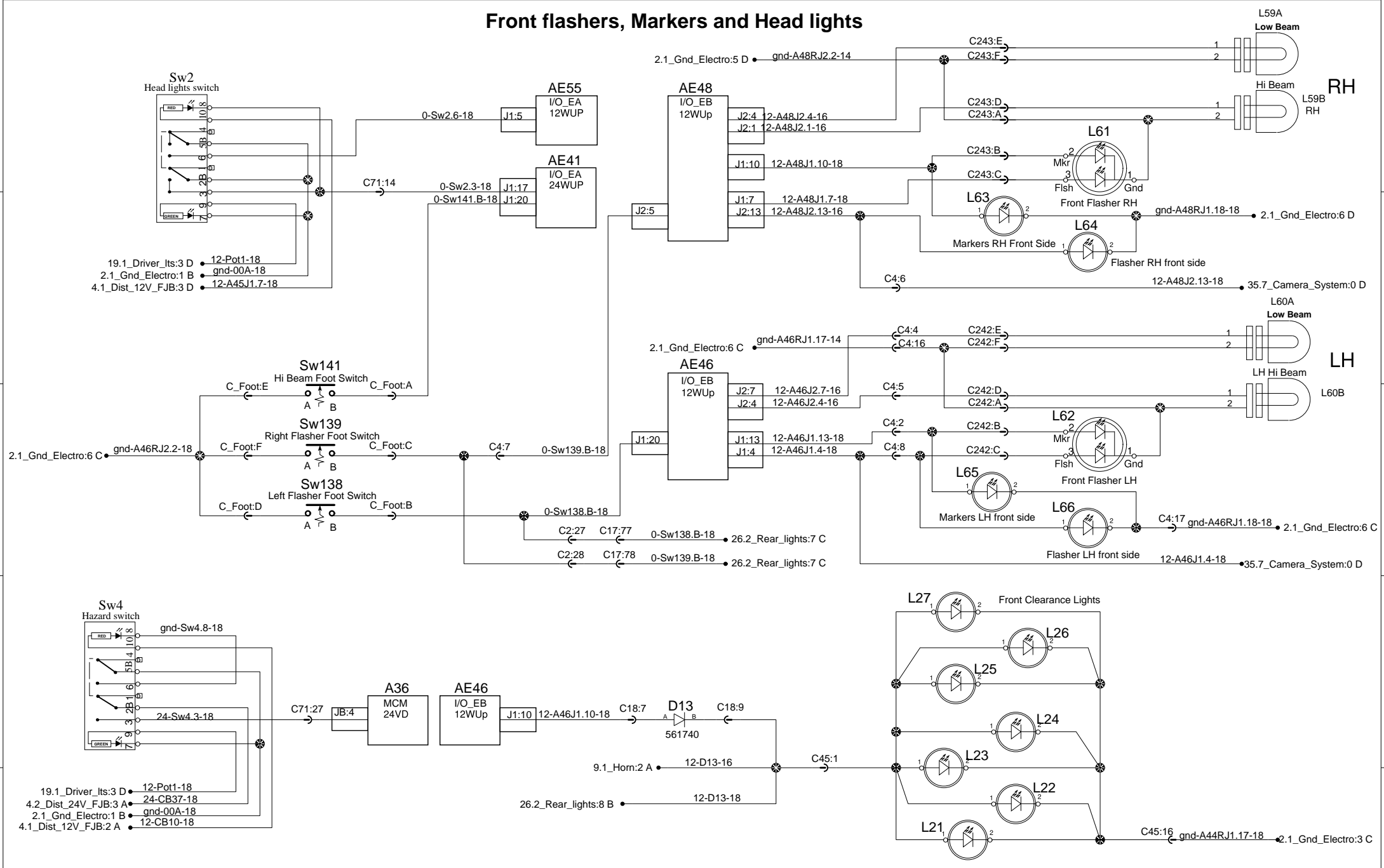
Left side



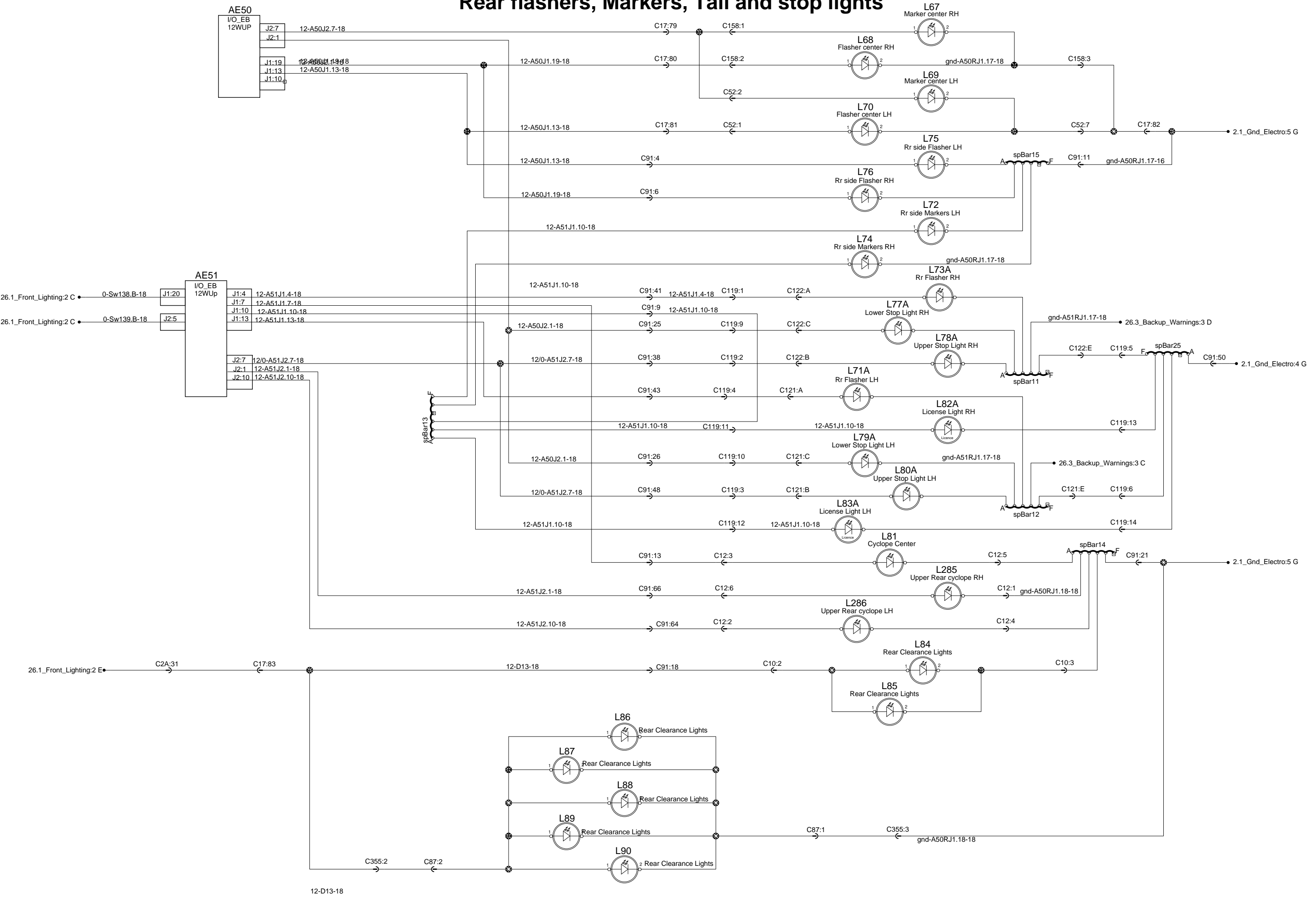




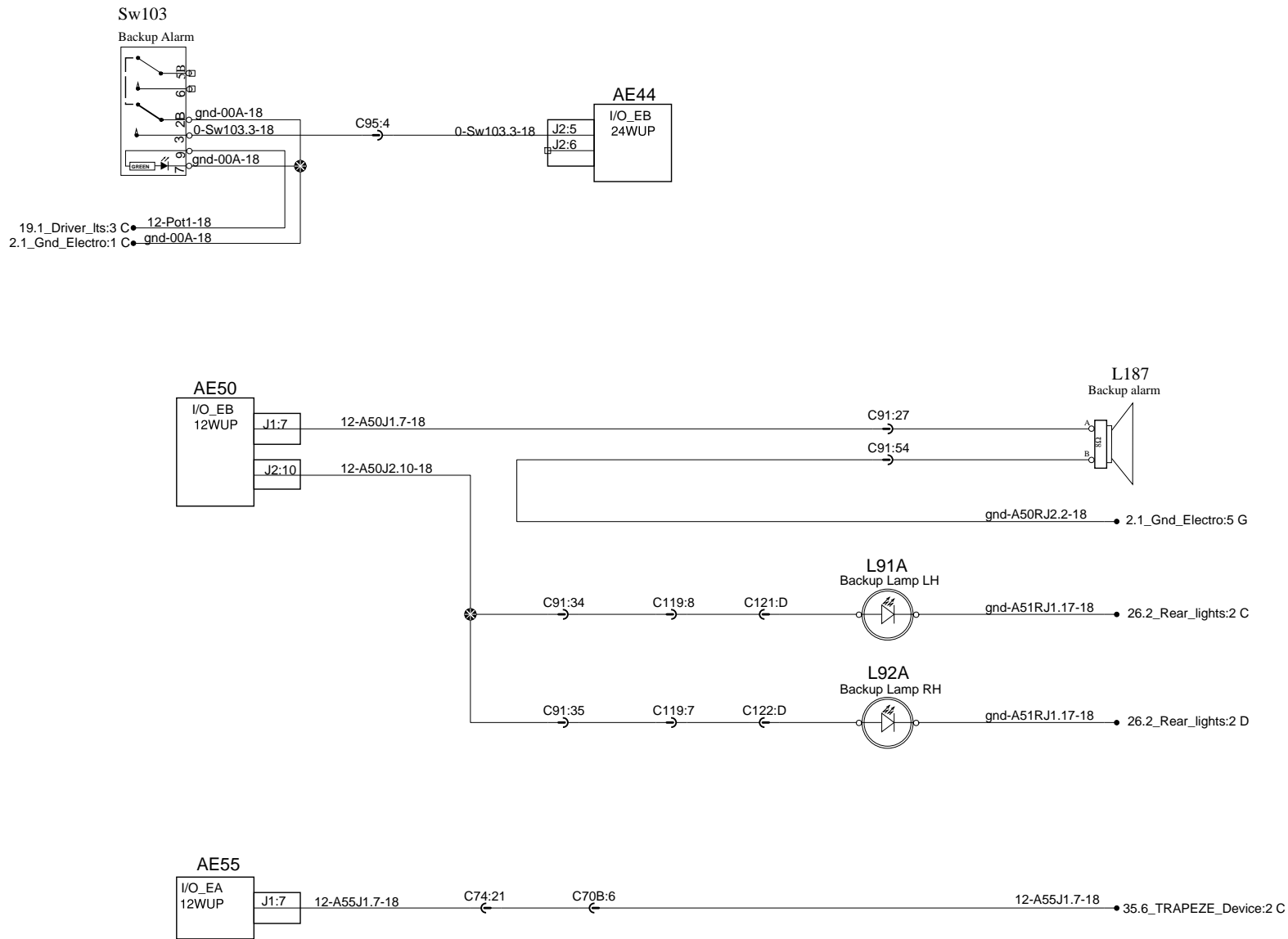
# Front flashers, Markers and Head lights



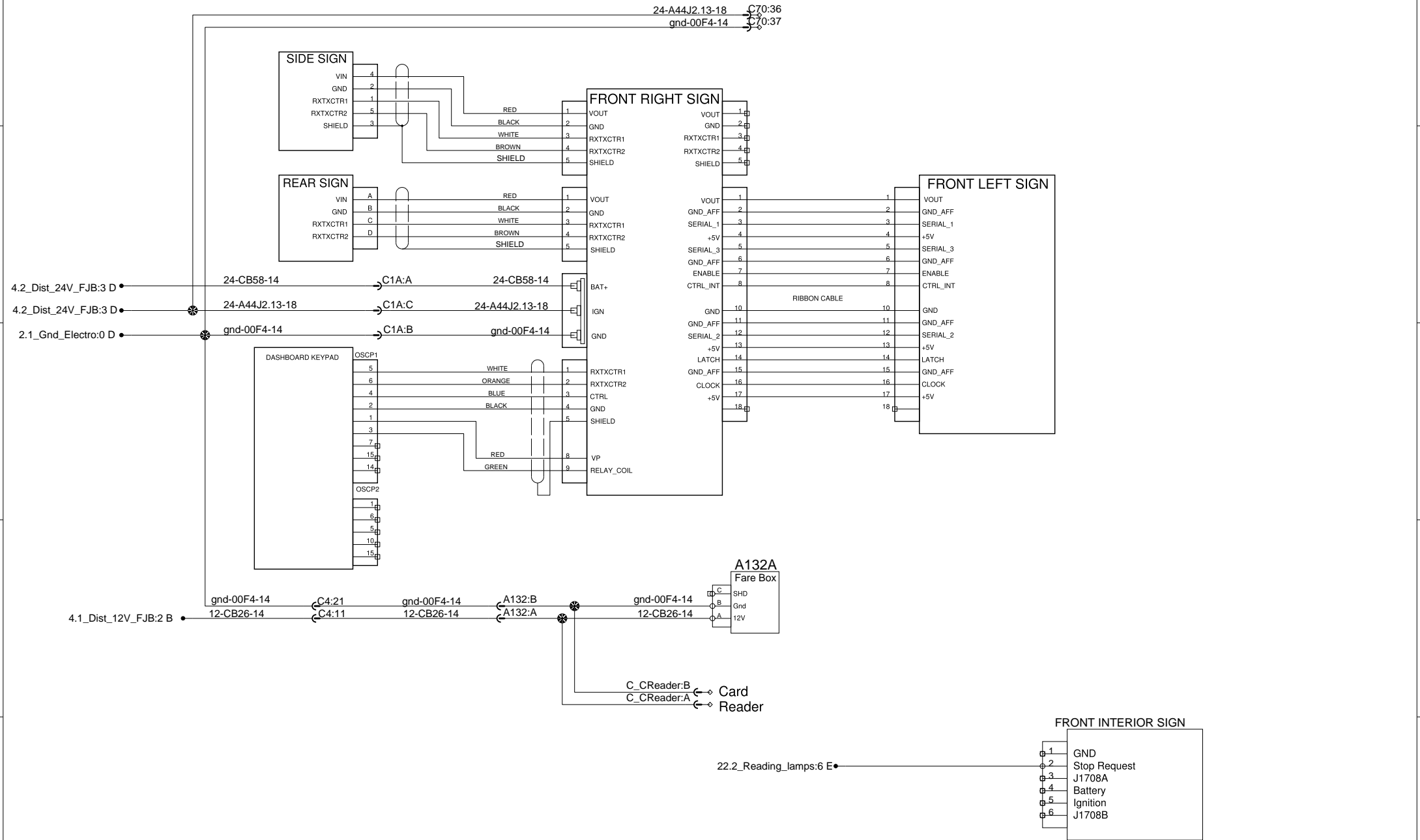
# Rear flashers, Markers, Tail and stop lights



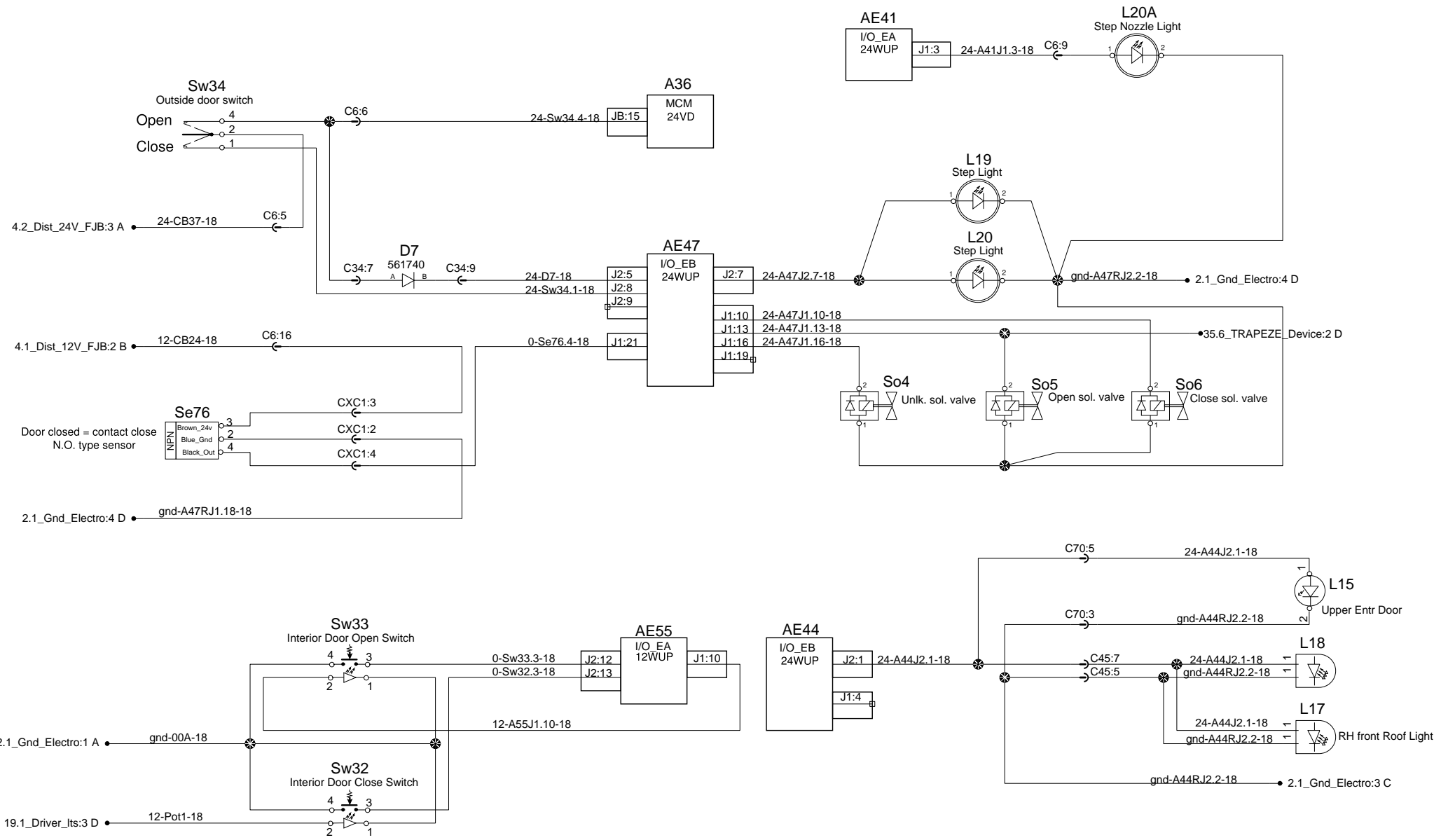
# Backup warnings



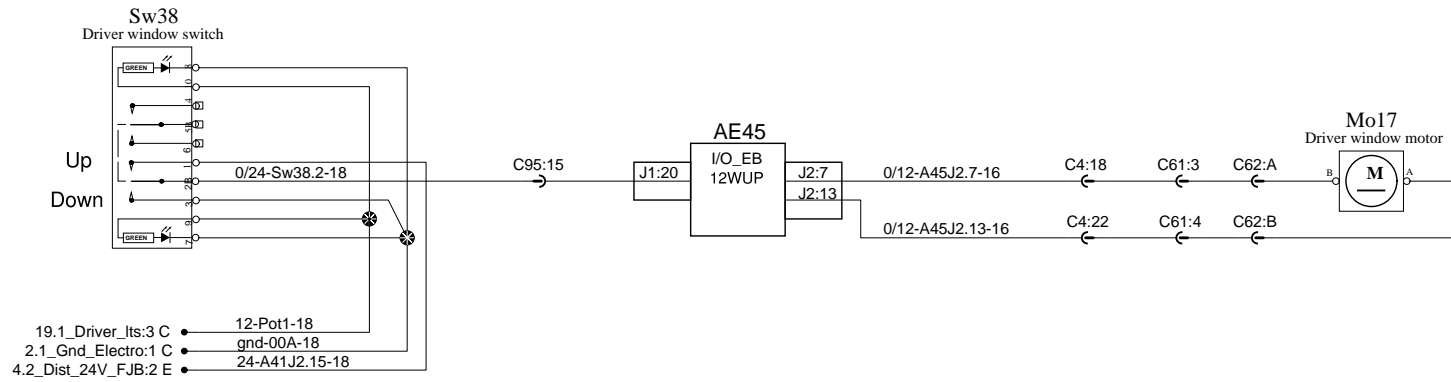
# Destination Signs and Farebox



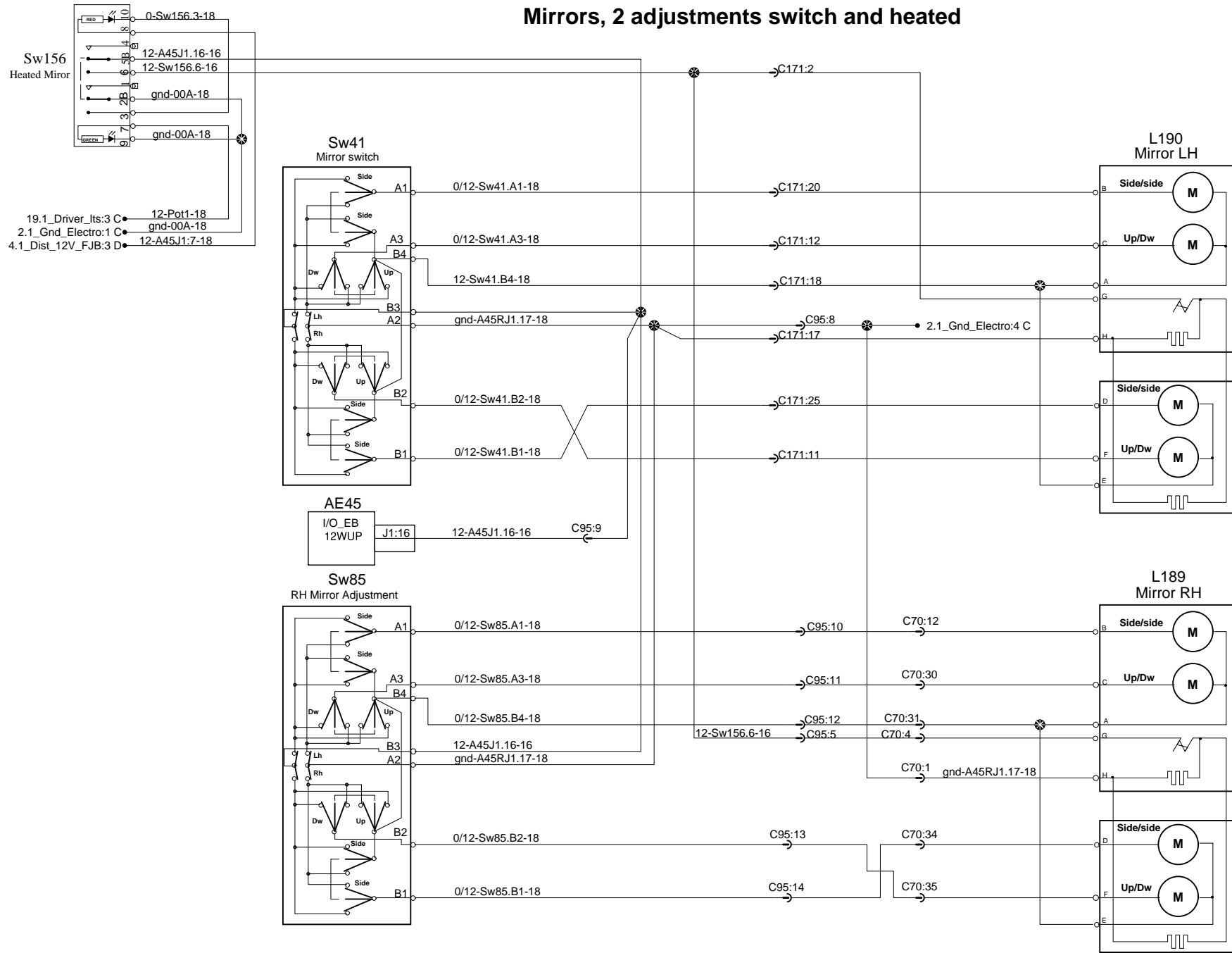
# Entrance door



# Driver window

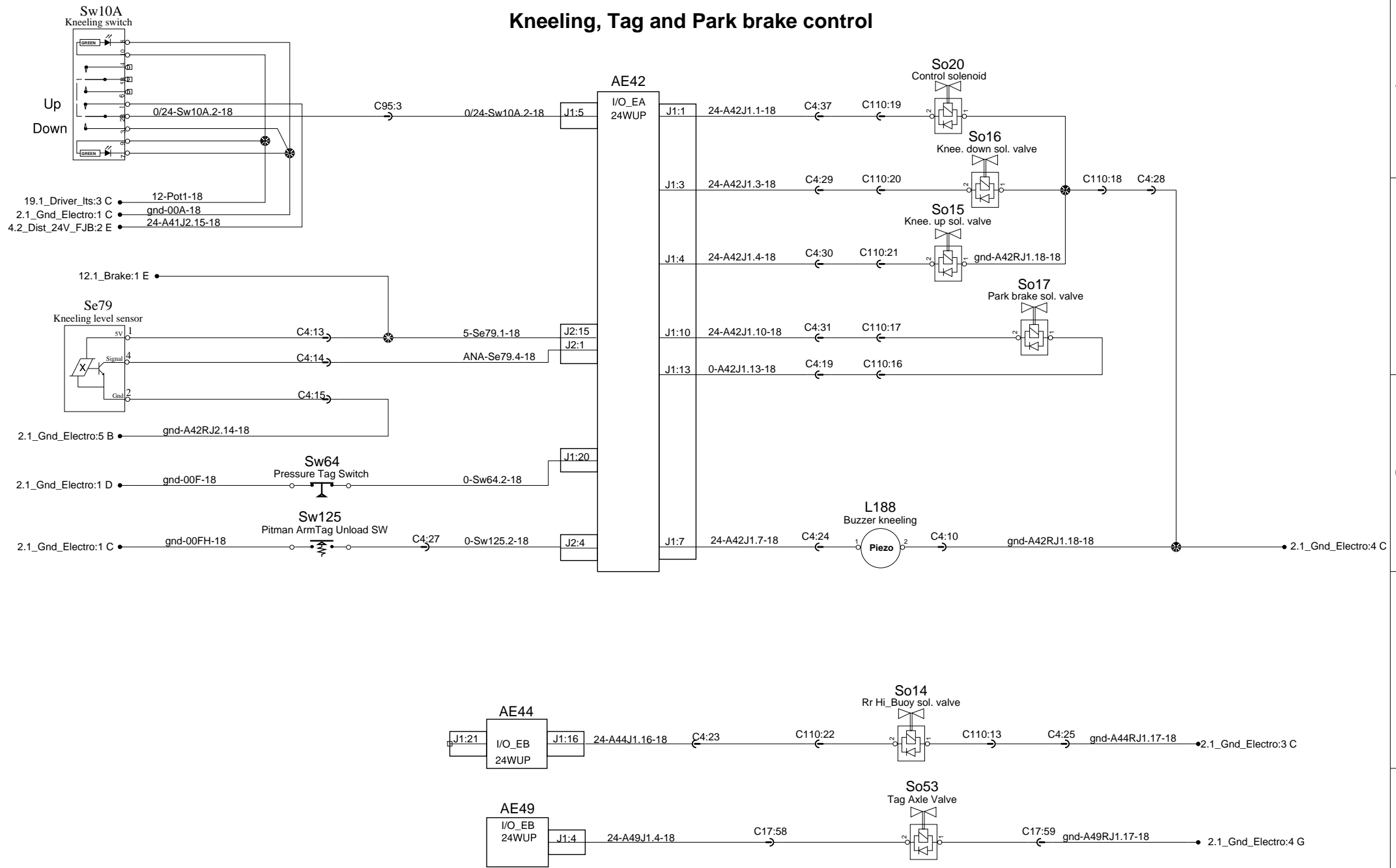


# Mirrors, 2 adjustments switch and heated

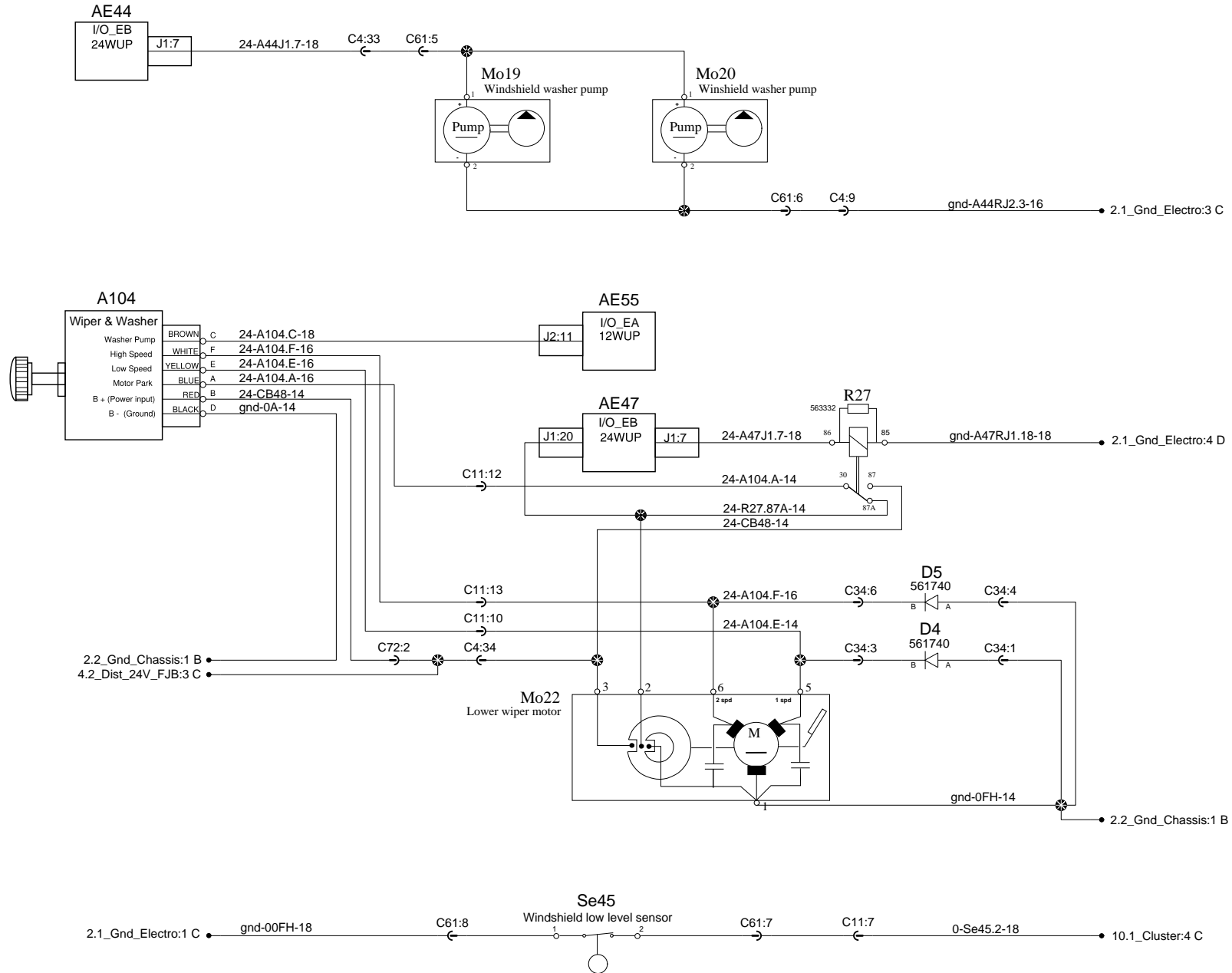


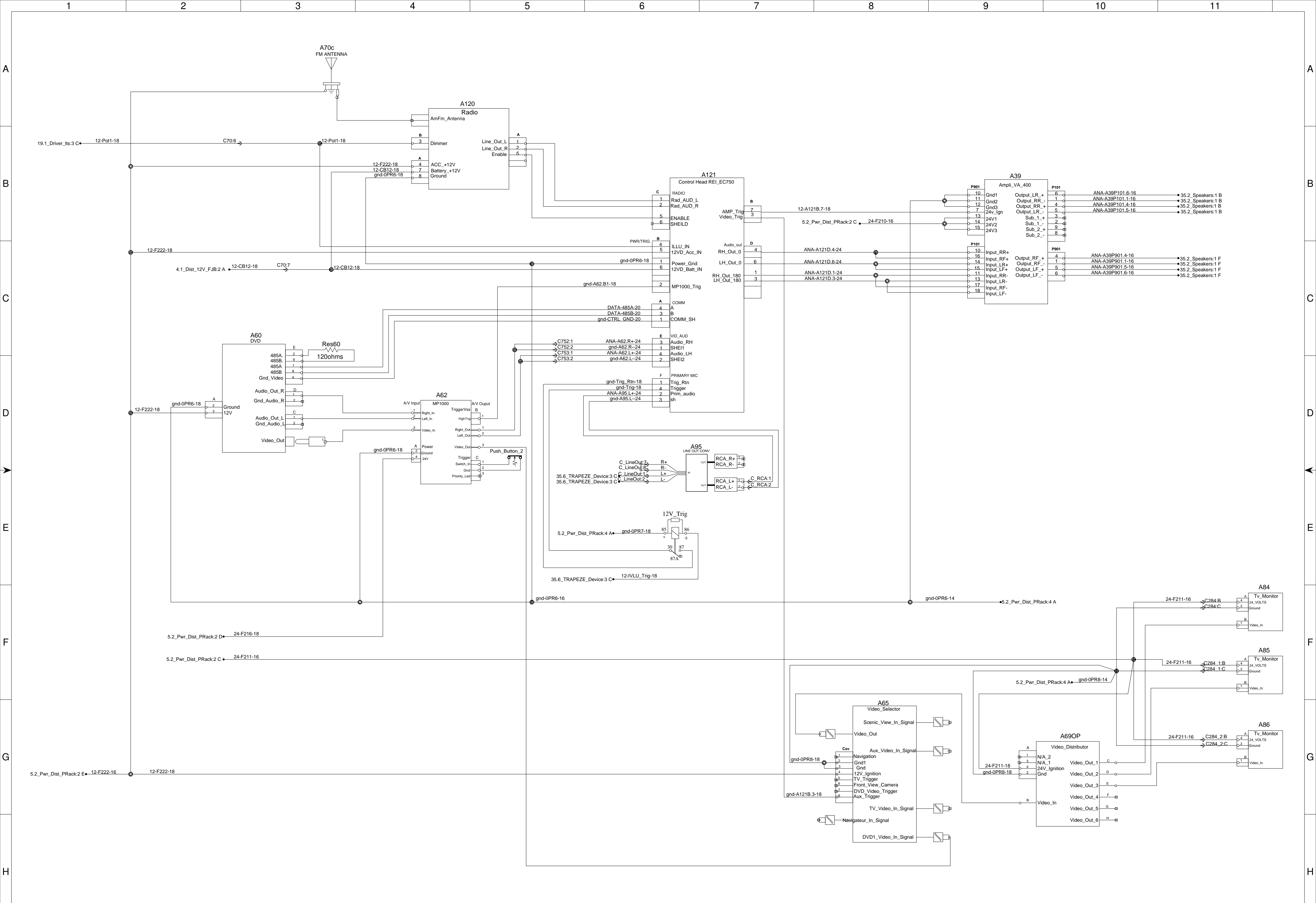


# Kneeling, Tag and Park brake control



# Wiper and washer





0

1

2

3

4

5

6

A

B

C

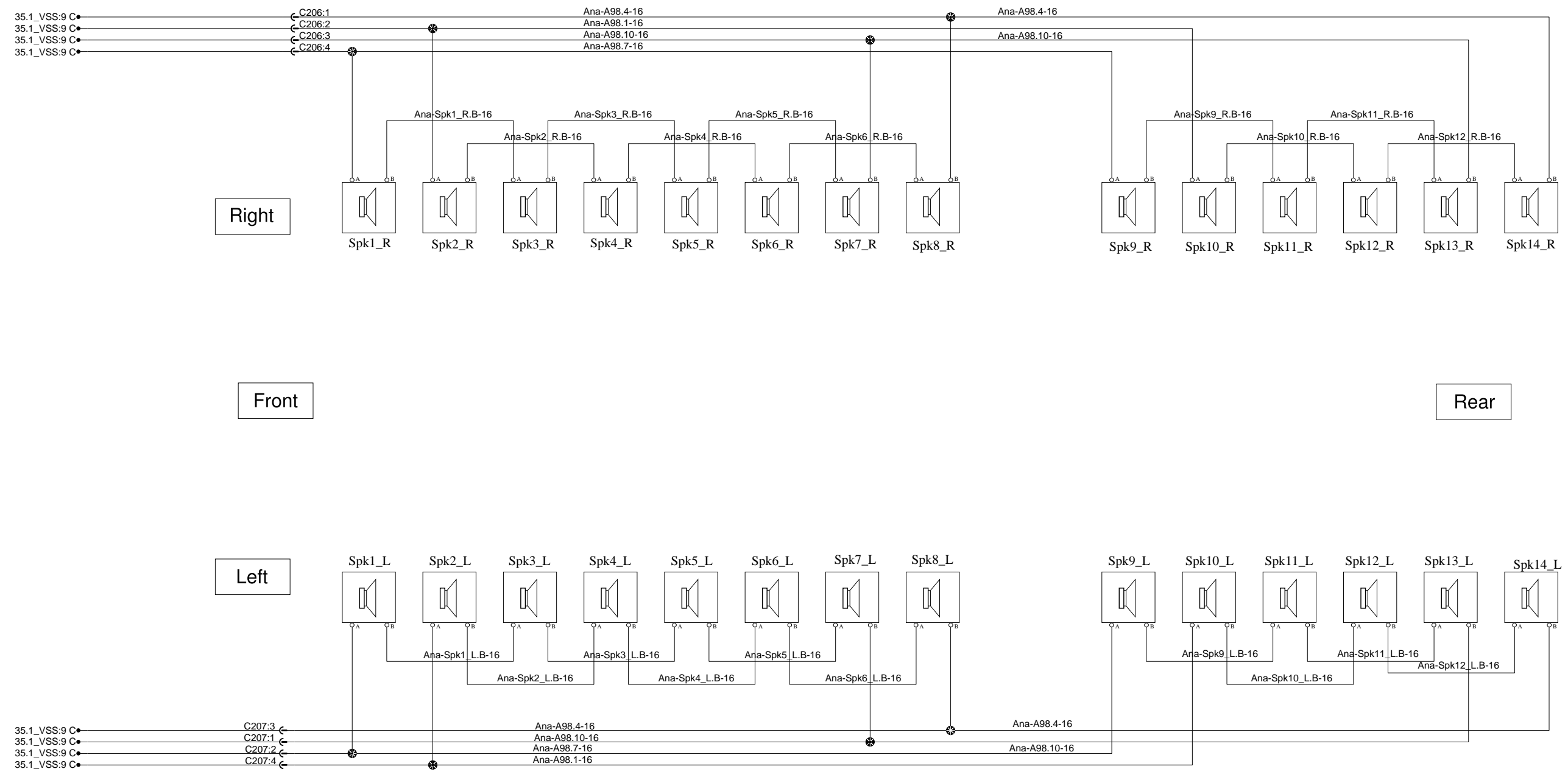
D

E

F

G

# Speakers arrangement (Delta configuration)



Right

Front

Left

Rear

1

2

3

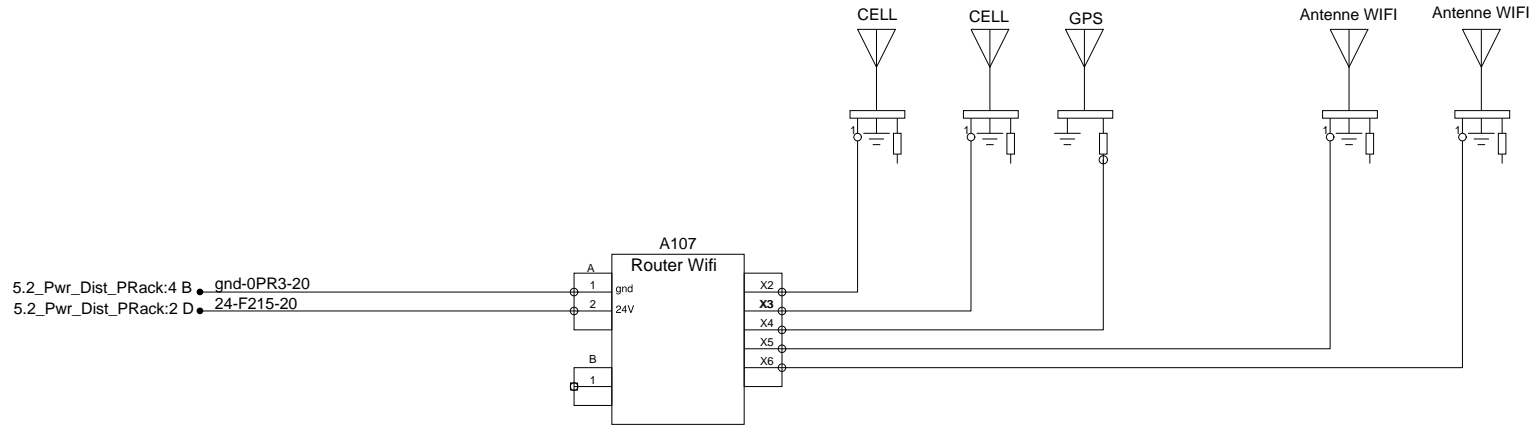
4

5

A

A

# WIFI



B

B

C

C

D

D

E

E

1

2

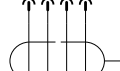
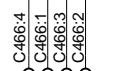
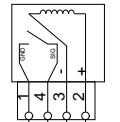
3

4

5

L.H.CONSOLE

Micro



### TRAPEZE

TRAPEZE DEVICE  
C465 INTERFACE  
FOR CB

C465:5

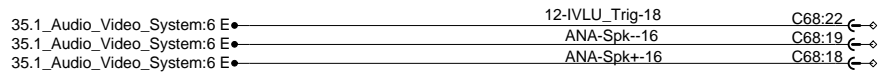
C465:2

C465:3

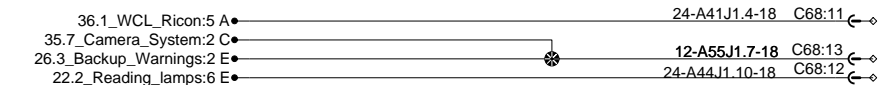
C465:1

C465:4

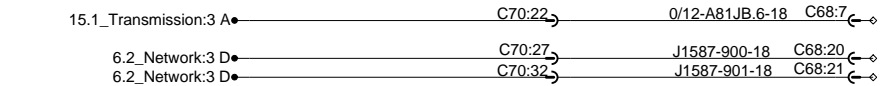
TRAPEZE DEVICE  
C68 INTERFACE



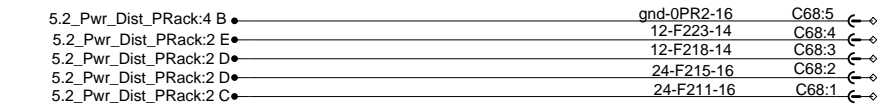
IVLU Trigger  
INSIDE SPEAKER-  
INSIDE SPEAKER+



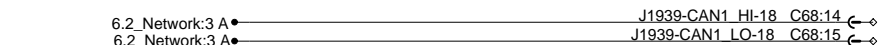
WHEELCHAIR DEPLOYED  
REVERSE  
STOP REQUEST



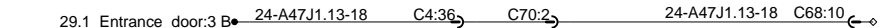
ODOMETER  
J1708-2 DATA+  
J1708-2 DATA-



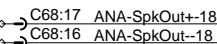
gnd  
12V IGNITION  
12V BATTERY  
24V IGNITION  
24V BATTERY



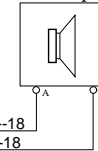
J1939 CAN+  
J1939 CAN-



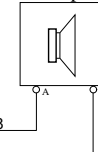
FRONT DOOR OPEN  
OUTSIDE SPEAKER+  
OUTSIDE SPEAKER-



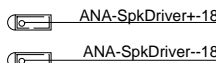
Spk23  
Outside Speaker



Spk22  
Driver Speaker



Parcel  
Rack to  
IVLU



0

1

2

3

4

A

A

B

B

C

C

D

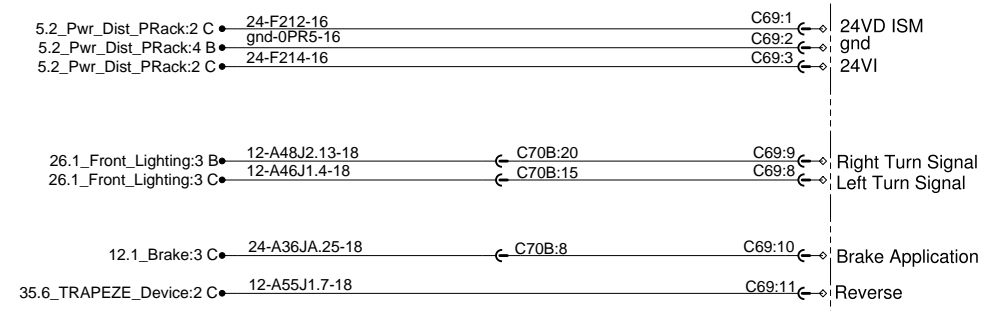
D

E

E

### SEON

#### SEON DEVICE C69 INTERFACE



0

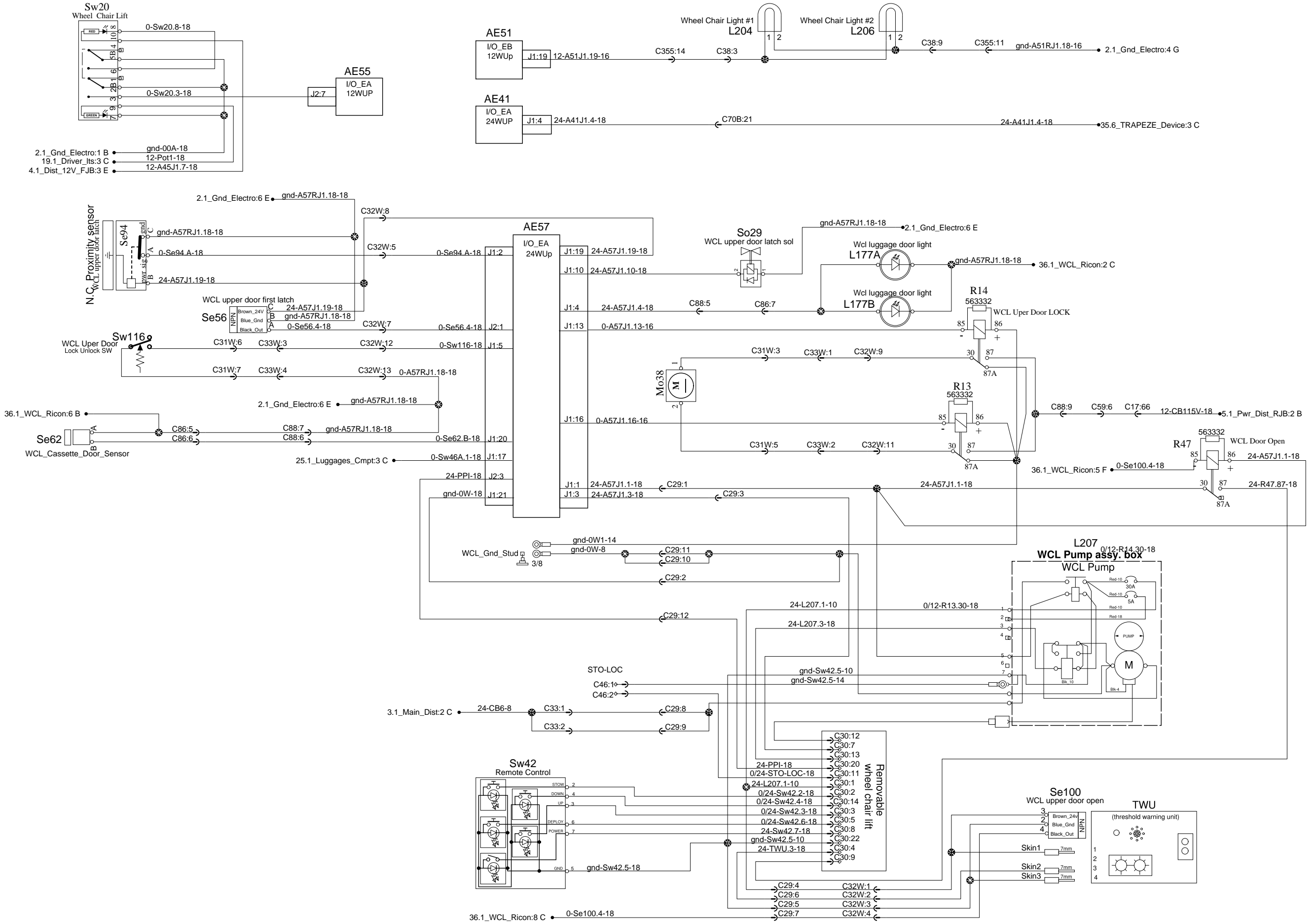
1

2

3

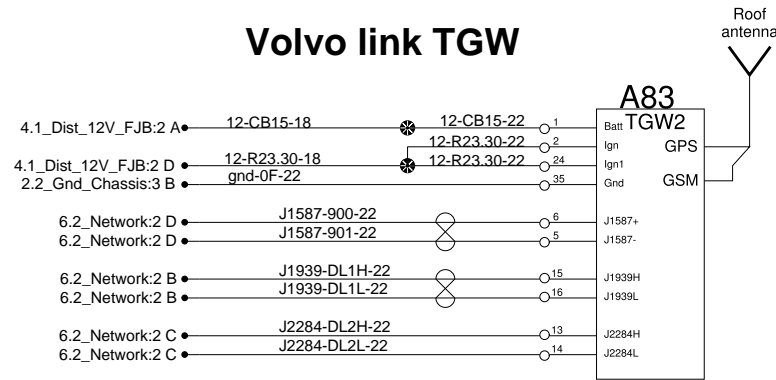
4

# Wheel chair lift Ricon 9000

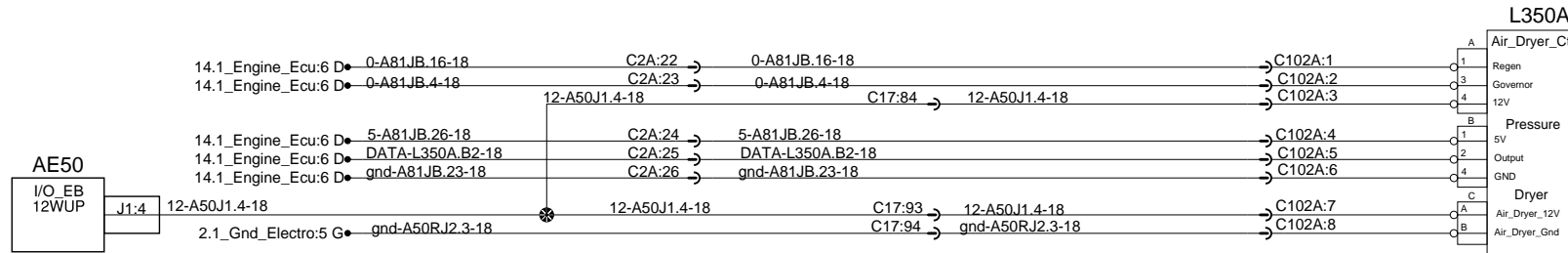




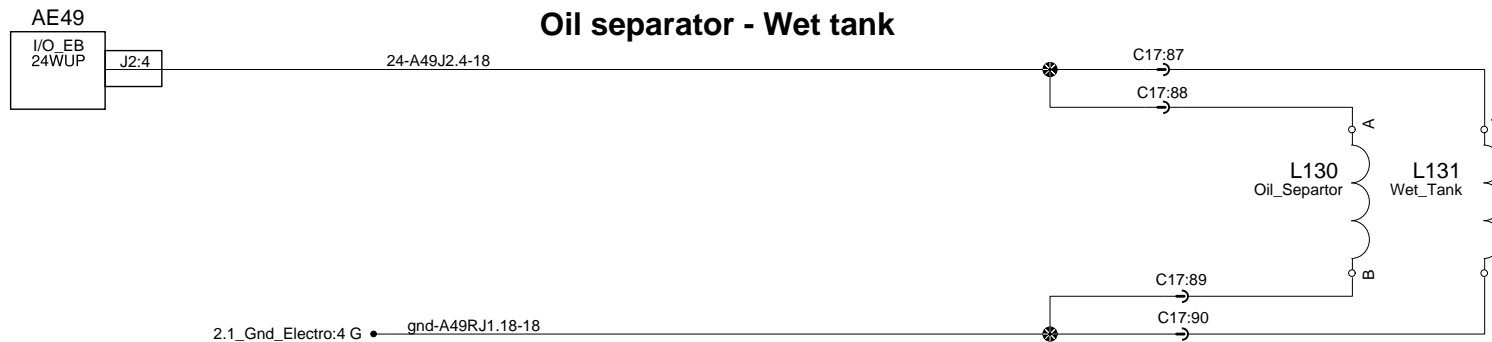
## Volvo link TGW



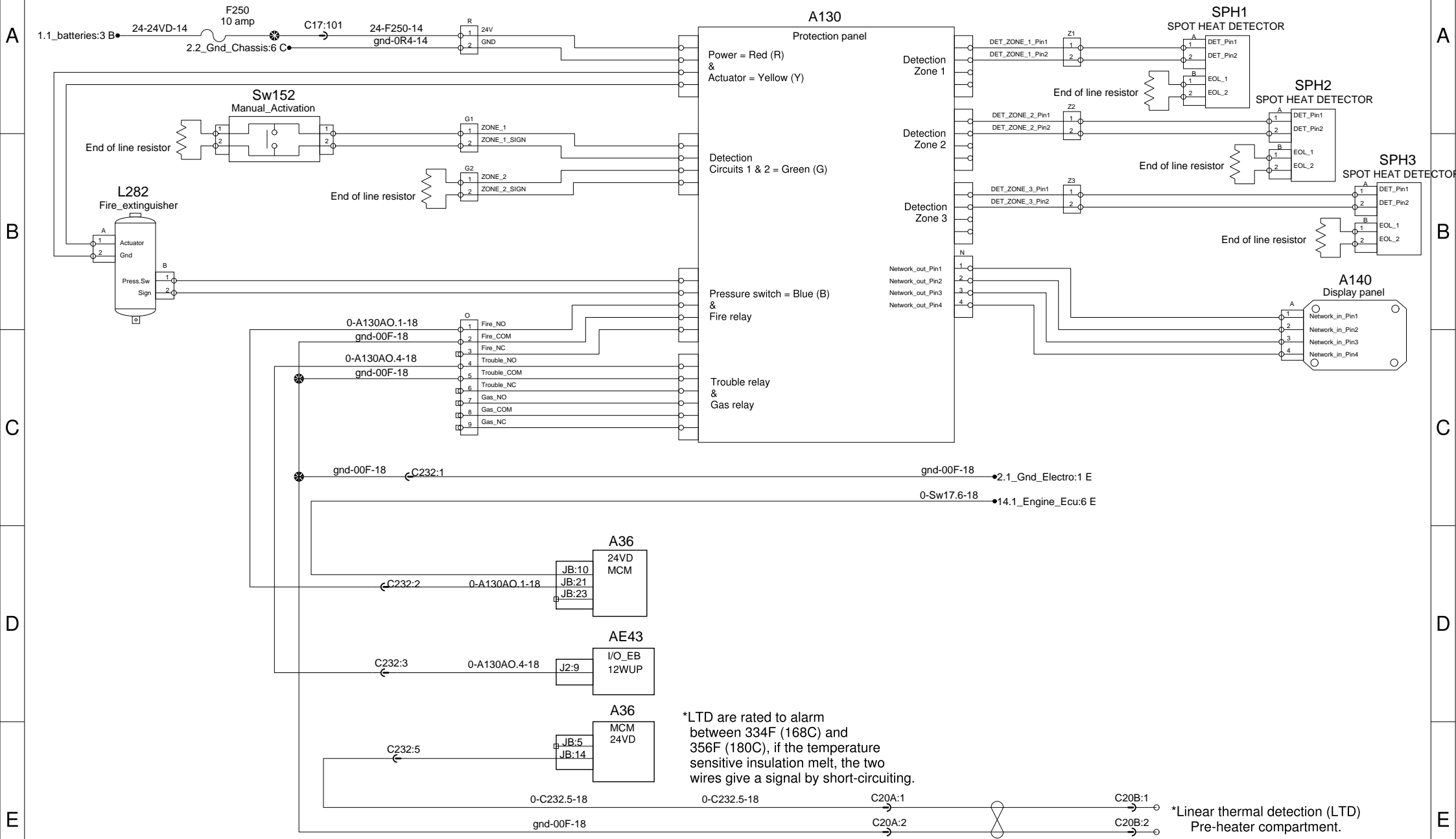
## Air dryer electric control and heater



## Oil separator - Wet tank



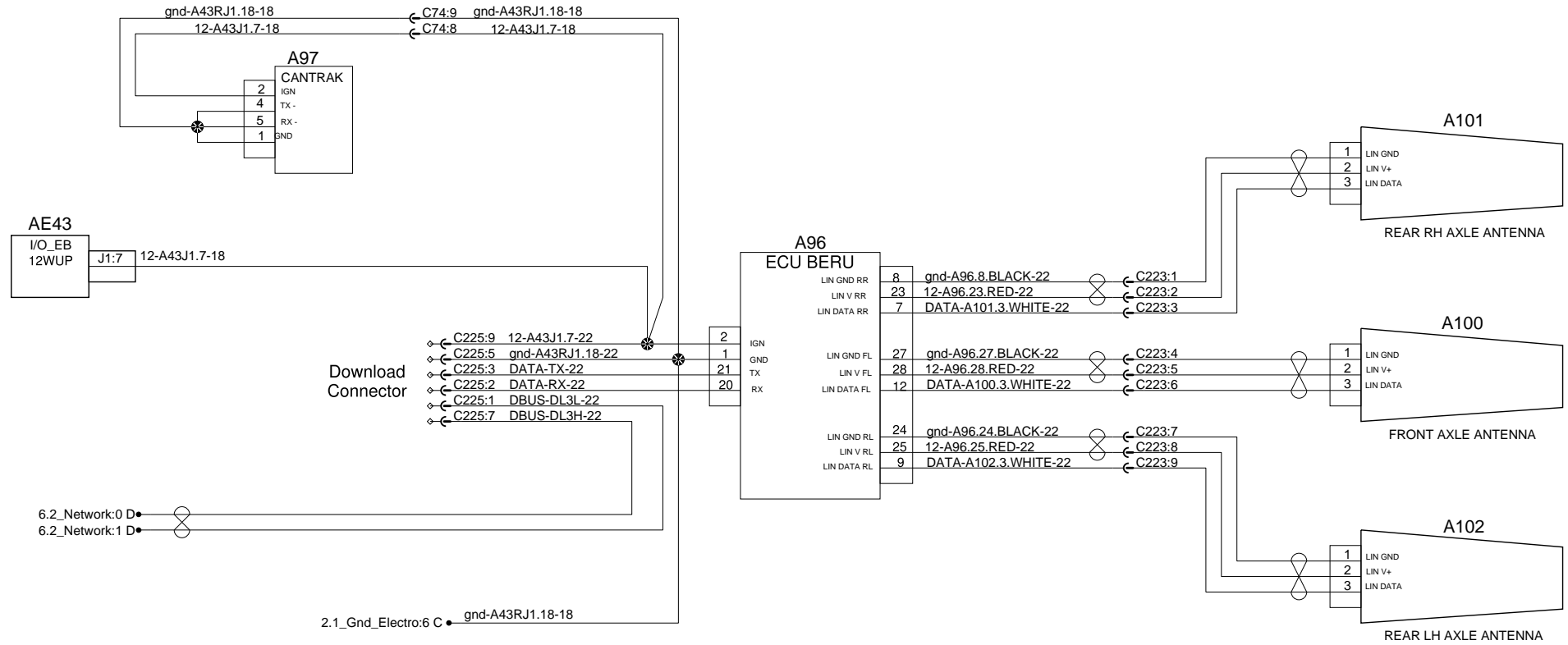
# Automatic fire suppression system Amerex



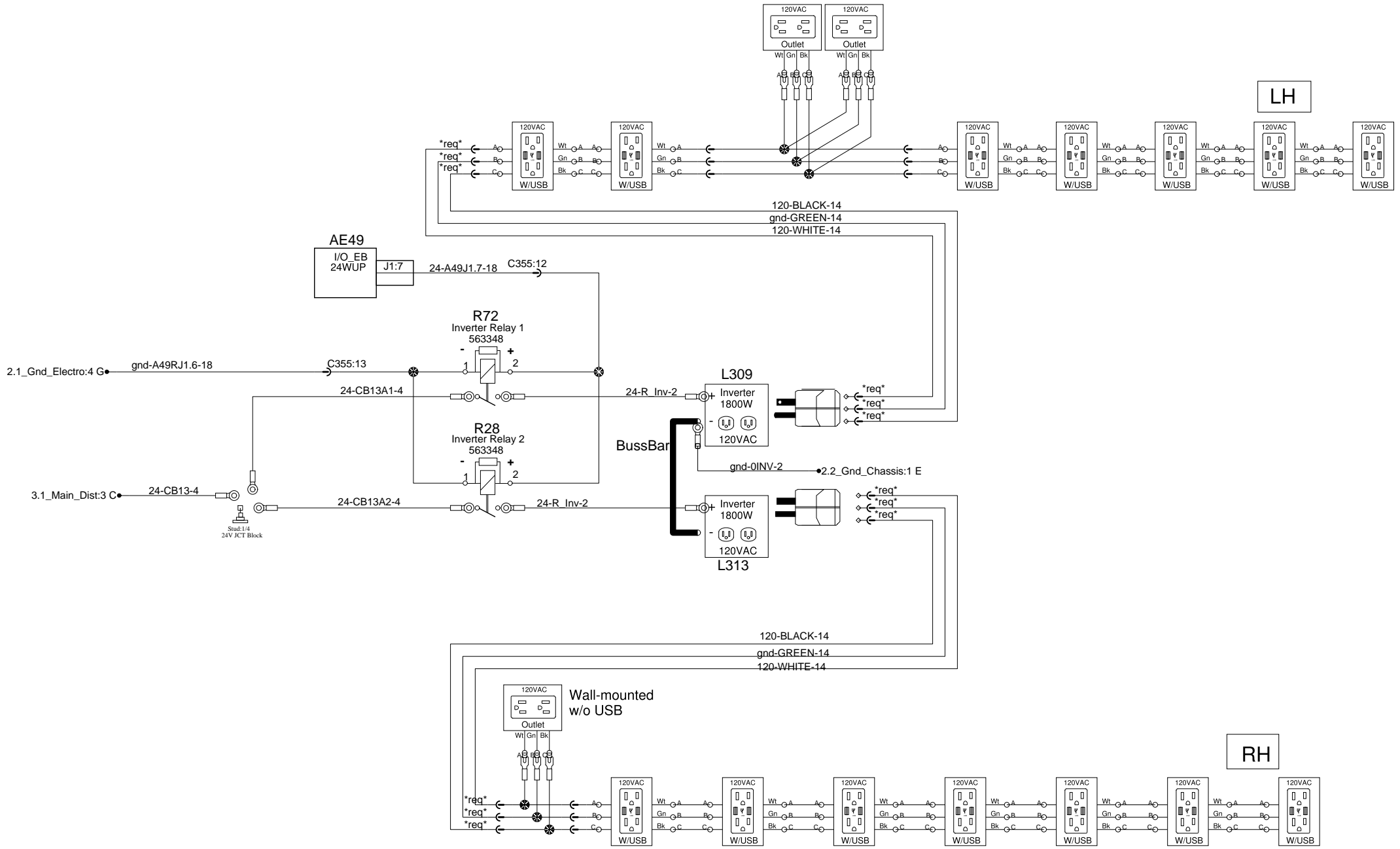
\*LTD are rated to alarm between 334F (168C) and 356F (180C), if the temperature sensitive insulation melt, the two wires give a signal by short-circuiting.

\*Linear thermal detection (LTD) Pre-heater compartment.

# TIRE PRESSURE MONITORING SYSTEM



# Inverter(s) & 120VAC outlets



# Ultracap (Starting aid)

