

Engineering Release Notice (ERN)	Location	Change Description	A = Added D = Deleted	W = Was	Document Release Status <b>RELEASED</b>
		See DCN			Date Modification Count

## WIRING DIAGRAM INDEX

### VOLUME 1

NAME	PAGE
INSTRUCTIONS	2
ABBREVIATION LIST	6

### VOLUME 2

NAME	DESCRIPTION	PAGE
AA	IGNITION AND STARTING SYSTEM	1
AB	POWER SUPPLY	2
AB2	NVPDUF & NVPDUR	3
AB3	STARTER BATTERY	4
AB4	CONSUMER BATTERY	5
AB5	PRE HEATER	6
AC	I-START SYSTEM	7
AF	STARTER MOTOR AND ALTERNATORS	8
BA	VECU	9
BB	BBM	10
BC	BBM	11
BE	AEBS, LDWS, ACC	12
CL	BIO	13
CS	ENGINE INTERFACE D13	14
CU	DNOX2 FOR EURO 5	15
CX	ACM 2.0	16
CZ	RETARDER I-SHIFT	17
DN	I-SHIFT	18
DN2	I-SHIFT	19
DN3	I-SHIFT	20
DN4	I-SHIFT AND RETARDER	21
DN5	ALLISON	22
DN6	I-SHIFT	23
EO	EBS	24
EP	EBS	25
FA	AIR SUSPENSION ECS	26
FB	AIR SUSPENSION ECS	27
FB2	AIR SUSPENSION ECS	28
GA	LCM	29

The copying, distribution and utilization of this document as well as the communication of its contents to others without expressed authorization is prohibited. Offenders will be held liable for payment of damages. All rights reserved in the event of the grant of a patent, utility model or ornamental design registration.

# VOLVO

Volvo Bus Corporation

Document title  
**WIRING DIAGRAM  
 B13R  
 EU5 & US/CAN**

Document type  
**PRODUCT SCHEMATICS**

Owner domain: Document prefix

Document No <b>22610880</b>	Issue <b>08</b>	Volume <b>01(03)</b>	Sheet No <b>1(9)</b>
--------------------------------	--------------------	-------------------------	-------------------------

# WIRING DIAGRAM INDEX

## VOLUME 2

NAME	DESCRIPTION	PAGE
GB	LCM	30
GE	LCM	31
GM	WIPER, WASHER	32
IS	HORN, SWM	33
IU	AUDIO	34
NA	BUS INSTRUMENT CLUSTER BIC2	35
NA2	OBD, ON BOARD DIAGNOSTICS	36
NB	TACHOGRAPH	37
NC	TGW II	38
ND	ALCOLOCK	39
NE	FMS GATEWAY	40
XC	CAN SAE 1939	41
XD	CAN SAE1587	42
XE	DBUS	43
XF	CAN 1939_7	44
XG	CAN J2284	45
XH	CAN ENGINE_SUBNET	46
XJ	CAN1939 - 2/3	47
ZC	GROUND	48

**VOLVO**

Volvo Bus Corporation

Document title

WIRING DIAGRAM

Document type

PRODUCT SCHEMATICS

Document No

22610880

Issue

08

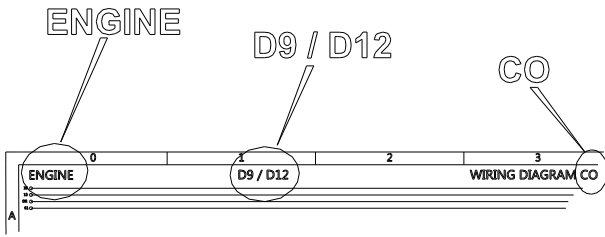
Volume

01(03)

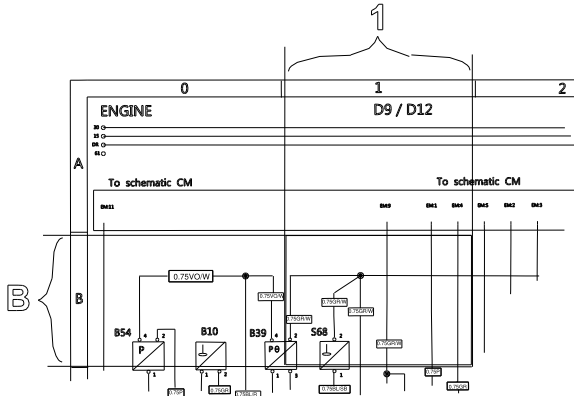
Sheet No

2(9)

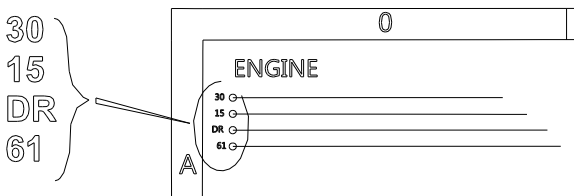
# Example of Wiring Diagram



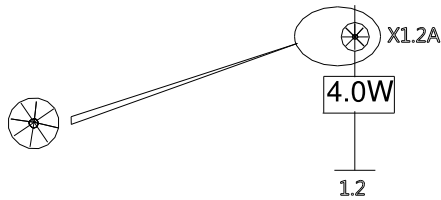
Component wiring diagram title, variant/subtitle and sheet number.



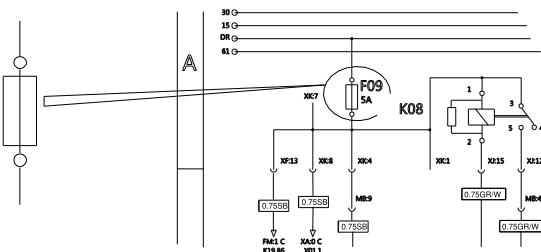
Coordinates (B 1).



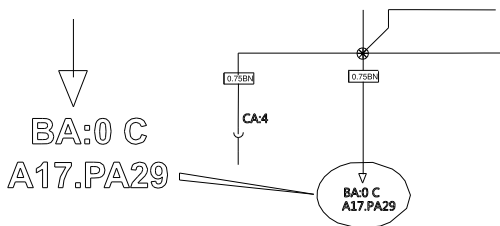
B+ Voltage battery with switch in ON position.  
30 Voltage battery with main switch on, kl.30.  
15 Voltage with starter key in drive position, kl.15.  
DR Voltage with starter key in drive position, preheat position and start position, kl.DR.



Splice.



Fuse.



Reference arrow, for Diagram BA, coordinates 0 C, component A17, connector PA pin 29.

# VOLVO

Volvo Bus Corporation

Document title  
WIRING DIAGRAM

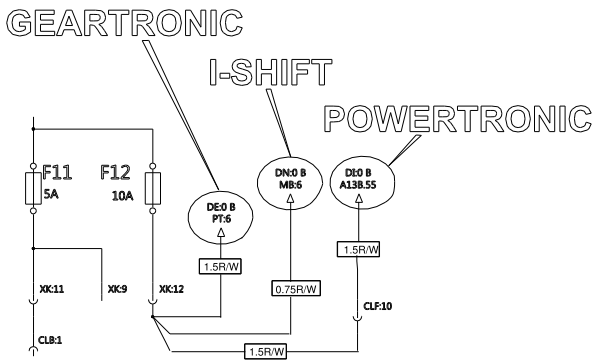
Document type  
PRODUCT SCHEMATICS

Document No  
22610880

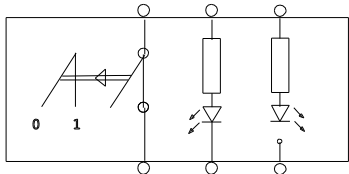
Issue  
08

Volume  
01(03)

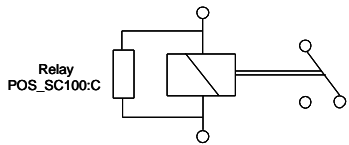
Sheet No  
3(9)



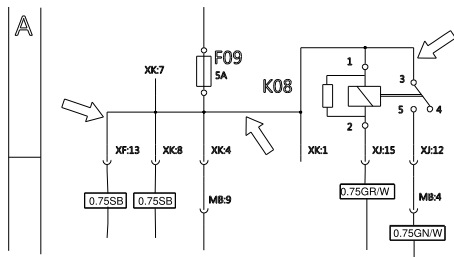
The maximum of variants are drawn, think about that all wires and components are not standard for all markets or vehicle models.



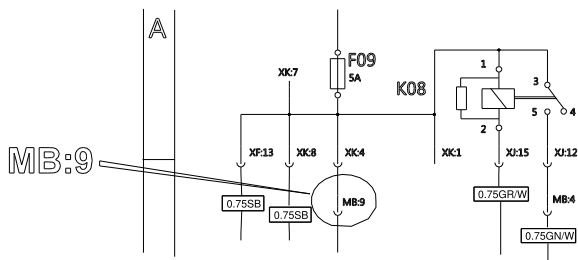
Switch.



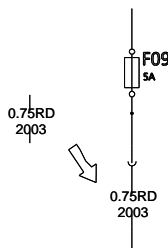
Relay with position.



Conductor on circuit card.



Connector MB terminal 9.



Wire area, colour and equipotential.

**VOLVO**

Volvo Bus Corporation

Document title  
WIRING DIAGRAM

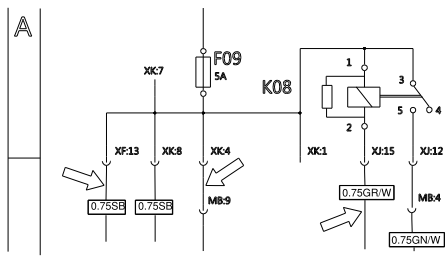
Document type  
PRODUCT SCHEMATICS

Document No  
22610880

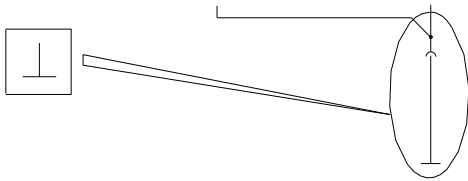
Issue  
08

Volume  
01(03)

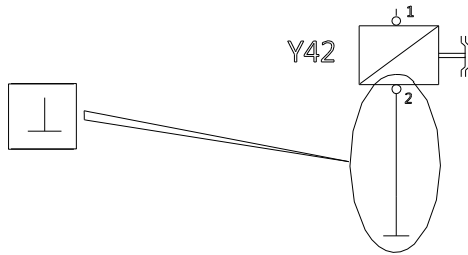
Sheet No  
4(9)



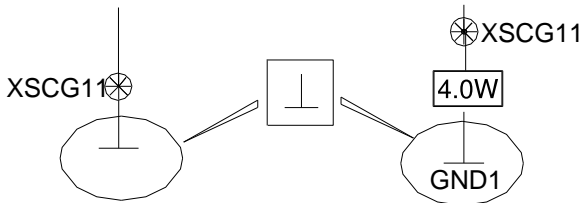
Thin lines, wires.



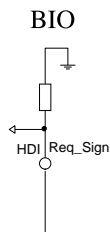
Earth connection to circuit card.



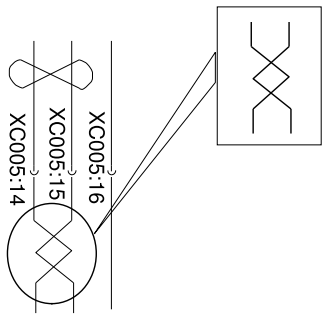
Earth connection without wire.



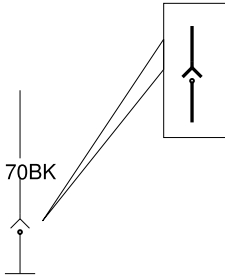
Same splice can be drawn on several diagrams. The wire from the splice to the earth connection point will only be drawn and coded on one diagram. On the other diagrams will only the earth connection point be written besides the splice.



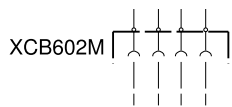
An ECU symbol with a dashed box describes that the ECU exists in several different sheets.



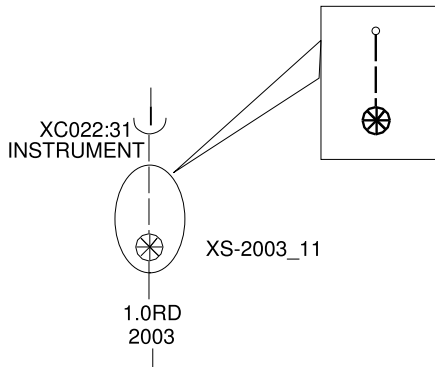
Twisted wires.



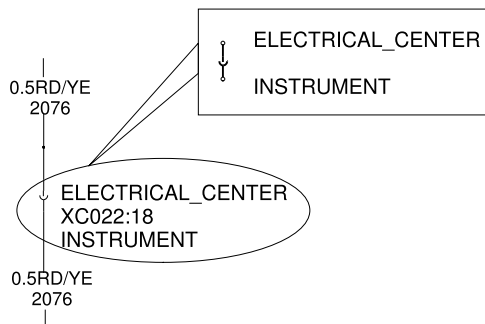
inline connector symbol for power cable ring terminal.



Interface symbol.



Splice with dotted line indicates that wire already exists in some other sheet and splice is shared.



The text on either side of the inline incates that wire belongs to stated harness.

**VOLVO**

Volvo Bus Corporation

Document title  
WIRING DIAGRAM

Document type  
PRODUCT SCHEMATICS

Document No  
22610880

Issue  
08

Volume  
01(03)

Sheet No  
6(9)

# ABBREVIATION LIST

ABBREVIATION	DESCRIPTION
+15	VOLTAGE WITH STARTER KEY IN DRIVE POSITION
+30	VOLTAGE BATTERY WITH MAIN SWITCH ON
+30C	VOLTAGE BATTERY WITH MAIN SWITCH ON
AC	AIR CONDITION
Acp	ACCELERATOR PEDAL
AI	ANALOG INPUT
AIC	ADVANCED INFORMATION CENTER
Amb	AMBIENT
An.IN	ANALOGUE INPUT
AO	ANALOG OUTPUT
APBE	AUTOMATIC PARKING BRAKE EVACUATION
ARC	AIR REGENERATION CONTROL
ARMS	AUTOMATIC RESET MAIN SWITCH
B+	VOLTAGE BATTERY WITH SWITCH IN ON POSITION
BB	BODY BUILDER
BBM	BODY BUILDER MODULE
BHSA	BRAKE HILL START AID
Bpole	BATTERY POSITIVE BEFORE MAIN SWITCH
Brk	BRAKE
Buf	BUFFERED
C	CLOSING
CampL	CAMPIGN LIGHTS
Cent	CENTERING
CICU	Charging
Ctrl	CONTROL
Cyl	CYLINDER
Dash	DASHBOARD
Deliv	DELIVERY
DI	DIGITAL INPUT
Diag	DIAGNOSTIC
Dig.OUT	DIGITAL OUTPUT
Dir	DIRECTION
Dis	DISABLE
DO	DIGITAL OUTPUT
DRL_RMC	DAYTIME RUNNING LIGTH/REDUCED MODE CONTROL
EACC	ELECTRIC AIR COMPRESSOR CONTROL
EBS	ELECTRONIC BRAKE SYSTEM
ECB	VBC ENGINE COMPRESSOR BRAKE
ECU	ELECTRONIC CONTROL UNIT
ECU_GND	EXTERNAL GROUND
EGR	EXHAUST REDIRECTION VALVE
ELC	ELECTRICAL CENTER
EMT	EXHAUST MANIFOLD TEMPERATURE
Eng	ENGINE
EPG	EXHAUST PRESSURE GOVERNOR
ES	ENGINE SYNCHRONIZATION
ESS	ENERGY STORAGE SYSTEM
ETCC	EXHAUST TEMPERATURE CATALYTIC CONVERTER
Ext	EXTERNAL
FRC	FRONT RELAY CENTER
GECU	GEAR SELECTOR ELECTRONIC CONTROL UNIT
GND	SIGNAL GROUND
H	HIGH
Haz	HAZARD

**VOLVO**

Volvo Bus Corporation

Document title  
**WIRING DIAGRAM**

Document type  
**PRODUCT SCHEMATICS**

Document No  
**22610880**

Issue  
**08**

Volume  
**01(03)**

Sheet No  
**7(9)**

ABBREVIATION	DESCRIPTION
HDI	HIGH_DIGITAL_INPUT
HDO	HIGH_DIGITAL_OUTPUT
HLa	HEADLAMPS
HPCU	HYBRID_POWER_TRAIN_CONTROL_UNIT
HS	HIGH_SIDE
HSA	HILL_START_AID
HSD	HIGH_SIDE_DRIVER
HVAC	HEATING_VENTILATION_AIR_CONDITION_SYSTEM
Hyd	HYDRAULIC
IJ	INLET_JET
Ind	INDICATOR
Inj	INJECTION
JK	JACK_KNIFE
KL	KEY_LINE
L	LOW
LCM	LIGHT_CONTROL_MODULE
LCP	LIGHT_CONTROL_PANEL
LDI	LOW_DIGITAL_INPUT
LDO	LOW_DIGITAL_OUTPUT
LS	LOW_SIDE
Nd	NEEDLE
O	OUTPUT
OBD	ON_BOARD_DIAGNOSTIC
OLS	OIL_LEVEL_SENSOR
OP	OPENING
OV	OVERFLOW
PCM	POWER_TRAIN_CONTROL_MODULE
PCS	PRESSURE_CONTROL_SOLENOID
PCV	PRESSURE_CONTROL_VALVE
Plo	PLOUGH
Pos	POSITION
PR	PRESSURE_REGULATOR
Pres	PRESSURE
PS	PRESSURE
PWM	PULSE_WIDTH_MODULATION
Rad	RADIATOR
RAI	RESISTANCE_ANALOGUE_INPUT
Red	REDUCTOR
Rel	RELAY
Req	REQUEST
RES	INPUT_FOR_SENSORS_WITH_VARIABLE_RESISTANCE
Ret	RETARDER
RX	SIGNAL_RECEIVER
Sen	SENSOR
Sign	SIGNAL
Sno	SNOW
Sp	SPEED
SS	SENSOR_SUPPLY
St	START
Stp	STOP
SV	SUPPLY_VOLTAGE
Sw	SWITCH
TCC	TORQUE_CONVERTER_CLUTCH
Temp	TEMPERATURE

**VOLVO**

Volvo Bus Corporation

Document title  
**WIRING DIAGRAM**

Document type  
**PRODUCT SCHEMATICS**

Document No  
**22610880**

Issue  
**08**

Volume  
**01(03)**

Sheet No  
**8(9)**



ABBREVIATION	DESCRIPTION
Tor	TORQUE
TX	SIGNAL_TRANSMITTER
UBat	FEED_DIRECTLY_FROM_BATTERY
VEB	VOLVO_ENGINE_BRAKE
Veh	VEHICLE

**VOLVO**

Volvo Bus Corporation

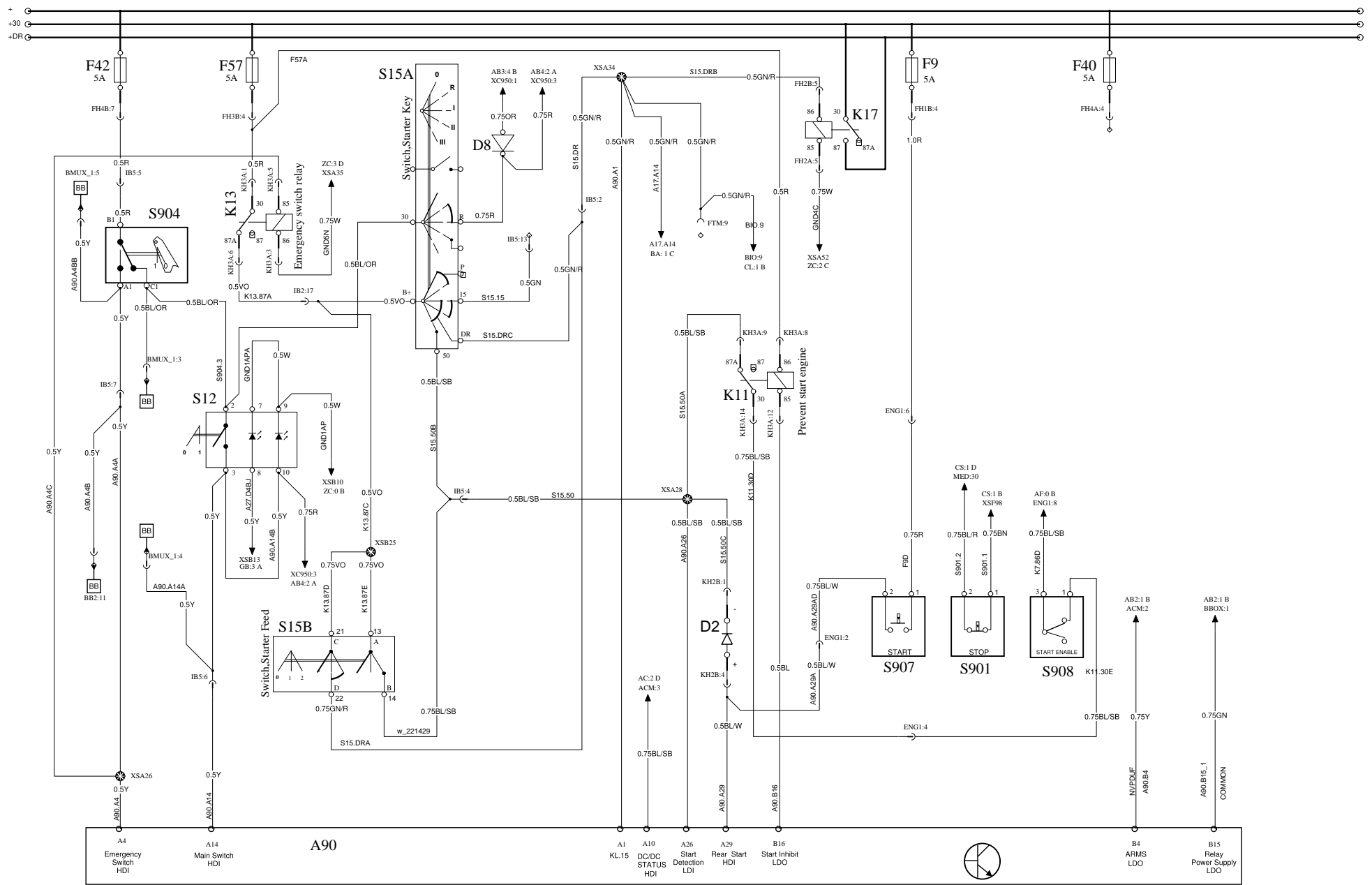
Document title  
WIRING DIAGRAM

Document type  
PRODUCT SCHEMATICS

Document No	Issue	Volume	Sheet No
22610880	08	01(03)	9(9)

# IGNITION AND STARTING SYSTEM

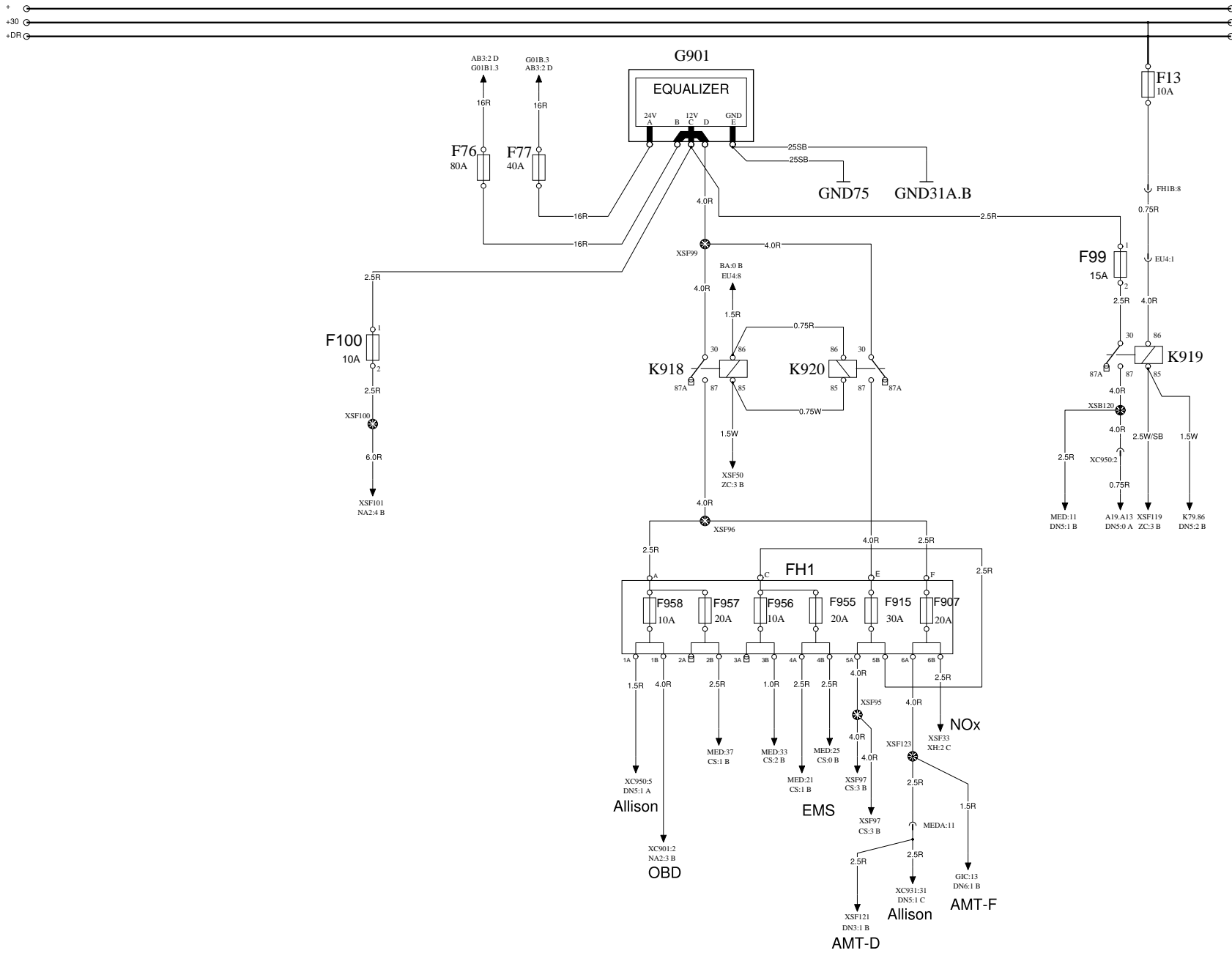
# WIRING DIAGRAM AA



POWER SUPPLY

US/CAN

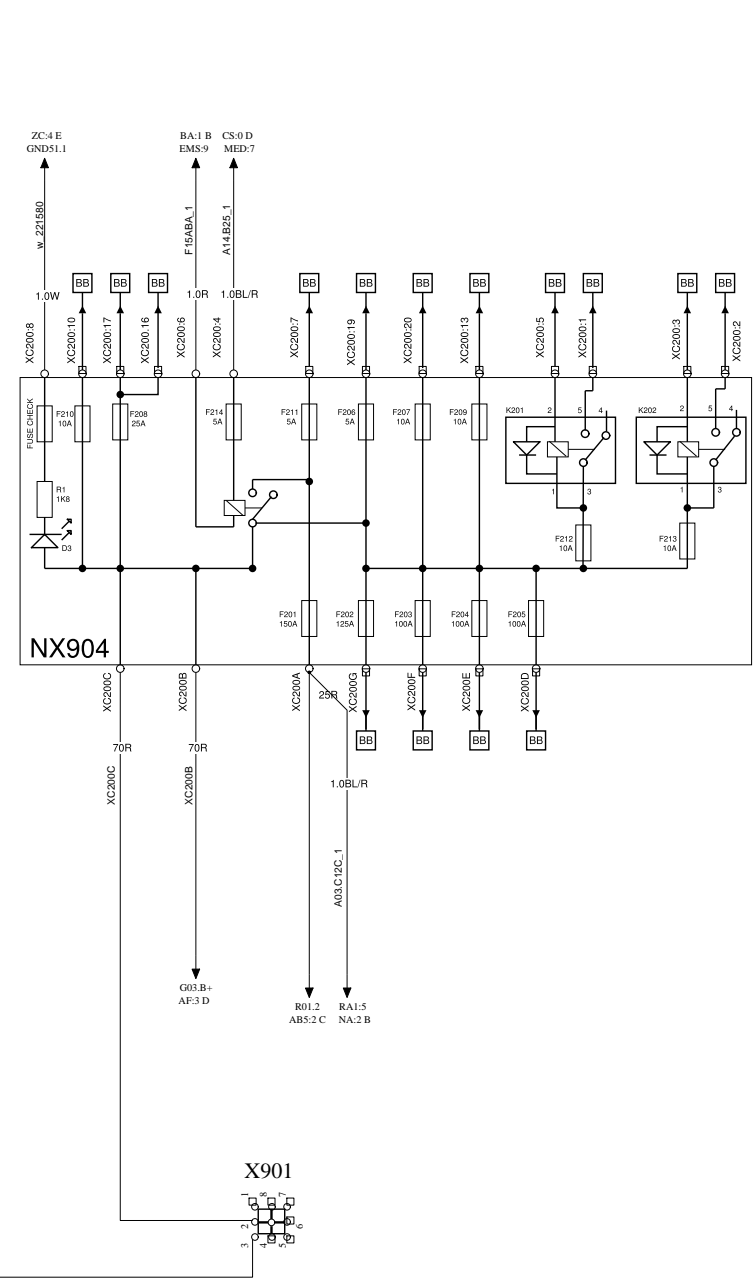
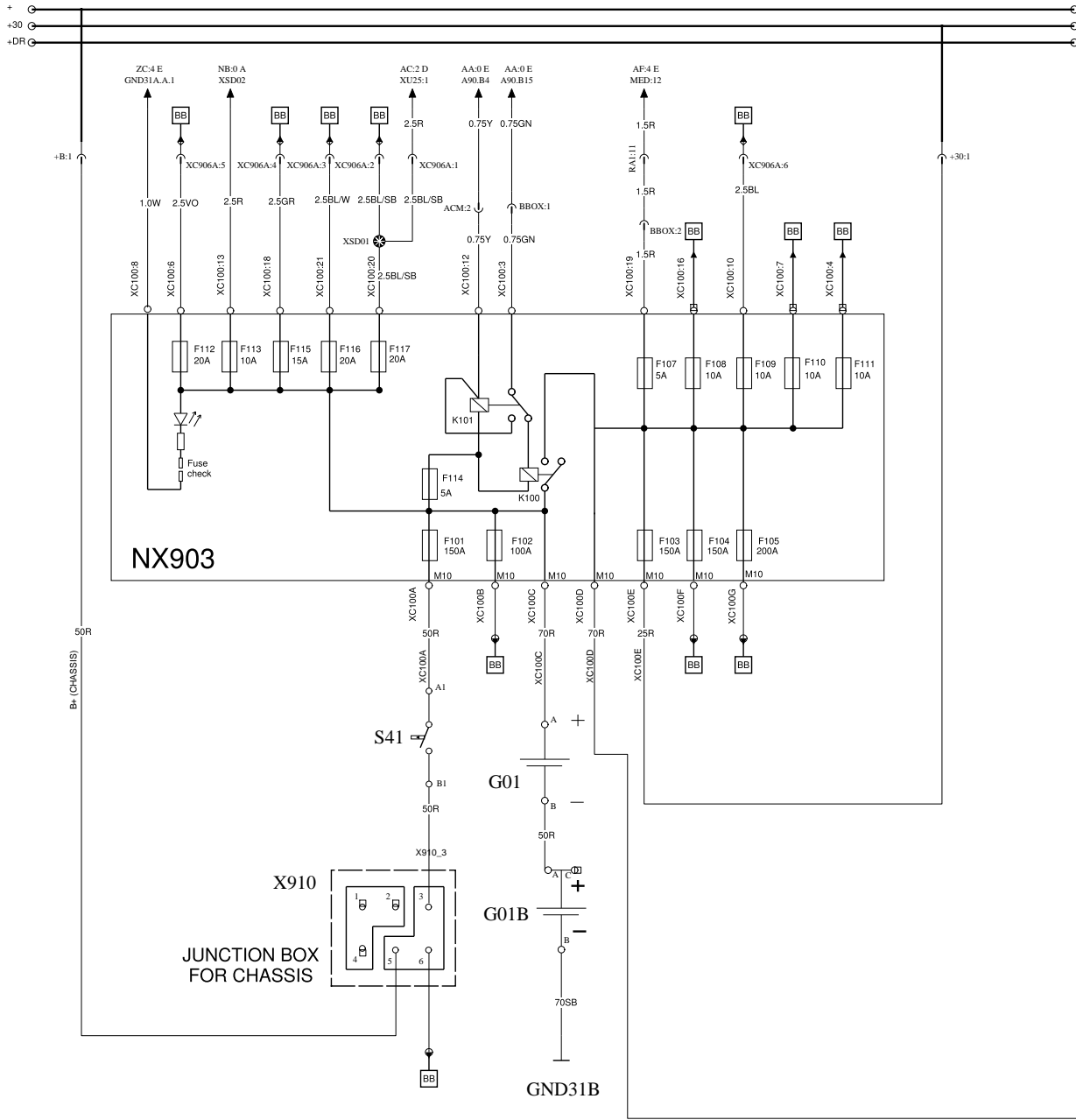
WIRING DIAGRAM AB



NVPDUF & NVPDUR

FOR EURO 5 (MEXICO)

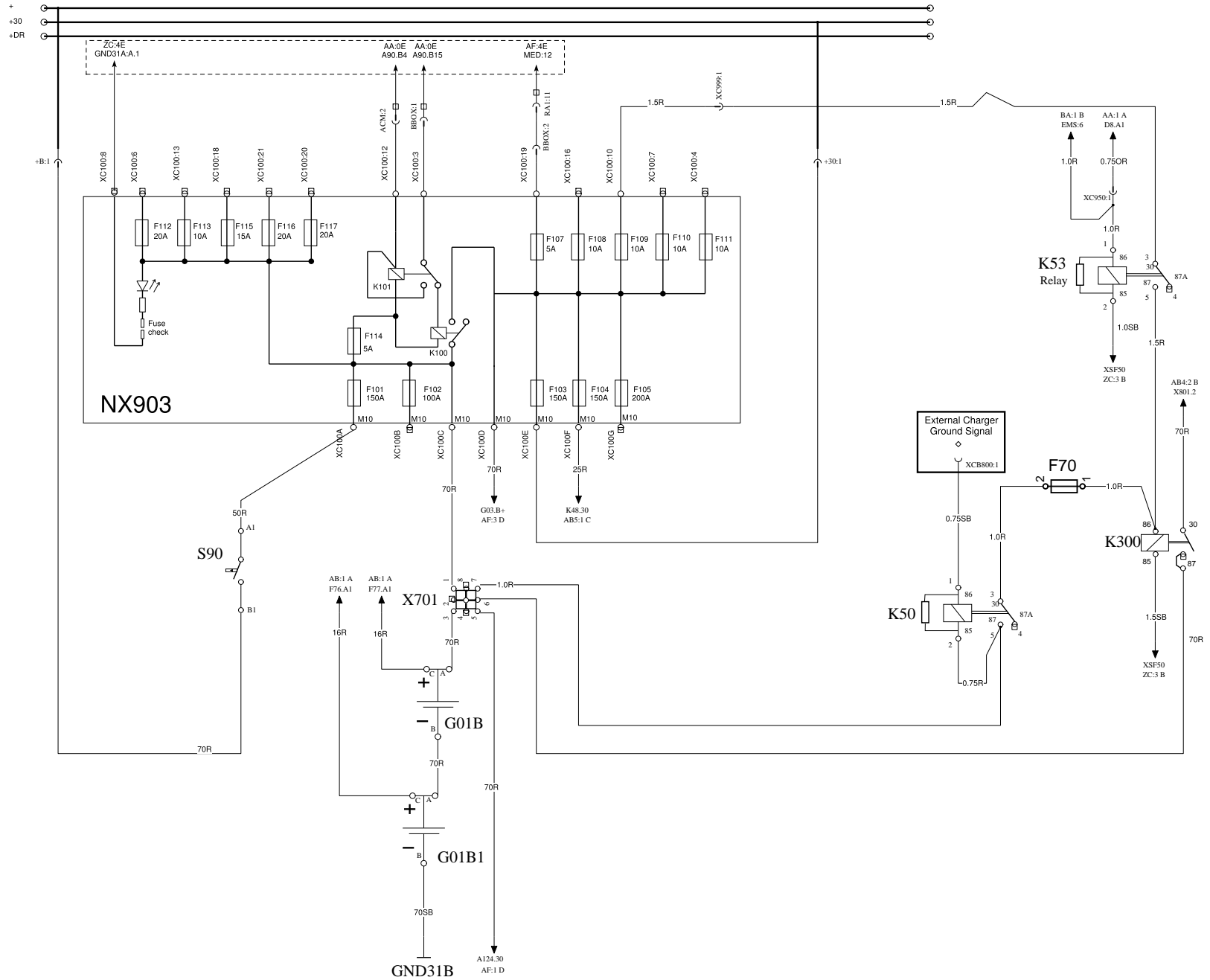
WIRING DIAGRAM AB2

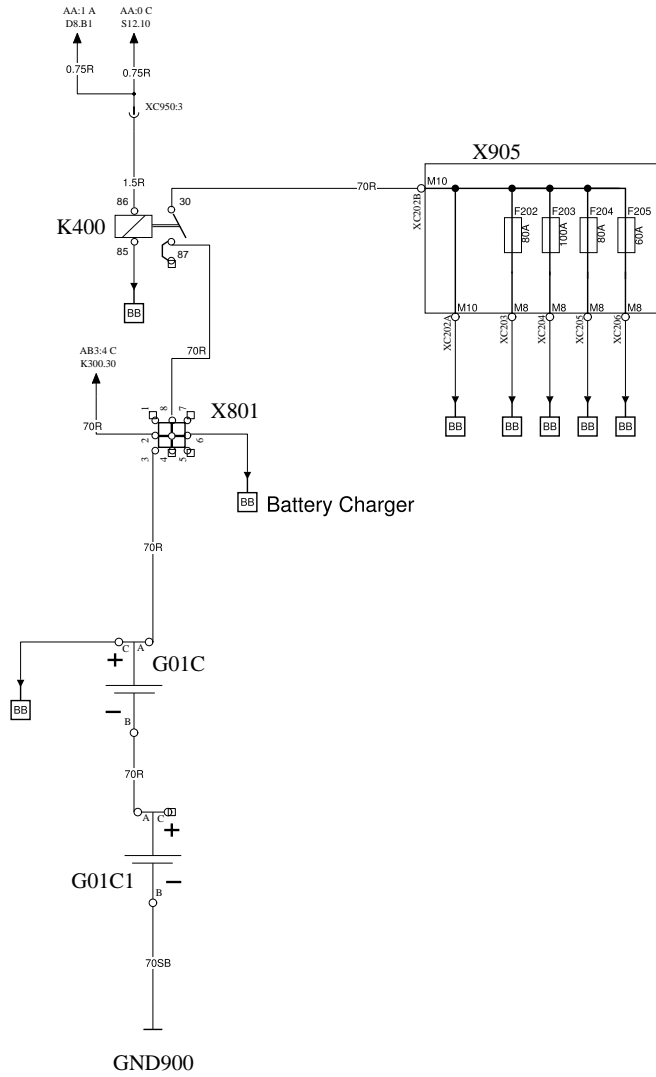


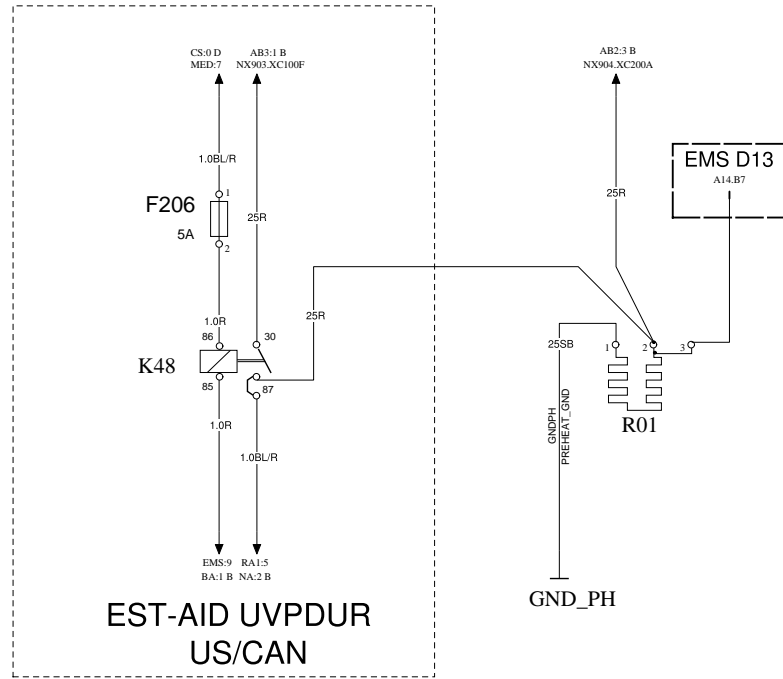
STARTER BATTERY

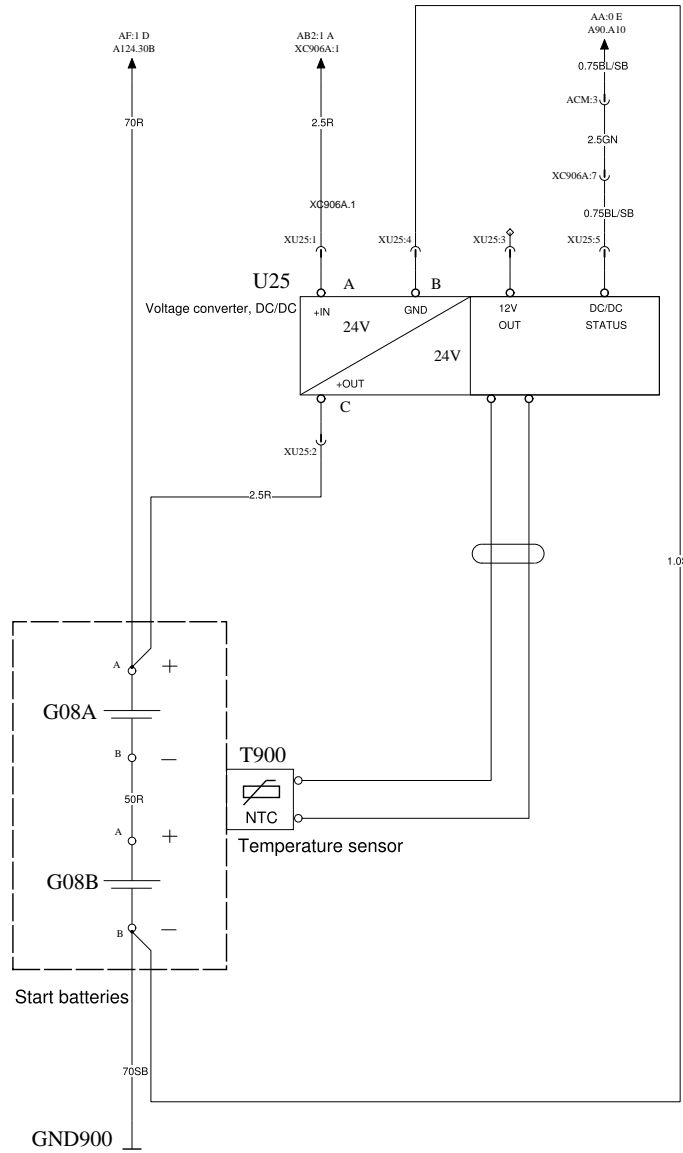
US/CAN

WIRING DIAGRAM AB3





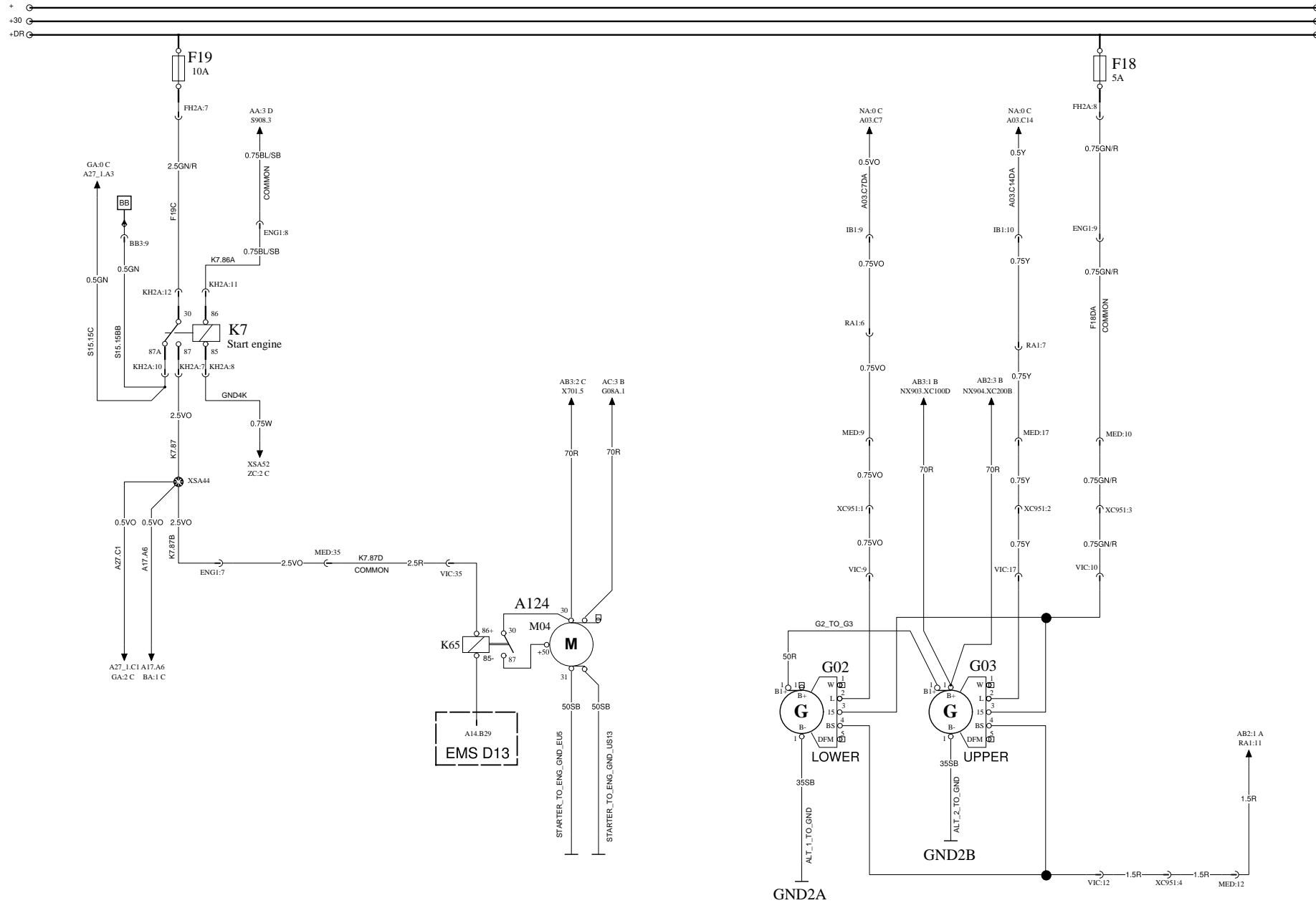


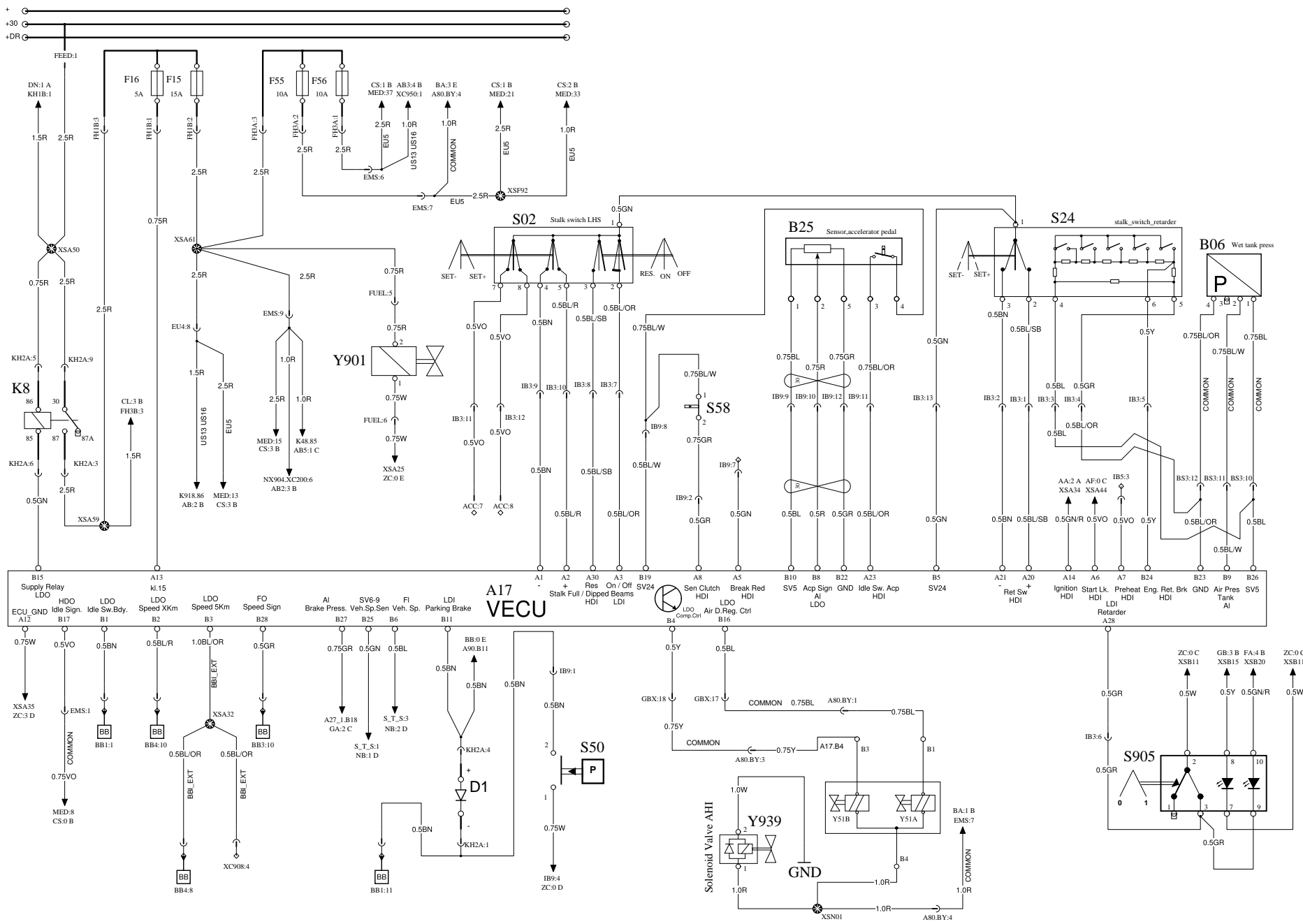




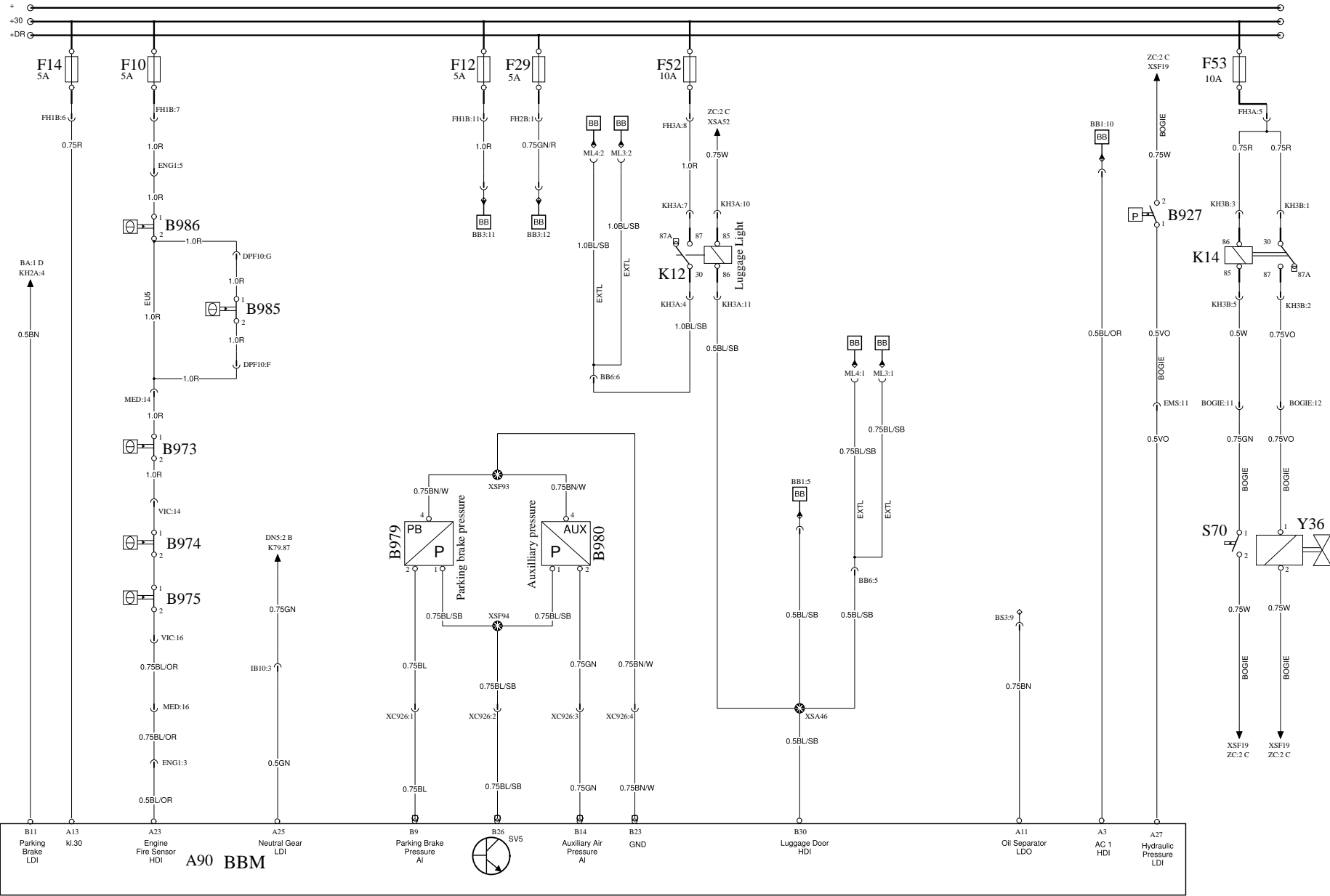
# STARTER MOTOR AND ALTERNATORS

# WIRING DIAGRAM AF



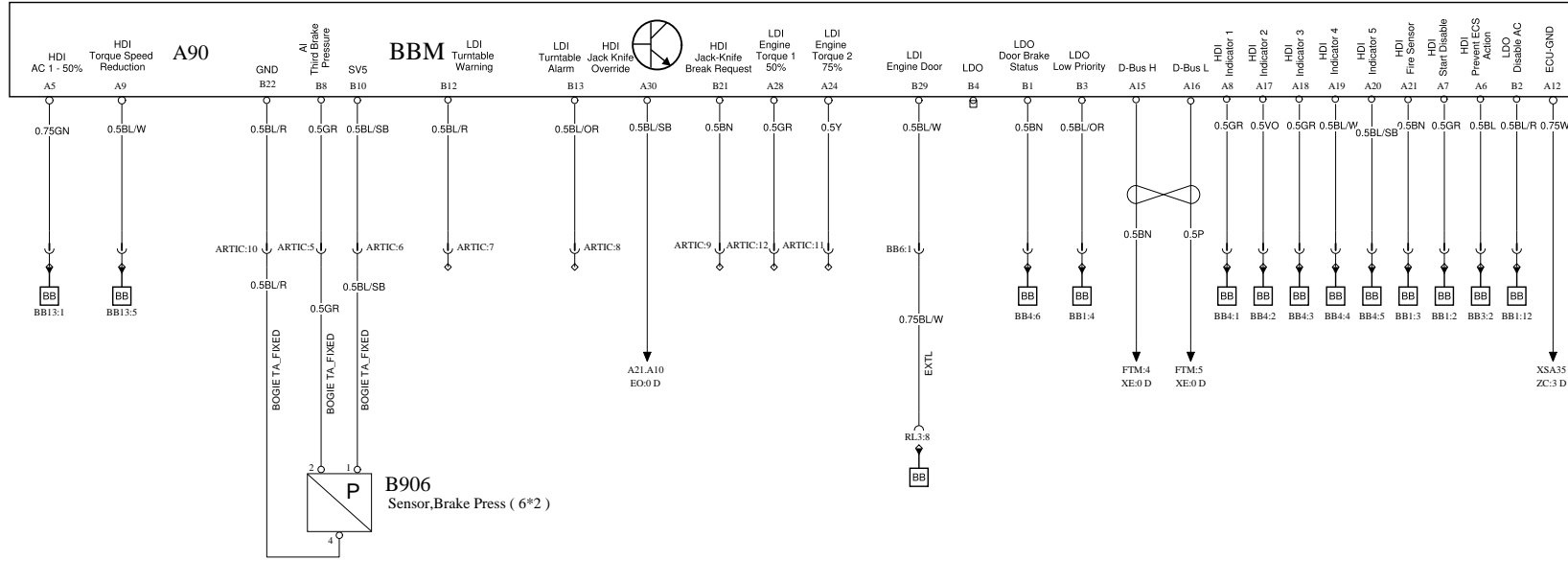


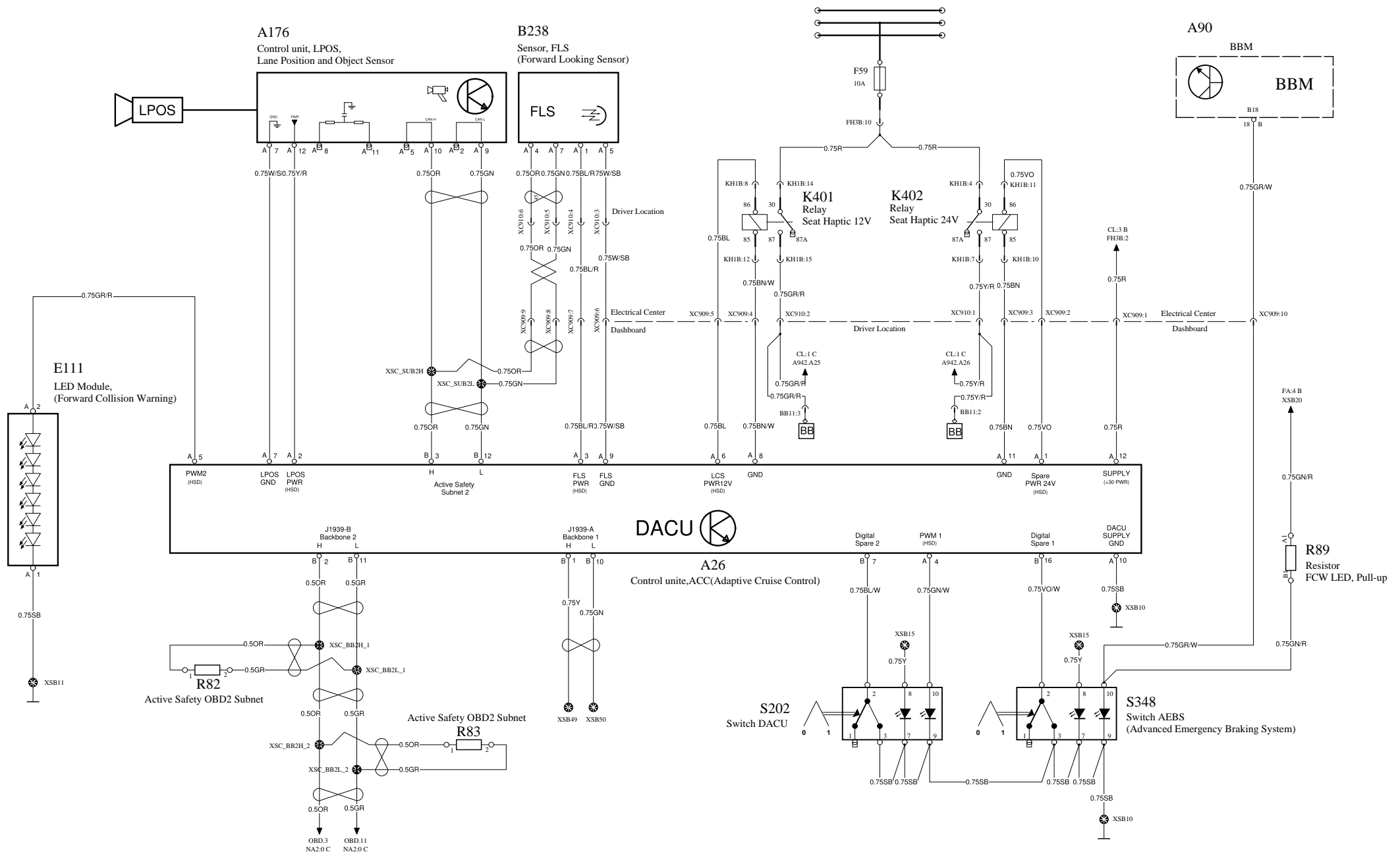
BBM BODY BUILDER MODULE WIRING DIAGRAM BB



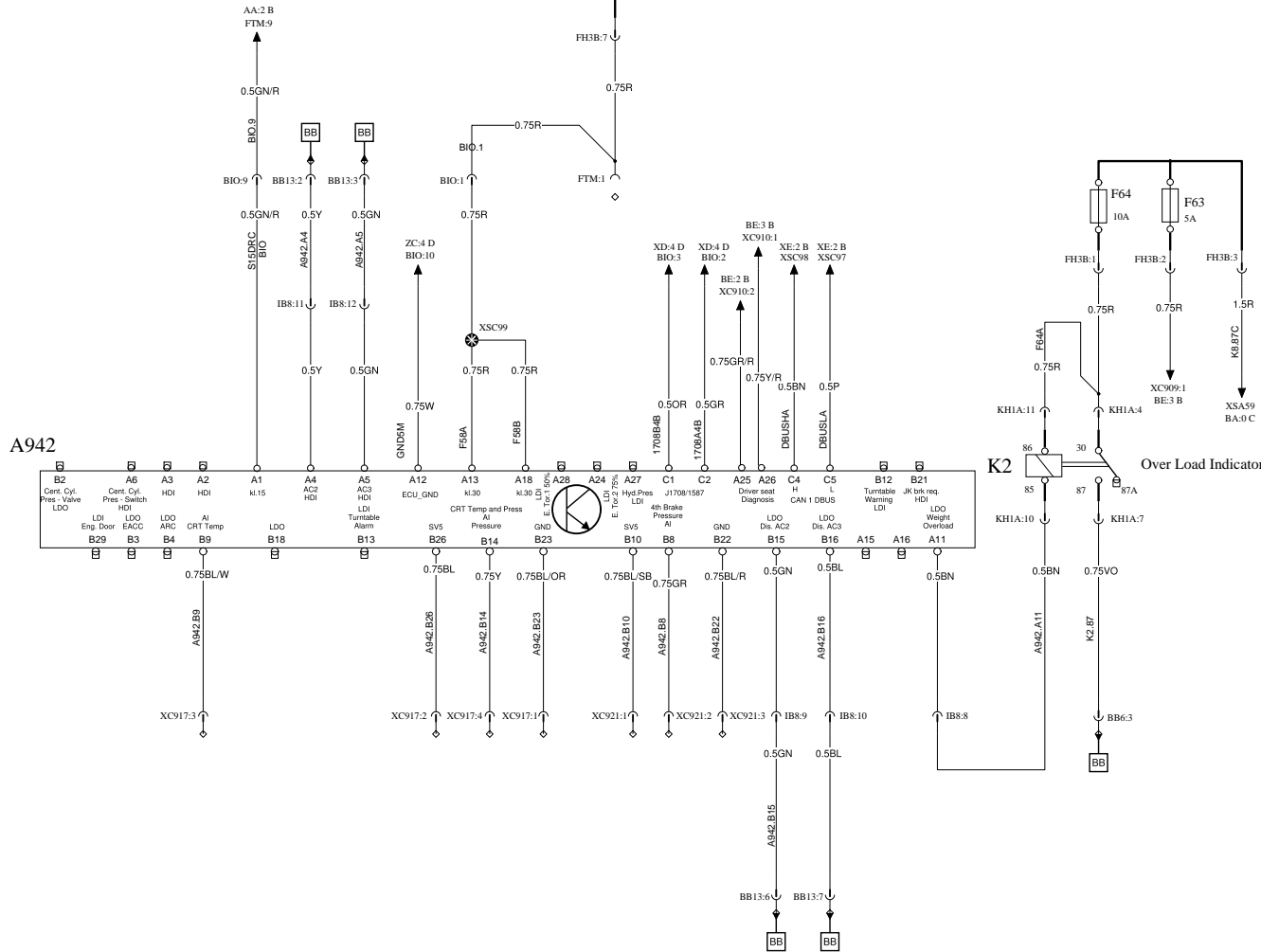
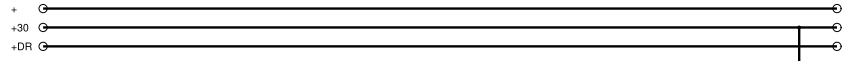
BODY BUILDER MODULE

WIRING DIAGRAM BC



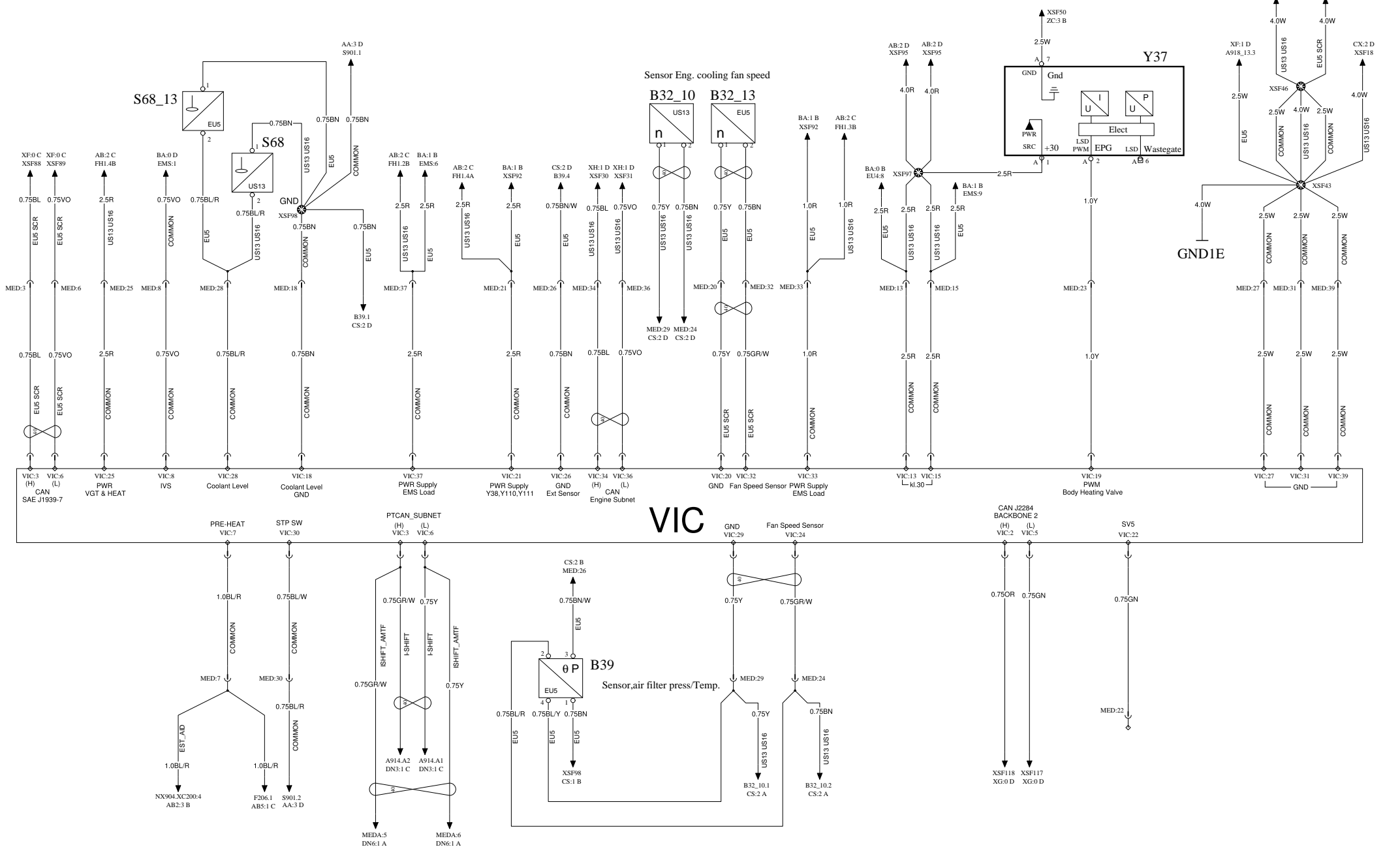


	Document title WIRING DIAGRAM	Document No <b>22610880</b>	Issue <b>08</b>	Volume <b>02(03)</b>	Page <b>12(48)</b>
	Document type PRODUCT SCHEMATIC				



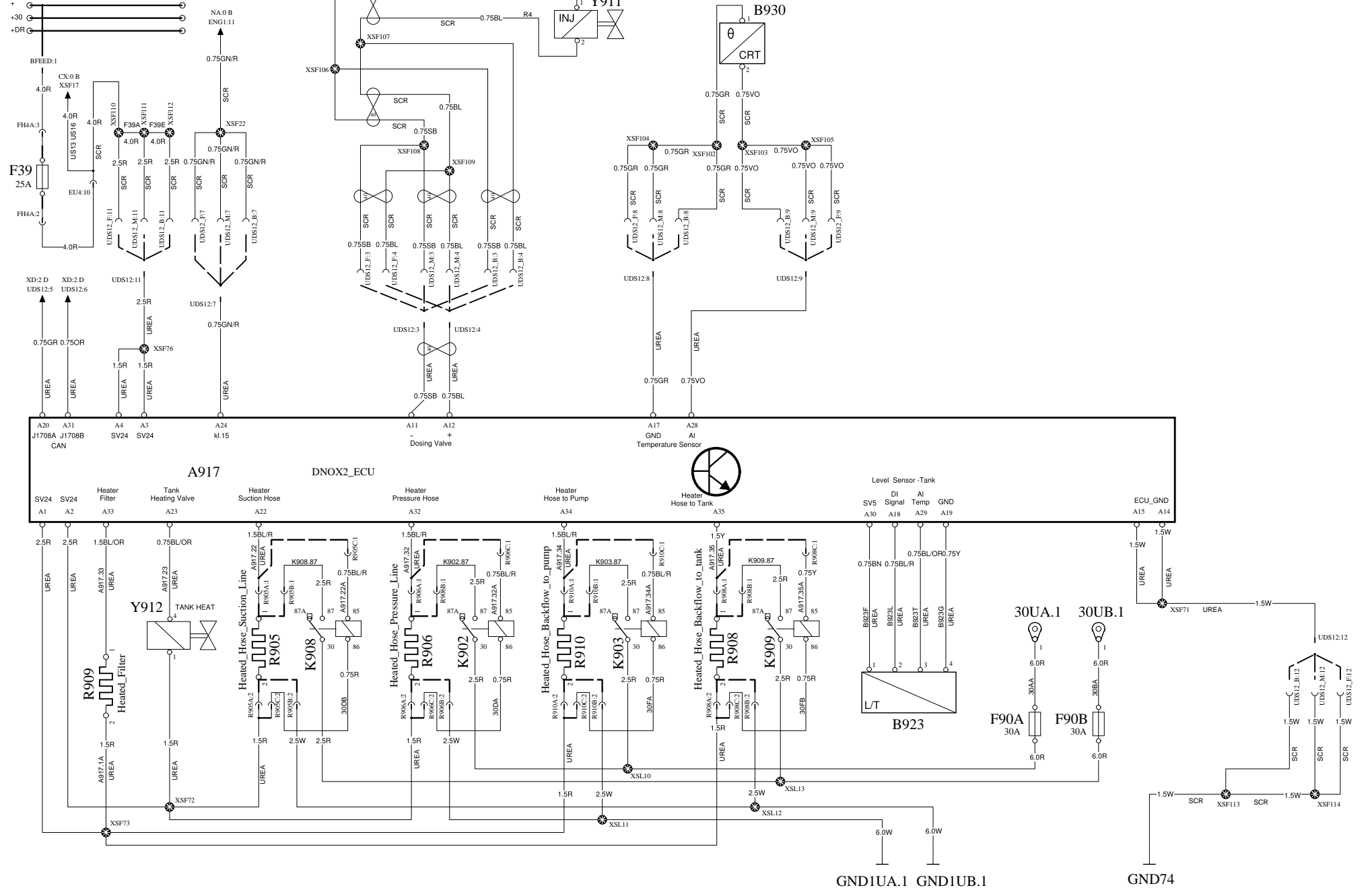
# ENGINE INTERFACE D13

# WIRING DIAGRAM CS



DNOX2 FOR EURO 5

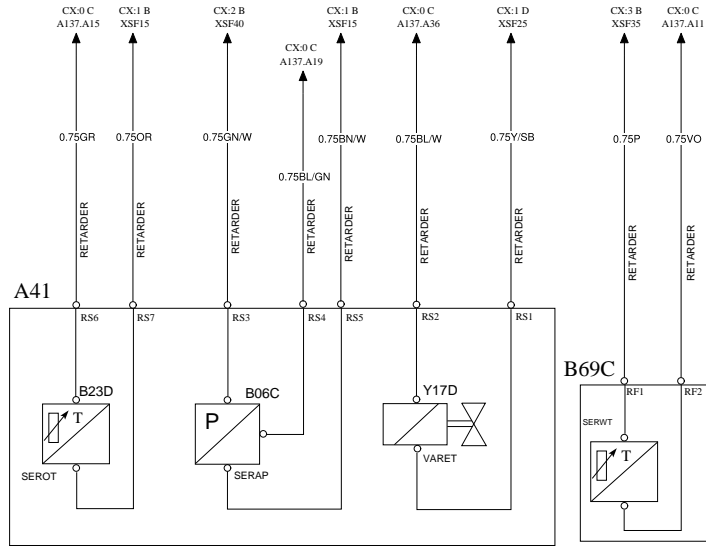
WIRING DIAGRAM CU



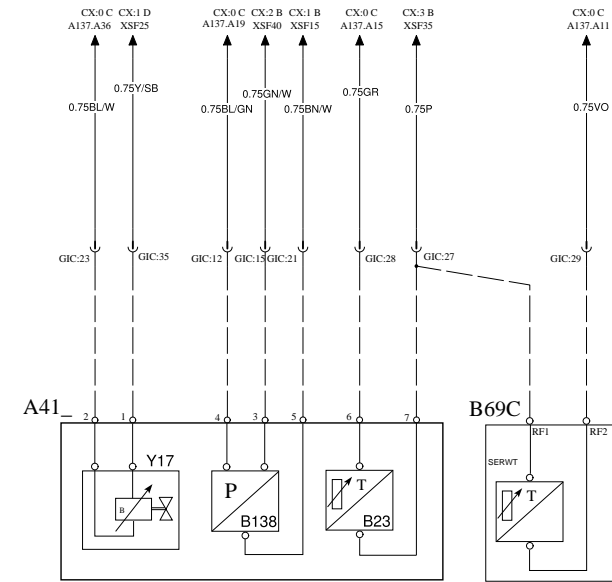




CONNECTIONS FOR AMT-D



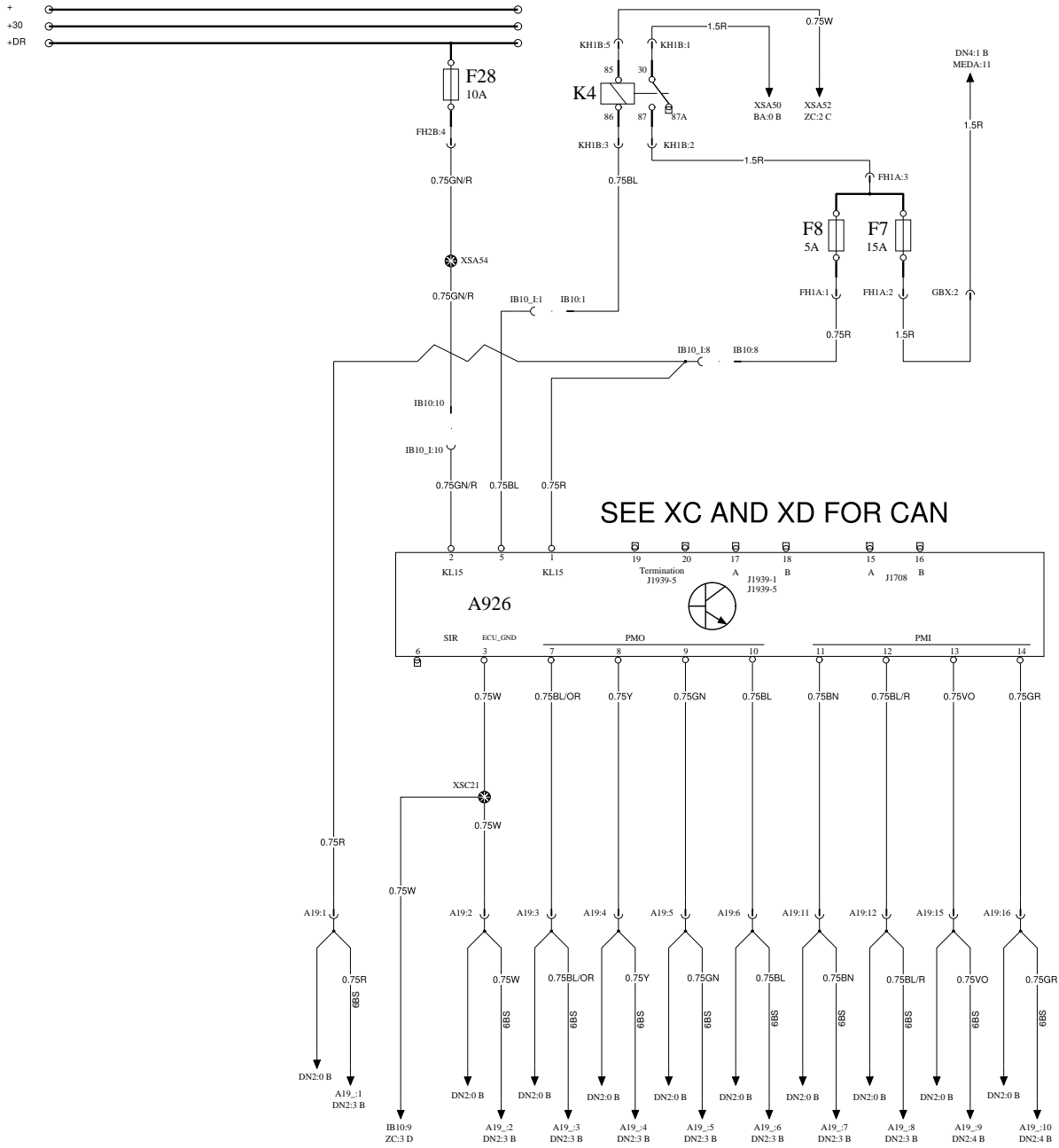
CONNECTIONS FOR AMT-F



I-SHIFT

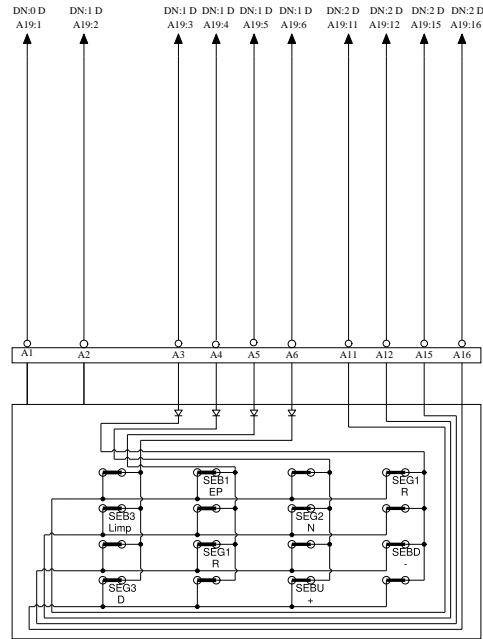
GECU

WIRING DIAGRAM DN



SEE XC AND XD FOR CAN

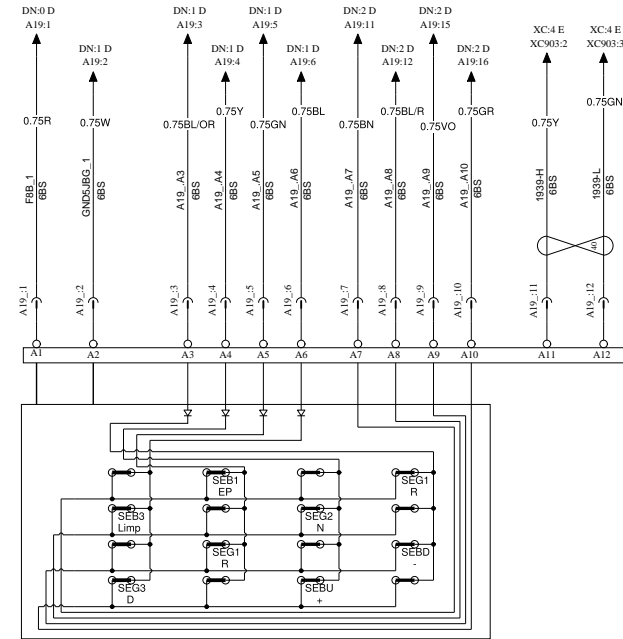
GEAR LEVER GSS-STD, GSS-PRO AND GSS-4BS



CONNECTIONS

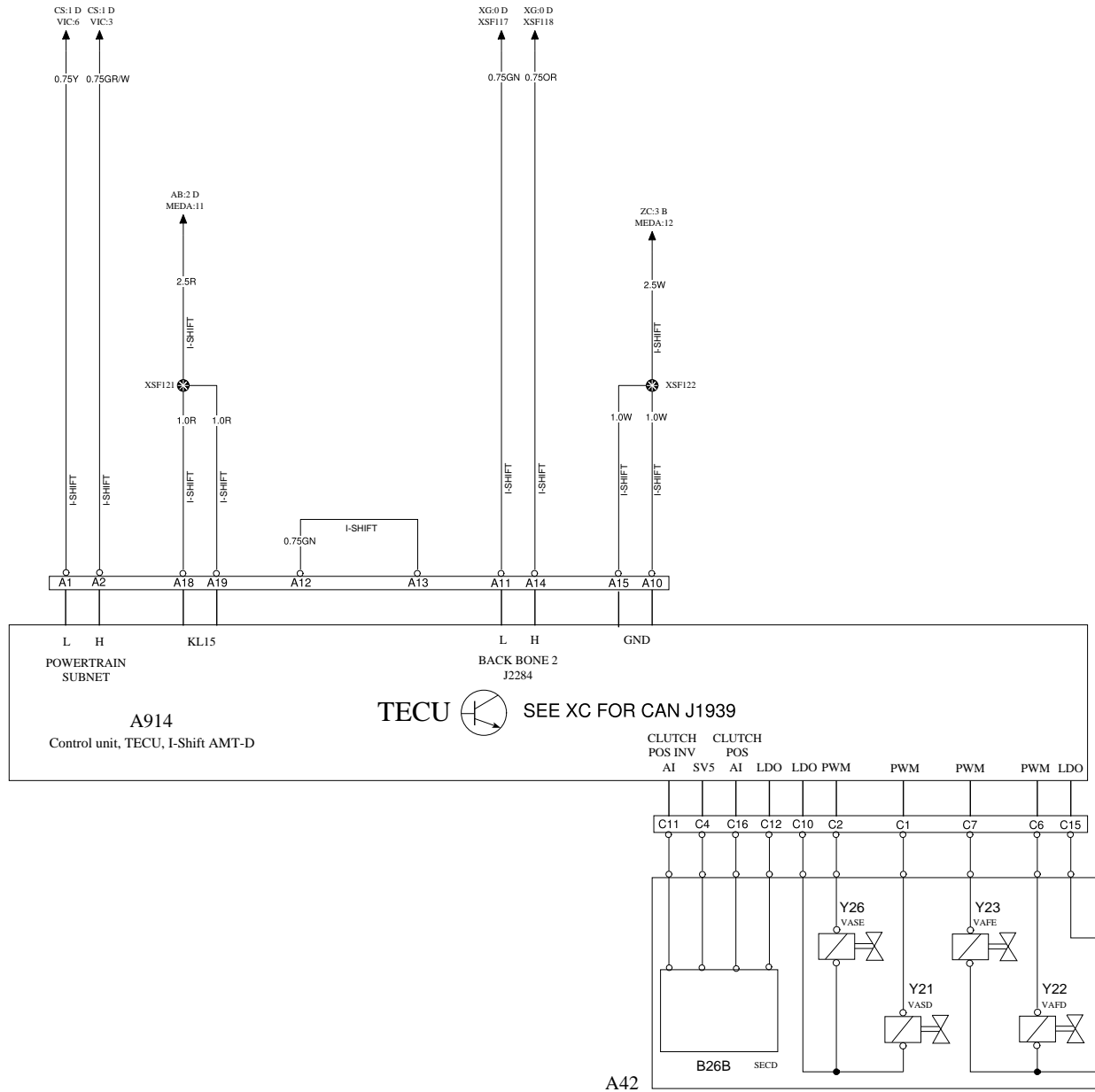
PIN	SIGNAL NAME	ASSIGNMENT
1	UBATT	MAIN SUPPLY
2	GND	MAIN GROUND
3	INP1	MATRIX INPUT 1
4	INP2	MATRIX INPUT 2
5	INP3	MATRIX INPUT 3
6	INP4	MATRIX INPUT 4
11	OUP1	MATRIX OUTPUT 1
12	OUP2	MATRIX OUTPUT 2
15	OUP3	MATRIX OUTPUT 3
16	OUP4	MATRIX OUTPUT 4

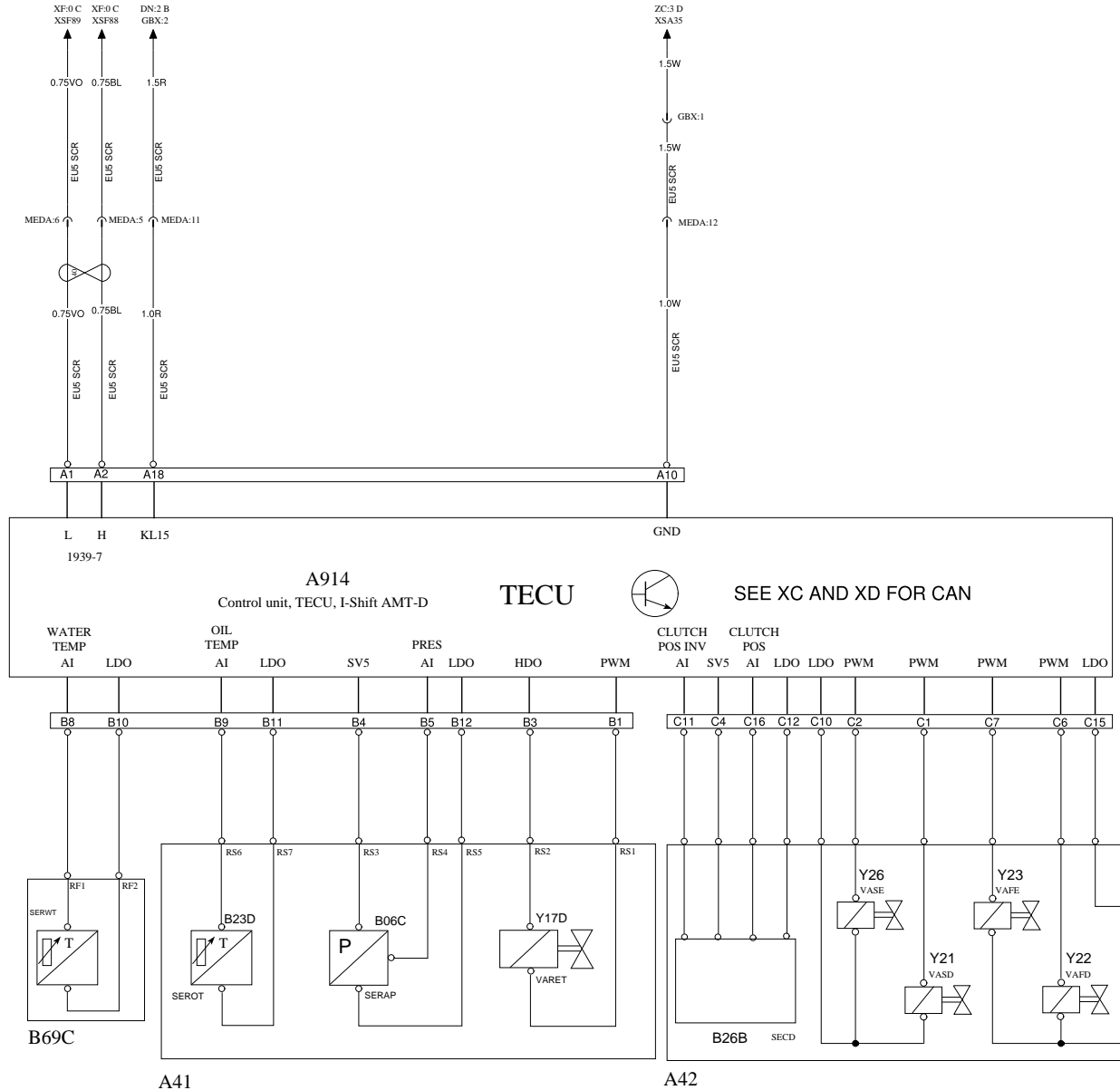
GEAR LEVER GSS-6BS

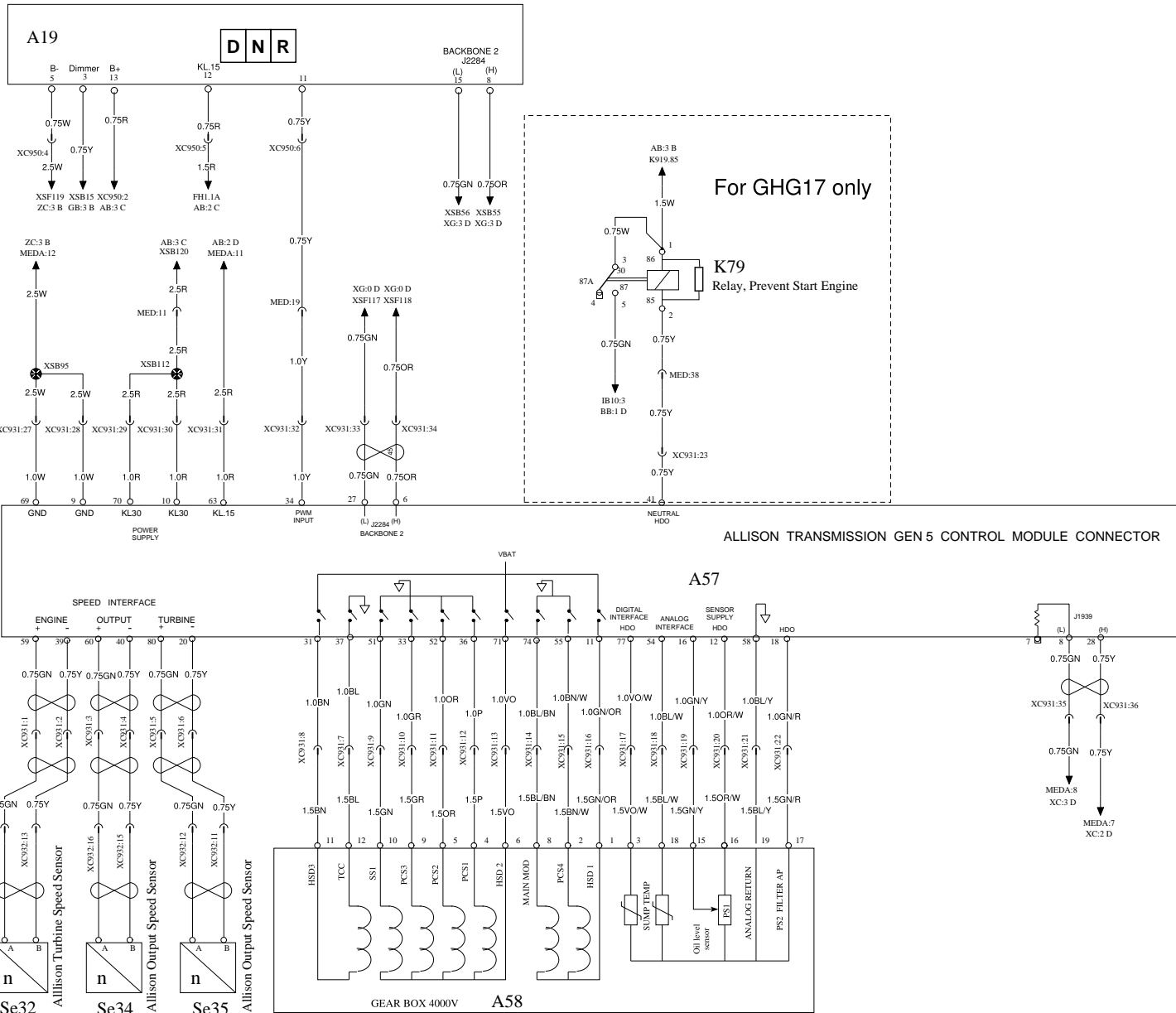


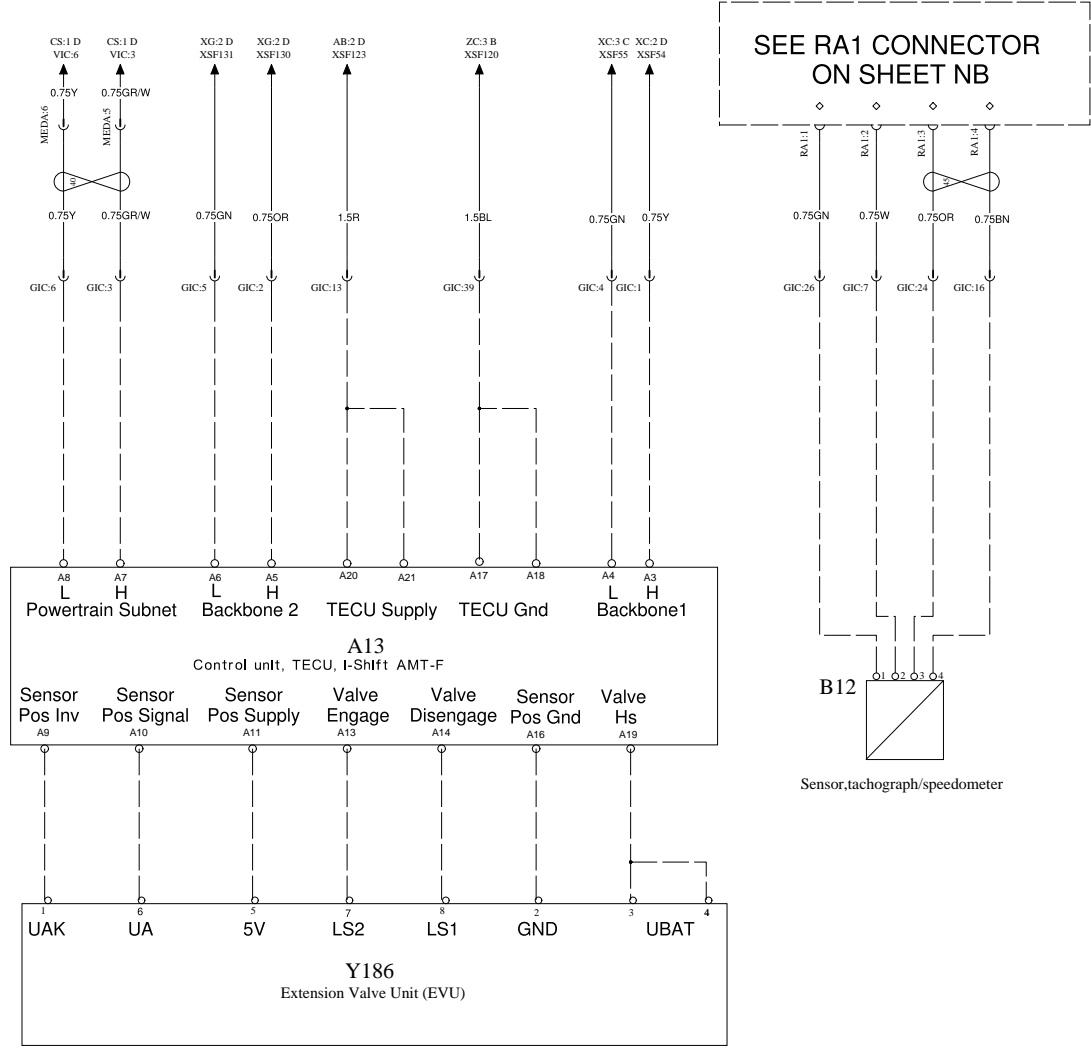
CONNECTIONS

PIN	SIGNAL NAME	ASSIGNMENT	PIN	SIGNAL NAME
1	UBATT	MAIN SUPPLY	11	J1939-H
2	GND	MAIN GROUND	12	J1939-L
3	INP1	MATRIX INPUT 1		
4	INP2	MATRIX INPUT 2		
5	INP3	MATRIX INPUT 3		
6	INP4	MATRIX INPUT 4		
7	OUP1	MATRIX OUTPUT 1		
8	OUP2	MATRIX OUTPUT 2		
9	OUP3	MATRIX OUTPUT 3		
10	OUP4	MATRIX OUTPUT 4		







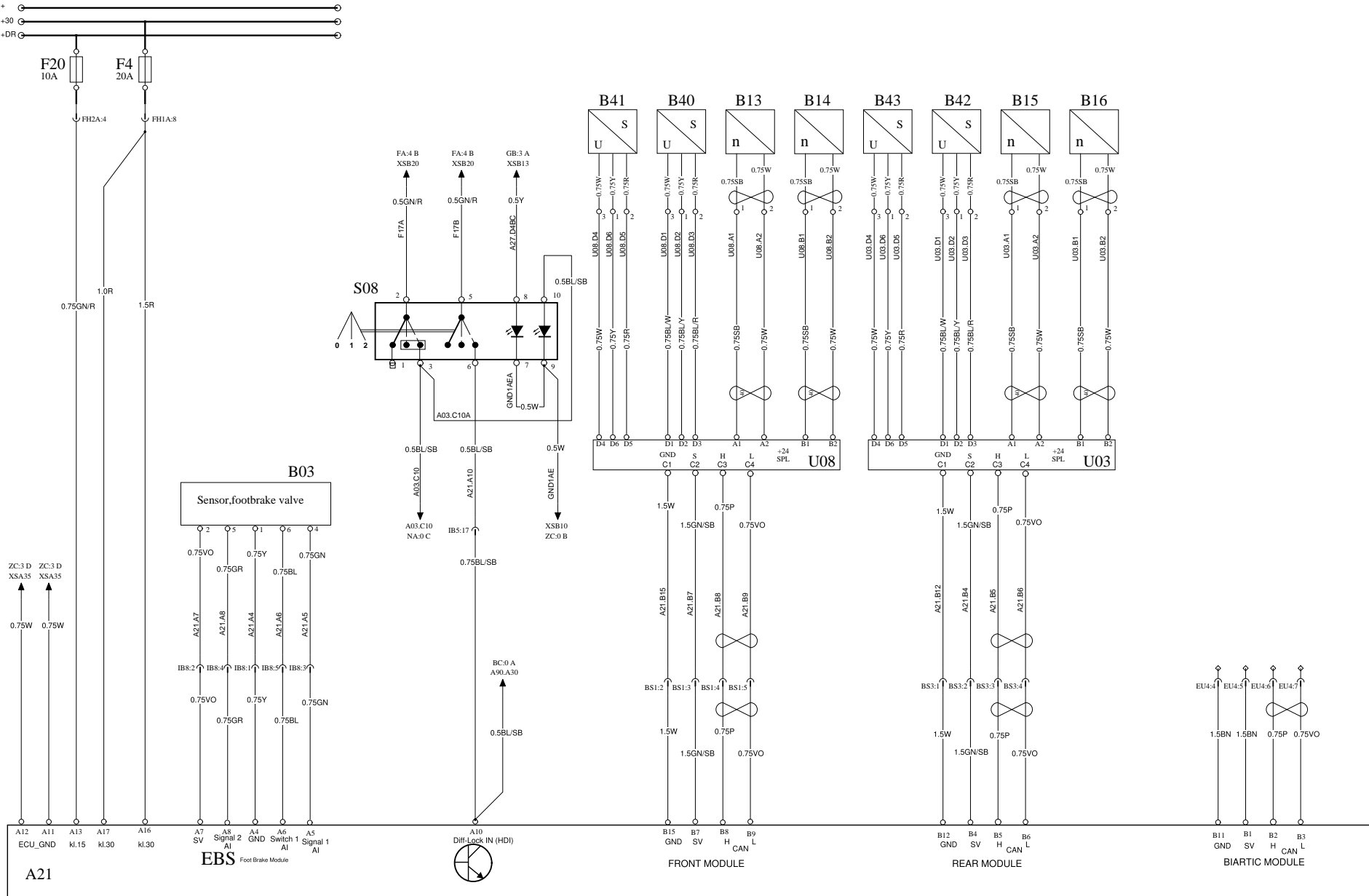


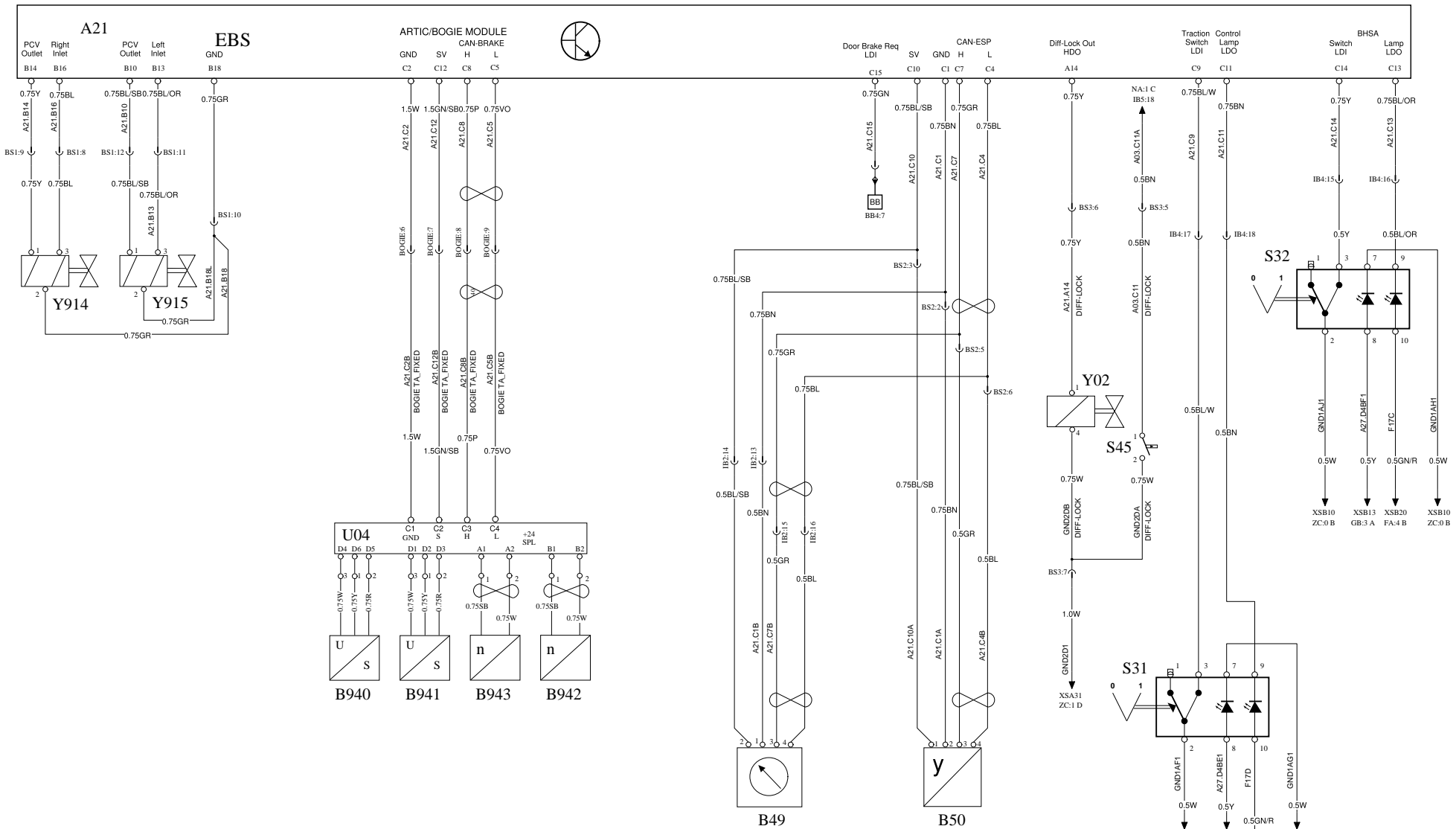
SEE RA1 CONNECTOR  
ON SHEET NB



EBS

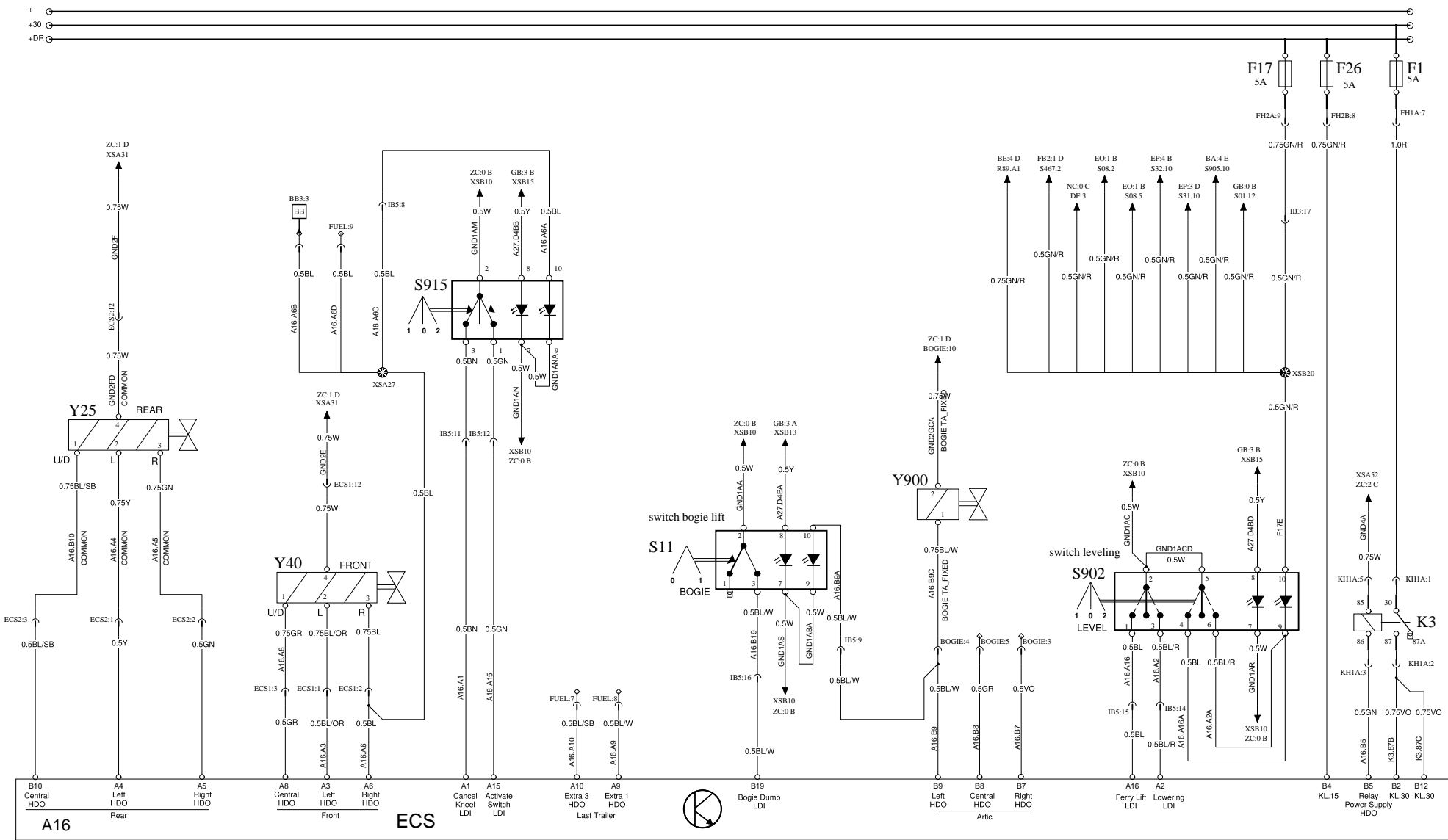
WIRING DIAGRAM EO

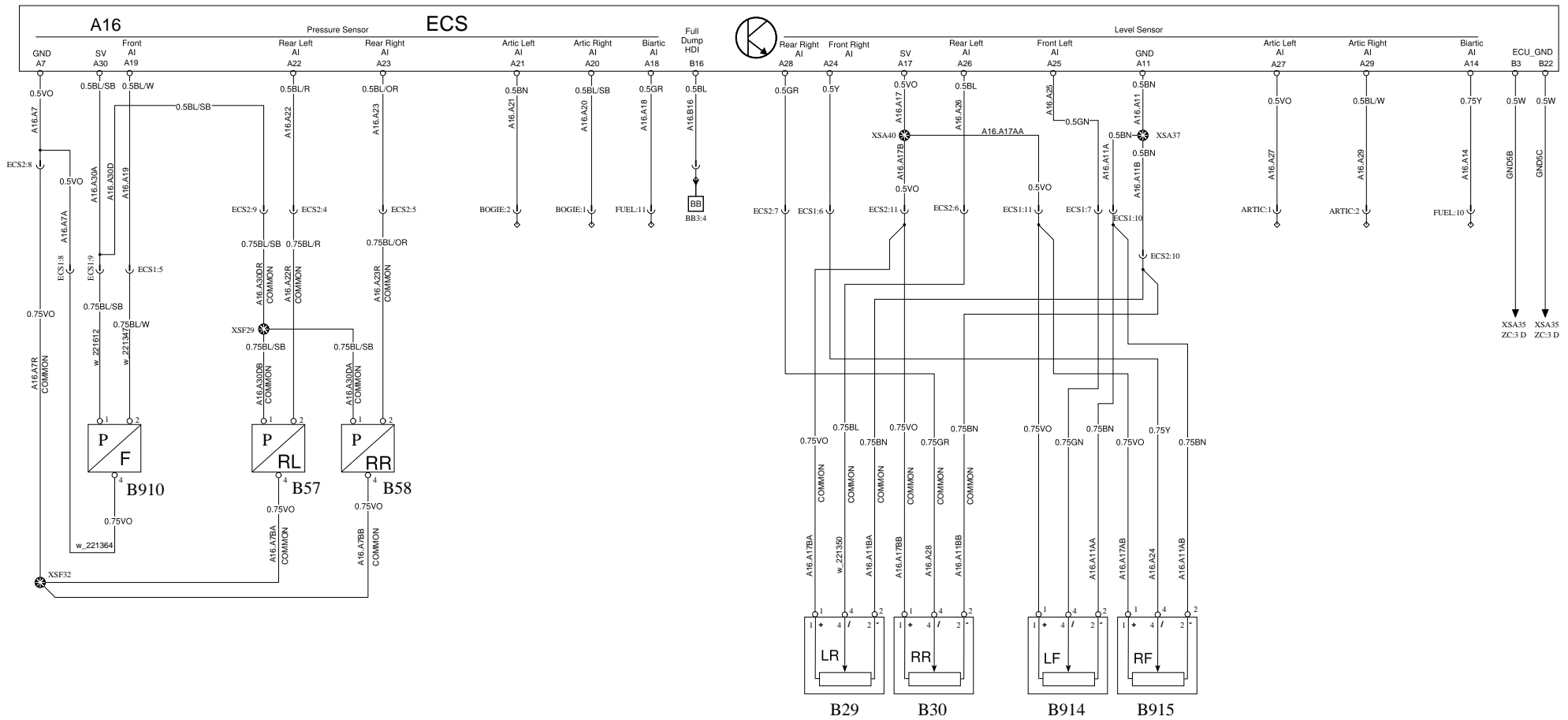




# AIR SUSPENSION ECS

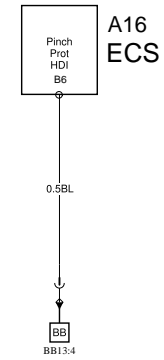
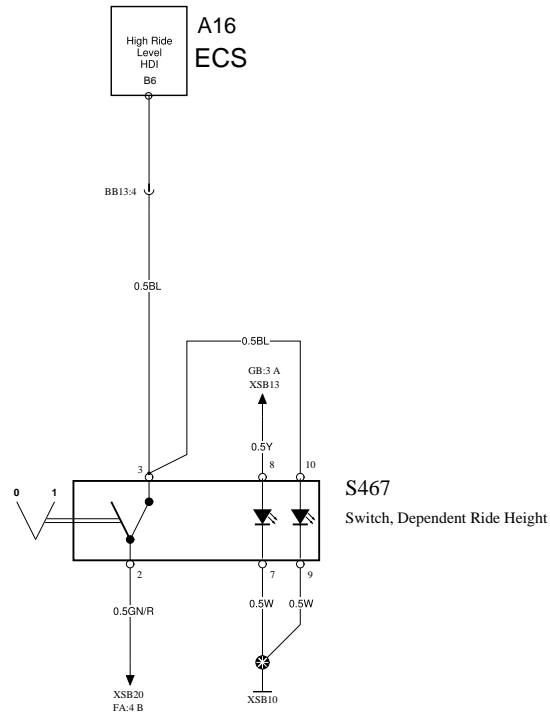
# WIRING DIAGRAM FA

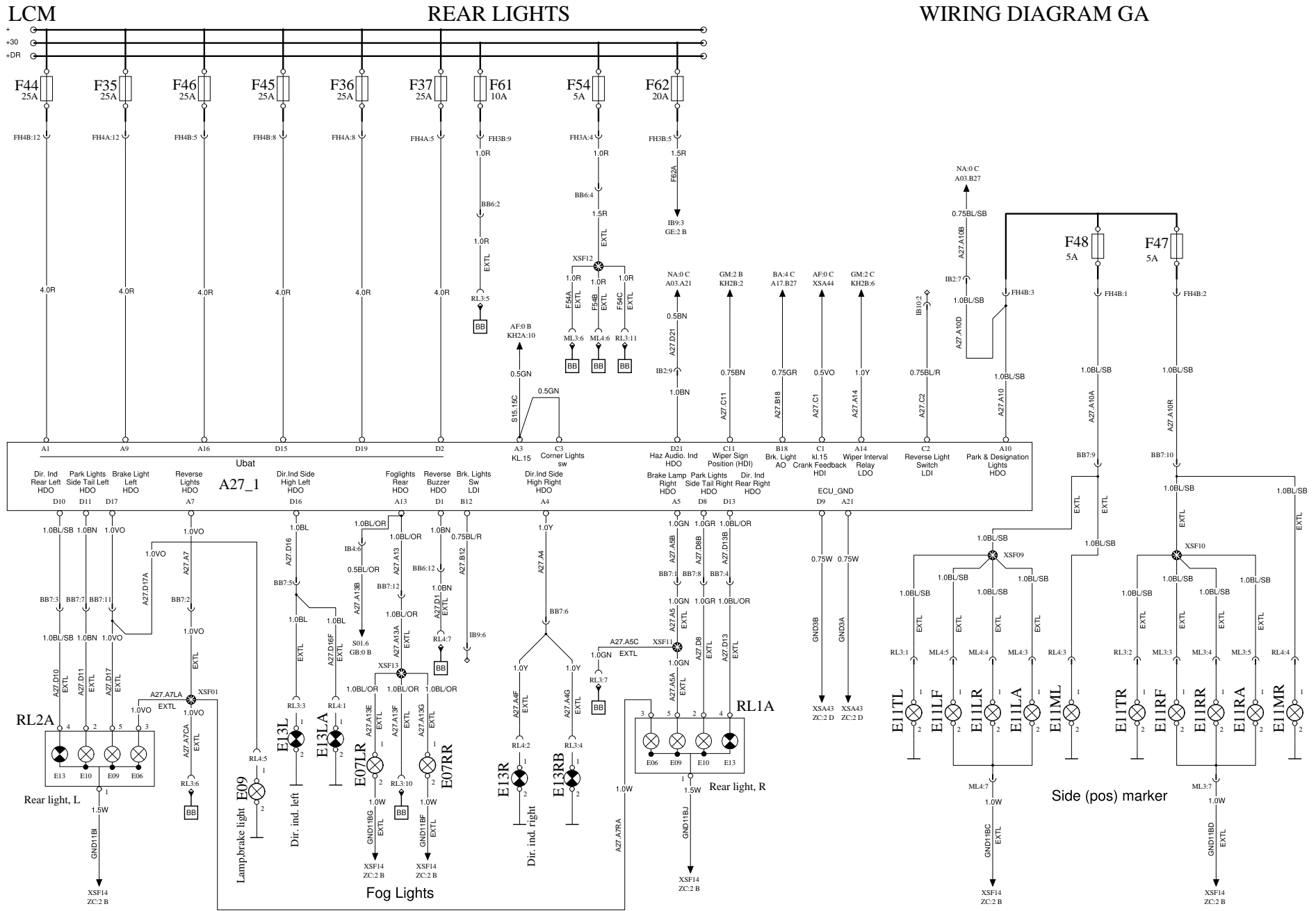


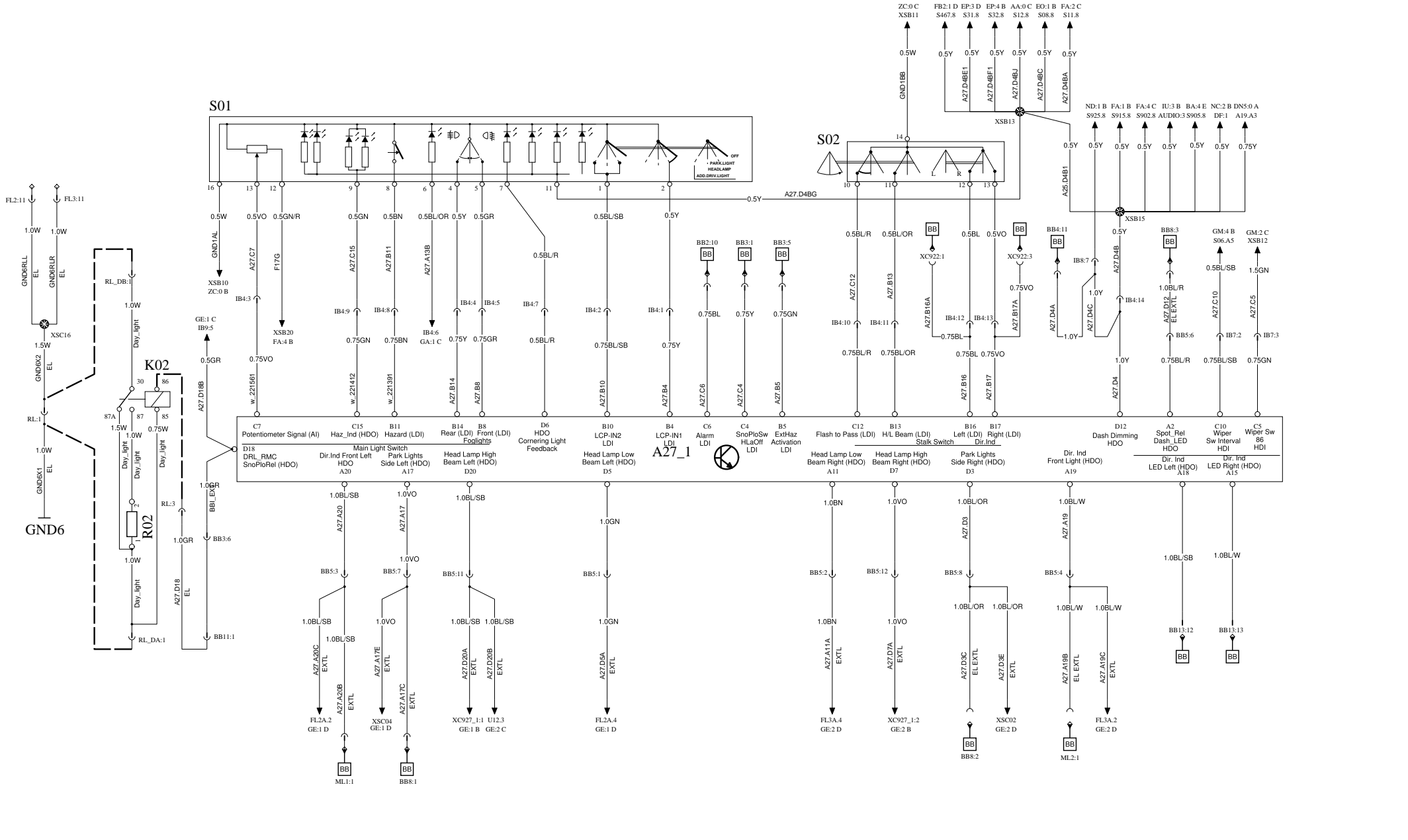


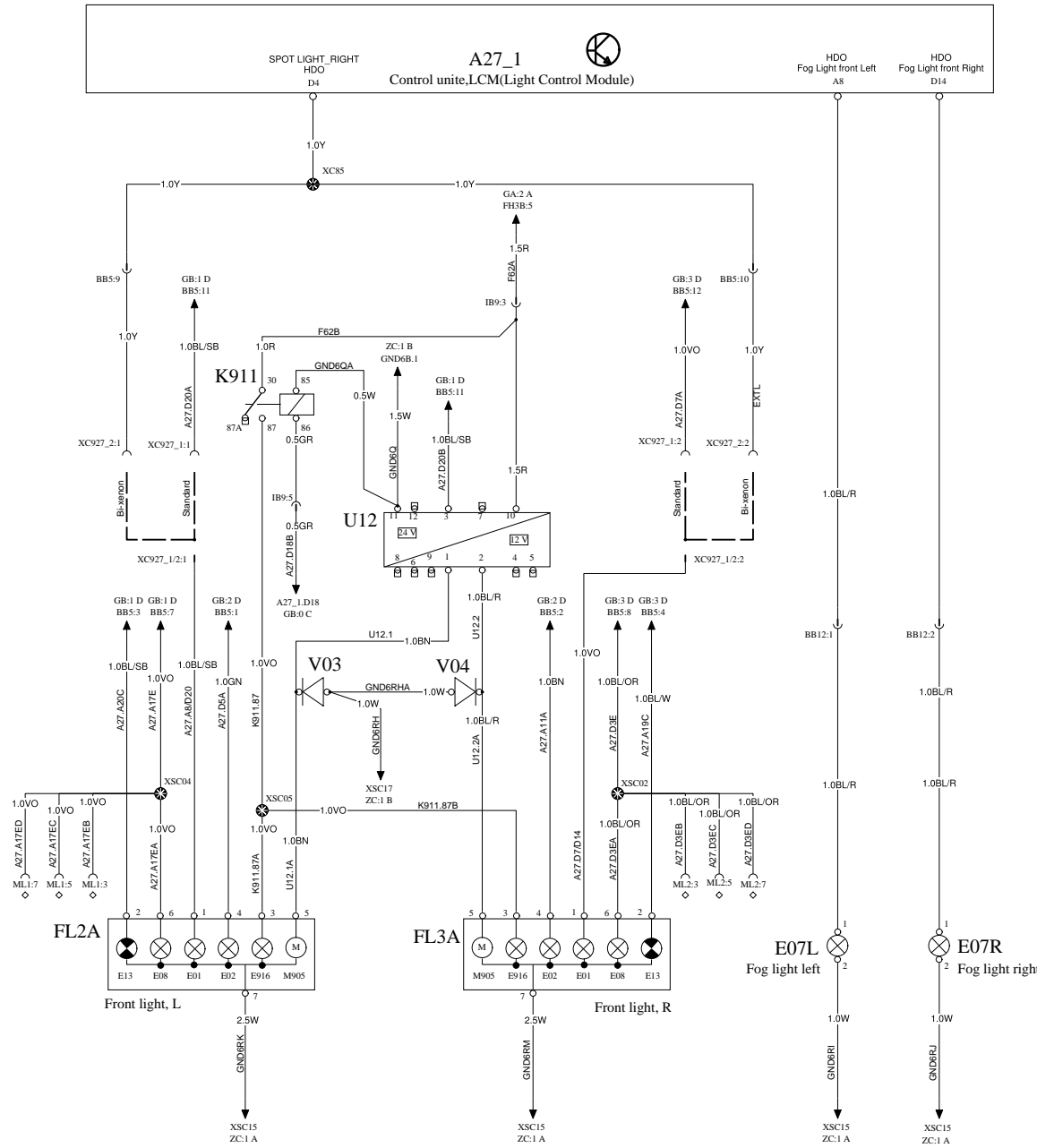
B13R - Switch Speed Dependent Ride Height

B13R - Pinch Protection





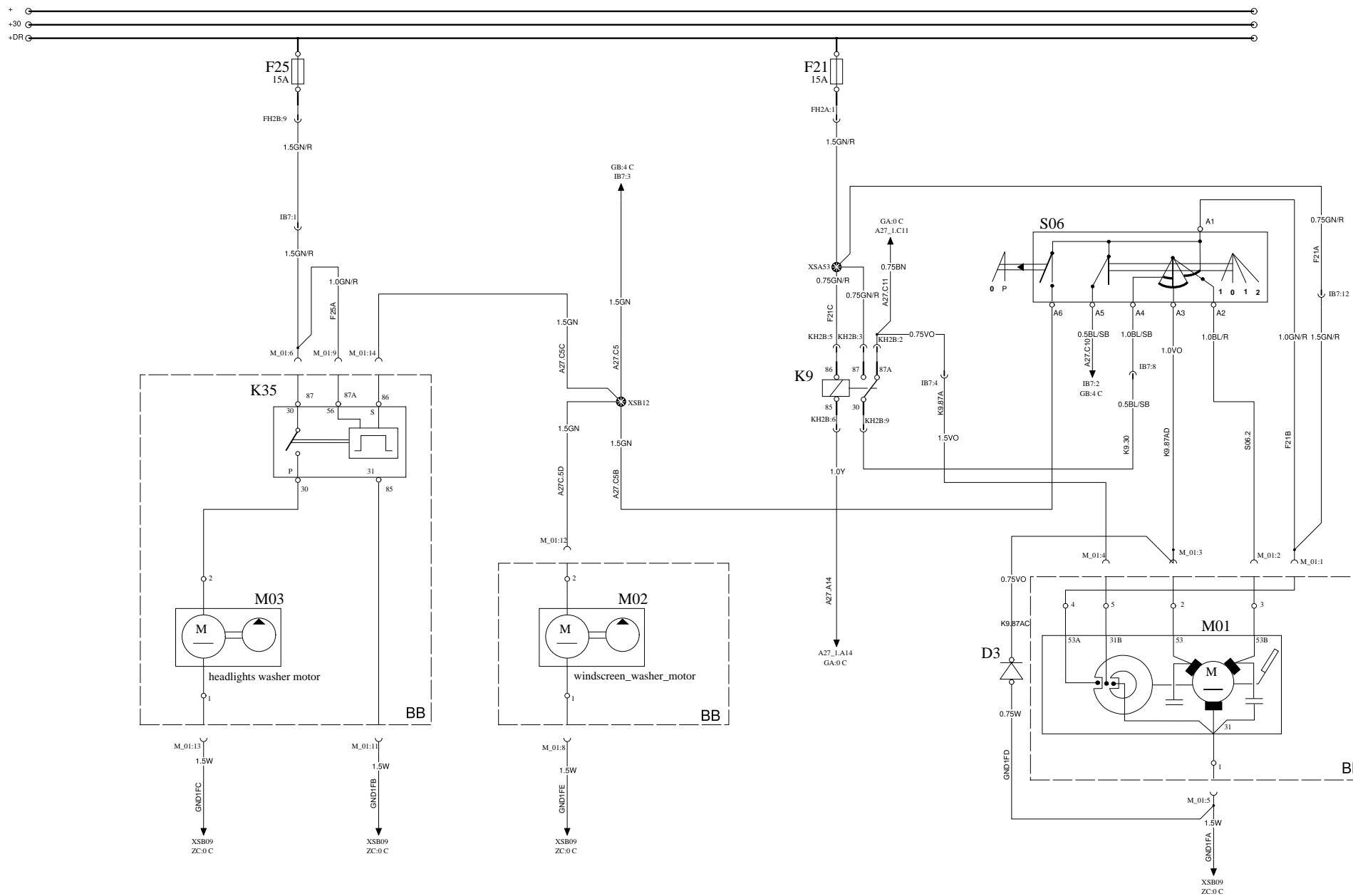


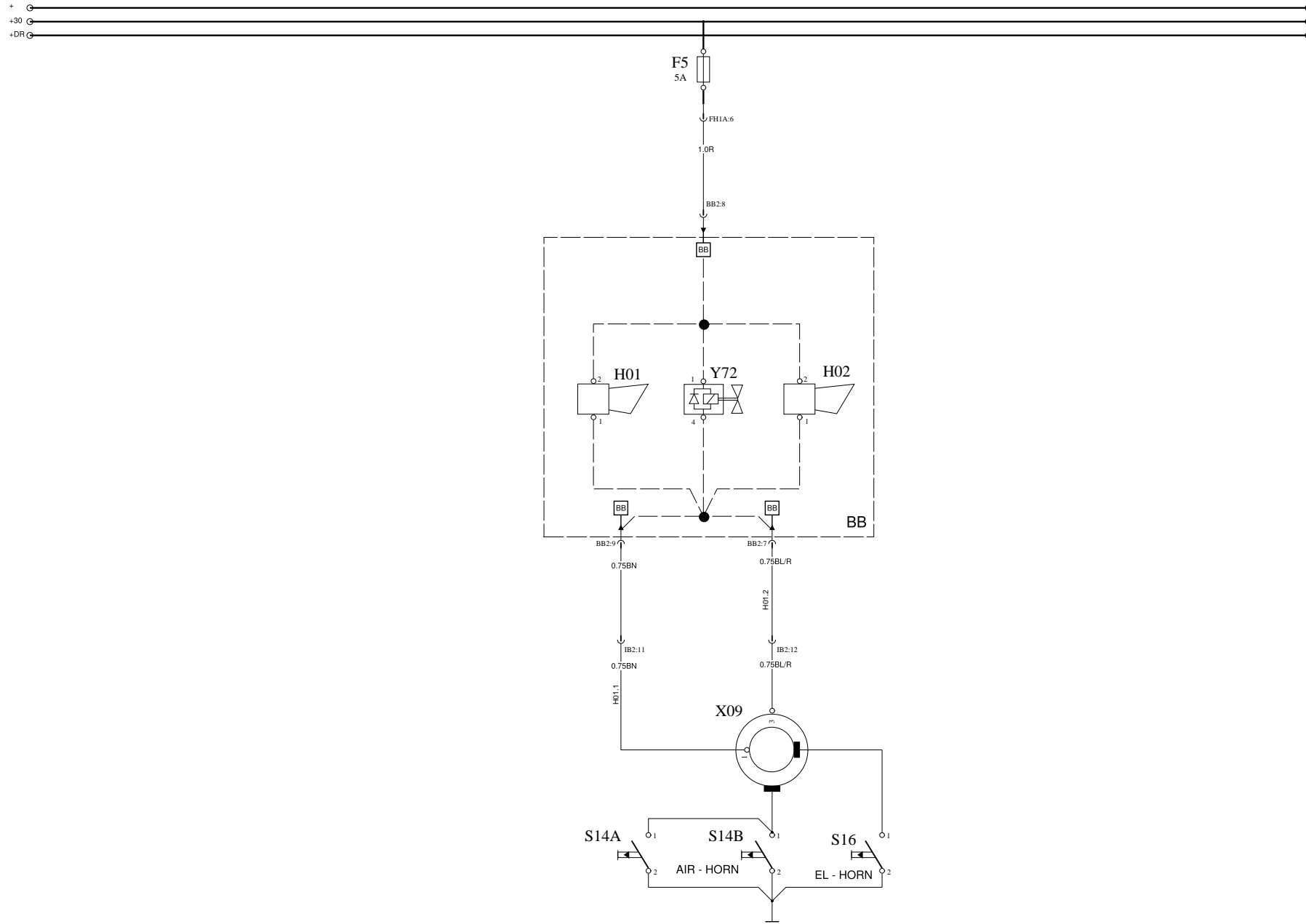




WIPER, WASHER

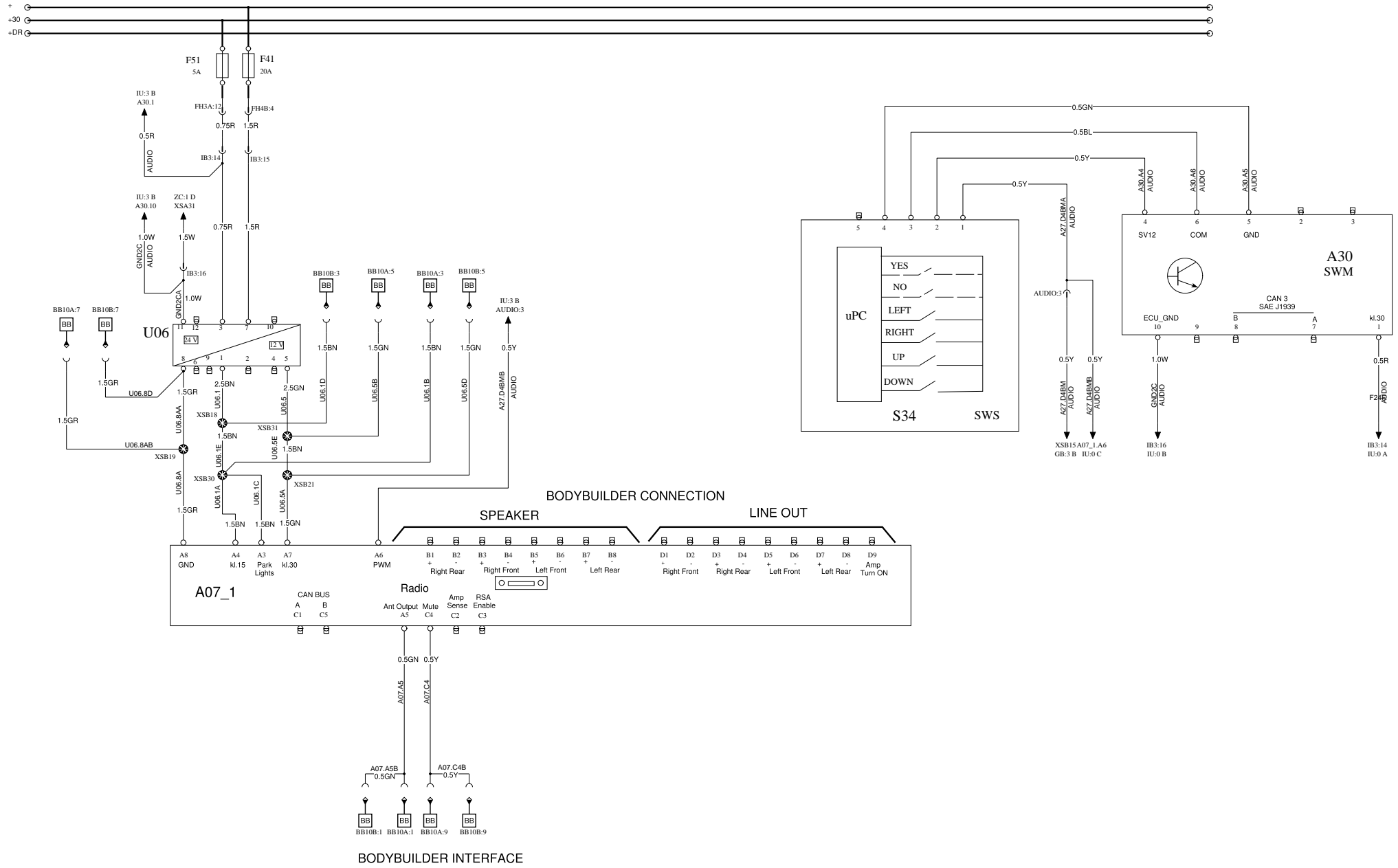
WIRING DIAGRAM GM





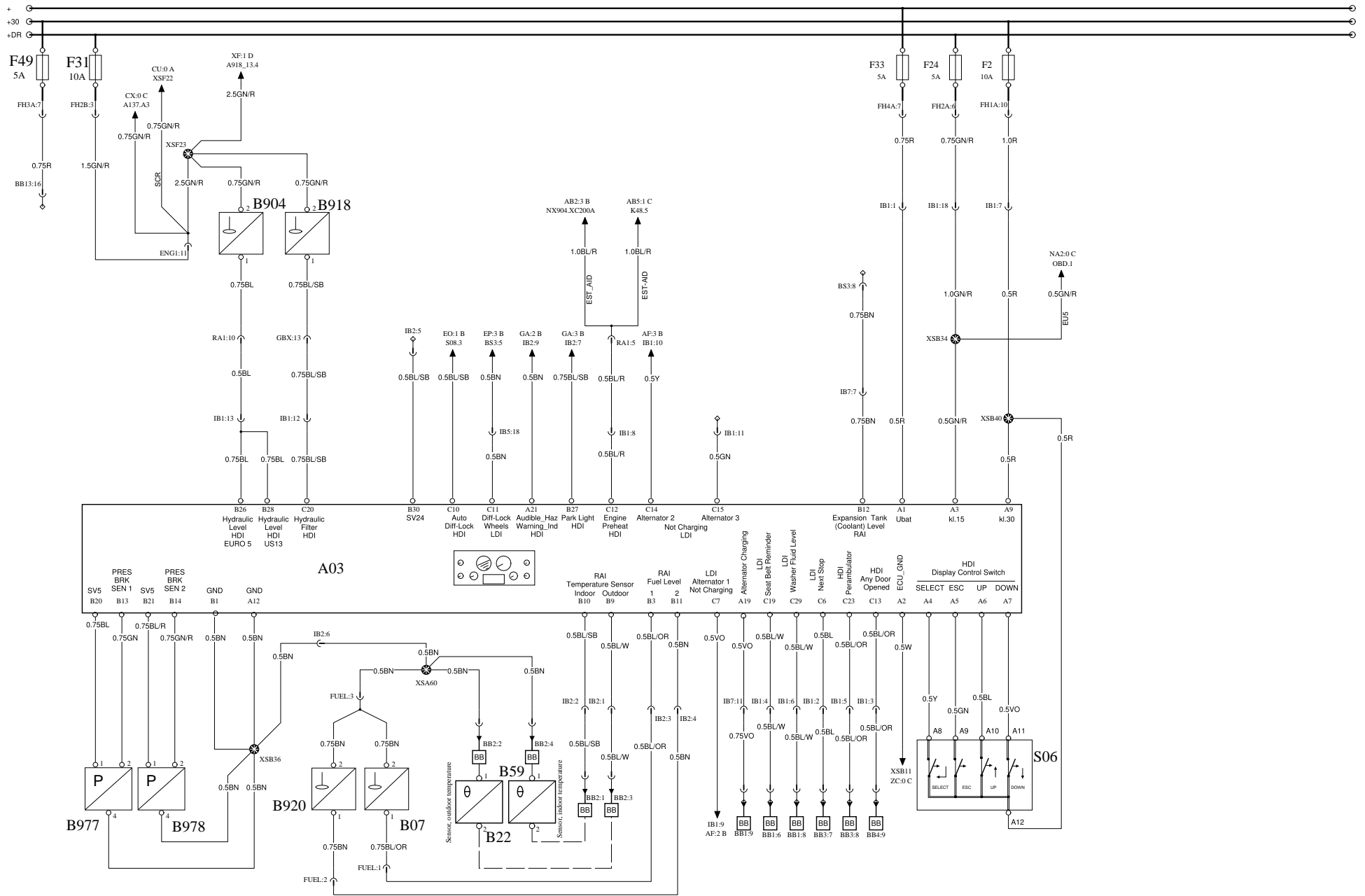
AUDIO

WIRING DIAGRAM IU

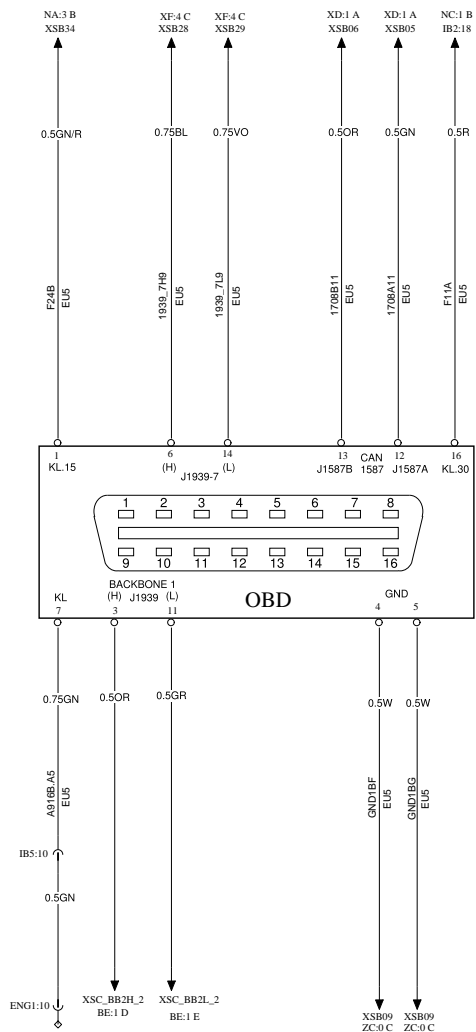


# BUS INSTRUMENT CLUSTER BIC2

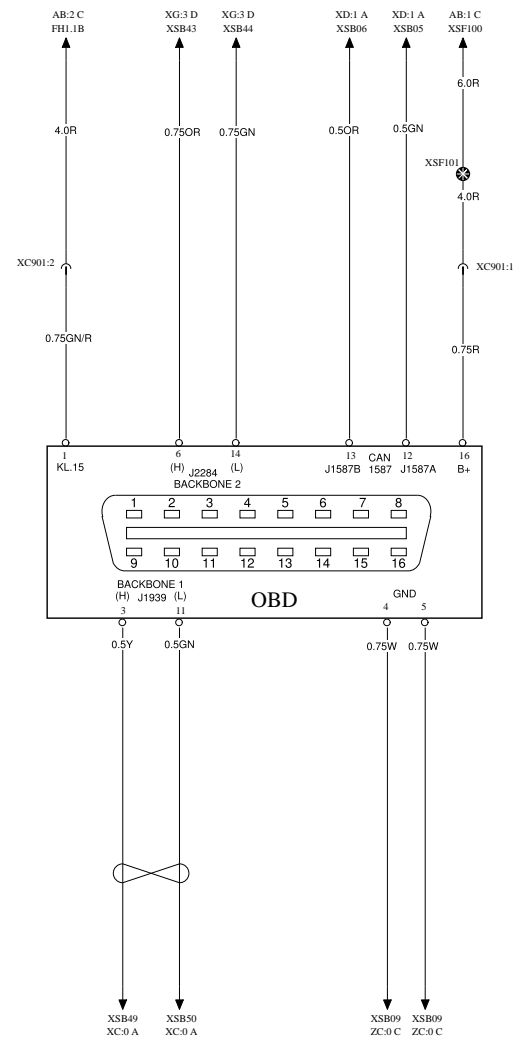
# WIRING DIAGRAM NA

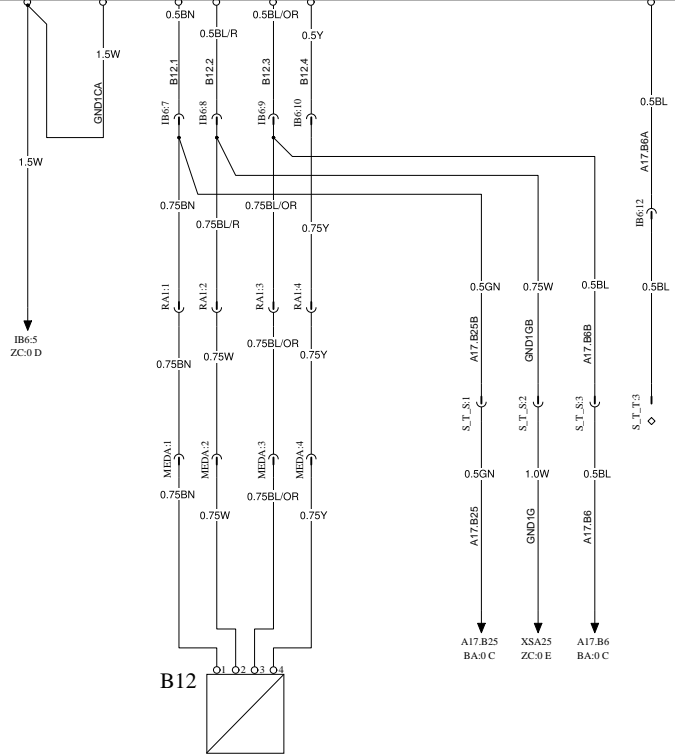
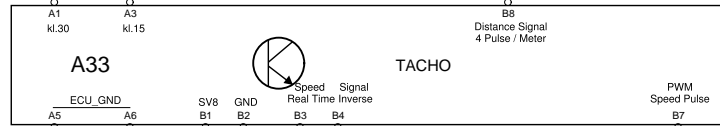
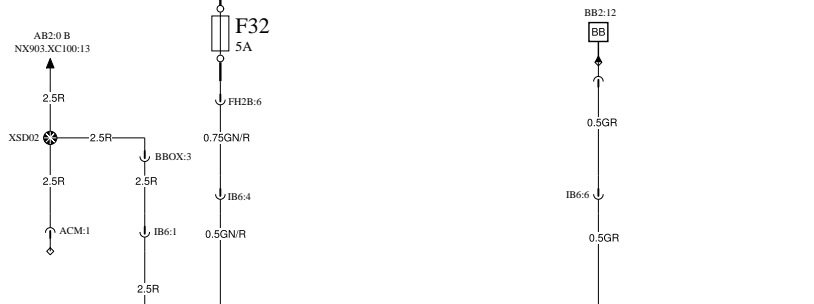
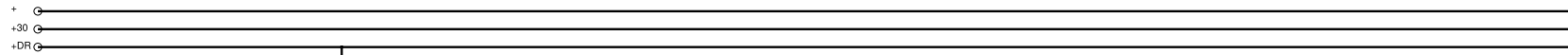


CONNECTIONS FOR EURO 5

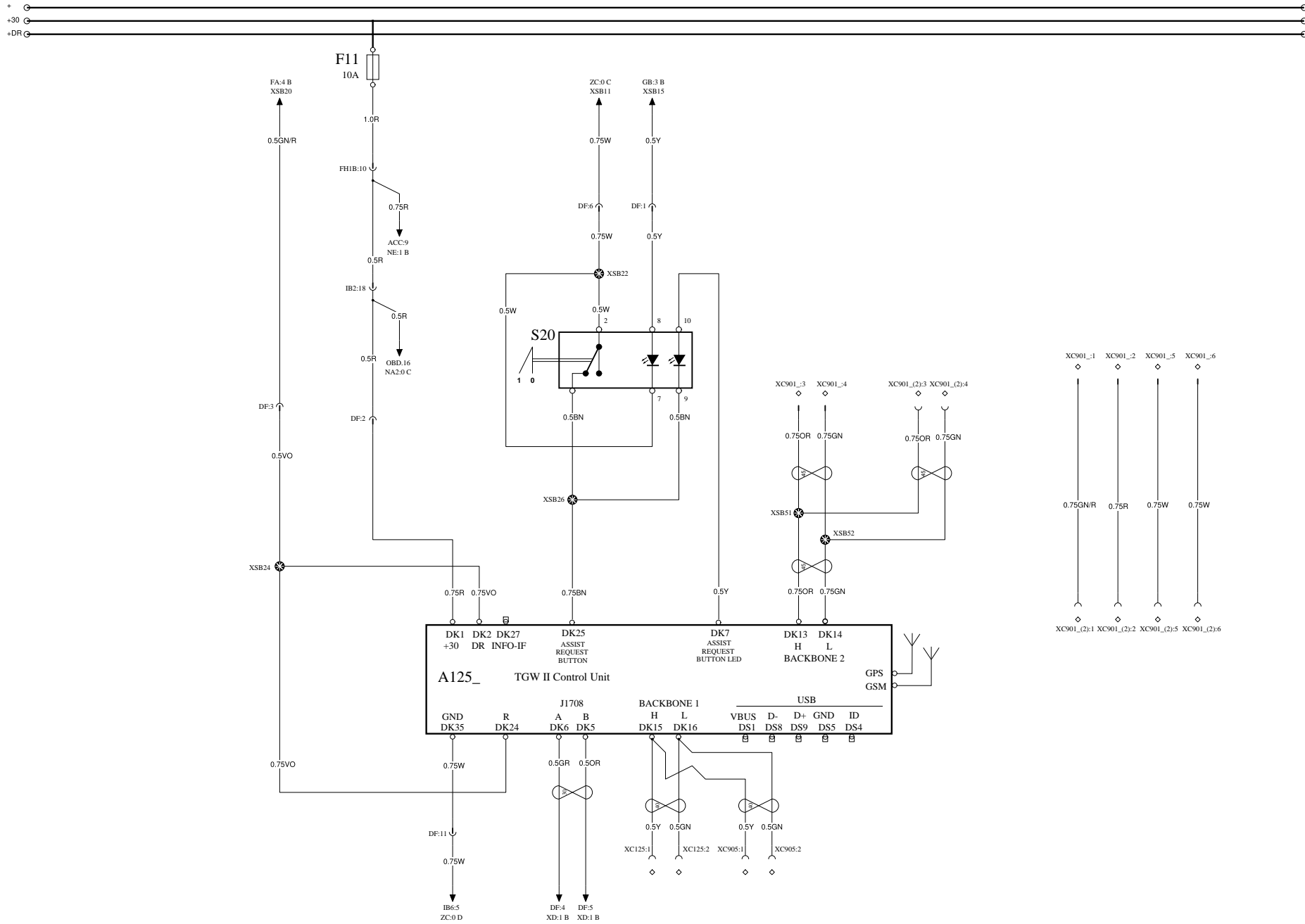


CONNECTIONS FOR US/CAN





Sensor,tachograph/speedometer

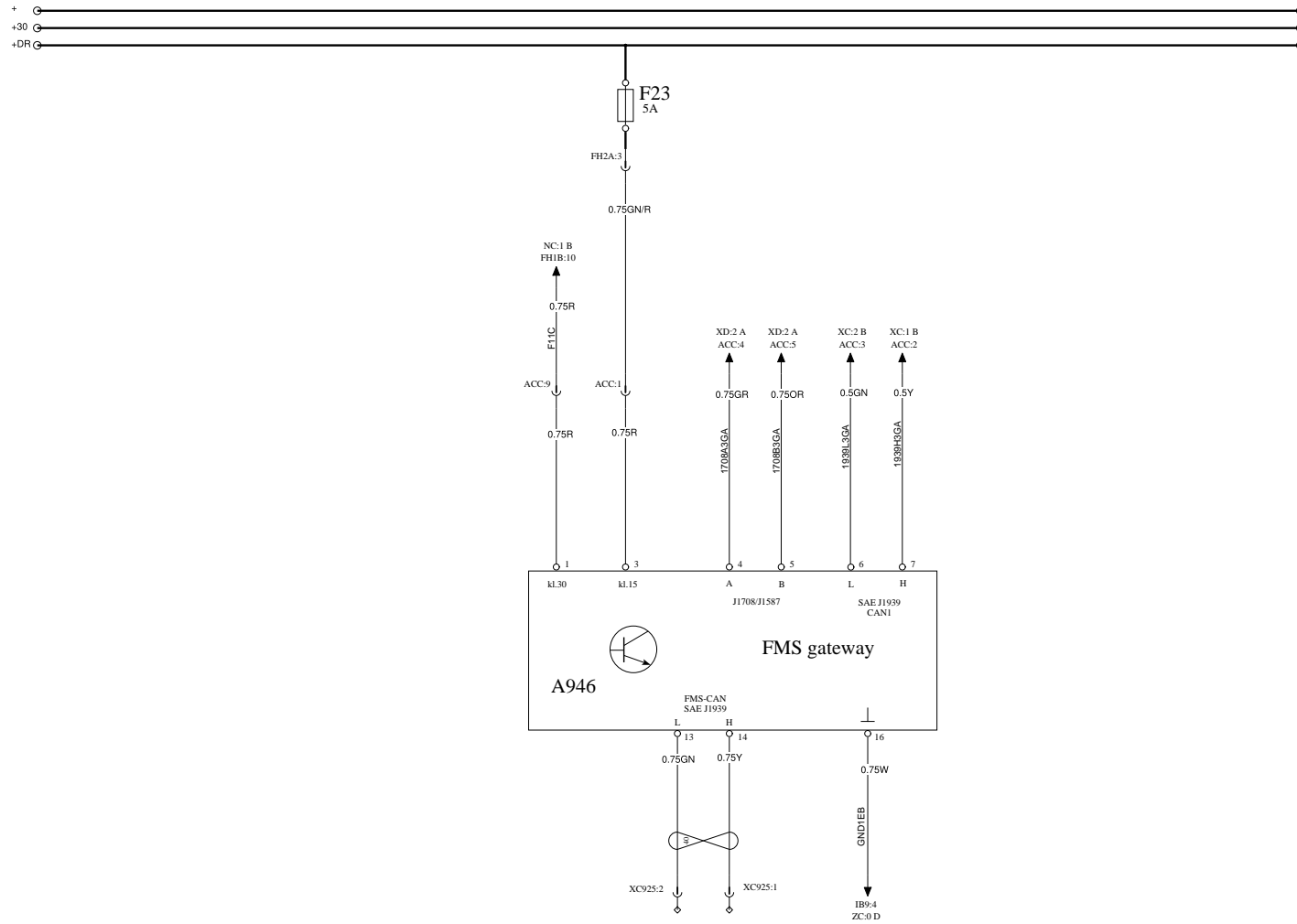






FMS GATEWAY

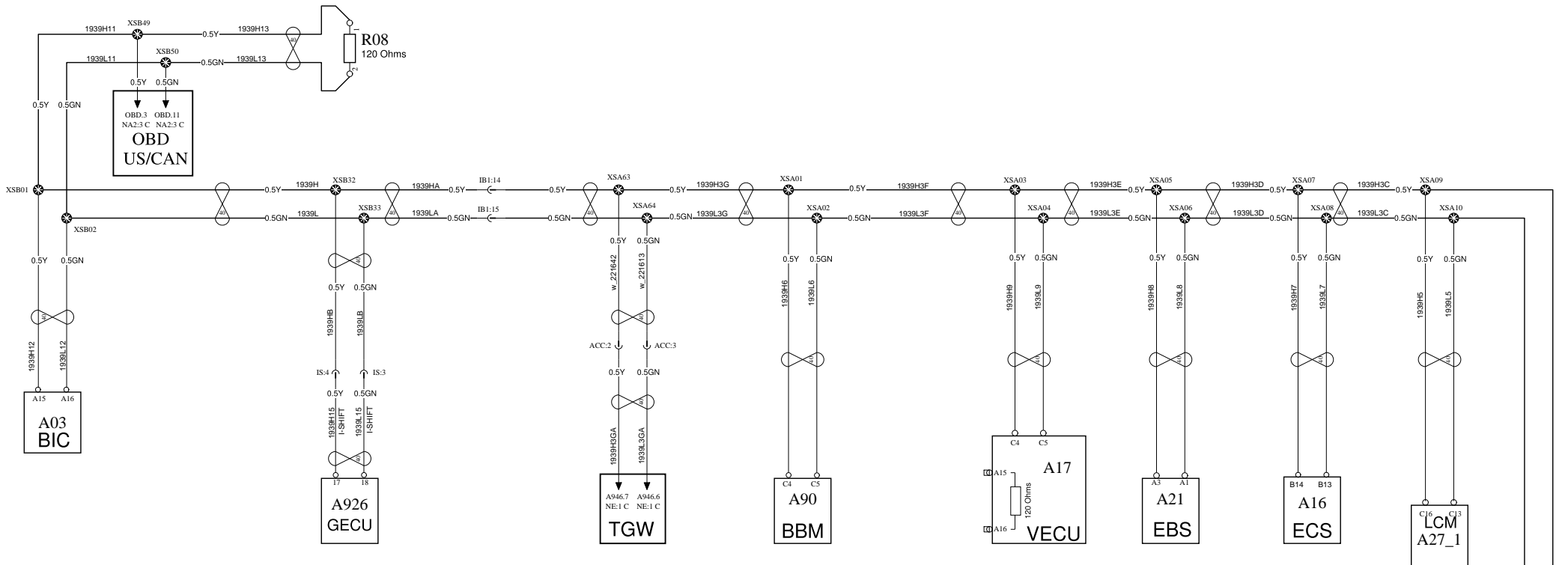
WIRING DIAGRAM NE



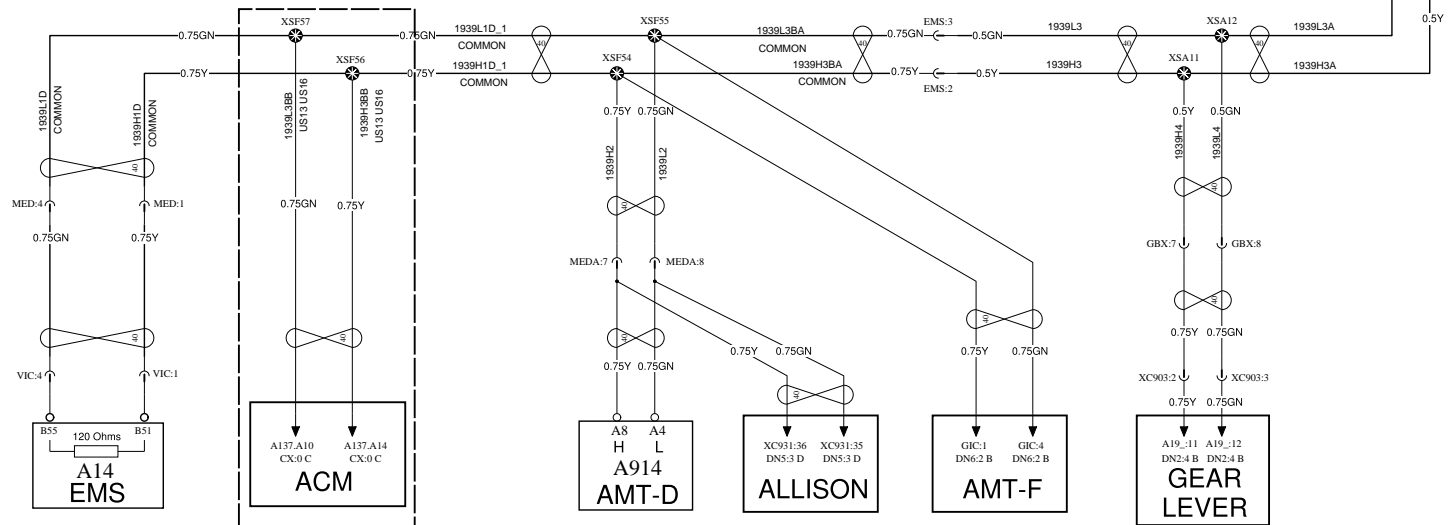
CAN SAE 1939

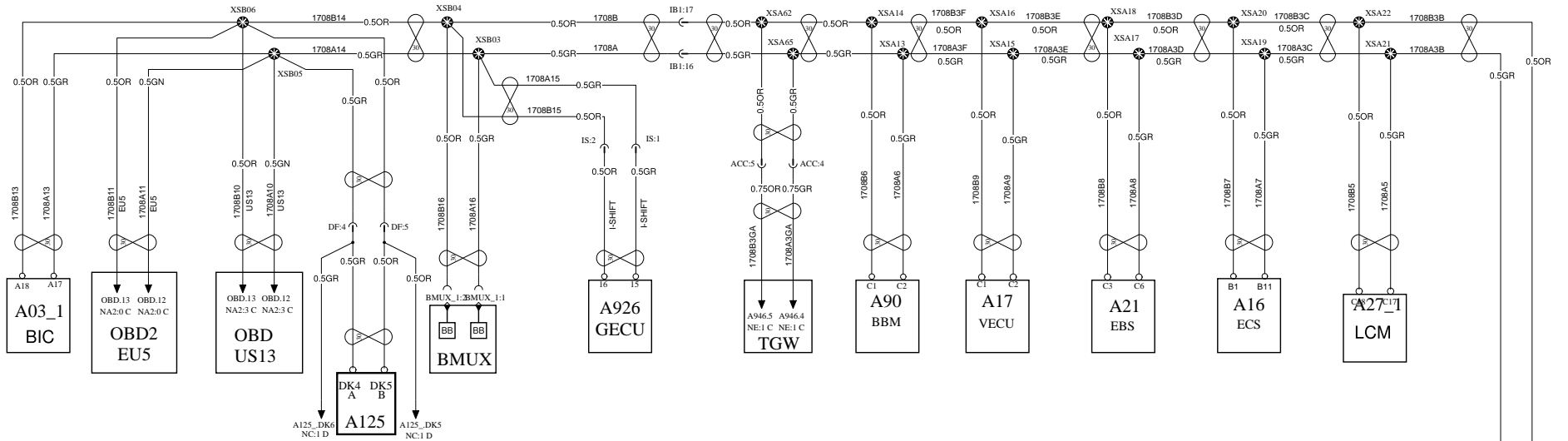
BACKBONE 1

WIRING DIAGRAM XC

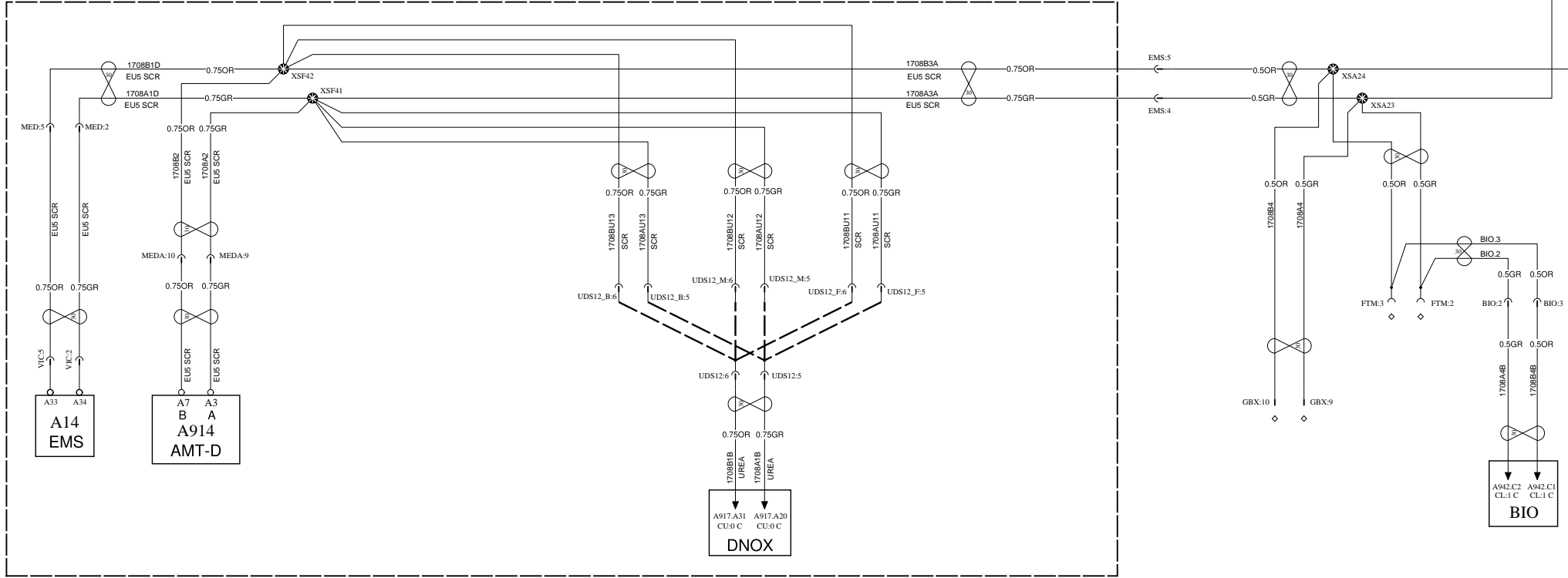


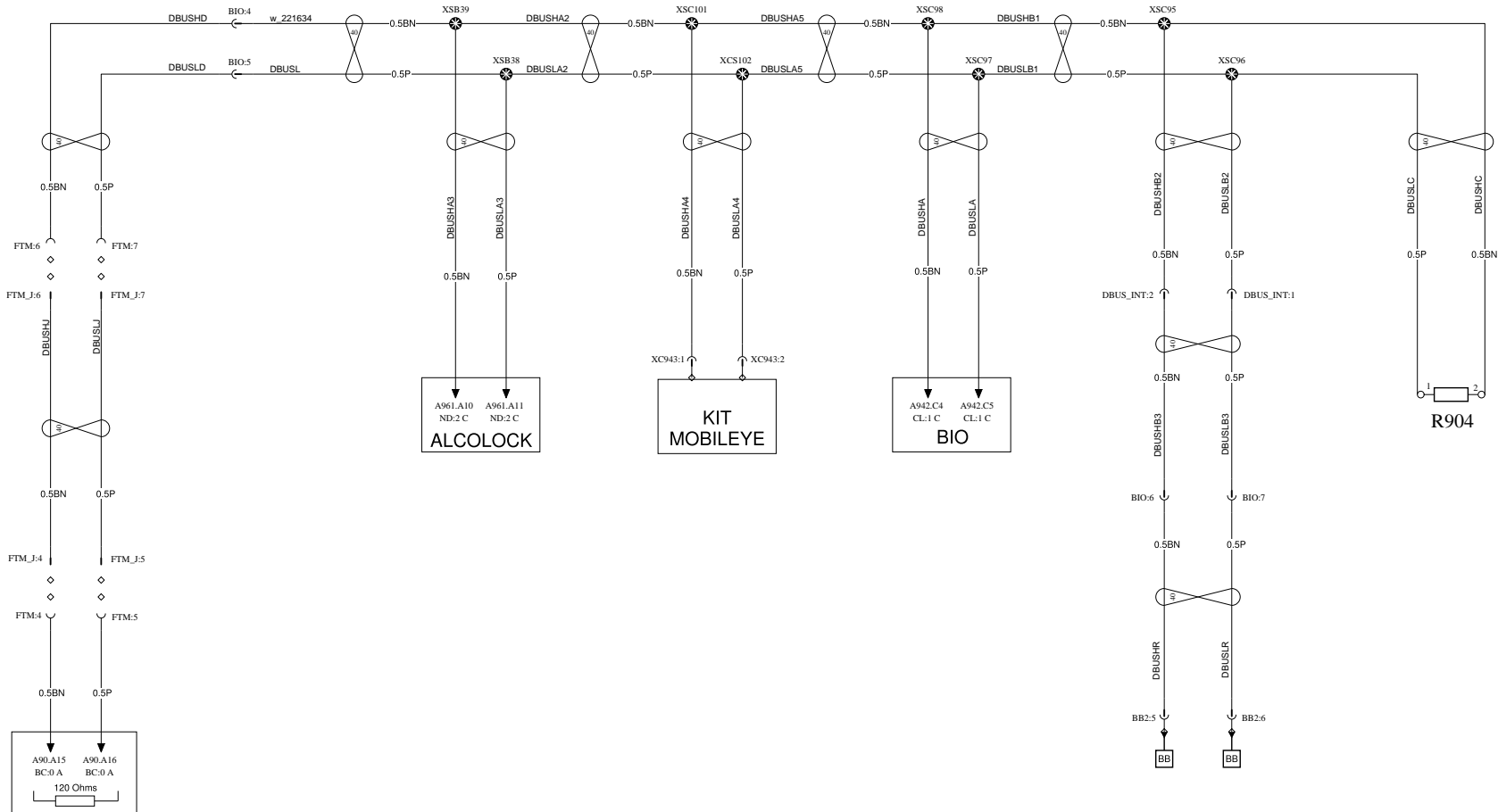
US/CAN

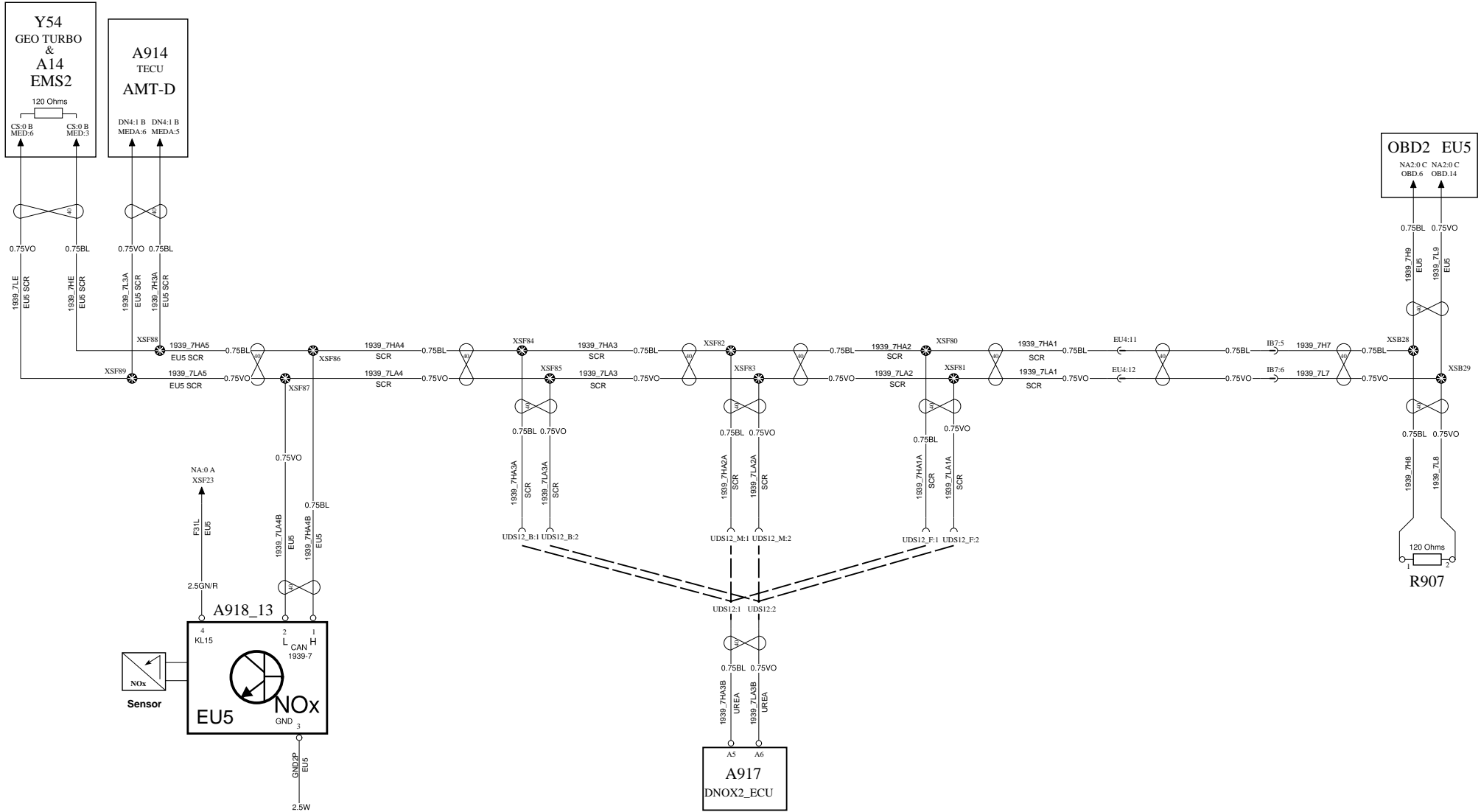


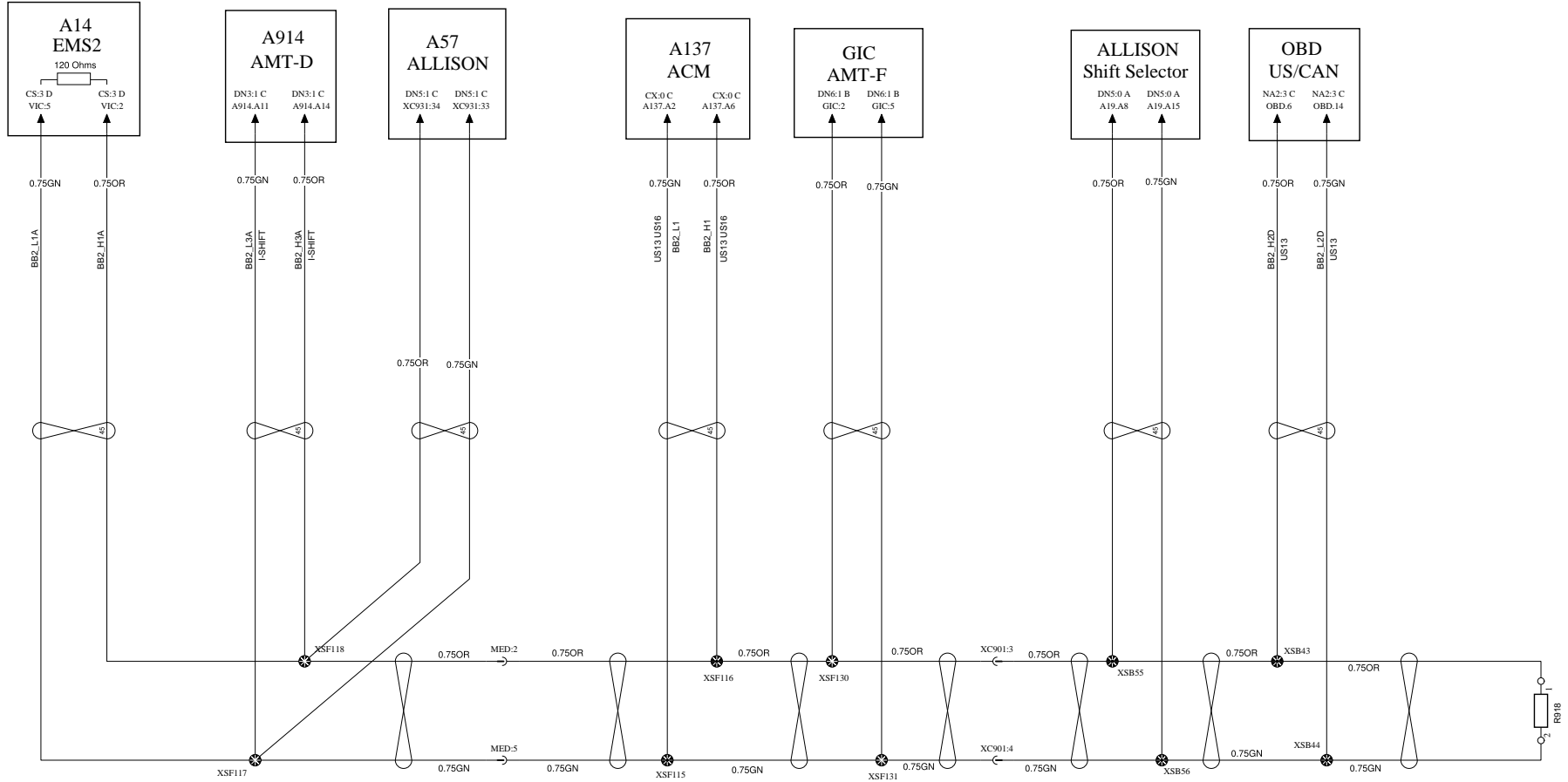


EURO 5

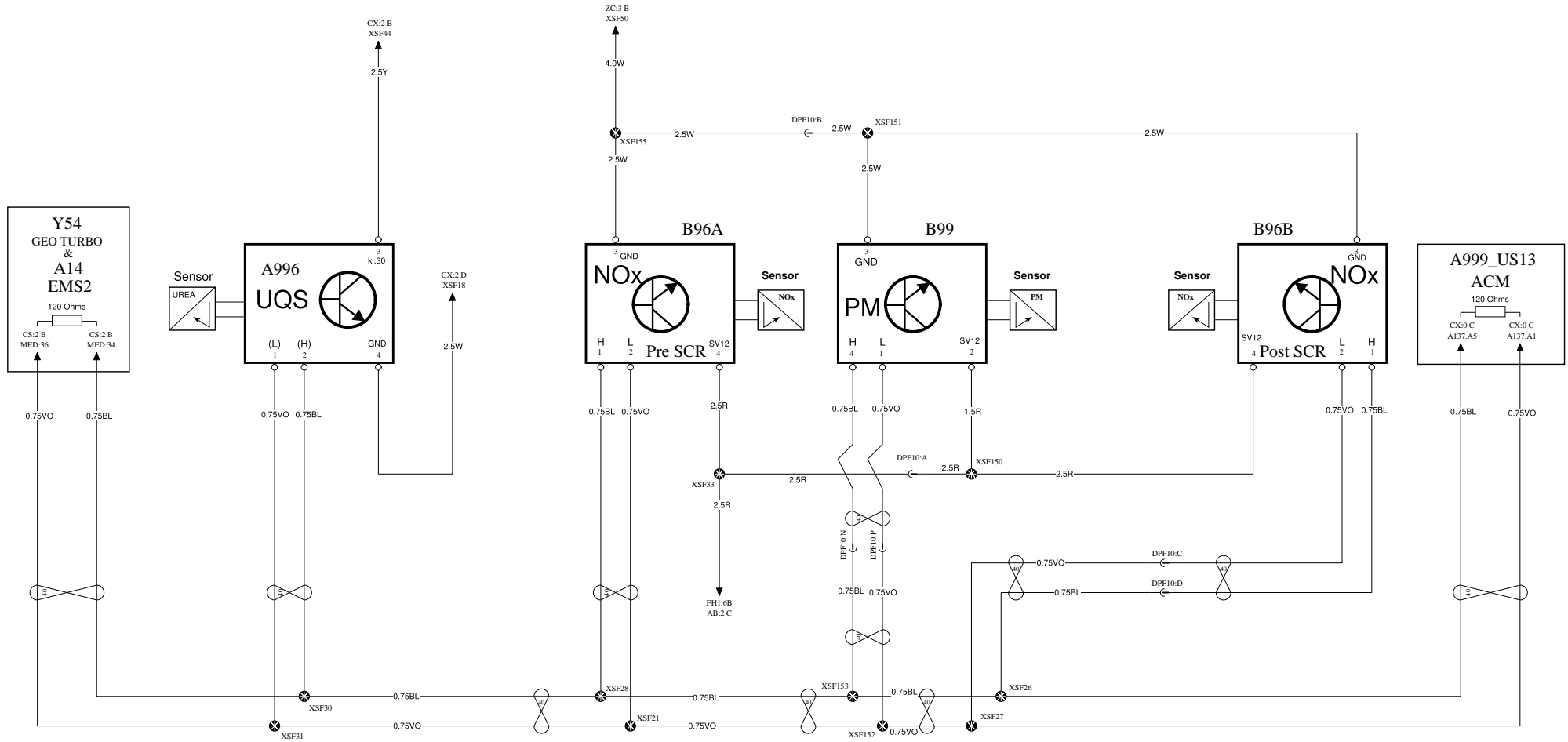


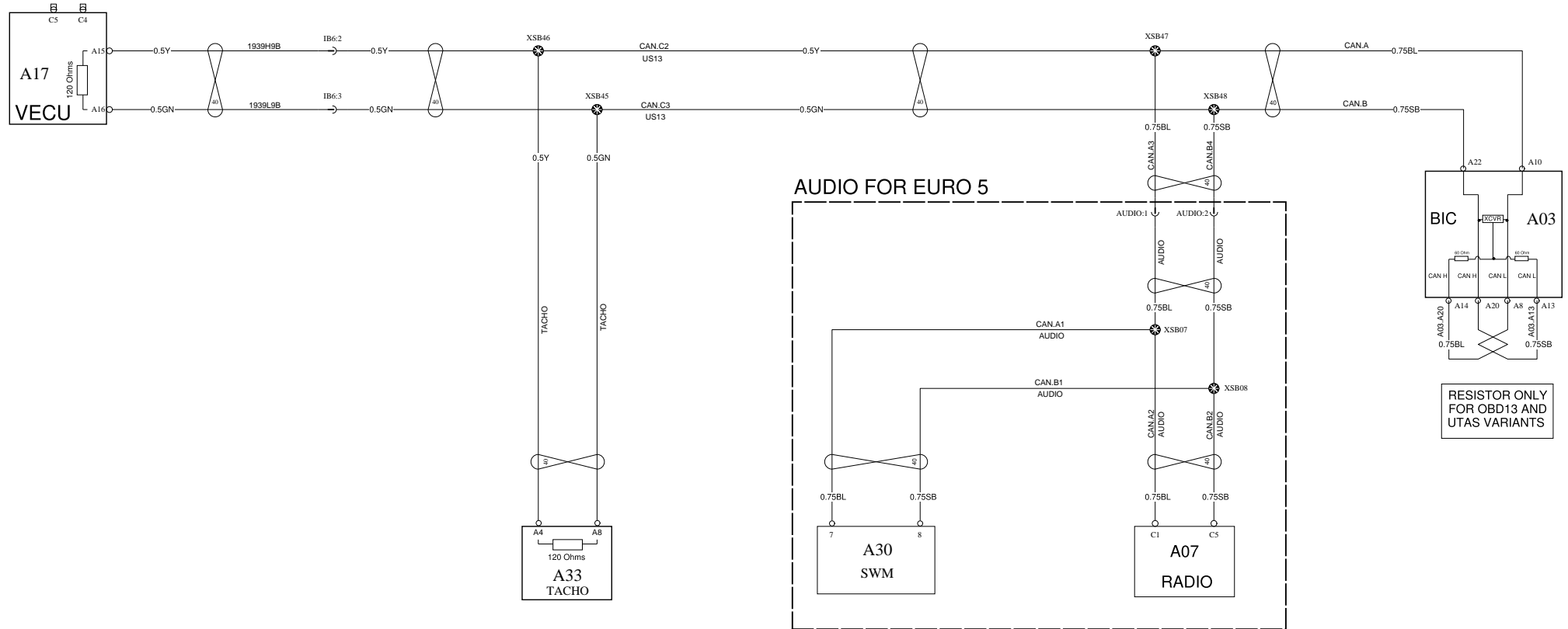






<b>VOLVO</b> Volvo Bus Corporation	Document title WIRING DIAGRAM	Document No  <b>22610880</b>	Issue  <b>08</b>	Volume  <b>02(03)</b>	Page  <b>45(48)</b>
	Document type PRODUCT SCHEMATIC				

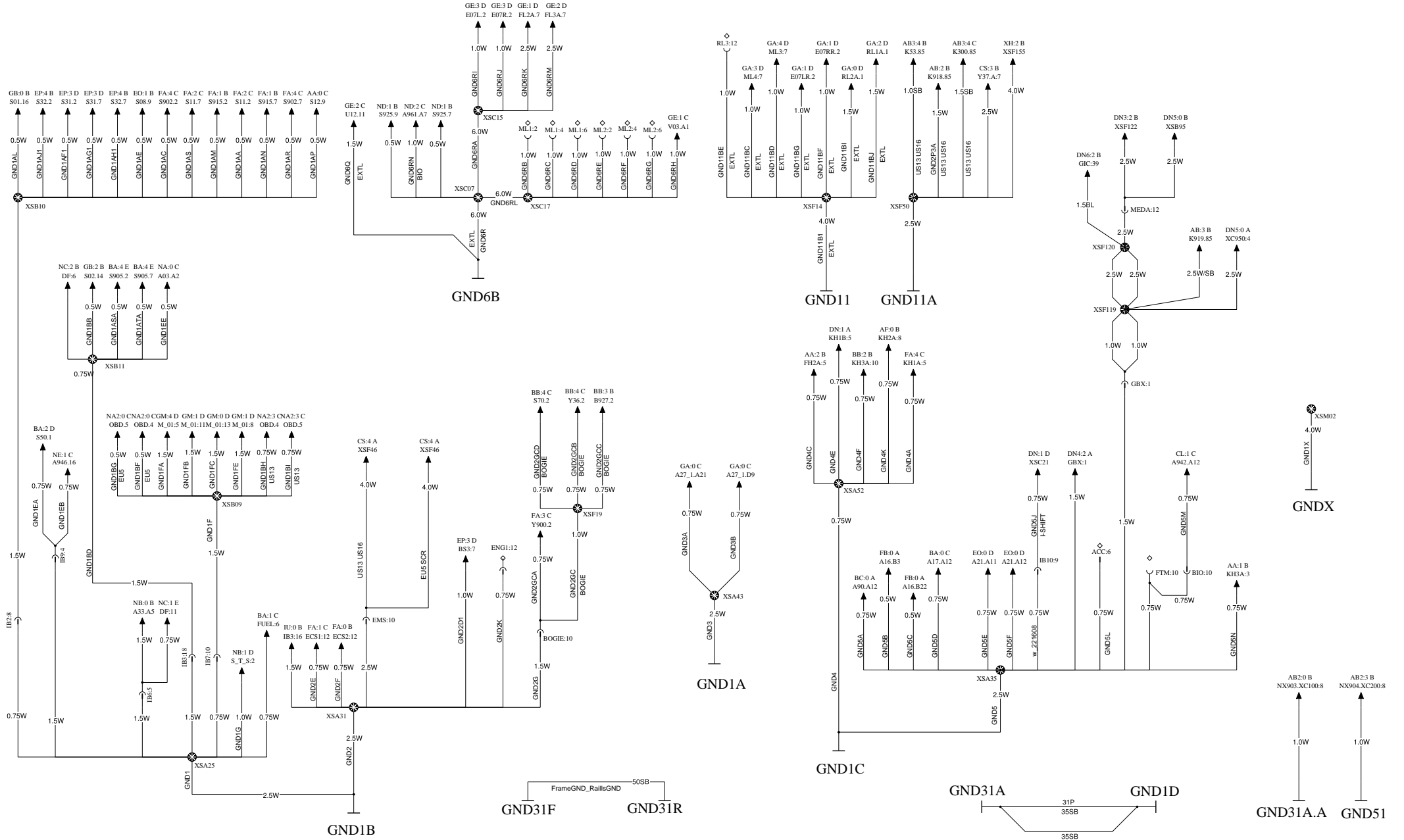






# GROUND

# WIRING DIAGRAM ZC



# REFERENCE INDEX

NAME	PAGE
GROUNDS	2
FUSES AND CIRCUIT BREAKERS	3
COMPONENTS	5
INLINES	12
SPLICES	31

**VOLVO**

Volvo Bus Corporation

Document title  
**WIRING DIAGRAM**

Document type  
**PRODUCT SCHEMATICS**

Document No  
**22610880**

Issue  
**08**

Volume  
**03(03)**

Sheet No  
**1(35)**

# GROUNDS

NAME	PAGE
GND	BA 2 E
GND1A	ZC 2 D
GND1B	ZC 1 E
GND1C	ZC 2 D
GND1D	ZC 4 E
GND1E	CS 4 B
GND1UA.1	CU 3 E
GND1UB.1	CU 3 E
GND2A	AF 2 E
GND2B	AF 3 E
GND6	GB 0 C
GND6B	ZC 1 B
GND11	ZC 2 B
GND11A	ZC 3 B
GND31A	ZC 3 E
GND31A.A	ZC 4 E
GND31A.B	AB 2 A
GND31B	AB2 1 E
GND31B	AB3 2 E
GND31F	ZC 1 E
GND31R	ZC 2 E
GND40	AF 1 E
GND41	AF 2 E
GND51	ZC 4 E
GND74	CU 4 E
GND75	AB 2 A
GND900	AB4 2 D
GND900	AC 3 A
GND_PH	AB5 2 D
GNDX	ZC 4 C

**VOLVO**

Volvo Bus Corporation

Document title  
**WIRING DIAGRAM**

Document type  
**PRODUCT SCHEMATICS**

Document No  
**22610880**

Issue  
**08**

Volume  
**03(03)**

Sheet No  
**2(35)**

# FUSES AND CIRCUIT BREAKERS

FUSE	DESCRIPTION	PAGE
F1 (5A)	ECS, 5A	FA 4 A
F2 (10A)	BIC2,10A	NA 3 A
F4 (20A)	EBS,20A	EO 0 A
F5 (5A)	Horn,5A	IS 2 A
F7 (15A)	Gearbox ECU I-shift, 10A	DN 2 B
F8 (5A)	Gear selector ,I-Shift,5A	DN 2 B
F9 (5A)	Switchbox start/stop rear, 5A	AA 3 A
F10 (5A)	Fire Alarm,5A	BB 0 A
F11 (10A)	Dyna fleet, FMS, 10A	NC 1 A
F12 (5A)	Body +30,5A	BB 1 A
F13 (10A)	Spare	AB 3 A
F14 (5A)	BBM,5A	BB 0 A
F15 (15A)	+15 signal for K918, K920, Y901, K48 & K5	BA 0 A
F16 (5A)	VECU,5A	BA 0 A
F17 (5A)	Switch feed, 5A	FA 4 A
F18 (5A)	Alternator, 5A	AF 3 A
F19 (10A)	Hymer, 10A	AF 0 A
F20 (10A)	EBS,10A	EO 0 A
F21 (15A)	Wiper,Washer,15A	GM 2 A
F23 (5A)	ACC, FMS,5A	NE 1 A
F24 (5A)	BIC 2,5A	NA 3 A
F25 (15A)	Washer motor, 15A	GM 1 A
F26 (5A)	ECS,5A	FA 4 A
F28 (10A)	Retarder, 10A	DN 1 A
F29 (5A)	Body +DR, 5A	BB 1 A
F31 (10A)	Hydraulic oil, DNOx2, 10A	NA 0 A
F32 (5A)	Tachograph,5A	NB 0 A
F33 (5A)	BIC 2,5A	NA 3 A
F35 (25A)	LCM ,25A	GA 0 A
F36 (25A)	LCM,25A	GA 1 A
F37 (25A)	LCM,25A	GA 1 A
F39 (25A)	DNOx2, 25A	CU 0 A
F40 (5A)	Voltage guard, 5A	AA 3 A
F41 (20A)	Radio,20A	IU 0 A
F42 (5A)	Maine Switch,5A	AA 0 A
F44 (25A)	LCM,25A	GA 0 A
F45 (25A)	LCM,25A	GA 1 A
F46 (25A)	LCM,25A	GA 0 A
F47 (5A)	Side marker L, 5A	GA 3 B
F48 (5A)	Side marker R, 5A	GA 3 B
F49 (5A)	Fuel cut off valve, 5A	NA 0 A
F51 (5A)	Radio,5A	IU 0 A
F52 (10A)	Luggage Light,10A	BB 2 A
F53 (10A)	Bogie Valve, Heater waterseperator, 5A	BB 4 A
F54 (5A)	Engine/Luggage hatch,5A	GA 2 A
F55 (10A)	Engine brake valve, Preheat relay, Fan sp	BA 1 A
F56 (10A)	Engine brake, 10A	BA 1 A
F57 (5A)	Key switch,5A	AA 0 A
F58 (5A)	FTM, 5A	CL 1 A
F59 (10A)	Fuse, +30, 24vj box rear, 5A	BE 3 A
F61 (10A)	Light, luggageroom,10A	GA 1 A
F62 (20A)	Light sleeping compartment, 20A	GA 2 A
F63 (5A)	Starter motor control, 5A	CL 3 B
F64 (10A)	Load Indicator	CL 3 B

# VOLVO

Volvo Bus Corporation

Document title  
**WIRING DIAGRAM**

Document type  
**PRODUCT SCHEMATICS**

Document No	Issue	Volume	Sheet No
<b>22610880</b>	<b>08</b>	<b>03(03)</b>	<b>3(35)</b>

FUSE	DESCRIPTION	PAGE
F70 (3A)	Fuse, External Charger Starter Battery	AB3 4 C
F76 (80A)	FUSE, 12V Equalizer	AB 1 A
F77 (40A)	FUSE, 24V Equalizer	AB 1 A
F90A (30A)	FUSE - DNOX2RA	CU 3 D
F90B (30A)	FUSE - DNOX2RB	CU 3 D
F99 (15A)	Fuse, Allison +30 power supply	AB 3 B
F100 (10A)	10A Fuse, OBD connection to B+	AB 1 B
F206 (5A)	External Pre-Heater, 5A	AB5 1 C
F907 (20A)	Fuse 12V I-shift	AB 2 C
F915 (30A)	Fuse 12V EMS2	AB 2 C
F955 (20A)	Fuse 12V Act. EMS2	AB 2 C
F956 (10A)	Fuse 12V Fuel Pump	AB 2 C
F957 (20A)	Fuse 12V Cool Fan	AB 2 C
F958 (10A)	FUSE 12V Allison, GBX and OBD connector	AB 2 C

**VOLVO**

Volvo Bus Corporation

Document title  
**WIRING DIAGRAM**

Document type  
**PRODUCT SCHEMATICS**

Document No  
**22610880**

Issue  
**08**

Volume  
**03(03)**

Sheet No  
**4(35)**

# COMPONENTS

COMPONENT	DESCRIPTION	PAGE
30UA.1	Terminal - Power for heated hose	CU 3 D
30UB.1	Terminal - Power for heated hose	CU 3 D
A03	Instrument cluster	NA 0 C
A03	Instrument cluster	XC 0 B
A03	Instrument cluster	XJ 4 B
A03_1	Instrument cluster	XD 0 B
A07	Radio	XJ 3 D
A07_1	Radio	IU 0 C
A13	Control unit, TECU, I-Shift AMT-F	DN6 1 C
A14	Control unit EMS	XC 1 E
A14	Control unit EMS	XD 0 D
A16	ECS	FA 0 D
A16	ECS	FB 0 A
A16	ECS	FB2 3 B
A16	ECS	XC 4 C
A16	ECS	XD 3 B
A17	VECU	BA 0 C
A17	VECU	XC 3 C
A17	VECU	XD 3 B
A17	VECU	XJ 0 A
A19	Control unit,GECU(gear selector ECU)	DN5 0 A
A19_1	Control unit,GECU(gear selector ECU)	DN2 0 B
A19_2	Control unit,GECU(gear selector ECU)	DN2 3 B
A21	EBS	EO 0 D
A21	EBS	EP 0 A
A21	EBS	XC 3 C
A21	EBS	XD 3 B
A26	Control unite,ACC(Adaptive Cruise Control	BE 0 C
A27_1	Control unite,LCM(Light Control Module)	GA 0 C
A27_1	Control unite,LCM(Light Control Module)	GB 0 C
A27_1	Control unite,LCM(Light Control Module)	GE 2 A
A27_1	Control unite,LCM(Light Control Module)	XC 4 C
A27_1	Control unite,LCM(Light Control Module)	XD 3 B
A30	Control unite,SWM(Steering Wheel Module)	IU 3 B
A30	Control unite,SWM(Steering Wheel Module)	XJ 3 D
A33	TACHO	NB 0 B
A33	TACHO	XJ 1 D
A41	Body I/O Module 41	CZ 0 C
A41	Body I/O Module 41	DN4 1 D
A41_		CZ 3 C
A42	Component group transmission.Contains B26	DN3 2 D
A42	Component group transmission.Contains B26	DN4 2 D
A57	Control unit, Body	DN5 0 C
A58	Control unit, Body	DN5 1 D
A80	Air Dryer	BA 2 E
A90	BBM	AA 0 E
A90	BBM	BB 0 E
A90	BBM	BC 0 A
A90	BBM	BE 4 A
A90	BBM	XC 2 C
A90	BBM	XD 2 B
A124	Starter motor with relay	AF 1 D
A125	Control unit, TGW	XD 1 B
A125_	TGW II Control Unit	NC 1 D

# VOLVO

Volvo Bus Corporation

Document title  
**WIRING DIAGRAM**

Document type  
**PRODUCT SCHEMATICS**

Document No  
**22610880**

Issue  
**08**

Volume  
**03(03)**

Sheet No  
**5(35)**

COMPONENT	DESCRIPTION	PAGE
A133	Handset	ND 1 D
A137	DEF CONTROL MODULE	CX 0 C
A176	Control unit, LPOS, Lane Position and Obj	BE 1 A
A914	Control unit, TECU, I-Shift AMT-D	DN3 1 C
A914	Control unit, TECU, I-Shift AMT-D	DN4 1 C
A914	Control unit, TECU, I-Shift AMT-D	XC 2 E
A914	Control unit, TECU, I-Shift AMT-D	XD 0 D
A917	DNOX2_ECU	CU 0 C
A917	DNOX2_ECU	XF 2 D
A918_13	NOx-sensor	XF 1 D
A926	GearShift_ECU	DN 1 C
A926	GearShift_ECU	XC 1 C
A926	GearShift_ECU	XD 2 B
A942	BIO - Bus I/O	CL 1 C
A946	FMS GATEWAY	NE 1 C
A961	Control unit, Alcolock Interlock	ND 2 C
A996	UQS	XH 1 B
A998	DEF Pump	CX 1 B
B03	Sensor,footbrake valve	EO 0 C
B06	Wet tank press	BA 4 B
B07	Sensor,fuel level front axle	NA 1 E
B12	Sensor,tachograph/speedometer	DN6 3 C
B12	Sensor,tachograph/speedometer	NB 1 E
B13	Sensor,wheel speed, lhs. 1:st front axle	EO 2 B
B14	Sensor,wheel speed, rhs. 1:st front axle	EO 2 B
B15	Sensor,Wheel speed, lhs. 1:st driven rear	EO 3 B
B16	Sensor,Wheel speed, rhs. 1:st driven rear	EO 3 B
B22	Sensor, outdoor temperature	NA 1 D
B25	Sensor,accelerator pedal	BA 2 B
B29	sensor chassis level rear axle LHS	FB 2 D
B30	sensor chassis level rear axle RHS	FB 2 D
B32_10	Sensor Eng. cooling fan Speed	CS 2 A
B32_13	Sensor Eng. cooling fan speed	CS 2 A
B39	Sensor,air filter press/Temp.	CS 2 D
B40	Sensor,brake lining wear indicator,lhs. 1	EO 2 B
B41	Sensor,brake lining wear indicator,rhs. 1	EO 1 B
B42	Sensor,brake lining wear indicator,lhs. 1	EO 3 B
B43	Sensor,brake lining wear indicator,rhs.1:	EO 2 B
B49	Sensor,steering angle	EP 2 D
B50	Sensor,yaw-rate	EP 2 D
B57	Sensor,air pressure, suspension bellows,l	FB 0 C
B58	Sensor,air perssure,suspension bellow,rhs	FB 1 C
B59	Sensor, indoor temperature	NA 1 D
B69C	Sensor,coolant temperature, retarder	CZ 1 C
B69C	Sensor,coolant temperature, retarder	DN4 1 D
B96A	Pre-Sensor, NOx	XH 2 C
B96B	Pos Sensor, NOx	XH 4 C
B99	Sensor, PM soot sensor	XH 2 C
B238	Sensor, FLS (Forward Looking Sensor)	BE 1 A
B904	hydr_oil_level_sens	NA 1 B
B906	Sensor,Brake Press ( 6*2 )	BC 1 C
B910	sensor air press. ECS port 21	FB 0 C
B914	sensor chassis level front axle LHS	FB 3 D
B915	sensor chassis level front axle RHS	FB 3 D

# VOLVO

Volvo Bus Corporation

Document title  
**WIRING DIAGRAM**

Document type  
**PRODUCT SCHEMATICS**

Document No  
**22610880**

Issue  
**08**

Volume  
**03(03)**

Sheet No  
**6(35)**

COMPONENT	DESCRIPTION	PAGE
B918	Hydraulic oil level sensor_2	NA 1 B
B920	Sensor,fuel level 2 front axle	NA 1 E
B923	Sensor_temp/level_adblue_tank_SCRT_DNOX2	CU 3 D
B927	Sensor Hydr.oil press	BB 3 B
B930	Sensor_temp upstream scrt_DNOX2	CU 2 A
B940	Sensor brake lining wear indicator,A/B R	EP 1 D
B941	Sensor brake lining wear indicator,A/B L	EP 1 D
B942	sensor_wheel_speed_A/B R	EP 1 D
B943	sensor_wheel_speed A/B L	EP 1 D
B973	Fire Sensor, 150°C	BB 0 C
B974	Fire sensor	BB 0 C
B975	Fire sensor	BB 0 C
B977	Sensor, brake pressure	NA 0 D
B978	Sensor, brake pressure	NA 0 D
B979	Parking brake pressure	BB 1 C
B980	Auxilliary pressure	BB 1 C
B985	Fire sensor 4, D13	BB 0 B
B986	Fire sensor 5, D13	BB 0 B
B991_10	temp. DPF	CX 3 B
B992_10	temp. DPF	CX 3 B
B993_10	temp. DPF	CX 3 B
B994_10	temp. Muffler	CX 3 B
B995_13	SENSOR, DPF PRESSURE	CX 2 B
BBI	BodyBuilder Interface Connector	AA 0 C
BBI	BodyBuilder Interface Connector	AB2 1 C
BBI	BodyBuilder Interface Connector	AB4 2 B
BBI	BodyBuilder Interface Connector	AF 0 B
BBI	BodyBuilder Interface Connector	BA 0 D
BBI	BodyBuilder Interface Connector	BB 2 C
BBI	BodyBuilder Interface Connector	BC 3 B
BBI	BodyBuilder Interface Connector	CL 1 B
BBI	BodyBuilder Interface Connector	EP 2 B
BBI	BodyBuilder Interface Connector	FA 1 B
BBI	BodyBuilder Interface Connector	FB 2 B
BBI	BodyBuilder Interface Connector	FB2 3 C
BBI	BodyBuilder Interface Connector	GA 1 B
BBI	BodyBuilder Interface Connector	GB 3 B
BBI	BodyBuilder Interface Connector	IS 2 C
BBI	BodyBuilder Interface Connector	IU 1 E
BBI	BodyBuilder Interface Connector	NA 2 D
BBI	BodyBuilder Interface Connector	NB 1 A
BBI	BodyBuilder Interface Connector	ND 1 A
BBI	BodyBuilder Interface Connector	XD 1 B
BBI	BodyBuilder Interface Connector	XE 3 D
D1	Diod	BA 1 E
D2	Diod	AA 2 D
D3	Diode - Wiper motor	GM 3 D
D8	Diode for UMAIN module	AA 1 A
E07L	Fog light left	GE 3 D
E07LR	Fog light left rear	GA 1 D
E07R	Fog light right	GE 3 D
E07RR	Fog light right rear	GA 1 D
E09	Lamp,brake light	GA 0 D
E11LA	Side marker light left	GA 3 D

# VOLVO

Volvo Bus Corporation

Document title  
**WIRING DIAGRAM**

Document type  
**PRODUCT SCHEMATICS**

Document No  
**22610880**

Issue  
**08**

Volume  
**03(03)**

Sheet No  
**7(35)**



COMPONENT	DESCRIPTION	PAGE
E11LF	Side marker light left front	GA 3 D
E11LR	Side marker light left rear	GA 3 D
E11ML	Side marker light middle left	GA 3 D
E11MR	Side marker light middle right	GA 4 D
E11RA	Side marker light right	GA 4 D
E11RF	Side marker light right front	GA 3 D
E11RR	Side marker light right rear	GA 4 D
E11TL	Position Light,Left(Trailer)	GA 3 D
E11TR	Position Light,Right(Trailer)	GA 3 D
E13L	Dir. ind. left	GA 1 D
E13LA	Dir.indicator left	GA 1 D
E13R	Dir. ind. right	GA 1 D
E13RB	Dir.indicator right	GA 1 D
E111	LED Module, (Forward Collision Warning)	BE 0 C
FH1	FuseHolder 12V	AB 2 C
FL2A	Front light, L	GE 1 D
FL3A	Front light, R	GE 2 D
G01	Battery	AB2 1 C
G01B	Battery	AB2 1 D
G01B	Battery	AB3 2 D
G01B1	I-Start Starter Battery	AB3 2 D
G01C	I-Start Consumer Battery	AB4 2 C
G01C1	I-Start Consumer Battery	AB4 2 D
G02	Alternator 1	AF 2 D
G03	Alternator 2	AF 3 D
G08A	Battery	AC 3 B
G08B	Battery	AC 3 B
G901	Battery Equalizer	AB 2 A
GND	GDN - Adapter AHI	BA 2 E
GND1A	GND - Electrical Center	ZC 2 D
GND1B	GND - Electrical Center	ZC 1 E
GND1C	GND4/GND5 - Electrical Center	ZC 2 D
GND1D	GND - Batt_Box_NVPDUF	ZC 4 E
GND1E	GND - US13	CS 4 B
GND1UA.1	GND - DNOX2RA	CU 3 E
GND1UB.1	GND - DNOX2RB	CU 3 E
GND2A	GND - ALT_1	AF 2 E
GND2B	GND - ALT_2	AF 3 E
GND6	GND - Driver Location	GB 0 C
GND6B	GND6Q/GND6R - Driver Location	ZC 1 B
GND11	GND - Rear Axle	ZC 2 B
GND11A	Ground	ZC 3 B
GND31A	GND - Batt_Box_NVPDUF	ZC 3 E
GND31A.A	GND - Batt_Boxx_NVPDUF	ZC 4 E
GND31A.B	Ground	AB 2 A
GND31B	GND - Battery	AB2 1 E
GND31B	GND - Battery	AB3 2 E
GND31F	GND - Frame	ZC 1 E
GND31R	GND - Raills	ZC 2 E
GND40	GND - STARTER_ENG	AF 1 E
GND41	GND - STARTER_ENG_US	AF 2 E
GND51	Ground	ZC 4 E
GND74	GND - SCR	CU 4 E
GND75	GND - Equalizer	AB 2 A

**VOLVO**

Volvo Bus Corporation

Document title  
**WIRING DIAGRAM**

Document type  
**PRODUCT SCHEMATICS**

Document No  
**22610880**

Issue  
**08**

Volume  
**03(03)**

Sheet No  
**8(35)**

COMPONENT	DESCRIPTION	PAGE
GND900	GND - Starter Batteries	AB4 2 D
GND900	GND - Starter Batteries	AC 3 A
GND_PH	GND - Pre heater	AB5 2 D
GNDX	GND - Xenon Lights	ZC 4 C
H01	Air,Operated	IS 1 B
H02	Diaphragm horn	IS 2 B
K2	Over Load Indicator	CL 3 C
K02	Relay - Day Light	GB 0 C
K3	ECS	FA 4 C
K4	I-Shift/Voith	DN 1 A
K7	Start engine	AF 0 B
K8	VECU/EMS	BA 0 C
K9	Wiper/Washer	GM 2 C
K11	Prevent start engine	AA 2 C
K12	Luggage Light	BB 2 B
K13	Emergency switch relay	AA 0 B
K14	Bogie	BB 4 B
K17	Ignition +15	AA 2 A
K35	relay disconn headlight wash	GM 1 C
K48	Relay Engine Preheating	AB5 1 C
K50	Relay, External Charger Starter Battery	AB3 4 C
K53	Relay	AB3 4 B
K79	Relay, Prevent Start Engine	DN5 2 B
K300	I-Start Main Relay	AB3 4 C
K400	I-Start +30 Relay (Body)	AB4 2 B
K401	Relay Seat Haptic 12V	BE 2 B
K402	Relay Seat Haptic 24V	BE 3 B
K902	Relay heated hose pressure line	CU 1 D
K903	Relay heated hose backflow to pump line	CU 2 D
K908	Relay heated hose suction line	CU 1 D
K909	Relay heated hose backflow to tank line	CU 2 D
K911	Relay, DRL Light	GE 1 B
K918	Relay, 12V Gearbox, OBD and NOx sensor	AB 2 B
K919	Relay, 12V Allison	AB 3 B
K920	Relay, 12V EMS Main Fuse	AB 2 B
M01	Motor, windscreen wiper	GM 3 D
M02	windscreen washer motor	GM 1 C
M03	headlights washer motor	GM 0 C
NX903	I-Start Front Fuse Box	AB2 0 B
NX903	I-Start Front Fuse Box	AB3 1 B
NX904	I-Start Rear Fuse BOX	AB2 3 B
OBD	ON BOARD DIAGNOSTIC CONNECTOR	NA2 3 C
R01	Heater, engine preheat	AB5 2 C
R02	Heater, rear view mirror	GB 0 C
R08	Termination resistor,CAN-bus	XC 1 A
R82	Active Safety OBD2 Subnet	BE 0 D
R83	Active Safety OBD2 Subnet	BE 1 D
R89	Resistor FCW LED, Pull-up	BE 4 D
R904	Resistor DBUS	XE 4 C
R905	Heated Hose Suction Line	CU 1 D
R905_US	suction_line	CX 1 E
R906	Heated_Hose_Pressure_Line	CU 1 D
R906_US	Pressure_line	CX 1 E
R907	1939-7 resistor	XF 4 D

**VOLVO**

Volvo Bus Corporation

Document title  
**WIRING DIAGRAM**

Document type  
**PRODUCT SCHEMATICS**

Document No	Issue	Volume	Sheet No
<b>22610880</b>	<b>08</b>	<b>03(03)</b>	<b>9(35)</b>

COMPONENT	DESCRIPTION	PAGE
R908	Heated_Hose_Backflow_to_tank	CU 2 D
R909	Heated_Filter	CU 0 D
R910	Heated_Hose_Backflow_to_pump	CU 2 D
R918	Termination resistor 120ohm	XG 4 D
RL1A	Rear light, R	GA 2 D
RL2A	Rear light, L	GA 0 D
S01	Switch,main lighting,selector type	GB 0 B
S02	Stalk switch LHS	BA 2 B
S02	Stalk switch LHS	GB 2 B
S06	Stalk switch , windscreen wiper, selector	GM 4 B
S06	Stalk switch , windscreen wiper, selector	NA 2 D
S08	Switch,differential gear lock,rear wheels	EO 1 B
S11	switch bogie lift	FA 2 C
S12	Main switch	AA 0 C
S14A	Switch, push button, Air horn	IS 2 E
S14B	Switch, push button, Air horn	IS 2 E
S15A	Switch,Starter Key	AA 1 B
S15B	Switch,Starter Feed	AA 1 D
S16	Switch, push button, El. horn	IS 2 E
S20	Dynafleet Switch	NC 1 C
S24	stalk switch retarder	BA 3 B
S31	Switch, TCS ( Traction Control System )	EP 3 D
S32	Brake hold	EP 4 B
S34	Switch unit, steering wheel push buttons	IU 3 B
S41	Switch, battery main switch control	AB2 1 C
S45	Position switch,differential gear lock in	EP 3 C
S50	Switch, pressure parking brake indicator,	BA 2 D
S58	clutch_switch	BA 2 C
S68	Sensor coolant level	CS 0 A
S68_13	Sensor Coolant level	CS 0 A
S70	Switch Hydr.oil ,Flow sensor	BB 4 C
S90	Battery Switch	AB3 1 C
S202	Switch DACU	BE 3 D
S348	Switch AEBS (Advanced Emergency Braking S	BE 3 D
S467	Switch, Dependent Ride Height	FB2 1 D
S901	eng_stop_rear	AA 3 D
S902	switch leveling	FA 4 C
S904	Switch,emergency cut-out	AA 0 B
S905	Switch,Retarder	BA 4 E
S907	eng_start_rear	AA 3 D
S908	eng_start_enable_rear	AA 3 D
S915	Switch,kneeling	FA 1 B
S925	Switch, Alcolock	ND 1 B
Se32	Allison Turbine Speed Sensor	DN5 0 E
Se34	Allison Output Speed Sensor	DN5 1 E
Se35	Allison Output Speed Sensor	DN5 1 E
T900	DC converter temperature sensor	AC 3 B
U03	Modulator,EBS,rear axle(drive axle)	EO 3 C
U04	Modulator EBS, bogie	EP 1 C
U06	Voltage converter	IU 0 B
U08	Modulator,EBS,front	EO 2 C
U12	Voltage converter, Bi-xenon	GE 2 C
U25	Voltage converter, DC/DC	AC 2 C
V03	Diod, Light	GE 1 C

# VOLVO

Volvo Bus Corporation

Document title  
**WIRING DIAGRAM**

Document type  
**PRODUCT SCHEMATICS**

Document No	Issue	Volume	Sheet No
<b>22610880</b>	<b>08</b>	<b>03(03)</b>	<b>10(35)</b>

COMPONENT	DESCRIPTION	PAGE
V04	Diod, Light	GE 2 C
X701	I-Start Media Bracket (Chassis)	AB3 2 C
X801	I-Start Media Bracket (Body)	AB4 2 B
X901	Connector Battery +	AB2 3 E
X905	VPDU Rear without preheat relay	AB4 2 B
X910	Junction Box for Chassis	AB2 0 D
Y02	Solenoid valve,Differential lock,rear whe	EP 3 C
Y25	Solenoid valve unit, ECS, Rear axle	FA 0 C
Y36	Solenid valve,Steerable axle,Bogie	BB 4 C
Y37	Solenoid valve AVU, engine brake / EPG (E	CS 3 B
Y40	Solenoid valve unit, ECS, Front axle	FA 1 C
Y72	Valve, Horn	IS 2 B
Y186	Extension Valve Unit (EVU)	DN6 1 D
Y900	solenoid valve unit, ECS, Bogie axle	FA 3 C
Y901	Fuel cut off valve front axle	BA 1 C
Y911	sol_valve_inj_SCRT_DNOX2	CU 2 A
Y911_10	sol valve DEF inj.	CX 2 E
Y912	sol_valve_adblue_tank_heating_SCRT_DNOX2	CU 0 D
Y912_US	Sol Valve Heating Urea Tank	CX 2 D
Y914	Pressure control valve(PCU/R)	EP 0 B
Y915	Pressure controll valve (PCU/R)	EP 0 B
Y939	Solenoid Valve AHI	BA 2 E

# VOLVO

Volvo Bus Corporation

Document title

**WIRING DIAGRAM**

Document type

**PRODUCT SCHEMATICS**

Document No

**22610880**

Issue

**08**

Volume

**03(03)**

Sheet No

**11(35)**

# INLINES

INLINE	PAGE
+30:1	AB2 2 A
+30:1	AB3 3 A
+B:1	AB2 0 A
+B:1	AB3 1 A
A19:1	DN 0 D
A19:2	DN 1 D
A19:3	DN 1 D
A19:4	DN 1 D
A19:5	DN 1 D
A19:6	DN 1 D
A19:11	DN 2 D
A19:12	DN 2 D
A19:15	DN 2 D
A19:16	DN 2 D
A19_:1	DN2 3 B
A19_:2	DN2 3 B
A19_:3	DN2 3 B
A19_:4	DN2 3 B
A19_:5	DN2 3 B
A19_:6	DN2 3 B
A19_:7	DN2 3 B
A19_:8	DN2 3 B
A19_:9	DN2 4 B
A19_:10	DN2 4 B
A19_:11	DN2 4 B
A19_:12	DN2 4 B
A80.BY:1	BA 2 D
A80.BY:3	BA 2 D
A80.BY:4	BA 3 E
ACC:1	NE 1 B
ACC:2	XC 1 B
ACC:3	XC 2 B
ACC:4	XD 2 A
ACC:5	XD 2 A
ACC:6	ZC 3 D
ACC:7	BA 1 C
ACC:8	BA 1 C
ACC:9	NE 1 B
ACM:1	NB 0 B
ACM:2	AB2 1 B
ACM:3	AC 2 D
ARTIC:1	FB 3 B
ARTIC:2	FB 4 B
ARTIC:5	BC 1 B
ARTIC:6	BC 1 B
ARTIC:7	BC 1 B
ARTIC:8	BC 1 B
ARTIC:9	BC 2 B
ARTIC:10	BC 0 B
ARTIC:11	BC 2 B
ARTIC:12	BC 2 B
AUDIO:1	XJ 3 B
AUDIO:2	XJ 3 B
AUDIO:3	IU 3 B

# VOLVO

Volvo Bus Corporation

Document title  
**WIRING DIAGRAM**

Document type  
**PRODUCT SCHEMATICS**

Document No <b>22610880</b>	Issue <b>08</b>	Volume <b>03(03)</b>	Sheet No <b>12(35)</b>
--------------------------------	--------------------	-------------------------	---------------------------

INLINE	PAGE
BB1:1	BA 0 D
BB1:2	BC 3 B
BB1:3	BC 3 B
BB1:4	BC 2 B
BB1:5	BB 2 C
BB1:6	NA 2 D
BB1:8	NA 2 D
BB1:9	NA 2 D
BB1:10	BB 3 B
BB1:11	BA 1 E
BB1:12	BC 3 B
BB2:1	NA 2 D
BB2:2	NA 1 D
BB2:3	NA 2 D
BB2:4	NA 1 D
BB2:5	XE 3 D
BB2:6	XE 3 D
BB2:7	IS 2 C
BB2:8	IS 2 B
BB2:9	IS 2 C
BB2:10	GB 2 B
BB2:11	AA 0 C
BB2:12	NB 1 A
BB3:1	GB 2 B
BB3:2	BC 3 B
BB3:3	FA 1 B
BB3:4	FB 2 B
BB3:5	GB 2 B
BB3:6	GB 0 D
BB3:7	NA 2 D
BB3:8	NA 3 D
BB3:9	AF 0 B
BB3:10	BA 1 D
BB3:11	BB 1 B
BB3:12	BB 1 B
BB4:1	BC 3 B
BB4:2	BC 3 B
BB4:3	BC 3 B
BB4:4	BC 3 B
BB4:5	BC 3 B
BB4:6	BC 2 B
BB4:7	EP 2 B
BB4:8	BA 0 E
BB4:9	NA 3 D
BB4:10	BA 0 D
BB4:11	GB 3 B
BB5:1	GB 2 D
BB5:2	GB 2 D
BB5:3	GB 1 D
BB5:4	GB 3 D
BB5:6	GB 4 C
BB5:7	GB 1 D
BB5:8	GB 3 D
BB5:9	GE 1 B

**VOLVO**

Volvo Bus Corporation

Document title  
**WIRING DIAGRAM**

Document type  
**PRODUCT SCHEMATICS**

Document No  
**22610880**

Issue  
**08**

Volume  
**03(03)**

Sheet No  
**13(35)**

<b>INLINE</b>	<b>PAGE</b>
BB5:10	GE 2 B
BB5:11	GB 1 D
BB5:12	GB 3 D
BB6:1	BC 2 B
BB6:2	GA 1 B
BB6:3	CL 3 D
BB6:4	GA 2 A
BB6:5	BB 2 C
BB6:6	BB 2 C
BB6:12	GA 1 C
BB7:1	GA 2 C
BB7:2	GA 0 C
BB7:3	GA 0 C
BB7:4	GA 2 C
BB7:5	GA 1 C
BB7:6	GA 1 D
BB7:7	GA 0 C
BB7:8	GA 2 C
BB7:9	GA 3 C
BB7:10	GA 3 C
BB7:11	GA 0 C
BB7:12	GA 1 C
BB8:1	GB 1 E
BB8:2	GB 3 D
BB8:3	GB 4 B
BB10A:1	IU 1 E
BB10A:3	IU 1 B
BB10A:5	IU 1 B
BB10A:7	IU 0 B
BB10A:9	IU 1 E
BB10B:1	IU 1 E
BB10B:3	IU 1 B
BB10B:5	IU 1 B
BB10B:7	IU 0 B
BB10B:9	IU 1 E
BB11:1	GB 0 D
BB11:2	BE 3 C
BB11:3	BE 2 C
BB12:1	GE 3 C
BB12:2	GE 3 C
BB13:1	BC 0 B
BB13:2	CL 1 B
BB13:3	CL 1 B
BB13:4	FB2 1 C
BB13:4	FB2 3 C
BB13:5	BC 0 B
BB13:6	CL 2 D
BB13:7	CL 2 D
BB13:12	GB 4 D
BB13:13	GB 4 D
BB13:16	NA 0 B
BBOX:1	AB2 1 B
BBOX:2	AB2 1 B
BBOX:3	NB 0 A

**VOLVO**

Volvo Bus Corporation

Document title

**WIRING DIAGRAM**

Document type

**PRODUCT SCHEMATICS**

Document No

**22610880**

Issue

**08**

Volume

**03(03)**

Sheet No

**14(35)**

INLINE	PAGE
BFEED:1	CU 0 A
BIO:1	CL 1 B
BIO:2	XD 4 D
BIO:3	XD 4 D
BIO:4	XE 0 B
BIO:5	XE 0 B
BIO:6	XE 3 C
BIO:7	XE 3 C
BIO:9	CL 1 B
BIO:10	ZC 4 D
BMUX_1:1	XD 1 B
BMUX_1:2	XD 1 B
BMUX_1:3	AA 0 B
BMUX_1:4	AA 0 C
BMUX_1:5	AA 0 B
BOGIE:1	FB 1 B
BOGIE:2	FB 1 B
BOGIE:3	FA 3 D
BOGIE:4	FA 3 D
BOGIE:5	FA 3 D
BOGIE:6	EP 1 B
BOGIE:7	EP 1 B
BOGIE:8	EP 1 B
BOGIE:9	EP 1 B
BOGIE:10	ZC 1 D
BOGIE:11	BB 4 C
BOGIE:12	BB 4 C
BS1:2	EO 2 D
BS1:3	EO 2 D
BS1:4	EO 2 D
BS1:5	EO 2 D
BS1:8	EP 0 B
BS1:9	EP 0 B
BS1:10	EP 0 B
BS1:11	EP 0 B
BS1:12	EP 0 B
BS2:2	EP 3 B
BS2:3	EP 2 B
BS2:5	EP 3 C
BS2:6	EP 3 C
BS3:1	EO 3 D
BS3:2	EO 3 D
BS3:3	EO 3 D
BS3:4	EO 3 D
BS3:5	EP 3 B
BS3:6	EP 3 B
BS3:7	EP 3 D
BS3:8	NA 3 B
BS3:9	BB 3 D
BS3:10	BA 4 C
BS3:11	BA 4 C
BS3:12	BA 4 C
DBUS_INT:1	XE 3 C
DBUS_INT:2	XE 3 C

**VOLVO**

Volvo Bus Corporation

Document title  
**WIRING DIAGRAM**

Document type  
**PRODUCT SCHEMATICS**

Document No	Issue	Volume	Sheet No
<b>22610880</b>	<b>08</b>	<b>03(03)</b>	<b>15(35)</b>



<b>INLINE</b>	<b>PAGE</b>
DF:1	NC 2 B
DF:2	NC 1 C
DF:3	NC 0 C
DF:4	XD 1 B
DF:5	XD 1 B
DF:6	NC 2 B
DF:11	NC 1 E
DPF10:A	XH 2 C
DPF10:B	XH 2 B
DPF10:C	XH 3 C
DPF10:D	XH 3 D
DPF10:E	CX 2 A
DPF10:F	BB 0 B
DPF10:G	BB 0 B
DPF10:J	CX 2 B
DPF10:K	CX 2 B
DPF10:L	CX 2 D
DPF10:M	CX 2 D
DPF10:N	XH 2 C
DPF10:P	XH 2 C
DPF10:R	CX 3 B
DPF10:S	CX 3 C
ECS1:1	FA 1 D
ECS1:2	FA 1 D
ECS1:3	FA 0 D
ECS1:5	FB 0 B
ECS1:6	FB 2 B
ECS1:7	FB 3 B
ECS1:8	FB 0 B
ECS1:9	FB 0 B
ECS1:10	FB 3 B
ECS1:11	FB 3 B
ECS1:12	FA 1 C
ECS2:1	FA 0 D
ECS2:2	FA 0 D
ECS2:3	FA 0 D
ECS2:4	FB 0 B
ECS2:5	FB 1 B
ECS2:6	FB 2 B
ECS2:7	FB 2 B
ECS2:8	FB 0 B
ECS2:9	FB 0 B
ECS2:10	FB 3 B
ECS2:11	FB 2 B
ECS2:12	FA 0 B
EMS:1	BA 0 D
EMS:2	XC 3 D
EMS:3	XC 3 C
EMS:4	XD 3 C
EMS:5	XD 3 C
EMS:6	BA 1 B
EMS:7	BA 1 B
EMS:9	BA 1 B
EMS:10	ZC 1 D

**VOLVO**

Volvo Bus Corporation

Document title  
**WIRING DIAGRAM**

Document type  
**PRODUCT SCHEMATICS**

Document No	Issue	Volume	Sheet No
<b>22610880</b>	<b>08</b>	<b>03(03)</b>	<b>16(35)</b>

INLINE	PAGE
EMS:11	BB 3 C
ENG1:2	AA 2 D
ENG1:3	BB 0 D
ENG1:4	AA 3 D
ENG1:5	BB 0 B
ENG1:6	AA 3 C
ENG1:7	AF 0 C
ENG1:8	AF 0 B
ENG1:9	AF 3 B
ENG1:10	NA2 0 E
ENG1:11	NA 0 B
ENG1:12	ZC 1 D
EU4:1	AB 3 B
EU4:4	EO 3 D
EU4:5	EO 4 D
EU4:6	EO 4 D
EU4:7	EO 4 D
EU4:8	BA 0 B
EU4:10	CU 0 B
EU4:11	XF 3 C
EU4:12	XF 3 C
FEED:1	BA 0 A
FH1A:1	DN 2 B
FH1A:2	DN 2 B
FH1A:3	DN 2 A
FH1A:6	IS 2 A
FH1A:7	FA 4 A
FH1A:8	EO 0 A
FH1A:10	NA 3 A
FH1B:1	BA 0 A
FH1B:2	BA 0 A
FH1B:3	BA 0 A
FH1B:4	AA 3 A
FH1B:6	BB 0 A
FH1B:7	BB 0 A
FH1B:8	AB 3 B
FH1B:10	NC 1 B
FH1B:11	BB 1 A
FH2A:1	GM 2 A
FH2A:3	NE 1 A
FH2A:4	EO 0 A
FH2A:5	AA 2 B
FH2A:6	NA 3 A
FH2A:7	AF 0 A
FH2A:8	AF 3 A
FH2A:9	FA 4 A
FH2B:1	BB 1 A
FH2B:3	NA 0 A
FH2B:4	DN 1 A
FH2B:5	AA 2 A
FH2B:6	NB 0 A
FH2B:8	FA 4 A
FH2B:9	GM 1 A
FH3A:1	BA 1 A

**VOLVO**

Volvo Bus Corporation

Document title  
**WIRING DIAGRAM**

Document type  
**PRODUCT SCHEMATICS**

Document No <b>22610880</b>	Issue <b>08</b>	Volume <b>03(03)</b>	Sheet No <b>17(35)</b>
--------------------------------	--------------------	-------------------------	---------------------------

INLINE	PAGE
FH3A:2	BA 1 A
FH3A:3	BA 1 A
FH3A:4	GA 2 A
FH3A:5	BB 4 A
FH3A:7	NA 0 A
FH3A:8	BB 2 A
FH3A:12	IU 0 A
FH3B:1	CL 3 B
FH3B:2	CL 3 B
FH3B:3	CL 3 B
FH3B:4	AA 0 A
FH3B:5	GA 2 A
FH3B:7	CL 1 A
FH3B:9	GA 1 A
FH3B:10	BE 3 A
FH4A:2	CU 0 B
FH4A:3	CU 0 A
FH4A:4	AA 3 A
FH4A:5	GA 1 A
FH4A:7	NA 3 A
FH4A:8	GA 1 A
FH4A:12	GA 0 A
FH4B:1	GA 3 B
FH4B:2	GA 3 B
FH4B:3	GA 3 B
FH4B:4	IU 0 A
FH4B:5	GA 0 A
FH4B:7	AA 0 A
FH4B:8	GA 1 A
FH4B:12	GA 0 A
FL2:11	GB 0 B
FL3:11	GB 0 B
FTM:1	CL 1 B
FTM:2	XD 4 D
FTM:3	XD 4 D
FTM:4	XE 0 D
FTM:5	XE 0 D
FTM:6	XE 0 C
FTM:7	XE 0 C
FTM:9	AA 2 B
FTM:10	ZC 4 D
FTM_J:4	XE 0 D
FTM_J:5	XE 0 D
FTM_J:6	XE 0 C
FTM_J:7	XE 0 C
FUEL:1	NA 1 E
FUEL:2	NA 1 E
FUEL:3	NA 1 D
FUEL:5	BA 1 B
FUEL:6	BA 1 C
FUEL:7	FA 1 D
FUEL:8	FA 2 D
FUEL:9	FA 1 B
FUEL:10	FB 4 B

**VOLVO**

Volvo Bus Corporation

Document title  
**WIRING DIAGRAM**

Document type  
**PRODUCT SCHEMATICS**

Document No <b>22610880</b>	Issue <b>08</b>	Volume <b>03(03)</b>	Sheet No <b>18(35)</b>
--------------------------------	--------------------	-------------------------	---------------------------

<b>INLINE</b>	<b>PAGE</b>
FUEL:11	FB 2 B
GBX:1	DN4 2 A
GBX:1	ZC 3 C
GBX:2	DN 2 B
GBX:7	XC 4 D
GBX:8	XC 4 D
GBX:9	XD 3 D
GBX:10	XD 3 D
GBX:13	NA 1 B
GBX:17	BA 2 D
GBX:18	BA 2 D
GIC:1	DN6 2 B
GIC:2	DN6 1 B
GIC:3	DN6 1 B
GIC:4	DN6 2 B
GIC:5	DN6 1 B
GIC:6	DN6 1 B
GIC:7	DN6 3 B
GIC:12	CZ 3 B
GIC:13	DN6 1 B
GIC:15	CZ 3 B
GIC:16	DN6 3 B
GIC:21	CZ 3 B
GIC:23	CZ 3 B
GIC:24	DN6 3 B
GIC:26	DN6 3 B
GIC:27	CZ 4 B
GIC:28	CZ 3 B
GIC:29	CZ 4 B
GIC:35	CZ 3 B
GIC:39	DN6 2 B
IB1:1	NA 3 B
IB1:2	NA 2 D
IB1:3	NA 3 D
IB1:4	NA 2 D
IB1:5	NA 3 D
IB1:6	NA 2 D
IB1:7	NA 3 B
IB1:8	NA 2 C
IB1:9	AF 2 B
IB1:10	AF 3 B
IB1:11	NA 2 C
IB1:12	NA 1 C
IB1:13	NA 1 C
IB1:14	XC 1 B
IB1:15	XC 1 B
IB1:16	XD 2 A
IB1:17	XD 2 A
IB1:18	NA 3 B
IB2:1	NA 2 D
IB2:2	NA 2 D
IB2:3	NA 2 D
IB2:4	NA 2 D
IB2:5	NA 1 B

**VOLVO**

Volvo Bus Corporation

Document title  
**WIRING DIAGRAM**

Document type  
**PRODUCT SCHEMATICS**

Document No <b>22610880</b>	Issue <b>08</b>	Volume <b>03(03)</b>	Sheet No <b>19(35)</b>
--------------------------------	--------------------	-------------------------	---------------------------

INLINE	PAGE
IB2:6	NA 1 D
IB2:7	GA 3 B
IB2:8	ZC 0 D
IB2:9	GA 2 B
IB2:11	IS 2 D
IB2:12	IS 2 D
IB2:13	EP 2 C
IB2:14	EP 2 C
IB2:15	EP 2 C
IB2:16	EP 2 C
IB2:17	AA 1 B
IB2:18	NC 1 B
IB3:1	BA 3 C
IB3:2	BA 3 C
IB3:3	BA 3 C
IB3:4	BA 3 C
IB3:5	BA 3 C
IB3:6	BA 3 D
IB3:7	BA 2 C
IB3:8	BA 2 C
IB3:9	BA 1 C
IB3:10	BA 2 C
IB3:11	BA 1 C
IB3:12	BA 1 C
IB3:13	BA 3 C
IB3:14	IU 0 A
IB3:15	IU 0 A
IB3:16	IU 0 B
IB3:17	FA 4 B
IB3:18	ZC 0 D
IB4:1	GB 2 B
IB4:2	GB 2 B
IB4:3	GB 0 B
IB4:4	GB 1 B
IB4:5	GB 1 B
IB4:6	GA 1 C
IB4:7	GB 1 B
IB4:8	GB 1 B
IB4:9	GB 1 B
IB4:10	GB 3 C
IB4:11	GB 3 C
IB4:12	GB 3 C
IB4:13	GB 3 C
IB4:14	GB 3 B
IB4:15	EP 4 B
IB4:16	EP 4 B
IB4:17	EP 3 B
IB4:18	EP 3 B
IB5:2	AA 2 B
IB5:3	BA 3 C
IB5:4	AA 1 C
IB5:5	AA 0 B
IB5:6	AA 0 D
IB5:7	AA 0 C

**VOLVO**

Volvo Bus Corporation

Document title  
**WIRING DIAGRAM**

Document type  
**PRODUCT SCHEMATICS**

Document No <b>22610880</b>	Issue <b>08</b>	Volume <b>03(03)</b>	Sheet No <b>20(35)</b>
--------------------------------	--------------------	-------------------------	---------------------------

INLINE	PAGE
IB5:8	FA 1 B
IB5:9	FA 2 D
IB5:10	NA2 0 D
IB5:11	FA 1 C
IB5:12	FA 1 C
IB5:13	AA 1 B
IB5:14	FA 3 D
IB5:15	FA 3 D
IB5:16	FA 2 D
IB5:17	EO 1 C
IB5:18	NA 1 C
IB6:1	NB 0 B
IB6:2	XJ 1 B
IB6:3	XJ 1 B
IB6:4	NB 0 B
IB6:5	ZC 0 D
IB6:6	NB 1 B
IB6:7	NB 1 C
IB6:8	NB 1 C
IB6:9	NB 1 C
IB6:10	NB 1 C
IB6:12	NB 2 C
IB7:1	GM 1 B
IB7:2	GB 4 C
IB7:3	GB 4 C
IB7:4	GM 3 B
IB7:5	XF 4 C
IB7:6	XF 4 C
IB7:7	NA 3 C
IB7:8	GM 3 B
IB7:10	ZC 0 D
IB7:11	NA 2 D
IB7:12	GM 4 B
IB8:1	EO 0 D
IB8:2	EO 0 D
IB8:3	EO 1 D
IB8:4	EO 0 D
IB8:5	EO 0 D
IB8:7	GB 3 B
IB8:8	CL 2 D
IB8:9	CL 2 D
IB8:10	CL 2 D
IB8:11	CL 1 B
IB8:12	CL 1 B
IB9:1	BA 2 D
IB9:2	BA 2 C
IB9:3	GE 2 B
IB9:4	ZC 0 D
IB9:5	GE 1 C
IB9:6	GA 1 D
IB9:7	BA 2 C
IB9:8	BA 2 C
IB9:9	BA 2 C
IB9:10	BA 2 C

**VOLVO**

Volvo Bus Corporation

Document title  
**WIRING DIAGRAM**

Document type  
**PRODUCT SCHEMATICS**

Document No  
**22610880**

Issue  
**08**

Volume  
**03(03)**

Sheet No  
**21(35)**

INLINE	PAGE
IB9:11	BA 3 C
IB9:12	BA 2 C
IB10:1	DN 1 B
IB10:2	GA 3 B
IB10:3	BB 1 D
IB10:8	DN 1 B
IB10:9	ZC 3 D
IB10:10	DN 1 B
IB10_I:1	DN 1 B
IB10_I:8	DN 1 B
IB10_I:10	DN 1 B
IS:1	XD 2 A
IS:2	XD 2 A
IS:3	XC 1 B
IS:4	XC 1 B
KH1A:1	FA 4 C
KH1A:2	FA 4 D
KH1A:3	FA 4 D
KH1A:4	CL 3 C
KH1A:5	FA 4 C
KH1A:7	CL 3 C
KH1A:10	CL 2 C
KH1A:11	CL 2 C
KH1B:1	DN 1 A
KH1B:2	DN 1 A
KH1B:3	DN 1 A
KH1B:4	BE 3 B
KH1B:5	DN 1 A
KH1B:7	BE 3 B
KH1B:8	BE 2 B
KH1B:10	BE 3 B
KH1B:11	BE 3 B
KH1B:12	BE 2 B
KH1B:14	BE 2 B
KH1B:15	BE 2 B
KH2A:1	BA 1 E
KH2A:3	BA 0 C
KH2A:4	BA 1 D
KH2A:5	BA 0 B
KH2A:6	BA 0 C
KH2A:7	AF 0 B
KH2A:8	AF 0 B
KH2A:9	BA 0 B
KH2A:10	AF 0 B
KH2A:11	AF 0 B
KH2A:12	AF 0 B
KH2B:1	AA 2 D
KH2B:2	GM 2 B
KH2B:3	GM 2 B
KH2B:4	AA 2 D
KH2B:5	GM 2 B
KH2B:6	GM 2 C
KH2B:9	GM 2 C
KH3A:1	AA 0 B

**VOLVO**

Volvo Bus Corporation

Document title  
**WIRING DIAGRAM**

Document type  
**PRODUCT SCHEMATICS**

Document No  
**22610880**

Issue  
**08**

Volume  
**03(03)**

Sheet No  
**22(35)**

INLINE	PAGE
KH3A:3	AA 1 B
KH3A:4	BB 2 B
KH3A:5	AA 1 B
KH3A:6	AA 0 B
KH3A:7	BB 2 B
KH3A:8	AA 2 B
KH3A:9	AA 2 B
KH3A:10	BB 2 B
KH3A:11	BB 2 B
KH3A:12	AA 2 C
KH3A:14	AA 2 C
KH3B:1	BB 4 B
KH3B:2	BB 4 B
KH3B:3	BB 4 B
KH3B:5	BB 4 B
M_01:1	GM 4 C
M_01:2	GM 4 C
M_01:3	GM 3 C
M_01:4	GM 3 C
M_01:5	GM 4 D
M_01:6	GM 1 B
M_01:8	GM 1 D
M_01:9	GM 1 B
M_01:11	GM 1 D
M_01:12	GM 1 C
M_01:13	GM 0 D
M_01:14	GM 1 B
MED:1	XC 1 D
MED:2	XD 0 C
MED:2	XG 1 D
MED:3	CS 0 B
MED:4	XC 1 D
MED:5	XD 0 C
MED:5	XG 1 D
MED:6	CS 0 B
MED:7	CS 0 D
MED:8	CS 0 B
MED:9	AF 2 C
MED:10	AF 3 C
MED:11	DN5 1 B
MED:12	AF 4 E
MED:13	CS 3 B
MED:14	BB 0 C
MED:15	CS 3 B
MED:16	BB 0 D
MED:17	AF 3 C
MED:18	CS 1 B
MED:19	DN5 1 B
MED:20	CS 2 B
MED:21	CS 1 B
MED:22	CS 4 D
MED:23	CS 3 B
MED:24	CS 2 D
MED:25	CS 0 B

**VOLVO**

Volvo Bus Corporation

Document title  
**WIRING DIAGRAM**

Document type  
**PRODUCT SCHEMATICS**

Document No <b>22610880</b>	Issue <b>08</b>	Volume <b>03(03)</b>	Sheet No <b>23(35)</b>
--------------------------------	--------------------	-------------------------	---------------------------



INLINE	PAGE
MED:26	CS 2 B
MED:27	CS 4 B
MED:28	CS 0 B
MED:29	CS 2 D
MED:30	CS 1 D
MED:31	CS 4 B
MED:32	CS 2 B
MED:33	CS 2 B
MED:34	CS 2 B
MED:35	AF 1 C
MED:36	CS 2 B
MED:37	CS 1 B
MED:38	DN5 2 B
MED:39	CS 4 B
MEDA:1	NB 1 D
MEDA:2	NB 1 D
MEDA:3	NB 1 D
MEDA:4	NB 1 D
MEDA:5	DN4 1 B
MEDA:5	DN6 1 A
MEDA:6	DN4 1 B
MEDA:6	DN6 1 A
MEDA:7	XC 2 D
MEDA:8	XC 3 D
MEDA:9	XD 0 D
MEDA:10	XD 0 D
MEDA:11	AB 2 D
MEDA:11	DN4 1 B
MEDA:12	DN4 2 B
MEDA:12	ZC 3 B
ML1:1	GB 1 E
ML1:2	ZC 1 A
ML1:3	GE 1 D
ML1:4	ZC 1 A
ML1:5	GE 1 D
ML1:6	ZC 2 A
ML1:7	GE 1 D
ML2:1	GB 3 D
ML2:2	ZC 2 A
ML2:3	GE 2 D
ML2:4	ZC 2 A
ML2:5	GE 2 D
ML2:6	ZC 2 A
ML2:7	GE 2 D
ML3:1	BB 3 C
ML3:2	BB 2 B
ML3:3	GA 3 D
ML3:4	GA 4 D
ML3:5	GA 4 D
ML3:6	GA 1 B
ML3:7	GA 4 D
ML4:1	BB 2 C
ML4:2	BB 2 B
ML4:3	GA 3 D

**VOLVO**

Volvo Bus Corporation

Document title  
**WIRING DIAGRAM**

Document type  
**PRODUCT SCHEMATICS**

Document No <b>22610880</b>	Issue <b>08</b>	Volume <b>03(03)</b>	Sheet No <b>24(35)</b>
--------------------------------	--------------------	-------------------------	---------------------------

INLINE	PAGE
ML4:4	GA 3 D
ML4:5	GA 3 D
ML4:6	GA 2 B
ML4:7	GA 3 D
R905A:1	CU 1 D
R905A:2	CU 1 D
R905B:1	CU 1 D
R905B:2	CU 1 D
R905C:1	CU 1 C
R905C:2	CU 1 D
R906A:1	CU 1 D
R906A:2	CU 1 D
R906B:1	CU 1 D
R906B:2	CU 1 D
R906C:1	CU 1 C
R906C:2	CU 1 D
R908A:1	CU 2 D
R908A:2	CU 2 D
R908B:1	CU 2 D
R908B:2	CU 2 D
R908C:1	CU 2 C
R908C:2	CU 2 D
R910A:1	CU 2 D
R910A:2	CU 2 D
R910B:1	CU 2 D
R910B:2	CU 2 D
R910C:1	CU 2 C
R910C:2	CU 2 D
RA1:1	DN6 3 A
RA1:1	NB 1 C
RA1:2	DN6 3 A
RA1:2	NB 1 C
RA1:3	DN6 3 A
RA1:3	NB 1 C
RA1:4	DN6 3 A
RA1:4	NB 1 C
RA1:5	NA 2 B
RA1:6	AF 2 B
RA1:7	AF 3 B
RA1:10	NA 1 B
RA1:11	AB2 1 A
RL3:1	GA 3 D
RL3:2	GA 3 D
RL3:3	GA 1 D
RL3:4	GA 1 D
RL3:5	GA 1 B
RL3:6	GA 0 D
RL3:7	GA 2 D
RL3:8	BC 2 C
RL3:10	GA 1 D
RL3:11	GA 2 B
RL3:12	ZC 2 A
RL4:1	GA 1 D
RL4:2	GA 1 D

**VOLVO**

Volvo Bus Corporation

Document title  
**WIRING DIAGRAM**

Document type  
**PRODUCT SCHEMATICS**

Document No <b>22610880</b>	Issue <b>08</b>	Volume <b>03(03)</b>	Sheet No <b>25(35)</b>
--------------------------------	--------------------	-------------------------	---------------------------

INLINE	PAGE
RL4:3	GA 3 D
RL4:4	GA 4 D
RL4:5	GA 0 D
RL4:7	GA 1 D
RL:1	GB 0 C
RL:3	GB 0 C
RL_DA:1	GB 0 D
RL_DB:1	GB 0 B
S_T_S:1	NB 1 D
S_T_S:2	NB 1 D
S_T_S:3	NB 2 D
S_T_T:3	NB 2 D
UDS12:1	XF 2 D
UDS12:2	XF 2 D
UDS12:3	CU 1 B
UDS12:4	CU 1 B
UDS12:5	XD 2 D
UDS12:6	XD 2 D
UDS12:7	CU 0 B
UDS12:8	CU 2 B
UDS12:9	CU 2 B
UDS12:11	CU 0 B
UDS12:12	CU 4 D
UDS12_B:1	XF 1 D
UDS12_B:2	XF 1 D
UDS12_B:3	CU 1 B
UDS12_B:4	CU 1 B
UDS12_B:5	XD 1 D
UDS12_B:6	XD 1 D
UDS12_B:7	CU 0 B
UDS12_B:8	CU 2 B
UDS12_B:9	CU 2 B
UDS12_B:11	CU 0 B
UDS12_B:12	CU 4 D
UDS12_F:1	XF 3 D
UDS12_F:2	XF 3 D
UDS12_F:3	CU 1 B
UDS12_F:4	CU 1 B
UDS12_F:5	XD 2 D
UDS12_F:6	XD 2 D
UDS12_F:7	CU 0 B
UDS12_F:8	CU 2 B
UDS12_F:9	CU 2 B
UDS12_F:11	CU 0 B
UDS12_F:12	CU 4 D
UDS12_M:1	XF 2 D
UDS12_M:2	XF 2 D
UDS12_M:3	CU 1 B
UDS12_M:4	CU 1 B
UDS12_M:5	XD 2 D
UDS12_M:6	XD 2 D
UDS12_M:7	CU 0 B
UDS12_M:8	CU 2 B
UDS12_M:9	CU 2 B

**VOLVO**

Volvo Bus Corporation

Document title  
**WIRING DIAGRAM**

Document type  
**PRODUCT SCHEMATICS**

Document No	Issue	Volume	Sheet No
<b>22610880</b>	<b>08</b>	<b>03(03)</b>	<b>26(35)</b>

INLINE	PAGE
UDS12_M:11	CU 0 B
UDS12_M:12	CU 4 D
VIC:1	XC 1 E
VIC:2	CS 3 D
VIC:2	XD 0 D
VIC:3	CS 0 C
VIC:3	CS 1 D
VIC:4	XC 1 E
VIC:5	CS 3 D
VIC:5	XD 0 D
VIC:6	CS 0 C
VIC:6	CS 1 D
VIC:7	CS 0 D
VIC:8	CS 0 C
VIC:9	AF 2 C
VIC:10	AF 3 C
VIC:12	AF 3 E
VIC:13	CS 3 C
VIC:14	BB 0 C
VIC:15	CS 3 C
VIC:16	BB 0 D
VIC:17	AF 3 C
VIC:18	CS 1 C
VIC:19	CS 3 C
VIC:20	CS 2 C
VIC:21	CS 1 C
VIC:22	CS 4 D
VIC:24	CS 2 D
VIC:25	CS 0 C
VIC:26	CS 2 C
VIC:27	CS 4 C
VIC:28	CS 0 C
VIC:29	CS 2 D
VIC:30	CS 1 D
VIC:31	CS 4 C
VIC:32	CS 2 C
VIC:33	CS 2 C
VIC:34	CS 2 C
VIC:35	AF 1 C
VIC:36	CS 2 C
VIC:37	CS 1 C
VIC:39	CS 4 C
XC125:1	NC 2 E
XC125:2	NC 2 E
XC901:1	NA2 4 B
XC901:2	NA2 3 B
XC901:3	XG 2 D
XC901:4	XG 2 D
XC901_(2):1	NC 3 D
XC901_(2):2	NC 3 D
XC901_(2):3	NC 3 C
XC901_(2):4	NC 3 C
XC901_(2):5	NC 3 D
XC901_(2):6	NC 3 D

**VOLVO**

Volvo Bus Corporation

Document title  
**WIRING DIAGRAM**

Document type  
**PRODUCT SCHEMATICS**

Document No <b>22610880</b>	Issue <b>08</b>	Volume <b>03(03)</b>	Sheet No <b>27(35)</b>
--------------------------------	--------------------	-------------------------	---------------------------

INLINE	PAGE
XC901_:1	NC 3 C
XC901_:2	NC 3 C
XC901_:3	NC 2 C
XC901_:4	NC 2 C
XC901_:5	NC 3 C
XC901_:6	NC 3 C
XC903:2	XC 4 E
XC903:3	XC 4 E
XC905:1	NC 2 E
XC905:2	NC 2 E
XC906A:1	AB2 1 A
XC906A:2	AB2 1 A
XC906A:3	AB2 0 A
XC906A:4	AB2 0 A
XC906A:5	AB2 0 A
XC906A:6	AB2 1 A
XC906A:7	AC 2 D
XC908:4	BA 0 E
XC909:1	BE 3 B
XC909:2	BE 3 B
XC909:3	BE 3 B
XC909:4	BE 2 B
XC909:5	BE 2 B
XC909:6	BE 2 B
XC909:7	BE 2 B
XC909:8	BE 2 B
XC909:9	BE 1 B
XC909:10	BE 4 B
XC910:1	BE 3 B
XC910:2	BE 2 B
XC910:3	BE 2 B
XC910:4	BE 2 B
XC910:5	BE 2 B
XC910:6	BE 1 B
XC917:1	CL 1 D
XC917:2	CL 1 D
XC917:3	CL 0 D
XC917:4	CL 1 D
XC921:1	CL 1 D
XC921:2	CL 2 D
XC921:3	CL 2 D
XC922:1	GB 3 B
XC922:3	GB 3 B
XC925:1	NE 2 D
XC925:2	NE 1 D
XC926:1	BB 1 D
XC926:2	BB 1 D
XC926:3	BB 2 D
XC926:4	BB 2 D
XC927_1/2:1	GE 1 C
XC927_1/2:2	GE 2 C
XC927_1:1	GE 1 B
XC927_1:2	GE 2 B
XC927_2:1	GE 1 B

**VOLVO**

Volvo Bus Corporation

Document title  
**WIRING DIAGRAM**

Document type  
**PRODUCT SCHEMATICS**

Document No  
**22610880**

Issue  
**08**

Volume  
**03(03)**

Sheet No  
**28(35)**

<b>INLINE</b>	<b>PAGE</b>
XC927_2:2	GE 2 B
XC931:1	DN5 0 D
XC931:2	DN5 1 D
XC931:3	DN5 1 D
XC931:4	DN5 1 D
XC931:5	DN5 1 D
XC931:6	DN5 1 D
XC931:7	DN5 1 D
XC931:8	DN5 1 D
XC931:9	DN5 1 D
XC931:10	DN5 1 D
XC931:11	DN5 2 D
XC931:12	DN5 2 D
XC931:13	DN5 2 D
XC931:14	DN5 2 D
XC931:15	DN5 2 D
XC931:16	DN5 2 D
XC931:17	DN5 2 D
XC931:18	DN5 2 D
XC931:19	DN5 2 D
XC931:20	DN5 2 D
XC931:21	DN5 2 D
XC931:22	DN5 3 D
XC931:23	DN5 2 C
XC931:27	DN5 0 C
XC931:28	DN5 1 C
XC931:29	DN5 1 C
XC931:30	DN5 1 C
XC931:31	DN5 1 C
XC931:32	DN5 1 C
XC931:33	DN5 1 C
XC931:34	DN5 1 C
XC931:35	DN5 3 D
XC931:36	DN5 3 D
XC932:11	DN5 1 D
XC932:12	DN5 1 D
XC932:13	DN5 0 D
XC932:14	DN5 0 D
XC932:15	DN5 1 D
XC932:16	DN5 1 D
XC941:1	ND 1 B
XC941:3	ND 2 B
XC943:1	XE 2 C
XC943:2	XE 2 C
XC950:1	AB3 4 B
XC950:2	AB 3 C
XC950:3	AB4 2 A
XC950:4	DN5 0 A
XC950:5	DN5 1 A
XC950:6	DN5 1 A
XC951:1	AF 2 C
XC951:2	AF 3 C
XC951:3	AF 3 C
XC951:4	AF 3 E

**VOLVO**

Volvo Bus Corporation

Document title  
**WIRING DIAGRAM**

Document type  
**PRODUCT SCHEMATICS**

Document No <b>22610880</b>	Issue <b>08</b>	Volume <b>03(03)</b>	Sheet No <b>29(35)</b>
--------------------------------	--------------------	-------------------------	---------------------------

INLINE	PAGE
XC999:1	AB3 3 A
XCB800:1	AB3 3 C
XU25:1	AC 2 D
XU25:2	AC 2 C
XU25:3	AC 2 D
XU25:4	AC 2 D
XU25:5	AC 2 D

**VOLVO**

Volvo Bus Corporation

Document title  
**WIRING DIAGRAM**

Document type  
**PRODUCT SCHEMATICS**

Document No  
**22610880**

Issue  
**08**

Volume  
**03(03)**

Sheet No  
**30(35)**

# SPLICES

SPLICE	PAGE
XC85 ( )	GE 1 A
XCS102 ( )	XE 2 B
XSA01 ( )	XC 2 B
XSA02 ( )	XC 2 B
XSA03 ( )	XC 3 B
XSA04 ( )	XC 3 B
XSA05 ( )	XC 3 B
XSA06 ( )	XC 3 B
XSA07 ( )	XC 4 B
XSA08 ( )	XC 4 B
XSA09 ( )	XC 4 B
XSA10 ( )	XC 4 B
XSA11 ( )	XC 4 D
XSA12 ( )	XC 4 C
XSA13 ( )	XD 3 A
XSA14 ( )	XD 2 A
XSA15 ( )	XD 3 A
XSA16 ( )	XD 3 A
XSA17 ( )	XD 3 A
XSA18 ( )	XD 3 A
XSA19 ( )	XD 4 A
XSA20 ( )	XD 3 A
XSA21 ( )	XD 4 A
XSA22 ( )	XD 4 A
XSA23 ( )	XD 4 C
XSA24 ( )	XD 4 C
XSA25 ( )	ZC 0 E
XSA26 ( )	AA 0 D
XSA27 ( )	FA 1 B
XSA28 ( )	AA 2 C
XSA31 ( )	ZC 1 D
XSA32 ( )	BA 0 D
XSA34 ( )	AA 2 A
XSA35 ( )	ZC 3 D
XSA37 ( )	FB 3 B
XSA40 ( )	FB 2 B
XSA43 ( )	ZC 2 D
XSA44 ( )	AF 0 C
XSA46 ( )	BB 2 D
XSA50 ( )	BA 0 B
XSA52 ( )	ZC 2 C
XSA53 ( )	GM 2 B
XSA54 ( )	DN 1 B
XSA59 ( )	BA 0 C
XSA60 ( )	NA 1 D
XSA61 ( )	BA 0 B
XSA62 ( )	XD 2 A
XSA63 ( )	XC 1 B
XSA64 ( )	XC 2 B
XSA65 ( )	XD 2 A
XSB01 ( )	XC 0 B
XSB02 ( )	XC 0 B
XSB03 ( )	XD 1 A
XSB04 ( )	XD 1 A

# VOLVO

Volvo Bus Corporation

Document title  
**WIRING DIAGRAM**

Document type  
**PRODUCT SCHEMATICS**

Document No <b>22610880</b>	Issue <b>08</b>	Volume <b>03(03)</b>	Sheet No <b>31(35)</b>
--------------------------------	--------------------	-------------------------	---------------------------



<b>SPLICE</b>	<b>PAGE</b>
XSB05 ( )	XD 1 A
XSB06 ( )	XD 1 A
XSB07 ( )	XJ 3 C
XSB08 ( )	XJ 3 C
XSB09 ( )	ZC 0 C
XSB10 ( )	BE 3 D
XSB10 ( )	FB2 1 D
XSB10 ( )	ZC 0 B
XSB11 ( )	BE 0 D
XSB11 ( )	ZC 0 C
XSB12 ( )	GM 2 C
XSB13 ( )	GB 3 A
XSB15 ( )	BE 3 D
XSB15 ( )	GB 3 B
XSB18 ( )	IU 0 C
XSB19 ( )	IU 0 C
XSB20 ( )	FA 4 B
XSB21 ( )	IU 1 C
XSB22 ( )	NC 2 B
XSB24 ( )	NC 0 C
XSB25 ( )	AA 1 C
XSB26 ( )	NC 1 C
XSB28 ( )	XF 4 C
XSB29 ( )	XF 4 C
XSB30 ( )	IU 0 C
XSB31 ( )	IU 1 C
XSB32 ( )	XC 1 B
XSB33 ( )	XC 1 B
XSB34 ( )	NA 3 B
XSB36 ( )	NA 1 D
XSB37 ( )	ND 1 B
XSB38 ( )	XE 1 B
XSB39 ( )	XE 1 B
XSB40 ( )	NA 3 C
XSB43 ( )	XG 3 D
XSB44 ( )	XG 3 D
XSB45 ( )	XJ 1 B
XSB46 ( )	XJ 1 B
XSB47 ( )	XJ 3 B
XSB48 ( )	XJ 3 B
XSB49 ( )	BE 2 D
XSB49 ( )	XC 0 A
XSB50 ( )	BE 2 D
XSB50 ( )	XC 0 A
XSB51 ( )	NC 2 C
XSB52 ( )	NC 2 C
XSB55 ( )	XG 3 D
XSB56 ( )	XG 3 D
XSB95 ( )	DN5 0 B
XSB112 ( )	DN5 1 B
XSB120 ( )	AB 3 C
XSC02 ( )	GE 2 D
XSC04 ( )	GE 1 D
XSC05 ( )	GE 1 D

**VOLVO**

Volvo Bus Corporation

Document title  
**WIRING DIAGRAM**

Document type  
**PRODUCT SCHEMATICS**

Document No <b>22610880</b>	Issue <b>08</b>	Volume <b>03(03)</b>	Sheet No <b>32(35)</b>
--------------------------------	--------------------	-------------------------	---------------------------

<b>SPLICE</b>	<b>PAGE</b>
XSC07 ( )	ZC 1 B
XSC15 ( )	ZC 1 A
XSC16 ( )	GB 0 C
XSC17 ( )	ZC 1 B
XSC21 ( )	DN 1 D
XSC95 ( )	XE 3 B
XSC96 ( )	XE 3 B
XSC97 ( )	XE 2 B
XSC98 ( )	XE 2 B
XSC99 ( )	CL 1 C
XSC101 ( )	XE 2 B
XSC_BB2H_1 ( )	BE 1 D
XSC_BB2H_2 ( )	BE 1 D
XSC_BB2L_1 ( )	BE 1 D
XSC_BB2L_2 ( )	BE 1 E
XSC_SUB2H ( )	BE 1 C
XSC_SUB2L ( )	BE 1 C
XSD01 ( )	AB2 1 B
XSD02 ( )	NB 0 A
XSF01 ( )	GA 0 D
XSF09 ( )	GA 3 C
XSF10 ( )	GA 3 C
XSF11 ( )	GA 2 D
XSF12 ( )	GA 2 B
XSF13 ( )	GA 1 D
XSF14 ( )	ZC 2 B
XSF15 ( )	CX 1 B
XSF17 ( )	CX 0 B
XSF18 ( )	CX 2 D
XSF19 ( )	ZC 2 C
XSF21 ( )	XH 2 D
XSF22 ( )	CU 0 A
XSF23 ( )	NA 0 A
XSF24 ( )	CX 1 D
XSF25 ( )	CX 1 D
XSF26 ( )	XH 3 D
XSF27 ( )	XH 3 D
XSF28 ( )	XH 2 D
XSF29 ( )	FB 0 B
XSF30 ( )	XH 1 D
XSF31 ( )	XH 1 D
XSF32 ( )	FB 0 C
XSF33 ( )	XH 2 C
XSF35 ( )	CX 3 B
XSF39 ( )	CX 1 D
XSF40 ( )	CX 2 B
XSF41 ( )	XD 0 C
XSF42 ( )	XD 0 C
XSF43 ( )	CS 4 B
XSF44 ( )	CX 2 B
XSF46 ( )	CS 4 A
XSF50 ( )	ZC 3 B
XSF54 ( )	XC 2 D
XSF55 ( )	XC 3 C

**VOLVO**

Volvo Bus Corporation

Document title

**WIRING DIAGRAM**

Document type

**PRODUCT SCHEMATICS**

Document No

**22610880**

Issue

**08**

Volume

**03(03)**

Sheet No

**33(35)**

<b>SPLICE</b>	<b>PAGE</b>
XSF56 ( )	XC 2 D
XSF57 ( )	XC 2 C
XSF71 ( )	CU 4 D
XSF72 ( )	CU 0 E
XSF73 ( )	CU 0 E
XSF76 ( )	CU 0 B
XSF80 ( )	XF 3 C
XSF81 ( )	XF 3 C
XSF82 ( )	XF 2 C
XSF83 ( )	XF 2 C
XSF84 ( )	XF 1 C
XSF85 ( )	XF 1 C
XSF86 ( )	XF 1 C
XSF87 ( )	XF 1 C
XSF88 ( )	XF 0 C
XSF89 ( )	XF 0 C
XSF92 ( )	BA 1 B
XSF93 ( )	BB 1 C
XSF94 ( )	BB 1 D
XSF95 ( )	AB 2 D
XSF96 ( )	AB 2 C
XSF97 ( )	CS 3 B
XSF98 ( )	CS 1 B
XSF99 ( )	AB 2 B
XSF100 ( )	AB 1 C
XSF101 ( )	NA2 4 B
XSF102 ( )	CU 2 A
XSF103 ( )	CU 2 A
XSF104 ( )	CU 2 A
XSF105 ( )	CU 2 A
XSF106 ( )	CU 1 A
XSF107 ( )	CU 1 A
XSF108 ( )	CU 1 A
XSF109 ( )	CU 1 B
XSF110 ( )	CU 0 A
XSF111 ( )	CU 0 A
XSF112 ( )	CU 0 A
XSF113 ( )	CU 4 E
XSF114 ( )	CU 4 E
XSF115 ( )	XG 1 D
XSF116 ( )	XG 2 D
XSF117 ( )	XG 0 D
XSF118 ( )	XG 0 D
XSF119 ( )	ZC 3 B
XSF120 ( )	ZC 3 B
XSF121 ( )	DN3 1 B
XSF122 ( )	DN3 2 B
XSF123 ( )	AB 2 D
XSF130 ( )	XG 2 D
XSF131 ( )	XG 2 D
XSF150 ( )	XH 3 C
XSF151 ( )	XH 2 B
XSF152 ( )	XH 2 D
XSF153 ( )	XH 2 D

**VOLVO**

Volvo Bus Corporation

Document title

**WIRING DIAGRAM**

Document type

**PRODUCT SCHEMATICS**

Document No

**22610880**

Issue

**08**

Volume

**03(03)**

Sheet No

**34(35)**

<b>SPLICE</b>	<b>PAGE</b>
XSF155 ( )	XH 2 B
XSL10 ( )	CU 2 D
XSL11 ( )	CU 2 E
XSL12 ( )	CU 2 E
XSL13 ( )	CU 2 E
XSM02 ( )	ZC 4 C
XSN01 ( )	BA 2 E

**VOLVO**

Volvo Bus Corporation

Document title  
**WIRING DIAGRAM**

Document type  
**PRODUCT SCHEMATICS**

Document No  
**22610880**

Issue  
**08**

Volume  
**03(03)**

Sheet No  
**35(35)**