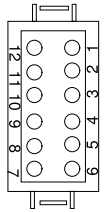


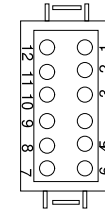
# CONVERTER INTERFACE

Clnt1 (BLACK)



BACK OF CONNECTOR  
PREVOST PART 563227  
SOCKET TERMINALS 562482  
SECONDARY LOCK 563228

Clnt2 (GREY)

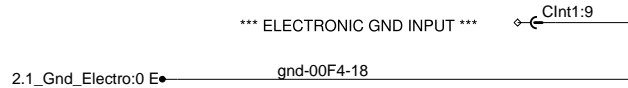
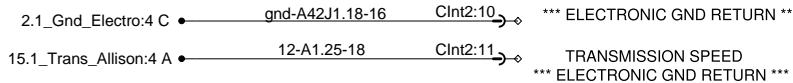
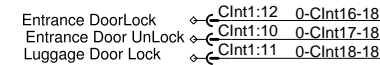
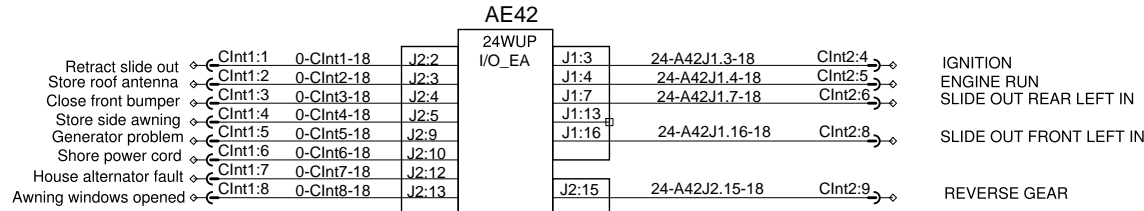
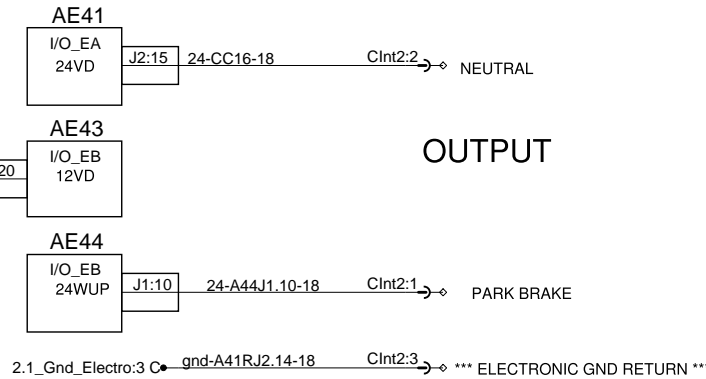


BACK OF CONNECTOR  
PREVOST PART 563226  
SOCKET TERMINALS 562482  
SECONDARY LOCK 563228

## INPUTS

Luggage Door Unlock ← Clnt2:12 0-Clnt15-18 J1:20

## OUTPUT



## TYPICAL CIRCUIT I/OEA

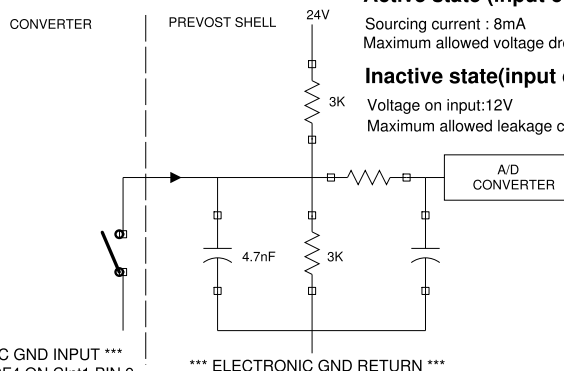
### INPUT SPECIFICATION

#### Active state (input contact closed):

Sourcing current : 8mA  
Maximum allowed voltage drop across contact: 3V

#### Inactive state(input contact open):

Voltage on input:12V  
Maximum allowed leakage current across contact: 3ma



### OUTPUT SPECIFICATION

#### Active state

Maximum current: 1A I/OA /125ma MECM  
Minimum output voltage: 22.5V

#### Inactive state

Open circuit voltage: 6v to 8v  
Leakage current: 0.8ma

