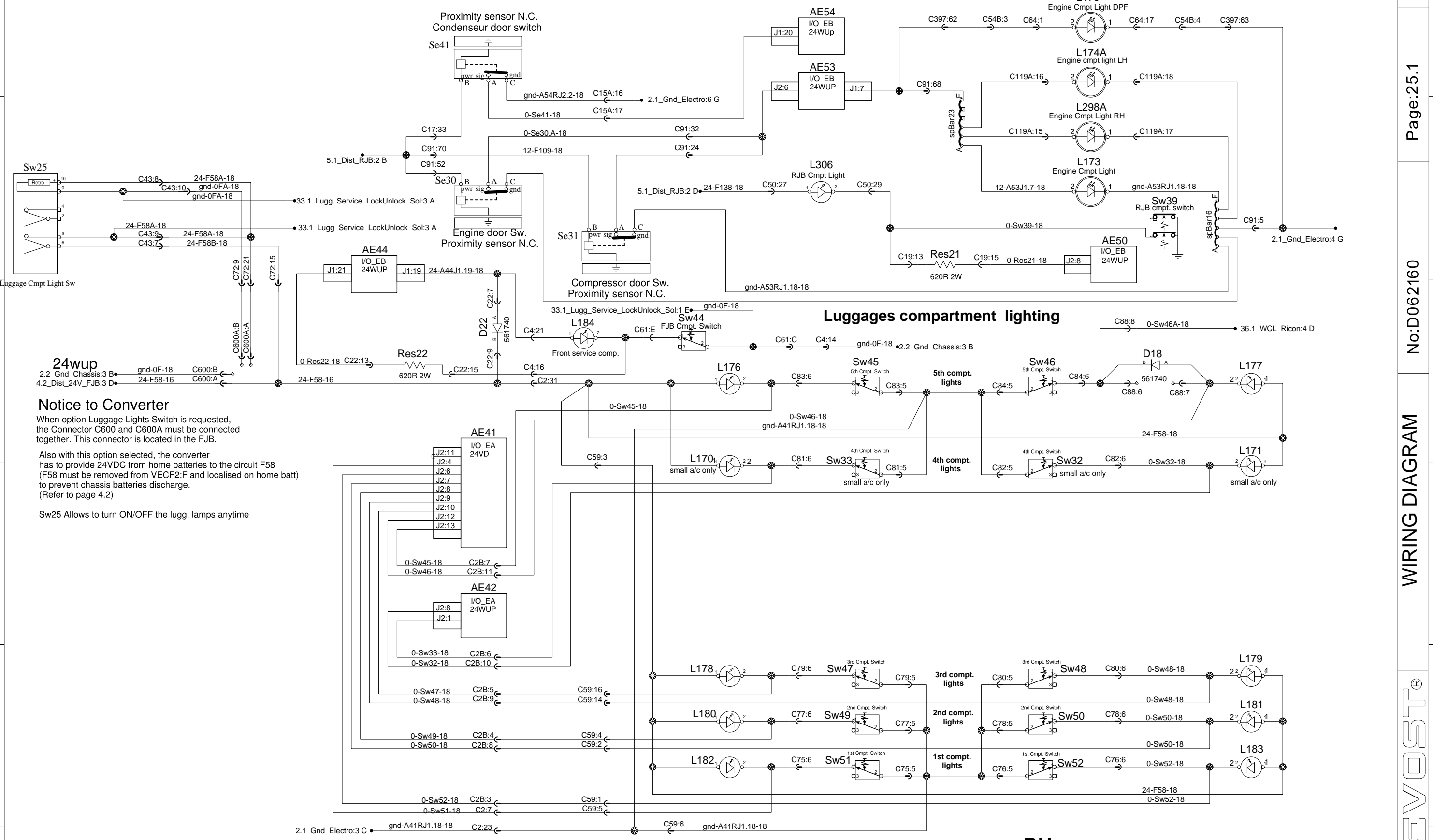


# Engine and RJB compartments lighting



**Notice to Converter**

When option Luggage Lights Switch is requested, the Connector C600 and C600A must be connected together. This connector is located in the FJB.

Also with this option selected, the converter has to provide 24VDC from home batteries to the circuit F58 (F58 must be removed from VECF2:F and localised on home batt) to prevent chassis batteries discharge. (Refer to page 4.2)

Sw25 Allows to turn ON/OFF the lugg. lamps anytime

LH RH